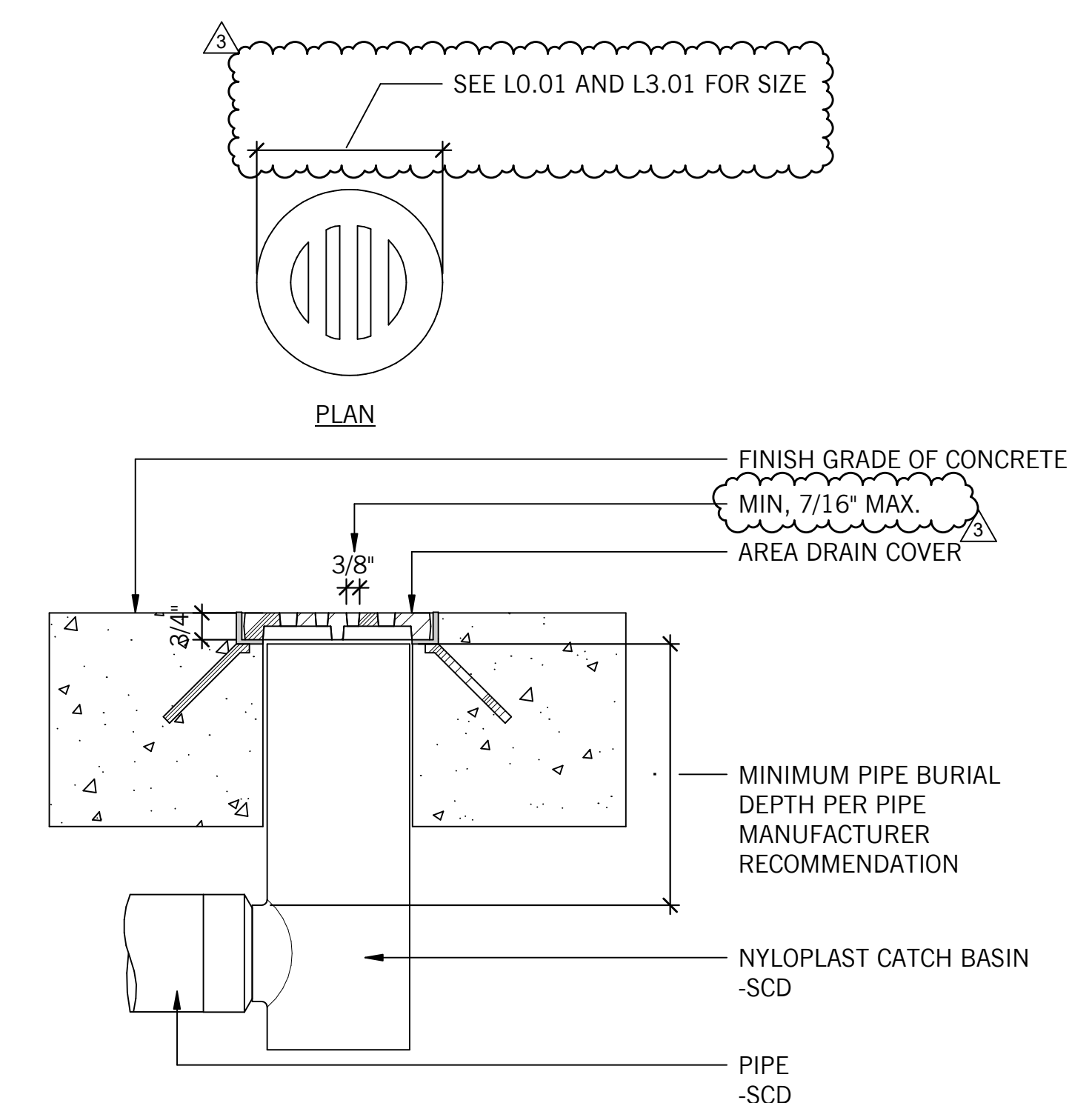
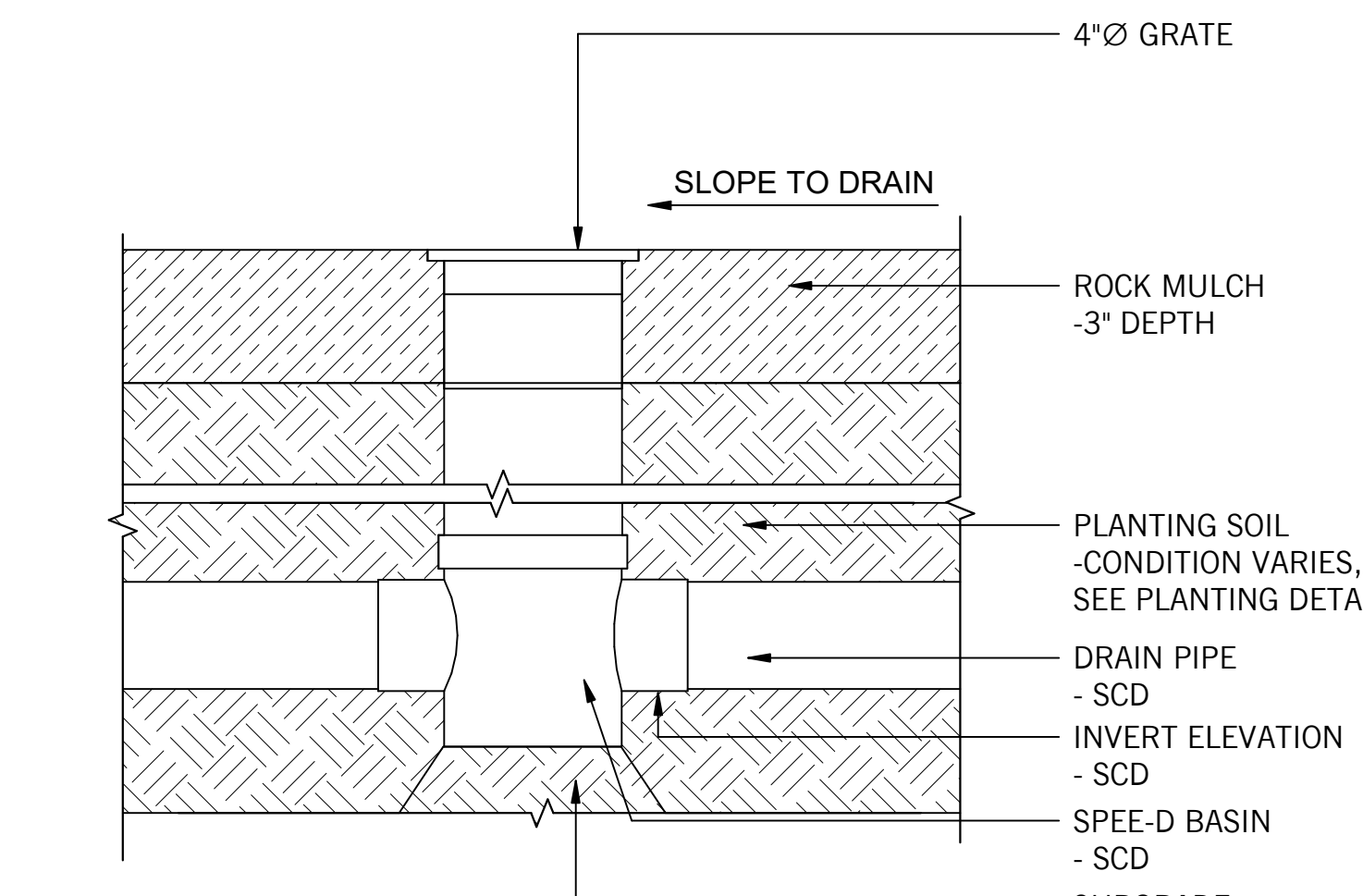




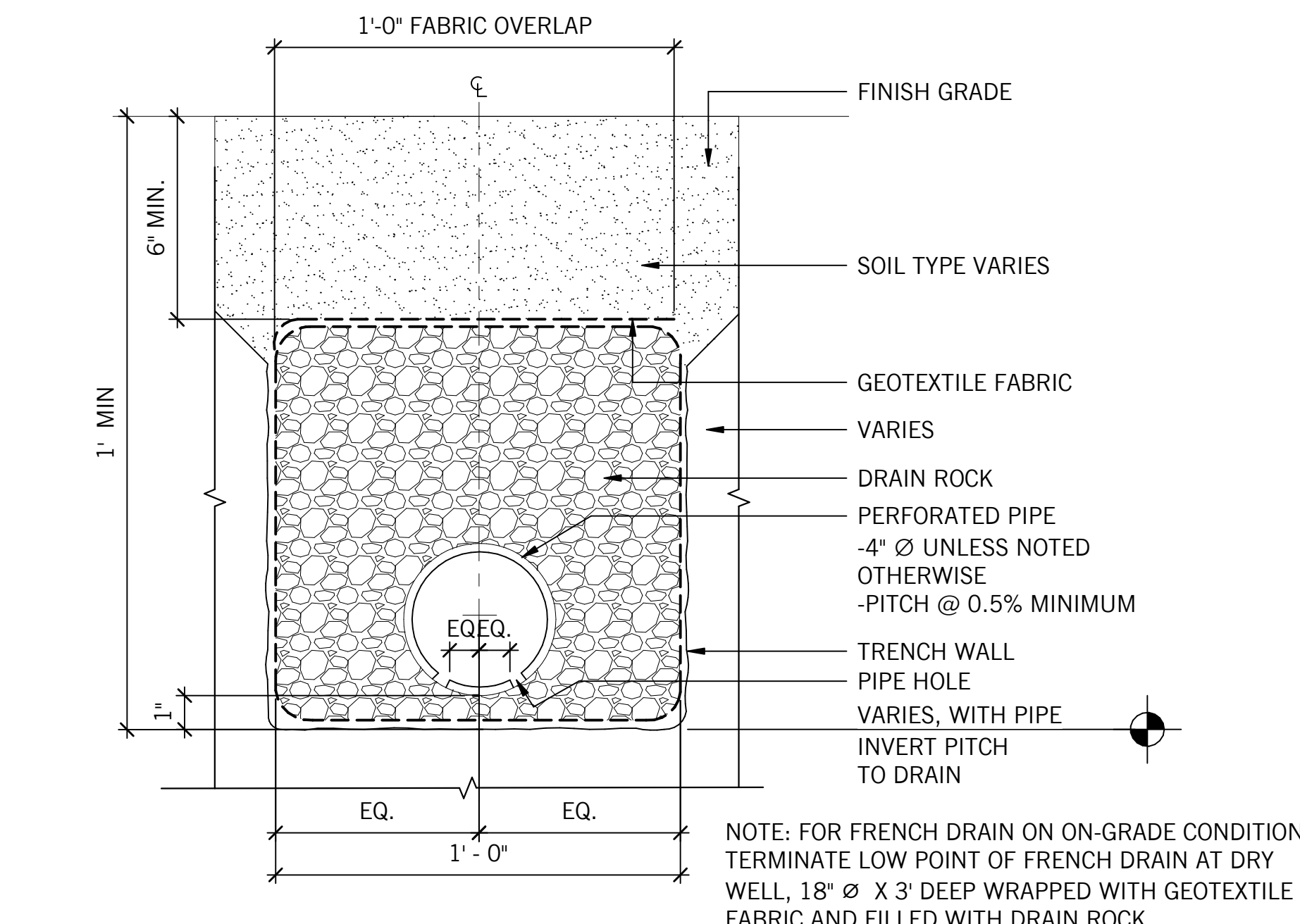
ISSUE DATE	03/1/2023
NAT. JOB NUMBER	21942
REVISIONS	
DATE	DESCRIPTION
3 05/16/2024	ADDENDUM 03



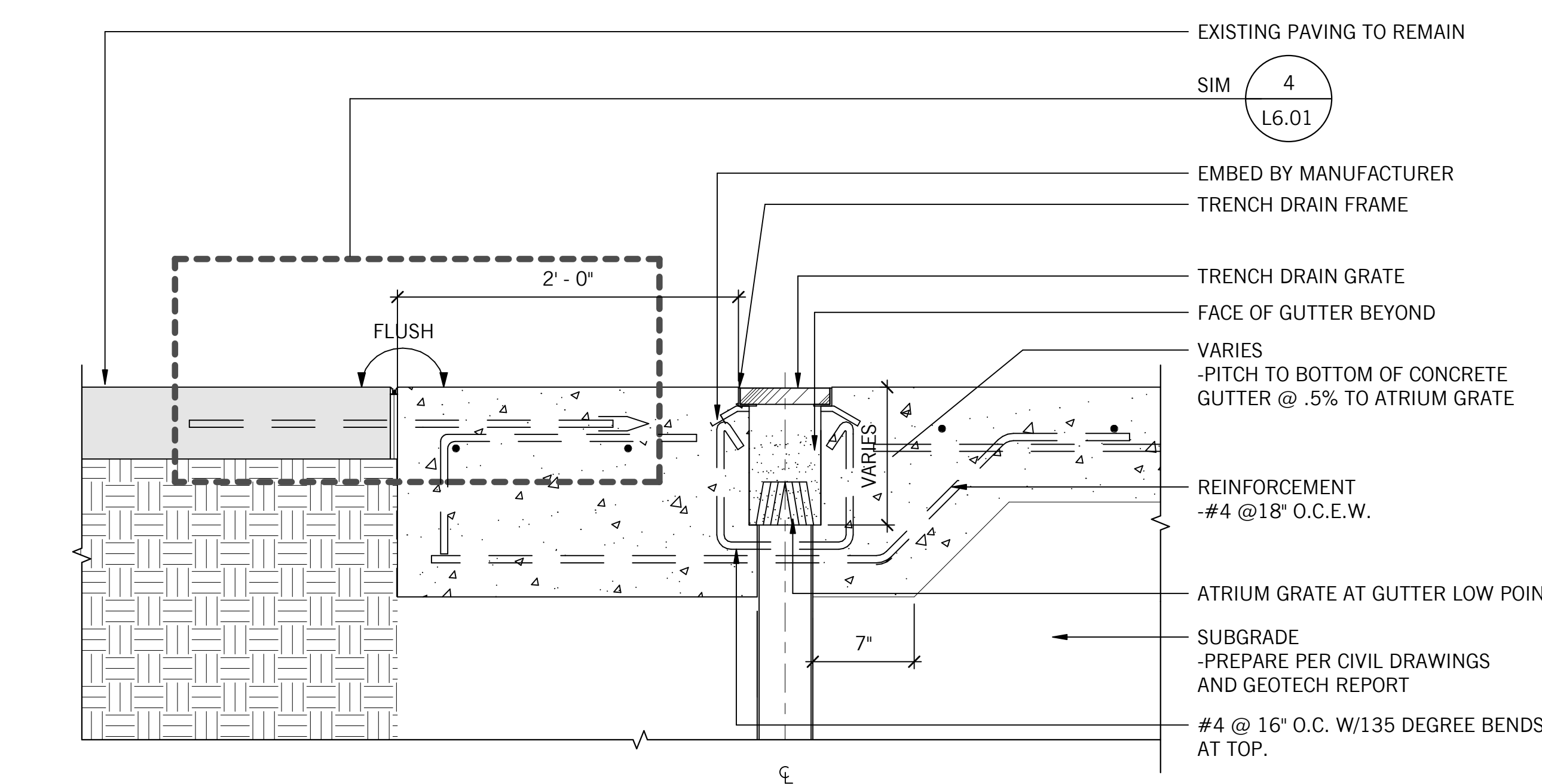
**3 PAVING AREA DRAIN**  
SCALE: 3/8" = 1'-0"



**2 PLANTING AREA DRAIN**  
SCALE: 3/8" = 1'-0"



**4 FRENCH DRAIN**  
SCALE: 3/8" = 1'-0"



**1 TRENCH DRAIN AT EXISTING CONCRETE PAVING**  
SCALE: 1/16\"/>