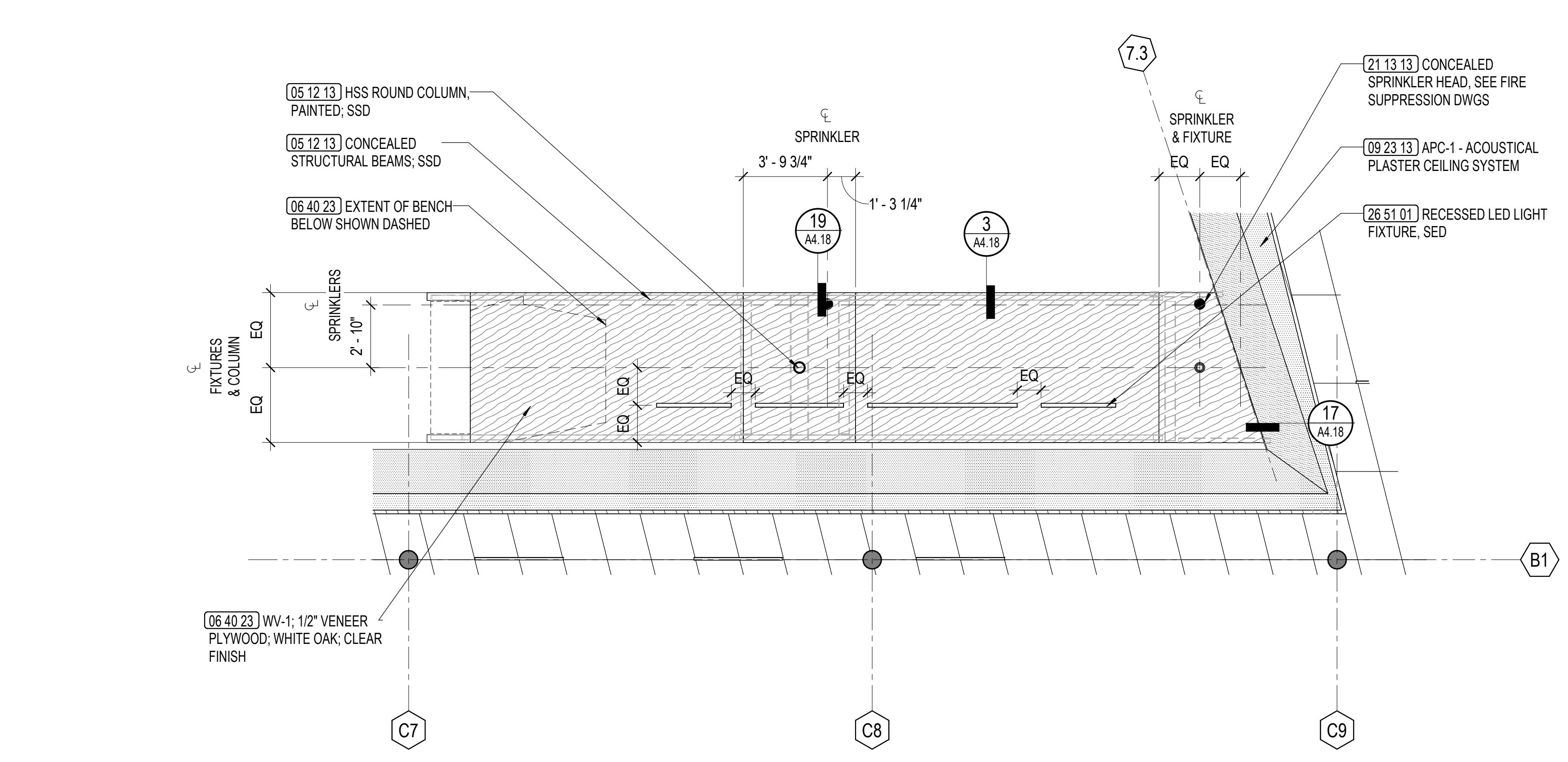
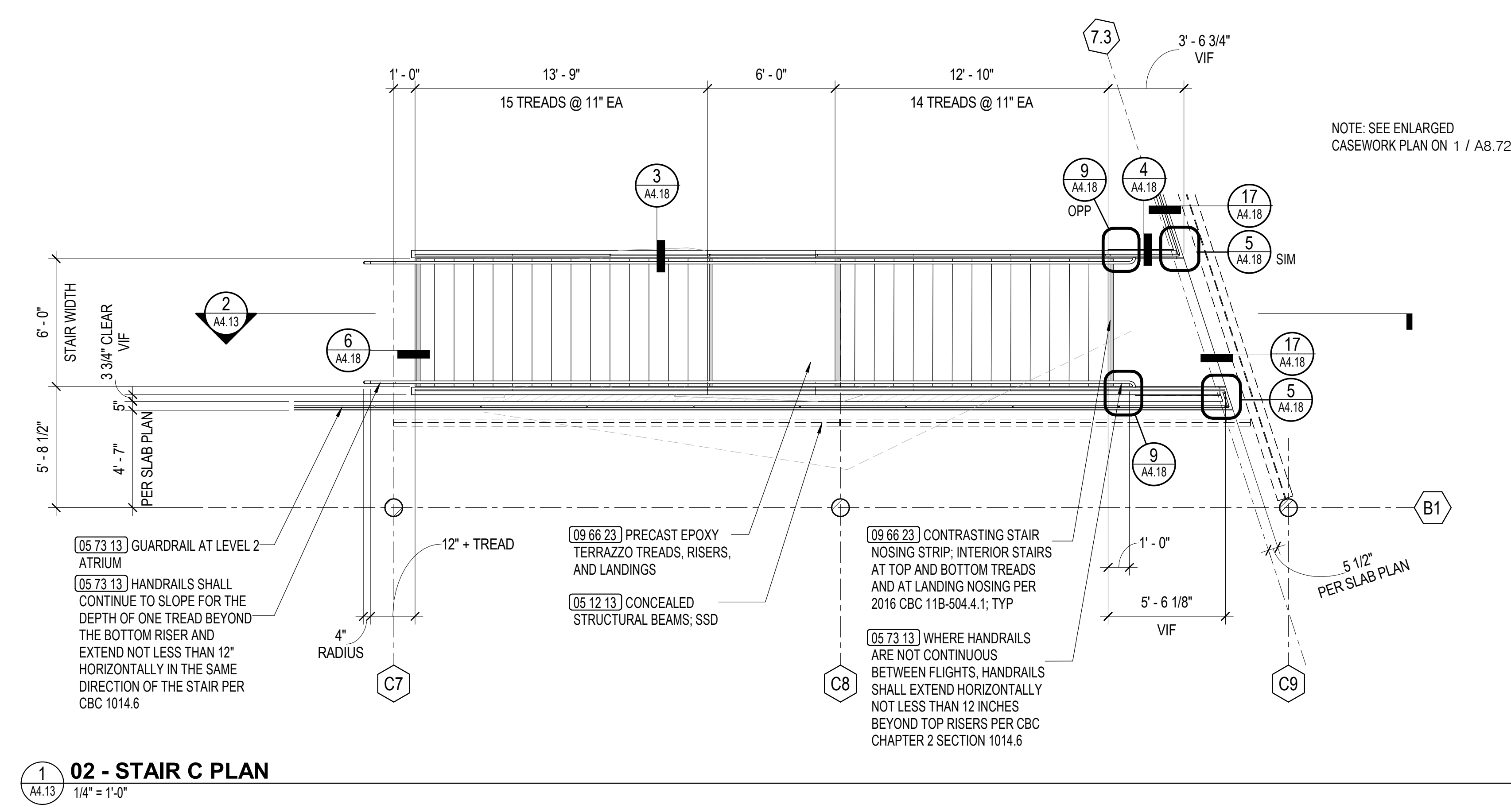


**2 STAIR C SECTION**  
1/4" = 1'-0"



**3 01 - ENLARGED RCP - STAIR C**  
1/4" = 1'-0"



**1 02 - STAIR C PLAN**  
1/4" = 1'-0"

PROJECT TITLE

**Peralta Community College District Laney Library & Learning Resource Center (Building 100 Replacement)**

900 Fallon Street, Oakland, CA 94607

ISSUE FOR BID

ISSUE DATE	03/31/23
NAT. JOB NUMBER	21942
REVISIONS	
DATE	DESCRIPTION
3 / 05/16/2024	Addendum No. 03

SHEET TITLE  
**ENLARGED PLANS & SECTIONS - STAIR C**

SHEET NUMBER  
**A4.13**