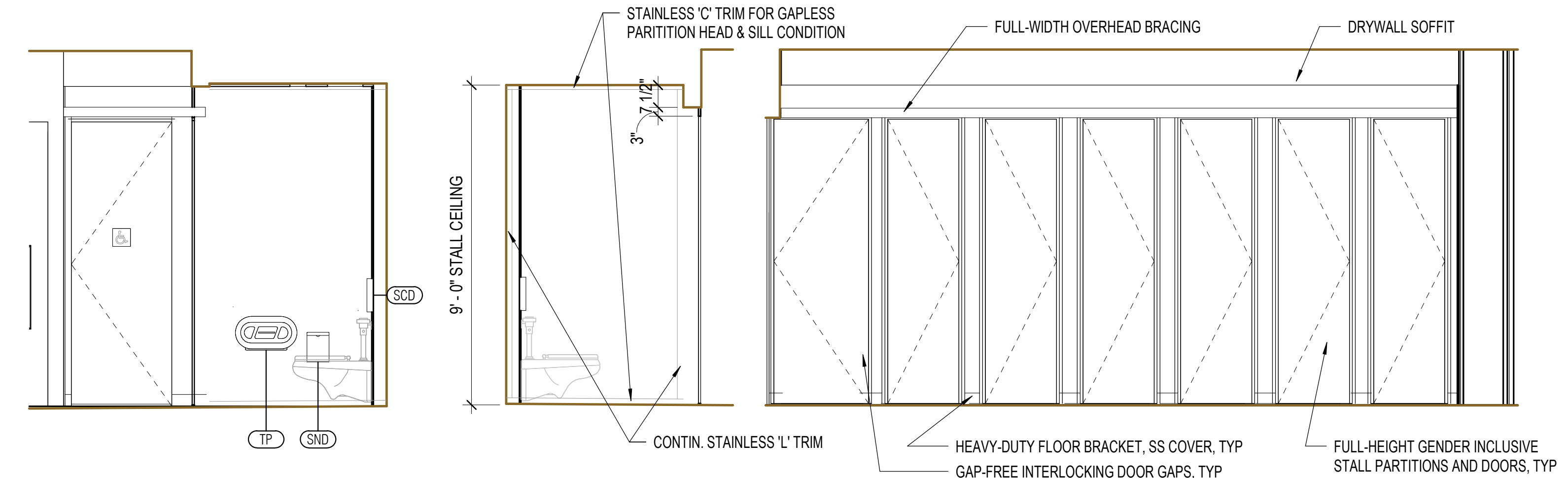


Mark	Description	Type	PCCD Standards
BCS	Bobrick KB110-SSRE Recessed Baby Changing Station	KB110-SSRE	
GB36	36" Grab Bar	B-6806 - 36"	
GB42	42" Grab Bar	B-6806 - 42"	
MIR	Mirror	ADA	Tempered, graffiti and scratch resistant.
PTD	Paper Towel Dispenser - Surface Mounted - Roll Towel Type	Kimberly Clark #03990 (Black)	
PTD-F	Paper Towel Dispenser - Surface Mounted - Folding Towel Type	B-262	Max 4" Depth
SCD	Seat - Cover Dispenser - Surface Mounted	B-4221	Be able to accommodate 1/2 fold seat covers
SND	Sanitary Napkin Disposal - Surface Mounted	B-270	
SNV	Sanitary Napkin Vendor - Surface Mounted	B-47063	
SP	Soap Dispenser - Surface Mounted	GoJo/FMX-201#5270-06	
TP	Toilet Paper Dispenser - Surface Mounted	Kimberly Clark #KCI 09608	

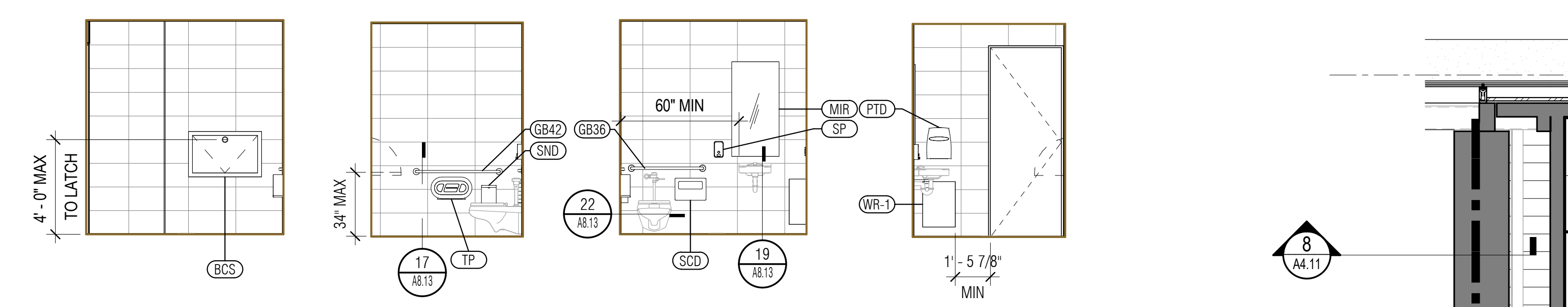
ACCESSORY LEGEND

- 36" GB 36" GRAB BAR
- 42" GB 42" GRAB BAR
- MIR MIRROR - SIZE SHOWN ON ELEVATIONS
- SND SANITARY NAPKIN DISPENSER UNIT
- SNV SANITARY NAPKIN VENDOR UNIT
- SU SHOWER UNIT W/ FOLDING SEAT, GRAB BARS, SHOWER CONTROLS & BRACKET MOUNTED HOSE
- PTD PAPER TOWEL DISPENSER
- SD SOAP DISPENSER
- BCS RECESSED BABY CHANGING STATION

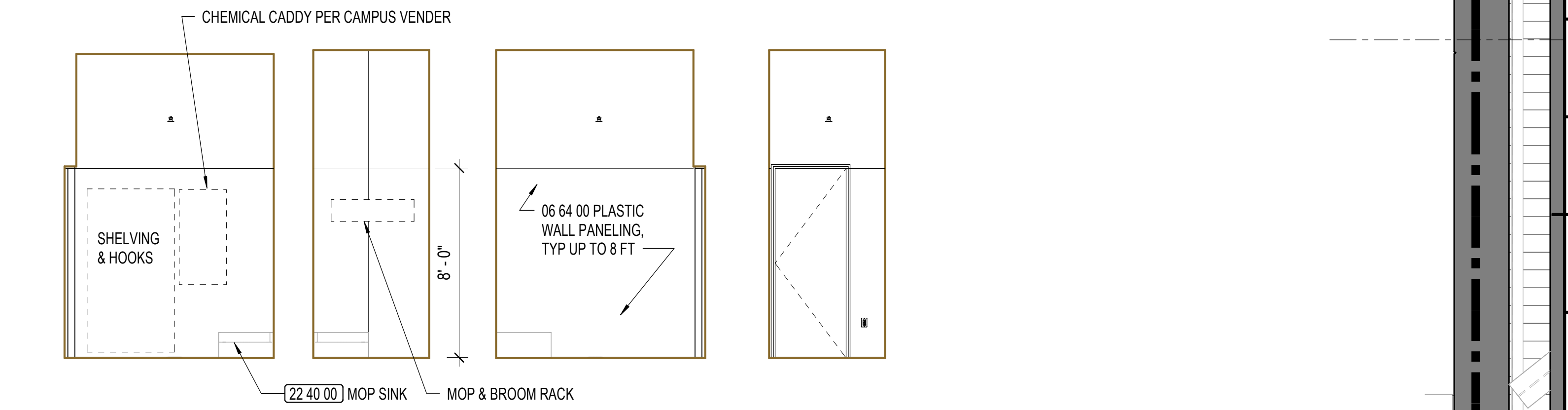
- GENERAL NOTES**
- FOR ACCESSIBLE FIXTURE AND ACCESSORY MOUNTING HEIGHTS, SEE G3.21.
 - FOR FLOOR DRAINS SEE PLUMBING DRAWING.
 - FOR TYP TOILET PARTITION CONNECTIONS, SEE A8.13
 - FOR LAVATORY SUPPORT, SEE A8.13
 - FOR WATER CLOSET SUPPORT, SEE A8.13
 - DIMENSIONS ON THIS SHEET ARE TO F.O. FINISH UNO.
 - FOR SIGNAGE SEE SIGNAGE DRAWINGS.



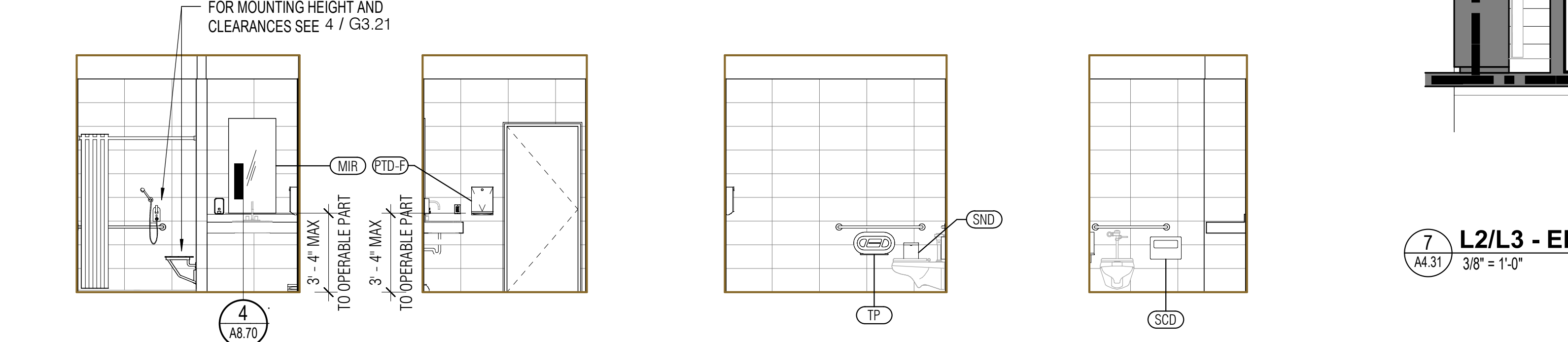
8C TYPICAL RESTROOM STALL PARTITIONS
3/8" = 1'-0"



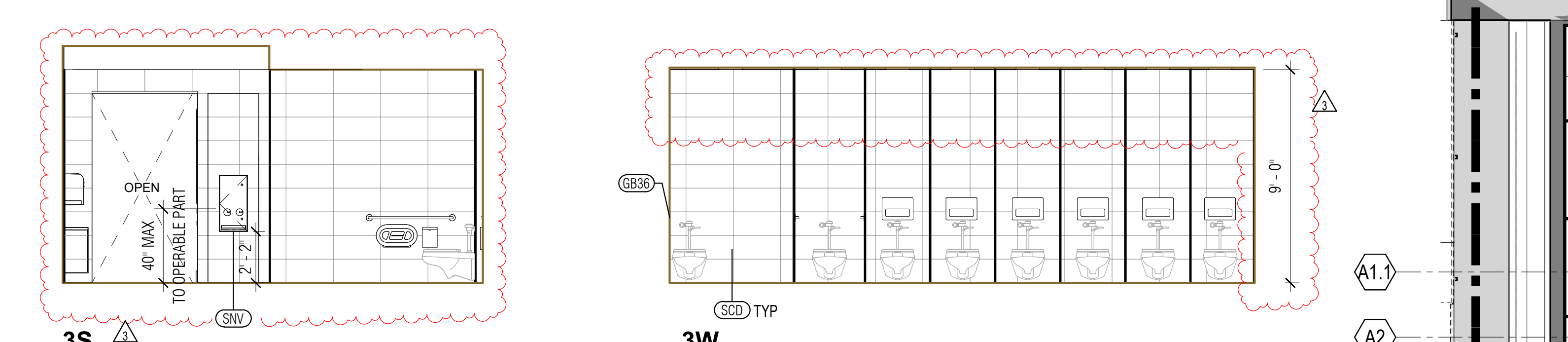
10N TYPICAL SINGLE OCC RESTROOM
1/4" = 1'-0"



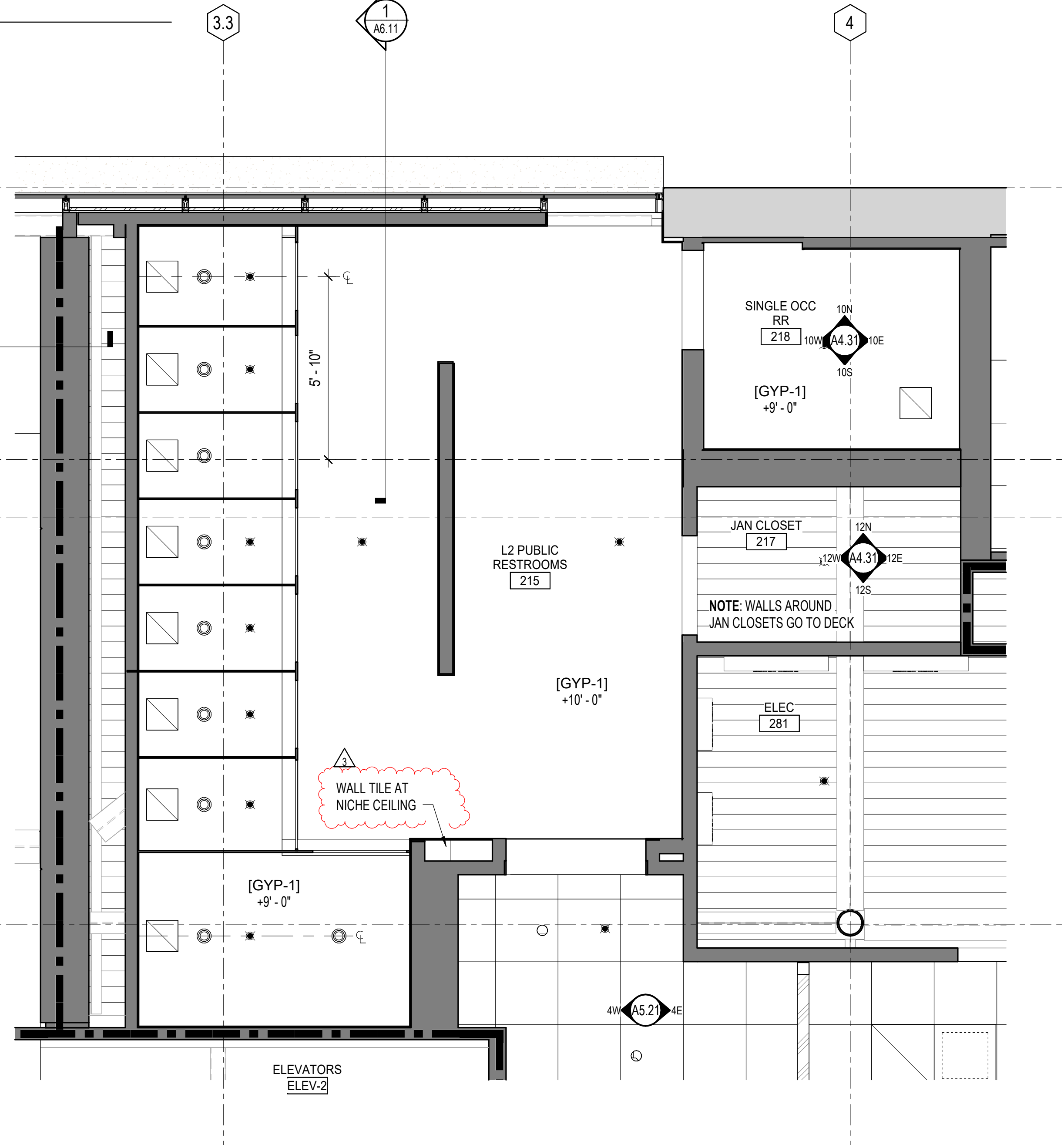
12N L2/L3 - JANITOR CLOSET
1/4" = 1'-0"



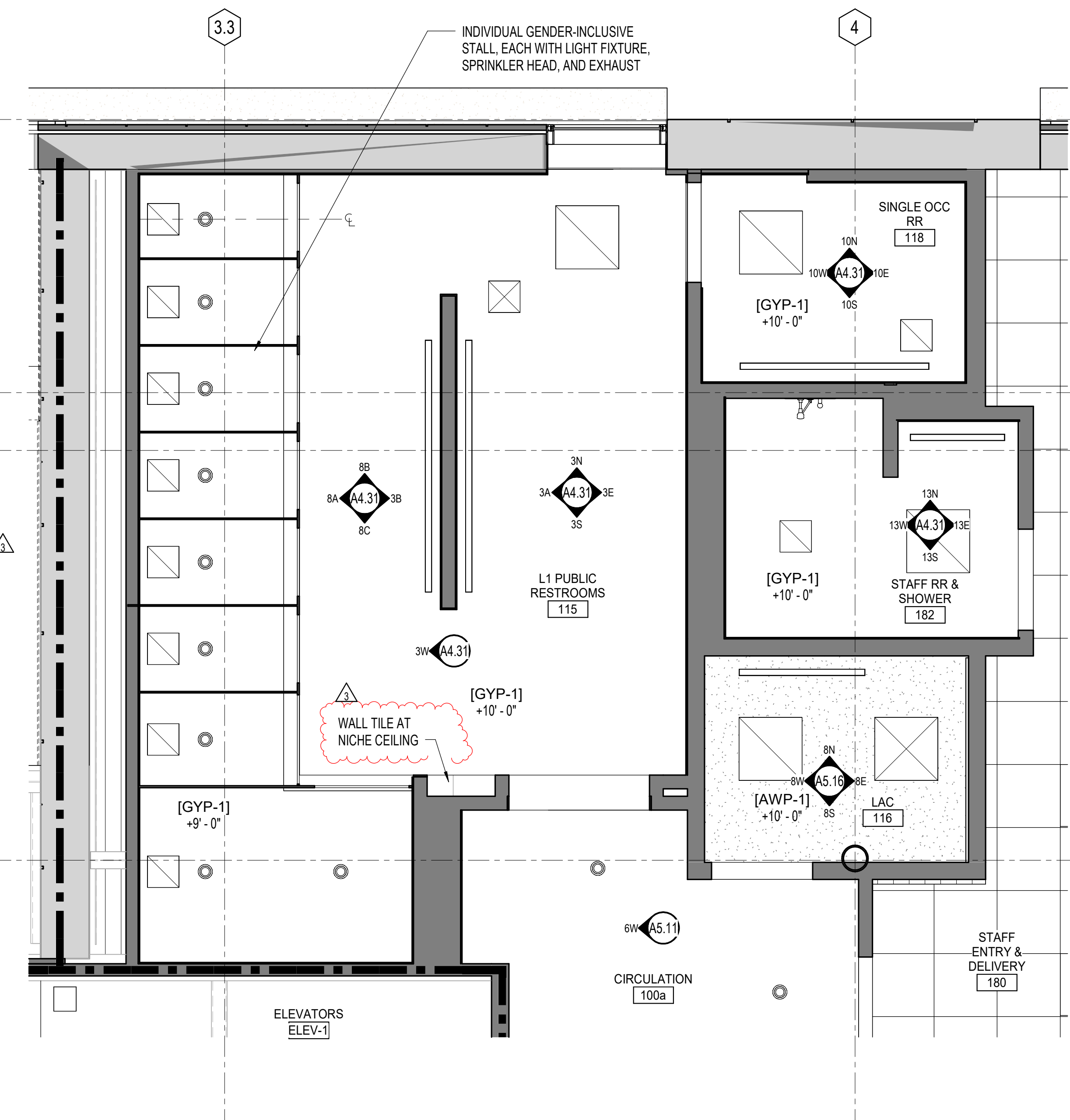
13N L1 - STAFF RR & SHOWER ROOM 182
1/4" = 1'-0"



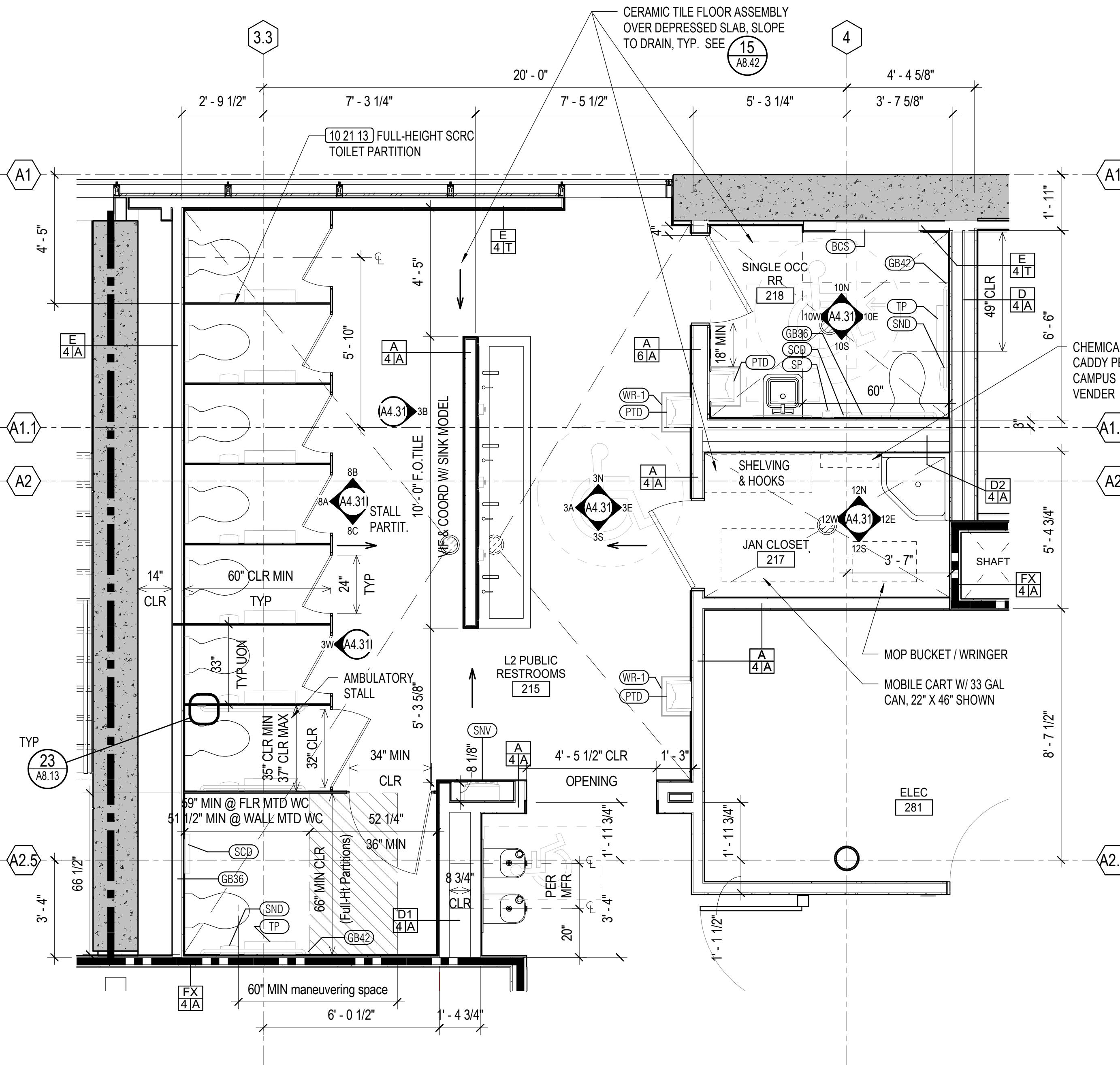
3N TYPICAL PUBLIC RESTROOM
1/4" = 1'-0"



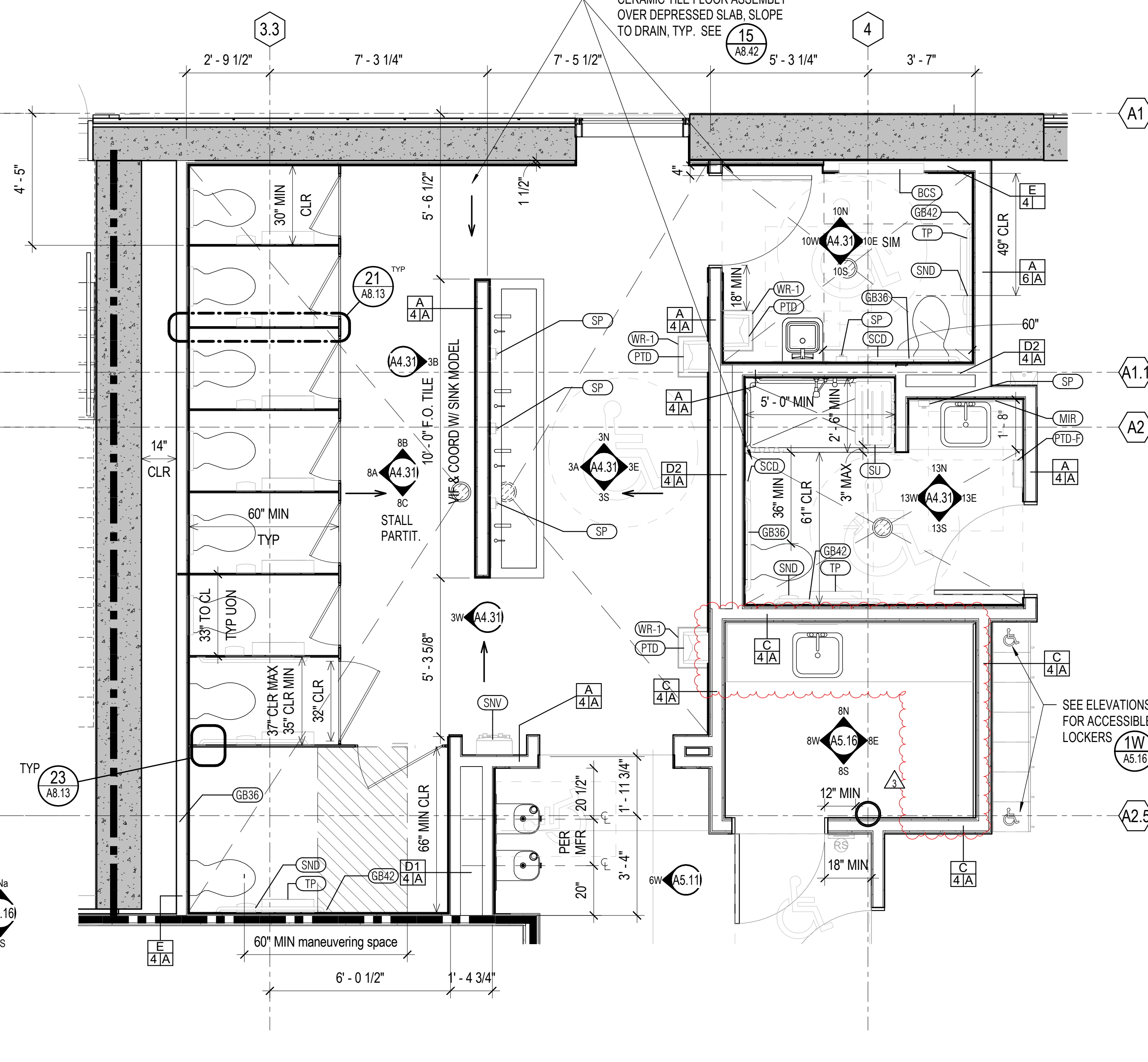
L2/L3 - ENLARGED RCP - RESTROOMS
3/8" = 1'-0"



L1 RESTROOMS - ENLARGED RCP
3/8" = 1'-0"



ENLARGED PLAN - L2/L3 RESTROOM
3/8" = 1'-0"



ENLARGED PLAN - L1 RESTROOM
3/8" = 1'-0"