

CASEWORK TAG

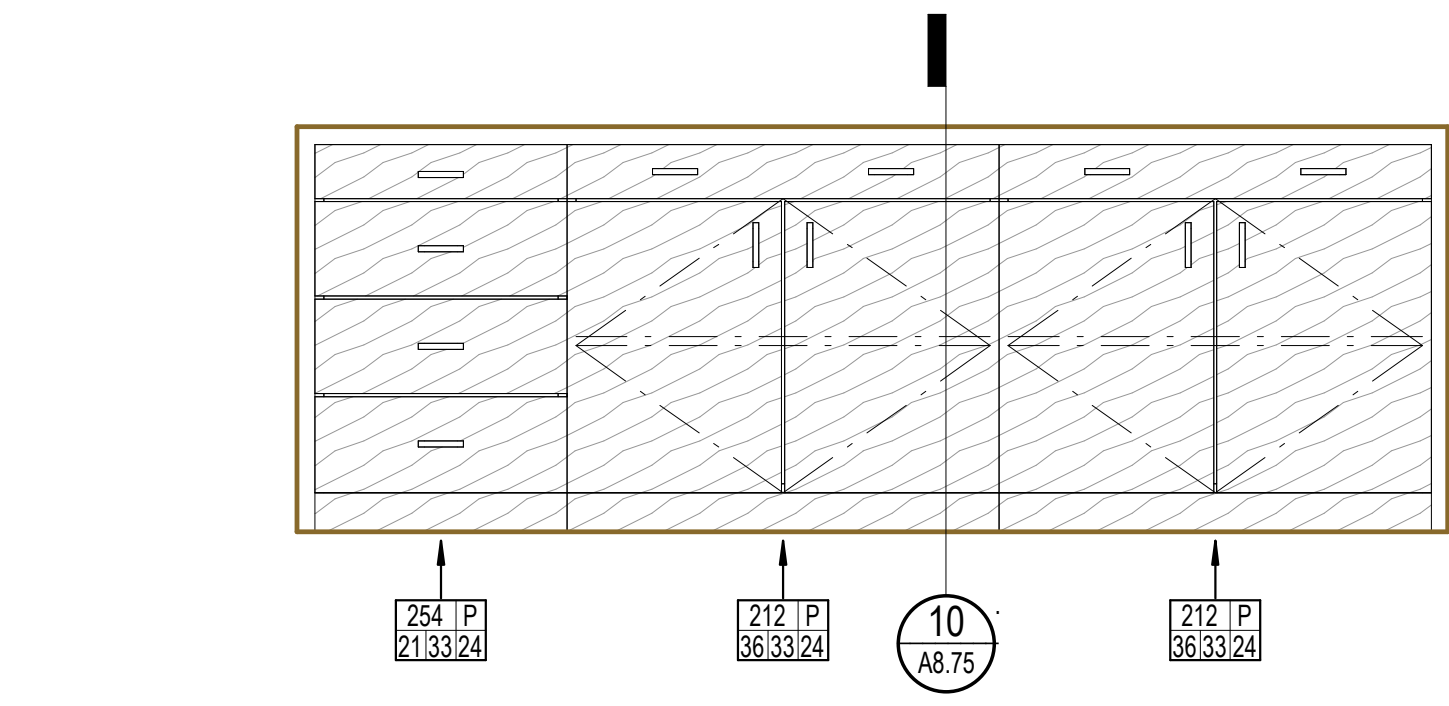
DESIGN ITEM FIELD NUMBER (i.e. 324) = VII DESIGN SERIES #. "SS" FINISH REPRESENTS SIM DESIGN IN SS. CT = COUNTERTOP (SEE SCHED. FOR WIDTH).

FINISH FIELD: P = PLAM, PL-1 V = WOOD VENEER, WV-1

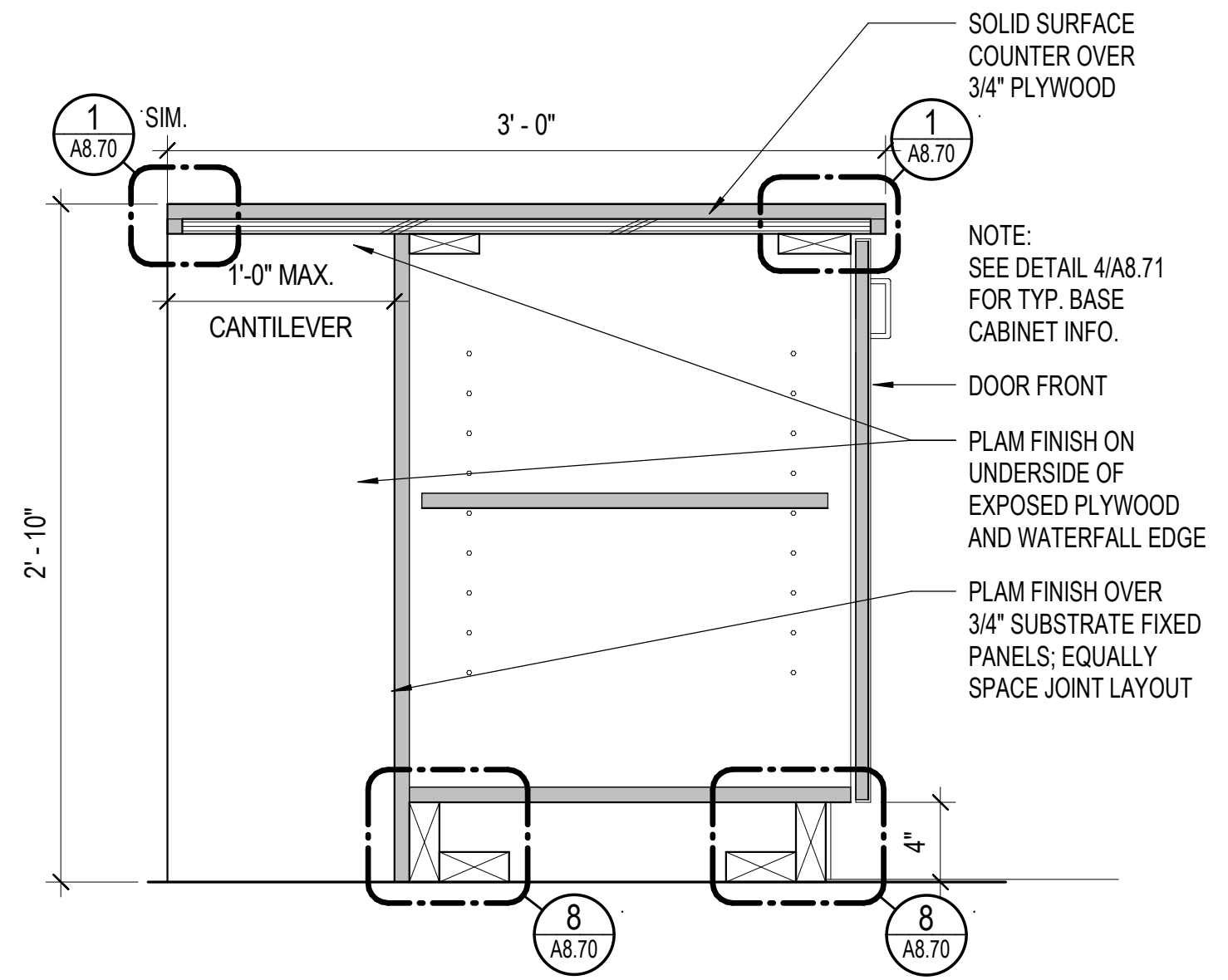
SEE CALLOUTS ON FINISH PLAN FOR COUNTERTOP FINISHES.

DIMENSIONS: DEPTH H, HEIGHT H, WIDTH W. UNITS ARE NOMINAL INCHES. VIF ALL DIMS PRIOR TO FABRICATION.

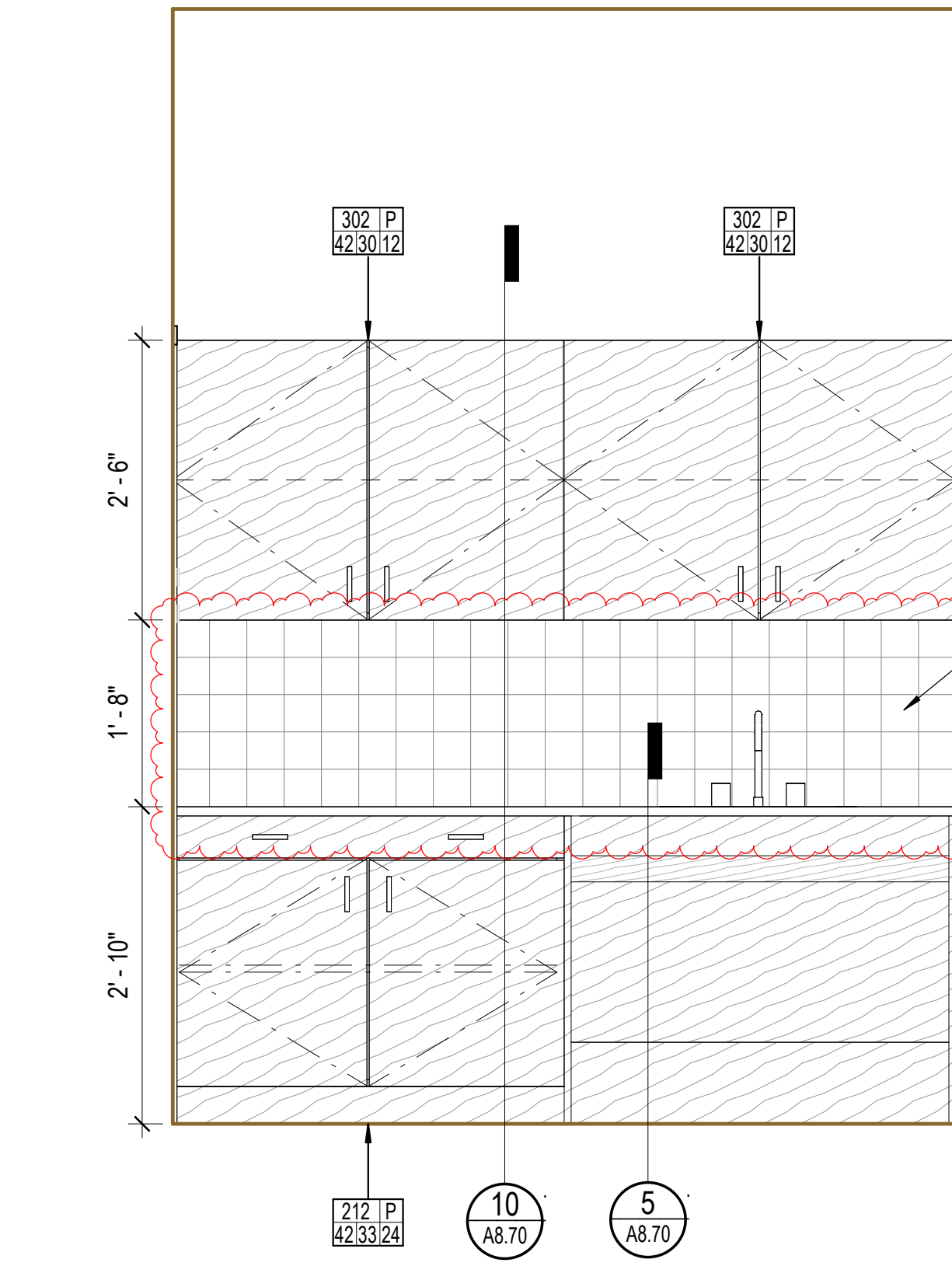
11 CASEWORK KEY LEGEND
A8.75 3/4" = 1'-0"



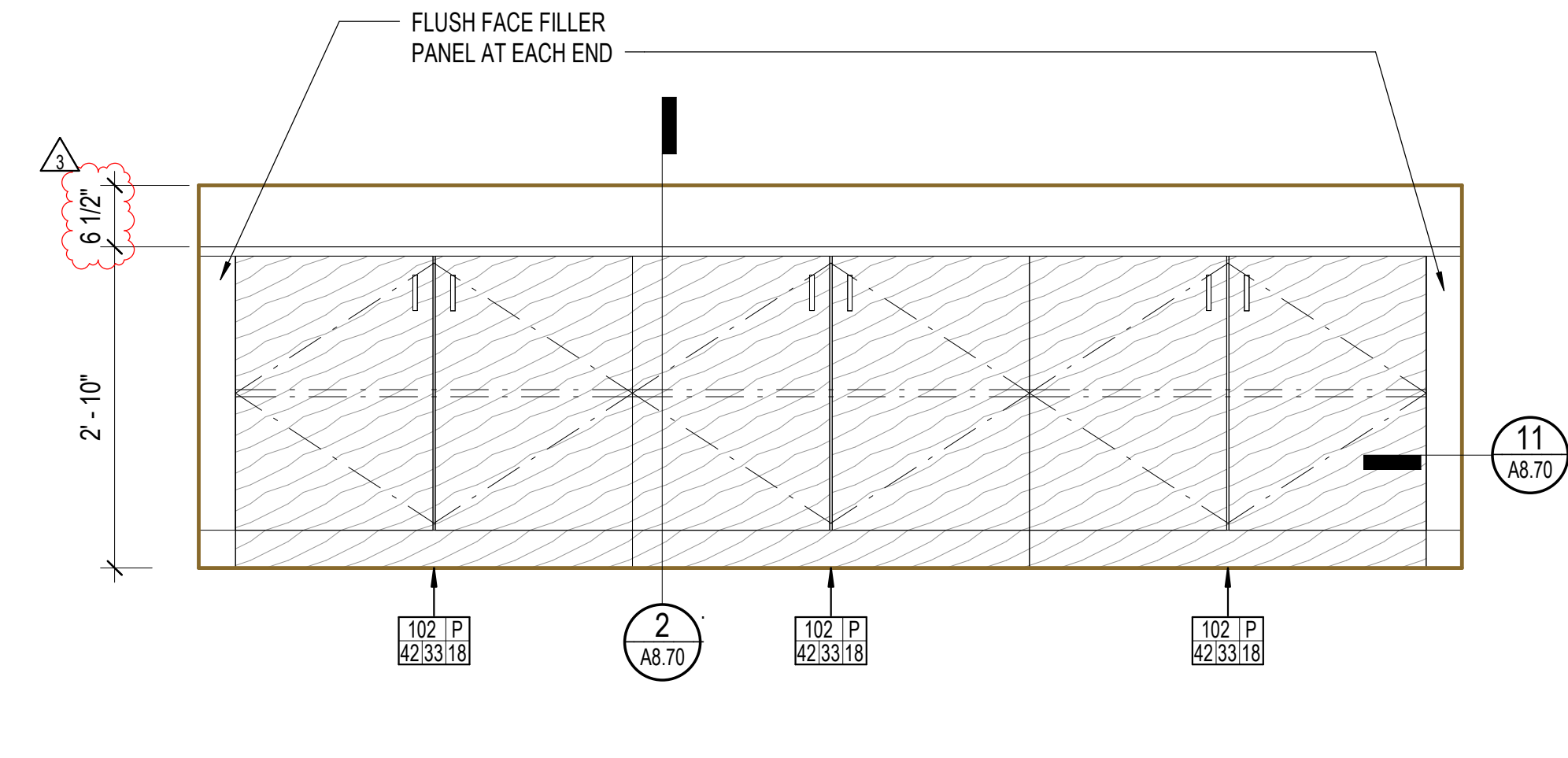
12 KITCHEN ISLAND - WEST
A8.75 3/4" = 1'-0"



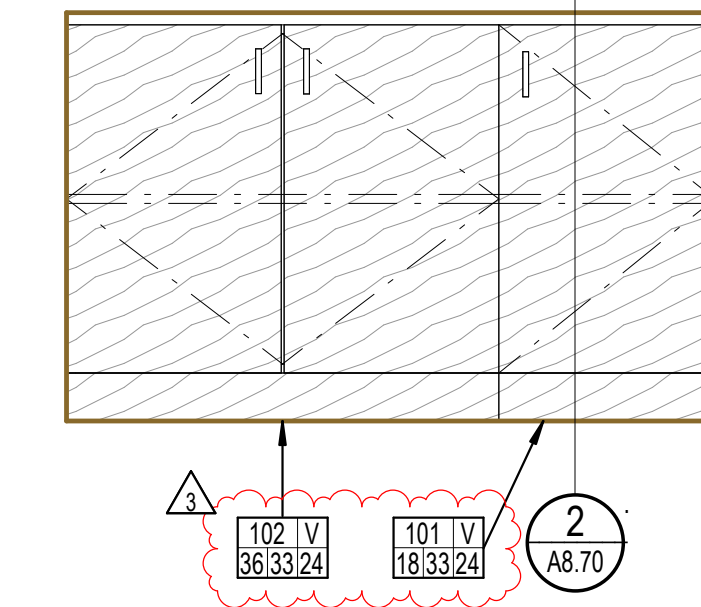
10 KITCHEN ISLAND
A8.75 1 1/2" = 1'-0"



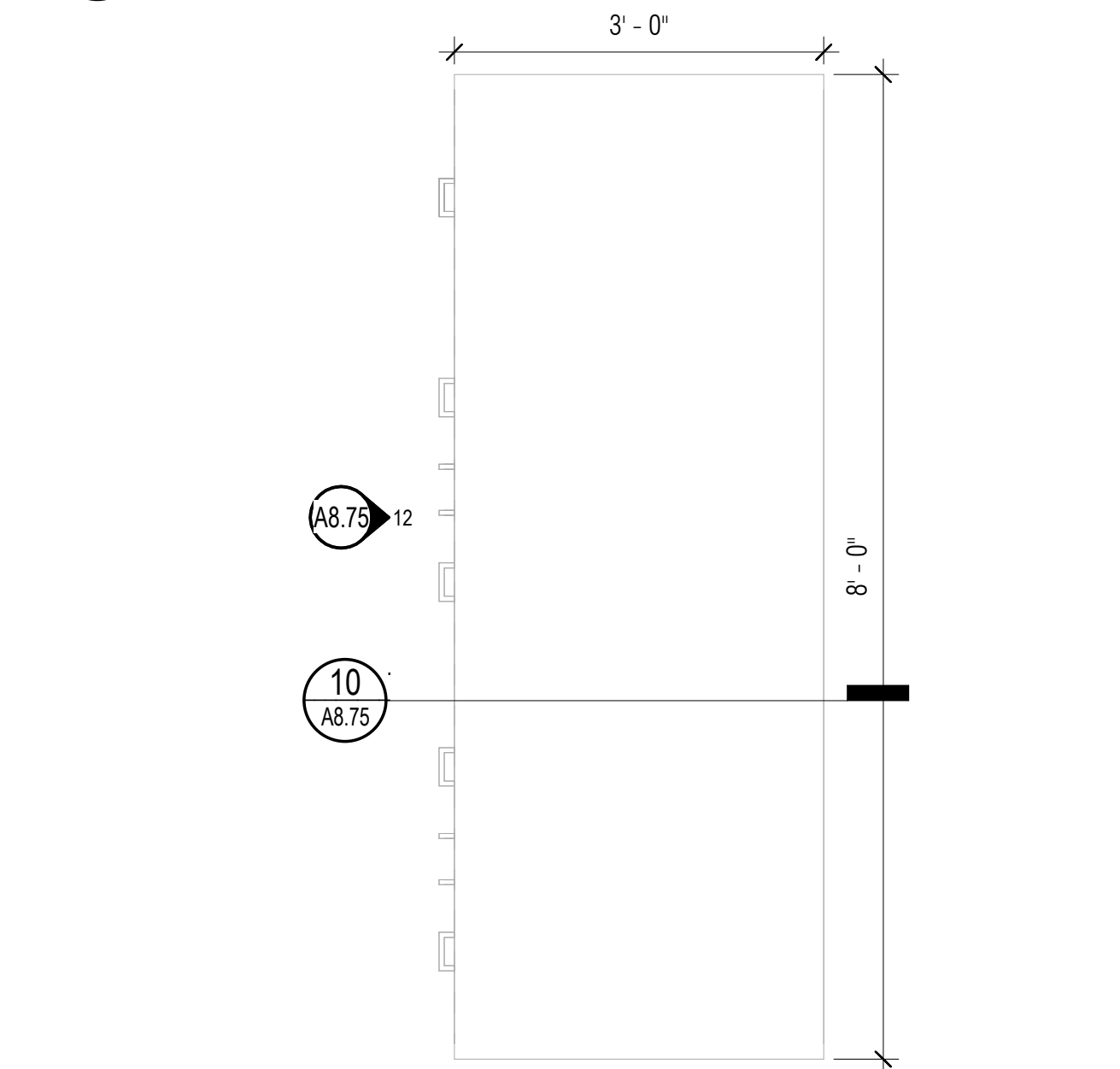
4 TECH SERVICES KITCHENETTE
A8.75 3/4" = 1'-0"



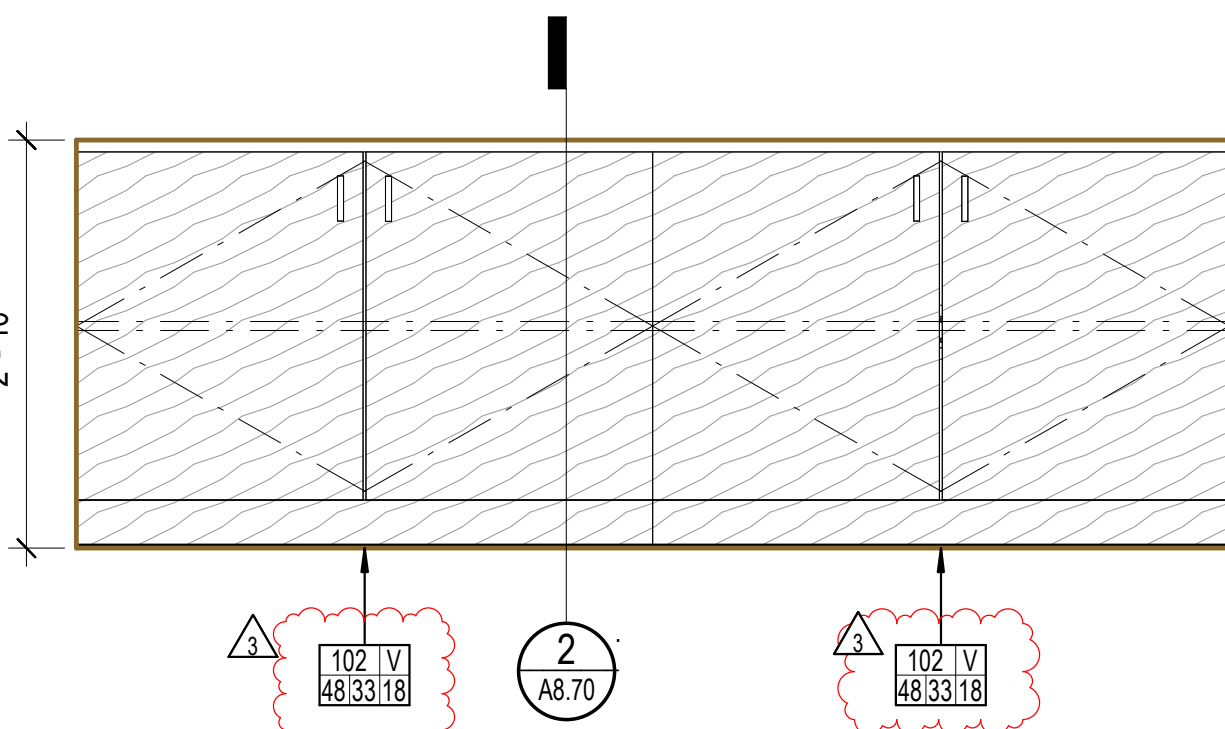
1 STAFF ENTRY - SOUTH
A8.75 3/4" = 1'-0"



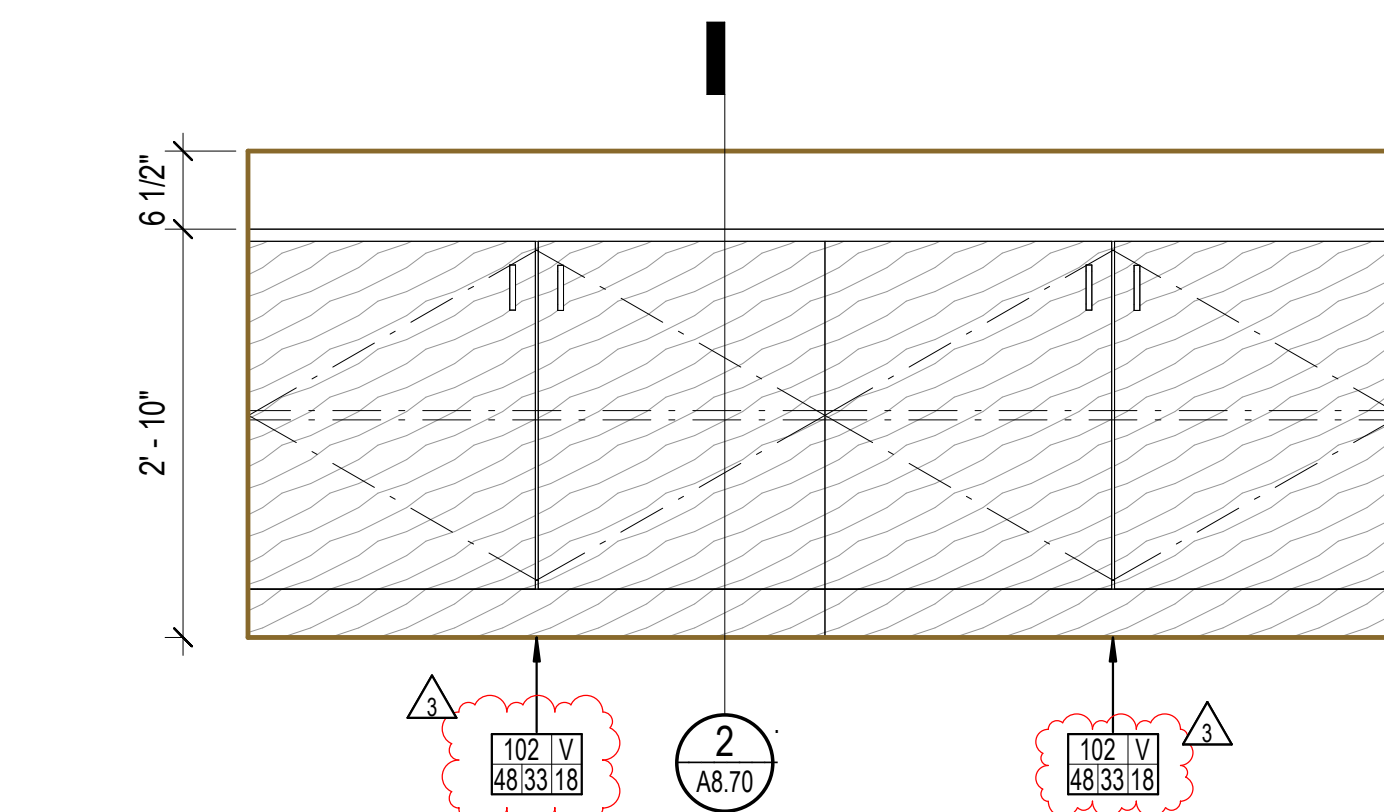
2 LAB 150 - WEST
A8.75 3/4" = 1'-0"



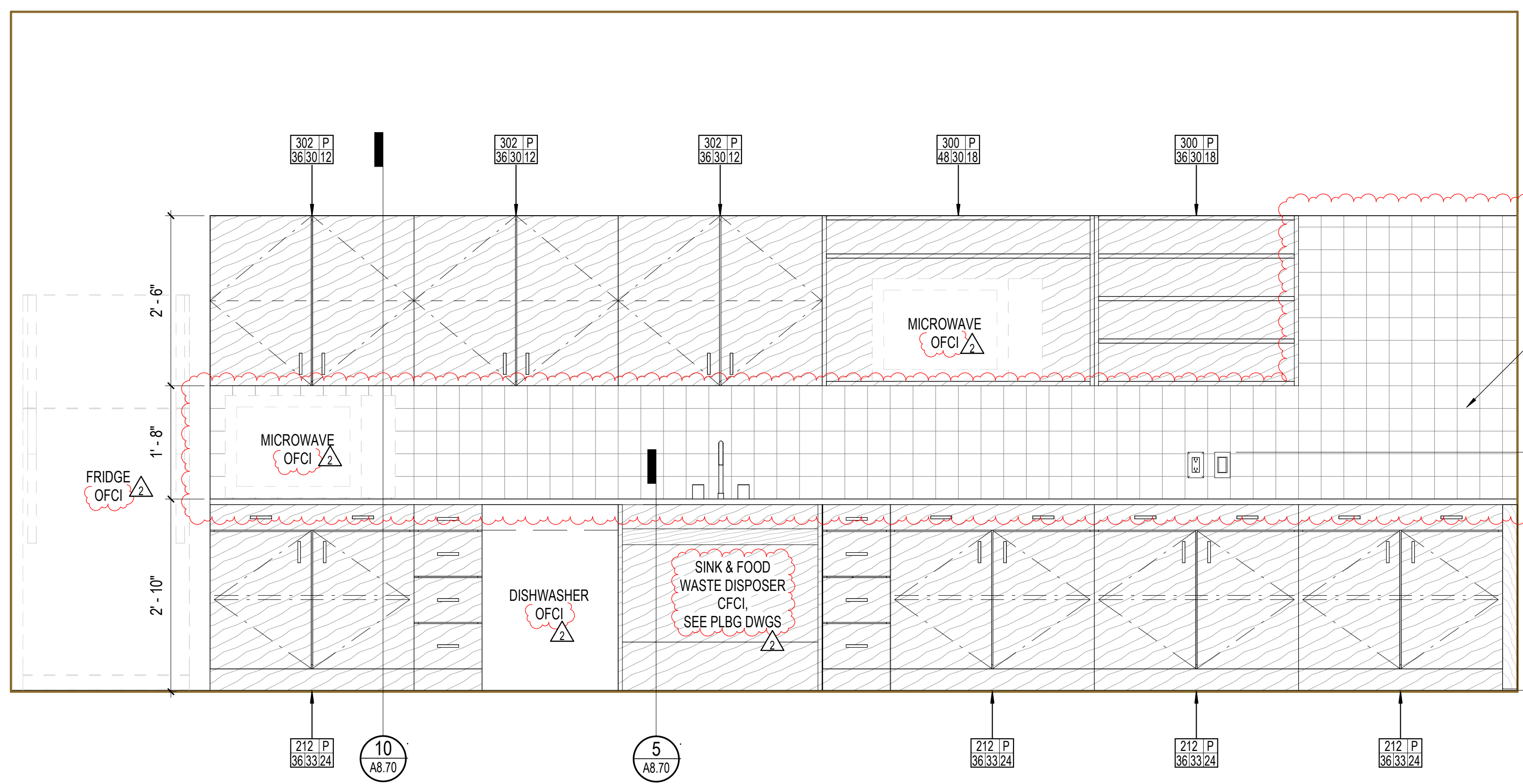
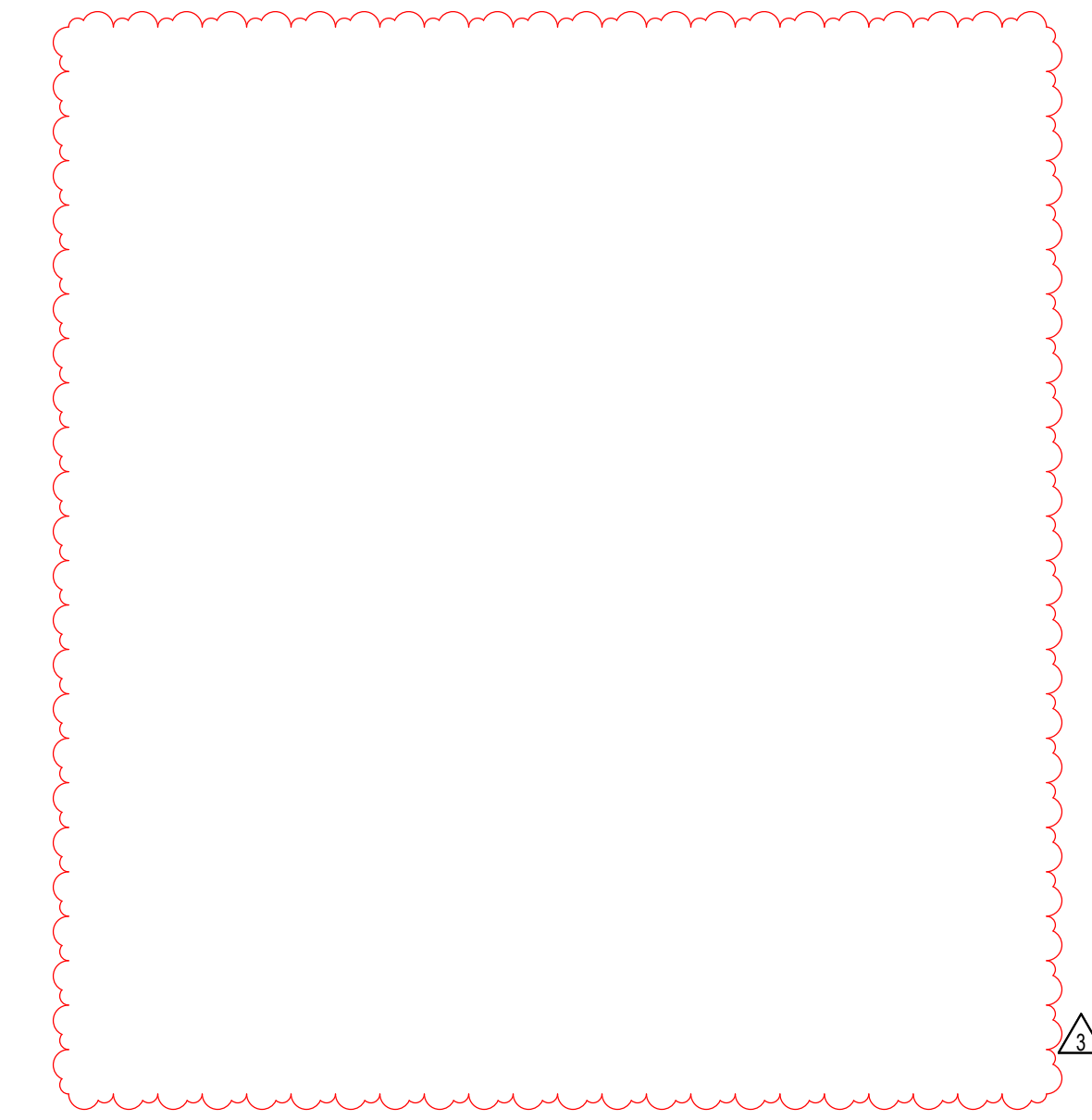
6 PLAN - STAFF LOUNGE - ISLAND CASEWORK
A8.75 3/4" = 1'-0"



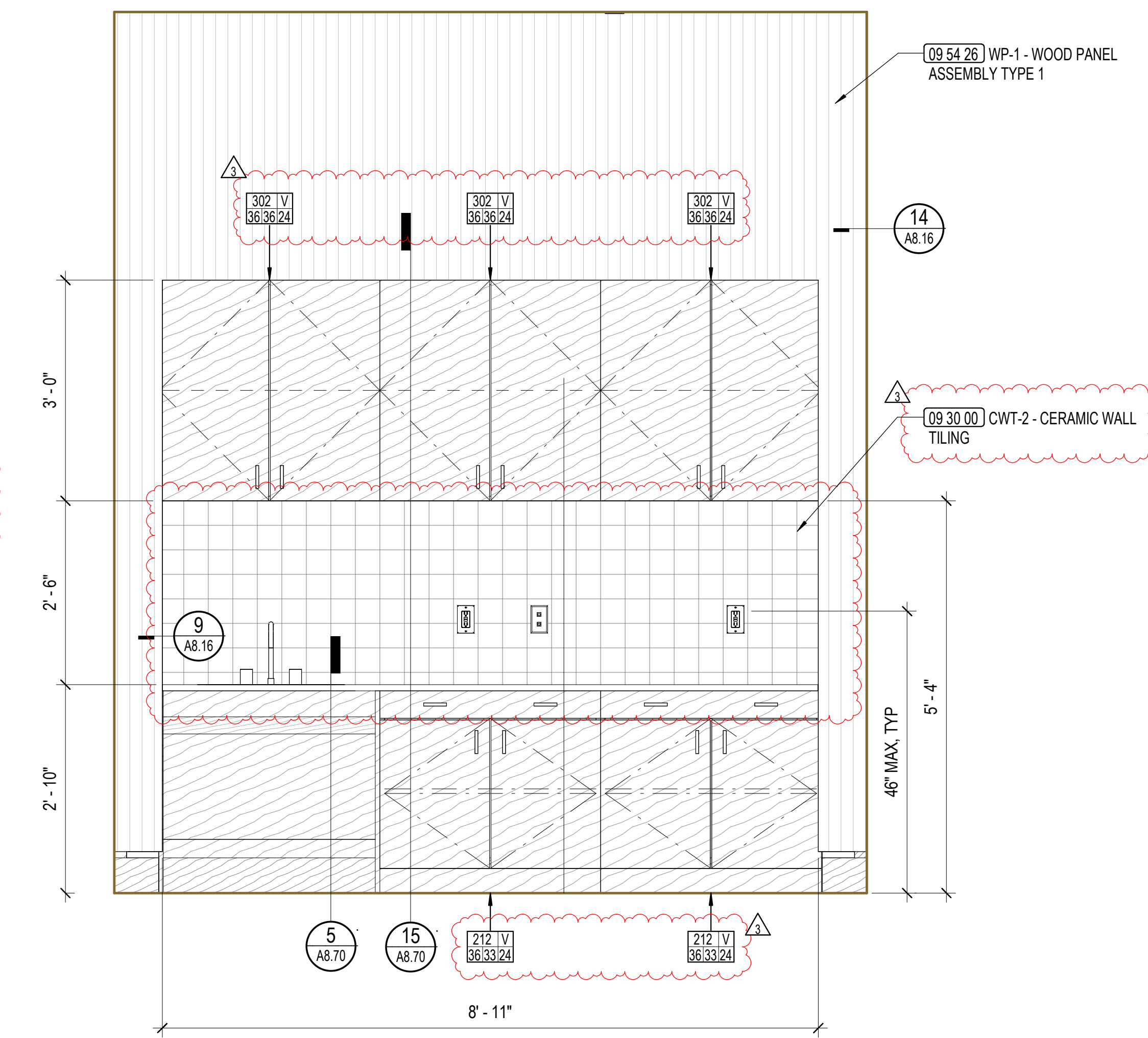
8 LAB 203 - EAST
A8.75 3/4" = 1'-0"



7 COPY PRINT CENTER - CASEWORK
A8.75 3/4" = 1'-0"



5 STAFF ROOM - KITCHENETTE
A8.75 3/4" = 1'-0"



3 LIBRARY CLASSROOM - KITCHENETTE
A8.75 3/4" = 1'-0"

APPROVALS

NOLL & TAM
ARCHITECTS

729 Heinz Avenue
Berkeley, CA 94710
tel 510.542.2200
fax 510.542.2201

CAVAGNERO
MARK CAVAGNERO ASSOCIATES ARCHITECTS
1848 Katherine Street, Suite 200
San Francisco, California 94111
www.cavagnero.com

SEAL

PROJECT TITLE

**Peralta Community College District
Laney Library & Learning Resource Center (Building 100 Replacement)**

900 Fallon Street, Oakland, CA 94607

ISSUE FOR BID

ISSUE DATE	03/31/23
NAT. JOB NUMBER	21942
REVISIONS	
DATE	DESCRIPTION
2 05/03/2024	Addendum No. 02
3 05/16/2024	Addendum No. 03

SHEET TITLE
INTERIOR - CASEWORK PLANS & ELEVATIONS

SHEET NUMBER

A8.75