

**PUBLIC NOTICE
INVITATION TO BID # 1092**

The Springfield Electric Department will be accepting sealed bids for the following:

Nine (9) ea., S&C Tripsaver II Recloser, Cat.# 990211-P-B, pole top style, 15kV, 100 Amps, 6,300 Amps interrupting, complete with polymer cutout and extended mounting bracket. Please quote price and firm delivery date.

Specifications may be downloaded at www.springfield-tn.org. Call Robert Gardner at (615)384-6770 ext. 125 with questions. Bids must be received in the Office of the City Recorder, 405 North Main Street, Springfield, TN 37172 by 10:00 am local time, Tuesday, April 2, 2019. The City of Springfield reserves the right to reject any or all bids.

Lisa H. Crockett
City Recorder

Specifications

Conditions of Sale

STANDARD: The seller's standard conditions of sale set forth in Price Sheet 150 apply, except as modified under "WARRANTY QUALIFICATIONS" on page 2.

SPECIAL TO THIS PRODUCT:

INCLUSIONS: An S&C TripSaver II Cutout-Mounted Recloser is ideally suited for protection of overhead laterals that experience frequent transient faults. This self-powered, microprocessor-controlled, single-phase vacuum interrupter is available for new installations or may be retrofitted in an existing current-production ("-R10" or "-R11") Type XS Fuse Cutout Mounting provided only by S&C.

The TripSaver II recloser eliminates the sustained interruption that results when a lateral fuse cutout operates in response to a transient fault. Utilities using a "fuse-blowing" philosophy will experience improved SAIFI without sacrificing MAIFI performance. The recloser also eliminates the momentary feeder interruption that results when the substation feeder circuit breaker or recloser is intentionally tripped, to prevent a lateral fuse cutout from operating in response to a transient fault. Utilities using a "fuse-saving" philosophy will experience improved MAIFI without sacrificing SAIFI performance.

The TripSaver II Cutout-Mounted Recloser can provide up to four trip operations. A wide variety of user-configurable time-current characteristic (TCC) curves is available. The duration of the open interval between trip operations and the reset time after the last reclose operation are user configurable.

The TripSaver II recloser drops open at the end of its operating sequence if the fault is persistent. The vacuum interrupter resets two seconds after the recloser drops open; the operator can then reclose the device into the mounting after the fault has been located and repairs have been made. The TripSaver II recloser is capable of dropping open under 3/4-inch (20 mm) ice formation. The TripSaver II recloser can also break load current and drop open without the use of a loadbreaking tool.

The TripSaver II recloser has a novel inrush-restraint feature that measures second-harmonic current to distinguish fault current from inrush current. If inrush current is detected, the TripSaver II recloser will not trip. The inrush restraint feature facilitates lower minimum pickup currents.

When downstream line work is to be performed, the recloser can be placed in the non-reclose mode by moving the mode-selector lever from the **Auto** (Up) position to the **NR** (Down) position. The TripSaver II recloser will

operate instantaneously and drop open; it will not go through its reclosing sequence. The mode-selector lever can be operated from the ground using an S&C Talon™ Handling Tool or a distribution prong attached to an extendostick.

The TripSaver II recloser features a user-configurable sectionalizing mode. When enabled, the recloser will operate as a sectionalizer over a user-specified range of fault currents when the source-side circuit breaker or recloser trips faster than the TripSaver II recloser. It counts the number of operations of the source-side circuit breaker or recloser and drops open after a user-specified number of counts. The counter resets if no sectionalizing event is registered during a user-specified period.

TripSaver II reclosers use a nonvolatile liquid-crystal display screen to show its operational information. The screen has two operating modes: **Normal**, which is the default mode, and the **Display** mode. The **Normal** mode shows the position of the vacuum interrupter contacts (Open or Closed), and the position of the mode-selector lever (Auto or NR). A user-selectable secondary *Normal* screen shows the position of the vacuum interrupter contacts, the number of vacuum interrupter open operations, and remaining contact wear in the form of a bar graph. The **Display** mode provides additional functional information and is activated by cycling the mode-selector handle. The TripSaver II recloser will scroll through the user-configurable items and the specified number of times before the display screen returns to the **Normal** mode.

When the vacuum interrupter reaches 10% of its remaining contact wear, a circular indicator will appear on the primary *Normal* screen. When the vacuum interrupter is no longer capable of interrupting a fault, the TripSaver II recloser will drop open and will not reset, locking the vacuum interrupter in the open position and the operating mechanism in the dropped-open position. The recloser must be returned to S&C for service. An X-shaped indicator will appear on the primary *Normal* screen if the TripSaver II recloser has dropped open because of an overload. The nonvolatile screen maintains a TripSaver II *Normal* screen status if control power is lost.

Complete TripSaver II recloser models for a new installation include two parallel-groove connectors accommodating No. 6 solid (13.3 mm²) through No. 2 stranded (44.4 mm²) copper or aluminum in one groove, and No. 2 solid (33.6 mm²) through 250 kc mil (168 mm²) stranded copper or aluminum or 4/0 ACSR (161 mm²) in the other groove.

The TripSaver II recloser has been tested to, and is in compliance with, IEEE Standards C37.60-2012 and C37.41-2008 and IEC Standard 62271-111. The TripSaver II recloser is manufactured in accordance with a quality system certified to ISO 9001:2000.



Conditions of Sale—Continued

Configuration Kit

A configuration kit is required to configure the operating parameters of the TripSaver II recloser in the user's service center or other suitable indoor location. The configuration software additionally permits the user to check the basic status of the recloser, view historical data, and perform functional tests. The configuration kit includes a power supply, a USB transceiver for the user's computer, an instruction sheet, white adhesive labels for recording user-configured parameters, and a storage case. The configuration kit is compatible with all TripSaver II recloser models. The configuration software version 1.6, which is compatible with all TripSaver II firmware versions, can be downloaded from the S&C Automation Customer Support Portal. The USB Transceiver version 1.6 **is required** for use with the software version 1.6.

TripSaver® II Communications via Gateway

This remote-communication option uses legacy field-area networks already built for SCADA, advanced metering infrastructure, or distribution automation. The remote communication provides unsolicited alerts, GPS time and coordinates, device heartbeat, and remote mode-change capability via the DNP3 protocol. This option requires a communication gateway housed in a padlockable weatherproof enclosure ordered from S&C. An optional back-up battery is available for riding through a loss of control power to the communication gateway. TripSaver II reclosers with the extended open-interval capability (-O option) are required to communicate with the gateway.

APPLICATION NOTE: The TripSaver II recloser selected for a specific application should have a maximum voltage rating equal to or greater than system line-to-line voltage when used in phase-to-phase applications. TripSaver II models rated 25-kV 150-kV BIL can be applied to protect single-phase-to-neutral circuits only in solidly grounded-neutral (multi-grounded-neutral) 34.5-kV systems where leakage distance to ground meets the user's requirement. These models use a 25-kV, 150-kV BIL mounting.

WARRANTY QUALIFICATIONS: The standard warranty contained in the seller's standard conditions of sale (as set forth in Price Sheet 150) does not apply to TripSaver II Cutout-Mounted Reclosers installed in other than a current-production ("R10" or "R11") S&C-only Type XS Fuse Cutout Mounting.

Warranty of the TripSaver® II Communication Gateway Box is contingent upon the installation, configuration, and use of the software in accordance with S&C's applicable instruction sheets. This warranty does not apply to major components not of S&C manufacture, such as communication devices, and antennas. However, S&C will assign to the immediate purchaser or end user all manufacturers' warranties that apply to such major components.

END USER LICENSE AGREEMENT: End user is granted a nontransferable, non-sublicensable, nonexclusive license to use S&C TripSaver® II Service Center Configuration Software and/or other software furnished with TripSaver II Cutout-Mounted Reclosers only upon acceptance of all the terms and conditions of the seller's end user license agreement set forth in Price Sheet 155.

How to Order a TripSaver II Recloser for a New Installation

- STEP 1.** Obtain the base catalog number of the desired TripSaver II recloser from Table 1 on page 4, taking care to match the system voltage class rating to the voltage of the system.
- STEP 2. For Overhead—Pole-Top Style:** If desired, select a mounting bracket from Table 3 on page 4, and add the indicated catalog number suffix to the catalog number selected in Step 1.
- STEP 3.** Select any additional desired options from Table 4 on page 4, and add the indicated catalog number suffix(es) to the catalog number selected in Step 1.
- STEP 4.** Obtain the catalog number of the TripSaver II configuration kit from Table 5 on page 5.

How to Order a TripSaver II Recloser for Retrofitting in Existing S&C-Only Cutout Mountings

Note: TripSaver II reclosers may be retrofitted only in an existing current-production ("R10" or "R11") S&C-only Type XS Cutout Mounting.

Follow these steps to order a TripSaver II recloser for retrofitting in existing S&C-only cutout mountings:

- STEP 1.** Obtain the base catalog number of the desired TripSaver II recloser from Table 2 on page 4, taking care to match the system voltage class rating to the voltage of the system.
- STEP 2.** Select any additional desired options from Table 4 on page 4, and add the indicated catalog number suffix(es) to the catalog number selected in Step 1.
- STEP 3.** Obtain the catalog number of the TripSaver II configuration kit from Table 5 on page 5.

How to Order Configuration Kit and/or Replacement Parts

Obtain the catalog number of the configuration kit and/or replacement parts from Table 5 on page 5.

How to Order Handling Tools

Obtain the catalog number of the recommended handling tool(s) from Table 6 on page 5.

How to Order a Communication Gateway Box and/or Accessory

STEP 1. Obtain the catalog number of the desired communication gateway box from the "Communication Gateway" section of Table 8 on page 6.

STEP 2. Select the desired radio and provision type (radio ready or complete device) from the "Mandatory Suffix for Radio" section of Table 8 on page 6, and add the suffix to the catalog number selected in Step 1. For radio ready, add -R99 option suffix for a S&C factory-installation of a radio furnished by the customer (customer ships the radio to S&C).

Example 1: To order a TripSaver II Communication Gateway Box with a backup battery that comes with a SpeedNet™ Radio furnished by S&C, specify: 5952-R80.

Example 2: To order a TripSaver II Communication Gateway Box with a backup battery and to have S&C install your own Landis+Gyr Series 4 IWR Radio before shipping the completed box to you, specify: 5952-R66-R99.

Note: All gateway provisions include a door alarm system and an integrated S&C antenna that supports the following:

- GPS
- 690- to 960-MHz /1700- to 2700-MHz bands

This default integrated S&C antenna will be used for cellular radios and 900-MHz ISM and 900-MHz MAS radios. No separate antenna is required. For 403- to 470-MHz band radios, a separate antenna is required.

STEP 3. Select the desired power cable from Table 9 on page 6. The power cable you previously acquired for a SpeedNet repeater can be used with the communication gateway for TripSaver II reclosers.

Example: To order a 20-foot (610-cm) ac power cable, specify: 007-002100-02.

STEP 4. Select a desired three-prong ac power cable for gateway box indoor programming use from the Table 12 on page 7. This cable can be of shared use across gateway boxes, and S&C recommends keeping a minimum of one cable for each service center.

Example: To order a 6-foot (183-cm) ac power cable for gateway box indoor programming use, specify catalog number 007-002101-01.

Proceed to Steps 5 and 6 if using a 403- to 470-MHz band radio with a local or remote antenna, or if using a 902- to 928-MHz band radio with remote antenna.

Add a desired antenna connector from Table 10 on page 7. This must be specified at time of order.

STEP 5. If desired, obtain the catalog number of an S&C-provided antenna from Table 11 on page 7.

The optional backup battery is used for riding through a loss of control power to the communication gateway. If desired, a backup battery can be ordered and added to a batteryless communication gateway box later by obtaining the catalog number of the backup battery system kit in Table 12 on page 7.

Note: A TripSaver II recloser with the extended open-interval option (-O option) is required for working with the communication gateway box. A firmware update may be required. A TripSaver II recloser with the extended open-interval option MUST be user-configured to the **Gateway Mode** setting using the S&C TripSaver II Service Center Configuration Software version 1.6 before it can communicate with the communication gateway. All TripSaver II reclosers with the extended open-interval option will be set to the **Non-Gateway Mode** setting before they leave S&C's factory UNLESS a factory configuration is requested.

S&C TripSaver® II Cutout-Mounted Recloser

Table 1. Complete Overhead—Pole-Top Style TripSaver II Cutout-Mounted Recloser—For a new installation. Includes TripSaver II recloser mounting (less mounting bracket), and connectors

50/60-Hz Ratings ^①						With Porcelain Insulator		With Polymer Insulator	
kV				Amperes, RMS ^②		Leakage Distance to Ground Minimum, Inches (mm)	Base Catalog Number	Leakage Distance to Ground Minimum, Inches (mm)	Base Catalog Number
System Class	Nom.	Max	BIL	Cont.	Interr., Sym.				
15	15	15.5	110	100	4 000	8½ (216)	990111	14¾ (378)	990111-P
					6 300	8½ (216)	990211	14¾ (378)	990211-P
25	25	29	125	100	4 000	11 (279)	990122	—	—
					6 300	11 (279)	990222	—	—
			150	100	4 000	17 (432)	990132★	19 (483)	990132-P★
					6 300	17 (432)	990232★	19 (483)	990232-P★

① For 50-Hz applications, specify Microprocessor Control for Application on 50-Hz Systems, catalog number suffix "-F." See Table 4.

② Minimum trip current is 5 amperes.

★ Applicable for protection of single-phase-to-neutral circuits only in solidly-grounded-neutral (multi-grounded-neutral) 34.5-kV systems where leakage distance to ground meets user's requirement. Uses 25-kV, 150-kV BIL mounting.

Table 2. TripSaver II Cutout-Mounted Recloser Only—For retrofitting in an existing current-production ("R10" or "R11") S&C-only Type XS Fuse Cutout Mounting

For Use with S&C-Only Type XS Fuse Cutout Mounting Basic Catalog Number	50/60-Hz Ratings ^①						Base Catalog Number
	kV				Amperes, RMS ^②		
	System Class	Nom.	Max	BIL	Cont.	Interr., Sym.	
89811, 89021, 89031, 89071, 89221, 99021	15	15	15.5	110	100	4000	997111
						6300	997211
89812, 89022, 89032, 89072, 89802, 89042, 89052, 89092, 89222, 89223, 99022, 99042	25	25	29	125 or 150	100	4000	997132
						6300	997232

① For 50-Hz applications, specify Microprocessor Control for Application on 50-Hz Systems, catalog number suffix "-F." See Table 4.

② Minimum trip current is 5 amperes.

Table 3. Mounting Bracket Options—For Overhead—Pole-Top Style TripSaver II Recloser Models

Item	Add Catalog Number Suffix
S&C extended mounting bracket, for crossarm, pole, or wall mounting	-B
NEMA Type B mounting bracket, for crossarm mounting	-C

Table 4. Other Options

Item	Add Catalog Number Suffix	
Microprocessor control for application on 50-Hz systems	-F	
Danger label in other languages	Spanish	-L51
	Portuguese	-L52
	French	-L53
	Chinese	-L54
Extended Open Interval Option	-O	

Table 5. Configuration Kit and Replacement Parts—For All TripSaver II Recloser Models

Item	Catalog Number
TripSaver II recloser configuration kit, less power supply ac adapter. Includes: <ul style="list-style-type: none"> • Power supply, less ac adapter • USB transceiver for user's computer • Twenty adhesive labels on which configuration parameters can be written (The labels attach to the left side of the lower TripSaver II recloser housing.) • Quick Start Guide • Storage case 	5949
TripSaver II recloser configuration kit. Includes: <ul style="list-style-type: none"> • Power supply • USB transceiver for user's computer • Twenty adhesive labels on which configuration parameters can be written (The labels attach to the left side of the lower TripSaver II recloser housing.) • Quick Start Guide • Storage case 	5950
Replacement power supply	TA-3280
Replacement USB transceiver	FDA-1868R1
Twenty adhesive labels for user-configured parameters	FDA-1867
Magnet tool	5951
Cordless power module	5954

Table 6. Recommended Handling Tools—For All TripSaver II Recloser Models

Item	Catalog Number
Station prong	4402R2
Distribution prong	4416
Talon™ Handling Tool	4440
Universal pole	◆

◆ Select to match height of installation. Refer to Specification Bulletin 851-31.

Table 7. Services—For All TripSaver II Recloser Models

Item
<p>Inspection and Maintenance Service. Includes inspection, cleaning, functional testing, and replacement of the vacuum interrupter. Does not include repairs and/or replacement of additional parts required caused by mishandling or other causes.</p> <p>To ensure proper order processing, refer to the nearest S&C Sales Office to obtain a special serially numbered label to place on the shipping box in which the TripSaver II recloser is returned. The TripSaver II recloser should be carefully packed, with a packing slip enclosed showing purchase-order or requisition number covering the inspection and maintenance service. The TripSaver II recloser should be shipped, transportation charges prepaid, to S&C Electric Company, Repair Center, 1800 Devon Ave., Chicago, Illinois 60660-1010</p>

S&C TripSaver® II Cutout-Mounted Recloser

Table 8. Communication Gateway and Radio

Communication Gateway		Catalog Number
Communication gateway box	With backup battery included	5952
	Without backup battery	5953
Mandatory Suffix for Radio		Add Catalog Number Suffix
Either radio-ready (provision included; radio installed later by customer):		
• Landis+Gyr Series 4 IWR		-R66
• SpeedNet™ ME Mesh End-Point Radio		-R241
• SpeedNet™ Radio		-R88
• SpeedNet™ SDR 4 Software Defined Radio		-R255
• SpeedNet™ SDR 4x4 Software Defined Radio		-R257
• MDS Transnet 900 Transceiver		-R07
• MDS SD9 Remote Radio		-R188
• Internal MDS iNET 900 Dual Gateway: Ethernet and serial remote		-R34
• FreeWave DTR-115RU Radio (902- to 928- MHz)		-R35
• FreeWave FGR-115RC		-R36
• Sixnet SN-6801-GE Cellular Radio		-R325
• Silver Spring Networks Bridge 4.0 Radio (catalog number 205-000043)		-R326
• Sierra Wireless GX450 Cellular Radio (model number 1102326)		-R263
• Tantalus TUNet® DA-1710 Bridge Radio		-R273
• DiGi Transport® WR31 Radio (model number WR31-L52A-DE1-TB)		-R308
• GE MDS™ MCR High Port Density Radio		-R307
• S&C factory installation of radio furnished by the customer (customer ships the radio to S&C)		-R99
Or complete device (with factory installation of radio furnished by S&C):		
• SpeedNet™ ME Mesh End-Point Radio		-R240
• SpeedNet™ Radio		-R80
• SpeedNet™ SDR 4 Software Defined Radio		-R254
• SpeedNet™ SDR 4x4 Software Defined Radio		-R256
• MDS Transnet 900 Transceiver with diagnostics		-R19

Note:

- All gateway provision includes a door alarm system and an integrated S&C antenna that supports the following
 - GPS
 - 690- to 960-MHz /1700- to 2700-MHz bands
- This default integrated S&C antenna will be used for cellular radios, 900-MHz ISM, and 900-MHz MAS radios. No separate antenna is required.
- For 403- to 470-MHz band radios, a separate antenna is required. Refer to Tables 10 and 11 on page 7.
- More radios will be added to the list in the future. For other radios not yet in the table, contact S&C.

EXCLUSIONS: S&C may be able to furnish and install in the TripSaver II Communication Gateway Box, or make provision for, a customer-specified communication device not listed in Table 8. S&C will need to evaluate the physical and electrical requirements of the communication device and its performance characteristics and conduct qualification testing to verify its suitability for the desired application. S&C cannot furnish or install any communication device for which the supplier requires S&C to offer Tier I (i.e., “help desk”) support.

Table 9. Communication Gateway Ac Power Cable

Ac Power Cable	Catalog Number
10-foot (304.8 cm) unterminated #10 wire	007-002100-01
15-foot (457.2 cm) unterminated #10 wire	007-002100-06
20-foot (609.6 cm) unterminated #10 wire	007-002100-02
25-foot (762.0 cm) unterminated #10 wire	007-002100-03
30-foot (914.4 cm) unterminated #10 wire	007-002100-04
55-foot (1676.4 cm) unterminated #10 wire	007-002100-05

Table 10. Communication Gateway Option – Antenna Connector for Third-Party Antenna Use

Order the antenna-connector option if you are using either:

- A 403- to 470-MHz band radio with local or remote antenna
- A 902- to 928-MHz band radio with remote antenna

This must be specified at time of order.

Antenna Connectors	Add Catalog Number Suffix
N-type female connector, bottom mounted, for local antenna	-S2
PolyPhaser surge suppressor (125 MHz to 2.3 GHz) N-type connector, bottom mounted, for remote antenna	-S3

Table 11. Communication Gateway—Other S&C-Provided Antennas

S&C Provided DA-Antennas			Catalog Number
Remote antenna kit	902- to 928-MHz 3 dB antenna includes an omnidirectional fiberglass antenna, pole-mounted single antenna arm	With 30-foot (914-cm) coaxial cable with N-Type male connectors on both ends	903-002700-02
		With 50-foot (1524-cm) coaxial cable with N-Type male connectors on both ends	903-002700-03
	890- to 960-MHz 10 dB antenna includes omnidirectional Yagi antenna, pole-mounted single antenna arm	With 30-foot (914-cm) coaxial cable with N-Type male connectors on both ends (customer to provide 1.375 " OD pipe for Antenna)	903-002701-01
		With 50-foot (1524-cm) coaxial cable with N-Type male connectors on both ends (customer to provide 1.375 " OD pipe for Antenna)	903-002701-02
	403- to 470-MHz 2-dBi antenna includes omnidirectional antenna with N-male connector, pole mounting and bracket BM-1009, 2-shrink tubing, grounding kits for LMR-400, a weather-resistance cable tie	With 40-foot (1219-cm) coaxial cable	903-002702-02
		With 60-foot (1829-cm) coaxial cable	903-002702-01
Local antenna	403- to 470-MHz 2-dBi antenna includes omnidirectional antenna with N-male connector	904-002450-02	

Table 12. Communication Gateway—Accessories

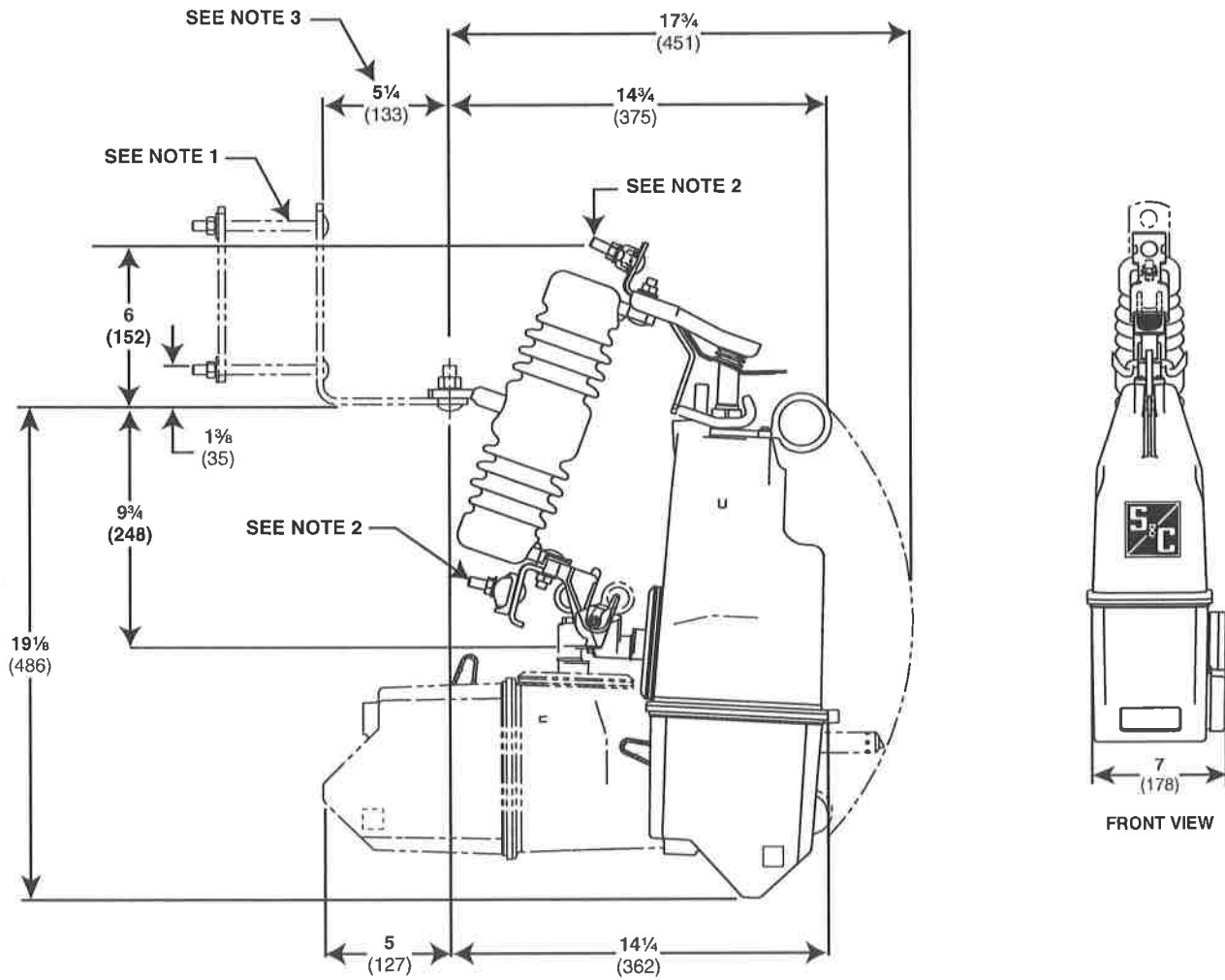
Item	Catalog Number	
Backup battery system kit★	903-002460-01	
3-prong (U.S.) ac power cable for gateway box indoor programming use	6 feet (183 cm)	007-002101-01
	15 feet (457 cm)	007-002101-02

★ Can be ordered later by customers who initially choose not to have a backup battery. It can be installed by customer in the field.

S&C TripSaver® II Cutout-Mounted Recloser

Overhead—Pole-Top Style 15-kV (110-kV BIL) Models

Dimensions in inches to nearest 1/8-inch (3.18 mm)

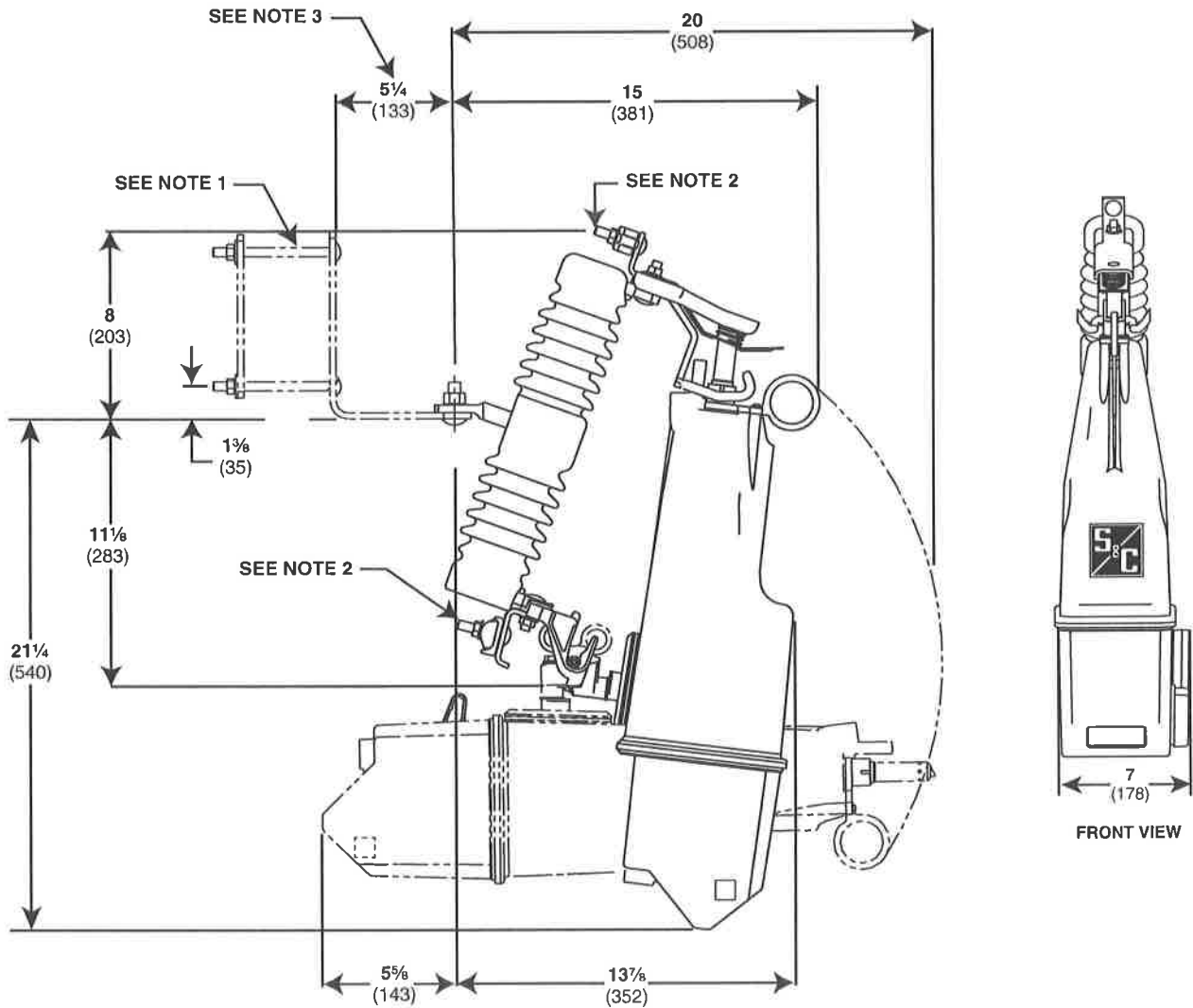


NOTES:

1. Mounting bracket, adjustable for 3-inch×4-inch (76 mm×102 mm) to 4-inch×5-inch (102 mm×127 mm) crossarm, furnished only when catalog number suffix "-B" or "-C" is specified.
2. Includes two parallel-groove connectors accommodating No. 6 solid (13.3 mm²) through No. 2 stranded (44.4 mm²) copper or aluminum in one groove, and No. 2 solid (33.6 mm²) through 250 kc mil (168 mm²) stranded copper or aluminum or 4/0 ACSR (161 mm²) in the other groove.
3. Dimension shown is for catalog number suffix "-B" (S&C extended bracket). Dimension is 2 5/8 inches (66.7 mm) for catalog number suffix "-C" (NEMA "B" bracket).

Overhead—Pole-Top Style
25-kV (125-kV and 150-kV BIL) Models

Dimensions in inches to nearest 1/8-inch (3.18 mm)



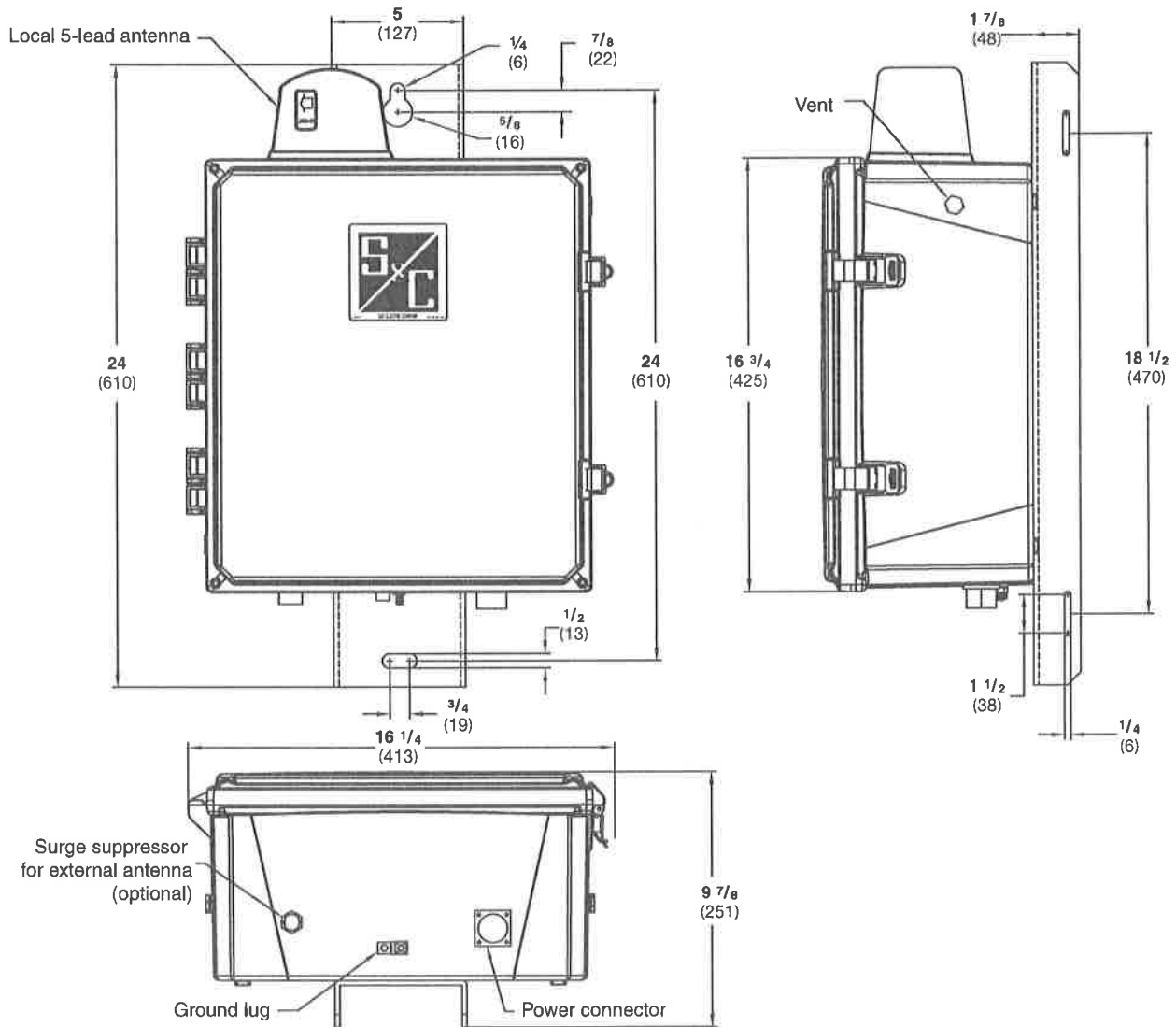
NOTES:

1. Mounting bracket, adjustable for 3-inch×4-inch (76 mm×102 mm) to 4-inch×5-inch (102 mm×127 mm) crossarm, furnished only when catalog number suffix "-B" or "-C" is specified.
2. Includes two parallel-groove connectors accommodating No. 6 solid (13.3 mm²) through No. 2 stranded (44.4 mm²) copper or aluminum in one groove, and No. 2 solid (33.6 mm²) through 250 kc mil (168 mm²) stranded copper or aluminum or 4/0 ACSR (161 mm²) in the other groove.
3. Dimension shown is for catalog number suffix "-B" (S&C extended bracket). Dimension is 2 5/8 inches (66.7 mm) for catalog number suffix "-C" (NEMA "B" bracket).

S&C TripSaver® II Cutout-Mounted Recloser

TripSaver II Communication Gateway

Dimensions in inches to nearest 1/8-inch (3.18 mm)



IRAN DIVESTMENT ACT NOTICE

Tenn. Code Ann. § 12-12-106 requires the chief procurement officer to publish, using credible information freely available to the public, a list of persons it determines engage in investment activities in Iran, as described in § 12-12-105.

For these purposes, the State intends to use the attached list of “Entities determined to be non-responsive bidders/offers pursuant to the New York State Iran Divestment Act of 2012.”

While inclusion on this list would make a person ineligible to contract with the state of Tennessee, if a person ceases its engagement in investment activities in Iran, it may be removed from the list.

If you feel as though you have been erroneously included on this list please contact the Central Procurement Office at CPO.Website@tn.gov.

List Date: July 27, 2018

Source: <https://www.ogs.ny.gov/about/regs/docs/ListofEntities.pdf>

1. Ak Makina, Ltd.
2. Amona
3. Bank Markazi Iran (Central Bank of Iran)
4. Bank Mellat
5. Bank Melli Iran
6. Bank Saderat Iran
7. Bank Sepah
8. Bank Tejarat
9. China Precision Machinery Import- Export Corporation (CPMIEC)
10. ChinaOil (China National United Oil Corporation)
11. China National Offshore Oil Corporation (CNOOC)
12. China National Petroleum Corporation (CNPC)
13. Daelim (Daelim Industrial Co.)
14. Indian Oil Corporation
15. Kingdream PLC
16. Naftiran Intertrade Co. (NICO)
17. National Iranian Tanker Co. (NITC)
18. Oil and Natural Gas Corporation (ONGC)
19. Oil India, Ltd.
20. Persia International Bank
21. Petroleos de Venezuela (PDVSA Petróleo, SA)
22. PetroChina Co., Ltd.
23. Petronet LNG, Ltd.
24. Sameh Afzar Tajak Co. (SATCO)
25. Shandong FIN CNC Machine Co., Ltd.
26. Sinohydro Co., Ltd.
27. Sinopec Corp. (China Petroleum & Chemical Corporation)
28. SKS Ventures
29. SK Energy Co., Ltd.
30. Som Petrol AS
31. Unipec (China International United Petroleum & Chemicals Co., Ltd.)
32. Zhuhai Zhenrong Co.

IRAN DIVESTMENT ACT

“By the submission of this bid, each bidder and each person signing on behalf of any bidder certifies, and in the case of a joint bid each thereto certifies as to its own organization, under penalty of perjury, that to the best of its knowledge and belief that each bidder is not a person included within the list created pursuant to § 12-12-106.”

Signature: _____

Date: _____

Title: _____