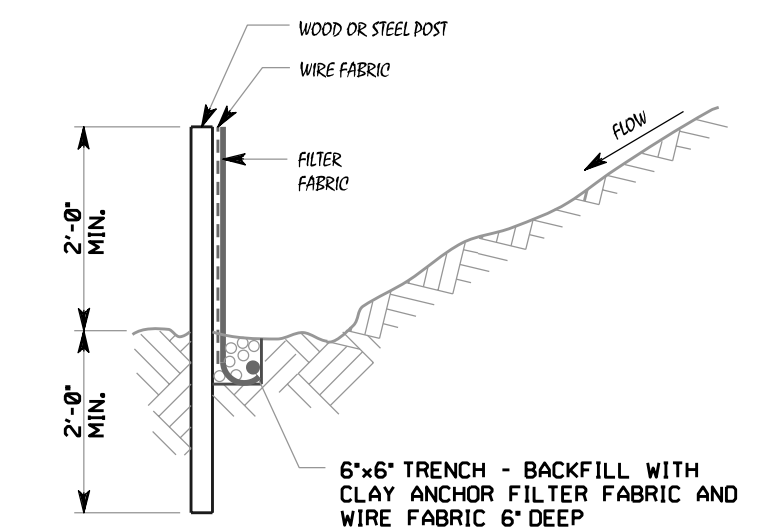


TEMPORARY CONSTRUCTION ENTRANCE DETAIL  
N.T.S.

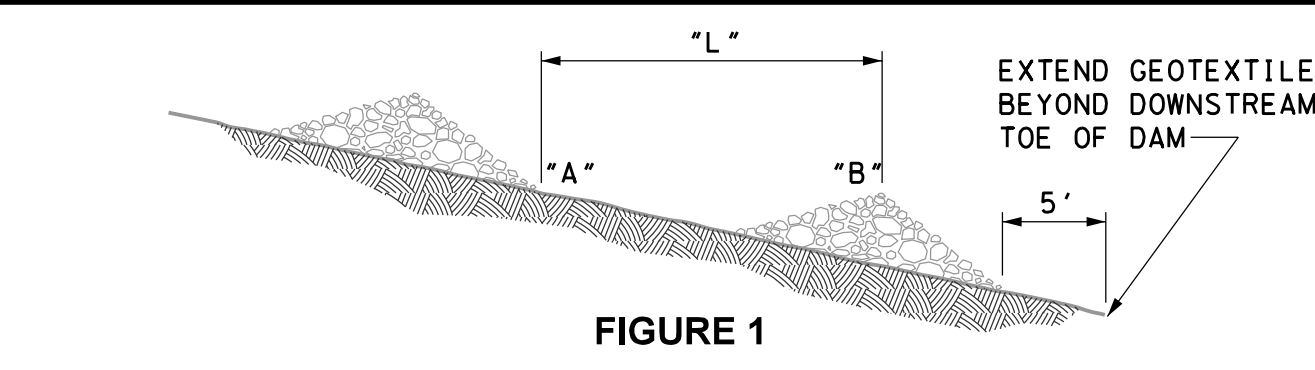
1



- NOTES:
1. FILTER FABRIC FENCE TO BE PLACED PRIOR TO START OF ROUGH GRADING.
  2. STEEL POSTS SHALL BE APPROVED BY OWNER PRIOR TO USE.
  3. WOOD POSTS SHALL BE 2" x 2" MIN. OAK OR SIMILAR HARDWOOD.
  4. POSTS SHALL BE SPACED AT 6' INTERVALS.
  5. WIRE FABRIC & FILTER FABRIC SHALL BE SECURELY BOUND TO POSTS WITH EITHER STAPLES OR WIRE TIES.
  6. FILTER FABRIC SHALL BE POLYPROPYLENE FABRIC WITH EQUIVALENT OPENING SIZE (EOS) OF NO. 100 SIEVE MIN., NO. 40 SIEVE MAX., AS DETERMINED BY CORPS OF ENGINEERS GUIDE SPEC. CW 02215.

SILT FENCE DETAIL  
N.T.S.

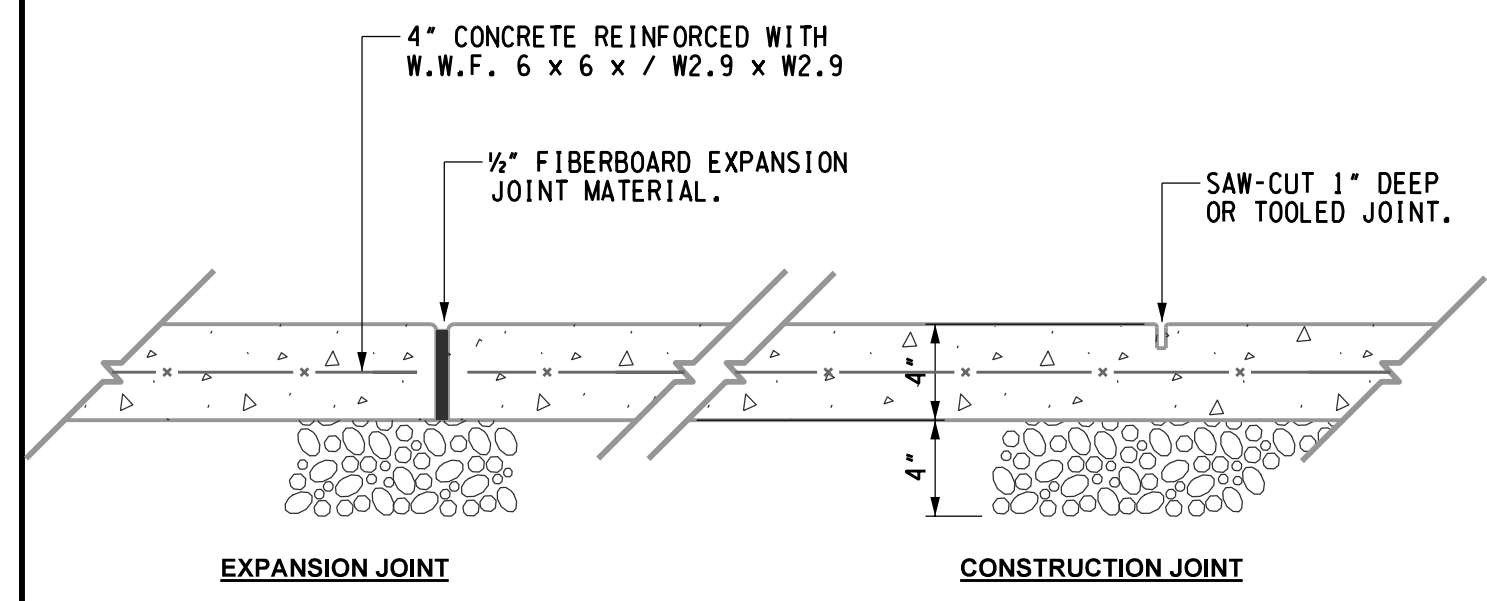
2



- NOTES:
1. SEE PLAN FOR STONE CHECK DAM OR ROCK CHECK DAM INSTALLATION
  2. L = THE DISTANCE SUCH THAT POINTS "A" AND "B" ARE OF EQUAL ELEVATION.

SECTION "A-A"  
ROCK CHECK DAM DETAIL  
N.T.S.

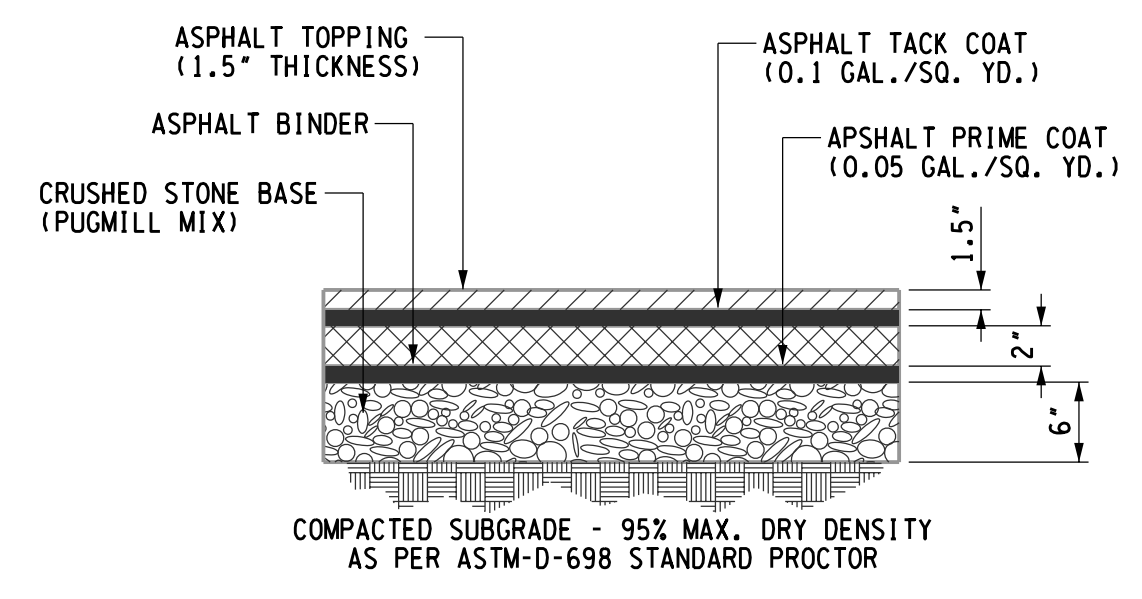
3



- NOTES:
1. EXPANSION JOINTS: 1/2" WIDE, FULL DEPTH, AT MAXIMUM OF 30' LONGITUDINAL INTERVALS, AT ALL ABUTTING STRUCTURES, DRIVEWAYS AND TANGENT POINTS OF RADIUS RETURNS.
  2. TOOLED CURB CONTROL JOINTS: 1/2" WIDE, 1" DEEP, SPACING TO APPROXIMATE SIDEWALK WIDTH.
  3. ALL CONCRETE TO COMPLY WITH ACI 318 WITH A MINIMUM COMPRESSIVE STRENGTH OF 4,000 PSI @ 28 DAYS.
  4. CONCRETE TO BE AIR-ENTRAINED WITH AN AIR CONTENT OF 4-6%.
  5. JOINTS TO BE FILLED WITH BITUMINOUS EXPANSION MATERIAL.

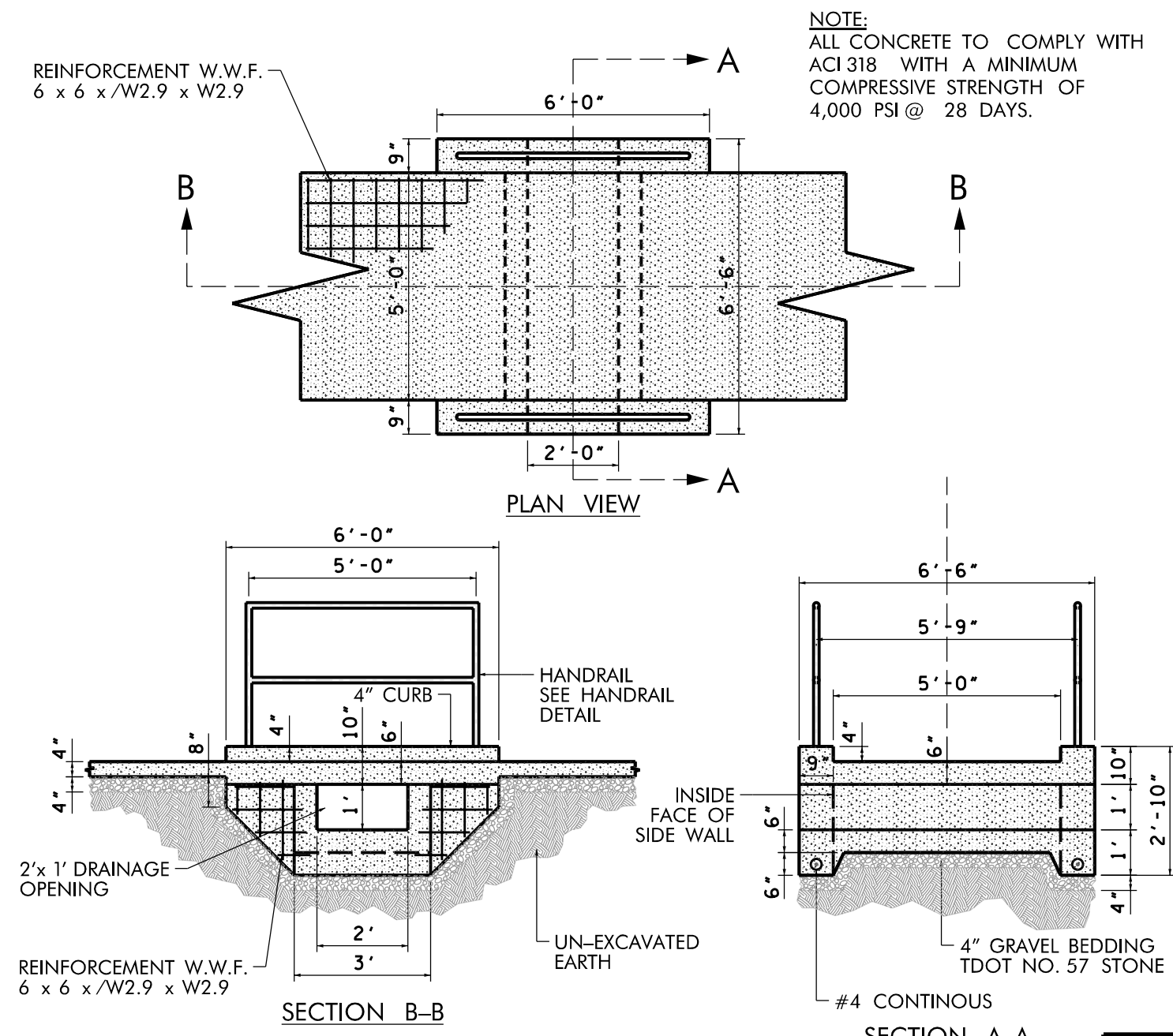
CONCRETE SIDEWALK DETAIL  
N.T.S.

4



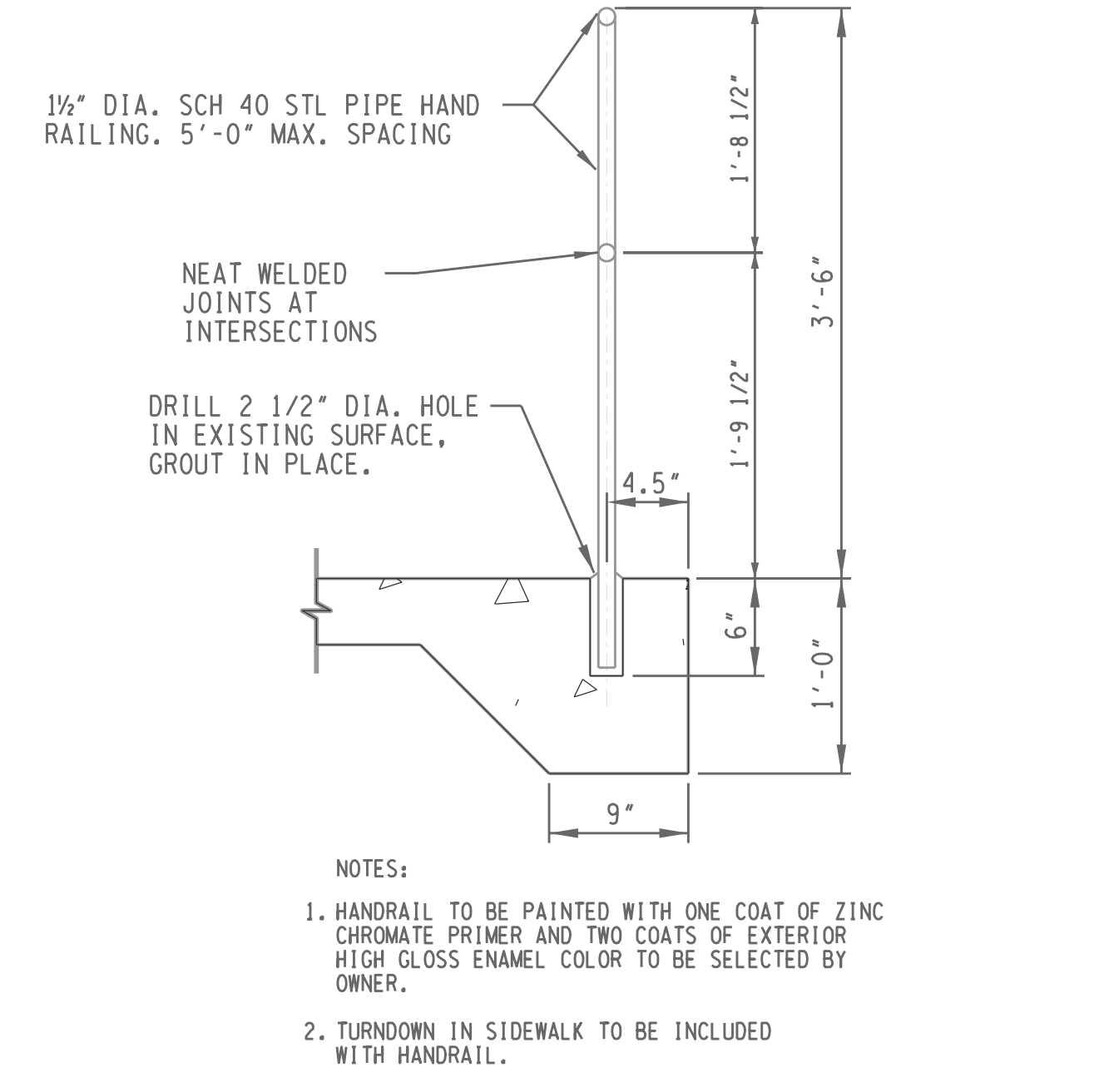
PAVEMENT DETAIL  
N.T.S.

5



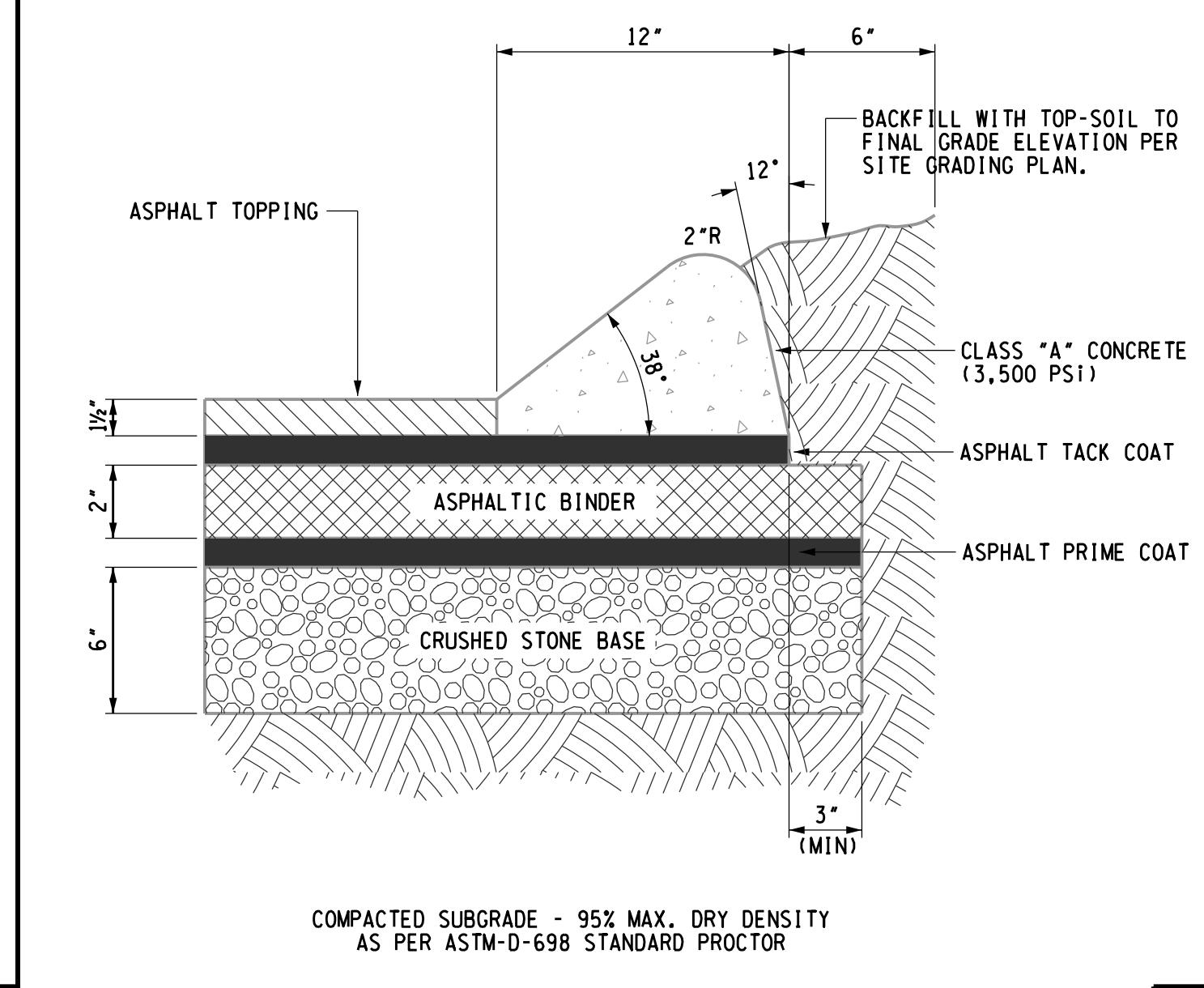
SIDEWALK BOX CULVERT  
N.T.S.

6



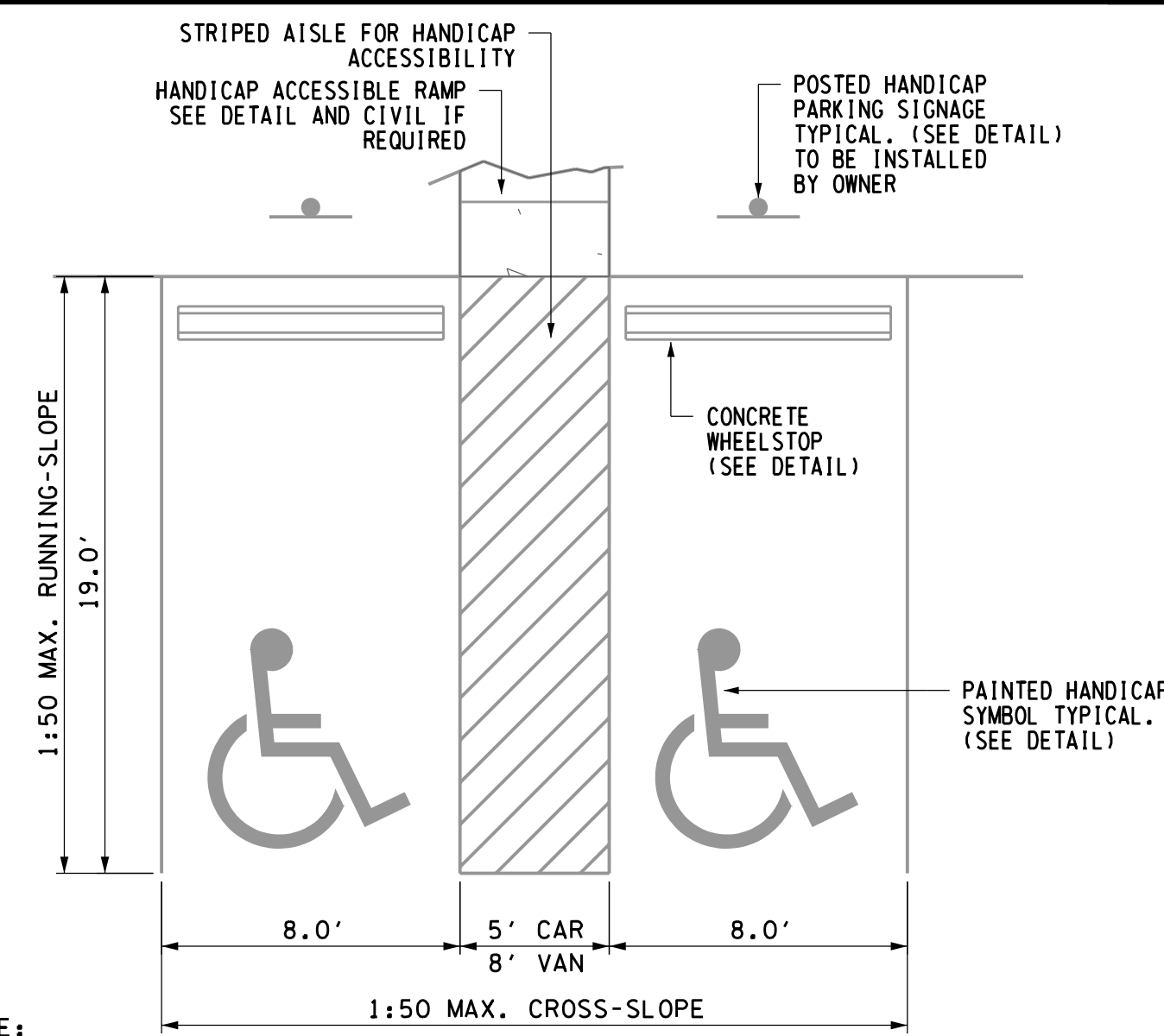
HANDRAIL DETAIL  
N.T.S.

7



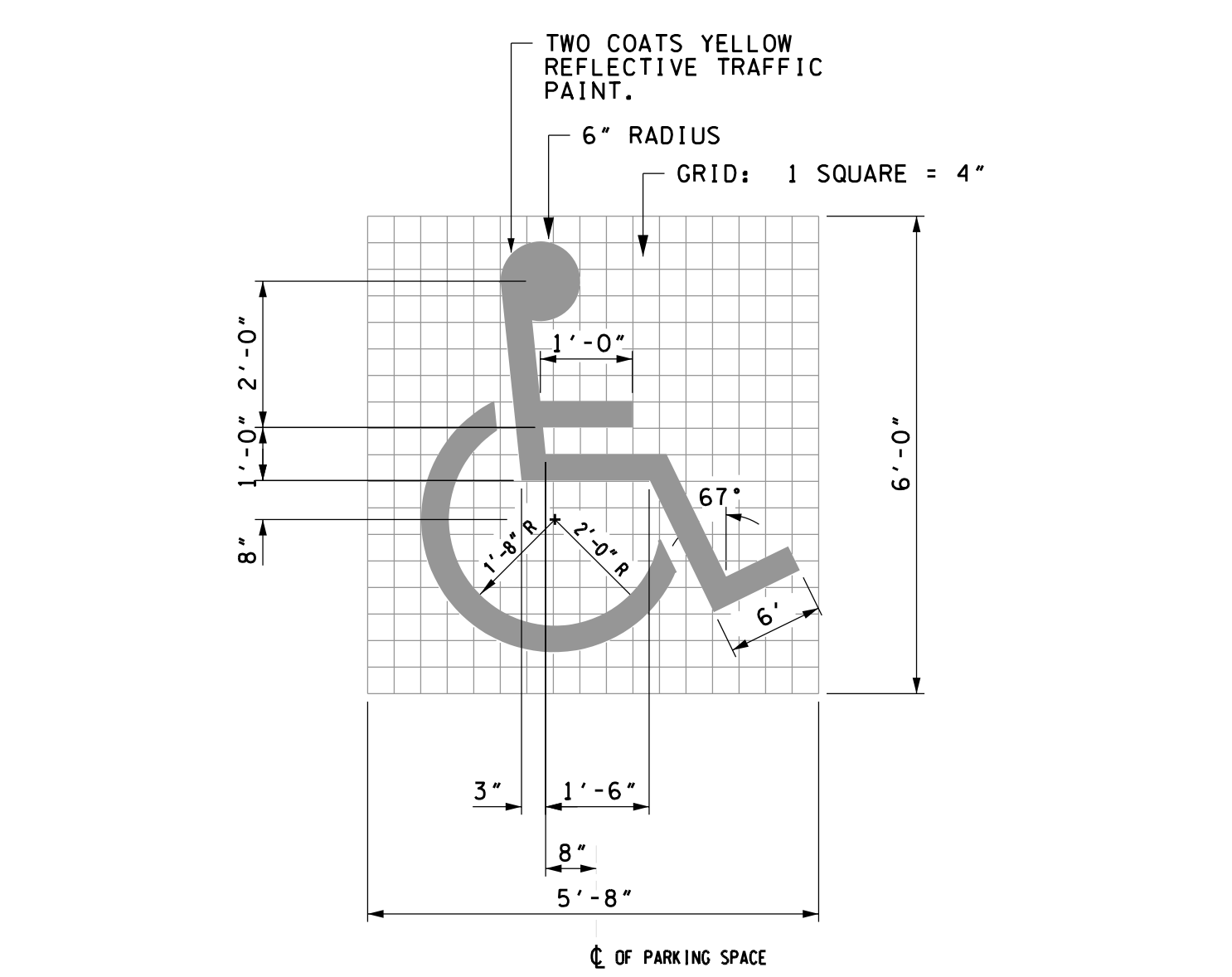
EXTRUDED CURB DETAIL  
N.T.S.

8



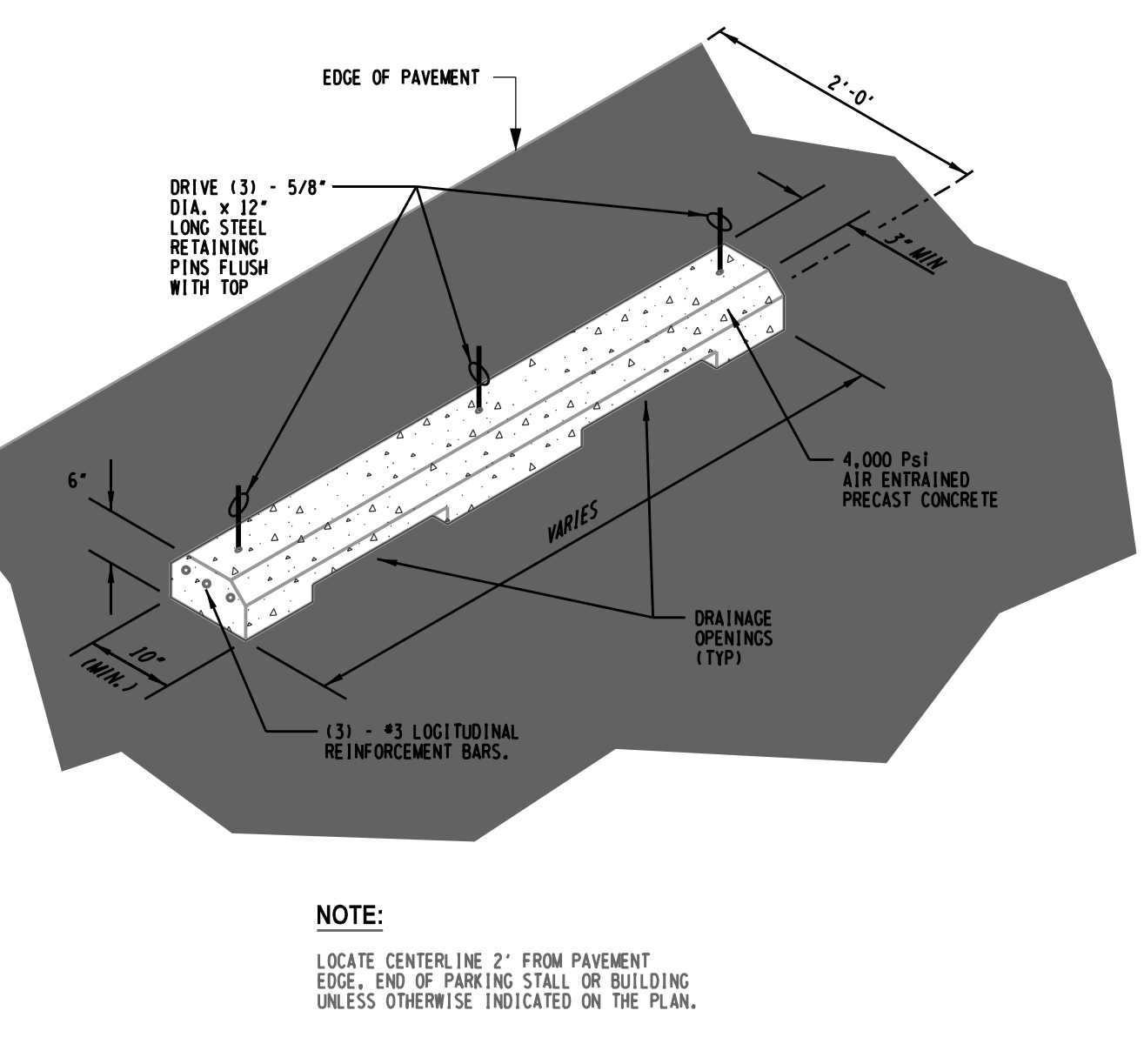
HANDICAP PARKING LAYOUT DETAIL (MULTIPLE)  
N.T.S.

9



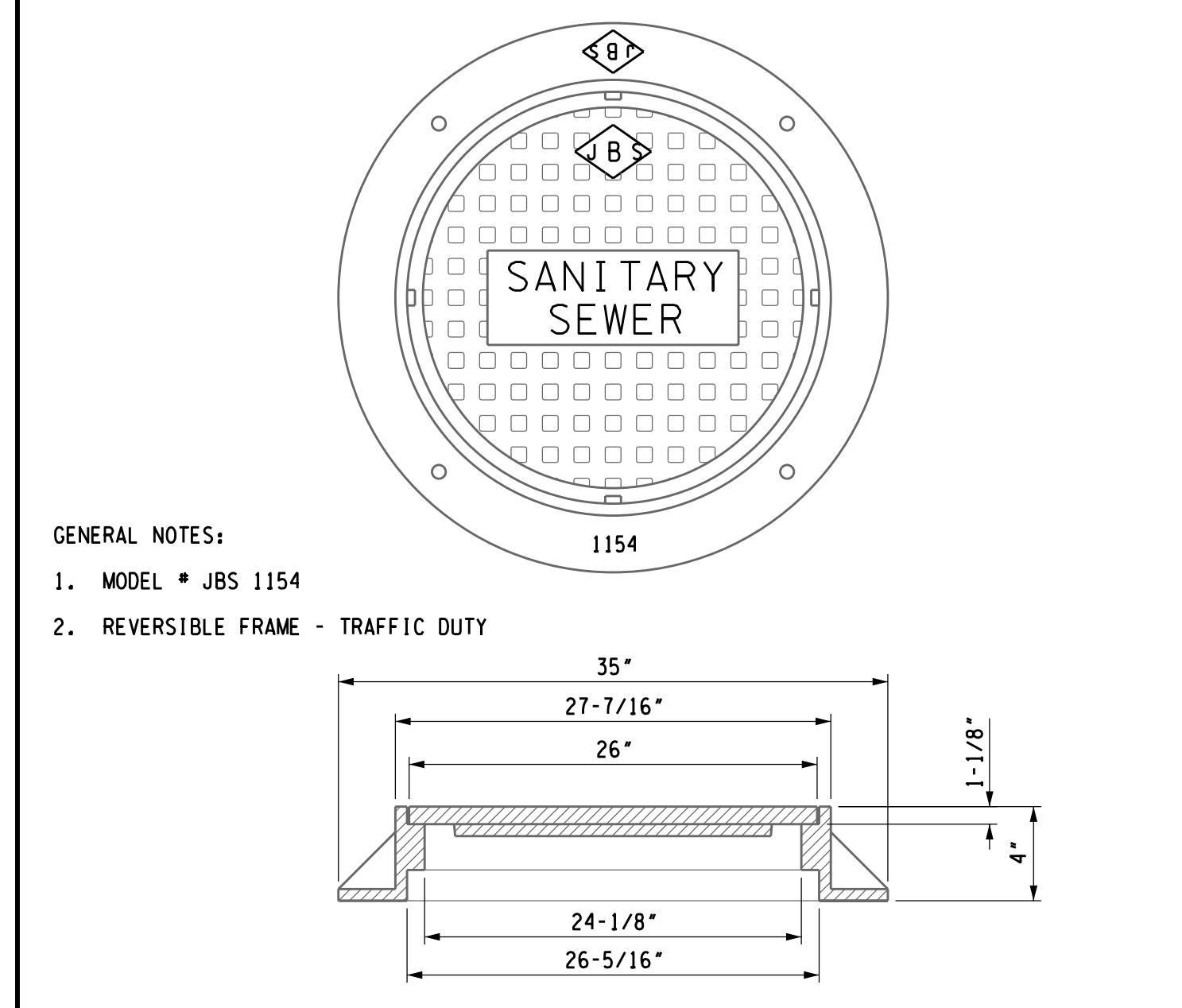
HANDICAP SYMBOL DETAIL  
N.T.S.

10



PARKING BUMPER DETAIL  
N.T.S.

11



MANHOLE COVER DETAIL  
N.T.S.

12

**BPE**  
BRYAN PRICE ENGINEERING  
865 COKER FORD ROAD  
PORTLAND, TENNESSEE 37148  
PHONE: 615-481-3176  
EMAIL: BRYAN.PRICE@REAGAN.COM

DATE: \_\_\_\_\_  
REVISIONS: \_\_\_\_\_  
DRAWN BY: \_\_\_\_\_  
CHECKED BY: \_\_\_\_\_  
APPROVED BY: \_\_\_\_\_

DATE: DECEMBER 2017  
DRAWN BY: PRICE  
CHECKED BY: PRICE  
APPROVED BY: PRICE

CIVIL SITE DETAILS  
PEAY PARK SPLASH PAD  
CITY OF GOODLETTSVILLE  
DAVIDSON COUNTY, TENNESSEE

SHEET NO. C5.0  
JOB NO. 0301-02