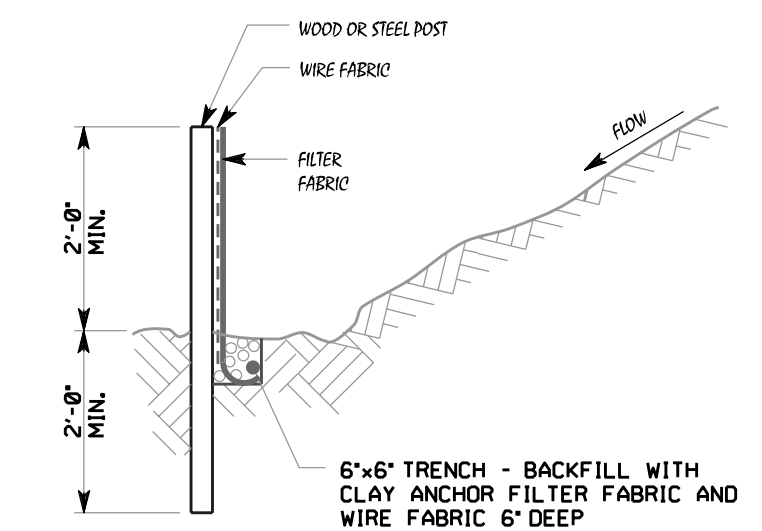


TEMPORARY CONSTRUCTION ENTRANCE DETAIL  
N.T.S.

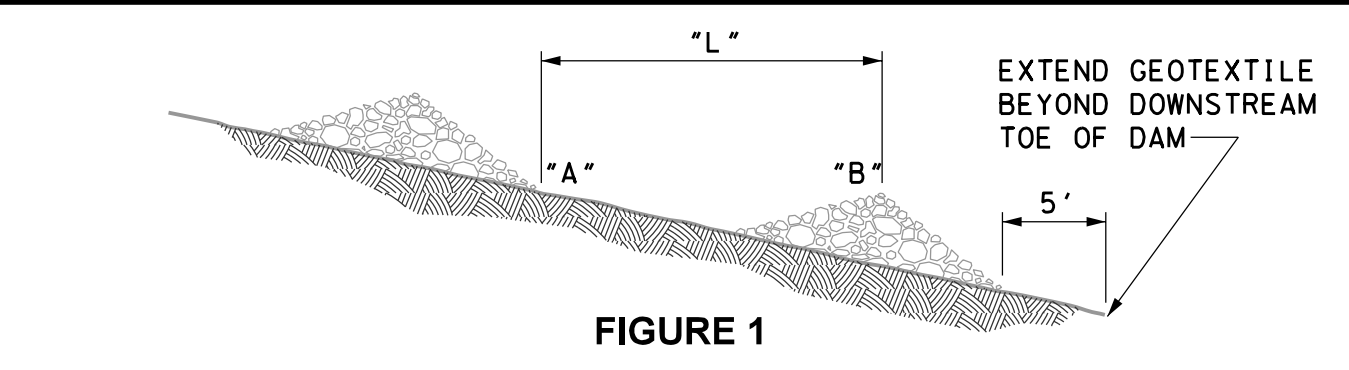
1



- NOTES:
1. FILTER FABRIC FENCE TO BE PLACED PRIOR TO START OF ROUGH GRADING.
  2. STEEL POSTS SHALL BE APPROVED BY OWNER PRIOR TO USE.
  3. WOOD POSTS SHALL BE 2" x 2" MIN. OAK OR SIMILAR HARDWOOD.
  4. POSTS SHALL BE SPACED AT 6' INTERVALS.
  5. WIRE FABRIC & FILTER FABRIC SHALL BE SECURELY BOUND TO POSTS WITH EITHER STAPLES OR WIRE TIES.
  6. FILTER FABRIC SHALL BE POLYPROPYLENE FABRIC WITH EQUIVALENT OPENING SIZE (EOS) OF NO. 100 SIEVE MIN., NO. 40 SIEVE MAX., AS DETERMINED BY CORPS OF ENGINEERS GUIDE SPEC. CW 02215.

SILT FENCE DETAIL  
N.T.S.

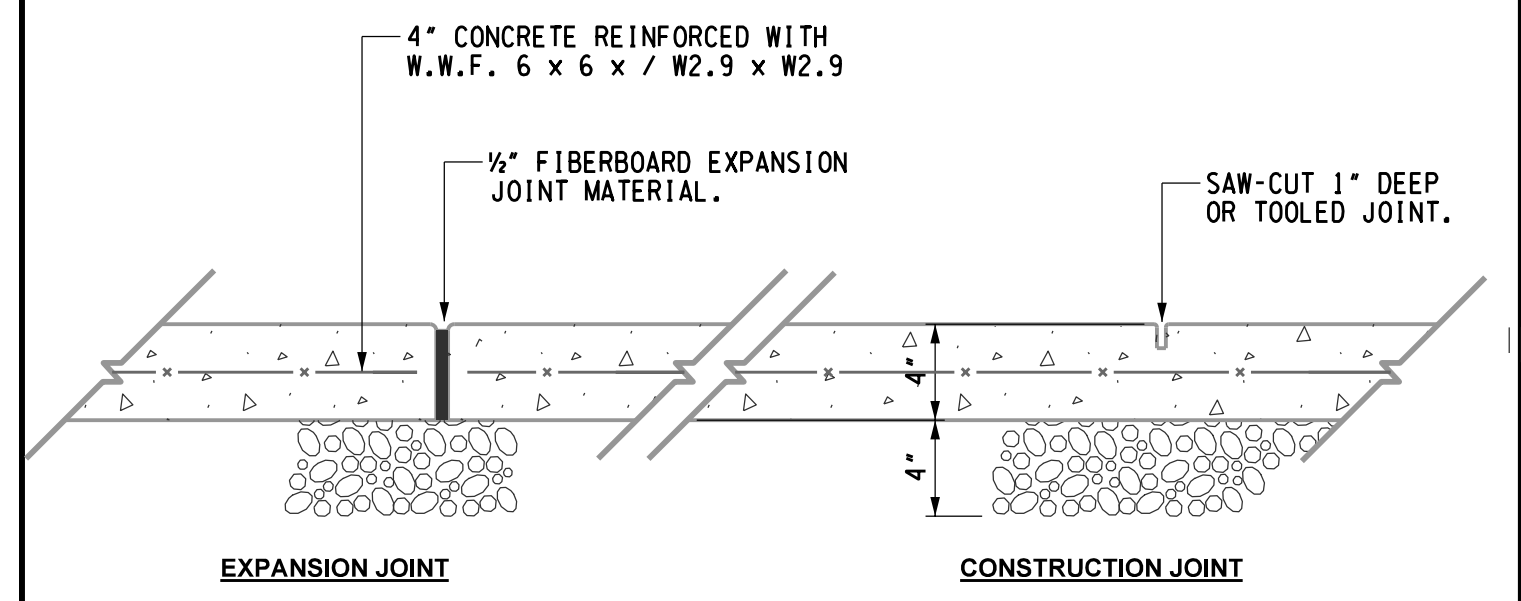
2



- NOTES:
1. SEE PLAN FOR STONE CHECK DAM OR ROCK CHECK DAM INSTALLATION
  2. L = THE DISTANCE SUCH THAT POINTS "A" AND "B" ARE OF EQUAL ELEVATION.

SECTION "A-A"  
ROCK CHECK DAM DETAIL  
N.T.S.

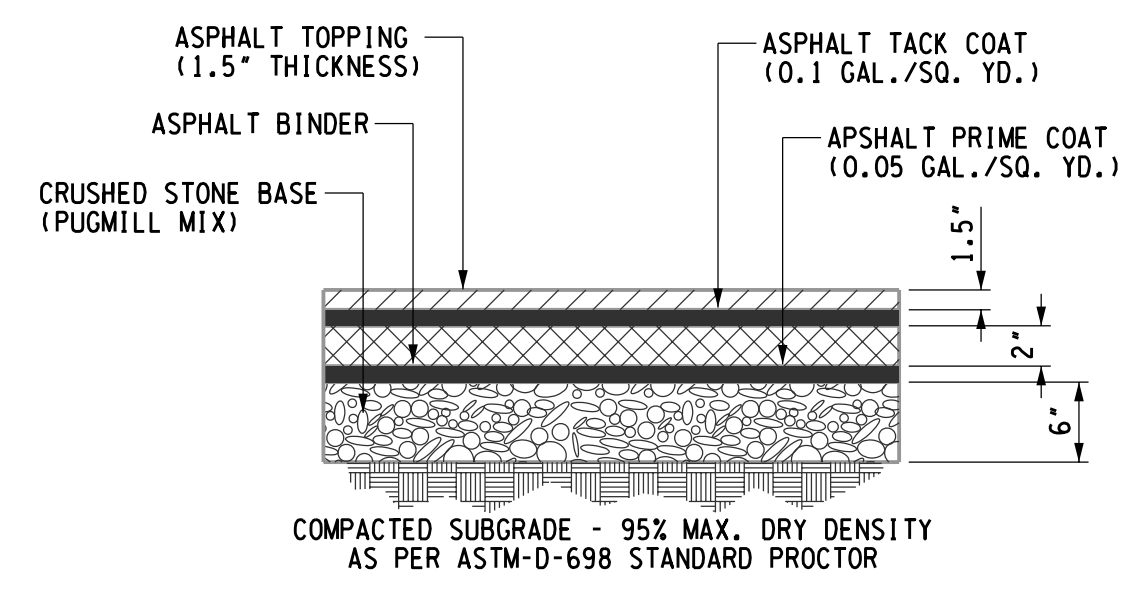
3



- NOTES:
1. EXPANSION JOINTS: 1/2" WIDE, FULL DEPTH, AT MAXIMUM OF 30' LONGITUDINAL INTERVALS, AT ALL ABUTTING STRUCTURES, DRIVEWAYS AND TANGENT POINTS OF RADIUS RETURNS.
  2. TOOLED CURB CONTROL JOINTS: 1/2" WIDE, 1" DEEP, SPACING TO APPROXIMATE SIDEWALK WIDTH.
  3. ALL CONCRETE TO COMPLY WITH ACI 318 WITH A MINIMUM COMPRESSIVE STRENGTH OF 4,000 PSI @ 28 DAYS.
  4. CONCRETE TO BE AIR-ENTRAINED WITH AN AIR CONTENT OF 4-6%.
  5. JOINTS TO BE FILLED WITH BITUMINOUS EXPANSION MATERIAL.

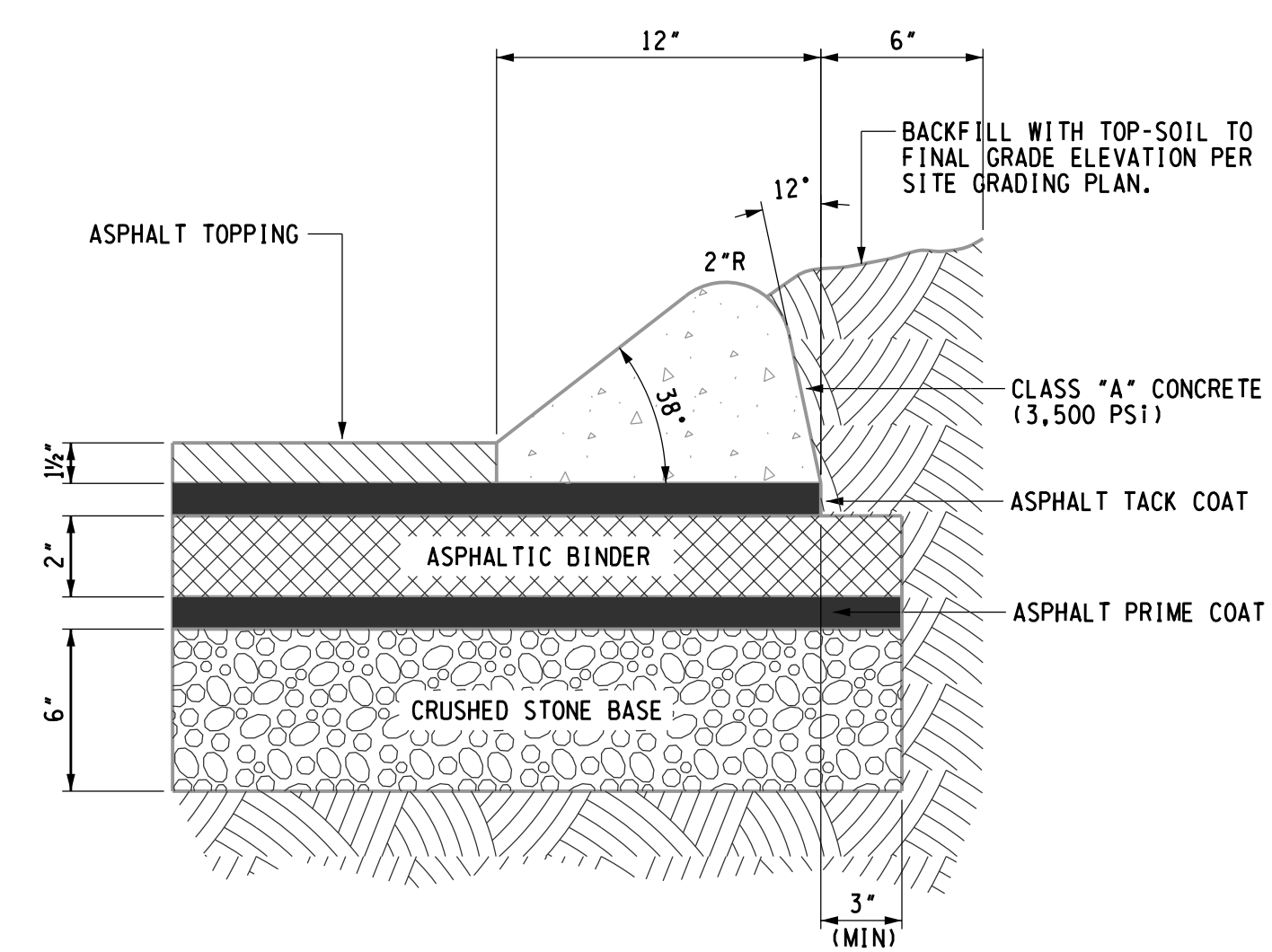
CONCRETE SIDEWALK DETAIL  
N.T.S.

4



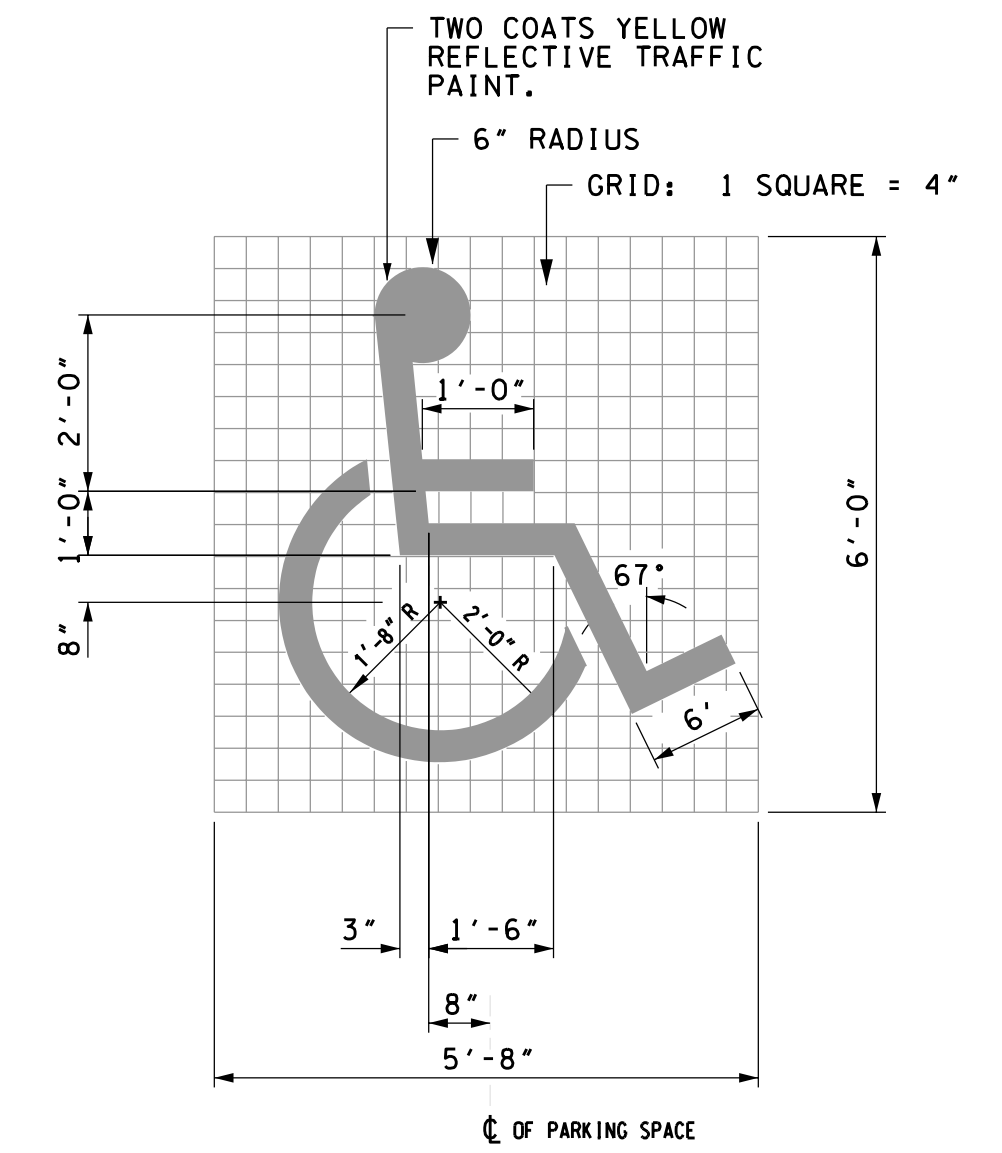
PAVEMENT DETAIL  
N.T.S.

5



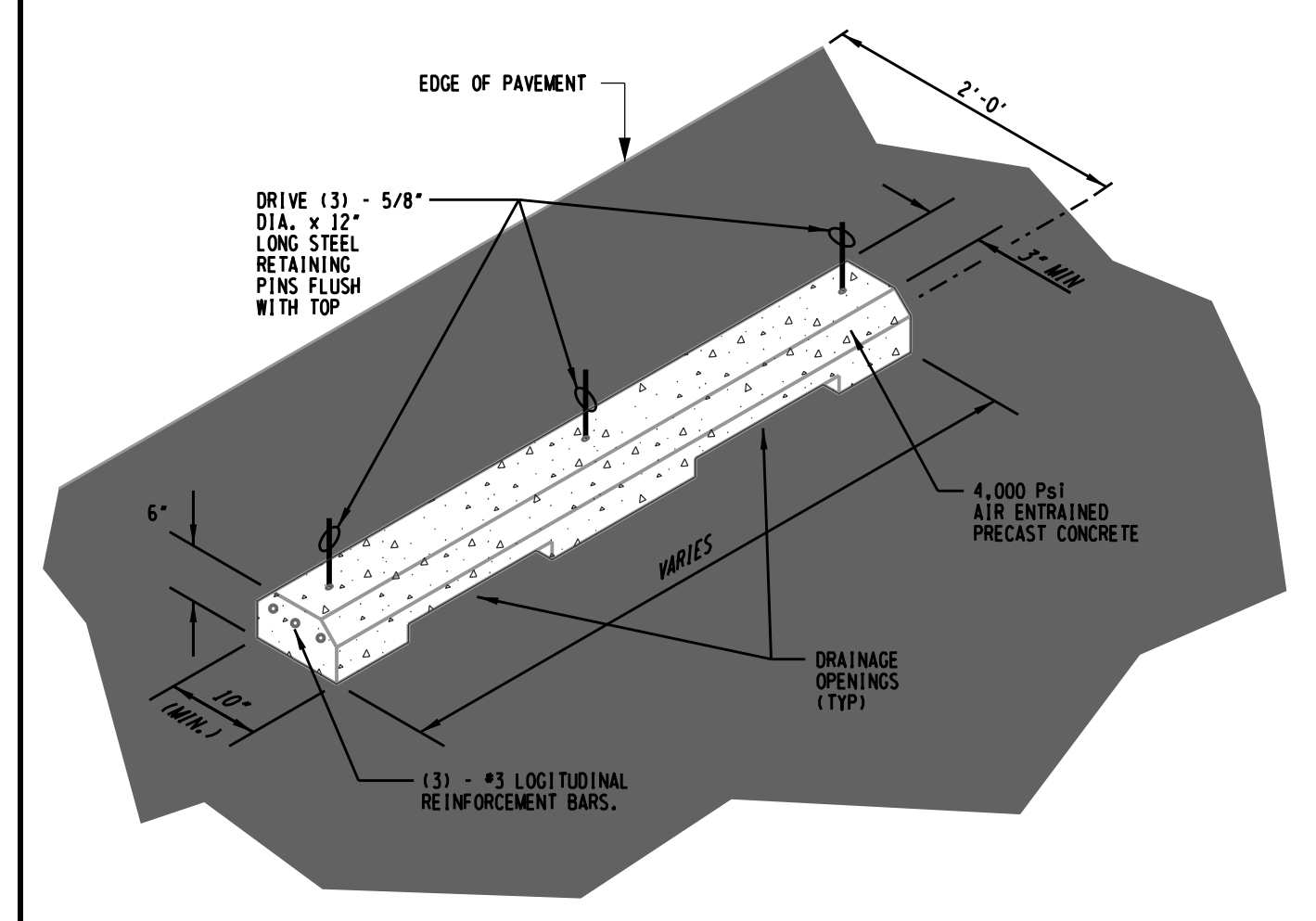
EXTRUDED CURB DETAIL  
N.T.S.

6



HANDICAP SYMBOL DETAIL  
N.T.S.

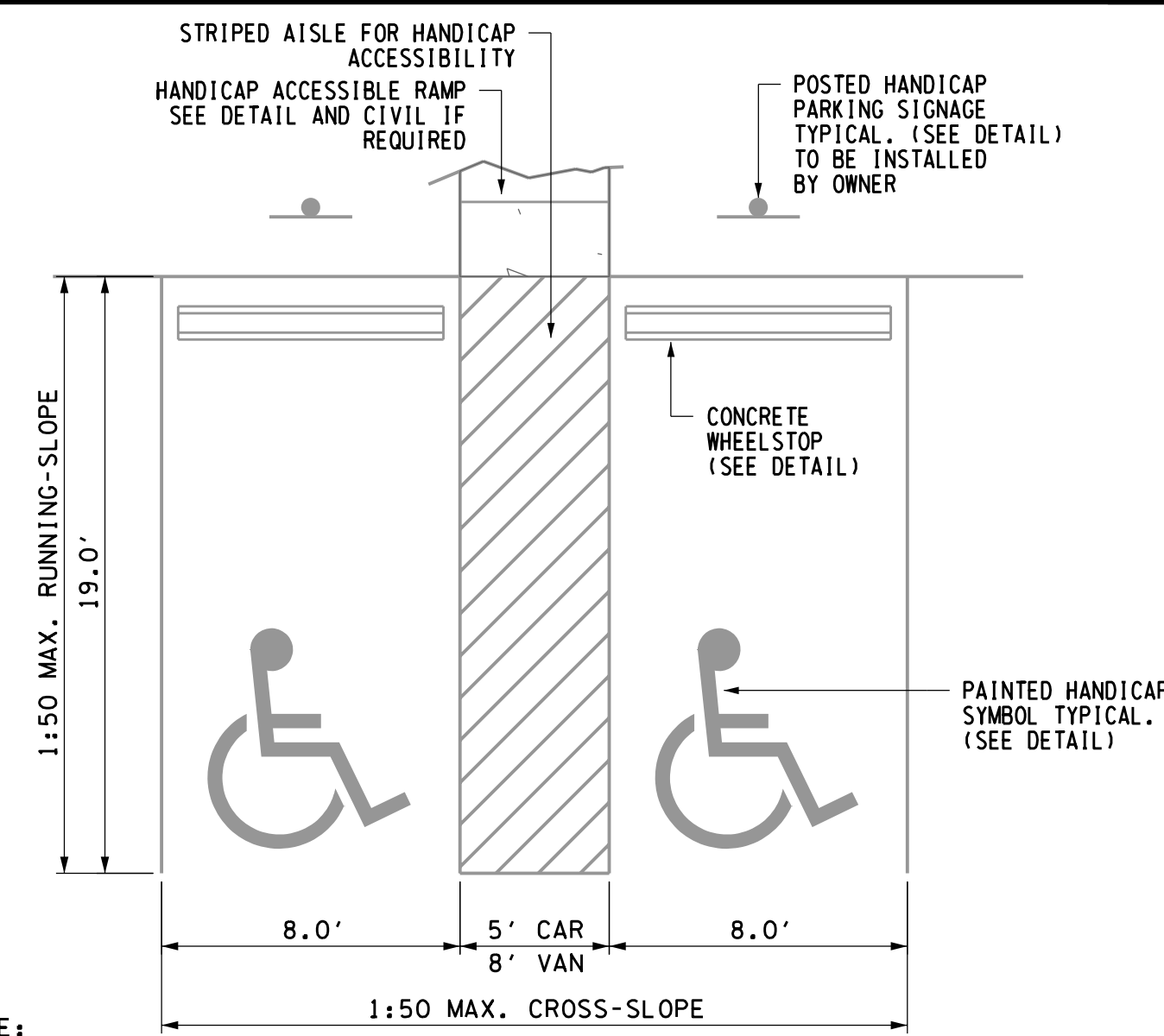
7



- NOTE:
- LOCATE CENTERLINE 2' FROM PAVEMENT EDGE, END OF PARKING STALL OR BUILDING UNLESS OTHERWISE INDICATED ON THE PLAN.

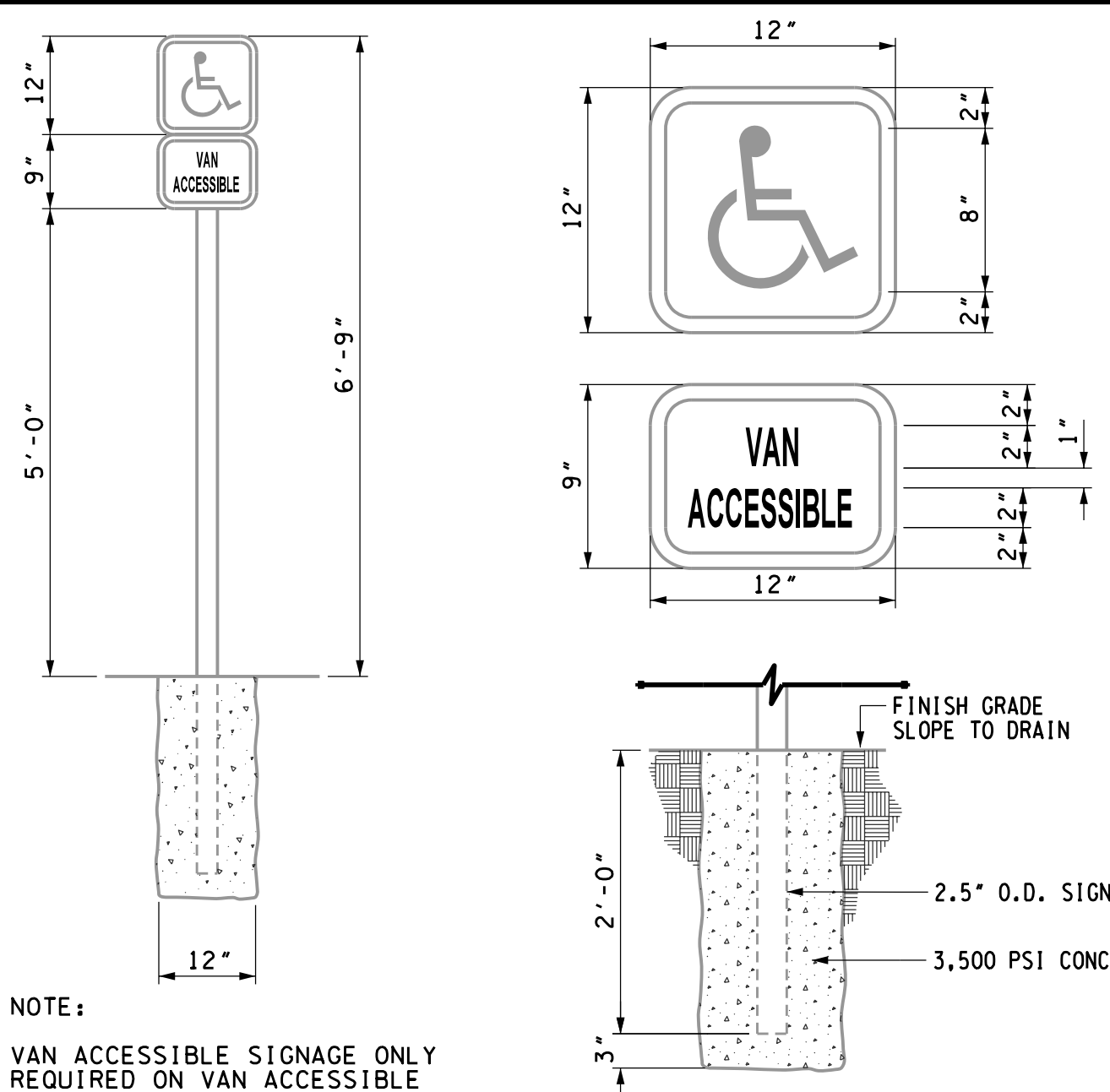
PARKING BUMPER DETAIL  
N.T.S.

8



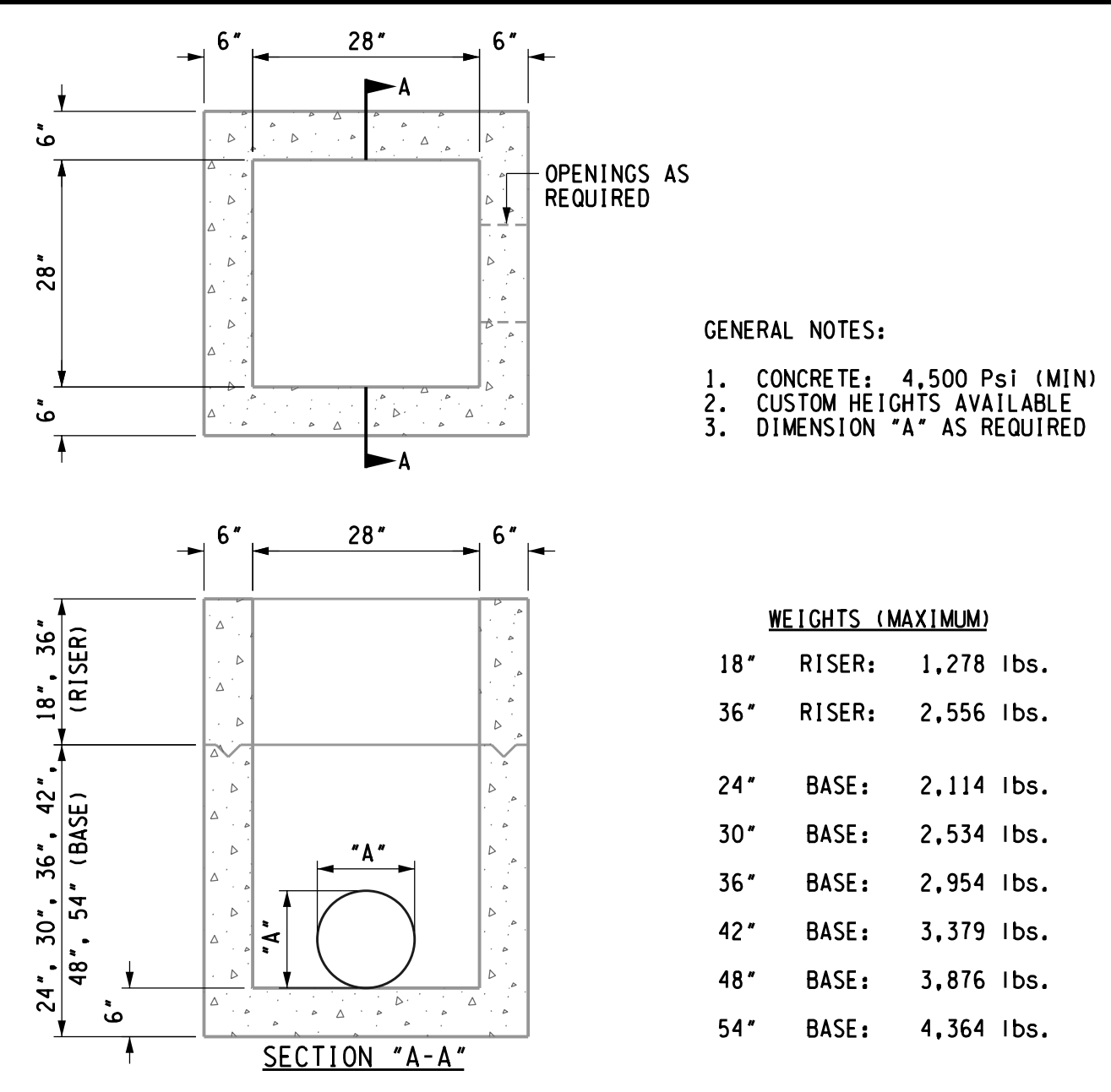
HANDICAP PARKING LAYOUT DETAIL (MULTIPLE)  
N.T.S.

9



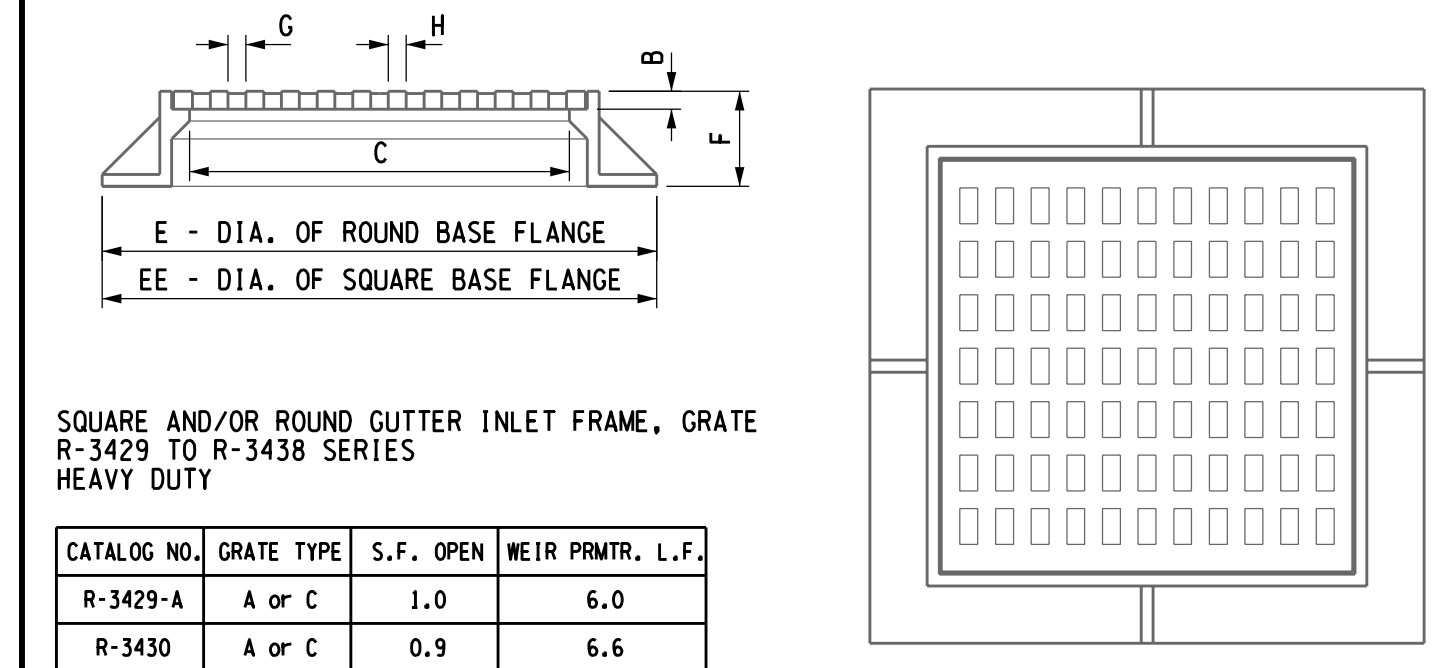
HANDICAP SIGN DETAIL  
N.T.S.

10



CATCH BASIN DETAIL  
N.T.S.

11



SQUARE AND/OR ROUND GUTTER INLET FRAME, GRATE R-3429 TO R-3438 SERIES HEAVY DUTY

CATALOG NO.	GRATE TYPE	S.F. OPEN	WEIR PRMT. L.F.
R-3429-A	A or C	1.0	6.0
R-3430	A or C	0.9	6.6
R-3433	A or C	1.5	8.0
R-3433	L	1.6	7.9
R-3437	A or C	3.3	12.0
R-3438-A	A or C	7.0	16.6

CATALOG NO.	A	B	C	E	EE	F	G	H
R-3429-A	18x18	1-1/2	16-1/4x16-1/4	30" DIA.	-	6	2-1/4x4-1/4	1
R-3430	20x20	1-3/4	18x18	36" DIA.	31x31	5	1-3/8x3-1/2	1-1/4
R-3433**	24x24	2	22x22	38" DIA.	35x35	6	1-3/4x6	1-3/8
R-3437*	36x36	1-3/4	34x34	-	45x45	7	2x4	1-3/8
R-3438-A	50x50	1-3/4	48x48	-	59x59	8	1-1/2x6-1/4	1-3/8

SQUARE/ROUND INLET FRAME GRATE DETAIL  
N.T.S.

12

**BPE**  
BRYAN PRICE ENGINEERING  
865 COKER FORD ROAD  
PORTLAND, TENNESSEE 37148  
PHONE: 615-481-3176 EMAIL: BRYAN.PRICE@REAGAN.COM

DATE: 01-13-2019  
REVISIONS:  
REVISED AFTER BID  
BRYAN PRICE ENGINEERING  
REGISTERED PROFESSIONAL ENGINEER  
NO. 11389  
STATE OF TENNESSEE  
2019

DATE: JANUARY 2019  
DRAWN BY: PRICE  
CHECKED BY: PRICE  
APPROVED BY: PRICE

CIVIL SITE DETAILS  
PEAY PARK SPLASH PAD  
CITY OF GOODLETTSVILLE  
DAVIDSON COUNTY, TENNESSEE

SHEET NO. C5.0  
JOB NO. 0301-02

SDATES  
SFILES