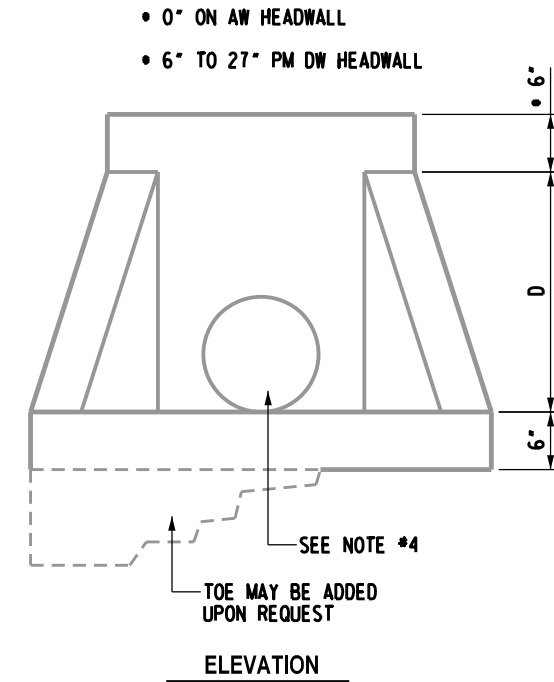


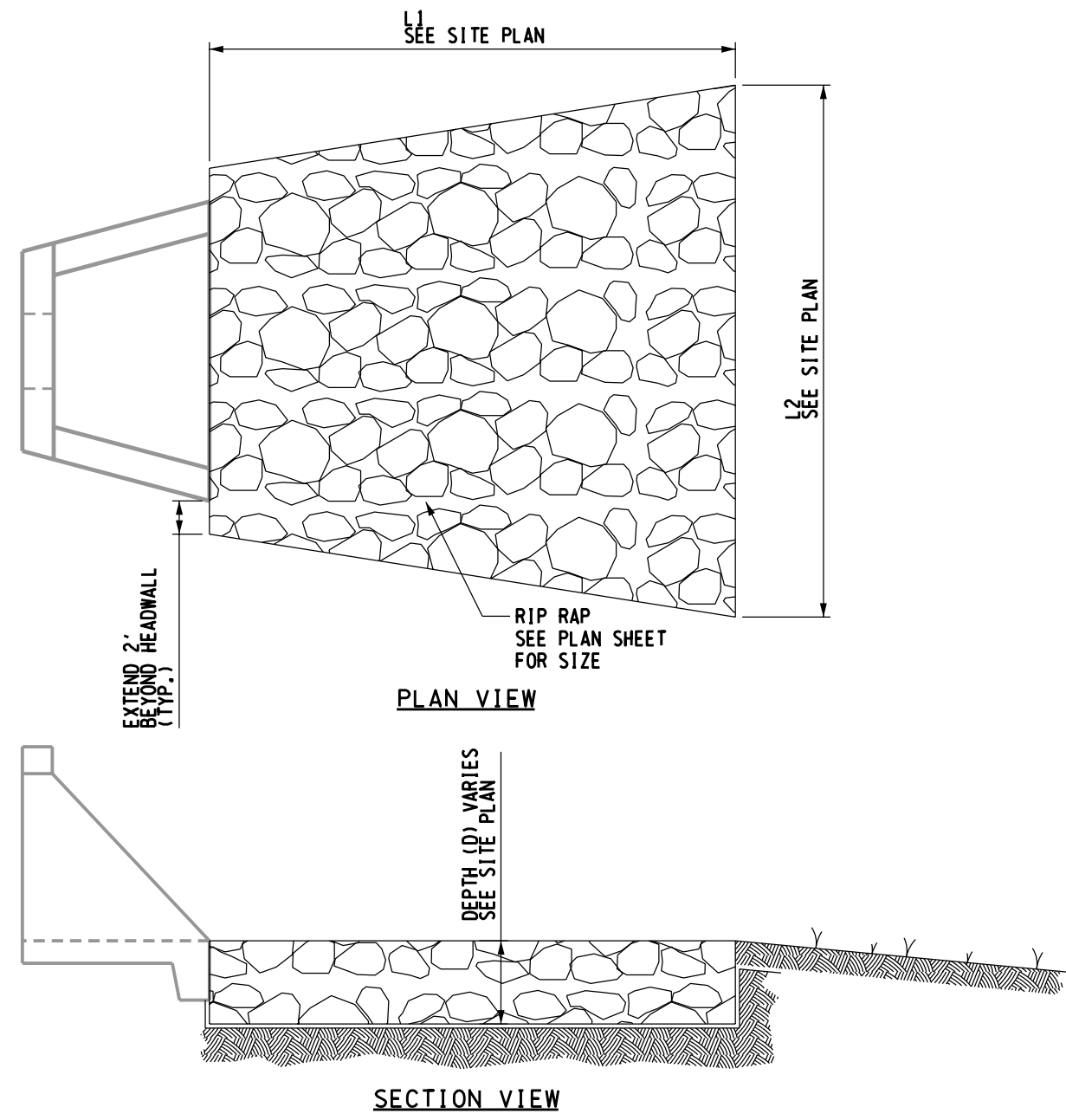
DIM.	SIZE:			
	AW	BW	CW	DW
A	32"	48"	80"	99"
B	48"	72"	102"	120"
C	30"	44"	54"	56"
D	26"	36"	54"	60"
E	24"	36"	64"	83"
F	6"	8"	8"	8"
MAX./OPC	22"	32"	55"	75"
WT./LBS	1,380	3,100	8,100	11,400

- GENERAL NOTES:
- MINIMUM REINFORCING WIRE REINFORCEMENT 4x4 W#17.
 - f' - 4,500 Psi
 - f_y - 60 Ksi
 - PIPE OPENING IN FACE OF WALL WILL EQUAL PIPE I.D. FOR 12"-36" DIAMETER PIPES.



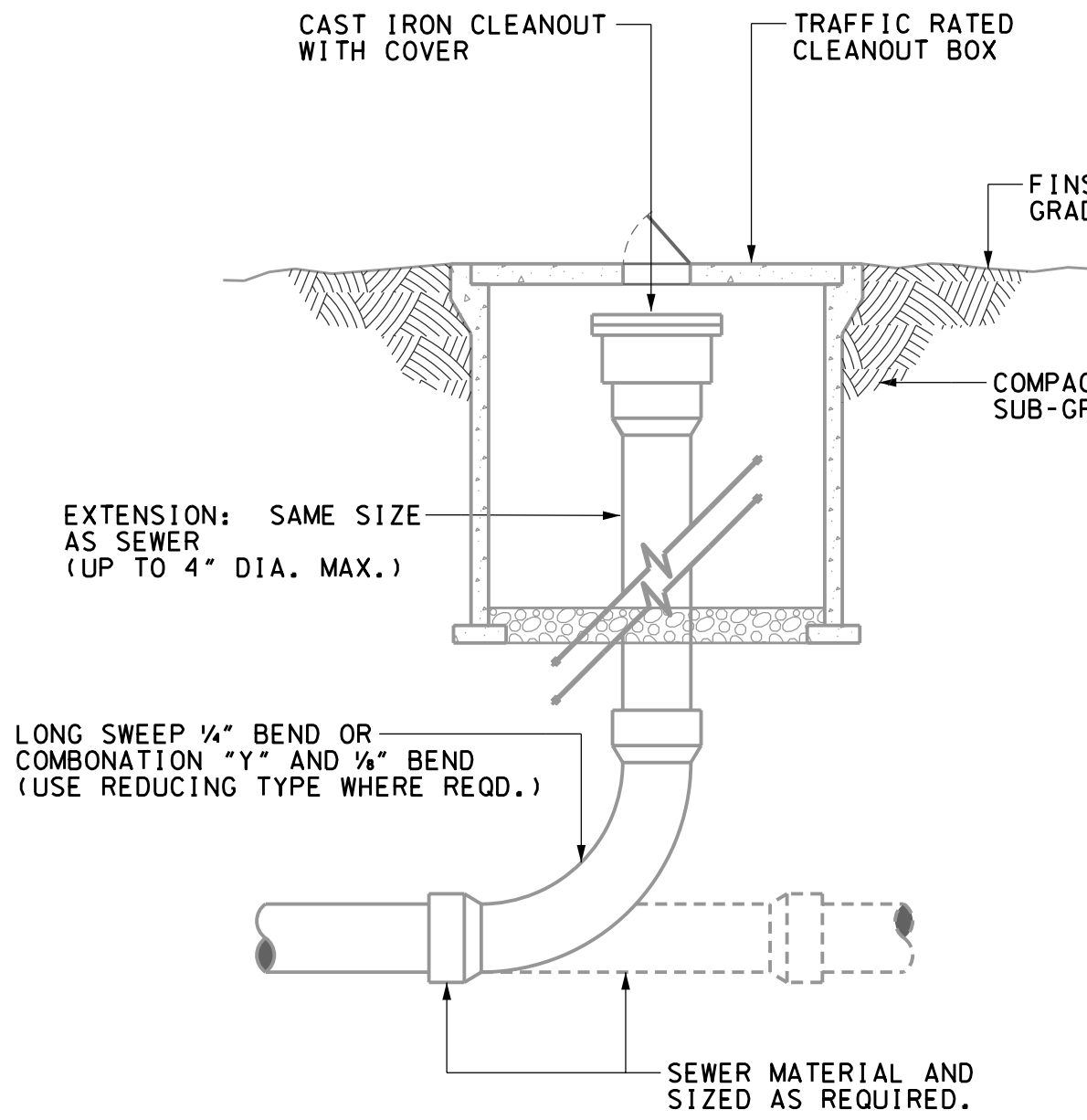
WINGED HEADWALL DETAIL
N.T.S.

13



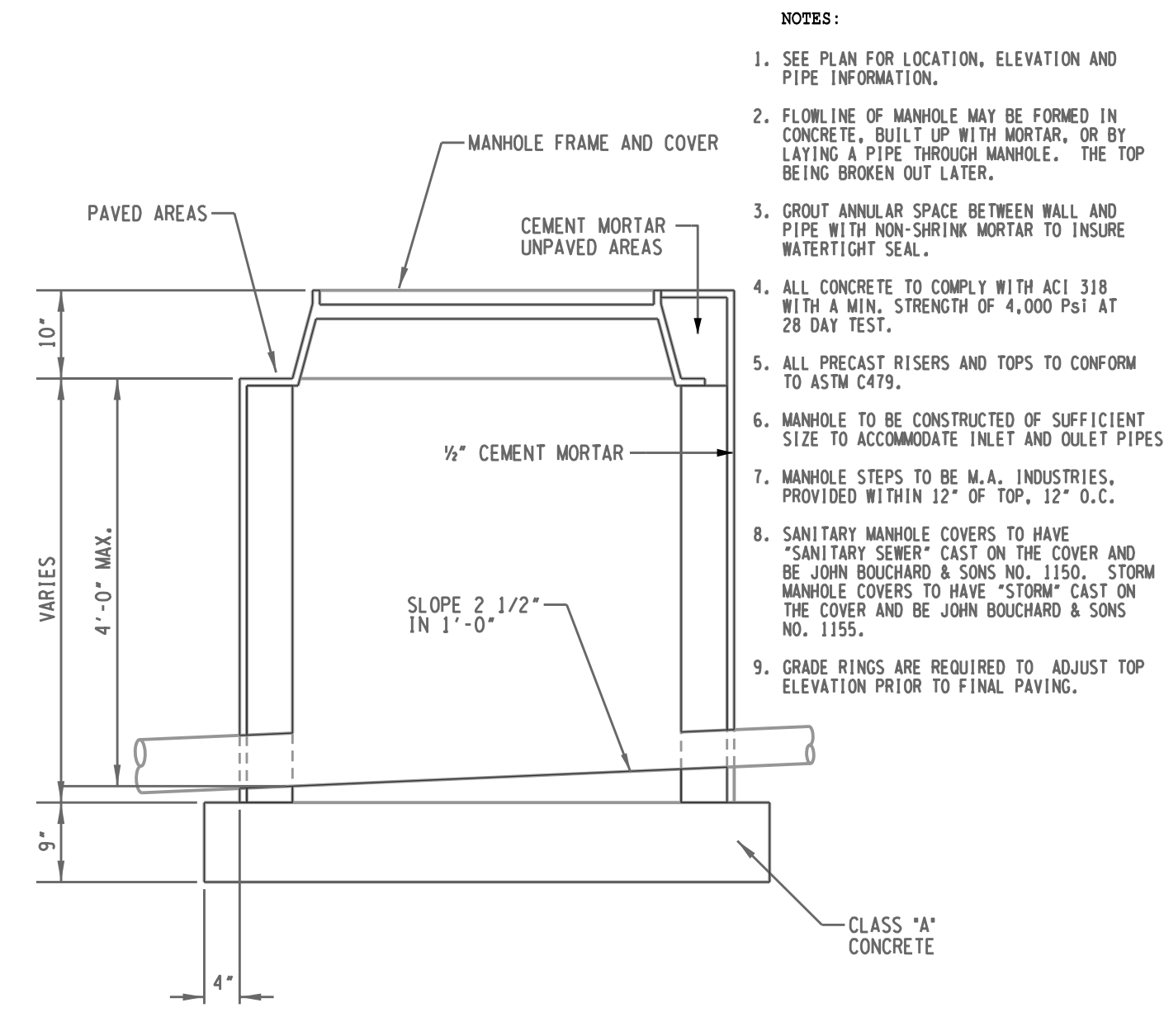
HEADWALL OUTFALL
N.T.S.

14



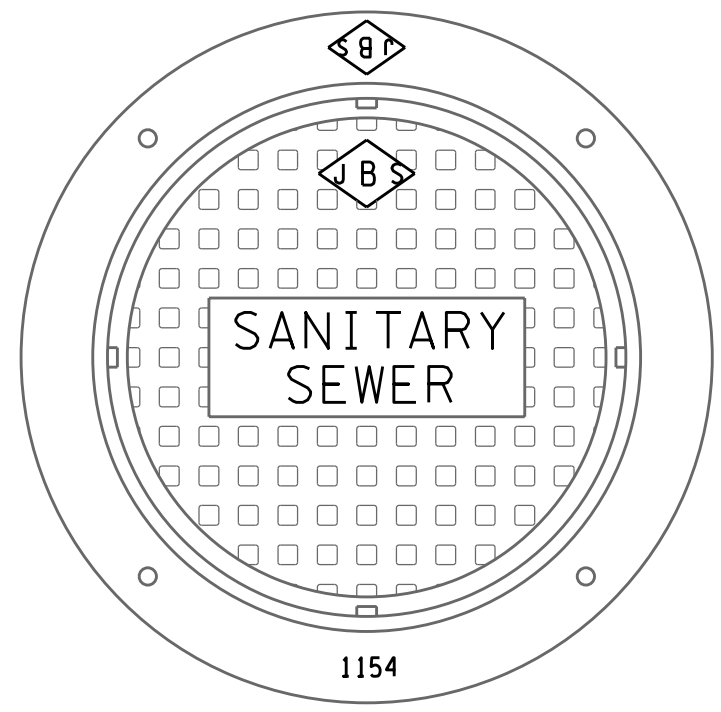
SEWER CLEANOUT WITH BOX DETAIL
N.T.S.

15

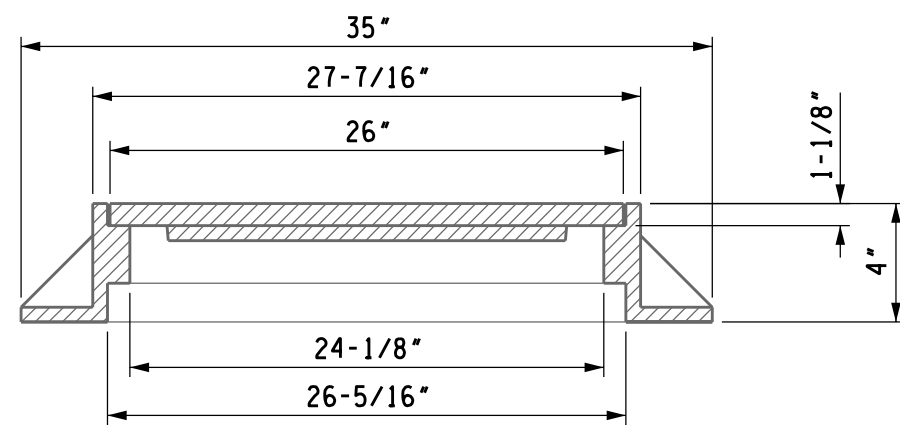


SHALLOW MANHOLE DETAIL
N.T.S.

16

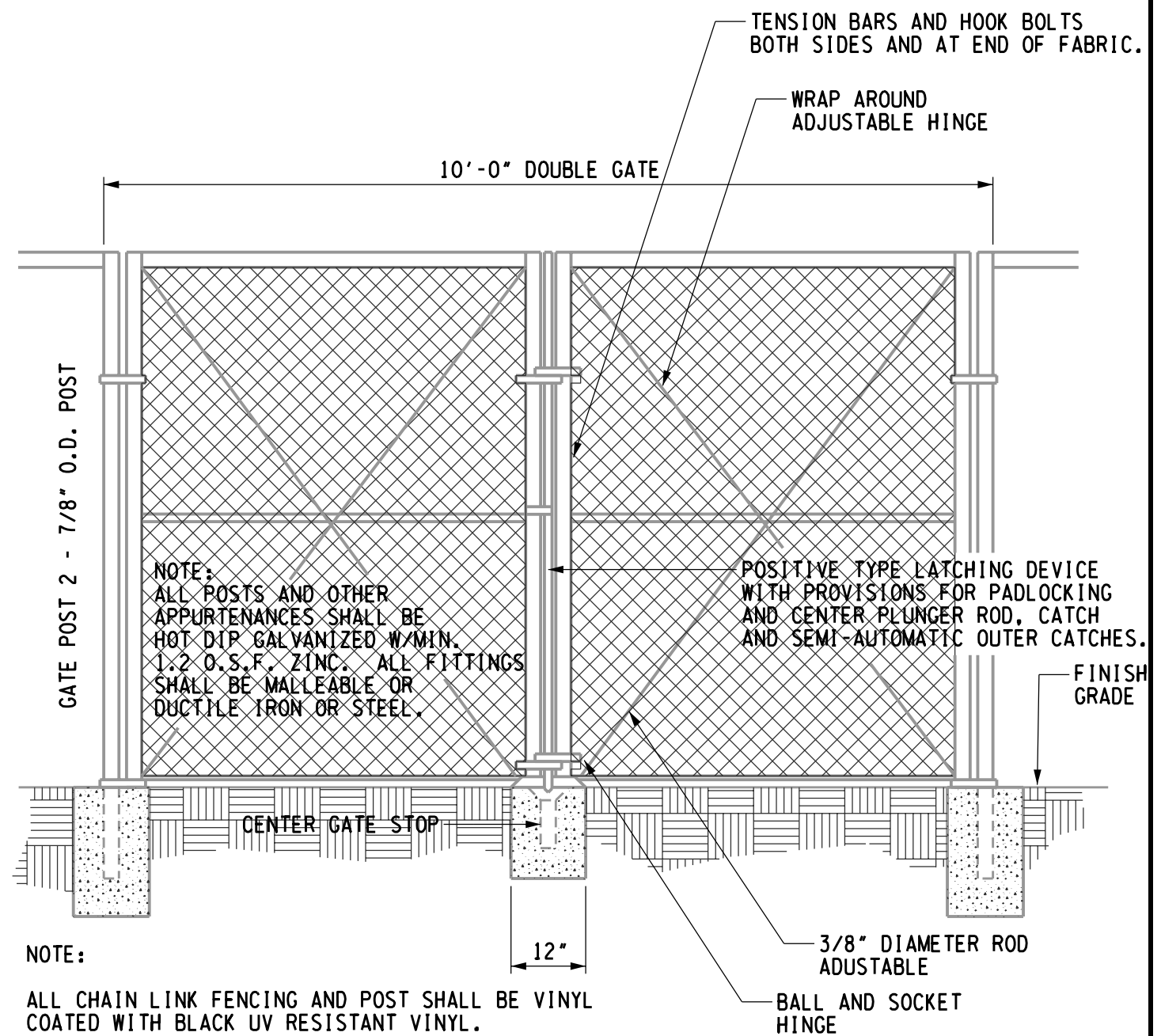


- GENERAL NOTES:
- MODEL # JBS 1154
 - REVERSIBLE FRAME - TRAFFIC DUTY



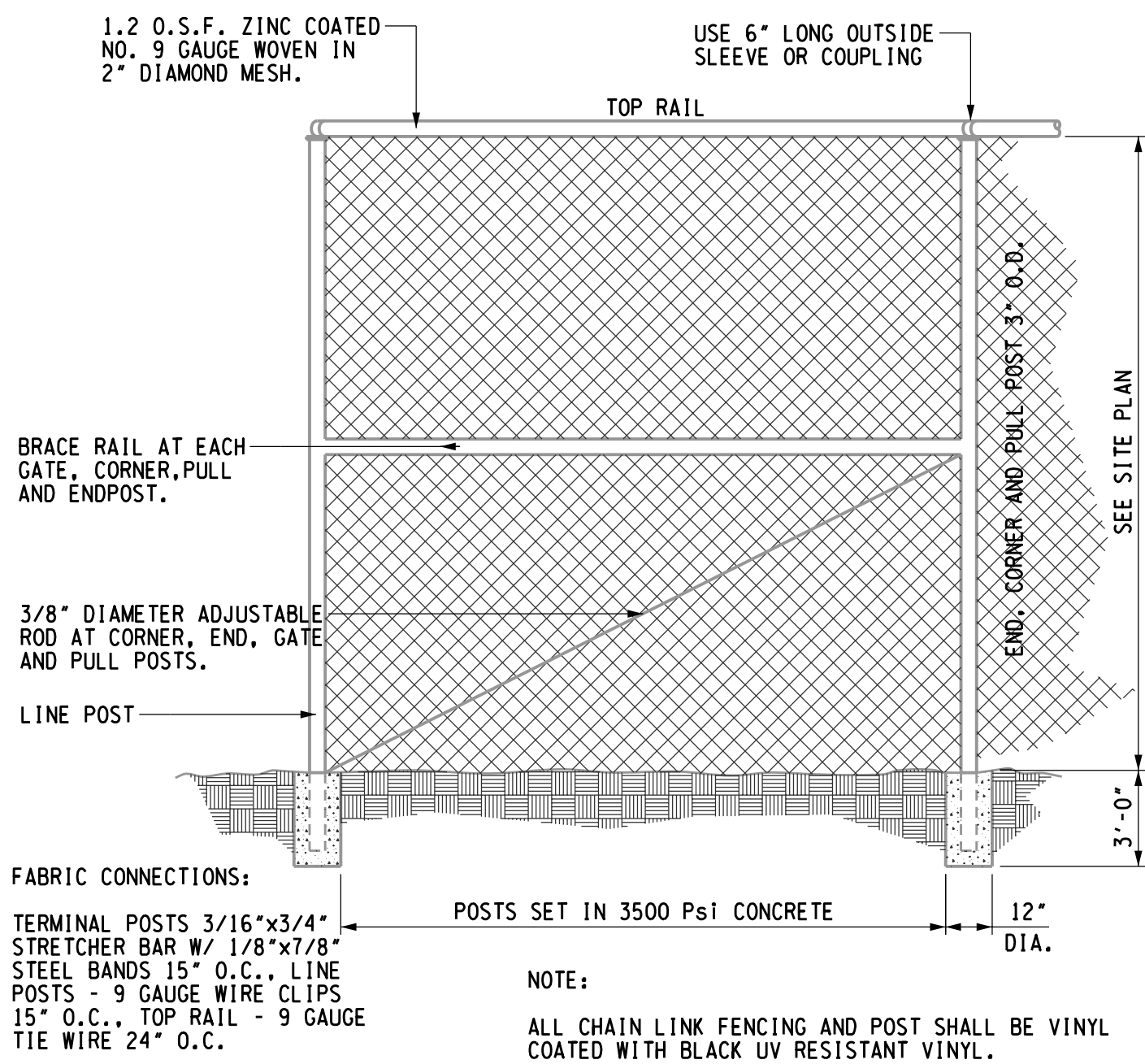
MANHOLE COVER DETAIL
N.T.S.

17



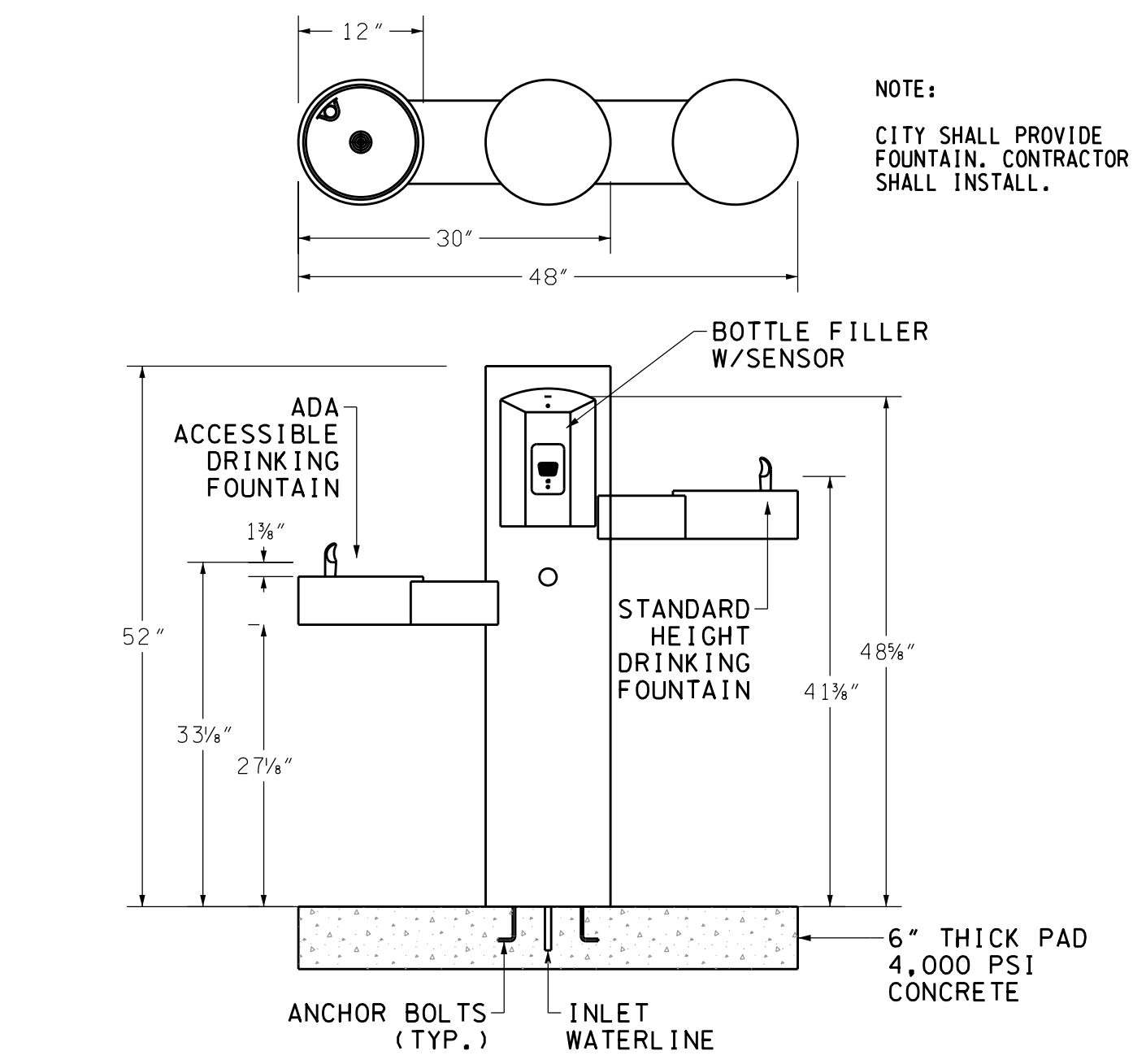
BLACK VINYL COATED LEAF GATE DETAIL
N.T.S.

18



BLACK VINYL COATED CHAIN-LINK FENCE DETAIL
N.T.S.

19



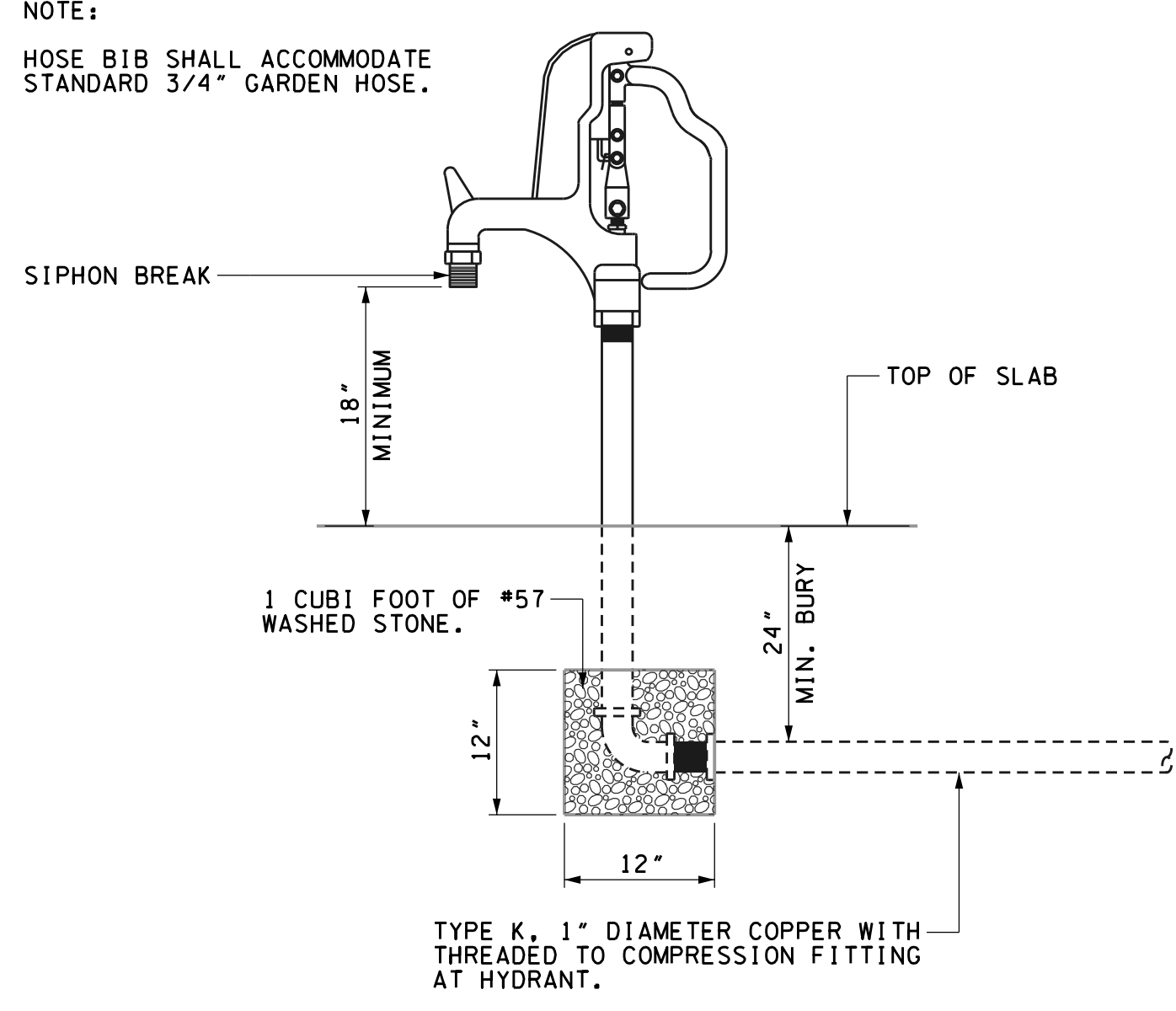
PEDESTAL MOUNTED BOTTLE FILLER W/ BI-LEVEL DRINKING FOUNTAIN (1 OF 2)
N.T.S.

20

- NOTES:
- ADULT ADA COMPLIANT
 - PUSH BUTTON AND HANDS FREE SENSOR OPERATED BOTTLE FILLER
 - BATTERY PACK 6-AA
 - LAMINAR FLOW WATER SUPPLY TO BOTTLE FILLER
 - SUNLIGHT, HEAT, MOISTURE AND WEAR RESISTANT TO LIGHT.
 - 18 GAGE, 304 STAINLESS STEEL DRINKING FOUNTAIN BOWLS.
 - 12 GAGE, HEAVY DUTY STAINLESS STEEL CONSTRUCTION W/ CORROSION AND SCRATCH RESISTANT FINISH.
 - STAINLESS STEEL, ANTI-ROTATION NON-SQUIRT BUBBLER.
 - 100 MESH INLET STRAINER
 - LEAD AND CYST FILTER.
 - ACCESS COVER, HEAVY DUTY STAINLESS STEEL VANDAL RESISTANT.

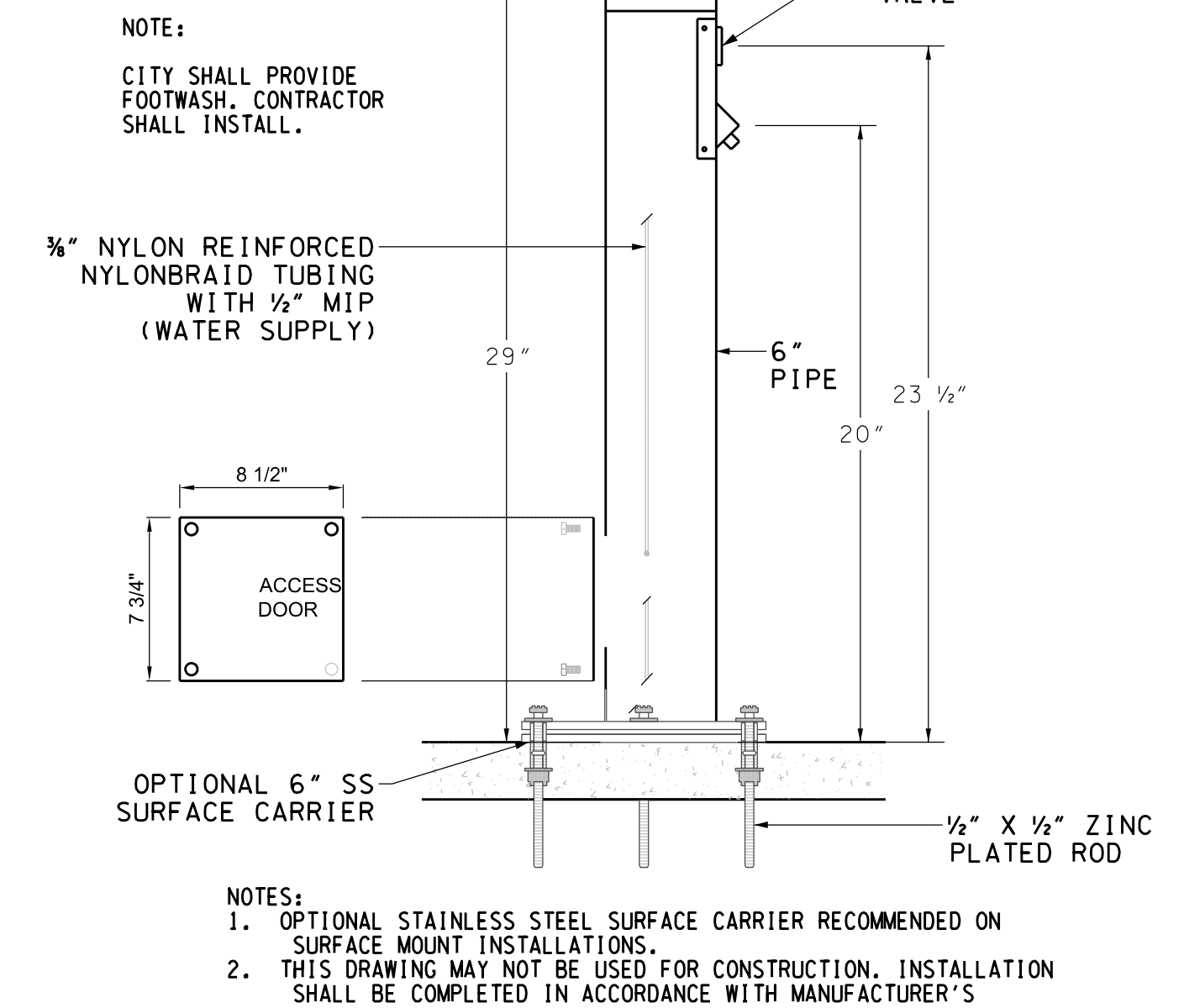
PEDESTAL MOUNTED BOTTLE FILLER W/ BI-LEVEL DRINKING FOUNTAIN NOTES (2 OF 2)
N.T.S.

21



STANDARD YARD HYDRANT (NON-FREEZE) DETAIL
N.T.S.

22



MOST DEPENDABLE MODEL 525 SM FOOT TOWER OR APPROVED EQUAL (1 OF 2)
N.T.S.

23

- NOTES:
- STAINLESS STEEL PEDESTAL, ONE PIECE WELDED CONSTRUCTION WITH STANDARD 304 SCHEDULE 10 STAINLESS STEEL
 - PUSH BAR SHALL BE 304 STAINLESS STEEL WITH CIRCUMFERENCE EXCEEDING 8.6" MUSHROOM STYLE PUSH BAR OVERLAPS AND PREVENTS SAND AND DEBRIS FROM STICKING THE PUSH BAR IN THE ON POSITION.
 - CONTROL VALVE SHALL REQUIRE LESS THAN FIVE (5) POUNDS TO OPERATE. SHALL CONTAIN NON CARTRIDGE O-RING. VALVE IS DESIGNED TO OPERATE AND FUNCTION AT 30 TO 80 PSI.
 - WATER SUPPLY SHALL BE MAINTENANCE-FREE REINFORCED NYLONBRAID TUBING AND FITTINGS, NSF-61 CERTIFIED, SUPPLIED WITH A 1/2" MIP THREADED INLET WITH A STAINLESS STRAINER.
 - FOUNTAIN SHALL HAVE A SURFACE MOUNT ANCHOR TO A CONCRETE PAD THROUGH A WELDED MOUNTING PLATE. SS SURFACE CARRIERS RECOMMENDED FOR ALL NEW INSTALLATIONS

MOST DEPENDABLE MODEL 525 SM FOOT TOWER OR APPROVED EQUAL (2 OF 2)
N.T.S.

24

BPE
BRYAN PRICE ENGINEERING
865 COKER FORD ROAD
PORTLAND, TENNESSEE 37148
PHONE: 615-481-3176
EMAIL: BRYAN.PRICE@REACAN.COM

DATE	REVISIONS
01-13-2019	
	REVISED AFTER BID

DATE	PRICE
JANUARY 2019	
DRAWN BY:	PRICE
CHECKED BY:	PRICE
APPROVED BY:	PRICE

CIVIL SITE DETAILS
PEAY PARK SPLASH PAD
CITY OF GOODLETTSVILLE
DAVIDSON COUNTY, TENNESSEE

SHEET NO.
C5.1
JOB NO. 0301-02