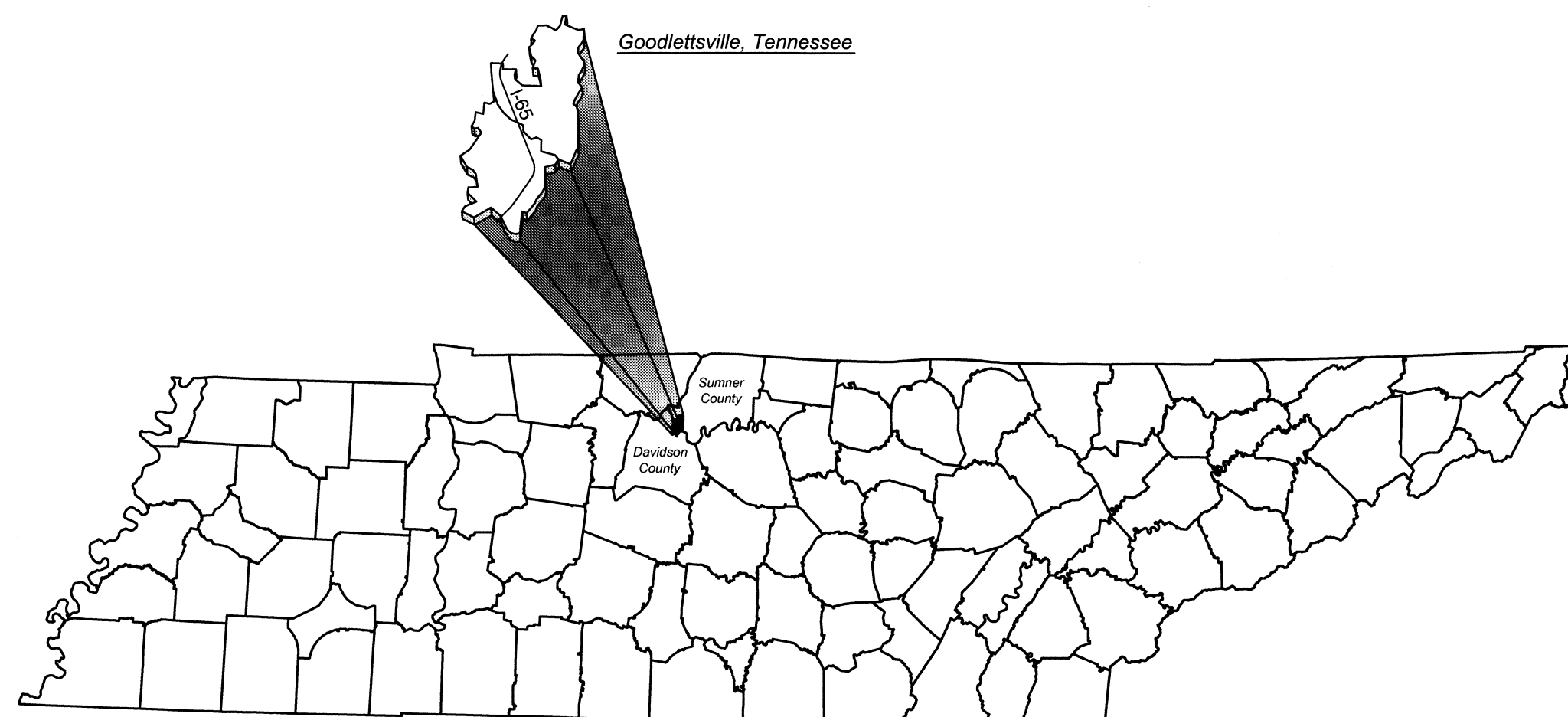


WASTERWATER SYSTEM IMPROVEMENTS MADISON CREEK & WYNRIDGE WAY INTERCEPTOR ADDITIONS

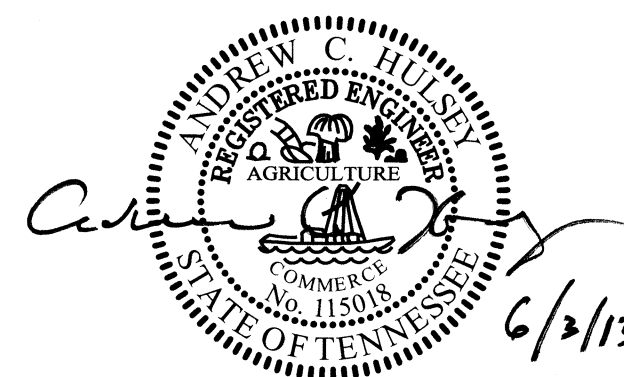
CITY OF GOODLETTSVILLE, TENNESSEE

DWG. No.	INDEX OF DRAWINGS
C-01 -	VICINITY MAP, LEGEND & UTILITY INFORMATION
C-02 -	MADISON CREEK RD. - 15" GRAVITY SEWER - STA. 0+00 TO STA. 10+43.20 E.O.L.
C-03 -	SOUTH WYNRIDGE WAY - 8" GRAVITY SEWER - STA. 0+00 TO STA. 4+53.32 E.O.L.
C-04 -	SEWER LINE STANDARD DETAILS
C-05 -	EROSION CONTROL STANDARD DETAILS



ENGINEERS - ARCHITECTS - PLANNERS

www.grwinc.com



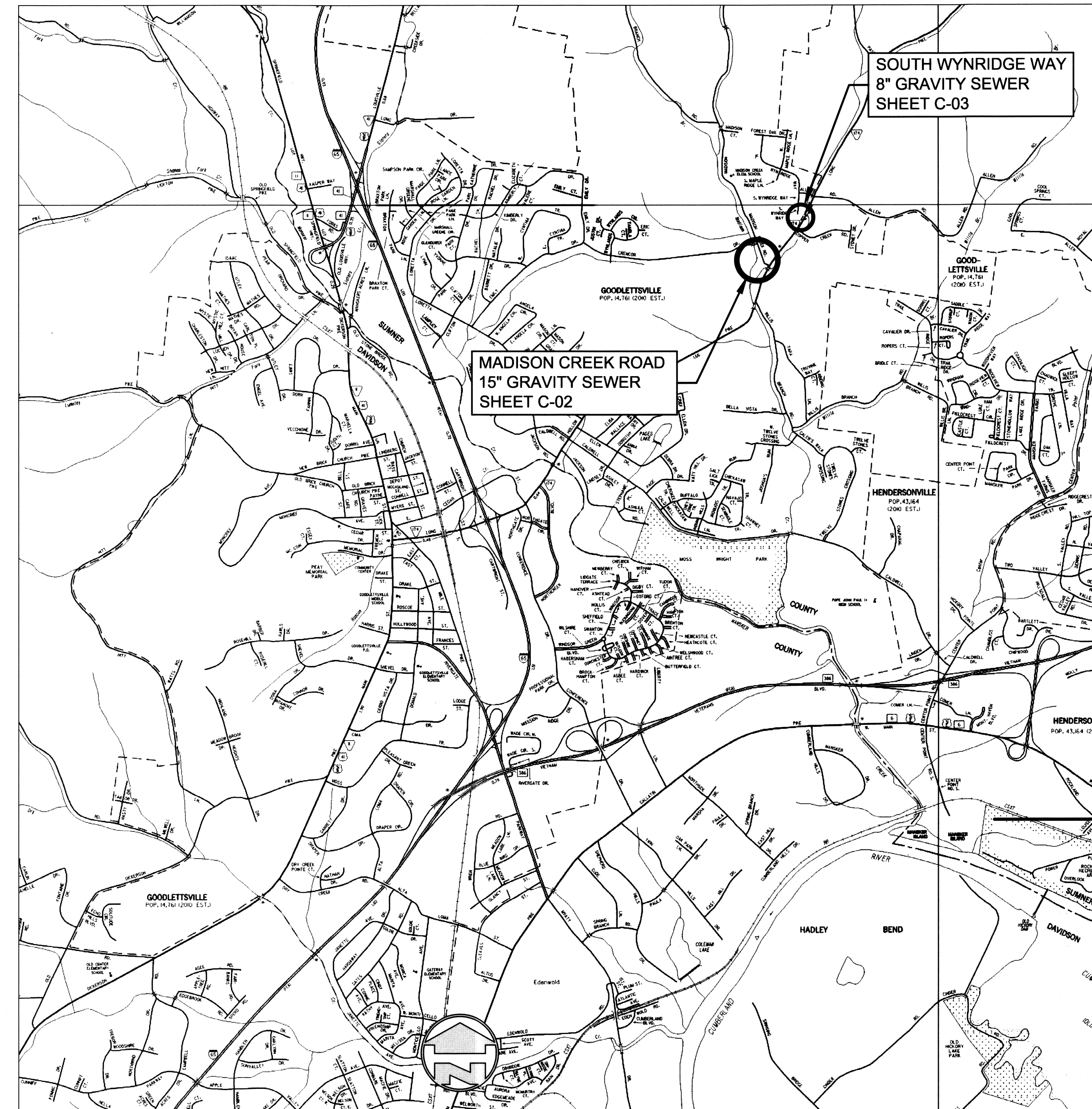
JUNE 2013

GRW PROJECT NO. 7732-04

GENERAL NOTES

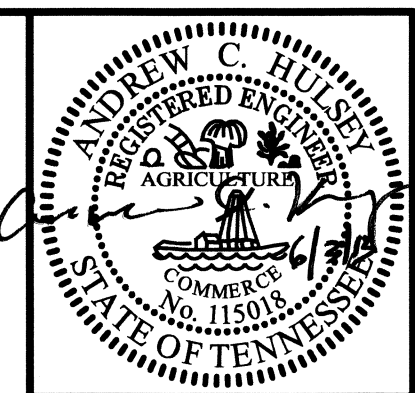
1. THE CONTRACTOR SHALL RESTORE ALL CULVERTS, FENCES, WALLS, SMALL ORNAMENTAL TREES, CULTIVATED SHRUBS, FLOWERS, SIGNS, LIGHTS AND POWER POLES, STREET MARKERS, MAIL BOXES, WATER AND GAS LINES, WATER AND GAS METERS AND BOXES INCLUDING SHUT-OFFS, AND LAWNS DISTURBED BY CONSTRUCTION OPERATIONS TO THEIR ORIGINAL CONDITIONS.
THE COST OF THIS WORK SHALL BE MERGED IN THE UNIT BID AND CONTRACT PRICES FOR THE PROPOSED WORK.
2. WHERE IN EASEMENTS THE CONTRACTOR SHALL PROTECT AND RESTORE SAID PROPERTY TO CONDITION SIMILAR OR EQUAL TO THAT EXISTING AT THE COMMENCEMENT OF CONSTRUCTION, EXCEPT AS NOTED.
3. THE LOCATION OF EXISTING UNDERGROUND UTILITIES ARE SHOWN IN AN APPROXIMATE WAY ONLY. THE CONTRACTOR SHALL DETERMINE THE EXACT LOCATION OF ALL EXISTING UTILITIES BEFORE COMMENCING WORK IN EACH AREA. HE AGREES TO BE FULLY RESPONSIBLE FOR ANY AND ALL DAMAGES WHICH MIGHT BE CAUSED BY HIS FAILURE TO EXACTLY LOCATE AND PRESERVE ANY AND ALL UTILITIES.
BEFORE CONSTRUCTION, CONTRACTOR SHALL CONTACT :

TENNESSEE811
DIAL 811 (OR 1-800-351-1111)
72 HOURS NOTICE
4. IF ANY EXISTING STORM SEWERS ARE SUBSTANTIALLY DAMAGED AS DETERMINED BY THE A/E AND OR OWNER, THE REPAIR SHALL BE MADE WITH R.C.P. PIPE FROM STRUCTURE-TO-STRUCTURE. PIPE SIZE SHALL BE EQUAL TO EXISTING.
5. SUFFICIENT PRECAUTIONS SHALL BE TAKEN DURING CONSTRUCTION TO MINIMIZE THE RUN-OFF OF POLLUTING SUBSTANCES SUCH AS SILT, CLAY, FUELS, OILS, BITUMENS, CALCIUM CHLORIDE, OR OTHER POLLUTING MATERIALS HARMFUL TO HUMANS, FISH OR OTHER LIFE, INTO THE SUPPLIES AND SURFACE WATERS OF THE STATE. CONTROL MEASURES MUST BE ADEQUATE TO ASSURE THAT LOCAL, STATE AND FEDERAL LAWS AND REGULATIONS ARE MET. THE CONTRACTOR IS SOLELY RESPONSIBLE FOR ENSURING THAT THE LAWS AND REGULATIONS ARE MET AND IS RESPONSIBLE FOR ENSURING THAT CONSTRUCTION DOES NOT HARM THE WATERS OF TENNESSEE. THE PROTECTION OF THE SITE SHALL CONTINUE THROUGHOUT THE CONSTRUCTION PERIOD. SPECIAL PRECAUTIONS SHALL BE TAKEN IN THE USE OF CONSTRUCTION EQUIPMENT TO PREVENT OPERATIONS WHICH PROMOTE EROSION.
6. THE TEMPORARY POLLUTION CONTROL PROVISIONS SHALL BE COORDINATED WITH THE PERMANENT EROSION CONTROL MEASURES, TO ENSURE ECONOMICAL, EFFECTIVE, AND CONTINUOUS EROSION CONTROL THROUGHOUT THE CONSTRUCTION AND POST-CONSTRUCTION PERIOD OF THE PROJECT. NATURAL COVER SHOULD BE MAINTAINED AS LONG AS POSSIBLE AND GRADED AREAS SHOULD BE STABILIZED AS SOON AS POSSIBLE.
7. THE CONTRACTOR SHALL OBTAIN ALL PERMITS FROM THE APPROPRIATE FEDERAL, STATE, COUNTY AND/OR LOCAL AGENCIES TO CROSS ALL HIGHWAYS, STREETS, STREAMS, EASEMENTS, ETC...
8. STATE HIGHWAY RIGHT-OF-WAY INFORMATION PROVIDED BY THE STATE OF TENNESSEE DEPARTMENT OF TRANSPORTATION. QUESTIONS CONCERNING R-O-W LOCATION ON ANY STATE HIGHWAY SHOULD BE REFERRED TO THE APPROPRIATE REGIONAL OFFICE OF THE STATE OF TENNESSEE DEPARTMENT OF TRANSPORTATION:
9. PROPERTY OWNERS AND PARCEL INFORMATION PROVIDED BY THE COUNTY REGISTRAR OF DEEDS.
10. COUNTY ROAD RIGHT-OF-WAY INFORMATION PROVIDED BY THE COUNTY HIGHWAY DEPT. QUESTIONS CONCERNING R-O-W LOCATION ON ANY COUNTY ROAD SHOULD BE REFERRED TO THE COUNTY HIGHWAY DEPARTMENT.



PROJECT LOCATION MAP

SCALE: 1" = 2000'



GRW PROJECT NO. 7732-04
ALL RIGHTS RESERVED. THIS DOCUMENT IS THE PROPERTY OF GRW AND IS TO BE REPRODUCED IN WHOLE OR IN PART ONLY BY GRW OR ITS EMPLOYEES. NO OTHER REPRODUCTION OR TRANSMISSION WITHOUT WRITTEN PERMISSION.



PROJECT LOCATION MAP AND GENERAL NOTES
WASTEWATER SYSTEM IMPROVEMENTS
MADISON CREEK & WYNRIDGE WAY INTERCEPTOR ADDITIONS

DESIGNED BY	ACH	DRAWN BY	DM	REVIEWED BY	ACH	APPROVED BY	ACH

DATE: JUNE 2013
SCALE: AS NOTED
SHEET NO. C-01

C-01

PLOTTED BY: DWMorris

PRINTED: 03/2013 @ 9:26AM

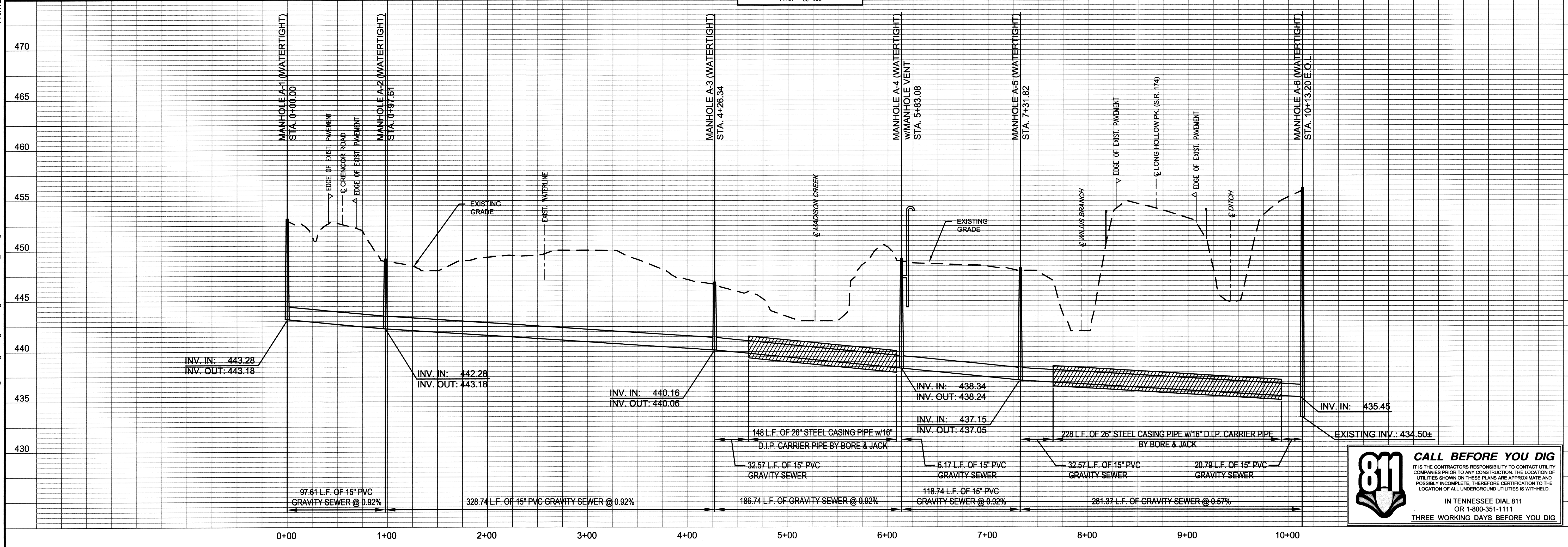
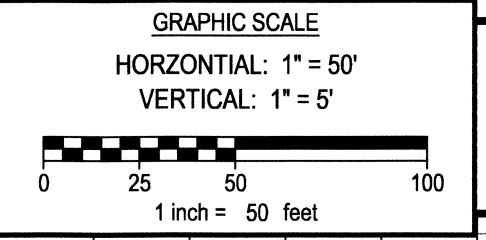
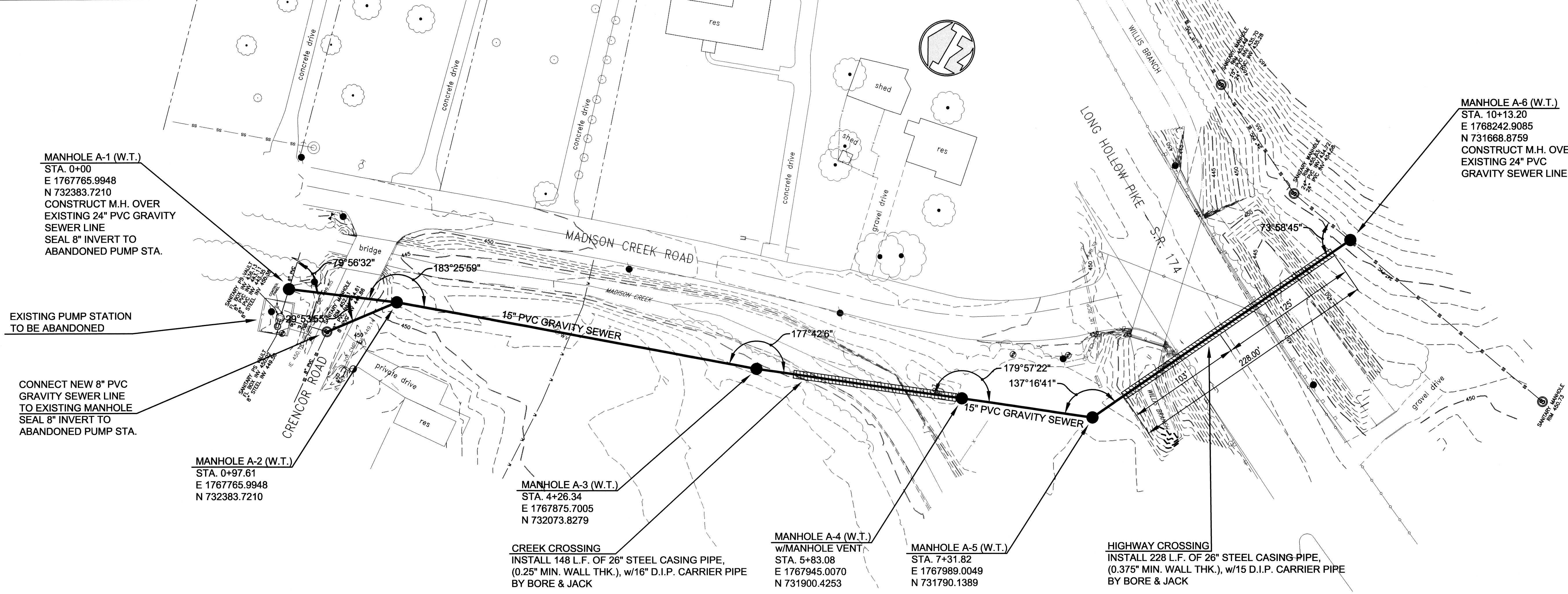
FILE NAME: I:\732-Goodlettsville\04-Sewer Lines\Working Drawings\Design Drawings\7732-04-C-01.dwg

DESIGN DRAWINGS

PLOTTED BY: DVM/mtm

PRINTED: 09/2013 @ 9:26AM

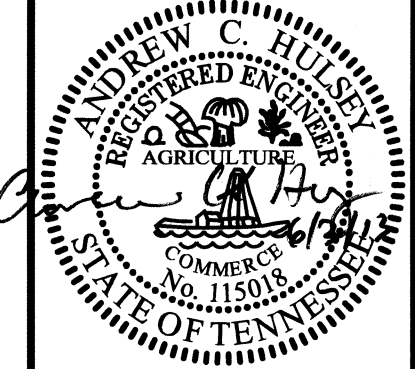
FILE NAME: I:\732-Coodetteville\04-Sewer Lines\Working Drawings\Design Drawings\732-04-C-02_03.dwg



811 CALL BEFORE YOU DIG

IT IS THE CONTRACTOR'S RESPONSIBILITY TO CONTACT UTILITY COMPANIES PRIOR TO ANY CONSTRUCTION. THE LOCATION OF UTILITIES SHOWN ON THESE PLANS ARE APPROXIMATE AND POSSIBLY INCOMPLETE. THEREFORE CERTIFICATION TO THE LOCATION OF ALL UNDERGROUND UTILITIES IS WITHHELD.

IN TENNESSEE DIAL 811 OR 1-800-351-1111
THREE WORKING DAYS BEFORE YOU DIG



GRW PROJECT NO. 7735-04

ALL RIGHTS RESERVED. THIS DOCUMENT IS THE PROPERTY OF GILBERT ARCHITECTS - PLANNERS. IT IS TO BE REPRODUCED IN WHOLE OR IN PART ONLY BY THE ORIGINAL AUTHOR OR OTHER THAN THE ORIGINAL AUTHOR WITHOUT WRITTEN PERMISSION.



MADISON CREEK RD. 15" GRAVITY SEWER
STA. 0+00 TO STA. 10+13.20 E.O.I.

WASTEWATER SYSTEM IMPROVEMENTS
MADISON CREEK & WYNRIDGE WAY INTERCEPTOR ADDITIONS

DESIGNED BY	ACH
DRAWN BY <td>DM</td>	DM
REVIEWED BY <td>ACH</td>	ACH
APPROVED BY <td>ACH</td>	ACH

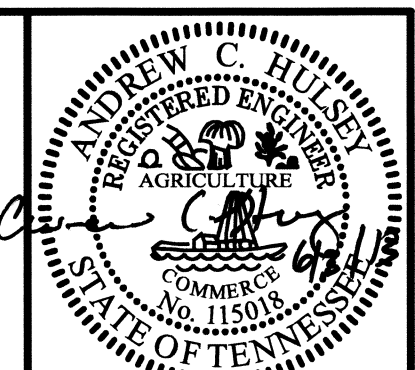
NO.	DATE	DESCRIPTION

SCALE CHECK: THIS MARK SHOULD MEASURE EXACTLY 1" WHEN PLOTTED

DATE: JUNE 2013
SCALE: AS NOTED
SHEET NO.

C-02

DESIGN DRAWINGS



GRW PROJECT NO. 1752-04
 ALL RIGHTS RESERVED. NO PART OF THIS DRAWING IS TO BE REPRODUCED IN WHOLE OR IN PART WITHOUT THE WRITTEN PERMISSION OF GRW INC.



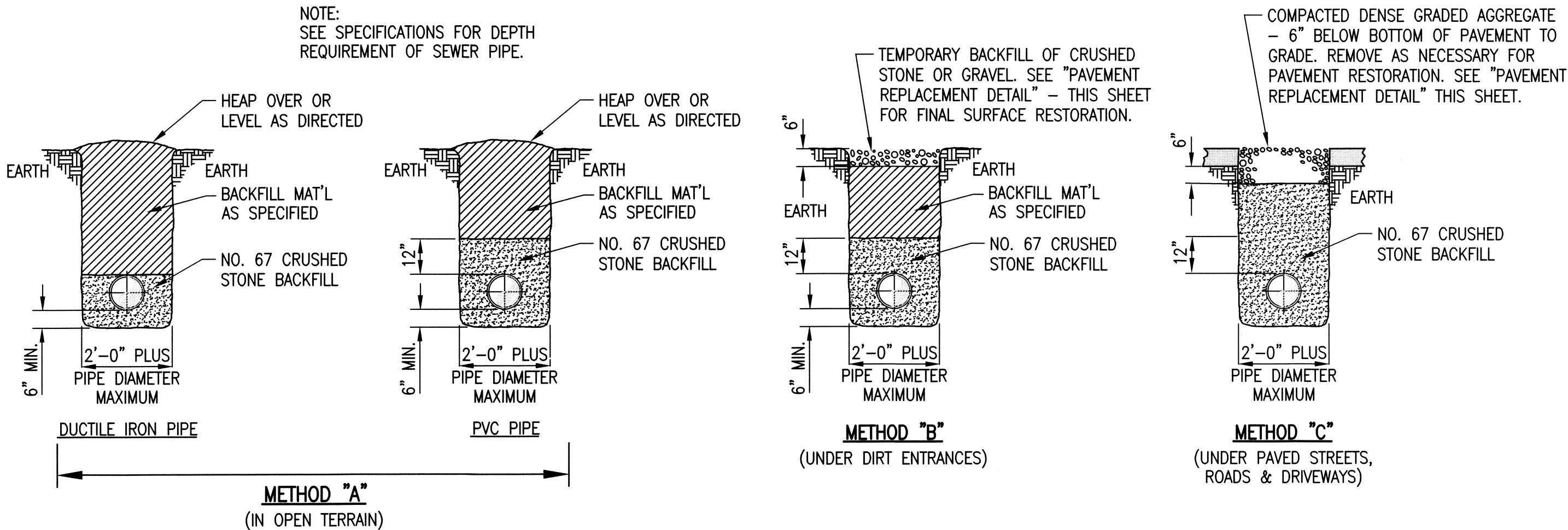
STANDARD GRAVITY SEWER DETAILS
WASTEWATER SYSTEM IMPROVEMENTS
MADISON CREEK & WYRIDGE WAY INTERCEPTOR ADDITIONS

REVISIONS	DATE	DESCRIPTION	BY	DATE	DESCRIPTION	BY
12						

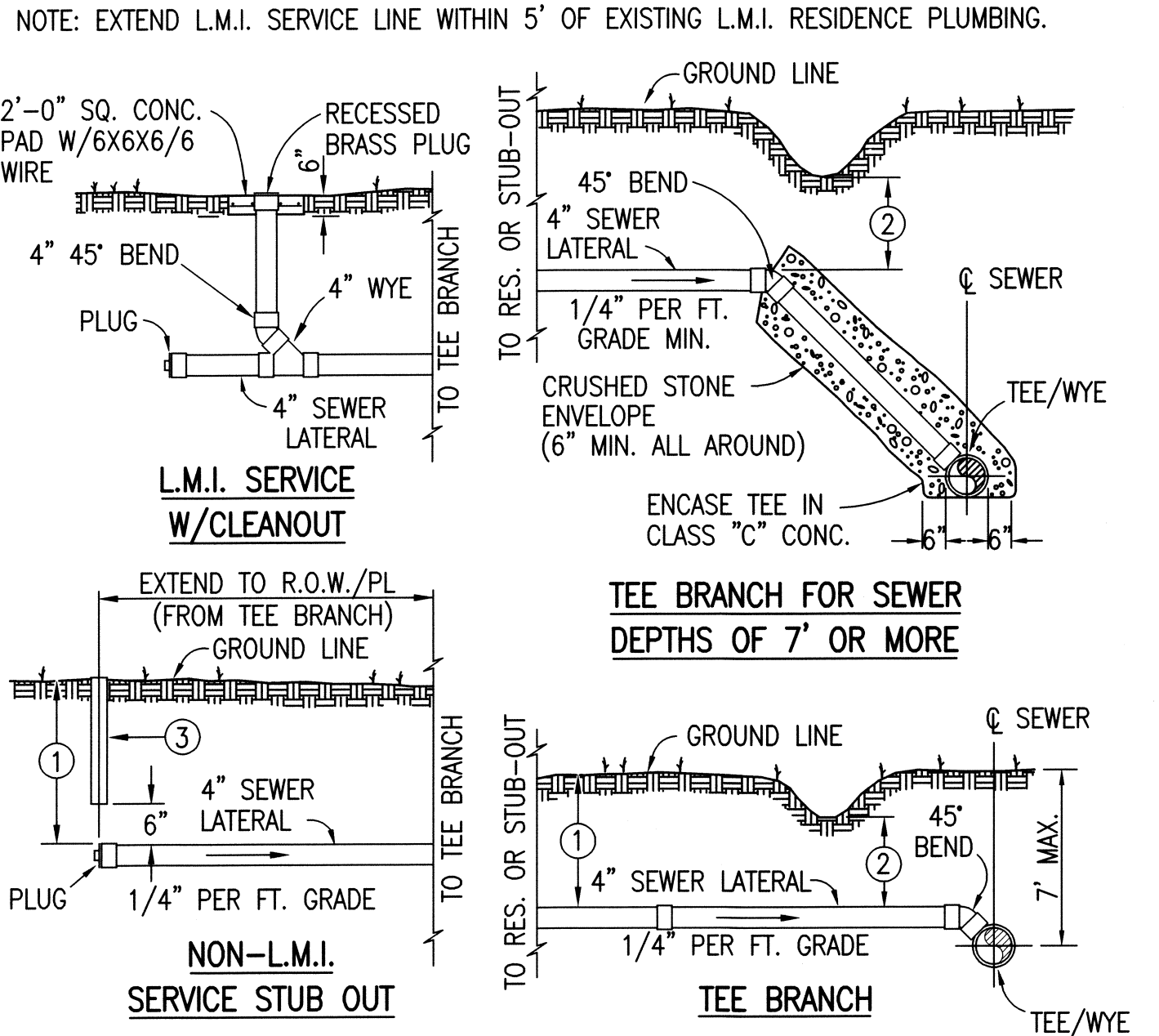
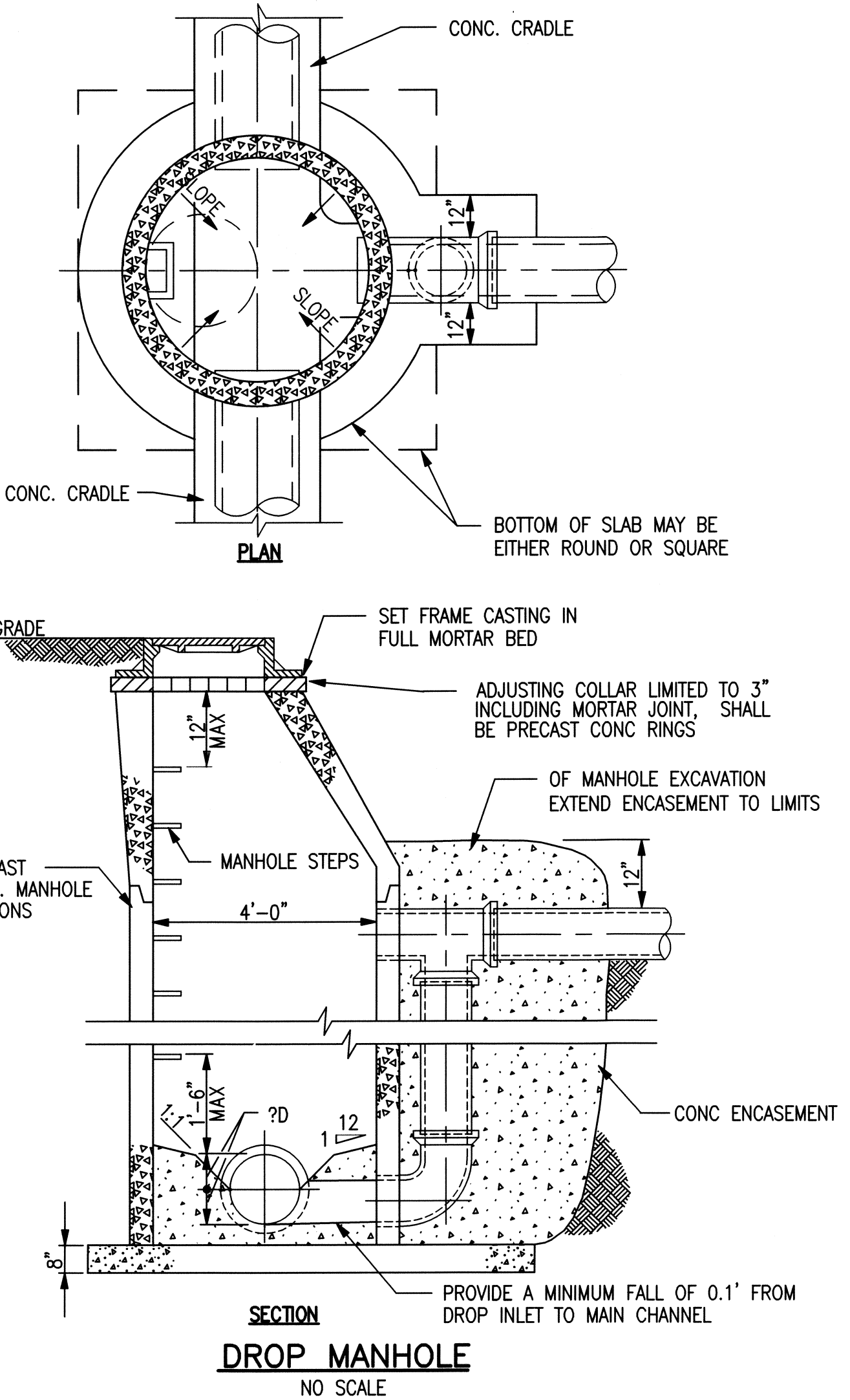
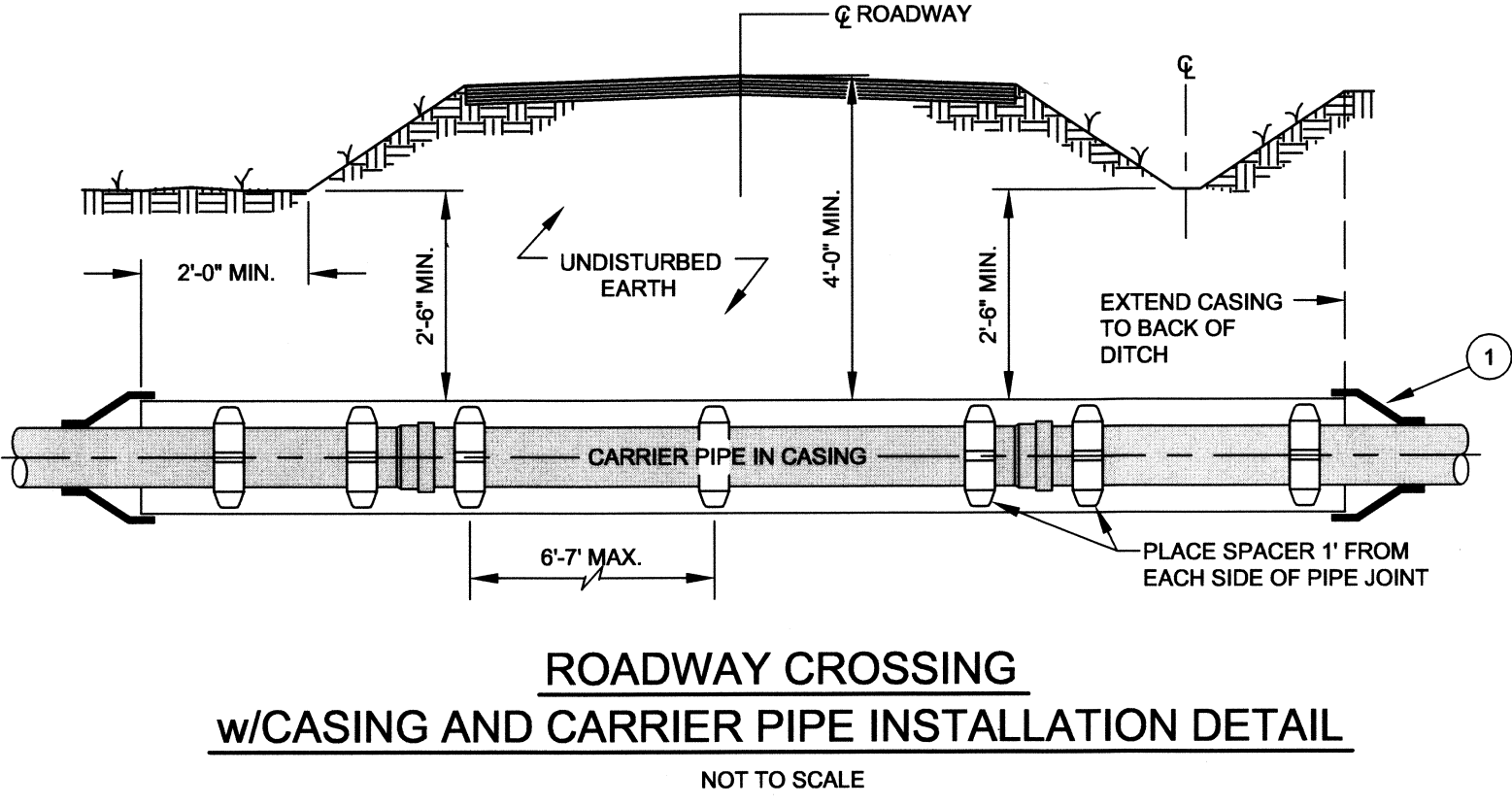
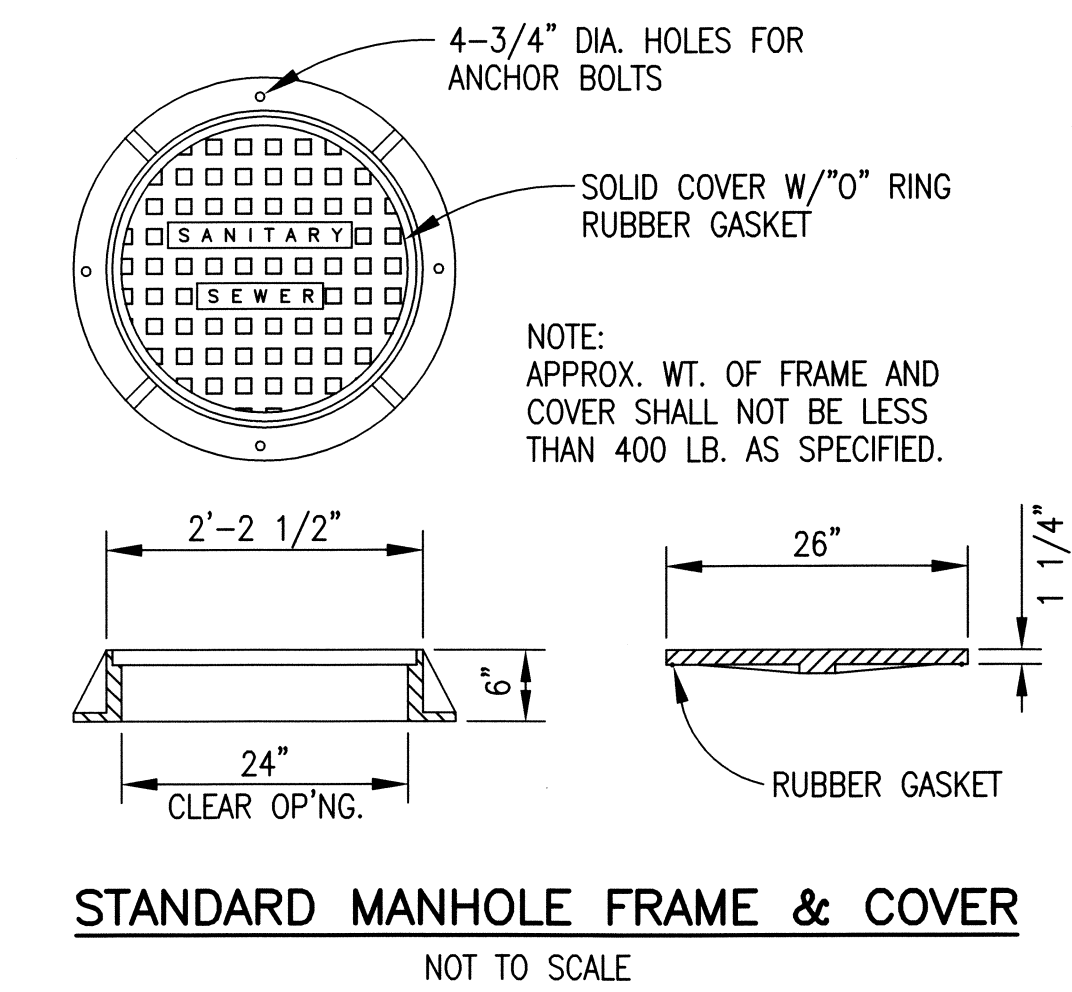
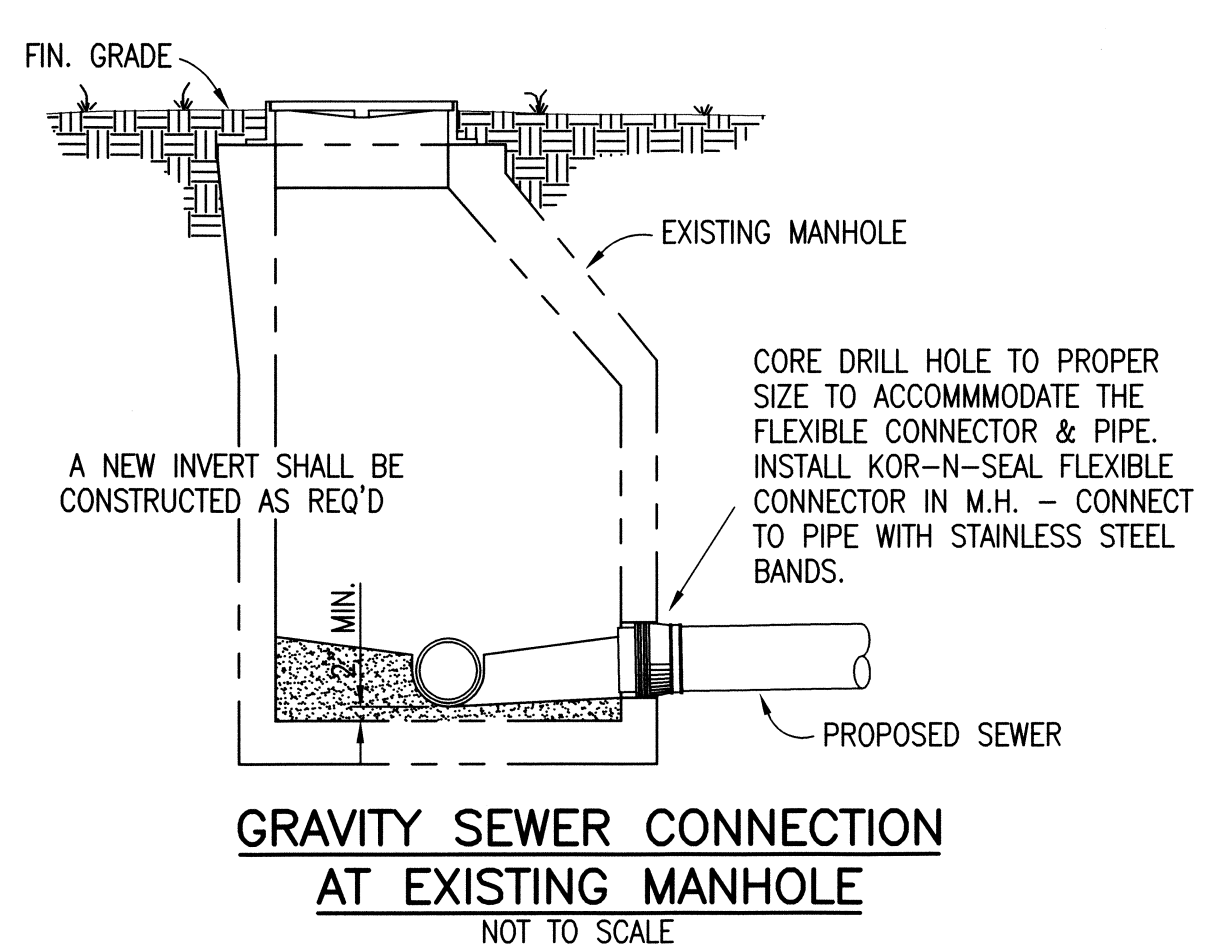
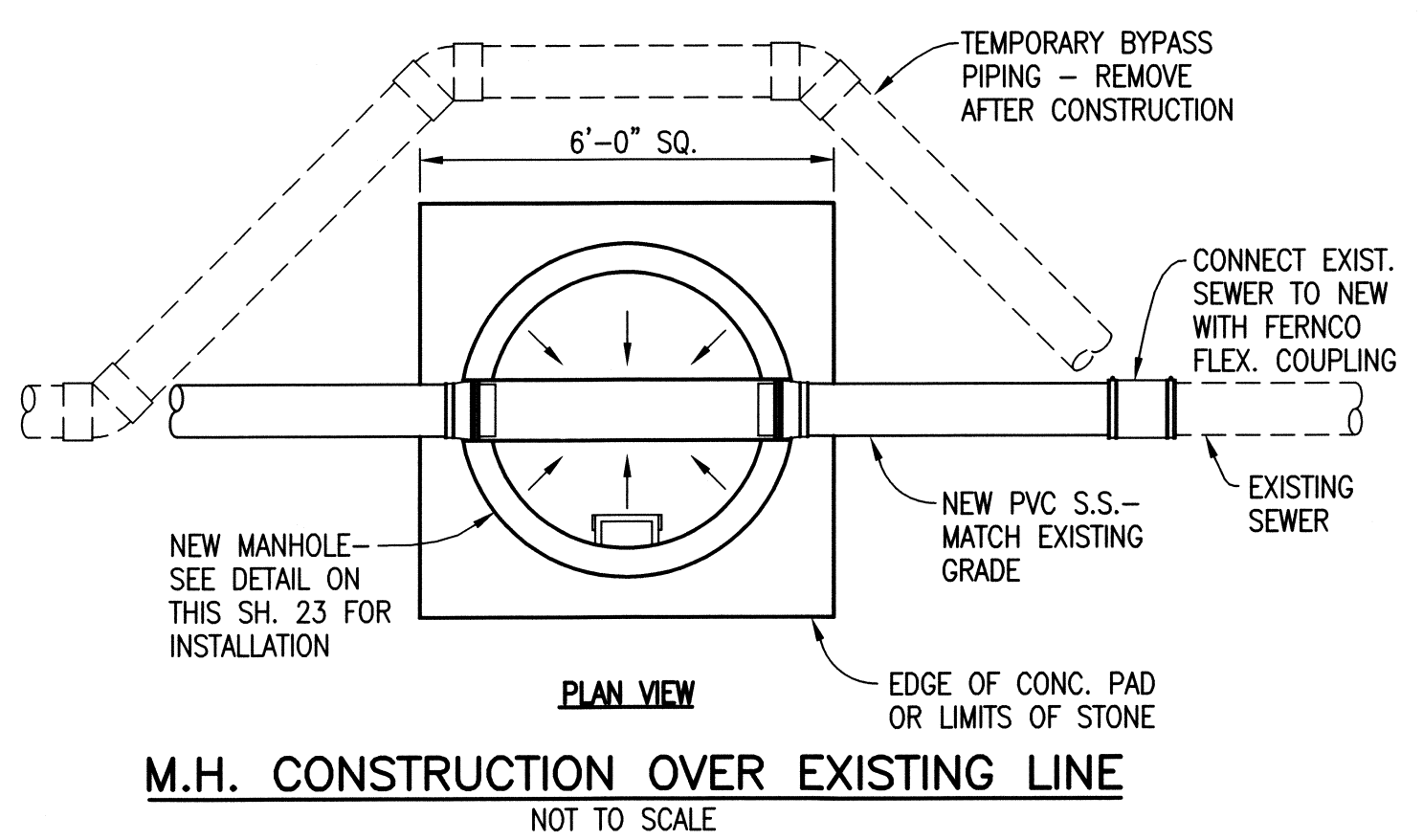
DATE: JUNE 2013
 SCALE: AS NOTED
 SHEET NO. C-04

C-04

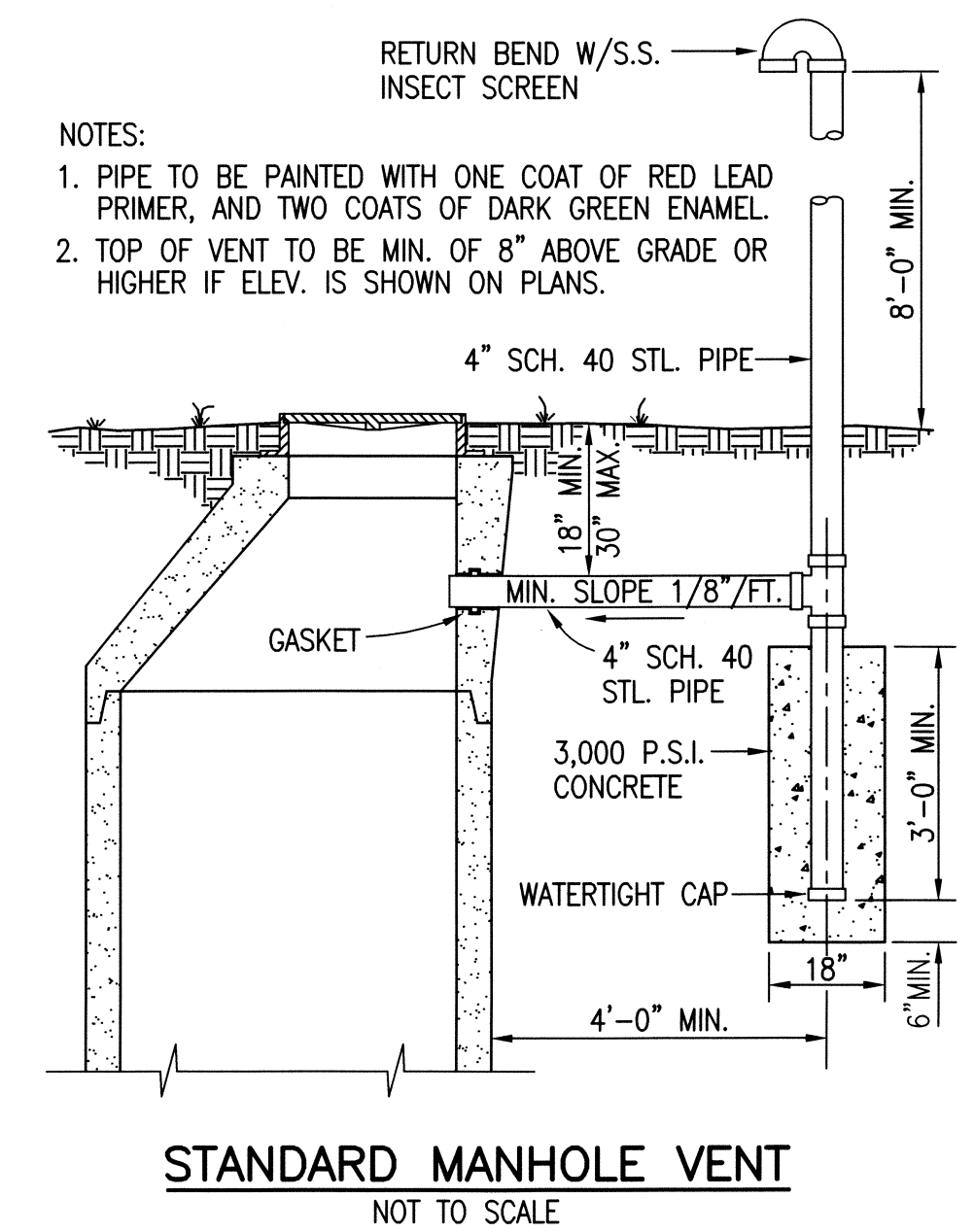
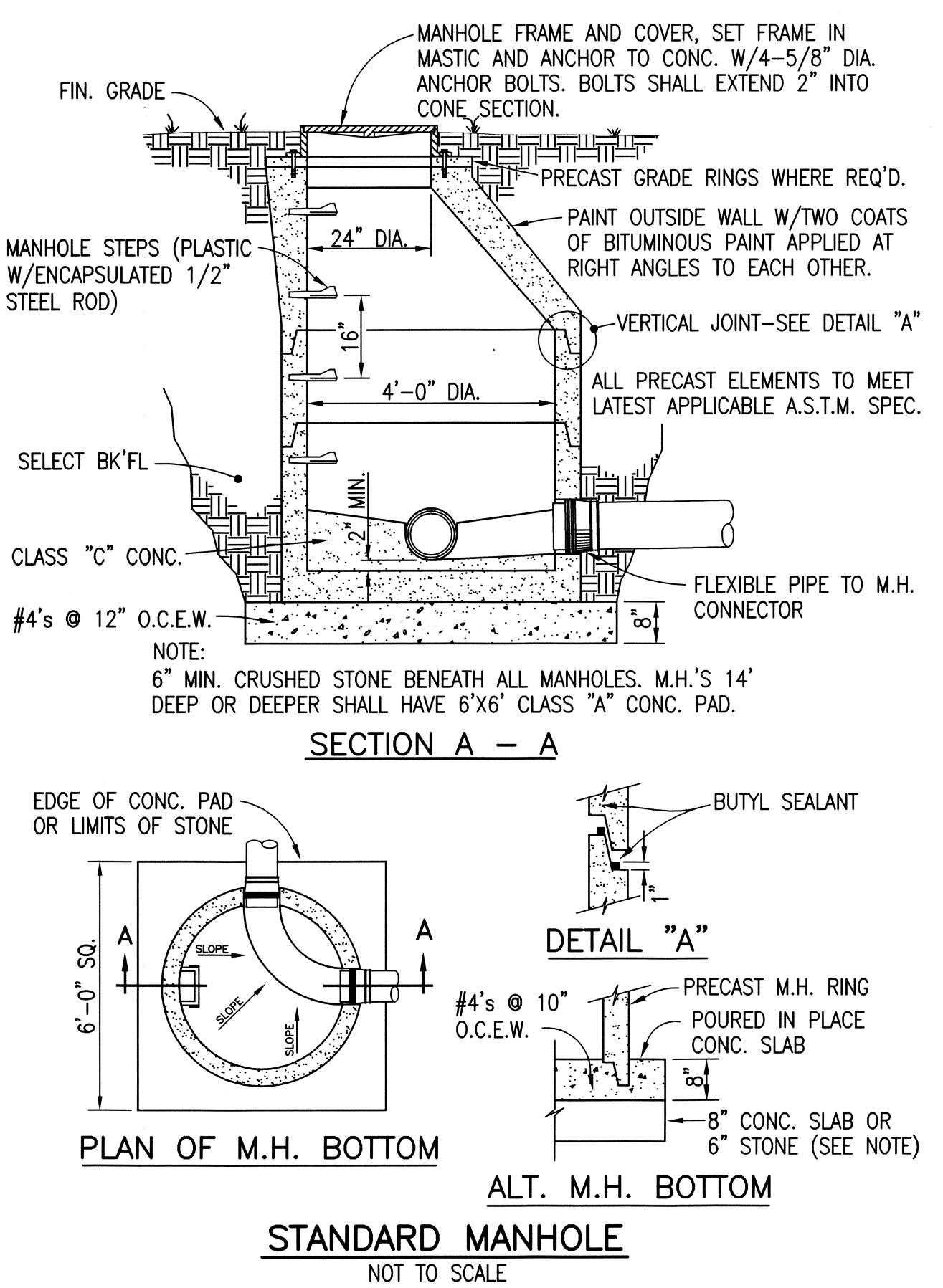
DESIGN DRAWINGS



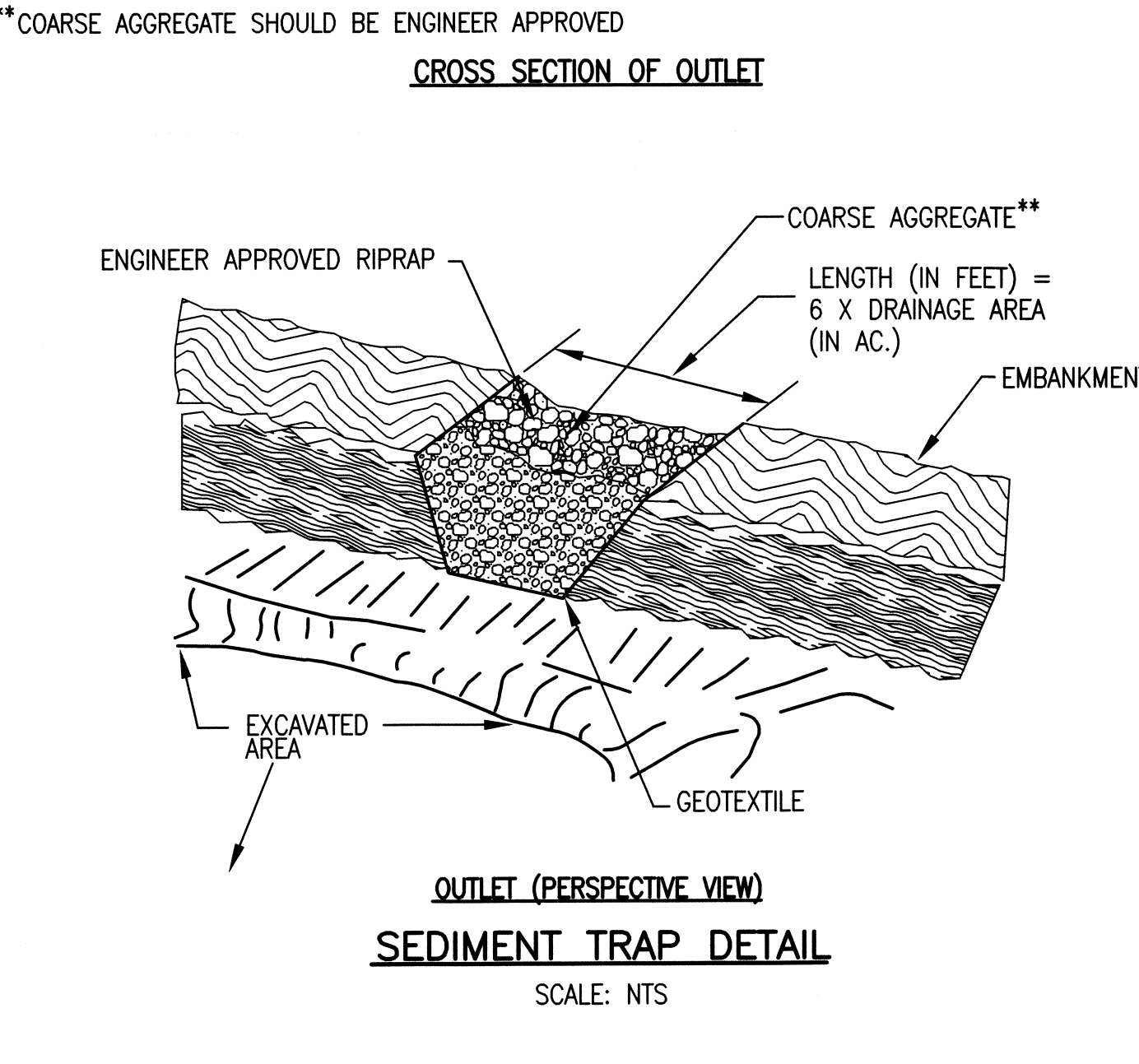
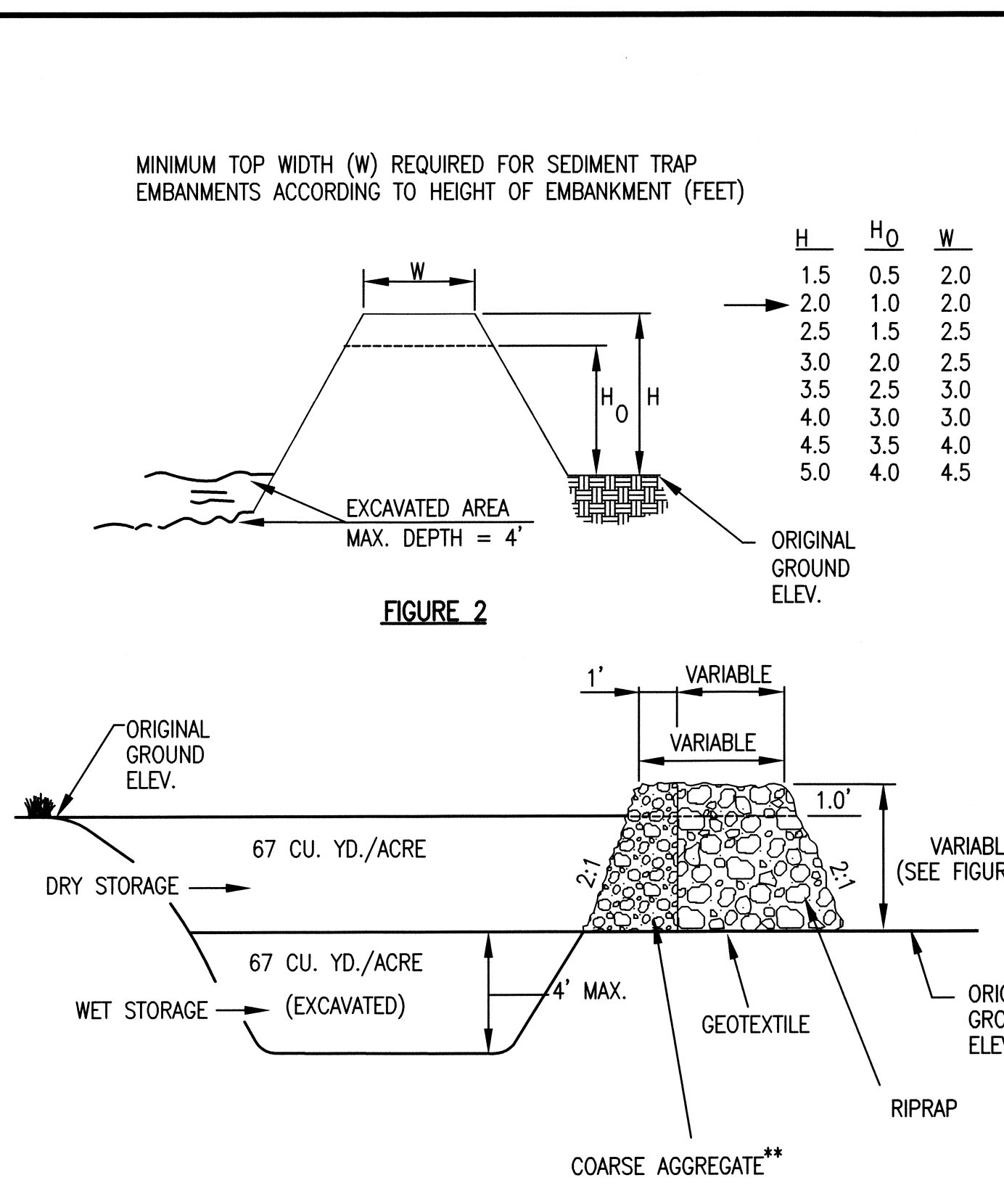
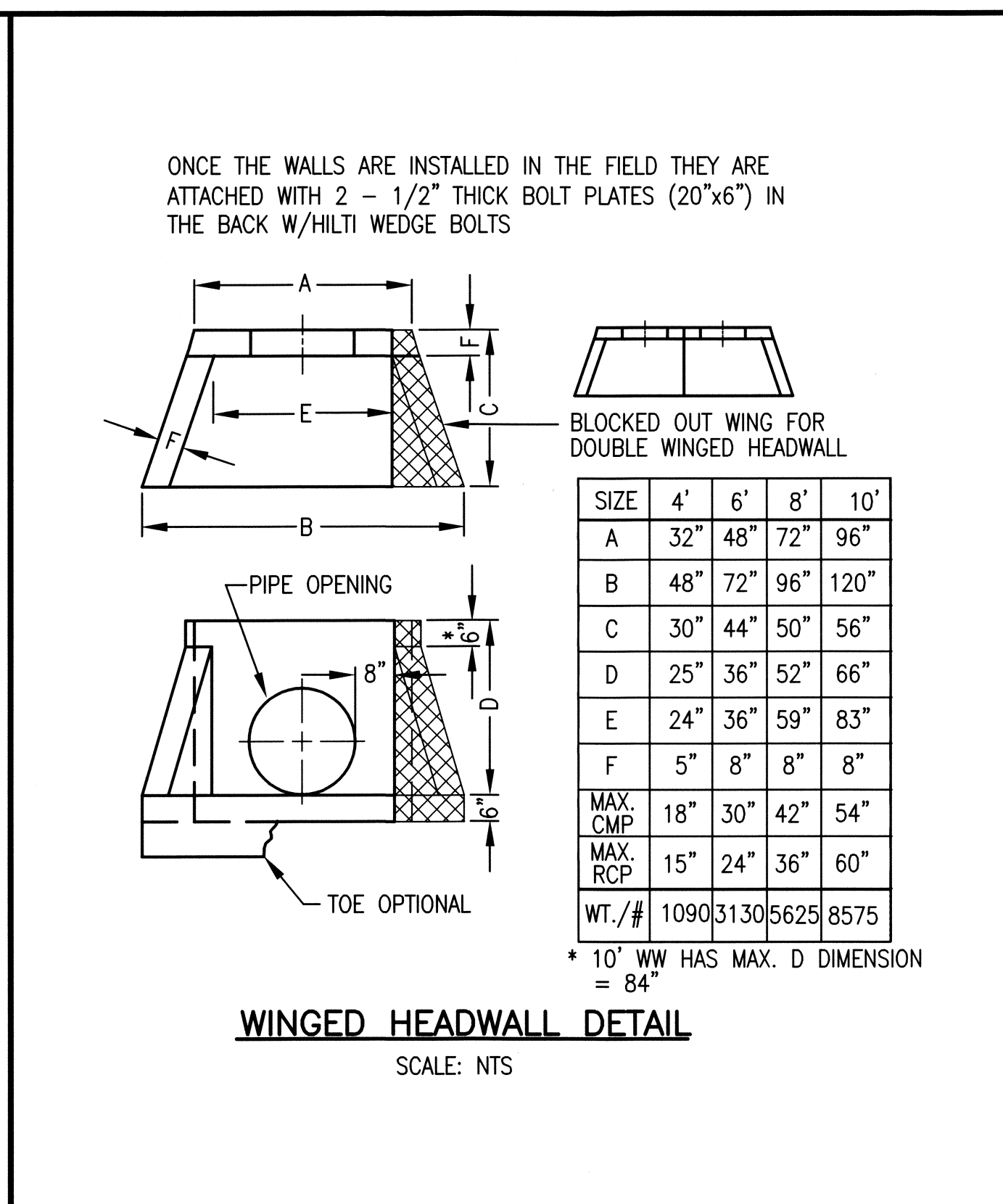
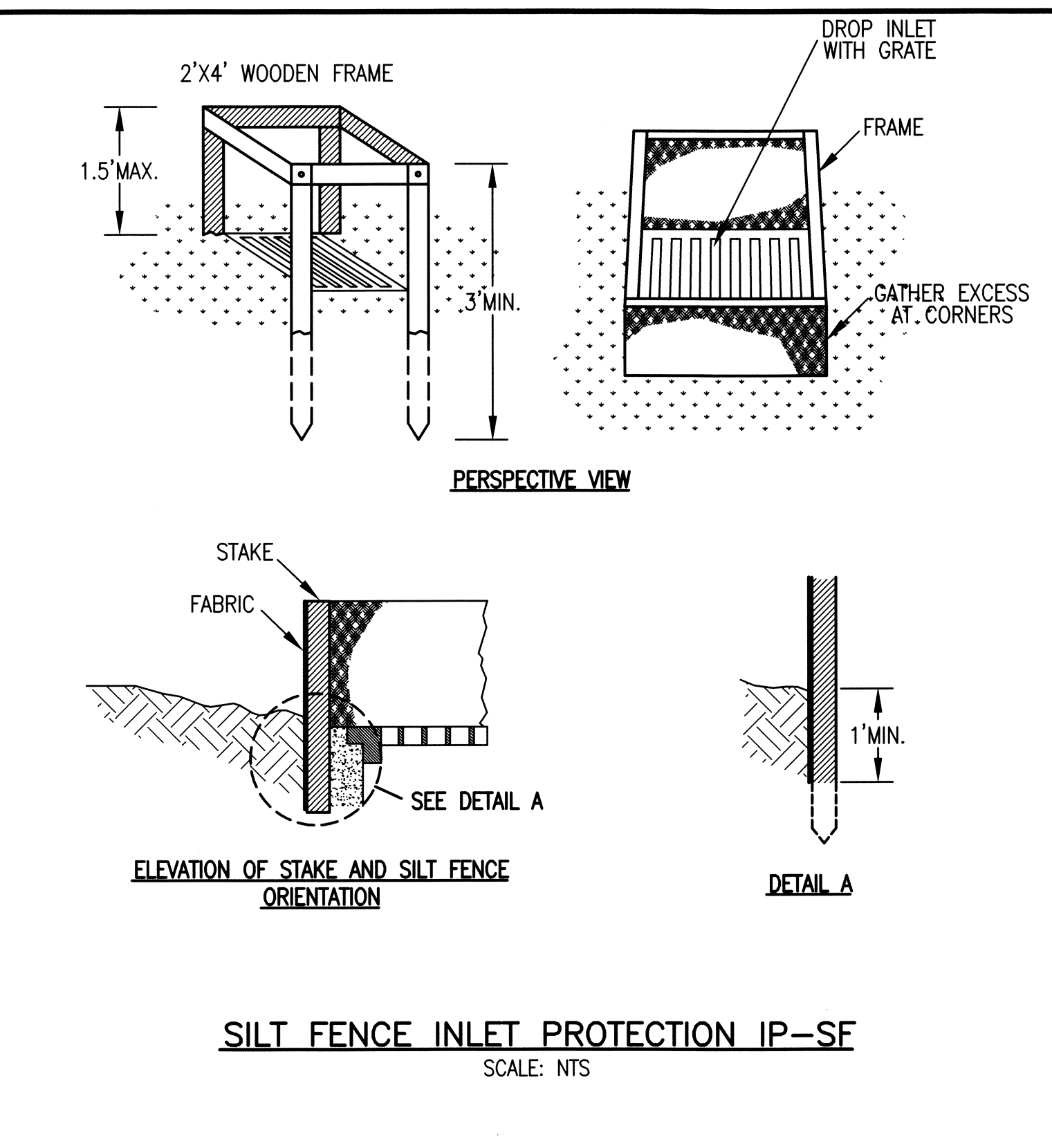
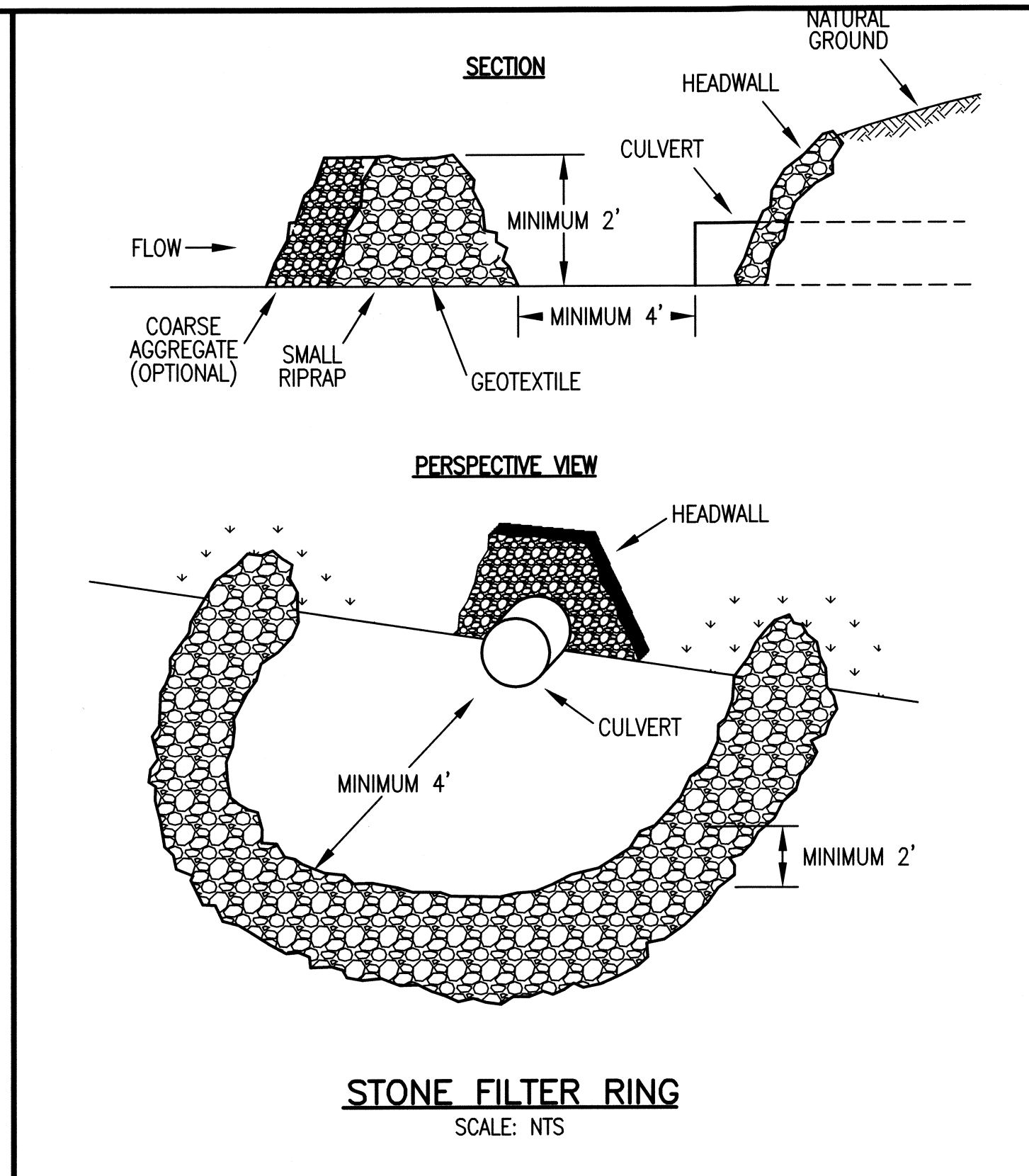
STANDARD GRAVITY SEWER BEDDING AND BACKFILLING
 NOT TO SCALE



- DEPTH AS NECESSARY TO PROVIDE 18" COVER AT BUILDING LINE.
 - 18" MIN. COVER AT DITCH CROSSINGS OR USE CONC. ENCASMENT.
 - SEWER MARKER SET FLUSH WITH GROUND - PRESSURE TREATED WOOD 2"x2" WITH LARGE HEAD TACK IN TOP OR METAL POST/PIPE.
 - TEES ON MAIN LINE WILL BE PAID FOR AT THE CONTRACT UNIT PRICE PER EA. INSTALLED WITH NO DEDUCTION BEING MADE FROM THE MAIN LINE QUANTITY.
 - SANITARY SERVICE LATERALS WILL BE PAID FOR AT THE CONTRACT UNIT PRICE FOR THE LENGTH OF STRAIGHT 4" SERVICE LINE AND THERE SHALL BE NO ADDITIONAL PAYMENT FOR MARKER, FITTINGS AND PLUG.
 - PROPOSED CONNECTION POINT TO EXISTING PIPING SHALL BE FIELD DETERMINED.
 - IF APPLICABLE, CUT AND CAP LINE TO EXIST. SEPTIC TANK, W/SEPTIC TANK TO BE ABANDONED.
- SANITARY SEWER CONNECTIONS**
 NOT TO SCALE



PRINTED: 09/2013 @ 9:28AM
 PLOTTED BY: DVMorris
 FILE NAME: I:\1752-04\Drawings\1752-04-C-04.dwg
 Drawing\Working Drawings\Design Drawings\1752-04-C-04.dwg

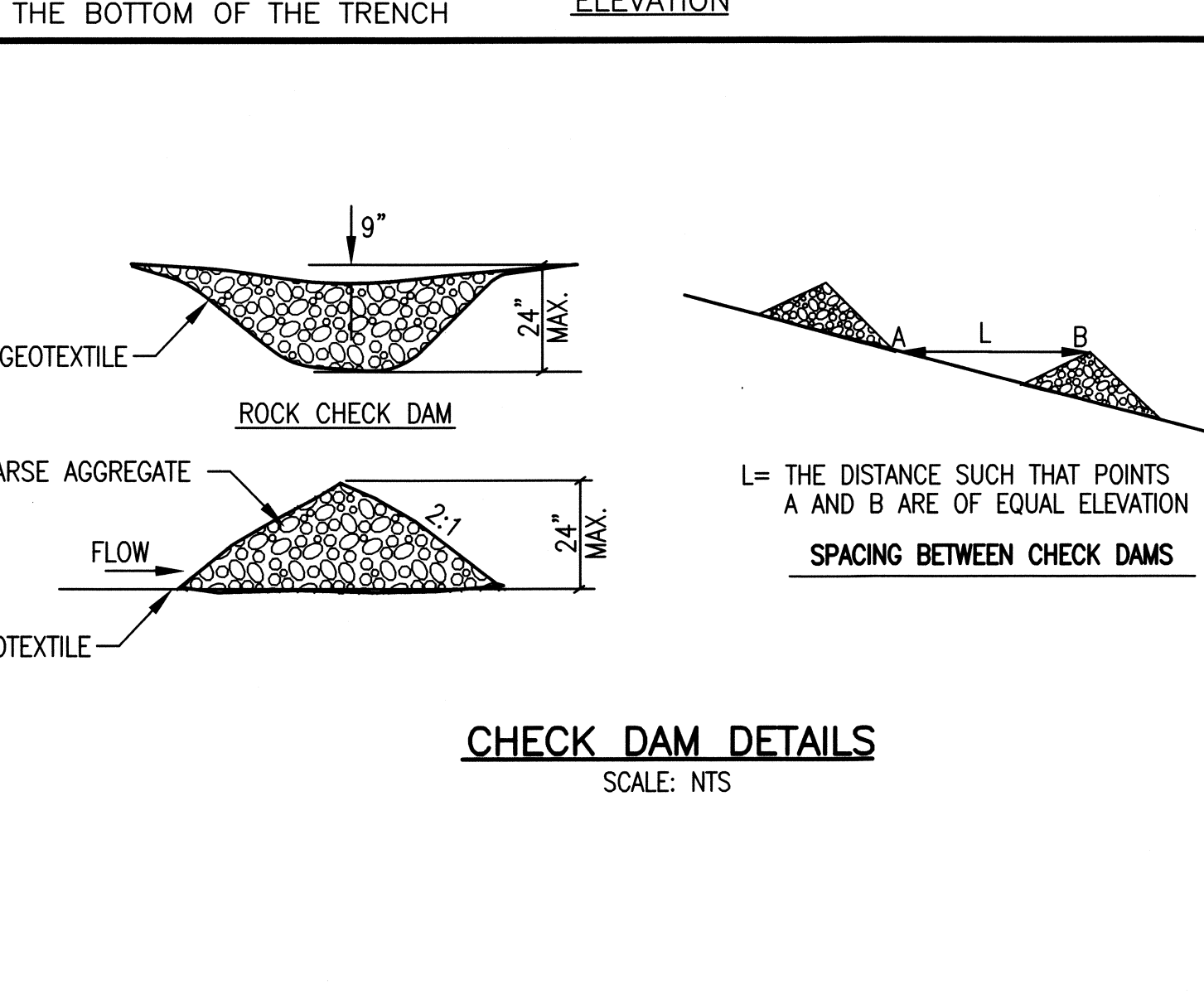
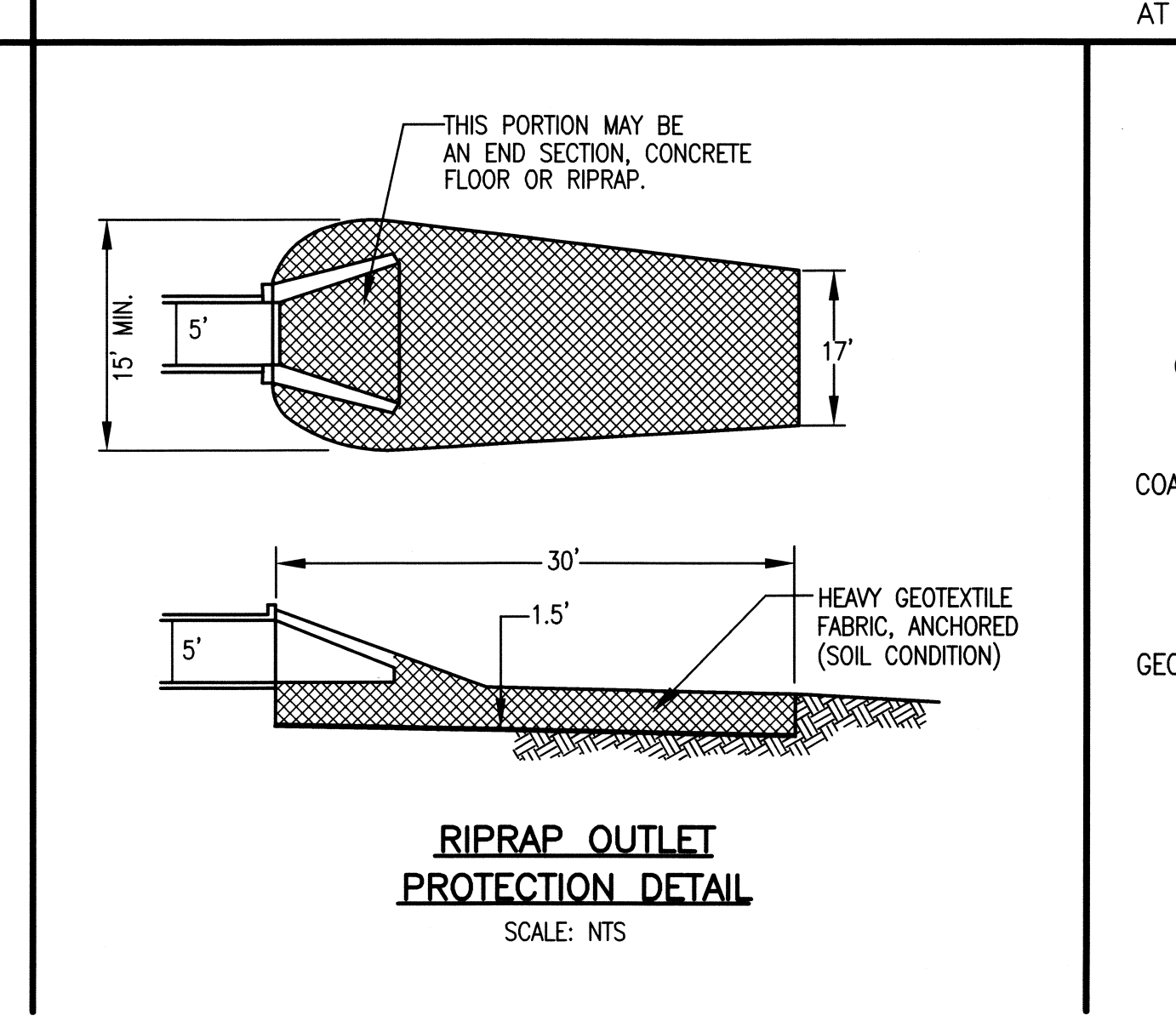
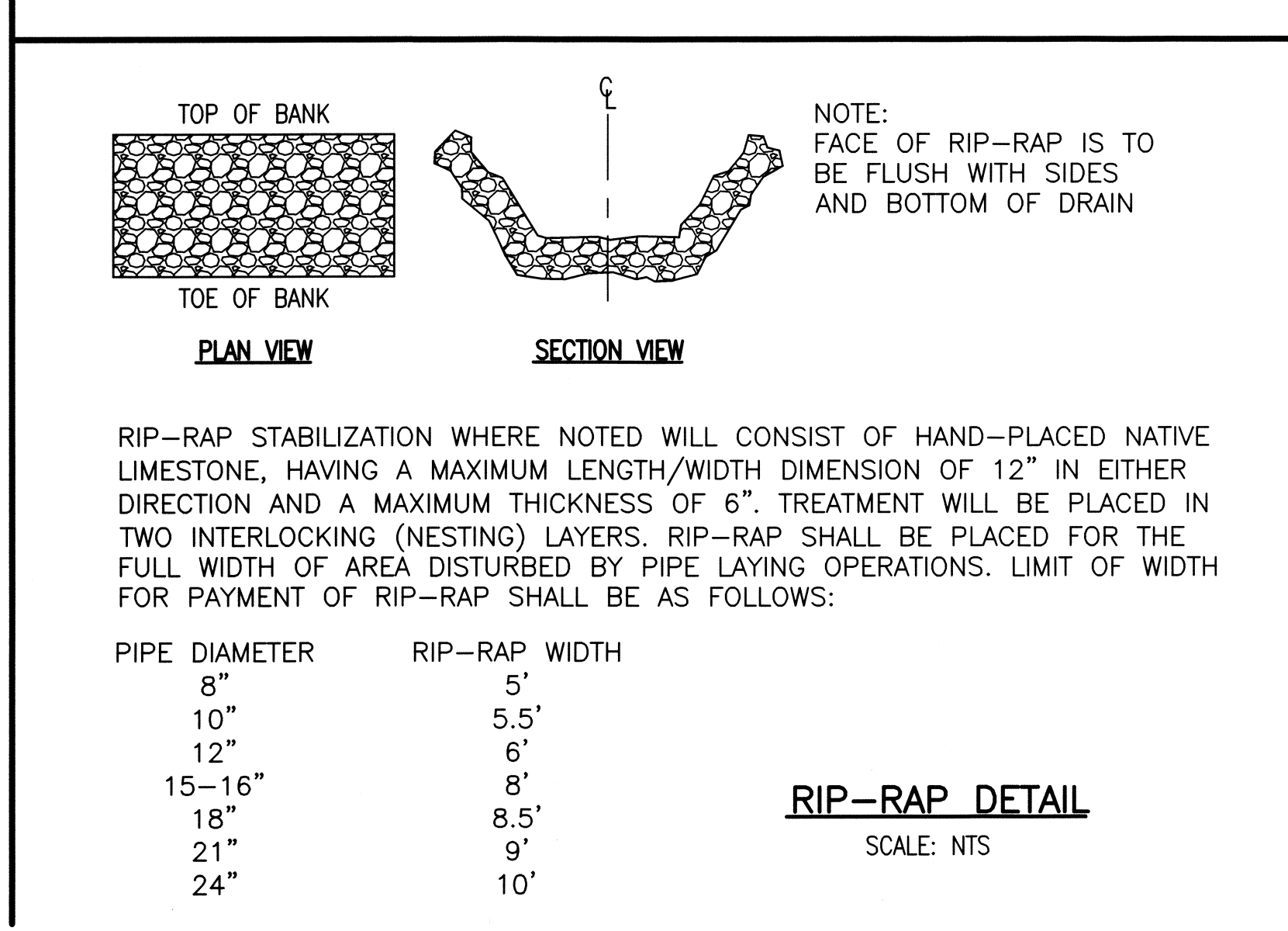
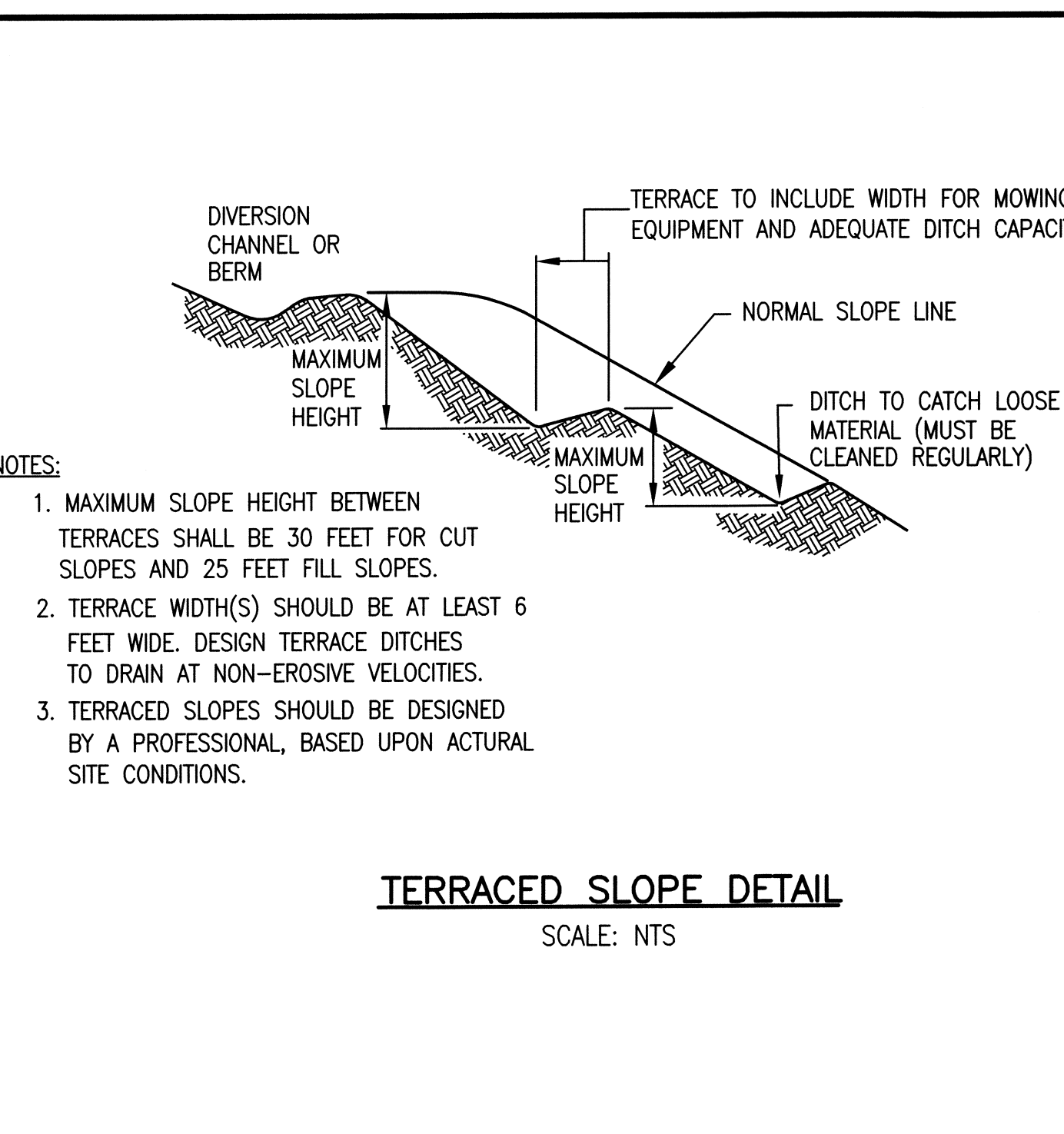
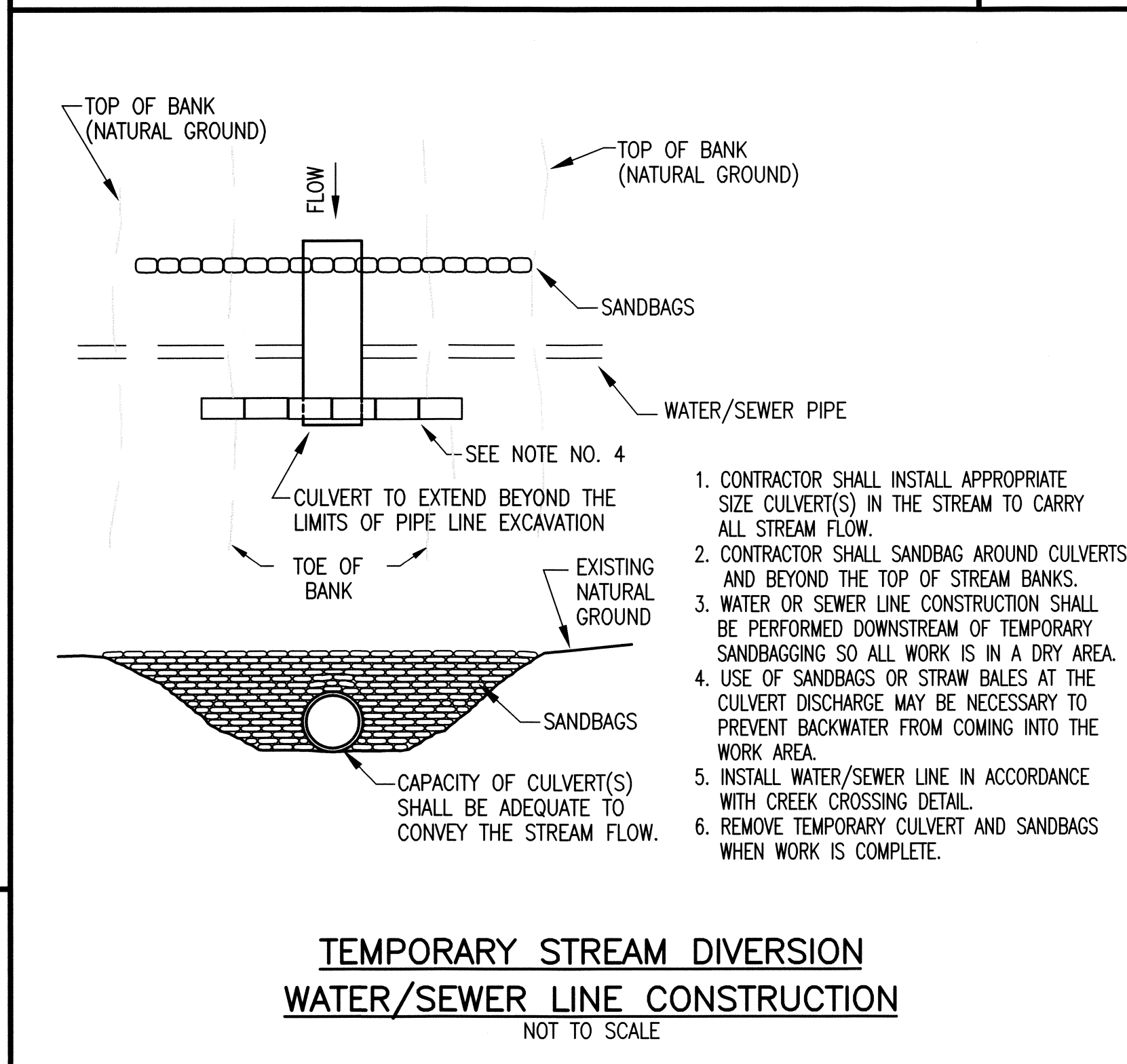
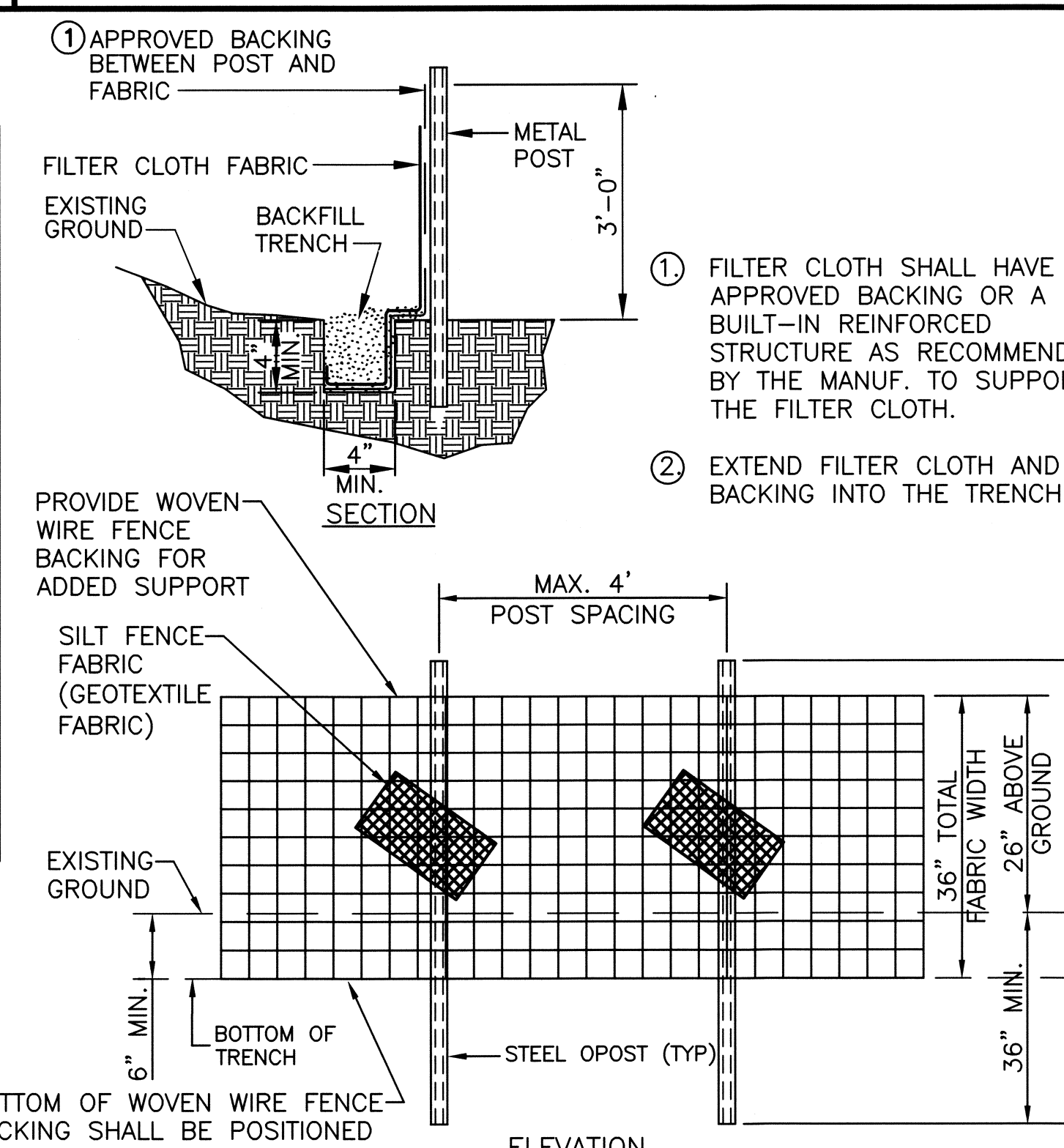


SILT FENCE SPECIFICATIONS

TYPE FENCE	A	B	C
TENSILE STRENGTH (LBS. MIN.) (1) (ASTM D-4632)	WARP - 120 FILL - 100	WARP - 120 FILL - 100	WARP - 260 FILL - 180
ELONGATION (% MAX.) (ASTM D-4632)	40	40	40
AOS (APPARENT OPENING SIZE) (MAX. SIEVE SIZE) (ASTM D-4751)	#30	#30	#30
FLOW RATE (GAL./MIN./SQ. FT.) (GDT-87)	25	25	70
ULTRAVIOLET STABILITY (2) (ASTM D-4632 AFTER 300 HOURS WEATHERING IN ACCORDANCE WITH ASTM D-4355)	80	80	80
BURSTING STRENGTH (PSI MIN.) (ASTM D-3786 DIAPHRAGM BURSTING STRENGTH TESTER)	175	175	175
MINIMUM FABRIC WIDTH (INCHES)	36	22	36

(1) MINIMUM ROLL AVERAGE OF FIVE SPECIMENS.
(2) PERCENT OF REQUIRED INITIAL MINIMUM TENSILE STRENGTH.

SILT FENCE DETAIL
SCALE: NTS



PLOTTED BY: DVM/MS
 PRINTED: 03/2013 @ 9:25AM
 FILE NAME: I:\732-Goodlettsville\04-Sewer Lines\Working Drawings\Design Drawings\7732-04-C-05.dwg