

CENTRAL AND SOUTHERN FLORIDA PROJECT

*SAFETY ON THIS JOB
DEPENDS ON YOU*

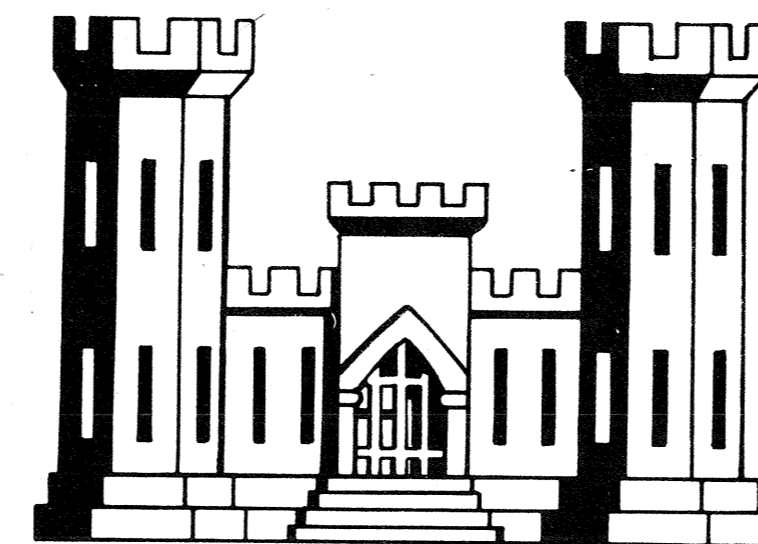
UPPER ST. JOHNS RIVER BASIN

PLANS

FOR CONSTRUCTION OF

LEVEES 78 AND 79

STRUCTURES 252A, 252B, 252C



ST. JOHNS RIVER
WATER MANAGEMENT DISTRICT

DEPARTMENT OF THE ARMY
JACKSONVILLE DISTRICT, CORPS OF ENGINEERS
JACKSONVILLE, FLORIDA

1989

TO ACCOMPANY INVITATION
NO. DACW17-89-B-0006
DATED: 14 APRIL 1989

 "INCREASE PROFIT -- SUBMIT VECPS"

D.O. FILE NO. 490-34,983

CENTRAL AND SOUTHERN FLORIDA PROJECT UPPER ST. JOHNS RIVER BASIN

PLANS FOR CONSTRUCTION OF LEVEES 78 AND 79 STRUCTURES 252A, 252B, 252C

SAFETY ON THIS JOB
DEPENDS ON YOU

REVISIONS					
NO.	SYM.	ZONE	DESCRIPTION	DATE	APPROVED



ST. JOHNS RIVER
WATER MANAGEMENT DISTRICT

DEPARTMENT OF THE ARMY
JACKSONVILLE DISTRICT, CORPS OF ENGINEERS
JACKSONVILLE, FLORIDA
1989

INDEX TO DRAWINGS

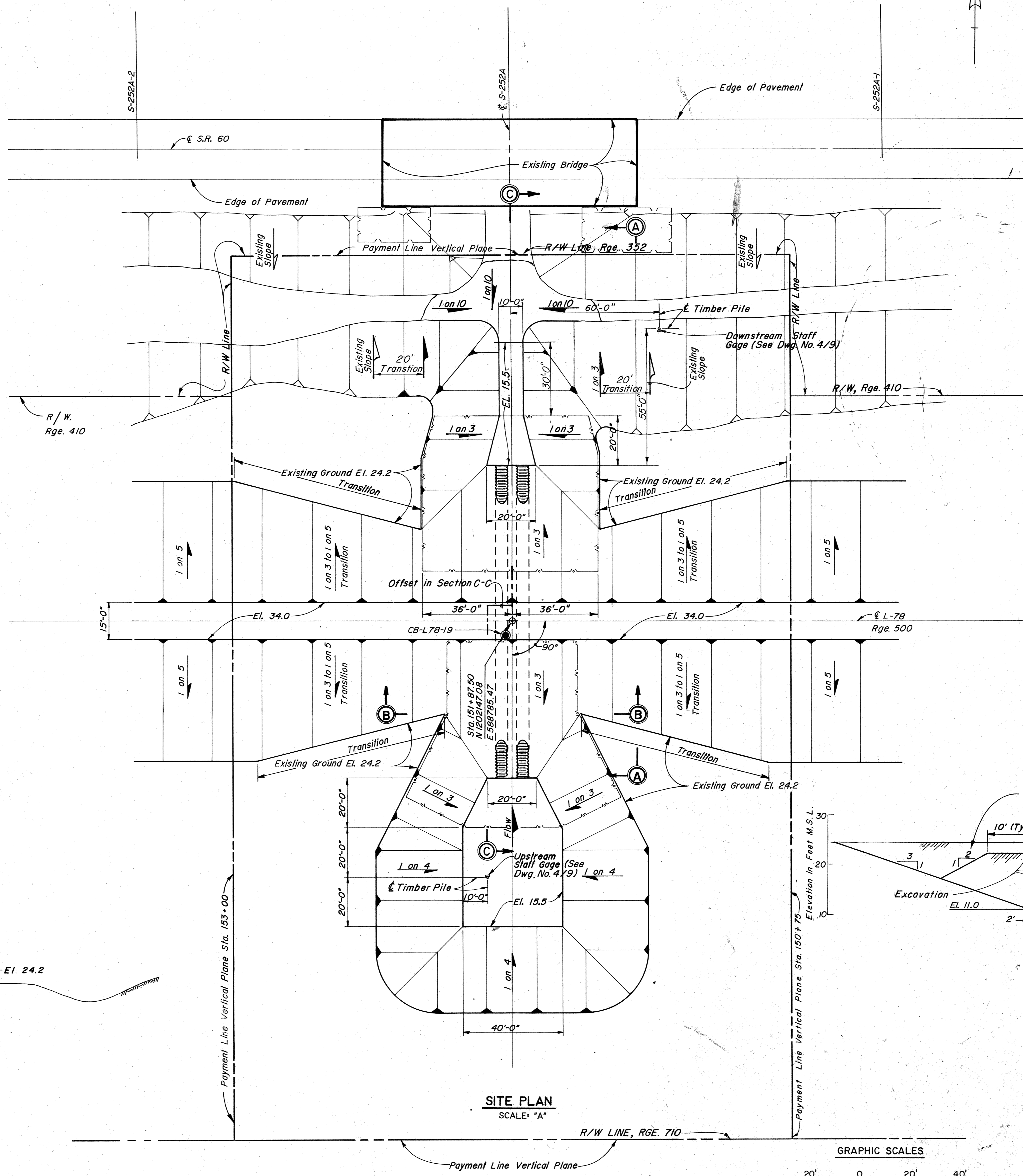
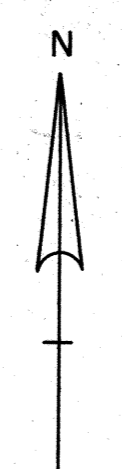
SHT. NO.	DWG. NO.	TITLE	SHT. NO.	DWG. NO.	TITLE	SHT. NO.	DWG. NO.	TITLE
GENERAL								
1	1/1	INDEX TO DRAWINGS	23	3/4	AERIAL PLAN STA. 175+00 THRU STA. 214+00	70	4/1	TOPOGRAPHY
2	1/2	LOCATION MAP	24	3/5	AERIAL PLAN STA. 214+00 THRU STA. 267+00	71	4/2	SITE PLAN
3	1/3	RIGHT-OF-WAY AND CONTROL	25	3/6	AERIAL PLAN STA. 267+00 THRU STA. 310+00	72	4/3	PLAN AND SECTION
LEVEE 78								
4	2/1	AERIAL PLAN STA. 0+00 THRU STA. 48+00	26	3/7	AERIAL PLAN STA. 310+00 THRU STA. 366+00	73	4/4	DEWATERING PLAN
5	2/2	AERIAL PLAN STA. 48+00 THRU STA. 109+00	27	3/8	AERIAL PLAN STA. 366+00 THRU STA. 422+00	74	4/5	TIMBER WALKWAY
6	2/3	AERIAL PLAN STA. 109+00 THRU STA. 157+00	28	3/9	AERIAL PLAN STA. 422+00 THRU STA. 478+00	75	4/6	SECTION AND ELEVATION
-	2/4	NOT USED	29	3/10	AERIAL PLAN STA. 478+00 THRU STA. 534+00	76	4/7	ELEVATIONS
-	2/5	NOT USED	30	3/11	AERIAL PLAN STA. 534+00 THRU STA. 568+00	77	4/8	SECTIONS AND DETAILS
-	2/6	NOT USED	31	3/12	PLAN STA. 0+00 THRU STA. 64+00	78	4/9	OPERATING PLATFORM ISOMETRIC
-	2/7	NOT USED	32	3/13	PLAN STA. 64+00 THRU STA. 128+00	79	5/1	STAFF GAGE AND LIFT GATE DETAILS
7	2/8	PLAN STA. 0+00 THRU STA. 64+00	33	3/14	PLAN STA. 128+00 THRU STA. 187+00	STRUCTURE 252B		
8	2/9	PLAN STA. 64+00 THRU STA. 128+00	34	3/15	PLAN STA. 187+00 THRU STA. 251+00	80	5/2	TOPOGRAPHY
9	2/10	PLAN STA. 128+00 THRU STA. 157+00	35	3/16	PLAN STA. 251+00 THRU STA. 319+00	81	5/3	SITE PLAN
-	2/11	NOT USED	36	3/17	PLAN STA. 319+00 THRU STA. 387+00	82	5/4	PLAN AND SECTION
-	2/12	NOT USED	37	3/18	PLAN STA. 387+00 THRU STA. 456+00	83	6/1	DEWATERING PLAN
-	2/13	NOT USED	38	3/19	PLAN STA. 456+00 THRU STA. 523+00	STRUCTURE 252C		
10	2/14	CROSS SECTIONS STA. 1+04 THRU STA. 3+79	39	3/20	PLAN STA. 523+00 THRU STA. 568+00	84	6/2	TOPOGRAPHY
11	2/15	CROSS SECTIONS STA. 5+79 THRU STA. 20+79	40	3/21	CROSS SECTIONS STA. 0+21 THRU STA. 14+81	85	6/3	SITE PLAN
12	2/16	CROSS SECTIONS STA. 25+79 THRU STA. 40+79	41	3/22	CROSS SECTIONS STA. 19+81 THRU STA. 34+81	86	6/4	PLAN AND SECTION
13	2/17	CROSS SECTIONS STA. 43+28 THRU STA. 55+79	42	3/23	CROSS SECTIONS STA. 39+81 THRU STA. 54+81	87	7/1	DEWATERING PLAN
14	2/18	CROSS SECTIONS STA. 60+79 THRU STA. 75+79	43	3/24	CROSS SECTIONS STA. 59+81 THRU STA. 74+81	SPUR DIKE		
15	2/19	CROSS SECTIONS STA. 80+79 THRU STA. 90+79	44	3/25	CROSS SECTIONS STA. 79+81 THRU STA. 94+81	88	8/1	SITE PLAN
16	2/20	CROSS SECTIONS STA. 95+79 THRU STA. 110+79	45	3/26	CROSS SECTIONS STA. 99+81 THRU STA. 114+81	TYPICAL POWER POLE ACCESS RAMP		
17	2/21	CROSS SECTIONS STA. 115+79 THRU STA. 125+79	46	3/27	CROSS SECTIONS STA. 119+81 THRU STA. 134+81	89	9/1	PLAN AND PROFILE
18	2/22	CROSS SECTIONS STA. 130+79 THRU STA. 145+79	47	3/28	CROSS SECTIONS STA. 139+81 THRU STA. 154+81	WATER STAGES		
19	2/23	CROSS SECTIONS STA. 151+87.5 THRU STA. 155+79	48	3/29	CROSS SECTIONS STA. 159+81 THRU STA. 174+81			
-	2/24	NOT USED	49	3/30	CROSS SECTIONS STA. 179+81 THRU STA. 196+78			
-	2/25	NOT USED	50	3/31	CROSS SECTIONS STA. 201+78 THRU STA. 219+35			
-	2/26	NOT USED	51	3/32	CROSS SECTIONS STA. 224+35 THRU STA. 239+35			
-	2/27	NOT USED	52	3/33	CROSS SECTIONS STA. 244+35 THRU STA. 259+35			
-	2/28	NOT USED	53	3/34	CROSS SECTIONS STA. 264+35 THRU STA. 279+35			
-	2/29	NOT USED	54	3/35	CROSS SECTIONS STA. 284+35 THRU STA. 299+35			
-	2/30	NOT USED	55	3/36	CROSS SECTIONS STA. 304+35 THRU STA. 320+70			
-	2/31	NOT USED	56	3/37	CROSS SECTIONS STA. 325+70 THRU STA. 340+70			
-	2/32	NOT USED	57	3/38	CROSS SECTIONS STA. 345+70 THRU STA. 360+70			
20	3/1	AERIAL PLAN STA. 0+00 THRU STA. 60+00	58	3/39	CROSS SECTIONS STA. 365+70 THRU STA. 380+70			
21	3/2	AERIAL PLAN STA. 60+00 THRU STA. 119+00	59	3/40	CROSS SECTIONS STA. 385+70 THRU STA. 400+70			
22	3/3	AERIAL PLAN STA. 119+00 THRU STA. 175+00	60	3/41	CROSS SECTIONS STA. 405+70 THRU STA. 420+70			
LEVEE 79								
23	3/4	AERIAL PLAN STA. 175+00 THRU STA. 214+00	61	3/42	CROSS SECTIONS STA. 425+70 THRU STA. 440+70			
24	3/5	AERIAL PLAN STA. 214+00 THRU STA. 267+00	62	3/43	CROSS SECTIONS STA. 445+70 THRU STA. 460+70			
25	3/6	AERIAL PLAN STA. 267+00 THRU STA. 310+00	63	3/44	CROSS SECTIONS STA. 465+70 THRU STA. 480+70			
26	3/7	AERIAL PLAN STA. 310+00 THRU STA. 366+00	64	3/45	CROSS SECTIONS STA. 485+70 THRU STA. 500+70			
27	3/8	AERIAL PLAN STA. 366+00 THRU STA. 422+00	65	3/46	CROSS SECTIONS STA. 505+70 THRU STA. 520+70			
28	3/9	AERIAL PLAN STA. 422+00 THRU STA. 478+00	66	3/47	CROSS SECTIONS STA. 525+70 THRU STA. 540+70			
29	3/10	AERIAL PLAN STA. 478+00 THRU STA. 534+00	67	3/48	CROSS SECTIONS STA. 545+70 THRU STA. 560+70			
30	3/11	AERIAL PLAN STA. 534+00 THRU STA. 568+00	68	3/49	CROSS SECTIONS STA. 565+70			
31	3/12	PLAN STA. 0+00 THRU STA. 64+00	69	3/50	ACCESS POINT NO. 4 RAMP AND CULVERT			
32	3/13	PLAN STA. 64+00 THRU STA. 128+00						
33	3/14	PLAN STA. 128+00 THRU STA. 187+00						
34	3/15	PLAN STA. 187+00 THRU STA. 251+00						
35	3/16	PLAN STA. 251+00 THRU STA. 319+00						
36	3/17	PLAN STA. 319+00 THRU STA. 387+00						
37	3/18	PLAN STA. 387+00 THRU STA. 456+00						
38	3/19	PLAN STA. 456+00 THRU STA. 523+00						
39	3/20	PLAN STA. 523+00 THRU STA. 568+00						
40	3/21	CROSS SECTIONS STA. 0+21 THRU STA. 14+81						
41	3/22	CROSS SECTIONS STA. 19+81 THRU STA. 34+81						
42	3/23	CROSS SECTIONS STA. 39+81 THRU STA. 54+81						
43	3/24	CROSS SECTIONS STA. 59+81 THRU STA. 74+81						
44	3/25	CROSS SECTIONS STA. 79+81 THRU STA. 94+81						
45	3/26	CROSS SECTIONS STA. 99+81 THRU STA. 114+81						
46	3/27	CROSS SECTIONS STA. 119+81 THRU STA. 134+81						
47	3/28	CROSS SECTIONS STA. 139+81 THRU STA. 154+81						
48	3/29	CROSS SECTIONS STA. 159+81 THRU STA. 174+81						
49	3/30	CROSS SECTIONS STA. 179+81 THRU STA. 196+78						
50	3/31	CROSS SECTIONS STA. 201+78 THRU STA. 219+35						
51	3/32	CROSS SECTIONS STA. 224+35 THRU STA. 239+35						
52	3/33	CROSS SECTIONS STA. 244+35 THRU STA. 259+35						
53	3/34	CROSS SECTIONS STA. 264+35 THRU STA. 279+35						
54	3/35	CROSS SECTIONS STA. 284+35 THRU STA. 299+35						
55	3/36	CROSS SECTIONS STA. 304+35 THRU STA. 320+70						
56	3/37	CROSS SECTIONS STA. 325+70 THRU STA. 340+70						
57	3/38	CROSS SECTIONS STA. 345+70 THRU STA. 360+70						
58	3/39	CROSS SECTIONS STA. 365+70 THRU STA. 380+70						
59	3/40	CROSS SECTIONS STA. 385+70 THRU STA. 400+70						
60	3/41	CROSS SECTIONS STA. 405+70 THRU STA. 420+70						
61	3/42	CROSS SECTIONS STA. 425+70 THRU STA. 440+70						
62	3/43	CROSS SECTIONS STA. 445+70 THRU STA. 460+70						
63	3/44	CROSS SECTIONS STA. 465+70 THRU STA. 480+70						
64	3/45	CROSS SECTIONS STA. 485+70 THRU STA. 500+70						
65	3/46	CROSS SECTIONS STA. 505+70 THRU STA. 520+70						
66	3/47	CROSS SECTIONS STA. 525+70 THRU STA. 540+70						
67	3/48	CROSS SECTIONS STA. 545+70 THRU STA. 560+70						
68	3/49	CROSS SECTIONS STA. 565+70						
69	3/50	ACCESS POINT NO. 4 RAMP AND CULVERT						

PREPARED BY: <i>[Signature]</i> CHIEF LEVEE AND WATERWAYS SECTION	DEPARTMENT OF THE ARMY JACKSONVILLE DISTRICT, CORPS OF ENGINEERS JACKSONVILLE, FLORIDA
DESIGNED BY: <i>[Signature]</i> CHIEF STRUCTURES SECTION	CENTRAL AND SOUTHERN FLORIDA PROJECT LEVEES 78 AND 79 STRUCTURES 252A, 252B, 252C
SUBMITTED BY: <i>[Signature]</i> ARCHITECT-ENGINEER 10/25/78	GENERAL INDEX TO DRAWINGS
APPROVAL RECOMMENDED BY: <i>[Signature]</i> CHIEF DESIGN BRANCH	SCALE: NONE DATED: MAY 1987 SHEET 1 of 89
APPROVED: <i>[Signature]</i> CHIEF ENGINEERING DIVISION	

W.K. DAUGHERTY CONSULTING ENGINEERS, INC.
15400 BAY TO BAY BLVD. SUITE 108 CLEARWATER, FL 34619

SAFETY ON THIS JOB
DEPENDS ON YOU

REVISIONS					
NO.	SYM	ZONE	DESCRIPTION	DATE	APPROVED

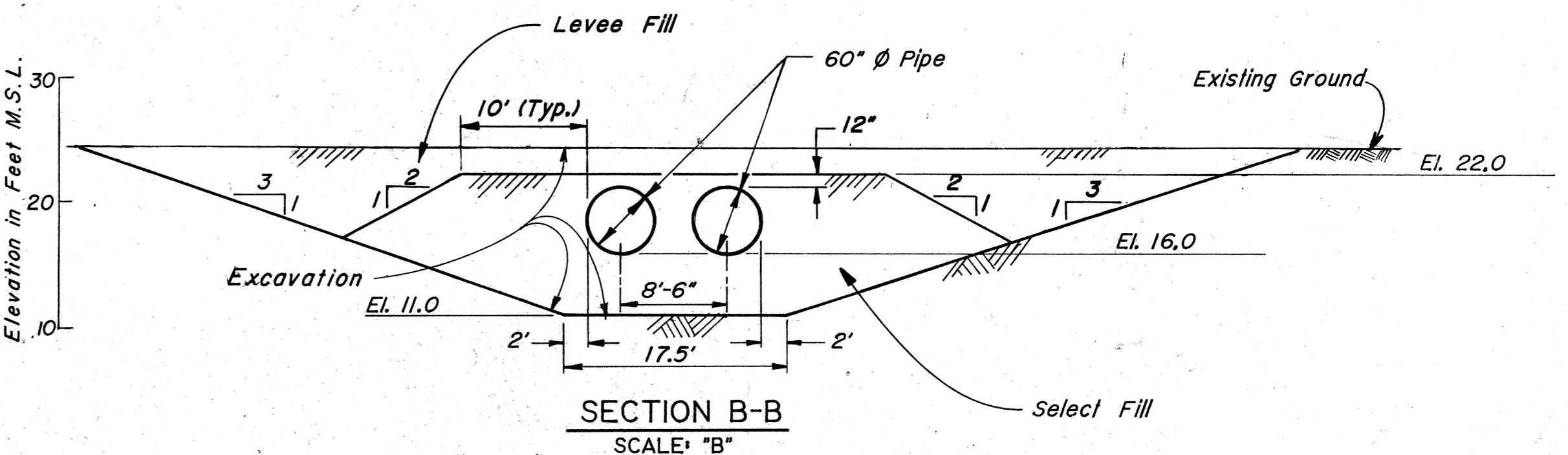
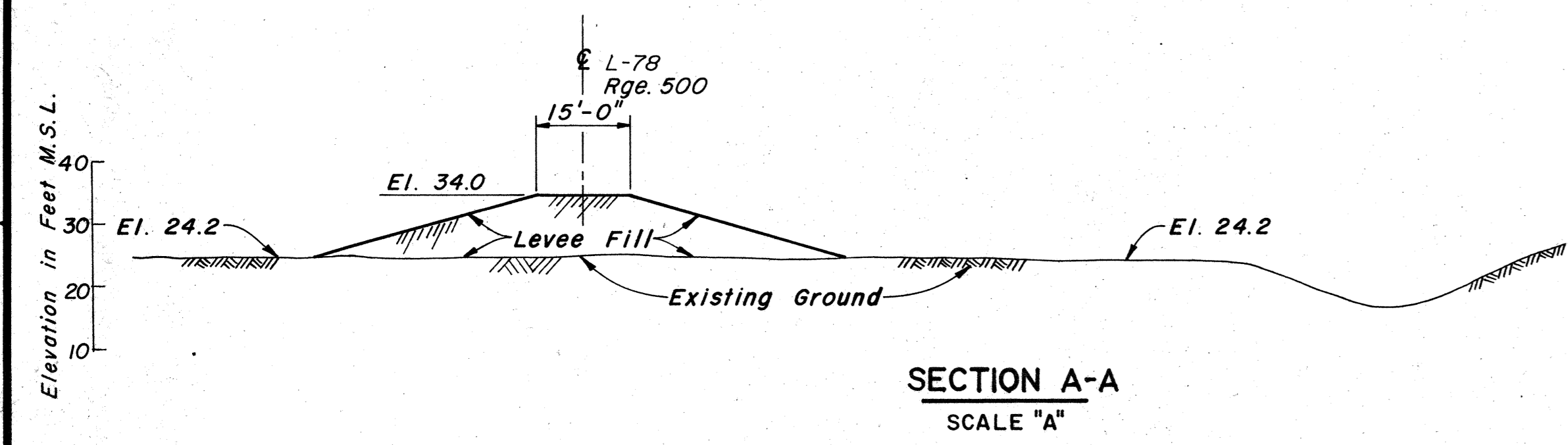


LEGEND

- LIMITS OF EXISTING RIPRAP
- LIMITS OF 12" RIPRAP ON 9" BEDDING
- DIRECTION OF REQUIRED SLOPE
- DIRECTION OF EXISTING SLOPE
- RATIO OF REQUIRED SLOPE (1 ON 3 = 1 VERTICAL ON 3 HORIZONTAL)
- CENTERLINE
- RIGHT-OF-WAY

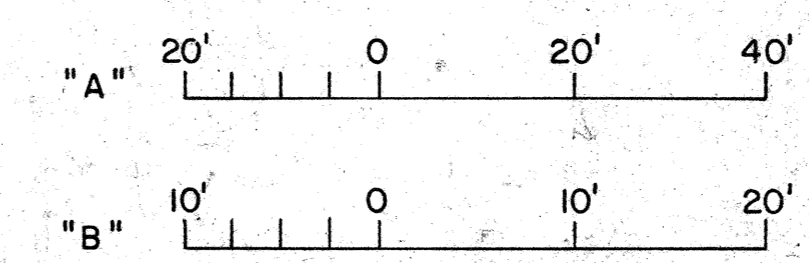
NOTES:

1. FOR "GENERAL NOTES," SEE DWG. NO. 1/2.
2. FOR RIGHT-OF-WAY AND CONTROL DATA SEE DWG. NOS. 1/3 AND 2/3.
3. FOR TOPOGRAPHY, SEE DWG. NO. 4/1.
4. ACCESS WALKWAY AND OPERATING PLATFORM NOT SHOWN ON SITE PLAN THIS SHEET. SEE DWG. NOS. 4/3 AND 4/5.
5. EXCAVATED OR EMBANKMENT FILL SURFACES AND/OR DISTURBED AREAS ABOVE EL. 22.0 SHALL BE GRASSED EXCEPT FOR AREAS WHERE RIPRAP OR SODDING IS REQUIRED. IN THE EVENT THAT THE WATER SURFACES AT THE TIME OF GRASSING OPERATIONS ARE HIGHER THAN INDICATED ABOVE, GRASSING SHALL EXTEND TO THE WATER SURFACE.
6. FOR SECTION C-C, SEE DWG. NO. 4/3



SITE PLAN
SCALE: "A"

GRAPHIC SCALES



W. K. DAUGHERTY CONSULTING ENGINEERS, INC.
 DEPARTMENT OF THE ARMY
 JACKSONVILLE DISTRICT, CORPS OF ENGINEERS
 JACKSONVILLE, FLORIDA

CENTRAL AND SOUTHERN FLORIDA PROJECT
 LEVEES 78 AND 79
 STRUCTURES 252A, 252B, 252C

STRUCTURE 252A
SITE PLAN

DESIGN ENG.	CHK. BY	INV. NO.	DATE	SHEET	DWG. NO.

5

4

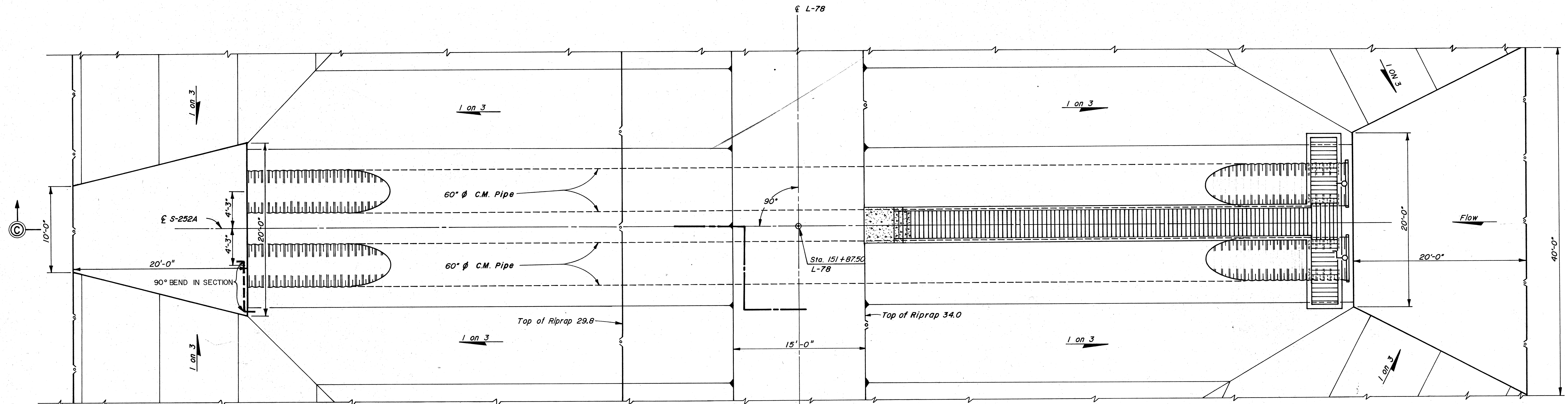
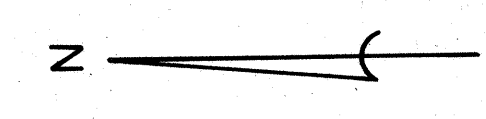
3

2

1

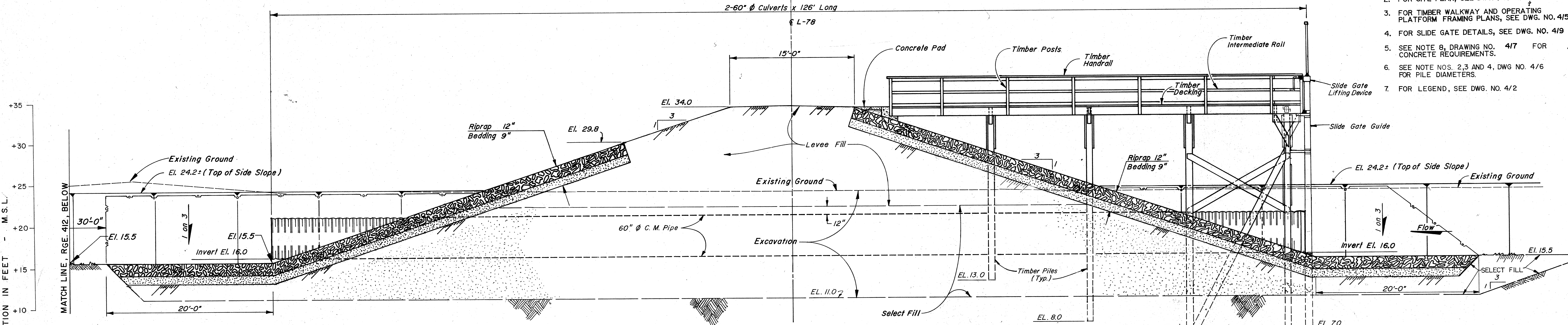
SAFETY ON THIS JOB
DEPENDS ON YOU

NO.	SYM	ZONE	REVISIONS		DATE	APPROVED
			DESCRIPTION			

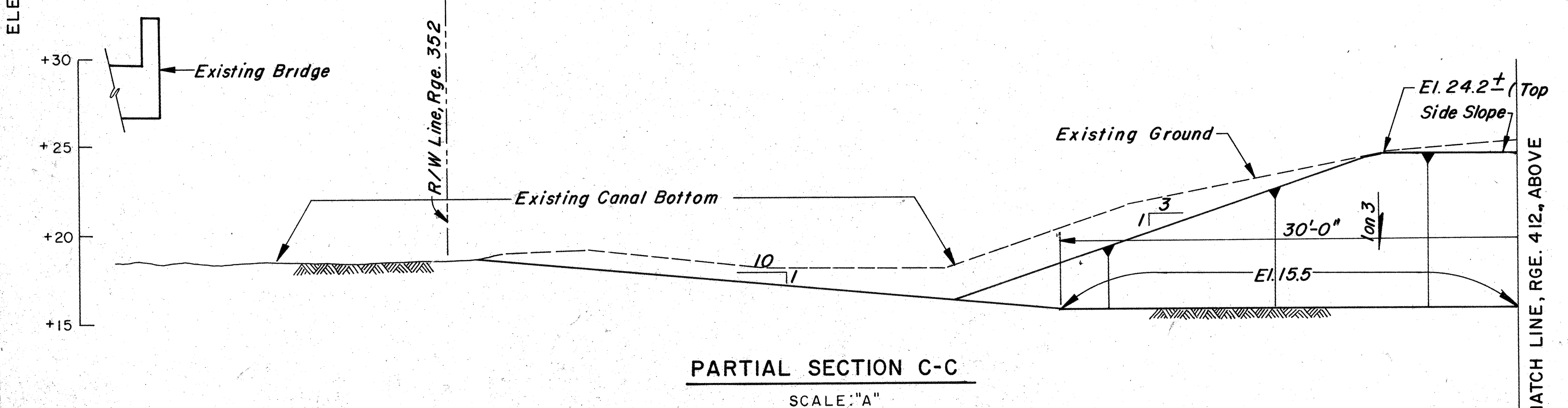


PLAN
Scale: "A"

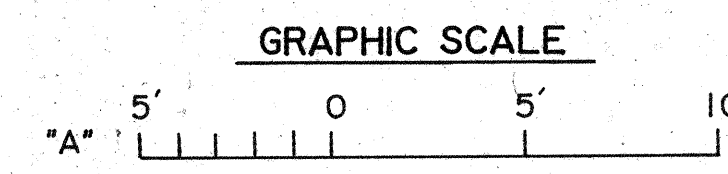
- NOTES:
- FOR GENERAL NOTES, SEE DWG. NO. 112
 - FOR SITE PLAN, SEE DWG. NO. 412
 - FOR TIMBER WALKWAY AND OPERATING PLATFORM FRAMING PLANS, SEE DWG. NO. 415
 - FOR SLIDE GATE DETAILS, SEE DWG. NO. 419
 - SEE NOTE 8, DRAWING NO. 417 FOR CONCRETE REQUIREMENTS.
 - SEE NOTE NOS. 2, 3 AND 4, DWG NO. 416 FOR PILE DIAMETERS.
 - FOR LEGEND, SEE DWG. NO. 412



SECTION C-C
SCALE: "A"



PARTIAL SECTION C-C
SCALE: "A"



W. K. DAUGHERTY CONSULTING ENGINEERS, INC.
4000 UNIVERSITY BLVD., SUITE 106, JACKSONVILLE, FL. 32216
904-941-1010

DEPARTMENT OF THE ARMY
JACKSONVILLE DISTRICT, CORPS OF ENGINEERS
JACKSONVILLE, FLORIDA

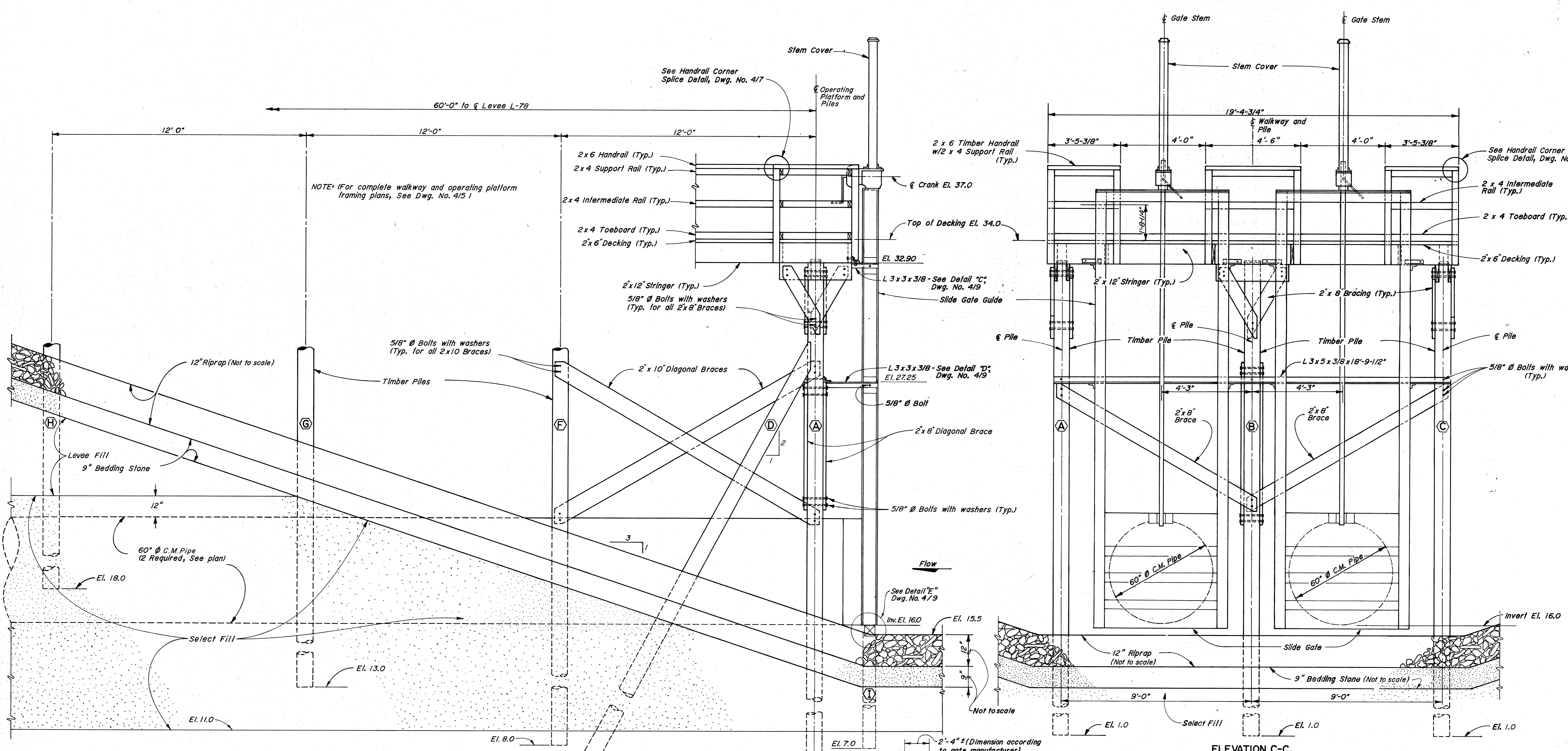
CENTRAL AND SOUTHERN FLORIDA PROJECT
LEVEES 78 AND 79
STRUCTURES 252A, 252B, 252C

STRUCTURE 252A
PLAN AND SECTION

DESIGN ENG.	CHK. BY:	INVT. NO.	SIZE	DWG. NO.
	25T		F	413
DATE:	SCALE:	DATED:	SHEET	
	AS SHOWN	MAY 1987	72	

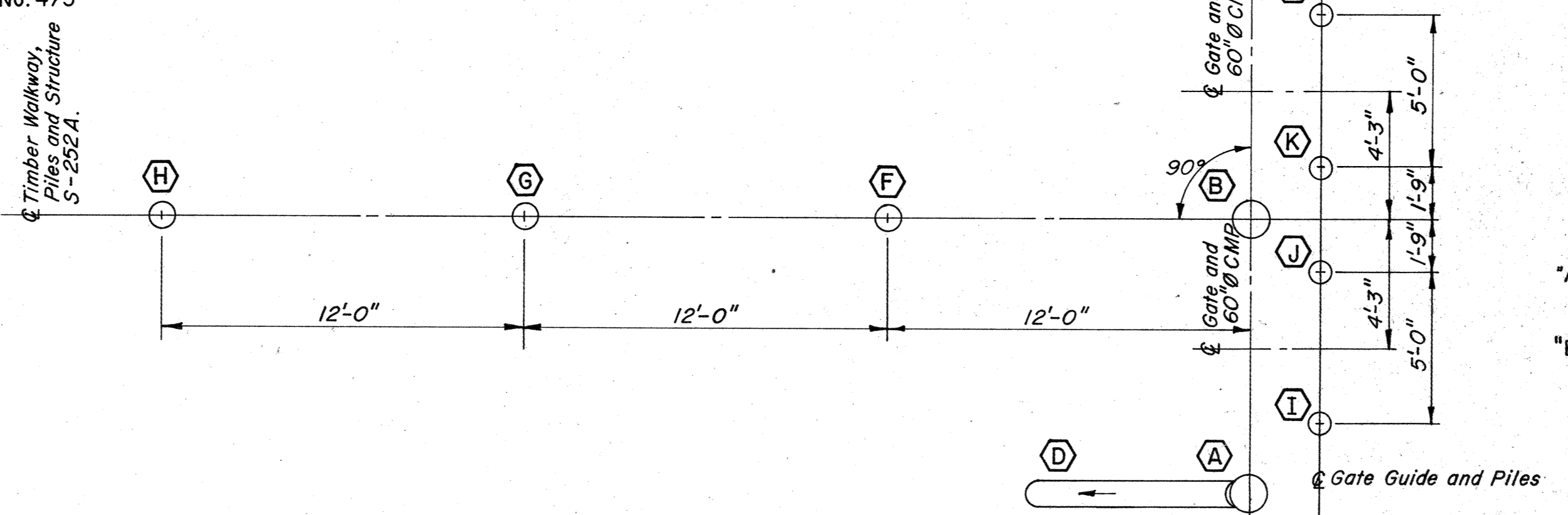
SAFETY ON THIS JOB
DEPENDS ON YOU

NO.		SYMBOL	ZONE	REVISIONS	DATE	APPROVED
				DESCRIPTION		

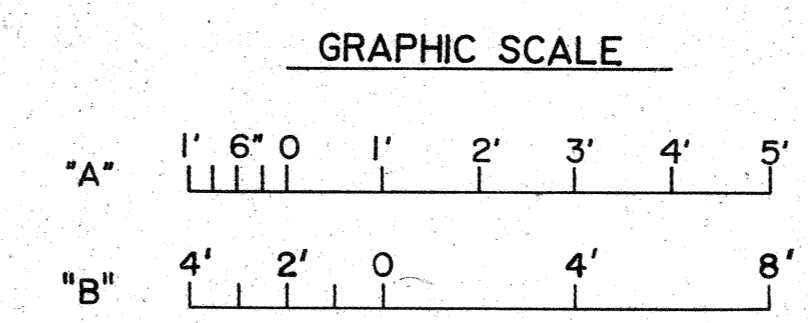


ELEVATION B-B
SCALE: "A"
FOR LOCATION, SEE DWG. NO. 4/5

ELEVATION C-C
SCALE: "A"
FOR LOCATION, SEE DWG. NO. 4/5



PILE ALIGNMENT
SCALE: "B"



- NOTES:
- FOR GENERAL NOTES, SEE DWG. NO. 1/2.
 - PILES (A) THROUGH (C) INCLUSIVE SHALL HAVE A 14" BUTT DIAMETER.
 - PILES (D) THROUGH (H) INCLUSIVE SHALL HAVE A 12" BUTT DIAMETER.
 - PILES (I) THROUGH (L) INCLUSIVE SHALL HAVE A 8" BUTT DIAMETER.

W.K. DAUGHERTY CONSULTING ENGINEERS, INC.
INCORPORATED IN FLORIDA
 10400 N.W. 11th Street, Suite 108, Clearwater, FL 34619

DEPARTMENT OF THE ARMY
 JACKSONVILLE DISTRICT, CORPS OF ENGINEERS
 JACKSONVILLE, FLORIDA

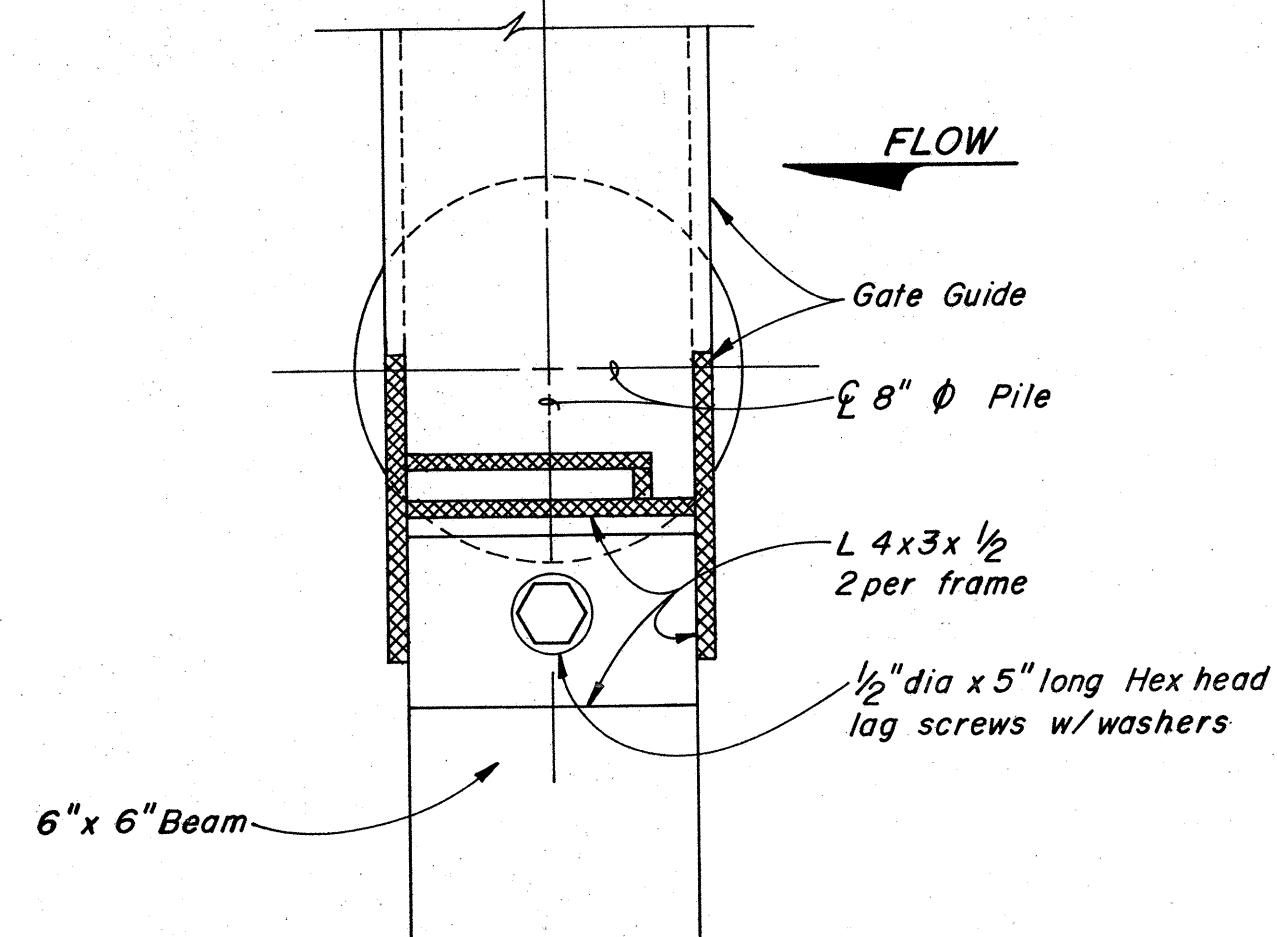
CENTRAL AND SOUTHERN FLORIDA PROJECT
 LEVEES 78 AND 79
 STRUCTURES 252A, 252B, 252C

STRUCTURE 252A
 TIMBER WALKWAY
 ELEVATIONS

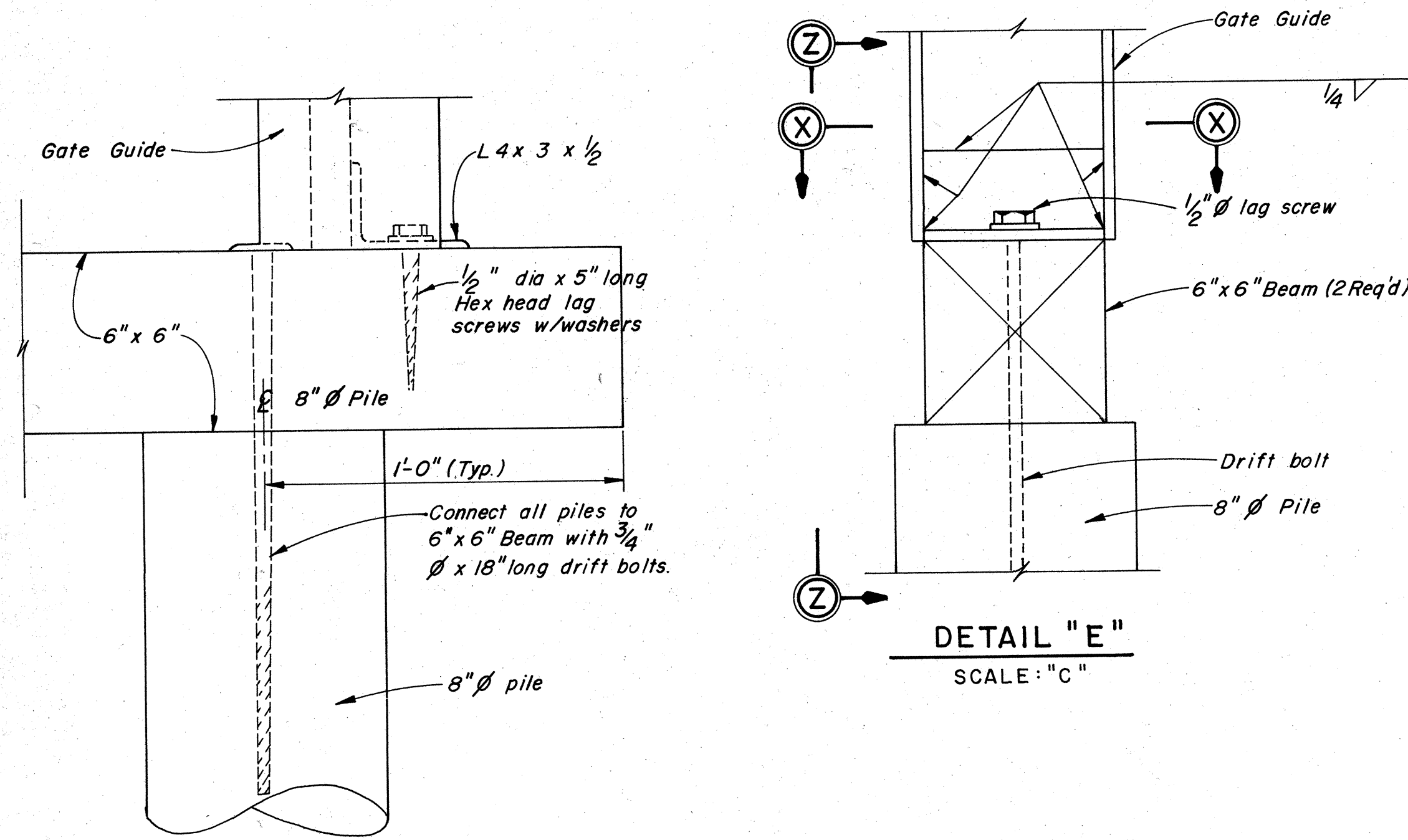
DESIGN ENG.		INV. NO.		SIZE	DWG. NO.
DWN. BY:	CHK. BY:	DATED:		F	4/6
SCALE: AS SHOWN		DATED: MAY 1987	SHEET 75		

SAFETY ON THIS JOB
DEPENDS ON YOU

REVISIONS		DATE	APPROVED
NO.	SYM	ZONE	DESCRIPTION

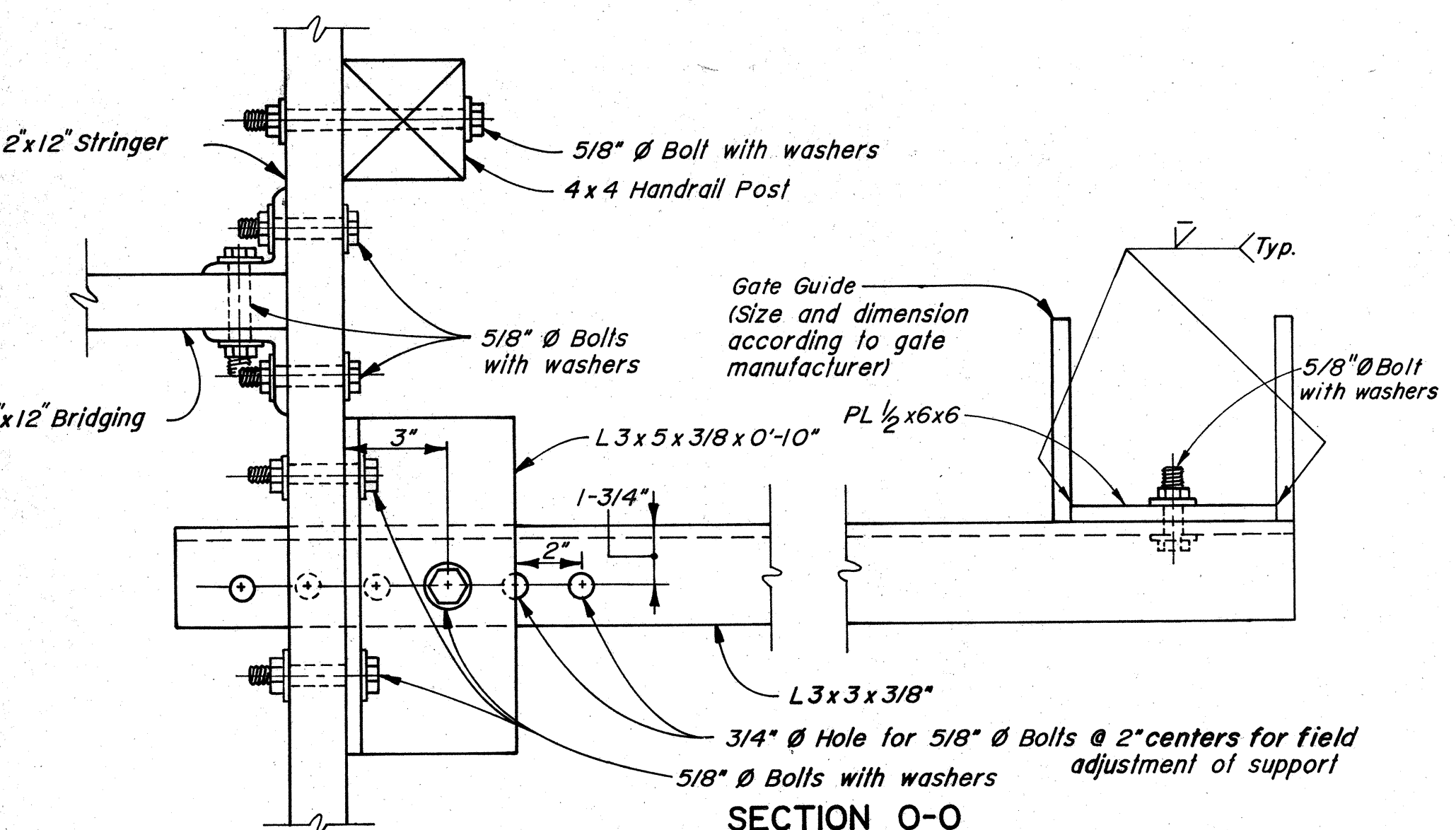


SECTION X-X
SCALE: "C"

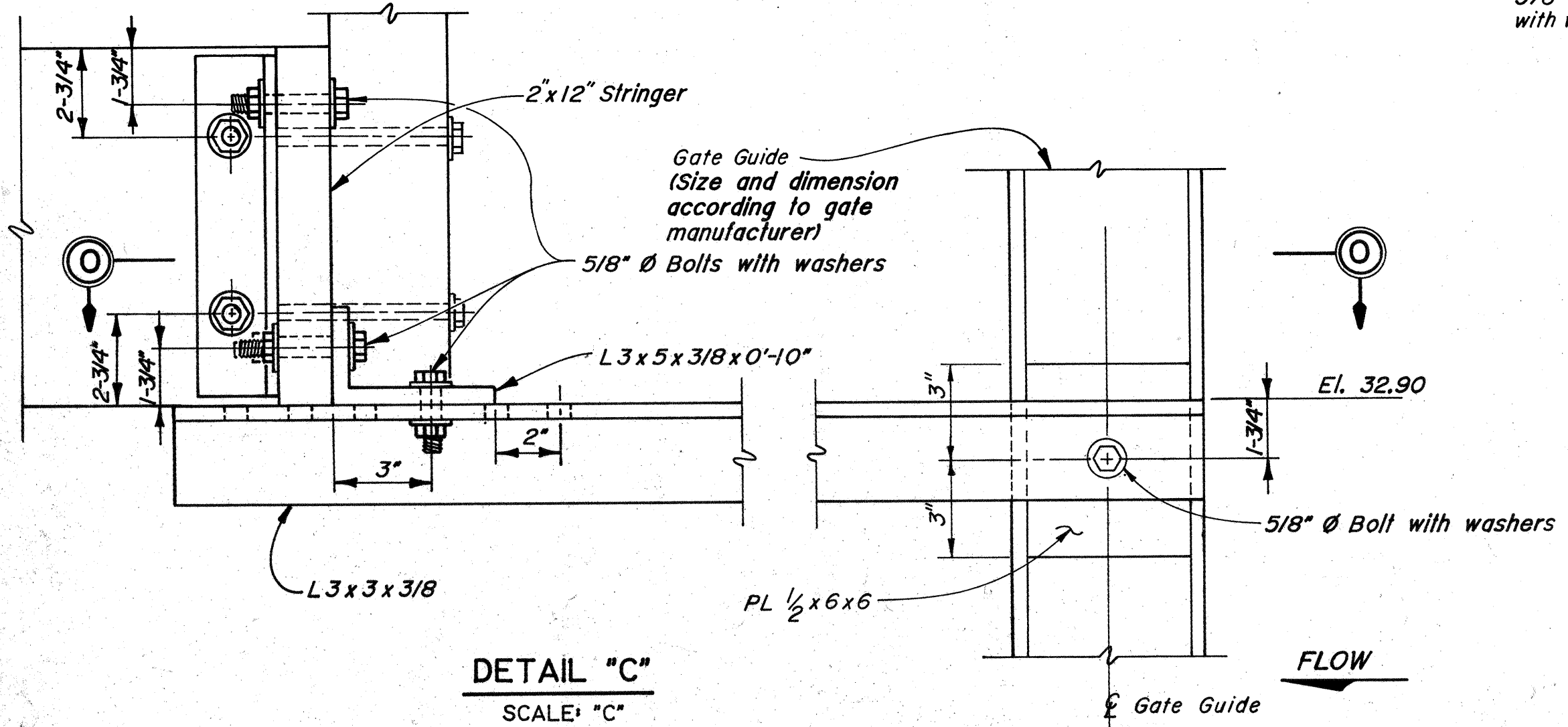


SECTION Z-Z
SCALE: "C"

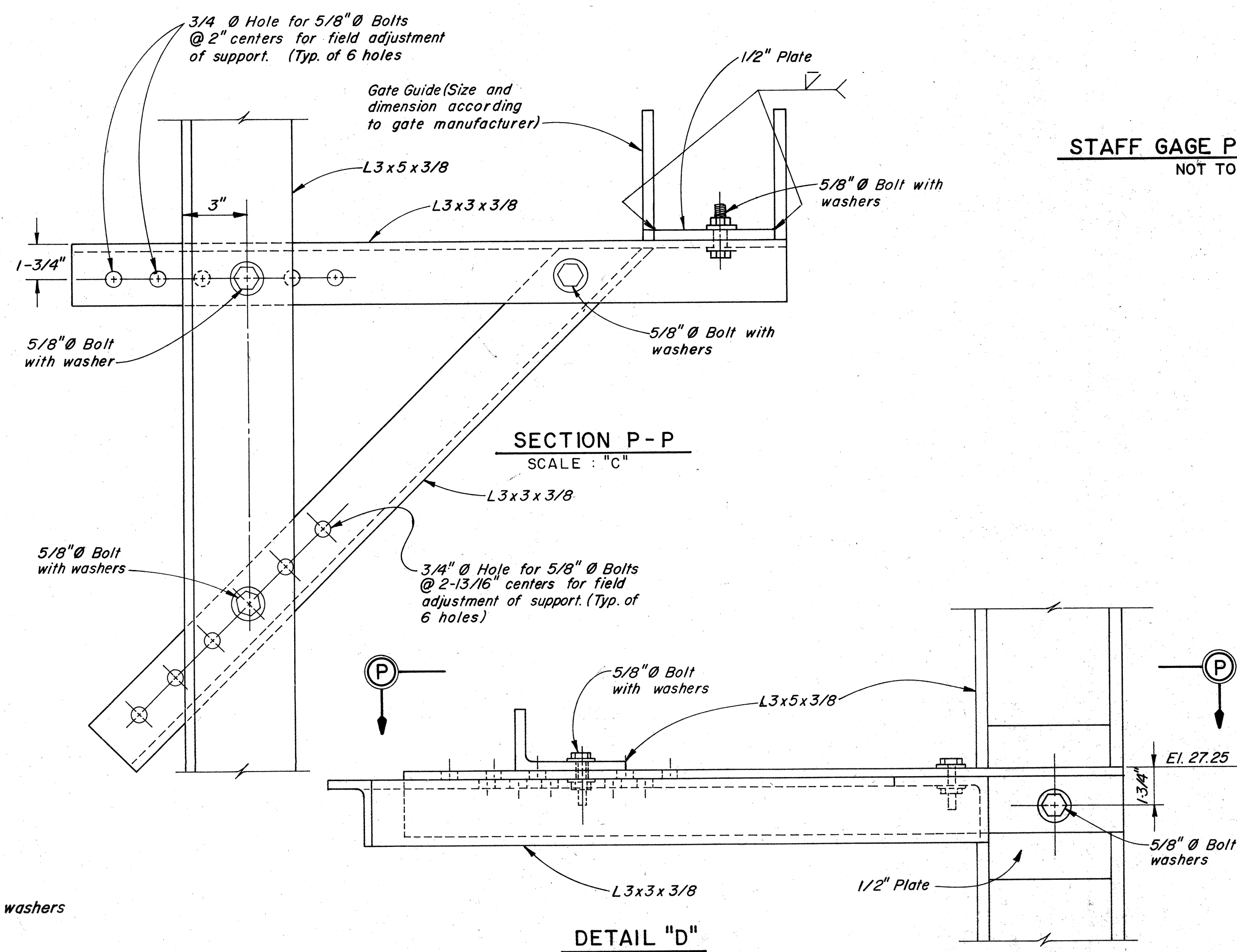
DETAIL "E"
SCALE: "C"



SECTION O-O
SCALE: "C"

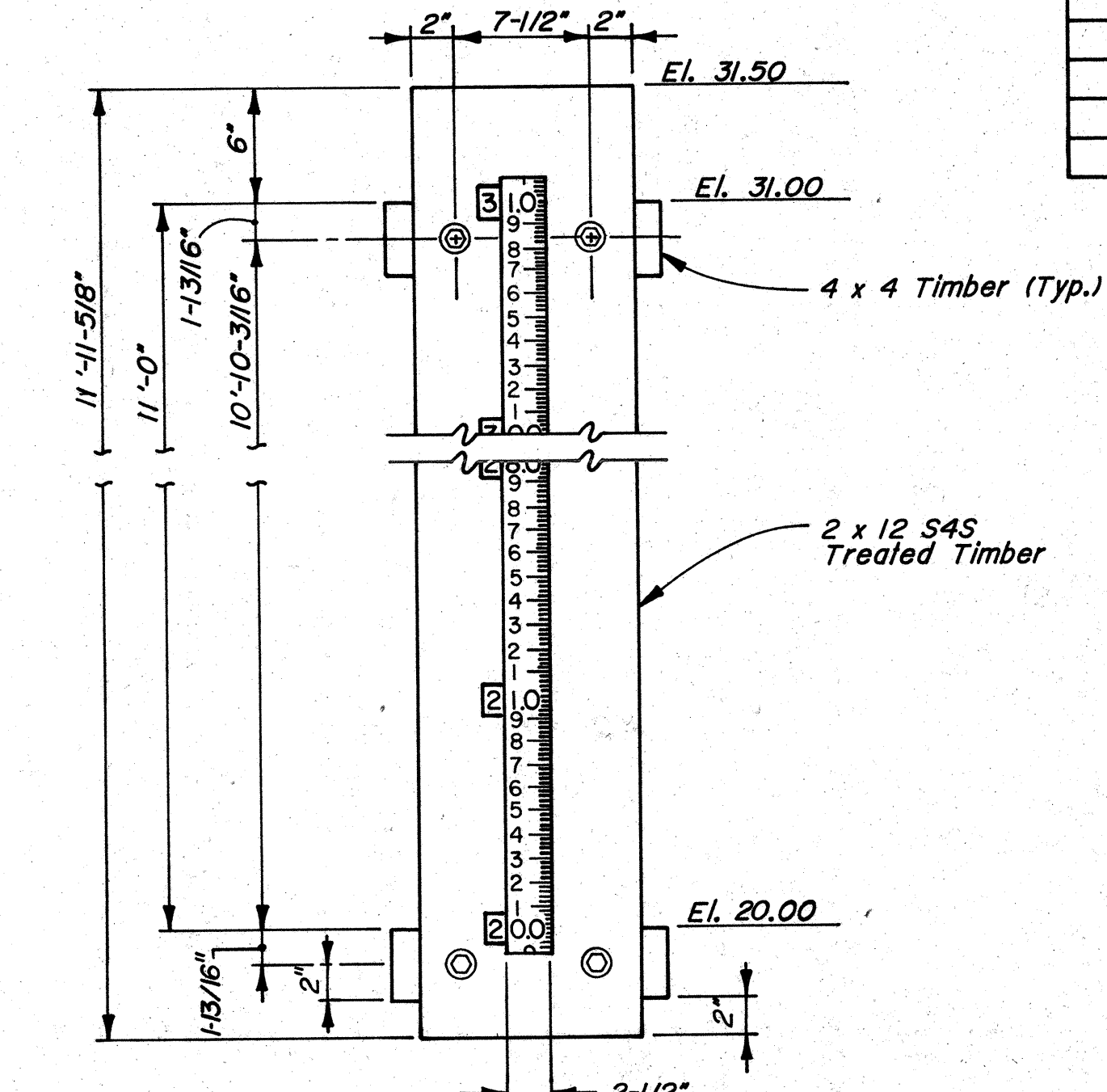


DETAIL "C"
SCALE: "C"

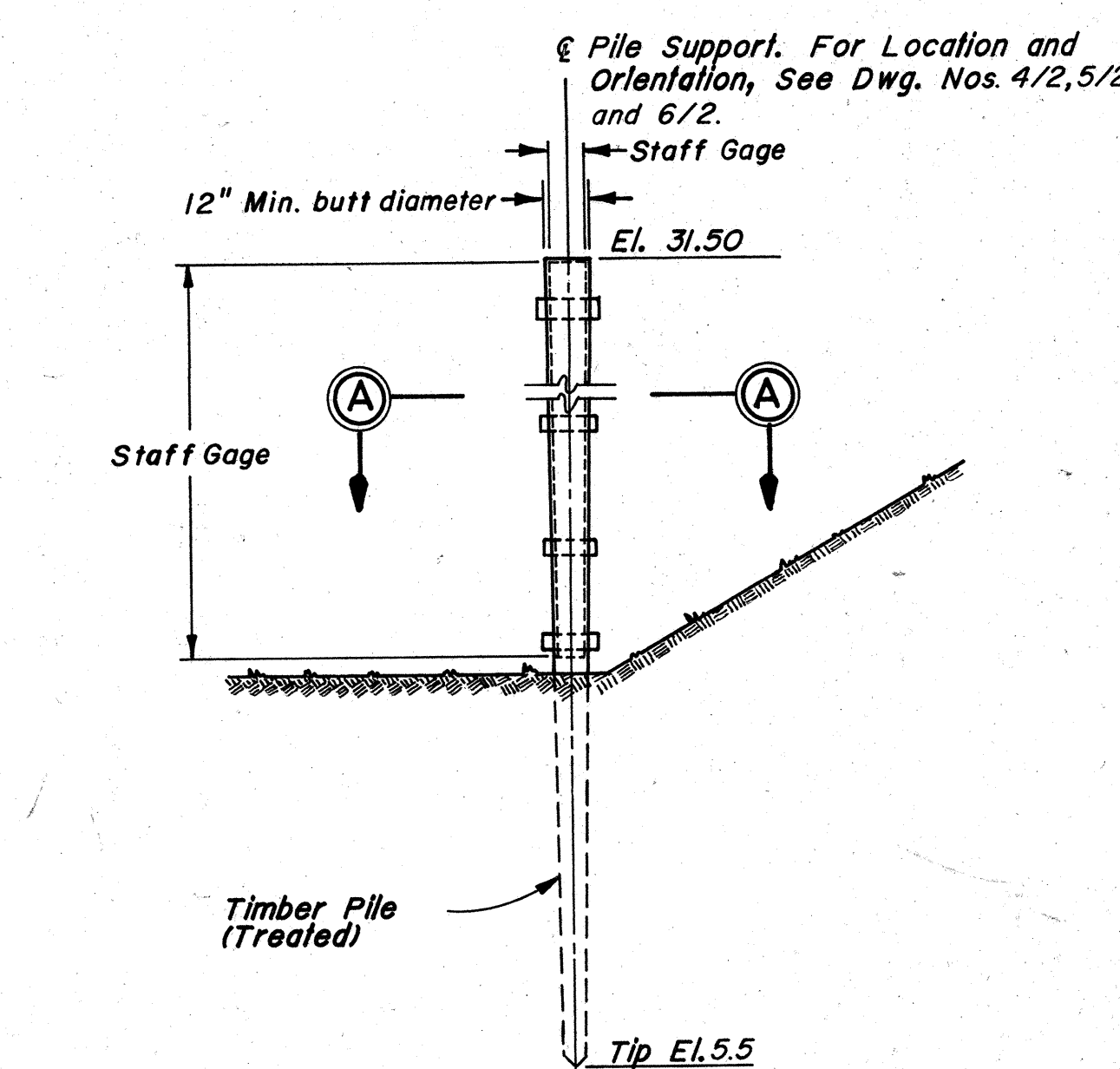


SECTION P-P
SCALE: "C"

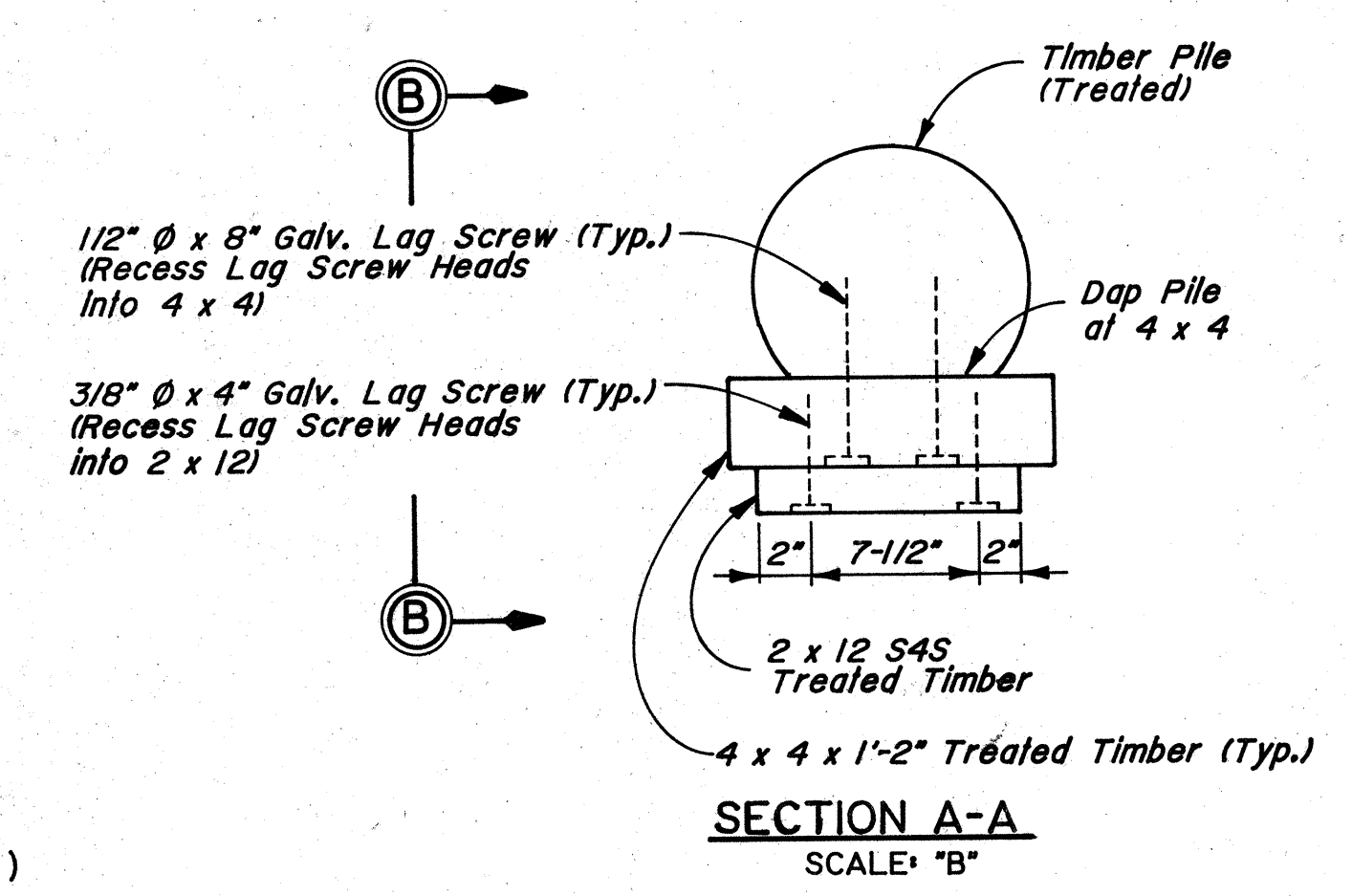
DETAIL "D"
SCALE: "C"



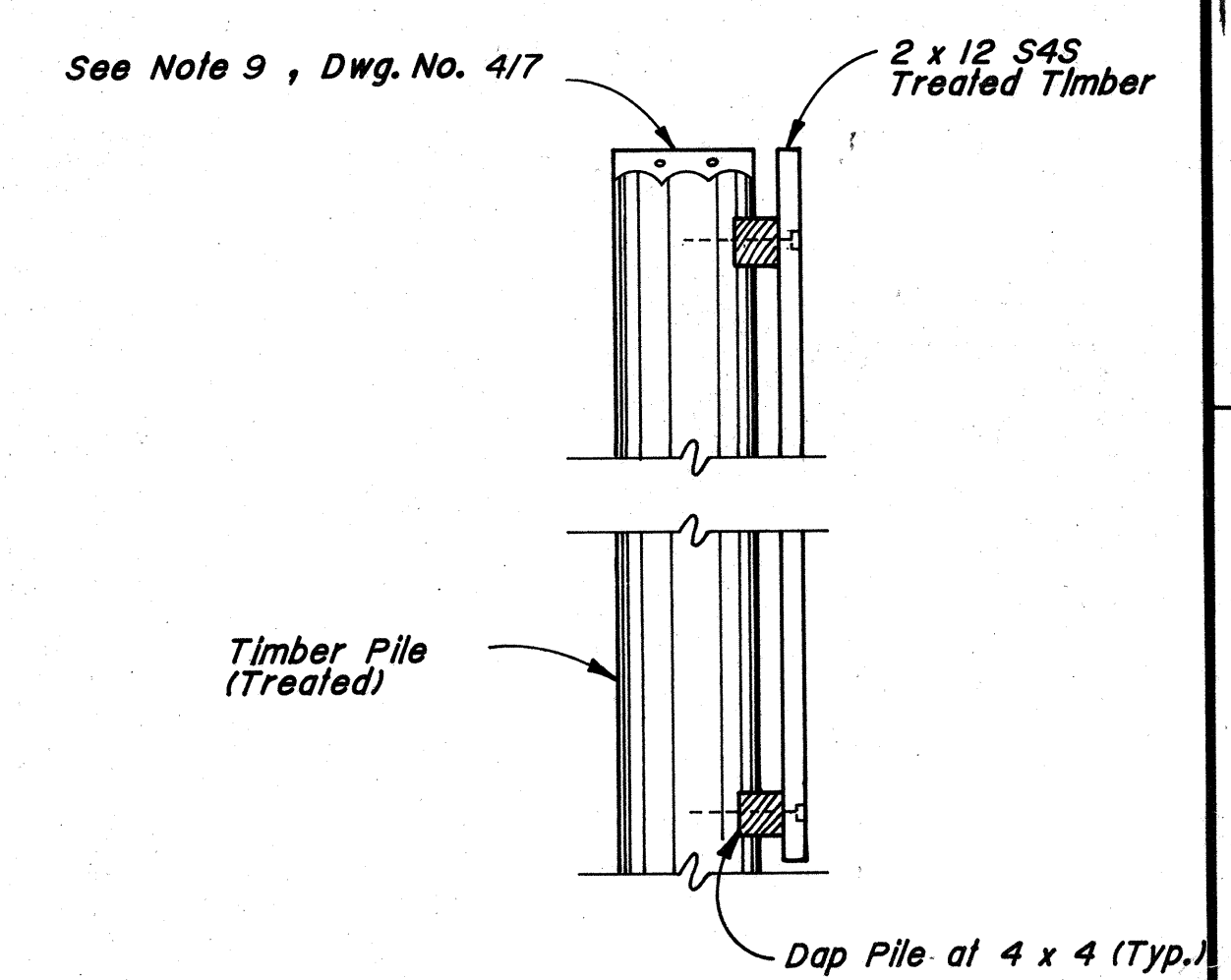
UPSTREAM AND DOWNSTREAM STAFF GAGE (SEE NOTE 3)
SCALE: "B"



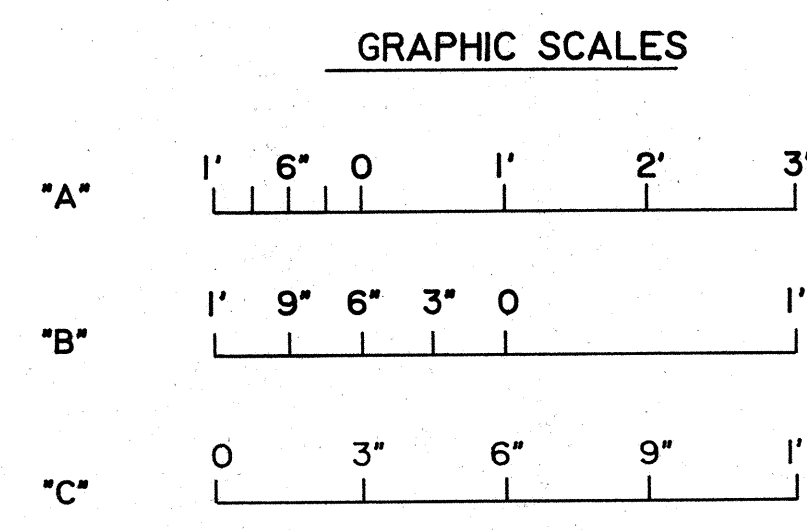
STAFF GAGE PILE SUPPORT (SEE NOTE 3)
NOT TO SCALE



SECTION A-A
SCALE: "B"



SECTION B-B
SCALE: "A"



- NOTES:
- IF GATE GUIDE IS GALVS, USE GALVS STRUCT. SHAPES (ASTM A36 AND A123) WITH GALVS FASTENERS (ASTM A307 AND A153). IF GATE GUIDE IS AL, USE AL STRUCT. SHAPES (ASTM B209 AND B308, ALLOY 6061-T6) AND AL FASTENERS (ASTM B211, ALLOY 2024-T4).
 - FOR LOCATION OF DETAILS "C", "D" AND "E", SEE DWG. NO. 4/6.
 - CONSTRUCT A TOTAL OF SIX STAFF GAGES EACH WITH PILE SUPPORT AS DETAILED ON THIS SHEET. INSTALL ONE UPSTREAM AND ONE DOWNSTREAM. STAFF GAGE SHALL BE INSTALLED AT LOCATIONS INDICATED ON DWG NOS. 4/2, 5/2 AND 6/2 FOR S-252A, S-252B AND S-252C RESPECTIVELY.

W. K. DAUGHERTY CONSULTING ENGINEERS, INC.
 DEPARTMENT OF THE ARMY
 JACKSONVILLE DISTRICT CORPS OF ENGINEERS
 JACKSONVILLE, FLORIDA
 CENTRAL AND SOUTHERN FLORIDA PROJECT
 LEVEES 78 AND 79
 STRUCTURES 252A, 252B, 252C
STRUCTURE 252A
 STAFF GAGE AND LIFT GATE DETAILS

DESIGN ENG. _____
 DWG. BY: 237 INV. NO. _____ SIZE: F DWG. NO. 4/9
 DATED: _____ SCALE: AS SHOWN DATED: MAY 1987 SHEET 78

SAFETY ON THIS JOB
DEPENDS ON YOU

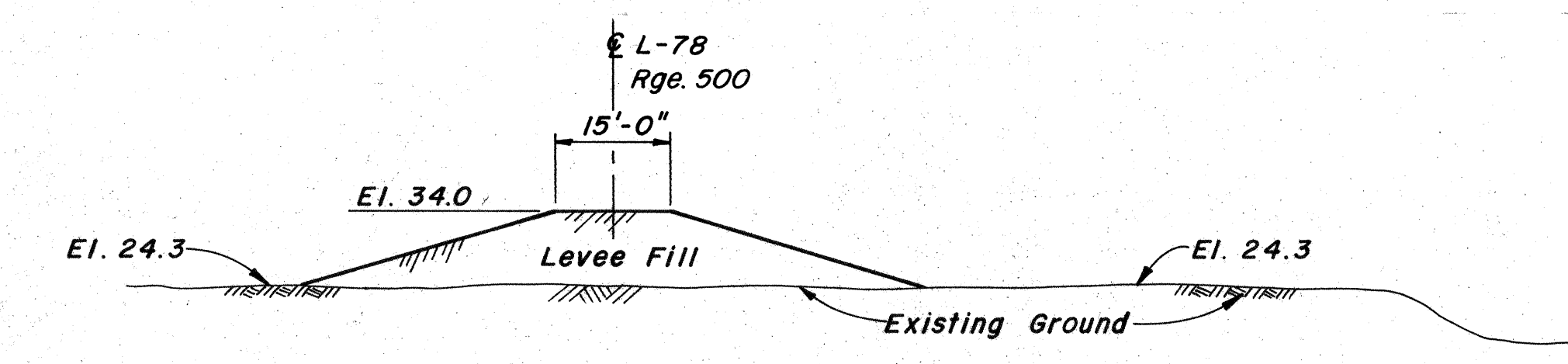
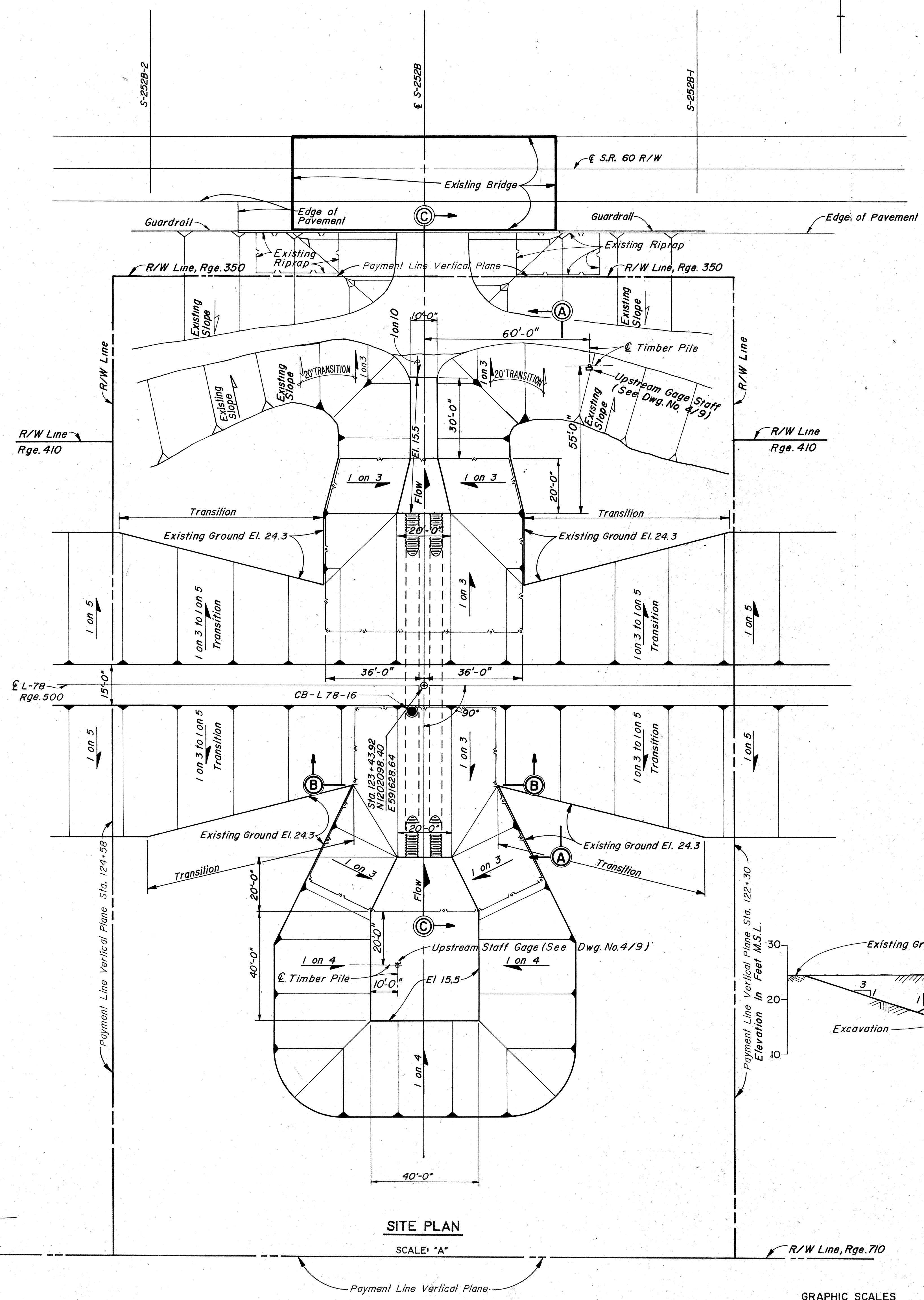
REVISIONS					
NO.	SYM	ZONE	DESCRIPTION	DATE	APPROVED

LEGEND

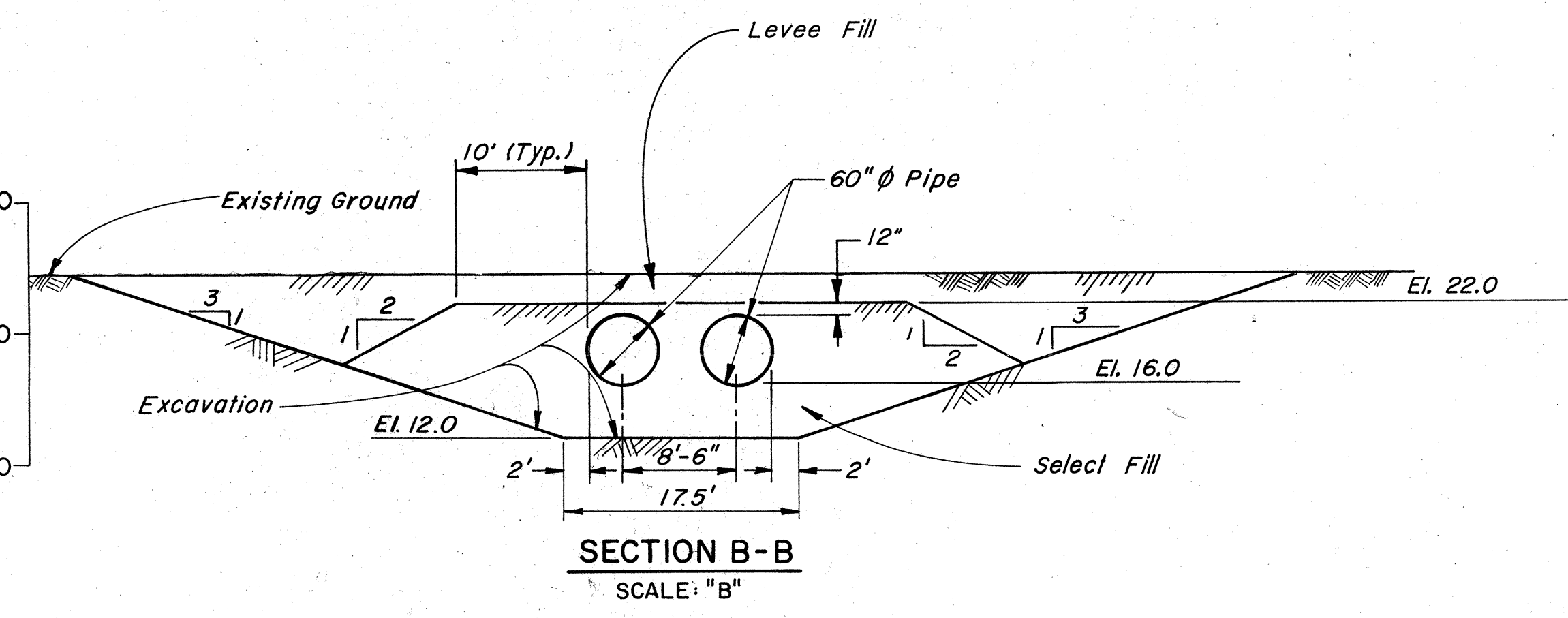
- LIMITS OF EXISTING RIPRAP
- LIMITS OF 12" RIPRAP ON 9" BEDDING
- DIRECTION OF REQUIRED SLOPE
- DIRECTION OF EXISTING SLOPE
- RATIO OF REQUIRED SLOPE
(1 ON 3 = 1 VERTICAL ON 3 HORIZONTAL)
- CENTERLINE
- RIGHT-OF-WAY

NOTES:

1. FOR "GENERAL NOTES," SEE DWG. NO. 1/2.
2. FOR RIGHT-OF-WAY AND CONTROL DATA SEE DWG. NOS. 1/3 AND 2/3.
3. FOR TOPOGRAPHY, SEE DWG. NO. 5/1.
4. _____ NOT USED _____
5. FOR SECTION C-C, SEE DWG. NO. 5/3.
6. EXCAVATED OR EMBANKMENT FILL SURFACES, AND/OR DISTURBED AREAS ABOVE EL. 22.0 SHALL BE GRASSED EXCEPT FOR AREAS WHERE RIPRAP OR SODDING IS REQUIRED. IN THE EVENT THAT THE WATER SURFACES AT THE TIME OF GRASSING OPERATIONS ARE HIGHER THAN INDICATED ABOVE, GRASSING SHALL EXTEND TO THE WATER SURFACE.



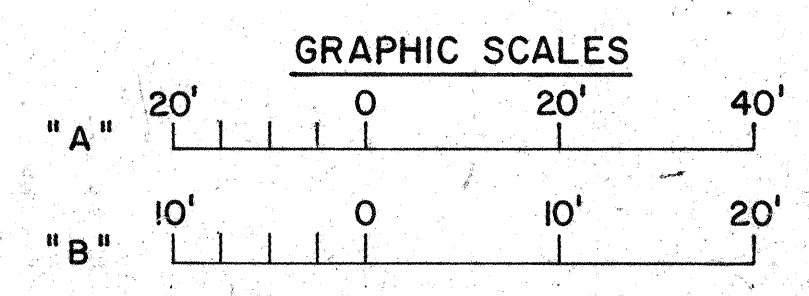
SECTION A-A
SCALE "A"



SECTION B-B
SCALE "B"

SITE PLAN

SCALE "A"



W. K. DAUGHERTY CONSULTING ENGINEERS, INC.
 JACKSONVILLE DISTRICT, CORPS OF ENGINEERS
 JACKSONVILLE, FLORIDA

CENTRAL AND SOUTHERN FLORIDA PROJECT
 LEVEES 78 AND 79
 STRUCTURES 252A, 252B, 252C

STRUCTURE 252B
 SITE PLAN

DESIGN ENG.	
DWG. BY: 227	
CHK. BY:	
INV. NO.	
DATE:	
SCALE: AS SHOWN	DATED: MAY 1987
	SHEET 80

5

4

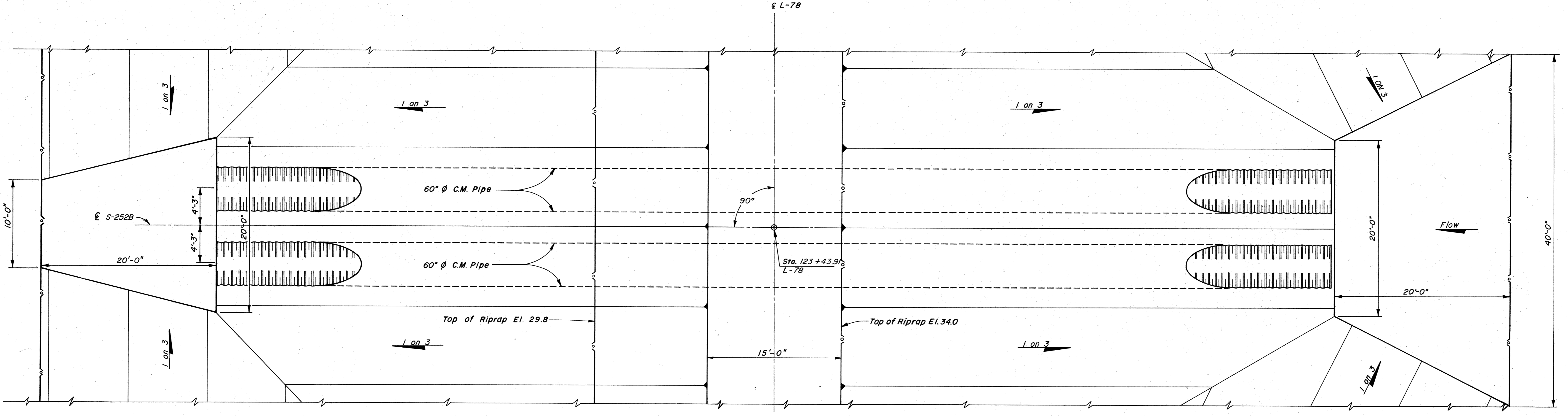
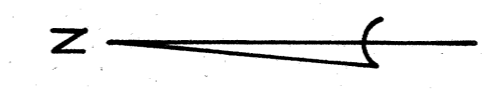
3

2

1

SAFETY ON THIS JOB
DEPENDS ON YOU

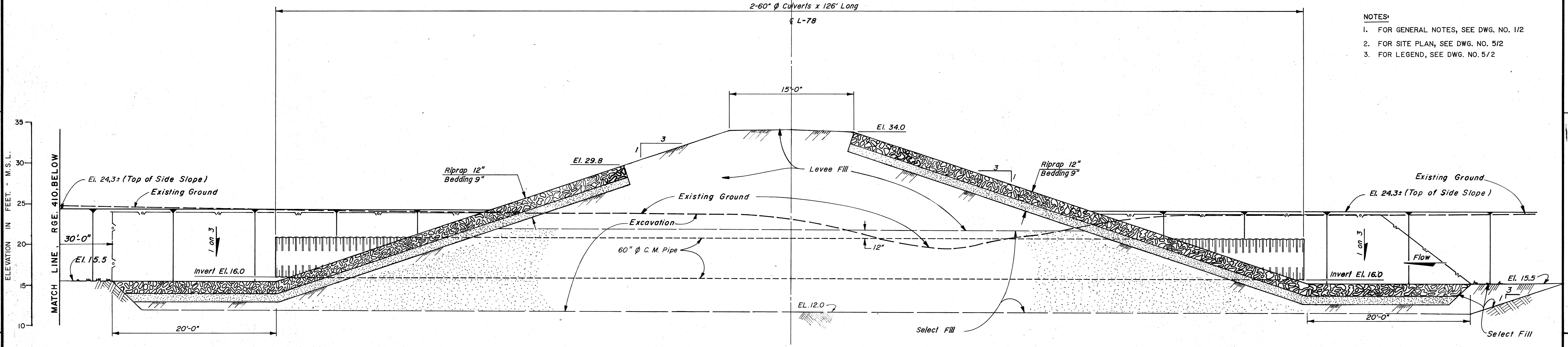
REVISIONS					
NO.	SYM.	ZONE	DESCRIPTION	DATE	APPROVED



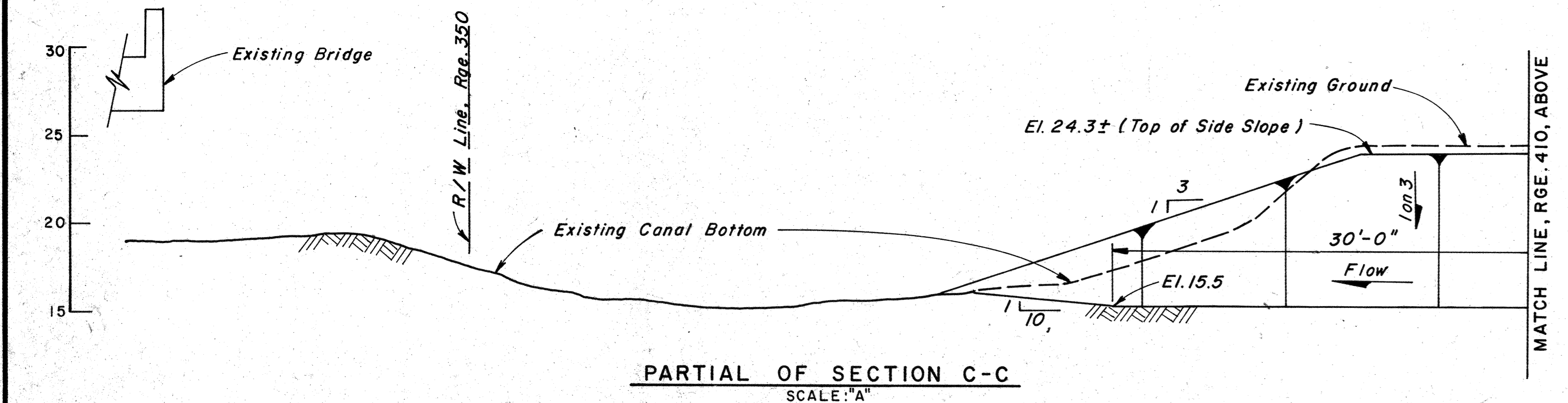
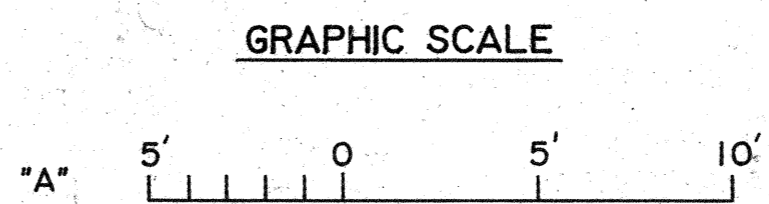
PLAN
Scale: "A"

2-60" ϕ Culverts x 126' Long
L-78

- NOTES:
1. FOR GENERAL NOTES, SEE DWG. NO. 1/2
 2. FOR SITE PLAN, SEE DWG. NO. 5/2
 3. FOR LEGEND, SEE DWG. NO. 5/2



SECTION C-C
SCALE: "A"



PARTIAL OF SECTION C-C
SCALE: "A"

W.K. DAUGHERTY CONSULTING ENGINEERS, INC.
JACKSONVILLE DISTRICT, CORPS OF ENGINEERS
JACKSONVILLE, FLORIDA

DEPARTMENT OF THE ARMY
JACKSONVILLE DISTRICT, CORPS OF ENGINEERS
JACKSONVILLE, FLORIDA
CENTRAL AND SOUTHERN FLORIDA PROJECT
LEVEES 78 AND 79
STRUCTURES 252A, 252B, 252C

STRUCTURE 252B
PLAN AND SECTION

DESIGN ENG.			
DRAWN BY: JST			
INVT. NO.			
DATE:			
SCALE: AS SHOWN			
DATED: MAY 1987			
SHEET	81		

SAFETY ON THIS JOB
DEPENDS ON YOU

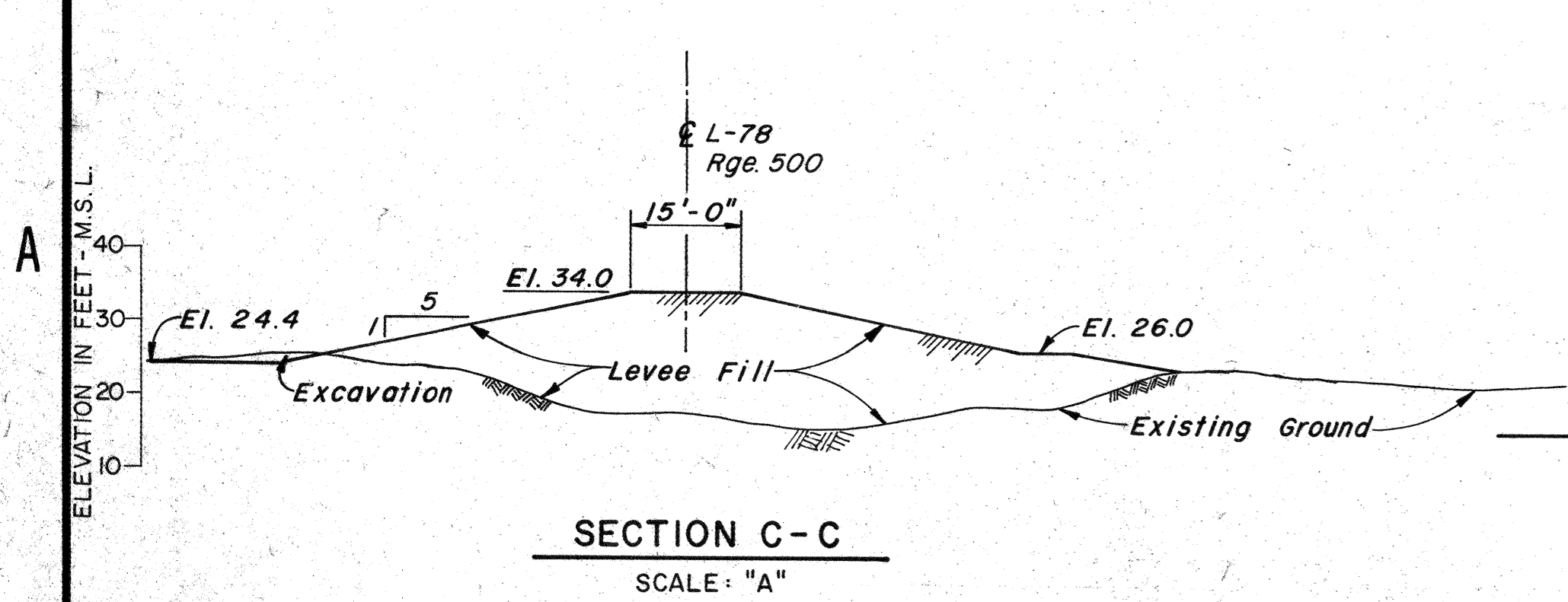
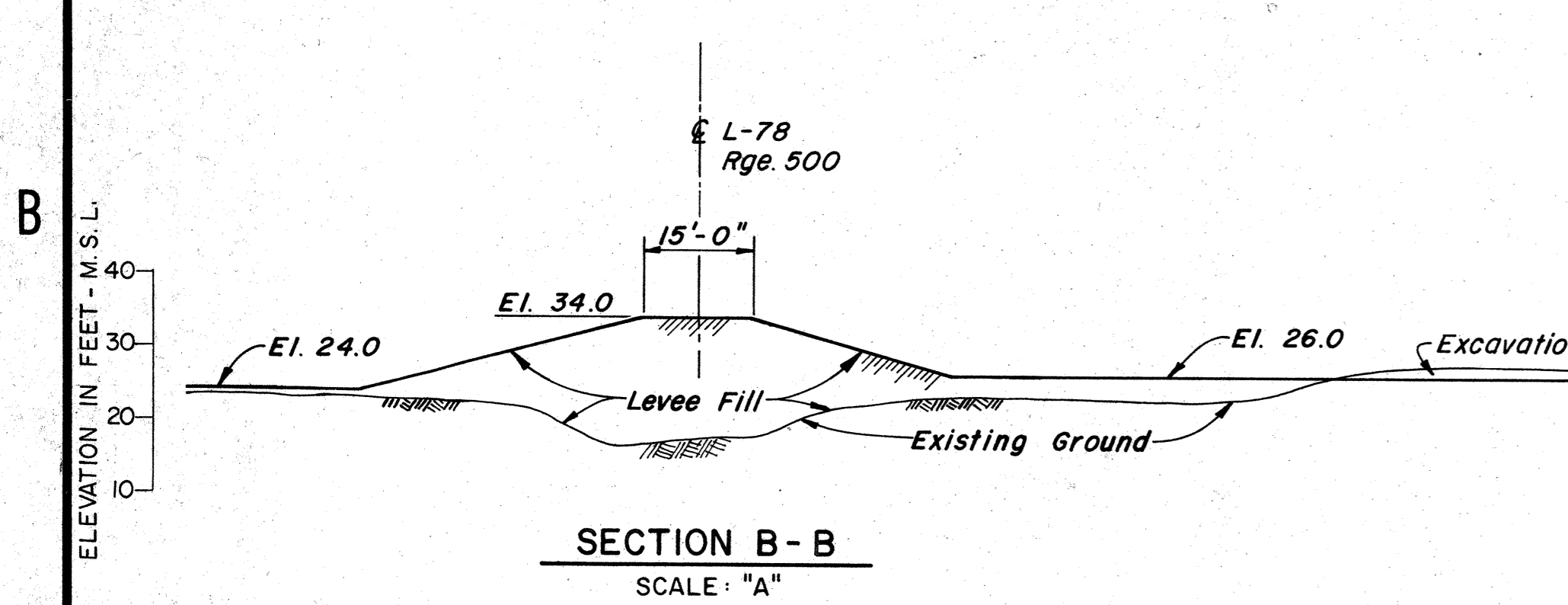
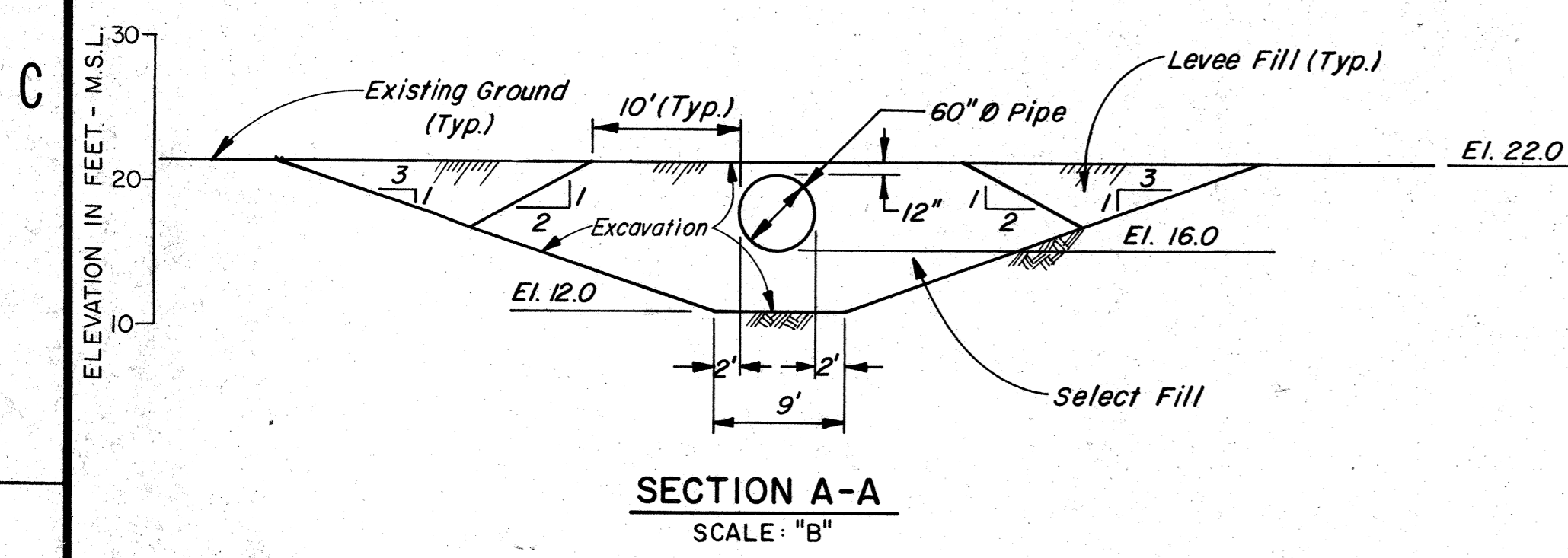
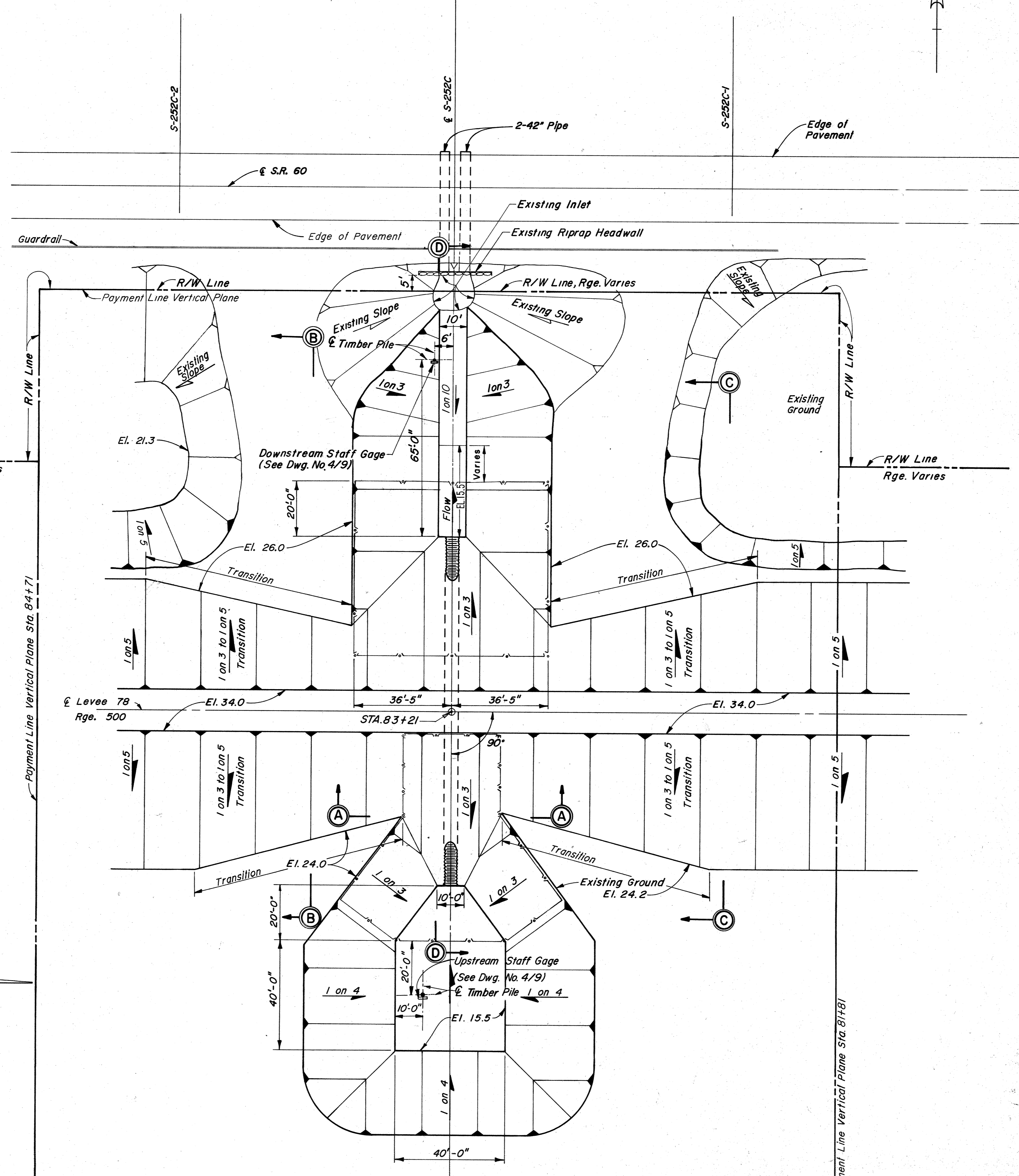
REVISIONS					
NO.	SYM	ZONE	DESCRIPTION	DATE	APPROVED

LEGEND

- LIMITS OF EXISTING RIPRAP
- LIMITS OF 12" RIPRAP ON 9" BEDDING
- DIRECTION OF REQUIRED SLOPE
- DIRECTION OF EXISTING SLOPE
- RATIO OF REQUIRED SLOPE
(1 ON 3 = 1 VERTICAL ON 3 HORIZONTAL)
- CENTERLINE
- RIGHT-OF-WAY

NOTES

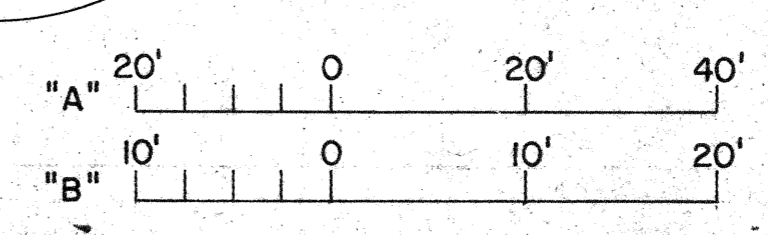
1. FOR "GENERAL NOTES" SEE DWG. NO. 112.
2. FOR RIGHT-OF-WAY AND CONTROL DATA SEE DWG. NOS. 1/3 AND 2/3.
3. FOR TOPOGRAPHY, SEE DRAWING NO. 6/1
4. NOT USED
5. FOR SECTION D-D, SEE DWG. NO. 6/3
6. EXCAVATED OR EMBANKMENT FILL SURFACES, AND/OR DISTURBED AREAS ABOVE EL. 22.0 SHALL BE GRASSED EXCEPT FOR AREAS WHERE RIPRAP OR SODDING IS REQUIRED. IN THE EVENT THAT THE WATER SURFACES AT THE TIME OF GRASSING OPERATIONS ARE HIGHER THAN INDICATED ABOVE, GRASSING SHALL EXTEND TO THE WATER SURFACE.



SITE PLAN

SCALE: "A"

GRAPHIC SCALES



W.K. DAUGHERTY CONSULTING ENGINEERS, INC.
 3040 Gulf To Bay Blvd., Suite 108, Clearwater, FL 34615

DEPARTMENT OF THE ARMY
 JACKSONVILLE DISTRICT, CORPS OF ENGINEERS
 JACKSONVILLE, FLORIDA

CENTRAL AND SOUTHERN FLORIDA PROJECT
 LEVEES 78 AND 79
 STRUCTURES 252A, 252B, 252C

STRUCTURE 252C
 SITE PLAN

DESIGN ENG.:
 DWG. BY: 237
 INV. NO.:
 DATED:
 SCALE: AS SHOWN

DATE: MAY 1987

SHEET 84

SIZE DWG. NO. 6/2

5

4

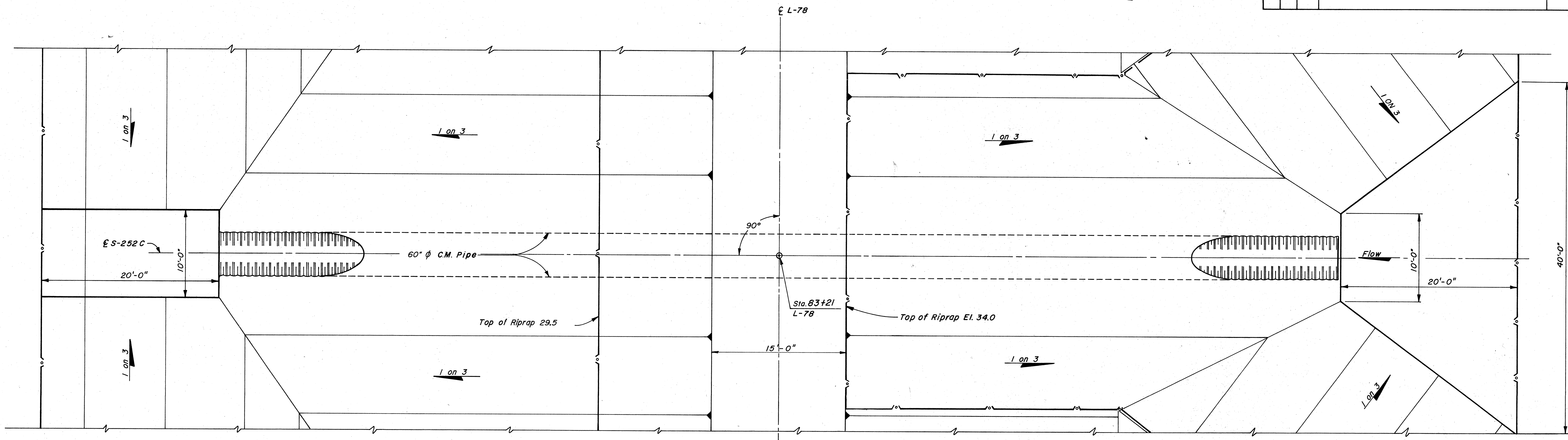
3

2

1

SAFETY ON THIS JOB
DEPENDS ON YOU

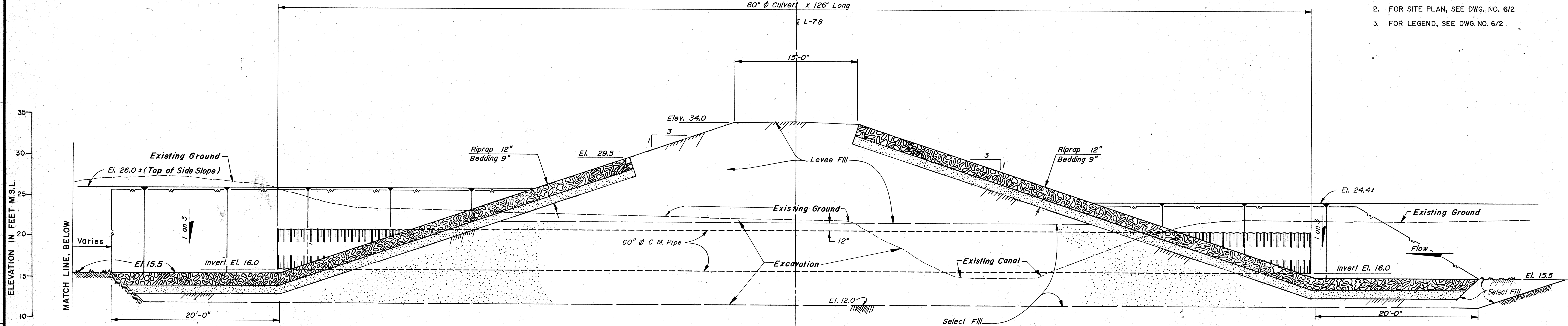
REVISIONS				DATE	APPROVED
NO.	SYM	ZONE	DESCRIPTION		



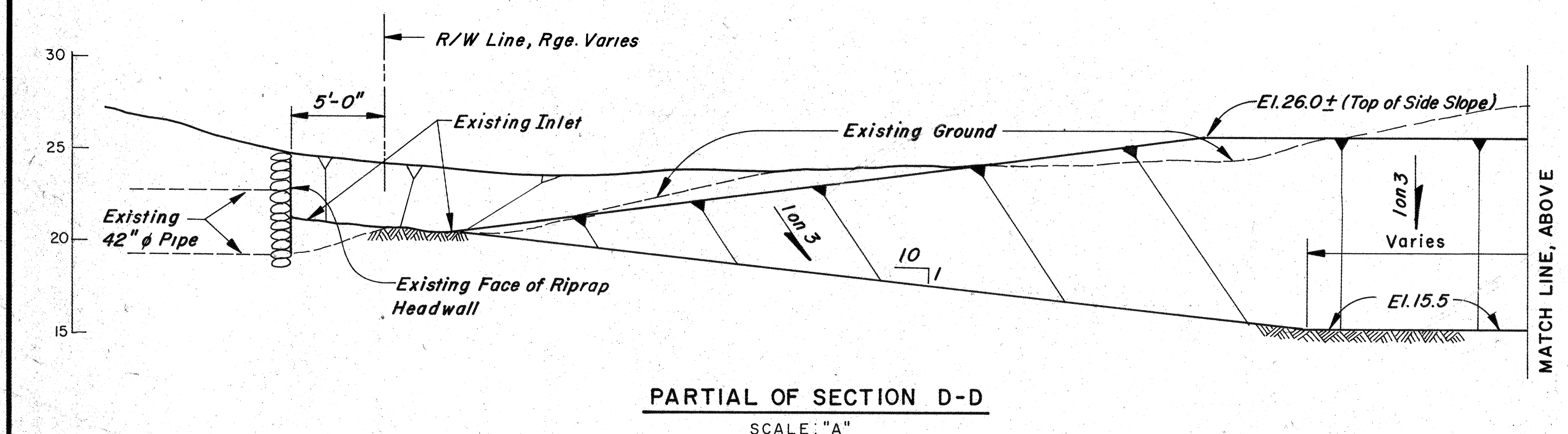
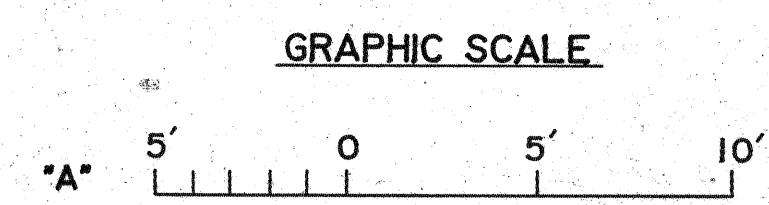
PLAN
Scale: "A"

NOTES:

- FOR GENERAL NOTES, SEE DWG. NO. 112
- FOR SITE PLAN, SEE DWG. NO. 6/2
- FOR LEGEND, SEE DWG. NO. 6/2



SECTION D-D
SCALE: "A"



PARTIAL OF SECTION D-D
SCALE: "A"

W. K. DAUGHERTY CONSULTING ENGINEERS, INC.
REGISTERED PROFESSIONAL ENGINEERS CONSULTANTS, INC.
 3040 Gulf To Bay Blvd. Suite 108 Clearwater, FL 34615

DEPARTMENT OF THE ARMY
JACKSONVILLE DISTRICT, CORPS OF ENGINEERS
JACKSONVILLE, FLORIDA

CENTRAL AND SOUTHERN FLORIDA PROJECT
LEVEES 78 AND 79
STRUCTURES 252A, 252B, 252C

STRUCTURE 252C
PLAN AND SECTION

DESIGN ENG.	INVT. NO.	DATE	SIZE	DWG. NO.
			F	6/3
OWN. BY:	CRE. BY:	DATE:	SCALE:	AS SHOWN
	JBT			DATED: MAY 1987
				SHEET 85