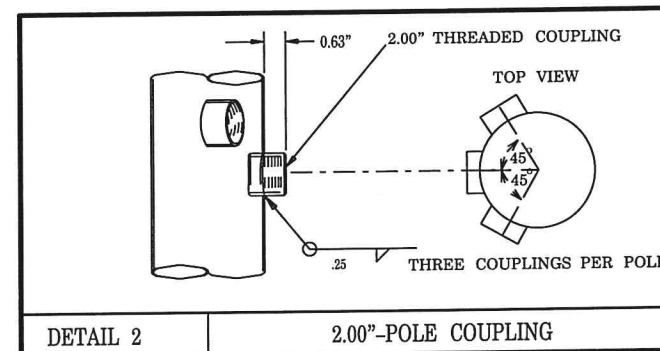
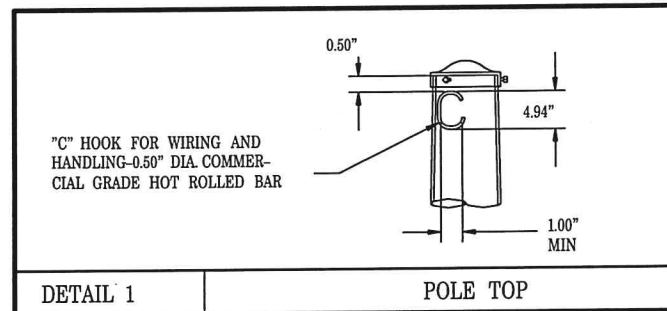
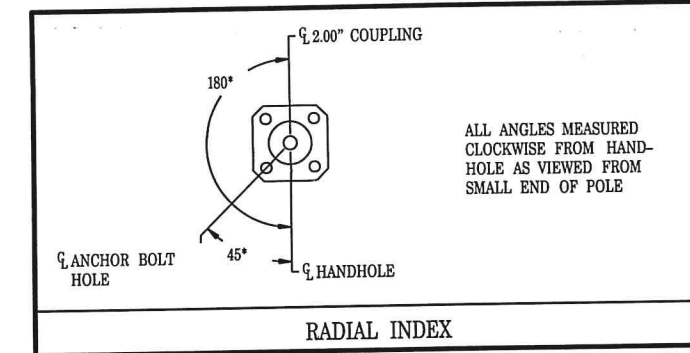
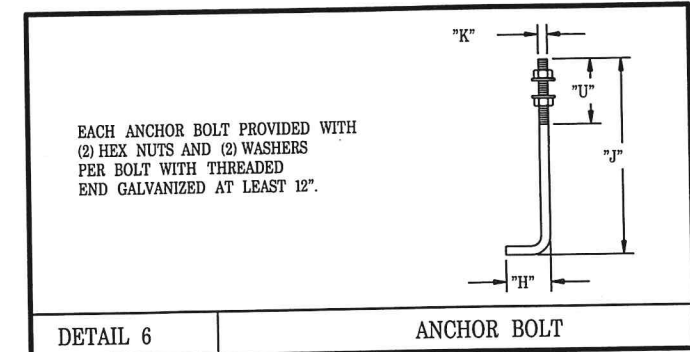
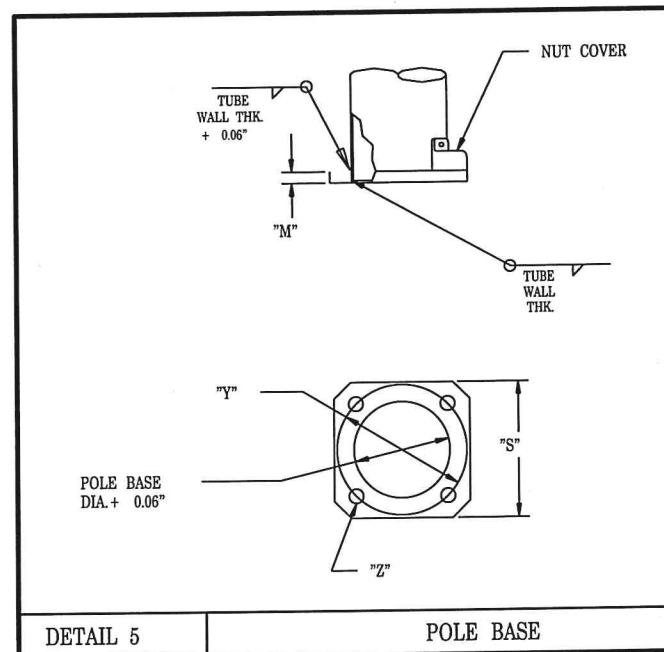
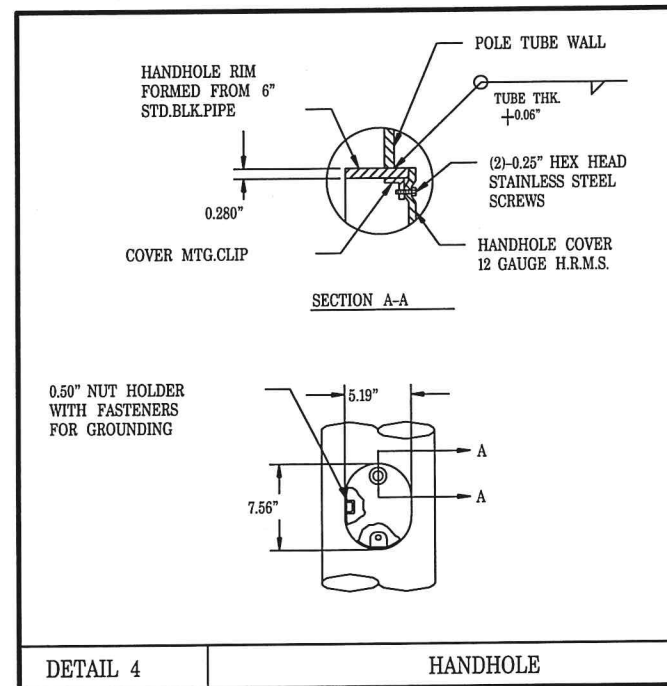
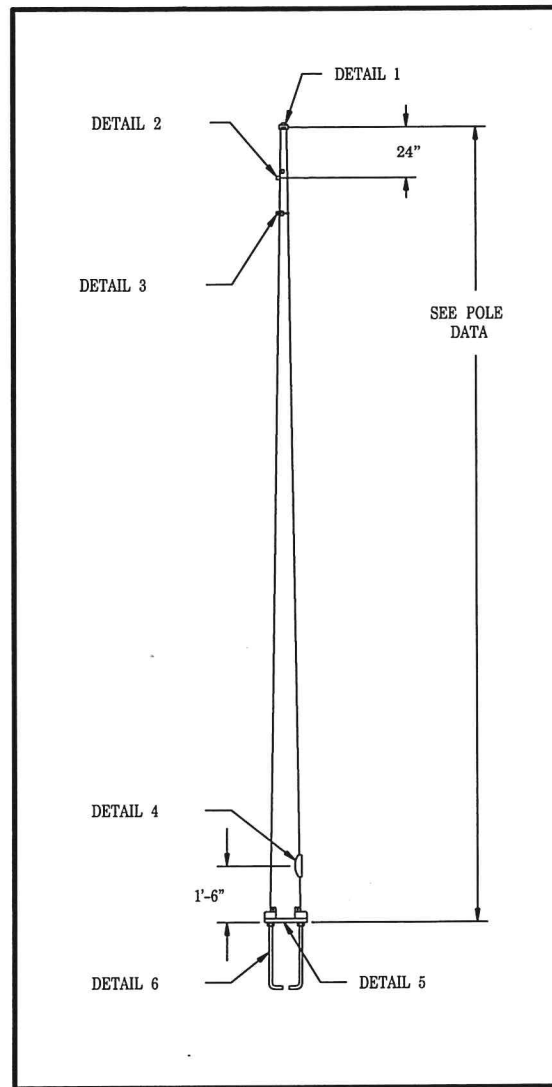


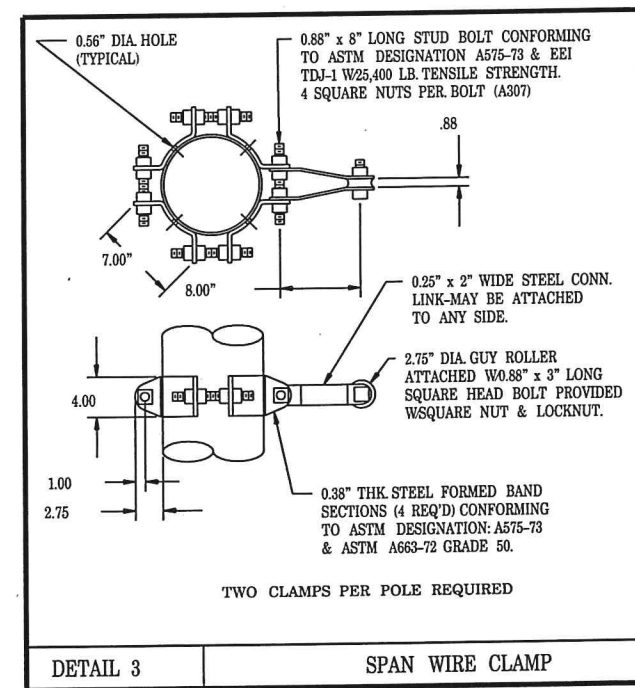
STANDARD STRAIN POLE DETAILS




MATERIAL DATA					
COMPONENT	ASTM DESIGNATION	MIN. YIELD (KSI)	COMPONENT	ASTM DESIGNATION	MIN. YIELD (KSI)
POLE SHAFT	A595 GR. A	55			
POLE BASE	A36	36			
ANCHOR BOLTS	F1554 GR.55	55			
GALVANIZING	A123 & A153				

STRUCTURES ARE DESIGNED TO THE TENNESSEE DEPARTMENT OF TRANSPORTATION STANDARD

POLE DATA													
QTY.	MOMENT CAPACITY (FT-LBS)	POLE TUBE				POLE BASE				ANCHOR BOLT			
		BASE DIA. (IN)	TOP DIA. (IN)	LENGTH (FT)	GAUGE	SQUARE "S" (IN)	BOLT CIRCLE "Y" (IN)	THK. "M" (IN)	HOLESLOT "Z" (IN)	DIA. "K" (IN)	LENGTH "J" (IN)	HOOK "H" (IN)	THREAD LENGTH "U" (IN)
8	383,000	-	-	32	0.25	-	-	-	-	-	-	-	-





CITY OF MURFREESBORO
SEAL
MURFREESBORO, TENN.

CITY OF MURFREESBORO
TRANSPORTATION DEPARTMENT
111 WEST VINE STREET
P.O. BOX 1139
MURFREESBORO, TN 37133-1139

SUBMITTED TO:

DATE	SCALE	PLANS	SHEET
JULY 2017	N.T.S.	RB	1 OF 1

strainpole 2017.dgn