

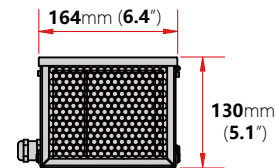
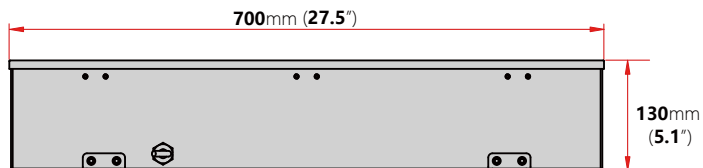
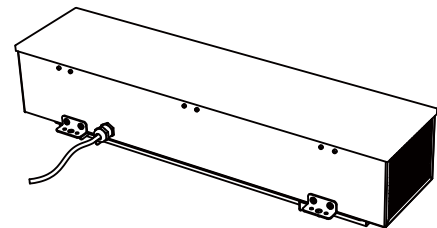
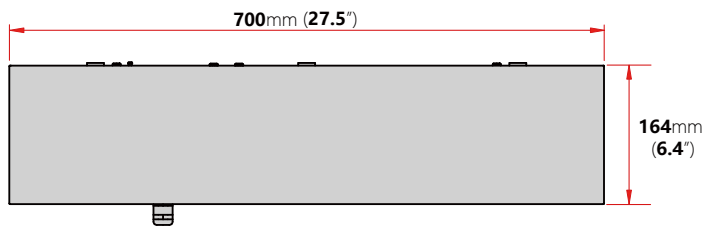
UV-C AIR CONDITIONER

APPLICATIONS

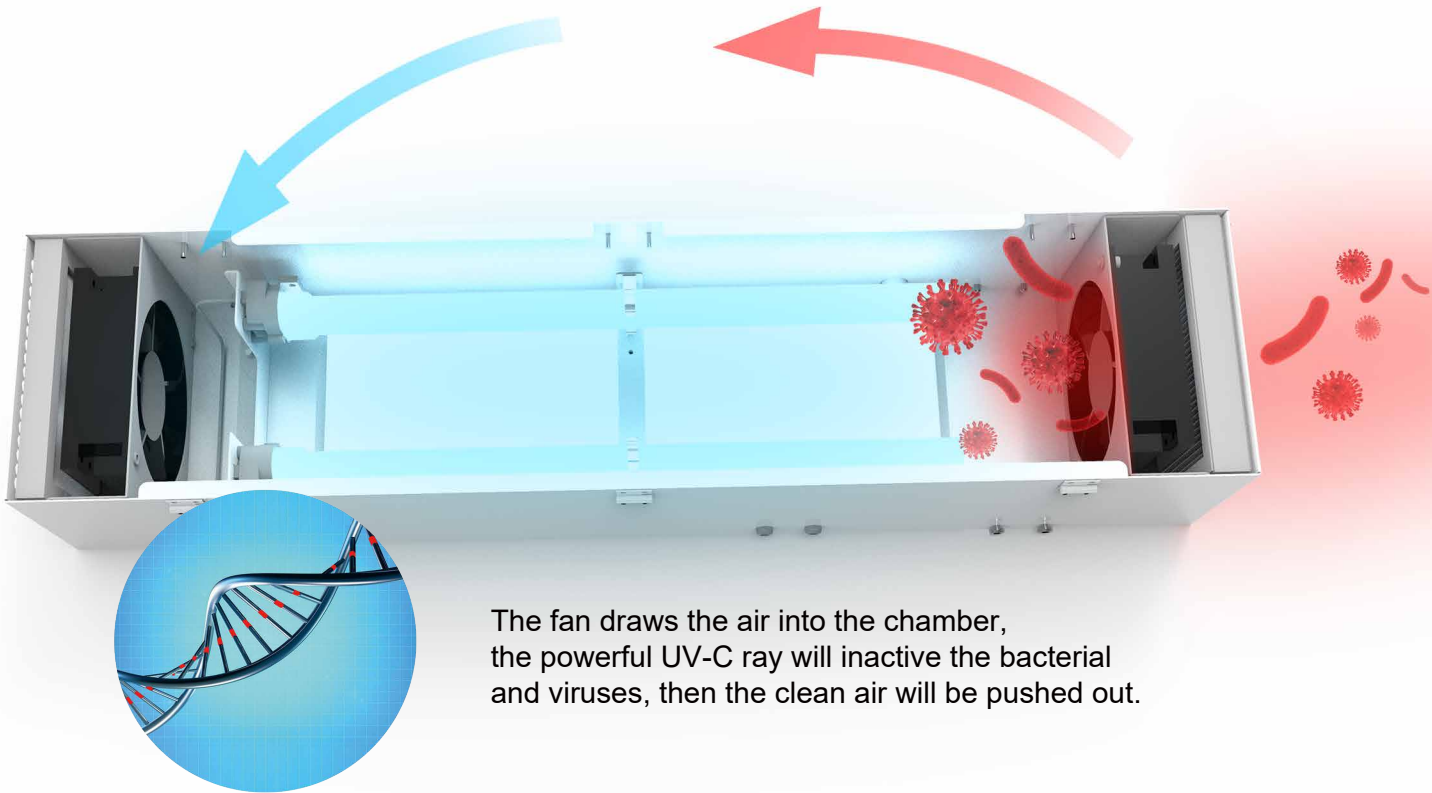
- School
- Apartment
- Hospital
- Office
- Restaurant
- Shopping Mall
- Fitness room
- GYM



DIMENSIONS



How it works ?



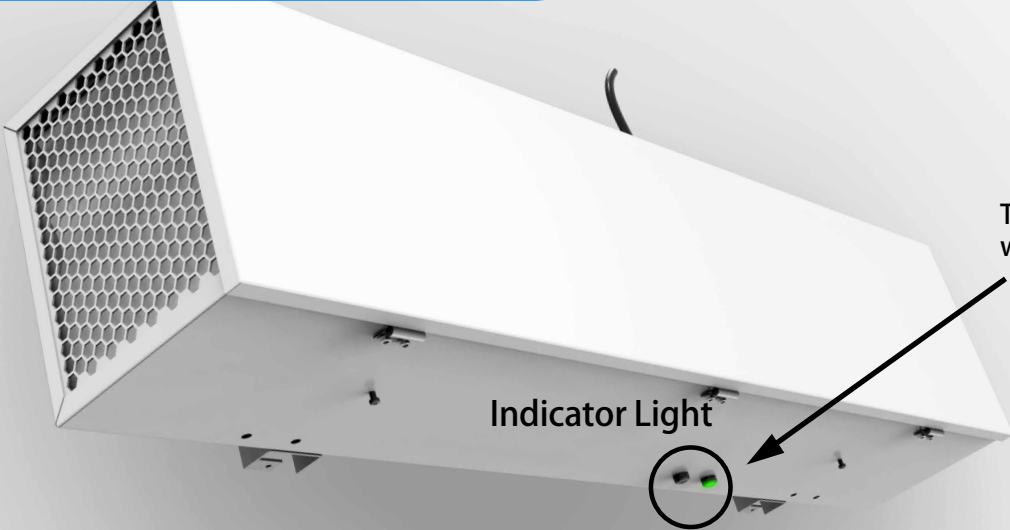
Shinetoo Lighting USA LLC

Add: 12638, 1265 Rand RD, Des Plaines, IL 60016
Ph: (224)567-8070 M: (847)899-1678
Email: Sales@stledlights.com

Jiaxing Shinetoo Lighting Co.,Ltd

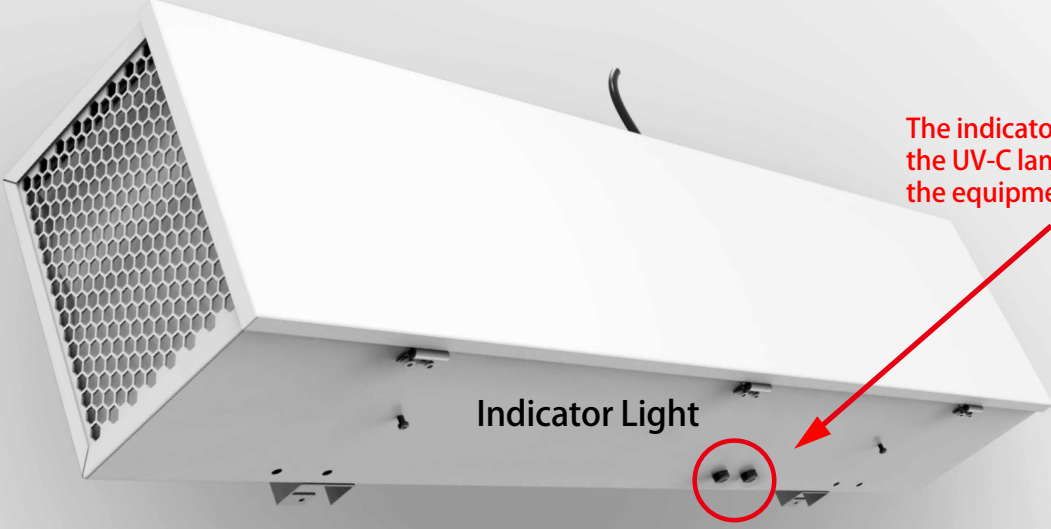
Add: No.258, Xingchang Road, Xincheng Town, Xiuzhou District, Jiaxing, Zhejiang, China 314015
Tel: +86-573-8350-0001 Fax: +86-573-8350-0005
Mobile: +86-138-0961-6725/+86-138-1878-3129
Email: Sales@stledlights.com

Product Overview



The indicator light will turn green when the equipment works properly.

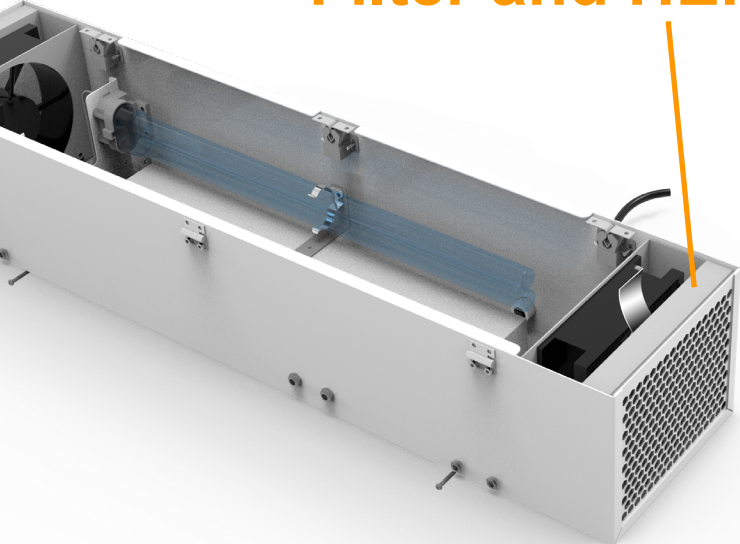
Indicator Light



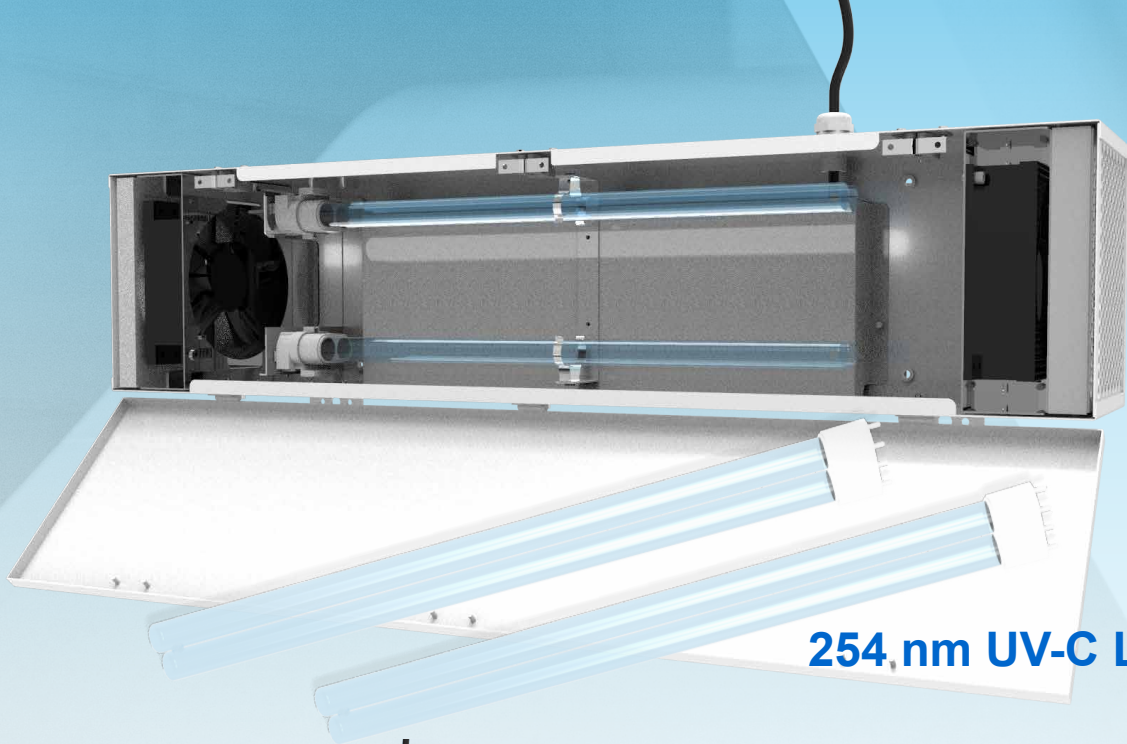
The indicator light will turn off when the UV-C lamp not working, PLEASE disconnect the equipment and replace the UV-C lamps.

Indicator Light

Filter and HEPA



Easy to Replace



254 nm UV-C Lamp



304 Stainless Steel



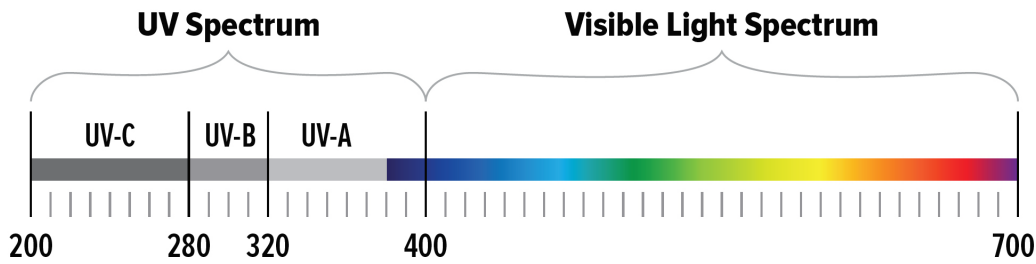
**High Quality H12
-Hepa Filter**

Using UV-C light to inactive viruses

*This product has test results showing > 99.9% reduction of the following airborne bacteria and viruses: Escherichia Coli, Influenza A virus H1N1, Pseudomonas aeruginosa, Salmonella enterica with a 30 minute exposure time in a 30 cubic meter test chamber.

What is UV-C light?

UV-C is part of the ultraviolet spectrum that can inactivate pathogens like bacteria and viruses. UV-C utilizes specific wavelengths of the ultraviolet spectrum, typically between 200 to 280 nanometers.



UV-C causes photochemical reactions in DNA and RNA resulting in inactivation of microbes and failure to reproduce.

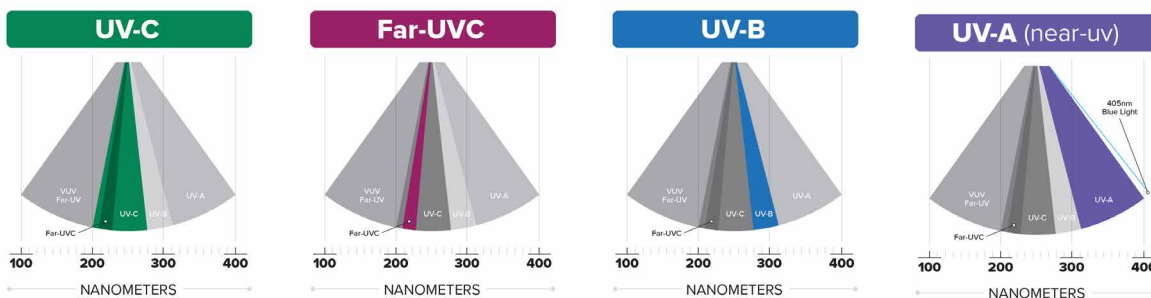
UV-B and UV-A light causes oxidation of proteins and lipids resulting in cell death.

Blue light inhibits bacterial growth by prompting generation of reactive oxygen species, which are toxic to bacterial cells.

What type of UV lighting is most effective?

The type of UV product that will be most effective for you depends on your specific need. There are parts of the UV spectrum that get rid of bacteria and viruses more effectively.

Here's a breakdown of the UV spectrum:



UV-C is the traditional form of bactericidal light. It can inactivate pathogens including viruses, bacteria.

UV is highly effective when it's used in the right applications for the right amount of time. UV-C is dangerous to humans and should not be used when anyone is nearby.

Manufacturers say UV-C products can inactivate up to 99.9% of bacteria and viruses.

HIGHLIGHTS:

- 200nm-280nm
- Bactericidal
- Most effective for sanitizing

Scientists started focusing on far-UV-C in the last decade. It's a specific range of UV-C that's actually safe for humans to be around because it can't penetrate skin or eyes, but is still effective at inactivating bacteria and viruses.

Far-UV-C products can be most effective in busy areas where you might not have down-time to clean.

HIGHLIGHTS:

- 207nm-222nm
- Bactericidal
- Most effective for sanitizing
- Safe for skin and eyes

UV-B also has some qualities, but you typically do not see products with only UV-B. UV-B is typically used in broadspectrum UV products.

Because UV-B is also produced by the sun, it's commonly found in tanning beds.

HIGHLIGHTS:

- 280nm-315nm
- Curing
- Tanning
- Medical Applications

UV-A, or near-UV, is not as effective at inactivating pathogens as UV-C but can still inactivate bacteria. Even though UV-A will not inactivate viruses, it could protect against bacterial infections in hospitals.

HIGHLIGHTS:

- 315nm-400nm
- Sanitization properties
- Effective at reducing bacteria
- Printing
- Curing
- Lithography
- Medical Applications

SPECIFICATIONS

Model Number	ST-UVC-36W-AIR CONDITIONER	ST-UVC-72W-AIR CONDITIONER
Watts	36W	72W
Lamp Source	254nm UV-C flourescent lamp (Philips / Osram)	
Lamp Qty	1 lamp	2 lamps
Dimensions	27.5"-L x 6.4"-W x 5.1"-H 700mm-L x 164mm-W x 130mm-H	
Voltage	110-120V AC, 50/60Hz / 220-240V AC, 50/60Hz	
Single-lamp Watts	36W	
Total UV Watts	36W	72W
Total UV Irradiance	110 $\mu\text{W}/\text{cm}^2$ @ 1Meter	220 $\mu\text{W}/\text{cm}^2$ @ 1Meter
Single-lamp UV Output	12W	
Total UV Output	12W	24W
Lamp Lifespan	8,000hours	
Ballast	Electronic, PF>0.9	
Amps:	0.19A (230V) / 0.4A (110V)	0.347A (230V) / 0.73A (110V)
Ambient Operating Temp	26.7°C / 80°F	
Materials	304 Stainless Steel (Standard) / Galvanized Metal (Optional)	
Mounting	Wall Mounting	

FEATURES

Short-wave Light
Ozone & Chemical Free
Skin & Eye Safe-Compatible with People
High Effective UV-C Lamp
No UV Spill Light
Indicator Light
Filter & Hepa
Low Heat Output
EPA Est. No. 97623-CHN-1
ETL Listed
1 Year warranty for UV-C Lamps, 2 Years Warranty for Non-electric parts and Fan

NOTE: PLEASE FOLLOW THE SAFTY PRECAUTION BEFORE INSTALL / REPLACE THE UV-C LAMPS.

Customzied Services Availalbe

FAN



Fan: <49.7DB
Dimension:
 4.7"-W x 4.7"-D x 1.5"-H
 120mm-W x 120mm-D x 38mm-H
Rated Voltage: 12V
Rated Speed: 2400rpm±10%
Life Expectance: 50000hrs at 40°C

UVC LAMP



Lamp-Base: 2G11
Rated Power: 36W
UV-C Irradiance: 12W

HEPA & FILTER



Recommend Replacement:
1-3 Months (It depends on the air quality)

Shineto Lighting USA LLC

Add: 12638, 1265 Rand RD, Des Plaines, IL 60016
 Ph: (224)567-8070 M: (847)899-1678
 Email: Sales@stledlights.com

Jiaxing Shineto Lighting Co.,Ltd

Add: No.258, Xingchang Road, Xincheng Town, Xiuzhou District, Jiaxing, Zhejiang, China 314015
 Tel: +86-573-8350-0001 Fax: +86-573-8350-0005
 Mobile: +86-138-0961-6725 / +86-138-1878-3129
 Email: Sales@stledlights.com

Product Details

Step 1

Put on the gloves.

Step 2

Open the cover of Air Conditioner (up to 180°).

Step 3

Put the UVC lamp tube into the groove at the top of the lamp body sideways, open the clip at the top end of the groove, and push the lamp tube into the clip.

Step 4

The UVC lamp tube is now perpendicular to the light tube mouth at the bottom of the slot, insert the UVC lamp tube, and install the second lamp tube in the same steps as above.

Step 5

Close the lid on Air Conditioner .

Step 6

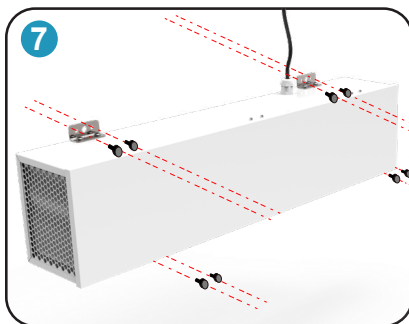
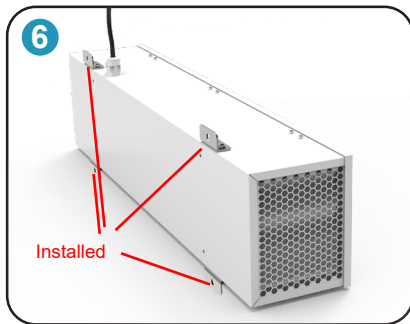
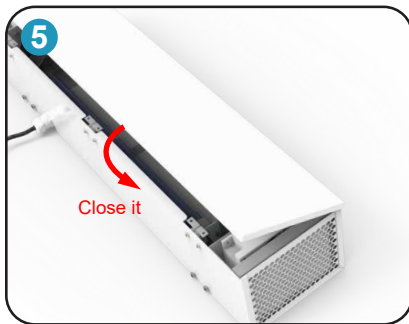
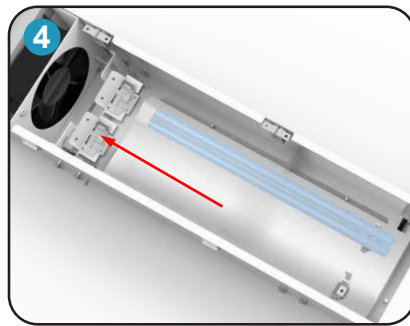
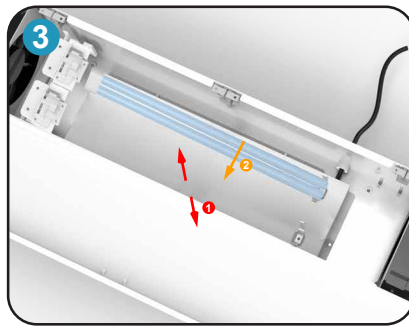
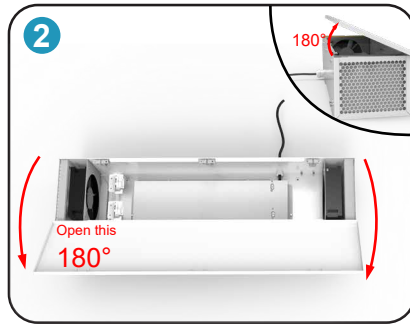
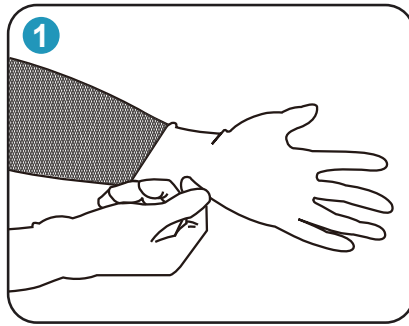
Install four components on Air Conditioner.

Step 7

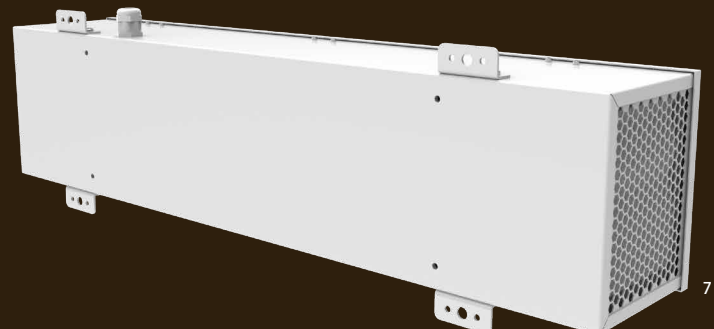
Fix these four components with screws and mount them on the wall for Air Conditioner .

Step 8

Turn on.



Wall Mounting-1



Product Details

Step 1
Put on the gloves.

Step 2
Open the cover of Air Conditioner (up to 180°).

Step 3
Put the UVC lamp tube into the groove at the top of the lamp body sideways, open the clip at the top end of the groove, and push the lamp tube into the clip.

Step 4
The UVC lamp tube is now perpendicular to the light tube mouth at the bottom of the slot, insert the UVC lamp tube, and install the second lamp tube in the same steps as above.

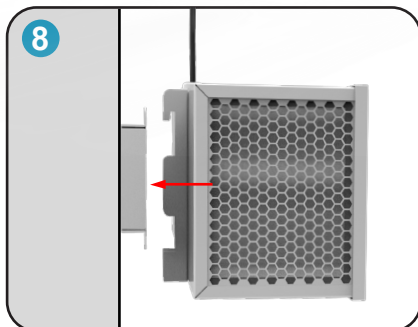
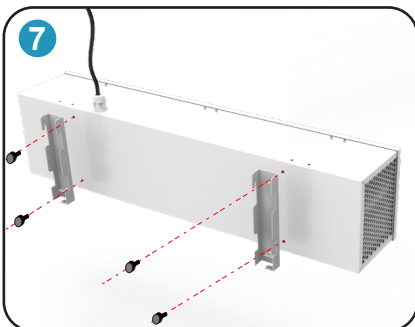
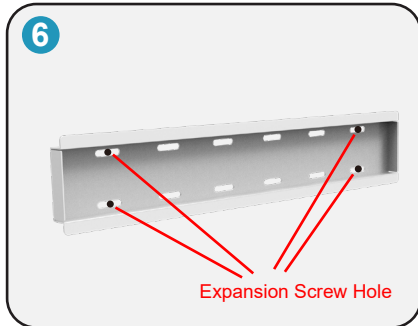
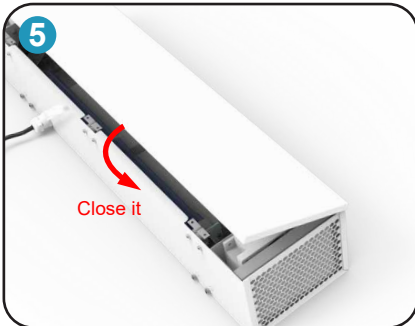
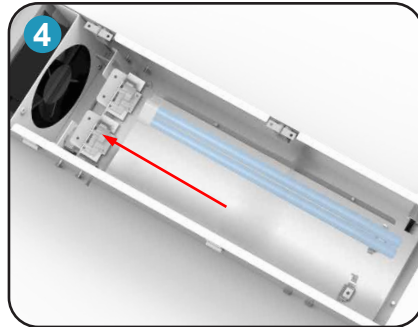
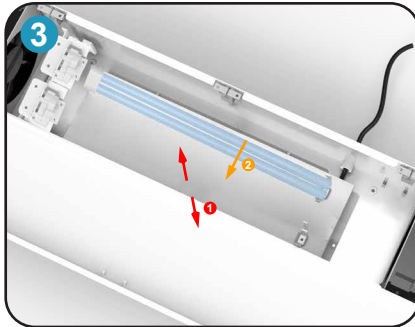
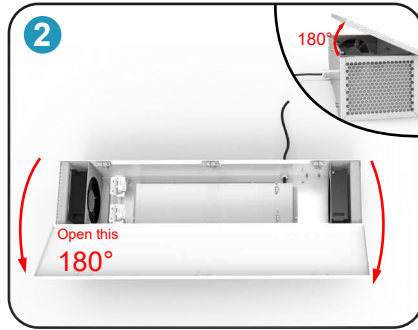
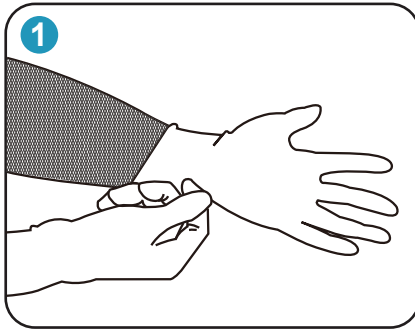
Step 5
Close the lid on Air Conditioner .

Step 6
Hit the expansion screw to the fixed wall and secure the bracket to the wall.

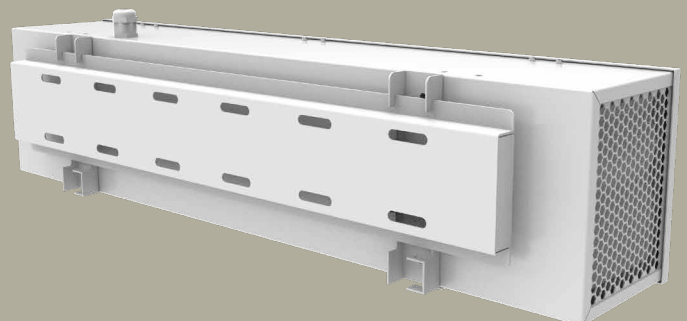
Step 7
Fix the components on Air Conditioner .

Step 8
Fix your Air power on a rack on the wall.

Step 9
Turn on.



Wall Mounting-2



What is CFM?

CFM stands for Cubic Feet per Minute and is the most common way to measure airflow. Areas are measured in square units (like square feet). Volumes (like a room full of air) are measured in cubic units — CFM determines how much cubic feet can be moved or exchanged each minute.

A room measuring 1,000 ft³ would need a 1,000 CFM system to replace all the air each minute.

How Much CFM Do I Need?

Once you've determined the volume of your space and have decided how quickly you will need to exchange the air in a room, you can calculate the CFM needed for your system.

Eg.

$$\frac{10,000 \text{ ft}^3}{5 \text{ min}} = 2000 \text{ ft}^3/\text{min}$$

The diagram shows a handwritten calculation with annotations. The numerator is 10,000 ft³, with a dashed arrow pointing to it from the word "volume". The denominator is 5 min, with a dashed arrow pointing to it from the words "exchange rate". The result is 2000 ft³/min, with a dashed arrow pointing to it from the letters "CFM".