



ADDENDUM NO. 2

Issue Date: August 9, 2019

Project Name: **Roseland Elevated Storage Tank Change and Pump Station**

Bid Number: 2019068

Bid Opening Date: August 28, 2019

This addendum is being released to answer questions received to date.

The information and documents contained in this addendum are hereby incorporated in the invitation to bid. **This addendum must be acknowledged where indicated on the bid form, or the bid will be declared non-responsive.**

Attachments:

1. Site Plans
2. Statement of No Bid

MODIFICATION TO BID DOCUMENTS

The following changes are made to the bid documents:

1. Plan Sheet C-4 and C-5 – **Delete and replace with the attached.**
2. Plan Sheet E-2, E-3, E-4, E-7, E-9, E-10, and E-13 – **Delete and replace with the attached**

Questions and Answers

1. **Question:** Will equivalent SCADA software to VTScada be allowed?

No. IRCU has standardized on VTScada.

2. **Question:** DIP Spec 15100 2.03 A.5 calls for Gaskets to be EPDM and then calls for Toruseals by American. Is the intent for only Flange Gaskets to be EPDM or all gaskets including MJ Fitting & Pipe Bell Gaskets?

All gaskets to be manufactured from EPDM including MJ fitting and pipe bell gaskets.

3. **Question:** DIP Spec 15100 2.03 A. calls for DIP to be Class 250 (minimum). 2.03 A.4 calls for Class 53. IRC Spec calls for Class 350. Please clarify which class DIP should be used for buried applications.

Class 350 in accordance with Indian River County Utilities Construction Standards

Addendum 2

4. **Question:** Limit Switches cannot be installed on Globe Check Valves as shown on E-3. Can the Globe Check Valves be changed to Lever & Weight Style per IRC Spec which are compatible with Limit Switches?

No. Provide flow switches in accordance with P&ID Drawing M-1 and Specification Section 13441, Paragraph 2.05.

5. **Question:** Could you please confirm that the Yaskawa VFD model that the county has been purchasing is "IQ Pump 1000"?

Confirmed.

6. **Question:** Sheet C-3 existing pole to be remove and relocated: please advise the power source connection and new location of the pole.

Power source same as currently feeding pole. Contractor shall provide new conduit and wire as required to relocate pole. Field locate pole approximately 5'-0" to the northwest.

7. **Question:** Sheet C-3 Note 4 contractor shall maintain the existing operational system in service during the project: is a bypass require for the 20" and 16" DIP water pan pipe?

A temporary bypass is not required. Temporary elevated storage tank shutdowns required for the proposed 20" and 16" connection requires 48 hours advance notice and approval from IRCU. See Specification Section 13000, Paragraph 1.02.E. Additionally, see General Note No. 3 on Sheet C-5 for system isolation coordination notes.

8. **Question:** Sheet C-4 "contractor shall protect the existing crushed stone in the existing fence area" and GN #2 "Contractor shall provide 6" thick of #57 Stone"

- a. is #57stone required in the areas where there is crushed stone?

Yes. However, in the areas with existing crushed stone, the Contractor shall use the #57 stone to replace/restore all disturbed/damaged areas to match existing grade and conditions.

- b. if the above is yes, can the crushed stone be used as part of the 6" thick layer?

The 6" thick of #57 is not required in the areas with existing crushed stone. In the areas with existing crushed stone, the Contractor shall use new #57 stone to replace/restore all disturbed/damaged areas to match existing grade and conditions.

9. **Question:** Is the owner providing an allowance for relocation of the FPL: overhead wire protection, directional bore materials, raceways and wires, Transformer and transformer pad, and any incidental FPL work

No. Refer Drawing E-2 for the Contractor's scope of work.

10. **Question:** Would it be possible that the building and generator be deliver through the Fire Station Entrance to avoid relocating the overhead wires?

Yes. Contractor to coordinate with Indian River County.

11. **Question:** If required, are penetrations allowed on the prefabricated building bottom slab? Are there structural drawings for this project or just what is shown on the Mechanical drawings?

The structural details and general notes are shown on Drawing M-4.

Refer to Specification Section 13120, Paragraph 1.03B:

“The building manufacturer shall provide the Contractor with a scaled template drawing of the building to facilitate structural base slab construction. Template drawing will include dimensions for all penetrations required for base slab construction.”

and Refer to Specification Section 13120, Paragraph 2.03.J:

“The electrical building shall be provided with a cast-in-place reinforced concrete foundation slab with floor slab cutouts located below the panels, ATS, and variable frequency drives of all cables and conduit to equipment located outside the building. Refer to the drawings for the location of the equipment. The Contractor shall coordinate the cutout locations with the requirements of Divisions 16 and requirements of this Section. Conduits and cables passing through the building walls are not acceptable.”

12. Question: Is HDPE acceptable in lieu of C900 for the 12” water main?

Yes, but the Water Transmission Main (furnished by others) as shown on Sheet C-3 and Sheet C-5 is 12” DR-11 HDPE and is not included in the Contractor’s scope of work for this project.

13. Question: Is there an owner allowance for testing?

No.

14. Question: Is there an owner allowance the city and county permits?

No. IRCU will pay only Indian River County permit fees. The Contractor is responsible for all other permit fees (e.g. dewatering permit).

15. Question: Demandstar has a bid date of August 15th but the ITB has a bid date of August 14th. Please clarify.

The bid opening date has been changed. Please see addendum no.1.

16. Question: The generator lead time is 24 weeks. It will also take 4-6 weeks to secure submittals and the engineer and electrical engineer need time to review the submittal. Can the County consider extending the time to substantial completion beyond the 300 days listed in the bid?

Yes.

Specification Section 00530, Article 3, Contract time, Paragraph 3.1 (b) – Delete first sentence and replace it with the following:

“From 31 calendar days to 360 calendar days from the effective date of Notice to Proceed, the CONTRACTOR shall complete the following tasks:”

Specification Section 00530, Article 3, Contract time, Paragraph 3.1 (c) – Delete first sentence and replace it with the following:

“From 361 calendar days to 410 calendar days from the effective date of Notice to Proceed, the CONTRACTOR shall complete the following tasks:”

17. Question: M-1 shows 16x12 Conc Reducer on the Tee, M-3 shows it on the 90, please clarify which is correct?

Addendum 2

See Sheet M-1, Material List Item Number 32 and Sheet M-2, Section 1, Item Number 10 and 32. Use 12" DI 90deg bend (Item #10) and 20"x12" DI Reducer (Item #32) per the Material List.

18. **Question:** Megaflanges on the drawings are drawn like dresser couplings which would require PE DIP into both ends. Are megaflanges intended to be connected to the nearest flange, or are dresser couplings required? This will affect the piping take-off.

Megaflanges are called out on drawings, however restrained dresser couplings are acceptable.

19. **Question:** Bypass Valves (CV-2006,7) 11280 2.03 A calls for 316SS construction, but 2.03 B calls for DI Body. Please clarify which is correct?

The disc and stem are 316SS construction and valve body is ductile iron, epoxy coated as specified.

20. **Question:** Drawing M-3 calls for 2" Combination Air Release/Vacuum, spec 15100 2.09 calls for 1" ARV, which is correct?

Combination Air Release/Vacuum as shown on drawing M-3.

21. **Question:** Will Bollards be required around the 480 V Pad Mounted Transformer?

Yes, per FPL requirements.

22. **Question:** Should a gate be provided at the Pad Mounted Step-Down Transformer at the electrical building to Provide 8' Clearance per the FPL specification referenced?

Yes. See new Sheet E-33 provided with this Addendum.

23. **Question:** I have found within the Specs that the number of days to hold our quote open is both 60 days (PDF page 9/14) and 90 days (PDF page 4). Which is correct?

90 days

24. **Question:** Can Flowserve can be listed as an approved equal for the High Service Pumps per 11932 2.02.A.

The motors shall be 50-hp (Specification Section 11932, Paragraph 2.04).

Specification Section 11932, Paragraph 2.02.A – Delete and replace with the following:

“A. The horizontal split-case type booster pumps shall be manufactured by Peerless Model 8AE15, Patterson Model 12x10 MAD-B, Flowserve 8LR-14A, or approved equal”

Specification Section 11932, Paragraph 2.02 Booster Pump Design Requirements Table – Delete Second Row and replace with the following:

Motor to be Supplied (HP) 50

25. **Question:** We are requesting for Rocha Controls to be added as an approved I&C Supplier.

Specification Section 16901, Paragraph 1.03 – Delete and replace it with the following:

***“1.03 NAMED I&C SUPPLIER
A. CC Control
B. Curry Controls
C. Revere Controls***

**D. Rocha Controls
E. No Equal"**

26. **Question:** Per Section 1.06-A. We would like to present a question that we cannot find an answer for. Spec #11932-1.01-D: "...expressed requirement of these specifications that the Manufacturer / supplier of the pump equipment, shall supply the variable speed drive equipment which is connected to the pump motor supplied..." Then in; Spec #16681-1.01-F: "Drives shall be provided by the I&C manufacturer and integrated into the pump control system." In addition: Spec #16000-1.12-A-1: "... Specifically the work includes, but is not limited to: 1. Electrical and I&C equipment associated with the Booster pump station." Please advise which spec is correct and whom is to supply the VFD Drives, I&C contractor or pump supplier?

The I&C Contractor shall supply the VFD Drives.

27. **Question:** Will you please provide us with the engineers estimate/budget for the above-mentioned project?

The Engineers Opinion of Probable Cost is \$1.95 million.

30. **Question:** We need Clarification on Drawing E08 (Panelboard Schedule A)- CV 2009. This Control Valve location is not shown on the Electrical or Mechanical Drawings. Drawings M1,M2,M3 shows this valve on the material list only..Please Indicate location for CV 2009

The New 12" Pump Station Bypass Valve (CV-2009) FLG'D is not included in the scope of work.

Sheet M-1, M-2, M-3, Material List, Item No. 18 – Delete

Sheet E-8, Panelboard Schedule A, Circuit: 8,10,12, Column: Load – Delete "CV-2009" and replace with "Spare"

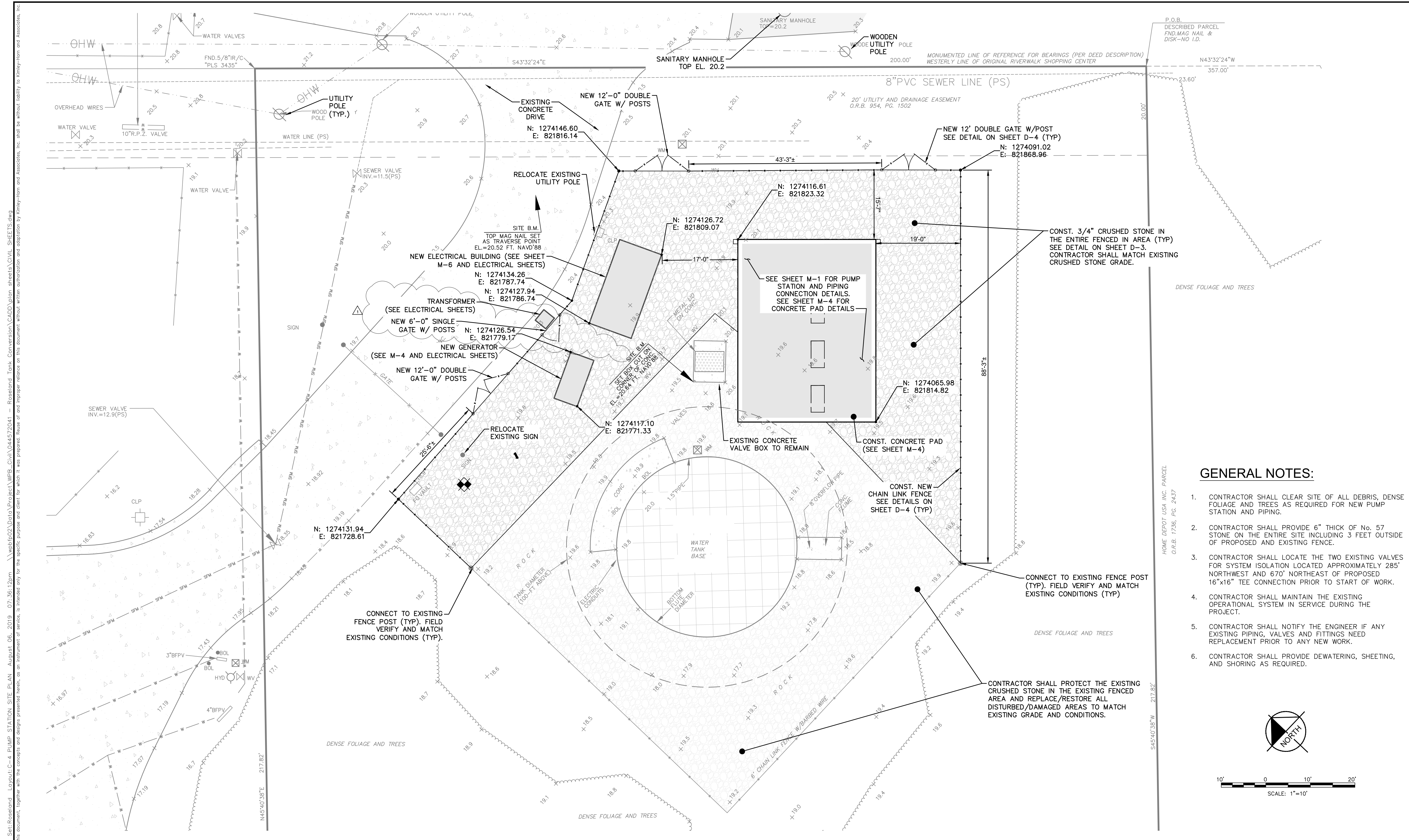
Sheet E-8, Panelboard Schedule A, Circuit: 8,10,12, Column Bus Amps – Delete

Sheet E-8, Panelboard Schedule A, Circuit: 8,10,12, Column Wire Size – Delete

Sheet E-8, Panelboard Schedule A, Circuit: 8,10,12, Column Cond Size – Delete

31. **Question:** The following sections were not included in bid document; will they be issued in addendum?
(b) Statement of No Bid (Section 00030);
(c) Bidder Information Form (Section 00040);

The Statement of No Bid is now made a part of Addendum No.2. Under the Index "Bidder Information Form" was included inadvertently. What is required of bidders is Section 00456 "General Information Required of Bidders" to be completed.



- GENERAL NOTES:**
- CONTRACTOR SHALL CLEAR SITE OF ALL DEBRIS, DENSE FOLIAGE AND TREES AS REQUIRED FOR NEW PUMP STATION AND PIPING.
 - CONTRACTOR SHALL PROVIDE 6" THICK OF No. 57 STONE ON THE ENTIRE SITE INCLUDING 3 FEET OUTSIDE OF PROPOSED AND EXISTING FENCE.
 - CONTRACTOR SHALL LOCATE THE TWO EXISTING VALVES FOR SYSTEM ISOLATION LOCATED APPROXIMATELY 285' NORTHWEST AND 670' NORTHEAST OF PROPOSED 16"x16" TEE CONNECTION PRIOR TO START OF WORK.
 - CONTRACTOR SHALL MAINTAIN THE EXISTING OPERATIONAL SYSTEM IN SERVICE DURING THE PROJECT.
 - CONTRACTOR SHALL NOTIFY THE ENGINEER IF ANY EXISTING PIPING, VALVES AND FITTINGS NEED REPLACEMENT PRIOR TO ANY NEW WORK.
 - CONTRACTOR SHALL PROVIDE DEWATERING, SHEETING, AND SHORING AS REQUIRED.

Plotted By: Tabow, Matt
 This document, together with the concepts and designs presented herein, is an instrument of service, as an instrument of service, is intended only for the specific purpose and client for which it was prepared. Reuse of any portion of this document without written authorization and adaptation by Kimley-Horn and Associates, Inc. shall be without liability to Kimley-Horn and Associates, Inc.

No.	REVISIONS	DATE	BY
▲	ADDENDUM 1	8/6/19	MT

Kimley»Horn

© 2018 KIMLEY-HORN AND ASSOCIATES, INC.
 1920 WEKIVA WAY SUITE 200, WEST PALM BEACH, FL 33411
 PHONE: 561-845-0665 FAX: 561-863-8175
 WWW.KIMLEY-HORN.COM CA 00000696

KHA PROJECT	044572041
DATE	MAR 2019
SCALE	AS SHOWN
DESIGNED BY	MT
DRAWN BY	DJM
CHECKED BY	MM

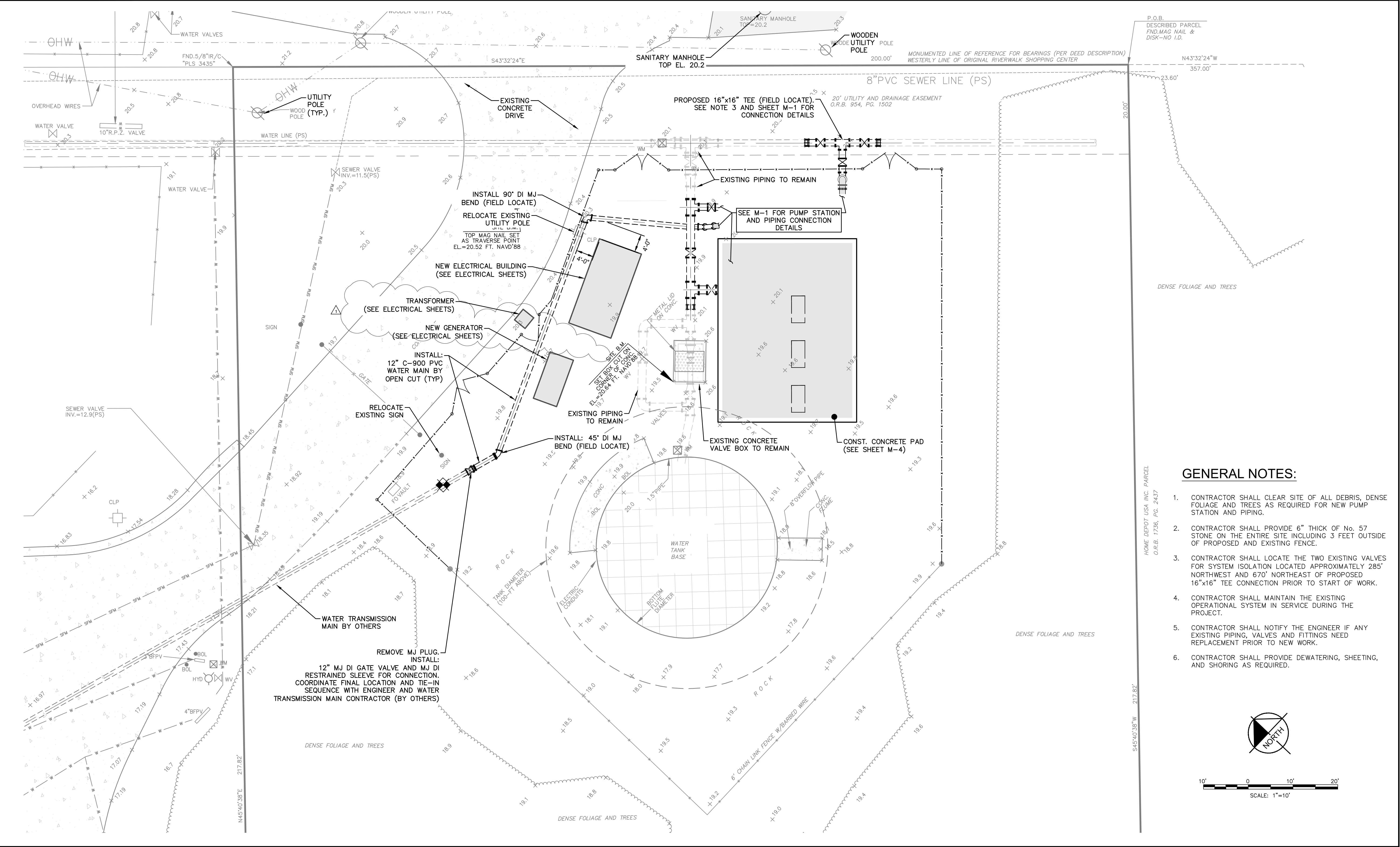
ROSELAND EST PUMP STATION
 PREPARED FOR
INDIAN RIVER COUNTY
 INDIAN RIVER COUNTY
 FLORIDA

LICENSED PROFESSIONAL
 MARK MILLER
 FLORIDA LICENSE NUMBER
 45320

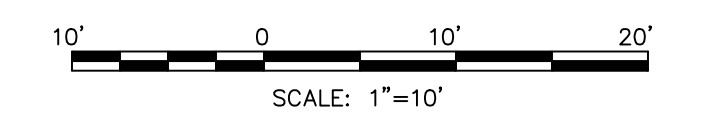
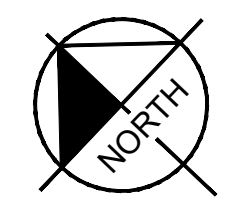
**PUMP STATION
 SITE PLAN**

SHEET NUMBER
C-4

Plotted By: Tabow, Matt
 Sheet Set: Roseland Est Pump Station Yard Piping
 August 06, 2019, 07:34:46pm
 \\wpbpc02\p02\Projects\Roseland Est Pump Station\CADD\plan_sheets\CIVIL SHEETS.dwg
 This document, together with the concepts and designs presented herein, is an instrument of service, as an instrument of service, for which it was prepared. Reuse of any instrument of service is intended only for the specific purpose and client for which it was prepared. Reuse of any instrument of service in any other project, in whole or in part, without written authorization and approval by Kimley-Horn and Associates, Inc. shall be without liability to Kimley-Horn and Associates, Inc.



- ### GENERAL NOTES:
- CONTRACTOR SHALL CLEAR SITE OF ALL DEBRIS, DENSE FOLIAGE AND TREES AS REQUIRED FOR NEW PUMP STATION AND PIPING.
 - CONTRACTOR SHALL PROVIDE 6" THICK OF No. 57 STONE ON THE ENTIRE SITE INCLUDING 3 FEET OUTSIDE OF PROPOSED AND EXISTING FENCE.
 - CONTRACTOR SHALL LOCATE THE TWO EXISTING VALVES FOR SYSTEM ISOLATION LOCATED APPROXIMATELY 285' NORTHWEST AND 670' NORTHEAST OF PROPOSED 16"x16" TEE CONNECTION PRIOR TO START OF WORK.
 - CONTRACTOR SHALL MAINTAIN THE EXISTING OPERATIONAL SYSTEM IN SERVICE DURING THE PROJECT.
 - CONTRACTOR SHALL NOTIFY THE ENGINEER IF ANY EXISTING PIPING, VALVES AND FITTINGS NEED REPLACEMENT PRIOR TO NEW WORK.
 - CONTRACTOR SHALL PROVIDE DEWATERING, SHEETING, AND SHORING AS REQUIRED.



ADDENDUM 1		8/6/19	MT
No.	REVISIONS	DATE	BY

Kimley»Horn

© 2018 KIMLEY-HORN AND ASSOCIATES, INC.
 1920 WEKIVA WAY SUITE 200, WEST PALM BEACH, FL 33411
 PHONE: 561-845-0665 FAX: 561-863-8175
 WWW.KIMLEY-HORN.COM CA 00000696

KHA PROJECT	044572041
DATE	MAR 2019
SCALE	AS SHOWN
DESIGNED BY	MT
DRAWN BY	DJM
CHECKED BY	MM

ROSELAND EST PUMP STATION

PREPARED FOR
INDIAN RIVER COUNTY

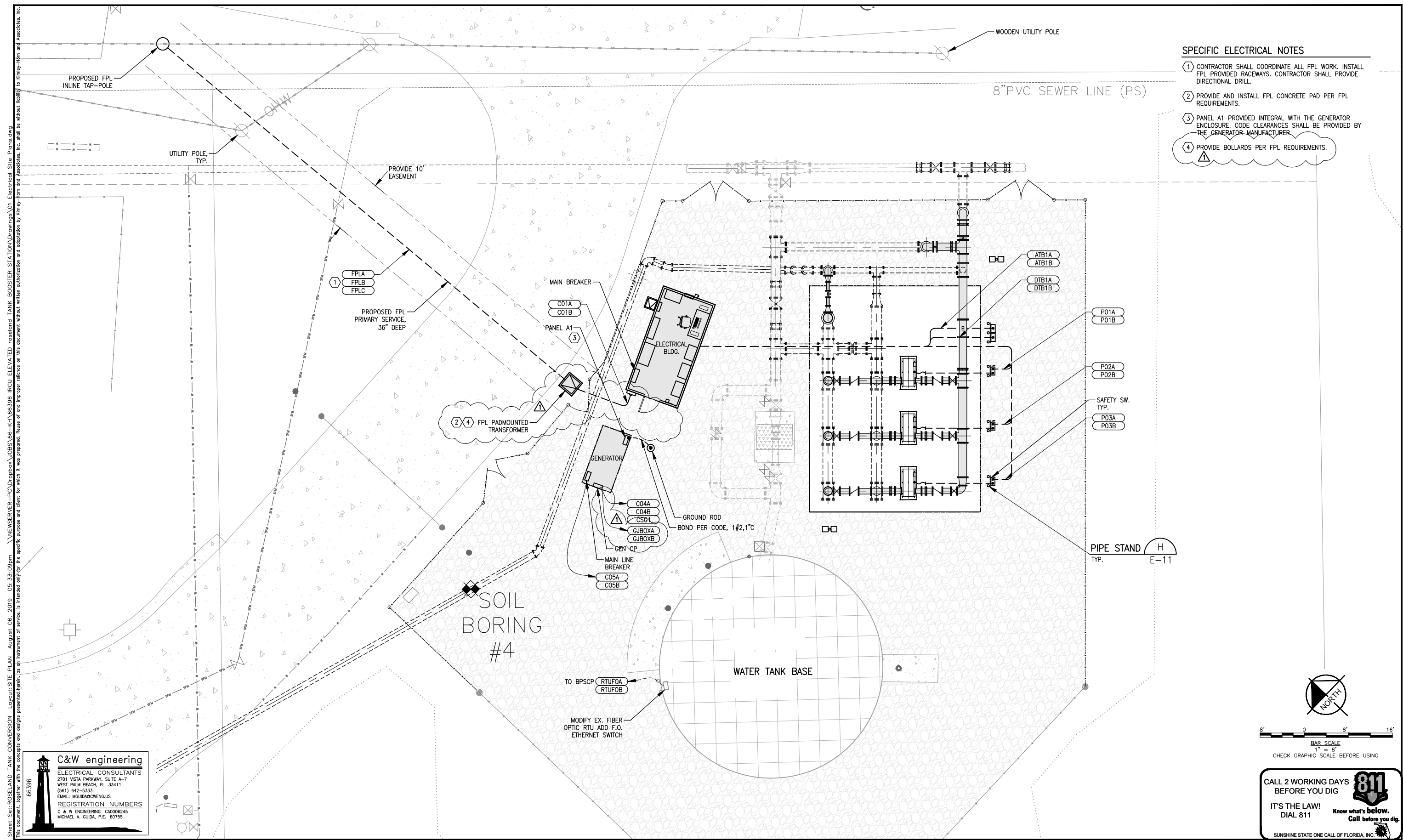
INDIAN RIVER COUNTY
FLORIDA

LICENSED PROFESSIONAL	MARK MILLER
FLORIDA LICENSE NUMBER	45320

PUMP STATION YARD PIPING

SHEET NUMBER
C-5

Sheet Set: ROSELAND TANK CONVERSION, Layout: SITE PLAN, August 06, 2019, 05:33:09pm, \\NEWSEVER-PC\Dropbox\JOBS\66-KH\66396_IPCUJ ELEVATED ROSELAND TANK BOOSTER STATION\Drawings\01 Electrical Site Plans.dwg
 This document, together with the contracts and designs presented herein, is an instrument of service and shall be without liability to Kimley-Horn and Associates, Inc. and shall be without liability to Kimley-Horn and Associates, Inc. if it is prepared, revised or amended in whole or in part without the written authorization and signature of Kimley-Horn and Associates, Inc.



- SPECIFIC ELECTRICAL NOTES**
- 1 CONTRACTOR SHALL COORDINATE ALL FPL WORK. INSTALL FPL PROVIDED RACEWAYS. CONTRACTOR SHALL PROVIDE DIRECTIONAL DRILL.
 - 2 PROVIDE AND INSTALL FPL CONCRETE PAD PER FPL REQUIREMENTS.
 - 3 PANEL A1 PROVIDED INTEGRAL WITH THE GENERATOR ENCLOSURE. CODE CLEARANCES SHALL BE PROVIDED BY THE GENERATOR MANUFACTURER.
 - 4 PROVIDE BOLLARDS PER FPL REQUIREMENTS.

C&W engineering
 ELECTRICAL CONSULTANTS
 2701 VISTA PARKWAY, SUITE A-7
 WEST PALM BEACH, FL 33411
 (561) 942-5333
 EMAIL: MGUIDA@CWENGINEJUS
 REGISTRATION NUMBERS
 C & W ENGINEERING CA0006245
 MICHAEL A. GUIDA, P.E. 60755

NORTH

8' 0 8' 16'

1" = 8'

CHECK GRAPHIC SCALE BEFORE USING

CALL 2 WORKING DAYS BEFORE YOU DIG
811
 IT'S THE LAW!
 DIAL 811 Know what's below. Call before you dig.
 SUNSHINE STATE ONE CALL OF FLORIDA, INC.

No.	REVISIONS	DATE	BY
ADDENDUM 1		8/6/19	JLR

Kimley»Horn

© 2019 KIMLEY-HORN AND ASSOCIATES, INC.
 1920 WEKIVA WAY SUITE 200, WEST PALM BEACH, FL 33411
 PHONE: 561-845-0665 FAX: 561-863-8175
 WWW.KIMLEY-HORN.COM CA 0000696

ROSELAND TANK CONVERSION
 PREPARED FOR
INDIAN RIVER COUNTY
 INDIAN RIVER COUNTY FLORIDA

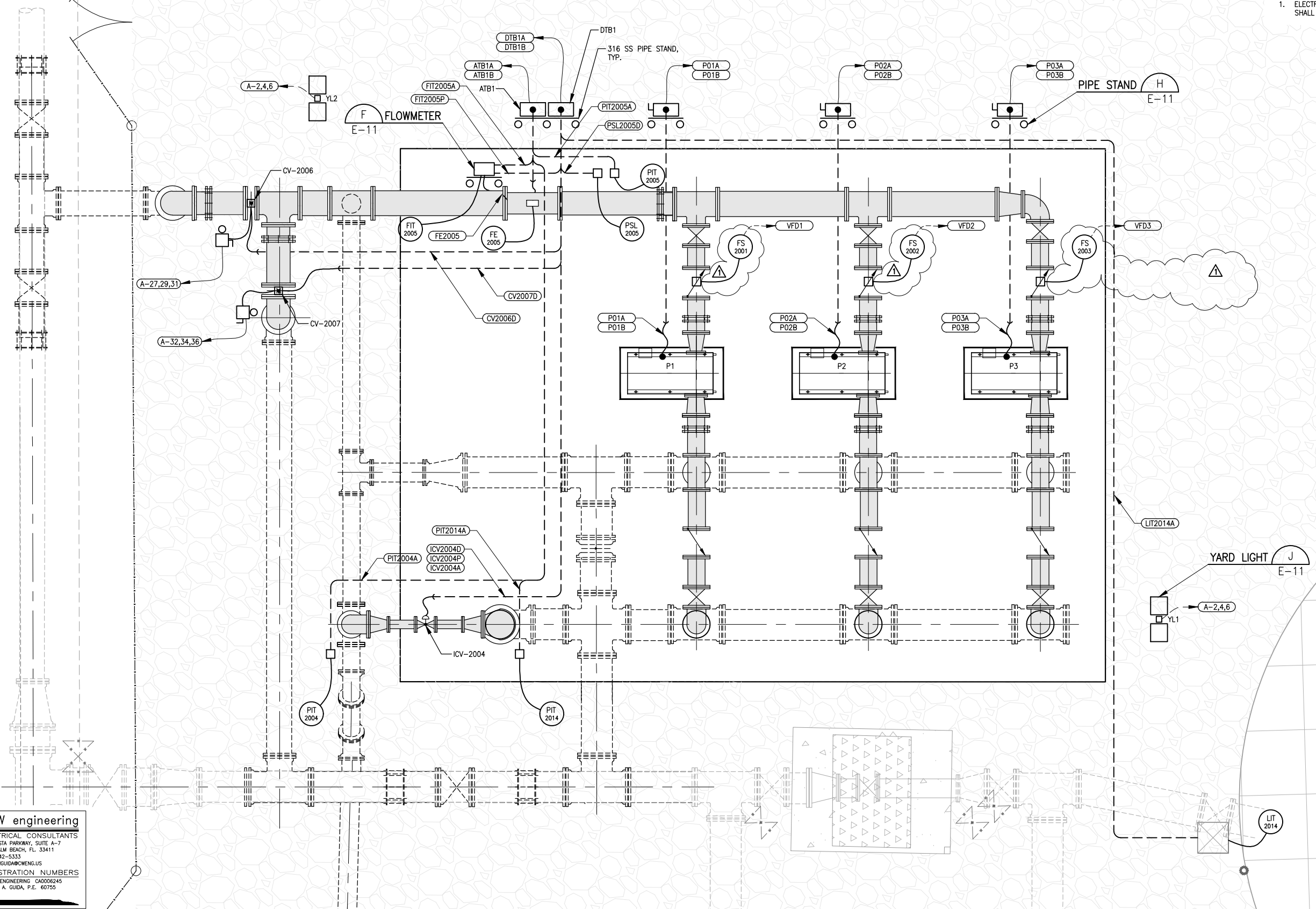
LICENSED PROFESSIONAL
 MICHAEL A. GUIDA
 FLORIDA LICENSE NUMBER
 60755

PUMP STATION ELECTRICAL
SITE PLAN

SHEET NUMBER
E-2

Plotted By: Andrew Demarcchi
 Sheet Set: ROSELAND TANK CONVERSION Layout: INST. PLAN August 06, 2019 05:33:09pm
 \\NEWSEVER-PC\Dropbox\JOBS\66-KH\66396 IRCU ELEVATED ROSELAND TANK BOOSTER STATION\Drawings\01 Electrical Site Plans.dwg
 This document, together with the concepts and designs presented herein, is intended only for the specific purpose and client for which it was prepared. Reuse of or improper reliance on this document without written authorization and adaptation by Kimley-Horn and Associates, Inc. shall be without liability to Kimley-Horn and Associates, Inc.

GENERAL ELECTRICAL NOTES
 1. ELECTRICAL LAYOUT IS SCHEMATIC IN NATURE, LAYOUT SHALL BE BASED ON MECHANICAL LOCATIONS.



C&W engineering
 ELECTRICAL CONSULTANTS
 2701 VISTA PARKWAY, SUITE A-7
 WEST PALM BEACH, FL 33411
 (561) 942-5333
 EMAIL: MGLIDAP@CENG.US
 REGISTRATION NUMBERS
 C & W ENGINEERING CA0006245
 MICHAEL A. GUIDA, P.E. 60755

30' 0 30' 60'
 BAR SCALE
 1" = 100'
 CHECK GRAPHIC SCALE BEFORE USING

CALL 2 WORKING DAYS BEFORE YOU DIG
 IT'S THE LAW! DIAL 811
 Know what's below. Call before you dig.
 SUNSHINE STATE ONE CALL OF FLORIDA, INC.

No.	REVISIONS	DATE	BY
ADDENDUM 1		8/6/19	JLR

Kimley»Horn
 © 2019 KIMLEY-HORN AND ASSOCIATES, INC.
 1920 WEKIVA WAY SUITE 200, WEST PALM BEACH, FL 33411
 PHONE: 561-845-0665 FAX: 561-863-8175
 WWW.KIMLEY-HORN.COM CA 00000696

ROSELAND TANK CONVERSION
 PREPARED FOR
INDIAN RIVER COUNTY
 INDIAN RIVER COUNTY FLORIDA

LICENSED PROFESSIONAL
 MICHAEL A. GUIDA
 FLORIDA LICENSE NUMBER 60755

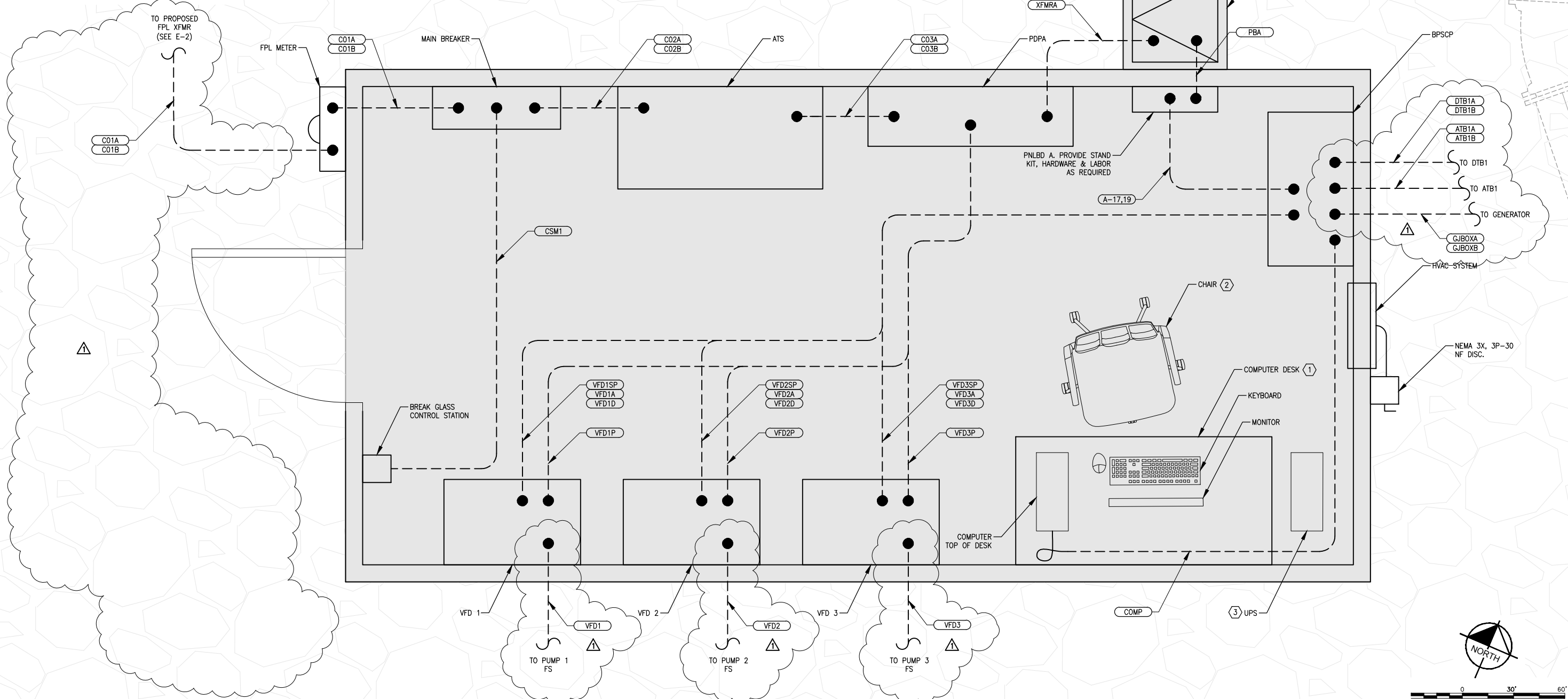
PUMP STATION INSTRUMENT ELECTRICAL PLAN

SHEET NUMBER
E-3

Plotted By: Andrew Demarochi
 Sheet Set: ROSELAND TANK CONVERSION - LOYOUTH-BLDG EQUIP. August 06, 2019 05:33:11pm
 \\NEWSEVER-PC\Dropbox\JOBS-66-KHV66396-IRCU ELEVATED ROSELAND TANK BOOSTER STATION Drawings\01 Electrical Site Plans.dwg
 This document, together with the concepts and designs presented herein, is an instrument of service, as an instrument of service and shall be without liability to Kimley-Horn and Associates, Inc.

SPECIFIC ELECTRICAL NOTES

- 1 CONTRACTOR SHALL PROVIDE OFFICE DEPOT DESK, SAUDER® SHOAL CREEK EXECUTIVE DESK, JAMOCHA WOOD OR EQUAL.
- 2 CONTRACTOR SHALL PROVIDE OFFICE DEPOT CHAIR, WORKPRO® QUANTUM 9000 SERIES ERGONOMIC MESH MID-BACK CHAIR, BLACK OR EQUAL.
- 3 CONTRACTOR SHALL PROVIDE AN N1 CRITICAL TECHNOLOGIES UPS, 1000VA DOUBLE CONVERSION ONLINE UPS



C&W engineering
 ELECTRICAL CONSULTANTS
 2701 VISTA PARKWAY, SUITE A-7
 WEST PALM BEACH, FL 33411
 (561) 942-5333
 EMAIL: MGLID@CWENGINEJIS
 REGISTRATION NUMBERS
 C & W ENGINEERING CA0006245
 MICHAEL A. GUIDA, P.E. 60755

NORTH

0 30' 60'

BAR SCALE
 1" = 100'
 CHECK GRAPHIC SCALE BEFORE USING

CALL 2 WORKING DAYS BEFORE YOU DIG
811
 IT'S THE LAW!
 DIAL 811 Know what's below.
 Call before you dig.
SUNSHINE STATE ONE CALL OF FLORIDA, INC.

No.	REVISIONS	DATE	BY
ADDENDUM 1		8/6/19	JLR

Kimley»Horn

© 2019 KIMLEY-HORN AND ASSOCIATES, INC.
 1920 WEKIVA WAY SUITE 200, WEST PALM BEACH, FL 33411
 PHONE: 561-845-0665 FAX: 561-863-8175
 WWW.KIMLEY-HORN.COM CA 0000696

ROSELAND TANK CONVERSION
 PREPARED FOR
INDIAN RIVER COUNTY
 INDIAN RIVER COUNTY
 FLORIDA

LICENSED PROFESSIONAL
 MICHAEL A. GUIDA
 FLORIDA LICENSE NUMBER
 60755

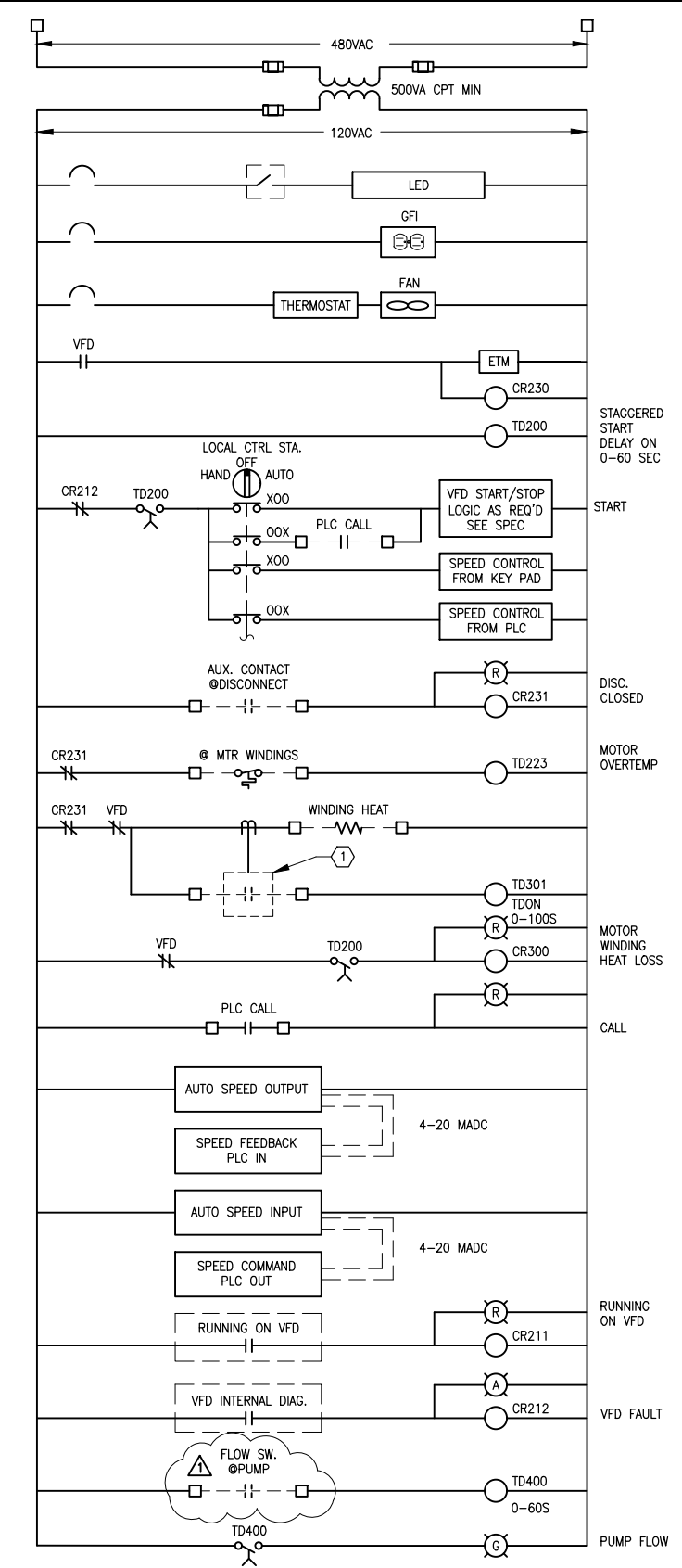
ELECTRICAL BUILDING
 EQUIPMENT PLAN

SHEET NUMBER
E-4

Plotted By: Andres Demarchi
 Sheet: ROSELAND TANK CONVERSION - Layout-VFD DETS August 06, 2019 05:33:12pm
 \\NEWSEVER-PC\Dropbox\JOBS\66-KH\66396-IRCU ELEVATED ROSELAND TANK BOOSTER STATION\Drawings\02 Electrical Details.dwg
 This document, together with the concepts and designs presented herein, is intended only for the specific purpose and client for which it was prepared. Reuse of any information contained in this document without written authorization and adaptation by Kimley-Horn and Associates, Inc. shall be without liability to Kimley-Horn and Associates, Inc.



C&W engineering
 ELECTRICAL CONSULTANTS
 2701 VISTA PARKWAY, SUITE A-7
 WEST PALM BEACH, FL 33411
 (561) 942-5333
 EMAIL: MGUIJID@CWENG.US
 REGISTRATION NUMBERS
 C & W ENGINEERING CA0006245
 MICHAEL A. GUIDA, P.E. 60755



VFD SCHEMATIC

NTS

SPECIFIC ELECTRICAL NOTES

1) PROVIDE CURRENT MONITOR AND CT SYSTEM TO MONITOR MOTOR HEAT CIRCUIT FAILURE AND SIGNAL THE SCADA SYSTEM IF MOTOR HEAT FAILS.

DISCRETE PARAMETERS

- VFD RUN
- VFD FAULT
- VFD H-0-A, AUTO
- MOTOR OVERTEMP
- MTR WIND. HEAT LOSS
- DISC STATUS
- FLOW SWITCH
- SPARE

ANALOG OUTPUT PARAMETERS

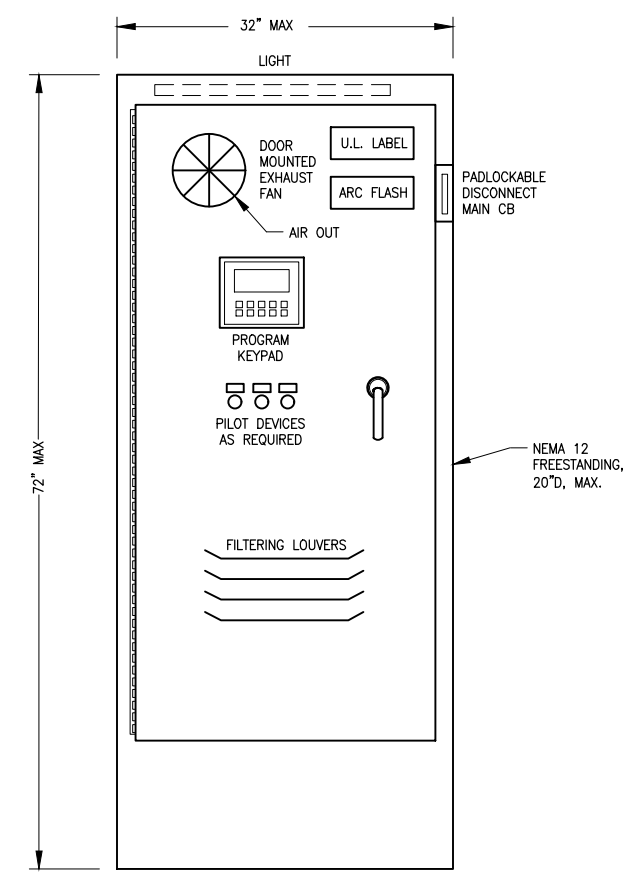
- 1. MOTOR AMPS

ANALOG INPUT PARAMETERS

- 1. SPEED COMMAND
- 2. SPEED INDICATION

TO PLC VIA COMM. CABLE AND ANY OTHER PARAMETERS AS REQUIRED BY OWNER

TO PLC VIA HARDWIRED I/O



VFD ELEVATION DETAIL

NTS

A

CALL 2 WORKING DAYS BEFORE YOU DIG
811
 IT'S THE LAW! DIAL 811
 Know what's below. Call before you dig.
 SUNSHINE STATE ONE CALL OF FLORIDA, INC.

No.	REVISIONS	DATE	BY
ADDENDUM 1		8/6/19	JLR



© 2019 KIMLEY-HORN AND ASSOCIATES, INC.
 1920 WEKIVA WAY SUITE 200, WEST PALM BEACH, FL 33411
 PHONE: 561-845-0665 FAX: 561-863-8175
 WWW.KIMLEY-HORN.COM CA 0000696

KHA PROJECT	044572041
DATE	JUNE 2019
SCALE	AS SHOWN
DESIGNED BY	DGW
DRAWN BY	AOD
CHECKED BY	DGW

ROSELAND TANK CONVERSION
 PREPARED FOR
INDIAN RIVER COUNTY
 INDIAN RIVER COUNTY FLORIDA

LICENSED PROFESSIONAL	
MICHAEL A. GUIDA	
FLORIDA LICENSE NUMBER	60755

VFD DETAILS
 SHEET NUMBER
E-7

Plotted By: Andree Demerchi
 Sheet: ROSELAND TANK CONVERSION - Layout-NETWORK - August 06, 2019 05:33:12pm
 \\NEWSERVER-PC\Dropbox\JOBS-KHV66396\ROCU ELEVATED ROSELAND TANK BOOSTER STATION Drawings\02-Electrical Details.dwg
 This document together with the concepts and designs presented herein, is an instrument of service, as an instrument of service, in intended only for the specific purpose and client for which it was prepared. Reuse of any improper reliance on this document without written authorization and adaptation by Kimley-Horn and Associates, Inc. shall be without liability to Kimley-Horn and Associates, Inc.

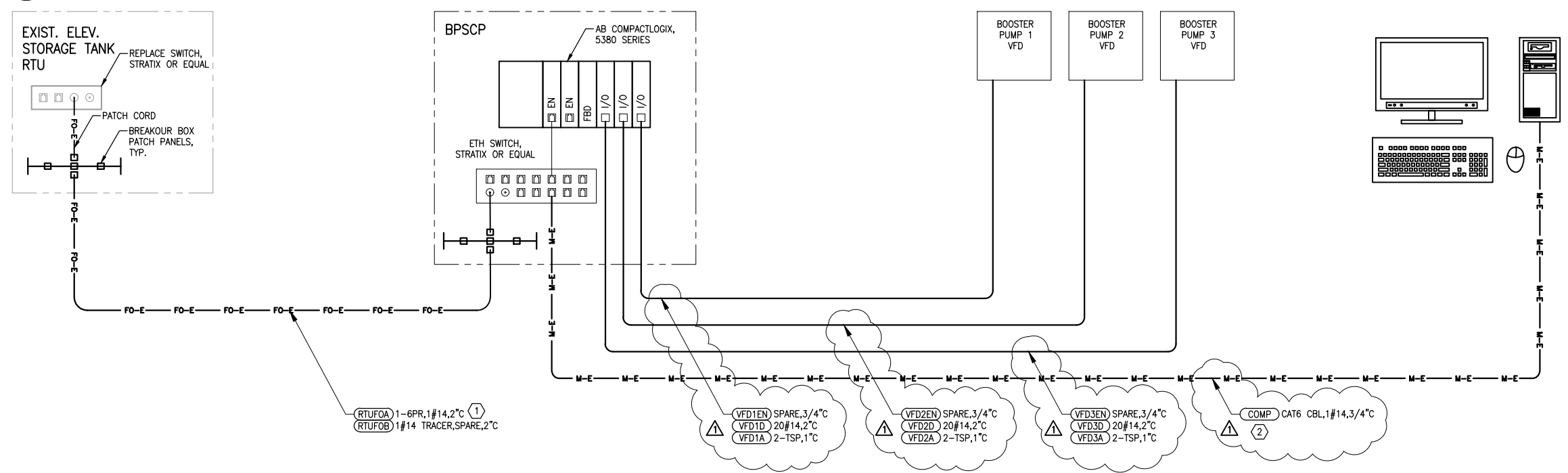
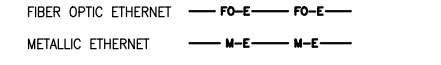
GENERAL ELECTRICAL NOTES

- CONTRACTOR SHALL CONTROL THE DRIVE USING HARD WIRED SIGNALS AND I/O.
- DRIVES SHALL CONVEY INFORMATION, NOT RELATED TO CONTROLS, HARD WIRED.

SPECIFIC ELECTRICAL NOTES

- NEW FIBER SHALL BE 6-PAIR SINGLE MODE, FIBER OPTIC CABLE, 1#14, TRACER WIRE.
- ALL CAT6 CABLES SHALL BE ARMORED CABLES RATED FOR 600V.

LEGEND



NETWORK DIAGRAM

NTS

C&W engineering
 ELECTRICAL CONSULTANTS
 2701 VISTA PARKWAY, SUITE A-7
 WEST PALM BEACH, FL 33411
 (561) 942-5333
 EMAIL: MGUIDA@CWENGINE.US
 REGISTRATION NUMBERS
 C & W ENGINEERING CA0006245
 MICHAEL A. GUIDA, P.E. 60755

CALL 2 WORKING DAYS BEFORE YOU DIG
811
 IT'S THE LAW! DIAL 811
 Know what's below. Call before you dig.
 SUNSHINE STATE ONE CALL OF FLORIDA, INC.

No.	REVISIONS	DATE	BY
ADDENDUM 1		8/6/19	JLR

Kimley»Horn
 © 2019 KIMLEY-HORN AND ASSOCIATES, INC.
 1920 WEKIVA WAY SUITE 200, WEST PALM BEACH, FL 33411
 PHONE: 561-845-0665 FAX: 561-863-8175
 WWW.KIMLEY-HORN.COM CA 0000696

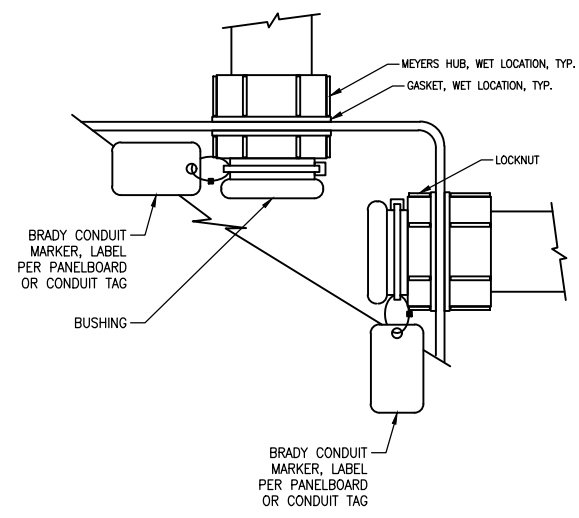
ROSELAND TANK CONVERSION
 PREPARED FOR
INDIAN RIVER COUNTY
 INDIAN RIVER COUNTY FLORIDA

LICENSED PROFESSIONAL
 MICHAEL A. GUIDA
 FLORIDA LICENSE NUMBER
 60755

NETWORK DIAGRAM

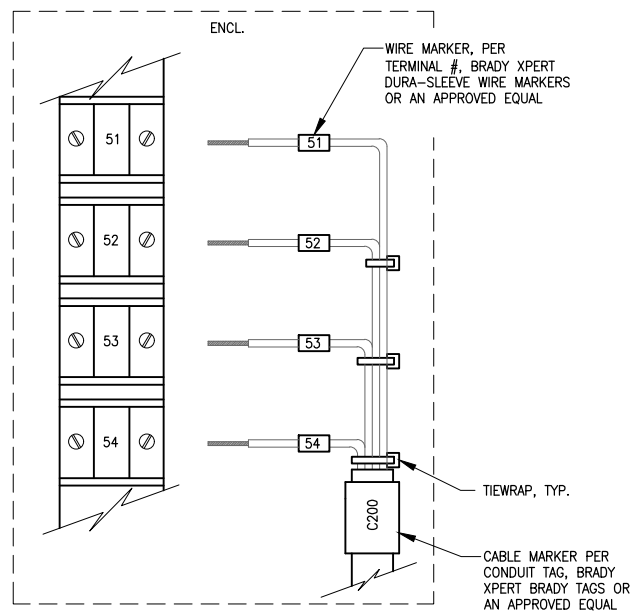
SHEET NUMBER
E-9

Sheet: ROSELAND TANK CONVERSION - Layout-DETAILS - August 06, 2019 05:33:12pm
 Plotted By: Andrew Demarchi
 This document, together with the concepts and designs presented herein, is intended only for the specific purpose and client for which it was prepared. Reuse of any information contained herein without written authorization and adaptation by Kimley-Horn and Associates, Inc. shall be without liability to Kimley-Horn and Associates, Inc.



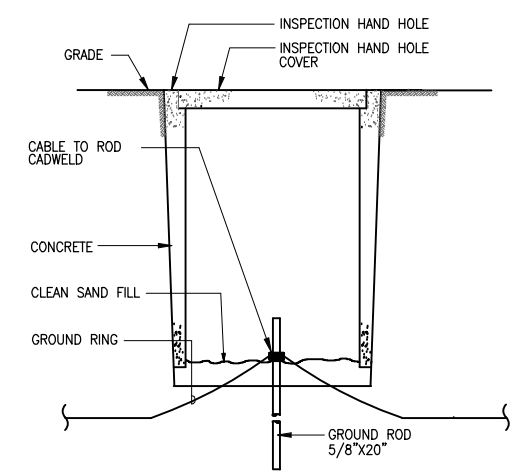
CONDUIT TERMINATION DETAIL

NTS



TERMINATION EXAMPLE DETAIL

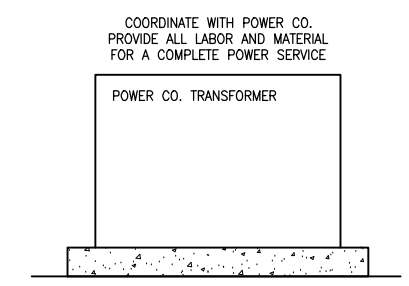
NTS



GROUND WELL DETAIL

NTS

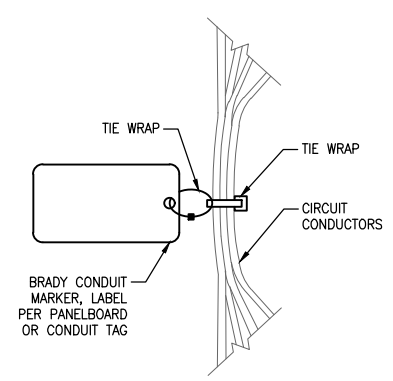
B



FPL RISER

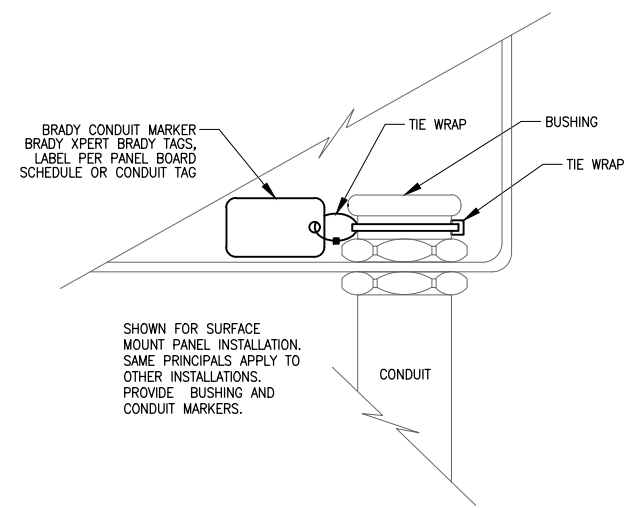
NTS

C



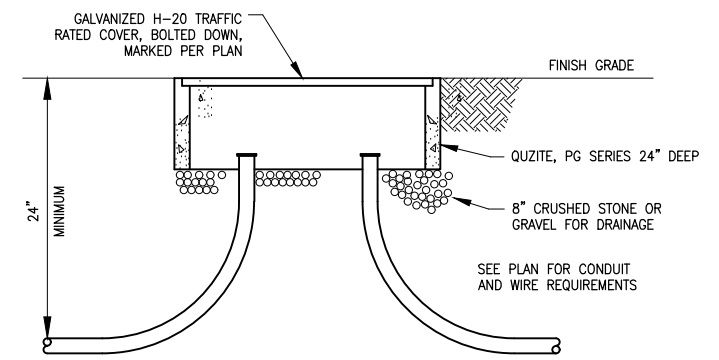
CIRCUIT MARKER DETAIL

NTS



CONDUIT DETAIL

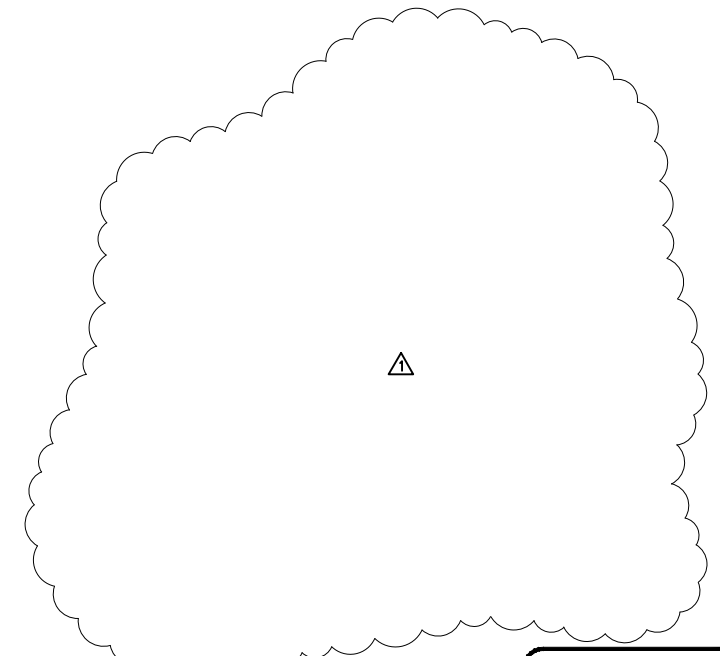
NTS



HAND HOLE

NTS

D



C&W engineering
 ELECTRICAL CONSULTANTS
 2701 VISTA PARKWAY, SUITE A-7
 WEST PALM BEACH, FL 33411
 (561) 942-5333
 EMAIL: MGLID@CWENG.US
 REGISTRATION NUMBERS
 C & W ENGINEERING CA0006245
 MICHAEL A. GUIDA, P.E. 60755

CALL 2 WORKING DAYS BEFORE YOU DIG
811
 IT'S THE LAW! DIAL 811 Know what's below. Call before you dig.
 SUNSHINE STATE ONE CALL OF FLORIDA, INC.

No.	REVISIONS	DATE	BY
ADDENDUM 1		8/6/19	JLR

Kimley»Horn
 © 2019 KIMLEY-HORN AND ASSOCIATES, INC.
 1920 WEKIVA WAY SUITE 200, WEST PALM BEACH, FL 33411
 PHONE: 561-845-0665 FAX: 561-863-8175
 WWW.KIMLEY-HORN.COM CA 0000696

ROSELAND TANK CONVERSION
 PREPARED FOR
INDIAN RIVER COUNTY
 INDIAN RIVER COUNTY FLORIDA

LICENSED PROFESSIONAL
 MICHAEL A. GUIDA
 FLORIDA LICENSE NUMBER
 60755

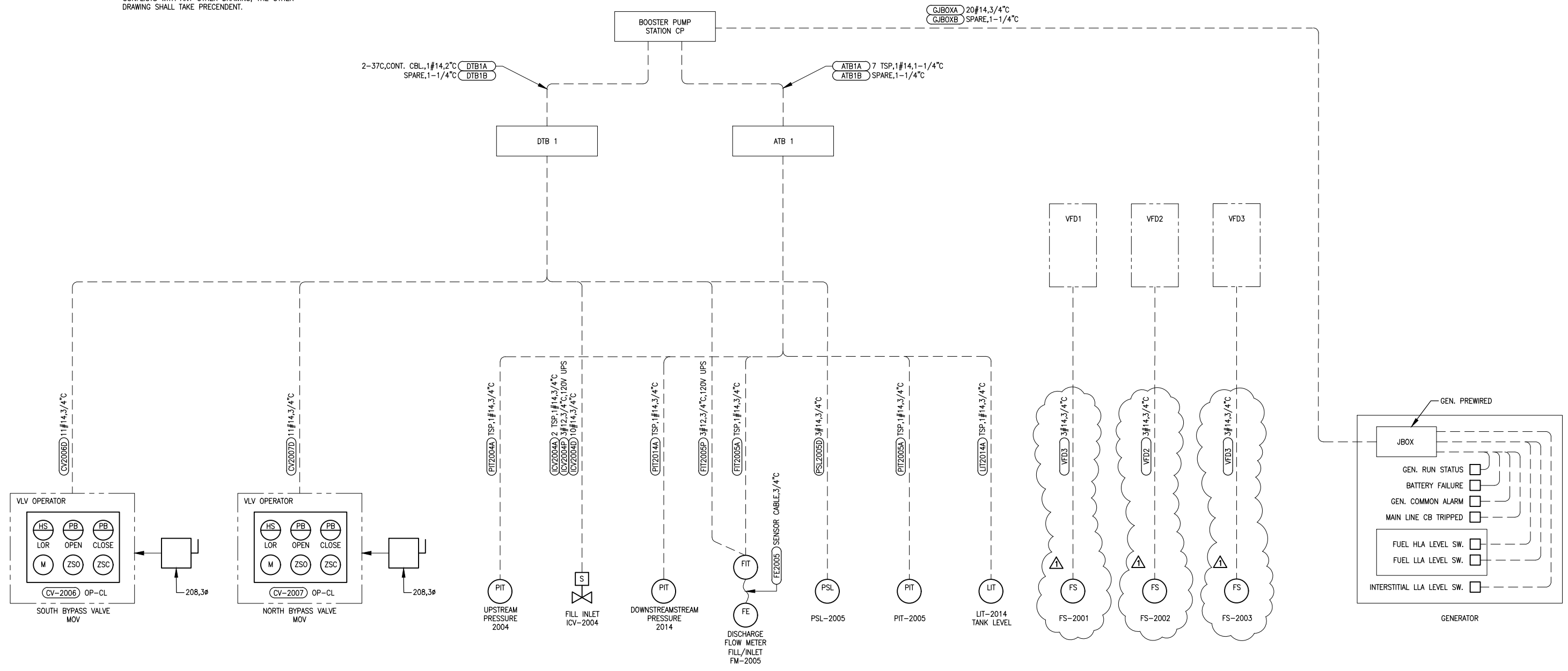
ELECTRICAL DETAILS

SHEET NUMBER
E-10

Plotted By: Andrew Demarchi
 Sheet: ROSELAND TANK CONVERSION - LAYOUT INSTR. RISER August 06, 2019 05:33:14pm
 \\NEWSEVER-PC\Dropbox\JOBS\66-KH\66396 IPCU ELEVATED ROSELAND TANK BOOSTER STATION Drawings\02 Electrical Details.dwg
 This document together with the concepts and designs presented herein, is an instrument of service and shall be without liability to Kimley-Horn and Associates, Inc. and shall be without liability to Kimley-Horn and Associates, Inc.

GENERAL ELECTRICAL NOTES

- CONTRACTOR SHALL PROVIDE A PAD LOCKABLE DISCONNECT FOR EACH MOTOR OPERATED VALVE. PROVIDE A NEMA 4, MOTOR RATED SWITCH.
- THIS DRAWING IS INCLUDED TO INDICATE CONDUIT, WIRE, AND GENERAL ARRANGEMENTS, IF THIS DRAWING CONFLICTS WITH ANY OTHER DRAWING, THE OTHER DRAWING SHALL TAKE PRECEDENT.



C&W engineering
 ELECTRICAL CONSULTANTS
 2701 VISTA PARKWAY, SUITE A-7
 WEST PALM BEACH, FL 33411
 (561) 942-5333
 EMAIL: MQUID@CWENG.US
 REGISTRATION NUMBERS
 C & W ENGINEERING CA0006245
 MICHAEL A. GUIDA, P.E. 60755

CALL 2 WORKING DAYS BEFORE YOU DIG
811
 IT'S THE LAW! DIAL 811
 Know what's below. Call before you dig.
 SUNSHINE STATE ONE CALL OF FLORIDA, INC.

No.	ADDENDUM 1	8/6/19	JLR
	REVISIONS	DATE	BY

Kimley»Horn
 © 2019 KIMLEY-HORN AND ASSOCIATES, INC.
 1920 WEKIVA WAY SUITE 200, WEST PALM BEACH, FL 33411
 PHONE: 561-845-0665 FAX: 561-863-8175
 WWW.KIMLEY-HORN.COM CA 0000696

ROSELAND TANK CONVERSION
 PREPARED FOR
INDIAN RIVER COUNTY
 INDIAN RIVER COUNTY
 FLORIDA

LICENSED PROFESSIONAL
 MICHAEL A. GUIDA
 FLORIDA LICENSE NUMBER
 60755

FIELD INSTRUMENT RISER

SHEET NUMBER
E-13

Statement of No Bid

Should you elect not to bid, please complete and send this page by email (purchasing@ircgov.com), fax (772-770-5140) or by mail to Indian River County Purchasing, 1800 27th Street, Vero Beach, FL 32960.

Please select all of the following that apply. Our decision not to bid on the subject project was based on:

- Project is located too far from our base of operations
- Project value too low
- Project specifications unclear (please explain below)
- Material availability may be a challenge
- Our current schedule will not allow us to perform
- Unable to meet insurance requirements
- Other:
- Other:

General comments regarding the bid and/or plans and specifications:
