



City of Wentzville
Kimberly Butts, Director of Procurement
310 West Pearce Boulevard
Wentzville, Missouri 63385
(636) 639-2005

Invitation for Bids

**Mexico Road Detention Basin Retrofit
IFB #16-541**

Date Bid Issued: October 11, 2016

TABLE OF CONTENTS

INVITATION FOR BIDS

Bid Notice	1
Information for Bidders	2
Pricing Form	Exhibit A
References	Exhibit B
Subcontractor Form	Exhibit C
Non-Collusive Affidavit	Exhibit D

CONTRACT DOCUMENTS AND SPECIFICATIONS

City-Contractor Agreement and Terms & Conditions	CCA-1 to CCA-13
General Conditions	GC-1 to GC-34
Job Specific Provisions	JSP-1 to JSP-35
Plans	
Wage Rate Order #23	



City of Wentzville
Kimberly Butts, Director of Procurement
310 West Pearce Boulevard
Wentzville, Missouri 63385
(636) 639-2005

BID NOTICE
IFB #16-541

October 11, 2016

The City of Wentzville (the "City") is requesting sealed bids from qualified contractors for construction of the:
Mexico Road Detention Basin Retrofit

The Mexico Road Detention Basin Retrofit ("Project") consists of retrofitting an existing extended detention basin to address maintenance and aesthetic issues. This includes installation of a forebay underdrain, infiltration trench, screening with a fence and landscape enhancements.

PRE-BID MEETING:

A non-mandatory Pre-Bid Meeting will be held at Wentzville City Hall, 310 W. Pearce Blvd., Wentzville, MO 63385 on Wednesday, October 26, 2016 at 2 p.m.

Sealed bids will be accepted by the City of Wentzville Procurement Department, City Hall, 310 W. Pearce Blvd, Wentzville, MO 63385 until 2:00 p.m. (central time) on November 8, 2016. Bids will be opened and read aloud.

Bid documents and plans are available on the City's Bid Opportunities website http://www.wentzvillemo.org/departments/procurement/current_bidding_opportunities.php. You may be required to create a free log-in with Vendor Registry in order to download the bid documents and plans.

The City reserves the right to reject any or all bids, or portions thereof, to waive technicalities or deficiencies in any or all bids. The City of Wentzville reserves the right to cancel this IFB in part or in its entirety. This IFB does not commit the City of Wentzville to award a contract or to pay any costs to bidders in preparation of their bid.

The successful bidder shall be required to comply in all respects with the State Statutory provisions concerning the payment of prevailing wages on Public Works, Section 290.262 RSMo and shall pay to all workmen performing the work under the Contract not less than the prevailing hourly rate of wages as determined by the Department of Labor and Industrial Relations of the State of Missouri.

The City of Wentzville hereby notifies all bidders that it will affirmatively ensure that in any contract entered into pursuant to this solicitation, disadvantaged business enterprises will be afforded full opportunity to submit bids in response to this invitation and will not be discriminated against on the grounds of race, color, or national origin in consideration for an award.

City of Wentzville
Kimberly Butts, CPPO, CPSM
Director of Procurement

INFORMATION FOR BIDDERS

1. **Background and Funding:** The Mexico Road Detention Basin Retrofit project includes retrofitting an existing extended detention basin to address maintenance and aesthetic issues. This includes installation of a forebay underdrain, infiltration trench, screening with a fence and landscape enhancements. This project is fully funded by the City of Wentzville.

2. **Questions and Addendums:** All questions must be submitted in writing via email by October 28, 2016 to Alice Winkelman, Senior Procurement Specialist at Alice.Winkelman@Wentzvillemo.org with the project name in the subject line before time and date indicated. No verbal interpretation will be recognized; any and all such interpretations shall be confirmed in an addendum to the bid by the City.

Addendums will be posted on the City's website at:

www.wentzvillemo.org/departments/procurement/current_bidding_opportunities.php.

Bidders are responsible for checking the City's website for the issuance of any addendums. The Bidding Opportunities website shall be the official site for information as related to this IFB.

To ensure fair consideration for all bidders, the City prohibits communication to or with any City department(s), board member(s), or employee(s) during the submission process, except as provided above. Additionally, the City prohibits communications initiated by a bidder to the City official(s) or employee(s) evaluating or considering the bids prior to the time an award decision is made. Any communication between Bidder and the City will be initiated by the appropriate City official(s) or employee(s) in order to obtain information or clarification needed to develop a proper, accurate evaluation of the bid. Such communications initiated by a bidder may be grounds for disqualifying the offending bidder from consideration for award of the bid and/or any future bid(s).

3. **Sealed Bids Required:** No type of electronic submittal (fax, email, etc.) of bids will be accepted. The sealed envelope shall be clearly marked with the IFB number and title, and Bidder Name on the outside of envelope.

4. **Bidder Documentation:** All responses, inquiries, or correspondence relating to, or in reference to, this Invitation for Bid, and all reports, charts, displays, schedules, exhibits and other documentation by the Bidder shall become the property of the City when received. All bids submitted shall also become the property of the City. If any proprietary information is contained in the bid, it should be clearly identified. Marking the entire bid as proprietary will be neither accepted nor honored. If a request is made to view a Bidder's bid submission, the City will comply according to Missouri Sunshine Law.

5. **Bid Opening:** Bids will be publicly opened and read aloud on the date and time and at the location indicated in the Bid Notice. Bidder is solely responsible for insuring its bid is received at the time, date, and location specified. The bid opening is public; anyone may attend.

6. **Examination of Bid/Contract Documents and Site of Work:** The Bidder is expected to carefully examine the site of proposed work, the specifications, and the Bid/Contract documents before submitting a bid. The submission of a bid shall be considered prima facie evidence that the Bidder has made such examination and is satisfied to the conditions to be

encountered in performing the work and as to the requirements of the Bid/Contract documents. Differing site conditions from the bid documents may not be used for justification of a change order.

7. Product Substitutions: Requests for product substitutions will not be considered during bidding. If Contractor's bid includes substitutions it shall be at the Contractor's risk and responsibility to demonstrate that the substitution is a "functional equivalent" product during submittal reviews. During the review process, if substituted products are determined not to be functionally equivalent, Contractor shall provide products as specified at no additional cost to the City.

8. Laws to be Observed: The Contractor shall at all times observe and comply with all Federal and State laws, all local laws, ordinances, and regulations existing at the time of or enacted subsequent to the execution of the contract which, if in any manner, affect the execution of the work.

9. Taxes: This project is exempt from all sales taxes for construction materials and supplies used directly in fulfilling contract requirements. Sales tax shall not be included into the price(s) for this project. The contractor shall follow the regulations as outlined in Section 144.062 RSMo Construction Materials Exemption Allowed.

10. Prevailing Wage: The successful Bidder shall be required to comply in all respects with State Wage Rates, including applicable statutory provisions concerning payment of prevailing wages on public works projects, Sections 290.210 through 290.340 RSMo as currently amended, and shall pay to all workmen performing under work contract not less than prevailing hourly rate of wages as determined by the Department of Labor and Industrial Relations of the State of Missouri

As such, the bid for this project shall be based upon the required payment by the Contractor for wages for each craft or type of workmen required to execute the Contract. A schedule of such prevailing hourly rate of wages as determined by the Department of Labor and Industrial Relations of Missouri, pursuant to said statutory provisions is attached hereto and made a part of this Contract.

11. OSHA Required Training: Pursuant to Section 292.675 RSMo, Contractor shall require all on-site employees to complete the ten-hour training program as required under Section 292.675 RSMo. This program shall be provided by Contractor and shall be a ten-hour Occupational Safety and Health Administration (OSHA) construction safety program for Contractor's on-site employees which includes a course in construction safety and health approved by OSHA or a similar program approved by the Missouri Department of Labor and Industrial Relations ("MoDOLIR") which is at least as stringent as an approved OSHA program. All employees are required to complete the program within sixty days of beginning work under this Agreement. Contractor shall further require all subcontractors under Contractor to provide the ten-hour training program required under Section 292.675 RSMo. To such subcontractors' on-site employees. On-site employees who have previously completed such ten-hour training program must hold documentation of prior completion of the program.

12. Equal Employment Opportunity: The Contractor shall not discriminate against any employee or applicant for employment because of race, color, religion, sex, national origin, or disability. Such action shall include, but not be limited to, the following: employment, upgrading, demotion, or transfer; recruitment; advertising; layoff or termination; rates of pay or other forms of compensation; and selection of training, including apprenticeship. The

Contractor shall state that all qualified applicants will receive consideration for employment without regard to race, color, religion, sex, national origin, or disability. The Contractor shall incorporate the foregoing requirements of this paragraph in all of its subcontracts for work performed under the terms and conditions of this Contract. A breach of this provision may be grounds for termination of this Contract.

13. References: References are to be provided as outlined in Exhibit B. References and supporting documentation must demonstrate qualifications described in the Job Specific Provisions. The City reserves the right to contact and evaluate references; contact any bidder to clarify any response; contact any users of a bidder's services; and seek or review any other information deemed pertinent to the Invitation for Bid or evaluation process.

14. Method of Award: The solicitation shall be awarded to the lowest, responsive, responsible bidder. The City reserves the right, in its sole discretion, to reject any or all bids, or portions thereof, to waive technicalities or deficiencies in any or all the bids.

The responsiveness of the bidder shall be determined by the City based whether their bid fully conforms in all material respects to the solicitation and all of its requirements, including all form and substance.

The responsibility of the bidder shall be determined by the City based on, but not limited to, whether the bidder is capable of meeting all of the requirements of the solicitation and subsequent contract; possesses full capability, including financial and technical, to perform as contractually required; and the quality and performance of previous contracts or services.

15. Notice of Intent to Award: The successful bidder will receive a Notice of Intent to Award listing documentation that the bidder is required to submit, which includes but is not limited to the following:

- City-Contractor Agreement (*sample included with this solicitation*)
- Affidavit of Participation in Federal Work Authorization Form (*sample included with this solicitation*)
- E-Verify Memorandum of Understanding (*showing electronic signatures of Contractor and Homeland Security*)
- Insurance
- Bonds

16. Performance Bond: If the Contractor's Bid is in excess of \$50,000.00, the Contractor shall also furnish within ten (10) days of notification of contract award a satisfactory Performance Bond in the full amount of the Bid based on the bid quantities listed on the Pricing Form. The Performance Bond furnished shall guarantee the faithful performance of the Work and warrant the Work for the guaranty period established in this City-Contractor Agreement.

17. Payment Bond: If the Contractor's Bid is in excess of \$50,000, the Contractor shall furnish within ten (10) days of notification of contract award a satisfactory Payment Bond in the full amount of the Contract Sum. The Payment Bond furnished shall meet all requirements of Section 107.170 of the Revised Statutes of Missouri, as amended, and shall guarantee the payment of any and all materials, incorporated, consumed or used in connection with the construction of such work, and all insurance premiums, both for compensation, and for all other kinds of insurance, said work, and for all labor performed in such work whether by subcontractor or otherwise, including payment of prevailing wage requirements of the State of Missouri.

18. Bond Premiums: The premiums on all the bonds shall be paid by the Contractor.

19. Notice to Proceed: Upon submittal and acceptance of all items as outlined in the Notice of Award, the successful bidder will receive Notice to Proceed and will be required to attend a Pre-Construction Meeting prior to beginning work.

The City will issue the Contractor a tax exemption letter and a project exemption certificate. These documents are to be given to the contractor's suppliers and used only for the specific project identified and will expire on the date indicated unless renewed by the City.

20. Tentative Schedule: This schedule is provided as guidance for bidders. The schedule may be revised by the City to accommodate bidding or award procedures, weather, etc.

Oct. 11, 2016	Bid Notice
Oct. 26, 2016	Non-Mandatory Pre-bid Meeting
Oct. 28, 2016	Bidder Questions Due
Nov. 1, 2016	City Response to Questions/Addendum
Nov. 8, 2016	Bid Opening
Nov. 16, 2016	Bid Evaluation/Recommendation for Award
Nov. 30, 2016	BOA Meeting to Award
Dec. 19, 2016	Contract Execution Completed
Dec. 27, 2016	Notice to Proceed Issued
Mar. 27, 2017	End of Contract Calendar Days (90 days)
Apr. 27, 2017	Project Close Out, Final Documentation & Maintenance Bond Submitted
Mar. 27, 2018	Post Installation Plant Maintenance Ends



EXHIBIT A PRICING FORM

For: IFB #16-541 – Mexico Road Detention Basin Retrofit

To: Procurement Department
City of Wentzville
310 W. Pearce Blvd.
Wentzville, MO 63385

Pursuant to and in compliance with your Invitation for Bid, the Information for Bidders, Contract Document and Specifications and other documents relating thereto, the undersigned Bidder hereby proposes and agrees/guarantees that:

1. They have visited and examined the project site(s) and have carefully examined the Contract Documents and Specifications and any and all Addenda, as indicated below.
2. If this Invitation for Bid is accepted, to furnish all tools, equipment, labor, materials, supplies, and services to construct the project in strict conformance with the Contract Documents and Specifications, within the time set forth therein, for the price indicated in this Exhibit A Pricing Form). These prices are to cover all expenses incurred in performing the work required under the Agreement of Services, of which this Pricing Form is a part.
3. If awarded the Contract for the above work, they will have a maximum of ten (10) calendar days; excluding holidays from the date of the Notice of Intent to Award letter to submit supportive documentation as outlined in the notification letter. Failure to complete the outlined requirements within such timeframe shall be subject to forfeiture of the subject contract.
4. Time is of the essence. The Contractor will commence construction of the work promptly upon receipt of the Notice to Proceed, after the Pre-Construction Meeting, and will complete the project without delay in accordance with the Contract Documents and Specifications.
5. If the Bid is accepted, the Contractor will substantially complete (make available for use) the said work within **ninety (90) calendar days** after receiving the Notice to Proceed, and that should they fail to complete the work in the time specified or such additional time as may be allowed by the Engineer under the Contract, the amount of liquidated damages to be recovered shall be per the City-Contractor Agreement.
6. The Bid is firm for 90 days from the bid opening date.
7. Bidder understands and will comply with all terms and conditions of these Bid Documents, the City-Contractor Agreement, and the Contract Documents and Specifications and any subsequent award or contract.
8. Bid bond required if total bid price exceeds \$50,000.00: The bid bond (5% of bid amount) submitted with this Bid is from a surety that is authorized to do business in the State of Missouri and is authorized to issue bonds in the State of Missouri.

Mexico Road Detention Basin Retrofit – IFB #16-541
Exhibit A - Pricing Form (Continued)

Bidder Name: _____

Item No.	Description	Unit	Estimated Quantity	Unit Price	Total Price
1	UNCLASSIFIED EXCAVATION	CY	205		\$
2	COMPACTING EMBANKMENT	CY	224		\$
3	CLASS C EXCAVATION (ROCK)	CY	22		\$
4	CONCRETE (4000 PSI) (FOREBAY)	CY	21		\$
5	WELDED WIRE FABRIC (FOREBAY)	LB	252		\$
6	SAWCUT (ANY DEPTH/MATERIAL)	EACH	31		\$
7	90-DEGREE ELBOW, SCHEDULE 40 PVC, 6-INCH, NON-PERF.	EACH	3		\$
8	3-WAY TEE CONNECTION, SCHEDULE 40 PVC, 6-INCH, NON-PERF.	EACH	3		\$
9	4-WAY TEE CONNECTION, SCHEDULE 40 PVC, 6-INCH, NON-PERF.	LF	2		\$
10	6-INCH SCHEDULE 40 PVC PIPE, PERFORATED, 1-INCH DIA. HOLES	LF	6		\$
11	6-INCH SCHEDULE 40 PVC PIPE, PERFORATED, 3/8-INCH DIA. HOLES	LF	215		\$
12	6-INCH SCHEDULE 40 PVC PIPE, SOLID	EACH	210		\$
13	CLEANOUT SCREW TOP, SCHEDULE 40 PVC	LF	6		\$
14	6 FOOT VINYL FENCE WITH 5 FOOT GATE	CY	158		\$
15	SAND	CY	12		\$
16	WASHED STONE, 1" TO 3" NOMINAL SIZE	CY	68		\$
17	WASHED STONE, 3" TO 5" NOMINAL SIZE	CY	7		\$
19	GRAVEL, 3/8-INCH DIA. NOMINAL SIZE	CY	12		\$
Total Base Bid Price					\$

Alternate #1					
Item No.	Description	Unit	Estimated Quantity	Unit Price	Total Price
23	EUPATORIUM DUBIUM 'LITTLE JOE' (JOE PYE WEED)	EACH	95		\$
24	SCUTELLARIA INCANA (DOWNY SKULLCAP)	EACH	215		\$
25	ECHINACEA PURPUREA (PURPLE CONEFLOWER)	EACH	358		\$
26	LIATRIS SPICATA 'KOBOLD' (BLAZING STAR)	EACH	413		\$
27	RUDBECKIA FULGIDA (BLACK-EYED SUSAN)	EACH	858		\$
28	JUNCUS EFFUSES (COMMON RUSH)	EACH	291		\$
29	TAXODIUM DISTICHUM (BALD CYPRESS)	EACH	2		\$
Bid Alternate #1 Total Price					\$

Alternate #2					
Item No.	Description	Unit	Estimated Quantity	Unit Price	Total Price
30	ECHINACEA PURPUREA (PURPLE CONEFLOWER)	EACH	58		\$
31	LIATRIS SPICATA 'KOBOLD' (BLAZING STAR)	EACH	322		\$
32	RUDBECKIA FULGIDA (BLACK-EYED SUSAN)	EACH	471		\$
33	TAXODIUM DISTICHUM (BALD CYPRESS)	EACH	2		\$
34	ZIZIA AUREA (GOLDEN ALEXANDERS)	EACH	45		\$
35	ROCK OUTCROP	LS	1		\$
30	ECHINACEA PURPUREA (PURPLE CONEFLOWER)	EACH	58		\$
Bid Alternate #1 Total Price					\$

Note: In case of mathematical error in price extension(s), unit pricing shall govern.

Total Bid Price with Alternates: **\$** _____

Indicate below all Addenda received on which your bid is based:

Addendum No. _____ Dated: _____
 Addendum No. _____ Dated: _____
 Addendum No. _____ Dated: _____

The Contractor understands and agrees that by signing the Invitation for Bid the Bidder is certifying that Contractor employs only personnel authorized to work in the United States in accordance with applicable federal and state laws. This certification applies to State of Missouri Immigration Alien Laws and statutes required local government(s) to have proof of a person's lawful presence within the United States before distributing "Public Benefits" (contracts, purchase orders, etc.) to that Bidder.

Legal Company Name: _____

Indicate whether () Individual; () Partnership; () Corporation, () LLC Incorporated in the State of _____.

Authorized Signature: _____

Name (Printed): _____

Title: _____

Business Address: _____

City: _____

State: _____ Zip: _____

Telephone No: _____ Fax No: _____

State Charter #: _____

Email address: _____

ATTEST: _____

Title _____ Dated _____

Attach Corporate Seal, if Applicable

Enclosures: Exhibit A –Pricing Form
 Exhibit B – Reference Form
 Exhibit C – Subcontractor Form
 Exhibit D - Non-Collusive Affidavit
 Bid Security of 5% of Bid Amount if Bid Amount exceeds \$50,000

Bidder Name: _____

**EXHIBIT B
REFERENCES FORM**

Bidder shall provide with their bid submission, at least three references of current clients (within the past three years). Failure to provide references may be cause for rejection of bid. Contractor qualifications details are provided in the Job Specific Provisions.

Company: _____

Address: _____

Contact Person: _____

Telephone: _____

Email: _____

Type of service provided: _____

Dates/year(s) service was provided: _____

Company: _____

Address: _____

Contact Person: _____

Telephone: _____

Email: _____

Type of service provided: _____

Dates/year(s) service was provided: _____

Company: _____

Address: _____

Contact Person: _____

Telephone: _____

Email: _____

Type of service provided: _____

Dates/year(s) service was provided: _____

Bidder Name: _____

**EXHIBIT C
SUBCONTRACTOR FORM**

This form must accompany and be part of your sealed bid. **If you do not plan to use subcontractors, indicate below and return this form with your bid.**

The above referenced Bidder intends to subcontract for materials, services, supplies, specialty contractors, etc. as follows:

Subcontractor Name	Address (Street, City, State)	Nature of Participation	Dollar Value of Subcontract



**EXHIBIT D
AFFIDAVIT OF NON-COLLUSION (PRIME BIDDER)**

State of _____)
S.S.

County of _____)

_____, being first duly sworn, deposes and says that:

1. They are the (owner, partner, officer, representative, or agent) of _____, the Bidder that has submitted the attached Bid;
2. They are fully informed respecting the preparation and contents of the attached Bid and of all pertinent circumstances respecting such Bid;
3. Such bid is genuine and is not a collusive or sham bid; and that all statements made and fact set out in the Invitation for Bid are true and correct;
4. Neither the said Bidder nor any of its officers, partners, owners, agents, representatives, employees, or parties in interest including this affidavit, has in any way colluded, considered, connived, or agreed, directly or indirectly with any other bidder, firm, or person, to submit a sham bid in connection with the Contract for which the attached bid has been submitted or to refrain from bidding in connection with such Contract; or has in any manner, directly or indirectly, sought by agreement or collusion or communication or conference with any other bidder, firm, or person to fix the price or prices in the attached Bid or of any other bidder, or to fix the overhead, profit, or cost element of the Bid price of the other bidder, or to secure through any collusion, conspiracy, connivance, or unlawful agreement any advantage against the City of Wentzville or any person interested in the Proposed Contact.
5. The price or prices quoted in the attached Bid are fair and proper, and are not tainted by any collusion, conspiracy, connivance, or unlawful agreement on the part of the bidder or any of its agents, representatives, owners, employees, or parties in interest, including this affidavit; and
6. They further certify that bidder is not financially interested in or financially affiliated with any other Bidder on this project.

Signed: _____

Title:

Subscribed and sworn to before me this _____ day of _____, 2016.

Notary Public

My Commission expires: _____

Presented as Sample Enclosure
CITY - CONTRACTOR AGREEMENT
Mexico Road Detention Basin Retrofit

Contract # _____

This CITY-CONTRACTOR AGREEMENT (this "Agreement"), is made and entered into as of this ____ day of _____, 2016, by and between _____, a _____ having a principal office at _____ (the "Contractor"), and the City of Wentzville, a Missouri municipal corporation located in St. Charles County (the "City"). *All capitalized terms used and not defined herein shall have the meanings ascribed to them in the Contract Documents (as hereinafter defined).*

RECITALS

- A. In response to Invitation for Bid #16-541 for the Mexico Road Detention Basin Retrofit, the Contractor has submitted a certain bid in accordance with the Bid Documents to perform the Services.
- B. After due consideration, the City has accepted the bid of the Contractor and the parties hereto desire to enter into this Agreement whereby the Contractor shall undertake the performance of the Services in accordance with the Contract Documents and the City shall pay the Contractor as hereinafter specified.

AGREEMENT

NOW, THEREFORE, in consideration of the foregoing recitals and of the mutual promises hereinafter set forth the City and the Contractor hereby agree as follows:

1. **Contract Documents:** This Agreement shall consist of: (i) Invitation for Bid #16-541 including, without limitation:
 1. Invitation for Bids
 2. Any addendums issued to the bid
 3. Bid and Pricing Form-Exhibit A (submitted by Contractor)
 4. References – Exhibit B
 5. Subcontractor Form – Exhibit C
 6. Affidavit of Non-Collusion-Exhibit D
 7. E-Verify Memorandum of Understanding with Electronic Signatures
 8. Affidavit of Participation in Federal Work Authorization Program Form
 9. Certificate of Insurance
 10. Performance and Payment Bonds
 11. City-Contractor Agreement (executed by City and Contractor)
 12. Terms and Conditions
 13. General Conditions
 14. Notice of Award (issued by City)
 15. Notice to Proceed (issued by City)

and shall also include any exhibits to the above documents, any addenda issued prior to receipt of bids, any duly-issued modifications, and all other documents contained or specified within the specifications, details or job special provisions, as such may be on file in the Office of the Procurement Department and Office of the City Clerk of Wentzville, Missouri (all of the foregoing collectively referred to as the "Contract Documents" are hereby incorporated in this Agreement by reference).

2. **Coordination of Contract Documents:** The Contract Documents are intended to be complimentary and to describe and provide for a complete Work. In case of conflict or inconsistency among the Contract Documents, the governing ranking will be:
- (a) Job Specific Provisions (JSPs)
 - (b) Plans for Construction
 - (c) City of Wentzville Standard Specifications and Construction Details
 - (d) Exhibit A Pricing Form, Bid Items and/or Quantities

In case of conflict or inconsistency, calculated dimensions will govern over scaled dimensions. In the instance when any provision(s) of the Contract Documents not explicitly listed above conflict, the provision(s) most advantageous to the City shall govern.

All contractors, including subcontractors, shall not take advantage of any apparent error or omission in the Contract Documents. If an error or omission is discovered, the Engineer shall be notified promptly and prior to commencement of work related to said error or omission so corrections and interpretations necessary to fulfill the intent of the Contract can be made. A failure to give notice prior to commencement of work related to said error or omission shall render the effects of any error or omission noncompensable and any delay nonexcusable.

3. **Payment:** Contractor shall be paid for the quantities placed per the amount quoted on the Pricing Form Exhibit A, and per the Methods of Measurement and Payment outlined in the Job Specific Provisions. The Contractor shall submit all invoices complete with necessary support documentation to the City and the City shall make payment within 30 days of receipt of an invoice after satisfactory performance of the delivery and receipt of the services as shown on the Pricing Form Exhibit A. Payment Terms: net 30 days. Remit Address is Accounts Payable, 5 W. Pearce Blvd., Wentzville, MO 63385.
4. **Prompt Payment:** All public works contracts shall provide for prompt payment by the City to the Contractor (as well as prompt payment by the Contractor to the subcontractor and material supplier) unless contrary to any federal funding requirements, per RSMo 34.057.
5. **The Work/Contract Sum.** The Contractor shall furnish all labor, materials, tools, equipment and services, and perform and complete the Work required for the Project in accordance with this Agreement which shall include provision of every item specified in the Contract Documents necessary to complete the Project as designed. The Contract Sum is \$ insert dollar amount (and spell out dollar amount), which shall include all compensation to Contractor due for the Work, which shall include all such work within the Base Bid and additionally all such Work within selected Alternate Bids. Any additional Work not within the Base Bid and Alternate

Bids that is hereinafter approved by the City in writing shall be incorporated into the contract pursuant to a Change Order.

6. **Time of Completion:** Contractor shall commence work under this Agreement as specified in the Notice to Proceed and shall fully complete all items of the Work within the time set forth in the Contract Documents. The parties understand that time is of the essence and that the rate of progress and prompt completion are essential conditions, and that in the event the Work is not fully completed within the period provided herein, the Contractor shall pay to the City the sums provided in the Contract Documents.
7. **Guaranty:** The Contractor hereby expressly guarantees the aforesaid Work as to workmanship and quality of materials used in connection herewith for a term of one (1) year, commencing on the date of Final Acceptance by the City, and binds itself, its successors or assigns, to make all repairs or replacements which may become necessary within said period due to construction defects and nonconformity with the Contract Documents. Whenever notified by the City that said repairs or replacements are required, the Contractor shall at once make the same as directed at its own expense. If the Contractor does not proceed with such repairs or replacements within five (5) days after receipt of written notice, the City may use (and the Contractor agrees and consents to such use) the Maintenance Bond, according to the terms thereof, to make any necessary repairs or replacements to any portion of the Work. Upon expiration of the one (1) year guaranty period, the City shall release the Maintenance Bond, less any amounts reasonably necessary to remedy any of the Contractor's performance and/or maintenance obligations under this Agreement that may still be outstanding at the time of expiration of the guaranty period.
8. **Performance Bond:** If the Contractor's Bid is in excess of \$50,000, the Contractor shall furnish within ten (10) calendar days of notification of contract award a satisfactory Performance Bond in the full amount of the Bid based on the bid quantities listed on the Pricing Form. The Performance Bond furnished shall guarantee the faithful performance of this Contract.
9. **Payment Bond:** If the Contractor's Bid is in excess of \$50,000, the Contractor shall furnish within ten (10) calendar days of notification of contract award a satisfactory Payment Bond in the full amount of the Contract Sum. The Payment Bond furnished shall meet all requirements of Section 107.170 of the Revised Statutes of Missouri, as amended, and shall guarantee the payment of any and all materials, incorporated, consumed or used in connection with the construction of such work, and all insurance premiums, both for compensation, and for all other kinds of insurance, said work, and for all labor performed in such work whether by subcontractor or otherwise, including payment of prevailing wage requirements of the State of Missouri.
10. **Maintenance Bond:** Upon Final Acceptance the Contractor shall furnish a satisfactory Maintenance Bond in the amount of 10% of the final Contract Sum after any and all Change Orders and/or formal amendments. The Maintenance Bond shall be in full force for a one (1) year guarantee period from the date of Final Acceptance. The submitted Maintenance Bond shall be substantially in the "Form of Maintenance Bond" included within the Bid Documents.

11. **Independent Contractor.** The Contractor shall be and operate as an independent Contractor in the performance of this Agreement. The Contractor shall have complete charge of the personnel engaged in the performance of the Services, and all persons employed by the Contractor shall be employees of said Contractor and not employees of the City in any respect.
12. **Contractor's Liability Insurance.** The Contractor shall obtain and maintain during the term of the Project and the City Contractor Agreement the insurance coverage's at least equal to the coverage's set forth in this paragraph, and as further provided in the Terms and Conditions, and General Conditions, but no event less than the individual and combined sovereign immunity limits established by Section 537.610 RSMo Insurance policies providing required coverage's shall be with companies licensed to do business in the State of Missouri and rated no less than AA by Best or equivalent. All costs of obtaining and maintaining insurance coverage's are included in the Bid Amount and no additional payment will be made therefor by the City:

Comprehensive General Liability Insurance (including coverage for Bodily Injury and Property Damage)	\$1,000,000 per occurrence \$2,735,000 aggregate
Comprehensive Automobile Liability Insurance (including coverage for Bodily Injury and Property Damage)	\$1,000,000 per occurrence
Employer's Liability	\$1,000,000 bodily injury by accident (each accident) \$1,000,000 bodily injury by disease (each employee) \$1,000,000 bodily injury policy limit

In addition, the Contractor and all subcontractors shall provide Worker's Compensation Insurance in at least statutory amounts for all workers employed at the Project site.

The Contractor shall also provide a policy of Builder's Risk Insurance in the amount of 100% of the complete insurable value of the Project, which policy shall protect the Contractor and the City, as their respective interests shall appear.

Builder's Risk required for this Project: Yes _____ No X _____

Before commencing any work, the Contractor shall provide to the City certificates of insurance evidencing the issuance and maintenance in force of the coverage's required by this paragraph 12. Each such certificate shall show the City, and such other governmental agencies as may be required by the City to be insured by underlying grant or contract relating to the Project, as an additional insured, on a primary and non-contributory basis, and shall bear an endorsement precluding cancellation of or change in coverage without at least thirty (30) days written notice to the City.

The City may waive any insurance coverage's or amounts required by this paragraph

12 when the City deems such waiver to be in the interest of the public health, safety, and general welfare.

13. **Indemnification:** To the fullest extent permitted by law, the Contractor agrees to defend with counsel approved by the City, and indemnify and hold harmless the City, its officers, engineers, representatives, agents and employees from and against any and all liabilities, damages, losses, claims or suit, including costs and attorneys' fees, for or on account of any kind of injury to person, bodily or otherwise, or death, or damage to or destruction of property, or money damages, or trespass, or any other circumstances, sustained by the City or others, arising from the Contractor's breach of the Contract or out of services or products provided by the Contractor or its subcontractors under the terms of this agreement. The Contractor shall not be liable for any loss or damage attributable solely to the negligence of the City. To the extent required to enforce this provision, the Contractor agrees that this indemnification requires the Contractor to obtain insurance in amounts specified in the Contract Documents and that the Contractor has had the opportunity to recover the costs of such insurance in the compensation set forth in this Agreement.

In any and all claims against the City or any of its agents or employees by any employee of the Contractor, any Subcontractor, anyone directly or indirectly employed by any one of them or anyone for whose acts any of them may be liable, this indemnification obligation shall not be limited in any way by any limitation on the amount or type of damages, compensation or benefits payable by or for the Contractor or any Subcontractor under workmen's compensation acts, disability benefit acts or other employee benefit acts.

14. **Attorney Fees' and Costs:** The Contractor shall reimburse to the City any costs and attorneys' fees that the City may reasonably incur in pursuit of any remedies at law or equity or enforcement of any rights established in this Agreement, which may result from the Contractor's breach of the Agreement, the Contractor's failure to perform any obligation or requirement contained herein, or the City's enforcement of this Agreement.

15. **Liquidated Damages:**

The Contractor agrees and acknowledges that time is of the essence and that absence of reasonable progress and delay in the project becoming Available for Use, in Project Closeout, and in Final Acceptance will inconvenience the public, impact planting and restoration schedules, and increase administrative costs of the City, the costs of which the Contractor and the City are incapable of ascertaining at this time. Should the Contractor, or in the case of Contractor's default, the surety, fail to complete the Work and/or receive Final Acceptance within the times stipulated in this Agreement, or within such extensions of time as may be allowed by the City in the manner set forth in the Contract Documents, the Contractor (or surety, as applicable) shall pay to the City as liquidated damages, and not as a penalty, the sum of **One Thousand Dollars (\$1,000.00)** for each Reasonable Progress Milestone not achieved (Per General Condition Section 1.21), plus the sum of **Five Hundred Dollars (\$500.00)** for each calendar day of delay past the allotted calendar days to achieve Available for Use (Substantial Completion) as notified by the City, plus **Two Hundred Dollars (\$200.00)** for each calendar day of delay past the allotted calendar days to achieve Final Acceptance as notified by the City. In the sole discretion of the City, the amount of the liquidated damages may be deducted from

any money due the Contractor under this Agreement. Permitting the Contractor to finish the Work or any part thereof after the expiration of the time for completion or any approved extension, shall in no way operate as a waiver of the City of any of rights under this Agreement.

16. **Termination:** The City shall have the right to terminate this Agreement at any time for any reason by giving the Contractor written notice to such effect. The City shall pay to the Contractor in full satisfaction and discharge of all amounts owing to the Contractor under this Agreement an amount equal to the cost of all Services performed by the Contractor up to such termination date, less all amounts previously paid to the Contractor on account of this Agreement Price. The Contractor shall submit to the City its statement for the aforesaid amount, in such reasonable detail as the City shall request, within thirty (30) days after such date of termination. The City shall not be liable to the Contractor for any damages on account of such termination for loss of anticipated future profits with respect to the remainder of the Services.
17. **Compliance with Federal, State and Local Law:** The Contractor shall comply with all applicable federal, state and local law requirements for performance under this Agreement. The Contractor shall abide by all health and environmental requirements imposed by law in performance of its duties.
18. **Prevailing Wage:** The Contractor shall be required to comply with all applicable provisions concerning the payment of prevailing wages on public works projects, as provided in the General Conditions. A copy of the applicable Annual Wage Order and Incremental Increases for each occupational title required under this project is included in the Bid Documents and the Contract Documents.
19. **OSHA Required Training:** Pursuant to Section 292.675 RSMo, Contractor shall require all on-site employees to complete the ten-hour training program as required under Section 292.675 RSMo. This program shall be provided by Contractor and shall be a ten-hour Occupational Safety and Health Administration (OSHA) construction safety program for Contractor's on-site employees which includes a course in construction safety and health approved by OSHA or a similar program approved by the Missouri Department of Labor and Industrial Relations ("MoDOLIR") which is at least as stringent as an approved OSHA program. All employees are required to complete the program within sixty days of beginning work under this Agreement. Contractor shall further require all subcontractors under Contractor to provide the ten-hour training program required under Section 292.675 RSMo. to such subcontractors' on-site employees. On-site employees who have previously completed such ten-hour training program must hold documentation of prior completion of the program.

Notice is hereby given to Contractor that it shall be subject to the penalties set forth in Section 292.675 RSMo and such penalties shall be forfeited to the City pursuant to such Section. Penalties for non-compliance include contractor forfeiture to the City in the amount of \$2,500, plus \$100 per contractor and subcontractor employee for each calendar day such employee is employed beyond the elapsed time period for required program completion under 292.675 RSMO. MoDOLIR shall investigate any claim of violation of Section 292.675 RSMo. Upon City's receipt of notification from MoDOLIR of violations of 292.675 by Contractor and a determination by MoDOLIR that penalties shall be assessed for such violations, the City shall withhold and retain

from the contract all sums and amounts due and owing to the City as a result of any violation of Section 292.675 RSMo. All words in this paragraph shall have the definitions as provided in Section 292.675 RSMo.

20. **Taxes:** The City is exempt from federal excise tax and Missouri sales tax and the Contractor shall not charge the same to the City and shall comply in all respects with the Special Sales Tax Provisions of the General Conditions.
21. **Other Representations, Warranties and Other Covenants by the Contractor:** The Contractor represents and warrants that the Contractor has been engaged in such work as is required for the Services and has provided services such as the ones to be performed under this Agreement to other municipalities and/or private enterprises and that the Contractor has sufficient expertise, knowledge, information and data, and engages sufficient personnel to perform the Contractor's obligations under this Agreement. The Contractor further represents and warrants that the Contractor is an equal opportunity employer. The Contractor agrees that the Contractor shall not use in any form or medium the name of the City for any advertising unless the Contractor receives the prior written consent of the City.
22. **Amendment; Waiver:** The City may add, delete, or amend services. No amendment, modification or waiver of any provision of this Agreement shall be effective unless in writing signed by an authorized representative of the party against whom such provision as amended or modified or such waiver is sought to be enforced. Failure to insist upon strict compliance with any of the terms or conditions of the Agreement shall not be deemed a waiver of such term or condition.
23. **Accounting.** During the period of this Agreement, the Contractor shall maintain books of accounts of its expenses and charges in connection with this Agreement in accordance with generally accepted accounting principles and practices. The City shall at reasonable times have access to these books and accounts to the extent required to verify all invoices submitted hereunder by the Contractor.
24. **Compliance with State Immigration Statutes.** As a condition for the award of this Agreement, the Contractor shall, by sworn affidavit and provision of documentation, affirm its enrollment and participation in a federal work authorization program with respect to the employees working in connection with the Services. The Contractor shall also sign an Affidavit of Participation in Federal Work Authorization Program affirming that it does not knowingly employ any person who is an unauthorized alien in connection with the Services.
25. **Governing/Choice of Law; Jurisdiction.** This Agreement shall be governed by and construed and interpreted in accordance with the internal laws of the State of Missouri, without regard to its principles of conflict of laws, and shall be deemed to be executed and performed in the County of St. Charles, Missouri. Any legal action arising out of, or relating to this agreement, shall be governed by the laws of the State of Missouri, and the parties agree to the exclusive jurisdiction and venue over them by a court of competent jurisdiction located in the County of St. Charles, Missouri, or the U.S. District Court for the Eastern District of Missouri.
26. **Headings:** The paragraph and section headings contained herein are for convenience only and are not intended to limit, vary, define or expand the content thereof.

- 27. **Representations.** Contractor agrees that it has not relied on any representations or warranties of the City, oral or written, other than expressly identified in this Agreement. The parties agree this Agreement represents the entire agreement between the parties.
- 28. **Severability:** The invalidity or unenforceability of any portion or provision of this Agreement shall not affect the validity or enforceability of any other portion or provision of this Agreement, which shall remain in full force and effect to the maximum extent permitted by law.
- 29. **Counterparts:** This Agreement may be executed in one or more counterparts each of which shall be deemed an original and all of which shall constitute one and the same agreement.

IN WITNESS WHEREOF, the parties hereto have caused this agreement to be executed as of the day and year first above written.

CONTRACTOR

CITY OF WENTZVILLE, MISSOURI

Signature

Nickolas Guccione, Mayor

Title

ATTEST:

Address

City, State, Zip

City Clerk

Date

Date

Mexico Road Detention Basin Retrofit

TERMS AND CONDITIONS

Independent Contractor. The Contractor shall be and operate as an independent Contractor in the performance of this Agreement. The Contractor shall have complete charge of the personnel engaged in the performance of the Services, and all persons employed by the Contractor shall be employees of said Contractor and not employees of the City in any respect.

Compliance with Laws. The Contractor shall comply with all applicable City ordinances and other laws and regulations, Federal, State, and any political subdivision thereof, including but not limited to, unemployment and workers' compensation, occupational safety, equal employment and affirmative action and wage and price laws insofar as applicable to the performance of this Agreement. In the event of a conflict between laws, codes and regulations of various governmental entities having jurisdiction over the Services, the Contractor shall notify the City of the nature and impact of such conflict.

Subcontracts. The Contractor shall not subcontract any of the Services to be performed by it hereunder without the express written consent of the City, except as provided herein. In the event Contractor utilizes a subcontractor, the Contractor shall ensure that any agreement between Contractor and such subcontractor complies with all requirement imposed for such agreement by federal, state, and local law. In addition, this Agreement shall not be assigned by the Contractor.

If the Contractor submits invoices to the City which include payments to be made on account of work performed by a subcontractor, such payments shall be conditioned upon submission by the Contractor of waiver of liens, or such other documents satisfactory to the City to protect the City's title to land, buildings, or improvements or to otherwise protect the City's interest. By submitting an invoice to the City, the Contractor warrants and guarantees that title to all land, buildings or improvements which may be subject to a lien under 429.015 RSMo, upon the receipt of such payment by the Contractor, will not be subject to a lien under 429.015 RSMo.

Indemnification. To the fullest extent permitted by law, the Contractor agrees to defend with counsel approved by the City, and indemnify and hold harmless the City, its officers, engineers, representatives, agents and employees from and against any and all liabilities, damages, losses, claims or suits, including costs and attorneys' fees, for or on account of any kind of injury to person, bodily or otherwise, or death, or damage to or destruction of property, or any other circumstances, sustained by the City or others, arising from breach of this Agreement or out of services negligently performed hereunder by the Contractor, or claims relating thereto, and including but not limited to the City's reliance on or use of the services or products provided by the Contractor under the terms of this agreement. The Contractor shall not be liable for any loss or damage attributable solely to the negligence of the City. To the extent required by law to enforce this provision, the Contractor agrees that this indemnification requires the Contractor to obtain insurance in amounts specified herein and that the Contractor has had the opportunity to recover the costs of such insurance in the compensation set forth in this Agreement.

No Aldermen, officer, administrator, director, board member, or employee of the City shall have any personal liability, directly or indirectly, under or in connection with this Agreement or any agreement made or entered into under or pursuant to the provisions of this Agreement. The Contractor shall look solely to the City for the satisfaction of any claims the Contractor may have arising under this Agreement.

Insurance. The Contractor shall furnish the City the certificates of insurance for workers' compensation, public liability, and property damage, including automobile coverage in the amounts specified by the City in the Invitation for Bids, if any, otherwise in the amounts required by the City, if any, but in no event less than the maximum amounts of liability set forth in Chapter 537.610 RSMo, as amended, applicable to political subdivisions. The policies of insurance shall be in such form and shall be issued by such company or companies as may be satisfactory to the City. In addition to the foregoing, the Contractor shall maintain Professional Liability "errors and

omissions" insurance in the form for the coverages satisfactory to City as indicated in the Invitation for Bids, if any, but in no event less than the maximum amounts of liability set forth in Chapter 537.610 RSMo applicable to political subdivisions unless otherwise approved by the City. The City, and such additional persons and entities as may be deemed to have an exposure to liability as a result of the performance of the Contractor's services, as determined by the City, shall be named as additional insured on a primary and non-contributory basis, with duty of defense on all insurance policies required hereunder.

Nondisclosure/Confidentiality. The Contractor agrees that it will preserve the confidentiality of all City data and account information and will not divulge to third parties without the written consent of the City any information obtained from or through the City in connection with the performance of this Agreement.

Changes. No change in this Agreement shall be made except in writing prior to the change in Services or terms being performed. The Contractor shall make any and all changes in the Services without invalidating this Agreement when specifically ordered to do so in writing by the City. The Contractor, prior to the commencement of such changed or revised Services, shall submit promptly to the City, a written cost or credit proposal for such revised Services. If the City and the Contractor shall not be able to agree as to the amount, either in consideration of time or money to be allowed or deducted, it shall nevertheless be the duty of the Contractor, upon written notice from the City, to immediately proceed with such alteration or change, and the Contractor shall be compensated the reasonable value of such Services. **No work or change shall be undertaken or compensated for without prior written authorization from the City and shall be subject to any required approval from state or federal departments or agencies.**

Multi-year contracts; Non-appropriation. Notwithstanding any provision herein to the contrary, the City is obligated only to make the payments set forth in the attached contract as may lawfully be made from funds budgeted and appropriated for that purpose during the City's then current fiscal year at the discretion of the City. If no funds are appropriated or otherwise made legally available to make the required payments for this Agreement during the next occurring fiscal year (an "**Event of Nonappropriation**"), this Agreement will terminate at the end of the then current fiscal year as if terminated expressly. The failure or inability of the City to appropriate funds for this Agreement in any subsequent fiscal year shall not be deemed a breach of this Agreement by any party. If applicable, this Agreement may be annually renewed at each fiscal year by inclusion of specific appropriation for this Agreement, from year to year not to exceed the maximum renewal period or term as set forth in the Agreement.

Accounting. During the period of this Agreement, the Contractor shall maintain books of accounts of its expenses and charges in connection with this Agreement in accordance with generally accepted accounting principles and practices. The City shall at reasonable times have access to these books and accounts to the extent required to verify all invoices submitted hereunder by the Contractor.

Other Contractors. The City reserves the right to employ other Contractors in connection with the Services.

Invitation for Bids. If the City issued an Invitation for Bids in connection with the Services, such Invitation for Bids and the bid of the Contractor in response thereto are incorporated herein by reference and made a part of this Agreement. In case of any conflicts between the Invitation for Bids and the executed City-Contractor Agreement or bid of the Contractor, the requirements of the City's Invitation for Bids and this executed City-Contractor Agreement shall control and supersede unless a change thereto is specifically stated in this Agreement.

Work Records and Work Product. The Contractor shall provide the City with copies of all documents pertinent to the Services which shall include, without limitation, reports, correspondence, meeting minutes, and originals of all deliverables. The City shall own all right, title and interest, including without limitations, all copyrights and intellectual property rights, to all documents and Work Product of the Contractor created in performance of or

relating to this Agreement. The Contractor agrees to take all steps reasonably requested by the City to evidence, maintain, and defend the City's ownership rights in the Work Product. Upon termination of this Agreement, the Contractor shall promptly deliver to City any documents, and work product, whether printed or electronic.

Personnel. The Services shall be performed exclusively by the personnel of the Contractor identified in the Contractor's bid and no other personnel of the Contractor shall perform any of the Services without the express written approval of the City.

Compliance with State Immigration Statutes. As a condition for the award of this Agreement, the Contractor shall, by sworn affidavit and provision of documentation, affirm its enrollment and participation in a federal work authorization program with respect to the employees working in connection with the Services. The Contractor shall also sign an (Affidavit of Participation in Federal Work Authorization Program) affirming that it does not knowingly employ any person who is an unauthorized alien in connection with the Services. The Contractor shall not be required to provide these affidavits to the City if such affidavits have been previously provided to the City within the past year. All words in this paragraph shall have the definitions as provided in Section 285.525 RSMo.

Representations. The Contractor agrees that it has not relied on any representations or warranties of the City, oral or written, other than expressly identified in this Agreement. The parties agree this Agreement represents the entire agreement between the parties.

Governing/Choice of Law; Jurisdiction. This Agreement shall be governed by and construed and interpreted in accordance with the internal laws of the State of Missouri, without regard to its principles of conflict of laws, and shall be deemed to be executed and performed in the County of St. Charles, Missouri. Any legal action arising out of, or relating to this Agreement, shall be governed by the laws of the State of Missouri, and the parties agree to the exclusive jurisdiction and venue over them by a court of competent jurisdiction located in the County of St. Charles, Missouri or the U.S. District Court for the Eastern District of Missouri.

Counterparts. This Agreement may be executed in one or more counterparts each of which shall be deemed an original and all of which shall constitute one and the same agreement.

Presented as information; not required with bid

**PROOF OF E-VERIFICATION WITH U.S. DEPARTMENT OF HOMELAND
SECURITY**

Electronic Signature Page



GENERAL CONDITIONS

SECTION 1 DEFINITIONS

- 1.01 Available for Use (Substantial Completion):** The stage in the progress of the Work when the Work is sufficiently complete so that the City can occupy or use the Work for its intended use. The date on which a Project is deemed Available for Use is in the sole discretion of the City.
- 1.02 Change Order:** A written order to the Contractor signed by the City, issued after the execution of the Contract, authorizing a change in the Work or an adjustment in the Contract Sum or the Construction Schedule.
- 1.03 City:** City of Wentzville. The City is referred to throughout the Contract Documents as if singular in number and masculine in gender. The term City means the City or its authorized representative. The City may be alternatively referred to as the "Owner."
- 1.04 Contract:** The Contract Documents form the Contract. The Contract represents the entire and integrated agreement between the parties hereto and supersedes all prior negotiations, representations or agreements, both written and oral, including the bidding documents. The Contract may be amended or modified only by a modification as defined in Section 1.02.
- 1.05 Contract Documents:** Contract Documents shall include all those documents identified as the Contract Documents in the City-Contractor Agreement. The Contract Documents shall include any and all modifications as defined as (1) a written amendment to the Contract signed by both parties, or (2) an executed Change Order.
- 1.06 Contract Sum:** The total amount payable by the City to the Contractor for the performance of the Work as stated in the City-Contractor Agreement.
- 1.07 Contract Time/Contract Days:** Period of time allotted in the Contract Documents for substantial completion of the Work.
- 1.08 Contractor:** The successful bidder awarded the work of constructing the project identified as such in the City-Contractor Agreement. The Contractor is referred to throughout the Contract Documents as if singular in number and masculine in gender. The term Contractor means the Contractor or his authorized representative(s).
- 1.09 Date of Commencement of the Work:** Date established in the written Notice to Proceed on which the Contractor is to begin the Work.
- 1.10 Day:** Calendar day.
- 1.11 Director:** City of Wentzville Director of Public Works, or his/her authorized representative(s)
- 1.12 Engineer:** Director of Public Works of the City of Wentzville, or his/her authorized representative(s)

- 1.13 Final Acceptance:** Written notice from the City to the Contractor stating that the Project including all Work, any deficiencies as outlined in inspections, and all Project Closeout items and activities have been completed and the City accepts the Project. Said work shall include all punch list items deemed necessary by the City, exclusive of punch list items generated by any public authority having jurisdiction other than the City. The date of completion of the Contract shall be the date when all work including City punch list items have been approved in writing by the City.
- 1.14 Final Inspection:** Inspection performed and provided by the City to the Contractor upon the Contractor's request and based upon his determination that the Project is ready for final acceptance.
- 1.15 Final Payment:** Last payment made to the Contractor, typically retainage due, upon Final Acceptance of the Project.
- 1.16 Municipality:** City of Wentzville
- 1.17 Notice to Proceed:** Written notice from the City notifying the Contractor of the date on or before which he is to begin the work.
- 1.18 Owner:** City of Wentzville
- 1.19 Project:** The total construction of which the Work performed under the Contract Documents may be the whole or a part.
- 1.20 Project Closeout:** The time period of the Work after Available for Use (Substantial Completion) when the Work and all administrative requirements have been or are being completed in their entirety. The Project Closeout period is typically 90 days.
- 1.21 Reasonable Progress:** A fair, proper, and due degree of care and activity, measured with reference to the Contract Time. Reasonable Progress may be achieved by meeting the following milestones of minimum percentages of completion as measured by quantities completed per Exhibit A of the Contract Documents:

Percent of Contract Time Used	Contract Days Used	Minimum Percent of Completion
33%	30	15%
50%	45	33%
66%	60	50%
100%	90	100%

Table 1 - Reasonable Diligence Milestones

- 1.22 Removal:** Removal of material and disposal of said material off-site.
- 1.23 Request for Information (RFI):** Written memo from the Contractor to the Engineer collect written information about a question in regards to the Technical Specifications or Plans for Construction. The RFI shall also be used as a means for the Contractor to seek Engineer approval for minor alterations to Plans for Construction or the Technical Specifications that do not result in a change in the Contract Sum or Project Schedule.
- 1.24 Semi-Final Inspection:** Inspection performed and provided by the City to the Contractor upon Contractor's request and based upon his determination that the Project is Available for Use.

- 1.25 Specifications:** City of Wentzville Construction Specifications and Standard Details, latest edition, unless otherwise specified.
- 1.26 Subcontractor:** A Subcontractor is a person or organization who has a direct contract with the Contractor to perform any of the Work. The term Subcontractor is referred to throughout the Contract Documents as if singular in number and masculine in gender and means a Subcontractor or his authorized representative.
- 1.27 Sub-subcontractor:** A Sub-subcontractor is a person or organization who has a direct or indirect contract with a Subcontractor to perform any of the Work. The term Sub-subcontractor is referred to throughout the Contract Documents as if singular in number and masculine in gender and means a Sub-subcontractor or an authorized representative thereof.
- 1.28 Work:** All labor necessary to complete the construction required by the Contract Documents, and all materials and equipment incorporated or to be incorporated in such construction.

SECTION 2 CONTRACT DOCUMENTS

2.01 Execution, Correlations, and Intent

2.01.1 The Contract Documents shall be signed by the City and Contractor.

2.01.2 The Contractor represents that he has visited the site, familiarized himself with the local conditions under which the Work is to be performed, and correlated his observations with the requirements of the Contract Documents.

2.01.3 The intention of the Contract Documents is to include all labor, materials, equipment and other items necessary for execution and completion of the Work. Words which have well-known technical or trade meanings are used herein in accordance with such recognized meanings.

2.02 Copies Furnished and Ownership

2.02.1 Unless otherwise provided in the Contract Documents, the Contractor will be furnished a maximum of five (5) copies, free of charge, of the Drawings and Specifications, if any, for the execution of the work.

2.02.2 Any Drawings, Specifications and copies thereof furnished by the City are and shall at all times remain property of the City. Such documents shall not be used on any other project. At the conclusion of the job, the Contractor shall submit one (1) set of drawings and specifications marked up throughout the course of work with any and all field changes.

SECTION 3 CITY

3.01 City's Right to Access and Observation

The City shall have access at all times to the Project for the purpose of observation and inspection. The Contractor shall provide proper and adequate facilities, specialized, tool and equipment for such access and observation.

3.02 City's Right to Stop Work

If the Contractor fails to correct defective Work or fails to supply materials or equipment in accordance with the Contract Documents, the City may order the Contractor to stop the Work, or any portion thereof, until the cause for such order has been eliminated.

3.03 City's Right to Carry Out the Work

If the Contractor defaults or neglects to carry out the Work in accordance with the Contract Documents, or fails to perform any provision of the Contract, the City may, after written notice to the Contractor and without prejudice to any other remedy the City may have, make good such deficiencies. In such case an appropriate Change Order shall be issued deducting from the payments then or hereafter due the Contractor the cost of correcting such deficiencies. If the payments then or thereafter due the Contractor are not sufficient to cover such amount, the Contractor shall pay the difference to the City promptly upon request.

3.04 City's Right to Award Separate Contracts

The City's reserves the right to award other contracts on other terms and conditions with other portions of the Project.

3.05 City's Right to Clean Up

If a dispute arises between separate contractors as to their responsibility for cleaning up as required by Section 4.08, the City may clean up and charge the cost thereof to the several contractors.

3.06 Status of the Director

The Work shall be subject at all times to the supervision and direction of the Director. To prevent disputes and litigation, it is mutually agreed that the Director shall, in all cases, determine the amount or quantity of the various kinds of work, and the quality of materials and workmanship to be paid for under this Contract, and the Director shall decide all questions which may arise relative to the performance of the work covered by the Contract. Any doubt as to the meaning of the Contract and any obscurity or discrepancy as to their working and intent will be explained by the Director, and this explanation shall be final and binding by both parties of this Contract. The Director may amend or correct any errors or omissions in the Specifications when such amendments or corrections are necessary to make definite the intent indicated by a reasonable interpretation of the Contract.

3.07 Authority of the Engineer

The Engineer will decide all questions that may arise as to the quality, quantity, and acceptability of material furnished and the work performed, and as to the rate of progress of the work; all questions that may arise as to the interpretation of the plans and specification; all questions of classification; quantities for which payment will be made, performance or breach of the contract; and all claims or controversies of any character whatsoever in connection with or growing out of the construction, whether claimed under the contract, under force account, under quantum merit or otherwise. The engineer's estimates and decisions shall be final, binding and conclusive upon all parties to the Contract. The Engineer may suspend any work that is being improperly performed.

3.08 Authority and Duties of Inspector

As the immediate representative of the City, the Inspector has direct charge of the delivery of work and is delegated commensurate authority for the administration of the project. The Inspector may reject defective material and reject any work that is being improperly performed. The Inspector may also make recommendations to the Engineer to suspend work that is being improperly performed. The Inspector will have no authority to modify the Contract except in accordance with the Contract Documents or when expressly authorized by the Engineer.

SECTION 4 CONTRACTOR

4.01 Supervision and Construction Procedures

4.01.1 The Contractor shall supervise and direct the Work, using his best skill and attention. He shall be solely responsible for all construction means, methods, techniques, sequences and procedures and for coordinating all portions of the Work.

4.01.2 All Work shall be in accordance with the Contract Document and Specifications.

4.01.3 The contractor shall have at the work site at all times, as the contractor's agent, a competent individual capable of reading and thoroughly understanding the plans and specifications and thoroughly experienced in the type of work being performed, whom shall receive instructions from the engineer. That individual shall have full authority to execute orders or directions of the engineer without delay and to promptly supply material, equipment, tools, labor and incidentals as may be required.

4.02 Labor and Materials

4.02.1 Unless otherwise specifically noted, the Contractor shall provide and pay for all labor, materials, equipment, supplies, tools, construction equipment and machinery, water, heat, utilities, transportation, and other facilities and services necessary for the proper execution and completion of the Work.

4.02.2 The Contractor shall at all times enforce strict discipline and good order among his employees and shall not employ on the Work any unfit person or anyone not skilled in the task assigned to him. If the City reasonably objects to any person employed by the Contractor, the employee shall be immediately dismissed.

4.02.3 The labor provided by the Contractor shall be directed to be a workman-like character with respect to the methods of construction and quality of completed work; and, shall not encumber the premises or adjacent property or streets with materials and/or equipment.

4.02.4 The Contractor shall comply with, and is bound by, the provisions of Missouri law pertaining to the payment of wages on public works projects contained in Sections 290.210 through 290.340 RSMo., and any amendments thereto, including, but not limited to the following:

4.02.4.1 In accordance with Section 290.250 RSMo., as amended, the Contractor shall not pay less than the prevailing hourly rate of wages specified by the Missouri Department of Labor and Industrial Relations Division of Labor Standards to all workmen performing Work under the Contract.

4.02.4.2 In accordance with 290.250 RSMo., as amended, the Contractor shall forfeit as a penalty to the City one hundred dollars (\$100.00) for each workman employed for each calendar day, or portion thereof, such workman is paid less than the said stipulated rates for any Work done under the Contract, by him or by any Subcontractor under him and shall include provisions in all bonds guaranteeing the faithful performance of said prevailing hourly wage clause.

4.02.4.3 In accordance with 290.265 RSMo., as amended, the Contractor and each Subcontractor shall post a clearly legible statement of all prevailing hourly wage rates to be paid to all workmen employed to complete the Work in a prominent and easily accessible place at the site of the Work and such notice shall remain posted during the full time that any workmen shall be employed at the Work.

4.02.4.4 Certified payrolls shall also be submitted prior to final payment for all work completed by the Contractor or Subcontractors.

4.02.4.5 In accordance with Section 290.290 RSMo., as amended, before final payment is made an affidavit must be filed by the Contractor stating that he has fully complied with the prevailing wage law. No payment shall be made unless and until this affidavit is filled in proper form and order.

4.02.5 The Contractor shall execute and complete the Work in such a manner that avoids jurisdictional and other disputes among labor unions.

4.02.6 Except as otherwise required by law, during a period of excessive unemployment in the State of Missouri, the Contractor shall employ only Missouri laborers and laborers from nonrestrictive states on the Project, as provided in Sections 290.550 to 290.580 RSMo.

4.02.7 If the Contract Documents have indicated that the Project is financed in whole or in part from Federal funds, then this Contract shall be subject to all applicable federal statutes, rules and regulations, including provisions of the Davis-Bacon Act, 40 U.S.C. §3141 et seq., and the "Federal Labor Standards Provisions," incorporated into this Contract. Where the Missouri Prevailing Wage Law and the Davis-Bacon Act require payment of different wages for work performed under this Contract, the Contractor and all Subcontractors shall pay the greater of the wages required under either law.

4.02.8 The Contractor shall employ only personnel authorized to work in the United States in accordance with applicable federal and state laws. This certification applies to State of Missouri Immigration Alien Laws and statutes required local government(s) to have proof of a person's lawful presence within the United States before distributing "Public Benefits" (contracts, purchase orders, etc.) to that Bidder.

4.03 Warranty

The Contractor warrants to the City that all materials and equipment furnished under the Contract and incorporated in the Work will be new unless otherwise specified, and that all Work will be of good quality, free from faults and defects and in conformance with the Contract Documents. All Work not so conforming to these standards shall be considered defective. The Contractor shall furnish satisfactory evidence as to the kind and quality of all materials and equipment and shall guaranty the Work as provided in the City Contractor Agreement after substantial completion of the work.

4.04 Permits, Fees, Easements, Construction Limits and Notices

4.04.1 The City shall secure and pay for 401/404 U.S. Army Corps of Engineers Permitting and DNR NPDES Land Disturbance Permits. The Contractor shall secure and pay for all charges and fees for any other permits, governmental fees, and licenses necessary for the proper execution and completion of the Work, including those required to be obtained from the City, except fees imposed solely by the City shall be waived at the time of application.

4.04.2 For the purposes of operating and maintaining the Project, the City shall acquire the necessary lands, easements and rights-of-way privileges required for the same. The Contractor shall furnish and construct any necessary access roads or facilities.

4.04.3 The Contractor shall give all notices and comply with all laws, ordinances, rules, regulations and orders of any public authority bearing on the performance of the Work. If the Contractor observes that any of the Contract Documents are at variance therewith in any respect, he shall promptly notify the City in writing and any necessary changes shall be adjusted by appropriate Modification. If the Contractor performs any Work knowing it to be contrary to such

laws, ordinances, rules and regulations and without such notice to the City, the Contractor shall assume full responsibility therefor and shall bear all costs attributable thereto.

4.04.4 The construction limits consist of public areas, rights-of-ways, and acquired easement areas, as shown in the Contract Documents. The Contractor shall limit his operations accordingly. No activity outside the public areas or easement areas shall be performed without the express written permission of the property owner.

4.04.5 The Contractor shall notify in writing all owners whose property is affected by the Work at least five days prior to commencement of any operation that will affect the owner's property. The City, before commencement of work on the Project, shall review and approve the form of all such notices. Contact information may be provided by the City.

4.05 Superintendent

4.05.1 The Contractor shall employ a competent superintendent and necessary assistants who shall be in attendance on the Project site at all times during the progress of all work for the duration of the total project.

4.05.2 This person shall be a non-working superintendent who will be responsible for the satisfactory progression of the work and to ensure that all work is being completed in accordance with the plans and specifications. He is also to relay any conflicts or discrepancies that arise in the plans to the City's representative for resolution or interpretation.

4.05.3 The name of the person selected as superintendent and his qualifications shall be submitted at the pre-construction meeting and shall be approved in writing by the City. The superintendent shall not be changed except with the written consent or at the request of the City. The superintendent shall represent the Contractor and all communications given to the superintendent shall be as binding as if given to the Contractor.

4.05.4 The superintendent shall be the contact person whom the City will contact in the event of after-hours and weekend emergencies and the Contractor shall provide the City with the superintendent's contact information for such purpose.

4.06 Responsibility for Those Performing the Work and for the Work

4.06.1 The Contractor shall be responsible to the City for the acts and omissions of all his employees, all Subcontractors, and suppliers their agents and employees and all other persons performing any of the Work under a contract with the Contractor.

4.06.2 The Contractor shall at all times employ sufficient labor and equipment for prosecuting the work to full completion in the manner and time required by these specifications. All workmen shall have sufficient skill and experience to perform properly the work assigned to them.

4.06.3 Prior to the completion of the work by the Contractor and the acceptance thereof by the Owner, the work shall remain at the risk of the Contractor; and said Contractor shall be required to repair, replace, renew, and make good, at his own expense, all damages caused by force, vandalism, or violence of the elements or any other cause whatsoever provided; however, that in such cases the Contractor shall be entitled to a reasonable extension of time which to complete said work. In case of suspension of work from any cause whatever, the Contractor shall be responsible for the project and shall take such precautions as may be necessary to prevent damage to the project, public sidewalks or right of way, for normal drainage, and shall erect any necessary warning signs or barricades at his expense. The Contractor shall properly and continuously maintain the roadway for local traffic.

4.07 Drawings and Specifications at the Site

4.07.1 The Contractor shall maintain at the site for the City one copy of any Drawings, Specifications, Addenda, approved Shop Drawings, Requests for Information, Change Orders and other Modifications, in good order and marked to record all changes made during construction.

4.07.2 The Drawings, marked to record all changes made during construction, shall be delivered to the City upon completion of the work. The Contractor shall also maintain on the project site a survey level, legs, and rod at all times, which are deemed adequate by the City.

4.08 Cleaning Up

4.08.1 The Contractor shall at all times keep the premises free from accumulation of waste materials, rubbish, and debris caused by his operations. The Contractor shall not "stockpile" any material on the jobsite and all excavated material shall be hauled off the site at the time of excavation.

4.08.2 Stockpiling of materials delivered and used on the same day will be allowed if all materials are in place or removed at the end of the day, unless otherwise approved by the City in advance. Prior to final payment, Contractor shall restore and replace the surfaces of the project area to match the conditions existing prior to the work.

4.08.3 The Contractor shall be responsible for keeping clean, i.e. free from mud, dirt, rock, and debris at all times all City streets used by the Contractor in connection with the Work and the Project. Should any accumulation be deemed excessive, the City may direct the Contractor to thoroughly wash or remove the debris from the street at no cost to the City.

4.08.4 The Contractor shall make satisfactory arrangements to store material and equipment after delivery and during construction off of the City right-of-way. The City will assume no responsibility for these arrangements.

4.08.5 Unless otherwise stipulated, the Contractor shall remove from the Owner's property and from all public and private property, at his own expense, all temporary structures, rubbish, and waste material resulting from his operations; and he shall restore and replace the surfaces of such properties of the conditions existing prior to his operations.

4.09 Utilities

4.09.1 Interference with Existing Water and Sewer Services and Mains

4.09.1.1 The Contractor shall minimize the outage of water and sewer service to residents. The cutting off of water and sewer service shall be only with the consent of the City. The Contractor shall notify the City and have their approval prior to commencing work on each water or sewer main or connection item.

4.09.1.2 The Contractor shall conduct his work in such a manner as not to endanger existing water or sewer mains, services or appurtenances. Mains and services shall be adequately supported where they cross or are adjacent to the excavation. The Contractor shall bear the cost of all repairs to water or sewer mains or appurtenances damaged because of his own carelessness or neglect.

4.09.1.3 When it becomes necessary to shut down any existing water or sewer main, a representative of the City shall be present during this operation. The total time for the main to be shut down should be held to a minimum and in no case shall any

customer be without water or sewer service for more than eight (8) hours. The Contractor shall notify each water or sewer customer whose water or sewer service will be interrupted at least one hour prior to shut down. The Contractor shall assume full responsibility for shutting down the main and notifying the customers.

4.09.2 Coordination with Utilities

The Contractor shall contact and coordinate with all affected utilities prior to commencing any operations. Prior to commencement of any work involving excavation, demolition of facilities or the erection of posts, it will be the sole responsibility of the Contractor to notify all utilities of the planned work and request that the utilities suitably mark underground installations in the vicinity of the planned work, and arrange for disconnection of any necessary utilities.

4.10 Cash Allowances

The Contractor acknowledges and agrees that the Contract Sum includes all cash allowances as may be specified in the Contract Documents.

4.11 Equal Employment Opportunity

The Contractor shall not discriminate against any employee or applicant for employment because of race, color, religion, sex, national origin, or disability. Such action shall include, but not be limited to, the following: employment, upgrading, demotion, or transfer; recruitment; advertising; layoff or termination; rates of pay or other forms of compensation; and selection of training, including apprenticeship. The Contractor shall state that all qualified applicants will receive consideration for employment without regard to race, color, religion, sex, national origin, or disability. The Contractor shall incorporate the foregoing requirements of this paragraph in all of its subcontracts for work performed under the terms and conditions of this Contract. A breach of this provision may be grounds for Contract termination.

4.12 Accident Prevention: OSHA

4.12.1 In the performance of this Contract, the Contractor shall comply with all applicable Federal, State, county and local laws governing safety health and sanitation. The Contractor and any subcontractor shall not require any worker or mechanic employed in performance of this Contract to work in surroundings or other working conditions which are unsanitary, hazardous, or dangerous to his health or safety, as determined under Construction Safety and Health Hazards, Title 29, Code of Federal Regulations, Part 1926.

4.12.2 The Contractor shall require all on-site employees to complete a ten-hour Occupational Safety and Health Administration (OSHA) construction safety program provided by the contractor which includes a course in construction safety and health approved by OSHA or a similar program approved by MoDOLIR which is at least as stringent as an approved OSHA program, as required under Section 292.675 RSMo. All employees are required to complete the program within sixty days of beginning work under this contract. The successful bidder shall also require all subcontractors under the contractor to provide the ten-hour training program required under Section 292.675 RSMo. to such subcontractors' on-site employees.

SECTION 5 SUBCONTRACTORS

5.01 Award of Subcontracts and other Contracts for Portions of the Work

5.01.1 Unless otherwise specified in the Contract Document, the Contractor shall submit a completed Subcontractor Form, naming each Subcontractor and Supplier the Contractor proposes to employ in performing the Work under this Contract and describing the portions of the Work each proposed Subcontractor shall perform or supply, along with other required Contract documents to the City. Contractor shall complete and submit a Subcontractor Form to the City in the event of any substitution or addition of a Subcontractor by the Contractor.

5.01.2 Prior to the award of the Contract, the City will notify the Bidder in writing if the City, after due investigation, objects to any such person or entity proposed by the Bidder pursuant to Section 5.01.1 above. If the City objects to any such proposed person or entity, the Bidder may, at his option, (1) withdraw his Bid, or (2) submit an acceptable substitute person or entity with no adjustment in his bid price.

5.01.3 The City reserves the right to reject a Subcontractor, if in the City's sole discretion, delays may result in the performance of Work as a result of a Subcontractor's other obligations. The Contractor shall be held responsible, in addition to the submission of the Subcontractor Utilization Form, to apprise the City of any additional work which a Subcontractor accrues throughout the duration of the project. This shall include work for the City under a different Contract, or any other person or entity. If such said additional work shall detrimentally impact the progression of the Work under this Contract, the City retains the right to require the Contractor to submit a substitute Subcontractor for this work at no additional cost to the City.

5.01.4 The Contractor shall not contract with any Subcontractor or any person or organization (including those who are to furnish materials or equipment fabricated to a special design), for proposed proportions of the Work designated in the Contract Documents or, if none is so designated, with any Subcontractor proposed for the principal portions of the Work, who has been rejected by the City.

5.01.5 If the City requires a change of any proposed Subcontractor or person or organization during the execution of the Work approved under the Contract, the Contract Sum shall be increased or decreased by the difference in cost resulting from such change and an appropriate Change Order shall be issued.

5.01.6 The Contractor shall not make any substitution for any proposed Subcontractor or person or organization that has not been accepted by the City prior to the Contract Award, unless the substitution is accepted by the City in writing prior to such substitution.

5.02 Subcontractual Relations

5.02.1 All work performed for the Contractor by a Subcontractor shall be pursuant to an appropriate agreement between the Contractor and Subcontractor (and where appropriate between Subcontractors and Sub-subcontractors) which shall contain provisions that:

5.02.1.1 Require the Work to be performed in accordance with the requirements of the Contract Documents;

5.02.1.2 Require submission to the Contractor of applications for payment under each subcontract to which the Contractor is a party, in reasonable time to enable the Contractor to apply for payment in accordance with Section 9 hereof;

5.02.1.3 Require that all claims for additional costs, extensions of time, damages for delays or otherwise with respect to subcontracted portions of the Work shall be

submitted to the Contractor (via any Subcontractor or Sub-subcontractor where appropriate) in sufficient time so that the Contractor may comply in the manner provided in the Contract Documents for like claims by the Contractor upon the City;

5.02.1.4 Waive all rights the contracting parties may have against one another for damages caused by fire or other perils covered by the property insurance described in Section 11, except such rights as they may have to the proceeds of such insurance held by the City as trustee under said Section 11;

5.02.1.5 Obligate each Subcontractor specifically to consent to the provisions of this Section 4.03;

5.02.1.6 Require the Subcontractor (and the Sub-subcontractor) to indemnify and hold harmless the City against all claims, damages, losses, expenses and attorneys' fees arising out of or resulting from the performance of the Work by Subcontractor, and its agents and employees, unless such claims, damages or losses are caused solely by the negligent act of the City.

5.03 Payment to Subcontractors

5.03.1 The Contractor shall pay each Subcontractor upon receipt of payment from the City, an amount equal to the percentage of completion allowed to the Contractor on account of such Subcontractor's Work, less the percentage retained from payments to the Contractor. The Contractor shall also require each Subcontractor to make similar payments to his Subcontractors.

5.03.2 If the City withholds payment to the Contractor for any cause which is the fault of the Contractor and not the fault of a particular Subcontractor, the Contractor shall pay that Subcontractor on demand for its Work to the extent completed.

5.03.3 The City shall not have any obligation to pay or to see to the payment of any sum to any Subcontractor or Sub-subcontractor.

SECTION 6 SEPARATE CONTRACTS

6.01 Mutual Responsibility of Contractors

6.01.1 The Contractor shall afford other contractors reasonable opportunity for the delivery and storage of their materials and equipment and the execution of their work, and shall properly connect and coordinate the Work with theirs. The Contractor shall employ, insofar as possible, such methods and means in carrying out the Work as will not cause any interruption or any interference with any other contractor.

6.01.2 If any part of the Work depends for proper execution or results upon the work of any other separate contractor, the Contractor shall inspect and promptly report to the City any apparent discrepancies or defects in such work that render it unsuitable for proper execution of the Work. Failure of the Contractor to so inspect and report shall constitute an acceptance of the other contractor's work as fit and proper to receive the Work, except as to defects which may develop in the other contractor's work after the execution of the Contractor's Work that could not have been discovered by the Contractor upon reasonable inspection.

6.01.3 If the Contractor causes damage to the work or property of any other contractor on the Project, and such separate contractor sues the City or initiates an arbitration proceeding on account of any damage alleged to have been so sustained, the City shall notify the Contractor who shall defend such proceedings at his own expense, and if any judgment or award against the City arises therefrom the Contractor shall pay or satisfy it and shall reimburse the City for all attorneys' fees and court arbitration costs which the City has incurred.

SECTION 7 MISCELLANEOUS PROVISIONS

7.01.1 Governing Law. The Contract shall be governed by and construed and interpreted in accordance with the internal laws of the State of Missouri, without regard to its principles of conflict of laws, and shall be deemed to be executed and performed in the County of St. Charles, Missouri. Any legal action arising out of, or relating to this agreement, shall be governed by the laws of the State of Missouri, and the parties agree to the exclusive jurisdiction and venue over them by a court of competent jurisdiction located in the County of St. Charles, Missouri, or the U.S. District Court for the Eastern District of Missouri. The Contractor shall at all times observe and comply with all Federal and State laws, all local laws, ordinances, and regulations existing at the time of or enacted subsequent to the execution of the Contract which, if in any manner, affect the Work.

7.01.2 The Contractor and his surety shall indemnify and save harmless the City and all of its representatives, engineers, consultants, and employees against any claim or liability arising from or based on the violation of any such law, ordinance, regulation, order, or decree, whether by himself, his employees, or his subcontractors.

7.01.3 Changes may be made to this contract as a result of any ordinance, law and/or directive issued by the City and/or the State of Missouri and/or the Federal Government. Should such a change occur the Contract shall be amended reflecting such change and signed by both parties acknowledging the change(s).

7.02 Successors and Assigns

The City and the Contractor each binds himself, his partners, successors, assigns and legal representatives to the other party hereto and to the partners, successors, assigns and legal representatives of such other party in respect to all covenants, agreements and obligations contained in the Contract Documents. Neither party to the Contract shall assign the Contract without the prior written consent of the other, nor shall the Contractor assign any sums due or to become due to him hereunder, without the prior written consent of the City.

7.03 Notices

Any notice to any party pursuant to or in relation to the Contract shall be in writing and shall be deemed to have been duly given when delivered in person to the individual or member of the firm or to an officer of the corporation for whom it was intended, or when deposited in the United States mail, registered or certified with postage prepaid addressed to the last business address known to the party giving the notice.

7.04 Rights and Remedies

The duties and obligations imposed by the Contract Documents and the rights and remedies available thereunder shall be in addition to and not a limitation of any duties, obligations, rights and remedies otherwise imposed or available by law.

7.05 Royalties and Patents

The Contractor shall pay all royalties and license fees payable on all designs, processes or products used in connection with the work or incorporated therein, unless otherwise agreed upon by the City. The Contractor shall defend all suits or claims for infringement of any patent rights and shall indemnify and hold the City harmless from and against any loss on account thereof.

SECTION 8 TIME

8.01 Progress and Completion

8.01.1 All time limits stated in the Contract Documents are of the essence of the Contract.

8.01.2 The Contractor shall begin the Work on the date of commencement provided in the Notice to Proceed.

8.01.3 The Contractor shall carry the Work forward expeditiously with adequate forces and shall make the Project Available for Use (Substantially Complete) within the allotted number of Days as provided for in the Contract Documents and in accordance with the construction schedule. Failure to achieve Reasonable Progress Milestones can result in liquidated damages.

8.01.4 The Contractor shall complete Final Acceptance within 90 days of the Project being deemed Available for Use (Substantially Complete). Delay of Final Closeout can result in liquidated damages.

8.02 Hours of Work

The Contractor shall not perform any work nor move any equipment except between 7:00 A.M. and 6:00 P.M. Monday through Friday without the written consent of the City. No work shall be done on Saturday, Sunday, or City holidays, unless approved by the City in advance.

Unauthorized Work done outside of the working hours stated above is subject to rejection and removal and replacement at the Contractor's expense.

8.03 Overtime

If overtime work is authorized, as per Section 8.02, and the Contractor fails to appear as scheduled, the City shall deduct the cost for the City's assigned personnel from the Contract Sum for the time period schedule.

8.04 City Holidays

No Work by the Contractor or Subcontractors shall be performed on City Holidays. Only Work considered "emergency work" shall be allowed, and shall be approved in advance by the Director. The following is a list of City Holidays:

New Year's Day, Martin Luther King Day, Presidents Day, Good Friday, Memorial Day, Independence Day, Labor Day, Columbus Day, Veterans Day, Thanksgiving Day, Friday after Thanksgiving, Christmas Eve, Christmas Day

8.05 Delays, Extensions of Time

8.05.1 Should the Contractor be delayed at any time during the execution of the Work by changes in the scope of work, or by strikes, lockouts, fire, unusual transportation delays, unavoidable casualties, or other delay beyond the control of and not reasonably foreseeable by the Contractor and such delay is approved by the City, the time for completion shall be extended for a period commensurate with the period of the delay by Change Order.

8.05.2 In such event, the Contractor shall submit a written request for a time extension within seven (7) calendar days of the occurrence of the event causing the delay.

8.05.3 Inclement weather shall not be considered a valid reason for extension of time, unless abnormal for the season and place of work. The Contractor shall make proper allowance for inclement weather in the bid submitted.

8.05.4 In case of continuing delay, a single request for time extension by the Contractor shall be sufficient.

8.06 Liquidated Damages

Time is of the essence with this Project and delay in the project becoming Available for Use and/or in Final Acceptance will inconvenience the public and increase administrative costs of the City, the costs of which are inherently difficult to quantify and which the City is incapable of ascertaining at this time. Should the Contractor, or in the case of Contractor's default, the surety, fail to complete the Work and/or receive Final Acceptance within the times stipulated in this Contract, or within such extensions of time as may be allowed by the City in the manner set forth in the Contract, the Contractor (or surety, as applicable) shall pay to the City liquidated damages, as chargeable per the Contract, not as a penalty, but rather as a reasonable measure of the damages, based on the City's experience and given the nature of the losses that may result from delay.

8.07 Suspension of Work:

The Engineer may suspend the work or any portion thereof by written notice to the contractor, which notice shall fix the date on which work shall be resumed. The Contractor will resume that work on the date so fixed. The Contractor will be allowed an extension of the contract time, directly attributable to any suspension.

SECTION 9 MEASUREMENT OF QUANTITIES, PAYMENTS, AND COMPLETION

9.01 Measurement of Quantities

9.01.1 Unless otherwise directed within the Job Specific Provisions, Technical Specifications and/or Methods of Measurement and Payment, the quantities for which payment will be made shall be those shown in the Contract for the various items, provided the project is constructed as shown on the plans. Contract quantities shall be used for final payment except when:

9.01.1.1 Errors are formed in the original computations in excess of 5% of the contract quantities.

9.01.1.2 An authorized change in grade, slope or typical section is made.

9.01.1.3 Unauthorized deviations decrease the quantities on the plans.

9.01.2 When the above conditions are encountered, the correction or revisions will be computed and added to or deducted from the contract quantity.

9.01.3 When the plans have been altered or when disagreement exists between the Contractor and the City as to the accuracy of the plan quantities of any balance, or the entire project, either party shall have the right to request a recomputation of contract quantities within any area, by hand calculation of the average-end-area method for cubic yard quantities, and standard measurement methods for other quantities, by written notice to the other party. The written notice shall contain evidence that an error exists in the original elevation or in the original computations which will affect the final payment quantity in excess of 15%. When such final measurement is required, it will be made from the latest available ground surface and the design section.

9.01.4 By Weight. These specifications require that the Contractor must furnish the representative of the City, on the job site, with original weight certificates on a daily basis signed by a bonded weigh master for all materials supplied by the Contractor that are incorporated into this work, which payment therefore is based on weight.

9.02 Application for Payment

9.02.1 The Contractor shall submit requests for payment not more than once monthly upon substantial completion of various stages of the Work, and upon final completion of the Work.

9.02.2 The request for payment shall be submitted to the City as an itemized Application for Payment pursuant to the City-Contractor Agreement on such forms and supported by such data substantiating the Contractor's right to payment as the City may require.

9.02.3 If payments are to be made on account of materials or equipment to be incorporated into the Work and delivered and suitably stored at the site, such payments shall be conditioned upon submission by the Contractor of bills of sale, waiver of liens, or such other documents satisfactory to the City to establish the City's title to such materials or equipment or to otherwise protect the City's interest.

9.02.4 By submitting an Application for Payment, the Contractor warrants and guarantees that title to all Work, materials and equipment covered by such Application for Payment, whether incorporated into the Work or not, will pass to the City upon the receipt of such payment by the Contractor, free and clear of all liens, claims, security interests or encumbrances (hereinafter referred to as "liens").

9.03 Payment

9.03.1 If the Contractor has made Application for Payment as above, the City will make payment to the Contractor for such amount as it determines to be properly due pursuant to the Contractor's Application for Payment, or state in writing the City's reasons for withholding all or any portion of such payment within 30 days of the latter of:

9.03.1.1 Delivery of materials or construction services;

9.03.1.2 Date of Request for Payment or date Request for Payment is received;
or

9.03.1.3 In those instances in which the Contractor approves the Owner's estimate for payment, the date upon which such notice of approval is duly delivered.

9.03.2 Five percent (5%) of the amount of each monthly request for payment shall be withheld until after completion by the Contractor and acceptance by the City of all Work. Exception: the Contractor is not required to provide a bond if the project is less than \$50,000 and City determines that a higher rate of retainage is required to ensure performance of the Contract, the retainage may be increased to ten percent (10%).

9.03.3 No progress payment, nor any partial or entire use or occupancy of the Work by the City, shall be evidence of the satisfactory performance of the Work, either wholly or in part, or constitute an acceptance of any Work that is defective or improper or not otherwise completed in accordance with the Contract Documents.

9.04 Prompt Payment

9.04.1 All public works contracts shall provide for prompt payment by the City to the Contractor (as well as prompt payment by the Contractor to the subcontractor and material supplier) unless contrary to any federal funding requirements, per RSMo 34.057.

9.04.2 Retainage withheld on any construction contract for public works projects shall not exceed five percent (5%) of the value of the contract. If the Contractor is not required to obtain a bond under RSMo 107.170 because the cost of the public works contract is not estimated to exceed fifty thousand dollars, the City may withhold retainage on the public works project in an amount not to exceed ten percent (10%) of the value of the contract.

9.04.3 The City shall make progress payments to the Contractor on at least a monthly basis as the work progresses, or, on a lump sum basis according to the terms of the lump sum contract.

9.04.5 If the City determines the work is not substantially completed and accepted, the City must provide written explanation of why the work is not accepted with 14 calendar days of the request for payment of retainage. If a written explanation is not provided, the City is required to release 98% of the retainage withheld within 30 days.

9.04.6 Nothing in this section shall prevent the City from withholding payment or final payment from the Contractor. Reasons for withholding payment or final payment shall include, but not be limited to, the following: liquidated damages; unsatisfactory job progress; defective construction work or material not remedied; disputed work; failure to comply with any material provision of the contract

9.05 Completion and Final Payment

9.05.1 Upon the Contractor's determination that the Project is Available for Use, ready for final inspection and acceptance, and upon receipt of a final Application for Payment, the City will promptly make such inspection. Any defects arising out of said inspection will be provided to the Contractor in writing and shall be promptly remedied at no additional cost to the City. When the City finds the Work acceptable under the Contract Documents and the Director has determined the Project is Available for Use, the City will make payment to the Contractor, less the total retainage, any penalties assessed against Contract and authorized by law to be withheld by the City from its payment to the Contractor, and less any moneys which are due and payable to the City as liquidated damages.

9.05.2 Upon the Director's determination that the Project is Available for Use, the Contractor shall complete Project Closeout within 90 days. Retainage payment shall not become due until the Contractor completes the Project Closeout, including addressing any and all deficiencies as noted in the Final Inspection, and submits the following, at a minimum, to the City:

9.05.2.1 An Affidavit that all payrolls, bills for materials and equipment, and other indebtedness incurred in connection with the execution and completion of the Work for which the City or its property might in any way be responsible, have been paid or otherwise satisfied

9.05.2.2 Consent of the surety, if applicable, to final payment

9.05.2.3 An affidavit stating the Contractor has fully complied with the provisions and requirements of the Prevailing Wage Law, Section 290.210 through 290.340 RSMo., as amended,

9.05.2.4 Other data, as required by the City, establishing payment or satisfaction of all such obligations, such as receipts and releases arising out of the Contract, to the extent and in such form as may be designated by the City

9.05.2.5 Maintenance Bond.

9.05.3 If any Subcontractor refuses to furnish a release or waiver required by the City, the Contractor may furnish a bond or other agreement satisfactory to the Director indemnifying the City against any liability relating to such Subcontractor. If any such claimed liability remains unsatisfied after all payments are made, the Contractor shall refund to the City all moneys that the City incurs or may be compelled to pay in discharging such claimed liability, including all costs and reasonable attorneys' fees.

9.05.4 The acceptance of final payment shall constitute a waiver of all claims by the Contractor, except those previously made in writing and still unsettled.

SECTION 10 PROTECTION OF PERSONS AND PROPERTY

10.01 Safety Precautions and Programs

Public safety is of the utmost importance and is the sole responsibility of the Contractor to provide, erect, and maintain adequate protection throughout the project to protect the public. The Contractor shall initiate, maintain and supervise safety precautions and programs in connection with the performance of the Work.

10.02 Safety of Persons and Property

10.02.1 The Contractor shall take all reasonable precautions for the safety of, and shall provide all reasonable protection to prevent damage, injury or loss to:

10.02.1.1 The general public;

10.02.1.2 All employees on the Work and all other persons who may be affected thereby;

10.02.1.3 All the Work, all materials and equipment to be incorporated therein, whether in storage on or off the site, under the care, custody or control of the Contractor or any of his Subcontractors or Sub-subcontractors; and

10.02.1.4 Other property at the site or adjacent thereto, including trees, shrubs, lawns, walks, pavements, roadways, sprinkler systems, structures and utilities not designated for removal, relocation or replacement in the course of construction.

10.02.1.5 All survey monuments and property markers which shall be carefully preserved in place by the Contractor who shall be responsible for the correct replacement of all such monuments and markers disturbed during the work.

10.02.1.6 Any and all channels, swales, pipes, culverts, and all drainage structures in the project area; the Contractor shall provide for normal drainage and shall continuously maintain channels, swales, pipes, culverts, and all drainage structures in the project area. The Contractor is responsible for any damage caused by his failure to provide and maintain normal drainage.

10.02.2 The Contractor shall comply with all applicable laws, ordinances, rules, regulations and lawful orders of any public authority having jurisdiction over the safety of persons or property to protect them from damage, injury or loss. The Contractor shall erect and maintain all reasonable safeguards for safety and protection, including posting danger signs and other warnings against hazards, promulgating safety regulations and notifying the City and users of adjacent utilities. The Contractor shall provide signs, barrels, or any other safety devices which the City deems necessary for public safety. No additional payment will be made and this work shall be considered incidental to the Contract. The City will place safety devices as it deems necessary if the Contractor fails to provide the required items within 24 hours of notification. The Contract Sum shall be reduced by the cost of these devices.

10.02.3 When the use or storage of explosives or other hazardous materials or equipment is necessary for the execution of the Work, the Contractor shall exercise the utmost care and shall carry on such activities under the supervision of properly qualified personnel.

10.02.4 The Contractor shall be responsible for the preservation of all public and private property. He shall make good any damage, injury, or loss. He shall adequately protect adjacent property as provided by law and the Contract. All damage or loss to any property caused in whole or in part by the Contractor, any Subcontractor, any Sub-subcontractor, or anyone directly

or indirectly employed by anyone for whose acts they may be liable, shall be remedied by the Contractor. The City shall document any complaint by any person regarding damage or loss to property caused by Contractor by requesting such complainant to complete a Damage Claim form. A copy of the Damage Claim form shall be submitted by the City to the Contractor and the Contractor shall correct the problem, repair such damage or otherwise compensate the complainant or file a claim for such damage with Contractor's insurance company within ten (10) days of the receipt of the Damage Claim form from the City. If the City shall have a legitimate basis for believing that such claim is valid, the City shall have the option to withhold payment of funds until (i) such damages are repaired; or (ii) the City has been provided with evidence that that Contractor has made restitution to the complainant.

10.02.5 The Contractor shall designate a responsible member of his organization at the site whose duty shall be the prevention of accidents. This person shall be the Contractor's superintendent unless otherwise designated in writing by the Contractor to the City.

10.02.6 All traffic control devices shall conform to the "Manual on Uniform Traffic Control Devices" for Streets and Highways", Current Edition. At all times until final acceptance of the Work, the Contractor shall provide and maintain at his own expense such signs, lights, watchmen, fences, and barriers as may be necessary to properly protect the work and provide for safe and convenient public travel. The Contractor shall provide the Owner with the name and telephone numbers of an individual who shall be on 24-hour call for erection and maintenance of the protection devices. The cost of any erection or maintenance of the warning or protection devices by City Forces may be filed against the Contractor's monthly or final statement without any notice to the Contractor. The Director shall, in all cases, determine questions which may arise relative to additional traffic control devices. No payment, as such, will be made because of these requirements; but the cost thereof will be considered as fully covered by the prices paid for other items of work. Failure to properly provide traffic control devices in accordance with this section, the City will issue one written warning and a 24-hour grace period for the Contractor to obtain the necessary traffic control devices. The second infraction, the City will place traffic control devices at a cost of thirty-five dollars (\$35) per day per traffic control device. The cost of the traffic control devices will be deducted from the Contractor's monthly invoice.

SECTION 11 INSURANCE

11.01 Contractor's Liability Insurance

11.01.1 The Contractor shall purchase and maintain such insurance required in the Contract Documents to protect him from claims which may arise out of or result from the Contractor's operations under the Contract, whether such operations be by himself or by any Subcontractor or by anyone directly or indirectly employed by any of them, or by anyone for whose acts any of them may be liable.

11.01.2 The insurance shall be written for not less than any limits of liability specified in the Contract Documents, or required by law, whichever is greater, and shall include contractual liability insurance as applicable to the Contractor's obligations for indemnification and reimbursement of attorneys' fees and costs under the Contract Documents.

11.01.3 Certificate(s) of Insurance acceptable to the City shall be filed with the City prior to commencement of the Work. Certificate(s) of Insurance must state: "The City of Wentzville, Missouri is additional insured." These Certificates shall contain a provision that coverages afforded under the policies will not be canceled until at least 30 days prior written notice has been given to the City.

11.01.4 Any certificate or other evidence of insurance, submitted to the City, shall be in a form acceptable to the City. In the case of policies written by companies organized in a state other than Missouri, the certificate of insurance, or other evidence submitted, shall be countersigned by a Missouri resident agent of such company.

<u>Insurance Type</u>	<u>Amount</u>
Workers Compensation	An amount and type in full compliance with statutory requirements of Federal and State of Missouri law and Employees Liability coverage.
Comprehensive General Liability	\$1,000,000 each occurrence \$2,735,000 aggregate
Comprehensive Auto Liability	\$1,000,000 per occurrence

11.02 Property (Builder's Risk) Insurance

11.02.1 Unless otherwise provided, the Contractor shall purchase and maintain property insurance (Builder's Risk Insurance) upon the entire Work at the site to the full insurable value thereof. This insurance shall include the interests of the City, the Contractor, Subcontractors and Sub-subcontractors in the Work and shall insure against the perils of Fire, Extended Coverage, Vandalism and Malicious Mischief.

11.02.2 The Contractor shall purchase and maintain such steam boiler and machinery insurance as may be required by the Contract Documents or by law. This insurance shall include the interests of the City, the Contractor, Subcontractors and Sub-subcontractors in the Work.

11.02.3 Certificate(s) of Insurance acceptable to the City shall be filed with the City prior to commencement of the Work. Certificate(s) of Insurance must state on the Certificate: "The City of Wentzville, Missouri is an additional insured." These Certificates shall contain a provision that coverages afforded under the policies will not be canceled until at least 30 days prior written notice has been given to the City.

11.02.4 Any loss insured by property insurance maintained by the City shall be adjusted with the City and made payable to the City as trustee for the insured, as their interests may appear, subject to the requirements of any applicable mortgagee clause.

11.02.5 The City and Contractor waive all rights against each other for damages caused by fire or other perils to the extent covered by insurance provided under this Paragraph 11.02 and the Contract Documents, City-Contractor Agreement, except such rights as they may have to the proceeds of such insurance held by the City as trustee. The Contractor shall require similar waivers by Subcontractors and Sub-subcontractors in accordance with Section 5.02 hereof.

SECTION 12 BOND REQUIREMENTS

12.01 Bid Bond

If the total project bid exceeds \$50,000 a Bid Bond shall be included in the Bid Proposal and shall be to five percent (5%) of the bid value. The Bid Bond will be required for the total project bid.

12.02 Performance Bond:

If the Contract Sum is in excess of \$50,000 the Contractor shall procure and maintain a performance bond (the "Bond") for the benefit of the City of Wentzville ("City") as required by the laws of the State of Missouri and in an amount not less than 100% percent of the aggregate amount of the Contract. The Bond shall serve as security for the faithful performance of this Contract.

12.03 Payment Bond

If the Contract Sum is in excess of \$50,000, the Contractor shall procure and maintain a payment bond (the "Bond") as required by the laws of the State of Missouri and in an amount not less than 100% percent of the aggregate amount of the Contract. The Bond shall serve to ensure the payment of all persons performing labor and furnishing materials in connection with this Contract. The Payment Bond shall meet all requirements of Section 107.170 RSMo.

12.04 Maintenance Bond:

The Contractor shall procure and maintain a Maintenance Bond in the amount of 10% of the final Contract Sum after any and all Change Orders and/or formal contract amendments. The Maintenance Bond shall be in full force for a one (1) year guarantee period from the date of final acceptance. Final payment will not be made until the City receives the Maintenance Bond. The Bond shall serve to ensure required maintenance of the Project will be provided throughout the maintenance period.

12.05 Bond Premiums

The premiums on all the Bonds shall be paid by the Contractor. The Bond shall remain in full force and effect during the life of the Contract (Performance and Payment) and during the term of any warranty (Maintenance) as required by the specifications and shall be held by the City.

12.06 Additional Requirements and Compliance

12.06.1 The Contractor represents, warrants, and guarantees, and Contractor shall also furnish to City a certificate of authority or some other evidence as deemed appropriate by the City establishing that the Bond is from a surety that is: authorized to do business in the State of Missouri, authorized to become surety on the bonds or obligations of persons or corporations, solvent with paid-up capital of not less than the applicable amount provided by the laws of Missouri, and, if organized outside the State of Missouri, in compliance with all the provisions of Missouri law relating to insurance companies other than life insurance companies. If, at any time, City shall become dissatisfied with any surety or sureties, or if for any other reason the Bond shall cease to be adequate security for City, Contractor shall, within ten days after notice from the City, substitute an acceptable bond (the "Additional Bond") in form and sum and signed by other sureties as may be satisfactory to City. The premiums on the Additional Bond shall be paid by contractor. All requirements herein applicable to the bond shall also be applicable to the Additional Bond. No further partial payments to Contractor shall be deemed due, nor shall be made until the sureties on the Additional Bond shall have qualified.

12.06.2 Contractor shall furnish to City such Bond together with insurance or other documents required by the Contract. The current power of attorney for the persons who sign for any surety

company shall be attached to the Bond. The power of attorney shall be sealed and certified with the manual signature of an officer of the surety. A facsimile signature will not be accepted.

12.06.3 The failure of the Contractor to supply the required Bond along with the evidence of the required insurance coverage and other documents required by the Contractor within ten days after the executed acceptance is received by the Contractor, or within such extended period as may be granted by the City, the City may grant, based upon reasons determined sufficient by the City, shall constitute a default and the City may either award the contract to the next responsive bidder or re-advertise for bids, and may charge against the Contractor the difference between the amount of his/her bid and the amount for which a contract for the work is subsequently executed. If a more-favorable bid is received by re-advertising, the defaulting Contractor shall have no claim against City for a refund. Because of the difficulty of ascertaining the damages caused to City, said sum shall be considered liquidated damages and shall not constitute a penalty.

12.06.4 The Contractor shall supply the following documents to verify the authenticity of the bonds and bonding company:

12.06.4.1 Provide a certificate of authority from the Secretary of State of Missouri concerning the authority of the bonding company.

12.06.4.2 Provide proof that the bonding company has an "A" rating from BEST'S or Standard and Poor's.

12.06.4.3 Provide written verification from the bonding company that the bond exists and that it is an obligation of the contractor.

SECTION 13 CHANGES IN WORK

13.01 Change Orders

13.01.1 The City, without invalidating the Contract, may order Changes in the Work within the general scope of the Contract consisting of additions, deletions or other revisions, with the Contract Sum and the Construction Schedule being adjusted in accordance with the City-Contractor Agreement. All such changes in the Work shall be authorized by Change Order, and shall be executed under the applicable conditions of the Contract Documents.

13.01.2 The Contract Sum and the Contract Time may be changed only by Change Order. The Contractor shall make all requests for a Change Order on forms provided by the City upon written request to the City.

13.01.3 The cost or credit to the City resulting from a Change in the Work shall be determined in accordance with the City-Contractor Agreement.

13.01.4 Changes in the Work outside of the general scope of the Contract shall require an amendment to the Contract.

13.02 Claims for Additional Cost

If the Contractor wishes to make a claim for an increase in the Contract Sum, he shall give the City written notice thereof within twenty (20) days after the occurrence of the event giving rise to such claim. This notice shall be given by the Contractor and approval granted by the City before proceeding to execute the Work. No such claim shall be valid unless so made. Any change in the Contract Sum resulting from such claim shall be authorized by Change Order.

13.03 Minor Changes in the Work

The City shall have authority to order minor changes in the Work not involving an adjustment in the Contract Sum or the Construction Schedule and not inconsistent with the intent of the Contract Documents. Such changes may be effected by Field Order or by other written order. Such changes shall be binding on the City and the Contractor.

13.04 Changes in Excavation Work

During construction, it may become necessary to increase the amount of excavation or to utilize a soil stabilization process if unsuitable subgrade conditions are found. The Contractor shall immediately contact the City if this condition occurs. The City and the Contractor shall agree upon the existence of unsuitable subgrade, the depth in which to remove the unsuitable soil, and the extent of the problem area prior to any additional work. No payment will be made for any area which undergoes additional excavation which is not indicated in the above scope of work and has not been approved by the City prior to the excavation. If provided in the Contract Documents, all additional excavation which becomes necessary shall be paid at the unit bid price for such work. The City reserves the right to contract with a separate contractor for the use of a soil stabilization process. No direct payment will be made for delays incurred due to this process and the Contractor's only compensation will be the allotment of additional days for the delay. The number of days shall be from the time the Contractor initially notifies the City of an unsuitable subgrade condition and until two days after the completion of the soil stabilization process.

13.05 Overhead and Profit from Changes in the Work

The combined overhead and profit included in the total cost to the Owner for a change in the Work shall be based on the following schedule:

13.05.1 For the Contractor, for Work performed by the Contractor's own forces, ten (10) percent of the cost.

13.05.2 For the Contractor, for Work performed by the Contractor's Subcontractors, five (5) percent of the amount due the Subcontractors.

13.05.3 For the Subcontractor involved, for Work performed by that Subcontractors own forces, ten (10) percent of the cost.

13.05.4 For each Subcontractor involved, for Work performed by the Subcontractor's Sub-subcontractors, five (5) percent of the amount due the Sub-subcontractor.

13.05.5 In order to facilitate checking of quotations for extras or credits, all proposals, except those so minor that their propriety can be seen by inspection, shall be accompanied by an complete itemization of costs including labor, materials and Subcontracts. Where major cost items are Subcontracts, they shall be itemized also.

13.06 Altered Quantities

13.06.1 The City reserves the right to make changes in plan details which may vary the accepted quantities from those shown on the Bid Form.

13.06.2 The Contractor shall accept, as payment in full, payment at the original Contract unit prices bid for the accepted quantities of work done. No allowance will be made for any increase expense or loss of expected profit suffered by the Contractor resulting directly from such altered quantities or indirectly from expense derived by handling small quantities of materials or performing operations within restricted areas. No allowance shall be made for any increased expense or loss of expected profit suffered because of the anticipated use of specific equipment which was not used.

SECTION 14 UNCOVERING AND CORRECTION OF WORK

14.01 Uncovering of Work

14.01.1 If any Work should be covered contrary to the request of the City, it must, if required by the City, be uncovered for his observation and replaced, at the Contractor's expense.

14.01.2 If any Work has been covered which the City has not specifically requested to observe prior to being covered, the City may request to see such Work and it shall be uncovered by the Contractor. If such Work is found to be in accordance with the Contract Documents, the Cost of uncovering and replacement shall, by appropriate Change Order, be charged to the City. If such Work be found not in accordance with the Contract Documents, the Contractor shall pay the costs of uncovering and replacement.

14.02 Correction of Work

14.02.1 The Contractor shall promptly correct all Work rejected by the City as defective or as failing to conform to the Contract Documents, whether observed before or after substantial completion of the Work, and whether or not fabricated, installed or completed. The Contractor shall bear all cost of correcting such rejected Work.

14.02.2 If, within one year after the date of substantial completion or within such longer period of time as may be prescribed by law or by the terms of any applicable special guarantee required by the Contract Documents, any of the Work is found by the City to be defective or not in accordance with the Contract Documents, the Contractor shall correct it within 5 days after receipt of a written notice from the City. If the Contractor does not correct such deficiencies within that time, the City shall be entitled to specific performance from a court of equity or money damages in the amount of the reasonable cost of repairs, if adequate, provide that nothing shall limit the City's ability to draw upon the Performance and Maintenance Bond to correct such deficiencies. In all situations in which the City is forced to enforce the terms or specifications of the contract documents, the City shall be entitled to its reasonable attorneys' fees for enforcement of any provision of the contract documents.

14.02.3 All such defective or non-conforming Work under Subparagraphs 14.2.1 and 14.2.2 shall be removed from the site if necessary, and the Work shall be corrected to comply with the Contract Documents without additional cost to the City.

14.02.4 The Contractor shall bear the cost of making good all work of separate contractors destroyed or damaged by such removal or correction.

14.02.5 In the alternative to Section 14.02.3, if the Contractor fails to correct such defective or non-conforming Work, the City may correct it in accordance with Section 3.03 hereof.

14.03 Acceptance of Defective or Non-Conforming Work

14.03.1 If the City prefers to accept defective or non-conforming Work, it may do so instead of requiring removal and correction, in which case a Change Order will be issued to reflect an appropriate reduction in the Contract sum, or if the amount is determined after final payment, it shall be paid by the Contractor.

SECTION 15 PURCHASE OF MATERIALS AND EQUIPMENT

15.01 Sales Tax Provisions

This project is exempt from all sales taxes for construction materials and supplies used directly in fulfilling contract requirements. Sales tax shall not be included in the unit costs for this project. The Contractor shall follow the regulation as outlined in RSMo 144.062.1.

The City will issue the Contractor a project exempt certificate which is to be given to the applicable suppliers and used only for the specific project identified and will expire on the date indicated unless renewed by the City.

15.01.1 Contractor shall:

15.01.1.1 Order all necessary materials and equipment to complete the Work and the Project in accordance with the Plans and Specifications.

15.01.1.2 Inspect all delivered materials for conformance to specifications, damage, or breakage and subsequently accept materials if found to be satisfactory.

15.01.1.2.1 Purchase of materials on behalf of the City shall not relieve the Contractor of obligations to order, schedule deliveries, inspect, accept, or reject, store, handle or install materials or perform any other duties required by the Contract Documents or customarily performed in conjunction with providing materials to complete the Work.

15.01.1.2.2 Costs of complying with the foregoing Special Sales Tax Provisions shall be included in the Bid Proposal submitted and the Contractor shall not be entitled to receive additional compensation for such compliance.

15.02 Use of American Made Products.

Any manufactured goods or commodities used or supplied in the performance of the Contract Documents or any subcontract thereto shall be manufactured or produced in the United States as required and in accordance with Section 34.353 RSMo.

15.02.1 This section shall not apply when:

15.02.1.1 The purchase, lease, or contract involves an expenditure of less than twenty-five thousand dollars;

15.02.1.2 Only one line of a particular good or product is manufactured or produced in the United States;

15.02.1.3 The specified products are not manufactured or produced in the United States in sufficient quantities to meet the City's requirements or cannot be manufactured or produced in the United States within the necessary time in sufficient quantities to meet the City's requirements;

15.02.1.4 Obtaining the specified products manufactured or produced in the United States would increase the cost of the contract by more than ten percent.

15.02.2 If the goods or commodities are not exempt due to a circumstance described in Section 15.02.1, then the Contractor shall provide the City with the information necessary to make the certifications required under Section 34.353 RSMo.

15.03 Missouri Products

Contractors are encouraged to purchase commodities and tangible property manufactured, produced, or grown within the local area and in the State of Missouri, and from all firms, corporations, or individuals with licensed businesses in the State of Missouri.

SECTION 16 SPECIAL PROVISIONS

16.01 Scheduling of Work and Interference with Traffic

16.01.1 The Contractor's work must be scheduled and accomplished in stages such that local traffic is maintained during construction. It shall be the Contractor's responsibility to provide a traffic way that is usable in all weather conditions. The Contractor shall construct and maintain in a safe condition temporary pavements and connections for local traffic.

16.01.2 Suitable temporary barriers shall be provided to protect traffic from the Work if necessary. At all times until final acceptance of the Work, the Contractor shall provide and maintain such signs, lights, barriers, cones, watchmen or flaggers as may be necessary to properly protect the Work and provide for safe and convenient public travel. In the case of open excavations or other potentially hazardous conditions existing during non-working periods, the traveling public will be protected and advised by signs and flasher barricades. Parking of equipment or storage of materials on or near the Project site will be permitted only if adequate protective devices are provided and then only for the minimum time required for any specific job.

16.01.3 No additional payment shall be made for temporary guardrail, barriers, signs, lights, or other work as may be necessary to maintain traffic and to protect the Work and the public and all labor, equipment and material necessary to accomplish this task shall be considered incidental.

16.02 Access

16.02.1 All temporary materials used for access will be the responsibility of the Contractor and shall be included in his unit bid price for each related item. No separate payment will be made for the placement, maintenance or removal of said access.

16.02.2 If said access is not supplied as set out above, the City will supply said access with its own forces, without notification to the Contractor, and will deduct such costs from the sums due the Contractor, notwithstanding any other provisions given this Contract. Wherever excavation affects pedestrian access to houses or public buildings, plank or other suitable bridges shall be placed at convenient intervals.

16.03 Construction Staking and Layout

The Contractor shall be responsible for providing all labor, equipment and materials necessary for construction staking and layout as required, to the grades, elevations and alignment as determined by the City. No separate payment will be made for construction staking and layout. The Contractor shall make his bid accordingly. No payment shall be made for restaking except as expressly authorized due to changes made by the City during construction.

16.04 Pre-Construction Conference

A preconstruction conference may be held prior to the issuance of a notice to proceed with the Work. This meeting will be attended by the Contractor, the City, and representatives of the various utility companies that have facilities in the project area. The meeting date will be established after the taking of bids and at a time convenient to all parties.

16.05 Sequence of Work

16.05.1 A schedule of the Contractor's work shall be submitted to the City for approval. It shall contain a listing of the order in which the Contract items will be constructed and the approximate dates for starting and finishing each Contract item.

16.05.2 The Contractor shall furnish the City his proposed sequence and schedule for the completion of all work for its review and approval prior to the time of the preconstruction conference. The City shall have the right to specify the order of construction as deemed necessary.

16.05.3 The Contractor shall update and provide the City the revised schedule as necessary.

16.06 Control of Materials

16.06.1 The Contractor shall collect all materials tickets to verify the quantity of each item. Material tickets shall be collected and provided to the City in their original form. Photocopy or fax copies will not be accepted. All tickets shall be submitted on the day of delivery, either to the City personnel or the Public Works Department, or they shall not be accepted for payment.

16.06.2 Contractors and subcontractors shall produce letters of certification or certified test reports from materials producers and suppliers in order to determine compliance with specifications for designated materials prior to the incorporation thereof into the work.

16.06.3 The City will determine which materials are to be tested. The form and content of these test reports shall be in accordance with recognized standards and practices for this work or as otherwise determined by the City.

16.07 Termination by the Owner for Cause

16.07.1 In addition to all other remedies available to the Owner, the Owner may terminate the Contract if the Contractor:

16.07.1.1 Refuses or fails to supply enough properly skilled workers or proper materials;

16.07.1.2 Fails to make payment to Subcontractors for materials or labor in accordance with the respective agreements between the Contractor and the Subcontractors;

16.07.1.3 Disregards applicable laws, statutes, ordinances, codes, rules and regulations, or lawful orders of a public authority; or

16.07.1.4 Otherwise is guilty of substantial breach of a provision of the Contract Documents.

16.07.2 When any of the above reasons exists, the Owner may without prejudice to any other rights or remedies of the Owner and after giving the Contractor and the Contractor's surety, if any, seven days' written notice, terminate employment of the Contractor and may, subject to any prior right of the surety:

16.07.2.1 Exclude the Contractor from the site and take possession of all materials, equipment, tools, and construction equipment and machinery thereon owned by the Contractor;

16.07.2.2 Accept assignment of subcontracts; and

16.07.2.3 Finish the Work by whatever reasonable method the Owner may deem expedient. Upon written request of the Contractor, the Owner shall furnish to the Contractor a detailed accounting of the costs incurred by the Owner in finishing the Work.

16.07.3 When the Owner terminates the Contract for cause, the Contractor shall not be entitled to receive further payment until the Work is finished.

16.07.4 If the unpaid balance of the Contract Sum exceeds costs of finishing the Work, including compensation for professional services (including architects and engineers) and expenses made necessary thereby, and other damages incurred by the Owner and not expressly waived, such excess shall be paid to the Contractor. If such costs and damages exceed the unpaid balance, the Contractor shall pay the difference to the Owner. The amount to be paid to the Contractor or Owner, as the case may be, shall be certified by the project architect, upon application, and this obligation for payment shall survive termination of the Contract.

16.08 Termination by the Owner for Convenience

16.08.1 The Owner may, at any time, terminate the Contract for the Owner's convenience and without cause.

16.08.2 Upon receipt of written notice from the Owner of such termination for the Owner's convenience, the Contractor shall:

16.08.2.1 Cease operations as directed by the Owner in the notice;

16.08.2.2 Take actions necessary, or that the Owner may direct, for the protection and preservation of the Work; and

16.08.2.3 Except for Work directed to be performed prior to the effective date of termination stated in the notice, terminate all existing subcontracts and purchase orders and enter into no further subcontracts and purchase orders.

16.08.3 In case of such termination for the Owner's convenience, the Contractor shall be entitled to receive payment for Work executed, and actual costs incurred by reason of such termination.

MEXICO ROAD DETENTION BASIN RETROFIT

JOB SPECIFIC PROVISIONS

STANDARD SPECIFICATIONS

The [City of Wentzville Construction Specifications and Standard Details](#), most current effective date, have been adopted by the City as standard technical specifications. The adopted specifications are hereinafter referred to as the [Standard Specifications](#). All work on this project shall be done in accordance with these specifications, except as herein provided.

CONTRACTOR QUALIFICATIONS

The Contractor shall be experienced in riverine construction. The Contractor shall be familiar with the site, the design and its intent and shall be experienced in methods of erosion and sediment control. The Contractor shall have demonstrated experience in handling and installation of live plant materials as well as in the construction of hybrid civil and bioengineering structures.

JOB SPECIFIC PROVISIONS

The provisions of this section take precedence over [Standard Specifications](#). The following definitions apply to the job specific provisions:

Contract – [Mexico Road Detention Basin Retrofit](#)

Owner – [City of Wentzville, Missouri](#)

Owner's Representative – [as appointed by the Director of Public Works](#)

Project Construction Plans – [Mexico Road Detention Basin Retrofit](#)

Table of Contents

SP-1 Rock Criteria	3
SP-2 Rock Outcrop	5
SP-3 Plant Criteria	6
SP-4 Handling of Live Plant Material	8
SP-5 Live Plant Installation and Maintenance.....	10
SP-6 Tree Protection	14
SP-7 Erosion and Sediment Control	16
SP-8 Erosion and Sediment Control Maintenance.....	18
SP-9 Erosion Control Blanket	19
SP-10 Post Installation Plant Maintenance	21
SP-11 6' Tall Vinyl Privacy Fence With 5' Wide Gate	22
SP-12 Mobilization	23
SP-13 Clearing and Grubbing.....	24
SP-14 Protection and Restoration of Site	25
SP-15 Removal of Improvements	27
SP-16 Unclassified Excavation	28
SP-17 Excavation Class "C" (Rock)	29
SP-18 Sand	30
SP-19 1"-3"Washed Stone.....	31
SP-20 3"-5" Washed Stone.....	32
SP-21 Gravel (3/8" and 3/4").....	33
SP-22 Subsurface Drainage System	34
SP-23 Restoration Seeding	35

SP-1 – Rock Criteria

Description. The rock criteria shall consist of the quality of rock to be installed unless otherwise specified.

Materials.

Rock. Rock shall be hard, durable, angular in shape and resist weathering, meeting the following characteristics:

- Minimum density of 150 lbs/cf.
- Rock shall not contain shale.
- Petrography, ASTM C 295-90, reference the ledge rock category – Rock shall be fresh, interlocking crystalline, with few vugs, no clay minerals and no soluble minerals.
- Soundness, ASTM C 88-90 – Less than 10 percent loss.
- Abrasion, ASTM C 535-89 – Less than 20 percent for 500 revolutions.
- Freezing-Thawing, Handbook for Concrete and Cement CRD-C 144-92 – Less than 10 percent for 12 cycles.
- Existing Concrete or Grouted Riprap may NOT be used

Resistance to weathering is defined as a rocks' ability to withstand the normal freezing and thawing cycles without appreciably reducing the rocks' nominal dimensions. Neither breadth nor thickness of a single stone shall be less than 1/3 its length. Rock shall be well graded. The rock shall contain fines in sufficient quantities to fill voids while allowing point-to-point contact between rocks. Rock suspended in a matrix of fines shall not be allowed. THERE SHALL BE NO VISIBLE VOIDS IN ROCK STRUCTURES.

Rock outcrops shall undergo an onsite drop test and be approved by the [Owner or Owner's Representative](#) prior to installation. The [Owner or Owner's Representative](#) shall observe the testing and sample selection. A sample size of 5 boulders or 25% of the number of rock outcrops needed, whichever is greater, shall be selected for testing. The sample shall be generally representative in size and physical characteristics. The test boulders shall be dropped two (2) times from a height equal to the average boulder diameter onto a rigid surface or second boulder of comparable size. Dumping from a hauling truck is not acceptable testing. The boulders shall be examined before and after testing. A boulder is considered to fail if it exhibits new cracking, opening of existing cracking or a loss of more than 10 percent of its' mass (visual inspection only).

Concrete and Grouted Rip Rap. Concrete and grouted rip rap may not be broken up and incorporated into the project. Concrete with reinforcing steel and/or other foreign material, as determined by the [Owner or Owner's Representative](#), is NOT acceptable.

Submittals.

- 1) Prior to the installation of any rock, the Contractor shall submit to the [Owner or Owner's Representative](#) a letter from the Quarry certifying that the rock provided for the project meets the requirements identified on the plans and specifications. The letter shall be on company letterhead and bear the original signature of the attesting individual. The [Owner or Owner's Representative](#) reserves the right to inspect material at the source prior to delivery.

Construction Requirements. No direct construction requirements apply to this item.

Method of measurement. No measurement will be made.

Basis of payment. No direct payment will be made for rock criteria. The work under this item is considered incidental to the [Contract](#).

SP- 2 – Rock Outcrop

Description. Rock outcrop installation shall consist of the method of installation of rock outcropping.

Materials.

Rock criteria. Rock criteria are presented in **SP-1 – Rock Criteria**.

Construction Requirements. Rock structures shall be constructed of rock according to the lines and grades on the [Project Construction Plans](#).

Rocks shall be stackable and interlocking, with a height between 24”-36” and length between 30”-60.” With approval from the [Owner or Owner’s Representative](#), the Contractor may add fines to the rock to fill voids.

Rock shall be placed tightly against the in situ soil at the bottom and sides of all rock structures. Rock structures shall be keyed into the existing grade.

No payment will be made for the associated over-excavation or additional material required for backfill.

Method of measurement. No measurement will be made.

Basis of payment. The accepted quantity of rock outcrop will be paid for at the lump sum [Contract](#) price. Such payment shall include the whole cost of providing all labor, tools, equipment, materials, handling, storage, hauling, disposing and any other requirements and sundries associated with this item.

SP-3 – Plant Criteria

Description. The plant criteria shall consist of the quality of plants to be installed.

Materials.

Balled and Burlapped Trees (B&B). The trees shall be of species and trunk diameter identified in the Planting Plans in the [Project Construction Plans](#). The trees shall be grown in climatic conditions similar to those of the project site. The trees shall be true to their name as specified. Balled and burlapped plants shall be dug with a sufficient quantity of earth taken equally on all sides and bottoms of the plants to include the necessary roots to support growth. B&B stock shall be single stem, reasonably straight and of specimen quality. Stock shall be free of insects, disease, defects or injuries. Tree diameter shall be measured six inches above the ground line. For tree diameters of 1 – 1.5 inches, the minimum ball diameter shall be 18 inches. For tree diameters of 2 – 2.5 inches, the minimum ball diameter shall be 24 inches. The balls shall be prepared in a workmanlike manner and firmly bound.

Bare Root Trees and Shrubs. The plants shall be of species identified in the Planting Plans on the [Project Construction Plans](#) and grown in climatic conditions similar to those of the project site. Plant material shall be 1 to 2 years old and of sufficient length to provide intended design function, minimum length 18 inches long, or as specified in the [Project Construction Plans](#). For composite revetment, plants shall be long enough to extend the entire depth of the rock perpendicular to slope, plus the entire length of root mass extending into the loam fill, and a minimum of 6 inches extending beyond the surface of the composite revetment. Plant material shall be live, viable woody vegetation. Plants shall have well-developed branches and vigorous healthy root systems. Plants shall have root mass approximately equal to the top. Plants shall be free of insects, disease, defects or injuries.

Container plants. The plants shall be of species identified in Planting Plans on the [Project Construction Plans](#) and grown in climatic conditions similar to those of the project site. Plant material shall be live, viable woody vegetation. Plants shall be well-rooted and established in the containers in which they are supplied. The root system shall be large enough to hold the soil when the plant is removed from the container but shall not be root bound. Minimum container size shall be 5 gallons unless specified otherwise on the Planting Plans on the [Project Construction Plans](#).

RPM (Root Production Method) or APM (Air Pruned Method) Trees and Shrubs. The plants shall be of the species identified in the Planting Plans on the [Project Construction Plans](#) and shall be grown in climatic conditions similar to those of the of the project site. The plants must have a growing media consisting of 80% organic materials of which 40 to 50% must be pine bark. The plants must have been grown using a multi-step air-prune method such as that developed by Forest-Keeling Nursery in Licking, MO or approved equal. Each plant must have at least five first order lateral roots. The root mass must hold a minimum of 90% of the growing medium intact when removed from the finished container. Unless otherwise specified on the Planting Plans, the stems must be a minimum of ½ inch and a minimum height of 3 to 5 feet.

Plant plugs and rhizomes. Plant materials shall consist of live, viable plants of the type and size specified in the Planting Plans on the [Project Construction Plans](#). Plant plugs shall have well developed root systems and shall hold the soil mass when removed from the container. However, plant plugs shall not be root bound. Rhizomes shall be well developed and free from rot or scars.

Seed. The seed mix shall be of the species and rates specified in the Planting Plans on the [Project Construction Plans](#). The seed mix shall be clean and free of weed seeds. The contractor shall submit for approval the PLS (pure live seed) rating (generally available from seed supplier) prior to purchasing the seed.

Sod. Sod shall consist of materials which conform to the [Standard Specifications](#).

Construction requirements. No direct construction requirements apply to this item.

Method of measurement. No measurement will be made.

Basis of payment. No direct payment will be made for plant criteria. The work under this item is considered incidental to the [Contract](#).

SP-4 – Handling of Live Plant Materials

Description. The handling of live plant materials shall consist of the receiving, storing and managing of live plant materials prior to, during and after installation.

Materials.

Plant criteria. Plant criteria are presented in **SP-3 – Plant Criteria**.

Shredded, hardwood mulch. Aged, shredded, hardwood mulch or similar material, approved by the [Owner or Owner's Representative](#), shall be used to protect the plant stock during storage and installation. If internal temperature of the mulch stockpile exceeds 75°F, material shall not be acceptable and shall be removed from the site.

Water. Water for irrigation of live plants shall be clean, clear and free of contaminants deleterious to vigorous plant growth.

Handling requirements.

Shipping requirements. All Plants, regardless of type, shall be shipped in enclosed or covered trucks to prevent excessive drying. Bare root trees, shrubs, and herbaceous plants not designated as RPM or APM, shall be harvested just before shipment to the site or harvested no earlier than two months before planting time and stored in refrigerated storage at 34°F to 38°F and greater than 90% humidity. All plant material shall be shipped to arrive on site no later than 24 hours after harvest or removal from cold storage. All plants regardless of type shall be packed in such a way as to maintain adequate moisture and prevent damage to roots, bark, stems or limbs. Each individual plant shall carry a label clearly and accurately identifying the plant species. Bare root plants shall be bundled by species. Each bare root bundle shall carry a label clearly and accurately identifying the plant species. Each plant plug container and rhizome package shall be clearly and accurately labeled.

Storage and On-Site Handling. A plant storage area shall be delineated by hay bales, timbers, temporary shed or other structure, such as a refrigerated trailer or room, to protect the plants from mechanical damage, freezing and desiccation. The plant storage area shall be arranged so that plant materials can be removed from storage without crushing or otherwise damaging the remaining stock.

Plants shall be protected from desiccation and severe freezing. The plants shall be kept moist at all times. The plant materials shall be protected from direct sunlight and from drying by wind.

All rooted plant materials stored on site shall be "heeled in" in wet mulch completely covering the roots to a depth of two inches. When heeling in bare root stock, the bindings around the bundles shall be cut and the root mass spread out. The label identifying each bundle shall be maintained with the plants so that the identity of each stem is apparent. Plant plugs and rhizomes shall be heeled in such a way that they are protected from crushing and readily retrievable.

Mulch in the plant storage area shall be watered thoroughly at least once each day. Mulch temperature shall be monitored and recorded daily. Mulch temperature shall be maintained between 34°F and 40°F. Ice may be added to the mulch to maintain proper temperature. Hair roots must not be exposed to the elements for more than 60 seconds. If the hair roots dry the plant will die; it shall not be accepted and shall be replaced.

Seed shall be kept in its original container with the label information intact and legible. The seed shall be stored away from moisture, excessive heat and direct sunlight. The seed shall be protected from rodents, insects and other vermin.

Planting stock shall be protected from damage. At no time shall motorized equipment be operated directly on the plant stock.

Method of measurement. No measurement will be made.

Basis of payment. No direct payment will be made for handling of live plant materials. The work under this item is considered incidental to the [Contract](#).

SP-5 – Live Plant Installation and Maintenance

Description. Live plant installation and maintenance shall consist of the method of installation and maintenance of live plant materials.

Materials.

Plant criteria. Plant criteria are presented in **SP-3 – Plant Criteria**.

Fertilizer. Fertilizer for RPM or APM plants shall consist of a balanced, biodegradable, controlled-release fertilizer (20-10-10) in individual application packets such as Leapstart Feeder Paks manufactured by Reforestation Technologies International or approved equal. The fertilizer shall include minor nutrients.

Fertilizer for plants not designated as RPM or APM shall consist of a balanced controlled release fertilizer (16-6-8) in individual application packets such as Bio-Pak manufactured by Reforestation Technologies International or approved equal. The fertilizer shall include minor nutrients, humic acid and naphthalene acetic acid.

Mycorrhizal inoculum packets. Mycorrhizal inoculum packets shall consist of pelletized viable mycorrhizae including both endo- and ecto-mycorrhizae such as Myco-Pacs manufactured by Reforestation Technologies International or approved equal.

Root gel. Root gel shall consist of a water-soluble gel containing starch-based hydrophilic polymers, humic acid, kelp extract such as SilvaDip manufactured by Reforestation Technologies International or approved equal. A fresh batch of root gel shall be prepared each day.

Root gel with mycorrhizal inoculum. Root gel shall consist of a water-soluble gel containing starch-based hydrophilic polymers, humic acid, kelp extract and mycorrhizal inoculum such as MycoDip manufactured by Reforestation Technologies International or approved equal. A fresh batch of root gel shall be prepared each day.

Rooting hormone. A product, such as Rhizopon AA#3 manufactured by Phytotronics, Inc., or approved equal, containing synthetic auxin plant hormone (IBA) or comparable ingredient and specifically formulated to promote root formation in hardwood cuttings.

Loam. Loam shall consist of a uniform mixture (equal parts) of sand, silt and clay and shall be reasonably free of lumps, roots, gravel and other deleterious materials.

Construction requirements. Handling of live plant material. Handling of live plant material criteria are presented in **SP-4 – Handling of Live Plant Material**.

General Installation Conditions. Plants shall not be installed when ambient temperatures may drop below 32°F. All plants shall not be installed when ambient temperatures are forecasted to rise above 90°F at any point during a forty-eight (48) hour period following installation. Plants shall not be installed when wind velocity exceeds 30 mph.

Bare Root Stock. Bare root shall be installed as shown on the [Project Construction Plans](#). BARE ROOT STOCK SHALL ONLY BE INSTALLED BETWEEN FEBRUARY 1 THROUGH April 30. The plants shall not be removed from the mulch until immediately prior to installation. Immediately upon removal from the storage mulch, the roots of bare root vegetation shall be dipped in root gel with mycorrhizal inoculum in accordance with manufacturer's recommendation as approved by the [Owner or Owner's Representative](#). The roots, particularly the root hairs, shall be completely covered with gel. A fresh batch of root gel shall be prepared each day. One (1) fertilizer packet per foot of height and one (1) mycorrhizal inoculum packet shall be placed in the planting hole before plant placement. Bare root vegetation planted through erosion control blanket shall be installed in the pattern and density presented in the Planting Plan on the [Project Construction Plans](#). Bare root plants shall be planted through cleanly cut slits in the blanket. Slits shall be generally parallel to the direction of flow in the stream. Portions of the erosion control blanket shall not be removed. Planting holes for bare root stock may be prepared using a dibble bar, sharpshooter shovel or similar tool. Fertilizer and mycorrhizal inoculum packets shall be placed in the planting slits immediately prior to plant installation. Plant roots shall be dipped in root gel with mycorrhizal inoculum prior to installation. The roots, particularly the root hairs must be completely coated with gel. The plants shall be placed in a planting slit of sufficient depth to accommodate the roots when fully extended. The plants shall not be installed with roots in a "J" or bent condition. Plants shall be buried in soil to the depth of the root collar and no greater. The planting slit shall be firmly pressed closed eliminate air pockets and ensure intimate root contact with the soil. The blanket slit shall be securely closed with wire staples.

Ball and burlap trees. Ball and burlap trees shall be installed in the pattern and density presented in the Planting Plan on the [Project Construction Plans](#). BALL AND BURLAP TREES SHALL ONLY BE INSTALLED BETWEEN SEPTEMBER 1 THROUGH NOVEMBER 30 AND FEBRUARY 1 THROUGH MAY 31. When installation through erosion control blanket is specified, ball and burlap trees shall be planted through cleanly cut slits in the erosion control blanket. One (1) fertilizer packet per foot of height and one (1) mycorrhizal inoculum packet shall be placed in the planting hole before plant placement. Plants shall be placed in the plumb position. Excavated material shall be mixed with loam to form a friable backfill material. Backfill material shall be placed around the soil mass and tamped firmly into place. The diameter of the planting hole shall be at least 30% greater than the diameter of the container and at least 1 inch deeper. Side slopes shall be approximately 1:1 and the bottom of the planting hole shall be horizontal. Burlap shall not be removed from the plants until immediately before installation. When removing burlap from the plant, the soil mass shall not be disturbed. All cords, wires and burlap shall be removed from the trunk and root ball of the plant during or at the end of the backfilling operation. Additional excavated material shall be used to construct a 2-inch high water-retention rim on the downhill lip of the planting hole. After installation the plant shall be watered sufficiently to saturate the root mass. Additional backfill material shall be added to fill voids. The slit in the erosion control blanket shall be closed around the stem of the plant and stapled securely. Within 10 days after planting, balled and burlap trees shall be wrapped with a biodegradable tree wrap. The tree wrap shall cover the trunk from the ground to the lowest major branch with a ¼ inch to ½ inch overlap.

Container vegetation. Container plants shall be installed in the pattern and density presented in the Planting Plan on the [Project Construction Plans](#). CONTAINER VEGETATION SHALL ONLY BE INSTALLED BETWEEN SEPTEMBER 1 THROUGH NOVEMBER 30 AND FEBRUARY 1 THROUGH MAY 31. When installing through erosion control blanket, container plants shall be planted through cleanly cut slits in the erosion control blanket. Portions of the erosion control blanket shall not be removed. The diameter of the planting hole shall be at least 30% greater than the diameter of the container and at least 1 inch deeper. Side slopes shall be approximately 1:1 and the bottom of the planting hole shall be horizontal. Plants shall not be removed from their containers until immediately before installation. When removing plant from container, the soil mass shall not be disturbed. Two fertilizer packets and a mycorrhizal inoculum packet shall be placed in the planting hole before plant placement. Plants shall be placed in the plumb position. Excavated material shall be mixed with topsoil to form a friable backfill material. Backfill material shall be placed around the soil mass and tamped firmly into place. Additional excavated material shall be used to construct a 2-inch high water-retention rim on the downhill lip of the planting hole. After installation the plant shall be watered sufficiently to saturate the root mass. Additional backfill material shall be added to fill voids. The slit in the erosion control blanket shall be closed around the stem of the plant and stapled securely. Additional blanket may be necessary to cover exposed soil.

Seed. Seed shall be applied at a rate and with the species specified in the Planting Plans on the [Project Construction Plans](#). SEED SHALL ONLY BE INSTALLED BETWEEN SEPTEMBER 1 THROUGH NOVEMBER 30 AND FEBRUARY 15 THROUGH MAY 31. Prior to seeding, uneven areas and low spots shall be eliminated. Debris, roots, branches, stones, in excess of 1 inch in size shall be removed. Surface shall be scarified to a depth of 3 inches. Areas where equipment used for excavation and slope shaping has compacted the subsoil shall be scarified.

Seeded areas shall be planted using a rangeland type grain drill or no-till planter with positive-feed mechanism, such as by Truax™, Tye™ or J. Thom Wildseeder™ or approved equal. There shall be depth control bands that allow seed placement of 0.10 to 0.50 inch on all double discs. The drill shall have independently mounted press wheels that firm the seed bed around the seed without affecting the double discs. All instructions provided by the manufacturer of the seeding equipment shall be strictly observed and followed by the contractor. All drill-seeding methods shall be approved in writing by the [Owner or Owner's Representative](#).

Areas where drill-seeding is not feasible, as determined by the [Owner or Owner's Representative](#), shall be seeded using a hand-held broadcast seeder. Seed shall not be applied with a hand-held broadcast seeder if wind speed exceeds 15 miles per hour. Prior to application, the seeds shall be thoroughly mixed with a low-density, non-toxic bulking agent such as fine cocoa shell mulch, vermiculite or perlite. After seeding, the seed shall be raked or dragged into the soil surface to an average depth of 0.25 inch. In a separate operation, the seedbed shall be rolled with a weighted roller to firmly press the seed into the soil. The dragging and rolling operations shall be carried out perpendicular to the slope.

The seeded area shall be covered with erosion control blanket or other specified erosion control material within 24 hours of seeding. If precipitation is forecasted within 24 hours of

seeding, then the seeded area shall be covered with erosion control blanket or other specified erosion control material the same day. Erosion control blanket installation criteria are presented in **SP-9 – Erosion Control Blanket**. Equipment shall not be operated on the area after the seed and erosion control have been installed.

All planted areas shall be watered and maintained as specified in **SP-10 – Post Installation Plant Maintenance**.

Method of measurement. No measurement will be made.

Basis of payment. No direct payment will be made for live plant installation and maintenance. The work under this item is considered incidental to the [Contract](#).

SP-6 – Tree Protection

Description. Tree protection shall consist of protecting trees on or near the construction site from damage associated with construction activities by placing fencing around trees and protected areas, root pruning and placing tree protection signage as indicated on the [Project Construction Plans](#).

Materials. Fencing. Tree protection fencing shall be constructed of plastic mesh and shall stand at least 4 feet tall. Mesh shall be brightly colored or otherwise highly visible.

Construction requirements. No clearing or grading shall begin in areas where tree protection measures have not been completed.

The Contractor shall not disturb existing woody riparian vegetation except in areas defined in the [Project Construction Plans](#).

The sequence of tree treatment and preservation measures shall be:

- A) Rough staking of clearing limits;
- B) Root pruning (where needed)
- C) Tree protection fence installation

Prior to mobilization of equipment or otherwise disturbing the ground near the trees to be protected, the Contractor shall install barrier fencing around zones and trees as indicated on the [Project Construction Plans](#). Fencing shall remain in place during all construction phases of the project.

Contractor shall maintain barrier fencing in good, upright and visible condition during all construction phases of the project. Contractor shall repair or replace damaged fencing within 24 hours of observed damage.

Fencing shall be set a minimum distance of 6 inches per 1 inch of trunk diameter (measured at 4.5 feet above ground) from the trunk of trees and 1 foot from the outer branches of shrub patches. For example, barrier fencing around an 18-inch diameter tree shall surround the tree at a minimum distance of 108 inches from the tree truck (calculated as $18 \times 6 = 108$).

Tree preservation signage will be located every 200 feet along the boundary of tree preservation areas. A minimum of 1 tree preservation sign is required for each tree preservation areas. The tree preservation signs shall be at least 11"X17" and contain the words "TREE PRESERVATION AREA" in large readable font.

The Contractor shall not operate vehicles or heavy equipment, have construction parking areas, concrete wash-out areas, or locate material storage within any of the designated tree preservation areas, nor will they be located so that any run-off will affect trees in preserved areas.

Trees to be protected will suffer no root damage within the critical root zone (typically the area under the branch spread or canopy). Trees to be protected will suffer no structural

damage to the trunk, limbs, or branches. If damage occurs, the [Owner](#) reserves the right to employ a licensed forester to evaluate damage.

Pruning of branches to provide clearance for equipment, if needed, will conform to standards established by the National Arborist Association.

Debris removal occurring within the protected zone shall be accomplished using hand tools or with equipment capable of reaching into the debris while the axels are outside the protected zone.

When excavation or root disturbance near a protected tree must occur within a portion of the critical root zone, said excavation will be preceded by root pruning with a “ditch-witch” or vibratory plow to cut roots cleanly. Prior to root pruning, the Contractor shall submit root pruning details in writing and receive written approval of the details from the [Owner or Owner’s Representative](#). Spoil dirt will not be placed closer than the excavation limits or it will be hauled out of the tree preservation area. Excavation at these limits will take place only on one side of a tree to be protected.

Any tree removal within the tree protection area will be performed with minimum disturbance of the root system of protected trees. This typically means severing the tree from the trunk at ground level and then grinding the stump below surface if and as indicated in the [Project Construction Plans](#).

Any Contractor responsible for damage to protected trees will be liable for an amount equal to the dollar value of the damage. The dollar value of the damage will be determined by an appraisal performed by a Certified Arborist. Said appraisal will be performed with methodology developed and accepted by the International Society of Arboriculture and the National Arborist Association.

Method of measurement. No measurement will be made.

Basis of payment. No direct payment will be made for tree protection. The work under this item is considered incidental to the [Contract](#).

SP- 7 – Erosion and Sediment Control

Description. The erosion and sediment control shall consist of the application of those measures and practices to limit erosion on the project site and to control the generation, collection and disposition of sediment associated with the project.

Erosion control is defined as those practices that limit the liberation of the soil from the surface of the ground. Erosion control is a preventative measure. Property implemented erosion control measures will minimize the release of soil particles throughout the disturbed areas. Examples of erosion control measures include minimizing disturbed ground, temporary or permanent seeding and erosion control blankets.

Sediment control is the second line of defense used to prevent liberated sediment from migrating off the site or into the stream. Sediment control specifically deals with trapping liberated soil particles.

Prior to commencement of work, the Contractor shall submit the erosion and sediment control plan in writing and receive written approval of the erosion and sediment control plan from the [Owner or Owner's Representative](#). A copy of the approved Erosion and Sediment Control Plan shall be on site during construction.

Materials.

Erosion Control Blanket. Erosion control materials are presented in **SP-9- Erosion Control Blanket**

Sediment control materials. Acceptable sediment control materials include, sediment fence and erosion control blanket.

The siltation control materials shall be approved, in writing by the [Owner or Owner's Representative](#), prior to commencement of work.

The Contractor is not limited in using only the materials listed above. The Contractor is free to use all materials necessary to limit erosion and control sediment, as long as the [Owner or Owner's Representative](#) approves of the material(s), in writing, prior to the commencement of work.

Exclusions. Hay bales and straw shall NOT be used for erosion and sediment control unless specifically called for in subsequent Job Specific Provisions.

Construction requirements. Erosion and sediment control measures shall be applied to all disturbed areas. In addition, Contractor shall identify all site access, staging and stockpile areas and apply erosion and sediment control measures.

The Contractor shall not disturb areas until he is ready to excavate.

The Contractor shall place temporary sediment fence to protect outfall and off-site drainage prior to construction. This temporary sediment fence does not have to be anchored in a toe trench. The sediment fence shall be maintained and any accumulation of soil removed.

Stockpiles. Stockpiles must be stabilized or covered at the end of each workday.

Temporary Erosion Control. The purpose of temporary erosion control (i.e. straw blanket or equivalent) is to reduce erosion between the beginning of excavation and the establishment of permanent erosion control.

The Contractor shall install temporary erosion control within 24 hours of disturbing the ground if the area is intended to remain bare for more than 5 days. No disturbed area is to be left bare for more than 5 days. If construction must stop for more than 7 days, the entire site must be stabilized, using a straw blanket, a heavy mulch layer, or another method that does not require germination to control erosion.

Erosion Control Maintenance. Erosion Control Maintenance shall be per **SP- 8 – Erosion and Sediment Control Maintenance**

Method of measurement. No measurement will be made.

Basis of payment. No direct payment will be made for Erosion and Sediment Control. The work under this item is considered incidental to the [Contract](#).

SP- 8 – Erosion and Sediment Control Maintenance

Description. Erosion and sediment control maintenance shall consist of the maintenance, repair, and replacement of those measures and practices utilized to prevent a visible plume 300 feet downstream of each work area.

Materials. Erosion and sediment control materials. Erosion and sediment control materials criteria are presented in **SP- 7 – Erosion and Sediment Control**.

Construction Requirements. Inspections. Erosion and sediment control measures shall be inspected once each week and within 24 hours after a storm event of 1/2 inches or greater. .

Sediment Control. If accumulated sediment exceeds 1/3 of the height of the sediment trap, the sediment shall be removed. Removed sediment shall be deposited in an area that will not contribute sediment off-site and can be permanently stabilized. Should any part of the sediment control collapse, tear, decompose or become ineffective, it shall be replaced immediately.

Cleanup. All damaged or unused erosion and sediment control materials shall be removed from the site.

When the site has been properly stabilized, all erosion and sediment control material, not part of the permanent design, shall be removed from the site.

Method of measurement. No measurement will be made.

Basis of payment. No direct payment will be made for Erosion and Sediment Control Maintenance. The work under this item is considered incidental to the [Contract](#).

SP-9 – Erosion Control Blanket

Description. Erosion control blanket shall consist of the material and method of installation of blankets throughout the project as used in areas identified in the [Project Construction Plans](#).

Materials.

Coconut/straw erosion control blanket. The coconut/straw erosion control blanket shall be a 100% biodegradable double net blanket with a 70% agricultural straw and 30% coconut fiber matrix such as North American Green SC150BN or approved equal. The erosion control blanket shall consist of a rolled erosion control product manufactured from long lasting fibers mechanically attached to or woven into 2 continuous 100% biodegradable woven netting structures. The blanket shall be covered with heavyweight biodegradable natural fiber netting. The blanket shall be manufactured with a colored line or thread stitched along both outer edges approximately 2 inches to 5 inches from the edge to facilitate proper material overlapping.

- A. 70% Agricultural Straw/30% Coconut Fiber Erosion Control Blanket
 - 1. Matrix: 70% straw fiber (0.35pounds per square yard, 30% coconut fiber 0.15 pounds per square yard)
 - 2. Netting: Top and bottom, woven biodegradable fiber with 0.5 inch to 1.0 inch openings
 - 3. Stitching: biodegradable thread on 1.5 inch centers
 - 4. Roll Size: 6.67 feet x 108 feet
 - 5. Roll Weight: 52.2 pounds +/- 10%

Stakes for erosion control blanket. The erosion control materials shall be anchored with 11 gauge wire staples with a minimum top width of 1 inch and length of 6 inches.

Construction requirements. Erosion control blankets are to be placed in locations and installed as indicated on the [Project Construction Plans](#).

The prepared slope shall have a resistance of less than 200 pounds per square inch and greater than 100 pounds per square inch as measured with an agricultural penetrometer such as that manufactured by DICKEY-john Corp or approved equal. Excavated material may be used as fill. Loam fill shall be loosened to promote tree root development.

The surface prepared for the blanket shall have all uneven areas and low spots eliminated. Debris, roots, branches, and stones larger than 1inch shall be removed. Surface shall be scarified to a depth of 3 inches. Areas where equipment was used for excavation and slope shaping shall have the compacted subsoil scarified. Planting holes for container and ball and burlap trees may be dug prior to installing the erosion control blanket. The placed blanket shall be firmly in contact with the soil and shall not exhibit tenting or wrinkles. The top, sides and toe of the blanket area shall be trenched in a minimum of one (1) foot and stapled. On the blanket face, wire staples shall be installed on 20-inch centers vertically and 24-inch centers horizontally unless otherwise indicated on the [Project Construction Plans](#). Seams

shall have a minimum of 6 inches of overlap and shall be stapled on 18-inch centers. Upstream edges at seams shall overlap downstream edges. A stapled check slot shall be placed at 35-foot intervals. Check slots shall be perpendicular to the stream flow. Slots shall be a minimum of six inches deep and stapled with two staggered rows of staples at six-inch centers.

Equipment shall not be operated on the slope after the blanket has been installed.

Method of measurement. No measurement will be made.

Basis of payment. No direct payment will be made for erosion control blanket. This work is considered incidental to the [Contract](#).

SP-10 – Post Installation Plant Maintenance

Description. Post Installation Plant Maintenance shall consist of methods and materials for maintaining plants after installation to achieve the performance criteria contained in this Job Specific Provision.

Construction Requirements. Contractor shall thoroughly water installed plants within 24 hours of installation. Installed plants shall be watered sufficient to saturate root system at least once each week during construction unless otherwise instructed by the [Owner or Owner's Representative](#).

Plants that are installed during the spring planting period shall be watered once a week during the following summer months of May, June, July and August. Plants that are installed during the fall planting period shall be watered once a week during the following spring months of March, April and May only if there is less than 1" of rain during each week, and once a week during the following summer months of June, July and August regardless of rainfall. Weeks shall be measured 12:00 a.m. Monday to 12:00 a.m. Monday.

During the year following provisional acceptance, the Contractor shall check the planted areas every two weeks between April 1 and June 30 for weed growth. Contractor shall mow **herbaceous** vegetation whenever weeds approach 12 inches in height or start to develop seeds. Weeds shall not be allowed to set seed. The **herbaceous** vegetation shall be mowed to a height of no more than six (6) inches. **Under no circumstances shall woody vegetation be mowed.**

During the year following provisional acceptance, the Contractor shall correct erosion and drainage problems. For any seeded area showing bare ground patches larger than 36"x36", Contractor shall hand seed using the seed mix specified in the [Contract Documents](#) and cover with erosion control blanket or other specified erosion control material. Contractor shall remove required silt fencing one year after provisional acceptance and restore the fence area by hand seeding, using the seed mix specified in the [Contract Documents](#).

Planted areas shall meet or exceed the following performance criteria one full growing season after provisional acceptance: 80% plant cover provided by planted and seeded species, with seedlings of at least two planted grass species found, and seedlings of at least eight planted forb species found. Performance criteria for container vegetation plantings, livestakes, bare root, RPM and ball and burlap trees includes an overall survival of 80% and a minimum of 75% survival of each species planted.

Method of measurement. No measurement will be made.

Basis of payment. No direct payment will be made for post installation plant maintenance. The work under this item is considered incidental to the [Contract](#).

SP-11 – 6' (Tall) Vinyl Privacy Fence With 5' (Wide) Gate

Description. 6' (foot) tall white vinyl fence with 5' (foot) wide white vinyl access gate.

Construction Requirements. Contractor shall construct white vinyl privacy fence with access gate(location to be determined by property owner, and approved by City in advance of installation).

Fence and gate shall be installed according to manufacturer's recommendations and comply with all City of Wentzville Building Codes.

Fence design material shall be submitted for approval prior to installation.

Method of measurement. Measurement will be made following installation and measured to the linear foot of fence installed.

Basis of payment. The accepted quantity will be paid for at the [Contract](#) unit price. Such payment shall include the whole cost of providing all labor, tools, equipment, materials, handling, storage, hauling, disposing and any other requirements and sundries associated with this item.

SP-12 – Mobilization

Description. Mobilization shall consist of scheduling and mobilizing equipment, materials and personnel necessary to pursue the work under this [Contract](#). Mobilization shall include demobilization, which shall consist of removal and transporting from the site all personnel, plant devices, tools, equipment and materials mobilized by the Contractor. It shall also consist of clean up of the work area to the satisfaction of the [Owner or Owner's Representative](#).

Mobilization shall also include the necessary traffic control devices required for the protection of the public from construction activities in accordance with the MUTCD, MoDOT and the City of Wentzville.

Bonds shall consist of securing all bonds associated with this [Contract](#).

Materials. Bonds. Bonds shall consist of furnishing all bonds associated with this [Contract](#).

Construction requirements. Contractor shall set up operations on site with supervision and labor and shall move in and place the equipment, materials, and traffic control devices required for protecting and carrying out the work covered by this [Contract](#).

Contractor shall breakdown operations by demobilizing which shall include, but not be limited to, removal and transporting from the site all personnel, tools, equipment and materials mobilized by the Contractor.

Method of measurement. Mobilization and bond will not be measured.

Basis of payment. No direct payment will be made for post installation plant maintenance. The work under this item is considered incidental to the [Contract](#).

SP-13 – Clearing and Grubbing

Description. Clearing and Grubbing shall consist of clearing, grubbing, removing and disposing of vegetation within the disturbance limits of the project site, except such vegetation as is designated to remain or to be selectively treated.

Materials. No construction materials are required for this item.

Construction requirements. All work shall conform to the [Standard Specifications](#) for Clearing.

Method of measurement. No measurement shall be made.

Basis of payment. No direct payment will be made. The work under this item is considered incidental to the [Contract](#).

SP-14 – Protection and Restoration of Site

Description. Protection and Restoration of Site shall consist of taking measures to protect and avoid damage to all public and private property along the line of work and to restore the site in accordance with the [Standard Specifications](#). The contractor shall be responsible for the repair and restoration of any items located outside designated easements, construction limits or other approved access locations that are damaged, including trees, shrubbery, sod and other landscape amenities. Pavement damaged during construction that is not designated to be removed/replaced or otherwise improved on the plans shall be replaced regardless of location.

Trees and shrubs on the construction site shall be preserved wherever designated on the [Project Construction Plans](#) and where possible throughout the site. Tree protection criteria is presented in **SP-6 – Tree Protection**.

Residential fencing required to be removed for construction access shall be reinstalled. Damaged sections shall be replaced. No separate payment will be made for replacement of damaged sections.

Site disturbance shall be limited to the minimum amount necessary to allow for the grading and channel stabilization operations. The contractor shall take care during the construction activity in order to limit damage to the area.

Materials.

Erosion control blanket. Erosion control blanket criteria are presented in **SP- 9 – Erosion Control Blanket**.

Seeds. Plant criteria are presented in **SP- 3 – Plant Criteria**.

Sod. All work shall conform to the [Standard Specifications](#) unless otherwise provided herein.

Construction requirements. All work shall conform to the [Standard Specifications](#) unless otherwise provided herein.

Erosion and Sediment Control. Erosion and Sediment Control criteria are presented in **SP- 7 – Erosion and Sediment Control**.

Erosion and Sediment Control Maintenance. Erosion and Sediment Control Maintenance criteria are presented in **SP-8 – Erosion and Sediment Control Maintenance**.

Areas that are disturbed by construction activities and not otherwise treated, shall be restored as follows:

Turf areas. Multi-family and single family residential lawns, landscaped areas and previously turfed areas damaged during construction shall be restored by sodding per the [Standard specifications](#). The type of sod used must be equivalent to that present in the area to be restored.

Wooded (Non-turfed) areas. Bank slopes and non-turfed areas damaged during construction shall be restored by seeding and covering with erosion control blanket. Wooded access areas disturbed but not identified for a specific restoration type on the planting plans shall be restored with a native Restoration Seed Mix appropriate for the disturbed area. The mix shall be approved by the [Owner or Owner's Representative](#) prior to use.

Handling of seed. Handling of seed criteria are presented in **SP- 4 – Handling of Live Plant Materials.**

Seeding installation. Seed installation criteria are presented in **SP- 5 - Live Plant Installation and Maintenance.**

Erosion control blanket. Erosion control blanket installation criteria are presented in **SP- 9 - Erosion Control Blanket.**

Post Installation Plant Maintenance. Post Installation Plant Maintenance criteria are presented in **SP- 10 – Post Installation Plant Maintenance.**

Method of measurement. No measurement will be made.

Basis of Payment. No direct payment will be made. The work under this item is considered incidental to the [Contract](#).

SP- 15 – Removal of Improvements

Description. Removal of improvements shall consist of the removal and disposal of all existing improvements, except those designated or permitted to be left in place.

Materials. None.

Construction requirements. Removal of improvements shall include, but not be limited to, removing all drainage structures, pavements, surfacing, and base courses of all types, steps, retaining walls, foundation walls, abandoned utility lines, drainage and sewer pipes, benches, decks, concrete patios, other objects or structures including scattered or piled bricks, stones, broken masonry, rubbish, debris, etc.

Method of measurement. No measurement will be made.

Basis of payment. No direct payment will be made. The work under this item is considered incidental to the [Contract](#).

SP- 16 – Unclassified Excavation

Description. Excavation shall consist of excavation, stockpiling or hauling and disposal of all materials to obtain the lines and grades on the [Project Construction Plans](#). This work shall be performed in accordance with the specifications and in conformance with the lines, grades, thicknesses, and typical cross sections shown on the plans, or established by the Engineer.

Materials. No construction materials are required for this item.

Construction requirements. All work and materials shall conform to the [Standard Specifications](#), unless otherwise described in these Job Specific Provisions.

Method of measurement. Excavation shall be measured by the cubic yard as computed from the [Contract](#) documents. Final measurement will not be made except for written authorized changes, accepted by the [Owner or Owner's Representative](#) during construction. Authorized changes shall be accepted in writing by the [Owner or Owner's Representative](#) prior to commencement of work. The revision or correction will be computed and added to or deducted from the [Contract](#) unit quantity.

Basis of payment. The accepted excavation quantity will be paid for at the [Contract](#) unit price. Such payment shall include the whole cost of providing all labor, tools, equipment, materials, handling, storage, hauling, disposing and any other requirements and sundries associated with this item.

SP-17 – Excavation Class “C”(ROCK)

Description. This work shall consist of excavation, stockpiling or hauling and disposal of all materials encountered within the limits of the work not being removed under some other item. This work shall be performed in accordance with the specifications and in conformance with the lines, grades, thicknesses, and typical cross sections shown on the plans, or established by the Engineer.

Materials. No construction materials are required for the item.

Construction requirements. All work shall conform to the [Standard Specifications](#); refer to Section 217.

Method of measurement. Excavation shall be measured by the cubic yard as computed from the [Contract](#) documents. Final measurement will not be made except for written authorized changes, accepted by the [Owner or Owner's Representative](#) during construction. Authorized changes shall be accepted in writing by the [Owner or Owner's Representative](#) prior to commencement of work. The revision or correction will be computed and added to or deducted from the [Contract](#) unit quantity.

Basis of payment. The accepted excavation quantity will be paid for at the [Contract](#) unit price. Such payment shall include the whole cost of providing all labor, tools, equipment, materials, handling, storage, hauling, disposing and any other requirements and sundries associated with this item.

SP-18 – Sand

Description. Sand shall consist of constructing the infiltration trench according to the lines and grades on the [Project Construction Plans](#).

Materials. Sand shall be consistent with ASTM C-33 Fine Aggregate Concrete Sand. AASHTO M-6 gradation is also applicable also known as Natural Washed Concrete Sand. Sand must be silica based no limestone based products may be used (if material is white or gray in color, it is probably not acceptable). Manufactured sand or stone dust is not acceptable under any circumstances. Sand that has been contaminated by improper storage or installation practices will be rejected. Contractor shall submit source material certification prior to installation.

Construction requirements. Sand shall be installed loosely and non-compacted.

Method of measurement. Sand shall be measured by the cubic yard as computed from the [Contract](#) documents. Final measurement will not be made except for written authorized changes, accepted by the [Owner or Owner's Representative](#) during construction. Authorized changes shall be accepted in writing by the [Owner or Owner's Representative](#) prior to commencement of work. The revision or correction will be computed and added to or deducted from the [Contract](#) unit quantity.

Basis of payment. The accepted quantity of Sand will be paid for at the [Contract](#) unit price. Such payment shall include the whole cost of providing all labor, tools, equipment, materials, handling, storage, hauling, disposing and any other requirements and sundries associated with this item.

SP-19 – 1”-3” Washed Stone

Description. Washed stone shall consist of constructing the infiltration trench according to the lines and grades on the [Project Construction Plans](#).

Materials. Washed stone shall be naturally sourced river gravel conforming to gradation table 2 on plan page PND-03. Limestone based materials shall not be used unless approved by the Owner’s Representative in advance of installation. Washed Stone that has been contaminated by improper storage or installation practices will be rejected. Contractor shall submit source material certification prior to installation.

Construction requirements. Washed stone shall be installed loosely and non-compacted.

Method of measurement. Washed Stone shall be measured by the cubic yard as computed from the [Contract](#) documents. Final measurement will not be made except for written authorized changes, accepted by the [Owner or Owner’s Representative](#) during construction. Authorized changes shall be accepted in writing by the [Owner or Owner’s Representative](#) prior to commencement of work. The revision or correction will be computed and added to or deducted from the [Contract](#) unit quantity.

Basis of payment. The accepted quantity of Washed Stone will be paid for at the [Contract](#) unit price. Such payment shall include the whole cost of providing all labor, tools, equipment, materials, handling, storage, hauling, disposing and any other requirements and sundries associated with this item.

SP-20 – 3”-5” Washed Stone

Description. Washed stone shall consist of constructing the forebay underdrain according to the lines and grades on the [Project Construction Plans](#).

Materials. Washed stone shall be naturally sourced stone as shown on plan page PND-03. Washed Stone that has been contaminated by improper storage or installation practices will be rejected. Contractor shall submit source material certification prior to installation.

Construction requirements. Washed stone shall be installed according to plan.

Method of measurement. Washed Stone shall be measured by the cubic yard as computed from the [Contract](#) documents. Final measurement will not be made except for written authorized changes, accepted by the [Owner or Owner’s Representative](#) during construction. Authorized changes shall be accepted in writing by the [Owner or Owner’s Representative](#) prior to commencement of work. The revision or correction will be computed and added to or deducted from the [Contract](#) unit quantity.

Basis of payment. The accepted quantity of Washed Stone will be paid for at the [Contract](#) unit price. Such payment shall include the whole cost of providing all labor, tools, equipment, materials, handling, storage, hauling, disposing and any other requirements and sundries associated with this item.

SP-21 – Gravel (3/8” and 3/4”)

Description. Gravel shall consist of constructing the infiltration trench according to the lines and grades on the [Project Construction Plans](#).

Materials. Gravel shall be naturally sourced river gravel as shown on plan page PND-03. Limestone based materials shall not be used unless approved by the Owner’s Representative in advance of installation. Gravel that has been contaminated by improper storage or installation practices will be rejected. Contractor shall submit source material certification prior to installation.

Construction requirements. Gravel shall be installed loosely and non-compacted.

Method of measurement. Gravel shall be measured by the cubic yard as computed from the [Contract](#) documents. Final measurement will not be made except for written authorized changes, accepted by the [Owner or Owner’s Representative](#) during construction. Authorized changes shall be accepted in writing by the [Owner or Owner’s Representative](#) prior to commencement of work. The revision or correction will be computed and added to or deducted from the [Contract](#) unit quantity.

Basis of payment. The accepted quantity of Gravel will be paid for at the [Contract](#) unit price. Such payment shall include the whole cost of providing all labor, tools, equipment, materials, handling, storage, hauling, disposing and any other requirements and sundries associated with this item.

SP-22 – Subsurface Drainage System

Description. Subsurface drainage system for forebay underdrain and infiltration trench.

Materials. PVC drain piping shall conform to construction plan sheets. Drain pipe material shall conform to City of Wentzville Standard Construction Specification 700.28. Schedule 40 PVC or SDR 21.

Construction requirements Shall conform to all lines and grades as shown on construction plans and profiles.

Method of measurement. PVC drain piping shall be measured by the square yard, correctly installed and approved by the [Owner or Owner's Representative](#).

Basis of payment. The accepted quantity of composite revetment will be paid for at the [Contract](#) unit price. Such payment shall include the whole cost of providing all labor, tools, equipment, materials, handling, storage, hauling, disposing and any other requirements and sundries associated with this item.

SP-23 – Restoration Seeding

Description. Restoration Seeding shall consist of final grading, erosion control fabric, seeding and plant installation according to the lines and grades on the [Project Construction Plans](#).

Materials.

Erosion Control Blanket. Erosion Control Blanket presented in **SP-9 – Erosion Control Blanket**.

Plants. Plant criteria are presented in **SP-3 – Plant Criteria**.

Construction requirements. Restoration Seeding shall be installed per the [Project Construction Plans](#).

Handling of live plant material. Handling of live plant material criteria are presented in **SP-4 – Handling of Live Plant Material**.

Live plant installation. Live plant installation criteria are presented in **SP-5 – Live Plant Installation**.

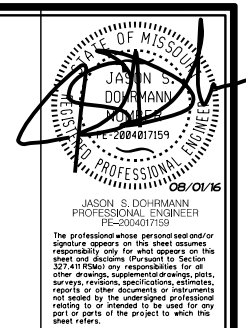
Method of measurement. Restoration Seeding shall be measured by the square yard as computed from the [Contract](#) documents. Final measurement will not be made except for written authorized changes, accepted by the [Owner or Owner's Representative](#) during construction. Authorized changes shall be accepted in writing by the [Owner or Owner's Representative](#) prior to commencement of work. The revision or correction will be computed and added to or deducted from the [Contract](#) unit quantity.

Basis of payment. The accepted quantity of Restoration Seeding will be paid for at the [Contract](#) unit price. Such payment shall include the whole cost of providing all labor, tools, equipment, materials, handling, storage, hauling, disposing and any other requirements and sundries associated with this item.

CITY OF WENTZVILLE, MISSOURI

MEXICO ROAD DETENTION BASIN RETROFIT

ST. CHARLES COUNTY, MISSOURI



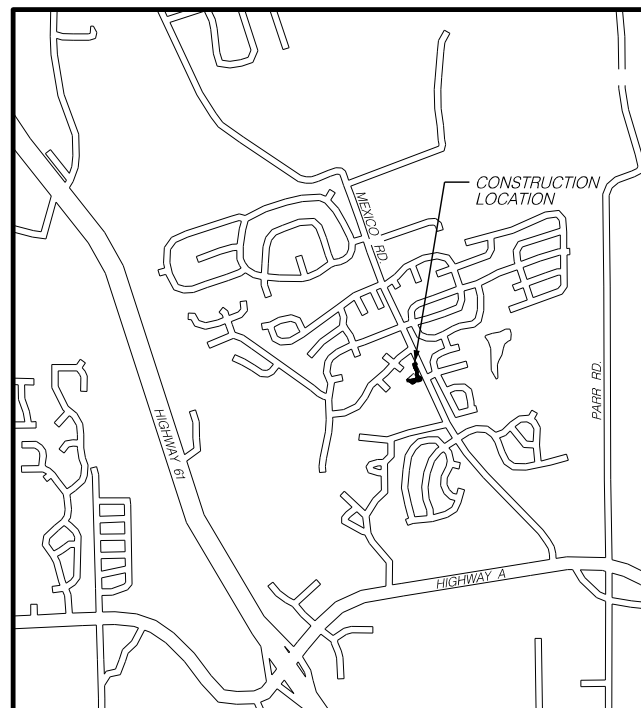
LEGEND

DESCRIPTION	EXISTING	NEW
	EXIST. R/W	NEW R/W
RIGHT-OF-WAY		
PROPERTY LINE		
PERMANENT DRAINAGE EASEMENT		
PERMANENT TRAFFIC SIGNAL EASEMENT		
TEMPORARY CONSTRUCTION EASEMENT		
UTILITY POLE (TYPE SPECIFIED)		
UNDERGROUND CONDUIT OR CABLE (TYPE SPECIFIED)		
WATER		
GAS		
TELEPHONE		
SANITARY SEWER (PRESSURE) 16-IN. D.I.		
POWER		
TELEPHONE RISER		
GUY WIRE		
LIGHT STANDARD		
TRAFFIC SIGNAL		
TRAFFIC CONTROLLER		
TRAFFIC PULL BOX		
PIPE LINE (OWNER SPECIFIED)		
DITCH		
GAS VALVE		
WATER VALVE		
WATER METER		
SEWER VENT		
FIRE HYDRANT		
SANITARY SEWER (GRAVITY)		
SANITARY SEWER (PRESSURIZED) 16" DUCTILE		
STORM SEWER		
SEWER MANHOLE		
GRADED INLET		
CURB INLET (SINGLE)		
CURB INLET (MULTIPLE UNIT)		
IDENT. OF NEW OR MOD. DRAINAGE STRUCTURE		
PIPE WITH HEADWALLS		
DRAINAGE V-DITCH (SODDED)		
CONSTRUCTION LIMITS		
CONCRETE PAVEMENT		
ASPHALTIC CONCRETE PAVEMENT		
CONCRETE PAVEMENT REMOVAL		
TREE OR SHRUB (DESIGNAGE DIA. AND TYPE)		
HEDGE		
TREELINE		
FENCE		
GUARDRAIL		
RAILROAD		
SIGN		
BUILDING		
BUILDING REMOVAL		
MAILBOX		
FOUND PROPERTY PIN		

FINAL PLANS AUGUST 1, 2016

SHEET INDEX

SHEET NAME	NO.	DESCRIPTION
CVR-01	1	COVER SHEET
PND-01	2	DETENTION BASIN GRADING PLAN
PND-02	3	PROFILE AND CROSS SECTIONS
PND-03	4	DETENTION BASIN DETAILS
PND-04	5	LANDSCAPE PLAN
PND-05	6	LANDSCAPE DETAILS



LOCATION MAP



SCALES: 1" = 20' HORIZONTAL - PLAN
1" = 20' H & 1" = 5' V - PROFILE

ABBREVIATIONS

TO BE REMOVED	(TBR)	SUPERELEVATION RATE	SE
TO BE ABANDONED	(TBA)	MAXIMUM SUPERELEVATION RATE	MSE
USE IN PLACE	(UIP)	PROFILE GRADE LINE	PGL
TO BE REM'D AND RELOCATED (BY CONTRACTOR)	(TBR&REL)	GATE POST	GP
ADJUST TO GRADE	(ATG)	POWER POLE WITH LIGHT	PP/LS
TO BE REM'D AND REPLACED BY OTHERS	(TBRBO)	RIGHT OF WAY	R/W OR ROW
TO BE ABANDONED AND FILLED	(TBA&F)	CONCRETE	CONC.
ADJUST TO GRADE BY OTHERS	(ATGBO)	SIDEWALK	SDWK.
FACE TO FACE	(F-F)	ASPHALT	ASPH.
FACE TO BASELINE	(F-B)	EACH	EA.
FACE TO CENTERLINE	(F-C)	MODULAR BLOCK RETAINING WALL	MBRW
CENTER TO CENTER	(C-C)	SHOULDER	SHLDR.
BUILDING	BLDG.	PAVEMENT	PVMT.
BEGINNING OF PROJECT	BOP	MANHOLE	MH
END OF PROJECT	EOP	BITUMINOUS	BIT.
EDGE OF PAVEMENT	EOP	TYPICAL	TYP.
EXISTING	EXST. OR EXIST.	NOT TO SCALE	NTS
PROPOSED	PRPS. OR PROP.	TEMPORARY	TEMP.
BACK	BK.	EASEMENT	ESMT.
AHEAD	AHD.	PAGE	PG.
BACK OF CURB	BOC	VERTICAL POINT OF INTERSECTION	VPI
ELEVATION	ELEV. OR EL.	VERTICAL POINT OF CURVATURE	VPC
ROAD	RD.	VERTICAL POINT OF TANGENCY	VPT
DRIVE	DR.	STATION	STA.
RADIUS	R. OR RAD.	MINIMUM	MIN.
PERMANENT	PERM.	ENTRANCE	ENTR.
FACE OF CURB	FOC		



16020 Swingley Ridge Road, Suite 205, St. Louis, Missouri 63017
Phone: (636) 519.0990 Facsimile: (636) 519.0996
MISSOURI - ILLINOIS - IOWA - MINNESOTA - SOUTH DAKOTA - TEXAS
www.hrgreen.com

PROJECT NOTES:

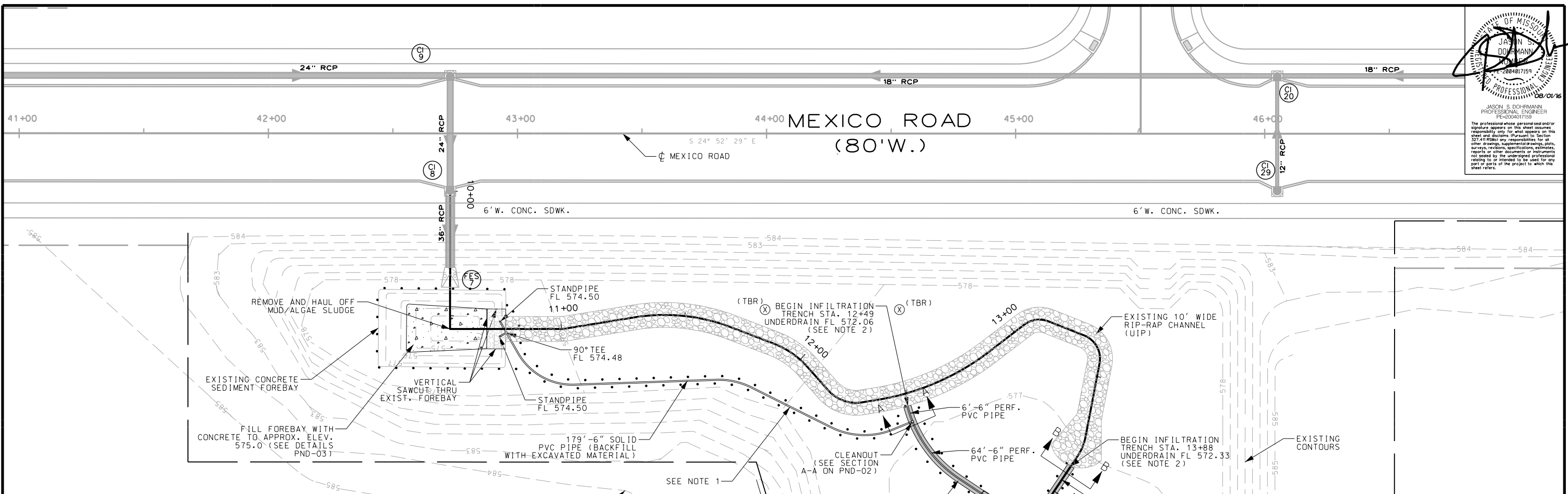
- UNDERGROUND FACILITIES, STRUCTURES AND UTILITIES HAVE BEEN PLOTTED FROM AVAILABLE SURVEY AND RECORDS. THE OWNER DOES NOT WARRANT THE LOCATIONS OF THESE FACILITIES AS PRECISE. IT IS POSSIBLE THERE MAY BE OTHERS. THE EXISTENCE OF WHICH IS PRESENTLY NOT KNOWN OR SHOWN. IT IS THE CONTRACTOR'S RESPONSIBILITY TO DETERMINE THE EXISTENCE AND PRECISE LOCATION OF ALL FACILITIES AND TO AVOID DAMAGE.
- IT IS THE RESPONSIBILITY OF THE CONTRACTOR TO CONTACT BOTH MISSOURI ONE CALL (DIGRITE) AND EACH INDIVIDUAL UTILITY THAT MAY NOT BE A PART OF THE MISSOURI ONE-CALL PROGRAM, TO ARRANGE FOR INDIVIDUAL UTILITY LOCATES.

JASON S. DOHRMANN

 PROFESSIONAL ENGINEER

 MISSOURI LICENSE #2002006608

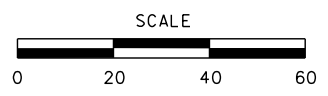
 08/01/16



ALIGNMENT INFORMATION FOR INFILTRATION TRENCH									
POINT NUMBER	POINT	STATION	CIRCULAR CURVE DATA				COORDINATES		
			DELTA	RADIUS	TANGENT	LENGTH	N	E	
1 (BOP)	PI	10+00.00					1093493.75	722838.03	
2	PI	10+55.30					1093470.49	722787.86	
	PC	10+98.53					1093431.27	722806.04	
3	PI	11+00.55	9° 16' 21.64" (LT)	25.00	2.03	4.05	1093429.43	722806.90	
	PT	11+02.57					1093427.75	722808.03	
	PC	11+29.65					1093405.34	722823.23	
4	PI	11+49.90	30° 13' 27.60" (RT)	75.00	20.25	39.56	1093388.58	722834.60	
	PT	11+69.21					1093368.37	722835.99	
	PC	11+87.36					1093350.27	722837.23	
5	PI	11+95.90	27° 25' 41.51" (RT)	35.00	8.54	16.75	1093341.75	722837.81	
	PT	12+04.11					1093333.92	722834.40	
	PC	12+16.63					1093322.44	722829.41	
6	PI	12+24.91	57° 46' 56.77" (LT)	15.00	8.28	15.13	1093314.85	722826.11	
	PT	12+31.76					1093308.01	722830.77	
	PC	12+38.21					1093302.68	722834.41	
7	PI	12+63.26	28° 07' 13.79" (LT)	100.00	25.04	49.08	1093281.98	722848.51	
	PT	12+87.29					1093270.38	722870.71	
	PC	13+05.02					1093262.16	722886.42	
8	PI	13+10.71	59° 08' 16.23" (RT)	10.00	5.67	10.32	1093259.53	722891.45	
	PT	13+15.35					1093253.87	722891.77	
	PC	13+30.80					1093238.44	722892.65	
9	PI	13+39.07	79° 12' 26.23" (RT)	10.00	8.27	13.82	1093230.18	722893.12	
	PT	13+44.62					1093228.17	722885.09	
	PC	13+74.87					1093220.82	722855.75	
10	PI	13+78.93	22° 54' 14.79" (RT)	20.00	4.05	8.00	1093219.84	722851.82	
	PT	13+82.87					1093220.46	722847.81	
	PC	14+20.65					1093226.28	722810.49	
11	PI	14+32.52	61° 23' 10.28" (LT)	20.00	11.87	21.43	1093228.10	722798.76	
	PT	14+42.07					1093218.68	722791.54	
	PC	14+61.02					1093203.64	722780.01	
12	PI	14+79.20	100° 55' 48.27" (RT)	15.00	18.17	26.42	1093189.21	722768.95	
	PT	14+87.45					1093202.80	722756.89	
	PC	14+98.00					1093210.69	722749.88	
13	PI	15+03.46	39° 59' 47.20" (LT)	15.00	5.46	10.47	1093214.77	722746.26	
	PT	15+08.47					1093215.57	722740.86	
	PI	15+75.03					1093225.29	722675.01	
14 (EOP)	PI	15+75.03							

NOTES:
 1. APPROXIMATE ALIGNMENT SHOWN GRAPHICALLY. CONTRACTOR TO MINIMIZE DISTURBANCE OF EXISTING DETENTION BASIN PLANTINGS AND BEDROCK; THEREFORE VARIATIONS TO THIS ALIGNMENT SHOULD BE MADE BASED ON ACTUAL FIELD CONDITIONS OBSERVED AT THE TIME OF CONSTRUCTION.
 2. GRADE ADJACENT AREA TO DRAIN TO INFILTRATION TRENCH. CONTRACTOR TO MINIMIZE DISTURBANCE OF EXISTING DETENTION BASIN PLANTINGS.
 3. SEE SHEET PND-02 FOR INFILTRATION TRENCH PROFILE AND SECTIONS A-A THRU C-C. SEE PND-03 FOR FOREBAY AND INFILTRATION BASIN DETAILS.
 4. SOIL EXCAVATED FROM THE BASIN AREA OR SPOILS FROM THE REQUIRED TRENCHES CAN BE USED TO BACKFILL THE SOLID PVC TRENCH RUN FROM THE FOREBAY TO THE FIRST CLEANOUT. FROM THE CLEANOUT ONWARD TO THE OUTFALL STRUCTURE, THE INFILTRATION TRENCH AND SURROUNDING AREAS TO BE BACKFILLED USING AMENDED SOILS OR OTHER MATERIALS / PLANTS AS DESCRIBED HEREIN.

LEGEND
 (X) TREES IN CONFLICT TBR (INCIDENTAL)
 AMENDED SOIL



DRAWN BY: AJS JOB DATE: June 2016
 APPROVED: JSD JOB NUMBER: 75150055
 CAD DATE: 8/11/2016 1:56:52 PM
 CAD FILE: \\hrgreen\004\004\75150055\CAD\004\75150055_02_Pond_01.dgn

NO.	DATE	BY	REVISION DESCRIPTION

16020 SWINGLEY RIDGE ROAD, SUITE 205
 ST. LOUIS, MISSOURI 63017
 PHONE: (636) 519.0990
 CORPORATE LICENSE #2002006608

MEXICO ROAD DETENTION BASIN RETROFIT
 CITY OF WENTZVILLE
 ST. CHARLES COUNTY, MISSOURI

MEXICO ROAD
 DETENTION BASIN GRADING PLAN
PND-01
 2 of 6

JASON S. DOHRMANN

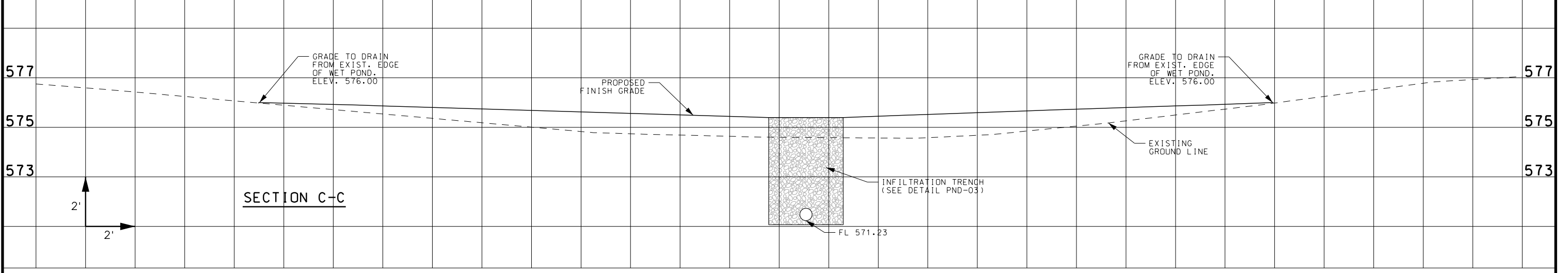
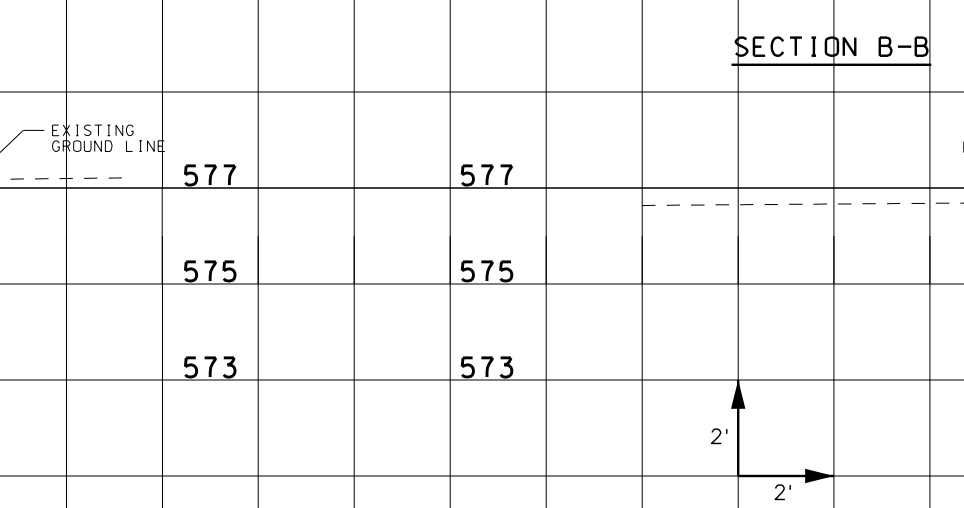
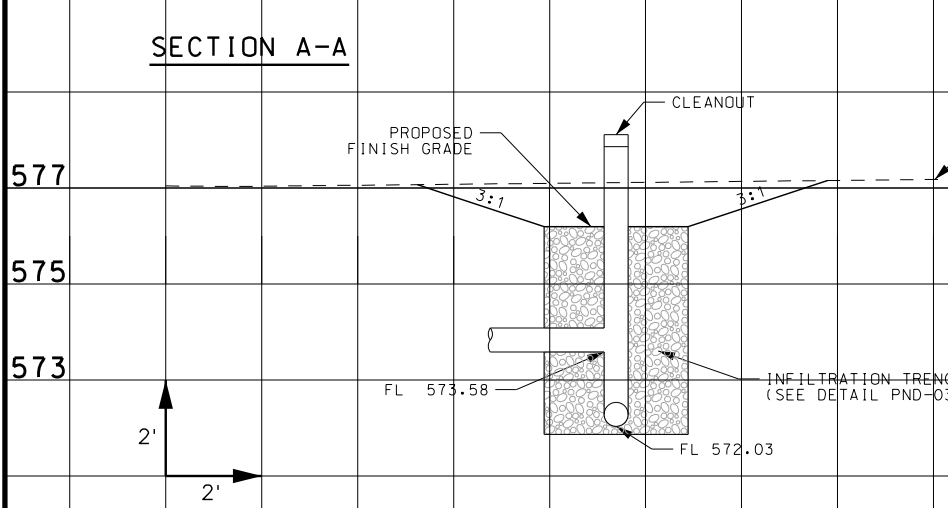
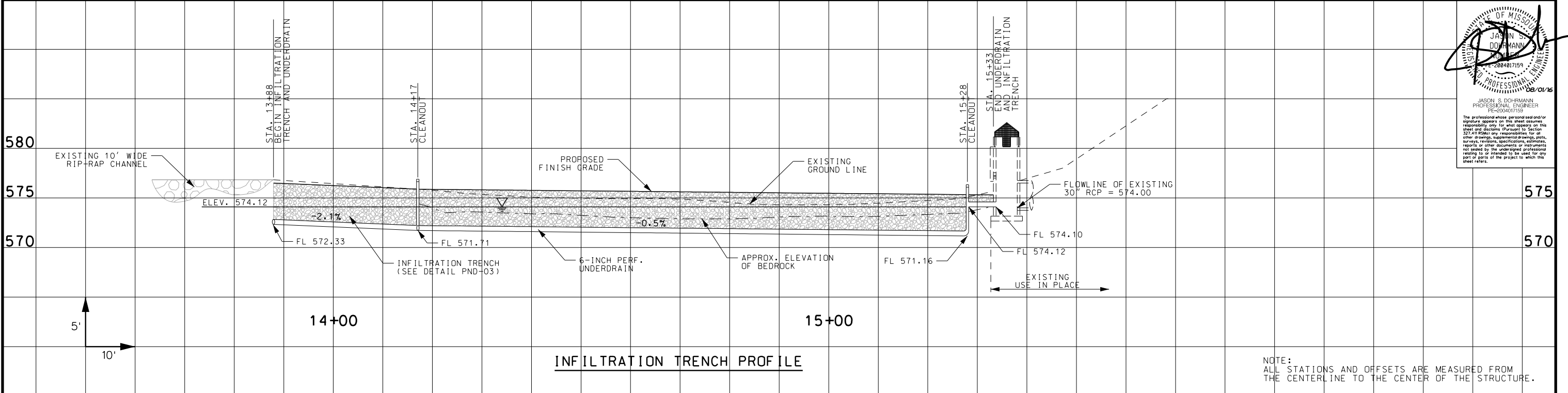
 PROFESSIONAL ENGINEER

 MISSOURI

 License No. 288487159

 08/01/16

The professional whose personal seal and/or signature appears on this sheet assumes responsibility only for what appears on this sheet and disclaims any responsibility for all other drawings, supplemental drawings, notes, surveys, conditions, specifications, estimates, reports or other documents or instruments not created by the undersigned professional reading list of drawings to be used for any part or parts of the project to which this sheet refers.



pdf_bw_no_level.pltcfq

DRAWN BY: AJS JOB DATE: June 2016
 APPROVED: JSD JOB NUMBER: 75150055
 CAD DATE: 8/1/2016 1:56:53 PM
 CAD FILE: \\hrgreen\dfs004\Drawings\75150055\CAD\Drawings\75150055_03_Pond_02.dgn

NO.	DATE	BY	REVISION DESCRIPTION

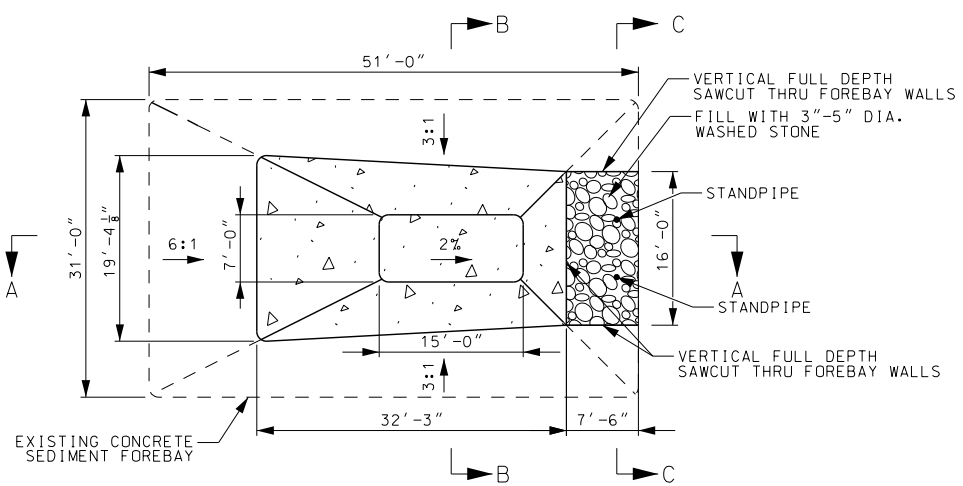
16020 SWINGLEY RIDGE ROAD, SUITE 205
 ST. LOUIS, MISSOURI 63017
 PHONE: (636) 519.0990
 CORPORATE LICENSE #2002006608

MEXICO ROAD DETENTION BASIN RETROFIT
 CITY OF WENTZVILLE
 ST. CHARLES COUNTY, MISSOURI

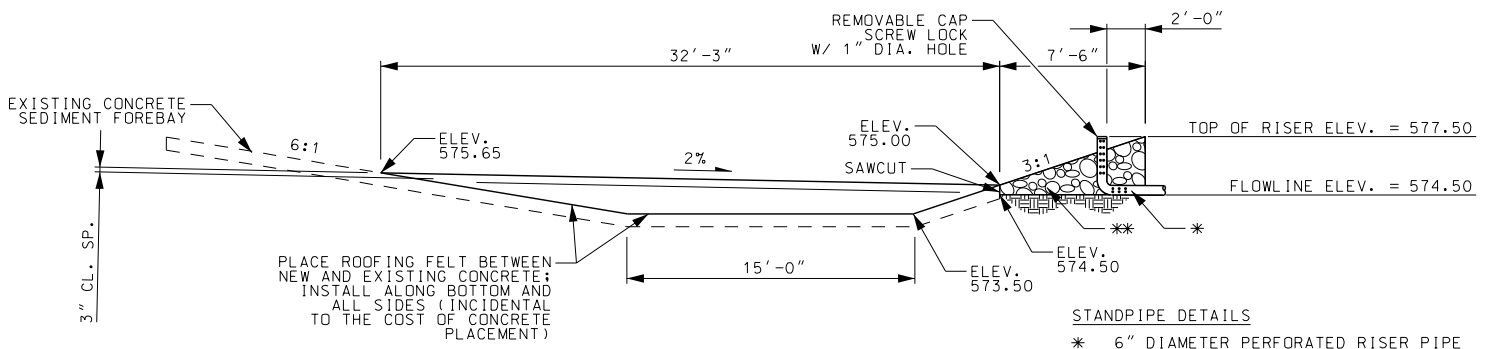
MEXICO ROAD
 PROFILE AND CROSS SECTIONS

SHEET NO.
PND-02
 3 of 6

JASON S. DOHRMANN
 PROFESSIONAL ENGINEER
 MISSOURI LICENSE #288487159
 The professional whose personal seal and/or signature appears on this sheet assumes responsibility only for what appears on this sheet and disclaims any responsibility for all other drawings, supplemental drawings, notes, surveys, conditions, specifications, estimates, reports or other documents or instruments not created by the engineer or professional engineer in or around the project to which this sheet refers.

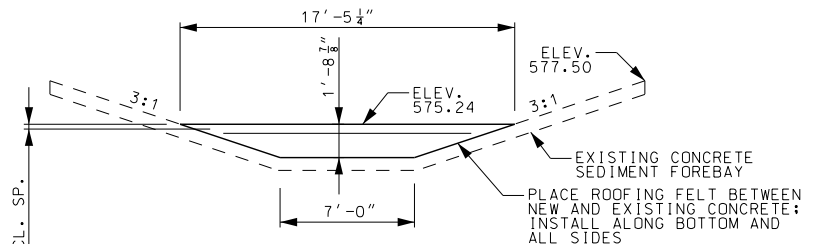


PLAN VIEW

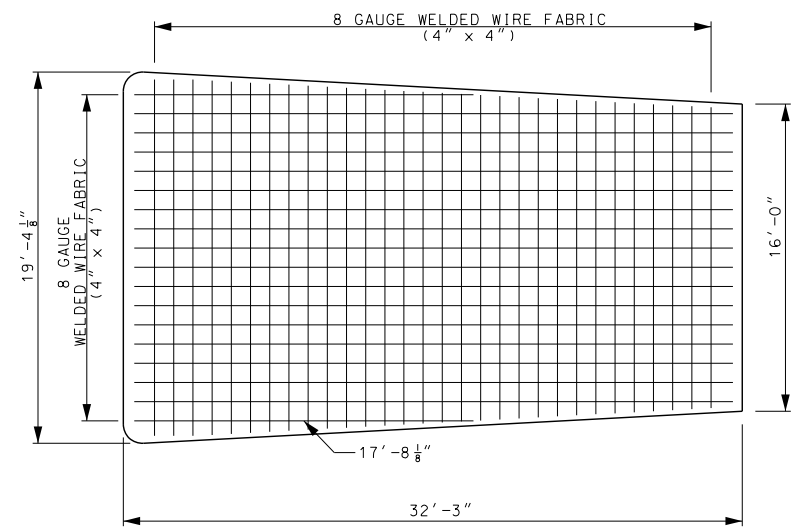


SECTION A-A

- STANDPIPE DETAILS**
- * 6" DIAMETER PERFORATED RISER PIPE (SCHEDULE 40 PVC)
 - 90° ELBOW (NON-PERFORATED)
 - 10 ROWS OF PERFORATIONS
 - 6 PERFORATIONS PER ROW
 - 1" DIAMETER PERFORATIONS
 - ** FILL AROUND RISER PIPE WITH 3"-5" WASHED STONE
- CLEANOUT DETAILS**
- 6" DIAMETER SOLID RISER PIPE (SCHEDULE 40 PVC)
 - 90° ELBOW (NON-PERFORATED)
 - REMOVABLE CAP (SOLID, NO HOLE)



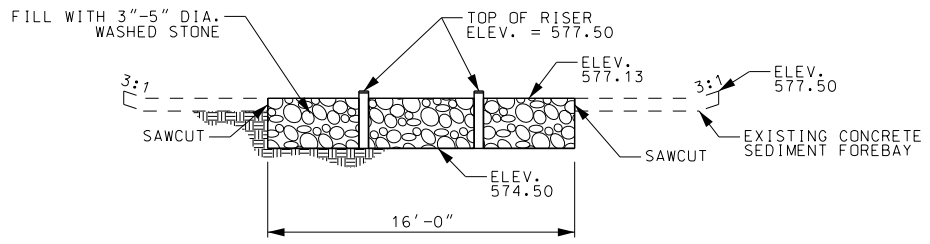
SECTION B-B
(CENTERLINE OF BOTTOM OF FOREBAY)



TOP REINFORCEMENT LAYOUT

SIEVE SIZE	PERCENT PASSING	SIEVE SIZE	PERCENT PASSING
1"	100	2.0"	100
3/4"	85-100	1.5"	85-100
3/8"	30-60	1.0"	30-60
NO.4	0-10	0.5"	0-10

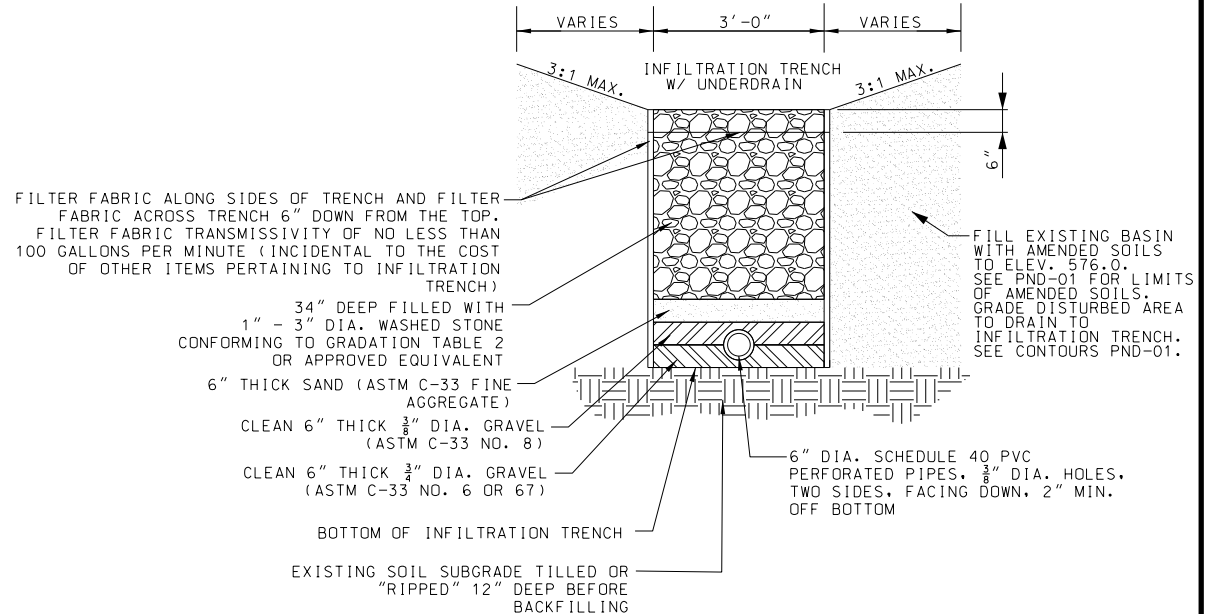
GRADATION TABLE 1 GRADATION TABLE 2



SECTION C-C

CONCRETE FOREBAY

NOT TO SCALE



TYPICAL INFILTRATION TRENCH W/ UNDERDRAIN

NOT TO SCALE

DRAWN BY: AJS JOB DATE: June 2016
 APPROVED: JSD JOB NUMBER: 75150055
 CAD DATE: 8/1/2016 1:56:54 PM
 CAD FILE: \\hrgreen\dfs004\Data\75150055\CAD\Data\75150055_04_Pond_03.dgn

NO.	DATE	BY	REVISION DESCRIPTION

16020 SWINGLEY RIDGE ROAD, SUITE 205
 ST. LOUIS, MISSOURI 63017
 PHONE: (636) 519.0990
 CORPORATE LICENSE #2002006608

MEXICO ROAD DETENTION BASIN RETROFIT
 CITY OF WENTZVILLE
 ST. CHARLES COUNTY, MISSOURI

MEXICO ROAD
 DETENTION BASIN DETAILS

SHEET NO.
PND-03
 4 of 6

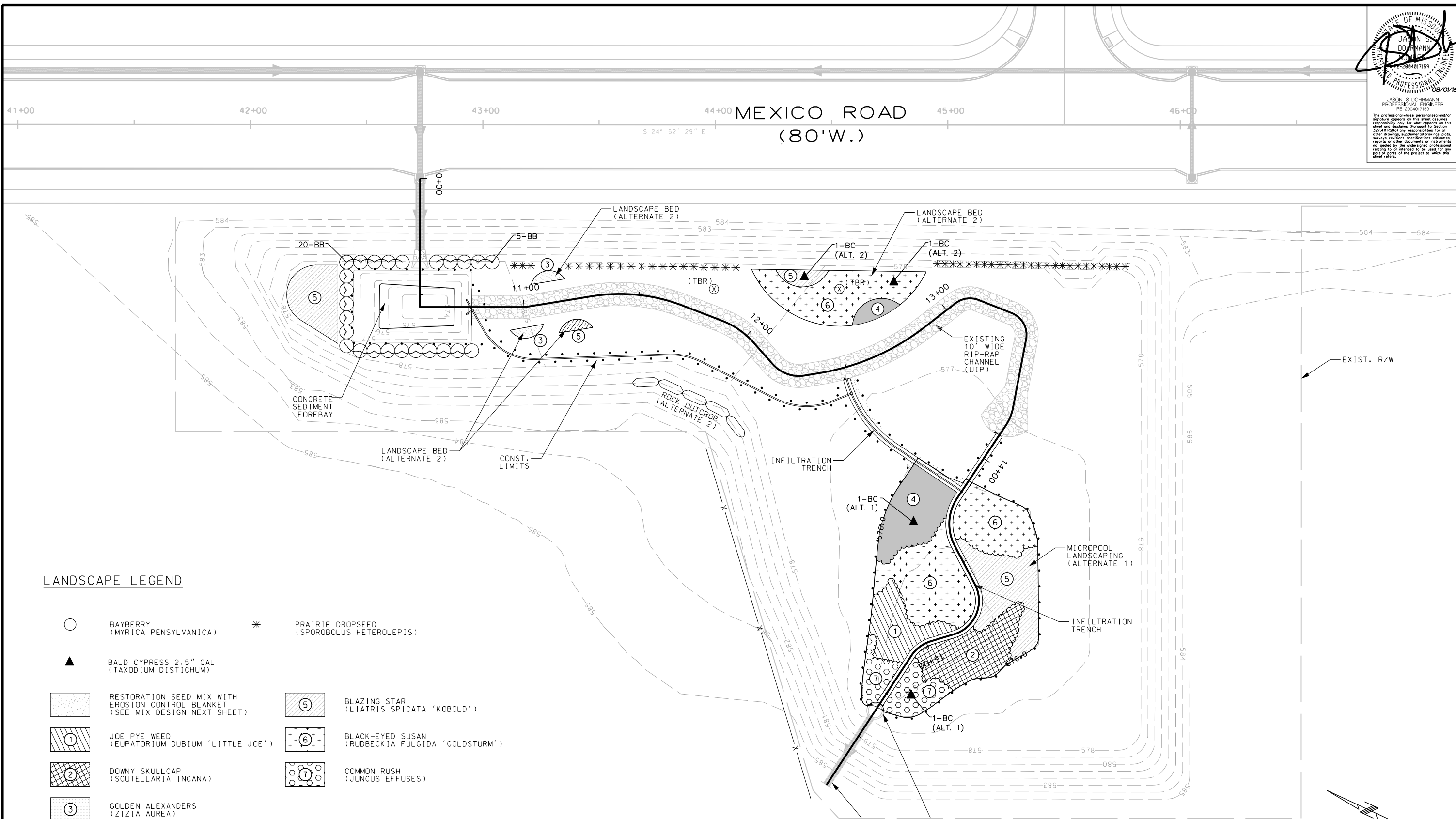
JASON S. DOHRMANN

 PROFESSIONAL ENGINEER

 MISSOURI LICENSE #288487159

 08/01/16

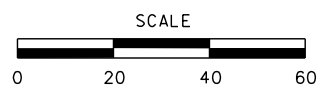
The professional whose personal seal and/or signature appears on this sheet assumes responsibility only for what appears on this sheet and disclaims any responsibility for all other drawings, supplemental drawings, plans, surveys, revisions, specifications, estimates, reports or other documents or instruments not created by the under signed professional engineer. It is intended to be used for any part or parts of the project to which this sheet refers.



LANDSCAPE LEGEND

- | | | | |
|---|---|---|---|
| ○ | BAYBERRY
(MYRICA PENSYLVANICA) | * | PRAIRIE DROPSEED
(SPOROBOLUS HETEROLEPIS) |
| ▲ | BALD CYPRESS 2.5" CAL
(TAXODIUM DISTICHUM) | | |
| ▨ | RESTORATION SEED MIX WITH
EROSION CONTROL BLANKET
(SEE MIX DESIGN NEXT SHEET) | ⑤ | BLAZING STAR
(LIATRIS SPICATA 'KOBOLD') |
| ① | JOE PYE WEED
(EUPATORIUM DUBIUM 'LITTLE JOE') | ⑥ | BLACK-EYED SUSAN
(RUDBECKIA FULGIDA 'GOLDSTURM') |
| ② | DOWNY SKULLCAP
(SCUTELLARIA INCANA) | ⑦ | COMMON RUSH
(JUNCUS EFFUSES) |
| ③ | GOLDEN ALEXANDERS
(ZIZIA AUREA) | | |
| ④ | PURPLE CONEFLOWER
(ECHINACEA PURPUREA 'RUBY STAR') | | |

- NOTES:**
- CONTRACTOR TO MINIMIZE DISTURBANCE OF EXISTING DETENTION BASIN PLANTINGS.
 - APPLY RESTORATION SEED MIX WITH EROSION CONTROL BLANKET TO DISTURBED AREAS THAT DO NOT HAVE SPECIFIED PLANTINGS.
 - DO NOT DISTURB EXISTING OVERSTORY TREES UNLESS IN CONFLICT WITH TRENCHING (INCIDENTAL COST TO REMOVE).



DRAWN BY: AJS JOB DATE: June 2016
 APPROVED: JSD JOB NUMBER: 75150055
 CAD DATE: 8/1/2016 1:56:55 PM
 CAD FILE: \\hrgrdfs004\Draw\75150055\CAD\Draw\75150055_05_Pond_04.dgn

NO.	DATE	BY	REVISION DESCRIPTION

16020 SWINGLEY RIDGE ROAD, SUITE 205
 ST. LOUIS, MISSOURI 63017
 PHONE: (636) 519.0990
 CORPORATE LICENSE #2002006608

MEXICO ROAD DETENTION BASIN RETROFIT
 CITY OF WENTZVILLE
 ST. CHARLES COUNTY, MISSOURI

MEXICO ROAD
LANDSCAPE PLAN

SHEET NO.
PND-04
 5 of 6

PLANTING SCHEDULE					
KEY	QTY	BOTANICAL NAME	COMMON NAME	SIZE	REMARKS
FORBS					
1	95	EUPATORIUM DUBIUM 'LITTLE JOE'	JOE PYE WEED	PLUG (2"x2" Min.)	30" O.C.
2	215	SCUTELLARIA INCANA	DOWNY SKULLCAP	PLUG (2"x2" Min.)	24" O.C.
3	45	ZIZIA AUREA	GOLDEN ALEXANDERS	PLUG (2"x2" Min.)	18" O.C.
4	416	ECHINACEA PURPUREA	PURPLE CONEFLOWER	PLUG (2"x2" Min.)	18" O.C.
5	735	LIATRIS SPICATA 'KOBOLD'	BLAZING STAR	PLUG (2"x2" Min.)	18" O.C.
6	1329	RUDBECKIA FULGIDA	BLACK-EYED SUSAN	PLUG (2"x2" Min.)	18" O.C.
GRASSES/SEDGES					
7	291	JUNCUS EFFUSES	COMMON RUSH	PLUG (2"x2" Min.)	18" O.C.
PD	374	SPOROBOLUS HETEROLEPIS	PRAIRIE DROPSEED	PLUG (2"x2" Min.)	18" O.C.
TREES/SHRUB					
BB	25	MYRICA PENNSYLVANICA	BAYBERRY	2 GAL.	
BC	4	TAXODIUM DISTICHUM	BALD CYPRESS	2.5" CAL	

RESTORATION SEED MIX

NOTE: TO BE USED UNDER AN EROSION CONTROL BLANKET IN ALL AREAS SHOWN TO BE SEEDING IN THE DISTURBED AREA AT AN APPLICATION RATE OF 16 LBS/ACRE

BOTANICAL NAME	COMMON NAME	% OF MIX
COREOPSIS TINCTORIA	PLAINS COREOPSIS	25.0
SCHIZACHYRIUM SCOPARIUM	LITTLE BLUESTEM	25.0
SPOROBOLUS HETEROLEPIS	PRAIRIE DROPSEED	25.0
ASCLEPIAS TUBEROSA	BUTTERFLY MILKWEED	25.0

APPLY THE FOLLOWING COVER CROP SEED IN ADDITION TO THE RESTORATION SEED MIX:

ANNUAL RYE (LOLIUM MULTIFLORUM) AT 10 LBS/ACRE, AND CANADA WILD RYE (ELYMUS CANADENSIS) AT 10 LBS/ACRE

NO ADDITIONAL PAYMENT WILL BE MADE FOR EROSION CONTROL BLANKET, COVER CROP, WATERING, OR OTHER INCIDENTALS. SEE SPECIFICATIONS.

EROSION CONTROL BLANKET

BLANKET TO BE USED OVER ALL AREAS DESIGNATED TO BE SEEDING. BLANKET TO BE NORTH AMERICAN GREEN DS75 (SINGLE NET STRAW BLANKETS) OR APPROVED EQUAL AND SHALL BE INSTALLED TO MANUFACTURERS SPECIFICATIONS. NO ADDITIONAL PAYMENT WILL BE MADE FOR THE EROSION CONTROL BLANKET, PINNING, MAINTENANCE OR REPLACEMENT OF (IF DAMAGED OR DIRECTED TO REPLACE) SAID BLANKET.

GENERAL NOTES LANDSCAPE IMPROVEMENTS

UNDERGROUND UTILITIES: FIELD LOCATE UNDERGROUND UTILITIES PRIOR TO EXCAVATION FOR INSTALLATION OF SITE IMPROVEMENTS. IF A CONFLICT EXISTS BETWEEN PROPOSED SITE IMPROVEMENTS AND EXISTING OR PROPOSED UTILITIES, IMMEDIATELY ADVISE THE OWNER'S REPRESENTATIVE.

MASTER PLANT SCHEDULE: ALL TREES, SHRUBS AND PERENNIALS ARE LISTED IN THE MASTER PLANT SCHEDULE. IF THERE IS A CONFLICT BETWEEN THE QUANTITIES SHOWN ON THE DRAWING AND THE QUANTITIES SHOWN IN THE PLANT SCHEDULE, THE PLAN QUANTITIES SHALL PREVAIL.

PLANTING LAYOUT: STAKE ALL TREE AND SHRUB LOCATIONS AND OBTAIN APPROVAL OF THE ENGINEER PRIOR TO PLANTING. PLANT LAYOUT AND LOCATIONS OF ALL LIVE PLANTS AND TREES SHALL BE CONDUCTED BY CONTRACTOR AND APPROVED BY THE OWNER BEFORE EXCAVATION OF PLANT PITS. THE OWNER RESERVES THE RIGHT TO MAKE MINOR ADJUSTMENTS TO PLANT MATERIAL WITHOUT ADDITIONAL COST TO THE OWNER.

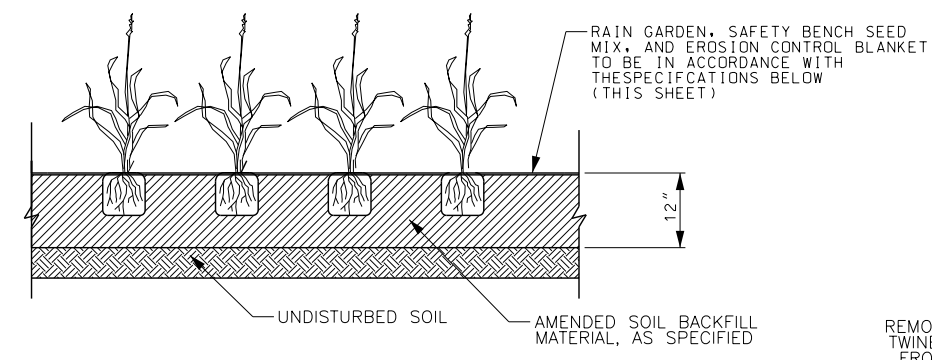
SHRUB AND PERENNIAL GROUPINGS SHALL BE PLANTED AND MULCHED IN ONE CONTINUOUSLY MULCHED BED. PLANT MATERIAL THAT IS DAMAGED SHALL BE REPLACED AT CONTRACTOR'S EXPENSE.

CONTRACTOR IS RESPONSIBLE FOR WATERING AND WEEDING PLANT MATERIAL, AS NECESSARY AND AS SPECIFIED, TO ENSURE GROWTH AND ESTABLISHMENT. WATERING SHALL BE IN STRICT ACCORDANCE WITH THE METROPOLITAN ST. LOUIS SEWER DISTRICT'S LANDSCAPE GUIDE FOR STORMWATER BEST MANAGEMENT PRACTICE DESIGNS, LATEST EDITION, PAGE 17 OF 30.

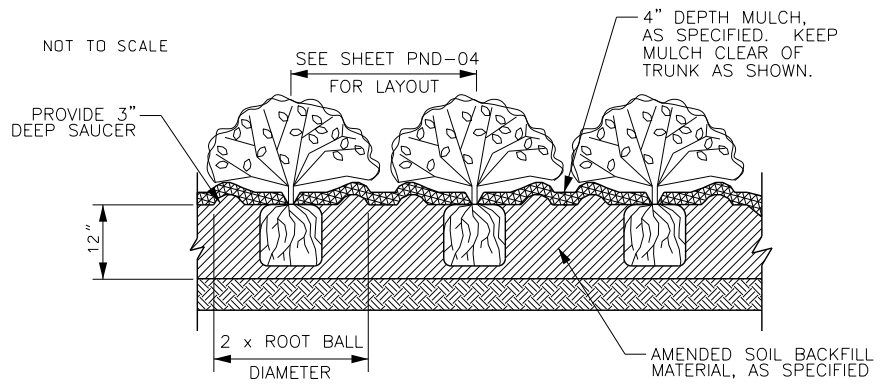
BEFORE PLANTING, BIODEGRADABLE POTS SHALL BE SPLIT AND NON-BIODEGRADABLE POTS SHALL BE REMOVED. ROOT SYSTEMS OF ALL PLANTS SHALL BE SPLIT AT THE BASE OF THE PLUG WITH 1" CUTS IN A CRISS CROSS PATTERN WITH A SHARP BLADE.

UNLESS OTHERWISE DETAILED OR SPECIFIED, GRADE TO 3" BELOW FINAL GRADE AND PLACE AMENDED SOIL TO A DEPTH SUFFICIENTLY GREATER TO PROVIDE 3" AMENDED SOIL AFTER SETTLEMENT, ESTABLISHING FINAL GRADE. ENSURE AMENDED SOIL IS GOOD QUALITY AND WEED FREE.

AMENDED SOIL LIMITS INCLUDE THE ENTIRE POND AREA WITHIN THE TOP OF SLOPE AND LANDSCAPE BEDS.

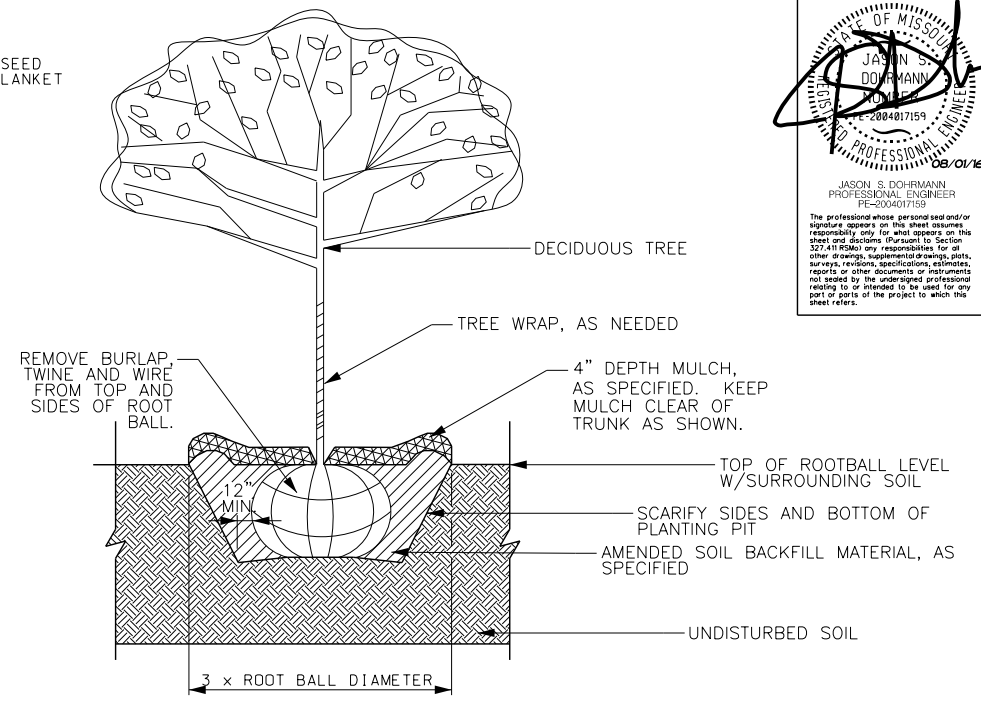


TYPICAL SECTION: PERENNIAL PLANTING



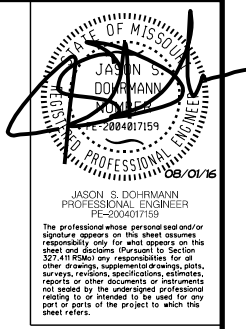
TYPICAL SECTION: SHRUB PLANTING

NOT TO SCALE



TYPICAL SECTION: TREE PLANTING

NOT TO SCALE



GENERAL NOTES LANDSCAPE IMPROVEMENTS (Cont'd)

TOPSOIL / AMENDED SOIL. TOPSOIL SHALL BE A FERTILE; FRIABLE; AND LOAMY SOIL OF UNIFORM QUALITY; WITH RELATIVELY EQUAL PARTS OF SAND, SILT, AND CLAY; WITHOUT ADMIXTURE OF SUBSOIL MATERIALS; AND SHALL BE FREE FROM MATERIALS SUCH AS HARD CLODS, STIFF CLAY, HARDPAN, PARTIALLY DISINTEGRATED STONE OR PEBBLES LARGER THAN ONE INCH IN DIAMETER, AND ANY OTHER SIMILAR IMPURITIES. TOPSOIL SHALL CONFORM TO THE CHARACTERISTICS LISTED BELOW.

PARAMETER	VALUE
PH	5.2-6.5
ORGANIC MATTER	1.5-5%
MAGNESIUM	35 LBS. PER ACRE, MINIMUM
PHOSPHORUS (P2O5)	75 LBS. PER ACRE, MINIMUM
POTASSIUM (K2O)	85 LBS. PER ACRE, MINIMUM
SOLUBLE SALTS	<500 PPM

TOPSOIL SHALL BE RELATIVELY FREE FROM GRASS, ROOTS, WEEDS, OR OTHER OBJECTIONABLE PLANT MATERIAL OR VEGETABLE DEBRIS UNDESIRABLE OR HARMFUL TO PLANT LIFE OR WHICH PREVENTS THE FORMATION OF A SUITABLE SEEDBED. TOPSOIL MEETING THESE REQUIREMENTS SHALL BE PRESERVED ON-SITE WHENEVER POSSIBLE AND PUT BACK IN PLACE. ALL OTHER TOPSOIL SHALL BE OBTAINED FROM APPROVED SOURCES AND BE FURNISHED AND PLACED AT THE LANDSCAPE PLANTING LOCATIONS SHOWN ON SHEET PND-04. SOIL COMPACTION SHOULD BE MINIMIZED. LOOSEN THE SUBGRADE AND TILL IN TOPSOIL A MINIMUM OF TWO-INCHES IN DEPTH. TOPSOIL IN ALL PLANTING AREAS SHALL BE A MINIMUM OF SIX-INCHES IN DEPTH.

SOIL AMENDMENTS. LABORATORY SOIL TESTS SHALL BE PERFORMED FOR ALL DISTURBED AREAS AND FOR IMPORTED TOPSOIL TO DETERMINE THE NEED FOR AMENDMENTS SUCH AS PH, NUTRIENTS, AND MINERALS SUCH AS SULFUR AND LIME. SOIL FERTILITY ANALYSIS SHALL INCLUDE RECOMMENDATIONS AND APPLICATION RATES FOR NATIVE LANDSCAPE AREAS. ALL AMENDMENTS MUST BE APPROVED IN ADVANCE BY THE CITY. THE PLANTING AND RESTORATION AREAS SHALL BE PREPARED BASED ON SOIL TEST RECOMMENDATIONS AND IN ACCORDANCE WITH CITY OF WENTZVILLE STANDARD CONSTRUCTION SPECIFICATIONS, SECTION 807. FERTILIZERS OR AMENDMENTS SHALL BE A STANDARD PRODUCT COMPLYING WITH STATE AND FEDERAL LAWS. FERTILIZER SHALL BE DELIVERED TO THE SITE IN UNOPENED CONTAINERS BEARING THE MANUFACTURER'S STATEMENT OF ANALYSIS. STORE FERTILIZER OR AMENDMENTS IN SUCH A MANNER THAT IT WILL BE KEPT DRY AND ITS EFFECTIVENESS WILL NOT BE IMPAIRED. APPLY EVENLY OVER DISTURBED AREAS AT RATES RECOMMENDED BY SOIL TEST ANALYSIS.

SOIL AMENDMENTS ARE NEEDED FOR THIS PROJECT. SEE SOIL TEST TO THE RIGHT FOR EXISTING NUTRIENT DEFICIENCIES AND EXCESSES, AND PROVIDE AMENDMENTS NECESSARY TO PROVIDE AN OPTIMUM ENVIRONMENT FOR PLANT GROWTH.

THE MULCH LAYER FOR TREES AND SHRUBS SHOULD BE STANDARD LANDSCAPE STYLE MULCH, SINGLE OR DOUBLE SHREDDED HARDWOOD MULCH. THE MULCH LAYER SHOULD BE FREE FROM OTHER MATERIALS SUCH AS WEEDS, SEEDS, SOILS, ROOTS, ETC. THE MULCH SHOULD BE APPLIED TO A MAXIMUM DEPTH OF FOUR (4) INCHES. GRASS CLIPPINGS SHOULD NOT BE USED AS MULCH, HOWEVER PEA GRAVEL OR OTHER SIMILAR NATURAL GRAVEL MAY BE USED.

PERENNIALS AND GRASSES SHALL BE MULCHED WITH SHREDDED LEAF COMPOST.



A&L Analytical Laboratories, Inc.

2790 Whitten Rd. Memphis, TN 38133 (901) 213-2400 Fax (901) 213-2440

Client : Helena Chemical/St. Louis Specialty Mr. Phil Nye 12904 B St. Charles Rock Rd Bridgeton MO 63044	Grower : Our Yard	Report No: 15-092-0960 Cust No: 10815 Date Printed: 04/03/2015 Date Received: 04/02/2015 PO: Page: 5 of 7
---	-------------------	--

Test	Method	Results	SOIL TEST RATINGS					Calculated Cation Exchange Capacity
			Very Low	Low	Medium	Optimum	Very High	
Soil pH	1:1	7.9						29.4 meq/100g
Buffer pH								%Saturation
Phosphorus (P)	M3	30 LB/ACRE						K 1.2 0.4
Potassium (K)	M3	286 LB/ACRE						Ca 84.4 24.8
Calcium (Ca)	M3	9926 LB/ACRE						Mg 13.4 3.9
Magnesium (Mg)	M3	942 LB/ACRE						H 0.0 0.0
Sulfur (S)	M3	4 LB/ACRE						Na 1.0 0.3
Boron (B)	M3	0.8 LB/ACRE						
Copper (Cu)	M3	2.8 LB/ACRE						K/Mg Ratio: 0.10
Iron (Fe)	M3	256 LB/ACRE						Ca/Mg Ratio: 6.30
Manganese (Mn)	M3	240 LB/ACRE						
Zinc (Zn)	M3	28.2 LB/ACRE						
Sodium (Na)	M3	138 LB/ACRE						
Soluble Salts								
Organic Matter	LOI	2.5% ENR 94						
Nitrate Nitrogen								

SOIL FERTILITY GUIDELINES												
Crop:	(lbs)	LIME (tons)	N	P ₂ O ₅	K ₂ O	Mg	S	B	Cu	Mn	Zn	Fe
Crop:												

Comments:

M3 - Mehlich 3 BPH - Lime Index LOI - Loss On Ignition 1:1 - Water pH

Analysis prepared by: A&L Analytical Laboratories, Inc.

DRAWN BY: <u>AJS</u>	JOB DATE: <u>June 2016</u>
APPROVED: <u>JSD</u>	JOB NUMBER: <u>75150055</u>
CAD DATE: <u>8/1/2016</u>	1:56:57 PM
CAD FILE: \\hrgrdfrs004\0data\75150055\CAD\0data\75150055_06_Pond_05.dgn	

NO.	DATE	BY	REVISION DESCRIPTION

HRGreen
16020 SWINGLEY RIDGE ROAD, SUITE 205
ST. LOUIS, MISSOURI 63017
PHONE: (636) 519-0990
CORPORATE LICENSE #2002006608

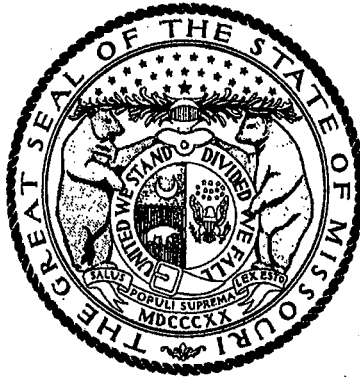
MEXICO ROAD DETENTION BASIN RETROFIT
CITY OF WENTZVILLE
ST. CHARLES COUNTY, MISSOURI

MEXICO ROAD
LANDSCAPE DETAILS

Missouri

Division of Labor Standards

WAGE AND HOUR SECTION



JEREMIAH W. (JAY) NIXON, Governor

Annual Wage Order No. 23

Section 092

ST. CHARLES COUNTY

In accordance with Section 290.262 RSMo 2000, within thirty (30) days after a certified copy of this Annual Wage Order has been filed with the Secretary of State as indicated below, any person who may be affected by this Annual Wage Order may object by filing an objection in triplicate with the Labor and Industrial Relations Commission, P.O. Box 599, Jefferson City, MO 65102-0599. Such objections must set forth in writing the specific grounds of objection. Each objection shall certify that a copy has been furnished to the Division of Labor Standards, P.O. Box 449, Jefferson City, MO 65102-0449 pursuant to 8 CSR 20-5.010(1). A certified copy of the Annual Wage Order has been filed with the Secretary of State of Missouri.

Original Signed by

John E. Lindsey, Director
Division of Labor Standards

This Is A True And Accurate Copy Which Was Filed With The Secretary of State: March 10, 2016

Last Date Objections May Be Filed: April 11, 2016

Prepared by Missouri Department of Labor and Industrial Relations

OCCUPATIONAL TITLE	** Date of Increase	*	Basic Hourly Rates	Over-Time Schedule	Holiday Schedule	Total Fringe Benefits
Asbestos Worker (H & F) Insulator			\$38.36	55	60	\$21.41
Boilermaker			\$32.76	126	7	\$30.10
Bricklayer and Stone Mason	6/16		\$32.50	72	5	\$21.80
Carpenter	6/16		\$36.98	77	41	\$16.30
Cement Mason	6/16		\$31.16	80	6	\$17.95
Communication Technician			\$31.35	44	47	\$9.53 + 31.75%
Electrician (Inside Wireman)			\$34.20	82	71	\$10.78 + 39.5%
Electrician (Outside-Line Construction/Lineman)	9/16		\$43.75	43	45	\$5.25 + 36%
Lineman Operator	9/16		\$37.73	43	45	\$5.25 + 36%
Groundman	9/16		\$29.11	43	45	\$5.25 + 36%
Elevator Constructor		a	\$46.04	26	54	\$31.645
Glazier			\$33.40	87	31	\$23.55
Ironworker			\$32.88	11	8	\$23.825
Laborer (Building):						
General			\$31.18	118	57	\$13.32
First Semi-Skilled			\$32.11	114	27	\$13.17
Second Semi-Skilled			\$31.17	5	3	\$13.17
Lather			USE CARPENTER RATE			
Linoleum Layer and Cutter	6/16		\$31.83	92	26	\$16.00
Marble Mason	6/16		\$31.83	76	51	\$14.62
Marble Finisher	6/16		\$26.42	76	51	\$13.95
Millwright			USE CARPENTER RATE			
Operating Engineer						
Group I	6/16		\$32.41	3	66	\$25.13
Group II	6/16		\$32.41	3	66	\$25.13
Group III	6/16		\$30.51	3	66	\$25.13
Group III-A	6/16		\$32.41	3	66	\$25.13
Group IV	6/16		\$27.05	3	66	\$25.13
Group V	6/16		\$27.05	3	66	\$25.13
Painter			\$31.65	104	12	\$13.76
Pile Driver			USE CARPENTER RATE			
Pipe Fitter	7/16		\$38.00	91	69	\$26.93
Plasterer	7/16		\$31.56	67	3	\$17.98
Plumber	7/16		\$38.00	91	69	\$26.93
Roofer \ Waterproofor			\$31.35	15	73	\$17.12
Sheet Metal Worker			\$39.63	32	25	\$21.72
Sprinkler Fitter - Fire Protection			\$41.56	66	18	\$22.02
Terrazzo Worker	6/16		\$32.30	116	5	\$13.79
Terrazzo Finisher			\$30.35	116	5	\$11.84
Tile Setter	6/16		\$31.83	76	51	\$14.62
Tile Finisher	6/16		\$26.42	76	51	\$13.95
Traffic Control Service Driver			\$28.775	22	55	\$9.045
Truck Driver-Teamster			\$30.41	35	36	\$10.82

Fringe Benefit Percentage is of the Basic Hourly Rate

**Annual Incremental Increase

**ST. CHARLES COUNTY
BUILDING CONSTRUCTION - OVERTIME SCHEDULE**

FED: Minimum requirement per Fair Labor Standards Act means time and one-half (1 ½) shall be paid for all work in excess of forty (40) hours per work week.

NO. 3: Means the regular workday shall consist of eight (8) consecutive hours, exclusive of a thirty (30) minute lunch period, with pay at the straight time rate. The regular workday shall begin between the hours of 6:00 a.m. and 9:00 a.m. The Employer may have the option to schedule the work week from Monday through Thursday at ten (10) hours per day at the straight time rate of pay with all hours in excess of ten (10) hours in any one day to be paid at the applicable overtime rate. If the Employer elects to work from Monday through Thursday and is stopped due to inclement weather, holiday or other conditions beyond the control of the Employer, they shall have the option to work Friday at the straight time rate of pay to complete the forty (40) hours for the workweek. All overtime work performed on Monday through Saturday shall be paid at time and one-half (1½) the hourly rate plus an amount equal to one-half (½) of the hourly Total Indicated Fringe Benefits. All work performed on Sundays and recognized holidays shall be paid at double (2) the hourly rate plus an amount equal to the hourly Total Indicated Fringe Benefits. Shifts may be established when considered necessary by the Employer. Shift hours and rates will be as follows. If shifts are established, work on the First Shift will begin between 6:00 a.m. and 9:00 a.m. and consist of eight (8) hours of work plus one-half hour unpaid lunch. Hours worked during the first shift will be paid at the straight time rate of pay. The second shift shall start eight hours after the start of the first shift and consist of eight (8) hours of work plus one-half hour unpaid lunch. Work on the second shift will begin between 2:00 p.m. and 5:00 p.m. and be paid the straight time rate plus \$2.50 per hour. The third shift shall start eight hours after the start of the second shift and consist of eight (8) hours plus one-half hour unpaid lunch. Work on the third shift will begin between 10:00 p.m. and 1:00 a.m. and be paid the straight time rate plus \$3.50 per hour. The additional amounts that are to be paid are only applicable when working shifts. Shifts that begin on Saturday morning through those shifts which end on Sunday morning will be paid at time and one-half these rates. Shifts that begin on Sunday morning through those shifts which end on Monday morning will be paid at double time these rates.

NO. 5: Means eight (8) hours shall constitute the regular workday between the hours of 6:00 a.m. and 5:30 p.m., except when the Employer elects to work four 10-hour days as described below. The starting time of the workday can be adjusted from 6:00 a.m. to 9:00 a.m. The Employer may have the option to schedule his workweek from Monday through Thursday at ten (10) hours per day at the straight time rate of pay with all hours in excess of ten (10) hours in any one day to be at the applicable overtime rate. If the Employer elects to work from Monday through Thursday and is stopped due to inclement weather (rain, snow, sleet falling), he shall have the option to work Friday at the straight time rate of pay to complete his forty (40) hours. However, should a holiday occur, Monday through Thursday, the Employer shall have the option to work Friday at the straight time rate of pay to complete his forty (40) hours. Time and one-half (1½) shall be paid for work performed in excess of eight (8) hours on any regular workday or outside the hours limiting a regular workday, Monday through Friday. Time and one-half (1½) shall be paid for work performed on Saturdays. Double (2) time shall be paid for work performed on Sundays and recognized holidays. Overtime shall be computed at one-half (½) hour intervals. **Projects that cannot be performed during regular workday:** Where specifications issued by governmental agencies require work to be performed outside the regular workday, the starting time will begin when the employee starts to work. The employee shall be paid applicable straight time hourly wage plus a premium of (\$2.50) per hour for the first eight (8) hours worked. Any hours worked in excess of eight (8) hours shall be paid at the applicable overtime rate. **Shift work:** Shifts may be established when necessary by the Employer. Shifts shall be established for a minimum of three (3) consecutive workdays. The first shift will be paid at eight (8) hours straight time pay for eight (8) hours worked. The second shift will be paid at eight (8) hours straight time pay plus a two dollar and fifty cent (\$2.50) per hour premium for eight (8) hours work. The third shift will be paid at eight (8) hours straight time pay plus a three dollar and fifty cent (\$3.50) per hour premium for eight (8) hours work. Payment for shift work shall be determined when an Employer first begins his shift operation, i.e., the shifts which begin on Friday morning and end on Saturday morning will be paid straight time; the shifts which start on Saturday morning and end on Sunday morning will be paid at time and one-half (1½); the shift that start on Sunday morning and end on Monday morning will be paid at two (2) times the regular rate of pay. Employees working during the normal workday shall receive first shift pay; employees working predominantly during the evening hours shall receive second shift pay; employees working predominately during the early morning hours will receive third shift pay. Nothing above prohibits the working of two (2) shifts greater than eight (8) hours with excess hours to be paid at overtime rate.

NO. 11: Means eight (8) hours shall constitute a day's work, with the starting time to be established between 6:00 a.m. and 8:00 a.m. from Monday to Friday. Time and one-half (1½) shall be paid for first two (2) hours of overtime Monday through Friday and the first eight (8) hours on Saturday. All other overtime hours Monday through Saturday shall be paid at double (2) time rate. Double (2) time shall be paid for all time on Sunday and recognized holidays or the days observed in lieu of these holidays.

**ST. CHARLES COUNTY
BUILDING CONSTRUCTION - OVERTIME SCHEDULE**

NO. 15: Means the regular working day shall be scheduled to consist of at least eight (8) hours, but no more than ten (10) consecutive hours, exclusive of the lunch period. The regular working day may be scheduled to commence at any time between the hours of 5:00 a.m. and 10:00 a.m. All work performed in excess of forty (40) hours in one work week, or in excess of ten (10) hours in one work day shall be paid at the rate of one and one-half (1½) times the regular hourly wage scale. Any work performed on a Saturday shall be paid for at the rate of one and one-half (1½) times the regular hourly wage scale unless such Saturday work falls under the category of Saturday Make-Up Day. Any work performed by Employees anywhere on Sunday or recognized holidays, shall be paid for at the rate of double (2) times the regular wage scale. If, during the course of a work week, an Employee is unable to work for any reason, and, as a result, that Employee has not accumulated forty (40) hours of compensable time at the straight time rate, the Employer, at his option may offer the Employee the opportunity to work on Saturday at straight time; provided, however, if during the period worked by said Employee on Saturday, the Employee's compensable time at the straight time rate exceeds forty (40) hours, all time worked in excess of the forty (40) hours will be paid at the rate of one and one-half (1½) times the regular hourly wage scale.

NO. 22: Means a regular work week of forty (40) hours will start on Monday and end on Friday. The regular work day shall be either eight (8) or ten (10) hours. If a crew is prevented from working forty (40) hours Monday through Friday, or any part thereof by reason of inclement weather, Saturday or any part thereof may be worked as a make-up day at the straight time rate. Employees who are part of a regular crew on a make-up day, notwithstanding the fact that they may not have been employed the entire week, shall work Saturday at the straight time rate. A workday is to begin between 6:00 a.m. and 9:00 a.m. However, the project starting time may be advanced or delayed if mutually agreed to by the interest parties. For all time worked on recognized holidays, or days observed as such, double (2) time shall be paid.

NO. 26: Means that the regular working day shall consist of eight (8) hours worked between 6:00 a.m., and 5:00 p.m., five (5) days per week, Monday to Friday, inclusive. Hours of work at each jobsite shall be those established by the general contractor and worked by the majority of trades. (The above working hours may be changed by mutual agreement). Work performed on Construction Work on Saturdays, Sundays and before and after the regular working day on Monday to Friday, inclusive, shall be classified as overtime, and paid for at double (2) the rate of single time. The employer may establish hours worked on a jobsite for a four (4) ten (10) hour day work week at straight time pay for construction work; the regular working day shall consist of ten (10) hours worked consecutively, between 6:00 a.m. and 6:00 p.m., four (4) days per week, Monday to Thursday, inclusive. Any work performed on Friday, Saturday, Sunday and holidays, and before and after the regular working day on Monday to Thursday where a four (4) ten (10) hour day workweek has been established, will be paid at two times (2) the single time rate of pay. The rate of pay for all work performed on holidays shall be at two times (2) the single time rate of pay.

NO. 32: The regular working day shall consist of eight (8) hours of labor on the job between six (6) a.m. and four (4) p.m. and the regular working week shall consist of five (5) consecutive eight (8) hour day's of labor on the job beginning with Monday and ending with Friday of each week. The normal work week is 40 hours. All full-time or part-time labor performed during such hours shall be recognized as regular working hours and paid for at the regular hourly rate. **All work performed during regular work hours on Saturdays will be paid at time and one-half (1 ½).** All work performed outside of regular working hours and performed during the regular work week, shall be at double (2) times the regular rate, except that the first two (2) hours following the regular work day shall be paid at one and one-half (1½) times the regular rate. An early starting time of 6:00 a.m. may be used mutually agreed upon by the interested parties. **SHIFT RATE:** Shift work would start after 4:00 p.m. to 6:00 a.m. The first 8 hours would be at 115% of the basic wage rate. Overtime Monday through Friday would be at 1 ½ of base shift rate. Saturday regular work day hours – 1½ of base shift rate. Saturday – work after 8 hours – 2 times the basic wage rate. Sunday and Holidays – 2 times the basic wage rate. All work performed on recognized holidays and Sundays shall be paid double (2) time. Appropriate overtime rates to be based on fifteen minute increments.

NO. 35: Means a regular work week of forty (40) hours, will start on Monday and end on Friday. The regular work day shall be either eight (8) or ten (10) hours. If a crew is prevented from working forty (40) hours Monday through Friday, or any part thereof by reason of inclement weather, Saturday or any part thereof maybe worked as a make-up day at the straight time rate. Employees who are part of a regular crew on a make-up day, notwithstanding the fact that they may not have been employed the entire week, shall work Saturday at the straight time rate. A work day is to begin between 6:00 a.m. and 9:00 a.m. However, the project starting time maybe advanced or delayed if mutually agreed to by the interested parties. For all time worked on recognized holidays, or days observed as such, double (2) time shall be paid.

**ST. CHARLES COUNTY
BUILDING CONSTRUCTION - OVERTIME SCHEDULE**

NO. 43: Eight (8) hours shall constitute a work day between the hours of 7:00 a.m. and 4:30 p.m. Forty (40) hours within five (5) days, Monday through Friday inclusive, shall constitute the work week. Work performed in the 9th and 10th hour, Monday through Friday, shall be paid at time and one-half (1½) the regular straight time rate of pay. Contractor has the option to pay two (2) hours per day at the time and one-half (1½) the regular straight time rate of pay between the hours of 6:00 a.m. and 5:30 p.m., Monday through Friday. Work performed outside the regularly scheduled working hours and on Saturdays, Sundays and recognized legal holidays, or days celebrated as such, shall be paid for at the rate of double (2) time.

NO. 44: Means forty (40) hours shall constitute a work week, Monday through Friday. Eight (8) hours shall constitute a work day. Hours of work shall be between the hours of 7:00 a.m. and 4:30 p.m. All work performed before 7:00 a.m. and after 4:30 p.m. and all work performed in excess of eight (8) hours in any one work day, over forty (40) hours in any work week and the first eight (8) hours of work on Saturday, shall be paid at the rate of one and one-half (1½) times the regular rate of pay. All hours worked in excess of eight (8) hours on Saturday, all hours worked on Sunday and on holidays, or days that may be celebrated as such, and as designated by the federal government, shall be paid at two (2) times the regular rate of pay. All shifts for work performed between the hours of 4:30 p.m. and 1:00 a.m. shall receive eight (8) hours pay at the regular hourly rate of pay plus two dollars (\$2.00) per clock hour. All work performed between the hours of 12:30 a.m. and 9:00 a.m. on a third shift shall receive eight (8) hours pay at the regular hourly rate plus four dollars (\$4.00) per clock hour. All overtime work required after the completion of a regular shift shall be paid at one and one-half times (1½ x) the "shift" hourly rate.

NO. 55: Means the regular work day shall be eight (8) hours between 6:00 a.m. and 4:30 p.m. The first two (2) hours of work performed in excess of the eight (8) hour work day, Monday through Friday, and the first ten (10) hours of work on Saturday, shall be paid at one & one-half (1½) times the straight time rate. All work performed on Sunday, observed holidays and in excess of ten (10) hours a day, Monday through Saturday, shall be paid at double (2) the straight time rate.

NO. 66: Means eight (8) hours shall constitute a day's work beginning at 7:00 a.m. (or 8:00) A.M. and ending at 3:30 (or 4:30) P.M. The work week shall be forty (40) hours beginning Monday at 7:00 a.m. (or 8:00) A.M. and ending Friday at 3:30 (or 4:30) P.M. The Employer at his option may use a flexible starting time between the hours of 6:00 a.m. and 8:00 a.m. All overtime, that is worked outside of the above established working hours of Monday through Friday, shall be paid at double (2) time, including Saturdays, Sundays and Holidays.

NO. 67: Means eight (8) hours shall constitute a day's work, with a flexible starting time to begin between 6:00 a.m. to 8:00 a.m., five (5) days a week, Monday through Friday. Any work over eight (8) hours in any one day shall be at the overtime rate, which is time & one-half (1½). Any work on Saturday shall be at time & one-half (1½), unless a Make-Up Day due to inclement weather is in effect. Any work on Sundays or holidays shall be at double (2) time. Four (4) days, ten (10) hours each day to be worked during Monday through Friday, shall be paid at straight time. A Make-Up Day Due To Inclement Weather Only - Employee(s) will be permitted to work an eight (8) hour make-up day on Saturday only, and the employee will receive the regular straight time wage rate.

NO. 72: Means that except as is otherwise provided herein, the work week shall be determined to begin at 8:00 a.m. Wednesday and end at 4:30 p.m. on the following Tuesday. Except as herein provided, working hours are from 8:00 a.m. to 11:55 a.m. and 12:30 p.m. to 4:25 p.m. and no more than the regular hours shall be worked during the forenoon or afternoon at the regular rate. In the case of days of inclement weather starting time and quitting time may be adjusted so long as the hours worked on such days do not exceed eight (8) and do not extend beyond 4:30 p.m. In circumstances where the Employee or Employees have regularly been working overtime on a particular day or days, no adjustment in the starting time shall operate to deprive Employees of overtime pay, which they would have otherwise received but for the change in the starting time. The parties understand that the application of the provisions of the preceding sentence will result in Employees receiving overtime pay even where they have not worked more than with (8) hours on a particular day. Regardless of the starting time, the forenoon working hours shall end at 11:55 a.m. and the afternoon working hours shall begin at 12:30 p.m. and end 8 hours and 25 minutes after the starting time fixed by the Employer for forenoon hours. Work performed by an employee on a non-holiday Saturday, except as hereinafter provided, or at night or before or after regular working hours on a non-holiday weekday, shall be considered overtime work, for which Employees working during such time shall be paid at the rate of one and one-half (1½) times their regular hourly wage rate for each hour or fraction thereof, worked during such time. Work performed on a Sunday or the recognized holidays shall be considered overtime work for which the Employee shall be paid twice the amount of his or her regular hourly wage rate for each hour or fraction thereof worked on any such day.

**ST. CHARLES COUNTY
BUILDING CONSTRUCTION - OVERTIME SCHEDULE**

NO. 76: Means the standard workday shall consist of eight (8) hours of work between the hours of 8:00 a.m. and 4:30 p.m. with a thirty (30) minute unpaid lunch hour occurring in the middle of the shift. The standard workweek shall consist of five standard workdays commencing on Monday and ending on Friday. The normal starting and quitting times may be changed by mutual consent of interested parties. All time worked before and after the established eight (8) hour workday, Monday through Friday, and all time worked on Saturday, shall be paid for at the rate of time & one-half (1½) the hourly base wage rate in effect. All time worked on Sunday and holidays shall be paid at the rate of double (2) the hourly wage in effect. All work done on Saturday will be done at time & one-half (1½), unless Saturday shall be used as a make-up day. If an employee should lose one or more days in a work week and use Saturday as a make-up day the pay shall be at the regular hourly base wage rate and benefits.

NO. 77: Means the regular workday shall consist of eight (8) consecutive hours, exclusive of a thirty (30) minute lunch period, with pay at the regular straight time hourly rate. The regular workday shall begin on the job site between the hours of 6:00 a.m. and 8:00 a.m. with the starting time to be determined by the Employer, unless project owner requires different starting time. This adjustable starting time can, at the Employer's option, be staggered to permit starting portions of the work force at various times within the prescribed hours. The Employer may establish a four (4) ten (10) hour shift exclusive of the thirty (30) minute lunch period at the straight time wage rate. Forty (40) hours per week shall constitute a week's work Monday through Thursday. In the event a job is down due to weather conditions, safety or other conditions beyond the control of the Employer, then Friday may, at the option of the employer, be worked as a make-up day at the straight time wage rate. Straight time is not to exceed ten (10) hours a day or forty (40) hours per week. Time and one-half (1 ½) shall be paid for all overtime hours worked during the week, Monday through Friday and for all work performed on Saturday. Double (2) time shall be paid for all time worked on Sunday and recognized holidays.

NO. 80: Means eight (8) hours shall constitute the regular work day and forty (40) hours a work week, Monday through Friday. The Employer shall establish the starting time between 6:30 a.m. through 9:00 a.m. An Employer may further adjust the starting time up to 9:30 a.m. throughout the year. Time and one-half (1½) shall be paid after eight (8) consecutive hours worked after the established starting time and for hours worked before the established starting time. Time and one-half (1½) shall be paid for work performed on Saturdays. Work performed on Sundays and Holidays shall be paid at the double (2) time rate of pay. The Employer when working on Highway and Road Work may have the option to schedule the work week for his paving crew only from Monday through Thursday at ten (10) hours per day at the straight time rate of pay with all hours in excess of ten (10) hours in any one day to be at the applicable overtime rate of time and one-half (1½). If the Employer elects to work from Monday through Thursday and is stopped due to inclement weather (rain, snow, sleet falling), the Employer shall have the option to work Friday at the straight time rate of pay to complete the forty (40) hours.

NO. 82: Means the work day shall consist of eight (8) hours worked between 7:00 a.m. and 4:30 p.m. Forty (40) hours will constitute the work week from Monday through Friday, inclusive. Up to four (4) hours of overtime work per day performed before or after the assigned normal work day, (twelve (12) continuous hours, starting no earlier than 6:00 a.m., Monday through Friday), shall be paid at a rate of one and one-half times (1.5x) that employee's hourly rate. Any additional overtime, Monday through Friday, shall be paid at two times (2x) the regular rate of pay. The first eight hours of overtime work on Saturday shall be paid at the rate of one and one-half times (1.5x) the regular rate of pay. Hours worked in excess of eight (8) hours on Saturday shall be paid at two times (2x) the regular rate of pay. Double time shall be paid for work performed on Sundays, recognized legal holidays or days that may be celebrated as such as designated by the federal government. All shifts for work performed between the hours of 4:30 p.m. and 1:00 a.m. shall be paid at the regular hourly rate plus two dollars (\$2.00) per clock hour. All shifts for work performed between the hours of 12:30 a.m. and 9:00 a.m. shall be paid at the regular hour rate plus four dollars (\$4.00) per clock hour. All overtime work required after the completion of a regular shift shall be paid at one and one-half times (1.5x) the "shift" hourly rate.

NO. 87: Means eight (8) hours starting between 6:00 a.m. and 8:00 a.m. and ending between 2:30 p.m. and 4:30 p.m. at the Employers discretion shall constitute a day's work. Any work prior to 6:00 a.m. or after eight (8) hours shall be paid at the overtime rate. Five (5) days from Monday through Friday inclusive shall constitute a regular work week. All hours before and after these regular hours shall be considered overtime and shall be paid for at the rate of double (2) time. All work on Saturday and Sunday shall be paid at double (2) the prevailing scale of wages.

**ST. CHARLES COUNTY
BUILDING CONSTRUCTION - OVERTIME SCHEDULE**

NO. 91: Means eight (8) hours shall constitute a day's work commencing at 7:00 a.m. and ending at 3:30 p.m., allowing one-half (½) hour for lunch. The option exists for the Employer to use a flexible starting time between the hours of 6:00 a.m. and 9:00 a.m. The regular workweek shall consist of forty (40) hours of five (5) workdays, Monday through Friday. The workweek may consist of four (4) ten (10) hour days from Monday through Thursday, with Friday as a make-up day. If the make-up day is a holiday, the employee shall be paid at the double (2) time rate. The employees shall be paid time and one-half (1½) for work performed on Saturdays, before the regular starting time or after the regular quitting time or over eight (8) hours per work day (unless working a 10-hour work day, then time and one-half (1½) is paid for work performed over ten (10) hours a day) or over forty (40) hours per work week. Work performed on Sundays and recognized holidays shall be paid at the double (2) time rate of pay. **SHIFT WORK:** When it is necessary for the project to operate in shifts, there will be three (3) eight (8) hour shifts commencing at 8:00 a.m. Shift work must continue for a period of not less than three (3) consecutive work days, two (2) days which must be regular work days (Monday through Friday). In the event the second or third shift of any regular work day shall fall into a Saturday or a holiday, such extension into a Saturday or holiday shall be considered as part of the previous workday and employees shall be paid at the regular shift rate. The first day shift shall work a regular eight (8) hour day at regular rates. The second shift shall be eight (8) hours regular time pay plus \$2.50 per hour premium for eight (8) hours work. Third shift will be for eight (8) hours regular time pay plus \$3.00 per hour premium for eight (8) hours work.

NO. 92: Means all work performed from 8:00 a.m. to 4:30 p.m., Monday through Friday, will be at straight time pay up to forty (40) hours per week. All work performed Monday through Friday before 8:00 a.m. and after 4:30 p.m. will be done at time and one-half (1½). All work done on Saturday will be done at time and one-half (1½), unless the employer and employee agree that Saturday shall be used as a make-up day. The Employer may use a flexible starting time of 7:00 a.m. to 8:00 a.m., and quitting time of 3:30 p.m. to 4:30 p.m., and any such different work starting time shall determine whether wages are payable at the straight rate or the premium rate. All work performed on Saturday shall be paid for at time and one-half (1½), unless the Saturday has been used as a make-up day. All work performed on Sunday and holidays shall be paid for at the rate of double (2) time.

NO. 104: Means eight (8) hours per day shall constitute a standard work day between the hours of 6:00 a.m. and 8:00 p.m. The standard work week shall be forty (40) hours between 6:00 a.m. on Monday and ending 8:00 p.m. on Friday. An overtime rate of time and one-half (1½) the base hourly rate shall be paid on all hours in excess of eight (8) hours in a day Monday through Friday. Saturdays shall be considered overtime and work done on Saturday shall be paid at time and one-half (1½) the prevailing scale. Sundays and holidays shall be considered overtime and work done on these days shall be paid at double (2) the prevailing scale.

NO. 114: Means eight (8) hours shall constitute a regular work day between the hours of 7:00 a.m. and 5:30 p.m. with a thirty (30) minute lunch period to start between the hours of 11:00 a.m. and 1:00 p.m. Five (5) days shall constitute a regular work week commencing on Monday and ending on Friday. One and one-half (1½) times the regular hourly rate of pay shall be paid for all overtime work, with the exception of holidays or Sundays. Overtime work shall be deemed to include any work performed in excess of eight (8) hours on any day in the regular work week, or any work performed before 7:00 a.m. or after 5:30 p.m. on any day in the regular work week. If a crew is prevented from working forty (40) hours Monday through Friday by reason of inclement weather, then Saturday may be worked by that crew as a make-up day at the straight time rate. Double (2) time shall be paid for work performed on Sundays and holidays, or days observed as such. **Shift Work:** In the case of three (3) shifts, workmen shall be paid eight (8) hours for seven and one-half (7½) hours worked.

NO. 116: Means the standard work day shall consist of eight (8) hours of work between the hours of 8:00 a.m. and 4:30 p.m. The standard work week shall consist of five standard work days commencing on Monday and ending on Friday inclusive. All time worked before and after the established eight (8) hour work day, Monday through Friday, and all time worked on Saturdays, shall be paid for at the rate of time & one-half (1½) the hourly base wage rate in effect. All time worked on Sundays and recognized holidays shall be paid for at the rate of double (2) the hourly base wage rate in effect.

**ST. CHARLES COUNTY
BUILDING CONSTRUCTION - OVERTIME SCHEDULE**

NO. 118: Means eight (8) hours shall constitute the regular work day, between the hours of 6:00 a.m. and 5:30 p.m. except when the Employer elects to work four (4) ten (10) hour days as described below. The starting time of the workday can be adjusted from 6:30 a.m. to 9:00 a.m. The Employer may have the option to schedule his work week from Monday through Thursday at ten (10) hours per day at the straight time rate of pay with all hours in excess of ten (10) hours in any one day to be at the applicable overtime rate. If the Employer elects to work from Monday through Thursday and is stopped due to inclement weather (rain, snow, sleet falling), or other conditions beyond the control of the Employer, the Employer shall have the option to work Friday at the straight time rate of pay to complete his forty (40) hours. However, should a holiday occur, Monday through Thursday, the Employer shall have the option to work Friday at the straight time rate of pay to complete his forty (40) hours. Time and one-half (1½) shall be paid for work performed in excess of eight (8) hours on any regular work day or outside the hours limiting a regular work day. Straight time is not to exceed ten (10) hours a day or forty (40) hours per week. When an Employer works a project on a four (4) ten (10) hour day work schedule, the Employer will not bring in any other crew for a fifth workday on the project while not calling in the normal crew that had been scheduled for that project. Time and one-half (1½) shall be paid for work performed on Saturdays. Double (2) time shall be paid for work performed on Sundays and recognized holidays. Overtime shall be computed at one-half (1/2) intervals. Projects that cannot be performed during regular workday: If required by owner, the contractor may perform work outside the normal work hours and employees shall be paid applicable straight time hourly wage rate plus a premium of one dollar and fifty cents (\$1.50) per hour for the first eight (8) hours worked. Any hours worked in excess of eight (8) hours shall be paid at the applicable overtime rate plus the one dollar and fifty cent (\$1.50) per hour premium. The overtime rate shall be computed after the \$1.50 premium has been added to the hourly wage rate. However, if a contractor employs any other craft on a project being worked outside the normal workday, and is paying the other craft a higher premium, then the Laborers employed by such contractor on such project outside the normal work hours shall be paid the higher premium. Shift work: Shifts may be established when necessary by the Employer. Shifts shall be established for a minimum of three (3) consecutive workdays. The first shift will be paid at eight (8) hours straight time pay for eight (8) hours work. The second shift will be paid at eight (8) hours straight time pay plus a thirty-five cent (\$.35) per hour premium for seven and one-half (7½) hours work. The third shift will be paid at eight (8) hours straight time pay plus a forty-cent (\$.40) per hour premium for seven (7) hours work. Overtime is computed after the premium has been added to the hourly wage rate. Nothing above prohibits the working of two (2) shifts greater than eight (8) hours with excess hours to be paid at overtime rate.

NO. 126: Means eight (8) hours per day shall constitute a day's work and forty (40) hours per week, Monday through Friday, shall constitute a week's work. The regular starting time shall be 8:00 a.m. If a second or third shift is used, the regular starting time of the second shift shall be 4:30 p.m. and the regular starting period for the third shift shall be 12:30 a.m. These times may be adjusted by the employer. The day shift shall work a regular eight (8) hours shift as outlined above. Employees working a second shift shall receive an additional \$0.25 above the regular hourly rate and perform seven and one-half (7½) hours work for eight (8) hours pay. Third shift employees shall be paid an additional \$0.50 above the regular hourly rate and work seven (7) hours for eight (8) hours pay. When circumstances warrant, the Employer may change the regular workweek to four (4) ten-hour days at the regular time rate of pay. All time worked before and after the established workday of eight (8) hours, Monday through Friday, and all time worked on Saturday shall be paid at the rate of time and one-half (1½) except in cases where work is part of an employee's regular Friday shift. All time worked on Sunday and recognized holidays shall be paid at the double (2) time rate of pay except in cases where work is part of an employee's previous day's shift. For all overtime hours worked \$27.96 of the fringe benefits portion of the prevailing wage shall be paid at the same overtime rate at which the cash portion of the prevailing wage is to be paid. The remaining \$1.24 of the fringe benefit portion of the prevailing wage may be paid at straight time.

**ST. CHARLES COUNTY
HOLIDAY SCHEDULE – BUILDING CONSTRUCTION**

NO. 3: All work done on New Year's Day, Decoration Day, July 4th, Labor Day, Veteran's Day, Thanksgiving and Christmas shall be compensated at the double (2) time rate of pay. When any of these holidays fall on a Sunday, the following Monday shall be observed.

NO. 5: All work that shall be done on New Year's Day, Memorial Day, Independence Day, Labor Day, Veteran's Day, Thanksgiving Day, and Christmas Day shall be paid twice the amount of his or her regular hourly wage rate for each hour of fraction thereof worked on any such day .

NO. 6: The following days are recognized as holidays: New Year's Day, Memorial Day, Fourth of July, Labor Day, Veterans Day, Thanksgiving Day, Christmas Day and any additional holidays which may be mutually agreed upon. Whenever any such holiday falls on a Sunday, the following Monday shall be recognized and observed as the holiday. Work performed on Sundays and holidays shall be paid at the double time rate of pay. No work shall be performed on Labor Day.

NO. 7: The following days are assigned days and are recognized as holidays: New Year's Day, Memorial Day, Independence Day, Labor Day, Veteran's Day, Thanksgiving Day, and Christmas Day. If a holiday falls on a Sunday, it shall be observed on the following Monday. If a holiday falls on a Saturday, it shall be observed on the preceding Friday. No work shall be performed on Labor Day except in case of jeopardy to work under construction. This is applied to protect Labor Day. When a holiday falls during the normal workweek, Monday through Friday, it shall be counted as eight (8) hours toward the forty (40) hour week. However, no reimbursement for these eight (8) hours is to be paid to the workman unless worked. If workman are required to work the above enumerated holidays or days observed as such, or on Sunday, they shall receive double (2) the regular rate of pay for such work.

NO. 8: All work performed on New Year's Day, Memorial Day, Independence Day, Labor Day, Veteran's Day, Thanksgiving Day, and Christmas Day, or the days observed in lieu of these holidays, shall be paid at the double time rate of pay.

NO. 12: All work done on New Year's Day, Decoration Day, Independence Day, Veteran's Day, Thanksgiving Day and Christmas Day shall be paid at the double time rate of pay. Should any of these days fall on Sunday, then the following day shall be observed as the holiday. Under no circumstances shall employees be permitted to work on Labor Day.

NO. 18: All work done on New Year's Day, Memorial Day, July 4th, Labor Day, Veteran's Day, Thanksgiving Day, the Friday following Thanksgiving and Christmas Day shall be paid at the double time rate of pay. When one of the above holidays falls on Sunday, the following Monday shall be considered the holiday, and when one of the above holidays falls on Saturday, the preceding Friday shall be considered the holiday, and all work performed on said day(s) shall be paid at the double time rate.

NO. 25: All work done on New Year's Day, Martin Luther King Day, Memorial Day, Independence Day, Labor Day, Veteran's Day, Thanksgiving Day, the day after Thanksgiving, Christmas Day, Presidential Election Day, or days locally observed as such, and Saturday and Sunday shall be recognized as holidays and shall be paid at the double (2) time rate of pay. If a named holiday falls on a Saturday, the holiday will be observed on the preceding Friday. When a named holiday falls on Sunday, the Monday after will be observed as the holiday. Appropriate overtime rates to be based on fifteen minute increments.

NO. 26: All work done on New Year's Day, Memorial Day, Fourth of July, Labor Day, Veteran's Day, Thanksgiving Day and Christmas Day shall be paid at the double time rate of pay. When a Holiday occurs on Saturday it shall not be observed on either the previous Friday or the following Monday. Such days shall be regular work days. If such a holiday occurs on Sunday it shall be observed on the following Monday.

NO. 27: All work done on the following holidays or days observed as such shall be paid at the double time rate of pay: New Year's Day, Memorial Day, Independence Day, Labor Day, Veteran's Day, Thanksgiving Day and Christmas Day.

**ST. CHARLES COUNTY
HOLIDAY SCHEDULE – BUILDING CONSTRUCTION**

NO. 31: All work done on New Year's Day, Presidents Day, Good Friday, Memorial Day, Fourth of July, Labor Day, Veteran's Day, Thanksgiving Day, Friday after Thanksgiving Day, Christmas Day, and Employee's Birthday shall be paid at the double time rate of pay. If a holiday falls on Sunday, the following Monday will be observed as the recognized holiday. If a holiday falls on Saturday, the preceding Friday will be observed as the recognized holiday.

NO. 36: The following days are recognized as holidays: New Year's Day, Memorial Day, Independence Day, Labor Day, Thanksgiving Day and Christmas Day. If a holiday falls on a Sunday, it shall be observed on the following Monday. No work shall be performed on Labor Day except in case of jeopardy to work under construction. This rule is applied to protect Labor Day. When a holiday falls during the normal work week, Monday through Friday, it shall be counted as eight (8) hours toward the forty (40) hour week; however, no reimbursement for this eight (8) hours is to be paid the workman unless worked. An Employer working a four (4) day, ten (10) hour schedule may use Friday as a make-up day when an observed holiday occurs during the work week. Employees have the option to work that make-up day. If workmen are required to work the above enumerated holidays, or days observed as such, they shall receive double (2) the regular rate of pay for such work.

NO. 41: The following days shall be observed as legal holidays: New Year's Day, Memorial Day, Fourth of July, Labor Day, Veteran's Day, Thanksgiving Day and Christmas Day. No work shall be performed on the Fourth of July, Labor Day or Christmas Day. Any work performed on the above holidays shall be paid for at two (2) times the regular straight time rate of pay. When any of the above holidays fall on Sunday, the following Monday shall be observed as such holiday. If a holiday falls on Saturday, it shall not be considered to be observed on the previous Friday or following Monday. Such days shall be regular workdays.

NO. 45: All work performed on New Year's Day, Memorial Day, Independence Day, Labor Day, Veteran's Day, Thanksgiving Day, the day after Thanksgiving, the day before Christmas, and Christmas Day, shall be paid at the double time rate of pay.

NO. 47: The following holidays are recognized: New Year's Day, Memorial Day, Fourth of July, Labor Day, Veteran's Day, Thanksgiving Day, the day after Thanksgiving and Christmas Day. When a holiday listed above falls on Saturday, it shall be celebrated on the Friday preceding the holiday. When a holiday falls on Sunday, the following Monday shall be observed. Holidays referred to above shall be paid for at the double (2) time rate of pay when worked.

NO. 51: All time worked on Sundays and recognized holidays shall be paid for at the rate of double (2) the hourly base wage rate in effect. The Employer agrees to recognize the following holidays: New Year's Day, Memorial Day, Independence Day, Labor Day, Veteran's Day, Thanksgiving Day and Christmas Day. If the holiday falls on Sunday, it shall be recognized on the following Monday. If the holiday falls on a Saturday, it shall be recognized as a Saturday only holiday.

NO. 54: All work performed on New Year's Day, Memorial Day, Independence Day, Labor Day, Veteran's Day, Thanksgiving Day, the Friday after Thanksgiving Day, and Christmas Day shall be paid at the double (2) time rate of pay. When a holiday falls on Saturday, it shall be observed on Friday. When a holiday falls on Sunday, it shall be observed on Monday.

NO. 55: The following days are recognized as holidays: New Year's Day, Memorial Day, Independence Day, Labor Day, Thanksgiving Day and Christmas Day. If a holiday falls on a Sunday, it shall be observed on the following Monday. No work shall be performed on Labor Day except in case of jeopardy to work under construction. This rule is applied to protect Labor Day. When a holiday falls during the normal work week, Monday through Friday, it shall be counted as eight (8) hours toward the forty (40) hour week; however, no reimbursement for this eight (8) hours is to be paid the workmen unless worked. An Employer working a four (4) day, ten (10) hour schedule may use Friday as a make up day when an observed holiday occurs during the work week. Employees have the option to work that make up day. If workmen are required to work the above enumerated holidays, or days observed as such, they shall receive double (2) the regular rate of pay for such work.

**ST. CHARLES COUNTY
HOLIDAY SCHEDULE – BUILDING CONSTRUCTION**

NO. 57: All work done on New Year's Day, Memorial Day, Independence Day, Labor Day, Veteran's Day (November 11), Thanksgiving Day, and Christmas Day shall be compensated at the double (2) time rate of pay. When any of these holidays fall on a Sunday, the following Monday shall be observed. No work shall be performed on the days set forth except in cases of emergencies to protect life or property.

NO. 60: All work performed on New Year's Day, Armistice Day (Veteran's Day), Decoration Day (Memorial Day), Independence Day (Fourth of July), Thanksgiving Day and Christmas Day shall be paid at the double time rate of pay. No work shall be performed on Labor Day except when triple (3) time is paid. When a holiday falls on Saturday, Friday will be observed as the holiday. When a holiday falls on Sunday, the following Monday shall be observed as the holiday.

NO. 66: All work performed on Sundays and the following recognized holidays, or the days observed as such, of New Year's Day, Decoration Day, Fourth of July, Labor Day, Veteran's Day, Thanksgiving Day and Christmas Day, shall be paid at double (2) the hourly rate plus an amount equal to the hourly Total Indicated Fringe Benefits. Whenever any such holidays fall on a Sunday, the following Monday shall be observed as a holiday.

NO. 69: All work performed on New Year's Day, Memorial Day, July Fourth, Labor Day, Veteran's Day, Thanksgiving Day or Christmas Day shall be compensated at double (2) their straight-time hourly rate of pay. Friday after Thanksgiving and the day before Christmas are also holidays, however, if the employer chooses to work the normal work hours on these days, the employee will be paid at straight -time rate of pay. If a holiday falls on a Saturday, the holiday will be observed on Saturday; if a holiday falls on a Sunday, the holiday will be observed on the following Monday.

NO. 71: All work performed on the following recognized holidays, or days that may be celebrated as such, shall be paid at the double (2) time rate of pay: New Year's Day, Memorial Day, Independence Day, Labor Day, Veterans Day, Thanksgiving Day, Day after Thanksgiving and Christmas Day. If a holiday falls on Sunday, it shall be celebrated on Monday. If a holiday falls on Saturday, it shall be celebrated on the Friday proceeding such Saturday.

NO. 73: The following days are recognized as holidays: New Year's Day, Memorial Day, Fourth of July, Labor Day, Veteran's Day (or mutually agreed date of the Friday after Thanksgiving Day may be substituted for Veteran's Day), Thanksgiving Day and Christmas Day, or in the event that any of said Holidays falls on Sunday, then the day or days generally recognized as such. Any work performed anywhere on any of the aforesaid Holidays, or on the day or days recognized and observed as such, shall be paid for at double (2) time the regular hourly rate.

OCCUPATIONAL TITLE	* Date of Increase	Basic Hourly Rates	Over-Time Schedule	Holiday Schedule	Total Fringe Benefits
Carpenter	6/16	\$36.21	23	16	\$16.10
Cement Mason	6/16	\$31.16	17	11	\$17.95
Electrician (Outside-Line Construction\Lineman)	9/16	\$43.75	9	12	\$5.25 + 36%
Lineman Operator	9/16	\$37.73	9	12	\$5.25 + 36%
Lineman - Tree Trimmer		\$25.24	32	31	\$10.20 + 3%
Groundman	9/16	\$29.11	9	12	\$5.25 + 36%
Groundman - Tree Trimmer		\$20.00	32	31	\$7.89 + 3%
Laborer					
General Laborer		\$31.18	8	1	\$13.32
Millwright	6/16	\$36.21	23	16	\$16.10
Operating Engineer					
Group I	6/16	\$32.41	10	9	\$25.13
Group II	6/16	\$32.41	10	9	\$25.13
Group III	6/16	\$31.11	10	9	\$25.13
Group IV	6/16	\$27.65	10	9	\$25.13
Oiler-Driver	6/16	\$28.11	10	9	\$25.13
Pile Driver	6/16	\$36.21	23	16	\$16.10
Traffic Control Service Driver		\$28.775	26	25	\$9.045
Truck Driver-Teamster		\$30.41	25	21	\$10.82

Use Heavy Construction Rates on Highway and Heavy construction in accordance with the classifications of construction work established in 8 CSR 30-3.040(3).

Use Building Construction Rates on Building construction in accordance with the classifications of construction work established in 8 CSR 30-3.040(2).

If a worker is performing work on a heavy construction project within an occupational title that is not listed on the Heavy Construction Rate Sheet, use the rate for that occupational title as shown on the Building Construction Rate sheet.

**REPLACEMENT PAGE
ST. CHARLES COUNTY
OVERTIME SCHEDULE - HEAVY CONSTRUCTION**

FED: Minimum requirement per Fair Labor Standards Act means time and one-half (1 ½) shall be paid for all work in excess of forty (40) hours per work week.

NO. 8: Means eight (8) hours shall constitute the regular workday, between the hours of 6:30 a.m. and 5:30 p.m. except when the Employer elects to work four (4) ten (10) hour days as described below. The starting time of the workday can be adjusted from 6:30 a.m. to 9:00 a.m. The Employer may have the option to schedule his work week from Monday through Thursday at Ten (10) hours per day at the straight time rate of pay with all hours in excess of ten (10) hours in any one day to be at the applicable overtime rate. If the Employer elects to work from Monday through Thursday and is stopped due to inclement weather (rain, snow, sleet falling), or other conditions beyond the control of the Employer, the Employer shall have the option to work Friday at the straight time rate of pay to complete his forty (40) hours. However, should a holiday occur, Monday through Thursday, the Employer shall have the option to work Friday at the straight time rate of pay to complete his forty (40) hours. Time and one-half (1½) shall be paid for work performed in excess of eight (8) hours on any regular workday or outside the hours limiting a regular workday. Straight time is not to exceed ten (10) hours a day or forty (40) hours per week. When an Employer works a project on a four (4) ten (10) hour day work schedule, the Employer will not bring in any other crew for a fifth workday on the project while not calling in the normal crew that had been scheduled for that project. Time and one-half (1½) shall be paid for work performed on Saturdays. Double (2) time shall be paid for work performed on Sundays and recognized holidays. Overtime shall be computed at one-half (1/2) intervals. Projects that cannot be performed during regular workday: On Highway/Heavy work, or if required by owner, the contractor may perform work outside the normal work hours and employees shall be paid applicable straight time hourly wage rate plus a premium of one dollar and fifty cents (\$1.50) per hour for the first eight (8) hours worked. Any hours worked in excess of eight (8) hours shall be paid at the applicable overtime rate plus the one dollar and fifty cent (\$1.50) per hour premium. The overtime rate shall be computed after the \$1.50 premium has been added to the hourly wage rate. However, if a contractor employs any other craft on a project being worked outside the normal workday, and is paying the other craft a higher premium, then the Laborers employed by such contractor on such project outside the normal work hours shall be paid the higher premium. Shift work: Shifts may be established when necessary by the Employer. Shifts shall be established for a minimum of three (3) consecutive workdays. The first shift will be paid at eight (8) hours straight time pay for eight (8) hours work. The second shift will be paid at eight (8) hours straight time pay plus a thirty-five cent (\$.35) per hour premium for seven and one-half (7½) hours work. The third shift will be paid at eight (8) hours straight time pay plus a forty-cent (\$.40) per hour premium for seven (7) hours work. Overtime is computed after the premium has been added to the hourly wage rate. Nothing above prohibits the working of two (2) shifts greater than eight (8) hours with excess hours to be paid at overtime rate.

NO. 9: Eight (8) hours shall constitute a work day between the hours of 7:00 a.m. and 4:30 p.m. Forty (40) hours within five (5) days, Monday through Friday inclusive, shall constitute the work week. Work performed in the 9th and 10th hour, Monday through Friday, shall be paid at time and one-half (1½) the regular straight time rate of pay. Contractor has the option to pay two (2) hours per day at the time and one-half (1½) the regular straight time rate of pay between the hours of 6:00 a.m. and 5:30 p.m., Monday through Friday. Worked performed in the first eight (8) hours on Saturday shall be paid at the rate of one and eight tenths (1.8) the regular straight time rate. Work performed outside these hours and on Sundays and recognized legal holidays, or days celebrated as such, shall be paid for at the rate of double (2) time.

**REPLACEMENT PAGE
ST. CHARLES COUNTY
OVERTIME SCHEDULE - HEAVY CONSTRUCTION**

NO. 10: Means the regular workday for which employees shall be compensated at straight time hourly rate of pay shall, unless otherwise provided for, begin at 8:00 a.m. and end at 4:30 p.m. The regular workweek shall consist of five (5) days, Monday through Friday, beginning at 8:00 a.m. and ending at 4:30 p.m. except as may be modified. The starting time may be either advanced or delayed one hour or two hours at the discretion of the Employer. The Employer may have the option to schedule his work week from Monday through Thursday at ten (10) hours per day at the straight time rate of pay with all hours in excess of ten (10) hours in any one day to be at the applicable overtime rate. If the Employer elects to work Monday through Thursday and is stopped due to inclement weather, holidays or other conditions beyond the control of the Employer, he shall have the option to work Friday at the straight time rate of pay to complete the forty (40) hour workweek. All necessary overtime and work performed on Saturday, shall be paid at time and one-half (1½) the hourly rate, plus an amount equal to one-half (½) of the hourly Total Indicated Fringe Benefits. All work performed on Sundays and recognized holidays shall be paid at double (2) the hourly rate, plus an amount equal to the hourly Total Indicated Fringe Benefits. Shifts may be established when considered necessary by the Employer. Shift hours and rates will be as follows. If shifts are established, work on the First Shift will begin between 6:00 a.m. and 9:00 a.m. and consist of eight (8) hours of work plus one-half hour unpaid lunch. Hours worked during the first shift will be paid at the straight time rate of pay. The second shift shall start eight hours after the start of the first shift and consist of eight (8) hours of work plus one-half hour unpaid lunch. Work on the second shift will begin between 2:00 p.m. and 5:00 p.m. and be paid the straight time rate plus \$2.50 per hour. The third shift shall start eight hours after the start of the second shift and consist of eight (8) hours plus one-half hour unpaid lunch. Work on the third shift will begin between 10:00 p.m. and 1:00 a.m. and be paid the straight time rate plus \$3.50 per hour. The additional amounts that are to be paid are only applicable when working shifts. Shifts that begin on Saturday morning through those shifts which end on Sunday morning will be paid at time and one-half these rates. Shifts that begin on Sunday morning through those shifts which end on Monday morning will be paid at double time these rates.

NO. 17: Means eight (8) hours shall constitute the regular work day and forty (40) hours a work week, Monday through Friday. The Employer shall establish the starting time between 6:30 a.m. through 9:00 a.m. An Employer may further adjust the starting time up to 9:30 A.M. throughout the year. Time and one-half (1½) shall be paid after eight (8) consecutive hours worked after the established starting time and for hours worked before the established starting time. Time and one-half (1½) shall be paid for work performed on Saturdays. Work performed on Sundays and Holidays shall be paid at the double (2) time rate of pay. The Employer when working on Highway and Road Work may have the option to schedule the work week for his paving crew only from Monday through Thursday at ten (10) hours per day at the straight time rate of pay with all hours in excess of ten (10) hours in any one day to be at the applicable overtime rate of time and one-half (1½). If the Employer elects to work from Monday through Thursday and is stopped due to inclement weather (rain, snow, sleet falling), the Employer shall have the option to work Friday at the straight time rate of pay to complete the forty (40) hours.

NO. 23: Means the regular workweek shall start on Monday and end on Friday, except where the Employer elects to work Monday through Thursday, (10) hours per day. All work over ten (10) hours in a day or forty (40) hours in a week shall be at the overtime rate of one and one-half (1½) times the regular hourly rate. The regular workday shall be either eight (8) or ten (10) hours. If a job can't work forty (40) hours Monday through Friday because of inclement weather or other conditions beyond the control of the Employer, Friday or Saturday may be worked as a make-up day at straight time (if working 4-10's). Saturday may be worked as a make-up day at straight time (if working 5-8's). An Employer, who is working a four (4) ten (10) hour day work schedule may use Friday as a make-up day when a workday is lost due to a holiday. A workday is to begin at the option of the Employer but not later than 11:00 a.m. except when inclement weather, requirements of the owner or other conditions beyond the reasonable control of the Employer prevent work. Except as worked as a make-up day, time on Saturday shall be worked at one and one-half (1½) times the regular rate. Work performed on Sunday shall be paid at two (2) times the regular rate. Work performed on recognized holidays or days observed as such, shall also be paid at the double (2) time rate of pay. For all overtime hours worked during the week or on Saturday \$15.55 of the fringe benefits portion of the prevailing wage shall be paid at time and one-half (1½). For all overtime hours worked on Sundays or recognized holidays \$15.55 of the fringe benefits portion of the prevailing wage shall be paid double time. The remaining \$.55 of the fringe benefit portion of the prevailing wage shall be paid at straight time.

**REPLACEMENT PAGE
ST. CHARLES COUNTY
OVERTIME SCHEDULE - HEAVY CONSTRUCTION**

NO. 25: Means a regular work week of forty (40) hours, starting on Monday and ending on Friday. The regular work day shall be either eight (8) or ten (10) hours. If a crew is prevented from working forty (40) hours Monday through Friday, or any part thereof by reason of inclement weather, Saturday or any part thereof maybe worked as a make-up day at the straight time rate. Employees who are part of a regular crew on a make-up day, notwithstanding the fact that they may not have been employed the entire week, shall work Saturday at the straight time rate. A work day is to begin between 6:00 a.m. and 9:00 a.m. However, the project starting time maybe advanced or delayed if mutually agreed to by the interest parties. All hours worked on recognized holidays, or days observed as such, double (2) time shall be paid.

NO. 26: Means a regular work week of forty (40) hours will start on Monday and end on Friday. The regular work day shall be either eight (8) or ten (10) hours. If a crew is prevented from working forty (40) hours Monday through Friday, or any part thereof by reason of inclement weather, Saturday or any part thereof may be worked as a make-up day at the straight time rate. Employees who are part of a regular crew on a make-up day, notwithstanding the fact that they may not have been employed the entire week, shall work Saturday at the straight time rate. A workday is to begin between 6:00 a.m. and 9:00 a.m. However, the project starting time may be advanced or delayed if mutually agreed to by the interest parties. For all time worked on recognized holidays, or days observed as such, double (2) time shall be paid.

NO. 32: Means the overtime rate shall be time and one-half the regular rate for work over forty (40) hours per week. Sundays and Holidays shall be paid at double the straight time rate.

**ST. CHARLES COUNTY
HOLIDAY SCHEDULE – HEAVY CONSTRUCTION**

NO. 1: All work done on New Year's Day, Independence Day, Memorial Day, Labor Day, Veteran's Day (November 11), Thanksgiving Day, and Christmas Day shall be compensated at the double (2) time rate of pay. When any of these holidays fall on Sunday, the following Monday shall be observed. No work shall be performed on the days set forth except in cases of emergencies to protect life or property.

NO. 9: All work performed on Sundays and the following recognized holidays, or the days observed as such, of New Year's Day, Decoration Day, Fourth of July, Labor Day, Veteran's Day, Thanksgiving Day and Christmas Day, shall be paid at double (2) the hourly rate plus an amount equal to the hourly Total Indicated Fringe Benefits. Whenever any such holidays fall on a Sunday, the following Monday shall be observed as a holiday.

NO. 11: Means all work performed on New Year's Day, Memorial Day, Fourth of July, Labor Day, Veteran's Day, Thanksgiving Day, Christmas Day, and any additional holidays which may be mutually agreed upon shall be paid at the double (2) time rate of pay. Whenever any such holiday falls on a Sunday, the following Monday shall be recognized and observed as the holiday. No work shall be performed on Labor Day.

NO. 12: All work performed on New Year's Day, Memorial Day, Fourth of July, Labor Day, Veteran's Day, Thanksgiving Day, Christmas Day, or days celebrated as such, shall be paid at the double time rate of pay. When one of the foregoing holidays falls on Sunday, it shall be celebrated on the following Monday. When one of the foregoing holidays falls on Saturday, it shall be celebrated on the Friday before the holiday.

NO. 16: The following days are recognized as holidays: New Year's Day, Memorial Day, Fourth of July, Labor Day, Thanksgiving Day and Christmas Day. If a holiday falls on Sunday, it shall be observed on the following Monday. If a holiday falls on Saturday, it shall be observed on the preceding Friday. No work shall be performed on Labor Day except in case of jeopardy to work under construction. This rule is applied to protect Labor Day. When a holiday falls during the normal work week, Monday through Friday, it shall be counted as eight (8) hours toward the forty (40) hour week; however, no reimbursement for this eight (8) hours is to be paid to the worker unless worked. If workers are required to work the above recognized holidays or days observed as such, they shall receive double (2) the regular rate of pay for such work.

NO. 21: The following days are recognized as holidays: New Year's Day, Memorial Day, Independence Day, Labor Day, Thanksgiving Day and Christmas Day. If a holiday falls on a Sunday, it shall be observed on the following Monday. No work shall be performed on Labor Day except in case of jeopardy to work under construction. This rule is applied to protect Labor Day. When a holiday falls during the normal work week, Monday through Friday, it shall be counted as eight (8) hours toward the forty (40) hour week; however, no reimbursement for this eight (8) hours is to be paid the workman unless worked. An Employer working a four (4) day, ten (10) hour schedule may use Friday as a make-up day when an observed holiday occurs during the work week. Employees have the option to work that make-up day. If workmen are required to work the above enumerated holidays, or days observed as such, they shall receive double (2) the regular rate of pay for such work.

NO. 25: The following days are recognized as holidays: New Year's Day, Memorial Day, Independence Day, Labor Day, Thanksgiving Day and Christmas Day. If a holiday falls on a Sunday, it shall be observed on the following Monday. No work shall be performed on Labor Day except in case of jeopardy to work under construction. This rule is applied to protect Labor Day. When a holiday falls during the normal work week, Monday through Friday, it shall be counted as eight (8) hours toward the forty (40) hour week; however, no reimbursement for this eight (8) hours is to be paid the workmen unless worked. An Employer working a four (4) day, ten (10) hour schedule may use Friday as a make up day when an observed holiday occurs during the work week. Employees have the option to work that make up day. If workmen are required to work the above enumerated holidays, or days observed as such, they shall receive double (2) the regular rate of pay for such work.

NO. 31: All work performed on New Year's Day, Presidents' Day, Veterans' Day, Good Friday, Decoration Day, Fourth of July, Labor Day, Christmas Eve Day, Christmas Day, Thanksgiving Day and Day after Thanksgiving or days celebrated for the same.