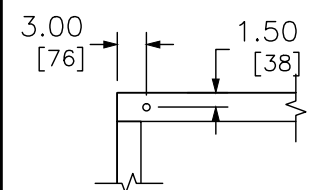
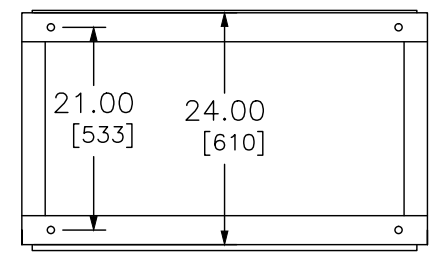
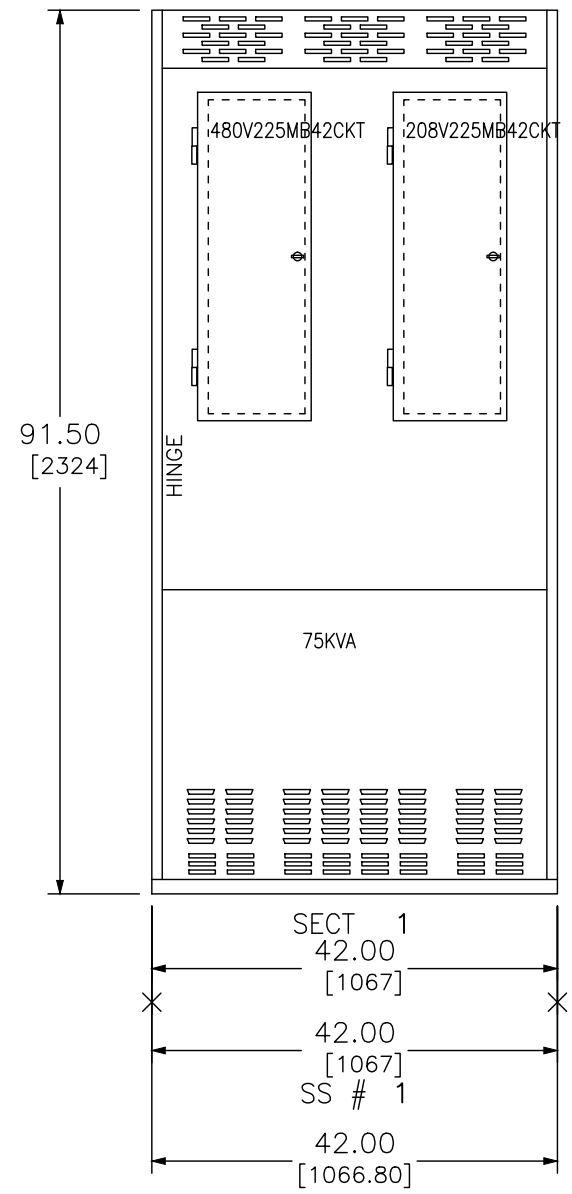


REV	DESCRIPTION	BY	DATE						
-	----	--	---/---/---	-	----	--	---/---/---	-	----



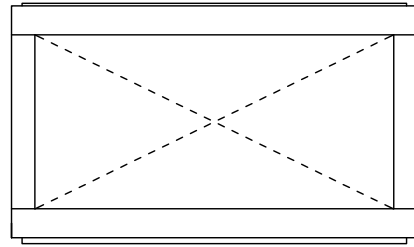
TYPICAL BOLT HOLE LOCATION FOR EACH CORNER UNLESS OTHERWISE SPECIFIED

ANCHOR DETAIL

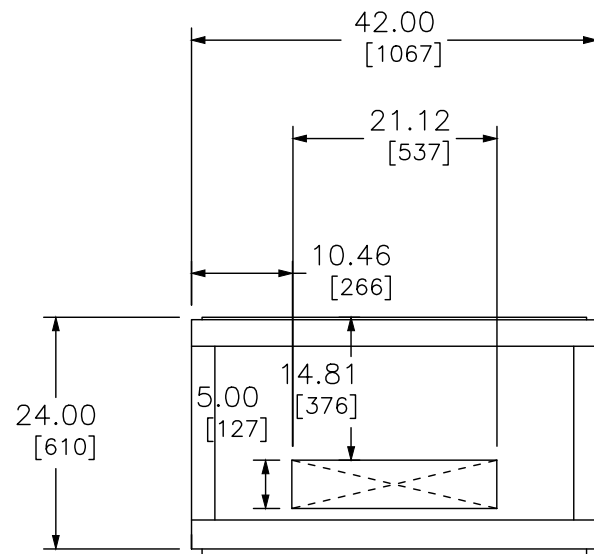
DUAL DIMENSIONS: INCHES MILLIMETERS

JOB NAME: INEQ – Test Opportunity for SEA – IPaCS2	EQUIPMENT DESIGNATION: 75KVA/480V225MB/208225MB
JOB LOCATION:	EQUIPMENT TYPE: INTEGRATED EQUIPMENT
DRAWN BY: (Q2C)	DRAWING TYPE: ELEVATION
ENGR:	<b>SQUARE D</b> by Schneider Electric
DATE: August 27 2021	
DRAWING STATUS: QUOTE	<b>NOT FOR CONSTRUCTION</b>
DWG# FQ-2755896-76143422-01	PG 1 OF 3 REV -

REV	DESCRIPTION	BY	DATE						
-	----	--	--/--/--	-	----	--	--/--/--	-	----



TOP VIEW



FLOOR VIEW

DUAL DIMENSIONS: INCHES  
MILLIMETERS

CROSSED AREA REPRESENTS  
CONDUIT ENTRY AREA.

JOB NAME:	INEQ – Test Opportunity for SEA – IPaCS2	EQUIPMENT DESIGNATION:	75KVA/480V225MB/208225MB
JOB LOCATION:		EQUIPMENT TYPE:	INTEGRATED EQUIPMENT
DRAWN BY:	(Q2C)	DRAWING TYPE:	ELEVATION
ENGR:		<b>SQUARE D</b> by Schneider Electric	
DATE:	August 27 2021		
DRAWING STATUS:	QUOTE	<b>NOT FOR CONSTRUCTION</b>	DWG# FQ-2755896-76143422-01
		PG 2	OF 3
		REV	-

REV	DESCRIPTION	BY	DATE								
-	----	--	--/--/--	-	----	--	--/--/--	-	----	--	--/--/--

## INTEGRATED EQUIPMENT GENERAL NOTES

### PRODUCT DESCRIPTION AND RATINGS

#### ENCLOSURE DATA:

ENCLOSURE TYPE: Type 1

#### PRODUCT ACCESSORIES:

Circuit Wiring Color Code

120/208V – A ph Black; B ph Red; C ph Blue; Neutral White

120/240V(1 ph) – Phase conductors Black; Neutral White

277/480V – A ph Brown; B ph Orange; C ph Yellow; Neutral Gray

All conductors larger than #10 awg will be black insulation with tape on each end for phase markings.

#### STRUCTURE DATA:

Section 1 – IPC2

EXTERIOR COLOR: ANSI 49

PANELBOARD DATA (ITEM – 76141930)

DESIGNATION: 480V225MB42CKT

LOCATION: Top Left PANEL FEED: Through the Top

Single Main 18kA 225A

SYSTEM: 480Y/277V 3Ph 4W 60Hz

PANELBOARD DATA (ITEM – 76142766)

DESIGNATION: 208V225MB42CKT

LOCATION: Top Right PANEL FEED: Through the Bottom

Single Main 10kA 225A

SYSTEM: 208Y/120V 3Ph 4W 60Hz

TRANSFORMER DATA

DESIGNATION: 75KVA

LOCATION: Bottom Single

TYPE: DOE 2016 EX or EXN 75kVA

VOLTAGE: 480v–208Y/120V WINDING MATERIAL: Aluminum

TEMPERATURE RISE: 150C

#### ESTIMATED EQUIPMENT WEIGHT

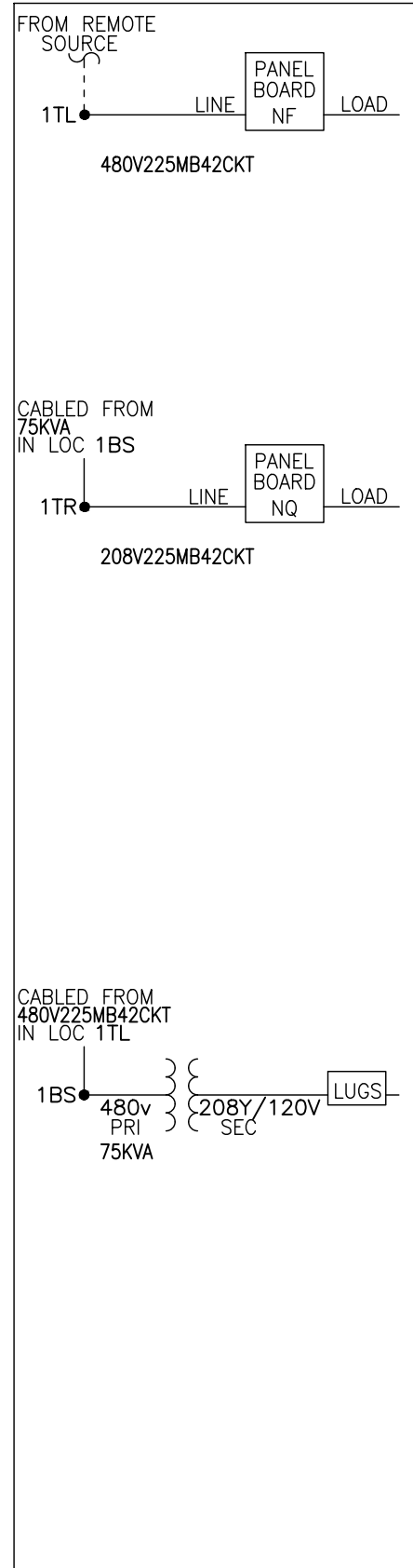
SHIPPING SPLIT # 1: 1277 Lbs. (579.25 Kg.)

TOTAL LINEUP WEIGHT: 1277 Lbs. (579.25 Kg.)

JOB NAME:	INEQ – Test Opportunity for SEA – IPaCS2	EQUIPMENT DESIGNATION:	75KVA/480V225MB/208225MB
JOB LOCATION:		EQUIPMENT TYPE:	INTEGRATED EQUIPMENT
DRAWN BY:	(Q2C)	DRAWING TYPE:	ELEVATION
ENGR:		<b>SQUARE D</b> by Schneider Electric	
DATE:	August 27 2021		
DRAWING STATUS:	QUOTE	<b>NOT FOR CONSTRUCTION</b>	DWG# FQ-2755896-76143422-01 PG 3 OF 3 REV -

REV	DESCRIPTION	BY	DATE						
-	----	--	---/---/---	-	-----	--	---/---/---	-	-----

Section 1



LOCATION LEGEND  
 Section Number plus 2 character cell location  
 TL Top Left ML Middle Left BL Bottom Left  
 TR Top Right MR Middle Right BR Bottom Right  
 TM Top Middle MS Middle Single BS Bottom Single  
 TS Top Single

JOB NAME:	INEQ – Test Opportunity for SEA – IPaCS2	EQUIPMENT DESIGNATION:	75KVA/480V225MB/208225MB
JOB LOCATION:	(Q2C)	EQUIPMENT TYPE:	INTEGRATED EQUIPMENT
DRAWN BY:	(Q2C)	DRAWING TYPE:	ONE LINE DIAGRAM
ENGR:		<b>SQUARE D</b> By Schneider Electric	
DATE:	August 27 2021		
DRAWING STATUS:	QUOTE	<b>NOT FOR CONSTRUCTION</b>	DWG# OQ-2755896-76143422-01
			PG 1 OF 1 REV -


REV	DESCRIPTION	BY	DATE	-	----	-	----	-	----	-	----
-	----	-	---	---	---	-	---	-	---	-	---

DEVICE INFORMATION							CABLE FROM INFORMATION									
LOCATION	DESIGNATION (WHITE SURFACE/BLACK LETTERS)	DEVICE TYPE	INCOMING LANDING	FRAME / TYPE	VOLTAGE		RATING	CABLE FROM DESIGNATION	CABLING LOCATION	TERMINATED DEVICE	PHASE CONDUCTOR		NEUTRAL CONDUCTOR		GROUND	
					PRIMARY	SECONDARY					QTY/PHASE	WIRE SIZE	QTY	WIRE SIZE	WIRE SIZE	
1TL	480V225MB42CKT	PNLBRD	MCB	NF	480Y/277V	3Ph 4W 60Hz	225A	By Others							4 AWG	
1TR	208V225MB42CKT	PNLBRD	MCB	NQ	208Y/120V	3Ph 4W 60Hz	225A	75KVA	1BS						4 AWG	
1BS	75KVA	XFMR	PRI LUGS	DOE 2016 EXN	480v	208Y/120V	75kVA	480V225MB42CKT	1TL	(CKT 37) 125A/3P EDB		#1 AWG				

LOCATION	DESIGNATION	DEVICE TYPE	INCOMING LANDING	FRAME / TYPE	PRIMARY	SECONDARY	RATING	CABLE FROM DESIGNATION	CABLING LOCATION	PHASE CONDUCTOR QTY	PHASE CONDUCTOR WIRE SIZE	NEUTRAL CONDUCTOR QTY	NEUTRAL CONDUCTOR WIRE SIZE	GROUND WIRE SIZE
----------	-------------	-------------	------------------	--------------	---------	-----------	--------	------------------------	------------------	---------------------	---------------------------	-----------------------	-----------------------------	------------------

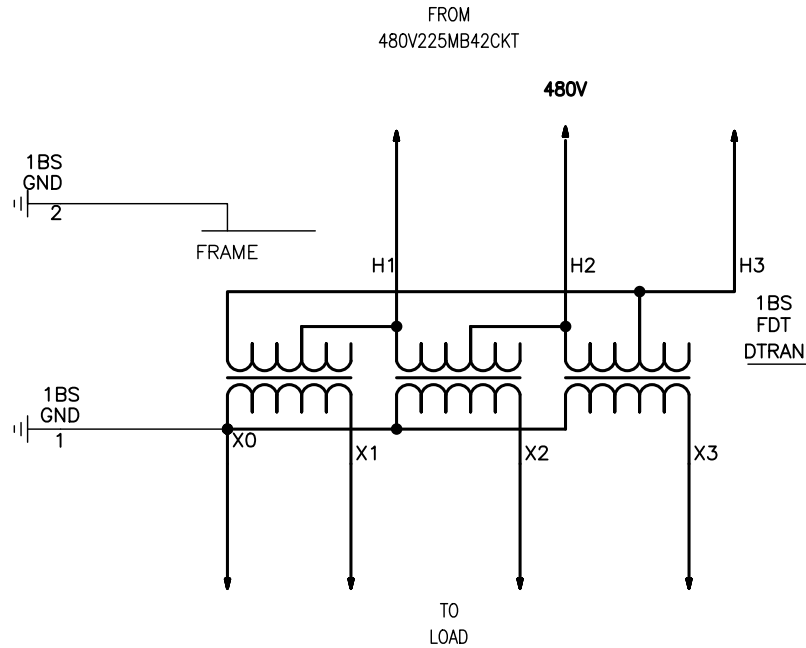
LOCATION LEGEND  
Section Number plus 2 character cell location  
TL Top Left ML Middle Left BL Bottom Left  
TM Top Middle MR Middle Right BM Bottom Middle  
TR Top Right MS Middle Single BR Bottom Right  
TS Top Single BS Bottom Single

LINEUP NAMEPLATE- 75KVA/480V225MB/208225MB  
WHITE SURFACE  
BLACK LETTERS

JOB NAME: INEQ - Test Opportunity for SEA - IPaCS2	EQUIPMENT DESIGNATION: 75KVA/480V225MB/208225MB
JOB LOCATION:	EQUIPMENT TYPE: INTEGRATED EQUIPMENT
DRAWN BY: (Q2C)	DRAWING TYPE: UNIT INFORMATION
ENGR:	 by Schneider Electric
DATE: August 27 2021	
DRAWING STATUS: QUOTE <b>NOT FOR CONSTRUCTION</b>	
DWG# IQ-2755896-76143422-01	PG 1 OF 1 REV -

REV	DESCRIPTION	BY	DATE				
-	----	--	--/--/--	-	----	--	--/--/--

75kVA XFMR RATING  
 Aluminum WINDING MATERIAL  
 150C TEMP RISE



NOTE: SECONDARY VOLTAGE  
 PHASE-TO-PHASE 208Y  
 PHASE-TO-GROUND 120V

DRAWING IS NOT COMPLETE AND IS FOR QUOTATION PURPOSES ONLY.

JOB NAME: INEQ - Test Opportunity for SEA - IPaCS2	EQUIPMENT DESIGNATION: 75KVA/480V225MB/208225MB
JOB LOCATION:	EQUIPMENT TYPE: INTEGRATED EQUIPMENT
DRAWN BY: (Q2C)	DRAWING TYPE: ELEMENTARY
ENGR:	<b>SQUARE D</b> by Schneider Electric
DATE: August 27 2021	
DRAWING STATUS: QUOTE	DWG# EQ-2755896-76143422-01
	PG 1 OF 1
	REV -