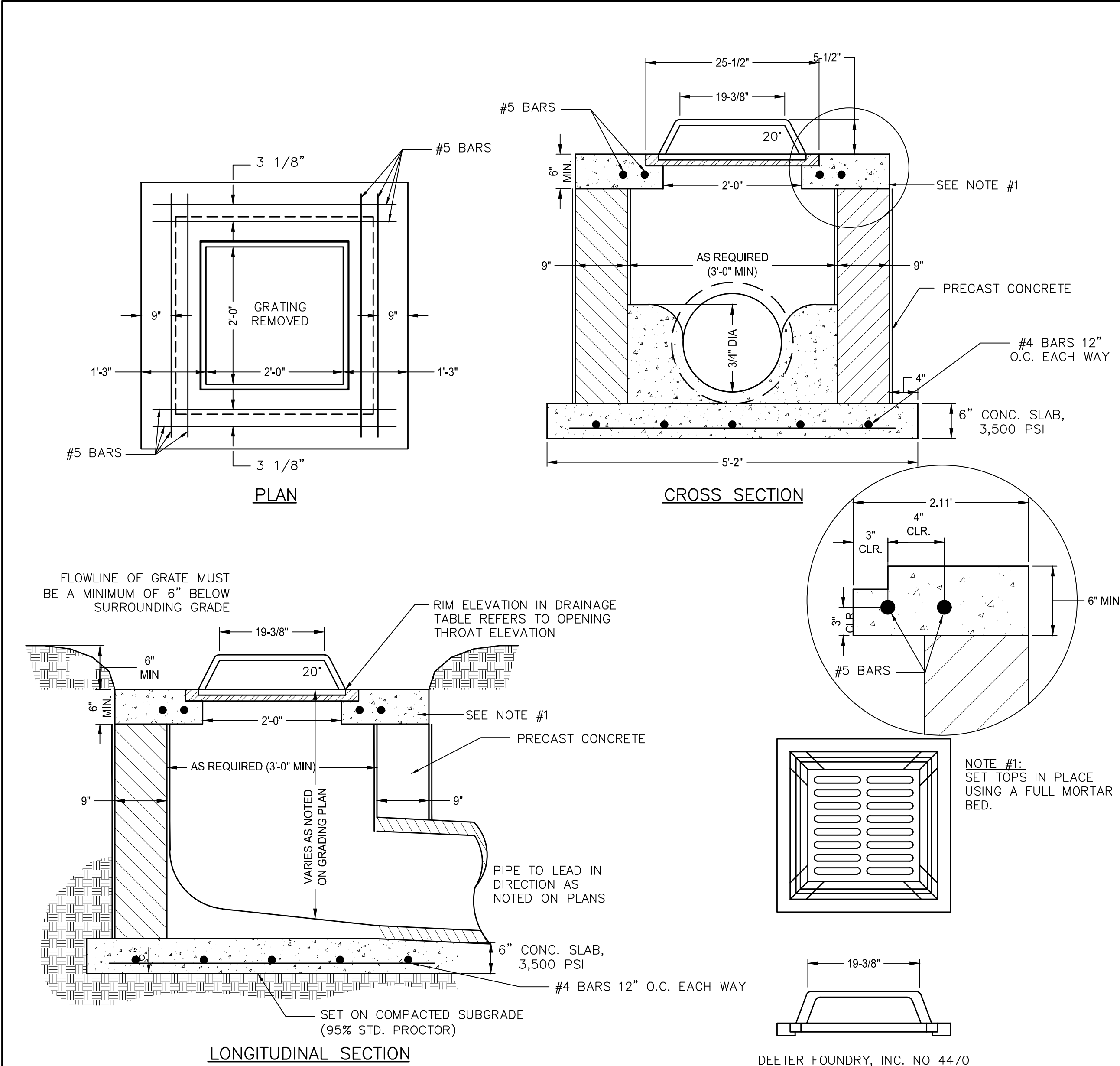


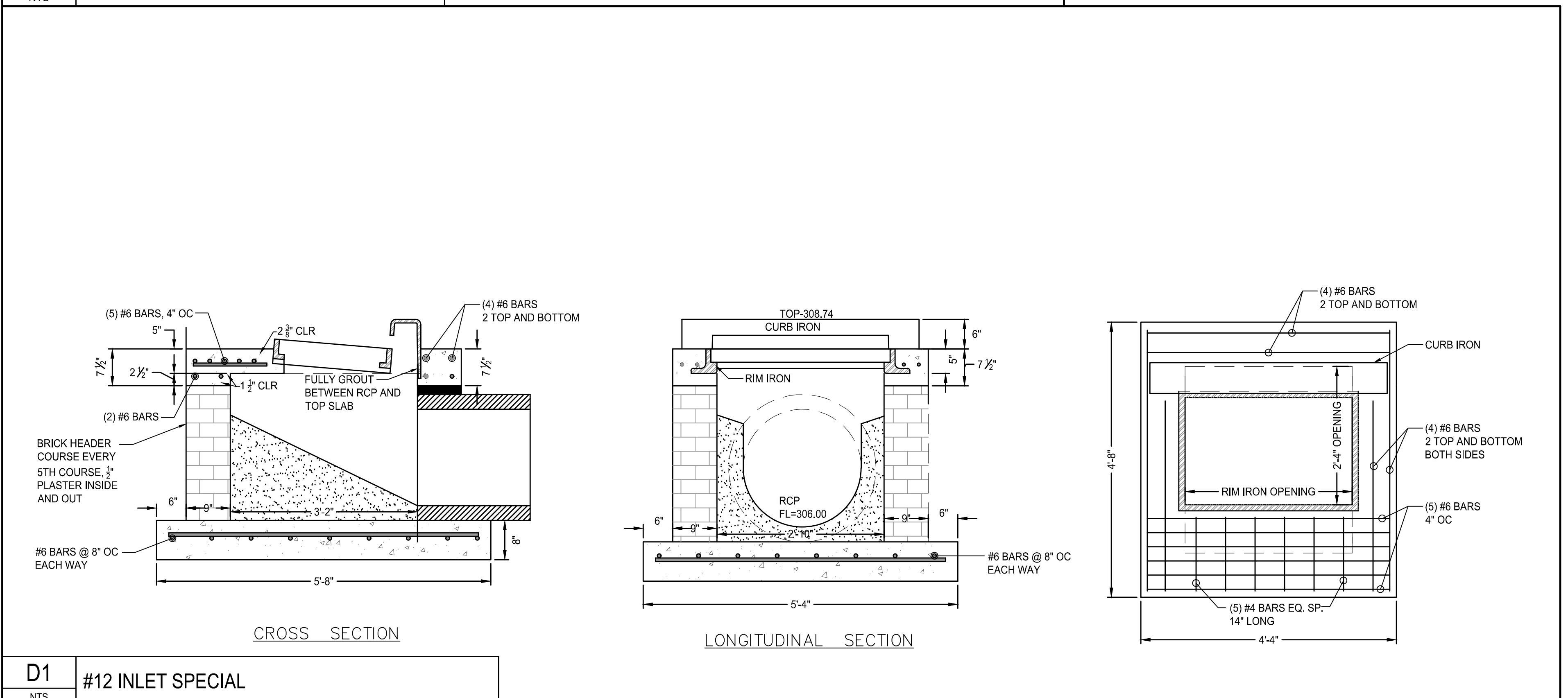
A3
NTS

CONCRETE SIDEWALK



C1
NTS

3070 INLET



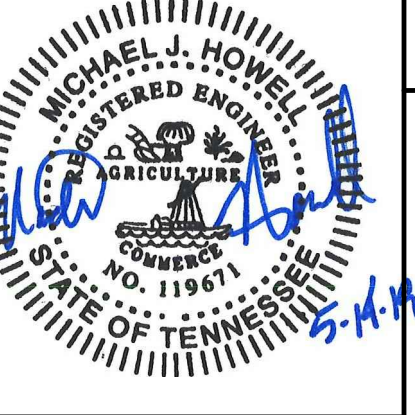
D1
NTS

#12 INLET SPECIAL

THIS DOCUMENT IS THE PROPERTY OF A2H, INC. AND IS LOANED TO YOU BY THE CONTRACTOR. IT IS TO BE USED ONLY FOR THE PROJECT AND SITE SPECIFICALLY IDENTIFIED HEREIN. ANY REUSE OR MODIFICATION OF THIS DOCUMENT WITHOUT THE WRITTEN CONSENT OF A2H, INC. IS PROHIBITED. THE LIABILITY OF ANY CLAIM IS ASSUMED BY THE CONTRACTOR TO WHOM IT IS LOANED.



REVISION	APPROVAL
ITEM NO.	DESCRIPTION OF CHANGE
	APPROVAL DATE



SHEET 7 OF 8
DIVISION OF ENGINEERING
DETAILS

LOCATION: _____

SURVEY: _____ DATE: 03/18/19 BOOK: _____

DRAWN BY: A2H DATE: 05/08/19 SCALE: AS NOTED

DESIGN BY: A2H DATE: 05/08/19 PROJECT: 18390

REVIEWED BY: _____

CITY ENGINEER _____ DATE _____

THE GROVE AT LAKELAND
STORM DRAINAGE ADDITIONS

ENGINEER: A2H, INC.