



ColeJenest & Stone
 Land Planning
 Landscape Architecture
 Civil Engineering
 Urban Design

200 South Tryon Street
 Suite 1400
 Charlotte, North Carolina 28202
 Tel 704. 376. 1555
 Fax 704. 376. 7851
 www.colejeneststone.com

PLAY SITE ARCHITECTURE
 7 FAIRWAY ROAD
 ACTON, MA 01720
 978.263.1090 phone 978.263.0998 fax

**CITY OF
 BEAUFORT**
 302 CARTER STREET
 POST OFFICE BOX 1167
 BEAUFORT, SC 29901

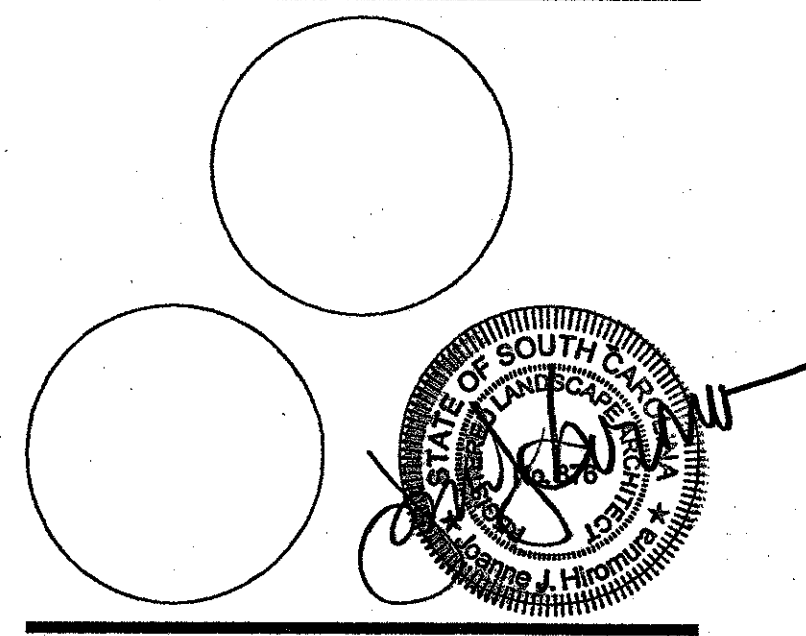
**HENRY C.
 CHAMBERS
 WATERFRONT
 PARK**
 950 BAY STREET
 BEAUFORT, SC 29902

**PLAYGROUND
 PLAN AND
 DETAILS**

Project No.
2593

Issued
 02/28/05 - ISSUED FOR BID

Revised
 XX/XX/XX - DESCRIPTION



SCALE: AS NOTED

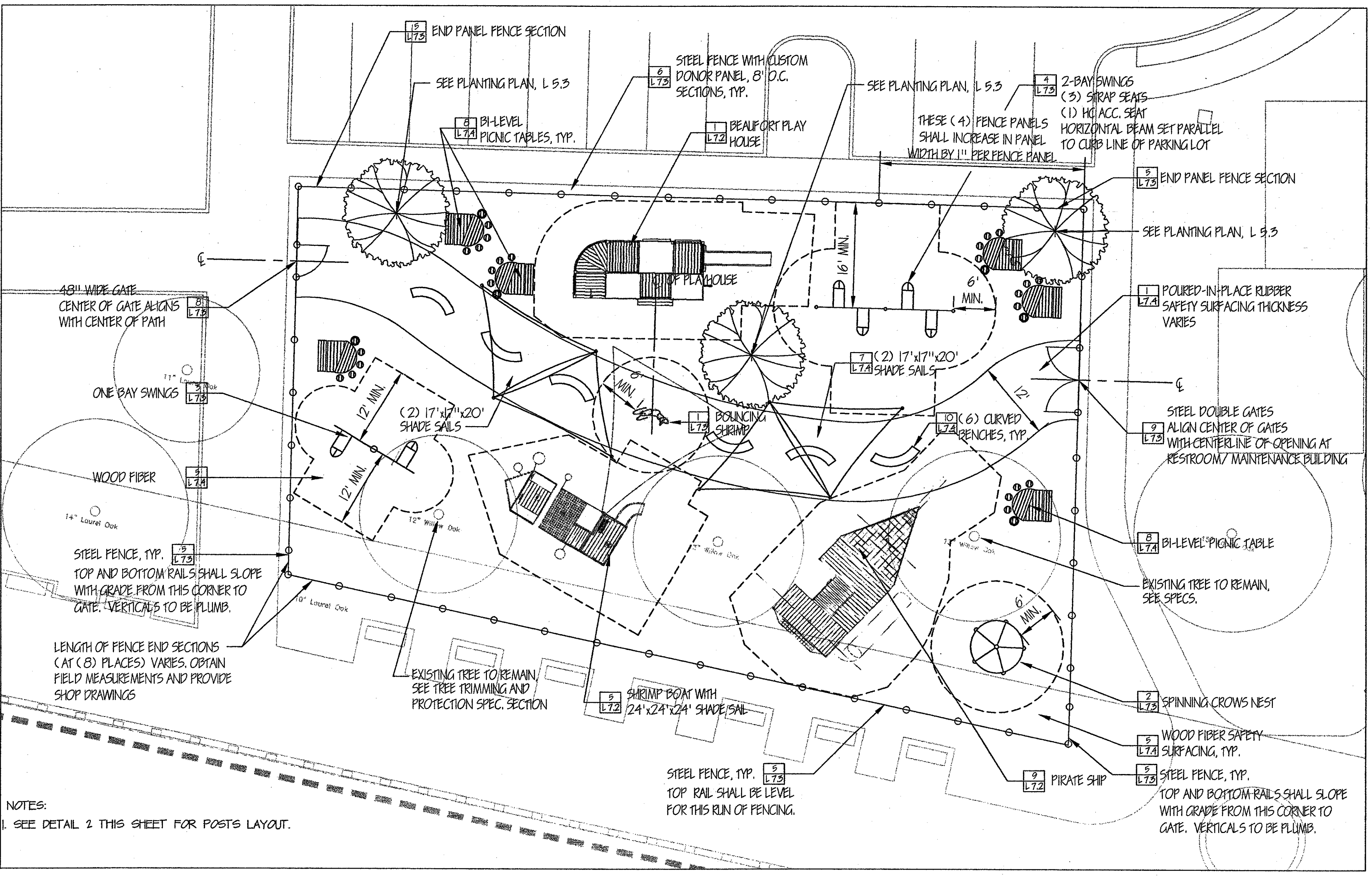
L7.1

The drawings, the project manual and the design shown on these are instruments of ColeJenest & Stone, P.A. The product or unauthorized use of the documents without consent of ColeJenest & Stone, P.A. is prohibited.

ColeJenest & Stone, P.A. © 2005

LEGEND:

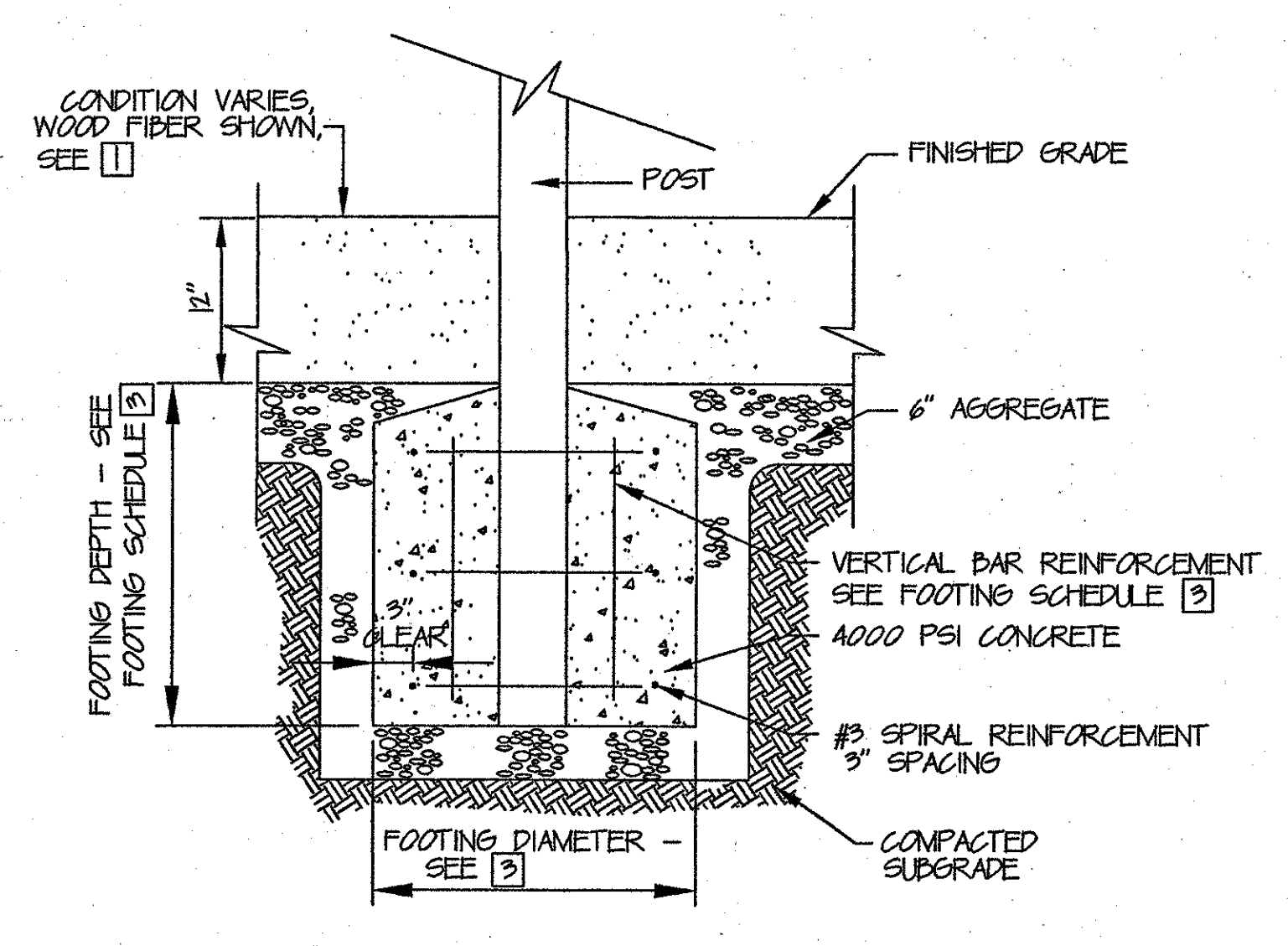
- TREE TO REMAIN
- NEW TREE
- CURVED BENCH
- STEEL FENCE, SEE PLAN
- SAFETY USE ZONES, SEE SPECS. 6" MIN. FROM EDGE OF ALL PLAY EQUIPMENT



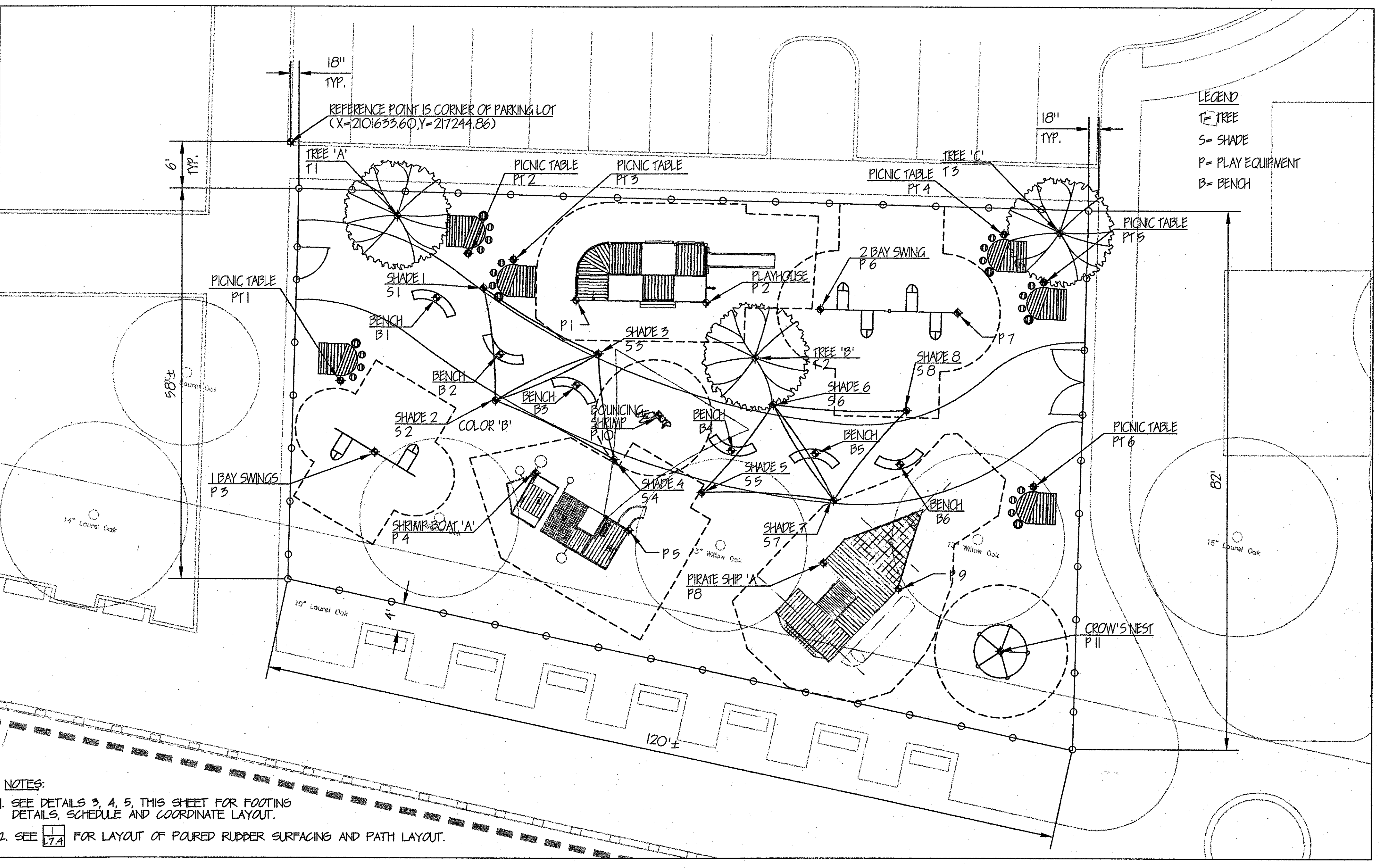
1 PLAY AREA LAYOUT AND MATERIALS PLAN
 SCALE: 1/4" = 1'-0"

PLAY ELEMENT	CONCRETE FOOTING DIMENSIONS			DIMENSION FROM FO TO TOP OF FOOTING	VERTICAL BAR SIZE
	WIDTH	LENGTH	DEPTH		
BEAUFORT PLAYHOUSE	18" DIAMETER		3'-6"	12"	#6
WAVY SLIDE ON PLAYHOUSE	12" DIAMETER		3'-0"	12"	#6
SHRIMP BOAT	18" DIAMETER		3'-0"	12"	#6
PIRATE SHIP	18" DIAMETER		3'-0"	12"	#6
PIRATE SHIP MASTS	24" DIAMETER		11'-0"	12"	#8
BOUNCING SHRIMP	18" DIAMETER		3'-0"	6"	#6
SWINGS	36"	42"	4'-0"	12"	#8
SPINNING CROWS NEST	36" DIAMETER		6'-6"	12"	#8
BENCH	12" DIAMETER		3'-0"	6" @ RUBBER SURF.	
PICNIC TABLE	12" DIAMETER		3'-0"	12"	
STOOLS	8" DIAMETER		3'-0"	12"	
SHADE SAILS POST	24" DIAMETER		6'-6"	6"	#8

3 FOOTING SCHEDULE
 SCALE: 1/16" = 1'-0"



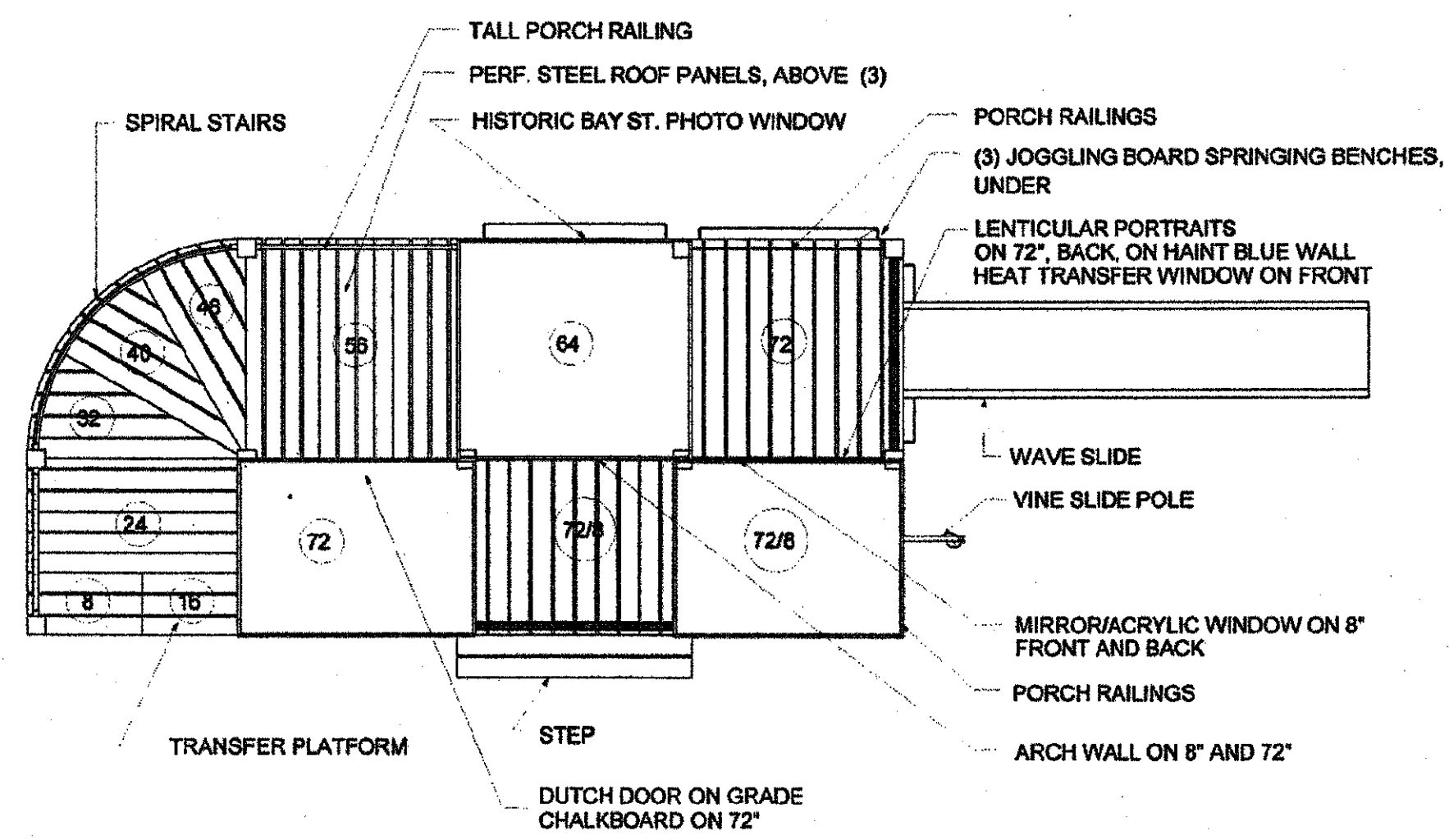
4 TYPICAL FOOTING
 SCALE: 1/4" = 1'-0"



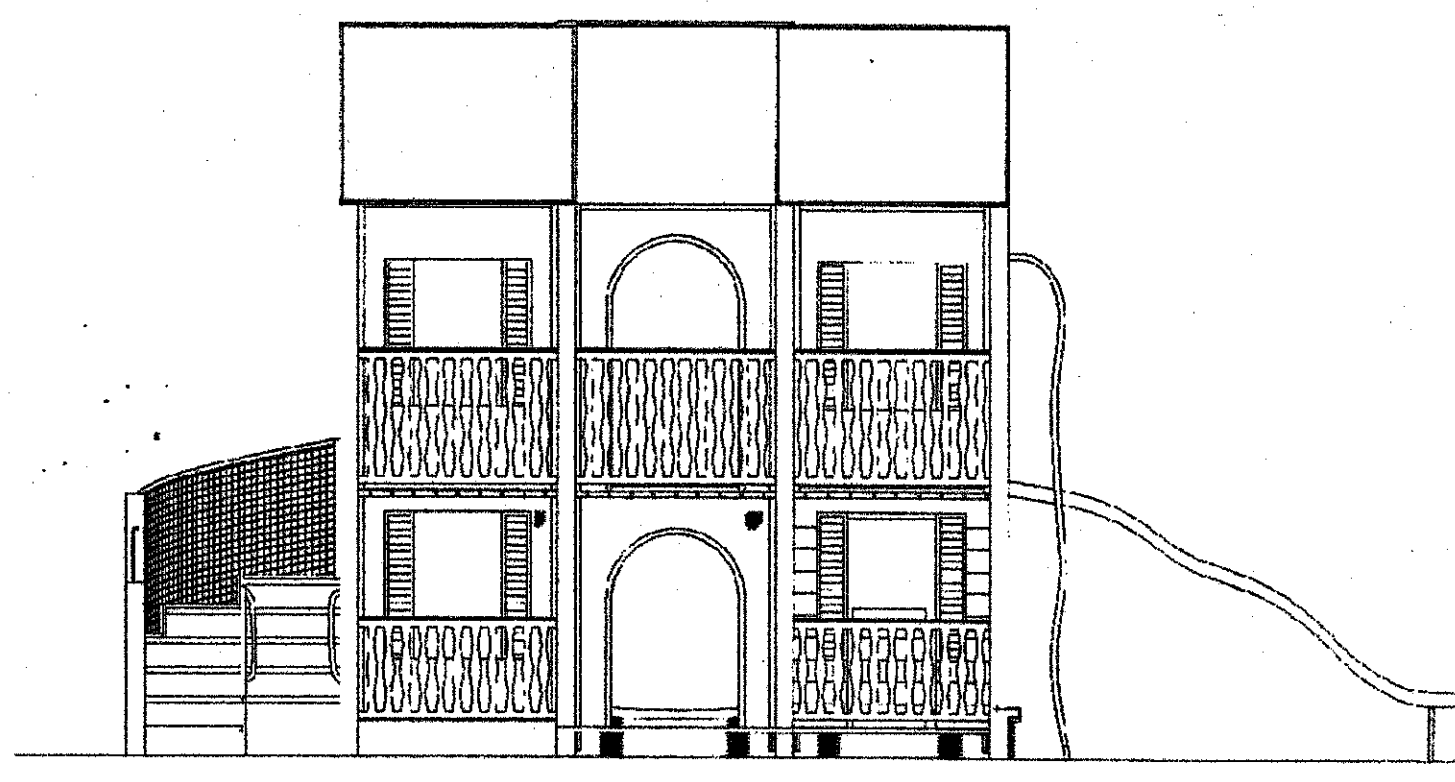
2 POST LAYOUT PLAN
 SCALE: 1/4" = 1'-0"

POINT	DESCRIPTION	COORDINATES	
		X	Y
P 1	PLAYHOUSE	210767.79	217221.10
P 2	PLAYHOUSE	210768.26	217220.79
P 3	1-BAY SWINGS	210766.44	217195.05
P 4	SHRIMP BOAT	210767.71	217195.01
P 5	SHRIMP BOAT	210768.20	217196.37
P 6	2-BAY SWINGS	210779.59	217219.71
P 7	2-BAY SWINGS	210774.25	217219.18
P 8	PIRATE SHIP	210774.14	217219.40
P 9	PIRATE SHIP	210775.49	217171.56
P 10	BOUNCING SHRIMP	210769.04	217229.57
P 11	SPINNING CROWS NEST	210770.86	217221.17
S 1	SHADE STRUCTURE	210768.75	217225.91
S 2	SHADE STRUCTURE	210766.57	217225.91
S 3	SHADE STRUCTURE	210768.12	217219.01
S 4	SHADE STRUCTURE	210768.51	217191.05
S 5	SHADE STRUCTURE	210769.73	217191.07
S 6	SHADE STRUCTURE	210766.58	217225.28
S 7	SHADE STRUCTURE	210775.70	217190.83
S 8	SHADE STRUCTURE	210774.56	217220.40
B 1	BENCH	210769.62	217221.93
B 2	BENCH	210768.27	217221.85
B 3	BENCH	210767.67	217228.20
B 4	BENCH	210770.35	217198.36
B 5	BENCH	210772.31	217191.83
B 6	BENCH	210775.63	217196.23
PT 1	PICNIC TABLE	210764.28	217228.83
PT 2	PICNIC TABLE	210768.46	217228.19
PT 3	PICNIC TABLE	210767.93	217221.22
PT 4	PICNIC TABLE	210774.24	217221.07
PT 5	PICNIC TABLE	210774.19	217223.87
PT 6	PICNIC TABLE	210774.79	217192.00
T 1	TREE	210764.70	217223.81
T 2	TREE	210772.83	217212.41
T 3	TREE	210774.91	217219.31

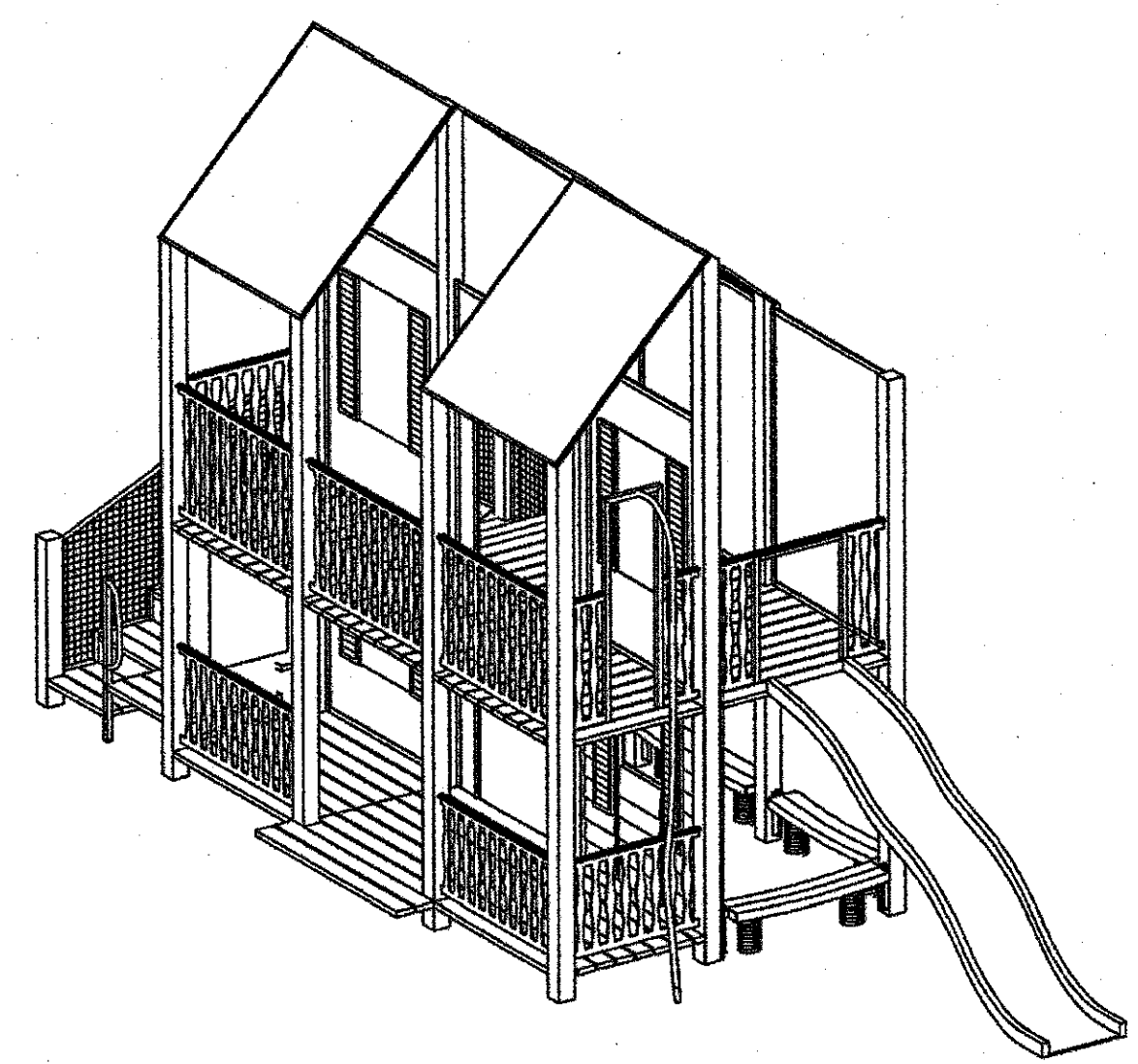
5 POST AND TREE LAYOUT SCHEDULE
 SCALE: 1/16" = 1'-0"



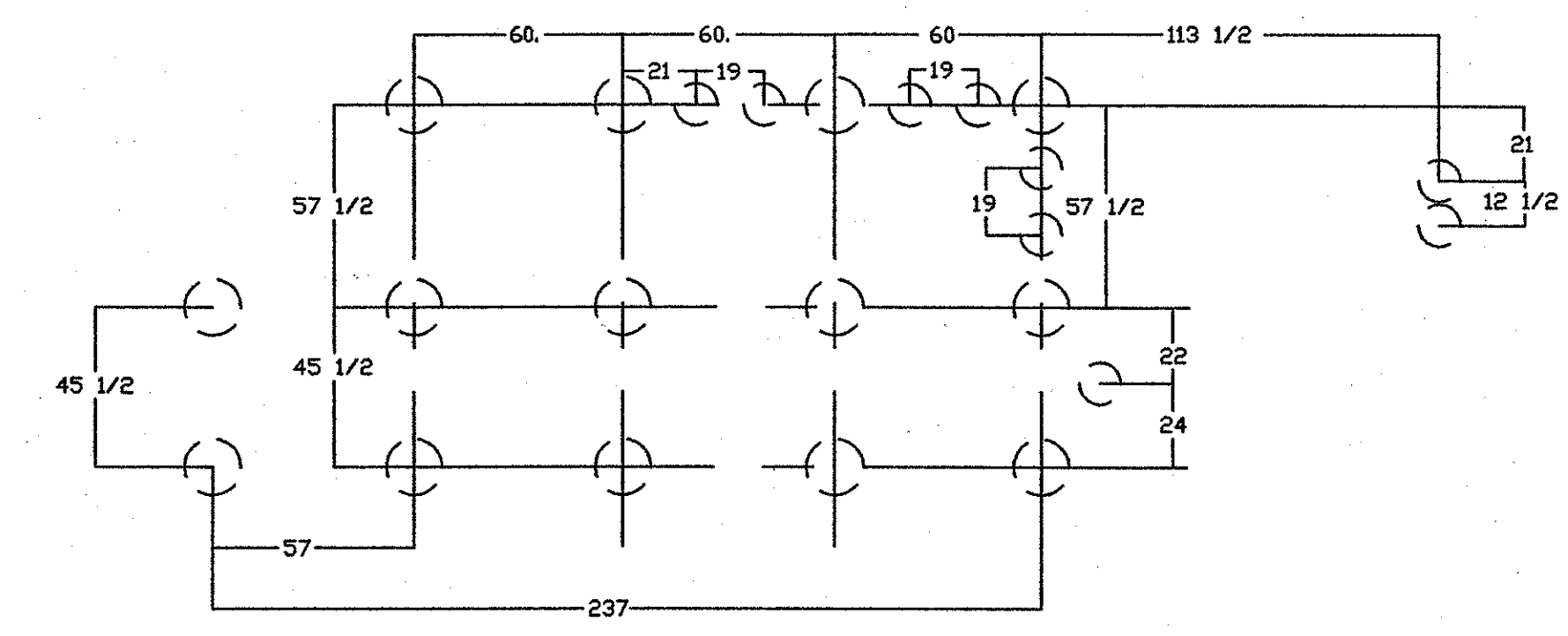
1 BEAUFORT PLAYHOUSE - PLAN
SCALE: NOT TO SCALE



2 BEAUFORT PLAYHOUSE - FRONT ELEVATION
SCALE: NOT TO SCALE

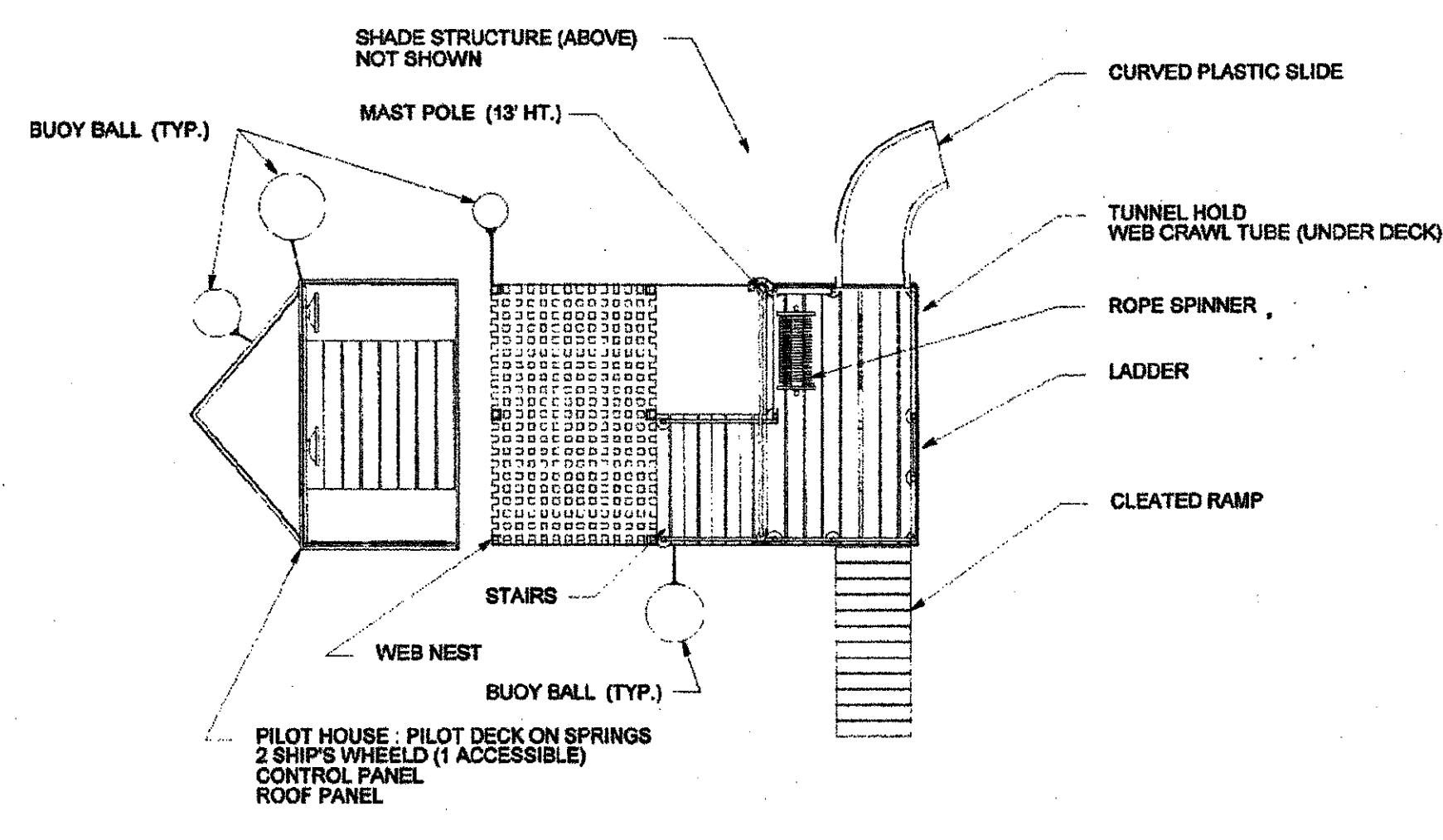


3 BEAUFORT PLAYHOUSE - ISOMETRIC
SCALE: NOT TO SCALE

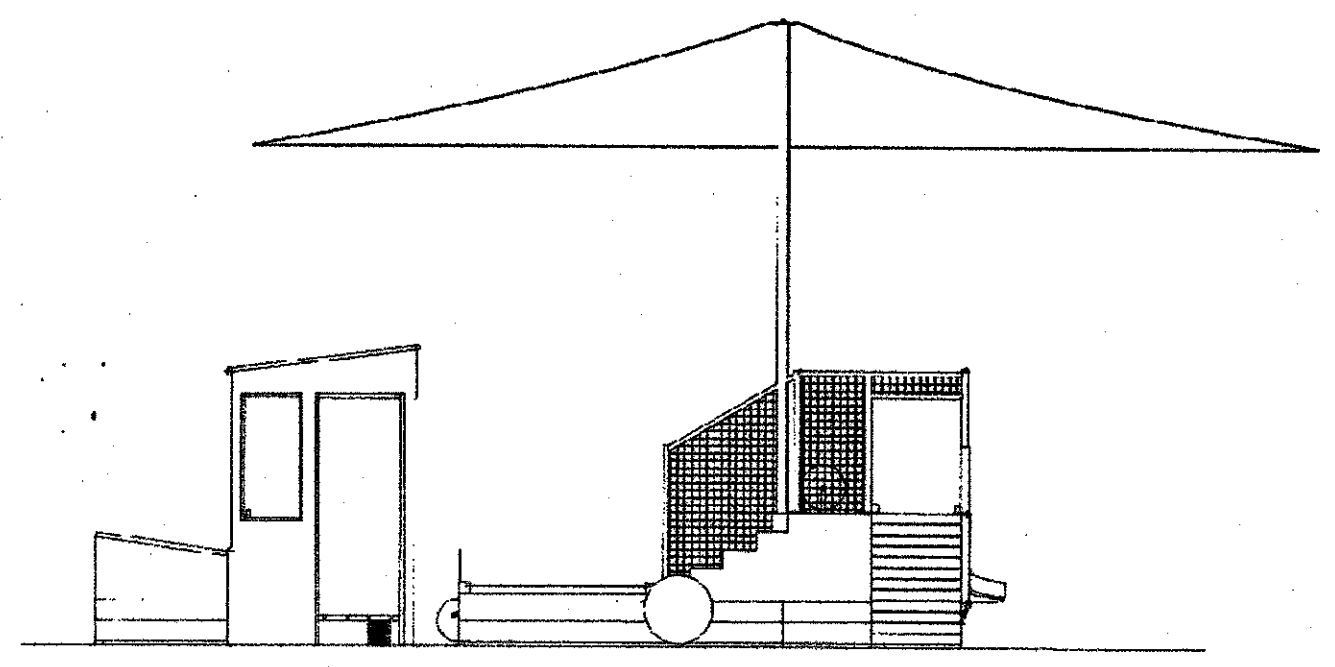


NOTE:
SEE FOOTING DETAIL AND SCHEDULE FOR SIZES
FOR PLAY HOUSE FOOTINGS [3]

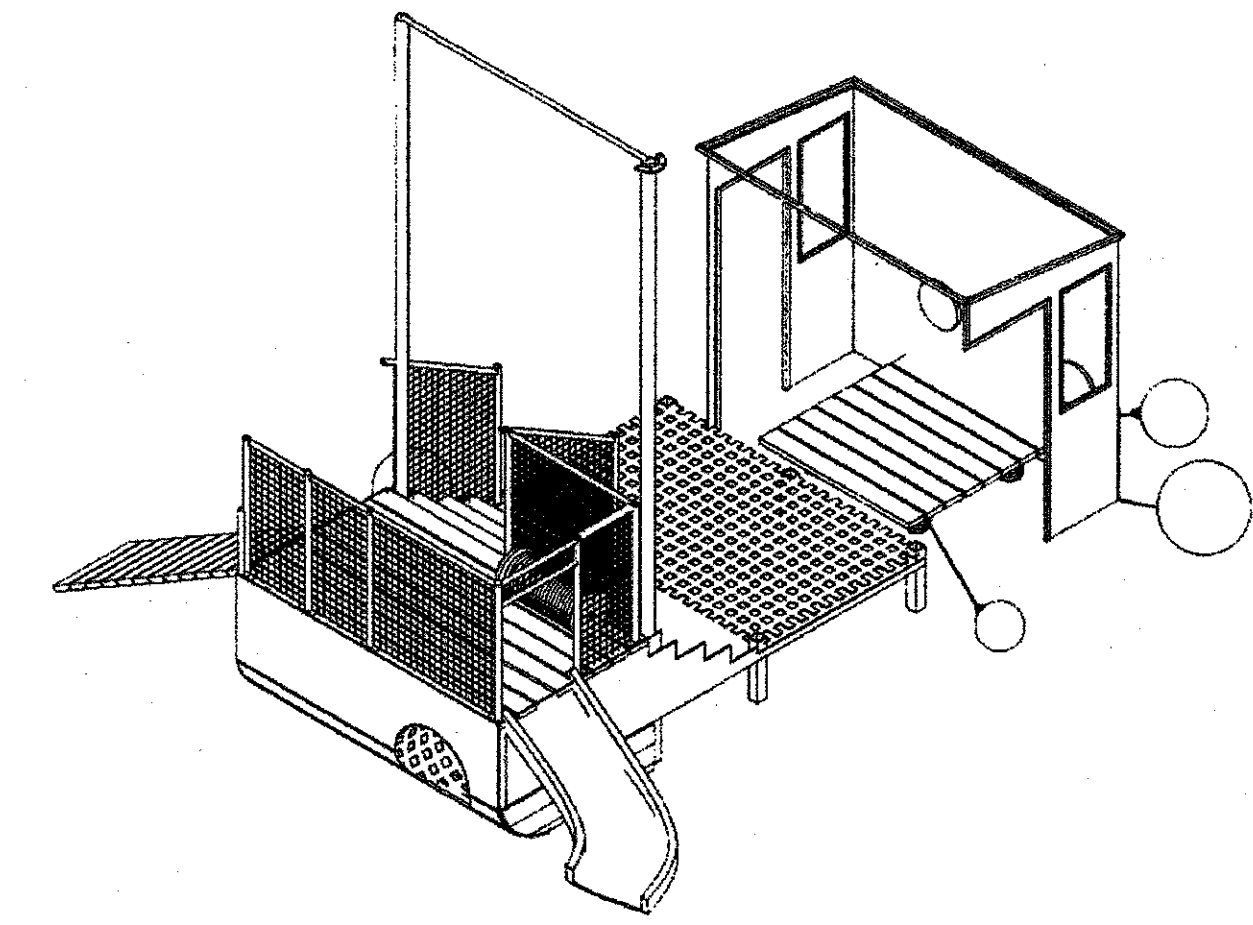
4 BEAUFORT PLAYHOUSE - FOOTING PLAN
SCALE: NOT TO SCALE



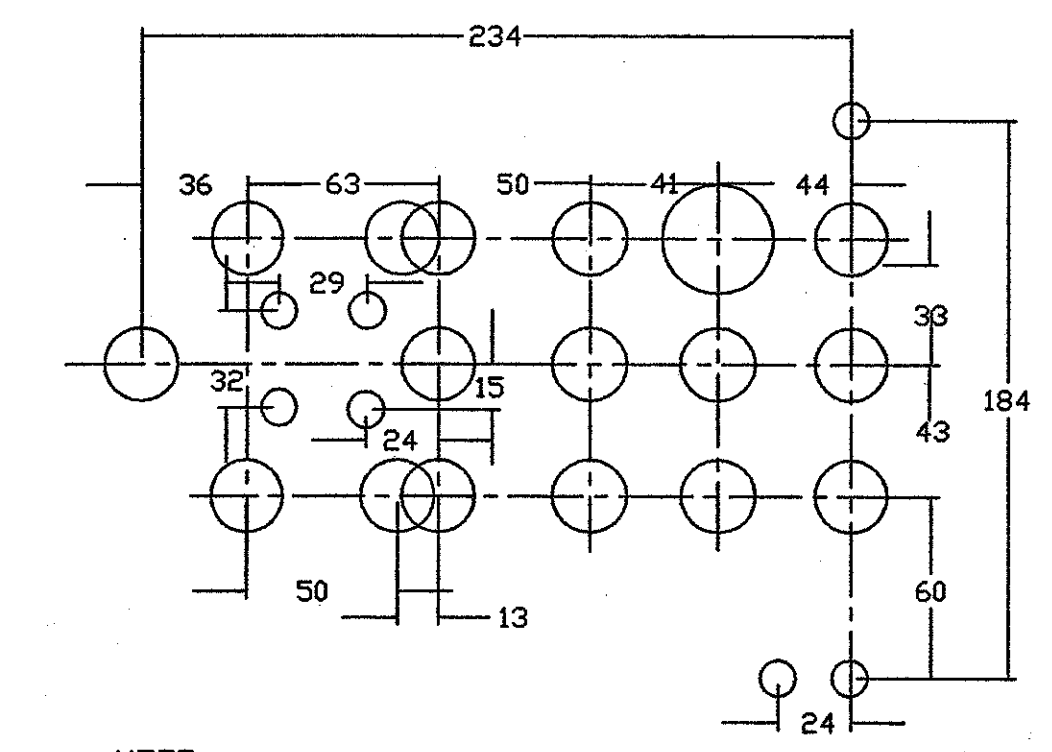
5 SHRIMP BOAT - PLAN
SCALE: NOT TO SCALE



6 SHRIMP BOAT - SIDE ELEVATION
SCALE: NOT TO SCALE

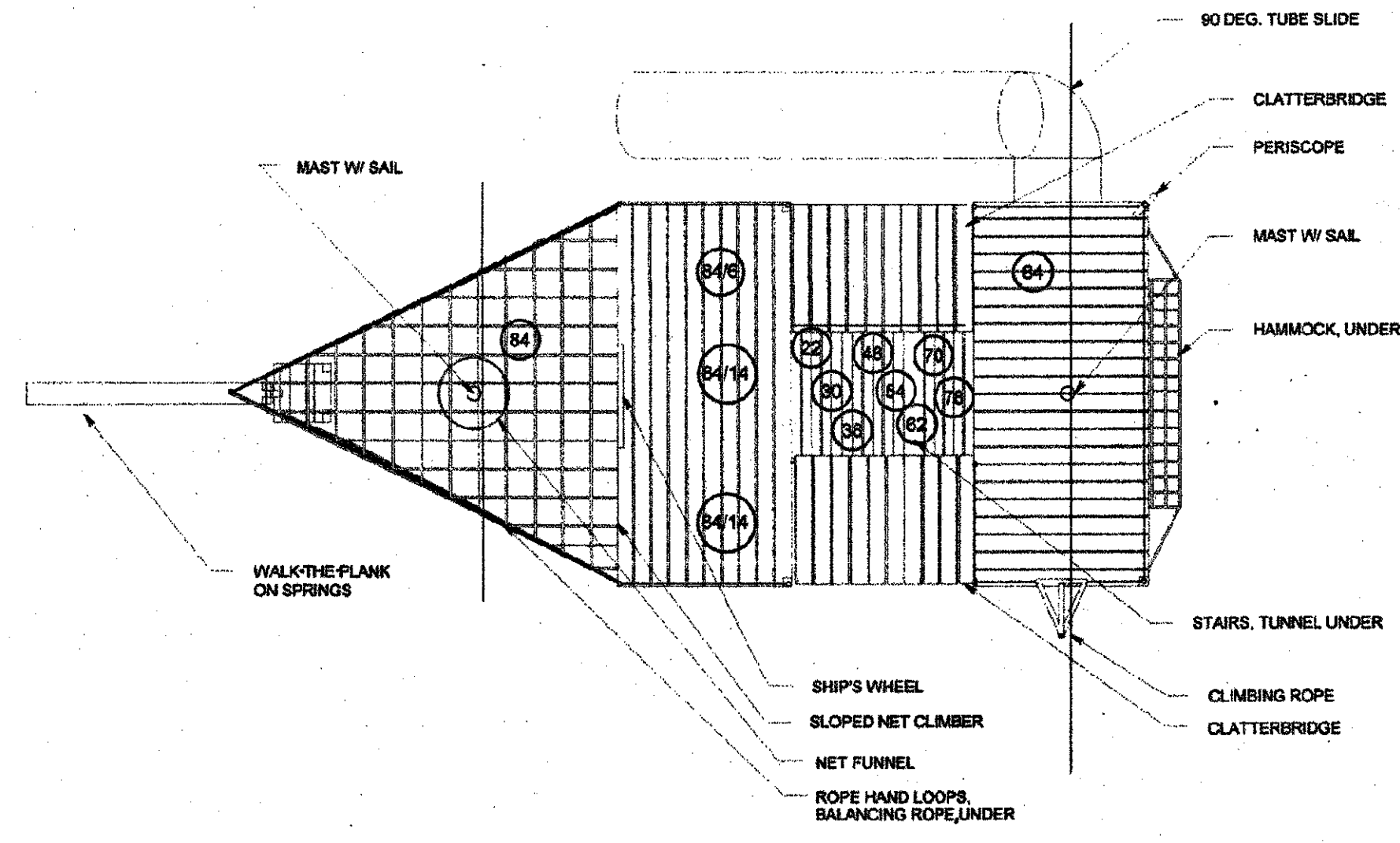


7 SHRIMP BOAT - ISOMETRIC
SCALE: NOT TO SCALE

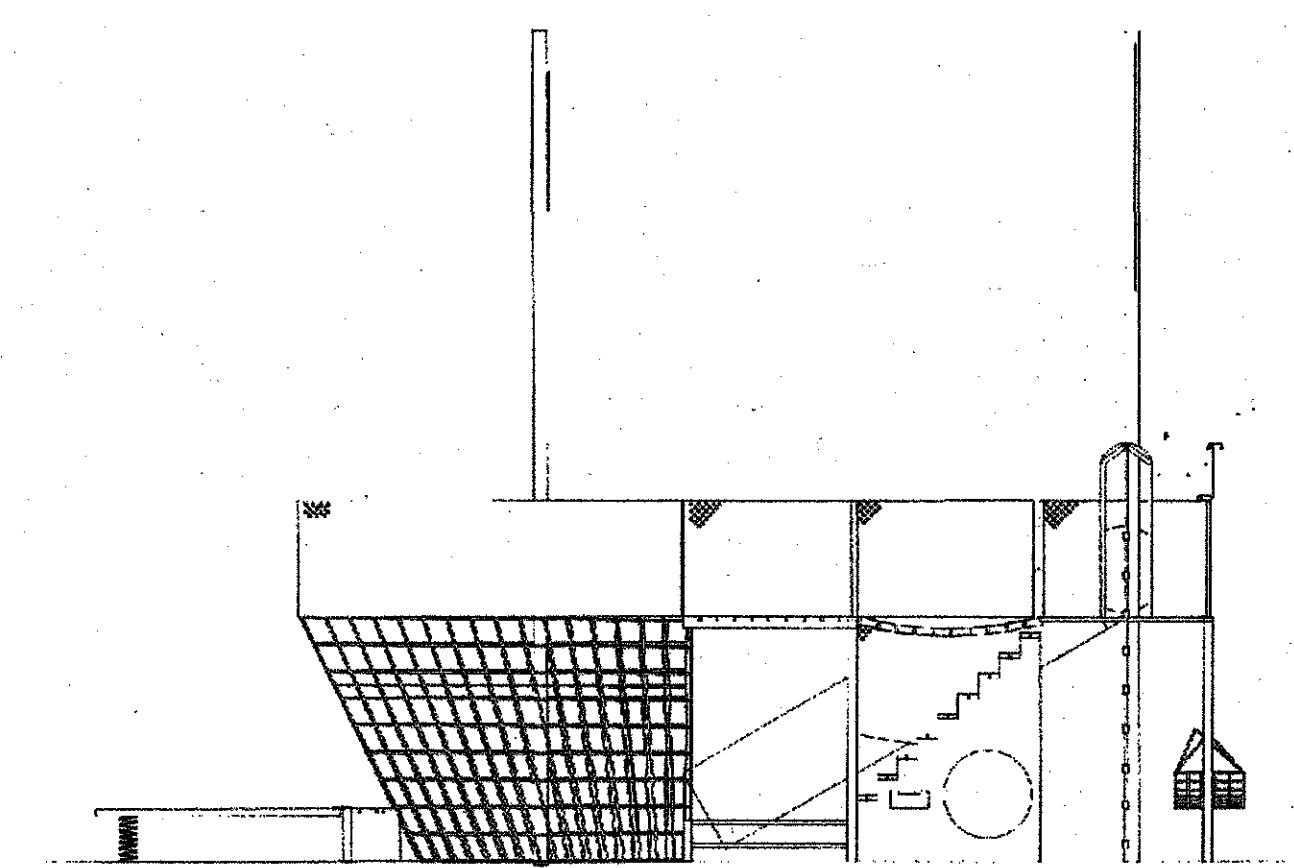


NOTE:
SEE FOOTING DETAILS AND SCHEDULE FOR SIZES
FOR SHRIMP BOAT FOOTINGS [3]

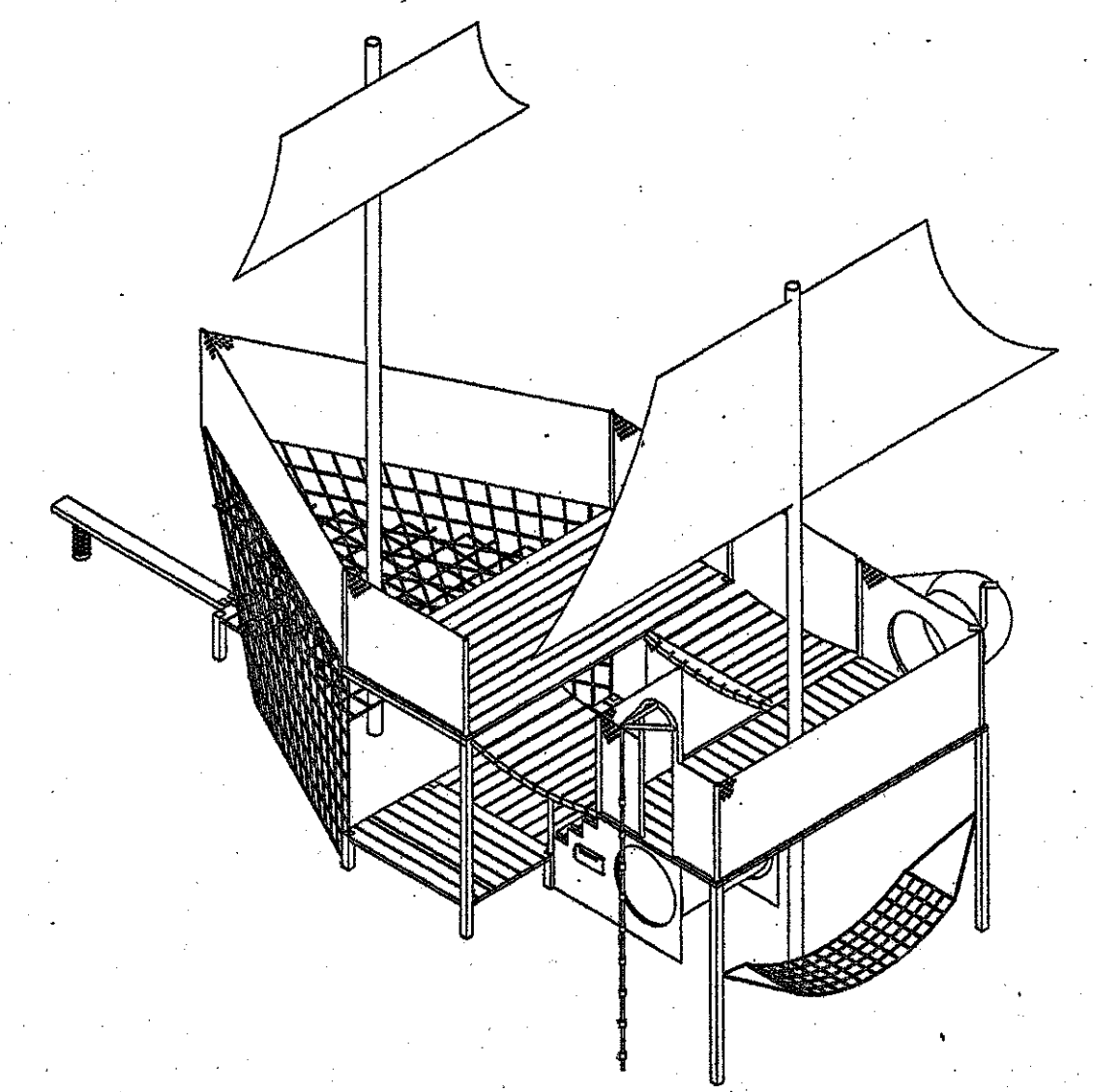
8 SHRIMP BOAT - FOOTING PLAN
SCALE: NOT TO SCALE



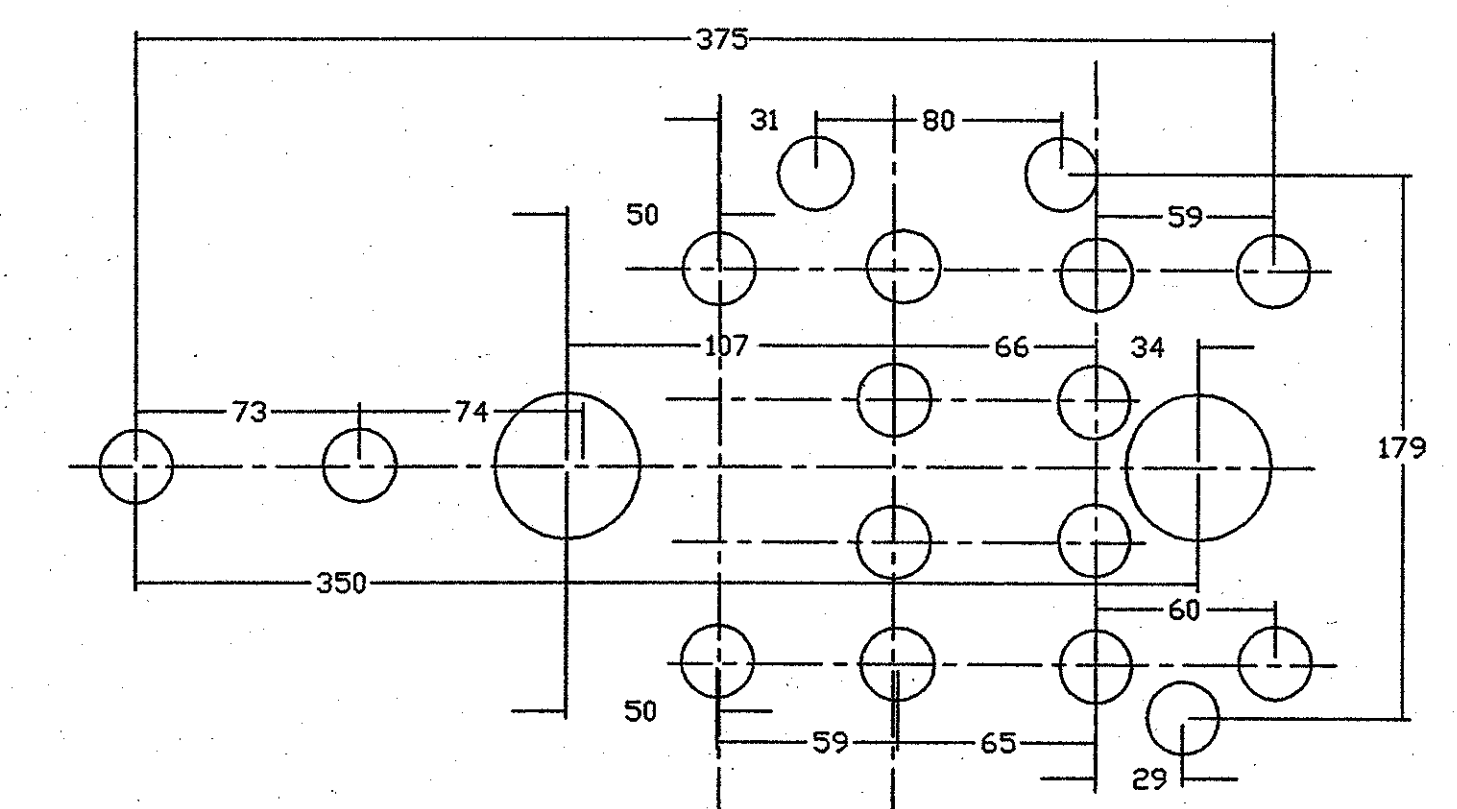
9 PIRATE SHIP - PLAN
SCALE: NOT TO SCALE



10 PIRATE SHIP - SIDE ELEVATION
SCALE: NOT TO SCALE



11 PIRATE SHIP - ISOMETRIC
SCALE: NOT TO SCALE



NOTE:
SEE FOOTING DETAIL AND SCHEDULE FOR SIZES
FOR PIRATE SHIP FOOTINGS [3]

12 PIRATE SHIP - FOOTING PLAN
SCALE: NOT TO SCALE



ColeJenest & Stone
Land Planning
Landscape Architecture
Civil Engineering
Urban Design
200 South Tryon Street
Suite 1400
Charlotte, North Carolina 28202
Tel 704. 376. 1555
Fax 704. 376. 7851
www.colejeneststone.com

PLAY SITE ARCHITECTURE

7 FAIRWAY ROAD
ACTON, MA 01726
978.263.1030 phone 978.263.0898 fax

**CITY OF
BEAUFORT**

302 CARTERET STREET
POST OFFICE BOX 1167
BEAUFORT, SC 29901

**HENRY C.
CHAMBERS
WATERFRONT
PARK**

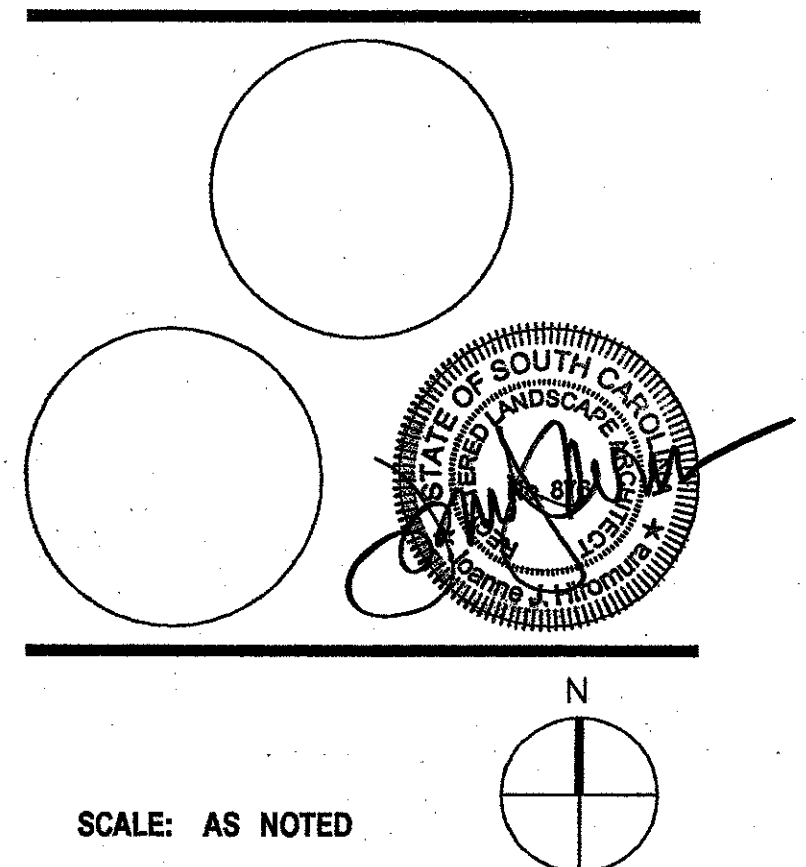
950 BAY STREET
BEAUFORT, SC 29902

**PLAYGROUND
DETAILS**

Project No.
2593

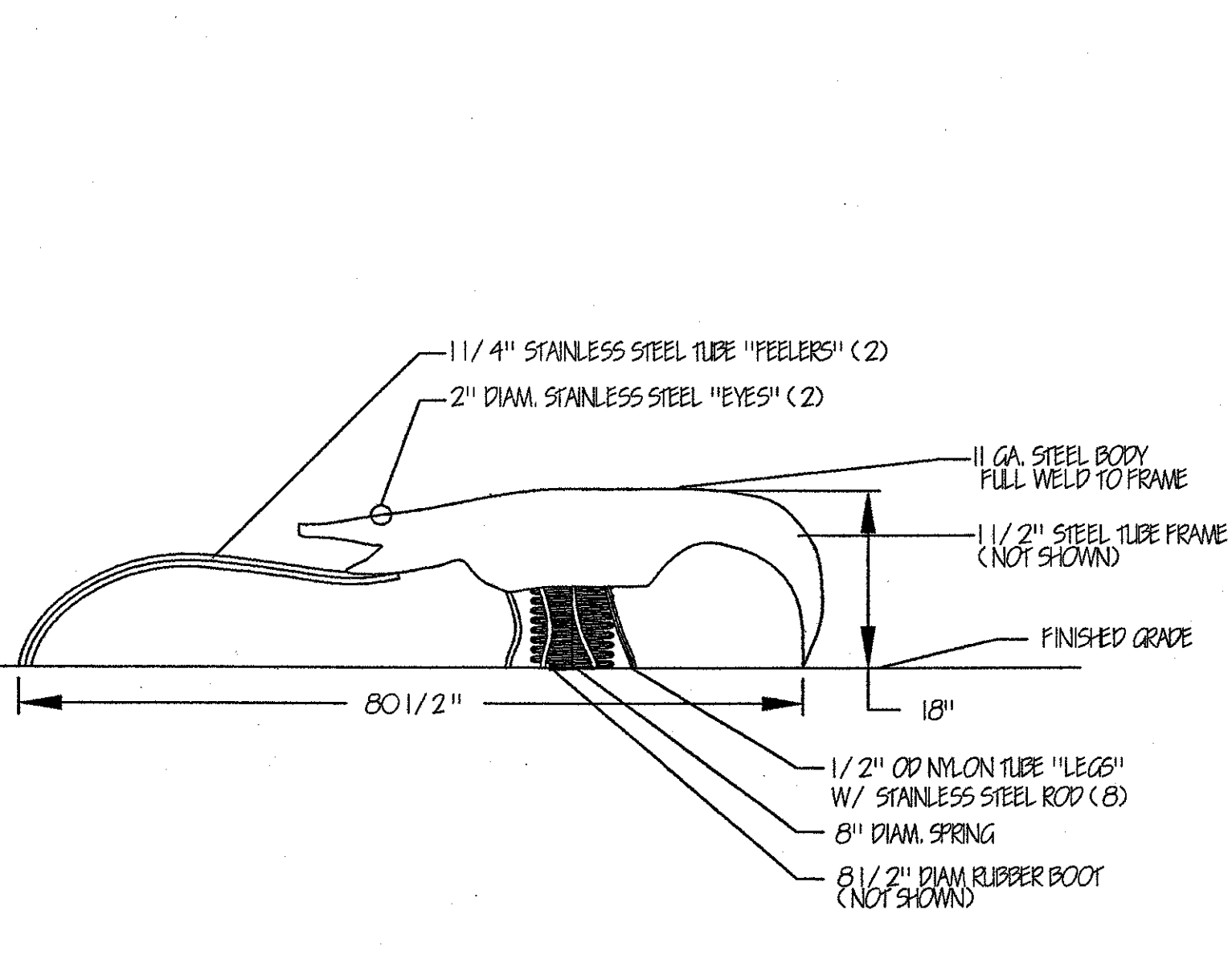
Issued
02/28/05 - ISSUED FOR BID

Revised
XX/XX/XX - DESCRIPTION

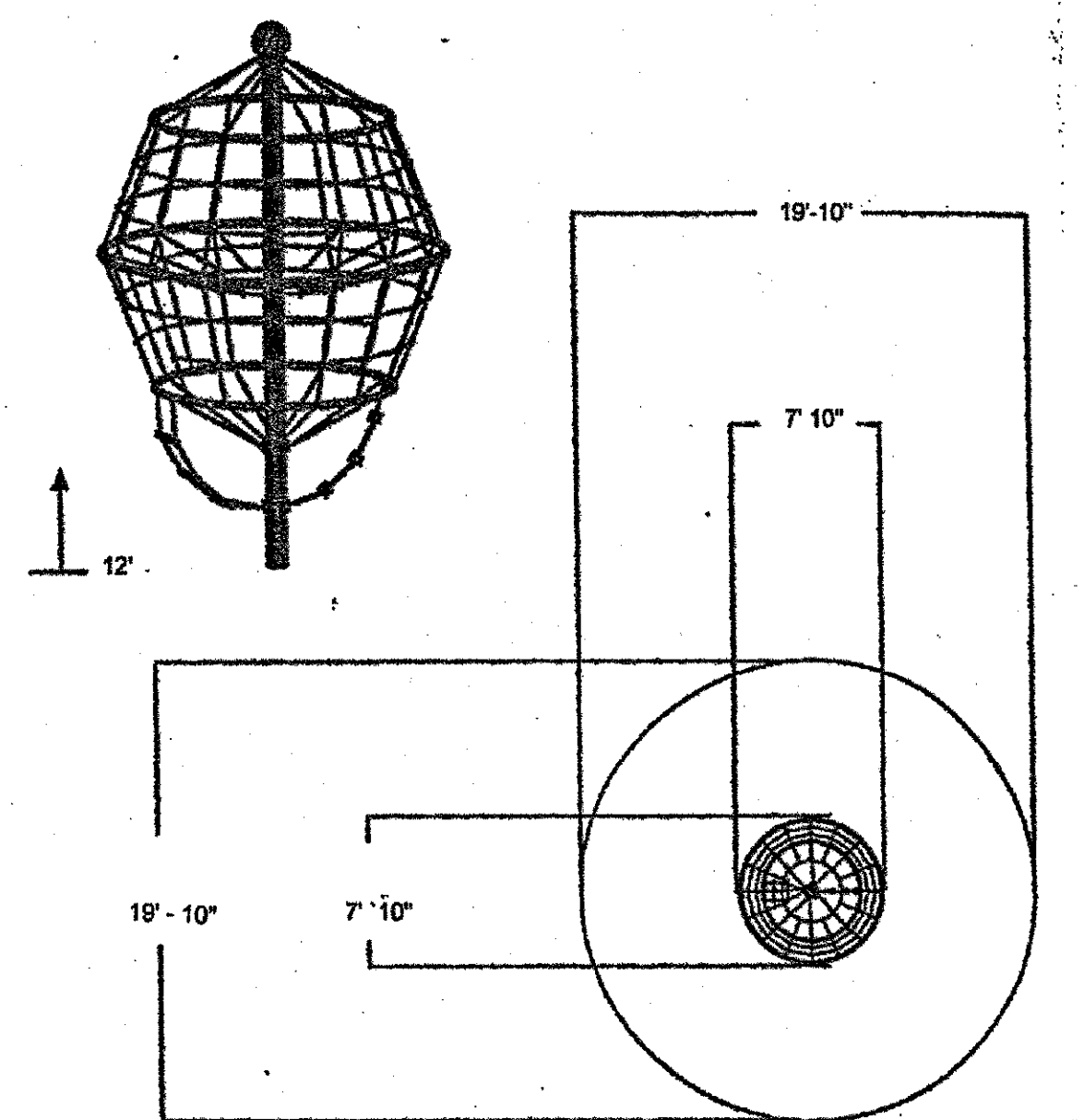


L7.2

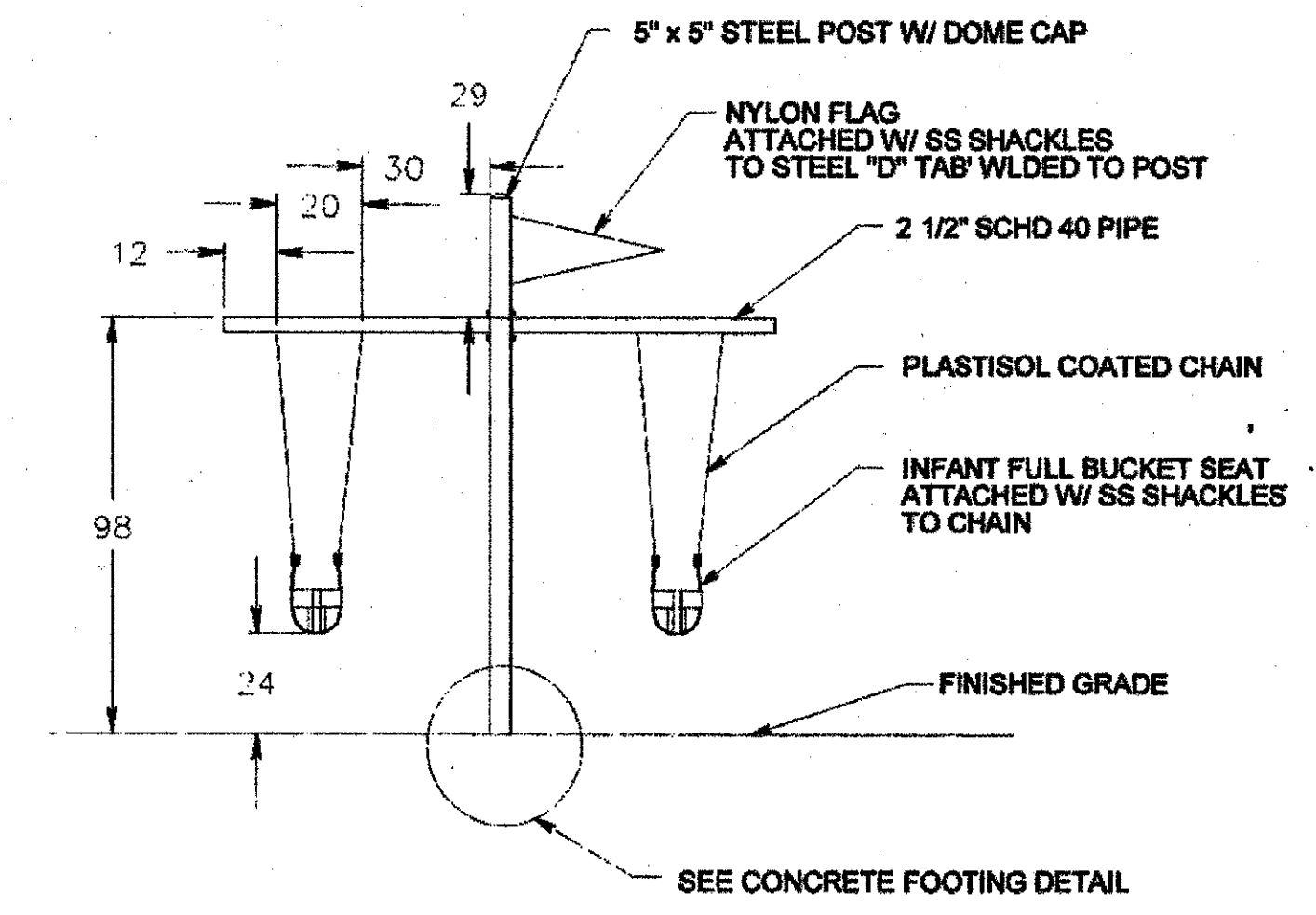
The drawings, the project manual and the design shown the are instruments of ColeJenest & Stone, P.A.. The reproduction or unauthorized use of the documents without consent of ColeJenest & Stone, P.A. is prohibited.
ColeJenest & Stone, P.A. © 2005



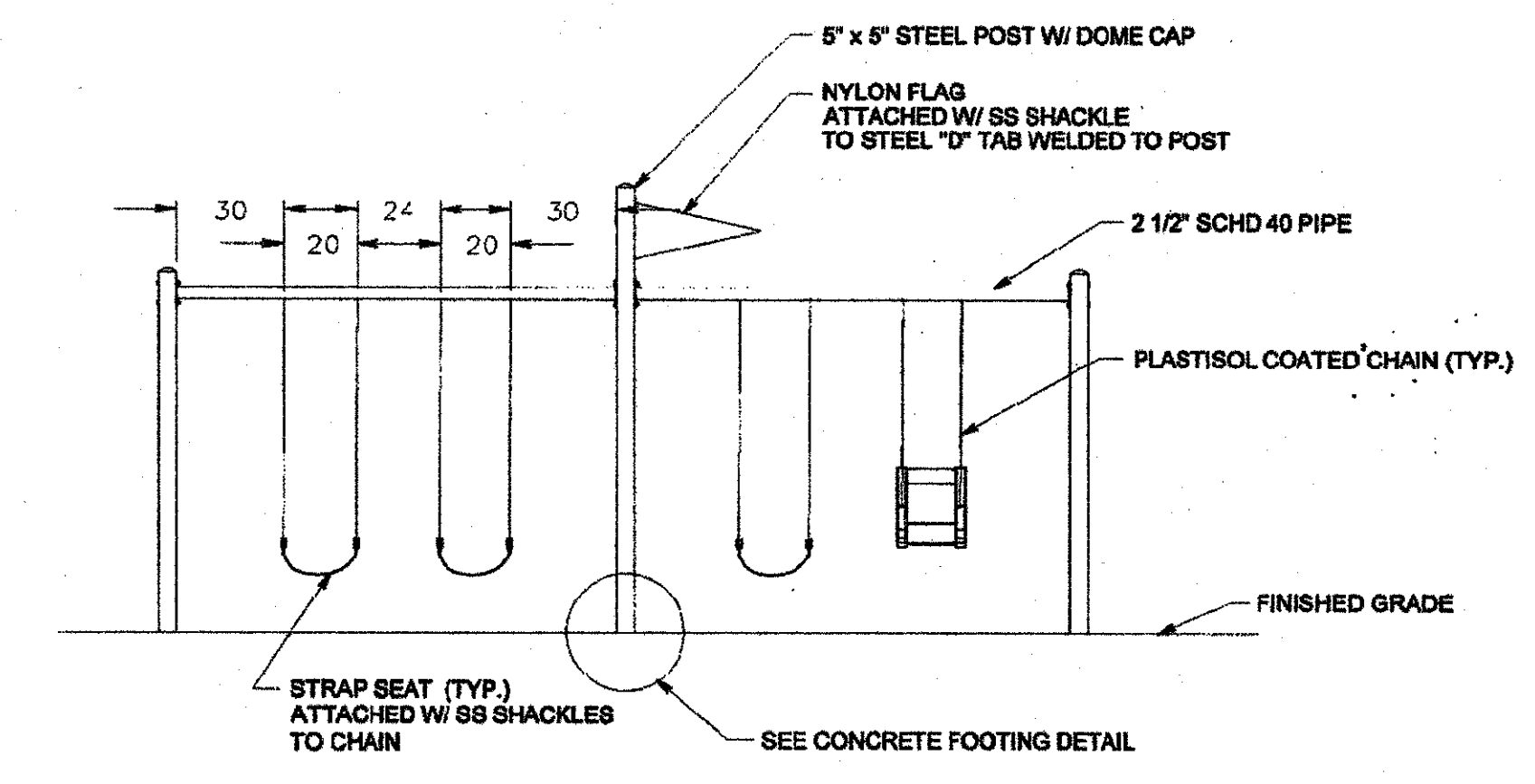
1 BOUNCING SHRIMP - ELEVATION
SCALE: NOT TO SCALE



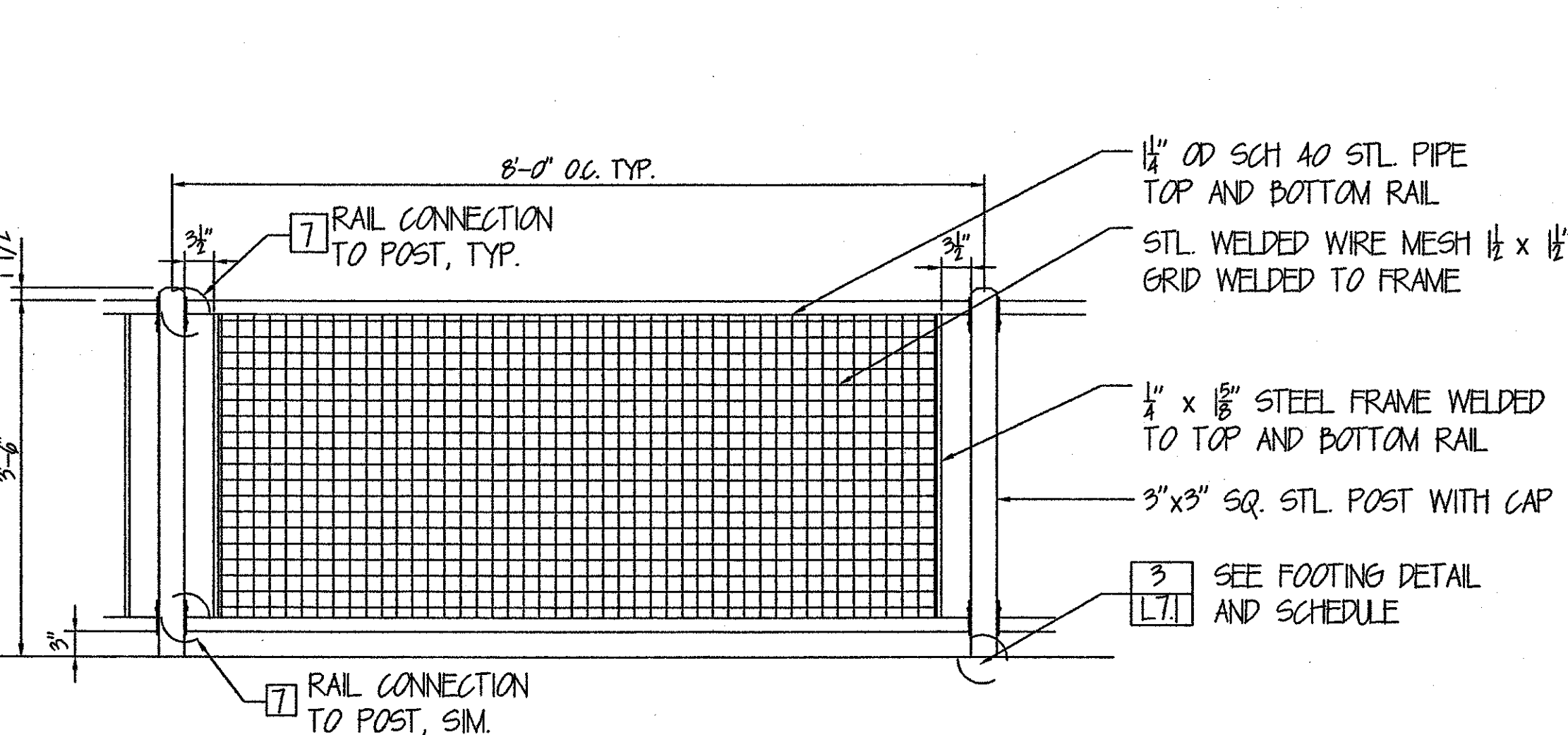
2 SPINNING CROW'S NEST - ELEVATION & FOOTING PLAN
SCALE: NOT TO SCALE



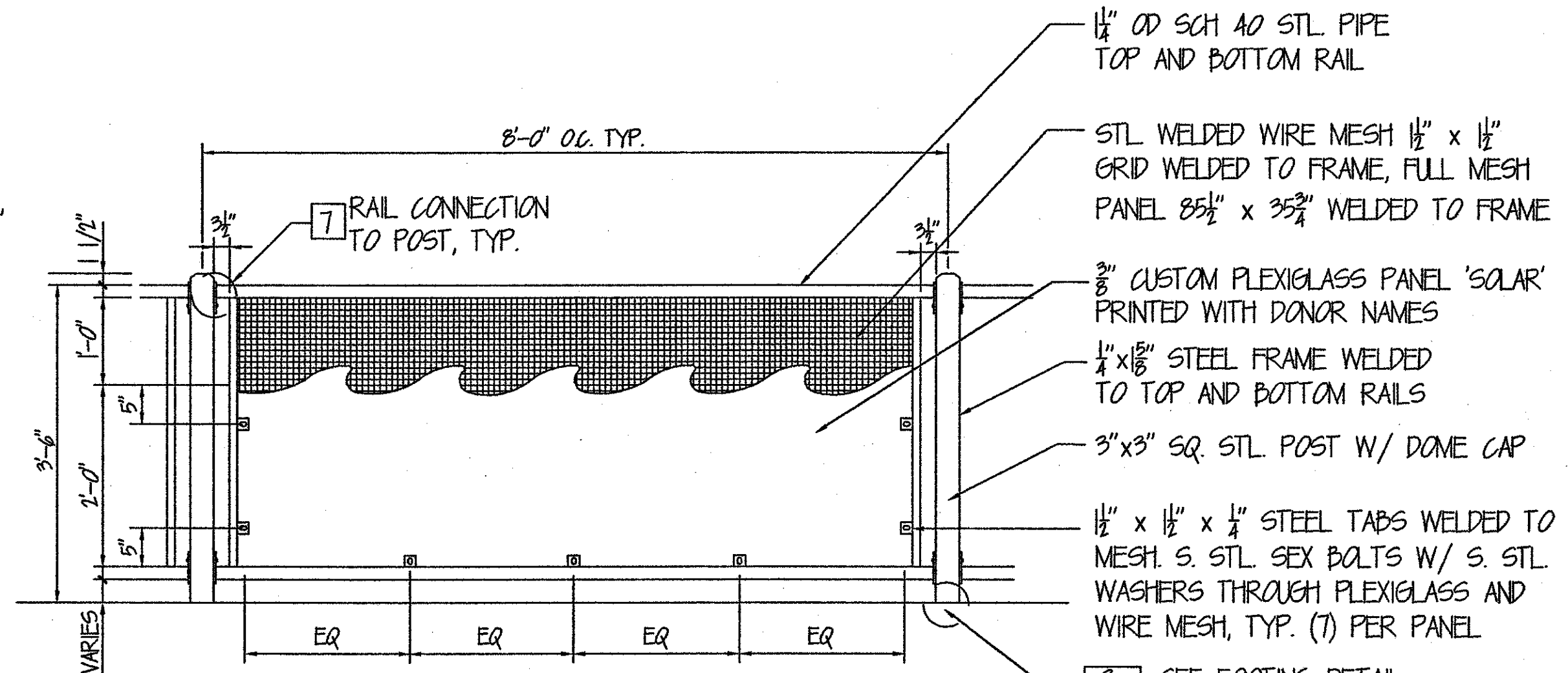
3 1-BAY INFANT SWINGS - ELEVATION & FOOTING PLAN
SCALE: 1/4"=1'-0"



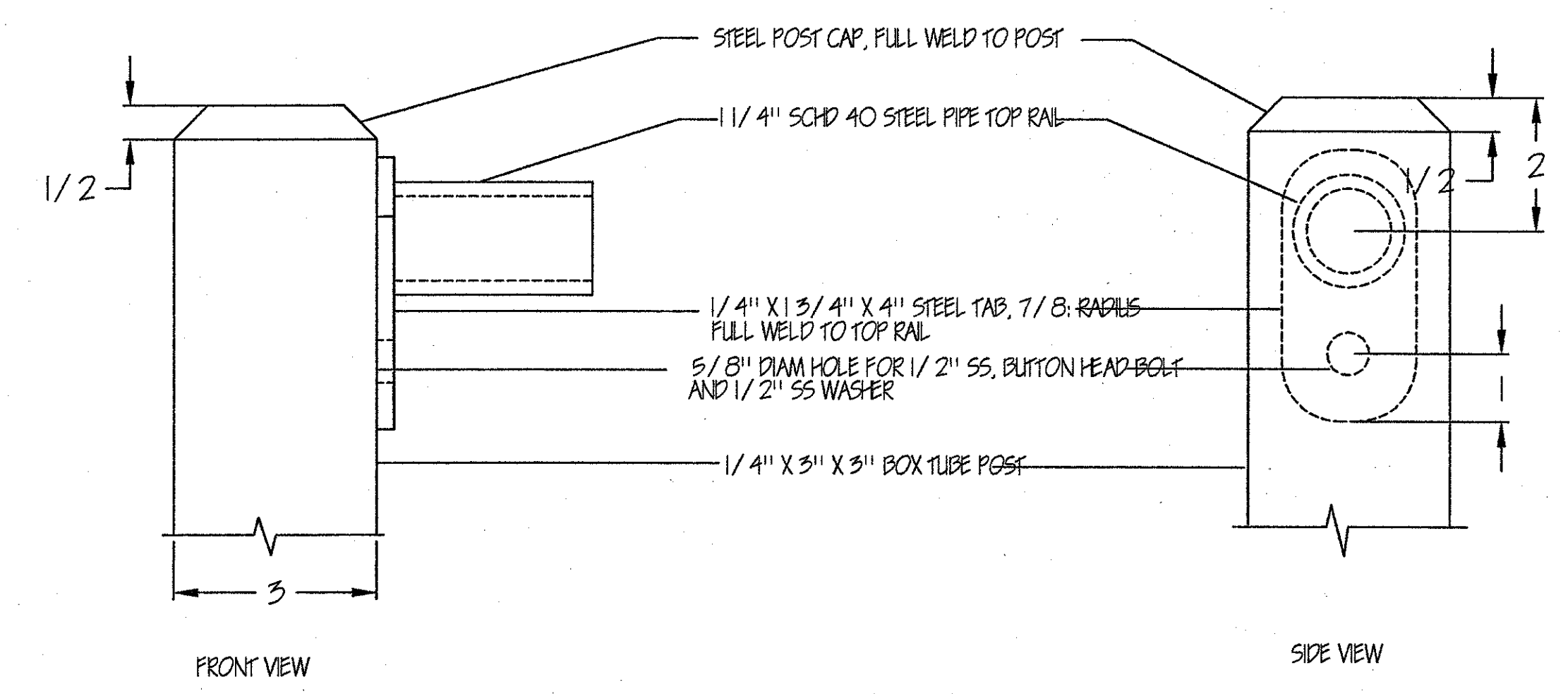
4 2-BAY SWINGS - ELEVATION & FOOTING PLAN
SCALE: 1/4"=1'-0"



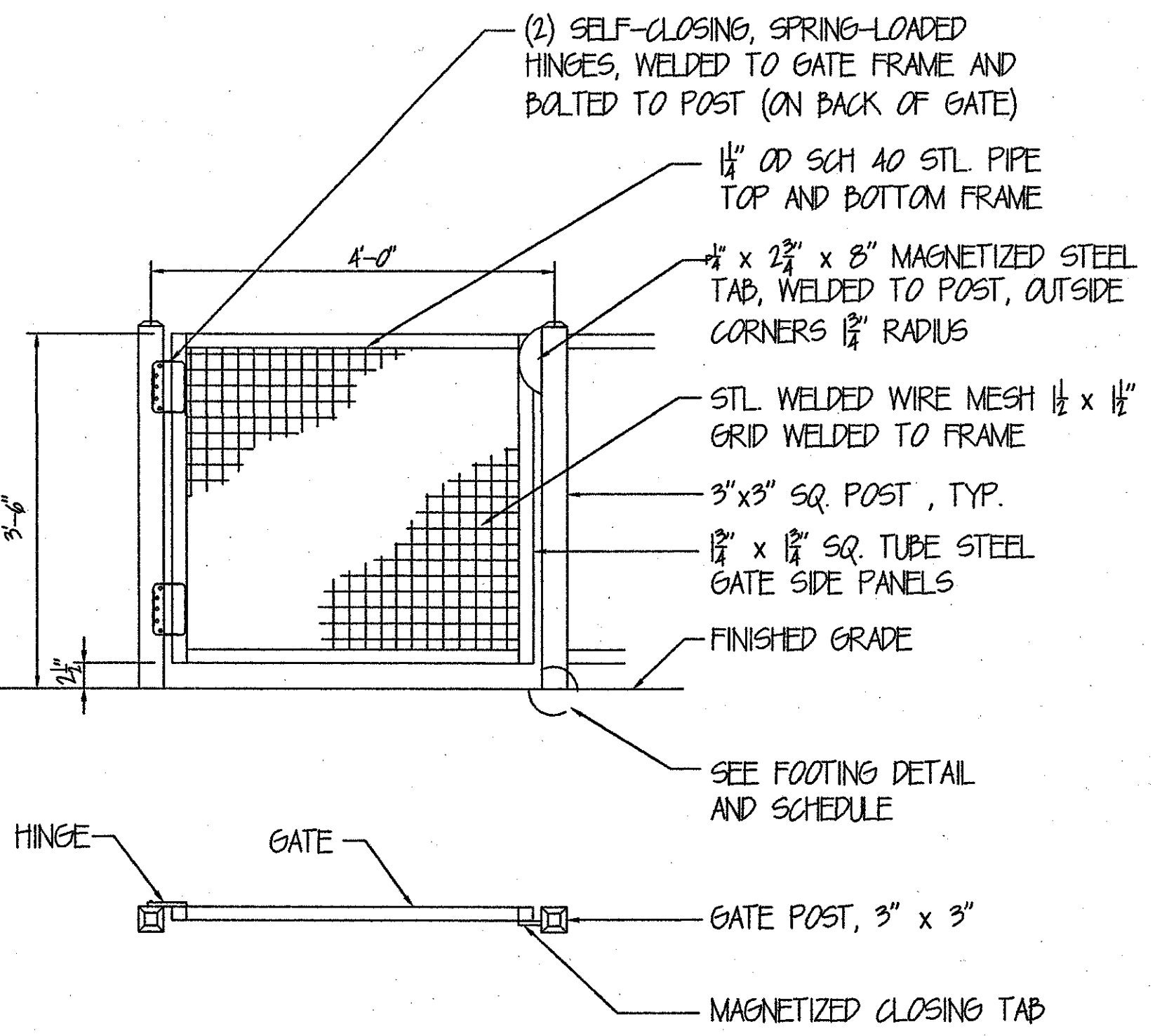
5 STEEL FENCE, TYP.
SCALE: NOT TO SCALE



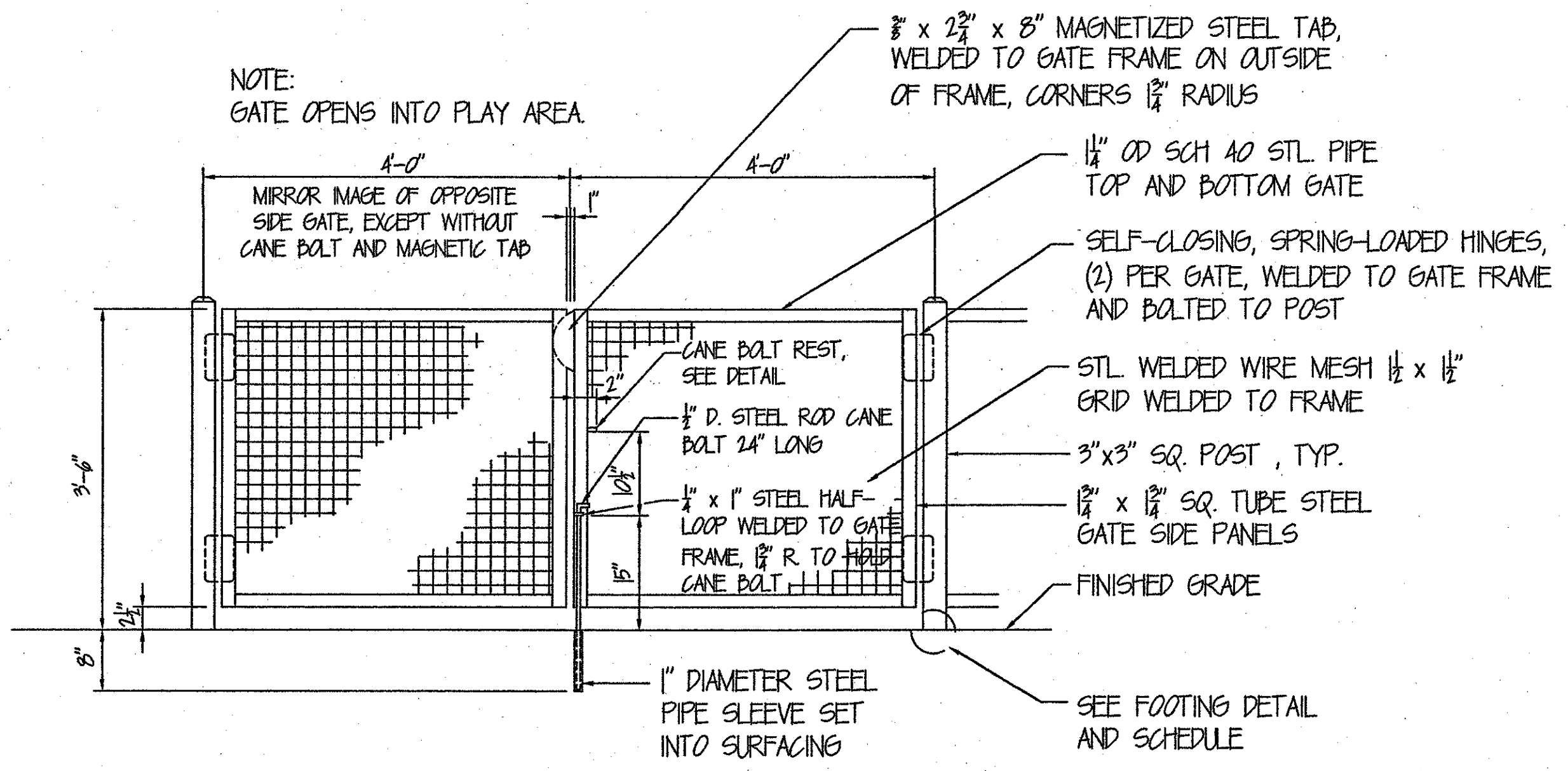
6 STEEL FENCE WITH CUSTOM DONOR PANEL
SCALE: 3/4"=1'-0"



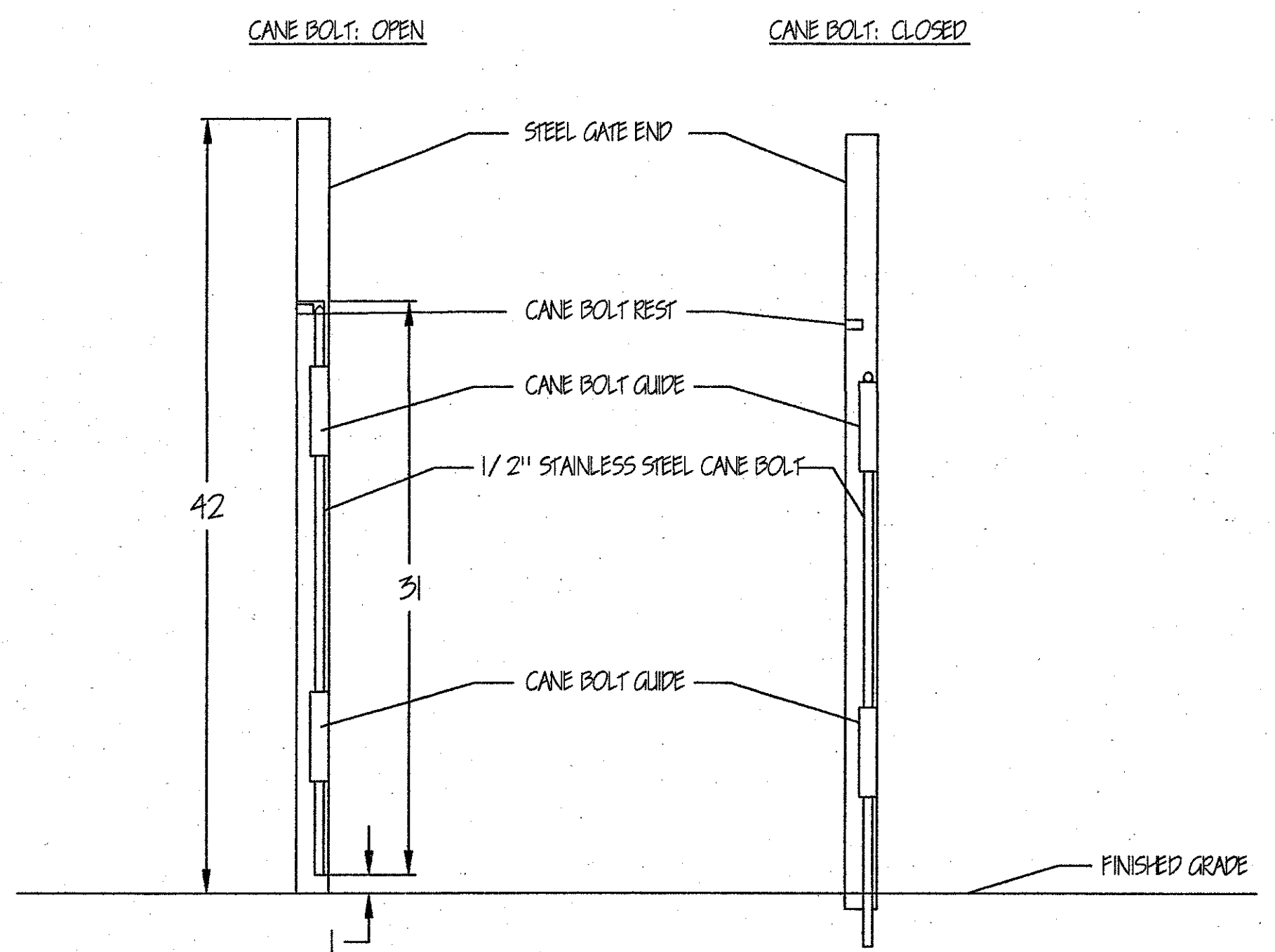
7 RAIL CONNECTION TO POST DETAIL, TYP.
SCALE: NOT TO SCALE



8 SINGLE GATE
SCALE: NOT TO SCALE



9 DOUBLE GATE
SCALE: NOT TO SCALE



10 CANE REST DETAIL
SCALE: NOT TO SCALE



ColeJenest & Stone
Land Planning
Landscape Architecture
Civil Engineering
Urban Design
200 South Tryon Street
Suite 1400
Charlotte, North Carolina 28202
Tel 704. 376. 1555
Fax 704. 376. 7851
www.colejeneststone.com

PLAY SITE ARCHITECTURE

7 FAIRWAY ROAD
ASTON, MA 01720
978.283.1090 phone 978.283.0880 fax

CITY OF
BEAUFORT

302 CARTERET STREET
POST OFFICE BOX 1167
BEAUFORT, SC 29901

HENRY C.
CHAMBERS
WATERFRONT
PARK

950 BAY STREET
BEAUFORT, SC 29902

PLAYGROUND
DETAILS

Project No.

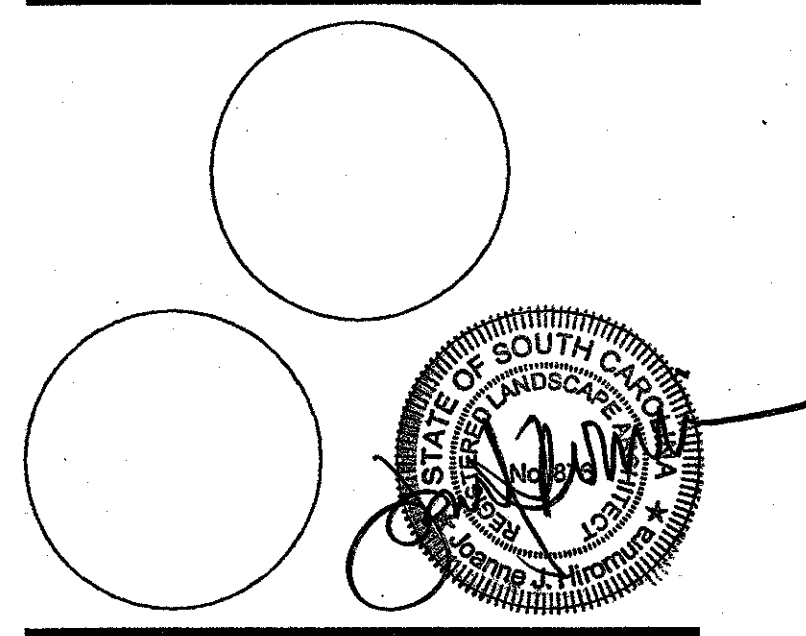
2593

Issued

02/28/05 - ISSUED FOR BID

Revised

XX/XX/XX - DESCRIPTION

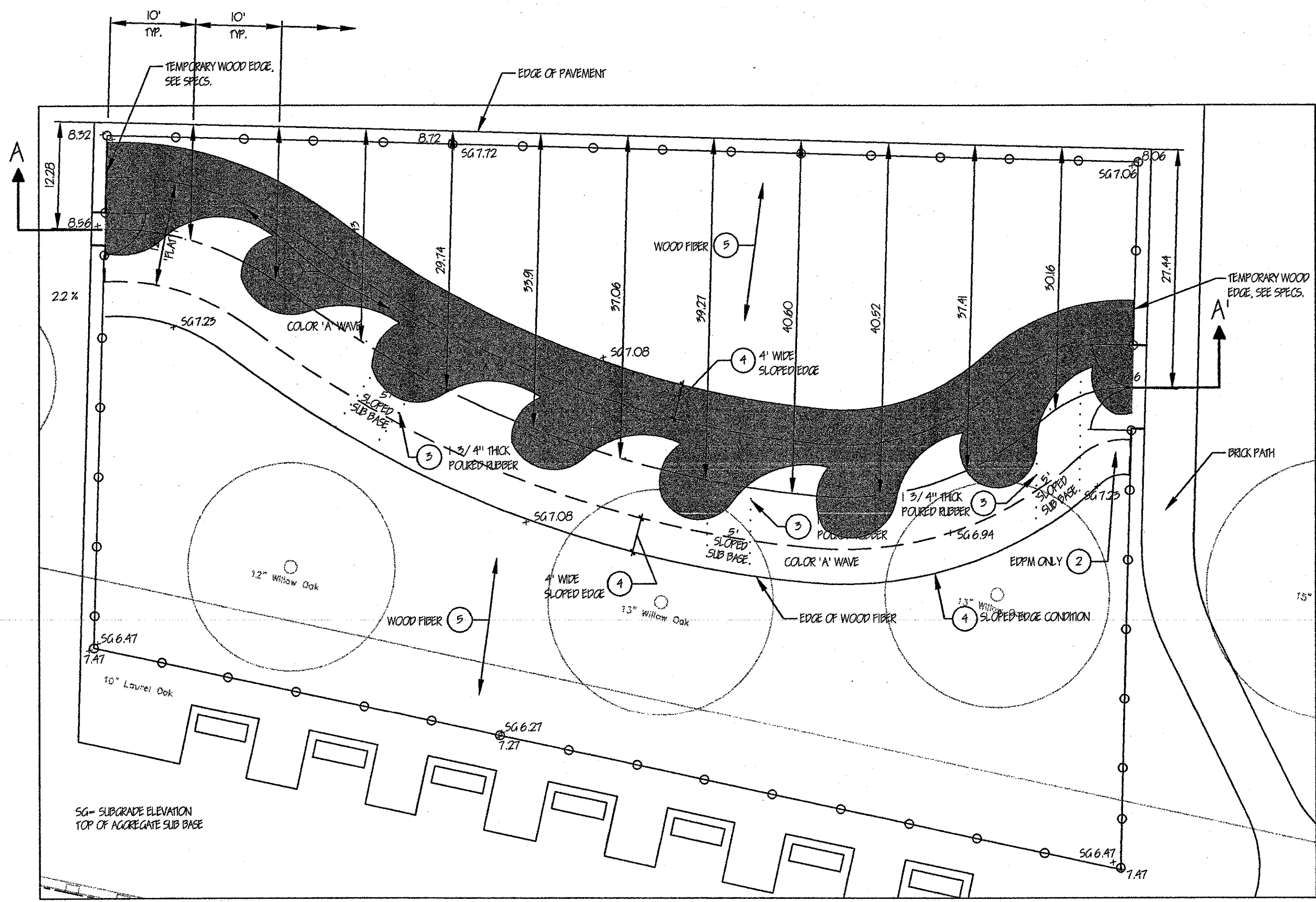


SCALE: AS NOTED

L7.3

The drawings, the project manual and the design shown the are instruments of ColeJenest & Stone, P.A.. The reproduction or unauthorized use of the documents without consent of ColeJenest & Stone, P.A. is prohibited.

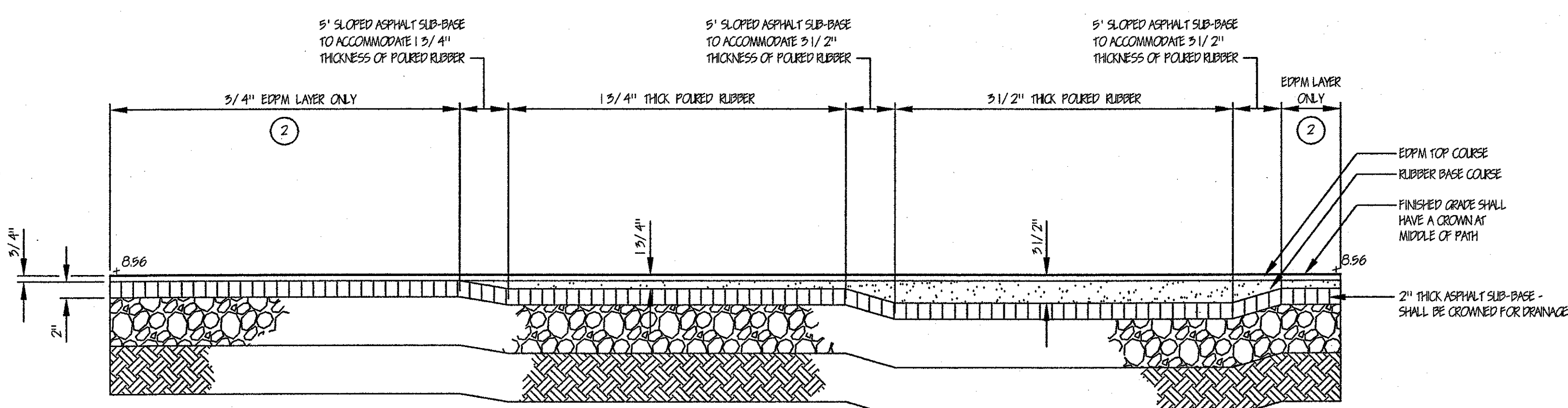
ColeJenest & Stone, P.A. © 2005



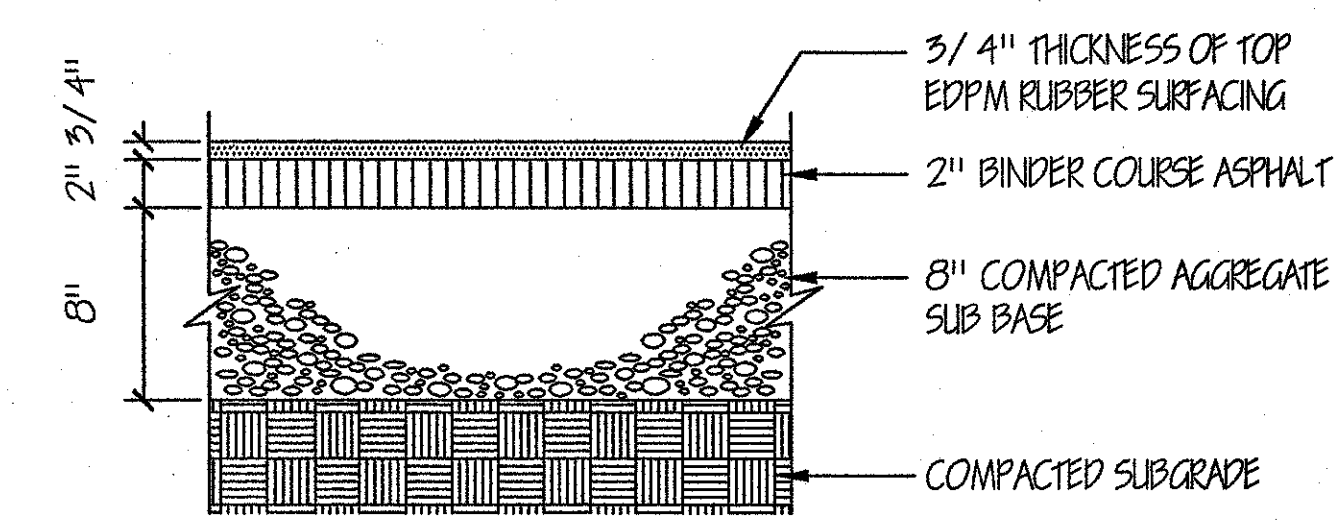
KEY:

- COLOR 'A' = 1/4" TEAL, 1/4" SKY BLUE, 1/4" BRIGHT GREEN, 1/4" LIGHT GRAY
- COLOR 'B' = 1/3" TEAL, 1/3" BRIGHT GREEN, 1/3" BLACK

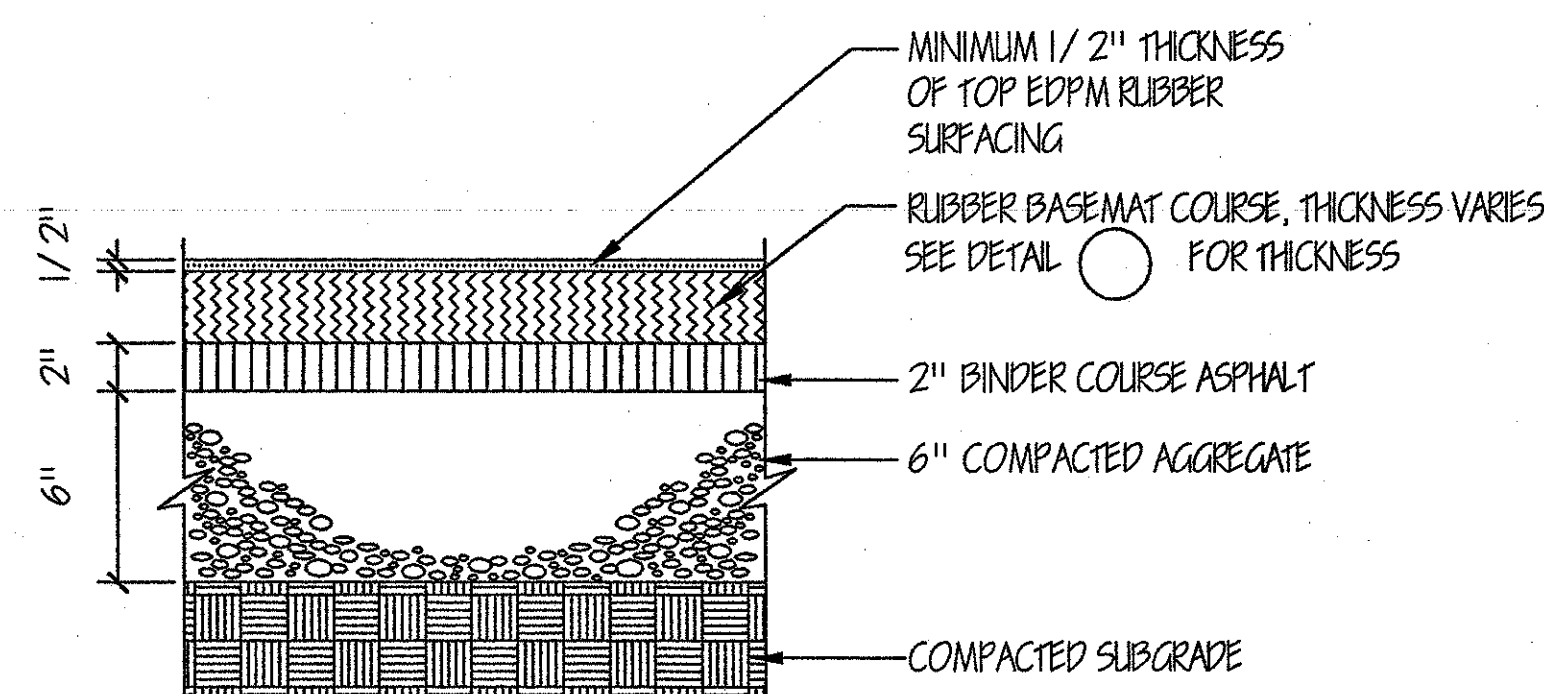
1 PLAY AREA SURFACING AND GRAPHICS DETAIL PLAN
SCALE: 1"=10'-0"



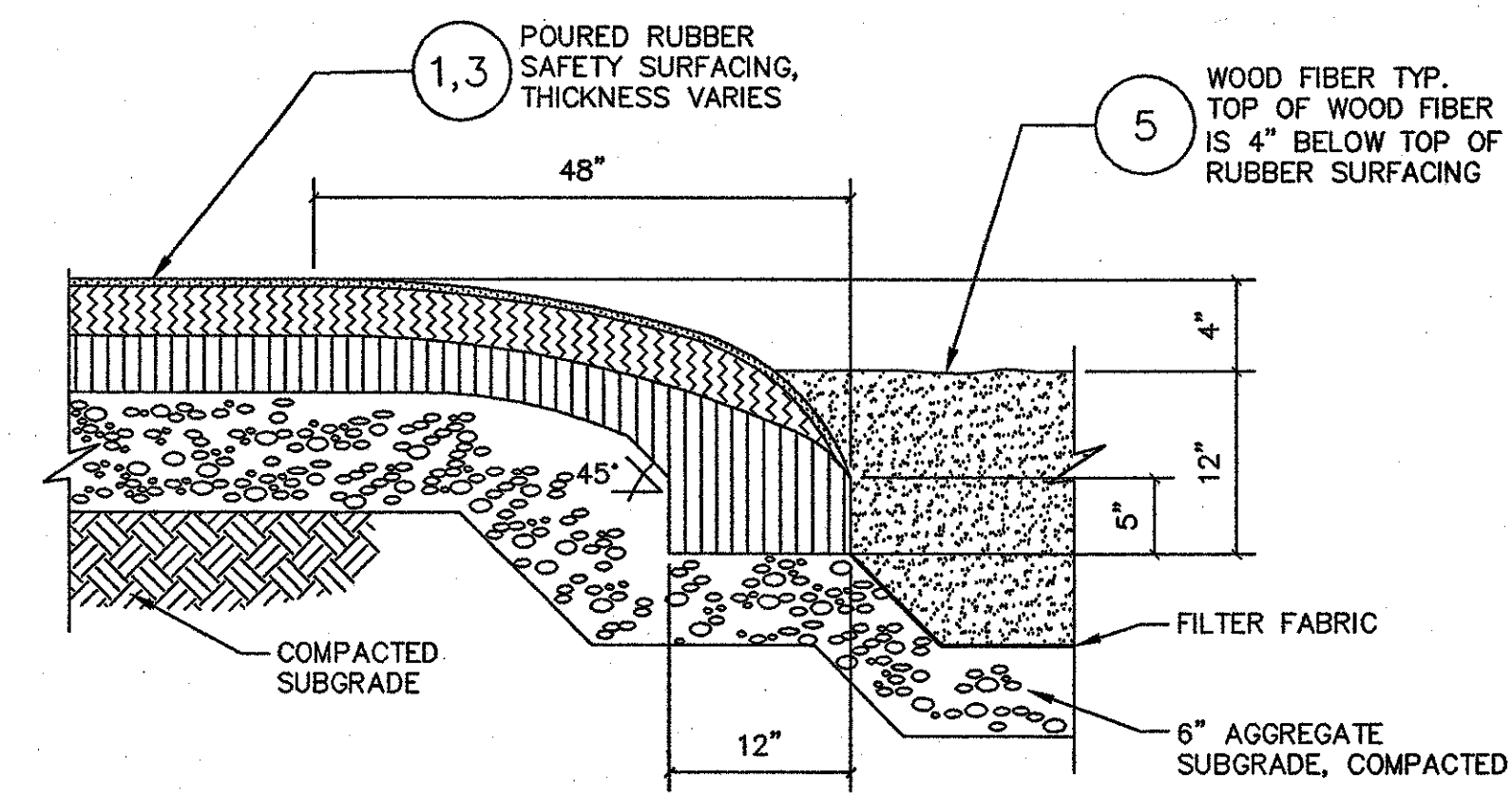
6 SECTION A - A' THROUGH PATH - SUB-BASE DETAIL
HORIZONTAL SCALE: 1"=10'-0"
VERTICAL SCALE: 1"=1'-0"



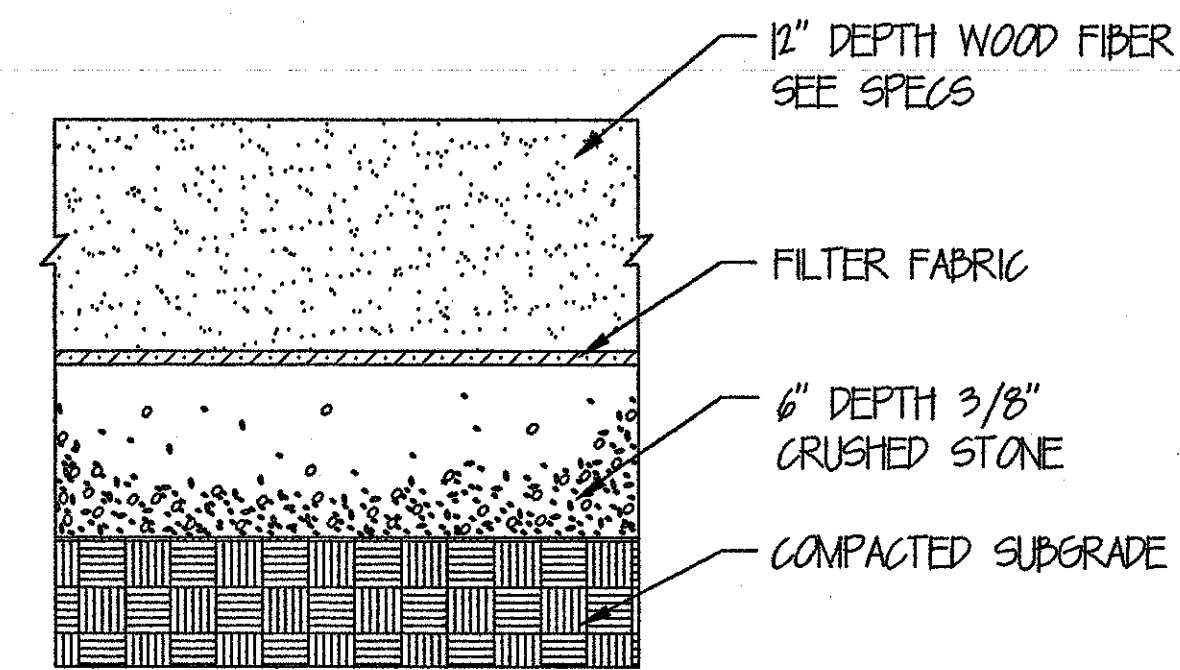
2 EDPM LAYER ONLY
SCALE: NOT TO SCALE



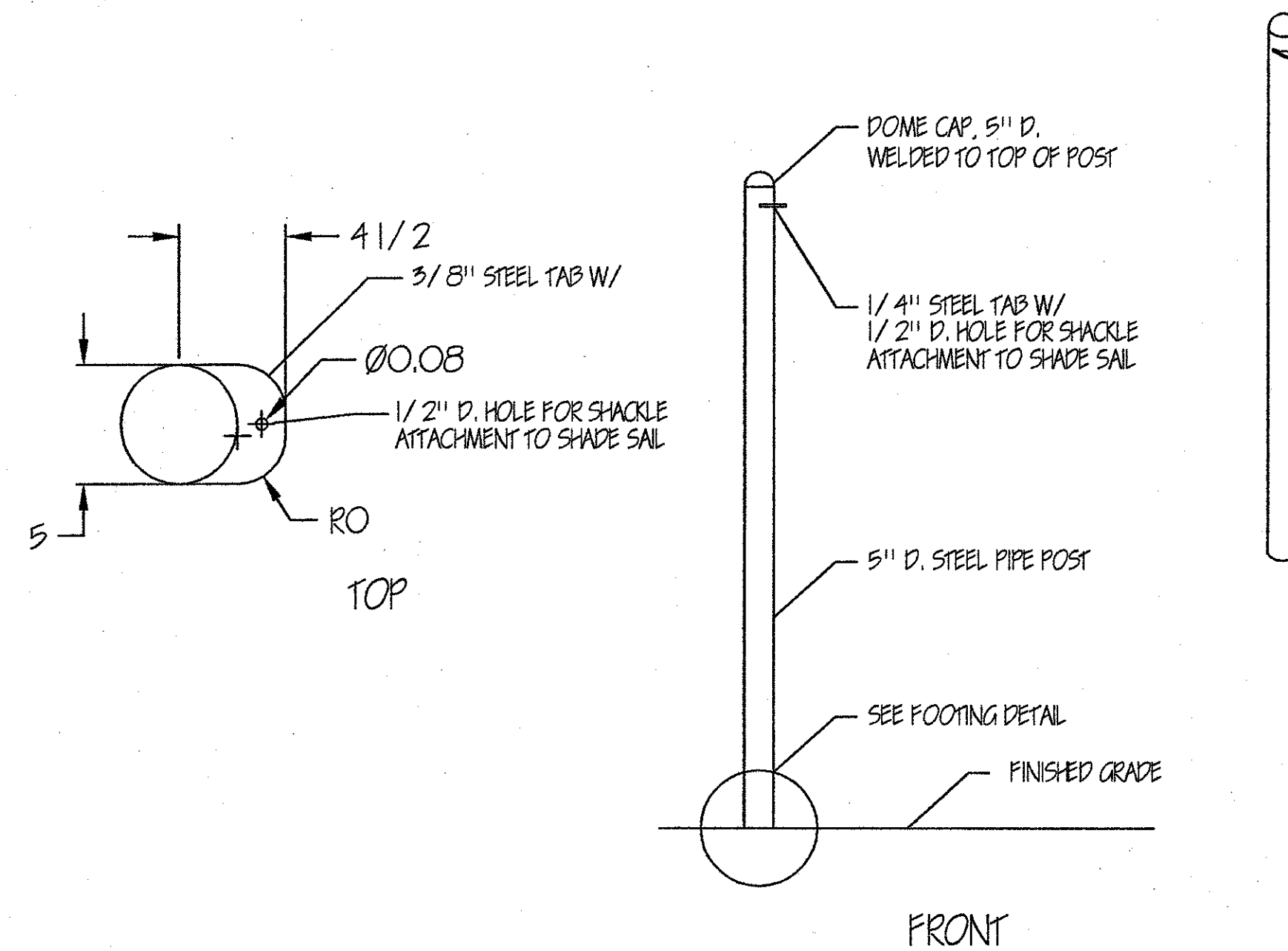
3 POURED-IN-PLACE RUBBER SAFETY SURFACING
SCALE: NOT TO SCALE



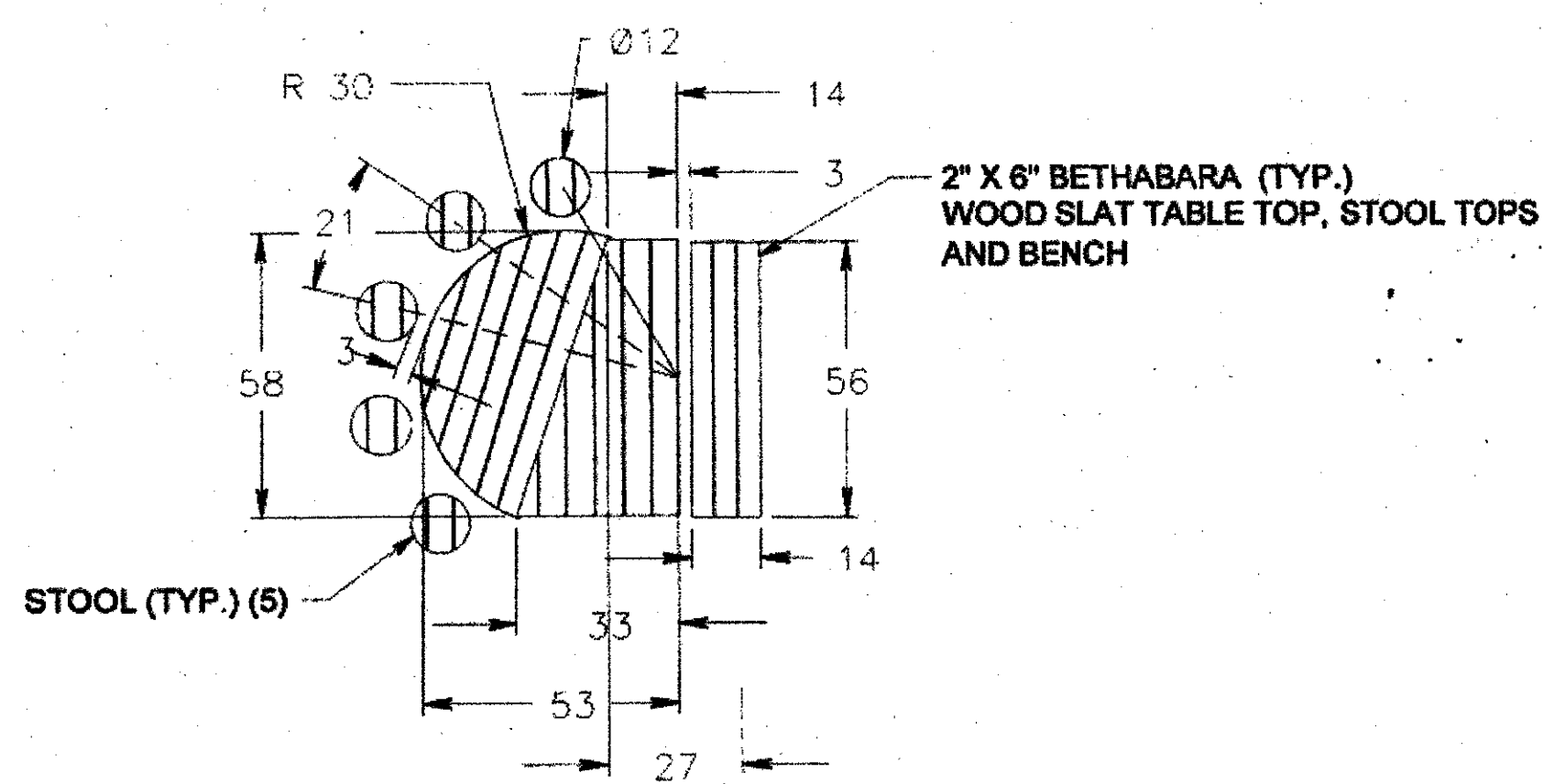
4 POURED IN PLACE RUBBER SLOPED EDGE DETAIL
SCALE: NOT TO SCALE



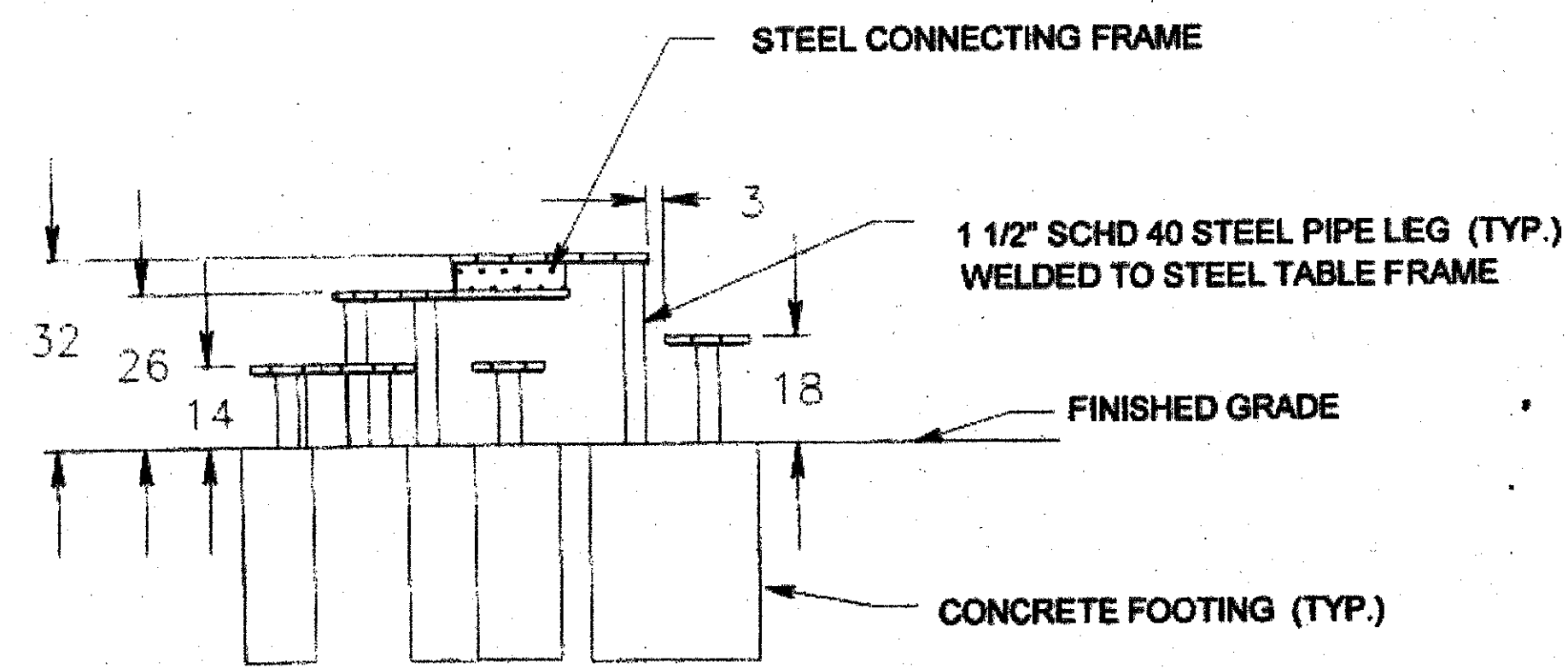
5 WOOD FIBER SAFETY SURFACING
SCALE: NOT TO SCALE



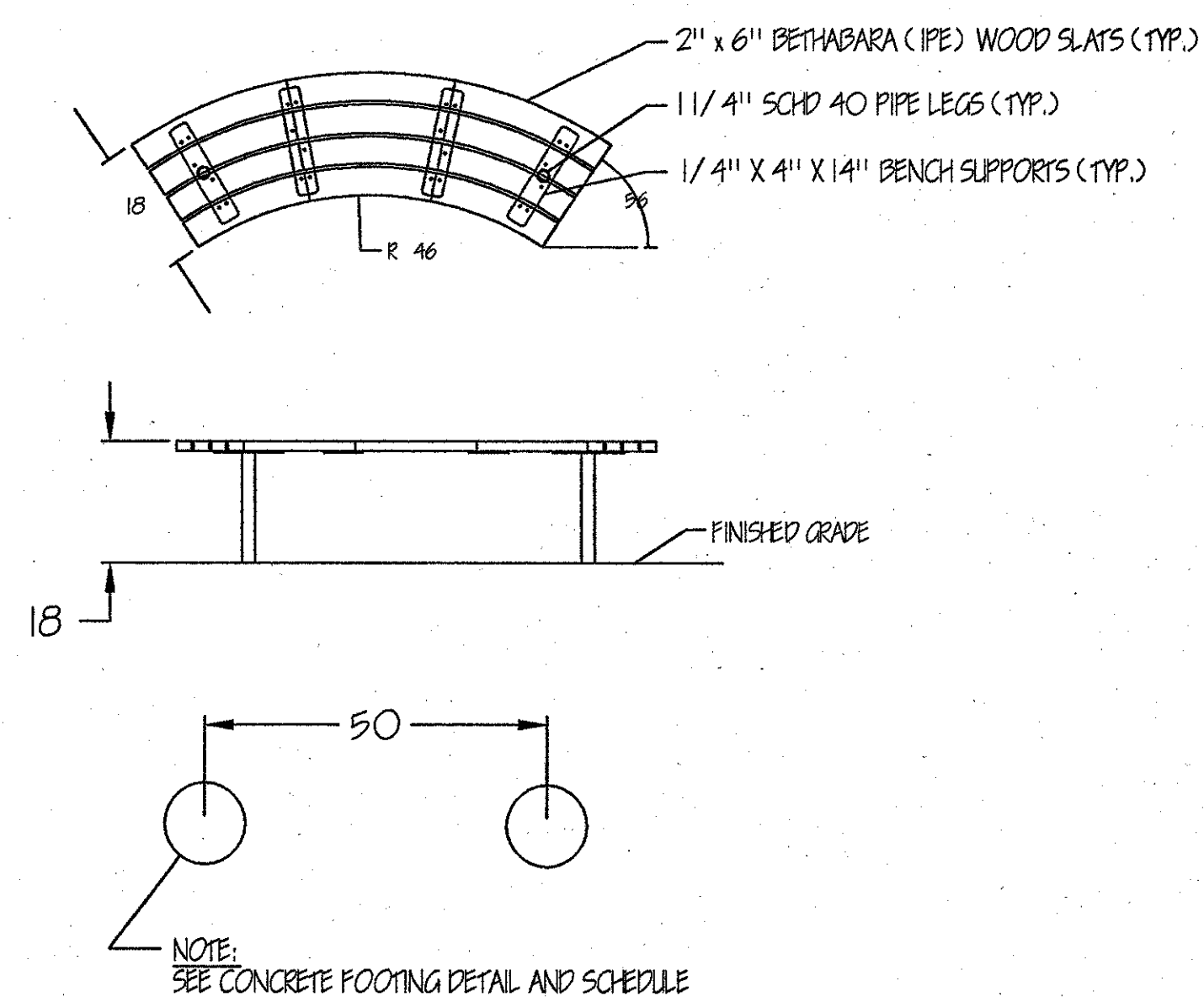
7 SHADE STRUCTURE DETAIL
SCALE: NOT TO SCALE



8 BI-LEVEL PICNIC TABLE PLAN
SCALE: NOT TO SCALE



9 BI-LEVEL PICNIC TABLE ELEVATION
SCALE: NOT TO SCALE



10 BENCH PLAN AND DETAILS
SCALE: NOT TO SCALE



Land Planning
Landscape Architecture
Civil Engineering
Urban Design

200 South Tryon Street
Suite 1400
Charlotte, North Carolina 28202
Tel 704. 376. 1555
Fax 704. 376. 7851
www.colejeneststone.com

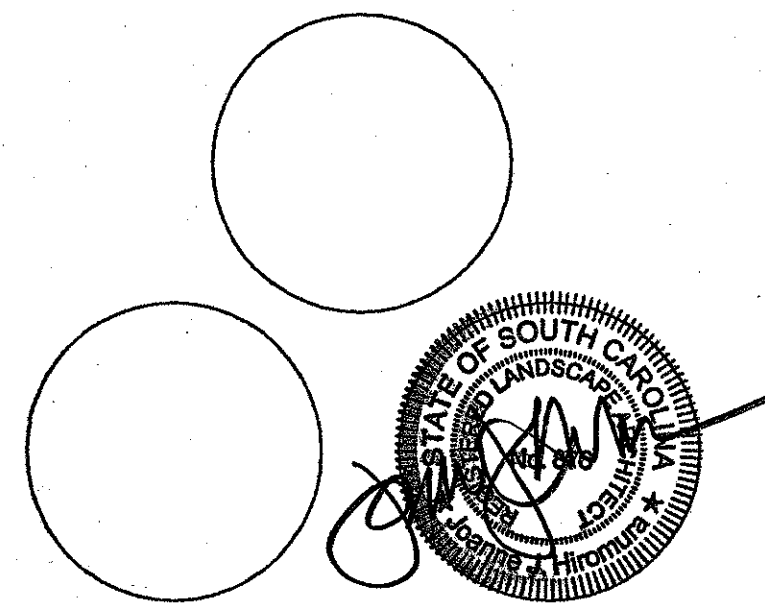
PLAY SITE ARCHITECTURE
7 FAIRWAY ROAD
ACTON, MA 01720
978.283.1090 phone 978.283.0888 fax

CITY OF
BEAUFORT
302 CARTERET STREET
POST OFFICE BOX 1167
BEAUFORT, SC 29901

HENRY C.
CHAMBERS
WATERFRONT
PARK
950 BAY STREET
BEAUFORT, SC 29902

PLAYGROUND
DETAILS

Project No.
2593
Issued
02/28/05 - ISSUED FOR BID
Revised
XX/XX/XX - DESCRIPTION



SCALE: AS NOTED

L7.4

The drawings, the project manual and the design shown are instruments of ColeJenest & Stone, P.A. The reproduction or unauthorized use of the documents without consent of ColeJenest & Stone, P.A. is prohibited.

ColeJenest & Stone, P.A. © 2005