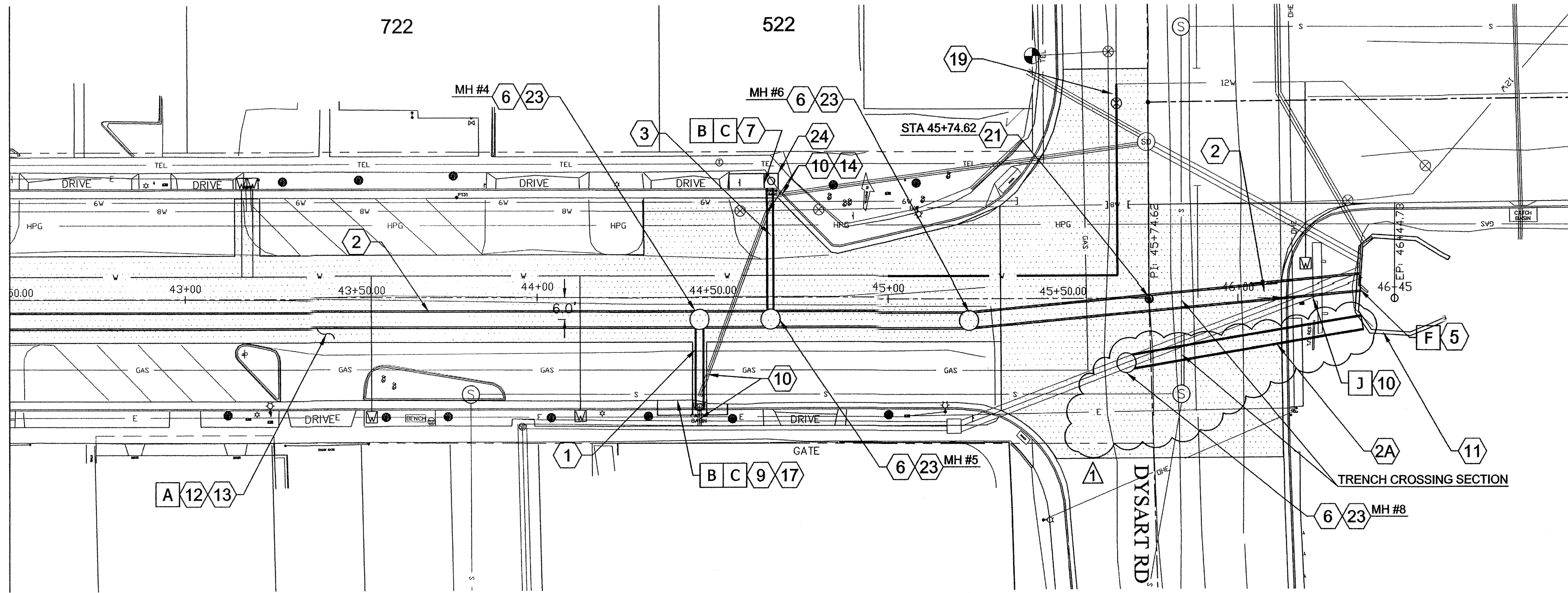
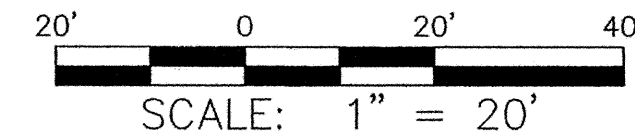


MATCH LINE STA 42+50 - SEE SHEET 3

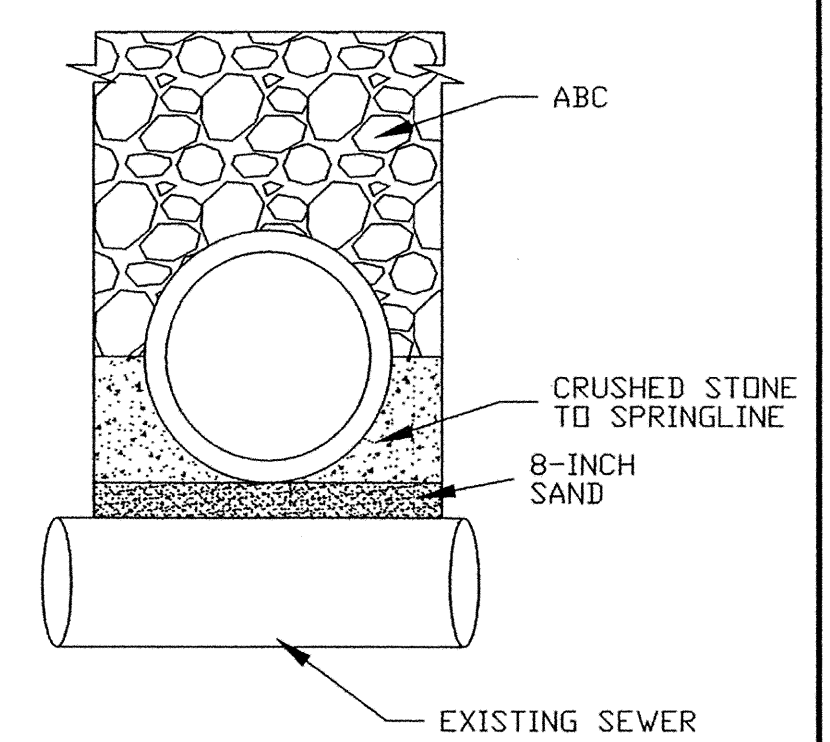
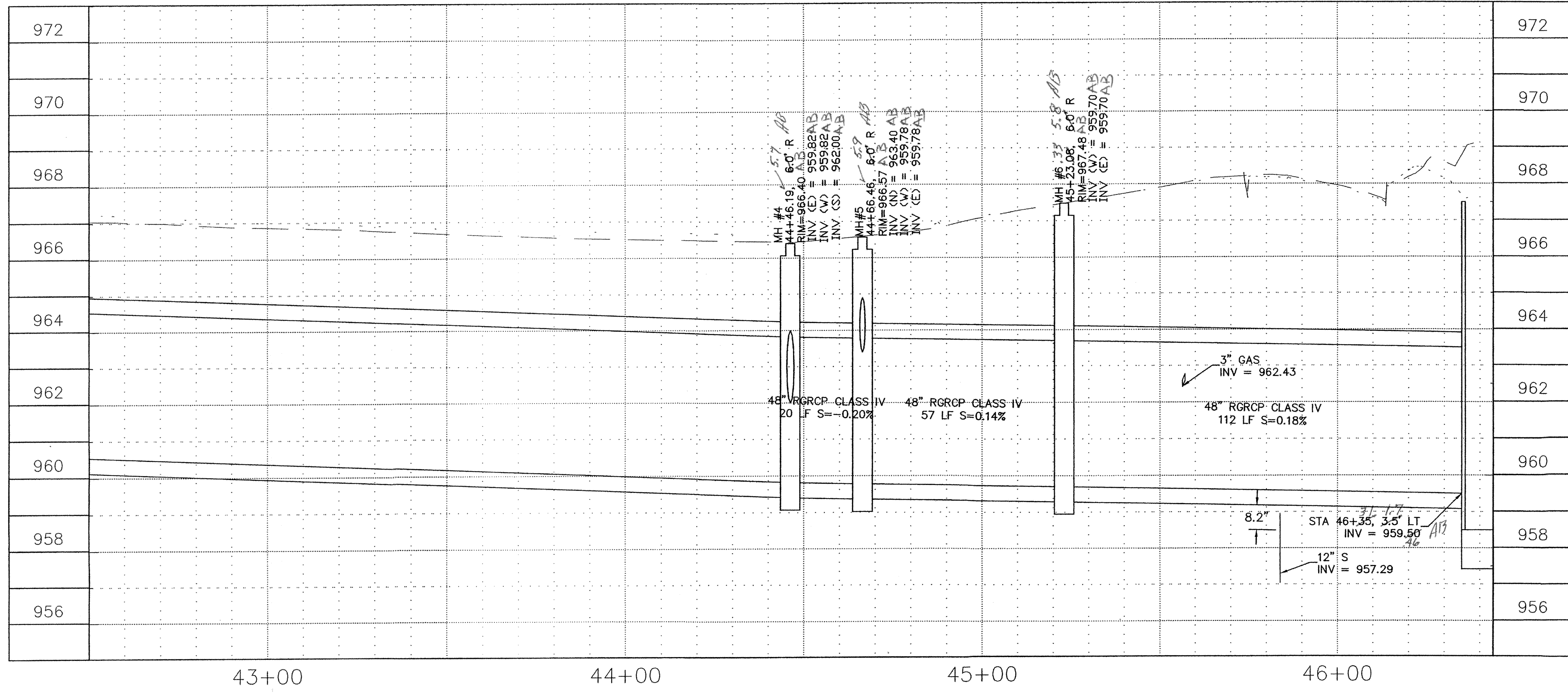


WESTERN AVE



REMOVE/RELOCATE NOTES	
DESCRIPTION	QUANTITY
A SAWCUT & REMOVE AC PAVEMENT	1650 SY
B SAWCUT & REMOVE CURB & GUTTER TO THE NEAREST JOINT	30 LF
C SAWCUT & REMOVE SIDEWALK TO THE NEAREST JOINT	110 SF
F REMOVE CONCRETE HEADWALL	1 EA
J REMOVE <36" RCP STORM DRAIN	40 LF

STORM DRAIN CONSTRUCTION NOTES	
DESCRIPTION	QUANTITY
1 INSTALL 24" RGRCP CLASS V S.D. PIPE	25 LF
2 INSTALL 48" RGRCP CLASS IV S.D. PIPE	385 LF
2A INSTALL 42" RGRCP CLASS IV S.D. PIPE	69.96 LF
3 INSTALL 18" RGRCP CLASS V S.D. PIPE	40 LF
5 INSTALL CONCRETE HEADWALL WITH HANDRAIL PER DETAIL SHEET 2A/B	1 EA
6 INSTALL STORM DRAIN MANHOLE PER MAG STD. DET. 520 (SHALLOW 5-FT DIA SHAFT) & PRESSURE LIDS	4.5 EA
7 INSTALL CONCRETE CATCH BASIN PER COA STD. DET. A1520, TYPE M-1, L1=10	1 EA
9 INSTALL CONCRETE CATCH BASIN PER COA STD. DET. A1520, TYPE M-2, L1=6, L2=10	1 EA
10 INSTALL PIPE PLUG PER MAG STD. DET. 427	6 EA
11 EXCAVATE & GRADE BASIN PER PLANS	200 CY
12 SUBGRADE PREPARATION	1650 SY
13 INSTALL PAVEMENT SECTION PER STRUCTURAL SECTION ON SHEET 2	1650 SY
14 INSTALL 6" VERTICAL CURB & GUTTER PER MAG STD. DET. 220 TYPE "A"	10 LF
17 INSTALL 5' WIDE CONCRETE SIDEWALK PER MAG STD. DET. 230	20 SF
19 ADJUST VALVE BOX & COVER PER COA STD. DETAIL A1310	1 EA
21 INSTALL SURVEY MONUMENT PER MAG STD. DET. 120-1 TYPE "A"	1 EA
23 ADJUST MANHOLE FRAME & COVER PER COA STD. DET. A1216	5 EA
24 REMOVE AND RELOCATE STREET LIGHT	1 EA



ENGINEERING DEPARTMENT
11465 W CIVIC CENTER DR
AVONDALE, AZ 85323
(623) 333-4200

STORM DRAIN PLAN
WESTERN AVE STORM DRAIN
PROJECT NUMBER: ST1293

DESIGNED BY: XXX
CHECKED BY: XXX
DRAWN BY: XXX
SHEET: 4 OF 9
PROJECT NUMBER: ST1293

PROFESSIONAL ENGINEER
CHRIS A. HAMILTON
NO. 48184
EXPIRES 09-30-2014

ORIGINAL PLAN DATE: 2-28-2012
LATEST REVISION DATE: 4-23-2012

Blue Stake Center
263-1100
900-782-5349