



Extron Electronics

1025 E. BALL ROAD  
ANAHEIM, CA 92805

# COLLEGE OF ALAMEDA

PROJECT NAME: LIBERAL ARTS BUILDING

## SHEET

## DESCRIPTION

## DRAWING NUMBER

1	COVER PAGE	2914455
2	SINGLE PROJECTOR ROOMS	2914455
3	DUAL PROJECTOR ROOMS WITHOUT STREAMING/RECORDING	2914455
4	DUAL PROJECTOR ROOMS WITH STREAMING/RECORDING	2914455

COLLEGE OF ALAMEDA  
555 APPEZZATO MEMORIAL PARKWAY  
ALAMEDA, CA 94501

THE INFORMATION AND/OR ILLUSTRATION ARE THE EXCLUSIVE PROPERTY OF EXTRON ELECTRONICS. NO DUPLICATION  
OR REPRODUCTION IS ALLOWED WITHOUT THE EXPRESS WRITTEN PERMISSION OF EXTRON ELECTRONICS.

REVISIONS:	DATE:
------------	-------

△ REVISED PER CUSTOMER COMMENTS	10/09/20
---------------------------------	----------

△ REVISED PER CUSTOMER COMMENTS	11/18/20
---------------------------------	----------

△	
---	--

△	
---	--

△	
---	--

△	
---	--

△	
---	--

DESCRIPTION:

COVER PAGE

APPROVED BY:

JOSEPH FROTTON

REQUESTED BY:

BALA SAMPATHRAJ

DRAWN BY:

STANLEY MENCHAVEZ

CALL LOG No.:

2914455

DATE:

09/22/20

SHEET:

1 OF 4

SCALE:

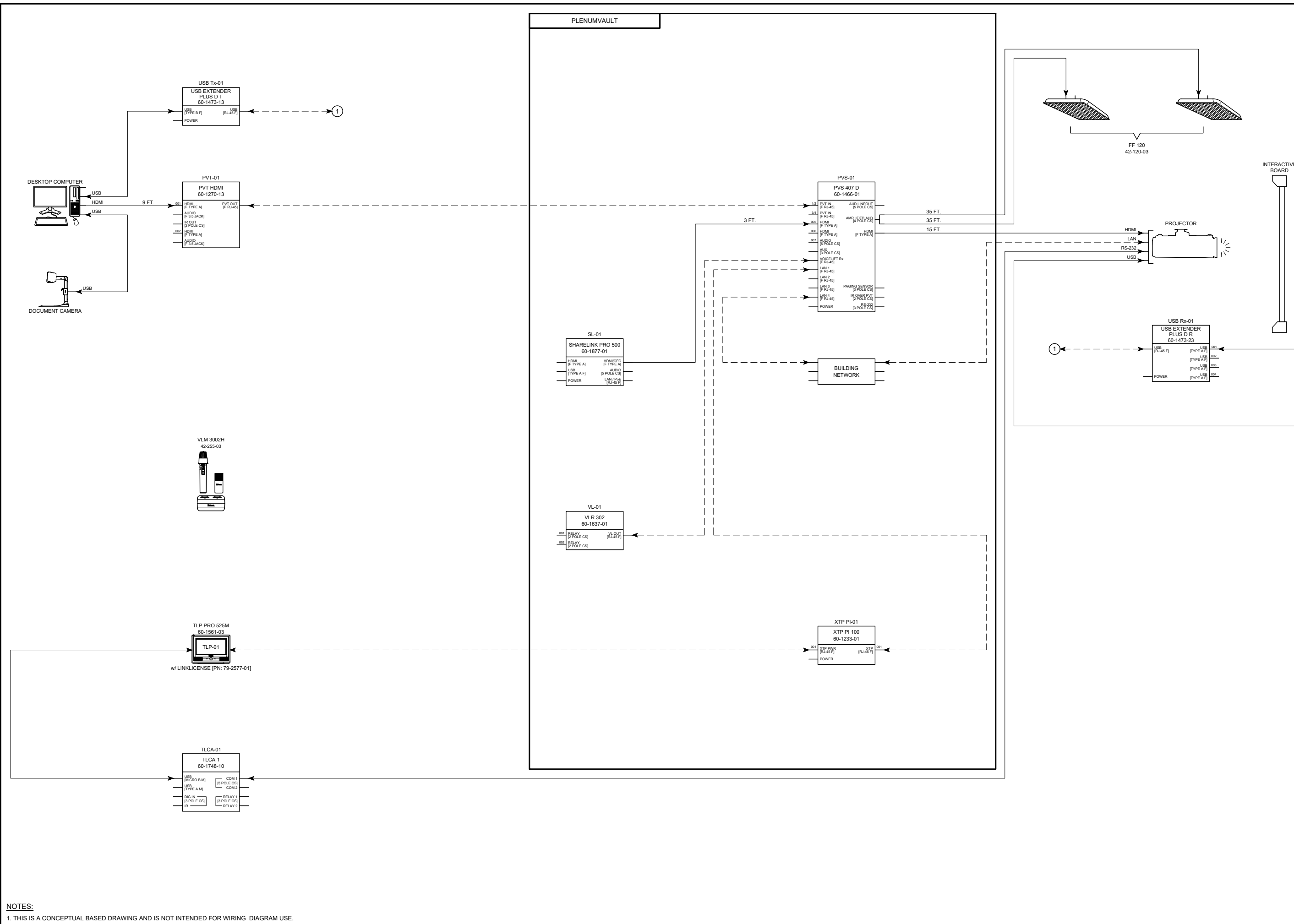
NTS



**Extron Electronics**  
1025 E. BALL ROAD  
ANAHEIM, CA 92805

**COLLEGE OF ALAMEDA**  
555 APPEZZATO MEMORIAL PARKWAY  
ALAMEDA, CA 94501

THE INFORMATION AND/OR ILLUSTRATION ARE THE EXCLUSIVE PROPERTY OF EXTRON ELECTRONICS. NO DUPLICATION OR REPRODUCTION IS ALLOWED WITHOUT THE EXPRESS WRITTEN PERMISSION OF EXTRON ELECTRONICS.



**NOTES:**  
1. THIS IS A CONCEPTUAL BASED DRAWING AND IS NOT INTENDED FOR WIRING DIAGRAM USE.

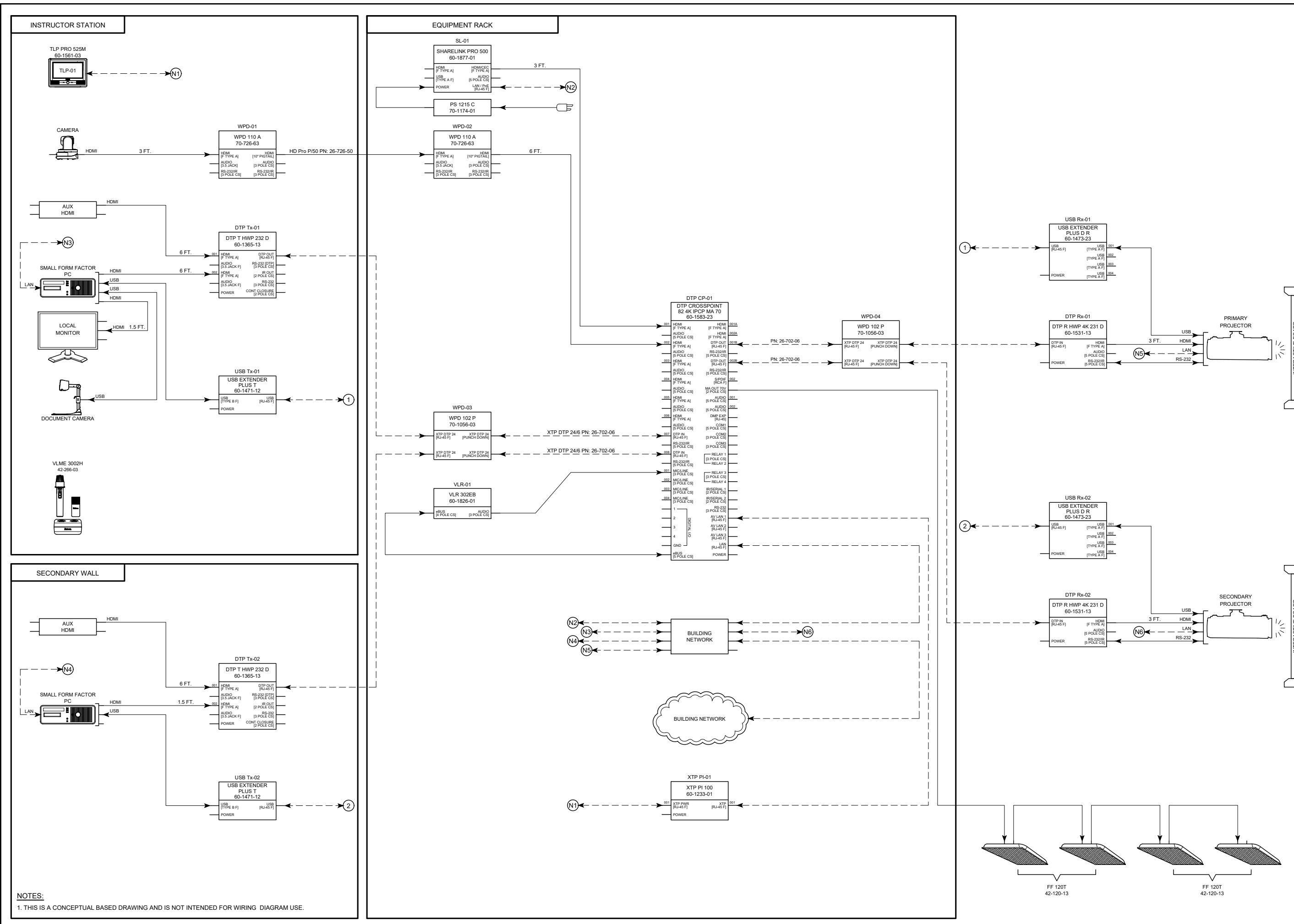
REVISIONS:	DATE:
△ REVISED PER CUSTOMER COMMENTS	10/09/20
△ REVISED PER CUSTOMER COMMENTS	11/18/20
△	
△	
△	
△	
△	
DESCRIPTION:	
SINGLE PROJECTOR ROOMS	
APPROVED BY:	
JOSEPH FROTTON	
REQUESTED BY:	
BALA SAMPATHRAJ	
DRAWN BY:	
STANLEY MENCHAVEZ	
CALL LOG No.:	DATE:
2914455	10/09/20
SHEET:	SCALE:
2 OF 4	NTS



Extron Electronics  
1025 E. BALL ROAD  
ANAHEIM, CA 92805

COLLEGE OF ALAMEDA  
555 APPEZZATO MEMORIAL PARKWAY  
ALAMEDA, CA 94501

THE INFORMATION AND/OR ILLUSTRATION ARE THE EXCLUSIVE PROPERTY OF EXTRON ELECTRONICS. NO DUPLICATION OR REPRODUCTION IS ALLOWED WITHOUT THE EXPRESS WRITTEN PERMISSION OF EXTRON ELECTRONICS.



NOTES:  
1. THIS IS A CONCEPTUAL BASED DRAWING AND IS NOT INTENDED FOR WIRING DIAGRAM USE.

REVISIONS:	DATE:
▲ REVISED PER CUSTOMER COMMENTS	10/09/20
▲ REVISED PER CUSTOMER COMMENTS	11/18/20
▲	
▲	
▲	
▲	

DESCRIPTION:  
DUAL PROJECTOR ROOM  
WITHOUT STREAMING/RECORDING

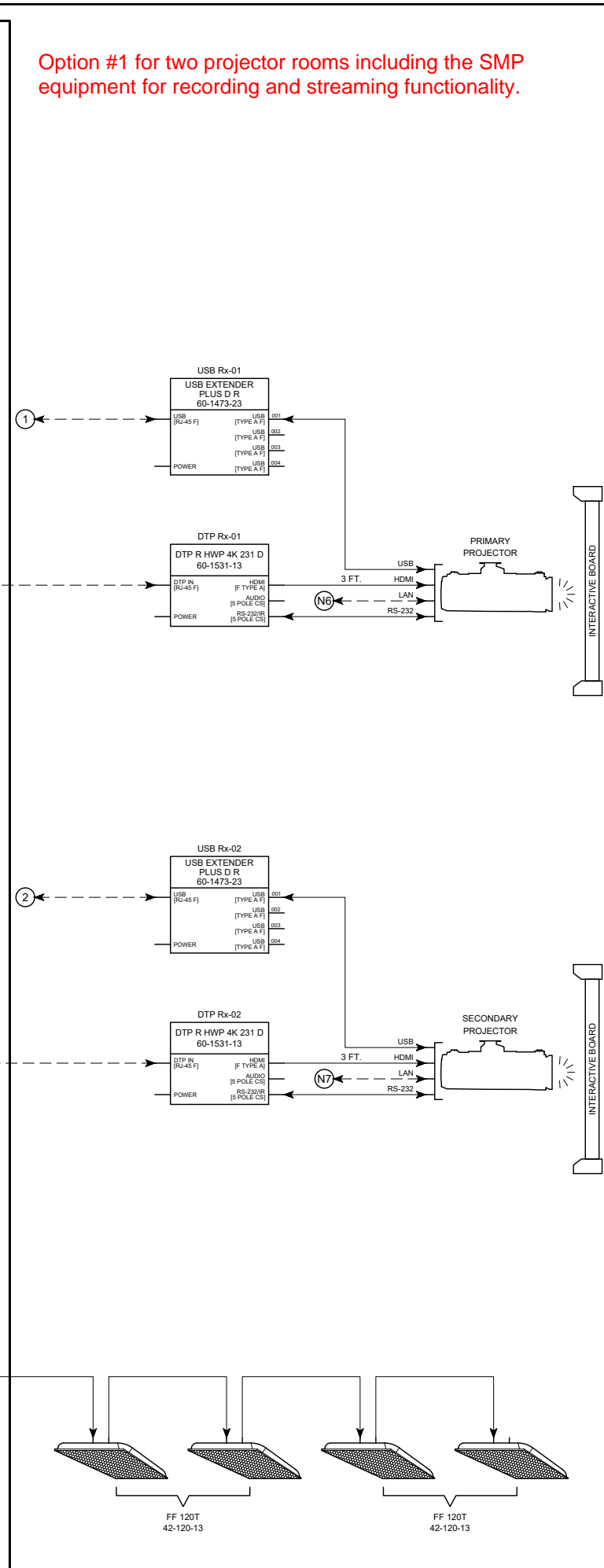
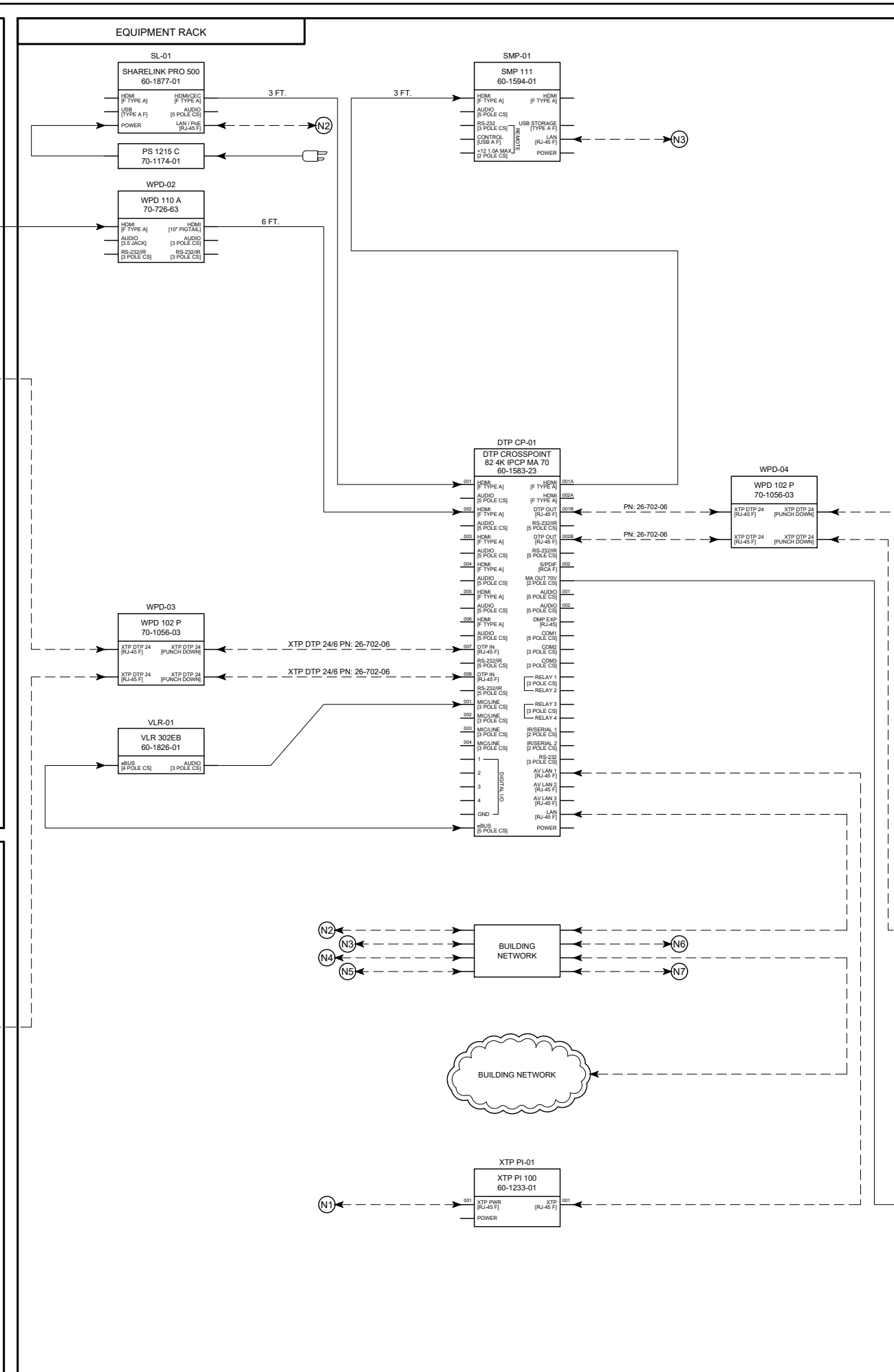
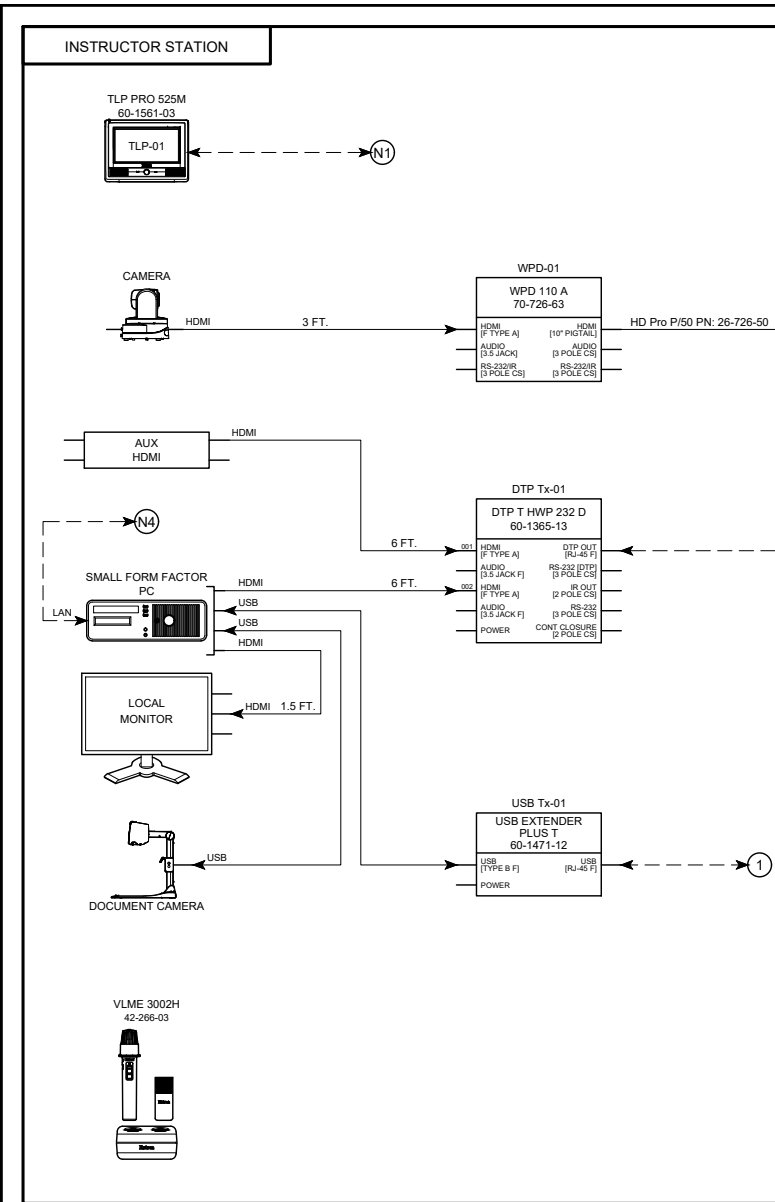
APPROVED BY:  
JOSEPH FROTTON

REQUESTED BY:  
BALA SAMPATHRAJ

DRAWN BY:  
STANLEY MENCHAVEZ

CALL LOG No.: 2914455  
DATE: 09/22/20

SHEET: 3 OF 4  
SCALE: NTS



Option #1 for two projector rooms including the SMP equipment for recording and streaming functionality.

NOTES:  
1. THIS IS A CONCEPTUAL BASED DRAWING AND IS NOT INTENDED FOR WIRING DIAGRAM USE.



Extron Electronics  
1025 E. BALL ROAD  
ANAHEIM, CA 92805

COLLEGE OF ALAMEDA  
555 APPEZZATO MEMORIAL PARKWAY  
ALAMEDA, CA 94501

REVISIONS:	DATE:
▲ REVISED PER CUSTOMER COMMENTS	10/09/20
▲ REVISED PER CUSTOMER COMMENTS	11/18/20
▲	
▲	
▲	
▲	

DESCRIPTION:  
DUAL PROJECTOR ROOM  
WITH STREAMING/RECORDING

APPROVED BY:  
JOSEPH FROTTON

REQUESTED BY:  
BALA SAMPATHRAJ

DRAWN BY:  
STANLEY MENCHAVEZ

CALL LOG No.: 2914455  
DATE: 09/22/20

SHEET: 4 OF 4  
SCALE: NTS

THE INFORMATION AND/OR ILLUSTRATION ARE THE EXCLUSIVE PROPERTY OF EXTRON ELECTRONICS. NO DUPLICATION OR REPRODUCTION IS ALLOWED WITHOUT THE EXPRESS WRITTEN PERMISSION OF EXTRON ELECTRONICS.