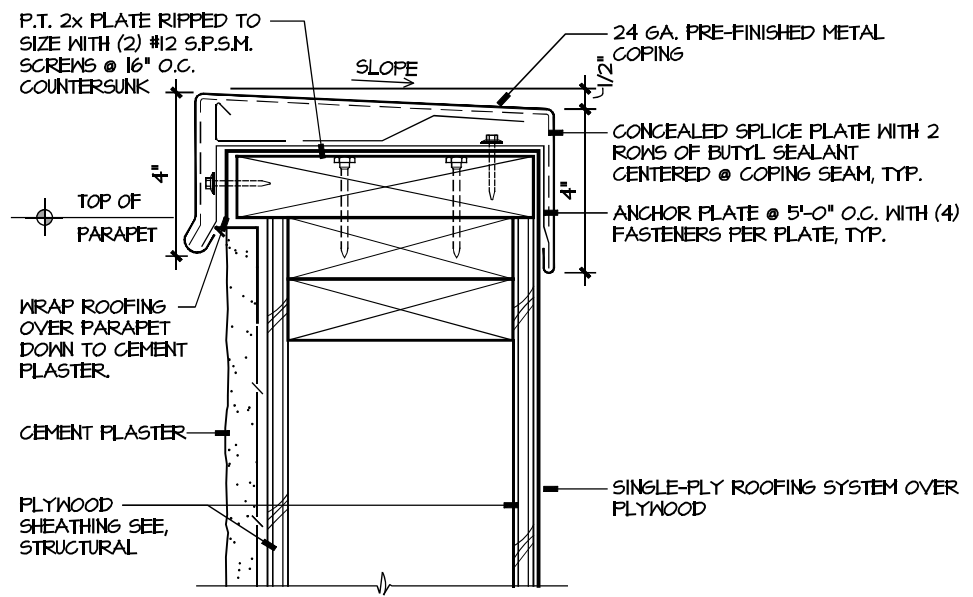


CONTROL SCREED



15 METAL COPING

SCALE: 3" = 1'-0"

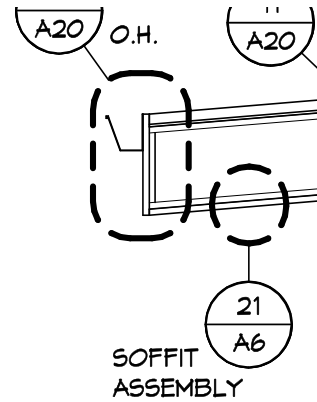
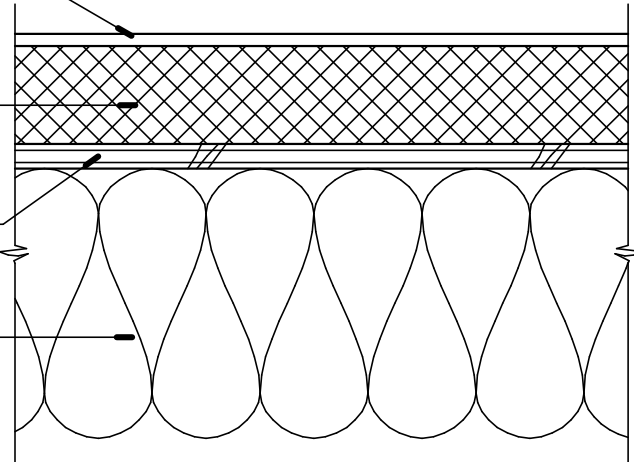


CLASS 'A' SINGLE-PLY
ROOFING SYSTEM

TAPERED RIGID INSULATION

1/2" PLYWOOD SHEATHING

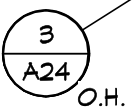
BATT INSULATION



24 ROOF ASSEMBLY

SCALE: 3" = 1'-0"

24 GA x 18" WIDE VERTICAL
SEAM CLASS 'A' ROOF O/
UNDERLAYMENT, FASTENED



A BUILDING

SCALE: 1/4" = 1'-0"