

DOOR GENERAL NOTES

- 1 ALL EXTERIOR DOORS TO BE INSULATED.
- 2 ALL HM FRAMES IN MASONRY WALLS TO BE GROUTED SOLID.
- 3 REFER TO THE EXTERIOR ELEVATION SHEETS FOR GLAZING LEGEND. REFER TO SPECIFICATIONS FOR DETAILED GLAZING INFORMATION.
- 4 ALL DOORS TO BE 1 3/4" THICK UNO.
- 5 ALL STEEL DOOR AND WINDOW FRAMES TO HAVE A 2" FACE DIMENSION, WITH 5/8" STOP TYPICAL, 3/4" STOP AT FIRE RATED FRAMES, UNO.
- 6 ALL INTERIOR DOOR AND BORROWED LIGHT FRAMES SHALL BE HOLLOW METAL, U.N.O.
- 7 ALL HOLLOW METAL DOOR FRAMES SHALL BE PAINTED PNT-19, U.N.O.

GLAZING NOTES

- 1 GLASS THICKNESS DESIGNATIONS INDICATED ARE MINIMUMS & ARE FOR DETAILING ONLY. GLAZING TRADE CONTRACTOR TO DETERMINE SAFETY GLAZING REQUIREMENTS & TO CONFIRM GLASS THICKNESSES BY ANALYZING PROJECT LOADS, IN-SERVICE CONDITIONS & GLASS LOCATIONS. PROVIDE GLASS LITES / UNITS IN THE THICKNESS DESIGNATIONS INDICATED ABOVE FOR VARIOUS SIZE OPENINGS, BUT NOT LESS THAN THICKNESSES & IN STRENGTH (ANNEALED, TEMPERED OR HEAT TREATED) REQUIRED TO MEET OR EXCEED CODE & PERFORMANCE CRITERIA, (RE: SPEC SECTION 08 80 00).
- 2 ALL EXTERIOR GLAZING IS GL-1, UNO.
- 3 ALL EXTERIOR DOOR GLAZING IS GL-2, UNO.
- 4 ALL INTERIOR GLAZING IS GL-5, UNO.
- 5 PROVIDE SAFETY GLAZING WHERE APPLICABLE PER BUILDING CODE.
- 6 PROVIDE FIRE RATED GLAZING WHERE APPLICABLE PER BUILDING CODE. REFER TO CODE PLANS FOR LOCATION AND PROJECT MANUAL.

GLAZING SCHEDULE

- GL-1 1" LOW E COATED CLEAR INSULATING GLASS
- GL-2 1" INSULATED CLEAR GLASS UNIT
- GL-3 1" LOW E COATED SPANDEL UNIT
- GL-4 1" LOW E INSULATED TRANSLUCENT UNIT
- GL-5 1/4" LAMINATED CLEAR GLASS
- GL-6 FIRE RATED GLAZING (RATING AS INDICATED ON CODE PLANS)

Final Plans for Bidding and Construction

PORTAGE PUBLIC SCHOOLS



NORTH MIDDLE SCHOOL  
PORTAGE, MICHIGAN

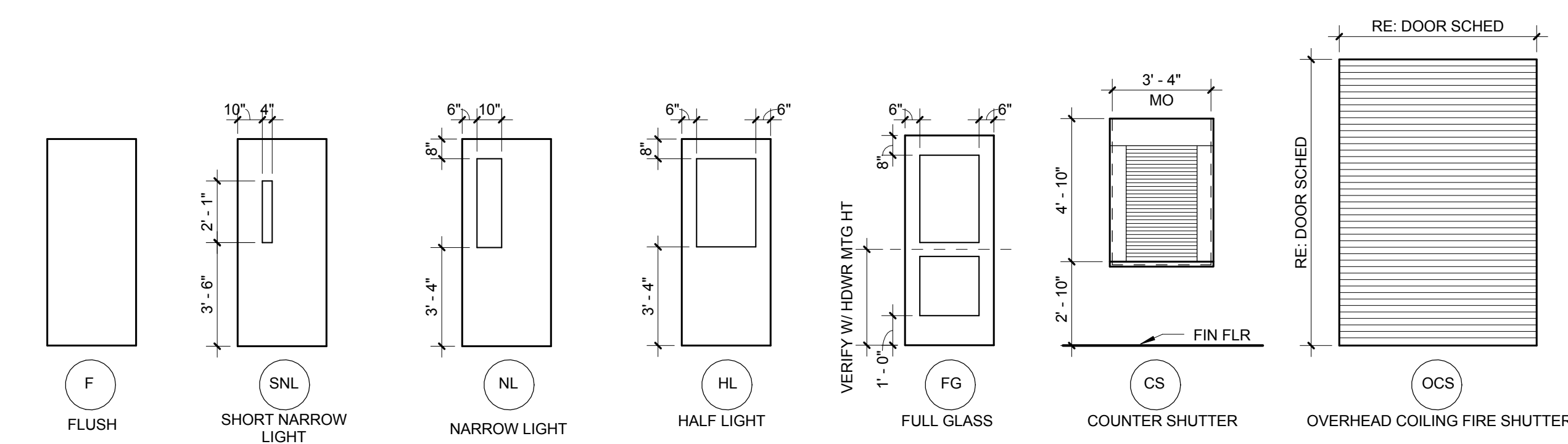
DRAWN: Author  
CHECKED: Checker  
SCALE: 1/4" = 1'-0"  
UNLESS NOTED OTHERWISE

ISSUE:  
2017.03.24 CONSTRUCTION

SHEET TITLE:  
DOOR INFO AND FRAME TYPES



STEEL DOOR AND WINDOW FRAME TYPES



DOOR TYPES

\*NOTE: AT DOORS MARKED AS ACOUSTICAL DOORS, PROVIDE SOUND SEALS FOR AN EQUIVALENT STC 47 DOOR

3/24/2017 9:19:26 AM C:\Users\Public\Documents\Local\_Renit\_Files\2016\_Architecture\_FPS\_NORTH MG 2016 06 06\_06\_sgrass.nt