

2 SECTION AT WATER HEATERS
 P02.01 1/4" = 1'-0"

1 WATER PIPING PLAN
 P02.01 1/8" = 1'-0"



HUSSEY GAY BELL
 — Established 1958 —

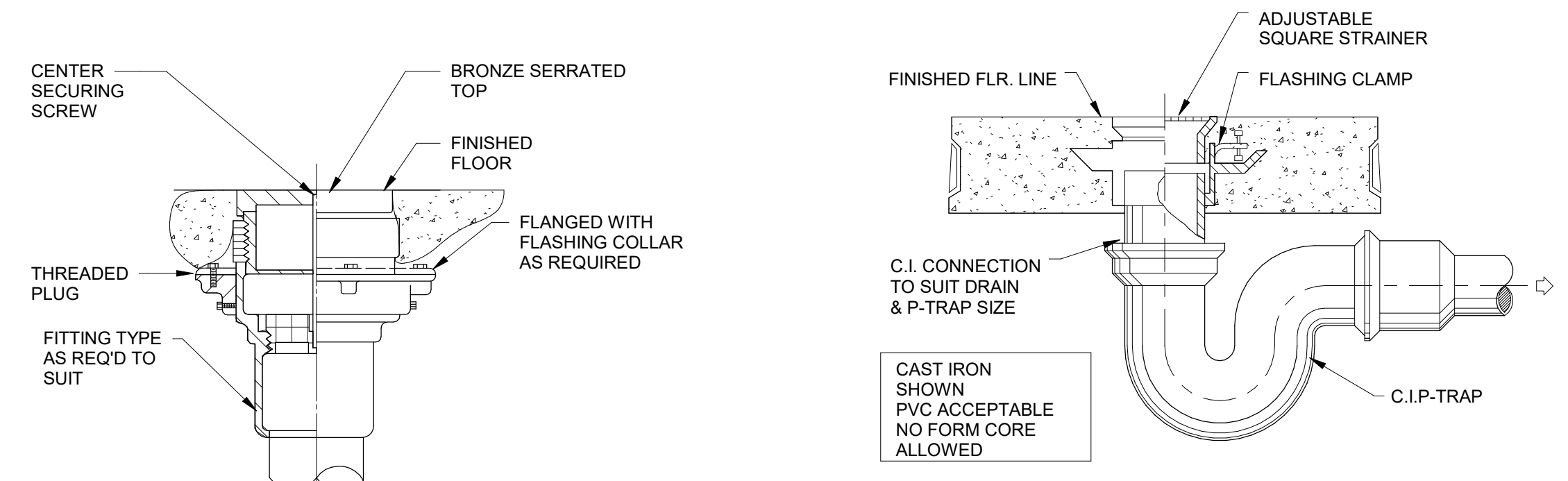
DESIGNED	DRAWN	CHECKED
RFS	RFS	CAB
DATE: 08/02/2019		
JOB NO: 215-4802-02		
05/21/19		

EFFINGHAM COUNTY GYMNASIUM
 CLARENCE E. MORGAN RECREATION COMPLEX
 1810 GA 21 SPRINGFIELD, GEORGIA 31329

DRAWING NUMBER

P02.01

WATER PIPING PLAN

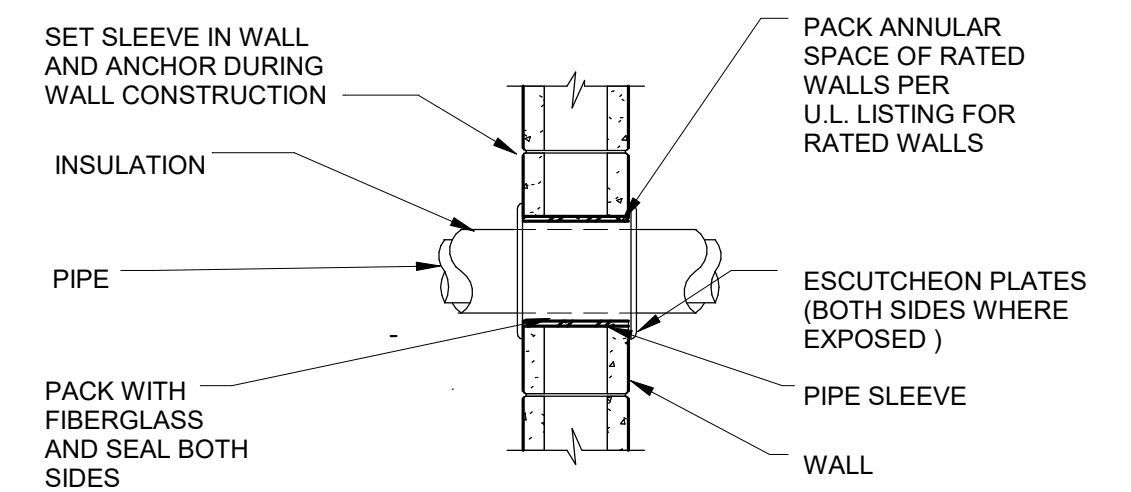


1 FLOOR CLEANOUT DETAIL
P03.01 NTS

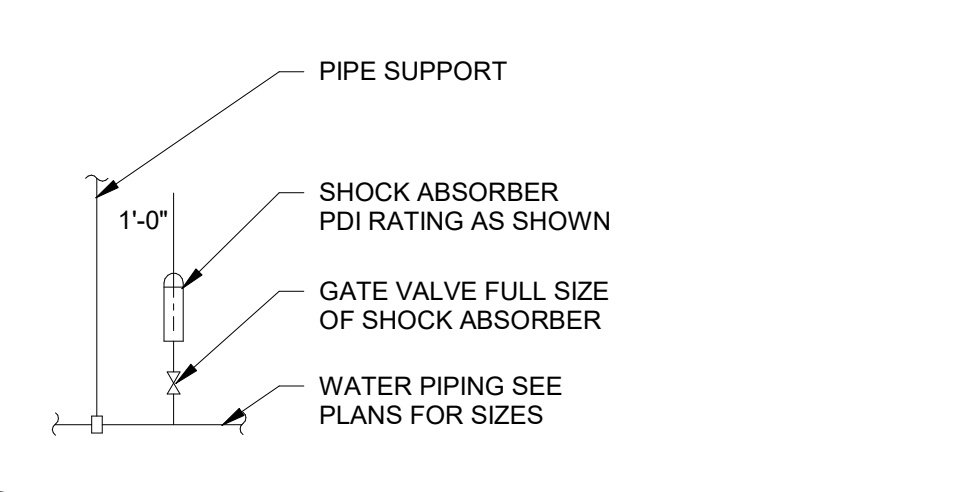
5 FLOOR DRAIN DETAIL
P03.01 1/8" = 1'-0"

PLUMBING FIXTURE KEY NOTES:

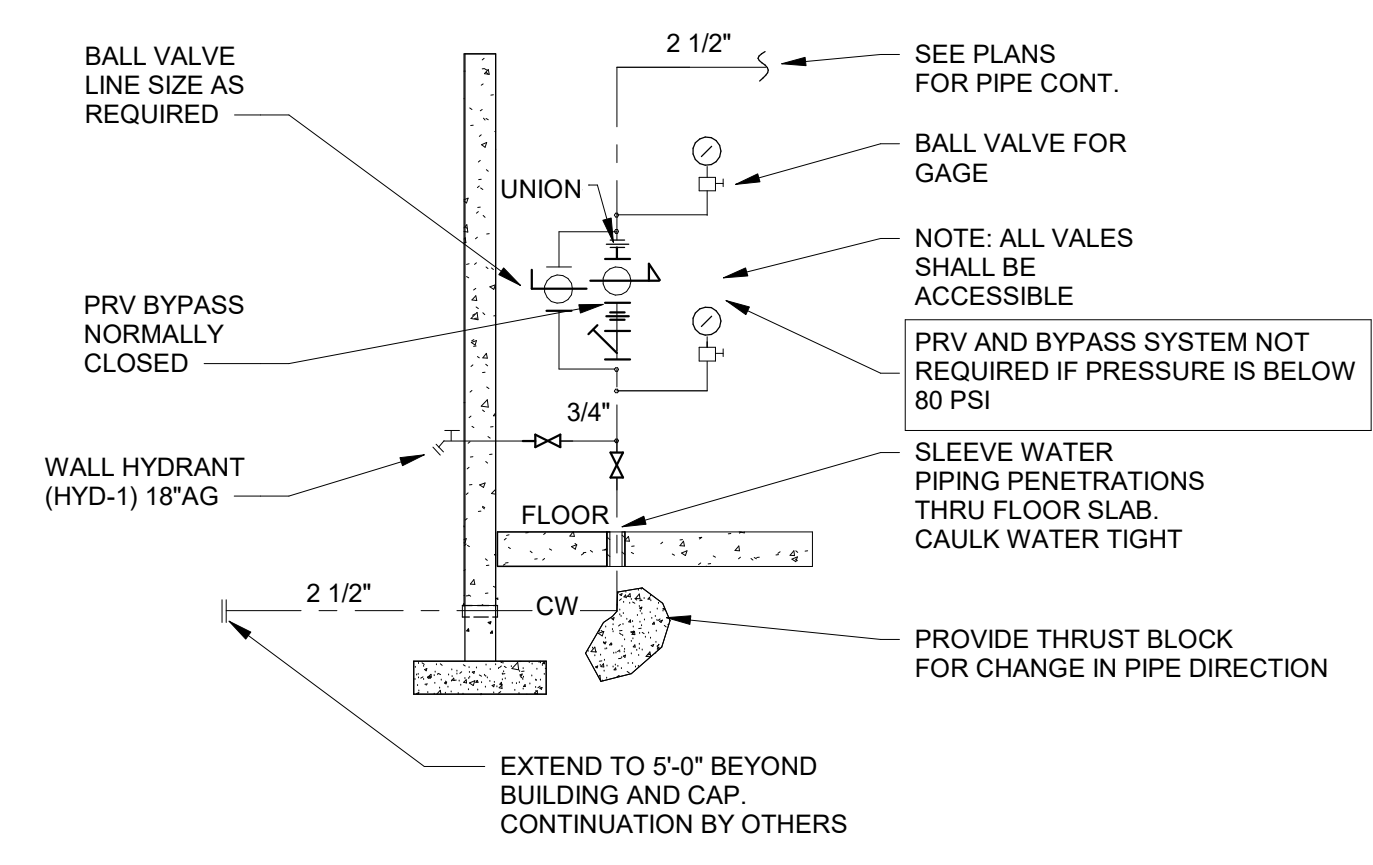
- RIM HEIGHT FOR GUIDANCE ONLY. SEE ARCHITECTURAL DRAWINGS FOR EXACT MOUNTING AND ROUGH IN HEIGHTS. ROUGH WATER AND WASTE PIPING AS REQUIRED. RIM HEIGHT INCLUDES SEAT ON WATER CLOSETS.
- PROVIDED PROTECTIVE PIPE COVERS FOR ALL HANDICAP LAVATORIES
- SHOWER HEAD AT 6'-0" FOR MEN AND 5'-10" FOR WOMEN.
- UNLESS NOTED GANG TOILETS SHALL HAVE SHOCK ABSORBERS SIZE D FOR COLD WATER MAINS AND HOT WATER SHALL HAVE SIZE C. EACH SHOCK ABSORBER SHALL BE FITTED WITH 1/4 TURN BALL VALVE. ALL OTHER FIXTURES SHALL HAVE INDEPENDENT SHOCK ABSORBERS.
- MOUNT AT ADA HEIGHT. ADA SHALL CONFORM TO ACCESSIBILITY CODE. REFER TO CODE FOR GUIDANCE. WHERE CONFLICTS ARISE BETWEEN ARCHITECTURAL DRAWINGS AND MECHANICAL DRAWINGS, ARCHITECTURAL DRAWING SHALL GOVERN.
- PROVIDE WATTS' CLOSE TRAP SEAL FOR FLOOR DRAINS. IF APPROVED BY LOCAL AUTHORITY. IF NOT APPROVED PROVISIONS SHALL BE MADE TO PROVIDE TRAP PRIMERS ON FLOOR DRAINS. VERIFY WITH LOCAL AHJ PRIOR TO STARTING WORK.
- PROVIDE 7" STRAINER ON 3" DRAIN AND 9" STRAINER ON 4" DRAINS. PROVIDE (SQUARE TOP) FOR QUARRY TILE AND CERAMIC TILE FLOORS



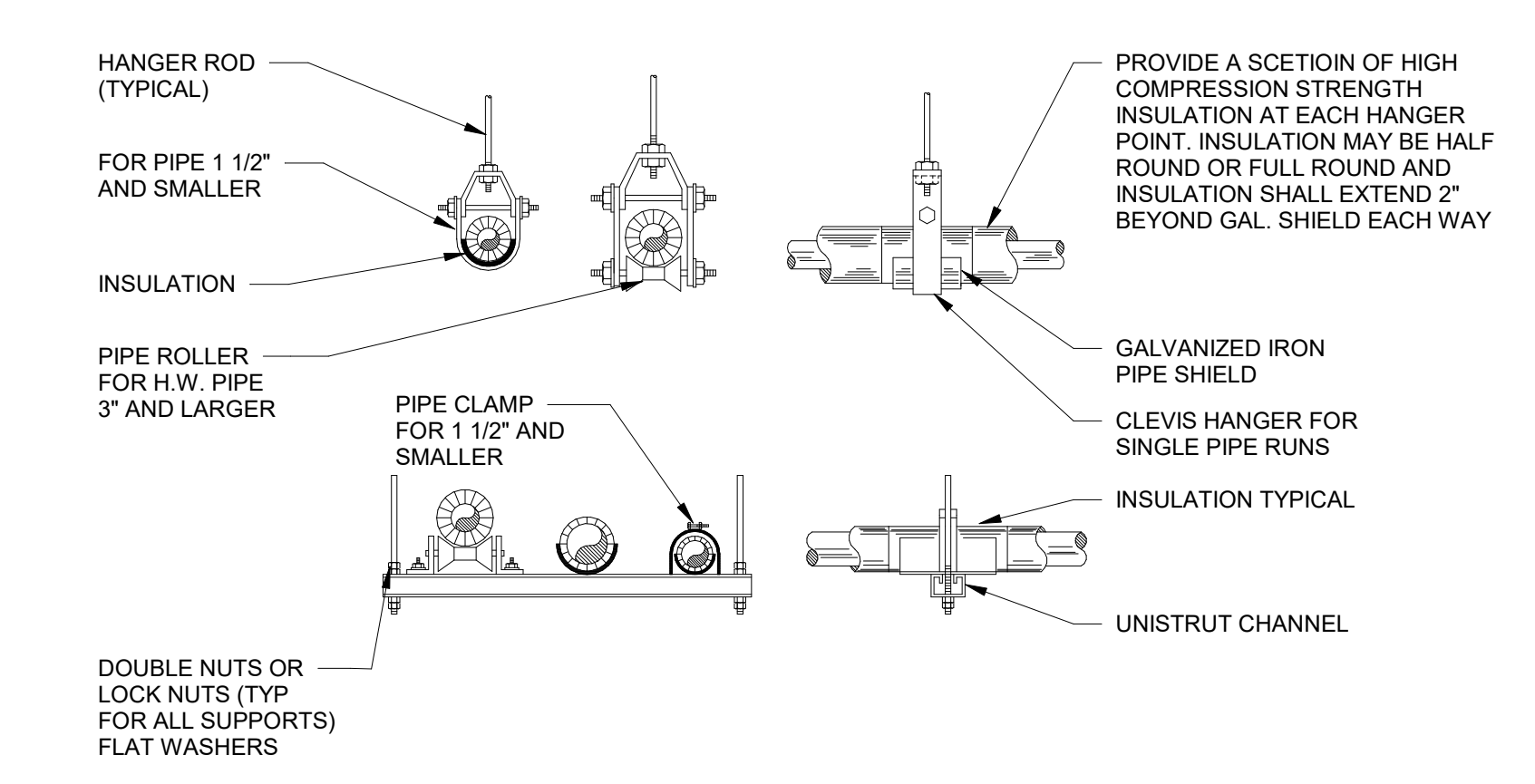
2 PIPE THRU WALL DETAIL
P03.01 NTS



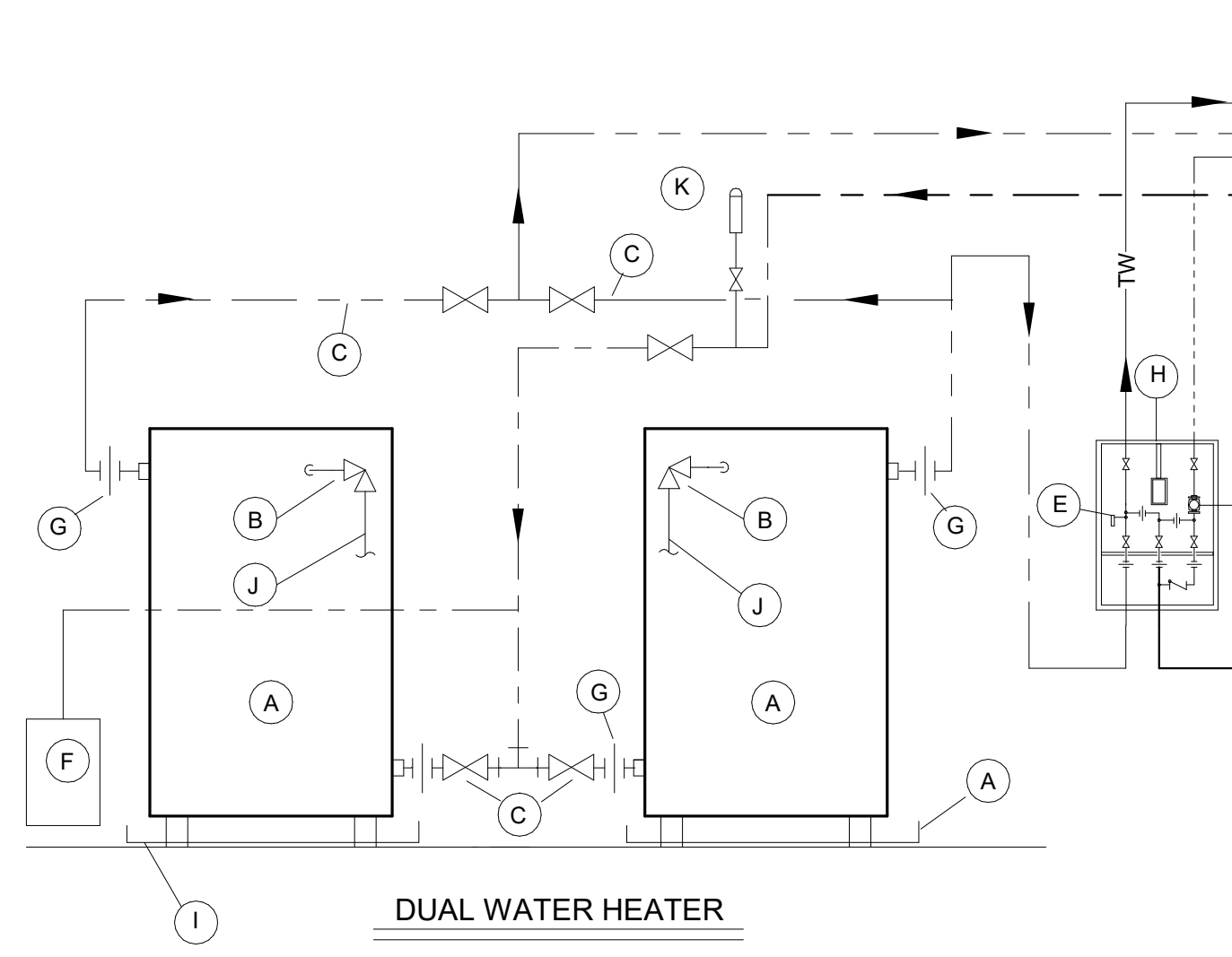
6 SHOCK ABSORBER DETAIL
P03.01 1/8" = 1'-0"



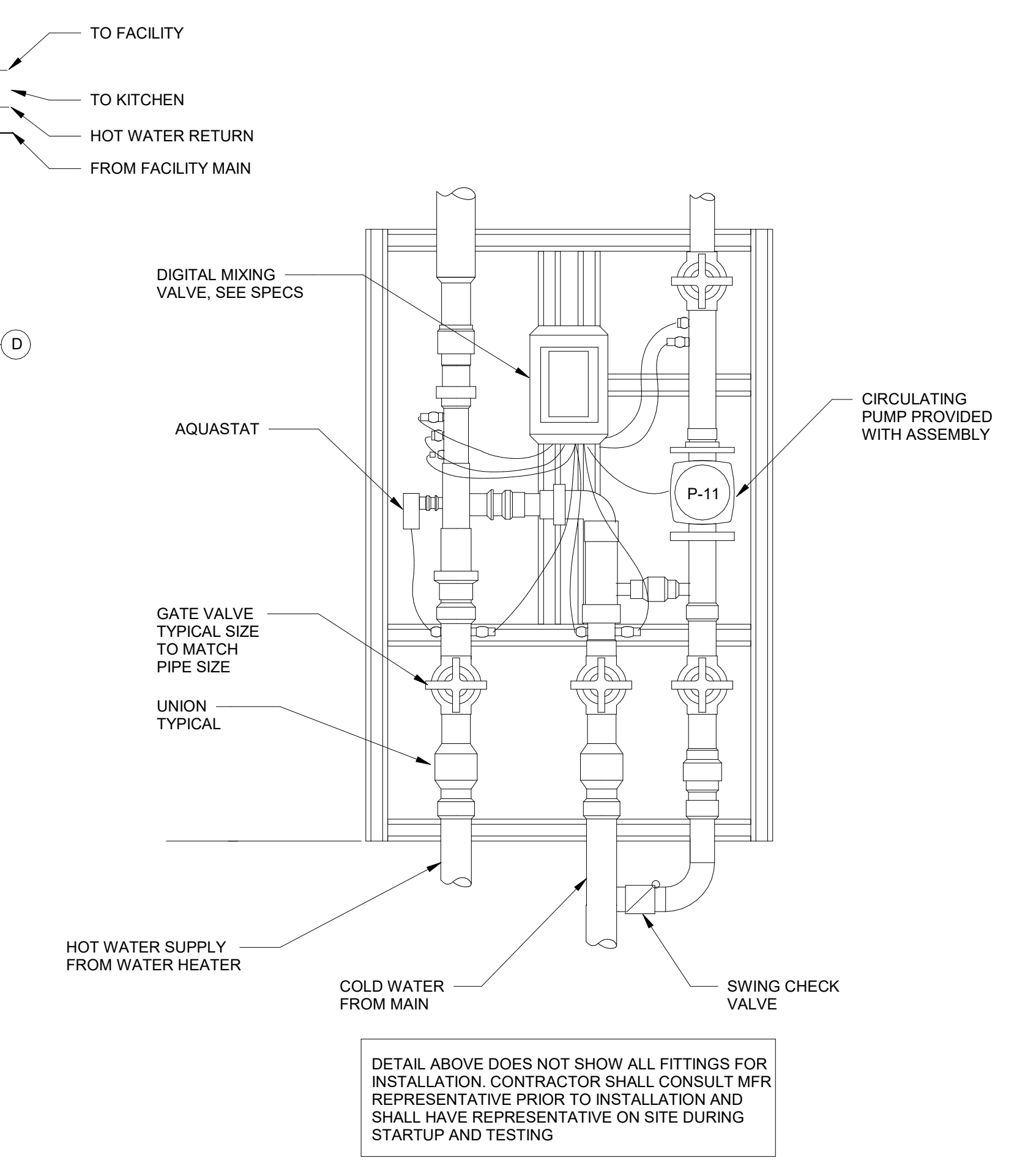
3 WATER ENTRY DETAIL
P03.01 NTS



7 PIPE SUPPORT DETAIL
P03.01 1/8" = 1'-0"



4 DUAL ELECTRIC WATER HEATER DETAIL
P03.01 1/8" = 1'-0"



8 THERMOSTATIC MIXING STATION DETAIL
P03.01 1/8" = 1'-0"

PLUMBING FIXTURE SCHEDULE									
SYM	FIXTURE	PIPE SIZES				RIM HGT / MTG HGT	DESCRIPTION (AMERICAN STANDARD REFERENCED)		
		W	V	CW	HW				
P-1	WATER CLOSET	4"	2"	1 1/4"	--	15"	AM STD 2257.101.020 WALL MOUNTED. AM STD 6068.121.002 AC POWERD FLUSH VALVE. AM STD PK00.HAC HARD WIRE KIT. AM STD 5901.100SS.020		
P-2	WATER CLOSET H/C	4"	2"	1 1/4"	--	17"	SAME AS P-1 EXCEPT FOR CARRIER FOR ADA REQUIREMENTS		
P-3	URINAL	2"	2"	1"	--	17"	AM STD 6550.001.020. AM STD 6068.101.002 AC POWERD FLUSH VALVE. AM STD PK00HAC HARD WIRE KIT.		
P-4	URINAL H/C	2"	2"	1"	--	ADA	SAME AS P-1 EXCEPT MOUNT FOR ADA REQUIREMENTS.		
P-5	LAVATORY	2"	2"	1/2"	1/2"	29"	AM STD 4869001.020 LAVATORY. AM STD 7758.105.002 AC POWERD FAUCET. AM STD PK00HAC HARD WIRE KIT.		
P-6	LAVATORY H/C	2"	2"	1/2"	1/2"	ADA	SAME AS P-5 EXCEPT MOUNTING HEIGHT. SET MIXING VALVE @ 105°		
P-7	MOP RECEPTOR	2"	2"	1/2"	1/2"	DECK	FIAT TSB1000.AMSTD 8344.2123.004 FAUCET. 832AA HOSE AND HOOK MOP HOLDER 889CC		
P-8	WATER COOLER	2"	2"	1/2"	--	29"	ELKAY MODEL LZ5TL8WS, BI-LEVEL WITH E2H20 BOTTLE FILLER		
P-9	CONDENSATE DRAIN BOX	3"	2"	1/2"	--	BOTT 41" AFF	OATEY MODA SERIES 37557 WITH FUNNEL AND BLANK COVER		
P-10	MIXING VALVE STATION	--	--	1 1/4"	1 1/4"	BOTT 24" AFF	POWERS INTELLISTATION MIXING VALVE LS100VL-SYRTRN. LOCATION TO BE COORDINATE ON JOB SITE. FACTORY STARTUP REQUIRED.		
P-11	CIRCULATING PUMP	--	--	1/2"	--	--	TACO 011-SF4 SEE MIXING VALVE STATION DETAIL FOR LOCATION		
P-12	SHOWER	2"	2"	1/2"	1/2"	HEAD 6'-0"	BRADLEY WS-1F SHOWER UNIT.		
P-13	SHOWER H/C	FD	2"	1/2"	1/2"	HEAD 6'-0"	BRADLEY HN200 SHOWER UNIT WITH FIXTED HEAD, GRAB BAR AND FLEXIBLE HOSE		
P-14	ICE MACHINE	FS	3"	--	--	--	PROVIDED BY CONCESSIONS SUPPLIER. PLUMBER MAKES ALL CONNECTIONS FOR COMPLIANT INSTALLATION		
P-15	WORK SINK	2"	2"	1/2"	1/2"	--	PROVIDED BY CONCESSIONS SUPPLIER. PLUMBER MAKES ALL CONNECTIONS FOR COMPLIANT INSTALLATION		
P-16	3 COMPT SINK	FS	--	1/2"	1/2"	--	PROVIDED BY CONCESSIONS SUPPLIER. PLUMBER MAKES ALL CONNECTIONS FOR COMPLIANT INSTALLATION		
P-17	HAND WASH SINK	2"	2"	1/2"	1/2"	--	PROVIDED BY CONCESSIONS SUPPLIER. PLUMBER MAKES ALL CONNECTIONS FOR COMPLIANT INSTALLATION		

FLOOR DRAIN AND WALL HYDRANT SCHEDULE							
SYM	FIXTURE	W	V	CW	HW	NOTE	DESCRIPTION (J.R. SMITH REFERENCED)
FD-1	FLOOR DRAIN (GENERAL)	3"	--	--	--		WATTS WD-FD-100
FD-2	FLOOR DRAIN (MECH. RM)	3"	--	--	--		WATTS WD-FD-100 ER
FS-1	FLOOR SINK - CONCESS.	3"	--	--	--		WATTS WD-FS-730
CO-1	CLEAN OUT INTERIOR	4"	--	--	--		WATTS WD-CO-200-RFC7
CO-2	CLEANOUT EXTERIOR	4"	--	--	--		WATTS WD-CO-380
HYD-1	WALL HYDRANT	--	--	3/4"	--		WATTS HY-330 MOUNT AT 18" A.F.G. AND 18" A.F.F.
FD-1	FLOOR DRAIN (GENERAL)	3"	--	--	--		WATTS WD-FD-100
TD-1	TRENCH DRAIN	3"	--	--	--		WATTS DEAD LEVEL TRENCH DRAIN Di-ADA-VP-N48

WATER HEATER SCHEDULE							
WH	WATER HEATER	W	V	CW	HW	NOTE	DESCRIPTION (A.O. SMITH REFERENCED)
WH-1	WATER HEATER	--	--	1 1/4"	1 1/4"	--	A.O. SMITH DRE-120-45 45KW, 120 GAL STORAGE. COORDINATE WITH ELECTRICAL FOR ELECTRICAL REQUIREMENTS
WH-2	WATER HEATER	--	--	1 1/4"	1 1/4"	--	A.O. SMITH DRE-120-45 45KW, 120 GAL STORAGE. COORDINATE WITH ELECTRICAL FOR ELECTRICAL REQUIREMENTS
WH-3	WATER HEATER	--	--	1 1/4"	1 1/4"	--	A.O. SMITH DRE-120-24 24KW, 120 GAL STORAGE. COORDINATE WITH ELECTRICAL FOR ELECTRICAL REQUIREMENTS
WH-4	WATER HEATER	--	--	1 1/4"	1 1/4"	--	A.O. SMITH DRE-120-24 24KW, 120 GAL STORAGE. COORDINATE WITH ELECTRICAL FOR ELECTRICAL REQUIREMENTS

PLUMBING LEGEND			
SYMBOL	DESCRIPTION	SYMBOL	DESCRIPTION
---	VENT	---	COLD WATER
VTR	VENT THRU ROOF	---	HOT WATER
PDI "X"	WATER HAMMER ARRESTOR	---	HOT WATER CIRCULATING
CO	CLEANOUT	U.O.N.	UNLESS OTHERWISE NOTED
FD	FLOOR DRAIN	---	WASTE OR SANITARY SEWER
CV	CHECK VALVE	---	SHUTOFF VALVE
TYP.	TYPICAL		

GENERAL PLUMBING NOTES

EXACT LOCATIONS AND ROUGHING REQUIREMENTS FOR ALL FIXTURES AND EQUIPMENT SHALL BE DETERMINED FROM ARCHITECTURAL DRAWINGS. LARGE SCALE ARCHITECTURAL DETAILS AND APPROVED MANUFACTURER'S SHOP DRAWINGS. PARTICULAR ATTENTION SHALL BE DIRECTED TO FIXTURES OR EQUIPMENT FURNISHED UNDER OTHER DIVISIONS.

INVERT ELEVATIONS SHOWN SHALL BE VERIFIED ON THE JOB BEFORE INSTALLING ANY NEW PIPE.

INSTALL TEST-TEES WHEN SANITARY SEWER SYSTEM IS TO BE TESTED IN SECTIONS.

PIPING IS SHOWN IN ITS GENERAL LOCATION (UNLESS DIMENSIONED). EXACT LOCATION SHALL BE DETERMINED BY JOB CONDITIONS. CONTRACTOR SHALL COORDINATE THE INSTALLATION OF HIS WORK WITH THAT OF OTHER TRADES AND ARRANGE PIPING TO CLEAR STRUCTURAL MEMBERS AND DUCTWORK. RISERS FOR FIXTURES, UNLESS OTHERWISE NOTED, SHALL BE CONCEALED IN WALLS OR PIPE CHASES.

MINIMUM SIZE WATER LINE FOR ANY TWO FIXTURES SHALL BE 3/4". REFER TO PLUMBING FIXTURE SCHEDULE FOR INDIVIDUAL FIXTURE RUNOUT SIZES.

INSTALL UNDERGROUND WATER LINE(S) ABOVE SOIL AND WASTE LINE(S). WATER LINE SAME TRENCH WITH SOIL OR WASTE LINE SHALL BE INSTALLED ON AN UNDISTURBED EARTH LEDGE WITH BOTTOM OF WATER LINE 12" (MIN) ABOVE TOP OF SOIL OR WASTE LINE. IPC CODE REQUIREMENTS SHALL GOVERN FINAL INSTALLATION.

INSTALL ALL EXTERIOR WALL HYDRANTS 18" ABOVE FINISH GRADE (A.F.G.) EXCEPT AS NOTED OTHERWISE.

PROVIDE A MINIMUM COVER OF 30" FOR ALL LINES EXCEPT AS NOTED OTHERWISE ON CONTRACT DRAWINGS.

PROVIDE SLEEVES PER IPC REQUIREMENTS FOR PIPE PASSING THRU FLOOR, MASONRY WALLS AND FIRE OR SMOKE PARTITIONS. PACK ANNULAR SPACE BETWEEN PIPE WITH MATERIAL APPROVED IN U.L. BUILDING DIRECTORY OR AS DIRECTED BY IPC OR IBC REQUIREMENTS.

INSTALL INTERIOR HOSE BIBBS 18" ABOVE FINISHED FLOOR (A.F.F.) EXCEPT AS NOTED OTHERWISE. WHERE HOSE BIBBS ARE INSTALLED ADJACENT TO FIXTURES STOPS, INSTALL HOSE BIBBS AT SAME CENTERLINE ELEVATIONS AS FIXTURE STOPS.

REFER TO ARCHITECTURAL FINISH SCHEDULE AND ELEVATIONS FOR DETAILS OF FLOOR WHERE FLOOR DRAINS ARE TO BE INSTALLED.

IT SHALL BE CONTRACTORS RESPONSIBILITY TO COORDINATE THIS INSTALLATION WITH THAT OF OTHER TRADES TO ENSURE COMPLETE INSTALLATION. CONTRACTOR SHALL VERIFY ROUTING OF ALL PIPING AND ADJUST AS NECESSARY TO AVOID CONFLICTS WITH THAT OF OTHER TRADES AND/OR STRUCTURAL MEMBERS.



HUSSEY GAY BELL
Established 1958

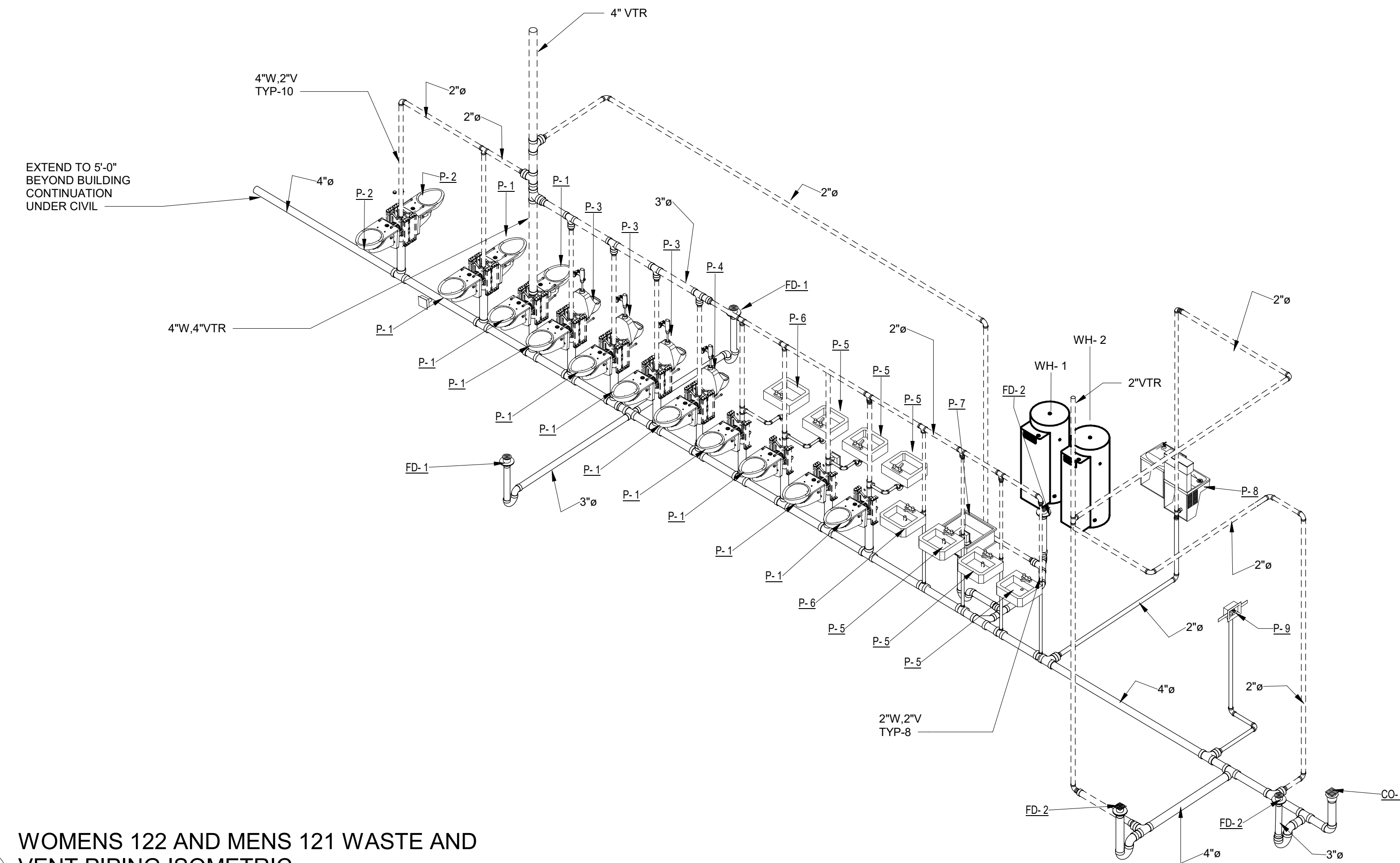
DESIGNED	DRAWN	CHECKED
RFS	RFS	CAB
DATE: 08/02/2019		
JOB NO. 215-4802-02		
05/21/19		

EFFINGHAM COUNTY GYMNASIUM
CLARENCE E. MORGAN RECREATION COMPLEX
1810 GA 21 SPRINGFIELD, GEORGIA 31329

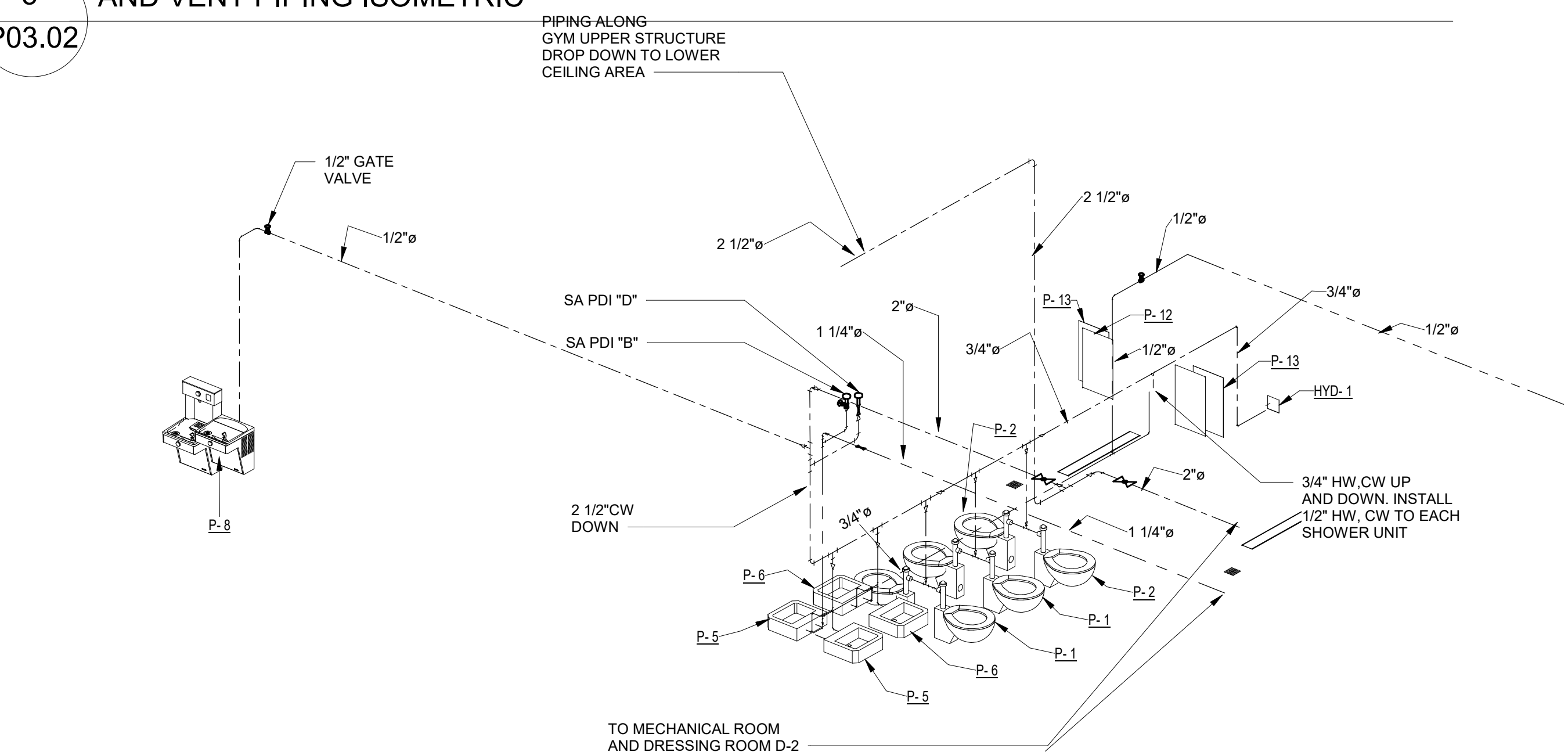
PLUMBING FIXTURE SCHEDULE AND DETAILS

DRAWING NUMBER

P03.01

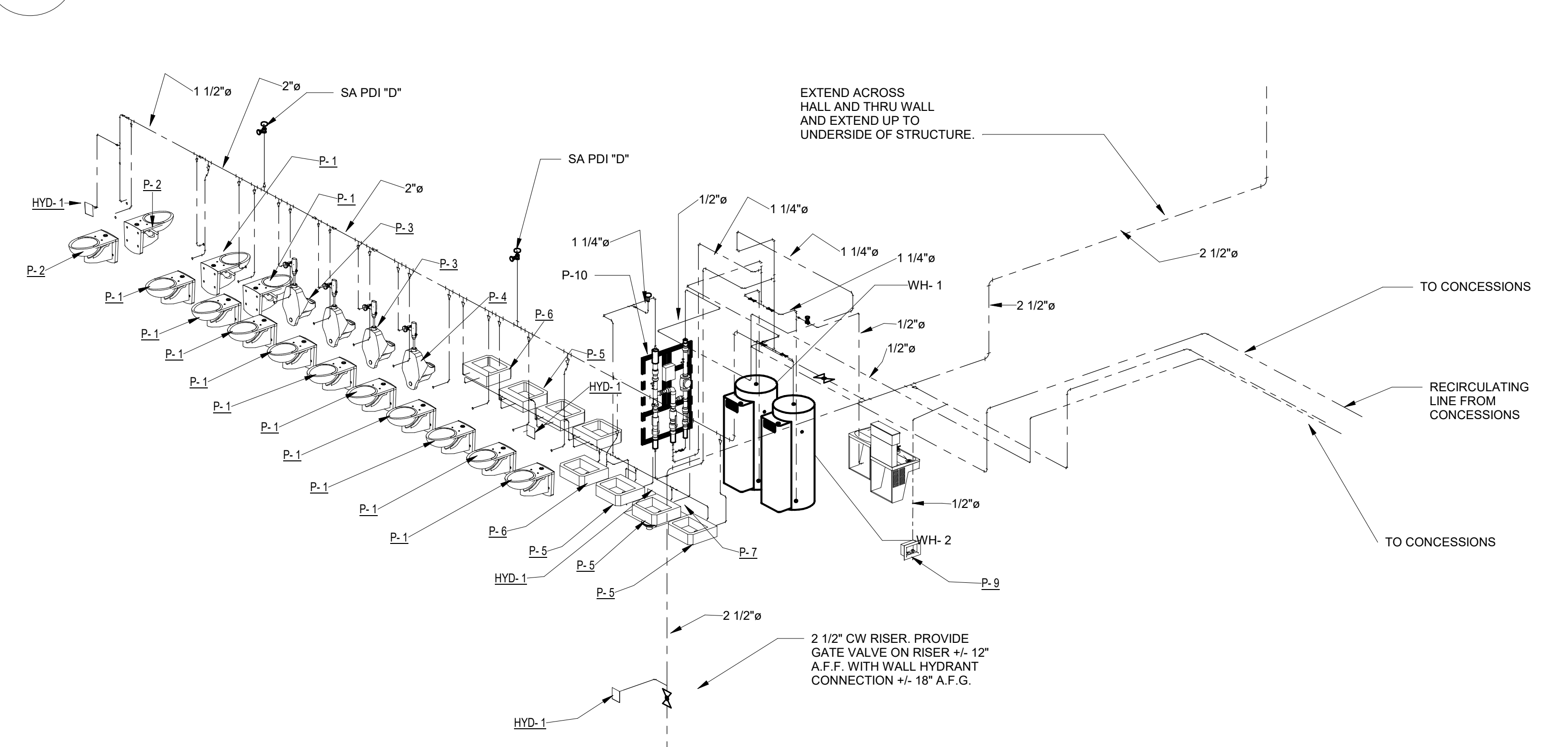


5 DRESSING 116, AND DRESSING 117 WASTE AND VENT PIPING ISOMETRIC

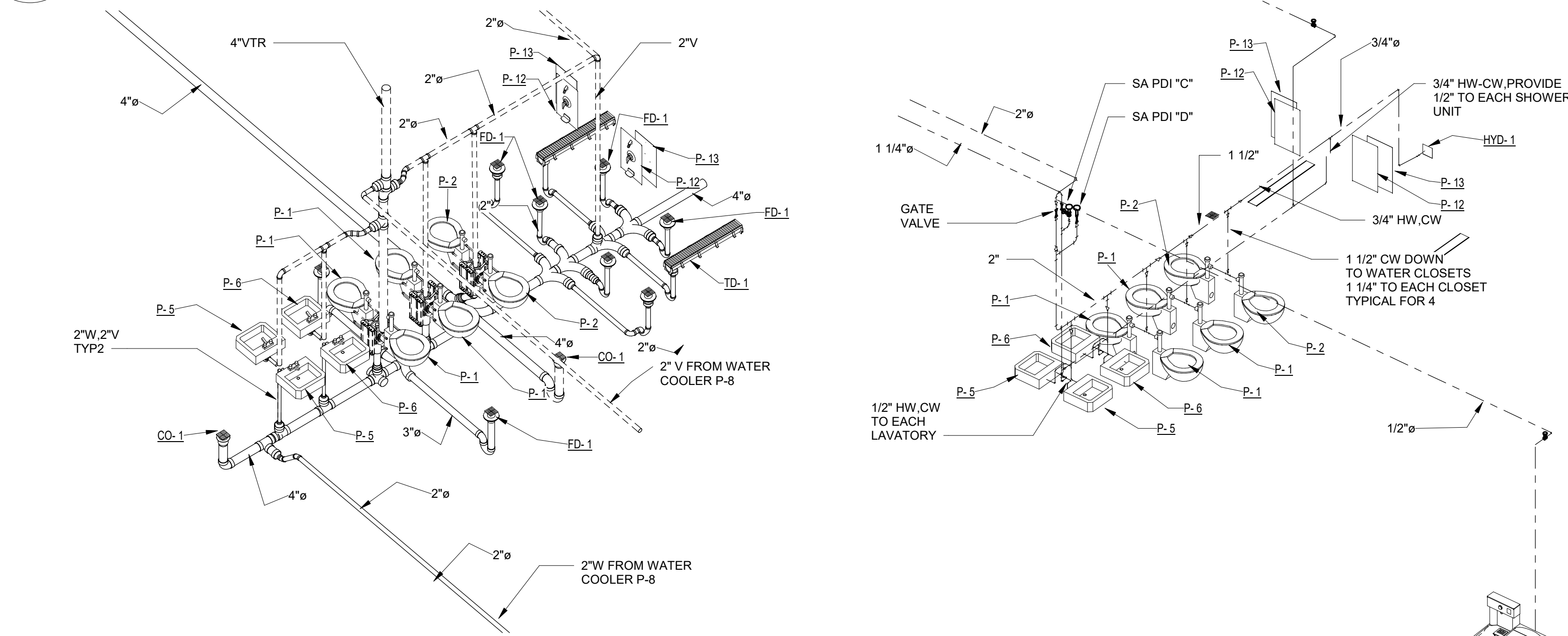


6 DRESSING 116 AND DRESSING 117 WATER PIPING ISOMETRIC Copy 1

1 WOMENS 122 AND MENS 121 WASTE AND VENT PIPING ISOMETRIC



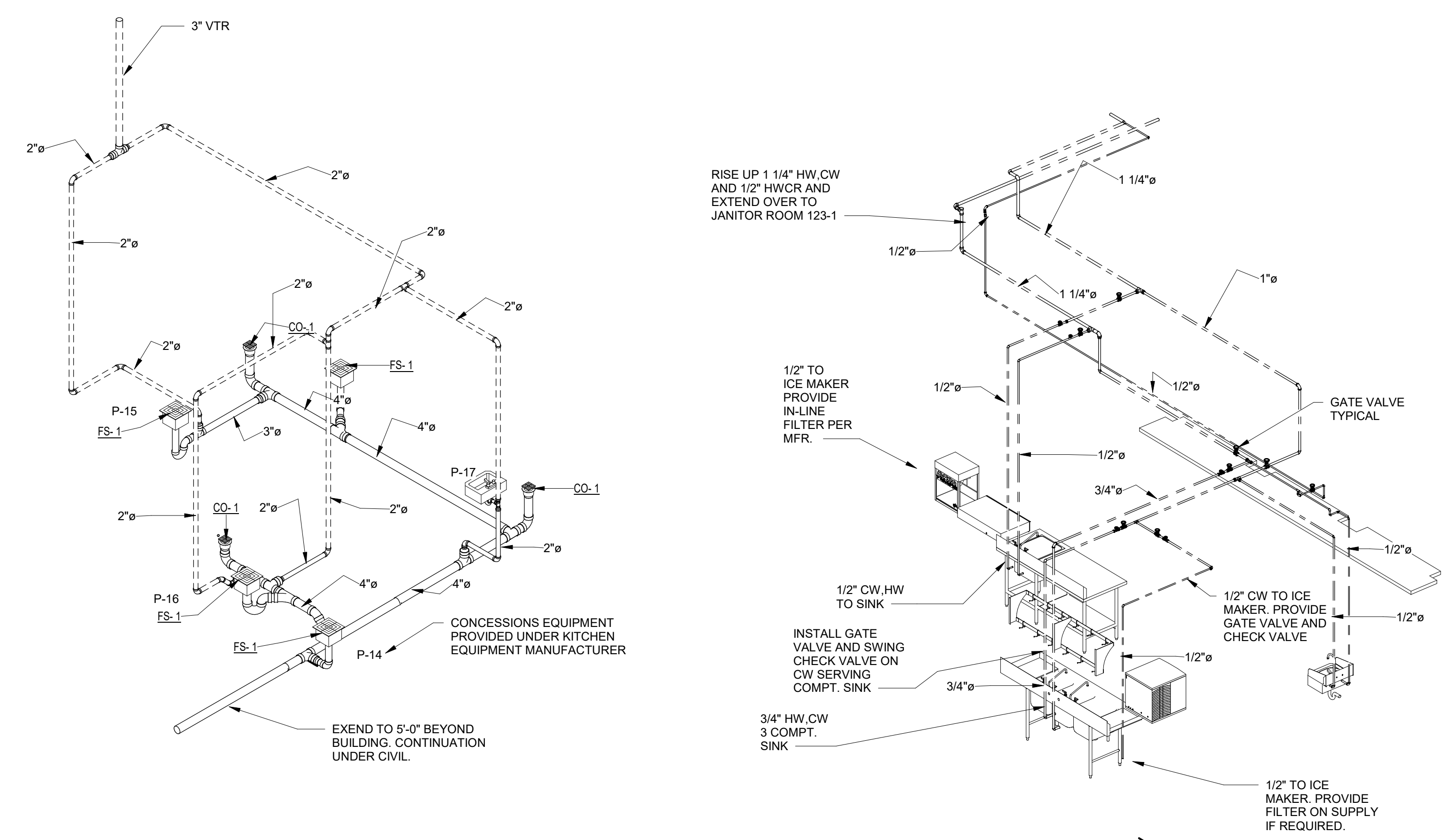
2 WOMENS 122 & MENS 121 WASTER PIPING ISOMETRIC



3 DRESSING 113 AND 114 WASTE AND VENT PIPING ISOMETRIC

4 DRESSING 113 AND 114 WATER PIPING ISOMETRIC

7 CONCESSIONS WASTE AND VENT PIPING ISOMETRIC



8 CONCESSIONS WATER PIPING ISOMETRIC



HUSSEY GAY BELL
— Established 1958 —

DESIGNED	DRAWN	CHECKED
RFS	RFS	CAB
DATE: 08/02/2019		
JOB NO. 215-4802-02		
07/31/19		

EFFINGHAM COUNTY GYMNASIUM
CLARENCE E. MORGAN RECREATION COMPLEX
1810 GA 21 SPRINGFIELD, GEORGIA 31329

DRAWING NUMBER

P03.02

This drawing is the property of HUSSEY GAY BELL, PROFESSIONAL ENGINEER. It is to be used only for the project, location and date shown on this drawing. Do not make alterations to this drawing without the written consent of HUSSEY GAY BELL.