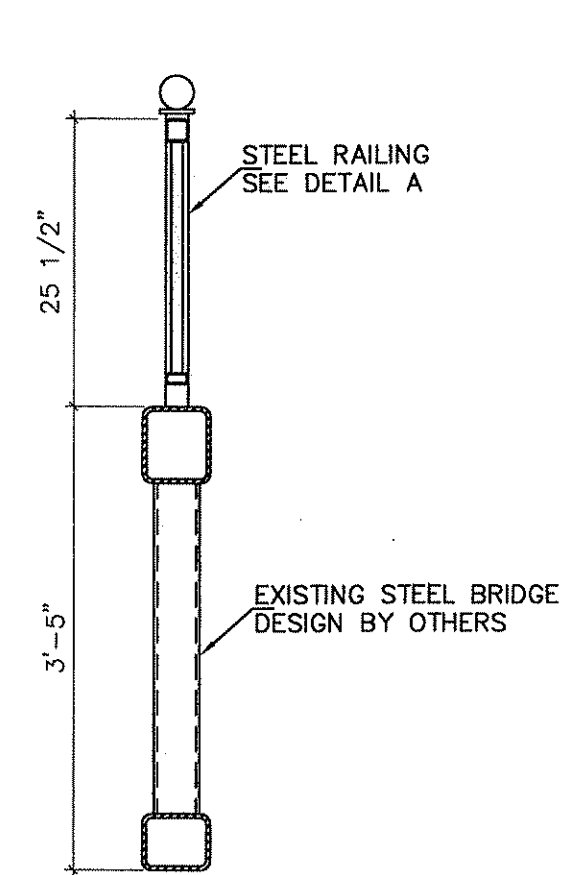
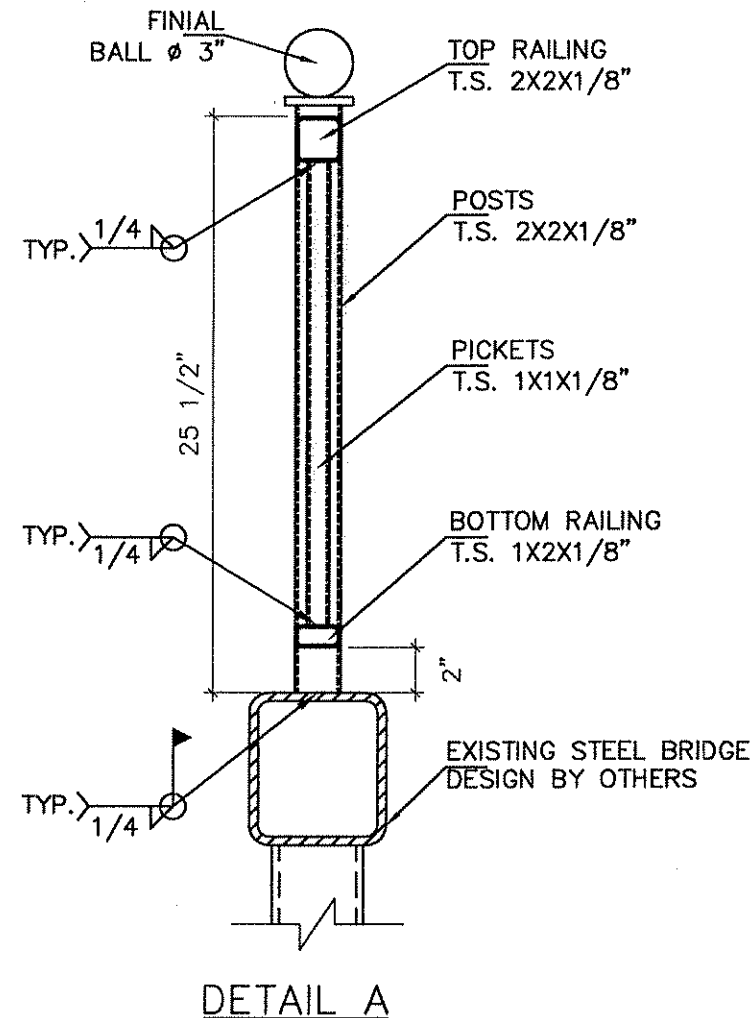


RAILING ELEVATION



SECTION G-G'



DETAIL A

NOTES AND SPECIFICATIONS

- ALL STRUCTURAL STEEL STEEL TUBE TO BE A-500 GRADE B (Fy=46 Ksi)
- ALL STRUCTURAL STEEL TO BE A-36 (Fy= 36 Ksi)
- ALL STRUCTURAL STEEL FABRICATED AND ERECTED AS PER AISC MANUAL.
- SHOP COAT ALL STRUCTURAL STEEL WITH A NON-LEADED GRAY PRIMER.
- ALL STEEL WELDING TO BE E7018 CONFORM ASTM-233.
- CONTRACTOR MUST VERIFY JOB SITE DIMENSIONS PRIOR FABRICATION
- CODES :
- F.B.C. 2007
- A.S.C.E. 7-05
- A.I.S.C. 9a EDITION

SHOP DRAWING REVIEW	
<input checked="" type="checkbox"/>	Reviewed
<input type="checkbox"/>	Rejected
<input type="checkbox"/>	Revise and Resubmit
<input type="checkbox"/>	Furnish as Noted

Corrections or comments made on the shop drawings during review do not relieve contractor from compliance with requirements of the drawings, specifications, and with the contract documents. This check is only for review of general conformance with the design concept of the project and general compliance with the information given in the contract documents. The contractor is responsible for conforming and correlating all quantities and dimensions; selecting fabrication processes and techniques of construction; coordinating work with that of all other trades; and performing the work in a good and satisfactory manner.

Rodrigo Ariza, P.E.
 FLORIDA P.E. # 053902

By: *[Signature]*

[Signature]
 SEP 24 2010

A & G ADVANCE ENGINEERING, LLC
 Consulting Engineers - Certificate of Authorization # 28461
 PHONE - FAX 305-253 9442 - 13380 SW 128th Street, Suite "B", Miami, FL 33186

Project name: RAILING - PEDESTRIAN BRIDGE FOR VILLAGE OF PALMETTO BAY			
Job Address: CORAL REEF PARK, MIAMI, FL			
Drawing by: J. Tobar	Date: 09-23-10	Scale: N. T. S.	Drawing No.: 01/01
		Job No.: 468	

Customer:
PORTLAND CONSTRUCTION

BLD 2010-0735

7895 SW 1525T

OFFICE COPY

2007 FLORIDA BUILDING CODE
EFFECTIVE 3/01/2009

VILLAGE OF PALMETTO BAY				
THIS COPY OF PLAN MUST BE AVAILABLE ON BUILDING SITE OR NO INSPECTION WILL BE GIVEN				
SECTION	APPROVED		DISAPPROVED	
	BY	DATE	BY	DATE
ZONING				
LANDSCAPING				
PUBLIC WORKS				
BUILDING	AL	10/8/10		
UTILITIES				
HANDICAP				
STRUCTURAL	LU	10/12/10		
ELECTRICAL				
PLUMBING				
MECHANICAL				
ENERGY				
FIRE				
BUILDING OFFICIAL				

Subject to compliance with all federal, state and county law, rules and regulations, the Village of Palmetto Bay, assumes no responsibility for accuracy of all or any of these codes.

NOTICE: The regulations in this code may be amended or repealed by the Village of Palmetto Bay, Florida, at any time.