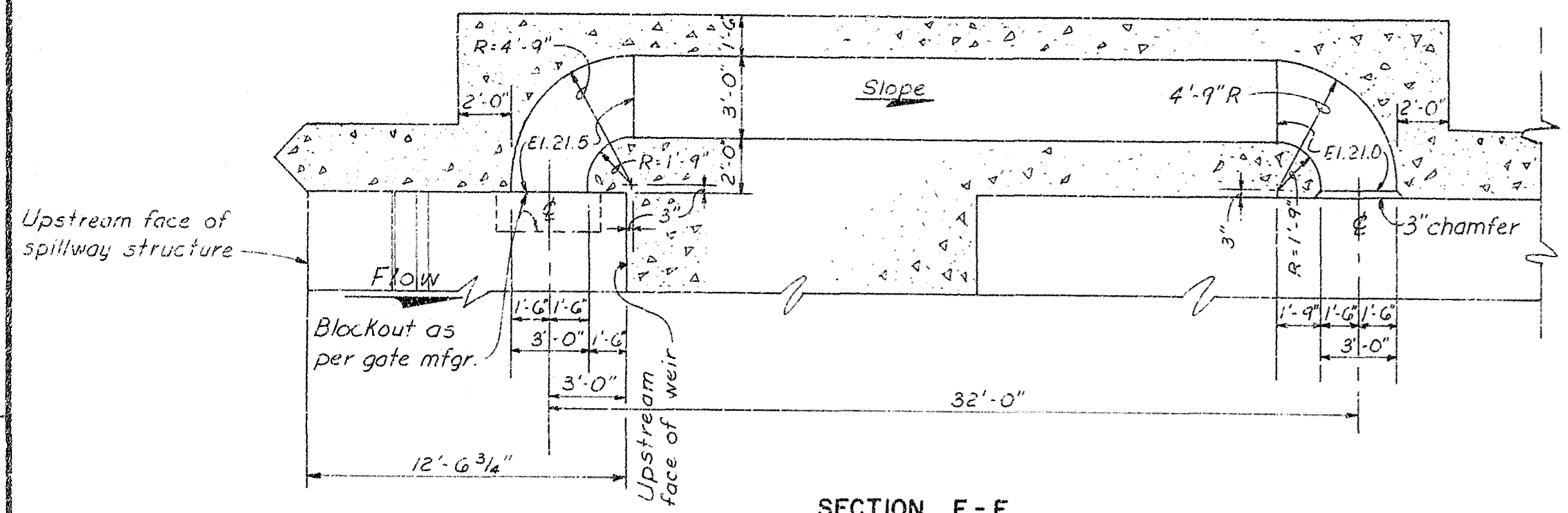
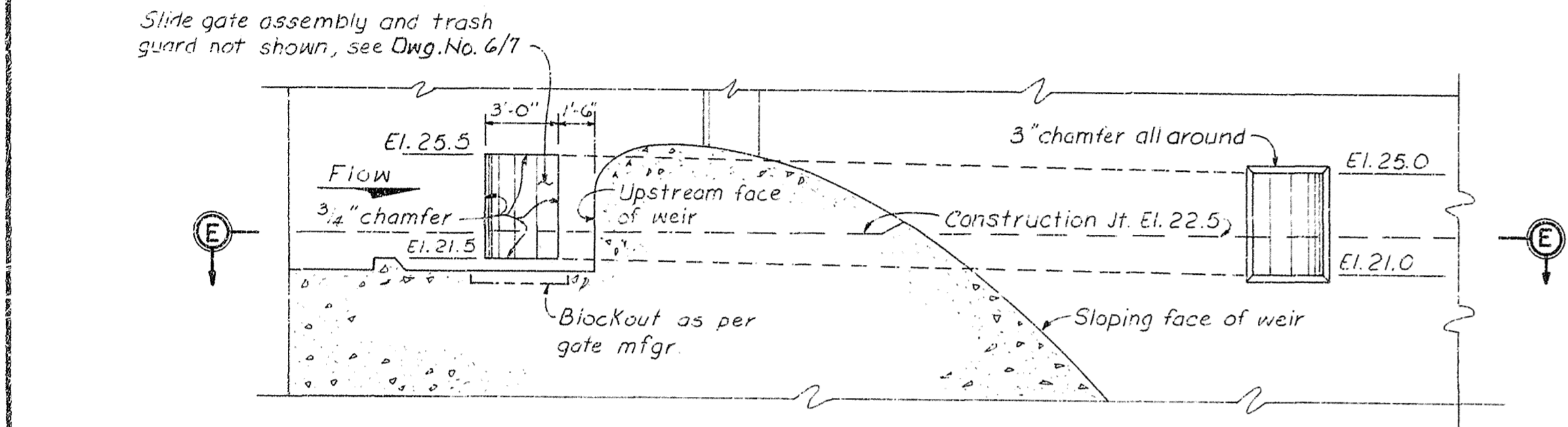


SAFETY ON THIS JOB
DEPENDS ON YOU

| REVISIONS | | | | | |
|-----------|------|------|-------------|------|----------|
| NO. | SYM. | ZONE | DESCRIPTION | DATE | APPROVED |
| | | | | | |
| | | | | | |
| | | | | | |
| | | | | | |

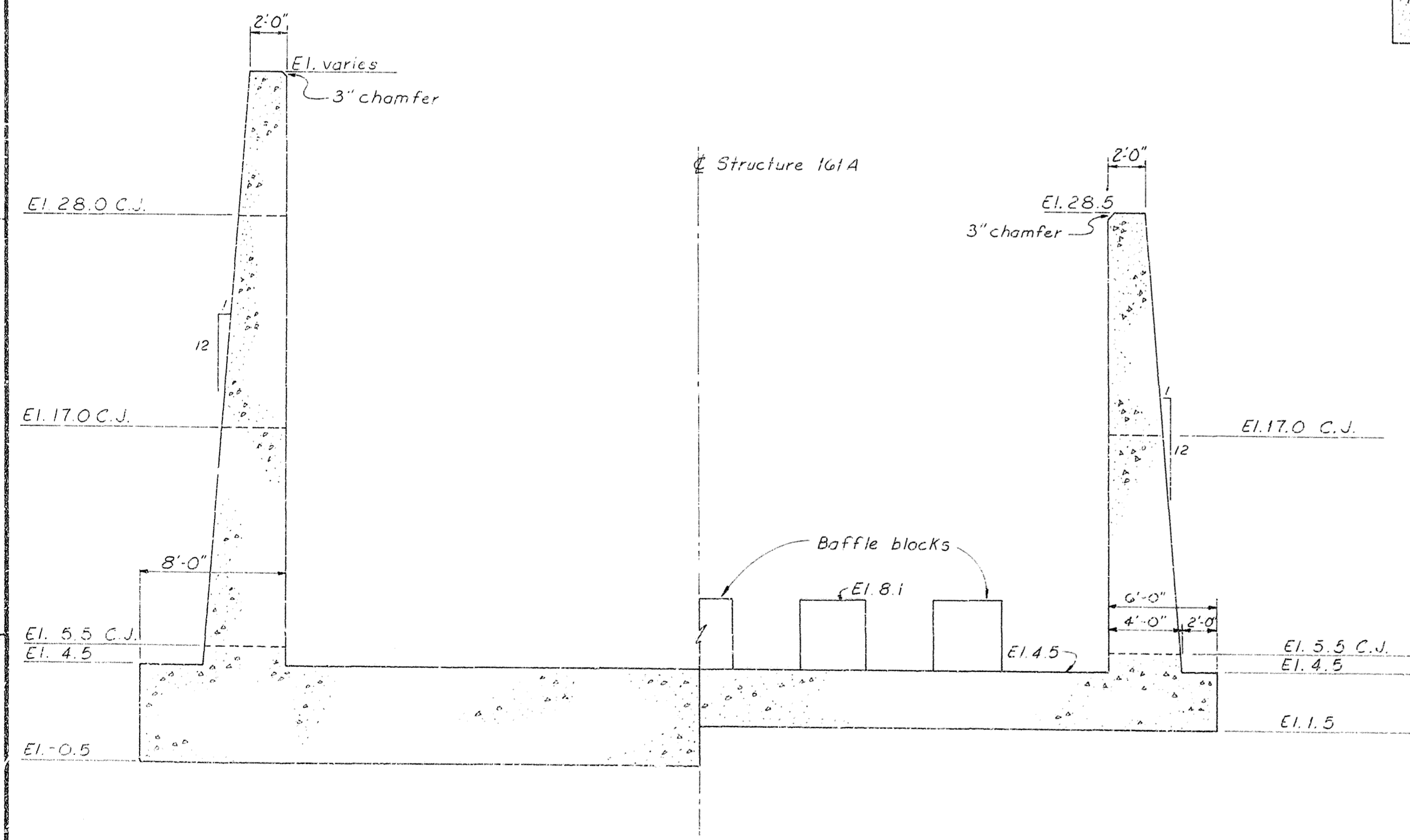


SECTION E-E
SCALE: "A"

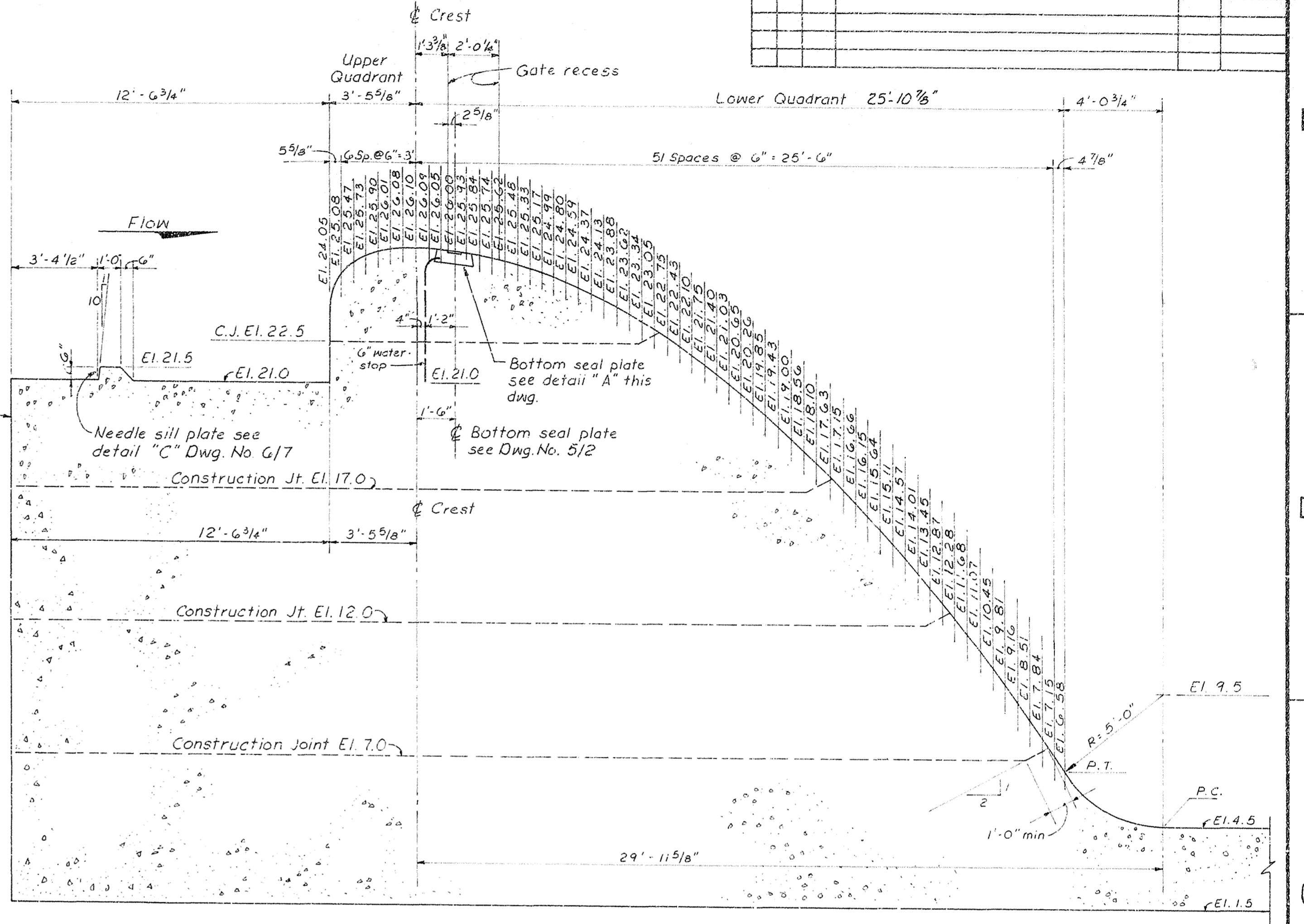


ELEVATION
SCALE: "A"

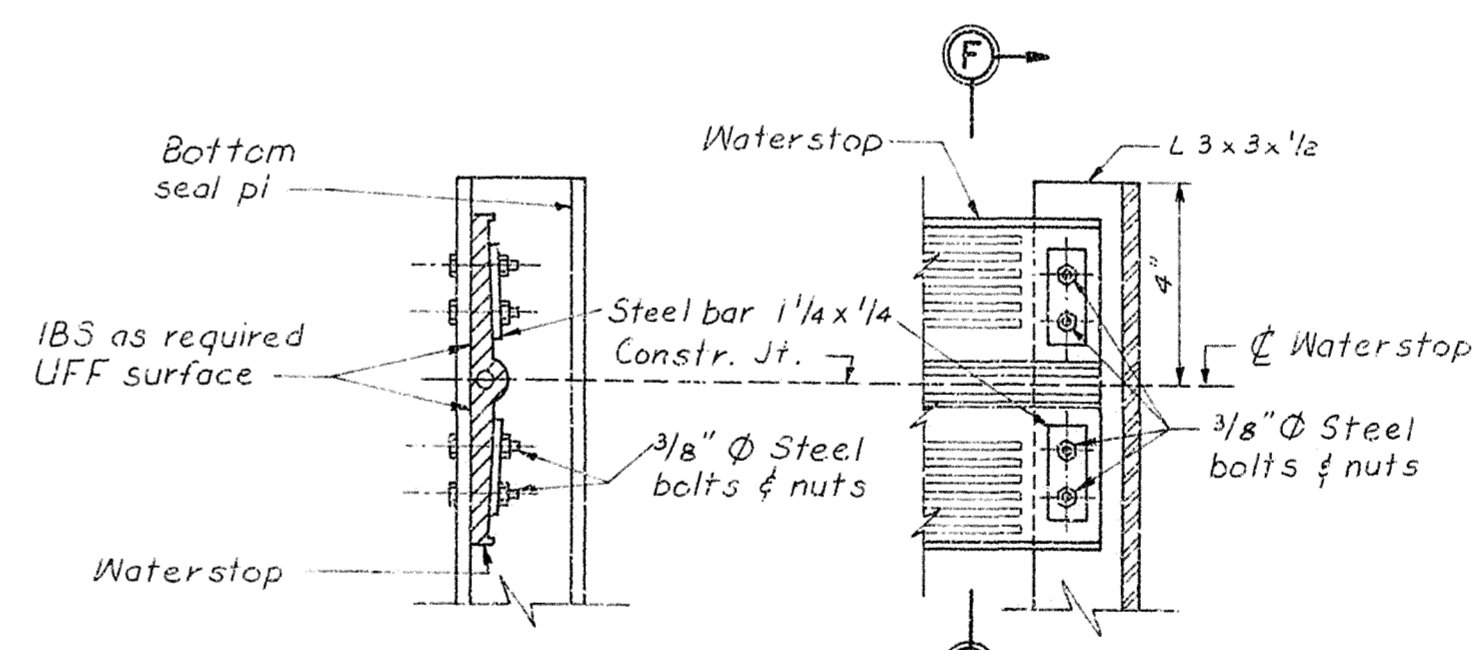
WALL CULVERT DETAILS



SECTION D-D
SCALE: "A"



WEIR DETAIL
SCALE: "B"



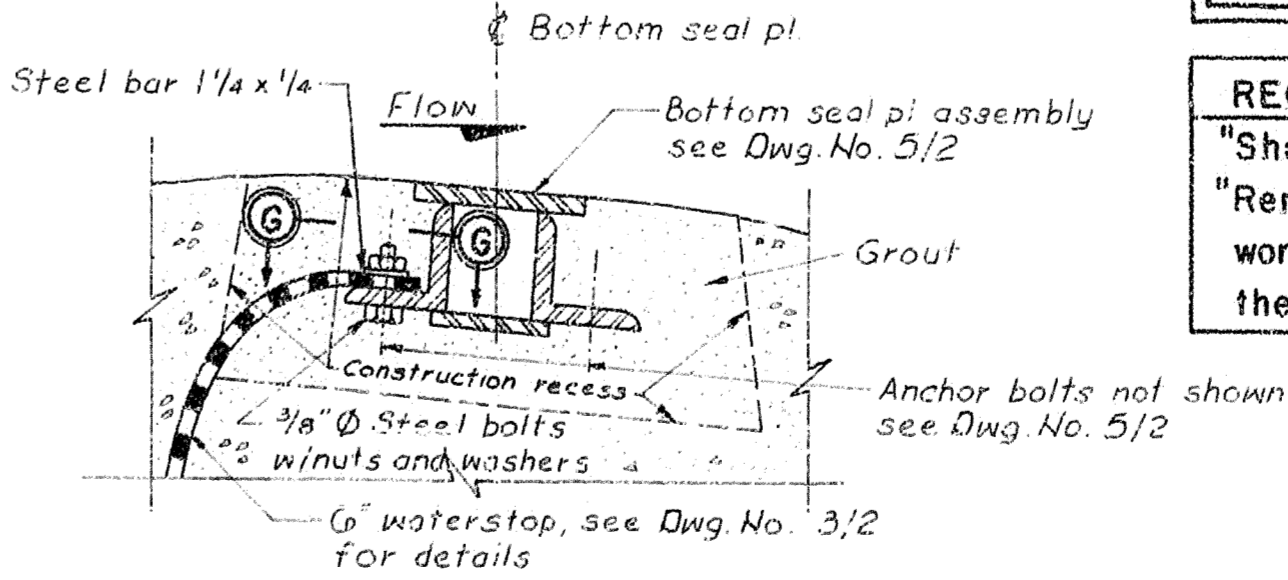
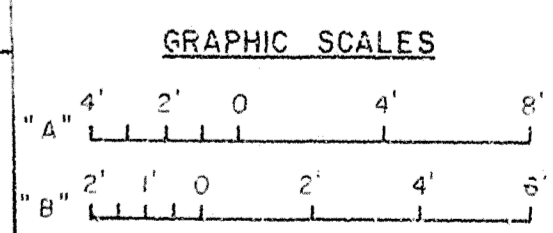
SECTION F-F

SECTION G-G

- Notes:
1. Refer to Dwg. No. 3/1 for notes.
 2. For location of section D-D see Dwg. No. 3/1
 3. For location of weir shown on this dwg. see Dwg. Nos. 3/2 and 3/3
 4. For location of wall culverts, see Dwg. Nos. 3/1 and 3/2

AS-BUILT

RECORD DRAWING NOTE
"Shall be," "Provide," "Install," "Remove," etc., indicates work was accomplished under the contract



ELEVATION

DETAIL "A"
NOT TO SCALE

Note: Polyvinylchloride waterstop show in above views but rubber waterstop may be used in lieu thereof. See waterstop detail, Dwg. No. 3/2

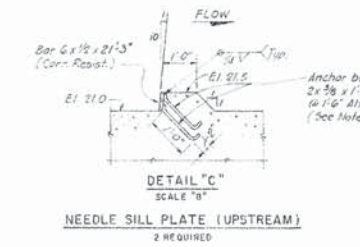
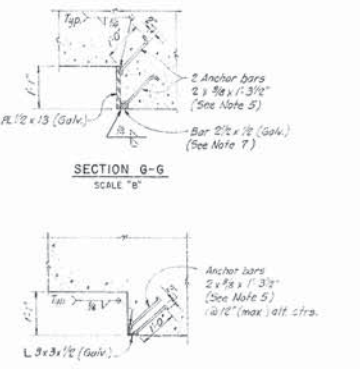
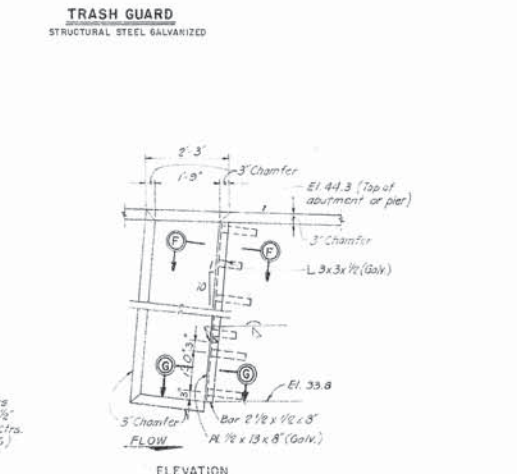
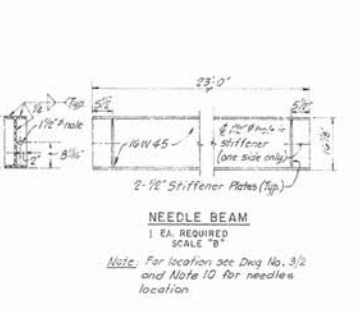
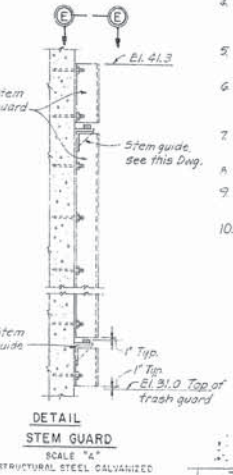
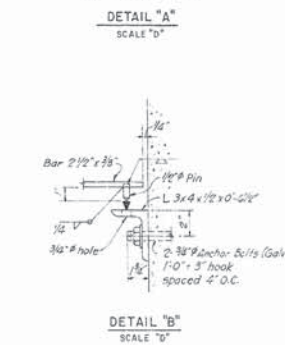
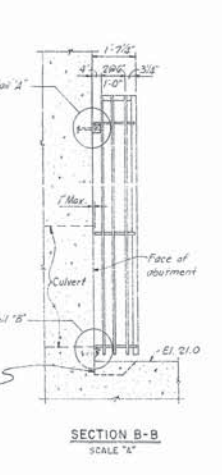
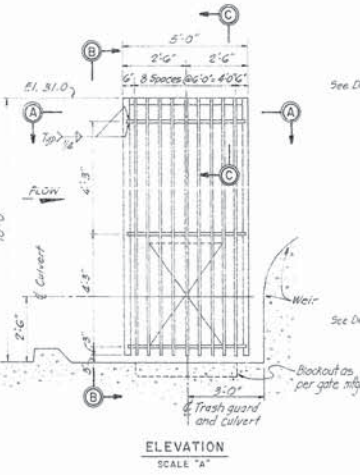
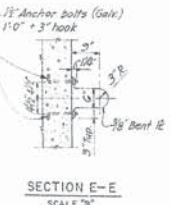
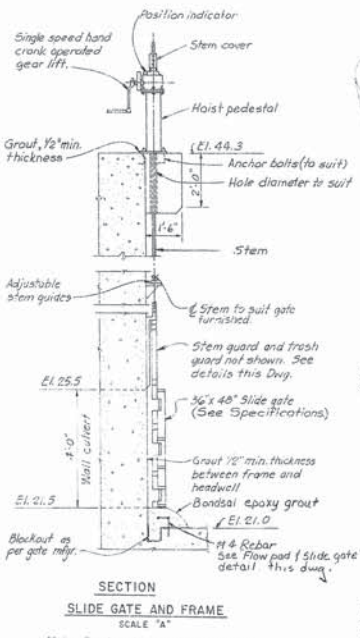
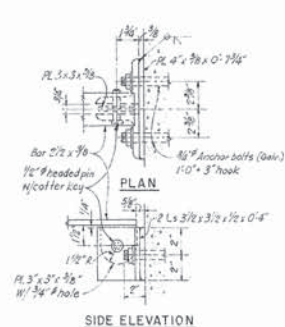
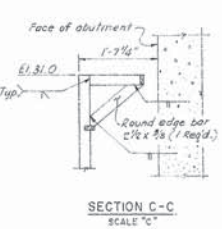
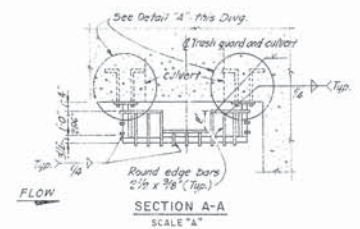
For location. See weir detail this dwg. & Dwg. Nos. 3/2 and 3/3.

DEPARTMENT OF THE ARMY
JACKSONVILLE DISTRICT, CORPS OF ENGINEERS
JACKSONVILLE, FLORIDA
CENTRAL AND SOUTHERN FLORIDA PROJECT
UPPER ST. JOHNS RIVER BASIN
STRUCTURE 161A AND TIEBACK LEVEE
CONCRETE
SECTIONS AND DETAILS

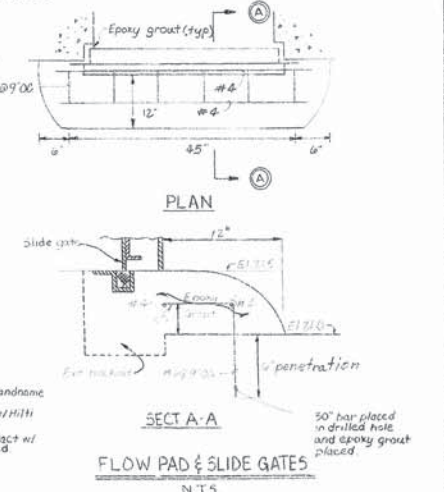
DATE: 3/1/97
SCALE: AS SHOWN
SHEET: 17

SAFETY ON THIS JOB
DEPENDS ON YOU

| REVISIONS | | DATE | APPROVED |
|-----------|-----|-------------|----------|
| NO | REV | DESCRIPTION | |
| | | | |
| | | | |
| | | | |
| | | | |



- Notes:
- All material shall be structural steel, unless otherwise noted.
 - All material noted on this sheet as Cor. Resist. shall be corrosion resisting steel, Type 304 unless shown or specified otherwise.
 - All galvanized items shall be galvanized after fabrication.
 - All bolts shall be furnished with one nut and washer, unless otherwise indicated. All bolts, nuts, washers and miscellaneous hardware shall be galvanized, unless otherwise noted.
 - At option of the Contractor, 5/8" x 6'-3/8" or equal anchor studs may be substituted for 2" x 98" anchor bars. See Specs.
 - Where galvanized items lose their coating due to field welding or chipping, galvanizing repairs shall be made in accordance with the Specifications.
 - At the option of the contractor, a 1/2" thick bent plate may be substituted for the 1/2" thick bar and plate where indicated.
 - For General Welding Notes, see Dwg. No. 6/5.
 - The 1/2" thick corrosion resisting needle sill plates may be replaced with 1/2" thick chrome clad plates.
 - The needles are stored at Moss Bluff Spillway, Moss Bluff, Florida.



- Epoxy grout is brandname Bondal.
- Rebar anchored with C-100 epoxy.
- Aluminum in contact w/ grout bit coated.



RECORD DRAWING NOTE
"Shall be," "Provide," "Install," "Remove," etc., indicates work was accomplished under the contract.

AS-BUILT

DEPARTMENT OF THE ARMY
JACKSONVILLE DISTRICT CORPS OF ENGINEERS
JACKSONVILLE, FLORIDA
CENTRAL AND SOUTHERN FLORIDA PROJECT
UPPER ST. JOHNS RIVER BASIN
STRUCTURE 1G1A AND TIEBACK LEVEE
METALS AND MISCELLANEOUS
EMBEDDED METALS
AND MISCELLANEOUS DETAILS NO. 2

SCALE AS SHOWN
DATE: MAY 1995
SHEET: 81

