

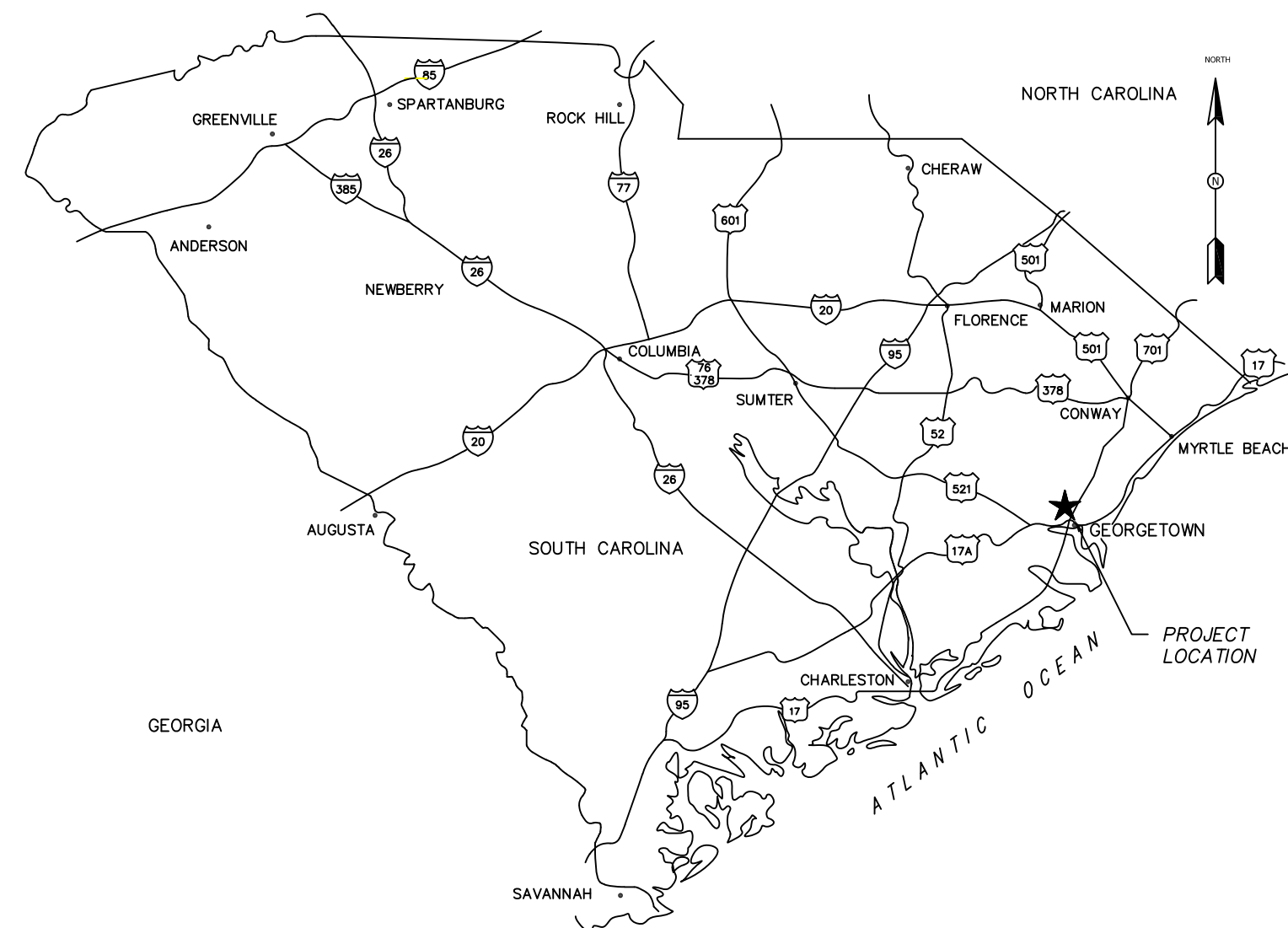
WTP FLOC/SED BASIN NO. 2

FOR

CITY OF GEORGETOWN

COG PROJECT # 1606

EDA INVESTMENT NO. 04-79-0777



STATE AREA MAP
NOT TO SCALE

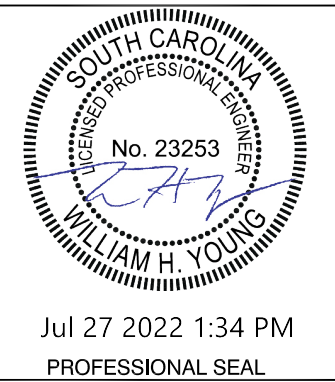
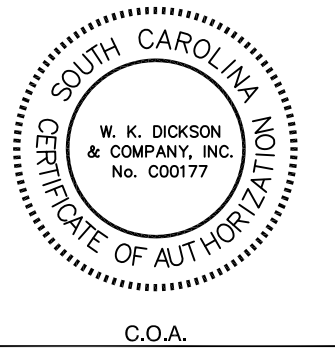


LOCATION MAP
NOT TO SCALE



162 SEVEN FARMS DRIVE
SUITE 210
CHARLESTON, SC 29492
(843) 416-5560
(843) 416-5563

WWW.WKDICKSON.COM



NO.	DATE	DESCRIPTION	BY
0	07/29/2022	BID SET - NOT FOR CONSTRUCTION	WJW

PROJECT NAME:	WTP FLOC/SED BASIN NO. 2 FOR CITY OF GEORGETOWN
DRAWING TITLE:	COVER

PROJ. MGR.: WHY
DESIGN BY: RFH
DRAWN BY: WJW
PROJ. DATE: 06/02/2021
DRAWING NUMBER:

G-00

WKD PROJ. NO.:
20210110.00.CH

BID SET - NOT FOR CONSTRUCTION

NOTICE TO CONTRACTOR

- PRIOR TO CONSTRUCTION, DIGGING, OR EXCAVATION THE CONTRACTOR IS RESPONSIBLE FOR LOCATING ALL UNDERGROUND UTILITIES (PUBLIC OR PRIVATE) THAT MAY EXIST AND CROSS THROUGH THE AREA(S) OF CONSTRUCTION, WHETHER INDICATED ON THE PLANS OR NOT. CALL "811" A MINIMUM OF 72 HOURS PRIOR TO DIGGING OR EXCAVATING. REPAIRS TO ANY UTILITY DAMAGED RESULTING FROM CONSTRUCTION ACTIVITIES SHALL BE THE RESPONSIBILITY OF THE CONTRACTOR.






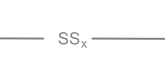


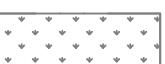






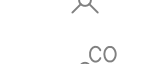
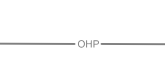
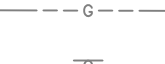
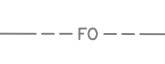
















**Know what's below.
Call before you dig**


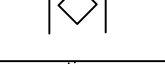
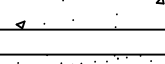
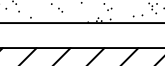
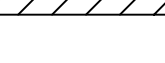
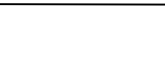
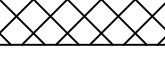

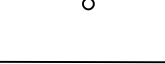
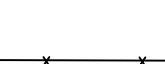




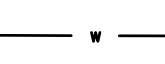
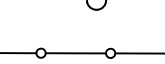
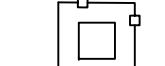


CONTRACT NO. 20210110.00.CH - WTP FLOC/SED BASIN NO. 2 FOR CITY OF GEORGETOWN
 DRAWING NO. G-00
 DATE: 07/29/2022 1:34 PM
 PROJECT LOCATION: GEORGETOWN WATER TREATMENT PLANT, 162 SEVEN FARMS DRIVE, SUITE 210, CHARLESTON, SC 29492

W.K. DICKSON & COMPANY, INC. IS AN EQUAL OPPORTUNITY AFFIRMATIVE ACTION EMPLOYER. WE ENCOURAGE ALL QUALIFIED INDIVIDUALS TO APPLY FOR EMPLOYMENT. WE DO NOT DISCRIMINATE ON THE BASIS OF RACE, GENDER, RELIGION, NATIONAL ORIGIN, ANCESTRY, AGE, SEX, OR DISABILITY. WE ARE AN EQUAL OPPORTUNITY EMPLOYER.

EXISTING LEGEND

-  POWER POLE
-  SEWER MANHOLE
-  ELEC. TRANSFORMER
-  SEWER VALVE
-  GUARD RAIL OR PROPERTY LINE
-  STORM DRAINAGE LINE
-  SANITARY SEWER LINE
-  FORCE MAIN
-  EXISTING ASPHALT PAVING
-  EXISTING WETLANDS
-  WATER METER
-  WATER VALVE
-  FIRE HYDRANT
-  CATCH BASIN
-  TELE. PED.
-  GAS VALVE
-  FENCE
-  TREE LINE
-  LIGHT POLE
-  CLEAN OUT
-  OVER HEAD ELEC.
-  GAS LINE
-  SIGN
-  FIBER OPTIC LINE
-  TELEVISION LINE
-  WATER MAIN
-  MAIL BOX
-  UNDER GROUND ELEC.
-  IRRIGATION VALVE
-  CONCRETE PAVING
-  CONTOUR
-  BOLLARD
-  PROPERTY LINE

IMPROVEMENTS LEGEND

-  AIR RELEASE VALVE
-  PLUG VALVE
-  NEW CONCRETE OR CONCRETE PATCH
-  NEW ASPHALT OR ASPHALT PATCH
-  DIRT OR GRAVEL DRIVEWAY REPAIR
-  NEW CONTOUR
-  EXISTING ITEMS TO BE REMOVED
-  GATE VALVE
-  WATER METER
-  DOUBLE LINE PIPING
-  NEW FENCE
-  TREE PROTECTION
-  SILT FENCE
-  SEDIMENT TUBING
-  LIMITS OF DISTURBANCE
-  WATER MAIN
-  FIRE HYDRANT
-  FIBER ROLL
-  INLET SEDIMENT TRAP

CIVIL ABBREVIATIONS

- ATS AUTOMATIC TRANSFER SWITCH
- CJB CHEMICAL JUNCTION BOX
- CM CREPE MYRTLE
- CMF CONCRETE MONUMENT FOUND
- CO CLEAN-OUT
- DW DOG WOOD
- GV GAS VALVE
- HDD HORIZONTAL DIRECTIONAL DRILL
- IPF IRON PIN FOUND
- LO LIVE OAK
- LP LIGHT POLE
- MAG MAGNOLIA
- MH MANHOLE
- MV VALVE MARKER
- PAL PALM
- PP POWER POLE
- SD STORM DRAIN
- SHB SHRUB
- SGN SIGN
- TE TELEPHONE POLE
- TS&V TAPPING SLEEVE AND VALVE
- TUP TUPOLO
- WM WATER METER
- WO WATER OAK
- WV WATER VALVE

PROCESS ABBREVIATIONS

- AS AMMONIA SOLUTION
- BFV BUTTERFLY VALVE
- BV BALL VALVE
- CE CONSTRUCTION ENT./EXIT
- CI CORROSION INHIBITOR
- CL CHLORINE
- CS CHEMICAL SYSTEM
- CV CHECK VALVE
- DCNT DECANT
- D / DR DRAIN
- EFF EFFLUENT
- FC FERRIC CHLORIDE
- FCA FLANGE COUPLING ADAPTOR
- FCP FACTORY CONTROL PANEL
- FCV FLOW CONTROL VALVE
- FM FORCE MAIN
- GV GATE VALVE
- IA INSTRUMENT AIR
- INF INFLEUENT
- NA CAUSTIC
- NPW NON-POTABLE WATER
- OF OVERFLOW
- P PUMP
- PA PROCESS AIR
- PD PROCESS DRAIN
- PE PROCESS EQUIPMENT
- PF POLYMER (FLOC.)
- PV PLUG VALVE
- RFA RESTRAINED FLANGE ADAPTER
- RW RAW WATER
- SA SAMPLE
- SD STORM DRAIN
- SL SLUDGE
- SW SETTLED WATER
- TS THICKENED SLUDGE
- V VENT
- W WATER
- WW WASH WATER

MATERIALS OF CONSTRUCTION

- AC ABESTOS CEMENT
- BS BLACK STEEL
- CIP CAST IRON PIPE
- CU COPPER
- DIP DUCTILE IRON PIPE
- FRP FIBERGLASS REINFORCED PLASTIC
- GSP GALVANIZED STEEL
- PE POLYETHYLENE
- PVC POLYVINYL CHLORIDE
- RCP REINFORCED CONCRETE PIPE
- SSTL OR S.S. STAINLESS STEEL
- STL STEEL

GENERAL CONSTRUCTION NOTES:

1. THE BASE MAP, PROPERTY LINES, AND EXISTING CONDITIONS WERE PROVIDED BY THE CLIENT. CONTRACTOR SHALL FIELD VERIFY ALL DIMENSIONS, PIPE SIZES AND DEPTHS PRIOR TO ORDERING MATERIALS AND STARTING CONSTRUCTION. NOTIFY THE ENGINEER IF FIELD MEASUREMENTS OR SIZES DIFFER SIGNIFICANTLY FROM DRAWINGS.
2. IT IS THE CONTRACTOR'S RESPONSIBILITY TO FIELD-VERIFY THE LOCATIONS OF ALL EXISTING UTILITIES PRIOR TO CONSTRUCTION AND TO NOTE ANY CONFLICTS. ANY DAMAGE TO UTILITIES INCURRED DURING CONSTRUCTION IS THE RESPONSIBILITY OF THE CONTRACTOR AND IS TO BE REPAIRED AT THE CONTRACTOR'S EXPENSE. P.U.P.S. TELEPHONE NUMBER IS 1-888-721-7877.
3. HORIZONTAL DATUM: CITY OF GEORGETOWN WATER TREATMENT FACILITY PLANT GRID (GWTP) AND NAD 83 WITH 2011 ADJUSTMENT.
4. VERTICAL DATUM: NGVD 29.
5. IF ARCHAEOLOGICAL MATERIALS ARE ENCOUNTERED DURING CONSTRUCTION, THE PROCEDURES CODIFIED AT 36 CFR 800.13(B) WILL APPLY AND THE SC DEPARTMENT OF ARCHIVES AND HISTORY, THE EDA AND THE CATAWBA INDIAN NATION SHALL BE CONTACTED IMMEDIATELY. ARCHAEOLOGICAL MATERIALS CONSIST OF ANY ITEMS, FIFTY YEARS OLD OR OLDER, WHICH WERE MADE OR USED BY MAN. THESE ITEMS INCLUDE, BUT ARE NOT LIMITED TO, STONE PROJECTILE POINTS (ARROWHEADS), CERAMIC SHERDS, BRICKS, WORKED WOOD, BONE AND STONE, METAL AND GLASS OBJECTS, AND HUMAN SKELETAL MATERIALS.

CONSTRUCTION SEQUENCE:

ITEMS MUST OCCUR IN THE ORDER LISTED; ITEMS CANNOT OCCUR CONCURRENTLY UNLESS SPECIFICALLY NOTED.

1. PRE-CONSTRUCTION MEETING.
2. NOTIFY DHEC EQC REGIONAL OFFICE OR OCRM OFFICE 48 HOURS PRIOR TO BEGINNING LAND-DISTURBING ACTIVITIES.
3. INSTALLATION OF CONSTRUCTION ENTRANCES(S)(IF REQUIRED).
4. CLEARING AND GRUBBING ONLY AS NECESSARY FOR INSTALLATION OF PERIMETER CONTROLS.
5. INSTALLATION OF PERIMETER CONTROLS (EG., SILT FENCE).
6. CLEARING AND GRUBBING OF SITE OR DEMOLITION (SEDIMENT AND EROSION CONTROL MEASURES FOR THESE AREAS MUST ALREADY BE INSTALLED).
7. CONSTRUCT PROJECT
8. PERMANENT/FINAL STABILIZATION.
9. REMOVAL OF TEMPORARY SEDIMENT AND EROSION CONTROL MEASURES AFTER ENTIRE AREA DRAINING TO THE STRUCTURE IS FINALLY STABILIZED (THE PROJECT OWNER/OPERATOR SHALL HAVE THE SWPP PREPARER OR REGISTRATION EQUIVALENT APPROVE THE REMOVAL OF TEMPORARY STRUCTURES).
10. SUBMIT NOTICE OF TERMINATION (NOT) TO DHEC AS APPROPRIATE.

NOTE: MAINTENANCE OF SEDIMENT AND EROSION CONTROL MEASURES MUST CONTINUE UNTIL THE SITE IS PERMANENTLY STABILIZED AND THE CONTROLS ARE REMOVED. PERMANENT STABILIZATION IS DEFINED AS A MINIMUM OF A 2-IN STAND OF GRASS WITH BARE SPOTS LESS THAN 1 SQFT AFTER FIRST MOVING.

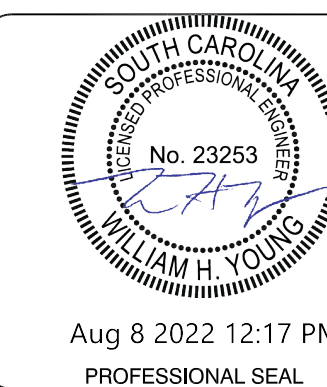
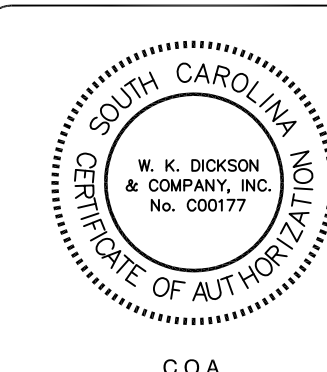
SHEET LIST TABLE

Sheet Number	Sheet Title
G-00	COVER
G-01	ABBREVIATION, LEGEND, AND NOTES
CE01	SEDIMENT AND EROSION CONTROL
CE02	SEDIMENT AND EROSION CONTROL
C-01	FLOC-SED BASIN SITE PLAN
C-02	FLOC-SED BASIN ENLARGE PLAN
C-501	DETAILS
C-502	DETAILS
C-503	DETAILS
I-01	P&ID LEGENDS
I-02	P&ID FLOC-SED BASIN NO 2
EN-1	FLOC/SED BASIN NO. 2 LOWER AND UPPER LAYOUT PLAN
EN-2	FLOC/SED BASIN NO. 2 SECTION VIEWS
EN-3	FLOC/SED BASIN NO. 2 MISCELLANEOUS DETAILS
S-1	GENERAL NOTE AND DETAILS
S-2	FLOC/SED BASIN NO.2 FOUNDATION/PILE PLAN AND SECTION PLAN
S-3	FLOC/SED BASIN NO.2 UPPER PLAN AND DETAILS
S-4	FLOC/SED BASIN NO.2 SECTIONS
S-5	FLOC/SED BASIN NO.2 SECTIONS
S-6	FLOC/SED BASIN NO.2 SECTIONS
GE01	LEGEND AND GENERAL NOTES
ES01	ELECTRICAL SITE PLAN
E-01	ELECTRICAL PLANS
E-501	DETAILS
E-601	ONE-LINE DIAGRAM - MSB AND HSPS
E-602	ONE-LINE DIAGRAM - MCC-1, MCC-A AND MCC-B
E-603	SCHEDULES AND WIRING DIAGRAMS



162 SEVEN FARMS DRIVE
SUITE 210
CHARLESTON, SC 29492
(843) 416-5560
(843) 416-5563

WWW.WKDICKSON.COM



Aug 8 2022 12:17 PM
PROFESSIONAL SEAL

NO.	DATE	BY	DESCRIPTION
0	07/29/2022		BID SET - NOT FOR CONSTRUCTION

PROJECT NAME:	WTP FLOC/SED BASIN NO. 2 FOR THE CITY OF GEORGETOWN
DRAWING TITLE:	ABBREVIATION, LEGEND, AND NOTES

PROJ. MGR.: WHY
DESIGN BY: RFH
DRAWN BY: WJW
PROJ. DATE: 06/02/2021
DRAWING NUMBER:

G-01

WKD PROJ. NO.:
20210110.00.CH

BID SET - NOT FOR CONSTRUCTION

CONTRACT NO. 20210110.00-CH - WTP FLOC/SED BASIN NO. 2 FOR THE CITY OF GEORGETOWN. THIS DRAWING IS THE PROPERTY OF WK DICKSON & COMPANY, INC. AND IS TO BE USED ONLY FOR THE PROJECT AND SITE SPECIFICALLY IDENTIFIED HEREIN. ANY REUSE OR MODIFICATION OF THIS DRAWING WITHOUT THE WRITTEN CONSENT OF WK DICKSON & COMPANY, INC. IS PROHIBITED. ONE COPY OF THIS DRAWING IS TO BE MAINTAINED AT THE PROJECT SITE. THE USER SHALL BE RESPONSIBLE FOR THE PROTECTION OF THIS DRAWING.

TEMPORARY SEEDING

The purpose of temporary seeding is to reduce erosion and sedimentation by stabilizing disturbed areas that would otherwise lay bare for long periods of time before they are worked or stabilized. Temporary seeding is also used where permanent vegetation growth is not necessary or appropriate.

When and Where to Use It

Temporary seeding is used on exposed soil surfaces such as denuded areas, soil stockpiles, dikes, dams, banks of sediment basins, banks of sediment traps, and temporary road banks. Temporary seeding prevents and limits costly maintenance operations on other sediment control structures. Sediment cleanout requirements for sediment basins, sediment traps, and silt fence is reduced if the drainage area is seeded when grading and construction operation are not taking place. Temporary stabilization is required within 14 days after construction activity is complete unless construction activity is going to resume within 21 days. Cover seeded areas with an appropriate mulch to provide protection from the weather. When the temporary vegetation does not grow quickly or thick enough to prevent erosion, re-seed as soon as possible. Keep seeded areas adequately moist. Irrigate the seeded area if normal rainfall is not adequate for the germination and growth of seedlings. Water seeded areas at controlled rates that are less than the rate at which the soil can absorb water to prevent runoff. Runoff of irrigation water wastes water and can cause erosion.

Seed Selection

Seed selection is based on geographical location, soil type, and the season of the year in which the planting is to be done. Use the Table 1 as a guide for conventional tillage methods (plowing, seedbed preparation, hydroseeding, etc). If a fast growing crop to nurse the permanent specie or species is required, then use the mix rate. Failure to carefully follow agronomic recommendations results in an inadequate stand of temporary vegetation that provides little or no erosion control.

Installation

Tillage - If the area has been recently plowed, no tillage is required other than raking or surface roughening to break any crust that has formed leaving a textured surface. Disk the soil for optimal germination when the soil is compacted less than 6-inches.

Soil Testing - Soil testing is available through Clemson University Cooperative Extension Service.

Lime - Lime is not required for temporary seeding unless a soil test shows that the soil pH is below 5.0. It may be desirable to apply lime during the temporary seeding operation to benefit the long-term permanent seeding. Apply a minimum of 1.5 tons of Lime/acre (70 pounds per 1000 square feet) if it is to be used.

Fertilizer - Apply a minimum of 500 pounds per acre of 10-10-10 fertilizer (11.5 pounds per 1000 square feet) or equivalent during temporary seeding unless a soil test indicates a different requirement. Incorporate fertilizer and lime (if used) into the top 4-6 inches of the soil by disking or other means where conditions allow.

Seeding - Loosen the soil surface before broadcasting the seed. Apply seed evenly by the most convenient method available for the type of seed used and the location of the temporary seeding. Typical application methods include but are not limited to cyclone seeders, rotary spreaders, drop spreaders, broadcast spreaders, hand spreaders, cultipacker seeder, and hydro-seeders. Cover applied seed by raking or dragging a chain, and then lightly firm the area with a roller or cultipacker.

Mulching - Use mulch with temporary seed applications to retain soil moisture and reduce erosion during the establishment of vegetation. Typical mulch applications include straw, wood fiber, hydromulches, BFM and FGM. Use hydromulches with a minimum blend of 70% wood fibers. The most commonly accepted mulch used in conjunction with temporary seeding is small grain straw. This straw should be dry and free from mold damage and noxious weeds. The straw may need to be anchored with netting or emulsions to prevent it from being blown or washed away. Apply the straw mulch by hand or machine at the rate 1.5-2 tons per acre (90 pounds per 1000 square feet). Frequent inspections are necessary to check that conditions for growth are good.

Irrigation - Seeded areas should be kept adequately moist. Irrigate the seeded area if normal rainfall is not adequate for the germination and growth of seedlings. Water seeded areas at controlled rates that are less than the rate at which the soil can absorb water to prevent runoff. Runoff of irrigation water wastes water and can cause erosion.

Re-seeding - Re-seed areas where seeding does not grow quickly, thick enough, or adequately to prevent erosion. Base seed selection on the requirements of local conditions.

Inspection and Maintenance

Inspect every 7 calendar days and within 24-hours after each rainfall event that produces 1/2-inches or more of precipitation. Cover seeded area with mulch to provide protection. Frequent inspections are necessary to check that conditions for growth are good. Supply temporary seeding with adequate moisture. Supply water as needed, especially in abnormally hot or dry weather or on adverse sites. Control water application rates to prevent runoff.

TABLE 1

Temporary Seeding – Coastal													
Species	Lbs/Ac	Jan	Feb	Mar	Apr	May	Jun	Jul	Aug	Sep	Oct	Nov	Dec
Sandy, Droughty Sites													
Browntop Millet	40 lbs./ac.												
Rye, Grain	56 lbs./ac.												
Ryegrass	50 lbs./ac.												
Well drained, clayey/loamey Sites													
Browntop Millet or Japanese Millet	40 lbs./ac.												
Rye, Grain or Oats	56 lbs./ac.												
Ryegrass	50 lbs./ac.												

TABLE 2

Permanent Seeding - Coastal													
Species	Lbs/Ac	Jan	Feb	Mar	Apr	May	Jun	Jul	Aug	Sep	Oct	Nov	Dec
Sandy, Droughty Sites													
Browntop Millet	10 lbs./ac.												
Bahiagrass	40 lbs./ac.												
Browntop Millet	10 lbs./ac.												
Bahiagrass	30 lbs./ac.												
Sericea Lespedeza	40 lbs./ac.												
Browntop Millet	10 lbs./ac.												
Atlantic Coastal Panicgrass	15 lbs./ac. PLS												
Browntop Millet	10 lbs./ac.												
Switchgrass (Alamo)	8 lbs./ac. PLS												
Little Bluestem	4 lbs./ac.												
Sericea Lespedeza	20 lbs./ac.												
Browntop Millet	10 lbs./ac.												
Weeping Lovegrass	8 lbs./ac.												
Well drained, clayey/loamey Sites													
Browntop Millet	10 lbs./ac.												
Bahiagrass	40 lbs./ac.												
Rye, Grain	10 lbs./ac.												
Bahiagrass	40 lbs./ac.												
Clover, Crimson (Annual)	5 lbs./ac.												
Browntop Millet	10 lbs./ac.												
Bahiagrass	30 lbs./ac.												
Sericea lespedeza	40 lbs./ac.												
Browntop Millet	10 lbs./ac.												
Bermuda, Common	10 lbs./ac.												
Sericea lespedeza	40 lbs./ac.												
Browntop Millet	10 lbs./ac.												
Bermuda, Common	12 lbs./ac.												
Kobe Lespedeza (Annual)	10 lbs./ac.												
Browntop Millet	10 lbs./ac.												
Bahiagrass	20 lbs./ac.												
Bermuda, Common	6 lbs./ac.												
Sericea lespedeza	40 lbs./ac.												
Browntop Millet	10 lbs./ac.												
Switchgrass	8 lbs./ac.												
Little Bluestem	3 lbs./ac. PLS												
Indiangrass	3 lbs./ac. PLS												

PERMANENT SEEDING

Controlling runoff and preventing erosion by establishing a perennial vegetative cover with seed.

When and Where to Use It

A major consideration in the selection of the type of permanent grass to establish is the intended use of the land. Land use is separated into two categories, high-maintenance and low-maintenance.

High-maintenance - High maintenance areas are mowed frequently, lime or fertilized on a regular basis, and require maintenance to an aesthetic standard. Land uses with high maintenance grasses include homes, industrial parks, schools, churches, and recreational areas such as parks, athletic fields, and golf courses.

Low-maintenance - Low maintenance areas are mowed infrequently, if at all, and lime and fertilizer may not be applied on a regular schedule. These areas are not subject to intense use and do not require a uniform appearance. The vegetation must be able to survive with little maintenance over long periods of time. Grass and legume mixtures are favored over long periods of time. Grass and legume mixtures are favored in these areas because legumes are capable of fixing nitrogen in the soil for their own use and the use of grasses around them. Land uses requiring low-maintenance grasses include steep slopes, stream and channel banks, road banks, and commercial and industrial areas with limited access.

Seed Selection

The use of native species is preferred when selecting vegetation. Base plant seed selection on geographical location, the type of soil, the season of the year in which the planting is to be done, and the needs and desires of the permanent land user. Failure to carefully follow agronomic recommendations results in an inadequate stand of permanent vegetation that provides little or no erosion control. Use the Table 2 as a guide for seed selection.

Installation

Topsoil - Apply topsoil if the surface soil of the seedbed is not adequate for plant growth.

Tillage - If the area has been recently plowed, no tillage is required other than raking the surface or surface roughening to break any crust that has formed leaving a textured surface. Disk the soil for optimal germination when the soil is compacted less than 6-inches. If the soil is compacted more than 6-inches, sub-soiled and disk the area.

Soil Testing - Soil testing is available through Clemson University Cooperative Extension Service.

Lime - Unless a specific soil test indicates otherwise, apply 1 1/2 tons of ground course textured agricultural limestone per acre (70 pounds per 1000 square feet).

Fertilizer - Apply a minimum of 1000 pounds per acre of a complete 10-10-10 fertilizer (23 pounds per 1000 square feet) or equivalent during permanent seeding of grasses unless a soil test indicates a different requirement. Incorporate fertilizer and lime (if used) into the top 4-6 inches of the soil by disking or other means where conditions allow. Do not mix the lime and the fertilizer prior to the field application.

Seeding - Loosen the surface of the soil just before broadcasting the seed. Evenly apply seed by the most convenient method available for the type of seed applied and the location of the seeding. Typical application methods include, but are not limited to, cyclone seeders, rotary spreaders, drop spreaders, broadcast spreaders, hand spreaders, cultipacker seeder, and hydro-seeders. Cover applied seed by raking or dragging a chain or brush mat, then lightly firm the area with a roller or cultipacker. Do not roll seed that is applied with a hydro-seeder and hydro-mulch.

Mulching - Cover all permanent seeded areas with mulch immediately upon completion of the seeding application to retain soil moisture and reduce erosion during establishment of vegetation. Apply the mulch evenly in such a manner that it provides a minimum of 75% coverage. Typical mulch applications include straw, wood fiber, hydromulches, BFM and FGM. Use hydromulches with a minimum blend of 70% wood fibers. The most commonly accepted mulch used in conjunction with permanent seeding is small grain straw. Select straw that is dry and free from mold damage and noxious weeds. The straw may need to be anchored with netting or asphalt emulsions to prevent it from being blown or washed away. Apply straw mulch by hand or machine at the rate of 2 tons per acre (90 pounds per 1000 square feet). Frequent inspections are necessary to check that conditions for growth are good.

Irrigation - Keep permanent seeded areas adequately moist, especially late in the specific growing season. Irrigate the seeded are if normal rainfall is not adequate for the germination and growth of seedlings. Water seeded areas at controlled rates that are less than the rate at which the soil can absorb water to prevent runoff. Runoff of irrigation water wastes water and can cause erosion.

Re-Seeding - Inspect permanently seeded areas for failure, make necessary repairs and re-seed or overseed within the same growing season if possible. If the grass cover is sparse or patch, re-evaluate the choice of grass and quantities of lime and fertilizer applied. Final stabilization by permanent seeding of the site requires that it be covered by 70% coverage rate.

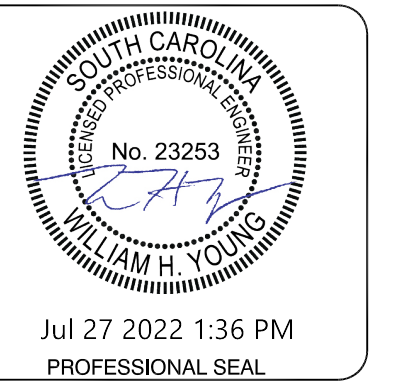
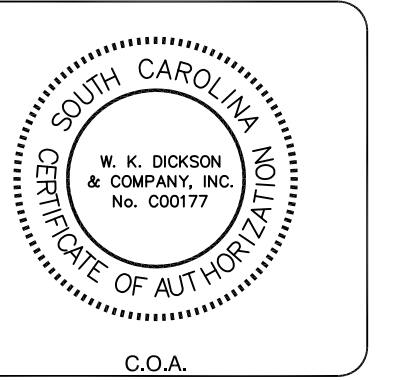
Inspection and Maintenance

Inspect seeded areas for failure and make necessary repairs and re-seed immediately. Conduct a follow-up survey after one year and replace failed plants where necessary. If vegetative cover is inadequate to prevent rill erosion, overseed and fertilize in accordance with soil test results.



162 SEVEN FARMS DRIVE
SUITE 210
CHARLESTON, SC 29492
(843) 416-5560
(843) 416-5563

WWW.WKDICKSON.COM



NO.	DATE	DESCRIPTION	BY
0	07/29/2022	BID SET - NOT FOR CONSTRUCTION	WJW

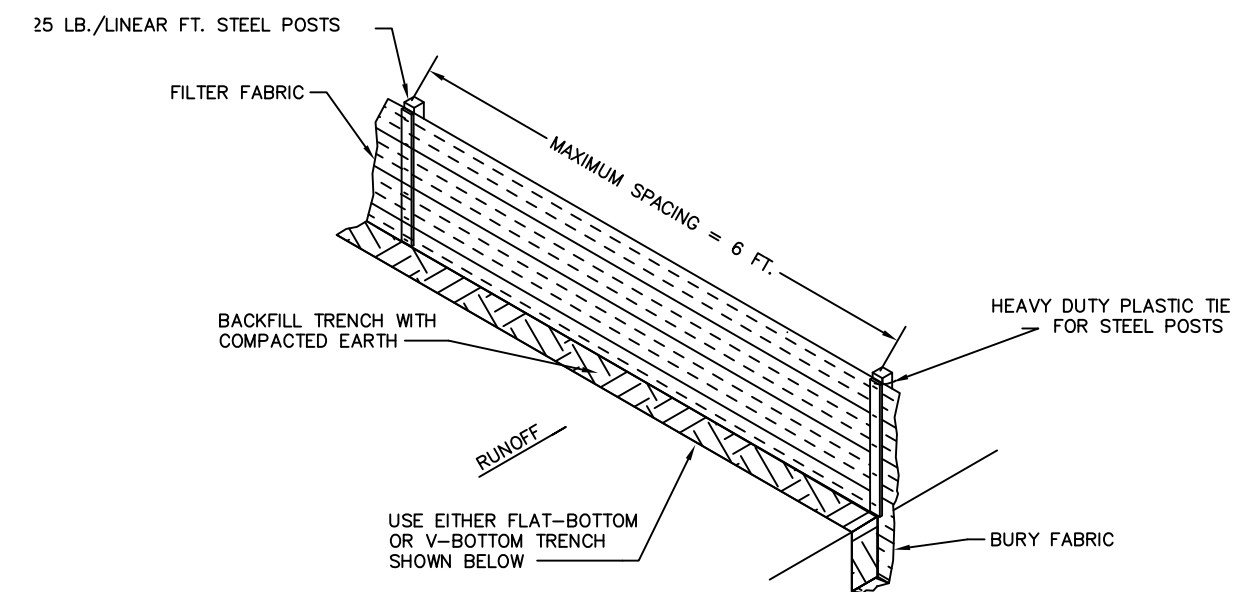
PROJECT NAME:	WTP FLOC/SED BASIN NO. 2 FOR THE CITY OF GEORGETOWN
DRAWING TITLE:	SEDIMENT AND EROSION CONTROL

PROJ. MGR.:	WHY
DESIGN BY:	RFH
DRAWN BY:	WJW
PROJ. DATE:	06/02/2021
DRAWING NUMBER:	

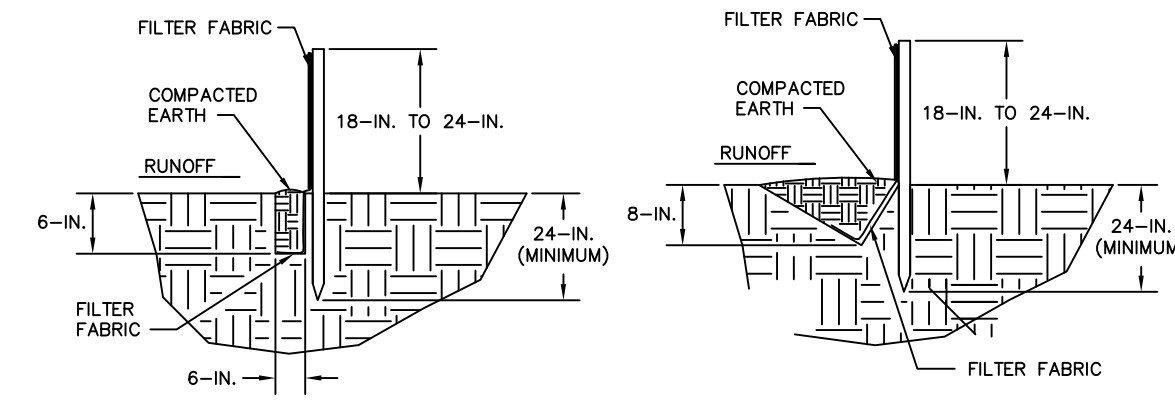
CE01
WKD PROJ. NO.:
20210110.00.CH

BID SET - NOT FOR CONSTRUCTION

CONTRACT NO. 20210110.00-CH - ALL RIGHTS RESERVED. REPRODUCTION OR USE OF THE INFORMATION CONTAINED HEREIN IS PROHIBITED WITHOUT THE WRITTEN CONSENT OF WK DICKSON & COMPANY, INC. ANY COPIES OF THIS DOCUMENT, IN WHOLE OR IN PART, THAT ARE REPRODUCED OR TRANSMITTED IN ANY FORM OR BY ANY MEANS, ELECTRONIC OR MECHANICAL, INCLUDING PHOTOCOPYING, RECORDING, OR BY ANY INFORMATION STORAGE AND RETRIEVAL SYSTEM, WITHOUT THE WRITTEN PERMISSION OF WK DICKSON & COMPANY, INC. SHALL BE CONSIDERED A VIOLATION OF THE TERMS AND CONDITIONS OF THIS CONTRACT.



SILT FENCE INSTALLATION



FLAT-BOTTOM TRENCH DETAIL V-SHAPED TRENCH DETAIL

When and Where to Use It
 Silt fence is applicable in areas:
 Where the maximum sheet or overland flow path length to the fence is 100-feet.
 Where the maximum slope steepness (normal [perpendicular] to fence line) is 2H:1V.
 That do not receive concentrated flows greater than 0.5 cfs.
 Do not place silt fence across channels or use it as a velocity control BMP.

Materials
Steel Posts
 Use 48-inch long steel posts that meet the following minimum physical requirements:
 Composed of high strength steel with minimum yield strength of 50,000 psi.
 Have a standard "T" section with a nominal face width of 1.38-inches and nominal "T" length of 1.48-inches.
 Weigh 1.25 pounds per foot (± 8%).
 Have a soil stabilization plate with a minimum cross section area of 17-square inches attached to the steel posts.
 Painted with a water based baked enamel paint.

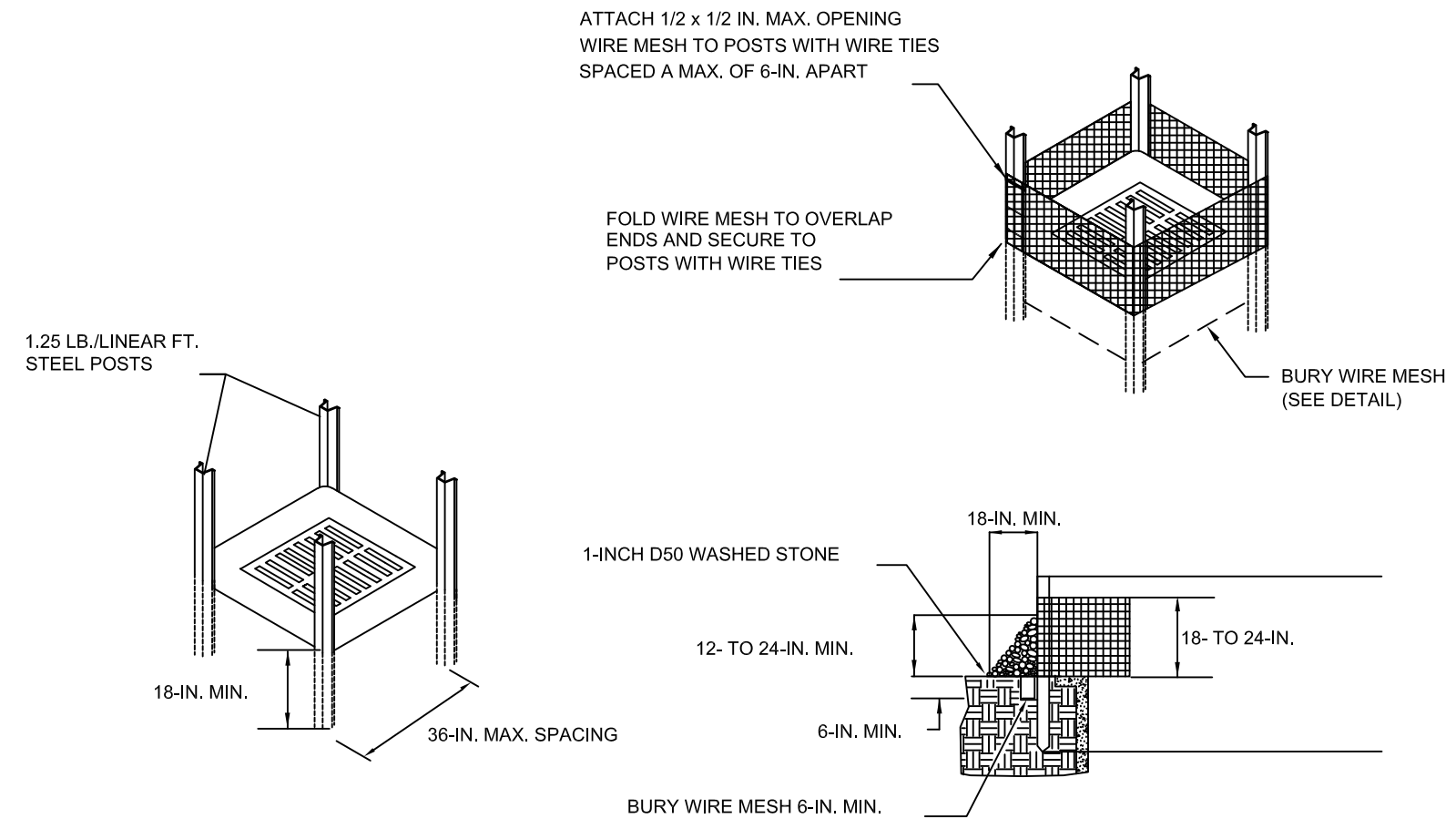
Use steel posts with a minimum length of 4-feet, weighing 1.25 pounds per linear foot (± 8%) with projections to aid in fastening the fabric. Except when heavy clay soils are present on site, steel posts will have a metal soil stabilization plate welded near the bottom such that when the post is driven to the proper depth, the plate will be below the ground level for added stability. The soil plates should have the following characteristics:
 Be composed of minimum 15 gauge steel.
 Have a minimum cross section area of 17-square inches.

Geotextile Filter Fabric
 Filter fabric is:
 Composed of fibers consisting of long chain synthetic polymers composed of at least 85% by weight of polyolefins, polyesters, or polyamides.
 Formed into a network such that the filaments or yarns retain dimensional stability relative to each other.
 Free of any treatment or coating which might adversely alter its physical properties after installation.
 Free of defects or flaws that significantly affect its physical and/or filtering properties.
 Cut to a minimum width of 36 inches.
 Use only fabric appearing on SCDOT Approval Sheet #34 meeting the requirements of the most current edition of the SCDOT Standard Specifications for Highway Construction.

Installation
 Excavate a trench approximately 6-inches wide and 6-inches deep when placing fabric by hand. Place 12-inches of geotextile fabric into the 6-inch deep trench, extending the remaining 6-inches towards the upslope side of the trench. Backfill the trench with soil or gravel and compact. Bury 12-inches of fabric into the ground when pneumatically installing silt fence with a slicing method. Purchase fabric in continuous rolls and cut to the length of the barrier to avoid joints. When joints are necessary, wrap the fabric together at a support post with both ends fastened to the post, with a 6-inch minimum overlap. Install posts to a minimum depth of 24-inches. Install posts a minimum of 1- to 2- inches above the fabric, with no more than 3-feet of the post above the ground. Space posts to maximum 6-foot centers. Attach fabric to wood posts using staples made of heavy-duty wire at least 1½-inch long, spaced a maximum of 6-inches apart. Staple a 2-inch wide lathe over the filter fabric to securely fasten it to the upslope side of wooden posts. Attach fabric to the steel posts using heavy-duty plastic ties that are evenly spaced and placed in a manner to prevent sagging or tearing of the fabric. In all cases, ties should be affixed in no less than 4 places. Install the fabric a minimum of 24-inches above the ground. When necessary, the height of the fence above ground may be greater than 24-inches. In tidal areas, extra silt fence height may be required. The post height will be twice the exposed post height. Post spacing will remain the same and extra height fabric will be 4-, 5-, or 6-foot tall. Locate silt fence checks every 100 feet maximum and at low points. Install the fence perpendicular to the direction of flow and place the fence the proper distance from the toe of steep slopes to provide sediment storage and access for maintenance and cleanup.

Inspection and Maintenance
 Inspect every seven calendar days and within 24-hours after each rainfall event that produces ½-inch or more of precipitation. Check for sediment buildup and fence integrity. Check where runoff has eroded a channel beneath the fence, or where the fence has sagged or collapsed by fence overtopping.
 If the fence fabric tears, begins to decompose, or in any way becomes ineffective, replace the section of fence immediately. Remove sediment accumulated along the fence when it reaches 1/3 the height of the fence, especially if heavy rains are expected. Remove trapped sediment from the site or stabilize it on site. Remove silt fence within 30 days after final stabilization is achieved or after temporary best management practices (BMPs) are no longer needed. Permanently stabilize disturbed areas resulting from fence removal.

1 SILT FENCE
 Scale: NONE



TYPE B - WIRE MESH AND STONE INLET PROTECTION

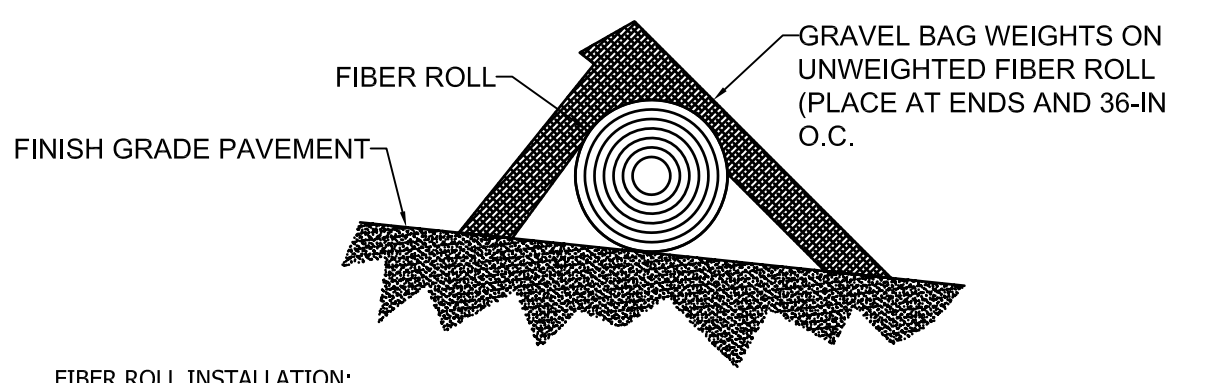
MATERIALS

- USE HARDWARE FABRIC OR COMPARABLE WIRE MESH WITH MAXIMUM OPENINGS OF 0.5-INCHES X 0.5-INCHES AS THE SUPPORTING MATERIAL.
- USE STEEL POSTS THAT MEET THE FOLLOWING MINIMUM PHYSICAL REQUIREMENTS:
 - BE COMPOSED OF HIGH STRENGTH STEEL WITH MINIMUM YIELD STRENGTH OF 50,000 PSI.
 - HAVE A STANDARD "T" SECTION WITH A NOMINAL FACE WIDTH OF 1.38-INCHES AND NOMINAL "T" LENGTH OF 1.48-INCHES.
 - WEIGH 1.25 POUNDS PER FOOT (± 8%).
 - BE PAINTED WITH A WATER BASED BAKED ENAMEL PAINT.
- USE HEAVY-DUTY WIRE TIES TO ATTACH THE WIRE MESH MATERIAL TO THE STEEL POSTS.
- PLACE AGGREGATE NO. 5 WASHED STONE AGAINST THE HARDWARE FABRIC ON ALL SIDES.

INSTALLATION:

- EXCAVATE A TRENCH 6-INCHES DEEP AROUND THE OUTSIDE PERIMETER OF THE INLET.
- USE HARDWARE FABRIC OR COMPARABLE WIRE MESH WITH MAXIMUM OPENINGS OF 0.5-INCHES BY 0.5-INCHES AS THE SUPPORTING MATERIAL.
- EXTENDED THE FABRIC A MINIMUM OF 6-INCHES INTO THE GROUND. BACKFILL THE TRENCH WITH SOIL OR CRUSHED STONE AND COMPACT OVER THE FABRIC.
- USE STEEL POSTS WITH A MINIMUM POST LENGTH OF 36-INCHES CONSISTING OF STANDARD "T" SECTIONS WITH A WEIGHT OF 1.25 POUNDS PER FOOT (±8%).
- INSTALL THE WIRE MESH FABRIC ABOVE GRADE A MINIMUM OF 18-INCHES WITHOUT EXCEEDING 24-INCHES.
- SPACE THE STEEL POSTS A MAXIMUM OF 3-FEET APART AROUND THE PERIMETER OF THE INLET AND DRIVE THEM INTO THE GROUND A MINIMUM OF 18-INCHES.
- USE HEAVY-DUTY WIRE TIES SPACED A MAXIMUM OF 6-INCHES APART TO ATTACH THE WIRE MESH MATERIAL TO THE STEEL POSTS.
- PLACE AGGREGATE NO. 5 WASHED STONE TO A MINIMUM HEIGHT OF 12-INCHES, AND A MAXIMUM HEIGHT OF 24-INCHES AGAINST THE HARDWARE FABRIC ON ALL SIDES.
- INSPECTION AND MAINTENANCE:
 - IF THE STONE BECOMES CLOGGED WITH SEDIMENT, PULL THE STONES AWAY FROM THE INLET AND CLEAN OR REPLACE THEM.
 - SINCE CLEANING OF GRAVEL AT A CONSTRUCTION SITE MAY BE DIFFICULT, AN ALTERNATIVE APPROACH WOULD BE TO USE THE CLOGGED STONE AS FILL AND PUT FRESH STONE AROUND THE INLET.
- REMOVE ACCUMULATED SEDIMENT FROM STONE WHEN SEDIMENT REACHES ½ OF THE HEIGHT OF THE STRUCTURE.

2 INLET PROTECTION
 Scale: NONE



FIBER ROLL INSTALLATION:

- FIBER ROLLS SHALL BE CERTIFIED WEED FREE BY THE MANUFACTURER. DO NOT USE STRAW-FILL FIBER ROLLS.
- FIBER ROLL DIAMETER SHALL BE 9-INCHES.
- CONTROL SITE RUNOFF OVER PAVED SURFACES (EG. AROUND DRAIN INLETS) BY USING WEIGHTED FIBER ROLLS (FIBER ROLL WITH GRAVEL AND ORGANIC MULCH INSIDE) OR NON-WEIGHTED FIBER ROLLS WITH GRAVEL BAG WEIGHTS PLACED ON TOP. FIT THE FIBER ROLL TIGHTLY AGAINST THE PAVEMENT AND ANY CONCRETE WALL OR EDGE, TO PREVENT GAPS.
- ADJUST SPACING OF FIBER ROLLS ACCORDING TO PAVEMENT SLOPE. MAXIMUM SPACING SHALL BE 50-FOOT.
- INSTALL FIBER ROLLS PRIOR TO SITE DISTURBANCE.
- INSTALL FIBER ROLLS FROM THE BOTTOM OF SLOPE UPWARD, TO CAPTURE ANY SEDIMENT UNINTENTIONALLY RELEASED DURING INSTALLATION.
- INSTALL FIBER ROLLS ALONG THE CONTOUR, PERPENDICULAR TO THE SLOPE DIRECTION. TURN THE ENDS OF EACH FIBER ROLL UPSLOPE A MINIMUM OF 6-INCHES, TO PREVENT RUNOFF FROM FLOWING AROUND THE END OF THE ROLL.
- WHEN ROLLS ARE INSTALLED ABUTTING EACH OTHER, OVERLAP THE ENDS AT LEAST 6-INCHES TO CREATE A TIGHT JOIN, TO PREVENT SEDIMENT FROM ESCAPING.
- USE WEIGHTED FIBER ROLLS OR WEIGH DOWN WITH GRAVEL BAGS WHEN USED ON PAVED SURFACES.

INSPECTION AND MAINTENANCE:

- REMOVE SEDIMENT WHEN DEPOSITS REACH ONE-THIRD THE HEIGHT OF THE BARRIER. USE SEDIMENTS AS FILL MATERIAL OR REMOVE FROM THE SITE.
- INSPECT FIBER ROLLS PRIOR TO FORECASTED RAIN EVENTS AND AFTER RAIN EVENTS.
- INSPECT DAILY DURING CONSTRUCTION.
- REPAIR OR REPLACE SPLIT, TORN, UNRAVELING, SLUMPING, OR OTHERWISE INEFFECTIVE FIBER ROLLS.

3 FIBER ROLL
 Scale: NONE

WK DICKSON
 community infrastructure consultants
 162 SEVEN FARMS DRIVE
 SUITE 210
 CHARLESTON, SC 29492
 (1)843-416-5560
 (1)843-416-5563
 WWW.WKDICKSON.COM

REGISTERED PROFESSIONAL ENGINEER
 SOUTH CAROLINA
 W. K. DICKSON & COMPANY, INC.
 No. 000177
 STATE OF SOUTH CAROLINA
 C.O.A.

REGISTERED PROFESSIONAL SEAL
 SOUTH CAROLINA
 No. 23253
 WILLIAM H. YOUNG
 Jul 27 2022 1:36 PM
 PROFESSIONAL SEAL

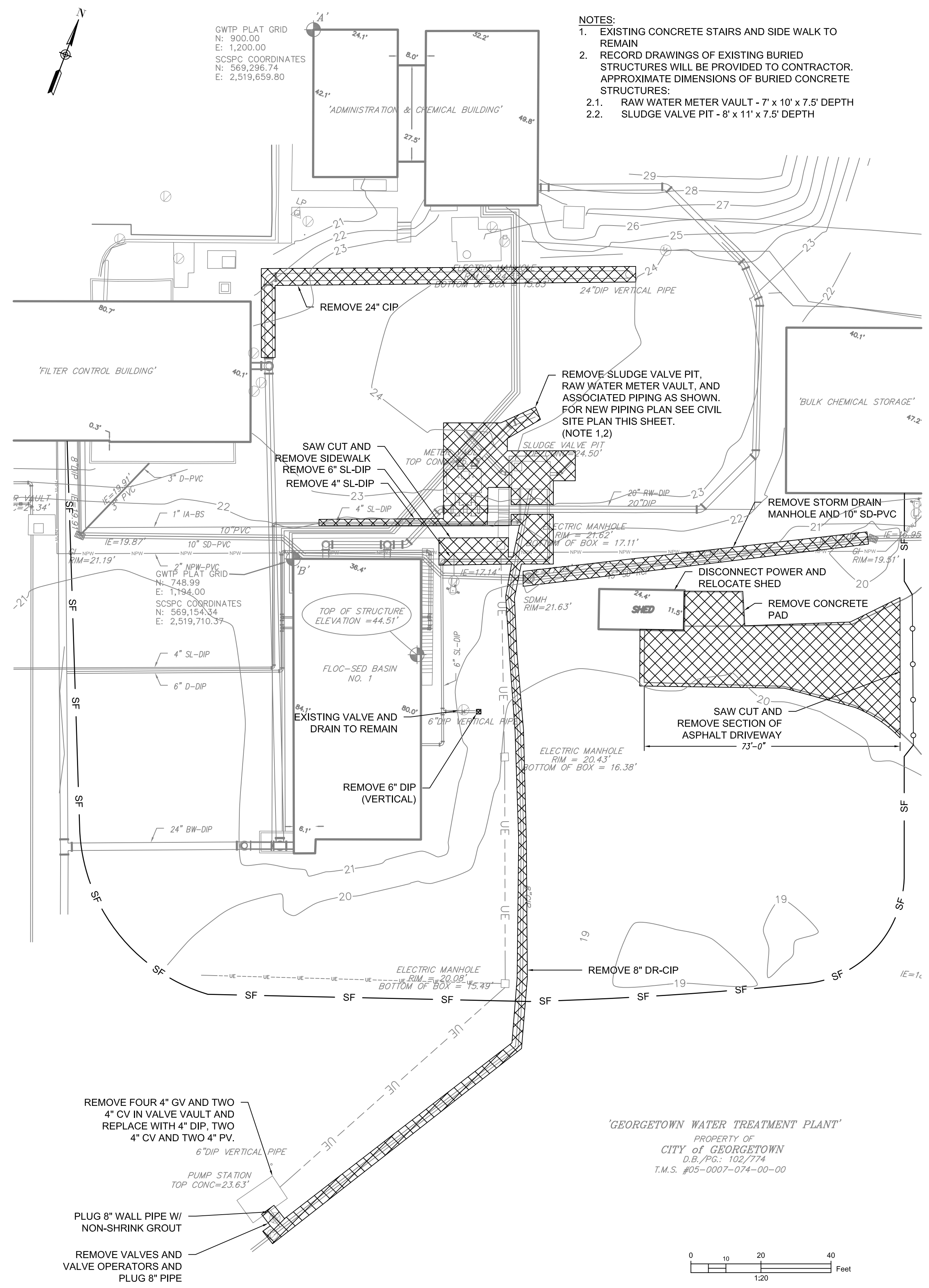
NO.	DATE	BID SET - NOT FOR CONSTRUCTION	DESCRIPTION	W/JW	BY
0	07/29/2022				

PROJECT NAME: WTP FLOC/SED BASIN NO. 2 FOR THE CITY OF GEORGETOWN
 DRAWING TITLE: SEDIMENT AND EROSION CONTROL

PROJ. MGR.: WHY
 DESIGN BY: RFH
 DRAWN BY: WJW
 PROJ. DATE: 06/02/2021
 DRAWING NUMBER: CE02
 WKD PROJ. NO.: 20210110.00.CH

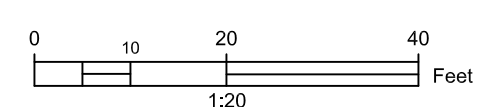
BID SET - NOT FOR CONSTRUCTION

CONTRACTOR SHALL VERIFY ALL DIMENSIONS, ELEVATIONS, AND LOCATIONS OF ALL EXISTING UTILITIES AND STRUCTURES PRIOR TO CONSTRUCTION. THE CONTRACTOR SHALL BE RESPONSIBLE FOR OBTAINING ALL NECESSARY PERMITS AND APPROVALS FROM THE CITY OF GEORGETOWN AND THE SOUTH CAROLINA DEPARTMENT OF HEALTH. THE CONTRACTOR SHALL BE RESPONSIBLE FOR OBTAINING ALL NECESSARY PERMITS AND APPROVALS FROM THE CITY OF GEORGETOWN AND THE SOUTH CAROLINA DEPARTMENT OF HEALTH. THE CONTRACTOR SHALL BE RESPONSIBLE FOR OBTAINING ALL NECESSARY PERMITS AND APPROVALS FROM THE CITY OF GEORGETOWN AND THE SOUTH CAROLINA DEPARTMENT OF HEALTH.

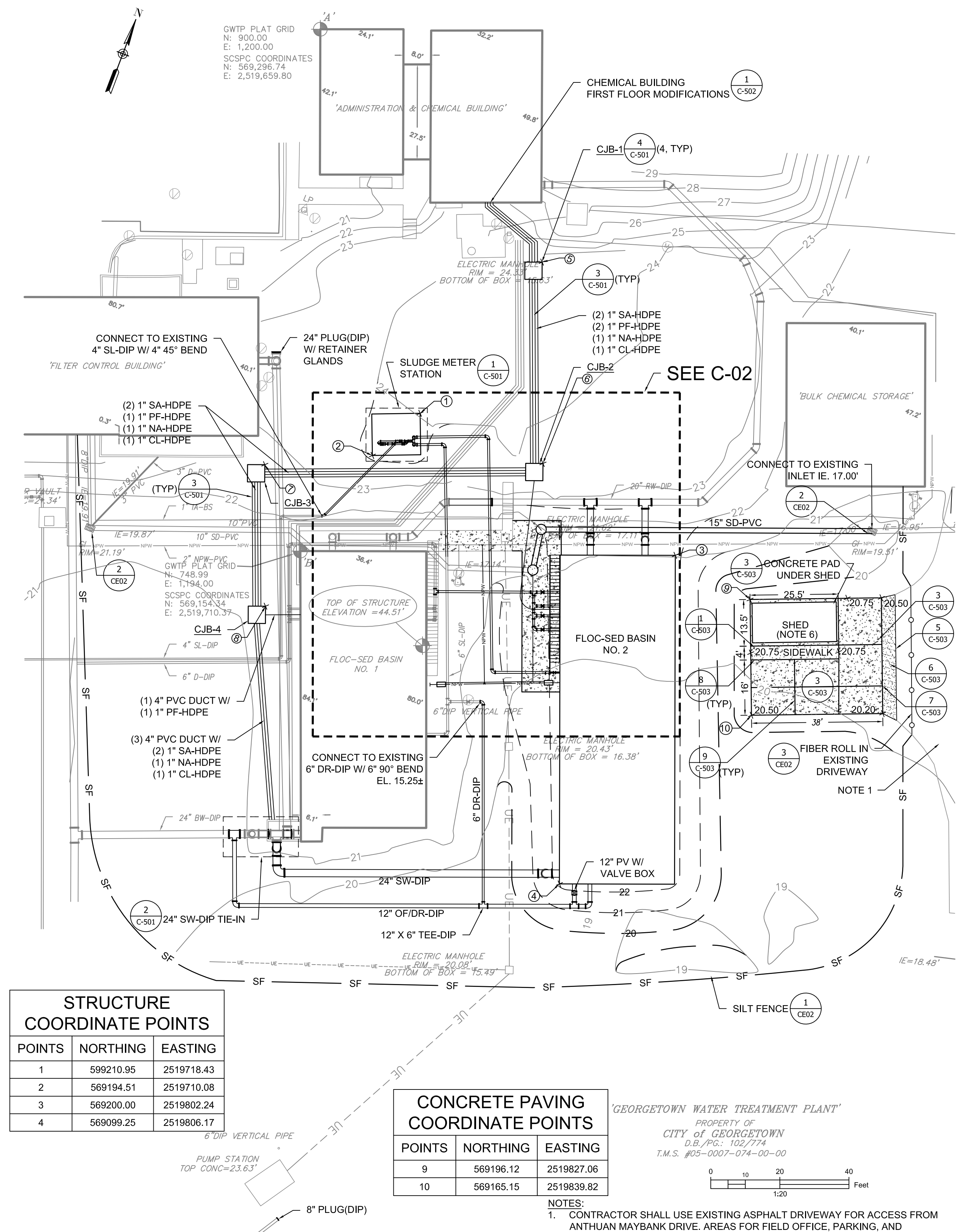


- NOTES:**
- EXISTING CONCRETE STAIRS AND SIDE WALK TO REMAIN
 - RECORD DRAWINGS OF EXISTING BURIED STRUCTURES WILL BE PROVIDED TO CONTRACTOR. APPROXIMATE DIMENSIONS OF BURIED CONCRETE STRUCTURES:
 - RAW WATER METER VAULT - 7' x 10' x 7.5' DEPTH
 - SLUDGE VALVE PIT - 8' x 11' x 7.5' DEPTH

'GEORGETOWN WATER TREATMENT PLANT'
 PROPERTY OF
 CITY OF GEORGETOWN
 D.B./PG.: 102/774
 T.M.S. #05-0007-074-00-00



EXISTING/DEMO PLAN



STRUCTURE COORDINATE POINTS

POINTS	NORTHING	EASTING
1	599210.95	2519718.43
2	569194.51	2519710.08
3	569200.00	2519802.24
4	569099.25	2519806.17

CONCRETE PAVING COORDINATE POINTS

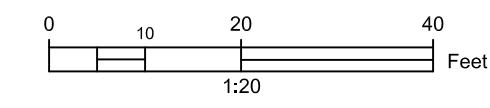
POINTS	NORTHING	EASTING
9	569196.12	2519827.06
10	569165.15	2519839.82

CJB COORDINATE POINTS

POINTS	CJB #	NORTHING	EASTING	TOP ELEV.	BOTTOM ELEV.
5	1	569264.64	2519735.10	24.75	20.15
6	2	569210.59	2519756.82	24.00	19.40
7	3	569180.54	2519682.14	23.00	18.40
8	4	569142.54	2519697.44	21.50	16.90

SITE PLAN

- NOTES:**
- CONTRACTOR SHALL USE EXISTING ASPHALT DRIVEWAY FOR ACCESS FROM ANTHUAN MAYBANK DRIVE. AREAS FOR FIELD OFFICE, PARKING, AND EQUIPMENT STORAGE WILL BE DELINEATED AT THE PRE-CONSTRUCTION CONFERENCE.
 - ALL DISTURBED AREAS SHALL BE SEEDED AND STANDS OF LIVE GRASS DEVELOPED PRIOR TO ACCEPTANCE.
 - PROVIDE A MINIMUM 20 FEET OF RESTRAINED JOINT PIPE ON EACH SIDE OF FITTINGS FOR RAW WATER (RW), SETTLED WATER (SW), AND SLUDGE (SL). WHERE PIPES CROSS WITH LESS THAN ONE FOOT VERTICAL SEPARATION, PROVIDE TYPE 5 BEDDING 6 FEET ON EACH SIDE OF CROSSING.
 - ALL PIPE LINES SHALL BE INSTALLED WITH 3'-0" MINIMUM COVER UNLESS OTHERWISE SHOWN.
 - TOP CONCRETE UNDER SHED TO BE EL. 21.00'. ADJACENT CONCRETE SIDEWALK AND HEAVY CONCRETE PAVING TO BE 3-INCHES LOWER (20.75') AND GRADED TO DRAIN AS SHOWN. INSTALL TRANSITION AND CONTRACTION JOINTS PER DETAILS 8 AND 9 ON SHEET C-503.



WK DICKSON
 community infrastructure consultants
 162 SEVEN FARMS DRIVE
 SUITE 210
 CHARLESTON, SC 29492
 (843) 416-5560
 (843) 416-5563
 WWW.WKDICKSON.COM

SOUTH CAROLINA
 W. K. DICKSON & COMPANY, INC.
 No. 00177
 PROFESSIONAL ENGINEER
 C.O.A.

SOUTH CAROLINA
 No. 23253
 WILLIAM H. YOUNG
 PROFESSIONAL SEAL
 Jul 27 2022 1:36 PM
 PROFESSIONAL SEAL

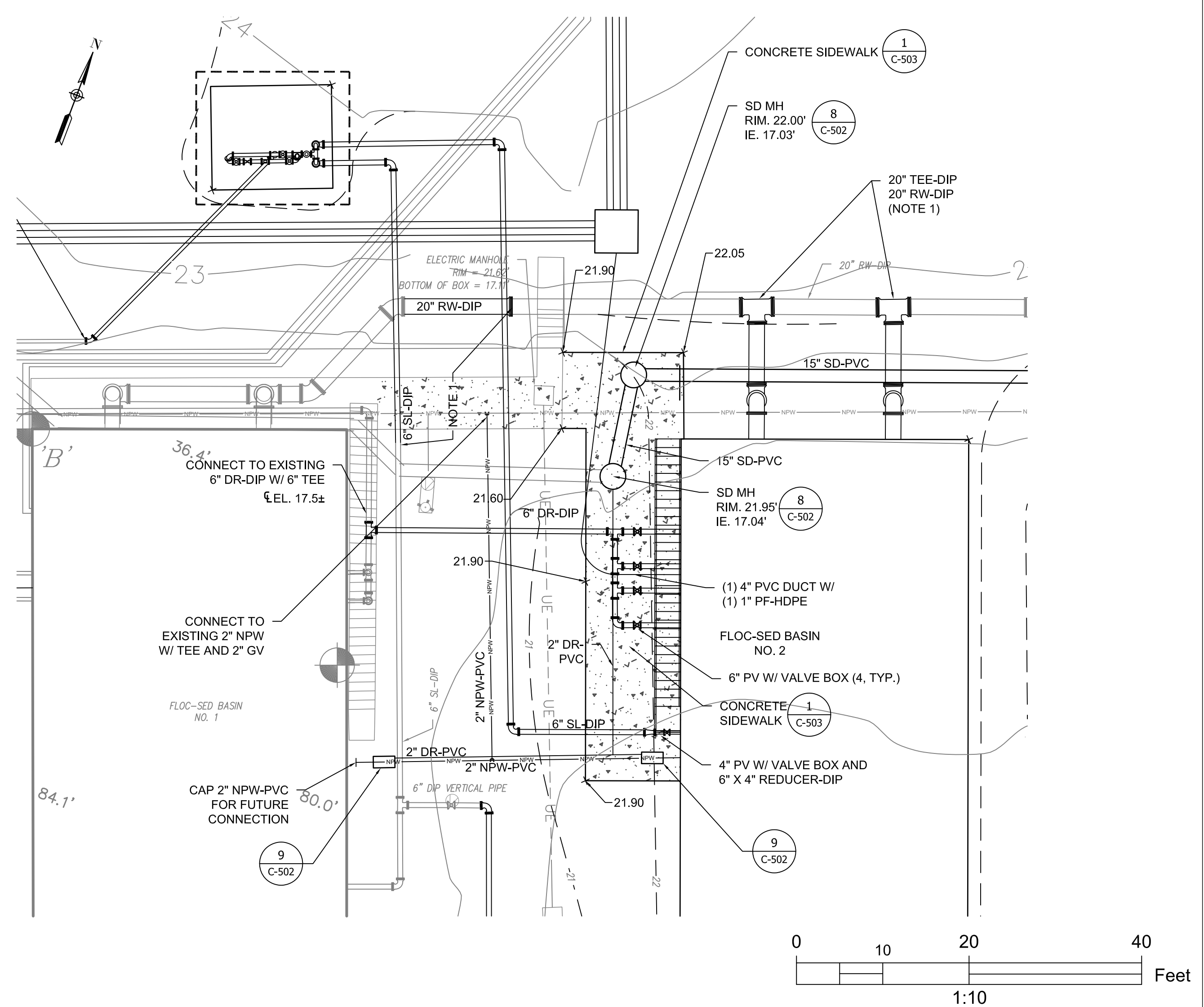
REVISION RECORD

NO.	DATE	BY	DESCRIPTION
0	07/29/2022	WJW	BID SET - NOT FOR CONSTRUCTION

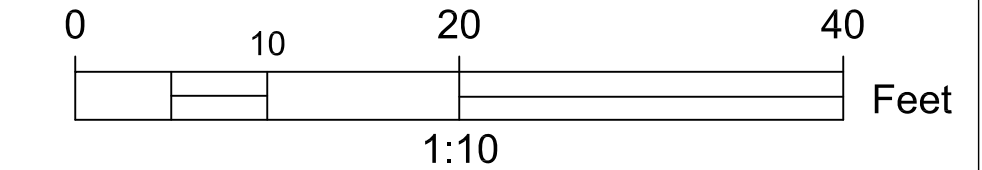
PROJECT NAME: WTP FLOC/SED BASIN NO. 2 FOR CITY OF GEORGETOWN
 DRAWING TITLE: FLOC-SED BASIN SITE PLAN
 PROJECT MGR.: WHY
 DESIGN BY: RFH
 DRAWN BY: WJW
 PROJ. DATE: 06/02/2021
 DRAWING NUMBER: C-01
 WKD PROJ. NO.: 20210110.00.CH

BID SET - NOT FOR CONSTRUCTION

CONTRACTOR SHALL VERIFY ALL DIMENSIONS AND CONDITIONS OF EXISTING UTILITIES AND STRUCTURES PRIOR TO CONSTRUCTION. THE CONTRACTOR SHALL BE RESPONSIBLE FOR OBTAINING ALL NECESSARY PERMITS AND APPROVALS FROM THE APPROPRIATE AGENCIES. THE CONTRACTOR SHALL MAINTAIN ACCESS TO ALL ADJACENT PROPERTIES AND UTILITIES AT ALL TIMES. THE CONTRACTOR SHALL BE RESPONSIBLE FOR PROTECTING ALL EXISTING UTILITIES AND STRUCTURES. THE CONTRACTOR SHALL BE RESPONSIBLE FOR OBTAINING ALL NECESSARY PERMITS AND APPROVALS FROM THE APPROPRIATE AGENCIES. THE CONTRACTOR SHALL MAINTAIN ACCESS TO ALL ADJACENT PROPERTIES AND UTILITIES AT ALL TIMES. THE CONTRACTOR SHALL BE RESPONSIBLE FOR PROTECTING ALL EXISTING UTILITIES AND STRUCTURES.



ENLARGE PLAN



- NOTES:**
- CUT-IN USING RESTRAINED JOINT SLEEVES. EXISTING 6" SL-DIP ℓ EL. 15.25 \pm . EXISTING 20" RW-DIP ℓ EL. 19.50 \pm .

WK DICKSON
community infrastructure consultants

162 SEVEN FARMS DRIVE
SUITE 210
CHARLESTON, SC 29492
(843) 416-5560
(843) 416-5563
WWW.WKDICKSON.COM

STATE OF SOUTH CAROLINA
W. K. DICKSON & COMPANY, INC.
No. 008177
LICENSED PROFESSIONAL ENGINEER
C.O.A.

STATE OF SOUTH CAROLINA
WILLIAM H. YOUNG
No. 23253
LICENSED PROFESSIONAL ENGINEER
Jul 27 2022 1:36 PM
PROFESSIONAL SEAL

NO.	DATE	DESCRIPTION	BY
0	07/29/2022	BID SET - NOT FOR CONSTRUCTION	WJW

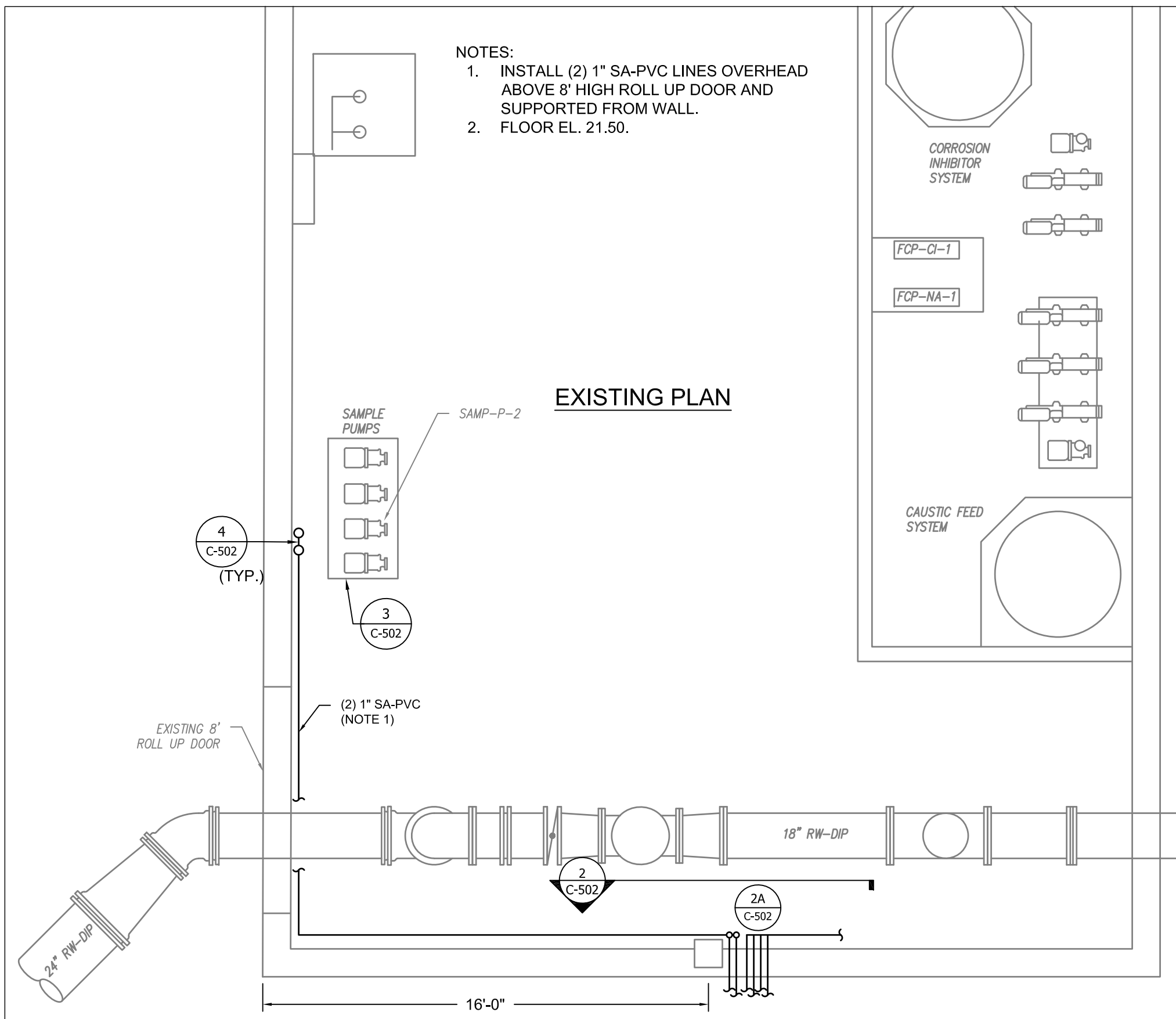
PROJECT NAME: WTP FLOC/SED BASIN NO. 2 FOR CITY OF GEORGETOWN

DRAWING TITLE: FLOC-SED BASIN ENLARGE PLAN

PROJ. MGR.: WHY
DESIGN BY: RFH
DRAWN BY: WJW
PROJ. DATE: 06/02/2021
DRAWING NUMBER: C-02
WKD PROJ. NO.: 20210110.00.CH

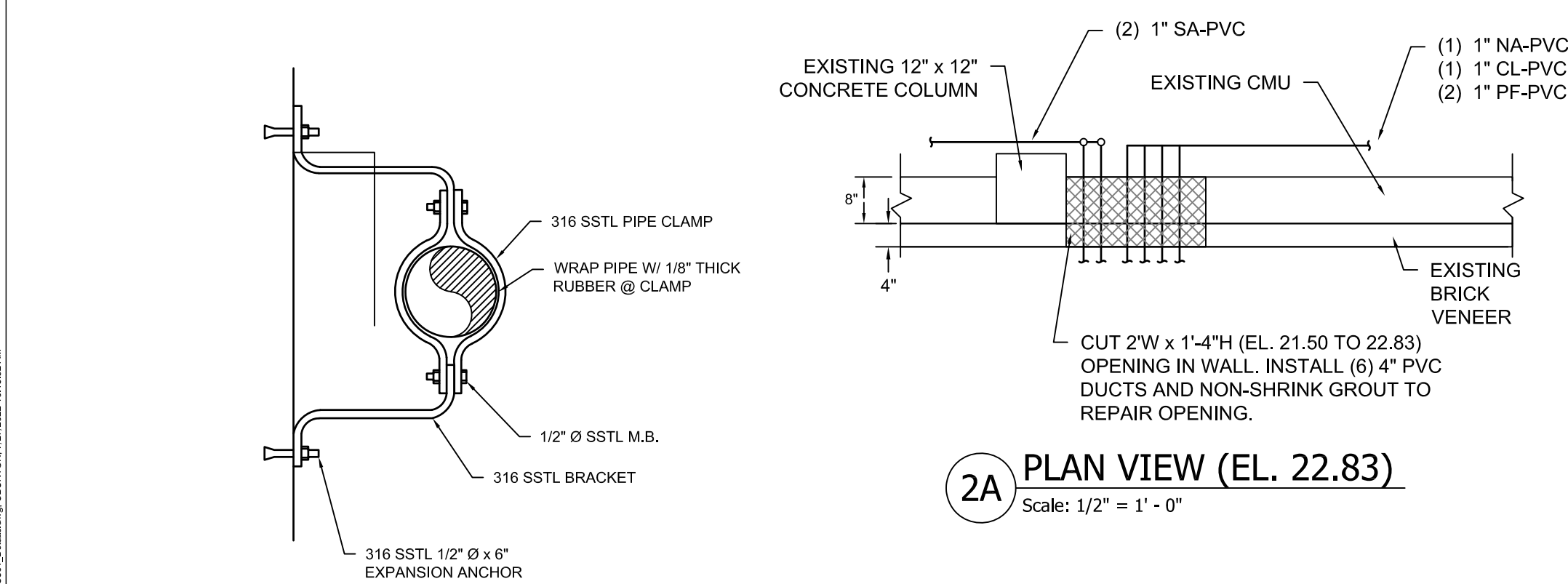
BID SET - NOT FOR CONSTRUCTION

CONTRACTOR SHALL VERIFY ALL DIMENSIONS, MATERIALS, AND METHODS OF CONSTRUCTION AGAINST THE PERMITS AND ALL APPLICABLE REGULATIONS AND STANDARDS. THE CONTRACTOR SHALL BE RESPONSIBLE FOR OBTAINING ALL NECESSARY PERMITS AND APPROVALS. THE CONTRACTOR SHALL BE RESPONSIBLE FOR OBTAINING ALL NECESSARY PERMITS AND APPROVALS. THE CONTRACTOR SHALL BE RESPONSIBLE FOR OBTAINING ALL NECESSARY PERMITS AND APPROVALS.

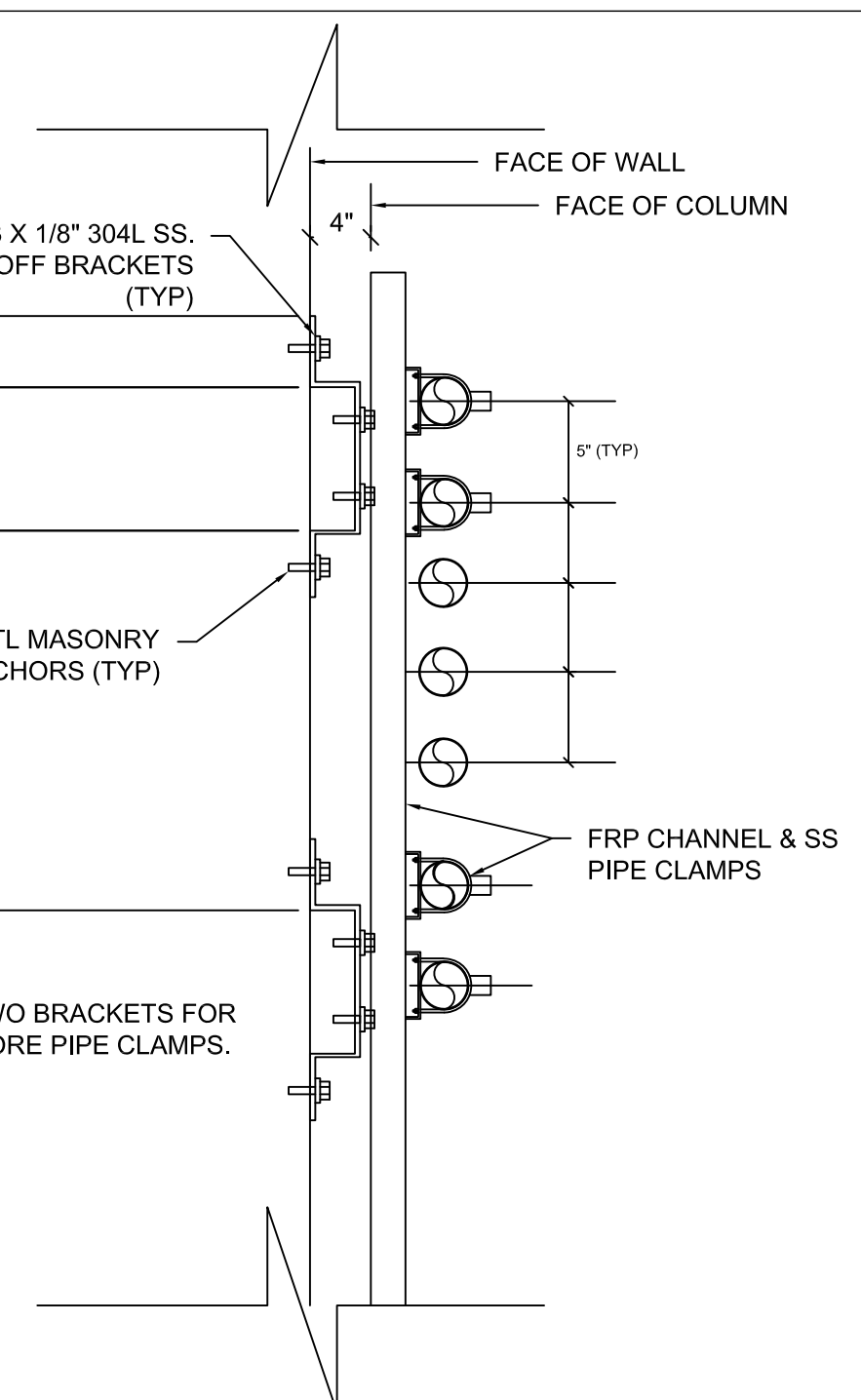


- NOTES:
- INSTALL (2) 1" SA-PVC LINES OVERHEAD ABOVE 8' HIGH ROLL UP DOOR AND SUPPORTED FROM WALL.
 - FLOOR EL. 21.50.

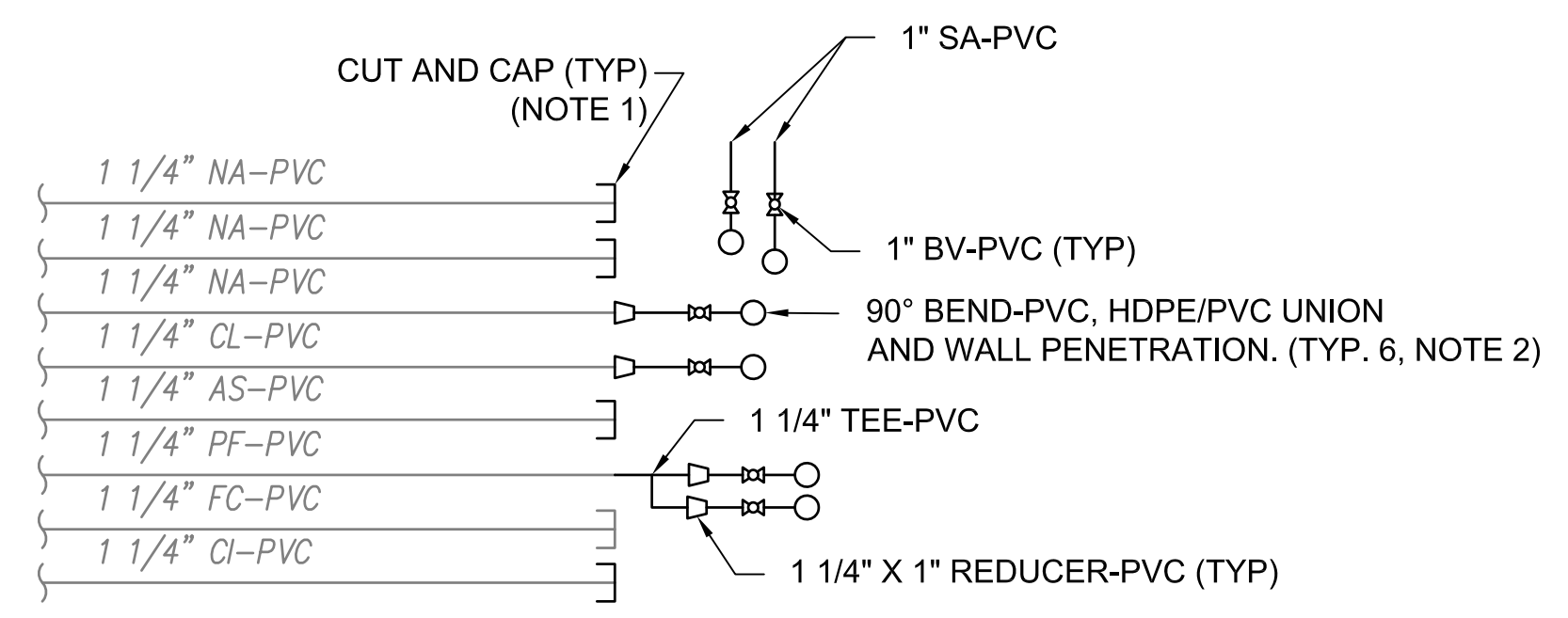
1 CHEMICAL BUILDING-FIRST FLOOR MODIFICATIONS
Scale: 1/4" = 1' - 0"



2A PLAN VIEW (EL. 22.83)
Scale: 1/2" = 1' - 0"

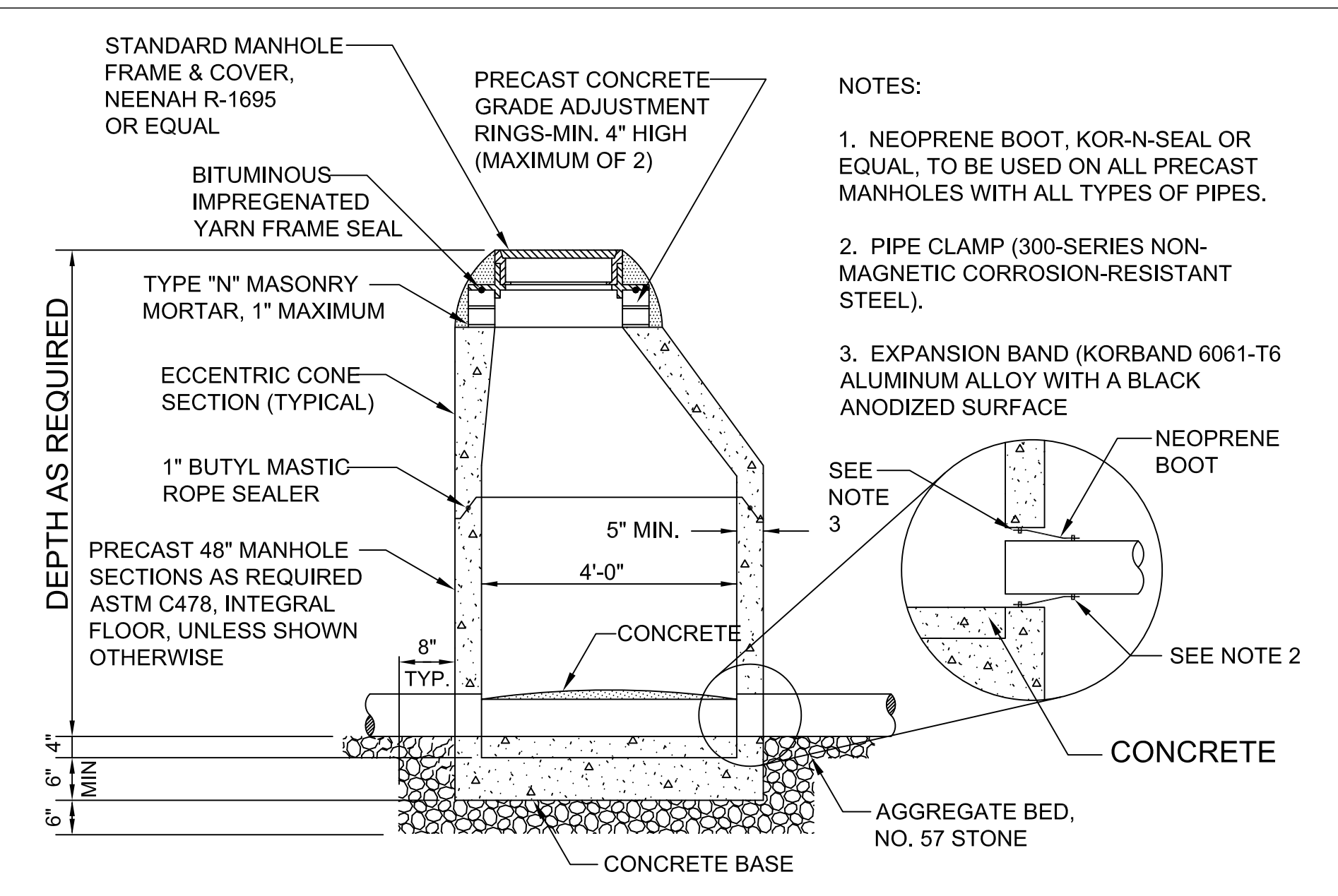


4 STACKED PIPE SUPPORT
Scale: N.T.S

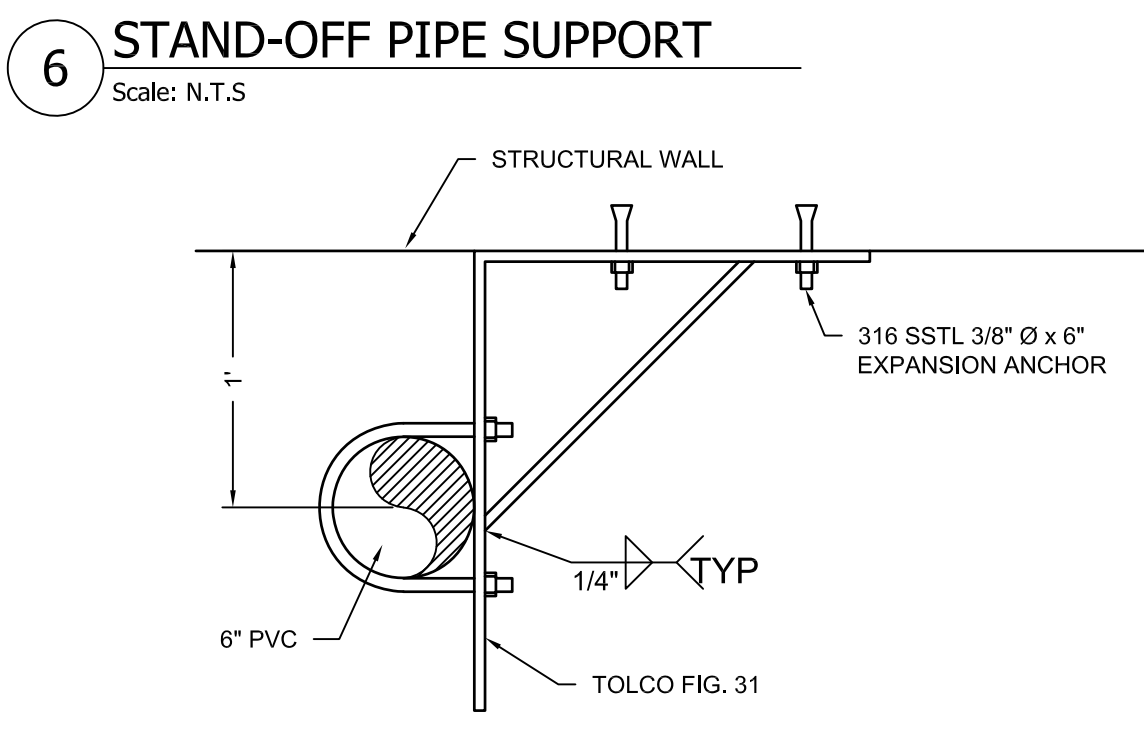


- NOTES:
- CONTRACTOR SHALL REMOVE EXISTING PVC CHEMICAL LINES TO BE CUT AND CAPPED AT WALL PENETRATION TO 2 FT BEYOND OUTSIDE WALL. CAP ABANDONED LINES PRIOR TO BACKFILL.
 - INSTALL (6) 4" PVC DUCTS W/ (6) 1" HDPE LINES THROUGH WALL OPENING.
 - EXISTING CHEMICAL FEED LINES ARE LOCATED AND SUPPORTED FROM WALL W/ FRP CHANNEL AND PIPE CLAMPS BETWEEN EL. 21.50 AND 22.83.

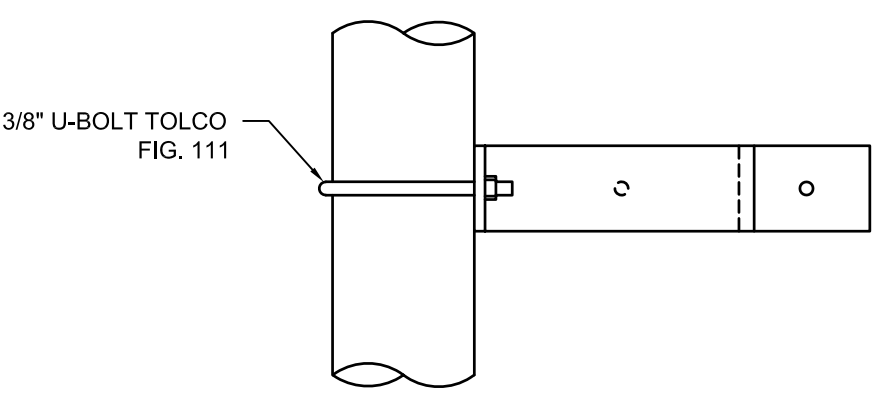
2 WALL PENETRATION
Scale: N.T.S.



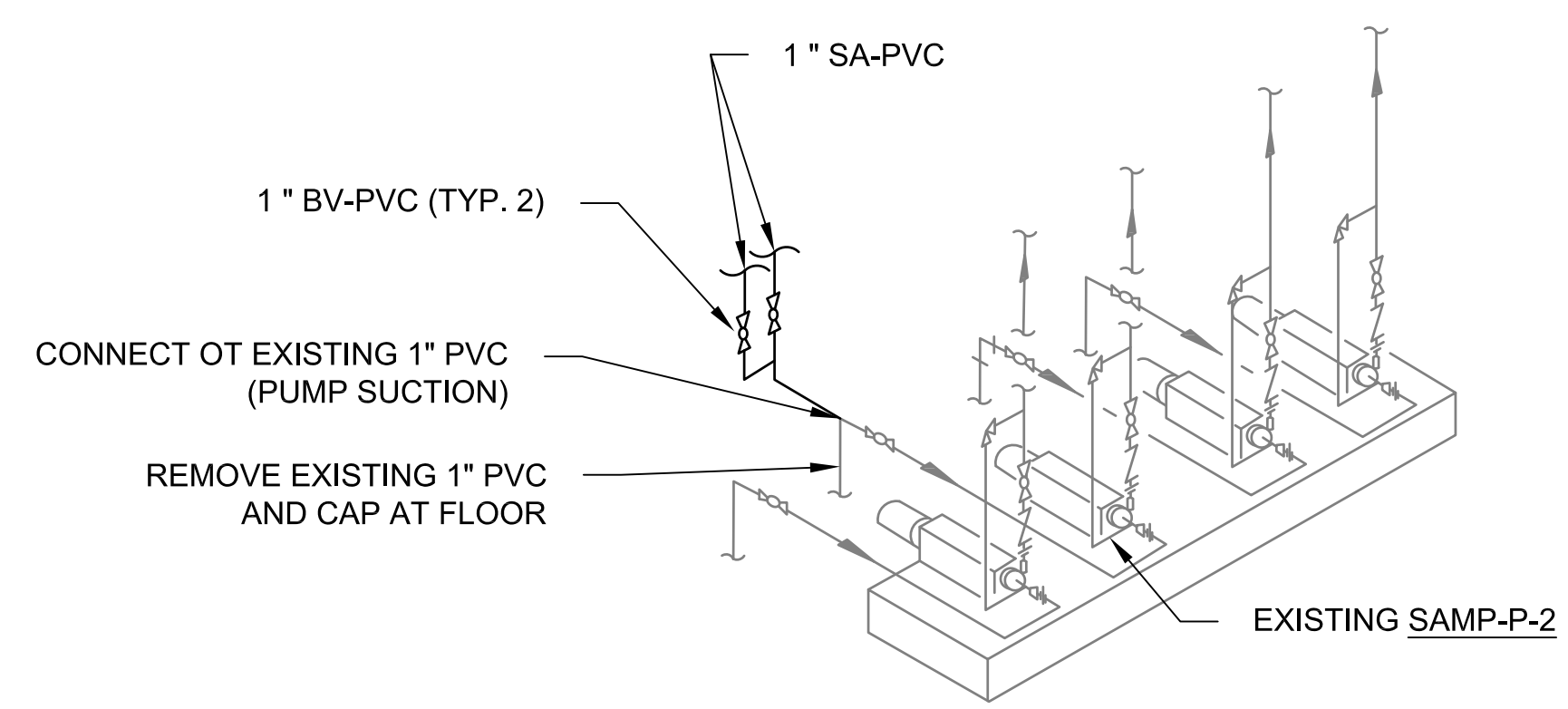
8 STANDARD PRECAST CONCRETE MANHOLE
Scale: N.T.S



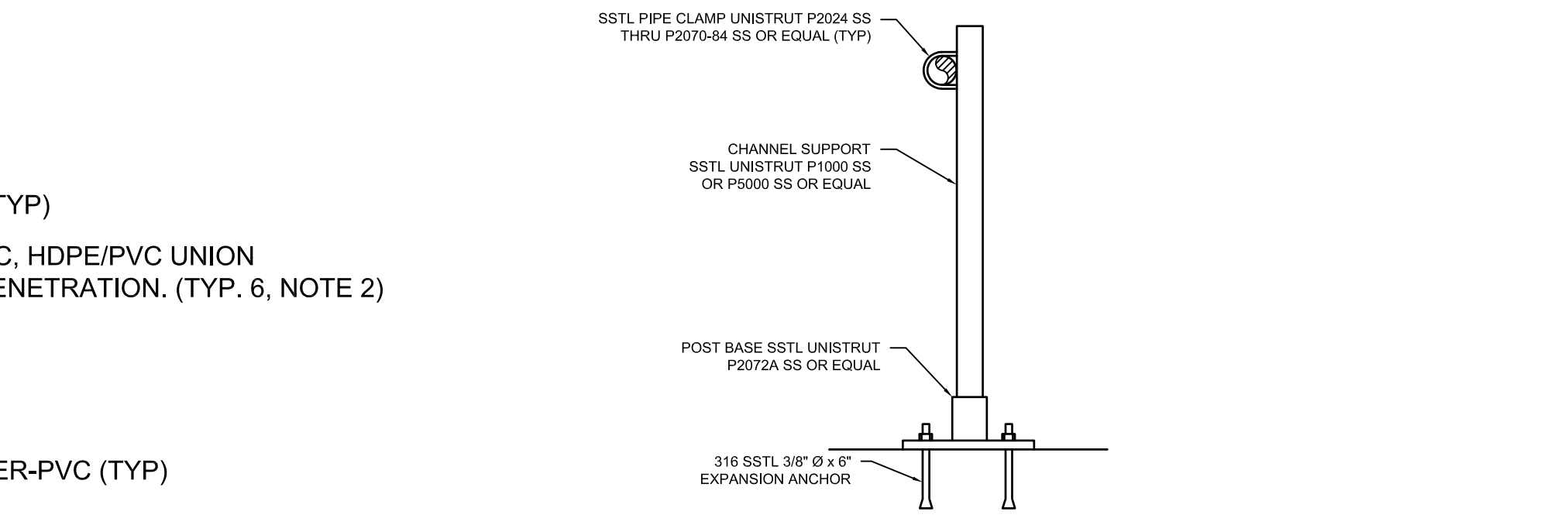
6 STAND-OFF PIPE SUPPORT
Scale: N.T.S



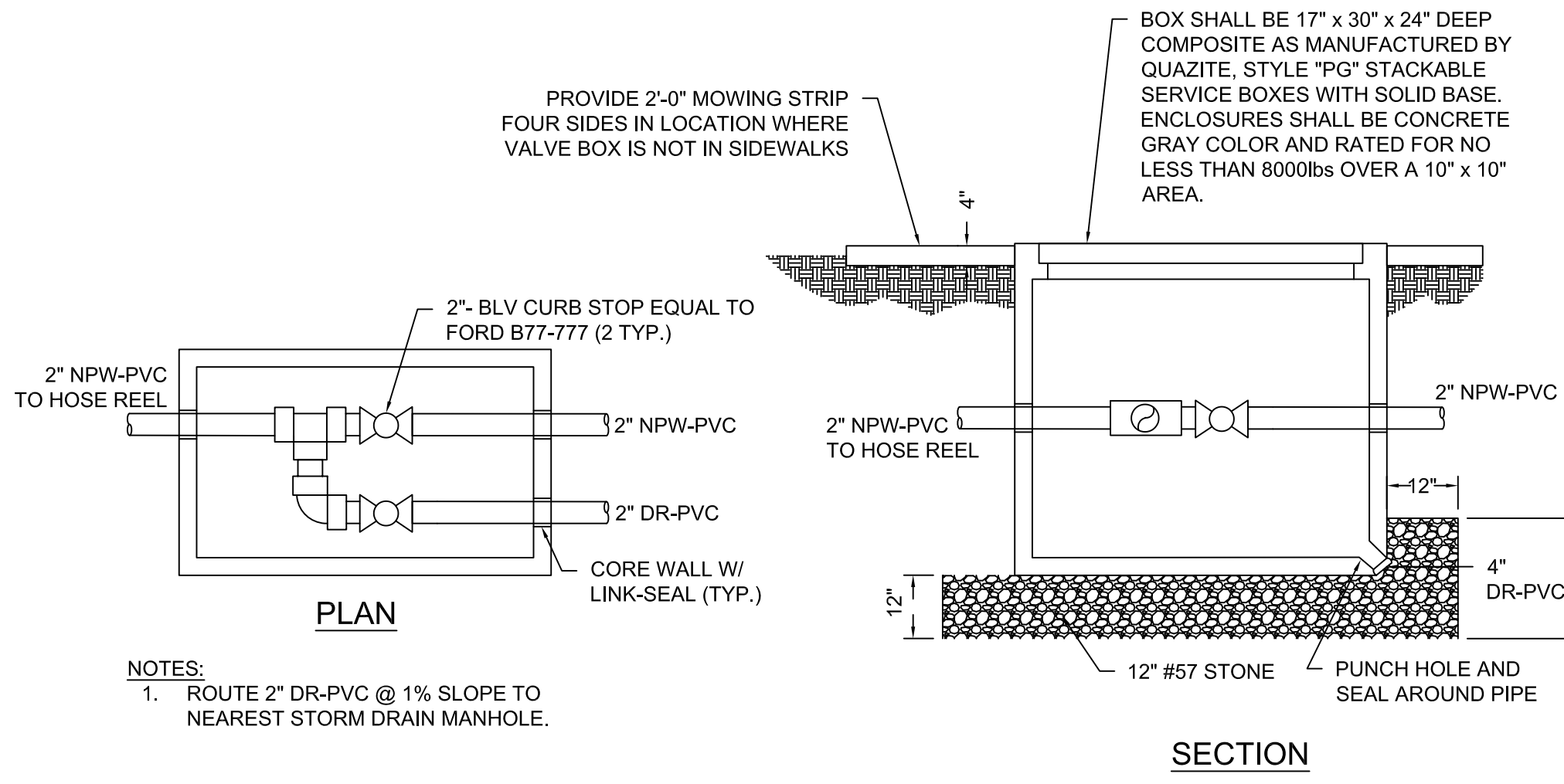
5 WALL BRACKET
Scale: N.T.S



3 SAMPLE PUMP PIPING SCHEMATIC
Scale: N.T.S.



7 POST UNISTRUT SUPPORT
Scale: N.T.S



9 PIPE DRAIN VALVE BOX
Scale: N.T.S

WK DICKSON
community infrastructure consultants
162 SEVEN FARMS DRIVE
SUITE 210
CHARLESTON, SC 29492
(843) 416-5560
(843) 416-5563
WWW.WKDICKSON.COM

W. K. DICKSON & COMPANY, INC.
No. 00177
STATE OF SOUTH CAROLINA
C.O.A.

WILLIAM H. YOUNG
No. 23253
STATE OF SOUTH CAROLINA
PROFESSIONAL SEAL
Jul 27 2022 1:37 PM
PROFESSIONAL SEAL

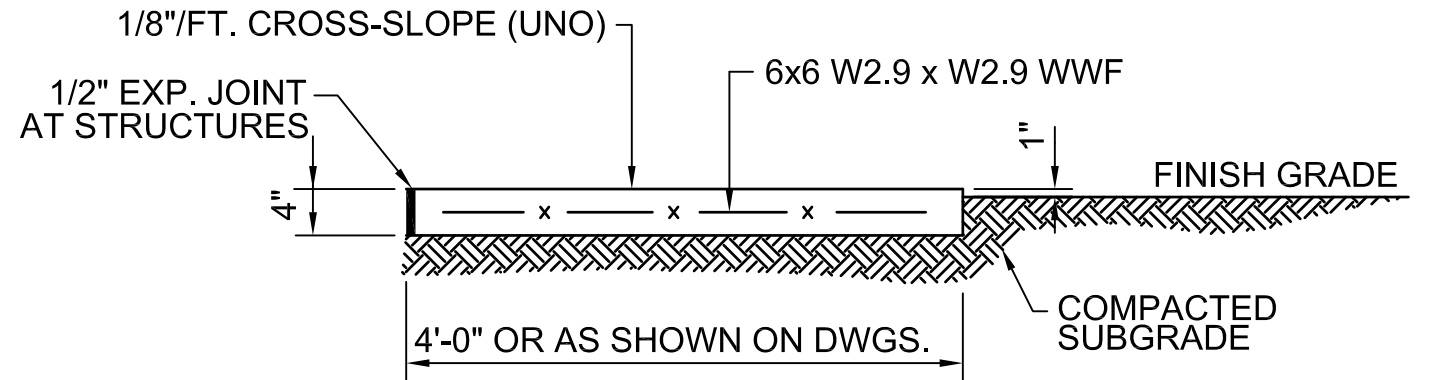
NO.	DATE	DESCRIPTION	BY

PROJECT NAME: **WTP FLOC/SED BASIN NO. 2 FOR CITY OF GEORGETOWN**
DRAWING TITLE: **DETAILS**

PROJ. MGR.: **WHY**
DESIGN BY: **RFH**
DRAWN BY: **WJW**
PROJ. DATE: **06/02/2021**
DRAWING NUMBER: **C-502**
WKD PROJ. NO.: **20210110.00.CH**

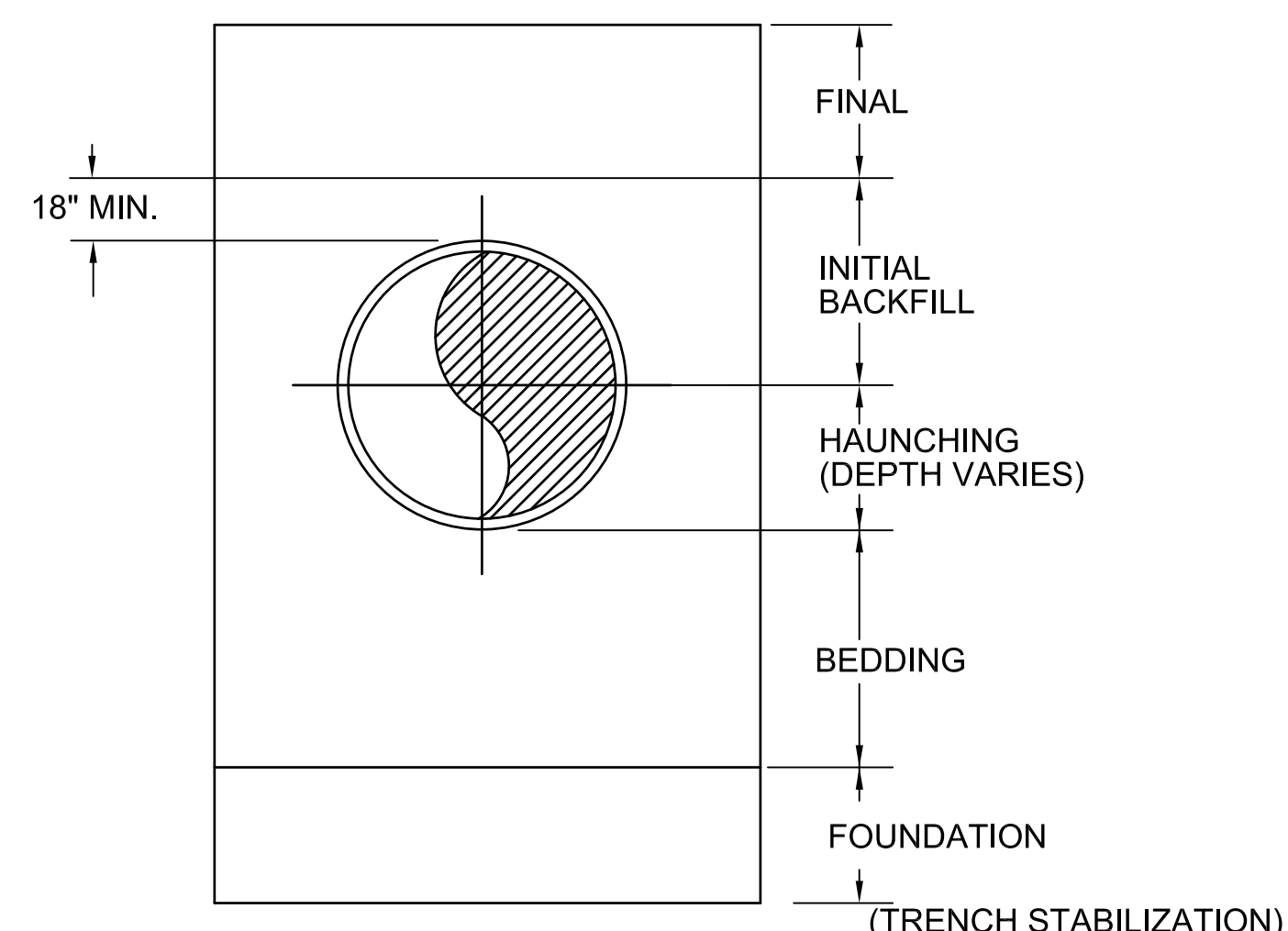
BID SET - NOT FOR CONSTRUCTION

CONTRACTOR SHALL VERIFY ALL DIMENSIONS AND MATERIALS SHOWN ON THESE DRAWINGS. MATERIALS SHALL BE AS SHOWN OR APPROVED BY THE ARCHITECT. CONTRACTOR SHALL BE RESPONSIBLE FOR OBTAINING ALL NECESSARY PERMITS AND APPROVALS FROM THE CITY OF GEORGETOWN. CONTRACTOR SHALL BE RESPONSIBLE FOR OBTAINING ALL NECESSARY PERMITS AND APPROVALS FROM THE CITY OF GEORGETOWN. CONTRACTOR SHALL BE RESPONSIBLE FOR OBTAINING ALL NECESSARY PERMITS AND APPROVALS FROM THE CITY OF GEORGETOWN.



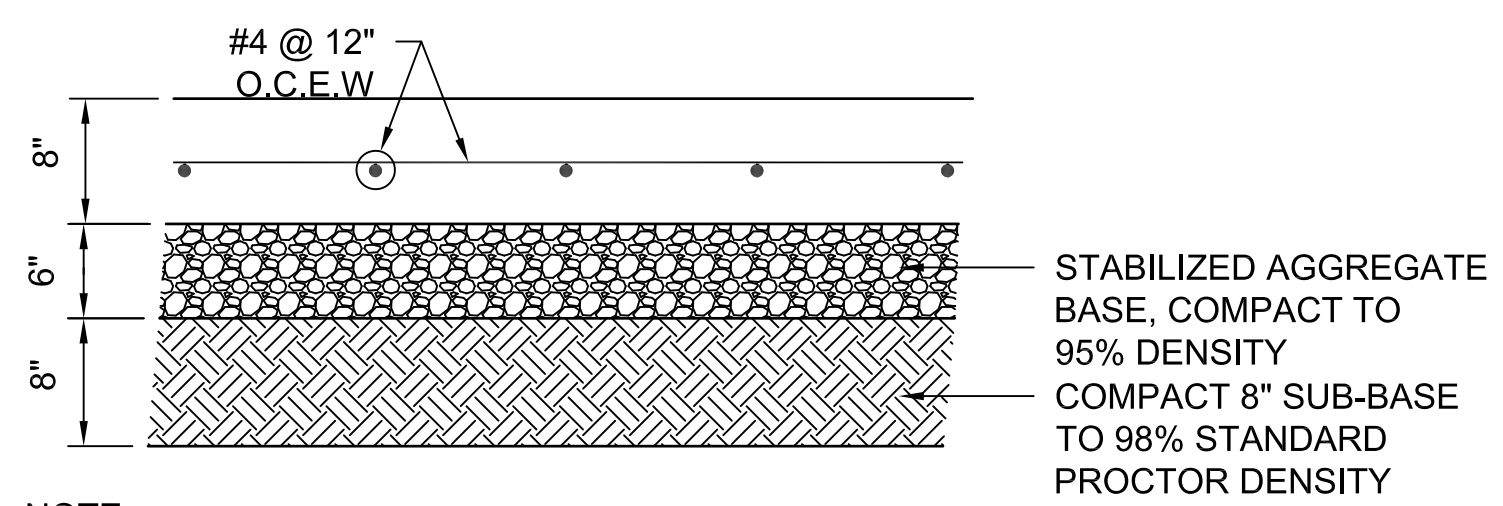
NOTE:
 EXPANSION JOINTS IN CONCRETE SIDEWALKS SHALL BE SPACED AT THIRTY (30) FEET ON CENTER (MAXIMUM) AND AT ALL WALKWAY INTERSECTIONS. DUMMY GROOVE JOINTS SHALL BE PLACED AT SIX (6) FEET ON CENTER OR AS OTHERWISE SHOWN ON THE DRAWINGS.

1 CONCRETE SIDEWALK
 Scale: N.T.S.



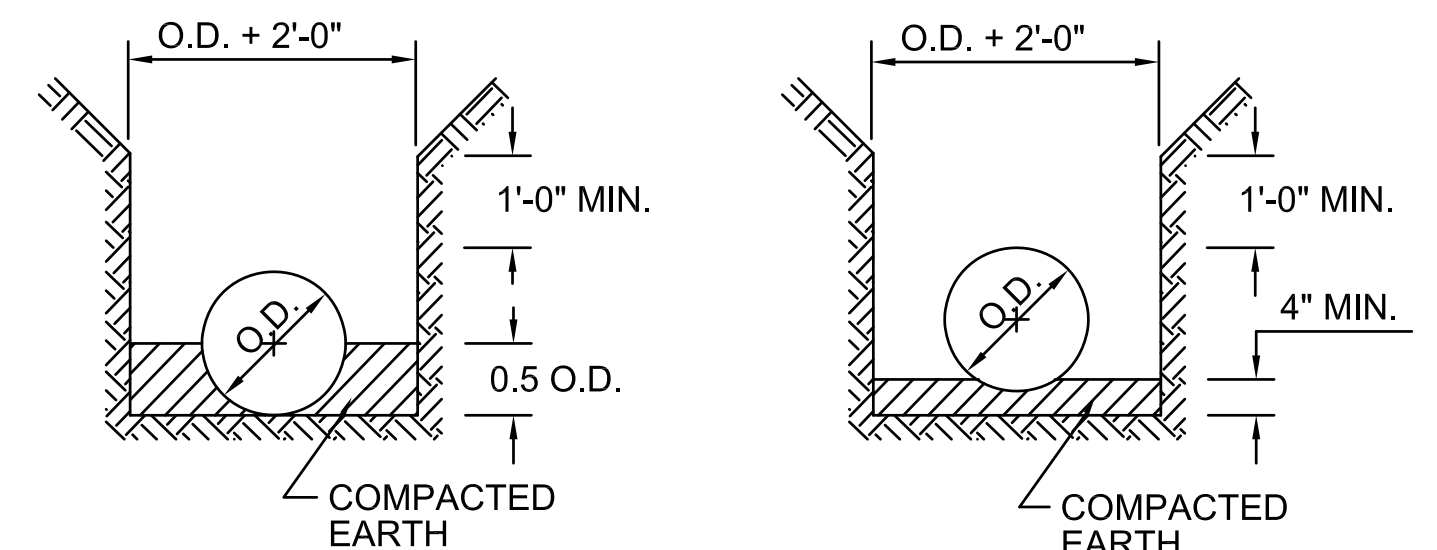
NOTE: SEE SPECIFICATIONS AND PIPE BEDDING AND HAUNCHING DETAILS FOR DIMENSIONS AND MATERIALS

2 TRENCH TERMINOLOGY DETAIL
 Scale: N.T.S.

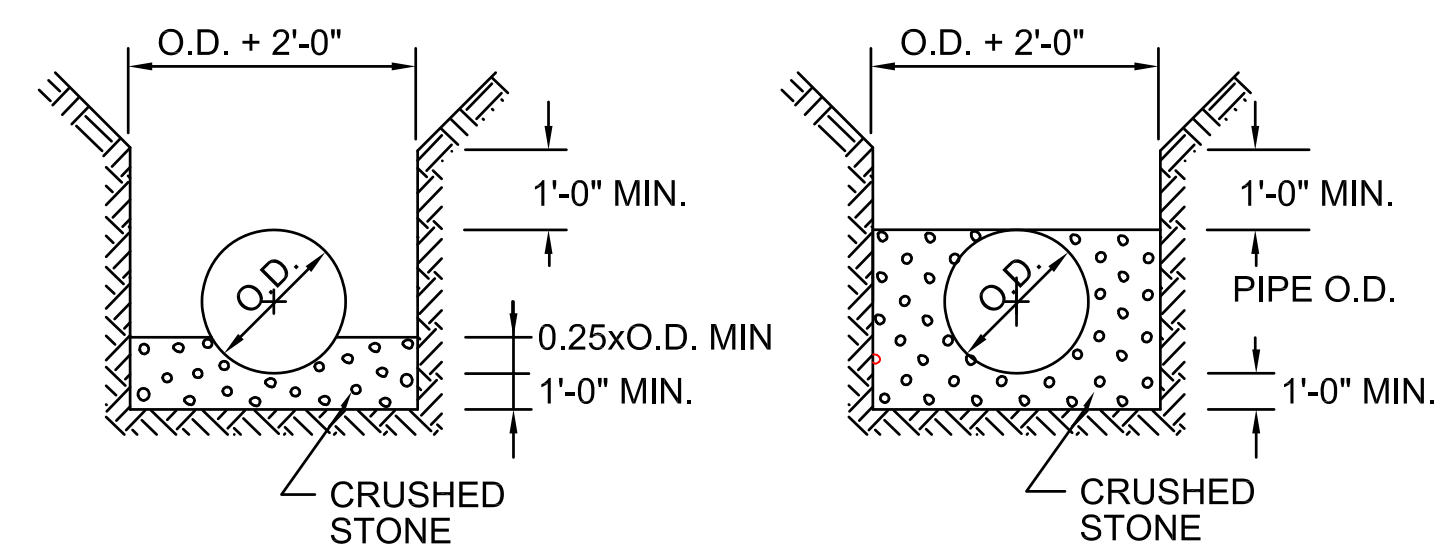


NOTE:
 TRANSITION JOINTS IN CONCRETE PAVING SHALL BE SPACED AT ALL TRANSITIONS BETWEEN HEAVY CONCRETE PAVING, SIDEWALKS AND PADS. CONTRACTION JOINTS SHALL BE PLACED AT LOCATIONS SHOWN ON THE DRAWINGS.

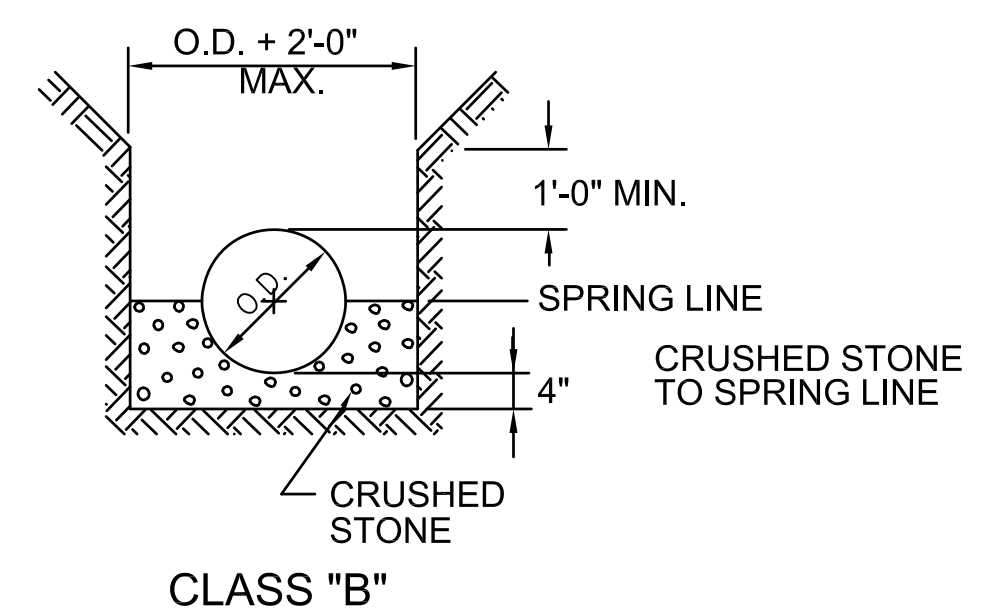
3 HEAVY CONCRETE PAVING
 Scale: N.T.S.



TYPE 2 TYPE 3

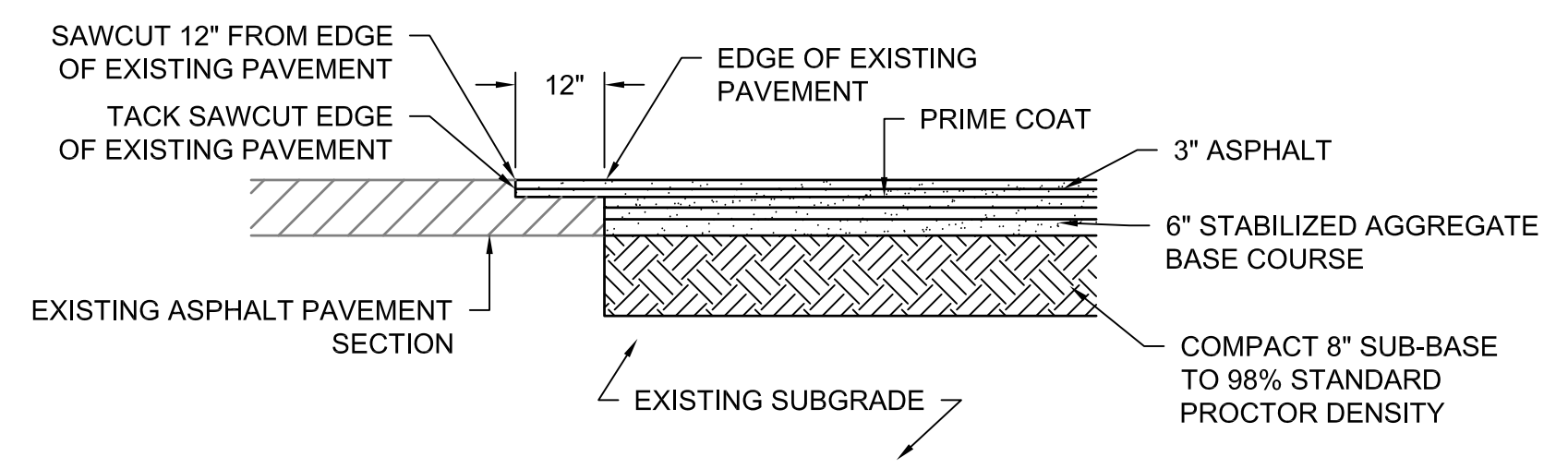


TYPE 4 TYPE 5

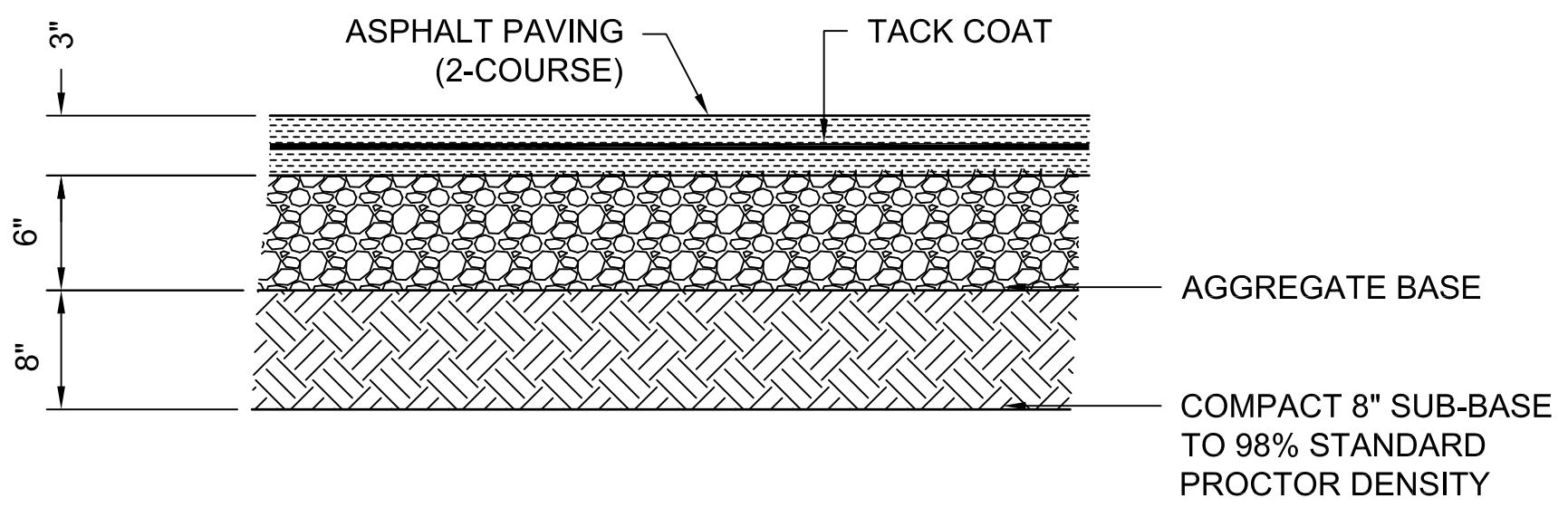


CLASS "B"

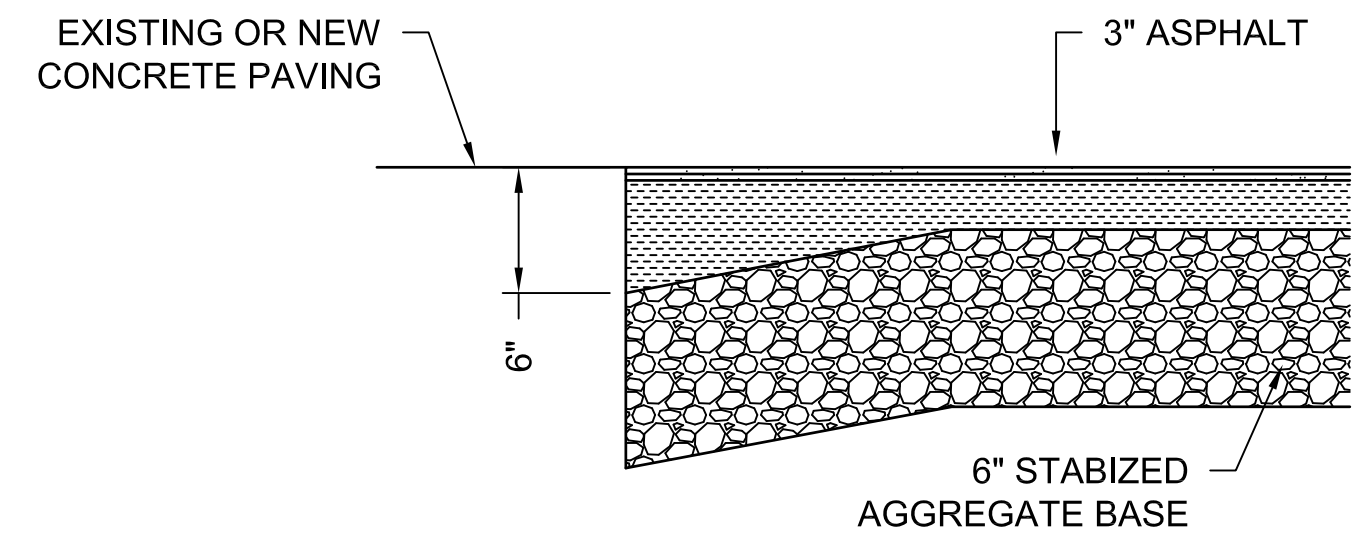
4 PIPE BEDDING AND HAUNCHING
 Scale: N.T.S.



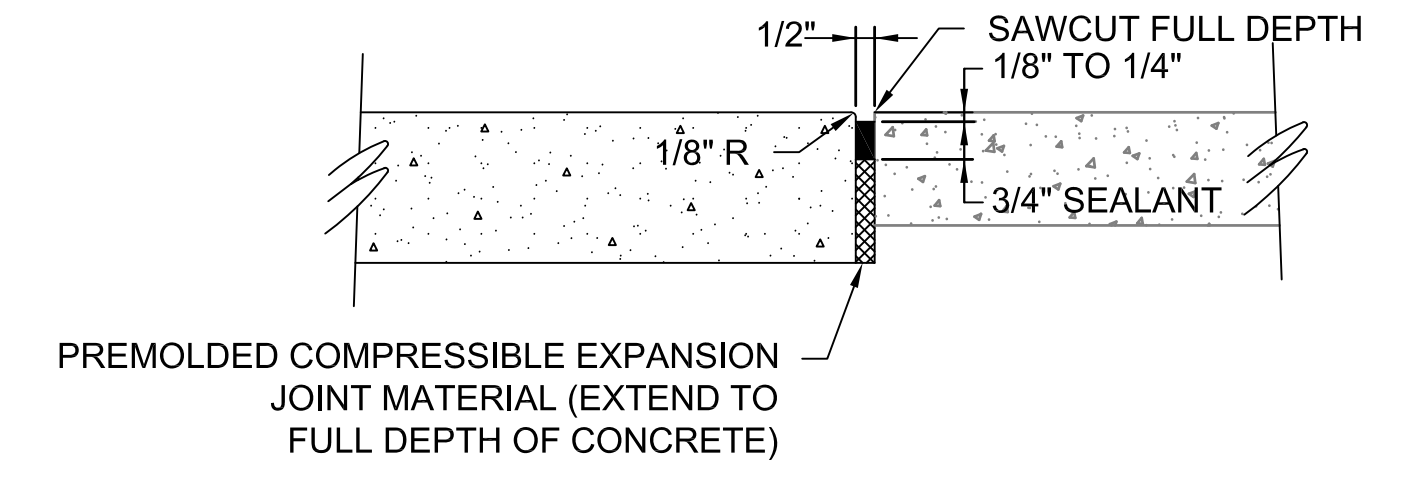
5 TRANSITION JOINT
 Scale: N.T.S.



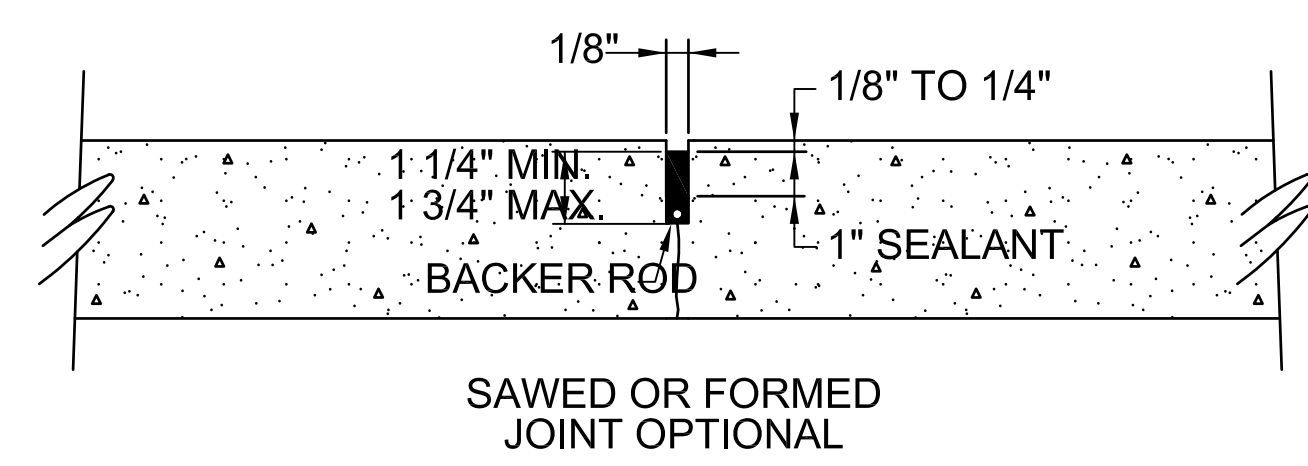
6 ASPHALT PAVING
 Scale: N.T.S.



7 THICKENED ASPHALT EDGE
 Scale: N.T.S.



8 TRANSITION JOINT
 Scale: N.T.S.



9 CONTRACTION JOINT
 Scale: N.T.S.

WK DICKSON
 community infrastructure consultants
 162 SEVEN FARMS DRIVE
 SUITE 210
 CHARLESTON, SC 29492
 (843) 416-5560
 (843) 416-5563
 WWW.WKDICKSON.COM

SOUTH CAROLINA
 PROFESSIONAL ENGINEER
 W. K. DICKSON
 & COMPANY, INC.
 No. 005177
 STATE OF SOUTH CAROLINA
 C.O.A.

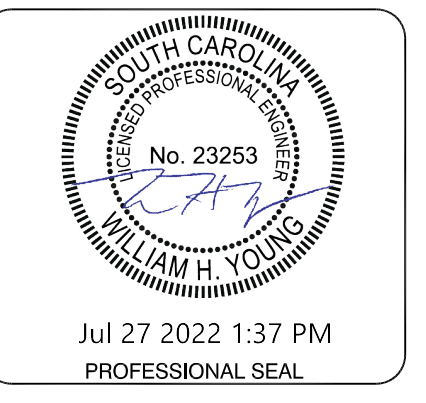
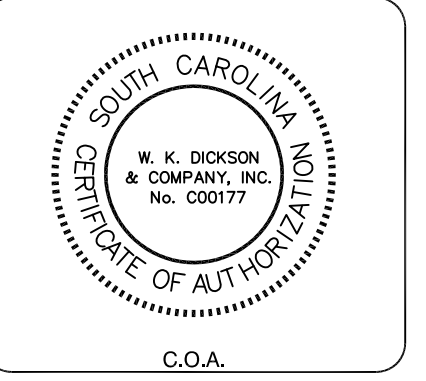
SOUTH CAROLINA
 PROFESSIONAL ENGINEER
 No. 23253
 WILLIAM H. YOUNG
 Jul 27 2022 1:37 PM
 PROFESSIONAL SEAL

NO.	DATE	DESCRIPTION	BY

PROJECT NAME: WTP FLOC/SED BASIN NO. 2 FOR CITY OF GEORGETOWN
 DRAWING TITLE: DETAILS
 PROJECT MGR.: WHY
 DESIGN BY: RFH
 DRAWN BY: WJW
 PROJ. DATE: 06/02/2021
 DRAWING NUMBER: C-503
 WKD PROJ. NO.: 20210110.00.CH

BID SET - NOT FOR CONSTRUCTION

THIS DOCUMENT IS THE PROPERTY OF WK DICKSON & COMPANY, INC. AND IS TO BE USED ONLY FOR THE PROJECT AND SITE SPECIFICALLY IDENTIFIED HEREIN. ANY REUSE OR MODIFICATION OF THIS DOCUMENT WITHOUT THE WRITTEN CONSENT OF WK DICKSON & COMPANY, INC. IS PROHIBITED. ONE COPY OF THIS DOCUMENT IS TO BE MAINTAINED AT THE PROJECT SITE FOR THE DURATION OF THE PROJECT.



NO.	DATE	DESCRIPTION	BY
0	07/29/2022	BID SET - NOT FOR CONSTRUCTION	WJW

PROJECT NAME: WTP FLOC/SED BASIN NO. 2 FOR CITY OF GEORGETOWN
 DRAWING TITLE: P&ID LEGENDS

PROJ. MGR.: WHY
 DESIGN BY: RFH
 DRAWN BY: WJW
 PROJ. DATE: 06/02/2021
 DRAWING NUMBER: I-01
 WKD PROJ. NO.: 20210110.00.CH

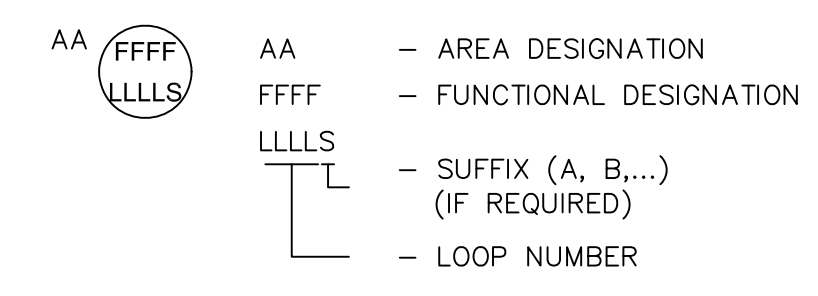
BID SET - NOT FOR CONSTRUCTION

LETTERS FOR FUNCTIONAL DESIGNATION				
FIRST LETTER		SUCCEEDING LETTERS		
MEASURED OR INITIATING VARIABLE	MODIFIER	READOUT OR PASSIVE FUNCTION	OUTPUT FUNCTION	MODIFIER
A	ANALYSIS		ALARM	
B	BURNER FLAME			
C	USER'S CHOICE		CONTROL	CLOSED
D	DENSITY (MASS) OR SPECIFIC GRAVITY	DIFFERENTIAL	DELAY	
E	VOLTAGE (EMF)		PRIMARY ELEMENT	
F	FLOW RATE	RATIO (FRACTION)	FAULT	
G	USER'S CHOICE		GLASS, GAUGE	
H	HAND (MANUALLY INITIATED)			HIGH
I	CURRENT		INDICATE	
J	POWER	SCAN		
K	TIME OR SCHEDULE	TIME, RATE OF CHANGE		CONTROL STATION
L	LEVEL		LIGHT (PILOT)	LOW
M	MOISTURE			MIDDLE OR INTERMEDIATE
N	UNCLASSIFIED			
O	UNCLASSIFIED		ORIFICE (RESTRICTION)	OPEN
P	PRESSURE OR VACUUM		POINT (TEST CONNECTION)	
Q	QUANTITY	INTEGRATE OR TOTALIZE		
R	RADIOACTIVITY		RECORD OR PRINT	
S	SPEED OR FREQUENCY	SAFETY		SWITCH
T	TEMPERATURE		TRANSMIT OR TRANSMIT TRANSMITTER	
U	MULTIVARIABLE		MULTIFUNCTION	MULTIFUNCTION
V	VIBRATION, MECHANICAL ANALYSIS		VALVE, DAMPER OR LOUVER	
W	WEIGHT OR FORCE		WELL	
X	UNCLASSIFIED			UNCLASSIFIED (2)
Y	EVENT			RELAY, COMPUTE OR CONVERT
Z	POSITION			DRIVE, ACTUATE OR UNCLASSIFIED FINAL CONTROL ELEMENT

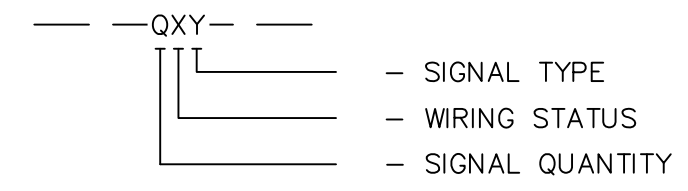
- NOTES:
- ALL DETAIL WIRING AND ELECTRICAL COMPONENTS ARE NOT SHOWN ON THE PROCESS AND INSTRUMENTATION DIAGRAM DRAWINGS. THE ELECTRICAL DRAWINGS ARE TO BE USED IN CONJUNCTION WITH THE PROCESS AND INSTRUMENTATION DIAGRAM DRAWINGS. THE PROCESS AND INSTRUMENTATION DIAGRAM DRAWINGS ARE PRESENTED AS A COORDINATING TOOL THAT INDICATES THE MAIN CONTROL LOGIC FOR THE PROJECT PROCESS SYSTEMS AND COMPONENTS. ACTUAL DETAIL LOGIC AND CONTROL COMPONENTS MAY DIFFER DEPENDING ON THE MANUFACTURER THAT IS AWARDED THE CONTRACT.
 - WHEN USED SYMBOL OR SIGNAL LINE IS ANNOTATED.
 - THIS IS A STANDARD LEGEND SHEET, ALL INFORMATION ON THIS LEGEND MAY NOT BE USED.

CONTROL SYMBOLS	ELECTRICAL SWITCH SYMBOLS	INSTRUMENT SYMBOLS AND DESIGNATIONS
- INDIVIDUAL STARTER OR CONTROLLER - STARTER OR CONTROLLER IN MOTOR CONTROL CENTER - STARTER OR CONTROLLER (FURNISHED WITH EQUIPMENT) - GENERAL CONTROL PANEL OR EQUIPMENT, AS NOTED - GENERAL CONTROL PANEL OR EQUIPMENT, AS NOTED (FURNISHED WITH EQUIPMENT) - GENERAL INTERLOCK OR CONTROL FUNCTION (HARDWIRED) - GENERAL INTERLOCK OR CONTROL FUNCTION (PLC OR SOFTWARE) - TELEMETERED (T=TELEPHONE, R=RADIO, S=SATELLITE) - MOTORIZED ACTUATOR (MOD=MODULATING, OC=OPEN/CLOSE) - VARIABLE FREQUENCY DRIVE (AC)	- FIELD MOUNTED - FRONT MCC MOUNTED - REAR MCC MOUNTED AB - FUNCTION SELECTOR ES - EMERGENCY STOP FOR - FORWARD/OFF/REVERSE (MAINTAINED) FSR - FORWARD/STOP/REVERSE (MAINTAINED) HOA - HAND/OFF/AUTO LOR - LOCAL/OFF/REMOTE LR - LOCAL/REMOTE MA - MANUAL/AUTO OC - OPEN/CLOSE OCA - OPEN/CLOSE/AUTO OCR - OPEN/CLOSE/REMOTE OO - ON/OFF	- FIELD MOUNTED - FRONT OF MAIN PANEL MOUNTED - REAR OF MAIN PANEL MOUNTED - FRONT OF LOCAL PANEL MOUNTED - REAR OF LOCAL PANEL MOUNTED - FIELD MOUNTED (FURNISHED WITH EQUIPMENT) - FRONT PANEL MOUNTED (FURNISHED WITH EQUIPMENT) - REAR PANEL MOUNTED (FURNISHED WITH EQUIPMENT) - SOFTWARE DEVICE DISPLAYED (CRT) - SOFTWARE DEVICE NOT DISPLAYED
LINE SYMBOLS	SIGNAL LINE SYMBOLS	FLOW ELEMENT SYMBOLS
- PRIMARY PROCESS LINE - SECONDARY PROCESS LINE - EXISTING - EXISTING TO BE REMOVED - EXISTING TO BE ABANDONED - FUTURE - PIPE SPEC CHANGE - SHEET CONTINUATION	- ELECTRICAL SIGNAL - SOFTWARE SIGNAL - ELECTRO MAGNETIC ES 480/3 - ELECTRIC SUPPLY, VOLTAGE/PHASE	- PROPELLER FLOW METER - PARSHALL FLUME - MAGNETIC FLOW METER - FLOW TUBE (VENTURI) - LEVEL ELEMENT (ULTRASONIC) - LEVEL ELEMENT (PRESSURE)
PIPE LINE IDENTIFICATION	EQUIPMENT SYMBOLS	
ND SSS-MAT - PIPE MATERIAL - PIPE SERVICE - NOMINAL PIPE DIAMETER	NEW EQUIPMENT EXIST EQUIPMENT FUTURE EQUIPMENT	
EQUIPMENT/UNIT IDENTIFICATION		
SYS-UD-UN - UNIT DESIGNATION (EQUIP. TYPE) - SYSTEM IDENTIFICATION NOTES: 1. UNIT DESIGNATOR TABLE IS SHOWN ON PROCESS LEGEND.		

INSTRUMENT IDENTIFICATION



ELECTRICAL LINE FUNCTIONS



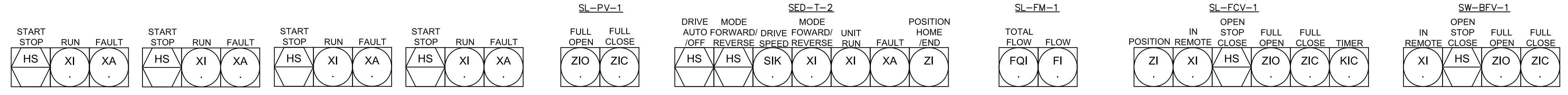
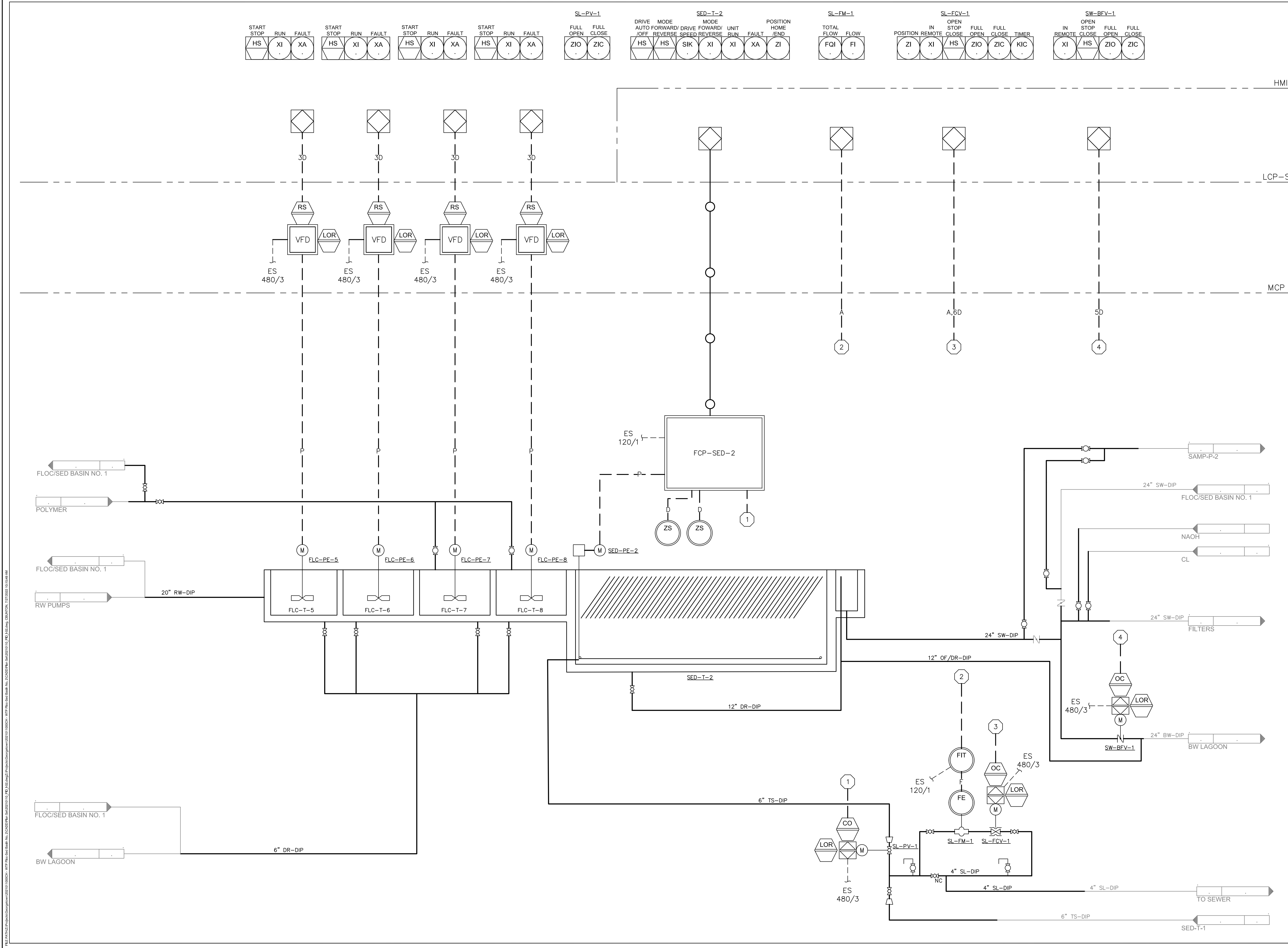
WIRING STATUS

- CONDUIT AND CONDUCTORS BY ELECTRICAL CONTRACTOR
- E - EXISTING CONDUCTORS IN EXISTING CONDUIT
- F - CONDUIT BY ELECT CONTRACTOR, CONDUCTORS FURNISHED WITH EQUIP
- S - CONDUIT AND CONDUCTORS FURNISHED WITH EQUIPMENT

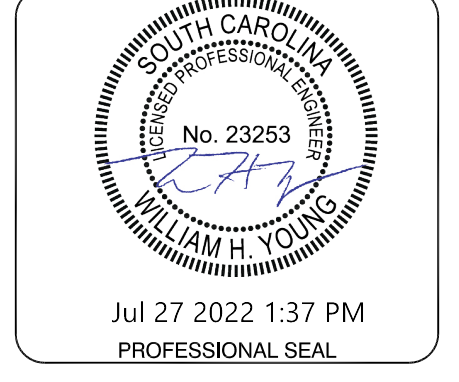
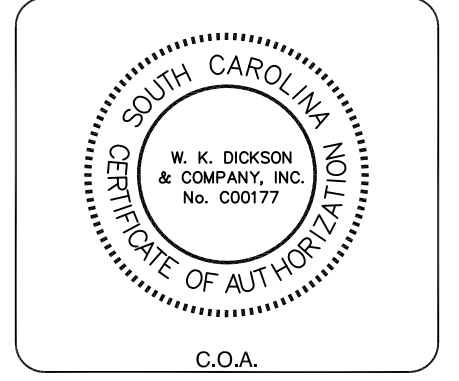
SIGNAL TYPE

- A - ANALOG - #16 TWISTED SHIELDED PAIR
- A1 - ANALOG - #16 3 CONDUCTOR TWISTED SHIELDED
- AS - ANALOG - SPECIAL (EIA-432, EIA-485...)
- D - #14 2 CONDUCTOR
- DS - DISCRETE - SPECIAL (24 VOLT ...)
- P - POWER - NUMBER OF CONDUCTORS AND SIZE BY ELECTRICAL

CONTRACT NO. 20210110.00-CH. THIS DRAWING IS THE PROPERTY OF WK DICKSON AND SHALL REMAIN THEIR PROPERTY. ANY REUSE OR REPRODUCTION OF THIS DRAWING WITHOUT THE WRITTEN CONSENT OF WK DICKSON IS STRICTLY PROHIBITED. ANY COPIES OF THIS DRAWING MUST BE MADE FROM THE ORIGINAL OR FROM A COPY OF THE ORIGINAL.



WK DICKSON
 community infrastructure consultants
 162 SEVEN FARMS DRIVE
 SUITE 210
 CHARLESTON, SC 29492
 (843) 416-5560
 (843) 416-5563
 WWW.WKDICKSON.COM



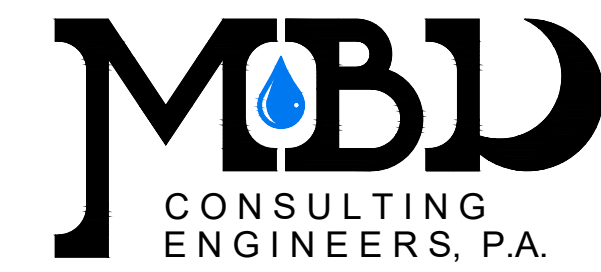
NO.	DATE	DESCRIPTION	BY
0	07/29/2022	BID SET - NOT FOR CONSTRUCTION	

PROJECT NAME: WTP FLOC/SED BASIN NO. 2 FOR CITY OF GEORGETOWN
 DRAWING TITLE: PROCESS AND INSTRUMENTATION DIAGRAM P&ID FLOC-SED BASIN NO 2

PROJ. MGR.: WHY
 DESIGN BY: RFH
 DRAWN BY: WJW
 PROJ. DATE: 06/02/2021
 DRAWING NUMBER:
I-02
 WKD PROJ. NO.: 20210110.00.CH

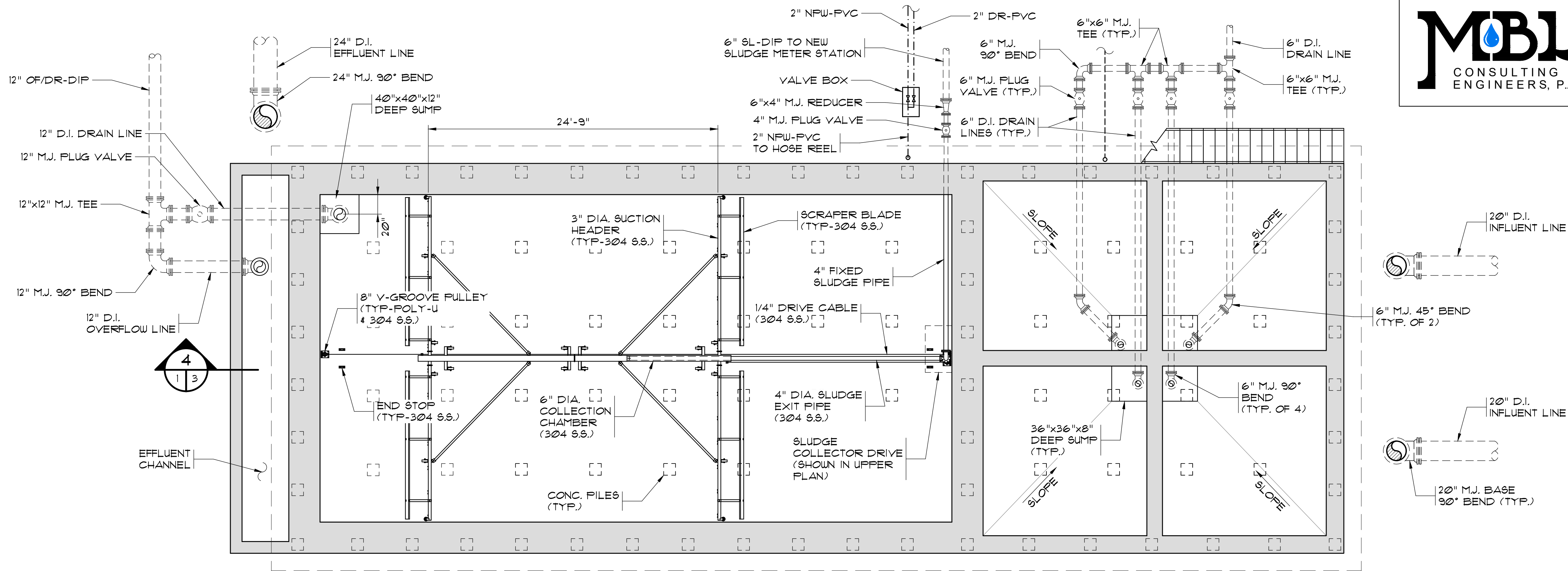
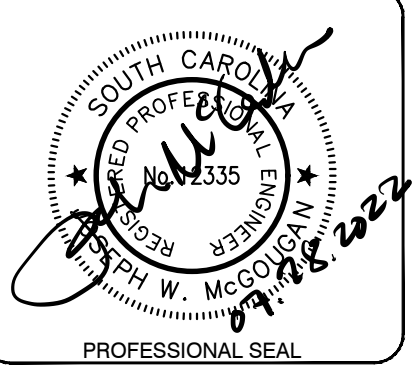
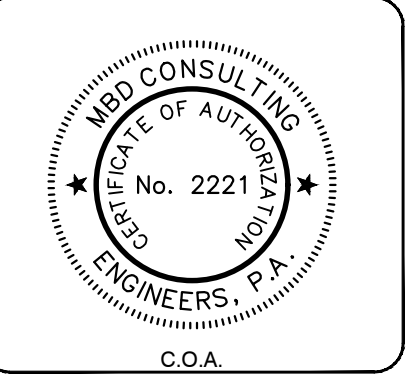
BID SET - NOT FOR CONSTRUCTION

COPYRIGHT © W.K. DICKSON & CO., INC. ALL RIGHTS RESERVED. REPRODUCTION OR USE OF THIS DOCUMENT OR ANY PART THEREOF WITHOUT THE WRITTEN PERMISSION OF W.K. DICKSON & CO., INC. IS PROHIBITED.

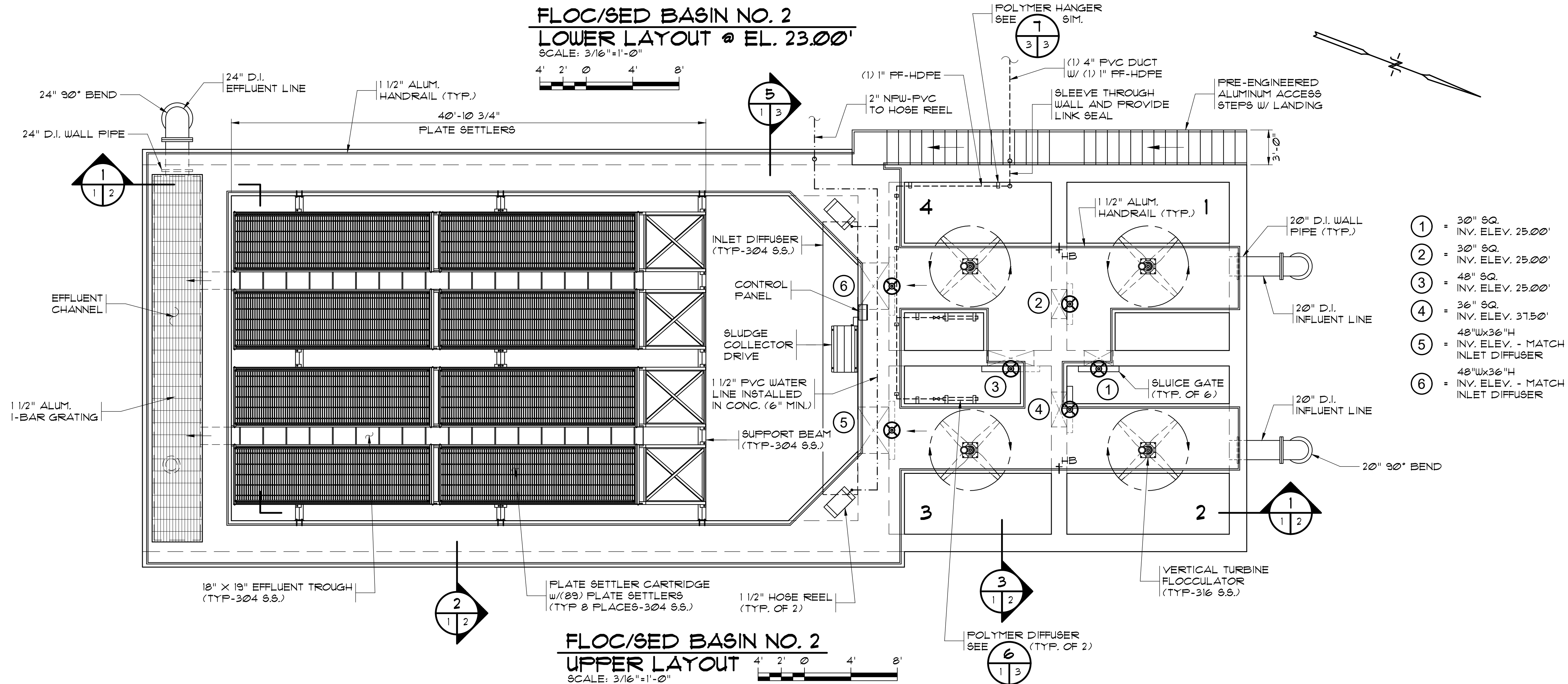


911 NORMAN ALLEY
 CONWAY, SC 29526
 Phone: (843) 488-0124
 Fax: (843) 488-0129

W.K. DICKSON
 community infrastructure consultants
 162 SEVEN FARMS DRIVE
 SUITE 210
 CHARLESTON, SC 29492
 (843) 416-5560
 (843) 416-5563
 WWW.WKDICKSON.COM



FLOC/SED BASIN NO. 2
LOWER LAYOUT @ EL. 23.00'
 SCALE: 3/16"=1'-0"



FLOC/SED BASIN NO. 2
UPPER LAYOUT
 SCALE: 3/16"=1'-0"

- ① = 30" SQ. INV. ELEV. 25.00'
- ② = 30" SQ. INV. ELEV. 25.00'
- ③ = 48" SQ. INV. ELEV. 25.00'
- ④ = 36" SQ. INV. ELEV. 31.50'
- ⑤ = 48" Wx36" H. INV. ELEV. - MATCH INLET DIFFUSER
- ⑥ = 48" Wx36" H. INV. ELEV. - MATCH INLET DIFFUSER

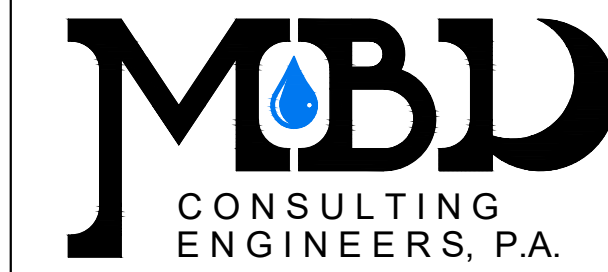
NO.	DATE	DESCRIPTION	JWM	BY

PROJECT NAME: WTP FLOC/SED BASIN NO. 2 FOR CITY OF GEORGETOWN
 DRAWING TITLE: FLOC/SED BASIN NO. 2 LOWER AND UPPER LAYOUT PLAN
 PROJECT NO.: 20210110.00.CH

PROJ. MGR.: WHY
 DESIGN BY: JWM
 DRAWN BY: DC
 PROJ. DATE: 07/29/2022
 DRAWING NUMBER: EN-1

BID SET - NOT FOR CONSTRUCTION

COPYRIGHT © W.K. DICKSON & CO., INC. ALL RIGHTS RESERVED. REPRODUCTION OR USE OF THIS DOCUMENT AND/OR FOR ANY OTHER PROJECT WITHOUT THE WRITTEN PERMISSION OF W.K. DICKSON & CO., INC. IS PROHIBITED. ANY COPIES OF THIS DOCUMENT MUST BE MADE FROM THE ORIGINAL DRAWING.

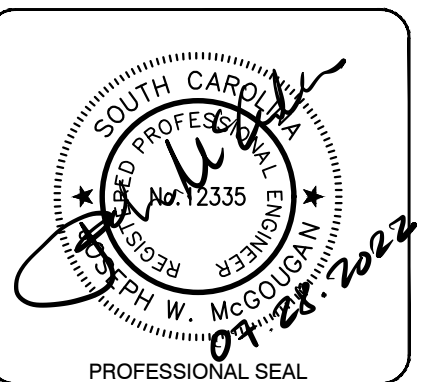
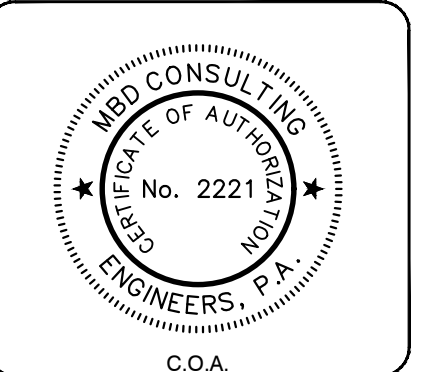


911 NORMAN ALLEY
 CONWAY, SC 29526
 Phone: (843) 488-0124
 Fax: (843) 488-0129

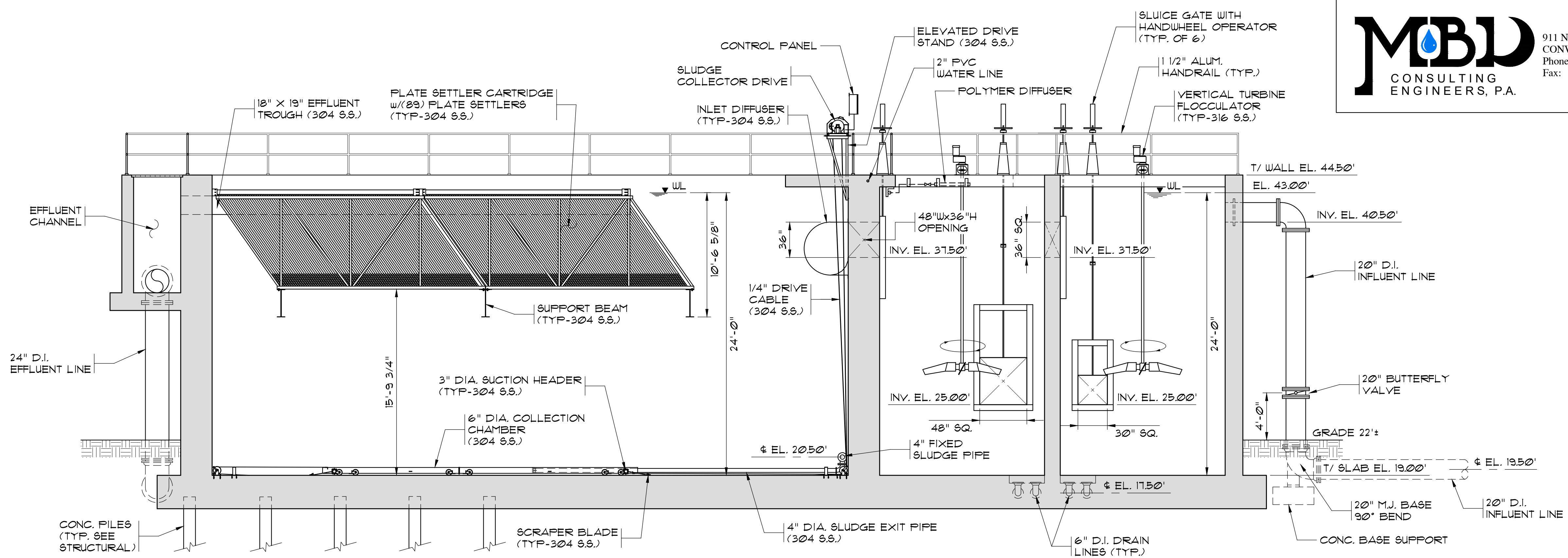


162 SEVEN FARMS DRIVE
 SUITE 210
 CHARLESTON, SC 29492
 (843) 416-5560
 (843) 416-5563

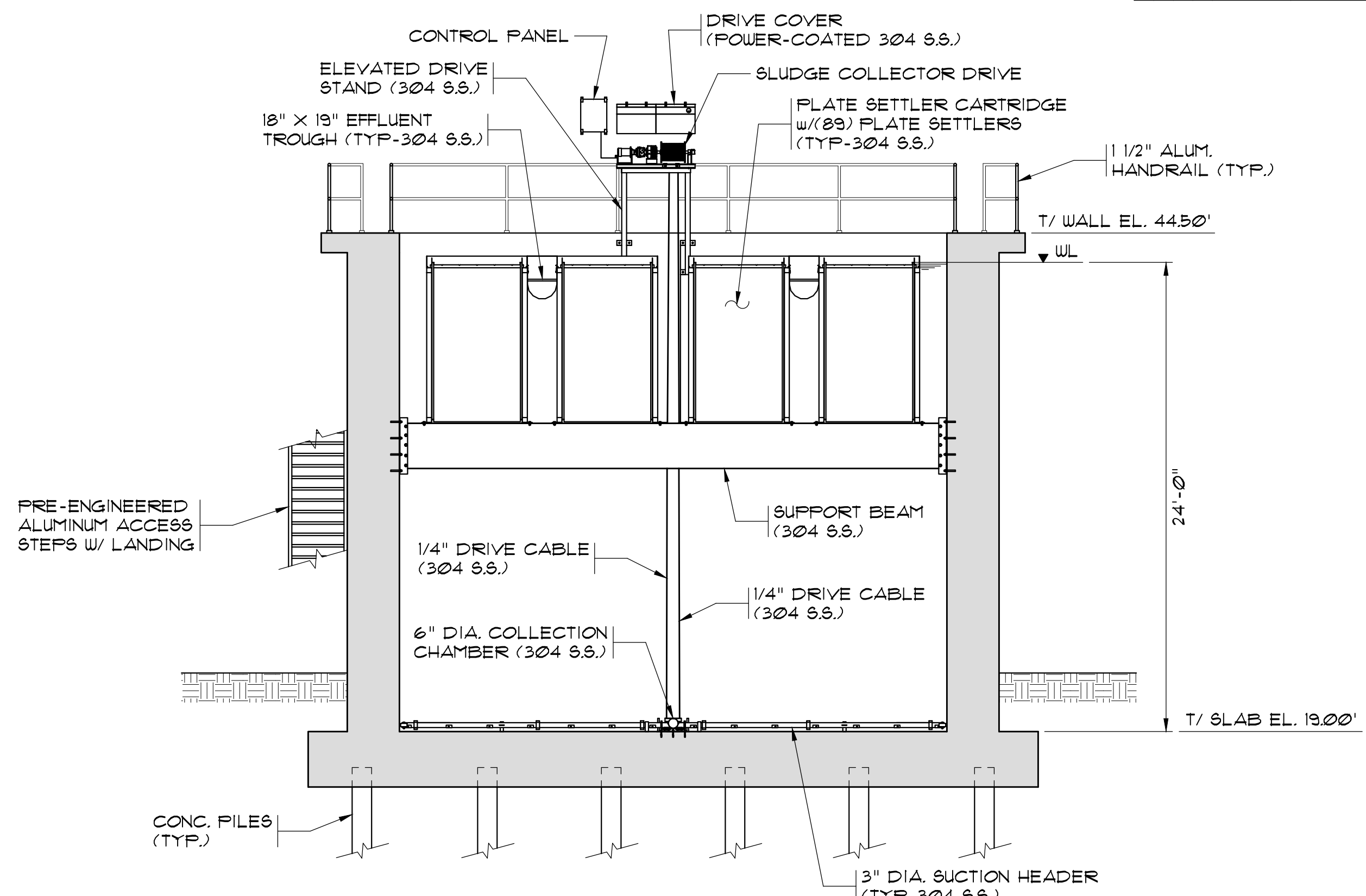
WWW.WKDICKSON.COM



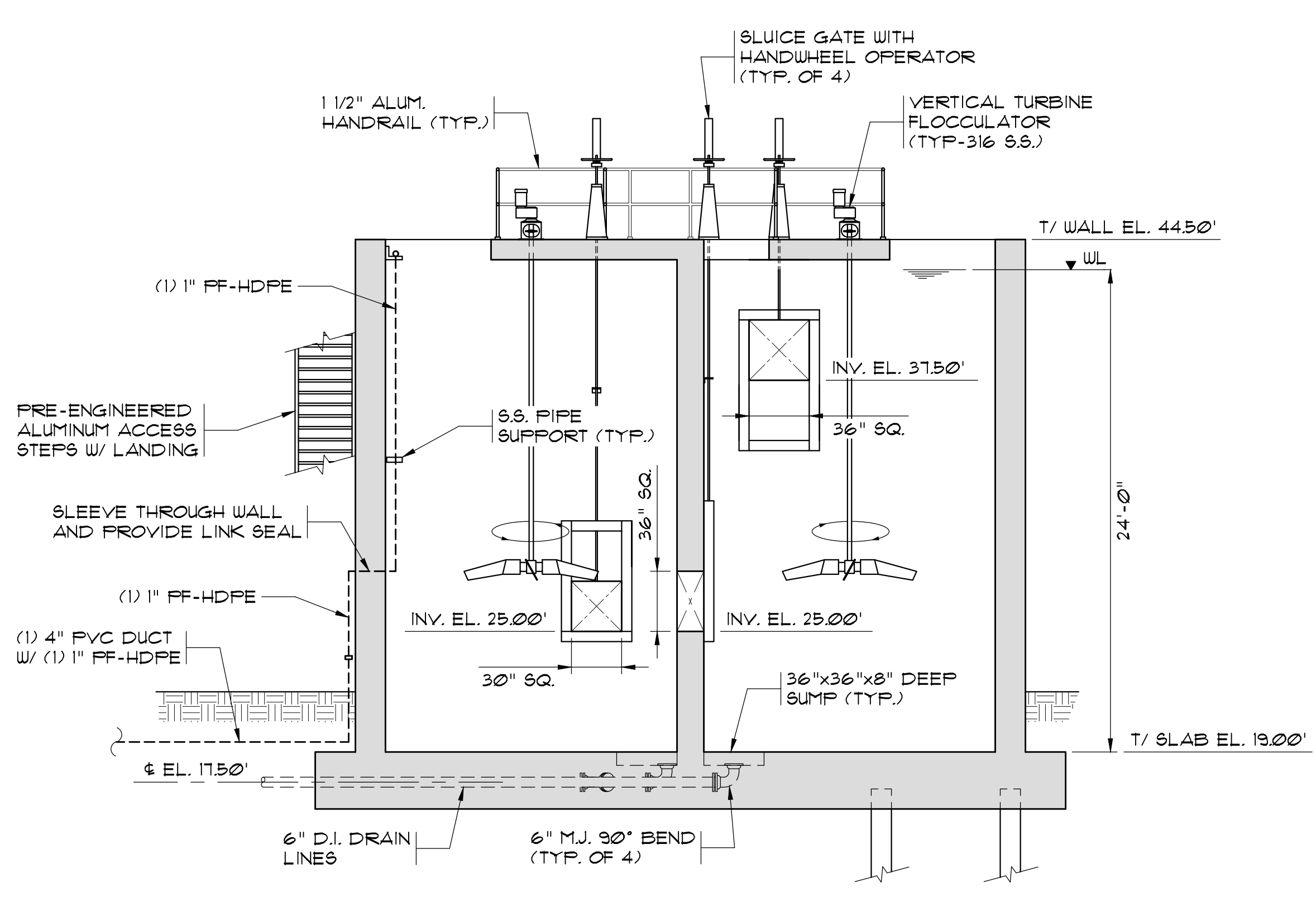
NO.	DATE	DESCRIPTION	BY
1	07/29/2022	BID SET - NOT FOR CONSTRUCTION	JWM



1 CROSS SECTION VIEW
 SCALE: 3/16"=1'-0"
 4' 2' 0 4' 8'



2 SECTION VIEW
 SCALE: 3/16"=1'-0"
 4' 2' 0 4' 8'



3 SECTION VIEW
 SCALE: 3/16"=1'-0"
 4' 2' 0 4' 8'

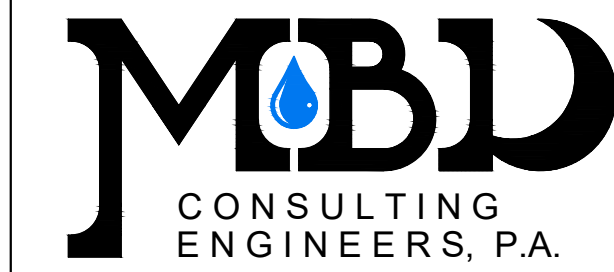
BID SET - NOT FOR CONSTRUCTION

PROJECT NAME: WTP FLOCISED BASIN NO. 2 FOR CITY OF GEORGETOWN
 DRAWING TITLE: FLOCISED BASIN NO. 2 SECTION VIEWS

PROJ. MGR.: WHY
 DESIGN BY: JWM
 DRAWN BY: DC
 PROJ. DATE: 07/29/2022
 DRAWING NUMBER:

EN-2
 WKD PROJ. NO.: 20210110.00.CH

COPYRIGHT © W. W. RICHMOND & CO., INC. ALL RIGHTS RESERVED. REPRODUCTION OR USE OF THIS DOCUMENT, ANY PART THEREOF, OR THE INFORMATION CONTAINED HEREIN WITHOUT THE WRITTEN PERMISSION OF W. W. RICHMOND & CO., INC. IS PROHIBITED. ANY COPIES OF THIS DOCUMENT MUST BE MADE FROM THE ORIGINAL DRAWING.

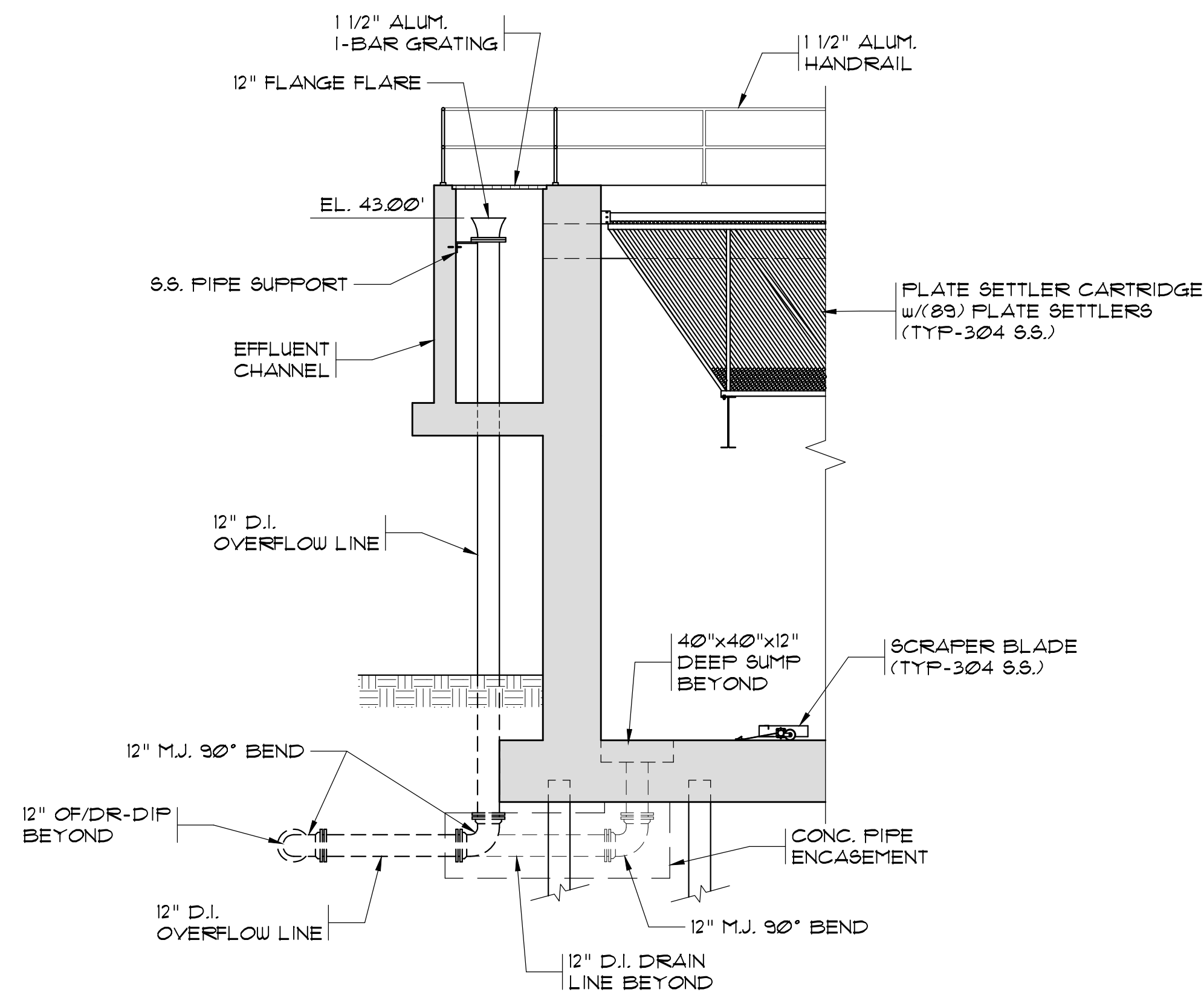


911 NORMAN ALLEY
 CONWAY, SC 29526
 Phone: (843) 488-0124
 Fax: (843) 488-0129

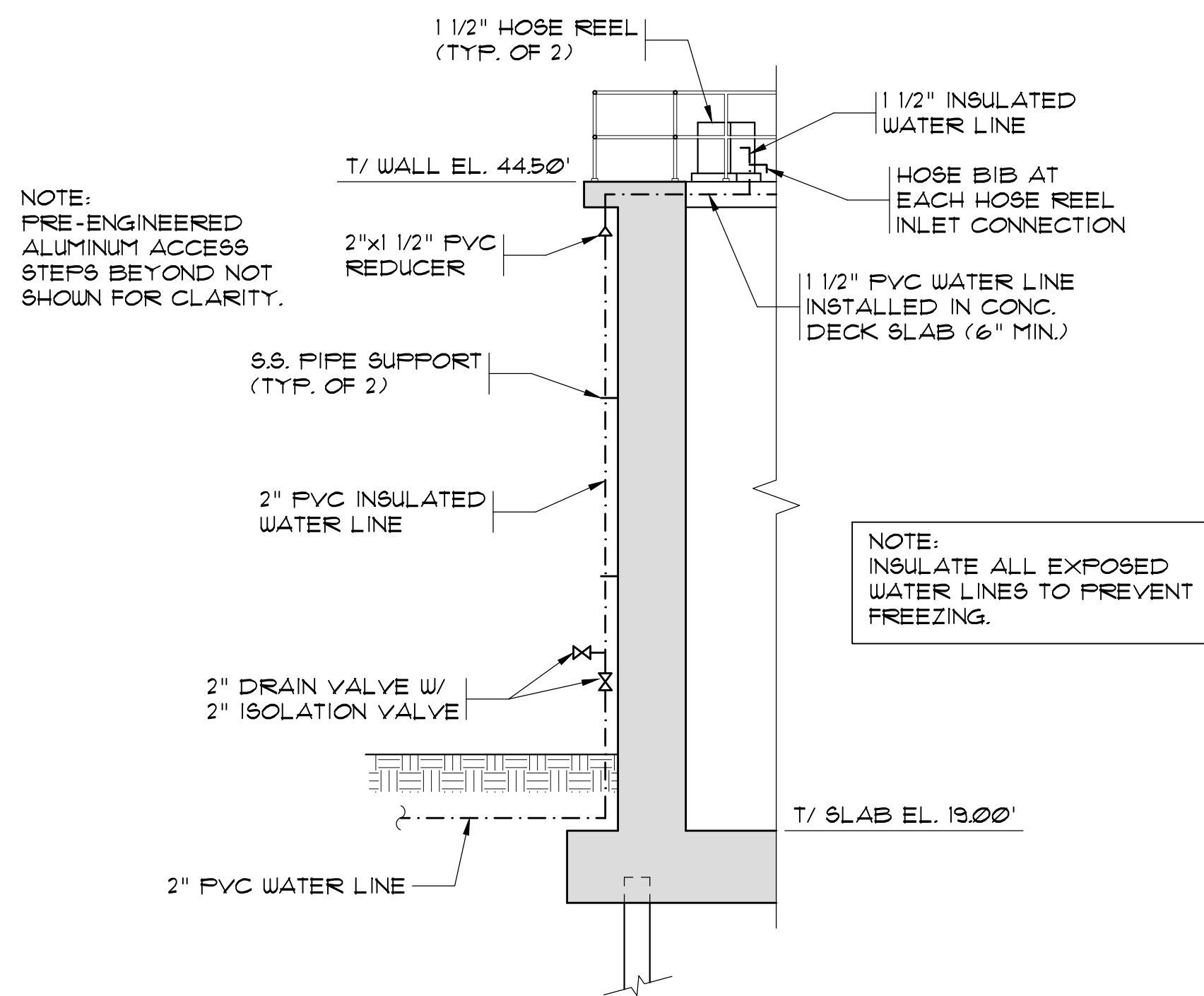
WK DICKSON
 community infrastructure consultants
 162 SEVEN FARMS DRIVE
 SUITE 210
 CHARLESTON, SC 29492
 (843) 416-5560
 (843) 416-5563
 WWW.WKDICKSON.COM

MBD CONSULTING ENGINEERS, P.A.
 LICENSE NO. 2221
 C.O.A.

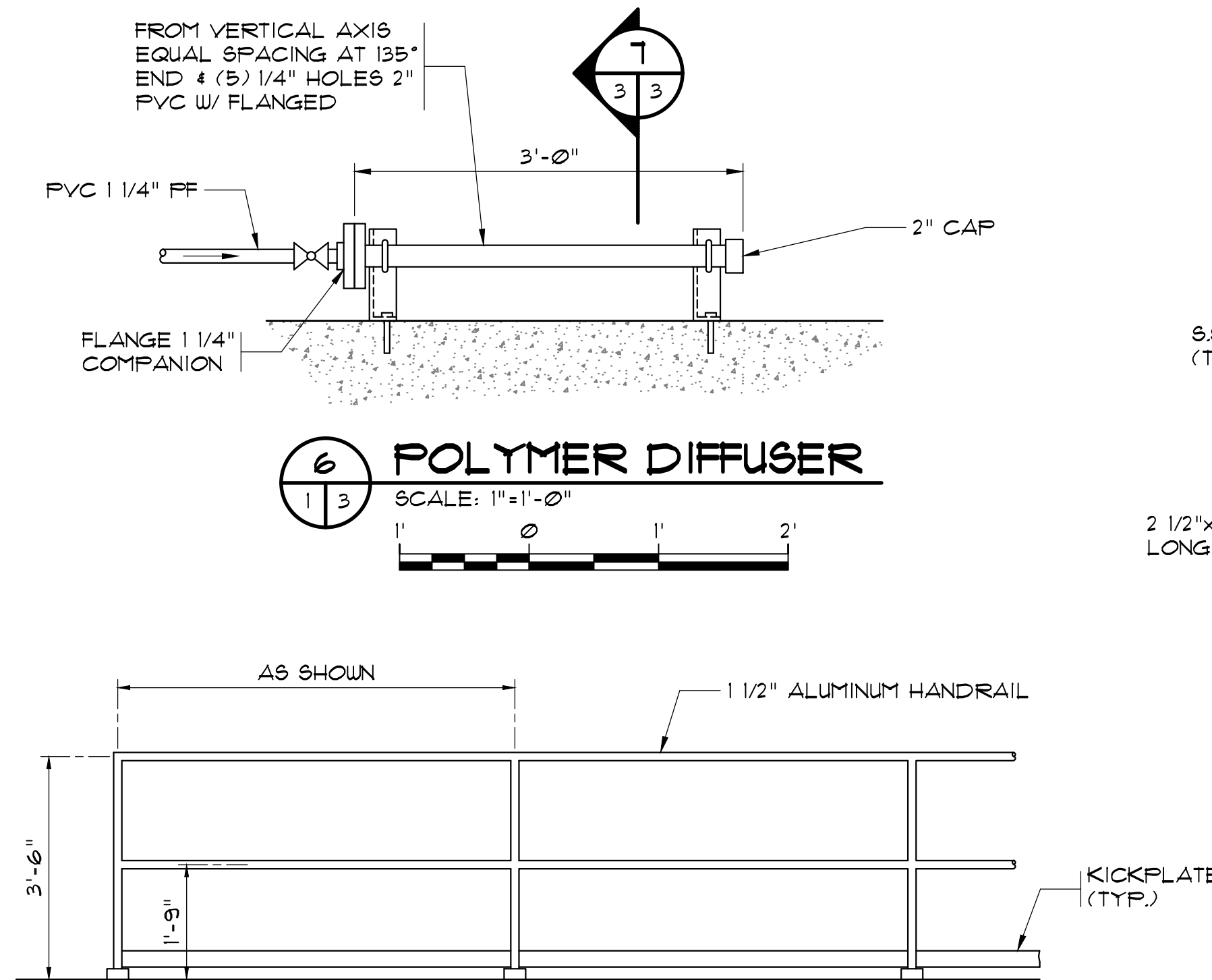
SOUTH CAROLINA PROFESSIONAL ENGINEER
 W. W. RICHMOND & CO., INC.
 LICENSE NO. 12335
 07/29/2022
 PROFESSIONAL SEAL



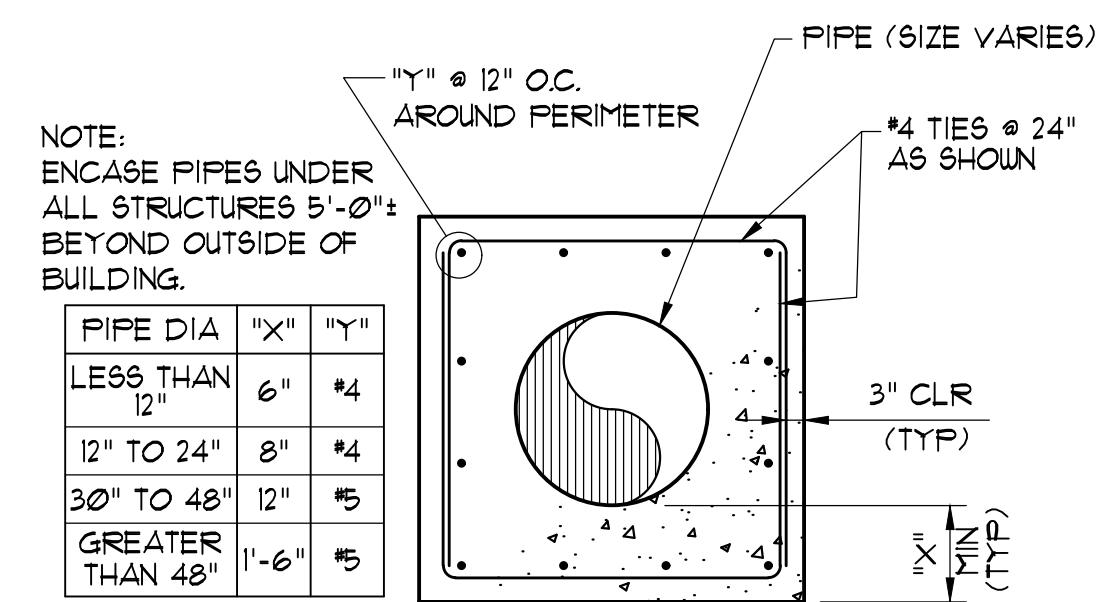
4 SECTION VIEW
 SCALE: 3/16"=1'-0"
 4' 2' 0' 4' 8'



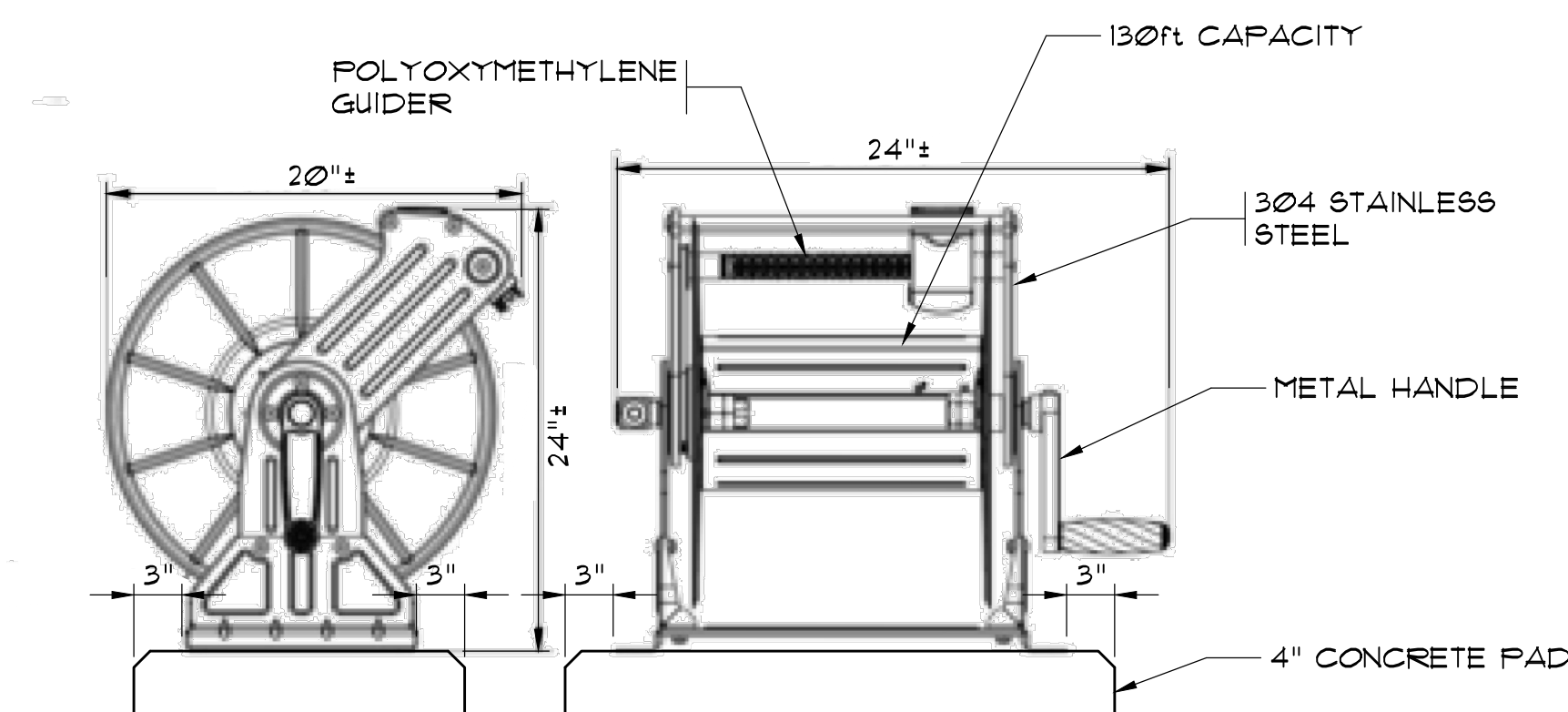
5 SECTION VIEW
 SCALE: 3/16"=1'-0"
 4' 2' 0' 4' 8'



TYPICAL HANDRAIL DETAIL
 N.T.S.



TYPICAL PIPE ENCASEMENT DETAIL
 N.T.S.



S.S. HOSE REEL DETAIL
 N.T.S.

NO.	DATE	DESCRIPTION	BY
1	07/29/2022	BID SET - NOT FOR CONSTRUCTION	JWM

PROJECT NAME: WTP FLOCISED BASIN NO. 2 FOR CITY OF GEORGETOWN
 DRAWING TITLE: FLOCISED BASIN NO. 2 SECTION VIEWS & MISCELLANEOUS DETAILS
 PROJECT NO.: 20210110.00.CH

PROJ. MGR.: WHY
 DESIGN BY: JWM
 DRAWN BY: DC
 PROJ. DATE: 07/29/2022
 DRAWING NUMBER:

EN-3
 WKD PROJ. NO.: 20210110.00.CH

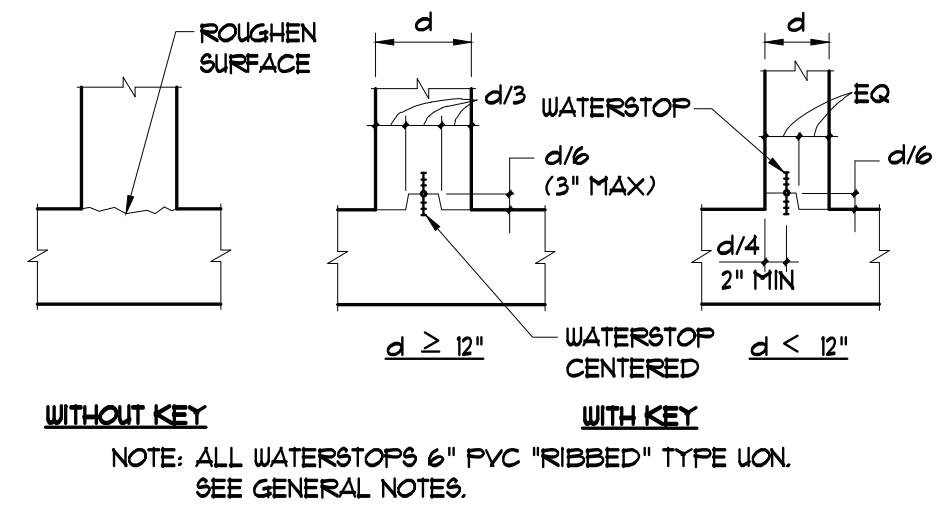
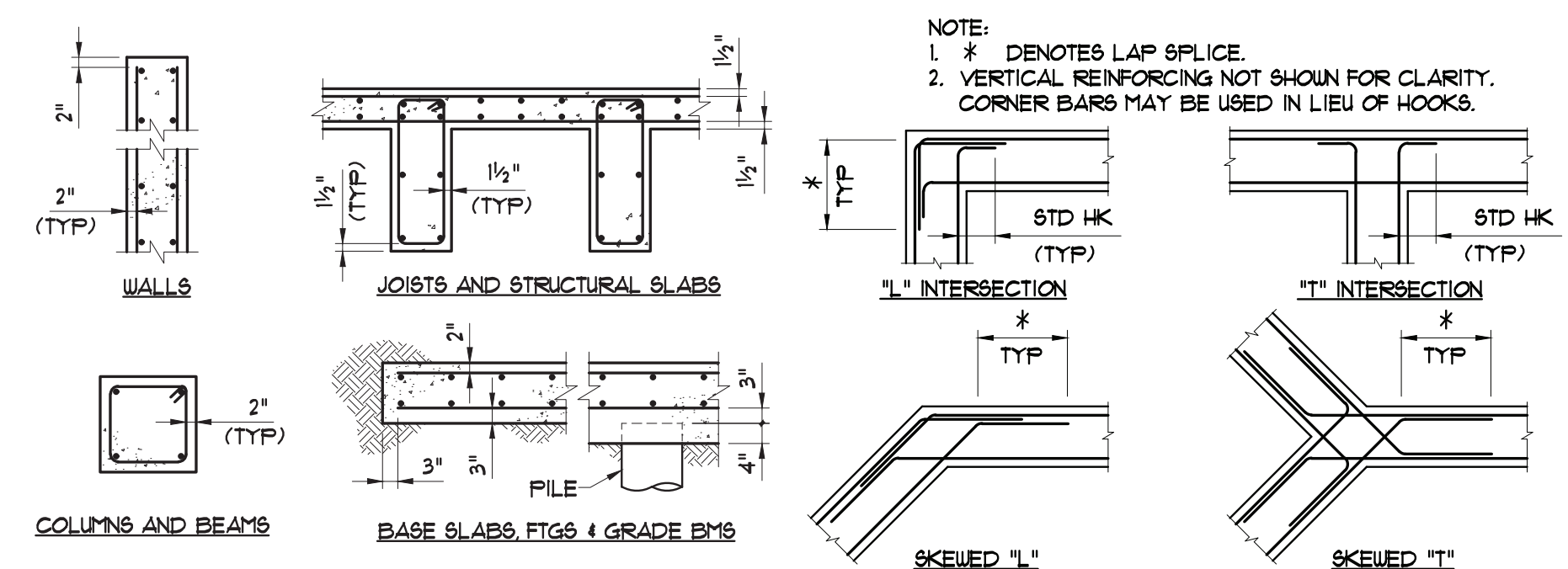
BID SET - NOT FOR CONSTRUCTION

CONTRACTOR SHALL VERIFY ALL DIMENSIONS AND CONDITIONS OF THE CONSTRUCTION SITE PRIOR TO COMMENCING WORK. ANY DISCREPANCIES OR UNUSUAL CONDITIONS SHALL BE REPORTED TO THE ENGINEER IMMEDIATELY. THE CONTRACTOR SHALL BE RESPONSIBLE FOR OBTAINING ALL NECESSARY PERMITS AND APPROVALS FROM THE LOCAL, STATE, AND FEDERAL AGENCIES. THE CONTRACTOR SHALL BE RESPONSIBLE FOR OBTAINING ALL NECESSARY PERMITS AND APPROVALS FROM THE LOCAL, STATE, AND FEDERAL AGENCIES.

FEBRUARY 27, 2023 11:40AM I:\Projects\10. UPL\046251-MBD\218 Georgetown WTP\5-01.dwg - CUTSHOT, WPASC, GNOTES, COTWATER, C03, C04, C06, C08, LARSCHE, C09, C18, MEDCASC

GENERAL NOTES

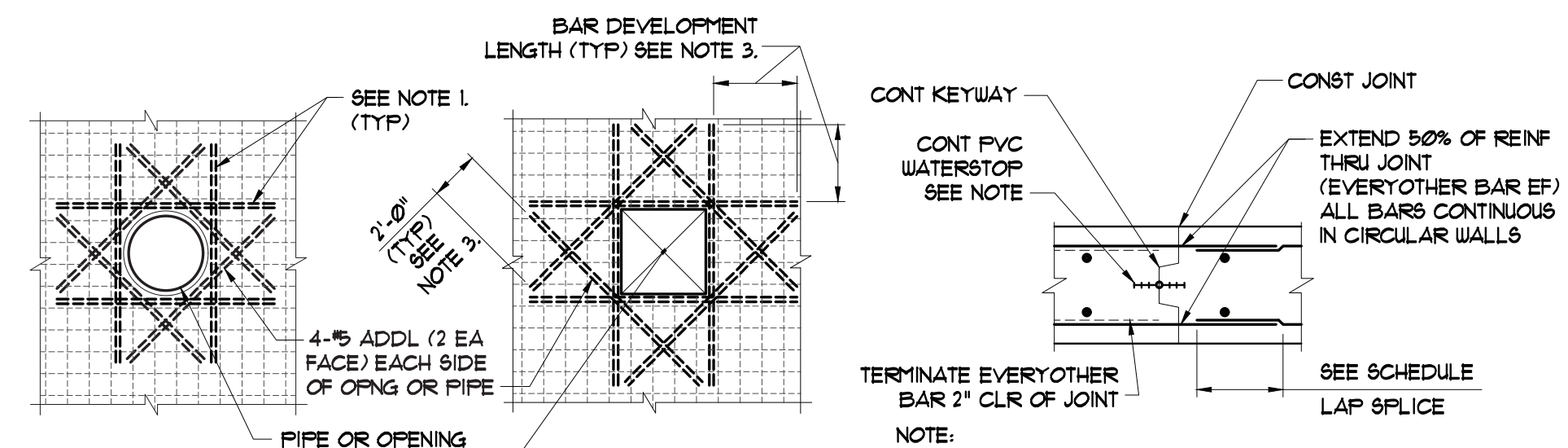
- A. FOUNDATIONS.**
- FOUNDATION DESIGN PER RECOMMENDATIONS FROM SOILS REPORT AND SUBSEQUENT EMAILS FROM JOEL E. WOOD & ASSOCIATES DATED SEPTEMBER 11, 2021, JWA FILE NO. 210505.
 - FOUNDATION EXCAVATIONS AND FORMS SHALL BE REVIEWED BY THE ENGINEER PRIOR TO PLACING CONCRETE.
 - PLACE CONCRETE FOR FOUNDATION SLAB IN ALTERNATE SECTIONS AND PROVIDE CONSTRUCTION JOINTS AS SHOWN.
 - PRECAST-PRESTRESSED CONCRETE PILES SHALL BE 12"x12" SQUARE AND SHALL BE DRIVEN TO DEVELOP 60 TONS ALLOWABLE VERTICAL CAPACITY. PILE REINFORCING SHALL BE DESIGNED FOR AN ALLOWABLE 10 KIP LATERAL LOAD AND 500 IN-KIP BENDING MOMENT.
 - EXCAVATE TO PLAN DEPTH OF FOUNDATION SLAB PRIOR TO COMMENCING PILE DRIVING.
 - PRE-DRILL IF REQUIRED TO MINIMIZE VIBRATIONS TO EXISTING STRUCTURES.
- B. CONCRETE.**
- COORDINATE VIBRATION ISOLATION METHODS AND PROCEDURES WITH GEOTECHNICAL ENGINEER.
 - CONCRETE SHALL DEVELOP 4500 PSI MINIMUM COMPRESSIVE STRENGTH AT 28 DAYS.
 - CONCRETE WORK SHALL CONFORM TO ACI 318-14 AND ACI 301-10.
 - CONCRETE SHALL BE CURED A MINIMUM OF 1 DAYS BY ONE OR MORE METHODS SPECIFIED IN ACI 301.
 - CHAMFER EXPOSED EDGES OF CONCRETE (AND ALL CORNERS OF ALL COLUMNS) 3/4 INCH, UNLESS OTHERWISE NOTED.
 - PLACE 1/2 INCH EXPANSION JOINT MATERIAL BETWEEN EDGES OF SLABS AND VERTICAL SURFACES, UNLESS OTHERWISE NOTED.
 - PROVIDE CONSTRUCTION OR CONTROL JOINTS IN SLABS AND WALLS AT LOCATIONS SHOWN ON DRAWINGS.
 - SEE CIVIL DRAWING FOR DAMPROOFING, WATERPROOFING AND/OR SURFACE COATINGS.
- C. REINFORCING STEEL.**
- ALL BARS SHALL BE ROLLED FROM NEW BILLET-STEEL CONFORMING TO ASTM A615, GRADE 60.
 - REINFORCING STEEL IN PLACE SHALL BE REVIEWED BY THE ENGINEER PRIOR TO PLACING CONCRETE.
- D. GROUT.**
- NON-SHRINK GROUT SHALL CONFORM TO CORP OF ENGINEERS SPECIFICATION CRD-C 621.
 - GROUT SHALL BE NON-STAINING AND NON-SHRINKING.
- E. WATERSTOPS.**
- PROVIDE CONTINUOUS PVC WATERSTOPS WHERE SHOWN ON DRAWINGS. AT EXTERIOR WALL CONSTRUCTION JOINTS AND WHERE DIFFERENTIAL HEIGHTS OF FLUIDS EXIST ON EITHER SIDE OF WALL.
 - WATERSTOPS SHALL BE MANUFACTURED OF VIRGIN MATERIAL COMPOSED OF AN ELASTOMERIC POLYVINYL CHLORIDE COMPOUND MEETING THE REQUIREMENTS OF CORP OF ENGINEERS CRD-C612. SUBMIT MANUFACTURER'S LITERATURE SHOWING COMPLIANCE WITH THE ABOVE SPECIFICATION AND SHOWING WATERSTOP SHAPES FOR USE.
 - WATERSTOPS AT CONSTRUCTION JOINTS SHALL BE 6 INCH MINIMUM LENGTH "RIBBED" TYPE, WITH CENTER BULB, UNLESS OTHERWISE INDICATED ON DRAWINGS. WATERSTOPS AT EXPANSION JOINTS SHALL BE 9 INCH MINIMUM LENGTH "RIBBED" TYPE WITH 3/8 INCH MINIMUM INSIDE DIAMETER CENTER BULB, UNLESS OTHERWISE INDICATED ON DRAWINGS.
 - ALL SPLICING OF WATERSTOPS SHALL BE SHOP FABRICATED EXCEPT THAT BUTT SPLICES MAY BE FIELD FABRICATED.
 - HYDROPHILIC WATERSTOPS SHALL BE A NON-BENTONITE, CO-EXTRUDED, STRIP APPLIED HYDROPHILIC RUBBER CONSISTING OF CHLOROPRENE RUBBER AND CHLOROPRENE RUBBER MODIFIED TO IMPART HYDROPHILIC PROPERTIES.
 - HYDROPHILIC WATERSTOP SHALL HAVE AN EXPANSION DELAY COATING TO INHIBIT INITIAL EXPANSION DUE TO MOISTURE PRESENT IN FRESH CONCRETE.
- F. HYDROPHILIC WATERSTOP VOLUMETRIC EXPANSION RATIO MUST BE A MINIMUM OF 3:1.**
- G. DESIGN LOADS.**
- STRUCTURAL MEMBERS SHALL BE DESIGNED FOR FULL DEAD LOADS AND THE FOLLOWING LIVE LOADS.
- STRUCTURAL DESIGN LOADS BASED ON SCBC AND IBC 2018.
- IMPORTANCE FACTORS: WIND (I_w) = 1.0
 SNOW (I_s) = 1.0
 SEISMIC (I_e) = 1.25
 - LIVE LOADS:
 LATERAL PRESSURE = 63 PCF
 - SNOW LOAD:
 $F_g = 5$ PSF GROUND SNOW LOAD
 $C_e = 1.0$, $C_t = 1.2$
 - WIND LOAD: ULTIMATE WIND SPEED 116. (ASCE 7-16), EXPOSURE CATEGORY C
 - SEISMIC DESIGN CATEGORY D
 PROVIDE THE FOLLOWING SEISMIC DESIGN PARAMETERS:
 RISK CATEGORY III
 SPECTRAL RESPONSE ACCELERATION
 $S_s = 0.482$ %g
 $S_1 = 0.33$ %g
 $C_s = 0.14$
 $S_{ds} = 0.455$
 $S_{d1} = 0.242$
 $R = 5$
- SITE CLASSIFICATION D
 BASIC STRUCTURAL SYSTEM
 BEARING WALL
 BUILDING FRAME
 MOMENT FRAME
 ANALYSIS PROCEDURE
 SIMPLIFIED
 EQUIVALENT LATERAL FORCE
- H. ABBREVIATIONS.**
- THE FOLLOWING LIST OF ABBREVIATIONS IS NOT INTENDED TO REPRESENT ALL THOSE USED ON THESE DRAWINGS, BUT TO SUPPLEMENT THE MORE COMMON ABBREVIATIONS USED:
- TYP - TYPICAL
 - UN - UNLESS OTHERWISE NOTED
 - CLR - CLEAR, CLEARANCE
 - TCJ - TYPICAL CONTROL JOINT, TYPICAL CONSTRUCTION JOINT
 - NTS - NOT TO SCALE
 - CJ - CONSTRUCTION JOINT
- I. CONSTRUCTION SAFETY.**
- THESE STRUCTURAL DRAWINGS DO NOT CONTAIN NECESSARY COMPONENTS FOR SAFETY DURING CONSTRUCTION.
 - THE CONTRACTOR SHALL PROVIDE ADEQUATE TEMPORARY BRACING, SHORING AND GUYING OF FRAMING AGAINST WIND, CONSTRUCTION LOADS AND OTHER TEMPORARY FORCES UNTIL SUCH PROTECTION IS NO LONGER REQUIRED FOR THE SAFE SUPPORT OF THE FRAMING.



A TYP REIN BAR CLEARANCES
 (UNLESS OTHERWISE NOTED) NO SCALE

B TYP WALL INTERSECTION REINFORCING
 NO SCALE

C STANDARD CONSTRUCTION JOINT DETAILS
 NO SCALE



NOTE:

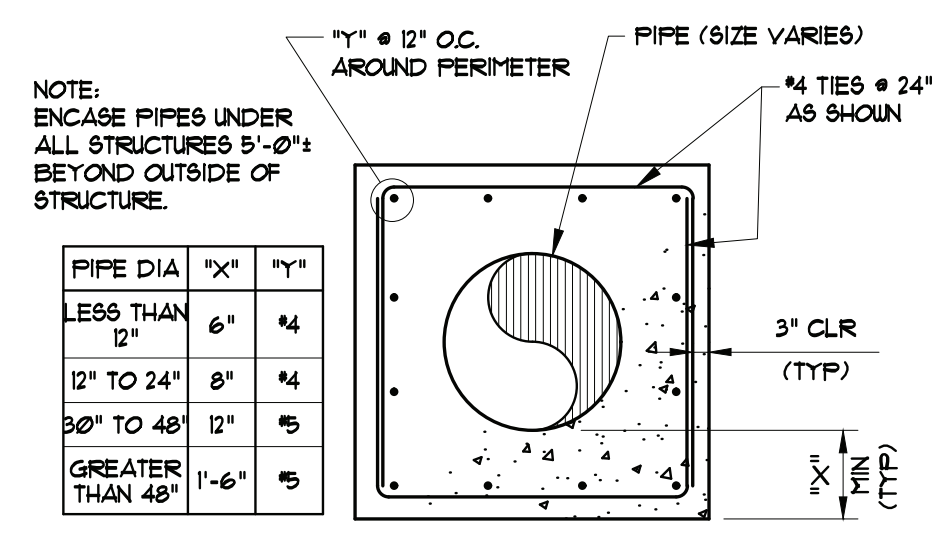
- PROVIDE ADDITIONAL HORIZONTAL AND VERTICAL BARS EQUAL TO THE NUMBER OF BARS TERMINATED AT OPENING, HALF EACH SIDE.
- AT SINGLE LAYER REINFORCED WALLS OR SLABS, PROVIDE ONLY SINGLE LAYER OF ADDITIONAL REINFORCING AT OPENING.
- TERMINATE REINFORCING WITH STD HK WHERE OPENING ADJACENT TO WALL OR SLAB EDGE.

NOTE:

PROVIDE CONSTRUCTION JOINTS IN ALL WALLS AND SLABS AS NOTED ON THE PLANS AND AT 30'-0" MAX. UN. PROVIDE CONTINUOUS PVC WATERSTOPS AT SLAB JOINTS, AT ALL EXTERIOR WALL JOINTS AND ANY INTERIOR WALL JOINTS WHERE DIFFERENTIAL HEIGHTS OF FLUIDS EXIST ON EITHER SIDE OF WALL. PLACE CONCRETE IN ALTERNATE SECTIONS. TERMINATE WATERSTOP 3" FROM TOP OF WALL. ALLOW CONCRETE TO CURE A MINIMUM OF 3 DAYS PRIOR TO ADJACENT PLACEMENTS.

BAR SIZE	LAP SPLICE LENGTH			
	3,000 PSI CONCRETE		4,000/4,500 PSI CONCRETE	
	TOP BARS	OTHER BARS	TOP BARS	OTHER BARS
#3	2'-4"	1'-10"	2'-0"	1'-7"
#4	3'-1"	2'-5"	2'-8"	2'-1"
#5	3'-11"	3'-0"	3'-4"	2'-7"
#6	4'-8"	3'-7"	4'-0"	3'-1"
#7	6'-9"	5'-3"	5'-10"	4'-6"
#8	7'-9"	6'-0"	6'-8"	5'-2"
#9	8'-9"	6'-9"	7'-1"	5'-10"
#10	9'-10"	7'-7"	8'-6"	6'-7"
#11	10'-11"	8'-5"	9'-5"	7'-3"

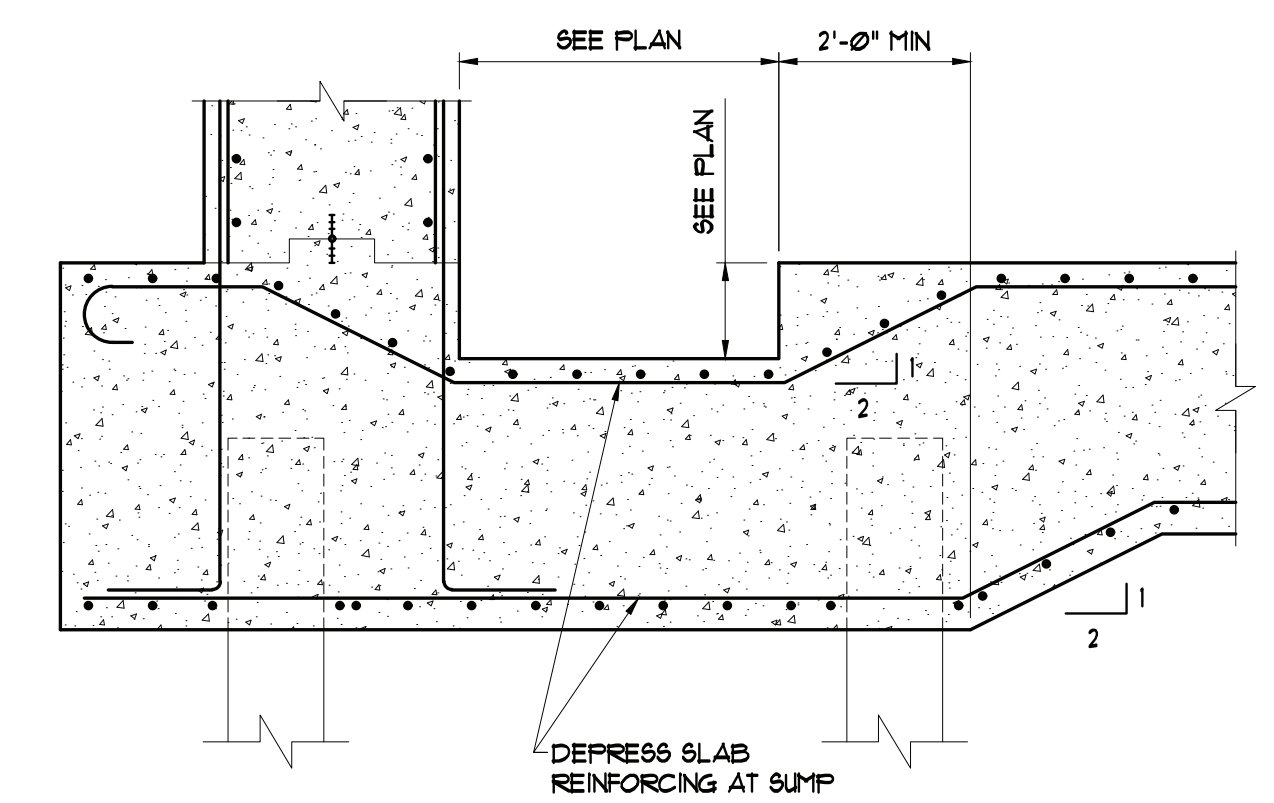
NOTE: TOP BARS ARE HORIZONTAL SLAB BARS WITH MORE THAN 12" OF CONCRETE CAST BELOW THE BARS.



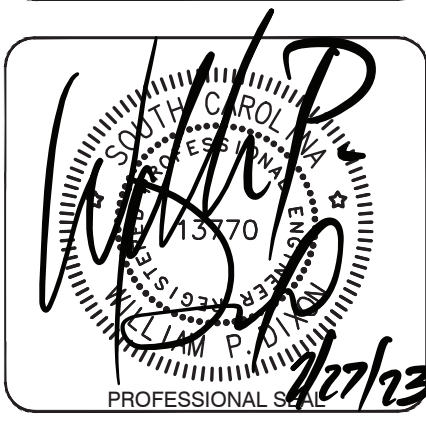
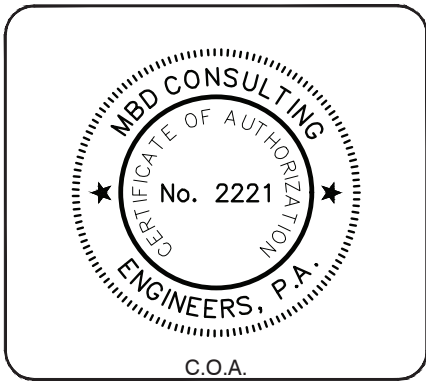
NOTE:

ENCASE PIPES UNDER ALL STRUCTURES 5'-0" BEYOND OUTSIDE OF STRUCTURE.

PIPE DIA	X ¹	Y ¹
LESS THAN 12"	6"	4"
12" TO 24"	8"	4"
24" TO 48"	12"	5"
GREATER THAN 48"	1'-6"	5"



G TYP SUMP SECTION
 NO SCALE



REVISION RECORD		DESCRIPTION
NO.	DATE	
1	2/27/2023	BID SET - NOT FOR CONSTRUCTION
2	7/29/2022	BID SET - NOT FOR CONSTRUCTION

PROJECT NAME: WTP FLOCISED BASIN NO. 2 FOR CITY OF GEORGETOWN
 DRAWING TITLE: GENERAL NOTES AND DETAILS

PROJ. MGR.: WHY
 DESIGN BY: WPD
 DRAWN BY: DAS
 PROJ. DATE: 7/29/2022
 DRAWING NUMBER:

S-1
 WKD PROJ. NO.: 20210110.00.CH

BID SET - NOT FOR CONSTRUCTION

CONSULTANT: MBI CONSULTING ENGINEERS, P.A. ALL RIGHTS RESERVED. THIS DOCUMENT IS THE PROPERTY OF MBI CONSULTING ENGINEERS, P.A. AND IS TO BE USED ONLY FOR THE PROJECT AND SITE SPECIFICALLY IDENTIFIED HEREIN. ANY OTHER USE OF THIS DOCUMENT WITHOUT WRITTEN CONSENT OF MBI CONSULTING ENGINEERS, P.A. IS PROHIBITED. ANY COPIES OF THIS DOCUMENT MUST BE MADE FROM THE ORIGINAL FILED WITH THE PROJECT RECORDS.

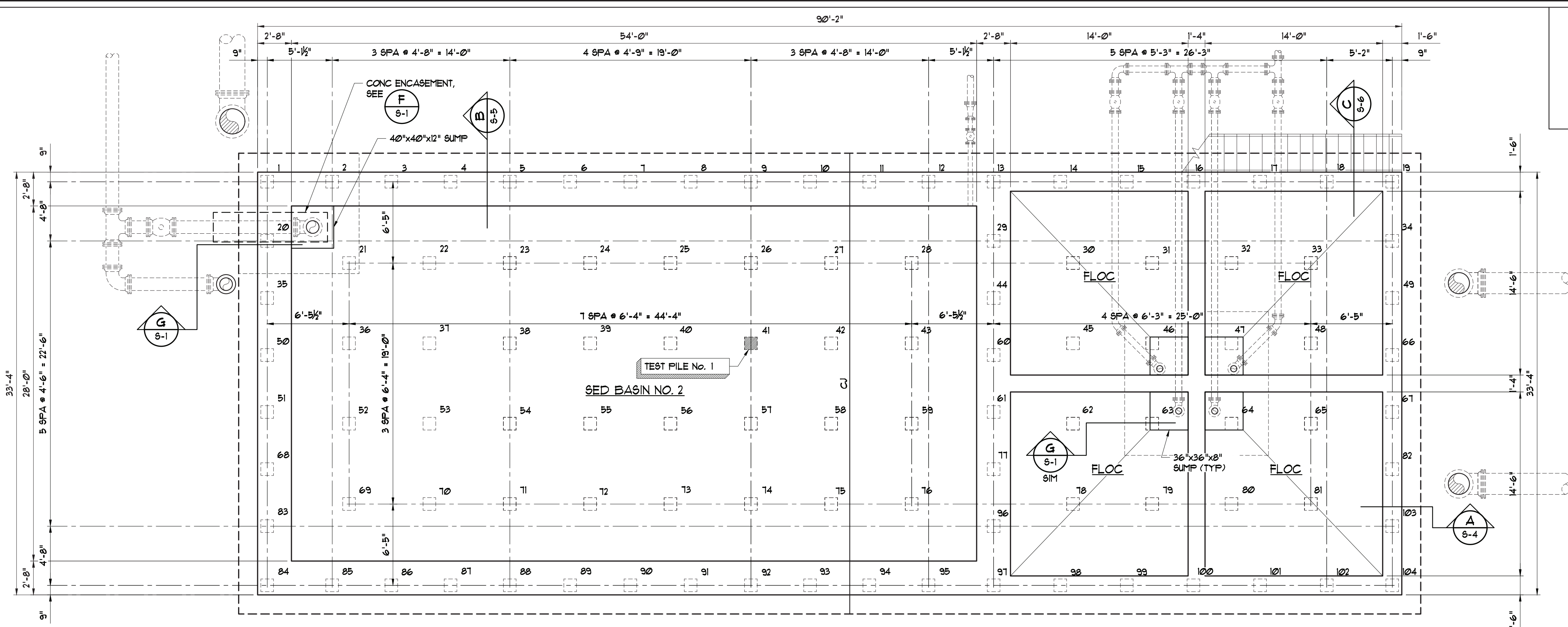
FEBRUARY 27, 2023 11:16AM I:\Projects\A\0_UPLOADS\1_MBI\218 Georgetown WTP\S-02.dwg - CUTSHT, DAL002, WPDSC, archwell, MBI\CDASG

MBI
 CONSULTING ENGINEERS, P.A.
 911 NORMAN ALLEY
 CONWAY, SC 29526
 Phone: (843) 488-0124
 Fax: (843) 488-0129

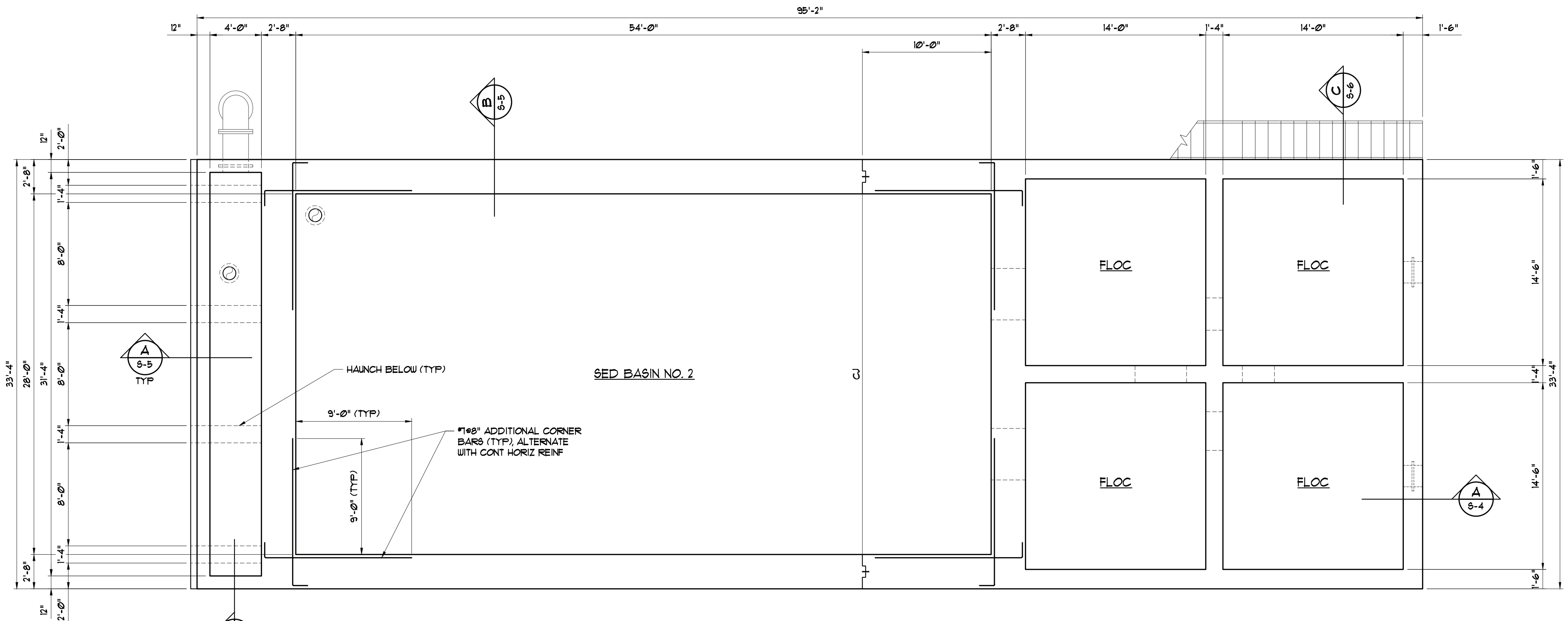
WK DICKSON
 community infrastructure consultants
 162 SEVEN FARMS DRIVE
 SUITE 210
 CHARLESTON, SC 29492
 (843) 416-5560
 (843) 416-5563
 WWW.WKDICKSON.COM

MBI CONSULTING ENGINEERS, P.A.
 No. 2221
 C.O.A.

PROFESSIONAL SEAL
 2/27/2023



FLOC/SED BASIN NO. 2 FOUNDATION/PILE PLAN
 3/16" = 1'-0"
 NOTE:
 1. 104 - 60 TON FILES.



FLOC/SED BASIN NO. 2 SECTION PLAN
 3/16" = 1'-0"

REVISION RECORD		NO.	DATE	DESCRIPTION
1	2/27/2023	WPD		BID SET - NOT FOR CONSTRUCTION
0	7/29/2022	WPD		BID SET - NOT FOR CONSTRUCTION

PROJECT NAME: WTP FLOC/SED BASIN NO. 2 FOR CITY OF GEORGETOWN
 DRAWING TITLE: FLOC/SED BASIN NO. 2 FOUNDATION/PILE PLAN AND SECTION PLAN

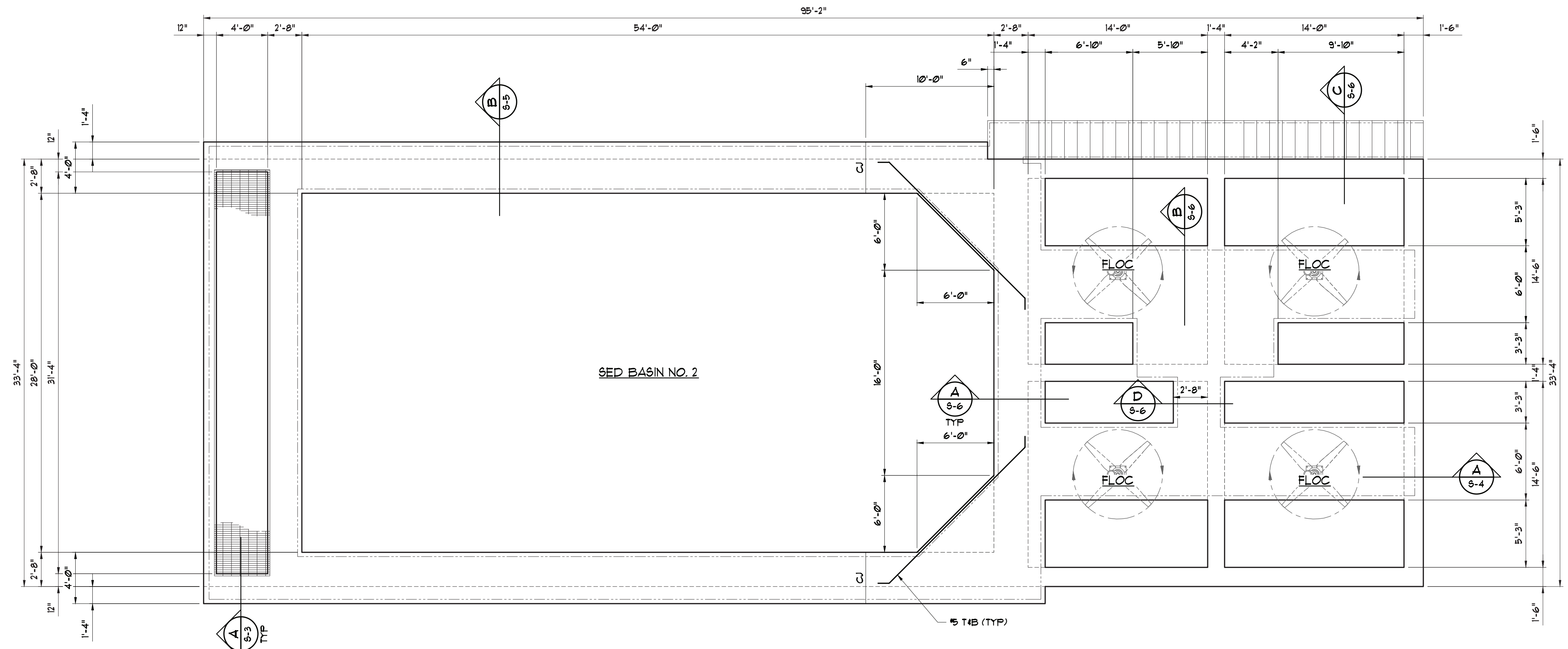
PROJ. MGR.: WHY
 DESIGN BY: WPD
 DRAWN BY: DAS
 PROJ. DATE: 7/29/2022
 DRAWING NUMBER:

S-2
 WKD PROJ. NO.: 20210110.00.CH

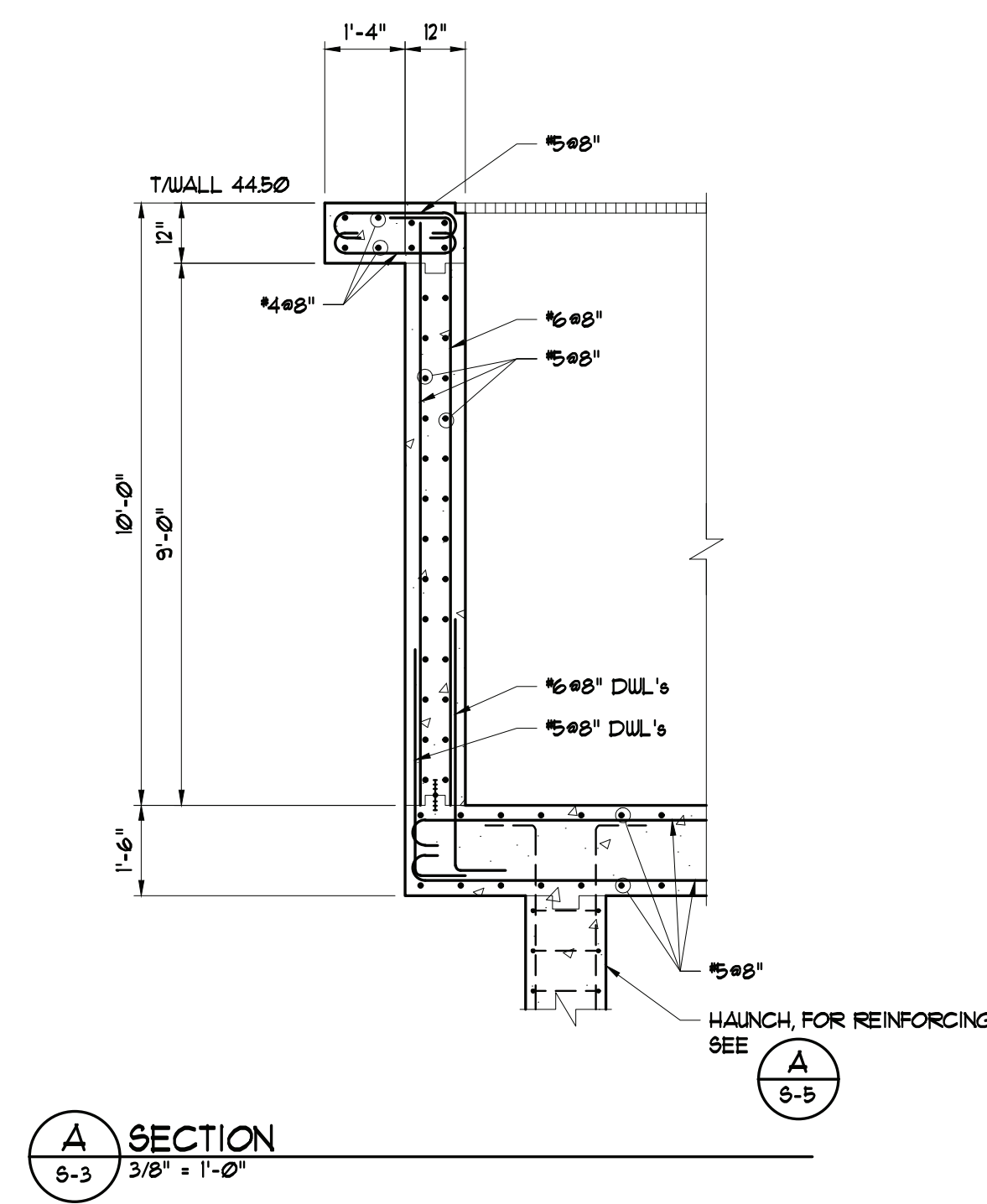
BID SET - NOT FOR CONSTRUCTION

CONSULTANT'S USE ONLY. THIS DRAWING IS THE PROPERTY OF MBD CONSULTING ENGINEERS, P.A. AND IS NOT TO BE REPRODUCED, COPIED, OR TRANSMITTED IN ANY FORM OR BY ANY MEANS, ELECTRONIC OR MECHANICAL, WITHOUT THE WRITTEN CONSENT OF MBD CONSULTING ENGINEERS, P.A. ANY UNAUTHORIZED USE OF THIS DRAWING IS PROHIBITED.

FEBRUARY 27, 2023 11:16AM I:\Projects\A\0_UPLOADS\1_MBD\218 Georgetown WTP\S-03.dwg - CUTSHT, DAL002, WPDSC, ARCHWELL, SECI, MBD\GASG



FLOC/SED BASIN NO. 2 UPPER PLAN 3/16" = 1'-0"



A SECTION
 3/8" = 1'-0"

CONSULTING ENGINEERS, P.A.

911 NORMAN ALLEY
 CONWAY, SC 29526
 Phone: (843) 488-0124
 Fax: (843) 488-0129

community infrastructure consultants
 162 SEVEN FARMS DRIVE
 SUITE 210
 CHARLESTON, SC 29492
 (843) 416-5560
 (843) 416-5563
 WWW.WKDICKSON.COM

MBD CONSULTING ENGINEERS, P.A.
 No. 2221
 C.O.A.

WPD
 2/27/2023
 PROFESSIONAL SEAL

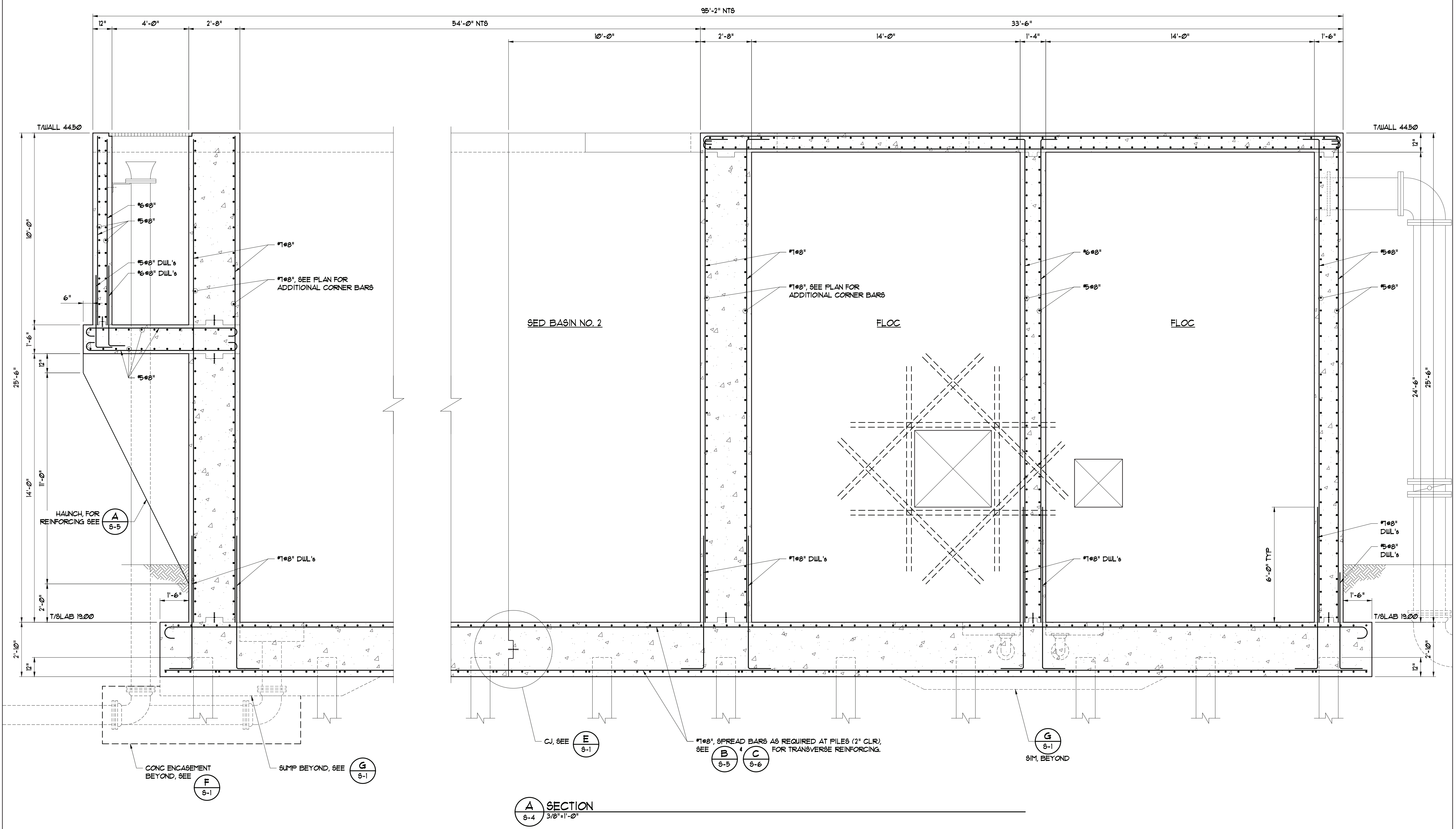
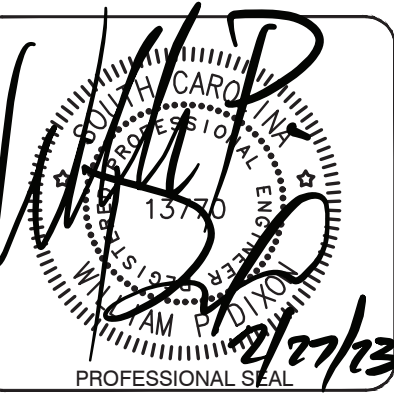
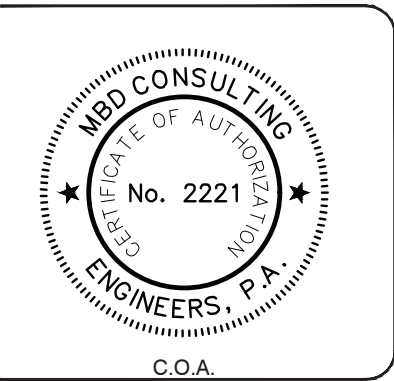
REVISION RECORD		NO.	DATE	DESCRIPTION	BY
		1	2/27/2023	BID SET - NOT FOR CONSTRUCTION	WPD
		0	7/29/2022	BID SET - NOT FOR CONSTRUCTION	WPD

PROJECT NAME: WTP FLOC/SED BASIN NO. 2 FOR CITY OF GEORGETOWN
 DRAWING TITLE: FLOC/SED BASIN NO. 2 UPPER PLAN AND DETAILS

PROJ. MGR.: WHY
 DESIGN BY: WPD
 DRAWN BY: DAS
 PROJ. DATE: 7/29/2022
 DRAWING NUMBER:
S-3
 WKD PROJ. NO.: 20210110.00.CH

BID SET - NOT FOR CONSTRUCTION

CONSULTANT'S USE ONLY. THIS DOCUMENT IS THE PROPERTY OF MBD CONSULTING ENGINEERS, P.A. AND IS NOT TO BE REPRODUCED, COPIED, OR TRANSMITTED IN ANY FORM OR BY ANY MEANS, ELECTRONIC OR MECHANICAL, WITHOUT THE WRITTEN CONSENT OF MBD CONSULTING ENGINEERS, P.A. ANY COPIES OF THIS DOCUMENT ARE UNAUTHORIZED.



FEBRUARY 27, 2023 11:22AM I:\Projects\10_UPLOADS\1_MBD\218 Georgetown WTP\S-14.dwg - CUTSHT, WPDSC, erin.well, MBD\SCS

REVISION RECORD

NO.	DATE	DESCRIPTION	WPD	BY
1	2/27/2023	BID SET - NOT FOR CONSTRUCTION	WPD	
0	7/29/2022	BID SET - NOT FOR CONSTRUCTION	WPD	

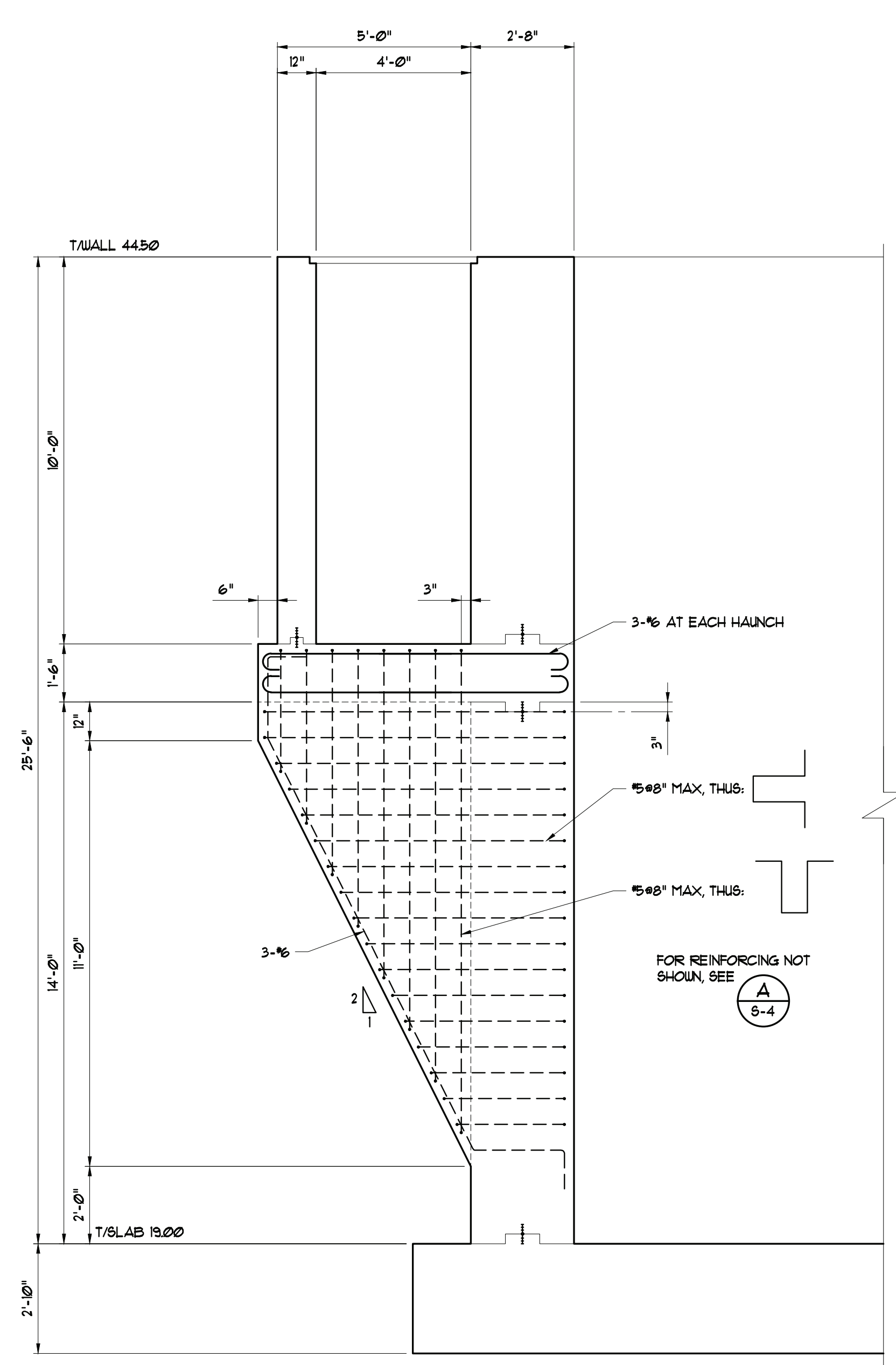
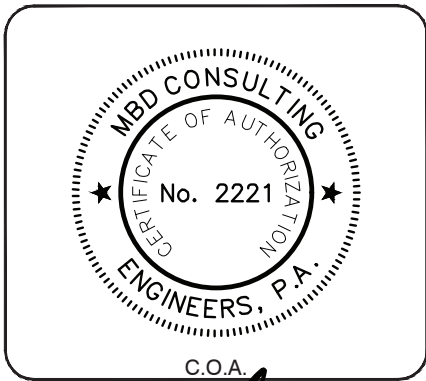
PROJECT NAME: WTP FLOC/SED BASIN NO. 2 FOR CITY OF GEORGETOWN
 DRAWING TITLE: FLOC/SED BASIN NO. 2 SECTIONS

PROJ. MGR.: WHY
 DESIGN BY: WPD
 DRAWN BY: DAS
 PROJ. DATE: 7/29/2022
 DRAWING NUMBER: S-4
 WKD PROJ. NO.: 20210110.00.CH

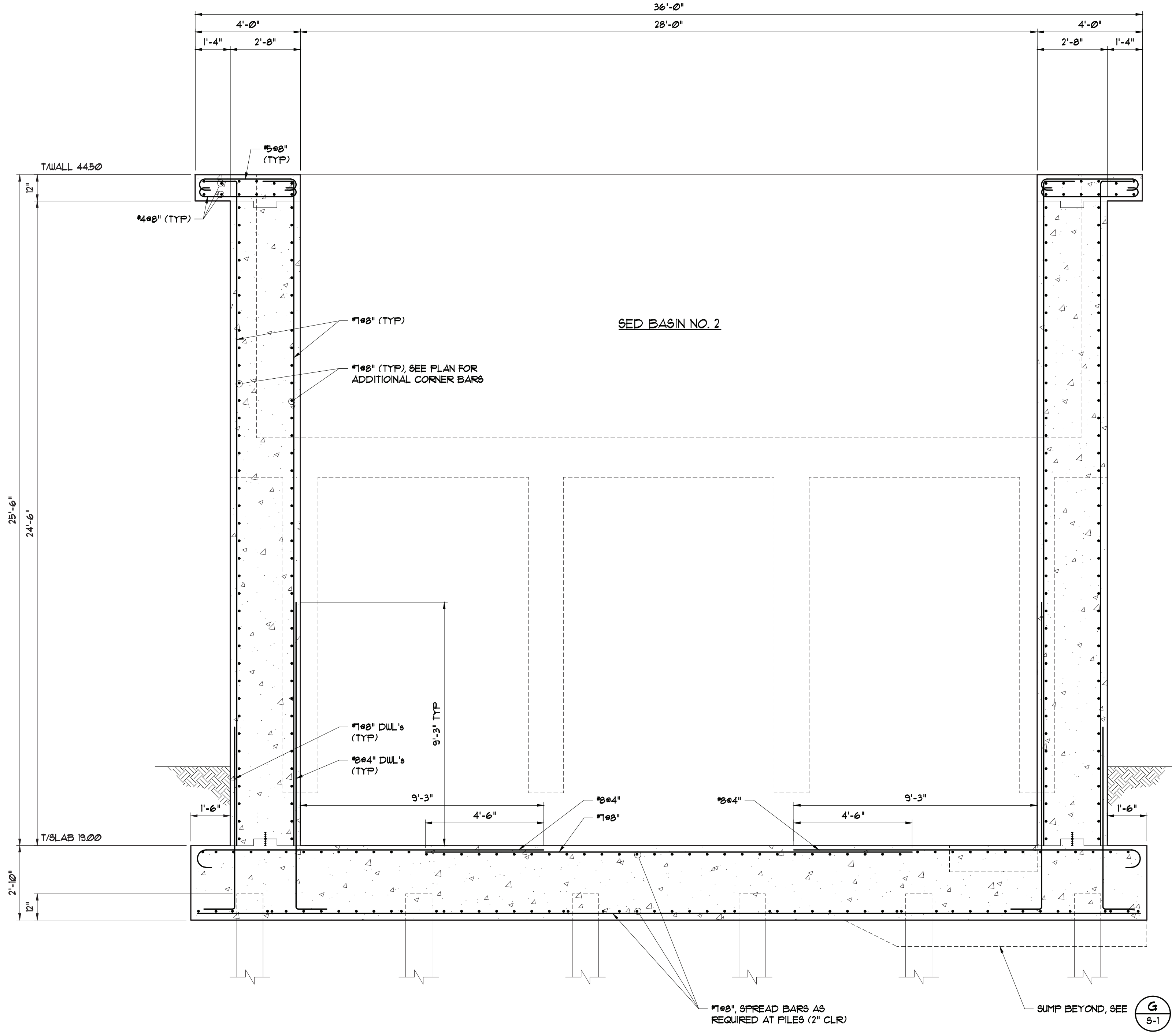
BID SET - NOT FOR CONSTRUCTION

CONSULTANT'S USE ONLY. ALL RIGHTS RESERVED. ANY REPRODUCTION OR TRANSMISSION OF THIS DOCUMENT OR ANY PART THEREOF WITHOUT THE WRITTEN CONSENT OF MBI ENGINEERS, P.A. IS PROHIBITED. ANY OTHER USE OF THIS DOCUMENT IS AT THE USER'S SOLE RISK. THE USER SHALL BE RESPONSIBLE FOR OBTAINING ALL NECESSARY PERMITS AND APPROVALS FROM THE APPROPRIATE AGENCIES.

FEBRUARY 27, 2023 11:17AM I:\Projects\A\0_UPLOADS\MBI\218 Georgetown WTP\S-05.dwg - CUTSET, DAL002, WPDSC, archwell, MBI\GASG



A TYPICAL HAUNCH REINFORCING
 3/8"=1'-0"



B SECTION
 3/8"=1'-0"

REVISION RECORD		NO.	DATE	DESCRIPTION
1	2/27/2023			BID SET - NOT FOR CONSTRUCTION
0	7/29/2022			BID SET - NOT FOR CONSTRUCTION

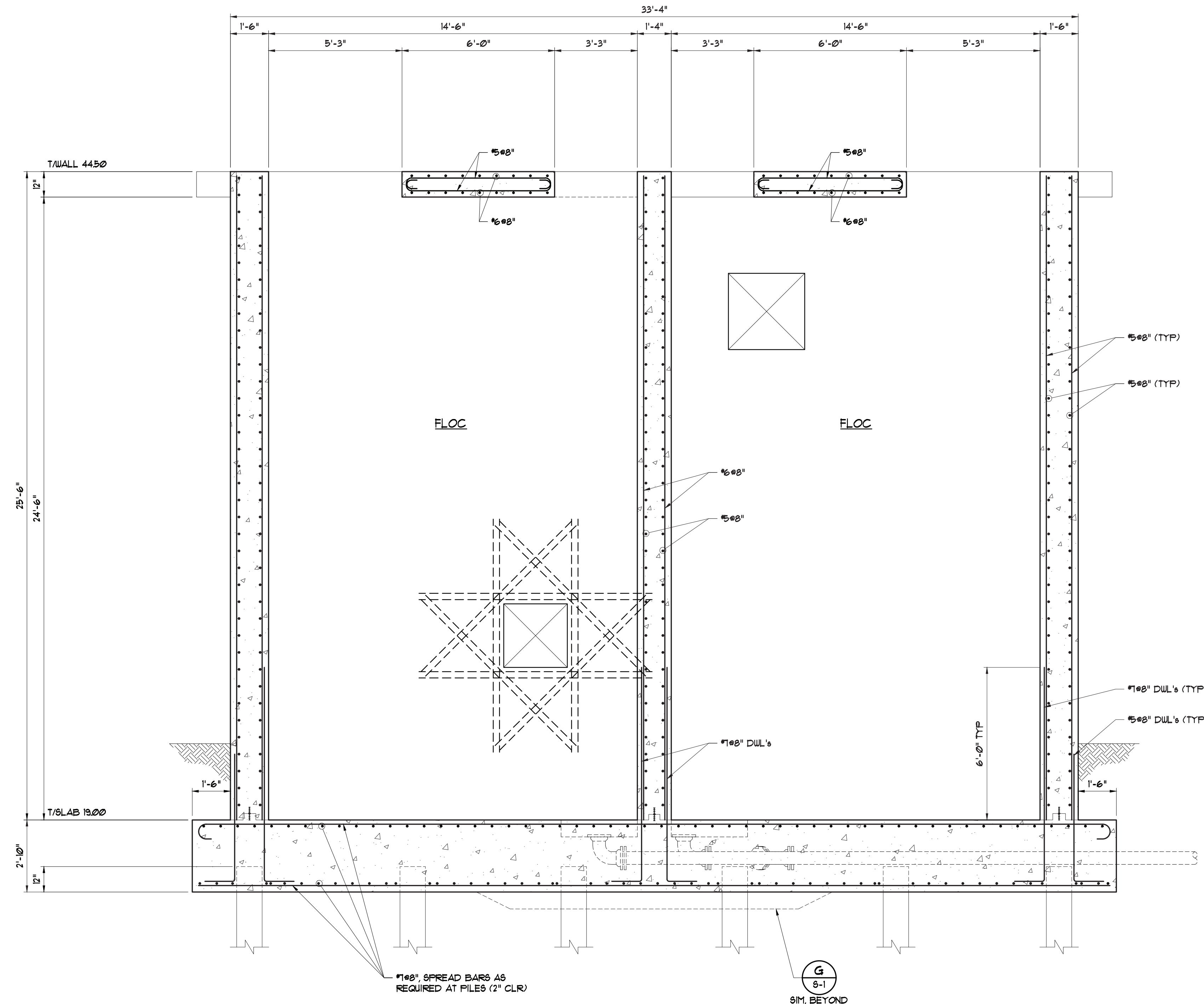
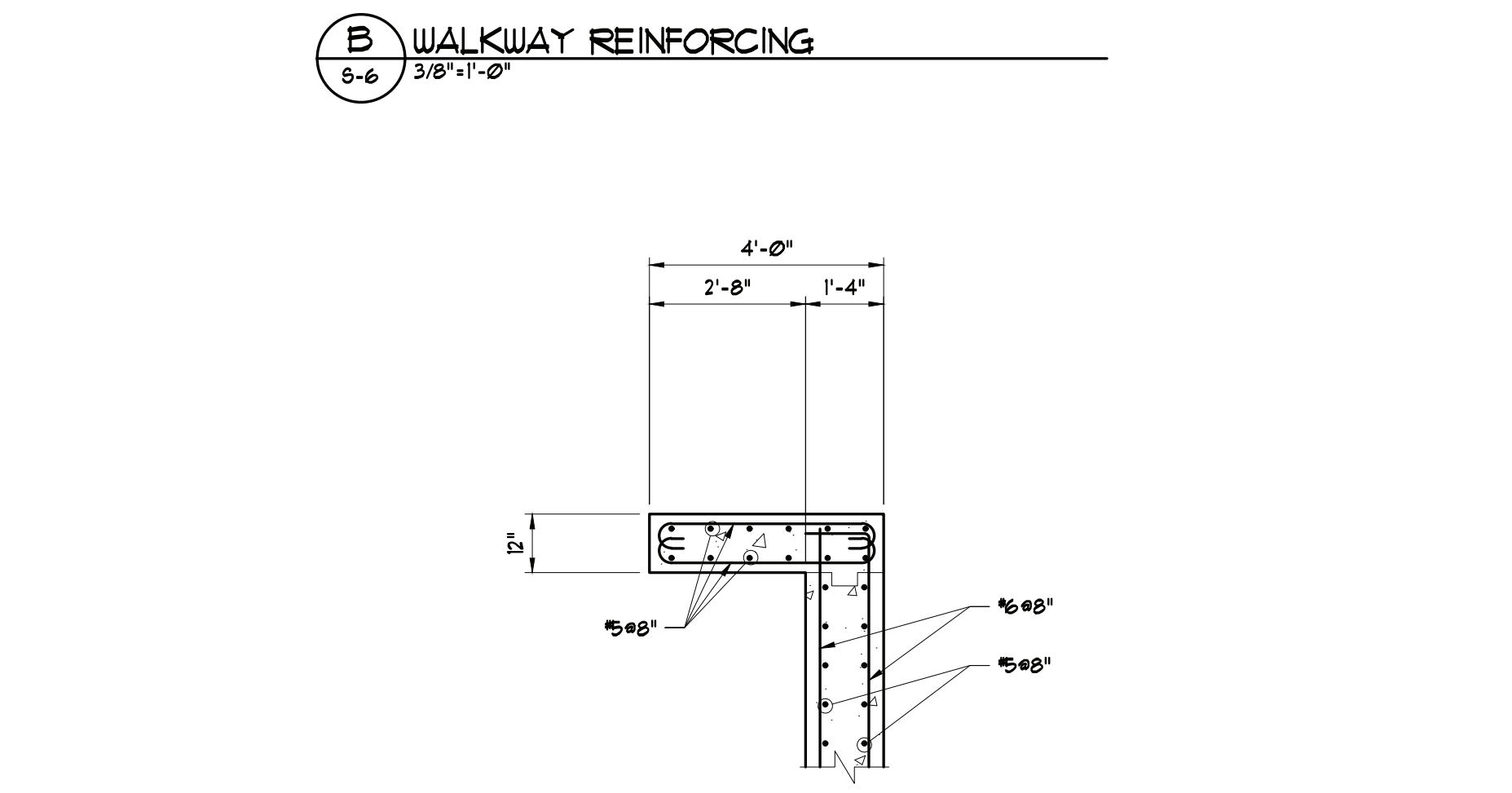
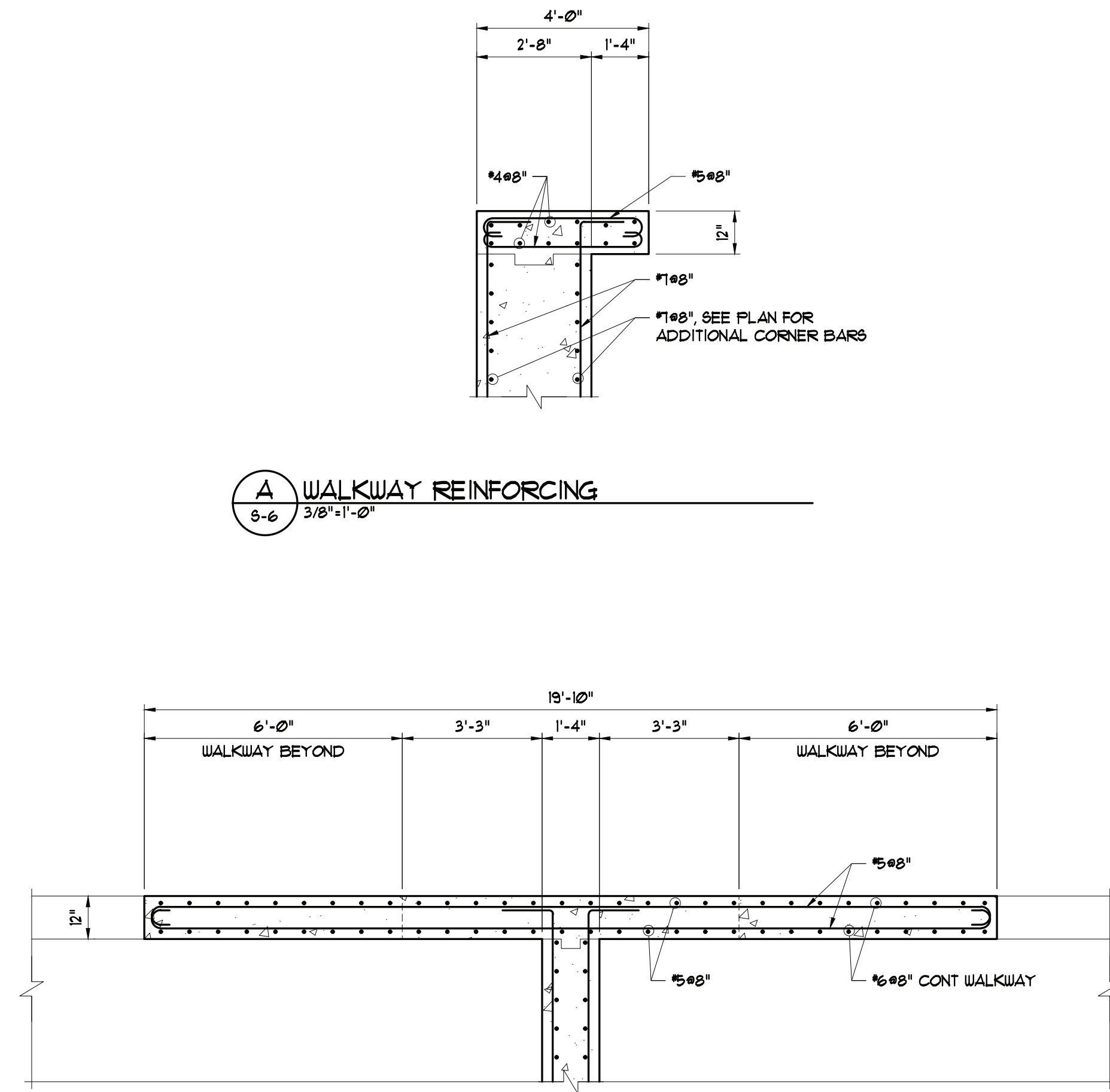
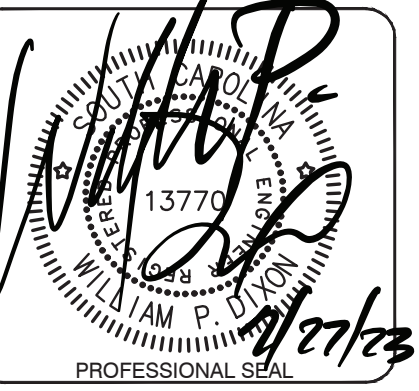
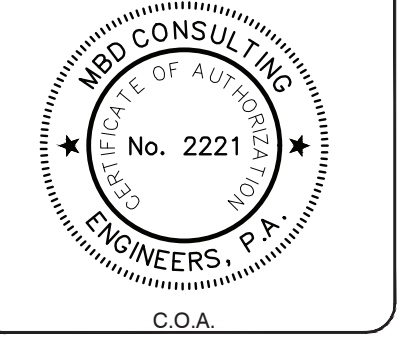
PROJECT NAME: WTP FLOC/SED BASIN NO. 2 FOR CITY OF GEORGETOWN
 DRAWING TITLE: FLOC/SED BASIN NO. 2 SECTIONS
 PROJECT NO.: 20210110.00.CH

PROJ. MGR.: WHY
 DESIGN BY: WPD
 DRAWN BY: DAS
 PROJ. DATE: 7/29/2022
 DRAWING NUMBER:

S-5
 WKD PROJ. NO.: 20210110.00.CH

BID SET - NOT FOR CONSTRUCTION

CONSULTANT'S SEAL AND SIGNATURE REQUIRED. ANY CHANGES TO THIS DRAWING MUST BE APPROVED BY THE CONSULTANT. ANY CHANGES MADE TO THIS DRAWING WITHOUT WRITTEN CONSENT OF W. K. DICKSON & COMPANY, INC. IS PROHIBITED. ANY CHANGES MADE TO THIS DRAWING WITHOUT WRITTEN CONSENT OF W. K. DICKSON & COMPANY, INC. IS PROHIBITED. ANY CHANGES MADE TO THIS DRAWING WITHOUT WRITTEN CONSENT OF W. K. DICKSON & COMPANY, INC. IS PROHIBITED.



NO.	DATE	DESCRIPTION	BY
1	2/27/2023	BID SET - NOT FOR CONSTRUCTION	WPD
0	7/29/2022	BID SET - NOT FOR CONSTRUCTION	WPD

PROJECT NAME: WTP FLOCISED BASIN NO. 2 FOR CITY OF GEORGETOWN
 DRAWING TITLE: FLOCISED BASIN NO. 2 SECTION
 PROJECT NO.: 20210110.00.CH

PROJ. MGR.: WHY
 DESIGN BY: WPD
 DRAWN BY: DAS
 PROJ. DATE: 7/29/2022
 DRAWING NUMBER:

S-6
 WKD PROJ. NO.: 20210110.00.CH

FEBRUARY 27, 2023 11:18AM I:\Projects\A\G_UPLOADS\1_MBD\218 Georgetown WTP\5-06.dwg - CUTSHT, DAL002, WPDSC, archwell, MBD/CASG

BID SET - NOT FOR CONSTRUCTION

THESE DRAWINGS ARE DIAGRAMMATIC - FIELD VERIFY ALL DIMENSIONS. BRANCH CIRCUITING CONVENTION - #12 AWG PER PHASE AND NEUTRAL (WHERE REQUIRED) AND 20 AMPERE CIRCUIT BREAKER, UNLESS OTHERWISE NOTED. PROVIDE QUANTITY AND SIZE SWITCH CONDUCTORS AS REQUIRED TO MAKE SYSTEM OPERATIONAL.

GENERAL NOTES (FOR ALL ELECTRICAL SHEETS)

- CONTRACTOR TO FIELD VERIFY EXACT LOCATION OF ALL EXISTING UNDERGROUND UTILITY LINES OF ALL TRADES PRIOR TO ANY SITE WORK.
- COORDINATE EXACT EQUIPMENT LOCATIONS WITH OWNER PRIOR TO ROUGH-INS.
- COORDINATE LOCATION OF MECHANICAL EQUIPMENT WITH MECHANICAL PLANS AND MECHANICAL CONTRACTOR PRIOR TO ROUGH-IN.
- ANY ITEMS DAMAGED BY THE CONTRACTOR SHALL BE REPLACED BY THE CONTRACTOR.
- ALL 120V BRANCH CIRCUITS SHALL BE 3-WIRE (PHASE, NEUTRAL, GROUND).
- INFORMATION ON THE DRAWINGS HAS BEEN ASCERTAINED FROM EXISTING DRAWINGS AND CASUAL FIELD OBSERVATIONS. THIS INFORMATION IS AS ACCURATE AS CONDITIONS WOULD ALLOW. IT IS THE RESPONSIBILITY OF THE CONTRACTOR TO VISIT THE SITE PRIOR TO BID, AND FAMILIARIZE HIMSELF WITH THE EXTENT OF WORK REQUIRED. NO EXTRAS WILL BE ALLOWED FOR ALTERATIONS OF A FORESEEABLE NATURE REQUIRED TO ACHIEVE THE END RESULT AS INDICATED BY CONTRACT DOCUMENTS.
- ALL ITEMS SHOWN LIGHT LINE WEIGHT ARE EXISTING TO REMAIN, UNLESS NOTED OTHERWISE. ALL ITEMS SHOWN HEAVY LINE WEIGHT ARE NEW OR RELOCATED AS NOTED.
- MAINTAIN CIRCUIT CONTINUITY FOR ALL EXISTING ITEMS THAT ARE REMAINING OR BEING RELOCATED.
- ALL ITEMS SHOWN TO BE REMOVED SHALL BE REMOVED IN THEIR ENTIRETY INCLUDING ALL ASSOCIATED CONDUIT AND WIRE BACK TO POINT OF ORIGIN OR NEAREST EXISTING ITEM THAT IS REMAINING, UNLESS OTHERWISE NOTED.

ABBREVIATIONS

NOTE: ALL ABBREVIATIONS SHOWN ARE NOT NECESSARILY USED.

- AC - ABOVE COUNTER
- AFC - ABOVE FINISHED CEILING
- AFF - ABOVE FINISHED FLOOR
- AFG - ABOVE FINISHED GRADE
- AIC - AMPS INTERRUPTING CURRENT
- AL - ALUMINUM
- BFG - BELOW FINISHED GRADE
- CB - CIRCUIT BREAKER
- CR - CORROSION RESISTANT
- OPT - CONTROL POWER TRANSFORMER
- CT - CURRENT TRANSFORMER
- CTTR - CONTACTOR
- CU - COPPER
- DPM - DIGITAL POWER METER
- EC - EMPTY CONDUIT
- ELR - END OF LINE RESISTOR
- EM - EMERGENCY
- ES - EMERGENCY STOP
- ETM - ELAPSED TIME METER
- EWC - ELECTRIC WATER COOLER
- EX - EXISTING
- FCP - FACTORY-SUPPLIED CONTROL PANEL (FWE)
- FLA - FULL LOAD AMPS
- FWNR - FULL VOLTAGE, NON-REVERSING
- FVR - FULL VOLTAGE, REVERSING
- FWE - FURNISHED WITH EQUIPMENT
- GFI - GROUND FAULT INTERRUPTER
- GRG - GALVANIZED RIGID CONDUIT
- HOA - HAND-OFF-AUTOMATIC
- HP - HORSEPOWER
- IG - ISOLATED GROUND
- LC - LIGHTING CONTACTOR
- LOR - LOCAL-OFF-REMOTE
- LS - LEVEL SWITCH
- LT - LET THROUGH
- MCA - MINIMUM CIRCUIT AMPS
- MCB - MAIN CIRCUIT BREAKER
- MCC - MOTOR CONTROL CENTER
- MCCB - MOLDED CASE CIRCUIT BREAKER
- MCP - MOTOR CIRCUIT PROTECTION
- MLO - MAIN LUGS ONLY
- NC - NORMALLY CLOSED
- NI - NOT IN CONTRACT
- NL - NIGHT LIGHT
- NO - NORMALLY OPEN
- NTS - NOT TO SCALE
- OC - OVER CURRENT
- OL - OVERLOAD
- PT - POTENTIAL TRANSFORMER
- RWNR - REDUCED VOLTAGE, NON-REVERSING
- SC - SHORT CIRCUIT
- SHLD - SHIELDED
- SR - SAFE OR STOP/RUN
- TSP - TWISTED SHIELDED PAIR
- TTB - TELEPHONE TERMINAL BOARD
- UG - UNDERGROUND
- VFD - VARIABLE FREQUENCY DRIVE
- WG - WIREGUARD
- WP - WEATHERPROOF
- XFMR - TRANSFORMER
- XP - EXPLOSION PROOF
- ZS - LIMIT OR POSITION SWITCH

ELECTRICAL LEGEND

- LIGHTING**
- DOWNLIGHT
 - WALL MOUNTED LUMINAIRE
 - CEILING OR WALL MOUNTED LUMINAIRE
 - PORCELAIN KEYLESS
 - SURFACE MOUNTED LUMINAIRE
 - RECESS MOUNTED LUMINAIRE
 - RECESS MOUNTED LUMINAIRE WITH MODULAR WIRING CONNECTOR
 - STRIP LUMINAIRE
 - TRACK LIGHT, AS NOTED OR SCHEDULED
 - DIRECTIONAL ACCENT OR WALL-WASH LUMINAIRE
 - EXTERIOR POLE MOUNTED LUMINAIRE, AS SCHEDULED
 - BOLLARD
 - CEILING OR WALL MOUNTED EXIT SIGN, INSTALL FACES AS INDICATED BY SHADING
 - EMERGENCY LIGHT AS NOTED
- POWER**
- STRAIGHT BLADE DUPLEX RECEPTACLE
 - SUBSCRIPTS:
 - HG = HOSPITAL GRADE
 - HGT = HOSPITAL GRADE TAMPER RESISTANT
 - GFI = GROUND FAULT INTERRUPTER
 - SS = SURGE SUPPRESSION
 - AC = 6" ABOVE COUNTER
 - STRAIGHT BLADE DOUBLE DUPLEX RECEPT. (FOURPLEX)
 - STRAIGHT BLADE SINGLE RECEPTACLE
 - STRAIGHT BLADE DUPLEX RECEPT. HALF-SWITCHED
 - STRAIGHT BLADE DUPLEX RECEPT. ON EMERGENCY CIRCUIT
 - OUTLET WITH SPECIAL DEVICE, AS NOTED
 - WALL MOUNTED OUTLET WITH SPECIAL DEVICE, AS NOTED
 - FLOOR MOUNTED POWER BOX, AS NOTED
 - FLOOR MOUNTED COMBINATION OUTLET BOX, AS NOTED
 - POKE THROUGH, AS NOTED
 - PEDESTAL OUTLET, AS NOTED
 - JUNCTION BOX AS NOTED
 - OUTLET BOX
 - WALL MOUNTED OUTLET BOX
 - ABOVE CEILING POWER DISTRIBUTION BOX
 - SURFACE RACEWAY, AS NOTED
 - CLOCK HANGER OUTLET
 - TELE-POWER POLE
 - PULL BOX
 - CONNECTION TO MOTOR
 - MAGNETIC MOTOR STARTER
 - SUBSCRIPTS:
 - MS = MULTISPEED
 - SSRV = SOLID-STATE, REDUCED VOLTAGE
 - VF = VARIABLE FREQUENCY
 - SAFETY DISCONNECT SWITCH
 - FUSED DISCONNECT SWITCH
 - COMBINATION DISCONNECT AND STARTER
 - ENCLOSED CIRCUIT BREAKER, MOLDED-CASE, THERMAL-MAGNETIC
 - SUBSCRIPTS:
 - AT = ADJUSTABLE TRIP
 - EAT = ELECTRONIC ADJUSTABLE TRIP
 - CL = CURRENT LIMITING
 - IF = INTEGRALLY FUSED
 - GFCI = GROUND FAULT CIRCUIT INTERRUPTER
 - ST = SHUNT TRIP
 - KI = KEY INTERLOCK
 - ZSI = ZONE-SELECTIVE INTERLOCKING
 - CONNECTION TO PRE-WIRED EQUIPMENT BREAKER PANEL
 - MOTOR CONTROL CENTER
 - TRANSIENT VOLTAGE SURGE SUPPRESSOR
 - TRANSFORMER
 - ENGINE GENERATOR
- CIRCUITING**
- CONDUIT RUN
 - UNDERGROUND CONCRETE-ENCASED CONDUIT OR CONDUIT ROUTED IN WALL OR UNDER FLOOR
 - CIRCUIT HOMERUN TO PANEL OR CABINET, NO. OF ARROWS INDICATE NO. OF CIRCUITS
 - CIRCUIT TURNED UP
 - CIRCUIT TURNED DOWN
 - CONDUIT STUB-OUT - CAP & MARK
 - CIRCUIT IN FLEXIBLE CONDUIT
 - SEALOFF
 - #12 CONDUCTORS IN 3/4" CONDUIT. SLASHES INDICATE PHASE AND NEUTRAL. TAB INDICATES GROUND WIRE.
 - #18TSP CABLE IN 3/4" CONDUIT
 - FLEXIBLE CONDUIT CONNECTION

NOTE: ALL SYMBOLS SHOWN ON LEGEND ARE NOT NECESSARILY USED.

SCHEMATIC WIRING GRAPHICS

- METER
 - GROUND CONNECTION AS NOTED
 - FUSED DISCONNECT SWITCH
 - FUSES
 - MAGNETIC MOTOR STARTER
 - SUBSCRIPTS:
 - MS = MULTISPEED
 - SSRV = SOLID-STATE, REDUCED VOLTAGE
 - VF = VARIABLE FREQUENCY
 - CIRCUIT BREAKER, MOLDED-CASE OR ANSI, THERMAL-MAGNETIC
 - SUBSCRIPTS:
 - AT = ADJUSTABLE TRIP
 - EAT = ELECTRONIC ADJUSTABLE TRIP
 - CL = CURRENT LIMITING
 - IF = INTEGRALLY FUSED
 - GFCI = GROUND FAULT CIRCUIT INTERRUPTER
 - ST = SHUNT TRIP
 - KI = KEY INTERLOCK
 - ZSI = ZONE-SELECTIVE INTERLOCKING
 - POWER TRANSFORMER
 - CURRENT TRANSFORMER
 - AMMETER
 - VOLT METER
 - TRANSFER SWITCH
 - GROUND FAULT PROTECTION
 - GENERATOR
 - MOTOR, NUMBER INDICATES HORSEPOWER
- FIRE ALARM SYSTEM**
- FACP FIRE ALARM CONTROL PANEL
 - FAGP FIRE ALARM GRAPHIC PANEL
 - FAAP FIRE ALARM ANNUNCIATOR PANEL
 - MANUAL PULL STATION
 - FIRE ALARM STROBE
 - GENERAL ALARM COMBINATION HORN/STROBE
 - FIRE ALARM HORN
 - CEILING OR WALL MOUNTED DETECTOR
 - SUBSCRIPTS:
 - I = IONIZATION
 - T = THERMAL, FIXED AND RATE-OF-RISE
 - TF = THERMAL, FIXED
 - TF165' = 165' THERMAL, FIXED AND RATE-OF-RISE
 - TF165" = 165" THERMAL, FIXED
 - P = PHOTOELECTRIC
 - PT = COMBINATION PHOTOELECTRIC AND THERMAL
 - SMOKE DETECTOR IN VENTILATING DUCT
 - FAN SHUT-DOWN CONNECTION
 - MAG. DOOR HOLDER
 - SPRINKLER SYSTEM FLOW SWITCH
 - SPRINKLER SYSTEM TAMPER SWITCH
 - FIREFIGHTERS TELEPHONE JACK
 - LIFE SAFETY SPEAKER
 - LIFE SAFETY SPEAKER WITH STROBE
 - REMOTE PILOT LIGHT
 - REMOTE PILOT LIGHT WITH TEST SWITCH
 - MONITOR MODULE
 - CONTROL MODULE
 - DAMPER CONNECTION
- COMMUNICATION SYSTEM**
- FLOOR MOUNTED TELEPHONE AND/OR DATA OUTLET BOX, AS NOTED
 - WALL MOUNTED TELEPHONE OUTLET
 - WALL MOUNTED DATA OUTLET
 - WALL MOUNTED COMBINATION TELEPHONE/DATA OUTLET BOX
 - PAY PHONE
 - TELEPHONE TERMINAL BOARD - TTB
 - CEILING OR WALL MOUNTED SPEAKER
 - VOLUME CONTROL
 - FLOOR OR WALL MOUNTED MICROPHONE OUTLET
 - CALL-IN SWITCH
 - TIME-TONE UNIT
 - CEILING OR WALL MOUNTED CLOCK
 - PROGRAM BELL
 - BUZZER
 - HOUSE PHONE/INTERCOM
 - MASTER INTERCOM STATION
 - TELEVISION OUTLET
 - CLOSED CIRCUIT TV OUTLET
 - AMPLIFIER

CONDUCTORS/DUCTBANKS

- INDICATES CONDUCTORS IN 3/4" CONDUIT UNLESS OTHERWISE INDICATED. SEE CONDUCTOR SCHEDULE FOR CONTENTS.
- INDICATES UNDERGROUND ELECTRICAL DUCTBANK. SEE DUCTBANK SCHEDULE FOR CONTENTS.

GROUNDING

- BARE COPPER GROUND WIRE
- COPPERCLAD GROUND ROD
- COPPERCLAD GROUND ROD AND TEST WELL
- EXOTHERMIC GROUND CONNECTION

EQUIPMENT

- FABRICATED SINGLE SUPPORT STAND. SEE DETAIL
- FABRICATED DUAL SUPPORT STAND. SEE DETAIL

SWITCHING

- S WALL MOUNTED SWITCH
- SUBSCRIPTS:
 - 2 = DOUBLE POLE
 - 3 = 3-WAY
 - 4 = 4-WAY
 - D = DIMMER
 - K = KEY-OPERATED
 - O = SWITCH MOUNTED OCCUPANCY SENSOR
 - P = PILOT LIGHT
 - T = THERMAL OVERLOAD
 - LV = LOW VOLTAGE
 - DS = DOOR SWITCH

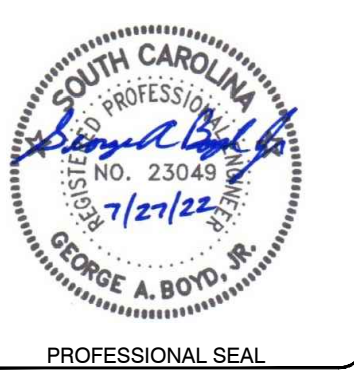
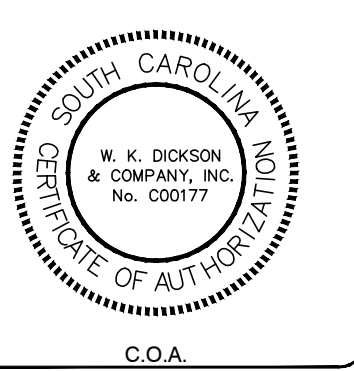
NOTATIONS

- UPPER CASE LETTER AT LUMINAIRES (F1, I1, ETC.) INDICATES LUMINAIRE TYPE. (F1) = TYPE F1 LUMINAIRES IN AREA INDICATED.
- LOWER CASE LETTER AT LUMINAIRES AND SWITCHES (G1, B, ETC.) INDICATE ASSOCIATED UNITS FOR SWITCHING.
- SHADING WITHIN LUMINAIRE DENOTES UNIT ON EMERGENCY (EM) CIRCUIT.
- "NL" WITHIN LUMINAIRES DENOTES UNIT ON NIGHT LIGHT CIRCUIT.
- PLUS (+) SIGN WITH DIMENSION AT OUTLET INDICATES HEIGHT ABOVE FINISHED FLOOR OR GRADE TO CENTERLINE OF OUTLET.



162 SEVEN FARMS DRIVE
SUITE 210
CHARLESTON, SC 29492
(843) 416-5560
(843) 416-5563

WWW.WKDICKSON.COM



NO.	DATE	DESCRIPTION	BY
0	07/29/2022	BID SET - NOT FOR CONSTRUCTION	GAB

PROJECT NAME: WTP FLOC/SED BASIN NO. 2 FOR CITY OF GEORGETOWN

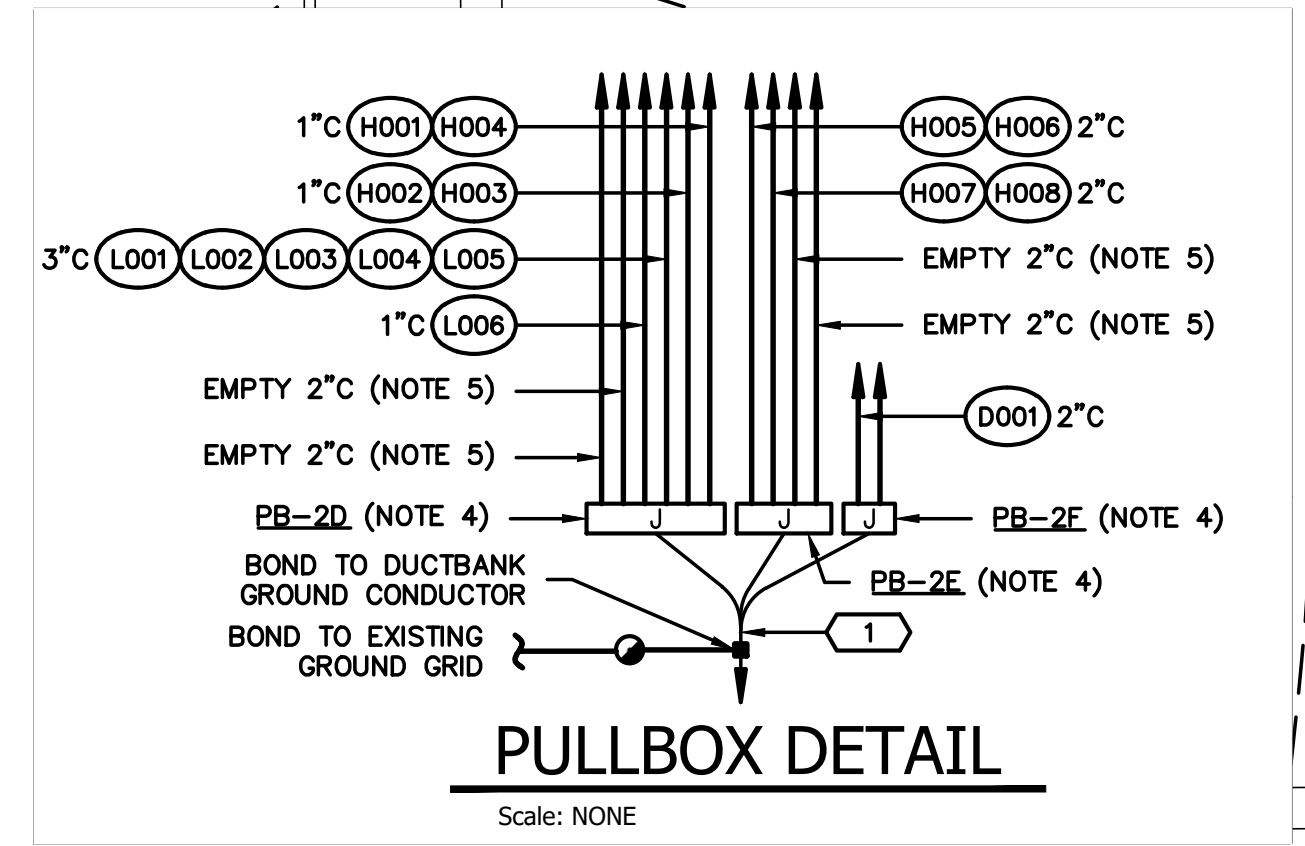
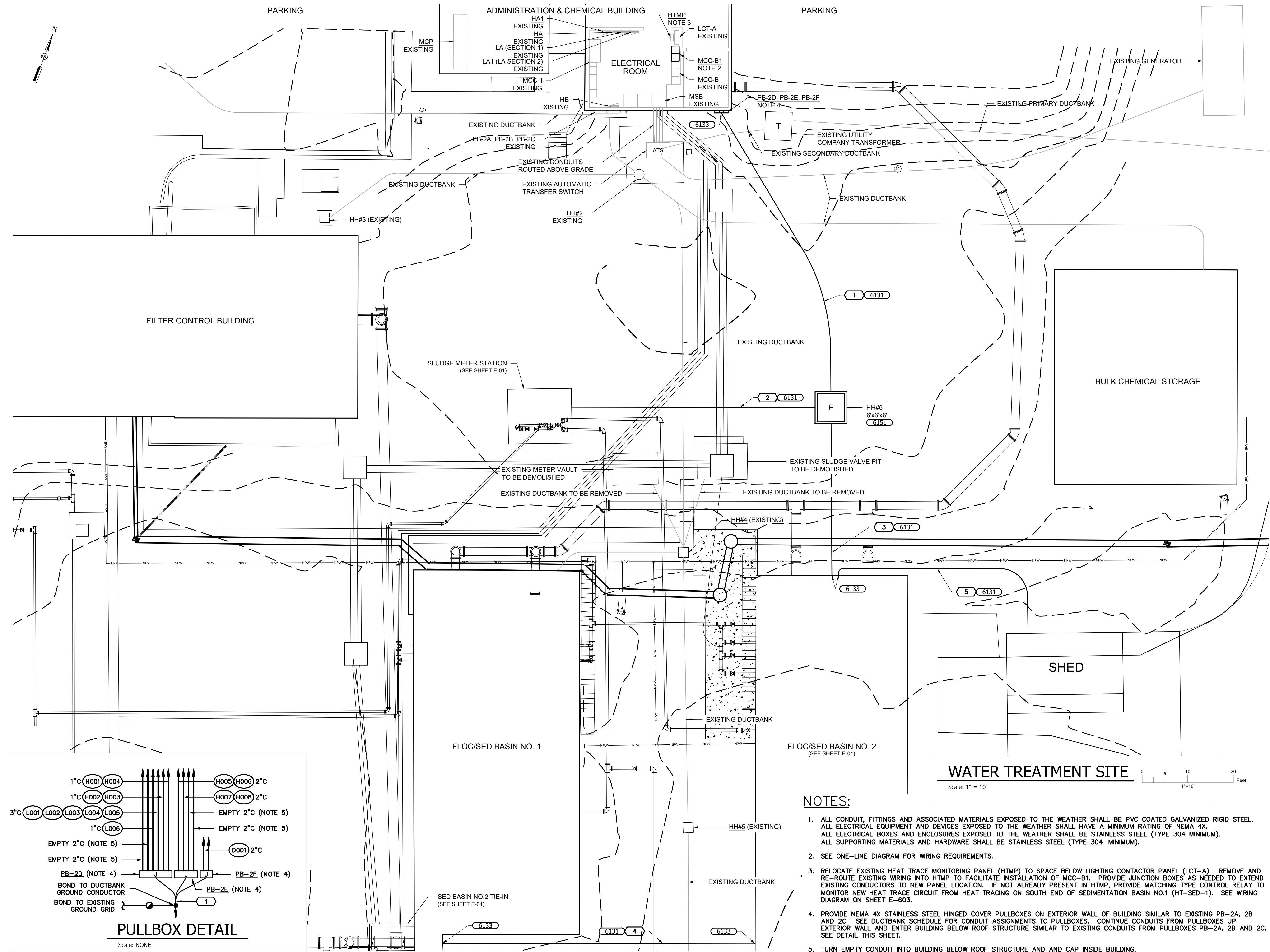
DRAWING TITLE: LEGEND AND GENERAL NOTES

PROJ. MGR.: WHY
DESIGN BY: GAB
DRAWN BY: GAB
PROJ. DATE: 06/02/2021
DRAWING NUMBER:

GE01
WKD PROJ. NO.: 20210110.00.CH

BID SET - NOT FOR CONSTRUCTION

ALL INFORMATION CONTAINED HEREIN IS THE PROPERTY OF WK DICKSON & COMPANY, INC. IT IS TO BE USED ONLY FOR THE PROJECT AND SITE SPECIFICALLY IDENTIFIED HEREIN. ANY REUSE OR MODIFICATION OF THIS DOCUMENT WITHOUT THE WRITTEN PERMISSION OF WK DICKSON & COMPANY, INC. IS PROHIBITED. ANY COPIES OF THIS DOCUMENT SHALL BE CONSIDERED TO BE VOID. TRUE COPY.



NOTES:

1. ALL CONDUIT, FITTINGS AND ASSOCIATED MATERIALS EXPOSED TO THE WEATHER SHALL BE PVC COATED GALVANIZED RIGID STEEL. ALL ELECTRICAL EQUIPMENT AND DEVICES EXPOSED TO THE WEATHER SHALL HAVE A MINIMUM RATING OF NEMA 4X. ALL ELECTRICAL BOXES AND ENCLOSURES EXPOSED TO THE WEATHER SHALL BE STAINLESS STEEL (TYPE 304 MINIMUM). ALL SUPPORTING MATERIALS AND HARDWARE SHALL BE STAINLESS STEEL (TYPE 304 MINIMUM).
2. SEE ONE-LINE DIAGRAM FOR WIRING REQUIREMENTS.
3. RELOCATE EXISTING HEAT TRACE MONITORING PANEL (HTMP) TO SPACE BELOW LIGHTING CONTACTOR PANEL (LCT-A). REMOVE AND RE-ROUTE EXISTING WIRING INTO HTMP TO FACILITATE INSTALLATION OF MCC-B1. PROVIDE JUNCTION BOXES AS NEEDED TO EXTEND EXISTING CONDUCTORS TO NEW PANEL LOCATION. IF NOT ALREADY PRESENT IN HTMP, PROVIDE MATCHING TYPE CONTROL RELAY TO MONITOR NEW HEAT TRACE CIRCUIT FROM HEAT TRACING ON SOUTH END OF SEDIMENTATION BASIN NO.1 (HT-SED-1). SEE WIRING DIAGRAM ON SHEET E-603.
4. PROVIDE NEMA 4X STAINLESS STEEL HINGED COVER PULLBOXES ON EXTERIOR WALL OF BUILDING SIMILAR TO EXISTING PB-2A, 2B AND 2C. SEE DUCTBANK SCHEDULE FOR CONDUIT ASSIGNMENTS TO PULLBOXES. CONTINUE CONDUITS FROM PULLBOXES UP EXTERIOR WALL AND ENTER BUILDING BELOW ROOF STRUCTURE SIMILAR TO EXISTING CONDUITS FROM PULLBOXES PB-2A, 2B AND 2C. SEE DETAIL THIS SHEET.
5. TURN EMPTY CONDUIT INTO BUILDING BELOW ROOF STRUCTURE AND AND CAP INSIDE BUILDING.



WK DICKSON
community infrastructure consultants

162 SEVEN FARMS DRIVE
SUITE 210
CHARLESTON, SC 29492
(843) 416-5560
(843) 416-5563
WWW.WKDICKSON.COM

SOUTH CAROLINA
REGISTERED PROFESSIONAL ENGINEER
W. K. DICKSON & COMPANY, INC.
No. 000177
CERTIFICATE OF AUTHORIZATION
C.O.A.

SOUTH CAROLINA
REGISTERED PROFESSIONAL ELECTRICAL ENGINEER
No. 23049
7/27/22
GEORGE A. BOYD, JR.
PROFESSIONAL SEAL

NO.	DATE	DESCRIPTION	GAB	BY
0	07/29/2022	BID SET - NOT FOR CONSTRUCTION		

PROJECT NAME: WTP FLOC/SED BASIN NO. 2 FOR GEORGETOWN

DRAWING TITLE: ELECTRICAL SITE PLAN

PROJ. MGR.: WHY
DESIGN BY: GAB
DRAWN BY: GAB
PROJ. DATE: 06/02/2021
DRAWING NUMBER: **ES01**
WKD PROJ. NO.: 20210110.00.CH

BID SET - NOT FOR CONSTRUCTION

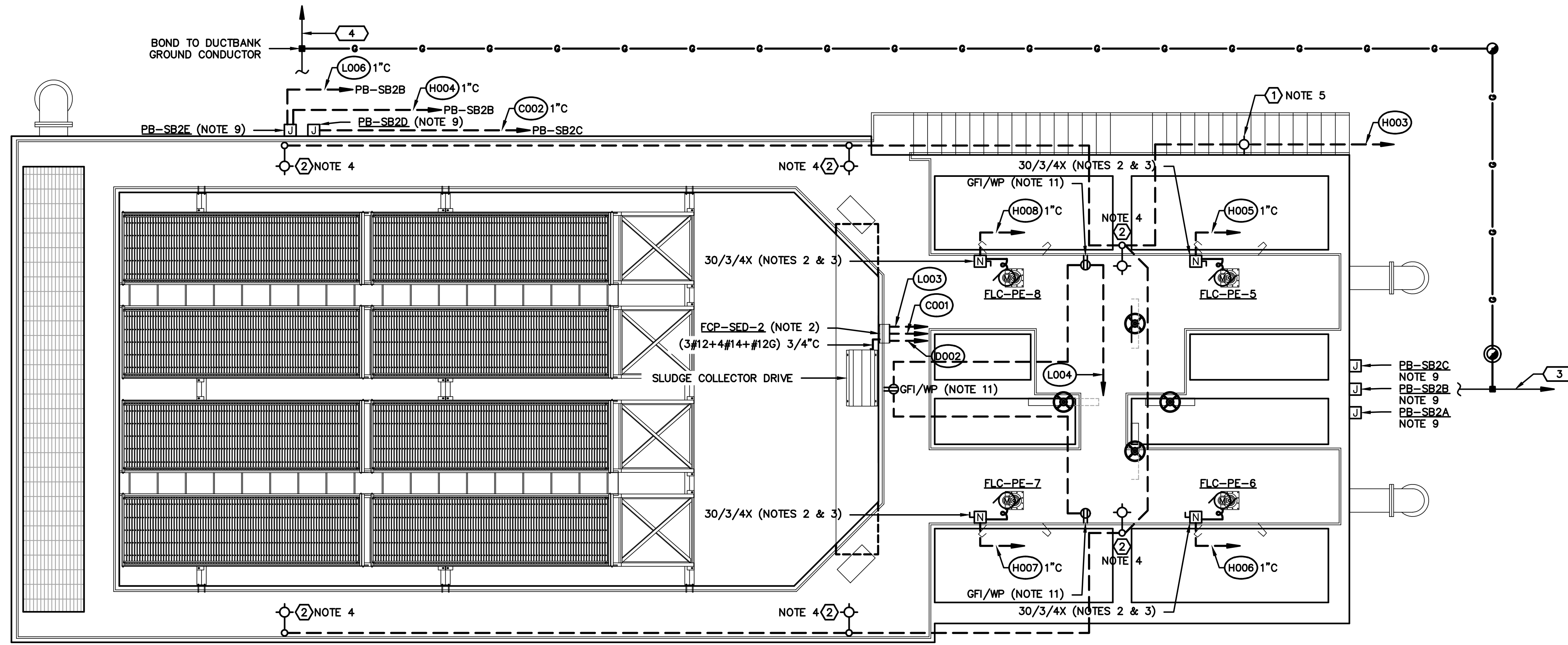
LIGHTING FIXTURE SPECIFICATIONS/NOTES:

- 1 EXTERIOR LED WALLPACK WITH INTEGRAL PE CELL. EQUAL TO HUBBELL OUTDOOR LNC2-18L-4K-035-3-U-LGS-CH.
- 2 LED AREA LUMINAIRE AND POLE. LUMINAIRE: EQUAL TO HUBBELL OUTDOOR RAR1-160L-100-4K7-3-UNV-A3-LGS. 12FT ROUND TAPERED ALUMINUM POLE: EQUAL TO HUBBELL RTA-H-10-40-A-1-PSS.

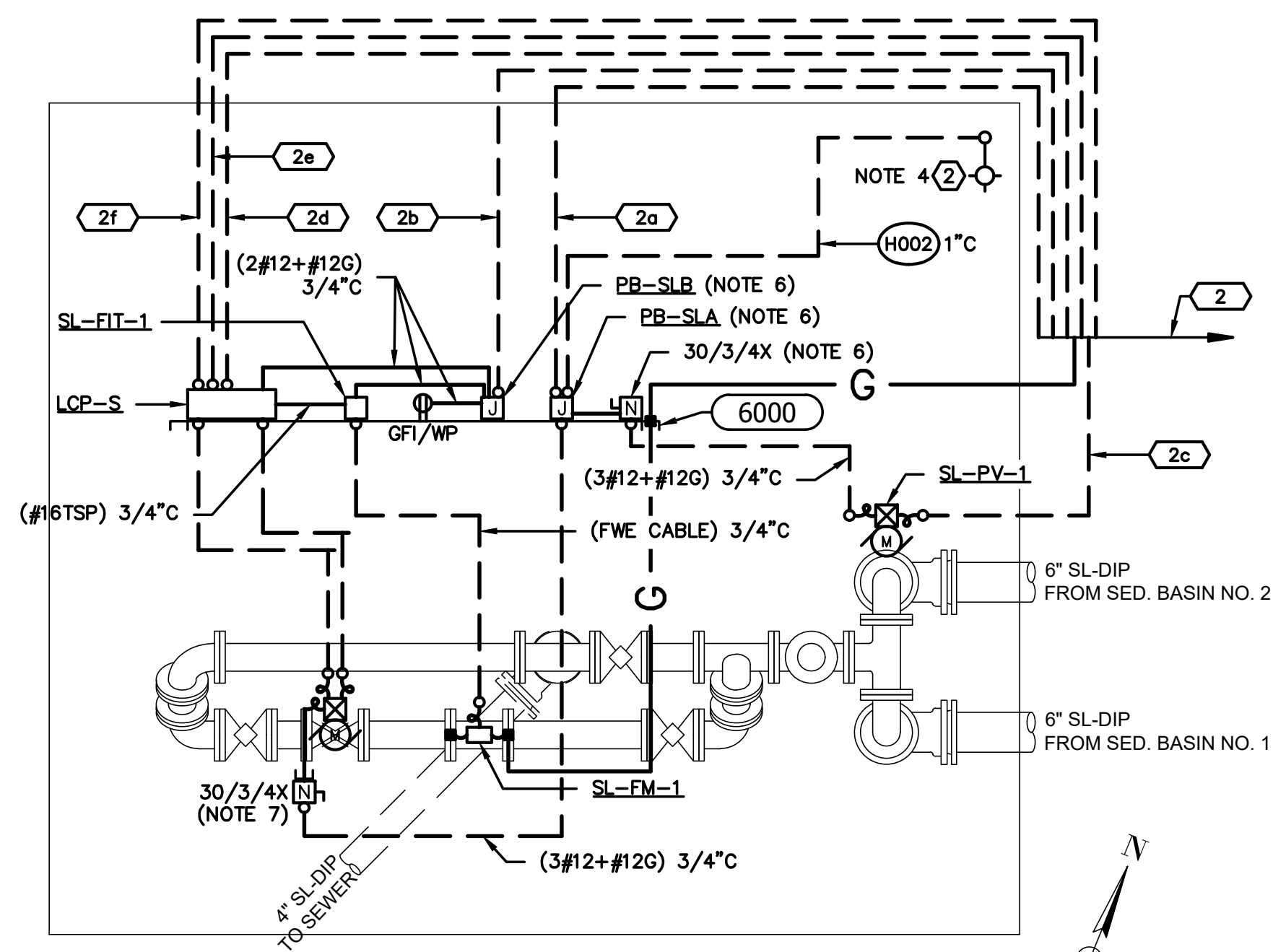
NOTES:

1. ALL CONDUIT, FITTINGS AND ASSOCIATED MATERIALS IN PROCESS AREAS OR EXPOSED TO THE WEATHER SHALL BE PVC COATED GALVANIZED RIGID STEEL. ALL ELECTRICAL EQUIPMENT AND DEVICES IN PROCESS AREAS OR EXPOSED TO THE WEATHER SHALL HAVE A MINIMUM RATING OF NEMA 4X. ALL ELECTRICAL BOXES AND ENCLOSURES IN PROCESS AREAS OR EXPOSED TO THE WEATHER SHALL BE STAINLESS STEEL (TYPE 304 MINIMUM). ALL SUPPORTING MATERIALS AND HARDWARE SHALL BE STAINLESS STEEL (TYPE 304 MINIMUM).
2. MOUNT ON HANDRAIL 48" ABOVE TOP OF STRUCTURE. SEE DETAIL 6216 ON SHEET E-501.
3. EQUIP SAFETY SWITCH WITH AUXILIARY CONTACTS. SEE SPECIFICATIONS.
4. SEE LIGHT POLE DETAIL 6502 ON SHEET E-501.
5. MOUNT 14'-6" AFG (10'-0" ABOVE STAIR).

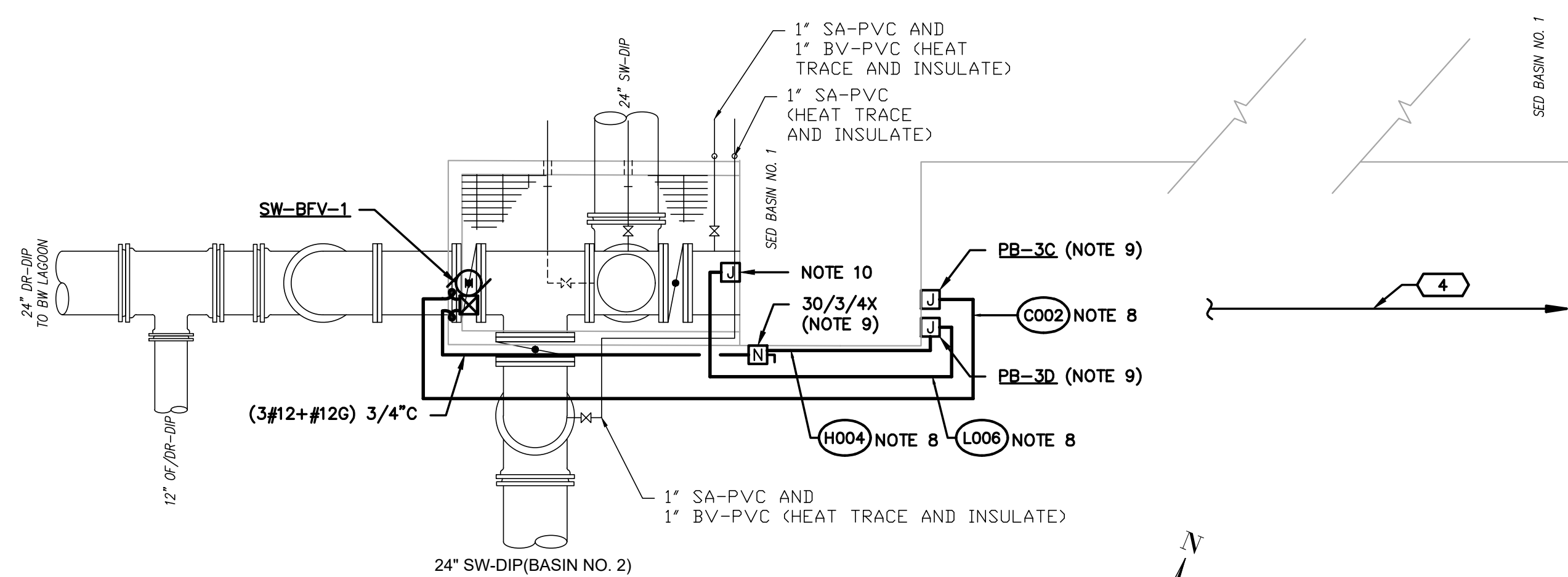
6. MOUNT 48" AFF ON SUPPORT STAND. SEE DETAIL 6000 ON SHEET E-501.
7. MOUNT 48" AFF ON SUPPORT STAND. SEE DETAIL 6001 ON SHEET E-501.
8. ROUTE CONDUITS EXPOSED ON SOUTH WALL OF BASIN TO PULLBOX ON EAST SIDE.
9. MOUNT ON WALL 48" AFG.
10. JUNCTION BOX FOR CONNECTION OF HEAT TRACE. PROVIDE TERMINAL STRIP ON BACK PANEL.
11. SEE DETAIL 6206 ON SHEET E-501.



1 FLOC/SED BASIN NO. 2 PLAN
Scale: 3/16"=1'-0" (NOTE 1)



2 SLUDGE METER STATION
Scale: 1/2"=1'-0" (NOTE 1)



3 SED BASIN NO.2 TIE-IN
Scale: 1/4"=1'-0" (NOTE 1)

WK DICKSON
community infrastructure consultants
162 SEVEN FARMS DRIVE
SUITE 210
CHARLESTON, SC 29492
(843-416-5560
(843-416-5563
WWW.WKDICKSON.COM

SOUTH CAROLINA
N. K. DICKSON & COMPANY, INC.
No. 000177
C.O.A.

SOUTH CAROLINA
PROFESSIONAL
No. 23046
7/27/22
GEORGE A. BOTTS, III
PROFESSIONAL SEAL

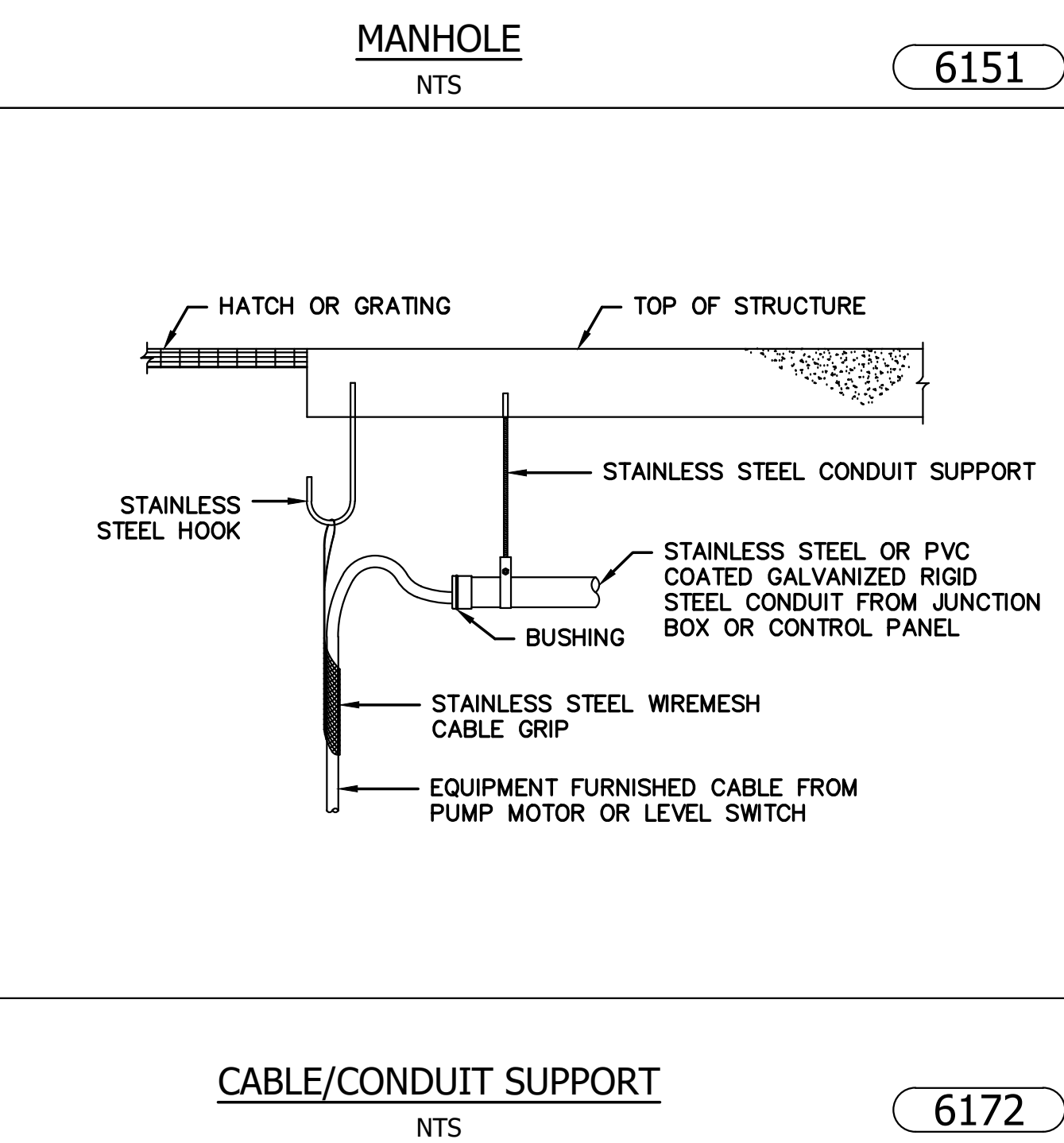
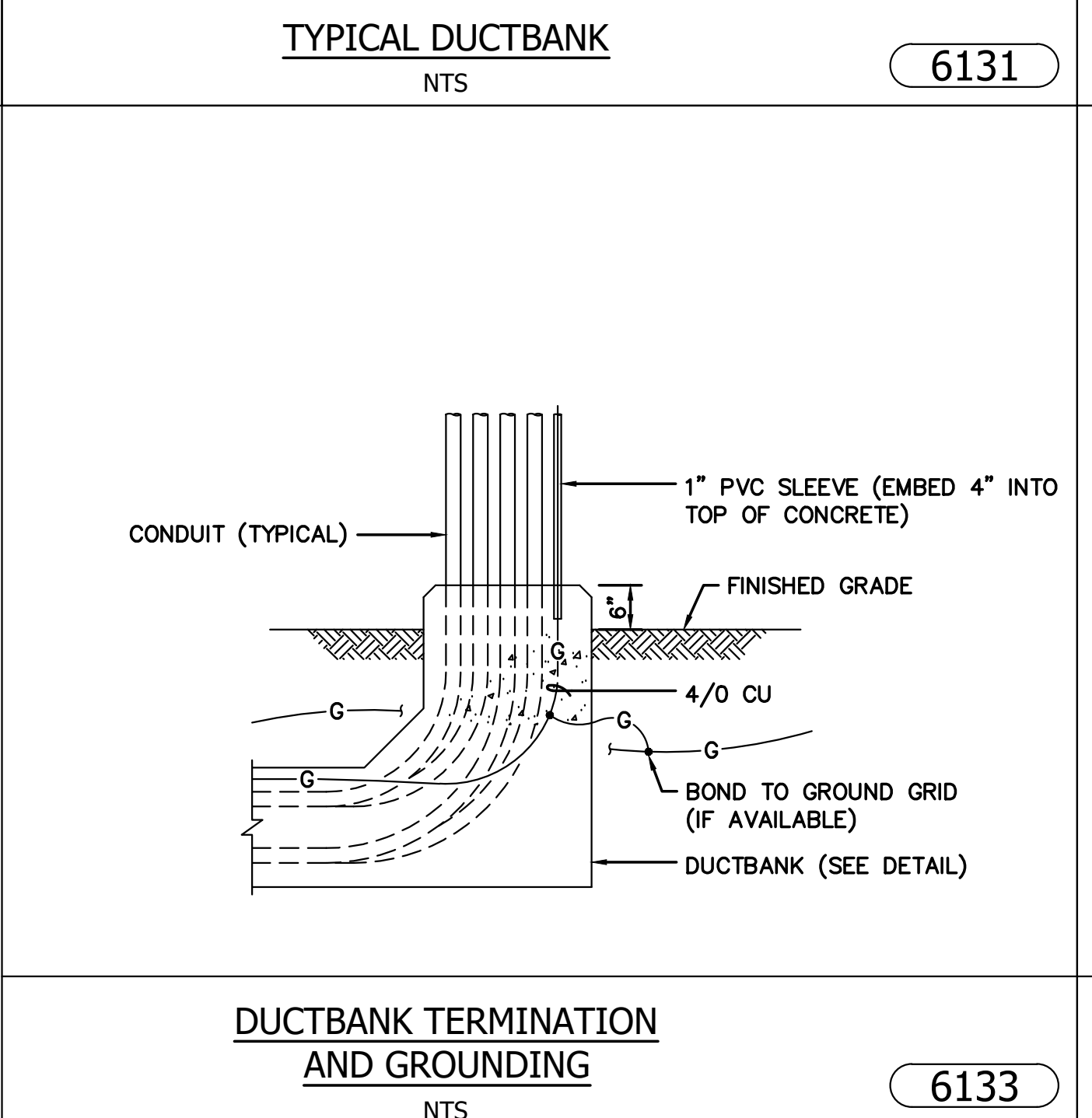
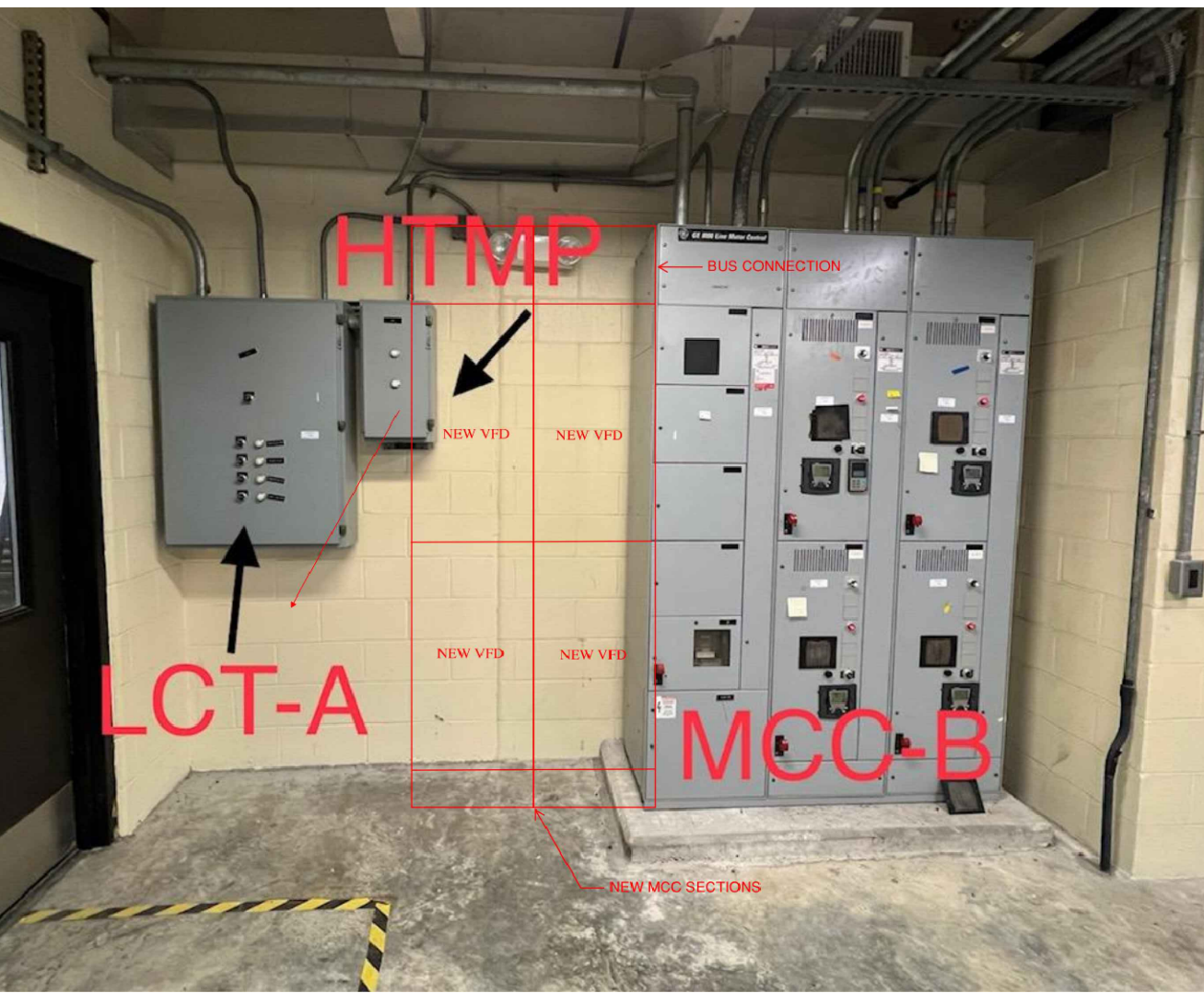
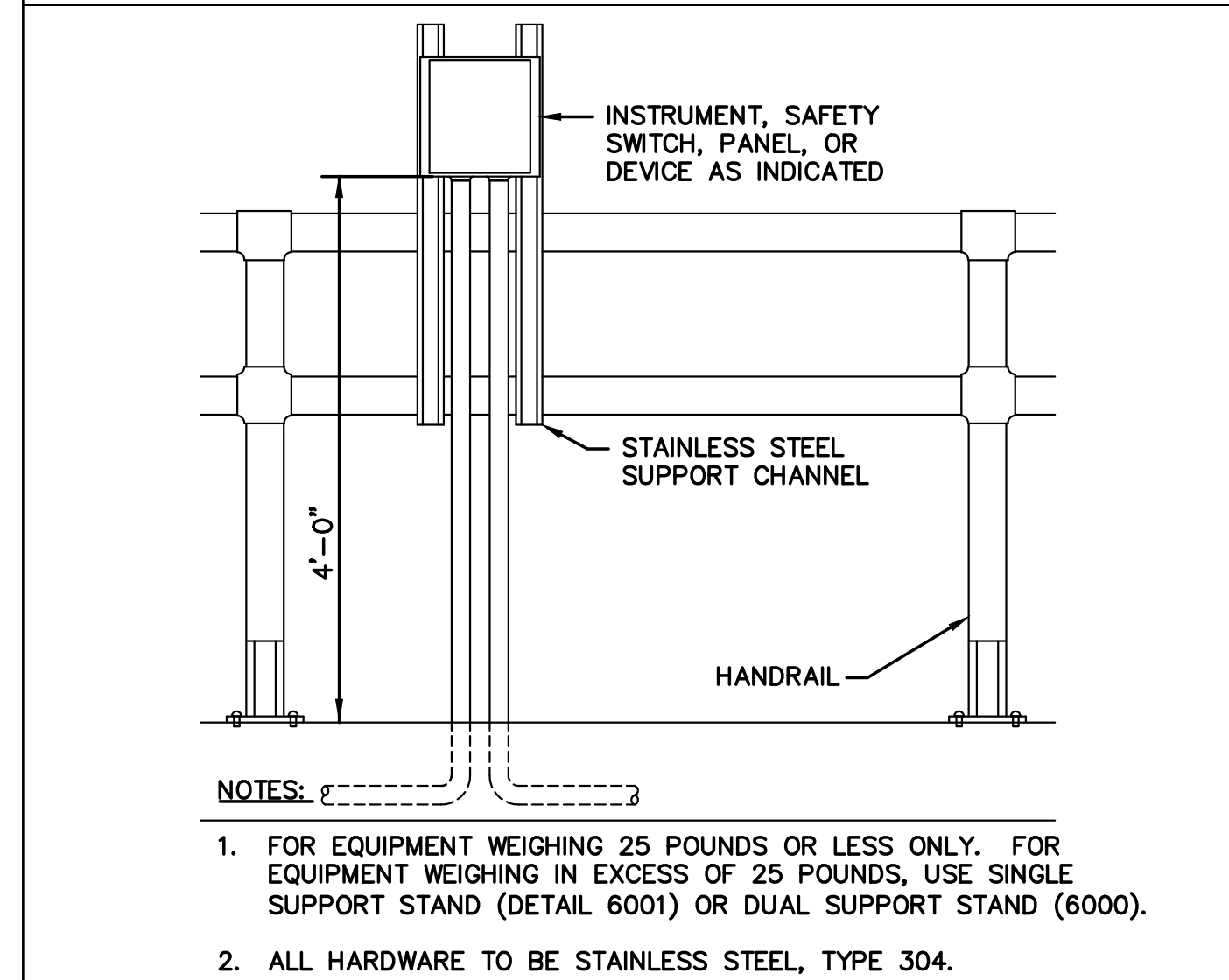
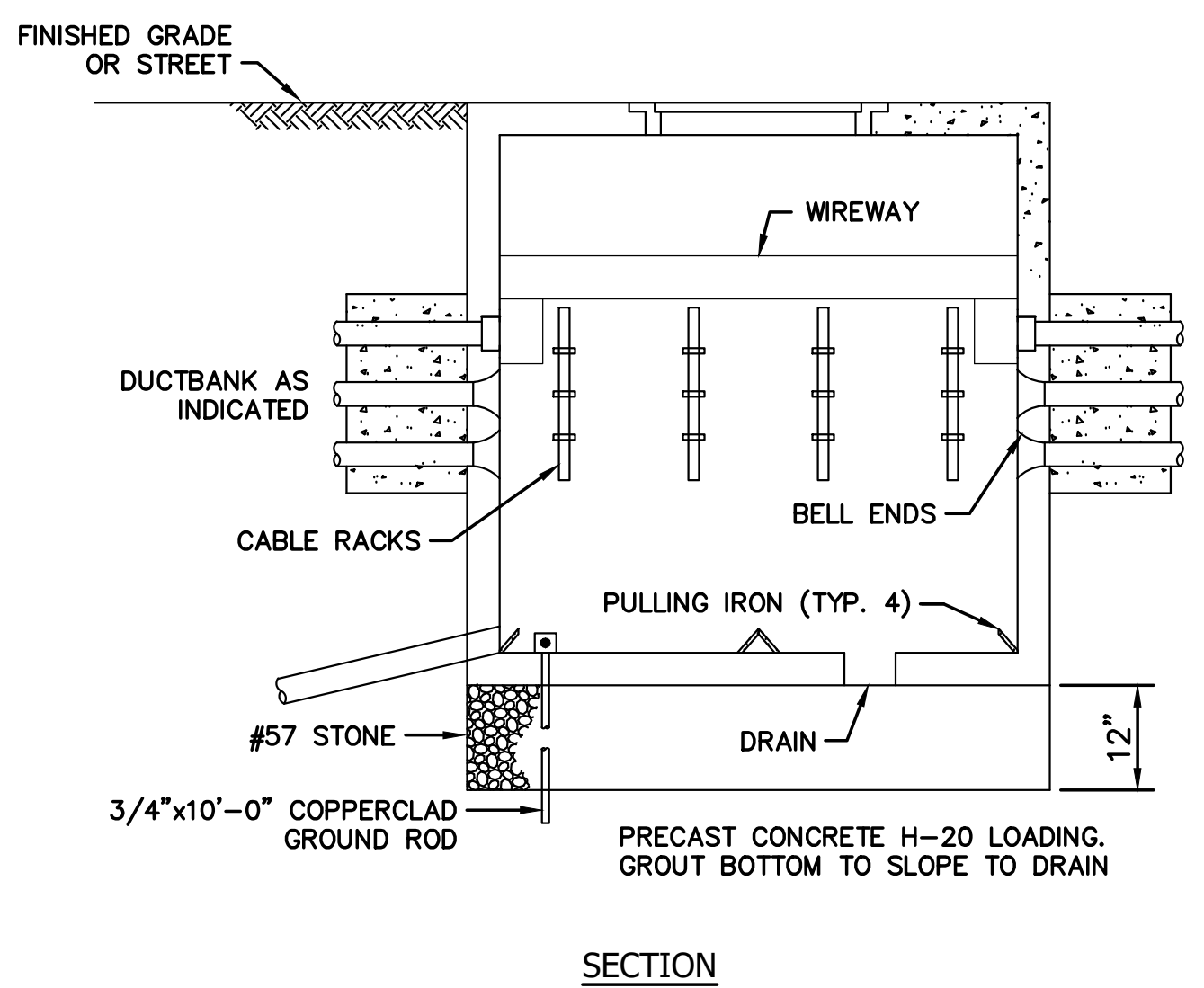
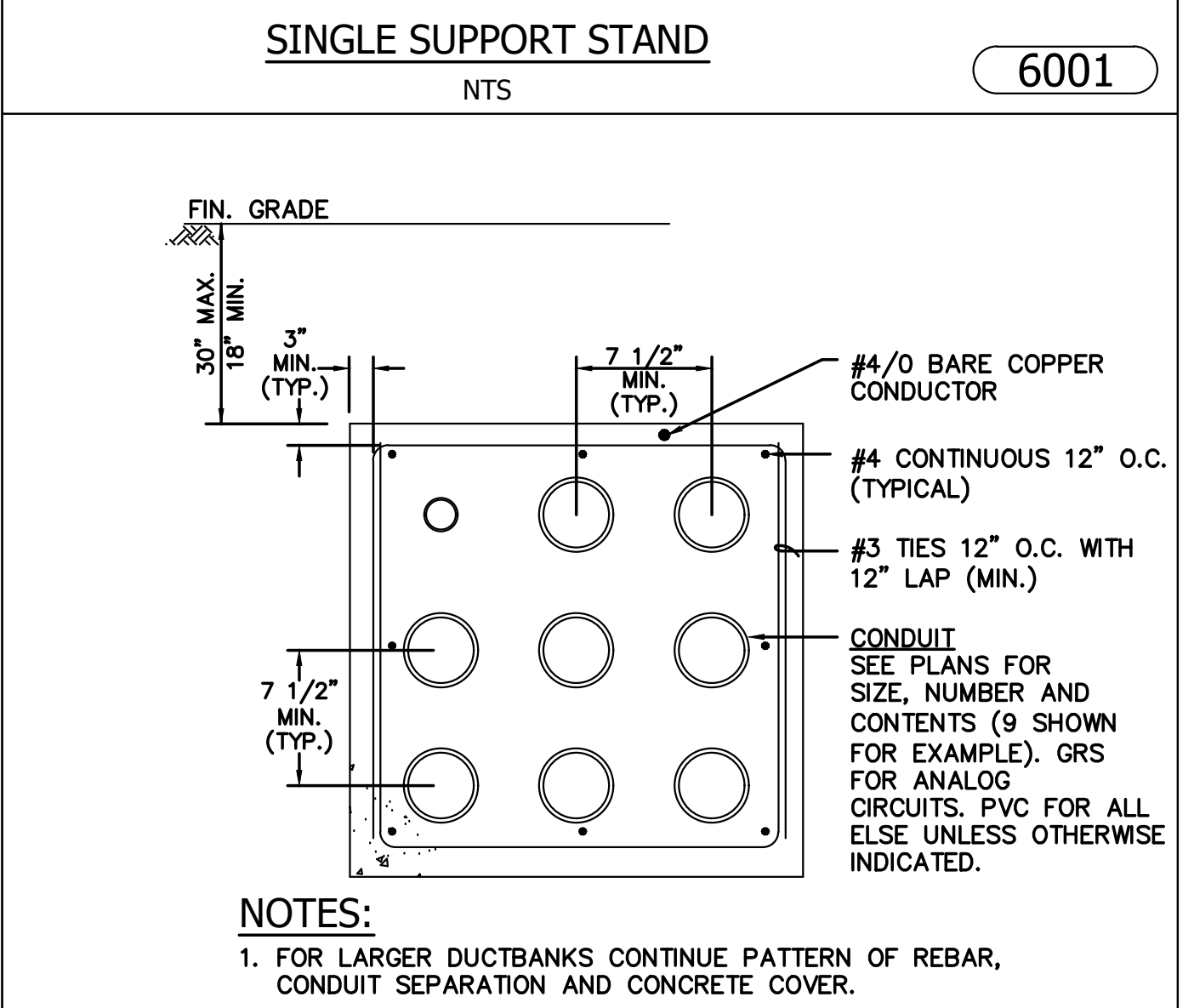
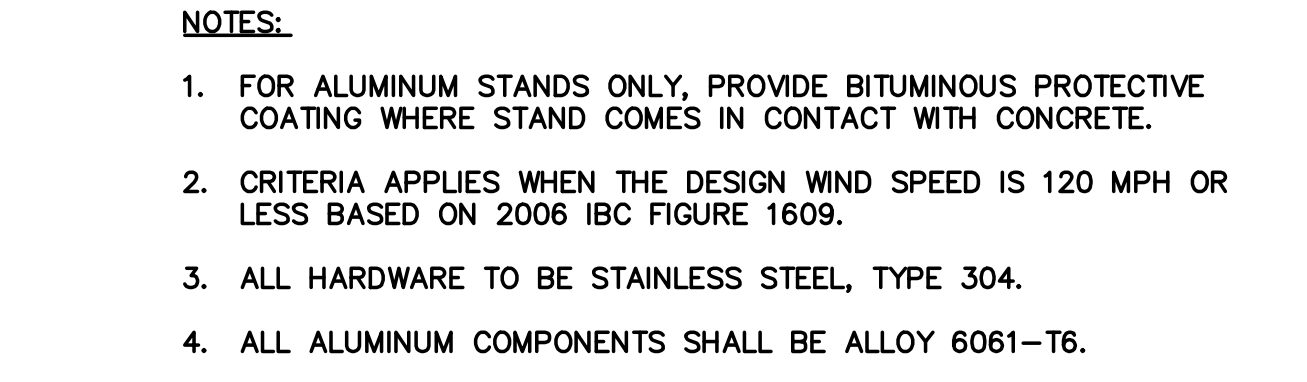
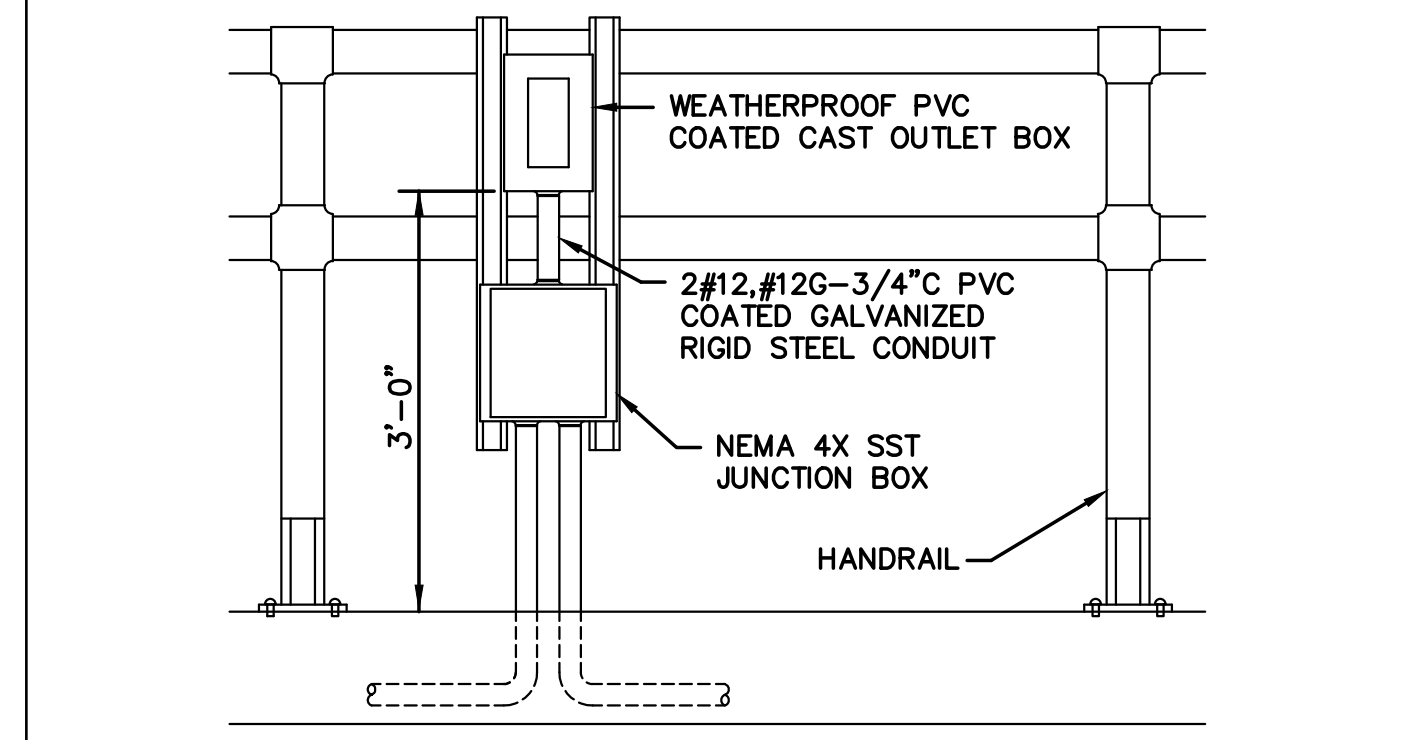
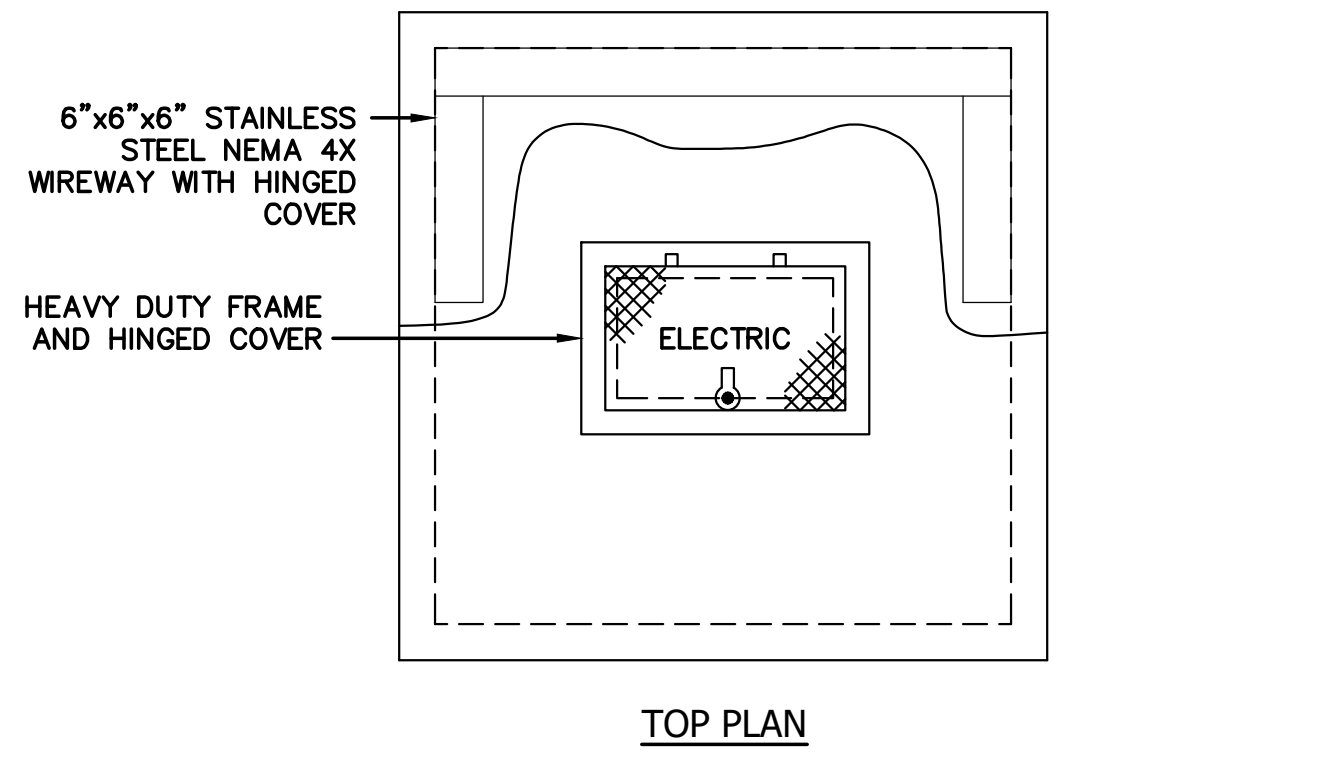
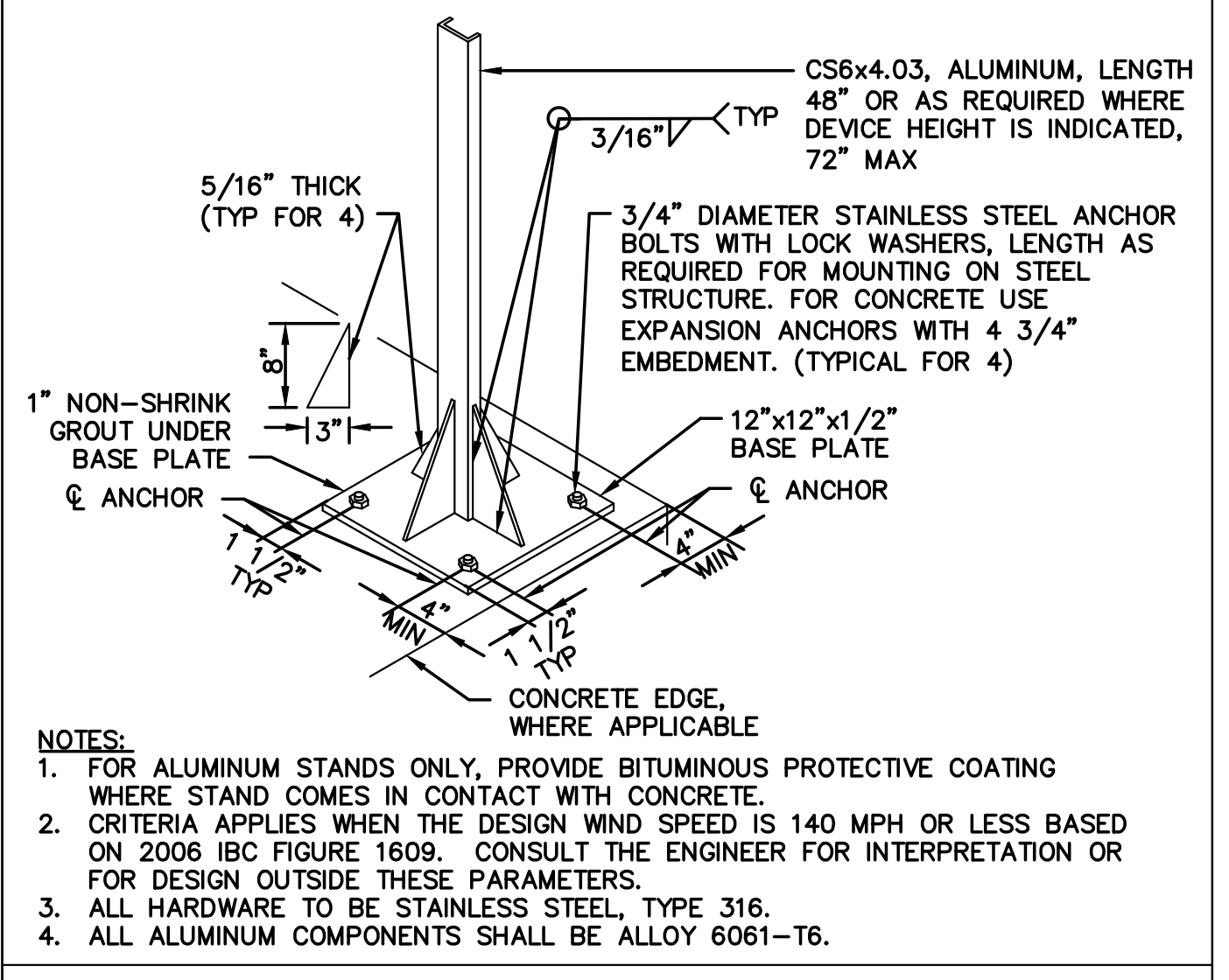
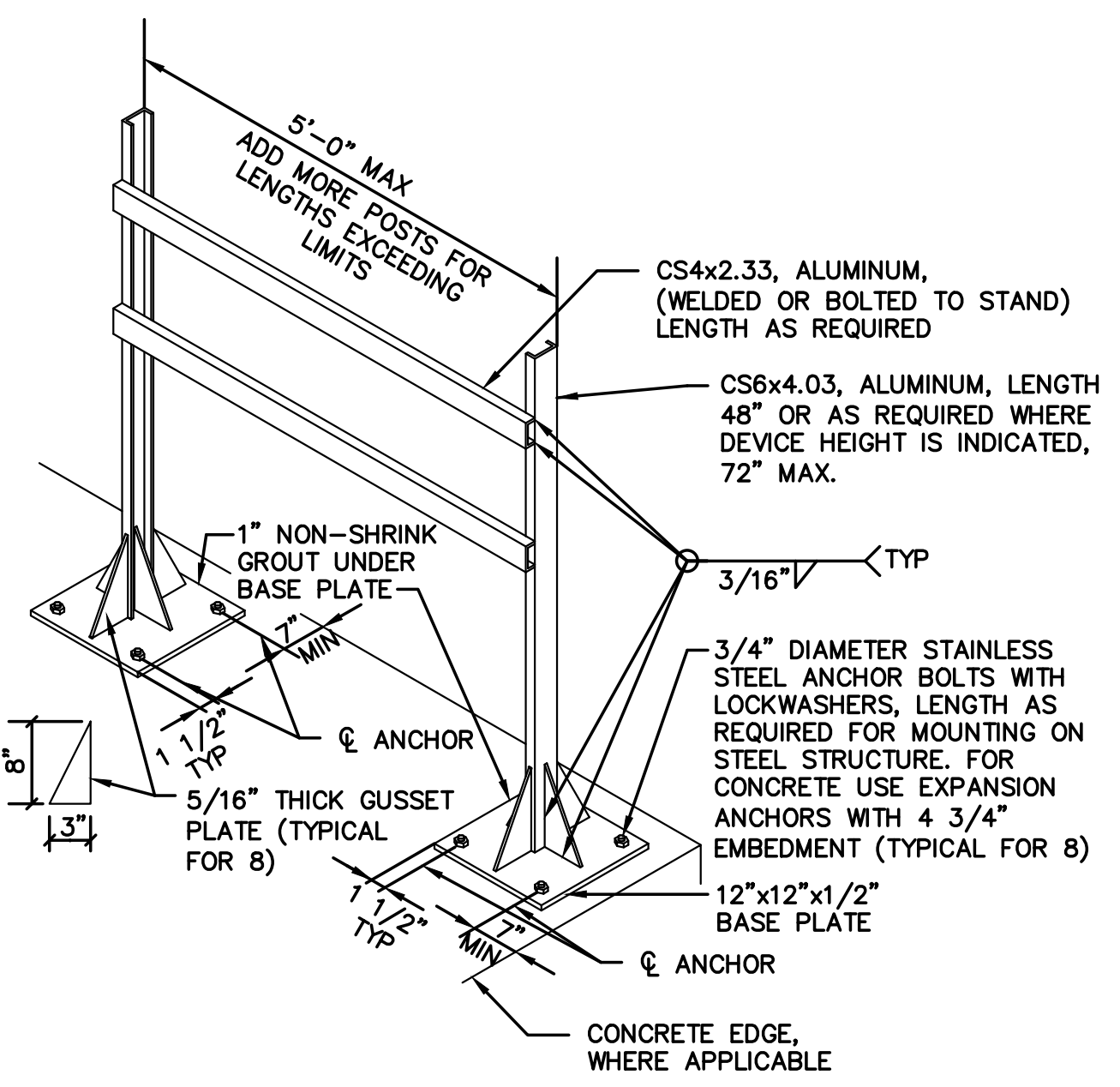
NO.	DATE	DESCRIPTION	BY
0	07/29/2022	BID SET - NOT FOR CONSTRUCTION	GAB

PROJECT NAME: WTP FLOC/SED BASIN NO. 2 FOR CITY OF GEORGETOWN
DRAWING TITLE: ELECTRICAL PLANS

PROJ. MGR.: WHY
DESIGN BY: GAB
DRAWN BY: GAB
PROJ. DATE: 06/02/2021
DRAWING NUMBER:
E-01
WKD PROJ. NO.:
20210110.00.CH

BID SET - NOT FOR CONSTRUCTION

FILE: P:\1742\2\Project\Drawings\61000\61000-1.dwg (DATE: 06/02/2021) PLOT: 06/02/2021 10:00:21 AM
 PROJECT: WTP FLOC/SED BASIN NO. 2 FOR GEORGETOWN CITY OF GEORGETOWN
 DRAWING: ELECTRICAL ROOM
 DRAWING NO.: E-501
 PROJECT NO.: 20210110.00.CH
 PROJECT MGR.: WHY
 DESIGN BY: GAB
 DRAWN BY: GAB
 PROJ. DATE: 06/02/2021
 DRAWING NUMBER: E-501



WK DICKSON
 community infrastructure consultants
 162 SEVEN FARMS DRIVE
 SUITE 210
 CHARLESTON, SC 29492
 (843) 416-5560
 (843) 416-5563
 WWW.WKDICKSON.COM

SOUTH CAROLINA
 PROFESSIONAL ENGINEER
 W. K. DICKSON
 & COMPANY, INC.
 No. 000177
 CERTIFICATE OF AUTHORIZATION
 C.O.A.

SOUTH CAROLINA
 PROFESSIONAL ENGINEER
 GEORGE A. BOYD JR.
 No. 23045
 7/27/22
 PROFESSIONAL SEAL

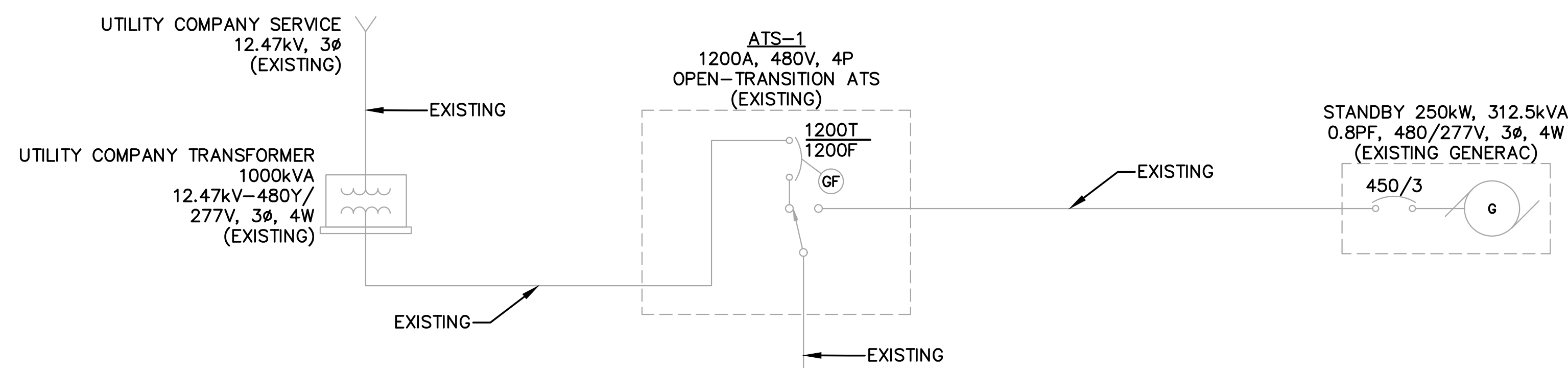
NO.	DATE	DESCRIPTION	BY

PROJECT NAME: WTP FLOC/SED BASIN NO. 2 FOR GEORGETOWN CITY OF GEORGETOWN
 DRAWING TITLE: DETAILS

PROJ. MGR.: WHY
 DESIGN BY: GAB
 DRAWN BY: GAB
 PROJ. DATE: 06/02/2021
 DRAWING NUMBER: E-501
 WKD PROJ. NO.: 20210110.00.CH

BID SET - NOT FOR CONSTRUCTION

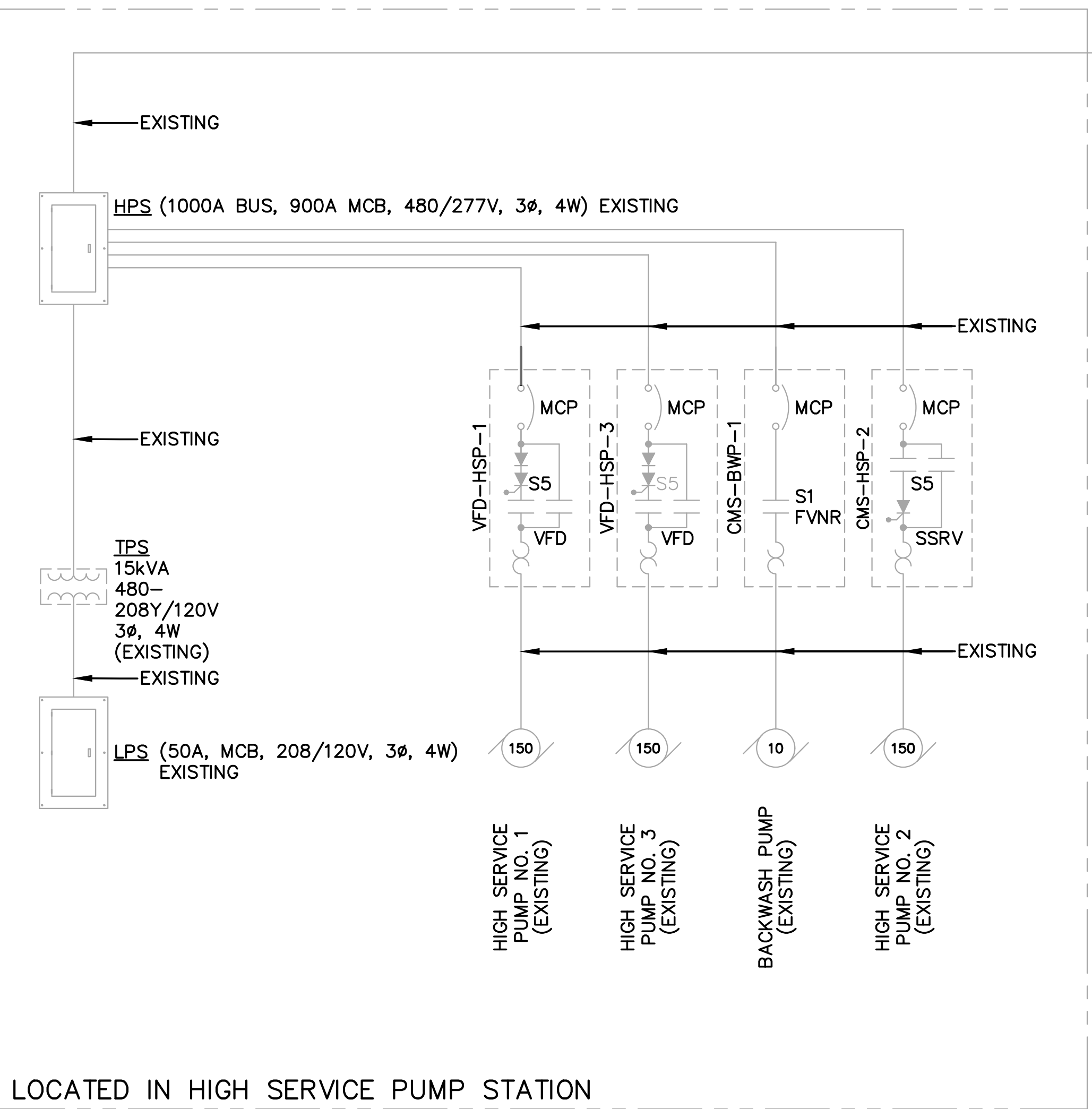
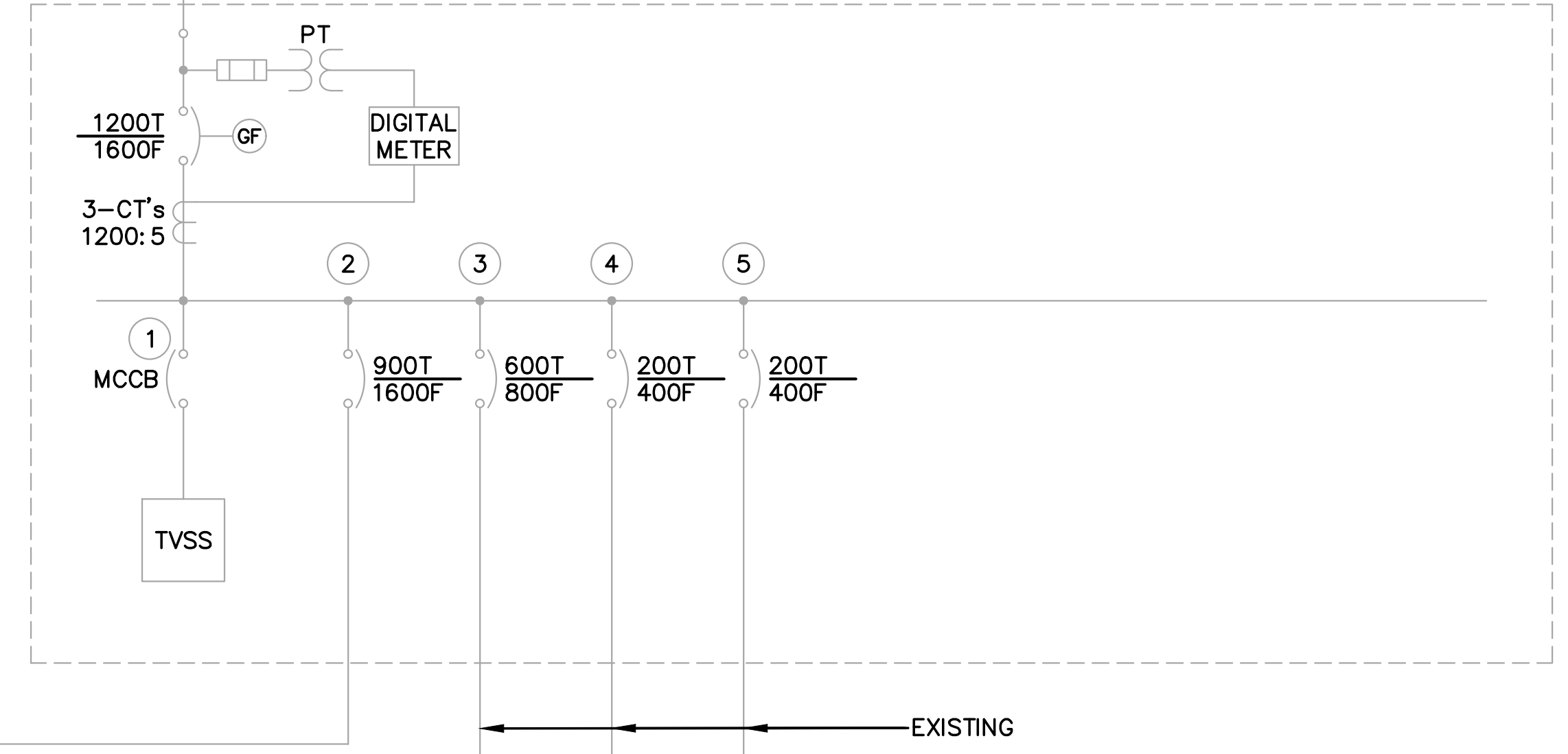
ALL RIGHTS RESERVED. NO PART OF THIS DOCUMENT MAY BE REPRODUCED OR TRANSMITTED IN ANY FORM OR BY ANY MEANS, ELECTRONIC OR MECHANICAL, INCLUDING PHOTOCOPYING, RECORDING, OR BY ANY INFORMATION STORAGE AND RETRIEVAL SYSTEM, WITHOUT PERMISSION IN WRITING FROM WK DICKSON & COMPANY, INC. THE INFORMATION CONTAINED HEREIN IS FOR GENERAL INFORMATION ONLY AND DOES NOT CONSTITUTE AN OFFER OF ANY SERVICE OR PRODUCT. THE INFORMATION CONTAINED HEREIN IS NOT TO BE USED FOR ANY OTHER PURPOSES. THE INFORMATION CONTAINED HEREIN IS NOT TO BE USED FOR ANY OTHER PURPOSES. THE INFORMATION CONTAINED HEREIN IS NOT TO BE USED FOR ANY OTHER PURPOSES.



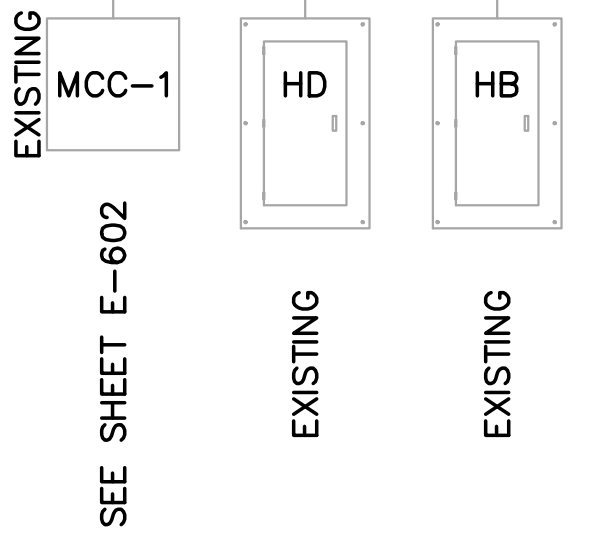
NOTES:

1. ALL ENTITIES DEPICTED ON THIS DRAWING ARE EXISTING TO REMAIN UNLESS OTHERWISE INDICATED.

MSB: 1600A, 480/277V, 3 ϕ , 4W, 42,000AIC
EXISTING GENERAL ELECTRIC SPECTRA SERIES SWITCHBOARD
JOB NO. 6810754D01
LOCATED IN ADMINISTRATION & CHEMICAL BUILDING



LOCATED IN HIGH SERVICE PUMP STATION



FOR REFERENCE ONLY

WK DICKSON
community infrastructure consultants

162 SEVEN FARMS DRIVE
SUITE 210
CHARLESTON, SC 29492
(843) 416-5560
(843) 416-5563

WWW.WKDICKSON.COM

SOUTH CAROLINA
REGISTERED PROFESSIONAL
ELECTRICAL ENGINEER
W. K. DICKSON
& COMPANY, INC.
No. 000177

C.O.A.

SOUTH CAROLINA
REGISTERED PROFESSIONAL
ELECTRICAL ENGINEER
George A. Boyd, Jr.
No. 23049
7/27/22

PROFESSIONAL SEAL

NO.	DATE	DESCRIPTION	BY
0	07/29/2022	BID SET - NOT FOR CONSTRUCTION	GAB

PROJECT NAME:
WTP FLOC/SED BASIN NO. 2
FOR
CITY OF GEORGETOWN

DRAWING TITLE:
ONE-LINE DIAGRAM - MSB AND HSPS

PROJ. MGR.: WHY
DESIGN BY: GAB
DRAWN BY: GAB
PROJ. DATE: 06/02/2021
DRAWING NUMBER:
E-601
WKD PROJ. NO.:
20210110.00.CH

BID SET - NOT FOR CONSTRUCTION

ALL RIGHTS RESERVED. THIS DRAWING IS THE PROPERTY OF WK DICKSON AND ASSOCIATES, INC. NO PART OF THIS DRAWING IS TO BE REPRODUCED OR TRANSMITTED IN ANY FORM OR BY ANY MEANS, ELECTRONIC OR MECHANICAL, INCLUDING PHOTOCOPYING, RECORDING, OR BY ANY INFORMATION STORAGE AND RETRIEVAL SYSTEM, WITHOUT THE WRITTEN PERMISSION OF WK DICKSON AND ASSOCIATES, INC. THE INFORMATION CONTAINED HEREIN IS FOR THE EXCLUSIVE USE OF THE CLIENT. ANY REVISIONS TO THIS DOCUMENT SHALL BE INDICATED BY A REVISION CIRCLE AND A REVISION NUMBER. THE CLIENT'S RESPONSIBILITY IS TO VERIFY THE ACCURACY OF ALL INFORMATION PROVIDED. WK DICKSON AND ASSOCIATES, INC. IS NOT RESPONSIBLE FOR ANY ERRORS OR OMISSIONS. THIS DRAWING IS PROVIDED FOR INFORMATION ONLY. THE CLIENT'S RESPONSIBILITY IS TO VERIFY THE ACCURACY OF ALL INFORMATION PROVIDED. WK DICKSON AND ASSOCIATES, INC. IS NOT RESPONSIBLE FOR ANY ERRORS OR OMISSIONS. THIS DRAWING IS PROVIDED FOR INFORMATION ONLY.


MCC-1: 600A, 480/277V, 3φ, 4W, 30,000AIC (EXISTING GENERAL ELECTRIC 8000 LINE CAT. NO. 0681X0651F01
 CLOSE-COUPLED TO GENERAL ELECTRIC SPECTRA SERIES SWITCHBOARD JOB NO. 6810754D02)
 LOCATED IN ADMINISTRATION & CHEMICAL BUILDING

NOTES:

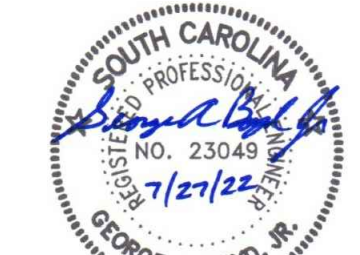
1. ALL ENTITIES DEPICTED ON THIS DRAWING ARE EXISTING TO REMAIN UNLESS OTHERWISE INDICATED. THIS SHEET IS PROVIDED FOR REFERENCE ONLY.
2. REMOVE EXISTING 40/3 MCCB AND REPLACE WITH MATCHING TYPE 200/3 MCCB.
3. REMOVE EXISTING CONDUCTORS (3#8+ #10G). ABANDON EXISTING 1" CONDUIT. PROVIDE NEW CONDUCTORS AND CONDUIT AS SHOWN.
4. CONNECT NEW MCC BUS TO EXISTING MCC BUS. PROVIDE NECESSARY SPLICE HARDWARE. SEE SPECIFICATIONS.



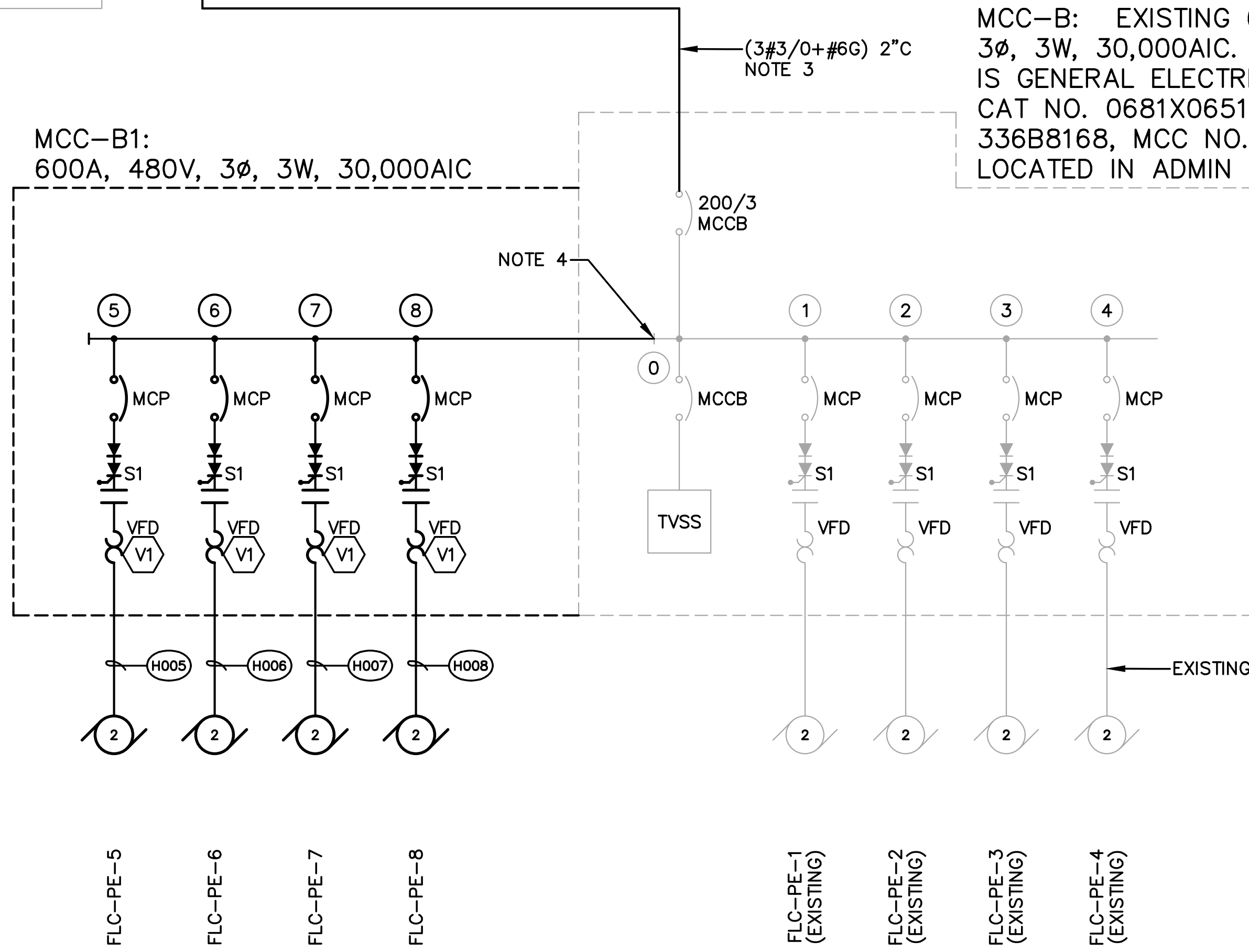
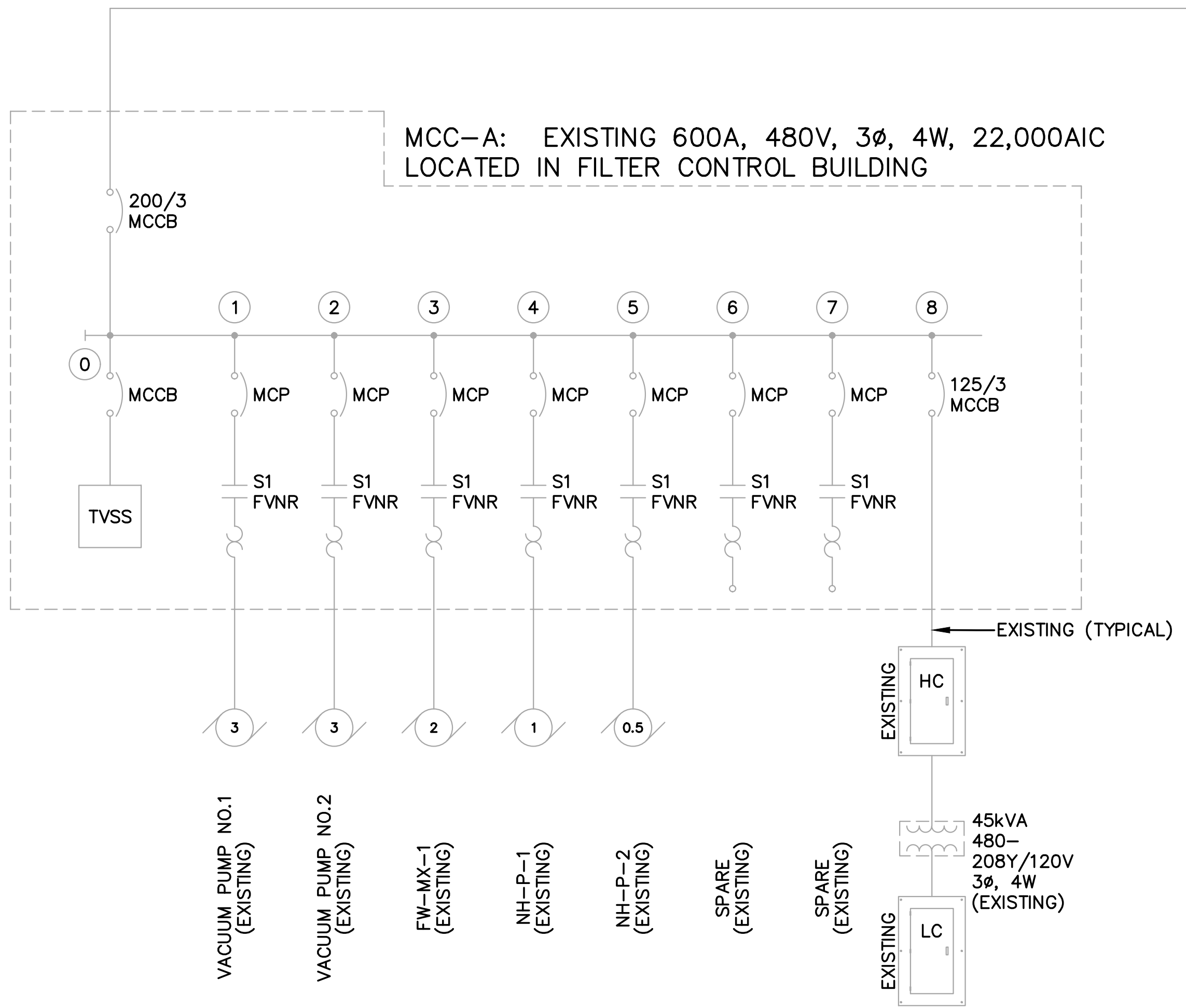
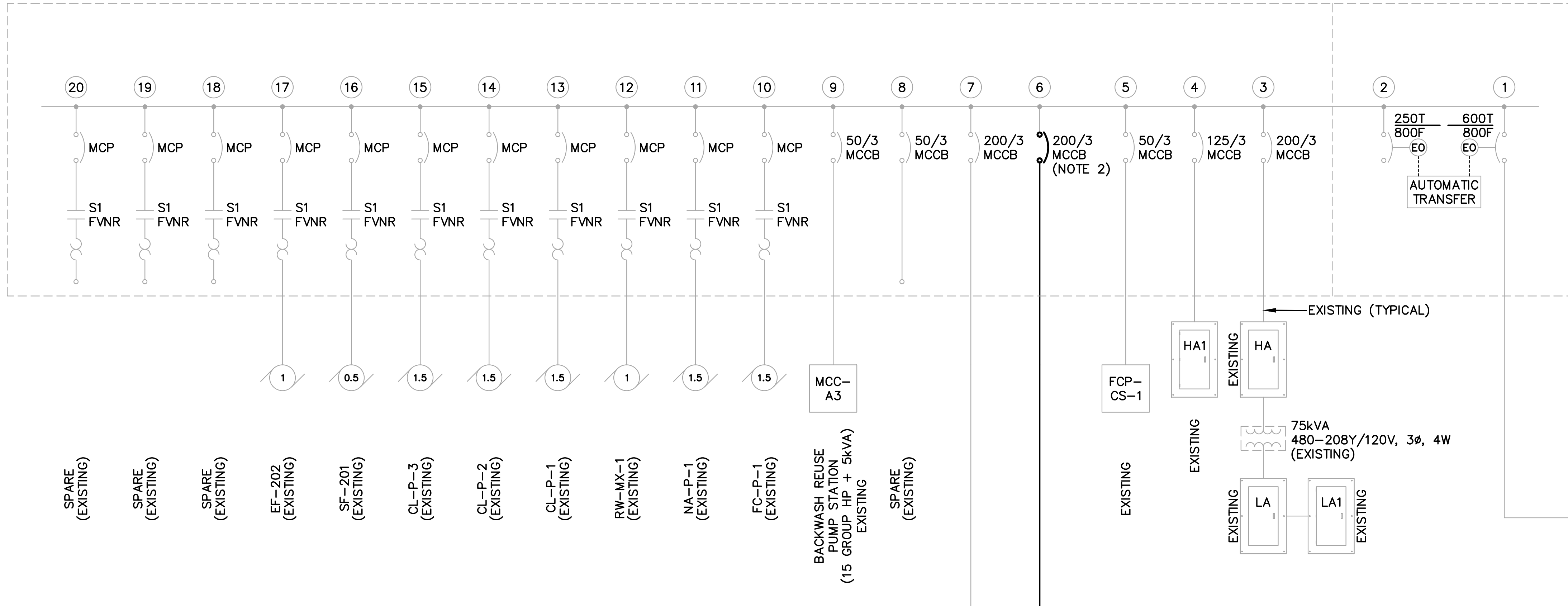
162 SEVEN FARMS DRIVE
 SUITE 210
 CHARLESTON, SC 29492
 (843) 416-5560
 (843) 416-5563
 WWW.WKDICKSON.COM



W. K. DICKSON & COMPANY, INC.
 NO. 000177
 CERTIFICATE OF AUTHORIZATION
 C.O.A.



SOUTH CAROLINA
 PROFESSIONAL ENGINEER
 NO. 23045
 7/27/22
 GEORGE A. BOYD, JR.
 PROFESSIONAL SEAL



NO.	DATE	DESCRIPTION	BY

BID SET - NOT FOR CONSTRUCTION

PROJECT NAME: WTP FLOC/SED BASIN NO. 2 FOR CITY OF GEORGETOWN
 DRAWING TITLE: ONE-LINE DIAGRAM - MCC-1, MCC-A AND MCC-B

PROJ. MGR.: WHY
 DESIGN BY: GAB
 DRAWN BY: GAB
 PROJ. DATE: 06/02/2021
 DRAWING NUMBER: E-602
 WKD PROJ. NO.: 20210110.00.CH

ALL INFORMATION CONTAINED HEREIN IS UNCLASSIFIED EXCEPT WHERE SHOWN OTHERWISE. IT IS THE POLICY OF THE U.S. GOVERNMENT TO MAKE AVAILABLE TO THE PUBLIC INFORMATION THAT IS NOT WITHHELD BY EXECUTIVE ORDER. ANY COPY OF THIS DOCUMENT, IN WHOLE OR IN PART, WHICH IS NOT WITHHELD BY EXECUTIVE ORDER, IS UNCLASSIFIED. DATE OF DECLASSIFICATION: UNLIMITED. AUTHORITY: 50 CFR 1.552(a)(1).

FILE PATH: Z:\Projects\Georgetown\202101100021 - WTP Flood Basin No. 2\Drawings\Wiring Diagrams\Wiring Diagrams.dwg, 07/29/2022 11:13:19 AM

CONTROL CONDUCTORS			
NO.	CONDUCTORS	FROM	TO/REMARKS
C001	10#14,#14G	SL-PV-1	FCP-SED-2 via HH#6, PB-SB2C
C002	10#14,#14G	SW-BFV-1	LCP-S via PB-3C, SB2-D, SB2-C, HH#6
C003	NOT USED		
C004	NOT USED		
C005	NOT USED		
C006	NOT USED		
C007	NOT USED		
C008	NOT USED		
C009	NOT USED		
C010	NOT USED		

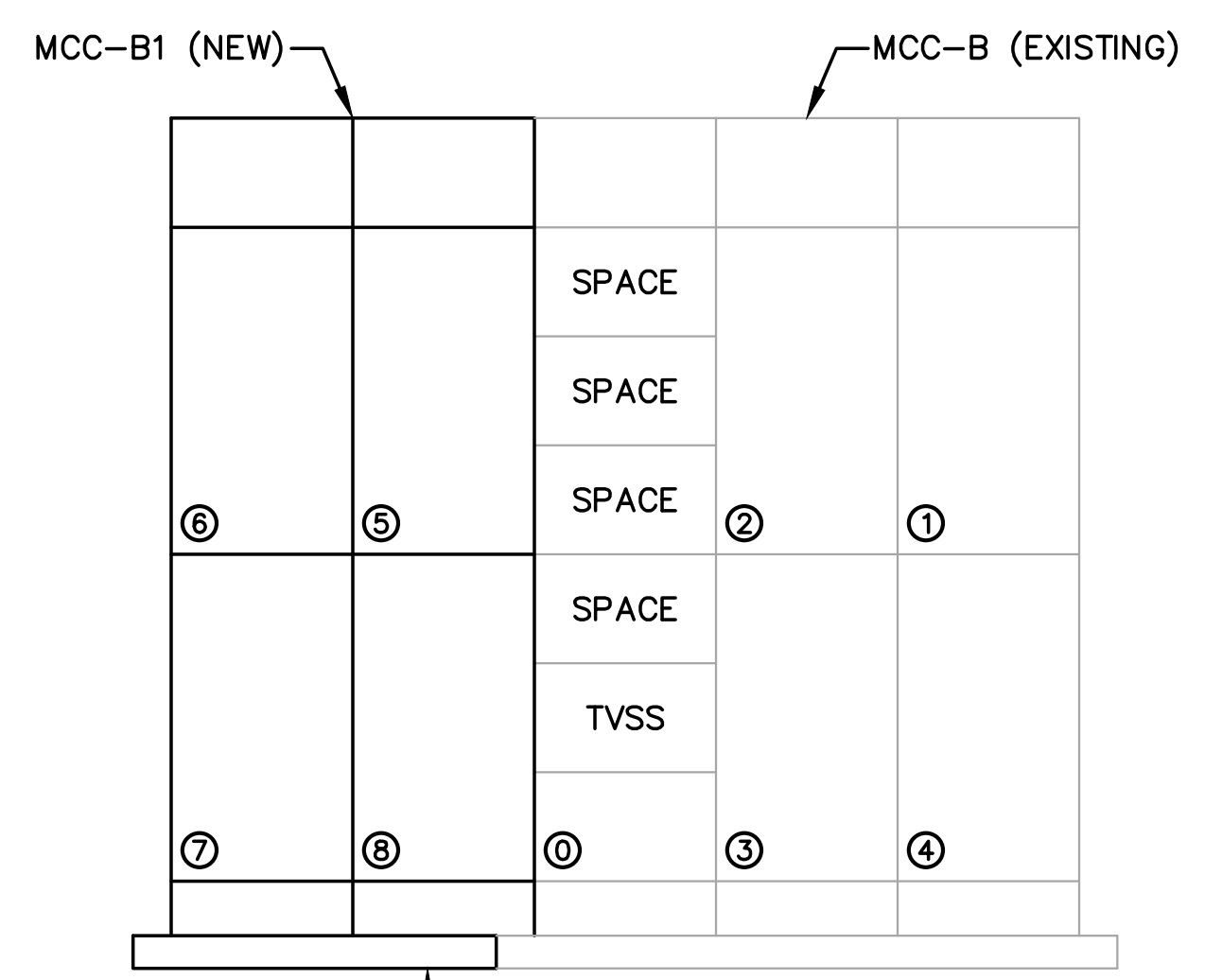
DATA HIGHWAY CONDUCTORS			
NO.	CONDUCTORS	FROM	TO/REMARKS
D001	FIBER	LCP-S	MCP via HH#6, PB-2F
D002	CAT 6 ETHERNET	FCP-SED-2	LCP-S via PB-2C, HH#6
D003	NOT USED		
D004	NOT USED		
D005	NOT USED		
D006	NOT USED		
D007	NOT USED		
D008	NOT USED		
D009	NOT USED		
D010	NOT USED		

480/277 VOLT CONDUCTORS			
NO.	CONDUCTORS	FROM	TO/REMARKS
H001	3#12+#12G	SL-PV-1, SL-FCV-1	HA1-20 via PB-SLA, HH#6, PB-2D
H002	2#12+#12G	SL METER STN LIGHT	HA-15 via HH#6, PB-2D, LCT-A
H003	2#12+#12G	SED BASIN #2 LIGHTS	HA-15 via PB-SB2B, HH#6, PB-2D, LCT-A
H004	3#8+#8G	SW-BFV-1	HA1-26 via PB-3D, SB2-E, SB2-B, HH#6, PB-2D
H005	4/C#12+2/C#14 VFD CABLE	FLC-PE-5	MCC-B1-5 via PB-SB2A, HH#6, PB-2E
H006	4/C#12+2/C#14 VFD CABLE	FLC-PE-6	MCC-B1-6 via PB-SB2A, HH#6, PB-2E
H007	4/C#12+2/C#14 VFD CABLE	FLC-PE-7	MCC-B1-7 via PB-SB2A, HH#6, PB-2E
H008	4/C#12+2/C#14 VFD CABLE	FLC-PE-8	MCC-B1-8 via PB-SB2A, HH#6, PB-2E
H009	NOT USED		
H010	NOT USED		

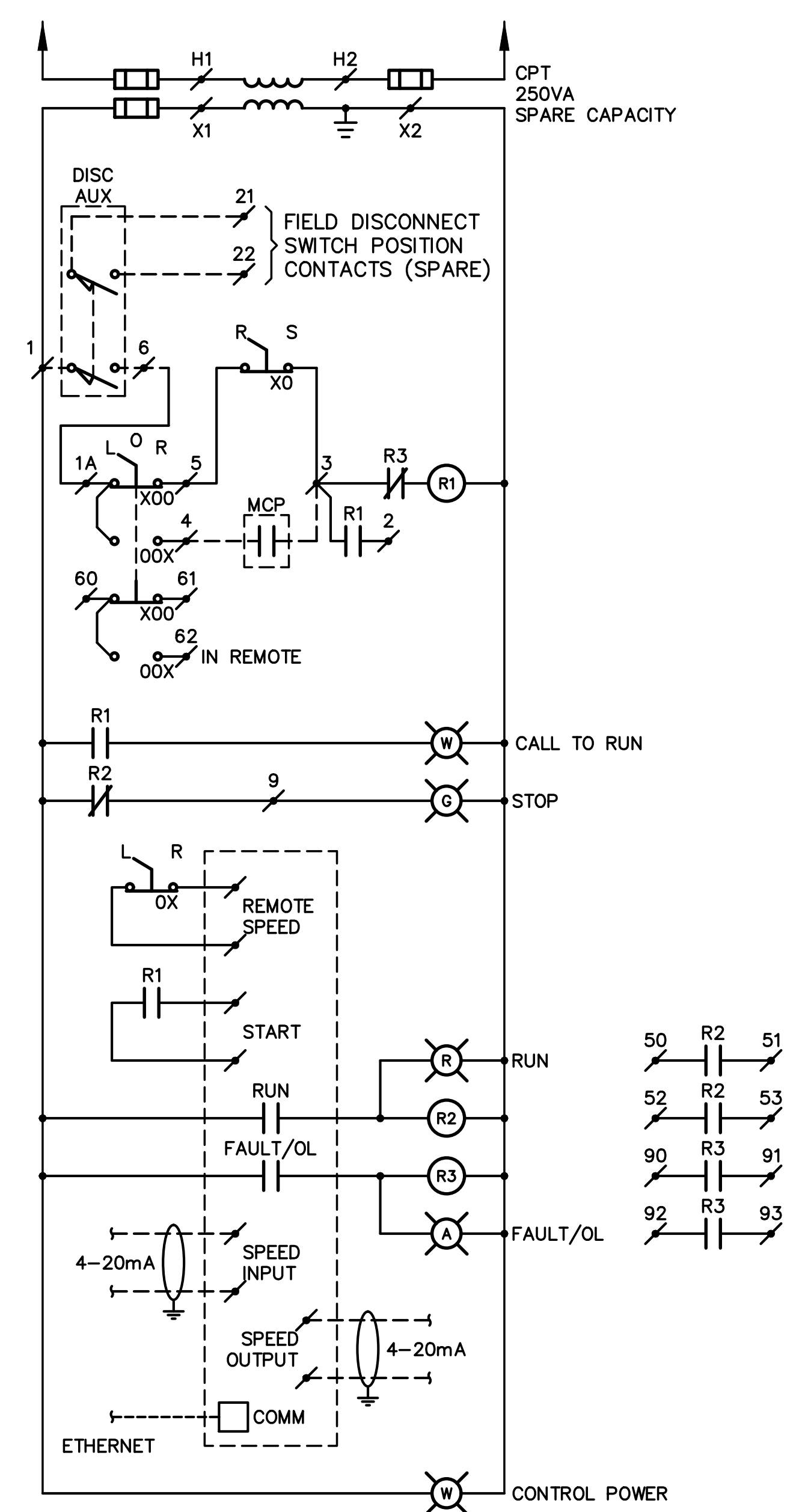
240/208/120 VOLT CONDUCTORS			
NO.	CONDUCTORS	FROM	TO/REMARKS
L001	2#6+#6G	SL-FIT-1, LCP-S	LA1-22 via PB-SLB, HH#6, PB-2D
L002	2#6+#6G	SL METER STN RECEIPT	LA1-24 via PB-SLB, HH#6, PB-2D
L003	2#6+#6G	FCP-SED-2	LA1-26 via PB-SB2B, HH#6, PB-2D
L004	2#6+#6G	SED BASIN #2 RECEIPT	LA1-28 via PB-SB2B, HH#6, PB-2D
L005	2#6+#6G	SHED	LA1-30 via PB-SB2B, HH#6, PB-2D
L006	2#4+#4G	HT-SED-1	LA-41 via PB-3D, SB2D, SB2C, HH#6, PB-2D, HTMP
L007	NOT USED		
L008	NOT USED		
L009	NOT USED		
L010	NOT USED		

DUCTBANK SCHEDULE					
TAG	C.	CONDUCTORS	FROM	TO	SIZE
1	a	H001, H004	HH#6	PB-2D	2"
	b	H002, H003	HH#6	PB-2D	2"
	c	L001, L002, L003, L004, L005	HH#6	PB-2D	3"
	d	L006	HH#6	PB-2D	2"
	e	EMPTY	HH#6	PB-2D	2"
	f	EMPTY	HH#6	PB-2D	2"
	g	H005, H008	HH#6	PB-2E	2"
	h	H006, H007	HH#6	PB-2E	2"
	i	D001	HH#6	PB-2F	2"
	j	EMPTY	HH#6	PB-2F	2"
2	a	H001, H002	PB-SLA	HH#6	1"
	b	L001, L002	PB-SLB	HH#6	1.5"
	c	C001	SL-PV-1	HH#6	1"
	d	C002	LCP-S	HH#6	1"
	e	D001, D002	LCP-S	HH#6	2"
	f	EMPTY	LCP-S	HH#6	2"*
3	a	H005, H008	PB-SB2A	HH#6	2"
	b	H006, H007	PB-SB2A	HH#6	2"
	c	H003, H004	PB-SB2B	HH#6	2"
	d	L003, L004, L005	PB-SB2B	HH#6	2"
	e	L006	PB-SB2B	HH#6	2"
	f	EMPTY	PB-SB2B	HH#6	2"
	g	C001, C002	PB-SB2C	HH#6	2"
	h	D002	PB-SB2C	HH#6	2"*
4	a	H004	PB-3D	PB-SB2E	2"
	b	L006	PB-3D	PB-SB2E	2"
	c	C002	PB-3C	PB-SB2D	2"
	d	EMPTY	PB-3C	PB-SB2D	2"
5	a	L005	SHED	PB-SB2B	1"
	b	EMPTY	SHED	PB-SB2C	1"

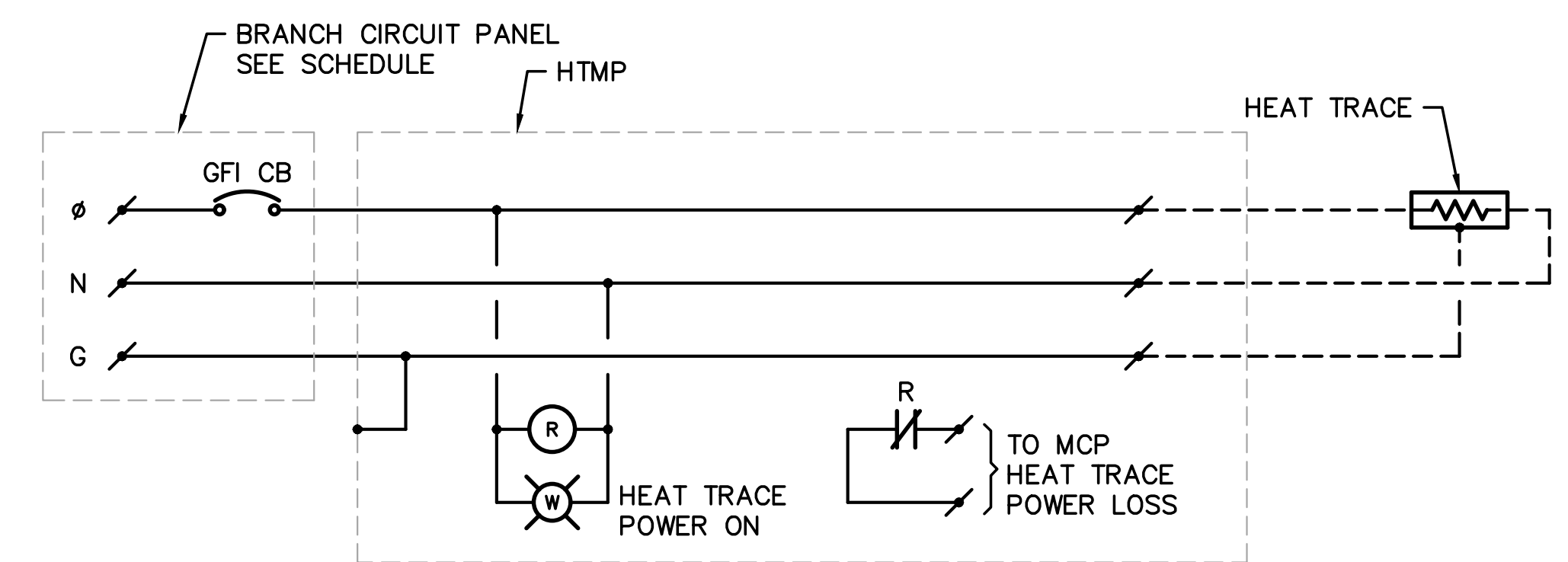
EX - EXISTING
* - RIGID METAL CONDUIT



MCC-B AND B1 FRONT ELEVATION
N.T.S.



STARTER TYPE V1



HEAT TRACE MONITOR PANEL (HTMP)
FOR MODIFICATION OF EXISTING HTMP FOR NEW HT CIRCUIT

NOTE: WHERE BRANCH CIRCUIT PANEL SUPPLYS MULTIPLE HEAT TRACE CIRCUITS, CIRCUITS MAY BE COMBINED IN HTMP WITH ONE RELAY AND PILOT LIGHT PER CIRCUIT. CONNECT RELAY CONTACTS IN PARALLEL FOR REMOTE POWER LOSS INDICATION.

WK DICKSON
community infrastructure consultants
162 SEVEN FARMS DRIVE
SUITE 210
CHARLESTON, SC 29492
(843) 416-5560
(843) 416-5563
WWW.WKDICKSON.COM

SOUTH CAROLINA
REGISTERED PROFESSIONAL
ELECTRICAL ENGINEER
W. K. DICKSON
& COMPANY, INC.
No. 000177
C.O.A.

SOUTH CAROLINA
REGISTERED PROFESSIONAL
ELECTRICAL ENGINEER
George A. Boyd, Jr.
No. 23045
7/27/22
PROFESSIONAL SEAL

NO.	DATE	DESCRIPTION	BY
0	07/29/2022	BID SET - NOT FOR CONSTRUCTION	

PROJECT NAME: WTP FLOC/SED BASIN NO. 2 FOR CITY OF GEORGETOWN
DRAWING TITLE: SCHEDULES AND WIRING DIAGRAMS

PROJ. MGR.: WHY
DESIGN BY: GAB
DRAWN BY: GAB
PROJ. DATE: 06/02/2021
DRAWING NUMBER: E-603
WKD PROJ. NO.: 20210110.00.CH

BID SET - NOT FOR CONSTRUCTION