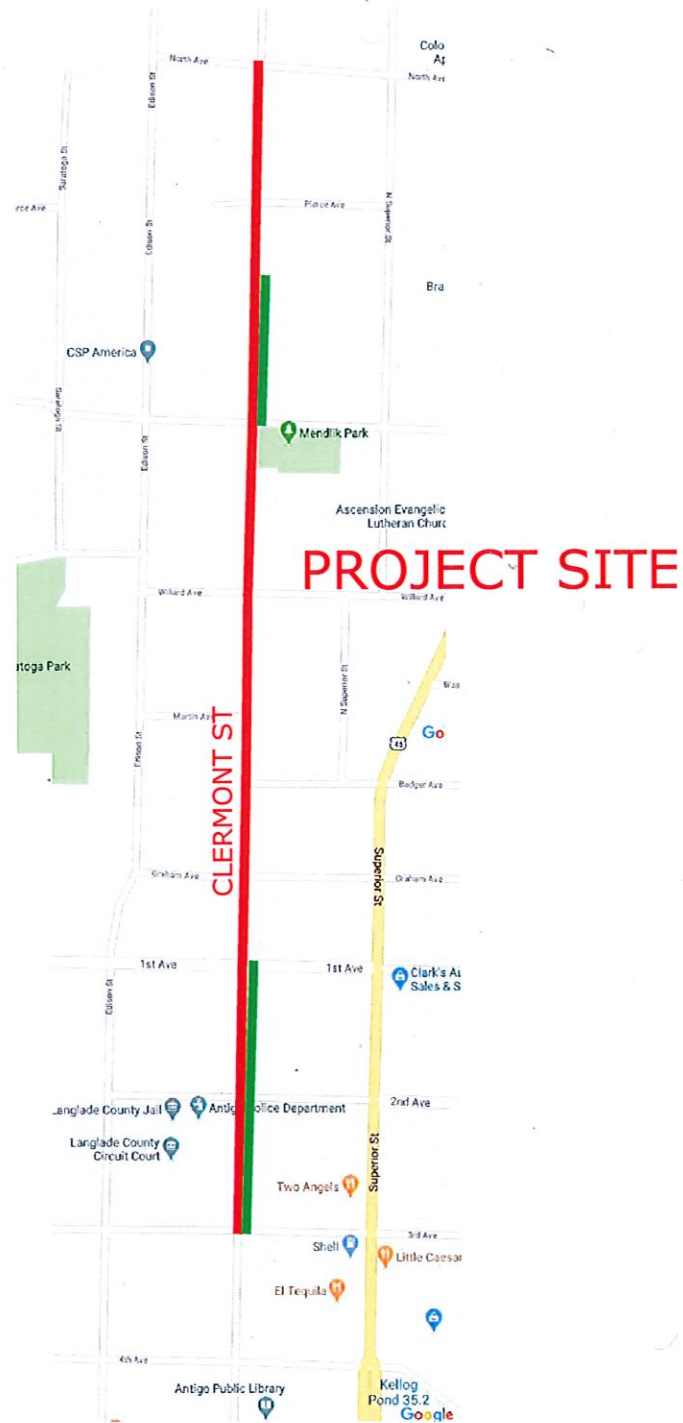


# CITY OF ANTIGO CLERMONT ST SANITARY, STORM AND PAVEMENT REPLACEMENT

PROJECT SCOPE: REPLACE 780 LF OF SANITARY SEWER, REPLACE 400 LF OF STORM SEWER & PULVERISE AND PAVE 14,725 SY OF 3" ASPHALT

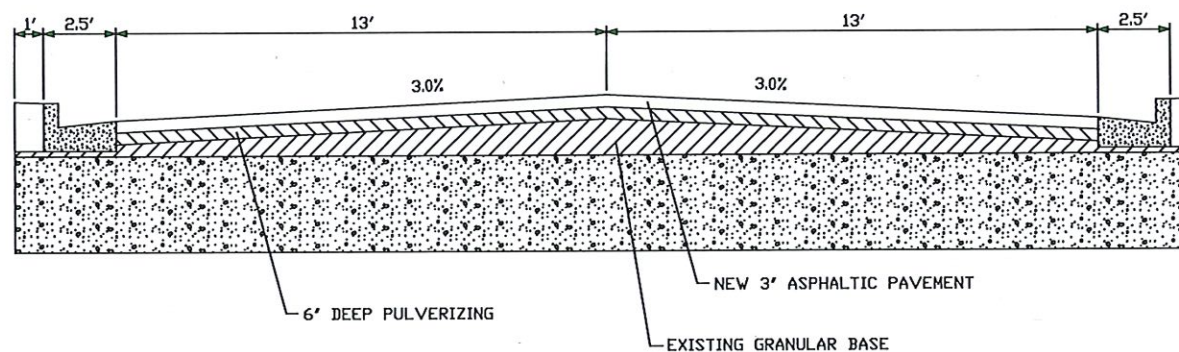
## LOCATION MAP



### MATERIAL SPECIFICATIONS:

- AGGREGATE BASE – SHALL MEET OR EXCEED WIS DOT SPEC SECTION 305 AS BASE AGG DENSE 1-1/4" (PAID SY)
- ASPHALTIC MATERIAL – SHALL MEET OR EXCEED TYPE 4 LT 58-28 S (PAID SY)
- MANHOLE – SHALL BE PRECAST (PAID EA)
- SANITARY PIPE – SHALL BE SDR-35 OR GREATER (PAID LF)
- STORM PIPE – SHALL BE REINFORCED CONCRETE PIPE (PAID LF)

- GAS: CITY GAS COMPANY  
602 FIFTH AVE  
ANTIGO WI 54409  
ROD MADESON  
715-627-4351
- ELECTRIC: WPS  
PO BOX 1166  
WAUSAU WI 54402  
DON LUTZOW  
715-493-7802
- TELEPHONE: FRONTIER  
525 N SUPERIOR ST  
ANTIGO WI 54409  
WARREN INMAN  
715-847-1550
- SEWER & WATER: CITY OF ANTIGO  
700 EDISON ST  
ANTIGO WI 54409  
CHARLEY BRINKMEIER  
715-216-3234
- CATV: CHARTER COM  
PO BOX 1818  
WAUSAU WI 54402  
1-800-924-3503



TYPICAL SECTION

DATE: FEB 27 2020

REVISION DATE:

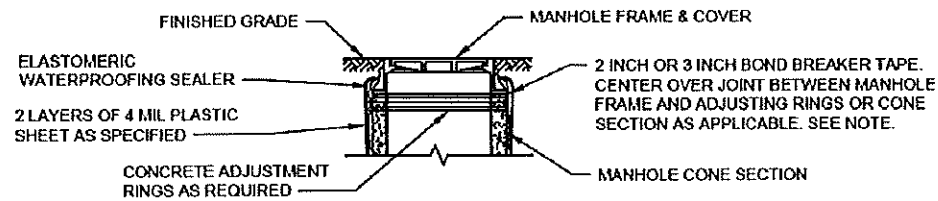
CITY OF ANTIGO  
CLERMONT ST SANITARY SEWER  
REPLACEMENT

SHEET

1

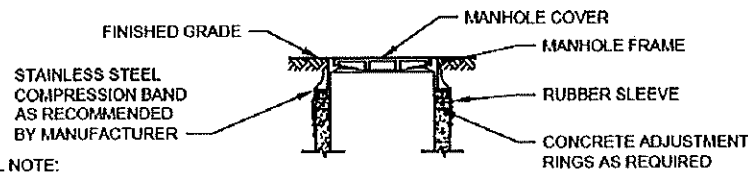
OF 6 SHEETS

# SPECIFICATION AND DETAILS



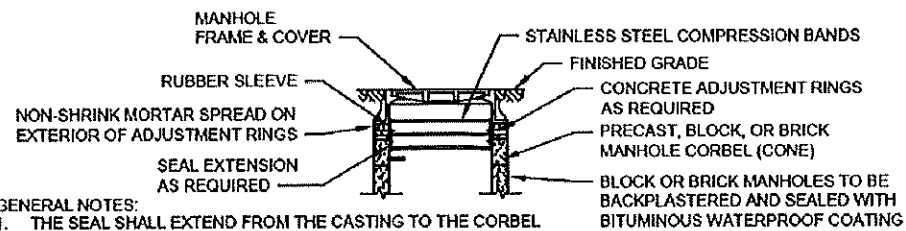
THE BOND BREAKER TAPE IS TO PREVENT THE SEALER FROM BONDING TO THE EDGE OF THE FLANGE OF THE M/H FRAME AND THE UPPER 1-1/2 INCHES OF ADJUSTING RING OR CONE. IF THE EDGE OF FLANGE IS NOT FLUSH WITH ADJUSTING RING OR CONE, APPLY ADDITIONAL TAPE AS REQUIRED TO PREVENT SUCH BONDING.

### ELASTOMERIC FRAME/CHIMNEY SEAL



GENERAL NOTE:  
THE SEAL SHALL EXTEND FROM THE CASTING TO THE CORBEL (CONE). SEAL EXTENSIONS SHALL BE USED AS REQUIRED.

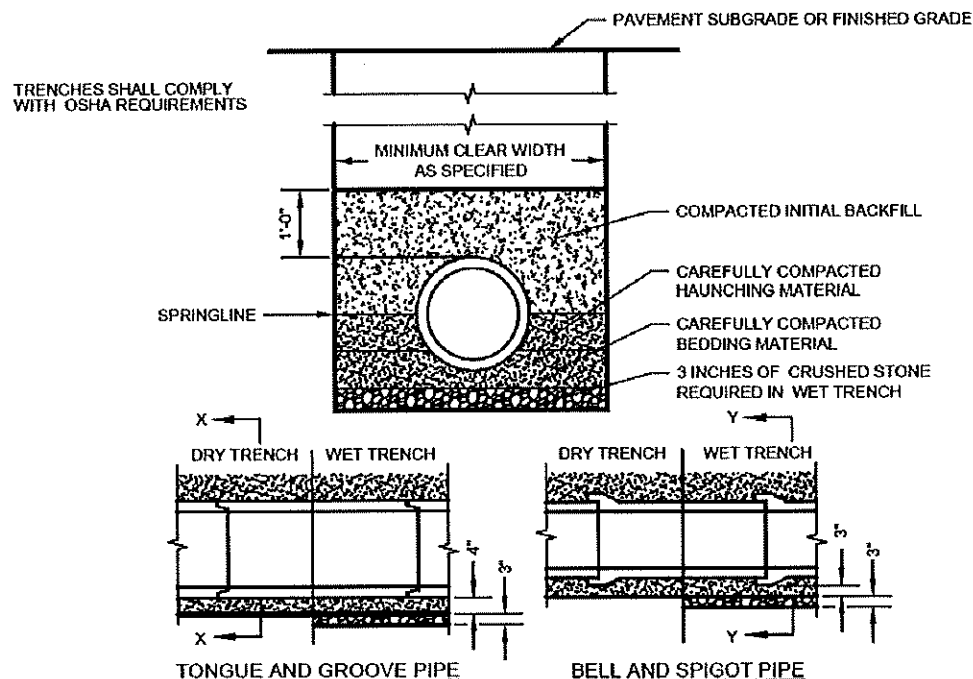
### EXTERNAL RUBBER SLEEVE FRAME/CHIMNEY SEAL



GENERAL NOTES:  
1. THE SEAL SHALL EXTEND FROM THE CASTING TO THE CORBEL (CONE). SEAL EXTENSIONS SHALL BE USED AS REQUIRED.  
2. AN INTERNAL ADAPTOR SEAL RING MAY BE USED IN LIEU OF THE RUBBER SLEEVE. THE INTERNAL ADAPTOR SEAL RING SHALL BE INSTALLED PER MANUFACTURER'S INSTRUCTIONS.

### INTERNAL RUBBER SLEEVE FRAME/CHIMNEY SEAL

### MANHOLE WATERPROOFING DETAIL NO SCALE

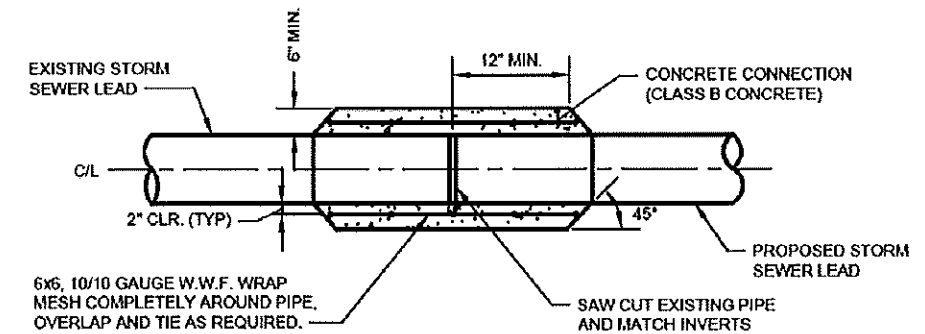
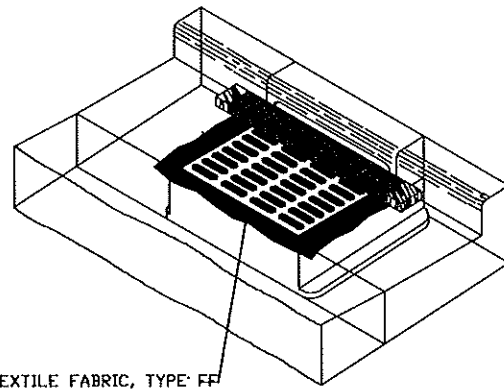


**GENERAL NOTES:**

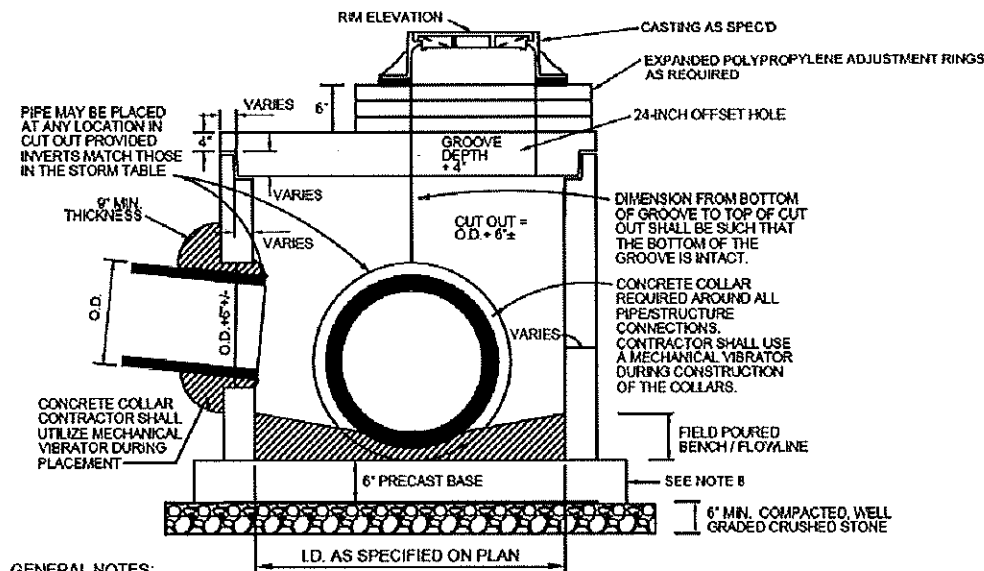
1. BEDDING AND HAUNCHING MATERIAL SHALL BE WELL-GRADED 3/4 TO 1/4 INCH CRUSHED STONE OR OTHER NON-COHESIVE MATERIAL NOT SUBJECT TO MIGRATION AND FREE OF DEBRIS, ORGANIC MATERIAL, AND LARGE STONES.
2. BEDDING MATERIAL TO BE PLACED BEFORE SETTING PIPE, 4 INCH MINIMUM UNDER BARREL WITH 3 INCH MINIMUM UNDER BELL.
3. INITIAL BACKFILL SHALL BE DENSELY COMPACTED, NON-COHESIVE FINELY DIVIDED MATERIAL FREE OF DEBRIS, ORGANIC MATERIAL, AND LARGE STONES.
4. IN ROCK OR OTHER UNCOMPRESSIBLE MATERIALS, THE TRENCH SHALL BE OVEREXCAVATED A MINIMUM OF 6-INCHES AND REFILLED WITH GRANULAR MATERIAL.

### CLASS "B" EMBEDMENT FOR RIGID PIPE DETAIL NO SCALE

WOOD 2' X 2' EXTENDS 8" BEYOND GRATE WIDTH ON BOTH SIDES, LENGTH VARIES



### STORM SEWER CONNECTION DETAIL NO SCALE



**GENERAL NOTES:**

1. SEE PLANS FOR SIZE, NUMBER, AND LOCATION OF PIPES.
2. DETAILS OF CONSTRUCTION, MATERIALS AND WORKMANSHIP NOT SHOWN ON THIS DRAWING SHALL CONFORM TO THE PERTINENT REQUIREMENTS OF THE SPECIFICATIONS.
3. DETAILED DRAWINGS FOR PROPOSED ALTERNATE DESIGNS FOR UNDERGROUND DRAINAGE STRUCTURES SHALL BE SUBMITTED TO THE ENGINEER FOR APPROVAL PROVIDING THAT SUCH ALTERNATE DESIGNS MAKE PROVISION FOR EQUIVALENT CAPACITY AND STRENGTH.
4. ALL PRECAST INLET UNITS SHALL CONFORM TO THE PERTINENT REQUIREMENTS OF AASHTO DESIGNATION M 199.
5. PRECAST REINFORCED BASES SHALL BE PLACED ON A BED OF MATERIAL AT LEAST 6 INCHES IN DEPTH, WHICH MEETS THE REQUIREMENTS FOR WELL GRADED CRUSHED STONE. THIS BEDDING SHALL BE COMPACTED AND PROVIDE UNIFORM SUPPORT FOR THE ENTIRE AREA OF THE BASE.
6. ALL BAR STEEL AND WELDED WIRE FABRIC REINFORCEMENT SHALL BE EMBEDDED 2 INCHES CLEAR UNLESS OTHERWISE SHOWN OR NOTED.
7. PRECAST REINFORCED CONCRETE RISERS SHALL BE PLACED WITH TONGUE DOWN.
8. OVERHANGING BASE NOT REQUIRED WHERE INTEGRAL BASE IS ALLOWED. SEE SPECIAL PROCEDURES OR CONTACT ENGINEER TO VERIFY.

### STORM MANHOLE DETAIL NO SCALE

### SANITARY SEWER NOTES

1. CONTRACTOR SHALL PROVIDE AND MAINTAIN ALL PROPER BARRICADES, LIGHTS, SIGNAGE AND WATCHMEN, OR OTHER TRAFFIC CONTROL MEASURES NECESSARY TO PROPERLY PROTECT PERSONS, ANIMALS AND PROPERTY DURING ALL SANITARY SEWER AND FORCE MAIN CONSTRUCTION.
2. ALL OPEN CUT TRENCHES SHALL BE PROTECTED IN ACCORDANCE WITH APPLICABLE RULES, LAWS AND REGULATIONS OF FEDERAL, STATE AND MUNICIPAL ORDINANCES, BUT SHALL NOT BE LESS THAN THE STANDARDS AND REGULATIONS ESTABLISHED BY THE DEPARTMENT OF LABOR, OSHA 29 CFR, PART 1926.
3. ALL OPEN TRENCHES SHALL BE BACK FILLED AT THE END OF EACH WORKING DAY, UNLESS THE TRENCH IS SUITABLY BARRICADED IN ACCORDANCE WITH THE STANDARDS AND REGULATIONS ESTABLISHED BY THE DEPARTMENT OF LABOR, OSHA 29 CFR, PART 1926.
4. INSTALL ALL BOUNDARY SILT FENCE AND EROSION BALES FOR EROSION CONTROL IN ACCORDANCE WITH THE CONSTRUCTION DRAWINGS. INSTALL ALL BOUNDARY SILT FENCE PRIOR TO ANY CONSTRUCTION WORK.
5. SANITARY SEWER SHALL BE CONSTRUCTED WITH COVER INDICATED. INSTANCES WHERE COVER CANNOT BE PROVIDED DUE TO PHYSICAL CONSTRAINTS OR CONFLICTS SHALL BE EVALUATED AND MODIFIED BY THE ENGINEER.
6. CONTRACTOR SHALL PERFORM LOW PRESSURE AIR AND DEFLECTION TESTS FOR ACCEPTANCE IN THE PRESENCE OF THE ENGINEER, IN ACCORDANCE WITH THE GREAT LAKES-UPPER MISSISSIPPI RIVER BOARD OF STATE AND PROVISIONAL PUBLIC HEALTH AND ENVIRONMENTAL MANAGERS DESIGN STANDARDS, CURRENT EDITION, (TEN STATES STANDARDS)
7. ALL SANITARY SEWER AND LATERAL CONNECTIONS SHALL BE IN ACCORDANCE WITH THE TEN STATES STANDARDS.

DATE: FEB 27 2020

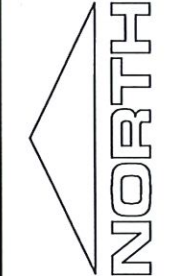
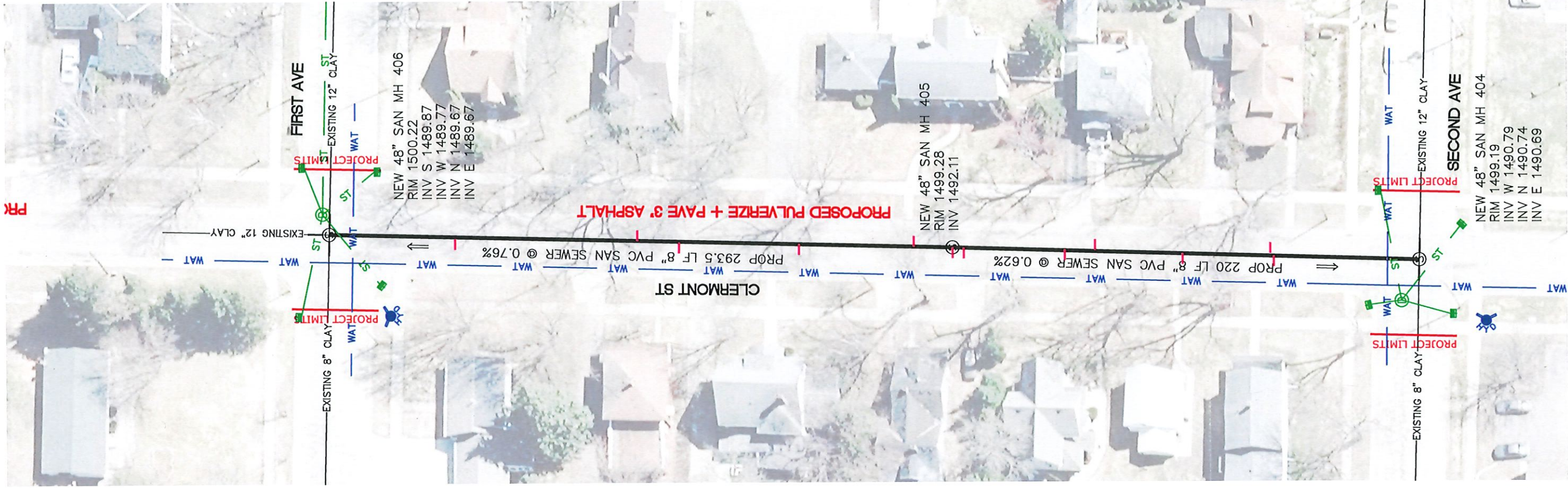
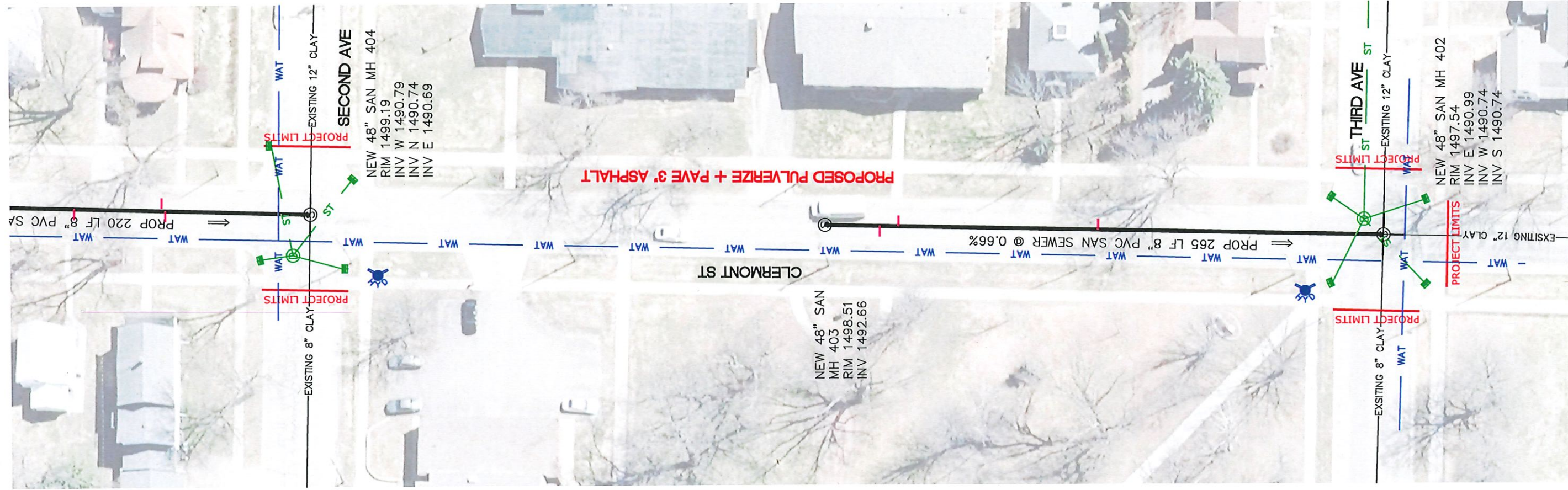
REVISION DATE:

CITY OF ANTIGO  
CLERMONT ST SANITARY SEWER  
REPLACEMENT

SHEET

2

OF 6 SHEETS





CITY OF ANTIGO

CLERMONT SANITARY SEWER  
REPLACEMENT

SHEET

4

OF 6 SHEETS

DATE: FEB 27 2020

SCALE 1" = 50'

REVISION DATE:



