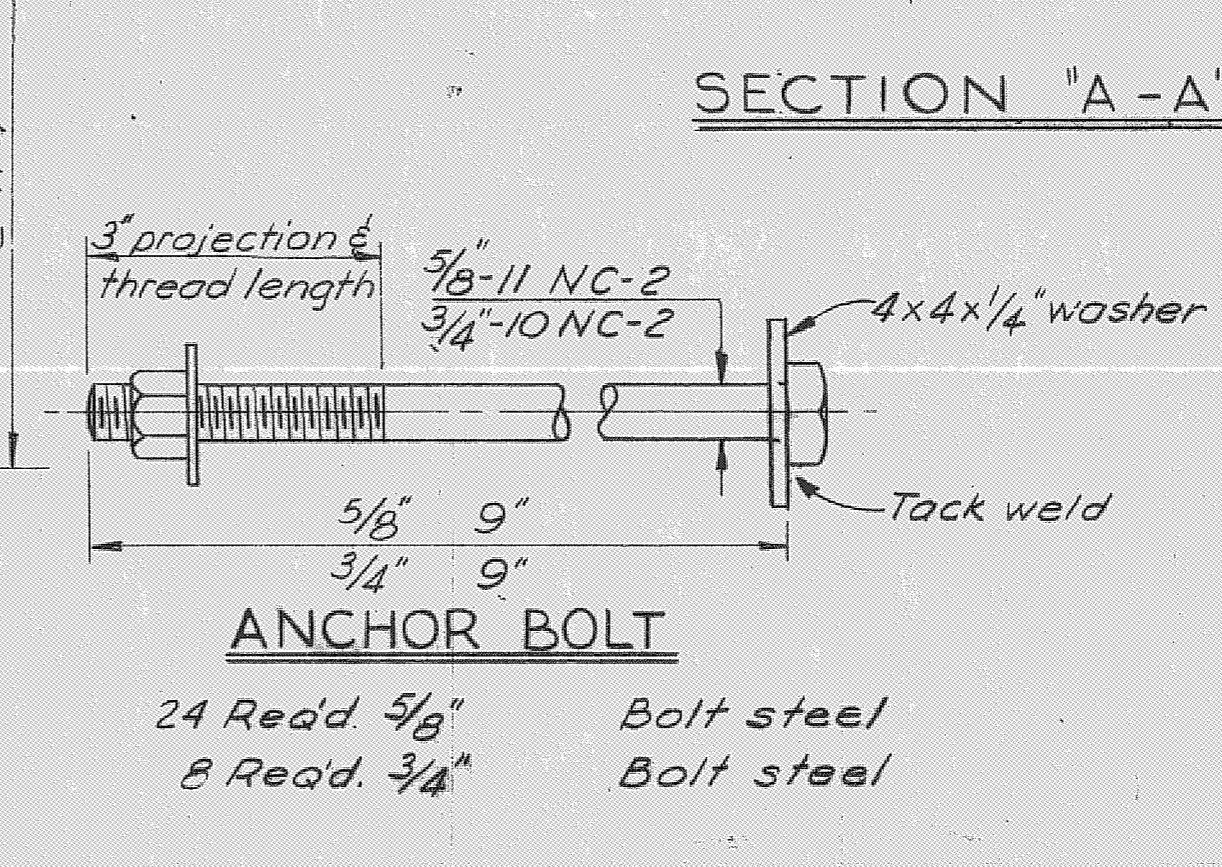
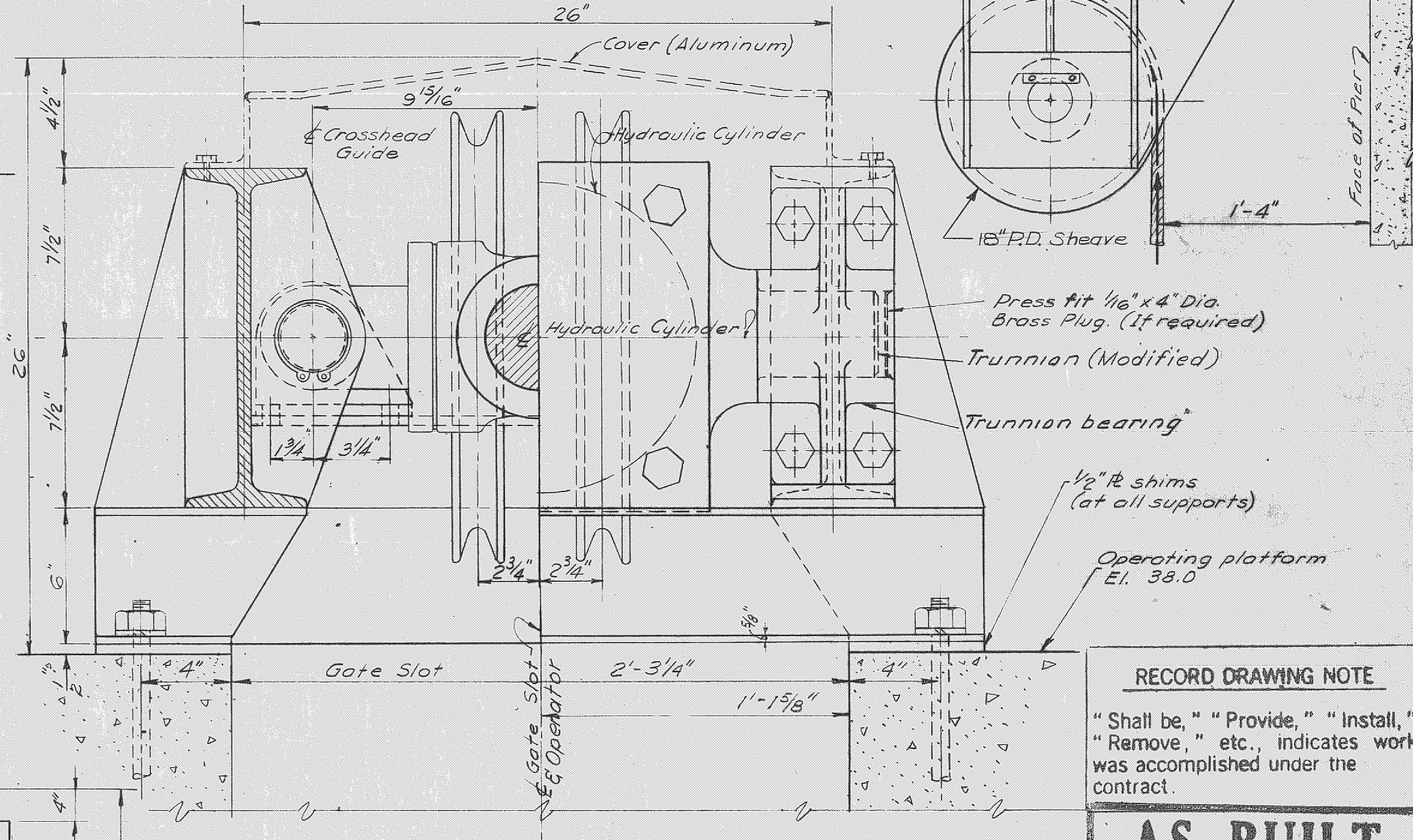
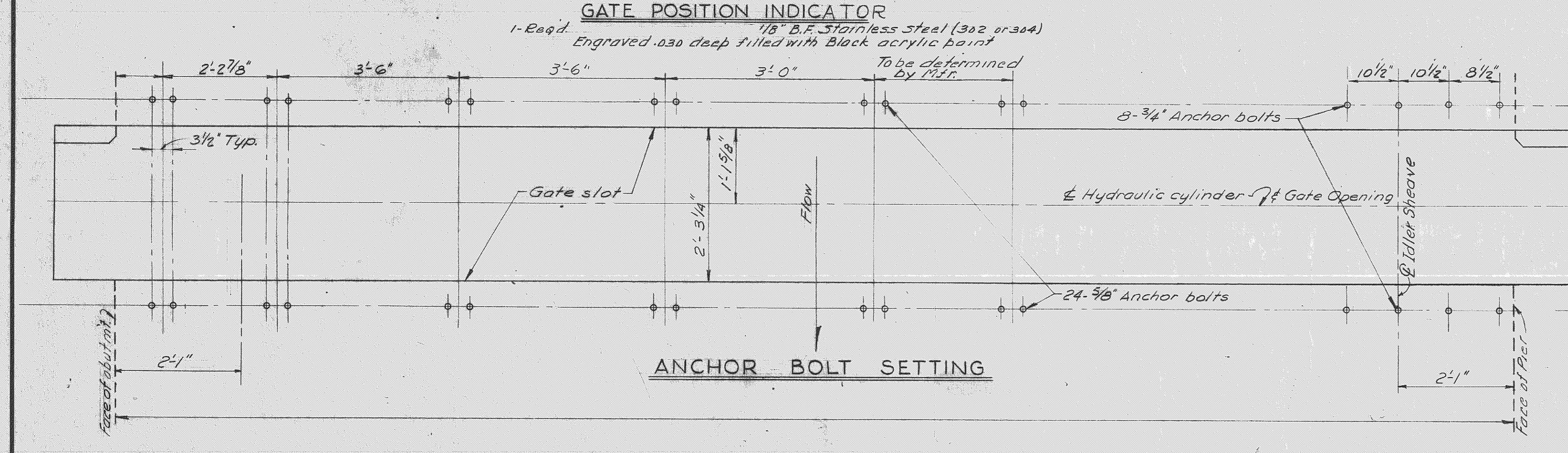
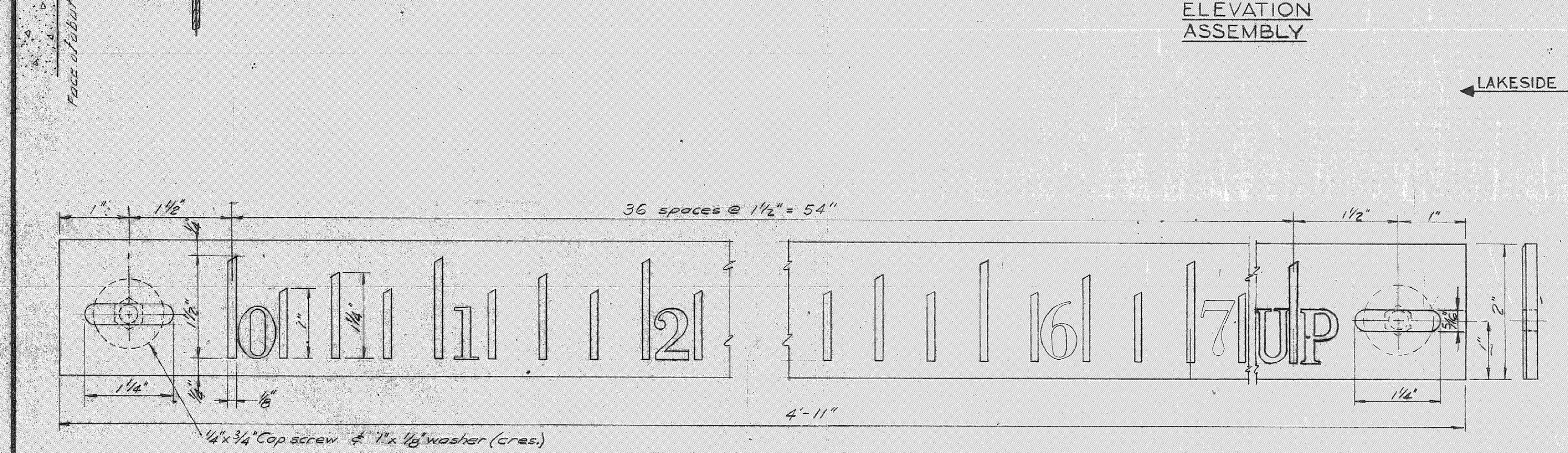
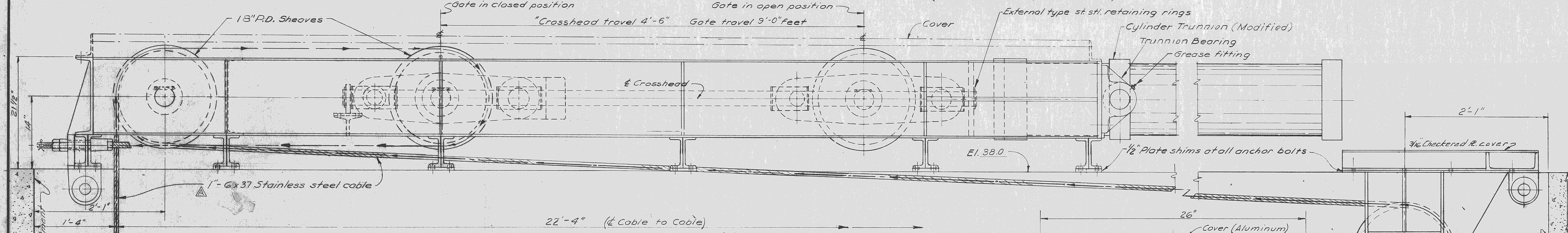
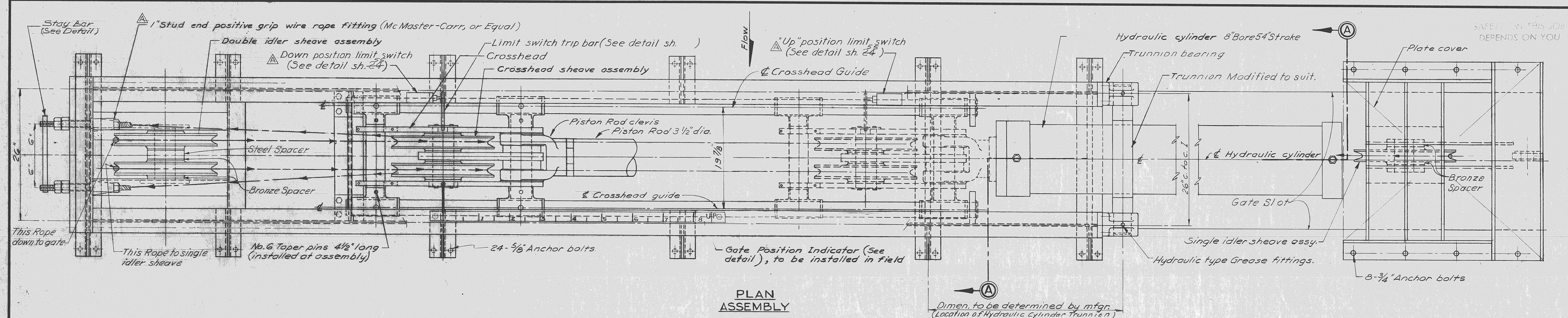


SAFETY ON THIS JOB
DEPENDS ON YOU



RECORD DRAWING NOTE
"Shall be," "Provide," "Install," "Remove," etc., indicates work was accomplished under the contract.

AS BUILT
Notes:
1. Quantities shown on this sheet are for one gate only.
2. All taper pins & dowels to be installed at assembly.

TO CONFORM TO AMENDMENT NO. 1			
NO.	SYM.	TO BE	DATE
4	△		5-12-66

REVISIONS	
U.S. ARMY ENGINEER DISTRICT, JACKSONVILLE CORPS OF ENGINEERS JACKSONVILLE, FLORIDA	
STRUCTURE-157	
GATE HOIST - ASSEMBLY	
INVIATION NO. CIV. ENG. 08-123-66-66	SIZE 9x12
DATED: 28 APRIL 1966	F
SCALE: AS SHOWN	DATE: APRIL 1966
DESIGNED BY: [Signature]	CHECKED BY: [Signature]
DRWN BY: [Signature]	DATE: 8/70