

BUILDING LOADS / DESCRIPTION:

WIDTH: 87 LENGTH: 121.67 HEIGHT: 26.25 / 26.25 SITE CLASS: D

(BUILDING DIMENSIONS ARE NOMINAL. REFER TO PLANS).

THIS STRUCTURE IS DESIGNED UTILIZING THE LOADS INDICATED AND APPLIED AS REQUIRED BY : IBC 15 OCCUPANCY CATEGORY: II - Normal
SEISMIC DESIGN CATEGORY: B

THE CONTRACTOR IS TO CONFIRM THAT THESE LOADS COMPLY WITH THE REQUIREMENTS OF THE LOCAL BUILDING DEPARTMENT.

ROOF DEAD LOAD:	<u>2.000</u>	PSF (ROOF PANELS & PURLINS)		
COLLATERAL LOAD:	<u>2.5</u>	PSF	SNOW EXPOSURE:	<u>1.0000</u>
ROOF LIVE LOAD:	<u>20.00</u>	PSF	WIND EXPOSURE:	<u>C</u>
ROOF SNOW LOAD:	<u>19.69</u>	PSF	INTERNAL PRESSURE COEFF.:	
GROUND SNOW LOAD:	<u>25</u>	PSF	<u>0.18</u> / <u>-0.18</u>	
BASIC WIND SPEED:	<u>115</u>	MPH	SPECTRAL RESPONSE COEFF.	<u>MAPPED SPECTRAL RESPONSE ACC.</u>
SEISMIC ZONE:	<u>B</u>	Sds <u>0.13</u>	Ss <u>0.12</u>	
THERMAL FACTOR:	<u>1.20</u>	Sd1 <u>0.08</u>	S1 <u>0.05</u>	
IMPORTANCE FACTORS:		DESIGN BASE SHEAR, V:		
WIND LOAD	<u>1.00</u>	EXPANDED FORMULA	$0.667 \cdot I_e \cdot F_a \cdot S_s \cdot W/R$	
SNOW LOAD	<u>1.0000</u>	LONGITUDINAL	<u>3.19</u>	
SEISMIC LOAD	<u>1.00</u>	TRANSVERSE	<u>3.88</u>	

GENERAL NOTES:

- ALL STRUCTURAL STEEL SECTIONS AND WELDED PLATE MEMBERS ARE DESIGNED IN ACCORDANCE WITH THE AISC "SPECIFICATIONS FOR STRUCTURAL STEEL BUILDINGS" AS REQUIRED BY THE SPECIFIED BUILDING CODE.
- ALL WELDING OF STRUCTURAL STEEL IS BASED ON AWS D1.1 "STRUCTURAL WELDING CODE", LATEST EDITION.
- MATERIALS:
 PLATE, FLANGE, AND WEB MATERIAL.....A572 GRADE 50 OR A529 GRADE 50
 STRUCTURAL TUBE.....A500, Fy = 50 ksi MIN.
 HOT-ROLLED STRUCTURAL.....A992 OR A572 GRADE 50
 ROD BRACING.....A572 GRADE 50 OR A529 GRADE 50 OR F1554 GRADE 55
 HIGH-STRENGTH BOLTS.....A325
 BLIND BOLTS....."HOLLO-BOLT" OR BOXBOLT" BRANDS ACCEPTABLE
 FABRIC.....DAF 29CPPVDF##G75 (FIRE-RATED PER NFPA 701)
- BOLT TIGHTENING REQUIREMENTS:
 ALL HIGH STRENGTH BOLTS ARE A325 UNLESS NOTED OTHERWISE.
 ALL BOLTED CONNECTIONS SHALL BE SNUG TIGHT.
 WASHERS ARE NOT REQUIRED UNLESS NOTED OTHERWISE.
- ALL STRUCTURAL STEEL TO RECEIVE A PRIMER. THIS PAINT IS NOT INTENDED FOR LONG TERM EXPOSURE TO THE ELEMENTS.
- NOTE: OWNER SHALL VERIFY THE ADEQUACY OF ANY ADJACENT BUILDING WITHIN 20 FEET FOR THE EFFECTS OF DRIFTING AND SLIDING SNOW DUE TO THIS CLEARSPAN BUILDING.

FOUNDATION AND ANCHOR BOLTS:

- FOUNDATION AND ANCHOR DESIGN IS NOT BY CLEARSPAN. THE FOUNDATION AND ANCHOR DESIGN IS BY OTHERS. REFER TO ANCHOR BOLT PLAN GENERAL NOTES - NOTE 2 ON SHEET B1 FOR FURTHER INFORMATION.

SITE ADDRESS: 28TH STREET SOUTH
ARLINGTON, VA 22206

BUILDER / CONTRACTOR RESPONSIBILITIES

IT IS THE RESPONSIBILITY OF THE BUILDER/CONTRACTOR TO ENSURE THAT ALL PROJECT PLANS AND SPECIFICATIONS COMPLY WITH THE APPLICABLE REQUIREMENTS OF ANY GOVERNING BUILDING AUTHORITIES. THE SUPPLYING OF SEALED ENGINEERING DATA AND DRAWINGS FOR THE METAL BUILDING SYSTEM DOES NOT IMPLY OR CONSTITUTE AN AGREEMENT THAT THE METAL BUILDING SYSTEM MANUFACTURER OR ITS DESIGN ENGINEER IS ACTING AS THE ENGINEER OF RECORD OR DESIGN PROFESSIONAL FOR A CONSTRUCTION PROJECT.

THE CONTRACTOR MUST SECURE ALL REQUIRED APPROVALS AND PERMITS FROM THE APPROPRIATE AGENCY AS REQUIRED. APPROVAL OF THE METAL BUILDING SYSTEM MANUFACTURER'S DRAWINGS AND CALCULATIONS INDICATE THAT THE METAL BUILDING SYSTEM MANUFACTURER CORRECTLY INTERPRETED AND APPLIED THE REQUIREMENTS OF THE CONTRACT DRAWINGS AND SPECIFICATIONS. (SECT. 4.2.1 AISC CODE OF STANDARD PRACTICES, 9TH ED.) WHERE DISCREPANCIES EXIST BETWEEN THE METAL BUILDING SYSTEM MANUFACTURER'S STRUCTURAL STEEL PLANS AND THE PLANS FOR OTHER TRADES, THE STRUCTURAL STEEL PLANS SHALL GOVERN. (SECT. 3.3 AISC CODE OF STANDARD PRACTICE 9TH ED.) DESIGN CONSIDERATIONS OF ANY MATERIALS IN THE STRUCTURE WHICH ARE NOT FURNISHED BY THE METAL BUILDING SYSTEM MANUFACTURER ARE THE RESPONSIBILITY OF THE CONTRACTORS AND ENGINEERS OTHER THAN THE METAL BUILDING SYSTEM MANUFACTURER'S ENGINEER UNLESS SPECIFICALLY INDICATED.

THE CONTRACTOR IS RESPONSIBLE FOR ALL ERECTION OF STEEL AND ASSOCIATED WORK IN COMPLIANCE WITH THE METAL BUILDING SYSTEM MANUFACTURER "FOR CONSTRUCTION" DRAWINGS.

ALL BRACING AS SHOWN AND PROVIDED BY THE METAL BUILDING SYSTEM MANUFACTURER FOR THIS BUILDING IS REQUIRED AND SHALL BE INSTALLED BY THE ERECTOR AS A PERMANENT PART OF THE STRUCTURE.

TEMPORARY SUPPORTS, SUCH AS TEMPORARY GUYS, BRACES, FALSE WORK, CRIBBING OR OTHER ELEMENTS REQUIRED FOR THE ERECTION OPERATION WILL BE DETERMINED AND FURNISHED AND INSTALLED BY THE ERECTOR. THESE TEMPORARY SUPPORTS WILL SECURE THE STEEL FRAMING, OR ANY PARTLY ASSEMBLED STEEL FRAMING, AGAINST LOADS COMPARABLE IN INTENSITY TO THOSE FOR WHICH THE STRUCTURE WAS DESIGNED, RESULTING FROM WIND, SEISMIC FORCES AND ERECTION OPERATIONS, BUT NOT THE LOADS RESULTING FROM THE PERFORMANCE OF WORK BY OR THE ACTS OF OTHERS, NOR SUCH UNPREDICTABLE LOADS AS THOSE DUE TO TORNADO, EXPLOSION, OR COLLISION. (SECT. 7.9.1 AISC CODE OF STANDARD PRACTICE, 9TH ED.)

WARNING : IN NO CASE SHOULD GALVALUME STEEL PANELS BE USED IN CONJUNCTION WITH LEAD OR COPPER. BOTH WARNING: LEAD AND COPPER HAVE HARMFUL CORROSION EFFECTS ON THE ALUMINUM ZINC ALLOY COATING WHEN THEY ARE USED IN CONTACT WITH GALVALUME STEEL PANELS. EVEN RUN-OFF FROM COPPER FLASHING, WIRING, OR TUBING ONTO GALVALUME SHOULD BE AVOIDED.

APPROVAL NOTES

THE FOLLOWING CONDITIONS APPLY IN THE EVENT THAT THESE DRAWINGS ARE USED AS APPROVAL DRAWINGS: IT IS IMPERATIVE THAT ANY CHANGES TO THESE DRAWINGS BE MADE IN CONTRASTING INK (PREFERABLY RED INK), HAVE ALL INSTANCES OF CHANGE CLEARLY INDICATED, AND BE LEGIBLE AND UNAMBIGUOUS. A SIGNATURE AND DATE IS REQUIRED ON ALL PAGES. MANUFACTURER RESERVES THE RIGHT TO RE-SUBMIT DRAWINGS WITH EXTENSIVE OR COMPLEX CHANGES REQUIRED TO AVOID MIS-FABRICATION. THIS MAY IMPACT THE DELIVERY SCHEDULE. APPROVAL OF THESE DRAWINGS INDICATES CONCLUSIVELY THAT THE METAL BUILDING SYSTEM MANUFACTURER HAS CORRECTLY INTERPRETED THE CONTRACT REQUIREMENTS, AND FURTHER CONSTITUTES AGREEMENT THAT THE BUILDING AS DRAWN WITH INDICATED CHANGES REPRESENTS THE TOTAL OF THE MATERIALS TO BE SUPPLIED BY MANUFACTURER. ANY CHANGES NOTED ON THE DRAWINGS NOT IN CONFORMANCE WITH THE TERMS AND REQUIREMENTS OF THE CONTRACT BETWEEN MANUFACTURER AND ITS CUSTOMER ARE NOT BINDING ON MANUFACTURER UNLESS SUBSEQUENTLY SPECIFICALLY ACKNOWLEDGED AND AGREED TO IN WRITING BY CHANGE ORDER OR SEPARATE DOCUMENTATION. MANUFACTURER RECOGNIZES THAT RUBBER STAMPS ARE ROUTINELY USED FOR INDICATING APPROVAL, DISAPPROVAL, REJECTION, OR MERE REVIEW OF THE DRAWINGS SUBMITTED. HOWEVER, MANUFACTURER DOES NOT ACCEPT CHANGES OR ADDITIONS TO CONTRACTUAL TERMS AND CONDITIONS THAT MAY APPEAR WITH USE OF A STAMP OR SIMILAR INDICATION OF APPROVAL, DISAPPROVAL, ETC. SUCH LANGUAGE APPLIED TO MANUFACTURER'S DRAWINGS BY THE CUSTOMER, ARCHITECT, ENGINEER, OR ANY OTHER PARTY WILL BE CONSIDERED AS UNACCEPTABLE ALTERNATIONS TO THESE DRAWING NOTES, AND WILL NOT ALTER THE CONTRACTUAL RIGHTS AND OBLIGATIONS EXISTING BETWEEN MANUFACTURER AND ITS CUSTOMER.

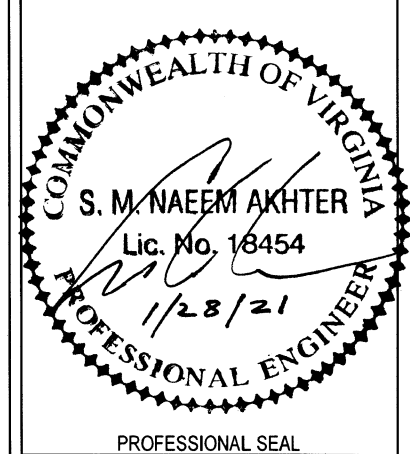
DRAWING INDEX

COVER SHEET: C1, C2
 ANCHOR BOLT PLAN: B1, B2
 ANCHOR BOLT REACTIONS: BR1
 PRIMARY PLANS / SECTIONS: E1, E2, E3, E4, E5
 DETAILS: D1, D2, D3



ORDER #: 7664787
CUSTOMER #: 8906141

Naeem Akhter, PE, SE
Consulting Structural Engineer
10404 W 154th Street
Overland Park, KS 66221-9504
(913) 685-2015 Off
(913) 685-2019 Fax

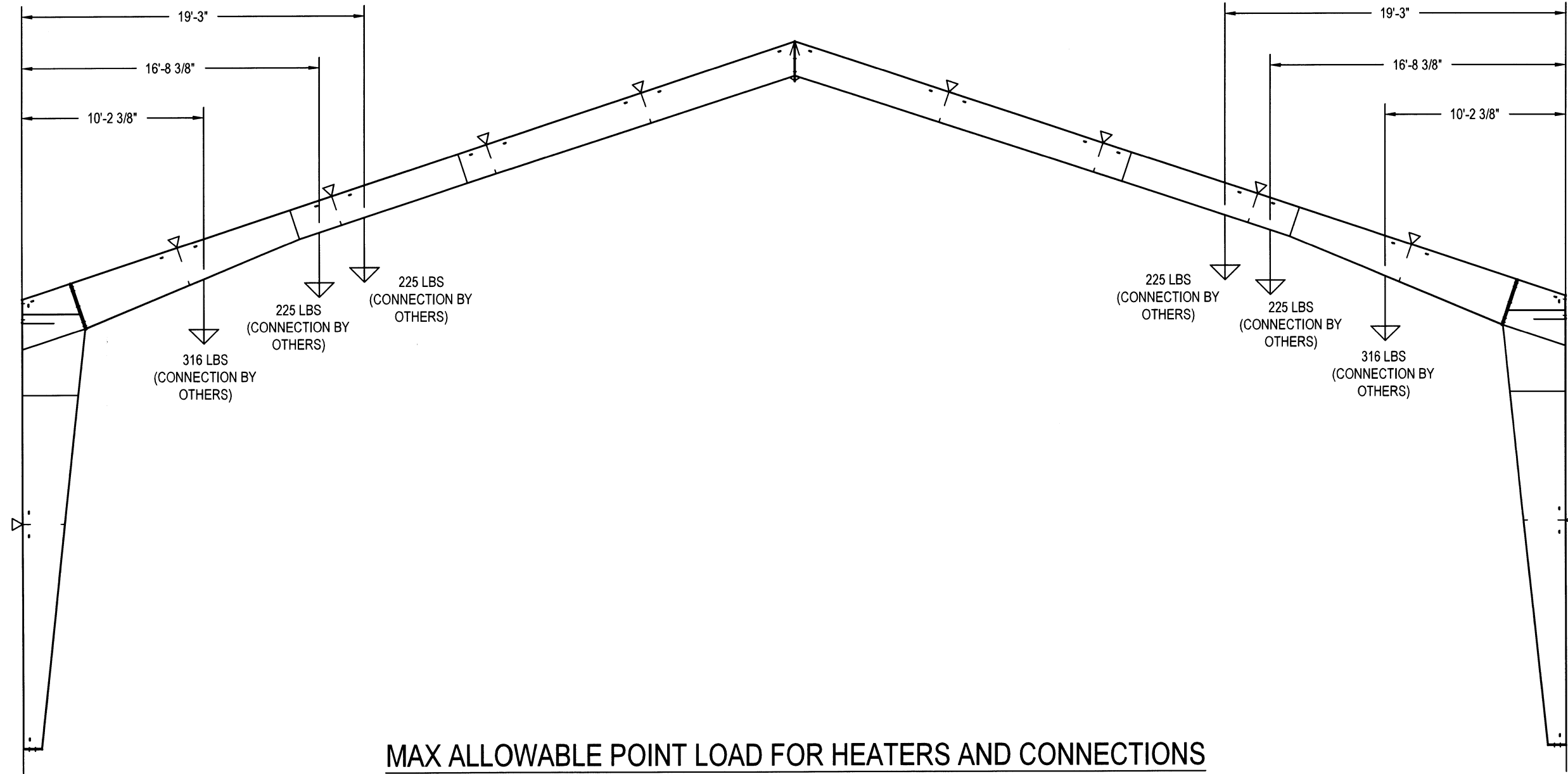


CUSTOMER INFORMATION: ARLINGTON COUNTY DPR 2100 CLARENDON BLVD STE 414 ARLINGTON, VA 22201	CONTACT PHONE: 703-228-1928	STRUCTURE SKU #: 00171	STRUCTURE SIZE: 87'-0" x 121'-8" x 26'-3"	SHEET TITLE: COVER SHEET
---	--------------------------------	---------------------------	--	-----------------------------

DRAWING DETAILS			
DRAWN BY:	JKP	CREATION DATE:	12/1/2020
REVISIONS:			
NO.	BY:	DATE:	DESCRIPTION:
1	JKP	1/6/2021	PER OVERALL HEIGHT CHANGE
2	JKP	1/19/2021	ADDED COLOR CODE TO ANNING SKUS
3	JKP	1/27/2021	UPDATES FOR SEAL
4			
NO SCALE			SHEET: C1
SHEET SIZE: 11X17			



WARNING: Cancer and Reproductive Toxicity - P65Warnings.ca.gov

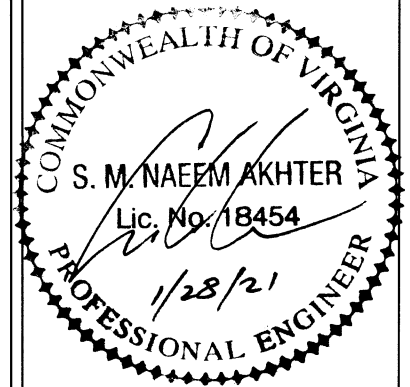


MAX ALLOWABLE POINT LOAD FOR HEATERS AND CONNECTIONS

DEVELOPED BY:
ClearSpan
 ENGINEERING SERVICES & PRODUCTS CO.
 1440 18TH AVENUE SW
 DYERSVILLE, IA 52040
 P. 563.876.6113
 WWW.ESAPCO.COM
 WWW.CLEARSPAN.COM

ORDER #: 7664787
 CUSTOMER #: 8906141

Naeem Akhter, PE, SE
 Consulting Structural Engineer
 10404 W 154th Street
 Overland Park, KS 66221-9504
 (913) 685-2015 Off
 (913) 685-2019 Fax

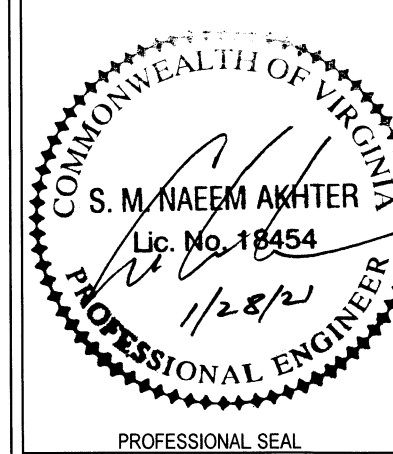


PROFESSIONAL SEAL

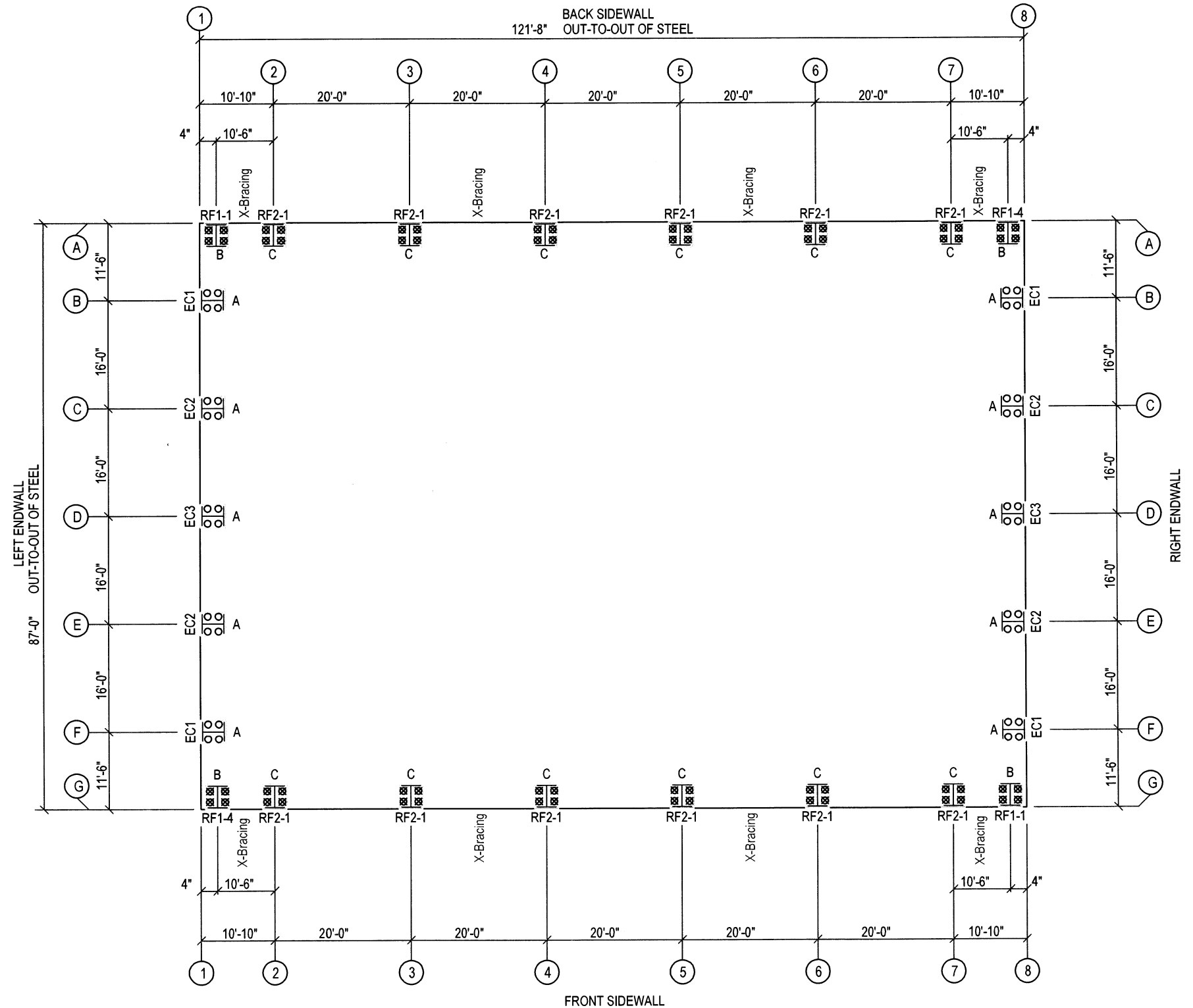
CUSTOMER INFORMATION: ARLINGTON COUNTY DPR 2100 CLARENDON BLVD STE 414 ARLINGTON, VA 22201	CONTACT PHONE: 703-228-7928		
CUSTOMER CONTACT: AARON WOHLER			
STRUCTURE SKU #: 00171			
STRUCTURE SIZE: 87'-0" x 121'-8" x 26'-3"			
SHEET TITLE: ADDITIONAL LOADS			

DRAWING DETAILS			
DRAWN BY:	JKP	CREATION DATE:	12/1/2020
REVISIONS:			
NO.	BY:	DATE:	DESCRIPTION:
1	JKP	1/6/2021	PER OVERALL HEIGHT CHANGE
2	JKP	1/19/2021	ADDED COLOR CODE TO AWNING SKUS
3	JKP	1/27/2021	UPDATES FOR SEAL
4			
NO SCALE			SHEET: C2
SHEET SIZE: 11X17			

Naeem Akhter, PE, SE
 Consulting Structural Engineer
 10404 W 154th Street
 Overland Park, KS 66221-9504
 (913) 685-2015 Off
 (913) 685-2019 Fax

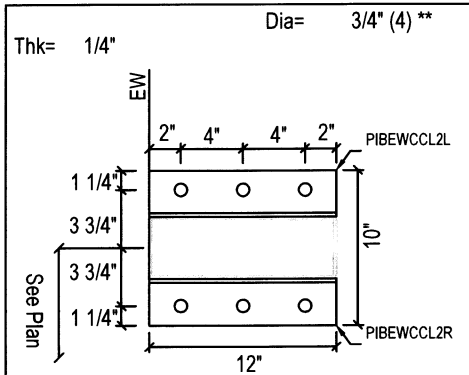


CUSTOMER INFORMATION: ARLINGTON COUNTY DPR 2100 CLARENDON BLVD STE 414 ARLINGTON, VA 22201		CONTACT PHONE: 703-228-7928	CUSTOMER CONTACT: AARON WOHLER	STRUCTURE SKU #: 00171	STRUCTURE SIZE: 87'-0" x 121'-8" x 26'-3"	SHEET TITLE: ANCHOR BOLT PLAN
---	--	--------------------------------	-----------------------------------	---------------------------	--	----------------------------------

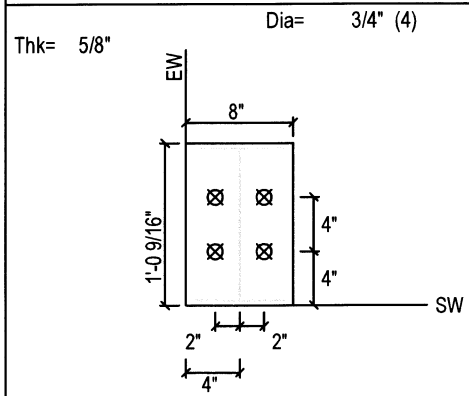


ANCHOR BOLT PLAN
 NOTE: All Base Plates @ 101'-6" (U.N.O.)

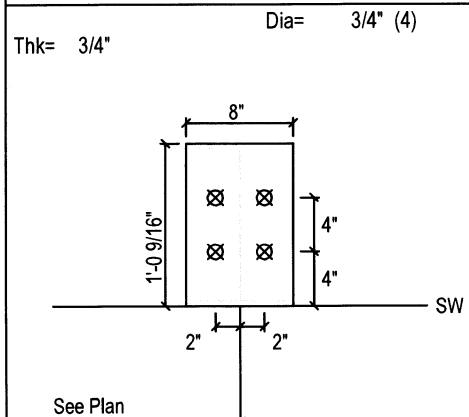
DRAWING DETAILS			
DRAWN BY:	JKP	CREATION DATE:	12/1/2020
REVISIONS:			
NO.	BY:	DATE:	DESCRIPTION:
1	JKP	1/6/2021	PER OVERALL HEIGHT CHANGE
2	JKP	1/19/2021	ADDED COLOR CODE TO AWNING SKUS
3	JKP	1/27/2021	UPDATES FOR SEAL
4			
NO SCALE		SHEET: B1	
SHEET SIZE: 11X17			



DETAIL A (10) Base EL. 101'-6"



DETAIL B (4) Base EL. 101'-6"



DETAIL C (12) Base EL. 101'-6"

NOTE: " Dia" DIMENSIONS SHOWN REPRESENT REQUIRED ANCHOR BOLT DIAMETER. USE TABLE BELOW TO DETERMINE BASE PLATE ANCHOR HOLE SIZE PER ANCHOR DIAMETER.

ANCHOR BOLT DIAMETER	BASE PLATE ANCHOR HOLE SIZE	PROJECTION
5/8"	3/4"	3"
3/4"	7/8"	3"
1"	1 1/8"	3"
1 1/4"	1 3/8"	3"

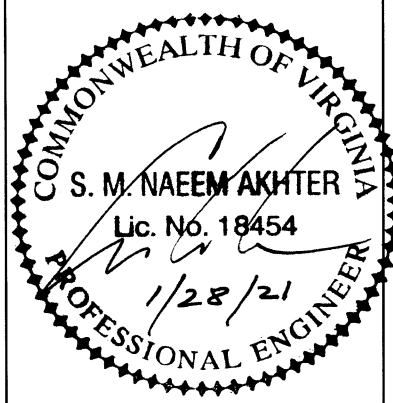
** REFER TO FOUNDATION DRAWINGS FOR WHICH HOLES TO USE.

DEVELOPED BY:

ENGINEERING SERVICES & PRODUCTS CO.
1440 18TH AVENUE SW
DYERSVILLE, IA 52040
P: 319.375.6113
WWW.ESAPCO.COM
WWW.CLEARSPAN.COM

ORDER #: 7664787
CUSTOMER #: 8906141

Naeem Akhter, PE, SE
Consulting Structural Engineer
10404 W 154th Street
Overland Park, KS 66221-9504
(913) 685-2015 Off
(913) 685-2019 Fax



PROFESSIONAL SEAL

CUSTOMER INFORMATION: ARLINGTON COUNTY DPR 2100 CLARENDON BLVD STE 414 ARLINGTON, VA 22201	CONTACT PHONE: 703-228-7928	STRUCTURE SKU #: 00171	STRUCTURE SIZE: 87'-0" x 121'-8" x 26'-3"	SHEET TITLE: ANCHOR BOLT DETAILS
---	--------------------------------	---------------------------	--	-------------------------------------

DRAWING DETAILS				
DRAWN BY:	JKP	CREATION DATE:	12/17/2020	
REVISIONS:				
NO.	BY:	DATE:	DESCRIPTION:	
1	JKP	1/6/2021	PER OVERALL HEIGHT CHANGE	
2	JKP	1/19/2021	ADDED COLOR CODE TO AWNING SKUS	
3	JKP	1/27/2021	UPDATES FOR SEAL	
4				
NO SCALE				
SHEET SIZE: 11X17				SHEET: B2

ANCHOR BOLT PATTERN

ANCHOR BOLT SETTING NOTE

- THE ANCHOR BOLT SETTINGS SHOWN ON THESE DRAWINGS NOT ONLY INDICATE WHERE THE ANCHOR BOLTS ARE TO BE PLACED, BUT ALSO THE FOOTPRINT OF THE BUILDING. IT IS ESSENTIAL THAT THESE BOLT PATTERNS BE FOLLOWED. IN THE EVENT THAT THESE SETTINGS DIFFER FROM THE FOUNDATION PLANS, THE BUILDING MANUFACTURER MUST BE CONTACTED IMMEDIATELY.

TYPICAL BASE PLATE ELEVATION

FINISHED FLOOR = 100'-0"
BOTTOM OF BASE PLATE ELEVATION = 101'-6" (U.N.O.)

ANCHOR BOLT PLAN GENERAL NOTES

- THE SPECIFIED ANCHOR ROD DIAMETER ASSUMES F1554 GRADE 36 UNLESS NOTED OTHERWISE. ANCHOR ROD MATERIAL OF EQUAL DIAMETER MEETING OR EXCEEDING THE STRENGTH REQUIREMENTS SET FORTH ON THESE DRAWINGS MAY BE UTILIZED AT THE DISCRETION OF THE FOUNDATION DESIGN ENGINEER. ANCHOR ROD EMBEDMENT LENGTH SHALL BE DETERMINED BY THE FOUNDATION DESIGN ENGINEER.
- THE FOUNDATION AND ANCHORS ARE CRITICAL ELEMENTS FOR THE BUILDING TO FUNCTION AS DESIGNED. UNLESS NOTED OTHERWISE
- ALL ANCHOR RODS, FLAT WASHERS FOR ANCHOR RODS, EXPANSION BOLTS, AS WELL AS ALL CONCRETE/MASONRY EMBEDMENT PLATES ARE NOT BY BUILDING MANUFACTURER, UNLESS NOTED OTHERWISE.
- THIS DRAWING IS NOT TO SCALE.

ON SHEET C1, THE OWNER IS RESPONSIBLE FOR ENSURING THE FOUNDATION IS DESIGNED FOR THE BUILDING BY A PROFESSIONAL IN ACCORDANCE WITH LOCAL REQUIREMENTS.

- THE ANCHOR BOLT LOCATIONS PROVIDED BY BUILDING MANUFACTURER SATISFY PERTINENT REQUIREMENTS FOR THE DESIGN OF THE MATERIALS SUPPLIED BY THE BUILDING MANUFACTURER. PLEASE NOTE THAT THESE REQUIREMENTS MAY NOT SATISFY ALL ANCHOR BOLT EDGE DISTANCE REQUIREMENTS DEPENDING ON THE DETAILS OF THE FOUNDATION DESIGN. BECAUSE FOUNDATION DESIGN IS NOT WITHIN THE BUILDING SCOPE OF WORK, IT IS THE RESPONSIBILITY OF THE QUALIFIED PROFESSIONAL DESIGNING THE FOUNDATION TO MAKE SURE THAT SUFFICIENT CONCRETE EDGE DISTANCE IS PROVIDED FOR THE ANCHOR BOLTS IN THE DETAILS OF THE FOUNDATION DESIGN.

NOTES FOR REACTIONS

- All loading conditions are examined and only maximum/minimum H or V and the corresponding H or V are reported.
- Positive reactions are as shown in the sketch. Foundation loads are in opposite directions.
- Bracing reactions are in the plane of the brace with the H pointing away from the braced bay. The vertical reaction is downward.
- Building reactions are based on the following building data:
 - Width (ft) = 87.0
 - Length (ft) = 121.7
 - Eave Height (ft) = 26.3/26.3
 - Roof Slope (rise/12) = 4.0/ 4.0
 - Dead Load (psf) = 2.0
 - Collateral Load (psf) = 2.5
 - Roof Live Load (psf) = 20.0
 - Frame Live Load (psf) = 12.0
 - Snow Load (psf) = 19.7
 - Wind Speed (mph) = 115.0
 - Wind Code = IBC 15
 - Exposure = C
 - Closed/Open = C
 - Importance Wind = 1.00
 - Importance Seismic = 1.00
 - Seismic Zone = B
 - Seismic Coeff (Fa/Ss) = 0.19
- Loading conditions are:
 - 1 Dead+Collateral+Snow+Slide_Snow
 - 2 0.6Dead+0.6Wind_Left1
 - 3 0.6Dead+0.6Wind_Right1
 - 4 0.6Dead+0.6Wind_Long1L
 - 5 0.6Dead+0.6Wind_Long2L
 - 6 1.02Dead+1.02Collateral+0.7Seismic_LongR
 - 7 Dead+Collateral+F1UNB_SL_L
 - 8 Dead+Collateral+F1UNB_SL_R
 - 9 Dead+Collateral+F3UNB_SL_L
 - 10 Dead+Collateral+F3UNB_SL_R
 - 11 0.6Dead+0.6Wind_Right2+0.6Wind_Suction
 - 12 0.6Dead+0.6Wind_Pressure+0.6Wind_Long2L

RIGID FRAME: BASIC COLUMN REACTIONS (k)

Frame Id	Column Line	---Dead---	---Collateral---	---Live---	---Snow---	---Wind_Left1---	---Wind_Right1---
		Horiz	Vert	Horiz	Vert	Horiz	Vert
1*	A	0.92	2.73	0.62	1.49	1.44	3.27
1*	G	-0.92	2.73	-0.62	1.49	-1.44	3.27
1*	A	-4.90	-7.40	-0.53	-4.23	-0.98	-13.26
1*	G	0.53	-4.23	4.90	-7.40	0.98	-13.26
1*	A	0.00	-0.58	7.16	16.48	7.16	10.05
1*	G	0.00	-0.58	-7.16	16.48	-7.16	10.05
2*	A	1.57	3.96	1.44	3.12	5.19	10.72
2*	G	-1.57	3.96	-1.44	3.12	-5.19	10.72
2*	A	-17.13	-20.51	-1.53	-12.09	-3.15	-43.12
2*	G	1.53	-12.09	17.13	-20.51	3.15	-43.12
2*	A	0.00	-1.74	7.15	16.48	7.15	10.05
2*	G	0.00	-1.74	-7.15	16.48	-7.15	10.05
3*	A	1.35	3.53	1.17	2.58	3.95	8.24
3*	G	-1.35	3.53	-1.17	2.58	-3.95	8.24
3*	A	-13.01	-15.88	-1.17	-9.33	-2.40	-24.81
3*	G	1.17	-9.33	13.01	-15.88	2.40	-24.81
3*	A	0.00	-0.58	7.15	16.48	7.15	10.05
3*	G	0.00	-0.58	-7.15	16.48	-7.15	10.05

ENDWALL COLUMN:

BASIC COLUMN REACTIONS (k):

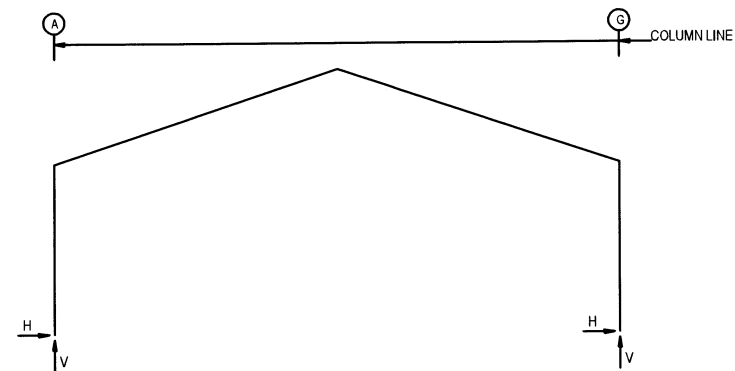
Frame Line	Column Line	Gravity	Uplift	Outward	Inward
1	B	0.54	0.37	2.74	3.42
1	C	0.65	0.42	3.60	4.42
1	D	0.73	0.37	4.03	4.95
1	E	0.65	0.42	3.60	4.42
1	F	0.54	0.37	2.74	3.42
8	F	0.54	0.37	2.74	3.42
8	E	0.65	0.42	3.60	4.42
8	D	0.73	0.37	4.03	4.95
8	C	0.65	0.42	3.60	4.42
8	B	0.54	0.37	2.74	3.42

ENDWALL COLUMN:

MAXIMUM REACTIONS (k):

Frame Line	Column Line	Gravity	Uplift	Outward	Inward
1	B	0.54	0.37	1.64	2.05
1	C	0.65	0.42	2.16	2.65
1	D	0.73	0.37	2.42	2.97
1	E	0.65	0.42	2.16	2.65
1	F	0.54	0.37	1.64	2.05
8	F	0.54	0.37	1.64	2.05
8	E	0.65	0.42	2.16	2.65
8	D	0.73	0.37	2.42	2.97
8	C	0.65	0.42	2.16	2.65
8	B	0.54	0.37	1.64	2.05

FRAME LINES: 1 2 3 4 5 6 7 8



RIGID FRAME: MAXIMUM REACTIONS

Frm Id	Col Line	Column_Reactions(k)		
		Load Id	Horz	Vert
1*	A	2	-2.57	-4.31
		4	-0.04	-6.32
		7	8.69	20.69
		8	8.70	14.26
1*	G	3	2.57	-4.31
		5	0.04	-6.32
		7	-8.70	14.26
		8	-8.69	20.69

RIGID FRAME: MAXIMUM REACTIONS

Frm Id	Col Line	Column_Reactions(k)		
		Load Id	Horz	Vert
3*	A	2	-7.50	-11.54
		4	-0.63	-12.77
		9	9.67	22.58
		10	9.68	16.15
3*	G	3	7.50	-11.54
		5	0.63	-12.77
		9	-9.68	16.15
		10	-9.67	22.58

RIGID FRAME: MAXIMUM REACTIONS

Frm Id	Col Line	Column_Reactions(k)		
		Load Id	Horz	Vert
2*	A	1	11.51	25.12
		2	-9.99	-15.35
		4	-0.95	-23.49
2*	G	1	-11.51	25.12
		3	9.99	-15.35
		5	0.95	-23.49

BUILDING BRACING REACTIONS

Loc	Wall Line	Col Line	Reactions in plane of wall (k)		Panel_Shear (b/ft)	Note
			Wind	Seismic		
L_EW F_SW	1	G	1.2	4.07	0.40	(h)
			3.4	4.07	0.40	
			5.6	4.07	0.40	
			7.8	4.07	0.40	
R_EW B_SW	8	A	8.7	4.07	0.40	(h)
			6.5	4.07	0.40	
			4.3	4.07	0.40	
			2.1	4.07	0.40	

(h) Rigid frame at endwall

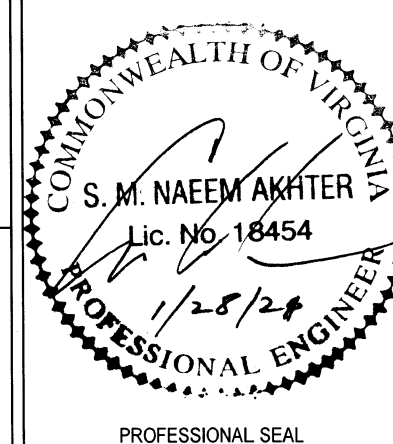
*See RF reactions table for vertical and horizontal reactions in plane of the rigid frame.

DEVELOPED BY:

ENGINEERING SERVICES & PRODUCTS CO.
140 18TH AVENUE SW
DYERSVILLE, VA 22940
P 563.875.6113
WWW.ESAPCO.COM
WWW.CLEARSPAN.COM

ORDER #: 7664787
CUSTOMER #: 8906141

Naem Akhter, PE, SE
Consulting Structural Engineer
10404 W 154th Street
Overland Park, KS 66221-9504
(913) 685-2015 Off
(913) 685-2019 Fax



PROFESSIONAL SEAL

CUSTOMER INFORMATION: ARLINGTON COUNTY DPR 2100 CLARENDON BLVD STE 414 ARLINGTON, VA 22201	CONTACT PHONE: 703-228-7928	STRUCTURE SKU #: 00171	ANCHOR BOLT REACTIONS
---	--------------------------------	---------------------------	-----------------------

DRAWING DETAILS

DRAWN BY: JKP CREATION DATE: 12/1/2020

REVISIONS:

NO.	BY	DATE	DESCRIPTION
1	JKP	1/6/2021	PER OVERALL HEIGHT CHANGE
2	JKP	1/19/2021	ADDED COLOR CODE TO AWNING SKUS
3	JKP	1/27/2021	UPDATES FOR SEAL
4			

NO SCALE
SHEET SIZE: 11X17 SHEET: BR1

MEMBER TABLE			
ROOF PLAN			
Mark	Part	Size	Length
CB1	TR050L150	BR1/2"	150'
CB2	TR050L162	BR1/2"	162'
CB5	TR050L240	BR1/2"	240'
CB6	TR050L018	BR1/2"	18'
CB7	TR050L024	BR1/2"	24'

DEVELOPED BY:

 ClearSpan
 ENGINEERING SERVICES & PRODUCTS CO.
 140 18TH AVENUE SW
 DYERSVILLE, VA 22949
 P 563.875.6113
 WWW.ESAPCO.COM
 WWW.CLEARSPAN.COM

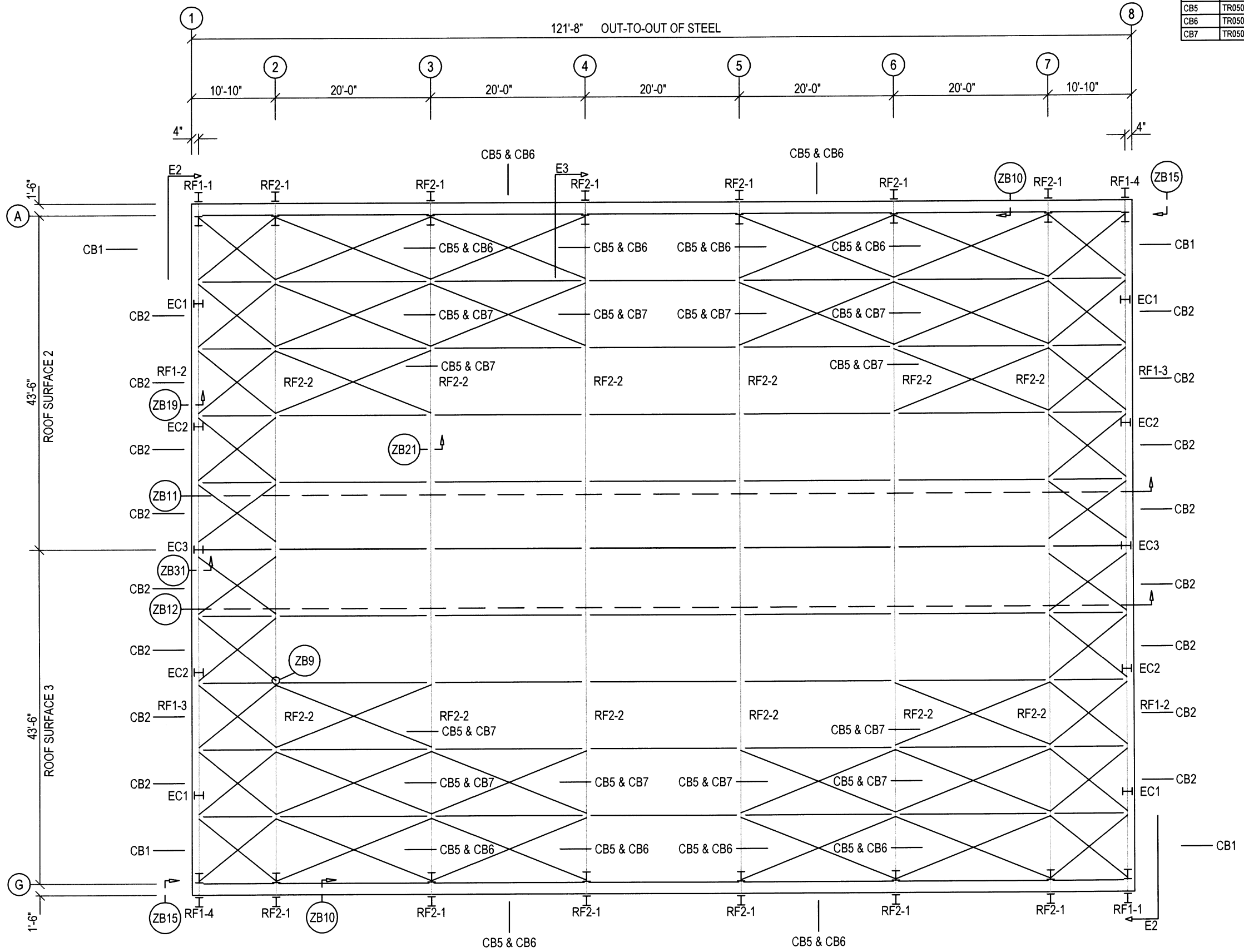
ORDER #: 7664787
 CUSTOMER #: 8906141

Naeem Akhter, PE, SE
 Consulting Structural Engineer
 10404 W 154th Street
 Overland Park, KS 66221-9504
 (913) 685-2015 Off
 (913) 685-2019 Fax



CUSTOMER INFORMATION: ARLINGTON COUNTY DPR 2100 CLARENDON BLVD STE 414 ARLINGTON, VA 22201		CONTACT PHONE: 703-228-7928	STRUCTURE SKU #: 00171	STRUCTURE SIZE: 87'-0" x 121'-8" x 26'-3"	SHEET TITLE: ROOF PLAN
CUSTOMER CONTACT: AARON WOHLER					

DRAWING DETAILS				
DRAWN BY:	JKP	CREATION DATE:	12/11/2020	
REVISIONS:				
NO.	BY:	DATE:	DESCRIPTION:	
1	JKP	1/6/2021	PER OVERALL HEIGHT CHANGE	
2	JKP	1/19/2021	ADDED COLOR CODE TO AWNING SKUS	
3	JKP	1/27/2021	UPDATES FOR SEAL	
4				
NO SCALE				
SHEET SIZE: 11X17				SHEET: E1



ROOF FRAMING PLAN

SPLICE BOLT TABLE						
Mark	Qty	Top	Bot	Int	Type	Length
SP-1	4	4	2	A325	1"	3"
SP-2	2	4	2	A325	3/4"	2"

STIFFENER TABLE				
Mark	Stiff Mark	Width	Plate Size Thick	Length
RF1-1 / RF1-4	ST1	3.880	0.250	44.02
RF1-1 / RF1-4	ST2	3.875	0.250	20.99

BASE PLATE TABLE			
Col Mark	Width	Plate Size Thick	Length
BP-1	8"	5/8"	1'-0 9/16"

BRACE TABLE				
Part Mark	Part Number	Material	Length (H-H)	Length (Total)
LB1	LB4X4X2L122S3M	4x4x1/8" SQ TUBE	122"	-
PCB1	CBB56T4R4D12200	5.563" DIA. x 0.258 TUBE	122"	-
ECB	SEE SIDEWALL ELEVATION SHEET		-	-
BCB	SEE SIDEWALL ELEVATION SHEET		-	-
TCB	SEE SIDEWALL ELEVATION SHEET		-	-
EEL	PIBEEA8L	SEE DETAIL ZB15	-	-
EER	PIBEEA8R	SEE DETAIL ZB15	-	-
AB1	AB40T2KAL12150	4"x1/8" RND TUBE	121 1/2"	-
AB2	AB40T2KAL12163	4"x1/8" RND TUBE	121 5/8"	-
AB3	AB40T2KAL12213	4"x1/8" RND TUBE	122 1/8"	-
AB4	AB40T2KAL12238	4"x1/8" RND TUBE	122 3/8"	-

MEMBER TABLE								
Mark	Weight	Length	Web Depth		Web Plate		Outside Flange W x Thk x Length	Inside Flange W x Thk x Length
			Start/End	Thick	Length	Thick		
RF1-1 / RF1-4	1030	24'-9"	12.0/31.4	0.188	14'-10 1/2"	8 x 1/4" x 24'-8 1/8"	8 x 5/16" x 23'-1 3/16"	
RF1-2 / RF1-3	1388 / 1390	43'-0"	31.4/42.0	0.250	10'-8 1/4"	8 x 1/4" x 2'-9 1/2"	8 x 5/16" x 12'-11 5/8"	
			32.0/20.5	0.250	12'-11 1/4"	8 x 1/4" x 40'-0"	8 x 1/4" x 9'-11 1/2"	
			20.5/20.5	0.188	9'-11 1/2"	8 x 1/4" x 2'-10 3/4"	8 x 1/4" x 19'-4 9/16"	
			20.5/22.0	0.188	20'-0"			

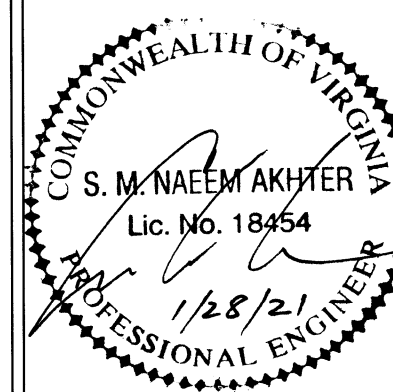
DEVELOPED BY:



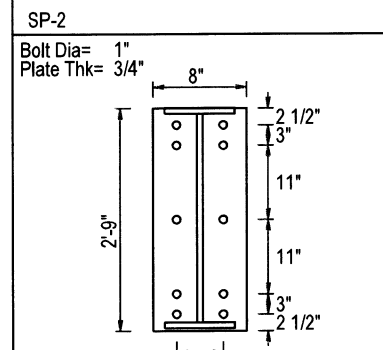
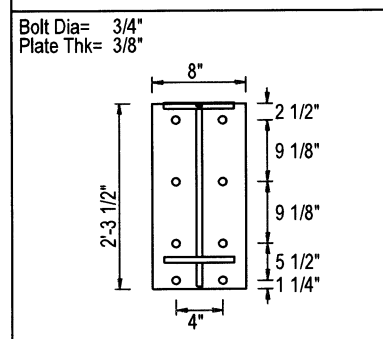
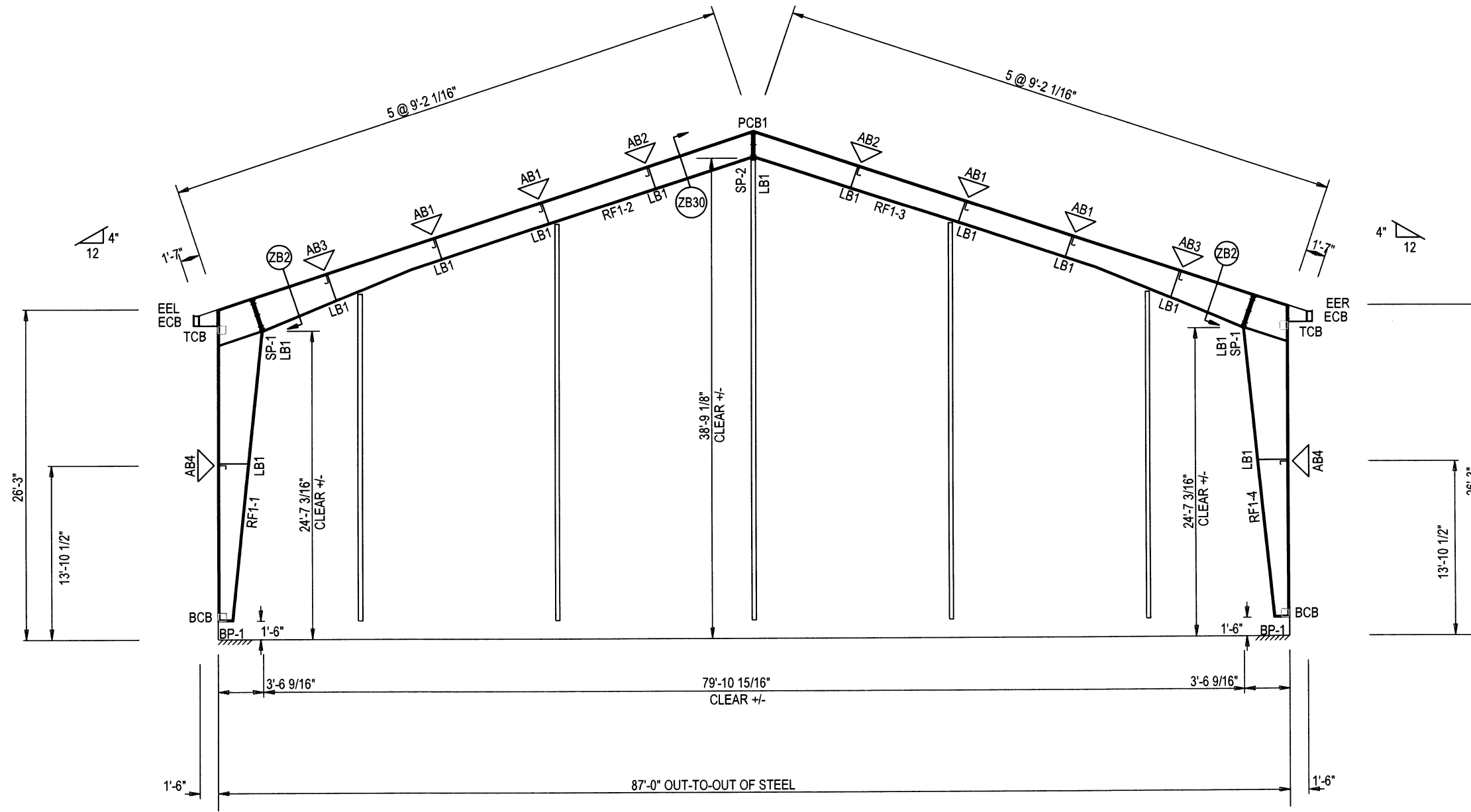
ENGINEERING SERVICES & PRODUCTS CO.
14618 18TH AVENUE SW
DYERSVILLE, VA 22049
P 563.875.6113
WWW.ESAPCO.COM
WWW.CLEARSPAN.COM

ORDER #: 7664787
CUSTOMER #: 8906141

Naeem Akhter, PE, SE
Consulting Structural Engineer
10404 W 154th Street
Overland Park, KS 66221-9504
(913) 685-2015 Off
(913) 685-2019 Fax



PROFESSIONAL SEAL			
CUSTOMER INFORMATION:	ARLINGTON COUNTY DPR 2100 CLARENDON BLVD STE 414 ARLINGTON, VA 22201	CONTACT PHONE: 703-228-7928	CONTACT PERSON: AARON WOHLER
STRUCTURE SKU #	00171	STRUCTURE SIZE:	87'-0" x 121'-8" x 26'-3"
SHEET TITLE:	RIGID FRAME ELEVATION		



RIGID FRAME ELEVATION: FRAME LINE 1 8

DRAWING DETAILS			
DRAWN BY:	JKP	CREATION DATE:	12/1/2020
REVISIONS:			
NO.	BY:	DATE:	DESCRIPTION:
1	JKP	1/6/2021	PER OVERALL HEIGHT CHANGE
2	JKP	1/19/2021	ADDED COLOR CODE TO AWNING SKUS
3	JKP	1/27/2021	UPDATES FOR SEAL
4			
NO SCALE			SHEET: E2
SHEET SIZE: 11X17			

SPLICE BOLT TABLE						
Mark	Qty	Top	Bot	Int	Type	Length
SP-1	4	4	2	A325	1"	3"
SP-2	2	4	2	A325	3/4"	2"

STIFFENER TABLE				
Mark	Stiff Mark	Width	Plate Size Thick	Length
RF2-1	ST1	3.880	0.250	44.02
RF2-1	ST2	2.500	0.250	38.46
RF2-1	ST3	3.875	0.250	20.99

BASE PLATE TABLE			
Col Mark	Plate Size Width	Thick	Length
BP-2	8"	3/4"	1'-0 9/16"

BRACE TABLE				
Part Mark	Part Number	Material	Length (H-H)	Length (Total)
LB2	LB4X4X2L236S3M	4x4x1/8" SQ TUBE	236"	-
PCB2	CBB56T4R4D23600	5.563" DIA. x 0.258 TUBE	236"	-
ECB	SEE SIDEWALL ELEVATION SHEET		-	-
BCB	SEE SIDEWALL ELEVATION SHEET		-	-
TCB	SEE SIDEWALL ELEVATION SHEET		-	-
EEM	PIBEEA8M	SEE DETAIL ZB15	-	-
FB1	FB2X2X2L03200	2x1/8" ANGLE	-	32"
FB2	FB2X2X2L03238	2x1/8" ANGLE	-	32 3/8"
FB3	FB2X2X2L03525	2x1/8" ANGLE	-	35 1/4"
FB4	FB2X2X2L03638	2x1/8" ANGLE	-	36 3/8"
FB5	FB2X2X2L04313S2	2x1/8" ANGLE	-	43 1/8"

NOTE: FOR FB H-H TAKE LENGTH MINUS 2"
 * (1) FB @ FRAME LINE 2 & 7, SEE PEAK BRACE LAYOUT DETAIL

MEMBER TABLE							
Mark	Weight	Length	Web Depth		Web Plate		Outside Flange W x Thk x Length
			Start/End	Thick	Length	Inside Flange W x Thk x Length	
RF2-1	967	24'-9"	12.0/31.4	0.188	14'-10 1/2"	8 x 1/4" x 24'-8"	8 x 5/16" x 23'-1 1/16"
RF2-2	1382	43'-0"	31.4/42.0	0.188	10'-8 1/8"	8 x 1/4" x 2'-9 1/2"	8 x 5/16" x 12'-11 5/8" 8 x 1/4" x 9'-11 1/2" 8 x 1/4" x 19'-4 9/16"
			32.0/20.5	0.250	12'-11 1/4"	8 x 1/4" x 40'-0"	
			20.5/20.5	0.188	9'-11 1/2"	8 x 1/4" x 2'-10 3/4"	
			20.5/22.0	0.188	20'-0"		

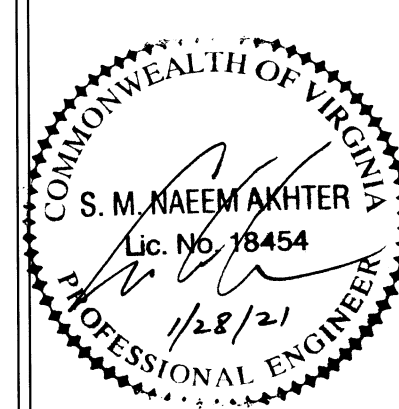
DEVELOPED BY:



ENGINEERING SERVICES & PRODUCTS CO.
 1440 18TH AVENUE SW
 DYSVILLE, VA 52049
 P 563.875.6113
 WWW.CLEARSPAN.COM

ORDER #: 7664787
 CUSTOMER #: 8906141

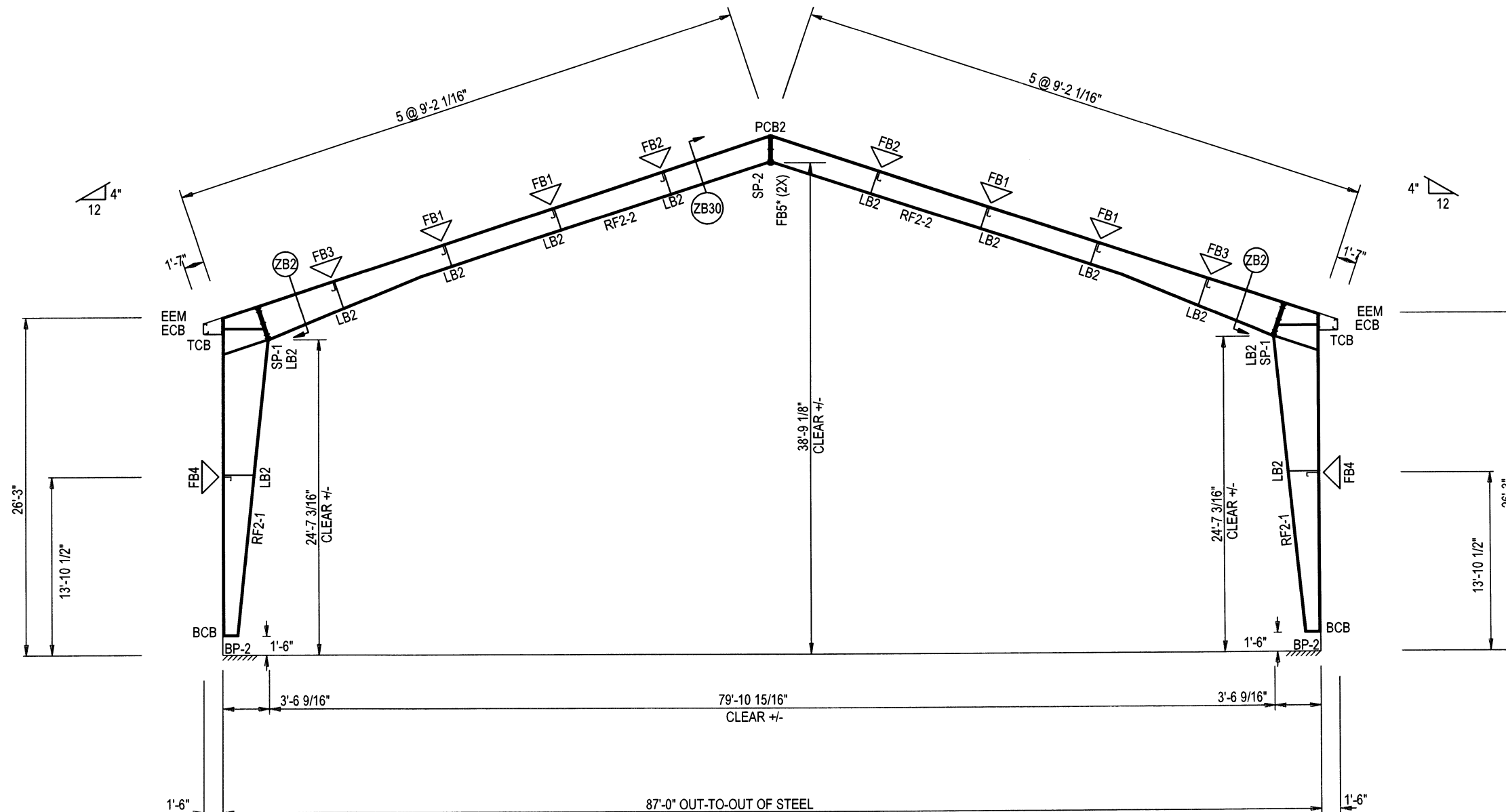
Naeem Akhter, PE, SE
 Consulting Structural Engineer
 10404 W 154th Street
 Overland Park, KS 66221-9504
 (913) 685-2015 Off
 (913) 685-2019 Fax



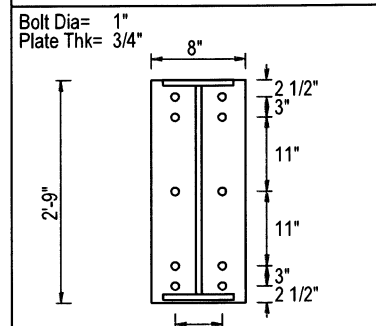
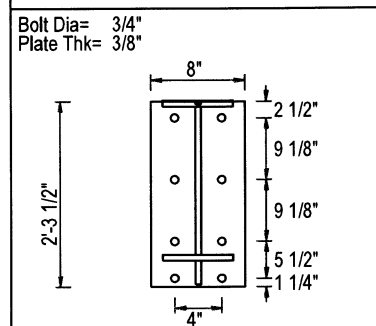
PROFESSIONAL SEAL

CUSTOMER INFORMATION: ARLINGTON COUNTY DPR 2100 CLARENDON BLVD STE 414 ARLINGTON, VA 22201	CONTACT PHONE: 703-228-7928	CUSTOMER CONTACT: AARON WOHLER	STRUCTURE SKU #: 00171	STRUCTURE SIZE: 87'-0" x 121'-8" x 26'-3"	SHEET TITLE: RIGID FRAME ELEVATION
---	--------------------------------	-----------------------------------	---------------------------	--	---------------------------------------

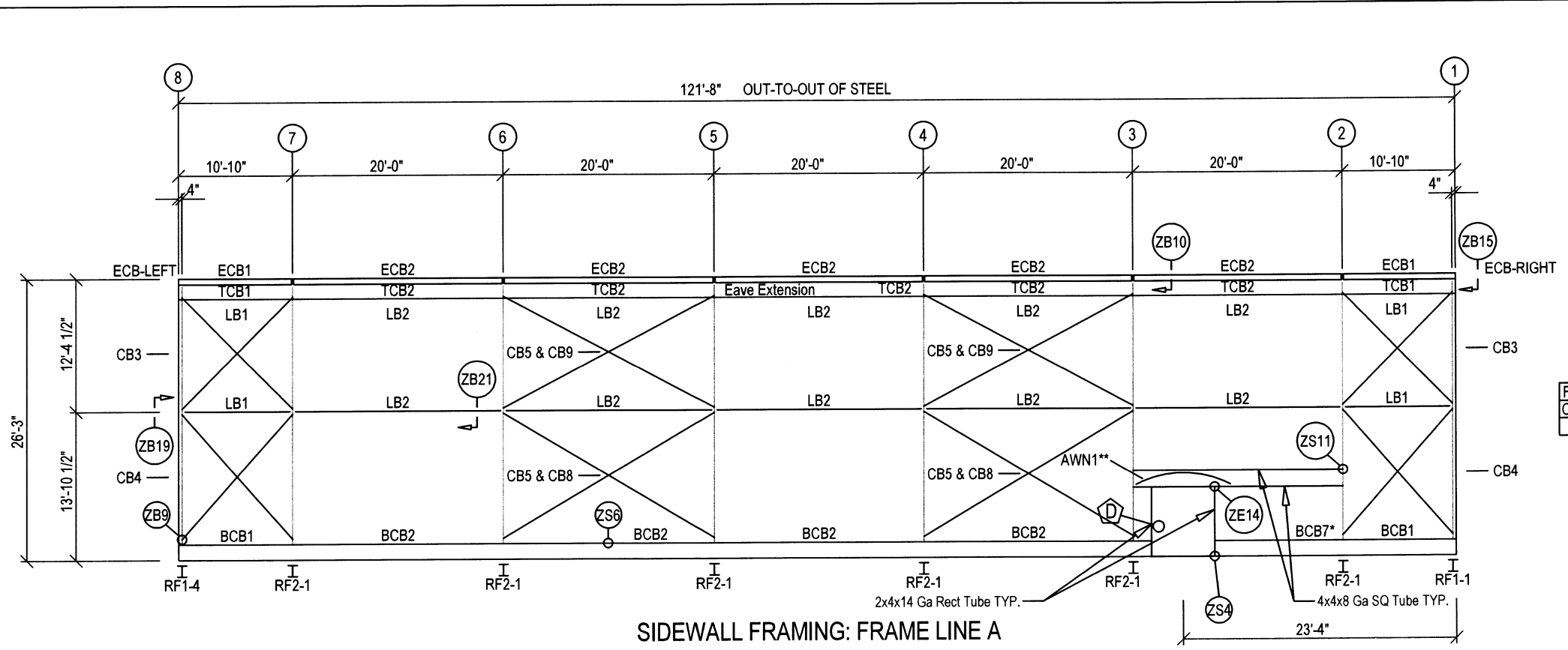
DRAWING DETAILS			
DRAWN BY:	JKP	CREATION DATE:	12/1/2020
REVISIONS:			
NO.	BY:	DATE:	DESCRIPTION:
1	JKP	1/6/2021	PER OVERALL HEIGHT CHANGE
2	JKP	1/19/2021	ADDED COLOR CODE TO AWNING SKUS
3	JKP	1/27/2021	UPDATES FOR SEAL
4			
NO SCALE			SHEET: E3
SHEET SIZE: 11X17			



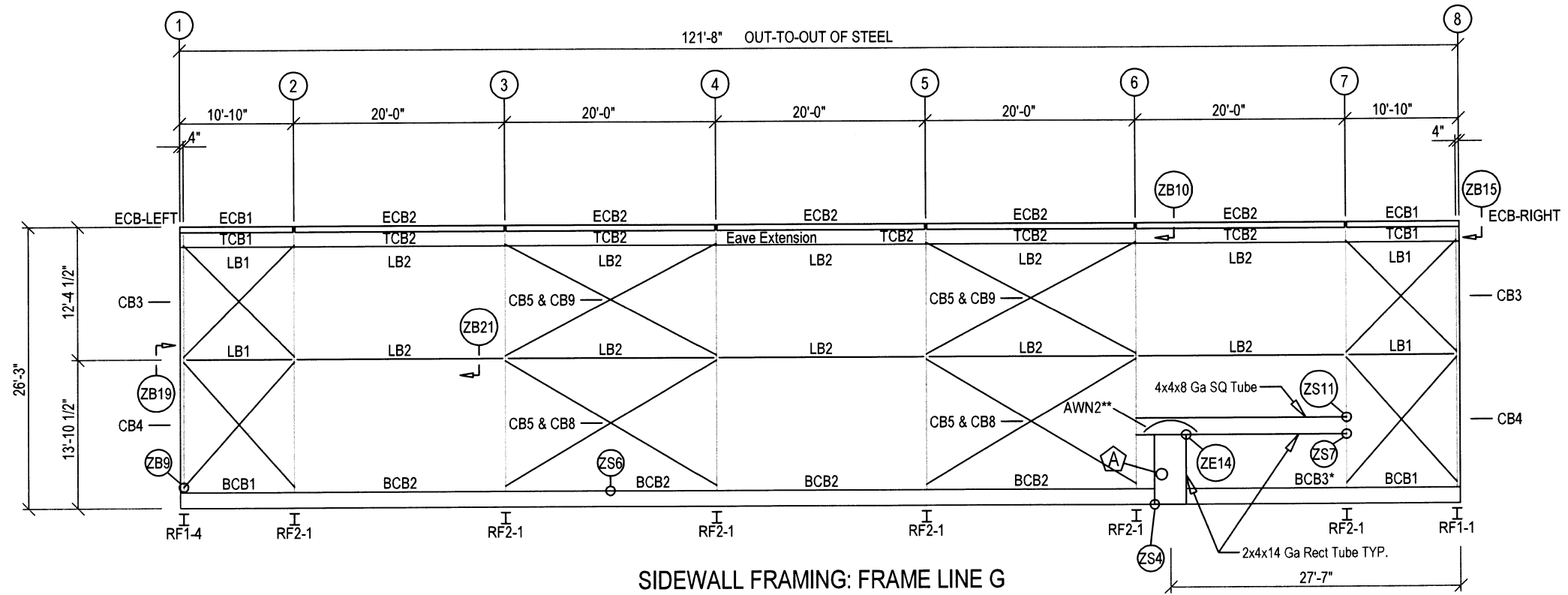
RIGID FRAME ELEVATION: FRAME LINE 2 3 4 5 6 7



SP-1



SIDEWALL FRAMING: FRAME LINE A



SIDEWALL FRAMING: FRAME LINE G

MEMBER TABLE
FRAME LINE A

Mark	Part	Size	Length
BCB1	BCB4X4X2L122S1	4x4x1/8" SQ TUBE	122"
BCB2	BCB4X4X2L236S1	4x4x1/8" SQ TUBE	236"
BCB7	BCB4X4X2L180S4	4x4x1/8" SQ TUBE	180"
ECB1	ECB8X6X3L1255S4B	8x6x3/16" RECT TUBE	125 1/2"
ECB2	ECB8X6X3L2395S4B	8x6x3/16" RECT TUBE	239 1/2"
ECB-LEFT	ECB8X6X3L004S4AL	8x6x3/16" RECT TUBE	4"
ECB-RIGHT	ECB8X6X3L004S4AR	8x6x3/16" RECT TUBE	4"
LB1	SEE RIGID FRAME ELEVATION		
LB2	SEE RIGID FRAME ELEVATION		
TCB1	TCB6X4X2L1225S1	6x4x1/8" RECT TUBE	122 1/2"
TCB2	TCB6X4X3L2365S1	6x4x3/16" RECT TUBE	236 1/2"
CB3	TR050L174	BR1/2"	174"
CB4	TR050L192	BR1/2"	192"
CB5	TR050L240	BR1/2"	240"
CB8	TR050L042	BR1/2"	42"
CB9	TR050L030	BR1/2"	30"
AWN1	117065KW		

FRAME-OUT SCHEDULE

CALL-OUT	DESCRIPTION	ROUGH OPENING
D	6'-0" x 6'-8" DOUBLE WALK-IN DOOR	(VERIFY)

* CUT TO LENGTH IN FIELD
** REFER TO AWNING INSTALLATION GUIDE FOR CONNECTION DETAILS

NOTE: A SIGN SHALL BE PLACED NEAR EACH AWNING INDICATING THAT AWNING HAS NOT BEEN DESIGNED FOR HIGH SNOW LOADS AND NEEDS TO BE CLEARED OFF REGULARLY.

MEMBER TABLE
FRAME LINE G

Mark	Part	Size	Length
BCB1	BCB4X4X2L122S1	4x4x1/8" SQ TUBE	122"
BCB2	BCB4X4X2L236S1	4x4x1/8" SQ TUBE	236"
BCB3	BCB4X4X2L216S4	4x4x1/8" SQ TUBE	216"
ECB1	ECB8X6X3L1255S4B	8x6x3/16" RECT TUBE	125 1/2"
ECB2	ECB8X6X3L2395S4B	8x6x3/16" RECT TUBE	239 1/2"
ECB-LEFT	ECB8X6X3L004S4AL	8x6x3/16" RECT TUBE	4"
ECB-RIGHT	ECB8X6X3L004S4AR	8x6x3/16" RECT TUBE	4"
LB1	SEE RIGID FRAME ELEVATION		
LB2	SEE RIGID FRAME ELEVATION		
TCB1	TCB6X4X2L1225S1	6x4x1/8" RECT TUBE	122 1/2"
TCB2	TCB6X4X3L2365S1	6x4x3/16" RECT TUBE	236 1/2"
CB3	TR050L174	BR1/2"	174"
CB4	TR050L192	BR1/2"	192"
CB5	TR050L240	BR1/2"	240"
CB8	TR050L042	BR1/2"	42"
CB9	TR050L030	BR1/2"	30"
AWN2	116990KW		

FRAME-OUT SCHEDULE

CALL-OUT	DESCRIPTION	ROUGH OPENING
A	3'-0" x 6'-8" WALK-IN DOOR	(VERIFY)

* CUT TO LENGTH IN FIELD
** REFER TO AWNING INSTALLATION GUIDE FOR CONNECTION DETAILS

NOTE: A SIGN SHALL BE PLACED NEAR EACH AWNING INDICATING THAT AWNING HAS NOT BEEN DESIGNED FOR HIGH SNOW LOADS AND NEEDS TO BE CLEARED OFF REGULARLY.

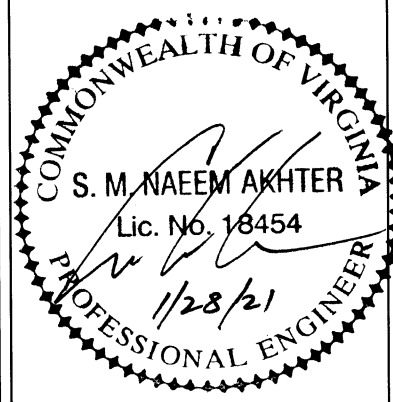
GENERAL NOTES:
1) WALK-IN DOOR FRAMING TO BE 2"x4" TUBE.

DEVELOPED BY:

ENGINEERING SERVICES & PRODUCTS CO.
1440 18TH AVENUE SW
DYERSVILLE, IA 52040
P 563.875.6113
WWW.ESAPCO.COM
WWW.CLEARSPAN.COM

ORDER #: 7664787
CUSTOMER #: 8906141

Naem Akhter, PE, SE
Consulting Structural Engineer
10404 W 154th Street
Overland Park, KS 66221-9504
(913) 685-2015 Off
(913) 685-2019 Fax



PROFESSIONAL SEAL

CUSTOMER INFORMATION: ARLINGTON COUNTY DPR 2100 CLARENDON BLVD STE 414 ARLINGTON, VA 22201	CONTACT PHONE: 703-228-7928	CUSTOMER CONTACT: AARON WOHLER	STRUCTURE SNU #: 00171	STRUCTURE SIZE: 87'-0" x 121'-8" x 26'-3"	SHEET TITLE: SIDEWALL ELEVATION
---	--------------------------------	-----------------------------------	---------------------------	--	------------------------------------

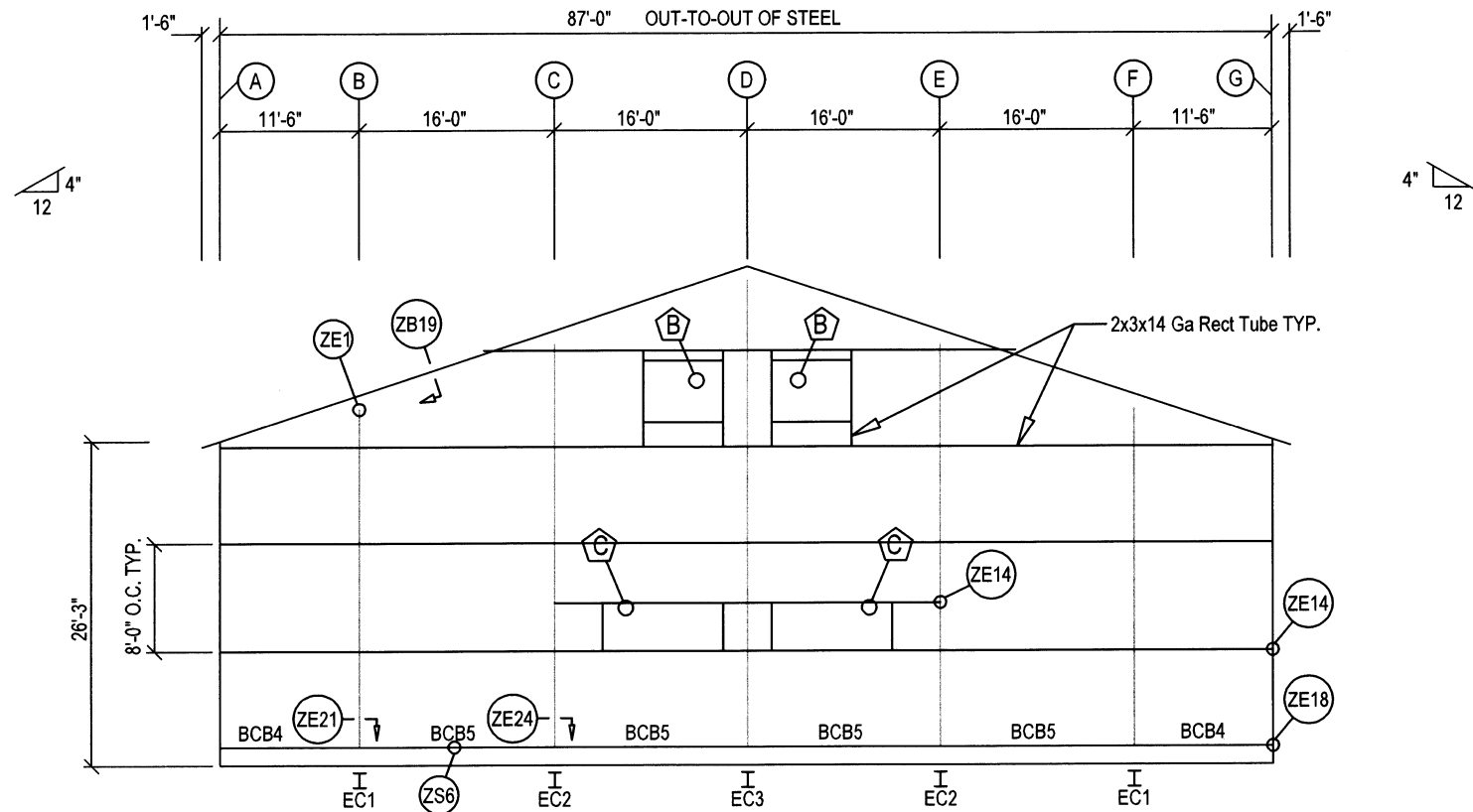
DRAWING DETAILS

DRAWN BY: JKP CREATION DATE: 12/1/2020

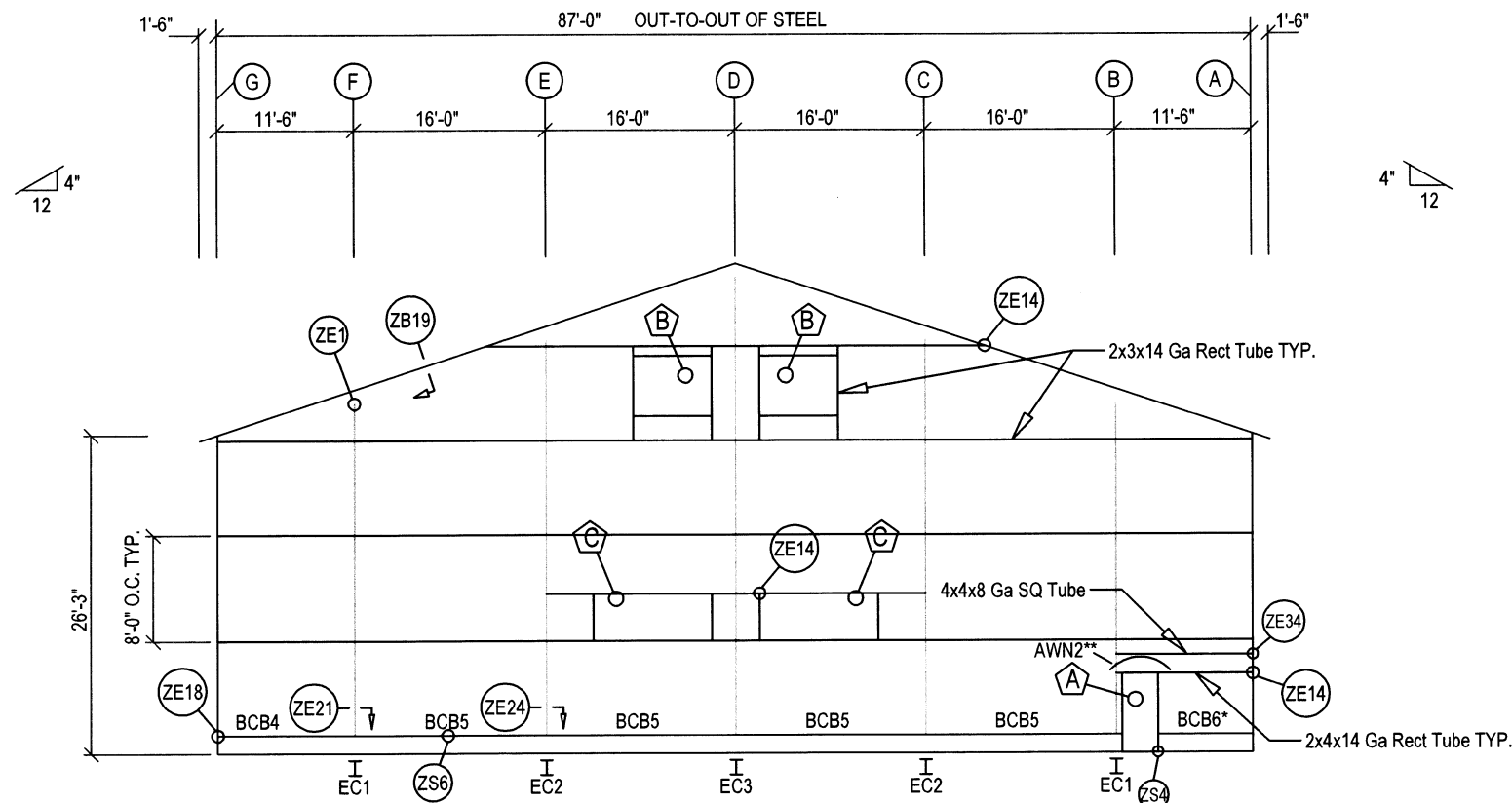
REVISIONS:

NO.	BY:	DATE:	DESCRIPTION:
1	JKP	1/6/2021	PER OVERALL HEIGHT CHANGE
2	JKP	1/19/2021	ADDED COLOR CODE TO AWNING SKUS
3	JKP	1/27/2021	UPDATES FOR SEAL
4			

NO SCALE
SHEET SIZE: 11X17 SHEET: E4



ENDWALL FRAMING: FRAME LINE 1



ENDWALL FRAMING: FRAME LINE 8

MEMBER TABLE			
FRAME LINE 1			
Mark	Part	Size	Length
EC1	EWCD12X4X3L3160A	12x4x3/16" RECT TUBE	316"
EC2	EWCD12X4X3L3840A	12x4x3/16" RECT TUBE	384"
EC3	EWCD12X4X3L4430A	12x4x3/16" RECT TUBE	443"
BCB4	EWBCB4X4X2L117A3	4x4x1/8" SQ TUBE	117"
BCB5	EWBCB4X4X2L180A4	4x4x1/8" SQ TUBE	180"

FRAME-OUT SCHEDULE		
CALL-OUT	DESCRIPTION	ROUGH OPENING
B	6'-7 1/2" x 5'-1 1/2" LOUVER	(VERIFY)
C	10'-0" x 4'-0" VENT	(VERIFY)

MEMBER TABLE			
FRAME LINE 8			
Mark	Part	Size	Length
EC1	EWCD12X4X3L3160A	12x4x3/16" RECT TUBE	316"
EC2	EWCD12X4X3L3840A	12x4x3/16" RECT TUBE	384"
EC3	EWCD12X4X3L4430A	12x4x3/16" RECT TUBE	443"
BCB4	EWBCB4X4X2L117A3	4x4x1/8" SQ TUBE	117"
BCB5	EWBCB4X4X2L180A4	4x4x1/8" SQ TUBE	180"
BCB6	EWBCB4X4X2L093A0	4x4x1/8" SQ TUBE	93"
AWN2	116990KW	-	-

FRAME-OUT SCHEDULE		
CALL-OUT	DESCRIPTION	ROUGH OPENING
A	3'-0" x 6'-8" WALK-IN DOOR	(VERIFY)
B	6'-7 1/2" x 5'-1 1/2" LOUVER	(VERIFY)
C	10'-0" x 4'-0" VENT	(VERIFY)

*CUT TO LENGTH IN FIELD

NOTE: A SIGN SHALL BE PLACED NEAR EACH AWNING INDICATING THAT AWNING HAS NOT BEEN DESIGNED FOR HIGH SNOW LOADS AND NEEDS TO BE CLEARED OFF REGULARLY.

GENERAL NOTES:

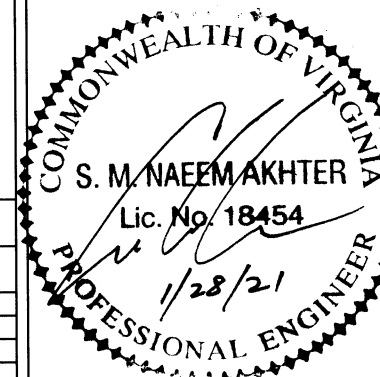
- FAN & LOUVER LOCATIONS ARE APPROXIMATE.
- WALK-IN DOOR FRAMING TO BE 2"x4" TUBE.
- FAN & LOUVER FRAMING TO BE 2"x3" TUBE.

DEVELOPED BY:

ENGINEERING SERVICES & PRODUCTS CO.
1461 18TH AVENUE SW
DYERSVILLE, IA 52040
P 563.875.6113
WWW.ESAPRO.COM
WWW.CLEARSPAN.COM

ORDER #: 7664787
CUSTOMER #: 8906141

Naeem Akhter, PE, SE
Consulting Structural Engineer
10404 W 154th Street
Overland Park, KS 66221-9504
(913) 685-2015 Off
(913) 685-2019 Fax

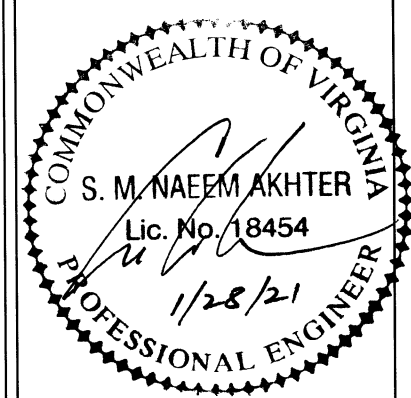


PROFESSIONAL SEAL

CUSTOMER INFORMATION: ARLINGTON COUNTY DPR 2100 CLARENDOA BLVD STE 414 ARLINGTON, VA 22201	CONTACT PHONE: 703-228-7928	CUSTOMER CONTACT: AARON WOHLER	STRUCTURE SNU #: 00171	STRUCTURE SIZE: 87'-0" x 121'-8" x 26'-3"	SHEET TITLE: ENDWALL ELEVATION
---	--------------------------------	-----------------------------------	---------------------------	--	-----------------------------------

DRAWING DETAILS					
DRAWN BY:	JKP	CREATION DATE:	12/1/2020		
REVISIONS:					
NO.	BY:	DATE:	DESCRIPTION:		
1	JKP	1/6/2021	PER OVERALL HEIGHT CHANGE		
2	JKP	1/19/2021	ADDED COLOR CODE TO AWNING SKUS		
3	JKP	1/27/2021	UPDATES FOR SEAL		
4					
NO SCALE					
SHEET SIZE: 11X17				SHEET:	E5

Naeem Akhter, PE, SE
 Consulting Structural Engineer
 10404 W 154th Street
 Overland Park, KS 66221-9504
 (913) 685-2015 Off
 (913) 685-2019 Fax

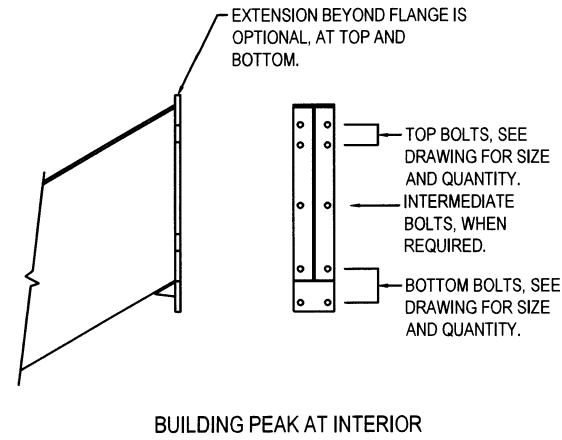
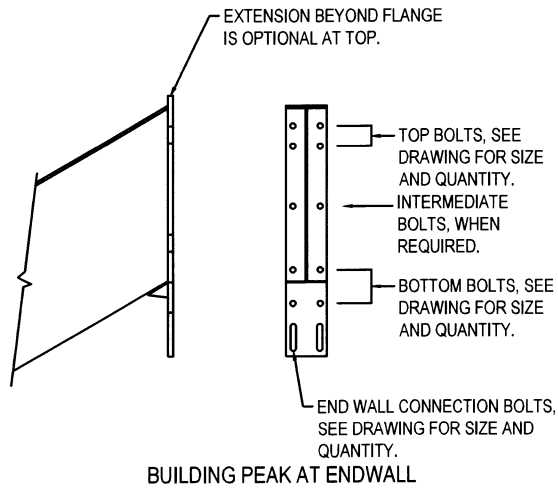


PROFESSIONAL SEAL

CUSTOMER INFORMATION: ARLINGTON COUNTY DPR 2300 CLARENCE BLVD STE 414 ARLINGTON, VA 22201	CONTACT PHONE: 703-228-7928
CUSTOMER CONTACT: AARON WOHLER	STRUCTURE SKU #: 00171
	STRUCTURE SIZE: 87'-0" x 121'-8" x 26'-3"
	SHEET TITLE: CONNECTION DETAILS

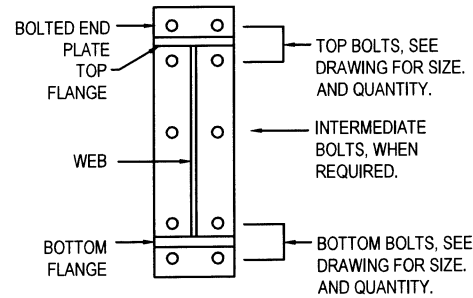
DRAWING DETAILS			
NO.	BY:	DATE:	DESCRIPTION:
1	JKP	1/6/2021	PER OVERALL HEIGHT CHANGE
2	JKP	1/19/2021	ADDED COLOR CODE TO AWNING SKUS
3	JKP	1/27/2021	UPDATES FOR SEAL
4			

NO SCALE
 SHEET SIZE: 11X17
 SHEET: D1



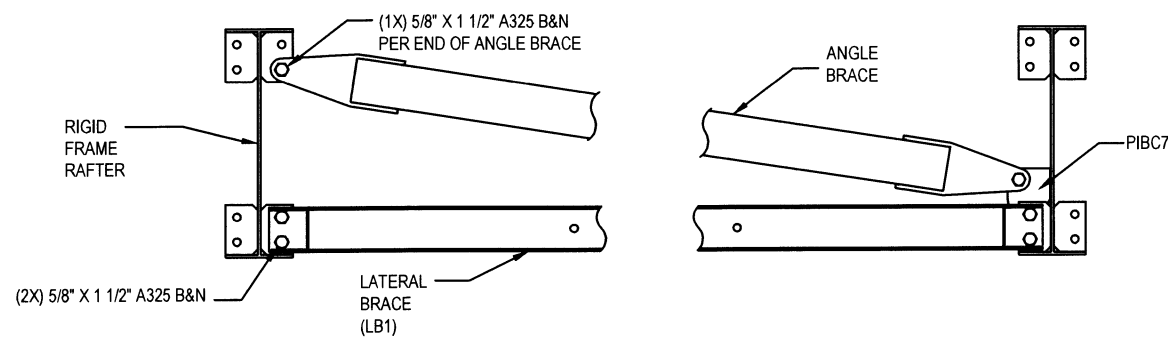
ZB30

BOLTED END PLATE CONNECTION AT BUILDING PEAK



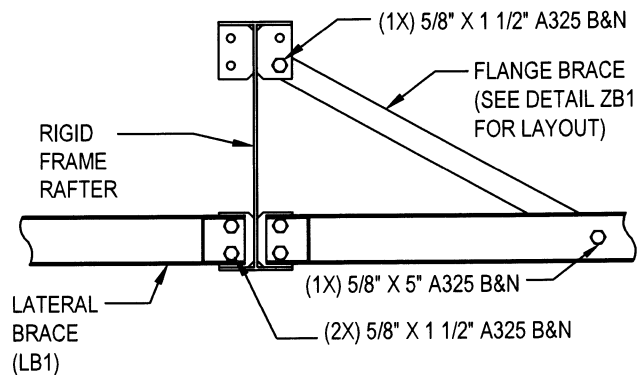
ZB2

BOLTS FOR RAFTER TO COLUMN CONNECTION



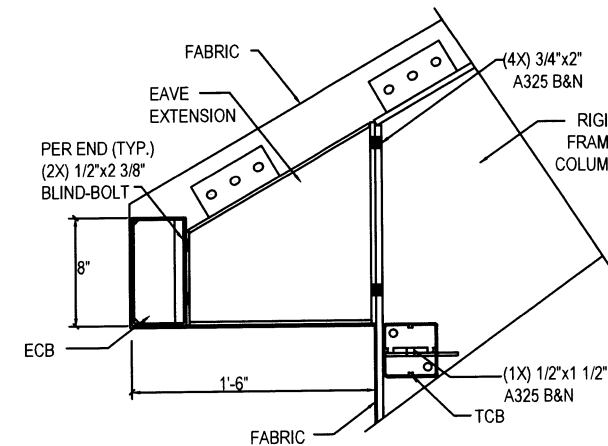
ZB19

LATERAL BRACE TO EXPANDABLE ENDWALL RIGID FRAME (WITH ANGLE BRACE)



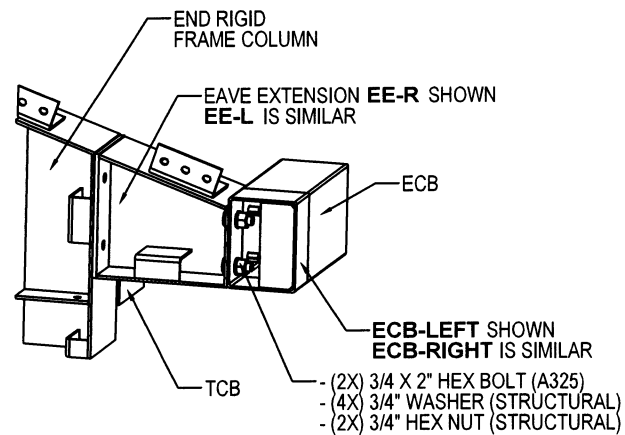
ZB21

LATERAL BRACE TO INTERIOR RIGID FRAME



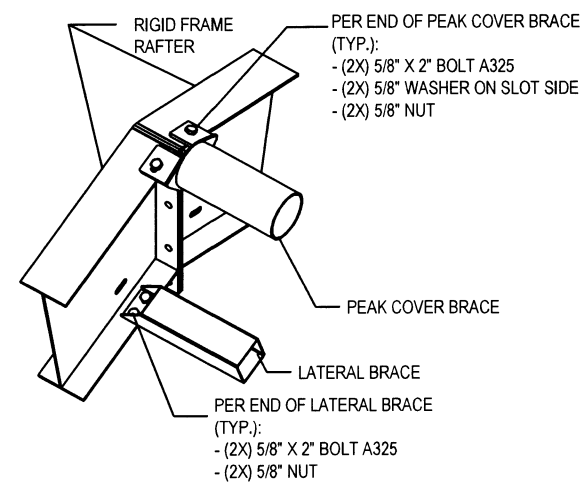
ZB10

EAVE EXTENSION AT MID COLUMN, EAVE COVER BRACE, TOP COVER BRACE



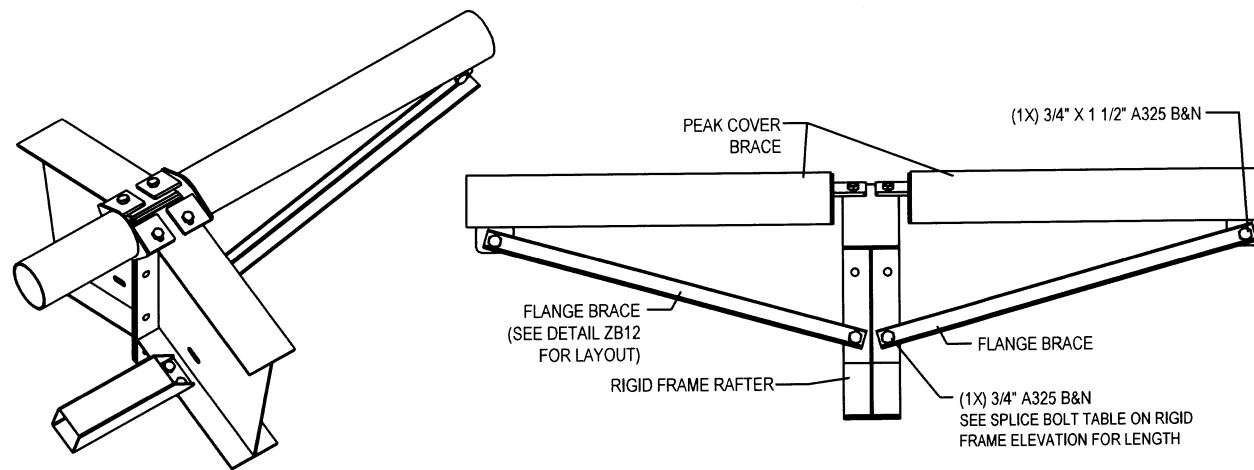
ZB15

EAVE EXTENSION AT END COLUMN, EAVE COVER BRACE, TOP COVER BRACE



ZB31

(EXTERIOR)

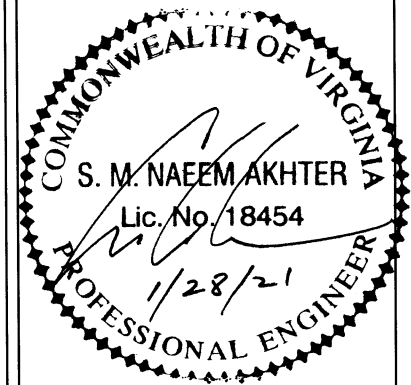


(INTERIOR)

PEAK COVER BRACE CONNECTION (INTERIOR / EXTERIOR)

ORDER #: 7664787
 CUSTOMER #: 8906141

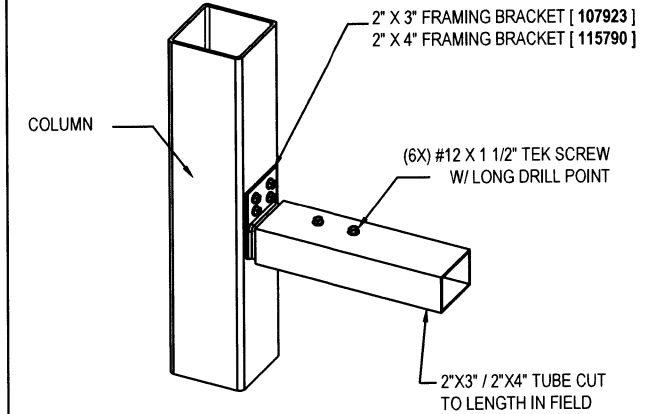
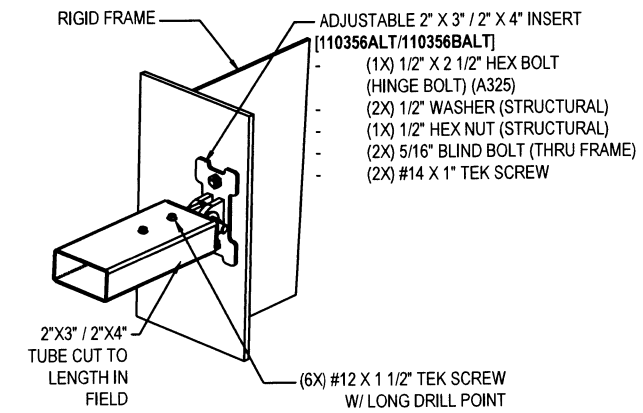
Naeem Akhter, PE, SE
 Consulting Structural Engineer
 10404 W 154th Street
 Overland Park, KS 66221-9504
 (913) 685-2015 Off
 (913) 685-2019 Fax



PROFESSIONAL SEAL

CUSTOMER INFORMATION: ARLINGTON COUNTY, DPR 2001 CLASEN BLVD STE 414 ARLINGTON, VA 22201	CONTACT PHONE: 703-228-7928
CUSTOMER CONTACT: AARON WOHLER	STRUCTURE SKU #: 00171
	STRUCTURE SIZE: 87'-0" x 121'-8" x 26'-3"
	SHEET TITLE: CONNECTION DETAILS

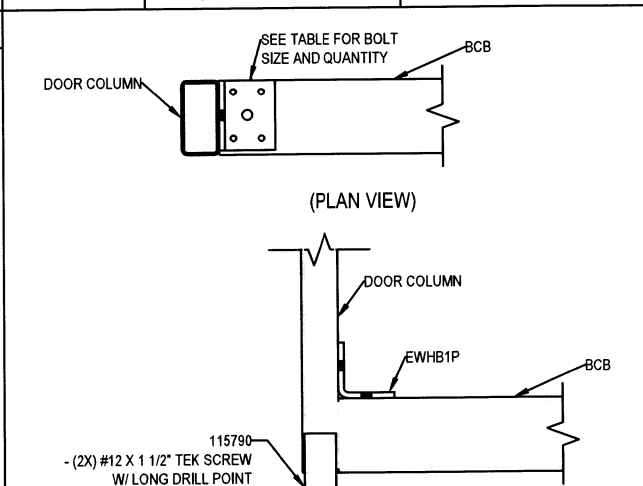
DRAWING DETAILS			
DRAWN BY:	JKP	CREATION DATE:	12/1/2020
REVISIONS:			
NO.	BY:	DATE:	DESCRIPTION:
1	JKP	1/6/2021	PER OVERALL HEIGHT CHANGE
2	JKP	1/19/2021	ADDED COLOR CODE TO AWNING SKUS
3	JKP	1/27/2021	UPDATES FOR SEAL
4			
NO SCALE			SHEET: D3
SHEET SIZE: 11X17			



ZE14

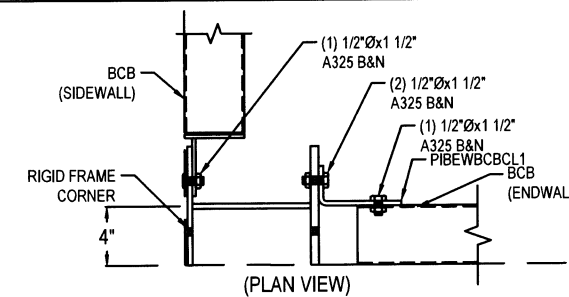
FRAMING CONNECTION

BRACKET	BLIND BOLT (PER BRACKET)	TEK SCREW (PER BRACKET)
EWHB1P	(2X) 5/16" BLIND BOLT	(4X) #12 X 1 1/2", #5 DRILL POINT



ZS4

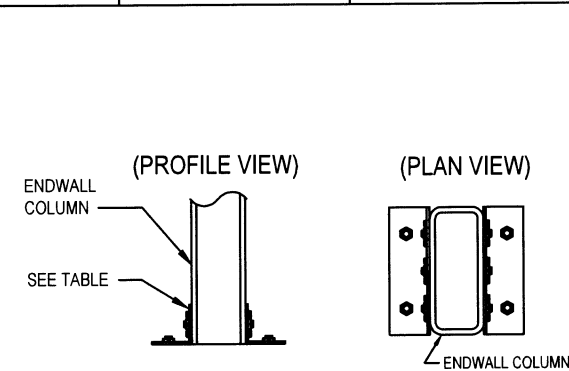
WALK-IN DOOR COLUMN TO BCB CONNECTION



ZE18

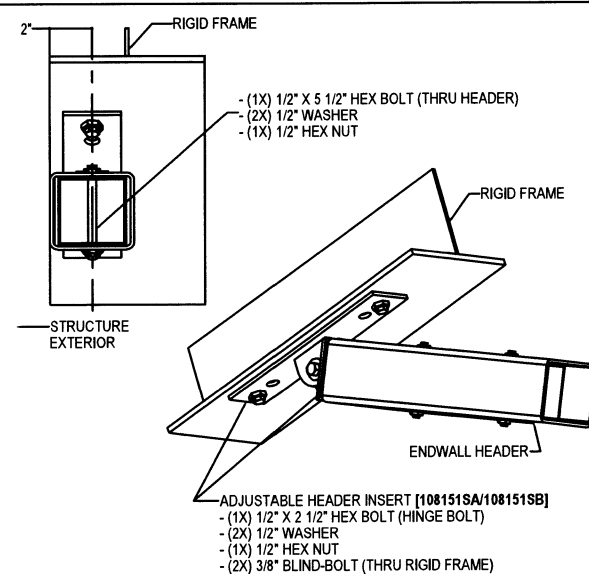
BOTTOM COVER BRACE (BCB) TO CORNER COLUMN FLANGE

BRACKET	BLIND-BOLT (PER BRACKET)	TEK SCREW (PER BRACKET)
PIBEWCL2L	(3X) 1/2" BLIND-BOLT	(8X) #12 X 1 1/2", #5 DRILL POINT
PIBEWCL2R	(3X) 1/2" BLIND-BOLT	(8X) #12 X 1 1/2", #5 DRILL POINT

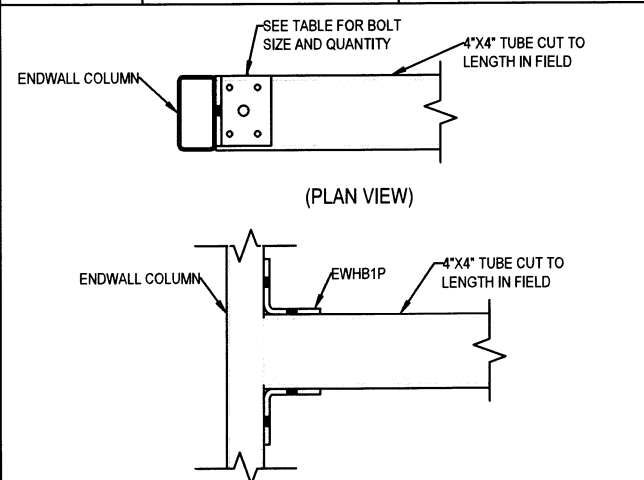


ZE24

ENDWALL COLUMN TO BASE PLATE CONNECTION

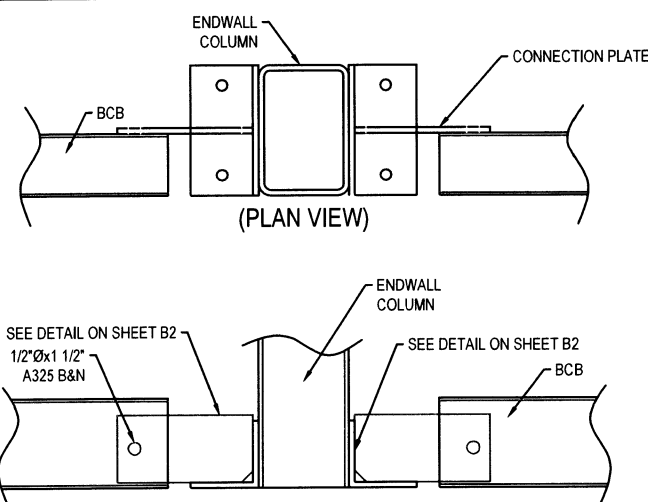


BRACKET	BLIND BOLT (PER BRACKET)	TEK SCREW (PER BRACKET)
EWHB1P	(2X) 5/16" BLIND BOLT	(4X) #12 X 1 1/2", #5 DRILL POINT



ZE34

ENDWALL COLUMN TO 4" X 4" HEADER CONNECTION



ZE21

ENDWALL BOTTOM COVER BRACE (BCB) CONNECTION TO ENDWALL COLUMN

NOTE: PLAN & ELEV VIEWS ARE GENERIC AND MAY NOT BE REPRESENTATIVE OF THE ACTUAL BRACKET.
 NOTE: CONNECTION PLATE AT DOOR LOCATIONS MAY NEED TO BE FIELD CUT