



Company: Palmello Bay Village Hall  
 Contract: Edwards Silva  
 Project: AV System for Council Chambers  
 Phone #: 395-250-1230

Sell Price

**AV Presentation & Broadcast Systems**

Item	Qty	Make	Model #	Description	Notes
<b>1.1 Audio System Equipment:</b>					
	1	Extron	Custom	Single gang Input Plate(Audio, VGA, RGB)	Connection input plate
	1	Shure	SLX14/B5	Wireless Microphone, Lapel	Wireless Microphone, Lapel
	1	Shure	GLX24/S8	Wireless Microphone, Hand Held	Wireless Microphone, Hand Held
	1	DSS	BLU	Audio DSP with Mic/Line I/O	Audio Processor
	1	BSS	BLU10	Audio Controller, Rack Room	Audio Controller
	1	Crown	GT54200	4 Channel 100w Amplifier	Amplifier
	14	JBL	26CT	Calling mounted, 70w Speakers	Speaker
	2	JBL	Control 29 AV1	Wall Mounted Program Speakers	Speaker
	2	JBL	MTG20UD	Wall mount U- Bracket	Speaker mount
	1	Lowell	XL 100DW	Wall Mounted Volume Control, Lobby	Volume control
	2	Kramer	VM1110XL	Audio DA to Galaxy Hotspots & Press Feed Panel	Distribution amplifier for dias audio monitors
	1	MAVCO	Custom	Press Feed Panel	Connection input plate
	1	MAVCO	Misc	Misc Cables connectors and hardware	Wire, cables
<b>1.2 Video System Equipment:</b>					
	1	Newtek	Tricaster Pro	Production Switcher & Preview / PGM Monitors	Audio/Video mixer
	1	Newtek	LC-11	Video/Audio Mixer with effects	Video controller
	1	Sony	BRC 300	PTZ Cameras	PTZ Camera
	2	Sony	SMCCM120	PTZ Camera	Stationary Camera
	3	Sony		Fixed Camera	Stationary Camera
	1	Sony		Camera Wall Mounts	Camera Mount
	1	Sony		Camera Controller	Camera Controller
	1	Samsung	T260HD	Camera Source Preview Monitors	Program Preview monitor
	1	Marshall	V-R153P	26" HD Monitor (Camera Preview)	Monitor for each camera
	2	Samsung	P63FP	Triplet, 5" Preview Monitor	
	2	Chief		Chamber Room Displays	Large LCD Monitors in Chamber
	2	Chief		Monitor (in Chambers)	LCD Mount
	2	Samsung	400CK	Pandium Mount	Lobby Monitor
	2	Chief		40" LCD TV Monitor (Lobby)	Mounts for Lobby Monitors
	2	Chief		Wall Mount	
		OFE		Various Video Equipment DA's	
	1	Extron	60-310-02	Computer	Computer
	1	Extron	60-DA1	VGA line driver	Signal booster
	1	Extron	60-726-01	Control plate @ Control Desk	Input panel of control desk
	1	OFE		1602 Scaler	Scalcs signal for displays
	2	Extron	60-891-02	Computer (Media Server)	Computer
	1	MAVCO	Misc	PZDA0, I/O	Video Distribution amplifier
	1	MAVCO	Misc	Misc Cables connectors and hardware	Wire, cables
<b>1.3 Chamber Dias Equipment:</b>					
	0	Shure	MX412 DH	Dias Microphones	Microphones for Dias
	5	Samsung	933DH	Batch Microphone with mute switch	
	5	Auton	1000-D	Dias Audio & Video Preview Monitors	LCD monitor for Dias
	5	Galaxy	Micro espLVC	Dias LCD Monitor- 16.5" Monitors with TV tuners	Monitor L/Rs
				LCD L/R & L/V controller	Audio monitor on dias
				Audio Monitor	
	5	Turning Technologies		Voting	Voting, polling system
				Response Card XML software, receiver	
	1	MAVCO	Custom	Meyer Audio Mute Switch	panel/button to mute microphones
				Custom Mute Panel	
	1	Samsung	SDP-060	Administrator Position	Document camera
	1	Crestron	TPS-0x	Document Camera	Control touch panel
	1	Extron	Custom	5.7", Remote Control Touch Panel	Connection input plate
	1	Extron	Custom	Single gang Input Plate(Laptop, Video & Audio)	
<b>1.4 Chamber Lectern Equipment:</b>					
	1	VFI	FD3001	Lectern	Podium/Lectern
	1	VFI	Patch	Patch Panel-VGA,3.5 audio, RJ45, AC power	Connection input plate at podium
	1	VFI	Console	For monitor insert	Mounting Back box for monitor
	1	VFI	Light 10	Light	Light
	1	Smart Bynposium		Gooseneck light	Annotation Monitor
	1	Marshall	V-LCD Pro	Annotation Monitor	Monitor at podium
	1	Shure	MX412 B/C	5.8" Personal View monitor	Lectern microphone
	1	Extron	60-360-11	Lectern Microphones	Lectern microphone
	1	Midolo Atlantic		SW2VGA Switcher	switches various video/vga signals
	1	Crestron	CNPC-1A/C	8 output Power Distribution	power strip
	1	Extron	Custom	Power Interface	power for touch panel
	1	OFE		CPM101, Interface Plate	mounting frame, connection panel
	1	Extron	TPS-0x	5.7", Remote Control Touch Panel	touch panel
	1	OFE		Computer	OFE
	1	MAVCO	Misc	Misc Cables connectors and hardware	Wire, cables
<b>1.5 Assistive Listening system Equipment:</b>					
	1	LISTEN TECH.	LT-800-072	Transmitter	transmits audio signal for assistive listening system
	5	LISTEN TECH.	LR500-72	72 MHz FM RECEIVERS	receivers for RF signal

MAVCO INC  
 Proposal

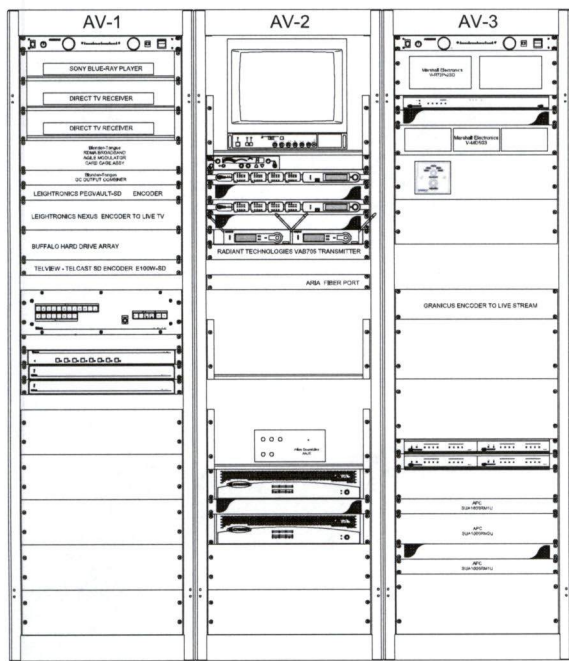


Company: Palmello Bay Village Hall  
 Contract: Edward Silva  
 Project: AV System for Council Chambers  
 Phone #: 305-250-1250

Sell Price

**AV Presentation & Broadcast Systems**

Item	Qty	Make	Model #	Description	Notes
	5	LISTEN TECH.	LA-104	SINGLE EARBUDD FOR FM RECEIVERS	head phones
	5	LISTEN TECH.	LA 100	NECK LOOP FOR T COIL EQUIPED HEARING AIDS	neck loop for headphone
	1	LISTEN TECH.	LA313	Receiver charging case	storage, charging case
<b>1.6 Chambers Room #152-AV Rack Elevation Equipment:</b>					
	3	Middle Atlantic	MRK-1026	40 space equipment rack	equipment rack
	1	Middle Atlantic	MRK-SPN	Side Panels	side panel
	3	MAVCO	Misc	Rack Fabrication Hardware	hardware for rack,
	3	Middle Atlantic	CBS MRK	Rolling Castor Base	rolling base
	3	Furman	PL-8c	Power Distribution	power strip
	6	Crestron	ST-COM	RS-232 Interface	expansion module to send/receive signals
	2	Crestron	CNRJ11	4 wire to ethernet converter	converts various signals for controller
	2	Crestron	QNTBLOCK	Crestron distrib. Block	distributes various signals
	1	Crestron	CP2E	Processor	control system processor
	1	Crestron	TPMC-12	Touch Panel	main touch panel
	1	Crestron	CENRFOW-EX	RF Gateway	wireless transceiver for remotes
	1	Extron		0 x 0 VGA, Video & Stereo Audio	Distributes various signal, audio, vga
	1	Contemporary Research	AT5C-232	CATV Tuner	TV Tuner
		OFE		Computer	Computer
	1	APC Smart	750VA-1U-100	Power Supply	Power Supply
<b>1.7 Media, Staff &amp; Conference Room Equipment: Rooms 148, 160</b>					
	2	JBL	26CT	Ceiling mounted, 70v Speakers	speaker
	2	Lowell	KL 100DW	Wall Mounted Volume Control	volume control
	2	Samsung	LN32	32" LCD Displays	LCD
	2	Chief		Wall Mount	LCD Wall mount
<b>Room 153</b>					
	1	JBL	26CT	Ceiling mounted, 70v Speakers	speaker
	1	Lowell	KL 100DW	Wall Mounted Volume Control	volume control



Middle Atlantic Products  
MIP-4031

Middle Atlantic Products  
MIP-4031

Middle Atlantic Products  
MIP-4031

VILLAGE OF PALMETTO BAY  
EXISTING AV RACKS

SOUTHERN TECHNICAL SUPPORT INC.

PAUL VAN PUFFELEN  
PVP@COMCAST.NET  
1521 ALTON RD. #509 • MIAMI BEACH, FL 33139 • 786 286-1242  
SLVSYSTEMS.COM

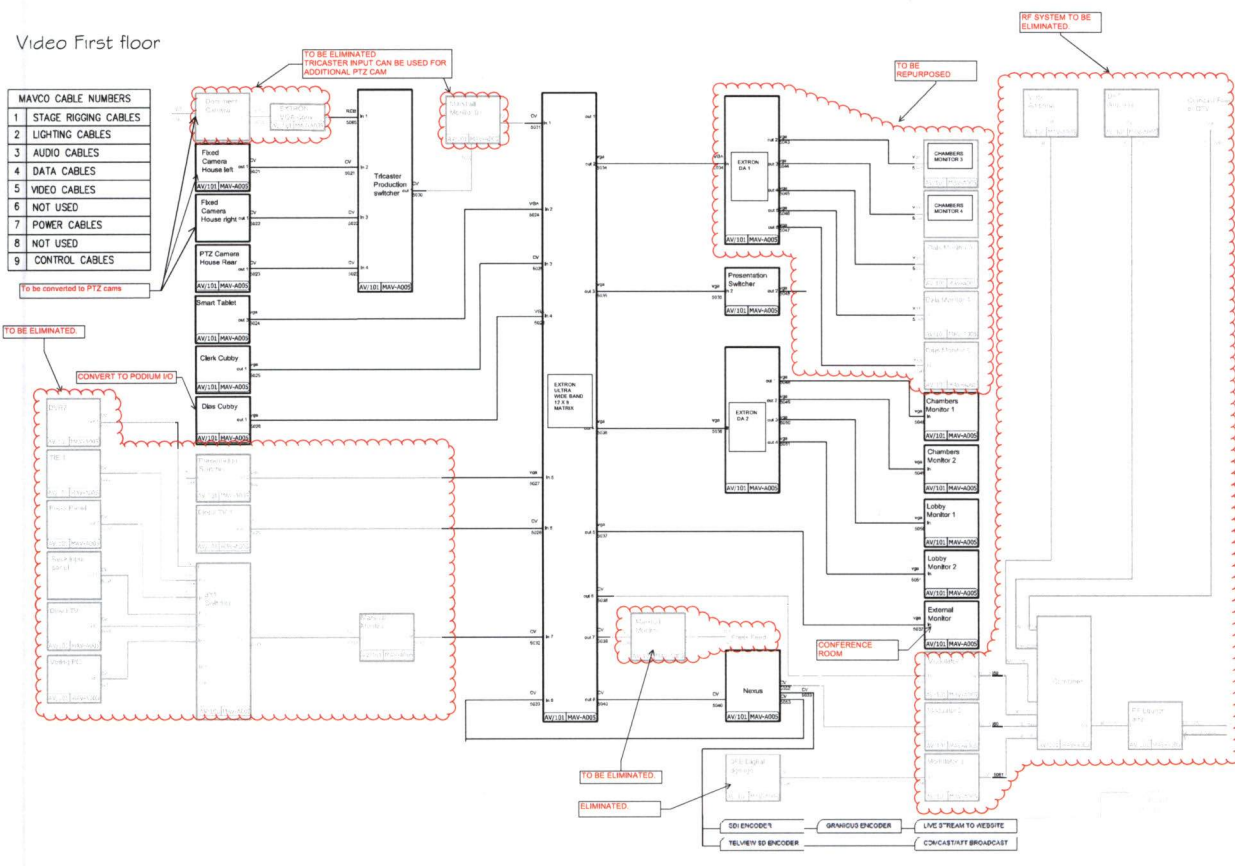
VILLAGE OF PALMETTO BAY  
1ST FLOOR AV SCHEMATICS  
EXISTING AND PROPOSED RACKS  
REV.#0 5-13-2017

AV-201

PVP  
5/13/2017  
REV.1

Video First floor

MAVCO CABLE NUMBERS	
1	STAGE RIGGING CABLES
2	LIGHTING CABLES
3	AUDIO CABLES
4	DATA CABLES
5	VIDEO CABLES
6	NOT USED
7	POWER CABLES
8	NOT USED
9	CONTROL CABLES



SOUTHERN TECHNICAL SUPPORT INC.  
 PAUL VAN RUFFELEN  
 PVP@COMCAST.NET  
 1521 ALTON RD. #309 • MIAMI BEACH, FL 33139 • 786-286-1242  
 SLVSYSTEMS.COM

V-101

5/13/2017  
 REV. 0

VILLAGE OF PALMETTO BAY  
 1ST FLOOR VIDEO SCHEMATICS  
 EXISTING WITH MARKUPS  
 REV.# 0 5-11-2017

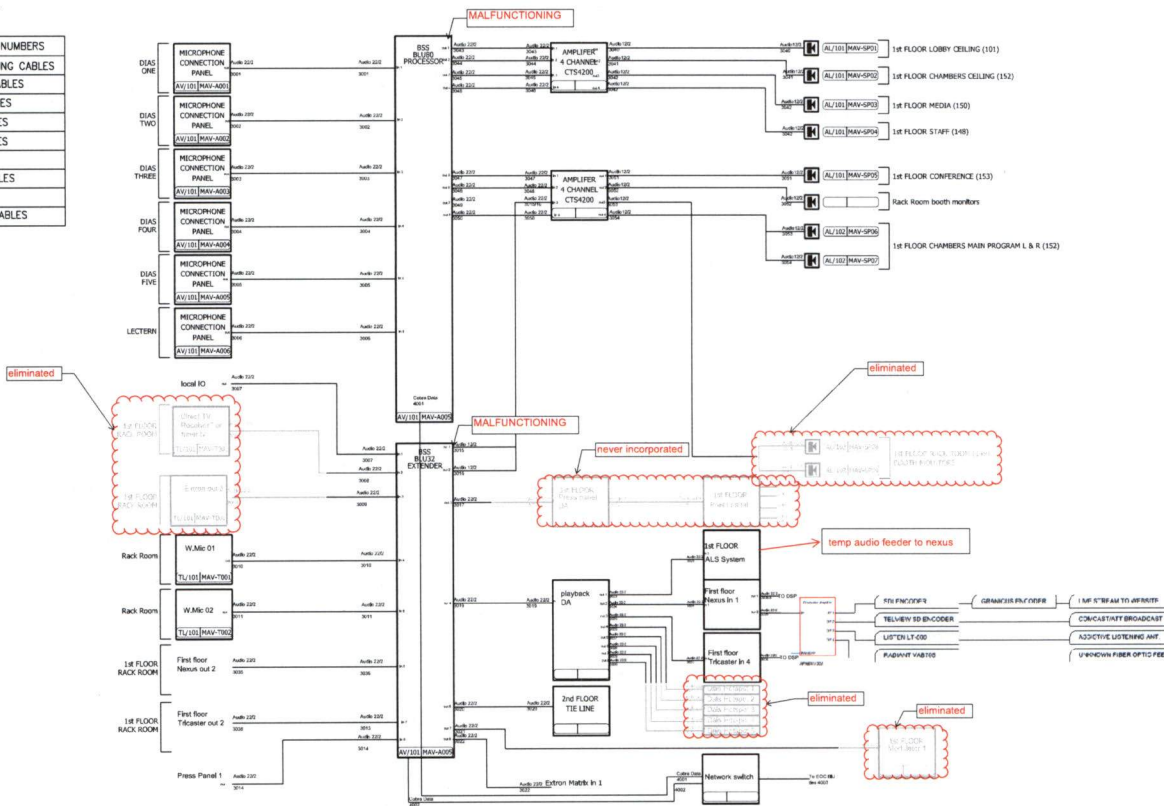
Palmetto Bay  
 Video System 1st floor Block Diagram  
 Miami, Florida

**MAVCO**  
 555 NW 87TH STREET MIAMI FLORIDA 33154

DATE: 12/02/10  
 DRAWN BY: NS  
 FILE NO: NS  
 TITLE: PRELIMINARY  
 DRAWING SCALE: NTS  
 PAPER SIZE: 11" x 17"  
 SHEET NO: NS  
 JOB NO: 183  
 DRAWING NO: 183.00.001

1st Floor Audio

MAVCO CABLE NUMBERS	
1	STAGE RIGGING CABLES
2	LIGHTING CABLES
3	AUDIO CABLES
4	DATA CABLES
5	VIDEO CABLES
6	NOT USED
7	POWER CABLES
8	NOT USED
9	CONTROL CABLES



SOUTHERN TECHNICAL SUPPORT INC.  
 PAUL VAN PUFFELEN  
 PVP@COMCAST.NET  
 1521 ALTON RD. #309 • MIAMI BEACH, FL 33139 • 786-286-1242  
 SLVSYSTEMS.COM

VILLAGE OF PALMETTO BAY  
 1ST FLOOR AUDIO SCHEMATICS  
 EXISTING WITH MARKUPS  
 REV.#1 5-13-2017

A-101  
 PVP  
 5/13/2017  
 REV.1

Palmetto Bay  
 Audio System 1st Floor Block Diagram  
 Miami, Florida



DATE:	12/22/10
DESIGNED BY:	NS
DRAWN BY:	NS
CHECKED BY:	NS
DATE:	12/22/10
FILE NAME:	PRELIMINARY
DRAWING TITLE:	1ST FLOOR AUDIO SCHEMATICS
PAPER SIZE:	11" x 17"
CHK NO:	NS
DWG NO:	183
DRAWING NO:	183.00.001