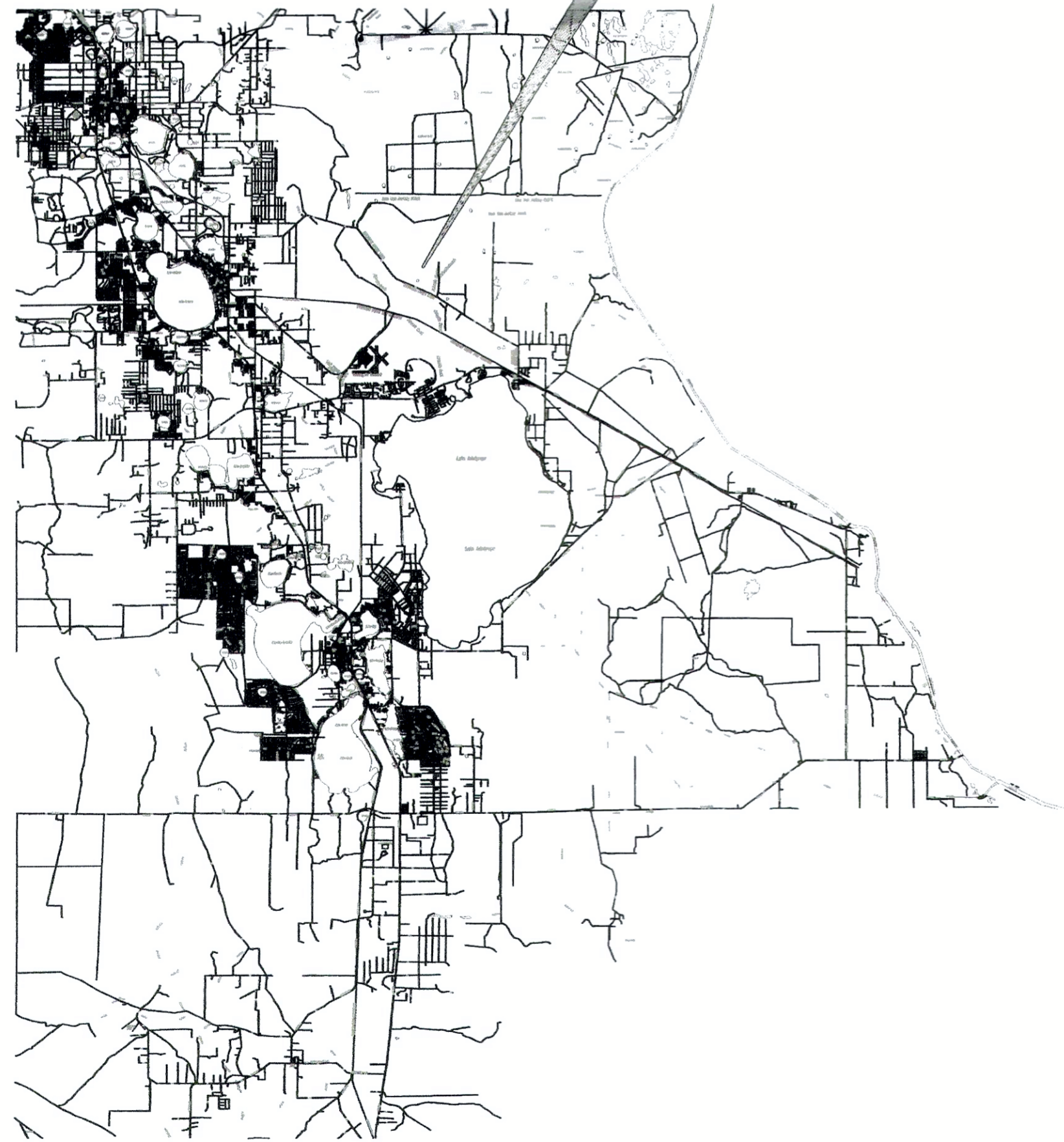


CONSTRUCTION PLANS FOR:

HIGHLANDS COUNTY SOLID WASTE MANAGEMENT CENTER

LEACHATE RECIRCULATION SYSTEM MODIFICATIONS CELL 3, AT EL. 102 FT.

PROJECT LOCATION
SEC. 22, TWP 34S, RNG 30E

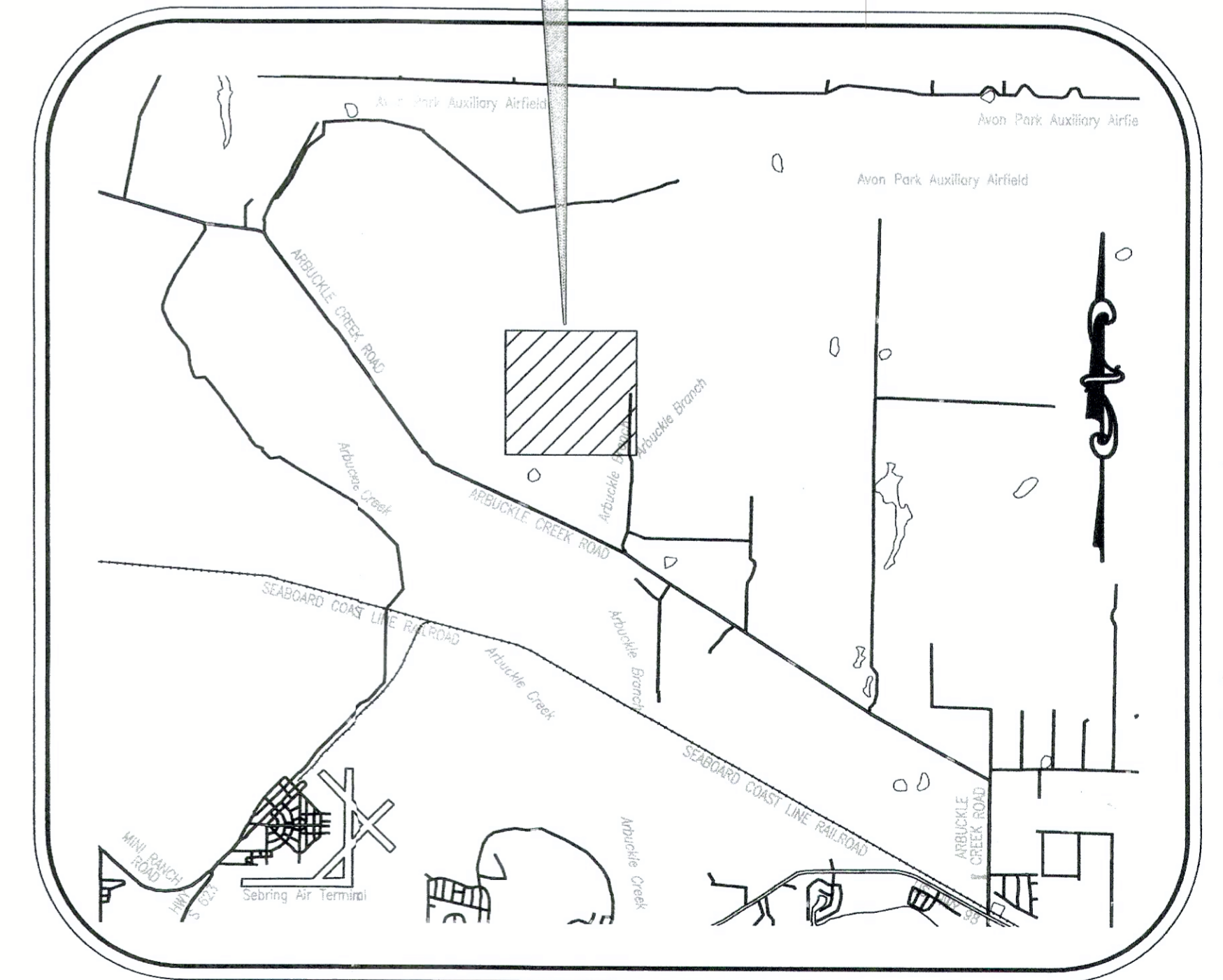


HIGHLANDS COUNTY

DRAWING INDEX

SH. C-1	OVERALL SITE PLAN
SH. C-2	DETAILS

PROJECT VICINITY



VICINITY MAP

engineers - architects - surveyors - scientists



Lakeland
Sebring
Tampa
Atlanta

Eng. Bus. No. EB262 Lakeland : 4705 Old Highway 37, P.O. Box 5710 (863) 646-1402

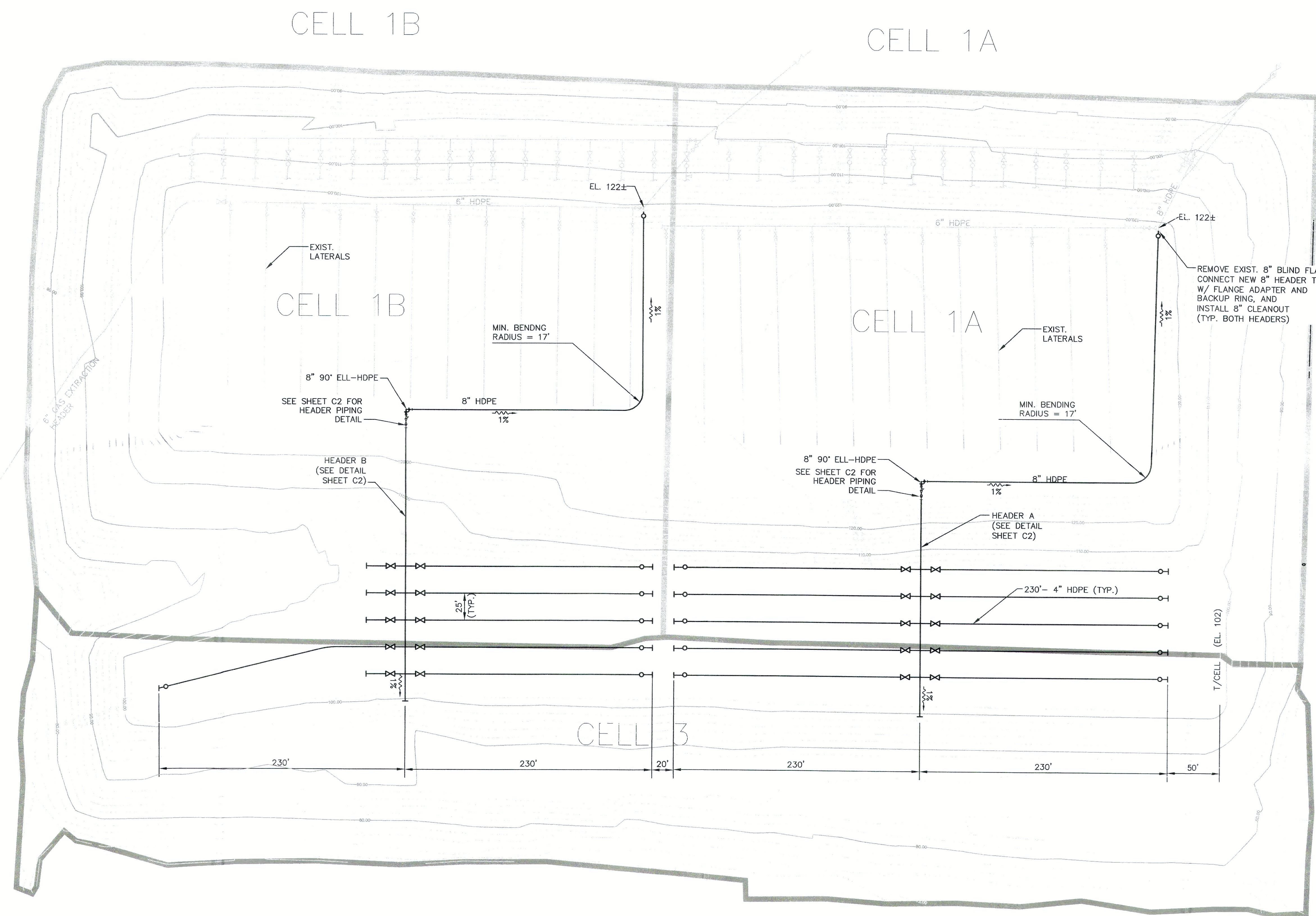
DOUGLAS E. JONES, P.E.
REG. No. 58077

ISSUE FOR BID

C.S.I. JOB NO. 7160.88

\\chastain\server\proj\10000\10000.dwg, 12/21/2004 10:21:58 AM HP DesignJet 1000C ps3

P.POLE
BM EL=69.00'



REMOVE EXIST. 8" BLIND FLANGE, CONNECT NEW 8" HEADER TO WYE/ FLANGE ADAPTER AND BACKUP RING, AND INSTALL 8" CLEANOUT (TYP. BOTH HEADERS)

EXIST. LATERALS

EXIST. LATERALS

CELL 1B

CELL 1A

8" 90° ELL-HDPE

8" 90° ELL-HDPE

SEE SHEET C2 FOR HEADER PIPING DETAIL

SEE SHEET C2 FOR HEADER PIPING DETAIL

HEADER B (SEE DETAIL SHEET C2)

HEADER A (SEE DETAIL SHEET C2)

MIN. BENDING RADIUS = 17'

MIN. BENDING RADIUS = 17'

6" HDPE

8" HDPE

25' (TYP.)

230' - 4" HDPE (TYP.)

T/CELL (EL. 102)

230'

230'

20'

230'

230'

50'

CELL 3



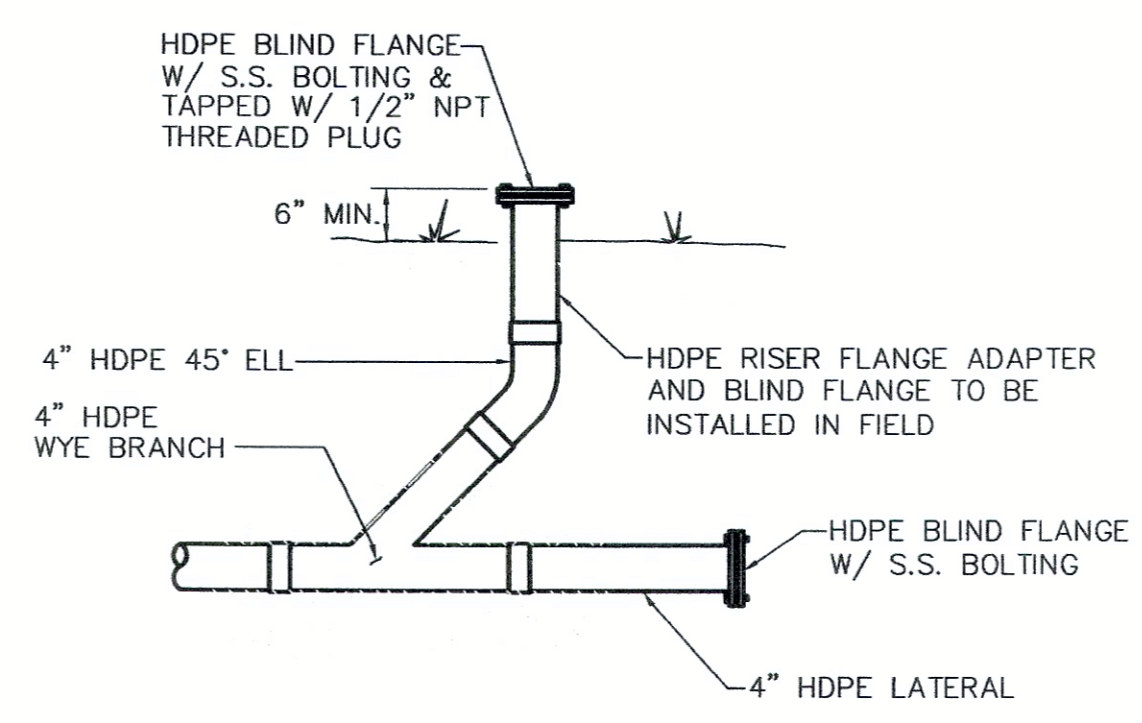
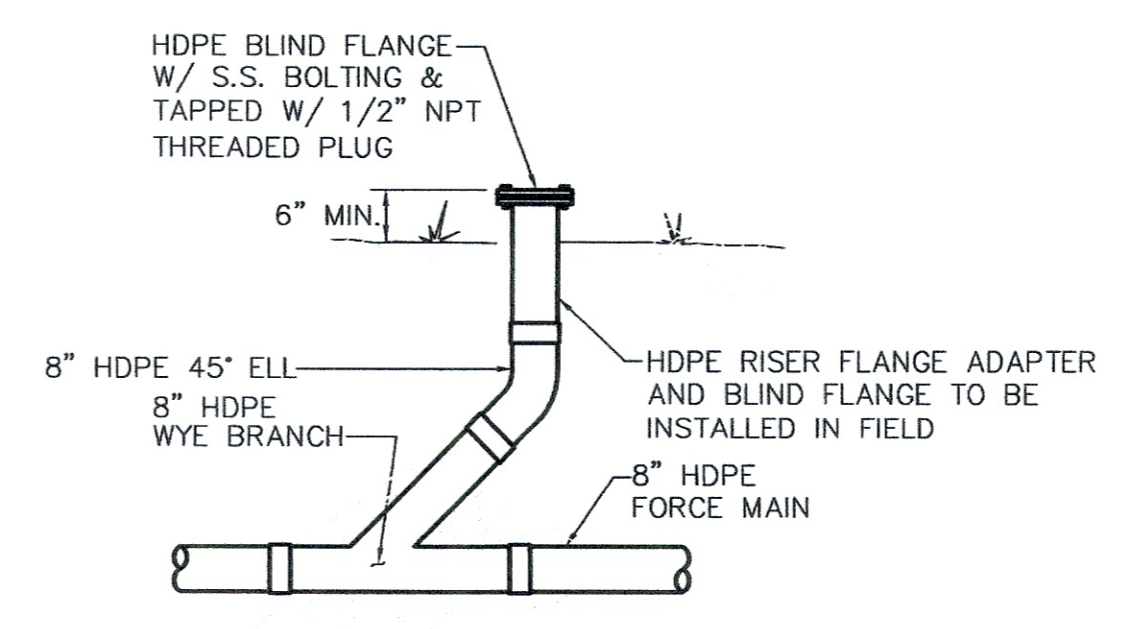
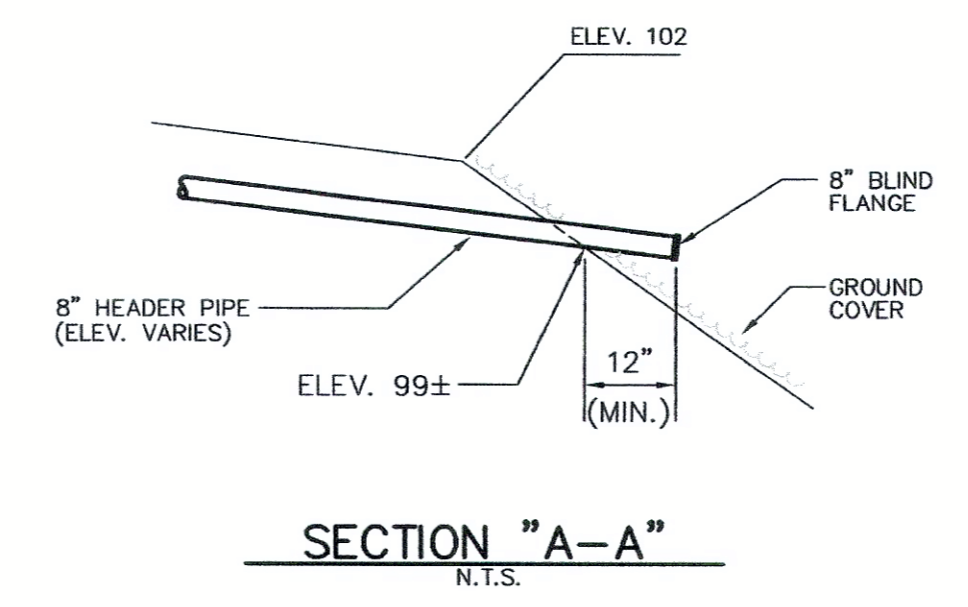
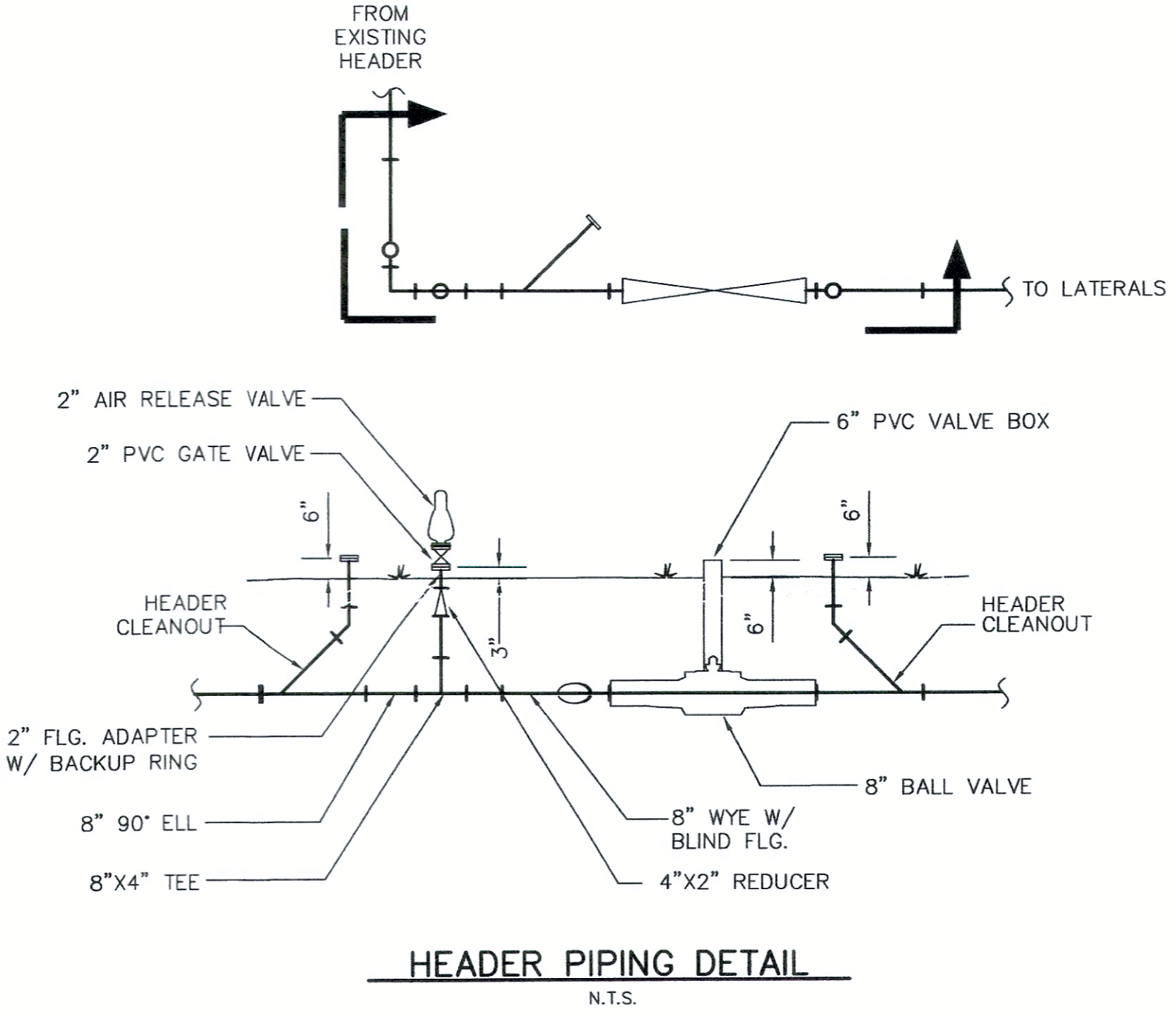
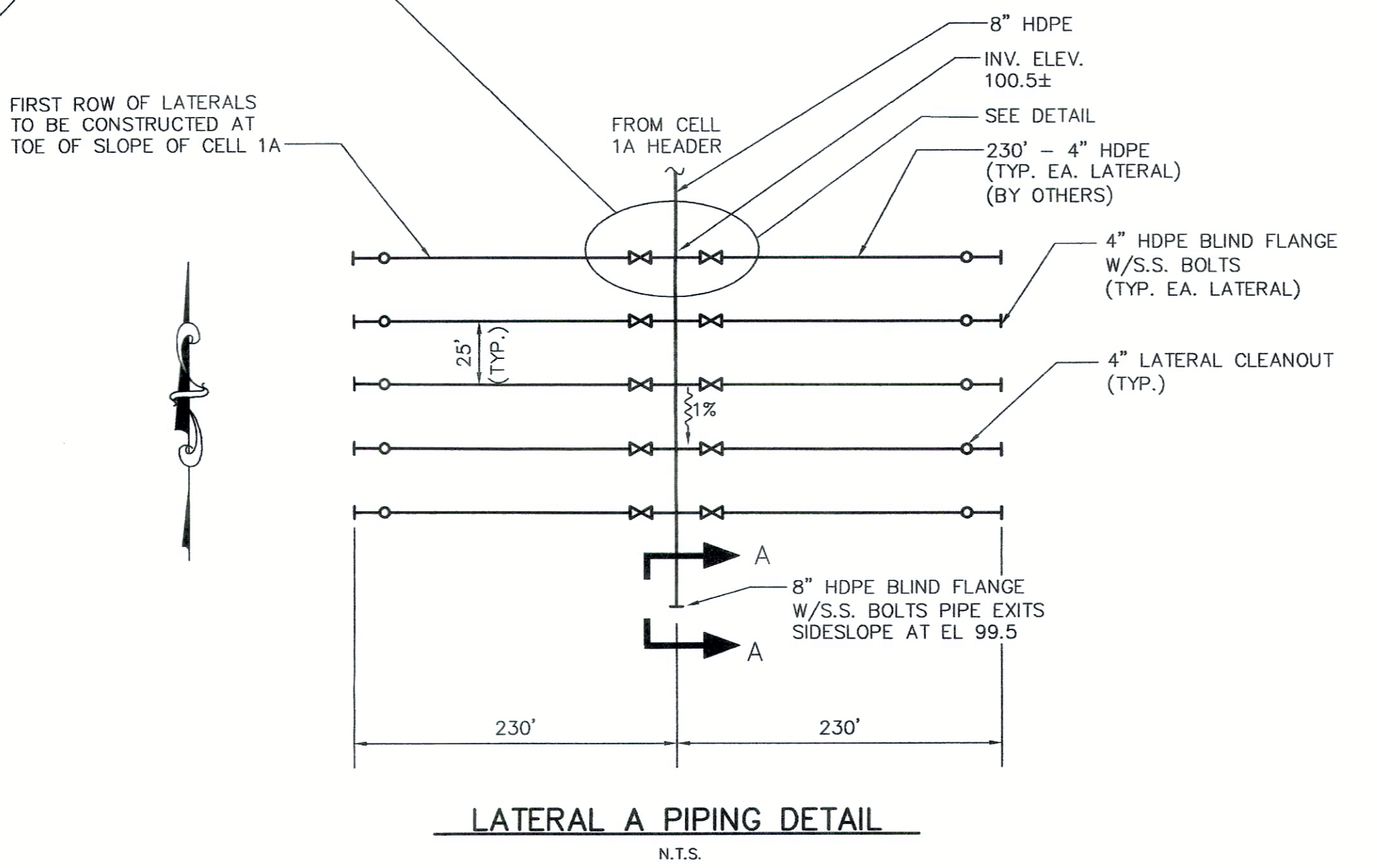
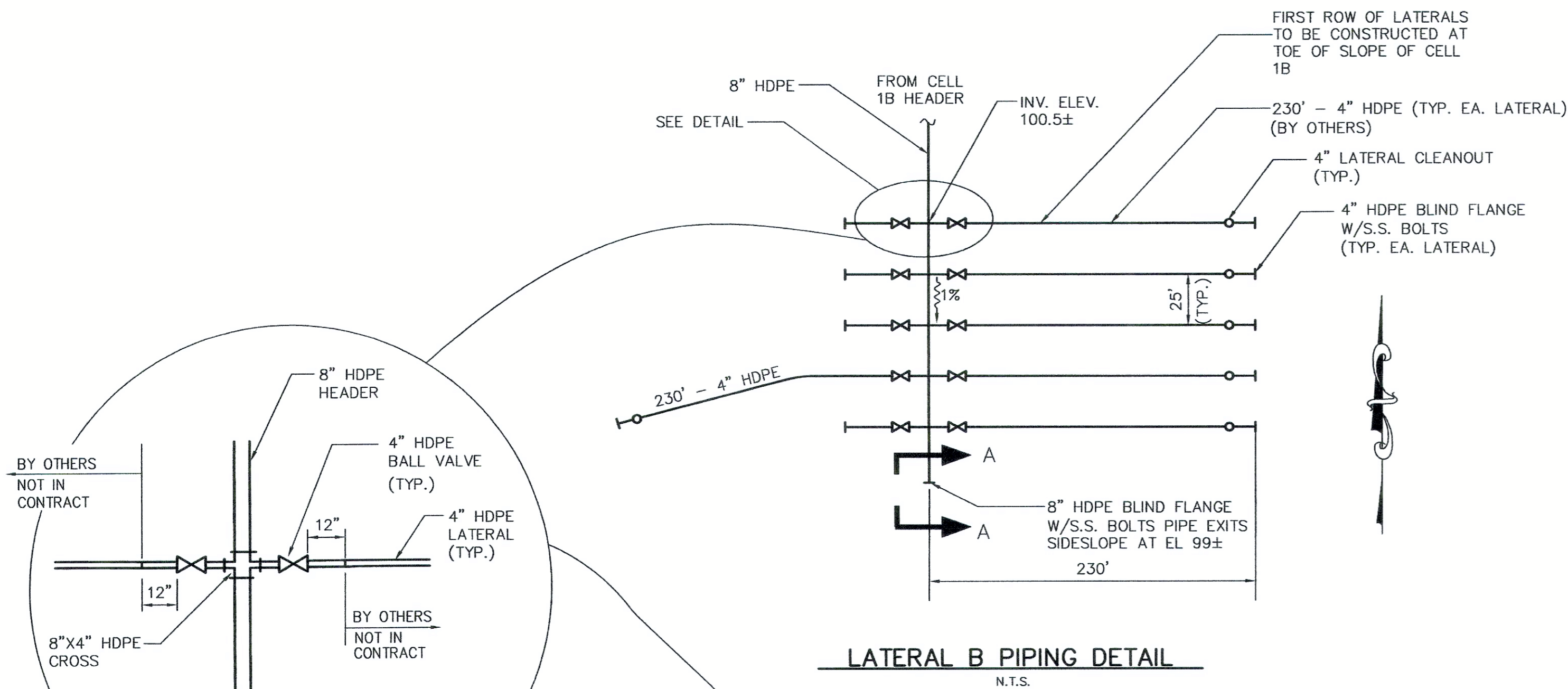
REV.	DATE	ISSUED FOR REVIEW & COMMENTS
P3	12-21-04	ISSUE FOR BID
P2	12-14-04	REVISED PER COMMENTS
P1	12-08-04	ISSUED FOR REVIEW & COMMENTS

REVISION NO.	A.O.H.
REV. DATE	12-21-04
P3	

SOLID WASTE MANAGEMENT CENTER
 HIGHLANDS COUNTY, FLORIDA
 LEACHATE RECIRCULATION SYSTEM MODIFICATIONS
 OVERALL SITE PLAN
 CELL 3, ELEVATION 102

COPYRIGHT © 2004
 ENGINEER:
 DOUGLAS E. JONES, P.E.
 REG. NO. 58077
 DRAWING NO.
DEL 7160.88-C1

I:\HW\JHMS\PROJECTS\716088\DWG\121204\102247.AUT\DWG\102247.P3



- NOTES:**
1. TOPOGRAPHY BASED ON SURVEY PERFORMED IN SEPTEMBER 2004. ELEVATIONS AT CONSTRUCTION MAY DEVIATE FROM SURVEY DUE TO SETTLEMENT.
 2. 8" HEADER PIPE TO BE LAYED WITH MINIMUM 24" COVER.
 3. CONSTRUCTION OF LATERALS BEYOND 4" HDPE WYE OF CLEANOUT IS EXCLUDED FROM THIS CONTRACT. LATERAL SHALL HAVE 1/2" DIAMETER ORIFICES ON 12-FOOT CENTERS IN A SPIRAL ROTATION AROUND ITS DIAMETER AT 0, 60, 120, 180, 240 AND 300 DEGREES.
 4. CONTRACTOR TO LOCATE AND PROTECT EXISTING LATERALS WITHIN CONSTRUCTION AREA.

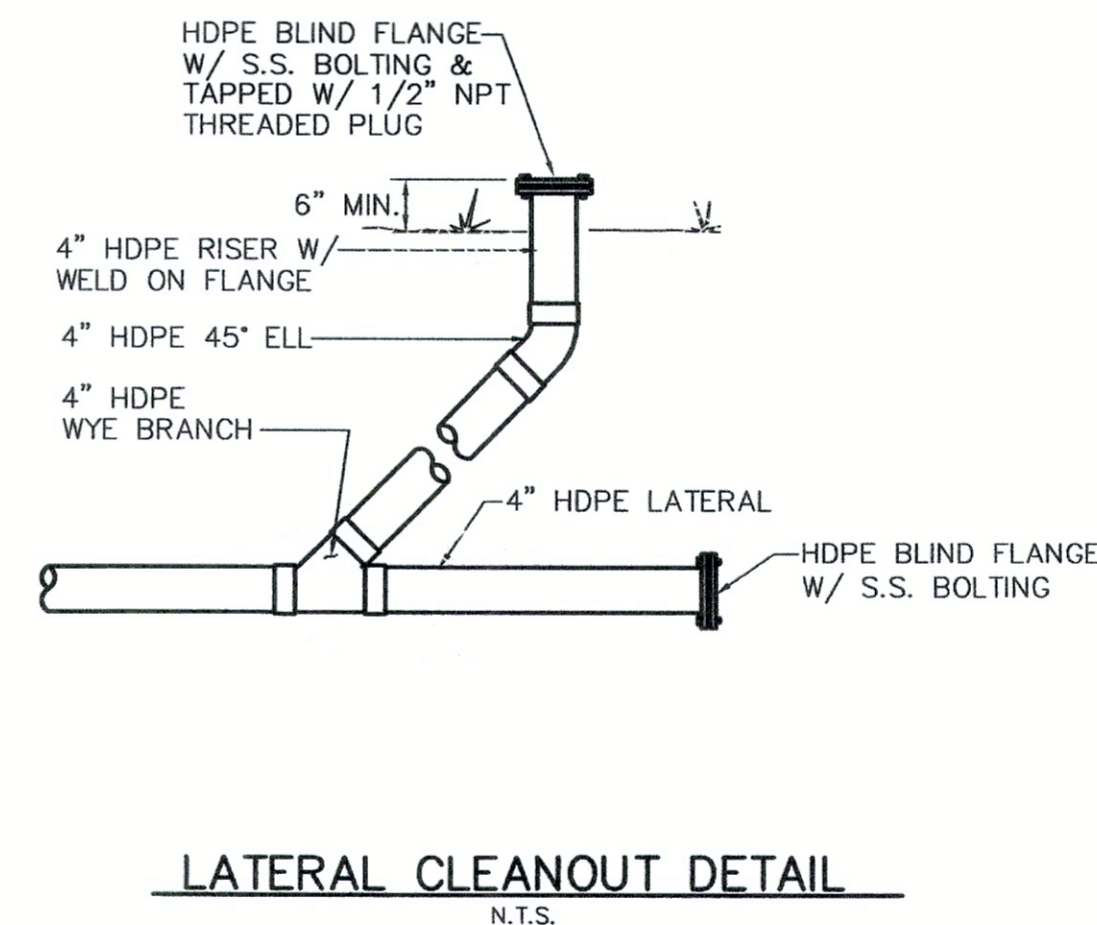
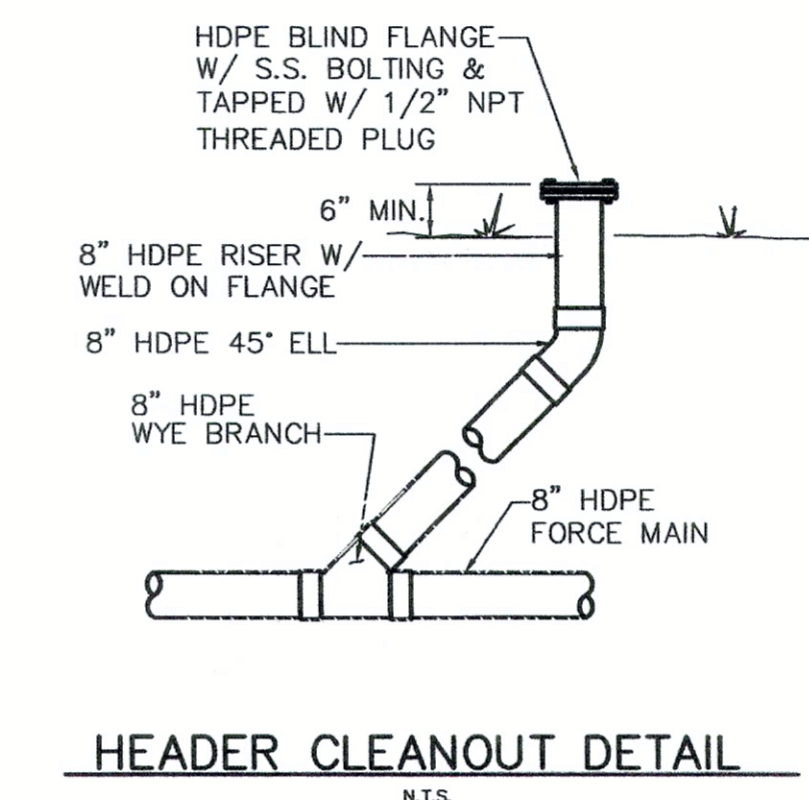
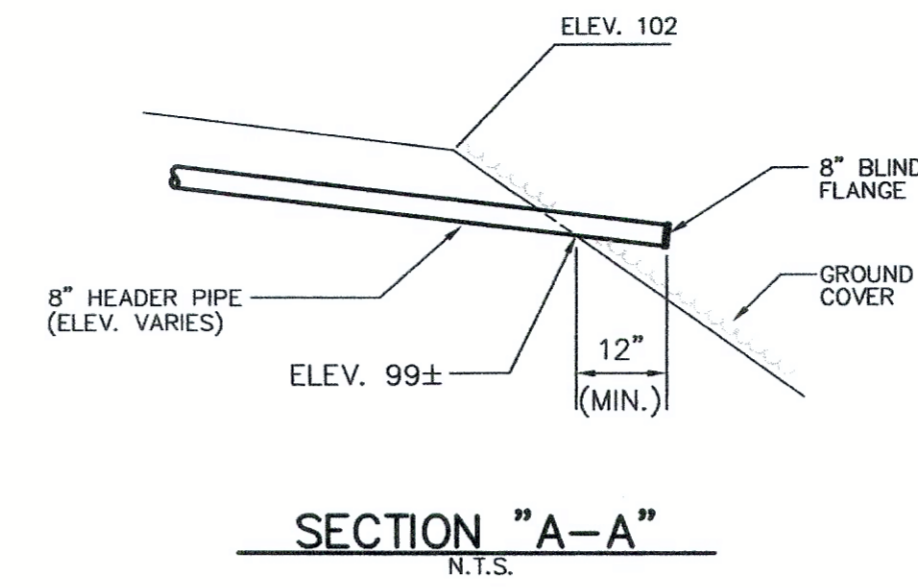
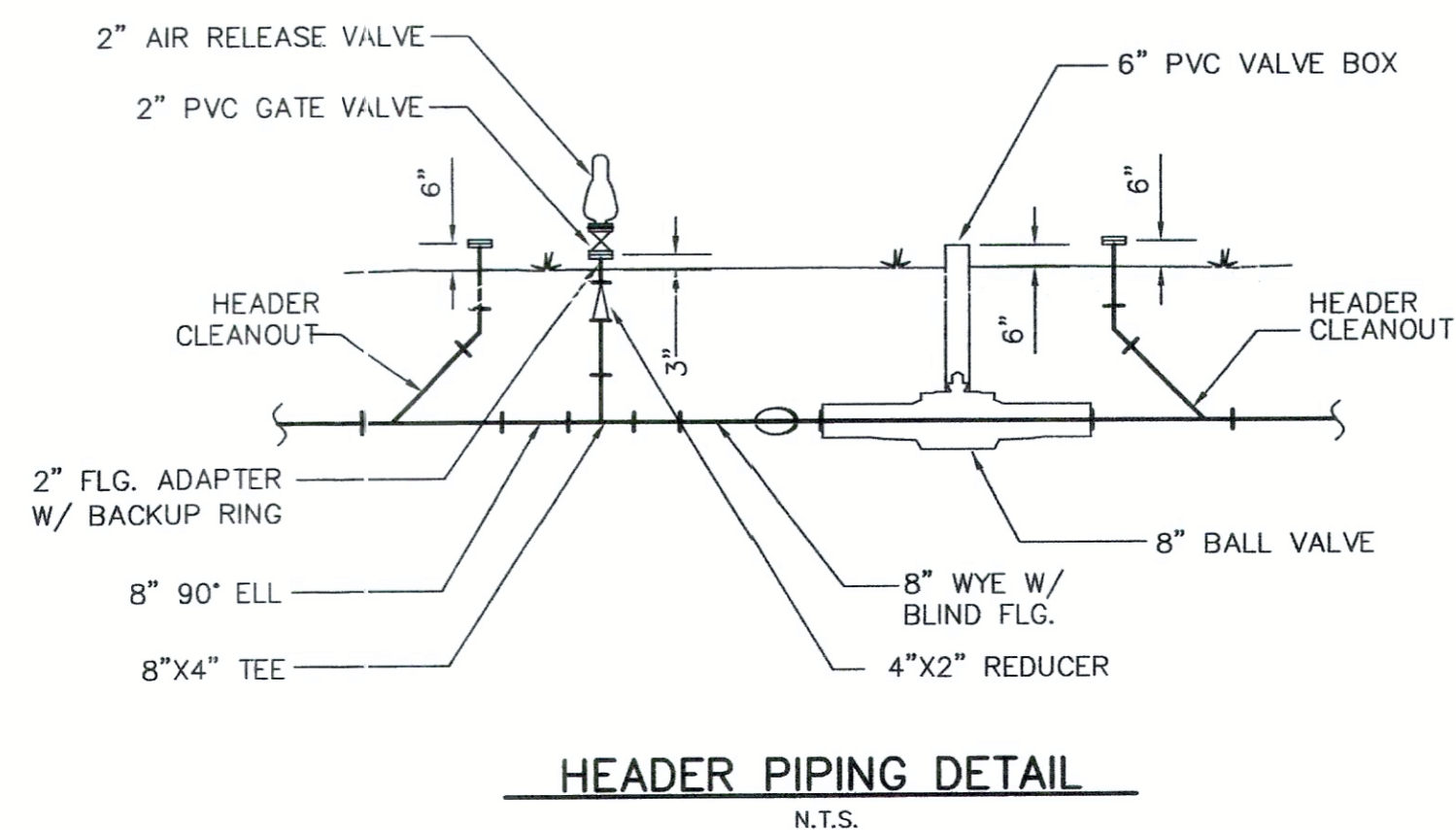
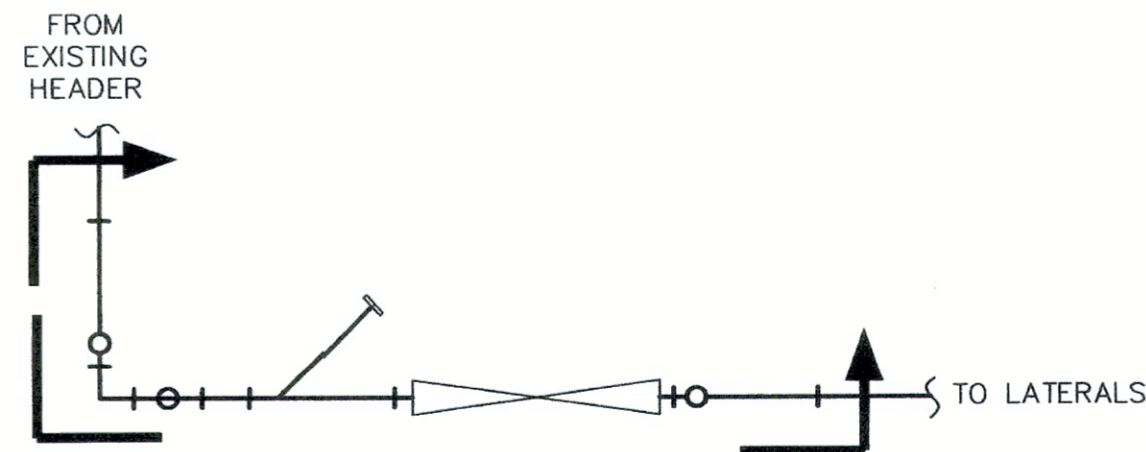
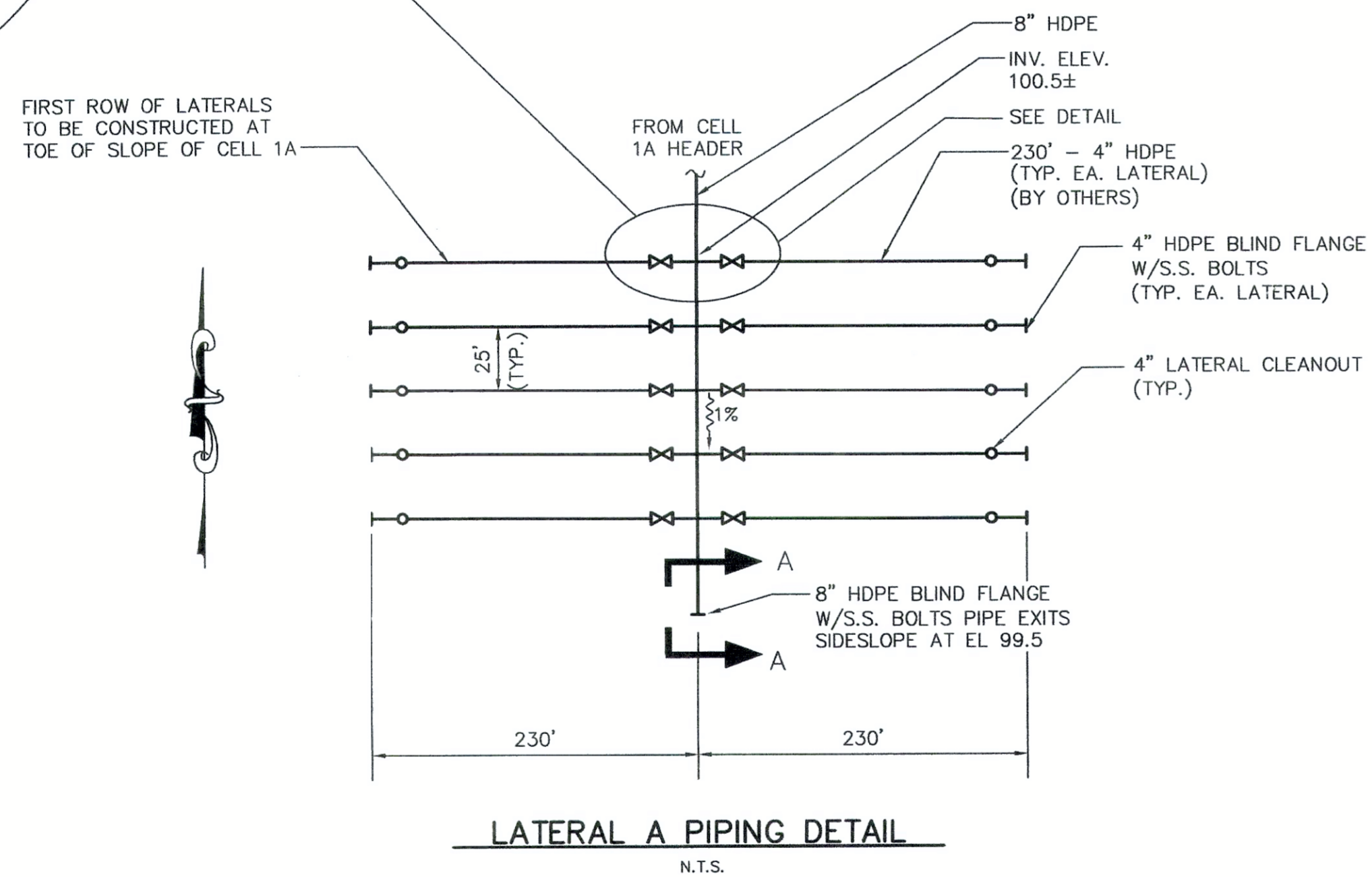
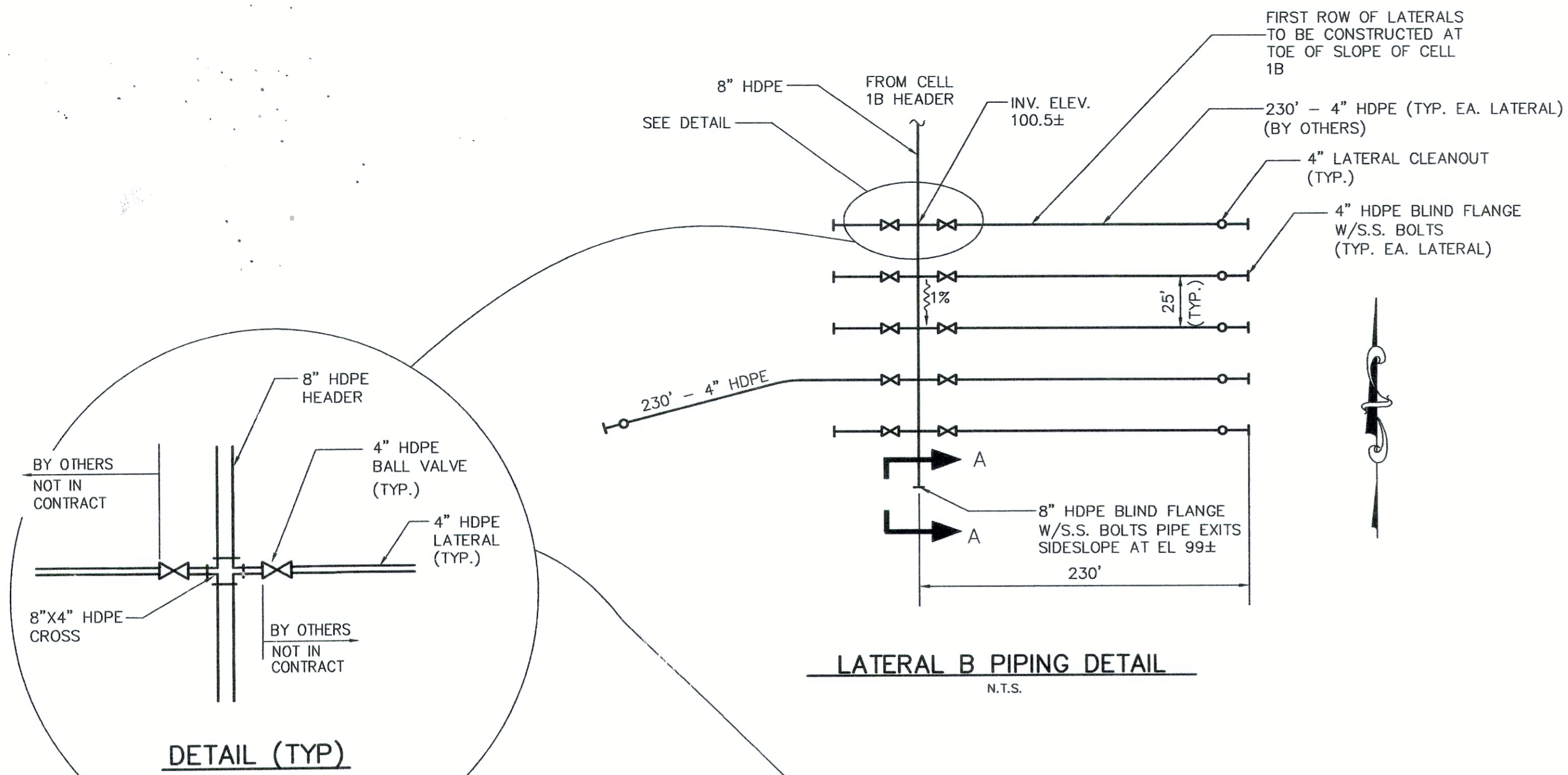
REV.	DATE	ISSUE FOR BID	REVISED PER COMMENTS
P3	12-21-04		
P2	12-14-04		
P1	12-08-04		

REVISION NO.	A.O.H.
REV. P3	DATE 12-21-04
SCALE	NONE

SOLID WASTE MANAGEMENT CENTER
 HIGHLANDS COUNTY, FLORIDA
 LEACHATE RECIRCULATION SYSTEM MODIFICATIONS
 DETAILS
 CELL 3, ELEVATION 102

I:\chastain_s\projects\7160.88\CD\DWG\7160.88-C2.dwg, 12/21/04 10:23:25 AM, HP DesignW, 10562.23

Cell 3 El 102
Lateral Detail



- NOTES:**
- TOPOGRAPHY BASED ON SURVEY PERFORMED IN SEPTEMBER 2004. ELEVATIONS AT CONSTRUCTION MAY DEVIATE FROM SURVEY DUE TO SETTLEMENT.
 - 8" HEADER PIPE TO BE LAYED WITH MINIMUM 24" COVER.
 - CONSTRUCTION OF LATERALS BEYOND 4" HDPE WYE OF CLEANOUT IS EXCLUDED FROM THIS CONTRACT. LATERAL SHALL HAVE 1/2" DIAMETER GRICES ON 12-FOOT CENTERS IN A SPIRAL ROTATION AROUND ITS DIAMETER AT 0, 60, 120, 180, 240 AND 300 DEGREES.
 - CONTRACTOR TO LOCATE AND PROTECT EXISTING LATERALS WITHIN CONSTRUCTION AREA.
 - Contractor to determine history of riser for lateral cleanout once owner has installed the lateral pipe. Contractor is responsible for welding cleanout to owner-installed lateral.

REVISED DATE	REVISION NO.	DRAWN BY	DATE
	P2	A.O.H.	12-14-04

SCALE	SCALE
	NONE

SOLID WASTE MANAGEMENT CENTER
HIGHLANDS COUNTY, FLORIDA
LEACHATE REGULATION SYSTEM MODIFICATIONS
DETAILS
CELL 3, ELEVATION 102