

REVISED 03/05/2019

Quote Request

Solicitation No. 2019-3282-6134-28

1 - Year Price Quote for Water Meter Yoke Boxes and Lids

Issue Date: March 01, 2019

Please see the following pages for the specifications of the meter boxes and lids. Quotes should be provided for these specifications, or equal manufacturer. Plastic boxes and lids are not acceptable.

Approximately 350 items will be purchased before July 2019. Orders will be in quantities of 100.

A TWO- TO THREE-WEEK DELIVERY TIME IS REQUIRED.

This request for quotes does not restrict the County to purchase these items from the lowest offeror nor does it require the County to purchase a designated amount within any time period. The quantities above are approximations only.

DEADLINE FOR QUOTE – 5:00 PM Friday, March 08, 2019. They can be emailed to rdantzler@dorchestercountysc.gov or submitted through Vendor Registry online by going to www.dorchestercountysc.gov and clicking on Bid Opportunities. They may also be hand-delivered or mailed to Dorchester County Purchasing Office, 201 Johnston Street, 2nd Floor, Saint George, SC 29477. *Dorchester County is not responsible for non-delivery of quotes.*

Please post questions to the solicitation online. For additional questions, please contact Rebecca Dantzler at rdantzler@dorchestercountysc.gov.

Price quotes are to be valid from March 01, 2019 through January 30, 2020.

Meter Box and Lid \$_____ /EA

Authorized Signature _____

Company Name: _____

Address: _____

City, State, Zip: _____

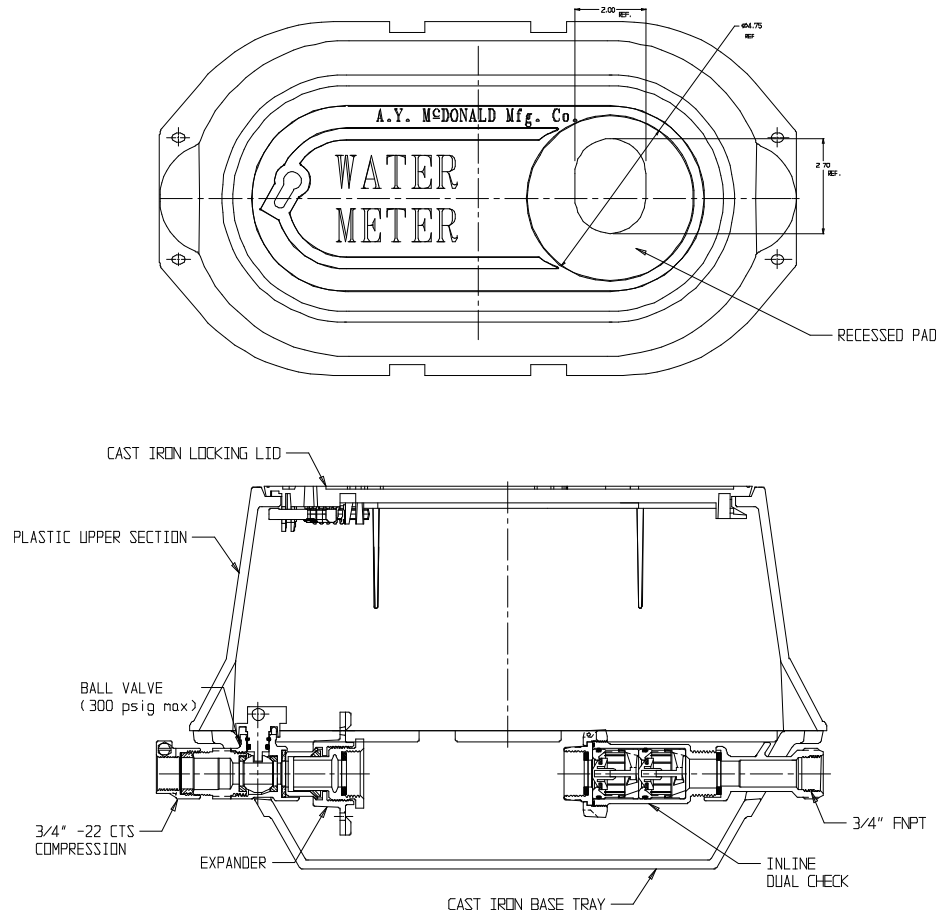
Phone/Fax No.: _____

Comments: _____

SUBMITTAL DATA SHEET

NL YOKE & LONGBOX ASSEMBLY – 776P208BC2G 333X011

-22 CTS Compression x FNPT



SUBMITTAL INFORMATION

- Manufactured in compliance with ANSI/AWWA C800 (latest revision)
- Brass components in contact with potable water conform to ASTM B584, UNS C89833 (latest revision) and identified with "NL"
- Brass components not in contact with potable water conform to ASTM B62 and ASTM B584, UNS C83600 -85-5-5-5 (latest revision)
- Cast iron components conforms to ASTM A126 Class B or ASTM A159 Grade 2500 (latest revision) and coated with black dip
- Designed to provide proper meter spacing for ease of installation
- Large wrench flats provided for proper installation
- Insert stiffeners required on all flexible plastic connections



A.Y. McDonald Mfg. Co.
P.O. Box 508
Dubuque, IA 52004-508

Toll Free: 1-800-292-2737
Fax: 1-800-832-9296
Hours: 7:00 a.m. – 5:00 p.m., CST

sales@aymcdonald.com
www.aymcdonald.com

A.Y. McDonald considers the information on this assembly drawing correct when published. Item and option availability, including specifications, are subject to change without notice.

Submitted by: