

Pool cleaning
32 2/8
34 7/8
TRUE

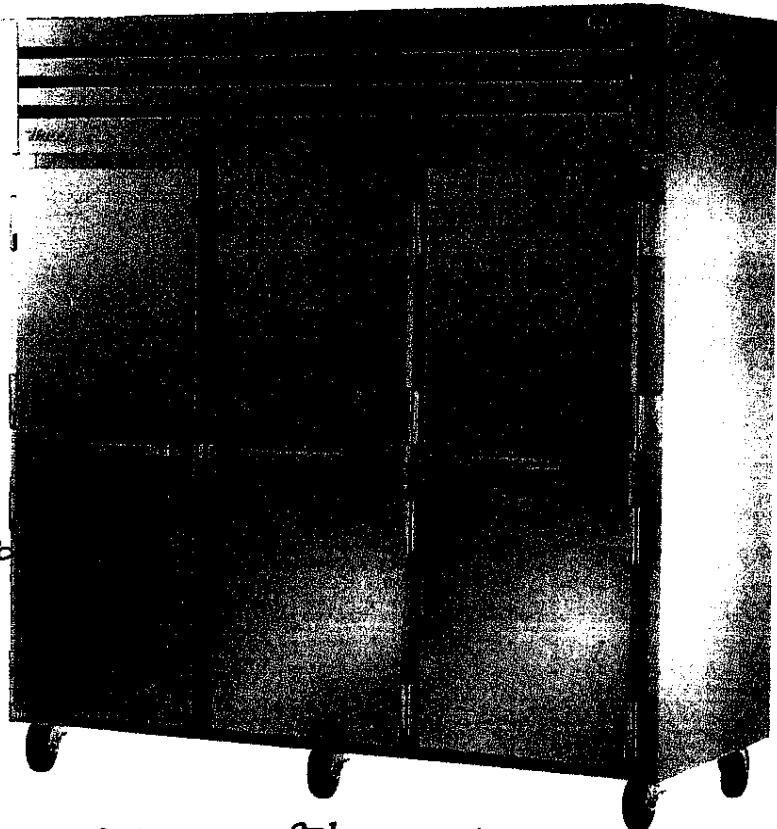
In doors 71 17 wide #1
doors opening 78 3/4 height
 TRUE FOOD SERVICE EQUIPMENT, INC. • 2001 East Terra Lane • O'Fallon, Missouri 63366-4434
 ph. 636.240.2400 • fax 636.272.2408 • parts fax 636.272.9471 • www.truemfg.com

PROJECT NAME		LOCATION	AIA #
ITEM #	QTY	MODEL #	SIS #

SPEC SERIES®

REACH-IN SOLID SWING DOOR FREEZERS

models	STR3F-3S	STA3F-3S	STG3F-3S
--------	----------	----------	----------



Outside door opening
32 in. wide w/ door attached.
34 7/8 w/ door removed
82 1/8 in High

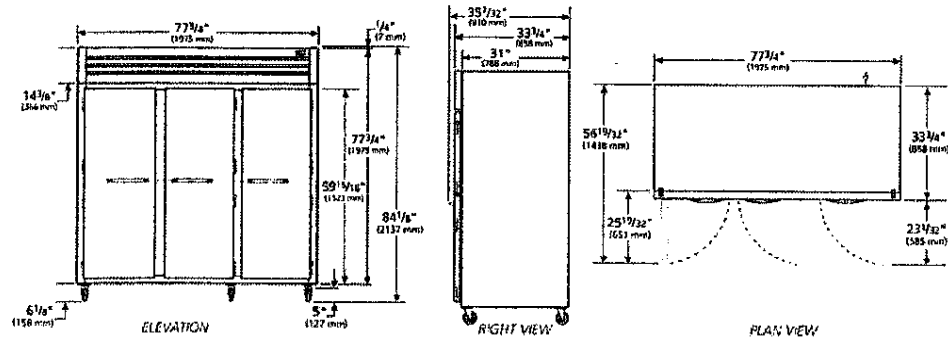
+

STR3F-3S	
Exterior	Stainless steel door, front & sides.
Interior	Stainless steel side walls, back, floor, door liner, & ceiling.
Shelving	(1) Interior kit option included per full section.

STA3F-3S	
Exterior	Stainless steel door, front & sides.
Interior	Aluminum side walls & back. Stainless steel floor & ceiling.
Shelving	(3) Heavy duty, chrome plated, wire shelves per section.

STG3F-3S	
Exterior	Stainless steel door, with matching aluminum sides.
Interior	Aluminum side walls & back. Stainless steel floor & ceiling.
Shelving	(3) Heavy duty, PVC coated, wire shelves per section.

Inside doorway 34 3/4 wide
plan view 78 3/4 high



SPECIFICATIONS		
Dimensions	In.	mm.
Length	77 3/4	1975
Depth	33 3/4	858
Height	77 3/4	1975
Electrical	U.S.	International
Horsepower	2 3/4	N/A
Amps	8.3	N/A
Voltage	208/230/60	
NEMA	6-15P	
Cord Length	9 ft.	2.74 M.
208-230/60/1 NEMA-6-15R * Height does not include 6" (152 mm) for castors or 6" (153 mm) for optional legs. † Depth does not include 1 1/2" for door handle		

Specifications subject to change without notice.
 Chart dimensions are rounded up to the nearest 1/8" (millimeters rounded up to the next whole number).

	APPROVALS	AVAILABLE AT
4/15	Printed in U.S.A.	



TRUE FOOD SERVICE EQUIPMENT, INC. • 2001 East Terra Lane • O'Fallon, Missouri 63366-4434
 ph. 636.240.2400 • toll free 800.325.6152 • fax 636.272.2408 • parts fax 636.272.9471 • www.truemfg.com

PROJECT NAME		LOCATION		AIA #
ITEM #	QTY	MODEL #	SIS #	

SPEC SERIES®

REACH-IN SOLID SWING DOOR FREEZERS

models	STR3F-3S	STA3F-3S	STG3F-3S
--------	----------	----------	----------



standard features

REFRIGERATION SYSTEM

- Factory engineered, self-contained, capillary tube system using environmentally friendly (CFC free) R404A refrigerant.
- High capacity, factory balanced refrigeration system that maintains -10°F (-23.3°C) temperatures. Ideal for both frozen foods and ice cream.
- State of the art, electronically commutated evaporator and condenser fan motors. ECM motors operate at higher peak efficiencies and move a more consistent volume of air which produces less heat, reduces energy consumption and provides greater motor reliability.
- Top mounted refrigeration system with evaporator positioned out of food zone.
- Automatic defrost system time-initiated, temperature-terminated. Saves energy consumption and provides shortest possible defrost cycle.
- Automatic evaporator fan motor delay during defrost cycle.

CABINET CONSTRUCTION

- Insulation - entire cabinet structure and solid door are foamed-in-place using Ecomate. A high density, polyurethane insulation that has zero ozone depletion potential (ODP) and zero global warming potential (GWP).
- 5" (127 mm) diameter plate castors - locks provided on front set.

DOORS

- Lifetime guaranteed bolt style door locks.
- Lifetime guaranteed heavy duty all metal working door handles.
- Positive seal self-closing doors with 120° stay open feature. Lifetime guaranteed external cam lift door hinges, four (4) per door section.
- Magnetic door gaskets of one piece construction, removable without tools for ease of cleaning.

LIGHTING

- LED interior lighting, safety shielded.

MODEL FEATURES

- Exterior digital temperature display, available with either °F or °C.
- Evaporator epoxy coated to eliminate the potential of corrosion.
- Curb mounting ready.
- NSF-7 compliant for open food product.

ELECTRICAL

- Unit completely pre-wired at factory and ready for final connection to a 208-230V / 60 Hz single phase, 15 amp dedicated outlet. Cord and plug set included.

OPTIONAL FEATURES/

ACCESSORIES

- (upcharge & lead times may apply)
- 6" (153 mm) standard legs.
- 6" (153 mm) seismic/flanged legs.
- 6" (153 mm) stainless steel legs.
- Field reversible hinge.
- Additional shelves.
- Stainless back. (STR, STA, STG)

SHELVING KIT OPTIONS

- STR series kits factory installed at no charge. STA & STG series kits field installed, upcharge applies, lead times may apply.
- Kit #1: Nine (9) sets of #1 type tray slides and pilasters (field installed), bottom support of one (1) 18"L x 26"D (458 mm x 661 mm) pan or two (2) 14"L x 18"D (356 mm x 458 mm) pans.
- Kit #2: One (1) set half-section #2 steel rod tray slides and pilasters (field installed), rim support of one (1) 18"L x 26"D (458 mm x 661 mm) pan.
- Kit #3: Six (6) sets of universal type tray slides and pilasters (field installed), bottom support of one (1) 18"L x 26"D (458 mm x 661 mm) pan, two (2) 14"L x 18"D (356 mm x 458 mm) pans or two (2) 12"L x 20"D (305 mm x 508 mm) pans.
- Kit #4: Three (3) chrome shelves 25"L x 27 3/4"D (635 mm x 705 mm). Optional wall mounted shelf support pilasters (field installed) with four (4) shelf clips per shelf available; adjustable on 1/2" (13 mm) increments (must order at time of cabinet order).
- Additional kit option components available individually.

WARRANTY*
 Three year warranty on all parts and labor and an additional 2 year warranty on compressor. (U.S.A. only)
*RESIDENTIAL APPLICATIONS: TRUE assumes no liability for parts or labor coverage for component failure or other damages resulting from installation in non-commercial or residential applications.

METRIC DIMENSIONS ROUNDED UP TO THE NEAREST WHOLE MILLIMETER
 SPECIFICATIONS SUBJECT TO CHANGE WITHOUT NOTICE

	Model	Elevation	Right	Plan	3D	Back
	ST()3F-3S					

#2



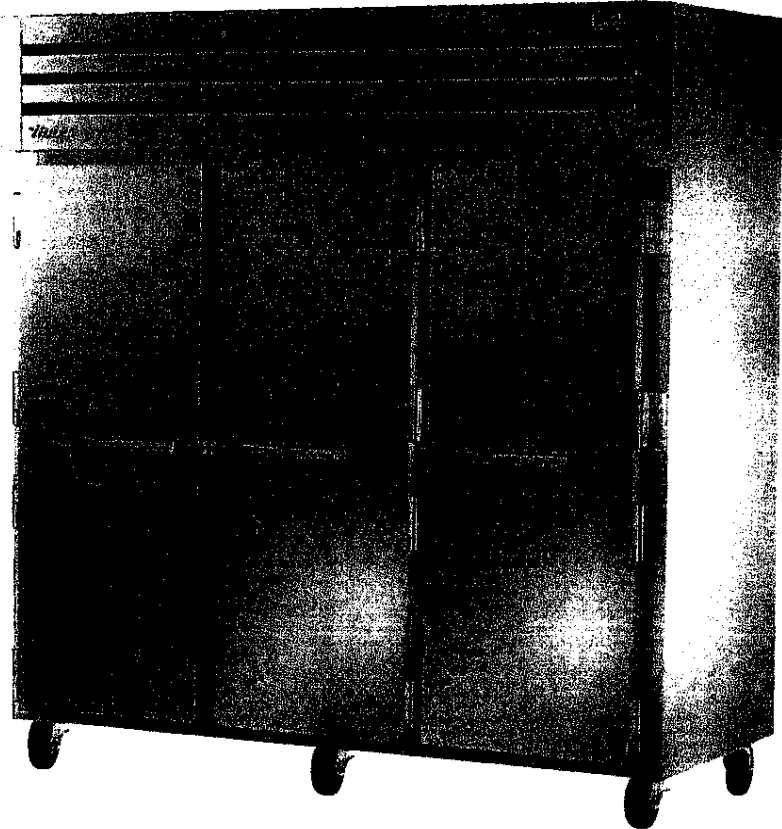
TRUE FOOD SERVICE EQUIPMENT, INC. • 2091 East Terra Lane • O'Fallon, Missouri 63366-4434
 ph. 636.240.2400 • toll free 800.325.6152 • fax 636.272.2408 • parts fax 636.272.9471 • www.truernfg.com

PROJECT NAME		LOCATION		AIA #
ITEM #	QTY	MODEL #		SIS #

SPEC SERIES®

REACH-IN SOLID SWING DOOR REFRIGERATORS

models	STR3R-3S	STA3R-3S	STG3R-3S
--------	----------	----------	----------

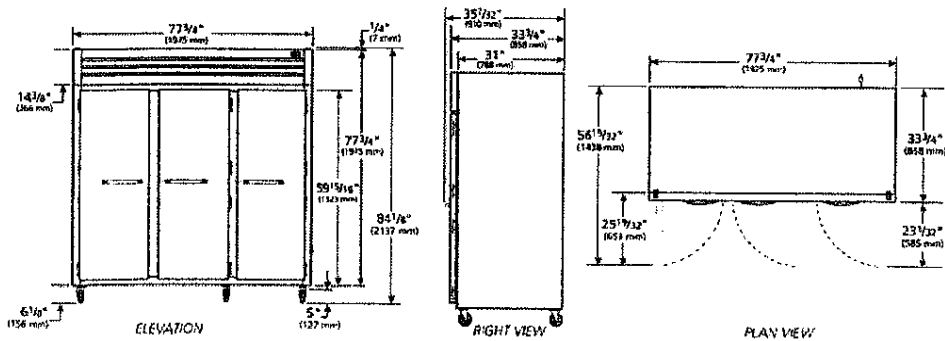


STR3R-3S	
Exterior	Stainless steel door, front & sides.
Interior	Stainless steel side walls, back, floor, door liner, & ceiling.
Shelving	(1) Interior kit option included per full section.

STA3R-3S	
Exterior	Stainless steel door, front & sides.
Interior	Aluminum side walls & back. Stainless steel floor & ceiling.
Shelving	(3) Heavy duty, chrome plated, wire shelves per section.

STG3R-3S	
Exterior	Stainless steel door, with matching aluminum sides.
Interior	Aluminum side walls & back. Stainless steel floor & ceiling.
Shelving	(3) Heavy duty, PVC coated, wire shelves per section.

plan view



SPECIFICATIONS		
Dimensions	In.	mm.
Length	77 3/4"	1975
Depth	33 3/4"	858
Height	77 3/4"	1975
Electrical	U.S.	International
Horsepower	1/2	N/A
Amps	9.1	N/A
Voltage	115/60/1	
NEMA	5-15P	
Cord Length	9 ft.	2.74 M.

i 115/60/1 NEMA-5-15R
 * Height does not include 6 1/8" (156 mm) for casters or 6" (152 mm) for optional legs.
 † Depth does not include 1" for door handle.

Specifications subject to change without notice.
 Chart dimensions are rounded up to the nearest 1/8" (millimeters rounded up to the next whole number).

	APPROVALS	AVAILABLE AT
4/15	Printed in U.S.A.	



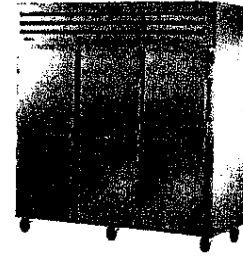
TRUE FOOD SERVICE EQUIPMENT, INC. • 2001 East Terra Lane • O'Fallon, Missouri 63366-4434
 ph. 636.240.2400 • toll free 800.325.6152 • fax 636.272.2408 • parts fax 636.272.9471 • www.truemfg.com

PROJECT NAME		LOCATION		AIA #
ITEM #	QTY	MODEL #	SIS #	

SPEC SERIES®

REACH-IN SOLID SWING DOOR REFRIGERATOR

models	STR3R-35	STA3R-35	STG3R-35
--------	----------	----------	----------



standard features

REFRIGERATION SYSTEM

- Factory engineered, self-contained, capillary tube system using environmentally friendly (CFC free) 134A refrigerant.
- High capacity, factory balanced refrigeration system that maintains cabinet temperatures of 33°F to 38°F (.5°C to 3.3°C) for the best in food preservation.
- State of the art, electronically commutated evaporator and condenser fan motors. ECM motors operate at higher peak efficiencies and move a more consistent volume of air which produces less heat, reduces energy consumption and provides greater motor reliability.
- Top mounted refrigeration system with evaporator positioned out of food zone to maximize capacity.
- Electronic control.

CABINET CONSTRUCTION

- Insulation - entire cabinet structure and solid door are foamed-in-place using Ecomate. A high density, polyurethane insulation that has zero ozone depletion potential (ODP) and zero global warming potential (GWP).
- 5" (127 mm) diameter plate castors - locks provided on front set.

DOORS

- Lifetime guaranteed bolt style door locks.

- Lifetime guaranteed heavy duty all metal working door handles.
- Positive seal self-closing doors with 120° stay open feature. Lifetime guaranteed external cam lift door hinges, four (4) per door section.
- Magnetic door gaskets of one piece construction, removable without tools for ease of cleaning.

LIGHTING

- LED interior lighting, safety shielded.

MODEL FEATURES

- Exterior digital temperature display, available with either °F or °C.
- Evaporator epoxy coated to eliminate the potential of corrosion.
- Curb mounting ready.
- NSF-7 compliant for open food product.

ELECTRICAL

- Unit completely pre-wired at factory and ready for final connection to a 115/60/1 phase, 15 amp dedicated outlet. Cord and plug set included.

OPTIONAL FEATURES/ ACCESSORIES

(upcharge & lead times may apply)

- 6" (153 mm) standard legs.
- 6" (153 mm) seismic/flanged legs.
- 6" (153 mm) stainless steel legs.
- Additional shelves.
- Stainless back. (STR, STA, STG)

SHELVING KIT OPTIONS

- STR series kits factory installed at no charge. STA & STG series kits field installed, upcharge applies, lead times may apply.
- Kit #1: Nine (9) sets of #1 type tray slides and pilasters (field installed), bottom support of one (1) 18"L x 26"D (458 mm x 661 mm) pan or two (2) 14"L x 18"D (356 mm x 458 mm) pans.
- Kit #2: One (1) set half-section #2 steel rod tray slides and pilasters (field installed), rim support of one (1) 18"L x 26"D (458 mm x 661 mm) pan.
- Kit #3: Six (6) sets of universal type tray slides and pilasters (field installed), bottom support of one (1) 18"L x 26"D (458 mm x 661 mm) pan, two (2) 14"L x 18"D (356 mm x 458 mm) pans or two (2) 12"L x 20"D (305 mm x 508 mm) pans.
- Kit #4: Three (3) chrome shelves 25"L x 27-3/4"D (635 mm x 705 mm). Optional wall mounted shelf support pilasters (field installed) with four (4) shelf clips per shelf available; adjustable on 1/2" (13 mm) increments (must order at time of cabinet order).
- Additional kit option components available individually.

WARRANTY*
 Three year warranty on all parts and labor and an additional 2 year warranty on compressor. (U.S.A. only)

*RESIDENTIAL APPLICATIONS: TRUE assumes no liability for parts or labor coverage for component failure or other damages resulting from installation in non-commercial or residential applications.

METRIC DIMENSIONS ROUNDED UP TO THE NEAREST WHOLE MILLIMETER

SPECIFICATIONS SUBJECT TO CHANGE WITHOUT NOTICE

	Model	Elevation	Right	Plan	3D	Back
	ST()3R-35					



41

#12

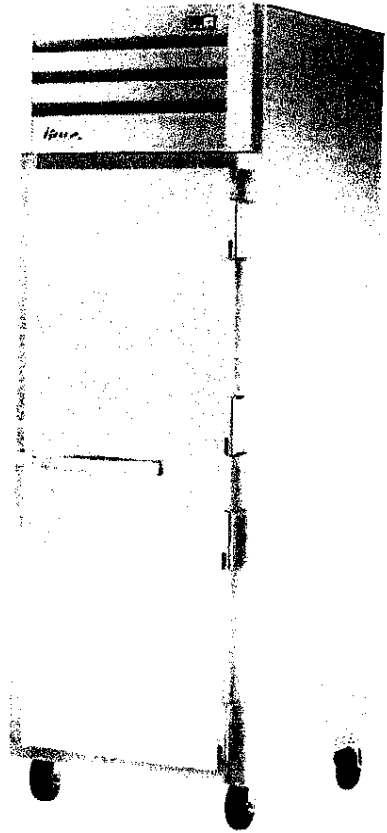
TRUE FOOD SERVICE EQUIPMENT, INC. • 2001 East Terra Lane • O Fallon, Missouri 63368-4434
 ph. 636.240.2400 • toll free 800.325.6152 • fax: 636.272.2408 • parts fax: 636.272.9471 • www.truemfg.com

PROJECT NAME		LOCATION		AIA #
ITEM #	QTY	MODEL #	SIS #	

SPEC SERIES®

REACH-IN SOLID SWING DOOR REFRIGERATORS WITH HYDROCARBON REFRIGERANT

models	STRIR-1S-HC	STAIR-1S-HC	STG1R-1S-HC
--------	-------------	-------------	-------------

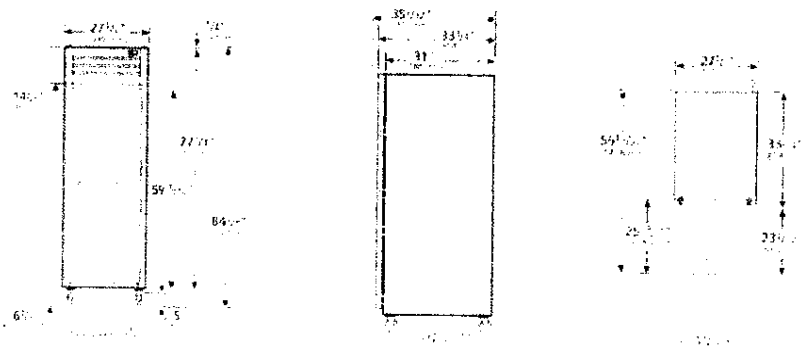


STRIR-1S-HC	
Exterior	Stainless steel door, front & sides.
Interior	Stainless steel side walls, back, floor, door liner, & ceiling.
Shelving	(1) Interior kit option included per full section, factory installed.

STAIR-1S-HC	
Exterior	Stainless steel door, front & sides.
Interior	Aluminum side walls & back. Stainless steel floor & ceiling.
Shelving	(3) Heavy duty, chrome plated, wire shelves per section.

STG1R-1S-HC	
Exterior	Stainless steel door & front, with matching aluminum sides.
Interior	Aluminum side walls & back. Stainless steel floor & ceiling.
Shelving	(3) Heavy duty, PVC coated, wire shelves per section.

plan view



SPECIFICATIONS		
Dimensions	In.	mm.
Length	27 1/2	699
Depth	33 3/4	858
Height	77 3/4	1975
Electrical	U.S.	International
Horsepower	1/4	N/A
Amps	3.8	N/A
Voltage	115/60/1	
NEMA	5-15P	
Cord Length	9 ft.	2.74 M.
115/60/1 NEMA-5-15R Height of plug: 1 1/2 inches (38 mm) Width of plug: 1 1/4 inches (32 mm) Depth of plug: 1 1/4 inches (32 mm) Diameter of plug: 1 1/4 inches (32 mm)		

Specifications subject to change without notice.
 Chart dimensions are rounded up to the nearest 1/8" (millimeters rounded up to the next whole number).

	APPROVALS	AVAILABLE AT
	2/17	Printed in U.S.A.



TRUE FOOD SERVICE EQUIPMENT, INC. • 2001 East Terra Lane • O'Fallon, Missouri 63366-4434
 ph. 636.240.2400 • toll free 800.325.6152 • fax 636.272.2408 • parts fax 636.272.9471 • www.truemfg.com

PROJECT NAME		LOCATION		AIA #
EM #		Qty	MODEL #	SIS #

SPEC SERIES®

REACH-IN SOLID SWING DOOR REFRIGERATORS WITH HYDROCARBON REFRIGERANT

models	STR1R-1S-HC	STA1R-1S-HC	STG1R-1S-HC
--------	-------------	-------------	-------------



standard features

REFRIGERATION SYSTEM

- Factory engineered, self-contained, capillary tube system using environmentally friendly R290 hydrocarbon refrigerant that has zero (0) ozone depletion potential (ODP), & three (3) global warming potential (GWP).
- High capacity, factory balanced refrigeration system that maintains cabinet temperatures of 33°F to 38°F (5°C to 3.3°C) for the best in food preservation.
- State of the art, electronically commutated evaporator and condenser fan motors. ECM motors operate at higher peak efficiencies and move a more consistent volume of air which produces less heat, reduces energy consumption and provides greater motor reliability.
- Top mounted refrigeration system with evaporator positioned out of food zone to maximize capacity.
- Electronic control.

CABINET CONSTRUCTION

- Insulation - entire cabinet structure and solid door are foamed-in-place using a high density, polyurethane insulation that has zero ozone depletion potential (ODP) and zero global warming potential (GWP).
- 5" (127 mm) diameter plate castors - locks provided on front set.

DOOR

- Lifetime guaranteed bolt style door lock standard.

- Lifetime guaranteed heavy duty all metal working door handle.
- Positive seal self-closing door with 120° stay open feature. Lifetime guaranteed external cam lift door hinges, four (4) per door section.
- Magnetic door gaskets of one piece construction, removable without tools for ease of cleaning.

LIGHTING

- LED interior lighting, safety shielded.

MODEL FEATURES

- Exterior digital temperature display, available with either °F or °C.
- Evaporator epoxy coated to eliminate the potential of corrosion
- Curb mounting ready.
- NSF/ANSI Standard 7 compliant for open food product.

ELECTRICAL

- Unit completely pre-wired at factory and ready for final connection to a 115/60/1 phase, 15 amp dedicated outlet. Cord and plug set included.

OPTIONAL FEATURES/

ACCESSORIES

(upcharge & lead times may apply)

- 6" (153 mm) standard legs.
- 6" (153 mm) seismic/flanged legs.
- 6" (153 mm) stainless steel legs.
- Field reversible hinge.
- Additional shelves.
- Stainless back. (STR, STA, STG)
- Security package.

SHELVING KIT OPTIONS

- STR series kits factory installed at no charge. STA & STG series kits field installed, upcharge applies, lead times may apply.
- Kit #1: Nine (9) sets of #1 type tray slides and pilasters (field installed), bottom support of one (1) 18"L x 26"D (458 mm x 661 mm) pan or two (2) 14"L x 18"D (356 mm x 458 mm) pans.
- Kit #2: One (1) set half-section #2 steel rod tray slides and pilasters (field installed), rim support of one (1) 18"L x 26"D (458 mm x 661 mm) pan.
- Kit #3: Six (6) sets of universal type tray slides and pilasters (field installed), bottom support of one (1) 18"L x 26"D (458 mm x 661 mm) pan, two (2) 14"L x 18"D (356 mm x 458 mm) pans or two (2) 12"L x 20"D (305 mm x 508 mm) pans.
- Kit #4: Three (3) chrome shelves 26 5/16"L x 21 1/16"D (669 mm x 548 mm). Optional wall mounted shelf support pilasters (field installed) with four (4) shelf clips per shelf available; adjustable on 1/2" (13 mm) increments (must order at time of cabinet order).
- Additional kit option components available individually.

WARRANTY*
 Three year warranty on all parts and labor and an additional 2 year warranty on compressor. (U.S.A. only)

*RESIDENTIAL APPLICATIONS: TRUE assumes no liability for parts or labor coverage for component failure, factory defect or any other damages for units installed in non-commercial foodservice or residential applications.

METRIC DIMENSIONS ROUNDED UP TO THE NEAREST WHOLE MILLIMETER

SPECIFICATIONS SUBJECT TO CHANGE WITHOUT NOTICE

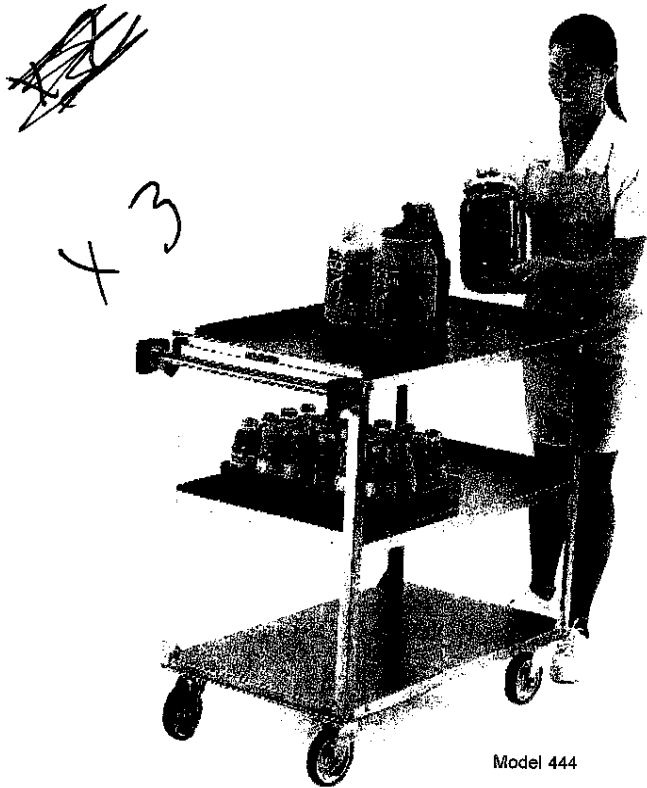
	Model	Elevation	Right	Plan	3D	Back
	ST()1R-1S-HC					

Item # _____

Quantity _____

Stainless Steel Utility Carts

Medium Duty - 500 Lb. Capacity



Model 444

Ideal For All-Purpose Back-Of-The-House Duties.

- Durable, unitized electronically welded angle leg frame.
- 20 gauge stainless steel reinforced shelves.
- Protective bumpers on legs and handle safeguard furnishings.
- Sound deadening panels under shelves restrict vibrations and noise.
- 500 lbs. (230 kg.) capacity

Spec. # _____

AIA # _____

Specifications

Unit shall be of fully welded unitized construction with an overall carrying capacity of 500 pounds. Corner legs shall be of 16-gauge angle stainless steel. Shelves shall be of 20-gauge stainless steel with long shelf edges double hemmed for extra strength, and shall be electronically spot welded to upright legs at all points. Unit shall have a stainless steel push handle welded to frame, and shall have corner bumpers mounted to front legs and ends of push handle. Unit shall have an independent galvanized steel dolly frame fastened to the bottom with 8 screws. Four each 4" swivel casters shall be mounted to the dolly frame.

Models 444 and 459 Only

Unit shall have 4 each 5" diameter swivel casters with non-marking polyurethane wheels. Welded assembly shall have triangular stainless steel reinforcing gussets welded to four bottom corners. Top shelf shall have 16-gauge angle reinforcements welded to long shelf edges.

Lakeside Manufacturing, Inc.

4900 West Electric Avenue • West Milwaukee, WI 53219 U.S.A.
800-558-8565 • 414-902-6400 • Fax 414-902-6446 • www.eLakeside.com

LIT# 0602 MDUC

Lakeside reserves the right to modify specifications or discontinue models without prior notification.

Printed in the U.S.A.

Stainless Steel Utility Carts

Medium Duty - 500 Lb. Capacity

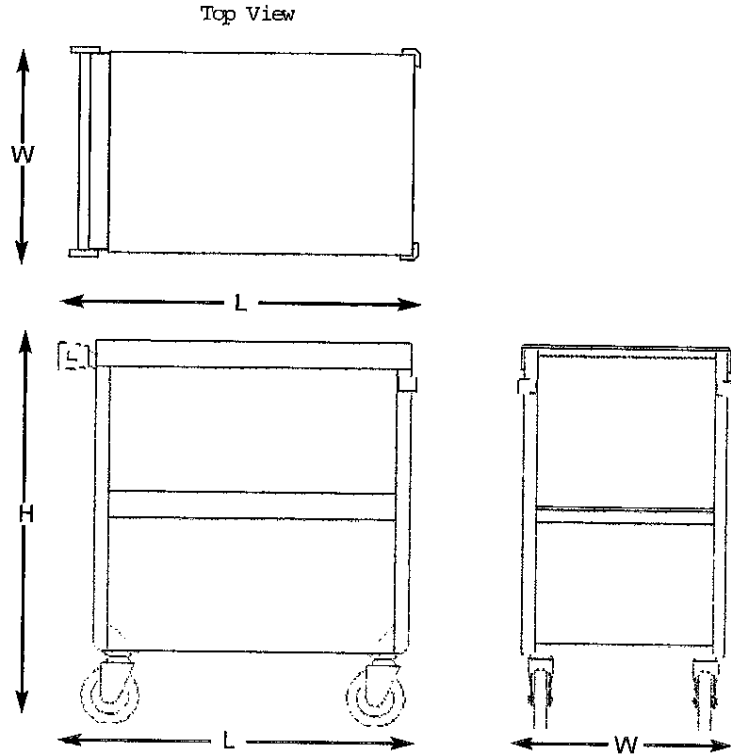
Optional Accessories

(all models)

- Perimeter shelf mounted strip bumper
- Set of two each brake casters
- Cushion tread wheels
- Clear vinyl slipover box type cover

(models 444 and 459)

- Extended perimeter bumper
- 8y swivel casters



AutoCAD drawings available through KCL CADalog

Dimensions

Model	Shelf Description			Overall Size			Lake-Glide® Casters		Case Weight	
	# of	Size	Clearance	W	L	H	Type	Dia.	lbs.	(kg.)
411	3	15-1/2" x 24" (394 x 610)	11-7/8" (302)	16-3/4" (425)	27-5/8" (702)	33-3/8" (848)	All swivel	4" (102)	39	(17.7)
422	3	18" x 27" (457 x 686)	11-7/8" (302)	19" (483)	31" (787)	33-3/8" (848)	All swivel	4" (102)	42	(19.1)
444	3	21" x 35" (533 x 889)	13-1/8" (333)	22-3/8" (568)	39-1/4" (997)	37-1/4" (946)	All swivel*	5" (127)	68	(30.8)
459	3	21" x 49" (533 x 1245)	13-1/8" (333)	22-3/8" (568)	54-1/8" (1374)	37-1/4" (946)	2 swivel 2 fixed*	5" (127) 5" (127)	88	(39.9)

Measurements in () denote metric millimeters, unless otherwise specified.

A/A #

Spec. #

2-1-1



Lakeside Manufacturing, Inc.

4900 West Electric Avenue • West Milwaukee, WI 53219 U.S.A.
800-558-8565 • 414-902-6400 • Fax 414-902-6446 • www.eLakeside.com

X 2

Pan Racks

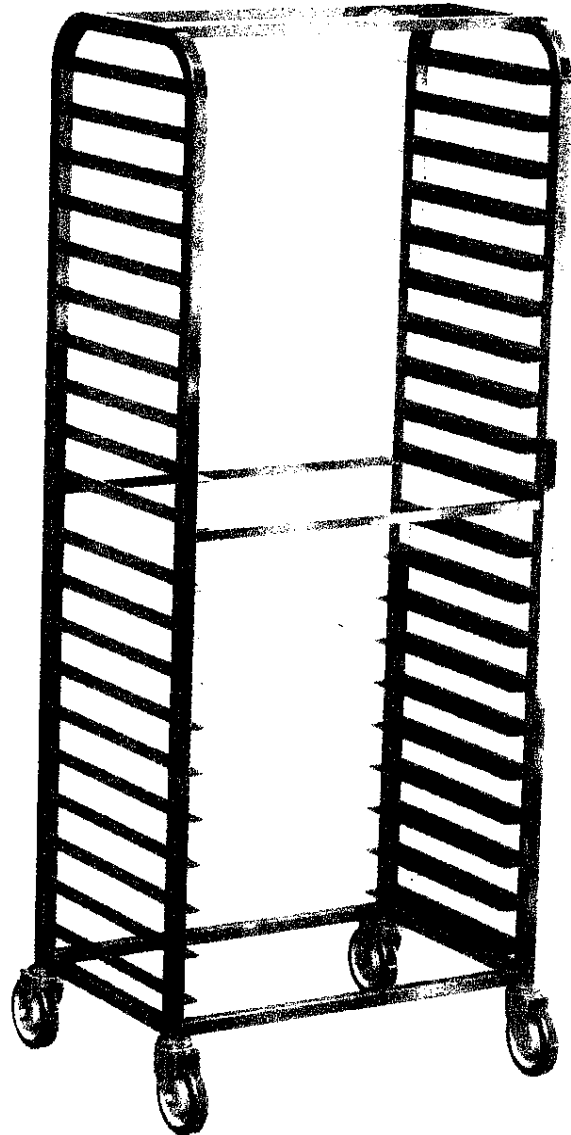
With change, comes CHOICE!

PR 10 Aluminum All Welded Full Size Pan Racks

- All Aluminum Construction
- Available in 10, 12, 15, or 20 Tray Capacity for 18" x 26" trays, in both front-load and side-load styles
- High Quality 5" Polyurethane swivel casters for easy maneuvering
- Fully welded frame for strength

ITEM #	<u>14</u>
MODEL #	_____ QTY _____
PROJECT	_____

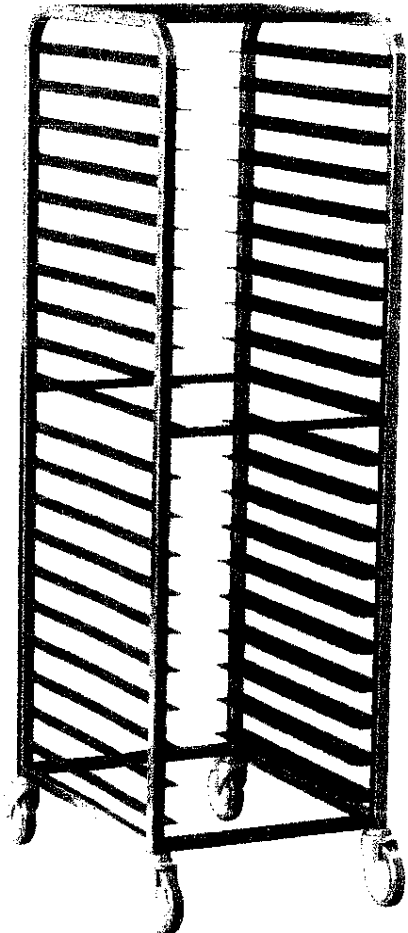
Side-Load



PR10-A-2620

Front-Load

X 1



PR10-A-1820

For CEC's complete product menu, visit www.choiceequipmentcompany.com or call 706.693.2484



Pan Racks

With change, comes CHOICE!

Specifications

Construction

Constructed of Heavy-Duty extruded 6063 aluminum alloy.

Casters

Units feature a High Quality 5" Polyurethane with full thread guard swivel casters.

Uprights & Cross Braces

All welded 1-1/8" square tubular frame with rounded-edges.

Runners

Tray runners are all aluminum and fully welded to the frame. Each runner angle measures 1" x 1-1/2" x .078 thick.

Model Number	Overall Dimensions						Pan Cap (18x26)	Runner Spacing		Approx Ship Wt	
	Width		Length		Height			in	mm	lb	kg
	in	mm	in	mm	in	mm					
Front Load											
PR10-A-1810	21	533	26	660	70.5	1791	10	6	152	36	16
PR10-A-1812	21	533	26	660	70.5	1791	12	5	127	38	17
PR10-A-1815	21	533	26	660	70.5	1791	15	4	102	40	18
PR10-A-1820	21	533	26	660	70.5	1791	20	3	76	46	21
Side Load											
PR10-A-2610	28	711	18	457	70.5	1791	10	6	152	32	15
PR10-A-2612	28	711	18	457	70.5	1791	12	5	127	34	15
PR10-A-2615	28	711	18	457	70.5	1791	15	4	102	36	16
PR10-A-2620	28	711	18	457	70.5	1791	20	3	76	42	19

Pan Rack Options: (all welded units only)

- 520U 5x2 Poly-U Caster Upgrade
- BK Locking Brakes (2)
- VB Vertical Bumpers
- B Corner Bumpers (w/ plate casters or solid base)
- SB Solid Base
- SBCB Solid Base w/ full perimeter bumper
- TGA Tray Guard for Aluminum Racks
- AT Aluminum Top

Pan Rack option codes are a suffix to part numbers preceded by a hyphen.

For example, the model number for a PR10 side load 15 tray rack with locking brakes and a solid base would be: PR10-A-2615-BK-SB

Custom options are available. Please contact our factory for more details.

For CEC's complete product menu, visit www.choiceequipmentcompany.com or call 706.693.2484

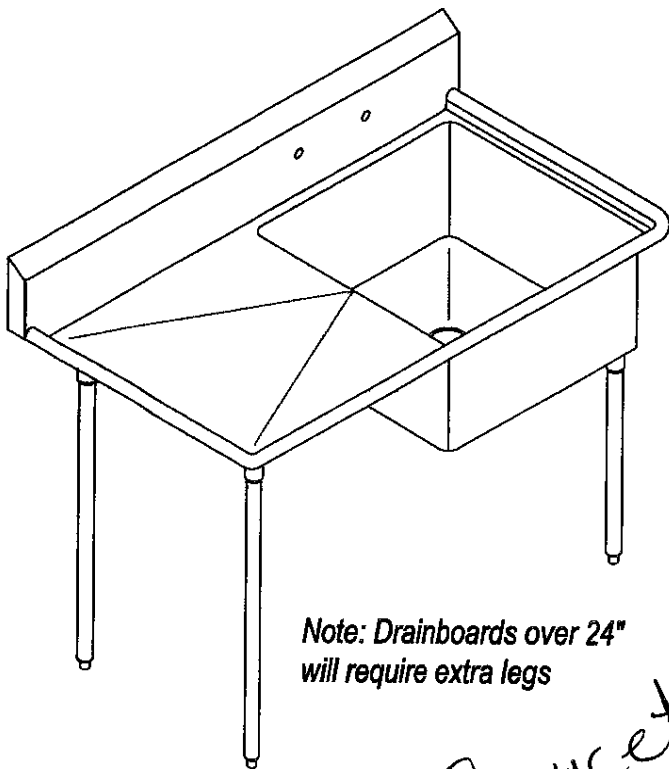
5974 US Hwy. 129, Unit O, Pendergrass, GA. 30567



#7



STANDARD ONE COMPARTMENT SINK WITH ONE LH DRAINBOARD



Note: Drainboards over 24" will require extra legs

+ faucet & drain

FEATURES & CONSTRUCTION:

Our sink bowls are fully fabricated for consistent metal thickness throughout the bowls.

All corners are fashioned to have a 3/4" radius both vertically and horizontally.

Our top and bowl is constructed with a 1 1/2" raised rolled edge and is 2" tall on front and both ends.

Our backsplash is 9" tall from the deck, with a 2" return at 45° and a standard 3/4" rear turn down. It includes (2) 1 1/8" dia. holes punched on 8" centers.

A 1 1/2" NPS basket strainer per bowl is included.

WE OFFER TWO SERIES CHOICES:

Our **STANDARD SERIES** includes:

- *16 Gauge Type 300 Series Stainless Steel Construction
- *12" Bowl Depth
- *Galvanized Legs with Adjustable Plastic Feet

Our **SPEC-LINE SERIES** includes:

- *14 Gauge Type 300 Series Stainless Steel Construction
- *14" Bowl Depth
- *Stainless Steel H-Frame Legs with Adj. Stainless Steel Feet

STANDARD SIZES (in.)

MODEL	BOWL	DRAINBOARD	LENGTH	WIDTH	HEIGHT
1B1618-LD18	16X18	18	36-3/4	24	44
1B1618-LD24	16X18	24	42-3/4	24	
1B1618-LD30	16X18	30	48-3/4	24	
1B18-LD18	18X18	18	38-3/4	24	
1B18-LD24	18X18	24	44-3/4	24	
1B18-LD30	18X18	30	50-3/4	24	
1B1824-LD18	18X24	18	38-3/4	30	
1B1824-LD24	18X24	24	44-3/4	30	
1B1824-LD30	18X24	30	50-3/4	30	
1B24-LD24	24X24	24	50-3/4	30	
1B24-LD30	24X24	30	56-3/4	30	
1B24-LD36	24X24	36	62-3/4	30	
1B2028-LD20	20X28	20	42-3/4	34	
1B2028-LD30	20X28	30	52-3/4	34	
1B2430-LD24	24X30	24	50-3/4	36	
1B2430-LD30	24X30	30	56-3/4	36	
1B2430-LD36	24X30	36	62-3/4	36	
1B30-LD30	30X30	30	62-3/4	36	
1B30-LD36	30X30	36	68-3/4	36	

(Custom sizes are available. Call us for details.)

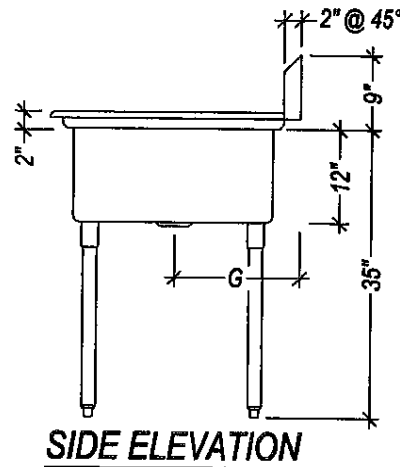
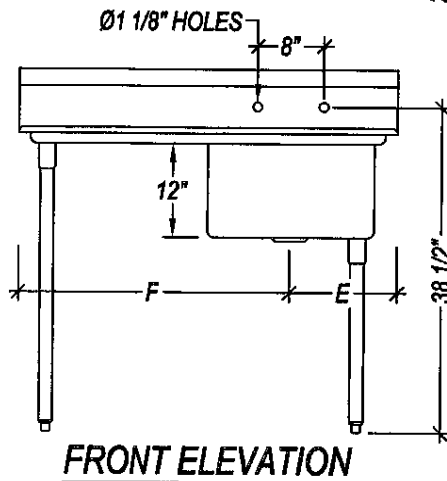
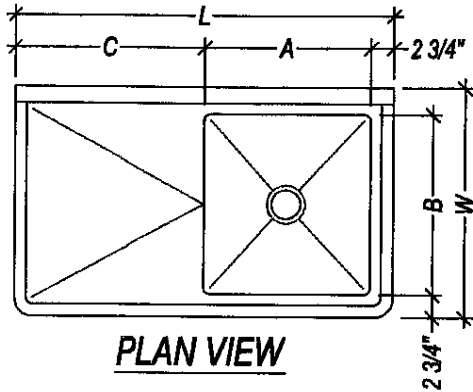


SELECT STAINLESS PRODUCTS

DATE: _____ MODEL NO: _____
PROJECT: _____

SPECIFICATIONS

STANDARD ONE COMPARTMENT SINK WITH ONE LH DRAINBOARD



DIMENSIONS (in.)

MODEL	A	B	C	E	F	G	L	W	APPROX. WT.(lbs.)**
1B1618-LD18	16	18	18	10-3/4	26	12-1/4	36-3/4	24	55
1B1618-LD24	16	18	24	10-3/4	32	12-1/4	42-3/4	24	60
1B1618-LD30	16	18	30	10-3/4	38	12-1/4	48-3/4	24	65
1B18-LD18	18	18	18	11-3/4	27	12-1/4	38-3/4	24	60
1B18-LD24	18	18	24	11-3/4	33	12-1/4	44-3/4	24	65
1B18-LD30	18	18	30	11-3/4	39	12-1/4	50-3/4	24	70
1B1824-LD18	18	24	18	11-3/4	27	15-1/4	38-3/4	30	65
1B1824-LD24	18	24	24	11-3/4	33	15-1/4	44-3/4	30	70
1B1824-LD30	18	24	30	11-3/4	39	15-1/4	50-3/4	30	75
1B24-LD24	24	24	24	14-3/4	36	15-1/4	50-3/4	30	80
1B24-LD30	24	24	30	14-3/4	42	15-1/4	56-3/4	30	85
1B24-LD36	24	24	36	14-3/4	48	15-1/4	62-3/4	30	100
1B2028-LD20	20	28	20	12-3/4	30	17-1/4	42-3/4	34	80
1B2028-LD30	20	28	30	12-3/4	40	17-1/4	52-3/4	34	90
1B2430-LD24	24	30	24	14-3/4	36	18-1/4	50-3/4	36	100
1B2430-LD30	24	30	30	14-3/4	42	18-1/4	56-3/4	36	105
1B2430-LD36	24	30	36	14-3/4	48	18-1/4	62-3/4	36	110
1B30-LD30	30	30	30	17-3/4	45	18-1/4	62-3/4	36	120
1B30-LD36	30	30	36	17-3/4	51	18-1/4	68-3/4	36	125

* To order Spec-Line Series, add a "14" to the end of the model number.

* To specify LEFT or RIGHT Drainboard, insert "L" or "R" in front of the "D" in the model number. Example "1B1618-RD18-14"

**Weights shown are Standard Series.

See price lists for Spec-Line Series weights.



**John
BOOS**
Since 1887

ITEM #: _____ QTY: _____
 MODEL #: _____
 PROJECT NAME: _____

070717

3601 S. Banker St. Effingham, IL 62401 • P.O. BOX 609 • Ph: (888) 431-2667 • Fax: (800) 433-2667

"PBHS-09" PRO-BOWL HAND SINKS - SPACE SAVER



FEATURES:

- ONE PIECE DEEP DRAW BOWL
- ALL SINK BOWLS HAVE LARGE LIBERAL RADIUS CORNERS
- INCLUDES BASKET DRAIN
- SPLASH MOUNT FAUCET HOLES 4" ON-CENTER

CONSTRUCTION:

- BOWL: STAINLESS STEEL TOPS ARE TIG WELDED, EXPOSED WELDS ARE POLISHED TO MATCH ADJACENT SURFACE.

MATERIAL:

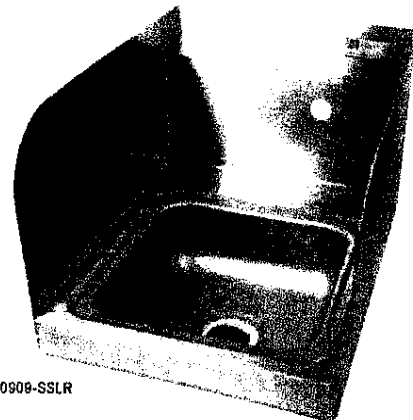
- BOWL: TYPE 300 STAINLESS STEEL POLISH, SATIN FINISH
- BRACKET: TYPE 300 STAINLESS STEEL POLISH, SATIN FINISH



PBHS-99-P-SSTD



PBHS-W-0909



PBHS-W-0909-SSLR

PRO-BOWL HAND SINKS

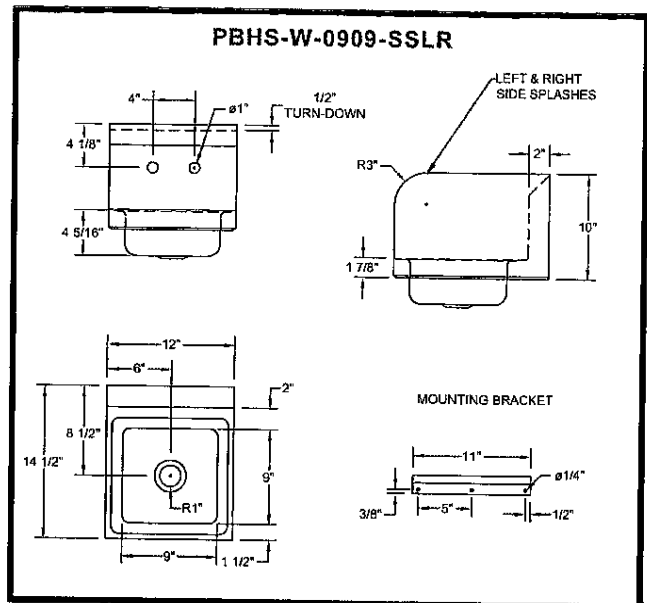
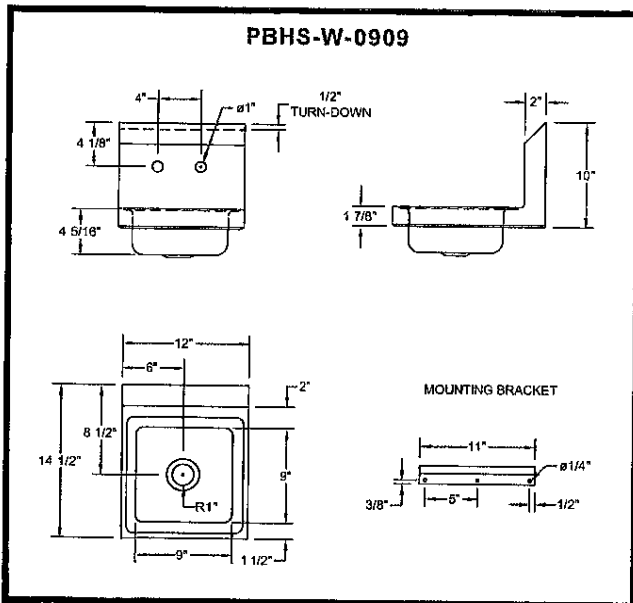
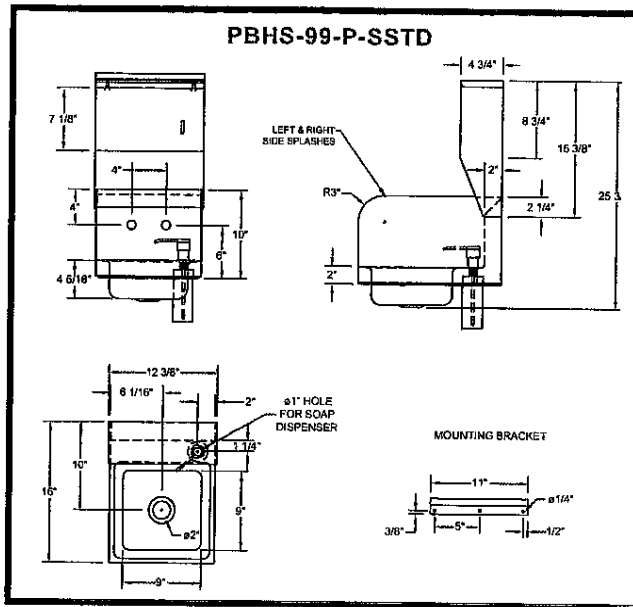
MODEL #	QTY
PBHS-99-P-SSTD	
PBHS-W-0909	
PBHS-W-0909-P	
PBHS-W-0909-SSLR	
PBHS-W-0909-P-SSLR	

-P INCLUDES SPLASH MOUNT FAUCET

OPTIONAL ACCESSORIES

DESCRIPTION	QTY
FAUCETS	1
SIDE SPASH	1
ADA WRIST BLADES	1
TOWEL DISPENSER	1
LEVER WASTES	1
OVER FLOWS	1
P-TRAPS	1

DETAILED SPECIFICATIONS



PRO-BOWL HAND SINKS

MODEL #	BOWL SIZE (LxWxD)	DRAIN SIZE	FAUCET LOCATION	SIDE SPLASH
PBHS-99-P-SSTD	9" X 9" X 5"	1-7/8"	SPLASH MOUNT - 4" ON-CENTER (GOOSE NECK FAUCET, SOAP & TOWEL DISPENSER INCLUDED)	LH & RH
PBHS-W-0909	9" X 9" X 5"	1-7/8"	SPLASH MOUNT - 4" ON-CENTER	N/A
PBHS-W-0909-P	9" X 9" X 5"	1-7/8"	SPLASH MOUNT - 4" ON-CENTER (FAUCET INCLUDED)	N/A
PBHS-W-0909-SSLR	9" X 9" X 5"	1-7/8"	SPLASH MOUNT - 4" ON-CENTER	LH & RH
PBHS-W-0909-P-SSLR	9" X 9" X 5"	1-7/8"	SPLASH MOUNT - 4" ON-CENTER (FAUCET INCLUDED)	LH & RH

DRAIN PLUMBING CONNECTION 1-1/2" THREADS

SOME UNITS SHIP UNASSEMBLED FOR REDUCED SHIPPING COST. ALL DIMENSIONS ARE TYPICAL. TOLERANCE +/- .500"
 John Boos & Co. is constantly engaged in a program of improving products and therefore reserves the right to change specifications without prior notice.



KCL



3801 S. Banker St. • Effingham, IL 62401 • PO BOX 609 • quotes@johnboos.com

052118

Boos

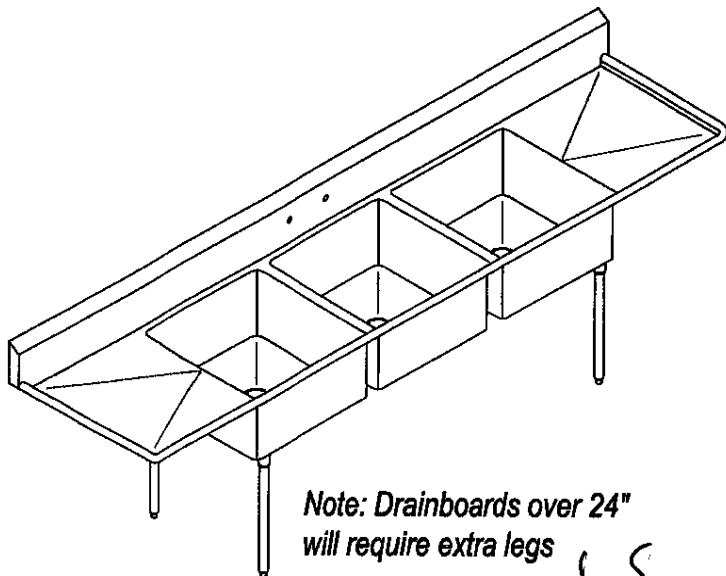
Call for Quotes

www.johnboos.com



SELECT STAINLESS PRODUCTS

STANDARD THREE COMPARTMENT SINKS WITH TWO DRAINBOARDS



Note: Drainboards over 24" will require extra legs

X Saucets & drains

FEATURES & CONSTRUCTION:

Our sink bowls are fully fabricated for consistent metal thickness throughout the bowls.

All comers are fashioned to have a 3/4" radius both vertically and horizontally.

Our top and bowl is constructed with a 1 1/2" raised-rolled edge and is 2" tall on front and both ends.

Our backsplash is 9" tall from the deck, with a 2" return at 45° and a standard 3/4" rear turn down. It includes (2) 1 1/8" dia. holes punched on 8" centers. (Bowls 20" wide or wider will receive (2) sets of holes on 8" centers.***)

A 1 1/2" NPS basket strainer per bowl is included.

WE OFFER TWO SERIES CHOICES:

Our **STANDARD SERIES** includes:

*16 Gauge Type 300 Series Stainless Steel Construction

*12" Bowl Depth

*Galvanized Legs with Adjustable Plastic Feet

Our **SPEC-LINE SERIES** includes:

*14 Gauge Type 300 Series Stainless Steel Construction

*14" Bowl Depth

*Stainless Steel H-Frame Legs with Adj. Stainless Steel Feet

STANDARD SIZES (in.)

MODEL	BOWL	DRAINBOARD	LENGTH	WIDTH	HEIGHT	
3B1618-2D18	16X18	18	88	24	44	
3B1618-2D24	16X18	24	100	24		
3B1618-2D30	16X18	30	112	24		
3B18-2D18	18X18	18	94	24		
3B18-2D24	18X18	24	106	24		
3B18-2D30	18X18	30	118	24		
3B1824-2D18	18X24	18	94	30		
3B1824-2D24	18X24	24	106	30		
3B1824-2D30	18X24	30	118	30		
3B24-2D24***	24X24	24	124	30		
3B24-2D30***	24X24	30	136	30		
3B24-2D36***	24X24	36	148	30		
3B2028-2D20***	20X28	20	104	34		
3B2028-2D24***	20X28	24	112	34		
3B2028-2D30***	20X28	30	124	34		
X 3B2430-2D24***	24X30	24	124	36		*
3B2430-2D30***	24X30	30	136	36		
3B2430-2D36***	24X30	36	148	36		
3B30-2D30***	30X30	30	154	36		
3B30-2D36***	30X30	36	166	36		

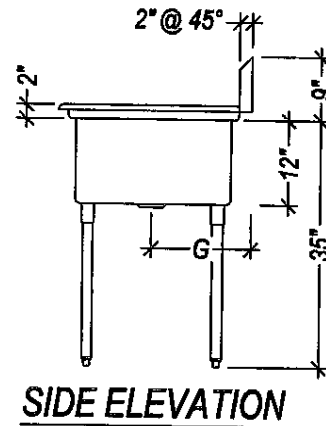
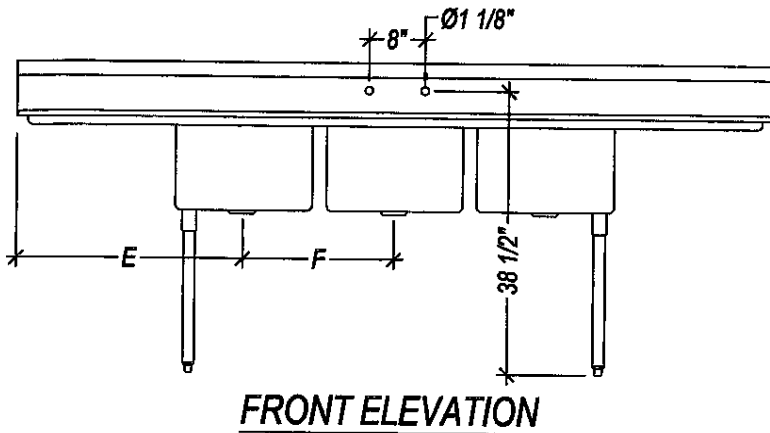
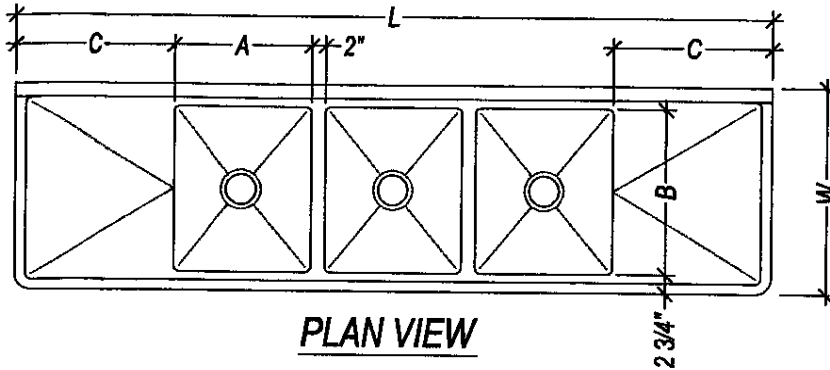
(Custom sizes are available. Call us for details.)



DATE: _____ MODEL NO: _____
PROJECT: _____

SPECIFICATIONS

**STANDARD THREE
COMPARTMENT
SINKS WITH
TWO DRAINBOARDS**



DIMENSIONS (in.)

**Weights shown are Standard Series.
See price lists for Spec-Line Series weights.

MODEL	A	B	C	E	F	G	L	W	APPROX. WT.(lbs.)**
3B1618-2D18	16	18	18	26	18	12-1/4	88	24	125
3B1618-2D24	16	18	24	32	18	12-1/4	100	24	130
3B1618-2D30	16	18	30	38	18	12-1/4	112	24	145
3B18-2D18	18	18	18	27	20	12-1/4	94	24	130
3B18-2D24	18	18	24	33	20	12-1/4	106	24	135
3B18-2D30	18	18	30	39	20	12-1/4	118	24	155
3B1824-2D18	18	24	18	27	20	15-1/4	94	30	175
3B1824-2D24	18	24	24	33	20	15-1/4	106	30	185
3B1824-2D30	18	24	30	39	20	15-1/4	118	30	205
3B24-2D24***	24	24	24	36	26	15-1/4	124	30	210
3B24-2D30***	24	24	30	42	26	15-1/4	136	30	230
3B24-2D36***	24	24	36	48	26	15-1/4	148	30	250
3B2028-2D20***	20	28	20	30	22	17-1/4	104	34	245
3B2028-2D24***	20	28	24	34	22	17-1/4	112	34	255
3B2028-2D30***	20	28	30	40	22	17-1/4	124	34	265
*3B2430-2D24***	24	30	24	36	26	18-1/4	124	36	290
3B2430-2D30***	24	30	30	42	26	18-1/4	136	36	315
3B2430-2D36***	24	30	36	48	26	18-1/4	148	36	190
3B30-2D30***	30	30	30	45	32	18-1/4	154	36	210
3B30-2D36***	30	30	36	51	32	18-1/4	166	36	230

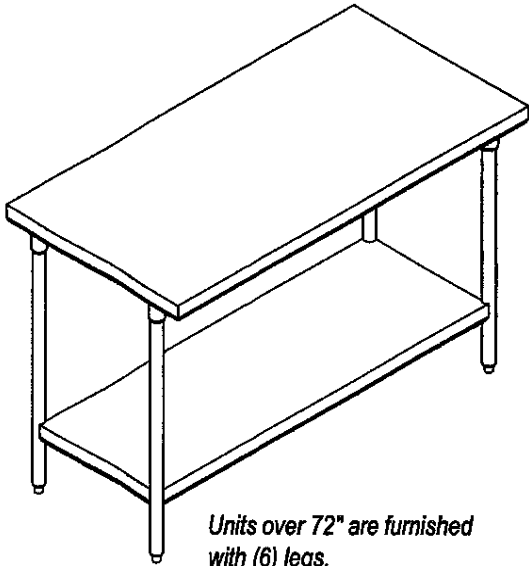
*To order Spec-Line Series, add a "14" to the end of the model number.
*Example "3B1824-2D24-14"

REV. 08-06-13



SELECT STAINLESS PRODUCTS

STANDARD FLAT TOP WORK TABLES WITH UNDERSHELF



Units over 72" are furnished with (6) legs.

FEATURES & CONSTRUCTION:

Our tables are of all-welded construction and no assembly is required.

All corners are fully welded and follow a square-edged design.

Our table tops are assembled with sound deadening tape.

Reinforcement runs underneath the entire length of the top.

Legs are 1 5/8" dia. 16 gauge galvanized or stainless steel tubing.

Both Series offers the option of either 16 gauge **Galvanized Legs (GU)** with adjustable plastic feet and 16 gauge Galvanized undershelf **OR** 16 gauge **Stainless Steel Legs (SU)** with adjustable stainless steel feet and an 18 gauge S/S undershelf. (Both have stainless steel leg gussets.)

WE OFFER TWO SERIES CHOICES:

Our **STANDARD SERIES:** 16 Gauge Type 300 Series S/S Top

Our **SPEC-LINE SERIES:** 14 Gauge Type 300 Series S/S Top

STANDARD SIZES (in.)

	24 WIDTH	30 WIDTH	36 WIDTH	LENGTH	HEIGHT
GU MODELS	2GU-24	2GU-30	2GU-36	24	35
	3GU-24	3GU-30	3GU-36	36	
	4GU-24	4GU-30	4GU-36	48	
	5GU-24	5GU-30	5GU-36	60	
	6GU-24	6GU-30	6GU-36	72	
	7GU-24	7GU-30	7GU-36	84	
	8GU-24	8GU-30	8GU-36	96	
	9GU-24	9GU-30	9GU-36	108	
	10GU-24	10GU-30	10GU-36	120	
	11GU-24	11GU-30	11GU-36	132	
	12GU-24	12GU-30	12GU-36	144	
	SU MODELS	2SU-24	2SU-30	2SU-36	
3SU-24		3SU-30	3SU-36	36	
4SU-24		4SU-30	4SU-36	48	
5SU-24		5SU-30	5SU-36	60	
6SU-24		6SU-30	6SU-36	72	
7SU-24		7SU-30	7SU-36	84	
8SU-24		8SU-30	8SU-36	96	
9SU-24		9SU-30	9SU-36	108	
10SU-24		10SU-30	10SU-36	120	
11SU-24		11SU-30	11SU-36	132	
12SU-24		12SU-30	12SU-36	144	

(Custom sizes are available.

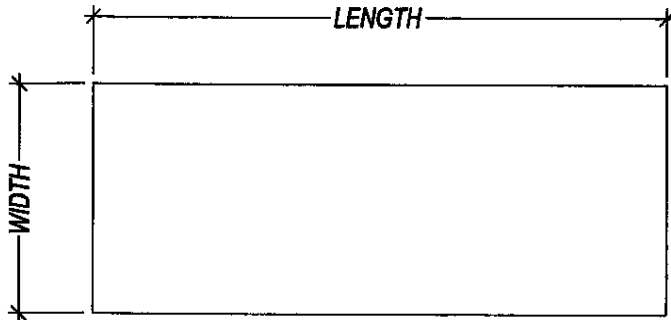
Call us for details.)



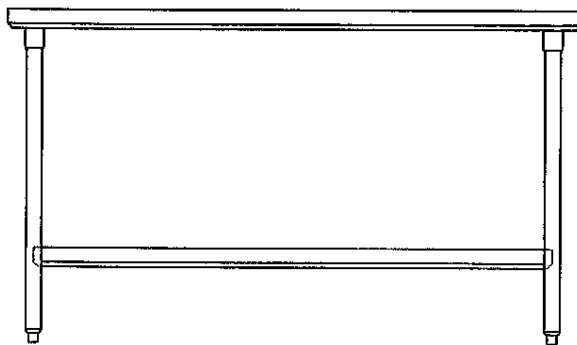
DATE: _____ MODEL NO: _____
PROJECT: _____

SPECIFICATIONS

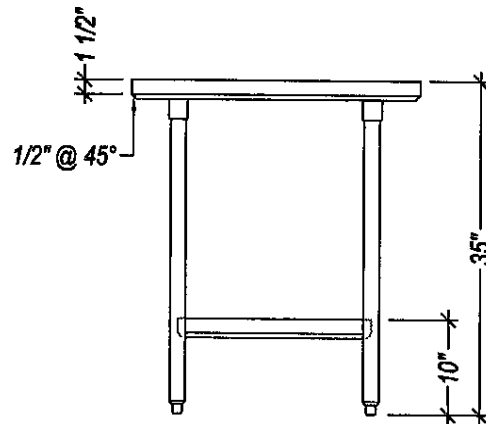
**STANDARD FLAT TOP
WORK TABLES
WITH UNDERSHELF**



PLAN VIEW



FRONT ELEVATION



SIDE ELEVATION

DIMENSIONS (in.)

**Weights shown are Standard Series in lbs.
See price lists for Spec-Line Series weights.

**24" Wide tables B= 17"
**30" Wide tables B= 20"

	24 WIDTH	APPROX. WT.**	30 WIDTH	APPROX. WT.**	36 WIDTH	APPROX. WT.**	LENGTH
GU MODELS	2GU-24	87	2GU-30	92	2GU-36	110	24
	3GU-24	97	3GU-30	107	3GU-36	122	36
	4GU-24	112	4GU-30	122	4GU-36	132	48
	5GU-24	122	5GU-30	132	5GU-36	147	60
	6GU-24	137	6GU-30	142	6GU-36	160	72
	7GU-24	172	7GU-30	187	7GU-36	202	84
	8GU-24	182	8GU-30	202	8GU-36	222	96
	9GU-24	197	9GU-30	222	9GU-36	237	108
	10GU-24	212	10GU-30	227	10GU-36	252	120
	11GU-24	227	11GU-30	247	11GU-36	267	132
	12GU-24	242	12GU-30	267	12GU-36	282	144
	SU MODELS	2SU-24	82	2SU-30	97	2SU-36	102
3SU-24		97	3SU-30	112	3SU-36	117	36
4SU-24		112	4SU-30	122	4SU-36	127	48
5SU-24		122	5SU-30	132	5SU-36	142	60
6SU-24		137	6SU-30	142	6SU-36	157	72
7SU-24		162	7SU-30	187	7SU-36	197	84
8SU-24		182	8SU-30	202	8SU-36	217	96
9SU-24		192	9SU-30	217	9SU-36	232	108
10SU-24		207	10SU-30	232	10SU-36	247	120
11SU-24		222	11SU-30	247	11SU-36	267	132
12SU-24		237	12SU-30	267	12SU-36	282	144

*To order Spec-Line Series, add a "14" to the end of the model number.

REV. 6-17-13



Metro Bow Tie™ Dunnage Racks

METRO BOW TIE™ DUNNAGE RACKS

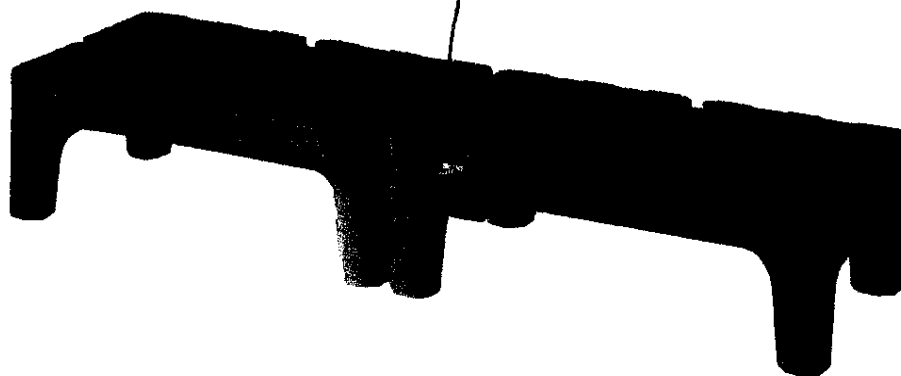
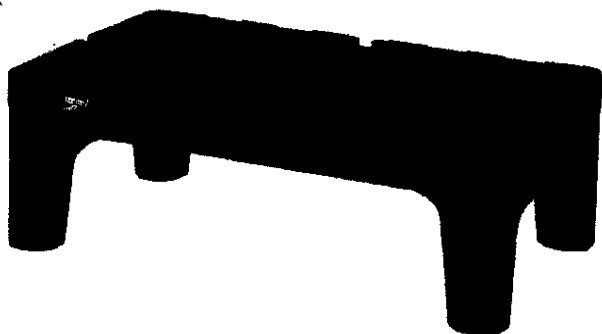
Racks join together easily without tools in "end-to-end" and "back-to-back" configurations with the exclusive bow-tie™ feature.

Rust and corrosion proof polymer construction.

Heavy-duty construction gives racks the strength to hold up to 3,000 lbs. per unit.

Racks have front to back slots for easier loading and unloading and superior air flow which promotes longer shelf life.

Smooth rotomolded polymer offers snag-free surfaces and promotes easy cleaning.



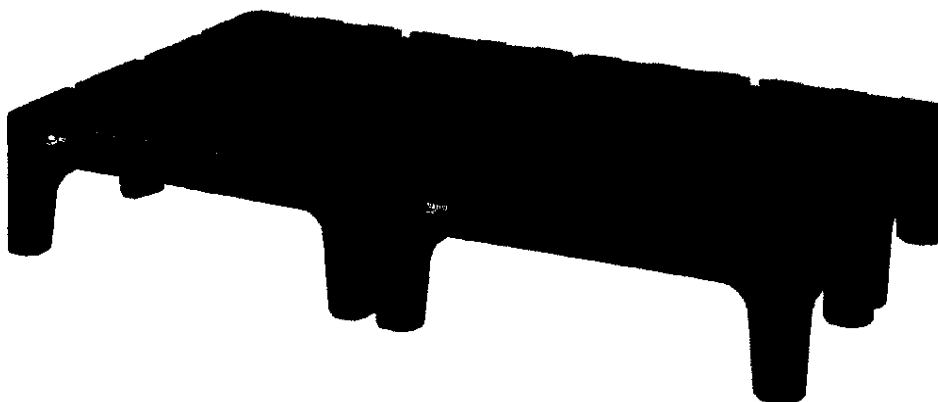
North Washington Street
Wilkes-Barre, PA 18705
www.metro.com

*4 + #4.1

09



METRO BOW TIE™ DUNNAGE RACKS



- Rotationally molded grey polyethylene construction
- Slotted top for air circulation
- Slots run front to back for easy loading and unloading
- All rack edges have generous radius to prevent product snagging or marking
- Weight capacity: 30" and 36" racks - 1,500 lbs.
48" and 60" racks - 3,000 lbs.
- Each rack provided with separate polymer tie for joining racks in "end-to-end" and "back-to-back" configurations. Rack has a recess centered each side of top surface to accept polymer tie.
- Joining system tie drops in and is removed from top without the use of tools.

Cat. No.	Width		Length		Height		Approx. Pkg. Wt.	
	(in.)	(mm)	(in.)	(mm)	(in.)	(mm)	(lb.)	(kg)
HP2230PD	22	550	30	760	12	305	24	10.8
81 HP2236PD	22	550	36	910	12	305	26	11.7
4 HP2248PD	22	550	48	1220	12	305	34	15.3
HP2260PD	22	550	60	1525	12	305	42	19

X2
X2

Metro Bow Tie™ Dunnage Racks



North Washington Street, Wilkes-Barre, PA 18705
 Phone: 570-825-2741 • Fax: 570-825-2852
 For Product Information Call: 1-800-433-2232
 Visit Our Web Site: www.metro.com

L03-105
 Rev. 5/99
 Printed in U.S.A.

Information and specifications are subject to change without notice. Please confirm at time of order.

#3



Item # _____

Job _____

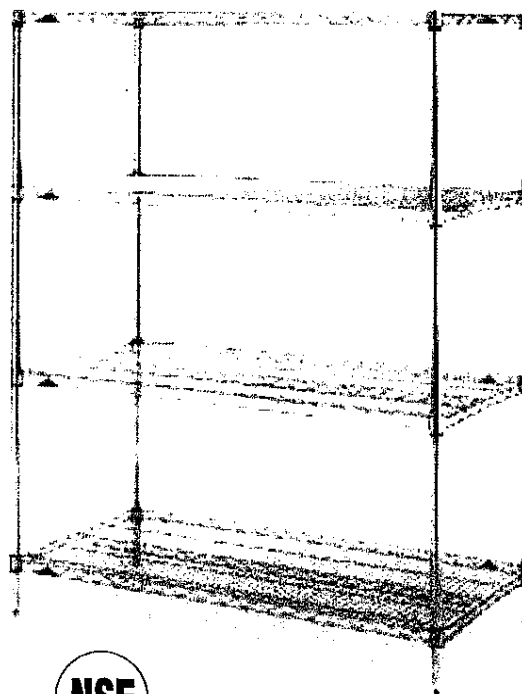
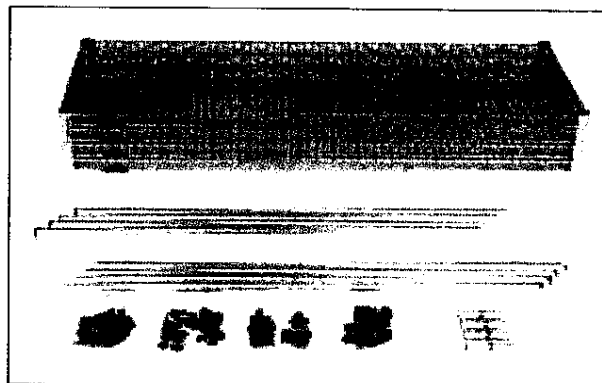

**SUPER ERECTA SHELF®
Convenience Pak Shelving**

SUPER ERECTA SHELF® CONVENIENCE PAK SHELVING

Shelving Sales Made Easy

Metro's Convenience Pak Super Erecta Shelf® Shelving provides a complete shelving unit in a single box. Convenience Pak shelving is easier to promote, select, and order as compared to separate shelving components. Convenience Pak will increase your overall sales volume, improve operating efficiencies and reduce your handling and inventory costs.

- **Increase sales productivity**
 - **Improve operating efficiency**
 - **Reduce costs**
- **Single Package Design:** Convenience Pak Super Erecta Shelving is packaged in one box. Each post comes in 2 modules with a heavy-duty connector provided to connect post halves. Post modules, connectors, shelves, and split sleeve connector are all included in 1 box.
 - **Simplified Sales and Ordering:** Each given size Convenience Pak unit has its own catalog number and list price, making Convenience Pak the easiest shelving product to select, price, and order. With ease and efficiency your sales people can respond to your customers' basic shelving needs, increasing their sales volume per sales call.
 - **Easy to Inventory:** The single package Convenience Pak makes it easy for you to inventory much of your shelving requirements, reducing the inventory space for posts and shelves.
 - **Simplified Shipping and Handling:** Basic shelving orders can be handled with one trip to the warehouse, requiring only one box be handled rather than separate shelves, posts, and split sleeves. Common mistakes made in consolidating components for a given job will be dramatically reduced resulting in an overall improvement in your operating efficiencies. Simplified ordering and invoicing will reduce the work load on your in-house personnel, reducing your overall costs.
 - **As Strong and Durable as Standard Super Erecta Shelf Shelving:** Post modules and heavy-duty connector provide a shelving unit equal to the superior load bearing and durability recognized in our traditional Super Erecta Shelving design. Whether the application is stationary or mobile, the Convenience Pak unit meets the tough performance guidelines established by Super Erecta Shelving.
 - **Three Finishes:** Convenience Pak units are available in Super Erecta Brite,™ Chrome, and Metroseal 3™ finishes, to handle any shelving applications your customers may have.



U.S. and Foreign Patents Pending



InterMetro Industries Corporation
North Washington Street
Wilkes-Barre, PA 18705
www.metro.com



EMERSON
Storage Solutions

10.03

10.03

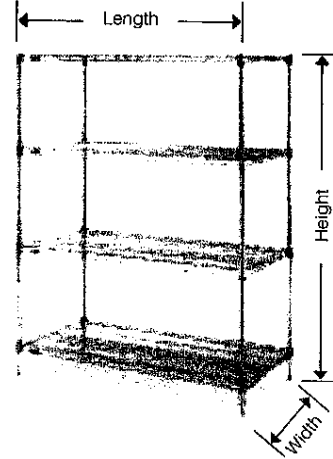
Job _____



**SUPER ERECTA SHELF®
CONVENIENCE PAK SHELVING**

Three Finishes Available:

- **Super Erecta Brite™:** Applicable to dry storage applications, where moisture and humidity are not a concern.
- **Chrome:** Designed for dry storage applications where added durability, cleanability, or a more aesthetic appearance might be required.
- **Metroseal 3** is manufactured using the latest state-of-the-art plating and coating processes. It incorporates a durable electro-plated metal base layer. This substrate, when coated with Metro's new proprietary epoxy coating will provide years of corrosion free service. For more information on Metroseal 3, refer to sheet #10.10a.



Cat. No.	Width		Length		Height		Approx. Pkd. Wt.	
	(in.)	(mm)	(in.)	(mm)	(in.)	(mm)	(lbs.)	(kg)
Four (4) Super Erecta Brite™ Shelves per Unit								
EZ1836BR-4	18	455	36	910	74.5	1890	51	23
EZ1848BR-4	18	455	48	1220	74.5	1890	63	28
EZ1860BR-4	18	455	60	1525	74.5	1890	82	37
EZ2436BR-4	24	610	36	910	74.5	1890	66	30
EZ2448BR-4	24	610	48	1220	74.5	1890	76	34
EZ2460BR-4	24	610	60	1525	74.5	1890	102	46
Four (4) Chrome Shelves per Unit								
EZ1836NC-4	18	455	36	910	74.5	1890	51	23
EZ1848NC-4	18	455	48	1220	74.5	1890	63	28
EZ1860NC-4	18	455	60	1525	74.5	1890	82	37
EZ2436NC-4	24	610	36	910	74.5	1890	66	30
EZ2448NC-4	24	610	48	1220	74.5	1890	76	34
EZ2460NC-4	24	610	60	1525	74.5	1890	102	46
Four (4) Metroseal 3™ Shelves per Unit								
EZ1836NK3-4	18	455	36	910	74.5	1890	51	23
EZ1848NK3-4	18	455	48	1220	74.5	1890	63	28
EZ1860NK3-4	18	455	60	1525	74.5	1890	82	37
EZ2436NK3-4	24	610	36	910	74.5	1890	66	30
EZ2448NK3-4	24	610	48	1220	74.5	1890	76	34
EZ2460NK3-4	24	610	60	1525	74.5	1890	102	46

SUPER ERECTA SHELF®
Convenience Pak Shelving

All Metro Catalog Sheets are available on our Web Site: www.metro.com



InterMetro Industries Corporation
North Washington Street, Wilkes-Barre, PA 18705
Phone: 570-825-2741 • Fax: 570-825-2852
For Product Information Call: 1-800-433-2232

L02-007B
Printed in U.S.A. Rev. 2/03
Information and specifications are subject to change without notice. Please confirm at time of order.
Copyright © 2003 InterMetro Industries Corp.