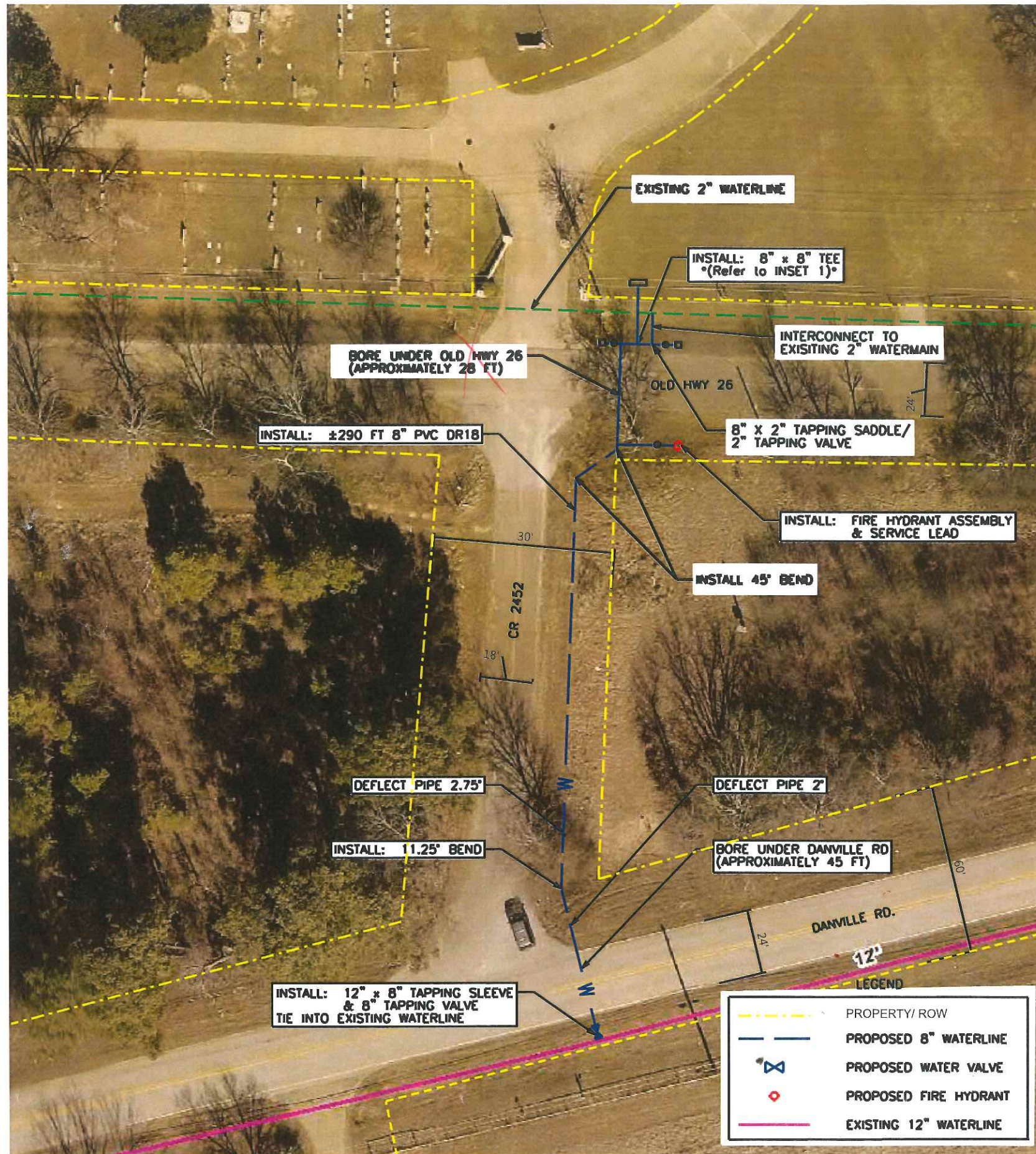
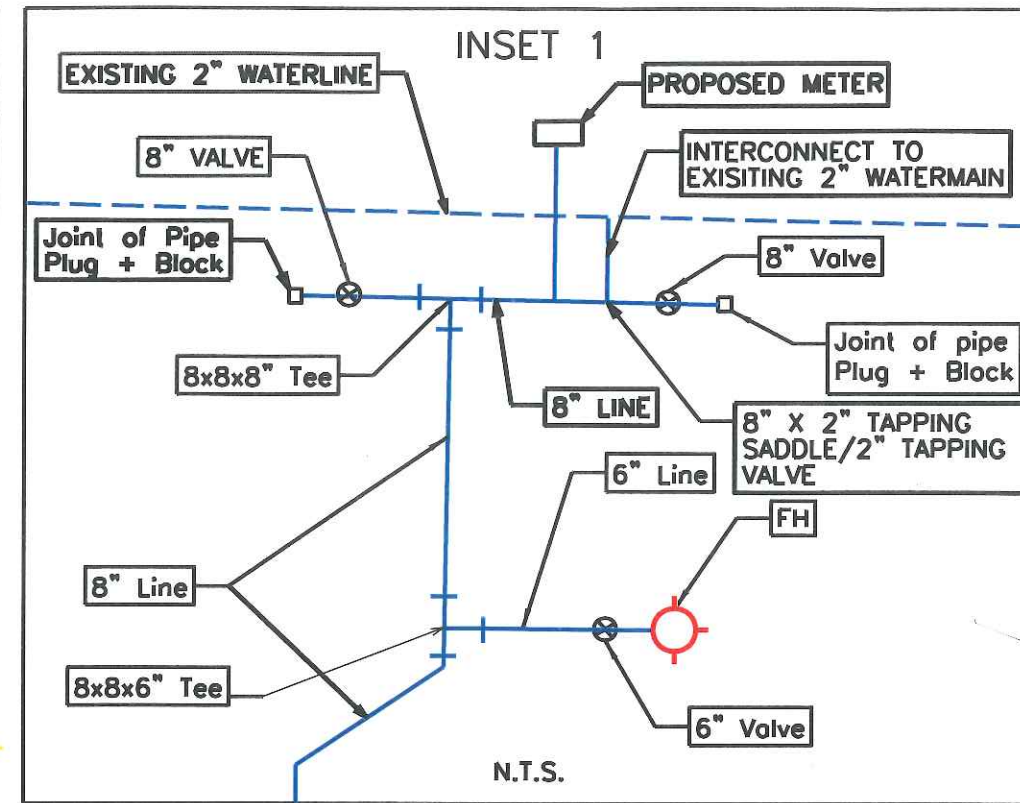


DRAWING FILE: T:\Engineering\Projects\UT\UT19-004 Danville Cemetery Waterline Extension



N.T.S.

LEGEND	
	PROPERTY/ ROW
	PROPOSED 8" WATERLINE
	PROPOSED WATER VALVE
	PROPOSED FIRE HYDRANT
	EXISTING 12" WATERLINE



N.T.S.

NOTES:

1. PIPE SHALL BE DR18 PVC
2. MAINTAIN MINIMUM 48" COVER
3. MAINTAIN 9' SEPERATION FROM SEWER LINE
4. RESTORE SITE TO ORIGINAL CONDITIONS
5. CONTRACTOR TO FIELD VERIFY ALL LOCATIONS PRIOR TO CONSTRUCTION
6. All materials must comply with City of Kilgore Design Manual & specifications can be found on the City of Kilgore website on the Engineering page



11/22/19

KILGORE

815 N. KILGORE ST.
KILGORE, TX 75662
903-984-5081



NO.	DATE	DESCRIPTION

**DANVILLE CEMETERY
WATERLINE EXTENSION
WATERLINE PLAN**

DRAWN BY:
MRK, BJS
REVIEWED BY:
CRE
PROJECT NO.:
UT19-004

**SHEET
03
OF
05**