



CITY OF AZTEC
 REQUEST FOR QUOTATION RFQ
 #2020-724
 30' VALMONT POLES W/ DOUBLE ARM

DATE:	10/16/19	RETURN TO:	THIS IS NOT AN ORDER
RFQ #:	2020-724	CITY OF AZTEC	
DUE DATE:	10/31/19	ATTN: Electric Department 201 W CHACO, AZTEC NM 87410	
TIME:	10:00 am	EMAIL: graymond@aztecnm.gov	
NIGP CODE(S):	285	PHONE: (505) 334-7667 FAX: (505) 334-7684	

NAME OF COMPANY SUBMITTING QUOTE: _____

NEW MEXICO RESIDENT PREFERENCE	PAYMENT TERMS	DELIVERY/SERVICE ADDRESS
# _____ <u>New Mexico Resident or Veteran Preference will be applied to only those certified vendors who have included both number (written above) AND attach current certificate.</u>	_____ % _____ DAYS NET 30 DAYS AFTER RECEIPT OF INVOICE	402 South Light Plant Road Aztec NM 87410
		FOB DESTINATION – FREIGHT COSTS:

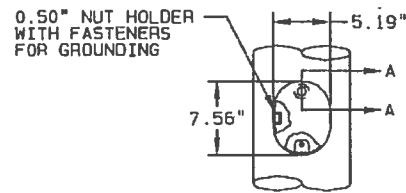
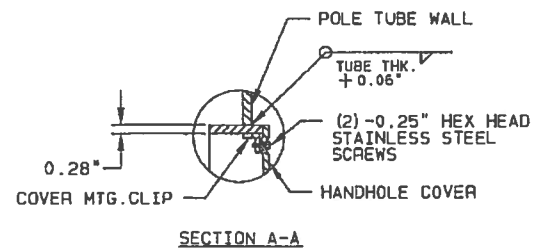
NOTES TO BIDDERS: Specifications attached, only accepting Valmont pole kit. No substitutions.

ITEM #	DESCRIPTION	QTY	UNIT	PRICE PER UNIT	TOTAL	DELIVERY TIME AFTER ORDER
1	Vamont 30' Dec Pole w/ Double Arm Valmont FL210 900E300-FP-HH-AB-FST-TWIN	9	EA			

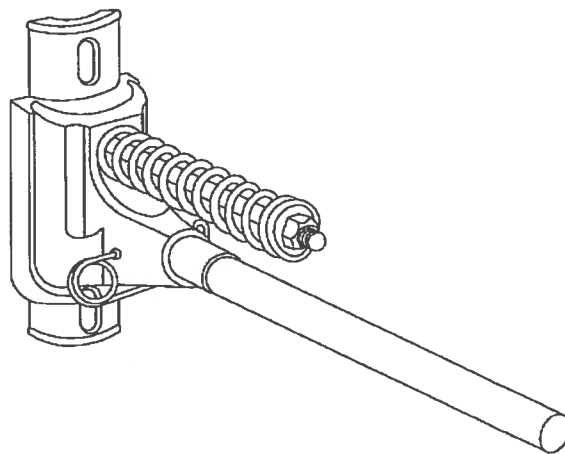
Refer all questions regarding this Request for Quotation to Geri Raymond at (505) 334-7667 or email graymond@aztecnm.gov

DATE OF QUOTE	
SUBMITTED BY (Printed Name)	
SIGNATURE (To be valid offer, bidder must sign here)	
COMPANY NAME	
ADDRESS	
TELEPHONE	
FAX	
EMAIL ADDRESS	
FED TAX ID NUMBER	
NM CRS ID NUMBER	

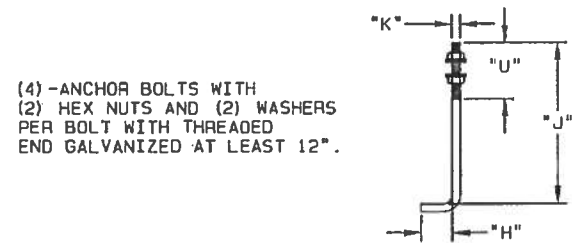
- RFQ shall be FOB Destination and must indicate normal lead time and/or best delivery date on the items listed. Shipping costs shall be included in quote. New Mexico laws prohibit acceptance of ownership of goods in transit.
- This RFQ and any required documents must be received by the Department indicated on the RFQ by the date and time indicated. RFQ's may be submitted via email, fax or USPS.
- All supplies and components quoted shall be new unless indicated otherwise. Any quotes submitted for used or reconditioned supplies or components will be considered non-responsive. Quotes must be valid for a minimum of 30 days.
- The RFQ Number shall appear on all quotations and related correspondence.
- New Mexico Resident & Veteran Vendor Preference: Preference will only be applied to those Bidders who have been issued a certification number from the State of New Mexico Taxation & Revenue Department and return a copy of their certificate with their quote. Veterans Preference is separate from the New Mexico resident preference and is not cumulative with that preference.
- Use of Contract by Other Agencies: Pursuant to Section 13-1-129, NMSA 1978, Bidders /Contractors /Offerors are hereby notified that any central purchasing office allowed by law and as otherwise allowed by their respective governing rules and regulations, may contract for the goods and/or services included in this procurement document with the awarded Bidder /Contractor /Offeror. Contractual engagements accomplished under this provision shall be solely between the Bidder /Contractor /Offeror and the contracting entity with no obligation by the City of Aztec.
- By law (Section 13-1-191, NMSA, 1978) the City is required to inform Vendors of the following: (1) it is a third-degree felony under New Mexico law to commit the offense of bribery of a public officer or public employee (Section 30-24-1, NMSA, 1978); (2) it is a third-degree felony to commit the offense of demanding or receiving a bribe by a public officer or public employee (Section 30-24-2, NMSA, 1978); (3) it is a fourth-degree felony to commit the offense of soliciting or receiving illegal kickbacks (Section 30-41-1, NMSA, 1978); (4) it is a fourth-degree felony to commit the offense of offering or paying illegal kickbacks (Section 30-41-2, NMSA, 1978).
- Conflict of Interest: Bidder warrants that it presently has no interest and will not acquire any interest, direct or indirect, which would conflict in any manner or degree with the performance of service under this contract. Bidder must notify the City's Chief Procurement Officer if any employee(s) of the requesting department or the Purchasing Office have a financial interest in the Bidder. If yes, the Bidder must specify the employee(s) name in their proposal.
- Debarment, Suspension, and Ineligibility: By submitting a response (RFQ/Bid/Offer) to this solicitation, the business (Bidder /Offeror /Contractor) represents and warrants that it is not debarred, suspended, or placed in ineligibility under the provisions of Federal Executive Order 12549.
- New vendors required to complete Vendor Packet <http://www.aztecnm.gov/purchasing/NewVendorPacket.pdf> prior to issuance of purchase order.



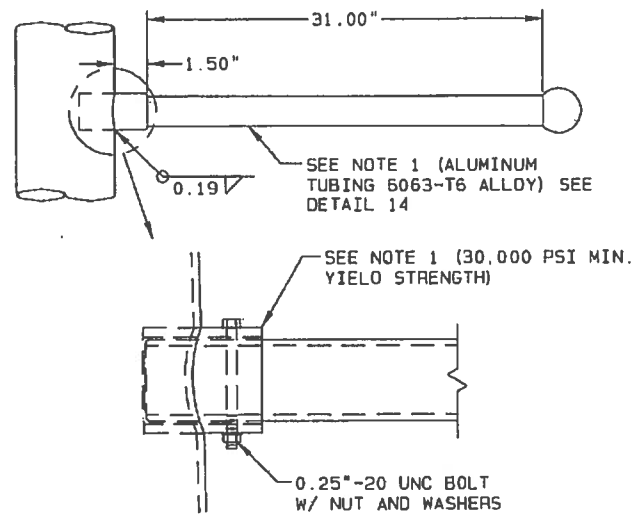
DETAIL 9 | 4"x6.5" HANDHOLE



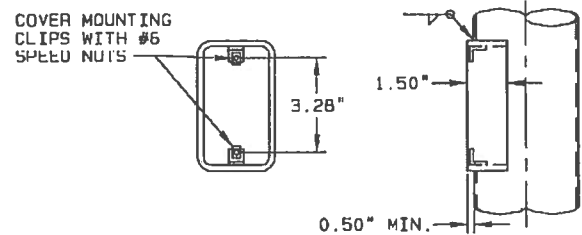
DETAIL 12 | BANNER SAVER BH 2100



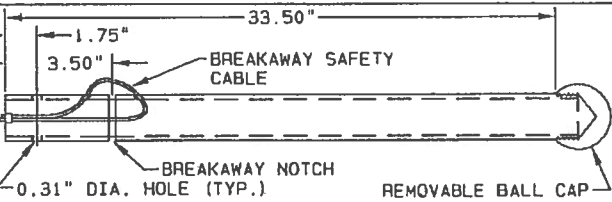
DETAIL 10 | ANCHOR BOLT



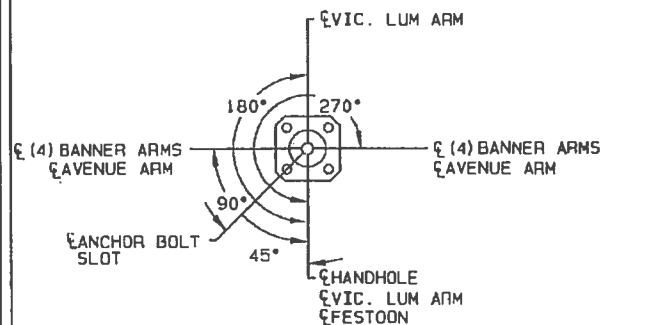
DETAIL 13 | BANNER ARM ATTACHMENT



DETAIL 11 | FESTOON BOX



DETAIL 14 | BREAKAWAY BANNER ARM



RADIAL INDEX

NOTES:

1. BANNER ARM OUTSIDE DIAMETER WILL NEED TO BE PROVIDED PRIOR TO RELEASE FOR PRODUCTION.
2. ORDER WILL NOT BE RELEASED FOR PRODUCTION UNTIL WRITTEN VERIFICATION IS PROVIDED CONFIRMING ALL MOUNTING HEIGHTS AND ORIENTATIONS.

JOB CITY OF AZTEC

TITLE LIGHTING STRUCTURES

VALMONT INDUSTRIES, INC. RESERVES THE RIGHT TO INSTALL VARIOUS, ENGINEER APPROVED, MATERIAL HANGING ACCOMMODATIONS TO FACILITATE THE MANUFACTURING PROCESS.

valmont
Valley, NE 68064
(402) 359-2201

ORDER NUMBER: 194042-PI	
PAGE NUMBER: 2 OF 2	
DRAWING NUMBER	REV
NM194042P1	A