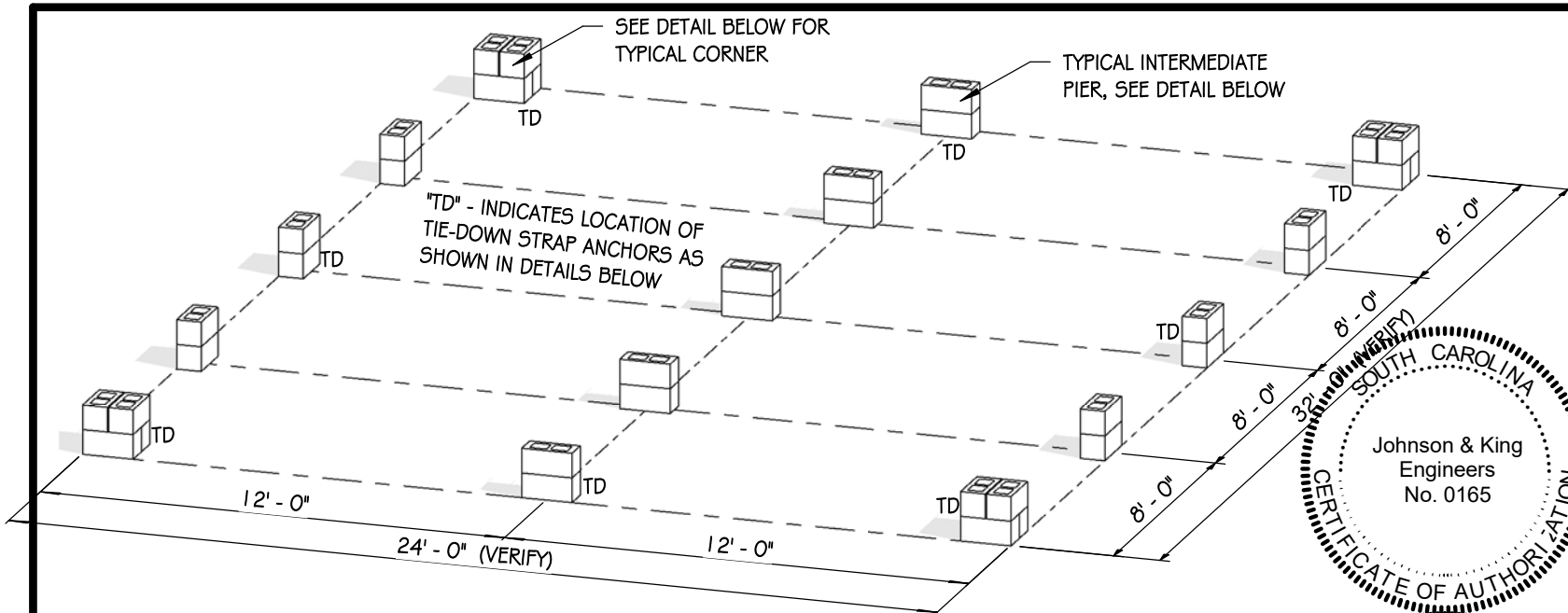
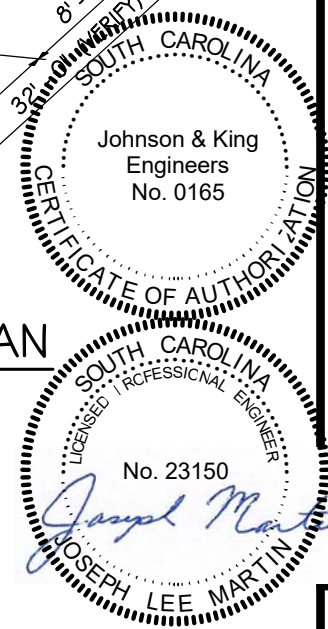


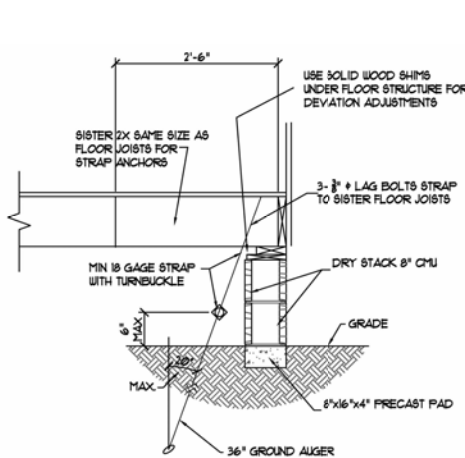
Jumper
Carter
Sease

Architects
412 Meeting Street
West Columbia
South Carolina

PORTABLE CLASSROOMS
LEXINGTON SCHOOL DISTRICT #2
WEST COLUMBIA, SOUTH CAROLINA

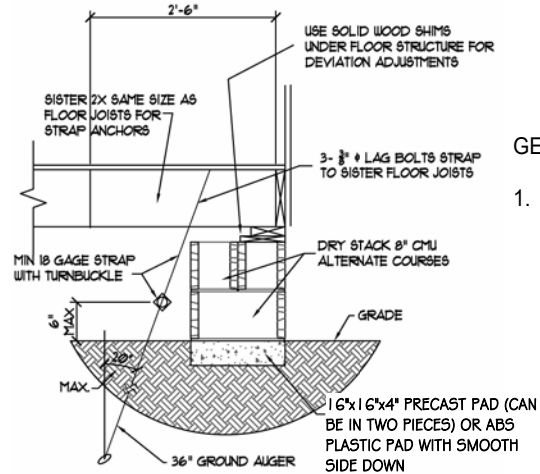


TYPICAL 24'x32' PORTABLE CLASSROOM FOUNDATION PLAN



TYPICAL PIER

1/2" = 1'-0"



TYPICAL CORNER PIER

1/2" = 1'-0"

GENERAL NOTES

1. DESIGN CRITERIA
 - 1.1 BUILDING CODE: 2015 INTERNATIONAL BUILDING CODE
 - 1.2 RISK CATEGORY II
 - 1.3 SEISMIC DESIGN DATA
 - 1.3.1 IMPORTANCE FACTOR 1.0
 - 1.3.2 $S_s = 0.411$ $S_1 = 0.140$
 - 1.3.3 $SD_s = 0.329$ $SD_1 = 0.155$
 - 1.3.4 SITE CLASS C, SEISMIC DESIGN CATEGORY C
 - 1.4 WIND VELOCITY 122 MPH, EXPOSURE C, INTERNAL PRESSURE COEFFICIENT +/-0.18 PRESSURES.
 - 1.5 ROOF LIVE LOAD: 20 PSF
 - 1.6 GROUND SNOW LOAD: 10 PSF
 - 1.7 FLOOR LIVE LOADS:
 - 1.7.1 CLASSROOMS 40 PSF

6/5/2017 3:28:30 PM

DRAWN BY: **BK**

COMM NO:

DATE: **MAY 2017**

SHEET TITLE: **PORTABLE FOUND. PLAN**

SHEET NO: **FP**