



CITY OF AZTEC REQUEST FOR QUOTATION RFQ #2019-671

| | | |
|--------------------|---|-------------------------|
| DATE: 09/26/18 | RETURN TO: CITY OF AZTEC Electric Department | THIS IS NOT AN ORDER |
| RFQ #: 2019-671 | ATTN: RFQ #2019-671 | |
| DUE DATE: 10/08/18 | 201 W CHACO | |
| TIME: 10:00 am | AZTEC NM 87410 EMAIL: graymond@aztecnm.gov PHONE: (505) 334-7667 FAX: (505) 334-7684 | |

NAME OF COMPANY SUBMITTING QUOTE: _____

| NEW MEXICO IN STATE PREFERENCE | PAYMENT TERMS | F.O.B./FREIGHT TERMS | SHIPPING TIME |
|--|---|---------------------------------------|---------------|
| # _____ <u>In-State or Veteran's Preference will be applied to only those certified vendors who have completed item 6 or 7 below.</u> <b style="color: red;">Number AND certificate must be provided to be considered. | _____% _____ DAYS NET 30 DAYS AFTER RECEIPT OF INVOICE | 402 S Lightplant Rd Aztec NM 87410 | By Item Below |

NOTES TO BIDDERS: WILL NOT except equivalent, manufacture part number provided. Specification attached.

| DESCRIPTION | QTY | UNIT PRICE | TOTAL | DELIVERY TIME FROM RECEIPT OF ORDER |
|---|-----|------------|-------|-------------------------------------|
| Green Frog Systems GFS-200-30-6-SL Solar Street Light 30W | 2 | | | |
| Green Frog Systems GFS-200-60-6-SL Solar Street Light 60W | 2 | | | |
| Green Frog Systems GFS-200-75-6-SL Solar Street Light 75W | 2 | | | |

Refer all questions regarding this Request for Quotation to Geri Raymond at (505) 334-7667 or email graymond@aztecnm.gov

1. RFQ should be based on FOB Destination with freight allowed and must indicate normal lead time and/or best delivery date on the items listed.
2. This RFQ and any required documents must be received by the Department indicated on the RFQ by the date and time indicated.
3. All supplies and components quoted shall be new unless indicated otherwise. Any quotes submitted for used or reconditioned supplies or components will be considered non-responsive. Quotes must be valid for a minimum of 30 days.
4. The RFQ Number shall appear on all quotations and related correspondence.
5. In-State/Resident Vendor Preference: Will only be applied to those Bidders who have been issued a certification number from the State of New Mexico Taxation & Revenue Department and return a copy of their certificate with their bid. Resident Veterans Preference is separate from the in-state preference and is not cumulative with that preference.
6. RFQ's may be returned via email, fax or USPS. (Reference Item #2)
7. By law (Section 13-1-191, NMSA, 1978) the City is required to inform Vendors of the following: (1) it is a third-degree felony under New Mexico law to commit the offense of bribery of a public officer or public employee (Section 30-24-1, NMSA, 1978); (2) it is a third- degree felony to commit the offense of demanding or receiving a bribe by a public officer or public employee (Section 30-24-2, NMSA, 1978); (3) it is a fourth-degree felony to commit the offense of soliciting or receiving illegal kickbacks (Section 30-41-1, NMSA,1978); (4) it is a fourth-degree felony to commit the offense of offering or paying illegal kickbacks (Section 30-41-2, NMSA, 1978).
8. Conflict of Interest: Bidder warrants that it presently has no interest and will not acquire any interest, direct or indirect, which would conflict in any manner or degree with the performance of service under this contract. Bidder must notify the City's Chief Procurement Officer if any employee(s) of the requesting department or the Purchasing Office have a financial interest in the Bidder. If yes, the Bidder must specify the employee(s) name in their proposal.
9. Debarment, Suspension, and Ineligibility: By submitting a response (RFQ/Bid/Offer) to this solicitation, the business (Bidder/Olfferor/Contractor) represents and warrants that it is not debarred, suspended, or placed in ineligibility under the provisions of Federal Executive Order 12549.

| | |
|--|--|
| DATE | |
| SUBMITTED BY (Printed Name) | |
| SIGNATURE (To be valid offer, bidder must sign here) | |
| COMPANY NAME | |
| ADDRESS | |
| TELEPHONE | |
| FAX | |
| EMAIL ADDRESS | |
| FED TAX ID NUMBER | |
| NM CRS ID NUMBER | |

SOLAR STREET LIGHTING

COMPLETE DIY SOLAR STREET LIGHT KIT

GFS-200

As towns and cities continue to develop at a fast pace, there's growing need for lighting in streets and public spaces to create a feeling of safety. The GFS-200® allows you to quickly and easily install powerful scalable lighting solutions with zero running costs compared with main supply. Advanced reliable technology that directly addresses the growing demands on your infrastructure.



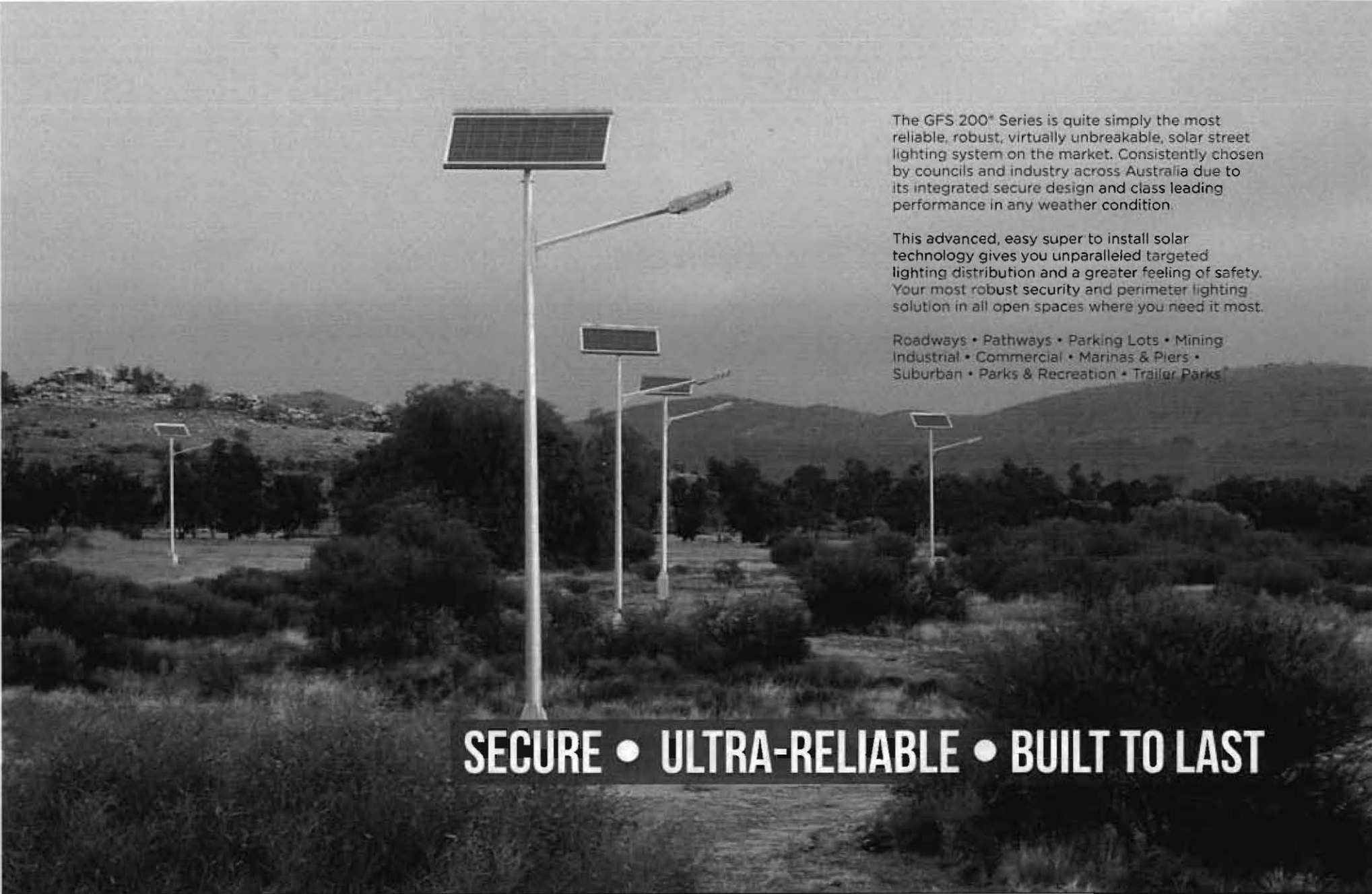
**GREEN FROG
SYSTEMS**
SOLAR LIGHTING INNOVATION

PROTECTED
IP65

ADJUSTABLE
A circular arrow icon indicating adjustability.

LONG-LIFE
**50,000
HOURS**

A lightbulb icon with a leaf inside, representing eco-friendliness.
ECO



The GFS 200® Series is quite simply the most reliable, robust, virtually unbreakable, solar street lighting system on the market. Consistently chosen by councils and industry across Australia due to its integrated secure design and class leading performance in any weather condition.

This advanced, easy super to install solar technology gives you unparalleled targeted lighting distribution and a greater feeling of safety. Your most robust security and perimeter lighting solution in all open spaces where you need it most.

Roadways • Pathways • Parking Lots • Mining
Industrial • Commercial • Marinas & Piers •
Suburban • Parks & Recreation • Trailer Parks

SECURE • ULTRA-RELIABLE • BUILT TO LAST



GFS-200

5,610 / 11,200 / 14,025 LUMEN OPTIONS

FEATURES

- Unrivaled CREE LED Technology ✓
- High Efficiency Mono-crystalline Solar Panel ✓
- Complete Unit IP-65 Protected ✓
- Cyclone / Hurricane / Typhoon Weather Rating ✓
- Advanced LED Compensation Technology ✓
- Intelligent Battery Management System (IBMS) ✓
- Durable Construction & Quality Components ✓
- Pole Integrated Battery Pack ✓

BENEFITS

- Power to Run All Night ✓
- No External Cabling or Trenching Required ✓
- Install Without Electrician ✓
- Extreme Weather Resistance ✓
- Impact Resistant & Vandal Proof ✓
- Safe Consistent Performance & Lifespan ✓
- Ultra Reliable Built to Last ✓
- Zero Maintenance System ✓
- Warranty Included ✓
- Fully Customer Endorsed ✓
- Smart City Ready ✓

OPTIONS

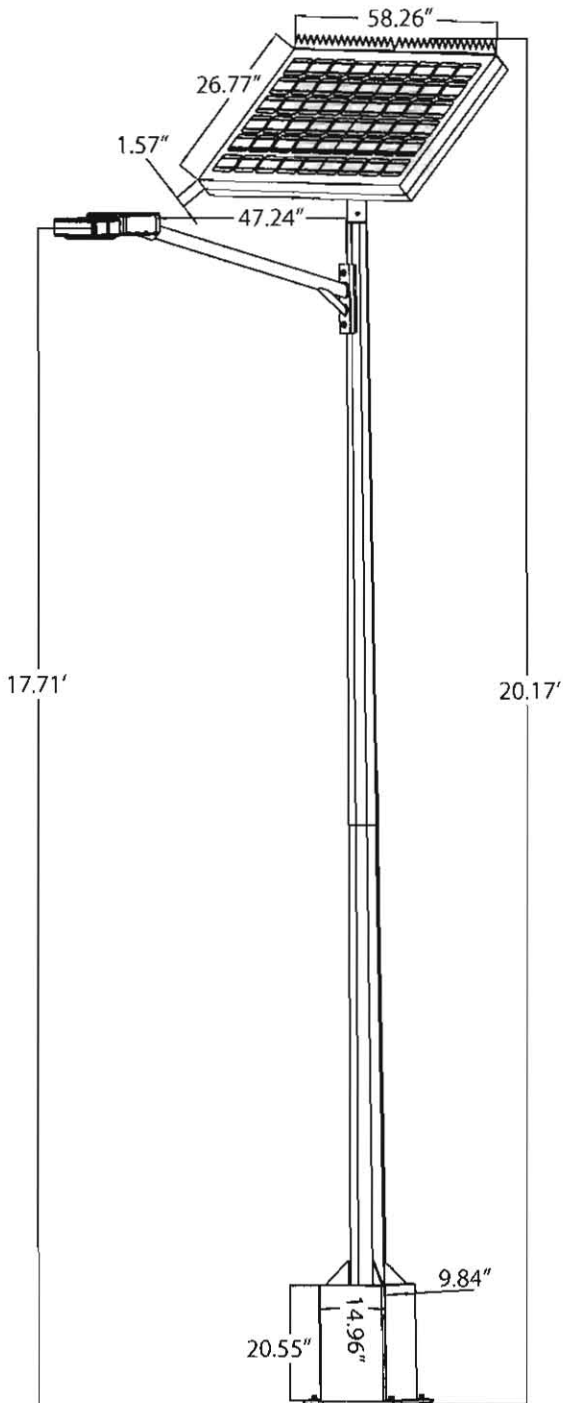
- Hinged Base-Plate ✓
- Anti-Climbing Spike Collar ✓
- LED Stone Guard ✓
- Solar Panel Stone Guard ✓
- Twin Head LED ✓
- Security Camera ✓
- Smart City Integration ✓
- Remote Control & Power Measurement ✓

APPROVED AGENT :

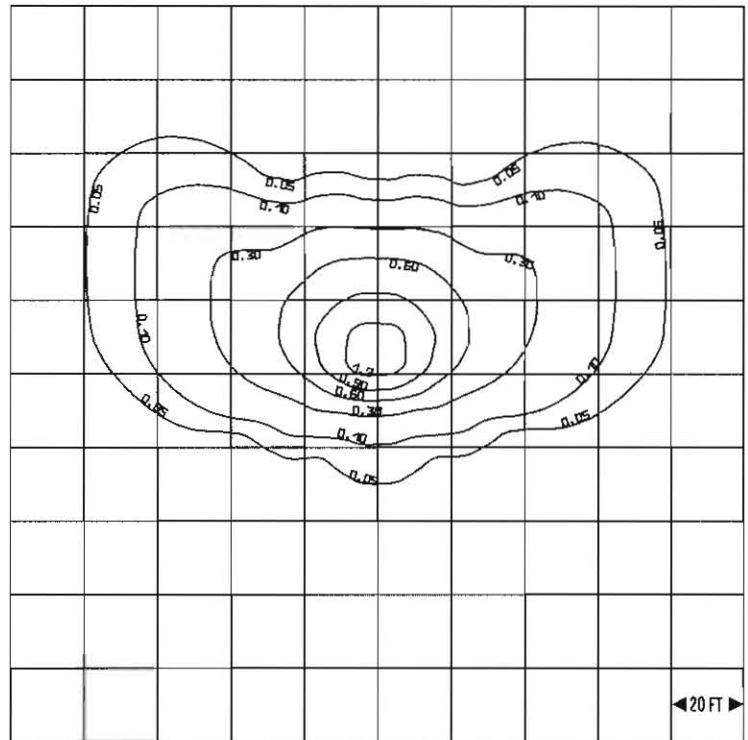
GFS-200 TECHNICAL DATA



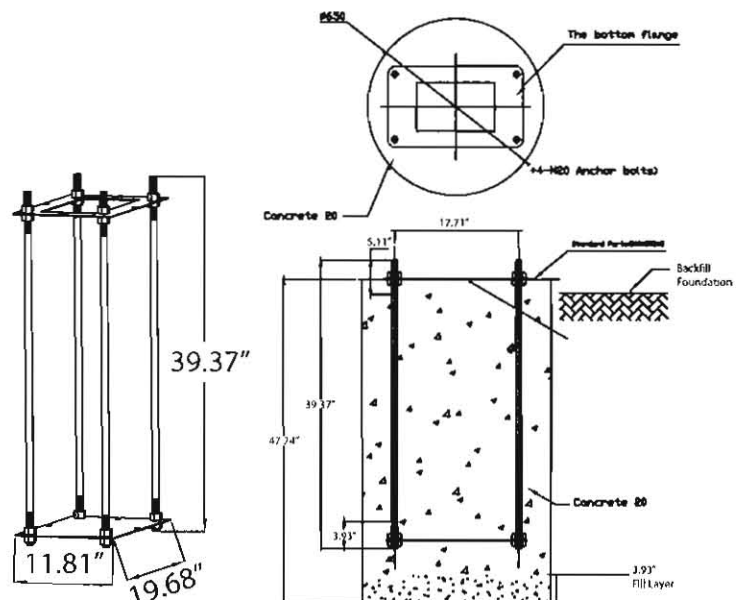
| | | | | | | |
|-----------------|----------------|---------------|---------------------|--------------------|-------------------|--------------|
| | | | | | | |
| 47.47 | 58.26 | 20.17 | 37.47 | IP-65 | IK-10 | 5610 |
| Length (inches) | Width (inches) | Height (feet) | Product Weight (lb) | Ingress Protection | Impact Resistance | Lumen Output |



GFS-200 Type 3 Lens 30W MH-26F Tilt 15°



Underground Cage & Ragbolt Assembly



TECHNICAL DATA

GFS-200 SOLAR STREET / PATH LIGHT

The GFS 200® Series is quite simply the most reliable, robust, virtually unbreakable, solar street lighting system on the market. Consistently chosen by councils and industry across Australia due to its integrated secure design and class leading performance.

OPERATION

Designed to give all night operation up to 14 hours per night in all weather conditions at 5610lm

MOUNTING HEIGHT

30 ft maximum height. Suggested height 23ft

LED

28 x USA made CREE XP-G led configured in 2 x 14 LED arrangement

5610lm total output

4000K CCT, 70 CRI 187lm/w

Dual LED Module for ultimate reliability

Constant LED power output ensures consistent output all night

LENS

Sophisticated, indestructible polycarbonate lens allows for precise evenly distributed directional illumination output. Dual Lens design provide flexibility in lens mixing. (type 3 / 5)

Meets International lighting standards, less poles required for significantly more illumination

Dual Lens - Type 3 pathway / roadway 135°85° (standard)

Mix Lens - Type 3 & 5 lens 110° + 135 (optional)

POLE & FRAME

85 micron zinc coating for complete corrosion resistance

0.12" - 0.63" Galvanised Steel

SOLAR PANEL

High Grade - 21% class leading efficiency, sophisticated technology making it highly sensitive and more efficient than standard panels on the market.

Impact resistance, solar panel equipped with back panel stone guard

Anti bird spike

360D adjustable solar panel facing, flexible installation and maximise solar power output

BATTERY

Flood proof deep cycle sealed gel battery

2 x 12V 2x75Ah (1800wh)

60 hours continuous light output in all night mode

5 days backup power**

SMART CONTROLLER

Monitors all vitals of the unit, including LED, Solar, battery, temperature

In built soft start constant current LED driver with over voltage, over current, short circuit protection

Tri Color Controller status indicator LED

Intelligent multistage charge profile

MPPT Charging with 99% tracking efficiency

IOT Ready smart city***

Flexible on /off programs

Auto /On /OFF set as default (on at dusk, off at dawn)

Ability to program turn on hours, before sunrise

RS485 interface with hand programmer

HOUSING & PAINT

Hot dip galvanized for complete corrosion resistance, built to last for ultra reliability

OPERATING TEMPERATURE

-4°F to 140°F (-20°C to 60°C)

SAIL AREA

5.78 ft square

WARRANTY

5 year warranty****

CERTIFICATIONS

Product and component certifications listed UL E349212 LED, UL3135 Cabling, UL1598 Safety Luminaires, UL8750 LED Safety

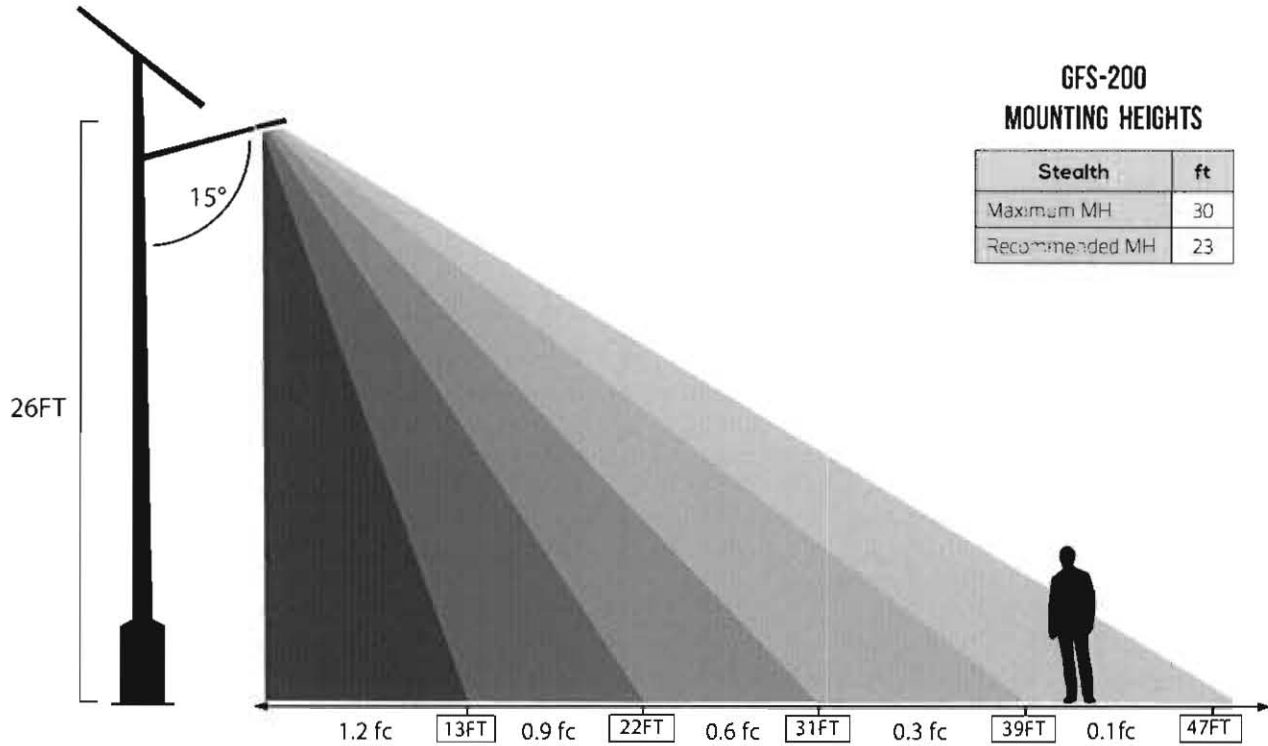
Certified to meet ANSI/IES RP-8-14 and ANSI/IES RP-20-14 lighting standards"



| | |
|-------|---|
| ** | **Days backup is calculated on a 12 hour night time operation @ 5610 lumens |
| *** | ***when fitted with optional control system |
| **** | ****GFS does NOT guarantee lighting performance due to many factors outside of GFS control such as shading, dirt, bird pooping and excessive triggering, however based on test data from numerous installs across the world 14 hour a night operation has been achieved in typical installs |
| ***** | ***** 5 year on all components except battery (3 year) refer to specific warranty T&Cs document. |

ALL PRODUCT, PRODUCT SPECIFICATIONS AND DATA ARE SUBJECT TO CHANGE WITHOUT NOTICE TO IMPROVE RELIABILITY, FUNCTION, DESIGN OR OTHERWISE.

LIGHT ANGLE DISTRIBUTION



| PART NUMBER | DESCRIPTION | WEIGHT (LBS) | DIMENSIONS | ORDER QUANTITY |
|-------------------|---|--------------|---|----------------|
| GFS-200-30-6-SL | 30W 6m Solar Street Light | 655 lb | TOP POLE: 0.4' x 10' L BOTTOM POLE: 1.7' x 10' L SHIPPING BOX: 1.8' x 5.4' x 2.9' | |
| GFS-200-60-6-SL | 60W 6m Solar Street Light (first 6hrs 100%, remaining night dim to 13W) | | | |
| GFS-200-75-6-SL | 75W 6m Solar Street Light (first 6hrs 100%, remaining night dim to 12W) | | | |
| GFS-200-30-6-RD | 30W 6m Solar Street Light | 655 lb | TOP POLE: 0.4' x 10' L BOTTOM POLE: 1.7' x 10' L SHIPPING BOX: 1.8' x 5.4' x 2.9' | |
| GFS-200-60-6-RD | 60W 6m Solar Street Light (first 6hrs 100%, remaining night dim to 13W) | | | |
| GFS-200-75-6-RD | 75W 6m Solar Street Light (first 6hrs 100%, remaining night dim to 12W) | | | |
| ACCESSORIES | DESCRIPTION | | | ORDER QUANTITY |
| GFS-200-TWIN | Upgrade to Twin LED design (2x LEDs 2x outriggers 180°) | 677 lb | 3.93' L | |
| GFS-200-EXT | Add LED goose neck extension (increases 17.06 ft m to 19.68 ft) | 678 lb | 3.3' x 2.6' | |
| GFS-200-LL | Change LED lens (pathway to spherical design) | n/a | REPLACEMENT | |
| INSTALLATION | DESCRIPTION | | | ORDER QUANTITY |
| GFS-200-HBP | Add Hinge base plate (allow easy lifting/lowering pole) | 44 lb | 5.9' x 3.1' x 0.4' | |
| POLE COLOR | DESCRIPTION | | | ORDER QUANTITY |
| GFS-200-PC | Upgrade pole to colour powdercoating (black / green / white / silver) | n/a | n/a | |
| CCTV | DESCRIPTION | | | ORDER QUANTITY |
| GFS-200-CAM | CCTV 4MP Camera motorised lens, NVR 2TB HDD, Wifi Wireless Link | n/a | n/a | |
| VANDAL PROTECTION | DESCRIPTION | | | ORDER QUANTITY |
| GFS-200-SGL | Stone mesh guard protection for LED | 1 lb | 11.8' x 5.9' x 1.2" | |
| GFS-200-SGS | Stone mesh guard protection for solar panel | 11 lb | 5.2' x 2.7' x 0.3' | |
| GFS-200-ACS | Anti-climbing spikes | 10 lb | 2.4' x 2.4' x 0.6" | |

ALL PRODUCT, PRODUCT SPECIFICATIONS AND DATA ARE SUBJECT TO CHANGE WITHOUT NOTICE TO IMPROVE RELIABILITY, FUNCTION, DESIGN OR OTHERWISE.