



CITY OF KNOXVILLE
 OFFICE OF THE PURCHASING AGENT
 P.O. BOX 1631
 400 MAIN ST., ROOM 667
 KNOXVILLE, TN 37901

QUOTATION SHEET

THIS IS NOT AN ORDER

DATE: 05/23/2019

DOCUMENT NUMBER: **595673**

READ ALL INSTRUCTIONS AND CONDITIONS ON ATTACHED PAGES BEFORE QUOTING. QUOTE ON THIS FORM ONLY.
 QUOTE PRICE ON ITEMS LISTED OR EQUAL.

****ALL PRICES TO INCLUDE TRANSPORTATION CHARGES & NET TERMS UNLESS STATED OTHERWISE ****

Merchandise to be delivered to : Department of Engineering Sign Shop
 1025 Elm Street
 Attn: Bryan Gilbert
 Knoxville TN 37921

QUOTE will be received at: Office of the Purchasing Agent, Room 667, 400 Main St., Knoxville, TN 37902,
 until 05/31/2019 02:30:00 PM

INFRARED HEATER

Special Instructions:

Price quoted must include all freight and delivery charges. Direct all questions to jtucker@knoxvilletn.gov.

No.	Quantity	Description	Brand	Unit	Unit Price	Total	Applicable Discount
1	1 Each	Street Heat SR-28 or equal preform thermoplastic infrared heater per attached specifications.					

IMPORTANT - State Merchandise

Delivery Date Here: _____

Buyer Name: Tucker, James
 Phone: 865-215-2064
 Fax: (865) 215-2277
 Email: jtucker@knoxvilletn.gov

(Company Name)

(Authorized Signature)

(Print Signed Name)

(Phone Number)

(Email Address)

Request for Quote

This is not a sealed bid. Quotes can be emailed or faxed to the Office of the Purchasing Agent. See instructions below.

The City of Knoxville requests your quoted price for the item listed on the attached quotation sheet; award will result in a purchase order from the City of Knoxville. The following request is for an infrared heater used to apply pavement markings. The unit must be designed specifically for the application and imprinting of asphalt and preformed thermoplastic pavement markings. The unit quoted must be equal to or greater than the make and model referenced. The price quoted must include all shipping charges and will be delivered to 1025 Elm Street, Knoxville, TN 37921. **In order for your quote to be considered for award, your completed form must be faxed or emailed to the Senior Buyer no later than 2:30 p.m., June 6, 2019.**

By submitting a quote to the City of Knoxville, the submitter warrants the following:

1. The quote is good for 60 days.
2. The Quoter is licensed to conduct business in the State of Tennessee.
3. The Quoter will use environmentally friendly products and services whenever possible.
4. The Quoter has not entered into any collusion with any person in respect to the pricing of this order or any other.
5. The Quoter represents and agrees to the indemnification clause attached to this document.
6. The Quoter, to the best of its knowledge and belief, does not engage in investment activities in Iran and is not on the list created pursuant to T.C.A 12-12-106 (available at [http://www.tn.gov/content/dam/tn/generalservices/documents/cpo/cpo-library-information-library/List of persons pursuant to Tenn. Code Ann. 12-12-106 Iran Divestment Act updated 7.7.17. pdf](http://www.tn.gov/content/dam/tn/generalservices/documents/cpo/cpo-library-information-library/List%20of%20persons%20pursuant%20to%20Tenn.%20Code%20Ann.%2012-12-106%20Iran%20Divestment%20Act%20updated%207.7.17.pdf))
7. The Quoter shall be responsible for full compliance with all applicable federal, state, and local laws, rules and regulations.

QUOTE SECTION

Having carefully examined the specifications concerning the infrared heater, we hereby propose to supply the product as specified for the following sum:

Total price (includes freight) \$ _____

GUARANTEED delivery: _____ days after receiving the order.

Firm Name: _____

Signature of Quoting Official: _____

Telephone: _____

Email: _____

Please send your written quote to either the email address or fax number shown below:

James Tucker
Senior Buyer
City of Knoxville
jtucker@knoxvilletn.gov
FAX: (865) 215-2277

INDEMNIFICATION CLAUSE

Contractor shall defend, indemnify and hold harmless the City, its officers, employees and agents from any and all liabilities which may accrue against the City, its officers, employees and agents or any third party for any and all lawsuits, claims, demands, losses or damages alleged to have arisen from an act or omission of Contractor in performance of this Agreement or from Contractor's failure to perform this Agreement using ordinary care and skill, except where such injury, damage, or loss was caused by the sole negligence of the City, its agents or employees.

Contractor shall save, indemnify and hold the City harmless from the cost of the defense of any claim, demand, suit or cause of action made or brought against the City alleging liability referenced above, including, but not limited to, costs, fees, attorney fees, and other expenses of any kind whatsoever arising in connection with the defense of the City; and Contractor shall assume and take over the defense of the City in any such claim, demand, suit, or cause of action upon written notice and demand for same by the City. Contractor will have the right to defend the City with counsel of its choice that is satisfactory to the City, and the City will provide reasonable cooperation in the defense as Contractor may request. Contractor will not consent to the entry of any judgment or enter into any settlement with respect to an indemnified claim without the prior written consent of the City, such consent not to be unreasonably withheld or delayed. The City shall have the right to participate in the defense against the indemnified claims with counsel of its choice at its own expense.

Contractor shall save, indemnify and hold City harmless and pay judgments that shall be rendered in any such actions, suits, claims or demands against City alleging liability referenced above.

The indemnification and hold harmless provisions of this Agreement shall survive termination of the Agreement.



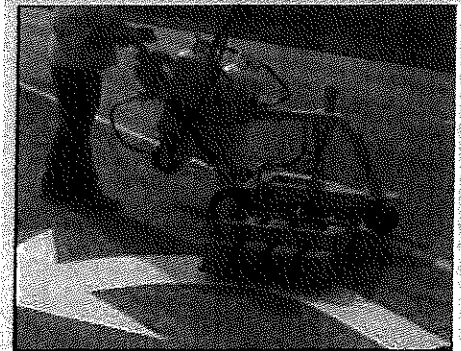
StreetHeat™

RECIPROCATING INFRARED HEATING TECHNOLOGY

StreetHeat™ infrared heaters are designed specifically for the application and imprinting of asphalt and preformed thermoplastic pavement markings.

StreetHeat™ infrared heaters are designed to optimize productivity. Contractors around the world recognize the advantages that these virtually maintenance-free heaters offer to their businesses.

StreetHeat™ heaters offer superior levels of production, user friendliness and safety. The heaters are designed with a unique reciprocating heating process that allows for real-time monitoring of the asphalt conditions. StreetHeat™ infrared heaters use high-intensity, true infrared technology which enables improved heating even in adverse conditions.



SR-28 SPECIFICATIONS

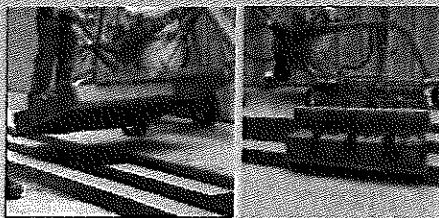
Infrared Heat Source	Propane
Machine Weight (Without Propane Cylinders)	260 lbs (118 kg)
Amount of Heat (SR28)	280,000 BTU-Hr (250 kW-Hr)
Amount of Heat (Flint 2000EX Heat Torch)	90,000 - 190,000 BTU-Hr (27-55 kW-Hr)

SR-28 HEATER

The SR-28 comes as the perfect complement for StreetHeat's line of heaters. It uses reliable infrared heating technology and is best suited for application of TrafficPatterns®, DecoMark® and PreMark® preformed thermoplastic pavement markings. The SR-28 allows for fast and consistent application. The highly maneuverable SR-28 is designed for the optimized heating of linear material up to 24 inches in width and a variety of symbols and legends. Every SR-28 comes with an integrated Flint 2000EX® propane heat torch which can be operated up to a radius of 12 feet away.

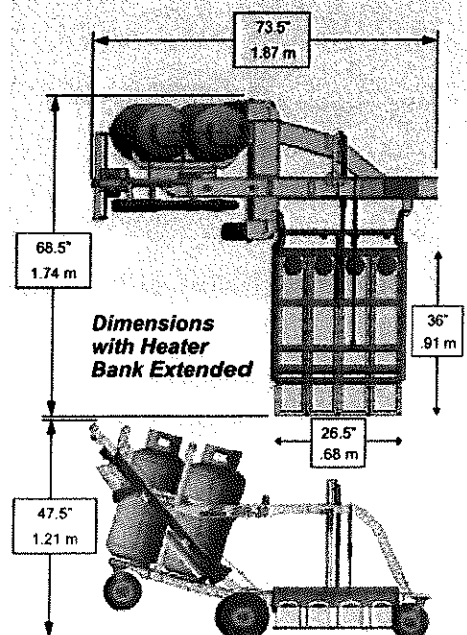
If the proper equipment is not used, it is very easy to burn, damage or scorch preformed thermoplastic or asphalt.

For example, the intense heat from a blue flame type heater over a smaller heating area will cause the asphalt to burn and deteriorate the surface. The benefits of StreetHeat infrared heating technology is the even distribution of heat over large areas that gently heat the asphalt surface. The SR-28 uses infrared heating grills and precisely tuned reciprocating cycles to uniformly soak the heat into the asphalt.



Save time and money with increased production rate

Propane tanks are sold separately.

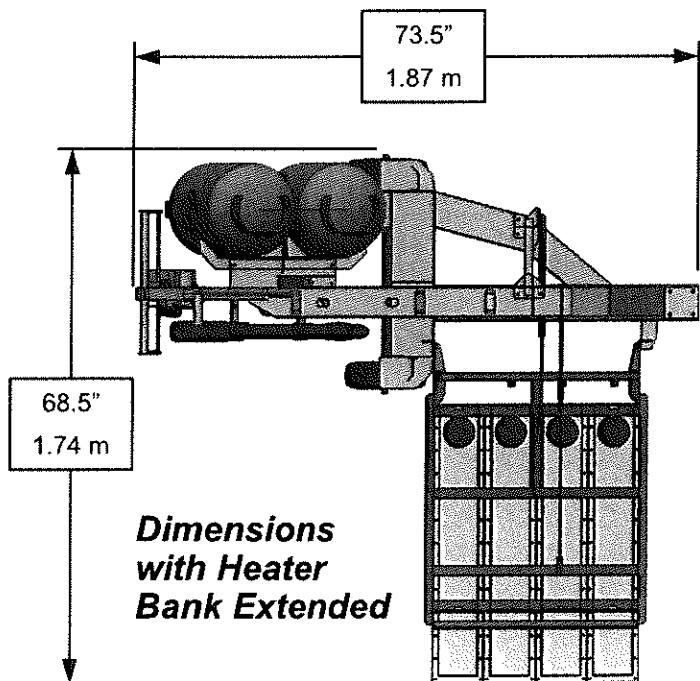
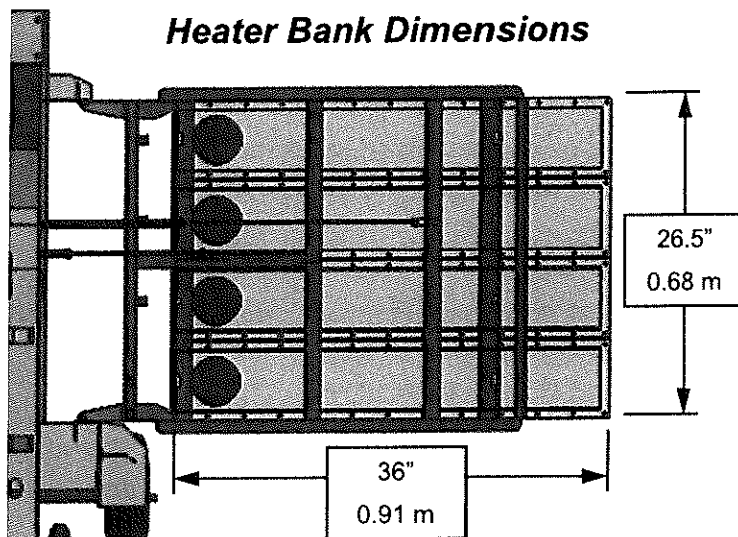


Specifications and Dimensions

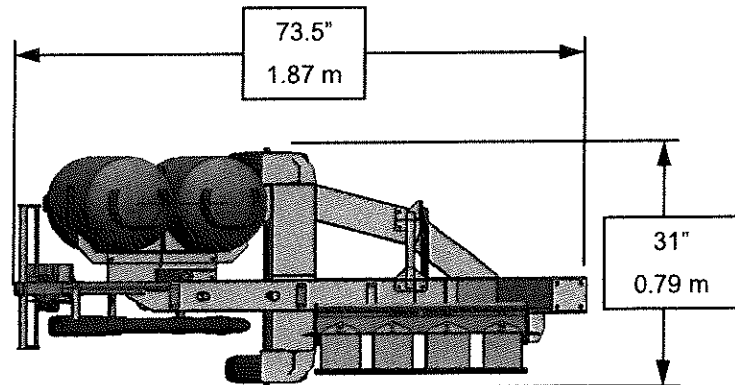
SR28 Specifications

Infrared Heat Source	Propane
Machine Weight (Without Propane Cylinders)	260 lbs (118 kg)
Amount of Heat (SR28)	280,000 BTU-Hr (250 kW-Hr)
Amount of Heat (Flint 2000EX Heat Torch)	90,000 - 190,000 BTU-Hr (27-55 kW-Hr)

Heater Bank Dimensions



**Dimensions
with Heater
Bank Extended**



**Dimensions with
Heater Bank Folded**

