

MECHANICAL SPECIFICATIONS

FIXTURE

Dimensions:

mm: 646 x 301 x 168
in: 25.4 x 11.9 x 6.6

BOXED FOR SHIPPING

Dimensions:

mm: 740 x 410 x 602
in: 29.0 x 16.1 x 23.7

Fixture Weight: 15.5 kg (34 lb)

Shipping Weight: 19 kg (42 lb)

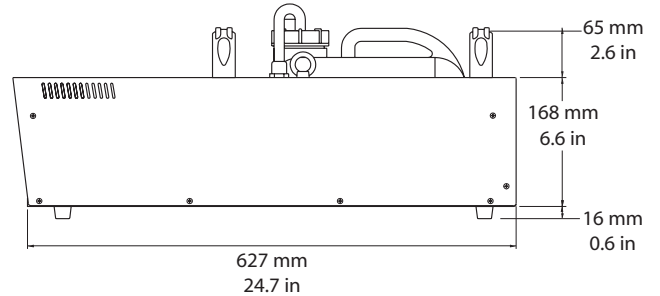
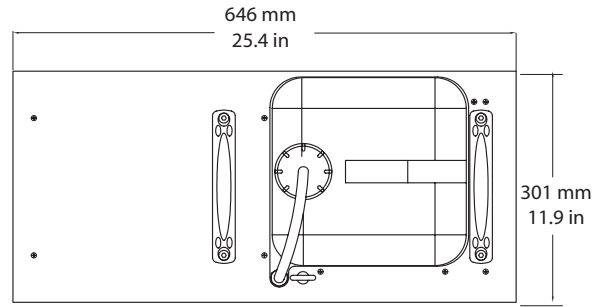
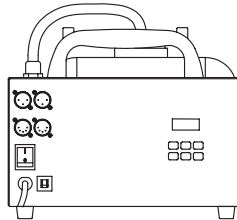
Construction and Mounting Information: This product is constructed with a low-maintenance, corrosion-resistant vaporizing chamber and dual carrying handles. A safety cable mounting point can be used in securing the unit when strapped to a truss.

Colors Available: Black

ELECTRICAL SPECIFICATIONS

Power Consumption: 100 - 120 VAC 50/60 Hz or
200-240 VAC 50/60 HZ

Rated Power: 1500 W maximum



OUTPUT

Fluid capacity: 9.5 liter (2.5 gal) fluid reservoir

Minimum Output: 566 m³ (20,000 ft³)

Warm-up Time: 11 min

Liquid Sensor: Optoelectronic with auto shutoff

Fluid Type: Water-based Atmospheres® fine particulate fog generating fluid. HQ, Stage

OPERATION

Menu Interface: Timer to set interval and duration
DMX Channel setting
Continuous fogging setting

Volume control
Manual ON/OFF
LCD Display

Compliance: ROHS, TUV 499 (UL standard)

Environmental Specifications: Minimum ambient temperature -5° C (23°F)
Maximum ambient temperature 50°C (122°F)

DMX CONTROL

DMX Control: DMX-512

DMX Channel Requirement: One

Address Methods: Menu Display

DMX/RDM Data Connectors: 3-pin and 5-pin male and female XLR connectors

PART NUMBERS

15010014: FOGGER, FQ-100 110V
15010015: FOGGER, FQ-100 230V

05040001: Atmospheres Liquid, 2.11 Gal HQ
05040002: Atmospheres, 5 Gal HQ
05040004: Atmospheres, 2.11 Gal Stage

05040005: Atmospheres, 5 Gal Stage
05040018: Atmospheres, 55 Gal Stage
05040019: Atmospheres, 55 Gal HQ

© 2009, High End Systems, Inc.
All specifications subject to change without notice.

High End Systems, Inc.
2105 Gracy Farms Lane
Austin, TX 78758 USA
voice:512.836.2242
fax:512.837.5290
Toll Free: 800.890.8989

Customer Service
2105 Gracy Farms Lane
Austin, TX 78758 USA
voice:800.890.8989
fax: 512.834.9195
Toll free: 800.890.8989