

**ARLINGTON COUNTY, VIRGINIA**

**AGREEMENT NO. 18-213-9  
AMENDMENT NUMBER 5**

This Amendment No. 5 is made on 10/13/2022 and amends Agreement Number 18-213-9 ("Main Agreement") dated June 25, 2019 between Future System, Inc. ("Contractor") and the County Board of Arlington County, Virginia ("County").

The County and the Contractor agree to amend the Main Agreement as follows:

1. Future Systems shall modify the base plates which were originally approved by Amendment No. 4. This modification is to accommodate the revised design to decrease the thickness of the reinforced concrete slab. As a result of this revised design, the size of the anchor bolts for the center column on the 8 Bay shelter increased from its original 0.781" to 1.25" diameter.
2. The quantity shall be Four holes per base shoe for a total of Twenty Four holes.
3. The Contractor shall be paid \$1,200 for this effort.

All other terms and conditions of the Main Agreement remain in effect.

WITNESS these signatures:

THE COUNTY BOARD OF ARLINGTON  
COUNTY, VIRGINIA

FUTURE SYSTEMS, INC.

AUTHORIZED: DocuSigned by:  
SIGNATURE: Dr. Sharon Lewis  
89B86B1AD301462...  
NAME: Dr. Sharon Lewis  
TITLE: Purchasing Agent  
DATE: 10/13/2022

AUTHORIZED: DocuSigned by:  
SIGNATURE: Mark Sidon  
497E06C627FF464...  
NAME: Mark Sidon  
TITLE: Vice President of Operations  
DATE: 10/13/2022

## Proposed Change Order

<b>Date submitted:</b>	23-June-2022	<b>PCO#:</b>	<b>022</b>
<b>Title:</b>	Machining of baseplate		
<b>Project Name:</b>	18-213-9 Columbia Pike Transit stations	<b>TT#:</b>	TT6757
<b>Contractor:</b>	Arlington, Virginia		
<b>Requested by:</b>	Zaki Ud Din		

**Type of Request:** *Proposed Change Order*

### PCO Description

*(Fully describe the question or type of information required, to allow CT to identify what document(s) or information is needed)*

Drilled out base shoe holes from 0.781" to 1-5/16"  
Stainless steel base shoes  
4 holes per base shoe

Potential Cost Impact	Potential Schedule Impact
\$1,333.33 Immediately: upon submission of invoice	

### Reference

Specification	Drawing(s)	Detail(s)
Design	REVISED MIDDLE COLUMN STUB	

### RESPONSE

<b>Response by</b>
<b>Attachments</b> <i>(as applicable)</i>

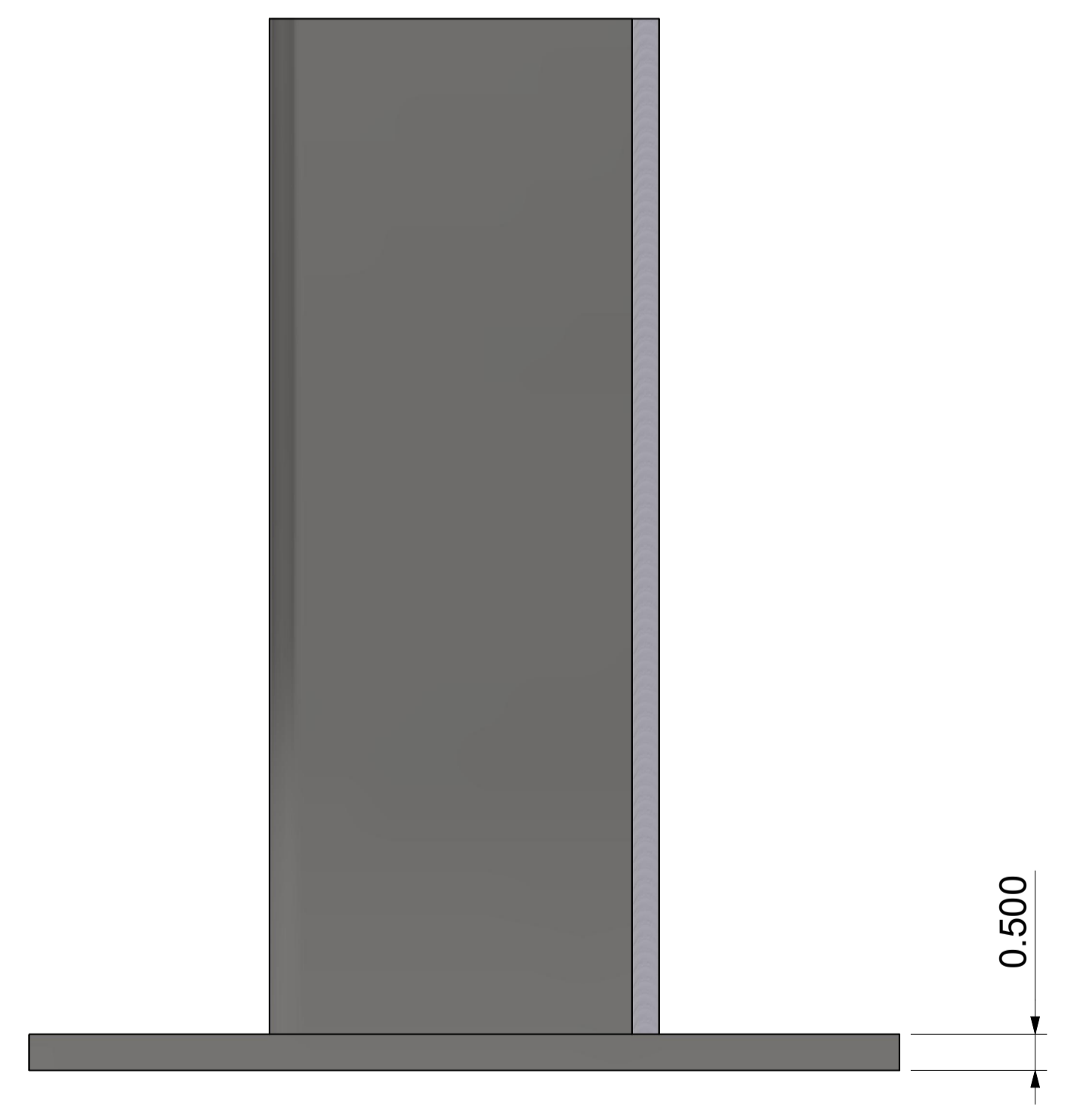
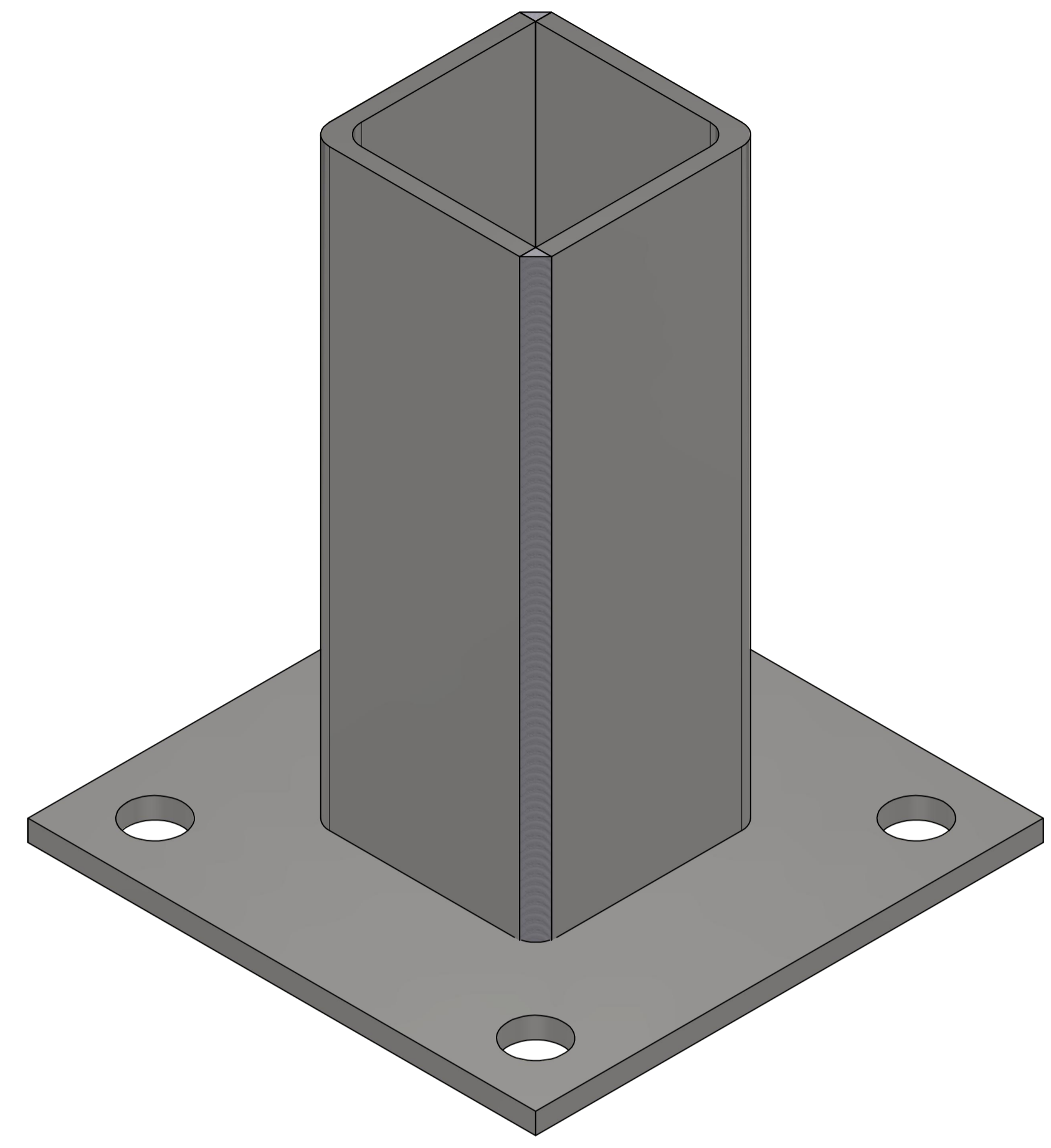
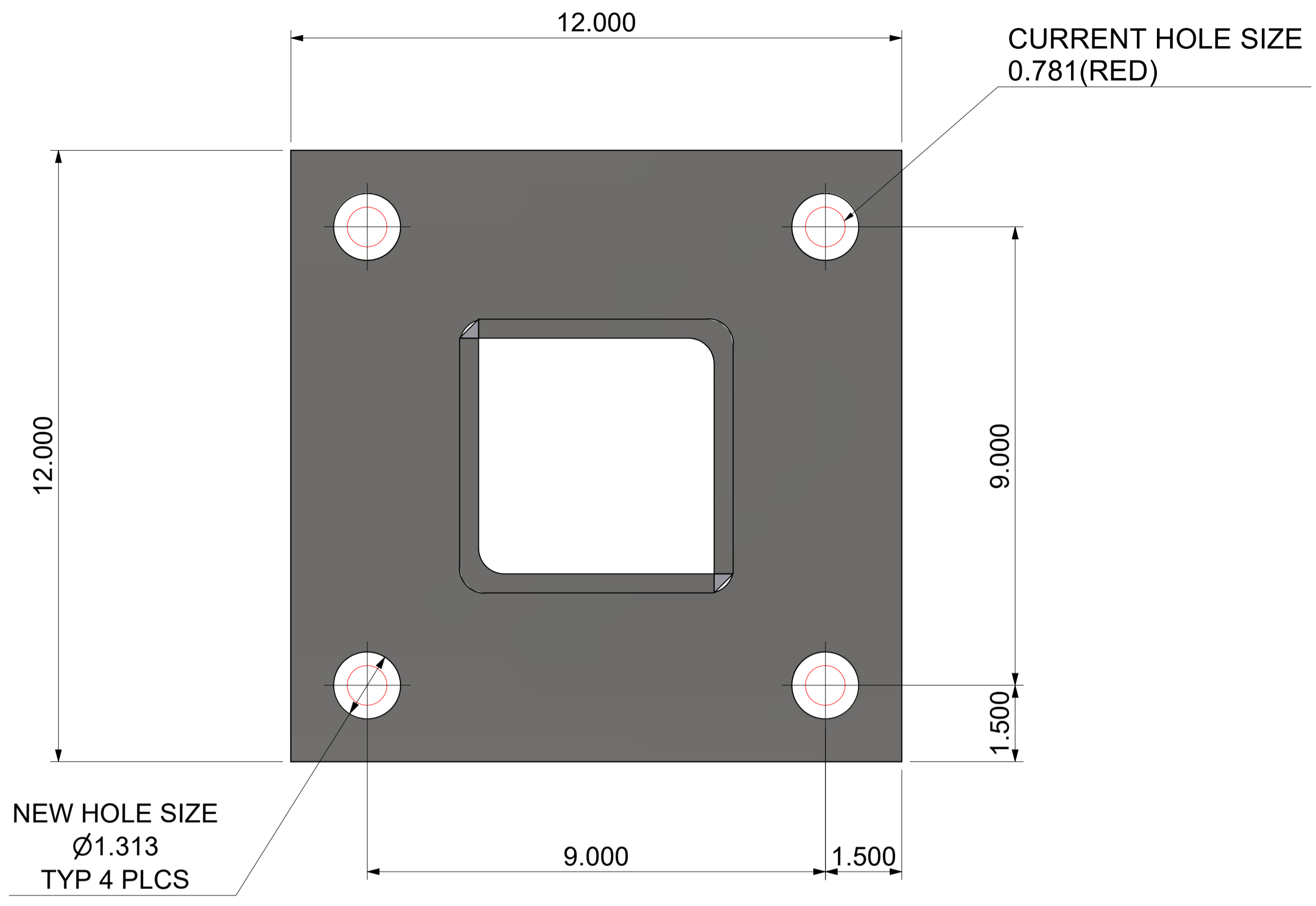
### CM RESPONSE:

<b>RESPONSE APPROVED BY:</b>

### COMMENTS:

--

**IF IN DOUBT ASK**



APPROX WEIGHT: 23.1 kgs (51lbs)

0	CC	06/17/2022	FOR FABRICATION
REV	DESIGNER	Date	REV DETAILS
<b>future</b> systems inc			
All dimensions in inches. Do not manually alter CAD drawings, Do not scale			
Client <b>ARLINGTON</b> Property of COUNTY			
Title REVISED MIDDLE COLUMN STUB			
Scale NTS		Date 2022-06-17	
Drawn CC		Page 1 OF 1	
Drawing No.			Rev 0

ACTION MACHINING  
7240 P TELEGRAPH SQUARE DR  
LORTON, VA. 22079  
703-339-7232

Merchant ID: 8000841448  
Term ID: 001734808800841448001

### Phone Order

XXXXXXXXXXXX1259

VISA Entry Method: Manual

Total: \$ 1,200.00

06/21/22 16:58:41

Inv #: 000001 Appr Code: 052601

Apprvd: Online

AVS Code:

CVV2 Code: MATCH M

## ACTION MACHINING

P Telegraph Square Dr.  
LORTON, VA 22079  
703) 339-7232

DATE: 6/21/22

SYSTEMS US INC.

Customer Copy

THANK YOU!

DUPLICATE ON ACCT. MDSE. RET'D. PAID OUT

DESCRIPTION PRICE AMOUNT

DRILLED OUT HOLES to 1 5/16 ON 6 STAINLESS STANDS 4 HOLE EACH	200.00	200.00
--	--------	--------

TAX

TOTAL

1200.00

RECEIVED BY

PRODUCT 610

All claims and returned goods must be accompanied by this bill.

# 7844

Thank You