



ARLINGTON COUNTY, VIRGINIA  
OFFICE OF THE PURCHASING AGENT  
2100 CLARENDON BOULEVARD, SUITE 500  
ARLINGTON, VIRGINIA 22201

**CONTRACT AWARD COVERPAGE**

<b>TO:</b> BENNETT GROUP, INC. 1230 31 <sup>ST</sup> STREET, NW WASHINGTON, DC 20007	<b>DATE ISSUED:</b> FEBRUARY 24, 2022
	<b>CONTRACT NO:</b> 22-DES-ITB-452
	<b>CONTRACT TITLE:</b> CONSTRUCTION IMPROVEMENT OF SIX FIREHOUSE

---

**THIS IS A NOTICE OF AWARD OF CONTRACT AND NOT AN ORDER. NO WORK IS AUTHORIZED UNTIL THE VENDOR RECEIVES A VALID COUNTY PURCHASE ORDER ENCUMBERING CONTRACT FUNDS.**

The contract documents consist of the terms and conditions of AGREEMENT No. 22-DES-ITB-452 including any attachments or amendments thereto.

**EFFECTIVE DATE:** FEBRUARY 24, 2022  
**EXPIRES:** ANTICIPATED APRIL 15, 2023  
**RENEWALS:** NONE  
**COMMODITY CODE(S):** 90925,91116,91115,92931,95935,91315,91323,91221,91230,91344,91350  
**LIVING WAGE:** N

**ATTACHMENTS:**  
AGREEMENT No. 22-DES-ITB-452

**EMPLOYEES NOT TO BENEFIT:**  
**NO COUNTY EMPLOYEE SHALL RECEIVE ANY SHARE OR BENEFIT OF THIS CONTRACT NOT AVAILABLE TO THE GENERAL PUBLIC.**

---

<b><u>VENDOR CONTACT:</u></b> KOLAR BOWEN	<b><u>VENDOR TEL. NO.:</u></b> (202) 439-3790
<b><u>EMAIL ADDRESS:</u></b> KBOWEN@BENNETTGROUPDC.COM	
<b><u>COUNTY CONTACT:</u></b> MICHAEL MANOS (DES AND FD&C)	<b><u>COUNTY TEL. NO.:</u></b> (703) 228-XXXX
<b><u>COUNTY CONTACT EMAIL:</u></b> <a href="mailto:MMANOS@ARLINGTONVA.US">MMANOS@ARLINGTONVA.US</a>	

---

**PURCHASING DIVISION AUTHORIZATION**

**Sy Gezachew** Title: Procurement Officer Date February 24, 2022



**ARLINGTON COUNTY, VIRGINIA  
OFFICE OF THE PURCHASING AGENT  
SUITE 500, 2100 CLARENDON BOULEVARD  
ARLINGTON, VA 22201**

**AGREEMENT NO. 22-DES-ITB-452**

THIS AGREEMENT is made, on 2/24/2022, between **Bennett Group, Inc.**, 1230 31<sup>st</sup> Street NW, Washington, D.C. 20007 ("Contractor") a District of Columbia Stock Corporation authorized to do business in the Commonwealth of Virginia, and the **County Board of Arlington County, Virginia** ("County"). The County and the Contractor, for the consideration hereinafter specified, agree as follows:

**1. CONTRACT DOCUMENTS**

The Contract Documents consist of:

- Agreement No. 22-DES-ITB-452, and all modifications properly incorporated into the Agreement
- Exhibit A – Arlington County Invitation to Bid No. 22-DES-ITB-452, including Addenda, DES General Conditions and Special Conditions which is incorporated herein by reference.
- Exhibit B – Specifications, Drawings and Construction Notes
- Exhibit C – Price Bid of Contractor
- Exhibit D – Contractor COVID-19 Vaccination Certification
- Exhibit E – Contractor COVID-19 Vaccination Quarterly Compliance Certification

Where the terms and provisions of this Agreement vary from the terms and provisions of the other Contract Documents, the terms and provisions of this Agreement will prevail over the other Contract Documents, and the remaining Contract Documents will be complementary to each other. If there are any conflicts, the most stringent terms or provisions will prevail.

The Contract Documents set forth the entire agreement between the County and the Contractor. The County and the Contractor agree that no representative or agent of either party has made any representation or promise with respect to the parties' agreement that is not contained in the Contract Documents. The Contract Documents may be referred to below as the "Contract" or the "Agreement".

**2. SCOPE OF WORK**

The Contractor will furnish all labor, materials, and equipment for the construction improvement of six firehouse throughout Arlington County (the "Project") and all other work shown, described, and required by the Contract Documents (hereinafter "the Work").

The Work shall be performed according to the standards established by the Contract Documents read together as a single specification. It shall be the Contractor's responsibility, at solely the Contractor's cost,



to provide sufficient services to fulfill the purposes of the Work. Nothing in the Contract Documents shall be construed to limit the Contractor's responsibility to manage the details and execution of its Work.

**3. PROJECT OFFICER**

The performance of the Contractor is subject to the review and approval of the County Project Officer identified in Section 53, Notices, unless the Contractor is otherwise notified in writing.

**4. TIME FOR COMPLETION**

Work under this Agreement shall achieve Substantial Completion no later than three hundred sixty-five (365) consecutive calendar days after the commencement date given in a Notice to Proceed provided by the County to the Contractor, subject to any modifications made as provided for in the Contract Documents. This three hundred sixty-five (365) day period shall be the Period of Performance for Substantial Completion. No Work shall be deemed Substantially Complete until it meets the requirements of Substantial Completion set forth in the General Conditions. Final Completion of the Work shall be completed no later than thirty (30) calendar days after the date of acceptance of Substantial Completion by the County Project Officer. Work will not reach Final Completion until it meets the requirements set forth in the General Conditions.

Unless otherwise provided, no claims for early completion are allowed.

**5. CONTRACT AMOUNT**

The County will pay the Contractor in accordance with the terms of the Progress Payments and Retainage and Payment Terms sections below and at the prices shown in Exhibit C, for the Contractor's completion of the Work as required by the Contract Documents provided the Work is performed to the satisfaction of and is accepted by the Project Officer. The Contractor will complete the Work for the total amount specified in this section ("Contract Amount") unless such amount is modified as provided in this Agreement. The Contract Amount includes all of the Contractor's costs and fees (profit) and is inclusive of all anticipated or known site conditions, anticipated or known materials, labor, and equipment costs, or any other costs which should reasonably have been expected by the Contract Documents.

**6. PRICE ESCALATION**

Contractor may not increase any unit or lump sum pricing during the term of the contract except as provided hereinafter. Prices may be changed upward, of up to two percent (2%) of Contractor base bid, for the designated items below for a period of up to 30 days following contract award. Contractor must notify the Project Officer in writing of the adjusted pricing and provide written documentation for the amount of any documented unexpected or extraordinary price increases (escalations) from suppliers or sub-Contractors prior to delivery and billing for such escalations. Such documentation shall consist of invoices, quotes, and/or price increase notifications from suppliers of sub-Contractors. In no case shall the Contractor's fixed profit margin as established by the original contract amount increase due to escalations during the term of the contract. Products subject to escalation shall not be delivered or billed until written confirmation and acceptance of the adjusted pricing has been received from the Project Officer. This clause shall only be applicable to such goods as the County shall in writing so designate as subject to escalation. Only the items listed below shall be eligible for consideration: Roofing and insulation; Metal joists, decking, wall studs and fasteners; and Mechanical Roof top Units.

**7. PROGRESS PAYMENTS AND RETAINAGE**

The County will make monthly progress payments to the Contractor upon written application by the Contractor, on the basis of a written estimate of the work performed during the preceding calendar month

as approved by the Project Officer. However, 5% of each progress payment will be retained by the County until Final Completion and acceptance of all Work covered by the Agreement.

All material and work covered by partial payments will become the property solely of the County at the time the partial payment is made. However, the Contractor will have the sole responsibility, care and custody for all materials and work upon which payments have been made until Substantial Completion.

When calculating payment for materials on-site, the County shall not pay for materials which are not scheduled for incorporation into the Work within sixty (60) days from the date of application for payment.

**8. PAYMENT TERMS**

The Contractor must submit invoices to the County's Project Officer, who will either approve the invoice or require corrections. The County will pay the Contractor within 45 days after approval of an invoice for completed work which is reasonable and allocable to the Contract. The number of the County Purchase Order pursuant to work has been performed must appear on all invoices.

**9. PAYMENT OF SUBCONTRACTORS**

The Contractor is obligated to take one of the two following actions within seven days after receipt of payment by the County for work performed by any subcontractor under this Contract:

- a. Pay the subcontractor for the proportionate share of the total payment received from the County attributable to the work performed by the subcontractor under this Contract; or
- b. Notify the County and the subcontractor, in writing, of the Contractor's intention to withhold all or a part of the subcontractor's payment with the reason for nonpayment.

The Contractor is obligated to pay interest to the subcontractor on all amounts owed by the Contractor to the subcontractor that remain unpaid after seven days following receipt by the Contractor of payment from the County for work performed by the subcontractor under this Contract, except for amounts withheld as allowed in subsection b., above. Unless otherwise provided under the terms of this Contract, interest will accrue at the rate of 1% per month.

The Contractor must include in each of its subcontracts, if any are permitted, a provision requiring each subcontractor to include or otherwise be subject to the same payment and interest requirements with respect to each lower-tier subcontractor.

The Contractor's obligation to pay an interest charge to a subcontractor pursuant to this section may not be construed to be an obligation of the County. A Contract modification may not be made for the purpose of providing reimbursement for such interest charge. A cost reimbursement claim may not include any amount for reimbursement for such interest charge.

**10. RELEASE AND REQUEST FOR FINAL PAYMENT**

In order to receive final payment upon Final Completion of the Project and before Final Acceptance, the Contractor must submit to the Project Officer a signed original notarized copy of the Arlington County Release and Request for Final Payment form per the General Conditions.

**11. LIQUIDATED DAMAGES**

Time is of the essence under this Contract. The Work must be completed within the Time for Completion. The County and the Contractor agree that damages for failure to achieve Substantial Completion of the Work by the date specified under Time for Completion are not susceptible to exact determination but that \$1,524.39 per calendar day is in proportion to the actual loss that the County would suffer from such delay. Therefore, the Contractor will pay the County as liquidated damages \$1,524.39 per day for each and every day beyond the time for Substantial Completion that the County determines Substantial Completion has not achieved. The County and the Contractor also agree that damages for failure to achieve Final Completion of the Work by the date specified under Time for Completion are not susceptible to exact determination but that \$1,524.39 per calendar day is in proportion to the actual loss the County would suffer from such delay. Therefore, the Contractor will pay the County as liquidated damages \$1,524.39 per day for each and every day beyond the time for Final Completion until Final Completion is achieved.

**12. NON-APPROPRIATION**

All payments by the County to the Contractor pursuant to this Contract are subject to the availability of an annual appropriation for this purpose by the County Board of Arlington County, Virginia ("Board"). In the event that the Board does not appropriate funds for the goods or services provided under this Contract, the County will terminate the Contract, without termination charge or other liability to the County, on the last day of the fiscal year or when the previous appropriation has been spent, whichever occurs first.

**13. ESTIMATED QUANTITIES/NON-EXCLUSIVITY OF CONTRACTOR**

This Contract does not obligate the County to purchase a specific quantity of items or services during Contract Term. Any quantities that are included in the Contract Documents are the present expectations of the County for the period of the Contract; and the County is under no obligation to buy that or any amount as a result of having provided this estimate or of having had any normal or otherwise measurable requirement in the past. The County may require more goods and/or services than the estimated annual quantities, and any such additional quantities will not give rise to any claim for compensation other than at the unit prices and/or rates in the Contract.

The County does not guarantee that the Contractor will be the exclusive provider of the goods or services covered by this Contract. The items or services covered by this Contract may be or become available under other County contract(s), and the County may determine that it is in its best interest to procure the items or services through those contract(s).

**14. COUNTY PURCHASE ORDER REQUIREMENT**

County purchases are authorized only if the County issues a Purchase Order in advance of the transaction, indicating that the ordering County agency has sufficient funds available to pay for the purchase. If the Contractor provides goods or services without a signed County Purchase Order, it does so at its own risk and expense. The County will not be liable for payment for any purchases made by its employees that are not authorized by the County Purchasing Agent.

**15. LIEN**

It is expressly agreed that after any payment has been made by the County either to the Contractor for work done, or labor or material supplied under the Contract, the County will have a lien upon all material delivered to the site either by the Contractor, or for the Contractor, which is to be used in the performance of the Contract.

**16. VALUE ENGINEERING PROPOSAL (VEP)**

Unless otherwise provided, the Contractor may submit to the County a written VEP for modifying the plans, specifications, or other requirements of the Agreement covering the work (Contract) for the purpose of reducing the total cost of the Contract without reducing the design capacity or quality of the finished product. If the VEP is accepted by the County, the net savings will be equally divided by the County and the Contractor.

Each VEP shall result in a net savings over the Contract cost without impairing essential functions and characteristics of the item(s) or of any other part of the project, including, but not limited to, service life, reliability, economy of operation, ease of maintenance, aesthetics, and safety. At least the following information shall be submitted with each VEP:

- (a) a statement that the proposal is submitted as a VEP;
- (b) a statement concerning the basis for the VEP, benefits to the County, and an itemization of the Contract items and requirements affected by the VEP;
- (c) a detailed estimate of the cost under the existing Contract and under the VEP;
- (d) proposed specifications and recommendations as to the manner in which the VEP changes are to be accomplished; and
- (e) a statement as to the time by which a Contract Amendment adopting the VEP must be issued so as to obtain the maximum cost-effectiveness.

The County will process the VEP in the same manner as prescribed for any other proposal that would necessitate issuance of an Amendment. The County may accept a VEP in whole or part by issuing an Amendment that will identify the VEP on which it is based. The County will not be liable to the Contractor for failure to accept or act on any VEP submitted pursuant to these requirements or for delays in the work attributable to any VEP. Until a VEP is put into effect by an Amendment, the Contractor shall remain obligated to the terms and conditions of the existing Agreement. If an executed Amendment has not been issued by the date on which the Contractor's proposal specifies that a decision should be made or such other date as the Contractor may subsequently have specified in writing, the VEP shall be deemed rejected.

The Amendment effecting the necessary modification of the Contract will establish the net savings agreed on, provide for adjustment of the contract prices, and indicate the net savings. The Contractor shall absorb all costs incurred in preparing a VEP. Reasonably incurred costs for reviewing and administering a VEP will be borne by the County. The County may establish any reasonable conditions it deems appropriate for consideration, approval, and implementation of the VEP. The Contractor's 50 percent share of the net savings shall constitute full compensation to it, including by way of illustration and not limitation compensation for time, for effecting all changes pursuant to the Amendment.

Unless specifically provided for in the Amendment authorizing the VEP, acceptance of the VEP and performance of the work thereunder will not change the Contract Term limit.

The County may adopt a VEP for general use in contracts administered by the County if it determines that the VEP is suitable for application to other contracts. A VEP identical with or similar to a previously  
ITB No. 22-DES-ITB-452

submitted VEP will be eligible for consideration and compensation under these provisions if it has not been previously adopted for general application to other contracts administered by the County. When a VEP is adopted for general use, compensation pursuant to these requirements will be applied only to those awarded contracts for which the VEP was submitted prior to the date of adoption of the VEP.

If a VEP is based on or is similar to a change in the plans, specifications, or special provisions adopted by the County prior to submission of the VEP, as determined by the County, the County will not accept the VEP.

The County will be the sole judge of the acceptability of a VEP. The requirements herein apply to each VEP initiated, developed, and identified as such by the Contractor at the time of its submission to the County. However, nothing herein shall be construed as requiring the County to consider or approve a VEP, and the decision to enter into an Amendment to the contract to accommodate a VEP shall be in the County's sole discretion.

Subject to the provisions contained herein, the County, or any other public agency with the County's permission, shall have the right to use all or part of an accepted VEP without obligation or compensation of any kind to the Contractor.

If a VEP is accepted by the County, any provisions herein that pertain to the adjustment of contract unit prices attributable to alterations of contract quantities will not apply to the items adjusted or deleted as a result of putting the VEP into effect by an Amendment.

**17. EMPLOYMENT DISCRIMINATION BY CONTRACTOR PROHIBITED**

During the performance of its work pursuant to this Contract:

- A. The Contractor will not discriminate against any employee or applicant for employment because of race, religion, color, sex, sexual orientation, gender identity, national origin, age, disability or on any other basis prohibited by state law. The Contractor agrees to post in conspicuous places, available to employees and applicants for employment, notices setting forth the provisions of this nondiscrimination clause.
- B. Notices, advertisements and solicitations placed in accordance with federal law, rule or regulation will be deemed sufficient for meeting the requirements of this section.
- C. The Contractor will state in all solicitations or advertisements for employees that it places or causes to be placed that such Contractor is an Equal Opportunity Employer.
- D. The Contractor will comply with the provisions of the Americans with Disabilities Act of 1990 ("ADA"), which prohibits discrimination against individuals with disabilities in employment and mandates that disabled individuals be provided access to publicly and privately provided services and activities.
- E. The Contractor must include the provisions of the foregoing paragraphs in every subcontract or purchase order of more than \$10,000.00 relating to this Contract so that the provisions will be binding upon each subcontractor or vendor.

**18. EMPLOYMENT OF UNAUTHORIZED ALIENS PROHIBITED**

In accordance with §2.2-4311.1 of the Code of Virginia, as amended, the Contractor must not during the performance of this Contract knowingly employ an unauthorized alien, as that term is defined in the federal Immigration Reform and Control Act of 1986.

**19. DRUG-FREE WORKPLACE TO BE MAINTAINED BY CONTRACTOR**

During the performance of this Contract, the Contractor must: (i) provide a drug-free workplace for its employees; (ii) post in conspicuous places, available to employees and applicants for employment, a statement notifying employees that the unlawful manufacture, sale, distribution, dispensation, possession, or use of a controlled substance or marijuana is prohibited in the Contractor's workplace and specifying the actions that will be taken against employees for violating such prohibition; (iii) state in all solicitations or advertisements for employees placed by or on behalf of the Contractor that the Contractor maintains a drug-free workplace; and (iv) include the provisions of the foregoing clauses in every subcontract or purchase order of more than \$10,000.00 relating to this Contract so that the provisions will be binding upon each subcontractor or vendor.

For the purposes of this section, "workplace" means the site(s) for the performance of the work required by this Contract.

**20. \*SEXUAL HARASSMENT POLICY**

If the Contractor employs more than five employees, the Contractor shall (i) provide annual training on the Contractor's sexual harassment policy to all supervisors and employees providing services in the Commonwealth, except such supervisors or employees that are required to complete sexual harassment training provided by the Department of Human Resource Management, and (ii) post the Contractor's sexual harassment policy in (a) a conspicuous public place in each building located in the Commonwealth that the Contractor owns or leases for business purposes and (b) the Contractor's employee handbook.

**21. COVID-19 VACCINATION POLICY FOR CONTRACTORS**

Due to the COVID-19 pandemic, the County has taken various steps to protect the welfare, health, safety and comfort of the workforce and public at large. As part of these steps, the County has implemented various requirements with respect to health and safety including policies with respect to social distancing, the use of face-coverings and vaccine mandates. All County Contractors, entering County owned, controlled, or leased facilities or facilities operated by a contractor if the services provided at that location are exclusive to Arlington County Government or contractors with public facing responsibilities must adopt these policies for implementation with their employees and subcontractors working on County contracts.

Contractors are required to obtain and maintain the COVID-19 vaccine status of employees or subcontractors, require any unvaccinated or not fully vaccinated employees to follow a weekly testing protocol established by the Contractor to submit to weekly testing, and provide any accommodations as required by law. Contractor should submit the certification of compliance to the Purchasing Agent at the time of contract execution and within five working days of the end of each quarter (see Exhibits E). In addition, all Contractor and subcontractor employees subject to the requirements of this section must also comply with the County COVID-19 masking and social distancing protocols, as signed at each County location.

It is recognized that the COVID-19 pandemic is an ongoing health crisis. As such, requirements with respect to health and safety, including vaccines and face-coverings may change over time. Contractors are expected to adhere to the County requirements as they evolve in response to the crisis.

For questions, the Contractor may email [contractorvaccineinfo@arlingtonva.us](mailto:contractorvaccineinfo@arlingtonva.us).

**22. PROJECT STAFF**

The County has the right to reasonably reject staff or subcontractors whom the Contractor assigns to the Project. The Contractor must then provide replacement staff or subcontractors satisfactory to the County in a timely manner and at no additional cost to the County. The day-to-day supervision and control of the Contractor's employees and its subcontractors is the sole responsibility of the Contractor.

**23. FAILURE TO DELIVER**

If the Contractor fails to deliver goods or services in accordance with the Contract terms and conditions, the County, after notice to the Contractor, may procure the goods or services from other sources and hold the Contractor responsible for any resulting additional purchase and administrative costs. The County shall be entitled to offset such costs against any sums owed by the County to the Contractor. However, if public necessity requires the use of nonconforming materials or supplies, they may be accepted at a reduction in price to be determined solely by the County.

**24. UNSATISFACTORY WORK**

If any of the work done, or material, goods, or equipment provided by the Contractor, is unsatisfactory to the County the Contractor must, upon notice from the County, immediately remove at the Contractor's expense such unsatisfactory work, material, goods, or equipment and replace the same with work, material, goods, or equipment satisfactory to the County. If the Contractor fails to do so after fifteen (15) days the County shall have the right to remove or replace the rejected work, material, goods, or equipment at the expense of the Contractor and offset the expense and administrative costs against any

sums owed to the Contractor. This provision applies during the Contract term and during any warranty or guarantee period. At the Project Officer's discretion, rather than correction or replacement of the work, an appropriate adjustment to the Contract Amount may be made.

**25. TERMINATION**

The County may terminate this Contract at any time as follows: (1) for cause, if, as determined by the County, the Contractor is in breach or default or has failed to perform the Work satisfactorily; or (2) for the convenience of the County.

Upon receipt of a notice of termination, the Contractor must not place any further orders or subcontracts for materials, services or facilities; must terminate all vendors and subcontracts, except as are necessary for the completion of any portion of the Work that the County did not terminate; and must immediately deliver all documents related to the terminated Work to the County.

Any purchases that the Contractor makes after the notice of termination will be the sole responsibility of the Contractor, unless the County has approved the purchases in writing as necessary for completion of any portion of the Work that the County did not terminate.

If any court of competent jurisdiction finds a termination for cause by the County to be improper, then the termination will be deemed a termination for convenience.

A. TERMINATION FOR CAUSE, INCLUDING BREACH AND DEFAULT; CURE

1. Termination for Unsatisfactory Performance. If the County determines that the Contractor has failed to perform satisfactorily, then the County will give the Contractor written notice of such failure(s) and the opportunity to cure them within 15 days or any other period specified by the County ("Cure Period"). If the Contractor fails to cure within the Cure Period, the County may terminate the Contract for failure to provide satisfactory performance by providing written notice with a termination date. Upon such termination, the Contractor may apply for compensation for Contract services that the County previously accepted ("Termination Costs"), unless payment is otherwise barred by the Contract. The Contractor must submit any request for Termination Costs, with all supporting documentation, to the County Project Officer within 30 days after the expiration of the Cure Period. The County may accept or reject the request for Termination Costs, in whole or in part, and may notify the Contractor of its decision within a reasonable time.

In the event of termination by the County for failure to perform satisfactorily, the Contractor must continue to provide its services as previously scheduled through the termination date, and the County must continue to pay all fees and charges incurred through the termination date.

2. Termination for Breach or Default. If the County terminates the Contract for default or breach of any Contract provision or condition, then the termination will be immediate after notice of termination to the Contractor (unless the County provides for an opportunity to cure), and the Contractor will not be permitted to seek Termination Costs.

Upon any termination pursuant to this section, the Contractor will be liable to the County for costs that the County must expend to complete the Work, including costs resulting from any related delays and from unsatisfactory or non-compliant work performed by the Contractor or its subcontractors. The County will deduct such costs from any amount due to the Contractor; or if the County does not owe the Contractor, the Contractor must promptly pay the costs within 15 days of a demand by the County. This section does not limit the County's recovery of any other damages to which it is entitled by law.

Except as otherwise directed by the County, the Contractor must stop work on the date of receipt the notice of the termination.

B. TERMINATION FOR THE CONVENIENCE OF THE COUNTY

The County may terminate this Contract in whole or in part whenever the Purchasing Agent determines that termination is in the County's best interest. The County will give the Contractor at least 15 days' notice in writing. The notice must specify the extent to which the Contract is terminated and the effective termination date. The Contractor will be entitled to Termination Costs, as defined above, plus any other reasonable amounts that the parties might negotiate; but no amount will be allowed for anticipatory profits.

Except as otherwise directed by the County, the Contractor must stop work on the date of receipt of the notice of the termination.



**26. INDEMNIFICATION**

The Contractor covenants for itself, its employees and its subcontractors to save, defend, hold harmless and indemnify the County and all of its elected and appointed officials, officers, current and former employees, agents, departments, agencies, boards and commissions (collectively the “County Indemnitees”) from and against any and all claims made by third parties for any and all losses, damages, injuries, fines, penalties, costs (including court costs and attorneys’ fees), charges, liability, demands or exposure resulting from, arising out of or in any way connected with the Contractor’s acts or omissions, including the acts or omissions of its employees, vendors, delivery drivers and/or subcontractors, in performance or nonperformance of the Contract. This duty to save, defend, hold harmless and indemnify will survive the termination of this Contract. If the Contractor fails or refuses to fulfill its obligations contained in this section, the Contractor must reimburse the County for any and all resulting payments and expenses, including reasonable attorneys’ fees. The Contractor must pay such expenses upon demand by the County, and failure to do so may result in the County withholding such amounts from any payments to the Contractor under this Contract.

**27. INTELLECTUAL PROPERTY INDEMNIFICATION**

The Contractor warrants and guarantees that in providing services under this Contract neither the Contractor nor any subcontractor is infringing on the intellectual property rights (including, but not limited to, copyright, patent, mask and trademark) of third parties.

If the Contractor or any of its employees or subcontractors uses any design, device, work or material that is covered by patent or copyright, it is understood that the Contract Amount includes all royalties, licensing fees, and any other costs arising from such use in connection with the Work under this Contract.

The Contractor covenants for itself, its employees and its subcontractors to save, defend, hold harmless, and indemnify the County Indemnitees, as defined above, from and against any and all claims, losses, damages, injuries, fines, penalties, costs (including court costs and attorneys’ fees), charges, liability or exposure for infringement of or on account of any trademark, copyright, patented or unpatented invention, process or article manufactured or used in the performance of this Contract. This duty to save, defend, hold harmless and indemnify will survive the termination of this Contract. If the Contractor fails or refuses to fulfill its obligations contained in this section, the Contractor must reimburse the County for any and all resulting payments and expenses, including reasonable attorneys’ fees. The Contractor must pay such expenses upon demand by the County, and failure to do so may result in the County withholding such amounts from any payments to the Contractor under this Contract.

**28. COPYRIGHT**

By this Contract, the Contractor irrevocably transfers, assigns, sets over and conveys to the County all rights, title and interest, including the sole exclusive and complete copyright interest, in any and all copyrightable works created pursuant to this Contract. The Contractor will execute any documents that the County requests to formalize such transfer or assignment.

The rights granted to the County by this section are irrevocable and may not be rescinded or modified, including in connection with or as a result of the termination of or a dispute concerning this Contract. The Contractor may not use subcontractors or third parties to develop or provide input into any copyrightable materials produced pursuant to this Contract without the County’s advance written approval and unless the Contractor includes this Copyright provision in any contract or agreement with such subcontractors or third parties related to this Contract.

**29. OWNERSHIP AND RETURN OF RECORDS**

This Contract does not confer on the Contractor any ownership rights or rights to use or disclose the County's data or inputs.

All drawings, specifications, blueprints, data, information, findings, memoranda, correspondence, documents or records of any type, whether written, oral or electronic, and all documents generated by the Contractor or its subcontractors as a result of this Contract (collectively "Records") are the exclusive property of the County and must be provided or returned to the County upon completion, termination, or cancellation of this Contract. The Contractor will not use or willingly cause or allow such materials to be used for any purpose other than performance of this Contract without the written consent of the County.

The Records are confidential, and the Contractor will neither release the Records nor share their contents. The Contractor will refer all inquiries regarding the status of any Record to the Project Officer or to his or her designee. At the County's request, the Contractor will deliver all Records, including hard copies of electronic records, to the Project Officer and will destroy all electronic Records.

The Contractor agrees to include the provisions of this section as part of any contract or agreement related to this Contract into which it enters with subcontractors or other third parties.

The provisions of this section will survive any termination or cancellation of this Contract.

**30. CONFIDENTIAL INFORMATION**

The Contractor and its employees, agents and subcontractors will hold as confidential all County information obtained under this Contract. Confidential information includes, but is not limited to, nonpublic personal information; personal health information (PHI); social security numbers; addresses; dates of birth; other contact information or medical information about a person; and information pertaining to products, operations, systems, customers, prospective customers, techniques, intentions, processes, plans and expertise. The Contractor must take reasonable measures to ensure that all of its employees, agents and subcontractors are informed of and abide by this requirement.

**31. ETHICS IN PUBLIC CONTRACTING**

This Contract incorporates by reference Article 9 of the Arlington County Purchasing Resolution, as well as all state and federal laws related to ethics, conflicts of interest or bribery, including the State and Local Government Conflict of Interests Act (Code of Virginia § 2.2-3100 et seq.), the Virginia Governmental Frauds Act (Code of Virginia § 18.2-498.1 et seq.) and Articles 2 and 3 of Chapter 10 of Title 18.2 of the Code of Virginia, as amended (§ 18.2-438 et seq.). The Contractor certifies that its bid was made without

collusion or fraud; that it has not offered or received any kickbacks or inducements from any other offeror, supplier, manufacturer or subcontractor; and that it has not conferred on any public employee having official responsibility for this procurement any payment, loan, subscription, advance, deposit of money, services or anything of more than nominal value, present or promised, unless consideration of substantially equal or greater value was exchanged.

**32. COUNTY EMPLOYEES**

No Arlington County employee may share in any part of this Contract or receive any benefit from the Contract that is not available to the general public.

**33. FORCE MAJEURE**

Neither party will be held responsible for failure to perform the duties and responsibilities imposed by this Contract if such failure is due to a fire, riot, rebellion, natural disaster, war, act of terrorism or act of God that is beyond the control of the party and that makes performance impossible or illegal, unless otherwise specified in the Contract.

**34. AUTHORITY TO TRANSACT BUSINESS**

The Contractor must, pursuant to Code of Virginia § 2.2-4311.2, be and remain authorized to transact business in the Commonwealth of Virginia during the entire term of this Contract. Otherwise, the Contract is voidable at the sole option of and with no expense to the County.

**35. RELATION TO THE COUNTY**

The Contractor is an independent contractor, and neither the Contractor nor its employees or subcontractors will be considered employees, servants or agents of the County. The County will not be responsible for any negligence or other wrongdoing by the Contractor or its employees, servants or agents. The County will not withhold payments to the Contractor for any federal or state unemployment taxes, federal or state income taxes or Social Security tax or for any other benefits. The County will not provide to the Contractor any insurance coverage or other benefits, including workers' compensation.

**36. ANTITRUST**

The Contractor conveys, sells, assigns and transfers to the County all rights, title and interest in and to all causes of action under state or federal antitrust laws that the Contractor may have relating to this Contract.

**37. REPORT STANDARDS**

The Contractor must submit all written reports required by this Contract for advance review in a format approved by the Project Officer. Reports must be accurate and grammatically correct and should not contain spelling errors. The Contractor will bear the cost of correcting grammatical or spelling errors and inaccurate report data and of other revisions that are required to bring the report(s) into compliance with this section.

Whenever possible, proposals must comply with the following guidelines:

- printed double-sided on at least 30% recycled-content and/or tree-free paper
- recyclable and/or easily removable covers or binders made from recycled materials (proposals with glued bindings that meet all other requirements are acceptable)
- avoid use of plastic covers or dividers
- avoid unnecessary attachments or documents or superfluous use of paper (e.g. separate title sheets or chapter dividers)

**38. AUDIT**

The Contractor must retain all books, records and other documents related to this Contract for at least five years, or such period of time required by the County's funding partner(s), if any, whichever is greater, after the final payment and must allow the County or its authorized agents to examine the documents during this period and during the Contract Term. The Contractor must provide any requested documents to the County for examination within 15 days of the request, at the Contractor's expense. Should the County's examination reveal any overcharging by the Contractor, the Contractor must, within 30 days of

County's request, reimburse the County for the overcharges and for the reasonable costs of the County's examination, including, but not limited to, the services of external audit firm and attorney's fees; or the County may deduct the overcharges and examination costs from any amount that the County owes to the Contractor. If the Contractor wishes to destroy or dispose of any records related to this Contract (including confidential records to which the County does not have ready access) within five years after the final payment, or such period of time required by the County's funding partner(s), if any, whichever is greater, the Contractor must give the County at least 30 days' notice and must not dispose of the documents if the County objects.

The Purchasing Agent may require the Contractor to demonstrate that it has the necessary facilities, ability, and financial resources to comply with the Contract and furnish the service, material or goods specified herein in a satisfactory manner at any time during the term of this Contract.

**39. ASSIGNMENT**

The Contractor may not assign, transfer, convey or otherwise dispose of any award or any of its rights, obligations or interests under this Contract without the prior written consent of the County.

**40. AMENDMENTS**

This Contract may not be modified except by written amendment executed by persons duly authorized to bind the Contractor and the County.

**41. ARLINGTON COUNTY PURCHASING RESOLUTION AND COUNTY POLICIES**

Nothing in this Contract waives any provision of the Arlington County Purchasing Resolution, which is incorporated herein by reference, or any applicable County policy.

**42. DISPUTE RESOLUTION**

All disputes arising under this Agreement or concerning its interpretation, whether involving law or fact and including but not limited to claims for additional work, compensation or time, and all claims for alleged breach of contract must be submitted in writing to the Project Officer as soon as the basis for the claim arises. In accordance with the Arlington County Purchasing Resolution, claims denied by the Project Officer may be submitted to the County Manager in writing no later than 60 days after the final payment. The time limit for a final written decision by the County Manager is 30 days. Procedures concerning contractual claims, disputes, administrative appeals and protests are contained in the Arlington County Purchasing Resolution. The Contractor must continue to work as scheduled pending a decision of the Project Officer, County Manager, County Board or a court of law.

**43. APPLICABLE LAW, FORUM, VENUE, AND JURISDICTION**

This Contract is governed in all respects by the laws of the Commonwealth of Virginia; and the jurisdiction, forum and venue for any litigation concerning the Contract or the Work is in the Circuit Court for Arlington County, Virginia, and in no other court.

**44. ARBITRATION**

No claim arising under or related to this Contract may be subject to arbitration.

**45. NONEXCLUSIVITY OF REMEDIES**

All remedies available to the County under this Contract are cumulative, and no remedy will be exclusive of any other at law or in equity.

**46. NO WAIVER**

The failure to exercise a right provided for in this Contract will not be a subsequent waiver of the same right or of any other right.

**47. SEVERABILITY**

The sections, paragraphs, clauses, sentences, and phrases of this Contract are severable; and if any section, paragraph, clause, sentence or phrase of this Contract is declared invalid by a court of competent jurisdiction, the rest of the Contract will remain in effect.

**48. ATTORNEY'S FEES**

In the event that the County prevails in any legal action or proceeding brought by the County to enforce any provision of this Contract, the Contractor will pay the County's reasonable attorney's fees and expenses.

**49. SURVIVAL OF TERMS**

In addition to any statement that a specific term or paragraph survives the expiration or termination of this Contract, the following sections also survive: INDEMNIFICATION; INTELLECTUAL PROPERTY INDEMNIFICATION; RELATION TO COUNTY; OWNERSHIP AND RETURN OF RECORDS; AUDIT; COPYRIGHT; DISPUTE RESOLUTION; APPLICABLE LAW AND JURISDICTION; ATTORNEY'S FEES, AND CONFIDENTIAL INFORMATION.

**50. HEADINGS**

The section headings in this Contract are inserted only for convenience and do not affect the substance of the Contract or limit the sections' scope.

**51. AMBIGUITIES**

The parties and their counsel have participated fully in the drafting of this Agreement; and any rule that ambiguities are to be resolved against the drafting party does not apply. The language in this Agreement is to be interpreted as to its plain meaning and not strictly for or against any party.

**52. NOTICES**

Unless otherwise provided in writing, all legal notices and other formal communications required by this Contract are deemed to have been given when either (a) delivered in person; (b) delivered by an agent, such as a delivery service; or (c) deposited in the United States mail, postage prepaid, certified or registered and addressed as follows:

**TO THE CONTRACTOR:**

Kolar Bowen  
1230 31<sup>st</sup> Street, NW  
Washington, D.C. 20007  
Phone (202) 439-3790  
Email: [kbowen@bennettgroupdc.com](mailto:kbowen@bennettgroupdc.com)

**TO THE COUNTY:**

Michael L. Manos, Project Officer  
DES Facilities Design & Construction  
1400 N Uhle Street, Suite 403

Arlington, Virginia 22201  
Phone (703) 228-4437  
Email: [mmanos@arlingtonva.us](mailto:mmanos@arlingtonva.us)

AND

Dr. Sharon T. Lewis, LL.M, MPS, VCO, CPPB  
Purchasing Agent  
Arlington County, Virginia  
2100 Clarendon Boulevard, Suite 500  
Arlington, Virginia 22201  
Phone (703) 228-3294  
Email: [slewis1@arlingtonva.us](mailto:slewis1@arlingtonva.us)

**TO COUNTY MANAGER'S OFFICE (FOR PROJECT CLAIMS):**

County Manager  
Arlington County, Virginia  
2100 Clarendon Boulevard, Suite 318  
Arlington, Virginia 22201

**53. NON-DISCRIMINATION NOTICE**

Arlington County does not discriminate against faith-based organizations.

**54. INSURANCE, PAYMENT AND PERFORMANCE BONDS**

The Contractor shall maintain the required insurance coverage and payment and performance bonds as set forth in the Invitation to Bid through completion of the Contract, including all warranty and guarantee periods.

**55. MATERIAL CHANGES**

The Contractor shall notify Purchasing Agent within seven days of any material changes in its operation that relate to any matter attested regarding certifications on its bid form.

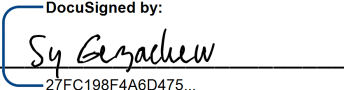
**56. COUNTERPARTS**

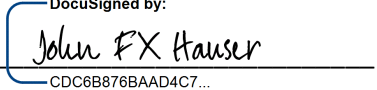
This Agreement may be executed in one or more counterparts and all of such counterparts shall together constitute one and the same instrument. Original signatures transmitted and received via facsimile or other electronic transmission (e.g., PDF or similar format) are true and valid signatures for all purposes hereunder and shall be effective as delivery of a manually executed original counterpart.

WITNESS these signatures:

THE COUNTY BOARD OF ARLINGTON  
COUNTY, VIRGINIA

BENNETT GROUP, INC.

AUTHORIZED SIGNATURE:  DocuSigned by:  
27FC198F4A6D475...

AUTHORIZED SIGNATURE:  DocuSigned by:  
CDC6B876BAAD4C7...

NAME Sy Gezachew

NAME: John FX Hauser

TITLE: PROCUREMENT OFFICER

TITLE: SVP

DATE: 2/24/2022

DATE: 2/23/2022

## EXHIBIT B - Specifications, Drawings and Construction Notes



# PROJECT SPECIFICATIONS

## ARLINGTON COUNTY KELLY DAY RENOVATIONS FIRE STATION 1

500 SOUTH GLEBE ROAD  
ARLINGTON COUNTY, VIRGINIA  
22204

**MOSELEY**ARCHITECTS

ARCHITECT/ENGINEER

RICHMOND, VIRGINIA

PERMIT SET

**September 22, 2021**

A/E's Proj. #563006 Set No.

FIRE STATIONS RENOVATION  
ARLINGTON COUNTY, VIRGINIA  
Architect's Project No: 563006

---

SPECIFICATIONS

DIVISION 1 – GENERAL REQUIREMENTS

011000	Summary
012000	Price and Payment Procedures
012500	Substitution Procedures
013000	Administrative Requirements
013216	Construction Progress Schedule
014000	Quality Requirements
014200	Definitions and Reference Standards
014520	Testing, Adjusting, and Balancing (TAB)
015000	Temporary Facilities and Controls
016000	Product Requirements
017000	Execution and Closeout Requirements
017419	Construction Waste Management and Disposal
017800	Closeout Submittals
017900	Demonstration and Training
018119	Indoor Air Quality Requirements

DIVISION 2 – EXISTING CONDITIONS

024100	Demolition
--------	------------

DIVISION 3 – CONCRETE (not used)

DIVISION 4 – MASONRY

040100	Maintenance of Masonry
042000	Unit Masonry

DIVISION 5 – METALS

055000	Metal Fabrications
--------	--------------------

DIVISION 6 – WOOD PLASTICS AND COMPOSITES

061000	Rough Carpentry
--------	-----------------

DIVISION 7 – THERMAL AND MOISTURE PROTECTION

072100	Thermal Insulation
072500	Weather Barriers
075400	Thermoplastic Membrane Roofing
076200	Sheet Metal Flashing and Trim
077000	Roof Specialties and Accessories
079200	Joint Sealants

DIVISION 8 – OPENINGS

081113	Steel Doors and Frames
081416	Flush Wood Doors
083100	Access Doors and Panels

FIRE STATIONS RENOVATION  
ARLINGTON COUNTY, VIRGINIA  
Architect's Project No: 563006

---

084313	Aluminum-Framed Storefronts
088000	Glazing
088300	Mirrors
088700	Decorative Window Film

DIVISION 9 – FINISHES

092216	Cold Formed Steel Framing - Non-Structural (CFSF-NS)
092900	Gypsum Board
093000	Tiling
095100	Acoustical Ceilings
096513	Resilient Base and Accessories
096566	Resilient Athletic Flooring
099113	Exterior Painting
099123	Interior Painting

DIVISION 10 – SPECIALTIES (not used)

DIVISION 11 – EQUIPMENT (not used)

DIVISION 12 – FURNISHINGS

122400	Window Shades
--------	---------------

DIVISION 13 – SPECIAL CONSTRUCTION (not used)

DIVISION 14 – CONVEYING SYSTEMS (not used)

DIVISION 21 – FIRE SUPPRESSION

211000	Water-Based Fire-Suppression System
--------	-------------------------------------

DIVISION 22 – PLUMBING

220500	Common Work Results for Plumbing
220517	Sleeves and Sleeve Seals for Plumbing Piping
220519	Meters and Gages for Plumbing Piping
220523	General-Duty Valves for Plumbing Piping
220529	Hangers and Supports for Plumbing Piping and Equipment
220553	Identification for Plumbing Piping and Equipment
220700	Plumbing Insulation
221113	Facility Natural Gas Piping
221116	Domestic Water Piping
221119	Domestic Water Piping Specialties
221316	Sanitary Waste and Vent Piping
221319	Sanitary Waste Piping Specialties
224000	Plumbing Fixtures

DIVISION 23 – MECHANICAL

230500	Common Work Results for HVAC
230513	Motors for HVAC Equipment

FIRE STATIONS RENOVATION  
ARLINGTON COUNTY, VIRGINIA  
Architect's Project No: 563006

---

230514	Variable Speed Drives
230529	Hangers and Supports for HVAC Piping and Equipment
230548	Vibration Control for HVAC
230700	HVAC Insulation
230900	Building Automation System
230993	Sequence of Control for HVAC Controls
232300	Refrigerant Piping
233113	Metal Ducts
233300	Air Duct Accessories
233423	HVAC Power Ventilators
233713	Diffusers, Registers, and Grilles
234100	Particulate Air Filtration
237413	Packaged Rooftop Units
238126	Ductless Mini-Split Air Conditioning Units

DIVISION 25 – INTEGRATED AUTOMATION (not used)

DIVISION 26 – ELECTRICAL

260519	Low-Voltage Electrical Power Conductors and Cables
260523	Control-Voltage Electrical Power Cables
260526	Grounding and Bonding for Electrical Systems
260529	Hangers and Supports for Electrical Systems
260533	Raceway and Boxes for Electrical Systems
260553	Identification for Electrical Systems
260923	Lighting Control Devices
262200	Low-Voltage Transformers
262416	Panelboards
262726	Wiring Devices
262813	Fuses
262816	Enclosed Switches and Circuit Breakers
265100	Interior Lighting

DIVISION 27 – COMMUNICATIONS

270000	Communications
270528	Pathways for Communications Systems

DIVISION 28 – ELECTRONIC SAFETY AND SECURITY

283111	Digital, Addressable Fire-Alarm System
--------	--

FIRE STATIONS RENOVATION  
ARLINGTON COUNTY, VIRGINIA  
Architect's Project No: 563006

---

DIVISION 31 – EARTHWORK (not used)

DIVISION 32 – EXTERIOR IMPROVEMENTS (not used)

DIVISION 33 – UTILITIES (not used)

DIVISION 34 – TRANSPORTATION (not used)

END OF TABLE OF CONTENTS

FIRE STATIONS RENOVATION  
Arlington County, Virginia  
Architect's Project No.: 563006

---

**SECTION 011000  
SUMMARY**

**PART 1 GENERAL**

**1.01 PROJECT**

- A. Project Name: Arlington County Fire Stations Renovation.
- B. Owner's Name: Arlington County, Virginia.
- C. Architect's Name: Moseley Architects of Richmond, VA.

**1.02 CONTRACT DESCRIPTION**

- A. Contract Type: A single prime contract based on a Stipulated Price as described in Document 005200 - Agreement Form.

**1.03 PROFESSIONAL SEALS**

- A. Use of Professional Seals on Bidding, Procurement, and Contract Documents: For the purposes of this paragraph, the term "Regulant" refers to the individual who signs and seals parts of the Contract Documents (e.g. the Drawings and Specifications). Certain information has been excerpted verbatim from a source or sources (e.g., UL Assemblies, SMACNA details, IBC code text) which was considered or used by Regulant in preparing parts of the Contract Documents, as follows:
  - 1. The excerpted information was neither prepared under the direct control nor personal supervision nor created by the Regulant, as it was prepared by the source and owner of the excerpted information.
  - 2. For purposes of bidding, procuring, and performance of the Work, and in any event of conflicts or ambiguities between the excerpted information in the Contract Documents and the requirements of applicable codes and standards, provide the better quality or greater quantity of Work which, at a minimum, complies with the requirements of the applicable codes and standards.
  - 3. Advise Architect immediately upon becoming aware of requirements of the Work which are not consistent with the requirements of the excerpted information.
  - 4. Attribution is acknowledged for information obtained and included herein verbatim from other source or sources.
  - 5. Regulant has taken into consideration and used certain excerpted information from other sources which are applicable to the Contract Documents, and the Regulant indicates by its seal that it is assuming responsibility for its services in use and application of the excerpted information to the requirements of Work, but not for the excerpted information itself which was prepared by others. Regulant does not indicate by its seal that it is responsible for use or application of other information in such source or sources which was not included herein.

**1.04 WORK BY OWNER**

- A. Owner will furnish and install the following items before Substantial Completion. Contractor shall coordinate with and accommodate Owner's construction forces.
  - 1. Indicated metal lockers.
- B. Owner will furnish the following for installation by Contractor:
  - 1. Indicated appliances.

**1.05 OWNER OCCUPANCY**

- A. Owner intends to continue to occupy adjacent portions of the existing building during the entire construction period.
- B. Owner intends to occupy the Project upon Substantial Completion.
- C. Cooperate with Owner to minimize conflict and to facilitate Owner's operations.
- D. Schedule the Work to accommodate Owner occupancy.
  - 1. Maintain routes of egress and life safety systems for Owner and occupants at all times.

FIRE STATIONS RENOVATION  
Arlington County, Virginia  
Architect's Project No.: 563006

---

**1.06 CONTRACTOR USE OF SITE AND PREMISES**

- A. Construction Operations: Limited to areas noted on Drawings.
  - 1. Locate and conduct construction activities in ways that will limit disturbance to site.
- B. Provide access to and from site as required by law and by Owner:
  - 1. Emergency Building Exits During Construction: Keep all exits required by code open during construction period; provide temporary exit signs if exit routes are temporarily altered.
  - 2. Do not obstruct roadways, sidewalks, or other public ways without permit.
- C. Existing building spaces may not be used for storage.
- D. Existing building shall be maintained weathertight. Do not modify elements of the existing building except as indicated on the Construction Documents. Repair damage to the existing building due to construction activity.
- E. Time Restrictions:
  - 1. Limit conduct of especially noisy, malodorous, and dusty work to the hours of 8 AM to 4 PM.
  - 2. Comply with local regulations for hours of work, noise ordinances, and similar requirements.
- F. Utility Outages and Shutdown:
  - 1. Limit disruption of utility services to hours the building is unoccupied.
  - 2. Do not disrupt or shut down life safety systems, including but not limited to fire sprinklers and fire alarm system, without 7 days notice to Owner and authorities having jurisdiction.
  - 3. Prevent accidental disruption of utility services to other facilities.
- G. Controlled Substances: The use of alcohol and drugs is not permitted on the Project site. Provide a designated outdoor smoking area for construction personnel that is at least 25 feet away from the building.

**1.07 SPECIFICATION SECTIONS APPLICABLE TO ALL WORK**

- A. The provisions of the Owner/Contractor agreement, General Conditions of the Contract, Supplementary Conditions (if any), and all Division 01 sections shall apply to all sections of the Project Manual. In the event of discrepancy or conflict, the Owner/Contractor agreement and any associated conditions shall govern.

**PART 2 PRODUCTS - NOT USED**

**PART 3 EXECUTION - NOT USED**

**END OF SECTION**

FIRE STATIONS RENOVATION  
Arlington County, Virginia  
Architect's Project No.: 563006

---

**SECTION 012000  
PRICE AND PAYMENT PROCEDURES**

**PART 1 GENERAL**

**1.01 SECTION INCLUDES**

- A. Procedures for preparation and submittal of applications for progress payments.

**1.02 SCHEDULE OF VALUES**

- A. Use Schedule of Values Form: AIA G703, unless otherwise agreed to by Owner in writing.
- B. Forms filled out by hand will not be accepted.
- C. Format: Utilize the Table of Contents of this Project Manual. Identify each line item with number and title of the specification section. Identify site mobilization.
- D. Include in each line item, the amount of Allowances specified in this section. For unit cost Allowances, identify quantities taken from Contract Documents multiplied by the unit cost to achieve the total for the item.
- E. Include separately from each line item, a direct proportional amount of Contractor's overhead and profit.
- F. Revise schedule to list approved Change Orders, with each Application For Payment.
  - 1. When a Change Order includes multiple PCOs, break down the total Change Order to include each PCO as an individual line item.

**1.03 APPLICATIONS FOR PROGRESS PAYMENTS**

- A. Payment Period: Submit at intervals stipulated in the Agreement.
- B. Use Form AIA G702 and Form AIA G703.
- C. Electronic media printout including equivalent information will be considered in lieu of standard form specified; submit sample to Architect for approval.
- D. Forms filled out by hand will not be accepted.
- E. For each item, provide a column for listing each of the following:
  - 1. Item Number.
  - 2. Description of work.
  - 3. Scheduled Values.
  - 4. Previous Applications.
  - 5. Work in Place and Stored Materials under this Application.
  - 6. Authorized Change Orders.
  - 7. Total Completed and Stored to Date of Application.
  - 8. Balance to Finish.
  - 9. Retainage.
- F. Execute certification by signature of authorized officer.
- G. Use data from approved Schedule of Values. Provide dollar value in each column for each line item for portion of work performed and for stored products.
- H. List each authorized Change Order as a separate line item, listing Change Order number and dollar amount as for an original item of work.
  - 1. When a Change Order includes multiple PCOs, break down the total Change Order to include each PCO as an individual line item.
- I. Submit one electronic and three hard-copies of each Application for Payment.
- J. Include the following with the application:
  - 1. Transmittal letter as specified for submittals in Section 013000.
  - 2. Construction progress schedule, revised and current as specified in Section 013000.
  - 3. Partial release of liens from major subcontractors and vendors.
  - 4. Affidavits attesting to off-site stored products.



FIRE STATIONS RENOVATION  
Arlington County, Virginia  
Architect's Project No.: 563006

---

#### 1.04 MODIFICATION PROCEDURES

- A. For minor changes not involving an adjustment to the Contract Sum or Contract Time, Architect will issue instructions directly to Contractor on AIA Document G710 "Architect's Supplemental Instructions."
- B. For changes for which advance pricing is desired, Architect will issue a document that includes a detailed description of a proposed change with supplementary or revised drawings and specifications, a change in Contract Time for executing the change with a stipulation of any overtime work required and the period of time during which the requested price will be considered valid. Contractor shall prepare and submit a fixed price quotation within 7 days.
- C. Contractor may propose a change by submitting a request for change to Architect, describing the proposed change and its full effect on the work, with a statement describing the reason for the change, and the effect on the Contract Sum and Contract Time with full documentation.
- D. For other required changes, Architect will issue a Construction Change Directive, on AIA Document G714, signed by Owner instructing Contractor to proceed with the change, for subsequent inclusion in a Change Order.
  - 1. The document will describe the required changes and will designate method of determining any change in Contract Sum or Contract Time.
  - 2. Promptly execute the change.
- E. Computation of Change in Contract Amount: As specified in the Agreement and Conditions of the Contract.
  - 1. For change requested by Architect for work falling under a fixed price contract, the amount will be based on Contractor's price quotation.
  - 2. For change requested by Contractor, the amount will be based on the Contractor's request for a Change Order as approved by Architect.
  - 3. For pre-determined unit prices and quantities, the amount will be based on the fixed unit prices.
- F. Substantiation of Costs: Provide full information required for evaluation.
  - 1. Provide the following data:
    - a. Quantities of products, labor, and equipment.
    - b. Taxes, insurance, and bonds.
    - c. Overhead and profit.
    - d. Justification for any change in Contract Time.
    - e. Credit for deletions from Contract, similarly documented.
  - 2. Support each claim for additional costs with additional information:
    - a. Origin and date of claim.
    - b. Dates and times work was performed, and by whom.
    - c. Time records and wage rates paid.
    - d. Invoices and receipts for products, equipment, and subcontracts, similarly documented.
- G. Execution of Change Orders: Architect will issue Change Orders on AIA Document G701 for signatures of parties as provided in the Conditions of the Contract.
- H. After execution of Change Order, promptly revise Schedule of Values and Application for Payment forms to record each authorized Change Order as a separate line item and adjust the Contract Sum.
- I. Promptly revise progress schedules to reflect any change in Contract Time, revise sub-schedules to adjust times for other items of work affected by the change, and resubmit.

#### 1.05 APPLICATION FOR FINAL PAYMENT

- A. Prepare Application for Final Payment as specified for progress payments, identifying total adjusted Contract Sum, previous payments, and sum remaining due.
- B. Application for Final Payment will not be considered until the following have been accomplished:

FIRE STATIONS RENOVATION  
Arlington County, Virginia  
Architect's Project No.: 563006

---

1. All closeout procedures specified in Section 017000.
- C. Provide evidence and supporting data for the following, as attachments to the Application for Final Payment:
  1. AIA G706, "Contractor's Affidavit of Payment of Debts and Claims."
  2. AIA G707, "Consent of Surety to Final Payment."
  3. Settlement of all debts and claims, including liquidated damages, taxes, and fees.
  4. Utility meter readings, fuel levels, and similar measurements, as of the date of turn over to the Owner.
  5. Certificates for insured products.

**PART 2 PRODUCTS - NOT USED**

**PART 3 EXECUTION - NOT USED**

**END OF SECTION**

FIRE STATIONS RENOVATION  
Arlington County, Virginia  
Architect's Project No.: 563006

---

**SECTION 012500  
SUBSTITUTION PROCEDURES**

**PART 1 GENERAL**

**1.01 DEFINITIONS**

- A. Substitutions: Changes from Contract Documents requirements proposed by Contractor to materials, products, assemblies, and equipment.
  - 1. Substitutions for Cause: Proposed due to changed Project circumstances beyond Contractor's control, such as unavailability, regulatory changes, or unobtainable warranty terms.
  - 2. Substitutions for Convenience: Proposed due to possibility of offering substantial advantage to the Project.

**PART 2 PRODUCTS - NOT USED**

**PART 3 EXECUTION**

**3.01 GENERAL REQUIREMENTS**

- A. A Substitution Request for products, assemblies, materials, and equipment constitutes a representation that the submitter:
  - 1. Has investigated proposed product and determined that it meets or exceeds the quality level of the specified product, equipment, assembly, or system.
  - 2. Agrees to provide the same warranty for the substitution as for the specified product.
  - 3. Agrees to provide same or equivalent maintenance service and source of replacement parts, as applicable.
  - 4. Agrees to coordinate installation and make changes to other work that may be required for the work to be complete, with no additional cost to Owner.
  - 5. Waives claims for additional costs or time extension that may subsequently become apparent.
  - 6. Agrees to reimburse Owner and Architect for review or redesign services associated with re-approval by authorities.
- B. Document each request with complete data substantiating compliance of proposed substitution with Contract Documents. Burden of proof is on proposer.
  - 1. Note explicitly any non-compliant characteristics.
- C. Content: Include information necessary for tracking the status of each Substitution Request, and information necessary to provide an actionable response.
  - 1. A copy of the Substitution Request Form that shall be used is included at the end of this Section for informational purposes. Request a Word or editable PDF version of the form from the Architect and complete the form digitally; do not complete the form by hand.
  - 2. Contractor's Substitution Request documentation must include the following:
    - a. Substitution Request Information:
      - 1) Indication of whether the substitution is for cause or convenience.
      - 2) Issue date.
      - 3) Reference to particular Contract Document(s) specification section number, title, and article/paragraph(s).
      - 4) Description of Substitution.
      - 5) Reason why the specified item cannot be provided.
      - 6) Description of how proposed substitution affects other parts of work.
    - b. Attached Comparative Data: Provide point-by-point, side-by-side comparison addressing essential attributes specified, as appropriate and relevant for the item:
      - 1) Physical characteristics.
      - 2) In-service performance.
      - 3) Expected durability.
      - 4) Visual effect.
      - 5) Sustainable design features.
      - 6) Warranties.
      - 7) Other salient features and requirements.

FIRE STATIONS RENOVATION  
Arlington County, Virginia  
Architect's Project No.: 563006

---

- 8) Include, as appropriate or requested, the following types of documentation:
  - (a) Product Data:
  - (b) Samples.
  - (c) Certificates, test, reports or similar qualification data.
  - (d) Drawings, when required to show impact on adjacent construction elements.
- c. Impact of Substitution: Provide data indicating cost savings to Owner and change in Contract Time due to accepting substitution.
- D. Limit each request to a single proposed substitution item.
  - 1. Submit an electronic document, combining the request form with supporting data into single document.

**3.02 SUBSTITUTION PROCEDURES DURING CONSTRUCTION**

- A. Architect will consider requests for substitutions for convenience only within 30 days after date of Agreement.
  - 1. Substitutions for convenience submitted after this time period may or may not be considered, at the Architect's discretion.
- B. Submit request for Substitution for Cause immediately upon discovery of need for substitution, but not later than 14 days prior to time required for review and approval by Architect, in order to stay on approved project schedule.
- C. Submit request for Substitution for Convenience immediately upon discovery of its potential advantage to the project, but not later than 14 days prior to time required for review and approval by Architect, in order to stay on approved project schedule.
  - 1. In addition to meeting general documentation requirements, document how the requested substitution benefits the Owner through cost savings, time savings, greater energy conservation, or in other specific ways.
  - 2. Document means of coordinating of substitution item with other portions of the work, including work by affected subcontractors.
  - 3. Bear the costs engendered by proposed substitution of:
    - a. Owner's compensation to the Architect for any required redesign, time spent processing and evaluating the request.
    - b. Other unanticipated project considerations.
- D. Substitutions will not be considered under one or more of the following circumstances:
  - 1. When they are indicated or implied on shop drawing or product data submittals, without having received prior approval.
  - 2. Without a separate written request.

**3.03 RESOLUTION**

- A. Architect may request additional information and documentation prior to rendering a decision. Provide this data in an expeditious manner.
- B. Architect will notify Contractor in writing of decision to accept or reject request.

**3.04 ACCEPTANCE**

- A. Accepted substitutions change the work of the Project. They will be documented and incorporated into work of the project by Change Order, Construction Change Directive, Architectural Supplementary Instructions, or similar instruments provided for in the Conditions of the Contract.

**3.05 CLOSEOUT ACTIVITIES**

- A. See Section 017800 - Closeout Submittals, for closeout submittals.

**END OF SECTION**

FIRE STATIONS RENOVATION  
Arlington County, Virginia  
Architect's Project No.: 563006

---

**SECTION 013000  
ADMINISTRATIVE REQUIREMENTS**

**PART 1 GENERAL**

**1.01 GENERAL ADMINISTRATIVE REQUIREMENTS**

- A. Comply with requirements of Section 017000 - Execution and Closeout Requirements for coordination of execution of administrative tasks with timing of construction activities.
- B. Electronic File Distribution: Upon request, Contractor may be provided electronic files for use in coordination of the Work and preparation of submittals. Contractor shall submit a signed Request Form for Electronic Files, provided by the Architect.
  - 1. Electronic files do not contain all of the information of the Bid Documents or Contract Documents for construction of the Project, and the Architect shall not be responsible for differences between electronic files, Bid Documents, and Contract Documents.

**1.02 SUBMITTALS**

- A. General Contractor Personnel: As soon as practical after award of Contract, provide a summary of General Contractor's on site personnel. Identify each individual, beginning with project superintendent. List project responsibilities, cell phone number, and email address.
- B. Subcontractors: As soon as practical after award of Contract, provide a summary of all companies and individuals engaged as subcontractors for any part of the Project. Include a contact name, company address, phone number, and email address, and identify what part of the Work shall be completed by each subcontractor.
- C. Coordination Drawings: Submit completed Coordination Drawings for Architect's information.

**PART 2 PRODUCTS - NOT USED**

**PART 3 EXECUTION**

**3.01 ELECTRONIC DOCUMENT SUBMITTAL SERVICE**

- A. All documents transmitted for purposes of administration of the contract are to be in electronic (PDF, MS Word, or MS Excel) format, as appropriate to the document, and transmitted via an Internet-based submittal service that receives, logs and stores documents, provides electronic stamping and signatures, and notifies addressees via email.
  - 1. Besides submittals for review, information, and closeout, this procedure applies to Requests for Interpretation (RFIs), progress documentation, contract modification documents (e.g. supplementary instructions, change proposals, change orders), applications for payment, field reports and meeting minutes, Contractor's correction punchlist, and any other document any participant wishes to make part of the project record.
  - 2. It is Contractor's responsibility to submit documents in allowable format.
  - 3. Subcontractors, suppliers, and Architect's consultants will be permitted to use the service at no extra charge.
  - 4. Paper document transmittals will not be reviewed unless previously approved; emailed electronic documents will not be reviewed.
  - 5. All other specified submittal and document transmission procedures apply, except that electronic document requirements do not apply to samples or color selection charts.
- B. Submittal Service: Coordinate method for exchanging files no later than the Preconstruction Meeting. The Architect's "Newforma InfoExchange" website and procedures can be used at no charge. If the Contractor chooses to use a different platform and methodology:
  - 1. The Architect may reject the methodology or platform proposed and:
    - a. use the Architect's Newforma InfoExchange website, or
    - b. the project team will revert to traditional hard-copy exchange;
  - 2. or the Contractor shall bear the cost of software, licensing, training, etc, for the project team to participate.
- C. Project Closeout: Architect will determine when to terminate the service for the project and is responsible for obtaining archive/record copies of files for Owner. If the Project Team uses an alternate platform preferred by the Contractor, the Contractor shall be responsible

FIRE STATIONS RENOVATION  
Arlington County, Virginia  
Architect's Project No.: 563006

---

for distributing archive/record copies of files to Owner and Architect.

### **3.02 PRECONSTRUCTION MEETING**

- A. Architect will schedule a meeting after Notice of Award.
- B. Attendance Required:
  - 1. Owner.
  - 2. Architect.
  - 3. Contractor.
  - 4. Major subcontractors, consultants, and others as necessary and appropriate.
- C. Agenda:
  - 1. Execution of Owner-Contractor Agreement.
  - 2. Submission of executed bonds and insurance certificates.
  - 3. Distribution of Contract Documents.
  - 4. Submission of list of subcontractors, list of products, schedule of values, and progress schedule.
  - 5. Designation of personnel representing the parties to Contract and Architect.
  - 6. Procedures and processing of field decisions, submittals, substitutions, applications for payments, proposal request, Change Orders, and Contract closeout procedures.
  - 7. Scheduling.
  - 8. Site mobilization and utilization.
  - 9. Other project-specific items on pre-distributed agenda.
- D. Architect shall record minutes and distribute digital copies to Owner, Contractor, and other attendees. Contractor shall be responsible for distribution to subcontractors and other personnel affected by decisions made.

### **3.03 INDOOR AIR QUALITY (IAQ) MANAGEMENT PLAN DEVELOPMENT SESSION**

- A. Architect will schedule a meeting after Notice of Award.
- B. Attendance Required:
  - 1. Owner.
  - 2. Architect.
  - 3. Mechanical engineer.
  - 4. Contractor.
  - 5. HVAC subcontractor.
  - 6. Other major subcontractors, consultants, and others as necessary and appropriate.
- C. Agenda:
  - 1. Protection of Materials: Discussion of how and where materials that could impact IAQ will be stored, including but not limited to, the following:
    - a. Insulation.
    - b. Gypsum board.
    - c. Flooring materials.
    - d. Ceiling panels.
    - e. Furnishings.
    - f. Odorous chemicals.
  - 2. Protection of HVAC: Discussion of how HVAC equipment will be stored installed, and operated during construction.
  - 3. Pathway Interruption: Discussion of how airflow between construction zones will be limited to prevent the spreading of pollutants from one part of the building to another.
  - 4. Housekeeping: Discussion of how the building will be kept clean and dry.
  - 5. Materials Installation Scheduling: Discussion of what wet (odor emitting) materials will be used on the project, in order to schedule their installation before fuzzy (odor absorbing) materials.

### **3.04 PREINSTALLATION MEETINGS**

- A. When required in individual specification sections, convene a preinstallation meeting at the site prior to commencing work of the section. Do not allow installation of affected work to proceed until preinstallation meeting can be held.

FIRE STATIONS RENOVATION  
Arlington County, Virginia  
Architect's Project No.: 563006

---

- B. Require attendance of parties directly affecting, or affected by, work of the specific section.
- C. Notify Architect and Owner in advance of meeting date.
- D. Prepare agenda and preside at meeting:
  - 1. Review conditions of examination, preparation and installation procedures.
  - 2. Review coordination with related work.
- E. Record minutes and distribute copies within two days after meeting to participants, with copies to Architect, Owner, participants, and those affected by decisions made.

### **3.05 PROGRESS MEETINGS**

- A. Architect will make arrangements for meetings, prepare agenda with copies for participants, preside at meetings.
- B. Attendance Required:
  - 1. Owner.
  - 2. Architect.
  - 3. Contractor's superintendent.
  - 4. Other subcontractors or consultants as required for the specific parts of the Work to be discussed.
- C. Agenda:
  - 1. Review minutes of previous meetings.
  - 2. Review of work progress.
  - 3. Field observations, problems, and decisions.
  - 4. Identification of problems that impede, or will impede, planned progress.
  - 5. Review of submittals schedule and status of submittals.
  - 6. Review of RFIs log and status of responses.
  - 7. Maintenance of progress schedule.
  - 8. Corrective measures to regain projected schedules.
  - 9. Planned progress during succeeding work period.
  - 10. Maintenance of quality and work standards.
  - 11. Effect of proposed changes on progress schedule and coordination.
  - 12. Other business relating to the work.
- D. Architect shall record minutes and distribute copies to the Owner, Contractor, and other consultants, Owner's representatives, or other third party attendees. The Contractor shall be responsible for distributing to any affected subcontractors and other personnel.

### **3.06 CLOSEOUT MEETING**

- A. Schedule and administer closeout meeting no later than 30 days before the scheduled Date of Substantial Completion.
- B. Make arrangements for the meeting, prepare agenda with copies for participants, and preside at the meeting.
- C. Attendance Required:
  - 1. Owner.
  - 2. Architect.
  - 3. Contractor's superintendent.
  - 4. Major subcontractors.
  - 5. Other subcontractors or consultants as required.
- D. Agenda:
  - 1. Review closeout requirements and procedures in Division 1 Section "Execution and Closeout Requirements."
  - 2. Review startup, testing, and adjusting of all systems, including testing/adjusting/balancing and Commissioning,
  - 3. Coordination of inspections by local authorities having jurisdiction and third party Special Inspectors as required to obtain Certificate of Occupancy.
  - 4. Coordination of Owner's occupancy and changeover of utilities, insurance, and building keying/lock system.

FIRE STATIONS RENOVATION  
Arlington County, Virginia  
Architect's Project No.: 563006

---

5. Procedures for Contractor's Correction Punch List, Architect's Substantial Completion inspection, and Final Correction Punch List.
  6. Delivery, turnover, and storage of maintenance materials, attic stock, special tools, and other non-installed materials.
  7. Coordination of closeout documentation, including demonstration and training materials and videos, as built/record documents, operation and maintenance binders, and warranty binders.
  8. Removal of temporary facilities, construction equipment, and tools.
  9. Final cleaning, touchup, restoration, and preventive maintenance.
  10. Coordination of final Applications for Payment.
- E. Record minutes and distribute copies within two days after meeting to participants, with copies to Architect, Owner, participants, and those affected by decisions made.

### **3.07 DAILY CONSTRUCTION REPORTS**

- A. Include only factual information. Do not include personal remarks or opinions regarding operations and/or personnel.
- B. Prepare a daily construction report recording the following information concerning events at Project site and project progress:
1. Date.
  2. High and low temperatures, and general weather conditions.
  3. List of subcontractors at Project site.
  4. Approximate count of personnel at Project site.
  5. Major equipment at Project site.
  6. Material deliveries.
  7. Safety, environmental, or industrial relations incidents.
  8. Meetings and significant decisions.
  9. Unusual events (submit a separate special report).
  10. Stoppages, delays, shortages, and losses. Include comparison between scheduled work activities (in Contractor's most recently updated and published schedule) and actual activities. Explain differences, if any. Note days or periods when no work was in progress and explain the reasons why.
  11. Directives and requests of Authority(s) Having Jurisdiction (AHJ).
  12. Testing and/or inspections performed.
  13. Signature of Contractor's authorized representative.

### **3.08 COORDINATION DRAWINGS AND COORDINATION CONFERENCE**

- A. Coordination Drawings: The Contractor shall prepare coordination drawings of all spaces where utilities, systems, and other components converge or intersect and efficient installation is required to accommodate all components.
1. Prepare coordination drawings of the following spaces, at minimum. Supplement with additional spaces as required by project-specific conditions.
    - a. Above ceilings.
    - b. Vertical chases, shafts, and wall cavities.
    - c. Mechanical and electrical rooms, fire pump room, and other major utility spaces.
  2. Provide accurate overall dimensions of components (for example, outside diameters of pipe and conduit, or overall ductwork dimensions including insulation and enclosure thickness).
  3. Include accessory components of systems that could cause potential conflicts, such as bracing, slotted channel framing, hangers, and other supports, valve handles, flanges, fittings, cable/wire management trays, and other similar components.
  4. Include sequence of installation of all components, materials, and systems.
  5. Include means of access to each component, material, or system, for maintenance and repairs.
  6. Provide additional coordination drawings as required by individual specification sections.
  7. Prepare Coordination Drawings using project-specific information. Do not use photocopies or reproductions of Contract Documents, and do not use standard details



FIRE STATIONS RENOVATION  
Arlington County, Virginia  
Architect's Project No.: 563006

---

- or data from manufacturers, suppliers, or other outside parties.
8. Drawing Files: The Contractor may develop coordination drawings using 2D CAD software or with 3D BIM software with clash-detection functionality.
    - a. The Architect will furnish original 3D BIM model or 2D DWG files for Contractor's use upon receipt of Architect's "Request Form for Electronic Files". A copy of this form shall be provided to the Contractor upon request.
      - 1) The Architect makes no guarantee to the accuracy of components in electronic files. The Contractor shall coordinate electronic data with the Contract Documents in order to provide final Coordination Drawings.
      - 2) If using 2D files, the Contractor shall prepare drawings in multiple views (for example, RCP and section) to fully represent 3D space, for example plenum heights, wall assembly thicknesses, etc.
  9. Submittal: Submit Coordination Drawings as a "Submittal for Information." Architect will not approve Coordination Drawings, but will keep on file for use in subsequent coordination and conflict resolution.
- B. Coordination Conference: Schedule and conduct a Coordination Conference prior to beginning construction or rough-in of affected work. Require attendance by all affected trades and installers.
1. Identify the Coordination Conference as a "milestone" date on the Construction Progress Schedule.
  2. Advise the Architect of all potential conflicts identified in the Coordination Drawings and at the Coordination Conference.
  3. Do not proceed with construction or installation of components, materials, or systems until potential conflicts have been resolved and affected parties have agreed to a remedy.
  4. Remedies to address conflicts not identified in the Coordination Drawings, at the Coordination Conference, or otherwise addressed prior to construction or installation of affected components, materials, and systems, or discovery of a non-workable situation not identified or addressed, will not be considered as a basis for delay, time extension, or additional cost to the Contract.

### 3.09 REQUESTS FOR INFORMATION (RFI)

- A. Definition: A request seeking one of the following:
1. An interpretation, amplification, or clarification of some requirement of Contract Documents arising from inability to determine from them the exact material, process, or system to be installed; or when the elements of construction are required to occupy the same space (interference); or when an item of work is described differently at more than one place in Contract Documents.
  2. A resolution to an issue which has arisen due to field conditions and affects design intent.
- B. Preparation: Prepare an RFI immediately upon discovery of a need for interpretation of Contract Documents. Failure to submit a RFI in a timely manner is not a legitimate cause for claiming additional costs or delays in execution of the work.
1. Prepare a separate RFI for each specific item.
    - a. Review, coordinate, and comment on requests originating with subcontractors and/or materials suppliers.
    - b. Do not forward requests which solely require internal coordination between subcontractors.
  2. Prepare in a format and with content acceptable to Owner.
  3. Prepare using software provided by the Electronic Document Submittal Service.
  4. Combine RFI and its attachments into a single electronic file. PDF format is preferred.
- C. Reason for the RFI: Prior to initiation of an RFI, carefully study all Contract Documents to confirm that information sufficient for their interpretation is definitely not included.
1. Include in each request Contractor's signature attesting to good faith effort to determine from Contract Documents information requiring interpretation.
  2. Unacceptable Uses for RFIs: Do not use RFIs to request the following:
    - a. Approval of submittals (use procedures specified elsewhere in this section).

FIRE STATIONS RENOVATION  
Arlington County, Virginia  
Architect's Project No.: 563006

---

- b. Approval of substitutions (see Section - 016000 - Product Requirements)
  - c. Changes that entail change in Contract Time and Contract Sum (comply with provisions of the Conditions of the Contract).
  - d. Different methods of performing work than those indicated in the Contract Drawings and Specifications (comply with provisions of the Conditions of the Contract).
3. Improper RFIs: Requests not prepared in compliance with requirements of this section, and/or missing key information required to render an actionable response. They will be returned without a response.
4. Frivolous RFIs: Requests regarding information that is clearly indicated on, or reasonably inferable from, Contract Documents, with no additional input required to clarify the question. They will be returned without a response.
- a. The Owner reserves the right to assess the Contractor for the costs (on time-and-materials basis) incurred by the Architect, and any of its consultants, due to processing of such RFIs.
- D. Content: Include identifiers necessary for tracking the status of each RFI, and information necessary to provide an actionable response.
- 1. Official Project name and number, and any additional required identifiers established in Contract Documents.
  - 2. Owner's, Architect's, and Contractor's names.
  - 3. Discrete and consecutive RFI number, and descriptive subject/title.
  - 4. Issue date, and requested reply date.
  - 5. Reference to particular Contract Document(s) requiring additional information/interpretation. Identify pertinent drawing and detail number and/or specification section number, title, and paragraph(s).
  - 6. Annotations: Field dimensions and/or description of conditions which have engendered the request.
  - 7. Contractor's suggested resolution: A written and/or a graphic solution, to scale, is required in cases where clarification of coordination issues is involved, for example; routing, clearances, and/or specific locations of work shown diagrammatically in Contract Documents. If applicable, state the likely impact of the suggested resolution on Contract Time or the Contract Sum.
- E. Attachments: Include sketches, coordination drawings, descriptions, photos, submittals, and other information necessary to substantiate the reason for the request.
- F. RFI Log: Prepare and maintain a tabular log of RFIs for the duration of the project.
- 1. Indicate current status of every RFI. Update log promptly and on a regular basis.
  - 2. Note dates of when each request is made, and when a response is received.
- G. Review Time: Architect will respond and return RFIs to Contractor within seven calendar days of receipt. For the purpose of establishing the start of the mandated response period, RFIs received after 12:00 noon will be considered as having been received on the following regular working day.
- 1. Response period may be shortened or lengthened for specific items, subject to mutual agreement.
- H. Responses: Content of answered RFIs will not constitute in any manner a directive or authorization to perform extra work or delay the project. If in Contractor's belief it is likely to lead to a change to Contract Sum or Contract Time, promptly issue a notice to this effect, and follow up with an appropriate Change Order request to Owner.
- 1. Response may include a request for additional information, in which case the original RFI will be deemed as having been answered, and an amended one is to be issued forthwith. Identify the amended RFI with an R suffix to the original number.
  - 2. Do not extend applicability of a response to specific item to encompass other similar conditions, unless specifically so noted in the response.
  - 3. Upon receipt of a response, promptly review and distribute it to all affected parties, and update the RFI Log.
  - 4. Notify Architect within seven calendar days if an additional or corrected response is required by submitting an amended version of the original RFI, identified as specified

FIRE STATIONS RENOVATION  
Arlington County, Virginia  
Architect's Project No.: 563006

---

above.

### 3.10 SUBMITTAL SCHEDULE

- A. Submit to Architect for review a schedule for submittals in tabular format.
  - 1. Coordinate with Contractor's construction schedule and schedule of values.
  - 2. Format schedule to allow tracking of status of submittals throughout duration of construction.
  - 3. Arrange information to include scheduled date for initial submittal, specification number and title, submittal category (for review or for information), description of item of work covered, and role and name of subcontractor.
  - 4. Account for time required for preparation, review, manufacturing, fabrication and delivery when establishing submittal delivery and review deadline dates.
    - a. For assemblies, equipment, systems comprised of multiple components and/or requiring detailed coordination with other work, allow for additional time to make corrections or revisions to initial submittals, and time for their review.
    - b. Account for a reasonable duration of time to allow for final color selections, approvals, and preparation of final finish schedules (one finish schedule for interior color selections, and one for exterior color selections). This period shall begin upon receipt of all submittals requiring color selection.

### 3.11 SUBMITTALS FOR REVIEW

- A. When the following are specified in individual sections, submit them for review:
  - 1. Product data.
  - 2. Design data.
  - 3. Shop drawings.
  - 4. Samples for selection.
  - 5. Samples for verification.
- B. Submit to Architect for review for the limited purpose of checking for compliance with information given and the design concept expressed in Contract Documents.
- C. Samples will be reviewed for aesthetic, color, or finish selection.
- D. Color Selection: In individual specification sections, specific items are identified which require color/finish selections to be made by the Architect from color chart or sample submittals. The Submittal Schedule, prepared according to "Submittal Schedule" paragraph above, shall identify these required color/finish submittals.
  - 1. Submittals requiring color selection must be submitted by Contractor and approved by Architect for conformance with Contract Documents prior to the start of the color selection process. When the submittals have been approved for conformance with Contract Documents, the process for color selection, presentation of color concepts, Owner approval, and Color Schedule preparation will begin.
  - 2. Interior Color Selections: The Architect will make coordinated selections of colors/finishes for the building interior, present the resulting color concepts to the Owner for approval, and prepare the actual Interior Color Schedule for the Work.
  - 3. Exterior Color Selections: The Architect will make coordinated selections of colors/finishes for the building exterior and prepare Exterior Color Schedule.
- E. After review, provide copies and distribute in accordance with SUBMITTAL PROCEDURES article below.

### 3.12 SUBMITTALS FOR INFORMATION

- A. When the following are specified in individual sections, submit them for information:
  - 1. Certificates.
  - 2. Test reports.
  - 3. Inspection reports.
  - 4. Manufacturer's instructions.
  - 5. Manufacturer's field reports.
  - 6. Other types indicated.
- B. Submit for Architect's knowledge as contract administrator or for Owner.

FIRE STATIONS RENOVATION  
Arlington County, Virginia  
Architect's Project No.: 563006

---

### 3.13 SUBMITTALS FOR PROJECT CLOSEOUT

- A. Submit Correction Punch List for Substantial Completion.
- B. Submit Final Correction Punch List for Substantial Completion.
- C. When the following are specified in individual sections, submit them at project closeout in compliance with requirements of Section 017800 - Closeout Submittals:
  - 1. Project record documents.
  - 2. Operation and maintenance data.
  - 3. Warranties.
  - 4. Bonds.
  - 5. Other types as indicated.

### 3.14 NUMBER OF COPIES OF SUBMITTALS

- A. Electronic Documents: Submit one electronic copy in PDF format; an electronically-marked up file will be returned. Create PDFs at native size and right-side up; illegible files will be rejected.
- B. Selection Samples: Submit one set of manufacturer's charts indicating full range of available colors, textures, patterns, and other aesthetic qualities.
- C. Verification Samples: Submit three sets of physical samples. Two sets will be retained by Architect, the third will be returned to the Contractor. Maintain approved sample at the Project site for use in comparing to installed Work.
  - 1. Where a full-size assembly of multiple components is required as a sample (for example, railing section or full-size cabinet), only one sample is required for those items.

### 3.15 SUBMITTAL PROCEDURES

- A. General Requirements:
  - 1. Use a single transmittal for all submittals required by each individual specification section, unless otherwise indicated.
    - a. Verification samples and large shop drawing submittals may be submitted under separate cover when approved by Architect.
  - 2. Transmit using AIA G810 or other approved form.
  - 3. Sequentially identify each item. For revised submittals use original number and a sequential numerical suffix.
  - 4. Identify: Project; Contractor; subcontractor or supplier; pertinent drawing and detail number; and specification section number and article/paragraph, as appropriate on each copy.
  - 5. Apply Contractor's stamp, signed or initialed certifying that review, approval, verification of products required, field dimensions, adjacent construction work, and coordination of information is in accordance with the requirements of the work and Contract Documents.
    - a. Submittals from sources other than the Contractor, or without Contractor's stamp will not be acknowledged, reviewed, or returned.
  - 6. Deliver each submittal on date noted in submittal schedule, unless an earlier date has been agreed to by all affected parties, and is of the benefit to the project.
    - a. Upload submittals in electronic form to Electronic Document Submittal Service website.
  - 7. Schedule submittals to expedite the Project, and coordinate submission of related items.
    - a. Allow sufficient time for administrative processing, Architect's initial review, and potential resubmittals.
    - b. Allow additional time for submittals requiring sequential reviews involving Architect's consultants, Owner, or another affected party.
    - c. Allow additional time for submittals requiring sequential reviews involving approval from authorities having jurisdiction (AHJ), in addition to Architect's approval.

FIRE STATIONS RENOVATION  
Arlington County, Virginia  
Architect's Project No.: 563006

---

- d. No extensions to the project schedule shall be granted due to delays that can be attributed to submittal processing or failure to allow for sequential reviews or resubmittals.
  8. Identify variations from Contract Documents and product or system limitations that may be detrimental to successful performance of the completed work.
  9. When revised for resubmission, identify all changes made since previous submission.
  10. Distribute reviewed submittals. Instruct parties to promptly report inability to comply with requirements.
  11. Incomplete submittals may not be reviewed, unless they are partial submittals for distinct portion(s) of the work, and have received prior approval for their use.
  12. Submittals not requested will be recognized, and will be returned "Not Reviewed".
- B. Product Data Procedures:
1. Submit only information required by individual specification sections.
  2. Collect required information into a single submittal.
  3. Submit concurrently with related shop drawing submittal.
  4. Do not submit (Material) Safety Data Sheets for materials or products.
- C. Shop Drawing Procedures:
1. Prepare accurate, drawn-to-scale, original shop drawing documentation by interpreting Contract Documents and coordinating related work.
  2. Do not reproduce Contract Documents to create shop drawings.
  3. Generic, non-project-specific information submitted as shop drawings do not meet the requirements for shop drawings.
- D. Samples Procedures:
1. Transmit related items together as single package.
  2. Identify each item to allow review for applicability in relation to shop drawings showing installation locations.
  3. Selection Samples: Provide color charts that accurately relay color, pattern, and texture information. Photographs or photocopies of color charts are unacceptable and subject to rejection.
  4. Verification Samples: Provide physical samples of each color selected by Architect from Selection Samples. Verification samples shall be manufactured and prepared identically to the material that shall be used in the installed Work. Label each sample clearly with manufacturer, product name, and color, texture, and/or pattern name as applicable. Photographs of physical samples are unacceptable and subject to rejection.

### 3.16 SUBMITTAL REVIEW

- A. Submittals for Review: Architect will review each submittal, and approve, or take other appropriate action.
- B. Submittals for Information: Architect will acknowledge receipt, but will take no other action.
- C. Architect's actions will be reflected by marking each returned submittal using virtual stamp on electronic submittals.
1. Notations may be made directly on submitted items and/or listed on appended Submittal Review cover sheet.
- D. Architect's actions on items submitted for review:
1. Authorizing purchasing, fabrication, delivery, and installation:
    - a. "Approved as Noted":
      - 1) Where review notations indicate revisions are necessary, submit corrected item, with review notations acknowledged and incorporated.
  2. Not Authorizing fabrication, delivery, and installation:
    - a. "Revise and Resubmit":
      - 1) Resubmit revised item, with review notations acknowledged and incorporated.
    - b. "Rejected/Resubmit":

FIRE STATIONS RENOVATION  
Arlington County, Virginia  
Architect's Project No.: 563006

---

- 1) New submittal required, with item complying with requirements of Contract Documents.
- c. "Color Selection Required":
  - 1) Color selections for the entire project, or portion thereof, will be provided after receipt of all color charts and samples required for the Project.
- d. "Not Submitted":
  - 1) Additional submittal items are required that were not provided in the original submittal.
- E. Architect's actions on items submitted for information:
  - 1. Items for which no action was taken:
    - a. "Not Reviewed": To notify the Contractor that the submittal has been received for record only.

**END OF SECTION**

FIRE STATIONS RENOVATION  
Arlington County, Virginia  
Architect's Project No.: 563006

---

**SECTION 013216**  
**CONSTRUCTION PROGRESS SCHEDULE**

**PART 1 GENERAL**

**1.01 SUBMITTALS**

- A. Within 10 days after date of Agreement, submit preliminary schedule defining planned operations for the first 30 days of Work, with a general outline for remainder of Work.
- B. If preliminary schedule requires revision after review, submit revised schedule within 5 days.
- C. Within 10 days after review of preliminary schedule, submit draft of proposed complete schedule for review.
  - 1. Include written certification that major contractors have reviewed and accepted proposed schedule.
- D. Within 10 days after joint review, submit complete schedule.
- E. Submit updated schedule with each Application for Payment.
- F. Submit in PDF format.

**1.02 SCHEDULE FORMAT**

- A. Listings: In chronological order according to the start date for each activity. Identify each activity with the applicable specification section number.

**PART 2 PRODUCTS - NOT USED**

**PART 3 EXECUTION**

**3.01 PRELIMINARY SCHEDULE**

- A. Prepare preliminary schedule in the form of a horizontal bar chart.

**3.02 CONTENT**

- A. Show complete sequence of construction by activity, with dates for beginning and completion of each element of construction.
- B. Identify work of separate phases and other logically grouped activities.
- C. Identify all major milestone dates, including, but not limited to, Notice to Proceed and Substantial and Final Completion dates.
- D. Identify duration of each activity, in maximum 15 day intervals.
- E. Incorporate work restrictions indicated in Division 1 Section "Summary," if any.
- F. Show accumulated percentage of completion of each item, and total percentage of Work completed, as of the first day of each month.
- G. Provide separate schedule of submittal dates for shop drawings, product data, and samples, owner-furnished products, products identified under Allowances, and dates reviewed submittals will be required from Architect. Indicate decision dates for selection of finishes.
- H. Indicate procurement duration and delivery dates for long-lead time items.
- I. Coordinate submittal approval process with procurement and delivery requirements. Submittals requiring resubmission or revision for approval will not be allowed as a basis for schedule impacts.
- J. Indicate delivery dates for owner-furnished products.
- K. Indicate the time period for color selection activity and approval by Owner and Architect, as required per Division 1 Section "Administrative Requirements."
- L. Indicate date of changeover from temporary to permanent utilities.
- M. Indicate time periods for Commissioning activities, equipment startup, and testing and balancing.
- N. Provide a reasonable time period prior to the date of Substantial Completion for administrative activities and procedures.

FIRE STATIONS RENOVATION  
Arlington County, Virginia  
Architect's Project No.: 563006

---

- O. Provide legend for symbols and abbreviations used.

**3.03 BAR CHARTS**

- A. Include a separate bar for each major portion of Work or operation.  
B. Identify critical path activities.  
C. Identify the first work day of each week.

**3.04 REVIEW AND EVALUATION OF SCHEDULE**

- A. Participate in joint review and evaluation of schedule with Architect at each submittal.  
B. Evaluate project status to determine work behind schedule and work ahead of schedule.  
C. After review, revise as necessary as result of review, and resubmit within 10 days.

**3.05 UPDATING SCHEDULE**

- A. Maintain schedules to record actual start and finish dates of completed activities.  
B. Indicate progress of each activity to date of revision, with projected completion date of each activity.  
C. Annotate diagrams to graphically depict current status of Work.  
D. Identify activities modified since previous submittal, major changes in Work, and other identifiable changes.  
E. Indicate changes required to maintain Date of Substantial Completion.  
F. Schedule revisions shall not modify any Contract Dates or the Contract Sum, unless specifically approved and documented via Change Order.  
G. Submit reports required to support recommended changes.  
H. Provide narrative report to define problem areas, anticipated delays, and impact on the schedule. Report corrective action taken or proposed and its effect.  
I. Recovery Schedule: If the Contractor is 14 or more days behind schedule, in the opinion of the Owner, the Contractor shall prepare a Recovery Schedule, incorporating a reasonable, mutually agreed upon length of time to return the Work to the approved Schedule. The Recovery Schedule shall be prepared to the same level of detail as the original construction progress schedule. Submit the recovery schedule for Owner review; do not proceed until the Owner has approved.
  1. At the end of the recovery period, Owner shall reevaluate construction progress and determine if the Recovery Schedule has been successfully completed. If completed, Owner shall direct the Contractor to proceed with the latest approved Construction Schedule.
    - a. If the Contractor is still behind schedule at the end of the recovery period, the Owner shall direct the Contractor to provide additional schedule revisions to complete the recovery, or may at its option pursue other means of resolution as provided for by the Contract Documents.
  2. Need for and preparation of a Recovery Plan shall not be the basis of additional cost to the Owner or extension of Project Schedule, unless the Contractor can demonstrate that the reason for being behind schedule is no fault of their own.

**3.06 DISTRIBUTION OF SCHEDULE**

- A. Distribute copies of updated schedules to Contractor's project site file, to subcontractors, suppliers, Architect, Owner, and other concerned parties.  
B. Instruct recipients to promptly report, in writing, problems anticipated by projections indicated in schedules.

**END OF SECTION**



FIRE STATIONS RENOVATION  
Arlington County, Virginia  
Architect's Project No.: 563006

---

**SECTION 014000  
QUALITY REQUIREMENTS**

**PART 1 GENERAL**

**1.01 DEFINITIONS**

- A. Contractor's Quality Control Plan: Contractor's management plan for executing the Contract for Construction.
- B. Contractor's Professional Design Services/Delegated Design: Design of some aspect or portion of the project by party other than the design professional of record. Provide these services as part of the Contract for Construction.
  - 1. Design Services Types Required:
    - a. Construction-Related: Services Contractor needs to provide in order to carry out the Contractor's sole responsibilities for construction means, methods, techniques, sequences, and procedures.
    - b. Design-Related: Design services explicitly required to be performed by another design professional due to highly-technical and/or specialized nature of a portion of the project. Services primarily involve engineering analysis, calculations, and design, and are not intended to alter the aesthetic aspects of the design.
- C. Design Data: Design-related, signed and sealed drawings, calculations, specifications, certifications, shop drawings and other submittals provided by Contractor, and prepared directly by, or under direct supervision of, appropriately licensed design professional.

**1.02 CONTRACTOR'S CONSTRUCTION-RELATED PROFESSIONAL DESIGN SERVICES**

- A. Coordination: Contractor's professional design services are subject to requirements of project's Conditions for Construction Contract.
- B. Provide such engineering design services as may be necessary to plan and safely conduct certain construction operations, pertaining to, but not limited to the following:
  - 1. Temporary sheeting, shoring, or supports.
  - 2. Temporary scaffolding.
  - 3. Temporary bracing.
  - 4. Temporary falsework for support of spanning or arched structures.
  - 5. Temporary foundation underpinning.
  - 6. Temporary stairs or steps required for construction access only.
  - 7. Temporary hoist(s) and rigging.
  - 8. Investigation of soil conditions and design of temporary foundations to support construction equipment.
  - 9. Additional temporary controls as required.

**1.03 CONTRACTOR'S DESIGN-RELATED PROFESSIONAL DESIGN SERVICES**

- A. Coordination: Contractor's professional design services are subject to requirements of project's Conditions for Construction Contract.
- B. Base design on performance and/or design criteria indicated in individual specification sections.
  - 1. Submit a Request for Information to Architect if the criteria indicated are not sufficient to perform required design services.
- C. Scope of Design Services/Delegated Design: As required by individual specification sections.

**1.04 SUBMITTALS**

- A. See Section 013000 - Administrative Requirements, for submittal procedures.
- B. Designer's Qualification Statement: Submit for Architect's knowledge as contract administrator, or for Owner's information.
  - 1. Include information for each individual professional responsible for producing, or supervising production of, design-related professional services provided by Contractor.
    - a. Full name.
    - b. Professional licensure information.

FIRE STATIONS RENOVATION  
Arlington County, Virginia  
Architect's Project No.: 563006

---

- c. Statement addressing extent and depth of experience specifically relevant to design of items assigned to Contractor.
- C. Design Data: Submit for Architect's knowledge as contract administrator for the limited purpose of assessing compliance with information given and the design concept expressed in the Contract Documents, or for Owner's information.
  - 1. Include calculations that have been used to demonstrate compliance to performance and regulatory criteria provided, and to determine design solutions.
  - 2. Include required product data and shop drawings.
  - 3. Include a statement or certification attesting that design data complies with criteria indicated, such as building codes, loads, functional, and similar engineering requirements.
  - 4. Include signature and seal of design professional responsible for allocated design services on calculations and drawings.
- D. Test Reports: After each test/inspection, require testing agency to promptly distribute digital copy of report to Architect, Owner, Contractor, and others as required.
  - 1. Include:
    - a. Date issued.
    - b. Project title and number.
    - c. Name of inspector.
    - d. Date and time of sampling or inspection.
    - e. Identification of product and specifications section.
    - f. Location in the Project.
    - g. Type of test/inspection.
    - h. Date of test/inspection.
    - i. Results of test/inspection.
    - j. Compliance with Contract Documents.
    - k. When requested by Architect, provide interpretation of results.
- E. Certificates: When specified in individual specification sections, submit certification by the manufacturer and Contractor to Architect, in quantities specified for Product Data.
  - 1. Indicate material or product complies with or exceeds specified requirements. Submit supporting reference data, affidavits, and certifications as appropriate.
  - 2. Certificates may be recent or previous test results on material or product, but must be acceptable to Architect.
- F. Manufacturer's Instructions: When specified in individual specification sections, submit printed instructions for delivery, storage, assembly, installation, start-up, adjusting, and finishing, for the Owner's information. Indicate special procedures, perimeter conditions requiring special attention, and special environmental criteria required for application or installation.
- G. Manufacturer's Field Reports:
  - 1. Submit report promptly to Architect for information.
  - 2. Submit for information for the limited purpose of assessing compliance with information given and the design concept expressed in the Contract Documents.

#### 1.05 QUALITY ASSURANCE

- A. Testing Agency Qualifications:
    - 1. Submit copy of report of laboratory facilities inspection made by NIST Construction Materials Reference Laboratory during most recent inspection, with memorandum of remedies of any deficiencies reported by the inspection.
    - 2. Qualification Statement: Provide documentation showing testing laboratory is accredited under OSHA's Nationally Recognized Testing Laboratory (NRTL) program or through the National Institute of Standards and Technology's (NIST's) National Voluntary Laboratory Accreditation Program (NVLAP).
  - B. Designer Qualifications: Where professional engineering design services and design data submittals are specifically required of Contractor by Contract Documents, provide services of a Professional Engineer experienced in design of this type of work and licensed in the State in which the Project is located.
-

FIRE STATIONS RENOVATION  
Arlington County, Virginia  
Architect's Project No.: 563006

---

- C. Contractor's Quality Control (CQC) Plan:
1. Prior to start of work, submit a comprehensive plan describing how contract deliverables will be produced. Tailor CQC plan to specific requirements of the project. Include the following information:
    - a. Management Structure: Identify personnel responsible for quality. Include a chart showing lines of authority.
      - 1) Include qualifications (in resume form), duties, responsibilities of each person assigned to CQC function.
    - b. Management Approach: Define, describe, and include in the plan specific methodologies used in executing the work.
      - 1) Management and control of documents and records relating to quality.
      - 2) Communications.
      - 3) Coordination procedures.
      - 4) Resource management.
      - 5) Process control.
      - 6) Inspection and testing procedures and scheduling, including inspections by authorities having jurisdiction and special inspections.
      - 7) Control of noncomplying work.
      - 8) Tracking deficiencies from identification, through acceptable corrective action, and verification.
      - 9) Control of testing and measuring equipment.
      - 10) Project materials certification.
      - 11) Managerial continuity and flexibility.
    - c. Acceptance of the plan is required prior to start of construction activities not including mobilization work. Owner's acceptance of the plan will be conditional and predicated on continuing satisfactory adherence to the plan. Owner reserves the right to require Contractor to make changes to the plan and operations, including removal of personnel, as necessary, to obtain specified quality of work results.

#### 1.06 REFERENCES AND STANDARDS

- A. For products and workmanship specified by reference to a document or documents not included in the Project Manual, also referred to as reference standards, comply with requirements of the standard, except when more rigid requirements are specified or are required by applicable codes.
- B. Comply with reference standard of date of issue current on date of Contract Documents, except where a specific date is established by applicable code.
- C. Obtain copies of standards where required by product specification sections.
- D. Maintain copy at project site during submittals, planning, and progress of the specific work, until Substantial Completion.
- E. Should specified reference standards conflict with Contract Documents, comply with the higher quality or quantity, and provide documentation of the conflict to the Architect.
- F. Neither the contractual relationships, duties, or responsibilities of the parties in Contract nor those of Architect shall be altered from Contract Documents by mention or inference otherwise in any reference document.

#### 1.07 TESTING AND INSPECTION AGENCIES AND SERVICES

- A. Owner will employ and pay for services of an independent testing agency to perform Special Inspections and other specified testing indicated in individual specification sections.
- B. Where indicated in individual specification sections, Contractor shall employ and pay for services of an independent testing agency to perform other specified testing.
- C. Employment of agency in no way relieves Contractor of obligation to perform Work in accordance with requirements of Contract Documents.
- D. Contractor Employed Agency: Testing agency shall comply with requirements of ASTM E 329, and shall be certified through OSHA's Nationally Recognized Testing Laboratory

FIRE STATIONS RENOVATION  
Arlington County, Virginia  
Architect's Project No.: 563006

---

(NRTL) program or through the National Institute of Standards and Technology's (NIST's) National Voluntary Laboratory Accreditation Program (NVLAP).

1. Testing Equipment: Calibrated at reasonable intervals either by NIST or using an NIST established Measurement Assurance Program, under a laboratory measurement quality assurance program.

**PART 2 PRODUCTS - NOT USED**

**PART 3 EXECUTION**

**3.01 CONTROL OF INSTALLATION**

- A. Monitor quality control over suppliers, manufacturers, products, services, site conditions, and workmanship, to produce work of specified quality.
- B. Comply with manufacturers' instructions, including each step in sequence.
- C. Should manufacturers' instructions conflict with Contract Documents, request clarification from Architect before proceeding.
- D. Comply with specified standards as minimum quality for the work except where more stringent tolerances, codes, or specified requirements indicate higher standards or more precise workmanship.
- E. Have work performed by persons qualified to produce required and specified quality.
- F. Verify that field measurements are as indicated on shop drawings or as instructed by the manufacturer.
- G. Secure products in place with positive anchorage devices designed and sized to withstand stresses, vibration, physical distortion, and disfigurement.

**3.02 MOCK-UPS**

- A. Before installing portions of the Work where mock-ups are required, construct mock-ups in location and size indicated for each form of construction and finish required to comply with the following requirements, using materials indicated for the completed Work. The purpose of mock-up is to demonstrate the proposed range of aesthetic effects and workmanship.
- B. Accepted mock-ups establish the standard of quality the Architect will use to judge the Work.
- C. Tests shall be performed under provisions identified in this section and identified in the respective product specification sections.
- D. Assemble and erect specified items with specified attachment and anchorage devices, flashings, seals, and finishes.
- E. Obtain Architect's approval of mock-ups before starting work, fabrication, or construction.
  1. Architect will issue written comments within seven (7) working days of initial review and each subsequent follow up review of each mock-up.
  2. Make corrections as necessary until Architect's approval is issued.
- F. Architect will use accepted mock-ups as a comparison standard for the remaining Work.
- G. Where mock-up has been accepted by Architect and is specified in product specification sections to be removed, protect mock-up throughout construction, remove mock-up and clear area when directed to do so by Architect.

**3.03 TOLERANCES**

- A. Monitor fabrication and installation tolerance control of products to produce acceptable Work. Do not permit tolerances to accumulate.
- B. Comply with manufacturers' tolerances. Should manufacturers' tolerances conflict with Contract Documents, request clarification from Architect before proceeding.
- C. Adjust products to appropriate dimensions; position before securing products in place.

**3.04 TESTING AND INSPECTION**

- A. See individual specification sections for testing and inspection required.
- B. Testing Agency Duties for Contractor-employed Testing and Inspection Agencies:

FIRE STATIONS RENOVATION  
Arlington County, Virginia  
Architect's Project No.: 563006

---

1. Test samples of mixes submitted by Contractor.
  2. Provide qualified personnel at site. Cooperate with Architect and Contractor in performance of services.
  3. Perform specified sampling and testing of products in accordance with specified standards.
  4. Ascertain compliance of materials and mixes with requirements of Contract Documents.
  5. Promptly notify Architect and Contractor of observed irregularities or non-compliance of Work or products.
  6. Perform additional tests and inspections required by Architect.
  7. Attend preconstruction meetings and progress meetings.
  8. Submit reports of all tests/inspections specified.
- C. Limits on Testing/Inspection Agency Authority:
1. Agency may not release, revoke, alter, or enlarge on requirements of Contract Documents.
  2. Agency may not approve or accept any portion of the Work.
  3. Agency may not assume any duties of Contractor.
  4. Agency has no authority to stop the Work.
- D. Contractor Responsibilities:
1. Deliver to agency at designated location, adequate samples of materials proposed to be used that require testing, along with proposed mix designs.
  2. Cooperate with laboratory personnel, and provide access to the Work and to manufacturers' facilities.
  3. Provide incidental labor and facilities:
    - a. To provide access to Work to be tested/inspected.
    - b. To obtain and handle samples at the site or at source of Products to be tested/inspected.
    - c. To facilitate tests/inspections.
    - d. To provide storage and curing of test samples.
  4. Notify Architect and laboratory 24 hours prior to expected time for operations requiring testing/inspection services.
  5. Employ services of an independent qualified testing laboratory and pay for additional samples, tests, and inspections required by Contractor beyond specified requirements.
  6. Arrange with Owner's agency and pay for additional samples, tests, and inspections required by Contractor beyond specified requirements.
  7. Coordinate repairs where testing and inspection has damaged the Work.
- E. Re-testing and/or re-inspections required because of non-compliance with specified requirements shall be performed by the same agency. Do not proceed with construction activities that would conceal or cover work needing re-testing or re-inspection.
- F. Re-testing and/or re-inspections required because of non-compliance with specified requirements shall be paid for by Contractor.

### **3.05 MANUFACTURERS' FIELD SERVICES**

- A. When specified in individual specification sections, require material or product suppliers or manufacturers to provide qualified staff personnel to observe site conditions, conditions of surfaces and installation, quality of workmanship, start-up of equipment, test, adjust, and balance equipment, and field quality control requirements as applicable, and to initiate instructions when necessary.
- B. Provide a written report of observations and site decisions or instructions given to applicators or installers that are supplemental or contrary to manufacturers' written instructions or Contract Documents. Obtain Owner's approval prior to proceeding with any modifications.

### **3.06 DEFECT ASSESSMENT**

- A. Replace Work or portions of the Work not complying with specified requirements.

FIRE STATIONS RENOVATION  
Arlington County, Virginia  
Architect's Project No.: 563006

---

- B. Contractor may request to restore defective Work or portions of the Work to comply with specified requirements in lieu of replacement. Obtain Owner's approval prior to proceeding with restoration.
- C. If, in the opinion of Owner, it is not practical to restore or remove and replace the work, Owner will direct an appropriate remedy or adjust payment.

**END OF SECTION**

FIRE STATIONS RENOVATION  
Arlington County, Virginia  
Architect's Project No.: 563006

---

**SECTION 014200**  
**DEFINITIONS AND REFERENCE STANDARDS**

**PART 1 GENERAL**

**1.01 SUMMARY**

- A. The definitions include in this section supplement, but do not replace, the definitions contained in the Owner/Contractor Agreement and associated Conditions. In the event of duplication, the Owner/Contractor Agreement shall govern.
- B. Other definitions are included in individual specification sections.

**1.02 DEFINITIONS**

- A. Furnish: To supply, deliver, unload, and inspect for damage.
- B. Install: To unpack, assemble, erect, apply, place, finish, cure, protect, clean, start up, and make ready for use.
- C. Product: Material, machinery, components, equipment, fixtures, and systems forming the work result. Not materials or equipment used for preparation, fabrication, conveying, or erection and not incorporated into the work result. Products may be new, never before used, or re-used materials or equipment.
- D. Provide: To furnish and install.
- E. Supply: Same as Furnish.
- F. Installer: A Contractor or other entity engaged by Contractor, as an employee, subcontractor, or contractor of lower tier, to perform a particular construction operation, including installation, erection, application, and similar operations.
  - 1. Using a term such as "carpentry" does not imply that certain construction activities must be performed by accredited or unionized individuals of a corresponding generic name, such as "carpenter." It also does not imply that specified requirements apply exclusively to tradespeople of the corresponding generic name.
- G. Experienced: When used with the term "Installer," this term means having successfully completed previous work similar in size and scope to this Project; being familiar with the special requirements indicated; and having complied with the requirements of local authorities having jurisdiction.
- H. Replace: Provide an acceptable like product or material in place of a missing or unacceptable (rejected) product or material. To "replace" an unacceptable product or material includes its removal and disposal.
- I. Punch List: A written list of unfinished Work and defective Work resulting from inspection and testing to determine whether Substantial Completion has been accomplished. The unfinished Work and defective Work must be finished and corrected to obtain Substantial or Final Completion.
- J. Written or Printed: When used in conjunction with manufacturer's product data or installation requirements, either of these terms may be used to require compliance with manufacturer's current printed and published information.

**1.03 REFERENCE STANDARDS**

- A. For products or workmanship specified by reference to a document or documents not included in the Project Manual, also referred to as reference standards, comply with requirements of the standard, except when more rigid requirements are specified, or are required by applicable codes or local authorities having jurisdiction.
- B. Should specified reference standards conflict with Contract Documents, request clarification from the Architect before proceeding.
- C. Neither the contractual relationships, duties, or responsibilities of the parties in Contract nor those of the Architect shall be altered by Contract Documents by mention or inference otherwise in any reference document.

FIRE STATIONS RENOVATION  
Arlington County, Virginia  
Architect's Project No.: 563006

---

**PART 2 PRODUCTS - NOT USED**  
**PART 3 EXECUTION - NOT USED**

**END OF SECTION**



FIRE STATIONS RENOVATION  
ARLINGTON COUNTY, VIRGINIA  
Architect's Project No: 563006

SECTION 014520 - TESTING, ADJUSTING, AND BALANCING (TAB)

PART 1 - GENERAL

1.1 RELATED DOCUMENTS

- A. Provisions of the Contract and of the Contract Documents apply to this Section.

1.2 DEFINITIONS

- A. Adjust: To regulate fluid flow rate and air patterns at the terminal equipment, such as to reduce fan speed or adjust a damper.
- B. Balance: To proportion flows within the distribution system, including sub-mains, branches, and terminals, according to design quantities.
- C. Draft: A current of air, when referring to localized effect caused by one or more factors of high air velocity, low ambient temperature, or direction of airflow, whereby more heat is withdrawn from a person's skin than is normally dissipated.
- D. Procedure: An approach to and execution of a sequence of work operations to yield repeatable results.
- E. Report Forms: Test data sheets for recording test data in logical order.
- F. Static Head: The pressure due to the weight of the fluid above the point of measurement. In a closed system, static head is equal on both sides of the pump.
- G. Suction Head: The height of fluid surface above the centerline of the pump on the suction side.
- H. System Effect: A phenomenon that can create undesired or unpredicted conditions that cause reduced capacities in all or part of a system.
- I. System Effect Factors: Allowances used to calculate a reduction of the performance ratings of a fan when installed under conditions different from those presented when the fan was performance tested.
- J. Terminal: A point where the controlled medium, such as fluid or energy, enters or leaves the distribution system.
- K. Test: A procedure to determine quantitative performance of a system or equipment.
- L. TAB Agent: The entity responsible for performing and reporting the TAB procedures.
- M. AABC: Associated Air Balance Council.

FIRE STATIONS RENOVATION  
ARLINGTON COUNTY, VIRGINIA  
Architect's Project No: 563006

- N. AMCA: Air Movement and Control Association.
- O. CTI: Cooling Tower Institute.
- P. NEBB: National Environmental Balancing Bureau.
- Q. SMACNA: Sheet Metal and Air Conditioning Contractors' National Association.
- R. TAB: Testing, Adjusting, and Balancing

1.3 SUBMITTALS

- A. Quality-Assurance Submittals: Within 30 days of the Contractor's Notice to Proceed, submit evidence that the TAB Agent and this Project's TAB team members meet the qualifications indicated in the "Quality Assurance" Article below.
- B. Warranty: Submit warranties indicated below.
- C. Special Guarantee: Submit Special guarantee indicated below
- D. Contract Documents Examination Report: Within 60 days of the Contractor's Notice to Proceed, submit the Contract Documents review report as indicated in Part 3 below.
- E. Strategies and Procedures Plan: Within 90 days of the Contractor's Notice to Proceed, submit the TAB strategies and step-by-step procedures as indicated in Part 3 below. Include a complete set of report forms intended for use on this Project.
- F. Testing Adjusting and Balancing Conference Notification: Within 120 days of the Contractor's Notice to Proceed, submit the testing adjusting and balancing conference notification. The notification shall include the date, time and location of the conference as well as a list of attendees.
- G. TAB Conference Minutes: Within 180 days of the Contractor's Notice to Proceed, submit the TAB conference minutes. Minutes shall include a list of attendees and a record of the discussions and decisions made during the conference.
- H. System Readiness Reports: 60 days prior to substantial completion the contractor performing work under section "Building Automation System" (BAS) shall complete pre-commissioning checklists. The contractor performing work under this section shall, as part of the system readiness report, witness pre-commissioning activities and shall initial each element on the pre-commissioning checklist. The system readiness report shall be completed and submitted as specified. Do not include the checklists as they will be submitted under section "BAS".
- I. Certified TAB Reports: Within 60 days of substantial completion submit the testing and balancing reports prepared, as indicated in this Section, on approved forms certified by the TAB Agent.
  - 1. Balancing report.

FIRE STATIONS RENOVATION  
ARLINGTON COUNTY, VIRGINIA  
Architect's Project No: 563006

1.4 QUALITY ASSURANCE

- A. Agent Qualifications: Agent and agent's representatives shall be certified by either AABC or NEBB. The testing and balancing agent shall be one of the following:
1. C&W Tesco, Inc.  
430 Southlake Boulevard, Suite B-12  
Richmond, VA 23236  
804.379.9345
  2. Complete Commissioning, Inc.  
6304 Aaron Lane  
Clinton, MD 20735  
301.877.2260
  3. Mechanical Systems Testing and Balancing, Inc. (MSTB)  
7314 Impala Drive  
Richmond, Virginia 23228  
804.264.0454
- B. Testing and Balancing Agents not listed shall be permitted to bid. The following information shall be submitted as part of the Quality Assurance Submittal:
1. Provide evidence of satisfactory completion of at least two projects of similar size and scope. Submit the following for each project:
    - a. Completed testing and balancing reports for each project.
    - b. If not included in the testing and balancing report, provide equipment startup checklists for each project.
    - c. Owner contact for each project.
    - d. Design engineer contact for each project.
    - e. Architect contact for each project.
  2. The architect shall determine whether the agent is qualified, and the decision shall be final. Re-submittals on behalf of the same company shall not be considered.
- C. TAB Conference: Meet with the Owner's and the Architect's representatives on approval of the TAB strategies and procedures plan to develop a mutual understanding of the details. Ensure the participation of TAB team members, equipment manufacturers' authorized service representatives, HVAC controls Installer, and other support personnel. Set meeting and submit TAB Conference Notification.
1. Minimum Agenda:
    - a. Submittal distribution requirements.
    - b. Contract documents examination report.
    - c. TAB plan.
    - d. Work schedule and project site access requirements.
    - e. Coordination and cooperation of trades and subcontractors.
    - f. Coordination of documentation and communication flow.
- D. TAB Reports: Use standard forms from AABC's "National Standards for TAB" or NEBB's "Procedural Standards for TAB of Environmental Systems."

FIRE STATIONS RENOVATION  
ARLINGTON COUNTY, VIRGINIA  
Architect's Project No: 563006

- E. Instrumentation Type, Quantity, and Accuracy: As described in NEBB's "Procedural Standards for TAB of Environmental Systems," Section II, "Required Instrumentation for NEBB Certification."
- F. Instrumentation Calibration: Calibrate instruments at least every 6 months or more frequently if required by the instrument manufacturer.

1.5 PROJECT CONDITIONS

- A. Full Owner Occupancy: The Owner will occupy the site and existing building during the entire TAB period. Minimize conflicts with the Owner's operations.

1.6 COORDINATION

- A. Coordinate the efforts of work performed under other sections for operation of systems and equipment to support and assist TAB activities.
- B. Notice: Provide 7 days' advance notice to the contractor and Moseley Architects for each test. Include scheduled test dates and times.
- C. Perform TAB after leakage and pressure tests on air, water, potable water, and non-potable water distribution systems have been satisfactorily completed.

1.7 WARRANTY

- A. General Warranty: The national project performance guarantee indicated in this Article shall not deprive the Owner of other rights the Owner may have under other provisions of the Contract Documents and shall be in addition to, and run concurrent with, other warranties made by the Contractor under requirements of the Contract Documents.
- B. Special Guarantee: Provide a guarantee on NEBB or AABC forms stating that NEBB or AABC will assist in completing the requirements of the Contract Documents if the TAB Agent fails to comply with the Contract Documents. Guarantee includes the following provisions:
  - 1. The certified Agent has tested and balanced systems according to the Contract Documents.
  - 2. Systems are balanced to optimum performance capabilities within design and installation limits.

PART 2 - PRODUCTS (Not Applicable)

PART 3 - EXECUTION

FIRE STATIONS RENOVATION  
ARLINGTON COUNTY, VIRGINIA  
Architect's Project No: 563006

3.1 GENERAL

- A. All new equipment shall be tested, adjusted, and balanced.
- B. Fire Station #1: Rooftop unit #8 shall be tested for proper economizer operation with outside air and return dampers adjusted as needed for proper balancing. Balance each branch and diffuser for existing RTU-4 as shown on floor plans on sheet M2.1. Report values in TAB submittal to architect for both prior to the renovation and post-renovation. Verify operation of existing exhaust fan in renovated area, provide testing, adjusting, and balancing to exhaust system.
- C. Fire Station #2, 3, 5, 6, 9: Provide branch and diffuser for supply and exhaust balancing as required on floor plans on sheets M2.2 thru M2.6. Verify operation of existing exhaust fan in renovated area, provide testing, adjusting, and balancing to exhaust system.

3.2 EXAMINATION

- A. Examine Contract Documents to become familiar with project requirements and to discover conditions in systems' designs that may preclude proper TAB of systems and equipment.
  - 1. Balancing devices, such as test ports, gage cocks, thermometer wells, flow-control devices, balancing valves and fittings, and manual volume dampers, are hereby required by the Contract Documents.
  - 2. Verify that quantities and locations of devices proposed by the contractor and indicated on the Contract Documents are accessible and appropriate for effective balancing and efficient system and equipment operation.
  - 3. Verify flow rates specified and compare to central equipment capacities.
  - 4. Identify discontinuities and omissions in the Contract Documents.
  - 5. Provide a detailed Testing and Balancing plan within six weeks of the Notice to Proceed.
  - 6. Provide a TAB technician to work at the direction of the CxA for up to a consecutive six work day period on site to assist in testing.
  - 7. Record configuration, set up, parameters, etc., that change during the testing period.
  - 8. Provide representative(s) for up to 16 hours of off-season testing each. Any and all time is required to be spent at the job site.
  - 9. Respond to Warranty issues. Record configuration, set up, parameters, etc., that change during the warranty period.
- B. Examine BAS submittal data prior to submission and provide comments to contractor, and Moseley Architects.
- C. Examine submittal data of HVAC systems and equipment prior to submission and provide comments to contractor, and Moseley Architects.
- D. Examine project record documents and provide comments to contractor, and Moseley Architects.

FIRE STATIONS RENOVATION  
ARLINGTON COUNTY, VIRGINIA  
Architect's Project No: 563006

- E. Examine Architect's design data, including HVAC system descriptions, statements of design, assumptions for environmental conditions, control drawings, and statements concerning systems and equipment.
- F. Examine equipment performance data, including fan and pump curves. Relate performance data to project conditions and requirements, including system effects that can create undesired or unpredicted conditions that cause reduced capacities in all or part of a system. Calculate system effect factors to reduce the performance ratings of HVAC equipment when installed under conditions different from those presented when the equipment was performance tested at the factory. To calculate system effects for air systems, use tables and charts found in AMCA 201, "Fans and Systems," Sections 7 through 10; or in SMACNA's "HVAC Systems--Duct Design," Sections 5 and 6. Compare this data with the design data and installed conditions.
- G. Examine system and equipment installations to verify that they are complete and that TAB, and cleaning indicated has been performed.
- H. Examine HVAC system and equipment installations to verify that indicated balancing devices, such as test ports, gage cocks, thermometer wells, flow-control devices, balancing valves and fittings, and manual volume dampers, are properly installed, and their locations are accessible and appropriate for effective balancing and for efficient system and equipment operation.
- I. Examine systems for functional deficiencies that cannot be corrected by adjusting and balancing.
- J. Examine air-handling equipment to ensure clean filters have been installed, bearings are greased, belts are aligned and tight, and equipment is ready for operation, including functioning controls.
- K. Examine terminal units, such as variable-air-volume boxes and mixing boxes, to verify that they are accessible, and their controls are connected and functioning.
- L. Examine strainers for clean screens and proper perforations.
- M. Examine 3-way valves for proper installation for their intended function of diverting or mixing fluid flows.
- N. Examine heat-transfer coils for correct piping connections and for clean and straight fins.
- O. Examine open-piping-system pumps to ensure absence of entrained air in the suction piping.
- P. Examine equipment for installation and for properly operating safety interlocks and controls.
- Q. Examine automatic temperature system components to verify the following:
  - 1. Dampers, valves, and other controlled devices operate by the intended controller.
  - 2. Dampers and valves are in the position indicated by the controller.

FIRE STATIONS RENOVATION  
ARLINGTON COUNTY, VIRGINIA  
Architect's Project No: 563006

3. Integrity of valves and dampers for free and full operation and for tightness of fully closed and fully open positions. This includes dampers in mixing boxes and variable-air-volume terminals.
  4. Automatic modulating and shutoff valves, including 2-way valves and 3-way mixing and diverting valves, are properly connected.
  5. Thermostats are located to avoid adverse effects of sunlight, drafts, and cold walls.
  6. Sensors are located to sense only the intended conditions.
  7. Sequence of operation for control modes is according to the Contract Documents.
  8. Controller set points are set at design values. Observe and record system reactions to changes in conditions. Record default set points if different from design values.
  9. Interlocked systems are operating.
  10. Changeover from heating to cooling mode occurs according to design values.
- R. Report deficiencies discovered before and during performance of TAB procedures.

### 3.3 PREPARATION

- A. Prepare a TAB plan that includes strategies and step-by-step procedures.
- B. Complete system readiness checks and prepare system readiness reports. Verify the following:
  1. Permanent electrical power wiring is complete.
  2. Hydronic systems are filled, clean, and free of air.
  3. Automatic temperature-control systems are operational.
  4. Equipment and duct access doors are securely closed.
  5. Balance, smoke, and fire dampers are open.
  6. Isolating and balancing valves are open and control valves are operational.
  7. Ceilings are installed in critical areas where air-pattern adjustments are required and access to balancing devices is provided.
  8. Windows and doors can be closed so design conditions for system operations can be met.

### 3.4 GENERAL TESTING AND BALANCING PROCEDURES

- A. Perform testing and balancing procedures on each system according to the procedures contained in AABC national standards or NEBB's "Procedural Standards for TAB of Environmental Systems" and this Section.
- B. Cut insulation, ducts, pipes, and equipment cabinets for installation of test probes to the minimum extent necessary to allow adequate performance of procedures. After testing and

FIRE STATIONS RENOVATION  
ARLINGTON COUNTY, VIRGINIA  
Architect's Project No: 563006

balancing, close probe holes and patch insulation with new materials identical to those removed. Restore vapor barrier and finish according to the insulation Specifications for this Project.

- C. Mark equipment settings with paint or other suitable, permanent identification material, including damper-control positions, valve indicators, fan-speed-control levers, and similar controls and devices, to show final settings.

### 3.5 MOTORS

- A. Motors, 1/2 HP and Larger: Test at final balanced conditions and record the following data:

1. Manufacturer, model, and serial numbers.
2. Motor horsepower rating.
3. Motor rpm.
4. Efficiency rating if high-efficiency motor.
5. Nameplate and measured voltage, each phase.
6. Nameplate and measured amperage, each phase.
7. Starter thermal-protection-element rating.

- B. Motors Driven by Variable-Frequency Controllers: Test for proper operation at speeds varying from minimum to maximum. Test the manual bypass to prove proper operation. Record observations, including controller manufacturer, model number, serial number, and nameplate data.

### 3.6 TEMPERATURE-CONTROL VERIFICATION

- A. Verify that controllers are calibrated and commissioned.
- B. Check transmitter and controller locations and note conditions that would adversely affect control functions.
- C. Record controller settings and note variances between set points and actual measurements.
- D. Verify operation of limiting controllers (i.e., high- and low-temperature controllers).
- E. Verify free travel and proper operation of control devices such as damper and valve operators.
- F. Verify sequence of operation of control devices. Note air pressures and device positions and correlate with air, water, and potable water-flow measurements. Note the speed of response to input changes.
- G. Confirm interaction of electrically operated switch transducers.
- H. Confirm interaction of interlock and lockout systems.



FIRE STATIONS RENOVATION  
ARLINGTON COUNTY, VIRGINIA  
Architect's Project No: 563006

- I. Record voltages of power supply and controller output. Determine if the system operates on a grounded or non-grounded power supply.
- J. Note operation of electric actuators using spring return for proper fail-safe operations.

3.7 TOLERANCES

- A. Set system airflow, water, and potable water-flow rates within the following tolerances:
  - 1. Supply, Return, and Exhaust Fans: 0 to plus 10 percent.
  - 2. Air Outlets: minus 10 percent to plus 10 percent.
  - 3. Return Inlets: minus 10 percent to plus 10 percent.
  - 4. Exhaust Inlets: 0 to plus 10 percent.
  - 5. Heating-Water Flow Rate: minus 5 percent to plus 5 percent.
  - 6. Cooling-Water Flow Rate: minus 5 percent to plus 5 percent.
  - 7. Potable water: minus 5 percent to plus 5 percent.
  - 8. Unless indicated otherwise: minus 10 percent to plus 10 percent.

3.8 REPORTING

- A. Initial Construction-Phase Report: Based on examination of the Contract Documents as specified in "Examination" Article above, prepare a report on the adequacy of design for systems' balancing devices. Recommend changes and additions to systems' balancing devices to facilitate proper performance measuring and balancing. Recommend changes and additions to HVAC systems and general construction to allow access for performance measuring and balancing devices.
- B. Status Reports: When 50% of the construction contract period has elapsed, the contractor performing work under this section shall visit the site twice per month thereafter. After each site visit for each system being tested and balanced, prepare a report to describe completed work, work in progress, and work at variance with the contract documents. Include a list of deficiencies and problems found in each system. Prepare a separate report for each system and each building floor for systems serving multiple floors. Submit the report to the contractor and architect. The contractor shall be responsible for ensuring that deficiencies are corrected. Deficiencies shall remain on the list permanently, shall be issued with each report, and shall be checked off only when they are corrected.

3.9 FINAL REPORT

- A. General: Typewritten, or computer printout in letter-quality font, on standard bond paper, in 3-ring binder, tabulated and divided into sections by tested and balanced systems.

FIRE STATIONS RENOVATION  
ARLINGTON COUNTY, VIRGINIA  
Architect's Project No: 563006

- B. Include a certification sheet in front of binder signed and sealed by the certified testing and balancing engineer.
  - 1. Include a list of the instruments used for procedures, along with proof of calibration.
  
- C. Final Report Contents: In addition to the certified field report data, include the following:
  - 1. Pump curves.
  - 2. Fan curves.
  - 3. Manufacturers' test data.
  - 4. Field test reports prepared by system and equipment installers.
  - 5. Other information relative to equipment performance, but do not include approved Shop Drawings and Product Data.
  
- D. General Report Data: In addition to the form titles and entries, include the following data in the final report, as applicable:
  - 1. Title page.
  - 2. Name and address of TAB Agent.
  - 3. Project name.
  - 4. Project location.
  - 5. Architect's name and address.
  - 6. Contractor's name and address.
  - 7. Report date.
  - 8. Signature of TAB Agent who certifies the report.
  - 9. Table of contents.
  - 10. Operating sequences that vary from the Contract Documents.
  - 11. Nomenclature sheets for each item of equipment.
  - 12. Data for terminal units, including manufacturer, type, and size.
  - 13. Notes to explain why certain final data in the body of reports varies from design values.
  - 14. Test conditions for fans and pump performance forms, including:
    - a. Settings for outside-, return-, and exhaust-air dampers.
    - b. Conditions of filters.
    - c. Cooling coil, wet- and dry-bulb conditions.
    - d. Fan drive settings, including:
      - 1) Percentage of maximum pitch or diameter.
      - 2) Maximum RPM.
      - 3) Minimum RPM on VAV systems.
    - e. Settings for supply-air static-pressure controllers on VAV systems.
    - f. System operating parameters/conditions that affect performance.

FIRE STATIONS RENOVATION  
ARLINGTON COUNTY, VIRGINIA  
Architect's Project No: 563006

- E. System Diagrams: Include schematic layouts of air, and water distribution systems. Provide single-line diagrams including the following:
  - 1. Quantities of outside, supply, return, exhaust, and water flow rates.
  - 2. Duct outlet, and inlet sizes.
  - 3. Pipe sizes and locations.
  - 4. Indicated Terminal unit(s): Information & location(s).
  - 5. Indicated Balancing station(s): Information & location(s).
  - 6. Indicated Meter(s): Information & location(s).
  
- F. Test Reports:
  - 1. All equipment test reports.
  - 2. Duct Traverse Reports.
  - 3. Terminal-Device Reports.
  - 4. Coil Reports.
  - 5. Instrument Calibration Reports.

3.10 ADDITIONAL TESTS

- A. When requested, provide up to six continuous and consecutive work days, by the technician that provided services under this section, directly knowledgeable of all systems and procedures specific to the project, to support commissioning for TAB verification.
  
- B. TAB verification site visit will be conducted after the TAB final report has been submitted and approved by the engineer of record.
  
- C. Within 90 days of completing work performed under this section, perform additional testing and balancing to verify that balanced conditions are being maintained throughout and to correct unusual conditions.
  
- D. Seasonal Periods:
  - 1. Winter: Re-test heating equipment, including central equipment and terminal devices, when the outside air temperature is below 30 degrees F.
  - 2. Summer: Re-test cooling equipment, including central equipment and terminal devices, when the outside air temperature is above 90 degrees F.

END OF SECTION 014520

FIRE STATIONS RENOVATION  
Arlington County, Virginia  
Architect's Project No.: 563006

---

**SECTION 015000**  
**TEMPORARY FACILITIES AND CONTROLS**

**PART 1 GENERAL**

**1.01 DEWATERING**

- A. Provide temporary means and methods for dewatering all temporary facilities and controls, in compliance with local authority having jurisdiction.
- B. Maintain temporary facilities in operable condition.

**1.02 TEMPORARY UTILITIES**

- A. Provide and pay for all electrical power, lighting, water, heating and cooling, and ventilation required for construction purposes.
- B. Temporary Lighting: Provide temporary lighting of type and producing lighting levels necessary for proper installation of the Work.
- C. Temporary Heating, Cooling, and Ventilation: Provide temporary measures and equipment as required for curing, drying, and humidity control. Comply with manufacturer's installation instructions for specific product requirements.
  - 1. Provide measures and equipment to meet warranty requirements of interior woodwork specified in Division 6 and/or Division 12 sections.
  - 2. Use of Permanent HVAC Facilities and Equipment: Use of HVAC equipment shall be subject to Owner approval.
    - a. Protect new and existing HVAC equipment from intrusion of dust, silica, dirt and debris during construction operations.
    - b. Cover all openings in new and existing inactive ductwork during construction operation with minimum 6 mil polyethylene sheet.
    - c. Where use of existing HVAC equipment is approved by Owner, provide temporary filters with a minimum MERV of 8. Change the filters every two weeks while construction is ongoing. Provide new filters at Substantial Completion; do not change out temporary filter until approved by Architect.
    - d. Do not perform testing and balancing of HVAC equipment until dust, silica, dirt and debris producing activities are complete.
- D. Temporary Water: For the duration of construction or until permanent water service is available at the site, the Contractor shall provide a temporary water source, as part of the Contract Price.
- E. Temporary Electric Service: Until electric utility provides permanent service at the site, the Contractor shall provide temporary electrical power, as part of the Contract Price.
- F. Temporary Sewer and Drainage: Comply with requirements of local authority having jurisdiction for connection of temporary sewer to public system.

**1.03 TELECOMMUNICATIONS SERVICES**

- A. Provide, maintain, and pay for telecommunications services to field office at time of project mobilization.
- B. Telecommunications services shall include:
  - 1. Telephone Service: Contractor shall ensure that all of its forces, including on-site managers/supervisors of each Subcontractor, have mobile devices and adequate voice and data coverage for on-site operations.
  - 2. Internet Connections: Minimum of one; DSL modem or faster.

**1.04 TEMPORARY SANITARY FACILITIES**

- A. Provide and maintain required facilities and enclosures. Provide at time of project mobilization.
  - 1. Provide temporary unisex toilet units and all required disposable supplies.
  - 2. Provide handwash stations and hand sanitizer at each toilet unit.
  - 3. Provide regular servicing of portable facilities by professional servicing company; including draining, cleaning, and disinfecting.
- B. New permanent facilities may not be used during construction operations.

FIRE STATIONS RENOVATION  
Arlington County, Virginia  
Architect's Project No.: 563006

---

- C. Maintain daily in clean and sanitary condition.

**1.05 BARRIERS**

- A. Provide barriers to prevent unauthorized entry to construction areas, to prevent access to areas that could be hazardous to workers or the public, to allow for owner's use of site and to protect existing facilities and adjacent properties from damage from construction operations and demolition.
- B. Provide barricades and covered walkways required by governing authorities for public rights-of-way and for public access to existing building, and for emergency egress.
- C. Provide protection for plants designated to remain. Replace damaged plants.
- D. Protect vehicular traffic, stored materials, site, and structures from damage.

**1.06 FENCING**

- A. Barrier Mesh Fence: Provide minimum 6-foot height open-mesh polypropylene barrier fabric mounted on lumber or galvanized steel posts to isolate and define construction area and prevent accidental public access.
- B. Construction: Commercial grade chain link fence.
1. Contractor may provide either fixed or portable fencing to suit conditions. For portable fencing, provide concrete or galvanized steel bases for supporting posts. Bases for portable fencing shall not obstruct sidewalks or other pathways used by pedestrians.
- C. Provide 6 foot high fence around construction site; equip with vehicular and pedestrian gates with locks.
- D. Unless otherwise indicated, provide barrier mesh fencing to enclose the approximate extent of the entire construction site. Chain link fencing shall be used to enclose Contractor's field office and laydown/storage areas, areas of the site actively in construction, and as deemed necessary by Contractor.

**1.07 EXTERIOR ENCLOSURES**

- A. Provide temporary weather tight closure of exterior openings to accommodate acceptable working conditions and protection for Products, to allow for temporary heating and maintenance of required ambient temperatures identified in individual specification sections, and to prevent entry of unauthorized persons. Provide access doors with self-closing hardware and locks.

**1.08 INTERIOR ENCLOSURES**

- A. Provide temporary partitions to separate work areas from Owner-occupied areas, to prevent penetration of dust and moisture into Owner-occupied areas, and to prevent damage to existing materials and equipment.
- B. Construction: Framing and gypsum board sheet materials with closed joints and sealed edges at intersections with existing surfaces:

**1.09 SECURITY**

- A. Provide security and facilities to protect Work, existing facilities, and Owner's operations from unauthorized entry, vandalism, or theft.
1. Contractor shall repair damage to existing facilities caused by Construction operations.
- B. Coordinate with Owner's security program.
- C. Environmental Protection: Comply with EPA, OSHA and other regulatory requirements to prevent contamination of site, air, and public sewer/runoff.
1. Provide additional work restrictions and protective measures as indicated on Civil/Site Drawings and as specified in Division 01 Section "Summary."

**1.10 VEHICULAR ACCESS AND PARKING**

- A. Comply with regulations relating to use of streets and sidewalks, access to emergency facilities, and access for emergency vehicles.
- B. Coordinate access and haul routes with governing authorities and Owner.
- C. Provide and maintain access to fire hydrants, free of obstructions.

FIRE STATIONS RENOVATION  
Arlington County, Virginia  
Architect's Project No.: 563006

---

- D. Provide means of removing mud from vehicle wheels before entering streets.
- E. Designated existing on-site roads may be used for construction traffic.
- F. Provide temporary parking areas to accommodate construction personnel. When site space is not adequate, provide additional off-site parking.

#### **1.11 WASTE REMOVAL**

- A. See Section 017419 - Construction Waste Management and Disposal, for additional requirements.
- B. Provide waste removal facilities and services as required to maintain the site in clean and orderly condition.
- C. Provide containers with lids. Remove trash from site periodically.
- D. If materials to be recycled or re-used on the project must be stored on-site, provide suitable non-combustible containers; locate containers holding flammable material outside the structure unless otherwise approved by the authorities having jurisdiction.
- E. Open free-fall chutes are not permitted. Terminate closed chutes into appropriate containers with lids.

#### **1.12 PROJECT IDENTIFICATION**

- A. Project signs are not part of the Contract.
  - 1. The Contractor may, at their option and expense, elect to provide Project identification signs. Proposed signs shall comply with layout and details indicated on Drawings, and shall be submitted for Owner approval. Unauthorized signs are not permitted.
- B. Erect on site at location indicated.
- C. Provide temporary directional signage as directed to facilitate site access for visitors and other construction personnel.
- D. No other signs are allowed without Owner permission except those required by law.

#### **1.13 FIELD OFFICES**

- A. Field Office: Contractor shall be permitted to use a designated portion of existing facility as temporary field office.
  - 1. Maintain the following materials in the field office, available to Architect and Owner's representative at all times:
    - a. A complete, up-to-date set of all Contract Documents, including FCs, RFIs, PCOs, and COs.
    - b. A complete, up-to-date set of all reviewed final shop drawings.

#### **1.14 REMOVAL OF UTILITIES, FACILITIES, AND CONTROLS**

- A. Remove temporary utilities, equipment, facilities, materials, prior to Date of Substantial Completion inspection.
- B. Remove temporary underground installations.
- C. Clean and repair damage caused by installation or use of temporary work.
- D. Restore existing facilities used during construction to original condition.
- E. Restore new permanent facilities used during construction to specified condition.

### **PART 2 PRODUCTS**

#### **2.01 MATERIALS**

- A. Rough Carpentry: 2x lumber, in length and depth required for floor to ceiling partitions. Partitions shall not be fastened to existing ceilings or flooring to remain. Provide additional bracing and concealed attachments to building structure.
- B. Gypsum Board: 1/2-inch gypsum wallboard; ASTM C 1396.
- C. Insulation: Mineral-wool fiber blankets; with maximum flame-spread and smoke-developed ratings of 25 and 50 when tested per ASTM E 84.

FIRE STATIONS RENOVATION  
Arlington County, Virginia  
Architect's Project No.: 563006

---

- D. Polyethylene Sheet: Minimum 10 mil reinforced sheeting; achieving a passing rating when tested per NFPA 701, and a maximum flame-spread rating of 15 when tested per ASTM E 84.
- E. Walk-Off Mats: Dust-, dirt- and silica-control walk-off mats at each entrance into the enclosed construction area and each entrance through temporary partitions.
- F. Hardware: Provide temporary hinges, latch, and lock at doors in temporary partitions. Where doors in temporary partitions are also indicated to serve as egress, provide ADA-compliant exit device and closer.

## **2.02 EQUIPMENT**

- A. Fire Extinguishers: Provide portable UL rated extinguishers. Provide extinguisher types rated for potential classes of fire expected for construction work indicated.

## **PART 3 EXECUTION**

### **3.01 PEST CONTROL**

- A. Provide pest-control services at regular intervals, performed in compliance with regulations of state regulations, and by a pest-control firm licensed in the state where the project is located. Any chemicals and pesticides used shall be approved by EPA and local authority having jurisdiction. Contractor's pest control plan shall ensure the facility is free of termites, roaches, rodents, and other pests at time of Substantial Completion.
  - 1. Coordinate with Owner's Integrated Pest Management (IPM) plan where applicable.
  - 2. Provide Owner with a minimum 72 hours pre-notification for pest-control treatments.

### **3.02 TEMPORARY FIRE PROTECTION**

- A. Comply with NFPA 241 "Standard for Safeguarding Construction, Alteration, and Demolition Operations" for preventing damage to structures under construction.
- B. Provide a fire-prevention program, review with all personnel on site, and post fire-prevention information in clearly visible area. Coordinate fire-prevention program with local fire department.
- C. Provide clearly labeled portable fire extinguishers
- D. Provide fire watch in compliance with OSHA requirements during and after use of all potential ignition sources, including but not limited to, welders, grinders, cutting torches, heating and electrical equipment, and lighting.
- E. Do not allow smoking in areas under construction.

### **3.03 MOISTURE CONTROL**

- A. Prevent the absorption of moisture and humidity by:
  - 1. Sequencing the delivery of such materials so that they are not present in the building until wet work is completed and dry.
  - 2. Delivery and storage of such materials in fully sealed moisture-impermeable packaging.
  - 3. Provide sufficient ventilation for drying within reasonable time frame.
- B. Prior to building dry-in, store porous materials in a separate enclosed storage building. Keep all surfaces clear of standing water, and cover or otherwise protect all materials from water infiltration and damage. Do not enclose interior spaces until dry-in is complete and ventilation can remove excess moisture.
- C. After building dry-in, provide temporary mechanical ventilation for humidity and moisture control until the building HVAC system is operational. Do not store or install material in the building until ambient temperature and humidity is within manufacturer's acceptable range. Do not install wet materials, and ensure that substrates are fully dry prior to installing other materials over them.
- D. Provide continuous monitoring of installed materials. Remove gypsum board, wood products, and other mold-supporting products, if they become and remain wet for 48 hours. Remove and replace any materials showing visible signs of mold or mildew.

FIRE STATIONS RENOVATION  
Arlington County, Virginia  
Architect's Project No.: 563006

---

**3.04 TEMPORARY FACILITY USAGE AND REMOVAL**

- A. Maintenance and Usage: Keep temporary facilities clean and in well-maintained condition for the duration of the Project. Prevent misuse of or damage to facilities by construction personnel. Make repairs to temporary facilities or replace facilities as required to keep them in good operating condition and in compliance with applicable OSHA, local permitting, and other applicable regulations.
- B. Changeover: Coordinate changeover from temporary facilities to permanent facilities at Substantial Completion, unless an alternate arrangement for changeover has been agreed upon in writing by Owner.
  - 1. Contractor shall be responsible for repair, restoration, and cleaning of permanent facilities that are used for construction purposes after changeover.
- C. Removal: Unless otherwise indicated, temporary facilities and controls are the property of the Contractor, and shall be removed upon Architect's approval when Contractor can demonstrate that they are no longer needed.
  - 1. Comply with construction waste management and recycling requirements for temporary facilities and materials that are not able to be reused.
  - 2. After removal of temporary facilities and controls, complete all permanent construction that was not accessible due to the presence of temporary facilities.
  - 3. Remove materials that have become soiled or contaminated due to construction vehicle traffic, parking, temporary field offices, oil or other chemical spillage, and other temporary usage, and replace with clean material. Complete grading, landscaping, paving, and other site improvements, and repair or restore all damage to existing or previously completed site improvements

**END OF SECTION**



FIRE STATIONS RENOVATION  
Arlington County, Virginia  
Architect's Project No.: 563006

---

**SECTION 016000  
PRODUCT REQUIREMENTS**

**PART 1 GENERAL**

**1.01 DEFINITIONS**

- A. Comparable Product: An unnamed product that is similar in quality and performance to named product(s).
- B. Basis-of-Design Product: A specific product selected by the Architect for use in the design process; based on certain performance characteristics, physical qualities or details, a specialized finish type, pattern, or color, or other indicated characteristics.

**1.02 WARRANTIES**

- A. Product warranties shall be provided in addition to and run concurrently to Contractor's general warranty/guarantee.
  - 1. Unless otherwise indicated, all warranty terms shall start on the date of Substantial Completion.
- B. Manufacturer's Warranty: A standard warranty issued by the product manufacturer, covering production and material defects.
- C. Special Warranties: Warranties in addition to standard manufacturer's warranty, covering fabrication, installation, or specific performance items such as weathertightness
- D. Warranty Form: Warranty shall be provided on either manufacturer's standard form or on specified form. When a sample warranty form is not included in the Project Manual, the warranty shall be on mutually agreed form.

**PART 2 PRODUCTS**

**2.01 EXISTING PRODUCTS**

- A. Do not use materials and equipment removed from existing premises unless specifically required or permitted by Contract Documents.
- B. Unforeseen historic items encountered remain the property of the Owner; notify Owner promptly upon discovery; protect, remove, handle, and store as directed by Owner.
- C. Existing materials and equipment indicated to be removed, but not to be re-used, relocated, reinstalled, delivered to the Owner, or otherwise indicated as to remain the property of the Owner, become the property of the Contractor; remove from site.

**2.02 NEW PRODUCTS**

- A. Provide new products unless specifically required or permitted by Contract Documents.
- B. See Section 014000 - Quality Requirements, for additional source quality control requirements.
- C. Use of products having any of the following characteristics is not permitted:
  - 1. Made using or containing CFC's or HCFC's.
  - 2. Containing lead, cadmium, or asbestos.

**2.03 PRODUCT OPTIONS**

- A. Products Specified with a Single Named Product: Where required by Owner due to facility standards, provide the named product; no options or substitutions allowed.
- B. Products Specified by Reference Standards or by Description Only: Use any product meeting those standards or description.
- C. Products Specified by Naming One or More Manufacturers: Use a product of one of the manufacturers named and meeting specifications, no options or substitutions allowed.
- D. Products Specified by Naming One or More Manufacturers with a Provision for Substitutions: Submit a request for substitution for any manufacturer not named.
- E. Products Specified by Naming One or More Manufacturers with a Provision for Comparable Products: Unnamed comparable product may be submitted after award of Contract. Comply with requirements in "Comparable Products" article below.

FIRE STATIONS RENOVATION  
Arlington County, Virginia  
Architect's Project No.: 563006

---

#### 2.04 BASIS-OF-DESIGN PRODUCTS

- A. Where a product is specified by naming a Basis-of-Design, comply with the following:
1. Where a list of additional manufacturers is provided, provide the Basis-of-Design product or a comparable product by one of the listed manufacturers, in compliance with "Comparable Products" article below.
  2. Where a list of additional manufacturers is not provided, provide the Basis-of-Design product, or submit a substitution request in compliance with Section 012500 - Substitution Procedures.
  3. Basis-of-Design characteristics shall include requirements in the Specifications and on the Drawings.
  4. Where the Basis-of-Design lists a specific finish, manufacturers wishing to submit as a Comparable Product or as a substitution shall certify that they are able to provide an exact match to the specified finish, or that they will provide a custom finish to match.

#### 2.05 COMPARABLE PRODUCTS

- A. Where a product is specified with a provision for comparable products, Contractors submitting a Comparable Product shall comply with the following:
1. The submitted product shall not require changes to the Work, unless specifically approved by Architect. If changes are required, the Contractor shall resubmit the product as a substitution request, and the Contractor shall bear the cost of the changes, coordinate with other impacted contractors, and provide appropriate notations on record documents.
  2. Contractor shall provide, with the submittal, a detailed breakdown comparing the submitted product to at least one of the other listed products; list specified performance qualities, test results, dimensions, finish, and other critical properties.
  3. Contractor shall provide warranty data indicating that submitted Comparable Product complies with indicated warranty term(s).
- B. Comparable product submittals are subject to Architect's final approval. If a proposed product is found to be unacceptable, Contractor shall revert to one of the named products.

#### 2.06 COLOR/FINISH OPTIONS

- A. Preselected Color/Finish: Where a specific manufacturer's premium or custom finish or color is indicated as the basis-of-design, other listed manufacturers shall certify that they can provide an exact match, or that they will provide pricing under the assumption that a custom finish or color will be required.
- B. Color/Finish Selection: Unless specifically indicated to either be a custom color or to be selected from manufacturer's standard range, color and finish selections shall be made from manufacturer's full range of options, including premiums, metallics, wood grains, etc.

#### 2.07 MAINTENANCE MATERIALS

- A. Furnish extra materials, spare parts, tools, and software of types and in quantities specified in individual specification sections.
- B. Deliver to location designated by Owner; obtain receipt prior to final payment.

### PART 3 EXECUTION

#### 3.01 SUBSTITUTION LIMITATIONS

- A. See Section 012500 - Substitution Procedures.

#### 3.02 OWNER-SUPPLIED PRODUCTS

- A. See Section 011000 - Summary for identification of Owner-supplied products.
- B. Owner's Responsibilities:
1. Arrange for and deliver Owner reviewed shop drawings, product data, and samples, to Contractor.
  2. Arrange and pay for product delivery to site.
  3. On delivery, inspect products jointly with Contractor.
  4. Submit claims for transportation damage and replace damaged, defective, or deficient items.

FIRE STATIONS RENOVATION  
Arlington County, Virginia  
Architect's Project No.: 563006

---

5. Arrange for manufacturers' warranties, inspections, and service.
- C. Contractor's Responsibilities:
1. Review Owner reviewed shop drawings, product data, and samples.
  2. Receive and unload products at site; inspect for completeness or damage jointly with Owner.
  3. Handle, store, install and finish products.
  4. Repair or replace items damaged after receipt.

### 3.03 TRANSPORTATION AND HANDLING

- A. Package products for shipment in manner to prevent damage; for equipment, package to avoid loss of factory calibration.
- B. If special precautions are required, attach instructions prominently and legibly on outside of packaging.
- C. Coordinate schedule of product delivery to designated prepared areas in order to minimize site storage time and potential damage to stored materials.
- D. Transport and handle products in accordance with manufacturer's instructions.
- E. Transport materials in covered trucks to prevent contamination of product and littering of surrounding areas.
- F. Promptly inspect shipments to ensure that products comply with requirements, quantities are correct, and products are undamaged.
- G. Provide equipment and personnel to handle products by methods to prevent soiling, disfigurement, or damage, and to minimize handling.
- H. Arrange for the return of packing materials, such as wood pallets, where economically feasible.

### 3.04 STORAGE AND PROTECTION

- A. Provide protection of stored materials and products against theft, casualty, or deterioration.
  - B. Designate receiving/storage areas for incoming products so that they are delivered according to installation schedule and placed convenient to work area in order to minimize waste due to excessive materials handling and misapplication. See Section 017419.
    1. Structural Loading Limitations: Handle and store products and materials so as not to exceed static and dynamic load-bearing capacities of project floor and roof areas.
  - C. Store and protect products in accordance with manufacturers' instructions.
  - D. Store with seals and labels intact and legible.
  - E. Arrange storage of materials and products to allow for visual inspection for the purpose of determination of quantities, amounts, and unit counts.
  - F. Store sensitive products in weathertight, climate-controlled enclosures in an environment favorable to product.
  - G. For exterior storage of fabricated products, place on sloped supports above ground.
  - H. Provide off-site storage and protection when site does not permit on-site storage or protection.
  - I. Protect products from damage or deterioration due to construction operations, weather, precipitation, humidity, temperature, sunlight and ultraviolet light, dirt, dust, and other contaminants.
  - J. Comply with manufacturer's warranty conditions, if any.
  - K. Do not store products directly on the ground.
  - L. Cover products subject to deterioration with impervious sheet covering. Provide ventilation to prevent condensation and degradation of products.
  - M. Prevent contact with material that may cause corrosion, discoloration, or staining.
  - N. Provide equipment and personnel to store products by methods to prevent soiling, disfigurement, or damage.
-

FIRE STATIONS RENOVATION  
Arlington County, Virginia  
Architect's Project No.: 563006

---

- O. Arrange storage of products to permit access for inspection. Periodically inspect to verify products are undamaged and are maintained in acceptable condition.

**END OF SECTION**

FIRE STATIONS RENOVATION  
Arlington County, Virginia  
Architect's Project No.: 563006

---

**SECTION 017000  
EXECUTION AND CLOSEOUT REQUIREMENTS**

**PART 1 GENERAL**

**1.01 SUBMITTALS**

- A. See Section 013000 - Administrative Requirements, for submittal procedures.
- B. Project Record Documents: Accurately record actual locations of capped and active utilities.

**1.02 QUALIFICATIONS**

- A. For design of temporary shoring and bracing, employ a Professional Engineer experienced in design of this type of work and licensed in the State in which the Project is located.

**1.03 PROJECT CONDITIONS**

- A. Use of explosives is not permitted.
- B. Grade site to drain. Maintain excavations free of water. Provide, operate, and maintain pumping equipment.
- C. Protect site from puddling or running water. Provide water barriers as required to protect site from soil erosion.
- D. Perform dewatering activities, as required, for the duration of the project.
- E. Ventilate enclosed areas to assist cure of materials, to dissipate humidity, and to prevent accumulation of dust, fumes, vapors, or gases.
- F. Dust and Silica Control: Execute work by methods to minimize raising dust and silica from construction operations. Provide positive means to prevent air-borne dust and silica from dispersing into atmosphere and over adjacent property.
  - 1. Provide dust-proof enclosures to prevent entry of dust and silica that is generated outdoors.
  - 2. Provide dust-proof barriers between construction areas and areas continuing to be occupied by Owner.
- G. Erosion and Sediment Control: Plan and execute work by methods to control surface drainage from cuts and fills, from borrow and waste disposal areas. Prevent erosion and sedimentation.
  - 1. Minimize amount of bare soil exposed at one time.
  - 2. Provide temporary measures such as berms, dikes, and drains, to prevent water flow.
  - 3. Construct fill and waste areas by selective placement to avoid erosive surface silts or clays.
  - 4. Periodically inspect earthwork to detect evidence of erosion and sedimentation; promptly apply corrective measures.
- H. Noise Control: Provide methods, means, and facilities to minimize noise produced by construction operations.
- I. Pest and Rodent Control: Provide methods, means, and facilities to prevent pests and insects from damaging the work.
- J. Pollution Control: Provide methods, means, and facilities to prevent contamination of soil, water, and atmosphere from discharge of noxious, toxic substances, and pollutants produced by construction operations. Comply with federal, state, and local regulations.
- K. Hazardous Materials: Do not use materials or products that contain hazardous substances, for permanently installed products and materials, installation materials, or for cleaning or other construction use.

**1.04 COORDINATION**

- A. See Section 011000 for occupancy-related requirements.
- B. Coordinate scheduling, submittals, and work of the various sections of the Project Manual to ensure efficient and orderly sequence of installation of interdependent construction elements, with provisions for accommodating items installed later.

FIRE STATIONS RENOVATION  
Arlington County, Virginia  
Architect's Project No.: 563006

---

- C. Notify affected utility companies and comply with their requirements.
- D. Verify that utility requirements and characteristics of new operating equipment are compatible with building utilities. Coordinate work of various sections having interdependent responsibilities for installing, connecting to, and placing in service, such equipment.
- E. Coordinate space requirements, supports, and installation of mechanical and electrical work that are indicated diagrammatically on drawings. Follow routing indicated for pipes, ducts, and conduit, as closely as practicable; place runs parallel with lines of building. Utilize spaces efficiently to maximize accessibility for other installations, for maintenance, and for repairs.
- F. In finished areas except as otherwise indicated, conceal pipes, ducts, and wiring within the construction. Coordinate locations of fixtures and outlets with finish elements.
- G. Coordinate completion and clean-up of work of separate sections.
- H. After Owner occupancy of premises, coordinate access to site for correction of defective work and work not in accordance with Contract Documents, to minimize disruption of Owner's activities.

## **PART 2 PRODUCTS**

### **2.01 PATCHING MATERIALS**

- A. New Materials: As specified in product sections; match existing products and work for patching and extending work.
- B. Type and Quality of Existing Products: Determine by inspecting and testing products where necessary, referring to existing work as a standard.
- C. Product Substitution: For any proposed change in materials, submit request for substitution described in Section 016000 - Product Requirements.

## **PART 3 EXECUTION**

### **3.01 EXAMINATION**

- A. Verify that existing site conditions and substrate surfaces are acceptable for subsequent work. Start of work means acceptance of existing conditions.
- B. Verify that existing substrate is capable of structural support or attachment of new work being applied or attached.
- C. Examine and verify specific conditions described in individual specification sections.
- D. Take field measurements before confirming product orders or beginning fabrication, to minimize waste due to over-ordering or misfabrication.
- E. Verify that utility services are available, of the correct characteristics, and in the correct locations.
- F. Prior to Cutting: Examine existing conditions prior to commencing work, including elements subject to damage or movement during cutting and patching. After uncovering existing work, assess conditions affecting performance of work. Beginning of cutting or patching means acceptance of existing conditions.

### **3.02 PREPARATION**

- A. Clean substrate surfaces prior to applying next material or substance.
- B. Seal cracks or openings of substrate prior to applying next material or substance.
- C. Apply manufacturer required or recommended substrate primer, sealer, or conditioner prior to applying any new material or substance in contact or bond.

### **3.03 GENERAL INSTALLATION REQUIREMENTS**

- A. In addition to compliance with regulatory requirements, conduct construction operations in compliance with NFPA 241, including applicable recommendations in Appendix A.
- B. Install products as specified in individual sections, in accordance with manufacturer's instructions and recommendations, and so as to avoid waste due to necessity for

FIRE STATIONS RENOVATION  
Arlington County, Virginia  
Architect's Project No.: 563006

---

replacement.

- C. Make vertical elements plumb and horizontal elements level, unless otherwise indicated.
- D. Install equipment and fittings plumb and level, neatly aligned with adjacent vertical and horizontal lines, unless otherwise indicated.
- E. Make consistent texture on surfaces, with seamless transitions, unless otherwise indicated.
- F. Make neat transitions between different surfaces, maintaining texture and appearance.

### 3.04 ALTERATIONS

- A. Drawings showing existing construction and utilities are based on casual field observation and existing record documents only.
    - 1. Verify that construction and utility arrangements are as indicated.
    - 2. Report discrepancies to Architect before disturbing existing installation.
    - 3. Beginning of alterations work constitutes acceptance of existing conditions.
  - B. Keep areas in which alterations are being conducted separated from other areas that are still occupied.
    - 1. Provide, erect, and maintain temporary dustproof partitions of construction specified in Section 015000.
  - C. Maintain weatherproof exterior building enclosure except for interruptions required for replacement or modifications; take care to prevent water and humidity damage.
    - 1. Where openings in exterior enclosure exist, provide construction to make exterior enclosure weatherproof.
    - 2. Insulate existing ducts or pipes that are exposed to outdoor ambient temperatures by alterations work.
  - D. Remove existing work as indicated and as required to accomplish new work.
    - 1. Remove items indicated on drawings.
    - 2. Relocate items indicated on drawings.
    - 3. Where new surface finishes are to be applied to existing work, perform removals, patch, and prepare existing surfaces as required to receive new finish; prepare substrate per manufacturer's requirements for successful application of new finish.
    - 4. Where new surface finishes are not specified or indicated, patch holes and damaged surfaces to match adjacent finished surfaces.
  - E. Services (Including but not limited to HVAC, Plumbing, Fire Protection, Electrical, and Telecommunications): Remove, relocate, and extend existing systems to accommodate new construction.
    - 1. Maintain existing active systems that are to remain in operation; maintain access to equipment and operational components; if necessary, modify installation to allow access or provide access panel.
    - 2. Where existing active systems serve occupied facilities but are to be replaced with new services, maintain existing systems in service until new systems are complete and ready for service.
      - a. Disable existing systems only to make switchovers and connections; minimize duration of outages.
      - b. See Section 011000 for other limitations on outages and required notifications.
      - c. Provide temporary connections as required to maintain existing systems in service.
    - 3. Remove abandoned pipe, ducts, conduits, and equipment, including those above accessible ceilings; remove back to source of supply where possible, otherwise cap stub and tag with identification; patch holes left by removal using materials specified for new construction.
  - F. Protect existing work to remain.
    - 1. Prevent movement of structure; provide shoring and bracing if necessary.
    - 2. Perform cutting to accomplish removals neatly and as specified for cutting new work.
    - 3. Repair adjacent construction and finishes damaged during removal work.
  - G. Adapt existing work to fit new work: Make as neat and smooth transition as possible.
-

FIRE STATIONS RENOVATION  
Arlington County, Virginia  
Architect's Project No.: 563006

---

1. When existing finished surfaces are cut so that a smooth transition with new work is not possible, terminate existing surface along a straight line at a natural line of division and make recommendation to Architect.
  2. Where removal of partitions or walls results in adjacent spaces becoming one, rework floors, walls, and ceilings to a smooth plane without breaks, steps, or bulkheads.
- H. Patching: Where the existing surface is not indicated to be refinished, patch to match the surface finish that existed prior to cutting. Where the surface is indicated to be refinished, patch so that the substrate is ready for the new finish.
- I. Refinish existing surfaces as indicated:
1. Where rooms or spaces are indicated to be refinished, refinish all visible existing surfaces to remain to the specified condition for each material, with a neat transition to adjacent finishes.
- J. Clean existing systems and equipment in all spaces impacted by alteration work.
- K. Remove demolition debris and abandoned items from alterations areas and dispose of off-site; do not burn or bury.
- L. Do not begin new construction in alterations areas before demolition is complete.

### **3.05 CUTTING AND PATCHING**

- A. Perform cutting and patching to:
1. Complete the work.
  2. Fit products together to integrate with other work.
  3. Provide openings for penetration of mechanical, electrical, and other services.
  4. Match work that has been cut to adjacent work.
  5. Repair areas adjacent to cuts to required condition.
  6. Repair new work damaged by subsequent work.
  7. Remove samples of installed work for testing when requested.
  8. Remove and replace defective and non-complying work.
- B. Execute work by methods that avoid damage to other work and that will provide appropriate surfaces to receive patching and finishing. In existing work, minimize damage and restore to specified condition.
- C. Employ skilled and experienced installer to perform cutting and patching.
- D. Restore work with new products in accordance with requirements of Contract Documents.
- E. Fit work to pipes, sleeves, ducts, conduit, and other penetrations through surfaces.
- F. At penetrations of fire rated walls, partitions, ceiling, or floor construction, completely seal voids with fire rated material to maintain existing fire ratings, to full thickness of the penetrated element.
- G. Patching:
1. Finish patched surfaces to match finish that existed prior to patching. On continuous surfaces, refinish to nearest intersection or natural break. For an assembly, refinish entire unit.
  2. Match color, texture, and appearance.
  3. Repair patched surfaces that are damaged, lifted, discolored, or showing other imperfections due to patching work. If defects are due to condition of substrate, repair substrate prior to repairing finish.

### **3.06 PROGRESS CLEANING**

- A. Maintain areas free of waste materials, debris, and rubbish. Maintain site in a clean and orderly condition.
- B. Remove debris and rubbish from pipe chases, plenums, attics, crawl spaces, and other closed or remote spaces, prior to enclosing the space.
- C. Broom and vacuum clean interior areas prior to start of surface finishing, and continue cleaning to eliminate dust and silica.



FIRE STATIONS RENOVATION  
Arlington County, Virginia  
Architect's Project No.: 563006

---

- D. Collect and remove waste materials, debris, and trash/rubbish from site periodically and dispose off-site; do not burn or bury.

### **3.07 PROTECTION OF INSTALLED WORK**

- A. Protect installed work from damage by construction operations.
- B. Provide special protection where specified in individual specification sections.
- C. Provide temporary and removable protection for installed products. Control activity in immediate work area to prevent damage.
- D. Provide protective coverings at walls, projections, jambs, sills, and soffits of openings.
- E. Protect finished floors, stairs, and other surfaces from traffic, dirt, wear, damage, or movement of heavy objects, by protecting with durable sheet materials.
- F. Protect work from spilled liquids. If work is exposed to spilled liquids, immediately remove protective coverings, dry out work, and replace protective coverings.
- G. Prohibit traffic or storage upon waterproofed or roofed surfaces. If traffic or activity is necessary, obtain recommendations for protection from waterproofing or roofing material manufacturer.
- H. Prohibit traffic from landscaped areas.
- I. Remove protective coverings when no longer needed; reuse or recycle coverings if possible.

### **3.08 SYSTEM STARTUP AND ADJUSTING**

- A. Coordinate schedule for start-up of various equipment and systems.
- B. Notify Architect and Owner seven days prior to start-up of each item.
- C. Verify that each piece of equipment or system has been checked for proper lubrication, drive rotation, belt tension, control sequence, and for conditions that may cause damage.
- D. Verify tests, meter readings, and specified electrical characteristics agree with those required by the equipment or system manufacturer.
- E. Verify that wiring and support components for equipment are complete and tested.
- F. Execute start-up under supervision of applicable Contractor personnel and manufacturer's representative in accordance with manufacturers' instructions.
- G. When specified in individual specification Sections, require manufacturer to provide authorized representative to be present at site to inspect, check, and approve equipment or system installation prior to start-up, and to supervise placing equipment or system in operation.
- H. Adjust operating products and equipment to ensure smooth and unhindered operation.
- I. Testing, Adjusting, and Balancing of HVAC Systems: Refer to Division 1 Section "Testing, Adjusting, and Balancing for HVAC."
- J. Submit a written report that equipment or system has been properly installed and is functioning correctly.

### **3.09 DEMONSTRATION AND INSTRUCTION**

- A. See Section 017900 - Demonstration and Training.

### **3.10 FINAL CLEANING**

- A. Execute final cleaning prior to Substantial Completion.
  - 1. Clean areas to be occupied by Owner prior to final completion before Owner occupancy.
- B. Use cleaning materials that are nonhazardous.
- C. Clean interior and exterior glass, surfaces exposed to view; remove temporary labels, stains and foreign substances, polish transparent and glossy surfaces, vacuum carpeted and soft surfaces.

FIRE STATIONS RENOVATION  
Arlington County, Virginia  
Architect's Project No.: 563006

---

- D. Remove all labels that are not permanent. Do not paint or otherwise cover fire test labels or nameplates on mechanical and electrical equipment.
- E. Clean equipment and fixtures to a sanitary condition with cleaning materials appropriate to the surface and material being cleaned.
- F. Replace filters of operating equipment.
- G. Clean debris from roofs, gutters, downspouts, scuppers, overflow drains, area drains, and drainage systems.
- H. Clean site; sweep paved areas, rake clean landscaped surfaces.
- I. Remove waste, surplus materials, trash/rubbish, and construction facilities from the site; dispose of in legal manner; do not burn or bury.

### 3.11 CLOSEOUT PROCEDURES

- A. Prior to Substantial Completion, complete the following:
    - 1. Provide startup, testing, and adjusting of all systems and equipment.
      - a. Demonstrate that air and water systems are balanced and that automatic temperature control system is in control of all equipment. This may require separate demonstrations if controls cannot be tested for applicable seasons of the year.
      - b. Submit written certification that testing/adjusting/balancing operations have been completed, and that systems are operation and under control in conformance with applicable specification section(s).
      - c. Submit written certification that all Building Commissioning has been completed.
      - d. Complete testing of the electronic security and detention systems and equipment, demonstrating security control.
    - 2. Provide all inspections required by local authorities having jurisdiction to obtain Certificate of Occupancy, and provide written certification of completion of Special Inspections.
    - 3. Provide preventive maintenance services for all equipment used prior to Substantial Completion, and provide initial maintenance servicing for all products and equipment that will be subject to ongoing maintenance/service contracts.
    - 4. Provide final cleaning of all products, materials, and equipment, and provide touch up and restoration of exposed materials and finishes.
    - 5. Provide fresh batteries in all battery-powered products and equipment.
    - 6. Provide demonstration and training for Owner's personnel on all required systems and equipment.
    - 7. Coordinate a walkthrough with the Owner and the local fire department and other emergency services.
    - 8. To the maximum extent possible, remove temporary facilities and controls, construction equipment and tools, and similar items that are not part of the finished Work.
    - 9. Coordinate changeover with the Owner of permanent utilities, insurance requirements, and building's permanent keying and lock system.
  - B. Notify Architect when work is considered ready for Architect's Substantial Completion inspection.
  - C. Submit written certification containing Contractor's Correction Punch List, that Contract Documents have been reviewed, work has been inspected, and that work is complete in accordance with Contract Documents and ready for Architect's Substantial Completion inspection.
  - D. Owner will occupy the building after Substantial Completion as specified in Section 011000.
  - E. Conduct Substantial Completion inspection and create Final Correction Punch List containing Architect's and Contractor's comprehensive list of items identified to be completed or corrected and submit to Architect.
  - F. Correct items of work listed in Final Correction Punch List and comply with requirements for access to Owner-occupied areas.
-

FIRE STATIONS RENOVATION  
Arlington County, Virginia  
Architect's Project No.: 563006

---

- G. Notify Architect when work is considered finally complete and ready for Architect's Substantial Completion final inspection.
- H. Prior to final completion, complete the following:
  - 1. Complete items of work determined by Architect listed in executed Certificate of Substantial Completion.
  - 2. Provide final pest and rodent control treatments and inspections.
  - 3. Remove any remaining construction equipment, tools, and materials; perform additional cleaning required due to construction activities following Substantial Completion, and leave the site prepared for Owner occupancy.
  - 4. Submit final demonstration and training materials and videos, as built/record documents, operation and maintenance binders, and warranty binders.
  - 5. Submit final application for payment.

**3.12 MAINTENANCE**

- A. Provide service and maintenance of components indicated in specification sections.
  - 1. Contractor's maintenance responsibility shall be through Substantial Completion, unless a longer term is required by individual specification section.
- B. Maintenance service shall not be assigned or transferred to any agent or third party without prior written consent of the Owner.

**END OF SECTION**

FIRE STATIONS RENOVATION  
Arlington County, Virginia  
Architect's Project No.: 563006

---

**SECTION 017419**  
**CONSTRUCTION WASTE MANAGEMENT AND DISPOSAL**

**PART 1 GENERAL**

**1.01 WASTE MANAGEMENT REQUIREMENTS**

- A. Owner requires that this project generate the least amount of trash and waste possible.
- B. Employ processes that ensure the generation of as little waste as possible due to error, poor planning, breakage, mishandling, contamination, or other factors.
- C. Minimize trash/waste disposal in landfills; reuse, salvage, or recycle as much waste as economically feasible.
- D. Contractor shall develop and follow a Waste Management Plan designed to implement these requirements.
- E. The following sources may be useful in developing the Waste Management Plan:
- F. Methods of trash/waste disposal that are not acceptable are:
  - 1. Burning on the project site.
  - 2. Burying on the project site.
  - 3. Dumping or burying on other property, public or private.
  - 4. Other illegal dumping or burying.
- G. Regulatory Requirements: Contractor is responsible for knowing and complying with regulatory requirements, including but not limited to Federal, state and local requirements, pertaining to legal disposal of all construction and demolition waste materials.

**1.02 DEFINITIONS**

- A. Clean: Untreated and unpainted; not contaminated with oils, solvents, caulk, or the like.
- B. Construction and Demolition Waste: Solid wastes typically including building materials, packaging, trash, debris, and rubble resulting from construction, remodeling, repair and demolition operations.
- C. Hazardous: Exhibiting the characteristics of hazardous substances, i.e., ignitibility, corrosivity, toxicity or reactivity.
- D. Nonhazardous: Exhibiting none of the characteristics of hazardous substances, i.e., ignitibility, corrosivity, toxicity, or reactivity.
- E. Nontoxic: Neither immediately poisonous to humans nor poisonous after a long period of exposure.
- F. Recyclable: The ability of a product or material to be recovered at the end of its life cycle and remanufactured into a new product for reuse by others.
- G. Recycle: To remove a waste material from the project site to another site for remanufacture into a new product for reuse by others.
- H. Recycling: The process of sorting, cleansing, treating and reconstituting solid waste and other discarded materials for the purpose of using the altered form. Recycling does not include burning, incinerating, or thermally destroying waste.
- I. Return: To give back reusable items or unused products to vendors for credit.
- J. Reuse: To reuse a construction waste material in some manner on the project site.
- K. Salvage: To remove a waste material from the project site to another site for resale or reuse by others.
- L. Sediment: Soil and other debris that has been eroded and transported by storm or well production run-off water.
- M. Source Separation: The act of keeping different types of waste materials separate beginning from the first time they become waste.
- N. Toxic: Poisonous to humans either immediately or after a long period of exposure.
- O. Trash: Any product or material unable to be reused, returned, recycled, or salvaged.

FIRE STATIONS RENOVATION  
Arlington County, Virginia  
Architect's Project No.: 563006

---

- P. Waste: Extra material or material that has reached the end of its useful life in its intended use. Waste includes salvageable, returnable, recyclable, and reusable material.

### 1.03 SUBMITTALS

- A. See Section 013000 - Administrative Requirements, for submittal procedures.
- B. Waste Management Plan: Include the following information:
1. Analysis of the trash and waste projected to be generated during the entire project construction cycle, including types and quantities.
  2. Landfill Options: The name, address, and telephone number of the landfill(s) where trash/waste will be disposed of, the applicable landfill tipping fee(s), and the projected cost of disposing of all project trash/waste in the landfill(s).
  3. Landfill Alternatives: List all waste materials that will be diverted from landfills by reuse, salvage, or recycling.
  4. Meetings: Describe regular meetings to be held to address waste prevention, reduction, recycling, salvage, reuse, and disposal.
  5. Materials Handling Procedures: Describe the means by which materials to be diverted from landfills will be protected from contamination and prepared for acceptance by designated facilities; include separation procedures for recyclables, storage, and packaging.
  6. Transportation: Identify the destination and means of transportation of materials to be recycled; i.e. whether materials will be site-separated and self-hauled to designated centers, or whether mixed materials will be collected by a waste hauler.

## PART 3 EXECUTION

### 2.01 WASTE MANAGEMENT PLAN IMPLEMENTATION

- A. Manager: Designate an on-site person or persons responsible for instructing workers and overseeing and documenting results of the Waste Management Plan.
- B. Communication: Distribute copies of the Waste Management Plan to job site foreman, each subcontractor, Owner, and Architect.
- C. Instruction: Provide on-site instruction of appropriate separation, handling, and recycling, salvage, reuse, and return methods to be used by all parties at the appropriate stages of the project.
- D. Meetings: Discuss trash/waste management goals and issues at project meetings.
1. Prebid meeting.
  2. Preconstruction meeting.
  3. Regular job-site meetings.
- E. Facilities: Provide specific facilities for separation and storage of materials for recycling, salvage, reuse, return, and trash disposal, for use by all contractors and installers.
1. Provide containers as required.
  2. Provide adequate space for pick-up and delivery and convenience to subcontractors.
  3. Keep recycling and trash/waste bin areas neat and clean and clearly marked in order to avoid contamination of materials.
- F. Hazardous Wastes: Separate, store, and dispose of hazardous wastes according to applicable regulations.
- G. Recycling: Separate, store, protect, and handle at the site identified recyclable waste products in order to prevent contamination of materials and to maximize recyclability of identified materials. Arrange for timely pickups from the site or deliveries to recycling facility in order to prevent contamination of recyclable materials.
- H. Reuse of Materials On-Site: Set aside, sort, and protect separated products in preparation for reuse.
- I. Salvage: Set aside, sort, and protect products to be salvaged for reuse off-site.

**END OF SECTION**

---

FIRE STATIONS RENOVATION  
Arlington County, Virginia  
Architect's Project No.: 563006

---

**SECTION 017800  
CLOSEOUT SUBMITTALS**

**PART 1 GENERAL**

**1.01 SECTION INCLUDES**

- A. Project record documents.
- B. Operation and maintenance data.
- C. Warranties and bonds.

**1.02 SUBMITTALS**

- A. Project Record Documents: Submit documents to Architect within 15 days after the date of Substantial Completion.
- B. Operation and Maintenance Data:
  - 1. For equipment, or component parts of equipment put into service during construction and operated by Owner, submit completed documents within 15 days after acceptance.
  - 2. Submit one PDF draft copy of completed documents within 15 days after the Closeout Conference. This copy will be reviewed and returned, with Architect comments. Revise content of all document sets as required prior to final submission.
  - 3. After revisions are complete, submit one bound hard copy and PDF electronic file of revised final documents in final form within 15 days after Substantial Completion.
- C. Warranties and Bonds:
  - 1. For equipment or component parts of equipment put into service during construction with Owner's permission, submit documents within 15 days after acceptance.
  - 2. Make other submittals within 15 days after Date of Substantial Completion, prior to final Application for Payment.
  - 3. For items of Work for which acceptance is delayed beyond Date of Substantial Completion, submit within 15 days after acceptance, listing the date of acceptance as the beginning of the warranty period.

**PART 2 PRODUCTS - NOT USED**

**PART 3 EXECUTION**

**3.01 PROJECT RECORD DOCUMENTS**

- A. Maintain on site one set of the following record documents; record actual revisions to the Work:
  - 1. Drawings.
  - 2. Addenda.
  - 3. Change Orders and other modifications to the Contract.
  - 4. Miscellaneous record submittals.
- B. Ensure entries are complete and accurate, enabling future reference by Owner.
  - 1. Include revised Drawings reissued during Bidding and Construction.
- C. Store record documents separate from documents used for construction.
  - 1. Keep record documents in a location accessible to Architect for periodic review and reference.
  - 2. Maintain in legible condition. If record document set becomes damaged or excessively dirty, transfer comments to clean set prior to submittal to Architect.
- D. Record information concurrent with construction progress.
- E. Record Drawings: Legibly mark each item to record actual construction including:
  - 1. Measured depths of foundations in relation to finish first floor datum.
  - 2. Measured horizontal and vertical locations of underground utilities and appurtenances, referenced to permanent surface improvements.
  - 3. Measured locations of internal utilities and appurtenances concealed in construction, referenced to visible and accessible features of the Work.
  - 4. Field changes of dimension and detail.

FIRE STATIONS RENOVATION  
Arlington County, Virginia  
Architect's Project No.: 563006

---

5. Details not on original Contract drawings.
- F. Miscellaneous Record Submittals: Where other specification sections require completion certifications, or closeout or record submittals, submit in a single binder organized by specification section.

### **3.02 ASSEMBLY OF RECORD DOCUMENTS**

- A. Submittal for Architect's Review:
  1. Submit PDF scanned copy of marked up prints.
  2. Architect shall review and provide comment on completeness
- B. Submittal for Distribution to Owner:
  1. After Architect has approved for content and completeness, submit PDF scanned copy of final marked up prints, and submit hard copy originals.
  2. Submit full set of Drawings, regardless of whether any modification or markings are on each sheet.

### **3.03 OPERATION AND MAINTENANCE DATA**

- A. Product Data: Mark each sheet to clearly identify specific products and component parts, and data applicable to installation. Delete inapplicable information.
- B. Drawings: Supplement product data to illustrate relations of component parts of equipment and systems, to show control and flow diagrams. Do not use Project Record Documents as maintenance drawings.
- C. Typed Text: As required to supplement product data. Provide logical sequence of instructions for each procedure, incorporating manufacturer's instructions.

### **3.04 OPERATION AND MAINTENANCE DATA FOR MATERIALS AND FINISHES**

- A. For Each Product, Applied Material, and Finish:
  1. Product data, with catalog number, size, composition, and color and texture designations.
  2. Information for re-ordering custom manufactured products.
- B. Instructions for Care and Maintenance: Manufacturer's recommendations for cleaning agents and methods, precautions against detrimental cleaning agents and methods, and recommended schedule for cleaning and maintenance.
- C. Moisture protection and weather-exposed products: Include product data listing applicable reference standards, chemical composition, and details of installation. Provide recommendations for inspections, maintenance, and repair.
- D. Additional information as specified in individual product specification sections.
- E. Where additional instructions are required, beyond the manufacturer's standard printed instructions, have instructions prepared by personnel experienced in the operation and maintenance of the specific products.

### **3.05 OPERATION AND MAINTENANCE DATA FOR EQUIPMENT AND SYSTEMS**

- A. For Each Item of Equipment and Each System:
  1. Description of unit or system, and component parts.
  2. Identify function, normal operating characteristics, and limiting conditions.
  3. Include performance curves, with engineering data and tests.
  4. Complete nomenclature and model number of replaceable parts.
- B. Where additional instructions are required, beyond the manufacturer's standard printed instructions, have instructions prepared by personnel experienced in the operation and maintenance of the specific products.
- C. Panelboard Circuit Directories: Provide electrical service characteristics, controls, and communications; typed.
- D. Include color coded wiring diagrams as installed.
- E. Operating Procedures: Include start-up, break-in, and routine normal operating instructions and sequences. Include regulation, control, stopping, shut-down, and emergency instructions. Include summer, winter, and any special operating instructions.

FIRE STATIONS RENOVATION  
Arlington County, Virginia  
Architect's Project No.: 563006

---

- F. Maintenance Requirements: Include routine procedures and guide for preventative maintenance and trouble shooting; disassembly, repair, and reassembly instructions; and alignment, adjusting, balancing, and checking instructions.
- G. Provide servicing and lubrication schedule, and list of lubricants required.
- H. Include manufacturer's printed operation and maintenance instructions.
- I. Include sequence of operation by controls manufacturer.
- J. Provide original manufacturer's parts list, illustrations, assembly drawings, and diagrams required for maintenance.
- K. Provide control diagrams by controls manufacturer as installed.
- L. Provide Contractor's coordination drawings, with color coded piping diagrams as installed.
- M. Provide charts of valve tag numbers, with location and function of each valve, keyed to flow and control diagrams.
- N. Provide list of original manufacturer's spare parts, current prices, and recommended quantities to be maintained in storage.
- O. Include test and balancing reports.
- P. Additional Requirements: As specified in individual product specification sections.

**3.06 ASSEMBLY OF OPERATION AND MAINTENANCE MANUALS**

- A. Assemble operation and maintenance data into durable manuals for Owner's personnel use, with data arranged in the same sequence as, and identified by, the specification sections.
- B. Where systems involve more than one specification section, provide separate tabbed divider for each system.
- C. Binders: Commercial quality, 8-1/2 by 11 inch three D side ring binders with durable plastic covers; 2 inch maximum ring size. When multiple binders are used, correlate data into related consistent groupings.
- D. Cover: Identify each binder on front and spine with typed or printed title OPERATION AND MAINTENANCE INSTRUCTIONS; identify title of Project; identify subject matter of contents.
- E. Project Directory: Title and address of Project; names, addresses, and telephone numbers of Architect, Consultants, Contractor and subcontractors, with names of responsible parties.
- F. Tables of Contents: List every item separated by a divider, using the same identification as on the divider tab; where multiple volumes are required, include all volumes Tables of Contents in each volume, with the current volume clearly identified.
- G. Dividers: Provide tabbed dividers for each separate product and system; identify the contents on the divider tab; immediately following the divider tab include a description of product and major component parts of equipment.
- H. Text: Manufacturer's printed data, or typewritten data on 20 pound paper.
- I. Drawings: Provide with reinforced punched binder tab. Bind in with text; fold larger drawings to size of text pages.
- J. Arrangement of Contents: Organize each volume in parts as follows:
  - 1. Project Directory.
  - 2. Table of Contents, of all volumes, and of this volume.
  - 3. Operation and Maintenance Data: Arranged by system, then by product category.
    - a. Source data.
    - b. Product data.
    - c. Operation and maintenance data.
    - d. Field quality control data.
    - e. Photocopies of warranties and bonds.



FIRE STATIONS RENOVATION  
Arlington County, Virginia  
Architect's Project No.: 563006

---

**3.07 WARRANTIES AND BONDS**

- A. Obtain warranties and bonds, executed in duplicate by responsible Subcontractors, suppliers, and manufacturers, within 15 days after completion of the applicable item of work. Except for items put into use with Owner's permission, leave date of beginning of time of warranty until Date of Substantial completion is determined.
- B. Verify that documents are in proper form, contain full information, and are notarized.
- C. Retain warranties and bonds until time specified for submittal.
- D. Manual: Bind in commercial quality 8-1/2 by 11 inch three D side ring binders with durable plastic covers.
- E. Cover: Identify each binder on front and spine with typed or printed title WARRANTIES AND BONDS, with title of Project; name, address and telephone number of Contractor and equipment supplier; and name of responsible company principal.
- F. Table of Contents: Neatly typed, in the sequence of the Table of Contents of the Project Manual, with each item identified with the number and title of the specification section in which specified, and the name of product or work item.
- G. Separate each warranty or bond with index tab sheets keyed to the Table of Contents listing. Provide full information, using separate typed sheets as necessary. List Subcontractor, supplier, and manufacturer, with name, address, and telephone number of responsible principal.
- H. Provide photocopy of each warranty in operation and maintenance manuals; locate each warranty with applicable O&M data for product or equipment.

**END OF SECTION**

FIRE STATIONS RENOVATION  
Arlington County, Virginia  
Architect's Project No.: 563006

---

**SECTION 017900  
DEMONSTRATION AND TRAINING**

**PART 1 GENERAL**

**1.01 SUMMARY**

- A. Demonstration of products, systems, equipment, and other items where indicated in specific specification sections.
- B. Training of Owner personnel in operation and maintenance of products, systems, equipment, and othwhere indicated in specific specification sections.

**1.02 SUBMITTALS**

- A. See Section 013000 - Administrative Requirements, for submittal procedures.
- B. Draft Training Plans: Owner will designate personnel to be trained; tailor training to needs and skill-level of attendees.
  - 1. Submit not less than four weeks prior to start of training.
  - 2. Revise and resubmit until acceptable.
  - 3. Provide an overall schedule showing all training sessions.
  - 4. Include at least the following for each training session:
    - a. Identification, date, time, and duration.
    - b. Description of products and/or systems to be covered.
    - c. Name of firm and person conducting training; include qualifications.
    - d. Intended audience, such as job description.
    - e. Objectives of training and suggested methods of ensuring adequate training.
    - f. Methods to be used, such as classroom lecture, live demonstrations, hands-on, etc.
    - g. Media to be used, such a slides, hand-outs, etc.
    - h. Training equipment required, such as projector, projection screen, etc., to be provided by Contractor.
- C. Training Manuals: Provide training manual for each attendee.
  - 1. Include applicable portion of O&M manuals.
  - 2. Include copies of all hand-outs, slides, overheads, video presentations, etc., that are not included in O&M manuals.
  - 3. Provide one extra copy of each training manual to be included with operation and maintenance data.
- D. Training Reports:
  - 1. Identification of each training session, date, time, and duration.
  - 2. Sign-in sheet showing names and job titles of attendees.
  - 3. List of attendee questions and written answers given, including copies of and references to supporting documentation required for clarification; include answers to questions that could not be answered in original training session.
- E. Video Recordings: Submit digital video recording of each demonstration and training session for Owner's subsequent use.
  - 1. Format: DVD Disc.
  - 2. Label each disc and container with session identification and date.
  - 3. Where available, provide manufacturer's pre-produced training videos in conjunction with live demonstration and training video.

**1.03 QUALITY ASSURANCE**

- A. Instructor Qualifications: Familiar with design, operation, maintenance and troubleshooting of the relevant products and systems.
  - 1. Instructor shall be certified by the manufacturer or fabricator of system.
  - 2. Where a single person is not familiar with all aspects, provide specialists with necessary qualifications.

FIRE STATIONS RENOVATION  
Arlington County, Virginia  
Architect's Project No.: 563006

---

**PART 2 PRODUCTS - NOT USED**

**PART 3 EXECUTION**

**3.01 DEMONSTRATION - GENERAL**

- A. Demonstrations conducted during system start-up do not qualify as demonstrations for the purposes of this section, unless approved in advance by Owner.
- B. Demonstrations conducted during Functional Testing need not be repeated unless Owner personnel training is specified.
- C. Demonstration may be combined with Owner personnel training if applicable, and if acceptable to Owner.
- D. Operating Equipment and Systems: Demonstrate operation in all modes, including start-up, shut-down, seasonal changeover, emergency conditions, and troubleshooting, and maintenance procedures, including scheduled and preventive maintenance.
  - 1. Complete demonstrations within two weeks after the date of Substantial Completion.
  - 2. For equipment or systems requiring seasonal operation, perform demonstration for other season within six months.
- E. Non-Operating Products: Demonstrate cleaning, scheduled and preventive maintenance, and repair procedures.
  - 1. Complete demonstrations within two weeks after the date of Substantial Completion.

**3.02 TRAINING - GENERAL**

- A. Conduct training on-site, utilizing installed products and equipment, unless otherwise indicated.
- B. Provide training in minimum two hour segments.
- C. Training schedule will be subject to availability of Owner's personnel to be trained; re-schedule training sessions as required by Owner; once schedule has been approved by Owner failure to conduct sessions according to schedule will be cause for Owner to charge Contractor for personnel "show-up" time.
- D. Review of Facility Policy on Operation and Maintenance Data: During training discuss:
  - 1. Typical contents and organization of all manuals, including explanatory information, system narratives, and product specific information.
  - 2. Typical uses of the O&M manuals.
- E. Product- and System-Specific Training:
  - 1. Review the applicable O&M manuals.
  - 2. For systems, provide an overview of system operation, design parameters and constraints, and operational strategies.
  - 3. Review instructions for proper operation in all modes, including start-up, shut-down, seasonal changeover and emergency procedures, and for maintenance, including preventative maintenance.
  - 4. Discuss cleaning products and procedures, including recommended cleaning products and products that are detrimental to equipment operation or finishes.
  - 5. Provide hands-on training on all operational modes possible and preventive maintenance.
  - 6. Emphasize safe and proper operating requirements; discuss relevant health and safety issues, warning or error indications, and emergency procedures and shutdown.
  - 7. Discuss common troubleshooting problems and solutions. Include minor adjustments for resolving noise, vibration, and improving system efficiency.
  - 8. Discuss any peculiarities of equipment installation or operation.
  - 9. Discuss warranties and guarantees, including procedures necessary to avoid voiding coverage. Include discussion of continuing maintenance agreements and procedures.
  - 10. Review recommended tools and spare parts inventory suggestions of manufacturers.
  - 11. Review spare parts and tools required to be furnished by Contractor.
  - 12. Review spare parts suppliers and sources and procurement procedures.

FIRE STATIONS RENOVATION  
Arlington County, Virginia  
Architect's Project No.: 563006

---

- F. Be prepared to answer questions raised by training attendees; if unable to answer during training session, provide written response within three days.

**END OF SECTION**

FIRE STATIONS RENOVATION  
Arlington County, Virginia  
Architect's Project No.: 563006

---

**SECTION 018119**  
**INDOOR AIR QUALITY REQUIREMENTS**

**PART 1 GENERAL**

**1.01 SUMMARY**

- A. Provide Indoor Air Quality (IAQ) Management Plan to remain in force during the construction period.
- B. Chapter 3 of the Sheet Metal and Air Conditioning National Contractors' Association (SMACNA) IAQ Guideline for Occupied Buildings Under Construction, 2nd Edition 2007, available from SMACNA (703-803-2980 or [www.smacna.org](http://www.smacna.org)).

**1.02 SUBMITTAL**

- A. Construction Indoor Air Quality Management Plan (CIAQM Plan).

**PART 2 OBJECTIVES DURING CONSTRUCTION**

**2.01 PROTECTION**

- A. Store all materials and equipment in a protected area (inside warehouse or storage trailer). Protect materials and equipment that are too large or heavy to store in a trailer from water and dirt/dust/debris.
  - 1. OPTION: When stored outside, provide two layers of minimum 8-mil poly on the ground and elevate equipment or material a minimum of 4 inches to allow water to run off. Secure top and sides with two layers of 8-mil poly to prevent water penetration and dust/dirt accumulation.
- B. Protect HVAC equipment from dust and odors. Do not store equipment in areas near painting, pressure washing, or excavation. Do not operate equipment during cutting or grinding of masonry or concrete.
  - 1. Refer to Division 23 for construction filter requirements for protection of mechanical duct systems during construction.
  - 2. Clean ductwork when installed. Cap ends of inactive duct with poly during construction to prevent contamination.
  - 3. Do not operate HVAC system until the exterior walls, roof, glass, doors and building filters are properly installed.
  - 4. Replace all filtration media immediately prior to Substantial Completion. Refer to Division 23 for filtration requirements.
  - 5. Do not perform Testing and Balancing until dust or odor generating activities are completed.

**2.02 SOURCE CONTROL**

- A. Minimize IAQ contaminants introduced by construction materials.
- B. Store waste construction materials a minimum of 30 feet away from the building.
- C. Do not smoke within 30 feet of the exterior building perimeter.

**2.03 PATHWAY INTERRUPTION**

- A. Provide barriers to contain construction areas to allow a portion of the building to be cleaned and then operate the HVAC system in that cleaned area. Acceptable barriers include dust curtains and temporary walls.
  - 1. Protect areas of the building in which HVAC is operational by physical barriers from areas of the building not acceptable for operation of the HVAC system.
- B. Maintain areas within 30 feet of outdoor air intakes free of dust, dirt, debris, and volatile materials while the HVAC system is in operation.

**2.04 HOUSEKEEPING**

- A. As dust accumulates at the Site, it can become airborne when disturbed by nearby activity. Similarly, spills or excess applications of products containing solvents will increase odors at the Site. Leaving the Site wet or damp for more than a day could result in the growth of mold and bacteria. Therefore, Site cleanup and maintenance is important to maintaining good IAQ during construction.

FIRE STATIONS RENOVATION  
Arlington County, Virginia  
Architect's Project No.: 563006

---

- B. Perform the following to control contaminants at the Site:
1. Suppress dust with wetting agents or sweeping compounds
  2. Provide an efficient dust collection method (e.g. a damp rag, wet mop, or vacuum equipped with a high efficiency particulate arrester (HEPA) filter or wet scrubber).
  3. Remove spills or excess applications of solvent-containing products immediately.  
Provide low-VOC emitting spot removers and cleaning agents near occupied areas.
  4. Remove accumulated water and keep work areas as dry as possible, including the use of dehumidification, if necessary.
  5. Once building is enclosed, vacuum with HEPA filtered vacuum cleaners to prevent settled dust from becoming airborne again.
  6. Protect porous materials from exposure to moisture. Replace items that remain damp for more than four hours.

**END OF SECTION**

FIRE STATIONS RENOVATION  
Arlington County, Virginia  
Architect's Project No.: 563006

---

**SECTION 024100  
DEMOLITION**

**PART 1 GENERAL**

**1.01 SUBMITTALS**

- A. See Section 013000 - Administrative Requirements, for submittal procedures.
- B. Project Record Documents: Accurately record actual locations of capped and active utilities and subsurface construction.

**PART 2 PRODUCTS -- NOT USED**

**PART 3 EXECUTION**

**3.01 GENERAL PROCEDURES AND PROJECT CONDITIONS**

- A. All demolition work shall be considered unclassified. Barring discovery of hazardous materials or undocumented structural components, where elements are indicated to be demolished, the bid price shall be for complete demolition of the element, regardless of the individual component makeup of that element.
- B. Comply with applicable codes and regulations for demolition operations and safety of adjacent structures and the public.
  - 1. Obtain required permits.
  - 2. Comply with applicable requirements of NFPA 241.
  - 3. Use of explosives is not permitted.
  - 4. Take precautions to prevent catastrophic or uncontrolled collapse of structures to be removed; do not allow worker or public access within range of potential collapse of unstable structures.
  - 5. Provide, erect, and maintain temporary barriers and security devices.
  - 6. Conduct operations to minimize effects on and interference with adjacent structures and occupants.
  - 7. Do not close or obstruct roadways or sidewalks without permit.
  - 8. Conduct operations to minimize obstruction of public and private entrances and exits; do not obstruct required exits at any time; protect persons using entrances and exits from removal operations.
  - 9. Obtain written permission from owners of adjacent properties when demolition equipment will traverse, infringe upon or limit access to their property.
- C. Do not begin removal until receipt of notification to proceed from Owner.
- D. Do not begin removal until built elements to be salvaged or relocated have been removed.
- E. Protect existing structures and other elements that are not to be removed.
  - 1. Provide bracing and shoring.
  - 2. Prevent movement or settlement of adjacent structures.
  - 3. Stop work immediately if adjacent structures appear to be in danger.
- F. Hazardous Materials: It is not expected that hazardous materials are present in existing construction to be demolished. If suspected hazardous materials are discovered during removal operations, stop work and notify Architect and Owner; hazardous materials include regulated asbestos containing materials, lead, PCB's, and mercury.
  - 1. A survey indicating locations of hazardous materials is on file for examination by demolition contractor upon request.

**3.02 EXISTING UTILITIES**

- A. Coordinate work with utility companies; notify before starting work and comply with their requirements; obtain required permits.
- B. Protect existing utilities to remain from damage.
- C. Do not disrupt public utilities without permit from authority having jurisdiction.
- D. Do not close, shut off, or disrupt existing life safety systems that are in use without at least 7 days prior written notification to Owner.

FIRE STATIONS RENOVATION  
Arlington County, Virginia  
Architect's Project No.: 563006

---

- E. Do not close, shut off, or disrupt existing utility branches or take-offs that are in use without at least 3 days prior written notification to Owner.
- F. Locate and mark utilities to remain; mark using highly visible tags or flags, with identification of utility type; protect from damage due to subsequent construction, using substantial barricades if necessary.
- G. Remove exposed piping, valves, meters, equipment, supports, and foundations of disconnected and abandoned utilities.

### 3.03 SELECTIVE DEMOLITION FOR ALTERATIONS

- A. Drawings showing existing construction and utilities are based on casual field observation and existing record documents only.
  - 1. Verify that construction and utility arrangements are as indicated.
  - 2. Report discrepancies to Architect before disturbing existing installation.
  - 3. Beginning of demolition work constitutes acceptance of existing conditions that would be apparent upon examination prior to starting demolition.
- B. Separate areas in which demolition is being conducted from other areas that are still occupied.
  - 1. Provide, erect, and maintain temporary dustproof partitions of construction specified in Section 015000 in locations indicated on drawings.
- C. Maintain weatherproof exterior building enclosure except for interruptions required for replacement or modifications; take care to prevent water and humidity damage.
- D. Remove existing work as indicated and as required to accomplish new work.
  - 1. Remove items indicated on drawings.
- E. Services (Including but not limited to HVAC, Plumbing, Fire Protection, Electrical, and Telecommunications): Remove existing systems and equipment as indicated.
  - 1. Maintain existing active systems that are to remain in operation; maintain access to equipment and operational components.
  - 2. Where existing active systems serve occupied facilities but are to be replaced with new services, maintain existing systems in service until new systems are complete and ready for service.
  - 3. Verify that abandoned services serve only abandoned facilities before removal.
  - 4. Remove abandoned pipe, ducts, conduits, and equipment, including those above accessible ceilings; remove back to source of supply where possible, otherwise cap stub and tag with identification.
- F. Floor Finishes: After removal of existing floor finishes including backings, underlayments, and thick set mortar beds, remove all residual adhesives and glue. Provide grinding, sanding, or shot-blasting of existing concrete floor slab to achieve the proper surface to receive new indicated floor finish. Coordinate slab surface preparations required for each new indicated floor finish with appropriate subcontractor.
- G. Existing Surfaces to Receive Finishes: Remove miscellaneous hangers, exposed nails not serving as fasteners, and similar protrusions; remove adhesive residue and tape; fill anchorage holes; and otherwise patch and restore surface to be a uniform substrate suitable for applied finishes.
- H. Protect existing work to remain.
  - 1. Prevent movement of structure; provide shoring and bracing if necessary.
  - 2. Perform cutting to accomplish removals neatly and as specified for cutting new work.
  - 3. Repair adjacent construction and finishes damaged during removal work.
  - 4. Patch as specified for patching new work.

### 3.04 DEBRIS AND WASTE REMOVAL

- A. Remove debris, junk, and trash from site.
- B. Leave site in clean condition, ready for subsequent work.
- C. Clean up spillage and wind-blown debris from public and private lands.

**END OF SECTION**

---



FIRE STATIONS RENOVATION  
Arlington County, Virginia  
Architect's Project No.: 563006

---

**SECTION 040100  
MAINTENANCE OF MASONRY**

**PART 1 GENERAL**

**1.01 REFERENCE STANDARDS**

- A. TMS 402/602 - Building Code Requirements and Specification for Masonry Structures 2016.

**1.02 SUBMITTALS**

- A. See Section 013000 - Administrative Requirements, for submittal procedures.
- B. Product Data: Provide data on each specified product, including manufacturer's recommendations for applications and use.

**1.03 QUALITY ASSURANCE**

- A. Comply with provisions of TMS 402/602, except where exceeded by requirements of Contract Documents.

**1.04 DELIVERY, STORAGE, AND HANDLING**

- A. Deliver cementitious materials in unopened packaging. Store clear of ground with adequate waterproof covering.

**1.05 FIELD CONDITIONS**

- A. Cold and Hot Weather Requirements: Comply with requirements of TMS 402/602 or applicable building code, whichever is more stringent.

**PART 2 PRODUCTS**

**2.01 MORTAR MATERIALS**

- A. Comply with mortar requirements of Division 4 Section "Unit Masonry."

**PART 3 EXECUTION**

**3.01 EXAMINATION**

- A. Verify that surfaces to be restored are ready for work of this section.

**3.02 PREPARATION**

- A. Protect surrounding elements from damage due to restoration procedures.
- B. Carefully remove and store removable items located in areas to be restored, including fixtures, fittings, finish hardware, and accessories; reinstall upon completion.
- C. Separate areas to be protected from restoration areas using means adequate to prevent damage.
- D. Mask immediately adjacent surfaces with material that will withstand cleaning and restoration procedures.
- E. Close off adjacent occupied areas with dust proof and weatherproof partitions.

**3.03 REPOINTING**

- A. Perform repointing prior to cleaning masonry surfaces.
- B. Cut out loose or disintegrated mortar in joints to minimum 1/2 inch depth or until sound mortar is reached.
- C. Use hand tools only. Do not use power tools.
- D. Do not damage masonry units.
- E. When cutting is complete, remove dust and loose material by brushing.
- F. Premoisten joint and apply mortar. Pack tightly in maximum 1/4 inch layers. Form a smooth, compact concave joint to match existing.
- G. Moist cure for 72 hours.

FIRE STATIONS RENOVATION  
Arlington County, Virginia  
Architect's Project No.: 563006

---

**3.04 CLEANING**

- A. Immediately remove stains, efflorescence, or other excess resulting from the work of this section.
- B. Remove excess mortar, smears, and droppings as work proceeds and upon completion.
- C. Clean surrounding surfaces.

**END OF SECTION**

FIRE STATIONS RENOVATION  
Arlington County, Virginia  
Architect's Project No.: 563006

---

**SECTION 042000  
UNIT MASONRY**

**PART 1 GENERAL**

**1.01 ADMINISTRATIVE REQUIREMENTS**

- A. Preinstallation Meeting: Convene a preinstallation meeting one week before starting work of this section; require attendance by all relevant installers.

**1.02 SUBMITTALS**

- A. See Section 013000 - Administrative Requirements, for submittal procedures.
- B. Product Data: Provide data for masonry units, fabricated wire reinforcement, mortar, and masonry accessories.
- C. Shop Drawings: Indicate pertinent dimensions, materials, anchorage, size and type of fasteners, and accessories for brickwork support system.

**1.03 QUALITY ASSURANCE**

- A. Comply with provisions of ACI 530.1/ASCE 6/TMS 402/602, except where exceeded by requirements of Contract Documents.
- B. Aggregate for Concrete Masonry Units: If bottom ash is used as aggregate in the CMU, the Source for the bottom ash shall be a power station that has a minimum of ten (10) years continuous experience as a supplier of quality material as verified by independent certified laboratory testing and no defects in the marketplace.

**1.04 DELIVERY, STORAGE, AND HANDLING**

- A. Deliver, handle, and store masonry units by means that will prevent mechanical damage and contamination by other materials.

**PART 2 PRODUCTS**

**2.01 CONCRETE MASONRY UNITS**

- A. Concrete Block: Comply with referenced standards and as follows:
1. Size: Standard units with nominal face dimensions of 16 by 8 inches and nominal depths as indicated on drawings for specific locations.
  2. Special Shapes: Provide non-standard blocks configured for corners.
    - a. Provide bullnose units for outside corners.
  3. Concrete Masonry Units: ASTM C90, lightweight.
    - a. Exposed Faces: Manufacturer's standard color and texture.
    - b. Aggregates:
      - 1) Lightweight Aggregates: Lightweight aggregate shall strictly comply with ASTM C 331, ASTM C 151, and ASTM C 641. Drying shrinkage of aggregate shall not exceed 0.10% at 100 days.
      - 2) Waste concrete, scoria, and aglite shall not be permitted.

**2.02 MORTAR AND GROUT MATERIALS**

- A. Masonry Cement: ASTM C91/C91M.
- B. Mortar Aggregate: ASTM C144.
- C. Grout Aggregate: ASTM C404.
- D. Water: Clean and potable.

**2.03 REINFORCEMENT AND ANCHORAGE**

- A. Reinforcing Steel: ASTM A615/A615M, Grade 60 (60,000 psi), deformed billet bars; uncoated.
- B. Single Wythe Joint Reinforcement: ASTM A951/A951M.
  1. Type: Ladder.
  2. Material: ASTM A1064/A1064M steel wire, mill galvanized to ASTM A641/A641M Class 3.

FIRE STATIONS RENOVATION  
Arlington County, Virginia  
Architect's Project No.: 563006

---

3. Size: 0.1483 inch side rods with 0.1483 inch cross rods; width as required to provide not less than 5/8 inch of mortar coverage on each exposure.
- C. Strap Anchors: Bent steel shapes, 1-1/2 inch width, 0.105 inch thick, 24 inch length, with 2 inch long, 90 degree bend at each end to form a U or Z shape or with cross pins, hot dip galvanized to ASTM A153/A153M Class B.
- D. Flexible Anchors: 2-piece anchors that permit differential movement between masonry and building frame, sized to provide not less than 5/8 inch of mortar coverage from masonry face.
  1. Steel frame: Crimped wire anchors for welding to frame, 0.25 inch thick, with trapezoidal wire ties 0.1875 inch thick, hot dip galvanized to ASTM A 153/A 153M, Class B.

#### **2.04 ACCESSORIES**

- A. Preformed Control Joints: Rubber material. Provide with corner and tee accessories, fused joints.
  1. Provide nominal 2.5-inch "standard" and "tee" configurations to suit application unless indicated otherwise.
- B. Joint Filler: Closed cell polyvinyl chloride; oversized 50 percent to joint width; self expanding; in maximum lengths available.
- C. Reinforcing Positioners: Provide wire positioners in bed joints to keep steel reinforcing bars centered in cells, fabricated of 0.1483-inch hot-dip galvanized steel wire.
  1. Available Products:
    - a. Heckmann Building Products, Inc.; No. 376 Rebar Positioner.
    - b. Hohmann & Barnard, Inc.; #RB or #RB-Twin Rebar Positioner.
    - c. Wire-Bond; O-Ring or Double O-Ring Rebar Positioner.
- D. Cleaning Solution: Non-acidic, not harmful to masonry work or adjacent materials.

#### **2.05 LINTELS**

- A. Masonry Lintels: Provide lintels fabricated from CMU bond beams, with steel reinforcing bars, and grouted continuous along entire length. Match adjacent CMU texture and coursing. Lintels may be either prefabricated or built in place.

#### **2.06 MORTAR AND GROUT MIXING**

- A. Mortar for Unit Masonry: ASTM C270, using the Proportion Specification.
  1. Masonry below grade and in contact with earth: Type S.
  2. Exterior, non-loadbearing masonry: Type N.
  3. Interior, non-loadbearing masonry: Type N or Type O.

### **PART 3 EXECUTION**

#### **3.01 EXAMINATION**

- A. Verify that field conditions are acceptable and are ready to receive masonry.
- B. Verify that related items provided under other sections are properly sized and located.
- C. Verify that built-in items are in proper location, and ready for roughing into masonry work.

#### **3.02 PREPARATION**

- A. Direct and coordinate placement of metal anchors supplied for installation under other sections.
- B. Provide temporary bracing during installation of masonry work. Maintain in place until building structure provides permanent bracing.

#### **3.03 COLD AND HOT WEATHER REQUIREMENTS**

- A. Comply with requirements of TMS 402/602 or applicable building code, whichever is more stringent.

#### **3.04 COURSING**

- A. Establish lines, levels, and coursing indicated. Protect from displacement.

FIRE STATIONS RENOVATION  
Arlington County, Virginia  
Architect's Project No.: 563006

---

- B. Maintain masonry courses to uniform dimension. Form vertical and horizontal joints of uniform thickness.
- C. Concrete Masonry Units:
  - 1. Bond: Running.
  - 2. Coursing: One unit and one mortar joint to equal 8 inches.
  - 3. Mortar Joints: Concave.

### **3.05 PLACING AND BONDING**

- A. Lay hollow masonry units with face shell bedding on head and bed joints.
- B. Buttering corners of joints or excessive furrowing of mortar joints is not permitted.
- C. Remove excess mortar and mortar smears as work progresses.
- D. Interlock intersections and external corners.
- E. Do not shift or tap masonry units after mortar has achieved initial set. Where adjustment must be made, remove mortar and replace.
- F. Perform job site cutting of masonry units with proper tools to provide straight, clean, unchipped edges. Prevent broken masonry unit corners or edges.
- G. Cut mortar joints flush where wall tile is scheduled or resilient base is scheduled.
- H. Isolate masonry partitions from vertical structural framing members with a control joint.
- I. Isolate top joint of masonry partitions from horizontal structural framing members and slabs or decks with compressible joint filler.

### **3.06 REINFORCEMENT AND ANCHORAGE - GENERAL AND SINGLE WYTHE MASONRY**

- A. Unless otherwise indicated on drawings or specified under specific wall type, install horizontal joint reinforcement 16 inches on center.
- B. Place masonry joint reinforcement in first and second horizontal joints above and below openings. Extend minimum 16 inches each side of opening.
- C. Place continuous joint reinforcement in first and second joint below top of walls.
- D. Embed longitudinal wires of joint reinforcement in mortar joint with at least 5/8 inch mortar cover on each side.
- E. Lap joint reinforcement ends minimum 6 inches.
- F. Fasten anchors to structural framing and embed in masonry joints as masonry is laid. Unless otherwise indicated on drawings or closer spacing is indicated under specific wall type, space anchors at maximum of 36 inches horizontally and 24 inches vertically.

### **3.07 LINTELS**

- A. Install reinforced unit masonry lintels over openings where steel or precast concrete lintels are not scheduled.
  - 1. Comply with requirements on Structural Drawings for additional lintel sizing, reinforcement, and installation requirements.
  - 2. Allow masonry lintels to attain specified strength before removing temporary supports.
- B. Maintain minimum 8 inch bearing on each side of opening.

### **3.08 CONTROL AND EXPANSION JOINTS**

- A. Do not continue horizontal joint reinforcement through control or expansion joints.
- B. Install preformed control joint device in continuous lengths. Seal butt and corner joints in accordance with manufacturer's instructions.
- C. Provide control and expansion joints at locations indicated on Drawings, and as follows:
  - 1. At changes in wall height.
  - 2. At changes in wall thickness
  - 3. At change in support (eg: transition from foundation support to floor slab support).
  - 4. Adjacent to corners of walls within a distance equal to no more than half the maximum control joint spacing.
  - 5. Wall intersections.

FIRE STATIONS RENOVATION  
Arlington County, Virginia  
Architect's Project No.: 563006

---

6. Do not place control joints closer than 16 inches to edge of wall openings (doors, windows, louvers, ducts).
7. Distance between joints shall not exceed a length to height ratio of 1.5:1.
8. Distance between joints shall not exceed 25 feet where no openings occur between joints.
9. Distance between joints shall not exceed 20 feet where openings occur between joints.

### 3.09 BUILT-IN WORK

- A. As work progresses, install built-in metal door frames, anchor bolts, and plates and other items to be built into the work and furnished under other sections.
- B. Install built-in items plumb, level, and true to line.
- C. Bed anchors of metal door frames in adjacent mortar joints. Fill frame voids solid with grout.
  1. Mix mortar (or grout) to a 4-inch maximum slump consistency and hand trowel into place in accordance with Steel Door Institute (SDI-100).
  2. Fill adjacent masonry cores with grout minimum 12 inches from framed openings.
- D. Do not build into masonry construction organic materials that are subject to deterioration.

### 3.10 TOLERANCES

- A. Install masonry within the site tolerances found in TMS 402/602.
- B. Maximum Variation From Unit to Adjacent Unit: 1/16 inch.
- C. Maximum Variation from Plane of Wall: 1/4 inch in 10 ft and 1/2 inch in 20 ft or more.
- D. Maximum Variation from Plumb: 1/4 inch per story non-cumulative; 1/2 inch in two stories or more.
- E. Maximum Variation from Level Coursing: 1/8 inch in 3 ft and 1/4 inch in 10 ft; 1/2 inch in 30 ft.
- F. Maximum Variation of Mortar Joint Thickness: Head joint, minus 1/4 inch, plus 3/8 inch.
- G. Maximum Variation from Cross Sectional Thickness of Walls: 1/4 inch.

### 3.11 CUTTING AND FITTING

- A. Cut and fit for chases, pipes, conduit, and other indicated built-in construction. Coordinate with other sections of work to provide correct size, shape, and location.
- B. Obtain approval prior to cutting or fitting masonry work not indicated or where appearance or strength of masonry work may be impaired.

### 3.12 FIELD QUALITY CONTROL

- A. An independent testing agency will perform field quality control tests, as specified in Section 014000 - Quality Requirements.
- B. Concrete Masonry Unit Tests: Test each variety of concrete unit masonry in accordance with ASTM C140/C140M for compliance with requirements of this specification.
- C. Mortar Tests: Test each type of mortar in accordance with ASTM C780, testing with same frequency as masonry samples.

### 3.13 CLEANING

- A. Remove excess mortar and mortar droppings.
- B. Replace defective mortar. Match adjacent work.
- C. Clean soiled surfaces with cleaning solution.
- D. Use non-metallic tools in cleaning operations.

### 3.14 PROTECTION

- A. Without damaging completed work, provide protective boards at exposed external corners that are subject to damage by construction activities.

**END OF SECTION**

FIRE STATIONS RENOVATION  
Arlington County, Virginia  
Architect's Project No.: 563006

---

**SECTION 055000  
METAL FABRICATIONS**

**PART 1 GENERAL**

**1.01 SUBMITTALS**

- A. See Section 013000 - Administrative Requirements, for submittal procedures.
- B. Shop Drawings: Indicate profiles, sizes, connection attachments, reinforcing, anchorage, size and type of fasteners, and accessories. Include erection drawings, elevations, and details where applicable.

**1.02 QUALITY ASSURANCE**

- A. Design miscellaneous steel fabrications and slotted channel framing assemblies under direct supervision of a Professional Structural Engineer experienced in design of this work and licensed in the State in which the Project is located.
- B. Welder Qualifications: Welding processes and welding operators qualified in accordance with AWS D1.1/D1.1M and AWS D1.2/D1.2M and dated no more than 12 months before start of scheduled welding work.

**PART 2 PRODUCTS**

**2.01 MATERIALS - STEEL**

- A. Steel Sections: ASTM A36/A36M.
- B. Steel Tubing: ASTM A501/A501M hot-formed structural tubing.
- C. Plates: ASTM A283/A283M.
- D. Pipe: ASTM A53/A53M, Grade B Schedule 40, black finish.
- E. Slotted Channel Fittings: ASTM A1011/A1011M.
- F. Mechanical Fasteners: Same material as or compatible with materials being fastened; type consistent with design and specified quality level.
- G. Bolts, Nuts, and Washers: ASTM A307, Grade A, plain.
- H. Welding Materials: AWS D1.1/D1.1M; type required for materials being welded.
- I. Shop and Touch-Up Primer: SSPC-Paint 15, complying with VOC limitations of authorities having jurisdiction.
- J. Touch-Up Primer for Galvanized Surfaces: SSPC-Paint 20, Type I - Inorganic, complying with VOC limitations of authorities having jurisdiction.

**2.02 FABRICATION**

- A. Fit and shop assemble items in largest practical sections, for delivery to site.
- B. Fabricate items with joints tightly fitted and secured.
- C. Continuously seal joined members by continuous welds.
- D. Grind exposed joints flush and smooth with adjacent finish surface. Make exposed joints butt tight, flush, and hairline. Ease exposed edges to small uniform radius.
- E. Supply components required for anchorage of fabrications. Fabricate anchors and related components of same material and finish as fabrication, except where specifically noted otherwise.

**2.03 FABRICATED ITEMS**

- A. Slotted Channel Framing: Fabricate channels and fittings from structural steel complying with the referenced standards; factory-applied, rust-inhibiting thermoset acrylic enamel finish.
- B. Perforated Metal Screen: Perforated aluminum sheet, 0.040" (18 gauge) minimum thickness; 3/32-inch diameter holes on 3/16-inch staggered centers, 23 percent open area.
  - 1. Provide screens in single sheet at each indicated location, with no joints or seams.
  - 2. Provide 1-1/2" x 1-1/2" aluminum angle trim clips at each side, for minimum 3 fasteners per side; equally spaced at top, middle, and bottom of each panel.

FIRE STATIONS RENOVATION  
Arlington County, Virginia  
Architect's Project No.: 563006

---

**2.04 FINISHES - STEEL**

- A. Prime paint steel items.
  - 1. Exceptions: Galvanize items to be embedded in concrete and items to be embedded in masonry.
- B. Prepare surfaces to be primed in accordance with SSPC-SP2.
- C. Clean surfaces of rust, scale, grease, and foreign matter prior to finishing.
- D. Prime Painting: One coat.
- E. Slotted Channel Framing: ASTM A653/A653M, Grade 33.
- F. Stainless Steel Finish: No. 4 Bright Polished finish.

**2.05 FABRICATION TOLERANCES**

- A. Squareness: 1/8 inch maximum difference in diagonal measurements.
- B. Maximum Offset Between Faces: 1/16 inch.
- C. Maximum Misalignment of Adjacent Members: 1/16 inch.
- D. Maximum Bow: 1/8 inch in 48 inches.
- E. Maximum Deviation From Plane: 1/16 inch in 48 inches.

**PART 3 EXECUTION**

**3.01 EXAMINATION**

- A. Verify that field conditions are acceptable and are ready to receive work.

**3.02 PREPARATION**

- A. Clean and strip primed steel items to bare metal where site welding is required.
- B. Supply setting templates to the appropriate entities for steel items required to be cast into concrete or embedded in masonry.

**3.03 INSTALLATION**

- A. Install items plumb and level, accurately fitted, free from distortion or defects.
- B. Provide for erection loads, and for sufficient temporary bracing to maintain true alignment until completion of erection and installation of permanent attachments.
- C. Perform field welding in accordance with AWS D1.1/D1.1M.
- D. Obtain approval prior to site cutting or making adjustments not scheduled.
- E. After erection, prime welds, abrasions, and surfaces not shop primed, except surfaces to be in contact with concrete.

**3.04 TOLERANCES**

- A. Maximum Variation From Plumb: 1/4 inch.
- B. Maximum Offset From True Alignment: 1/4 inch.
- C. Maximum Out-of-Position: 1/4 inch.

**END OF SECTION**



FIRE STATIONS RENOVATION  
Arlington County, Virginia  
Architect's Project No.: 563006

---

**SECTION 061000  
ROUGH CARPENTRY**

**PART 1 GENERAL**

**1.01 SUBMITTALS**

- A. See Section 013000 - Administrative Requirements for submittal procedures.
- B. Product Data: Provide technical data on wood preservative materials and application instructions.

**1.02 DELIVERY, STORAGE, AND HANDLING**

- A. General: Cover wood products to protect against moisture. Support stacked products to prevent deformation and to allow air circulation.
- B. Fire Retardant Treated Wood: Prevent exposure to precipitation during shipping, storage, and installation.

**PART 2 PRODUCTS**

**2.01 GENERAL REQUIREMENTS**

- A. Dimension Lumber: Comply with PS 20 and requirements of specified grading agencies.
  - 1. If no species is specified, provide species graded by the agency specified; if no grading agency is specified, provide lumber graded by grading agency meeting the specified requirements.
  - 2. Grading Agency: Grading agency whose rules are approved by the Board of Review, American Lumber Standard Committee at [www.alsc.org](http://www.alsc.org), and who provides grading service for the species and grade specified; provide lumber stamped with grade mark unless otherwise indicated.

**2.02 DIMENSION LUMBER FOR CONCEALED APPLICATIONS**

- A. Grading Agency: Southern Pine Inspection Bureau, Inc; SPIB (GR).
- B. Sizes: Nominal sizes as indicated on drawings, S4S.
- C. Moisture Content: S-dry or MC19.
- D. Miscellaneous Framing, Blocking, Nailers, Grounds, and Furring:
  - 1. Lumber: S4S, No. 2 or Standard Grade.
  - 2. Boards: Standard or No. 3.

**2.03 CONSTRUCTION PANELS**

- A. Plywood Sheathing, For Roof/Coping: PS 2 type, rated Structural I Sheathing.
  - 1. Bond Classification: Exposure 1.
  - 2. Performance Category: 3/4 PERF CAT.
- B. Communications and Electrical Room Mounting Boards: PS 1 A-D plywood, or medium density fiberboard; 3/4 inch thick; flame spread index of 25 or less, smoke developed index of 450 or less, when tested in accordance with ASTM E84.
- C. Other Applications: Provide in thickness indicated.
  - 1. Concealed Plywood Not Exposed to Weather: PS 1, Exposure 1, A-D or better.
  - 2. Other Locations: PS 1, C-D Plugged or better.

**2.04 ACCESSORIES**

- A. Fasteners and Anchors:
  - 1. Metal and Finish: Hot-dipped galvanized steel complying with ASTM A153/A153M for high humidity and preservative-treated wood locations, unfinished steel elsewhere.
  - 2. Drywall Screws: Bugle head, hardened steel, power driven type, length three times thickness of sheathing.
  - 3. Anchors: Toggle bolt type for anchorage to hollow masonry.
  - 4. Fasteners for Parapet Nailers:
    - a. For masonry backup: 1/4-inch diameter low profile flat head type concrete screw anchors, at spacing indicated. Length to suit embedment into CMU of 1-1/4 inches minimum. Pullout capacity of 100 lb minimum at 1 inch embedment in face

FIRE STATIONS RENOVATION  
Arlington County, Virginia  
Architect's Project No.: 563006

---

shell of hollow CMU.

- B. Construction Adhesives: Adhesives complying with ASTM C557 or ASTM D3498.

## **2.05 FACTORY WOOD TREATMENT**

- A. Treated Lumber and Plywood: Comply with requirements of AWPA U1 - Use Category System for wood treatments determined by use categories, expected service conditions, and specific applications.
1. Fire-Retardant Treated Wood: Mark each piece of wood with producer's stamp indicating compliance with specified requirements.
  2. Preservative-Treated Wood: Provide lumber and plywood marked or stamped by an ALSC-accredited testing agency, certifying level and type of treatment in accordance with AWPA standards.
- B. Fire Retardant Treatment:
1. Interior Type A: AWPA U1, Use Category UCFA, Commodity Specification H, low temperature (low hygroscopic) type, chemically treated and pressure impregnated; capable of providing a maximum flame spread index of 25 when tested in accordance with ASTM E84, with no evidence of significant combustion when test is extended for an additional 20 minutes.
    - a. Kiln dry wood after treatment to a maximum moisture content of 19 percent for lumber and 15 percent for plywood.
    - b. Treat rough carpentry items as indicated .
    - c. Do not use treated wood in applications exposed to weather or where the wood may become wet.
- C. Preservative Treatment:
1. Preservative Pressure Treatment of Lumber Above Grade: AWPA U1, Use Category UC3B, Commodity Specification A using waterborne preservative.
    - a. Kiln dry lumber after treatment to maximum moisture content of 19 percent.
    - b. Treat lumber exposed to weather.
    - c. Treat lumber in contact with roofing, flashing, or waterproofing.
    - d. Treat lumber in contact with masonry or concrete.
    - e. Treat lumber less than 18 inches above grade.
    - f. Treat lumber in other locations as indicated.

## **PART 3 EXECUTION**

### **3.01 PREPARATION**

- A. Coordinate installation of rough carpentry members specified in other sections.

### **3.02 INSTALLATION - GENERAL**

- A. Select material sizes to minimize waste.
- B. Reuse scrap to the greatest extent possible; clearly separate scrap for use on site as accessory components, including: shims, bracing, and blocking.
- C. Where treated wood is used on interior, provide temporary ventilation during and immediately after installation sufficient to remove indoor air contaminants.

### **3.03 BLOCKING, NAILERS, AND SUPPORTS**

- A. Provide framing and blocking members as indicated or as required to support finishes, fixtures, specialty items, and trim.
- B. In walls, provide blocking attached to studs as backing and support for wall-mounted items, unless item can be securely fastened to two or more studs or other method of support is explicitly indicated.

### **3.04 ROOF-RELATED CARPENTRY**

- A. Coordinate installation of roofing carpentry with deck construction, framing of roof openings, and roofing assembly installation.
- B. Provide wood curb at all roof openings except where prefabricated curbs are specified and where specifically indicated otherwise. Form corners by alternating lapping side members.

FIRE STATIONS RENOVATION  
Arlington County, Virginia  
Architect's Project No.: 563006

---

**3.05 INSTALLATION OF CONSTRUCTION PANELS**

- A. Roof Sheathing: Secure panels with long dimension perpendicular to framing members, with ends staggered and over firm bearing. Provide masonry anchors compatible with masonry substrate.
  - 1. Parapet Blocking and Nailers: Secure parapet blocking and nailers to masonry substrate with screw anchors in 2 rows at 24 inches on center, staggered, except within 10 feet of building corners provide 2 rows at 16 inches on center, staggered. Install screw heads flush with uppermost surface of blocking or sheathing, if any, and in accordance with manufacturer's instructions.
- B. Wall Sheathing: Secure with long dimension perpendicular to wall studs, with ends over firm bearing and staggered, using screws.
- C. Communications and Electrical Room Mounting Boards: Secure with screws to studs with edges over firm bearing; space fasteners at maximum 24 inches on center on all edges and into studs in field of board.
  - 1. At fire-rated walls, install board over wall board indicated as part of the fire-rated assembly.
  - 2. Where boards are indicated as full floor-to-ceiling height, install with long edge of board parallel to studs.
  - 3. Install adjacent boards without gaps.

**3.06 CLEANING**

- A. Waste Disposal: See Section 017419 - Construction Waste Management and Disposal.
  - 1. Comply with applicable regulations.
  - 2. Do not burn scrap on project site.
  - 3. Do not burn scraps that have been pressure treated.
  - 4. Do not send materials treated with pentachlorophenol, CCA, or ACA to co-generation facilities or "waste-to-energy" facilities.
- B. Do not leave wood, shavings, sawdust, etc. on the ground or buried in fill.
- C. Prevent sawdust and wood shavings from entering the storm drainage system.

**END OF SECTION**

FIRE STATIONS RENOVATION  
Arlington County, Virginia  
Architect's Project No.: 563006

---

**SECTION 072100  
THERMAL INSULATION**

**PART 1 GENERAL**

**1.01 SUBMITTALS**

- A. See Section 013000 - Administrative Requirements for submittal procedures.
- B. Product Data: Provide data on product characteristics, performance criteria, and product limitations.

**1.02 FIELD CONDITIONS**

- A. Do not install insulation adhesives when temperature or weather conditions are detrimental to successful installation.

**PART 2 PRODUCTS**

**2.01 APPLICATIONS**

**2.02 FOAM BOARD INSULATION MATERIALS**

- A. Polyisocyanurate (ISO) Board Insulation: Rigid cellular foam, complying with ASTM C1289. For rigid wall insulation only. Refer to Division 7 Thermoplastic Membrane Roofing for roof insulation as part of a tested and warranted roofing assembly.
  - 1. Classifications:
    - a. Type I: Faced with aluminum foil on both major surfaces of the core foam.
      - 1) Class 1 - Non-reinforced core foam.
      - 2) Compressive Strength: 20 psi, minimum.
  - 2. Flame Spread Index (FSI): Class A - 0 to 25, when tested in accordance with ASTM E84.
  - 3. Smoke Developed Index (SDI): 450 or less, when tested in accordance with ASTM E84.
  - 4. Interior Application: Insulation with foil-facer shall be tested and approved for interior use per NFPA 286.
  - 5. Board Edges: Square.

**2.03 BATT INSULATION MATERIALS**

- A. Where batt insulation is indicated, either glass fiber or mineral fiber batt insulation may be used, at Contractor's option.
- B. Glass Fiber Batt Insulation: Flexible preformed batt or blanket, complying with ASTM C665; friction fit.
  - 1. Combustibility: Non-combustible, when tested in accordance with ASTM E136.
- C. Mineral Fiber Batt Insulation: Flexible or semi-rigid preformed batt or blanket, complying with ASTM C665; friction fit; unfaced flame spread index of 0 (zero) when tested in accordance with ASTM E84.
  - 1. Flame Spread Index: 25 or less, when tested in accordance with ASTM E84.
  - 2. Smoke Developed Index: 0 (zero), when tested in accordance with ASTM E84.

**2.04 ACCESSORIES**

- A. General: Provide either adhesive or mechanical fasteners, at Contractor's option, for installation of rigid insulation board to masonry substrate, per manufacturer's recommendation.
- B. Insulation Fasteners: Appropriate for purpose intended and approved by manufacturer.
  - 1. Length as required for thickness of insulation material and penetration of masonry substrate, with metal washers.
- C. Adhesive: Gun grade, interior and exterior, and compatible with insulation and substrates; complies with ASTM C557.
  - 1. Application Temperature: 40 to 100 degrees F at contact surfaces.
  - 2. Volatile Organic Content (VOC): Less than 7 percent by weight.

FIRE STATIONS RENOVATION  
Arlington County, Virginia  
Architect's Project No.: 563006

---

**PART 3 EXECUTION**

**3.01 EXAMINATION**

- A. Verify that substrate, adjacent materials, and insulation materials are dry and that substrates are ready to receive insulation.
- B. Verify substrate surfaces are flat, free of honeycomb, fins, irregularities, or materials or substances that may impede adhesive bond.

**3.02 BOARD INSTALLATION AT EXTERIOR WALLS**

- A. Install rigid insulation directly to existing masonry substrate with manufacturer recommended mechanical fasteners or insulation adhesive, and tape joints with manufacturer's minimum 4 inches wide sealant tape; comply with ASTM E2357.
- B. Install boards horizontally on walls.
  - 1. Place boards to maximize adhesive contact.
  - 2. Butt edges and ends tightly to adjacent boards and protrusions.
- C. Cut and fit insulation tightly to protrusions or interruptions to the insulation plane.

**3.03 BATT INSTALLATION**

- A. Install insulation in accordance with manufacturer's instructions.
- B. Install in exterior wall spaces without gaps or voids. Do not compress insulation.
- C. Trim insulation neatly to fit spaces. Insulate miscellaneous gaps and voids.
- D. Fit insulation tightly in cavities and tightly to exterior side of mechanical and electrical services within the plane of the insulation.

**3.04 PROTECTION**

- A. Do not permit installed insulation to be damaged prior to its concealment.

**END OF SECTION**

FIRE STATIONS RENOVATION  
Arlington County, Virginia  
Architect's Project No.: 563006

---

**SECTION 072500  
WEATHER BARRIERS**

**PART 1 GENERAL**

**1.01 REFERENCE STANDARDS**

- A. ASTM D1970/D1970M - Standard Specification for Self-Adhering Polymer Modified Bituminous Sheet Materials Used as Steep Roofing Underlayment for Ice Dam Protection 2020.
- B. ASTM E84 - Standard Test Method for Surface Burning Characteristics of Building Materials 2021a.

**1.02 SUBMITTALS**

- A. See Section 013000 - Administrative Requirements for submittal procedures.
- B. Product Data: Provide data on material characteristics and performance criteria for each product.
- C. Shop Drawings: Provide drawings of special joint conditions.
- D. Manufacturer's Installation Instructions: Indicate preparation, installation methods, and storage and handling criteria.

**1.03 FIELD CONDITIONS**

- A. Maintain temperature and humidity recommended by materials manufacturers before, during, and after installation.

**PART 2 PRODUCTS**

**2.01 WATER-RESISTIVE BARRIER MATERIALS**

- A. Drainable Barrier Sheet: HDPE material with gap created by spacers providing drainage space.
  - 1. Width: 5 feet, minimum.
  - 2. Ultraviolet (UV) and Weathering Resistance: Approved by manufacturer for up to 120 days of weather exposure.
  - 3. Surface Burning Characteristics: Flame spread index of 25 or less, smoke developed index of 450 or less, Class A when tested in accordance with ASTM E84.
  - 4. Seam and Perimeter Tape: As recommended by sheet manufacturer.
- B. Vapor Barrier: ASTM D 1970; self-adhering thermoplastic sheet. Provide product that is compatible for application over drainage barrier. At Contractor's option, a combination drainage barrier/vapor barrier product may be provided in lieu of separately applied products.
  - 1. Thickness: Approximately 40 mils nominal.
  - 2. Water Vapor Permeance: 0.05 perm, maximum, when tested in accordance with ASTM E 96.
  - 3. Seam and Perimeter Tape: As recommended by manufacturer.

**2.02 ACCESSORIES**

- A. Sealants, Tapes, and Accessories Used for Sealing Water-Resistive Barrier and Adjacent Substrates: As indicated or complying with water-resistive barrier manufacturer's installation instructions.
- B. Sealant for Cracks and Joints In Substrates: Resilient elastomeric joint sealant compatible with substrates and weather barrier materials.
  - 1. Application: Apply at 30 to 40 mil, 0.030 to 0.040 inch nominal thickness.
- C. Flexible Flashing: Self-adhesive sheet flashing complying with ASTM D1970/D1970M, except slip resistance requirement is waived if not installed on a roof.
- D. Sill Plate Sealer: Closed-cell foam tape with rubberized adhesive membrane; bridges gap between foundation structure and sill plate or skirt board.

FIRE STATIONS RENOVATION  
Arlington County, Virginia  
Architect's Project No.: 563006

---

**PART 3 EXECUTION**

**3.01 EXAMINATION**

- A. Verify that surfaces and conditions comply with requirements of this section.

**3.02 PREPARATION**

- A. Remove projections, protruding fasteners, and loose or foreign matter that might interfere with proper installation.

**3.03 INSTALLATION**

- A. Install materials in accordance with manufacturer's installation instructions.
- B. Water-Resistive Barriers: Install continuous water-resistive barrier over surfaces indicated, with sheets lapped to shed water but with seams not sealed.
- C. Mechanically Fastened Drainage Sheets:
1. Install sheets shingle-fashion to shed water, with seams aligned horizontal.
  2. Overlap seams as recommended by manufacturer, 6 inches, minimum.
  3. Overlap at outside and inside corners as recommended by manufacturer, 12 inches, minimum.
  4. Install water-resistive barrier over jamb flashings.
  5. Install head flashings under water-resistive barrier.
- D. Self-Adhered Vapor Barrier:
1. Prepare substrate in accordance with sheet manufacturer's installation instructions; fill and tape joints in substrate and between dissimilar materials.
  2. Lap sheets shingle-fashion to shed water and seal laps airtight.
  3. Upon placement of sheets, firmly press onto substrate with resilient hand roller; ensure that laps are firmly adhered with no gaps or fishmouths.
  4. Use same material, or other material approved by sheet manufacturer, to seal sheets to adjacent substrates, and as flashing.
- E. Openings and Penetrations in Water-Resistive Barriers:
1. Service and Other Penetrations: Form flashing around penetrating items and seal to surface of water-resistive barrier.
  2. Coordinate with installation of floor slab vapor barrier at base of wall/foundation drainage, prior to installation of concrete slab. Verify that drainage pathway to subdrainage system remains .

**3.04 PROTECTION**

- A. Do not leave materials exposed to weather longer than recommended by manufacturer.

**END OF SECTION**

FIRE STATIONS RENOVATION  
Arlington County, Virginia  
Architect's Project No.: 563006

---

**SECTION 075400  
THERMOPLASTIC MEMBRANE ROOFING**

**PART 1 GENERAL**

**1.01 ADMINISTRATIVE REQUIREMENTS**

- A. Preinstallation Meeting: Convene one week before starting work of this section.
  - 1. Review preparation and installation procedures and coordinating and scheduling required with related work.

**1.02 SUBMITTALS**

- A. See Section 013000 - Administrative Requirements for submittal procedures.
- B. Product Data: Provide data indicating membrane materials, flashing materials, insulation, and vapor retarder.
- C. Shop Drawings: Submit drawings that indicate joint or termination detail conditions and conditions of interface with other materials.
- D. Specimen Warranty: For approval.

**1.03 DELIVERY, STORAGE, AND HANDLING**

- A. Deliver materials in manufacturer's original containers, dry and undamaged, with seals and labels intact.
- B. Store materials in weather protected environment, clear of ground and moisture.
- C. Ensure storage and staging of materials does not exceed static and dynamic load-bearing capacities of roof decking.
- D. Protect foam insulation from direct exposure to sunlight.

**1.04 FIELD CONDITIONS**

- A. Do not apply roofing membrane during unsuitable weather.
- B. Do not apply roofing membrane when ambient temperature is below 40 degrees F.
- C. Do not apply roofing membrane to damp or frozen deck surface or when precipitation is expected or occurring.
- D. Do not expose materials vulnerable to water or sun damage in quantities greater than can be weatherproofed the same day.
- E. Schedule applications so that no partially completed sections of roof are left exposed at end of workday.

**1.05 WARRANTY**

- A. See Section 017800 - Closeout Submittals for additional warranty requirements.
- B. System Warranty: Provide manufacturer's system warranty agreeing to repair or replace roofing that leaks or is damaged due to wind or other natural causes.
  - 1. Warranty Term: 20 years.
  - 2. For repair and replacement include costs of both material and labor in warranty.
  - 3. System warranty shall include roof membrane, cover board, insulation, air barrier/vapor retarder, substrate board, edge metals and copings, penetrations, flashings, fasteners, and other components of the roofing system.

**PART 2 PRODUCTS**

**2.01 MANUFACTURERS**

- A. Thermoplastic Polyolefin (TPO) Membrane Roofing Materials:
  - 1. Carlisle Roofing Systems, Inc; Sure-Weld TPO.
  - 2. Firestone Building Products, LLC: we.
  - 3. Johns Manville; JM TPO - 45 mil.

**2.02 MEMBRANE ROOFING AND ASSOCIATED MATERIALS**

- A. Membrane Roofing Materials:



FIRE STATIONS RENOVATION  
Arlington County, Virginia  
Architect's Project No.: 563006

---

1. TPO: Thermoplastic polyolefin (TPO) complying with ASTM D6878/D6878M, sheet contains reinforcing fabrics or scrims.
    - a. Thickness: 60 mil, 0.060 inch, minimum.
  2. Sheet Width: Factory fabricated into largest sheets possible.
  3. Color: White.
- B. Seaming Materials: As recommended by membrane manufacturer.
- C. Flexible Flashing Material: Same material as membrane.

### 2.03 DECK SHEATHING

- A. Deck Sheathing: Glass-mat faced gypsum panels complying with ASTM C1177/C1177M.
1. Thickness: 1/2 inch, fire-resistant.

### 2.04 VAPOR RETARDER/AIR BARRIER

- A. Vapor Retarder/Air Barrier Sheet; Self-Adhered: Slip-resistant, polyethylene film laminated to butyl or SBS-modified asphaltic adhesive, with release-paper backing.
1. Thickness: 30 mils, minimum.
  2. Air Permeance: 0.004 cfm/sq ft, maximum, when tested per ASTM E2178.
  3. Water Vapor Permeance: 0.05 perms, maximum, when tested per ASTM E96/E96M.
- B. Products:
1. Carlisle; VapAir Seal 725 TR.
  2. Firestone; V-Force Vapor Barrier.
  3. Johns Manville; JM Vapor Barrier SA.

### 2.05 COVER BOARDS

- A. Cover Board: High compressive strength polyisocyanurate (ISO) board insulation complying with ASTM C1289, and the following characteristics:
1. Classification: Type II, Class 4 - Faced with coated or uncoated polymer-bonded glass fiber mat facers on both major surfaces of the core foam.
  2. Compressive Strength: Type II, Class 4; Grade 1, 80 psi.
  3. Board Thickness: 1/2 inch.
  4. Products:
    - a. Carlisle; SecurShield HD.
    - b. Firestone; Isogard HD Cover Board.
    - c. Johns Manville; ProtectoR.

### 2.06 INSULATION

- A. Polyisocyanurate (ISO) Board Insulation: Rigid cellular foam, complying with ASTM C1289.
1. Classifications:
    - a. Type II:
      - 1) Class 1 - Faced with glass fiber reinforced cellulosic felt facers on both major surfaces of core foam.
      - 2) Compressive Strength: Classes 1-2-3, Grade 2, 20 psi (138 kPa), minimum.
  2. Tapered Board: Provide tapered board for crickets and roof slopes as indicated; fabricate of fewest layers possible.

### 2.07 ACCESSORIES

- A. Stack Boots: Prefabricated flexible boot and collar for pipe stacks through membrane; elastomeric material compatible with membrane.
- B. Sheathing Joint Tape: Paper type, [ ] inches wide, self adhering.
- C. Insulation Joint Tape: Glass fiber reinforced type as recommended by insulation manufacturer, compatible with roofing materials; 6 inches wide; self adhering.
- D. Insulation Fasteners: Appropriate for purpose intended and approved by roofing manufacturer.
- E. Membrane Adhesive: As recommended by membrane manufacturer.
- F. Surface Conditioner for Adhesives: Compatible with membrane and adhesives.
-

FIRE STATIONS RENOVATION  
Arlington County, Virginia  
Architect's Project No.: 563006

---

- G. Thinners and Cleaners: As recommended by adhesive manufacturer, compatible with membrane.
- H. Insulation Adhesive: As recommended by insulation manufacturer.
- I. Walkway Pads: Suitable for maintenance traffic, contrasting color or otherwise visually distinctive from roof membrane.
  - 1. Composition: Roofing membrane manufacturer's standard.

### **PART 3 EXECUTION**

#### **3.01 EXAMINATION**

- A. Verify that surfaces and site conditions are ready to receive work.
- B. Verify deck is supported and secure.
- C. Verify deck is clean and smooth, flat, free of depressions, waves, or projections, properly sloped and suitable for installation of roof system.
- D. Verify deck surfaces are dry and free of snow or ice.
- E. Verify that roof openings, curbs, and penetrations through roof are solidly set.

#### **3.02 PREPARATION - METAL DECK**

- A. Install deck sheathing on metal deck:
  - 1. Lay with long side at right angle to flutes; stagger end joints; provide support at ends.
  - 2. Cut sheathing cleanly and accurately at roof breaks and protrusions to provide smooth surface.
  - 3. Tape joints.
  - 4. Mechanically fasten sheathing to roof deck, in accordance with Factory Mutual recommendations and roofing manufacturer's instructions.
    - a. Over entire roof area, fasten sheathing using six fasteners with washers per sheathing board.

#### **3.03 INSTALLATION, GENERAL**

- A. Perform work in accordance with manufacturer's instructions, NRCA (RM), and NRCA (WM) applicable requirements.
- B. Do not apply roofing membrane during cold or wet weather conditions.
- C. Do not apply roofing membrane when ambient temperature is outside the temperature range recommended by manufacturer.
- D. Do not apply roofing membrane to damp or frozen deck surface or when precipitation is expected or occurring.
- E. Do not expose materials vulnerable to water or sun damage in quantities greater than can be weatherproofed the same day.

#### **3.04 INSTALLATION - VAPOR RETARDER AND INSULATION, UNDER MEMBRANE**

- A. Install vapor retarder to sheathing surface in accordance with manufacturer's instructions.
  - 1. Extend vapor retarder under blocking at parapets and/or deck edge, and tie in to air barrier/vapor retarder at wall system.
  - 2. Install flexible flashing from vapor retarder to air seal material of wall construction, lap and seal to provide continuity of the air barrier plane.
- B. Ensure vapor retarder is clean and dry, continuous, and ready for application of insulation.
- C. Attachment of Insulation:
  - 1. Mechanically fasten first layer of insulation to deck in accordance with roofing manufacturer's instructions and FM DS 1-28 Factory Mutual requirements.
  - 2. Embed second layer of insulation into full bed of adhesive in accordance with roofing and insulation manufacturers' instructions.
- D. Lay subsequent layers of insulation with joints staggered minimum 6 inches from joints of preceding layer.

FIRE STATIONS RENOVATION  
Arlington County, Virginia  
Architect's Project No.: 563006

---

- E. Place tapered insulation to the required slope pattern in accordance with manufacturer's instructions.
- F. Lay boards with edges in moderate contact without forcing. Cut insulation to fit neatly to perimeter blocking and around penetrations through roof.
- G. Tape joints of insulation in accordance with roofing and insulation manufacturers' instructions.
- H. Do not install more insulation than can be covered with membrane in same day.
- I. Cover Boards: Secure cover boards with full coverage adhesive in accordance with roofing manufacturer's instructions and FM (AG) Factory Mutual requirements.

**3.05 INSTALLATION - MEMBRANE**

- A. Roll out membrane, free from wrinkles or tears. Place sheet into place without stretching.
- B. Shingle joints on sloped substrate in direction of drainage.
- C. Fully Adhered Application: Apply adhesive to substrate per manufacturer's written instructions. Fully embed membrane in adhesive except in areas directly over or within 3 inches of expansion joints. Fully adhere one roll before proceeding to adjacent rolls.
- D. Overlap edges and ends and seal seams by contact adhesive, minimum 3 inches. Seal permanently waterproof. Apply uniform bead of sealant to joint edge.
- E. At intersections with vertical surfaces:
  - 1. Extend membrane up the rear side of parapet, over the top of the wall, and tie into wall air barrier/vapor retarder system.
  - 2. Fully adhere flexible flashing over membrane and up to nailing strips.
- F. Around roof penetrations, seal flanges and flashings with flexible flashing.
- G. Coordinate installation of roof drains, scuppers, and related flashings.

**END OF SECTION**

FIRE STATIONS RENOVATION  
Arlington County, Virginia  
Architect's Project No.: 563006

---

**SECTION 076200**  
**SHEET METAL FLASHING AND TRIM**

**PART 1 GENERAL**

**1.01 REFERENCE STANDARDS**

- A. AAMA 2604 - Voluntary Specification, Performance Requirements and Test Procedures for High Performance Organic Coatings on Aluminum Extrusions and Panels (with Coil Coating Appendix) 2017a.
- B. ASTM B209 - Standard Specification for Aluminum and Aluminum-Alloy Sheet and Plate 2014.
- C. ASTM B209M - Standard Specification for Aluminum and Aluminum-Alloy Sheet and Plate (Metric) 2014.
- D. ASTM C920 - Standard Specification for Elastomeric Joint Sealants 2018.
- E. ASTM D4479/D4479M - Standard Specification for Asphalt Roof Coatings - Asbestos-Free 2007 (Reapproved 2018).
- F. ASTM D4586/D4586M - Standard Specification for Asphalt Roof Cement, Asbestos-Free 2007 (Reapproved 2018).
- G. CDA A4050 - Copper in Architecture - Handbook current edition.
- H. SMACNA (ASMM) - Architectural Sheet Metal Manual 2012.

**1.02 SUBMITTALS**

- A. See Section 013000 - Administrative Requirements for submittal procedures.
- B. Shop Drawings: Indicate material profile, jointing pattern, jointing details, fastening methods, flashings, terminations, and installation details.

**1.03 QUALITY ASSURANCE**

- A. Perform work in accordance with SMACNA (ASMM) and CDA A4050 requirements and standard details, except as otherwise indicated.

**1.04 DELIVERY, STORAGE, AND HANDLING**

- A. Stack material to prevent twisting, bending, and abrasion, and to provide ventilation. Slope metal sheets to ensure drainage.
- B. Prevent contact with materials that could cause discoloration or staining.

**PART 2 PRODUCTS**

**2.01 SHEET MATERIALS**

- A. Pre-Finished Aluminum: ASTM B209 (ASTM B209M); 20 gauge, 0.032 inch thick; plain finish shop pre-coated with fluoropolymercoating.
  - 1. Fluoropolymer Coating: High Performance Organic Finish, AAMA 2604; multiple coat, thermally cured fluoropolymer finish system.
  - 2. Color: As selected by Architect from manufacturer's standard colors.

**2.02 FABRICATION**

- A. Form sections true to shape, accurate in size, square, and free from distortion or defects.
- B. Form pieces in longest possible lengths.
- C. Hem exposed edges on underside 1/2 inch; miter and seam corners.
- D. Form material with flat lock seams, except where otherwise indicated; at moving joints, use sealed lapped, bayonet-type or interlocking hooked seams.
- E. Fabricate corners from one piece with minimum 18 inch long legs; seam for rigidity, seal with sealant.
- F. Fabricate flashings to allow toe to extend 2 inches over roofing gravel. Return and brake edges.

FIRE STATIONS RENOVATION  
Arlington County, Virginia  
Architect's Project No.: 563006

---

### 2.03 ROOF DRAINAGE FABRICATION

- A. Downspouts: Rectangular profile.
- B. Scuppers and Conductor Heads:
  - 1. Conductor Head: Fabricate conductor box style per SMACNA (ASMM) Figure 1-25F and with Figure 1-27A for conductor head/scupper assembly. Coordinate outlet size with downspout size.
  - 2. Scuppers: Fabricate scuppers per SMACNA (ASMM) Figure 1-27A at conductor head assembly and per Figure 1-30 at overflow scupper.
- C. Accessories: Profiled to suit conductor heads, scuppers, and downspouts.
  - 1. Anchorage Devices: In accordance with SMACNA (ASMM) requirements.
  - 2. Downspout Supports: Brackets, provide at top and bottom and no more than 60 inches on center.
- D. Downspout Boots: Cast iron.
- E. Seal metal joints.

### 2.04 ACCESSORIES

- A. Fasteners: Same material and finish as flashing metal, with soft neoprene washers.
- B. Primer: Zinc chromate type.
- C. Protective Backing Paint: Asphaltic mastic, ASTM D4479 Type I.
- D. Concealed Sealants: Non-curing butyl sealant.
- E. Exposed Sealants: ASTM C920; elastomeric sealant, with minimum movement capability as recommended by manufacturer for substrates to be sealed; color to match adjacent material.
- F. Plastic Cement: ASTM D4586/D4586M, Type I.

## PART 3 EXECUTION

### 3.01 EXAMINATION

- A. Verify roof openings, curbs, pipes, sleeves, ducts, and vents through roof are solidly set, reglets in place, and nailing strips located.
- B. Verify roofing termination and base flashings are in place, sealed, and secure.

### 3.02 PREPARATION

- A. Install starter and edge strips, and cleats before starting installation.
- B. Back paint concealed metal surfaces with protective backing paint to a minimum dry film thickness of 15 mil.

### 3.03 INSTALLATION

- A. Secure flashings in place using concealed fasteners, and use exposed fasteners only where permitted..
- B. Apply plastic cement compound between metal flashings and felt flashings.
- C. Fit flashings tight in place; make corners square, surfaces true and straight in planes, and lines accurate to profiles.
- D. Seal metal joints watertight.
- E. Secure scuppers, conductor heads, and downspouts in place with concealed fasteners.
- F. Ensure positive drainage through scuppers to exterior of wall. Lap roofing membrane and gravel stop material and provide associated founterflashings for a water-tight assembly.
- G. Connect downspouts to downspout boots, and grout connection watertight.

**END OF SECTION**

FIRE STATIONS RENOVATION  
Arlington County, Virginia  
Architect's Project No.: 563006

---

**SECTION 077000**  
**ROOF SPECIALTIES AND ACCESSORIES**

**PART 1 GENERAL**

**1.01 REFERENCE STANDARDS**

- A. AAMA 2605 - Voluntary Specification, Performance Requirements and Test Procedures for Superior Performing Organic Coatings on Aluminum Extrusions and Panels (with Coil Coating Appendix) 2017a.
- B. ANSI/SPRI/FM 4435/ES-1 - Test Standard for Edge Systems Used with Low Slope Roofing Systems 2017.
- C. ASTM A123/A123M - Standard Specification for Zinc (Hot-Dip Galvanized) Coatings on Iron and Steel Products 2017.
- D. ASTM A153/A153M - Standard Specification for Zinc Coating (Hot-Dip) on Iron and Steel Hardware 2016a.
- E. NRCA (RM) - The NRCA Roofing Manual 2019.

**1.02 SUBMITTALS**

- A. See Section 013000 - Administrative Requirements, for submittal procedures.
- B. Product Data: Provide data on shape of components, materials and finishes, anchor types and locations.
- C. Shop Drawings: Indicate configuration and dimension of components, adjacent construction, required clearances and tolerances, and other affected work.
- D. Selection Samples: Provide manufacturer's color charts.

**PART 2 PRODUCTS**

**2.01 COMPONENTS**

- A. Copings: Factory fabricated to sizes required; corners mitered; concealed fasteners. Provide pre-engineered, factory-fabricated assembly; field-fabricated products or products that are shop-formed based on a tested assembly profile are not acceptable.
  - 1. Configuration: Concealed continuous hold down cleat at both legs; internal splice piece at joints of same material, thickness, and finish as cap; concealed stainless steel fasteners.
  - 2. Pull-Off Resistance: Tested in accordance with ANSI/SPRI/FM 4435/ES-1 using test method RE-3 to positive and negative design wind pressure as defined by applicable local building code.
  - 3. Wall Width: As indicated on drawings.
  - 4. Material: Formed aluminum sheet, 0.050 inch thick, minimum. For copings over 15 inches wide, form copings of 0.063 inch thick aluminum sheet.
  - 5. Finish: 70 percent polyvinylidene fluoride.
  - 6. Corners: Provide pre-fabricated, mitered inside and outside corners, with miters welded prior to finishing. Coordinate and field-verify for custom angled components prior to fabrication.
  - 7. Color: To be selected by Architect from manufacturer's standard range.
  - 8. Manufacturers:
    - a. Carlisle SynTec, Inc.; SecurEdge 200/300 Coping.
    - b. Firestone Building Products; Firestone Coping.
    - c. Johns Manville; Perma-Tite Coping.

**2.02 FINISHES**

- A. PVDF (Polyvinylidene Fluoride) Coating: Superior Performance Organic Finish, AAMA 2605; multiple coat, thermally cured fluoropolymer finish system; color as indicated.

**2.03 NON-PENETRATING ROOFTOP FALL PROTECTION ASSEMBLIES**

- A. Non-Penetrating Rooftop Fall Protection Assemblies: Manufacturer-engineered and factory-fabricated, with pedestal bases that rest on top of roofing membrane, and not requiring any attachment to roof structure and not penetrating roofing assembly.

FIRE STATIONS RENOVATION  
Arlington County, Virginia  
Architect's Project No.: 563006

---

1. Design Loadings and Configurations: As required by applicable codes.
2. Support Spacing and Base Sizes: As required to distribute load sufficiently to prevent indentation of roofing assembly.
3. Steel Components: Stainless steel, or carbon steel hot-dip galvanized after fabrication in accordance with ASTM A123/A123M.
4. Hardware, Bolts, Nuts, and Washers: Stainless steel, or carbon steel hot-dip galvanized after fabrication in accordance with ASTM A153/A153M.
5. Manufacturers:
  - a. BlueWater; by Tractel.
  - b. HySafe.
  - c. Kee Safety.
  - d. MSA Latchways.
  - e. Substitutions: See Section 016000 - Product Requirements.

**2.04 ACCESSORIES**

- A. Sealant for Joints in Linear Components: As recommended by component manufacturer.
- B. Adhesive for Anchoring to Roof Membrane: Compatible with roof membrane and approved by roof membrane manufacturer.

**PART 3 EXECUTION**

**3.01 EXAMINATION**

- A. Verify that deck, curbs, roof membrane, base flashing, and other items affecting work of this Section are in place and positioned correctly.

**3.02 INSTALLATION**

- A. Install components in accordance with manufacturer's instructions and NRCA (RM) applicable requirements.
- B. Anchor components securely.
- C. Copings: Install copings with concealed fasteners, in compliance with ANSI/SPRI/FM 4435/ES-1 performance requirements.
  1. Coping Width Less Than 16 Inches: For standard 10 foot length coping sections, anchor at standard 40-inch centers. For standard 12 foot length coping sections, anchor at standard 48-inch centers.
  2. Coping Width 16 Inches or Greater: For standard 10 foot length coping sections, anchor at 30-inch centers. For standard 12 foot length coping sections, anchor at standard 36-inch centers.
- D. Coordinate installation of components of this section with installation of roofing membrane and base flashings.
  1. Install all components and products in a manner consistent with the terms of manufacturer's roofing warranty.

**3.03 PROTECTION**

- A. Protect installed components from damage to materials or finishes for the remainder of construction.

**END OF SECTION**

FIRE STATIONS RENOVATION  
Arlington County, Virginia  
Architect's Project No.: 563006

---

**SECTION 079200  
JOINT SEALANTS**

**PART 1 GENERAL**

**1.01 SUBMITTALS**

- A. See Section 013000 - Administrative Requirements for submittal procedures.
- B. Product Data for Sealants: Submit manufacturer's technical data sheets for each product to be used, that includes the following.
  - 1. Physical characteristics, including movement capability, VOC content, hardness, cure time, and color availability.
  - 2. List of backing materials approved for use with the specific product.
  - 3. Substrates that product is known to satisfactorily adhere to and with which it is compatible.
  - 4. Substrates the product should not be used on.
- C. Product Data for Accessory Products: Submit manufacturer's technical data sheet for each product to be used, including physical characteristics, installation instructions, and recommended tools.
- D. Color Cards for Selection: Where sealant color is not specified, submit manufacturer's color cards showing standard colors available for selection.
- E. Preconstruction Laboratory Test Reports: Submit at least four weeks prior to start of installation.
- F. Preinstallation Field Adhesion Test Plan: Submit at least two weeks prior to start of installation.
- G. Preinstallation Field Adhesion Test Reports: Submit filled out Preinstallation Field Adhesion Test Reports log within 10 days after completion of tests; include bagged test samples and photographic records.

**1.02 QUALITY ASSURANCE**

- A. Installer Qualifications: Company specializing in performing the work of this section, and is approved and/or certified by manufacturer.
  - B. Preconstruction Laboratory Testing: Arrange for sealant manufacturer(s) to test each combination of sealant, substrate, backing, and accessories.
    - 1. Adhesion Testing: In accordance with ASTM C794.
    - 2. Compatibility Testing: In accordance with ASTM C1087.
    - 3. Allow sufficient time for testing to avoid delaying the work.
    - 4. Deliver to manufacturer sufficient samples for testing.
    - 5. Report manufacturer's recommended corrective measures, if any, including primers or techniques not indicated in product data submittals.
    - 6. Testing is not required if sealant manufacturer provides data showing previous testing, not older than 24 months, that shows satisfactory adhesion, lack of staining, and compatibility.
  - C. Preinstallation Field Adhesion Test Plan: Include destructive field adhesion testing of one sample of each combination of sealant type and substrate, except interior acrylic latex sealants, and include the following for each tested sample.
    - 1. Identification of testing agency.
    - 2. Preinstallation Field Adhesion Test Log Form: Include the following data fields, with known information filled out.
      - a. Test date.
      - b. Copy of test method documents.
      - c. Age of sealant upon date of testing.
      - d. Test results, modeled after the sample form in the test method document.
      - e. Indicate use of photographic record of test.
  - D. Field Adhesion Test Procedures:
    - 1. Allow sealants to fully cure as recommended by manufacturer before testing.
-



**FIRE STATIONS RENOVATION**  
Arlington County, Virginia  
Architect's Project No.: 563006

---

2. Have a copy of the test method document available during tests.
  3. Record the type of failure that occurred, other information required by test method, and the information required on the Field Quality Control Log.
  4. When performing destructive tests, also inspect the opened joint for proper installation characteristics recommended by manufacturer, and report any deficiencies.
  5. Deliver the samples removed during destructive tests in separate sealed plastic bags, identified with project, location, test date, and test results, to Owner.
  6. If any combination of sealant type and substrate does not show evidence of minimum adhesion or shows cohesion failure before minimum adhesion, report results to Architect.
- E. Destructive Field Adhesion Test: Test for adhesion in accordance with ASTM C1521, using Destructive Tail Procedure.
1. Sample: At least 18 inches long.
  2. Minimum Elongation Without Adhesive Failure: Consider the tail at rest, not under any elongation stress; multiply the stated movement capability of the sealant in percent by two; then multiply 1 inch by that percentage; if adhesion failure occurs before the "1 inch mark" is that distance from the substrate, the test has failed.
  3. If either adhesive or cohesive failure occurs prior to minimum elongation, take necessary measures to correct conditions and re-test; record each modification to products or installation procedures.

### **1.03 WARRANTY**

- A. See Section 017800 - Closeout Submittals for additional warranty requirements.
- B. Correct defective work within a five year period after Date of Substantial Completion.
- C. Warranty: Include coverage for installed sealants and accessories that fail to achieve watertight seal, exhibit loss of adhesion or cohesion, or do not cure.

## **PART 2 PRODUCTS**

### **2.01 JOINT SEALANTS - GENERAL**

#### **2.02 NONSAG JOINT SEALANTS**

- A. Type ES-1 - Low-Modulus Non-Staining Silicone Sealant: ASTM C920, Grade NS, Uses M and A; not expected to withstand continuous water immersion or traffic.
  1. Movement Capability: Plus and minus 50 percent, minimum.
  2. Non-Staining To Porous Substrates: Non-staining to light-colored natural stone when tested in accordance with ASTM C1248.
  3. Dirt Pick-Up: Reduced dirt pick-up compared to other silicone sealants.
  4. Manufacturers:
    - a. Master Builders Solutions; MasterSeal NP 100.
    - b. Momentive Performance Materials, Inc/GE Silicones; SCS2000 SilPruf.
    - c. Pecora Corporation; Pecora 890 NST (Non-Staining Technology) or 890 FST (Field Tint).
    - d. Polymeric Systems Inc; PSI-641.
    - e. Tremco Commercial Sealants & Waterproofing; Spectrem 3 or Spectrem 4-TS (Field Tint).
    - f. Substitutions: See Section 016000 - Product Requirements.
- B. Type ES-2 - Medium-Modulus Non-Staining Silicone Sealant: ASTM C920, Grade NS, Uses M and A; not expected to withstand continuous water immersion or traffic.
  1. Movement Capability: Plus and minus 50 percent, minimum.
  2. Non-Staining To Porous Substrates: Non-staining to light-colored natural stone when tested in accordance with ASTM C1248.
  3. Dirt Pick-Up: Reduced dirt pick-up compared to other silicone sealants.
  4. Manufacturers:
    - a. Dow; DOWSIL 795 Silicone Building Sealant.
    - b. Momentive Performance Materials, Inc/GE Silicones; SCS9000 SilPruf NB - Non-Staining Silicone Weatherproofing Sealant.
    - c. Pecora Corporation; Pecora 895 NST (Non-Staining Technology).

FIRE STATIONS RENOVATION  
Arlington County, Virginia  
Architect's Project No.: 563006

---

- d. Tremco Commercial Sealants & Waterproofing; Spectrem 2.
  - e. Substitutions: See Section 016000 - Product Requirements.
- C. Type ES-3 - Mildew-Resistant Silicone Sealant: ASTM C920, Grade NS, Uses M and A; single component, mildew resistant; not expected to withstand continuous water immersion or traffic. Neutral- or acid-curing per manufacturer standard.
- 1. Color: White.
  - 2. Manufacturers:
    - a. Dow; DOWSIL 786 Mildew Resistant.
    - b. Momentive Performance Materials, Inc/GE Silicones; Sanitary SCS1700.
    - c. Pecora Corporation; Pecora 898 NST (Non-Staining Technology).
    - d. Tremco Commercial Sealants & Waterproofing; Tremsil 600 or Tremsil 200.
    - e. Substitutions: See Section 016000 - Product Requirements.
- D. ---- Hybrid Silane Polyether for Interior and Exterior Horizontal, Vertical and Overhead Use - ----
- E. Type ES-4 - Polyurethane Sealant: ASTM C920, Grade NS, Uses M and A; multi-component; not expected to withstand continuous water immersion or traffic.
- 1. Movement Capability: Plus and minus 25 percent, minimum.
  - 2. Manufacturers:
    - a. ITW Polymers Sealants; Permathane SM 7200.
    - b. Master Builders Solutions; Master Seal NP2.
    - c. Pecora Corporation; DynaTrol II.
    - d. Sika Corporation; Sikaflex-2c NS.
    - e. Tremco Commercial Sealants & Waterproofing; Dymeric 240 FC or Vulkem 227.
    - f. Substitutions: See Section 016000 - Product Requirements.
- F. Type LS-1 - Acrylic Emulsion Latex: Water-based; ASTM C834, single component, non-staining, non-bleeding, non-sagging; not intended for exterior use.
- 1. Color: Standard colors matching finished surfaces, Type OP (opaque).
  - 2. Grade: ASTM C834; Grade NF.
  - 3. Manufacturers:
    - a. Bostik Findley, Inc; Chem-Calk 600.
    - b. ITW Polymers Sealants; SM 8200.
    - c. Master Builders Solutions; MasterSeal NP 520.
    - d. Pecora Corporation; AC-20 +Silicone.
    - e. Tremco Commercial Sealants & Waterproofing; Tremflex 834.
    - f. Substitutions: See Section 016000 - Product Requirements.
- G. Type AS-1 - Acrylic Emulsion Latex: Water-based; ASTM C834, single component, non-staining, non-bleeding, non-sagging acoustical sealant.
- 1. Color: Standard colors matching finished surfaces, Type OP (opaque).
  - 2. Grade: ASTM C834; Grade NF.
  - 3. Manufacturers:
    - a. Accumetric LLC; BOSS 826 Acoustical Sound Sealant.
    - b. Franklin International, Inc; Titebond GREENchoice Acoustical Smoke & Sound Sealant.
    - c. Hilti, Inc; CP 506 Smoke and Acoustical Sealant.
    - d. Master Builders Solutions; MasterSeal NP 520.
    - e. Momentive Performance Materials, Inc/GE Silicones; RCS20 Acoustical.
    - f. Pecora Corporation; AC-20 FTR or AIS-919.
    - g. Specified Technologies Inc; Smoke N' Sound Acoustical Sealant: [www.stifirestop.com/#sle](http://www.stifirestop.com/#sle).
    - h. Tremco Commercial Sealants & Waterproofing; Tremstop Smoke and Sound.
    - i. Substitutions: See Section 016000 - Product Requirements.
- H. Type SRS-1 - Butyl Sealant: Solvent-based; ASTM C1311; single component, nonsag; not expected to withstand continuous water immersion or traffic.
- 1. Manufacturers:

FIRE STATIONS RENOVATION  
Arlington County, Virginia  
Architect's Project No.: 563006

---

- a. Bostik, Inc; Chem-Calk 300.
- b. Pecora Corporation; Pecora BC-158 Butyl Rubber Sealant.
- c. Tremco Commercial Sealants & Waterproofing; Tremco Butyl Sealant.

### 2.03 SELF-LEVELING SEALANTS

- A. Type ES-5 - Self-Leveling Polyurethane Sealant for Traffic: Polyurethane; ASTM C920, Grade P, Uses M and A; single- or multi-component; explicitly approved by manufacturer for traffic exposure.
  1. Movement Capability: Plus and minus 25 percent, minimum.
  2. Manufacturers:
    - a. Bostik Findley; Chem-Calk 550.
    - b. ITW Polymers Sealants; Permathane SM 7201.
    - c. Pacific Polymers, Inc; Elasto-Thane 227 Type 1 (Self-Leveling).
    - d. Polymeric Systems, Inc; PSI-270SL.
    - e. Tremco Commercial Sealants & Waterproofing; THC-901 or THC-900.
    - f. W. R. MEADOWS, Inc; POURTHANE SL.
    - g. Substitutions: See Section 016000 - Product Requirements.
- B. ---- Hybrid Silane Polyether for Interior and Exterior Horizontal Applications ----
- C. ---- Joint Filler for Expansion Joints in Concrete of Multi-Story Parking Garages ----

### 2.04 ACCESSORIES

- A. Backer Rod: Cylindrical cellular foam rod with surface that sealant will not adhere to, compatible with specific sealant used, and recommended by backing and sealant manufacturers for specific application.
- B. Backing Tape: Self-adhesive polyethylene tape with surface that sealant will not adhere to and recommended by tape and sealant manufacturers for specific application.
- C. Masking Tape: Self-adhesive, nonabsorbent, non-staining, removable without adhesive residue, and compatible with surfaces adjacent to joints and sealants.
- D. Joint Cleaner: Non-corrosive and non-staining type, type recommended by sealant manufacturer; compatible with joint forming materials.
- E. Primers: Type recommended by sealant manufacturer to suit application; non-staining.

## PART 3 EXECUTION

### 3.01 EXAMINATION

- A. Verify that joints are ready to receive work.
- B. Verify that backing materials are compatible with sealants.
- C. Verify that backer rods are of the correct size.
- D. Preinstallation Adhesion Testing: Install a sample for each test location indicated in the test plan.
  1. Test each sample as specified in PART 1 under QUALITY ASSURANCE article.
  2. Notify Architect of date and time that tests will be performed, at least seven days in advance.
  3. Record each test on Preinstallation Adhesion Test Log as indicated.
  4. If any sample fails, review products and installation procedures, consult manufacturer, or take whatever other measures are necessary to ensure adhesion; re-test in a different location; if unable to obtain satisfactory adhesion, report to Architect.
  5. After completion of tests, remove remaining sample material and prepare joint for new sealant installation.

### 3.02 PREPARATION

- A. Remove loose materials and foreign matter that could impair adhesion of sealant.
- B. Clean joints, and prime as necessary, in accordance with manufacturer's instructions.
- C. Perform preparation in accordance with manufacturer's instructions and ASTM C1193.

FIRE STATIONS RENOVATION  
Arlington County, Virginia  
Architect's Project No.: 563006

---

- D. Mask elements and surfaces adjacent to joints from damage and disfigurement due to sealant work; be aware that sealant drips and smears may not be completely removable.

**3.03 INSTALLATION**

- A. Perform work in accordance with sealant manufacturer's requirements for preparation of surfaces and material installation instructions.
- B. Perform installation in accordance with ASTM C1193.
- C. Perform acoustical sealant application work in accordance with ASTM C919.
- D. Measure joint dimensions and size joint backers to achieve width-to-depth ratio, neck dimension, and surface bond area as recommended by manufacturer, except where specific dimensions are indicated.
- E. Install bond breaker backing tape where backer rod cannot be used.
- F. Install sealant free of air pockets, foreign embedded matter, ridges, and sags, and without getting sealant on adjacent surfaces.
- G. Do not install sealant when ambient temperature is outside manufacturer's recommended temperature range, or will be outside that range during the entire curing period, unless manufacturer's approval is obtained and instructions are followed.
- H. Nonsag Sealants: Tool surface concave, unless otherwise indicated; remove masking tape immediately after tooling sealant surface.

**3.04 FIELD QUALITY CONTROL**

- A. Perform field quality control inspection/testing as specified in PART 1 under QUALITY ASSURANCE article.
- B. Destructive Adhesion Testing: If there are any failures in first 1000 linear feet, notify Architect immediately.
- C. Remove and replace failed portions of sealants using same materials and procedures as indicated for original installation.
- D. Repair destructive test location damage immediately after evaluation and recording of results.

**END OF SECTION**

FIRE STATIONS RENOVATION  
Arlington County, Virginia  
Architect's Project No.: 563006

---

**SECTION 081113  
STEEL DOORS AND FRAMES**

**PART 1 GENERAL**

**1.01 SUBMITTALS**

- A. See Section 013000 - Administrative Requirements for submittal procedures.
- B. Product Data: Materials and details of design and construction, hardware locations, reinforcement type and locations, anchorage and fastening methods, and finishes.
- C. Shop Drawings: Details of each opening, showing elevations, glazing, frame profiles, and any indicated finish requirements.

**1.02 QUALITY ASSURANCE**

- A. Maintain at project site copies of reference standards relating to installation of products specified.

**1.03 DELIVERY, STORAGE, AND HANDLING**

- A. Comply with NAAMM HMMA 840 or ANSI/SDI A250.8 (SDI-100) in accordance with specified requirements.
- B. Protect with resilient packaging; avoid humidity build-up under coverings; prevent corrosion and adverse effects on factory applied painted finish.

**PART 2 PRODUCTS**

**2.01 MANUFACTURERS**

- A. Hollow Metal Doors and Frames:
  - 1. Ceco Door, an Assa Abloy Group company.
  - 2. Curries, an Assa Abloy Group company.
  - 3. Fleming Door Products, an Assa Abloy Group company.
  - 4. Krieger Specialty Products.
  - 5. Mesker, dormakaba Group.
  - 6. Pioneer Industries, Inc.; an Assa Abloy Group company.
  - 7. Republic Doors, an Allegion brand.
  - 8. Steelcraft, an Allegion brand.
  - 9. Technical Glass Products.

**2.02 PERFORMANCE REQUIREMENTS**

- A. Requirements for Hollow Metal Doors and Frames:
  - 1. Steel Sheet: Comply with one or more of the following requirements; galvanized steel complying with ASTM A653/A653M, cold-rolled steel complying with ASTM A1008/A1008M, or hot-rolled pickled and oiled (HRPO) steel complying with ASTM A1011/A1011M, commercial steel (CS) Type B, for each.
  - 2. Accessibility: Comply with ICC A117.1 and ADA Standards.
  - 3. Door Top and Bottom Closures: Flush end closure channel, with top and door faces aligned.
    - a. Inverted channel closure is acceptable for bottom edges and top edges of interior doors that are not exposed to view from above.
  - 4. Door Edge Profile: Hinged edge square, and lock edge beveled.
  - 5. Typical Door Face Sheets: Flush.
  - 6. Glazed Lights: Non-removable stops on non-secure side; sizes and configurations as indicated on drawings. Style: Manufacturers standard.
  - 7. Hardware Preparations, Selections and Locations: Comply with NAAMM HMMA 830 and NAAMM HMMA 831 or BHMA A156.115 and ANSI/SDI A250.8 (SDI-100) in accordance with specified requirements.
  - 8. Zinc Coating for Typical Interior and/or Exterior Locations: Provide metal components zinc-coated (galvanized) and/or zinc-iron alloy-coated (galvanized) by the hot-dip process in accordance with ASTM A653/A653M, with manufacturer's standard coating thickness, unless noted otherwise for specific hollow metal doors and frames.

FIRE STATIONS RENOVATION  
Arlington County, Virginia  
Architect's Project No.: 563006

---

- a. Based on SDI Standards: Provide at least A40/ZF120 (galvannealed) when necessary, coating not required for typical interior door applications, and at least A60/ZF180 (galvannealed) for corrosive locations.
- B. Combined Requirements: If a particular door and frame unit is indicated to comply with more than one type of requirement, comply with the specified requirements for each type; for instance, an exterior door that is also indicated as being sound-rated must comply with the requirements specified for exterior doors and for sound-rated doors; where two requirements conflict, comply with the most stringent.

### **2.03 HOLLOW METAL DOORS**

- A. Door Finish: Factory primed and field finished.
- B. Interior Doors, Non-Fire-Rated: Fabricate from either cold-rolled steel sheet or metallic-coated steel sheet.
  - 1. Based on SDI Standards: ANSI/SDI A250.8 (SDI-100).
    - a. Level 2 - Heavy-duty.
    - b. Physical Performance Level B, 500,000 cycles; in accordance with ANSI/SDI A250.4.
    - c. Model 1 - Full Flush.
    - d. Door Face Metal Thickness: 18 gauge, 0.042 inch, minimum.
  - 2. Door Core Material: Manufacturers standard core material/construction and in compliance with requirements, except kraft paper honeycomb core is not acceptable.
  - 3. Door Thickness: 1-3/4 inches, nominal.

### **2.04 HOLLOW METAL FRAMES**

- A. Comply with standards and/or custom guidelines as indicated for corresponding door in accordance with applicable door frame requirements.
- B. Frame Finish: Factory primed and field finished.
- C. Interior Door Frames, Non-Fire Rated: Face welded type.
  - 1. Frame Metal Thickness: 16 gauge, 0.053 inch, minimum.
- D. Frames for Wood Doors: Comply with frame requirements in accordance with corresponding door.
- E. Provide mortar guard boxes for hardware cut-outs in frames to be installed in masonry or to be grouted.
- F. Frames in Masonry Walls: Size to suit masonry coursing with head member 4 inches high to fill opening without cutting masonry units.

### **2.05 FINISHES**

- A. Primer: Rust-inhibiting, complying with ANSI/SDI A250.10, door manufacturer's standard.

### **2.06 ACCESSORIES**

- A. Removable and Fixed Stops: Formed sheet steel, mitered or butted corners; prepared for countersink style tamper proof screws.
  - 1. Provide fixed stops toward the secure side of interior glazed lites (for example, toward the corridor or more public accessible spaces).
  - 2. Heights of Stops: Unless otherwise indicated or recommended by glazing manufacturer, provide standard 5/8-inch height stops where allowed by standards.
- B. Mechanical Fasteners for Concealed Metal-to-Metal Connections: Self-drilling, self-tapping, steel with electroplated zinc finish.
- C. Grout for Frames: Mortar grout complying with ASTM C476 with maximum slump of 4 inches as measured in accordance with ASTM C143/C143M for hand troweling in place; plaster grout and thinner pumpable grout are prohibited.
- D. Silencers: Resilient rubber, fitted into drilled hole; provide three on strike side of single doors.
- E. Temporary Frame Spreaders: Provide for factory- or shop-assembled frames.

FIRE STATIONS RENOVATION  
Arlington County, Virginia  
Architect's Project No.: 563006

---

**PART 3 EXECUTION**

**3.01 EXAMINATION**

- A. Verify existing conditions before starting work.
- B. Verify that opening sizes and tolerances are acceptable.
- C. Verify that finished walls are in plane to ensure proper door alignment.

**3.02 INSTALLATION**

- A. Install doors and frames in accordance with manufacturer's instructions and related requirements of specified door and frame standards or custom guidelines indicated.
  - 1. Install in accordance with ANSI/SDI A250.11.
  - 2. Do not remove temporary frame spreaders until after frames have been properly set and secured.
- B. Coordinate frame anchor placement with wall construction.
- C. Grout frames in masonry construction, using hand trowel methods; brace frames so that pressure of grout before setting will not deform frames.
- D. Install door hardware as specified in Section 087100.
- E. Comply with glazing installation requirements of Section 088000.
- F. Coordinate installation of electrical connections to electrical hardware items.
- G. Touch up damaged factory finishes.

**3.03 TOLERANCES**

- A. Clearances Between Door and Frame: Comply with related requirements of specified frame standards or custom guidelines indicated in accordance with SDI 117 or NAAMM HMMA 861.
- B. Maximum Diagonal Distortion: 1/16 inch measured with straight edge, corner to corner.

**3.04 ADJUSTING**

- A. Adjust for smooth and balanced door movement.

**END OF SECTION**

FIRE STATIONS RENOVATION  
Arlington County, Virginia  
Architect's Project No.: 563006

---

**SECTION 081416  
FLUSH WOOD DOORS**

**PART 1 GENERAL**

**1.01 SUBMITTALS**

- A. See Section 013000 - Administrative Requirements for submittal procedures.
- B. Product Data: Indicate door core materials and construction; veneer species, type and characteristics.
- C. Shop Drawings: Show doors and frames, elevations, sizes, types, swings, undercuts, beveling, blocking for hardware, factory machining, factory finishing, cutouts for glazing and other details.
- D. Samples: Submit two samples of door veneer, approximately 8 by 8 inches in size illustrating wood grain, stain color, and sheen.
- E. Warranty, executed in Owner's name.

**1.02 QUALITY ASSURANCE**

**1.03 DELIVERY, STORAGE, AND HANDLING**

- A. Package, deliver and store doors in accordance with specified quality standard.
- B. Accept doors on site in manufacturer's packaging, and inspect for damage.
- C. Protect doors with resilient packaging sealed with heat shrunk plastic; do not store in damp or wet areas or areas where sunlight might bleach veneer; seal top and bottom edges with tinted sealer if stored more than one week, and break seal on site to permit ventilation.

**1.04 WARRANTY**

- A. See Section 017800 - Closeout Submittals for additional warranty requirements.
- B. Interior Doors: Provide manufacturer's warranty for the life of the installation.
- C. Include coverage for delamination of veneer, warping beyond specified installation tolerances, defective materials, and telegraphing core construction.

**PART 2 PRODUCTS**

**2.01 MANUFACTURERS**

- A. Wood Veneer Faced Doors:
  - 1. Eggers Industries.
  - 2. Lambton Doors.
  - 3. Masonite Architectural; Aspiro Select Wood Veneer Doors.
  - 4. VT Industries, Inc.

**2.02 DOORS**

- A. Doors: See drawings for locations and additional requirements.
  - 1. Quality Standard: Custom Grade, Heavy Duty performance, in accordance with AWI/AWMAC/WI (AWS), unless noted otherwise.
  - 2. Doors shall be manufactured by the hot-press method, bonding faces, crossbands, and core together in a single operation with Type I glue. Doors manufactured by cold-pressing 2- or 3-ply pre-manufactured door skins to multiple cores in the same press will not be accepted.
- B. Interior Doors: 1-3/4 inches thick unless otherwise indicated; flush construction.
  - 1. Provide solid core doors at each location.

**2.03 DOOR AND PANEL CORES**

- A. Non-Rated Solid Core and 20 Minute Rated Doors: Type particleboard core (PC), particleboard Grade LD-2 per ANSI A 208.1; plies and faces as indicated.
  - 1. Provide structural-composite-lumber (SCLC) core for doors with glazing area cut out for 9-inch stile width doors.
  - 2. Provide structural-composite-lumber (SCLC) core for doors with exit devices.



FIRE STATIONS RENOVATION  
Arlington County, Virginia  
Architect's Project No.: 563006

---

**2.04 DOOR FACINGS**

- A. Veneer Facing for Transparent Finish: Red oak, veneer grade in accordance with quality standard indicated, plain sliced (flat cut), with book match between leaves of veneer, running match of spliced veneer leaves assembled on door or panel face.
  - 1. Vertical Edges: Any option allowed by quality standard for grade.

**2.05 DOOR CONSTRUCTION**

- A. Fabricate doors in accordance with door quality standard specified.
- B. Cores Constructed with stiles and rails:
  - 1. Provide solid blocks at lock edge for hardware reinforcement.
- C. Glazed Openings: Non-removable stops on non-secure side; sizes and configurations as indicated on drawings.
- D. Factory machine doors for hardware other than surface-mounted hardware, in accordance with hardware requirements and dimensions.
- E. Factory fit doors for frame opening dimensions identified on shop drawings, with edge clearances in accordance with specified quality standard.
- F. Provide edge clearances in accordance with the quality standard specified.

**2.06 FINISHES - WOOD VENEER DOORS**

- A. Finish work in accordance with AWI/AWMAC/WI (AWS), Section 5 - Finishing for grade specified and as follows:
  - 1. Transparent:
    - a. System - 5, Varnish, Conversion or System 11, catalyzed polyurethane.
    - b. Sheen: Satin.
- B. Factory finish doors in accordance with approved sample.

**2.07 ACCESSORIES**

- A. Glazing: See Section 088000.
- B. Glazing Stops: Wood, of same species as door facing, butted corners; prepared for countersink style tamper proof screws.
- C. Door Hardware: See Section 087100.

**PART 3 EXECUTION****3.01 EXAMINATION**

- A. Verify existing conditions before starting work.
- B. Verify that opening sizes and tolerances are acceptable.
- C. Do not install doors in frame openings that are not plumb or are out-of-tolerance for size or alignment.

**3.02 INSTALLATION**

- A. Install doors in accordance with manufacturer's instructions and specified quality standard.
- B. Factory-Finished Doors: Do not field cut or trim; if fit or clearance is not correct, replace door.
- C. Use machine tools to cut or drill for hardware.
- D. Coordinate installation of doors with installation of frames and hardware.
- E. Coordinate installation of glazing.

**3.03 TOLERANCES**

- A. Comply with specified quality standard for fit and clearance tolerances.
- B. Comply with specified quality standard for telegraphing, warp, and squareness.

**3.04 ADJUSTING**

- A. Adjust doors for smooth and balanced door movement.

FIRE STATIONS RENOVATION  
Arlington County, Virginia  
Architect's Project No.: 563006

---

B. Adjust closers for full closure.

**END OF SECTION**

FIRE STATIONS RENOVATION  
Arlington County, Virginia  
Architect's Project No.: 563006

---

**SECTION 083100  
ACCESS DOORS AND PANELS**

**PART 1 GENERAL**

**1.01 SUBMITTALS**

- A. See Section 013000 - Administrative Requirements, for submittal procedures.
- B. Product Data: Provide sizes, types, finishes, hardware, scheduled locations, and details of adjoining work.
- C. Shop Drawings: Indicate exact position of each access door and/or panel unit.

**1.02 COORDINATION**

- A. Verification: Determine specific locations and sizes for access doors needed to gain access to concealed plumbing, mechanical, or other concealed work, and indicate in the schedule specified in "Submittals" Article.
  - 1. This (083100) material specification includes access doors required for Divisions 21 (Fire Suppression), Division 22, (Plumbing), 23 (HVAC) and Division 26 (Electrical) work and any other access doors indicated on Drawings.

**PART 2 PRODUCTS**

**2.01 WALL AND CEILING MOUNTED ACCESS UNITS**

- A. Manufacturers:
  - 1. Activar Construction Products Group, Inc. - JL Industries.
  - 2. ACUDOR Products Inc.
  - 3. Babcock-Davis.
  - 4. Bauco; Access Panel Solutions Inc.
  - 5. Best Access Doors.
  - 6. Cendrex, Inc.
  - 7. Karp Associates, Inc.
  - 8. Larsen's Manufacturing Company.
  - 9. Milcor, Inc.
  - 10. Nystrom, Inc.
  - 11. Williams Brothers Corporation of America.
  - 12. Substitutions: See Section 016000 - Product Requirements.
- B. Wall and Ceiling Mounted Units: Factory fabricated door and frame, fully assembled units with corner joints welded, filled and ground flush; square and without rack or warp; coordinate requirements with type of installation assembly being used for each unit.
  - 1. Material: Steel.
  - 2. Style (Gypsum Board locations): Recessed door panel for infill with wall/ceiling finish.
    - a. Gypsum Board Mounting Criteria: Use drywall bead type frame.
  - 3. Style (Masonry locations): Exposed frame, with door surface flush with frame surface.
  - 4. Door Style: Double-skinned hollow panel.
  - 5. Frames: 16 gauge, 0.0598 inch, minimum thickness.
  - 6. Double-Skinned Hollow Steel Sheet Door Panels: 16 gauge, 0.059 inch, minimum thickness, on both sides and along each edge.
  - 7. Steel Finish: Primed.
  - 8. Hardware:
    - a. Hinges for Non-Fire-Rated Units: Concealed, constant force closure spring type.
    - b. Latch/Lock: Screw driver slot for quarter turn cam latch.

**PART 3 EXECUTION**

**3.01 EXAMINATION**

- A. Verify that rough openings are correctly sized and located.
- B. Begin installation only after substrates have been properly prepared, and if the responsibility of another installer, notify Architect of unsatisfactory preparation before proceeding.

FIRE STATIONS RENOVATION  
Arlington County, Virginia  
Architect's Project No.: 563006

---

**3.02 PREPARATION**

- A. Clean surfaces thoroughly prior to proceeding with this work.
- B. Prepare surfaces using methods recommended by manufacturer for applicable substrates in accordance with project conditions.

**3.03 INSTALLATION**

- A. Install units in accordance with manufacturer's instructions.
- B. Install frames plumb and level in openings, and secure units rigidly in place.
- C. Position units to provide convenient access to concealed equipment when necessary.

**END OF SECTION**

FIRE STATIONS RENOVATION  
Arlington County, Virginia  
Architect's Project No.: 563006

---

**SECTION 084313**  
**ALUMINUM-FRAMED STOREFRONTS**

**PART 1 GENERAL**

**1.01 RELATED REQUIREMENTS**

- A. Section 087100 - Door Hardware: Hardware items other than specified in this section.
- B. Section 088000 - Glazing: Glass and glazing accessories.

**1.02 REFERENCE STANDARDS**

- A. AAMA CW-10 - Care and Handling of Architectural Aluminum From Shop to Site 2015.
- B. AAMA 609 & 610 - Cleaning and Maintenance Guide for Architecturally Finished Aluminum (Combined Document) 2015.
- C. AAMA 2605 - Voluntary Specification, Performance Requirements and Test Procedures for Superior Performing Organic Coatings on Aluminum Extrusions and Panels (with Coil Coating Appendix) 2017a.
- D. ASCE 7 - Minimum Design Loads and Associated Criteria for Buildings and Other Structures Most Recent Edition Cited by Referring Code or Reference Standard.
- E. ASTM B221 - Standard Specification for Aluminum and Aluminum-Alloy Extruded Bars, Rods, Wire, Profiles, and Tubes 2020.
- F. ASTM B221M - Standard Specification for Aluminum and Aluminum-Alloy Extruded Bars, Rods, Wire, Profiles, and Tubes (Metric) 2013.
- G. ASTM E283/E283M - Standard Test Method for Determining Rate of Air Leakage Through Exterior Windows, Skylights, Curtain Walls, and Doors Under Specified Pressure Differences Across the Specimen 2019.
- H. ASTM E330/E330M - Standard Test Method for Structural Performance of Exterior Windows, Doors, Skylights and Curtain Walls by Uniform Static Air Pressure Difference 2014.

**1.03 ADMINISTRATIVE REQUIREMENTS**

- A. Preinstallation Meeting: Conduct a preinstallation meeting one week before starting work of this section; require attendance by all affected installers.

**1.04 SUBMITTALS**

- A. See Section 013000 - Administrative Requirements, for submittal procedures.
- B. Product Data: Provide component dimensions, describe components within assembly, anchorage and fasteners, glass and infill, door hardware, and internal drainage details.
- C. Shop Drawings: Indicate system dimensions, framed opening requirements and tolerances, affected related work, expansion and contraction joint location and details, and field welding required.
  - 1. Include design engineer's stamp or seal on shop drawings for attachments and anchors.
- D. Design Data: Provide framing member structural and physical characteristics, engineering calculations, and dimensional limitations.
- E. Designer's Qualification Statement.
- F. Installer's Qualification Statement.
- G. Warranty: Submit manufacturer warranty and ensure forms have been completed in Owner's name and registered with manufacturer.

**1.05 QUALITY ASSURANCE**

- A. Designer Qualifications: Design structural support framing components under direct supervision of a Professional Structural Engineer experienced in design of this Work and licensed in the State in which the Project is located.
- B. Installer Qualifications: Company specializing in performing work of type specified, with written approval/certification from manufacturer.

FIRE STATIONS RENOVATION  
Arlington County, Virginia  
Architect's Project No.: 563006

---

**1.06 DELIVERY, STORAGE, AND HANDLING**

- A. Handle products of this section in accordance with AAMA CW-10.
- B. Protect finished aluminum surfaces with wrapping. Do not use adhesive papers or sprayed coatings that bond to aluminum when exposed to sunlight or weather.

**1.07 FIELD CONDITIONS**

- A. Do not install sealants when ambient temperature is less than 40 degrees F. Maintain this minimum temperature during and 48 hours after installation.

**1.08 WARRANTY**

- A. See Section 017800 - Closeout Submittals, for additional warranty requirements.
- B. Correct defective Work within a five year period after Date of Substantial Completion.
- C. Provide 20 year manufacturer warranty against excessive degradation of exterior finish. Include provision for replacement of units with excessive fading, chalking, or flaking.

**PART 2 PRODUCTS****2.01 MANUFACTURERS**

- A. Aluminum-Framed Storefront Manufacturers:
  - 1. EFCO Corp.
  - 2. Kawneer North America.
  - 3. Oldcastle BuildingEnvelope.
  - 4. Tubelite, Inc.
  - 5. YKK AP America, Inc.
  - 6. Substitutions: See Section 016000 - Product Requirements.
- B. Available Products:
  - 1. Center-Set, Thermally-Broken Exterior Storefront Framing: 2" x 4.5".
    - a. EFCO; 403(T).
    - b. Kawneer; 451T.
    - c. Oldcastle; 3000 Thermal.
    - d. Tubelite; T14000 Thermal.
    - e. YKK AP; YES 45 TU.
  - 2. Wide-Stile Entrances: 1.75" depth. Provide with custom top and bottom stile widths indicated.
    - a. EFCO; D500.
    - b. Kawneer; 500.
    - c. Oldcastle; 500.
    - d. Tubelite; Standard Wide Stile Doors.
    - e. YKK AP; 50D.

**2.02 ALUMINUM-FRAMED STOREFRONT**

- A. Aluminum-Framed Storefront: Factory fabricated, factory finished aluminum framing members with infill, and related flashings, anchorage and attachment devices.
  - 1. Unitized, shop assembly.
  - 2. Glazing Rabbet: For 1 inch insulating glazing.
  - 3. Glazing Position: Centered (front to back).
  - 4. Vertical Mullion Dimensions: 2 inches wide by 4-1/2 inches deep.
  - 5. Finish: Superior performing organic coatings.
    - a. Factory finish all surfaces that will be exposed in completed assemblies.
    - b. Touch-up surfaces cut during fabrication so that no natural aluminum is visible in completed assemblies, including joint edges.
    - c. Coat concealed metal surfaces that will be in contact with cementitious materials or dissimilar metals with bituminous paint.
  - 6. Finish Color: As selected by Architect from manufacturer's standard line.
  - 7. Fabrication: Joints and corners flush, hairline, and weatherproof, accurately fitted and secured; prepared to receive anchors and hardware; fasteners and attachments concealed from view; reinforced as required for imposed loads.

FIRE STATIONS RENOVATION  
Arlington County, Virginia  
Architect's Project No.: 563006

---

8. Construction: Eliminate noises caused by wind and thermal movement, prevent vibration harmonics, and prevent "stack effect" in internal spaces.
  9. System Internal Drainage: Drain to the exterior by means of a weep drainage network any water entering joints, condensation occurring in glazing channel, and migrating moisture occurring within system.
  10. Expansion/Contraction: Provide for expansion and contraction within system components caused by cycling temperature range of 170 degrees F over a 12 hour period without causing detrimental effect to system components, anchorages, and other building elements.
  11. Movement: Allow for movement between storefront and adjacent construction, without damage to components or deterioration of seals.
  12. Perimeter Clearance: Minimize space between framing members and adjacent construction while allowing expected movement.
- B. Performance Requirements
1. Wind Loads: Design and size components to withstand the specified load requirements without damage or permanent set, when tested in accordance with ASTM E330/E330M, using loads 1.5 times the design wind loads and 10 second duration of maximum load.
    - a. Design Wind Loads: Comply with requirements of ASCE 7.
    - b. Member Deflection: Limit member deflection to flexure limit of glass in any direction, with full recovery of glazing materials.
  2. Air Leakage: 0.06 cfm/sq ft maximum leakage of storefront wall area when tested in accordance with ASTM E283/E283M at 1.57 psf pressure difference.

### 2.03 COMPONENTS

- A. Aluminum Framing Members: Tubular aluminum sections, thermally broken with interior section insulated from exterior, drainage holes and internal weep drainage system.
1. Glazing Stops: Flush.
  2. Structurally Reinforced Members: Extruded aluminum with internal reinforcement of structural steel member.
- B. Glazing: As specified in Section 088000.
- C. Swing Doors: Glazed aluminum.
1. Thickness: 1-3/4 inches.
  2. Top Rail: 8 inches wide.
  3. Bottom Rail: 12 inches wide.
  4. Glazing Stops: Beveled.
  5. Finish: Same as storefront.

### 2.04 MATERIALS

- A. Extruded Aluminum: ASTM B221 (ASTM B221M).
- B. Fasteners: Stainless steel.
- C. Glazing Gaskets: Type to suit application to achieve weather, moisture, and air infiltration requirements.

### 2.05 FINISHES

- A. Superior Performing Organic Coatings System: Manufacturer's standard multi-coat superior performing organic coatings system complying with AAMA 2605, including at least 70 percent polyvinylidene fluoride (PVDF) resin, and at least 80 percent of aluminum extrusion and panels surfaces having minimum total dry film thickness (DFT) of 1.2 mils, 0.0012 inch.
- B. Color: As selected by Architect from manufacturer's standard range.
- C. Touch-Up Materials: As recommended by coating manufacturer for field application.

### 2.06 HARDWARE

- A. Door Hardware: As specified in Section 087100.
- B. Weatherstripping: Wool pile, continuous and replaceable; provide on all doors.

FIRE STATIONS RENOVATION  
Arlington County, Virginia  
Architect's Project No.: 563006

---

- C. Sill Sweep Strips: Resilient seal type, retracting, of neoprene; provide on all doors.

**PART 3 EXECUTION**

**3.01 EXAMINATION**

- A. Verify dimensions, tolerances, and method of attachment with other work.
- B. Verify that wall openings and adjoining air and vapor seal materials are ready to receive work of this section.

**3.02 INSTALLATION**

- A. Install wall system in accordance with manufacturer's instructions.
- B. Attach to structure to permit sufficient adjustment to accommodate construction tolerances and other irregularities.
- C. Provide alignment attachments and shims to permanently fasten system to building structure.
- D. Align assembly plumb and level, free of warp or twist. Maintain assembly dimensional tolerances, aligning with adjacent work.
- E. Provide thermal isolation where components penetrate or disrupt building insulation.
- F. Install sill flashings. Turn up ends and edges; seal to adjacent work to form water tight dam.
- G. Where fasteners penetrate sill flashings, make watertight by seating and sealing fastener heads to sill flashing.
- H. Pack fibrous insulation in shim spaces at perimeter of assembly to maintain continuity of thermal barrier.
- I. Install hardware using templates provided.
  - 1. See Section 087100 for hardware installation requirements.
- J. Install glass and infill panels in accordance with Section 088000, using glazing method required to achieve performance criteria.
- K. Touch-up minor damage to factory applied finish; replace components that cannot be satisfactorily repaired.

**3.03 TOLERANCES**

- A. Maximum Variation from Plumb: 0.06 inch per 3 feet non-cumulative or 0.06 inch per 10 feet, whichever is less.
- B. Maximum Misalignment of Two Adjoining Members Abutting in Plane: 1/32 inch.

**3.04 ADJUSTING**

- A. Adjust operating hardware for smooth operation.

**3.05 CLEANING**

- A. Remove protective material from pre-finished aluminum surfaces.
- B. Wash down surfaces with a solution of mild detergent in warm water, applied with soft, clean wiping cloths, and take care to remove dirt from corners and to wipe surfaces clean.
- C. Upon completion of installation, thoroughly clean aluminum surfaces in accordance with AAMA 609 & 610.

**3.06 PROTECTION**

- A. Protect installed products from damage until Date of Substantial Completion.

**END OF SECTION**



FIRE STATIONS RENOVATION  
Arlington County, Virginia  
Architect's Project No.: 563006

---

**SECTION 088000  
GLAZING**

**PART 1 GENERAL**

**1.01 REFERENCE STANDARDS**

- A. 16 CFR 1201 - Safety Standard for Architectural Glazing Materials Current Edition.
- B. ANSI Z97.1 - American National Standard for Safety Glazing Materials Used in Buildings - Safety Performance Specifications and Methods of Test 2015.
- C. ASTM C864 - Standard Specification for Dense Elastomeric Compression Seal Gaskets, Setting Blocks, and Spacers 2005 (Reapproved 2019).
- D. ASTM C1048 - Standard Specification for Heat-Strengthened and Fully Tempered Flat Glass 2018.
- E. ASTM C1193 - Standard Guide for Use of Joint Sealants 2016.
- F. ASTM C1376 - Standard Specification for Pyrolytic and Vacuum Deposition Coatings on Flat Glass 2021.
- G. ASTM E1300 - Standard Practice for Determining Load Resistance of Glass in Buildings 2016.
- H. ASTM E2190 - Standard Specification for Insulating Glass Unit Performance and Evaluation 2010.
- I. GANA (SM) - GANA Sealant Manual 2008.
- J. NFRC 100 - Procedure for Determining Fenestration Product U-factors 2017.
- K. NFRC 200 - Procedure for Determining Fenestration Product Solar Heat Gain Coefficient and Visible Transmittance at Normal Incidence 2014, with Errata (2017).
- L. NFRC 300 - Test Method for Determining the Solar Optical Properties of Glazing Materials and Systems 2017.

**1.02 SUBMITTALS**

- A. See Section 013000 - Administrative Requirements for submittal procedures.
- B. Product Data on Insulating Glass Unit and Glazing Unit Glazing Types: Provide structural, physical and environmental characteristics, size limitations, special handling and installation requirements.
- C. Product Data on Glazing Compounds and Accessories: Provide chemical, functional, and environmental characteristics, limitations, special application requirements, and identify available colors.
- D. Samples: Provide manufacturer's color charts for spandrel glazing.
- E. Certificate: Certify that products of this section meet or exceed specified requirements.
- F. Warranty Documentation: Submit manufacturer warranty and ensure that forms have been completed in Owner's name and registered with manufacturer.

**1.03 QUALITY ASSURANCE**

- A. Perform Work in accordance with GANA (GM), GANA (SM), and IGMA TM-3000 for glazing installation methods. Maintain one copy on site.
- B. Testing Agency Qualifications: Independent firm specializing in performing testing and inspections of the type specified in this section.

**1.04 FIELD CONDITIONS**

- A. Do not install glazing when ambient temperature is less than 40 degrees F.
- B. Maintain minimum ambient temperature before, during and 24 hours after installation of glazing compounds.

**1.05 WARRANTY**

- A. See Section 017800 - Closeout Submittals for additional warranty requirements.

FIRE STATIONS RENOVATION  
Arlington County, Virginia  
Architect's Project No.: 563006

---

- B. Insulating Glass Units: Provide a five (5) year manufacturer warranty to include coverage for seal failure, interpane dusting or misting, including providing products to replace failed units.

## **PART 2 PRODUCTS**

### **2.01 PERFORMANCE REQUIREMENTS - EXTERIOR GLAZING ASSEMBLIES**

- A. Provide type and thickness of exterior glazing assemblies to support assembly dead loads, and to withstand live loads caused by positive and negative wind pressure acting normal to plane of glass.
1. Comply with ASTM E1300 for design load resistance of glass type, thickness, dimensions, and maximum lateral deflection of supported glass.
  2. Provide glass edge support system sufficiently stiff to limit the lateral deflection of supported glass edges to less than 1/175 of their lengths under specified design load.
  3. Glass thicknesses listed are minimum.
- B. Thermal and Optical Performance: Provide exterior glazing products with performance properties as indicated. Performance properties are in accordance with manufacturer's published data as determined with the following procedures and/or test methods:
1. Center of Glass U-Value: Comply with NFRC 100 using Lawrence Berkeley National Laboratory (LBNL) WINDOW 6.3 computer program.
  2. Center of Glass Solar Heat Gain Coefficient (SHGC): Comply with NFRC 200 using Lawrence Berkeley National Laboratory (LBNL) WINDOW 6.3 computer program.
  3. Solar Optical Properties: Comply with NFRC 300 test method.

### **2.02 GLASS MATERIALS**

- A. Float Glass: Provide float glass based sa glazing unless otherwise indicated.
1. Kind FT - Fully Tempered Type: Complies with ASTM C1048.
  2. Fully Tempered Safety Glass: Complies with ANSI Z97.1 or 16 CFR 1201 criteria for safety glazing used in hazardous locations.
  3. Thicknesses: As indicated; provide greater thickness as required for exterior glazing wind load design.

### **2.03 INSULATING GLASS UNITS**

- A. Fabricator: Certified by glass manufacturer for type of glass, coating, and treatment involved and capable of providing specified warranty.
- B. Insulating Glass Units: Types as indicated.
1. Durability: Certified by an independent testing agency to comply with ASTM E2190.
  2. Coated Glass: Comply with requirements of ASTM C1376 for pyrolytic (hard-coat) or magnetic sputter vapor deposition (soft-coat) type coatings on flat glass; coated vision glass, Kind CV; coated overhead glass, Kind CO; or coated spandrel glass, Kind CS.
  3. Nonmetal Edge Spacers: Warm-edge technology design.
    - a. Spacer Width: As required for specified insulating glass unit.
    - b. Manufacturers:
      - 1) JE Berkowitz, LP; JEB 3Seal Warm Edge Spacer.
      - 2) Quanex IG Systems, Inc; Super Spacer TriSeal.
      - 3) Technoform Glass Insulation; TGI-Spacer.
      - 4) Substitutions: See Section 016000 - Product Requirements.
  4. Spacer Color: Black.
  5. Edge Seal:
    - a. Dual-Sealed System: Provide polyisobutylene sealant as primary seal applied between spacer and glass panes, and silicone, polysulfide, or polyurethane sealant as secondary seal applied around perimeter.
    - b. Color: Black.
  6. Purge interpane space with dry air, hermetically sealed.
- C. Type G2 - Insulating Glass Units: Vision glass, double glazed.
1. Applications: Exterior glazing unless otherwise indicated.
  2. Space between lites filled with air.

**FIRE STATIONS RENOVATION**  
Arlington County, Virginia  
Architect's Project No.: 563006

---

3. Outboard Lite: Fully tempered float glass, 1/4 inch thick, minimum.
    - a. Tint: Gray.
    - b. Coating: Low-E (solar control type), on #2 surface.
    - c. Available Gray Tinted Products:
      - 1) AGC; Energy Select 25 Pure Grey.
      - 2) Guardian; SN 68 Gray.
      - 3) Viracon; #VE3-2M.
      - 4) Vitro; Solarban 60 (2) Solargray.
      - 5) Substitutions: See Section 016000 - Product Requirements.
  4. Inboard Lite: Fully tempered float glass, 1/4 inch thick, minimum.
  5. Total Thickness: 1 inch.
  6. Thermal Transmittance (U-Value), Winter - Center of Glass: 0.30, maximum.
  7. Visible Light Transmittance (VLT): 34 percent, minimum.
  8. Solar Heat Gain Coefficient (SHGC): 0.25, nominal.
- D. Type G3 - Insulating Glass Units: Spandrel glazing.
1. Applications: Exterior spandrel glazing unless otherwise indicated.
  2. Space between lites filled with air.
  3. Outboard Lite: Fully tempered float glass, 1/4 inch thick, minimum.
    - a. Tint: Clear.
    - b. Coating: Low-E (solar control type), on #2 surface.
    - c. Available Clear Low-E Products:
      - 1) AGC; Energy Select 28.
      - 2) Guardian; SNX 62/27.
      - 3) Viracon; VNE 1-63.
      - 4) Vitro; Solarban 70.
      - 5) Substitutions: See Section 016000 - Product Requirements.
  4. Inboard Lite: Fully tempered float glass, 1/4 inch thick.
    - a. Tint: Clear.
    - b. Opacifier: Ceramic frit, on #4 surface.
    - c. Opacifier Color: Selected by Architect from manufacturer's full range.
  5. Total Thickness: 1 inch.
  6. Thermal Transmittance (U-Value), Winter - Center of Glass: Match glazing type G2.

#### **2.04 GLAZING UNITS**

- A. Type G1 - Monolithic Interior Vision Glazing:
1. Applications: Interior glazing unless otherwise indicated.
  2. Glass Type: Fully tempered float glass.
  3. Tint: Clear.
  4. Thickness: 1/4 inch, nominal.

#### **2.05 GLAZING COMPOUNDS**

- A. Silicone Sealant: Single component; neutral curing; capable of water immersion without loss of properties; nonbleeding, nonstaining; ASTM C 920, Type S, Grade NS, Class 50, Use NT ; with cured Shore A hardness range of 15 to 25; color as selected.

#### **2.06 ACCESSORIES**

- A. Setting Blocks: Silicone, with 80 to 90 Shore A durometer hardness; ASTM C864 Option II. Length of 0.1 inch for each square foot of glazing or minimum 4 inch by width of glazing rabbet space minus 1/16 inch by height to suit glazing method and pane weight and area.
- B. Spacer Shims: Neoprene, 50 to 60 Shore A durometer hardness; ASTM C864 Option II. Continuous by one half the height of the glazing stop by thickness to suit application, self adhesive on one face.
- C. Glazing Tape, Back Bedding Mastic Type: Preformed, butyl-based, 100 percent solids compound with integral resilient spacer rod applicable to application indicated; 5 to 30 cured Shore A durometer hardness; coiled on release paper; black color.

FIRE STATIONS RENOVATION  
Arlington County, Virginia  
Architect's Project No.: 563006

---

- D. Glazing Splines: Resilient silicone extruded shape to suit glazing channel retaining slot; ASTM C864 Option II; color black.
- E. Glazing Clips: Manufacturer's standard type.

### **PART 3 EXECUTION**

#### **3.01 VERIFICATION OF CONDITIONS**

- A. Verify that openings for glazing are correctly sized and within tolerances, including those for size, squareness, and offsets at corners.
- B. Verify that surfaces of glazing channels or recesses are clean, free of obstructions that may impede moisture movement, weeps are clear, and support framing is ready to receive glazing system.
- C. Proceed with glazing system installation only after unsatisfactory conditions have been corrected.

#### **3.02 PREPARATION**

- A. Clean contact surfaces with appropriate solvent and wipe dry within maximum of 24 hours before glazing. Remove coatings that are not tightly bonded to substrates.
- B. Seal porous glazing channels or recesses with substrate compatible primer or sealer.
- C. Prime surfaces scheduled to receive sealant where required for proper sealant adhesion.

#### **3.03 INSTALLATION, GENERAL**

- A. Install glazing in compliance with written instructions of glass, gaskets, and other glazing material manufacturers, unless more stringent requirements are indicated, including those in glazing referenced standards.
- B. Install glazing sealants in accordance with ASTM C1193, GANA (SM), and manufacturer's instructions.
- C. Do not exceed edge pressures around perimeter of glass lites as stipulated by glass manufacturer.
- D. Set glass lites of system with uniform pattern, draw, bow, and similar characteristics.
- E. Set glass lites in proper orientation so that coatings face exterior or interior as indicated.
- F. Prevent glass from contact with any contaminating substances that may be the result of construction operations such as, and not limited to the following; weld splatter, fire-safing, plastering, mortar droppings, etc.

#### **3.04 INSTALLATION - DRY GLAZING METHOD (GASKET GLAZING)**

- A. Application - Exterior and/or Interior Glazed: Set glazing infills from either the exterior or the interior of the building.
- B. Place setting blocks at 1/4 points with edge block no more than 6 inch from corners.
- C. Rest glazing on setting blocks and push against fixed stop with sufficient pressure on gasket to attain full contact.
- D. Install removable stops without displacing glazing gasket; exert pressure for full continuous contact.

#### **3.05 CLEANING**

- A. Remove excess glazing materials from finish surfaces immediately after application using solvents or cleaners recommended by manufacturers.
- B. Remove nonpermanent labels immediately after glazing installation is complete.
- C. Clean glass and adjacent surfaces after sealants are fully cured.
- D. Clean glass on both exposed surfaces not more than 4 days prior to Date of Substantial Completion in accordance with glass manufacturer's written recommendations.

#### **3.06 PROTECTION**

- A. After installation, mark pane with an 'X' by using removable plastic tape or paste; do not mark heat absorbing or reflective glass units.

FIRE STATIONS RENOVATION  
Arlington County, Virginia  
Architect's Project No.: 563006

---

- B. Remove and replace glass that is damaged during construction period prior to Date of Substantial Completion.

**END OF SECTION**

FIRE STATIONS RENOVATION  
Arlington County, Virginia  
Architect's Project No.: 563006

---

**SECTION 088300  
MIRRORS**

**PART 1 GENERAL**

**1.01 REFERENCE STANDARDS**

- A. ASTM C1036 - Standard Specification for Flat Glass 2021.
- B. ASTM C1503 - Standard Specification for Silvered Flat Glass Mirror 2018.
- C. GANA (GM) - GANA Glazing Manual 2008.
- D. GANA (SM) - GANA Sealant Manual 2008.

**1.02 SUBMITTALS**

- A. See Section 013000 - Administrative Requirements, for submittal procedures.
- B. Product Data on Mirror Types: Submit structural, physical and environmental characteristics, size limitations, special handling and installation requirements.
- C. Manufacturer's Certificate: Certify that mirrors, meets or exceeds specified requirements.
- D. Safety Mirror Certificate: Provide certification that mirrors with film backing used for this project are tested to and pass the requirements of safety glazing per ANSI Z97.1 and CPSC 16 CFR 1201, Category II.
- E. Warranty: Submit manufacturer warranty and ensure that forms have been completed in Owner's name and registered with manufacturer.

**1.03 QUALITY ASSURANCE**

- A. Perform Work in accordance with GANA (GM) and GANA (SM) for glazing installation methods, including GANA's "Glazing Manual" and "Mirrors: Handle with Extreme Care."
- B. Fabricate, store, transport, receive, install, and clean mirrors in accordance with manufacturer's recommendations.
- C. Safety Glazing: Mirrors shall be certified as safety glazing per ANSI Z97.1 and CPSC 16 CFR 1201, Category II.

**1.04 FIELD CONDITIONS**

- A. Maintain minimum ambient temperature before, during and 24 hours after installation of glazing compounds.

**1.05 WARRANTY**

- A. See Section 017800 - Closeout Submittals, for additional warranty requirements.
- B. Provide five year manufacturer warranty for deterioration of reflective coating on mirrors and replacement of same.

**PART 2 PRODUCTS**

**2.01 MANUFACTURERS**

- A. Mirrors:
  - 1. Arch Aluminum and Glass Co., Inc.
  - 2. Binswanger Mirror/ACI Distribution.
  - 3. Gardner Glass Products.
  - 4. Gilded Mirrors, Inc.
  - 5. Guardian Industries Corp.
  - 6. Independent Mirror Industries, Inc.
  - 7. Lenoir Mirror Co.
  - 8. Messer Industries, Inc.
  - 9. Stroupe Mirror Co., Inc.
  - 10. Sunshine Mirror.
  - 11. Trulite Glass and Aluminum Solutions.
  - 12. Virginia Mirror Company, Inc.
  - 13. Walker Glass Company Ltd.

FIRE STATIONS RENOVATION  
Arlington County, Virginia  
Architect's Project No.: 563006

---

## 2.02 MATERIALS

- A. Mirror Design Criteria: Select materials and/or provide supports as required to limit mirror material deflection to 1/200, or to the flexure limit of glass, with full recovery of glazing materials, whichever is less.
- B. Mirror Glass: ASTM C1036, Type 1 - Transparent Flat, Class 1 - Clear, Quality - Q1 (high-quality mirrors); silvering, protective coating, and quality requirements in compliance with ASTM C1503.
  - 1. Thickness: 1/4 inch.
  - 2. Size: As indicated on drawings.

## 2.03 ACCESSORIES

- A. Setting Blocks: Neoprene, 80 to 90 Shore A durometer hardness.
- B. Glazing Tape: Preformed butyl compound; 10 to 15 Shore A durometer hardness; on release paper.
- C. Glazing Clips: Manufacturer's standard type.
- D. Mirror Adhesive: Silicone pre-polymer based, chemically compatible with mirror coating and wall substrate.
- E. Aluminum Channel Frame: Provide J-channel framing, fabricated from minimum 0.045-inch clear anodized aluminum extrusions. Size all channel framing for 1/4 inch nominal mirror thickness, in lengths sized to cover edges of each mirror section with one continuous piece.
  - 1. Bottom Trim: J-channel with 3/8-inch exposure front leg, 7/8-inch rear leg. Available Products:
    - a. C.R. Laurence Co., Inc.; CRL Standard "J" Channel.
    - b. Sommer & Maca Industries, Inc.; Medium Gauge Aluminum Shall Nose "J" Moulding Lower Bar.
    - c. Brunner Enterprises, Inc.; Mirror Lower "J" Channel.
  - 2. Top Trim: J-channel with 5/8-inch exposure front leg, 1 inch rear leg. Available Products:
    - a. C.R. Laurence Co., Inc.; CRL Deep "J" Channel.
    - b. Sommer & Maca Industries, Inc.; Medium Gauge Aluminum Deep Nose "J" Moulding Upper Bar.
    - c. Brunner Enterprises, Inc.; Mirror Upper "J" Channel.

## PART 3 EXECUTION

### 3.01 EXAMINATION

- A. Verify that openings for mirrored glazing are correctly sized and within tolerance.
- B. Verify that surfaces of mirror frames or recesses are clean, free of obstructions, and ready for installation of mirrors.

### 3.02 INSTALLATION

- A. Install mirrors in accordance with manufacturer's recommendations.
- B. Set mirrors plumb and level, and free of optical distortion.
- C. Set mirrors with edge clearance free of surrounding construction including countertops or backsplashes.

### 3.03 CLEANING

- A. Remove wet glazing materials from finish surfaces.
- B. Remove labels after work is complete.
- C. Clean mirrors and adjacent surfaces.

**END OF SECTION**

FIRE STATIONS RENOVATION  
Arlington County, Virginia  
Architect's Project No.: 563006

---

**SECTION 088700  
DECORATIVE WINDOW FILM**

**PART 1 GENERAL**

**1.01 SUBMITTALS**

- A. See Section 013000 - Administrative Requirements, for submittal procedures.
- B. Product Data: Manufacturer's data sheets on each product to be used, including:
  - 1. Preparation instructions and recommendations.
  - 2. Storage and handling requirements and recommendations.
  - 3. Installation methods.
- C. Shop Drawings: Detailing installation of film, anchoring accessories, and sealant.
- D. Samples: For each film product to be used, minimum size 4 inches by 6 inches, representing actual product, color, and patterns.
- E. Test Reports: Detailed reports of full-scale chamber tests to specified criteria, using assemblies identical to those required for this project.
- F. Specimen Warranty.

**1.02 DELIVERY, STORAGE, AND HANDLING**

- A. Store products in manufacturer's unopened packaging until ready for installation.
- B. Store and dispose of solvent-based materials, and materials used with solvent-based materials, in accordance with requirements of authorities having jurisdiction.

**1.03 FIELD CONDITIONS**

- A. Maintain environmental conditions (temperature, humidity, and ventilation) within limits recommended by manufacturer for optimum results. Do not install products under environmental conditions outside manufacturer's absolute limits.

**1.04 WARRANTY**

- A. See Section 017800 - Closeout Submittals, for additional warranty requirements.
- B. Provide 10 year manufacturer's replacement warranty to cover film against peeling, cracking, discoloration, and deterioration.

**PART 2 PRODUCTS**

**2.01 MANUFACTURERS**

- A. 3M Window Filme.
- B. Clear Focus Imaging, Inc.
- C. Llumar.
- D. Madico, Inc.
- E. Solar Gard, brand of Saint Gobain.
- F. Solyx.
- G. Substitutions: See Section 016000 - Product Requirements.

**2.02 MATERIALS**

- A. Glazing Film: Translucent polyester film for permanent bonding to glass, with adhesive coating and compatible release liner.
    - 1. Description: Film shall mimic the appearance of acid-etched glass.
    - 2. Thickness: 4 mils, minimum.
    - 3. Color: Frosted/translucent white.
      - a. Final film type shall be selected by Architect from manufacturer's full range of available "frosted" products.
    - 4. Surface Burning Characteristics: Flame spread index of 25, maximum, and smoke developed index of 450, maximum, when tested in accordance with ASTM E84 (Class A).
  - B. Accessory Materials: As recommended or required by film manufacturer.
-



FIRE STATIONS RENOVATION  
Arlington County, Virginia  
Architect's Project No.: 563006

---

**PART 3 EXECUTION**

**3.01 EXAMINATION**

- A. Field-Applied Film: Verify that existing conditions are adequate for proper application and performance of film.
- B. Examine glass and frames. Verify that existing conditions are adequate for proper application and performance of film.
- C. Verify glass is not cracked, chipped, broken, or damaged.
- D. Verify that frames are securely anchored and free of defects.
- E. If substrate preparation is the responsibility of another installer, notify Architect of unsatisfactory preparation before proceeding.

**3.02 PREPARATION**

- A. Clean glass of dust, dirt, paint, oil, grease, mildew, mold, and other contaminants that would inhibit adhesion.
- B. Immediately prior to applying film, thoroughly wash glass with neutral cleaning solution.
- C. Protect adjacent surfaces.
- D. Do not begin installation until substrates have been properly prepared.

**3.03 INSTALLATION**

- A. Do not apply glazing film when surface temperature is less than 40 degrees F or if precipitation is imminent.
- B. Install in accordance with manufacturer's instructions, without air bubbles, wrinkles, streaks, bands, thin spots, pinholes, or gaps, as required to achieve specified performance.
- C. Accurately cut film with straight edges to required sizes allowing 1/16 inch to 1/8 inch gap at perimeter of glazed panel unless otherwise required by anchorage method.
- D. Seams: Seam film only as required to accommodate material sizes; form seams vertically without overlaps and gaps; do not install with horizontal seams.
- E. Clean glass and anchoring accessories following installation. Remove excess sealants and other glazing materials from adjacent finished surfaces.
- F. Remove labels and protective covers.

**3.04 PROTECTION**

- A. Protect installed products until completion of project.
- B. Touch-up, repair or replace damaged products before Date of Substantial Completion.

**END OF SECTION**

FIRE STATIONS RENOVATION  
Arlington County, Virginia  
Architect's Project No.: 563006

---

**SECTION 092216**  
**COLD FORMED STEEL FRAMING - NON-STRUCTURAL (CFSF-NS)**

**PART 1 GENERAL**

**1.01 SUBMITTALS**

- A. See Section 013000 - Administrative Requirements for submittal procedures.
- B. Product Data: Provide data describing framing member materials and finish, product criteria, load charts, and limitations.

**PART 2 PRODUCTS**

**2.01 FRAMING MATERIALS**

- A. Non-Loadbearing Framing System Components: ASTM C645; galvanized sheet steel, of size and properties necessary to comply with ASTM C754 for the spacing indicated, with maximum deflection of wall framing of L/240 at 5 psf.
  - 1. Studs: C shaped with knurled or embossed faces.
  - 2. Runners: U shaped, sized to match studs.
  - 3. Furring: Hat-shaped sections, minimum depth of 7/8 inch.
- B. Partition Head to Structure Connections: Provide track fastened to structure with legs of sufficient length to accommodate deflection, for friction fit of studs cut short and braced with continuous bridging on both sides.
- C. Non-Loadbearing Framing Accessories:
  - 1. Partial Height Wall Framing Support: Provides stud reinforcement and anchored connection to floor.
  - 2. Framing Connectors: ASTM A653/A653M G90 galvanized steel clips; secures cold rolled channel to wall studs for lateral bracing.
  - 3. Sheet Metal Backing: 0.036 inch thick, galvanized.
  - 4. Fasteners: ASTM C1002 self-piercing tapping screws.
  - 5. Anchorage Devices: Powder actuated.
  - 6. Acoustic Insulation: ASTM C665; preformed glass fiber, friction fit type, unfaced.

**2.02 FABRICATION**

- A. Fabricate assemblies of framed sections to sizes and profiles required.
- B. Fit, reinforce, and brace framing members to suit design requirements.

**PART 3 EXECUTION**

**3.01 EXAMINATION**

- A. Verify existing conditions before starting work.
- B. Verify that rough-in utilities are in proper location.

**3.02 INSTALLATION OF STUD FRAMING**

- A. Comply with requirements of ASTM C754.
- B. Extend partition framing to structure where indicated and to ceiling in other locations.
- C. Partitions Terminating at Ceiling: Attach ceiling runner securely to ceiling track in accordance with manufacturer's instructions.
- D. Partitions Terminating at Structure: Attach extended leg top runner to structure, maintain clearance between top of studs and structure, and brace both flanges of studs as indicated.
- E. Align and secure top and bottom runners at 24 inches on center.
- F. Fit runners under and above openings; secure intermediate studs to same spacing as wall studs.
- G. Install studs vertically at spacing indicated on drawings.
- H. Align stud web openings horizontally.
- I. Secure studs to tracks using crimping method. Do not weld.
- J. Fabricate corners using a minimum of three studs.

FIRE STATIONS RENOVATION  
Arlington County, Virginia  
Architect's Project No.: 563006

---

- K. Install double studs at wall openings, door and window jambs, not more than 2 inches from each side of openings.
- L. Brace stud framing system rigid.
- M. Coordinate erection of studs with requirements of door frames; install supports and attachments.
- N. Coordinate installation of bucks, anchors, and blocking with electrical, mechanical, and other work to be placed within or behind stud framing.
- O. Blocking: Use wood blocking secured to studs. Provide blocking for support of plumbing fixtures, toilet partitions, wall cabinets, toilet accessories, hardware, and opening frames.
- P. Furring: Install at spacing and locations shown on drawings. Lap splices a minimum of 6 inches.

**3.03 TOLERANCES**

- A. Maximum Variation From True Position: 1/8 inch in 10 feet.
- B. Maximum Variation From Plumb: 1/8 inch in 10 feet.

**END OF SECTION**

FIRE STATIONS RENOVATION  
Arlington County, Virginia  
Architect's Project No.: 563006

---

**SECTION 092900  
GYPSUM BOARD**

**PART 1 GENERAL**

**1.01 SUBMITTALS**

- A. See Section 013000 - Administrative Requirements for submittal procedures.
- B. Product Data: Provide data on gypsum board, glass mat faced gypsum board, accessories, and joint finishing system.

**PART 2 PRODUCTS**

**2.01 BOARD MATERIALS**

- A. Gypsum Wallboard: Paper-faced gypsum panels as defined in ASTM C1396/C1396M; sizes to minimize joints in place; with tapered edges.
  - 1. Application: Use for vertical surfaces and ceilings, unless otherwise indicated.
  - 2. Mold Resistance: Score of 10, when tested in accordance with ASTM D3273.
    - a. Mold-resistant board is required whenever gypsum board is indicated in rooms subject to steam or water, including mechanical rooms, toilet rooms, custodial rooms, and kitchens.
  - 3. Thickness:
    - a. Vertical Surfaces: 5/8 inch.
    - b. Ceilings: 5/8 inch.
- B. Tile Backing Board:
  - 1. Application: Surfaces behind tile in wet areas including tub and shower surrounds.
  - 2. Mold Resistance: Score of 10, when tested in accordance with ASTM D3273.
  - 3. ANSI Cement-Based Board: Non-gypsum-based; cementitious panels with glass fiber mesh embedded in front and back surfaces complying with ANSI A118.9 and ASTM C 1288 or ASTM C1325.
    - a. Thickness: 5/8 inch.
    - b. Available Products:
      - 1) FinPan, Inc.; Util-A-Crete Backer Board.
      - 2) National Gypsum Company; PermaBase Cement Board.
      - 3) USG Corporation; Durock Cement Board.

**2.02 GYPSUM WALLBOARD ACCESSORIES**

- A. Acoustic Insulation: ASTM C665; preformed glass fiber, friction fit type, unfaced. Thickness sized to fit metal stud cavity.
- B. Acoustic Sealant: Acrylic emulsion latex or water-based elastomeric sealant; do not use solvent-based non-curing butyl sealant. Refer to Division 7 Section "Joint Sealants."
- C. Putty Pads: Non-hardening endothermic material, in pad form, faced on both sides with fpoly liner, designed to seal around penetrations and wiring devices, enhancing acoustic performance.
  - 1. Nominal Size: 7-1/4 x 7-1/4 x 3/16 inches.
  - 2. Available Products:
    - a. 3M; Fire Barrier Moldable Putty Pads MPP+.
    - b. Hilti; Firestop Putty Pad, CFS-P PA.
    - c. Specified Technologies, Inc.; SpecSeal Putty Pad.
- D. Beads, Joint Accessories, and Other Trim: ASTM C1047, rigid plastic, galvanized steel, or rolled zinc, unless noted otherwise.
  - 1. Corner Beads: Low profile, for 90 degree outside corners.
  - 2. L-Trim: Sized to fit gypsum wallboard size(s) indicated.
- E. Acoustic Partition Closure at Storefront or Curtain Wall: Multi-piece rectangular-section assembly of nested U-shape aluminum extrusions for finished closure between aluminum storefront or curtainwall system vertical mullion (and glass where indicated), and partition assembly. Closure shall allow for movements of framing and glass it attaches to, and shall not allow direct metal to glass contact. Fill cavity of partition closure with acoustic batt

FIRE STATIONS RENOVATION  
Arlington County, Virginia  
Architect's Project No.: 563006

---

insulation.

1. Thickness: Aluminum closure plates not less than 0.125-inch thick.
  2. Acoustic Rating: Provide product with a minimum tested STC rating of 55.
    - a. Acoustic Material: Fungi- and microbe-resistant foam, Class A rated when tested per ASTM E 84.
  3. Acoustical Sealant: Seal both ends of partition closure with acoustical sealant.
  4. Finish: Powder coat; color selected by Architect from manufacturer's full range.
  5. Available Products:
    - a. Gordon, Inc; Mullion Mate.
    - b. Mull-It-Over Products; Mull-It-Over.
- F. Joint Materials: ASTM C475/C475M and as recommended by gypsum board manufacturer for project conditions.
1. Paper Tape: 2 inch wide, creased paper tape for joints and corners.
  2. Joint Compound: Drying type, vinyl-based, ready-mixed.
- G. Screws for Fastening of Gypsum Panel Products to Cold-Formed Steel Studs Less than 0.033 inches in Thickness and Wood Members: ASTM C1002; self-piercing tapping screws, corrosion-resistant.
- H. Screws for Fastening of Gypsum Panel Products to Steel Members from 0.033 to 0.112 inch in Thickness: ASTM C954; steel drill screws, corrosion-resistant.
- I. Anchorage to Substrate: Tie wire, nails, screws, and other metal supports, of type and size to suit application; to rigidly secure materials in place.

### **PART 3 EXECUTION**

#### **3.01 EXAMINATION**

- A. Verify that project conditions are appropriate for work of this section to commence.

#### **3.02 ACOUSTIC ACCESSORIES INSTALLATION**

- A. Acoustic Insulation: Place tightly within spaces, around cut openings, behind and around electrical and mechanical items within partitions, and tight to items passing through partitions.
- B. Acoustic Sealant: Install in accordance with manufacturer's instructions.

#### **3.03 BOARD INSTALLATION**

- A. Comply with ASTM C840, GA-216, and manufacturer's instructions. Install to minimize butt end joints, especially in highly visible locations.
- B. Single-Layer Nonrated: Install gypsum board in most economical direction, with ends and edges occurring over firm bearing.
- C. Cementitious Backing Board: Install over steel framing members where indicated, in accordance with ANSI A108.11 and manufacturer's instructions.
- D. Installation on Metal Framing: Use screws for attachment of gypsum board.

#### **3.04 INSTALLATION OF TRIM AND ACCESSORIES**

- A. Control Joints: Place control joints in compliance with ASTM C 840, consistent with lines of building spaces, and as indicated.
1. Not more than 30 feet apart on walls and ceilings over 50 feet long.
  2. At exterior soffits, not more than 30 feet apart in both directions.
- B. Corner Beads: Install at external corners, using longest practical lengths.
- C. Edge Trim: Install at locations where gypsum board abuts dissimilar materials.
- D. Putty Pads: Install putty pads on the backside of items penetrating gypsum board on STC-rated walls/partitions. Items include, but are not limited to, wiring devices, cable, conduit, and pipe. Completely cover and seal around each penetration.

#### **3.05 JOINT TREATMENT**

- A. Paper Faced Gypsum Board: Use paper joint tape, embed with drying type joint compound and finish with drying type joint compound.

FIRE STATIONS RENOVATION  
Arlington County, Virginia  
Architect's Project No.: 563006

---

- B. Finish gypsum board in accordance with levels defined in ASTM C840, as follows:
  - 1. Level 4: Walls and ceilings to receive paint finish or wall coverings, unless otherwise indicated.
  - 2. Level 2: In utility areas, behind cabinetry, and on backing board to receive tile finish.
  - 3. Level 1: Wall areas above finished ceilings, whether or not accessible in the completed construction.
- C. Tape, fill, and sand exposed joints, edges, and corners to produce smooth surface ready to receive finishes.
  - 1. Feather coats of joint compound so that camber is maximum 1/32 inch.
- D. Fill and finish joints and corners of cementitious backing board as recommended by manufacturer.

**3.06 TOLERANCES**

- A. Maximum Variation of Finished Gypsum Board Surface from True Flatness: 1/8 inch in 10 feet in any direction.

**END OF SECTION**

FIRE STATIONS RENOVATION  
Arlington County, Virginia  
Architect's Project No.: 563006

---

**SECTION 093000 – ADD 01  
TILING**

**PART 1 GENERAL**

**1.01 REFERENCE STANDARDS**

- A. ANSI A108.1a - American National Standard Specifications for Installation of Ceramic Tile in the Wet-Set Method, with Portland Cement Mortar 2017.
- B. ANSI A108.1b - American National Standard Specifications for Installation of Ceramic Tile on a Cured Portland Cement Mortar Setting Bed with Dry-Set or Latex-Portland Cement Mortar 2017.
- C. ANSI A108.1c - Contractor's Option: Installation of Ceramic Tile in the Wet-Set Method with Portland Cement Mortar or Installation of Ceramic Tile on a Cured Portland Cement Mortar Setting Bed with Dry-Set or Latex-Portland Cement Mortar 1999 (Reaffirmed 2021).
- D. ANSI A108.2 - American National Standard General Requirements: Materials, Environmental and Workmanship 2019.
- E. ANSI A108.4 - American National Standard Specifications for Installation of Ceramic Tile with Organic Adhesives or Water Cleanable Tile-Setting Epoxy Adhesive 2019.
- F. ANSI A108.5 - American National Standard Specifications for Installation of Ceramic Tile with Dry-Set Portland Cement Mortar or Latex-Portland Cement Mortar 2020.
- G. ANSI A108.6 - American National Standard Specifications for Installation of Ceramic Tile with Chemical Resistant, Water Cleanable Tile-Setting and -Grouting Epoxy 1999 (Reaffirmed 2019).
- H. ANSI A108.8 - American National Standard Specifications for Installation of Ceramic Tile with Chemical Resistant Furan Resin Mortar and Grout 1999 (Reaffirmed 2019).
- I. ANSI A108.9 - American National Standard Specifications for Installation of Ceramic Tile with Modified Epoxy Emulsion Mortar/Grout 1999 (Reaffirmed 2019).
- J. ANSI A108.10 - American National Standard Specifications for Installation of Grout in Tilework 2017.
- K. ANSI A108.12 - American National Standard for Installation of Ceramic Tile with EGP (Exterior Glue Plywood) Latex-Portland Cement Mortar 1999 (Reaffirmed 2019).
- L. ANSI A108.13 - American National Standard for Installation of Load Bearing, Bonded, Waterproof Membranes for Thin-Set Ceramic Tile and Dimension Stone 2005 (Reaffirmed 2021).
- M. ANSI A108.19 - American National Standard Specifications for Interior Installation of Gauged Porcelain Tiles and Gauged Porcelain Tile Panels/Slabs by the Thin-Bed Method Bonded with Modified Dry-Set Cement Mortar or Improved Modified Dry-Set Cement Mortar 2020.
- N. ANSI A118.3 - American National Standard Specifications for Chemical Resistant, Water Cleanable Tile-Setting and -Grouting Epoxy and Water Cleanable Tile-Setting Epoxy Adhesive 2013 (Revised).
- O. ANSI A118.4 - American National Standard Specifications for Modified Dry-Set Cement Mortar 2012 (Revised).
- P. ANSI A118.7 - American National Standard Specifications for High Performance Cement Grouts for Tile Installation 2010 (Reaffirmed 2016).
- Q. ANSI A118.10 - American National Standard Specifications for Load Bearing, Bonded, Waterproof Membranes For Thin-Set Ceramic Tile And Dimension Stone Installation 2014.
- R. ANSI A118.12 - American National Standard Specifications for Crack Isolation Membranes for Thin-Set Ceramic Tile and Dimension Stone Installation 2014.
- S. ANSI A118.15 - American National Standard Specifications for Improved Modified Dry-Set Cement Mortar 2012.

FIRE STATIONS RENOVATION  
Arlington County, Virginia  
Architect's Project No.: 563006

---

- T. ANSI A137.1 - American National Standard Specifications for Ceramic Tile 2021.
- U. TCNA (HB) - Handbook for Ceramic, Glass, and Stone Tile Installation 2019.

**1.02 ADMINISTRATIVE REQUIREMENTS**

- A. Preinstallation Meeting: Convene a preinstallation meeting at the Project Site one week before starting work of this section; require attendance by affected installers.
  - 1. Review substrate preparation requirements.
  - 2. Review each type of tile, mortar, grout, and TCNA installation methods.
  - 3. Review requirements for waterproofing and/or crack isolation membrane(s).

**1.03 SUBMITTALS**

- A. See Section 013000 - Administrative Requirements, for submittal procedures.
- B. Product Data: Provide manufacturers' data sheets on tile, mortar, grout, and accessories. Include instructions for using grouts and adhesives.
- C. Shop Drawings: Indicate tile layout, patterns, color arrangement, perimeter conditions, junctions with dissimilar materials, control and expansion joints, thresholds, ceramic accessories, and setting details.
  - 1. Include waterproofing details at floor drains, shower pans, cove base, and thresholds.
- D. Installer's Qualification Statement:
- E. Maintenance Data: Include recommended cleaning methods, cleaning materials, and stain removal methods.

**1.04 QUALITY ASSURANCE**

- A. Installer Qualifications:
  - 1. Company specializing in performing tile installation, with minimum of five years of documented experience.

**1.05 MOCK-UP**

- A. See Section 014000 - Quality Requirements, for general requirements for mock-up.
- B. Construct tile mock-up where indicated on drawings, incorporating all components specified for the location.
  - 1. Provide mock-up of minimum 5 square feet for each type of floor tile, unless otherwise indicated.
  - 2. Provide mock-up of minimum 5 square feet for each type of wall tile, unless otherwise indicated.
  - 3. Approved mock-up may remain as part of the Work.

**1.06 DELIVERY, STORAGE, AND HANDLING**

- A. Store tile, grout, and mortar off the ground, protected from weather and water infiltration.
- B. Store products in unopened containers or packages until ready for use.
- C. Protect materials from freezing or overheating in accordance with manufacturer's instructions.

**1.07 FIELD CONDITIONS**

- A. Do not install solvent-based products in an unventilated environment.
- B. Maintain ambient and substrate temperature and humidity at levels required by referenced ANSI and TCNA tile standards, and per manufacturer's instructions.



FIRE STATIONS RENOVATION  
Arlington County, Virginia  
Architect's Project No.: 563006

---

## **PART 2 PRODUCTS**

### **2.01 TILE**

- A. Manufacturers: All products of each type by the same manufacturer.
- B. Ceramic Tile, Type P-TILE: glazed porcelain tile. ANSI A137.1 standard grade.
  - 1. Manufacturers: Subject to compliance with requirements, provide products by one of the following:
    - a. Daltile., "Reminiscent" (Basis-of-Design Product)
    - b. American Olean; a division of Dal-Tile Corporation.
    - c. Dal-Tile Corporation.
    - d. Deutsche Steinzeug America, Inc.
    - e. Porcelanite-Lamosa.
    - f. Interceramic.
    - g. Lone Star Ceramics; Elgin Butler.
    - h. Portobello America, Inc.
    - i. Seneca Tiles, Inc.
  - 2. Size: 2 by 2 inch, nominal, for walls in areas outside the shower.
  - 3. Size: 12 by 24 inch, nominal, for within showers, oriented vertically.
  - 4. Size: 12 by 12 inch, nominal, for floors.
  - 5. Size: 6 by 12 inch, nominal, for wall base.
  - 6. Thickness: 3/8 inch.
  - 7. Dynamic Coefficient of Friction: Not less than 0.42.
  - 8. Tile color, Glaze, and Pattern: As selected by Architect from manufacturer's full range. Provide three colors in the mosaic size. Refer to Tile Patterning drawing.
  - 9. Grout Color: As selected by Architect from manufacturer's full range.
  - 10. Trim Units: Matching bullnose, double bullnose, cove base, and cove shapes in sizes coordinated with field tile.
- C. Quarry Tile, Type QT-1: ANSI A137.1 standard grade.
  - 1. Size: 6 by 6 inch, nominal.
  - 2. Thickness: 1/2 inch, nominal.
  - 3. Edges: Square.
  - 4. Surface Finish: Unglazed.
  - 5. Color(s): To be selected by Architect from manufacturer's full range.
  - 6. Trim Units: Matching cove base shapes in sizes coordinated with field tile.
  - 7. Products:
    - a. American Olean; a division of Dal-Tile Corporation.
    - b. Dal-Tile Corporation.
    - c. Metropolitan Ceramics.
    - d. Summitville Tiles, Inc.

### **2.02 TRIM AND ACCESSORIES**

- A. Non-Ceramic Trim: Satin brass anodized extruded aluminum, style and dimensions to suit application, for setting using tile mortar or adhesive.
  - 1. Applications:
    - a. Open edges of wall tile.
    - b. Open edges of floor tile.
    - c. Wall corners, outside and inside.
    - d. Transition between floor finishes of different heights.
    - e. Thresholds at door openings.
    - f. Expansion and control joints, floor and wall.
    - g. Floor to wall joints.
    - h. Borders and other trim as indicated on drawings.
  - 2. Manufacturers:
    - a. Schluter-Systems.

FIRE STATIONS RENOVATION  
Arlington County, Virginia  
Architect's Project No.: 563006

---

- b. Genesis APS International.
  - c. Blanke.
  - d. Ceramic Tool Company (CTC).
  - e. Substitutions: See Section 016000 - Product Requirements.
- B. Thresholds: 2 inches wide by full width of wall or frame opening; beveled edge on both long edges; without holes, cracks, or open seams.
- 1. Material: Marble, honed finish.
  - 2. Applications:
    - a. At doorways where tile terminates.

### 2.03 SETTING MATERIALS

- A. Provide setting and grout materials from same manufacturer.
- B. Modified Dry-Set Mortar (Thinset): ANSI A118.4
- 1. Applications: Use this type at all locations where thinset mortar is indicated, unless otherwise indicated.
  - 2. Products:
    - a. H.B. Fuller Construction Products, Inc.; TEC Full Flex TA 390/391.
    - b. LATICRETE International, Inc.; 252 Silver.
    - c. MAPEI Corporation; Ultraflex 2.
    - d. Summitville Tiles, Inc.; S-1000 MP Thin-Set Latex Mortar.
    - e. Substitutions: See Section 016000 - Product Requirements.
- C. Latex-Portland Cement LHT Mortar (Medium-Bed): ANSI A118.4.
- 1. Applications: Use this type of bond coat where Large and Heavy Tile (LHT) mortar is indicated, in a 5/8-inch thick medium-bed application.
  - 2. Products:
    - a. Custom Building Products; ProLite Premium Rapid Setting Large Format Tile Mortar, with Multi-Surface Bonding Primer.
    - b. H.B. Fuller Construction Products, Inc; TEC Ultimate Large Tile Mortar.
    - c. LATICRETE International, Inc; 257 TITANIUM.
    - d. MAPEI Corporation; Ultraflex LFT.
    - e. Merkrete, by Parex USA, Inc; Merkrete 735 Premium Flex.
    - f. Summitville Tiles, Inc.; S-1200 MP Premium Medium Bed Mortar.
    - g. Substitutions: See Section 016000 - Product Requirements.
- D. Improved Latex-Portland Cement Dry-Set Mortar (Thinset): ANSI A118.15 and ISO 13007 "C2" classification.
- 1. Applications: Use this type of mortar where indicated.
  - 2. Products:
    - a. H.B. Fuller Construction Products, Inc; TEC 3N1 Performance Mortar.
    - b. LATICRETE International, Inc; LATICRETE 254 Platinum.
    - c. MAPEI Corporation; Ultraflex 3.
    - d. Substitutions: See Section 016000 - Product Requirements.

### 2.04 GROUTS

- A. Provide setting and grout materials from same manufacturer.
- B. High Performance Polymer Modified Grout: ANSI A118.7 polymer modified cement grout.
- 1. Applications: Use this type of grout where indicated and where no other type of grout is indicated.
  - 2. Use sanded grout for joints 1/8 inch wide and larger; use unsanded grout for joints less than 1/8 inch wide.
  - 3. Color(s): As selected by Architect from manufacturer's full line.
  - 4. Products:
    - a. Custom Building Products; Prism Color Consistent Grout.
    - b. H.B. Fuller Construction Products, Inc; TEC AccuColor Plus Grout.
    - c. LATICRETE International, Inc; LATICRETE PERMACOLOR Grout.
-

## FIRE STATIONS RENOVATION

Arlington County, Virginia

Architect's Project No.: 563006

- 
- d. MAPEI Corporation; Ultracolor Plus.
  - e. Merkrete, by Parex USA, Inc; Merkrete Pro Grout.
  - f. Substitutions: See Section 016000 - Product Requirements.
- C. Water-Cleanable Epoxy Grout: ANSI A118.3 stain-resistant epoxy grout.
- 1. Applications: Where indicated.
  - 2. Heat Resistance: Tested by manufacturer for continuous exposure up to 140 deg F, and intermittent exposure up to 212 deg F.
  - 3. Color(s): As selected by Architect from manufacturer's full line.
  - 4. Products:
    - a. Custom Building Products; CEG-Lite 100% Solids Commercial Epoxy Grout.
    - b. H.B. Fuller Construction Products, Inc; TEC AccuColor EFX Epoxy Special Effects Grout.
    - c. LATICRETE International, Inc; LATICRETE SPECTRALOCK PRO Premium Grout.
    - d. MAPEI Corporation; Kerapoxy CQ.
    - e. Merkrete, by Parex USA, Inc; Merkrete Pro Epoxy.
    - f. Summitville Tiles, Inc; S-500 Ultra Max.
    - g. Substitutions: See Section 016000 - Product Requirements.
- D. Water-Cleanable Chemical- and Heat-Resistant Epoxy Grout: ANSI A118.3 epoxy grout, also meeting applicable requirements of ANSI A118.5 for chemical resistance.
- 1. Applications: Where indicated.
  - 2. Heat Resistance: Tested by manufacturer for continuous exposure up to 140 deg F, and intermittent exposure up to 350 deg F.
  - 3. Chemical Resistance: Tested per ASTM C 267 for intermittent exposure to the following chemicals and concentrations, with no staining:
    - a. Citric Acid: 20%.
    - b. Phosphoric Acid: 25%.
    - c. Sodium Hydroxide: 10%.
    - d. Sodium Hypochlorite (Bleach): 3%.
    - e. Mineral Spirits.
  - 4. Color(s): As selected by Architect from manufacturer's full line.
  - 5. Products:
    - a. Custom Building Products; CEG-IG 100% Solids Industrial Grade Epoxy Grout.
    - b. LATICRETE International, Inc; LATICRETE SPECTRALOCK 2000 IG.
    - c. MAPEI Corporation; Kerapoxy IEG CQ.
    - d. Summitville Tiles, Inc; S-5100 NovaColor.

**2.05 MAINTENANCE MATERIALS**

- A. Tile Sealants: Moisture- and mildew-resistant type sealants; one-part silicone for wall applications and multi-part urethane for floor applications. Sealants and accessories shall comply with requirements below and with requirements of Division 7 Section "Joint Sealants."
- 1. Color(s): As selected by Architect from manufacturer's full line. Sealant colors shall match grout colors in adjacent joints unless otherwise indicated.
  - 2. Silicone Sealant (Walls): ASTM C 920, Type S, Grade NS, Class 25; Uses NT (non-traffic), G (glass), A (aluminum), O (other substrates indicated).
    - a. Products:
      - 1) GE Silicones, a division of GE Specialty Materials; SCS1700 Sanitary.
      - 2) Pecora Corporation; Pecora 898 NST.
      - 3) Tremco Incorporated; Tremsil 200.
      - 4) Substitutions: See Section 016000 - Product Requirements.
  - 3. Urethane Sealant (Floors): ASTM C 920, Type M, Grade P, Class 25; Uses T (traffic), M (mortar), A (aluminum), O (other substrates indicated).
    - a. Products:
      - 1) Master Builders Solutions; MasterSeal SL 2.
-

## FIRE STATIONS RENOVATION

Arlington County, Virginia

Architect's Project No.: 563006

- 2) Pecora Corporation; NR-200 Urexpan.
  - 3) Sika Corporation; Sikaflex-2c SL.
  - 4) Tremco Incorporated; THC-901.
  - 5) Substitutions: See Section 016000 - Product Requirements.
4. Sealant Accessories: Provide backer rod, primer, and other sealant accessories as recommended by sealant manufacturer for applications required.
- B. Grout Sealer: Liquid-applied, penetrating, moisture and stain protection for existing or new Portland cement grout.
1. Composition: Water-based colorless silicone.
  2. Products:
    - a. Custom Building Products; Aqua Mix Sealer's Choice Gold.
    - b. Merkrete, by Parex USA, Inc; Merkrete Grout Sealer.
    - c. SGM, Inc.; Grout Sealer.
    - d. Summitville Tiles, Inc.; SL-99 Summitseal II.
    - e. Substitutions: See Section 016000 - Product Requirements.
- C. Tile Sealer: Stain protection for exposed surfaces of unglazed ceramic tile, other porous tile, and grout. Provide penetrating sealer with no sheen, preserving natural tile appearance.
1. Products:
    - a. Custom Building Products; Aqua Mix Sealer's Choice Gold.
    - b. Rust-Oleum Corporation; Miracle Sealants 511 Impregnator Natural Looking Penetrating Sealer.
    - c. STONETECH, a division of LATICRETE international, Inc; STONETECH Heavy Duty Sealer.
    - d. Substitutions: See Section 016000 - Product Requirements.
- D. Grout Release: Temporary, water-soluble pre-grout coating.
1. Products:
    - a. Custom Building Products; Aqua Mix Grout Release.
    - b. MAPEI Corporation; UltraCare Grout Release.
    - c. Substitutions: See Section 016000 - Product Requirements.

**2.06 ACCESSORY MATERIALS**

- A. Concrete Floor Slab Crack Isolation Membrane: Material complying with ANSI A118.12; not intended as waterproofing.
1. Crack Resistance: No failure at 1/8 inch gap, minimum.
  2. Peel-and-Stick Sheet Type:
    - a. Material: Rubberized membrane laminated to reinforcing fabric.
    - b. Thickness: 40 mils, nominal.
    - c. Products:
      - 1) Boiardi Products Corp.; a QEP company; Elastiment 340 Sound Control Sheet Membrane Waterproofing and Anti-Fracture/Crack-Suppression System.
      - 2) Custom Building Products; Crack Buster Pro-Crack Prevention Mat Underlayment.
      - 3) MAPEI Corporation; Mapeguard 2.
      - 4) National Applied Construction Products, Inc.; ECB Anti-Fracture Membrane.
      - 5) Substitutions: See Section 016000 - Product Requirements.
- B. Waterproofing Membrane: Specifically designed for bonding to cementitious substrate under thick mortar bed or thin-set tile; complying with ANSI A118.10.
1. Crack Resistance: No failure at 1/8 inch gap, minimum; comply with ANSI A118.12.
  2. Fluid or Trowel Applied Type with Embedded Reinforcing Fabric:
    - a. Material: Synthetic rubber or Acrylic.
    - b. Thickness: 30 mils, minimum, dry film thickness.
    - c. Products:

## FIRE STATIONS RENOVATION

Arlington County, Virginia

Architect's Project No.: 563006

---

- 1) Custom Building Products; 9240 Waterproofing and Anti-Fracture Membrane
- 2) H.B. Fuller Construction Products, Inc; TEC HydraFlex Waterproofing Crack Isolation Membrane.
- 3) LATICRETE International, Inc; 9235 Waterproofing Membrane.
- 4) MAPEI Corporation; Mapelastic AquaDefense.
- 5) Merkrete, by Parex USA, Inc; Merkrete Hydro Guard 2000.
- 6) Summitville Tiles, Inc.; S-9000.
- 7) Substitutions: See Section 016000 - Product Requirements.

**PART 3 EXECUTION****3.01 EXAMINATION**

- A. Verify that subfloor surfaces are smooth and flat within the tolerances specified for that type of work, per ANSI A108.01, and are ready to receive tile.
- B. Verify that wall surfaces are smooth and flat within the tolerances specified for that type of work, are dust-free, and are ready to receive tile.
- C. Verify that subfloor surfaces are dust free and free of substances that could impair bonding of setting materials to subfloor surfaces.
- D. Verify that required floor-mounted utilities are in correct location.

**3.02 PREPARATION**

- A. Protect surrounding work from damage.
- B. Vacuum clean surfaces and damp clean.
- C. Seal substrate surface cracks with filler. Level existing substrate surfaces to acceptable flatness tolerances.
- D. For ease of cleaning and to prevent staining, precoat tile with temporary grout release. For unglazed ceramic and other porous tile types, provide either combination tile sealer/grout release, or a temporary grout release with final tile sealer applied after tile installation.

**3.03 INSTALLATION - GENERAL**

- A. Install tile, thresholds, and stair treads and grout in accordance with applicable requirements of ANSI A108.1a through ANSI A108.19, manufacturer's instructions, and TCNA (HB) recommendations.
- B. Lay tile to pattern indicated. Do not interrupt tile pattern through openings.
- C. Cut and fit tile to penetrations through tile, leaving sealant joint space. Form corners and bases neatly. Align floor joints.
- D. Place tile joints uniform in width, subject to variance in tolerance allowed in tile size. Make grout joints without voids, cracks, excess mortar or excess grout, or too little grout.
- E. Form internal angles square and external angles bullnosed.
- F. Install non-ceramic trim in accordance with manufacturer's instructions.
- G. Install thresholds where indicated.
- H. Sound tile after setting. Replace hollow sounding units.
- I. Keep control and expansion joints free of mortar, grout, and adhesive.
- J. Prior to grouting, allow installation to completely cure; minimum of 48 hours.
- K. Grout tile joints unless otherwise indicated. Use standard grout unless otherwise indicated.
- L. At changes in plane and tile-to-tile control joints, use tile sealant instead of grout, with either bond breaker tape or backer rod as appropriate to prevent three-sided bonding.

**3.04 INSTALLATION - FLOORS - THIN-SET METHODS**

- A. Over interior concrete substrates, install in accordance with TCNA (HB) Method F113, dry-set or latex-Portland cement bond coat, with standard grout, unless otherwise indicated.

FIRE STATIONS RENOVATION

Arlington County, Virginia

Architect's Project No.: 563006

---

1. Where waterproofing membrane is indicated, install in accordance with TCNA (HB) Method F122, with latex-Portland cement grout.

**3.05 INSTALLATION - WALL TILE**

- A. Over interior concrete and masonry install in accordance with TCNA (HB) Method W202, thin-set with dry-set or latex-Portland cement bond coat.

**3.06 CLEANING**

- A. Clean tile and grout surfaces.

**3.07 PROTECTION**

- A. Do not permit traffic over finished floor surface for 4 days after installation.

**END OF SECTION**

FIRE STATIONS RENOVATION  
Arlington County, Virginia  
Architect's Project No.: 563006

---

**SECTION 095100  
ACOUSTICAL CEILINGS**

**PART 1 GENERAL**

**1.01 REFERENCE STANDARDS**

- A. ASTM C635/C635M - Standard Specification for the Manufacture, Performance, and Testing of Metal Suspension Systems for Acoustical Tile and Lay-in Panel Ceilings 2017.

**1.02 SUBMITTALS**

- A. See Section 013000 - Administrative Requirements, for submittal procedures.
- B. Shop Drawings: Indicate grid layout and related dimensioning.
- C. Product Data: Provide data on suspension system components and acoustical units.

**1.03 FIELD CONDITIONS**

- A. Maintain uniform temperature of minimum 60 degrees F, and maximum humidity of 40 percent prior to, during, and after acoustical unit installation.

**PART 2 PRODUCTS**

**2.01 ACOUSTICAL UNITS**

**2.02 SUSPENSION SYSTEM(S)**

- A. Metal Suspension Systems - General: Complying with ASTM C635/C635M; die cut and interlocking components, with perimeter moldings, hold down clips, stabilizer bars, clips, and splices as required.

**2.03 ACCESSORIES**

- A. Support Channels and Hangers: Galvanized steel; size and type to suit application, seismic requirements, and ceiling system flatness requirement specified.
- B. Hanger Wire: 12 gauge, 0.08 inch galvanized steel wire.
- C. Perimeter Moldings: Same metal and finish as grid.
- D. Metal Edge Trim for "Cloud" Suspension Systems: Steel or extruded aluminum; provide attachment clips, splice plates, and preformed corner pieces for complete trim system.
  - 1. Trim Height: 4 inch.
  - 2. Finish: Baked enamel.
  - 3. Available Products:
    - a. Armstrong World Industries, Inc.; Axiom Classic.
    - b. Certainteed; Terminus Perimeter Trim.
    - c. Chicago Metallic Corp.; Infinity System.
    - d. USG Corporation; Compasso Suspension Trim.

**PART 3 EXECUTION**

**3.01 EXAMINATION**

- A. Verify existing conditions before starting work.
- B. Verify that layout of hangers will not interfere with other work.

**3.02 PREPARATION**

- A. Install after major above-ceiling work is complete.
- B. Coordinate the location of hangers with other work.

**3.03 INSTALLATION - SUSPENSION SYSTEM**

- A. Rigidly secure system, including integral mechanical and electrical components, for maximum deflection of 1:360.
- B. Perimeter Molding: Install at intersection of ceiling and vertical surfaces and at junctions with other interruptions.
  - 1. Use longest practical lengths.

FIRE STATIONS RENOVATION  
Arlington County, Virginia  
Architect's Project No.: 563006

---

- C. Suspension System, Non-Seismic: Hang suspension system independent of walls, columns, ducts, pipes and conduit. Where carrying members are spliced, avoid visible displacement of face plane of adjacent members.
- D. Where ducts or other equipment prevent the regular spacing of hangers, reinforce the nearest affected hangers and related carrying channels to span the extra distance.
- E. Do not support components on main runners or cross runners if weight causes total dead load to exceed deflection capability.
- F. Support fixture loads using supplementary hangers located within 6 inches of each corner, or support components independently.
- G. Do not eccentrically load system or induce rotation of runners.

**3.04 INSTALLATION - ACOUSTICAL UNITS**

- A. Install acoustical units in accordance with manufacturer's instructions.
- B. Fit acoustical units in place, free from damaged edges or other defects detrimental to appearance and function.
- C. Fit border trim neatly against abutting surfaces.
- D. Install acoustical units level, in uniform plane, and free from twist, warp, and dents.
- E. Cutting Acoustical Units:
  - 1. Make field cut edges of same profile as factory edges.

**END OF SECTION**



FIRE STATIONS RENOVATION  
Arlington County, Virginia  
Architect's Project No.: 563006

---

**SECTION 096513  
RESILIENT BASE AND ACCESSORIES**

**PART 1 GENERAL**

**1.01 SUBMITTALS**

- A. See Section 013000 - Administrative Requirements, for submittal procedures.
- B. Product Data: Provide data on specified products, describing physical and performance characteristics; including sizes, patterns and colors available; and installation instructions.
- C. Selection Samples: Submit manufacturer's complete set of color samples for Architect's initial selection.
- D. Verification Samples: Submit in manufacturer's standard size, illustrating color and pattern for each resilient flooring product specified.

**1.02 DELIVERY, STORAGE, AND HANDLING**

- A. Upon receipt, immediately remove any shrink-wrap and check materials for damage and the correct style, color, quantity and run numbers.
- B. Maintain temperature in storage area between 55 degrees F and 90 degrees F.
- C. Protect roll materials from damage by storing on end.

**1.03 FIELD CONDITIONS**

- A. Store materials for not less than 48 hours prior to installation in area of installation at a temperature of 70 degrees F to achieve temperature stability. Thereafter, maintain conditions above 55 degrees F.
- B. Maintain conditions at occupancy conditions for installation and until Substantial Completion.

**PART 2 PRODUCTS**

**2.01 RESILIENT BASE**

- A. Resilient Base: ASTM F1861, Type TP, rubber, thermoplastic; Style B, Cove.
  - 1. Products (Type TP):
    - a. Armstrong World Industries, Inc.; Rubber Coved Toe Wall Base.
    - b. Flexco (USA), Inc.; Flexco Base 2000 - Cove.
    - c. Johnsonite, a Tarkett Company; Rubber Wall Base - Cove.
    - d. Mannington Commercial; Burkebase Type TP - Coved.
    - e. Nora Systems, Inc; nora wall base; Article 820.
    - f. Roppe Corporation; 700 Series TPR Wall Base - Style B (Coved).
    - g. Substitutions: See Section 016000 - Product Requirements.
  - 2. Critical Radiant Flux (CRF): Minimum 0.45 watt per square centimeter, when tested in accordance with ASTM E648 or NFPA 253.
  - 3. Height: 4 inch.
  - 4. Thickness: 0.125 inch minimum.
  - 5. Finish: Satin.
  - 6. Length: Roll; manufacturer's standard length.
  - 7. Color: To be selected by Architect from manufacturer's full range.

**2.02 STAIR COVERING**

- A. Stair Treads: Rubber; full width and depth of stair tread in one piece; tapered thickness.
  - 1. Manufacturers:
    - a. Flexco, Inc.
    - b. Johnsonite, a Tarkett Company.
    - c. Mannington Commercial.
    - d. Nora Rubber Flooring.
    - e. Roppe Corporation.
    - f. Substitutions: See Section 016000 - Product Requirements.

FIRE STATIONS RENOVATION  
Arlington County, Virginia  
Architect's Project No.: 563006

---

2. Minimum Requirements: Comply with ASTM F2169, Type TS, rubber, vulcanized thermoset.
  3. Critical Radiant Flux (CRF): Minimum 0.45 watt per square centimeter, when tested in accordance with ASTM E648 or NFPA 253.
  4. Nominal Thickness: 0.250 inch, tapered towards rear.
  5. Nosing: Square, adjustable; 1-1/2 inch height.
  6. Striping: 2 inch wide contrasting color abrasive strips.
  7. Texture: Raised, with pattern selected from manufacturer's full range.
  8. Color: To be selected by Architect from manufacturer's full range.
- B. Stair Risers: Full height and width of tread in one piece, matching treads in material and color.
1. Manufacturer: Provide risers by same manufacturer as treads.
  2. Thickness: 0.125 inch.
- C. Stair Stringers: Full height in one piece and in maximum available lengths, matching treads in material and color.
1. Manufacturer: Provide stringers by same manufacturer as treads.
  2. Nominal Thickness: 0.080 inch.

### 2.03 MOLDINGS, TRANSITIONS, AND EDGE STRIPS

- A. Moldings, Transition and Edge Strips:
1. Manufacturers:
    - a. Flexco, Inc.
    - b. Johnsonite.
    - c. Mannington Commercial.
    - d. R.C.A. Rubber Company (The).
    - e. Roppe Corporation.
    - f. VPI, LLC; Floor Products Division.
    - g. Substitutions: See Section 016000 - Product Requirements.
  2. Molding/Transition Strip Profiles: Provide in sizes as required to suit flooring thicknesses and applications.
    - a. Coved edge/cap for carpet.
    - b. Joiner between carpet and resilient flooring or other materials with different heights.
    - c. Transition strip between different types of materials that are the same height or between different styles/patterns of the same material.
    - d. Slim transition strip with approximately 1/4-inch wide visible transition profile.
    - e. Reducer strip at edges of flooring to reduce height to 0".
    - f. Subfloor leveling accessory to transition between materials with height differences up to 1/2 inch.
  3. Material: Manufacturer's standard rubber or vinyl.
  4. Color: To be selected by Architect from manufacturer's full range.

### 2.04 ACCESSORIES

- A. Leveling Compound: Blended cement mix, latex-modified, for use as trowelable underlayment, approved by resilient accessory manufacturer.
- B. Primers, Adhesives, and Seam Sealer: Waterproof; types recommended by flooring manufacturer.
- C. Moisture Vapor Treatment: Where resilient flooring and accessories are installed over concrete slabs, provide alkaline-resistant product designed to control excessive moisture vapor transmission through concrete slab, per the following:
1. Products: Provide product approved by flooring manufacturer and complying with performance requirements below, equivalent to one of the following:
    - a. Duraamen Engineered Products, Inc.; Perdure MVT.
    - b. Maxxon Corporation; Maxxon MVP.
    - c. Tnemec Company Inc.; Epoxoprime MVT, Series 208.
  2. Performance Requirements:

FIRE STATIONS RENOVATION  
Arlington County, Virginia  
Architect's Project No.: 563006

---

- a. Verify with flooring manufacturer that submitted product maintains compliance with all provisions of flooring manufacturer's warranty.
- b. Low-VOC: Provide product with VOC content less than 15 g/L.
- c. Bond Strength to Concrete: Minimum 400 psi per ASTM D 4541 (100% concrete failure).
- d. Permeance: Maximum 0.1 perm per ASTM E 96, and 0.10 grains/hr/ft<sup>2</sup>/in-Hg, per ASTM F3010.
- e. Applications: Provide MVT for all concrete slabs on-grade and lightweight concrete elevated slabs.

D. Floor Polish: Fluid-applied polish recommended by resilient flooring manufacturer.

### **PART 3 EXECUTION**

#### **3.01 EXAMINATION**

- A. Verify that surfaces are flat to tolerances acceptable to flooring manufacturer, free of cracks that might telegraph through flooring, clean, dry, and free of curing compounds, surface hardeners, and other chemicals that might interfere with bonding of flooring to substrate.
- B. Verify that wall surfaces are smooth and flat within the tolerances specified for that type of work, are dust-free, and are ready to receive resilient base.
  1. Do not apply wall base until other finish items, including casework and painting, are complete.
- C. Cementitious Subfloor Surfaces (Stair Treads/Landings): Verify that substrates are ready for resilient flooring installation by testing for moisture and alkalinity (pH).
  1. Test as Follows:
    - a. Alkalinity (pH): ASTM F710, when required by stair accessory manufacturer.
    - b. Internal Relative Humidity: ASTM F2170. One test per stair area.
    - c. Moisture Vapor Emission: ASTM F1869. One test per stair area.
  2. After testing is complete, prepare concrete and install moisture vapor treatment (MVT) in accordance with manufacturer's written instructions. If testing indicates measurements are within acceptable levels for flooring installation with the need for MVT, the MVT may be omitted where approved by the Architect.
  3. After installation of MVT, perform final moisture tests to verify that moisture-vapor-emission-rate is at an acceptable level for stair accessory installation. Proceed with installation only after moisture-vapor-emission-rate and relative humidity do not exceed the following:
    - a. Moisture-Vapor-Emission Rate: Maximum 3lbs. of water/1,000 sq. ft. in 24 hours, unless indicated otherwise by resilient accessory manufacturer.
    - b. Relative Humidity: Maximum 75 percent relative humidity, unless indicated otherwise by resilient accessory manufacturer.

#### **3.02 PREPARATION**

- A. Prepare floor substrates as recommended by flooring and adhesive manufacturers.
- B. Remove subfloor ridges and bumps. Fill minor low spots, cracks, joints, holes, and other defects with leveling compound to achieve smooth, flat, hard surface.
- C. Prohibit traffic until leveling compound is fully cured.
- D. Clean substrate.

#### **3.03 INSTALLATION - GENERAL**

- A. Starting installation constitutes acceptance of subfloor conditions.
- B. Install in accordance with manufacturer's written instructions.
- C. Adhesive-Applied Installation:
  1. Fit joints and butt seams tightly.
  2. Set flooring in place, press with heavy roller to attain full adhesion.
- D. Where type of floor finish, pattern, or color are different on opposite sides of door, install such that molding profiles or transition strips are centered under the door panel..

FIRE STATIONS RENOVATION  
Arlington County, Virginia  
Architect's Project No.: 563006

---

- E. Install edge/reducer strips at unprotected or exposed edges, where flooring terminates, and where indicated.
  - 1. Resilient Strips: Attach to substrate using adhesive.

**3.04 INSTALLATION - RESILIENT BASE**

- A. Fit joints tightly and make vertical. Maintain minimum dimension of 18 inches between joints.
- B. Install base on solid backing. Bond tightly to wall and floor surfaces.
- C. Job form internal and external corners in accordance with manufacturer's instructions. Form corners by "V" cutting or scribing; do not bend material in a manner that creates stress whitening.
- D. In addition to walls, install base on other permanent construction with exposed vertical faces at floor level, including, but not limited to, columns, pilasters, and casework/cabinet knee and toe spaces.
- E. Scribe and fit to door frames and other interruptions.
- F. At uneven substrate surfaces (such as masonry mortar joints), provide manufacturer's recommended filler sealant or adhesive to fill voids along top of base.

**3.05 INSTALLATION - STAIR COVERINGS**

- A. Install stair coverings in one piece for full width and depth of tread.
- B. Install stringers configured tightly to stair profile.
- C. Adhere over entire surface. Fit accurately and securely.
- D. Clean stair tread and landing accessories and apply floor polish according to manufacturer's written instructions.

**3.06 CLEANING**

- A. Remove excess adhesive from floor, base, and wall surfaces without damage.
- B. Clean in accordance with manufacturer's written instructions.

**3.07 PROTECTION**

- A. Prohibit traffic on resilient accessories for 48 hours after installation.
- B. Cover resilient accessories and protect from heavy construction traffic and equipment until Substantial Completion.

**END OF SECTION**

FIRE STATIONS RENOVATION  
Arlington County, Virginia  
Architect's Project No.: 563006

---

**SECTION 096566  
RESILIENT ATHLETIC FLOORING**

**PART 1 GENERAL**

**1.01 REFERENCE STANDARDS**

- A. ASTM D412 - Standard Test Methods for Vulcanized Rubber and Thermoplastic Elastomers--Tension 2016 (Reapproved 2021).
- B. ASTM F1869 - Standard Test Method for Measuring Moisture Vapor Emission Rate of Concrete Subfloor Using Anhydrous Calcium Chloride 2016a.
- C. ASTM F2170 - Standard Test Method for Determining Relative Humidity in Concrete Floor Slabs Using in situ Probes 2019a.

**1.02 SUBMITTALS**

- A. See Section 013000 - Administrative Requirements, for submittal procedures.
- B. Product Data: Manufacturer's printed data sheets for products specified.
- C. Shop Drawings: Fabrication and installation details. Include layout, color(s), and orientation.
  - 1. Indicate columns, electrical outlets, athletic equipment inserts, and other floor penetrations or items installed through resilient athletic flooring.
- D. Selection Samples: Manufacturer's color charts for flooring materials specified, indicating full range of colors and textures available.
- E. Verification Samples: Actual flooring material specified, of each selected color, in manufacturer's standard size square samples.
- F. Maintenance Data: For resilient athletic flooring.

**1.03 QUALITY ASSURANCE**

- A. Installer Qualifications: An experienced installer certified in writing by the flooring manufacturer to be qualified for installation of specified flooring system.

**1.04 DELIVERY, STORAGE, AND HANDLING**

- A. Deliver materials to project site in unopened containers clearly labeled with manufacturer's name and identification of contents.
- B. Store materials in dry and clean location until needed for installation. During installation, handle in a manner that will prevent marring and soiling of finished surfaces.

**1.05 FIELD CONDITIONS**

- A. Maintain temperature in spaces to receive adhesively installed resilient flooring within range of 70 to 95 degrees F for not less than 48 hours before the beginning of installation and for not less than 48 hours after installation has been completed. Subsequently, do not allow temperature in installed spaces to drop below 50 degrees F or to go above 100 degrees F.

**PART 2 PRODUCTS**

**2.01 PREFORMED ATHLETIC FLOORING**

- A. Rubber Tile Flooring: Recycled rubber and colored EPDM granules with urethane binder.
  - 1. Backing: Recycled black rubber, laminated to colored top layer.
  - 2. Thickness: Nominal 3/8 inch (9.5 - 10 mm).
  - 3. Size: Manufacturer's standard square tile.
  - 4. Tensile Strength: Minimum 150 psi, per ASTM D412.
  - 5. Tile Edge/Installation: Straight, adhesive installation.
  - 6. Surface Texture: Smooth.
  - 7. Color: As selected from manufacturer's standard range.
  - 8. Products:
    - a. Amarco; Sport-Fleck.
    - b. American Floor Products Company (AFCO); Coronado 90 (FE-1015).
    - c. Connor Sports; Elastimat.
    - d. Dynamic Sports Construction, Inc.; DynaFit.

FIRE STATIONS RENOVATION  
Arlington County, Virginia  
Architect's Project No.: 563006

---

- e. Horner Sports Flooring; EcoTuff.
- f. Mats Inc.; Duo Tile.
- g. Mondo; Ramflex.
- h. Tarkett; Replay.

## 2.02 ACCESSORIES

- A. Leveling Compound: Latex-modified cement formulation as recommended by flooring manufacturer for substrate conditions.
- B. Moisture Vapor Treatment: Where resilient flooring and accessories are installed over concrete slabs, provide alkaline-resistant product designed to control excessive moisture vapor transmission through concrete slab, per the following:
  - 1. Products: Provide product approved by flooring manufacturer and complying with performance requirements below, equivalent to one of the following:
    - a. Duraamen Engineered Products, Inc.; Perdure MVT.
    - b. Maxxon Corporation; Maxxon MVP.
    - c. Tnemec Company Inc.; Epoxoprime MVT, Series 208.
  - 2. Performance Requirements:
    - a. Verify with flooring manufacturer that submitted product maintains compliance with all provisions of flooring manufacturer's warranty.
    - b. Low-VOC: Provide product with VOC content less than 15 g/L.
    - c. Bond Strength to Concrete: Minimum 400 psi per ASTM D 4541 (100% concrete failure).
    - d. Permeance: Maximum 0.1 perm per ASTM E 96, and 0.10 grains/hr/ft<sup>2</sup>/in-Hg, per ASTM F3010.
    - e. Applications: Provide MVT for all concrete slabs on-grade and lightweight concrete elevated slabs.

## PART 3 EXECUTION

### 3.01 EXAMINATION

- A. Examine substrates for conditions detrimental to installation of athletic flooring. Proceed with installation only after unsatisfactory conditions have been corrected.
- B. Verify that surfaces are flat to tolerances acceptable to flooring manufacturer, free of cracks that might telegraph through flooring, clean, dry, and free of curing compounds, surface hardeners, and other chemicals that might interfere with bonding of athletic flooring to substrate.
- C. Cementitious Subfloor Surfaces: Verify that substrates are ready for resilient flooring installation by testing for moisture and alkalinity (pH).
  - 1. Test as Follows:
    - a. Alkalinity (pH): ASTM F710, when required by flooring manufacturer.
    - b. Internal Relative Humidity: ASTM F2170. One test per installation area.
    - c. Moisture Vapor Emission: ASTM F1869. One test per installation area.
  - 2. After testing is complete, prepare concrete and install moisture vapor treatment (MVT) in accordance with manufacturer's written instructions. If testing indicates measurements are within acceptable levels for flooring installation with the need for MVT, the MVT may be omitted where approved by the Architect.
  - 3. After installation of MVT, perform final moisture tests to verify that moisture-vapor-emission-rate is at an acceptable level for stair accessory installation. Proceed with installation only after moisture-vapor-emission-rate and relative humidity do not exceed the following:
    - a. Moisture-Vapor-Emission Rate: Maximum 3lbs. of water/1,000 sq. ft. in 24 hours, unless indicated otherwise by resilient accessory manufacturer.
    - b. Relative Humidity: Maximum 75 percent relative humidity, unless indicated otherwise by resilient accessory manufacturer.

### 3.02 PREPARATION

- A. Prepare floor substrates as recommended by flooring and adhesive manufacturers.

FIRE STATIONS RENOVATION  
Arlington County, Virginia  
Architect's Project No.: 563006

---

- B. Concrete: Use leveling compound as necessary to achieve substrate flatness of plus or minus 1/8 inch within 10 ft radius.
- C. Remove coatings that are incompatible with flooring adhesives, using methods recommended by flooring manufacturer.
- D. Broom clean areas to receive athletic flooring immediately before beginning installation.

**3.03 INSTALLATION**

- A. Starting installation constitutes acceptance of subfloor conditions.
- B. Install in accordance with manufacturer's written instructions.
- C. Rubber Tile Flooring:
  - 1. Lay out center lines in spaces to receive tile flooring, based on location of principal walls. Start tile installation from center, and adjust as necessary to avoid tiles less than one-half width at perimeter.
  - 2. Lay tiles square with room axis, unless otherwise indicated, matching for color and pattern by selecting from cartons and mixing as recommended by manufacturer.
  - 3. Spread only enough adhesive to permit installation of materials before initial set.
  - 4. Fit joints and butt seams tightly; press with heavy roller to attain full adhesion.
- D. Extend flooring into accessory spaces (such as closets, wall recesses, or toe spaces) and to center line of cased openings or center line of door leaf at door openings, unless otherwise indicated. Where transitions occur between resilient athletic flooring and other flooring types, extend or cut flooring to suit transition.

**3.04 CLEANING**

- A. Clean flooring using methods recommended by manufacturer.

**3.05 PROTECTION**

- A. Protect finished athletic flooring from construction traffic to ensure that it is without damage upon Date of Substantial Completion.

**END OF SECTION**

FIRE STATIONS RENOVATION  
Arlington County, Virginia  
Architect's Project No.: 563006

---

**SECTION 099113  
EXTERIOR PAINTING**

**PART 1 GENERAL**

**1.01 SUBMITTALS**

- A. See Section 013000 - Administrative Requirements, for submittal procedures.
- B. Product Data: Provide complete list of products to be used, with the following information for each:
  - 1. Manufacturer's name, product name and/or catalog number, and general product category (e.g. "alkyd enamel").
  - 2. Cross-reference to specified paint system(s) product is to be used in; include description of each system.
- C. Manufacturer's Instructions: Indicate special surface preparation procedures.
- D. Maintenance Data: Submit data including finish schedule showing where each product/color/finish was used, product technical data sheets, material safety data sheets (MSDS), care and cleaning instructions, touch-up procedures, repair of painted and finished surfaces, and color samples of each color and finish used.

**1.02 DELIVERY, STORAGE, AND HANDLING**

- A. Deliver products to site in sealed and labeled containers; inspect to verify acceptability.
- B. Container Label: Include manufacturer's name, type of paint, brand name, lot number, brand code, coverage, surface preparation, drying time, cleanup requirements, color designation, and instructions for mixing and reducing.
- C. Paint Materials: Store at minimum ambient temperature of 45 degrees F and a maximum of 90 degrees F, in ventilated area, and as required by manufacturer's instructions.

**1.03 FIELD CONDITIONS**

- A. Do not apply materials when surface and ambient temperatures are outside the paint product manufacturer's temperature ranges.
- B. Follow manufacturer's recommended procedures for producing best results, including testing of substrates, moisture in substrates, and humidity and temperature limitations.
- C. Do not apply exterior paint and finishes during rain or snow, or when relative humidity is outside the humidity ranges required by the paint product manufacturer.

**PART 2 PRODUCTS**

**2.01 MANUFACTURERS**

- A. Provide paints and finishes from the same manufacturer to the greatest extent possible.
  - 1. If a single manufacturer cannot provide specified products, minor exceptions will be permitted provided approval by Architect is obtained using the specified procedures for substitutions.
- B. Paints:
  - 1. Benjamin Moore & Co. (BM)
  - 2. PPG Paints. (PPG)
  - 3. Sherwin-Williams Company. (SW)

**2.02 PAINTS AND FINISHES - GENERAL**

- A. Paints and Finishes: Ready-mixed, unless required to be a field-catalyzed paint.
  - 1. Provide paints and finishes of a soft paste consistency, capable of being readily and uniformly dispersed to a homogeneous coating, with good flow and brushing properties, and capable of drying or curing free of streaks or sags.
  - 2. Provide materials that are compatible with one another and the substrates indicated under conditions of service and application, as demonstrated by manufacturer based on testing and field experience.
  - 3. Supply each paint material in quantity required to complete entire project's work from a single production run.



FIRE STATIONS RENOVATION  
Arlington County, Virginia  
Architect's Project No.: 563006

---

4. Do not reduce, thin, or dilute paint or finishes or add materials unless such procedure is described explicitly in manufacturer's product instructions.
- B. Colors: To be selected from manufacturer's full range of available colors.
  1. Selection to be made by Architect after award of contract.

### **2.03 ACCESSORY MATERIALS**

- A. Accessory Materials: Provide primers, sealers, cleaning agents, cleaning cloths, sanding materials, and clean-up materials as required for final completion of painted surfaces.
- B. Patching Material: Latex filler.
- C. Fastener Head Cover Material: Latex filler.

## **PART 3 EXECUTION**

### **3.01 PREPARATION**

- A. Clean surfaces thoroughly and correct defects prior to application.
- B. Prepare surfaces using the methods recommended by the manufacturer for achieving the best result for the substrate under the project conditions.
- C. Remove or mask surface appurtenances, including electrical plates, hardware, light fixture trim, escutcheons, and fittings, prior to preparing surfaces for finishing.
- D. Seal surfaces that might cause bleed through or staining of topcoat.
- E. Remove mildew from impervious surfaces by scrubbing with solution of tetra-sodium phosphate and bleach. Rinse with clean water and allow surface to dry.
- F. Ferrous Metal:
  1. Existing Surfaces: Clean existing ferrous metal to SSPC-SP 3 Power Tool Cleaning to remove all rust, loose mill scale, and other foreign substances.

### **3.02 APPLICATION**

- A. Apply products in accordance with manufacturer's written instructions and recommendations in "MPI Architectural Painting Specification Manual".
- B. Where adjacent sealant is to be painted, do not apply finish coats until sealant is applied.
- C. Do not apply finishes to surfaces that are not dry. Allow applied coats to dry before next coat is applied.
- D. Apply each coat to uniform appearance.
- E. Dark Colors and Deep Clear Colors: Regardless of number of coats specified, apply additional coats until complete hide is achieved.
- F. Sand wood and metal surfaces lightly between coats to achieve required finish.
- G. Vacuum clean surfaces of loose particles. Use tack cloth to remove dust and particles just prior to applying next coat.
- H. Reinstall electrical cover plates, hardware, light fixture trim, escutcheons, and fittings removed prior to finishing.

### **3.03 CLEANING**

- A. Collect waste material that could constitute a fire hazard, place in closed metal containers, and remove daily from site.

### **3.04 PROTECTION**

- A. Protect finishes until completion of project.
- B. Touch-up damaged finishes after Substantial Completion.

### **3.05 SCHEDULE - EXTERIOR PAINT SYSTEMS**

- A. Ferrous Metal: Finish surfaces exposed to view. For repainting existing ferrous metal surfaces, provide aliphatic urethane topcoat system over surface tolerant epoxy mastic primer.
  1. Primer: Surface-tolerant fast curing polyamide epoxy (mastic); 5.0 - 10.0 mils DFT.
    - a. BM: Corotech V160 Epoxy Mastic Coating - Semi-Gloss.

FIRE STATIONS RENOVATION  
Arlington County, Virginia  
Architect's Project No.: 563006

---

- b. PPG: 95-245 Pitt-Guard Rapid Epoxy Mastic SG.
- c. SW: Macropoxy 646 Fast Cure Epoxy.
- 2. First and Second Finish Coats: Aliphatic urethane at 3.0 - 4.0 mils DFT per coat.
  - a. BM: Corotech V500 Aliphatic Acrylic Urethane - Gloss.
  - b. PPG: 95-8800 Series; Pitthane High Build Urethane Enamels.
  - c. SW: B65-300 Series/B60V30 Hi-Solids Polyurethane.

**END OF SECTION**

FIRE STATIONS RENOVATION  
Arlington County, Virginia  
Architect's Project No.: 563006

---

**SECTION 099123  
INTERIOR PAINTING**

**PART 1 GENERAL**

**1.01 SUBMITTALS**

- A. See Section 013000 - Administrative Requirements, for submittal procedures.
- B. Product Data: Provide complete list of products to be used, with the following information for each:
  - 1. Manufacturer's name, product name and/or catalog number, and general product category (e.g., "alkyd enamel").
  - 2. Cross-reference to specified paint system(s) product is to be used in; include description of each system.
- C. Certification: By manufacturer that paints and finishes comply with VOC limits specified.
- D. Manufacturer's Instructions: Indicate special surface preparation procedures.
- E. Maintenance Data: Submit data including finish schedule showing where each product/color/finish was used, product technical data sheets, material safety data sheets (MSDS), care and cleaning instructions, touch-up procedures, repair of painted and finished surfaces, and color samples of each color and finish used.

**1.02 DELIVERY, STORAGE, AND HANDLING**

- A. Deliver products to site in sealed and labeled containers; inspect to verify acceptability.
- B. Container Label: Include manufacturer's name, type of paint, brand name, lot number, brand code, coverage, surface preparation, drying time, cleanup requirements, color designation, and instructions for mixing and reducing.
- C. Paint Materials: Store at minimum ambient temperature of 45 degrees F and a maximum of 90 degrees F, in ventilated area, and as required by manufacturer's instructions.

**1.03 FIELD CONDITIONS**

- A. Do not apply materials when surface and ambient temperatures are outside the temperature ranges required by the paint product manufacturer.
- B. Follow manufacturer's recommended procedures for producing best results, including testing of substrates, moisture in substrates, and humidity and temperature limitations.
- C. Do not apply materials when relative humidity exceeds 85 percent, at temperatures less than 5 degrees F above the dew point, or to damp or wet surfaces.
- D. Minimum Application Temperatures for Paints: 50 degrees F for interiors unless required otherwise by manufacturer's instructions.
- E. Provide lighting level of 80 ft candles measured mid-height at substrate surface.

**PART 2 PRODUCTS**

**2.01 MANUFACTURERS**

- A. Provide paints and finishes from the same manufacturer to the greatest extent possible.
  - 1. If a single manufacturer cannot provide specified products; minor exceptions will be permitted provided approval by Architect is obtained using the specified procedures for substitutions.
- B. Paints:
  - 1. Benjamin Moore & Co. (BM)
  - 2. PPG Paints. (PPG)
  - 3. Sherwin-Williams Company. (SW)
- C. Primer Sealers: Same manufacturer as top coats.

**2.02 PAINTS AND FINISHES - GENERAL**

- A. Paints and Finishes: Ready-mixed, unless intended to be a field-catalyzed paint.
  - 1. Provide paints and finishes of a soft paste consistency, capable of being readily and uniformly dispersed to a homogeneous coating, with good flow and brushing

FIRE STATIONS RENOVATION  
Arlington County, Virginia  
Architect's Project No.: 563006

---

- properties, and capable of drying or curing free of streaks or sags.
  - 2. Provide materials that are compatible with one another and the substrates indicated under conditions of service and application, as demonstrated by manufacturer based on testing and field experience.
  - 3. Supply each paint material in quantity required to complete entire project's work from a single production run.
  - 4. Do not reduce, thin, or dilute paint or finishes or add materials unless such procedure is specifically described in manufacturer's product instructions.
- B. Volatile Organic Compound (VOC) Content:
- 1. Provide paints and finishes that comply with the most stringent requirements specified in the following:
    - a. 40 CFR 59, Subpart D--National Volatile Organic Compound Emission Standards for Architectural Coatings.
    - b. SCAQMD 1113 Rule.
    - c. CARB (SCM).
  - 2. Determination of VOC Content: Testing and calculation in accordance with 40 CFR 59, Subpart D (EPA Method 24), exclusive of colorants added to a tint base and water added at project site; or other method acceptable to authorities having jurisdiction.
- C. Flammability: Comply with applicable code for surface burning characteristics.
- D. Colors: To be selected from manufacturer's full range of available colors.
- 1. Selection to be made by Architect after award of contract.
  - 2. Extend colors to surface edges; colors may change at any edge as directed by Architect.
  - 3. In finished areas, finish exposed pipes, conduit, and equipment the same color as the wall/ceiling to which they are mounted.

### 2.03 ACCESSORY MATERIALS

- A. Accessory Materials: Provide primers, sealers, cleaning agents, cleaning cloths, sanding materials, and clean-up materials as required for final completion of painted surfaces.
- B. Patching Material: Latex filler.
- C. Fastener Head Cover Material: Latex filler.

## PART 3 EXECUTION

### 3.01 EXAMINATION

- A. Do not begin application of paints and finishes until substrates have been adequately prepared.
- B. Verify that surfaces are ready to receive work as instructed by the product manufacturer.
- C. Examine surfaces scheduled to be finished prior to commencement of work. Report any condition that may potentially affect proper application.
- D. Test shop-applied primer for compatibility with subsequent cover materials.
- E. Measure moisture content of surfaces using an electronic moisture meter. Do not apply finishes unless moisture content of surfaces is below the following maximums:
  - 1. Gypsum Wallboard: 12 percent.
  - 2. Masonry, Concrete, and Concrete Masonry Units: 12 percent.

### 3.02 PREPARATION

- A. Clean surfaces thoroughly and correct defects prior to application.
- B. Prepare surfaces using the methods recommended by the manufacturer for achieving the best result for the substrate under the project conditions.
- C. Remove or repair existing paints or finishes that exhibit surface defects.
- D. Remove or mask surface appurtenances, including electrical plates, hardware, light fixture trim, escutcheons, and fittings, prior to preparing surfaces or finishing.
- E. Seal surfaces that might cause bleed through or staining of topcoat.

FIRE STATIONS RENOVATION  
Arlington County, Virginia  
Architect's Project No.: 563006

---

- F. Remove mildew from impervious surfaces by scrubbing with solution of tetra-sodium phosphate and bleach. Rinse with clean water and allow surface to dry.
- G. Masonry:
  - 1. Remove efflorescence and chalk. Do not coat surfaces if moisture content, alkalinity of surfaces, or if alkalinity of mortar joints exceed that permitted in manufacturer's written instructions. Allow to dry.
  - 2. Prepare surface as recommended by top coat manufacturer.
- H. Gypsum Board: Fill minor defects with filler compound. Spot prime defects after repair.
- I. Ferrous Metal:
  - 1. Solvent clean according to SSPC-SP 1.

### 3.03 APPLICATION

- A. Apply products in accordance with manufacturer's written instructions and recommendations in "MPI Architectural Painting Specification Manual".
- B. Where adjacent sealant is to be painted, do not apply finish coats until sealant is applied.
- C. Do not apply finishes to surfaces that are not dry. Allow applied coats to dry before next coat is applied.
- D. Apply each coat to uniform appearance in thicknesses specified by manufacturer.
- E. Sand metal surfaces lightly between coats to achieve required finish.
- F. Vacuum clean surfaces of loose particles. Use tack cloth to remove dust and particles just prior to applying next coat.
- G. Reinstall electrical cover plates, hardware, light fixture trim, escutcheons, and fittings removed prior to finishing.

### 3.04 CLEANING

- A. Collect waste material that could constitute a fire hazard, place in closed metal containers, and remove daily from site.

### 3.05 PROTECTION

- A. Protect finishes until completion of project.
- B. Touch-up damaged finishes after Substantial Completion.

### 3.06 SCHEDULE - INTERIOR PAINT SYSTEMS

- A. Concrete Masonry Units (CMU), Concrete Block, and Brick Masonry: Finish surfaces exposed to view. Low-VOC Acrylic Satin Finish: 2 coats over filler, with total DFT not less than 2.5 mils. Provide at all interior masonry except where epoxy finish is indicated.
  - 1. Filler Coat: Acrylic-latex Block Filler:
    - a. BM: 571 Ultra Spec Hi-Build Masonry Block Filler.
    - b. PPG: 6-15 Speedhide Interior/Exterior Acrylic Masonry Block Filler.
    - c. SW: B25W25 PrepRite Interior/Exterior Block Filler.
  - 2. Bonding Primer (Previously Painted): Acrylic Bonding Primer. Test for adhesion. Brush, spray, or roller apply and back roll.
    - a. BM: Insl-X SXA-110 Stix Bonding Primer.
    - b. PPG: 17-921 Seal Grip Acrylic Universal Primer/Sealer.
    - c. SW: B51W150 Extreme Bond Interior/Exterior Primer.
  - 3. First and Second Finish Coats: Commercial Interior Low-VOC Acrylic Satin.
    - a. BM: N538 Ultra Spec 500 Interior Eggshell Finish.
    - b. PPG: 6-4300 Speedhide Zero VOC Interior Eggshell Latex.
    - c. SW: B20-2600 ProMar 200 Zero VOC Interior Latex Eg-Shel.
- B. Concrete Masonry Units (CMU), Epoxy: Finish surfaces exposed to view. Semi-gloss Water Borne Epoxy Finish: 2 coats over filler. Provide at interior masonry where epoxy finish is indicated.
  - 1. Filler Coat: Acrylic-latex Block Filler:
    - a. BM: 571 Ultra Spec Hi-Build Masonry Block Filler.

FIRE STATIONS RENOVATION  
Arlington County, Virginia  
Architect's Project No.: 563006

---

- b. PPG: 6-15 Speedhide Interior/Exterior Acrylic Masonry Block Filler.
- c. SW: B25W25 PrepRite Interior/Exterior Block Filler.
- 2. First and Second Finish Coats: Two component, semi-gloss water-borne polyamide-epoxy, applied at a DFT of 1.5 - 4.0 mils per coat.
  - a. BM: Corotech V400 Polyamide Epoxy Coating.
  - b. PPG: 98-100 Aquapon WB Water Base Epoxy - Semi-Gloss.
  - c. SW: B73V300 Pro Industrial Water Based Catalyzed Epoxy Hardener.
- C. Gypsum Board: Finish surfaces exposed to view. Provide 0 VOC acrylic-latex formulation over 0 VOC filler coat/primer; satin finish at walls and flat finish at ceilings.
  - 1. Filler Coat: 0 VOC Latex primer.
    - a. BM: 534 Ultra Spec 500 Primer Flat.
    - b. PPG: 6-4900 Speedhide Zero VOC Interior Latex Primer.
    - c. SW: B28-2600 ProMar 200 Zero VOC Interior Latex Primer.
  - 2. First & Second Finish Coats: Interior Ceilings and Bulkheads: Flat.
    - a. BM: 536 Ultra Spec 500 Flat.
    - b. PPG: 6-4100 Speedhide Zero VOC Interior Latex Flat.
    - c. SW: B30-2600 ProMar 200 Zero VOC Interior Latex Flat.
  - 3. First & Second Finish Coats: Interior Walls: Satin.
    - a. BM: 538 Ultra Spec 500 Eggshell.
    - b. PPG: 6-4300 Speedhide Zero VOC Interior Eggshell Latex.
    - c. SW: B20-2600/B24-2600 ProMar 200 Zero VOC Interior Latex Eg-Shel/Low Sheen.
- D. Gypsum Board with Water-Borne Polyamide Epoxy Finish ("EPX" - Shower/toilet rooms):
  - 1. Filler Coat: Manufacturer's recommended acrylic/latex primer.
    - a. BM: 253 Super Spec Latex Enamel Undercoater & Primer Sealer.
    - b. PPG: 6-2 Speedhide Interior Latex Sealer.
    - c. SW: B28W2600 ProMar 200 Zero VOC Primer.
  - 2. First & Second Finish Coats: Two-component, water-borne polyamide epoxy applied at DFT of 1.5 - 4.0 mils per coat. Provide semi-gloss finish unless otherwise indicated.
    - a. BM: Corotech V440 Waterborne Amine Epoxy.
    - b. PPG: 98-100 Aquapon WB Water Base Epoxy - Semi-Gloss.
    - c. SW: B70V300 Water Based Catalyzed Epoxy Hardener.
- E. Ferrous Metal: Finish surfaces exposed to view. Provide semi-gloss direct to metal (DTM) acrylic enamel finish; except provide satin/egg-shell finish at hollow metal/steel doors and frames. Provide two coats over primer, with total DFT not less than 5.0 mils. For shop-primed items, verify shop primer with manufacturer and confirm compatibility.
  - 1. Primer: Lead-free, acrylic base primer. Not required on shop-primed items. Provide satin/low luster primer for steel doors and frames.
    - a. BM: HP29/HP 25 Ultra Spec DTM Acrylic Semi-Gloss/Low Lustre.
    - b. PPG: 90-712 Pitt-Tech Int/Ext Primer/Finish Industrial Enamel.
    - c. SW: B66W1 DTM Acrylic Primer/Finish (or B66W200).
  - 2. Bonding Primer (Previously Painted): Acrylic bonding primer for previously painted surfaces to ensure secure bond. Brush, spray, or roller apply and back roll.
    - a. BM: Insl-X SXA-110 Stix Bonding Primer.
    - b. PPG: 90-912 Pitt-Tech Plus DTM Industrial Primer.
    - c. SW: B66A50 DTM Bonding Primer.
  - 3. First and Second Finish Coats: DTM Acrylic Semi-Gloss Enamel.
    - a. BM: HP29 Ultra Spec DTM Acrylic Semi-Gloss.
    - b. PPG: 90-1210 Pitt-Tech Int/Ext Semi-Gloss DTM Industrial Enamel.
    - c. SW: B66W1150 Series Pro Industrial DTM Acrylic Semi-Gloss.
  - 4. First and Second Finish Coats (Steel Doors and Frames): DTM Acrylic Satin Enamel.
    - a. BM: HP25 Ultra Spec DTM Acrylic Low Lustre.
    - b. PPG: 90-1110 Pitt-Tech Int/Ext Satin DTM Industrial Enamel.
    - c. SW: B66W1250 Series Pro Industrial DTM Acrylic Eg-Shel Coating.

FIRE STATIONS RENOVATION  
Arlington County, Virginia  
Architect's Project No.: 563006

---

- F. Ferrous Metal with Latex Dry-Fall Finish: One finish coat over primed exposed construction. Apply to all exposed structure and as scheduled. Provide nominal 50 square foot sample/mock-up area to verify substrate compatibility.
1. Prime Coat: Acrylic, self-priming, or other recommended VOC-compliant metal primer. 2.0 mils DFT.
    - a. BM: Coronado N110 Superkote 5000 DryFall Latex Flat.
    - b. PPG: 90-712 Pitt-Tech Int/Ext Primer/Finish Industrial Enamel.
    - c. SW: B66-310 Pro-Cryl Universal Primer.
  2. Top Coat: Acrylic Dry Fall, flat, 3.0 mils DFT. Provide color selected by Architect from manufacturer's standard options, unless indicated otherwise.
    - a. BM: Coronado N110 Superkote 5000 DryFall Latex Flat.
    - b. PPG: 6-724XI Series - Speedhide Super Tech WB Interior Dry-Fog Flat Latex.
    - c. SW: B42 BW3 Waterborne Acrylic Dry Fall, Flat.
- G. Interior Woodwork: Stained woodwork with transparent finish is specified in Division 6 Section "Interior Finish Carpentry."

**END OF SECTION**

FIRE STATIONS RENOVATION  
Arlington County, Virginia  
Architect's Project No.: 563006

---

**SECTION 122400  
WINDOW SHADES**

**PART 1 GENERAL**

**1.01 REFERENCE STANDARDS**

- A. ASTM G21 - Standard Practice for Determining Resistance of Synthetic Polymeric Materials to Fungi 2015 (Reapproved 2021)e1.
- B. NFPA 701 - Standard Methods of Fire Tests for Flame Propagation of Textiles and Films 2019.

**1.02 ADMINISTRATIVE REQUIREMENTS**

- A. Sequencing:
  - 1. Do not fabricate shades until field dimensions for each opening have been taken with field conditions in place.
  - 2. Do not install shades until final surface finishes and painting are complete.

**1.03 SUBMITTALS**

- A. See Section 013000 - Administrative Requirements, for submittal procedures.
- B. Product Data: Provide manufacturer's standard catalog pages and data sheets, including materials, finishes, fabrication details, dimensions, profiles, mounting requirements, and accessories.
- C. Selection Samples: Include color charts with full range of colors.
- D. Manufacturer's Instructions: Include instructions for storage, handling, protection, examination, preparation, and installation of product.
- E. Project Record Documents: Record actual locations of control systems and show interconnecting wiring.
- F. Operation and Maintenance Data: List of all components with part numbers, sources of supply, and operation and maintenance instructions; include copy of shop drawings.
- G. Warranty: Submit sample of manufacturer's warranty and documentation of final executed warranty completed in Owner's name and registered with manufacturer.

**1.04 DELIVERY, STORAGE, AND HANDLING**

- A. Deliver shades in manufacturer's unopened packaging, labeled to identify each shade for each opening.
- B. Handle and store shades in accordance with manufacturer's recommendations.

**1.05 FIELD CONDITIONS**

- A. Do not install products under environmental conditions outside manufacturer's recommendations.

**1.06 WARRANTY**

- A. See Section 017800 - Closeout Submittals, for additional warranty requirements.
- B. Provide manufacturer's warranty from Date of Substantial Completion, covering the following:
  - 1. Shade Hardware: One year.
  - 2. Fabric: One year.
  - 3. Aluminum and Steel Coatings: One year.

**PART 2 PRODUCTS**

**2.01 MANUFACTURERS**

- A. Interior Manually Operated Roller Shades:
    - 1. CACO, Inc.; Serenity Roller Shades.
    - 2. Castec, Inc.; Rollstar.
    - 3. Crown Shade Company; Rollease.
    - 4. DFB Sales Inc; Sol-R-Shade.
    - 5. Draper, Inc; Clutch Operated FlexShade.
-



FIRE STATIONS RENOVATION  
Arlington County, Virginia  
Architect's Project No.: 563006

---

6. Hunter Douglas Architectural; RB500 Manual Roller Shades.
  7. Lutron Electronics Co., Inc; Contract Roller Manual Roller Shades.
  8. MechoShade Systems LLC; Mecho/5 System.
  9. Rollease Acmeda Contract; Contract Series One Medium Open Dual Roller Shade.
  10. SWFcontract, a division of Springs Window Fashions, LLC.; Pro Series Manual Solar Shade System.
  11. WT Shade; HeliaRise.
  12. Substitutions: See Section 016000 - Product Requirements.
- B. Source Limitations: Furnish products produced by a single manufacturer and obtained from a single supplier.

## 2.02 ROLLER SHADES

- A. General:
1. Provide shade system components that are easy to remove or adjust without removal of mounted shade brackets.
  2. Provide shade system that operates smoothly when shades are raised or lowered.
- B. Roller Shades:
1. Description - Interior Roller Shades: Single roller, manually operated fabric window shade system complete with mounting brackets, roller tubes, hembars, hardware, and accessories.
    - a. Drop Position: Regular roll.
    - b. Roll Direction: Bottom-up, closed position is at top of window opening.
    - c. Mounting: Window jamb mounted - inside, between jambs.
    - d. Size: As required for window pane sizes indicated.
    - e. Fabric: As indicated under Shade Fabric article.
  2. Brackets and Mounting Hardware: As recommended by manufacturer for mounting indicated and to accommodate shade fabric roll-up size and weight.
  3. Roller Tubes: As required for type of shade operation.
    - a. Material: Extruded aluminum, clear anodized finish.
    - b. Size: As recommended by manufacturer; selected for suitability for installation conditions, span, and weight of shades.
    - c. Fabric Attachment: Utilize extruded channel in tube to accept vinyl spline welded to fabric edge.
    - d. Take-Up Roller: Manufacturer's standard roller tube pretensioned for winding lift cable in bottom-up type shades.
  4. Hembars: Designed to maintain bottom of shade straight and flat.
    - a. Style: Full wrap fabric covered bottom bar, flat profile with heat sealed closed ends.
  5. Accessories:
    - a. Fascia: Extruded aluminum, size as required to conceal shade mounting, attachable to brackets without exposed fasteners; clear anodized finish.
    - b. End Caps: Provide manufacturer's standard end caps to cover exposed ends of brackets.
    - c. Lifting Cables: Nylon coated cable for lifting bottom-up type shades.
    - d. Fasteners: Noncorrosive, and as recommended by shade manufacturer.

## 2.03 SHADE FABRIC

- A. Fabric: Nonflammable, color-fast, impervious to heat and moisture, and able to retain its shape under normal operation.
1. Manufacturers:
    - a. Mermet Corporation; GreenScreen Evolve - 3%.
    - b. Phifer, Inc; Infinity2 -3% or Style 8000.
    - c. Substitutions: See Section 016000 - Product Requirements.
  2. Material: 100 percent polyester or fiberglass; PVC free.
  3. Performance Requirements:
    - a. Flammability: Pass NFPA 701 large and small tests.
    - b. Fungal Resistance: No growth when tested according to ASTM G21.
-

FIRE STATIONS RENOVATION  
Arlington County, Virginia  
Architect's Project No.: 563006

---

4. Openness Factor: 3%.
5. Color: As selected by Architect from manufacturer's full range of colors.

**2.04 ROLLER SHADE FABRICATION**

- A. Field measure finished openings prior to ordering or fabrication.
- B. Dimensional Tolerances: Fabricate shades to fit openings within specified tolerances.
  1. Vertical Dimensions: Fill openings from head to sill with 1/2 inch space between bottom bar and window stool.
  2. Horizontal Dimensions - Inside Mounting: Provide symmetrical light gaps on both sides of shade not to exceed 3/4 inch total.
- C. At openings requiring continuous multiple shade units with separate rollers, locate roller joints at window mullion centers; butt rollers end-to-end.

**PART 3 EXECUTION**

**3.01 EXAMINATION**

- A. Examine finished openings for deficiencies that may preclude satisfactory installation.
- B. If substrate preparation is the responsibility of another installer, notify Architect of unsatisfactory preparation before proceeding.
- C. Start of installation shall be considered acceptance of substrates.

**3.02 PREPARATION**

- A. Prepare surfaces using methods recommended by manufacturer for achieving best result for substrate under the project conditions.
- B. Coordinate with window installation and placement of concealed blocking to support shades.

**3.03 INSTALLATION**

- A. Install in accordance with manufacturer's instructions and approved shop drawings, using mounting devices as indicated.
- B. Adjust level, projection, and shade centering from mounting bracket. Verify there is no telescoping of shade fabric. Ensure smooth shade operation.

**3.04 CLEANING**

- A. Clean soiled shades and exposed components as recommended by manufacturer.
- B. Replace shades that cannot be cleaned to "like new" condition.

**3.05 PROTECTION**

- A. Protect installed products from subsequent construction operations.
- B. Touch-up, repair, or replace damaged products before Substantial Completion.

**END OF SECTION**

FIRE STATIONS RENOVATION  
ARLINGTON COUNTY, VIRGINIA  
Architect's Project No: 563006

---

SECTION 211000 - WATER-BASED FIRE-SUPPRESSION SYSTEM

PART 1 - GENERAL

1.1 RELATED DOCUMENTS

- A. Provisions of the Contract and of the Contract Documents apply to this Section.

1.2 SUMMARY

- A. Description of Work:

1. The work includes the installation of a new water-based fire suppression systems throughout the building. The design, equipment, materials, installation and workmanship shall be in strict accordance with the Owner's insurance underwriter's requirements, the current edition of the North Carolina Building Code, the local authority having jurisdiction, and the required and advisory provisions of NFPA.
2. Piping shall not traverse spaces containing electrical equipment in the form of transformers, panel-boards, switchgear, or computer servers.
  - a. Exceptions:
    - 1) Personal computers (PCs)
    - 2) Spaces whose name does not include the term "Electrical", "Data", or "Computer."
3. Each system shall include materials, accessories and equipment necessary to provide each system complete and ready for use.
4. The design of each system shall give full consideration to blind spaces, piping, electrical equipment, ductwork, and all other construction and equipment to afford complete coverage.
5. Devices and equipment for fire protection service shall be of an approved make and type listed by the Underwriters' Laboratories, Inc., or approved by the Factory Mutual System.
6. In the publications referred to herein, the advisory provisions shall be considered to be mandatory, as though the word "shall" had been substituted for "should" wherever it appears.
7. Reference to the "authority having jurisdiction" shall be interpreted to mean the Local Fire Marshal.
8. Calculations shall include delivering water from the point of the fire hydrant flow test through the site piping.

FIRE STATIONS RENOVATION  
ARLINGTON COUNTY, VIRGINIA  
Architect's Project No: 563006

---

9. Consideration shall be given to all unheated areas such as attics, utility rooms, loading docks, outdoor storage spaces with canopies, etc., to provide freeze protection in accordance with NFPA 13. This shall include the installation of dry sprinklers where necessary.

### 1.3 DEFINITIONS

- A. CPVC: Chlorinated polyvinyl chloride plastic.
- B. Email: for the purposes of this section email shall be considered "in writing"

### 1.4 SYSTEM DESCRIPTIONS

- A. Wet-Pipe Sprinkler System: Automatic sprinklers are attached to piping containing water and that is connected to water supply. Water discharges immediately from sprinklers when they are opened. Sprinklers open when heat melts fusible link or destroys frangible device. Hose connections are included if indicated.

### 1.5 PERFORMANCE REQUIREMENTS

- A. Component Working Pressure: Listed for at least 175 psi.
- B. Design shall be approved by authorities having jurisdiction.
- C. Fire-suppression system design shall include the following:
  1. Margin of Safety for Available Water Flow and Pressure: As required by the local Fire Marshal's Office.
  2. Sprinkler Occupancy Hazard Classifications shall be as indicated on the drawings. Where not indicated, comply with NFPA 13.
  3. Maximum Protection Area per Sprinkler shall be in accordance with NFPA 13 and its UL listing.

### 1.6 SUBMITTALS

- A. Product Data: For the following:
  1. Piping materials, including flexible connections, and sprinkler specialty fittings.
  2. Pipe hangers and supports.
  3. Sprinklers, escutcheons, and guards. Include sprinkler flow characteristics, mounting, finish, and other pertinent data.
  4. Flexible sprinkler connection devices, including the manufacturer's installation instructions indicated in the most recent UL listing.
- B. Fire-hydrant flow test report.

FIRE STATIONS RENOVATION  
ARLINGTON COUNTY, VIRGINIA  
Architect's Project No: 563006

---

- C. Approved Sprinkler Piping Shop Drawings: Working plans, prepared according to NFPA 13, that have been approved by authorities having jurisdiction, including hydraulic calculations. Diagram power, signal, and control wiring.
  - 1. Include shop drawings indicating location of all sprinkler heads and all other construction that penetrates ceilings, including light fixtures, HVAC equipment, speakers, fire alarm devices, partition assemblies, etc.
  - 2. Sprinklers shall be referred to on drawings, submittals and other documentation, by the sprinkler identification or Model number as specifically published in the appropriate agency listing or approval. Trade names or other abbreviated designations shall not be allowed.
- D. Welding certificates.
- E. Operation and Maintenance Data to include in emergency, operation, and maintenance manuals.

1.7 CLOSEOUT SUBMITTALS

- A. Field Test Reports and Certificates: Indicate and interpret test results for compliance with performance requirements and as described in NFPA 13 and NFPA 14. Include "Contractor's Material and Test Certificate for Aboveground Piping" and "Contractor's Material and Test Certificate for Underground Piping."

1.8 QUALITY ASSURANCE

- A. Installer Qualifications:
  - 1. Installer's responsibilities include designing, fabricating, and installing fire-suppression systems and providing professional engineering services needed to assume engineering responsibility. A Professional Engineer registered in the state where the project is constructed shall stamp and seal the Shop Drawings.
- B. Flow test:
  - 1. Bid shall be based on the indicated fire-hydrant flow and pressure.
  - 2. Design calculations shall be based on the results of a confirming fire-hydrant flow test performed or caused to be performed by the contractor dated within 1 year of shop drawings submission date.
- C. Welding: Qualify processes and operators according to ASME Boiler and Pressure Vessel Code: Section IX.
- D. All grooved couplings, fittings, valves, and specialties shall be the products of a single manufacturer. Grooving tools shall be of the same manufacturer as the grooved components.
  - 1. All castings used for couplings housings, fittings, or valve and specialty bodies shall be date stamped for quality assurance and traceability.

FIRE STATIONS RENOVATION  
ARLINGTON COUNTY, VIRGINIA  
Architect's Project No: 563006

---

2. Any couplings requiring a torque wrench, per manufacturer installation instruction, must have a test tag attached to each bolt showing torque used for each. Tags shall be date stamped and initialed by the installer.

E. NFPA Standards: Fire-suppression-system equipment, specialties, accessories, installation, and testing shall comply with the following:

1. 2016 NFPA 13: "Standard for the Installation of Sprinkler Systems."

#### 1.9 COORDINATION

- A. Relocate piping to clear the path of ductwork.
- B. Relocate piping to clear the path of conduit.
- C. Relocate piping to clear the path of cable tray.
- D. Coordinate layout and installation of sprinklers with other construction that penetrates ceilings, including light fixtures, HVAC equipment, and partition assemblies.

#### 1.10 SPRINKLER CABINET(S) AND SPARE SPRINKLERS

- A. Provide finished, wall-mounted, steel sprinkler cabinet with hinged cover.
- B. Provide number of sprinklers required by NFPA 13.
- C. Provide separate cabinet with sprinklers and wrench for each type of sprinkler on Project.
- D. Provide products packaged with protective covering for storage. Identify contents with label.

### PART 2 - PRODUCTS

#### 2.1 STEEL PIPE AND FITTINGS

- A. Threaded-End, Schedule 40 Steel Pipe,  $\frac{3}{4}$ " only, all other sizes will be grooved. ASTM A 53/A 53M, ASTM A 135, or ASTM A 795, hot-dip galvanized where indicated and with factory- or shop-formed threaded ends.
  1. Cast-Iron Threaded Flanges: ASME B16.1.
  2. Malleable-Iron Threaded Fittings: ASME B16.3.
  3. Gray-Iron Threaded Fittings: ASME B16.4.
  4. Steel Threaded Pipe Nipples: ASTM A 733, made of ASTM A 53/A 53M or ASTM A 106, Schedule 40, seamless steel pipe. Include ends matching joining method.
  5. Steel Threaded Couplings: ASTM A 865.

FIRE STATIONS RENOVATION  
ARLINGTON COUNTY, VIRGINIA  
Architect's Project No: 563006

---

- B. Plain-End, Schedule 40 Steel Pipe: ASTM A 53/A 53M, ASTM A 135, or ASTM A 795 hot-dip galvanized where indicated.
1. Steel Welding Fittings: ASTM A 234/A 234M, and ASME B16.9 or ASME B16.11.
  2. Steel Flanges and Flanged Fittings: ASME B16.5.
- C. Grooved-End, Schedule 40 Steel Pipe: ASTM A 53/A 53M, ASTM A 135, or ASTM A 795, hot-dip galvanized where indicated and with factory- or field-formed, square-cut- or roll-grooved ends.
1. Grooved-Joint Piping Systems:
    - a. Basis-of-Design Product: Subject to compliance with requirements, provide Victaulic Company: FireLock.
    - b. Grooved-End Fittings: UL-listed, ASTM A 536, ductile-iron casting with OD matching steel-pipe OD. Basis of design shall be Victaulic Firelock fittings, models 001, 002, 003, 006 for sizes 2" thru 8". Smaller sizes shall be Victaulic models 10, 11, 20, 60 or IR fittings or IGS fittings. No Threaded fittings can be used 1-1/4" -12".
      1. Installation-Ready™ fittings for grooved end steel piping in fire protection applications sizes NPS 1-¼ thru 2½ (DN 32 thru DN 65). Fittings shall consist of a ductile iron housing conforming to ASTM A-536, Grade 65-45-12, with Installation-Ready™ ends, [orange enamel coated] [red enamel coated] [galvanized]. Fittings complete with pre-lubricated Grade "E" EPDM Type 'A' gasket; and ASTM A449 electroplated steel bolts and nuts. System shall be UL listed for a working pressure of 300 psi (2065 kPa) and FM approved for working pressure 365 psi (2517kPa).
      2. Fittings shall have a shorter center-to-end dimensions for installation in tight spaces.
      3. Fittings are rigid, for direct stab installation without field disassembly.
      4. Installation-Ready™ Fittings shall be Victaulic FireLock® Style 101, Style 102, and style 103, which shall be designed for direct "stab" installation onto grooved pipe without prior disassembly of the fitting.
      5. Fittings shall require visual pad-to-pad verification of complete installation.
    - c. Grooved-End-Pipe Couplings: UL 213 and AWWA C606, rigid pattern, unless otherwise indicated; gasketed fitting matching steel-pipe OD. Include ductile-iron housing with keys matching steel-pipe and fitting grooves, pre-lubricated rubber gasket listed for use with housing, and ASTM A449 compliant steel bolts and nuts. Coupling design shall be visual bolt pad to bolt pad, NO coupling requiring a torque wrench shall be used. Only IR Couplings will be used. For dry systems a Flush Seal gasket shall be used.

FIRE STATIONS RENOVATION  
ARLINGTON COUNTY, VIRGINIA  
Architect's Project No: 563006

---

- d. 1" In lieu of threaded steel piping systems, the Victaulic FireLock IGS System with "Installation-Ready™ fittings and couplings will be used for NPS 1 (DN 25) Schedule 10 and Schedule 40 carbon steel pipe in fire protection applications. System rated for a maximum working pressure to 365 psi (2517 kPa).
1. Groove: IGS "Innovative Groove System" groove with shortened "A" dimension and tapered groove backside for ease of installation.
    - a. Grooving Tool: Victaulic RG2100, with IGS Confirmation Gauge.
  2. Fittings:
    - a. Ductile iron housing conforming to ASTM A-536, Grade 65-45-12. Orange enamel coated or galvanized.
      - i. Victaulic Style 101 (90-degree elbow), Style 102 (tee), and Style 108 (coupling) with Installation-Ready™ ends.
      - ii. Style 108 single-bolt coupling provided with EPDM Type A pressure responsive gasket with Vic-Plus lubricant, and ASTM A449 compliant electroplated steel bolt and nut. CrMo alloy steel coupling linkage.
    - b. Thread x Groove adapter fittings and welded outlets with IGS grooved end, ASTM A53, grade A.

**1. Victaulic Mechanical Couplings for Fire Protection:** Basis of Design. Manufactured in two segments of cast ductile iron, conforming to ASTM A-536, Grade 65-45-12. Gaskets shall be pressure-responsive synthetic rubber, grade to suit the intended service, conforming to ASTM D-2000. Mechanical Coupling bolts shall be zinc plated (ASTM B-633) heat treated carbon steel track head conforming to ASTM A-449 and A-183, minimum tensile strength 110,000 psi (758450 kPa) as provided standard Victaulic.

a. **Rigid Type:**

- 1) "Installation Ready" rigid joints shall be Victaulic FireLock® EZ Style 009N and 107N, in sizes 1-1/4"(DN32) through 12" (DN300) sizes as only approved manuf. Designed for direct "stab" installation onto grooved pipe without prior disassembly of the coupling. For sizes 1-1/4"(DN32) through 2" (DN50) sizes. One bolt Style 108 couplings will be used for 1" size. One bolt 109 couplings can be used in lieu of 009N.
- 2) Housings shall be cast with offsetting, angle-pattern bolt pads to provide system rigidity and support and hanging in accordance with NFPA 13.
- 3) Rigid couplings shall require visual pad-to-pad verification of complete installation. Tongue and recess type couplings which require the use of a torque wrench to achieve the exact required gap between housings are not permitted. Installation Ready (IR) couplings will be the only style coupling approved.



FIRE STATIONS RENOVATION  
ARLINGTON COUNTY, VIRGINIA  
Architect's Project No: 563006

---

- b. **Flexible Type:** Use in seismic areas where required by NFPA 13.
  - 1) "Installation Ready" flexible joints shall be Victaulic Style 177N QuickVic™, in sizes 2"(DN50) through 8"(DN200), which shall be designed for direct "stab" installation onto grooved pipe without prior disassembly of the coupling. .
- e. 2) Standard flexible couplings shall be Victaulic Style 77.

## 2.2 PLASTIC PIPE AND FITTINGS

- A. CPVC Pipe and Fittings: UL-Listed for fire protection use, 175 psi rated, installed in accordance with NFPA 13 and manufacturers listing requirements.

## 2.3 FLEXIBLE CONNECTORS

- A. Flexible connectors shall have materials suitable for system fluid. Include 175-psig minimum working-pressure rating and ends according to the following:
  - 1. NPS 2 and Smaller: grooved.
  - 2. NPS 2-1/2 and Larger: grooved.
  - 3. Option for NPS 2-1/2 and Larger: Grooved for use with grooved-end-pipe couplings.
- B. Basis-of-Design Product: Subject to compliance with requirements, provide Victaulic Company AH2CC.
- C. Stainless-Steel-Hose/Stainless-Steel Pipe, Flexible Connectors: Corrugated, stainless-steel, inner tubing covered with stainless-steel wire braid. Include stainless-steel nipples or flanges, welded to hose.

## 2.4 CORROSION-PROTECTIVE ENCASUREMENT FOR PIPING

- A. Encasement for Underground Metal Piping: ASTM A 674 or AWWA C105, PE film, 0.008-inch minimum thickness, tube or sheet.

## 2.5 SPRINKLER SPECIALTY FITTINGS

- A. Sprinkler specialty fittings shall be UL listed or FM approved, with 175-psig minimum working-pressure rating, and made of materials compatible with piping. Sprinkler specialty fittings shall have
- B. Outlet Specialty Fittings:
  - 1. Basis-of-Design Product: Subject to compliance with requirements, provide Victaulic Company.

FIRE STATIONS RENOVATION  
ARLINGTON COUNTY, VIRGINIA  
Architect's Project No: 563006

---

2. Mechanical-T and -Cross Fittings: UL 213, ductile-iron housing with gaskets, bolts and nuts, and grooved outlets. Basis of design Victaulic style 920/920N and style 922.
  3. Snap-On and Strapless Outlet Fittings: UL 213, ductile-iron housing or casting with gasket and threaded or grooved or grooved outlet. Basis of design Victaulic style 923.
- C. Sprinkler Drain and Alarm Test Fittings: Cast- or ductile-iron body; with threaded, grooved or locking-lug inlet and outlet, test valve, and orifice and sight glass.
1. Basis-of-Design Product: Subject to compliance with requirements, provide Victaulic Company.

## 2.6 LISTED FIRE-PROTECTION VALVES

- A. Valves shall be UL listed or FM approved, with 175-psig minimum pressure rating.
1. Basis-of-Design Product: Subject to compliance with requirements, provide Victaulic Company.
- B. Ball Valves: Comply with UL 1091, except with ball instead of disc.
1. Basis-of-Design Product: Subject to compliance with requirements, provide Victaulic Company.
  2. NPS 1-1/2 and Smaller: Bronze or brass body with grooved ends. Basis of Design: Victaulic Series 728.
  3. NPS 2 and NPS 2-1/2: Ductile-iron body with grooved ends.
  4. NPS 3: Ductile-iron body with grooved ends.
- C. OS&Y Gate Valves: UL 262.
1. Ductile-iron body with flanged x Groove or groove x groove ends. No Flange x Flange will be accepted.
    - a. Basis-of-Design Product: Subject to compliance with requirements, provide Victaulic Company or engineer approved equal. Basis of design Victaulic model 771H or 771F.
- D. Butterfly Valves: UL 1091.
1. NPS 2 and Smaller: Bronze body with grooved ends.
    - a. Basis-of-Design Product: Subject to compliance with requirements, provide Victaulic Company.
  2. NPS 2-1/2 and Larger: Bronze, cast-iron, or ductile-iron body; wafer type or with flanged or grooved ends. Valve seat shall be pressure-responsive, and the stem offset from the disc centerline to provide complete 360-degree circumferential seating. Basis of

FIRE STATIONS RENOVATION  
ARLINGTON COUNTY, VIRGINIA  
Architect's Project No: 563006

---

Design: Victaulic Series 705. Each valve must be individually tested at factory to include electronics.

- a. Basis-of-Design Product: Subject to compliance with requirements, provide Victaulic Company.
- E. Check Valves NPS 2 and Larger: UL 312, spring-assisted swing type for vertical or horizontal installation, cast- ductile iron body with flanged or grooved ends. Basis of Design: Victaulic Series 717.
1. Basis-of-Design Product: Subject to compliance with requirements, provide Victaulic Company.
- F. Indicating Valves: UL 1091, with integral indicating device and ends matching connecting piping.
1. Indicator: Weatherproof actuator housing with electrical, 15 amp @125-VAC 60 HZ, prewired, single-pole-single-throw, supervisory switches
  2. NPS 2 and Smaller: Ball or butterfly valve with bronze body with grooved ends. Basis of Design: Victaulic Series 728.
    - a. Basis-of-Design Product: Subject to compliance with requirements, provide Victaulic Company.
  3. NPS 2-1/2 and Larger: Butterfly valve with cast- or ductile-iron body; wafer type or with flanged or grooved ends.
    - a. Basis-of-Design Product: Subject to compliance with requirements, provide Victaulic Company.

## 2.7 GENERAL-DUTY VALVES

- A. Basis-of-Design Product: Subject to compliance with requirements, provide Victaulic Company.
- B. Ball Valves NPS 2 and Smaller: MSS SP-110, 2-piece copper-alloy body with chrome-plated brass ball, 600-psig minimum CWP rating, blowout-proof stem, and threaded or grooved ends.
- C. Check Valves NPS 2 and Smaller: MSS SP-80, Type 4, Class 125 minimum, swing type with bronze body, nonmetallic disc, and threaded or grooved ends.

## 2.8 SPECIALTY VALVES

- A. Sprinkler System Control Valves: UL listed or FM approved, cast- or ductile-iron body with flanged or grooved ends, and 175-psig minimum pressure rating.
  1. Basis-of-Design Product: Subject to compliance with requirements, provide Victaulic Company.

FIRE STATIONS RENOVATION  
ARLINGTON COUNTY, VIRGINIA  
Architect's Project No: 563006

---

2. Riser Check Valves: UL 193, designed for horizontal or vertical installation, with bronze grooved seat with O-ring seals, single-hinge pin, and latch design. Include trim sets for drain and pressure gages. Victaulic UMC model only.
  
3. Floor control valve assemblies: Universal Manifold Check Valve | Model UMC Model UMC - 1-1/4, 1-1/2, 2, 2-1/2, 3, 4, 6, and 8-inch Universal Manifold Check Valve: Where universal manifold check valves are specified for use in wet-pipe sprinkler systems, as floor control manifolds they shall be specifically listed for such use. Universal manifold check valves shall be ductile iron construction, incorporating a control valve, check valve, flow switch, test & drain assembly, adjustable relief valve, and system gauges in one compact body/footprint, and shall be manufactured for "right" and "left"-hand orientations. The test & drain assemble shall contain an adjustable relief valve, with a range of 175 to 310 psi, and a universal test orifice of K2.8; to provide testing capabilities of systems with k-factors ranging from K2.8 and larger. The Universal Manifold Check valve shall be rated for use at the maximum service pressure of 300 psi and shall be UL listed and FM approved. Universal manifold check valves shall be the Model UMC; as manufactured by Globe brand by Victaulic Company only.

## 2.9 SPRINKLERS

- A. Sprinklers shall be UL listed or FM approved, with 175-psig minimum pressure rating. Basis of design Victaulic / Globe.
- B. Basis-of-Design Product: Subject to compliance with requirements, provide Victaulic Company.
- C. Automatic Sprinklers: UL-Listed with quick response glass bulb type heat-responsive element complying with the following:
  1. UL 199, for nonresidential applications.
- D. Wrenches shall be provided by the sprinkler manufacturer that directly engage the hex-shaped wrench boss integrally cast in the sprinkler body.
- E. Sprinkler types, features, and options as follows:
  1. Brass upright sprinklers.
  2. Extended-coverage sprinklers.
  3. Concealed pendent sprinklers, including cover plate, must have 1" of adjustment.
  4. Pendent sprinklers.
  5. Pendent, dry-type sprinklers.
  6. Quick-response sprinklers.
  7. Recessed sprinklers, including escutcheon.
  8. Sidewall sprinklers.

FIRE STATIONS RENOVATION  
ARLINGTON COUNTY, VIRGINIA  
Architect's Project No: 563006

---

9. Sidewall, dry-type sprinklers as manuf. By Victaulic
10. Attic sprinkler Globe Brand by Victaulic where applicable.
11. Grooved heads as manufactured by Victaulic.

F. Sprinkler Escutcheons: Materials, types, and finishes for the following sprinkler mounting applications. Escutcheons for concealed, flush, and recessed-type sprinklers are specified with sprinklers.

1. Ceiling Mounting: 2 piece, with 1-inch vertical adjustment.
2. Sidewall Mounting: 2 piece, with 1-inch horizontal adjustment.

G. Sprinkler Guards: Wire-cage type, including fastening device for attaching to sprinkler.

H. In lieu of rigid connections to dry sprinkler heads, a Victaulic VicFlex™ dry sprinkler, Model VS1, may be used. The sprinkler shall provide a vertical or horizontal flexible connection with a bend radius to 2" and allow for up to 4 bends.

I. For cooler or Freezer boxes: Victaulic AB6 Freezer dry pendant utilizing a flexible hose connection shall be used. No dry Pendant utilizing a rubber boot will be allowed.

#### 2.11 Special Hazard fire extinguishing systems

Special Hazards systems must meet NFSA 770 standard. Must be 100% green with no need for assurance of tight room integrity, nearly zero wetting with no costly cleanup. Must have no life safety issues and a quick recharge with not patent on the Gas used. Must use only Nitrogen and water. For use in all water sensitive facilities including data centers. Basis of design is Victaulic Vortex extinguishing system.

#### 2.12 ALARM DEVICES

J. Alarm device types shall match piping and equipment connections.

K. Wet Pipe Water-Flow Indicator: UL 346, electrical-supervision, paddle-operated-type, water-flow detector with 250-psig pressure rating and designed for horizontal or vertical installation. Include two single-pole, double-throw circuit switches for isolated alarm and auxiliary contacts, 7 A, 125-V ac and 0.25 A, 24-V dc; complete with factory-set, field-adjustable retard element to prevent false signals and tamperproof cover that sends signal if removed.

1. Manufacturers including but not limited to:
  - a. Grinnell Fire Protection.
  - b. ITT McDonnell & Miller.
  - c. Potter Electric Signal Company.
  - d. Viking Corp.
  - e. Watts Industries, Inc.; Water Products Div.

L. Valve Supervisory Switch: UL 753, electrical, single-pole, double-throw switch with normally closed contacts. Include design that signals controlled valve is in other than fully open position.

1. Manufacturers including but not limited to:
  - a. McWane, Inc.; Kennedy Valve Div.

FIRE STATIONS RENOVATION  
ARLINGTON COUNTY, VIRGINIA  
Architect's Project No: 563006

---

- b. Potter Electric Signal Company.
- c. System Sensor.

2.10 PRESSURE GAGES

- A. Manufacturers including but not limited to:
  - 1. Dresser Equipment Group; Instrument Div.
- B. Description: UL 393, 3-1/2" to 4-1/2" diameter dial.
- C. Water System Piping: Include caption "WATER" or "AIR/WATER" on dial face.

2.11 FIRESTOP WRAP

- A. Manufacturers including but not limited to:
  - 1. 3M
- B. UL listed with minimum 1-hour fire rating

PART 3 - EXECUTION

3.1 PREPARATION

- A. Perform fire-hydrant flow test according to NFPA standards, procedures, appendices, or recommendations.
- B. Report test results no later than two days following the test in writing.

3.2 EARTHWORK

- A. Refer to Division 31 Section "Earth Moving" for excavating, trenching, and backfilling.

3.3 EXAMINATION

- A. Examine roughing-in for hose connections and stations to verify actual locations of piping connections before installation.
- B. Examine walls and partitions for suitable thicknesses, fire- and smoke-rated construction, framing for hose-station cabinets, and other conditions where hose connections and stations are to be installed.
- C. Proceed with installation only after unsatisfactory conditions have been corrected.

FIRE STATIONS RENOVATION  
ARLINGTON COUNTY, VIRGINIA  
Architect's Project No: 563006

---

3.4 PIPING APPLICATIONS, GENERAL

- A. Provide shop-welded joints where welding is required.
- B. Provide shop or manufacturer-threaded or grooved joints where threads are required.
- C. Field-welded joints will be permitted where indicated on the drawings. Field welding is optional where indicated. Other approved or specified methods are acceptable.
- D. Do not use welded joints for galvanized-steel.
- E. Flanges, flanged fittings, unions, nipples, transition and special fittings with finish and pressure ratings same as or higher than system's pressure rating may be used in aboveground applications, unless otherwise indicated.

3.5 SPRINKLER SYSTEM PIPING APPLICATIONS

- A. Wet-Pipe Sprinkler System, 175-psig Maximum Working Pressure:
  - 1. Sprinkler Piping NPS 2" and smaller use any of the following:
    - a. Threaded or grooved-end, black, schedule 40 steel pipe; cast- or malleable-iron threaded or grooved fittings; and threaded or grooved joints.
    - b. Plain-end, black, schedule 40 steel pipe; steel welding fittings; and welded joints.
    - c. Grooved-end, black, schedule 40 steel pipe with square-cut- or roll-grooved ends; grooved-end fittings; grooved-end-pipe couplings; and grooved joints.
  - 2. Sprinkler Piping NPS 2 1/2" and larger use any of the following:
    - a. Threaded or grooved-end, black, schedule 40 steel pipe; cast- or malleable-iron threaded or grooved fittings; and threaded or grooved joints.
    - b. Plain-end, black, schedule 10 steel pipe; steel welding fittings; and welded joints.
    - c. Grooved-end, black, Schedule 10 steel pipe; grooved-end fittings; grooved-end-pipe couplings; and roll grooved joints.
  - 3. CPVC Pipe and Fittings are permitted to be installed in accordance with NFPA 13 and the manufacturers listing requirements.

3.6 VALVE APPLICATIONS

- A. Where specific valve types are not indicated, the following requirements apply:
  - 1. Listed Fire-Protection Valves: UL listed and FMG approved for application.
    - a. Shutoff Duty: Use ball, or butterfly valves.

3.7 JOINT CONSTRUCTION

- A. Refer to Section "Common Work Results for Fire Suppression" for basic piping joint construction.

FIRE STATIONS RENOVATION  
ARLINGTON COUNTY, VIRGINIA  
Architect's Project No: 563006

---

- B. Threaded Joints: Comply with NFPA 13 for pipe thickness and threads. Do not thread pipe smaller than 8" with wall thickness less than Schedule 40 unless approved by authorities having jurisdiction.
- C. Threads shall be checked by a ring gage and shall comply with ASME B1.20.1.
- D. Grooved Joints: Assemble joints with listed coupling and gasket, lubricant, and bolts in accordance with the manufacturer's published installation instructions.
  - 1. Steel Pipe: Square-cut or roll-groove piping as indicated. Use grooved-end fittings and rigid, grooved-end-pipe couplings, unless otherwise indicated.
  - 2. Grooved coupling manufacturer's factory trained field representative shall provide on-site training for contractor's field personnel in the proper use of grooving tools, application of groove, and installation of grooved piping products. Factory trained representative shall periodically visit the jobsite to ensure best practices in grooved product installation are being followed. Contractor shall remove and replace any improperly installed products.
- E. Dissimilar-Metal Piping Joints: Construct joints using dielectric fittings compatible with both piping materials.
  - 1. NPS 2 and Smaller: Use dielectric unions, couplings, or nipples.
  - 2. NPS 2-1/2 to NPS 4: Use dielectric flanges.
  - 3. NPS 5 and Larger: Use dielectric flange insulation kits.

### 3.8 PIPING INSTALLATION

- A. Refer to Section "Common Work Results for Fire Suppression" for basic piping installation.
- B. Locations and Arrangements: Drawing plans, shop drawings, schematics, and diagrams indicate general location and arrangement of piping. Install piping as indicated.
  - 1. Deviations from approved working drawings for piping require written approval from authorities having jurisdiction and Architect. File written approval with Architect before deviating.
- C. Provide approved fittings to make changes in direction, branch takeoffs from mains, and reductions in pipe sizes.
- D. Provide unions adjacent to each valve in pipes 2" and smaller. Unions are not required on flanged devices or in piping installations using grooved joints.
- E. Provide sprinkler piping with drains for complete system drainage.
- F. Provide alarm devices.
- G. Install sprinkler system piping according to NFPA 13.



FIRE STATIONS RENOVATION  
ARLINGTON COUNTY, VIRGINIA  
Architect's Project No: 563006

---

- H. Install pressure gages on each riser or feed main, and at each sprinkler test connection. Include pressure gages with connection not less than 1/4" and with soft metal seated globe valve, arranged for draining pipe between gage and valve. Install gages to permit removal, and install where not subject to freezing.
- I. Fill wet-pipe sprinkler with water.

3.9 VALVE INSTALLATION

- A. Install listed fire-protection valves, unlisted general-duty valves, specialty valves and trim, controls, and specialties according to NFPA 13 and authorities having jurisdiction.
- B. Install listed fire-protection shutoff valves supervised-open, located to control sources of water supply except from fire department connections. Install permanent identification signs indicating portion of system controlled by each valve.

3.10 SPRINKLER INSTALLATION

- A. Install sprinklers in suspended ceilings in center of acoustical ceiling panels and tiles.
- B. Do not install pendent or sidewall, wet-type sprinklers in areas subject to freezing. Use dry-type sprinklers with water supply from heated space wherever possible.
- C. Do not install sprinklers that have been dropped, damaged, show a visible loss of fluid, or a cracked bulb.
- D. The sprinkler bulb protector shall be removable by hand, without tools or devices that may damage the bulb.

3.11 CONNECTIONS

- A. Install piping adjacent to equipment to allow service and maintenance.
- B. Connect water-supply piping to fire-suppression piping. Include backflow preventer between potable-water piping and fire-suppression piping.
- C. Install ball drip valves at each check valve for fire department connection. Drain as indicated. If not indicated otherwise, drain to floor drain or outside building.
- D. Coordinate connection of alarm devices to fire alarm.
- E. Ground equipment. Grounding shall be in accordance with section "Grounding and Bonding for Electrical Systems."
- F. Coordinate connection of wiring.

FIRE STATIONS RENOVATION  
ARLINGTON COUNTY, VIRGINIA  
Architect's Project No: 563006

---

- G. Tighten electrical connectors and terminals according to manufacturer's published torque-tightening values. If manufacturer's torque values are not indicated, use those specified in UL 486A and UL 486B.

3.12 LABELING AND IDENTIFICATION

- A. Install labeling and pipe markers on equipment and piping according to requirements in NFPA 13.

3.13 FIELD QUALITY CONTROL

- A. Perform the following field tests and inspections and prepare test reports:
  1. Leak Test: After installation, charge system and test for leaks. Repair leaks and retest until no leaks exist.
  2. Test and adjust controls and safeties. Replace damaged and malfunctioning controls and equipment.
  3. Energize circuits to electrical equipment and devices.
  4. Flush, test, and inspect sprinkler systems according to NFPA 13, "Systems Acceptance" Chapter.
  5. Coordinate with fire alarm tests. Operate as required.
  6. Verify that equipment hose threads are same as local fire department equipment.
- B. Report test results promptly and in writing to Architect and authorities having jurisdiction.

3.14 CLEANING AND PROTECTION

- A. Clean dirt and debris from sprinklers.
- B. Provide sprinklers to replace sprinklers with paint or coating other than the original factory finish.
- C. Protect sprinklers from damage and debris until Substantial Completion.
- D. Protect the building exterior when operating drains and test connections discharging to the building exterior.
- E. Dirt and stains on any surfaces resulting from the work of this section shall be cleaned and removed under this section.

3.15 DEMONSTRATION

- A. Engage a factory-authorized service representative to train Owner's maintenance personnel to adjust, operate, and maintain the system.

END OF SECTION 211000

FIRE STATIONS RENOVATION  
ARLINGTON COUNTY, VIRGINIA  
Architect's Project No: 563006

---

SECTION 220500 - COMMON WORK RESULTS FOR PLUMBING

PART 1 - GENERAL

1.1 RELATED DOCUMENTS

- A. Provisions of the Contract and of the Contract Documents apply to this Section.

1.2 DEFINITIONS

- A. Finished Spaces: Spaces other than mechanical and electrical equipment rooms, furred spaces, pipe chases, unheated spaces immediately below roof, spaces above ceilings, unexcavated spaces, crawlspace, and tunnels.
- B. Exposed, Interior Installations: Exposed to view indoors. Examples include finished occupied spaces and mechanical equipment rooms.
- C. Exposed, Exterior Installations: Exposed to view outdoors or subject to outdoor ambient temperatures and weather conditions. Examples include rooftop locations.
- D. Concealed, Interior Installations: Concealed from view and protected from physical contact by building occupants. Examples include above ceilings and in chases.
- E. Concealed, Exterior Installations: Concealed from view and protected from weather conditions and physical contact by building occupants but subject to outdoor ambient temperatures. Examples include installations within unheated shelters.
- F. The following are industry abbreviations for plastic materials:
1. ABS: Acrylonitrile-butadiene-styrene plastic.
  2. CPVC: Chlorinated polyvinyl chloride plastic.
  3. PE: Polyethylene plastic.
  4. PVC: Polyvinyl chloride plastic.
- G. The following are industry abbreviations for rubber materials:
1. EPDM: Ethylene-propylene-diene terpolymer rubber.
  2. NBR: Acrylonitrile-butadiene rubber.

1.3 SUBMITTALS

- A. Product Data: For the following:
1. Transition fittings.
  2. Dielectric fittings.
  3. Escutcheons.

FIRE STATIONS RENOVATION  
ARLINGTON COUNTY, VIRGINIA  
Architect's Project No: 563006

---

- B. LEED Submittals: Refer to Division 1 Section "Sustainable Design Requirements."

#### 1.4 QUALITY ASSURANCE

- A. Steel Support Welding: Qualify processes and operators according to AWS D1.1, "Structural Welding Code--Steel."
- B. Steel Pipe Welding: Qualify processes and operators according to ASME Boiler and Pressure Vessel Code: Section IX, "Welding and Brazing Qualifications."
  - 1. Comply with provisions in ASME B31 Series, "Code for Pressure Piping."
  - 2. Certify that each welder has passed AWS qualification tests for welding processes involved and that certification is current.
- C. Electrical Characteristics for Plumbing Equipment: Equipment of higher electrical characteristics may be furnished provided such proposed equipment is approved in writing and connecting electrical services, circuit breakers, and conduit sizes are appropriately modified. If minimum energy ratings or efficiencies are specified, equipment shall comply with requirements.

#### 1.5 DELIVERY, STORAGE, AND HANDLING

- A. Deliver pipes and tubes with factory-applied end caps. Maintain end caps through shipping, storage, and handling to prevent pipe end damage and to prevent entrance of dirt, debris, and moisture.
- B. Store plastic pipes protected from direct sunlight. Support to prevent sagging and bending.

#### 1.6 COORDINATION

- A. Arrange for pipe spaces, chases, slots, and openings in building structure during progress of construction, to allow for plumbing installations.
- B. Coordinate installation of required supporting devices and set sleeves in poured-in-place concrete and other structural components as they are constructed.
- C. Coordinate requirements for access panels and doors for plumbing items requiring access that are concealed behind finished surfaces. Access panels and doors are specified in Division 08 Section "Access Doors and Frames."

### PART 2 - PRODUCTS

#### 2.1 PIPE, TUBE, AND FITTINGS

- A. Refer to other Division 22 piping sections for pipe, tube, and fitting materials and joining methods.

FIRE STATIONS RENOVATION  
ARLINGTON COUNTY, VIRGINIA  
Architect's Project No: 563006

---

- B. Pipe Threads: ASME B1.20.1 for factory-threaded pipe and pipe fittings.

## 2.2 JOINING MATERIALS

- A. Refer to individual Division 22 piping sections for joining materials not listed below.
- B. Pipe-Flange Gasket Materials: Suitable for chemical and thermal conditions inside & outside pipe and:
  - 1. ASME B16.21, nonmetallic, flat, asbestos-free, 1/8-inch maximum thickness unless thickness or specific material is otherwise indicated.
    - a. Full-Face Type: For flat-face, Class 125, cast-iron and cast-bronze flanges.
    - b. Narrow-Face Type: For raised-face, Class 250, cast-iron and steel flanges.
  - 2. AWWA C110, rubber, flat face, 1/8 inch thick, unless otherwise indicated, and full-face or ring type, unless otherwise indicated.
- C. Solder Filler Metals: ASTM B 32, lead-free (95% Tin, 5% Antimony) alloy. Include water-flushable flux according to ASTM B 813.
- D. Brazing Filler Metals: AWS A5.8, BCuP Series, copper-phosphorus alloys for general-duty brazing, unless otherwise indicated; and AWS A5.8, BAgl, silver alloy for refrigerant piping, unless otherwise indicated.
- E. Welding Filler Metals: Comply with AWS D10.12 for welding materials appropriate for wall thickness and chemical analysis of steel pipe being welded.
- F. Solvent Cements for Joining Plastic Piping:
  - 1. ABS Piping: ASTM D 2235.
  - 2. CPVC Piping: ASTM F 493.
  - 3. PVC Piping: ASTM D 2564. Include primer according to ASTM F 656.
  - 4. PVC to ABS Piping Transition: ASTM D 3138.

## 2.3 MECHANICAL GROOVED JOINT COUPLINGS

- A. Manufacturer: Victaulic
- B. Description: Pipe joint consisting of a grooved pipe, EPDM gasket, steel housing, 2 bolts and 2 nuts.
- C. Gasket Material: Grade "E" EPDM suitable for use up to 250 degrees F.
- D. Housing: Carbon steel

FIRE STATIONS RENOVATION  
ARLINGTON COUNTY, VIRGINIA  
Architect's Project No: 563006

---

2.4 DIELECTRIC FITTINGS

- A. Description: Combination fitting of copper alloy and ferrous materials with threaded, solder-joint, plain, or weld-neck end connections that match piping system materials.
- B. Insulating Material: Suitable for system fluid, pressure, and temperature.
- C. Dielectric Flanges: Factory-fabricated, companion-flange assembly, for 150 or 300 psig working pressure as required to suit system pressures.
  - 1. Available Manufacturers:
    - a. Capitol Manufacturing Co.
    - b. Central Plastics Company.
    - c. Epco Sales, Inc.
    - d. Watts Industries, Inc.; Water Products Div.
- D. Dielectric-Flange Kits: Companion-flange assembly for field assembly. Include flanges, full-face- or ring-type neoprene or phenolic gasket, phenolic or polyethylene bolt sleeves, phenolic washers, and steel backing washers.
  - 1. Available Manufacturers:
    - a. Advance Products & Systems, Inc.
    - b. Calpico, Inc.
    - c. Central Plastics Company.
    - d. Pipeline Seal and Insulator, Inc.
  - 2. Separate companion flanges and steel bolts and nuts shall have 150- or 300-psig minimum working pressure where required to suit system pressures.
- E. Dielectric Couplings: Galvanized-steel coupling with inert and noncorrosive, thermoplastic lining; threaded ends; and 300-psig minimum working pressure at 225 deg F.
  - 1. Available Manufacturers:
    - a. Calpico, Inc.
    - b. Lochinvar Corp.

2.5 ESCUTCHEONS

- A. Description: Manufactured wall and ceiling escutcheons and floor plates, with an ID to closely fit around pipe, tube, and insulation of insulated piping and an OD that completely covers opening.
- B. One-Piece, Deep-Pattern Type: Deep-drawn, box-shaped brass with polished chrome-plated finish.
- C. One-Piece, Cast-Brass Type: With set screw.

FIRE STATIONS RENOVATION  
ARLINGTON COUNTY, VIRGINIA  
Architect's Project No: 563006

---

- 1. Finish: Polished chrome-plated.
- D. Split-Casting, Cast-Brass Type: With concealed hinge and set screw.
  - 1. Finish: Polished chrome-plated.
- E. One-Piece, Floor-Plate Type: Cast-iron floor plate.
- F. Split-Casting, Floor-Plate Type: Cast brass with concealed hinge and set screw.

## 2.6 GROUT

- A. Description: ASTM C 1107, Grade B, nonshrink and nonmetallic, dry hydraulic-cement grout.
  - 1. Characteristics: Post-hardening, volume-adjusting, nonstaining, noncorrosive, nongaseous, and recommended for interior and exterior applications.
  - 2. Design Mix: 5000-psi, 28-day compressive strength.
  - 3. Packaging: Premixed and factory packaged.

## 2.7 SECURITY FASTENERS:

- A. Description: Accessories, anchorage inserts, and security fasteners providing a complete tamperproof installation.
- B. Exposed Security Fasteners:
  - 1. Fastener: Provide torx-head (star with center reject pin) security fasteners for anchoring work in exposed security areas.
  - 2. Finish: Finish shall match that specified of the item anchored.
  - 3. Tools: Provide tools for fastening devices

## PART 3 - EXECUTION

### 3.1 PIPING SYSTEMS - COMMON REQUIREMENTS

- A. Install piping according to the following and Division 22 Sections specifying piping systems.
- B. Install piping in concealed locations, unless otherwise indicated and except in equipment rooms and service areas.
- C. Install piping indicated to be exposed and piping in equipment rooms and service areas at right angles or parallel to building walls. Diagonal runs are prohibited unless specifically indicated otherwise.
- D. Install piping above accessible ceilings to allow sufficient space for ceiling panel removal.
- E. Install piping to permit valve servicing.

FIRE STATIONS RENOVATION  
ARLINGTON COUNTY, VIRGINIA  
Architect's Project No: 563006

---

- F. Install piping at indicated slopes.
- G. Install piping free of sags and bends.
- H. Install fittings for changes in direction and branch connections.
- I. Install piping to allow application of insulation.
- J. Select system components with pressure rating equal to or greater than system operating pressure.
- K. Install escutcheons for penetrations of walls, ceilings, and floors according to the following:
  - 1. Exposed, Interior Installations/Piping with Fitting or Sleeve Protruding from Wall: One-piece, deep-pattern type.
  - 2. Exposed, Interior Installations/Chrome-Plated Piping: One-piece, cast-brass type with polished chrome-plated finish and set-screw.
  - 3. Exposed, Interior Installations/Insulated Piping: One-piece, cast-brass type with polished chrome-plated finish.
  - 4. Exposed, Interior Installations/Bare Piping at Wall and Floor Penetrations in Finished Spaces: One-piece, cast-brass type with finish to match surrounding surfaces.
  - 5. Exposed, Interior Installations/Bare Piping at Ceiling Penetrations in Finished Spaces: One-piece or split-casting, cast-brass type with finish to match surrounding surfaces.
  - 6. Exposed, Interior Installations/Piping in Unfinished Service Spaces: None, provide sealant.
  - 7. Exposed, Interior Installations/Piping in Equipment Rooms: None, provide sealant.
  - 8. Exposed, Interior Installations/Piping at Floor Penetrations in Equipment Rooms, Fan Rooms, or similar wet spaces: None - provide sealant and sleeve extending 2" above floor to prevent liquid leaking to floor below
- L. Fire-Barrier Penetrations: Maintain indicated fire rating of walls, partitions, ceilings, and floors at pipe penetrations. Seal pipe penetrations with firestop materials. Refer to Section "Penetration Firestopping" for materials.
- M. Verify final equipment locations for roughing-in.
- N. Refer to equipment specifications in other Sections of these Specifications for roughing-in requirements.

### 3.2 PIPING JOINT CONSTRUCTION

- A. Join pipe and fittings according to the following requirements and Division 22 Sections specifying piping systems.
- B. Ream ends of pipes and tubes and remove burrs. Bevel plain ends of steel pipe.
- C. Remove scale, slag, dirt, and debris from inside and outside of pipe and fittings before assembly.



FIRE STATIONS RENOVATION  
ARLINGTON COUNTY, VIRGINIA  
Architect's Project No: 563006

---

- D. Soldered Joints: Apply ASTM B 813, water-flushable flux, unless otherwise indicated, to tube end. Construct joints according to ASTM B 828 or CDA's "Copper Tube Handbook," using lead-free solder alloy complying with ASTM B 32.
- E. Brazed Joints: Construct joints according to AWS's "Brazing Handbook," "Pipe and Tube" Chapter, using copper-phosphorus brazing filler metal complying with AWS A5.8.
- F. Threaded Joints: Thread pipe with tapered pipe threads according to ASME B1.20.1. Cut threads full and clean using sharp dies. Ream threaded pipe ends to remove burrs and restore full ID. Join pipe fittings and valves as follows:
1. Apply appropriate tape or thread compound to external pipe threads unless dry seal threading is specified.
  2. Damaged Threads: Do not use pipe or pipe fittings with threads that are corroded or damaged. Do not use pipe sections that have cracked or open welds.
- G. Welded Joints: Construct joints according to AWS D10.12, using qualified processes and welding operators according to Part 1 "Quality Assurance" Article.
- H. Flanged Joints: Select appropriate gasket material, size, type, and thickness for service application. Install gasket concentrically positioned. Use suitable lubricants on bolt threads.
- I. Plastic Piping Solvent-Cement Joints: Clean and dry joining surfaces. Join pipe and fittings according to the following:
1. Comply with ASTM F 402 for safe-handling practice of cleaners, primers, and solvent cements.
  2. ABS Piping: Join according to ASTM D 2235 and ASTM D 2661 Appendixes.
  3. CPVC Piping: Join according to ASTM D 2846/D 2846M Appendix.
  4. PVC Pressure Piping: Join schedule number ASTM D 1785, PVC pipe and PVC socket fittings according to ASTM D 2672. Join other-than-schedule-number PVC pipe and socket fittings according to ASTM D 2855.
  5. PVC Nonpressure Piping: Join according to ASTM D 2855.
  6. PVC to ABS Nonpressure Transition Fittings: Join according to ASTM D 3138 Appendix.
- J. Plastic Pressure Piping Gasketed Joints: Join according to ASTM D 3139.
- K. Plastic Nonpressure Piping Gasketed Joints: Join according to ASTM D 3212.
- L. PE Piping Heat-Fusion Joints: Clean and dry joining surfaces by wiping with clean cloth or paper towels. Join according to ASTM D 2657.
1. Plain-End Pipe and Fittings: Use butt fusion.
  2. Plain-End Pipe and Socket Fittings: Use socket fusion.
- M. Fiberglass Bonded Joints: Prepare pipe ends and fittings, apply adhesive, and join according to pipe manufacturer's written instructions.

FIRE STATIONS RENOVATION  
ARLINGTON COUNTY, VIRGINIA  
Architect's Project No: 563006

---

- N. Mechanical Joints: Prepare pipe ends and fittings, apply coupling, and join according to joint manufacturer's written instructions.

### 3.3 PIPING CONNECTIONS

- A. Make connections according to the following, unless otherwise indicated:
  - 1. Install unions, in piping 2" and smaller, one adjacent to each valve and at final connections to each piece of equipment.
  - 2. Install flanges, in piping NPS 2-1/2" and larger, adjacent to final connections to each piece of equipment.
  - 3. Install dielectric unions or flanges for connections of dissimilar metals.

### 3.4 EQUIPMENT INSTALLATION - COMMON REQUIREMENTS

- A. Install equipment to allow maximum possible headroom unless specific mounting heights are indicated.
- B. Install equipment level and plumb, parallel and perpendicular to other building systems and components in exposed interior spaces, unless otherwise indicated.
- C. Install plumbing equipment to facilitate service, maintenance, and repair or replacement of components. Connect equipment for ease of disconnecting, with minimum interference to other installations. Extend grease fittings to accessible locations.
- D. Install equipment to allow right of way for piping installed at required slope.

### 3.5 PAINTING

- A. Damage and Touchup: Repair marred and damaged factory-painted finishes with materials and procedures to match original factory finish.
- B. All paints and coatings wet-applied on site must meet the applicable VOC limits of the California Air Resources Board (CARB) 2007, Suggested Control Measure (SCM) for Architectural Coatings, or the South Coast Air Quality Management District (SCAQMD) Rule 1113, effective June 3, 2011.

### 3.6 HOUSEKEEPING PADS AND EQUIPMENT PADS

- A. Housekeeping pads and equipment pads: Anchor equipment to concrete according to equipment manufacturer's written instructions and according to seismic codes at project location.
  - 1. Construct concrete pads in accordance with drawing details.
  - 2. Details may be found on structural drawings. If details are not provided comply with the following:

FIRE STATIONS RENOVATION  
ARLINGTON COUNTY, VIRGINIA  
Architect's Project No: 563006

---

- a. Housekeeping pads inside the building shall be 4" thick and 6" larger all around than supported equipment. Provide a 1" chamfer on all edges.
- b. If details are not provided, equipment pads outside the building shall be 8" thick with a 24" deep 12" wide turndown (footing) all around the outside edge of the pad. Provide welded wire mesh reinforcement. Pad shall be 12" larger all around than supported equipment.
- c. Install dowel rods to connect housekeeping pad to concrete floor. Unless otherwise indicated, install dowel rods on 18-inch centers around the full perimeter of the pad. Provide a 1" chamfer on all edges.
- d. Install epoxy-coated anchor bolts. For equipment on housekeeping pads bolts shall extend through housekeeping pad, and anchor into structural concrete floor.
- e. Place and secure anchor bolts using supported equipment manufacturer's setting drawings, templates, diagrams, instructions, and directions for placement.
- f. Install anchor bolts to elevations required for proper attachment to supported equipment.
- g. Install anchor bolts according to anchor bolt manufacturer's written instructions.

3.7 ERECTION OF METAL SUPPORTS AND ANCHORAGES

- A. Refer to Section "Metal Fabrications" for structural steel.
- B. Cut, fit, and place miscellaneous metal supports accurately in location, alignment, and elevation to support and anchor plumbing materials and equipment.
- C. Field Welding: Comply with AWS D1.1.

3.8 GROUTING

- A. Mix and install grout for plumbing equipment base bearing surfaces, pump and other equipment base plates, and anchors.
- B. Clean surfaces that will come into contact with grout.
- C. Provide forms as required for placement of grout.
- D. Avoid air entrapment during placement of grout.
- E. Place grout, completely filling equipment bases.
- F. Place grout on concrete bases and provide smooth bearing surface for equipment.
- G. Place grout around anchors.
- H. Cure placed grout.

END OF SECTION 220500

FIRE STATIONS RENOVATION  
ARLINGTON COUNTY, VIRGINIA  
Architect's Project No: 563006

SECTION 220517 - SLEEVES AND SLEEVE SEALS FOR PLUMBING PIPING

PART 1 - GENERAL

1.1 RELATED DOCUMENTS

- A. Provisions of the Contract and of the Contract Documents apply to this Section.

1.2 SUBMITTALS

- A. Product Data: For each type of product indicated.

PART 2 - PRODUCTS

2.1 SLEEVES

- A. Cast-Iron Wall Pipes: Cast or fabricated of cast or ductile iron and equivalent to ductile-iron pressure pipe, with plain ends and integral waterstop unless otherwise indicated.
- B. Galvanized-Steel Wall Pipes: ASTM A 53/A 53M, Schedule 40, with plain ends and welded steel collar; zinc coated.
- C. Galvanized-Steel-Pipe Sleeves: ASTM A 53/A 53M, Type E, Grade B, Schedule 40, zinc coated, with plain ends.
- D. Galvanized-Steel-Sheet Sleeves: 0.0239" minimum thickness; round tube closed with welded longitudinal joint.

2.2 STACK-SLEEVE FITTINGS

- A. Available Manufacturers:
  - 1. Smith, Jay R. Mfg. Co.
  - 2. Wade
  - 3. Zurn Specification Drainage Operation; Zurn Plumbing Products Group.
- B. Description: Manufactured, cast-iron sleeve with integral clamping flange. Include clamping ring, bolts, and nuts for membrane flashing.
  - 1. Underdeck Clamp: Clamping ring with setscrews.

2.3 SLEEVE-SEAL SYSTEMS

- A. Available Manufacturers:
  - 1. Advance Products & Systems, Inc.

FIRE STATIONS RENOVATION  
ARLINGTON COUNTY, VIRGINIA  
Architect's Project No: 563006

2. CALPICO, Inc.
  3. Link Seal
  4. Metraflex Company (The).
  5. Pipeline Seal and Insulator, Inc.
  6. Proco Products, Inc.
- B. Description: Modular sealing-element unit, designed for field assembly, for filling annular space between piping and sleeve.
1. Sealing Elements: EPDM or Nitrile rubber interlocking links shaped to fit surface of pipe. Include type and number required for pipe material and size of pipe.
  2. Pressure Plates: Stainless steel.
  3. Connecting Bolts and Nuts: Stainless steel of length required to secure pressure plates to sealing elements.

### PART 3 - EXECUTION

#### 3.1 SLEEVE INSTALLATION

- A. Install sleeves for piping passing through penetrations in floors, partitions, roofs, and walls.
- B. For sleeves that will have sleeve-seal system installed, select sleeves of size large enough to provide 1-inch annular clear space between piping and concrete slabs and walls.
1. Sleeves are not required for core-drilled holes.
- C. Install sleeves in concrete floors, concrete roof slabs, and concrete walls as new slabs and walls are constructed.
1. Permanent sleeves are not required for holes in slabs formed by molded-PE or -PP sleeves.
  2. Cut sleeves to length for mounting flush with both surfaces.
    - a. Exception: Extend sleeves installed in floors of mechanical equipment areas or other wet areas 2 inches above finished floor level.
  3. Using grout, seal the space outside of sleeves in slabs and walls without sleeve-seal system.
- D. Install sleeves for pipes passing through interior partitions.
1. Cut sleeves to length for mounting flush with both surfaces.
  2. Install sleeves that are large enough to provide ¼" clear space between sleeve and pipe or pipe insulation.
  3. Seal annular space between sleeve and piping or piping insulation; use joint sealants appropriate for size, depth, and location of joint. Comply with requirements for sealants.
- E. Fire Ratings: Maintain indicated fire rating of walls, partitions, ceilings, and floors at pipe penetrations. Seal pipe penetrations with firestop materials.

FIRE STATIONS RENOVATION  
ARLINGTON COUNTY, VIRGINIA  
Architect's Project No: 563006

3.2 STACK-SLEEVE-FITTING INSTALLATION

- A. Install stack-sleeve fittings in new slabs as slabs are constructed.
  - 1. Install fittings that are large enough to provide ¼” clear space between sleeve and pipe or pipe insulation.
  - 2. Secure flashing between clamping flanges for pipes penetrating floors with membrane waterproofing. Comply with requirements for flashing specified in Division 07 Section "Sheet Metal Flashing and Trim."
  - 3. Install section of cast-iron soil pipe to extend sleeve to 2 inches above finished floor level.
  - 4. Extend cast-iron sleeve fittings below floor slab as required to secure clamping ring if ring is specified.
  - 5. Using grout, seal the space around outside of stack-sleeve fittings.
- B. Fire Rating: Maintain indicated fire rating at pipe penetrations. Seal pipe penetrations with firestop materials.

3.3 SLEEVE-SEAL-SYSTEM INSTALLATION

- A. Install sleeve-seal systems in sleeves in exterior concrete walls and slabs-on-grade at service piping entries into building unless otherwise indicated.
- B. Select type, size, and number of sealing elements required for piping material and size and for sleeve ID or hole size. Position piping in center of sleeve. Center piping in penetration, assemble sleeve-seal system components, and install in annular space between piping and sleeve. Tighten bolts against pressure plates that cause sealing elements to expand and make a watertight seal.

3.4 SLEEVE AND SLEEVE-SEAL SCHEDULE

- A. Use sleeves and sleeve seals for the following piping-penetration applications:
  - 1. Exterior Concrete Walls above Grade, below Grade, Concrete Slabs-on-Grade, and Concrete Slabs above Grade:
    - a. Piping Smaller Than NPS 6: Cast-iron wall sleeves with sleeve-seal system.
      - 1) Select sleeve size to allow for 1-inch annular clear space between piping and sleeve for installing sleeve-seal system.
    - b. Piping NPS 6 and Larger: Galvanized-steel-pipe sleeves with sleeve-seal system.

END OF SECTION 220517

FIRE STATIONS RENOVATION  
ARLINGTON COUNTY, VIRGINIA  
Architect's Project No: 563006

SECTION 220519 - METERS AND GAGES FOR PLUMBING PIPING

PART 1 - GENERAL

1.1 RELATED DOCUMENTS

- A. Provisions of the Contract and of the Contract Documents apply to this Section.

1.2 SUBMITTALS

- A. Product Data: For each type of product indicated.
- B. Wiring Diagrams: For power, signal, and control wiring.
- C. Operation and Maintenance Data: For meters and gages to include in operation and maintenance manuals.

1.3 ABBREVIATIONS:

- A. AFF Above finished floor
- B. F Fahrenheit
- C. SS Stainless Steel

PART 2 - PRODUCTS

2.1 LIQUID-IN-GLASS THERMOMETERS

- A. Metal-Case, Industrial-Style, Liquid-in-Glass Thermometers:
  - 1. Available Manufacturers:
    - a. Flo Fab Inc.
    - b. Miljoco Corporation.
    - c. Palmer Wahl Instrumentation Group.
    - d. Tel-Tru Manufacturing Company.
    - e. Trelice, H. O. Co.
    - f. Weiss Instruments, Inc.
    - g. Winters Instruments - U.S.
  - 2. Standard: ASME B40.200.
  - 3. Case: Cast aluminum; 9-inch nominal size unless otherwise indicated.
  - 4. Case Form: Adjustable angle unless otherwise indicated.
  - 5. Tube: Glass with magnifying lens and blue or red organic liquid.
  - 6. Tube Background: Nonreflective aluminum with permanently etched scale markings graduated in degrees F.
  - 7. Window: Glass

FIRE STATIONS RENOVATION  
ARLINGTON COUNTY, VIRGINIA  
Architect's Project No: 563006

8. Stem: Aluminum length = 1/2 pipe diameter, 1/2 duct width or 12" whichever is less.
  - a. Air-Duct Installation: Provide ventilated shroud.
  - b. Thermowell Installation: Provide Bare stem.
9. Connector: 1-1/4 inches, with ASME B1.1 screw threads.
10. Accuracy: Plus or minus 1 percent of scale range or one scale division, to a maximum of 1.5 percent of scale range.

## 2.2 THERMOWELLS

### A. Thermowells:

1. Standard: ASME B40.200.
2. Description: Pressure-tight, socket-type fitting made for insertion into threaded fitting.
3. Material: Brass.
4. Type: Stepped shank unless straight or tapered shank is indicated.
5. External Threads: NPS 1/2, NPS 3/4, or NPS 1, ASME B1.20.1 pipe threads.
6. Internal Threads: 1/2, 3/4, and 1 inch, with ASME B1.1 screw threads.
7. Bore: Diameter required to match thermometer bulb or stem.
8. Insertion Length: Length required to match thermometer bulb or stem.
9. Lagging Extension: Include on thermowells for insulated piping and tubing.
10. Bushings: For converting size of thermowell's internal screw thread to size of thermometer connection.

## 2.3 PRESSURE GAGES

### A. Direct-Mounted, Metal-Case, Dial-Type Pressure Gages:

1. Available Manufacturers:
  - a. AMETEK, Inc.; U.S. Gauge.
  - b. Ashcroft Inc.
  - c. Ernst Flow Industries.
  - d. Flo Fab Inc.
  - e. Marsh Bellofram.
  - f. Miljoco Corporation.
  - g. Noshok.
  - h. Palmer Wahl Instrumentation Group.
  - i. REOTEMP Instrument Corporation.
  - j. Tel-Tru Manufacturing Company.
  - k. Trerice, H. O. Co.
  - l. Watts Regulator Co.; a div. of Watts Water Technologies, Inc.
  - m. Weiss Instruments, Inc.
  - n. WIKA Instrument Corporation - USA.
  - o. Winters Instruments - U.S.
2. Standard: ASME B40.100.



FIRE STATIONS RENOVATION  
ARLINGTON COUNTY, VIRGINIA  
Architect's Project No: 563006

3. Case: Solid-front, pressure relief type; cast aluminum or drawn steel; 4-1/2-inch nominal diameter.
4. Pressure-Element Assembly: Bourdon tube unless otherwise indicated.
5. Pressure Connection: Brass, with NPS 1/4, ASME B1.20.1 pipe threads and bottom-outlet type unless back-outlet type is indicated.
6. Movement: Phosphor bronze.
7. Dial: Nonreflective aluminum with permanently etched scale markings graduated in psi.
8. Pointer: Dark-colored metal.
9. Window: Glass.
10. Ring: Brass.
11. Accuracy: + or – 1.0 percent of full scale.

2.4 GAUGE ATTACHMENTS

- A. Snubbers: ASME B40.100, brass; with NPS 1/4, ASME B1.20.1 pipe threads and porous-metal-type surge-dampening device. Include extension for use on insulated piping.
- B. Siphons: Loop-shaped section of brass pipe with NPS 1/4 pipe threads.
- C. Valves: Brass or stainless-steel needle, with NPS 1/4, ASME B1.20.1 pipe threads.

2.5 TEST PLUGS

- A. Manufacturers: Subject to compliance with requirements, provide products by one of the following:
  1. Flow Design, Inc.
  2. Miljoco Corporation.
  3. National Meter, Inc.
  4. Peterson Equipment Co., Inc.
  5. Sisco Manufacturing Company, Inc.
  6. Trerice, H. O. Co.
  7. Watts Regulator Co.; a div. of Watts Water Technologies, Inc.
  8. Weiss Instruments, Inc.
- B. Description: Test-station fitting made for insertion into piping tee fitting.
- C. Body: Brass or stainless steel with core inserts and gasketed and threaded cap. Include extended stem on units to be installed in insulated piping.
- D. Thread Size: NPS 1/2, ASME B1.20.1 pipe thread.
- E. Minimum Pressure and Temperature Rating: 500 psig at 200 deg F.
- F. Core Inserts: Chlorosulfonated polyethylene synthetic and EPDM self-sealing rubber.

FIRE STATIONS RENOVATION  
ARLINGTON COUNTY, VIRGINIA  
Architect's Project No: 563006

PART 3 - EXECUTION

3.1 INSTALLATION

- A. Install thermowells with socket extending to center of pipe and in perpendicular to piping in piping tees.
- B. Install thermowells of sizes required to match thermometer connectors. Include bushings to match sizes.
- C. Install thermowells with extensions on insulated piping.
- D. Install direct-mounted thermometers in thermowells and adjust positions.
- E. Install pressure gages in piping tees located between 36" and 60" AFF unless otherwise indicated.
- F. Install valve and snubber for each pressure gage.
- G. Install test plugs in piping tees at locations indicated.
- H. Assemble and install connections, tubing, and accessories between flow-measuring elements and flowmeters according to manufacturer's written instructions.
- I. Install flowmeter elements in accessible positions in piping systems.
- J. Install permanent indicators on walls or brackets at 50" AFF unless otherwise indicated..
- K. Install connection fittings in accessible locations for attachment to portable indicators.
- L. Install thermometers in the following locations:
  - 1. Inlet and outlet of each water heater.
- M. Install pressure gages in the following locations:
  - 1. Inlet and outlet of each water heater.
  - 2. Suction and discharge of each pump.
- N. Install a test plug at each thermometer and pressure gauge.

3.2 THERMOMETER SCALE-RANGE SCHEDULE

- A. Scale Range for Domestic Cold-water Piping: 0 to 100 F with 2 degree scale divisions.
- B. Scale Range for Domestic Hot-water Piping 30 to 240 F with 2 degree scale divisions.

3.3 PRESSURE-GAGE SCALE-RANGE SCHEDULE

- A. Scale Range for Domestic Water Piping: 0 to 100 psi.

END OF SECTION 220519

FIRE STATIONS RENOVATION  
ARLINGTON COUNTY, VIRGINIA  
Architect's Project No: 563006

SECTION 220523 – GENERAL DUTY VALVES FOR PLUMBING PIPING

PART 1 - GENERAL

1.1 RELATED DOCUMENTS

- A. Provisions of the Contract and of the Contract Documents apply to this Section.

1.2 DEFINITIONS

- A. The following are standard abbreviations for valves:
1. CWP: Cold working pressure.
  2. EPDM: Ethylene-propylene-diene terpolymer rubber.
  3. MPTFE: Modified polytetrafluoroethylene plastic.
  4. NBR: Acrylonitrile-butadiene rubber.
  5. PTFE: Polytetrafluoroethylene plastic.
  6. RPTFE: Reinforced polytetrafluoroethylene plastic.
  7. SWP: Steam working pressure.
  8. TFE: Tetrafluoroethylene plastic.
  9. WOG: Water Oil Gas.

1.3 SUBMITTALS

- A. Product Data: For each type of valve proposed. Include body, seating, and trim materials; valve design; pressure and temperature classifications; end connections; arrangement; dimensions; and required clearances. Include proposed specialties and accessories.

1.4 QUALITY ASSURANCE

- A. ASME Compliance: ASME B31.1 for power piping valves and ASME B31.9 for building services piping valves.
1. Exceptions: Domestic hot- and cold-water valves unless referenced.
- B. ASME Compliance for Ferrous Valves: ASME B16.10 and ASME B16.34 for dimension and design criteria.
- C. NSF Compliance: NSF 61 for valve materials for potable-water service.

1.5 DELIVERY, STORAGE, AND HANDLING

- A. Prepare valves for shipping as follows:
1. Protect internal parts against rust and corrosion.
  2. Protect threads, flange faces, grooves, and weld ends.
  3. Set ball valves open to minimize exposure of functional surfaces.
  4. Set butterfly valves closed or slightly open.

FIRE STATIONS RENOVATION  
ARLINGTON COUNTY, VIRGINIA  
Architect's Project No: 563006

5. Block check valves in either closed or open position.
- B. Use the following precautions during storage:
  1. Maintain valve end protection.
  2. Store valves indoors and maintain at higher than ambient dew-point temperature. If outdoor storage is necessary, store valves off the ground in watertight enclosures.
- C. Use sling to handle large valves; rig sling to avoid damage to exposed parts. Do not use handwheels or stems as lifting or rigging points.

## PART 2 - PRODUCTS

### 2.1 VALVES, GENERAL

- A. Refer to Part 3 "Valve Applications" Article for applications of valves.
- B. Bronze & Brass: Shall be dezincification resistant. (Zinc content shall be less than 15%)
- C. Bronze Valves: 2" and smaller with threaded ends, unless otherwise indicated.
- D. Ferrous Valves: 2-1/2" and larger with flanged ends, unless otherwise indicated.
- E. Valve Pressure and Temperature Ratings: Not less than indicated for system pressure and temperature.
- F. Valve Sizes: Same as the larger of the upstream or downstream pipe, unless otherwise indicated.
- G. Valve Actuators:
  1. As indicated in other Part 2 articles.
  2. Where indicated, provide a chain actuator.
  3. Chain Actuator: For attachment to valves of size and mounting height indicated.
  4. Wrench: For plug valves with square heads. Furnish Owner with 1 wrench for every 10 plug valves, for each size square plug head.
- H. Extended Valve Stems: Provide on insulated valves.
- I. Valve Flanges: Provide ASME B16.1 for cast-iron valves, ASME B16.5 for steel, and ASME B16.24 for bronze.
- J. Valve Grooved Ends: AWWA C606.
- K. Threaded: With threads according to ASME B1.20.1.
- L. Valve Bypass and Drain Connections: MSS SP-45.

FIRE STATIONS RENOVATION  
ARLINGTON COUNTY, VIRGINIA  
Architect's Project No: 563006

2.2 COPPER-ALLOY BALL VALVES

A. Two-Piece, Copper-Alloy Ball Valves (Full Port):

1. Conbraco Industries-Apollo 77C series with stainless steel ball & stem (Un-insulated piping)
2. Conbraco Industries-Apollo 77C series with stainless steel ball & stem. Provide 2 ¼" stem extension (Insulated piping)
3. Other Manufacturers:
  - a. Milwaukee
  - b. Watts
  - c. Nibco
4. Handle Nut: Zinc plated steel or 300 series stainless steel.
5. Handle: Zinc plated steel, clear chromate plastic, or vinyl coated.
6. Threaded Pack Gland: Brass ASTM B-16
7. Packing: MPTFE or TFE
8. Stem (Blowout Proof): ASTM A-276 type 316 stainless steel. Provide 2 ¼" stem extension for Insulated piping.
9. Thrust Washer: MPTFE or RPTFE
10. Ball: Full-port, ASTM A-276 Type 316 stainless steel.
11. Seats: MPTFE or Reinforced TFE (RPTFE)
12. Body: Bronze ASTM B-584 for solder or threaded connection.
13. Body End Piece: Bronze ASTM B-584 for solder or threaded connection.
14. Rating: 150 psig saturated steam, 600 psig non-shock cold water, oil, and gas.
15. Conform To: MSS SP-110

2.3 BRONZE CHECK VALVES

A. Bronze, Horizontal Swing Check Valves:

1. NIBCO Model 413
2. Other Manufacturers:
  - a. Milwaukee
  - b. Stockham
3. Bonnet: ASTM B-62 bronze.
4. Body: ASTM B-62 bronze.
5. Hinge Pin: ASTM B-140 alloy C31400 bronze, or B-134 alloy C23000 bronze.
6. Disc Hanger:
  - a. Sizes ¼" thru ¾": Type 304 stainless steel.
  - b. Sizes 1" and larger: ASTM B-62 bronze.
7. Hanger Nut: ASTM B-16 bronze.
8. Disc Holder: ASTM B-62 bronze.
9. Seat Disc:
  - a. Water and Other Heat Transfer Fluids: ASTM B-62 bronze.
  - b. Steam: TFE
10. Seat Disc Nut: ASTM B-16 or B-62 bronze.
11. Hinge Pin Plug: ASTM B-140 alloy C31600 bronze.
12. Seat Disc Washer (When Provided): ASTM B-98 alloy C65500 or B-103 bronze.
13. Rating: 125 psig SWP and 200 psig CWP.
14. Conform To: MSS SP-80

FIRE STATIONS RENOVATION  
ARLINGTON COUNTY, VIRGINIA  
Architect's Project No: 563006

- B. Bronze, Inline Spring Loaded Check Valves:
1. Conbraco Industries-Apollo 61-100 series
  2. Other Manufacturers:
    - a. Milwaukee
    - b. Stockham
    - c. Nibco
  3. Body: ASTM B-584 alloy C84400 bronze.
  4. Retainer/Stem: ASTM B16 brass or ASTM A-582 alloy C30300 stainless steel.
  5. Ball Check: RPTFE or
  6. Disc Holder 316 Stainless steel
    - a. Disc:
      - 1) Water, Oil, Gas: Buna-N
      - 2) Steam: TFE
    - b. Seat Screw: ASTM A-276 alloy S43000 stainless steel.
    - c. Body End: ASTM B-584 alloy C84400 bronze.
    - d. Rating: 125 psig SWP and 250 psig CWP.
  7. Guide: ASTM B16 Brass
  8. Spring: Type 316 stainless steel.
  9. Rating: 125 psig SWP and 400 psig WOG.

## 2.4 IRON BODY CHECK VALVES

- A. Iron Body, Horizontal Swing Check Valves:
1. NIBCO Model 918-B
  2. Other Manufacturers:
    - a. Milwaukee
    - b. Stockham
  3. Body Bolt: ASTM A-307 steel.
  4. Bonnet: ASTM A-126 class B cast iron.
  5. Body Gasket: Synthetic Fibers.
  6. Body Nut: ASTM A-307 steel
  7. Side Plug: ASTM B-16 alloy C36000 Brass.
  8. Hanger Pin: ASTM B-16 alloy C36000 Brass.
  9. Hanger: ASTM B-584 alloy C84400 cast bronze.
  10. Disc: ASTM B-584 alloy C84400 cast bronze or ASTM A-536 ductile iron w/bronze face ring.
  11. Seat Ring: ASTM B-584 alloy C84400 cast bronze.
  12. Disc Nut: ASTM B-16 alloy C36000.
  13. Body: ASTM A-126 class B cast iron.
  14. Disc Bolt: ASTM B-16 alloy C36000 Brass.
  15. Disc Plate: ASTM A-126 class B cast iron.
  16. Disc Cage: ASTM A-126 class B cast iron.
  17. Rating: 125 psig SWP and 200 psig CWP.
  18. Conform To: MSS SP-71 Type 1.
- B. Grooved-End, Ductile-Iron Spring Assisted Check Valves: Victaulic Series 716 with EPDM disc seal.
- C. Spring Actuated Silent Check Valves:

FIRE STATIONS RENOVATION  
ARLINGTON COUNTY, VIRGINIA  
Architect's Project No: 563006

1. NIBCO Model F-910
2. Other Manufacturers:
  - a. Milwaukee
  - b. Stockham
3. Body: ASTM A48 class 35 cast iron.
4. Seat: ASTM B-584 alloy C83600 (B) bronze.
5. Disc: ASTM B-584 alloy C83600 bronze.
6. Spring: Type 302 ASTM A313 stainless steel.
7. Bushing:
  - a. 6" and Smaller: ASTM B-16 brass
  - b. 8" and Larger: ASTM B-584 alloy C83600 bronze.
8. Set Screws: Type 304 ASTM A-276 stainless steel.
9. Rating: 200 psig CWP.
10. Conform To: MIL-V-18436F

### PART 3 - EXECUTION

#### 3.1 EXAMINATION

- A. Examine valve interior for cleanliness, freedom from foreign matter, and corrosion. Remove special packing materials, such as blocks, used to prevent disc movement during shipping and handling.
- B. Operate valves in positions from fully- open to fully-closed. Examine guides and seats made accessible by such operations.
- C. Examine threads on valve and mating pipe for form and cleanliness.
- D. Examine mating flange faces for conditions that might cause leakage. Check bolting for proper size, length, and material. Verify that gasket is of proper size, that its material composition is suitable for service, and that it is free from defects and damage.
- E. Do not attempt to repair defective valves; replace with new valves.

#### 3.2 VALVE INSTALLATION

- A. Install valves with unions or flanges at each piece of equipment arranged to allow service, maintenance, and equipment removal without system shutdown.
- B. Locate valves for easy access.
- C. Install valves in horizontal piping with stem at or above center of pipe.
- D. Install valves in position to allow full stem movement.
- E. Install chainwheels on operators for ball and butterfly valves 4" and larger and more than 96 inches above finished floor. Extend chains to 60 inches above finished floor.

FIRE STATIONS RENOVATION  
ARLINGTON COUNTY, VIRGINIA  
Architect's Project No: 563006

- F. Install check valves for proper direction of flow and as follows:
  - 1. Swing Check Valves: In horizontal position with hinge pin level.
  - 2. Center-Guided and Plate-Type Check Valves: In horizontal or vertical position, between flanges.
  - 3. Lift Check Valves: With stem upright and plumb.

3.3 ADJUSTING

- A. Adjust valve packing after piping systems have been tested and put into service but before final testing and balancing. Replace valves if persistent leaking occurs.

3.4 VALVE APPLICATIONS

- A. Refer to piping Sections for specific valve applications. If valve applications are not indicated, use the following:
  - 1. Shutoff Service: Ball valves.
  - 2. Throttling Service: Ball valves.
  - 3. Pump Discharge: Spring-loaded, lift-disc check valves and ball valves.
- B. If valves with specified SWP classes or CWP ratings are not available, the same types of valves with higher SWP class or CWP ratings may be substituted.
- C. Domestic Water Piping: Use the following types of valves:
  - 1. Valves, NPS 2" and Smaller: Two-Piece, Copper-Alloy Ball Valves (Full Port).
  - 2. Valves, NPS 2-1/2" and 3":
    - a. Two-piece or three-piece, Copper-Alloy Ball Valves (Full Port).
    - b. Wafer-Lug, grooved-end, or flanged butterfly valves.
  - 3. Valves, NPS 4" and Larger: Wafer-Lug, grooved-end, or flanged butterfly valves.
  - 4. Pump Discharge Check Valves (Horizontal or Vertical), NPS 2" and Smaller: Bronze, Inline Lift Check Valves.
  - 5. Horizontal Check Valves, NPS 2" and Smaller: Bronze, Horizontal Swing Check Valves.
  - 6. Vertical Check Valves, NPS 2" and Smaller: Bronze, Inline Lift Check Valves.
  - 7. Pump Discharge Check Valves (Horizontal or Vertical), NPS 2-1/2" and Larger: Grooved-End, Ductile-Iron Spring Assisted Check Valves or Spring Actuated Silent Check Valves.
  - 8. Horizontal Check Valves, NPS 2-1/2" and Larger: Bronze, Horizontal Swing Check Valves.

END OF SECTION 220523



FIRE STATIONS RENOVATION  
ARLINGTON COUNTY, VIRGINIA  
Architect's Project No: 563006

SECTION 220529 - HANGERS AND SUPPORTS FOR PLUMBING PIPING AND EQUIPMENT

PART 1 - GENERAL

1.1 RELATED DOCUMENTS

- A. Provisions of the Contract and of the Contract Documents apply to this Section.

1.2 DEFINITIONS

- A. MSS: Manufacturers Standardization Society of The Valve and Fittings Industry Inc.
- B. Terminology: As defined in MSS SP-90, "Guidelines on Terminology for Pipe Hangers and Supports."

1.3 PERFORMANCE REQUIREMENTS

- A. Design Requirement: Design trapeze pipe hangers and equipment supports, including comprehensive engineering analysis by a qualified professional engineer where using methods other than indicated.
- B. Structural Performance: Hangers and supports for HVAC piping and equipment shall withstand the effects of gravity loads and stresses within limits and under conditions indicated according to ASCE/SEI 7.
  - 1. Design supports for multiple pipes, including pipe stands, capable of supporting combined weight of supported systems, system contents, and test medium.
  - 2. Design equipment supports capable of supporting combined operating weight of supported equipment and connected systems and components.
  - 3. Design seismic-restraint hangers and supports for piping and equipment.

1.4 SUBMITTALS

- A. Product Data: For each type of product indicated.
- B. Shop Drawings: Show fabrication and installation details and include calculations for the following; include Product Data for components:
  - 1. Trapeze pipe hangers.
  - 2. Metal framing systems.
  - 3. Pipe stands.
  - 4. Equipment supports.
- C. Delegated Design Submittal: Signed and sealed by a qualified professional engineer where using methods other than indicated.

FIRE STATIONS RENOVATION  
ARLINGTON COUNTY, VIRGINIA  
Architect's Project No: 563006

1. Detail fabrication and assembly of trapeze hangers.
2. Design Calculations: Calculate requirements for designing trapeze hangers.

1.5 QUALITY ASSURANCE

- A. Structural Steel Welding Qualifications: Qualify procedures and personnel according to AWS D1.1/D1.1M, "Structural Welding Code - Steel."
- B. Pipe Welding Qualifications: Qualify procedures and operators according to ASME Boiler and Pressure Vessel Code.

PART 2 - PRODUCTS

2.1 METAL PIPE HANGERS AND SUPPORTS

- A. Carbon-Steel Pipe Hangers and Supports:
  1. Description: MSS SP-58, Types 1 through 58, factory-fabricated components.
  2. Galvanized Metallic Coatings: Pregalvanized or hot dipped.
  3. Nonmetallic Coatings: Plastic coating, jacket, or liner.
  4. Padded Hangers: Hanger with fiberglass or other pipe insulation pad or cushion to support bearing surface of piping.
  5. Hanger Rods: Continuous-thread rod, nuts, and washer made of carbon steel.
- B. Copper Pipe Hangers:
  1. Description: MSS SP-58, Types 1 through 58, copper-coated-steel, factory-fabricated components.
  2. Hanger Rods: Continuous-thread rod, nuts, and washer made of copper-coated steel.

2.2 TRAPEZE PIPE HANGERS

- A. Description: MSS SP-69, Type 59, shop- or field-fabricated pipe-support assembly made from structural carbon-steel shapes with MSS SP-58 carbon-steel hanger rods, nuts, saddles, and U-bolts.
- B. Trapeze Pipe Hanger Installation: Arrange for grouping of parallel runs of piping and support together on field-assembled channel systems.
  1. Assemble and provide according to manufacturer's written instructions. Center piping on channel to evenly distribute load.

FIRE STATIONS RENOVATION  
ARLINGTON COUNTY, VIRGINIA  
Architect's Project No: 563006

2. Pipe sizes and numbers shall be in accordance with the following:

<b>TRAPEZE PIPE HANGER TABLE</b>								
<b>PIPE SIZE</b>	<b>4"</b>	<b>3"</b>	<b>2 1/2"</b>	<b>2"</b>	<b>1 1/2"</b>	<b>1 1/4"</b>	<b>1"</b>	<b>TOTAL # of PIPES</b>
<b>NUMBER OF PIPES PERMITTED IN ONE CHANNEL SUPPORT</b>	<b>2</b>	<b>0</b>	<b>0</b>	<b>0</b>	<b>0</b>	<b>0</b>	<b>0</b>	<b>2</b>
	<b>0</b>	<b>2</b>	<b>2</b>	<b>0</b>	<b>0</b>	<b>0</b>	<b>0</b>	<b>4</b>
	<b>0</b>	<b>2</b>	<b>0</b>	<b>4</b>	<b>0</b>	<b>0</b>	<b>0</b>	<b>6</b>
	<b>0</b>	<b>2</b>	<b>0</b>	<b>0</b>	<b>6</b>	<b>0</b>	<b>0</b>	<b>8</b>
	<b>0</b>	<b>0</b>	<b>4</b>	<b>2</b>	<b>0</b>	<b>0</b>	<b>0</b>	<b>6</b>
	<b>0</b>	<b>0</b>	<b>4</b>	<b>0</b>	<b>2</b>	<b>2</b>	<b>0</b>	<b>8</b>
	<b>0</b>	<b>0</b>	<b>4</b>	<b>0</b>	<b>0</b>	<b>8</b>	<b>0</b>	<b>12</b>
	<b>0</b>	<b>0</b>	<b>0</b>	<b>6</b>	<b>2</b>	<b>2</b>	<b>2</b>	<b>12</b>
	<b>0</b>	<b>0</b>	<b>0</b>	<b>8</b>	<b>0</b>	<b>2</b>	<b>0</b>	<b>10</b>
	<b>0</b>	<b>0</b>	<b>0</b>	<b>0</b>	<b>14</b>	<b>0</b>	<b>0</b>	<b>14</b>
<b>0</b>	<b>0</b>	<b>0</b>	<b>0</b>	<b>0</b>	<b>16</b>	<b>0</b>	<b>16</b>	

**Notes:**

1. Piping larger than 4" in diameter is not permitted in a channel support system.
2. Channel support systems shall be limited to eight (8) pipes per channel and two (2) channels (levels) per support system.
3. Smaller pipes can be substituted for larger pipes. For example two 3/4" pipes may be installed in lieu of two 1" pipes, or 2" in lieu of 3", etc.
4. Spacing shall be in accordance with requirements for the smallest supported pipe. Refer to other specification sections for spacing requirements. If spacing requirements are not indicated comply with MSS SP-69.

C. Metal Framing Systems:

1. Available Manufacturers:
  - a. Anvil International; a subsidiary of Mueller Water Products Inc.
  - b. Empire Industries, Inc.
  - c. ERICO International Corporation.
  - d. Haydon Corporation; H-Strut Division.
  - e. NIBCO INC.
  - f. PHD Manufacturing, Inc.
  - g. PHS Industries, Inc.

FIRE STATIONS RENOVATION  
ARLINGTON COUNTY, VIRGINIA  
Architect's Project No: 563006

2. Description: Shop- or field-fabricated pipe-support assembly made of steel channels, accessories, fittings, and other components for supporting multiple parallel pipes.
3. Standard: Comply with MFMA-4.
4. Channels: Continuous slotted steel channel with inturned lips.
5. Channel Nuts: Formed or stamped steel nuts or other devices designed to fit into channel slot and, when tightened, prevent slipping along channel.
6. Hanger Rods: Continuous-thread rod, nuts, and washer made of carbon steel.
7. Coating: Zinc.

2.3 THERMAL-HANGER SHIELD INSERTS

A. Available Manufacturers:

1. Carpenter & Paterson, Inc.
2. Clement Support Services.
3. ERICO International Corporation.
4. National Pipe Hanger Corporation.
5. PHS Industries, Inc.
6. Pipe Shields, Inc.; a subsidiary of Piping Technology & Products, Inc.
7. Piping Technology & Products, Inc.
8. Rilco Manufacturing Co., Inc.
9. Value Engineered Products, Inc.

B. Insulation-Insert Material for Cold Piping: ASTM C 552, Type II cellular glass with 100-psig or ASTM C 591, Type VI, Grade 1 polyisocyanurate with 125-psig minimum compressive strength and vapor barrier.

C. Insulation-Insert Material for Hot Piping: Water-repellent treated, ASTM C 533, Type I calcium silicate with 100-psig, ASTM C 552, Type II cellular glass with 100-psig, or ASTM C 591, Type VI, Grade 1 polyisocyanurate with 125-psig minimum compressive strength.

D. For Trapeze or Clamped Systems: Insert and shield shall cover entire circumference of pipe.

E. For Clevis or Band Hangers: Insert and shield shall cover lower 180 degrees of pipe.

F. Insert Length: Extend 2" beyond sheet metal shield for piping operating below ambient air temperature.

2.4 PIPE STANDS

A. General Requirements for Pipe Stands: Shop- or field-fabricated assemblies made of manufactured corrosion-resistant components to support roof-mounted piping.

B. Compact Pipe Stand: One-piece plastic unit with integral-rod roller, pipe clamps, or V-shaped cradle to support pipe, for roof installation without membrane penetration.

C. Curb Mounted Pipe Stands: Shop- or field-fabricated pipe supports made from structural-steel shapes, continuous-thread rods, and rollers, for mounting on permanent stationary roof curb.

FIRE STATIONS RENOVATION  
ARLINGTON COUNTY, VIRGINIA  
Architect's Project No: 563006

2.5 EQUIPMENT SUPPORTS

- A. Description: Welded, shop or field fabricated equipment support made from structural carbon-steel shapes unless indicated otherwise.

2.6 MISCELLANEOUS MATERIALS

- A. Structural Steel: ASTM A 36/A 36M, carbon-steel plates, shapes, and bars; black and galvanized.
- B. Grout: ASTM C 1107, factory-mixed and -packaged, dry, hydraulic-cement, nonshrink and nonmetallic grout; suitable for interior and exterior applications.
  - 1. Properties: Nonstaining, noncorrosive, and nongaseous.
  - 2. Design Mix: 5000-psi, 28-day compressive strength.

PART 3 - EXECUTION

3.1 HANGER AND SUPPORT INSTALLATION

- A. Metal Pipe-Hanger Installation: Comply with MSS SP-69 and MSS SP-89. Provide hangers, supports, clamps, and attachments as required to properly support piping from the building structure.
- B. Metal Trapeze Pipe-Hanger Installation: Comply with MSS SP-69, MSS SP-89, and Table above. Arrange for grouping of parallel runs of horizontal piping, and support together on field-fabricated trapeze pipe hangers.
- C. Metal Framing System Installation: Arrange for grouping of parallel runs of piping, and support together on field-assembled metal framing systems.
- D. Thermal-Hanger Shield Installation: Provide in pipe hanger or shield for insulated piping.
- E. Pipe Stand Installation: Assemble components and mount on smooth roof surface. Do not penetrate roof membrane.
- F. Provide hangers and supports complete with necessary attachments, inserts, bolts, rods, nuts, washers, and other accessories.
- G. Equipment Support Installation: Fabricate from welded-structural-steel shapes.
- H. Provide hangers and supports to allow controlled thermal and seismic movement of piping systems, to permit freedom of movement between pipe anchors, and to facilitate action of expansion joints, expansion loops, expansion bends, and similar units.
- I. Provide lateral bracing with pipe hangers and supports to prevent swaying.
- J. Provide building attachments within concrete slabs or attach to structural steel. Building attachments may not used on steel joists unless otherwise indicated. Provide additional attachments

FIRE STATIONS RENOVATION  
ARLINGTON COUNTY, VIRGINIA  
Architect's Project No: 563006

at concentrated loads, including valves, flanges, and strainers, 2-1/2" and larger and at changes in direction of piping. Provide concrete inserts before concrete is placed; fasten inserts to forms and provide reinforcing bars through openings at top of inserts.

- K. Load Distribution: Provide hangers and supports so that piping live and dead loads and stresses from movement will not be transmitted to connected equipment.
- L. Pipe Slopes: Provide hangers and supports to provide indicated pipe slopes and to not exceed maximum pipe deflections allowed by ASME B31.9 for building services piping.
- M. Insulated Piping:
  - 1. Attach clamps and spacers to piping.
    - a. Piping Operating above Ambient Air Temperature: Clamp may project through insulation.
    - b. Piping Operating below Ambient Air Temperature: Provide thermal-hanger shield insert with clamp sized to match OD of insert.
    - c. Do not exceed pipe stress limits allowed by ASME B31.9 for building services piping.
  - 2. Provide MSS SP-58, Type 39, protection saddles if insulation without vapor barrier is indicated. Fill interior voids with insulation that matches adjoining insulation.
  - 3. Provide MSS SP-58, Type 40, protective shields on cold piping with vapor barrier. Shields shall span an arc of 180 degrees.
  - 4. Shield Dimensions for Pipe: Not less than the following:
    - a. Pipe 1/4" to 3-1/2": 12 inches long and 0.048 inch thick.
    - b. Pipe 4": 12 inches long and 0.06 inch thick.
    - c. Pipe 5" and 6": 18 inches long and 0.06 inch thick.
    - d. Pipe 8" to 14": 24 inches long and 0.075 inch thick.
  - 5. Pipes 8" and Larger: Include wood or reinforced calcium-silicate-insulation inserts of length at least as long as protective shield.
  - 6. Thermal-Hanger Shields: Provide with insulation same thickness as piping insulation.

### 3.2 EQUIPMENT SUPPORTS

- A. Fabricate structural-steel stands to suspend equipment from structure overhead or to support equipment above floor.
- B. Grouting: Place grout under supports for equipment and make bearing surface smooth.
- C. Provide lateral bracing, to prevent swaying, for equipment supports.

### 3.3 METAL FABRICATIONS

- A. Cut, drill, and fit miscellaneous metal fabrications for trapeze pipe hangers and equipment supports.
- B. Fit exposed connections together to form hairline joints. Field weld connections that cannot be shop welded because of shipping size limitations.

FIRE STATIONS RENOVATION  
ARLINGTON COUNTY, VIRGINIA  
Architect's Project No: 563006

- C. Field Welding: Comply with AWS D1.1/D1.1M procedures for shielded, metal arc welding; appearance and quality of welds; and methods used in correcting welding work; and with the following:
  - 1. Provide materials and methods that minimize distortion and develop strength and corrosion resistance of base metals.
  - 2. Obtain fusion without undercut or overlap.
  - 3. Remove welding flux immediately.
  - 4. Finish welds at exposed connections so no roughness shows after finishing and so contours of welded surfaces match adjacent contours.

3.4 ADJUSTING

- A. Hanger Adjustments: Adjust hangers to distribute loads equally on attachments and to achieve indicated slope of pipe.
- B. Trim excess length of continuous-thread hanger and support rods to 1-1/2 inches.

3.5 PAINTING

- A. Touchup: Unless otherwise indicated clean field welds and abraded areas of shop paint. Paint exposed areas immediately after erecting hangers and supports. Provide same materials as used for shop painting. Comply with SSPC-PA 1 requirements for touching up field-painted surfaces.
  - 1. Apply paint by brush or spray to provide a minimum dry film thickness of 2.0 mils.
- B. Galvanized Surfaces: Clean welds, bolted connections, and abraded areas and immediately apply galvanizing-repair paint. Paint shall comply with ASTM A 780.

3.6 HANGER AND SUPPORT SCHEDULE

- A. Specific hanger and support requirements are in Sections specifying piping systems and equipment.
- B. Comply with MSS SP-69 for pipe-hanger selections and applications that are not specified in piping system Sections.
- C. Provide hangers and supports with galvanized metallic coatings for piping and equipment that will not have field-applied finish.
- D. Provide nonmetallic coatings on attachments for electrolytic protection where attachments are in direct contact with copper tubing.
- E. Provide copper-plated pipe hangers and copper attachments for copper piping and tubing.
- F. Provide padded hangers for piping that is subject to scratching.
- G. Provide thermal-hanger shield inserts for insulated piping and tubing.

FIRE STATIONS RENOVATION  
ARLINGTON COUNTY, VIRGINIA  
Architect's Project No: 563006

H. Horizontal-Piping Hangers and Supports: Unless otherwise indicated provide the following:

1. Adjustable, Steel Clevis Hangers (MSS Type 1): For suspension of stationary pipes ½” to 30”.
2. Yoke-Type Pipe Clamps (MSS Type 2): For suspension of up to 1050 deg F pipes 4” to 14”, requiring up to 4” of insulation.
3. Carbon- or Alloy-Steel, Double-Bolt Pipe Clamps (MSS Type 3): For suspension of pipes ¾” to 14”, requiring clamp flexibility and up to 4 inches of insulation.
4. Steel Pipe Clamps (MSS Type 4): For suspension of cold and hot pipes ½” to 14” if little or no insulation is required.
5. Pipe Hangers (MSS Type 5): For suspension of pipes ½” to 4”, to allow off-center closure for hanger installation before pipe erection.
6. Adjustable, Swivel Split- or Solid-Ring Hangers (MSS Type 6): For suspension of noninsulated, stationary pipes ¾” to 8”.
7. Adjustable, Steel Band Hangers (MSS Type 7): For suspension of noninsulated, stationary pipes ½” to 8”.
8. Adjustable Band Hangers (MSS Type 9): For suspension of noninsulated, stationary pipes ½” to 8”.
9. Adjustable, Swivel-Ring Band Hangers (MSS Type 10): For suspension of noninsulated, stationary pipes ½” to 8”.
10. Split Pipe Ring with or without Turnbuckle Hangers (MSS Type 11): For suspension of noninsulated, stationary pipes ½” to 8”.
11. Extension Hinged or Two-Bolt Split Pipe Clamps (MSS Type 12): For suspension of noninsulated, stationary pipes NPS ½” to 3”.
12. U-Bolts (MSS Type 24): For support of heavy pipes ½” to 14”.
13. Clips (MSS Type 26): For support of insulated pipes not subject to expansion or contraction.
14. Pipe Saddle Supports (MSS Type 36): For support of pipes 4” to 14”, with steel-pipe base stanchion support and cast-iron floor flange or carbon-steel plate.
15. Pipe Stanchion Saddles (MSS Type 37): For support of pipes 4” to 14”, with steel-pipe base stanchion support and cast-iron floor flange or carbon-steel plate, and with U-bolt to retain pipe.
16. Adjustable Pipe Saddle Supports (MSS Type 38): For stanchion-type support for pipes 2-½” to 14” if vertical adjustment is required, with steel-pipe base stanchion support and cast-iron floor flange.
17. Single-Pipe Rolls (MSS Type 41): For suspension of pipes 1” to 14”, from two rods if longitudinal movement caused by expansion and contraction might occur.
18. Adjustable Roller Hangers (MSS Type 43): For suspension of pipes 2-½” to 14”, from single rod if horizontal movement caused by expansion and contraction might occur.
19. Complete Pipe Rolls (MSS Type 44): For support of pipes 2” to 14” if longitudinal movement caused by expansion and contraction might occur but vertical adjustment is not necessary.
20. Pipe Roll and Plate Units (MSS Type 45): For support of pipes 2” to 14” if small horizontal movement caused by expansion and contraction might occur and vertical adjustment is not necessary.
21. Adjustable Pipe Roll and Base Units (MSS Type 46): For support of pipes 2” to 14” if vertical and lateral adjustment during installation might be required in addition to expansion and contraction.

I. Vertical-Piping Clamps: Unless otherwise indicated provide the following:



FIRE STATIONS RENOVATION  
ARLINGTON COUNTY, VIRGINIA  
Architect's Project No: 563006

1. Extension Pipe or Riser Clamps (MSS Type 8): For support of pipe risers  $\frac{3}{4}$ " to 14".
  2. Carbon- or Alloy-Steel Riser Clamps (MSS Type 42): For support of pipe risers  $\frac{3}{4}$ " to 14" if longer ends are required for riser clamps.
- J. Hanger-Rod Attachments: Unless otherwise indicated provide the following:
1. Steel Turnbuckles (MSS Type 13): For adjustment up to 6 inches for heavy loads.
  2. Steel Clevises (MSS Type 14): For 120 to 450 deg F piping installations.
  3. Swivel Turnbuckles (MSS Type 15): For use with MSS Type 11, split pipe rings.
  4. Malleable-Iron Sockets (MSS Type 16): For attaching hanger rods to various types of building attachments.
  5. Steel Weldless Eye Nuts (MSS Type 17): For 120 to 450 deg F piping installations.
  6. Flat Plate, Double Nut, and Washer as Detailed on Structural Drawings: For attaching to bar joists. Method of attachment to bar joists must be approved by the structural engineer and joist manufacturer.
- K. Building Attachments: Unless otherwise indicated provide the following:
1. Steel or Malleable Concrete Inserts (MSS Type 18): For upper attachment to suspend pipe hangers from concrete ceiling.
  2. Flat Plate, Double Nuts, and Washer as Detailed on Structural Drawings: For use under roof installations with bar-joist construction to attach to bottom chord of joist.
  3. Side-Beam or Channel Clamps (MSS Type 20): For attaching to bottom flange of beams, channels, or angles.
  4. Center-Beam Clamps (MSS Type 21): For attaching to center of bottom flange of beams.
  5. Welded Beam Attachments (MSS Type 22): For attaching to bottom of beams if loads are considerable and rod sizes are large.
  6. C-Clamps (MSS Type 23): For structural shapes.
  7. Top-Beam Clamps (MSS Type 25): For top of beams if hanger rod is required tangent to flange edge.
  8. Side-Beam Clamps (MSS Type 27): For bottom of steel I-beams.
  9. Steel-Beam Clamps with Eye Nuts (MSS Type 28): For attaching to bottom of steel I-beams for heavy loads.
  10. Linked-Steel Clamps with Eye Nuts (MSS Type 29): For attaching to bottom of steel I-beams for heavy loads, with link extensions.
  11. Malleable-Beam Clamps with Extension Pieces (MSS Type 30): For attaching to structural steel.
  12. Welded-Steel Brackets: For support of pipes from below or for suspending from above by using clip and rod. Provide one of the following for indicated loads:
    - a. Light (MSS Type 31): 750 lb.
    - b. Medium (MSS Type 32): 1500 lb.
    - c. Heavy (MSS Type 33): 3000 lb.
  13. Side-Beam Brackets (MSS Type 34): For sides of steel or wooden beams.
  14. Plate Lugs (MSS Type 57): For attaching to steel beams if flexibility at beam is required.
  15. Horizontal Travelers (MSS Type 58): For supporting piping systems subject to linear horizontal movement where headroom is limited.
- L. Saddles and Shields: Unless otherwise indicated provide the followings:

FIRE STATIONS RENOVATION  
ARLINGTON COUNTY, VIRGINIA  
Architect's Project No: 563006

1. Steel-Pipe-Covering Protection Saddles (MSS Type 39): To fill interior voids with insulation that matches adjoining insulation.
  2. Protection Shields (MSS Type 40): Of length recommended in writing by manufacturer to prevent crushing insulation.
  3. Thermal-Hanger Shield Inserts: For supporting insulated pipe.
- M. Spring Hangers and Supports: Unless otherwise indicated provide the following:
1. Restraint-Control Devices (MSS Type 47): To control pipe movement.
  2. Spring Cushions (MSS Type 48): For light loads if vertical movement does not exceed 1-1/4 inches.
  3. Spring-Cushion Roll Hangers (MSS Type 49): For equipping Type 41, roll hanger with springs.
  4. Spring Sway Braces (MSS Type 50): To retard sway, shock, vibration, or thermal expansion in piping systems.
  5. Variable-Spring Hangers (MSS Type 51): Preset to indicated load and limit variability factor to 25 percent to allow expansion and contraction of piping system from hanger.
  6. Variable-Spring Base Supports (MSS Type 52): Preset to indicated load and limit variability factor to 25 percent to allow expansion and contraction of piping system from base support.
  7. Variable-Spring Trapeze Hangers (MSS Type 53): Preset to indicated load and limit variability factor to 25 percent to allow expansion and contraction of piping system from trapeze support.
  8. Constant Supports: For critical piping stress and if necessary to avoid transfer of stress from one support to another support, critical terminal, or connected equipment. Include auxiliary stops for erection, hydrostatic test, and load-adjustment capability. These supports include the following types:
    - a. Horizontal (MSS Type 54): Mounted horizontally.
    - b. Vertical (MSS Type 55): Mounted vertically.
    - c. Trapeze (MSS Type 56): Two vertical-type supports and one trapeze member.
- N. Comply with MSS SP-69 for trapeze pipe-hanger selections and applications that are not specified in piping system Sections.
- O. Comply with MFMA-103 for metal framing system selections and applications that are not specified in piping system Sections.
- P. Provide powder-actuated fasteners or mechanical-expansion anchors instead of building attachments where indicated in concrete construction.

END OF SECTION 220529

FIRE STATIONS RENOVATION  
ARLINGTON COUNTY, VIRGINIA  
Architect's Project No: 563006

SECTION 220553 - IDENTIFICATION FOR PLUMBING PIPING AND EQUIPMENT

PART 1 - GENERAL

1.1 RELATED DOCUMENTS

- A. Provisions of the Contract and of the Contract Documents apply to this Section.

1.2 SUBMITTALS

- A. Product Data: For each type of product indicated.
- B. Equipment Label Schedule: Include a listing of all equipment to be labeled with the proposed content for each label.
- C. Valve Schedules: For each piping system to include in maintenance manuals.

1.3 QUALITY ASSURANCE

- A. ASME Compliance: Comply with ASME A13.1, "Scheme for the Identification of Piping Systems," for letter size, length of color field, colors, and viewing angles of identification devices for piping.

1.4 COORDINATION

- A. Coordinate installation of identifying devices with completion of covering and painting of surfaces where devices are to be applied.
- B. Coordinate installation of identifying devices with locations of access panels and doors.
- C. Install identifying devices before installing acoustical ceilings and similar concealment.

PART 2 - PRODUCTS

2.1 EQUIPMENT LABELS

- A. Metal Labels for Equipment:
  - 1. Material and Thickness: Brass, Aluminum, or anodized aluminum, 0.032-inch minimum thickness, and having predrilled or stamped holes for attachment hardware.
  - 2. Minimum Label Size: Length and width vary for required label content, but not less than 2-1/2 by 3/4 inch.
  - 3. Minimum Letter Size: 1/4 inch for name of units if viewing distance is less than 24 inches, 1/2 inch for viewing distances up to 72 inches, and proportionately larger lettering for greater viewing distances. Include secondary lettering two-thirds to three-fourths the size of principal lettering.
  - 4. Fasteners: Stainless-steel rivets or self-tapping screws.

FIRE STATIONS RENOVATION  
ARLINGTON COUNTY, VIRGINIA  
Architect's Project No: 563006

5. Adhesive: Contact-type permanent adhesive, compatible with label and with substrate.

B. Plastic Labels for Equipment:

1. Material and Thickness: Multilayer, multicolor, plastic labels for mechanical engraving, 1/16 inch thick, and having predrilled holes for attachment hardware.
2. Letter Color: White.
3. Background Color: Black.
4. Maximum Temperature: Able to withstand temperatures up to 160 deg F.
5. Minimum Label Size: Length and width vary for required label content, but not less than 2-1/2 by 3/4 inch.
6. Minimum Letter Size: 1/4 inch for name of units if viewing distance is less than 24 inches, 1/2 inch for viewing distances up to 72 inches, and proportionately larger lettering for greater viewing distances. Include secondary lettering two-thirds to three-fourths the size of principal lettering.
7. Fasteners: Stainless-steel rivets or self-tapping screws.
8. Adhesive: Contact-type permanent adhesive, compatible with label and with substrate.

C. Label Content: Include equipment's Drawing designation or unique equipment number, Drawing numbers where equipment is indicated (plans, details, and schedules), plus the Specification Section number and title where equipment is specified.

D. Equipment Label Schedule: For each item of equipment to be labeled, on 8-1/2-by-11-inch bond paper. Tabulate equipment identification number and identify Drawing numbers where equipment is indicated (plans, details, and schedules), plus the Specification Section number and title where equipment is specified. Equipment schedule shall be included in operation and maintenance data.

2.2 WARNING SIGNS AND LABELS

A. Material and Thickness: Multilayer, multicolor, plastic labels for mechanical engraving, 1/16 inch thick, and having predrilled holes for attachment hardware.

B. Letter Color: White.

C. Background Color: Red.

D. Maximum Temperature: Able to withstand temperatures up to 160 deg F.

E. Minimum Label Size: Length and width vary for required label content, but not less than 2-1/2 by 3/4 inch.

F. Minimum Letter Size: 1/4 inch for name of units if viewing distance is less than 24 inches, 1/2 inch for viewing distances up to 72 inches, and proportionately larger lettering for greater viewing distances. Include secondary lettering two-thirds to three-fourths the size of principal lettering.

G. Fasteners: Stainless-steel rivets or self-tapping screws.

FIRE STATIONS RENOVATION  
ARLINGTON COUNTY, VIRGINIA  
Architect's Project No: 563006

- H. Adhesive: Contact-type permanent adhesive, compatible with label and with substrate.
- I. Label Content: Include caution and warning information, plus emergency notification instructions.

2.3 PIPE LABELS

- A. General Requirements for Manufactured Pipe Labels: Preprinted, color-coded, with lettering indicating service, and showing flow direction.
- B. Pretensioned Pipe Labels: Precoiled, semirigid plastic formed to cover full circumference of pipe and to attach to pipe without fasteners or adhesive.
- C. Self-Adhesive Pipe Labels: Printed plastic with contact-type, permanent-adhesive backing.
- D. Pipe Label Contents: Include identification of piping service using same designations or abbreviations as used on Drawings, pipe size, and an arrow indicating flow direction.
  - 1. Flow-Direction Arrows: Integral with piping system service lettering to accommodate both directions, or as separate unit on each pipe label to indicate flow direction.
  - 2. Lettering Size: At least 1-1/2 inches high.

2.4 STENCILS

- A. Stencils: Prepared with letter sizes according to ASME A13.1 for piping; minimum letter height of 1-1/4 inches for ducts; and minimum letter height of 3/4 inch for access panel and door markers, equipment markers, equipment signs, and similar operational instructions.
  - 1. Stencil Material: Metal or fiberboard.
  - 2. Stencil Paint: Exterior, gloss, black, unless otherwise indicated. Paint shall be low VOC and shall meet the requirements of section 09910. Paint may be in pressurized spray-can form.
  - 3. Identification Paint: Exterior, in colors according to ASME A13.1, unless otherwise indicated. Paint shall be low VOC and shall meet the requirements of section 09910.

2.5 VALVE TAGS

- A. Valve Tags: Stamped or engraved with 1/4-inch letters for piping system abbreviation and 1/2-inch numbers, numbering scheme approved by Architect. Provide 5/32-inch hole for fastener.
  - 1. Material: 0.032-inch- thick brass or
  - 2. Material: 0.0375-inch- thick stainless steel or
  - 3. Material: 3/32-inch- thick laminated plastic with 2 black surfaces and white inner layer.
- B. Valve-Tag Fasteners: Brass wire-link or beaded chain; or S-hook.

2.6 VALVE SCHEDULES

FIRE STATIONS RENOVATION  
ARLINGTON COUNTY, VIRGINIA  
Architect's Project No: 563006

- A. Valve Schedules: For each piping system, on standard-size bond paper. Tabulate valve number, piping system, system abbreviation (as shown on valve tag), location of valve (room or space), normal-operating position (open, closed, or modulating), and variations for identification. Mark valves for emergency shutoff and similar special uses.
  - 1. Valve-Schedule Frames: Glazed display frame for removable mounting on masonry walls for each page of valve schedule. Include mounting screws and hangers.
  - 2. Frame: Finished hardwood or extruded aluminum.
  - 3. Glazing: ASTM C 1036, Type I, Class 1, Glazing Quality B, 2.5-mm, single-thickness glass.

## 2.7 WARNING TAGS

- A. Warning Tags: Preprinted or partially preprinted, accident-prevention tags, of plasticized card stock with matte finish suitable for writing.
  - 1. Size: 3 by 5-1/4 inches minimum.
  - 2. Fasteners: Brass grommet and wire.
  - 3. Nomenclature: Large-size primary caption such as "DANGER," "CAUTION," or "DO NOT OPERATE."
  - 4. Color: Yellow background with black lettering.

## PART 3 - EXECUTION

### 3.1 PREPARATION

- A. Clean piping and equipment surfaces of substances that could impair bond of identification devices, including dirt, oil, grease, release agents, and incompatible primers, paints, and encapsulants.

### 3.2 EQUIPMENT LABEL INSTALLATION

- A. Install and permanently fasten equipment nameplates on each major item of plumbing equipment that does not have nameplate, or has a nameplate that is damaged or located where not easily visible. Locate nameplates where easily visible. Include nameplates for the following general categories of equipment:
  - 1. Pumps, compressors, and other motor-driven equipment.
  - 2. Water heaters and storage tanks.
- B. Install equipment markers with permanent adhesive on or near each major item of mechanical equipment. Data required for markers may be included on signs, and markers may be omitted if both are indicated.
  - 1. Letter Size: Minimum 1/4 inch for name of units if viewing distance is less than 24 inches, 1/2 inch for viewing distances up to 72 inches, and proportionately larger lettering for greater viewing distances. Include secondary lettering two-thirds to three-fourths the size of principal lettering.

FIRE STATIONS RENOVATION  
ARLINGTON COUNTY, VIRGINIA  
Architect's Project No: 563006

2. Data: Distinguish among multiple units, indicate operational requirements, indicate safety and emergency precautions, warn of hazards and improper operations, and identify units.
  3. Locate markers where accessible and visible. Include markers for the following general categories of equipment:
    - a. Meters, gages, and thermometers.
    - b. Pumps, compressors, and other motor-driven equipment.
    - c. Water heaters and storage tanks.
- C. Install equipment signs with screws or permanent adhesive on or near each major item of mechanical equipment. Locate signs where easily visible.
1. Identify mechanical equipment with equipment markers in the following color codes:
    - a. Green: For cooling equipment and components.
    - b. Yellow: For heating equipment and components.
    - c. Orange: For combination cooling and heating equipment and components.
    - d. Brown: For energy-reclamation equipment and components.
    - e. Blue: For equipment not listed in a through d
  2. Letter Size: Minimum 1/4 inch for name of units if viewing distance is less than 24 inches, 1/2 inch for viewing distances up to 72 inches, and proportionately larger lettering for greater viewing distances. Include secondary lettering two-thirds to three-fourths the size of principal lettering.
  3. Data: Distinguish among multiple units, indicate operational requirements, indicate safety and emergency precautions, warn of hazards and improper operations, and identify units.
- D. Install access panel markers with screws on equipment access panels.

### 3.3 PIPE LABEL INSTALLATION

- A. Piping Color-Coding: Painting of piping is specified in other sections.
- B. Locate pipe labels where piping is exposed or above accessible ceilings in finished spaces; machine rooms; accessible maintenance spaces such as shafts, tunnels, and plenums; and exterior exposed locations as follows:
1. Near each valve and control device.
  2. Near each branch connection, excluding short takeoffs for fixtures and terminal units. Where flow pattern is not obvious, mark each pipe at branch.
  3. Near penetrations through walls, floors, ceilings, and inaccessible enclosures.
  4. At access doors, manholes, and similar access points that permit view of concealed piping.
  5. Near major equipment items and other points of origination and termination.
  6. Spaced at maximum intervals of 25 feet.
  7. On piping above removable acoustical ceilings. Omit intermediately spaced labels.
- C. Pipe Label Color Schedule:

FIRE STATIONS RENOVATION  
ARLINGTON COUNTY, VIRGINIA  
Architect's Project No: 563006

1. Domestic Cold Water Piping:
  - a. Background Color: Green.
  - b. Letter Color: White.
2. Domestic Hot Water Piping:
  - a. Background Color: Green.
  - b. Letter Color: White.
3. Sanitary Waste and Storm Drainage Piping:
  - a. Background Color: Green.
  - b. Letter Color: White.

3.4 VALVE-TAG INSTALLATION

- A. Install tags on valves and control devices in piping systems, except check valves; valves within factory-fabricated equipment units; plumbing fixture supply stops; shutoff valves; faucets; convenience and lawn-watering hose connections; and HVAC terminal devices and similar roughing-in connections of end-use fixtures and units. List tagged valves in a valve schedule.
- B. Valve-Tag Application Schedule: Tag valves according to size, shape, and color scheme and with captions similar to those indicated in the following:
  1. Valve-Tag Size and Shape:
    - a. Domestic Cold Water: 1 ½", round.
    - b. Domestic Hot Water: 1 ½", round.
    - c. Domestic Hot Water Recirculation: 1 ½", round.
  2. Valve-Tag Color:
    - a. Domestic Cold Water: Blue.
    - b. Domestic Hot Water: Red.
    - c. Domestic Hot Water Recirculation: Red.
  3. Letter Color:
    - a. Domestic Cold Water: Black.
    - b. Domestic Hot Water: White.
    - c. Domestic Hot Water Recirculation: White.

3.5 VALVE SCHEDULE INSTALLATION

- A. Mount valve schedules on wall in accessible location in each major equipment room and where directed by owner.

3.6 WARNING-TAG INSTALLATION

- A. Write required message on, and attach warning tags to, equipment and other items where required.



FIRE STATIONS RENOVATION  
ARLINGTON COUNTY, VIRGINIA  
Architect's Project No: 563006

3.7 ADJUSTING

- A. Relocate mechanical identification materials and devices that have become visually blocked by other work.

3.8 CLEANING

- A. Clean faces of mechanical identification devices and glass fronts of valve schedules.

END OF SECTION 220553

FIRE STATIONS RENOVATION  
ARLINGTON COUNTY, VIRGINIA  
Architect's Project No: 563006

SECTION 220700 - PLUMBING INSULATION

PART 1 - GENERAL

1.1 RELATED DOCUMENTS

- A. Provisions of the Contract and of the Contract Documents apply to this Section.

1.2 DEFINITIONS

- A. Outdoor pipe: Pipe located outside the building insulation envelope.
- B. Plenum: An unoccupied space or void, on the conditioned side of the building insulation and vapor barrier, being used to return conditioned air to the inlet side of a return or exhaust fan either directly or via a duct connection. An example would be a space with air handling light fixtures or openings in the ceiling used to transport air through the ceiling and then to an open duct located above the ceiling in another location.
- C. Indirectly Conditioned Space: A space having no direct conditioning but, due to air movement induced by an exhaust, or return opening, is conditioned by makeup air from an adjacent space. An example would be a small toilet. Boiler rooms, fan rooms, and mechanical rooms do not qualify as indirectly conditioned spaces.
- D. Inside the Building Insulation Envelope: For the purposes of this section, boiler rooms, fan rooms, and mechanical rooms are considered to be OUTSIDE the building insulation envelope.
- E. Exposed: Visible from any angle without removal of building element or equipment.
- F. Concealed: Enclosed in building element or above ceiling such that it is not visible from any angle without removal of building element or equipment.

1.3 SUBMITTALS

- A. Product Data: Identify thermal conductivity, thickness, and jackets (both factory and field applied, if any), for each type of product indicated.
- B. LEED Submittal: Refer to Division 1 Section "Sustainable Design Requirements."
- C. Shop Drawings: Show fabrication and installation details for the following:
  - 1. Detail application of removable insulation covers.
  - 2. Detail application of protective shields, saddles, and inserts at hangers for each type of insulation and hanger.
  - 3. Detail attachment and covering of heat tracing inside insulation.
  - 4. Detail insulation application at pipe expansion joints for each type of insulation.
  - 5. Detail insulation application at elbows, fittings, flanges, valves, and specialties for each type of insulation.
  - 6. Detail removable insulation at piping specialties, equipment connections, and access panels.
  - 7. Detail application of field-applied jackets.
  - 8. Detail application at linkages of control devices.
  - 9. Detail field application for each equipment type.

FIRE STATIONS RENOVATION  
ARLINGTON COUNTY, VIRGINIA  
Architect's Project No: 563006

1.4 QUALITY ASSURANCE

- A. Fire-Test-Response Characteristics: Insulation and related materials shall have fire-test-response characteristics indicated, as determined by testing identical products per ASTM E 84, by a testing and inspecting agency acceptable to authorities having jurisdiction. Factory label insulation and jacket materials and adhesive, mastic, tapes, and cement material containers, with appropriate markings of applicable testing and inspecting agency.
  - 1. Insulation Installed Indoors: Flame-spread index of 25 or less, and smoke-developed index of 50 or less.
  - 2. Insulation Installed Outdoors: Flame-spread index of 75 or less, and smoke-developed index of 150 or less.

1.5 DELIVERY, STORAGE, AND HANDLING

- A. Packaging: Ship insulation materials in containers marked by manufacturer with type, grade, and maximum use temperature.
- B. Ship Insulated Piping System Components on pallets and wood supports. Securely fasten and protect from damage. Store off the ground and cover with opaque waterproof tarp to protect materials from sunlight and rain.

1.6 COORDINATION

- A. Coordinate size and location of supports, hangers, and insulation shields specified in Section "Hangers and Supports for HVAC Piping and Equipment."
- B. Coordinate clearance requirements with piping Installer for piping insulation, duct Installer for duct insulation, and equipment Installer for equipment insulation.
- C. Maintain clearances required for maintenance.
- D. Coordinate installation and testing of heat tracing.

PART 2 - PRODUCTS

2.1 MANUFACTURERS

- A. Available Manufacturers:
  - 1. Mineral-Fiber Insulation:
    - a. CertainTeed Manson.
    - b. Johns Manville
    - c. Knauf FiberGlass GmbH.
    - d. Owens-Corning Fiberglas Corp.
    - e. Schuller International, Inc.
  - 2. Flexible Elastomeric Thermal Insulation:
    - a. Armstrong World Industries, Inc.
    - b. Rubatex Corp.
  - 3. Removable Insulation Covers:
    - a. Advance Thermal Corp.

FIRE STATIONS RENOVATION  
ARLINGTON COUNTY, VIRGINIA  
Architect's Project No: 563006

2.2 INSULATION MATERIALS

- A. Comply with requirements in Part 3 schedule articles for where insulating materials shall be applied.
- B. Products shall not contain asbestos, lead, mercury, or mercury compounds.
- C. Products that come in contact with stainless steel shall have a leachable chloride content of less than 50 ppm when tested according to ASTM C 871.
- D. Insulation materials for use on austenitic stainless steel shall be qualified as acceptable according to ASTM C 795.
- E. Foam insulation materials shall not use CFC or HCFC blowing agents in the manufacturing process.
- F. Insulation products must be tested and determined compliant in accordance with California Department of Public Health (CDPH) Standard Method v1.1-2010, using the applicable exposure scenario. The default scenario is the private office scenario. The manufacturer's or third-party certification must state the exposure scenario used to determine compliance. Claims of compliance for wet-applied products must state the amount applied in mass per surface area. Manufacturers' claims of compliance with the above requirements must also state the range of total VOCs after 14 days (336 hours), measured as specified in the CDPH Standard Method v1.1:
  - a. 0.5 mg/m<sup>3</sup> or less;
  - b. between 0.5 and 5.0 mg/m<sup>3</sup>; or
  - c. 5.0 mg/m<sup>3</sup> or more
- G. Mineral-Fiber Board: Glass fibers bonded with a thermosetting resin. Comply with ASTM C 612, Type IB, with factory applied FSK Jacket. Meet the requirements of ASTM C 1290, Type III, inorganic glass fibers bonded by a thermosetting resin to maximum service temperature of 250°F.. Faced insulation shall not exceed 25 Flame Spread, 50 Smoke Developed when tested in accordance with ASTM E84.
- H. Semi-Rigid Mineral-Fiber Board: Glass fibers bonded with a thermosetting resin. Comply with ASTM C 1136, Type I, II, III, & IV with factory applied all-service jacket (ASJ) or Type II, IV with factory applied Foil Scrim Kraft (FSK) jacket.
- I. Mineral-Fiber Blanket with Factory Applied FSK Jacket: Meet the requirements of ASTM C 1290, Type III, inorganic glass fibers bonded by a thermosetting resin with a multi-purpose foil-scrim kraft (FSK) jacket to maximum service temperature of 250°F. FSK shall meet the requirements of ASTM C 1136, Type II, when surface burning characteristics are determined in accordance with ASTM E 84 with the foil surface of the material exposed to the flame as it is in the final composite. Composite (insulation, facing and adhesive) shall not exceed 25 Flame Spread, 50 Smoke Developed when tested in accordance with ASTM E 84. Insulation properties shall be as follows:
  - 1. Thickness: 1-1/2"
    - a. Density: 0.75 pcf
    - b. Minimum uncompressed R value: 5.0
    - c. Minimum installed R value assuming 25% compression: 4.0
  - 2. Thickness: 2"
    - a. Density: 1.0 pcf
    - b. Minimum uncompressed R value: 7.4

FIRE STATIONS RENOVATION  
ARLINGTON COUNTY, VIRGINIA  
Architect's Project No: 563006

- c. Minimum installed R value assuming 25% compression: 6.0
    - 3. Alternate to 2" 1.0 pcf: Thickness: 2.2"
      - a. Density: 0.75 pcf
      - b. Minimum uncompressed R value: 7.4
      - c. Minimum installed R value assuming 25% compression: 6.0
    - 4. Thickness: 3"
      - a. Density: 0.75 pcf
      - b. Minimum uncompressed R value: 10.0
      - c. Minimum installed R value assuming 25% compression: 8.3
  - J. Medium Temperature Mineral-Fiber Blanket for Operating Temperatures from 250 to 850 deg F: Glass fibers bonded with a thermosetting resin. Comply with ASTM C 553, Type II, without facing and with all-service jacket manufactured from kraft paper, reinforcing scrim, aluminum foil, and vinyl film.
  - K. High Temperature Mineral-Fiber Blanket for Temperatures above 850 deg F: Glass fibers bonded with a thermosetting resin. Comply with ASTM C 553, Type V, without facing and with all-service jacket manufactured from kraft paper, reinforcing scrim, aluminum foil, and vinyl film.
  - L. Mineral-Fiber Pipe Insulation: Glass fibers bonded with a thermosetting resin complying with the following:
    - 1. Preformed Pipe Insulation: Comply with ASTM C 547, Type 1, with factory-applied, all-purpose, vapor-retarder jacket.
    - 2. Semi-Rigid Mineral-Fiber Board: Glass fibers bonded with a thermosetting resin. Comply with ASTM C 1136, Type I, II, III, IV with factory applied all-service jacket (ASJ) or Type II, IV with factory applied Foil Scrim Kraft (FSK) jacket.
    - 3. Blanket Insulation: Comply with ASTM C 553, Type II, without facing.
    - 4. Mineral-Fiber Insulating Cements: Comply with ASTM C 195.
    - 5. Expanded or Exfoliated Vermiculite Insulating Cements: Comply with ASTM C 196.
    - 6. Mineral-Fiber, Hydraulic-Setting Insulating and Finishing Cement: Comply with ASTM C 449/C 449M.
  - M. Flexible Elastomeric: Closed-cell, sponge- or expanded-rubber materials. Comply with ASTM C 534, Type I for tubular materials and Type II for sheet materials.
    - 1. Adhesive: As recommended by insulation material manufacturer.
    - 2. Ultraviolet-Protective Coating: As recommended by insulation manufacturer.
  - N. Prefabricated Thermal Insulating Fitting Covers: Comply with ASTM C 450 for dimensions used in performing insulation to cover valves, elbows, tees, and flanges.
- 2.3 FIELD-APPLIED JACKETS
- A. General: ASTM C 921, Type 1, unless otherwise indicated.
  - B. Glass Cloth: Woven glass-fiber fabric, plain weave, minimum 8 ounces per square yard.
  - C. Foil and Paper Jacket: Laminated, glass-fiber-reinforced, flame-retardant kraft paper and aluminum foil.
  - D. PVC Jacket: High-impact, ultraviolet-resistant PVC; 20 mils thick; roll stock ready for shop or field cutting and forming.
    - 1. Adhesive: As recommended by insulation material manufacturer.

FIRE STATIONS RENOVATION  
ARLINGTON COUNTY, VIRGINIA  
Architect's Project No: 563006

2. PVC Duct Jacket Color: White or gray.
  3. PVC Pipe Jacket Color: Color-code piping jackets based on materials contained within the piping system.
- E. Aluminum Jacket: Deep corrugated sheets manufactured from aluminum alloy complying with ASTM B 209, and having an integrally bonded moisture barrier over entire surface in contact with insulation. Factory cut and rolled to indicated sizes. Comply with ASTM B 209, 3003 alloy, H-14 temper.
1. Finish and Thickness: Stucco-embossed finish, 0.016 inch thick.
  2. Moisture Barrier: 1-mil- thick, heat-bonded polyethylene and kraft paper.
  3. Elbows: Preformed, 45- and 90-degree, short- and long-radius elbows; same material, finish, and thickness as jacket.
- F. Heavy PVC Pipe Fitting Covers: Factory-fabricated fitting covers manufactured from 30-mil-thick, high-impact, ultraviolet-resistant PVC.
1. Shapes: 45- and 90-degree, short- and long-radius elbows, tees, valves, flanges, reducers, end caps, soil-pipe hubs, traps, mechanical joints, and P-trap and supply covers for lavatories for the disabled.
  2. Adhesive: As recommended by insulation material manufacturer.
- G. Standard PVC Pipe Fitting Covers: Factory-fabricated fitting covers manufactured from 20-mil- thick, high-impact, ultraviolet-resistant PVC.
1. Shapes: 45- and 90-degree, short- and long-radius elbows, tees, valves, flanges, reducers, end caps, soil-pipe hubs, traps, mechanical joints, and P-trap and supply covers for lavatories for the disabled.
  2. Adhesive: As recommended by insulation material manufacturer.

#### 2.4 REMOVABLE INSULATION COVERS

- A. Pre-manufactured easily removable insulation cover/blanket intended for insulation of equipment and devices requiring periodic maintenance.

#### 2.5 ACCESSORIES AND ATTACHMENTS

- A. Glass Cloth and Tape: Comply with MIL-C-20079H, Type I for cloth and Type II for tape. Woven glass-fiber fabrics, plain weave, presized a minimum of 8 oz./sq. yd..
1. Tape Width: 4 inches.
- B. Bands: 3/4 inch wide, in one of the following materials compatible with jacket:
1. Stainless Steel: ASTM A 666, Type 304; 0.020 inch thick.
  2. Galvanized Steel: 0.005 inch thick.
  3. Aluminum: 0.007 inch thick.
  4. Brass: 0.010 inch thick.
  5. Nickel-Copper Alloy: 0.005 inch thick.
- C. Wire: 0.080-inch, nickel-copper alloy; 0.062-inch, soft-annealed, stainless steel; or 0.062-inch, soft-annealed, galvanized steel.
- D. Weld-Attached Anchor Pins and Washers: Copper-coated steel pin for capacitor-discharge welding and galvanized speed washer. Pin length sufficient for insulation thickness indicated.

FIRE STATIONS RENOVATION  
ARLINGTON COUNTY, VIRGINIA  
Architect's Project No: 563006

1. Welded Pin Holding Capacity: 100 lb for direct pull perpendicular to the attached surface.
  - E. Adhesive-Attached Anchor Pins and Speed Washers: Galvanized steel plate, pin, and washer manufactured for attachment to duct, pipe, plenum and breeching with adhesive. Pin length sufficient for insulation thickness indicated.
    1. Adhesive: Recommended by the anchor pin manufacturer as appropriate for surface temperatures of ducts, pipes, plenums, and breechings; and to achieve a holding capacity of 100 lb. for direct pull perpendicular to the adhered surface.
  - F. Self-Adhesive Anchor Pins and Speed Washers: Galvanized steel plate, pin, and washer manufactured for attachment to duct, pipe, and plenum with adhesive. Pin length sufficient for insulation thickness indicated.
- 2.6 VAPOR RETARDERS
- A. Mastics: Materials recommended by insulation material manufacturer that are compatible with insulation materials, jackets, and substrates.
- 2.7 REMOVABLE INSULATION COVERS
- A. Pre-manufactured easily removable insulation cover/blanket intended for insulation of equipment and devices requiring periodic maintenance.

PART 3 - EXECUTION

3.1 EXAMINATION

- A. Examine substrates and conditions for compliance with requirements for installation and other conditions affecting performance of insulation application.
- B. Proceed with installation only after unsatisfactory conditions have been corrected.

3.2 PREPARATION

- A. Surface Preparation: Clean and dry surfaces to receive insulation. Remove materials that will adversely affect insulation application.

3.3 GENERAL APPLICATION REQUIREMENTS

- A. Apply insulation materials, accessories, and finishes according to the manufacturer's written instructions; with smooth, straight, and even surfaces; and free of voids throughout the length of piping, and fittings.
- B. Refer to schedules at the end of this Section for materials, forms, jackets, and thickness required for each system.
- C. Use accessories compatible with insulation materials and suitable for the service. Use accessories that do not corrode, soften, or otherwise attack insulation or jacket in either wet or dry state.
- D. Apply multiple layers of insulation with seams staggered.
- E. Do not weld brackets, clips, or other attachment devices to piping, fittings, and specialties.

FIRE STATIONS RENOVATION  
ARLINGTON COUNTY, VIRGINIA  
Architect's Project No: 563006

- F. Seal joints and seams with vapor-retarder mastic on insulation indicated to receive a vapor retarder.
- G. Keep insulation materials dry at all times. Insulation that becomes wet or is otherwise damaged beyond repair, shall be removed immediately and replaced. Replacement material and installation shall be in accordance with these specifications.
- H. Apply insulation with tight longitudinal seams and end joints. Bond seams and joints with adhesive recommended by the insulation material manufacturer.
- I. Apply insulation with the minimum number of joints practical.
- J. Apply insulation over fittings, valves, and specialties, with continuous thermal and vapor-retarder integrity, unless otherwise indicated.
- K. Refer to special instructions for applying insulation over fittings, valves, and specialties.
- L. Hangers and Anchors: Where vapor retarder is indicated, seal penetrations in insulation at hangers, supports, anchors, and other projections with vapor-retarder mastic.
  - 1. Apply insulation continuously through hangers and around anchor attachments.
  - 2. For insulation application where vapor retarders are indicated, extend insulation on anchor legs at least 12 inches from point of attachment to pipe and taper insulation ends. Seal tapered ends with a compound recommended by the insulation material manufacturer to maintain vapor retarder.
  - 3. Install insert materials and apply insulation to tightly join the insert. Seal insulation to insulation inserts with adhesive or sealing compound recommended by the insulation material manufacturer.
  - 4. Cover inserts with jacket material matching adjacent pipe insulation. Install shields over jacket, arranged to protect the jacket from tear or puncture by the hanger, support, and shield.
- M. Insulation Terminations: For insulation application where vapor retarders are indicated, seal ends with a compound recommended by the insulation material manufacturer to maintain vapor retarder.
- N. Apply insulation with integral jackets as follows:
  - 1. Pull jacket tight and smooth.
  - 2. Joints and Seams: Cover with tape and vapor retarder as recommended by insulation material manufacturer to maintain vapor seal.
  - 3. Vapor-Retarder Mastics: Where vapor retarders are indicated, apply mastic on seams and joints and at ends adjacent to duct flanges, pipe joints, and fittings.
- O. Cut insulation according to manufacturer's written instructions to prevent compressing insulation to less than 75 percent of its nominal thickness.
- P. Install vapor-retarder mastic on ducts, pipes, plenums, and equipment.
  - 1. Ducts, pipes, plenums, and equipment with Vapor Retarders: Overlap insulation facing at seams and seal with vapor-retarder mastic and pressure-sensitive tape having same facing as insulation. Repair punctures, tears, and penetrations with tape or mastic to maintain vapor-retarder seal.
  - 2. Ducts, pipes, plenums, and equipment without Vapor Retarders: Overlap insulation facing at seams and secure with outward clinching staples and pressure-sensitive tape having same facing as insulation.



FIRE STATIONS RENOVATION  
ARLINGTON COUNTY, VIRGINIA  
Architect's Project No: 563006

- Q. Roof Penetrations: Apply insulation for interior applications to a point even with top of roof flashing.
1. Seal penetrations with vapor-retarder mastic.
  2. Apply insulation for exterior applications tightly joined to interior insulation ends.
  3. Seal insulation to roof flashing with vapor-retarder mastic.
- R. Interior Wall and Partition Penetrations: Apply insulation continuously through walls and partitions, except fire-rated walls and partitions.
- S. Fire-Rated Wall and Partition Penetrations: Terminate insulation at fire/smoke damper sleeves for fire-rated wall and partition penetrations.
- T. Floor Penetrations: Terminate insulation at underside of floor assembly and at floor support at top of floor.
1. For insulation indicated to have vapor retarders, taper termination and seal insulation ends with vapor-retarder mastic.

3.4 MINERAL-FIBER INSULATION APPLICATION

- A. Blanket Applications for Ducts, Pipes, and Plenums: Secure blanket insulation with adhesive, and anchor pins with speed washers.
1. Apply adhesives according to manufacturer's recommended coverage rates per square foot, for 100 percent coverage of duct, pipe, and plenum surfaces.
  2. Apply adhesive to entire circumference of ducts & pipes and to all surfaces of fittings and transitions. Adhesive may be omitted from the top of horizontal rectangular ducts.
  3. Install anchor pins and speed washers on sides and bottom of horizontal ducts and sides of vertical ducts as follows:
    - a. On duct sides with dimensions 18 inches and smaller, along longitudinal centerline of duct. Space 3 inches maximum from insulation end joints, and 16 inches o.c.
    - b. On duct sides with dimensions larger than 18 inches. Space 16 inches o.c. each way, and 3 inches maximum from insulation joints. Apply additional pins and clips to hold insulation tightly against surface at cross bracing.
    - c. Anchor pins may be omitted from top surface of horizontal, rectangular ducts and plenums.
    - d. Do not compress insulation to less than 75% of its original thickness during installation.
  4. Install anchor pins and speed washers on sides, top, and bottom of horizontal pipes.
  5. Impale insulation over anchors and attach speed washers.
  6. Cut excess portion of pins extending beyond speed washers. Cover exposed pins and washers with tape matching insulation facing.
  7. Create a facing lap for longitudinal seams and end joints with insulation by removing 2 inches from one edge and one end of insulation segment. Secure laps to adjacent insulation segment with 1/2-inch staples, 1-inch o.c., and cover with pressure-sensitive tape having same facing as insulation.
  8. Overlap unfaced blankets a minimum of 2 inches on longitudinal seams and end joints. Secure with steel band at end joints and spaced a maximum of 18 inches o.c.
  9. Apply insulation on rectangular duct elbows, pipe fittings, and transitions with a full insulation segment for each surface. Apply insulation on round and flat-oval duct elbows, and pipe elbows, with individually mitered gores cut to fit the elbow.

FIRE STATIONS RENOVATION  
ARLINGTON COUNTY, VIRGINIA  
Architect's Project No: 563006

10. Insulate duct and pipe stiffeners, hangers, and flanges that protrude beyond the insulation surface with 6-inch- wide strips of the same material as insulation. Secure on alternating sides of stiffener, hanger, and flange with anchor pins spaced 6 inches o.c.
11. Apply vapor-retarder mastic to open joints, breaks, and punctures for insulation indicated to receive vapor retarder.

B. Board Applications for Ducts, Plenums, & Equipment: Secure board insulation with adhesive and anchor pins and speed washers.

1. Apply adhesives according to manufacturer's recommended coverage rates per square foot, for 100 percent coverage of duct, plenum, & equipment surfaces.
2. Apply adhesive to entire circumference of ducts and to all surfaces of fittings, transitions, and equipment. Adhesive may be omitted from top surface of horizontal rectangular ducts.
3. Space anchor pins as follows:
  - a. On duct & equipment sides with dimensions 18 inches and smaller, along longitudinal centerline of duct. Space 3 inches maximum from insulation end joints, and 16 inches o.c.
  - b. On duct & equipment sides with dimensions larger than 18 inches. Space 16 inches o.c. each way, and 3 inches maximum from insulation joints. Apply additional pins and clips to hold insulation tightly against surface at bracing.
  - c. Anchor pins may be omitted from top surface of horizontal, rectangular ducts and plenums.
  - d. Do not compress insulation to less than 75% of its original thickness during installation.
4. Cut excess portion of pins extending beyond speed washers. Cover exposed pins and washers with tape matching insulation facing.
5. Create a facing lap for longitudinal seams and end joints with insulation by removing 2 inches from one edge and one end of insulation segment. Secure laps to adjacent insulation segment with 1/2-inch staples, 1-inch o.c., and cover with pressure-sensitive tape having same facing as insulation.
6. Apply insulation on rectangular duct elbows and transitions with a full insulation segment for each surface. Groove and score insulation to fit as closely as possible to outside and inside radius of elbows. Apply insulation on round and flat-oval duct elbows with individually mitered gores cut to fit the elbow.
7. Insulate duct and equipment stiffeners, hangers, and flanges that protrude beyond the insulation surface with 6" wide strips of the insulating materia. Secure on alternating sides of stiffener, hanger, and flange with anchor pins spaced 6 inches o.c.
8. Apply vapor-retarder mastic to open joints, breaks, and punctures for insulation indicated to receive vapor retarder.

### 3.5 FLEXIBLE ELASTOMERIC THERMAL INSULATION APPLICATION

A. Apply insulation to ducts, plenums, and equipment as follows:

1. Follow the manufacturer's written instructions for applying insulation.
2. Seal longitudinal seams and end joints with manufacturer's recommended adhesive. Cement to avoid openings in insulation that will allow passage of air to the duct, plenum, and equipment surface.

FIRE STATIONS RENOVATION  
ARLINGTON COUNTY, VIRGINIA  
Architect's Project No: 563006

3.6 FIELD-APPLIED JACKET APPLICATION

- A. Apply glass-cloth jacket, where indicated, directly over bare insulation or insulation with factory-applied jackets.
  - 1. Apply jacket smooth and tight to surface with 2-inch overlap at seams and joints.
  - 2. Embed glass cloth between two 0.062-inch- thick coats of jacket manufacturer's recommended adhesive.
  - 3. Completely encapsulate insulation with jacket, leaving no exposed raw insulation.

3.7 FINISHES

- A. Glass-Cloth Jacketed Insulation: Paint insulation finished with glass-cloth jacket as indicated.
- B. Flexible Elastomeric Thermal Insulation: After adhesive has fully cured, apply two coats of insulation manufacturer's recommended protective coating.
- C. Color: Final color shall be as selected by Architect. Vary first and second coats to allow visual inspection of the completed Work.

3.8 APPLICATIONS

- A. Insulation materials and thickness are specified at the end of this Section.
- B. Insulate all pipe and equipment:
  - 1. Insulate pipe in accordance with the application schedule(s) below.
  - 2. Exceptions: Unless otherwise indicated, do not apply insulation to the following systems, materials, and equipment:
    - a. Vibration-control devices.
    - b. Testing agency labels and stamps.
    - c. Nameplates and data plates.
    - d. Manholes.
    - e. Handholes.
    - f. Cleanouts.
    - g. Plastic Condensate Drain piping.
    - h. Factory-insulated equipment.
    - i. Flexible connectors.

3.9 INDOOR APPLICATION SCHEDULE (ABOVE SLAB):

- A. Service: Domestic hot water and domestic circulated hot water.
  - 1. Insulation Material: Mineral fiber preformed or flexible elastomeric pipe insulation.
  - 2. Insulation Thickness: Apply the following insulation thicknesses:
    - a. Copper Pipe, ½" through 1½" in diameter: 1"
    - b. Copper Pipe, 1½" through 3" in diameter: 1 ½"
    - c. Copper Pipe, larger than 3" in diameter: 2"
  - 3. Vapor Retarder Required: No.
  - 4. Finish: Exposed = Painted, concealed = none.
- B. Service: Domestic cold water.
  - 1. Insulation Material: Mineral fiber preformed or flexible elastomeric pipe insulation.
  - 2. Insulation Thickness: ½"
  - 3. Vapor Retarder Required: Yes.

FIRE STATIONS RENOVATION  
ARLINGTON COUNTY, VIRGINIA  
Architect's Project No: 563006

4. Finish: Exposed = Painted, concealed = none.

C. Service: Rainwater conductors (Includes secondary roof drain conductors).

1. Insulation Material: Mineral fiber preformed pipe insulation or Mineral-Fiber Blanket with Factory Applied FSK Jacket.

2. Insulation Thickness: 1"

3. Vapor Retarder Required: Yes.

4. Finish: Exposed = Painted, concealed = none.

D. Service: Roof drain and overflow drain bodies.

1. Insulation Material: Semi-Rigid Mineral-Fiber Board Thermal Insulation

2. Insulation Thickness: 1½"

3. Vapor Retarder Required: Yes.

4. Finish: Exposed = Painted, concealed = none.

E. Service: Exposed piping:

1. Mineral fiber preformed pipe insulation with Factory Applied FSK Jacket.

2. Insulation Thickness: 1"

3. Vapor Retarder Required: Yes.

4. Finish: Exposed = Painted, concealed = none.

3.10 INDOOR APPLICATION SCHEDULE (BELOW SLAB):

1. None required.

END OF SECTION 220700

FIRE STATIONS RENOVATION  
ARLINGTON COUNTY, VIRGINIA  
Architect's Project No: 563006

---

SECTION 221113 – FACILITY NATURAL-GAS PIPING

1.1 RELATED DOCUMENTS

- A. Provisions of the Contract and of the Contract Documents apply to this Section.

1.2 DEFINITIONS

- A. Finished Spaces: Spaces other than mechanical and electrical equipment rooms, furred spaces, pipe and duct shafts, unheated spaces immediately below roof, spaces above ceilings, unexcavated spaces, crawlspaces, and tunnels.
- B. Exposed, Interior Installations: Exposed to view indoors. Examples include finished occupied spaces and mechanical equipment rooms.
- C. Exposed, Exterior Installations: Exposed to view outdoors or subject to outdoor ambient temperatures and weather conditions. Examples include rooftop locations.

1.3 PERFORMANCE REQUIREMENTS

- A. Minimum Operating-Pressure Ratings:
  - 1. Piping and Valves: 100 psig minimum unless otherwise indicated.
  - 2. Service Regulators: 65 psig minimum unless otherwise indicated.
  - 3. Service Meter: 65 psig minimum unless otherwise indicated.
- B. Gas System Pressures: Primary pressure from the utility is more than 2.0 psig and is reduced to a secondary pressure of 14in wc by a pressure reducing valve installed immediately downstream of the meter and is reduced again by pressure reducing valves located at each piece of equipment.

1.4 SUBMITTALS

- A. Product Data: For each type of the following:
  - 1. Piping specialties.
  - 2. Corrugated, stainless-steel tubing with associated components.
  - 3. Valves. Include pressure rating, capacity, settings, and electrical connection data of selected models.
  - 4. Pressure regulators. Indicate pressure ratings and capacities.
  - 5. Dielectric fittings.
- B. Operation and Maintenance Data: For motorized gas valves, pressure regulators, and to include in operation and maintenance manuals.

FIRE STATIONS RENOVATION  
ARLINGTON COUNTY, VIRGINIA  
Architect's Project No: 563006

---

1.5 QUALITY ASSURANCE

- A. Electrical Components and Devices: If indicated, provide electrical components and devices that are listed and labeled as defined in NFPA 70, Article 100, by testing agency acceptable to authorities having jurisdiction, and marked for intended use.
- B. Applicable Codes: Comply with the Virginia Uniform Statewide Building Code and the International Fuel Gas Code.
- C. Fuel Gas Piping: Listed and labeled as required by the International Fuel Gas Code.
- D. UL Standard: Provide components listed in UL's "Gas and Oil Equipment Directory" where UL listing is indicated.
- E. Steel Support Welding Qualifications: Qualify procedures and personnel according to AWS D1.1/D1.1M, "Structural Welding Code - Steel."
- F. Pipe Welding Qualifications: Qualify procedures and operators according to ASME Boiler and Pressure Vessel Code.

1.6 DELIVERY, STORAGE, AND HANDLING

- A. Handling Flammable Liquids: Remove and dispose of liquids from natural-gas piping according to requirements of authorities having jurisdiction.
- B. Deliver pipes and tubes with factory-applied end caps. Maintain end caps through shipping, storage, and handling to prevent pipe end damage and to prevent entrance of dirt, debris, and moisture.
- C. Store and handle pipes and tubes having factory-applied protective coatings to avoid damaging coating, and protect from direct sunlight.
- D. Protect stored PE pipes and valves from direct sunlight.

1.7 PROJECT CONDITIONS

- A. Perform site survey: Contract with utility-locating service for area where Project is located and locate utilities.
- B. Design values of fuel gas supplied for these systems are as follows:
  - 1. Nominal Heating Value: 1000 Btu/cu.ft.
  - 2. Nominal Specific Gravity: 0.6.
- C. Interruption of Natural-Gas Service: Do not interrupt natural-gas service to facilities occupied by Owner or others unless permitted under the following conditions and then only after arranging to provide purging and startup of natural-gas supply according to requirements indicated:

FIRE STATIONS RENOVATION  
ARLINGTON COUNTY, VIRGINIA  
Architect's Project No: 563006

---

1. Notify Owner and Architect no fewer than two days in advance of proposed interruption of natural-gas service.
2. Do not proceed with interruption of natural-gas service without Owner and Architect's written permission.

1.8 COORDINATION

- A. Coordinate sizes and locations of concrete bases with actual equipment provided.
- B. Coordinate requirements for access panels and doors for valves installed concealed behind finished surfaces.
- C. Coordinate with equipment and regulator manufacturer's recommendations and local utility service provider for final regulator and accessory selections.

PART 2 - PRODUCTS

2.1 PIPING MATERIALS

- A. Refer to Part 3 "Piping Applications" Article for applications of pipe, tube, fitting, and joining materials.

2.2 PIPES, TUBES, AND FITTINGS

- A. Steel Pipe: ASTM A 53/A 53M, black steel, Schedule 40, Type E or S, Grade B.
  1. Malleable-Iron Threaded Fittings: ASME B16.3, Class 150, standard pattern.
  2. Wrought-Steel Welding Fittings: ASTM A 234/A 234M for butt welding and socket welding.
  3. Unions: ASME B16.39, Class 150, malleable iron with brass-to-iron seat, ground joint, and threaded ends.
  4. Forged-Steel Flanges and Flanged Fittings: ASME B16.5, minimum Class 150, including bolts, nuts, and gaskets of the following material group, end connections, and facings:
    - a. Material Group: 1.1.
    - b. End Connections: Threaded or butt welding to match pipe.
    - c. Lapped Face: Not permitted underground.
    - d. Gasket Materials: ASME B16.20, metallic, flat, asbestos free, aluminum o-rings, and spiral-wound metal gaskets.
    - e. Bolts and Nuts: ASME B18.2.1, carbon steel aboveground and stainless steel underground.
  5. Protective Coating for Underground Piping: Factory-applied, three-layer coating of epoxy, adhesive, and PE.
    - a. Joint Cover Kits: Epoxy paint, adhesive, and heat-shrink PE sleeves.

2.3 PRE-SLEEVED CORRUGATED, STAINLESS-STEEL TUBING SYSTEMS

FIRE STATIONS RENOVATION  
ARLINGTON COUNTY, VIRGINIA  
Architect's Project No: 563006

---

A. Available Manufacturers:

1. Omega Flex, Inc.

B. Description: Comply with AGA LC 1 (ANSI LC-1) and include the following:

1. Tubing: Pre-sleeved with polyethylene, corrugated stainless steel with plastic jacket or coating.
2. Fittings: Copper alloy with ends made to fit corrugated tubing. Include ends with threads according to ASME B1.20.1 if connection to threaded pipe or fittings is required.
3. Striker Plates: Steel, designed to protect tubing from penetrations.
4. Manifolds: Malleable iron or steel with protective coating. Include threaded connections according to ASME B1.20.1 for pipe inlet and corrugated tubing outlets.

2.4 PROTECTIVE COATING

- A. Furnish pipe and fittings with factory-applied, corrosion-resistant polyethylene coating for use in corrosive atmosphere.

2.5 JOINING MATERIALS

- A. Joint Compound and Tape: Suitable for natural gas.
- B. Welding Filler Metals: Comply with AWS D10.12/D10.12M for welding materials appropriate for wall thickness and chemical analysis of steel pipe being welded.

2.6 VALVES

- A. Refer to section "General Duty Valves for Plumbing Piping".

2.7 PIPING SPECIALTIES

A. Appliance Flexible Connectors:

1. Indoor, Fixed-Appliance Flexible Connectors: Comply with ANSI Z21.24.
2. Indoor, Movable-Appliance Flexible Connectors: Comply with ANSI Z21.69.
3. Outdoor, Appliance Flexible Connectors: Comply with ANSI Z21.75.
4. Corrugated stainless-steel tubing with polymer coating.
5. Operating-Pressure Rating: 0.5 psig
6. End Fittings: Zinc-coated steel.
7. Threaded Ends: Comply with ASME B1.20.1.
8. Maximum Length: 72"

B. Y-Pattern Strainers:

1. Body: ASTM A 126, Class B, cast iron with bolted cover and bottom drain connection.
2. End Connections: Threaded ends for 2" and smaller; flanged ends for 2 1/2" and larger.



FIRE STATIONS RENOVATION  
ARLINGTON COUNTY, VIRGINIA  
Architect's Project No: 563006

---

3. Strainer Screen: 40-mesh startup strainer, and perforated stainless-steel basket with 50 percent free area.
4. CWP Rating: 125 psig.

C. Weatherproof Vent Cap: Cast- or malleable-iron increaser fitting with corrosion-resistant wire screen, with free area at least equal to cross-sectional area of connecting pipe and threaded-end connection.

## 2.8 SPECIALTY VALVES

A. Available Manufacturers:

1. ASCO General Controls.
2. Automatic Switch Co.
3. Eaton Corp.; Controls Div.
4. Honeywell, Inc.
5. Johnson Controls, Inc.

2.9 Valves, 2" and Smaller: Ball valves with threaded ends according to ASME B1.20.1 for pipe threads.

2.10 Valves, 2-1/2" and Larger: Butterfly valves for use with flanged ends according to ASME B16.5 for steel flanges.

## 2.11 PRESSURE REGULATORS

A. Available Manufacturers:

1. Line Pressure Regulators:
  - a. American Meter Co.
  - b. Donkin: Bryan Donkin RMG Canada, Ltd.
  - c. Eclipse Combustion, Inc.
  - d. Equimeter, Inc.
  - e. Fisher Controls International, Inc.
  - f. Maxitrol Co.
  - g. National Meter.
  - h. Richards Industries, Inc.; Jordan Valve Div.
  - i. Schlumberger Industries; Gas Div.

B. Description: Single stage and suitable for fuel gas service. Include steel jacket and corrosion-resistant components, elevation compensator, and atmospheric vent.

1. 2" and Smaller: Threaded ends according to ASME B1.20.1 for pipe threads.
2. 2 1/2" and Larger: Flanged ends according to ASME B16.5 for steel flanges and according to ASME B16.24 for copper and copper-alloy flanges.
3. Line Pressure Regulators: ANSI Z21.80 with 5-psig- minimum inlet pressure rating.

FIRE STATIONS RENOVATION  
ARLINGTON COUNTY, VIRGINIA  
Architect's Project No: 563006

---

4. Appliance Pressure Regulators: ANSI Z21.18 with 2-psig minimum inlet pressure. Regulator may include vent limiting device, instead of vent connection, if approved by authorities having jurisdiction. If vents are required provided piping necessary to extend to termination location outside the building as approved by the architect.
- C. Pressure Regulator Vents: Factory- or field-installed, corrosion-resistant screen in opening if not connected to vent piping. Extend to exterior of building and terminate in location approved by the architect.
- D. Appliance Pressure Regulators: Comply with ANSI Z21.18.
1. Available Manufacturers:
    - a. Canadian Meter Company Inc.
    - b. Eaton Corporation; Controls Div.
    - c. Harper Wyman Co.
    - d. Maxitrol Company.
    - e. SCP, Inc.
  2. Body and Diaphragm Case: Die-cast aluminum.
  3. Springs: Zinc-plated steel; interchangeable.
  4. Diaphragm Plate: Zinc-plated steel.
  5. Seat Disc: Nitrile rubber.
  6. Seal Plug: Ultraviolet-stabilized, mineral-filled nylon.
  7. Factory-Applied Finish: Minimum three-layer polyester and polyurethane paint finish.
  8. Regulator may include vent limiting device, instead of vent connection, if approved by authorities having jurisdiction.
  9. Maximum Inlet Pressure: 2 psig.

## 2.12 DIELECTRIC FITTINGS

- A. Dielectric Unions:
1. Available Manufacturers:
    - a. Capitol Manufacturing Company.
    - b. Central Plastics Company.
    - c. Hart Industries International, Inc.
    - d. McDonald, A. Y. Mfg. Co.
    - e. Watts Regulator Co.; Division of Watts Water Technologies, Inc.
    - f. Wilkins; Zurn Plumbing Products Group.
    - g. Conbraco Industries-Apollo
  2. Minimum Operating-Pressure Rating: 150 psig.
  3. Combination fitting of copper alloy and ferrous materials.
  4. Insulating materials suitable for natural gas.
  5. Combination fitting of copper alloy and ferrous materials with threaded, brazed-joint, plain, or welded end connections that match piping system materials.
- B. Dielectric Flanges:
1. Available Manufacturers:

FIRE STATIONS RENOVATION  
ARLINGTON COUNTY, VIRGINIA  
Architect's Project No: 563006

---

- a. Capitol Manufacturing Company.
  - b. Central Plastics Company.
  - c. Watts Regulator Co.; Division of Watts Water Technologies, Inc.
  - d. Wilkins; Zurn Plumbing Products Group.
2. Minimum Operating-Pressure Rating: 150 psig.
  3. Combination fitting of copper alloy and ferrous materials.
  4. Insulating materials suitable for natural gas.
  5. Combination fitting of copper alloy and ferrous materials with threaded, brazed-joint, plain, or welded end connections that match piping system materials.

C. Dielectric-Flange Kits:

1. Available Manufacturers:
  - a. Advance Products & Systems, Inc.
  - b. Calpico Inc.
  - c. Central Plastics Company.
  - d. Pipeline Seal and Insulator, Inc.
2. Minimum Operating-Pressure Rating: 150 psig.
3. Companion-flange assembly for field assembly.
4. Include flanges, full-face- or ring-type neoprene or phenolic gasket, phenolic or PE bolt sleeves, phenolic washers, and steel backing washers.
5. Insulating materials suitable for natural gas.
6. Combination fitting of copper alloy and ferrous materials with threaded, brazed-joint, plain, or welded end connections that match piping system materials.

2.13 LABELING AND IDENTIFYING

- A. Detectable Warning Tape: Acid- and alkali-resistant, PE film warning tape manufactured for marking and identifying underground utilities, a minimum of 6 inches wide and 4 mils thick, continuously inscribed with a description of utility, with metallic core encased in a protective jacket for corrosion protection, detectable by metal detector when tape is buried up to 30 inches deep; colored yellow.

PART 3 - EXECUTION

3.1 EXAMINATION

- A. Examine roughing-in for natural-gas piping system to verify actual locations of piping connections before equipment installation.
- B. Proceed with installation only after unsatisfactory conditions have been corrected.

3.2 PREPARATION

- A. Close equipment shutoff valves before turning off fuel gas to premises or piping section.

FIRE STATIONS RENOVATION  
ARLINGTON COUNTY, VIRGINIA  
Architect's Project No: 563006

---

- B. Inspect natural-gas piping according to the International Fuel Gas Code to determine that natural-gas utilization devices are turned off in piping section affected.
- C. Comply with the International Fuel Gas Code requirements for prevention of accidental ignition.

3.3 SERVICE ENTRANCE PIPING

- A. Extend fuel gas piping and connect to fuel gas distribution piping downstream of meter.
  - 1. Service meter will be provided by Local Gas Utility.
- B. Install dielectric fitting downstream from and adjacent to each service meter unless meter is supported from service-meter bar with integral dielectric fitting. Install shutoff valve downstream from and adjacent to dielectric fitting. Refer to Division 22 Section "Common Work Results for Plumbing" for dielectric fittings.

3.4 OUTDOOR PIPING INSTALLATION

- A. Comply with the International Fuel Gas Code for installation and purging of natural-gas piping.
- B. Install underground, natural-gas piping buried at least 36 inches below finished grade. Comply with requirements in Section "Earth Moving" for excavating, trenching, and backfilling.
  - 1. If natural-gas piping is installed less than 36 inches below finished grade, install it in containment conduit.
- C. Install underground, PE, natural-gas piping according to ASTM D 2774.
- D. Steel Piping Protective Coating:
  - 1. Apply joint cover kits to pipe after joining to cover, seal, and protect joints.
  - 2. Repair damage to PE coating on pipe as recommended in writing by protective coating manufacturer.
- E. Copper Tubing Protective Coating:
  - 1. Apply joint cover kits over tubing to cover, seal, and protect joints.
  - 2. Repair damage to PE coating on pipe as recommended in writing by protective coating manufacturer.
- F. Install fittings for changes in direction and branch connections.
- G. Install pressure gage upstream and downstream from each service regulator. Pressure gages are specified in Section "Meters and Gages for Plumbing Piping."

3.5 INDOOR PIPING INSTALLATION

- A. Comply with the International Fuel Gas Code for installation and purging of natural-gas piping.

FIRE STATIONS RENOVATION  
ARLINGTON COUNTY, VIRGINIA  
Architect's Project No: 563006

---

- B. Drawing plans, schematics, and diagrams indicate general location and arrangement of piping systems. Indicated locations and arrangements are used to size pipe and calculate friction loss, expansion, and other design considerations. Install piping as indicated unless deviations to are accepted by architect.
- C. Arrange for pipe spaces, chases, slots, sleeves, and openings in building structure during progress of construction, to allow for mechanical installations.
- D. Install piping in concealed locations unless otherwise indicated and except in equipment rooms.
- E. Install piping indicated to be exposed and piping in equipment rooms at right angles or parallel to building walls. Diagonal runs are prohibited unless specifically indicated otherwise.
- F. Install piping above accessible ceilings to allow sufficient space for ceiling panel removal.
- G. Locate valves for easy access.
- H. Install natural-gas piping at uniform grade toward drip and sediment traps.
- I. Install piping free of sags and bends.
- J. Install fittings for changes in direction and branch connections.
- K. Verify final equipment locations for roughing-in.
- L. Comply with requirements in Sections specifying gas-fired appliances and equipment for roughing-in requirements.
- M. Drips and Sediment Traps: Install drips at points where condensate may collect, including service-meter outlets. Locate where accessible to permit cleaning and emptying. Do not install where condensate is subject to freezing.
  - 1. Construct drips and sediment traps using tee fitting with bottom outlet plugged or capped. Use nipple a minimum length of 3 pipe diameters, but not less than 3 inches long and same size as connected pipe. Install with space below bottom of drip to remove plug or cap.
- N. Extend relief vent connections for service regulators, line regulators, and overpressure protection devices to outdoors and terminate with weatherproof vent cap.
- O. Conceal pipe installations in walls, pipe spaces, utility spaces, above ceilings, below grade or floors, and in floor channels unless indicated to be exposed to view.
- P. Concealed Location Installations: Except as specified below, install concealed natural-gas piping and piping installed under the building in containment conduit constructed of steel pipe with welded joints as described in Part 2. Install a vent pipe from containment conduit to outdoors and terminate with weatherproof vent cap.
  - 1. Above Accessible Ceilings: Natural-gas piping, fittings, valves, and regulators may be installed in accessible spaces without containment conduit.

FIRE STATIONS RENOVATION  
ARLINGTON COUNTY, VIRGINIA  
Architect's Project No: 563006

---

2. In Floors: Install pre-sleeved corrugated, stainless-steel tubing systems for natural-gas. Cover with minimum of 1-1/2 inches of concrete. Jacket may not be in physical contact with metallic structures such as reinforcing rods or electrically neutral conductors. Do not embed piping in concrete slabs containing quick-set additives.
  3. In Walls or Partitions: Protect tubing installed inside partitions or hollow walls from physical damage using steel striker barriers at rigid supports.
    - a. Exception: Tubing passing through partitions or walls does not require striker barriers.
  4. Prohibited Locations:
    - a. Do not install natural-gas piping in or through circulating air ducts, clothes or trash chutes, chimneys or gas vents (flues), ventilating ducts, or dumbwaiter or elevator shafts.
    - b. Do not install natural-gas piping in solid walls or partitions.
- Q. Connect branch piping from top or side of horizontal piping.
- R. Install unions in pipes 2" and smaller, adjacent to each valve, at final connection to each piece of equipment and where otherwise indicated. Unions are not required at flanged connections.
- S. Do not use natural-gas piping as grounding electrode.
- T. Install strainer on inlet of each line-pressure regulator and automatic or electrically operated valve.
- U. Install pressure gage upstream and downstream from each line regulator. Pressure gages are specified in Section "Meters and Gages for Plumbing Piping."
- V. Install sleeves for piping penetrations of walls, ceilings, and floors. Comply with requirements for sleeves specified in Section "Sleeves and Sleeve Seals for Plumbing Piping."
- W. Install sleeve seals for piping penetrations of concrete walls and slabs. Comply with requirements for sleeve seals specified in Section "Sleeves and Sleeve Seals for HVAC Piping."
- X. Install escutcheons for piping penetrations of walls, ceilings, and floors. Comply with requirements for escutcheons specified in Division 22 Section "Escutcheons for Plumbing Piping."
- Y. Install corrugated, stainless-steel tubing system according to manufacturer's written instructions. Include striker plates to protect tubing from puncture where tubing is restrained and cannot move.
- Z. Install containment casings for gas piping below slabs extending minimum of 2 inches beyond point where pipe emerges from the floor. Tightly seal ends around gas piping using mechanical sleeve seals.

FIRE STATIONS RENOVATION  
ARLINGTON COUNTY, VIRGINIA  
Architect's Project No: 563006

---

3.6 VALVE INSTALLATION

- A. Install manual gas shutoff valve for each gas appliance ahead of corrugated stainless-steel tubing, aluminum, or copper connector.
- B. Install underground valves with valve boxes.
- C. Install regulators and overpressure protection devices with maintenance access space adequate for servicing and testing.

3.7 PIPING JOINT CONSTRUCTION

- A. Ream ends of pipes and tubes and remove burrs.
- B. Remove scale, slag, dirt, and debris from inside and outside of pipe and fittings before assembly.
- C. Threaded Joints:
  - 1. Thread pipe with tapered pipe threads complying with ASME B1.20.1.
  - 2. Cut threads full and clean using sharp dies.
  - 3. Ream threaded pipe ends to remove burrs and restore full inside diameter of pipe.
  - 4. Apply appropriate tape or thread compound to external pipe threads unless dryseal threading is specified.
  - 5. Damaged Threads: Do not use pipe or pipe fittings with threads that are corroded or damaged. Do not use pipe sections that have cracked or open welds.
- D. Welded Joints:
  - 1. Construct joints according to AWS D10.12/D10.12M, using qualified processes and welding operators.
  - 2. Bevel plain ends of steel pipe.
  - 3. Patch factory-applied protective coating as recommended by manufacturer at field welds and where damage to coating occurs during construction.
- E. Flanged Joints: Install gasket material, size, type, and thickness appropriate for natural-gas service. Install gasket concentrically positioned.
- F. Flared Joints: Cut tubing with roll cutting tool. Flare tube end with tool to result in flare dimensions complying with SAE J513. Tighten finger tight, then use wrench. Do not overtighten.
- G. PE Piping Heat-Fusion Joints: Clean and dry joining surfaces by wiping with clean cloth or paper towels. Join according to ASTM D 2657.
  - 1. Plain-End Pipe and Fittings: Use butt fusion.
  - 2. Plain-End Pipe and Socket Fittings: Use socket fusion.

3.8 HANGER AND SUPPORT INSTALLATION

FIRE STATIONS RENOVATION  
ARLINGTON COUNTY, VIRGINIA  
Architect's Project No: 563006

---

- A. Comply with requirements for pipe hangers and supports specified in Section "Hangers and Supports for Plumbing Piping and Equipment."
- B. Install hangers for horizontal steel piping with the following maximum spacing and minimum rod sizes:
  - 1. 1" and Smaller: Maximum span, 96"; minimum rod size, 3/8".
  - 2. 1¼": Maximum span, 108"; minimum rod size, 3/8".
  - 3. 1½" and 2": Maximum span, 108"; minimum rod size, 3/8".
  - 4. 2½" to 3 ½": Maximum span, 10'-0"; minimum rod size, ½".
  - 5. 4" and Larger: Maximum span, 10'-0"; minimum rod size, 5/8".
- C. Install hangers for horizontal, corrugated stainless-steel tubing with the following maximum spacing and minimum rod sizes:
  - 1. 3/8": Maximum span, 48"; minimum rod size, 3/8".
  - 2. ½": Maximum span, 72"; minimum rod size, 3/8".
  - 3. ¾" and Larger: Maximum span, 96"; minimum rod size, 3/8".

### 3.9 CONNECTIONS

- A. Connect to utility's gas meter according to utility's procedures and requirements.
- B. Install piping adjacent to appliances to allow service and maintenance of appliances.
- C. Connect piping to appliances using manual gas shutoff valves and unions. Install valve within 72" of each gas-fired appliance and equipment. Install union between valve and appliances or equipment.
- D. Sediment Traps: Install tee fitting with capped nipple in bottom to form drip, as close as practical to inlet of each appliance.

### 3.10 PIPING APPLICATIONS

- A. Flanges, unions, transition, and special fittings with pressure ratings same as or higher than system pressure rating may be used in applications below, unless otherwise indicated.
- B. Above Ground Exposed Fuel Gas Piping:
  - 1. Sizes up to 2":
    - a. Steel pipe, malleable-iron threaded fittings, and threaded joints.
    - b. Pre-sleeved corrugated stainless-steel piping shall only be used for final equipment whip connections, kept to 5' or less, and only where approved by AHJ. Sizing shall be determined based on equivalent hydraulic diameter and not direct transfer of size.
  - 2. 2½" to 4":
    - a. Steel pipe, malleable-iron threaded fittings, and threaded joints, or steel pipe, steel welding fittings, and welded joints.
  - 3. Larger Than NPS 4:



FIRE STATIONS RENOVATION  
ARLINGTON COUNTY, VIRGINIA  
Architect's Project No: 563006

---

- a. Steel pipe, steel welding fittings, and welded joints.
- C. Above Ground Concealed Fuel Gas Piping:
- 1. Sizes up to 2":
    - a. Steel pipe, malleable-iron threaded fittings, and threaded joints.
  - 2. 2½" to 4":
    - a. Steel pipe, malleable-iron threaded fittings, and threaded joints, or steel pipe, steel welding fittings, and welded joints.
  - 3. Larger Than NPS 4:
    - a. Steel pipe, steel welding fittings, and welded joints.

3.11 LABELING AND IDENTIFYING

- A. Comply with requirements in Section "Identification for Plumbing Piping and Equipment" for piping and valve identification.
- B. Install detectable warning tape directly above gas piping, 12" minimum below finished grade.
  - 1. Exception: 6 minimum below sub-grade under pavements and slabs.

3.12 PAINTING

- A. Use materials and procedures in Division 9 Section "Painting," "Exterior Paint Schedule" Article, "Ferrous Metal" Paragraph, "Full-Gloss, Alkyd-Enamel Finish" Subparagraph.
- B. Paint exterior service meters, pressure regulators, specialty valves, piping, and accessories.
  - 1. Color: Yellow

3.13 FIELD QUALITY CONTROL

- A. Inspect, test, and purge piping according to ANSI Z223.1, Part 4 "Inspection, Testing, and Purging," and requirements of authorities having jurisdiction.
- B. Repair leaks and defects with new materials and retest system until satisfactory results are obtained.
- C. Report test results promptly and in writing to Architect and authorities having jurisdiction.
- D. Verify capacities and pressure ratings of service meters, pressure regulators, valves, and specialties.
- E. Verify correct pressure settings for pressure regulators.
- F. Verify that specified piping tests are complete.

FIRE STATIONS RENOVATION  
ARLINGTON COUNTY, VIRGINIA  
Architect's Project No: 563006

---

3.14 ADJUSTING

- A. Adjust controls and safety devices. Replace damaged and malfunctioning controls and safety devices.

END OF SECTION 221113

FIRE STATIONS RENOVATION  
ARLINGTON COUNTY, VIRGINIA  
Architect's Project No: 563006

SECTION 221116 –DOMESTIC WATER PIPING

PART 1 - GENERAL

1.1 RELATED DOCUMENTS

- A. Provisions of the Contract and of the Contract Documents apply to this Section.

1.2 PERFORMANCE REQUIREMENTS

- A. Provide components and installation capable of producing domestic water piping systems with the following minimum working-pressure ratings, unless otherwise indicated:
  - 1. Domestic Water Service Piping: 160 psig.
  - 2. Domestic Water Distribution Piping: 125 psig.

1.3 SUBMITTALS

- A. Compliance Letter: Submit a list indicating materials proposed for use along with their associated listings and/or ratings for each application list in this section.

1.4 QUALITY ASSURANCE

- A. Piping materials shall bear label, stamp, or other markings of specified testing agency.
- B. Comply with NSF 61, "Drinking Water System Components-Health Effects; Sections 1 through 9," for potable domestic water piping and components.

PART 2 - PRODUCTS

2.1 PIPING MATERIALS

- A. Refer to Part 3 "Piping Applications" Article for applications of pipe, tube, fitting, and joining materials.
- B. Transition Couplings for Underground Pressure Piping: AWWA C219, metal, sleeve-type coupling or other manufactured fitting the same size as, with pressure rating at least equal to and ends compatible with, piping to be joined.
- C. Press fittings:
  - 1. Propress by Vieaga
  - 2. Xpress by Elkhart Products

2.2 COPPER TUBING

FIRE STATIONS RENOVATION  
ARLINGTON COUNTY, VIRGINIA  
Architect's Project No: 563006

- A. Soft Copper Tube: ASTM B 88, Type K, water tube, annealed temper.
  - 1. Copper Pressure Fittings: ASME B16.18, cast-copper-alloy or ASME B16.22, wrought-copper, solder-joint fittings. Furnish wrought-copper fittings if indicated.
  - 2. Bronze Flanges: ASME B16.24, Class 150, with solder-joint end. Furnish Class 300 flanges if required to match piping.
  - 3. Copper Unions: MSS SP-123, cast-copper-alloy, hexagonal-stock body, with ball-and-socket, metal-to-metal seating surfaces and solder-joint or threaded ends.
  
- B. Hard Copper Tube: ASTM B 88, Type L, water tube, drawn temper.
  - 1. Copper Pressure Fittings: ASME B16.18, cast-copper-alloy or ASME B16.22, wrought-copper, solder-joint fittings. Furnish wrought-copper fittings if indicated.
  - 2. Bronze Flanges: ASME B16.24, Class 150, with solder-joint end. Furnish Class 300 flanges if required to match piping.
  - 3. Copper Unions: MSS SP-123, cast-copper-alloy, hexagonal-stock body, with ball-and-socket, metal-to-metal seating surfaces and solder-joint or threaded ends.
  - 4. Copper, Grooved-End Fittings: ASTM B 75 copper tube or ASTM B 584 bronze castings.
    - a. Copper-Tubing, Keyed Couplings: Copper-tube dimensions and design similar to AWWA C606. Include ferrous housing sections, gasket suitable for hot water, and bolts and nuts.

PART 3 - EXECUTION

3.1 PIPING APPLICATIONS

- A. Transition and special fittings with pressure ratings at least equal to piping rating may be used in applications below, unless otherwise indicated.
- B. Flanges may be used on aboveground piping, unless otherwise indicated.
- C. Grooved joints may be used on aboveground grooved-end piping.
- D. Fitting Options:
  - 1. Press Fittings: Mechanically crimped fittings with neoprene gasket.
- E. Aboveground Domestic Water Piping: Use the following piping materials for each size range:
  - 1. 1-1/2" and Smaller: Hard copper tube, Type L copper pressure fittings; and soldered joints.
  - 2. 2": Hard copper tube, Type L copper pressure fittings; and soldered joints or hard copper tube, Type L with grooved ends; copper grooved-end fittings; copper-tubing, keyed couplings; and grooved joints.
  - 3. 2-1/2" to 8": Hard copper tube, Type L copper pressure fittings; and soldered joints or hard copper tube, Type L with grooved ends; copper grooved-end fittings; copper-tubing, keyed couplings; and grooved joints.

3.2 VALVE APPLICATIONS

FIRE STATIONS RENOVATION  
ARLINGTON COUNTY, VIRGINIA  
Architect's Project No: 563006

- A. Drawings indicate valve types to be used. Where specific valve types are not indicated, the following requirements apply:
  - 1. Shutoff Duty: Use bronze ball valves for piping NPS 2 and smaller. Use cast-iron butterfly valves with flanged ends for piping NPS 2-1/2 and larger.
  - 2. Throttling Duty: Use bronze ball valves for piping NPS 2 and smaller. Use cast-iron butterfly valves with flanged ends for piping NPS 2-1/2 and larger.
  - 3. Hot-Water-Piping, Balancing Duty: Use automatic flow control valves.
  - 4. Drain Duty: Hose-end drain valves.
- B. Grooved-end valves may be used with grooved-end piping.

### 3.3 PIPING INSTALLATION

- A. Extend domestic water service piping to exterior water distribution piping in sizes and locations indicated.
- B. Install underground copper according to CDA's "Copper Tube Handbook."
- C. Install cast-iron sleeve with water stop and mechanical sleeve seal at each service pipe penetration through foundation wall. Select number of interlocking rubber links required to make installation watertight.
- D. Install water-pressure regulators downstream from shutoff valves.
- E. Install aboveground domestic water piping level and plumb.
- F. Fill water piping. Check components to determine that they are not air bound and that piping is full of water.
- G. Perform the following steps before operation:
  - 1. Close drain valves, hydrants, and hose bibbs.
  - 2. Open shutoff valves to fully open position.
  - 3. Open throttling valves to proper setting.
  - 4. Remove plugs used during testing of piping and plugs used for temporary sealing of piping during installation.
  - 5. Remove and clean strainer screens. Close drain valves and replace drain plugs.
  - 6. Remove filter cartridges from housings, and verify that cartridges are as specified for application where used and that cartridges are clean and ready for use.
- H. Check plumbing equipment and verify proper settings, adjustments, and operation. Do not operate water heaters before filling with water.
- I. Check plumbing specialties and verify proper settings, adjustments, and operation.
  - 1. Water-Pressure Regulators: Set outlet pressure at 80 psig maximum, unless otherwise indicated.
- J. Energize pumps and verify proper operation.

FIRE STATIONS RENOVATION  
ARLINGTON COUNTY, VIRGINIA  
Architect's Project No: 563006

3.4 JOINT CONSTRUCTION

- A. Soldered Joints: Use ASTM B 813, water-flushable, lead-free flux; ASTM B 32, lead-free-alloy solder; and ASTM B 828 procedure, unless otherwise indicated.
- B. Grooved Joints: Assemble joints with keyed-coupling housing, gasket, lubricant, and bolts according to coupling and fitting manufacturer's written instructions.
- C. Mechanically Formed Outlets: Form tee in copper tube according to equipment manufacturer's written instructions. Use tool designed for copper tube; drill pilot hole, form collar for outlet, dimple tube to form seating stop, and braze branch tube into collar.
- D. Mechanically crimped fittings shall be installed in accordance with manufacturer's installation instructions.

3.5 VALVE INSTALLATION

- A. Install sectional valve close to water main on each branch and riser serving plumbing fixtures or equipment. Use ball valves for piping NPS 2 and smaller. Use butterfly valves for piping NPS 2-1/2 and larger.
- B. Install shutoff valve on each water supply to equipment and on each water supply to plumbing fixtures without supply stops. Use ball valves for piping NPS 2 and smaller. Use butterfly valves for piping NPS 2-1/2 and larger.
- C. Install balancing valve in each hot-water circulation return branch and discharge side of each pump and circulator. Use ball valves for piping NPS 2 and smaller and butterfly valves for piping NPS 2-1/2 and larger. Refer to HANGER AND SUPPORT INSTALLATION
- D. Install the following:
  - 1. Vertical Piping: MSS Type 8 or Type 42, clamps.
  - 2. Individual, Straight, Horizontal Piping Runs: According to the following:
    - a. 100 Feet and Less: MSS Type 1, adjustable, steel clevis hangers.
    - b. Longer Than 100 Feet: MSS Type 43, adjustable roller hangers.
    - c. Longer Than 100 Feet, if indicated: MSS Type 49, spring cushion rolls.
  - 3. Multiple, Straight, Horizontal Piping Runs 100 Feet or Longer: MSS Type 44, pipe rolls. Support pipe rolls on trapeze.
  - 4. Base of Vertical Piping: MSS Type 52, spring hangers.
- E. Install supports.
- F. Support vertical piping and tubing at base and at each floor.
- G. Rod diameter may be reduced 1 size for double-rod hangers, to a minimum of 3/8 inch.
- H. Install hangers for copper tubing with the following maximum horizontal spacing and minimum rod diameters:
  - 1. NPS 3/4 and Smaller: 60 inches with 3/8-inch rod.

FIRE STATIONS RENOVATION  
ARLINGTON COUNTY, VIRGINIA  
Architect's Project No: 563006

2. NPS 1 and NPS 1-1/4: 72 inches with 3/8-inch rod.
3. NPS 1-1/2 and NPS 2: 96 inches with 3/8-inch rod.
4. NPS 2-1/2: 108 inches with 1/2-inch rod.
5. NPS 3 to NPS 5: 10 feet with 1/2-inch rod.
6. NPS 6: 10 feet with 5/8-inch rod.
7. NPS 8: 10 feet with 3/4-inch rod.

- I. Install supports for vertical copper tubing every 10 feet.
- J. Support piping and tubing not listed above according to MSS SP-69 and manufacturer's written instructions.
- K. Where bends in the pipe occur, place hangers 1/3 of the maximum allowed spacing distance of the bend (i.e. is the maximum span is 12 feet, the hanger shall be 4 feet from the bend. Pipe shall be supported from both sides of the bend.

### 3.6 CONNECTIONS

- A. Drawings indicate general arrangement of piping, fittings, and specialties.
- B. Install piping adjacent to equipment and machines to allow service and maintenance.
- C. Connect domestic water piping to exterior water service piping. Use transition fitting to join dissimilar piping materials.

### 3.7 FIELD QUALITY CONTROL

- A. Inspect domestic water piping as follows:
  1. Do not enclose, cover, or put piping into operation until it is inspected and approved by authorities having jurisdiction.
  2. During installation, notify authorities having jurisdiction at least 24 hours before inspection must be made. Perform tests specified below in presence of authorities having jurisdiction:
    - a. Roughing-in Inspection: Arrange for inspection of piping before concealing or closing-in after roughing-in and before setting fixtures.
    - b. Final Inspection: Arrange for final inspection by authorities having jurisdiction to observe tests specified below and to ensure compliance with requirements.
  3. Reinspection: If authorities having jurisdiction find that piping will not pass test or inspection, make required corrections and arrange for reinspection.
  4. Reports: Prepare inspection reports and have them signed by authorities having jurisdiction.
- B. Test domestic water piping as follows:
  1. Test for leaks and defects in new piping and parts of existing piping that have been altered, extended, or repaired. If testing is performed in segments, submit separate report for each test, complete with diagram of portion of piping tested.

FIRE STATIONS RENOVATION  
ARLINGTON COUNTY, VIRGINIA  
Architect's Project No: 563006

2. Leave uncovered and unconcealed new, altered, extended, or replaced domestic water piping until it has been tested and approved. Expose work that was covered or concealed before it was tested.
3. Cap and subject piping to static water pressure of 50 psig above operating pressure, without exceeding pressure rating of piping system materials. Isolate test source and allow to stand for four hours. Leaks and loss in test pressure constitute defects that must be repaired.
4. Repair leaks and defects with new materials and retest piping or portion thereof until satisfactory results are obtained.
5. Prepare reports for tests and required corrective action.

3.8 ADJUSTING

- A. Adjust balancing valves in hot-water-circulation return piping to provide adequate flow.
  1. Manually adjust ball-type balancing valves in hot-water-circulation return piping to provide flow of hot water in each branch.

3.9 CLEANING

- A. Clean interior of domestic water piping system. Remove dirt and debris as work progresses.
- B. Clean and disinfect potable domestic water piping as follows:
  1. Purge new piping and parts of existing domestic water piping that have been altered, extended, or repaired before using.
  2. Use purging and disinfecting procedures prescribed by authorities having jurisdiction or, if methods are not prescribed, procedures described in AWWA C651, AWWA C652 or as described below:
    - a. Flush piping system with clean, potable water until dirty water does not appear at outlets.
    - b. Fill and isolate system according to either of the following:
      - 1) Fill system or part thereof with water/chlorine solution with at least 50 ppm of chlorine. Isolate with valves and allow to stand for 24 hours.
      - 2) Fill system or part thereof with water/chlorine solution with at least 200 ppm of chlorine. Isolate and allow to stand for three hours.
    - c. Flush system with clean, potable water until no chlorine is in water coming from system after the standing time.
    - d. Submit water samples in sterile bottles to authorities having jurisdiction. Repeat procedures if biological examination shows contamination.
- C. Prepare and submit reports of purging and disinfecting activities to authorities having jurisdiction.

END OF SECTION 221116



FIRE STATIONS RENOVATION  
ARLINGTON COUNTY, VIRGINIA  
Architect's Project No: 563006

SECTION 221119 - DOMESTIC WATER PIPING SPECIALTIES

PART 1 - GENERAL

1.1 RELATED DOCUMENTS

- A. Provisions of the Contract and of the Contract Documents apply to this Section.

1.2 PERFORMANCE REQUIREMENTS

- A. Minimum Working Pressure for Domestic Water Piping Specialties: 125 psig, unless otherwise indicated.

SUBMITTALS

- B. Product Data: For each type of product proposed.
- C. Shop Drawings: Diagram power, signal, and control wiring.
- D. Operation and Maintenance Data: For domestic water piping specialties to include in emergency, operation, and maintenance manuals.

1.3 QUALITY ASSURANCE

- A. Electrical Components, Devices, and Accessories: Listed and labeled as defined in NFPA 70, Article 100, by a testing agency acceptable to authorities having jurisdiction, and marked for intended use.
- B. NSF Compliance: Comply with NSF 61, "Drinking Water System Components - Health Effects; Sections 1 through 9."

PART 2 - PRODUCTS

2.1 MANUFACTURERS

- A. In other Part 2 articles where subparagraph titles below introduce lists, the following requirements apply for product selection:
  - 1. Available Products: Subject to compliance with requirements, products that may be incorporated into the Work include, but are not limited to, the products specified.
  - 2. Products: Subject to compliance with requirements, provide one of the products specified.
  - 3. Available Manufacturers: Subject to compliance with requirements, manufacturers offering products that may be incorporated into the Work include, but are not limited to, the manufacturers specified.
  - 4. Manufacturers: Subject to compliance with requirements, provide products by the manufacturers specified.

FIRE STATIONS RENOVATION  
ARLINGTON COUNTY, VIRGINIA  
Architect's Project No: 563006

2.2 VACUUM BREAKERS

A. Pipe-Applied, Atmospheric-Type (Anti-siphon) Vacuum Breakers:

1. Available Manufacturers:
  - a. Ames Co.
  - b. Apollo Valves - Apollo Valves - Conbraco Industries, Inc.
  - c. Watts Industries, Inc.; Water Products Div.
  - d. Zurn Plumbing Products Group; Wilkins Div.
2. Standard: ASSE 1001.
3. Sizes: ¾" thru 3" as required to match connected piping.
4. Body: Brass or Bronze.
5. Inlet and Outlet Connections: Threaded.
6. Finish: Rough bronze or chrome plated.

B. Pressure Vacuum Breakers:

1. Available Manufacturers:
  - a. Ames Co.
  - b. Apollo Valves - Apollo Valves - Conbraco Industries, Inc.
  - c. Watts Industries, Inc.; Water Products Div.
  - d. Zurn Plumbing Products Group; Wilkins Div.
2. Standard: ASSE 1020.
3. Operation: Continuous-pressure applications.
4. Accessories:
  - a. Valves: Ball type, on inlet and outlet.

2.3 BACKFLOW PREVENTERS

A. Reduced-Pressure-Zone (RPZ) Backflow Preventers:

1. Available Manufacturers:
  - a. Ames Co.
  - b. Apollo Valves - Apollo Valves - Conbraco Industries, Inc.
  - c. Watts Industries, Inc.; Water Products Div.
  - d. Zurn Plumbing Products Group; Wilkins Div.
2. Standard: ASSE 1013.
3. Operation: Continuous-pressure applications.
4. Pressure Loss: 10 psig maximum, through middle 1/3 of flow range.
5. Sizes: ¾" thru 10"
6. Body: Brass or bronze for 2" and smaller; cast iron or steel with interior lining complying with AWWA C550 or that is FDA approved for 2 ½" and larger.
7. Configuration: Comply with drawing requirements.

FIRE STATIONS RENOVATION  
ARLINGTON COUNTY, VIRGINIA  
Architect's Project No: 563006

8. Accessories:
  - a. Valves: Ball type with threaded ends on inlet and outlet of 2" and smaller; outside screw and yoke gate-type with flanged ends on inlet and outlet of 2 ½" and larger.
  - b. Air-Gap Fitting: ASME A112.1.2, matching backflow-preventer connection.

2.4 AUTOMATIC FLOW CONTROL VALVES

- A. Manufacturers:
  1. Bell & Gossett
  2. Flow Design, Inc.
  3. Griswold Controls.
  4. Nexus
  5. Hays
- B. Valves shall be factory set to maintain constant flow with plus or minus 10 percent. Each valve shall have an identification tag attached by chain, and be factory marked with the zone or equipment identification, valve number, and flow rate. Valve shall be line size and as follows:
  1. Body: Gray-iron or brass, designed for 175 psig at 200 deg F; brass or ferrous-metal, designed for 300 psig at 250 deg F.
  2. Cartridge: Stainless steel or nickel chrome plated brass, tamperproof, self-cleaning, piston-spring assembly, or polyphenylsulfone orifice seat with polymer diaphragm (Hays) removable for inspection or replacement.
  3. Adjustment: Flow and pressure differential shall be adjustable by cartridge replacement.
  4. Configuration: "Y" or other permitting cartridge replacement without valve removal for sizes 2" and smaller.
  5. Sizes: Match connecting pipe.
  6. Accessories:
    - a. Provide unions and isolation valves or other configuration permitting cartridge replacement with valve removal for sizes larger than 2".
    - b. Minimum pressure differential shall not exceed 2 psi. (Unless otherwise indicated)
    - c. Maximum pressure differential shall not be less than 32 psi. (Unless otherwise indicated)
    - d. Flow rates shall be as indicated on equipment schedules on the drawings.
    - e. Valves shall be installed in return piping.
    - f. Ball valves and unions included as part of the valve package may be used in place of ball valves and unions specified and indicated on the drawings only when in positions indicated. Ball valves shall be provided with a solid stainless steel or chrome plated brass ball.
    - g. Provide a #20 mesh Y-strainer with blow-down valve and garden hose connection between the supply side valve and equipment
    - h. Valves may be provided as part of a "hose kit".

2.5 STRAINERS

- A. Pattern: "Y"
  1. Pressure Rating: 125 psig minimum, unless otherwise indicated.

FIRE STATIONS RENOVATION  
ARLINGTON COUNTY, VIRGINIA  
Architect's Project No: 563006

2. Body: Bronze for NPS 2 and smaller; cast iron or steel with interior lining complying with AWWA C550 or FDA-approved, epoxy coating and for NPS 2-1/2 and larger.
3. End Connections: Threaded for NPS 2 and smaller; flanged for NPS 2-1/2 and larger.
4. Screen: Stainless steel with round perforations, unless otherwise indicated.
5. Perforation Size:
  - a. Strainers NPS 2 and Smaller: 0.033 inch.
  - b. Strainers NPS 2-1/2 to NPS 4: 0.062 inch.
  - c. Strainers NPS 5 and Larger: 0.10 inch.
6. Drain: Factory-installed, hose-end drain valve.

2.6 WATER HAMMER ARRESTERS

- A. Available Manufacturers:
  1. AMTROL, Inc.
  2. Josam Company.
  3. MIFAB, Inc.
  4. PPP Inc.
  5. Sioux Chief Manufacturing Company, Inc.
  6. Smith, Jay R. Mfg. Co.; Division of Smith Industries, Inc.
  7. Tyler Pipe; Wade Div.
  8. Watts Drainage Products Inc.
  9. Zurn Plumbing Products Group; Specification Drainage Operation.
- B. Standard: ASSE 1010 or PDI-WH 201.
- C. Type: Metal bellows or copper tube with piston.
- D. Size: ASSE 1010, Sizes AA and A through F or PDI-WH 201, Sizes A through F.

2.7 TRAP-SEAL PRIMER VALVES

- A. Supply-Type, Trap-Seal Primer Valves:
  1. Available Manufacturers:
    - a. MIFAB, Inc.
    - b. PPP Inc.
    - c. Sioux Chief Manufacturing Company, Inc.
    - d. Smith, Jay R. Mfg. Co.; Division of Smith Industries, Inc.
    - e. Watts Industries, Inc.; Water Products Div.
  2. Standard: ASSE 1018.
  3. Pressure Rating: 125 psig minimum.
  4. Body: Bronze.
  5. Inlet and Outlet Connections: NPS 1/2 threaded, union, or solder joint.
  6. Gravity Drain Outlet Connection: NPS 1/2 threaded or solder joint.

FIRE STATIONS RENOVATION  
ARLINGTON COUNTY, VIRGINIA  
Architect's Project No: 563006

7. Finish: Chrome plated, or rough bronze for units used with pipe or tube that is not chrome finished.

PART 3 - EXECUTION

3.1 INSTALLATION

- A. Refer to Section "Common Work Results for Plumbing" for piping joining materials, joint construction, and basic installation requirements.
- B. Install backflow preventers where indicated: If not indicated on each water supply to mechanical equipment and systems and to other equipment and water systems that may be sources of contamination. Comply with authorities having jurisdiction.
  1. Locate backflow preventers in same room as connected equipment or system.
  2. Install drain for backflow preventers with atmospheric-vent drain connection with air-gap fitting, fixed air-gap fitting, or equivalent positive pipe separation of at least two pipe diameters in drain piping and pipe to floor drain. Locate air-gap device attached to or under backflow preventer. Simple air breaks are not acceptable for this application.
  3. Do not install bypass piping around backflow preventers.
- C. Install balancing valves with-in 12" of ceiling at access door or tile where they can be reached with-out obstruction.
- D. Install strainers where indicated.
- E. Install outlet boxes recessed in wall. Install 2-by-4-inch fire-retardant-treated-wood blocking wall reinforcement between studs. Fire-retardant-treated-wood blocking is specified in Section "Rough Carpentry."
- F. Install water hammer arresters in water piping according to PDI-WH 201.
- G. Install supply-type, trap-seal primer valves with outlet piping pitched down toward drain trap a minimum of 1/8" per foot, and connect to floor-drain body, trap, or inlet fitting. Adjust valve for proper flow.
- H. Fasten wall-hanging plumbing specialties securely to supports attached to building substrate if supports are specified and to building wall construction if no support is indicated.
- I. Fasten recessed-type plumbing specialties to reinforcement built into walls.
- J. Install wood-blocking reinforcement for wall-mounting and recessed-type plumbing specialties.
- K. Install individual shutoff valve in each water supply to plumbing specialties. Use ball valve if specific valve is not indicated. Install shutoff valves in accessible locations. Refer to Section "Valves" for general-duty ball valves.
- L. Install air vents at water piping high points. Include ball valve in inlet.

FIRE STATIONS RENOVATION  
ARLINGTON COUNTY, VIRGINIA  
Architect's Project No: 563006

- M. Install traps on plumbing specialty drain outlets. Omit traps on indirect wastes unless trap is indicated.
- N. Install escutcheons at wall, floor, and ceiling penetrations in exposed finished locations and within cabinets and millwork. Use deep-pattern escutcheons if required to conceal protruding pipe fittings.

3.2 LABELING AND IDENTIFYING

- A. Indicate safety and emergency precautions, and warn of hazards and improper operations, in addition to identifying unit. Nameplates and signs are specified in Section "Plumbing Identification"

3.3 FIELD QUALITY CONTROL

- A. Perform the following tests and prepare test reports:
  - 1. Test each reduced-pressure-principle backflow preventer, double-check backflow-preventer and double-check, detector-assembly according to authorities having jurisdiction and the device manufacturer's recommendations.
- B. Remove and replace malfunctioning domestic water piping specialties and retest as specified above.

3.4 ADJUSTING

- A. Set field-adjustable pressure set points.
- B. Set field-adjustable flow set points.
- C. Set field-adjustable temperature set points.

END OF SECTION 221119

FIRE STATIONS RENOVATION  
ARLINGTON COUNTY, VIRGINIA  
Architect's Project No: 563006

SECTION 221316 - SANITARY WASTE AND VENT PIPING

PART 1 - GENERAL

1.1 RELATED DOCUMENTS

- A. Provisions of the Contract and of the Contract Documents apply to this Section.

1.2 DEFINITIONS

- A. The following are industry abbreviations for plastic and rubber piping materials:
1. EPDM: Ethylene-propylene-diene terpolymer.
  2. LEED: Leadership in Energy and Environmental Design
  3. NBR: Acrylonitrile-butadiene rubber.
  4. PE: Polyethylene plastic.
  5. PVC: Polyvinyl chloride plastic.
  6. TPE: Thermoplastic elastomer.
  7. USGBC: United States Green Building Council

1.3 PERFORMANCE REQUIREMENTS

- A. Provide components and installation capable of producing piping systems with the following minimum working-pressure ratings, unless otherwise indicated:
1. Soil, Waste, and Vent Piping: 10-foot head of water.

1.4 SUBMITTALS

- A. Compliance Letter: Submit a list indicating materials proposed for use along with their associated listings and/or ratings for each application list in this section.
- B. Submittal:
1. Product Data for USGBC LEED Credit EQ 4.1: For solvent cements and adhesive primers, include printed statement of VOC content.

1.5 QUALITY ASSURANCE

- A. Piping materials shall bear label, stamp, or other markings of testing agency.

PART 2 - PRODUCTS

FIRE STATIONS RENOVATION  
ARLINGTON COUNTY, VIRGINIA  
Architect's Project No: 563006

2.1 PIPING MATERIALS

- A. Refer to Part 3 "Piping Applications" Article for applications of pipe, tube, fitting, and joining materials.
- B. Flexible Transition Couplings for Underground Nonpressure Piping: ASTM C 1173 with elastomeric sleeve. Include ends of same sizes as piping to be joined and include corrosion-resistant metal band on each end.

2.2 CAST-IRON SOIL PIPING

- A. All cast iron soil pipe and fittings shall be marked with the Collective Trademark of the Cast Iron Soil Pipe Institute.
- B. Pipe and Fittings: ASTM A 888, CISPI 301, or ASTM A 74 service weight.
- C. Hub-and-Spigot Gaskets: ASTM C 564, rubber.
- D. Hub-less Couplings:
  - 1. General: ASTM C 1277 assembly of metal housing, corrosion-resistant fasteners, and ASTM C 564 rubber sleeve with integral, center pipe stop.
    - a. Heavy-Duty, Type 304, Stainless-Steel Couplings: ASTM C 1540, Type 304, stainless-steel shield; stainless-steel bands; and sleeve.
      - 1) NPS 1-1/2 to NPS 4: 3-inch- wide shield with 4 bands.
      - 2) NPS 5 to NPS 10: 4-inch- wide shield with 6 bands.
    - b. Heavy-Duty, Cast-Iron Couplings: ASTM A 48, 2-piece, cast-iron housing; stainless-steel bolts and nuts; and sleeve.

PART 3 - EXECUTION

3.1 PIPING APPLICATIONS

- A. Transition fittings with pressure ratings at least equal to piping pressure ratings may be used in applications below, unless otherwise indicated.
- B. Aboveground, Soil, Waste, and Vent Piping located inside plenum: Hub-less service weight cast-iron soil piping with heavy duty couplings.
- C. Underground, Soil, Waste, and Vent Piping: Hub and Spigot cast-iron soil piping or no hub cast iron with heavy duty couplings.

3.2 PIPING INSTALLATION



FIRE STATIONS RENOVATION  
ARLINGTON COUNTY, VIRGINIA  
Architect's Project No: 563006

- A. Refer to Section "Facility Sanitary Sewers" for Project-site sanitary sewer piping.
- B. Refer to Section "Common Work Results for Plumbing" for basic installation.
- C. Install cleanouts at grade and extend to where building sanitary drains connect to building sanitary sewers.
- D. Install cleanout fitting with closure plug inside the building in sanitary force-main piping.
- E. Install cleanouts at grade and extend to where building sanitary drains connect to building sanitary sewers.
- F. Install cast-iron sleeve with water stop and mechanical sleeve seal at each service pipe penetration through foundation wall. Select number of interlocking rubber links required to make installation watertight.
- G. Install cast-iron soil piping according to CISPI's "Cast Iron Soil Pipe and Fittings Handbook," Chapter IV, "Installation of Cast Iron Soil Pipe and Fittings."
- H. Make changes in direction for soil and waste drainage and vent piping using appropriate branches, bends, and long-sweep bends. Sanitary tees and short-sweep 1/4 bends may be used on vertical stacks if change in direction of flow is from horizontal to vertical. Use long-turn, double Y-branch and 1/8-bend fittings if 2 fixtures are installed back to back or side by side with common drain pipe. Straight tees, elbows, and crosses may be used on vent lines. Do not change direction of flow more than 90 degrees. Use proper size of standard increasers and reducers if pipes of different sizes are connected. Reducing size of drainage piping in direction of flow is prohibited.
- I. Lay buried building drainage piping beginning at low point of each system. Install true to grades and alignment indicated, with unbroken continuity of invert. Place hub ends of piping upstream. Install required gaskets according to manufacturer's written instructions for use of lubricants, cements, and other installation requirements. Maintain swab in piping and pull past each joint as completed.
- J. Install soil and waste drainage and vent piping at the minimum slopes required by authorities having jurisdiction.
- K. Do not enclose, cover, or put piping into operation until it is inspected and approved by authorities having jurisdiction.

### 3.3 JOINT CONSTRUCTION

- A. Refer to section "Common Work Results for Plumbing" for basic piping joint construction.
- B. Join hub-and-spigot, cast-iron soil piping with gasket joints according to CISPI's "Cast Iron Soil Pipe and Fittings Handbook" for compression joints.

### 3.4 HANGER AND SUPPORT INSTALLATION

FIRE STATIONS RENOVATION  
ARLINGTON COUNTY, VIRGINIA  
Architect's Project No: 563006

- A. Refer to Section "Vibration and Seismic Controls for Plumbing Piping and Equipment" for seismic-restraint devices in zones other than A & B.
- B. Join hubless cast-iron soil piping according to CISPI 310 and CISPI's "Cast Iron Soil Pipe and Fittings Handbook" for hubless-coupling joints.
- C. Install the following:
  - 1. Vertical Piping: MSS Type 8 or Type 42, clamps.
  - 2. Individual, Straight, Horizontal Piping Runs: According to the following:
    - a. 100 Feet and Less: MSS Type 1, adjustable, steel clevis hangers.
    - b. Longer Than 100 Feet: MSS Type 43, adjustable roller hangers.
    - c. Longer Than 100 Feet, if indicated: MSS Type 49, spring cushion rolls.
  - 3. Multiple, Straight, Horizontal Piping Runs 100 Feet or Longer: MSS Type 44, pipe rolls. Support pipe rolls on trapeze.
  - 4. Base of Vertical Piping: MSS Type 52, spring hangers.
- D. Support vertical piping and tubing at base and at each floor.
- E. Rod diameter may be reduced 1 size for double-rod hangers, with 3/8-inch minimum rods.
- F. Install hangers for cast-iron soil piping with the following maximum horizontal spacing and minimum rod diameters:
  - 1. 1 1/2" and 2": 60" with 3/8" rod.
  - 2. 3": 60" with 1/2" rod.
  - 3. 4" and NPS 5: 60" with 5/8" rod.
  - 4. 6": 60" with 3/4" rod.
  - 5. 8" to 12": 60" with 7/8" rod.
  - 6. 15": 60" with 1" rod.
- G. Install supports for vertical cast-iron soil piping every 15 feet.
- H. Support piping and tubing not listed above according to MSS SP-69 and manufacturer's written instructions.

### 3.5 CONNECTIONS

- A. Drawings indicate general arrangement of piping, fittings, and specialties.
- B. Connect soil and waste piping to exterior sanitary sewerage piping. Use transition fitting to join dissimilar piping materials.
- C. Connect drainage and vent piping.

### 3.6 FIELD QUALITY CONTROL

FIRE STATIONS RENOVATION  
ARLINGTON COUNTY, VIRGINIA  
Architect's Project No: 563006

- A. During installation, notify authorities having jurisdiction at least 24 hours before inspection must be made. Perform tests specified below in presence of authorities having jurisdiction.
  - 1. Roughing-in Inspection: Arrange for inspection of piping before concealing or closing-in after roughing-in and before setting fixtures.
  - 2. Final Inspection: Arrange for final inspection by authorities having jurisdiction to observe tests specified below and to ensure compliance with requirements.
- B. Re-inspection: If authorities having jurisdiction find that piping will not pass test or inspection, make required corrections and arrange for re-inspection.
- C. Reports: Where required or indicated prepare inspection reports and have them signed by authorities having jurisdiction.
- D. Test sanitary drainage and vent piping according to procedures of authorities having jurisdiction or, in absence of published procedures, as follows:
  - 1. Test for leaks and defects in new piping and parts of existing piping that have been altered, extended, or repaired. If testing is performed in segments, submit separate report for each test, complete with diagram of portion of piping tested.
  - 2. Leave uncovered and unconcealed new, altered, extended, or replaced drainage and vent piping until it has been tested and approved. Expose work that was covered or concealed before it was tested.
  - 3. Roughing-in Plumbing Test Procedure: Test drainage and vent piping, except outside leaders, on completion of roughing-in. Close openings in piping system and fill with water to point of overflow, but not less than 10-foot head of water. From 15 minutes before inspection starts to completion of inspection, water level must not drop. Inspect joints for leaks.
  - 4. Repair leaks and defects with new materials and retest piping, or portion thereof, until satisfactory results are obtained.
  - 5. Prepare reports for tests and required corrective action.

3.7 CLEANING

- A. Clean interior of piping. Remove dirt and debris as work progresses.
- B. Protect drains during remainder of construction period to avoid clogging with dirt and debris and to prevent damage from traffic and construction work.
- C. Place plugs in ends of uncompleted piping at end of day and when work stops.

END OF SECTION 221316

FIRE STATIONS RENOVATION  
ARLINGTON COUNTY, VIRGINIA  
Architect's Project No: 563006

SECTION 221319 - SANITARY WASTE PIPING SPECIALTIES

PART 1 - GENERAL

1.1 RELATED DOCUMENTS

- A. Provisions of the Contract and of the Contract Documents apply to this Section.

1.2 ABBREVIATIONS

- A. RPZ Reduced Pressure Zone
- B. FOG Fats, oils, and greases.

1.3 DEFINITIONS

- A. Withstand: Units shall remain in place without separation of any parts when subjected to seismic forces indicated. "Essential facility" units shall be fully operational after the seismic event.

1.4 QUALITY ASSURANCE

- A. Drainage piping specialties shall bear label, stamp, or other markings of specified testing agency.
- B. Comply with NSF 14, "Plastics Piping Components and Related Materials," for plastic sanitary piping specialty components.

1.5 COORDINATION

- A. Coordinate size and location of roof penetrations.

PART 2 - PRODUCTS

2.1 CLEANOUTS

- A. General:
  - 1. Available Manufacturers:
    - a. Josam Company; Josam Div.
    - b. MIFAB, Inc.
    - c. Smith, Jay R. Mfg. Co.; Division of Smith Industries, Inc.
    - d. Tyler Pipe; Wade Div.

FIRE STATIONS RENOVATION  
ARLINGTON COUNTY, VIRGINIA  
Architect's Project No: 563006

- e. Watts Drainage Products Inc.
  - f. Zurn Plumbing Products Group; Specification
- 2. Standard: ASME A112.36.2M.
  - 3. Size: Same as connected drainage piping
  - 4. Closure Material: Match pipe, brass, PVC, or ABS
- B. Floor Cleanouts:
- 1. Housing: threaded, adjustable.
  - 2. Type: Threaded, adjustable housing.
  - 3. Body: Cast iron.
  - 4. Outlet Connection: Inside calk, Spigot, or Threaded.
  - 5. Adjustable Housing Material: Cast iron with threads.
  - 6. Frame and Cover Material and Finish: Satin finish nikaloy.
  - 7. Frame and Cover Shape: Round or Square (Contractors choice).
  - 8. Top Loading Classification: Extra Heavy Duty.
  - 9. Riser: ASTM A 74, Service weight, cast-iron drainage pipe fitting and riser to cleanout.
  - 10. Carpet Ring: Yes for carpeted floors.
  - 11. Tile Recess: Yes for tiled or vinyl floors.
  - 12. Terrazzo: Yes for terrazzo floors
- C. Wall Cleanouts:
- 1. Wall access: Yes
  - 2. Body: Match connected piping.
  - 3. Closure: Countersunk or raised-head, drilled-and-threaded plug.
  - 4. Closure Plug Size: Same as cleanout size but not larger than four inches in diameter.
  - 5. Wall Access: Round, flat, chrome-plated brass, nickel-bronze, copper-alloy, or stainless-steel cover plate with screw.

## 2.2 FLOOR DRAINS

- 1. Basis-of-Design Product: Subject to compliance with requirements, provide the product indicated on Drawings or a comparable product by one of the following:
  - a. Josam Company; Josam Div.
  - b. Smith, Jay R. Mfg. Co.; Division of Smith Industries, Inc.
  - c. Tyler Pipe; Wade Div.
  - d. Watts Drainage Products Inc.
  - e. Zurn Plumbing Products Group; Light Commercial Operation.
  - f. Zurn Plumbing Products Group; Specification Drainage Operation.
- 2. Standard: ASME A112.6.3
- 3. Pattern: As indicated.
- 4. Clamping Flange: Required.

## 2.3 MOTORS

- A. General requirements for motors are specified in Division 22 Section "Common Motor Requirements for Plumbing Equipment."

FIRE STATIONS RENOVATION  
ARLINGTON COUNTY, VIRGINIA  
Architect's Project No: 563006

1. Motor Sizes: Minimum size as indicated. If not indicated, large enough so driven load will not require motor to operate in service factor range above 1.0.
2. Controllers, Electrical Devices, and Wiring: Electrical devices and connections are specified in Division 26 Sections.

PART 3 - EXECUTION

3.1 INSTALLATION

- A. Refer to Division 22 Section "Common Work Results for Plumbing" for piping joining materials, joint construction, and basic installation requirements.
- B. Install cleanouts.
- C. Install cleanout deck plates with top flush with finished floor.
- D. For wall cleanouts located in concealed piping, install cleanout access covers, with cover tight to finished wall.
- E. Install floor drains at low points of surface areas to be drained. Set grates of drains flush with finished floor, unless otherwise indicated.
  1. Position floor drains as indicated. If indication is not clear, position for easy access and maintenance.
  2. Set floor drains at elevations indicated.
  3. Install floor-drain flashing flange so no leakage occurs between drain and adjoining flooring. Maintain integrity of waterproof membranes where penetrated.
  4. Install individual traps for floor drains connected to sanitary building drain.
- F. Install floor-drain, trap-seal primer fittings on inlet to floor drains indicated to receive trap-seal primer.
- G. Install sleeve flashing device with each riser and stack passing through floors with waterproof membrane.

3.2 CONNECTIONS

- A. Piping installation requirements are specified in other Division 22 Sections. Drawings indicate general arrangement of piping, fittings, and specialties.
- B. Install piping adjacent to equipment to allow service and maintenance.

3.3 LABELING AND IDENTIFYING

- A. Distinguish among multiple units, inform operator of operational requirements, and refer to Division 22 Section "Identification for Plumbing Piping and Equipment."

FIRE STATIONS RENOVATION  
ARLINGTON COUNTY, VIRGINIA  
Architect's Project No: 563006

3.4 FIELD QUALITY CONTROL

A. Checks and Inspections:

1. Leak Check: After installation, charge system and check for leaks. Repair leaks and recheck until no leaks exist.

3.5 PROTECTION

- A. Protect drains during construction period to avoid clogging with dirt or debris and to prevent damage from traffic or construction work.
- B. Place plugs in ends of open pipes at end of each day or when work stops.

END OF SECTION 221319

FIRE STATIONS RENOVATION  
ARLINGTON COUNTY, VIRGINIA  
Architect's Project No: 563006

**SECTION 224000 - PLUMBING FIXTURES – ADD 01**

PART 1 - GENERAL

1.1 RELATED DOCUMENTS

- A. Provisions of the Contract and of the Contract Documents apply to this Section.

1.2 DEFINITIONS

- A. ABS: Acrylonitrile-butadiene-styrene plastic.
- B. FRP: Fiberglass-reinforced plastic.
- C. PMMA: Polymethyl methacrylate (acrylic) plastic.
- D. PVC: Polyvinyl chloride plastic.
- E. RFI: Request for information.
- F. Accessible Fixture: Plumbing fixture that can be approached, entered, and used by people with disabilities.
- G. Cast Polymer: Cast-filled-polymer-plastic material. This material includes cultured-marble and solid-surface materials.
- H. Cultured Marble: Cast-filled-polymer-plastic material with surface coating.
- I. Fitting: Device that controls flow of water into or out of plumbing fixture. Fittings specified in this Section include supplies and stops, faucets and spouts, showerheads and tub spouts, drains and tailpieces, and traps and waste pipes.
- J. Solid Surface: Nonporous, homogeneous, cast-polymer-plastic material with heat-, impact-, scratch-, and stain-resistance qualities.
- K. Other Manufacturers: Use one of those listed.

1.3 SUBMITTALS

- A. Product Data: For each type of plumbing fixture indicated. Include proposed fixture, trim, fittings, accessories, appliances, appurtenances, equipment, and supports. Indicate materials & finishes, dimensions, construction details, flow-control rates and water consumption.
- B. Shop Drawings: Diagram power, signal, and control wiring.
- C. Operation and Maintenance Data: For plumbing fixtures to include in operation, and maintenance manuals.
- D. Warranty: Submit warranties.
  - 1. 1 Year non-prorated on all components of all products.
  - 2. Additional 9 years (total of 10) for de-zincification on flush valves when body metal contains more than 15% zinc.
- E. LEED Submittals: Refer to Division 1 Section “Sustainable Design Requirements.”



FIRE STATIONS RENOVATION  
ARLINGTON COUNTY, VIRGINIA  
Architect's Project No: 563006

F. All LEED V4 calculatable fixtures shall be certified as "Water Sense" compliant.

1.4 KEY OPERATOR:

- A. Provide Minimum number of key operators (wrenches/tools)for loose key stops, wall hydrants, aerators and any fixture where a key or special tool is required:
1. 1 for 10% of each size or 10, whichever is less.

1.5 QUALITY ASSURANCE

- A. Source Limitations: Obtain plumbing fixtures, faucets, and other components of each category through one source from a single manufacturer.
1. Exception: If fixtures, faucets, or other components are not available from a single manufacturer, obtain similar products from other manufacturers specified for that category.
- B. Electrical Components, Devices, and Accessories: Electrical components, devices, and accessories shall be listed and labeled as defined in NFPA 70, Article 100, by a testing agency acceptable to authorities having jurisdiction, and marked for intended use.
- C. Regulatory Requirements: Comply with requirements in ICC A117.1, "Accessible and Usable Buildings and Facilities"; Public Law 90-480, "Architectural Barriers Act"; and Public Law 101-336, "Americans with Disabilities Act"; for plumbing fixtures for people with disabilities. Comply with requirements in Public Law 102-486, "Energy Policy Act," regarding water flow and consumption rates for plumbing fixtures.
- D. NSF Standard: Comply with NSF 61, "Drinking Water System Components--Health Effects," for fixture materials that will be in contact with potable water.
- E. Select combinations of fixtures and trim, faucets, fittings, and other components that are compatible.
- F. Comply with the following standards and other requirements where applicable:
1. Vitreous-China Fixtures: ASME A112.19.2M.
  2. Backflow Protection Devices for Faucets with Hose-Thread Outlet: ASME A112.18.3M.
  3. Faucets: ASME A112.18.1.
  4. Hose-Connection Vacuum Breakers: ASSE 1011.
  5. Hose-Coupling Threads: ASME B1.20.7.
  6. Integral, Atmospheric Vacuum Breakers: ASSE 1001.
  7. NSF Potable-Water Materials: NSF 61.
  8. Pipe Threads: ASME B1.20.1.
  9. Sensor-Actuated Faucets and Electrical Devices: UL 1951.
  10. Supply Fittings: ASME A112.18.1.
  11. Brass Waste Fittings: ASME A112.18.2.
  12. Atmospheric Vacuum Breakers: ASSE 1001.
  13. Sensor-Operation Flushometers: ASSE 1037 and UL 1951.
  14. Flexible Water Connectors: ASME A112.18.6.
  15. Floor Drains: ASME A112.6.3.
  16. Plastic Toilet Seats: ANSI Z124.5.
  17. Supply and Drain Protective Shielding Guards: ICC A117.1.

FIRE STATIONS RENOVATION  
ARLINGTON COUNTY, VIRGINIA  
Architect's Project No: 563006

1.6 COORDINATION

- A. Coordinate all accessories. Ensure items fit and work together as an assembly.
- B. Coordinate roughing-in and final plumbing fixture locations, and verify that fixtures can be installed to comply with design.
- C. Model numbers are intended to identify families of fixtures and may be incomplete. Refer to other contract documents for hand.

1.7 EXTRA MATERIALS

- A. Furnish extra materials described below that match products installed and that are packaged with protective covering for storage and identified with labels describing contents.
  - 1. Faucet Cartridges, washers, aerators and O-Rings: Equal to 5 percent of amount of each type and size installed but not less than 5 of each type and size.
  - 2. Flushometer Valve, Repair Kits: 5 of each type.

PART 2 - PRODUCTS

2.1 WC-1 WATER CLOSET (ACCESSIBLE)

- A. Manufacturer & Model Number: 3043.001 (1.28 Gallon Flush)
  - 1. Material: Vitreous china
  - 2. Color: White
- B. Flush Valve: American Standard Model 6065.121 (1.28 Gallon Flush)
  - 1. Provide:
    - a. Wall Mounted Proximity Sensor valve with Indicator Light.
    - b. Courtesy Flush Over-ride Button.
    - c. Non-Hold-Open Integral Solenoid Operator.
    - d. 1" I.P.S. Screwdriver Back-Check Angle Stop
    - e. Free Spinning Vandal Resistant Stop Cap
    - f. Transformer
- C. Seat: Church 9500SSCT (White)
  - 1. Elongated extra heavy weight seat with stainless steel self-sustaining check hinge.
- D. Manufacturers:
  - 1. Water Closet
    - a. Kohler
    - b. Sloan
  - 2. Carrier:
    - a. Josam
    - b. J.R.Smith
  - 3. Flush Valve:
    - a. Kohler
    - b. Moen
    - c. Sloan

FIRE STATIONS RENOVATION  
ARLINGTON COUNTY, VIRGINIA  
Architect's Project No: 563006

4. Seat
  - a. Olsonite
  - b. Centoco

2.2 LA-1 LAVATORY – WALL HUNG (ACCESSIBLE)

- A. Basis-of-Design Product: Subject to compliance with requirements, provide Kohler No. K-1728 or a comparable product by one of the following:
  1. Material: Vitreous China
  2. Color: White
- B. Faucet: American Standard Model: 6053.205
  1. Infrared Sensor
  2. Filtered Solenoid valve with serviceable strainer
  3. Splash proof circuit control module
  4. Trim plate kit.
  5. 0.5 GPM vandal resistant spray head
  6. Below deck thermostatic mixing valve meeting ASSE 1070
  7. 120V Transformer
- C. Mixing Valve: TMV-1 (refer to schedule on P0.1)
  1. Anti-scald protection
  2. Integral check stops
  3. Lead free
  4. ASSE 1070 certified
- D. Drain: McGuire Part Number 155A
- E. Trap: McGuire Part Number 8902C-F
  1. 1-1/4"x 1-1/2" cast brass polished chrome trap with cleanout plug and brass slip nuts.
  2. 17-gauge seamless tubular chrome plated brass wall bend.
  3. Forged brass chrome plated wall flange with setscrew.
- F. Supplies: McGuire Part Number 2165-N3-F
  1. 1/2" IPS x 3/8" OD
  2. 1/2" x 3" chrome plated brass nipple.
  3. Heavy brass chrome plated wall flange with set-screw
  4. Contractor shall coordinate supply connection to back-check tee and shall provide required additional pipe.
- G. Insulation: Tru-Bro Lav Guard #102
  1. Color: White
  2. Insulate P-trap, hot and cold angle valves, hot and cold risers.
- H. Carrier: Josam Series 17100
  1. Floor mounted with rectangular uprights.
- I. Other Manufacturers: Provide products, features, and accessories equal to those specified above.
  1. Faucet:
    - a. Speakman

FIRE STATIONS RENOVATION  
ARLINGTON COUNTY, VIRGINIA  
Architect's Project No: 563006

- b. Sloan
- c. T&S Brass
- d. Moen
2. Drain:
  - a. Kohler
  - b. Cambridge Brass
  - c. Chicago
3. Trap:
  - a. Kohler
  - b. Cambridge Brass
4. Supplies:
  - a. Cambridge Brass
  - b. Kohler
5. Insulation:
  - a. McGuire

2.3 SH-1 (INDIVIDUAL SHOWER (ROLL-IN TYPE ACCESSIBLE))

A. Shower Valve: [Acorn Controls Model: SV16](#)

1. Temperature/Pressure compensating valve
2. Fixed shower head (2.0gpm)
3. Hand held shower set with 60" flex hose
4. 30" Slide bar for hand held shower mounted with stainless steel plates and bolts
5. In-line diverting valve
6. Integral service stops

**B. Shower Base/Pan: Swanstone Model: SS-3636 (\*ADD-01)**

- 1. Size 36"x 36"x 5-1/2"**
- 2. Color: White, verify with Architectural color selection.**
- 3. Drain: Integral**
- 4. Tiling flange(s): Yes, 3 sides**
- 5. Reinforced solid surface**

C. Provide self-sealing brass drain and strainer.

D. Other Manufacturers: Provide products, features, and accessories equal to those specified above.

1. Shower Valve
  - a. Leonard
  - b. Bradley
  - c. Symmons

PART 3 - EXECUTION

3.1 EXAMINATION

- A. Examine roughing-in for water soil and for waste piping systems and supports to verify actual locations and sizes of piping connections and that locations and types of supports match those

FIRE STATIONS RENOVATION  
ARLINGTON COUNTY, VIRGINIA  
Architect's Project No: 563006

indicated, before plumbing fixture installation. Manufacturer's roughing-in data overrides all other indicated data.

- B. Examine walls, floors, and cabinets for suitable conditions where fixtures are to be installed.
- C. Proceed with installation only after unsatisfactory conditions have been corrected.

### 3.2 FIXTURE INSTALLATION

- A. Assemble fixtures, trim, fittings, and other components according to manufacturers' written instructions.
- B. For wall-hanging fixtures, install off-floor supports affixed to building substrate.
- C. Install back-outlet, wall hanging fixtures onto waste fitting seals and attach to supports.
- D. Install floor-mounting fixtures on closet flanges or other attachments to piping or building substrate.
- E. Install wall-hanging fixtures with tubular waste piping attached to supports.
- F. Install counter-mounted fixtures in and attached to casework.
- G. Install fixtures level and plumb according to manufacturers' written instructions and roughing-in drawings.
- H. Install water-supply piping with stop on each supply to each fixture to be connected to water distribution piping. Attach supplies to supports or substrate within pipe spaces behind fixtures. Install stops in locations where they can be easily reached for operation.
  - 1. Exception: Use ball valve if stops are not specified with fixture. Refer to Section "Valves".
- I. Install trap and waste piping on drain outlet of each fixture to be directly connected to sanitary drainage system.
- J. Install flushometer valves for accessible water closets and urinals with handle mounted on wide side of compartment. Install other actuators in locations that are easy for people with disabilities to reach.
- K. Install toilet seats on water closets.
- L. Install faucet-spout fittings with specified flow rates and patterns in faucet spouts if faucets are not available with required rates and patterns. Include adapters if required.
- M. Install faucet, flow-control fittings with specified flow rates and patterns in faucet spouts if faucets are not available with required rates and patterns. Include adapters if required.
- N. Install traps on fixture outlets.
  - 1. Exception: Omit trap on fixtures with integral traps.
  - 2. Exception: Omit trap on indirect wastes, unless otherwise indicated.
- O. Install escutcheons at piping wall-ceiling penetrations in exposed, finished locations and within cabinets and millwork. Use deep-pattern escutcheons if required to conceal protruding fittings. Refer to Division 22 Section "Common Work Results For Plumbing" for escutcheons.
- P. Set service basins in leveling bed of cement grout. Refer to Division 22 Section "Common Work Results For Plumbing" for grout.

FIRE STATIONS RENOVATION  
ARLINGTON COUNTY, VIRGINIA  
Architect's Project No: 563006

- Q. Refer to Section "Joint Sealants" for sealant and installation requirements.
- R. Provide connection to automatic lavatories & flush valves as required via low-voltage transformer(s). Mount transformer(s) above accessible ceiling. Connect to local 120V receptacle circuit with disconnect switch adjacent to transformer. All circuitry (including low voltage) shall be run concealed & in conduit. Coordinate connection requirements.

3.3 CONNECTIONS

- A. Drawings indicate general arrangement of piping, fittings, and specialties.
- B. Connect water supplies from water distribution piping to fixtures.
- C. Connect drain piping from fixtures to drainage piping.
- D. Supply and Waste Connections to Plumbing Fixtures: Connect fixtures with water supplies, stops, risers, traps, and waste piping. Use sizes required to match fixtures. Connect to plumbing piping.
- E. Supply and Waste Connections to Fixtures and Equipment Specified in Other Sections: Connect fixtures and equipment with water supplies, stops, risers, traps, and waste piping. Use size fittings required to match fixtures and equipment. Connect to plumbing piping.
- F. Ground equipment: Tighten electrical connectors and terminals according to manufacturer's published torque-tightening values. If manufacturer's torque values are not indicated, use those specified in UL 486A and UL 486B.

3.4 FIELD QUALITY CONTROL

- A. Verify that installed fixtures are categories and types specified for locations where installed.
- B. Check that fixtures are complete with trim, faucets, fittings, and other specified components.
- C. Inspect installed fixtures for damage. Replace damaged fixtures and components.
- D. Test installed fixtures after water systems are pressurized for proper operation. Replace malfunctioning fixtures and components, then retest. Repeat procedure until units operate properly.
- E. Install fresh batteries in sensor-operated mechanisms.

3.5 ADJUSTING

- A. Replace washers and seals or cartridges of leaking and dripping faucets, stops, and valves.

3.6 CLEANING

- A. Clean fixtures, faucets, and other fittings with manufacturers' recommended cleaning methods and materials. Do the following:
  - 1. Remove faucet spouts and strainers, remove sediment and debris, and reinstall strainers and spouts.
  - 2. Remove sediment and debris from drains.

FIRE STATIONS RENOVATION  
ARLINGTON COUNTY, VIRGINIA  
Architect's Project No: 563006

3.7 PROTECTION

- A. Provide protective covering for installed fixtures and fittings.
- B. Do not allow use of fixtures for temporary facilities unless approved in writing by Owner.

END OF SECTION 224000

FIRE STATIONS RENOVATION  
ARLINGTON COUNTY, VIRGINIA  
Architect's Project No: 563006

SECTION 230500 - COMMON WORK RESULTS FOR HVAC

PART 1 - GENERAL

1.1 RELATED DOCUMENTS

- A. Provisions of the Contract and of the Contract Documents apply to this Section.

1.2 DEFINITIONS

- A. Finished Spaces: Spaces other than mechanical and electrical equipment rooms, furred spaces, pipe chases, unheated spaces immediately below roof, spaces above ceilings, unexcavated spaces, crawlspaces, and tunnels.
- B. Exposed, Interior Installations: Exposed to view indoors. Examples include finished occupied spaces and mechanical equipment rooms.
- C. Exposed, Exterior Installations: Exposed to view outdoors or subject to outdoor ambient temperatures and weather conditions. Examples include rooftop locations.
- D. Concealed, Interior Installations: Concealed from view and protected from physical contact by building occupants. Examples include above ceilings and in chases.
- E. Concealed, Exterior Installations: Concealed from view and protected from weather conditions and physical contact by building occupants but subject to outdoor ambient temperatures. Examples include installations within unheated shelters.
- F. The following are industry abbreviations for rubber materials:
  - 1. EPDM: Ethylene-propylene-diene terpolymer rubber.
  - 2. NBR: Acrylonitrile-butadiene rubber.
- G. VUSBC: Virginia Uniform Statewide Building Code

1.3 SUBMITTALS

- A. Product Data: For the following:
  - 1. Transition fittings.
  - 2. Dielectric fittings.
  - 3. Mechanical sleeve seals.
  - 4. Escutcheons.



FIRE STATIONS RENOVATION  
ARLINGTON COUNTY, VIRGINIA  
Architect's Project No: 563006

1.4 QUALITY ASSURANCE

- A. Equipment and appliances comprising portions of the mechanical systems regulated by the VUSBC shall be listed and labeled in accordance with the current edition of the VUSBC.
- B. Equipment and appliances comprising portions of the mechanical systems regulated by the VUSBC shall be installed in accordance with the listing, manufacturer's installation instructions, and the VUSBC. Manufacturer's installation instructions shall be available on the job site for use and inspection.
- C. Steel Support Welding: Qualify processes and operators according to AWS D1.1, "Structural Welding Code--Steel."
- D. Steel Pipe Welding: Qualify processes and operators according to ASME Boiler and Pressure Vessel Code: Section IX, "Welding and Brazing Qualifications."
  - 1. Comply with provisions in ASME B31 Series, "Code for Pressure Piping."
  - 2. Certify that each welder has passed AWS qualification tests for welding processes involved and that certification is current.
- E. Electrical Characteristics for HVAC Equipment: Equipment of higher electrical characteristics may be furnished provided such proposed equipment is approved in writing and connecting electrical services, circuit breakers, and conduit sizes are appropriately modified. If minimum energy ratings or efficiencies are specified, equipment shall comply with requirements.

1.5 DELIVERY, STORAGE, AND HANDLING

- A. Deliver pipes and tubes with factory-applied end caps. Maintain end caps through shipping, storage, and handling to prevent pipe end damage and to prevent entrance of dirt, debris, and moisture.

1.6 COORDINATION

- A. Arrange for pipe spaces, chases, slots, and openings in building structure during progress of construction, to allow for HVAC installations.
- B. Coordinate installation of required supporting devices and set sleeves in poured-in-place concrete and other structural components as they are constructed.
- C. Coordinate requirements for access panels and doors for HVAC items requiring access that are concealed behind finished surfaces. Access panels and doors are specified in Division 08 Section "Access Doors and Frames."

FIRE STATIONS RENOVATION  
ARLINGTON COUNTY, VIRGINIA  
Architect's Project No: 563006

1.7 INTENT OF CONTRACT DOCUMENTS

- A. Mechanical and HVAC drawings are diagrammatic, indicating general locations and arrangements of pipe, duct, and equipment. Not necessarily indicating all offsets, conditions, and appurtenances required to provide clearances for maximum practical accessibility to perform maintenance.
- B. Coordinate work in order to achieve proper operation and to provide a maintainable installed condition.
- C. Notify the Architect's representative immediately of conditions which do not comply or will not produce this result.
- D. Indicated configurations were used to size pipes, pumps, expansion tanks and other devices. Install piping, duct, and equipment generally as indicated. Minor deviations are permitted in the course of necessary coordination. Major changes shall be submitted for approval by the Architect's representative. Additional fittings and offsets not indicated are expected, anticipated by the design, and shall be provided. If more than 5% of the indicated number of fittings are required or if one change in direction is within six inches of another change in direction and this "Z" shape is not indicated notify the Architect's representative immediately. Provide necessary additional fittings and offsets. Changes in pipe size shall be made only with written approval from the Architect's representative.

PART 2 - PRODUCTS

2.1 PIPE, TUBE, AND FITTINGS

- A. Refer to Section "Hydronic Piping" for additional pipe, tube, and fitting materials and joining methods.
- B. Pipe Threads: ASME B1.20.1 for factory-threaded pipe and pipe fittings.

2.2 JOINING MATERIALS

- A. Refer to individual Division 23 piping sections for joining materials not listed below.
- B. Pipe-Flange Gasket Materials: Suitable for chemical and thermal conditions inside & outside pipe and:
  - 1. ASME B16.21, non-metallic, flat, asbestos-free, 1/8-inch maximum thickness unless thickness or specific material is otherwise indicated.
    - a. Full-Face Type: For flat-face, Class 125, cast-iron and cast-bronze flanges.
    - b. Narrow-Face Type: For raised-face, Class 250, cast-iron and steel flanges.

FIRE STATIONS RENOVATION  
ARLINGTON COUNTY, VIRGINIA  
Architect's Project No: 563006

2. AWWA C110, rubber, flat face, 1/8 inch thick, unless otherwise indicated, and full-face or ring type, unless otherwise indicated.
- C. Solder Filler Metals: ASTM B 32, lead-free (95% Tin, 5% Antimony) alloy. Include water-flushable flux according to ASTM B 813.
- D. Brazing Filler Metals: AWS A5.8, BCuP Series, copper-phosphorus alloys for general-duty brazing, unless otherwise indicated; and AWS A5.8, BAg1, silver alloy for refrigerant piping, unless otherwise indicated.
- E. Welding Filler Metals: Comply with AWS D10.12 for welding materials appropriate for wall thickness and chemical analysis of steel pipe being welded.

2.3 DIELECTRIC FITTINGS

- A. Description: Combination fitting of copper alloy and ferrous materials with threaded, solder-joint, plain, or weld-neck end connections that match piping system materials.
- B. Insulating Material: Suitable for system fluid, pressure, and temperature.
- C. Dielectric Flanges: Factory-fabricated, companion-flange assembly, for 150- or 300-psig minimum working pressure as required to suit system pressures.
  1. Available Manufacturers:
    - a. Capitol Manufacturing Co.
    - b. Central Plastics Company.
    - c. Epcos Sales, Inc.
    - d. Watts Industries, Inc.; Water Products Div.
- D. Dielectric-Flange Kits: Companion-flange assembly for field assembly. Include flanges, full-face- or ring-type neoprene or phenolic gasket, phenolic or polyethylene bolt sleeves, phenolic washers, and steel backing washers.
  1. Available Manufacturers:
    - a. Advance Products & Systems, Inc.
    - b. Calpico, Inc.
    - c. Central Plastics Company.
    - d. Pipeline Seal and Insulator, Inc.
  2. Separate companion flanges and steel bolts and nuts shall have 150- or 300-psig minimum working pressure where required to suit system pressures.
- E. Dielectric Couplings: Galvanized steel coupling with inert and non-corrosive, thermoplastic lining; threaded ends; and 300-psig minimum working pressure at 225°F.
  1. Available Manufacturers:

FIRE STATIONS RENOVATION  
ARLINGTON COUNTY, VIRGINIA  
Architect's Project No: 563006

- a. Calpico, Inc.
- b. Lochinvar Corp.

2.4 MECHANICAL SLEEVE SEALS

- A. Description: Modular sealing element unit, designed for field assembly, to fill annular space between pipe and sleeve.
  - 1. Available Manufacturers:
    - a. Advance Products & Systems, Inc.
    - b. Calpico, Inc.
    - c. Metraflex Co.
    - d. Pipeline Seal and Insulator, Inc.
  - 2. Sealing Elements: EPDM interlocking links shaped to fit surface of pipe. Include type and number required for pipe material and size of pipe.
  - 3. Pressure Plates: Plastic. Include two for each sealing element.
  - 4. Connecting Bolts and Nuts: Stainless steel of length required to secure pressure plates to sealing elements.

2.5 SLEEVES

- A. Galvanized-Steel Sheet: 0.0239-inch minimum thickness; round tube closed with welded longitudinal joint.
- B. Steel Pipe: ASTM A 53, Type E, Grade B, Schedule 40, galvanized, plain ends.
- C. Cast Iron: Cast or fabricated "wall pipe" equivalent to ductile-iron pressure pipe, with plain ends and integral waterstop, unless otherwise indicated.
- D. Stack Sleeve Fittings: Manufactured, cast-iron sleeve with integral clamping flange. Include clamping ring and bolts and nuts for membrane flashing.
  - 1. Underdeck Clamp: Clamping ring with set screws.
- E. Molded PE: Reusable, PE, tapered cup-shaped and smooth-outer surface with nailing flange for attaching to wooden forms.

2.6 ESCUTCHEONS

- A. Description: Manufactured wall and ceiling escutcheons and floor plates, with an ID to closely fit around pipe, tube, and insulation of insulated piping and an OD that completely covers opening.

FIRE STATIONS RENOVATION  
ARLINGTON COUNTY, VIRGINIA  
Architect's Project No: 563006

- B. One-Piece, Deep-Pattern Type: Deep-drawn, box-shaped brass with polished chrome-plated finish.
- C. One-Piece, Cast-Brass Type: With set screw.
  - 1. Finish: Polished chrome-plated.
- D. Split-Casting, Cast-Brass Type: With concealed hinge and set screw.
  - 1. Finish: Polished chrome-plated.
- E. One-Piece, Floor-Plate Type: Cast-iron floor plate.
- F. Split-Casting, Floor-Plate Type: Cast brass with concealed hinge and set screw.

2.7 GROUT

- A. Description: ASTM C 1107, Grade B, non-shrink and non-metallic, dry hydraulic cement grout.
  - 1. Characteristics: Post-hardening, volume-adjusting, non-staining, non-corrosive, non-gaseous, and recommended for interior and exterior applications.
  - 2. Design Mix: 5000-psi, 28-day compressive strength.
  - 3. Packaging: Premixed and factory packaged.

PART 3 - EXECUTION

3.1 HVAC DEMOLITION

- A. Refer to Sections "Cutting and Patching" and "Selective Structure Demolition" for general demolition requirements and procedures.
- B. Disconnect, demolish, and remove HVAC systems, equipment, and components indicated to be removed.
  - 1. Piping to Be Removed: Remove portion of piping indicated to be removed and cap or plug remaining piping with same or compatible piping material.
  - 2. Piping to Be Abandoned in Place: Drain piping and cap or plug piping with same or compatible piping material.
  - 3. Equipment to Be Removed: Remove equipment and associated piping back to main unless otherwise indicated. Cap services.
  - 4. Equipment to Be Removed and Reinstalled: Disconnect and cap services. Remove, clean, and store equipment. When appropriate, reinstall, reconnect, and make equipment operational.
  - 5. Equipment to Be Removed and Salvaged: Remove equipment and associated piping back to main unless otherwise indicated. Cap services. Remove equipment, clean, and

FIRE STATIONS RENOVATION  
ARLINGTON COUNTY, VIRGINIA  
Architect's Project No: 563006

store as directed (May be off-site). Make available to owner at time of the owner's choosing.

- C. If pipe, insulation, or equipment to remain is damaged in appearance or is unserviceable, remove damaged or unserviceable portions and replace with new products of equal capacity and quality.

### 3.2 PIPING SYSTEMS - COMMON REQUIREMENTS

- A. Install piping according to the following and Division 23 Sections specifying piping systems.
- B. Install piping in concealed locations, unless otherwise indicated and except in equipment rooms and service areas.
- C. Install piping indicated to be exposed and piping in equipment rooms and service areas at right angles or parallel to building walls. Diagonal runs are prohibited unless specifically indicated.
- D. Install piping above accessible ceilings allowing sufficient space for ceiling panel removal.
- E. Install piping to permit valve operation & servicing.
- F. Install condensate drain piping at 1% slope.
- G. Install piping free of sags and bends.
- H. Install fittings for changes in direction and branch connections unless otherwise indicated.
- I. Install piping leaving room for installation of insulation.
- J. Install system components with pressure rating equal to or greater than system operating pressure.
- K. Install escutcheons for penetrations of walls, ceilings, and floors according to the following:
  - 1. Exposed, Interior Installations/Piping with Fitting or Sleeve Protruding from Wall: One-piece, deep-pattern type.
  - 2. Exposed, Interior Installations/Chrome-Plated Piping: One-piece, cast-brass type with polished chrome-plated finish and set-screw.
  - 3. Exposed, Interior Installations/Insulated Piping: One-piece, cast-brass type with polished chrome-plated finish.
  - 4. Exposed, Interior Installations/Bare Piping at Wall and Floor Penetrations in Finished Spaces: One-piece, cast-brass type with finish to match surrounding surfaces.
  - 5. Exposed, Interior Installations/Bare Piping at Ceiling Penetrations in Finished Spaces: One-piece or split-casting, cast-brass type with finish to match surrounding surfaces.
  - 6. Exposed, Interior Installations/Piping in Unfinished Service Spaces: None, provide sealant.
  - 7. Exposed, Interior Installations/Piping in Equipment Rooms: None, provide sealant.

FIRE STATIONS RENOVATION  
ARLINGTON COUNTY, VIRGINIA  
Architect's Project No: 563006

8. Exposed, Interior Installations/Piping at Floor Penetrations in Equipment Rooms, Fan Rooms, or similar wet spaces: None - provide sealant and sleeve extending 2" above floor to prevent liquid leaking to floor below.
  
- L. Provide seal around piping penetrations of full height interior walls, both rated and non-rated, that occur above ceilings. Refer to Section 079200 Joint Sealants.
  
- M. Sleeves are not required for core-drilled holes.
  1. Exception: Exposed, Interior Installations at Floor Penetrations in Equipment Rooms, Fan Rooms, or similar wet spaces.
  
- N. Permanent sleeves are not required for holes formed by removable PE sleeves.
  1. Exception: Exposed, Interior Installations at Floor Penetrations in Equipment Rooms, Fan Rooms, or similar wet spaces.
  
- O. Install sleeves for pipes passing through walls, floors, or roofs.
  1. Cut sleeves to length for mounting flush with both surfaces.
    - a. Exception: Extend sleeves installed in floors of mechanical equipment rooms, fan rooms or other similar wet areas 2 inches above finished floor level. Extend cast-iron sleeve fittings below floor slab as required to secure clamping ring.
  2. Install sleeves as walls and slabs are constructed.
    - a. PVC Pipe Sleeves: Permitted for pipes smaller than 6" except aboveground, exterior-walls.
    - b. Steel Sheet Sleeves: Permitted for pipes 6" and larger, penetrating gypsum-board partitions except aboveground, exterior-walls.
    - c. Seal space outside sleeve fittings with grout and sealant.
  3. Except for penetrations where mechanical sleeve seals are used, seal annular space between sleeve and pipe or pipe insulation, using joint sealants appropriate for size, depth, and location of joint. Refer to Section "Joint Sealants".
  
- P. Aboveground Exterior Penetrations: Seal penetrations using sleeves and mechanical sleeve seals. Select sleeve size to allow for annular clear space required by the mechanical sleeve seal manufacturer between pipe and sleeve for installing mechanical sleeve seals.
  1. Install steel pipe for sleeves smaller than 6 inches in diameter.
  2. Install cast-iron "wall pipes" for sleeves 6 inches and larger in diameter.
  3. Mechanical Sleeve Seal Installation: Select type and number of sealing elements required for pipe material and size. Position pipe in center of sleeve. Assemble mechanical sleeve seals and install in annular space between pipe and sleeve. Tighten bolts against pressure plates that cause sealing elements to expand and make watertight seal.
  4. Sleeves from an approved sleeve seal manufacturer shall be acceptable.

FIRE STATIONS RENOVATION  
ARLINGTON COUNTY, VIRGINIA  
Architect's Project No: 563006

- Q. Underground Exterior Penetrations: Install cast-iron "wall pipes" for sleeves. Seal pipe penetrations using mechanical sleeve seals. Select sleeve size to allow for annular clear space required by the mechanical sleeve seal manufacturer between pipe and sleeve for installing mechanical sleeve seals.
- R. Mechanical Sleeve Seal Installation: Select type and number of sealing elements required for pipe material and size. Position pipe in center of sleeve. Assemble mechanical sleeve seals and install in annular space between pipe and sleeve. Tighten bolts against pressure plates that cause sealing elements to expand and make watertight seal.
- S. Fire-Barrier Penetrations: Maintain indicated fire rating of walls, partitions, ceilings, and floors at pipe penetrations. Seal pipe penetrations with firestop materials. Refer to Section "Penetration Firestopping" for materials.
- T. Verify final equipment locations for roughing-in.
- U. Refer to equipment specifications in other Sections of these Specifications for roughing-in requirements.

### 3.3 PIPING JOINT CONSTRUCTION

- A. Join pipe and fittings according to the following requirements and Division 22 Sections specifying piping systems.
- B. Ream ends of pipes and tubes and remove burrs. Bevel plain ends of steel pipe.
- C. Remove scale, slag, dirt, and debris from inside and outside of pipe and fittings before assembly.
- D. Soldered Joints: Apply water-flushable flux, unless otherwise indicated, to tube end. Construct joints using lead-free solder alloy.
- E. Brazed Joints: Construct joints using copper-phosphorus brazing filler metal.
- F. Threaded Joints: Thread pipe with tapered pipe threads. Cut threads full and clean using sharp dies. Ream threaded pipe ends to remove burrs and restore full ID. Join pipe fittings and valves as follows:
  - 1. Apply appropriate tape or thread compound to external pipe threads unless otherwise indicated.
- G. Welded Joints: Construct joints using qualified processes and welding operators.
- H. Flanged Joints: Select appropriate gasket material, size, type, and thickness for service application. Install gasket concentrically positioned. Use suitable lubricants on bolt threads.
- I. Mechanical Joints: Prepare pipe ends and fittings, apply coupling, and join according to joint manufacturer's written instructions.



FIRE STATIONS RENOVATION  
ARLINGTON COUNTY, VIRGINIA  
Architect's Project No: 563006

3.4 PIPING CONNECTIONS

- A. Make connections according to the following, unless otherwise indicated:
  - 1. Install unions, in piping 2" and smaller, one adjacent to each valve and at final connections to each piece of equipment.
  - 2. Install flanges, in piping NPS 2-1/2" and larger, adjacent to final connections to each piece of equipment.
  - 3. Install dielectric unions or flanges for connections of dissimilar metals.

3.5 EQUIPMENT INSTALLATION - COMMON REQUIREMENTS

- A. Install equipment to allow maximum possible headroom unless specific mounting heights are indicated.
- B. Install equipment level and plumb, parallel and perpendicular to other building systems and components in exposed interior spaces, unless otherwise indicated.
- C. Install HVAC equipment to facilitate service, maintenance, and repair or replacement of components. Connect equipment for ease of disconnecting, with minimum interference to other installations. Extend grease fittings to service side of equipment.
- D. Install equipment to allow space for other systems.

3.6 PAINTING

- A. Damage and Touchup: Repair marred and damaged factory-painted finishes with materials and procedures to match original factory finish.

3.7 HOUSEKEEPING PADS AND EQUIPMENT PADS

- A. Housekeeping pads and equipment pads: Anchor equipment to concrete according to equipment manufacturer's written instructions and according to seismic codes at project location.
  - 1. Construct concrete pads in accordance with drawing details.
  - 2. Details may be found on structural drawings.

3.8 ERECTION OF METAL SUPPORTS AND ANCHORAGES

- A. Refer to Section "Metal Fabrications" for structural steel.
- B. Cut, fit, and place miscellaneous metal supports accurately in location, alignment, and elevation to support and anchor HVAC materials and equipment.
- C. Field Welding: Comply with AWS D1.1.

FIRE STATIONS RENOVATION  
ARLINGTON COUNTY, VIRGINIA  
Architect's Project No: 563006

3.9 GROUTING

- A. Mix and install grout for HVAC equipment base bearing surfaces, pump and other equipment base plates, and anchors.
- B. Clean surfaces that will come into contact with grout.
- C. Provide forms as required for placement of grout.
- D. Avoid air entrapment during placement of grout.
- E. Place grout, completely filling equipment bases.
- F. Place grout on concrete bases and provide smooth bearing surface for equipment.
- G. Place grout around anchors.
- H. Cure placed grout.

3.10 EXCAVATION AND BACKFILL

- A. Excavation and backfill shall be as indicated in Division 1 specifications and on the drawings. If excavation and backfill is not otherwise indicated the following shall apply:
  - 1. Excavate trenches to indicated gradients, lines, depths, and elevations.
    - a. Beyond the building perimeter, excavate trenches to allow installation of top of pipe below frost line.
  - 2. Excavate trenches to uniform widths to provide twelve inches clear on each side of pipe. Excavate trench walls vertically from trench bottom.
  - 3. Trench Bottoms: Excavate trench bottoms to provide flat surface. Place and compact six inches of sand. Excavate and shape sand to provide uniform bearing and support of pipes. Shape sand to provide continuous support for bells, joints, fittings, and barrels of pipes. Sand shall be free of projecting stones and sharp objects.
  - 4. Backfill and hand tamp to 95% proctor to six inches above the top of the pipe.
  - 5. Backfill and machine tamp the remainder of the trench to 95% proctor in twelve inch lifts.

END OF SECTION 230500

FIRE STATIONS RENOVATION  
ARLINGTON COUNTY, VIRGINIA  
Architect's Project No: 563006

SECTION 230513 – MOTORS FOR HVAC EQUIPMENT

PART 1 - GENERAL

1.1 RELATED DOCUMENTS

- A. Provisions of the Contract and of the Contract Documents apply to this Section.

1.2 SUBMITTALS

- A. Manufacturer's catalog and efficiency data.

1.3 QUALITY ASSURANCE

- A. Electrical Components, Devices, and Accessories: Listed and labeled as defined in NFPA 70, Article 100, by a testing agency acceptable to authorities having jurisdiction, and marked for intended use.
- B. Comply with NFPA 70.

1.4 COORDINATION

- A. All motors are required to be equipped with overload protection located near the motor.
  - 1. Overload protection shall:
    - a. Be located between the circuit breaker or fuse provided under Division 26 and the motor windings.
    - b. Meet one of the options specified in the following paragraph.
  - 2. Overload protection may be:
    - a. Located in the motor installed by the motor manufacturer. (preferred)
    - b. A separate device located near the motor.
    - c. Located in, or with, a disconnect switch provided by the equipment manufacturer. Provision of this switch shall not modify, change, or eliminate any Division 26 requirement. This means some equipment shall be provided or specified with two disconnecting means.
- B. Coordinate features of motors, installed units, and accessory devices. Provide motors that are:
  - 1. Compatible with controller
  - 2. Matched to torque and horsepower requirements of the load.
  - 3. Matched to ratings and characteristics of supply circuit and required control sequence.
- C. Coordinate motor support with requirements for driven load; access for maintenance and motor replacement; installation of accessories, belts, belt guards; and adjustment of sliding rails for belt tensioning.
- D. Belt tension must be wrench and socket adjustable.
- E. Belt tensioning device must accommodate adjustable sheaves.

FIRE STATIONS RENOVATION  
ARLINGTON COUNTY, VIRGINIA  
Architect's Project No: 563006

PART 2 - PRODUCTS

2.1 MOTOR REQUIREMENTS

- A. Motor requirements apply except as follows:
1. Ratings, performance, or characteristics for a motor are specified in another Section or are scheduled on the drawings.
  2. Motor manufacturer requires ratings, performance, or characteristics, other than those specified to meet indicated performance.

2.2 MOTOR CHARACTERISTICS

- A. Frequency Rating: 60 Hz.
- B. Voltage Rating: NEMA standard voltage selected to operate on nominal circuit voltage to which motor is connected.
- C. Duty: Continuous at 105 deg F and 3300 feet above sea level.
- D. Capacity and Torque sufficient to:
1. Start, accelerate, and operate connected load.
  2. Maintain designated speeds.
  3. Operate at installed altitude and environment.
  4. Operate with indicated operating sequence.
  5. Operate without exceeding nameplate ratings.
  6. Operate without utilizing service factor.
- E. Enclosure: Open drip-proof unless otherwise indicated.
- F. Minimum Service Factor: 1.15 unless otherwise indicated.

2.3 POLYPHASE MOTORS

- A. Description: NEMA MG 1, Design B, medium induction motor.
- B. NEMA Premium efficiency motors shall meet the following full load efficiency:

HP	ODP			TEFC		
	6 Pole	4 Pole	2 Pole	6 Pole	4 Pole	2 Pole
1	82.5	85.5	77.0	82.5	85.5	77.0
1.5	86.5	86.5	84.0	87.5	86.5	84.0
2	87.5	86.5	85.5	88.5	86.5	85.5
3	88.5	89.5	85.5	89.5	89.5	86.5
5	89.5	89.5	86.5	89.5	89.5	88.5
7.5	90.2	91.0	88.5	91.0	91.7	89.5
10	91.7	91.7	89.5	91.0	91.7	90.2
15	91.7	93.0	90.2	91.7	92.4	91.0
20	92.4	93.0	91.0	91.7	93.0	91.0
25	93.0	93.6	91.7	93.0	93.6	91.7

FIRE STATIONS RENOVATION  
ARLINGTON COUNTY, VIRGINIA  
Architect's Project No: 563006

30	93.6	94.1	91.7	93.0	93.6	91.7
----	------	------	------	------	------	------

- C. Efficiency: NEMA Premium
- D. Stator: Copper windings, unless otherwise indicated.
- E. Rotor: Squirrel cage, unless otherwise indicated.
- F. Bearings: Double-shielded, prelubricated ball bearings suitable for radial and thrust loading.
- G. Temperature Rise: Match insulation rating, unless otherwise indicated.
- H. Insulation: Class F, unless otherwise indicated.
- I. Code Letter Designation: NEMA starting Code F or G.
- J. Enclosure: Cast iron.
- K. Finish: Gray enamel.
- L. Motors Used with Reduced-Inrush Controllers: Match wiring connection requirements for controller with required motor leads. Provide terminals in motor terminal box, suited to control method.

### PART 3 - EXECUTION

#### 3.1 FIELD QUALITY CONTROL

- A. Perform the following:
  1. Run each motor with its controller at load.
  2. Demonstrate correct rotation, alignment, and speed.
  3. Test interlocks and control features for proper operation.
  4. Verify that current in each phase is within nameplate rating.
  5. Verify RPM is in accordance with nameplate.
  6. Where a generator is provided, run each motor on the generator with its controller and load. Demonstrate correct rotation, alignment, and speed.

#### 3.2 ADJUSTING

- A. Align motors, bases, and shafts.

#### 3.3 CLEANING

- A. After completing equipment installation, inspect unit components. Remove paint splatters and other spots, dirt, and debris. Repair damaged finish to match original finish.

END OF SECTION 230513

FIRE STATIONS RENOVATION  
ARLINGTON COUNTY, VIRGINIA  
Architect's Project No: 563006

SECTION 230514 – VARIABLE SPEED DRIVES

PART 1 - GENERAL

1.1 RELATED DOCUMENTS

- A. Provisions of the Contract and of the Contract Documents apply to this Section.

1.2 DEFINITIONS

- A. Factory Installed Variable Speed Drive: A drive installed by motorized-equipment manufacturer as a component of equipment utilized to control the speed of a motor.
- B. Field-Installed Variable Speed Drive: A drive installed in the field by the contractor to control the speed of a motor not equipped with a factory installed drive.
- C. VSD: Variable Speed Drive

1.3 SUBMITTALS

- A. Submittals shall include the following information:
  - 1. Outline dimensions
  - 2. Conduit entry locations
  - 3. Weight.
- B. Customer connection and power wiring diagrams.
- C. Technical product description including but not limited to a complete list of options.
- D. Compliance to IEEE 519 – harmonic analysis for particular jobsite including total harmonic voltage distortion and total harmonic current distortion (TDD).
- E. The VFD manufacturer shall provide calculations; specific to this installation, showing total harmonic voltage distortion is less than 5%. All VFD's shall include a minimum of 5% impedance reactors.

1.4 QUALITY ASSURANCE

- A. VSDs and options shall be UL listed as a complete assembly.
- B. The base VSD shall be UL listed for 100 KAIC without the need for input fuses.
- C. The VSD shall be tested by the manufacturer.

FIRE STATIONS RENOVATION  
ARLINGTON COUNTY, VIRGINIA  
Architect's Project No: 563006

- D. All optional features shall be functionally tested at the factory for proper operation.
- E. Electrical Components, Devices, and Accessories: Listed and labeled as defined in NFPA 70, Article 100, by a testing agency acceptable to authorities having jurisdiction, and marked for intended use. Comply with UL 508C.
- F. Referenced standards:
  - 1. Standard 519-1992, IEEE Guide for Harmonic Content and Control.
  - 2. UL508C
  - 3. ICS 7.0, AC Adjustable Speed Drives
  - 4. IEC 16800 Parts 1, 2 and 3NEC 430.120, Adjustable-Speed Drive Systems
  - 5. IBC 2006 Seismic – referencing ASC 7-05 and ICC AC-156
- G. All VSDs installed on this project shall be from the same manufacturer.
- H. The VSD enclosure shall be seismically certified and labeled in accordance with the IBC 2006 International Building Code:
  - 1. VSD manufacturer shall provide Seismic Certification and Installation requirements at time of submittal.
  - 2. A Seismic importance factor of 1.5 shall be used and shall be based upon actual shake test data as defined by ICC AC-156. Seismic ratings based upon calculations alone are not acceptable.
  - 3. Certification of Seismic rating must be based on testing done in all three axis of motion by a certified lab.
- I. Installations in life safety applications including but not limited to smoke removal and make up air to smoke removal systems shall be included in the seismic approval.

## 1.5 COORDINATION

- A. Coordinate features of VSDs with motors, installed units, and accessory devices. Provide VSDs that meet the requirements indicated in this and other equipment specific specification sections.
- B. Confirm that motors controlled by VSDs, provided under this section are designed and labeled for use with variable speed drives, and suitable for use throughout speed range without overheating.
- C. Coordinate VSD support with requirements for maintenance and replacement; and installation of accessories.

## PART 2 - PRODUCTS

### 2.1 FACTORY INSTALLED VARIABLE SPEED DRIVES

FIRE STATIONS RENOVATION  
ARLINGTON COUNTY, VIRGINIA  
Architect's Project No: 563006

- A. The VSD shall be enclosed in a UL Listed enclosure.
- B. Refer to equipment specific specification sections.
- C. Where equipment specific specification sections do not indicate variable speed drive requirements comply with 2.2 below.

2.2 FIELD-INSTALLED VARIABLE SPEED DRIVES

- A. Manufacturers
  - 1. ABB
  - 2. Yaskowa
  - 3. Basis of Design - Danfoss Graham
- B. General
  - 1. Furnish complete variable speed drives (VSDs) as indicated.
  - 2. Drawing schedules, sequences of control, control diagrams, details, or other specification sections may indicate variable speed requirements.
  - 3. All standard and optional features shall be included within the VSD enclosure, unless indicated otherwise. Each VSD shall be housed in a NEMA 1 enclosure, or other NEMA type according to installation and operating conditions.
  - 4. Provide NEMA 4 weatherproof enclosures for drives mounted outside.
  - 5. The UL listing shall allow mounting in a plenum or other air handling compartment. If a NEMA 12 enclosure is required for the plenum rating, the manufacturer shall supply a NEMA 12 rated VSD.
  - 6. Provide bypass on VSDs serving pumps. A bypass on all other equipment is not required unless indicated otherwise.
- C. The VSD shall convert incoming fixed frequency three-phase AC power into a variable frequency and voltage for controlling the speed of three-phase AC motors. The motor current shall closely approximate a sine wave. Motor voltage shall be varied with frequency to maintain desired motor magnetization current. Operation shall be suitable for centrifugal pump and fan control and shall eliminate the need for motor de-rating.
- D. With the motor's rated voltage applied to the VSD input, the VSD shall allow the motor to produce full rated power at rated amps, RMS fundamental volts, and speed without using the motor's service factor. VSDs utilizing sine weighted/coded modulation (with or without 3<sup>rd</sup> harmonic injection) must provide data verifying that the motors will not draw more than full load current during full load and full speed operation.
- E. The VSD shall include an input full-wave bridge rectifier and maintain a fundamental power factor near unity regardless of speed or load.
- F. The VSD and options shall be tested to ANSI/UL Standard 508. The complete VSD, including all specified options, shall be assembled by the manufacturer and shall be UL-508 certified for the building and drive assembly including options. Assembly of the options by a third-party



FIRE STATIONS RENOVATION  
ARLINGTON COUNTY, VIRGINIA  
Architect's Project No: 563006

panel shop is not acceptable. The appropriate UL stickers shall be applied to both the VSD and option panel, in the case where these are not contained in one panel.

- G. The VSD shall have DC link reactors on both the positive and negative rails of the DC bus to minimize power line harmonics. VSDs without DC link reactors shall provide a minimum 3% impedance line reactor.
- H. The VSD's full load amp rating shall meet or exceed NEC Table 430-150. The VSD shall be able to provide full rated output current continuously, 110% of rated current for 60 seconds and 160% of rated current for up to 0.5 second while starting.
- I. The VSD shall be able to provide full torque at any selected frequency from 28 Hz to base speed to allow driving direct drive fans without derating.
- J. An automatic energy optimization selection feature shall be provided standard in the VSD. This feature shall automatically and continually monitor the motor's speed and load and adjust the applied voltage to maximize energy savings and provide up to an additional 3% to 10% energy savings.
- K. Input and output power circuit switching shall be able to be accomplished without interlocks or damage to the VSD. Switching rate may be up to 1 time per minute on the input and unlimited on the output.
- L. An automatic motor adaptation test algorithm shall measure motor stator resistance and reactance to optimize performance and efficiency. It shall not be necessary to run the motor or de-couple the motor from the load to run the test.
- M. Galvanic and/or optical isolation shall be provided between the VSD's power circuitry and control circuitry to ensure operator safety and to protect connected electronic control equipment from damage caused by voltage spikes, current surges, and ground loop currents. VSDs not including either galvanic or optical isolation on both analog I/O and discrete I/O shall include additional isolation modules.
- N. VSD shall minimize the audible motor noise through the used of an adjustable carrier frequency. The carrier frequency shall be automatically adjusted to optimize motor and VSD efficiencies while reducing motor noise.
- O. Protective Features:
  - 1. Disconnect with drive fusing.
  - 2. A minimum of Class 20 I<sup>2</sup>t electronic motor overload protection for single motor applications and thermal-mechanical overloads for multiple motor applications shall be provided.
  - 3. Protection against input transients, loss of AC line phase, output short circuit, output ground fault, overvoltage, undervoltage, VSD overtemperature and motor overtemperature. The VSD shall display all faults in plain English. Codes are not acceptable.
  - 4. Protect VSD from sustained power or phase loss. The VSD shall provide full rated output with an input voltage as low as 90% of the nominal. The VSD will continue to

FIRE STATIONS RENOVATION  
ARLINGTON COUNTY, VIRGINIA  
Architect's Project No: 563006

operate with reduced output with an input voltage as low as 164 V AC for 208/230 volt units, and 313 V AC for 460 volt units.

5. The VSD shall incorporate a motor preheat circuit to keep the motor warm and prevent condensation build up in the stator.
6. VSD package shall include semi-conductor rated input fuses to protect power components.
7. To prevent breakdown of the motor winding insulation, the VSD shall be designed to comply with IEC Part 34-17. Otherwise, the VSD manufacturer must ensure that inverter rated motors are supplied.
8. VSD shall include a "signal loss detection" circuit to sense the loss of an analog input signal such as 4 to 20 mA or 2 to 10 V DC, and shall be programmable to react as desired in such an instance.
9. VSD shall function normally when the keypad is removed while the VSD is running and continue to follow remote commands. No warnings or alarms shall be issued as a result of removing the keypad.
10. VSD shall catch a rotating motor operating forward or reverse up to full speed.
11. VSD shall be rated for 100,000 amp interrupting capacity (AIC).
12. VSD shall include current sensors on all three output phases to detect and report phase loss to the motor. The VSD will identify which of the output phases is low or lost.
13. VSD shall continue to operate without faulting until input voltage reaches 300 V AC on 208/230 volt VSDs, and 539 V AC on 460 volt VSDs.

P. Interface Features:

1. Hand/Start, Off/Stop and Auto/Start selector switches shall be provided to start and stop the VSD and determine the speed reference.
2. The VSD shall be able to be programmed to provide a 24 V DC output signal to indicate that the VSD is in Auto/Remote mode.
3. The VSD shall provide potentiometer speed control. Electronic speed controls are not acceptable.
4. Lockable, alphanumeric backlit display keypad can be remotely mounted up to 10 feet away using standard 9-pin cable.
5. The keypads for all sizes of VSDs shall be identical and interchangeable.
6. To set up multiple VSDs, it shall be possible to upload all setup parameters to the VSD's keypad, place that keypad on all other VSDs in turn and download the setup parameters to each VSD. To facilitate setting up VSDs of various sizes, it shall be possible to download from the keypad only size independent parameters.
7. Display shall be programmable to display in 9 languages including English, Spanish and French.
8. The display shall have four lines, with 20 characters on three lines and eight large characters on one line.

FIRE STATIONS RENOVATION  
ARLINGTON COUNTY, VIRGINIA  
Architect's Project No: 563006

9. A red FAULT light, a yellow WARNING light and a green POWER-ON light shall be provided. These indications shall be visible both on the keypad and on the VSD when the keypad is removed.
10. A quick setup menu with factory preset typical HVAC parameters shall be provided on the VSD eliminating the need for macros.
11. The VSD shall include a standard RS-485 communications port.
12. As a minimum, the following points shall be controlled and/or accessible:
  - a. VSD Start/Stop
  - b. Speed reference
  - c. Fault diagnostics
  - d. Meter points
  - e. Motor power in HP
  - f. Motor power in kW
  - g. Motor kW-hr
  - h. Motor current
  - i. Motor voltage
  - j. Hours run
  - k. Feedback signal #1
  - l. Feedback signal #2
  - m. DC link voltage
  - n. Thermal load on motor
  - o. Thermal load on VSD
  - p. Heatsink temperature
13. Four additional Form C 230 volt programmable relays shall be available for factory or field installation within the VSD.
14. LonWorks communication shall be available for factory or field installation within the VSD.
15. Two set-point control interface (PID control) shall be standard in the unit. VSD shall be able to look at two feedback signals, compare with two set-points and make various process control decisions.
16. Floating point control interface shall be provided to increase/decrease speed in response to contact closures.
17. Four simultaneous displays shall be available. They shall include frequency or speed, run time, output amps and output power. VSDs unable to show these four displays simultaneously shall provide panel meters.
18. Sleep mode shall be provided to automatically stop the VSD when its speed drops below set "sleep" level for a specified time. The VSD shall automatically restart when the speed command exceeds the set "wake" level.
19. The sleep mode shall be functional in both follower mode and PID mode.
20. Run permissive circuit shall be provided to accept a "system ready" signal to ensure that the VSD does not start until dampers or other auxiliary equipment are in the proper state for VSD operation. The run permissive circuit shall also be capable of sending an output signal as a start command to actuate external equipment before allowing the VSD to start.

FIRE STATIONS RENOVATION  
ARLINGTON COUNTY, VIRGINIA  
Architect's Project No: 563006

21. The following displays shall be accessible from the control panel in actual units: Reference Signal Value in actual units, Output Frequency in Hz or percent, Output Amps, Motor HP, Motor kW, kWhr, Output Voltage, DC Bus Voltage, VSD Temperature in degrees, and Motor Speed in engineering units per application (in GPM, CFM, etc.). VSD will read out the selected engineering unit either in a linear, square or cubed relationship to output frequency as appropriate to the unit chosen.
22. The display shall be programmed to read in inches of water column (in-wg) for an air handler application, pressure per square inch (psi) for a pump application, and temperature (°F) for a cooling tower application.
23. VSD shall be able to be programmed to sense the loss of load and signal a no load/broken belt warning or fault.
24. If the temperature of the VSD's heat sink rises to 80°C, the VSD shall automatically reduce its carrier frequency to reduce the heat sink temperature. If the temperature of the heat sink continues to rise the VSD shall automatically reduce its output frequency to the motor. As the VSD's heat sink temperature returns to normal, the VSD shall automatically increase the output frequency to the motor and return the carrier frequency to its normal switching speed.
25. The VSD shall have temperature controlled cooling fans for quiet operation and minimized losses.
26. The VSD shall store in memory the last 10 faults and related operational data.
27. Eight programmable digital inputs shall be provided for interfacing with the systems control and safety interlock circuitry.
28. Two programmable relay outputs, one Form C 240 V AC, one Form A 30 V AC, shall be provided for remote indication of VSD status.
29. Three programmable analog inputs shall be provided and shall accept a direct-or-reverse acting signal. Analog reference inputs accepted shall include two voltage (0 to 10 V DC, 2 to 10 V DC) and one current (0 to 20 mA, 4 to 20 mA) input.
30. Two programmable 0 to 20 mA analog outputs shall be provided for indication of VSD status. These outputs shall be programmable for output speed, frequency, current and power. They shall also be programmable to provide a selected 24 V DC status indication.
31. Under fire mode conditions, the VSD shall be able to be programmed to automatically default to a preset speed.

Q. Adjustments

1. VSD shall have an adjustable carrier frequency in steps of not less than 0.1 kHz to allow tuning the VSD to the motor.
2. Sixteen preset speeds shall be provided.
3. Four acceleration and four deceleration ramps shall be provided. Accel and decel time shall be adjustable over the range from 0 to 3,600 seconds to base speed. The shape of these curves shall be automatically contoured to ensure no-trip acceleration and deceleration.
4. Four current limit settings shall be provided.

FIRE STATIONS RENOVATION  
ARLINGTON COUNTY, VIRGINIA  
Architect's Project No: 563006

5. If the VSD trips on one of the following conditions, the VSD shall be programmable for automatic or manual reset: undervoltage, overvoltage, current limit and inverter overload.
6. The number of restart attempts shall be selectable from 0 through 20 or infinitely and the time between attempts shall be adjustable from 0 through 600 seconds.
7. An automatic "on delay" may be selected from 0 to 120 seconds.

R. Service Conditions

1. Ambient temperature, -10 to 40°C (14 to 104°F).
2. 0 to 95% relative humidity, non-condensing.
3. Elevation to 3,300 feet without derating.
4. AC line voltage variation, -10 to +10% of nominal with full output.
5. No side clearance shall be required for cooling of any units. All power and control wiring shall be done from the bottom.

PART 3 - EXECUTION

3.1 FIELD QUALITY CONTROL

A. Examination

1. Contractor to verify that job site conditions for installation meet factory recommended and code-required conditions for VSD installation prior to start-up, including clearance spacing, temperature, contamination, dust, and moisture of the environment. Separate conduit installation of the motor wiring, power wiring, and control wiring, and installation per the manufacturer's recommendations shall be verified.
2. The VSD is to be covered and protected from installation dust and contamination until the environment is cleaned and ready for operation. The VSD shall not be operated while the unit is covered.

B. Start-up Service

1. The manufacturer shall provide start-up commissioning of the VSD and its optional circuits by a factory certified service technician who is experienced in start-up and repair services. Sales personnel and other agents who are not factory certified shall not be acceptable as commissioning agents. Start-up services shall include checking for verification of proper operation and installation for the VSD, its options and its interface wiring to the building automation system.

C. **WARRANTY:** The VSD shall be warranted by the manufacturer for a period of 2 Years from date of substantial completion. The warranty shall include parts, labor, travel costs and living expenses incurred by the manufacturer to provide factory authorized on-site service. The warranty shall be provided by the VSD manufacturer.

D. **CLEANING:** After completing equipment installation, inspect unit components. Remove paint splatters and other spots, dirt, and debris. Repair damaged finish to match original finish.

FIRE STATIONS RENOVATION  
ARLINGTON COUNTY, VIRGINIA  
Architect's Project No: 563006

END OF SECTION 230514

FIRE STATIONS RENOVATION  
ARLINGTON COUNTY, VIRGINIA  
Architect's Project No: 563006

SECTION 230529 - HANGERS AND SUPPORTS FOR HVAC PIPING AND EQUIPMENT

PART 1 - GENERAL

1.1 RELATED DOCUMENTS

- A. Provisions of the Contract and of the Contract Documents apply to this Section.

1.2 DEFINITIONS

- A. MSS: Manufacturers Standardization Society of the Valve and Fittings Industry Inc.
- B. Terminology: As defined in MSS SP-90, "Guidelines on Terminology for Pipe Hangers and Supports."

1.3 PERFORMANCE REQUIREMENTS

- A. Design Requirement: Design trapeze pipe hangers and equipment supports, including comprehensive engineering analysis by a qualified professional engineer where using methods other than indicated.
- B. Structural Performance: Hangers and supports for HVAC piping and equipment shall withstand the effects of gravity loads and stresses within limits and under conditions indicated according to ASCE/SEI 7.
  - 1. Design supports for multiple pipes, including pipe stands, capable of supporting combined weight of supported systems, system contents, and test medium.
  - 2. Design equipment supports capable of supporting combined operating weight of supported equipment and connected systems and components.
  - 3. Design seismic-restraint hangers and supports for piping and equipment.

1.4 QUALITY ASSURANCE

- A. Structural Steel Welding Qualifications: Qualify procedures and personnel according to AWS D1.1/D1.1M, "Structural Welding Code - Steel."
- B. Pipe Welding Qualifications: Qualify procedures and operators according to ASME Boiler and Pressure Vessel Code.

FIRE STATIONS RENOVATION  
ARLINGTON COUNTY, VIRGINIA  
Architect's Project No: 563006

PART 2 - PRODUCTS

2.1 PIPE STANDS

- A. General Requirements for Pipe Stands: Shop- or field-fabricated assemblies made of manufactured corrosion-resistant components to support roof-mounted piping.
1. Available Manufacturers:
    - a. Cooper B-Line – Dura-Blok
    - b. MAPA Products
    - c. Mifab, Inc. – C-Port
    - d. Miro Industries, Inc.
    - e. OMG, Inc.
    - f. PHP Systems/Design
    - g. Pipe Prop
    - h. Roof Top Blox
    - i. Rooftop Support Systems – Eberl Iron Works, Inc.
  2. Provide pipe supports for supporting gas, condensate, refrigeration lines, or hydronic piping on flat roof surfaces. Support shall rest on roof surface without penetrating the roof surface. Supports for condensate piping shall be adjustable vertically to ensure pipe slopes as required.
- B. Compact Pipe Stand: One-piece plastic unit with integral-rod roller, pipe clamps, or V-shaped cradle to support pipe, for roof installation without membrane penetration.
- C. Curb Mounted Pipe Stands: Shop- or field-fabricated pipe supports made from structural-steel shapes, continuous-thread rods, and rollers, for mounting on permanent stationary roof curb.

2.2 EQUIPMENT SUPPORTS

- A. Description: Welded, shop or field fabricated equipment support made from structural carbon-steel shapes unless indicated otherwise.
1. Available Manufacturers:
    - a. Cooper B-Line – Dura-Blok
    - b. MAPA Products
    - c. Mifab, Inc. – C-Port
    - d. Miro Industries, Inc.
    - e. OMG, Inc.
    - f. PHP Systems/Design
    - g. Pipe Prop
    - h. Roof Top Blox
    - i. Rooftop Support Systems – Eberl Iron Works, Inc.



FIRE STATIONS RENOVATION  
ARLINGTON COUNTY, VIRGINIA  
Architect's Project No: 563006

2.3 MISCELLANEOUS MATERIALS

- A. Structural Steel: ASTM A 36/A 36M, carbon-steel plates, shapes, and bars; black and galvanized.
- B. Grout: ASTM C 1107, factory-mixed and -packaged, dry, hydraulic-cement, non-shrink and nonmetallic grout; suitable for interior and exterior applications.
  - 1. Properties: Non-staining, noncorrosive, and nongaseous.
  - 2. Design Mix: 5000-psi, 28-day compressive strength.

PART 3 - EXECUTION

3.1 HANGER AND SUPPORT INSTALLATION

- A. Metal Pipe-Hanger Installation: Comply with MSS SP-69 and MSS SP-89. Provide hangers, supports, clamps, and attachments as required to properly support piping from the building structure.
- B. Metal Trapeze Pipe-Hanger Installation: Comply with MSS SP-69, MSS SP-89, and Table above. Arrange for grouping of parallel runs of horizontal piping, and support together on field-fabricated trapeze pipe hangers.
- C. Metal Framing System Installation: Arrange for grouping of parallel runs of piping, and support together on field-assembled metal framing systems.
- D. Thermal-Hanger Shield Installation: Provide in pipe hanger or shield for insulated piping.
- E. Pipe Stand Installation:
  - 1. Pipe Stand Types except Curb-Mounted Type: Assemble components and mount on smooth roof surface. Do not penetrate roof membrane.
  - 2. Curb-Mounted-Type Pipe Stands: Assemble components or fabricate pipe stand and mount on permanent, stationary roof curb. See Division 07 Section "Roof Accessories" for curbs.
- F. Provide hangers and supports complete with necessary attachments, inserts, bolts, rods, nuts, washers, and other accessories.
- G. Equipment Support Installation: Fabricate from welded-structural-steel shapes.
- H. Provide hangers and supports to allow controlled thermal and seismic movement of piping systems, to permit freedom of movement between pipe anchors, and to facilitate action of expansion joints, expansion loops, expansion bends, and similar units.
- I. Provide lateral bracing with pipe hangers and supports to prevent swaying.

FIRE STATIONS RENOVATION  
ARLINGTON COUNTY, VIRGINIA  
Architect's Project No: 563006

- J. Provide building attachments within concrete slabs or attach to structural steel. Building attachments may not be used on steel joists unless otherwise indicated. Provide additional attachments at concentrated loads, including valves, flanges, and strainers, 2-1/2" and larger and at changes in direction of piping. Provide concrete inserts before concrete is placed; fasten inserts to forms and provide reinforcing bars through openings at top of inserts.
- K. Load Distribution: Provide hangers and supports so that piping live and dead loads and stresses from movement will not be transmitted to connected equipment.
- L. Pipe Slopes: Provide hangers and supports to provide indicated pipe slopes and to not exceed maximum pipe deflections allowed by ASME B31.9 for building services piping.
- M. Insulated Piping:
  - 1. Attach clamps and spacers to piping.
    - a. Piping Operating above Ambient Air Temperature: Clamp may project through insulation.
    - b. Piping Operating below Ambient Air Temperature: Provide thermal-hanger shield insert with clamp sized to match OD of insert.
    - c. Do not exceed pipe stress limits allowed by ASME B31.9 for building services piping.
  - 2. Provide MSS SP-58, Type 39, protection saddles if insulation without vapor barrier is indicated. Fill interior voids with insulation that matches adjoining insulation.
  - 3. Provide MSS SP-58, Type 40, protective shields on cold piping with vapor barrier. Shields shall span an arc of 180 degrees.
  - 4. Shield Dimensions for Pipe: Not less than the following:
    - a. Pipe 1/4" to 3-1/2": 12 inches long and 0.048 inch thick.
    - b. Pipe 4": 12 inches long and 0.06 inch thick.
    - c. Pipe 5" and 6": 18 inches long and 0.06 inch thick.
    - d. Pipe 8" to 14": 24 inches long and 0.075 inch thick.
  - 5. Pipes 8" and Larger: Include wood or reinforced calcium-silicate-insulation inserts of length at least as long as protective shield.
  - 6. Thermal-Hanger Shields: Provide with insulation same thickness as piping insulation.

3.2 EQUIPMENT SUPPORTS

- A. Fabricate structural-steel stands to suspend equipment from structure overhead or to support equipment above floor.
- B. Grouting: Place grout under supports for equipment and make bearing surface smooth.
- C. Provide lateral bracing, to prevent swaying, for equipment supports.

FIRE STATIONS RENOVATION  
ARLINGTON COUNTY, VIRGINIA  
Architect's Project No: 563006

3.3 METAL FABRICATIONS

- A. Cut, drill, and fit miscellaneous metal fabrications for trapeze pipe hangers and equipment supports.
- B. Fit exposed connections together to form hairline joints. Field weld connections that cannot be shop welded because of shipping size limitations.
- C. Field Welding: Comply with AWS D1.1/D1.1M procedures for shielded, metal arc welding; appearance and quality of welds; and methods used in correcting welding work; and with the following:
  - 1. Provide materials and methods that minimize distortion and develop strength and corrosion resistance of base metals.
  - 2. Obtain fusion without undercut or overlap.
  - 3. Remove welding flux immediately.
  - 4. Finish welds at exposed connections so no roughness shows after finishing and so contours of welded surfaces match adjacent contours.

3.4 ADJUSTING

- A. Hanger Adjustments: Adjust hangers to distribute loads equally on attachments and to achieve indicated slope of pipe.
- B. Trim excess length of continuous-thread hanger and support rods to 1-1/2 inches.

3.5 PAINTING

- A. Touchup: Unless otherwise indicated clean field welds and abraded areas of shop paint. Paint exposed areas immediately after erecting hangers and supports. Provide same materials as used for shop painting. Comply with SSPC-PA 1 requirements for touching up field-painted surfaces.
  - 1. Apply paint by brush or spray to provide a minimum dry film thickness of 2.0 mils.
- B. Galvanized Surfaces: Clean welds, bolted connections, and abraded areas and immediately apply galvanizing-repair paint. Paint shall comply with ASTM A 780.

3.6 HANGER AND SUPPORT SCHEDULE

- A. Specific hanger and support requirements are in Sections specifying piping systems and equipment.
- B. Comply with MSS SP-69 for pipe-hanger selections and applications that are not specified in piping system Sections.
- C. Provide hangers and supports with galvanized metallic coatings for piping and equipment that will not have field-applied finish.

FIRE STATIONS RENOVATION  
ARLINGTON COUNTY, VIRGINIA  
Architect's Project No: 563006

- D. Provide nonmetallic coatings on attachments for electrolytic protection where attachments are in direct contact with copper tubing.
- E. Provide copper-plated pipe hangers and copper attachments for copper piping and tubing.
- F. Provide padded hangers for piping that is subject to scratching.
- G. Provide thermal-hanger shield inserts for insulated piping and tubing.
- H. Horizontal-Piping Hangers and Supports: Unless otherwise indicated provide the following:
  - 1. Adjustable, Steel Clevis Hangers (MSS Type 1): For suspension of stationary pipes ½" to 30".
  - 2. Yoke-Type Pipe Clamps (MSS Type 2): For suspension of up to 1050 deg F pipes 4" to 14", requiring up to 4" of insulation.
  - 3. Carbon- or Alloy-Steel, Double-Bolt Pipe Clamps (MSS Type 3): For suspension of pipes ¾" to 14", requiring clamp flexibility and up to 4 inches of insulation.
  - 4. Steel Pipe Clamps (MSS Type 4): For suspension of cold and hot pipes ½" to 14" if little or no insulation is required.
  - 5. Pipe Hangers (MSS Type 5): For suspension of pipes ½" to 4", to allow off-center closure for hanger installation before pipe erection.
  - 6. Adjustable, Swivel Split- or Solid-Ring Hangers (MSS Type 6): For suspension of noninsulated, stationary pipes ¾" to 8".
  - 7. Adjustable, Steel Band Hangers (MSS Type 7): For suspension of noninsulated, stationary pipes ½" to 8".
  - 8. Adjustable Band Hangers (MSS Type 9): For suspension of noninsulated, stationary pipes ½" to 8".
  - 9. Adjustable, Swivel-Ring Band Hangers (MSS Type 10): For suspension of noninsulated, stationary pipes ½" to 8".
  - 10. Split Pipe Ring with or without Turnbuckle Hangers (MSS Type 11): For suspension of noninsulated, stationary pipes ½" to 8".
  - 11. Extension Hinged or Two-Bolt Split Pipe Clamps (MSS Type 12): For suspension of noninsulated, stationary pipes NPS ½" to 3".
  - 12. U-Bolts (MSS Type 24): For support of heavy pipes ½" to 14".
  - 13. Clips (MSS Type 26): For support of insulated pipes not subject to expansion or contraction.
  - 14. Pipe Saddle Supports (MSS Type 36): For support of pipes 4" to 14", with steel-pipe base stanchion support and cast-iron floor flange or carbon-steel plate.
  - 15. Pipe Stanchion Saddles (MSS Type 37): For support of pipes 4" to 14", with steel-pipe base stanchion support and cast-iron floor flange or carbon-steel plate, and with U-bolt to retain pipe.
  - 16. Adjustable Pipe Saddle Supports (MSS Type 38): For stanchion-type support for pipes 2-½" to 14" if vertical adjustment is required, with steel-pipe base stanchion support and cast-iron floor flange.
  - 17. Single-Pipe Rolls (MSS Type 41): For suspension of pipes 1" to 14", from two rods if longitudinal movement caused by expansion and contraction might occur.
  - 18. Adjustable Roller Hangers (MSS Type 43): For suspension of pipes 2-½" to 14", from single rod if horizontal movement caused by expansion and contraction might occur.

FIRE STATIONS RENOVATION  
ARLINGTON COUNTY, VIRGINIA  
Architect's Project No: 563006

19. Complete Pipe Rolls (MSS Type 44): For support of pipes 2" to 14" if longitudinal movement caused by expansion and contraction might occur but vertical adjustment is not necessary.
  20. Pipe Roll and Plate Units (MSS Type 45): For support of pipes 2" to 14" if small horizontal movement caused by expansion and contraction might occur and vertical adjustment is not necessary.
  21. Adjustable Pipe Roll and Base Units (MSS Type 46): For support of pipes 2" to 14" if vertical and lateral adjustment during installation might be required in addition to expansion and contraction.
- I. Vertical-Piping Clamps: Unless otherwise indicated provide the following:
1. Extension Pipe or Riser Clamps (MSS Type 8): For support of pipe risers ¾" to 14".
  2. Carbon- or Alloy-Steel Riser Clamps (MSS Type 42): For support of pipe risers ¾" to 14" if longer ends are required for riser clamps.
- J. Hanger-Rod Attachments: Unless otherwise indicated provide the following:
1. Steel Turnbuckles (MSS Type 13): For adjustment up to 6 inches for heavy loads.
  2. Steel Clevises (MSS Type 14): For 120 to 450 deg F piping installations.
  3. Swivel Turnbuckles (MSS Type 15): For use with MSS Type 11, split pipe rings.
  4. Malleable-Iron Sockets (MSS Type 16): For attaching hanger rods to various types of building attachments.
  5. Steel Weldless Eye Nuts (MSS Type 17): For 120 to 450 deg F piping installations.
  6. Flat Plate, Double Nut, and Washer as Detailed on Structural Drawings: For attaching to bar joists. Method of attachment to bar joists must be approved by the structural engineer and joist manufacturer.
- K. Building Attachments: Unless otherwise indicated provide the following:
1. Steel or Malleable Concrete Inserts (MSS Type 18): For upper attachment to suspend pipe hangers from concrete ceiling.
  2. Flat Plate, Double Nuts, and Washer as Detailed on Structural Drawings: For use under roof installations with bar-joist construction to attach to bottom chord of joist.
  3. Side-Beam or Channel Clamps (MSS Type 20): For attaching to bottom flange of beams, channels, or angles.
  4. Center-Beam Clamps (MSS Type 21): For attaching to center of bottom flange of beams.
  5. Welded Beam Attachments (MSS Type 22): For attaching to bottom of beams if loads are considerable and rod sizes are large.
  6. C-Clamps (MSS Type 23): For structural shapes.
  7. Top-Beam Clamps (MSS Type 25): For top of beams if hanger rod is required tangent to flange edge.
  8. Side-Beam Clamps (MSS Type 27): For bottom of steel I-beams.
  9. Steel-Beam Clamps with Eye Nuts (MSS Type 28): For attaching to bottom of steel I-beams for heavy loads.
  10. Linked-Steel Clamps with Eye Nuts (MSS Type 29): For attaching to bottom of steel I-beams for heavy loads, with link extensions.
  11. Malleable-Beam Clamps with Extension Pieces (MSS Type 30): For attaching to structural steel.

FIRE STATIONS RENOVATION  
ARLINGTON COUNTY, VIRGINIA  
Architect's Project No: 563006

12. Welded-Steel Brackets: For support of pipes from below or for suspending from above by using clip and rod. Provide one of the following for indicated loads:
    - a. Light (MSS Type 31): 750 lb.
    - b. Medium (MSS Type 32): 1500 lb.
    - c. Heavy (MSS Type 33): 3000 lb.
  13. Side-Beam Brackets (MSS Type 34): For sides of steel or wooden beams.
  14. Plate Lugs (MSS Type 57): For attaching to steel beams if flexibility at beam is required.
  15. Horizontal Travelers (MSS Type 58): For supporting piping systems subject to linear horizontal movement where headroom is limited.
- L. Saddles and Shields: Unless otherwise indicated provide the followings:
1. Steel-Pipe-Covering Protection Saddles (MSS Type 39): To fill interior voids with insulation that matches adjoining insulation.
  2. Protection Shields (MSS Type 40): Of length recommended in writing by manufacturer to prevent crushing insulation.
  3. Thermal-Hanger Shield Inserts: For supporting insulated pipe.
- M. Spring Hangers and Supports: Unless otherwise indicated provide the following:
1. Restraint-Control Devices (MSS Type 47): To control pipe movement.
  2. Spring Cushions (MSS Type 48): For light loads if vertical movement does not exceed 1-1/4 inches.
  3. Spring-Cushion Roll Hangers (MSS Type 49): For equipping Type 41, roll hanger with springs.
  4. Spring Sway Braces (MSS Type 50): To retard sway, shock, vibration, or thermal expansion in piping systems.
  5. Variable-Spring Hangers (MSS Type 51): Preset to indicated load and limit variability factor to 25 percent to allow expansion and contraction of piping system from hanger.
  6. Variable-Spring Base Supports (MSS Type 52): Preset to indicated load and limit variability factor to 25 percent to allow expansion and contraction of piping system from base support.
  7. Variable-Spring Trapeze Hangers (MSS Type 53): Preset to indicated load and limit variability factor to 25 percent to allow expansion and contraction of piping system from trapeze support.
  8. Constant Supports: For critical piping stress and if necessary to avoid transfer of stress from one support to another support, critical terminal, or connected equipment. Include auxiliary stops for erection, hydrostatic test, and load-adjustment capability. These supports include the following types:
    - a. Horizontal (MSS Type 54): Mounted horizontally.
    - b. Vertical (MSS Type 55): Mounted vertically.
    - c. Trapeze (MSS Type 56): Two vertical-type supports and one trapeze member.
- N. Comply with MSS SP-69 for trapeze pipe-hanger selections and applications that are not specified in piping system Sections.

FIRE STATIONS RENOVATION  
ARLINGTON COUNTY, VIRGINIA  
Architect's Project No: 563006

- O. Comply with MFMA-103 for metal framing system selections and applications that are not specified in piping system Sections.
- P. Provide powder-actuated fasteners or mechanical-expansion anchors instead of building attachments where indicated in concrete construction.

END OF SECTION 230529

FIRE STATIONS RENOVATION  
ARLINGTON COUNTY, VIRGINIA  
Architect's Project No: 563006

SECTION 230548 - VIBRATION CONTROL FOR HVAC

PART 1 - GENERAL

1.1 RELATED DOCUMENTS

- A. Provisions of the Contract and of the Contract Documents apply to this Section.

1.2 DEFINITIONS

- A. IBC: International Building Code.
- B. ICC-ES: ICC-Evaluation Service.
- C. OSHPD: Office of Statewide Health Planning & Development for the State of California.
- D. ASCE: American Society of Civil Engineers
- E. VUSBC: Virginia Uniform Statewide Building Code

1.3 RESPONSIBILITIES:

- A. The manufacturer of vibration isolation systems and devices shall:
  - 1. Determine the sizes and locations of isolators and provide equipment isolation as indicated.
  - 2. Guarantee indicated isolation system deflections.
  - 3. Provide installation instructions and drawings.
  - 4. Certify correctness of installation upon completion.
- B. The Contractor shall cause all vibration isolation systems, including the isolators, and flexible connectors between the isolated equipment and associated piping, ducting, and electrical work to be designed by a manufacturer experienced in this type of work.

1.4 SUBMITTALS

- A. Product Data:
  - 1. Include rated load, rated deflection, and overload capacity for each vibration isolation device.
  - 2. Wind-Restraint Details:
    - a. Design Analysis: To support selection and arrangement of wind restraints. Include calculations of combined tensile and shear loads.
    - b. Details: Coordinate vibration isolation details with wind-restraint details required for equipment mounted outdoors.



FIRE STATIONS RENOVATION  
ARLINGTON COUNTY, VIRGINIA  
Architect's Project No: 563006

- B. Coordination Drawings: For areas indicated at 1/4" = 1'0" and where sections are cut on contract drawings, indicate coordination of HVAC piping and equipment with other systems and equipment in the vicinity, include supports and restraints.
- C. Qualification Data: For testing agency.
- D. Shop Drawings:
  - 1. Vibration Isolation Base Details: Detail fabrication, including anchorages, attachments to structure, and to supported equipment. Include auxiliary motor slides and rails, base weights, equipment static loads, power transmission, component misalignment, and cantilever loads.
  - 2. Dimensioned Outline Drawings for Each Scheduled Piece of Equipment: Identify center of gravity.
  - 3. Dimensioned Outline Drawings for Each Scheduled Piece of Equipment: Locate and describe mounting and anchorage provisions.

1.5 QUALITY ASSURANCE

- A. Welding: Qualify procedures and personnel according to AWS D1.1/D1.1M, "Structural Welding Code - Steel."
- B. Testing Agency Qualifications: An independent agency, with the experience and capability to conduct the testing indicated, that is a nationally recognized testing laboratory (NRTL) as defined by OSHA in 29 CFR 1910.7, and that is acceptable to authorities having jurisdiction.

PART 2 - PRODUCTS

2.1 VIBRATION ISOLATORS

- A. Available Manufacturers:
  - 1. Amber/Booth Company, Inc.
  - 2. B-Line Systems, Inc.
  - 3. Kinetics Noise Control.
  - 4. Mason Industries.
  - 5. Vibration Mountings & Controls, Inc.
- B. Pads: Oil- and water-resistant elastomer or natural rubber, arranged in single or multiple layers, molded with a nonslip pattern and galvanized steel baseplates of sufficient stiffness for uniform loading over pad area, and factory cut to sizes that match requirements of supported equipment.
  - 1. Resilient Material: Oil- and water-resistant neoprene.
  - 2. Durometer Rating: Minimum 30.
  - 3. Number of Layers: 1 2 3 or 4.

FIRE STATIONS RENOVATION  
ARLINGTON COUNTY, VIRGINIA  
Architect's Project No: 563006

- C. Mounts: Double-deflection type, with molded, oil-resistant rubber, or neoprene isolator elements with factory-drilled, encapsulated top plate for bolting to equipment and with baseplate for bolting to structure. Color-code or otherwise identify to indicate capacity range.
1. Durometer Rating: Minimum 30.
  2. Materials: Cast-ductile-iron or welded steel housing containing two separate and opposing, oil-resistant rubber or neoprene elements that prevent central threaded element and attachment hardware from contacting the housing during normal operation.
  3. Neoprene: Shock-absorbing materials compounded according to the standard for bridge-bearing neoprene as defined by AASHTO.
- D. Restrained Mounts: All-directional mountings with wind restraint.
1. Materials: Cast-ductile-iron or welded steel housing containing two separate and opposing, oil-resistant rubber or neoprene elements that prevent central threaded element and attachment hardware from contacting the housing during normal operation.
  2. Neoprene: Shock-absorbing materials compounded according to the standard for bridge-bearing neoprene as defined by AASHTO.
- E. Spring Isolators: Freestanding, laterally stable, open-spring isolators.
1. Outside Spring Diameter: Not less than 80 percent of the compressed height of the spring at rated load.
  2. Minimum Additional Travel: 50 percent of the required deflection at rated load.
  3. Lateral Stiffness: More than 80 percent of rated vertical stiffness.
  4. Overload Capacity: Support 200 percent of rated load, fully compressed, without deformation or failure.
  5. Baseplates: Factory drilled for bolting to structure and bonded to ¼" thick, rubber isolator pad attached to baseplate underside. Baseplates shall limit floor load to 500 psig.
  6. Top Plate and Adjustment Bolt: Threaded top plate with adjustment bolt and cap screw to fasten and level equipment.
- F. Restrained Spring Isolators: Freestanding, steel, open-spring isolators with limit-stop restraint.
1. Housing: Steel with resilient vertical-limit stops to prevent spring extension due to weight being removed; factory-drilled baseplate bonded to ¼" thick, neoprene or rubber isolator pad attached to baseplate underside; and adjustable equipment mounting and leveling bolt that acts as blocking during installation.
  2. Restraint: Limit stop as required for equipment and authorities having jurisdiction.
  3. Outside Spring Diameter: Not less than 80 percent of the compressed height of the spring at rated load.
  4. Minimum Additional Travel: 50 percent of the required deflection at rated load.
  5. Lateral Stiffness: More than 80 percent of rated vertical stiffness.
  6. Overload Capacity: Support 200 percent of rated load, fully compressed, without deformation or failure.

FIRE STATIONS RENOVATION  
ARLINGTON COUNTY, VIRGINIA  
Architect's Project No: 563006

- G. **Housed Spring Mounts:** Housed spring isolators.
1. **Housing:** Ductile-iron or steel housing to provide all-directional restraint.
  2. **Base:** Factory drilled for bolting to structure.
  3. **Snubbers:** Vertically adjustable to allow a maximum of 1/4" travel up or down before contacting a resilient collar.
- H. **Elastomeric Hangers:** Double-deflection type, with molded, oil-resistant rubber or neoprene isolator elements bonded to steel housings with threaded connections for hanger rods. Color-code or otherwise identify to indicate capacity range.
- I. **Spring Hangers:** Combination coil-spring and elastomeric-insert hanger with spring and insert in compression.
1. **Frame:** Steel, fabricated for connection to threaded hanger rods and to allow for a maximum of 30 degrees of angular hanger-rod misalignment without binding or reducing isolation efficiency.
  2. **Outside Spring Diameter:** Not less than 80 percent of the compressed height of the spring at rated load.
  3. **Minimum Additional Travel:** 50 percent of the required deflection at rated load.
  4. **Lateral Stiffness:** More than 80 percent of rated vertical stiffness.
  5. **Overload Capacity:** Support 200 percent of rated load, fully compressed, without deformation or failure.
  6. **Elastomeric Element:** Molded, oil-resistant rubber or neoprene. Steel-washer-reinforced cup to support spring and bushing projecting through bottom of frame.
  7. **Self-centering hanger rod cap** to ensure concentricity between hanger rod and support spring coil.
- J. **Spring Hangers with Vertical-Limit Stop:** Combination coil-spring and elastomeric-insert hanger with spring and insert in compression and with a vertical-limit stop.
1. **Frame:** Steel, fabricated for connection to threaded hanger rods and to allow for a maximum of 30 degrees of angular hanger-rod misalignment without binding or reducing isolation efficiency.
  2. **Outside Spring Diameter:** Not less than 80 percent of the compressed height of the spring at rated load.
  3. **Minimum Additional Travel:** 50 percent of the required deflection at rated load.
  4. **Lateral Stiffness:** More than 80 percent of rated vertical stiffness.
  5. **Overload Capacity:** Support 200 percent of rated load, fully compressed, without deformation or failure.
  6. **Elastomeric Element:** Molded, oil-resistant rubber or neoprene.
  7. **Adjustable Vertical Stop:** Steel washer with neoprene washer "up-stop" on lower threaded rod.

**FIRE STATIONS RENOVATION  
ARLINGTON COUNTY, VIRGINIA  
Architect's Project No: 563006**

8. Self-centering hanger rod cap to ensure concentricity between hanger rod and support spring coil.
- K. Thrust Limits: Combination coil spring and elastomeric insert with spring and insert in compression and with a load stop. Include rod and angle-iron brackets for attaching to equipment.
1. Frame: Steel, fabricated for connection to threaded rods and to allow for a maximum of 30 degrees of angular rod misalignment without binding or reducing isolation efficiency.
  2. Outside Spring Diameter: Not less than 80 percent of the compressed height of the spring at rated load.
  3. Minimum Additional Travel: 50 percent of the required deflection at rated load.
  4. Lateral Stiffness: More than 80 percent of the rated vertical stiffness.
  5. Overload Capacity: Support 200 percent of rated load, fully compressed, without deformation or failure.
  6. Elastomeric Element: Molded, oil-resistant rubber or neoprene.
  7. Coil Spring: Factory set and field adjustable for a maximum of 1/4-inch movement at start and stop.
- L. Pipe Riser Resilient Support : All-directional, acoustical pipe anchor consisting of 2 steel tubes separated by a minimum of 1/2-inch- thick, 60-durometer neoprene. Include steel and neoprene vertical-limit stops arranged to prevent vertical travel in both directions. Design support for a maximum load on the isolation material of 500 psig and for equal resistance in all directions.
- M. Resilient Pipe Guides: Telescopic arrangement of 2 steel tubes separated by a minimum of 1/2-inch- thick, 60-durometer neoprene. Factory set guide height with a shear pin to allow vertical motion due to pipe expansion and contraction. Shear pin shall be removable and reinsertable to allow for selection of pipe movement. Guides shall be capable of motion to meet location requirements.
- 2.2 RESTRAINED VIBRATION ISOLATION ROOF-CURB RAILS
- A. Available Manufacturers:
1. Amber/Booth Company, Inc.
  2. Kinetics Noise Control.
  3. Mason Industries.
  4. Vibration Mountings & Controls, Inc.
- B. General Requirements for Restrained Vibration Isolation Roof-Curb Rails: Factory-assembled, fully enclosed, insulated, air- and watertight curb rail designed to resiliently support equipment and to withstand wind forces.
- C. Lower Support Assembly: Formed sheet-metal section containing adjustable and removable steel springs that support upper frame. Upper frame shall provide continuous support for

FIRE STATIONS RENOVATION  
ARLINGTON COUNTY, VIRGINIA  
Architect's Project No: 563006

equipment and shall be captive to resiliently resist wind forces. Lower support assembly shall have a means for attaching to building structure and a wood nailer for attaching roof materials, and shall be insulated with a minimum of 2" of rigid, glass-fiber insulation on inside of assembly.

- D. Spring Isolators: Adjustable, restrained spring isolators shall be mounted on 1/4-inch thick, elastomeric vibration isolation pads and shall have access ports, for level adjustment, with removable waterproof covers at all isolator locations. Isolators shall be located so they are accessible for adjustment at any time during the life of the installation without interfering with the integrity of the roof.
1. Restrained Spring Isolators: Freestanding, steel, open-spring isolators with wind restraint.
    - a. Housing: Steel with resilient vertical-limit stops and adjustable equipment mounting and leveling bolt.
    - b. Outside Spring Diameter: Not less than 80 percent of the compressed height of the spring at rated load.
    - c. Minimum Additional Travel: 50 percent of the required deflection at rated load.
    - d. Lateral Stiffness: More than 80 percent of rated vertical stiffness.
    - e. Overload Capacity: Support 200 percent of rated load, fully compressed, without deformation or failure.
- E. Snubber Bushings: All-directional, elastomeric snubber bushings at least 1/4 inch thick.
- F. Water Seal: Galvanized sheet metal with EPDM seals at corners, attached to upper support frame, extending down past wood nailer of lower support assembly, and counterflashed over roof materials.

### 2.3 VIBRATION ISOLATION EQUIPMENT BASES

- A. Available Manufacturers:
- B. Manufacturers:
1. Amber/Booth Company, Inc.
  2. Kinetics Noise Control.
  3. Mason Industries.
  4. Vibration Mountings & Controls, Inc.
- C. Steel Base: Factory-fabricated, welded, structural-steel bases and rails.
1. Design Requirements: Lowest possible mounting height with not less than 1" clearance above the floor. Include equipment anchor bolts and auxiliary motor slide bases or rails.
    - a. Include supports for suction and discharge elbows for pumps.
  2. Structural Steel: Steel shapes, plates, and bars complying with ASTM A 36/A 36M. Bases shall have shape to accommodate supported equipment.
  3. Support Brackets: Factory-welded steel brackets on frame for outrigger isolation mountings and to provide for anchor bolts and equipment support.

FIRE STATIONS RENOVATION  
ARLINGTON COUNTY, VIRGINIA  
Architect's Project No: 563006

- D. Inertia Base: Factory-fabricated, welded, structural-steel bases and rails ready for placement of cast-in-place concrete.
  - 1. Design Requirements: Lowest possible mounting height with not less than 1-inch clearance above the floor. Include equipment anchor bolts and auxiliary motor slide bases or rails.
    - a. Include supports for suction and discharge elbows for pumps.
  - 2. Structural Steel: Steel shapes, plates, and bars complying with ASTM A 36/A 36M. Bases shall have shape to accommodate supported equipment.
  - 3. Support Brackets: Factory-welded steel brackets on frame for outrigger isolation mountings and to provide for anchor bolts and equipment support.
  - 4. Fabrication: Fabricate steel templates to hold equipment anchor-bolt sleeves and anchors in place during placement of concrete. Obtain anchor-bolt templates from supported equipment manufacturer.

## 2.4 FACTORY FINISHES

- A. Finish: Manufacturer's standard paint applied to factory-assembled and -tested equipment before shipping.
  - 1. Powder coating on springs and housings.
  - 2. All hardware shall be galvanized. Hot-dip-galvanize metal components for exterior use.
  - 3. Bake enamel or powder coat for metal components on isolators for interior use.
  - 4. Color-code or otherwise mark vibration isolation and wind control devices to indicate capacity range.

## PART 3 - EXECUTION

### 3.1 EXAMINATION

- A. Examine areas and equipment to receive vibration isolation and wind-control devices for compliance with requirements for installation tolerances and other conditions affecting performance.
- B. Examine roughing-in of reinforcement and cast-in-place anchors to verify actual locations before installation.
- C. Proceed with installation only after unsatisfactory conditions have been corrected.

### 3.2 APPLICATIONS

- A. Multiple Pipe Supports: Secure pipes to trapeze member with clamps approved for application by an agency acceptable to authorities having jurisdiction.

FIRE STATIONS RENOVATION  
ARLINGTON COUNTY, VIRGINIA  
Architect's Project No: 563006

- B. Strength of Support and Wind Restraint Assemblies: Where not indicated, select sizes of components so strength will be adequate to resist loads within loading limits.

3.3 VIBRATION-CONTROL DEVICE INSTALLATION

- A. Comply with requirements indicated in the Contract Documents, in codes and ordinances, by Authority Having Jurisdiction, and by Manufacturer, for installation of all devices.

3.4 FIELD QUALITY CONTROL

- A. Perform tests.

- B. Tests:

1. Provide evidence of recent calibration of test equipment by a testing agency acceptable to authorities having jurisdiction.
2. Schedule test with Owner, through Architect, before connecting anchorage device to restrained component (unless postconnection testing has been approved), and with at least seven days' advance notice.
3. Obtain Architect's approval before transmitting test loads to structure. Provide temporary load-spreading members.
4. Test at least two of each type and size of installed anchors and fasteners.
5. Test to 90 percent of rated proof load of device.
6. Measure isolator restraint clearance.
7. Measure isolator deflection.
8. Verify snubber minimum clearances.
9. If a device fails test, fix and retest until satisfactory results are achieved then modify all installations of same type to match.

- C. Prepare test reports.

3.5 ADJUSTING

- A. Adjust isolators after piping system is at operating weight.
- B. Adjust limit stops on restrained spring isolators to mount equipment at normal operating height. After equipment installation is complete, adjust limit stops so they are out of contact during normal operation.
- C. Adjust active height of spring isolators.
- D. Adjust restraints to permit free movement of equipment within normal mode of operation.

3.6 VIBRATION ISOLATION SCHEDULE

FIRE STATIONS RENOVATION  
ARLINGTON COUNTY, VIRGINIA  
Architect's Project No: 563006

- A. Ductwork
  - 1. Flexible connectors shall be used for ductwork connections to air handling units. Refer to Section "Metal Ducts." Ductwork shall be suspended with elastomeric hangers for a distance of 20 feet from air handling units.
- B. Air Handling Units
  - 1. Units shall include fan and motor assemblies internally isolated from the unit casing using spring isolators and flexible duct connectors.
- C. Power Ventilators
  - 1. Provide elastomeric hangers for units suspended from structure above ceiling.
- D. Split System Indoor Units
  - 1. Provide elastomeric hangers for units suspended from structure above ceiling.

END OF SECTION



FIRE STATIONS RENOVATION  
ARLINGTON COUNTY, VIRGINIA  
Architect's Project No: 563006

SECTION 230700 - HVAC INSULATION

PART 1 - GENERAL

1.1 RELATED DOCUMENTS

- A. Provisions of the Contract and of the Contract Documents apply to this Section.

1.2 DEFINITIONS

- A. Outdoor duct and pipe: Duct conveying untreated outside air at ambient temperature and humidity.
- B. Outdoor pipe: Pipe located outside the building insulation envelope.
- C. Supply air duct: Duct conveying air on the discharge side of an air handling unit or fan which will be delivered to a space in a building through a diffuser or connection to the return duct of another unit. Ductwork on the discharge side of a 100% outside air unit is considered to be Supply air duct.
- D. Return air duct: Duct conveying air from a space or plenum that will return to an air handling unit or energy transfer device. The air may be returned to the supply air duct after being conditioned, or it may be exhausted after passing through an energy transfer device. Typical examples of an energy transfer devices are plate heat exchangers, runaround coils, heat pipes, and energy wheels.
- E. Exhaust air duct: Duct conveying air from a space or plenum that will be exhausted from the building without being passed through an energy transfer device.
- F. Plenum: An unoccupied space or void, on the conditioned side of the building insulation and vapor barrier, being used to return conditioned air to the inlet side of a return or exhaust fan either directly or via a duct connection. An example would be a space with air handling light fixtures or openings in the ceiling used to transport air through the ceiling and then to an open duct located above the ceiling in another location.
- G. Indirectly Conditioned Space: A space having no direct conditioning but, due to air movement induced by an exhaust, or return opening, is conditioned by makeup air from an adjacent space. An example would be a small toilet. Boiler rooms, fan rooms, and mechanical rooms do not qualify as indirectly conditioned spaces.
- H. Inside the Building Insulation Envelope: For the purposes of this section, boiler rooms, fan rooms, and mechanical rooms are considered to be OUTSIDE the building insulation envelope.

1.3 SUBMITTALS

- A. Product Data: Identify thermal conductivity, thickness, and jackets (both factory and field applied, if any), for each type of product indicated.
- B. Shop Drawings: Show fabrication and installation details for the following:
  - 1. Detail application of removable insulation covers.
  - 2. Detail application of protective shields, saddles, and inserts at hangers for each type of insulation and hanger.

FIRE STATIONS RENOVATION  
ARLINGTON COUNTY, VIRGINIA  
Architect's Project No: 563006

3. Detail attachment and covering of heat tracing inside insulation.
4. Detail insulation application at pipe expansion joints for each type of insulation.
5. Detail insulation application at elbows, fittings, flanges, valves, and specialties for each type of insulation.
6. Detail removable insulation at piping specialties, equipment connections, and access panels.
7. Detail application of field-applied jackets.
8. Detail application at linkages of control devices.
9. Detail field application for each equipment type.

1.4 QUALITY ASSURANCE

- A. Fire-Test-Response Characteristics: Insulation and related materials shall have fire-test-response characteristics indicated, as determined by testing identical products per ASTM E 84, by a testing and inspecting agency acceptable to authorities having jurisdiction. Factory label insulation and jacket materials and adhesive, mastic, tapes, and cement material containers, with appropriate markings of applicable testing and inspecting agency.
  1. Insulation Installed Indoors: Flame-spread index of 25 or less, and smoke-developed index of 50 or less.
  2. Insulation Installed Outdoors: Flame-spread index of 75 or less, and smoke-developed index of 150 or less.

1.5 DELIVERY, STORAGE, AND HANDLING

- A. Packaging: Ship insulation materials in containers marked by manufacturer with type, grade, and maximum use temperature.
- B. Ship Insulated Piping System Components on pallets and wood supports. Securely fasten and protect from damage. Store off the ground and cover with opaque waterproof tarp to protect materials from sunlight and rain.

1.6 COORDINATION

- A. Coordinate size and location of supports, hangers, and insulation shields specified in Section "Hangers and Supports for HVAC Piping and Equipment."
- B. Coordinate clearance requirements with piping Installer for piping insulation, duct Installer for duct insulation, and equipment Installer for equipment insulation.
- C. Maintain clearances required for maintenance.
- D. Coordinate installation and testing of heat tracing.

PART 2 - PRODUCTS

2.1 MANUFACTURERS

- A. Available Manufacturers:
  1. Mineral-Fiber Insulation:
    - a. CertainTeed Manson.
    - b. Johns Manville

FIRE STATIONS RENOVATION  
ARLINGTON COUNTY, VIRGINIA  
Architect's Project No: 563006

- c. Knauf FiberGlass GmbH.
    - d. Owens-Corning Fiberglas Corp.
    - e. Schuller International, Inc.
  - 2. Flexible Elastomeric Thermal Insulation:
    - a. Armacell, LLC
    - b. Rubatex Corp.
  - 3. Removable Insulation Covers:
    - a. Advance Thermal Corp.
- B. Comply with requirements in Part 3 schedule articles for where insulating materials shall be applied.
- C. Products shall not contain asbestos, lead, mercury, or mercury compounds.
- D. Products that come in contact with stainless steel shall have a leachable chloride content of less than 50 ppm when tested according to ASTM C 871.
- E. Insulation materials for use on austenitic stainless steel shall be qualified as acceptable according to ASTM C 795.
- F. Foam insulation materials shall not use CFC or HCFC blowing agents in the manufacturing process.
- G. Duct Liner: Refer to specification section "Metal Ducts"
- H. Mineral-Fiber Board: Glass fibers bonded with a thermosetting resin. Comply with ASTM C 612, Type IB, with factory applied FSK Jacket. Meet the requirements of ASTM C 1290, Type III, inorganic glass fibers bonded by a thermosetting resin to maximum service temperature of 250°F.. Faced insulation shall not exceed 25 Flame Spread, 50 Smoke Developed when tested in accordance with ASTM E84.
- I. Semi-Rigid Mineral-Fiber Board: Glass fibers bonded with a thermosetting resin. Comply with ASTM C 1136, Type I, II, III, & IV with factory applied all-service jacket (ASJ) or Type II, IV with factory applied Foil Scrim Kraft (FSK) jacket.
- J. Mineral-Fiber Blanket with Factory Applied FSK Jacket: Meet the requirements of ASTM C 1290, Type III, inorganic glass fibers bonded by a thermosetting resin with a multi-purpose foil-scrim kraft (FSK) jacket to maximum service temperature of 250°F. FSK shall meet the requirements of ASTM C 1136, Type II, when surface burning characteristics are determined in accordance with ASTM E 84 with the foil surface of the material exposed to the flame as it is in the final composite. Composite (insulation, facing and adhesive) shall not exceed 25 Flame Spread, 50 Smoke Developed when tested in accordance with ASTM E 84. Insulation properties shall be as follows:
- 1. Thickness: 1-1/2"
    - a. Density: 0.75 pcf
    - b. Minimum uncompressed R value: 5.0
    - c. Minimum installed R value assuming 25% compression: 4.0
  - 2. Thickness: 2"
    - a. Density: 1.0 pcf
    - b. Minimum uncompressed R value: 7.4
    - c. Minimum installed R value assuming 25% compression: 6.0
  - 3. Alternate to 2" 1.0 pcf: Thickness: 2.2"
    - a. Density: 0.75 pcf

**FIRE STATIONS RENOVATION  
ARLINGTON COUNTY, VIRGINIA  
Architect's Project No: 563006**

- b. Minimum uncompressed R value: 7.4
      - c. Minimum installed R value assuming 25% compression: 6.0
    - 4. Thickness: 3"
      - a. Density: 0.75 pcf
      - b. Minimum uncompressed R value: 10.0
      - c. Minimum installed R value assuming 25% compression: 8.3
  
  - K. Mineral-Fiber Pipe Insulation: Glass fibers bonded with a thermosetting resin complying with the following:
    - 1. Preformed Pipe Insulation: Comply with ASTM C 547, Type 1, with factory-applied, all-purpose, vapor-retarder jacket.
    - 2. Semi-Rigid Mineral-Fiber Board Thermal Insulation: Glass fibers bonded with a thermosetting resin. Comply with ASTM C 1136, Type I, II, III, IV with factory applied all-service jacket (ASJ) or Type II, IV with factory applied Foil Scrim Kraft (FSK) jacket.
    - 3. Fire-Resistant Adhesive: Comply with MIL-A-3316C in the following classes and grades:
      - a. Class 1, Grade A for bonding glass cloth and tape to unfaced glass-fiber insulation, for sealing edges of glass-fiber insulation, and for bonding lagging cloth to unfaced glass-fiber insulation.
      - b. Class 2, Grade A for bonding glass-fiber insulation to metal surfaces.
    - 4. Mineral-Fiber Insulating Cements: Comply with ASTM C 195.
    - 5. Expanded or Exfoliated Vermiculite Insulating Cements: Comply with ASTM C 196.
    - 6. Mineral-Fiber, Hydraulic-Setting Insulating and Finishing Cement: Comply with ASTM C 449/C 449M.
  
  - L. Flexible Elastomeric: Closed-cell, sponge- or expanded-rubber materials. Comply with ASTM C 534, Type I for tubular materials and Type II for sheet materials.
    - 1. Adhesive: As recommended by insulation material manufacturer.
    - 2. Ultraviolet-Protective Coating: As recommended by insulation manufacturer.
  
  - M. Closed-Cell Phenolic-Foam: Block insulation of rigid, expanded, closed-cell structure. Comply with ASTM C 1126, Type II, Grade 1.
  
  - N. Prefabricated Thermal Insulating Fitting Covers: Comply with ASTM C 450 for dimensions used in preforming insulation to cover valves, elbows, tees, and flanges.
- 2.2 FIELD-APPLIED JACKETS
- A. General: ASTM C 921, Type 1, unless otherwise indicated.
  - B. Glass Cloth: Woven glass-fiber fabric, plain weave, minimum 8 ounces per square yard.
  - C. Foil and Paper Jacket: Laminated, glass-fiber-reinforced, flame-retardant kraft paper and aluminum foil.
  - D. PVC Jacket: High-impact, ultraviolet-resistant PVC; 20 mils thick; roll stock ready for shop or field cutting and forming.
    - 1. Adhesive: As recommended by insulation material manufacturer.
    - 2. PVC Duct Jacket Color: White or gray.

FIRE STATIONS RENOVATION  
ARLINGTON COUNTY, VIRGINIA  
Architect's Project No: 563006

3. PVC Pipe Jacket Color: Color-code piping jackets based on materials contained within the piping system.
- E. Aluminum Jacket: Deep corrugated sheets manufactured from aluminum alloy complying with ASTM B 209, and having an integrally bonded moisture barrier over entire surface in contact with insulation. Factory cut and rolled to indicated sizes. Comply with ASTM B 209, 3003 alloy, H-14 temper.
1. Finish and Thickness: Stucco-embossed finish, 0.016 inch thick.
  2. Moisture Barrier: 1-mil- thick, heat-bonded polyethylene and kraft paper.
  3. Elbows: Preformed, 45- and 90-degree, short- and long-radius elbows; same material, finish, and thickness as jacket.
- F. Heavy PVC Pipe Fitting Covers: Factory-fabricated fitting covers manufactured from 30-mil-thick, high-impact, ultraviolet-resistant PVC.
1. Shapes: 45- and 90-degree, short- and long-radius elbows, tees, valves, flanges, reducers, end caps, soil-pipe hubs, traps, mechanical joints, and P-trap and supply covers for lavatories for the disabled.
  2. Adhesive: As recommended by insulation material manufacturer.
- G. Pre-engineered Jacketing systems: Metallic outer covering, with Velcro system suited for protecting outdoor refrigerant piping. Provide submittal for approval.

### 2.3 ACCESSORIES AND ATTACHMENTS

- A. Glass Cloth and Tape: Comply with MIL-C-20079H, Type I for cloth and Type II for tape. Woven glass-fiber fabrics, plain weave, presized a minimum of 8 oz./sq. yd..
1. Tape Width: 4 inches.
- B. Bands: 3/4 inch wide, in one of the following materials compatible with jacket:
1. Stainless Steel: ASTM A 666, Type 304; 0.020 inch thick.
  2. Galvanized Steel: 0.005 inch thick.
  3. Aluminum: 0.007 inch thick.
  4. Brass: 0.010 inch thick.
  5. Nickel-Copper Alloy: 0.005 inch thick.
- C. Wire: 0.080-inch, nickel-copper alloy; 0.062-inch, soft-annealed, stainless steel; or 0.062-inch, soft-annealed, galvanized steel.
- D. Weld-Attached Anchor Pins and Washers: Copper-coated steel pin for capacitor-discharge welding and galvanized speed washer. Pin length sufficient for insulation thickness indicated.
1. Welded Pin Holding Capacity: 100 lb for direct pull perpendicular to the attached surface.
- E. Adhesive-Attached Anchor Pins and Speed Washers: Galvanized steel plate, pin, and washer manufactured for attachment to duct, pipe, plenum and breeching with adhesive. Pin length sufficient for insulation thickness indicated.
1. Adhesive: Recommended by the anchor pin manufacturer as appropriate for surface temperatures of ducts, pipes, plenums, and breechings; and to achieve a holding capacity of 100 lb. for direct pull perpendicular to the adhered surface.

FIRE STATIONS RENOVATION  
ARLINGTON COUNTY, VIRGINIA  
Architect's Project No: 563006

- F. Self-Adhesive Anchor Pins and Speed Washers: Galvanized steel plate, pin, and washer manufactured for attachment to duct, pipe, and plenum with adhesive. Pin length sufficient for insulation thickness indicated.

2.4 VAPOR RETARDERS

- A. Mastics: Materials that are compatible with insulation materials, jackets, and substrates.

PART 3 - EXECUTION

3.1 EXAMINATION

- A. Examine substrates and conditions for compliance with requirements for installation and other conditions affecting performance of insulation application.
- B. Proceed with installation only after unsatisfactory conditions have been corrected.

3.2 PREPARATION

- A. Surface Preparation: Clean and dry surfaces to receive insulation. Remove materials that will adversely affect insulation application.

3.3 GENERAL APPLICATION REQUIREMENTS

- A. Apply insulation materials, accessories, and finishes according to the manufacturer's written instructions; with smooth, straight, and even surfaces; and free of voids throughout the length of ducts, piping, and fittings.
- B. Refer to schedules at the end of this Section for materials, forms, jackets, and thickness required for each system.
- C. Use accessories compatible with insulation materials and suitable for the service. Use accessories that do not corrode, soften, or otherwise attack insulation or jacket in either wet or dry state.
- D. Apply multiple layers of insulation with longitudinal and end seams staggered.
- E. Do not weld brackets, clips, or other attachment devices to piping, fittings, and specialties.
- F. Seal joints and seams with vapor-retarder mastic on insulation indicated to receive a vapor retarder.
- G. Keep insulation materials dry at all times. Insulation that becomes wet or is otherwise damaged beyond repair, shall be removed immediately and replaced. Replacement material and installation shall be in accordance with these specifications.
- H. Apply insulation with tight longitudinal seams and end joints. Bond seams and joints with adhesive recommended by the insulation material manufacturer.
- I. Apply insulation with the minimum number of joints practical.
- J. Apply insulation over fittings, valves, and specialties, with continuous thermal and vapor-retarder integrity, unless otherwise indicated.
- K. Refer to special instructions for applying insulation over fittings, valves, and specialties.

FIRE STATIONS RENOVATION  
ARLINGTON COUNTY, VIRGINIA  
Architect's Project No: 563006

- L. Hangers and Anchors: Where vapor retarder is indicated, seal penetrations in insulation at hangers, supports, anchors, and other projections with vapor-retarder mastic.
1. Apply insulation continuously through hangers and around anchor attachments.
  2. For insulation application where vapor retarders are indicated, extend insulation on anchor legs at least 12 inches from point of attachment to pipe and taper insulation ends. Seal tapered ends with a compound recommended by the insulation material manufacturer to maintain vapor retarder.
  3. Install insert materials and apply insulation to tightly join the insert. Seal insulation to insulation inserts with adhesive or sealing compound recommended by the insulation material manufacturer.
  4. Cover inserts with jacket material matching adjacent pipe insulation. Install shields over jacket, arranged to protect the jacket from tear or puncture by the hanger, support, and shield.
- M. Insulation Terminations: For insulation application where vapor retarders are indicated, seal ends with a compound recommended by the insulation material manufacturer to maintain vapor retarder.
- N. Apply insulation with integral jackets as follows:
1. Pull jacket tight and smooth.
  2. Circumferential Joints: Cover with 3-inch- wide strips, of same material as insulation jacket. Secure strips with adhesive and outward clinching staples along both edges of strip and spaced 4 inches o.c.
  3. Longitudinal Seams: Overlap jacket seams at least 1-1/2 inches. Apply insulation with longitudinal seams at bottom of pipe. Clean and dry surface to receive self-sealing lap. Staple laps with outward clinching staples along edge at 4 inches o.c.
    - a. Exception: Do not staple longitudinal laps on insulation having a vapor retarder.
  4. Vapor-Retarder Mastics: Where vapor retarders are indicated, apply mastic on seams and joints and at ends adjacent to flanges, unions, valves, and fittings.
  5. At penetrations in jackets for thermometers and pressure gages, fill and seal voids with vapor-retarder mastic.
- O. Cut insulation according to manufacturer's written instructions to prevent compressing insulation to less than 75 percent of its nominal thickness.
- P. Install vapor-retarder mastic on ducts, pipes, plenums, and equipment.
1. Ducts, pipes, plenums, and equipment with Vapor Retarders: Overlap insulation facing at seams and seal with vapor-retarder mastic and pressure-sensitive tape having same facing as insulation. Repair punctures, tears, and penetrations with tape and mastic to maintain vapor-retarder seal.
  2. Ducts, pipes, plenums, and equipment without Vapor Retarders: Overlap insulation facing at seams and secure with outward clinching staples and pressure-sensitive tape having same facing as insulation.
- Q. Roof Penetrations: Apply insulation for interior applications to a point even with top of roof flashing.

FIRE STATIONS RENOVATION  
ARLINGTON COUNTY, VIRGINIA  
Architect's Project No: 563006

1. Seal penetrations with vapor-retarder mastic.
  2. Apply insulation for exterior applications tightly joined to interior insulation ends.
  3. Extend metal jacket of exterior insulation outside roof flashing at least 2 inches below top of roof flashing.
  4. Seal metal jacket to roof flashing with vapor-retarder mastic.
- R. Interior Wall and Partition Penetrations: Apply insulation continuously through walls and partitions, except fire-rated walls and partitions.
- S. Fire-Rated Wall and Partition Penetrations: Terminate insulation at fire/smoke damper sleeves for fire-rated wall and partition penetrations.
- T. Floor Penetrations: Terminate insulation at underside of floor assembly and at floor support at top of floor.
1. For insulation indicated to have vapor retarders, taper termination and seal insulation ends with vapor-retarder mastic.

### 3.4 MINERAL-FIBER INSULATION APPLICATION

- A. Blanket Applications for Ducts, Pipes, and Plenums: Secure blanket insulation with adhesive, and anchor pins with speed washers.
1. Apply adhesives according to manufacturer's recommended coverage rates per square foot, for 100 percent coverage of duct, pipe, and plenum surfaces.
  2. Apply adhesive to entire circumference of ducts & pipes and to all surfaces of fittings and transitions. Adhesive may be omitted from the top of horizontal rectangular ducts.
  3. Install anchor pins and speed washers on sides and bottom of horizontal ducts and sides of vertical ducts as follows:
    - a. On duct sides with dimensions 18 inches and smaller, along longitudinal centerline of duct. Space 3 inches maximum from insulation end joints, and 16 inches o.c.
    - b. On duct sides with dimensions larger than 18 inches. Space 16 inches o.c. each way, and 3 inches maximum from insulation joints. Apply additional pins and clips to hold insulation tightly against surface at cross bracing.
    - c. Anchor pins may be omitted from top surface of horizontal, rectangular ducts and plenums.
    - d. Do not compress insulation to less than 75% of its original thickness during installation.
  4. Install anchor pins and speed washers on sides, top, and bottom of horizontal pipes.
  5. Impale insulation over anchors and attach speed washers.
  6. Cut excess portion of pins extending beyond speed washers. Cover exposed pins and washers with tape matching insulation facing.
  7. Create a facing lap for longitudinal seams and end joints with insulation by removing 2 inches from one edge and one end of insulation segment. Secure laps to adjacent insulation segment with 1/2-inch staples, 1-inch o.c., and cover with pressure-sensitive tape having same facing as insulation.
  8. Overlap unfaced blankets a minimum of 2 inches on longitudinal seams and end joints. Secure with steel band at end joints and spaced a maximum of 18 inches o.c.
  9. Apply insulation on rectangular duct elbows, pipe fittings, and transitions with a full insulation segment for each surface. Apply insulation on round and flat-oval duct elbows, and pipe elbows, with individually mitered gores cut to fit the elbow.



FIRE STATIONS RENOVATION  
ARLINGTON COUNTY, VIRGINIA  
Architect's Project No: 563006

10. Insulate duct and pipe stiffeners, hangers, and flanges that protrude beyond the insulation surface with 6-inch- wide strips of the same material as insulation. Secure on alternating sides of stiffener, hanger, and flange with anchor pins spaced 6 inches o.c.
  11. Apply vapor-retarder mastic to open joints, breaks, and punctures for insulation indicated to receive vapor retarder.
- B. Board Applications for Ducts, Plenums, & Equipment: Secure board insulation with adhesive and anchor pins and speed washers.
1. Apply adhesives according to manufacturer's recommended coverage rates per square foot, for 100 percent coverage of duct, plenum, & equipment surfaces.
  2. Apply adhesive to entire circumference of ducts and to all surfaces of fittings, transitions, and equipment. Adhesive may be omitted from top surface of horizontal rectangular ducts.
  3. Space anchor pins as follows:
    - a. On duct & equipment sides with dimensions 18 inches and smaller, along longitudinal centerline of duct. Space 3 inches maximum from insulation end joints, and 16 inches o.c.
    - b. On duct & equipment sides with dimensions larger than 18 inches. Space 16 inches o.c. each way, and 3 inches maximum from insulation joints. Apply additional pins and clips to hold insulation tightly against surface at bracing.
    - c. Anchor pins may be omitted from top surface of horizontal, rectangular ducts and plenums.
    - d. Do not compress insulation to less than 75% of its original thickness during installation.
  4. Cut excess portion of pins extending beyond speed washers. Cover exposed pins and washers with tape matching insulation facing.
  5. Create a facing lap for longitudinal seams and end joints with insulation by removing 2 inches from one edge and one end of insulation segment. Secure laps to adjacent insulation segment with 1/2-inch staples, 1-inch o.c., and cover with pressure-sensitive tape having same facing as insulation.
  6. Apply insulation on rectangular duct elbows and transitions with a full insulation segment for each surface. Groove and score insulation to fit as closely as possible to outside and inside radius of elbows. Apply insulation on round and flat-oval duct elbows with individually mitered gores cut to fit the elbow.
  7. Insulate duct and equipment stiffeners, hangers, and flanges that protrude beyond the insulation surface with 6" wide strips of the insulating materia. Secure on alternating sides of stiffener, hanger, and flange with anchor pins spaced 6 inches o.c.
  8. Apply vapor-retarder mastic to open joints, breaks, and punctures for insulation indicated to receive vapor retarder.

### 3.5 FLEXIBLE ELASTOMERIC THERMAL INSULATION APPLICATION

- A. Apply insulation to ducts, plenums, and equipment as follows:
1. Follow the manufacturer's written instructions for applying insulation.
  2. Seal longitudinal seams and end joints with manufacturer's recommended adhesive. Cement to avoid openings in insulation that will allow passage of air to the duct, plenum, and equipment surface.

FIRE STATIONS RENOVATION  
ARLINGTON COUNTY, VIRGINIA  
Architect's Project No: 563006

3.6 FIELD-APPLIED JACKET APPLICATION

- A. Apply glass-cloth jacket, where indicated, directly over bare insulation or insulation with factory-applied jackets.
  - 1. Apply jacket smooth and tight to surface with 2-inch overlap at seams and joints.
  - 2. Embed glass cloth between two 0.062-inch- thick coats of jacket manufacturer's recommended adhesive.
  - 3. Completely encapsulate insulation with jacket, leaving no exposed raw insulation.

3.7 FINISHES

- A. Glass-Cloth Jacketed Insulation: Paint insulation finished with glass-cloth jacket as specified in Division 9 Section "Paints."
- B. Flexible Elastomeric Thermal Insulation: After adhesive has fully cured, apply two coats of insulation manufacturer's recommended protective coating.
- C. Color: Final color shall be as selected by Architect. Vary first and second coats to allow visual inspection of the completed Work.

3.8 DIFFUSER APPLICATIONS

- A. Insulate exposed metal surfaces on top of all supply diffusers. Where diffusers are mounted in a metal pan insulate the top of the metal pan.
  - 1. Material: Mineral-Fiber Blanket Thermal Insulation with Factory Applied FSK Jacket.
  - 2. Thickness: 1 inch.
  - 3. Vapor Retarder Required: Yes.

3.9 APPLICATIONS

- A. Insulation materials and thickness are specified at the end of this Section.
- B. Insulate all ductwork, pipe and equipment:
  - 1. Insulate ductwork in accordance with the application schedule(s) below.
  - 2. Exceptions: Unless otherwise indicated, do not apply insulation to the following systems, materials, and equipment:
    - a. Vibration-control devices.
    - b. Testing agency labels and stamps.
    - c. Nameplates and data plates.
    - d. Manholes.
    - e. Handholes.
    - f. Cleanouts.
    - g. Plastic condensate drain piping.
    - h. Pipe-mounted condensate sensors.
    - i. Return ductwork inside the building insulation envelope.
    - j. Indoor exposed return air ductwork.
    - k. Exhaust ductwork.
      - 1) Exception: Duct beginning 18" upstream of backdraft damper and continuing to building envelope insulation.
    - l. Metal ducts with duct liner.
    - m. Factory-insulated flexible ducts.

FIRE STATIONS RENOVATION  
ARLINGTON COUNTY, VIRGINIA  
Architect's Project No: 563006

- n. Factory-insulated plenums, casings, terminal boxes, and filter boxes and sections.
- o. Flexible connectors.
- p. Vibration-control devices.
- q. Testing agency labels and stamps.
- r. Nameplates and data plates.
- s. Access panels and doors in air-distribution systems.

3.10 INDOOR APPLICATION SCHEDULE

- A. Service: Condensate drain piping.
  - 1. Insulation Material: Mineral fiber preformed pipe insulation.
  - 2. Insulation Thickness: 1"
  - 3. Vapor Retarder Required: Yes.
  - 4. Finish: Exposed = Painted, concealed = none.
  
- B. Service: Refrigerant piping.
  - 1. Operating Temperature: 35 to 50 deg F.
  - 2. Insulation Material: Flexible Elastomeric.
  - 3. Insulation Thickness: 1"
  - 4. Vapor Retarder Required: Yes.
  - 5. Finish: Exposed = Painted, concealed = none.
  
- C. Service: Unless otherwise indicated provide the following:
  - 1. Concealed Ducts and Plenums:
    - a. Material: Mineral-Fiber Blanket.
    - b. Thickness: 1 1/2 inches.
    - c. Vapor Retarder Required: Yes.
  - 2. Exposed Ducts and Plenums:
    - a. Material: Mineral-Fiber Board.
    - b. Thickness: 1-1/2 inches.
    - c. Field-Applied Jacket: Glass cloth.
    - d. Vapor Retarder Required: Yes.
    - e. Paint: Color as selected by architect. Refer to section "Painting".
  
- D. Service: Supply-air ducts, concealed and within the building insulation envelope.
  - 1. Material: Mineral-Fiber Blanket Thermal Insulation with Factory Applied FSK Jacket.
  - 2. Thickness: 1 1/2 inches.
  - 3. Vapor Retarder Required: Yes.
  
- E. Service: Outside-air ducts, concealed and within the building insulation envelope.
  - 1. Material: Mineral-Fiber Blanket Thermal Insulation with Factory Applied FSK Jacket.
  - 2. Thickness: 1 1/2 inches.
  - 3. Vapor Retarder Required: Yes.
  
- F. Service: Rectangular, return-air ducts, concealed in vented attics and unvented attics with insulated ceilings.
  - 1. Material: Mineral-Fiber Blanket Thermal Insulation with Factory Applied FSK Jacket.
  - 2. Thickness: 1-1/2 inches.

FIRE STATIONS RENOVATION  
ARLINGTON COUNTY, VIRGINIA  
Architect's Project No: 563006

3. Vapor Retarder Required: Yes.

3.11 OUTDOOR APPLICATION SCHEDULE

A. Service: Refrigerant piping.

1. Operating Temperature: 35 to 50 deg F.
2. Insulation Material: Flexible Elastomeric.
3. Insulation Thickness: 1"
4. Field-Applied Jacket: Aluminum or PVC or pre-engineered jacketing systems.
5. Vapor Retarder Required: Yes.
6. Finish: Two coats UV protectant.

END OF SECTION 230700

FIRE STATIONS RENOVATION  
ARLINGTON COUNTY, VIRGINIA  
Architect's Project No: 563006

SECTION 230900 – BUILDING AUTOMATION SYSTEM

PART 1 - GENERAL

1.1 RELATED DOCUMENTS

- A. Provisions of the Contract and of the Contract Documents apply to this Section.

1.2 WARRANTY

- A. Provide all services, materials and equipment necessary for the successful operation of the entire BAS system for a period of one year beginning on the date of Final Acceptance.
- B. Services, materials, and equipment shall include but not be limited to:
1. The adjustment, required testing, and repair of the system including all computer equipment, transmission lines, transmission equipment, sensors and control devices.
  2. On-line support services shall be provided as follows:
    - a. The local BAS representative shall have the capability to monitor and control the facility's building automation system via a dialup or internet connection. This connection to the facility shall be made within 2 hours of the time a problem is reported.
    - b. If the problem is not resolved by local support, the national office of the building automation system manufacturer, having the same dialup capability, shall also attempt to solve the problem online. If the problem cannot be resolved with on-line support, the BAS representative shall dispatch the appropriate personnel to the job site to resolve the problem within 4 hours of the time that the problem is reported.
    - c. This coverage shall include normal business hours, after business hours, weekends and holidays.

1.3 SUBMITTALS

- A. Pre-submittal meeting: The Contractor performing work under this Section of the specifications shall attend a meeting for coordinating the control system with major pieces of equipment including Rooftop Units. The meeting shall be held on the project site in the contractor's trailer or other location acceptable to the Contractor. The Contractor shall be responsible for arranging the meeting. Submittals shall be essentially complete at the time of the meeting so detailed coordination items can be discussed.
- B. Submit ten (10) complete sets of documentation in the following phased delivery schedule:
1. Schedule of dampers including size, leakage, and flow characteristics.
  2. Schedule of valves including leakage and flow characteristics.

FIRE STATIONS RENOVATION  
ARLINGTON COUNTY, VIRGINIA  
Architect's Project No: 563006

3. **Product Data:** Include manufacturer's technical literature for each control device. Indicate dimensions, capacities, performance characteristics, electrical characteristics, finishes for materials, and installation and startup instructions for each type of product indicated. Include each control device labeled with setting or adjustable range of control.
  - a. **DDC System Hardware:** Bill of materials of equipment indicating quantity, manufacturer, and model number. Include technical data for interface equipment, control units, transducers/transmitters, sensors, actuators, valves, relays/switches, control panels, and operator interface equipment.
  - b. **Control System Software:** Include technical data for operating system software, operator interface, color graphics, and other third-party applications.
  - c. **Controlled Systems:** Instrumentation list with element name, type of device, manufacturer, model number, and product data. Include written description of sequence of operation including schematic diagram.
  
4. **Shop Drawings:** Detail equipment assemblies and indicate dimensions, weights, loads, required clearances, method of field assembly, components, and location and size of each field connection. Include the following:
  - a. **System schematics, including:**
    - 1) Written sequences of operation
    - 2) Listing of connected data points, including connected control unit and input device.
      - a) Point names
      - b) Point addresses
    - 3) Power, signal, and control wiring. Differentiate between manufacturer-installed and field-installed wiring.
    - 4) Details of control panel faces, including controls, instruments, and labeling.
    - 5) Schematic flow diagrams showing fans, pumps, coils, dampers, valves, and control devices.
    - 6) Trunk cable schematic showing programmable control unit locations and trunk data conductors.
    - 7) System graphics indicating monitored systems, data (connected and calculated) point addresses, and operator notations.
    - 8) System configuration showing peripheral devices, batteries, power supplies, diagrams, modems, and interconnections.
  
- C. **Maintenance Data:** For systems to include in maintenance manuals specified in Division 1. Include the following:
  1. Maintenance instructions and lists of spare parts for each type of control device.
  2. Interconnection wiring diagrams with identified and numbered system components and devices.
  3. Keyboard illustrations and step-by-step procedures indexed for each operator function.
  4. Inspection period, cleaning methods, cleaning materials recommended, and calibration tolerances.
  5. Calibration records and list of set points.

FIRE STATIONS RENOVATION  
ARLINGTON COUNTY, VIRGINIA  
Architect's Project No: 563006

- D. Project Record Documents: Record actual locations of control components, including control units, thermostats, and sensors. Revise Shop Drawings to reflect actual installation and operating sequences.
  
- E. Upon project completion, submit operation and maintenance manuals, consisting of the following:
  - 1. Index sheet listing contents in alphabetical order.
  - 2. Manufacturer's equipment parts list of all functional components of the system.
  - 3. DVD of system schematics including wiring diagrams.
  - 4. Sequences of operations
  - 5. As-built interconnection wiring diagrams.
  - 6. Operator's manual.
  - 7. Trunk cable schematic showing remote electronic panel locations and all trunk data.
  - 8. List of connected data points, including panels to which they are connected and input device (sensors, thermostat, etc.)
  - 9. Software and firmware operational documentation. Include the following:
    - a. Software operating and upgrade manuals.
    - b. Program software backup: On a magnetic media or compact disc, complete with data files.
    - c. Device address list.
    - d. Printout of software application and graphic screens.
    - e. Software license required by control systems.
  - 10. Software Upgrade Kit: For Owner to use in modifying software to suit future power system revisions or monitoring and control revisions.
  - 11. Field Test Reports: Indicate and interpret test results for compliance with performance requirements.
  
- F. Submit product data sheets for airflow measuring devices indicating minimum placement requirements, sensor density, sensor distribution, and installed accuracy to the host control system. Submit a schedule of airflow measuring devices indicating compliance with specified accuracy at minimum and maximum airflow rates. Submit installation, operation and maintenance documentation.

1.4 QUALITY ASSURANCE

- A. The BAS system shall be designed and installed, commissioned, and serviced by a manufacturer's authorized installer.
  
- B. Manufacturer Qualifications: A firm experienced in manufacturing automatic temperature-control systems similar to those indicated for this Project and with a record of successful in-service performance.
  
- C. All materials and equipment used shall be standard components, regularly manufactured for this and/or other systems and not custom designed especially for this project.

FIRE STATIONS RENOVATION  
ARLINGTON COUNTY, VIRGINIA  
Architect's Project No: 563006

- D. Electrical Components, Devices, and Accessories: Listed and labeled as defined in NFPA 70, Article 100, by a testing agency acceptable to authorities having jurisdiction, and marked for intended use.
- E. Electronic equipment shall conform to the requirements of FCC Regulation, Part 15, Section 15, governing radio frequency electromagnetic interference and shall be so labeled.
- F. Comply with NFPA 90A, "Installation of Air Conditioning and Ventilation Systems."
- G. Comply with ASHRAE 135 for DDC system components.

1.5 DELIVERY, STORAGE, AND HANDLING

- A. Factory-Mounted Components: Where control devices specified in this Section are indicated to be factory-mounted on equipment, arrange for shipping of control devices to equipment manufacturer.
- B. System Software: Update to latest version of software at Project completion.

1.6 COORDINATION

- A. Control Wiring: The BAS manufacturer shall be responsible for all BAS and temperature control wiring for a complete and operable system. All wire and cable shall be plenum-rated and shall be in accordance with Division 26 specification sections and all local, state and national codes and ordinances.
- B. Where plenum-rated BAS cable is routed in concealed, accessible spaces, the cable may be run in the cable trays or in J-Hooks provided under this section of the specifications. Where plenum-rated BAS cable is routed in exposed or inaccessible areas, it shall be run conduit provided under this section of the specifications.
- C. Power Wiring:
  - 1. Power wiring indicated (device and circuit designation indicated) on the drawings shall be provided under Division 26.
  - 2. The BAS manufacturer shall be responsible for power wiring not indicated (device or circuit designation not indicated) on the Drawings. It shall be the BAS manufacturer's responsibility to review the Contract Documents to determine the extent of power wiring included in Division 26 and to provide additional power wiring as required. Work shall be in accordance with Division 26 specifications and all local, state and national codes and ordinances.
  - 3. Where the contractor performing work under this section requires an additional circuit for power wiring to a device or panel under paragraph 2 above, an RFI shall be issued requesting approval to use an available circuit in the nearest panel. Once approval is granted, all wiring and conduit from the breaker to the device or panel shall be provided under this section of the specifications.



FIRE STATIONS RENOVATION  
ARLINGTON COUNTY, VIRGINIA  
Architect's Project No: 563006

- D. Coordinate location of thermostats, humidistats, and other exposed control sensors with plans and room details before installation. All conduits shall be concealed within walls and above ceilings unless indicated otherwise.
- E. Coordinate installation of conduit to avoid cutting of finished surfaces.
- F. Coordinate equipment with Division 26 Section "Lighting Control Devices" to achieve compatibility with equipment that interfaces with that system.
- G. Coordinate equipment with Division 28 Section "Digital Addressable Fire Alarm" to achieve compatibility with equipment that interfaces with that system.
- H. Coordinate supply of conditioned electrical branch circuits for control units and operator workstation.

1.7 PROJECT CONDITIONS

- A. Maintain environmental conditions (temperature, humidity and ventilation) within limits recommended by manufacturer for optimum results. Do not install products under environmental conditions outside manufacturer's absolute limits.

PART 2 - PRODUCTS

2.1 MANUFACTURER

- 1. Trane

2.2 GENERAL:

- a. Provide controls to match the existing system controls supplier for each fire station.
- b. For fire station #1, provide DDC panel and control new RTU-8 and integrate into existing BAS.
- c. For fire station #6, provide monitoring for new fan and split system as required in sequence of controls for HVAC section and sheet M7.1 on drawings.

2.3 DDC CONTROLLERS

- A. All packaged equipment shall be provided with manufacturers controllers with BACnet interface.

2.4 ELECTRONIC SENSORS

- A. Description: Vibration and corrosion resistant; for wall, immersion, or duct mounting as required.

FIRE STATIONS RENOVATION  
ARLINGTON COUNTY, VIRGINIA  
Architect's Project No: 563006

B. Thermistor Temperature Sensors and Transmitters and Resistance Temperature Detectors and Transmitters:

1. Accuracy: Plus or minus 0.5 deg F at calibration point.
2. Wire: Twisted, shielded-pair cable.
3. Insertion Elements in Ducts: Single point, 8 inches long; use where not affected by temperature stratification or where ducts are smaller than 9 sq. ft.
4. Averaging Elements in Ducts: 36 inches long, flexible; use where prone to temperature stratification or where ducts are larger than 10 sq. ft.
5. Insertion Elements for Liquids: Brass or stainless-steel socket with minimum insertion length of 2-1/2 inches.
6. Room Sensor Cover Construction: Manufacturer's standard locking covers.
  - a. Set-Point Adjustment (classrooms, offices, work rooms and conference rooms): Exposed warmer/cooler slider. Range of adjustment capable at zone sensor shall be programmable through the BAS.
  - b. Set-Point Adjustment (other spaces): Concealed.
  - c. Set-Point Indication: Concealed.
  - d. Thermometer: Concealed.
  - e. Color: Manufacturer's standard.
  - f. Orientation: Vertical.
  - g. Option: No manufacturer logo.
7. Outside-Air Sensors: Watertight inlet fitting, shielded from direct sunlight.
8. Space Sensor Guards: Provide heavy-duty, cast aluminum guards for sensors located in the gymnasium, auxiliary gymnasium, auditorium and commons.
9. Public Corridors: In public corridors and entrances, provide blank stainless-steel cover plate sensors with insulated back and security screws.

C. Humidity Sensors: Capacitance or bulk polymer resistance type.

1. Accuracy: 5 percent full range with linear output.
2. Room Sensor Range: 20 to 80 percent relative humidity.
3. Room Sensor Cover Construction: Manufacturer's standard locking covers.
  - a. Color: Manufacturer's standard.
  - b. Orientation: Vertical.
  - c. Set-Point Adjustment: Concealed.
  - d. Set-Point Indication: Concealed.
4. Outside-Air Sensor: 20 to 80 percent relative humidity range with mounting enclosure, suitable for operation at outdoor temperatures of 0 to 185 deg F.
5. Duct-Mounted: Electric insertion, 2-position type with adjustable, 2 percent throttling range, 20 to 80 percent operating range, and single- or double-pole contacts.

D. Pressure Transmitters/Transducers:

1. Static-Pressure Transmitter: Non-directional sensor with suitable range for expected input and temperature-compensated.

FIRE STATIONS RENOVATION  
ARLINGTON COUNTY, VIRGINIA  
Architect's Project No: 563006

- a. Accuracy: 2 percent of full scale with repeatability of 0.5 percent.
  - b. Output: 4 to 20 mA.
  - c. Building Static-Pressure Range: 0- to 0.25-inch wg.
  - d. Duct Static-Pressure Range: 0- to 5-inch wg.
2. Water Pressure Transducers: Stainless-steel diaphragm construction, suitable for service; minimum 150-psig operating pressure; linear output 4 to 20 mA.
  3. Water Differential-Pressure Transducers: Stainless-steel diaphragm construction, suitable for service; minimum 150-psig operating pressure and tested to 300-psig; linear output 4 to 20 mA.
  4. Differential-Pressure Switch (Air or Water): Snap acting, with pilot-duty rating and with suitable scale range and differential. Accuracy shall be +/- 5% of range.
  5. Pressure Transmitters: Direct acting for gas, liquid, or steam service; range suitable for system; linear output 4 to 20 mA.
- E. Current Sensing Switch:
1. Sensor supply voltage and supply current shall be induced from monitored conductor. Contact rating shall be 0.2 amperes at 30 volts DC/AC. Trip set point shall be adjustable to +/-1% of range. Current sensing switch wiring shall not be polarity sensitive.
- F. Liquid Level Sensors:
1. Liquid level sensors shall have 1/2" accuracy calibrated to detect water in temperature range from 60°F to 80°F. Output signal shall be 4 to 20 mA. Sensor material shall be stainless steel or other non-corrosive material.
- 2.5 STATUS SENSORS
- A. Status Inputs for Fans: Differential-pressure switch with pilot-duty rating and with adjustable range of 0- to 5-inch wg.
  - B. Status Inputs for Pumps: Differential-pressure switch with pilot-duty rating and with adjustable pressure-differential range of 8 to 60 psig, piped across pump.
  - C. Status Inputs for Electric Motors: Comply with ISA 50.00.01, current-sensing fixed- or split-core transformers with self-powered transmitter, adjustable and suitable for 175 percent of rated motor current.
  - D. Voltage Transmitter (100- to 600-V ac): Comply with ISA 50.00.01, single-loop, self-powered transmitter, adjustable, with suitable range and 1 percent full-scale accuracy.
  - E. Current Switches: Self-powered, solid-state with adjustable trip current, selected to match current and system output requirements.
  - F. Electronic Valve/Damper Position Indicator: Visual scale indicating percent of travel and 2- to 10-V dc, feedback signal.

FIRE STATIONS RENOVATION  
ARLINGTON COUNTY, VIRGINIA  
Architect's Project No: 563006

- G. Water-Flow Switches: Bellows-actuated mercury or snap-acting type with pilot-duty rating, stainless-steel or bronze paddle, with appropriate range and differential adjustment, in NEMA 250, Type 1 enclosure.

2.6 THERMOSTATS

A. Available Manufacturers:

- 1. Danfoss Inc.; Air-Conditioning and Refrigeration Div.
- 2. Heat-Timer Corporation.
- 3. tekmar Control Systems, Inc.

B. Combination Thermostat and Fan Switches: Line-voltage thermostat with push-button or lever-operated fan switch.

- 1. Label switches "FAN ON-OFF" or "FAN HIGH-LOW-OFF" or "FAN HIGH-MED-LOW-OFF."
- 2. Mount on single electric switch box.

C. Electric, solid-state, microcomputer-based room thermostat with remote sensor.

- 1. Automatic switching from heating to cooling.
- 2. Preferential rate control to minimize overshoot and deviation from set point.
- 3. Set up for four separate temperatures per day.
- 4. Instant override of set point for continuous or timed period from 1 hour to 31 days.
- 5. Short-cycle protection.
- 6. Programming based on every day of week.
- 7. Selection features include degree F or degree C display, 12- or 24-hour clock, keyboard disable, remote sensor, and fan on-auto.
- 8. Battery replacement without program loss.
- 9. Thermostat display features include the following:
  - a. Time of day.
  - b. Actual room temperature.
  - c. Programmed temperature.
  - d. Programmed time.
  - e. Duration of timed override.
  - f. Day of week.
  - g. System mode indications include "heating," "off," "fan auto," and "fan on."

D. Low-Voltage, On-Off Thermostats: NEMA DC 3, 24-V, bimetal-operated, mercury-switch type, with adjustable or fixed anticipation heater, concealed set-point adjustment, 55 to 85 deg F set-point range, and 2 deg F maximum differential.

E. Line-Voltage, On-Off Thermostats: Bimetal-actuated, open contact or bellows-actuated, enclosed, snap-switch or equivalent solid-state type, with heat anticipator; listed for electrical rating; with concealed set-point adjustment, 55 to 85 deg F set-point range, and 2 deg F maximum differential.

FIRE STATIONS RENOVATION  
ARLINGTON COUNTY, VIRGINIA  
Architect's Project No: 563006

1. Electric Heating Thermostats: Equip with off position on dial wired to break ungrounded conductors.
  2. Selector Switch: Integral, manual on-off-auto.
- F. Remote-Bulb Thermostats: On-off or modulating type, liquid filled to compensate for changes in ambient temperature; with copper capillary and bulb, unless otherwise indicated.
1. Bulbs in water lines with separate wells of same material as bulb.
  2. Bulbs in air ducts with flanges and shields.
  3. Averaging Elements: Copper tubing with either single- or multiple-unit elements, extended to cover full width of duct or unit; adequately supported.
  4. Scale settings and differential settings are clearly visible and adjustable from front of instrument.
  5. On-Off Thermostat: With precision snap switches and with electrical ratings required by application.
  6. Modulating Thermostats: Construct so complete potentiometer coil and wiper assembly is removable for inspection or replacement without disturbing calibration of instrument.
- G. Immersion Thermostat: Remote-bulb or bimetal rod-and-tube type, proportioning action with adjustable throttling range and adjustable set point.
- H. Airstream Thermostats: Two-pipe, fully proportional, single-temperature type; with adjustable set point in middle of range, adjustable throttling range, plug-in test fitting or permanent pressure gage, remote bulb, bimetal rod and tube, or averaging element.
- I. Electric, Low-Limit Duct Thermostat: Snap-acting, single-pole, single-throw, manual- or automatic- reset switch that trips if temperature sensed across any 12 inches of bulb length is equal to or below set point.
1. Bulb Length: Minimum 20 feet.
  2. Quantity: One thermostat for every 20 sq. ft. of coil surface.
- J. Electric, High-Limit Duct Thermostat: Snap-acting, single-pole, single-throw, manual- or automatic- reset switch that trips if temperature sensed across any 12 inches of bulb length is equal to or above set point.
1. Bulb Length: Minimum 20 feet.
  2. Quantity: One thermostat for every 20 sq. ft. of coil surface.
- K. Heating/Cooling Valve-Top Thermostats: Proportional acting for proportional flow, with molded-rubber diaphragm, remote-bulb liquid-filled element, direct and reverse acting at minimum shutoff pressure of 25 psig, and cast housing with position indicator and adjusting knob.

## 2.7 ACTUATORS

- A. Electric Motors: Size to operate with sufficient reserve power to provide smooth modulating action or two-position action.

FIRE STATIONS RENOVATION  
ARLINGTON COUNTY, VIRGINIA  
Architect's Project No: 563006

1. Comply with requirements in Division 23 Section "Common Motor Requirements for HVAC Equipment."
  2. Permanent Split-Capacitor or Shaded-Pole Type: Gear trains completely oil immersed and sealed. Equip spring-return motors with integral spiral-spring mechanism in housings designed for easy removal for service or adjustment of limit switches, auxiliary switches, or feedback potentiometer.
  3. Non-spring-Return Motors for Valves Larger than NPS 2-1/2: Size for running torque of 150 in. x lbf and breakaway torque of 300 in. x lbf.
  4. Spring-Return Motors for Valves Larger than NPS 2-1/2: Size for running and breakaway torque of 150 in. x lbf.
  5. Non-spring-Return Motors for Dampers Larger than 25 Sq. Ft.: Size for running torque of 150 in. x lbf and breakaway torque of 300 in. x lbf.
  6. Spring-Return Motors for Dampers Larger than 25 Sq. Ft.: Size for running and breakaway torque of 150 in. x lbf.
- B. Electronic Actuators: Direct-coupled type designed for minimum 60,000 full-stroke cycles at rated torque.
1. Valves: Size for torque required for valve close off at maximum pump differential pressure.
  2. Dampers: Size for running torque calculated as follows:
    - a. Parallel-Blade Damper with Edge Seals: 7 inch-lb/sq. ft. of damper.
    - b. Opposed-Blade Damper with Edge Seals: 5 inch-lb/sq. ft. of damper.
    - c. Parallel-Blade Damper without Edge Seals: 4 inch-lb/sq. ft. of damper.
    - d. Opposed-Blade Damper without Edge Seals: 3 inch-lb/sq. ft. of damper.
    - e. Dampers with 2- to 3-Inch wg of Pressure Drop or Face Velocities of 1000 to 2500 fpm: Increase running torque by 1.5.
    - f. Dampers with 3- to 4-Inch wg of Pressure Drop or Face Velocities of 2500 to 3000 fpm: Increase running torque by 2.0.
  3. Coupling: V-bolt and V-shaped, toothed cradle.
  4. Overload Protection: Electronic overload or digital rotation-sensing circuitry.
  5. Fail-Safe Operation: Mechanical, spring-return mechanism. Provide external, manual gear release on non-spring-return actuators.
  6. Power Requirements (Modulating): Maximum 10 VA at 24-V ac or 8 W at 24-V dc.
  7. Proportional Signal: 2- to 10-V dc or 4 to 20 mA, and 2- to 10-V dc position feedback signal.
  8. Temperature Rating: Minus 22 to plus 122 deg F.
  9. Temperature Rating (Smoke Dampers): Minus 22 to plus 250 deg F.

## 2.8 DAMPERS

- A. Dampers: AMCA-rated, parallel or opposed-blade design; 0.108-inch- minimum thick, galvanized-steel or 0.125-inch- minimum thick, extruded-aluminum frames with holes for duct mounting; damper blades shall not be less than 0.064-inch- thick galvanized steel with maximum blade width of 8 inches and length of 48 inches.

FIRE STATIONS RENOVATION  
ARLINGTON COUNTY, VIRGINIA  
Architect's Project No: 563006

1. Secure blades to 1/2-inch- diameter, zinc-plated axles using zinc-plated hardware, with oil-impregnated sintered bronze blade bearings, blade-linkage hardware of zinc-plated steel and brass, ends sealed against spring-stainless-steel blade bearings, and thrust bearings at each end of every blade.
2. Operating Temperature Range: From minus 40 to plus 200 deg F.
3. Edge Seals, Standard Pressure Applications: Closed-cell neoprene.
4. Edge Seals, Low-Leakage Applications: Use inflatable blade edging or replaceable rubber blade seals and spring-loaded stainless-steel side seals, rated for leakage at less than 10 cfm per sq. ft. of damper area, at differential pressure of 4-inch wg when damper is held by torque of 50 in. x lbf; when tested according to AMCA 500D.

2.9 SMOKE DETECTORS

- A. Smoke detectors shall be furnished under Division 28 and installed under this Section.
- B. Wiring from smoke detectors to fire alarm system shall be under Division 28.
- C. Wiring from smoke detectors to mechanical equipment shall be under this Section.

2.10 Low Temperature Detection Stat: By BAS manufacturer.

2.11 CURRENT SENSING RELAYS:

- A. By controls contractor for all equipment.miscellaneous relays and switches:
- B. General: Where required by the sequence of operation switches, relays, and miscellaneous devices necessary to accomplish the sequence shall be provided under this Section.

PART 3 - EXECUTION

3.1 PROJECT MANAGEMENT

- A. Provide a designated project manager who will be responsible for the following:
  1. Construct and maintain project schedule
  2. On-site coordination with all applicable trades and subcontractors
  3. Authorized to accept and execute orders or instructions from owner/architect
  4. Attend project meetings as necessary to avoid conflicts and delays
  5. Make necessary field decisions relating to this scope of work
  6. Coordination/Single point of contact.

3.2 EXAMINATION

- A. Verify that power supply is available to control units and operator workstation.

FIRE STATIONS RENOVATION  
ARLINGTON COUNTY, VIRGINIA  
Architect's Project No: 563006

- B. Verify that duct-, pipe-, and equipment-mounted devices are installed before proceeding with installation.

3.3 INSTALLATION

- A. Install software in control units and operator workstation(s). Implement all features of programs to specified requirements and as appropriate to sequence of operation.
- B. Connect and configure equipment and software to achieve sequence of operation specified in Section 23 section "Sequence of Control."
- C. Verify location of thermostats, humidistats, and other exposed control sensors with Drawings and room details before installation. Install devices next to light switch(es) when space is available with top of device at 48 inches above finished floor. Where space next to light switch(es) is not available, align device vertically with light switch and locate device with top at 40 inches above the finished floor.
  - 1. Install averaging elements in ducts and plenums in crossing or zigzag pattern.
- D. Install guards on thermostats where indicated on Drawings.
- E. Install automatic dampers according to Division 23 Section "Air Duct Accessories."
- F. Install damper motors on outside of duct in warm areas, not in locations exposed to outdoor temperatures.
- G. Install labels and nameplates to identify control components according to Division 23 Section "Identification for HVAC Piping and Equipment."
- H. Install hydronic instrument wells, valves, and other accessories according to Division 23 Section "Hydronic Piping."
- I. Install duct volume-control dampers according to Division 23 Sections specifying air ducts.

3.4 FIELD QUALITY CONTROL

- A. Manufacturer's Field Service: Engage a factory-authorized service representative to inspect, test, and adjust field-assembled components and equipment installation, including connections, and to assist in field testing. Report results in writing.
- B. Perform the following field tests and inspections and prepare test reports:
  - 1. Operational Test: After electrical circuitry has been energized, start units to confirm proper unit operation. Remove and replace malfunctioning units and retest.
  - 2. Test and adjust controls and safeties.
  - 3. Test calibration of electronic controllers by disconnecting input sensors and stimulating operation with compatible signal generator.



FIRE STATIONS RENOVATION  
ARLINGTON COUNTY, VIRGINIA  
Architect's Project No: 563006

4. Test each point through its full operating range to verify that safety and operating control set points are as required.
5. Test each control loop to verify stable mode of operation and compliance with sequence of operation. Adjust PID actions.
6. Test each system for compliance with sequence of operation.
7. Test software and hardware interlocks.

C. DDC Verification:

1. Verify that instruments are installed before calibration, testing, and loop or leak checks.
2. Check instruments for proper location and accessibility.
3. Check instrument installation for direction of flow, elevation, orientation, insertion depth, and other applicable considerations.
4. Check instrument tubing for proper fittings, slope, material, and support.
5. Check flow instruments. Inspect tag number and line and bore size, and verify that inlet side is identified and that meters are installed correctly.
6. Check pressure instruments, piping slope, installation of valve manifold, and self-contained pressure regulators.
7. Check temperature instruments and material and length of sensing elements.
8. Check control valves. Verify that they are in correct direction.
9. Check DDC system as follows:
  - a. Verify that DDC controller power supply is from emergency power supply.
  - b. Verify that wires at control panels are tagged with their service designation and approved tagging system.
  - c. Verify that spare I/O capacity has been provided.
  - d. Verify that DDC controllers are protected from power supply surges.

D. Replace damaged or malfunctioning controls and equipment and repeat testing procedures.

3.5 ADJUSTING

A. Calibrating and Adjusting:

1. Calibrate instruments.
2. Make three-point calibration test for both linearity and accuracy for each analog instrument.
3. Calibrate equipment and procedures using manufacturer's written recommendations and instruction manuals. Use test equipment with accuracy at least double that of instrument being calibrated.
4. Control System Inputs and Outputs:
  - a. Check analog inputs at 0, 50, and 100 percent of span.
  - b. Check analog outputs using milliamperemeter at 0, 50, and 100 percent output.
  - c. Check digital inputs using jumper wire.
  - d. Check digital outputs using ohmmeter to test for contact making or breaking.
  - e. Check resistance temperature inputs at 0, 50, and 100 percent of span using a precision-resistant source.

FIRE STATIONS RENOVATION  
ARLINGTON COUNTY, VIRGINIA  
Architect's Project No: 563006

5. Flow:
    - a. Set differential pressure flow transmitters for 0 and 100 percent values with 3-point calibration accomplished at 50, 90, and 100 percent of span.
    - b. Manually operate flow switches to verify that they make or break contact.
  6. Pressure:
    - a. Calibrate pressure transmitters at 0, 50, and 100 percent of span.
    - b. Calibrate pressure switches to make or break contacts, with adjustable differential set at minimum.
  7. Temperature:
    - a. Calibrate resistance temperature transmitters at 0, 50, and 100 percent of span using a precision-resistance source.
    - b. Calibrate temperature switches to make or break contacts.
  8. Stroke and adjust control valves and dampers without positioners, following the manufacturer's recommended procedure, so that valve or damper is 100 percent open and closed.
  9. Stroke and adjust control valves and dampers with positioners, following manufacturer's recommended procedure, so that valve and damper is 0, 50, and 100 percent closed.
  10. Provide diagnostic and test instruments for calibration and adjustment of system.
  11. Provide written description of procedures and equipment for calibrating each type of instrument. Submit procedures review and approval before initiating startup procedures.
- B. Adjust initial temperature and humidity set points.
- C. Occupancy Adjustments: When requested within 12 months of date of Final Acceptance, provide on-site assistance in adjusting system to suit actual occupied conditions. Provide up to three visits to Project during other than normal occupancy hours for this purpose.

### 3.6 TRAINING

- A. Provide 8 hours of training for Owner's designated operating personnel. Training shall include:
1. Explanation of drawings and operation & maintenance manuals
  2. Walk-through of the job to locate control components
  3. Operator workstation and peripherals
  4. Operation of Portable computer
  5. DDC controller and ASC operation/function
  6. Operator control functions including graphic generation and field panel programming
  7. Explanation of adjustment, calibration and replacement procedures
- B. Since the Owner may require personnel to have more comprehensive understanding of the hardware and software, additional training must be available from the Manufacturer. If necessary additional training will be contracted by the Owner at a later date.

FIRE STATIONS RENOVATION  
ARLINGTON COUNTY, VIRGINIA  
Architect's Project No: 563006

- C. Coordinate with Owner is videotape documentation of training is required.

END OF SECTION 230900

FIRE STATIONS RENOVATION  
ARLINGTON COUNTY, VIRGINIA  
Architect's Project No: 563006

SECTION 230993 - SEQUENCE OF OPERATIONS FOR HVAC CONTROLS

PART 1 - GENERAL

1.1 RELATED DOCUMENTS

- A. Provisions of the Contract and of the Contract Documents apply to this Section.

1.2 SUMMARY

- A. This Section includes control sequences for HVAC systems, subsystems, and equipment.
- B. Related Sections include the following:
  - 1. Division 23 Section "Building Automation System" for control equipment and devices and for submittal requirements.

1.3 DEFINITIONS

- A. BAS: Building automation system.
- B. CO<sub>2</sub>: Carbon dioxide.
- C. CO: Carbon monoxide
- D. DDC: Direct digital control.
- E. PPM: Parts per million.
- F. RPM: Revolutions per minute.
- G. SCR: Silicon-Controlled Rectifier.
- H. TAB: Testing, Adjusting and Balancing.
- I. VAV: Variable air volume.
- J. VFD: Variable-frequency drive

1.4 GENERAL REQUIREMENTS OF THIS SECTION

- A. Control sequences shall be accomplished in accordance with control drawings and the sequences specified in this section. It is the intent of this section to utilize sequences included in pre-programmed controllers when such sequences provide the intended operation.

FIRE STATIONS RENOVATION  
ARLINGTON COUNTY, VIRGINIA  
Architect's Project No: 563006

- B. Points may not be deleted without prior approval from the Architect.
- C. Every attempt has been made to indicate all required points on the control drawings. Occasionally an additional point, or points, may be required to accomplish a specified sequence. The contractor performing work under this section shall understand the work to be implied and required by the contract documents. Additional hardware and software required shall be provided under section "Building Automation System" at no additional cost to the Owner.
  - 1. Such points include:
    - a. Sensors of all types whether or not specified under section "Building Automation System"
    - b. Air flow measuring stations.
    - c. Wiring, conduit, and related devices such as relays.
  - 2. Exceptions:
    - a. Equipment and devices covered under sections other than "Building Automation System".

1.5 DISPLAY GRAPHICS:

- A. Include system schematic for each system. Indicate all points in system on at least one graphic.
- B. Indicate all commanded values and temperatures.
- C. Indicate all sensed temperatures.
- D. Indicate all alarms.
- E. Indicate all status points.
- F. Indicate all monitored conditions.

1.6 WARRANTY

- A. Provide all services, materials and equipment necessary for the successful operation of the entire BAS system for a period of one year beginning on the date of Final Acceptance.

1.7 SUBMITTALS

- A. Refer to Section "Building Automation System."

PART 2 - SEQUENCES

- 2.1 SET POINTS: Unless indicated otherwise all set points shall be adjustable from the head end.

FIRE STATIONS RENOVATION  
ARLINGTON COUNTY, VIRGINIA  
Architect's Project No: 563006

2.2 ROOFTOP UNITS (RTU-8)

A. General:

1. Each unit shall be controlled by field installed BACnet IP building controllers provided by the DDC contractor. The controller shall interface with the 24V controls terminal strip provided by the equipment manufacturer.
2. Enthalpy High Limit: 28.0 BTU/lb

B. Initial Set Points:

1. Occupied:
  - a. Space Cooling Temperature: 75°F
  - b. Space Heating Temperature: 70°F
  - c. Space Maximum Relative Humidity: 55% RH
2. Unoccupied:
  - a. Space Cooling Temperature: 78°F
  - b. Space Heating Temperature: 65°F
  - c. Space Maximum Relative Humidity: 60% RH

C. Enable/Disable:

1. Occupied Operation: During occupied hours, the BAS shall enable the unit and provide set points as specified. The supply fan shall be started and dampers shall open.
2. Unoccupied Operation: During unoccupied hours, the unit shall be disabled, the supply and exhaust fans shall be off, and dampers shall be closed.

D. Supply Fan Control:

1. When the unit is started, the outside air damper shall be open and an end switch shall authorize the supply fan to start and go to its maximum speed. The required speed shall be determined by the equipment manufacturer and shall be constituted as the maximum fan speed.
2. Speed Control:
  - a. The supply fan shall be ramped up to design/ balanced airflow.
  - b. Drive Malfunction: Should the VFD malfunction as indicated by drive alarm circuit, an alarm shall be sent to the head end. The fan shall continue to operate unless deactivated by the VFD protection circuitry.
  - c. Fan Failure Alarm: Should the supply fan fail (as sensed by current sensing relay), the unit shall be disabled, and an alarm shall be sent to the head end identifying the unit and stating that the supply fan has failed.

E. Exhaust Fan Control:

1. During occupied operation, the exhaust air damper shall be open and an end switch shall start the exhaust fan.
2. Speed Control:
  - a. The relief fan speed ramp up to design/ balanced airflow.
3. Fan Failure Alarm: Should the exhaust fan fail (as sensed by its current sensing relay), the unit shall be disabled, and an alarm shall be sent to the head end identifying the unit and stating that the exhaust fan has failed.
4. Drive Malfunction: Should the VFD malfunction as indicated by the drive alarm circuit, an alarm shall be sent to the head end. The fan shall continue to operate unless deactivated by the VFD protection circuitry.

FIRE STATIONS RENOVATION  
ARLINGTON COUNTY, VIRGINIA  
Architect's Project No: 563006

- F. Supply Air Temperature Control: The unit shall use comparative enthalpy economizer, heating, or cooling to maintain leaving air conditions.
- G. Supply Air Low Limit Temperature: If the discharge air temperature falls below the low limit set point (initially 50°F, adjustable), for five minutes (adjustable), the unit will stop and an alarm will be issued to the BAS.
- H. Cooling Control: The supply fan shall be confirmed as running before cooling is enabled. If cooling is required, the direct expansion cooling shall enable the first stage of cooling and modulate to maintain supply leaving air temperature. If additional capacity is needed, the next available compressor shall be staged and modulated to maintain the set point (as sensed by the supply leaving air temperature sensor).
- I. Heating Control: If heating is required, the first stage of heating shall be enabled and module to maintain supply air leaving temperature. If additional capacity is needed, the gas burners shall be staged and modulated to maintain the set point (as sensed by the supply leaving air temperature sensor).
- J. Hot Gas Reheat Control: The hot gas reheat coil shall be modulated as required to maintain leaving air temperature setpoint.
- K. Dehumidification Control:
1. Occupied Mode: If the space relative humidity (based on a space mounted humidity sensor) rises above initial setpoint (50% RH, adjustable), the unit economizer and compressor will be controlled to maintain cooling coil leaving air temperature setpoint. This cooling coil leaving air temp setpoint will be slowly lowered until sufficient dehumidification is provided to meet the space RH set point.
  2. Unoccupied mode: If the space relative humidity rises above set point (initially 60% RH, adjustable), the supply fan shall be started and the compressor will be controlled to maintain the cooling coil leaving air temp setpoint. This cooling coil leaving air temp setpoint will be slowly lowered until sufficient dehumidification is provided to meet the space RH set point. The unit shall return to unoccupied mode when the space humidity is 10% below set point.
- L. Economizer Mode: Whenever outside air enthalpy is less than the enthalpy high limit setpoint (adjustable) and outside air temperature is less than the return air temperature and cooling is required, economizer operation shall be enabled and the enthalpy wheel shall be disabled and bypassed.
1. Outside air enthalpy will be calculated using the outdoor air temperature and outdoor air humidity sensors.
  2. Economizer operation shall be available 24/7 and shall override unoccupied damper controls.
- M. Motorized Control Valve: The motorized control valve shall open 90 seconds prior to the compressor start up. When the compressors shut off, the control valve shall close. The BAS shall monitor the valve position and indicate an alarm in the case of malfunction.
- N. Head Pressure Control: If there is a demand for mechanical cooling, the head pressure control valve shall open to 100%. When the compressor starts, the valve will modulate to maintain the factory set head pressure setpoint. The valve will be allowed to close to a minimum value set

FIRE STATIONS RENOVATION  
ARLINGTON COUNTY, VIRGINIA  
Architect's Project No: 563006

point of 50%. If the compressor has been off for 10 minutes, the valve will close. If there is a demand for mechanical heating, the head pressure control valve shall open to 100% and remain open until the compressor has been off for 10 minutes.

O. Outdoor Air Damper:

1. Occupied: Damper shall open. If damper fails to open, an alarm shall be sent to the head end identifying the unit and stating that the outdoor air damper failed to open.
2. Unoccupied: Damper shall remain closed. Damper end switch shall confirm the damper closed. If the damper fails to close, an alarm shall be sent to the head end identifying the unit and stating that the outdoor air damper failed to close.

P. Relief Air Damper:

1. Occupied: Damper shall open. If damper fails to open, an alarm shall be sent to the head end identifying the unit and stating that the relief air damper failed to open.
2. Unoccupied: Damper end switch shall confirm the damper closed. If the damper fails to close, an alarm shall be sent to the head end identifying the unit and stating that the relief air damper failed to close.

Q. Frost Prevention: The unit controller shall vary the rotational speed of the enthalpy wheel to maintain the exhaust airstream temperature above that which frost formation begins.

R. System Safety: Whenever the supply fan is stopped, or airflow ceases for any reason (as sensed by the current sensing relay), the supply fan shall be deactivated and alarm issued to BAS. In all modes of operation, commanded position values for all control devices such as dampers shall be readable from the head-end.

S. Filter Change Alarm: The differential pressure across the filters shall be monitored. If the differential pressure exceed 1" wg (adjustable), an alarm shall be issued to the BAS.

T. Life Safety: Duct smoke detectors located in the return air duct, upon detection of products of combustion from any detector, signal the building fire alarm system and shut down the unit & supply fan. This function shall be manually reset from the unit and shall be so identified on the head-end graphics. An alarm shall also be provided to the BAS head-end.

U. Condensate Pan Overflow Prevention: The unit shall monitor float switches in the condensate pan under the evaporator. If the float switch detects the pan is about to overflow and has reached its high limit, the unit shall disable the cooling and issue an alarm to the BAS.

## 2.3 DUCTLESS SPLIT SYSTEM AIR CONDITIONERS

A. Each unit shall operate on its factory-installed control system.

B. Initial Set Points:

- a. Cooling: 72°F
- b. Heating: 65°F

C. The BAS shall monitor the space temperature in the rooms served by Ductless Split Systems. These sensors are used for monitoring purposes and shall alarm if they deviate more from the below set points:



FIRE STATIONS RENOVATION  
ARLINGTON COUNTY, VIRGINIA  
Architect's Project No: 563006

1. Alarm High Limit Temperature: 85°F.
  - D. The BAS shall monitor a general alarm for each Ductless Split System. If in alarm, the graphics shall display an alarm for the associated unit.
- 2.4 FAN (Control Method BAS Schedule)
- A. General: These are general duty fans which operate on a time-of-day schedule. Refer to the Fan Schedule for fan information.
  - B. Occupied/Unoccupied:
    1. Unoccupied Operation: During unoccupied hours the fan shall be off and the damper shall be closed.
    2. Occupied Operation: During occupied hours, the fan shall be on and the damper shall be open.
  - C. Start:
    1. At the start of occupied operation, the BAS shall open the motorized damper associated with the fan. Once the damper is confirmed open, the BAS shall start the fan. If the damper is interlocked with fan operation, then the BAS shall start the fan.
  - D. Stop:
    1. At the beginning of unoccupied operation, the BAS shall stop the fan and close the associated damper (or just stop the fan if the damper is interlocked).
  - E. Fan failure alarm:
    1. If the fan fails to start (as sensed by its current sensing relay) an alarm shall be sent to the head end identifying the fan and stating that it has failed to start.

PART 3 - EXECUTION (Not Applicable)

END OF SECTION 230993

FIRE STATIONS RENOVATION  
ARLINGTON COUNTY, VIRGINIA  
Architect's Project No: 563006

SECTION 232300 - REFRIGERANT PIPING

PART 1 - GENERAL

1.1 RELATED DOCUMENTS

- A. Provisions of the Contract and of the Contract Documents apply to this Section.

1.2 SUBMITTALS

- A. Product Data: For each type of valve and refrigerant piping specialty indicated for the following:
1. Thermostatic expansion valves.
  2. Solenoid valves.
  3. Hot-gas bypass valves.
  4. Filter dryers.
  5. Strainers.
  6. Pressure-regulating valves.
- B. Shop Drawings: Show layout of refrigerant piping and specialties, including pipe, tube, and fitting sizes, flow capacities, slopes of horizontal runs, oil traps, double risers, valve arrangements & locations wall & floor penetrations, and equipment connection details. Show interface and spatial relationships between piping and equipment.
1. Shop Drawing Scale: 1/4"=1'-0"
  2. Refrigerant piping indicated on Drawings is schematic only. Size piping and design actual piping layout, including oil traps, double risers, specialties, and pipe and tube sizes to accommodate, as a minimum, proposed equipment, elevation difference between compressor and evaporator, and length of piping to ensure proper operation and compliance with warranties of connected equipment.
- C. Operation and Maintenance Data: For refrigerant valves and piping specialties to include in maintenance manuals.

1.3 PRODUCT STORAGE AND HANDLING

- A. Store piping in a clean and protected area with end caps in place to ensure that piping interior and exterior are clean when installed.

1.4 QUALITY ASSURANCE

- A. Welding: Qualify procedures and personnel according to ASME Boiler and Pressure Vessel Code: Section IX; "Welding and Brazing Qualifications."

FIRE STATIONS RENOVATION  
ARLINGTON COUNTY, VIRGINIA  
Architect's Project No: 563006

- B. ASHRAE Standard: Comply with ASHRAE 15, "Safety Code for Mechanical Refrigeration."
- C. ASME Standard: Comply with ASME B31.5, "Refrigeration Piping."
- D. UL Standard: Provide products complying with UL 207, "Refrigerant-Containing Components and Accessories, Nonelectrical"; or UL 429, "Electrically Operated Valves."

1.5 COORDINATION

- A. Coordinate layout and installation of refrigerant piping and suspension system components with other construction, including light fixtures, HVAC equipment, fire-suppression-system components, and partition assemblies.
- B. Coordinate pipe sleeve installations for wall penetrations.
- C. Coordinate installation of roof curbs, equipment supports, and roof penetrations.
- D. Coordinate pipe sleeve installations for penetrations in exterior walls and floor assemblies. Coordinate with requirements for firestopping.
- E. Coordinate pipe fitting pressure classes with products specified in related Sections.

PART 2 - PRODUCTS

2.1 COPPER TUBE AND FITTINGS

- A. Copper Tube: ASTM B 280, Type ACR.
- B. Wrought-Copper Fittings: ASME B16.22.
- C. Wrought-Copper Unions: ASME B16.22.
- D. Solder Filler Metals: ASTM B 32. Use 95-5 tin antimony solder to join copper socket fittings on copper pipe.
- E. Brazing Filler Metals: AWS A5.8, BCuP series, copper-phosphorus alloys for general duty brazing unless otherwise indicated. AWS A5.8, BAg-5 silver alloy for refrigerant piping unless otherwise indicated.
- F. Flexible Connectors:
  - 1. Body: Tin-bronze bellows with woven, flexible, tinned-bronze-wire-reinforced protective jacket.
  - 2. End Connections: Socket ends.
  - 3. Offset Performance: Capable of minimum  $\frac{3}{4}$ " misalignment in minimum 7" length.
  - 4. Pressure Rating: Factory test at minimum 500 psig.
  - 5. Maximum Operating Temperature: 250 deg F.

FIRE STATIONS RENOVATION  
ARLINGTON COUNTY, VIRGINIA  
Architect's Project No: 563006

2.2 STEEL PIPE AND FITTINGS

- A. Steel Pipe: ASTM A 53/A 53M, black steel with plain ends; Type, Grade, and wall thickness as selected in Part 3 piping applications articles.
- B. Wrought-Steel Fittings: ASTM A 234/A 234M, for welded joints.
- C. Steel Flanges and Flanged Fittings: ASME B16.5, steel, including bolts, nuts, and gaskets, bevel-welded end connection, and raised face.
- D. Welding Filler Metals: Comply with AWS D10.12/D10.12M for welding materials appropriate for wall thickness and chemical analysis of steel pipe being welded.
- E. Flanged Unions:
  - 1. Body: Forged-steel flanges for 1" to 1 1/2" and ductile iron for 2" to 3". Apply rust-resistant finish at factory.
  - 2. Gasket: Fiber asbestos free.
  - 3. Fasteners: Four plated-steel bolts, with silicon bronze nuts. Apply rust-resistant finish at factory.
  - 4. End Connections: Brass tailpiece adapters for solder-end connections to copper tubing.
  - 5. Offset Performance: Capable of minimum 3/4" misalignment in minimum 7" length.
  - 6. Pressure Rating: Factory test at minimum 400 psig.
  - 7. Maximum Operating Temperature: 330 deg F.
- F. Flexible Connectors:
  - 1. Body: Stainless-steel bellows with woven, flexible, stainless-steel-wire-reinforced protective jacket
  - 2. End Connections:
    - a. NPS 2 and Smaller: With threaded-end connections.
    - b. NPS 2-1/2 and Larger: With flanged-end connections.
  - 3. Offset Performance: Capable of minimum 3/4-inch misalignment in minimum 7-inch-long assembly.
  - 4. Pressure Rating: Factory test at minimum 500 psig.
  - 5. Maximum Operating Temperature: 250 deg F.

2.3 VALVES AND SPECIALTIES

- A. Diaphragm Packless Valves:
  - 1. Body and Bonnet: Forged brass or cast bronze; globe design with straight-through or angle pattern.
  - 2. Diaphragm: Phosphor bronze and stainless steel with stainless-steel spring.
  - 3. Operator: Rising stem and hand wheel.
  - 4. Seat: Nylon.
  - 5. End Connections: Socket, union, or flanged.
  - 6. Working Pressure Rating: 500 psig.
  - 7. Maximum Operating Temperature: 275 deg F.
- B. Packed-Angle Valves:

FIRE STATIONS RENOVATION  
ARLINGTON COUNTY, VIRGINIA  
Architect's Project No: 563006

1. Body and Bonnet: Forged brass or cast bronze.
  2. Packing: Molded stem, back seating, and replaceable under pressure.
  3. Operator: Rising stem.
  4. Seat: Nonrotating, self-aligning polytetrafluoroethylene.
  5. Seal Cap: Forged-brass or valox hex cap.
  6. End Connections: Socket, union, threaded, or flanged.
  7. Working Pressure Rating: 500 psig.
  8. Maximum Operating Temperature: 275 deg F.
- C. Check Valves:
1. Body: Ductile iron, forged brass, or cast bronze; globe pattern.
  2. Bonnet: Bolted ductile iron, forged brass, or cast bronze; or brass hex plug.
  3. Piston: Removable polytetrafluoroethylene seat.
  4. Closing Spring: Stainless steel.
  5. End Connections: Socket, union, threaded, or flanged.
  6. Maximum Opening Pressure: 0.50 psig.
  7. Working Pressure Rating: 500 psig.
  8. Maximum Operating Temperature: 275 deg F.
- D. Service Valves:
1. Body: Forged brass with brass cap including key end to remove core.
  2. Core: Removable ball-type check valve with stainless-steel spring.
  3. Seat: Polytetrafluoroethylene.
  4. End Connections: Copper spring.
  5. Working Pressure Rating: 500 psig.
- E. Solenoid Valves: Comply with ARI 760 or UL 429.
1. Body and Bonnet: Plated steel.
  2. Solenoid Tube, Plunger, Closing Spring, and Seat Orifice: Stainless steel.
  3. Seat: Polytetrafluoroethylene.
  4. End Connections: Threaded.
  5. Electrical: Molded, watertight coil in NEMA 250 enclosure of type required by location with 1/2-inch conduit adapter, and 24, 115, or 208-V ac coil to meet requirements of control system.
  6. Working Pressure Rating: 400 psig.
  7. Maximum Operating Temperature: 240 deg F.
- F. Safety Relief Valves: Comply with ASME Boiler and Pressure Vessel Code; listed and labeled by an NRTL.
1. Body and Bonnet: Ductile iron and steel, with neoprene O-ring seal.
  2. Piston, Closing Spring, and Seat Insert: Stainless steel.
  3. Seat Disc: Polytetrafluoroethylene.
  4. End Connections: Threaded.
  5. Working Pressure Rating: 400 psig.
  6. Maximum Operating Temperature: 240 deg F.
- G. Thermostatic Expansion Valves: Comply with ARI 750.
1. Body, Bonnet, and Seal Cap: Forged brass or steel.
  2. Diaphragm, Piston, Closing Spring, and Seat Insert: Stainless steel.

FIRE STATIONS RENOVATION  
ARLINGTON COUNTY, VIRGINIA  
Architect's Project No: 563006

3. Packing and Gaskets: Non-asbestos.
  4. Capillary and Bulb: Copper tubing filled with refrigerant charge.
  5. Suction Temperature: 40 deg F.
  6. Superheat: Adjustable.
  7. Reverse-flow option for heat-pump applications.
  8. End Connections: Socket, flare, or threaded union.
  9. Working Pressure Rating: 450 psig.
- H. Hot-Gas Bypass Valves: Comply with UL 429; listed and labeled by an NRTL.
1. Body, Bonnet, and Seal Cap: Ductile iron or steel.
  2. Diaphragm, Piston, Closing Spring, and Seat Insert: Stainless steel.
  3. Packing and Gaskets: Non-asbestos.
  4. Solenoid Tube, Plunger, Closing Spring, and Seat Orifice: Stainless steel.
  5. Seat: Polytetrafluoroethylene.
  6. Equalizer: Internal or External.
  7. Electrical: Molded, watertight coil in NEMA 250 enclosure of type required by location with 1/2-inch conduit adapter, and 24, 115, or 208-V ac coil to meet requirements of control system.
  8. End Connections: Socket.
  9. Throttling Range: Maximum 5 psig.
  10. Working Pressure Rating: 500 psig.
  11. Maximum Operating Temperature: 240 deg F.
- I. Straight-Type Strainers:
1. Body: Welded steel with corrosion-resistant coating.
  2. Screen: 100-mesh stainless steel.
  3. End Connections: Socket or flare.
  4. Working Pressure Rating: 500 psig.
  5. Maximum Operating Temperature: 275 deg F.
- J. Angle-Type Strainers:
1. Body: Forged brass or cast bronze.
  2. Drain Plug: Brass hex plug.
  3. Screen: 100-mesh monel.
  4. End Connections: Socket or flare.
  5. Working Pressure Rating: 500 psig.
  6. Maximum Operating Temperature: 275 deg F.
- K. Moisture/Liquid Indicators:
1. Body: Forged brass.
  2. Window: Replaceable, clear, fused glass window with indicating element protected by filter screen.
  3. Indicator: Color coded to show moisture content in ppm.
  4. Minimum Moisture Indicator Sensitivity: Indicate moisture above 60 ppm.
  5. End Connections: Socket or flare.
  6. Working Pressure Rating: 500 psig.
  7. Maximum Operating Temperature: 240 deg F.
- L. Replaceable-Core Filter Dryers: Comply with ARI 730.

FIRE STATIONS RENOVATION  
ARLINGTON COUNTY, VIRGINIA  
Architect's Project No: 563006

1. Body and Cover: Painted-steel shell with ductile-iron cover, stainless-steel screws, and neoprene gaskets.
  2. Filter Media: 10 micron, pleated with integral end rings; stainless-steel support.
  3. Desiccant Media: Activated alumina or charcoal.
  4. Designed for reverse flow when used in for heat-pump applications.
  5. End Connections: Socket.
  6. Access Ports: NPS 1/4 connections at entering and leaving sides for pressure differential measurement.
  7. Maximum Pressure Loss: 2 psig.
  8. Rated Flow: Match equipment.
  9. Working Pressure Rating: 500 psig.
  10. Maximum Operating Temperature: 240 deg F.
- M. Permanent Filter Dryers: Comply with ARI 730.
1. Body and Cover: Painted-steel shell.
  2. Filter Media: 10 micron, pleated with integral end rings; stainless-steel support.
  3. Desiccant Media: Activated alumina or charcoal.
  4. Designed for reverse flow where heat-pump applications are indicated.
  5. End Connections: Socket.
  6. Access Ports: NPS 1/4 connections at entering and leaving sides for pressure differential measurement.
  7. Maximum Pressure Loss: 2 psig Insert value.
  8. Rated Flow: Match equipment.
  9. Working Pressure Rating: 500 psig.
  10. Maximum Operating Temperature: 240 deg F.
- N. Mufflers:
1. Body: Welded steel with corrosion-resistant coating.
  2. End Connections: Socket or flare.
  3. Working Pressure Rating: 500 psig.
  4. Maximum Operating Temperature: 275 deg F.
- O. Receivers: Comply with ARI 495.
1. Comply with ASME Boiler and Pressure Vessel Code; listed and labeled by an NRTL.
  2. Comply with UL 207; listed and labeled by an NRTL.
  3. Body: Welded steel with corrosion-resistant coating.
  4. Tappings: Inlet, outlet, liquid level indicator, and safety relief valve.
  5. End Connections: Socket or threaded.
  6. Working Pressure Rating: 500 psig.
  7. Maximum Operating Temperature: 275 deg F.
- P. Liquid Accumulators: Comply with ARI 495.
1. Body: Welded steel with corrosion-resistant coating.
  2. End Connections: Socket or threaded.
  3. Working Pressure Rating: 500 psig.
  4. Maximum Operating Temperature: 275 deg F.

FIRE STATIONS RENOVATION  
ARLINGTON COUNTY, VIRGINIA  
Architect's Project No: 563006

2.4 REFRIGERANTS

- A. Available Manufacturers:
  - 1. Atofina Chemicals, Inc.
  - 2. DuPont Company; Fluorochemicals Div.
  - 3. Honeywell, Inc.; Genetron Refrigerants.
  - 4. INEOS Fluor Americas LLC.
  
- B. ASHRAE 34, R-410A: Pentafluoroethane/Difluoromethane.

PART 3 - EXECUTION

3.1 PIPING APPLICATIONS FOR REFRIGERANT

- A. Suction Lines 1 ½” and Smaller for Conventional Air-Conditioning Applications: Copper, Type ACR, annealed-temper tubing and wrought-copper fittings with brazed or soldered joints.
- B. Suction Lines 2” to 4” for Conventional Air-Conditioning Applications: Copper, Type ACR, drawn-temper tubing and wrought-copper fittings with brazed or soldered joints.
- C. Hot-Gas, and Liquid Lines: Copper, Type ACR, annealed-temper tubing and wrought-copper fittings with brazed or soldered joints.
- D. Suction Lines for Heat-Pump Applications: Copper, Type ACR, annealed-temper tubing and wrought-copper fittings with brazed or soldered joints.
- E. Safety-Relief-Valve Discharge Piping: Copper, Type ACR, annealed-temper tubing and wrought-copper fittings with brazed or soldered joints or soldered joints or Schedule 40, black-steel and wrought-steel fittings with welded joints.

3.2 VALVE AND SPECIALTY APPLICATIONS

- A. Install diaphragm packless, or packed-angle valves in suction and discharge lines of compressors.
- B. Install service valves for gage taps at inlet and outlet of hot-gas bypass valves and strainers if they are not an integral part of proposed equipment.
- C. Install a check valve at the compressor discharge and a liquid accumulator. Locate at the compressor suction connection between the compressor and service valve.
- D. Unless indicated otherwise, install valves on inlet and outlet side of filter dryers.
- E. Install a full-sized, three-valve bypass around filter dryers.



FIRE STATIONS RENOVATION  
ARLINGTON COUNTY, VIRGINIA  
Architect's Project No: 563006

- F. Install solenoid valves upstream from each expansion valve and hot-gas bypass valve on systems with multiple thermostatic expansion valves. Install solenoid valves in horizontal lines with coil at top.
- G. Install thermostatic expansion valves as close as possible to distributors on evaporators.
  - 1. Install valve so diaphragm case is warmer than bulb.
  - 2. Secure bulb to clean, straight, horizontal section of suction line using two bulb straps. Do not mount bulb in a trap or at bottom of the line. Verify proper location with Equipment Manufacturer.
  - 3. Where external equalizer lines are required, make connection where it will reflect suction-line pressure at bulb location.
- H. Install safety relief valves where required by ASME Boiler and Pressure Vessel Code. Pipe safety-relief-valve discharge line to outside according to ASHRAE 15.
- I. Install moisture/liquid indicators in liquid line at the inlet of the thermostatic expansion valve or at the inlet of the evaporator coil capillary tube.
- J. Install strainers upstream from and adjacent to the following:
  - 1. Solenoid valves.
  - 2. Thermostatic expansion valves.
  - 3. Hot-gas bypass valves.
  - 4. Compressor.
- K. Install filter dryers in liquid line between compressor and thermostatic expansion valve.
- L. Install receivers sized to accommodate pump-down charge.

### 3.3 VALVE AND SPECIALTY APPLICATIONS

- A. Install diaphragm packless or packed-angle valves in suction and discharge lines of compressor.
- B. Install service valves for gage taps at inlet and outlet of hot-gas bypass valves and strainers if they are not an integral part of valves and strainers.
- C. Install a check valve at the compressor discharge and a liquid accumulator at the compressor suction connection.
- D. Except as otherwise indicated, install diaphragm packless or packed-angle valves on inlet and outlet side of filter dryers.
- E. Install a full-sized, three-valve bypass around filter dryers.
- F. Install solenoid valves upstream from each expansion valve and hot-gas bypass valve on systems with multiple thermostatic expansion valves. Install solenoid valves in horizontal lines with coil at top.
- G. Install thermostatic expansion valves as close as possible to distributors on evaporators.

FIRE STATIONS RENOVATION  
ARLINGTON COUNTY, VIRGINIA  
Architect's Project No: 563006

1. Install valve so diaphragm case is warmer than bulb.
  2. Secure bulb to clean, straight, horizontal section of suction line using two bulb straps. Verify proper location for bulb with valve manufacturer. Don't mount bulb in a trap or at bottom of line.
  3. If external equalizer lines are required, make connection where it will reflect suction-line pressure at bulb location.
- H. Install safety relief valves where required by ASME Boiler and Pressure Vessel Code. Pipe safety-relief-valve discharge line to outside according to ASHRAE 15.
- I. Install moisture/liquid indicators in liquid line at inlet of the thermostatic expansion valve or at inlet of the evaporator coil capillary tube.
- J. Install strainers upstream from and adjacent to the following unless they are furnished with equipment:
1. Solenoid valves.
  2. Thermostatic expansion valves.
  3. Hot-gas bypass valves.
  4. Compressor.
- K. Install filter dryer in liquid line between compressor and thermostatic expansion valve.
- L. Install filter dryer in the suction line at the compressor.
- M. Install receivers sized to accommodate pump-down charge.

### 3.4 PIPING INSTALLATION

- A. Drawing plans, schematics, and diagrams indicate general location and arrangement of piping systems; indicated locations and arrangements were used to size pipe and calculate friction loss, expansion, pump sizing, and other design considerations. Install piping as indicated unless deviations to layout are approved by The Architect on Shop Drawings.
- B. Install refrigerant piping according to ASHRAE 15.
- C. Install piping in concealed locations unless otherwise indicated and except in equipment rooms and service areas.
- D. Install piping indicated to be exposed and piping in equipment rooms and service areas at right angles or parallel to building walls. Diagonal runs are prohibited unless specifically indicated otherwise.
- E. Install piping above accessible ceilings to allow sufficient space for ceiling panel removal.
- F. Install piping adjacent to machines to allow service and maintenance.
- G. Install piping free of sags and bends.

FIRE STATIONS RENOVATION  
ARLINGTON COUNTY, VIRGINIA  
Architect's Project No: 563006

- H. Install fittings for changes in direction and branch connections.
- I. Select system components with pressure rating equal to or greater than system operating pressure.
- J. Refer to Division 23 Sections "Instrumentation and Control for HVAC" and "Sequence of Operations for HVAC Controls" for solenoid valve controllers, control wiring, and sequence of operation.
- K. Install piping as short and direct as possible, with a minimum number of joints, elbows, and fittings.
- L. Arrange piping to allow inspection and service of refrigeration equipment. Install valves and specialties in accessible locations to allow for service and inspection. Install access doors or panels as specified in Division 08 Section "Access Doors and Frames" if valves or equipment requiring maintenance is concealed behind finished surfaces.
- M. Install refrigerant piping in protective conduit where installed belowground.
- N. Install refrigerant piping in rigid or flexible conduit in locations where exposed to mechanical injury.
- O. Slope refrigerant piping as follows:
  - 1. Install horizontal hot-gas discharge piping with a uniform slope downward away from compressor.
  - 2. Install horizontal suction lines with a uniform slope downward to compressor.
  - 3. Install traps and double risers to entrain oil in vertical runs.
  - 4. Liquid lines may be installed level.
- P. When brazing or soldering, remove solenoid-valve coils and sight glasses; also remove valve stems, seats, & packing, and accessible internal parts of refrigerant specialties. Do not apply heat near expansion-valve bulb.
- Q. Install piping with adequate clearance between pipe and adjacent walls and hangers or between pipes for insulation installation.
- R. Identify refrigerant piping and valves according to Section "Identification for HVAC Piping and Equipment."
- S. Install sleeves for piping penetrations of walls, ceilings, and floors. Comply with requirements for sleeves specified in Section "Sleeves and Sleeve Seals for HVAC Piping."
- T. Install sleeve seals for piping penetrations of exterior walls and floor slabs. Comply with requirements for sleeve seals specified in Section "Sleeves and Sleeve Seals for HVAC Piping."
- U. Install escutcheons for piping penetrations of walls, ceilings, and floors. Comply with requirements for escutcheons specified in Section "Sleeves and Seals for HVAC Piping."

FIRE STATIONS RENOVATION  
ARLINGTON COUNTY, VIRGINIA  
Architect's Project No: 563006

3.5 PIPE JOINT CONSTRUCTION

- A. Ream ends of pipes and tubes and remove burrs.
- B. Remove scale, slag, dirt, and debris from inside and outside of pipe and fittings before assembly.
- C. Fill pipe and fittings with an inert gas (nitrogen or carbon dioxide), during brazing.
- D. Soldered Joints: Construct joints according to ASTM B 828 or CDA's "Copper Tube Handbook."
- E. Brazed Joints: Construct joints according to AWS's "Brazing Handbook," Chapter "Pipe and Tube."
  - 1. Use Type BcuP, copper-phosphorus alloy for joining copper socket fittings with copper pipe.
  - 2. Use Type BAg, cadmium-free silver alloy for joining copper with bronze or steel.
- F. Threaded Joints: Thread steel pipe with tapered pipe threads according to ASME B1.20.1. Cut threads full and clean using sharp dies. Ream threaded pipe ends to remove burrs and restore full ID. Join pipe fittings and valves as follows:
  - 1. Apply appropriate tape or thread compound to external pipe threads unless dry-seal threading is specified.
  - 2. Damaged Threads: Do not use pipe or pipe fittings with threads that are corroded or damaged. Do not use pipe sections that have cracked or open welds.
- G. Steel pipe can be threaded, but threaded joints must be seal brazed or seal welded.
- H. Welded Joints: Construct joints according to AWS D10.12/D10.12M.
- I. Flanged Joints: Select appropriate gasket material, size, type, and thickness for service application. Install gasket concentrically positioned. Use suitable lubricants on bolt threads.

3.6 HANGERS AND SUPPORTS

- A. Hanger, support, and anchor products are specified in Section "Hangers and Supports for HVAC Piping and Equipment."
- B. Install the following pipe attachments:
  - 1. Adjustable steel clevis hangers for individual horizontal runs less than 20'-0" long.
  - 2. Roller hangers and spring hangers for individual horizontal runs 20'-0" or longer.
  - 3. Pipe Roller: MSS SP-58, Type 44 for multiple horizontal piping 20'-0" or longer, supported on a trapeze.
  - 4. Spring hangers to support vertical runs.

FIRE STATIONS RENOVATION  
ARLINGTON COUNTY, VIRGINIA  
Architect's Project No: 563006

5. Copper-clad hangers and supports for hangers and supports in direct contact with copper pipe.
- C. Install hangers for copper tubing with the following maximum spacing and minimum rod sizes:
1. ½": Maximum span, 60"; minimum rod size, ¼".
  2. 5/8": Maximum span, 60"; minimum rod size, ¼".
  3. 1": Maximum span, 72"; minimum rod size, ¼".
  4. 1 ¼": Maximum span, 96"; minimum rod size, 3/8".
  5. 1 ½": Maximum span, 96"; minimum rod size, 3/8".
  6. 2": Maximum span, 96"; minimum rod size, 3/8".
  7. 2 ½": Maximum span, 108"; minimum rod size, 3/8".
  8. 3": Maximum span, 10'-0"; minimum rod size, 3/8".
  9. 4": Maximum span, 12'-0"; minimum rod size, ½".
- D. Install hangers for steel piping with the following maximum spacing and minimum rod sizes:
1. 2": Maximum span, 10'-0"; minimum rod size, 3/8".
  2. 2 ½": Maximum span, 11'-0"; minimum rod size, 3/8".
  3. 3": Maximum span, 12'-0"; minimum rod size, 3/8".
  4. 4": Maximum span, 14'-0"; minimum rod size, ½".

### 3.7 FIELD QUALITY CONTROL

- A. Perform tests and inspections and prepare test reports.
- B. Tests and Inspections:
1. Comply with ASME B31.5, Chapter VI.
  2. Test refrigerant piping, specialties, and receivers. Isolate compressor, condenser, evaporator, and safety devices from test pressure if they are not rated above the test pressure.
  3. Test high- and low-pressure side piping of each system separately at not less than the pressures indicated in Part 1 "Performance Requirements" Article.
    - a. Fill system with nitrogen to the required test pressure.
    - b. System shall maintain test pressure at the manifold gage throughout duration of test.
    - c. Test joints and fittings with electronic leak detector or by brushing a small amount of soap and glycerin solution over joints.
    - d. Remake leaking joints using new materials, and retest until satisfactory results are achieved.

### 3.8 SYSTEM CHARGING

- A. Charge system using the following procedures:

FIRE STATIONS RENOVATION  
ARLINGTON COUNTY, VIRGINIA  
Architect's Project No: 563006

1. Install core in filter dryers after leak test but before evacuation.
2. Evacuate entire refrigerant system with a vacuum pump to 500 micrometers. If vacuum holds for 12 hours, system is ready for charging.
3. Break vacuum with refrigerant gas, allowing pressure to build up to 2 psig.
4. Charge system with a new filter-dryer core in charging line.

3.9 ADJUSTING

- A. Adjust thermostatic expansion valve to obtain proper evaporator superheat.
- B. Adjust high- and low-pressure switch settings to avoid short cycling in response to fluctuating suction pressure.
- C. Adjust set-point temperature of air-conditioning or chilled-water controllers to the system design temperature.
- D. Perform the following adjustments before operating the refrigeration system, according to manufacturer's written instructions:
  1. Open shutoff valves in condenser water circuit.
  2. Verify that compressor oil level is correct.
  3. Open compressor suction and discharge valves.
  4. Open refrigerant valves except bypass valves that are used for other purposes.
  5. Check open compressor-motor alignment and verify lubrication for motors and bearings.
- E. Replace core of replaceable filter dryer after system has been adjusted and after design flow rates and pressures are established.

END OF SECTION 232300

FIRE STATIONS RENOVATION  
ARLINGTON COUNTY, VIRGINIA  
Architect's Project No: 563006

SECTION 233113 - METAL DUCTS

PART 1 - GENERAL

1.1 RELATED DOCUMENTS

- A. Provisions of the Contract and of the Contract Documents apply to this Section.

1.2 PERFORMANCE REQUIREMENTS

- A. Seal all ducts to seal class A as defined in SMACNA's HVAC Duct Construction Standards - Metal and Flexible, Third Edition 2005:
  - 1. Seal all longitudinal joints.
  - 2. Seal all transverse joints.
  - 3. Seal all penetrations.
- B. Seal Class: A
- C. Duct Construction: Duct construction, including sheet metal thicknesses, seam and joint construction, reinforcements, and hangers and supports, shall comply with SMACNA's "HVAC Duct Construction Standards - Metal and Flexible, Third Edition 2005" and performance requirements and design criteria indicated in "Duct Schedule" Article.
- D. Liner Airstream Surfaces: Liner surfaces in contact with the airstream shall comply with ASHRAE 62.1-2007, paragraph 5.5.
- E. Cleanliness: All factory fabricated duct shall be cleaned with a non-toxic, biodegradable cleaner/degreaser and shall be shrink wrapped prior to shipment.

1.3 ABBREVIATIONS

- A. BAS Building Automation System
- B. NRTL Nationally Recognized Testing Laboratory
- C. SMACNA Sheet Metal and Air Conditioning Contractors' National Association
- D. WC Water Column

1.4 DEFINITIONS:

- A. Duct System: For the purposes of this section "duct system" shall mean all metal supply, return, and exhaust duct and fittings between the air moving device and the space.
- B. Low Pressure: Plus two (2.0) inches WC to minus one (1.0) inches WC
- C. Medium Pressure: More than two (2.0) inches WC to plus ten (10.0) inches WC or more than minus one (1.0) inch to minus ten (10.0) inches WC
- D. High Pressure: More than plus or minus ten (10.0) inches WC.

FIRE STATIONS RENOVATION  
ARLINGTON COUNTY, VIRGINIA  
Architect's Project No: 563006

1.5 SUBMITTALS

- A. Product Data / Documentation: For each of the following:
  - 1. Sheet metal thicknesses.
  - 2. Liners and adhesives.
  - 3. Pre-manufactured ductwork.
  - 4. Sealants and gaskets.
  - 5. VOC content for adhesives and sealants.
  
- B. CAD-generated Shop Drawings:
  - 1. Provide coordination shop drawings with all trades for entire building including kitchen, laundry and water/mechanical rooms. Include
  - 2. Show fabrication and installation details for metal ducts.
  - 3. 1/4" = 1'-0" scale minimum including duct layout indicating sizes and pressure classes for the following areas:
    - a. Areas indicated on the drawings at 1/4" = 1'-0" scale.
    - b. Areas where sections are cut.
    - c. Finished spaces with exposed ductwork.
      - 1) Exceptions:
        - a) Janitors closets
        - b) Storage Rooms
        - c) Receiving Areas
      - 2) Include:
        - a) Plans, elevations and sections.
        - b) Elevations of top and bottom of ducts.
        - c) Dimensions of main duct runs from building grid lines.
  - 4. 3/4" = 1'-0" scale minimum for the following:
    - a. Hangers and supports, including methods for duct and building attachment, vibration isolation.
    - b. Duct accessories, including access doors and panels.
    - c. Equipment installation based on approved equipment submittals.
    - d. Penetrations through fire-rated and other partitions.
    - e. Fittings.
    - f. Components.
  
- C. Submittals during construction:
  - 1. Duct-Cleaning Test Report: Documentation of work performed for compliance with ASHRAE 62.1-2007, Section 7.2.4 - "Ventilation System Start-Up."

1.6 QUALITY ASSURANCE

- A. Provide work in compliance with applicable Building Code requirements.
- B. Welding Qualifications: Qualify procedures and personnel according to the following:
- C. AWS D1.1/D1.1M, "Structural Welding Code - Steel," for hangers and supports.



FIRE STATIONS RENOVATION  
ARLINGTON COUNTY, VIRGINIA  
Architect's Project No: 563006

- D. AWS D1.2/D1.2M, "Structural Welding Code - Aluminum," for aluminum supports.
- E. AWS D9.1M/D9.1, "Sheet Metal Welding Code," for duct joint and seam welding.
- F. ASHRAE Compliance: Comply with applicable requirements in ASHRAE 62.1-2007, Section 5 - "Systems and Equipment" and Section 7 - "Construction and System Start-Up."
- G. ASHRAE/IESNA Compliance: Comply with applicable requirements in ASHRAE/IESNA 90.1-2007, Section 6.4.4 - "HVAC System Construction and Insulation."
- H. Mockups (Contractor's option in lieu of 3"=1'-0" details):
  - 1. Before installing duct systems, build mockups. Build mockups to comply with the following requirements, using materials indicated for the completed Work:
  - 2. Three transverse joints.
  - 3. One Reinforced section with 3 reinforcements.
  - 4. One of each type; attachments to other work.
  - 5. Two typical flexible duct or flexible-connector connections.
  - 6. Approved mockups may become part of the completed Work if undisturbed at time of Substantial Completion.

PART 2 - PRODUCTS

2.1 SINGLE-WALL RECTANGULAR DUCTS AND FITTINGS

- A. General Fabrication Requirements: Comply with SMACNA's "HVAC Duct Construction Standards - Metal and Flexible, Third Edition 2005" based on indicated static-pressure class unless otherwise indicated.
- B. Transverse Joints: Select joint types and fabricate according to SMACNA's "HVAC Duct Construction Standards - Metal and Flexible, Third Edition 2005," Figure 2-1, "Transverse (Girth) Joints," for static-pressure class, applicable sealing requirements, materials involved, duct-support intervals, and other provisions in SMACNA's "HVAC Duct Construction Standards - Metal and Flexible, Third Edition 2005."
- C. Longitudinal Seams: Select seam types and fabricate according to SMACNA's "HVAC Duct Construction Standards - Metal and Flexible, Third Edition 2005," Figure 2-2, "Rectangular Duct/Longitudinal Seams" for static-pressure class, applicable sealing requirements, materials involved, duct-support intervals, and other provisions in SMACNA's "HVAC Duct Construction Standards - Metal and Flexible, Third Edition 2005."
- D. Elbows, Transitions, Offsets, Branch Connections, and Other Duct Construction: Select types and fabricate according to SMACNA's "HVAC Duct Construction Standards - Metal and Flexible, Third Edition 2005," Chapter 4, "Fittings and Other Construction," for static-pressure class, applicable sealing requirements, materials involved, duct-support intervals, and other provisions in SMACNA's "HVAC Duct Construction Standards - Metal and Flexible, Third Edition 2005."

2.2 DOUBLE-WALL RECTANGULAR DUCTS AND FITTINGS (SOLID LINER)

- A. Manufacturers:

FIRE STATIONS RENOVATION  
ARLINGTON COUNTY, VIRGINIA  
Architect's Project No: 563006

1. McGill AirFlow LLC.
  2. MKT Metal Manufacturing
  3. Sheet Metal Connectors, Inc.
- B. Rectangular Ducts: Fabricate ducts with indicated dimensions for the inner duct.
- C. Outer Duct: Comply with SMACNA's "HVAC Duct Construction Standards - Metal and Flexible, Third Edition 2005" based on indicated static-pressure class unless otherwise indicated.
- D. Transverse Joints: Select joint types and fabricate according to SMACNA's "HVAC Duct Construction Standards - Metal and Flexible, Third Edition 2005," Figure 2-1, "Transverse (Girth) Joints," for static-pressure class, applicable sealing requirements, materials involved, duct-support intervals, and other provisions in SMACNA's "HVAC Duct Construction Standards - Metal and Flexible, Third Edition 2005."
- E. Longitudinal Seams: Select seam types and fabricate according to SMACNA's "HVAC Duct Construction Standards - Metal and Flexible, Third Edition 2005," Figure 2-2, "Longitudinal Seams - Rectangular Ducts," for static-pressure class, applicable sealing requirements, materials involved, duct-support intervals, and other provisions in SMACNA's "HVAC Duct Construction Standards - Metal and Flexible, Third Edition 2005."
- F. Interstitial Insulation: Fibrous-glass liner complying with ASTM C 1071, NFPA 90A, or NFPA 90B; and with NAIMA AH124, "Fibrous Glass Duct Liner Standard."
1. Install spacers that position the inner duct at uniform distance from outer duct without compressing insulation.
- G. Inner Duct: Minimum 22-gauge.
- H. Formed-on Transverse Joints (Flanges): Select joint types and fabricate according to SMACNA's "HVAC Duct Construction Standards - Metal and Flexible, Third Edition 2005," Figure 1-4, "Traverse (Girth) Joints," for static-pressure class, applicable sealing requirements, materials involved, duct-support intervals, and other provisions in SMACNA's "HVAC Duct Construction Standards - Metal and Flexible, Third Edition 2005."
- I. Longitudinal Seams: Select seam types and fabricate according to SMACNA's "HVAC Duct Construction Standards - Metal and Flexible, Third Edition 2005," Figure 2-2, "Rectangular Duct/Longitudinal Seams" for static-pressure class, applicable sealing requirements, materials involved, duct-support intervals, and other provisions in SMACNA's "HVAC Duct Construction Standards - Metal and Flexible, Third Edition 2005."
- 2.3 DOUBLE-WALL RECTANGULAR DUCTS AND FITTINGS (SOLID LINER, OUTDOORS)
- A. Manufacturers:
1. McGill AirFlow LLC.
  2. MKT Metal Manufacturing
  3. Sheet Metal Connectors, Inc.
- B. Rectangular Ducts: Fabricate ducts with indicated dimensions for the inner duct.
- C. Outer Duct: Comply with SMACNA's "HVAC Duct Construction Standards - Metal and Flexible, Third Edition 2005" based on indicated static-pressure class unless otherwise indicated. Minimum 20-gauge.

FIRE STATIONS RENOVATION  
ARLINGTON COUNTY, VIRGINIA  
Architect's Project No: 563006

- D. Transverse Joints: Flanged, gasketed joints suited for outdoor applications. Select joint types and fabricate according to SMACNA's "HVAC Duct Construction Standards - Metal and Flexible, Third Edition 2005," Figure 2-1, "Transverse (Girth) Joints," for static-pressure class, applicable sealing requirements, materials involved, duct-support intervals, and other provisions in SMACNA's "HVAC Duct Construction Standards - Metal and Flexible, Third Edition 2005."
- E. Longitudinal Seams: Liquid tight, welded. Select seam types and fabricate according to SMACNA's "HVAC Duct Construction Standards - Metal and Flexible, Third Edition 2005," Figure 2-2, "Longitudinal Seams - Rectangular Ducts," for static-pressure class, applicable sealing requirements, materials involved, duct-support intervals, and other provisions in SMACNA's "HVAC Duct Construction Standards - Metal and Flexible, Third Edition 2005."
- F. Interstitial Insulation: Closed-cell elastomeric.
- G. Inner Duct: Minimum 22-gauge.
- H. Formed-on Transverse Joints (Flanges): Select joint types and fabricate according to SMACNA's "HVAC Duct Construction Standards - Metal and Flexible, Third Edition 2005," Figure 1-4, "Traverse (Girth) Joints," for static-pressure class, applicable sealing requirements, materials involved, duct-support intervals, and other provisions in SMACNA's "HVAC Duct Construction Standards - Metal and Flexible, Third Edition 2005."
- I. Longitudinal Seams: Select seam types and fabricate according to SMACNA's "HVAC Duct Construction Standards - Metal and Flexible, Third Edition 2005," Figure 2-2, "Rectangular Duct/Longitudinal Seams" for static-pressure class, applicable sealing requirements, materials involved, duct-support intervals, and other provisions in SMACNA's "HVAC Duct Construction Standards - Metal and Flexible, Third Edition 2005."

#### 2.4 LOW PRESSURE SINGLE-WALL ROUND DUCTS AND FITTINGS –CONCEALED

- A. General Fabrication Requirements: Comply with SMACNA's "HVAC Duct Construction Standards - Metal and Flexible, Third Edition 2005," Chapter 3, "Round, Oval, and Flexible Duct," based on specified static-pressure class unless otherwise indicated.
- B. Manufacturers:
  - 1. Eastern Sheet Metal.
  - 2. Hamlin Sheet Metal.
  - 3. Linx Industries - Lindab.
  - 4. McGill AirFlow LLC.
  - 5. MKT Metal Manufacturing
  - 6. Semco, Inc.
  - 7. Sheet Metal Connectors, Inc.
  - 8. Spiral Manufacturing Co., Inc.
- C. Transverse Joints: Select joint types and fabricate according to SMACNA's "HVAC Duct Construction Standards - Metal and Flexible, Third Edition 2005," Figure 3-1, "Round Duct Transverse Joints"
  - 1. Transverse Joints in Ducts Equal to or Larger Than 48" in Diameter: Flanged.
  - 2. Gasketed, EPDM, self sealing Joints such as Eastern Tight or Spiro Safe may be used for ducts smaller than 48" in diameter.
  - 3. Flanges may be substituted in ducts smaller than 48" in diameter.

FIRE STATIONS RENOVATION  
ARLINGTON COUNTY, VIRGINIA  
Architect's Project No: 563006

- D. Duct support intervals, and other provisions: In accordance with SMACNA's "HVAC Duct Construction Standards - Metal and Flexible, Third Edition 2005."
- E. Longitudinal Seams: Select seam types and fabricate according to SMACNA's "HVAC Duct Construction Standards - Metal and Flexible, Third Edition 2005," Figure 3-2, "Seams - Round Duct and Fittings," for static-pressure class, applicable sealing requirements, materials involved, duct-support intervals, and other provisions in SMACNA's "HVAC Duct Construction Standards - Metal and Flexible, Third Edition 2005."
- F. Tees and Laterals: Select types and fabricate according to SMACNA's "HVAC Duct Construction Standards - Metal and Flexible, Third Edition 2005," Figure 3-5, "90° Tees and Laterals," and Figure 3-6, "Conical Tees," for static-pressure class, applicable sealing requirements, materials involved, duct-support intervals, and other provisions in SMACNA's "HVAC Duct Construction Standards - Metal and Flexible, Third Edition 2005." Adjustable elbows are not permitted.
- G. All round duct shall not be less than 26-gauge.

## 2.5 LOW PRESSURE SINGLE-WALL ROUND DUCTS AND FITTINGS -EXPOSED

- A. General Fabrication Requirements: Comply with SMACNA's "HVAC Duct Construction Standards - Metal and Flexible, Third Edition 2005," Chapter 3, "Round, Oval, and Flexible Duct," "FIGURE 3-2 ROUND DUCT LONGITUDINAL SEAMS" "SPIRAL SEAM RL-1" to plus-or-minus 10" WC unless otherwise indicated.
- B. Manufacturers:
  - 1. Eastern Sheet Metal.
  - 2. Hamlin Sheet Metal.
  - 3. Linx Industries - Lindab.
  - 4. McGill AirFlow LLC.
  - 5. MKT Metal Manufacturing
  - 6. Semco, Inc.
  - 7. Sheet Metal Connectors, Inc.
  - 8. Spiral Manufacturing Co., Inc.
- C. Transverse Joints: Select joint types and fabricate according to SMACNA's "HVAC Duct Construction Standards - Metal and Flexible, Third Edition 2005," Figure 3-1, "Round Duct Transverse Joints"
- D. Static-pressure class, applicable sealing requirements, materials involved, duct-support intervals, and other provisions: Comply with SMACNA's "HVAC Duct Construction Standards - Metal and Flexible, Third Edition 2005." And the following:
  - 1. Transverse Joints in Ducts Equal to or Larger Than 48" in Diameter or Flat Oval with a Major Dimension Equal to or Larger Than 48": Flanged.
  - 2. Gasketed, EPDM, self sealing Joints such as Eastern Tight or Spiro Safe may be used for ducts smaller than 48" in diameter.
  - 3. Flanges may be substituted in ducts smaller than 48" in diameter.
- E. Longitudinal Seams: Duct shall be spiral according to SMACNA's "HVAC Duct Construction Standards - Metal and Flexible, Third Edition 2005," Figure 3-2, "Round Duct Longitudinal Seams"

FIRE STATIONS RENOVATION  
ARLINGTON COUNTY, VIRGINIA  
Architect's Project No: 563006

- F. Tees and Laterals: Tees and laterals shall be created with fittings. Fabricate fittings according to SMACNA's "HVAC Duct Construction Standards - Metal and Flexible, Third Edition 2005." Adjustable elbows are not permitted.
- G. Static-pressure class: Applicable sealing requirements, materials involved, duct-support intervals, and other provisions in SMACNA's "HVAC Duct Construction Standards - Metal and Flexible, Third Edition 2005."
- H. Longitudinal seams shall be spiral type.
- I. All round duct shall not be less than 26-gauge.

## 2.6 DOUBLE-WALL ROUND DUCTS AND FITTINGS (SOLID LINER)

- A. Manufacturers:
  - 1. Eastern Sheet Metal.
  - 2. Hamlin Sheet Metal.
  - 3. Linx Industries - Lindab.
  - 4. McGill AirFlow LLC.
  - 5. MKT Metal Manufacturing
  - 6. Semco, Inc.
  - 7. Sheet Metal Connectors, Inc.
  - 8. Spiral Manufacturing Co., Inc.
- B. Outer Duct: Comply with SMACNA's "HVAC Duct Construction Standards - Metal and Flexible, Third Edition 2005," Chapter 3, "Round, Oval, and Flexible Duct," based on static-pressure class unless otherwise indicated.
- C. Transverse Joints: Select joint types and fabricate according to SMACNA's "HVAC Duct Construction Standards - Metal and Flexible, Third Edition 2005," Figure 3-2, "Transverse Joints - Round Duct," for static-pressure class, applicable sealing requirements, materials involved, duct-support intervals, and other provisions in SMACNA's "HVAC Duct Construction Standards - Metal and Flexible, Third Edition 2005."
  - 1. Transverse Joints in Ducts Equal to or Larger Than 48" in Diameter or Flat Oval with a Major Dimension Equal to or Larger Than 48": Flanged.
  - 2. Gasketed, EPDM, self sealing Joints such as Eastern Tight or Spiro Safe may be used for ducts smaller than 48" in diameter.
  - 3. Flanges may be substituted in ducts smaller than 48" in diameter.
- D. Longitudinal Seams: Select seam types and fabricate according to SMACNA's "HVAC Duct Construction Standards - Metal and Flexible, Third Edition 2005," Figure 3-2, "Seams - Round Duct and Fittings," for static-pressure class, applicable sealing requirements, materials involved, duct-support intervals, and other provisions in SMACNA's "HVAC Duct Construction Standards - Metal and Flexible, Third Edition 2005, Third Edition 2005."
- E. Tees and Laterals: Select types and fabricate according to SMACNA's "HVAC Duct Construction Standards - Metal and Flexible, Third Edition 2005," Figure 3-5, "90° Tees and Laterals," and Figure 3-6, "Conical Tees," for static-pressure class, applicable sealing requirements, materials involved, duct-support intervals, and other provisions in SMACNA's "HVAC Duct Construction Standards - Metal and Flexible, Third Edition 2005."

FIRE STATIONS RENOVATION  
ARLINGTON COUNTY, VIRGINIA  
Architect's Project No: 563006

- F. Inner Duct: Minimum 22-gauge.
- G. Interstitial Insulation: Fibrous-glass liner complying with ASTM C 1071, NFPA 90A, or NFPA 90B; and with NAIMA AH124, "Fibrous Glass Duct Liner Standard."
  - 1. Install spacers that position the inner duct at uniform distance from outer duct without compressing insulation.
- H. All round duct shall not be less than 26-gauge.

2.7 SHEET METAL MATERIALS

- A. General Material Requirements: Comply with SMACNA's "HVAC Duct Construction Standards - Metal and Flexible, Third Edition 2005" for acceptable materials, material thicknesses, and duct construction methods unless otherwise indicated. Sheet metal materials shall be free of pitting, seam marks, roller marks, stains, discolorations, and other imperfections.
- B. Galvanized Sheet Steel: Comply with ASTM A 653/A 653M.
  - 1. Galvanized Coating Designation: G90.
  - 2. Finishes for Surfaces Exposed to View: Mill phosphatized.
- C. Stainless-Steel Sheets: Comply with ASTM A 480/A 480M, Type 316, cold rolled, annealed, sheet. Exposed surface finish shall be No. 4.
- D. Aluminum Sheets: Comply with ASTM B 209 Alloy 3003, H14 temper; with mill finish for concealed ducts, and standard, one-side bright finish for duct surfaces exposed to view.
- E. Reinforcement Shapes and Plates: ASTM A 36/A 36M, steel plates, shapes, and bars; black and galvanized.
- F. Where black- and galvanized-steel shapes and plates are used to reinforce aluminum ducts, isolate the different metals with butyl rubber, neoprene, or EPDM gasket materials.
- G. Tie Rods: Galvanized steel, 1/4-inch minimum diameter for lengths 36 inches or less; 3/8-inch minimum diameter for lengths longer than 36 inches.

2.8 DUCT LINER

- A. For double wall duct: Not required. All other duct: Provide where indicated.
- B. Fibrous-Glass Duct Liner: Comply with ASTM C 1071, NFPA 90A, or NFPA 90B; and with NAIMA AH124, "Fibrous Glass Duct Liner Standard."
  - 1. Manufacturers:
    - a. CertainTeed Corporation.
    - b. Johns Manville.
    - c. Knauf Insulation.
    - d. Owens Corning.
  - 2. Maximum Thermal Conductivity:

FIRE STATIONS RENOVATION  
ARLINGTON COUNTY, VIRGINIA  
Architect's Project No: 563006

- 1) Type I, Flexible: 0.26 Btu x in./h x sq. ft. x deg F at 75 deg F mean temperature.
  - 2) Type II, Rigid: 0.23 Btu x in./h x sq. ft. x deg F at 75 deg F mean temperature.
3. For supply ductwork, provide antimicrobial, erosion-resistant coating: Apply to the surface of the liner that will form the interior surface of the duct to act as a moisture repellent and erosion-resistant coating. Antimicrobial compound shall be tested for efficacy by an NRTL and registered by the EPA for use in HVAC systems.
  4. Water-Based Liner Adhesive: Comply with NFPA 90A or NFPA 90B and with ASTM C 916.
- C. Flexible Elastomeric Duct Liner: Preformed, cellular, closed-cell, sheet materials complying with ASTM C 534, Type II, Grade 1; and with NFPA 90A or NFPA 90B. Foam shall contain or be coated with EPA-approved or EPA-registered antimicrobial additive or paint.
1. Manufacturers:
    - a. Aeroflex USA, Inc.
    - b. Armacell LLC.
    - c. K-Flex USA.
  2. Maximum Thermal Conductivity: 0.25 Btu x in./h x sq. ft. x deg F at 75 deg F mean temperature when tested according to ASTM C 518.
  3. Surface-Burning Characteristics: Maximum flame-spread index of 25 and maximum smoke-developed index of 50 when tested according to UL 723; certified by an NRTL.
  4. Liner Adhesive: As recommended by insulation manufacturer and complying with NFPA 90A or NFPA 90B.
- D. Natural-Fiber Duct Liner: 85 percent cotton, 10 percent borate, and 5 percent polybinding fibers, treated with a microbial growth inhibitor and complying with NFPA 90A or NFPA 90B.
1. Manufacturers:
    - a. Ductmate Industries, Inc.
  2. Maximum Thermal Conductivity: 0.24 Btu x in./h x sq. ft. x deg F at 75 deg F mean temperature when tested according to ASTM C 518.
  3. Surface-Burning Characteristics: Maximum flame-spread index of 25 and maximum smoke-developed index of 50 when tested according to ASTM E 84; certified by an NRTL.
  4. Liner Adhesive: As recommended by insulation manufacturer and complying with NFPA 90A or NFPA 90B.
- E. Insulation Pins and Washers:
1. Cupped-Head, Capacitor-Discharge-Weld Pins: Copper- or zinc-coated steel pin, fully annealed for capacitor-discharge welding, 0.106-inch- diameter shank, length to suit depth of insulation indicated with integral 1-1/2-inch galvanized carbon-steel washer.

FIRE STATIONS RENOVATION  
ARLINGTON COUNTY, VIRGINIA  
Architect's Project No: 563006

2. Insulation-Retaining Washers: Self-locking washers formed from 0.016-inch-thick galvanized steel; with beveled edge sized as required to hold insulation securely in place but not less than 1-1/2 inches in diameter.

F. Shop Application of Duct Liner: Comply with SMACNA's "HVAC Duct Construction Standards - Metal and Flexible," Figure 7-11, "Flexible Duct Liner Installation."

1. Adhere a single layer of indicated thickness of duct liner with at least 90 percent adhesive coverage at liner contact surface area. Attaining indicated thickness with multiple layers of duct liner is prohibited.
2. Apply adhesive to transverse edges of liner facing upstream that do not receive metal nosing.
3. Butt transverse joints without gaps, and coat joint with adhesive.
4. Fold and compress liner in corners of rectangular ducts or cut and fit to ensure butted-edge overlapping.
5. Do not apply liner in rectangular ducts with longitudinal joints, except at corners of ducts, unless duct size and dimensions of standard liner make longitudinal joints necessary.
6. Apply adhesive coating on longitudinal seams in ducts with air velocity of 2500 fpm.
7. Secure liner with mechanical fasteners 4 inches from corners and at intervals not exceeding 12 inches transversely; at 3 inches from transverse joints and at intervals not exceeding 18 inches longitudinally.
8. Secure transversely oriented liner edges facing the airstream with metal nosings that have either channel or "Z" profiles or are integrally formed from duct wall. Fabricate edge facings at the following locations:
  - a. Fan discharges.
  - b. Intervals of lined duct preceding unlined duct.
  - c. Upstream edges of transverse joints in ducts where air velocities are higher than 2500 fpm or where indicated.

- G. Terminate inner ducts with buildouts attached to fire-damper sleeves, dampers, turning vane assemblies, or other devices. Fabricated buildouts (metal hat sections) or other buildout means are optional; when used, secure buildouts to duct walls with bolts, screws, rivets, or welds.

## 2.9 SEALANT AND GASKETS

- A. General Sealant and Gasket Requirements: Surface-burning characteristics for sealants and gaskets shall be a maximum flame-spread index of 25 and a maximum smoke-developed index of 50 when tested according to UL 723.
1. Materials: Certified by a NRTL.
- B. Tape sealing systems are not permitted.
- C. Water-Based Joint and Seam Sealant:
1. Application Method: Brush on.
  2. Solids Content: Minimum 65 percent.
  3. Shore A Hardness: Minimum 20.
  4. Water resistant.
  5. Mold and mildew resistant.



FIRE STATIONS RENOVATION  
ARLINGTON COUNTY, VIRGINIA  
Architect's Project No: 563006

6. VOC: Maximum 75 g/L (less water).
  7. Maximum Static-Pressure Class: 10-inch wg, positive and negative.
  8. Service: Indoor or outdoor.
  9. Substrate: Compatible with galvanized sheet steel (both PVC coated and bare), stainless steel, or aluminum sheets.
  10. Indoor applications: Sealant with VOC content of 250 g/L or less when calculated according to 40 CFR 59, Subpart D (EPA Method 24).
  11. Maximum Static-Pressure Class: 10-inch wg, positive or negative.
  12. Service: Indoor or outdoor.
  13. Substrate: Compatible with galvanized sheet steel, stainless steel, or aluminum sheets.
- D. Flanged Joint Sealant: Comply with ASTM C 920.
1. General: Single-component, acid-curing, silicone, elastomeric.
  2. Type: S.
  3. Grade: NS.
  4. Class: 25.
  5. Use: O.
  6. Indoor applications: Sealant with VOC content of 250 g/L or less when calculated according to 40 CFR 59, Subpart D (EPA Method 24).
- E. Flange Gaskets: Butyl rubber, neoprene, or EPDM polymer with polyisobutylene plasticizer.

## 2.10 HANGERS AND SUPPORTS

- A. Ductwork Hangers inside indoor pool area:
1. Suited for corrosive environment, all aluminum, with aluminum fasteners. Where additional strength is required, galvanized steel can be used. Refer to Division 9 "Painting" for high performance coating for galvanized steel.
- B. Hanger Rods: Galvanized, all-thread.
- C. Strap and Rod Sizes: Comply with SMACNA's "HVAC Duct Construction Standards - Metal and Flexible, Third Edition 2005," Table 5-1, "Rectangular Duct Hangers Minimum Size," and Table 5-2, "Minimum Hanger Sizes for Round Duct."
- D. Steel Cables for Galvanized-Steel Ducts: Galvanized steel complying with ASTM A 603.
- E. Steel Cables for Stainless-Steel Ducts: Stainless steel complying with ASTM A 492.
- F. Steel Cable End Connections: Cadmium-plated steel assemblies with brackets, swivel, and bolts designed for duct hanger service; with an automatic-locking and clamping device.
- G. Duct Attachments: Sheet metal screws, blind rivets, or self-tapping metal screws; compatible with duct materials.
- H. Trapeze and Riser Supports:
1. Supports for Galvanized-Steel Ducts: Galvanized-steel shapes and plates.
  2. Supports for Stainless-Steel Ducts: Stainless-steel shapes and plates.
  3. Supports for Aluminum Ducts: Aluminum or galvanized steel coated with zinc chromate.

FIRE STATIONS RENOVATION  
ARLINGTON COUNTY, VIRGINIA  
Architect's Project No: 563006

PART 3 - EXECUTION

3.1 DUCT INSTALLATION

- A. Drawing plans, schematics, and diagrams indicate general location and arrangement of duct system. Duct locations, configurations, and arrangements were used to size ducts and calculate friction loss for air-handling equipment sizing and for other design considerations. Install duct systems as indicated unless deviations to layout are approved by Architect in writing.
- B. Comply with SMACNA's "HVAC Duct Construction Standards - Metal and Flexible, Third Edition 2005" unless otherwise indicated.
- C. Install ducts with fewest possible joints.
- D. Install factory-fabricated fittings for changes in direction, size, and shape and for branch connections.
- E. Unless otherwise indicated, install ducts vertically or horizontally, and parallel or perpendicular to building lines.
- F. Install ducts close to walls, overhead construction, columns, and other structural and permanent enclosure elements of building. Maintain clearances for equipment maintenance.
- G. Install ducts with a clearance of 1 inch, plus allowance for installation of insulation at specified thickness.
- H. Do not route ducts through transformer vaults, electrical equipment rooms, elevator equipment rooms or electrical enclosures.
- I. Where ducts pass through non-fire-rated interior partitions and exterior walls and are exposed to view, cover the opening between the partition and duct or duct insulation with sheet metal flanges of same metal thickness as the duct. Overlap openings on four sides by at least 1-1/2 inches.
- J. Provide fire dampers where ducts pass through fire-rated interior partitions, fire-rated exterior walls, fire-rated floor assemblies, or fire-rated shaft enclosures.
- K. Protect duct interiors from moisture, construction debris, dust, and other foreign materials. Comply with SMACNA's "Duct Cleanliness for New Construction Guidelines."

3.2 PROTECTION OF WALL AND FLOOR PENETRATIONS OF NON-RATED ASSEMBLIES

- A. Where ducts penetrate non-fire-resistance-rated wall or floor assemblies, protect the penetration with one of the following:
  - 1. For a duct that connects not more than two stories vertically, protect the annular space around the penetrating duct with an approved, noncombustible material that resists the free passage of flame and the products of combustion.
  - 2. For a duct that connects not more than three stories, protect the annular space around the penetrating duct with an approved, noncombustible material that resists the free passage of flame and the products of combustion and a fire damper at each floor line.
  - 3. For ducts that penetrate a smoke partition without a smoke damper, protect the annular space around the penetrating duct with an approved, non-combustible materials that resists the free passage of flame and the products of combustion.

FIRE STATIONS RENOVATION  
ARLINGTON COUNTY, VIRGINIA  
Architect's Project No: 563006

4. For ducts that penetrate a non-rated wall, protect the annular space around the penetrating duct with an approved, non-combustible materials that resists the free passage of flame and the products of combustion.

### 3.3 INSTALLATION OF EXPOSED DUCTWORK

- A. Protect ducts exposed in finished spaces from being dented, scratched, or damaged.
- B. Trim duct sealants flush with metal. Create a smooth and uniform exposed bead. Do not use two-part tape sealing system.
- C. Grind welds to provide smooth surface free of burrs, sharp edges, and weld splatter. When welding stainless steel with a No. 3 or 4 finish, grind the welds flush, polish the exposed welds, and treat the welds to remove discoloration caused by welding. Do not weld or grind lined ductwork.
- D. Maintain consistency, symmetry, and uniformity in the arrangement and fabrication of duct, fittings, hangers, supports, accessories, and air outlets.
- E. Repair or replace damaged sections and finished work that does not comply with these requirements.

### 3.4 DUCT SEALING

- A. Seal all ducts to seal class A as defined in SMACNA's HVAC Duct Construction Standards - Metal and Flexible, Third Edition 2005:
  1. Seal all longitudinal joints.
  2. Seal all transverse joints.
  3. Seal all penetrations.

### 3.5 HANGER AND SUPPORT INSTALLATION

- A. Comply with SMACNA's "HVAC Duct Construction Standards - Metal and Flexible, Third Edition 2005," Chapter 5, "Hangers and Supports."
- B. Building Attachments: Unless indicated otherwise, provide concrete inserts, powder-actuated fasteners, or structural-steel fasteners appropriate for construction materials to which hangers are being attached.
  1. Where practical, install concrete inserts before placing concrete.
  2. Do not use powder-actuated concrete fasteners for lightweight-aggregate concrete or for slabs less than 4 inches thick.
- C. Hanger Spacing: Comply with SMACNA's "HVAC Duct Construction Standards - Metal and Flexible, Third Edition 2005," Table 5-1, "Rectangular Duct Hangers Minimum Size," and Table 5-2, "Minimum Hanger Sizes for Round Duct," for maximum hanger spacing; install hangers and supports within 24 inches of each elbow and within 48 inches of each branch intersection.
- D. Hangers Exposed to View: Threaded rod and channel supports.

FIRE STATIONS RENOVATION  
ARLINGTON COUNTY, VIRGINIA  
Architect's Project No: 563006

- E. Support vertical ducts with channel secured to the sides of the duct with welds, bolts, sheet metal screws, or blind rivets; support at each floor or at a maximum intervals of 18 feet.
- F. Install upper attachments to structures. Select and size upper attachments with pull-out, tension, and shear capacities appropriate for supported loads and building materials where used.

3.6 CONNECTIONS

- A. Make connections to equipment with flexible connectors.
- B. Comply with SMACNA's "HVAC Duct Construction Standards - Metal and Flexible, Third Edition 2005" for branch, outlet, inlet, and terminal unit connections unless otherwise indicated.

3.7 PAINTING

- A. Paint interior of metal ducts that are visible through registers and grilles and that do not have duct liner. Apply two coats of flat black, latex paint over a compatible galvanized-steel primer.

3.8 FIELD QUALITY CONTROL

- A. Perform tests and inspections.
- B. Visually inspect, for proper seal application, all ductwork not tested prior to insulation application. Prepare inspection report.
- C. Duct System Cleanliness Tests:
  - 1. Visually inspect duct system to ensure that no visible contaminants are present. If visible contaminants are present, proceed to sub-paragraph 2 below. If not, no further cleaning shall be required.
  - 2. Test sections of metal duct systems, up to one location per ten thousand (10,000) square feet of building area, or a minimum of two (2) per system, whichever is greater, chosen by the Owner's Representative, for cleanliness according to "Vacuum Test" in NADCA ACR, "Assessment, Cleaning and Restoration of HVAC Systems." Net weight of debris collected on the filter media shall not exceed 0.75 mg/100 sq. cm. Cut hole in duct and install access door at each location selected. Size shall be as indicated in Division 23 Section "Air Duct Accessories."
  - 3. Duct system shall be considered dirty and in need of cleaning if any test location does not pass the cleanliness test. Cleaning shall be performed in accordance with this specification.
- D. Prepare and submit test and inspection reports.

3.9 DUCT CLEANING

- A. Clean new duct systems that fail duct system cleanliness tests before testing, adjusting, and balancing.
- B. Comply with SMACNA "Duct Cleanliness for New Construction Guidelines" dated 2000, for protection, cleaning, and installation methods for all ductwork. Adhere to the requirements for a duct cleanliness level of "C" (advanced level) as detailed in Section 3.1.

FIRE STATIONS RENOVATION  
ARLINGTON COUNTY, VIRGINIA  
Architect's Project No: 563006

3.10 START UP

- A. Air Balance: Comply with requirements in Division 23 Section "Testing, Adjusting, and Balancing for HVAC."

3.11 DUCT SCHEDULE

- A. Fabricate ducts with galvanized sheet steel except as otherwise indicated and as follows:
- B. Ducts Connected Serving Locker Rooms, Shower Rooms, and Team Rooms:
  - 1. Aluminum sheet.
  - 2. Exposed to View: Bright finish.
  - 3. Concealed: Mill finish.
- C. All double wall ductwork:
  - 1. Aluminum sheet perforated inner wall.
  - 2. Aluminum sheet outer wall.
  - 3. Exposed: Painted to match color selected by Architect.
- D. Double-Wall Duct Interstitial Insulation (where indicated):
  - 1. Supply Air Ducts: 1" thickness.
  - 2. Return Air Ducts: 1" thickness.
- E. Rectangular Duct Liner Thickness (where indicated):
  - 1. Supply Air Ducts: 1-1/2" thickness and minimum R=5.0.]
- F. Elbow Configuration:
  - 1. Rectangular Duct: Comply with SMACNA's "HVAC Duct Construction Standards - Metal and Flexible, Third Edition 2005," Figure 4-2, "Rectangular Elbows."
    - a. Velocity less than 1500 fpm or lower:
      - 1) Radius Type RE 1. Centerline radius =  $3W/2$ .
      - 2) Mitered Type RE 2 with vanes complying with SMACNA's "HVAC Duct Construction Standards - Metal and Flexible, Third Edition 2005," Figure 4-3, "Vanes and Vane Runners," and Figure 4-4, "Vane Support in Elbows."
      - 3) Transfer ducts indicated with mitered elbows do not require turning vanes.
    - b. Velocity 1500 fpm or Higher:
      - 1) Radius Type RE 3. Centerline radius =  $3w/2$  and three vanes.
      - 2) Mitered Type RE 2 with vanes complying with SMACNA's "HVAC Duct Construction Standards - Metal and Flexible, Third Edition 2005," Figure 2-3, "Vanes and Vane Runners," and Figure 2-4, "Vane Support in Elbows."
  - 2. Round Duct: Comply with SMACNA's "HVAC Duct Construction Standards - Metal and Flexible, Third Edition 2005," Figure 3-4, "Round Duct Elbows."
    - a. Minimum centerline radius-to-diameter ratio shall be 1.5 with a maximum of 5 Elbow Segments. Comply with SMACNA's "HVAC Duct Construction Standards - Metal and Flexible, Third Edition 2005," Table 3-1, "Mitered Elbows." Elbows with less than a 90 degree change of direction shall have segments per Table 3-1 in

FIRE STATIONS RENOVATION  
ARLINGTON COUNTY, VIRGINIA  
Architect's Project No: 563006

SMACNA's "HVAC Duct Construction Standards - Metal and Flexible, Third Edition 2005".

- b. Round Elbows, 12 Inches and Smaller in Diameter: Stamped, segmented, spiral or pleated. Adjustable elbows not acceptable.
  - c. Round Elbows, 14 Inches and Larger in Diameter: Standing seam, segmented, or spiral.
3. Flat Oval Duct: Comply with SMACNA's "HVAC Duct Construction Standards - Metal and Flexible, Third Edition 2005," Figure 3-7, "Flat Oval Ducts" for elbows.

G. Branch Configuration:

1. Rectangular Duct: Comply with SMACNA's "HVAC Duct Construction Standards - Metal and Flexible, Third Edition 2005," Figure 4-6, "Branch Connections."
  - a. Rectangular Main to Rectangular Branch: 45-degree entry.
  - b. Rectangular Main to Round Branch: Conical or bellmouth. No flanged or spin-in fittings permitted.
2. Round and Flat Oval: Comply with SMACNA's "HVAC Duct Construction Standards - Metal and Flexible, Third Edition 2005," Figure 3-6, "Conical Tees."
  - a. Conical fitting.
  - b. Conical saddle taps.
  - c. No 90 degree taps or 90 degree saddle taps permitted.

H. Divided Flow Branches:

1. Rectangular Duct: Comply with SMACNA's "HVAC Duct Construction Standards - Metal and Flexible, Third Edition 2005," Figure 4-5 Divided Flow Branches."

END OF SECTION 233113

FIRE STATIONS RENOVATION  
ARLINGTON COUNTY, VIRGINIA  
Architect's Project No: 563006

SECTION 233300 - AIR DUCT ACCESSORIES

PART 1 - GENERAL

1.1 RELATED DOCUMENTS

- A. Provisions of the Contract and of the Contract Documents apply to this Section.

1.2 SUBMITTALS

- A. Product Data: For the following:
  - 1. Radius forming braces
  - 2. Volume dampers.
  - 3. Take-offs
  - 4. Motorized control dampers.
  - 5. Fire dampers.
  - 6. Turning vanes.
  - 7. Duct-mounting access doors.
  - 8. Flexible connectors.
  - 9. Flexible ducts.
  - 10. Rooftop duct supports.
- B. Wiring Diagrams: For power, signal, and control wiring.
- C. Operation and Maintenance Data: For air duct accessories to include in operation and maintenance manuals.

1.3 ABBREVIATIONS

- A. CFM Cubic Feet per Minute
- B. F Fahrenheit
- C. FPM Feet Per Minute
- D. IN Inches
- E. LBF Pound Feet, or Pound Foot.
- F. NFPA National Fire Protection Association
- G. NO Number
- H. NRTL Nationally Recognized Testing laboratory
- I. OC On Center
- J. SqFt Square Feet
- K. WC Water Column

FIRE STATIONS RENOVATION  
ARLINGTON COUNTY, VIRGINIA  
Architect's Project No: 563006

1.4 QUALITY ASSURANCE

- A. Comply with NFPA 90A, "Installation of Air Conditioning and Ventilating Systems," and with NFPA 90B, "Installation of Warm Air Heating and Air Conditioning Systems."
- B. Comply with AMCA 500-D testing for damper rating.

1.5 EXTRA MATERIALS

- A. Furnish extra materials that match products installed and that are packaged with protective covering for storage and identified with labels describing contents.
  - 1. Fusible Links: Furnish quantity equal to 10 percent of amount installed. Minimum 1 of each type used.

PART 2 - PRODUCTS

2.1 MATERIALS

- A. Comply with SMACNA's "HVAC Duct Construction Standards - Metal and Flexible" for acceptable materials, material thicknesses, and duct construction methods unless otherwise indicated. Sheet metal materials shall be free of pitting, seam marks, roller marks, stains, discolorations, and other imperfections.
- B. Comply with SMACNA's "HVAC Duct Construction Standards - Metal and Flexible" for acceptable duct installation methods unless otherwise indicated.
- C. Galvanized Sheet Steel: Comply with ASTM A 653/A 653M.
  - 1. Galvanized Coating Designation: G60 or G90.
  - 2. Exposed-Surface Finish: Mill phosphatized.
- D. Stainless-Steel Sheets: Comply with ASTM A 480/A 480M, Type 304, and having a NO 2 finish for concealed ducts and NO 4 finish for exposed ducts.
- E. Aluminum Sheets: Comply with ASTM B 209, Alloy 3003, temper H14; with mill finish for concealed ducts and standard, 1-side bright finish for exposed ducts.
- F. Extruded Aluminum: Comply with ASTM B 221, Alloy 6063, Temper T6.
- G. Reinforcement Shapes and Plates: Galvanized-steel reinforcement where installed on galvanized sheet metal ducts; compatible materials for aluminum and stainless-steel ducts.
- H. Tie Rods: Galvanized steel, 1/4-inch minimum diameter for lengths 36 inches or less; 3/8-inch minimum diameter for lengths longer than 36 inches; compatible materials for aluminum and stainless-steel ducts.

2.2 RADIUS FORMING BRACES

- A. Available manufacturers:
  - 1. Titus, FlexRight (Basis of Design)
  - 2. Flexible Technologies, Inc., Thermaflex Division, FlexFlow
  - 3. Hart & Cooley, Smart Flow Elbow



FIRE STATIONS RENOVATION  
ARLINGTON COUNTY, VIRGINIA  
Architect's Project No: 563006

- B. General: UL-2043 listed or NRTL approved product constructed of metal or plastic manufactured for use with flexible duct to form a kink free elbow using the flexible duct. Any flexible duct used in forming the elbow shall be included in the maximum permitted length. Resulting flexible duct shall comply with SMACNA HVAC Duct Construction Standards.
- C. Duct Size: 6" through 16" in diameter.
- D. Inside (Bend) Radius: Minimum of one duct diameter along centerline.
- E. Attachments: Plastic zip ties or stainless steel worm gear clamps.
- F. Support to Overhead: Shall meet SMACNA requirements. Use of specified attachments for support shall not be permitted.

2.3 MANUAL VOLUME DAMPERS

- A. Steel, Manual Volume Dampers:
  - 1. Manufacturers:
    - a. Air Balance Inc.; a division of Mestek, Inc.
    - b. American Warming and Ventilating; a division of Mestek, Inc.
    - c. Flexmaster U.S.A., Inc.
    - d. Greenheck Fan Corporation.
    - e. McGill AirFlow LLC.
    - f. METALAIRE, Inc.
    - g. PCI Industries - Pottorff
    - h. Ruskin Company.
    - i. Vent Products Company, Inc.
  - 2. Standard leakage rating, with linkage outside airstream.
  - 3. Suitable for horizontal or vertical applications.
  - 4. Frames:
    - a. Hat-shaped, galvanized or stainless-steel channels, match duct material.
    - b. Mitered and welded corners.
    - c. Flanges for attaching to walls and flangeless frames for installing in ducts.
  - 5. Blades:
    - a. Multiple or single blade.
    - b. Opposed-blade design.
    - c. Stiffen damper blades for stability.
    - d. Galvanized or stainless-steel channels, match duct material.
    - e. Blade Axles: Galvanized steel or Stainless steel. Dampers over 12" width/diameter shall include continuous axles. Dampers 12" and less may have non-continuous axles.
  - 6. Bearings:
    - a. Molded synthetic. Provide bearing at both duct wall penetrations.
  - 7. Tie Bars and Brackets: Galvanized steel.
- B. Aluminum, Manual Volume Dampers:
  - 1. Manufacturers:
    - a. Air Balance Inc.; a division of Mestek, Inc.
    - b. American Warming and Ventilating; a division of Mestek, Inc.
    - c. Flexmaster U.S.A., Inc.

FIRE STATIONS RENOVATION  
ARLINGTON COUNTY, VIRGINIA  
Architect's Project No: 563006

- d. Greenheck Fan Corporation.
  - e. McGill AirFlow LLC.
  - f. METALAIRE, Inc.
  - g. PCI Industries - Pottorff
  - h. Ruskin Company.
  - i. Vent Products Company, Inc.
  2. Standard leakage rating, with linkage and operator outside airstream.
  3. Suitable for horizontal or vertical applications.
  4. Frames: Hat-shaped aluminum channels for installing in ducts.
  5. Blades:
    - a. Multiple or single blade.
    - b. Parallel- or opposed-blade design.
    - c. Stiffen damper blades for stability.
    - d. Roll Formed or Extruded Aluminum.
    - e. Blade Axles: Galvanized steel or Stainless steel. Dampers over 12" width/diameter shall include continuous axles. Dampers 12" and less may have non-continuous axles.
  6. Bearings:
    - a. Molded synthetic. Provide bearing at both duct wall penetrations.
  7. Tie Bars and Brackets: Aluminum.
- C. Damper Hardware:
1. Zinc-plated, die-cast quadrant with dial and handle made of zinc plated steel, and a hexagon lock nut. Friction lock dampers are not acceptable where system external static pressure exceeds 0.50"wc.
  2. Include center hole to suit damper operating-rod size.
  3. Include elevated platform or stand-off for insulated duct mounting.
- 2.4 CONTROL DAMPERS
- A. Parallel Blades shall be used for two position applications (Open or Closed) unless otherwise indicated.
1. Manufacturers:
    - a. American Warming and Ventilating; a division of Mestek, Inc.
    - b. Arrow United Industries; a division of Mestek, Inc.
    - c. Cesco Products; a division of Mestek, Inc.
    - d. Duro Dyne Inc.
    - e. Flexmaster U.S.A., Inc.
    - f. Greenheck Fan Corporation.
    - g. McGill AirFlow LLC.
    - h. METALAIRE, Inc.
    - i. PCI Industries - Pottorff
    - j. Ruskin Company.
    - k. Young Regulator Company.
  2. Low leakage or ultra low leakage rating, with linkage outside airstream, and having AMCA's Certified Ratings Seal for both air performance and air leakage.
  3. Ratings:
    - a. Pressure Differential Range: 0.0" WC – 6.0" WC.
    - b. Velocity Range: 0 FPM to 4000 FPM.

FIRE STATIONS RENOVATION  
ARLINGTON COUNTY, VIRGINIA  
Architect's Project No: 563006

- c. Leakage:
      - 1) 6 CFM/SqFt @ 4" WC.
      - 2) 3 CFM/SqFt @ 1" WC.
    - d. Temperature: Minimum 165° F.
  - 4. Frames:
    - a. Galvanized steel channels.
    - b. Mitered and welded corners.
  - 5. Blades:
    - a. Air foil
    - b. Multiple blade
    - c. Maximum blade width (not including seals): 8"
    - d. Parallel blade design.
    - e. Galvanized steel.
    - f. Edge Seal: Silicone blade edge seals.
      - 1) Temperature Range: From a minimum of minus 50 to a maximum of plus 300 degrees F.
  - 6. Blade Axles: 1/2-inch- diameter; galvanized or stainless steel.
  - 7. Linkage: Galvanized or stainless steel out of airstream.
  - 8. Jamb Seal: Stainless steel.
  - 9. Bearings:
    - a. Bronze.
    - b. Dampers shall have axles running the full length of the damper blades shall have bearings at each end of the shaft.
    - c. Thrust bearings shall be located at each end of every blade.
- B. Opposed Blades shall be used for modulating applications (Open, Closed, and Anywhere In Between) unless otherwise indicated.
  - 1. Manufacturers:
    - a. American Warming and Ventilating; a division of Mestek, Inc.
    - b. Arrow United Industries; a division of Mestek, Inc.
    - c. Cesco Products; a division of Mestek, Inc.
    - d. Duro Dyne Inc.
    - e. Flexmaster U.S.A., Inc.
    - f. Greenheck Fan Corporation.
    - g. McGill AirFlow LLC.
    - h. METALAIRE, Inc.
    - i. PCI Industries - Pottorff
    - j. Ruskin Company.
    - k. Young Regulator Company.
  - 2. Low leakage or ultra low leakage rating, with linkage outside airstream, and having AMCA's Certified Ratings Seal for both air performance and air leakage.
  - 3. Ratings:
    - a. Pressure Differential Range: 0.0" WC – 6.0" WC.
    - b. Velocity Range: 0 FPM to 4000 FPM.
    - c. Leakage:
      - 1) 6 CFM/SqFt @ 4" WC.
      - 2) 3 CFM/SqFt @ 1" WC.
    - d. Temperature: Minimum 165° F.
  - 4. Frames:

FIRE STATIONS RENOVATION  
ARLINGTON COUNTY, VIRGINIA  
Architect's Project No: 563006

- a. Galvanized steel channels.
- b. Mitered and welded corners.
5. Blades:
  - a. Air foil
  - b. Multiple blade
  - c. Maximum blade width (not including seals): 8"
  - d. Opposed blade design.
  - e. Galvanized steel.
  - f. Edge Seal: Silicone blade edge seals.
    - 1) Temperature Range: From a minimum of minus 50 to a maximum of plus 300 degrees F.
6. Blade Axles: 1/2-inch- diameter; galvanized or stainless steel.
7. Linkage: Galvanized or stainless steel out of airstream.
8. Jamb Seal: Stainless steel.
9. Bearings:
  - a. Bronze.
  - b. Dampers shall have axles running the full length of the damper blades shall have bearings at each end of the shaft.
  - c. Thrust bearings shall be located at each end of every blade.

## 2.5 FLANGE CONNECTORS

- A. Available Manufacturers:
  1. Ductmate Industries, Inc.
  2. Nexus PDQ; Division of Shilco Holdings Inc.
  3. Hart & Cooley, Inc.
- B. Description: Add-on or roll-formed, factory-fabricated, slide-on transverse flange connectors, gaskets, and components.
- C. Material: Match connecting ductwork.
- D. Gauge: 18, 20, or 24 as recommended by manufacturer or match connecting ductwork.

## 2.6 MANUFACTURED TURNING VANES

- A. Curved blades of galvanized sheet steel; support with bars perpendicular to blades set; set into vane runners suitable for duct mounting.
- B. General Requirements: Comply with SMACNA's "HVAC Duct Construction Standards - Metal and Flexible"; Figures 2-3, "Vaness and Vane Runners," and 2-4, "Vane Support in Elbows."
- C. Vane Construction: Single wall for ducts with the largest sectional dimension up to 48 inches wide and double wall for larger dimensions.

## 2.7 DUCT-MOUNTED ACCESS DOORS

- A. Available Manufacturers:
  1. Ductmate Industries, Inc.
  2. Flexmaster U.S.A., Inc.
  3. Greenheck Fan Corporation.

FIRE STATIONS RENOVATION  
ARLINGTON COUNTY, VIRGINIA  
Architect's Project No: 563006

4. Kees
  5. McGill AirFlow LLC.
- B. Duct-Mounted Access Doors: Fabricate access panels according to SMACNA's "HVAC Duct Construction Standards - Metal and Flexible"; Figures 2-10, "Duct Access Doors and Panels," and 2-11, "Access Panels - Round Duct."
1. Door:
    - a. Double wall, rectangular.
    - b. Galvanized sheet metal with insulation fill and thickness as indicated for duct pressure class.
    - c. Hinges and Latches: 1-by-1-inch butt or piano hinge. Cam latches.
    - d. Fabricate doors airtight and suitable for duct pressure class.
  2. Frame: Galvanized sheet steel, with bend-over tabs and foam gaskets.
  3. Number of Hinges and Locks:
    - a. Access Doors Less Than 12 Inches Square: No hinges and two sash locks.
    - b. Access Doors up to 18 Inches Square: Two hinges and two sash locks.
    - c. Access Doors up to 24 by 48 Inches: Three hinges and two compression latches with outside and inside handles.
    - d. Access Doors Larger Than 24 by 48 Inches: Four hinges and two compression latches with outside and inside handles.

2.8 FLEXIBLE CONNECTORS

- A. Available Manufacturers:
1. Ductmate Industries, Inc.
  2. Duro Dyne Inc.
  3. Ventfabrics, Inc.
  4. Hart & Cooley, Inc.
- B. Materials: Flame-retardant or noncombustible fabrics.
- C. Coatings and Adhesives: Comply with UL 181, Class 1.
- D. Connector: Factory fabricated with a fabric strip 3½ to 4½ inches wide attached to 2 strips of 2½ to 4½ inches wide, 23 to 25 gauge "0.0269 to .0209 inch thick" galvanized sheet steel, stainless sheet steel, or aluminum sheets. Provide metal compatible with connected ducts.
- E. Indoor System, Flexible Connector Fabric: Glass fabric double-coated with neoprene.
1. Minimum Weight: 26 oz/sq yd.
  2. Tensile Strength: 480 lbf/inch in the warp and 360 lbf/inch in the filling.
  3. Service Temperature: Minus 40 to plus 200 deg F.
- F. High-Temperature System, Flexible Connectors: Glass fabric coated with silicone rubber.
1. Minimum Weight: 16 oz./sq. yd..
  2. Tensile Strength: 285 lbf/inch in the warp and 185 lbf/inch in the filling.
  3. Service Temperature: Minus 67 to plus 500 deg F.
- G. Thrust Limiters:

FIRE STATIONS RENOVATION  
ARLINGTON COUNTY, VIRGINIA  
Architect's Project No: 563006

1. Field fabricated cable restraints on equipment producing greater than 4.0" WC of positive pressure.
2. Field fabricated cable restraints as detailed. If not detailed; Provide restraint consisting of a 1/16 inch diameter vinyl coated steel cable at 24" maximum on center, attached to flange bolts on each side of flexible connector. Cable length shall be such that, when in tension, 1/2" of movement in the flexible connection is preserved. If flanges are not used, contractor may provide steel, stainless steel, or aluminum angles for attaching cables. Match duct material. Cables shall attach to screw or fastener holding angle to duct and shall be routed through a 3/16" diameter hole in the bracket offset approximately 1" from duct.
3. Direction of connector movement: Parallel with airflow, perpendicular to connector.

2.9 FLEXIBLE AIR DUCTS

A. Manufacturers:

1. Flexmaster U.S.A., Inc. (Basis of design, Provide Type 1M)
2. Thermaflex
3. Hart & Cooley, Inc.

B. Provide bead on connecting duct for sizes greater than 12" in diameter.

C. Maximum length of flexible duct is 6'-0".

D. Insulated, Flexible Duct: UL 181, Class 1 air duct with vinyl film supported by helically wound, spring-steel wire; fibrous-glass insulation; aluminized vapor-barrier film.

1. Pressure Rating: 10-inch WC positive and 1.0-inch WC negative.
2. Maximum Air Velocity: 5000 fpm.
3. Vapor Barrier Permeance: 0.05 perm
4. Temperature Range: Minus 10 to plus 160 deg F.
5. Insulation R-value: 6.0

E. Flexible Duct Connection Accessories:

1. Low pressure (Not up stream of terminal units):
  - a. Clamps: Nylon strap in sizes 3 through 20", to suit duct size.
  - b. Sheet metal screws: No
  - c. Liquid adhesive: No
  - d. Tape: Yes
2. Medium pressure (Up stream of terminal units):
  - a. Clamps: Stainless-steel band with cadmium-plated hex screw to tighten band with worm-gear action in sizes 3 through 20 inches, to suit duct size.
  - b. Sheet metal screws: No
  - c. Liquid adhesive: Yes
  - d. Tape: Yes

2.10 ACCESSORY HARDWARE

A. Temporary Test Holes: Drilled in duct as required.

FIRE STATIONS RENOVATION  
ARLINGTON COUNTY, VIRGINIA  
Architect's Project No: 563006

- B. Permanent Test Holes: Cast iron, or cast aluminum, to suit adjacent material, including cap and gasket. Size to allow insertion of pitot tube and other testing instruments and of length to suit wall + insulation thickness.
- C. Adhesives: High strength, quick setting, waterproof, and resistant to grease.

PART 3 - EXECUTION

3.1 INSTALLATION

- A. Install duct accessories according to applicable details in SMACNA's "HVAC Duct Construction Standards - Metal and Flexible" for metal ducts and in NAIMA AH116, "Fibrous Glass Duct Construction Standards," for fibrous-glass ducts.
- B. Install duct accessories of materials suited to duct materials; use galvanized-steel accessories in galvanized-steel and fibrous-glass ducts, stainless-steel accessories in stainless-steel ducts, and aluminum accessories in aluminum ducts.
- C. Install backdraft dampers on exhaust fans or exhaust ducts nearest to outside and where indicated.
- D. Install volume dampers at points on supply, return, and exhaust systems where branches extend from larger ducts. Where dampers are installed in ducts having duct liner, install dampers with hat channels of same depth as liner, and terminate liner with nosing at hat channel.
  - 1. Install steel volume dampers in steel ducts.
  - 2. Install aluminum volume dampers in aluminum ducts.
- E. Set dampers to fully open position before testing, adjusting, and balancing.
- F. Install permanent test holes at fan inlets and outlets.
- G. Install permanent test holes where indicated.
- H. Provide temporary test holes where necessary for testing.
- I. Install temporary test hole plugs in temporary test holes.
- J. Repair insulation at temporary test holes.
- K. Install duct access doors on sides of ducts to allow for inspecting, adjusting, and maintaining accessories and equipment at the following locations:
  - 1. On both sides of duct coils.
  - 2. Downstream from volume dampers and equipment.
  - 3. Adjacent to fire or smoke dampers, providing access to reset or reinstall fusible links.
  - 4. To interior of ducts for cleaning; before and after each change in direction, at maximum 50-foot spacing.
  - 5. On sides of ducts where adequate clearance is available.
- L. Install access doors with swing against duct static pressure except at fire, smoke, and combination fire & smoke dampers.
- M. Install the largest access door possible in the following sizes for duct-mounting, rectangular access doors:

FIRE STATIONS RENOVATION  
ARLINGTON COUNTY, VIRGINIA  
Architect's Project No: 563006

1. One-Hand or Inspection Access: 8 by 5 inches.
  2. Two-Hand Access: 12 by 6 inches.
  3. Head and Hand Access: 18 by 10 inches.
  4. Head and Shoulders Access: 21 by 14 inches.
  5. Body Access: 25 by 14 inches.
  6. Body Plus Ladder Access: 25 by 17 inches.
- N. Install the largest access door possible in the following sizes for duct-mounting, round access doors:
1. One-Hand or Inspection Access: 8 inches in diameter.
  2. Two-Hand Access: 10 inches in diameter.
  3. Head and Hand Access: 12 inches in diameter.
  4. Head and Shoulders Access: 18 inches in diameter.
  5. Body Access: 24 inches in diameter.
- O. Label access doors to indicate purpose.
- P. Install flexible connectors to connect ducts to air moving equipment.
- Q. For fans developing static pressures of 4" WC and more, cover flexible connectors with loaded vinyl sheet held in place with metal straps.
- R. Connect terminal units to supply ducts with 36" of rigid duct and maximum 30" lengths of flexible duct.
- S. Connect flexible ducts to metal ducts as follows:
1. Low pressure (Not up stream of terminal units):
    - a. Clamps: Install in accordance with manufacturer's recommendations.
    - b. Sheet metal screws: Not required.
    - c. Liquid adhesive: Not required.
    - d. Tape: Install in accordance with manufacturer's recommendations.
  2. Medium pressure (Up stream of terminal units):
    - a. Clamps: Install in accordance with manufacturer's recommendations.
    - b. Sheet metal screws: Not required.
    - c. Liquid adhesive: Yes
    - d. Tape: Yes
- T. Connect flexible ducts to diffusers using a radius forming brace or rigid elbow. If using radius forming brace, deduct four (4) duct diameters from the indicated maximum flexible duct length.
- U. Install temporary test holes where required for testing and balancing purposes. Cap with neoprene, plastic or rubber plugs and repair insulation with like material.
- V. Install permanent test holes upstream and downstream of each fan within 6" of fan. Install in unit wall or adjacent duct.
1. Exception: Outlet of roof mounted fans
- W. Install thrust limiters at all flexible connectors consisting of a 1/16 inch diameter vinyl coated steel cable at 24" maximum on center, attached to flange bolts on each side of flexible connector. Cable length shall be such that, when in tension, 1/2" of movement in the flexible connection is preserved. If flanges are not used, contractor may provide steel, stainless steel, or



FIRE STATIONS RENOVATION  
ARLINGTON COUNTY, VIRGINIA  
Architect's Project No: 563006

aluminum angles for attaching cables. Match duct material. Cables shall attach to screw or fastener holding angle and shall be routed through a 3/16" diameter hole in the angle offset approximately 1" from duct.

X. TURNING VANES:

1. Install turning vanes in all duct elbows larger than 12" in height or width.
2. Exceptions:
  - a. Where prohibited by the applicable code.
  - b. Where prohibited by laws or ordinances.
  - c. Where prohibited by local requirements.
  - d. Where specifically eliminated by contract.

Y. FIELD QUALITY CONTROL

1. Tests and Inspections:
  - a. Operate dampers to verify full range of movement without interference.
  - b. Inspect access doors. Verify that door can be opened and closed. Verify fire damper, and combination fire and smoke damper fusible links can be reset and changed. Verify fire damper, and combination fire and smoke damper doors open in the direction of air pressure (out on supply ducts and in on return and exhaust ducts).
  - c. Operate fire, smoke, and combination fire and smoke dampers to verify full range of movement, verify non-interference, and verify that the proper heat-response device is installed.
  - d. Inspect elbows for turning vanes. Verify they are installed where required.
  - e. Inspect turning vanes using access doors for proper and secure installation.
  - f. Operate remote damper operators prior to ceiling installation to verify full range of movement of operator and damper. Verify no interference with damper movement.

END OF SECTION 233300

FIRE STATIONS RENOVATION  
ARLINGTON COUNTY, VIRGINIA  
Architect's Project No: 563006

SECTION 233423 - HVAC POWER VENTILATORS

PART 1 - GENERAL

1.1 RELATED DOCUMENTS

- A. Provisions of the Contract and of the Contract Documents apply to this Section.

1.2 SUBMITTALS

- A. Product Data: Provide manufacturer's technical data for each ventilator including rated capacities, dimensions, required clearances, operating characteristics, mounting requirements, and furnished specialties and accessories. Provide power and control wiring diagrams. Also include the following:
  - 1. Certified fan performance curves with system operating conditions indicated.
  - 2. Certified fan sound-power ratings.
  - 3. Motor ratings and electrical characteristics, plus motor and electrical accessories.
  - 4. Material thickness and finishes, including color charts.
  - 5. Dampers, including housings, linkages, and operators.
  - 6. Roof curbs with required slope and dimensions. Indicate shimming if required.
  - 7. .
  - 8. Fan speed controllers.
- B. Operation and Maintenance Data: For ventilators to include in emergency, operation, and maintenance manuals.
- C. Warranty: Special warranty specified in this Section.

1.3 QUALITY ASSURANCE

- A. Electrical Components, Devices, and Accessories: Listed and labeled as defined in NFPA 70, by a qualified testing agency, and marked for intended location and application.
- B. AMCA Compliance: Fans shall have AMCA-Certified performance ratings and shall bear the AMCA-Certified Ratings Seal.
- C. UL Standards: Power ventilators shall comply with UL 705. Power ventilators for use for grease (kitchen) hood exhaust shall also comply with UL 762.

1.4 COORDINATION

- A. Coordinate size and location of structural-steel support members.

FIRE STATIONS RENOVATION  
ARLINGTON COUNTY, VIRGINIA  
Architect's Project No: 563006

- B. Coordinate sizes and locations of roof curbs, equipment supports, and roof penetrations with actual equipment provided.

1.5 EXTRA MATERIALS

- A. Furnish extra materials that match products installed and that are packaged with protective covering for storage and identified with labels describing contents.
  - 1. Belts: One set for each belt-driven fan. Mark belt set with fan ID and turn over to owner's representative.

PART 2 - PRODUCTS

2.1 IN-LINE CENTRIFUGAL FANS

- A. Manufacturers:
  - 1. Acme Engineering & Manufacturing Corporation.
  - 2. Penn Ventilation Companies, Inc.
  - 3. Greenheck Fan Corporation.
  - 4. Loren Cook Company.
- B. Housing: Manufacturer's standard steel, inlet and outlet flanges, and support bracket adaptable to floor, side wall, or ceiling mounting.
- C. Direct-Drive Units: Motor mounted in airstream, factory wired to disconnect switch located on outside of fan housing.
- D. Belt-Driven Units: Motor mounted on adjustable base, enclosure around belts within fan housing, and lubricating tubes from fan bearings extended to outside of fan housing.
- E. Fan Wheels: Aluminum, airfoil blades welded to aluminum hub.
- F. Provide accessories:
  - 1. Volume-Control Damper: Manually operated with quadrant lock, located in fan outlet. (Not required where speed controllers are provided.)
  - 2. Variable-Speed Controller: Where indicated on the fan schedule provide solid-state control to reduce speed from 100 percent to less than 50 percent.
  - 3. Disconnect Switch.
  - 4. Companion Flanges: For inlet and outlet duct connections.
  - 5. Motor and Drive Cover (Belt Guard): Epoxy-coated steel.
  - 6. Motorized Dampers: Where indicated on the fan schedule provide parallel-blade dampers mounted in duct with electric actuator; wired to close when fan stops. When fan voltage exceeds 220 V provide 50VA minimum transformer to operate damper.

FIRE STATIONS RENOVATION  
ARLINGTON COUNTY, VIRGINIA  
Architect's Project No: 563006

2.2 MOTORS

- A. Refer to section "Common Motor Requirements for HVAC Equipment."
- B. Comply with NEMA designation, temperature rating, service factor, enclosure type, and efficiency requirements for motors.
  - 1. Motor Sizes: Size shall be as indicated. If not indicated, provide motor large enough to drive load and avoid operation in service factor range above 1.0.
  - 2. Controls: Provide controllers, electrical devices, and wiring to comply with requirements specified in Division 26 Sections.
- C. Enclosure Type: Totally enclosed, fan cooled.

2.3 SOURCE QUALITY CONTROL

- A. Certify sound-power level ratings according to AMCA 301, "Methods for Calculating Fan Sound Ratings from Laboratory Test Data." Factory test fans according to AMCA 300, "Reverberant Room Method for Sound Testing of Fans." Label fans with the AMCA-Certified Ratings Seal.
- B. Certify fan performance ratings, including flow rate, pressure, power, air density, speed of rotation, and efficiency by factory tests according to AMCA 210, "Laboratory Methods of Testing Fans for Aerodynamic Performance Rating." Label fans with the AMCA-Certified Ratings Seal.

PART 3 - EXECUTION

3.1 INSTALLATION

- A. Install HVAC Power Ventilators level and plumb.
- B. Ceiling Units: Suspend units from structure; use steel wire or metal straps.
- C. Support suspended units from structure using threaded steel rods and elastomeric hangers having a static deflection of 0.5 inches.
- D. Install units with clearances for service and maintenance.
- E. Label units.

3.2 FIELD QUALITY CONTROL

- A. Perform tests and inspections.

FIRE STATIONS RENOVATION  
ARLINGTON COUNTY, VIRGINIA  
Architect's Project No: 563006

1. Manufacturer's Field Service: Engage a factory-authorized service representative to inspect components, assemblies, and equipment installations, including connections, and to assist in testing.

B. Tests and Inspections:

1. Verify that Shipping blocking and bracing are removed.
2. Verify that unit is secure and connections to ducts and electrical components are complete. Verify that proper thermal-overload protection is installed in motors, starters, and disconnect switches.
3. Verify that cleaning and adjusting are complete.
4. For belt drive units disconnect fan drive from motor, verify proper motor rotation direction, and verify fan wheel free rotation and smooth bearing operation. Reconnect fan drive system, align belts, adjust belt tension, and install belt guards.
5. Adjust damper linkages & operators for proper damper operation.
6. Verify lubrication for bearings and other moving parts.
7. Verify that manual and automatic volume control, fire, smoke, and fire/smoke dampers in connected ductwork systems are in a fully open position.
8. Disable automatic temperature-control operators, energize motor and adjust fan to indicated rpm.
9. Measure and record motor voltage and amperage.
10. Shut unit down and reconnect automatic temperature-control operators.
11. Remove and replace malfunctioning units and retest as specified above.

- C. Test and adjust controls and safeties. Replace damaged and malfunctioning controls and equipment.

- D. Prepare test and inspection reports.

3.3 TESTING, ADJUSTING, BALANCING, AND LUBRICATION

- A. Adjust damper linkages for proper damper operation.

- B. Comply with requirements in Section "Testing, Adjusting, and Balancing for HVAC".

- C. Replace fan and motor pulleys to achieve design airflow.

1. Disable automatic temperature-control operators, energize motor and adjust fan to required rpm.
2. Measure and record RPM.
3. Measure and record motor voltage and amperage.

- D. Re-lubricate bearings.

END OF SECTION 233423

FIRE STATIONS RENOVATION  
ARLINGTON COUNTY, VIRGINIA  
Architect's Project No: 563006

SECTION 233713 - DIFFUSERS, REGISTERS, AND GRILLES

PART 1 - GENERAL

1.1 RELATED DOCUMENTS

- A. Provisions of the Contract and of the Contract Documents apply to this Section.

1.2 SUBMITTALS

- A. Product Data: For each type of product indicated, include the following:
1. Data Sheet: Indicate materials of construction, finish, mounting details, and performance data including throw, drop, static pressure drop, and noise ratings.
  2. Diffuser, Register, and Grille Schedule: Indicate drawing designation, room location, quantity, model number, size, and accessories furnished.
- B. Installation Drawings: Drawn to scale (Minimum 1 ½" = 1'-0"), on which the following items are indicated:
1. Trim & borders.
  2. Ceiling suspension assembly members.
  3. Method of attaching hangers to building structure.

PART 2 - PRODUCTS

2.1 DIFFUSERS, GRILLES, AND REGISTERS

- A. Manufacturers:
1. Anemostat.
  2. Carnes.
  3. Krueger.
  4. MetalAire, Inc.
  5. Nailor Industries.
  6. Price Industries.
  7. Titus.
- B. General:
1. The basis of design for each grille register and diffuser is indicated on the drawings. The contractor shall provide equivalent products by one of the listed manufacturers.

FIRE STATIONS RENOVATION  
ARLINGTON COUNTY, VIRGINIA  
Architect's Project No: 563006

2. Where aluminum construction is indicated blades and frames shall be extruded.
3. All trim pieces shall be mechanically fastened. Friction fit trim rings/frames shall not be provided or shall be mechanically fastened in the field. Fasteners shall not be visible.
4. Units located on walls in heavy use areas including but not limited to basketball courts, gymnasiums, and shop areas shall be heavy duty steel.
5. Finish: Powder Coated or Baked enamel, white.
6. Filter Grille Mounting Frame: Shall accept a 2" deep MERV 8 (30%) pleated media filter. Refer to section "Filters" for filter requirements. Provide two sets of filters for each filter grille.
7. Mounting: As Scheduled.
8. Damper Type: Adjustable opposed-blade assembly where damper is indicated on the schedule.
9. Construction: For locker rooms, showers, the grill, diffuser shall be aluminum construction.

## 2.2 SOURCE QUALITY CONTROL

- A. Verification of Performance: Rate diffusers, registers, and grilles according to ASHRAE 70, "Method of Testing for Rating the Performance of Air Outlets and Inlets."

## PART 3 - EXECUTION

### 3.1 EXAMINATION

- A. Examine areas where diffusers, registers, and grilles are to be installed for installation tolerances and other conditions affecting performance.
- B. Proceed with installation only after unsatisfactory conditions have been corrected.

### 3.2 INSTALLATION

- A. Install diffusers, registers, and grilles level and plumb.
- B. Install diffusers, registers, and grilles flush with ceiling unless otherwise indicated in contract documents.
- C. Ceiling-Mounted Outlets and Inlets: Drawings indicate general arrangement of ducts, fittings, and accessories. Air outlet and inlet locations have been indicated to achieve design requirements for air volume, noise criteria, airflow pattern, throw, and pressure drop. Install in locations indicated, as much as practical. For units installed in lay-in ceiling panels, center units in both directions in panel. Where architectural features or other items conflict with installation, notify Architect for a determination of final location.

FIRE STATIONS RENOVATION  
ARLINGTON COUNTY, VIRGINIA  
Architect's Project No: 563006

- D. Linear Slot Diffuser Installation: For typical diffuser, adjust each slot diffuser so half the slots throw horizontally along the ceiling in each direction unless indicated otherwise on drawings. For linear slot diffusers above windows at building perimeter, one half of the total slots at each diffuser shall be adjusted to throw air vertically downward to wash window and the other half of the slots shall be adjusted to throw air horizontally across ceiling unless indicated otherwise.
- E. Diffusers, registers and grilles shall be supported independently of the ceiling system and shall not be supported from conduit, piping or unrelated ductwork.
- F. Install diffusers, registers, and grilles with airtight connections to ducts and to allow service and maintenance.

3.3 ADJUSTING

- A. After installation, adjust diffusers, registers, and grilles to air patterns indicated, or as directed, before starting air balancing.

END OF SECTION 233713



FIRE STATIONS RENOVATION  
ARLINGTON COUNTY, VIRGINIA  
Architect's Project No: 563006

SECTION 234100 - PARTICULATE AIR FILTRATION

PART 1 - GENERAL

1.1 RELATED DOCUMENTS

- A. Provisions of the Contract and of the Contract Documents apply to this Section.

1.2 DEFINITIONS

- A. Finished Spaces: Spaces other than mechanical and electrical equipment rooms, furred spaces, pipe chases, unheated spaces immediately below roof, spaces above ceilings, unexcavated spaces, crawlspaces, and tunnels.
- B. Exposed, Interior Installations: Exposed to view indoors. Examples include finished occupied spaces and mechanical equipment rooms.
- C. Exposed, Exterior Installations: Exposed to view outdoors or subject to outdoor ambient temperatures and weather conditions. Examples include rooftop locations.
- D. Concealed, Interior Installations: Concealed from view and protected from physical contact by building occupants. Examples include above ceilings and in chases.
- E. Concealed, Exterior Installations: Concealed from view and protected from weather conditions and physical contact by building occupants but subject to outdoor ambient temperatures. Examples include installations within unheated shelters.
- F. HEPA: High-efficiency particulate air.
- G. Construction Filter: A filter maintained during construction to protect ductwork from construction dust, dirt, and debris. Construction filters shall be removed temporarily during balancing and permanently after the building is occupied.

1.3 ACTION SUBMITTALS

- A. Product Data: For each type of product indicated include dimensions, required operating clearances, required access clearances, and weights.
- B. Operating Characteristics: For each type of product indicated provide rated flow capacity, initial and final pressure drop at rated flow capacity.
- C. Efficiency: For each type of product indicated provide efficiency and test method.
- D. Fire Classification: For each type of product indicated provide the fire classification.

FIRE STATIONS RENOVATION  
ARLINGTON COUNTY, VIRGINIA  
Architect's Project No: 563006

- E. Specialties and Accessories: For each type of product indicated provide furnished specialties and accessories.

1.4 CLOSEOUT SUBMITTALS

- A. Operation and Maintenance Data: For each type of filter and rack to include in emergency, operation, and maintenance manuals.
- B. Replace all permanent filters with new filters of types specified.

1.5 QUALITY ASSURANCE

- A. Electrical Components, Devices, and Accessories: Listed and labeled as defined in NFPA 70, by a qualified testing agency, and marked for intended location and application.
- B. ASHRAE Compliance:
  - 1. Comply with applicable requirements in ASHRAE 62.1, Section 4 - "Outdoor Air Quality"; Section 5 - "Systems and Equipment"; and Section 7 - "Construction and Startup."
  - 2. Comply with ASHRAE 52.1 for arrestance and ASHRAE 52.2 for MERV for methods of testing and rating air-filter units.
- C. Comply with NFPA 90A and NFPA 90B.

1.6 COORDINATION

- A. Coordinate sizes and locations:
  - 1. Within air handling units.
  - 2. On open return ducts during construction.

PART 2 - PRODUCTS

2.1 MANUFACTURERS

- A. Manufacturers:
  - 1. Air Filters, and Filter-Holding Systems:
    - a. AAF International.
    - b. Airguard Industries, Inc.
    - c. Barnebey & Sutcliffe Corp.
    - d. Columbus Industries, Inc.
    - e. Continental Air Filter Div.; NiCon Filter Corp.
    - f. Farr Co.
    - g. Flanders Filters, Inc.

FIRE STATIONS RENOVATION  
ARLINGTON COUNTY, VIRGINIA  
Architect's Project No: 563006

- h. International Air Filter, Inc.
  - i. Koch Filter Corp.
  - j. Research Products Corp.
2. Filter Gages:
- a. Airguard Industries, Inc.
  - b. Dwyer Instruments Inc.

## 2.2 GENERAL FILTERS

- A. For return filter grilles, general filtration, and construction filters provide the following:
- 1. Media: Cotton and synthetic pleated with an average efficiency of 25-30% and an average arrestance of 90-92% in accordance with ASHRAE test standard 52.1-1992.
  - 2. Thickness: Unless otherwise indicated thickness shall be 2".
  - 3. Media Support Grid: Welded wire on 1" centers with 96% free area bonded to the media.
  - 4. Filter Frame: High wet strength cardboard with diagonal support members bonded to the media on the entering side and exiting side of each pleat.
  - 5. Holding Frame: Galvanized steel with metal grid on outlet side, polyurethane gaskets, and spring fasteners.
  - 6. Farr 30/30 or equal.

## 2.3 PRE-FILTERS

- A. Where pre-filters are indicated and for construction filters provide the following:
- 1. Media: Cotton and synthetic pleated with an average efficiency of 25-30% and an average arrestance of 90-92% in accordance with ASHRAE test standard 52.1-1992.
  - 2. Thickness: Unless otherwise indicated thickness shall be 4".
  - 3. Media Support Grid: Welded wire on 1" centers with 96% free area bonded to the media.
  - 4. Filter Frame: High wet strength cardboard with diagonal support members bonded to the media on the entering side and exiting side of each pleat.
  - 5. Holding Frame: Galvanized steel with metal grid on outlet side, polyurethane gaskets, and spring fasteners.
  - 6. Farr 30/30 or equal.

## 2.4 FINAL FILTERS (CARTRIDGE TYPE)

- A. Where final filters are indicated on the drawings provide the following:
- 1. Media: High density microfine glass fibers, laminated to a reinforcing backing to form a lofted filter blanket.
  - 2. Efficiency: Filter media shall have an average efficiency of 80-85% and an average arrestance of 98% in accordance with ASHRAE test standard 52.1-1992. Minimum MERV 13.
  - 3. Thickness: Unless otherwise indicated thickness shall be 12".
  - 4. Media Support Grid: Welded wire on 1" centers with 96% free area bonded to the media.

FIRE STATIONS RENOVATION  
ARLINGTON COUNTY, VIRGINIA  
Architect's Project No: 563006

5. Contour Stabilizers: Aluminized zinc finished steel strips permanently installed on the entering and leaving side of the filter. Filter shall withstand 10" of static pressure drop without noticeable distortion.
6. Filter Frame: Aluminized zinc finished steel with filter pack mechanically and chemically bonded to eliminate air bypass. Provide aluminized zinc finished steel diagonal supports
7. Holding Frame: 16 Gauge galvanized steel with polyurethane gaskets, and positive sealing fasteners.
8. Farr Riga-Flo 100 or equal.

### PART 3 - EXECUTION

#### 3.1 INSTALLATION

- A. Position each filter with clearance for normal service and maintenance.
- B. Install filters to prevent passage of unfiltered air.
- C. Do not operate fan system until filters are in place. During construction, all ductwork must be protected from dirt and debris. Remove filters used during construction and testing. Replace all filters in units with new filters of types specified.
- D. Unit operation during construction:
  1. Install minimum MERV 8 construction filters to protect all return ductwork from dirt and debris. Supply fan shall operate at all times.
- E. Unit not operating during construction:
  1. Install plastic sheet material over all supply and return openings to protect all ductwork from dirt and debris.
  2. Fans shall be off.
- F. Construction filter installation: Adhere all edges of filter with metal foil peel-n-stick tape having an acrylic adhesive.

#### 3.2 FIELD QUALITY CONTROL

- A. Perform tests and inspections.
  1. Check for leakage of unfiltered air while system is operating.
- B. Air filter and installation will be considered defective if they do not pass.
- C. Prepare a report for each filter.

FIRE STATIONS RENOVATION  
ARLINGTON COUNTY, VIRGINIA  
Architect's Project No: 563006

3.3 TESTING AND BALANCING

- A. Immediately prior to testing and balancing, install new filters of the same type that shall be permanently installed.

3.4 CLEANING

- A. After construction ends and prior to occupancy, and with all interior finishes installed, clean unit filter housings and install new filters.

END OF SECTION 234100

FIRE STATIONS RENOVATION  
ARLINGTON COUNTY, VIRGINIA  
Architect's Project No: 563006

SECTION 237413 – PACKAGED ROOFTOP UNITS

PART 1 - GENERAL

1.1 RELATED DOCUMENTS

- A. Provisions of the Contract and of the Contract Documents apply to this Section.

1.2 ABBREVIATIONS

- A. ABMA American Bearing Manufacturers Association. ([www.abma-dc.org](http://www.abma-dc.org))
- B. AI Analog Input (analog value input to the BAS from the unit controller)
- C. AO Analog Output (analog value output from BAS to the unit controller)
- D. ANSI American National Standards Institute. ([www.ansi.org](http://www.ansi.org))
- E. BAS Building Automation System.
- F. BI Binary Input (binary value input to the BAS from the unit controller)
- G. BO Binary Output (binary value output from BAS to the unit controller)
- H. CFM Cubic Feet per Minute.
- I. DDC Direct-digital controls.
- J. ECM Electrically commutated motor.
- K. FPM Feet Per Minute.
- L. RTU Rooftop unit. As used in this Section, this abbreviation means packaged, outdoor, central station air handling unit. This abbreviation is used regardless of whether the unit is mounted on the roof or on an equipment pad on the ground.
- M. RTU's Rooftop units. As used in this Section, this abbreviation means packaged, outdoor, central station air handling units. This abbreviation is used regardless of whether the units are mounted on the roof or on equipment pads on the ground.
- N. SS Stamped Steel
- O. VAV Variable-air volume
- P. W Wire

FIRE STATIONS RENOVATION  
ARLINGTON COUNTY, VIRGINIA  
Architect's Project No: 563006

- Q. WG Water Gauge
- R. VFD Variable Frequency Drive

1.3 DEFINITIONS

- A. Archival Quality: Will last a minimum of 20 years.
- B. Head end: Main temperature control computer system storing data accessible to the internet for WEB accessible systems and storing data accessible to the building system backbone for non-WEB accessible systems.
- C. HP Outdoor-Air Refrigerant Coil: Refrigerant coil in the outdoor-air stream to reject heat during cooling operations and to absorb heat during heating operations.
- D. Modulating: Able to electrically vary and stop in any position.
- E. Outdoor air: Air outside the building or taken from outdoors and not previously circulated through the building.
- F. Outdoor air measurement: Reporting of the volume of outdoor air taken into the building by RTU and reported to the building operator in CFM.
- G. Outdoor-Air Refrigerant Coil: Refrigerant coil in the outdoor-air stream to reject heat during cooling operations.
- H. Outdoor-Air Refrigerant-Coil Fan: The outdoor-air refrigerant-coil fan in RTUs. "Outdoor air" is defined as the air outside the building or taken from outdoors and not previously circulated through the system.
- I. Record: Maintain in writing on original paper and maintain a copy in electronic format, file type Portable Document Format (\*.PDF) is acceptable. Make paper copy available for inspection upon request by Owner, Owner's representative, Architect, or Architect's representative. Email electronic copy to requested email address when request is made by the Owner, Owner's representative, Architect, or Architect's representative. Document shall be "openable" by Owner and Architect's computer.
- J. Supply-Air Fan: Fan providing supply air to conditioned space.
- K. Supply air: Air entering a space from air-conditioning, heating, or ventilating equipment.
- L. Supply-Air Refrigerant Coil: Refrigerant coil in the supply-air stream to absorb heat (provide cooling) during cooling operations and to reject heat (provide heating) during heating operations. "Supply air" is defined as the air entering a space from air-conditioning, heating, or ventilating apparatus.
- M. Two-position: Able to electrically move and stop in only two positions. Usually open or closed.

FIRE STATIONS RENOVATION  
ARLINGTON COUNTY, VIRGINIA  
Architect's Project No: 563006

1.4 PERFORMANCE REQUIREMENTS

- A. Support: RTU supports shall comply with required wind and seismic performance requirements, including analysis by a qualified professional engineer.
- B. Wind-Restraint Performance shall comply with SEI/ASCE 7 for wind speed and building classification category. Provide minimum 10 lb/sq. ft. multiplied by the maximum area of the mechanical component projected on a vertical plane that is normal to the wind direction, and 45 degrees either side of normal.
- C. Seismic Performance: RTUs shall withstand the effects of earthquake motions determined according to SEI/ASCE 7.
  - 1. Unless otherwise indicated the term "withstand" means "the unit will remain in place without separation of any parts from the device when subjected to the seismic forces specified." The unit will not be required to operate after the event.

1.5 SUBMITTALS

- A. Pre-submittal Meeting: A representative of the manufacturer producing equipment being provided under this section of the specifications shall attend a meeting for the purpose of coordinating with the contractor performing work under section "Instrumentation and Control". The meeting shall be held at a location of the Contractor's choosing. The Contractor shall arrange the meeting. Submittals shall be essentially complete at the time of the meeting so detailed coordination items can be discussed.
- B. Product Data: Provide manufacturer's technical data for each RTU, including rated capacities, dimensions, required clearances, characteristics, furnished specialties, accessories, and mounting requirements.
- C. Exterior Color: Manufacturer's standard color shall be acceptable.
- D. Shop Drawings:
  - 1. Detail equipment assemblies, include:
    - 1. Internal components
    - 2. Dimensions
    - 3. Weights
    - 4. Loads
    - 5. Supports
    - 6. Required clearances.
  - 2. Provide method of field assembly.
  - 3. Indicate:
    - 1. Components
    - 2. Location
    - 3. size of each field connection
  - 4. Provide Wiring Diagrams for:
    - 1. Power



FIRE STATIONS RENOVATION  
ARLINGTON COUNTY, VIRGINIA  
Architect's Project No: 563006

2. Control
5. For RTU Support comply with performance requirements and design criteria, including analysis data signed and sealed by the qualified professional engineer responsible for support selection.
  1. Calculations: Calculate requirements for selecting vibration isolation, seismic restraint where required, and for vibration isolation.
  2. Detail mounting, securing, and flashing of roof curb to roof structure. Indicate coordinating requirements with roof membrane system, curb slope, and curb dimensions.
  3. Restraint: Detail fabrication and attachment of restraints. Indicate anchorage details, quantity, diameter, and connections.
- E. Coordination Drawings: Plans and other details, drawn to scale, on which the following items are indicated and coordinated using input from installers:
  1. Plan areas containing an RTU indicated at  $\frac{1}{4}'' = 1' - 0''$  or greater on construction drawings.
  2. Areas within 20 feet of section marks indicated on M2 series drawings where such section marks penetrate an RTU.
  3. Structural members to which RTUs will be attached.
  4. Related roof openings.
  5. Related roof curbs, slope, dimensions and flashing.
- F. Operation and Maintenance Data: For RTUs to include in emergency, operation, and maintenance manuals. In addition to items specified in Division 01 Section "Operation and Maintenance Data," Provide the following:
  1. After successful completion of testing & balancing, or commissioning provide the following:
    1. Completed Inspection & Testing form.
    2. Record copy of site-specific software on DVD.
    3. Maintenance, Inspection and Testing Records including, may not be limited to, the following:
      - 1) How to test installed components.
      - 2) Frequency of testing of installed components.
      - 3) Frequency of inspection of installed components.
      - 4) Manufacturer's user training manuals.
  2. Manufacturer's required maintenance related to system warranty requirements.
  3. Software and Firmware Operational Documentation:
    1. Software operating and upgrade manuals.
    2. Program Software Backup: On magnetic media or compact disk, complete with data files.
    3. Device address list.
    4. Printout of software application and graphic screens.
- G. Warranty: Special warranty specified in this Section.

FIRE STATIONS RENOVATION  
ARLINGTON COUNTY, VIRGINIA  
Architect's Project No: 563006

1.6 QUALITY ASSURANCE

A. ARI Compliance:

1. Comply with ARI 210/240 and ARI 340/360 for testing and rating energy efficiencies for RTUs.
2. Comply with ARI 270 for testing and rating sound performance for RTUs.

B. ASHRAE Compliance:

1. Comply with ASHRAE 15 for refrigeration system safety.
2. Comply with ASHRAE 33 for methods of testing cooling and heating coils.
3. Comply with applicable requirements in ASHRAE 62.1-2007, Section 5 - "Systems and Equipment" and Section 7 - "Construction and Startup."
4. Comply with all mandatory and prescriptive requirements of ASHRAE 90.1-2007

C. System safety. Comply with one of the following:

1. ASHRAE 15 for refrigeration system safety.
2. ASHRAE/IESNA 90.1-2007 applicable requirements in Section 6 - "Heating, Ventilating, and Air-Conditioning."
3. NFPA 90A and NFPA 90B.
4. UL 1995.

D. Electrical Components, Devices, and Accessories: Listed and labeled as defined in NFPA 70, Article 100, by a testing agency acceptable to authorities having jurisdiction, and marked for intended use.

E. The complete unit shall be ETL/CETL listed.

1.7 WARRANTY

A. Special Warranty: Manufacturer's standard form in which manufacturer agrees to provide labor and materials to remove and replace components of RTU's that fail in materials or workmanship within the following warranty period.

1. Compressors: 5 years from date of Substantial Completion.
2. Remainder of unit: 1 year from date of Substantial Completion.

PART 2 - PRODUCTS

2.1 MANUFACTURERS

- A. Daikin
- B. Trane

FIRE STATIONS RENOVATION  
ARLINGTON COUNTY, VIRGINIA  
Architect's Project No: 563006

C. Carrier

2.2 GENERAL

- A. Provide a packaged rooftop unit with digital or variable speed scroll compressor on lead circuit (as indicated on schedule), direct drive plenum supply and exhaust fan, double wall casing, indirect gas-fired burner, direct expansion cooling coil, hot gas reheat coil and factory installed controls as required by this specification.

2.3 CASINGS

1. General:

1. Fabrication Requirements: Formed and reinforced double-wall insulated panels, fabricated to allow removal for access to internal parts and components, with joints between sections sealed.
2. Exterior Material: Manufacturer's standard thickness galvanized steel and coated with factory-painted baked enamel finish, tested 750 hour in a salt spray test in compliance with ASTM B117, exterior color shall be manufacturer's standards, with pitched roof panels and knockouts with grommet seals for electrical and piping connections and lifting lugs.
3. Interior Material: Galvanized steel zinc coated with no finish or factory standard finish, with pitched roof panels and knockouts with grommet seals for electrical and piping connections. Construct supply and return opening with raised lip to ensure condensate will not spill into openings during overflow condition in primary condensate pan.

2. Fan Discharge Plenum Interior Material: Galvanized steel with no finish or factory standard finish.

3. Insulation and Adhesive:

1. Comply with NFPA 90A or NFPA 90B.
2. Materials: ASTM C 1071, Type I.
3. Thickness: 2"
4. Materials in contact with air stream shall have air-stream surface coated with an erosion- and temperature-resistant coating or they shall be faced with a plain or coated fibrous mat or fabric.
5. Liner Adhesive: Comply with ASTM C 916, Type I.

B. Condensate Drain Pans:

1. Formed sections of stainless-steel sheet, double sloped, a minimum of 2 inches deep, and complying with ASHRAE 62.1-2010.
2. Construction: Provide foam insulation on back. Double wall, foam insulated, moisture tight drain pans are acceptable.
3. Drain Connection(s): Threaded nipple with pan sloped in two directions to drain.

FIRE STATIONS RENOVATION  
ARLINGTON COUNTY, VIRGINIA  
Architect's Project No: 563006

4. Length downstream of cooling coil: Provide pan at least ½ the height of air tunnel to ensure all carryover is collected and drained.

- C. Airstream Surfaces: Surfaces in contact with the airstream shall comply with requirements in ASHRAE 62.1-2007 and UL 181.

#### 2.4 FANS

- A. Supply Fan: Direct drive or belt driven plenum type with factory installed VFD or variable speed ECM motor. Provide with permanently lubricated, motor installed on an adjustable fan base resiliently mounted in the casing. Provide aluminum wheel and steel scroll.

- B. Exhaust/Relief Fan: Direct drive or belt driven plenum type with factory installed VFD or variable speed ECM motor. Provide with permanently lubricated, motor installed on an adjustable fan base resiliently mounted in the casing. Provide aluminum wheel and steel scroll.

- C. Fan Shaft Bearings:

1. Prelubricated and Sealed, Ball Bearings: Self-aligning, pillow-block type with a rated life of 120,000 hours according to ANSI/ABMA 9

Or

2. Grease-Lubricated, Tapered-Roller Bearings: Self-aligning, pillow-block type with double-locking collars and 2-piece, cast-iron housing with grease lines extended to outside unit and a rated life of 120,000 hours according to ANSI/ABMA 11.

- D. Fan Sound-Power Levels:

1. Fans, except condenser fans, shall meet or create lower sound power levels than those indicated.
2. Fans, except condenser fans, shall comply with AMCA 301, "Methods for Calculating Fan Sound Ratings from Laboratory Test Data." Test fans according to AMCA 300, "Reverberant Room Method for Sound Testing of Fans." Fans shall bear AMCA-certified sound ratings seal.

- E. Fan Performance Rating: Except condenser fans factory test fan performance for airflow, pressure, power, air density, rotation speed, and efficiency. Rate performance according to AMCA 210, "Laboratory Methods of Testing Fans for Aerodynamic Performance Rating."

- F. Condenser Fan(s): Propeller mounted on shaft of permanently lubricated motor.

- G. Fan Motor(s): Refer to section "Common Motor Requirements for HVAC Equipment."

#### 2.5 COILS

- A. Indoor Air Refrigerant Coil:

FIRE STATIONS RENOVATION  
ARLINGTON COUNTY, VIRGINIA  
Architect's Project No: 563006

1. Aluminum fins, seamless copper tube with minimum 0.017" wall thickness, and equalizing vertical distributor.
2. Distribution: Interlaced.
3. Circuits: Minimum of one per compressor.
4. Casing: Galvanized steel.
5. Split: As indicated. If not indicated none required.
6. Leak Tested: 300 psig

B. Hot-Gas Reheat Coil:

1. Direct-Expansion Coil: Seamless copper tubes expanded into aluminum fins.
2. Refrigerant Circuits: A separate circuit for each compressor, with externally equalized thermal-expansion valve with adjustable superheat, filter-dryer, sight glass, high-pressure relief valve, and charging valves.
3. Coil Split: Face split.

2.6 REFRIGERANT CIRCUIT COMPONENTS

- A. Provide gauge ports with Schrader valves for measuring suction and hot gas pressure.
- B. Provide for operation of the unit for heating down to 0° F.
- C. Provide for operation of the unit for cooling down to 55° F.
- D. Compressor: Hermetic, scroll, mounted on rubber in shear pads; with internal overcurrent and high-temperature protection, internal pressure relief, and crankcase heater.
  1. Lead Circuit: Digital scroll or scroll with VFD for modulating capacity down to 15% or less.
- E. Refrigeration Specialties:
  1. Refrigerant: R-410A.
  2. Expansion valve with replaceable thermostatic element.
  3. Refrigerant filter/dryer.
  4. Manual-reset high-pressure safety switch.
  5. Automatic-reset low-pressure safety switch.
  6. Minimum off-time relay.
  7. Automatic-reset compressor motor thermal overload.
  8. Brass service valves and unions installed in compressor suction and discharge lines.

2.7 GAS FURNACE

- A. Description: Factory assembled, piped, and wired; complying with ANSI Z21.47 and NFPA 54.
  1. CSA Approval: Designed and certified by and bearing label of CSA.

FIRE STATIONS RENOVATION  
ARLINGTON COUNTY, VIRGINIA  
Architect's Project No: 563006

- B. Burners: Stainless steel.
  - 1. Fuel: As indicated.
  - 2. Ignition: Electronically controlled electric spark or hot-surface igniter with flame sensor.
- C. Heat-Exchanger and Drain Pan: Stainless steel. Provide 10 year warranty on heat exchanger.
- D. Venting: Gravity or power vented.
- E. Safety Controls: Manufacturer's standard in accordance with local and state code requirements.
- F. Capacity Control: As scheduled. If not scheduled modulating control shall be provided.
  - 1. Cycle: All heat on or off as needed
  - 2. Stage: Provide a minimum of 4 stages, 25%, 50%, 75%, and 100%. Maximum temperature rise at 25% shall be fifteen degrees Fahrenheit (15° F).
  - 3. Modulating: Heat output shall be variable down to 20% of scheduled capacity or a maximum temperature rise of fifteen degrees Fahrenheit (15° F).

2.8 AIR FILTRATION SECTION

- A. Required sections:
  - 1. Outside Air Filters: Provide MERV 8 (30% efficient) 2" thick disposable pre-filters and MERV-13 2" thick final filters.
  - 2. Exhaust Air Filters: Provide MERV 8 (30% efficient) 2" thick disposable filters in exhaust air stream prior to energy recovery device.
- B. Refer to Division 23, Section "Particulate Air Filtration"

2.9 DAMPERS

- A. General Requirements for Dampers: Leakage rate, per AMCA 500, "Laboratory Methods for Testing Dampers for Rating," shall not exceed 2% of air quantity at 2000 FPM face velocity through damper and 4" WG pressure differential.
- B. Outdoor Air Damper(s): Two-position opposed blade galvanized steel motorized mechanically fastened to cadmium plated steel operating rods in reinforced cabinet, with bird screen and intake hood. Damper can provide outside air flow measuring.
- C. Exhaust Air Damper(s): Two-position opposed blade galvanized steel dampers mechanically fastened to cadmium plated steel operating rod in reinforced cabinet. Can be inversely interlock with Outdoor Air Damper if factory standard.
- D. Damper Motors:
  - 1. Two-position.
  - 2. Adjustable minimum and maximum position.

FIRE STATIONS RENOVATION  
ARLINGTON COUNTY, VIRGINIA  
Architect's Project No: 563006

2.10 ELECTRICAL POWER CONNECTION

- A. Provide for single connection of power to unit with unit-mounted disconnect switch accessible from outside unit and control-circuit transformer with built-in overcurrent protection
- B. Provide electrical power phase monitoring to shut down unit if a phase is lost.

2.11 ACCESSORIES

- A. Guards:
  - 1. Provide coil guards of galvanized stamped steel, painted to match casing. Guards shall be on sides of unit. Coils shall not be clearly visible from any direction.

2.12 ROOF CURBS

- A. Provide under this section. Refer to seismic and wind-restraint requirements under part 1 of this specification.
- B. Height: 12" greater than the highest portion of adjacent roof insulation.
- C. Slope: Match structure. Top of curb shall be level and each edge shall be flush with other edges on all sides.
- D. Roof Deck: Remove roof deck as required for ductwork and piping installation and insulation. Where pipe chases are provided remove roof deck inside curb and inside pipe chase.
- E. Wood Blocking and Shimming: Not permitted.

2.13 CONTROLS

- A. Basic Unit Controls:
  - 1. Manufacturer to provide basic controls for RTU operation including air-side economizer, power relief/exhaust.
  - 2. Manufacturer to provide terminal strip for BAS to integrate and control unit.
  - 3. Unit shall be provided with commercial grade programmable thermostat capable of occupied/unoccupied modes to control outside airflow rates.
  - 4. Provide control voltage transformer:
    - 1. Primary Voltage: As required
    - 2. Secondary Voltage: As required
    - 3. Load: As required - 100 VA minimum
- B. Refrigeration system control

FIRE STATIONS RENOVATION  
ARLINGTON COUNTY, VIRGINIA  
Architect's Project No: 563006

1. The manufacturer furnishing equipment under this section shall provide all controls for the compressors and refrigeration system including but not limited to staging and safeties under this section.

C. Sequence of Control

1. Refer to spec section Sequence of Controls for HVAC Operation

PART 3 - EXECUTION

3.1 EXAMINATION

- A. Examine substrates, areas, and conditions, with Installer present, for compliance with requirements for installation tolerances and other conditions affecting performance of RTUs.
- B. Examine roughing-in for RTUs to verify actual locations of piping and duct connections before equipment installation.
- C. Examine roofs or grade for suitable conditions where RTUs will be installed.
- D. Proceed with installation only after unsatisfactory conditions have been corrected.

3.2 INSTALLATION

A. Roof Mounted Unit:

1. Roof Curb
  1. Coordinate roof penetrations.
  2. Coordinate flashing with roof manufacturer.
  3. Install curb on roof structure, secure with anchor bolts and make top edges of curb level and all edges flush with each other.
  4. Secure equipment to upper curb rail (level) as recommended by equipment manufacturer.
  5. Install roof deck and roof insulation inside the curb under the equipment.
  6. Install roof curb below equipment pipe chase where pipe chase is required/provided.
  7. Eliminate roof deck and insulation below pipe chase where pipe chase is required/provided.
  8. Attach stainless steel wire mesh to deck over opening in pipe chase between roof and space below.

- B. Coordination: Coordinate penetrations and flashing.



FIRE STATIONS RENOVATION  
ARLINGTON COUNTY, VIRGINIA  
Architect's Project No: 563006

3.3 FIELD QUALITY CONTROL

- A. Whether or not use of equipment is otherwise permitted, startup service, tests, and inspections must be complete prior to running unit. Failure to perform startup service, tests, and inspections prior to running equipment shall grant the owner's representative authority to have the units/equipment removed from the site at the Contractor's expense. This paragraph shall not be construed to grant the Contractor permission to use the unit(s)/equipment specified in this section of the specifications.
- B. Manufacturer's Field Service: Engage a factory-authorized service representative to inspect, test, and adjust components, assemblies, and equipment installations, including connections. Record results.
- C. Tests and Inspections:
  - 1. Inspect for and remove shipping bolts, blocks, and tie-down straps.
  - 2. Fan Operational Test: After electrical circuitry has been energized, start units to confirm proper motor rotation and unit operation. Replace or repair faulty equipment.
  - 3. Test and adjust controls and safeties. Replace damaged and malfunctioning controls and equipment.
- D. RTU's or components will be considered defective if unit or components do not pass tests and inspections.
- E. Prepare test and inspection reports.

3.4 STARTUP SERVICE

- A. Engage a factory-authorized service representative to perform startup service.
- B. Complete installation and startup checks according to manufacturer's written instructions and do the following:
  - 1. Verify that unit is secure on mountings and supporting devices and connections to piping, ducts, and electrical systems are complete.
  - 2. Verify that proper thermal overload protection is installed in motors, controllers, and switches.
  - 3. Disconnect fan drive system. Verify proper motor rotation direction, free fan wheel rotation, and smooth bearing operation. Reconnect fan drive system, align and adjust belts to proper tension.
  - 4. Verify that bearings, pulleys, belts, and other moving parts are lubricated with factory-recommended lubricants.
  - 5. Verify that dampers fully open and close.
  - 6. Inspect dampers for proper stroke.
  - 7. Inspect damper blades and seals for visible defects.
  - 8. Inspect coil fins. Comb damaged coil fins for parallel orientation.
  - 9. Verify that proper thermal overload protection is installed for electric coils.
  - 10. Install new filters.

FIRE STATIONS RENOVATION  
ARLINGTON COUNTY, VIRGINIA  
Architect's Project No: 563006

11. If not direct drive place new belts on coat hook attached with ¼” long stainless steel sheet metal screws inside unit adjacent to existing belts where no damage will occur. Including but not limited to fans, energy recovery wheels, and enthalpy wheels.
12. Verify that manual and automatic volume control and fire and smoke dampers in connected duct systems are in fully open position.
13. Verify that smoke dampers in connected duct system fully close when unit is deactivated.
14. Inspect for visible damage to unit casing.
15. If included in unit inspect furnace combustion chamber for visible damage.
16. Inspect coils, and fans for visible damage.
17. Inspect internal casing for visible damage.
18. Verify that labels are clearly visible.
19. Verify that clearances have been provided for servicing.
20. Verify that controls are connected and operable.
21. Clean condenser coil and inspect for construction debris.
22. If included in unit, clean furnace flue and inspect for construction debris.
23. Remove packing from vibration isolators.
24. Inspect fan wheel for operation without vibration and binding.
25. Start unit according to manufacturer's written instructions.
  1. Start cooling system.
  2. Do not operate below recommended ambient temperature.
  3. Complete startup sheets and attach 1 paper, and one “universally readable” electronic copy on USB flash drive, with startup report. Maintain a copy in electronic format, file type Portable Document Format (\*.TXT, \*.DOC, \*.RTF, & \*.PDF) file formats are acceptable. The file format must be one of those listed or the Owner and Architect must own a computer and software capable of reading the electronic file.
26. Inspect and record performance of interlocks and protective devices.
27. Verify sequence of operation.
28. Operate unit for an initial period as recommended or required by manufacturer.
29. Calibrate sensors including thermostats.
30. Adjust and inspect high-temperature limits.
31. With unit operating start cooling system, measure, and record the following when the ambient temperature is a minimum of 85° F:
  1. Coil leaving air, dry and wet bulb temperatures.
  2. Coil entering air, dry and wet bulb temperatures.
  3. Return air, dry and wet bulb temperatures.
  4. Outdoor air, dry and wet bulb temperatures.
  5. Outdoor air (condenser) coil, discharge air, dry bulb temperature.
32. Measure and record the following minimum and maximum airflows. Plot fan volumes on fan curve.
  1. Supply air volume.
  2. Return air volume.
  3. Relief/exhaust air volume.
  4. Record relief/exhaust airflow station reading in CFM from BAS head end.
  5. Outdoor air intake volume.
  6. Record outdoor air intake airflow station reading in CFM from BAS head end.
33. Simulate maximum cooling demand by utilizing 100% outdoor air and lowering discharge air temperature. Record the discharge air temperature and outdoor air volume

FIRE STATIONS RENOVATION  
ARLINGTON COUNTY, VIRGINIA  
Architect's Project No: 563006

used for the simulation. During simulation operation inspect, measure, and record the following:

1. Compressor refrigerant suction and hot gas pressures.
2. Short circuiting of air through condenser coil or from condenser fans to outdoor-air intake.

3.5 CLEANING AND ADJUSTING

- A. Occupancy Adjustments: Within 12 months of the date of Substantial Completion, provide up to two (2) on site visits, during normal or other than normal occupancy hours as requested by owner, to assist in adjusting system.
- B. After completing testing, adjusting, and balancing clean RTU's internally to remove foreign material and construction dirt and dust. Clean fan wheels, cabinets, dampers, coils, and filter housings, and install new, filters.

3.6 DEMONSTRATION

- A. Engage a factory-authorized service representative to train Owner's maintenance personnel to adjust, operate, and maintain units/equipment.

END OF SECTION 237413

FIRE STATIONS RENOVATION  
ARLINGTON COUNTY, VIRGINIA  
Architect's Project No: 563006

SECTION 238126 – DUCTLESS MINI-SPLIT AIR-CONDITIONING UNITS

PART 1 - GENERAL

1.1 RELATED DOCUMENTS

- A. Drawings and general provisions of the Contract, including General and Supplementary Conditions and Division 1 Specification Sections, apply to this Section.

1.2 SUMMARY

- A. This Section includes ductless mini-split air-conditioning units consisting of separate evaporator-fan and compressor-condenser components. Evaporator fan units are designed for ceiling or wall mounting. The compressor-condenser unit shall be remote and located on the roof where indicated on the Drawings.
- B. Related Sections include the following:
  - 1. Division 23 Section "Vibration Control for HVAC" for isolation pads.

1.3 DEFINITIONS

- A. Evaporator-Fan Unit: The part of the ductless mini-split air-conditioning unit that contains a coil for cooling and a fan to circulate air to conditioned space.
- B. Compressor-Condenser Unit: The part of the ductless mini-split air-conditioning unit that contains a refrigerant compressor and a coil for condensing refrigerant.

1.4 SUBMITTALS

- A. Product Data: Include rated capacities; shipping, installed, and operating weights; furnished specialties; and accessories for each type of product indicated. Include performance data in terms of capacities, outlet velocities, static pressures, sound power characteristics, motor requirements, and electrical characteristics.
- B. Shop Drawings: Diagram power, signal, and control wiring and differentiate between manufacturer-installed and field-installed wiring.
- C. Maintenance Data: For ductless mini-split air-conditioning units to include in maintenance manuals specified in Division 1.
- D. Warranties: Special warranties specified in this Section.

1.5 QUALITY ASSURANCE

FIRE STATIONS RENOVATION  
ARLINGTON COUNTY, VIRGINIA  
Architect's Project No: 563006

- A. Product Options: Drawings indicate size, profiles, and dimensional requirements of ductless mini-split units and are based on the specific system indicated. Other manufacturers' systems with equal performance characteristics may be considered.
- B. Units shall be tested by a Nationally Recognized Testing Laboratory and shall bear the ETL label.
- C. All wiring shall be in accordance with the governing version of the National Electrical Code.
- D. Units shall be rated in accordance with ARI Standard 210 and bear the ARI Certification label.
- E. Units shall be precharged with refrigerant for 70 feet of refrigerant tubing.
- F. Electrical Components, Devices, and Accessories: Listed and labeled as defined in NFPA 70, Article 100, by a testing agency acceptable to authorities having jurisdiction, and marked for intended use.
- G. ASHRAE/IESNA Compliance: Applicable requirements in ASHRAE/IESNA 90.1-2010.

1.6 COORDINATION

- A. Coordinate size, location, and connection details with roof curbs, equipment supports, and roof penetrations specified in Division 7 Section "Flashing, Sheet Metal and Roofing Accessories."

1.7 WARRANTY

- A. General Warranty: Special warranty specified in this Article shall not deprive Owner of other rights Owner may have under other provisions of the Contract Documents and shall be in addition to, and run concurrent with, other warranties made by Contractor under requirements of the Contract Documents.
- B. Warranty Period: One year from date of Substantial Completion. If, during this period, any part should fail to function properly due to defects in workmanship or material, it shall be replaced or repaired at the discretion of the manufacturer by the Contractor. Warranty does not include labor. Labor is paid for by the Owner.

PART 2 - PRODUCTS

2.1 MANUFACTURERS

- A. Available Manufacturers: Subject to compliance with requirements, manufacturers offering products that may be incorporated into the Work include, but are not limited to, the following:
  - 1. Daikin  
No other manufacturers are acceptable as the basis of design unit is matching the equipment for the existing fire station.

FIRE STATIONS RENOVATION  
ARLINGTON COUNTY, VIRGINIA  
Architect's Project No: 563006

2.2 CEILING-MOUNTED, EVAPORATOR-FAN COMPONENTS

- A. The evaporator section shall be designed to be ceiling-mounted by means of a factory supplied mounting plate. Air distribution shall be integral to the wall-mounted unit.
- B. Cabinet and Chassis: Cabinet shall be high strength molded plastic with front panel access for the filter. Cabinet color shall be white. Include drain pan with drain connection. Indoor unit shall be factory assembled, wired and tested. Contained within unit shall be all factory wiring and internal piping, control circuit board and fan motor. The unit in conjunction with the wall mounted controller shall have a self-diagnostic function, three minute time delay mechanism, an auto restart function, and a test run switch. Indoor unit and refrigerant piping shall be purged with dry nitrogen before shipment from the factory.
- C. Refrigerant Coil: Evaporator coil shall be nonferrous construction with pre-coated aluminum fins on copper tubing. All tube joints shall be brazed with silver alloy. Coils shall be pressure tested at the factory. A condensate pan and drain shall be provided under the coil.
- D. Fan and Motor: Evaporator fan shall be double inlet, forward curved, direct drive fan with a single motor. The fan shall be statically and dynamically balanced and run on a motor with permanently lubricated bearings. The indoor fan shall have two speeds: low and high.
- E. Vane: Unit shall include a motorized horizontal vane to automatically direct air flow in a horizontal and downward direction for uniform air distribution. The horizontal vane shall significantly decrease downward air resistance for lower noise levels and shall close when unit stops.
- F. Filters: Return air shall be filtered with a removable and washable filter.

2.3 AIR-COOLED, COMPRESSOR-CONDENSER COMPONENTS

- A. General: Outdoor unit shall be the same capacity as the indoor unit and include a control board that interfaces with the indoor unit to perform all necessary operation functions. Outdoor unit shall be capable of operating at 0°F ambient temperature without additional low ambient controls. Outdoor unit shall be able to operate with a maximum height difference of 100 feet from indoor unit to outdoor unit and a maximum refrigerant tubing length of 165 feet between the indoor and outdoor unit without the need for line size changes, traps, or additional oil
- B. Casing: Casing shall be galvanized steel plate coated with an electrostatically applied thermally fused acrylic or polyester powder coating. The fan grille shall be ABS plastic.
- C. Compressor: The compressor shall be a DC rotary compressor with variable compressor speed inverter technology. The compressor shall be driven by inverter circuitry to control compressor speed. Compressor speed shall be varied to match space load. Outdoor unit shall include an accumulator and high pressure safety switch. The compressor shall be mounted to avoid the transmission of vibration.
- D. Refrigerant Coil: Condenser coil shall be copper tubing with aluminum fins. The coil shall be protected with an integral metal guard. Refrigerant flow from the condenser shall be controlled

FIRE STATIONS RENOVATION  
ARLINGTON COUNTY, VIRGINIA  
Architect's Project No: 563006

by means of linear expansion valve (LEV) metering orifice. The LEV shall be controlled by a microprocessor-controlled step motor.

- E. Fan: The fan motor bearings shall be permanently lubricated. The fan shall have horizontal discharge airflow. The fan shall be mounted in front of the coil. The fan shall include a raised guard to prevent contact with moving parts.

## 2.4 ACCESSORIES

1. Control: The control system shall be microprocessor-based and include one microprocessor on the outdoor unit and one on the indoor unit. Wall-mounted controller shall have a liquid crystal display indicating operating status and alarm condition and shall include a temperature sensor. A membrane keypad shall be included for program control and set point adjustment.
  2. The controller shall consist of On/Off button, increase/decrease set temperature buttons, a cool/dry/fan mode selector, timer menu button, timer on/off button, set time buttons, fan speed selector, vane position selector, a ventilation button, a test run button, and a check mode button.
  3. The controller shall display operating conditions such as set temperature, room temperature, pipe temperatures (i.e. liquid, discharge, indoor and outdoor), compressor operating conditions (including running current, frequency, input voltage, On/Off status and operating time), LEV opening pulses, sub-cooling and discharge super heat.
  4. Normal operation of the controller shall provide individual system control in which one controller and one indoor unit are installed in the same room.
  5. The control voltage from the controller to the indoor unit shall be 12 volts, DC. The control signal between the indoor and outdoor unit shall be pulse signal 24 volts DC. Up to two wired controllers shall be able to be used to control one unit.
  6. Control system shall control the continued operation of the air sweep louvers, as well as provide On/Off and mode switching. The controller shall have the capability to provide sequential starting with up to fifty seconds delay.
- B. Refrigerant Line Sets: Soft-annealed copper suction and liquid lines factory cleaned, dried, pressurized, and sealed; factory-insulated suction line with flared fittings at both ends. Pre-charge line sets in proper lengths for application. Final length shall be field verified. Refer to section "Refrigerant Piping" for additional requirements.
- C. Factory-installed and -wired disconnect to be provided under this Section.

## PART 3 - EXECUTION

### 3.1 INSTALLATION

- A. Install units level and plumb, firmly anchored, in accordance with the manufacturer's written recommendations.
- B. Install evaporator-fan components using manufacturer's standard mounting devices securely fastened to building structure.

FIRE STATIONS RENOVATION  
ARLINGTON COUNTY, VIRGINIA  
Architect's Project No: 563006

- C. Install roof-mounted compressor-condenser components on equipment supports specified in Division 7 Section "Flashing, Sheet Metal and Roofing Accessories." Anchor units to supports with removable, cadmium-plated fasteners.
- D. Install compressor-condenser components on Elastomeric pads. Refer to Division 23 Section "Vibration Control for HVAC."
- E. Connect pre-charged refrigerant tubing to component's quick-connect fittings. Install tubing to allow access to unit.

### 3.2 CONNECTIONS

- A. Piping installation requirements are specified in other Division 23 Sections. Drawings indicate general arrangement of piping, fittings, and specialties.
- B. Connect condensate drain piping. Unit drain shall be internally trapped.
- C. Install piping adjacent to unit to allow service and maintenance.
- D. Unless otherwise indicated, connect piping with unions and shutoff valves to allow units to be disconnected without draining piping. Refer to piping system Sections for specific valve and specialty arrangements.
- E. Ground equipment.
  - 1. Tighten electrical connectors and terminals according to manufacturer's published torque-tightening values. If manufacturer's torque values are not indicated, use those specified in UL 486A and UL 486B.

### 3.3 FIELD QUALITY CONTROL

- A. Installation Inspection: Engage a factory-authorized service representative to inspect field-assembled components and equipment installation, including piping and electrical connections, and to prepare a written report of inspection.
- B. Leak Test: After installation, charge system and test for leaks. Repair leaks and retest until no leaks exist.
- C. Operational Test: After electrical circuitry has been energized, start units to confirm proper motor rotation and unit operation. Remove malfunctioning units, replace with new components, and retest.
- D. Test and adjust controls and safeties. Replace damaged and malfunctioning controls and equipment.

### 3.4 COMMISSIONING



FIRE STATIONS RENOVATION  
ARLINGTON COUNTY, VIRGINIA  
Architect's Project No: 563006

- A. Engage a factory-authorized service representative to perform startup service.
- B. Verify that units are installed and connected according to the Contract Documents.
- C. Lubricate bearings, adjust belt tension, and change filters.
- D. Perform startup checks according to manufacturer's written instructions and do the following:
  - 1. Fill out manufacturer's checklists.
  - 2. Check for unobstructed airflow over coils.
  - 3. Check operation of condenser capacity-control device.
  - 4. Verify that vibration isolation devices and flexible connectors dampen vibration transmission to structure.

3.5 DEMONSTRATION

- A. Engage a factory-authorized service representative to train Owner's maintenance personnel to adjust, operate, and maintain units.
  - 1. Train Owner's maintenance personnel on procedures and schedules for starting and stopping, troubleshooting, servicing, and maintaining units.
  - 2. Review data in maintenance manuals. Refer to Division 1 Section "Closeout Procedures."

END OF SECTION 238126

FIRE STATIONS RENOVATION  
ARLINGTON COUNTY, VIRGINIA  
Architect's Project No: 563006

---

SECTION 260519 - LOW-VOLTAGE ELECTRICAL POWER CONDUCTORS AND CABLES

PART 1 - GENERAL

1.1 RELATED DOCUMENTS

- A. Drawings and general provisions of the Contract, including General and Supplementary Conditions and Division 01 Specification Sections, apply to this Section.

1.2 SUMMARY

A. Section Includes:

- 1. Building wires and cables rated 600 V and less.
- 2. Connectors, splices, and terminations rated 600 V and less.

B. Related Requirements:

- 1. Section 260523 "Control-Voltage Electrical Power Cables" for control systems communications cables and Classes 1, 2 and 3 control cables.

1.3 ACTION SUBMITTALS

- A. Product Data: For each type of product.

1.4 INFORMATIONAL SUBMITTALS

- A. Field quality-control reports.

PART 2 - PRODUCTS

2.1 CONDUCTORS AND CABLES

- A. Manufacturers: Subject to compliance with requirements, available manufacturers offering products that may be incorporated into the Work include, but are not limited to the following:

- 1. Cerro Wire LLC.
- 2. General Cable; General Cable Corporation.
- 3. Southwire Company.

- B. Copper Conductors: Comply with NEMA WC 70/ICEA S-95-658.

FIRE STATIONS RENOVATION  
ARLINGTON COUNTY, VIRGINIA  
Architect's Project No: 563006

---

- C. Conductor Insulation: Comply with NEMA WC 70/ICEA S-95-658 for Type THHN-2-THWN-2.
- D. Multiconductor Cable: Comply with NEMA WC 70/ICEA S-95-658 for type SO with ground wire. Type MC Cable is not allowed.

## 2.2 CONNECTORS AND SPLICES

- A. Manufacturers: Subject to compliance with requirements, available manufacturers offering products that may be incorporated into the Work include, but are not limited to the following:
  - 1. 3M.
  - 2. Hubbell Power Systems, Inc.
  - 3. ILSCO.
  - 4. Tyco Electronics Corp.
- B. Description: Factory-fabricated connectors and splices of size, ampacity rating, material, type, and class for application and service indicated.

## 2.3 SYSTEM DESCRIPTION

- A. Electrical Components, Devices, and Accessories: Listed and labeled as defined in NFPA 70, by a qualified testing agency, and marked for intended location and application.
- B. Comply with NFPA 70.

## PART 3 - EXECUTION

### 3.1 CONDUCTOR MATERIAL APPLICATIONS

- A. Feeders: Copper: Stranded for No. 8 AWG and larger.
- B. Branch Circuits: Copper. Solid or Stranded for No. 10 AWG and smaller; stranded for No. 8 AWG and larger.

### 3.2 CONDUCTOR INSULATION AND MULTICONDUCTOR CABLE APPLICATIONS AND WIRING METHODS

- A. Service Entrance: Type XHHW-2, single conductors in raceway.
- B. Exposed Feeders: Type THHN-2-THWN-2, single conductors in raceway.
- C. Feeders Concealed in Ceilings, Walls, Partitions, and Crawlspace: Type THHN-2-THWN-2, single conductors in raceway.

FIRE STATIONS RENOVATION  
ARLINGTON COUNTY, VIRGINIA  
Architect's Project No: 563006

---

- D. Feeders Concealed in Concrete, below Slabs-on-Grade, and Underground: Type THHN-2-THWN-2, single conductors in raceway.
- E. Exposed Branch Circuits, Including in Crawlspace: Type THHN-2-THWN-2, single conductors in raceway.
- F. Branch Circuits Concealed in Ceilings, Walls, and Partitions: Type THHN-2-THWN-2, single conductors in raceway.
- G. Branch Circuits Concealed in Concrete, below Slabs-on-Grade, and Underground: Type THHN-2-THWN-2, single conductors in raceway.
- H. Cord Drops and Portable Appliance Connections: Type SO, hard service cord with stainless-steel, wire-mesh, strain relief device at terminations to suit application.

### 3.3 INSTALLATION OF CONDUCTORS AND CABLES

- A. Conceal cables in finished walls, ceilings, and floors unless otherwise indicated.
- B. Complete raceway installation between conductor and cable termination points according to Section 260533 "Raceways and Boxes for Electrical Systems" prior to pulling conductors and cables.
- C. Use manufacturer-approved pulling compound or lubricant where necessary; compound used must not deteriorate conductor or insulation. Do not exceed manufacturer's recommended maximum pulling tensions and sidewall pressure values.
- D. Use pulling means, including fish tape, cable, rope, and basket-weave wire/cable grips, that will not damage cables or raceway.
- E. Install exposed cables parallel and perpendicular to surfaces of exposed structural members, and follow surface contours where possible.
- F. Branch Circuits Concealed in Casework: FMC with Stranded conductors may be used to feed to outlet boxes fish concealed in built-in casework. Route cable supported tight in upper inside corners of casework, not in conflict with drawers or cabinet doors.
- G. Support cables according to Section 260529 "Hangers and Supports for Electrical Systems."
- H. Whips from Junction Box Concealed in Ceilings to Lighting Fixtures:
  - 1. Type FMC, with minimum #12AWG copper THHN/THWN and full size equipment grounding conductor. Maximum whip length 72".
  - 2. FMC shall be supported within 24" of fixture connection so that whip is not in contact with ceiling or grid. Securing to fixture support wires with batwings is acceptable but not to ceiling support wires.
  - 3. Do not connect fixture whips from fixture to fixture (daisy chain). No more than 4 whips shall be connected to any one junction box.

FIRE STATIONS RENOVATION  
ARLINGTON COUNTY, VIRGINIA  
Architect's Project No: 563006

---

- I. All single-phase circuits shall include a dedicated neutral (grounded) and grounding conductor, unless specifically noted otherwise.
  - 1. The intent of this is to eliminate multiwire branch circuits and allow disconnection of one circuit without requiring disconnection of other(s) as would be required to comply with NEC 210.4(B). Per NEC 310.15(B)(b) each of these neutral (grounded) conductor is not considered to be load-bearing so derating is not required.
  
- J. Contract drawings are based upon a maximum of 3 current-carrying conductors in a conduit. Contractor may rework indicated circuitry to install a maximum of (6) L-N circuit (120 or 277V) in a single conduit. There shall be no more than 2 each A, B, C phase conductors per homerun. Each shall have dedicated neutral (grounded) conductor.
  - 1. Do not group L-L circuits in a homerun, unless specifically indicated on the drawings.
  - 2. Where there are more than 3 current-carrying conductors in a conduit, derate conductor ampacities in accordance with NEC Table 310.15(B)(2)(a).
  - 3. When running more than 3 ungrounded conductors in a raceway, increase size of conduits beyond those indicated in contract documents, as required to not exceed NEC Chapter 9, Table 1 conduit-fill requirements. As-built drawings shall clearly indicate which circuits are grouped in homeruns.
  
- K. Unless otherwise indicated, minimum conductor size shall be 12 AWG.

### 3.4 CONNECTIONS

- A. Tighten electrical connectors and terminals according to manufacturer's published torque-tightening values. If manufacturer's torque values are not indicated, use those specified in UL 486A-486B.
  
- B. Make splices, terminations, and taps that are compatible with conductor material and that possess equivalent or better mechanical strength and insulation ratings than unspliced conductors.
  
- C. Wiring at Outlets: Install conductor at each outlet, with at least 12 inches of slack.

### 3.5 IDENTIFICATION

- A. Identify and color-code conductors and cables according to Section 260553 "Identification for Electrical Systems."
  
- B. Identify each spare conductor at each end with identity number and location of other end of conductor, and identify as spare conductor.

### 3.6 SLEEVE AND SLEEVE-SEAL INSTALLATION FOR ELECTRICAL PENETRATIONS

- A. Install sleeves and sleeve seals at penetrations of exterior floor and wall assemblies. Comply with requirements in Section 260544 "Sleeves and Sleeve Seals for Electrical Raceways and Cabling."

FIRE STATIONS RENOVATION  
ARLINGTON COUNTY, VIRGINIA  
Architect's Project No: 563006

---

3.7 FIRESTOPPING

- A. Apply firestopping to electrical penetrations of fire-rated floor and wall assemblies to restore original fire-resistance rating of assembly according to Section 078413 "Penetration Firestopping."

3.8 FIELD QUALITY CONTROL

- A. Perform the following tests and inspections:
1. After installing conductors and cables and before electrical circuitry has been energized, test service entrance and feeder conductors for compliance with requirements.
  2. Perform each visual and mechanical inspection and electrical test stated in NETA Acceptance Testing Specification. Certify compliance with test parameters.
- B. Test and Inspection Reports: Prepare a written report to record the following:
1. Procedures used.
  2. Results that comply with requirements.
  3. Results that do not comply with requirements and corrective action taken to achieve compliance with requirements.
- C. Cables will be considered defective if they do not pass tests and inspections.

END OF SECTION 260519

FIRE STATIONS RENOVATION  
ARLINGTON COUNTY, VIRGINIA  
Architect's Project No: 563006

---

SECTION 260523 - CONTROL-VOLTAGE ELECTRICAL POWER CABLES

PART 1 - GENERAL

1.1 RELATED DOCUMENTS

- A. Drawings and general provisions of the Contract, including General and Supplementary Conditions and Division 01 Specification Sections, apply to this Section.

1.2 SUMMARY

- A. Section Includes:
  - 1. Low-voltage control cabling.
  - 2. Control-circuit conductors.
  - 3. Identification products.

1.3 DEFINITIONS

- A. EMI: Electromagnetic interference.
- B. Low Voltage: As defined in NFPA 70 for circuits and equipment operating at less than 50 V or for remote-control and signaling power-limited circuits.
- C. Plenum: A space forming part of the air distribution system to which one or more air ducts are connected. An air duct is a passageway, other than a plenum, for transporting air to or from heating, ventilating, or air-conditioning equipment.

1.4 ACTION SUBMITTALS

- A. Product Data: For each type of product.

1.5 INFORMATIONAL SUBMITTALS

- A. Qualification Data: For qualified layout technician, installation supervisor, and field inspector.
- B. Source quality-control reports.
- C. Field quality-control reports.

FIRE STATIONS RENOVATION  
ARLINGTON COUNTY, VIRGINIA  
Architect's Project No: 563006

---

PART 2 - PRODUCTS

2.1 SYSTEM DESCRIPTION

- A. Electrical Components, Devices, and Accessories: Listed and labeled as defined in NFPA 70, by a qualified testing agency, and marked for intended location and application.

2.2 PERFORMANCE REQUIREMENTS

- A. Flame Travel and Smoke Density in Plenums: As determined by testing identical products according to NFPA 262 by a qualified testing agency. Identify products for installation in plenums with appropriate markings of applicable testing agency.
  - 1. Flame Travel Distance: 60 inches or less.
  - 2. Peak Optical Smoke Density: 0.5 or less.
  - 3. Average Optical Smoke Density: 0.15 or less.
- B. Flame Travel and Smoke Density for Riser Cables in Non-Plenum Building Spaces: As determined by testing identical products according to UL 1666.
- C. Flame Travel and Smoke Density for Cables in Non-Riser Applications and Non-Plenum Building Spaces: As determined by testing identical products according to UL 1685.

2.3 BACKBOARDS

- A. Description: Plywood, fire-retardant treated, 3/4 by 48 by 96 inches. Comply with requirements for plywood backing panels in Section 061000 "Rough Carpentry."
- B. Painting: Paint plywood on all sides and edges with flat latex paint. Comply with requirements in Section 099123 "Interior Painting."

2.4 LOW-VOLTAGE CONTROL CABLE

- A. Paired Cable: NFPA 70, Type CMG.
  - 1. Multi-pair, twisted, No. 18 AWG, stranded (19x30) tinned-copper conductors.
  - 2. PVC insulation.
  - 3. Unshielded.
  - 4. PVC jacket.
  - 5. Flame Resistance: Comply with UL 1685.
- B. Plenum-Rated, Paired Cable: NFPA 70, Type CMP.
  - 1. Multi-pair, twisted, No. 18 AWG, stranded (19x30) tinned-copper conductors.



FIRE STATIONS RENOVATION  
ARLINGTON COUNTY, VIRGINIA  
Architect's Project No: 563006

---

2. PVC insulation.
3. Unshielded.
4. PVC jacket.
5. Flame Resistance: Comply with NFPA 262.

## 2.5 CONTROL-CIRCUIT CONDUCTORS

- A. Manufacturers: Subject to compliance with requirements, available manufacturers offering products that may be incorporated into the Work include, but are not limited to the following:
1. Encore Wire Corporation.
  2. General Cable; General Cable Corporation.
  3. Southwire Company.
- B. Class 1 Control Circuits: Stranded copper, Type THHN-2-THWN-2, in raceway, complying with UL 83.
- C. Class 2 Control Circuits: Stranded copper, Type THHN-2-THWN-2, in raceway, complying with UL 83.
- D. Class 3 Remote-Control and Signal Circuits: Stranded copper, Type THHN-2-THWN-2, in raceway, complying with UL 83.
- E. Class 2 Control Circuits and Class 3 Remote-Control and Signal Circuits That Supply Critical Circuits: Circuit Integrity (CI) cable.
1. Smoke control signaling and control circuits.

## 2.6 SOURCE QUALITY CONTROL

- A. Cable will be considered defective if it does not pass tests and inspections.
- B. Prepare test and inspection reports.

## PART 3 - EXECUTION

### 3.1 INSTALLATION OF RACEWAYS AND BOXES

- A. Comply with requirements in Section 260533 "Raceways and Boxes for Electrical Systems" for raceway selection and installation requirements for boxes, conduits, and wireways as supplemented or modified in this Section.
1. Outlet boxes shall be no smaller than 2 inches wide, 3 inches high and 2-1/2 inches deep.
  2. Flexible metal conduit shall not be used over 6'.

FIRE STATIONS RENOVATION  
ARLINGTON COUNTY, VIRGINIA  
Architect's Project No: 563006

---

- B. Backboards: Install backboards with 96-inch dimension vertical. Butt adjacent sheets tightly and form smooth gap-free corners and joints.

### 3.2 INSTALLATION OF CONDUCTORS AND CABLES

- A. Comply with NECA 1 and NFPA 70.

- B. General Requirements for Cabling:

1. Cables may not be spliced.
2. Secure and support cables at intervals not exceeding 30 inches and not more than 6 inches from cabinets, boxes, fittings, outlets, racks, frames, and terminals.
3. Do not install bruised, kinked, scored, deformed, or abraded cable. Do not splice cable between termination, tap, or junction points. Remove and discard cable if damaged during installation and replace it with new cable.
4. Cold-Weather Installation: Bring cable to room temperature before dereeling. Do not use heat lamps for heating.
5. Support: Do not allow cables to lay on removable ceiling tiles.
6. Secure: Fasten securely in place with hardware specifically designed and installed so as to not damage cables.

- C. Open-Cable Installation:

1. Install cabling with horizontal and vertical cable guides in telecommunications spaces with terminating hardware and interconnection equipment.
2. Suspend copper cable not in a wireway or pathway a minimum of 8 inches above ceilings by cable supports not more than 30 inches apart.
3. Cable shall not be run through or on structural members or in contact with pipes, ducts, or other potentially damaging items. Do not run cables between structural members and corrugated panels.

### 3.3 CONTROL-CIRCUIT CONDUCTORS

- A. Minimum Conductor Sizes:

1. Class 1 remote-control and signal circuits; No 14 AWG.
2. Class 2 low-energy, remote-control, and signal circuits; No. 16 AWG.
3. Class 3 low-energy, remote-control, alarm, and signal circuits; No 12 AWG.

### 3.4 FIRESTOPPING

- A. Comply with requirements in Section 078413 "Penetration Firestopping."

FIRE STATIONS RENOVATION  
ARLINGTON COUNTY, VIRGINIA  
Architect's Project No: 563006

---

3.5 GROUNDING

- A. For low-voltage control wiring and cabling, comply with requirements in Section 260526 "Grounding and Bonding for Electrical Systems."

3.6 IDENTIFICATION

- A. Comply with requirements for identification specified in Section 260553 "Identification for Electrical Systems."

3.7 FIELD QUALITY CONTROL

- A. Perform the following tests and inspections:
  - 1. Visually inspect cable placement, cable termination, grounding and bonding, equipment and patch cords, and labeling of all components.

END OF SECTION 260523

FIRE STATIONS RENOVATION  
ARLINGTON COUNTY, VIRGINIA  
Architect's Project No: 563006

---

SECTION 260526 - GROUNDING AND BONDING FOR ELECTRICAL SYSTEMS

PART 1 - GENERAL

1.1 RELATED DOCUMENTS

- A. Drawings and general provisions of the Contract, including General and Supplementary Conditions and Division 01 Specification Sections, apply to this Section.

1.2 SUMMARY

- A. Section includes grounding and bonding systems and equipment.

1.3 ACTION SUBMITTALS

- A. Product Data: For each type of product indicated.

1.4 INFORMATIONAL SUBMITTALS

- A. As-Built Data: Plans showing dimensioned as-built locations of grounding features specified in "Field Quality Control" Article, including the following:
  - 1. Test wells.
  - 2. Ground rods.
  - 3. Ground rings.
  - 4. Grounding arrangements and connections for separately derived systems.

- B. Field quality-control reports.

1.5 CLOSEOUT SUBMITTALS

- A. Operation and Maintenance Data: For grounding to include in emergency, operation, and maintenance manuals.
  - 1. In addition to items specified in Section 017823 "Operation and Maintenance Data," include the following:

1.6 QUALITY ASSURANCE

- A. Electrical Components, Devices, and Accessories: Listed and labeled as defined in NFPA 70, by a qualified testing agency, and marked for intended location and application.
- B. Comply with UL 467 for grounding and bonding materials and equipment.

FIRE STATIONS RENOVATION  
ARLINGTON COUNTY, VIRGINIA  
Architect's Project No: 563006

---

PART 2 - PRODUCTS

2.1 MANUFACTURERS

- A. Manufacturers: Subject to compliance with requirements, available manufacturers offering products that may be incorporated into the Work include, but are not limited to the following:
1. Burndy; Part of Hubbell Electrical Systems.
  2. ERICO International Corporation.
  3. Galvan Industries, Inc.; Electrical Products Division, LLC.
  4. ILSCO.
  5. O-Z/Gedney; an EGS Electrical Group brand; an Emerson Industrial Automation business.

2.2 SYSTEM DESCRIPTION

- A. Electrical Components, Devices, and Accessories: Listed and labeled as defined in NFPA 70, by a qualified testing agency, and marked for intended location and application.
- B. Comply with UL 467 for grounding and bonding materials and equipment.

2.3 CONDUCTORS

- A. Insulated Conductors: Copper wire or cable insulated for 600 V unless otherwise required by applicable Code or authorities having jurisdiction.
- B. Bare Copper Conductors:
1. Solid Conductors: ASTM B 3.
  2. Stranded Conductors: ASTM B 8.
  3. Tinned Conductors: ASTM B 33.
  4. Bonding Cable: 28 kcmil, 14 strands of No. 17 AWG conductor, 1/4 inch in diameter.
  5. Bonding Conductor: No. 4 AWG, stranded conductor.
  6. Bonding Jumper: Copper tape, braided conductors terminated with copper ferrules; 1-5/8 inches wide and 1/16 inch thick.
  7. Tinned Bonding Jumper: Tinned-copper tape, braided conductors terminated with copper ferrules; 1-5/8 inches wide and 1/16 inch thick.
- C. Telecommunication Grounding Bus: Refer to details on drawings

FIRE STATIONS RENOVATION  
ARLINGTON COUNTY, VIRGINIA  
Architect's Project No: 563006

---

2.4 CONNECTORS

- A. Listed and labeled by an NRTL acceptable to authorities having jurisdiction for applications in which used and for specific types, sizes, and combinations of conductors and other items connected.
- B. Bolted Connectors for Conductors and Pipes: Copper or copper alloy.
- C. Welded Connectors: Exothermic-welding kits of types recommended by kit manufacturer for materials being joined and installation conditions.
- D. Bus-Bar Connectors: Mechanical type, cast silicon bronze, solderless compression-type wire terminals, and long-barrel, two-bolt connection to ground bus bar.

2.5 GROUNDING ELECTRODES

- A. Ground Rods: Copper-clad steel; 3/4 inch by 10 feet.
- B. Chemical-Enhanced Grounding Electrodes: Copper tube, straight or L-shaped, charged with nonhazardous electrolytic chemical salts.
  - 1. Termination: Factory-attached No. 4/0 AWG bare conductor at least 48 inches long.
  - 2. Backfill Material: Electrode manufacturer's recommended material.

PART 3 - EXECUTION

3.1 APPLICATIONS

- A. Conductors: Install stranded conductors for No. 6 AWG and larger unless otherwise indicated.
- B. Underground Grounding Conductors: Install bare copper conductor, No. 2/0 AWG minimum.
  - 1. Bury at least 24 inches below grade.
  - 2. Ductbank Grounding Conductor: Bury 12 inches above ductbank when indicated as part of duct-bank installation..
- C. Telecommunication Grounding Bus: Install in MDF/IDF equipment rooms, in rooms housing service equipment, and elsewhere as indicated.
  - 1. Install bus horizontally, on insulated spacers 2 inches minimum from wall, 6 inches above finished floor unless otherwise indicated.
  - 2. Where indicated on both sides of doorways, route bus up to top of door frame, across top of doorway, and down; connect to horizontal bus.
- D. Conductor Terminations and Connections:

FIRE STATIONS RENOVATION  
ARLINGTON COUNTY, VIRGINIA  
Architect's Project No: 563006

---

1. Pipe and Equipment Grounding Conductor Terminations: Bolted connectors.
2. Underground Connections: Welded connectors except at test wells and as otherwise indicated.
3. Connections to Ground Rods at Test Wells: Bolted connectors.
4. Connections to Structural Steel: Welded connectors.

3.2 GROUNDING AT THE SERVICE

- A. Equipment grounding conductors and grounding electrode conductors shall be connected to the ground bus. Install a main bonding jumper between the neutral and ground buses.

3.3 GROUNDING SEPARATELY DERIVED SYSTEMS

- A. Generator: Install grounding electrode(s) at the generator location. The electrode shall be connected to the equipment grounding conductor and to the frame of the generator.

3.4 GROUNDING UNDERGROUND DISTRIBUTION SYSTEM COMPONENTS

- A. Comply with IEEE C2 grounding requirements.
- B. Grounding Manholes and Handholes: Install a driven ground rod through manhole or handhole floor, close to wall, and set rod depth so 4 inches will extend above finished floor. If necessary, install ground rod before manhole is placed and provide No. 1/0 AWG bare, tinned-copper conductor from ground rod into manhole through a waterproof sleeve in manhole wall. Protect ground rods passing through concrete floor with a double wrapping of pressure-sensitive insulating tape or heat-shrunk insulating sleeve from 2 inches above to 6 inches below concrete. Seal floor opening with waterproof, nonshrink grout.
- C. Grounding Connections to Manhole Components: Bond exposed-metal parts such as inserts, cable racks, pulling irons, ladders, and cable shields within each manhole or handhole, to ground rod or grounding conductor. Make connections with No. 4 AWG minimum, stranded, hard-drawn copper bonding conductor. Train conductors level or plumb around corners and fasten to manhole walls. Connect to cable armor and cable shields according to written instructions by manufacturer of splicing and termination kits.
- D. Pad mounted Transformers and Switches: Comply with AEP grounding Standards

3.5 EQUIPMENT GROUNDING

- A. Install insulated equipment grounding conductors with all feeders and branch circuits.
- B. Install insulated equipment grounding conductors with the following items, in addition to those required by NFPA 70:
  1. Feeders and branch circuits.

FIRE STATIONS RENOVATION  
ARLINGTON COUNTY, VIRGINIA  
Architect's Project No: 563006

---

2. Lighting circuits.
3. Receptacle circuits.
4. Single-phase motor and appliance branch circuits.
5. Three-phase motor and appliance branch circuits.
6. Flexible raceway runs.
7. Armored and metal-clad cable runs.

- C. Air-Duct Equipment Circuits: Install insulated equipment grounding conductor to duct-mounted electrical devices operating at 120 V and more, including air cleaners, heaters, dampers, humidifiers, and other duct electrical equipment. Bond conductor to each unit and to air duct and connected metallic piping.
- D. Water Heater, Heat-Tracing, and Antifrost Heating Cables: Install a separate insulated equipment grounding conductor to each electric water heater and heat-tracing cable. Bond conductor to heater units, piping, connected equipment, and components.
- E. Athletic Field Lighting Poles Supporting Lighting Fixtures: Install grounding electrode and a separate insulated equipment grounding conductor in addition to grounding conductor installed with branch-circuit conductors.

### 3.6 INSTALLATION

- A. Grounding Conductors: Route along shortest and straightest paths possible unless otherwise indicated or required by Code. Avoid obstructing access or placing conductors where they may be subjected to strain, impact, or damage.
- B. Ground Rods: Drive rods until tops are 2 inches below finished floor or final grade unless otherwise indicated.
1. Interconnect ground rods with grounding electrode conductor below grade and as otherwise indicated. Make connections without exposing steel or damaging coating if any.
  2. For grounding electrode system, install at least three rods spaced at least one-rod length from each other and located at least the same distance from other grounding electrodes, and connect to the service grounding electrode conductor.
- C. Test Wells: Ground rod driven through drilled hole in bottom of handhole. Handholes are specified in Section 260543 "Underground Ducts and Raceways for Electrical Systems," and shall be at least 12 inches deep, with cover.
1. Test Wells: Install at least one test well for each service unless otherwise indicated. Install at the ground rod electrically closest to service entrance. Set top of test well flush with finished grade or floor.
- D. Bonding Straps and Jumpers: Install in locations accessible for inspection and maintenance except where routed through short lengths of conduit.
1. Bonding to Structure: Bond straps directly to basic structure, taking care not to penetrate any adjacent parts.



FIRE STATIONS RENOVATION  
ARLINGTON COUNTY, VIRGINIA  
Architect's Project No: 563006

---

2. Bonding to Equipment Mounted on Vibration Isolation Hangers and Supports: Install bonding so vibration is not transmitted to rigidly mounted equipment.
3. Use exothermic-welded connectors for outdoor locations; if a disconnect-type connection is required, use a bolted clamp.

E. Grounding and Bonding for Piping:

1. Metal Water Service Pipe: Install insulated copper grounding conductors, in conduit, from building's main service equipment, or grounding bus, to main metal water service entrances to building. Connect grounding conductors to main metal water service pipes; use a bolted clamp connector or bolt a lug-type connector to a pipe flange by using one of the lug bolts of the flange. Where a dielectric main water fitting is installed, connect grounding conductor on street side of fitting. Bond metal grounding conductor conduit or sleeve to conductor at each end.
2. Water Meter Piping: Use braided-type bonding jumpers to electrically bypass water meters. Connect to pipe with a bolted connector.
3. Bond each aboveground portion of gas piping system downstream from equipment shutoff valve.

F. Bonding Interior Metal Ducts: Bond metal air ducts to equipment grounding conductors of associated fans, blowers, electric heaters, and air cleaners. Install bonding jumper to bond across flexible duct connections to achieve continuity.

G. Grounding for Steel Building Structure: Install a driven ground rod at base of each corner column and at intermediate exterior columns at distances not more than 60 feet apart.

I. Concrete-Encased Grounding Electrode (Ufer Ground): Fabricate according to NFPA 70; use a minimum of 20 feet of bare copper conductor not smaller than No. 4 AWG.

1. If concrete foundation is less than 20 feet long, coil excess conductor within base of foundation.
2. Bond grounding conductor to reinforcing steel in at least four locations and to anchor bolts. Extend grounding conductor below grade and connect to building's grounding grid or to grounding electrode external to concrete.

### 3.7 FIELD QUALITY CONTROL

A. Perform tests and inspections.

B. Tests and Inspections:

1. After installing grounding system but before permanent electrical circuits have been energized, test for compliance with requirements.
2. Inspect physical and mechanical condition. Verify tightness of accessible, bolted, electrical connections with a calibrated torque wrench according to manufacturer's written instructions.
3. Test completed grounding system at each location where a maximum ground-resistance level is specified, at service disconnect enclosure grounding terminal, at ground test wells. Make tests at ground rods before any conductors are connected.

FIRE STATIONS RENOVATION  
ARLINGTON COUNTY, VIRGINIA  
Architect's Project No: 563006

---

- a. Measure ground resistance no fewer than two full days after last trace of precipitation and without soil being moistened by any means other than natural drainage or seepage and without chemical treatment or other artificial means of reducing natural ground resistance.
  - b. Perform tests by fall-of-potential method according to IEEE 81.
4. Prepare dimensioned Drawings locating each test well, ground rod and ground-rod assembly, and other grounding electrodes. Identify each by letter in alphabetical order, and key to the record of tests and observations. Include the number of rods driven and their depth at each location, and include observations of weather and other phenomena that may affect test results. Describe measures taken to improve test results.
- C. Grounding system will be considered defective if it does not pass tests and inspections.
- D. Prepare test and inspection reports.
- E. Report measured ground resistances that exceed the following values:
1. Power and Lighting Equipment or System with Capacity More Than 1000 kVA: 3 ohms.
  2. Power Distribution Units or Panelboards Serving Electronic Equipment: 3 ohm(s).
  3. Substations and Pad-Mounted Equipment: 5 ohms.
  4. Manhole Grounds: 10 ohms.
- F. Excessive Ground Resistance: If resistance to ground exceeds specified values, notify Architect promptly and include recommendations to reduce ground resistance.

END OF SECTION 260526

FIRE STATIONS RENOVATION  
ARLINGTON COUNTY, VIRGINIA  
Architect's Project No: 563006

---

SECTION 260529 - HANGERS AND SUPPORTS FOR ELECTRICAL SYSTEMS

PART 1 - GENERAL

1.1 RELATED DOCUMENTS

- A. Drawings and general provisions of the Contract, including General and Supplementary Conditions and Division 01 Specification Sections, apply to this Section.

1.2 SUMMARY

- A. This Section includes the following:
  - 1. Hangers and supports for electrical equipment and systems.
  - 2. Construction requirements for concrete bases.

1.3 DEFINITIONS

- A. EMT: Electrical metallic tubing.
- B. IMC: Intermediate metal conduit.
- C. RMC: Rigid metal conduit.

1.4 PERFORMANCE REQUIREMENTS

- A. Design supports for multiple raceways capable of supporting combined weight of supported systems and its contents.
- B. Design equipment supports capable of supporting combined operating weight of supported equipment and connected systems and components.
- C. Rated Strength: Adequate in tension, shear, and pullout force to resist maximum loads calculated or imposed for this Project.

1.5 QUALITY ASSURANCE

- A. Welding: Qualify procedures and personnel according to AWS D1.1/D1.1M, "Structural Welding Code - Steel."
- B. Comply with NFPA 70.

FIRE STATIONS RENOVATION  
ARLINGTON COUNTY, VIRGINIA  
Architect's Project No: 563006

---

1.6 COORDINATION

- A. Coordinate size and location of concrete bases. Cast anchor-bolt inserts into bases. Concrete, reinforcement, and formwork requirements are specified together with concrete Specifications.
- B. Coordinate installation of roof curbs, equipment supports, and roof penetrations. These items are specified in Division 7.

PART 2 - PRODUCTS

2.1 SUPPORT, ANCHORAGE, AND ATTACHMENT COMPONENTS

- A. Steel Slotted Support Systems: Comply with MFMA-4, factory-fabricated components for field assembly.
  - 1. Manufacturers: Subject to compliance with requirements, available manufacturers offering products that may be incorporated into the Work include, but are not limited to the following:
    - a. Cooper B-Line, Inc.; a division of Cooper Industries.
    - b. ERICO International Corporation.
    - c. Thomas & Betts Corporation.
    - d. Unistrut; an Atkore International company.
  - 2. Metallic Coatings: Hot-dip galvanized after fabrication and applied according to MFMA-4.
  - 3. Channel Dimensions: Selected for applicable load criteria.
- B. Raceway and Cable Supports: As described in NECA 1 and NECA 101.
- C. Conduit and Cable Support Devices: Steel and malleable-iron hangers, clamps, and associated fittings, designed for types and sizes of raceway or cable to be supported.
- D. Support for Conductors in Vertical Conduit: Factory-fabricated assembly consisting of threaded body and insulating wedging plug or plugs for non-armored electrical conductors or cables in riser conduits. Plugs shall have number, size, and shape of conductor gripping pieces as required to suit individual conductors or cables supported. Body shall be malleable iron.
- E. Structural Steel for Fabricated Supports and Restraints: ASTM A 36/A 36M, steel plates, shapes, and bars; black and galvanized.
- F. Mounting, Anchoring, and Attachment Components: Items for fastening electrical items or their supports to building surfaces include the following:

FIRE STATIONS RENOVATION  
ARLINGTON COUNTY, VIRGINIA  
Architect's Project No: 563006

---

1. Powder-Actuated Fasteners: Threaded-steel stud, for use in hardened Portland cement concrete, steel, or wood, with tension, shear, and pullout capacities appropriate for supported loads and building materials where used.
  - a. Manufacturers: Subject to compliance with requirements, available manufacturers offering products that may be incorporated into the Work include, but are not limited to the following:
    - 1) Hilti, Inc.
    - 2) MKT Fastening, LLC.
    - 3) Simpson Strong-Tie Co., Inc.
2. Mechanical-Expansion Anchors: Insert-wedge-type, stainless steel, for use in hardened Portland cement concrete with tension, shear, and pullout capacities appropriate for supported loads and building materials in which used.
  - a. Manufacturers: Subject to compliance with requirements, available manufacturers offering products that may be incorporated into the Work include, but are not limited to the following:
    - 1) Cooper B-Line, Inc.; a division of Cooper Industries.
    - 2) Hilti, Inc.
    - 3) MKT Fastening, LLC.
3. Concrete Inserts: Steel or malleable-iron, slotted support system units similar to MSS Type 18; complying with MFMA-4 or MSS SP-58.
4. Clamps for Attachment to Steel Structural Elements: MSS SP-58, type suitable for attached structural element.
5. Through Bolts: Structural type, hex head, and high strength. Comply with ASTM A 325.
6. Toggle Bolts: All-steel springhead type.
7. Hanger Rods: Threaded steel.

## 2.2 FABRICATED METAL EQUIPMENT SUPPORT ASSEMBLIES

- A. Description: Welded or bolted, structural-steel shapes, shop or field fabricated to fit dimensions of supported equipment.
- B. Materials: Comply with requirements in Section 055000 "Metal Fabrications" for steel shapes and plates.

## PART 3 - EXECUTION

### 3.1 APPLICATION

- A. Comply with NECA 1 and NECA 101 for application of hangers and supports for electrical equipment and systems except if requirements in this Section are stricter.

FIRE STATIONS RENOVATION  
ARLINGTON COUNTY, VIRGINIA  
Architect's Project No: 563006

---

- B. Maximum Support Spacing and Minimum Hanger Rod Size for Raceway: Space supports for EMT, IMC, and RMC as required by NFPA 70. Minimum rod size shall be 1/4 inch in diameter.
- C. Multiple Raceways or Cables: Install trapeze-type supports fabricated with steel slotted support system, sized so capacity can be increased by at least 25 percent in future without exceeding specified design load limits.
  - 1. Secure raceways and cables to these supports with two-bolt conduit clamps.
- D. Spring-steel clamps designed for supporting single conduits without bolts may be used for 1-1/2-inch and smaller raceways serving branch circuits and communication systems above suspended ceilings and for fastening raceways to trapeze supports.

### 3.2 SUPPORT INSTALLATION

- A. Comply with NECA 1 and NECA 101 for installation requirements except as specified in this Article.
- B. Raceway Support Methods: In addition to methods described in NECA 1, EMT, IMC, and RMC may be supported by openings through structure members, as permitted in NFPA 70.
- C. Strength of Support Assemblies: Where not indicated, select sizes of components so strength will be adequate to carry present and future static loads within specified loading limits. Minimum static design load used for strength determination shall be weight of supported components plus 200 lb.
- D. Mounting and Anchorage of Surface-Mounted Equipment and Components: Anchor and fasten electrical items and their supports to building structural elements by the following methods unless otherwise indicated by code:
  - 1. To Wood: Fasten with lag screws or through bolts.
  - 2. To New Concrete: Bolt to concrete inserts.
  - 3. To Masonry: Approved toggle-type bolts on hollow masonry units and expansion anchor fasteners on solid masonry units.
  - 4. To Existing Concrete: Expansion anchor fasteners.
  - 5. Instead of expansion anchors, powder-actuated driven threaded studs provided with lock washers and nuts may be used in existing standard-weight concrete 4 inches thick or greater. Do not use for anchorage to lightweight-aggregate concrete or for slabs less than 4 inches thick.
  - 6. To Steel: Beam clamps (MSS Type 19, 21, 23, 25, or 27) complying with MSS SP-69.
  - 7. To Light Steel: Sheet metal screws.
  - 8. Items Mounted on Hollow Walls and Nonstructural Building Surfaces: Mount cabinets, panelboards, disconnect switches, control enclosures, pull and junction boxes, transformers, and other devices on slotted-channel racks attached to substrate.
- E. Drill holes for expansion anchors in concrete at locations and to depths that avoid reinforcing bars.

FIRE STATIONS RENOVATION  
ARLINGTON COUNTY, VIRGINIA  
Architect's Project No: 563006

---

3.3 INSTALLATION OF FABRICATED METAL SUPPORTS

- A. Comply with installation requirements in Section 055000 "Metal Fabrications" for site-fabricated metal supports.
- B. Cut, fit, and place miscellaneous metal supports accurately in location, alignment, and elevation to support and anchor electrical materials and equipment.
- C. Field Welding: Comply with AWS D1.1/D1.1M.

3.4 CONCRETE BASES

- A. Construct concrete bases of dimensions indicated but not less than 4 inches larger in both directions than supported unit, and so anchors will be a minimum of 10 bolt diameters from edge of the base.
- B. Anchor equipment to concrete base.
  - 1. Place and secure anchorage devices. Use supported equipment manufacturer's setting drawings, templates, diagrams, instructions, and directions furnished with items to be embedded.
  - 2. Install anchor bolts to elevations required for proper attachment to supported equipment.
  - 3. Install anchor bolts according to anchor-bolt manufacturer's written instructions.

3.5 PAINTING

- A. Touchup: Comply with requirements in Division 9 for cleaning and touchup painting of field welds, bolted connections, and abraded areas of shop paint on miscellaneous metal.
- B. Galvanized Surfaces: Clean welds, bolted connections, and abraded areas and apply galvanizing-repair paint to comply with ASTM A 780.

END OF SECTION 260529

FIRE STATIONS RENOVATION  
ARLINGTON COUNTY, VIRGINIA  
Architect's Project No: 563006

---

SECTION 260533 - RACEWAYS AND BOXES FOR ELECTRICAL SYSTEMS

PART 1 - GENERAL

1.1 RELATED DOCUMENTS

- A. Drawings and general provisions of the Contract, including General and Supplementary Conditions and Division 01 Specification Sections, apply to this Section.

1.2 SUMMARY

- A. Section Includes:
  - 1. Metal conduits, tubing, and fittings.
  - 2. Nonmetal conduits, tubing, and fittings.
  - 3. Metal wireways and auxiliary gutters.
  - 4. Surface raceways.
  - 5. Boxes, enclosures, and cabinets.
- B. Part 2 of this section includes material requirements for all raceways and boxes that may or may not be used on the project. Part 3 of this Section defines where a given type of product shall be or is permitted to be utilized.

1.3 DEFINITIONS

- A. ARC: Aluminum rigid conduit.
- B. GRC: Galvanized rigid steel conduit.
- C. IMC: Intermediate metal conduit.

1.4 ACTION SUBMITTALS

- A. Product Data: For surface raceways, wireways and fittings, floor boxes, hinged-cover enclosures, and cabinets.
- B. Shop Drawings: For custom enclosures and cabinets. Include plans, elevations, sections, and attachment details.

1.5 INFORMATIONAL SUBMITTALS

- A. Source quality-control reports.



FIRE STATIONS RENOVATION  
ARLINGTON COUNTY, VIRGINIA  
Architect's Project No: 563006

---

## PART 2 - PRODUCTS

### 2.1 METAL CONDUITS, TUBING, AND FITTINGS

- A. Manufacturers: Subject to compliance with requirements, available manufacturers offering products that may be incorporated into the Work include, but are not limited to the following:
1. Allied Tube & Conduit.
  2. O-Z/Gedney; an EGS Electrical Group brand; an Emerson Industrial Automation business.
  3. Robroy Industries.
  4. Thomas & Betts Corporation.
- B. Listing and Labeling: Metal conduits, tubing, and fittings shall be listed and labeled as defined in NFPA 70, by a qualified testing agency, and marked for intended location and application.
- C. GRC: Comply with ANSI C80.1 and UL 6.
- D. IMC: Comply with ANSI C80.6 and UL 1242.
- E. PVC-Coated Steel Conduit: PVC-coated rigid steel conduit.
1. Comply with NEMA RN 1.
  2. Coating Thickness: 0.040 inch, minimum.
- F. EMT: Comply with ANSI C80.3 and UL 797.
- G. FMC: Comply with UL 1; zinc-coated steel.
- H. LFMC: Flexible steel conduit with PVC jacket and complying with UL 360.
- I. Fittings for Metal Conduit: Comply with NEMA FB 1 and UL 514B.
1. Conduit Fittings for Hazardous (Classified) Locations: Comply with UL 886 and NFPA 70.
  2. Fittings for EMT:
    - a. Material: Steel.
    - b. Type: Setscrew or compression.
  3. Expansion Fittings: PVC or steel to match conduit type, complying with UL 651, rated for environmental conditions where installed, and including flexible external bonding jumper.
  4. Coating for Fittings for PVC-Coated Conduit: Minimum thickness of 0.040 inch, with overlapping sleeves protecting threaded joints.

FIRE STATIONS RENOVATION  
ARLINGTON COUNTY, VIRGINIA  
Architect's Project No: 563006

---

- J. Joint Compound for IMC, GRC, or ARC: Approved, as defined in NFPA 70, by authorities having jurisdiction for use in conduit assemblies, and compounded for use to lubricate and protect threaded conduit joints from corrosion and to enhance their conductivity.

## 2.2 NONMETALLIC CONDUITS, TUBING, AND FITTINGS

- A. Manufacturers: Subject to compliance with requirements, available manufacturers offering products that may be incorporated into the Work include, but are not limited to the following:
  - 1. AFC Cable Systems, Inc.
  - 2. Electri-Flex Company.
  - 3. RACO; Hubbell.
  - 4. Thomas & Betts Corporation.
- B. Listing and Labeling: Nonmetallic conduits, tubing, and fittings shall be listed and labeled as defined in NFPA 70, by a qualified testing agency, and marked for intended location and application.
- C. RNC: Type EPC-40-PVC, complying with NEMA TC 2 and UL 651 unless otherwise indicated.
- D. LFNC: Comply with UL 1660.
- E. Rigid HDPE: Comply with UL 651A.
- F. RTRC: Comply with UL 1684A and NEMA TC 14.
- G. Fittings for ENT and RNC: Comply with NEMA TC 3; match to conduit or tubing type and material.
- H. Fittings for LFNC: Comply with UL 514B.
- I. Solvent cements and adhesive primers shall have a VOC content of 510 and 550 g/L or less, respectively, when calculated according to 40 CFR 59, Subpart D (EPA Method 24).

## 2.3 METAL WIREWAYS AND AUXILIARY GUTTERS

- A. Manufacturers: Subject to compliance with requirements, available manufacturers offering products that may be incorporated into the Work include, but are not limited to the following:
  - 1. Cooper B-Line, Inc.; a division of Cooper Industries.
  - 2. Hoffman; a brand of Pentair Equipment Protection.
  - 3. Square D.
- B. Description: Sheet metal, complying with UL 870 and NEMA 250, Type 1 unless otherwise indicated, and sized according to NFPA 70.

FIRE STATIONS RENOVATION  
ARLINGTON COUNTY, VIRGINIA  
Architect's Project No: 563006

---

1. Metal wireways installed outdoors shall be listed and labeled as defined in NFPA 70, by a qualified testing agency, and marked for intended location and application.
- C. Fittings and Accessories: Include covers, couplings, offsets, elbows, expansion joints, adapters, hold-down straps, end caps, and other fittings to match and mate with wireways as required for complete system.
- D. Wireway Covers: Hinged type unless otherwise indicated.
- E. Finish: Manufacturer's standard enamel finish.

#### 2.4 BOXES, ENCLOSURES, AND CABINETS

- A. Manufacturers: Subject to compliance with requirements, available manufacturers offering products that may be incorporated into the Work include, but are not limited to the following:
  1. EGS/Appleton Electric.
  2. Erickson Electrical Equipment Company.
  3. Hoffman; a brand of Pentair Equipment Protection.
  4. Hubbell Incorporated.
  5. O-Z/Gedney; an EGS Electrical Group brand; an Emerson Industrial Automation business.
  6. RACO; Hubbell
  7. Wiremold / Legrand.
- B. General Requirements for Boxes, Enclosures, and Cabinets: Boxes, enclosures, and cabinets installed in wet locations shall be listed for use in wet locations.
- C. Sheet Metal Outlet and Device Boxes: Comply with NEMA OS 1 and UL 514A.
- D. Cast-Metal Outlet and Device Boxes: Comply with NEMA FB 1, aluminum, Type FD, with gasketed cover.
- E. Metal Floor Boxes:
  1. Material: Cast metal.
  2. Type: Fully adjustable.
  3. Shape: Rectangular.
  4. Listing and Labeling: Metal floor boxes shall be listed and labeled as defined in NFPA 70, by a qualified testing agency, and marked for intended location and application.
- F. Luminaire Outlet Boxes: Nonadjustable, designed for attachment of luminaire weighing 50 lb. Outlet boxes designed for attachment of luminaires weighing more than 50 lb shall be listed and marked for the maximum allowable weight.
- G. Small Sheet Metal Pull and Junction Boxes: NEMA OS 1.

FIRE STATIONS RENOVATION  
ARLINGTON COUNTY, VIRGINIA  
Architect's Project No: 563006

---

- H. Cast-Metal Access, Pull, and Junction Boxes: Comply with NEMA FB 1 and UL 1773, cast aluminum with gasketed cover.
- I. Box extensions used to accommodate new building finishes shall be of same material as recessed box.
- J. Device Box Dimensions: 4 inches square by 2-1/8 inches deep.
- K. Gangable boxes are allowed.
- L. Hinged-Cover Enclosures: Comply with UL 50 and NEMA 250, Type 3R with continuous-hinge cover with flush latch unless otherwise indicated.
  - 1. Metal Enclosures: Steel, finished inside and out with manufacturer's standard enamel.
  - 2. Interior Panels: Steel; all sides finished with manufacturer's standard enamel.
- M. Cabinets:
  - 1. NEMA 250, Type 12 galvanized-steel box with removable interior panel and removable front, finished inside and out with manufacturer's standard enamel.
  - 2. Hinged door in front cover with flush latch and concealed hinge.
  - 3. Key latch to match panelboards.
  - 4. Metal barriers to separate wiring of different systems and voltage.
  - 5. Accessory feet where required for freestanding equipment.
  - 6. Nonmetallic cabinets shall be listed and labeled as defined in NFPA 70, by a qualified testing agency, and marked for intended location and application.

## 2.5 FLOOR BOXES AND SERVICE FITTINGS

- A. Multi-service Floor Boxes: Basis of Design: Wiremold, RFB4 Series Floor Boxes.
  - 1. Floor boxes mounted on first floor grade shall be manufactured from cast-iron and be approved for use on grade and above grade floors. The box shall be 14 1/2" L x 11 7/8" W x 3 7/16" H. There shall be four independent wiring compartments that allow capacity for up to four duplex receptacles and/or communication services. The RFB4-CI-1 Series Box shall permit tunneling from adjacent or opposite compartments. Two of the four compartments shall have a minimum wiring capacity of 27 cu in., and two compartments shall have a minimum wiring capacity of 36 cu in.. The box shall provide the following number of conduit hubs: four 1" and four 1 1/4". The box shall be fully adjustable, providing a maximum of 1 7/8" pre-pour adjustment, and a maximum of 3/4" after-pour adjustment. Wiremold RFB4-CI-1.
  - 2. Floor boxes not on grade slab shall be manufactured from stamped-steel and be approved for use on above-grade floors. The box shall be 13 5/8" L x 10" W x 2 7/16" H. There shall be four independent wiring compartments that allow capacity for up to four duplex receptacles and/or communication services. The RFB4-SS Series Box shall permit feed through tunneling from adjacent compartments. Two of the four compartments shall have a minimum wiring capacity of 15.7 cu in., and two compartments shall have a minimum

**FIRE STATIONS RENOVATION  
ARLINGTON COUNTY, VIRGINIA  
Architect's Project No: 563006**

---

wiring capacity of 31.2 cu in.. The box shall provide the following number of conduit knockouts: two 1/2", six 3/4", and eight 1". The box shall be fully adjustable, providing a maximum of 1 7/8" pre-pour adjustment, and a maximum of 3/4" after-pour adjustment. Wiremold RFB4-SS.

3. Activation covers shall be manufactured of die-cast aluminum or die-cast zinc, and be available in a brushed aluminum finish, plated brass finish, or a powder-coated paint finish. The activation cover shall be listed by UL to meet the applicable U.S. and Canadian safety standards for scrub water exclusion when used on tile, terrazzo, wood, and carpet covered floors. The floor box manufacturer shall provide a complete line of faceplates and bezels to facilitate mounting of UTP, STP (150 ohm), fiber optic, coaxial, and communication devices within the box.
  4. Activation covers shall be available in flanged and flangeless versions of cast aluminum with aluminum, black, bronze, brass, nickel or gray finish. Covers shall be available with options for tile or carpet inserts, flush covers, or furniture feed. Flanged covers shall be 7 3/4" L x 6 9/16" W. Flangeless covers shall be 6 3/4" L x 5 9/16" W.
    - a. Unless indicated otherwise, provide the following cover configurations:
      - 1) Power/Telecom Outlets: Brushed aluminum flanged with blank lid flush with floor and NO carpet/tile cutouts.
      - 2) Furniture Floor Feed: Brushed aluminum flanged with 1" trade size screw plug opening and one combination 1 1/4" and 2" trade size screw plug openings.
- B. Single Service Floor boxes: Basis of Design: Wiremold, Omnibox Floor Boxes, One-, two- or three-gang floor boxes.**
1. Floor boxes mounted on first floor grade shall be manufactured from cast-iron and be approved for use on grade and above grade floors. Box interior and exterior shall be painted. Boxes shall be available in one-, two-, and three-gang configurations. All cast-iron versions shall provide 1 3/4" of pre-pour adjustment and 1/2" of post-pour adjustment. Minimum depth of deep boxes shall be 3 7/16". Overall box dimensions shall be as follows:
    - a. One-gang: 5 3/16" W x 4 3/8" L
    - b. Two-gang: 5 3/16" W x 8 1/2" L
    - c. Three-gang: 5 3/16" W x 12 1/2" L
  2. Floor boxes on the second floor and above shall be manufactured from stamped-steel and be approved for use on cast-in-place floors. Boxes shall be manufactured from stamped steel and formed. Boxes shall be available in one-, two-, or three-gang configurations. All stamped steel versions shall provide 1 3/4" of pre-pour adjustment and 1/2" of post-pour adjustment. Maximum depth of boxes shall be 2 15/32". Overall box dimensions shall be as follows:
    - a. One-gang: 4 13/16" W x 3 23/32" L
    - b. Two-gang: 4 13/16" W x 7 15/16" L
    - c. Three-gang: 4 13/16" W x 12" L
  3. All floor box options shall accept brass, brushed aluminum, and nonmetallic cover plates and flanges. Flanges for brass, brushed aluminum, and nonmetallic shall be available for

FIRE STATIONS RENOVATION  
ARLINGTON COUNTY, VIRGINIA  
Architect's Project No: 563006

---

one-, two-, or three-gang applications and install on the previously mentioned boxes. Each flange shall provide 1/2" of adjustment to accommodate various floor covering and concrete pour depths.

- a. All brass, brushed aluminum, and nonmetallic flanges shall be approved for use on carpet, tile, or wood covered floor applications. Brass and brushed aluminum flanges and cover plates shall have a buffed appearance and be protected with a lacquer finish. Nonmetallic flanges and cover plates shall be provided in a black, brown, or gray finish. Modular inserts shall snap directly into each flange through use of a mounting bezel.
- b. Brushed aluminum and nonmetallic cover plate options shall seat inside either the aluminum or nonmetallic flanges and be flush with the finished floor. Brushed aluminum and nonmetallic cover plate dimensions shall be 3.29" W x 4.310" L. Brass cover plate dimensions are 3.156" W x 4.182" L. Brass cover plates shall seat inside only brass flanges and be flush with the finished floor. All cover plate options shall provide for both power and communication services.

C. Wood Floor Boxes: Basis of Design: Wiremold, 880 Series Floor Boxes, one-, two- or three-gang floor boxes designed for wooden floors.

1. Boxes shall be available in one-, two-, or three-gang configurations. Boxes shall also be rectangular in shape. These boxes shall consist of a stamped steel body, applicable stamped steel barriers and stamped steel mounting brackets for flanges. All boxes shall have an overall depth of 3 7/16". All boxes shall provide a mounting mechanism to attach the floor box to the wood sub floor.
2. All floor box options shall accept brass, brushed aluminum, and nonmetallic cover plates and flanges. Flanges for brass, brushed aluminum, and nonmetallic shall be available for one-, two-, or three-gang applications and install on the previously mentioned boxes. Each flange shall provide 1/2" of adjustment to accommodate various floor covering and concrete pour depths.
3. All brass, brushed aluminum, and nonmetallic flanges shall be approved for use on wood covered floor applications. Brass and brushed aluminum flanges and cover plates shall have a buffed appearance and be protected with a lacquer finish. Nonmetallic flanges and cover plates shall be provided in a black, brown, or gray finish.
4. The floor box shall be warranted for one year from the date of final acceptance.

## PART 3 - EXECUTION

### 3.1 RACEWAY APPLICATION

- A. Outdoors: Apply raceway products as specified below unless otherwise indicated:
1. Exposed Conduit: GRC.
  2. Concealed Conduit, Aboveground: GRC.
  3. Underground Conduit: Per section 260543.

FIRE STATIONS RENOVATION  
ARLINGTON COUNTY, VIRGINIA  
Architect's Project No: 563006

---

4. Connection to Vibrating Equipment (Including Transformers and Hydraulic, Pneumatic, Electric Solenoid, or Motor-Driven Equipment): LFMC.
  5. Boxes and Enclosures, Aboveground: NEMA 250, Type 3R.
- B. Indoors: Apply raceway products as specified below unless otherwise indicated:
1. Exposed, Not Subject to Physical Damage: EMT.
  2. Exposed, Not Subject to Severe Physical Damage: EMT.
  3. Exposed and Subject to Severe Physical Damage: GRC. Raceway locations include the following:
    - a. Loading dock.
    - b. Corridors used for traffic of mechanized carts, forklifts, and pallet-handling units.
    - c. Mechanical rooms, below 8'.
    - d. Gymnasiums.
  4. Concealed in Ceilings and Interior Walls and Partitions: EMT.
  5. Connection to Vibrating Equipment (Including Transformers and Hydraulic, Pneumatic, Electric Solenoid, or Motor-Driven Equipment): FMC, except use LFMC mechanical and Custodial spaces.
  6. Damp or Wet Locations: GRC.
  7. Boxes and Enclosures: NEMA 250, Type 1, except use NEMA 250, Type 4 stainless steel in kitchens and damp or wet locations.
- C. Minimum Raceway Size: 3/4-inch trade size.
- D. Raceway Fittings: Compatible with raceways and suitable for use and location.
1. Rigid and Intermediate Steel Conduit: Use threaded rigid steel conduit fittings unless otherwise indicated. Comply with NEMA FB 2.10.
  2. PVC Externally Coated, Rigid Steel Conduits: Use only fittings listed for use with this type of conduit. Patch and seal all joints, nicks, and scrapes in PVC coating after installing conduits and fittings. Use sealant recommended by fitting manufacturer and apply in thickness and number of coats recommended by manufacturer.
  3. EMT: Use setscrew or compression, steel fittings. Comply with NEMA FB 2.10.
  4. Flexible Conduit: Use only fittings listed for use with flexible conduit. Comply with NEMA FB 2.20.
- E. Install nonferrous conduit or tubing for circuits operating above 60 Hz. Where aluminum raceways are installed for such circuits and pass through concrete, install in nonmetallic sleeve.
- F. Do not install aluminum conduits, boxes, or fittings in contact with concrete or earth.
- G. surface raceways shall not be installed without prior approval of the Architect.
- H. Do not install nonmetallic conduit where ambient temperature exceeds 120 deg F.

FIRE STATIONS RENOVATION  
ARLINGTON COUNTY, VIRGINIA  
Architect's Project No: 563006

---

### 3.2 INSTALLATION

- A. Comply with NECA 1 and NECA 101 for installation requirements except where requirements on Drawings or in this article are stricter. Comply with NECA 102 for aluminum conduits. Comply with NFPA 70 limitations for types of raceways allowed in specific occupancies and number of floors.
- B. Keep raceways at least 6 inches away from parallel runs of flues and hot-water pipes. Install horizontal raceway runs above water and steam piping.
- C. Complete raceway installation before starting conductor installation.
- D. Comply with requirements in Section 260529 "Hangers and Supports for Electrical Systems" for hangers and supports.
- E. Arrange stub-ups so curved portions of bends are not visible above finished slab.
- F. Install no more than the equivalent of three 90-degree bends in any conduit run except for control wiring conduits, for which fewer bends are allowed. Support within 12 inches of changes in direction. Refer to Division 27 for conduit requirements for telecommunication wiring.
- G. Conceal conduit and EMT within finished walls, ceilings, and floors unless otherwise indicated. Install conduits parallel or perpendicular to building lines.
- H. All conduit to be installed on exterior masonry shall not run continuously within the wall cavity. Exposed conduit shall not be installed without prior approval of the Architect.
- I. Support conduit within 12 inches of enclosures to which attached.
- J. Raceways Embedded in Slabs:
  - 1. Are not permitted, except as required for entry into recessed floor boxes.
  - 2. Conduits run below slab on ground floor level shall be buried within the porous fill and stub-up at the required location. Transition from RNC to RGS with RGS elbow before rising above the floor. After RGS elbow, stub-up conduit shall be type indicated in Part 3.1 above.
  - 3. Where raceways are terminated with threaded hubs, screw raceways or fittings tightly into hub so end bears against wire protection shoulder. Where chase nipples are used, align raceways so coupling is square to box; tighten chase nipple so no threads are exposed.
  - 4. Do not embed threadless fittings in concrete.
  - 5. Change from ENT to GRC before rising above floor.
- K. Stub-ups to Above Recessed Ceilings:
  - 1. Use EMT, IMC, or RMC for raceways.



FIRE STATIONS RENOVATION  
ARLINGTON COUNTY, VIRGINIA  
Architect's Project No: 563006

---

2. Use a conduit bushing or insulated fitting to terminate stub-ups not terminated in hubs or in an enclosure. Refer to Division 27 for telecommunication conduit stub-up requirements.
- L. Threaded Conduit Joints, Exposed to Wet, Damp, Corrosive, or Outdoor Conditions: Apply listed compound to threads of raceway and fittings before making up joints. Follow compound manufacturer's written instructions.
- M. Coat field-cut threads on PVC-coated raceway with a corrosion-preventing conductive compound prior to assembly.
- N. Raceway Terminations at Locations Subject to Moisture or Vibration: Use insulating bushings to protect conductors.
- O. Terminate threaded conduits into insulated throat threaded hubs. Install bushings on conduits up to 1-1/4-inch trade size and insulated throat metal bushings on 1-1/2-inch trade size and larger. Install insulated throat metal grounding bushings on service conduits.
- P. Install raceways square to the enclosure and terminate at enclosures with locknuts. Install locknuts hand tight plus 1/4 turn more.
- Q. Do not rely on locknuts to penetrate nonconductive coatings on enclosures. Remove coatings in the locknut area prior to assembling conduit to enclosure to assure a continuous ground path.
- R. Cut conduit perpendicular to the length. For conduits 2-inch trade size and larger, use roll cutter or a guide to make cut straight and perpendicular to the length.
- S. Install pull wires in empty raceways. Use polypropylene or monofilament plastic line with not less than 200-lb tensile strength. Leave at least 12 inches of slack at each end of pull wire. Cap underground raceways designated as spare above grade alongside raceways in use.
- T. Surface Raceways:
  1. Install surface raceway with a minimum 2-inch radius control at bend points.
  2. Secure surface raceway with screws or other anchor-type devices at intervals not exceeding 48 inches and with no less than two supports per straight raceway section. Support surface raceway according to manufacturer's written instructions. Tape and glue are not acceptable support methods.
  3. Surface Raceways shall not be installed without prior approval outside of Mechanical or Electrical spaces
- U. Install raceway sealing fittings at accessible locations according to NFPA 70 and fill them with listed sealing compound. For concealed raceways, install each fitting in a flush steel box with a blank cover plate having a finish similar to that of adjacent plates or surfaces. Install raceway sealing fittings according to NFPA 70.
- V. Install devices to seal raceway interiors at accessible locations. Locate seals so no fittings or boxes are between the seal and the following changes of environments. Seal the interior of all raceways at the following points:

FIRE STATIONS RENOVATION  
ARLINGTON COUNTY, VIRGINIA  
Architect's Project No: 563006

---

1. Where conduits pass from warm to cold locations, such as boundaries of refrigerated spaces.
  2. Where an underground service raceway enters a building or structure.
  3. Where otherwise required by NFPA 70.
- W. Comply with manufacturer's written instructions for solvent welding RNC and fittings.
- X. Expansion-Joint Fittings:
1. Do not install ENT above ground.
  2. Install type and quantity of fittings that accommodate temperature change listed for each of the following locations:
    - a. Indoor Spaces Connected with Outdoors without Physical Separation: 125 deg F temperature change.
    - b. Attics: 135 deg F temperature change.
  3. Install fitting(s) that provide expansion and contraction for at least 0.00041 inch per foot of length of straight run per deg F of temperature change for PVC conduits. Install fitting(s) that provide expansion and contraction for at least 0.000078 inch per foot of length of straight run per deg F of temperature change for metal conduits.
  4. Install expansion fittings at all locations where conduits cross building or structure expansion joints.
  5. Install each expansion-joint fitting with position, mounting, and piston setting selected according to manufacturer's written instructions for conditions at specific location at time of installation. Install conduit supports to allow for expansion movement.
- Y. Flexible Conduit Connections: Comply with NEMA RV 3. Use a maximum of 72 inches of flexible conduit for recessed and semi-recessed luminaires, equipment subject to vibration, noise transmission, or movement; and for transformers and motors.
1. Use LFMC in damp or wet locations subject to severe physical damage.
  2. Use LFMC or LFNC in damp or wet locations not subject to severe physical damage.
- Z. Mount boxes at heights indicated on Drawings. If mounting heights of boxes are not individually indicated, give priority to ADA requirements and also refer to Architectural elevations. Install boxes with height measured to center of box unless otherwise indicated.
- AA. Recessed Boxes in Masonry Walls: Saw-cut opening for box in masonry block, and install box flush with surface of wall. Prepare block surfaces to provide a flat surface for a tight connection between box and cover plate or supported equipment and box.
- BB. Horizontally separate boxes mounted on opposite sides of walls so they are not in the same vertical channel.
- CC. Locate boxes so that cover or plate will not span different building finishes.
- DD. Support boxes of three gangs or more from more than one side by spanning two framing members or mounting on brackets specifically designed for the purpose.

FIRE STATIONS RENOVATION  
ARLINGTON COUNTY, VIRGINIA  
Architect's Project No: 563006

---

- EE. Fasten junction and pull boxes to or support from building structure. Do not support boxes by conduits.
- FF. Set metal floor boxes level and flush with finished floor surface.
- GG. Where communication outlets and data outlets are shown together on drawings, do not scale drawings to obtain distance between outlets. Locate outlets such that there is no more than 4" between receptacle outlet and communication outlet.

3.3 INSTALLATION OF UNDERGROUND CONDUIT

- A. See Section 260543.

3.4 SLEEVE AND SLEEVE-SEAL INSTALLATION FOR ELECTRICAL PENETRATIONS

- A. Install sleeves and sleeve seals at penetrations of exterior floor and wall assemblies. Comply with requirements in Section 260544 "Sleeves and Sleeve Seals for Electrical Raceways and Cabling."

3.5 FIRESTOPPING

- A. Install firestopping at penetrations of fire-rated floor and wall assemblies. Comply with requirements in Division 07.

3.6 PROTECTION

- A. Protect coatings, finishes, and cabinets from damage and deterioration.
  - 1. Repair damage to galvanized finishes with zinc-rich paint recommended by manufacturer.
  - 2. Repair damage to PVC coatings or paint finishes with matching touchup coating recommended by manufacturer.

END OF SECTION 260533

FIRE STATIONS RENOVATION  
ARLINGTON COUNTY, VIRGINIA  
Architect's Project No: 563006

---

SECTION 260553 - IDENTIFICATION FOR ELECTRICAL SYSTEMS

PART 1 - GENERAL

1.1 RELATED DOCUMENTS

- A. Drawings and general provisions of the Contract, including General and Supplementary Conditions and Division 01 Specification Sections, apply to this Section.

1.2 SUMMARY

- A. Section Includes:
  - 1. Identification for raceways.
  - 2. Identification of power and control cables.
  - 3. Identification for conductors.
  - 4. Underground-line warning tape.
  - 5. Warning labels and signs.
  - 6. Instruction signs.
  - 7. Equipment identification labels.
  - 8. Miscellaneous identification products.

1.3 ACTION SUBMITTALS

- A. Product Data: For each electrical identification product indicated.

1.4 QUALITY ASSURANCE

- A. Comply with ANSI A13.1 and IEEE C2.
- B. Comply with NFPA 70.
- C. Comply with 29 CFR 1910.144 and 29 CFR 1910.145.
- D. Comply with ANSI Z535.4 for safety signs and labels.

1.5 COORDINATION

- A. Coordinate identification names, abbreviations, colors, and other features with requirements in other Sections requiring identification applications, Drawings, Shop Drawings, manufacturer's wiring diagrams, and the Operation and Maintenance Manual; and with those required by codes, standards, and 29 CFR 1910.145. Use consistent designations throughout Project.

FIRE STATIONS RENOVATION  
ARLINGTON COUNTY, VIRGINIA  
Architect's Project No: 563006

---

- B. Coordinate installation of identifying devices with completion of covering and painting of surfaces where devices are to be applied.
- C. Coordinate installation of identifying devices with location of access panels and doors.
- D. Install identifying devices before installing acoustical ceilings and similar concealment.

## PART 2 - PRODUCTS

### 2.1 POWER AND CONTROL RACEWAY IDENTIFICATION MATERIALS

- A. Comply with ANSI A13.1 for minimum size of letters for legend and for minimum length of color field for each raceway size.
- B. Colors for Raceways Carrying Circuits at 600 V or Less:
  - 1. Black letters on an orange field.
  - 2. Legend: Indicate voltage and system or service type.
- C. Colors for Raceways Carrying Circuits at More Than 600 V:
  - 1. Black letters on an orange field.
  - 2. Legend: "DANGER CONCEALED HIGH VOLTAGE WIRING."
- D. Vinyl Labels for Raceways Carrying Circuits at 600 V or Less: Preprinted, flexible label laminated with a clear, weather- and chemical-resistant coating and matching wraparound clear adhesive tape for securing ends of legend label.

### 2.2 POWER AND CONTROL CABLE IDENTIFICATION MATERIALS

- A. Comply with ANSI A13.1 for minimum size of letters for legend and for minimum length of color field for each cable size.
- B. Vinyl Labels: Preprinted, flexible label laminated with a clear, weather- and chemical-resistant coating and matching wraparound clear adhesive tape for securing ends of legend label. Do not use Paper type labels.

### 2.3 FLOOR MARKING TAPE

- A. 2-inch- wide, 5-mil pressure-sensitive vinyl tape, with yellow and black stripes and clear vinyl overlay.

FIRE STATIONS RENOVATION  
ARLINGTON COUNTY, VIRGINIA  
Architect's Project No: 563006

---

2.4 UNDERGROUND-LINE WARNING TAPE

A. Tape:

1. Recommended by manufacturer for the method of installation and suitable to identify and locate underground electrical and communications utility lines.
2. Printing on tape shall be permanent and shall not be damaged by burial operations.
3. Tape material and ink shall be chemically inert, and not subject to degrading when exposed to acids, alkalis, and other destructive substances commonly found in soils.

B. Color and Printing:

1. Comply with ANSI Z535.1 through ANSI Z535.5.
2. Inscriptions for Red-Colored Tapes: ELECTRIC LINE, HIGH VOLTAGE,.
3. Inscriptions for Orange-Colored Tapes: TELEPHONE CABLE, CATV CABLE, COMMUNICATIONS CABLE, OPTICAL FIBER CABLE,.

C. Warning Tape:

1. Detectable three-layer laminate, consisting of a printed pigmented polyolefin film, a solid aluminum-foil core, and a clear protective film that allows inspection of the continuity of the conductive core, bright-colored, continuous-printed on one side with the inscription of the utility, compounded for direct-burial service.
2. Overall Thickness: 5 mils.
3. Foil Core Thickness: 0.35mil.
4. Weight: 28 lb/1000 sq. ft.
5. 3-Inch Tensile According to ASTM D 882: 70 lbf, and 4600 psi.

2.5 WARNING LABELS AND SIGNS

A. Comply with NFPA 70 and 29 CFR 1910.145.

B. Metal-Backed, Butyrate Warning Signs: Weather-resistant, nonfading, preprinted, cellulose-acetate butyrate signs with 0.0396-inch galvanized-steel backing; and with colors, legend, and size required for application. 1/4-inch grommets in corners for mounting. Nominal size, 10 by 14 inches.

1. Warning labels and signs shall include, but are not limited to, the following:
  - a. Multiple Power Source Warning: "DANGER - ELECTRICAL SHOCK HAZARD - EQUIPMENT HAS MULTIPLE POWER SOURCES."
  - b. Workspace Clearance Warning: "WARNING - OSHA REGULATION - AREA IN FRONT OF ELECTRICAL EQUIPMENT MUST BE KEPT CLEAR FOR 36 INCHES"
  - c. Arc Flash Hazard Warning: Refer to Section 260574 for requirements.

FIRE STATIONS RENOVATION  
ARLINGTON COUNTY, VIRGINIA  
Architect's Project No: 563006

---

2.6 INSTRUCTION SIGNS

- A. Engraved, laminated acrylic or melamine plastic, minimum 1/16 inch thick for signs up to 20 sq. inches and 1/8 inch thick for larger sizes.
  - 1. Engraved legend with black letters on white face.
  - 2. Punched or drilled for mechanical fasteners.
  - 3. Framed with mitered acrylic molding and arranged for attachment at applicable equipment.
- B. Adhesive Film Label: Do not use for Instructional Signs

2.7 EQUIPMENT IDENTIFICATION LABELS

- A. Engraved, Laminated Acrylic or Melamine Label: Punched or drilled for screw mounting. White letters on a dark-gray background. Minimum letter height shall be 3/8 inch.

2.8 CABLE TIES

- A. Plenum-Rated Cable Ties: Self extinguishing, UV stabilized, one piece, self locking.
  - 1. Minimum Width: 3/16 inch.
  - 2. Tensile Strength at 73 deg F, According to ASTM D 638: 7000 psi.
  - 3. UL 94 Flame Rating: 94V-0.
  - 4. Temperature Range: Minus 50 to plus 284 deg F.
  - 5. Color: Black.

2.9 MISCELLANEOUS IDENTIFICATION PRODUCTS

- A. Paint: Comply with requirements in painting Sections for paint materials and application requirements. Select paint system applicable for surface material and location (exterior or interior).
- B. Fasteners for Labels and Signs: Self-tapping, stainless-steel screws or stainless-steel machine screws with nuts and flat and lock washers.

PART 3 - EXECUTION

3.1 INSTALLATION

- A. Verify identity of each item before installing identification products.

FIRE STATIONS RENOVATION  
ARLINGTON COUNTY, VIRGINIA  
Architect's Project No: 563006

---

- B. Location: Install identification materials and devices at locations for most convenient viewing without interference with operation and maintenance of equipment.
- C. Apply identification devices to surfaces that require finish after completing finish work.
- D. Self-Adhesive Identification Products: Do not use
- E. Attach signs and plastic labels with mechanical fasteners appropriate to the location and substrate.
- F. System Identification Color-Coding Bands for Raceways and Cables: Each color-coding band shall completely encircle cable or conduit. Place adjacent bands of two-color markings in contact, side by side. Locate bands at changes in direction, at penetrations of walls and floors, at 50-foot maximum intervals in straight runs, and at 25-foot maximum intervals in congested areas.
- G. Aluminum Wraparound Marker Labels and Metal Tags: Secure tight to surface of conductor or cable at a location with high visibility and accessibility.
- H. Cable Ties: For attaching tags. Use Plenum rated, except as listed below:
  - 1. Outdoors: UV-stabilized nylon.
- I. Underground-Line Warning Tape: During backfilling of trenches install continuous underground-line warning tape directly above line at 6 to 8 inches below finished grade. Use multiple tapes where width of multiple lines installed in a common trench or concrete envelope exceeds 16 inches overall.
- J. Painted Identification: Comply with requirements in painting Sections for surface preparation and paint application.

### 3.2 IDENTIFICATION SCHEDULE

- A. Accessible Raceways 600 V or Less, for Service, Feeder, and Branch Circuits: Identify with self-adhesive vinyl label. Install labels at 10-foot maximum intervals.
- B. Accessible Raceways and Cables within Buildings: Identify the covers of each junction and pull box of the following systems with self-adhesive vinyl labels with the wiring system legend and system voltage. System legends shall be as follows:
  - 1. Emergency Power.
  - 2. Standby Power
  - 3. Power.
- C. Power-Circuit Conductor Identification, 600 V or Less: For conductors in vaults, pull and junction boxes, manholes, and handholes, use color-coding conductor tape to identify the phase.



FIRE STATIONS RENOVATION  
ARLINGTON COUNTY, VIRGINIA  
Architect's Project No: 563006

---

1. Color-Coding for Phase and Voltage Level Identification, 600 V or Less: Use colors listed below for ungrounded service feeder and branch-circuit conductors.
  - a. Color shall be factory applied or field applied for sizes larger than No. 8 AWG, if authorities having jurisdiction permit.
  - b. Colors for 208/120-V Circuits:
    - 1) Phase A: Black.
    - 2) Phase B: Red.
    - 3) Phase C: Blue.
    - 4) Grounded (Neutral): White.
    - 5) Ground: Green.
  - c. Colors for 480/277-V Circuits:
    - 1) Phase A: Brown.
    - 2) Phase B: Orange.
    - 3) Phase C: Yellow.
    - 4) Grounded (Neutral): Gray.
    - 5) Ground: Green.
  - d. Field-Applied, Color-Coding Conductor Tape: Apply in half-lapped turns for a minimum distance of 6 inches from terminal points and in boxes where splices or taps are made. Apply last two turns of tape with no tension to prevent possible unwinding. Locate bands to avoid obscuring factory cable markings.
- D. Install instructional sign including the color-code for grounded and ungrounded conductors using adhesive-film-type labels.
- E. Control-Circuit Conductor Identification: For conductors and cables in pull and junction boxes, manholes, and handholes, use self-adhesive, self-laminating polyester labels with the conductor or cable designation, origin, and destination.
- F. Control-Circuit Conductor Termination Identification: For identification at terminations provide heat-shrink preprinted tubes or self-adhesive, self-laminating polyester labels with the conductor designation.
- G. Conductors to Be Extended in the Future: Attach marker tape to conductors and list source.
- H. Auxiliary Electrical Systems Conductor Identification: Identify field-installed alarm, control, and signal connections.
  1. Identify conductors, cables, and terminals in enclosures and at junctions, terminals, and pull points. Identify by system and circuit designation.
  2. Use system of marker tape designations that is uniform and consistent with system used by manufacturer for factory-installed connections.
  3. Coordinate identification with Project Drawings, manufacturer's wiring diagrams, and the Operation and Maintenance Manual.

FIRE STATIONS RENOVATION  
ARLINGTON COUNTY, VIRGINIA  
Architect's Project No: 563006

---

- I. Locations of Underground Lines: Identify with underground-line warning tape for power, lighting, communication, and control wiring and optical fiber cable.
1. Limit use of underground-line warning tape to direct-buried cables.
  2. Install underground-line warning tape for both direct-buried cables and cables in raceway.
- J. Workspace Indication: Install floor marking tape to show working clearances in the direction of access to live parts. Workspace shall be as required by NFPA 70 and 29 CFR 1926.403 unless otherwise indicated. Do not install at flush-mounted panelboards and similar equipment in finished spaces unless otherwise noted.
- K. Warning Labels for Indoor Cabinets, Boxes, and Enclosures for Power and Lighting:
1. Comply with 29 CFR 1910.145.
  2. Identify system voltage with black letters on an orange background.
  3. Apply to exterior of door, cover, or other access.
  4. For equipment with multiple power or control sources, apply to door or cover of equipment including, but not limited to, the following:
    - a. Power transfer switches.
    - b. Controls with external control power connections.
- L. Operating Instruction Signs: Install instruction signs to facilitate proper operation and maintenance of electrical systems and items to which they connect. Install instruction signs with approved legend where instructions are needed for system or equipment operation including but not limited to:
1. Athletic lighting control equipment
  2. Gymnasium lighting control equipment
  3. Transfer switches
  4. Switches associated with bypass of contactors for lighting.
  5. Sound systems
  6. Theatrical Lighting
  7. Common Area/Corridor master lighting control
- M. Emergency Operating Instruction Signs: Install instruction signs with white legend on a red background with minimum 3/8-inch- high letters for emergency instructions at equipment used for power transfer and load shedding.
- N. Equipment Identification Labels: On each unit of equipment, install unique designation label that is consistent with wiring diagrams, schedules, and the Operation and Maintenance Manual. Apply labels to disconnect switches and protection equipment, central or master units, control panels, control stations, terminal cabinets, and racks of each system. Systems include power, lighting, control, communication, signal, monitoring, and alarm systems unless equipment is provided with its own identification.
1. Labeling Instructions:

FIRE STATIONS RENOVATION  
ARLINGTON COUNTY, VIRGINIA  
Architect's Project No: 563006

---

- a. Indoor Equipment: Engraved, laminated acrylic or melamine label. Unless otherwise indicated, provide a single line of text with 1/2-inch- high letters on 1-1/2-inch- high label; where two lines of text are required, use labels 2 inches high.
  - b. Outdoor Equipment: Engraved, laminated acrylic or melamine label.
  - c. Elevated Components: Increase sizes of labels and letters to those appropriate for viewing from the floor.
  - d. Fasten labels with appropriate mechanical fasteners that do not change the NEMA or NRTL rating of the enclosure.
2. Equipment to Be Labeled:
- a. Panelboards: Type written directory of circuits in the location provided by panelboard manufacturer. Panelboard identification shall be laminated acrylic or melamine label.
  - b. Enclosures and electrical cabinets.
  - c. Access doors and panels for concealed electrical items.
  - d. Switchboards.
  - e. Transformers: Label that includes tag designation shown on Drawings for the transformer, feeder, and panelboards or equipment supplied by the secondary.
  - f. Emergency system boxes and enclosures.
  - g. Enclosed switches.
  - h. Enclosed circuit breakers.
  - i. Enclosed controllers.
  - j. Variable-speed controllers.
  - k. Push-button stations.
  - l. Power transfer equipment.
  - m. Contactors.
  - n. Remote-controlled switches, dimmer modules, and control devices.
  - o. Power-generating units.
  - p. Monitoring and control equipment.

O. RISER DIAGRAMS

1. Provide full size laminated as-built riser diagram of electrical system. Mount on wall in main electrical room.
2. Provide full size laminated as-built risers of all vertical cabling of communications systems in the main data room and each IDF closet.

END OF SECTION 260553

FIRE STATIONS RENOVATION  
ARLINGTON COUNTY, VIRGINIA  
Architect's Project No: 563006

---

SECTION 260923 - LIGHTING CONTROL DEVICES

PART 1 - GENERAL

1.1 RELATED DOCUMENTS

- A. Drawings and general provisions of the Contract, including General and Supplementary Conditions and Division 01 Specification Sections, apply to this Section.

1.2 SUMMARY

- A. Section Includes:
  - 1. Time switches.
  - 2. Photoelectric switches.
  - 3. Indoor occupancy sensors.
  - 4. Lighting contactors.
  - 5. Emergency shunt relays.

1.3 ACTION SUBMITTALS

- A. Product Data: For each type of product.
- B. Shop Drawings: Show installation details for occupancy and light-level sensors.
  - 1. Interconnection diagrams showing field-installed wiring.
  - 2. Include diagrams for power, signal, and control wiring.

1.4 INFORMATIONAL SUBMITTALS

- A. Field quality-control reports.

1.5 CLOSEOUT SUBMITTALS

- A. Operation and Maintenance Data: For each type of lighting control device to include in emergency, operation, and maintenance manuals.

FIRE STATIONS RENOVATION  
ARLINGTON COUNTY, VIRGINIA  
Architect's Project No: 563006

---

PART 2 - PRODUCTS

2.1 TIME SWITCHES

- A. Manufacturers: Subject to compliance with requirements, available manufacturers offering products that may be incorporated into the Work include, but are not limited to the following:
1. Cooper Industries, Inc.
  2. Intermatic, Inc.
  3. Leviton Manufacturing Co., Inc.
  4. NSi Industries LLC.
- B. Basis of Design: Tork EWZ101

2.2 OUTDOOR PHOTOELECTRIC SWITCHES

- A. Manufacturers: Subject to compliance with requirements, available manufacturers offering products that may be incorporated into the Work include, but are not limited to the following:
1. Cooper Industries, Inc.
  2. Intermatic, Inc.
  3. NSi Industries LLC.
  4. Tyco Electronics.
- B. Description: Solid state, with SPST dry contacts rated for 1800-VA tungsten or 1000-VA inductive, to operate connected relay, contactor coils, or microprocessor input; complying with UL 773A.
1. Listed and labeled as defined in NFPA 70, by a qualified testing agency, and marked for intended location and application.
  2. Light-Level Monitoring Range: 1.5 to 10 fc, with an adjustment for turn-on and turn-off levels within that range, and a directional lens in front of the photocell to prevent fixed light sources from causing turn-off.
  3. Time Delay: Fifteen second minimum, to prevent false operation.
  4. Surge Protection: Metal-oxide varistor.
  5. Mounting: Twist lock complies with NEMA C136.10, with base-and-stem mounting or stem-and-swivel mounting accessories as required to direct sensor to the north sky exposure.

2.3 INDOOR OCCUPANCY SENSORS

- A. Manufacturers: Subject to compliance with requirements, available manufacturers offering products that may be incorporated into the Work include, but are not limited to the following:
1. Hubbell Building Automation, Inc.

FIRE STATIONS RENOVATION  
ARLINGTON COUNTY, VIRGINIA  
Architect's Project No: 563006

---

2. Leviton Manufacturing Co., Inc.
  3. Lutron Electronics Co., Inc.
  4. Sensor Switch, Inc.
  5. Watt Stopper.
- B. General Requirements for Sensors: Wall- or ceiling-mounted, solid-state indoor occupancy sensors with a separate power pack.
1. Listed and labeled as defined in NFPA 70, by a qualified testing agency, and marked for intended location and application.
  2. Operation: Unless otherwise indicated, turn lights on when coverage area is occupied, and turn them off when unoccupied; with a time delay for turning lights off, adjustable over a minimum range of 1 to 15 minutes.
  3. Sensor Output: Contacts rated to operate the connected relay, complying with UL 773A. Sensor is powered from the power pack.
  4. Power Pack: Dry contacts rated for 20-A ballast load at 120- and 277-V ac, for 13-A tungsten at 120-V ac, and for 1 hp at 120-V ac. Sensor has 24-V dc, 150-mA, Class 2 power source, as defined by NFPA 70.
  5. Mounting:
    - a. Sensor: Suitable for mounting in any position on a standard outlet box.
    - b. Relay: Externally mounted through a 1/2-inch knockout in a standard electrical enclosure.
    - c. Time-Delay and Sensitivity Adjustments: Recessed and concealed behind hinged door.
  6. Indicator: Digital display, to show when motion is detected during testing and normal operation of sensor.
  7. Bypass Switch: Override the "on" function in case of sensor failure.
  8. Automatic Light-Level Sensor: Adjustable from 2 to 200 fc; turn lights off when selected lighting level is present.
- C. Ultrasonic Type: Ceiling mounted; detect occupants in coverage area through pattern changes of reflected ultrasonic energy. Basis of Design Wattstopper WT 2255
1. Detector Sensitivity: Detect a person of average size and weight moving not less than 12 inches in either a horizontal or a vertical manner at an approximate speed of 12 inches/s. Detection Coverage (Corridor): Detect occupancy anywhere within 90 feet when mounted on a 10-foot- high ceiling in a corridor not wider than 14 feet.
- D. Dual-Technology Type: Wattstopper Ceiling mounted; detect occupants in coverage area using PIR and ultrasonic detection methods. The particular technology or combination of technologies that control on-off functions is selectable in the field by operating controls on unit.
1. Sensitivity Adjustment: Separate for each sensing technology.
  2. Detector Sensitivity: Detect occurrences of 6-inch- minimum movement of any portion of a human body that presents a target of not less than 36 sq. in., and detect a person of average size and weight moving not less than 12 inches in either a horizontal or a vertical manner at an approximate speed of 12 inches/s.
  3. Detection Coverage:

FIRE STATIONS RENOVATION  
ARLINGTON COUNTY, VIRGINIA  
Architect's Project No: 563006

---

- a. **Standard Height Units:(WattStopper DT-355 Basis of design)** In areas that have ceiling heights of 12 feet or lower, provide Watt Stopper unit DT-300 (or approved equal): Detect occupancy anywhere within a circular area up to 2000 square feet. Detectors shall be networkable to allow coverage of larger or irregularly shaped areas.
- b. **High Ceiling Units:(WattStopper HB3x0 Basis of design)** In areas that have ceiling/mounting height over 12 feet up to 40 foot mounting including but not limited to Gymnasium, Auditorium, Cafeteria (commons) and forum spaces, provide Watt Stopper unit HB3x0 with L4 lens, or approved equal. Detect occupancy anywhere within a circular area up to 3500 square feet. Detectors shall be networkable to allow coverage of larger or irregularly shaped areas.

#### 2.4 SWITCHBOX-MOUNTED OCCUPANCY SENSORS

- A. **Manufacturers:** Subject to compliance with requirements, available manufacturers offering products that may be incorporated into the Work include, but are not limited to the following:
  1. Hubbell Building Automation, Inc.
  2. Leviton Manufacturing Co., Inc.
  3. Lutron Electronics Co., Inc.
  4. Sensor Switch, Inc.
  5. Watt Stopper.
- B. **General Requirements for Sensors:** Automatic-wall-switch occupancy sensor, suitable for mounting in a single gang switchbox.
  1. Listed and labeled as defined in NFPA 70, by a qualified testing agency, and marked for intended location and application.
  2. **Operating Ambient Conditions:** Dry interior conditions, 32 to 120 deg F.
- C. **Wall-Switch Sensor Tag OS Wattstopper DW-100(basis of design):**
  1. **Standard Range:** 180-degree field of view, field adjustable from 180 to 40 degrees; with a minimum coverage area of 900 sq. ft..
  2. **Sensing Technology:** Dual technology - PIR and ultrasonic.
  3. **Switch Type:** SP, field selectable automatic "on," or manual "on" automatic "off."
  4. **Voltage:** Dual voltage, 120 and 277 V; dual-technology type.
  5. **Ambient-Light Override:** Concealed, field-adjustable, light-level sensor from 10 to 150 fc. The switch prevents the lights from turning on when the light level is higher than the set point of the sensor.
  6. Concealed, field-adjustable, "off" time-delay selector at up to 30 minutes.
  7. **Adaptive Technology:** Self-adjusting circuitry detects and memorizes usage patterns of the space and helps eliminate false "off" switching.

#### 2.5 LIGHTING CONTACTORS

- A. **Manufacturers:** Subject to compliance with requirements, available manufacturers offering products that may be incorporated into the Work include, but are not limited to the following:

FIRE STATIONS RENOVATION  
ARLINGTON COUNTY, VIRGINIA  
Architect's Project No: 563006

---

1. Allen-Bradley/Rockwell Automation.
2. ASCO Power Technologies, LP.
3. Eaton corp
4. Square D.
5. Siemens

- B. Description: Electrically operated and mechanically held, combination-type lighting contactors with nonfused disconnect, and Hand off auto switch complying with NEMA ICS 2 and UL 508.
1. Fault Current Withstand Rating: Equal to or exceeding the available fault current at the point of installation.
  2. Enclosure: Comply with NEMA 250.
  3. Provide with control and pilot devices as indicated on Drawings, matching the NEMA type specified for the enclosure.

## 2.6 EMERGENCY POWER DIMMER CONTROL

- A. Manufacturers: Subject to compliance with requirements, available manufacturers offering products that may be incorporated into the Work include, but are not limited to the following:
1. LVS Model EPC-1-D
  2. Non-Dimming Bodine GTD

## PART 3 - EXECUTION

### 3.1 SENSOR INSTALLATION

- A. Coordinate layout and installation of ceiling-mounted devices with other construction that penetrates ceilings or is supported by them, including light fixtures, HVAC equipment, smoke detectors, fire-suppression systems, and partition assemblies.
- B. Install and aim sensors in locations to achieve not less than 90 percent coverage of areas indicated. Do not exceed coverage limits specified in manufacturer's written instructions.
- C. Provide types in locations according to list below
1. Corridors – Wattstopper WT-2255
  2. Classrooms – Wattstopper DT-355
  3. Classrooms (wireless indicated) Complete Radio Powr Savr system for two zone, 0-10v dimming and wall mounted occupancy detection. Provide three (3) PJ2-2BRL-WG-LO1 with wall mount. Program 1 switch for all on/off program two switches on/off/raise/lower for each zone.
  4. High ceiling areas Wattstopper H3x0-lx as required for application.



FIRE STATIONS RENOVATION  
ARLINGTON COUNTY, VIRGINIA  
Architect's Project No: 563006

---

3.2 CONTACTOR INSTALLATION

- A. Mount electrically held lighting contactors with elastomeric isolator pads to eliminate structure-borne vibration, unless contactors are installed in an enclosure with factory-installed vibration isolators.

3.3 WIRING INSTALLATION

- A. Wiring Method: Comply with Section 260519 "Low-Voltage Electrical Power Conductors and Cables." Minimum conduit size is 1/2 inch.
- B. Wiring within Enclosures: Comply with NECA 1. Separate power-limited and non-power-limited conductors according to conductor manufacturer's written instructions.
- C. Size conductors according to lighting control device manufacturer's written instructions unless otherwise indicated.
- D. Splices, Taps, and Terminations: Make connections only on numbered terminal strips in junction, pull, and outlet boxes; terminal cabinets; and equipment enclosures.

3.4 IDENTIFICATION

- A. Identify components and power and control wiring according to Section 260553 "Identification for Electrical Systems."
  - 1. Identify controlled circuits in lighting contactors.
  - 2. Identify circuits or luminaries controlled by photoelectric and occupancy sensors at each sensor.
- B. Label time switches and contactors with a unique designation.

3.5 FIELD QUALITY CONTROL

- A. Perform the following tests and inspections:
  - 1. Operational Test: After installing time switches and sensors, and after electrical circuitry has been energized, start units to confirm proper unit operation.
  - 2. Test and adjust controls and safeties. Replace damaged and malfunctioning controls and equipment.
- B. Lighting control devices will be considered defective if they do not pass tests and inspections.
- C. Prepare test and inspection reports.

FIRE STATIONS RENOVATION  
ARLINGTON COUNTY, VIRGINIA  
Architect's Project No: 563006

---

3.6 ADJUSTING

- A. Occupancy Adjustments: When requested within 12 months from date of Substantial Completion, provide on-site assistance in adjusting sensors to suit actual occupied conditions. Provide up to four visits to Project during other-than-normal occupancy hours for this purpose.
  - 1. For occupancy and motion sensors, verify operation at outer limits of detector range. Set time delay to suit Owner's operations.
  - 2. For daylighting controls, adjust set points and deadband controls to suit Owner's operations.
  - 3. Align high-bay occupancy sensors using manufacturer's laser aiming tool.

3.7 DEMONSTRATION

- A. Coordinate demonstration of products specified in this Section with demonstration requirements for low-voltage, programmable lighting control systems specified.
- B. Train Owner's maintenance personnel to adjust, operate, and maintain lighting control devices.

END OF SECTION 260923

FIRE STATIONS RENOVATION  
ARLINGTON COUNTY, VIRGINIA  
Architect's Project No: 563006

---

SECTION 262416 - PANELBOARDS

PART 1 - GENERAL

1.1 RELATED DOCUMENTS

- A. Drawings and general provisions of the Contract, including General and Supplementary Conditions and Division 01 Specification Sections, apply to this Section.

1.2 SUMMARY

- A. Section Includes:
  - 1. Distribution panelboards.
  - 2. Lighting and appliance branch-circuit panelboards.
  - 3. Secondary panelboard metering

1.3 DEFINITIONS

- A. SVR: Suppressed voltage rating.

1.4 ACTION SUBMITTALS

- A. Product Data: For each type of panelboard, switching and overcurrent protective device, transient voltage suppression device, accessory, and component indicated. Include dimensions and manufacturers' technical data on features, performance, electrical characteristics, ratings, and finishes.
- B. Shop Drawings: For each panelboard and related equipment.
  - 1. Include dimensioned plans, elevations, sections, and details. Show tabulations of installed devices, equipment features, and ratings.
  - 2. Detail enclosure types and details for types other than NEMA 250, Type 1.
  - 3. Detail bus configuration, current, and voltage ratings.
  - 4. Short-circuit current rating of panelboards and overcurrent protective devices.
  - 5. Include evidence of NRTL listing for series rating of installed devices.
  - 6. Detail features, characteristics, ratings, and factory settings of individual overcurrent protective devices and auxiliary components.
  - 7. Include wiring diagrams for power, signal, and control wiring.
  - 8. Include time-current coordination curves for each type and rating of overcurrent protective device included in panelboards. Submit on translucent log-log graft paper; include selectable ranges for each type of overcurrent protective device.

FIRE STATIONS RENOVATION  
ARLINGTON COUNTY, VIRGINIA  
Architect's Project No: 563006

---

1.5 INFORMATIONAL SUBMITTALS

A. Field Quality-Control Reports:

1. Test procedures used.
2. Test results that comply with requirements.
3. Results of failed tests and corrective action taken to achieve test results that comply with requirements.

B. Panelboard Schedules: For installation in panelboards.

1.6 CLOSEOUT SUBMITTALS

A. Operation and Maintenance Data: For panelboards and components to include in emergency, operation, and maintenance manuals. In addition to items specified in Section 017823 "Operation and Maintenance Data," include the following:

1. Manufacturer's written instructions for testing and adjusting overcurrent protective devices.
2. Time-current curves, including selectable ranges for each type of overcurrent protective device that allows adjustments.

1.7 QUALITY ASSURANCE

A. Source Limitations: Obtain panelboards, overcurrent protective devices, components, and accessories from single source from single manufacturer.

B. Product Selection for Restricted Space: Drawings indicate maximum dimensions by means of scaled symbols for panelboards including clearances between panelboards and adjacent surfaces and other items. Comply with maximum dimensions of symbols shown.

C. Electrical Components, Devices, and Accessories: Listed and labeled as defined in NFPA 70, by a qualified testing agency, and marked for intended location and application.

D. Comply with NEMA PB 1.

E. Comply with NFPA 70.

1.8 DELIVERY, STORAGE, AND HANDLING

A. Remove loose packing and flammable materials from inside panelboards; install temporary electric heating (250 W per panelboard) to prevent condensation.

B. Handle and prepare panelboards for installation according to NEMA PB 1.

FIRE STATIONS RENOVATION  
ARLINGTON COUNTY, VIRGINIA  
Architect's Project No: 563006

---

1.9 PROJECT CONDITIONS

A. Environmental Limitations:

1. Do not deliver or install panelboards until spaces are enclosed and weathertight, wet work in spaces is complete and dry, work above panelboards is complete.
2. Rate equipment for continuous operation under the following conditions unless otherwise indicated:
  - a. Ambient Temperature: Not exceeding 23 deg F to plus 104 deg F.
  - b. Altitude: Not exceeding 6600 feet.

1.10 COORDINATION

- A. Coordinate layout and installation of panelboards and components with other construction that penetrates walls or is supported by them, including electrical and other types of equipment, raceways, piping, encumbrances to workspace clearance requirements, and adjacent surfaces. Maintain required workspace clearances and required clearances for equipment access doors and panels.
- B. Coordinate sizes and locations of concrete bases with actual equipment provided. Cast anchor-bolt inserts into bases. Concrete, reinforcement, and formwork requirements are specified with concrete.

1.11 WARRANTY

- A. Special Warranty: Manufacturer's standard form in which manufacturer agrees to repair or replace transient voltage suppression devices that fail in materials or workmanship within specified warranty period.
  1. Warranty Period: One year from date of Substantial Completion.

PART 2 - PRODUCTS

2.1 GENERAL REQUIREMENTS FOR PANELBOARDS

- A. All panelboards, switchboards, circuit breakers, dry type transformers and disconnect switches shall be of the same manufacturer.
- B. Enclosures: Flush and surface-mounted cabinets as indicated on the drawings.
  1. Rated for environmental conditions at installed location.
    - a. Indoor Dry and Clean Locations: NEMA 250, Type 1.

FIRE STATIONS RENOVATION  
ARLINGTON COUNTY, VIRGINIA  
Architect's Project No: 563006

---

- b. Outdoor Locations: NEMA 250, Type 3R.
    - c. Kitchen Areas: NEMA 250, Type 4X, stainless steel.
    - d. Other Wet or Damp Indoor Locations: NEMA 250, Type 4.
  2. Piano Type Hinged Front Cover: Entire front trim hinged to box and with standard door within hinged trim cover.
  3. Finishes:
    - a. Panels and Trim: galvanized steel, factory finished immediately after cleaning and pretreating with manufacturer's standard two-coat, baked-on finish consisting of prime coat and thermosetting topcoat.
    - b. Back Boxes: Galvanized steel.
  4. Metal Directory Card holder: Inside panelboard door, mounted in transparent card holder.
- C. Incoming Mains Location: Top or bottom to match incoming conduit location.
- D. Phase, Neutral, and Ground Buses:
  1. Material: Hard-drawn copper, 98 percent conductivity.
  2. Equipment Ground Bus: Copper, Adequate for feeder and branch-circuit equipment grounding conductors; bonded to box.
  3. Neutral Bus: Copper fully rated
- E. Conductor Connectors: Suitable for use with conductor material and sizes.
  1. Material: Hard-drawn copper, 98 percent conductivity.
  2. Main and Neutral Lugs: Mechanical type.
  3. Ground Lugs and Bus-Configured Terminators: Mechanical type.
  4. Feed-Through Lugs: Mechanical type, suitable for use with conductor material. Locate at opposite end of bus from incoming lugs or main device, where indicated on drawings.
  5. Subfeed (Double) Lugs: Mechanical type suitable for use with conductor material. Locate at same end of bus as incoming lugs or main device.
- F. Service Equipment Label: NRTL labeled for use as service equipment for panelboards or load centers with one or more main service disconnecting and overcurrent protective devices where required by NEC.
- G. Future Devices: Mounting brackets, bus connections, filler plates, and necessary appurtenances required for future installation of devices.
- H. Panelboard Short-Circuit Current Rating: Fully rated to interrupt symmetrical short-circuit current available at terminals as determined by the specified studies. Rating indicated on drawings shall be verified by the Manufacturer and adjusted, if required, at no additional cost to the Owner.
- I. All doors shall be keyed alike.

FIRE STATIONS RENOVATION  
ARLINGTON COUNTY, VIRGINIA  
Architect's Project No: 563006

---

2.2 DISTRIBUTION PANELBOARDS

- A. Manufacturers: Subject to compliance with requirements, provide products by one of the following:
  - 1. Eaton Electrical Sector; Eaton Corporation.
  - 2. Siemens Industry, Inc.
  - 3. Square D. I-Line
- B. Panelboards: NEMA PB 1, power and feeder distribution type.
- C. Provide piano hinged trim
- D. Doors: Secured with vault-type latch with tumbler lock; keyed alike.
  - 1. For doors more than 36 inches high, provide two latches, keyed alike.
- E. Mains: Circuit breaker or Lugs only per drawings.
- F. Branch Overcurrent Protective Devices for Circuit-Breaker: Bolt-on circuit breakers

2.3 LIGHTING AND APPLIANCE BRANCH-CIRCUIT PANELBOARDS

- A. Manufacturers: Subject to compliance with requirements, provide products by one of the following:
  - 1. Siemens Industry, Inc.
  - 2. Square D.
  - 3. Eaton Electrical Sector; Eaton Corporation.
- B. Panelboards: NEMA PB 1, lighting and appliance branch-circuit type.
- C. Mains: Circuit breaker or lugs only per the drawings.
- D. Branch Overcurrent Protective Devices: Bolt-on circuit breakers, replaceable without disturbing adjacent units.
- E. Doors: Concealed hinges; secured with flush latch with tumbler lock; keyed alike.
- F. Provide piano hinged trim.

2.4 PANELBOARD DISCONNECTING AND OVERCURRENT PROTECTIVE DEVICES

- A. Manufacturers: Subject to compliance with requirements, available manufacturers offering products that may be incorporated into the Work include, but are not limited to the following:

FIRE STATIONS RENOVATION  
ARLINGTON COUNTY, VIRGINIA  
Architect's Project No: 563006

---

1. Eaton Electrical Sector; Eaton Corporation.
  2. Siemens Industry, Inc.
  3. Square D.
- B. Molded-Case Circuit Breaker (MCCB): Comply with UL 489, with interrupting capacity to meet available fault currents.
1. Thermal-Magnetic Circuit Breakers: Inverse time-current element for low-level overloads, and instantaneous magnetic trip element for short circuits. Adjustable magnetic trip setting for circuit-breaker frame sizes 250 A and larger.
  2. Adjustable Instantaneous-Trip Circuit Breakers: Magnetic trip element with front-mounted, field-adjustable trip setting.
  3. Electronic trip circuit breakers with Square D Energy trip unit or equivalent equal; field-replaceable rating plug or field-replicable electronic trip; and the following field-adjustable settings:
    - a. Instantaneous trip.
    - b. Long- and short-time pickup levels.
    - c. Long- and short-time time adjustments.
  4. Current-Limiting Circuit Breakers: Frame sizes 400 A and smaller; let-through ratings less than NEMA FU 1, RK-5.
  5. GFCI Circuit Breakers: Single- and two-pole configurations with Class A ground-fault protection (6-mA trip).
  6. Ground-Fault Equipment Protection (GFEP) Circuit Breakers: Class B ground-fault protection (30-mA trip).
  7. Molded-Case Circuit-Breaker (MCCB) Features and Accessories:
    - a. Standard frame sizes, trip ratings, and number of poles.
    - b. Lugs: Mechanical style, suitable for number, size, trip ratings, and conductor materials.
    - c. Application Listing: Appropriate for application; Type SWD for switching fluorescent lighting loads; Type HID for feeding fluorescent and high-intensity discharge (HID) lighting circuits..
    - d. Ground-Fault Protection: Integrally mounted relay and trip unit with adjustable pickup and time-delay settings, push-to-test feature, and ground-fault indicator.
    - e. Shunt Trip: trip coil energized from separate circuit, set to trip at 55 percent of rated voltage.
    - f. Undervoltage Trip: Set to operate at 35 to 75 percent of rated voltage with field-adjustable 0.1- to 0.6-second time delay.
    - g. Multipole units enclosed in a single housing or factory assembled to operate as a single unit.
    - h. Handle Padlocking Device: Fixed attachment, for locking circuit-breaker handles in on or off position.



FIRE STATIONS RENOVATION  
ARLINGTON COUNTY, VIRGINIA  
Architect's Project No: 563006

---

2.5 ACCESSORY COMPONENTS AND FEATURES

- A. Accessory Set: Include tools and miscellaneous items required for overcurrent protective device test, inspection, maintenance, and operation.
- B. Portable Test Set: For testing functions of solid-state trip devices without removing from panelboard. Include relay and meter test plugs suitable for testing panelboard meters and switchboard class relays.

PART 3 - EXECUTION

3.1 EXAMINATION

- A. Receive, inspect, handle, and store panelboards according to NEMA PB 1.1.
- B. Examine panelboards before installation. Reject panelboards that are damaged or rusted or have been subjected to water saturation.
- C. Examine elements and surfaces to receive panelboards for compliance with installation tolerances and other conditions affecting performance of the Work.
- D. Proceed with installation only after unsatisfactory conditions have been corrected.

3.2 INSTALLATION

- A. Install panelboards and accessories according to NEMA PB 1.1.
- B. Equipment Mounting: Install large free standing distribution panelboards on concrete bases, 4-inch nominal thickness.
  - 1. Install dowel rods to connect concrete base to concrete floor. Unless otherwise indicated, install dowel rods on 18-inch centers around full perimeter of base.
  - 2. For panelboards, install epoxy-coated anchor bolts that extend through concrete base and anchor into structural concrete floor.
  - 3. Place and secure anchorage devices. Use setting drawings, templates, diagrams, instructions, and directions furnished with items to be embedded.
  - 4. Install anchor bolts to elevations required for proper attachment to panelboards.
  - 5. Attach panelboard to the vertical finished or structural surface behind the panelboard.
- C. Temporary Lifting Provisions: Remove temporary lifting eyes, channels, and brackets and temporary blocking of moving parts from panelboards.
- D. Set all cabinets of all branch circuit and distribution panelboards, with top 6'-0" above finished floor, unless noted otherwise, or unless panel is taller than 4'-6".

FIRE STATIONS RENOVATION  
ARLINGTON COUNTY, VIRGINIA  
Architect's Project No: 563006

---

- E. Mount panelboard cabinet plumb and rigid without distortion of box. Mount recessed panelboards with fronts uniformly flush with wall finish and mating with back box.
- F. Install overcurrent protective devices and controllers not already factory installed.
  - 1. Set field-adjustable, circuit-breaker trip ranges.
- G. Install filler plates in unused spaces.
- H. Stub four 1-inch empty conduits from panelboard into accessible ceiling space or space designated to be ceiling space in the future. Stub four 1-inch empty conduits into raised floor space or below slab not on grade.
- I. Arrange conductors in gutters into groups and bundle and wrap with wire ties.
- J. Comply with NECA 1.
- K. Coordinate voltage of shunt trips with connected systems.
- L. Utilize Electronic Energy Trip Breakers in Distribution Panelboards, which are location in interior spaces. Distribution boards located in 3R panelboards shall be thermal magnetic
- M. Branch circuit breakers serving the following items shall have lock-on devices.
  - 1. Exit signs
  - 2. Walk-through and/or exit (egress) lighting
  - 3. Fire alarm system(s)
  - 4. Security systems(s)
  - 5. Timeclocks
  - 6. Clock and Program Time Control System(s)
  - 7. Building Intercommunication Systems
  - 8. Telephone power disconnect switches and receptacles
  - 9. Sump pumps
  - 10. HVAC controls
  - 11. Refrigerators and Freezers.
  - 12. Control circuits for shunt trips and "panic" switches

### 3.3 IDENTIFICATION

- A. Identify field-installed conductors, interconnecting wiring, and components; provide warning signs complying with Section 260553 "Identification for Electrical Systems."
- B. Create a directory to indicate installed circuit loads; incorporate Owner's final room designations. Obtain approval before installing. Use a computer or typewriter to create directory; handwritten directories are not acceptable.
- C. Panelboard Nameplates: Label each panelboard with a nameplate complying with requirements for identification specified in Section 260553 "Identification for Electrical Systems."

FIRE STATIONS RENOVATION  
ARLINGTON COUNTY, VIRGINIA  
Architect's Project No: 563006

---

- D. Device Nameplates: Label each branch circuit device in distribution panelboards with a nameplate complying with requirements for identification specified in Section 260553 "Identification for Electrical Systems."

FIRE STATIONS RENOVATION  
ARLINGTON COUNTY, VIRGINIA  
Architect's Project No: 563006

---

3.4 FIELD QUALITY CONTROL

- A. Perform tests and inspections.
  - 1. Manufacturer's Field Service: Engage a factory-authorized service representative to inspect components, assemblies, and equipment installations, including connections, and to assist in testing.
- B. Acceptance Testing Preparation:
  - 1. Test insulation resistance for each panelboard bus, component, connecting supply, feeder, and control circuit.
  - 2. Test continuity of each circuit.
- C. Tests and Inspections:
  - 1. Perform each visual and mechanical inspection and electrical test stated in NETA Acceptance Testing Specification. Certify compliance with test parameters.
  - 2. Correct malfunctioning units on-site, where possible, and retest to demonstrate compliance; otherwise, replace with new units and retest.
- D. Panelboards will be considered defective if they do not pass tests and inspections.
- E. Prepare test and inspection reports, including a certified report that identifies panelboards included and that describes scanning results. Include notation of deficiencies detected, remedial action taken and observations after remedial action.

3.5 ADJUSTING

- A. Adjust moving parts and operable component to function smoothly, and lubricate as recommended by manufacturer.
- B. Set field-adjustable circuit-breaker trip ranges as specified in Section 260573 "Overcurrent Protective Device Coordination Study."

3.6 PROTECTION

- A. Temporary Heating: Apply temporary heat to maintain temperature according to manufacturer's written instructions.

END OF SECTION 262416

FIRE STATIONS RENOVATION  
ARLINGTON COUNTY, VIRGINIA  
Architect's Project No: 563006

---

SECTION 262726 - WIRING DEVICES

PART 1 - GENERAL

1.1 RELATED DOCUMENTS

- A. Drawings and general provisions of the Contract, including General and Supplementary Conditions and Division 01 Specification Sections, apply to this Section.

1.2 SUMMARY

A. Section Includes:

1. Receptacles, receptacles with integral GFCI, and associated device plates.
2. Twist-locking receptacles.
3. Tamper-resistant receptacles.
4. Weather-resistant receptacles.
5. Snap switches and wall-box dimmers.
6. Pendant cord-connector devices.
7. Cord and plug sets.
8. Poke-through assemblies

1.3 DEFINITIONS

- A. EMI: Electromagnetic interference.
- B. GFCI: Ground-fault circuit interrupter.
- C. Pigtail: Short lead used to connect a device to a branch-circuit conductor.
- D. RFI: Radio-frequency interference.

1.4 ADMINISTRATIVE REQUIREMENTS

A. Coordination:

1. Receptacles for Owner-Furnished Equipment: Match plug configurations.
2. Cord and Plug Sets: Match equipment requirements.

1.5 ACTION SUBMITTALS

- A. Product Data: For each type of product.

FIRE STATIONS RENOVATION  
ARLINGTON COUNTY, VIRGINIA  
Architect's Project No: 563006

---

- B. Shop Drawings: List of legends and description of materials and process used for pre-marking wall plates.

1.6 INFORMATIONAL SUBMITTALS

- A. Field quality-control reports.

1.7 CLOSEOUT SUBMITTALS

- A. Operation and Maintenance Data: For wiring devices to include in all manufacturers' packing-label warnings and instruction manuals that include labeling conditions.

PART 2 - PRODUCTS

2.1 MANUFACTURERS

- A. Source Limitations: Obtain each type of wiring device and associated wall plate from single source from single manufacturer.

2.2 GENERAL WIRING-DEVICE REQUIREMENTS

- A. Wiring Devices, Components, and Accessories: Listed and labeled as defined in NFPA 70, by a qualified testing agency, and marked for intended location and application.
- B. Comply with NFPA 70.

2.3 STRAIGHT-BLADE RECEPTACLES

- A. Convenience Receptacles, 125 V, 20 A: Comply with NEMA WD 1, NEMA WD 6 Configuration 5-20R, UL 498, and FS W-C-596.
  - 1. Manufacturers: Subject to compliance with requirements, available manufacturers offering products that may be incorporated into the Work include, but are not limited to the following:
    - a. Cooper Wiring Devices, Inc.
    - b. Hubbell.
    - c. Leviton Manufacturing Co., Inc.
    - d. Pass & Seymour/Legrand (Pass & Seymour).
- B. Tamper-Resistant Convenience Receptacles, 125 V, 20 A: Comply with NEMA WD 1, NEMA WD 6 Configuration 5-20R, UL 498 Supplement sd, and FS W-C-596.

FIRE STATIONS RENOVATION  
ARLINGTON COUNTY, VIRGINIA  
Architect's Project No: 563006

---

1. Manufacturers: Subject to compliance with requirements, available manufacturers offering products that may be incorporated into the Work include, but are not limited to the following:
  - a. Cooper Wiring Devices, Inc.
  - b. Hubbell Premise Wiring.
  - c. Leviton Manufacturing Co., Inc.
  - d. Pass & Seymour/Legrand (Pass & Seymour).
2. Description: Labeled shall comply with NFPA 70, "Health Care Facilities" Article, "Pediatric Locations" Section.

#### 2.4 GFCI RECEPTACLES

##### A. General Description:

1. Straight blade, non-feed-through type.
2. Comply with NEMA WD 1, NEMA WD 6, UL 498, UL 943 Class A, and FS W-C-596.
3. Include indicator light that shows when the GFCI has malfunctioned and no longer provides proper GFCI protection.

##### B. Duplex GFCI Convenience Receptacles, 125 V, 20 A:

1. Manufacturers: Subject to compliance with requirements, available manufacturers offering products that may be incorporated into the Work include, but are not limited to the following:
  - a. Cooper Wiring Devices, Inc.
  - b. Hubbell.
  - c. Leviton Manufacturing Co., Inc.
  - d. Pass & Seymour/Legrand (Pass & Seymour).

#### 2.5 HAZARDOUS (CLASSIFIED) LOCATION RECEPTACLES

##### A. Wiring Devices for Hazardous (Classified) Locations: Comply with NEMA FB 11 and UL 1010.

1. Manufacturers: Subject to compliance with requirements, available manufacturers offering products that may be incorporated into the Work include, but are not limited to the following:
  - a. Cooper Wiring Devices, Inc.
  - b. EGS/Appleton Electric.
  - c. Killark.

FIRE STATIONS RENOVATION  
ARLINGTON COUNTY, VIRGINIA  
Architect's Project No: 563006

---

2.6 TWIST-LOCKING RECEPTACLES

- A. Single Convenience Receptacles, 125 V, 20 A: Comply with NEMA WD 1, NEMA WD 6 Configurations as required, and UL 498.
  - 1. Manufacturers: Subject to compliance with requirements, available manufacturers offering products that may be incorporated into the Work include, but are not limited to the following:
    - a. Cooper Wiring Devices, Inc.
    - b. Hubbell.
    - c. Leviton Manufacturing Co., Inc.
    - d. Pass & Seymour/Legrand (Pass & Seymour).

2.7 PENDANT CORD-CONNECTOR DEVICES

- A. Description:
  - 1. Matching, locking-type plug and receptacle body connector.
  - 2. NEMA WD 6 Configurations as required, heavy-duty grade, and FS W-C-596.
  - 3. Body: Nylon, with screw-open, cable-gripping jaws and provision for attaching external cable grip.

2.8 CORD AND PLUG SETS

- A. Description:
  - 1. Match voltage and current ratings and number of conductors to requirements of equipment being connected.
  - 2. Cord: Rubber-insulated, stranded-copper conductors, with Type SOW-A jacket; with green-insulated grounding conductor and ampacity of at least 130 percent of the equipment rating.
  - 3. Plug: Nylon body and integral cable-clamping jaws. Match cord and receptacle type for connection.

2.9 TOGGLE SWITCHES

- A. Comply with NEMA WD 1, UL 20, and FS W-S-896.
- B. Switches, 120/277 V, 20 A:
  - 1. Products: Subject to compliance with requirements, available products that may be incorporated into the Work include, but are not limited to, the following:
    - a. Single Pole:



FIRE STATIONS RENOVATION  
ARLINGTON COUNTY, VIRGINIA  
Architect's Project No: 563006

---

- 1) Cooper; AH1221.
- 2) Hubbell; HBL1221.
- 3) Leviton; 1221-2.
- 4) Pass & Seymour; CSB20AC1.

b. Two Pole:

- 1) Cooper; AH1222.
- 2) Hubbell; HBL1222.
- 3) Leviton; 1222-2.
- 4) Pass & Seymour; CSB20AC2.

c. Three Way:

- 1) Cooper; AH1223.
- 2) Hubbell; HBL1223.
- 3) Leviton; 1223-2.
- 4) Pass & Seymour; CSB20AC3.

d. Four Way:

- 1) Cooper; AH1224.
- 2) Hubbell; HBL1224.
- 3) Leviton; 1224-2.
- 4) Pass & Seymour; CSB20AC4.

C. Pilot-Light Switches, 20 A:

1. Manufacturers: Subject to compliance with requirements, available manufacturers offering products that may be incorporated into the Work include, but are not limited to the following:
  - a. Cooper Wiring Devices, Inc.
  - b. Hubbell.
  - c. Leviton Manufacturing Co., Inc.
  - d. Pass & Seymour/Legrand (Pass & Seymour).
2. Description: Single pole, with neon-lighted handle, illuminated when switch is "off."

D. Key-Operated Switches, 120/277 V, 20 A:

1. Manufacturers: Subject to compliance with requirements, available manufacturers offering products that may be incorporated into the Work include, but are not limited to the following:
  - a. Cooper Wiring Devices, Inc.
  - b. Hubbell.
  - c. Leviton Manufacturing Co., Inc.
  - d. Pass & Seymour/Legrand (Pass & Seymour).

FIRE STATIONS RENOVATION  
ARLINGTON COUNTY, VIRGINIA  
Architect's Project No: 563006

---

2. Description: Single pole, with factory-supplied key in lieu of switch handle.
- E. Single-Pole, Double-Throw, Momentary-Contact, Center-off Switches: 120/277 V, 20 A; for use with mechanically held lighting contactors.
1. Manufacturers: Subject to compliance with requirements, available manufacturers offering products that may be incorporated into the Work include, but are not limited to the following:
    - a. Cooper Wiring Devices, Inc.
    - b. Hubbell.
    - c. Leviton Manufacturing Co., Inc.
    - d. Pass & Seymour/Legrand (Pass & Seymour).
- F. Key-Operated, Single-Pole, Double-Throw, Momentary-Contact, Center-off Switches: 120/277 V, 20 A; for use with mechanically held lighting contactors, with factory-supplied key in lieu of switch handle.
1. Manufacturers: Subject to compliance with requirements, available manufacturers offering products that may be incorporated into the Work include, but are not limited to the following:
    - a. Cooper Wiring Devices, Inc.
    - b. Hubbell.
    - c. Leviton Manufacturing Co., Inc.
    - d. Pass & Seymour/Legrand (Pass & Seymour).
- 2.10 WALL-BOX DIMMERS
- A. Dimmer Switches: Lutron Nova T NTSTV-DV up to 8A utilize power packs for larger loads. 0-10V.
  - B. Control: Continuously adjustable slider; with single-pole or three-way switching. Comply with UL 1472.
- 2.11 WALL PLATES
- A. Single and combination types shall match corresponding wiring devices.
    1. Plate-Securing Screws: Metal with head color to match plate finish.
    2. Material for Finished Spaces: 0.035-inch- thick, satin-finished, Type 302 stainless steel
    3. At locations where switches or outlets penetrate wall mirrors, provide glass mirror finish wall plates.
  - B. Wet-Location, Weatherproof Cover Plates: NEMA 250, complying with Type 3R, weather-resistant, die-cast aluminum with lockable cover.

FIRE STATIONS RENOVATION  
ARLINGTON COUNTY, VIRGINIA  
Architect's Project No: 563006

---

2.12 POKE-THROUGH ASSEMBLIES

- A. Manufacturers: Subject to compliance with requirements, available manufacturers offering products that may be incorporated into the Work include, but are not limited to the following:
  - 1. Hubbell.
  - 2. Mono Systems, inc
  - 3. Wiremold / Legrand.
- B. Description:  
Refer to detail on drawing.

2.13 FINISHES

- A. Device Color:
  - 1. Wiring Devices Connected to Normal and Emergency Power System: As selected by Architect from standard offering unless otherwise indicated or required by NFPA 70 or device listing.
  - 2. Wiring Devices Connected to Emergency Power System:
- B. Wall Plate Color: Stainless Steel

PART 3 - EXECUTION

3.1 INSTALLATION

- A. Comply with NECA 1, including mounting heights listed in that standard, unless otherwise indicated.
- B. Coordination with Other Trades:
  - 1. Protect installed devices and their boxes. Do not place wall finish materials over device boxes and do not cut holes for boxes with routers that are guided by riding against outside of boxes.
  - 2. Keep outlet boxes free of plaster, drywall joint compound, mortar, cement, concrete, dust, paint, and other material that may contaminate the raceway system, conductors, and cables.
  - 3. Install device boxes in brick or block walls so that the cover plate does not cross a joint unless the joint is troweled flush with the face of the wall.
  - 4. Install wiring devices after all wall preparation, including painting, is complete.
- C. Conductors:

FIRE STATIONS RENOVATION  
ARLINGTON COUNTY, VIRGINIA  
Architect's Project No: 563006

---

1. Do not strip insulation from conductors until right before they are spliced or terminated on devices.
2. Strip insulation evenly around the conductor using tools designed for the purpose. Avoid scoring or nicking of solid wire or cutting strands from stranded wire.
3. The length of free conductors at outlets for devices shall meet provisions of NFPA 70, Article 300, without pigtails.

D. Device Installation:

1. Replace devices that have been in temporary use during construction and that were installed before building finishing operations were complete.
2. Keep each wiring device in its package or otherwise protected until it is time to connect conductors.
3. Do not remove surface protection, such as plastic film and smudge covers, until the last possible moment.
4. Connect devices to branch circuits using pigtails that are not less than 6 inches in length.
5. Use side wiring with binding-head screw terminals. Wrap solid conductor tightly clockwise, two-thirds to three-fourths of the way around terminal screw. Provide hook terminals on stranded wiring
6. Use a torque screwdriver when a torque is recommended or required by manufacturer.
7. When conductors larger than No. 12 AWG are installed on 15- or 20-A circuits, splice No. 12 AWG pigtails for device connections.
8. Tighten unused terminal screws on the device.
9. When mounting into metal boxes, remove the fiber or plastic washers used to hold device-mounting screws in yokes, allowing metal-to-metal contact.

E. Receptacle Orientation:

1. Install ground pin of vertically mounted receptacles down (confirm with Owner), and on horizontally mounted receptacles to the right.

F. Device Plates: Do not use oversized or extra-deep plates. Repair wall finishes and remount outlet boxes when standard device plates do not fit flush or do not cover rough wall opening.

G. Dimmers:

1. Install dimmers within terms of their listing.
2. Install unshared neutral conductors on line and load side of dimmers according to manufacturers' device listing conditions in the written instructions.

H. Arrangement of Devices: Unless otherwise indicated, mount flush, with long dimension vertical and with grounding terminal of receptacles on top. Group adjacent switches under single, multigang wall plates.

I. Adjust locations of floor service outlets and service poles to suit arrangement of partitions and furnishings.

J. Locate adjacent Data Outlets and Power outlets with no more than 4" between device covers.

FIRE STATIONS RENOVATION  
ARLINGTON COUNTY, VIRGINIA  
Architect's Project No: 563006

---

3.2 GFCI RECEPTACLES

- A. Install non-feed-through-type GFCI receptacles in each location called for on the drawings and any additional location required by the NEC.

3.3 IDENTIFICATION

- A. Comply with Section 260553 "Identification for Electrical Systems."
- B. Identify each receptacle with panelboard identification and circuit number. Use hot, stamped, or engraved machine printing with black-filled lettering on face of plate, and durable wire markers or tags inside outlet boxes.

3.4 POKE-THRU DEVICES

- A. Unit shall permit all wiring to be completed at floor level. The 6AT units shall mount in a 6" cored hole, actual 6 1/16" core hole. Use is defined by the UL Fire Resistance Directory as a minimum spacing of "2 ft. on center and not more than one device per each 65 sq. ft. of floor area in each span.
- B. Installation shall be completed by pushing unit down into the cored hole. Prior to and during installation, refer to system layout and/or approval drawings. Installer shall comply with detailed manufacturer's instruction sheet included with each device. The unit shall contain a retainer for securing the device in the slab, as well as the necessary intumescent material to seal the cored hole under fire conditions.
- C. Unit shall provide all accessories to accommodate devices indicated on E4.3.

3.5 FIELD QUALITY CONTROL

- A. Perform the following tests and inspections:
  - 1. Test Instruments: Use instruments that comply with UL 1436.
- B. Tests for Convenience Receptacles:
  - 1. Line Voltage: Acceptable range is 105 to 132 V.
  - 2. Percent Voltage Drop under 15-A Load: A value of 6 percent or higher is unacceptable.
  - 3. Ground Impedance: Values of up to 2 ohms are acceptable.
  - 4. GFCI Trip: Test for tripping values specified in UL 1436 and UL 943.
  - 5. Using the test plug, verify that the device and its outlet box are securely mounted.
  - 6. Tests shall be diagnostic, indicating damaged conductors, high resistance at the circuit breaker, poor connections, inadequate fault current path, defective devices, or similar problems. Correct circuit conditions, remove malfunctioning units and replace with new ones, and retest as specified above.

FIRE STATIONS RENOVATION  
ARLINGTON COUNTY, VIRGINIA  
Architect's Project No: 563006

---

- C. Test straight-blade for the retention force of the grounding blade according to NFPA 99. Retention force shall be not less than 4 oz.
- D. Wiring device will be considered defective if it does not pass tests and inspections.
- E. Prepare test and inspection reports.

END OF SECTION 262726

FIRE STATIONS RENOVATION  
ARLINGTON COUNTY, VIRGINIA  
Architect's Project No: 563006

---

SECTION 262813 - FUSES

PART 1 - GENERAL

1.1 RELATED DOCUMENTS

- A. Drawings and general provisions of the Contract, including General and Supplementary Conditions and Division 01 Specification Sections, apply to this Section.

1.2 SUMMARY

- A. Section Includes:

1. Cartridge fuses rated 600 V ac and less for use in the following:
  - a. Control circuits.
  - b. Enclosed controllers.
  - c. Enclosed switches.

1.3 ACTION SUBMITTALS

- A. Product Data: For each type of product. Include construction details, material descriptions, dimensions of individual components and profiles, and finishes for spare-fuse cabinets. Include the following for each fuse type indicated:
1. Ambient Temperature Adjustment Information: If ratings of fuses have been adjusted to accommodate ambient temperatures, provide list of fuses with adjusted ratings.
    - a. For each fuse having adjusted ratings, include location of fuse, original fuse rating, local ambient temperature, and adjusted fuse rating.
    - b. Provide manufacturer's technical data on which ambient temperature adjustment calculations are based.
  2. Dimensions and manufacturer's technical data on features, performance, electrical characteristics, and ratings.
  3. Current-limitation curves for fuses with current-limiting characteristics.
  4. Time-current coordination curves (average melt) and current-limitation curves (instantaneous peak let-through current) for each type and rating of fuse. Submit in electronic format suitable for use in coordination software and in PDF format.
  5. Coordination charts and tables and related data.
  6. Fuse sizes for elevator feeders and elevator disconnect switches.

1.4 CLOSEOUT SUBMITTALS

- A. Operation and Maintenance Data: For fuses to include in emergency, operation, and maintenance manuals. In addition to items specified in Section 017823 "Operation and Maintenance Data," include the following:

FIRE STATIONS RENOVATION  
ARLINGTON COUNTY, VIRGINIA  
Architect's Project No: 563006

---

1. Ambient temperature adjustment information.
2. Current-limitation curves for fuses with current-limiting characteristics.
3. Time-current coordination curves (average melt) and current-limitation curves (instantaneous peak let-through current) for each type and rating of fuse used on the Project. Submit in electronic format suitable for use in coordination software and in PDF format.
4. Coordination charts and tables and related data.

1.5 FIELD CONDITIONS

- A. Where ambient temperature to which fuses are directly exposed is less than 40 deg F or more than 100 deg F, apply manufacturer's ambient temperature adjustment factors to fuse ratings.

PART 2 - PRODUCTS

2.1 MANUFACTURERS

- A. Manufacturers: Subject to compliance with requirements, available manufacturers offering products that may be incorporated into the Work include, but are not limited to the following:
  1. Cooper Bussmann; a division of Cooper Industries.
  2. Littelfuse, Inc.
- B. Source Limitations: Obtain fuses, for use within a specific product or circuit, from single source from single manufacturer.

2.2 CARTRIDGE FUSES

- A. Characteristics: NEMA FU 1, current-limiting, nonrenewable cartridge fuses with voltage ratings consistent with circuit voltages.
  1. Type RK-1: 600-V, zero- to 600-A rating, 200 kAIC, time delay.
  2. Type CC: 600-V, zero- to 30-A rating, 200 kAIC , time delay.
  3. Type J: 600-V, zero- to 600-A rating, 200 kAIC.
  4. Type L: 600-V, 601- to 6000-A rating, 200 kAIC, time delay.
- B. Electrical Components, Devices, and Accessories: Listed and labeled as defined in NFPA 70, by a qualified testing agency, and marked for intended location and application.
- C. Comply with NEMA FU 1 for cartridge fuses.
- D. Comply with NFPA 70.
- E. Coordinate fuse ratings with utilization equipment nameplate limitations of maximum fuse size and with system short-circuit current levels.



FIRE STATIONS RENOVATION  
ARLINGTON COUNTY, VIRGINIA  
Architect's Project No: 563006

---

PART 3 - EXECUTION

3.1 EXAMINATION

- A. Examine fuses before installation. Reject fuses that are moisture damaged or physically damaged.
- B. Examine holders to receive fuses for compliance with installation tolerances and other conditions affecting performance, such as rejection features.
- C. Examine utilization equipment nameplates and installation instructions. Install fuses of sizes and with characteristics appropriate for each piece of equipment.
- D. Evaluate ambient temperatures to determine if fuse rating adjustment factors must be applied to fuse ratings.
- E. Proceed with installation only after unsatisfactory conditions have been corrected.

3.2 FUSE APPLICATIONS

- A. Cartridge Fuses:
  - 1. Feeders: Class RK1, time delay.
  - 2. Motor Branch Circuits: Class RK5, time delay.
  - 3. Large Motor Branch (601-4000 A): Class L, time delay.
  - 4. Power Electronics Circuits: Class J, high speed.
  - 5. Other Branch Circuits: Class RK1, time delay.
  - 6. Control Transformer Circuits: Class CC, time delay, control transformer duty.
  - 7. Provide open-fuse indicator fuses or fuse covers with open fuse indication.

3.3 INSTALLATION

- A. Install fuses in fusible devices. Arrange fuses so rating information is readable without removing fuse.

3.4 IDENTIFICATION

- A. Install labels complying with requirements for identification specified in Section 260553 "Identification for Electrical Systems" and indicating fuse replacement information inside of door of each fused switch and adjacent to each fuse block, socket, and holder.

END OF SECTION 262813

FIRE STATIONS RENOVATION  
ARLINGTON COUNTY, VIRGINIA  
Architect's Project No: 563006

---

SECTION 262816 - ENCLOSED SWITCHES AND CIRCUIT BREAKERS

PART 1 - GENERAL

1.1 RELATED DOCUMENTS

- A. Drawings and general provisions of the Contract, including General and Supplementary Conditions and other Division 01 Specification Sections, apply to this Section.

1.2 SUMMARY

- A. Section Includes:
  - 1. Fusible switches.
  - 2. Nonfusible switches.
  - 3. Shunt trip switches.
  - 4. Molded-case circuit breakers (MCCBs).
  - 5. Enclosures.

1.3 DEFINITIONS

- A. NC: Normally closed.
- B. NO: Normally open.
- C. SPDT: Single pole, double throw.

1.4 ACTION SUBMITTALS

- A. Product Data: For each type of enclosed switch, circuit breaker, accessory, and component indicated. Include dimensioned elevations, sections, weights, and manufacturers' technical data on features, performance, electrical characteristics, ratings, accessories, and finishes.
  - 1. Enclosure types and details for types other than NEMA 250, Type 1.
  - 2. Current and voltage ratings.
  - 3. Short-circuit current ratings (interrupting and withstand, as appropriate).
  - 4. Include evidence of NRTL listing for series rating of installed devices.
  - 5. Detail features, characteristics, ratings, and factory settings of individual overcurrent protective devices, accessories, and auxiliary components.
  - 6. Include time-current coordination curves (average melt) for each type and rating of overcurrent protective device; include selectable ranges for each type of overcurrent protective device.
- B. Shop Drawings: For enclosed switches and circuit breakers. Include plans, elevations, sections, details, and attachments to other work.

FIRE STATIONS RENOVATION  
ARLINGTON COUNTY, VIRGINIA  
Architect's Project No: 563006

---

1. Wiring Diagrams: For power, signal, and control wiring.

1.5 INFORMATIONAL SUBMITTALS

- A. Field quality-control reports.
  1. Test procedures used.
  2. Test results that comply with requirements.
  3. Results of failed tests and corrective action taken to achieve test results that comply with requirements.
- B. Manufacturer's field service report.

1.6 CLOSEOUT SUBMITTALS

- A. Operation and Maintenance Data: For enclosed switches and circuit breakers to include in emergency, operation, and maintenance manuals. In addition to items specified in Section 017823 "Operation and Maintenance Data," include the following:
  1. Manufacturer's written instructions for testing and adjusting enclosed switches and circuit breakers.
  2. Time-current coordination curves (average melt) for each type and rating of overcurrent protective device; include selectable ranges for each type of overcurrent protective device.

1.7 QUALITY ASSURANCE

- A. Source Limitations: Obtain enclosed switches and circuit breakers, overcurrent protective devices, components, and accessories, within same product category, from single source from single manufacturer.
- B. Product Selection for Restricted Space: Drawings indicate maximum dimensions for enclosed switches and circuit breakers, including clearances between enclosures, and adjacent surfaces and other items. Comply with indicated maximum dimensions.
- C. Electrical Components, Devices, and Accessories: Listed and labeled as defined in NFPA 70, by a qualified testing agency, and marked for intended location and application.
- D. Comply with NFPA 70.

1.8 PROJECT CONDITIONS

- A. Environmental Limitations: Rate equipment for continuous operation under the following conditions unless otherwise indicated:

FIRE STATIONS RENOVATION  
ARLINGTON COUNTY, VIRGINIA  
Architect's Project No: 563006

---

1. Ambient Temperature: Not less than minus 22 deg F and not exceeding 104 deg F.
2. Altitude: Not exceeding 6600 feet.

1.9 COORDINATION

- A. Coordinate layout and installation of switches, circuit breakers, and components with equipment served and adjacent surfaces. Maintain required workspace clearances and required clearances for equipment access doors and panels.

PART 2 - PRODUCTS

- 2.1 All panelboards, switchboards, circuit breakers, dry type transformers and disconnect switches shall be of the same manufacturer.

2.2 FUSIBLE SWITCHES

- A. Manufacturers: Subject to compliance with requirements, available manufacturers offering products that may be incorporated into the Work include, but are not limited to the following:
  1. Eaton Electrical Sector; Eaton Corporation.
  2. Siemens Industry, Inc.
  3. Square D.
- B. Type HD, Heavy Duty, Single Throw, 600-V ac, 1200 A and Smaller: UL 98 and NEMA KS 1, horsepower rated, with clips or bolt pads to accommodate specified fuses, lockable handle with capability to accept three padlocks, and interlocked with cover in closed position.
- C. Type HD, Heavy Duty, Double Throw, 600-V ac, 1200 A and Smaller: UL 98 and NEMA KS 1, horsepower rated, with clips or bolt pads to accommodate specified fuses, lockable handle with capability to accept three padlocks, and interlocked with cover in closed position.
- D. Accessories:
  1. Equipment Ground Kit: Internally mounted and labeled for copper and aluminum ground conductors.
  2. Neutral Kit: Internally mounted; insulated, capable of being grounded and bonded; labeled for copper and aluminum neutral conductors.
  3. Isolated Ground Kit: Internally mounted; insulated, capable of being grounded and bonded; labeled for copper and aluminum neutral conductors.
  4. Class R Fuse Kit: Provides rejection of other fuse types when Class R fuses are specified.
  5. Auxiliary Contact Kit: One NO/NC (Form "C") auxiliary contact(s), arranged to activate before switch blades open.
  6. Hookstick Handle: Allows use of a hookstick to operate the handle.
  7. Lugs: Mechanical type, suitable for number, size, and conductor material.

FIRE STATIONS RENOVATION  
ARLINGTON COUNTY, VIRGINIA  
Architect's Project No: 563006

---

8. Service-Rated Switches: Labeled for use as service equipment.
9. Accessory Control Power Voltage: as required

### 2.3 NONFUSIBLE SWITCHES

- A. Manufacturers: Subject to compliance with requirements, available manufacturers offering products that may be incorporated into the Work include, but are not limited to the following:
  1. Eaton Electrical Sector; Eaton Corporation.
  2. Siemens Industry, Inc.
  3. Square D..
- B. Type HD, Heavy Duty, Single Throw, 600-V ac, 1200 A and Smaller: UL 98 and NEMA KS 1, horsepower rated, lockable handle with capability to accept three padlocks, and interlocked with cover in closed position.
- C. Type HD, Heavy Duty, Double Throw, 600-V ac, 1200 A and Smaller: UL 98 and NEMA KS 1, horsepower rated, lockable handle with capability to accept three padlocks, and interlocked with cover in closed position.
- D. Accessories:
  1. Equipment Ground Kit: Internally mounted and labeled for copper and aluminum ground conductors.
  2. Neutral Kit: Internally mounted; insulated, capable of being grounded and bonded; labeled for copper and aluminum neutral conductors.
  3. Isolated Ground Kit: Internally mounted; insulated, capable of being grounded and bonded; labeled for copper and aluminum neutral conductors.
  4. Auxiliary Contact Kit: One NO/NC (Form "C") auxiliary contact(s), arranged to activate before switch blades open.
  5. Hookstick Handle: Allows use of a hookstick to operate the handle.
  6. Lugs: Mechanical type, suitable for number, size, and conductor material.
  7. Accessory Control Power Voltage: as required

### 2.4 SHUNT TRIP SWITCHES

- A. Manufacturers: Subject to compliance with requirements, available manufacturers offering products that may be incorporated into the Work include, but are not limited to the following:
  1. Cooper Bussmann; a division of Cooper Industries.
  2. Littelfuse, Inc.
  3. Mersen USA.
- B. General Requirements: Comply with ASME A17.1, UL 50, and UL 98, with 200-kA interrupting and short-circuit current rating when fitted with Class J fuses.

FIRE STATIONS RENOVATION  
ARLINGTON COUNTY, VIRGINIA  
Architect's Project No: 563006

---

- C. Switches: Three-pole, horsepower rated, with integral shunt trip mechanism and Class J fuse block; lockable handle with capability to accept three padlocks; interlocked with cover in closed position.
- D. Control Circuit: 120-V ac; obtained from integral control power transformer, with primary and secondary fuses, with a control power transformer source of enough capacity to operate shunt trip, connected pilot, and indicating and control devices.
- E. Accessories:
  - 1. Oiltight key switch for key-to-test function.
  - 2. Oiltight red ON pilot light.
  - 3. Isolated neutral lug; 100 percent rating.
  - 4. Mechanically interlocked auxiliary contacts that change state when switch is opened and closed.
  - 5. Form C alarm contacts that change state when switch is tripped.
  - 6. Three-pole, double-throw, fire-alarm voltage monitoring relay complying with NFPA 72.

## 2.5 MOLDED-CASE CIRCUIT BREAKERS

- A. Manufacturers: Subject to compliance with requirements, available manufacturers offering products that may be incorporated into the Work include, but are not limited to the following:
  - 1. Eaton Electrical Sector; Eaton Corporation.
  - 2. Siemens Industry, Inc.
  - 3. Square D.
- B. General Requirements: Comply with UL 489, NEMA AB 1, and NEMA AB 3, with interrupting capacity to comply with available fault currents.
- C. Adjustable, Instantaneous-Trip Circuit Breakers: Magnetic trip element with front-mounted, field-adjustable trip setting.
- D. Electronic Trip Circuit Breakers: Field-replaceable rating plug, rms sensing, with the following field-adjustable settings:
  - 1. Instantaneous trip.
  - 2. Long- and short-time pickup levels.
  - 3. Long- and short-time time adjustments.
  - 4. Ground-fault pickup level, time delay, and I<sup>2</sup>t response.(for mechanical equipment only)
- E. Current-Limiting Circuit Breakers: Frame sizes 400 A and smaller, and let-through ratings less than NEMA FU 1, RK-1.
- F. Integrally Fused Circuit Breakers: Thermal-magnetic trip element with integral limiter-style fuse listed for use with circuit breaker and trip activation on fuse opening or on opening of fuse compartment door..

FIRE STATIONS RENOVATION  
ARLINGTON COUNTY, VIRGINIA  
Architect's Project No: 563006

---

- G. Ground-Fault, Circuit-Interrupter (GFCI) Circuit Breakers: Single- and two-pole configurations with Class A ground-fault protection (6-mA trip).
- H. Ground-Fault, Equipment-Protection (GFEP) Circuit Breakers: With Class B ground-fault protection (30-mA trip).
- I. Features and Accessories:
  - 1. Standard frame sizes, trip ratings, and number of poles.
  - 2. Lugs: Mechanical type, suitable for number, size, trip ratings, and conductor material.
  - 3. Application Listing: Appropriate for application; Type SWD for switching fluorescent lighting loads; Type HID for feeding fluorescent and high-intensity discharge lighting circuits.

### PART 3 - EXECUTION

#### 3.1 EXAMINATION

- A. Examine elements and surfaces to receive enclosed switches and circuit breakers for compliance with installation tolerances and other conditions affecting performance of the Work.
- B. Proceed with installation only after unsatisfactory conditions have been corrected.

#### 3.2 INSTALLATION

- A. Install individual wall-mounted switches and circuit breakers with tops at uniform height unless otherwise indicated.
- B. Temporary Lifting Provisions: Remove temporary lifting eyes, channels, and brackets and temporary blocking of moving parts from enclosures and components.
- C. Install fuses in fusible devices.
- D. Comply with NECA 1.

#### 3.3 IDENTIFICATION

- A. Comply with requirements in Section 260553 "Identification for Electrical Systems."
  - 1. Identify field-installed conductors, interconnecting wiring, and components; provide warning signs.
  - 2. Label each enclosure with engraved metal or laminated-plastic nameplate.

FIRE STATIONS RENOVATION  
ARLINGTON COUNTY, VIRGINIA  
Architect's Project No: 563006

---

3.4 FIELD QUALITY CONTROL

- A. Manufacturer's Field Service: Engage a factory-authorized service representative to inspect, test, and adjust components, assemblies, and equipment installations, including connections.
- B. Perform tests and inspections.
- C. Acceptance Testing Preparation:
  - 1. Test insulation resistance for each enclosed switch and circuit breaker, component, connecting supply, feeder, and control circuit.
  - 2. Test continuity of each circuit.
- D. Tests and Inspections:
  - 1. Perform each visual and mechanical inspection and electrical test stated in NETA Acceptance Testing Specification. Certify compliance with test parameters.
  - 2. Correct malfunctioning units on-site, where possible, and retest to demonstrate compliance; otherwise, replace with new units and retest.
  - 3. Perform the following infrared scan tests and inspections and prepare reports:
    - a. Initial Infrared Scanning: After Substantial Completion, but not more than 60 days after Final Acceptance, perform an infrared scan of each enclosed switch and circuit breaker. Remove front panels so joints and connections are accessible to portable scanner.
    - b. Follow-up Infrared Scanning: Perform an additional follow-up infrared scan of each enclosed switch and circuit breaker 11 months after date of Substantial Completion.
    - c. Instruments and Equipment: Use an infrared scanning device designed to measure temperature or to detect significant deviations from normal values. Provide calibration record for device.
  - 4. Test and adjust controls, remote monitoring, and safeties. Replace damaged and malfunctioning controls and equipment.
- E. Enclosed switches and circuit breakers will be considered defective if they do not pass tests and inspections.
- F. Prepare test and inspection reports, including a certified report that identifies enclosed switches and circuit breakers and that describes scanning results. Include notation of deficiencies detected, remedial action taken, and observations after remedial action.

3.5 ADJUSTING

- A. Adjust moving parts and operable components to function smoothly, and lubricate as recommended by manufacturer.



FIRE STATIONS RENOVATION  
ARLINGTON COUNTY, VIRGINIA  
Architect's Project No: 563006

---

- B. Set field-adjustable circuit-breaker trip ranges.

END OF SECTION 262816

FIRE STATIONS RENOVATION  
ARLINGTON COUNTY, VIRGINIA  
Architect's Project No: 563006

---

SECTION 265100 - INTERIOR LIGHTING

PART 1 - GENERAL

1.1 RELATED DOCUMENTS

- A. Drawings and general provisions of the Contract, including General and Supplementary Conditions and Division 01 Specification Sections, apply to this Section.

1.2 SUMMARY

- A. Section Includes:
  - 1. Interior lighting fixtures, lamps, and ballasts.
  - 2. Exit signs.
  - 3. Lighting fixture supports.

1.3 DEFINITIONS

- A. BF: Ballast factor.
- B. CCT: Correlated color temperature.
- C. CRI: Color-rendering index.
- D. HID: High-intensity discharge.
- E. LER: Luminaire efficacy rating.
- F. Lumen: Measured output of lamp and luminaire, or both.
- G. Luminaire: Complete lighting fixture, including ballast housing if provided.

1.4 SUBSTITUTIONS

- A. The lighting fixture layouts of spaces indicated in the Contract Documents are based upon photometric data, quality, construction and appearance of fixtures listed in the lighting fixture schedule. Substitutions of listed fixtures are allowed provided the following is provided with the Submittal package.
  - 1. Provide all data as required for submittals with substitution package. Indicate variances with fixtures listed in lighting fixture schedule.
  - 2. Provide footcandle calculations for each room or area that fixture substitution is requested.
  - 3. Architect/Engineer has final aesthetic and technical approval on all substituted fixtures.

1.5 ACTION SUBMITTALS

- A. Product Data: For each type of lighting fixture, arranged in order of fixture designation. Include data on features, accessories, finishes, and the following:

FIRE STATIONS RENOVATION  
ARLINGTON COUNTY, VIRGINIA  
Architect's Project No: 563006

---

1. Physical description of lighting fixture including dimensions.
  2. Specific LED drivers and lamp product information
  3. Energy-efficiency data.
  4. Life, output (lumens, CCT, and CRI), and energy-efficiency data for lamps.
  5. Photometric data and adjustment factors based on laboratory tests, complying with IESNA Lighting Measurements Testing & Calculation Guides, of each lighting fixture type. The adjustment factors shall be for lamps, ballasts, and accessories identical to those indicated for the lighting fixture as applied in this Project.
    - a. Manufacturer Certified Data: Photometric data shall be certified by a manufacturer's laboratory with a current accreditation under the National Voluntary Laboratory Accreditation Program for Energy Efficient Lighting Products.
- B. Shop Drawings: For nonstandard, continuous runs of cove lighting or custom lighting fixtures. Include plans, elevations, sections, details, and attachments to other work.
1. Detail equipment assemblies and indicate dimensions, weights, loads, required clearances, method of field assembly, components, and location and size of each field connection.
  2. Wiring Diagrams: For power, signal, and control wiring.
- C. Samples: Upon request or if being submitted as an equal, for each lighting fixture indicated in the Interior Lighting Fixture Schedule. Each Sample shall include the following:
1. Lamps and drivers, installed.
  2. Cords and plugs.
  3. Pendant support system.
- D. Installation instructions.

#### 1.6 INFORMATIONAL SUBMITTALS

- A. Coordination Drawings: Reflected ceiling plan(s) and other details, drawn to scale, on which the following items are shown and coordinated with each other, using input from installers of the items involved:
  1. Cove lighting detail.
- B. Qualification Data: For qualified agencies providing photometric data for lighting fixtures.
- C. Product Certificates: For each type of driver for dimmer-controlled fixtures, from manufacturer.
- D. Field quality-control reports.
- E. Warranty: Sample of special warranty.

FIRE STATIONS RENOVATION  
ARLINGTON COUNTY, VIRGINIA  
Architect's Project No: 563006

---

1.7 CLOSEOUT SUBMITTALS

- A. Operation and Maintenance Data: For lighting equipment and fixtures to include in emergency, operation, and maintenance manuals.
  - 1. Provide a list of all LEDs and Driver types used on Project; use ANSI and manufacturers' codes.

1.8 QUALITY ASSURANCE

- A. Luminaire Photometric Data Testing Laboratory Qualifications: Provided by manufacturers' laboratories that are accredited under the National Volunteer Laboratory Accreditation Program for Energy Efficient Lighting Products.
- B. Electrical Components, Devices, and Accessories: Listed and labeled as defined in NFPA 70, by a qualified testing agency, and marked for intended location and application.
- C. Comply with NFPA 70.

1.9 COORDINATION

- A. Coordinate layout and installation of lighting fixtures and suspension system with other construction that penetrates ceilings or is supported by them, including HVAC equipment, fire-suppression system, and partition assemblies.

1.10 WARRANTY

- A. Warranty Period for LED lamps and Drivers, 5 years from date of Substantial Completion. Manufacturer shall guarantee

PART 2 - PRODUCTS

2.1 MANUFACTURERS

- A. As scheduled or acceptable equal. Architect has final decision on evaluation of equals.

2.2 GENERAL REQUIREMENTS FOR LIGHTING FIXTURES AND COMPONENTS

- A. Recessed Fixtures: Comply with NEMA LE 4 for ceiling compatibility for recessed fixtures.
- B. Metal Parts: Free of burrs and sharp comers and edges.

FIRE STATIONS RENOVATION  
ARLINGTON COUNTY, VIRGINIA  
Architect's Project No: 563006

---

- C. Sheet Metal Components: Steel unless otherwise indicated. Form and support to prevent warping and sagging.
- D. Doors, Frames, and Other Internal Access: Smooth operating, free of light leakage under operating conditions, and designed to permit re-lamping without use of tools. Designed to prevent doors, frames, lenses, diffusers, and other components from falling accidentally during re-lamping and when secured in operating position.
- E. Factory-Applied Labels: Comply with UL 1598. Include recommended lamps and Drivers. Labels shall be located where they will be readily visible to service personnel, but not seen from normal viewing angles when lamps are in place.

1. Label shall include the following lamp and ballast characteristics:

- a. "USE ONLY" and include specific lamp type.
- b. ANSI ballast type (M98, M57, etc.) for HID luminaires.
- c. CCT and CRI for all luminaires.

F. LED LIGHT FIXTURES

A. General:

- 1. LED light fixtures shall be in accordance with IES, NFPA, UL, as shown on the drawings, and as specified.
- 2. LED light fixtures shall be Reduction of Hazardous Substances (RoHS)-compliant.
- 3. LED drivers shall include the following features unless otherwise indicated:
  - a. Minimum efficiency: 85% at full load.
  - b. Minimum Operating Ambient Temperature: -20° C. (-4° F.)
  - c. Input Voltage: 120 - 277V (±10%) at 60 Hz.
  - d. Integral short circuit, open circuit, and overload protection.
  - e. Power Factor:  $\geq 0.95$ .
  - f. Total Harmonic Distortion:  $\leq 20\%$ .
  - g. Comply with FCC 47 CFR Part 15.
- 4. LED modules shall include the following features unless otherwise indicated:
  - a. Comply with IES LM-79 and LM-80 requirements.
  - b. Minimum CRI 80 and color temperature 3500° K unless otherwise specified in LIGHTING FIXTURE SCHEDULE.
  - c. Minimum Rated Life: 50,000 hours per IES L70.
  - d. Light output lumens as indicated in the LIGHTING FIXTURE SCHEDULE.

B. LED Downlights:

FIRE STATIONS RENOVATION  
ARLINGTON COUNTY, VIRGINIA  
Architect's Project No: 563006

---

1. Housing, LED driver, and LED module shall be products of the same manufacturer.

C. LED Troffers:

1. LED drivers, modules, and reflector shall be accessible, serviceable, and replaceable from below the ceiling.
2. Housing, LED driver, and LED module shall be products of the same manufacturer

## 2.3 EXIT SIGNS

- A. General Requirements for Exit Signs: Comply with UL 924; for sign colors, visibility, luminance, and lettering size, comply with authorities having jurisdiction.
- B. Internally Lighted Signs:
  1. Lamps for AC Operation: LEDs, 50,000 hours minimum rated lamp life.

## 2.4 LIGHTING FIXTURE SUPPORT COMPONENTS

- A. Comply with Section 260529 "Hangers and Supports for Electrical Systems" for channel- and angle-iron supports and nonmetallic channel and angle supports.
- B. Single-Stem Hangers: 1/2-inch steel tubing with swivel ball fittings and ceiling canopy. Finish same as fixture.
- C. Twin-Stem Hangers: Two, 1/2-inch steel tubes with single canopy designed to mount a single fixture. Finish same as fixture.
- D. Wires: ASTM A 641/A 641M, Class 3, soft temper, zinc-coated steel, 12 gage
- E. Rod Hangers: 3/16-inch minimum diameter, cadmium-plated, threaded steel rod.
- F. Hook Hangers: Integrated assembly matched to fixture and line voltage and equipped with threaded attachment, cord, and locking-type plug.

## PART 3 - EXECUTION

### 3.1 INSTALLATION

- A. Lighting fixtures:
  1. Set level, plumb, and square with ceilings and walls unless otherwise indicated.
- B. Temporary Lighting: If it is necessary, and approved by Architect, to use permanent luminaires for temporary lighting, install and energize the minimum number of luminaires necessary. When construction is sufficiently complete, remove the temporary luminaires, disassemble, clean thoroughly, install new lamps, and reinstall.

FIRE STATIONS RENOVATION  
ARLINGTON COUNTY, VIRGINIA  
Architect's Project No: 563006

---

- C. Remote Mounting of Drivers: Distance between the Driver and fixture shall not exceed that recommended by ballast manufacturer. Verify, with ballast manufacturers, maximum distance between ballast and luminaire.
  
- D. Lay-in Ceiling Lighting Fixtures Supports: Use grid as a support element.
  - 1. Install ceiling support system rods or wires, independent of the ceiling suspension devices, for each fixture. Locate not more than 6 inches from lighting fixture corners.
  - 2. Support Clips: Fasten to lighting fixtures and to ceiling grid members at or near each fixture corner with clips that are UL listed for the application.
  - 3. Fixtures of Sizes Less Than Ceiling Grid: Install as indicated on reflected ceiling plans or center in acoustical panel, and support fixtures independently with at least two 3/4-inch metal channels spanning and secured to ceiling tees.
  - 4. Install wire from structure to a tab on lighting fixture as detailed on drawings.
  
- E. Suspended Lighting Fixture Support:
  - 1. Pendants and Rods: Where longer than 48 inches, brace to limit swinging.
  - 2. Stem-Mounted, Single-Unit Fixtures: Suspend with twin-stem hangers.
  - 3. Continuous Rows: Use tubing or stem for wiring at one point and tubing or rod for suspension for each unit length of fixture chassis, including one at each end.
  - 4. Do not use grid as support for pendant luminaires. Connect support wires or rods to building structure.
  
- F. Connect wiring according to Section 260519 "Low-Voltage Electrical Power Conductors and Cables."

### 3.2 IDENTIFICATION

- A. Install labels with panel and circuit numbers on concealed junction and outlet boxes. Comply with requirements for identification specified in Section 260553 "Identification for Electrical Systems."

### 3.3 FIELD QUALITY CONTROL

- A. Prepare a written report of tests, inspections, observations, and verifications indicating and interpreting results. If adjustments are made to lighting system, retest to demonstrate compliance with standards

### 3.4 ADJUSTING

- A. Occupancy Adjustments: When requested within 12 months of date of Substantial Completion, provide on-site assistance in adjusting aimable luminaires to suit actual occupied conditions. Provide up to two visits to Project during other-than-normal occupancy hours for this purpose. Some of this work may be required after dark.
  - 1. Adjust aimable luminaires in the presence of Architect.

FIRE STATIONS RENOVATION  
ARLINGTON COUNTY, VIRGINIA  
Architect's Project No: 563006

---

END OF SECTION 265100



FIRE STATIONS RENOVATION  
ARLINGTON COUNTY, VIRGINIA  
Architect's Project No: 563006

---

SECTION 270000 - COMMUNICATIONS

PART 1 - GENERAL

1.1 GENERAL REQUIREMENTS

- A. Applicable requirements of General Requirements/Provisions shall be considered a part of this section and shall have the same force as if printed herein full. In addition, all information related to communications infrastructure that is documented in the architectural, structural, mechanical, and electrical drawings/documents shall be included as part of the Communications documents.

1.2 QUALITY ASSURANCE

- A. Specifications, Standards and Codes: All work shall be in accordance with the following:
1. The 2011 edition of the National Electrical Code (NFPA 70)
  2. American National Standards Institute (ANSI)
  3. National Electrical Manufacturers Association (NEMA)
  4. Telecommunications Industries Association (TIA)
  5. Electronic Industries Association (EIA)
  6. Institute of Electrical & Electronics Engineers (IEEE)
  7. Underwriters Laboratories (UL)
  8. American Standards Association (ASA)
  9. Federal Communications Commission (FCC)
  10. Occupational Safety and Health Administration (OSHA)
  11. American Society of Testing Material (ASTM)
  12. Americans with Disabilities Act (ADA)
  13. Local city and county ordinances governing electrical work
  14. In the event of conflicts, the more stringent provisions shall apply.

1.3 SCOPE

- A. The work to be done under this section of the Specifications shall include the furnishing of labor, material, equipment and tools required for the complete installation of the work indicated on the Drawings or as specified herein.
- B. All materials, obviously a part of the Communications Infrastructure and necessary to its proper operation, but not specifically mentioned or shown on the Drawings, shall be furnished and installed without additional charge.
- C. The Drawings and Specifications are complementary to each other and what is called for by one shall be as binding as if called for by both. If a discrepancy

FIRE STATIONS RENOVATION  
ARLINGTON COUNTY, VIRGINIA  
Architect's Project No: 563006

---

exists between the Drawing and Specifications, the higher cost shall be included, and the Owner shall be notified of the discrepancy.

#### 1.4 WORK INCLUDED

The Communications Infrastructure installed and work performed under this Division of the Specifications shall include but not necessarily be limited to the following:

- A. Voice/Data Cabling Infrastructure
- B. CATV Cabling Infrastructure System
- C. Wireless Access System
- D. Communications raceways, cable tray, racks, cabinets and equipment mounting boards
- E. Grounding and Bonding
- F. Underground raceway excavation, backfill, and compaction
- G. Concrete work for duct banks, maintenance holes, handholes, vaults and restoration (where applicable)

#### 1.5 DEFINITIONS

- A. Terms: The following definitions of terms supplement those of the General Requirements and are applicable to Division 27 - Communications:
  - 1. Provide: As used herein shall mean "furnish, install and test (if applicable) complete."
  - 2. Infrastructure: As used herein shall mean cable, conduit, raceway, cable tray or j-hooks with all required boxes, fittings, connectors, and accessories; completely installed.
  - 3. Work: As used herein shall be understood to mean the materials completely installed, including the labor involved.

#### 1.6 DRAWINGS

- A. Drawings are generally diagrammatic and show the arrangement and location of pathways, outlets, support structures and equipment. The Contractor shall carefully investigate the structural and finish conditions affecting his work and arrange his work accordingly. Should conditions on the job make it necessary to make adjustments to pathways or materials, the Contractor shall so advise the Owner and secure approval before proceeding with such work.

FIRE STATIONS RENOVATION  
ARLINGTON COUNTY, VIRGINIA  
Architect's Project No: 563006

---

- B. Where exact locations are required by equipment for stubbing-up and terminating conduit concealed in floor slabs, the Contractor shall request shop drawings, equipment location drawings, foundation drawings, and any other data required by him to locate the concealed conduit before the floor slab is poured.
- C. Materials, equipment or labor not indicated but which can be reasonably inferred to be necessary for a complete installation shall be provided. Drawings and Specifications do not undertake to indicate every item of material, equipment, or labor required to produce a complete and properly operating installation.
- D. The right is reserved to make reasonable changes in locations of equipment indicated on Drawings prior to rough-in without increase in contract cost.
- E. The Contractor shall not reduce the size or number of conduit runs indicated on the Drawings without the written approval of the Owner.
- F. Any work installed contrary to Contract Drawings shall be subject to change as directed by the Owner, and no extra compensation will be allowed for making these changes.
- G. The location of equipment, support structures, outlets, and similar devices shown on the Drawings are approximate only. Do not scale Drawings. Obtain layout dimensions for equipment from architectural plans unless indicated on Communications plans.
- H. Schematic diagrams shown on the Drawings indicate the required functions only. The technology of a particular manufacturer may be used to accomplish the functions indicated without exact adherence to the schematic Drawings shown. Additional labor and materials required for such deviations shall be furnished at the Contractor's expense.
- I. Verify the ceiling type, ceiling suspension systems, and clearance above hung ceilings prior to ordering cabling and associated hardware. Notify the Owner of any discrepancies.
- J. Review all architectural drawings for modular furniture.
- K. Portions of these Drawings and Specifications are abbreviated and may include incomplete sentences. Omissions of words or phrases such as "the Contractor shall," "shall be," "as indicated on the Drawings," "In accordance with," "a," "the" and "all are intended" shall be supplied by inference.

## 1.7 SUBMITTALS

FIRE STATIONS RENOVATION  
ARLINGTON COUNTY, VIRGINIA  
Architect's Project No: 563006

---

- A. Submit for approval, details of all materials, equipment and systems to be furnished. Work shall not proceed without the Owner's approval of the submitted items. Three (3) copies of the following shall be submitted:
  - 1. Submittals for individual systems and equipment assemblies that consist of more than one item or component shall be made for the system or assembly as a whole. Partial submittals will not be considered, reviewed or stored, and such submittals will not be returned except at the request and expense of the Contractor.
  - 2. Contractor shall generate shop drawings. Modify reviewed and accepted shop drawings to include revisions based upon completion of work. Submit shop drawings with record drawings on hard copy.
  - 3. Shop drawings shall include equipment racks, patch panels, termination blocks, connection details, rack mounting details and any other details not included in the construction drawings.
- B. Any materials and equipment listed that are not in accordance with Specification requirements may be rejected.
- C. The approval of material, equipment, systems and shop drawings is a general approval subject to the Drawings, Specifications and verification of all measurements at the job. Approval does not relieve the Contractor from the responsibility of shop drawing errors. The Contractor shall carefully check and correct all shop drawings prior to submission for approval.

## 1.8 QUALITY ASSURANCE

- A. Equipment and materials required for installation under these Specifications shall be the current model and new (less than one [1] year from the date of manufacture), unused and without blemish or defect.
- B. Equipment shall bear labels attesting to Underwriters Laboratories, where subject to label service. Manufacturers of equipment and materials pertinent to these items shall have been engaged in the manufacture of said equipment a minimum of three (3) years and, if so directed by the Owner, be able to furnish proof of their ability by submitting affidavits and descriptive data about their product including size and magnitude comparable to requirements specified herein.

## 1.9 CONTRACTOR QUALIFICATIONS

- A. The Contractor shall have total responsibility for the coordination and installation of the work shown and described in the Drawings and/or Specifications. The Contractor shall be a company specializing in the design, fabrication and installation of integrated communications systems.

FIRE STATIONS RENOVATION  
ARLINGTON COUNTY, VIRGINIA  
Architect's Project No: 563006

---

- B. Communications Systems specified shall be installed under the direction of a qualified Contractor. Qualification requirements shall include submittal by the Contractor to the Owner of the following:
  - 1. List of previous projects of this scope, size and nature; including names and sizes of projects, description of work, time of completion and names of contact persons for reference.
  - 2. Shall certify that they are manufacturer-authorized for work to be performed.
- C. Contractor must employ at least one (1) full-time Registered Communications Distribution Designer (RCDD). The RCDD shall be a W2 employee and not a subcontractor.

#### 1.10 COORDINATION WITH OTHER TRADES

- A. The Contractor shall coordinate communications work with that of other sections as required to ensure that the entire communications work will be carried out in an orderly, complete and coordinated fashion.

#### 1.11 SITE INVESTIGATION

- A. Prior to submitting bids of the project, visit the site of the work to become aware of existing conditions that may affect the cost of the project. Where work under this project requires extension, relocation, reconnections or modifications to existing equipment or systems, the existing equipment or systems, shall be restored to their original condition before the completion of this project.

#### 1.12 PERMITS

- A. Obtain all permits and inspections for the installation of this work and pay all charges incident thereto. Deliver to the Owner all certificates of said inspection issued by authorities having jurisdiction.

#### 1.13 RENOVATIONS AND ADDITIONS

- A. All work that would adversely affect the normal operation of the other portions of the Owner's property shall be done at a time other than normal working hours. Normal working hours shall be considered 8 a.m. to 5 p.m. Monday through Friday.
- B. Prior to submitting bids on the project, visit the site of the work to become aware of existing conditions that may affect the cost of the project.

FIRE STATIONS RENOVATION  
ARLINGTON COUNTY, VIRGINIA  
Architect's Project No: 563006

---

- C. Where work under this project requires extension, relocation, reconnections or modifications to existing equipment or systems, the existing equipment or systems shall be restored to their original and operating condition. Remove all equipment indicated to be demolished, including outlets, devices, raceways and support structures.
- D. Care shall be exercised in the removal and storage of equipment indicated to be relocated or removed and reused. Prior to placing back into service, equipment shall be cleaned, and marred or chipped paint surfaces touched-up.
- E. Provide all coring, cutting and patching to existing walls, floors, etc., required for the removal of existing work or the installation of new work.

PART 2 - PRODUCTS

2.01 MATERIALS

- A. All materials used in this work shall be new and shall bear the inspection label of Underwriters' Laboratories Inc. or certification by other recognized laboratory.
- B. The published standards and requirements of the Telecommunications Industries Association (TIA), National Electrical Manufacturers Association (NEMA), the American National Standard Institute (ANSI), the Institute of Electrical and Electronic Engineers (IEEE), and the American Society of Testing Materials (ASTM), are made a part of these Specifications and shall apply wherever applicable.
- C. Materials and equipment furnished shall be of current production by manufacturers regularly engaged in the manufacture of such items, for which replacement parts are available.
- D. When more than one unit of the same class of equipment or material is required, such units shall be the products of a single manufacturer or partner manufacturers that offer a certified solution.
- E. Components of an assembled unit need not be products of the same manufacturer, but must offer a certified end-to-end solution.
- F. Manufacturers of equipment assemblies, which include components made by others, shall assume complete responsibility for the final assembled unit.
- G. Components shall be compatible with each other and with the total assembly for the intended service.

PART 3 - EXECUTION

FIRE STATIONS RENOVATION  
ARLINGTON COUNTY, VIRGINIA  
Architect's Project No: 563006

---

3.01 EXAMINATION OF CONDITIONS

- A. Prior to the start of work, the Contractor shall carefully inspect the installed work of other trades and verify that such work is complete to the point where installation may properly commence. Start of work indicates acceptance of conditions.
- B. Install equipment in accordance with applicable codes and regulations, the original design and the referenced standards.
- C. In the event of a discrepancy, immediately notify the Owner.
- D. Do not proceed with installation until unsatisfactory conditions and discrepancies have been fully resolved.

3.02 PROTECTION OF SYSTEMS AND EQUIPMENT

- A. Protect materials and equipment from damage during storage at the site and throughout the construction period. Equipment and materials shall be protected during shipment and storage against physical damage, dirt, theft, moisture, extreme temperature and rain.
- B. Damage from rain, dirt, sun and ground water shall be prevented by storing the equipment on elevated supports and covering the sides with securely fastened protective rigid or flexible waterproof coverings.
- C. During installation, equipment shall be protected against entry of foreign matter on the inside and be vacuum cleaned both inside and outside before testing, operating or painting.
- D. As determined by the Owner, damaged equipment shall be fully repaired or shall be removed and replaced with new equipment to fully comply with requirements of the Contract Documents. Decision of the Owner shall be final.
- E. Damaged paint on equipment and materials shall be repainted with painting equipment and finished with the same quality of paint and workmanship as used by the manufacturer.

3.03 ACCESS TO EQUIPMENT

- A. Equipment shall be installed in location and manner that will allow convenient access for maintenance and inspection.

FIRE STATIONS RENOVATION  
ARLINGTON COUNTY, VIRGINIA  
Architect's Project No: 563006

---

- B. Working spaces shall be not less than specified in the National Electrical Code (NEC) for voltages specified.
- C. Where the Owner determines that the Contractor has installed equipment not conveniently accessible for operation and maintenance, equipment shall be removed and reinstalled, one time only, as directed by the Owner, at no additional cost to the Owner. "Conveniently accessible" is defined as being capable of being reached without the use of ladders or without climbing or crawling under or over obstacles such as motors, pumps, belt guards, transformers, piping and duct work.

### 3.04 CLEANING

- A. During construction, and prior to Owner acceptance of the building, remove from the premises and dispose of packing material and debris caused by communications work.
- B. Remove dust and debris from interiors and exteriors of electrical equipment. Clean accessible current carrying elements prior to being energized.

### 3.05 COMPLETION

- A. General: Upon completion of the work, remove excess debris, materials, equipment, apparatus, tools and similar items. Leave the premises clean, neat and orderly.
- B. Results Expected: Systems shall be complete and operational and controls shall be set and calibrated. Testing, start-up and cleaning work shall be complete.
- C. Maintenance Materials: Special tools for proper operation and maintenance of the equipment provided under this Specification shall be delivered to the Owner.

### 3.06 TESTING AND VERIFICATION

- A. See specific Division 27 sections for testing parameters of sub-systems.
- B. The Contractor shall verify that requirements of this Specification are met. Verification shall be through a combination of analyses, inspections, demonstrations and tests, as described below.
- C. Verification by inspection includes examination of items and comparison of pertinent characteristics against the qualitative or quantitative standard set forth in the Specifications. Inspection may require moving or partially disassembling the item to accomplish the verification, included as part of the work at no additional cost to the Owner.



FIRE STATIONS RENOVATION  
ARLINGTON COUNTY, VIRGINIA  
Architect's Project No: 563006

---

- D. The Contractor shall verify by formal demonstrations or tests that the requirements of this Specification have been met. The Contractor shall demonstrate that the communications systems, components and subsystems meet Specification requirements in the "as-installed" operating environment during the "System Operation Test." Even though no formal environmental testing is required, the Contractor shall measure and record temperature, humidity and other environmental parameters and the environmental conditions, which were encountered during the "System Operation Test."
- E. The Contractor shall carefully plan and coordinate the final acceptance tests so that tests can be satisfactorily completed. The Contractor shall provide necessary instruments, labor and materials required for tests, including the equipment manufacturer's technical representative and qualified technicians in sufficient numbers to perform the tests within a reasonable time period.
- F. The Contractor shall satisfy all items detailed in the final acceptance check-off list (punch list). The list shall be a complete representation of specified installation requirements. At the time of final acceptance punch list items shall be corrected until the system is found to be acceptable to the Owner.
- G. After the systems have been installed and tested, the completed test plan shall be signed by the Communications Contractor and submitted for approval.

END OF SECTION 270000

FIRE STATIONS RENOVATION  
ARLINGTON COUNTY, VIRGINIA  
Architect's Project No: 563006

---

SECTION 270528 - PATHWAYS FOR COMMUNICATIONS SYSTEMS

PART 1 - GENERAL

1.01 GENERAL REQUIREMENTS

- A. Applicable requirements of Division 27 - Communications shall be considered a part of this section and shall have the same force as if printed herein full.
- B. This document describes the products and execution requirements relating to Pathways for Communications Systems.
- C. Product specifications, general design considerations, and installation guidelines are provided in this document. The successful vendor shall meet or exceed all requirements described in this document and on the drawings.

1.02 SUBMITTALS

- A. Provide product data from manufacturer's specifications.

1.03 WORK INCLUDED

- A. The work included under this specification consists of furnishing all labor, equipment, materials, supplies and performing all operations necessary to complete the installation. The Contractor will provide and install all of the required material whether specifically addressed in the Specification or not.

PART 2 - PRODUCTS

2.01 APPROVED PRODUCTS

- A. Rigid/Intermediate Conduit Manufacturer(s)
  - 1. Allied
  - 2. Triangle
  - 3. Wheatland
  - 4. Youngstown
- B. Non-Metallic (PVC) Manufacturer(s)
  - 1. Carlon
  - 2. Georgia Pipe Company
- C. Electrical Metallic Tubing (EMT) Manufacturer(s)

FIRE STATIONS RENOVATION  
ARLINGTON COUNTY, VIRGINIA  
Architect's Project No: 563006

---

1. Allied
  2. Triangle
  3. Wheatland
  4. Youngstown
- D. EMT Fittings Manufacturer(s)
1. Thomas & Betts
  2. Steel City
- E. Innerduct/Inner-Conduit Channel Manufacturer(s)
1. Carlon
  2. Endot Industries
  3. MaxCell
  4. Petroflex
  5. Eastern
- F. Metallic Communications Outlet Box Manufacturer(s)
1. Steel City
  2. Raco
- G. Non-Metallic Communications Outlet Box Manufacturer(s)
1. Thomas & Betts
  2. Carlon
- H. Pull Box Manufacturer(s)
1. Hoffman
  2. OZ Gedney
- I. Approved Cable Tray System Manufacturer(s)
1. Flex Tray
  2. Wiremold
  3. EZ Tray
  4. Mono Systems, Inc.
  5. Snake Tray

FIRE STATIONS RENOVATION  
ARLINGTON COUNTY, VIRGINIA  
Architect's Project No: 563006

---

- 6. B-Line
- 7. Gulf Coast Systems
  
- J. Approved Cable Hanger Manufacturer(s)
  - 1. Erico Products – Caddy
  - 2. B-Line
  
- K. Approved Tie Wrap/Velcro Strap Manufacturer(s)
  - 1. Leviton
  - 2. Panduit

## 2.02 CONDUIT

- A. Rigid and Intermediate Conduit
  - 1. Rigid conduit, intermediate conduit, couplings, locknuts, bushings, elbows and connectors shall be standard thread. All materials shall be steel. Set screw or non-threaded fittings are not permitted.
  
- B. Non-Metallic (PVC) Conduit
  - 1. Non-metallic conduit shall be heavy wall, Schedule 40 PVC.
  - 2. Couplings and connectors for non-metallic conduit shall be of the same material and be the product of the same manufacturer of the conduit furnished.
  
- C. Electrical Metallic Tubing (EMT)
  - 1. Electrical metallic tubing (EMT), couplings and connectors shall be steel. Malleable iron, pressure-cast or die-cast fittings are not permitted.
  - 2. Fittings for 2" EMT and smaller shall be steel set screw type, except where otherwise noted. Fittings for 2.5" and larger shall be steel set screw type with two (2) screws for connectors and four (4) screws for couplings. All connectors shall be insulated throat type.
  
- D. Conduit Support
  - 1. Individual conduit hangers shall be galvanized spring steel specifically designed for the purpose and sized appropriately for the conduit type and diameter. Support individual conduits 1-1/2 inch and smaller with 1/4 inch threaded steel rods and use 3/8 inch rods for 2 inch and larger.

FIRE STATIONS RENOVATION  
ARLINGTON COUNTY, VIRGINIA  
Architect's Project No: 563006

---

2. Conduit support channels shall be 14 gauge galvanized (or equivalent treatment) channel sized for the amount of conduit to be supported. Channel suspension shall be 3/8" threaded steel rods. Attach suspension rods to structure with swivel type connectors. Conduit straps shall be spring steel type compatible with channel.
  3. Conduit straps shall be single hole cast metal type or two hole galvanized metal type. Conduit clamps shall be spring steel type for use with exposed structural steel.
- E. Innerduct/Inner-Conduit Channel
1. Innerduct shall be corrugated plastic equipped with pull-string or mule tape.
  2. Inner-conduit channel (MaxCell) shall be 3-channel with each channel equipped with mule tape.
  3. See Drawings for innerduct / inner-conduit channel (MaxCell) details.

#### 2.03 METALLIC COMMUNICATIONS OUTLET BOXES

- A. Metallic outlet boxes and device covers shall be galvanized steel not less than 1/16" thick.
- B. The dimensions of the metallic outlet box shall be 4" x 4" square with a minimum depth of 2-1/8".
- C. Metallic outlet boxes shall be equipped with single device covers (or two-device covers where needed). Where installed in plaster, gypsum board, etc., covers shall be raised to compensate for the thickness of the wall finish.
- D. Where metallic outlet boxes are to be empty for future use, blank coverplates shall be used.

#### 2.04 NON-METALLIC COMMUNICATIONS OUTLET BOXES

- A. The non-metallic outlet box shall be thermoplastic and be rated according to the space it occupies.
- B. The dimensions of the non-metallic outlet box shall be approximately 4" x 4" square with a minimum depth of 2-1/8".
- C. Non-metallic outlet boxes shall be equipped with single device covers. Covers shall be raised to compensate for the thickness of the wall finish.
- D. Where non-metallic outlet boxes are to be empty for future use, blank faceplates shall be used.

FIRE STATIONS RENOVATION  
ARLINGTON COUNTY, VIRGINIA  
Architect's Project No: 563006

---

2.05 PULL BOXES

- A. Pull boxes shall be constructed of galvanized steel with flat, removable covers fastened with plated steel screws.
- B. Pull boxes shall be equipped with keyhole screw slots in the cover to permit removal of the cover without extracting the screws.
- C. Pull boxes shall have provisions for grounding.

2.06 CABLE TRAY

- A. Cable Tray System
  - 1. Cable tray shall be steel or aluminum construction.
  - 2. Cable tray cross members shall be factory welded at 12" intervals maximum.
  - 3. Cable tray shall be equipped with one (1) or two (2) support rails that run the length of each segment.
  - 4. End caps shall be installed on the exposed ends of the cable tray, channel supports and bolts. Protective covers shall be installed on threaded rods that come in contact with cabling plant.
  - 5. Wall mount cable tray used in limited clearance areas shall be hook style and constructed of aluminum.
  - 6. See Drawings for cable tray dimensions.
    - a. Cable Tray color shall be black.

2.07 CABLE HANGERS

- A. J-Hooks
  - 1. J-hooks shall provide a bearing surface of sufficient width to comply with required bend radii of high-performance cables. J-hook shall be cULus Listed.
  - 2. J-hooks shall have flared edges to prevent damage while installing cables.
  - 3. J-hooks sized 1 5/16" and larger shall have a cable retainer strap to provide containment of cables within the hanger. The cable retainer strap shall be removable and reusable and be suitable for use in air handling spaces.
- B. Adjustable Non-Continuous Cable Support Sling
  - 1. Constructed from steel and woven laminate; sling length can be adjusted to hold up to 425 4-pair balanced twisted pair cables; rated for indoor use

FIRE STATIONS RENOVATION  
ARLINGTON COUNTY, VIRGINIA  
Architect's Project No: 563006

---

- in non-corrosive environments. Rated to support Category 5 and higher cable, or optical fiber cable. Cable support sling shall be cULus Listed.
2. Adjustable non-continuous cable support sling shall have a static load limit of 100 lbs.
  3. Adjustable non-continuous cable support sling shall be suitable for use in air handling spaces.

## 2.08 TIE WRAPS AND VELCRO STRAPS

### A. Tie Wraps and Velcro Straps

1. Cables shall be fastened to support structures with tie wraps/Velcro straps.
2. Tie wraps/Velcro straps installed in air handling spaces must be plenum rated.
  - a. Non-plenum Tie Wrap color shall be black.
  - b. Plenum Tie Wrap color shall be red.
  - c. Non-plenum Velcro strap color shall be black.
  - d. Plenum Velcro strap color shall be red.

## PART 3 - EXECUTION

### 3.01 PENETRATIONS

- A. Holes through concrete and masonry in new and existing structures shall be cut with a diamond core drill or concrete saw upon approval of the structural engineer of record for the base of building. Pneumatic hammer, impact electric, hand or manual hammer type drills shall not be allowed, except where permitted by the Project Manager as required by limited working space. X-ray all floor penetrations accordingly.
- B. Holes shall be located so as not to affect structural sections such as ribs or beams.
- C. Holes shall be laid out in advance. The Project Manager shall be advised prior to drilling through structural sections, for determination of proper layout.
- D. Structural Penetrations: Where conduits, wireways and other raceways pass through fire partitions, fire walls or walls and floors provide a code compliant effective barrier against the spread of fire, smoke and gases.
- E. All penetrations where conduit is not used shall be sleeved.
- F. No gaps or rough edges shall be allowed between wall and conduit/sleeve.

### 3.02 CONDUIT SYSTEM

FIRE STATIONS RENOVATION  
ARLINGTON COUNTY, VIRGINIA  
Architect's Project No: 563006

---

- A. Conceal all conduits, except in unfinished spaces such as equipment rooms or as indicated by symbol on the Drawings.
- B. Leave all empty conduits with a 200 pound test nylon cord pull line.
- C. Flattened, dented, or deformed conduits are not permitted and shall be removed and replaced.
- D. Fasten conduit support device to structure with wood screws on wood, toggle bolts on hollow masonry, anchors as specified on solid masonry or concrete, and machine bolts, clamps, or spring steel clips, on steel.
- E. Install conduit with wiring, including homeruns as indicated on the Drawings. Any change resulting in a savings in labor or materials is to be made only in accordance with a contract change. Deviations shall be made only where necessary to avoid interferences and when approved by Engineer by written authorization.
- F. Conduit shall be run parallel or at right angles to existing walls, ceilings, and structural members.
- G. Attach backbone conduits larger than one-inch trade diameter to or from structure on intervals not exceeding twelve feet with conduit beam clamps, one-hole conduit straps or trapeze type support.
- H. Where conduits must pass through structural members obtain approval of Architect.
- I. Install all conduits or sleeves penetrating or routed within rated firewalls or fire floors to maintain fire rating of wall or floor. Conduit shall not be installed in rated floors or walls if it compromises or violates the fire rating of floor or wall. Refer to architectural documents.
- J. Provide expansion and deflection coupling where conduit passes over a building expansion joint.
- K. Service entrance conduits and feeder conduits in direct contact with earth shall be schedule 40, heavy wall PVC. All service entrance conduit elbows shall be galvanized rigid steel. Service entrance conduits installed exposed or concealed in walls or above ceilings shall be galvanized rigid steel (G.R.S.) or intermediate metal conduit (IMC). Service entrance conduits shall be installed "outside" of the building as defined by the N.E.C. Provide concrete encasement where required or as indicated on Drawings.



FIRE STATIONS RENOVATION  
ARLINGTON COUNTY, VIRGINIA  
Architect's Project No: 563006

---

- L. All other conduit, unless specified herein, shall be electrical metallic tubing (EMT). PVC conduit is not allowed in exposed or concealed areas, but only within concrete.
  
- M. Conduit Installations Within Slab/Floor
  - 1. Conduit shall be run following the most direct route between points.
  - 2. Conduit shall not be installed in concrete where the outside diameter is larger than 1/3 of the slab thickness.
  - 3. Conduits shall not be installed within shear walls unless specifically indicated on the Drawings. Conduit shall not be run directly below and parallel with load bearing walls.
  - 4. Protect each metallic conduit installed in concrete slab or conduits 1-1/2 inch and smaller passing through a concrete slab against corrosion where conduit enters and leaves concrete by wrapping conduit with vinyl all-weather electrical tape.
  - 5. Protect all conduits entering and leaving concrete floor slabs from physical damage during construction.
  - 6. Provide expansion fittings in all conduits where length or run exceeds 200 feet or where conduits pass through building expansion joints.
  - 7. Install all conduits penetrating or routed within rated fire floors to maintain the fire rating of the floor. Conduit shall not be installed in rated floors or walls if it compromises or violates the fire rating of floor or wall. Refer to architectural documents.
  - 8. Conduits installed within concrete floor slabs which are in direct contact with grade or which penetrate the building roof shall be galvanized rigid steel (G.R.S.), intermediate metal conduit (I.M.C.) or Schedule 40, heavy wall PVC.
  
- N. Communications cables shall not occupy conduits with power cables.
  
- O. Metallic conduits shall be grounded in accordance with ANSI/TIA-607-B.
  
- P. Conduit runs shall not have more than two (2) 90-degree bends between pull points.
  
- Q. Communications conduit system shall contain no condulets (also know as an LB).
  
- A. Rigid metal conduit (RMC) or intermediate metal conduit (IMC) shall be used for entrance conduits that exceed 50 feet into the building.
  
- B. Horizontal Conduits
  - 1. Support horizontal conduits at intervals not exceeding ten feet and within three feet of each outlet, junction box, backboard, enclosure or cabinet.

FIRE STATIONS RENOVATION  
ARLINGTON COUNTY, VIRGINIA  
Architect's Project No: 563006

---

Support conduits from structural steel members with spring steel type or beam conduit clamps and to non-metallic structural members with one-hole conduit straps. For exposed conduits and where conduits must be suspended below structure, single conduit runs shall be supported from structure by hanger rod and conduit clamp assembly, and multiple conduits shall be supported by trapeze type support suspended from structure. Do not attach conduits to ceiling suspension system channels or suspension wires.

2. For runs that total more than 100 feet in length, insert pull boxes so that no segment between boxes exceeds the 100 feet limit.
3. Each horizontal home-run conduit can serve from one (1) to three (3) outlet boxes. For one (1) outlet box, a 3/4" conduit shall be used, minimum. For two (2) outlet boxes, a 1" conduit shall be used, minimum. For three (3) outlet boxes, a 1-1/4" conduit shall be used, minimum.

### 3.03 COMMUNICATIONS OUTLET BOXES

- A. Exact locations of the outlet boxes shall be coordinated with the electrical contractor and other trades.
- B. Non-metallic communications outlet boxes may only be used for wood frame construction and/or where code allows.
- C. The approximate locations of the outlets are indicated on the Drawings. The exact locations of outlets shall be determined at the building. The right is reserved to change, without additional cost, the exact location of any outlet, a maximum of 10' before it is permanently installed.
- D. Orientation of outlet boxes (horizontal or vertical) shall be as indicated on the architectural elevations.
- E. Install all outlet boxes in finished areas flush with the wall. Maintain 1/4" or less space between outlet box front and finished wall surface.
- F. Outlet boxes shall be firmly anchored in place and shall not depend on the coverplate to hold it secure to the wall.
- G. Outlet boxes installed back-to-back in fire-rated walls shall be separated horizontally by a minimum of 24".

### 3.04 PULL BOXES

- A. Pull boxes shall be secured, independent of the conduit entries into the box. Pull boxes shall be secured to the building structure. In ceiling applications, pull boxes shall not be supported with ceiling wires.

FIRE STATIONS RENOVATION  
ARLINGTON COUNTY, VIRGINIA  
Architect's Project No: 563006

---

- B. Conduits entering pull boxes shall connect to pull boxes using die-cast zinc connectors.
- C. Pull boxes shall be free from burrs, dirt and debris.
- D. Pull boxes shall be installed in accordance with ANSI/TIA-569-B.
- E. Pull boxes shall be grounded in accordance with ANSI/TIA-607-B.

### 3.05 CABLE TRAY SYSTEM

- A. Install trays in accordance with recognized industry practices, to ensure that the cable tray equipment complies with requirements of the NEC.
- B. All open trays shall be installed a minimum of six (6) inches away from any light fixture.
- C. Provide external grounding strap at expansion joints, sleeves, crossover and other locations where tray continuity is interrupted.
- D. Support all pathways from building construction. Do not support pathways from ductwork, piping or equipment hangers.
- E. Install cable tray level and straight.
- F. Provide all hardware, accessories, fasteners, anchors, threaded rods and support channels required to provide a complete cable tray system.
- G. Cable trays shall not be used to house both low voltage and power cables unless cables are separated by a grounded physical barrier.
- H. Cable tray system shall be grounded in accordance with ANSI/TIA-607-B.

### 3.06 CABLE HANGERS

- A. Installation and configuration shall conform to the requirements of ANSI/TIA-568-C.0, ANSI/TIA-568-C.1 & ANSI/TIA-569-B, NFPA 70 (National Electrical Code), applicable local codes, and to the manufacturer's installation instructions.
- B. Install cables using techniques, practices, and methods that are consistent with Category 5e or higher requirements and that supports Category 5e or higher performance of completed and linked signal paths, end to end.
- C. Install cables without damaging conductors, shield, or jacket.

FIRE STATIONS RENOVATION  
ARLINGTON COUNTY, VIRGINIA  
Architect's Project No: 563006

---

- D. Do not bend cables, in handling or in installing, to smaller radii than minimums recommended by manufacturer.
- E. Pull cables without exceeding cable manufacturer's recommended pulling tensions. Use pulling means that will not damage media.
- F. Do not exceed load ratings specified by manufacturer.
- G. Adjustable non-continuous support sling shall have a static load limit of 100 lbs.
- H. To avoid electromagnetic interference (EMI), pathways shall provide minimum clearances of four feet from motors or transformers, one foot from conduit and cables used for electrical power distribution, and five inches from fluorescent lighting. Pathways shall cross perpendicular to fluorescent lighting and electrical power cables or conduits.

### 3.07 TIE WRAPS AND VELCRO STRAPS

- A. Tie wraps/Velcro straps shall be installed around cables at intervals of 12" minimum.
- B. Tie wraps shall secure cables to cable trays using an "X" pattern.
- C. Do not over-cinch cables.

### 3.08 IDENTIFICATION

- A. Refer to Section 270553 - Identification for Communications Systems for labeling details.

END OF SECTION 270528

FIRE STATIONS RENOVATION  
ARLINGTON COUNTY, VIRGINIA  
Architect's Project No: 563006

---

SECTION 283111 - DIGITAL, ADDRESSABLE FIRE-ALARM SYSTEM

PART 1 - GENERAL

1.1 RELATED DOCUMENTS

- A. Drawings and general provisions of the Contract apply to this Section.

1.2 SUMMARY

- A. Project work consists of extending the existing fire alarm system initiation and notification circuits and devices to serve the renovated portions of the facility. Upgrade and reprogram the existing system as required to provide the functionality required to serve the additional devices and functions.
- B. Section Includes:
  - 1. Manual fire-alarm boxes.
  - 2. System smoke detectors.
  - 3. Heat detectors.
  - 4. Notification appliances.
  - 5. Magnetic door holders.
  - 6. Addressable interface device.

1.3 DEFINITIONS

- A. LED: Light-emitting diode.
- B. NICET: National Institute for Certification in Engineering Technologies.
- C. Definitions in NFPA 72-apply to fire alarm terms used in this Section.

1.4 SYSTEM DESCRIPTION

- A. Noncoded, UL-listed addressable system, with multiplexed signal transmission, dedicated to fire-alarm service only.

1.5 SUBMITTALS

- A. General Submittal Requirements:
  - 1. Submissions to Authorities Having Jurisdiction: The A/E shall review the Contractor's submittal(s) which the Contractor shall revise and resubmit through the A/E until the submittals are deemed Approved. The contractor shall submit the A/E approved shop drawing and product data to the authority having jurisdiction and shall make any revisions as required for acceptance.

FIRE STATIONS RENOVATION  
ARLINGTON COUNTY, VIRGINIA  
Architect's Project No: 563006

---

2. Shop Drawings shall be prepared by persons with the following qualifications:
  - a. Trained and certified by manufacturer in fire-alarm system design.
  - b. NICET-certified fire-alarm technician, Level III minimum.
  - c. Licensed or certified by authorities having jurisdiction.
  
- A. Product Data: For each type of product indicated. . Submissions shall include UL file numbers for all devices.
  
- B. Shop Drawings: For fire-alarm system. Include plans, elevations, sections, details, and attachments to other work.
  1. Comply with recommendations in the "Documentation" Section of the "Fundamentals of Fire Alarm Systems" Chapter in NFPA 72.
  2. Include voltage drop calculations for notification appliance circuits. Use minimum 30cd current draw per visual appliance provided regardless of actual setting.
  3. Include battery-size calculations. Use minimum 30cd current draw per visual appliance provided regardless of actual setting.
  4. Include performance parameters and installation details for each detector, verifying that each detector is listed for complete range of air velocity, temperature, and humidity possible when air-handling system is operating.
  5. Include plans coordinating installation of duct smoke detectors and access to them. Show critical dimensions that relate to placement and support of sampling tubes, detector housing, and remote status and alarm indicators. Locate detectors according to manufacturer's written recommendations.
  6. Include 1/8" = 1'-0" scale floor plans to indicate final outlet locations showing address of each addressable device. Show size and route of cable and conduits.
  7. Wiring Diagrams: Detail wiring and differentiate between manufacturer-installed and field-installed wiring. Include diagrams for equipment and for system with all terminals and interconnections identified.
  8. Device Address List: Coordinate with final system programming.
  9. Input-Output Matrix: For each type of device (or function of device) and the associated system output. Format in accordance with NFPA 72, Explanatory Material, Figure "Typical Input/Output Matrix".
  10. System Operation Description: Detailed description for this project, including method of operation and supervision of each type of circuit and sequence of operations for manually and automatically initiated system inputs and outputs. Manufacturer's standard descriptions for generic system are not acceptable.
  
- C. Qualification Data: For qualified Installer.
  
- D. Field quality-control reports.
  
- E. Operation and Maintenance Data: For fire-alarm systems and components to include in emergency, operation, and maintenance manuals. In addition to items specified in Division 01 Section "Operation and Maintenance Data," include the following:
  1. Comply with the "Records" Section of the "Inspection, Testing and Maintenance" Chapter in NFPA 72.

FIRE STATIONS RENOVATION  
ARLINGTON COUNTY, VIRGINIA  
Architect's Project No: 563006

---

2. Provide "Record of Completion Documents" according to NFPA 72 article "Permanent Records" in the "Records" Section of the "Inspection, Testing and Maintenance" Chapter.
3. Record copy of site-specific software.
4. Provide "Maintenance, Inspection and Testing Records" according to NFPA 72 article of the same name and include the following:
  - a. Frequency of testing of installed components.
  - b. Frequency of inspection of installed components.
  - c. Requirements and recommendations related to results of maintenance.
  - d. Manufacturer's user training manuals.
5. Manufacturer's required maintenance related to system warranty requirements.
6. Abbreviated operating instructions for mounting at fire-alarm control unit.
7. Copy of NFPA 25.
8. Software and Firmware Operational Documentation:
  - a. Software operating and upgrade manuals.
  - b. Program Software Backup: On magnetic media or compact disk, complete with data files.
  - c. Device address list.
  - d. Printout of software application and graphic screens.

1.6 QUALITY ASSURANCE

- A. Installer Qualifications: Personnel shall be trained and certified by manufacturer for installation of units required for this Project.
- B. Installer Qualifications: Installation shall be by personnel certified by NICET as fire-alarm Level II technician.
- C. Source Limitations for Fire-Alarm System and Components: Obtain fire-alarm system from single source from single manufacturer. Components shall be compatible with, and operate as, an extension of existing system.
- D. Electrical Components, Devices, and Accessories: Listed and labeled as defined in NFPA 70, by a qualified testing agency, and marked for intended location and application.
- E. NFPA Certification: Obtain certification according to NFPA 72 by an NRTL.

1.7 PROJECT CONDITIONS

- A. Interruption of Existing Fire-Alarm Service: Do not interrupt fire-alarm service to facilities occupied by Owner or others unless permitted under the following conditions and then only after arranging to provide temporary guard service according to requirements indicated:
  1. Notify Owner no fewer than two days in advance of proposed interruption of fire-alarm service.
  2. Do not proceed with interruption of fire-alarm service without Owner's written permission.

FIRE STATIONS RENOVATION  
ARLINGTON COUNTY, VIRGINIA  
Architect's Project No: 563006

---

1.8 SEQUENCING AND SCHEDULING

- A. Existing Fire-Alarm Equipment: Maintain existing equipment fully operational until new equipment has been tested and accepted. As new equipment or devices are installed, label it "NOT IN SERVICE" until it is accepted. Remove labels from new equipment when put into service and label existing fire-alarm equipment "NOT IN SERVICE" until removed from the building.
- B. Equipment Removal: After acceptance of new fire-alarm system, remove existing disconnected fire-alarm equipment and wiring.
  - 1. Package Owner designated operational equipment and deliver to Owner.

1.9 SOFTWARE SERVICE AGREEMENT

- A. Comply with UL 864.
- B. Technical Support: Beginning with Substantial Completion, provide software support for two years.
- C. Upgrade Service: Update software to latest version at Project completion. Install and program software upgrades that become available within two years from date of Substantial Completion. Upgrading software shall include operating system. Upgrade shall include new or revised licenses for use of software.
  - 1. Provide 30 days' notice to Owner to allow scheduling and access to system and to allow Owner to upgrade computer equipment if necessary.

1.10 EXTRA MATERIALS

- A. Furnish extra materials that match products installed and that are packaged with protective covering for storage and identified with labels describing contents.
  - 1. Lamps for Remote Indicating Lamp Units: Quantity equal to 10 percent of amount installed, but no fewer than 1 unit.
  - 2. Lamps for Strobe Units: Quantity equal to 10 percent of amount installed, but no fewer than 1 unit.
  - 3. Smoke Detectors, Fire Detectors: Quantity equal to 10 percent of amount of each type installed, but no fewer than 1 unit of each type. Provide 50 feet of cabling in conduit for each appliance and connect to nearest annunciation circuit as directed by Authority Having Jurisdiction.
  - 4. Detector Bases: Quantity equal to 2 percent of amount of each type installed, but no fewer than 1 unit of each type. Provide 50 feet of cabling in conduit for each appliance and connect to nearest annunciation circuit as directed by Authority Having Jurisdiction.
  - 5. Keys and Tools: One extra set for access to locked and tamperproofed components.



FIRE STATIONS RENOVATION  
ARLINGTON COUNTY, VIRGINIA  
Architect's Project No: 563006

---

6. Audible and Visual Notification Appliances: One of each type installed. Provide 50 feet of cabling in conduit for each appliance and connect to nearest annunciation circuit as directed by Authority Having Jurisdiction.
7. Fuses: Two of each type installed in the system.

## PART 2 - PRODUCTS

### 2.1 MANUFACTURERS

1. Manufacturer: Subject to compliance with requirements, and fully compatible (UL listed and labeled) with the existing system.

### 2.2 SYSTEMS OPERATIONAL DESCRIPTION

A. Fire-alarm signal initiation shall be by one or more of the following devices:

1. Manual stations.
2. Heat detectors.
3. Smoke detectors.
4. Duct smoke detectors.
5. Automatic sprinkler system water flow.

B. Fire-alarm signal shall initiate the following actions:

1. Continuously operate alarm notification appliances.
2. Identify alarm at fire-alarm control unit and remote annunciators.
3. Transmit an alarm signal to the remote alarm receiving station.
4. Unlock electric door locks in designated egress paths.
5. Release fire and smoke doors held open by magnetic door holders.
6. Switch heating, ventilating, and air-conditioning equipment controls to fire-alarm mode.
7. Record events in the system memory.

C. Supervisory signal initiation shall be by one or more of the following devices and actions:

1. Valve supervisory switch.

D. System trouble signal initiation shall be by one or more of the following devices and actions:

1. Open circuits, shorts, and grounds in designated circuits.
2. Opening, tampering with, or removing alarm-initiating and supervisory signal-initiating devices.
3. Loss of primary power at fire-alarm control unit.
4. Ground or a single break in fire-alarm control unit internal circuits.
5. Abnormal ac voltage at fire-alarm control unit.
6. Break in standby battery circuitry.
7. Failure of battery charging.
8. Abnormal position of any switch at fire-alarm control unit or annunciator.

FIRE STATIONS RENOVATION  
ARLINGTON COUNTY, VIRGINIA  
Architect's Project No: 563006

---

- E. System Trouble and Supervisory Signal Actions: Initiate notification appliance and annunciate at fire-alarm control unit and remote annunciators.

2.3 FIRE-ALARM CONTROL UNIT

- A. FACP's are Existing to Remain. Upgrade as required to provide required functionality at the FACP's and to serve the renovated space.
- B. General Requirements for Fire-Alarm Control Unit:
  - 1. Field-programmable, microprocessor-based, modular, power-limited design with electronic modules, complying with UL 864 and listed and labeled by an NRTL.
    - a. System software and programs shall be held in flash electrically erasable programmable read-only memory (EEPROM), retaining the information through failure of primary and secondary power supplies.
    - b. Include a real-time clock for time annotation of events on the event recorder and printer.
  - 2. Addressable initiation devices that communicate device identity and status.
    - a. Smoke sensors shall additionally communicate sensitivity setting.
    - b. Temperature sensors shall additionally test for and communicate the sensitivity range of the device.
  - 3. Addressable control circuits for operation of mechanical equipment.
- C. Alphanumeric Display and System Controls: Arranged for interface between human operator at fire-alarm control unit and addressable system components including annunciation and supervision. Display alarm, supervisory, and component status messages and the programming and control menu.
- D. Circuits:
  - 1. Initiating Device, Notification Appliance, and Signaling Line Circuits: NFPA 72, Class A.
    - a. Initiating Device Circuits: Style D.
    - b. Notification Appliance Circuits: Style Z.
    - c. Signaling Line Circuits: Style 6.
- E. Door Controls: Door hold-open devices that are controlled by smoke detectors at doors in smoke barrier walls shall be connected to fire-alarm system.
- F. Transmission to Remote Alarm Receiving Station: Automatically transmit alarm, supervisory, and trouble signals to a remote alarm station.

FIRE STATIONS RENOVATION  
ARLINGTON COUNTY, VIRGINIA  
Architect's Project No: 563006

---

- G. Primary Power: 24-V dc obtained from 120-V ac service and a power-supply module. Initiating devices, notification appliances, signaling lines, trouble signals, supervisory and digital alarm communicator transmitters shall be powered by 24-V dc source.
1. Alarm current draw of entire fire-alarm system shall not exceed 80 percent of the power-supply module rating.
- H. Emergency Power Supply: Components include batteries, charger, and automatic transfer switch.
1. Batteries: Sealed lead calcium.
    - a. Batteries shall be in accordance with fire alarm system manufacturer's installation instructions.
    - b. Battery Nominal Life Expectancy: 10 years, minimum.
    - c. Battery date code shall indicate battery age of not more than 3 months at time of system acceptance.
    - d. Battery Capacity: Comply with NFPA 72.
  2. Battery Charger: Solid-state, fully automatic, variable-charging-rate type. Provide capacity for 150 percent of the connected system load while maintaining batteries at full charge. If batteries are fully discharged, the charger recharges them completely within four hours. Charger output is supervised as part of system power supply supervision.
  3. Integral Automatic Transfer Switch: Transfers the load to the battery without loss of signals or status indications when normal power fails.
- I. Instructions: Computer printout or typewritten instruction card mounted behind a plastic or glass cover in a stainless-steel or aluminum frame. Include interpretation and describe appropriate response for displays and signals. Briefly describe the functional operation of the system under normal, alarm, and trouble conditions.

## 2.4 MANUAL FIRE-ALARM BOXES

- A. General Requirements for Manual Fire-Alarm Boxes: Comply with UL 38. Boxes shall be finished in red with molded, raised-letter operating instructions in contrasting color; shall show visible indication of operation; and shall be mounted on recessed outlet box. If indicated as surface mounted, provide manufacturer's surface back box.
1. Double-action mechanism requiring two actions to initiate an alarm, pull-lever type; with integral addressable module arranged to communicate manual-station status (normal, alarm, or trouble) to fire-alarm control unit.
  2. Station Reset: Key-operated switch.

## 2.5 SYSTEM SMOKE DETECTORS

- A. General Requirements for System Smoke Detectors:
1. Comply with UL 268; operating at 24-V dc, nominal.
  2. Detectors shall be two-wire type.

FIRE STATIONS RENOVATION  
ARLINGTON COUNTY, VIRGINIA  
Architect's Project No: 563006

---

3. Base Mounting: Detector and associated electronic components shall be mounted in a twist-lock module that connects to a fixed base. Provide terminals in the fixed base for connection to building wiring.
4. Self-Restoring: Detectors do not require resetting or readjustment after actuation to restore them to normal operation.
5. Integral Visual-Indicating Light: LED type indicating detector has operated and power-on status.

B. Photoelectric Smoke Detectors:

1. Detector address shall be accessible from fire-alarm control unit and shall be able to identify the detector's location within the system and its sensitivity setting.
2. An operator at fire-alarm control unit, having the designated access level, shall be able to manually access the following for each detector:
  - a. Primary status.
  - b. Device type.
  - c. Present average value.
  - d. Present sensitivity selected.
  - e. Sensor range (normal, dirty, etc.).

C. Duct Smoke Detectors: Photoelectric type complying with UL 268A.

1. Detector address shall be accessible from fire-alarm control unit and shall be able to identify the detector's location within the system and its sensitivity setting.
2. An operator at fire-alarm control unit, having the designated access level, shall be able to manually access the following for each detector:
  - a. Primary status.
  - b. Device type.
  - c. Present average value.
  - d. Present sensitivity selected.
  - e. Sensor range (normal, dirty, etc.).
3. Weatherproof Duct Housing Enclosure: NEMA 250, Type 4X; NRTL listed for use with the supplied detector.
4. Each sensor shall have multiple levels of detection sensitivity.
5. Sampling Tubes: Design and dimensions as recommended by manufacturer for specific duct size, air velocity, and installation conditions where applied.

## 2.6 HEAT DETECTORS

- A. General Requirements for Heat Detectors: Comply with UL 521.
- B. Heat Detector, Combination Type: Actuated by either a fixed temperature of 135 deg F or a rate of rise that exceeds 15 deg F per minute unless otherwise indicated.
1. Mounting: Twist-lock base interchangeable with smoke-detector bases.

FIRE STATIONS RENOVATION  
ARLINGTON COUNTY, VIRGINIA  
Architect's Project No: 563006

---

2. Integral Addressable Module: Arranged to communicate detector status (normal, alarm, or trouble) to fire-alarm control unit.

## 2.7 NOTIFICATION APPLIANCES

- A. General Requirements for Notification Appliances: Connected to notification appliance signal circuits, zoned as indicated, equipped for mounting as indicated and with screw terminals for system connections.
  1. Combination Devices: Factory-integrated audible and visible devices in a single-mounting assembly, equipped for mounting as indicated and with screw terminals for system connections.
- B. Horns: Electric-vibrating-polarized type, 24-V dc; with provision for housing the operating mechanism behind a grille. Comply with UL 464. Horns shall produce a sound-pressure level of 90 dBA, measured 10 feet from the horn, using the Code-3 coded signal prescribed in UL 464 test protocol.
- C. Bells: Electric-vibrating, 24-V dc, under-dome type; with provision for housing the operating mechanism behind the bell. When operating, bells provide a sound-pressure level of 94 dB, measured 10 feet from the bell. 10-inch size, unless otherwise indicated. Bells are weatherproof.
- D. Visible Notification Appliances: Xenon strobe lights comply with UL 1971, with clear or nominal white polycarbonate lens mounted on an aluminum faceplate. The word "FIRE" is engraved in minimum 1-inch-high letters on the lens.
  1. Rated Light Output:
    - a. 15/30/75/110 cd, selectable in the field.
  2. Mounting: Wall mounted unless otherwise indicated.
  3. For units with guards to prevent physical damage, light output ratings shall be determined with guards in place.
  4. Flashing shall be in a temporal pattern, synchronized with other units.
  5. Strobe Leads: Factory connected to screw terminals.
  6. Mounting Faceplate: Factory finished, red.

## 2.8 MAGNETIC DOOR HOLDERS

- A. Description: Units are equipped for wall or floor mounting as indicated and are complete with matching doorplate.
  1. Electromagnet: Requires no more than 3 W to develop 25-lbf holding force.
  2. Wall-Mounted Units: Flush mounted unless otherwise indicated.
  3. Rating: 120-V ac.
- B. Material and Finish: Match door hardware.

FIRE STATIONS RENOVATION  
ARLINGTON COUNTY, VIRGINIA  
Architect's Project No: 563006

---

2.9 REMOTE ANNUNCIATOR

- A. Description: Annunciator functions shall match those of fire-alarm control unit for alarm, supervisory, and trouble indications. Manual switching functions shall match those of fire-alarm control unit, including acknowledging, silencing, resetting, and testing.
  - 1. Mounting: Flush cabinet, NEMA 250, Type 1.
- B. Display Type and Functional Performance: Alphanumeric display and LED indicating lights shall match those of fire-alarm control unit. Provide controls to acknowledge, silence, reset, and test functions for alarm, supervisory, and trouble signals.

2.10 ADDRESSABLE INTERFACE DEVICE

- A. Description: Microelectronic monitor module, NRTL listed for use in providing a system address for alarm-initiating devices for wired applications with normally open contacts.

PART 3 - EXECUTION

3.1 EQUIPMENT INSTALLATION

- A. Comply with NFPA 72 for installation of fire-alarm equipment.
- B. Connecting to Existing Equipment: Verify that existing fire-alarm system is operational before making changes or connections.
  - 1. Connect new equipment to existing control panel in existing part of the building.
  - 2. Connect new equipment to existing monitoring equipment at the supervising station.
  - 3. Expand, modify, and supplement existing equipment as necessary to extend existing functions to the new points. New components shall be capable of merging with existing configuration without degrading the performance of either system.
- C. Smoke- or Heat-Detector Spacing:
  - 1. Comply with NFPA 72, "Smoke-Sensing Fire Detectors" Section in the "Initiating Devices" Chapter, for smoke-detector spacing.
  - 2. Comply with NFPA 72, "Heat-Sensing Fire Detectors" Section in the "Initiating Devices" Chapter, for heat-detector spacing.
  - 3. HVAC: Locate detectors not closer than [3 feet] [5 feet] from air-supply diffuser or return-air opening.
- D. Duct Smoke Detectors: Comply with NFPA 72 and NFPA 90A. Install sampling tubes so they extend the full width of duct.

FIRE STATIONS RENOVATION  
ARLINGTON COUNTY, VIRGINIA  
Architect's Project No: 563006

---

- E. Audible Alarm-Indicating Devices: Install not less than 6 inches below the ceiling. Install bells and horns on flush-mounted back boxes with the device-operating mechanism concealed behind a grille.
- F. Visible Alarm-Indicating Devices: Install adjacent to each alarm bell or alarm horn and at least 6 inches below the ceiling.
- G. Device Location-Indicating Lights: Locate in public space near the device they monitor.
- H. Fire-Alarm Control Unit: Surface mounted, with tops of cabinets not more than 72 inches above the finished floor.
- I. Annunciator: Install with top of panel not more than 72 inches above the finished floor.

### 3.2 CONNECTIONS

- A. For fire-protection systems related to doors in fire-rated walls and partitions and to doors in smoke partitions, comply with requirements in Division 08 Section "Door Hardware." Connect hardware and devices to fire-alarm system.
  - 1. Verify that hardware and devices are NRTL listed for use with fire-alarm system in this Section before making connections.
- B. Make addressable connections with a supervised interface device to the following devices and systems. Install the interface device less than 3 feet from the device controlled. Make an addressable confirmation connection when such feedback is available at the device or system being controlled.
  - 1. Smoke dampers in air ducts of designated air-conditioning duct systems.
  - 2. Supervisory connections at valve supervisory switches.

### 3.3 IDENTIFICATION

- A. Identify system components, wiring, cabling, and terminals. Comply with requirements for identification specified in Division 26 Section "Identification for Electrical Systems."
- B. Install framed instructions in a location visible from fire-alarm control unit.

### 3.4 GROUNDING

- A. Ground fire-alarm control unit and associated circuits; comply with IEEE 1100. Install a ground wire from main service ground to fire-alarm control unit.

### 3.5 PROGRAMMING

FIRE STATIONS RENOVATION  
ARLINGTON COUNTY, VIRGINIA  
Architect's Project No: 563006

---

- A. Provide all system programming required to accomplish the functions outlined by this specification, and the Fire Alarm Input/Output Matrix (on the Contract Drawings), and as required by the Authority Having Jurisdiction.
  - 1. Space names and numbers used in the programming shall be per the Owner's list, not necessarily those indicated on the Contract Documents.

3.6 FIELD QUALITY CONTROL

- A. Field tests shall be witnessed by authorities having jurisdiction.
- B. Perform tests and inspections.
  - 1. Manufacturer's Field Service: Engage a factory-authorized service representative to inspect components, assemblies, and equipment installations, including connections, and to assist in testing.
- C. Tests and Inspections:
  - 1. Visual Inspection: Conduct visual inspection prior to testing.
    - a. Inspection shall be based on completed Record Drawings and system documentation that is required by NFPA 72 in its "Completion Documents, Preparation" Table in the "Documentation" Section of the "Fundamentals of Fire Alarm Systems" Chapter.
    - b. Comply with "Visual Inspection Frequencies" Table in the "Inspection" Section of the "Inspection, Testing and Maintenance" Chapter in NFPA 72; retain the "Initial/Reacceptance" column and list only the installed components.
  - 2. System Testing: Comply with "Test Methods" Table in the "Testing" Section of the "Inspection, Testing and Maintenance" Chapter in NFPA 72.
  - 3. Factory-authorized service representative shall prepare the "Fire Alarm System Record of Completion" in the "Documentation" Section of the "Fundamentals of Fire Alarm Systems" Chapter in NFPA 72 and the "Inspection and Testing Form" in the "Records" Section of the "Inspection, Testing and Maintenance" Chapter in NFPA 72.
- D. Reacceptance Testing: Perform reacceptance testing to verify the proper operation of added or replaced devices and appliances.
- E. Fire-alarm system will be considered defective if it does not pass tests and inspections.
- F. Prepare test and inspection reports.
- G. Annual Test and Inspection: One year after date of Substantial Completion, test fire-alarm system complying with visual and testing inspection requirements in NFPA 72. Use forms developed for initial tests and inspections.



FIRE STATIONS RENOVATION  
ARLINGTON COUNTY, VIRGINIA  
Architect's Project No: 563006

---

3.7 DEMONSTRATION

- A. Engage a factory-authorized service representative to train Owner's maintenance personnel to adjust, operate, and maintain fire-alarm system.

END OF SECTION 283111

# PROJECT SPECIFICATIONS

## ARLINGTON COUNTY KELLY DAY RENOVATIONS FIRE STATION 2

4805 WILSON BLVD  
ARLINGTON COUNTY, VIRGINIA  
22203

**MOSELEY**ARCHITECTS

ARCHITECT/ENGINEER

RICHMOND, VIRGINIA

PERMIT SET

**September 22, 2021**

A/E's Proj. #563006 Set No.

FIRE STATIONS RENOVATION  
ARLINGTON COUNTY, VIRGINIA  
Architect's Project No: 563006

---

SPECIFICATIONS

DIVISION 1 – GENERAL REQUIREMENTS

011000	Summary
012000	Price and Payment Procedures
012500	Substitution Procedures
013000	Administrative Requirements
013216	Construction Progress Schedule
014000	Quality Requirements
014200	Definitions and Reference Standards
014520	Testing, Adjusting, and Balancing (TAB)
015000	Temporary Facilities and Controls
016000	Product Requirements
017000	Execution and Closeout Requirements
017419	Construction Waste Management and Disposal
017800	Closeout Submittals
017900	Demonstration and Training
018119	Indoor Air Quality Requirements

DIVISION 2 – EXISTING CONDITIONS

024100	Demolition
--------	------------

DIVISION 3 – CONCRETE (not used)

DIVISION 4 – MASONRY

042000	Unit Masonry
--------	--------------

DIVISION 5 – METALS

055000	Metal Fabrications
--------	--------------------

DIVISION 6 – WOOD PLASTICS AND COMPOSITES

061000	Rough Carpentry
062000	Finish Carpentry

DIVISION 7 – THERMAL AND MOISTURE PROTECTION

079200	Joint Sealants
--------	----------------

DIVISION 8 – OPENINGS

081113	Steel Doors and Frames
083100	Access Doors and Panels

DIVISION 9 – FINISHES

092216	Cold Formed Steel Framing - Non-Structural (CFSF-NS)
092900	Gypsum Board
093000	Tiling
095100	Acoustical Ceilings
096513	Resilient Base and Accessories
099123	Interior Painting

FIRE STATIONS RENOVATION  
ARLINGTON COUNTY, VIRGINIA  
Architect's Project No: 563006

---

DIVISION 10 – SPECIALTIES

102800 Toilet and Bath Accessories

DIVISION 11 – EQUIPMENT (not used)DIVISION 12 – FURNISHINGS (not used)DIVISION 13 – SPECIAL CONSTRUCTION (not used)DIVISION 14 – CONVEYING SYSTEMS (not used)DIVISION 21 – FIRE SUPPRESSION

211000 Water-Based Fire-Suppression Systems

DIVISION 22 – PLUMBING

220500 Common Work Results for Plumbing  
220517 Sleeves and Sleeve Seals for Plumbing Piping  
220519 Meters and Gages for Plumbing Piping  
220523 General-Duty Valves for Plumbing Piping  
220529 Hangers and Supports for Plumbing Piping and Equipment  
220553 Identification for Plumbing Piping and Equipment  
220700 Plumbing Insulation  
221113 Facility Natural Gas Piping  
221116 Domestic Water Piping  
221119 Domestic Water Piping Specialties  
221316 Sanitary Waste and Vent Piping  
221319 Sanitary Waste Piping Specialties  
224000 Plumbing Fixtures

DIVISION 23 – MECHANICAL

230500 Common Work Results for HVAC  
230513 Motors for HVAC Equipment  
230514 Variable Speed Drives  
230529 Hangers and Supports for HVAC Piping and Equipment  
230548 Vibration Control for HVAC  
230700 HVAC Insulation  
230900 Building Automation System  
230993 Sequence of Control for HVAC Controls  
232300 Refrigerant Piping  
233113 Metal Ducts  
233300 Air Duct Accessories  
233423 HVAC Power Ventilators  
233713 Diffusers, Registers, and Grilles  
234100 Particulate Air Filtration  
237413 Packaged Rooftop Units  
238126 Ductless Mini-Split Air Conditioning Units

FIRE STATIONS RENOVATION  
ARLINGTON COUNTY, VIRGINIA  
Architect's Project No: 563006

---

DIVISION 25 – INTEGRATED AUTOMATION (not used)

DIVISION 26 – ELECTRICAL

260519	Low-Voltage Electrical Power Conductors and Cables
260523	Control-Voltage Electrical Power Cables
260526	Grounding and Bonding for Electrical Systems
260529	Hangers and Supports for Electrical Systems
260533	Raceway and Boxes for Electrical Systems
260553	Identification for Electrical Systems
260923	Lighting Control Devices
262726	Wiring Devices
262813	Fuses
262816	Enclosed Switches and Circuit Breakers
265100	Interior Lighting

DIVISION 27 – COMMUNICATIONS

270000	Communications
270528	Pathways for Communications Systems

DIVISION 28 – ELECTRONIC SAFETY AND SECURITY

283111	Digital, Addressable Fire-Alarm System
--------	--

DIVISION 31 – EARTHWORK (not used)

DIVISION 32 – EXTERIOR IMPROVEMENTS (not used)

DIVISION 33 – UTILITIES (not used)

DIVISION 34 – TRANSPORTATION (not used)

END OF TABLE OF CONTENTS

FIRE STATIONS RENOVATION  
Arlington County, Virginia  
Architect's Project No.: 563006

---

**SECTION 011000  
SUMMARY**

**PART 1 GENERAL**

**1.01 PROJECT**

- A. Project Name: Arlington County Fire Stations Renovation.
- B. Owner's Name: Arlington County, Virginia.
- C. Architect's Name: Moseley Architects of Richmond, VA.

**1.02 CONTRACT DESCRIPTION**

- A. Contract Type: A single prime contract based on a Stipulated Price as described in Document 005200 - Agreement Form.

**1.03 PROFESSIONAL SEALS**

- A. Use of Professional Seals on Bidding, Procurement, and Contract Documents: For the purposes of this paragraph, the term "Regulant" refers to the individual who signs and seals parts of the Contract Documents (e.g. the Drawings and Specifications). Certain information has been excerpted verbatim from a source or sources (e.g., UL Assemblies, SMACNA details, IBC code text) which was considered or used by Regulant in preparing parts of the Contract Documents, as follows:
  - 1. The excerpted information was neither prepared under the direct control nor personal supervision nor created by the Regulant, as it was prepared by the source and owner of the excerpted information.
  - 2. For purposes of bidding, procuring, and performance of the Work, and in any event of conflicts or ambiguities between the excerpted information in the Contract Documents and the requirements of applicable codes and standards, provide the better quality or greater quantity of Work which, at a minimum, complies with the requirements of the applicable codes and standards.
  - 3. Advise Architect immediately upon becoming aware of requirements of the Work which are not consistent with the requirements of the excerpted information.
  - 4. Attribution is acknowledged for information obtained and included herein verbatim from other source or sources.
  - 5. Regulant has taken into consideration and used certain excerpted information from other sources which are applicable to the Contract Documents, and the Regulant indicates by its seal that it is assuming responsibility for its services in use and application of the excerpted information to the requirements of Work, but not for the excerpted information itself which was prepared by others. Regulant does not indicate by its seal that it is responsible for use or application of other information in such source or sources which was not included herein.

**1.04 WORK BY OWNER**

- A. Owner will furnish and install the following items before Substantial Completion. Contractor shall coordinate with and accommodate Owner's construction forces.
  - 1. Indicated metal lockers.
- B. Owner will furnish the following for installation by Contractor:
  - 1. Indicated appliances.

**1.05 OWNER OCCUPANCY**

- A. Owner intends to continue to occupy adjacent portions of the existing building during the entire construction period.
- B. Owner intends to occupy the Project upon Substantial Completion.
- C. Cooperate with Owner to minimize conflict and to facilitate Owner's operations.
- D. Schedule the Work to accommodate Owner occupancy.
  - 1. Maintain routes of egress and life safety systems for Owner and occupants at all times.

FIRE STATIONS RENOVATION  
Arlington County, Virginia  
Architect's Project No.: 563006

---

**1.06 CONTRACTOR USE OF SITE AND PREMISES**

- A. Construction Operations: Limited to areas noted on Drawings.
  - 1. Locate and conduct construction activities in ways that will limit disturbance to site.
- B. Provide access to and from site as required by law and by Owner:
  - 1. Emergency Building Exits During Construction: Keep all exits required by code open during construction period; provide temporary exit signs if exit routes are temporarily altered.
  - 2. Do not obstruct roadways, sidewalks, or other public ways without permit.
- C. Existing building spaces may not be used for storage.
- D. Existing building shall be maintained weathertight. Do not modify elements of the existing building except as indicated on the Construction Documents. Repair damage to the existing building due to construction activity.
- E. Time Restrictions:
  - 1. Limit conduct of especially noisy, malodorous, and dusty work to the hours of 8 AM to 4 PM.
  - 2. Comply with local regulations for hours of work, noise ordinances, and similar requirements.
- F. Utility Outages and Shutdown:
  - 1. Limit disruption of utility services to hours the building is unoccupied.
  - 2. Do not disrupt or shut down life safety systems, including but not limited to fire sprinklers and fire alarm system, without 7 days notice to Owner and authorities having jurisdiction.
  - 3. Prevent accidental disruption of utility services to other facilities.
- G. Controlled Substances: The use of alcohol and drugs is not permitted on the Project site. Provide a designated outdoor smoking area for construction personnel that is at least 25 feet away from the building.

**1.07 SPECIFICATION SECTIONS APPLICABLE TO ALL WORK**

- A. The provisions of the Owner/Contractor agreement, General Conditions of the Contract, Supplementary Conditions (if any), and all Division 01 sections shall apply to all sections of the Project Manual. In the event of discrepancy or conflict, the Owner/Contractor agreement and any associated conditions shall govern.

**PART 2 PRODUCTS - NOT USED**

**PART 3 EXECUTION - NOT USED**

**END OF SECTION**

FIRE STATIONS RENOVATION  
Arlington County, Virginia  
Architect's Project No.: 563006

---

**SECTION 012000**  
**PRICE AND PAYMENT PROCEDURES**

**PART 1 GENERAL**

**1.01 SECTION INCLUDES**

- A. Procedures for preparation and submittal of applications for progress payments.

**1.02 SCHEDULE OF VALUES**

- A. Use Schedule of Values Form: AIA G703, unless otherwise agreed to by Owner in writing.
- B. Forms filled out by hand will not be accepted.
- C. Format: Utilize the Table of Contents of this Project Manual. Identify each line item with number and title of the specification section. Identify site mobilization.
- D. Include in each line item, the amount of Allowances specified in this section. For unit cost Allowances, identify quantities taken from Contract Documents multiplied by the unit cost to achieve the total for the item.
- E. Include separately from each line item, a direct proportional amount of Contractor's overhead and profit.
- F. Revise schedule to list approved Change Orders, with each Application For Payment.
  - 1. When a Change Order includes multiple PCOs, break down the total Change Order to include each PCO as an individual line item.

**1.03 APPLICATIONS FOR PROGRESS PAYMENTS**

- A. Payment Period: Submit at intervals stipulated in the Agreement.
- B. Use Form AIA G702 and Form AIA G703.
- C. Electronic media printout including equivalent information will be considered in lieu of standard form specified; submit sample to Architect for approval.
- D. Forms filled out by hand will not be accepted.
- E. For each item, provide a column for listing each of the following:
  - 1. Item Number.
  - 2. Description of work.
  - 3. Scheduled Values.
  - 4. Previous Applications.
  - 5. Work in Place and Stored Materials under this Application.
  - 6. Authorized Change Orders.
  - 7. Total Completed and Stored to Date of Application.
  - 8. Balance to Finish.
  - 9. Retainage.
- F. Execute certification by signature of authorized officer.
- G. Use data from approved Schedule of Values. Provide dollar value in each column for each line item for portion of work performed and for stored products.
- H. List each authorized Change Order as a separate line item, listing Change Order number and dollar amount as for an original item of work.
  - 1. When a Change Order includes multiple PCOs, break down the total Change Order to include each PCO as an individual line item.
- I. Submit one electronic and three hard-copies of each Application for Payment.
- J. Include the following with the application:
  - 1. Transmittal letter as specified for submittals in Section 013000.
  - 2. Construction progress schedule, revised and current as specified in Section 013000.
  - 3. Partial release of liens from major subcontractors and vendors.
  - 4. Affidavits attesting to off-site stored products.



FIRE STATIONS RENOVATION  
Arlington County, Virginia  
Architect's Project No.: 563006

---

#### 1.04 MODIFICATION PROCEDURES

- A. For minor changes not involving an adjustment to the Contract Sum or Contract Time, Architect will issue instructions directly to Contractor on AIA Document G710 "Architect's Supplemental Instructions."
- B. For changes for which advance pricing is desired, Architect will issue a document that includes a detailed description of a proposed change with supplementary or revised drawings and specifications, a change in Contract Time for executing the change with a stipulation of any overtime work required and the period of time during which the requested price will be considered valid. Contractor shall prepare and submit a fixed price quotation within 7 days.
- C. Contractor may propose a change by submitting a request for change to Architect, describing the proposed change and its full effect on the work, with a statement describing the reason for the change, and the effect on the Contract Sum and Contract Time with full documentation.
- D. For other required changes, Architect will issue a Construction Change Directive, on AIA Document G714, signed by Owner instructing Contractor to proceed with the change, for subsequent inclusion in a Change Order.
  - 1. The document will describe the required changes and will designate method of determining any change in Contract Sum or Contract Time.
  - 2. Promptly execute the change.
- E. Computation of Change in Contract Amount: As specified in the Agreement and Conditions of the Contract.
  - 1. For change requested by Architect for work falling under a fixed price contract, the amount will be based on Contractor's price quotation.
  - 2. For change requested by Contractor, the amount will be based on the Contractor's request for a Change Order as approved by Architect.
  - 3. For pre-determined unit prices and quantities, the amount will be based on the fixed unit prices.
- F. Substantiation of Costs: Provide full information required for evaluation.
  - 1. Provide the following data:
    - a. Quantities of products, labor, and equipment.
    - b. Taxes, insurance, and bonds.
    - c. Overhead and profit.
    - d. Justification for any change in Contract Time.
    - e. Credit for deletions from Contract, similarly documented.
  - 2. Support each claim for additional costs with additional information:
    - a. Origin and date of claim.
    - b. Dates and times work was performed, and by whom.
    - c. Time records and wage rates paid.
    - d. Invoices and receipts for products, equipment, and subcontracts, similarly documented.
- G. Execution of Change Orders: Architect will issue Change Orders on AIA Document G701 for signatures of parties as provided in the Conditions of the Contract.
- H. After execution of Change Order, promptly revise Schedule of Values and Application for Payment forms to record each authorized Change Order as a separate line item and adjust the Contract Sum.
- I. Promptly revise progress schedules to reflect any change in Contract Time, revise sub-schedules to adjust times for other items of work affected by the change, and resubmit.

#### 1.05 APPLICATION FOR FINAL PAYMENT

- A. Prepare Application for Final Payment as specified for progress payments, identifying total adjusted Contract Sum, previous payments, and sum remaining due.
- B. Application for Final Payment will not be considered until the following have been accomplished:

FIRE STATIONS RENOVATION  
Arlington County, Virginia  
Architect's Project No.: 563006

---

1. All closeout procedures specified in Section 017000.
- C. Provide evidence and supporting data for the following, as attachments to the Application for Final Payment:
  1. AIA G706, "Contractor's Affidavit of Payment of Debts and Claims."
  2. AIA G707, "Consent of Surety to Final Payment."
  3. Settlement of all debts and claims, including liquidated damages, taxes, and fees.
  4. Utility meter readings, fuel levels, and similar measurements, as of the date of turn over to the Owner.
  5. Certificates for insured products.

**PART 2 PRODUCTS - NOT USED**

**PART 3 EXECUTION - NOT USED**

**END OF SECTION**

FIRE STATIONS RENOVATION  
Arlington County, Virginia  
Architect's Project No.: 563006

---

**SECTION 012500  
SUBSTITUTION PROCEDURES**

**PART 1 GENERAL**

**1.01 DEFINITIONS**

- A. Substitutions: Changes from Contract Documents requirements proposed by Contractor to materials, products, assemblies, and equipment.
  - 1. Substitutions for Cause: Proposed due to changed Project circumstances beyond Contractor's control, such as unavailability, regulatory changes, or unobtainable warranty terms.
  - 2. Substitutions for Convenience: Proposed due to possibility of offering substantial advantage to the Project.

**PART 2 PRODUCTS - NOT USED**

**PART 3 EXECUTION**

**3.01 GENERAL REQUIREMENTS**

- A. A Substitution Request for products, assemblies, materials, and equipment constitutes a representation that the submitter:
  - 1. Has investigated proposed product and determined that it meets or exceeds the quality level of the specified product, equipment, assembly, or system.
  - 2. Agrees to provide the same warranty for the substitution as for the specified product.
  - 3. Agrees to provide same or equivalent maintenance service and source of replacement parts, as applicable.
  - 4. Agrees to coordinate installation and make changes to other work that may be required for the work to be complete, with no additional cost to Owner.
  - 5. Waives claims for additional costs or time extension that may subsequently become apparent.
  - 6. Agrees to reimburse Owner and Architect for review or redesign services associated with re-approval by authorities.
- B. Document each request with complete data substantiating compliance of proposed substitution with Contract Documents. Burden of proof is on proposer.
  - 1. Note explicitly any non-compliant characteristics.
- C. Content: Include information necessary for tracking the status of each Substitution Request, and information necessary to provide an actionable response.
  - 1. A copy of the Substitution Request Form that shall be used is included at the end of this Section for informational purposes. Request a Word or editable PDF version of the form from the Architect and complete the form digitally; do not complete the form by hand.
  - 2. Contractor's Substitution Request documentation must include the following:
    - a. Substitution Request Information:
      - 1) Indication of whether the substitution is for cause or convenience.
      - 2) Issue date.
      - 3) Reference to particular Contract Document(s) specification section number, title, and article/paragraph(s).
      - 4) Description of Substitution.
      - 5) Reason why the specified item cannot be provided.
      - 6) Description of how proposed substitution affects other parts of work.
    - b. Attached Comparative Data: Provide point-by-point, side-by-side comparison addressing essential attributes specified, as appropriate and relevant for the item:
      - 1) Physical characteristics.
      - 2) In-service performance.
      - 3) Expected durability.
      - 4) Visual effect.
      - 5) Sustainable design features.
      - 6) Warranties.
      - 7) Other salient features and requirements.

FIRE STATIONS RENOVATION  
Arlington County, Virginia  
Architect's Project No.: 563006

---

- 8) Include, as appropriate or requested, the following types of documentation:
  - (a) Product Data:
  - (b) Samples.
  - (c) Certificates, test, reports or similar qualification data.
  - (d) Drawings, when required to show impact on adjacent construction elements.
- c. Impact of Substitution: Provide data indicating cost savings to Owner and change in Contract Time due to accepting substitution.
- D. Limit each request to a single proposed substitution item.
  - 1. Submit an electronic document, combining the request form with supporting data into single document.

**3.02 SUBSTITUTION PROCEDURES DURING CONSTRUCTION**

- A. Architect will consider requests for substitutions for convenience only within 30 days after date of Agreement.
  - 1. Substitutions for convenience submitted after this time period may or may not be considered, at the Architect's discretion.
- B. Submit request for Substitution for Cause immediately upon discovery of need for substitution, but not later than 14 days prior to time required for review and approval by Architect, in order to stay on approved project schedule.
- C. Submit request for Substitution for Convenience immediately upon discovery of its potential advantage to the project, but not later than 14 days prior to time required for review and approval by Architect, in order to stay on approved project schedule.
  - 1. In addition to meeting general documentation requirements, document how the requested substitution benefits the Owner through cost savings, time savings, greater energy conservation, or in other specific ways.
  - 2. Document means of coordinating of substitution item with other portions of the work, including work by affected subcontractors.
  - 3. Bear the costs engendered by proposed substitution of:
    - a. Owner's compensation to the Architect for any required redesign, time spent processing and evaluating the request.
    - b. Other unanticipated project considerations.
- D. Substitutions will not be considered under one or more of the following circumstances:
  - 1. When they are indicated or implied on shop drawing or product data submittals, without having received prior approval.
  - 2. Without a separate written request.

**3.03 RESOLUTION**

- A. Architect may request additional information and documentation prior to rendering a decision. Provide this data in an expeditious manner.
- B. Architect will notify Contractor in writing of decision to accept or reject request.

**3.04 ACCEPTANCE**

- A. Accepted substitutions change the work of the Project. They will be documented and incorporated into work of the project by Change Order, Construction Change Directive, Architectural Supplementary Instructions, or similar instruments provided for in the Conditions of the Contract.

**3.05 CLOSEOUT ACTIVITIES**

- A. See Section 017800 - Closeout Submittals, for closeout submittals.

**END OF SECTION**

FIRE STATIONS RENOVATION  
Arlington County, Virginia  
Architect's Project No.: 563006

---

**SECTION 013000  
ADMINISTRATIVE REQUIREMENTS**

**PART 1 GENERAL**

**1.01 GENERAL ADMINISTRATIVE REQUIREMENTS**

- A. Comply with requirements of Section 017000 - Execution and Closeout Requirements for coordination of execution of administrative tasks with timing of construction activities.
- B. Electronic File Distribution: Upon request, Contractor may be provided electronic files for use in coordination of the Work and preparation of submittals. Contractor shall submit a signed Request Form for Electronic Files, provided by the Architect.
  - 1. Electronic files do not contain all of the information of the Bid Documents or Contract Documents for construction of the Project, and the Architect shall not be responsible for differences between electronic files, Bid Documents, and Contract Documents.

**1.02 SUBMITTALS**

- A. General Contractor Personnel: As soon as practical after award of Contract, provide a summary of General Contractor's on site personnel. Identify each individual, beginning with project superintendent. List project responsibilities, cell phone number, and email address.
- B. Subcontractors: As soon as practical after award of Contract, provide a summary of all companies and individuals engaged as subcontractors for any part of the Project. Include a contact name, company address, phone number, and email address, and identify what part of the Work shall be completed by each subcontractor.
- C. Coordination Drawings: Submit completed Coordination Drawings for Architect's information.

**PART 2 PRODUCTS - NOT USED**

**PART 3 EXECUTION**

**3.01 ELECTRONIC DOCUMENT SUBMITTAL SERVICE**

- A. All documents transmitted for purposes of administration of the contract are to be in electronic (PDF, MS Word, or MS Excel) format, as appropriate to the document, and transmitted via an Internet-based submittal service that receives, logs and stores documents, provides electronic stamping and signatures, and notifies addressees via email.
  - 1. Besides submittals for review, information, and closeout, this procedure applies to Requests for Interpretation (RFIs), progress documentation, contract modification documents (e.g. supplementary instructions, change proposals, change orders), applications for payment, field reports and meeting minutes, Contractor's correction punchlist, and any other document any participant wishes to make part of the project record.
  - 2. It is Contractor's responsibility to submit documents in allowable format.
  - 3. Subcontractors, suppliers, and Architect's consultants will be permitted to use the service at no extra charge.
  - 4. Paper document transmittals will not be reviewed unless previously approved; emailed electronic documents will not be reviewed.
  - 5. All other specified submittal and document transmission procedures apply, except that electronic document requirements do not apply to samples or color selection charts.
- B. Submittal Service: Coordinate method for exchanging files no later than the Preconstruction Meeting. The Architect's "Newforma InfoExchange" website and procedures can be used at no charge. If the Contractor chooses to use a different platform and methodology:
  - 1. The Architect may reject the methodology or platform proposed and:
    - a. use the Architect's Newforma InfoExchange website, or
    - b. the project team will revert to traditional hard-copy exchange;
  - 2. or the Contractor shall bear the cost of software, licensing, training, etc, for the project team to participate.
- C. Project Closeout: Architect will determine when to terminate the service for the project and is responsible for obtaining archive/record copies of files for Owner. If the Project Team uses an alternate platform preferred by the Contractor, the Contractor shall be responsible

FIRE STATIONS RENOVATION  
Arlington County, Virginia  
Architect's Project No.: 563006

---

for distributing archive/record copies of files to Owner and Architect.

### **3.02 PRECONSTRUCTION MEETING**

- A. Architect will schedule a meeting after Notice of Award.
- B. Attendance Required:
  - 1. Owner.
  - 2. Architect.
  - 3. Contractor.
  - 4. Major subcontractors, consultants, and others as necessary and appropriate.
- C. Agenda:
  - 1. Execution of Owner-Contractor Agreement.
  - 2. Submission of executed bonds and insurance certificates.
  - 3. Distribution of Contract Documents.
  - 4. Submission of list of subcontractors, list of products, schedule of values, and progress schedule.
  - 5. Designation of personnel representing the parties to Contract and Architect.
  - 6. Procedures and processing of field decisions, submittals, substitutions, applications for payments, proposal request, Change Orders, and Contract closeout procedures.
  - 7. Scheduling.
  - 8. Site mobilization and utilization.
  - 9. Other project-specific items on pre-distributed agenda.
- D. Architect shall record minutes and distribute digital copies to Owner, Contractor, and other attendees. Contractor shall be responsible for distribution to subcontractors and other personnel affected by decisions made.

### **3.03 INDOOR AIR QUALITY (IAQ) MANAGEMENT PLAN DEVELOPMENT SESSION**

- A. Architect will schedule a meeting after Notice of Award.
- B. Attendance Required:
  - 1. Owner.
  - 2. Architect.
  - 3. Mechanical engineer.
  - 4. Contractor.
  - 5. HVAC subcontractor.
  - 6. Other major subcontractors, consultants, and others as necessary and appropriate.
- C. Agenda:
  - 1. Protection of Materials: Discussion of how and where materials that could impact IAQ will be stored, including but not limited to, the following:
    - a. Insulation.
    - b. Gypsum board.
    - c. Flooring materials.
    - d. Ceiling panels.
    - e. Furnishings.
    - f. Odorous chemicals.
  - 2. Protection of HVAC: Discussion of how HVAC equipment will be stored installed, and operated during construction.
  - 3. Pathway Interruption: Discussion of how airflow between construction zones will be limited to prevent the spreading of pollutants from one part of the building to another.
  - 4. Housekeeping: Discussion of how the building will be kept clean and dry.
  - 5. Materials Installation Scheduling: Discussion of what wet (odor emitting) materials will be used on the project, in order to schedule their installation before fuzzy (odor absorbing) materials.

### **3.04 PREINSTALLATION MEETINGS**

- A. When required in individual specification sections, convene a preinstallation meeting at the site prior to commencing work of the section. Do not allow installation of affected work to proceed until preinstallation meeting can be held.

FIRE STATIONS RENOVATION  
Arlington County, Virginia  
Architect's Project No.: 563006

---

- B. Require attendance of parties directly affecting, or affected by, work of the specific section.
- C. Notify Architect and Owner in advance of meeting date.
- D. Prepare agenda and preside at meeting:
  - 1. Review conditions of examination, preparation and installation procedures.
  - 2. Review coordination with related work.
- E. Record minutes and distribute copies within two days after meeting to participants, with copies to Architect, Owner, participants, and those affected by decisions made.

### 3.05 PROGRESS MEETINGS

- A. Architect will make arrangements for meetings, prepare agenda with copies for participants, preside at meetings.
- B. Attendance Required:
  - 1. Owner.
  - 2. Architect.
  - 3. Contractor's superintendent.
  - 4. Other subcontractors or consultants as required for the specific parts of the Work to be discussed.
- C. Agenda:
  - 1. Review minutes of previous meetings.
  - 2. Review of work progress.
  - 3. Field observations, problems, and decisions.
  - 4. Identification of problems that impede, or will impede, planned progress.
  - 5. Review of submittals schedule and status of submittals.
  - 6. Review of RFIs log and status of responses.
  - 7. Maintenance of progress schedule.
  - 8. Corrective measures to regain projected schedules.
  - 9. Planned progress during succeeding work period.
  - 10. Maintenance of quality and work standards.
  - 11. Effect of proposed changes on progress schedule and coordination.
  - 12. Other business relating to the work.
- D. Architect shall record minutes and distribute copies to the Owner, Contractor, and other consultants, Owner's representatives, or other third party attendees. The Contractor shall be responsible for distributing to any affected subcontractors and other personnel.

### 3.06 CLOSEOUT MEETING

- A. Schedule and administer closeout meeting no later than 30 days before the scheduled Date of Substantial Completion.
- B. Make arrangements for the meeting, prepare agenda with copies for participants, and preside at the meeting.
- C. Attendance Required:
  - 1. Owner.
  - 2. Architect.
  - 3. Contractor's superintendent.
  - 4. Major subcontractors.
  - 5. Other subcontractors or consultants as required.
- D. Agenda:
  - 1. Review closeout requirements and procedures in Division 1 Section "Execution and Closeout Requirements."
  - 2. Review startup, testing, and adjusting of all systems, including testing/adjusting/balancing and Commissioning,
  - 3. Coordination of inspections by local authorities having jurisdiction and third party Special Inspectors as required to obtain Certificate of Occupancy.
  - 4. Coordination of Owner's occupancy and changeover of utilities, insurance, and building keying/lock system.

FIRE STATIONS RENOVATION  
Arlington County, Virginia  
Architect's Project No.: 563006

---

5. Procedures for Contractor's Correction Punch List, Architect's Substantial Completion inspection, and Final Correction Punch List.
  6. Delivery, turnover, and storage of maintenance materials, attic stock, special tools, and other non-installed materials.
  7. Coordination of closeout documentation, including demonstration and training materials and videos, as built/record documents, operation and maintenance binders, and warranty binders.
  8. Removal of temporary facilities, construction equipment, and tools.
  9. Final cleaning, touchup, restoration, and preventive maintenance.
  10. Coordination of final Applications for Payment.
- E. Record minutes and distribute copies within two days after meeting to participants, with copies to Architect, Owner, participants, and those affected by decisions made.

### **3.07 DAILY CONSTRUCTION REPORTS**

- A. Include only factual information. Do not include personal remarks or opinions regarding operations and/or personnel.
- B. Prepare a daily construction report recording the following information concerning events at Project site and project progress:
1. Date.
  2. High and low temperatures, and general weather conditions.
  3. List of subcontractors at Project site.
  4. Approximate count of personnel at Project site.
  5. Major equipment at Project site.
  6. Material deliveries.
  7. Safety, environmental, or industrial relations incidents.
  8. Meetings and significant decisions.
  9. Unusual events (submit a separate special report).
  10. Stoppages, delays, shortages, and losses. Include comparison between scheduled work activities (in Contractor's most recently updated and published schedule) and actual activities. Explain differences, if any. Note days or periods when no work was in progress and explain the reasons why.
  11. Directives and requests of Authority(s) Having Jurisdiction (AHJ).
  12. Testing and/or inspections performed.
  13. Signature of Contractor's authorized representative.

### **3.08 COORDINATION DRAWINGS AND COORDINATION CONFERENCE**

- A. Coordination Drawings: The Contractor shall prepare coordination drawings of all spaces where utilities, systems, and other components converge or intersect and efficient installation is required to accommodate all components.
1. Prepare coordination drawings of the following spaces, at minimum. Supplement with additional spaces as required by project-specific conditions.
    - a. Above ceilings.
    - b. Vertical chases, shafts, and wall cavities.
    - c. Mechanical and electrical rooms, fire pump room, and other major utility spaces.
  2. Provide accurate overall dimensions of components (for example, outside diameters of pipe and conduit, or overall ductwork dimensions including insulation and enclosure thickness).
  3. Include accessory components of systems that could cause potential conflicts, such as bracing, slotted channel framing, hangers, and other supports, valve handles, flanges, fittings, cable/wire management trays, and other similar components.
  4. Include sequence of installation of all components, materials, and systems.
  5. Include means of access to each component, material, or system, for maintenance and repairs.
  6. Provide additional coordination drawings as required by individual specification sections.
  7. Prepare Coordination Drawings using project-specific information. Do not use photocopies or reproductions of Contract Documents, and do not use standard details



FIRE STATIONS RENOVATION  
Arlington County, Virginia  
Architect's Project No.: 563006

---

- or data from manufacturers, suppliers, or other outside parties.
8. Drawing Files: The Contractor may develop coordination drawings using 2D CAD software or with 3D BIM software with clash-detection functionality.
    - a. The Architect will furnish original 3D BIM model or 2D DWG files for Contractor's use upon receipt of Architect's "Request Form for Electronic Files". A copy of this form shall be provided to the Contractor upon request.
      - 1) The Architect makes no guarantee to the accuracy of components in electronic files. The Contractor shall coordinate electronic data with the Contract Documents in order to provide final Coordination Drawings.
      - 2) If using 2D files, the Contractor shall prepare drawings in multiple views (for example, RCP and section) to fully represent 3D space, for example plenum heights, wall assembly thicknesses, etc.
  9. Submittal: Submit Coordination Drawings as a "Submittal for Information." Architect will not approve Coordination Drawings, but will keep on file for use in subsequent coordination and conflict resolution.
- B. Coordination Conference: Schedule and conduct a Coordination Conference prior to beginning construction or rough-in of affected work. Require attendance by all affected trades and installers.
1. Identify the Coordination Conference as a "milestone" date on the Construction Progress Schedule.
  2. Advise the Architect of all potential conflicts identified in the Coordination Drawings and at the Coordination Conference.
  3. Do not proceed with construction or installation of components, materials, or systems until potential conflicts have been resolved and affected parties have agreed to a remedy.
  4. Remedies to address conflicts not identified in the Coordination Drawings, at the Coordination Conference, or otherwise addressed prior to construction or installation of affected components, materials, and systems, or discovery of a non-workable situation not identified or addressed, will not be considered as a basis for delay, time extension, or additional cost to the Contract.

### 3.09 REQUESTS FOR INFORMATION (RFI)

- A. Definition: A request seeking one of the following:
1. An interpretation, amplification, or clarification of some requirement of Contract Documents arising from inability to determine from them the exact material, process, or system to be installed; or when the elements of construction are required to occupy the same space (interference); or when an item of work is described differently at more than one place in Contract Documents.
  2. A resolution to an issue which has arisen due to field conditions and affects design intent.
- B. Preparation: Prepare an RFI immediately upon discovery of a need for interpretation of Contract Documents. Failure to submit a RFI in a timely manner is not a legitimate cause for claiming additional costs or delays in execution of the work.
1. Prepare a separate RFI for each specific item.
    - a. Review, coordinate, and comment on requests originating with subcontractors and/or materials suppliers.
    - b. Do not forward requests which solely require internal coordination between subcontractors.
  2. Prepare in a format and with content acceptable to Owner.
  3. Prepare using software provided by the Electronic Document Submittal Service.
  4. Combine RFI and its attachments into a single electronic file. PDF format is preferred.
- C. Reason for the RFI: Prior to initiation of an RFI, carefully study all Contract Documents to confirm that information sufficient for their interpretation is definitely not included.
1. Include in each request Contractor's signature attesting to good faith effort to determine from Contract Documents information requiring interpretation.
  2. Unacceptable Uses for RFIs: Do not use RFIs to request the following:
    - a. Approval of submittals (use procedures specified elsewhere in this section).

FIRE STATIONS RENOVATION  
Arlington County, Virginia  
Architect's Project No.: 563006

---

- b. Approval of substitutions (see Section - 016000 - Product Requirements)
  - c. Changes that entail change in Contract Time and Contract Sum (comply with provisions of the Conditions of the Contract).
  - d. Different methods of performing work than those indicated in the Contract Drawings and Specifications (comply with provisions of the Conditions of the Contract).
3. Improper RFIs: Requests not prepared in compliance with requirements of this section, and/or missing key information required to render an actionable response. They will be returned without a response.
4. Frivolous RFIs: Requests regarding information that is clearly indicated on, or reasonably inferable from, Contract Documents, with no additional input required to clarify the question. They will be returned without a response.
- a. The Owner reserves the right to assess the Contractor for the costs (on time-and-materials basis) incurred by the Architect, and any of its consultants, due to processing of such RFIs.
- D. Content: Include identifiers necessary for tracking the status of each RFI, and information necessary to provide an actionable response.
- 1. Official Project name and number, and any additional required identifiers established in Contract Documents.
  - 2. Owner's, Architect's, and Contractor's names.
  - 3. Discrete and consecutive RFI number, and descriptive subject/title.
  - 4. Issue date, and requested reply date.
  - 5. Reference to particular Contract Document(s) requiring additional information/interpretation. Identify pertinent drawing and detail number and/or specification section number, title, and paragraph(s).
  - 6. Annotations: Field dimensions and/or description of conditions which have engendered the request.
  - 7. Contractor's suggested resolution: A written and/or a graphic solution, to scale, is required in cases where clarification of coordination issues is involved, for example; routing, clearances, and/or specific locations of work shown diagrammatically in Contract Documents. If applicable, state the likely impact of the suggested resolution on Contract Time or the Contract Sum.
- E. Attachments: Include sketches, coordination drawings, descriptions, photos, submittals, and other information necessary to substantiate the reason for the request.
- F. RFI Log: Prepare and maintain a tabular log of RFIs for the duration of the project.
- 1. Indicate current status of every RFI. Update log promptly and on a regular basis.
  - 2. Note dates of when each request is made, and when a response is received.
- G. Review Time: Architect will respond and return RFIs to Contractor within seven calendar days of receipt. For the purpose of establishing the start of the mandated response period, RFIs received after 12:00 noon will be considered as having been received on the following regular working day.
- 1. Response period may be shortened or lengthened for specific items, subject to mutual agreement.
- H. Responses: Content of answered RFIs will not constitute in any manner a directive or authorization to perform extra work or delay the project. If in Contractor's belief it is likely to lead to a change to Contract Sum or Contract Time, promptly issue a notice to this effect, and follow up with an appropriate Change Order request to Owner.
- 1. Response may include a request for additional information, in which case the original RFI will be deemed as having been answered, and an amended one is to be issued forthwith. Identify the amended RFI with an R suffix to the original number.
  - 2. Do not extend applicability of a response to specific item to encompass other similar conditions, unless specifically so noted in the response.
  - 3. Upon receipt of a response, promptly review and distribute it to all affected parties, and update the RFI Log.
  - 4. Notify Architect within seven calendar days if an additional or corrected response is required by submitting an amended version of the original RFI, identified as specified

FIRE STATIONS RENOVATION  
Arlington County, Virginia  
Architect's Project No.: 563006

---

above.

### 3.10 SUBMITTAL SCHEDULE

- A. Submit to Architect for review a schedule for submittals in tabular format.
  - 1. Coordinate with Contractor's construction schedule and schedule of values.
  - 2. Format schedule to allow tracking of status of submittals throughout duration of construction.
  - 3. Arrange information to include scheduled date for initial submittal, specification number and title, submittal category (for review or for information), description of item of work covered, and role and name of subcontractor.
  - 4. Account for time required for preparation, review, manufacturing, fabrication and delivery when establishing submittal delivery and review deadline dates.
    - a. For assemblies, equipment, systems comprised of multiple components and/or requiring detailed coordination with other work, allow for additional time to make corrections or revisions to initial submittals, and time for their review.
    - b. Account for a reasonable duration of time to allow for final color selections, approvals, and preparation of final finish schedules (one finish schedule for interior color selections, and one for exterior color selections). This period shall begin upon receipt of all submittals requiring color selection.

### 3.11 SUBMITTALS FOR REVIEW

- A. When the following are specified in individual sections, submit them for review:
  - 1. Product data.
  - 2. Design data.
  - 3. Shop drawings.
  - 4. Samples for selection.
  - 5. Samples for verification.
- B. Submit to Architect for review for the limited purpose of checking for compliance with information given and the design concept expressed in Contract Documents.
- C. Samples will be reviewed for aesthetic, color, or finish selection.
- D. Color Selection: In individual specification sections, specific items are identified which require color/finish selections to be made by the Architect from color chart or sample submittals. The Submittal Schedule, prepared according to "Submittal Schedule" paragraph above, shall identify these required color/finish submittals.
  - 1. Submittals requiring color selection must be submitted by Contractor and approved by Architect for conformance with Contract Documents prior to the start of the color selection process. When the submittals have been approved for conformance with Contract Documents, the process for color selection, presentation of color concepts, Owner approval, and Color Schedule preparation will begin.
  - 2. Interior Color Selections: The Architect will make coordinated selections of colors/finishes for the building interior, present the resulting color concepts to the Owner for approval, and prepare the actual Interior Color Schedule for the Work.
  - 3. Exterior Color Selections: The Architect will make coordinated selections of colors/finishes for the building exterior and prepare Exterior Color Schedule.
- E. After review, provide copies and distribute in accordance with SUBMITTAL PROCEDURES article below.

### 3.12 SUBMITTALS FOR INFORMATION

- A. When the following are specified in individual sections, submit them for information:
    - 1. Certificates.
    - 2. Test reports.
    - 3. Inspection reports.
    - 4. Manufacturer's instructions.
    - 5. Manufacturer's field reports.
    - 6. Other types indicated.
  - B. Submit for Architect's knowledge as contract administrator or for Owner.
-

FIRE STATIONS RENOVATION  
Arlington County, Virginia  
Architect's Project No.: 563006

---

### 3.13 SUBMITTALS FOR PROJECT CLOSEOUT

- A. Submit Correction Punch List for Substantial Completion.
- B. Submit Final Correction Punch List for Substantial Completion.
- C. When the following are specified in individual sections, submit them at project closeout in compliance with requirements of Section 017800 - Closeout Submittals:
  - 1. Project record documents.
  - 2. Operation and maintenance data.
  - 3. Warranties.
  - 4. Bonds.
  - 5. Other types as indicated.

### 3.14 NUMBER OF COPIES OF SUBMITTALS

- A. Electronic Documents: Submit one electronic copy in PDF format; an electronically-marked up file will be returned. Create PDFs at native size and right-side up; illegible files will be rejected.
- B. Selection Samples: Submit one set of manufacturer's charts indicating full range of available colors, textures, patterns, and other aesthetic qualities.
- C. Verification Samples: Submit three sets of physical samples. Two sets will be retained by Architect, the third will be returned to the Contractor. Maintain approved sample at the Project site for use in comparing to installed Work.
  - 1. Where a full-size assembly of multiple components is required as a sample (for example, railing section or full-size cabinet), only one sample is required for those items.

### 3.15 SUBMITTAL PROCEDURES

- A. General Requirements:
  - 1. Use a single transmittal for all submittals required by each individual specification section, unless otherwise indicated.
    - a. Verification samples and large shop drawing submittals may be submitted under separate cover when approved by Architect.
  - 2. Transmit using AIA G810 or other approved form.
  - 3. Sequentially identify each item. For revised submittals use original number and a sequential numerical suffix.
  - 4. Identify: Project; Contractor; subcontractor or supplier; pertinent drawing and detail number; and specification section number and article/paragraph, as appropriate on each copy.
  - 5. Apply Contractor's stamp, signed or initialed certifying that review, approval, verification of products required, field dimensions, adjacent construction work, and coordination of information is in accordance with the requirements of the work and Contract Documents.
    - a. Submittals from sources other than the Contractor, or without Contractor's stamp will not be acknowledged, reviewed, or returned.
  - 6. Deliver each submittal on date noted in submittal schedule, unless an earlier date has been agreed to by all affected parties, and is of the benefit to the project.
    - a. Upload submittals in electronic form to Electronic Document Submittal Service website.
  - 7. Schedule submittals to expedite the Project, and coordinate submission of related items.
    - a. Allow sufficient time for administrative processing, Architect's initial review, and potential resubmittals.
    - b. Allow additional time for submittals requiring sequential reviews involving Architect's consultants, Owner, or another affected party.
    - c. Allow additional time for submittals requiring sequential reviews involving approval from authorities having jurisdiction (AHJ), in addition to Architect's approval.

FIRE STATIONS RENOVATION  
Arlington County, Virginia  
Architect's Project No.: 563006

---

- d. No extensions to the project schedule shall be granted due to delays that can be attributed to submittal processing or failure to allow for sequential reviews or resubmittals.
  8. Identify variations from Contract Documents and product or system limitations that may be detrimental to successful performance of the completed work.
  9. When revised for resubmission, identify all changes made since previous submission.
  10. Distribute reviewed submittals. Instruct parties to promptly report inability to comply with requirements.
  11. Incomplete submittals may not be reviewed, unless they are partial submittals for distinct portion(s) of the work, and have received prior approval for their use.
  12. Submittals not requested will be recognized, and will be returned "Not Reviewed".
- B. Product Data Procedures:
1. Submit only information required by individual specification sections.
  2. Collect required information into a single submittal.
  3. Submit concurrently with related shop drawing submittal.
  4. Do not submit (Material) Safety Data Sheets for materials or products.
- C. Shop Drawing Procedures:
1. Prepare accurate, drawn-to-scale, original shop drawing documentation by interpreting Contract Documents and coordinating related work.
  2. Do not reproduce Contract Documents to create shop drawings.
  3. Generic, non-project-specific information submitted as shop drawings do not meet the requirements for shop drawings.
- D. Samples Procedures:
1. Transmit related items together as single package.
  2. Identify each item to allow review for applicability in relation to shop drawings showing installation locations.
  3. Selection Samples: Provide color charts that accurately relay color, pattern, and texture information. Photographs or photocopies of color charts are unacceptable and subject to rejection.
  4. Verification Samples: Provide physical samples of each color selected by Architect from Selection Samples. Verification samples shall be manufactured and prepared identically to the material that shall be used in the installed Work. Label each sample clearly with manufacturer, product name, and color, texture, and/or pattern name as applicable. Photographs of physical samples are unacceptable and subject to rejection.

### 3.16 SUBMITTAL REVIEW

- A. Submittals for Review: Architect will review each submittal, and approve, or take other appropriate action.
- B. Submittals for Information: Architect will acknowledge receipt, but will take no other action.
- C. Architect's actions will be reflected by marking each returned submittal using virtual stamp on electronic submittals.
1. Notations may be made directly on submitted items and/or listed on appended Submittal Review cover sheet.
- D. Architect's actions on items submitted for review:
1. Authorizing purchasing, fabrication, delivery, and installation:
    - a. "Approved as Noted":
      - 1) Where review notations indicate revisions are necessary, submit corrected item, with review notations acknowledged and incorporated.
  2. Not Authorizing fabrication, delivery, and installation:
    - a. "Revise and Resubmit":
      - 1) Resubmit revised item, with review notations acknowledged and incorporated.
    - b. "Rejected/Resubmit":

FIRE STATIONS RENOVATION  
Arlington County, Virginia  
Architect's Project No.: 563006

---

- 1) New submittal required, with item complying with requirements of Contract Documents.
- c. "Color Selection Required":
  - 1) Color selections for the entire project, or portion thereof, will be provided after receipt of all color charts and samples required for the Project.
- d. "Not Submitted":
  - 1) Additional submittal items are required that were not provided in the original submittal.
- E. Architect's actions on items submitted for information:
  - 1. Items for which no action was taken:
    - a. "Not Reviewed": To notify the Contractor that the submittal has been received for record only.

**END OF SECTION**

FIRE STATIONS RENOVATION  
Arlington County, Virginia  
Architect's Project No.: 563006

---

**SECTION 013216**  
**CONSTRUCTION PROGRESS SCHEDULE**

**PART 1 GENERAL**

**1.01 SUBMITTALS**

- A. Within 10 days after date of Agreement, submit preliminary schedule defining planned operations for the first 30 days of Work, with a general outline for remainder of Work.
- B. If preliminary schedule requires revision after review, submit revised schedule within 5 days.
- C. Within 10 days after review of preliminary schedule, submit draft of proposed complete schedule for review.
  - 1. Include written certification that major contractors have reviewed and accepted proposed schedule.
- D. Within 10 days after joint review, submit complete schedule.
- E. Submit updated schedule with each Application for Payment.
- F. Submit in PDF format.

**1.02 SCHEDULE FORMAT**

- A. Listings: In chronological order according to the start date for each activity. Identify each activity with the applicable specification section number.

**PART 2 PRODUCTS - NOT USED**

**PART 3 EXECUTION**

**3.01 PRELIMINARY SCHEDULE**

- A. Prepare preliminary schedule in the form of a horizontal bar chart.

**3.02 CONTENT**

- A. Show complete sequence of construction by activity, with dates for beginning and completion of each element of construction.
- B. Identify work of separate phases and other logically grouped activities.
- C. Identify all major milestone dates, including, but not limited to, Notice to Proceed and Substantial and Final Completion dates.
- D. Identify duration of each activity, in maximum 15 day intervals.
- E. Incorporate work restrictions indicated in Division 1 Section "Summary," if any.
- F. Show accumulated percentage of completion of each item, and total percentage of Work completed, as of the first day of each month.
- G. Provide separate schedule of submittal dates for shop drawings, product data, and samples, owner-furnished products, products identified under Allowances, and dates reviewed submittals will be required from Architect. Indicate decision dates for selection of finishes.
- H. Indicate procurement duration and delivery dates for long-lead time items.
- I. Coordinate submittal approval process with procurement and delivery requirements. Submittals requiring resubmission or revision for approval will not be allowed as a basis for schedule impacts.
- J. Indicate delivery dates for owner-furnished products.
- K. Indicate the time period for color selection activity and approval by Owner and Architect, as required per Division 1 Section "Administrative Requirements."
- L. Indicate date of changeover from temporary to permanent utilities.
- M. Indicate time periods for Commissioning activities, equipment startup, and testing and balancing.
- N. Provide a reasonable time period prior to the date of Substantial Completion for administrative activities and procedures.

FIRE STATIONS RENOVATION  
Arlington County, Virginia  
Architect's Project No.: 563006

---

- O. Provide legend for symbols and abbreviations used.

**3.03 BAR CHARTS**

- A. Include a separate bar for each major portion of Work or operation.  
B. Identify critical path activities.  
C. Identify the first work day of each week.

**3.04 REVIEW AND EVALUATION OF SCHEDULE**

- A. Participate in joint review and evaluation of schedule with Architect at each submittal.  
B. Evaluate project status to determine work behind schedule and work ahead of schedule.  
C. After review, revise as necessary as result of review, and resubmit within 10 days.

**3.05 UPDATING SCHEDULE**

- A. Maintain schedules to record actual start and finish dates of completed activities.  
B. Indicate progress of each activity to date of revision, with projected completion date of each activity.  
C. Annotate diagrams to graphically depict current status of Work.  
D. Identify activities modified since previous submittal, major changes in Work, and other identifiable changes.  
E. Indicate changes required to maintain Date of Substantial Completion.  
F. Schedule revisions shall not modify any Contract Dates or the Contract Sum, unless specifically approved and documented via Change Order.  
G. Submit reports required to support recommended changes.  
H. Provide narrative report to define problem areas, anticipated delays, and impact on the schedule. Report corrective action taken or proposed and its effect.  
I. Recovery Schedule: If the Contractor is 14 or more days behind schedule, in the opinion of the Owner, the Contractor shall prepare a Recovery Schedule, incorporating a reasonable, mutually agreed upon length of time to return the Work to the approved Schedule. The Recovery Schedule shall be prepared to the same level of detail as the original construction progress schedule. Submit the recovery schedule for Owner review; do not proceed until the Owner has approved.
  1. At the end of the recovery period, Owner shall reevaluate construction progress and determine if the Recovery Schedule has been successfully completed. If completed, Owner shall direct the Contractor to proceed with the latest approved Construction Schedule.
    - a. If the Contractor is still behind schedule at the end of the recovery period, the Owner shall direct the Contractor to provide additional schedule revisions to complete the recovery, or may at its option pursue other means of resolution as provided for by the Contract Documents.
  2. Need for and preparation of a Recovery Plan shall not be the basis of additional cost to the Owner or extension of Project Schedule, unless the Contractor can demonstrate that the reason for being behind schedule is no fault of their own.

**3.06 DISTRIBUTION OF SCHEDULE**

- A. Distribute copies of updated schedules to Contractor's project site file, to subcontractors, suppliers, Architect, Owner, and other concerned parties.  
B. Instruct recipients to promptly report, in writing, problems anticipated by projections indicated in schedules.

**END OF SECTION**



FIRE STATIONS RENOVATION  
Arlington County, Virginia  
Architect's Project No.: 563006

---

**SECTION 014000  
QUALITY REQUIREMENTS**

**PART 1 GENERAL**

**1.01 DEFINITIONS**

- A. Contractor's Quality Control Plan: Contractor's management plan for executing the Contract for Construction.
- B. Contractor's Professional Design Services/Delegated Design: Design of some aspect or portion of the project by party other than the design professional of record. Provide these services as part of the Contract for Construction.
  - 1. Design Services Types Required:
    - a. Construction-Related: Services Contractor needs to provide in order to carry out the Contractor's sole responsibilities for construction means, methods, techniques, sequences, and procedures.
    - b. Design-Related: Design services explicitly required to be performed by another design professional due to highly-technical and/or specialized nature of a portion of the project. Services primarily involve engineering analysis, calculations, and design, and are not intended to alter the aesthetic aspects of the design.
- C. Design Data: Design-related, signed and sealed drawings, calculations, specifications, certifications, shop drawings and other submittals provided by Contractor, and prepared directly by, or under direct supervision of, appropriately licensed design professional.

**1.02 CONTRACTOR'S CONSTRUCTION-RELATED PROFESSIONAL DESIGN SERVICES**

- A. Coordination: Contractor's professional design services are subject to requirements of project's Conditions for Construction Contract.
- B. Provide such engineering design services as may be necessary to plan and safely conduct certain construction operations, pertaining to, but not limited to the following:
  - 1. Temporary sheeting, shoring, or supports.
  - 2. Temporary scaffolding.
  - 3. Temporary bracing.
  - 4. Temporary falsework for support of spanning or arched structures.
  - 5. Temporary foundation underpinning.
  - 6. Temporary stairs or steps required for construction access only.
  - 7. Temporary hoist(s) and rigging.
  - 8. Investigation of soil conditions and design of temporary foundations to support construction equipment.
  - 9. Additional temporary controls as required.

**1.03 CONTRACTOR'S DESIGN-RELATED PROFESSIONAL DESIGN SERVICES**

- A. Coordination: Contractor's professional design services are subject to requirements of project's Conditions for Construction Contract.
- B. Base design on performance and/or design criteria indicated in individual specification sections.
  - 1. Submit a Request for Information to Architect if the criteria indicated are not sufficient to perform required design services.
- C. Scope of Design Services/Delegated Design: As required by individual specification sections.

**1.04 SUBMITTALS**

- A. See Section 013000 - Administrative Requirements, for submittal procedures.
- B. Designer's Qualification Statement: Submit for Architect's knowledge as contract administrator, or for Owner's information.
  - 1. Include information for each individual professional responsible for producing, or supervising production of, design-related professional services provided by Contractor.
    - a. Full name.
    - b. Professional licensure information.

FIRE STATIONS RENOVATION  
Arlington County, Virginia  
Architect's Project No.: 563006

---

- c. Statement addressing extent and depth of experience specifically relevant to design of items assigned to Contractor.
- C. Design Data: Submit for Architect's knowledge as contract administrator for the limited purpose of assessing compliance with information given and the design concept expressed in the Contract Documents, or for Owner's information.
  1. Include calculations that have been used to demonstrate compliance to performance and regulatory criteria provided, and to determine design solutions.
  2. Include required product data and shop drawings.
  3. Include a statement or certification attesting that design data complies with criteria indicated, such as building codes, loads, functional, and similar engineering requirements.
  4. Include signature and seal of design professional responsible for allocated design services on calculations and drawings.
- D. Test Reports: After each test/inspection, require testing agency to promptly distribute digital copy of report to Architect, Owner, Contractor, and others as required.
  1. Include:
    - a. Date issued.
    - b. Project title and number.
    - c. Name of inspector.
    - d. Date and time of sampling or inspection.
    - e. Identification of product and specifications section.
    - f. Location in the Project.
    - g. Type of test/inspection.
    - h. Date of test/inspection.
    - i. Results of test/inspection.
    - j. Compliance with Contract Documents.
    - k. When requested by Architect, provide interpretation of results.
- E. Certificates: When specified in individual specification sections, submit certification by the manufacturer and Contractor to Architect, in quantities specified for Product Data.
  1. Indicate material or product complies with or exceeds specified requirements. Submit supporting reference data, affidavits, and certifications as appropriate.
  2. Certificates may be recent or previous test results on material or product, but must be acceptable to Architect.
- F. Manufacturer's Instructions: When specified in individual specification sections, submit printed instructions for delivery, storage, assembly, installation, start-up, adjusting, and finishing, for the Owner's information. Indicate special procedures, perimeter conditions requiring special attention, and special environmental criteria required for application or installation.
- G. Manufacturer's Field Reports:
  1. Submit report promptly to Architect for information.
  2. Submit for information for the limited purpose of assessing compliance with information given and the design concept expressed in the Contract Documents.

#### **1.05 QUALITY ASSURANCE**

- A. Testing Agency Qualifications:
  1. Submit copy of report of laboratory facilities inspection made by NIST Construction Materials Reference Laboratory during most recent inspection, with memorandum of remedies of any deficiencies reported by the inspection.
  2. Qualification Statement: Provide documentation showing testing laboratory is accredited under OSHA's Nationally Recognized Testing Laboratory (NRTL) program or through the National Institute of Standards and Technology's (NIST's) National Voluntary Laboratory Accreditation Program (NVLAP).
- B. Designer Qualifications: Where professional engineering design services and design data submittals are specifically required of Contractor by Contract Documents, provide services of a Professional Engineer experienced in design of this type of work and licensed in the State in which the Project is located.

FIRE STATIONS RENOVATION  
Arlington County, Virginia  
Architect's Project No.: 563006

---

- C. Contractor's Quality Control (CQC) Plan:
1. Prior to start of work, submit a comprehensive plan describing how contract deliverables will be produced. Tailor CQC plan to specific requirements of the project. Include the following information:
    - a. Management Structure: Identify personnel responsible for quality. Include a chart showing lines of authority.
      - 1) Include qualifications (in resume form), duties, responsibilities of each person assigned to CQC function.
    - b. Management Approach: Define, describe, and include in the plan specific methodologies used in executing the work.
      - 1) Management and control of documents and records relating to quality.
      - 2) Communications.
      - 3) Coordination procedures.
      - 4) Resource management.
      - 5) Process control.
      - 6) Inspection and testing procedures and scheduling, including inspections by authorities having jurisdiction and special inspections.
      - 7) Control of noncomplying work.
      - 8) Tracking deficiencies from identification, through acceptable corrective action, and verification.
      - 9) Control of testing and measuring equipment.
      - 10) Project materials certification.
      - 11) Managerial continuity and flexibility.
    - c. Acceptance of the plan is required prior to start of construction activities not including mobilization work. Owner's acceptance of the plan will be conditional and predicated on continuing satisfactory adherence to the plan. Owner reserves the right to require Contractor to make changes to the plan and operations, including removal of personnel, as necessary, to obtain specified quality of work results.

#### 1.06 REFERENCES AND STANDARDS

- A. For products and workmanship specified by reference to a document or documents not included in the Project Manual, also referred to as reference standards, comply with requirements of the standard, except when more rigid requirements are specified or are required by applicable codes.
- B. Comply with reference standard of date of issue current on date of Contract Documents, except where a specific date is established by applicable code.
- C. Obtain copies of standards where required by product specification sections.
- D. Maintain copy at project site during submittals, planning, and progress of the specific work, until Substantial Completion.
- E. Should specified reference standards conflict with Contract Documents, comply with the higher quality or quantity, and provide documentation of the conflict to the Architect.
- F. Neither the contractual relationships, duties, or responsibilities of the parties in Contract nor those of Architect shall be altered from Contract Documents by mention or inference otherwise in any reference document.

#### 1.07 TESTING AND INSPECTION AGENCIES AND SERVICES

- A. Owner will employ and pay for services of an independent testing agency to perform Special Inspections and other specified testing indicated in individual specification sections.
- B. Where indicated in individual specification sections, Contractor shall employ and pay for services of an independent testing agency to perform other specified testing.
- C. Employment of agency in no way relieves Contractor of obligation to perform Work in accordance with requirements of Contract Documents.
- D. Contractor Employed Agency: Testing agency shall comply with requirements of ASTM E 329, and shall be certified through OSHA's Nationally Recognized Testing Laboratory

FIRE STATIONS RENOVATION  
Arlington County, Virginia  
Architect's Project No.: 563006

---

(NRTL) program or through the National Institute of Standards and Technology's (NIST's) National Voluntary Laboratory Accreditation Program (NVLAP).

1. Testing Equipment: Calibrated at reasonable intervals either by NIST or using an NIST established Measurement Assurance Program, under a laboratory measurement quality assurance program.

**PART 2 PRODUCTS - NOT USED**

**PART 3 EXECUTION**

**3.01 CONTROL OF INSTALLATION**

- A. Monitor quality control over suppliers, manufacturers, products, services, site conditions, and workmanship, to produce work of specified quality.
- B. Comply with manufacturers' instructions, including each step in sequence.
- C. Should manufacturers' instructions conflict with Contract Documents, request clarification from Architect before proceeding.
- D. Comply with specified standards as minimum quality for the work except where more stringent tolerances, codes, or specified requirements indicate higher standards or more precise workmanship.
- E. Have work performed by persons qualified to produce required and specified quality.
- F. Verify that field measurements are as indicated on shop drawings or as instructed by the manufacturer.
- G. Secure products in place with positive anchorage devices designed and sized to withstand stresses, vibration, physical distortion, and disfigurement.

**3.02 MOCK-UPS**

- A. Before installing portions of the Work where mock-ups are required, construct mock-ups in location and size indicated for each form of construction and finish required to comply with the following requirements, using materials indicated for the completed Work. The purpose of mock-up is to demonstrate the proposed range of aesthetic effects and workmanship.
- B. Accepted mock-ups establish the standard of quality the Architect will use to judge the Work.
- C. Tests shall be performed under provisions identified in this section and identified in the respective product specification sections.
- D. Assemble and erect specified items with specified attachment and anchorage devices, flashings, seals, and finishes.
- E. Obtain Architect's approval of mock-ups before starting work, fabrication, or construction.
  1. Architect will issue written comments within seven (7) working days of initial review and each subsequent follow up review of each mock-up.
  2. Make corrections as necessary until Architect's approval is issued.
- F. Architect will use accepted mock-ups as a comparison standard for the remaining Work.
- G. Where mock-up has been accepted by Architect and is specified in product specification sections to be removed, protect mock-up throughout construction, remove mock-up and clear area when directed to do so by Architect.

**3.03 TOLERANCES**

- A. Monitor fabrication and installation tolerance control of products to produce acceptable Work. Do not permit tolerances to accumulate.
- B. Comply with manufacturers' tolerances. Should manufacturers' tolerances conflict with Contract Documents, request clarification from Architect before proceeding.
- C. Adjust products to appropriate dimensions; position before securing products in place.

**3.04 TESTING AND INSPECTION**

- A. See individual specification sections for testing and inspection required.
- B. Testing Agency Duties for Contractor-employed Testing and Inspection Agencies:

FIRE STATIONS RENOVATION  
Arlington County, Virginia  
Architect's Project No.: 563006

---

1. Test samples of mixes submitted by Contractor.
  2. Provide qualified personnel at site. Cooperate with Architect and Contractor in performance of services.
  3. Perform specified sampling and testing of products in accordance with specified standards.
  4. Ascertain compliance of materials and mixes with requirements of Contract Documents.
  5. Promptly notify Architect and Contractor of observed irregularities or non-compliance of Work or products.
  6. Perform additional tests and inspections required by Architect.
  7. Attend preconstruction meetings and progress meetings.
  8. Submit reports of all tests/inspections specified.
- C. Limits on Testing/Inspection Agency Authority:
1. Agency may not release, revoke, alter, or enlarge on requirements of Contract Documents.
  2. Agency may not approve or accept any portion of the Work.
  3. Agency may not assume any duties of Contractor.
  4. Agency has no authority to stop the Work.
- D. Contractor Responsibilities:
1. Deliver to agency at designated location, adequate samples of materials proposed to be used that require testing, along with proposed mix designs.
  2. Cooperate with laboratory personnel, and provide access to the Work and to manufacturers' facilities.
  3. Provide incidental labor and facilities:
    - a. To provide access to Work to be tested/inspected.
    - b. To obtain and handle samples at the site or at source of Products to be tested/inspected.
    - c. To facilitate tests/inspections.
    - d. To provide storage and curing of test samples.
  4. Notify Architect and laboratory 24 hours prior to expected time for operations requiring testing/inspection services.
  5. Employ services of an independent qualified testing laboratory and pay for additional samples, tests, and inspections required by Contractor beyond specified requirements.
  6. Arrange with Owner's agency and pay for additional samples, tests, and inspections required by Contractor beyond specified requirements.
  7. Coordinate repairs where testing and inspection has damaged the Work.
- E. Re-testing and/or re-inspections required because of non-compliance with specified requirements shall be performed by the same agency. Do not proceed with construction activities that would conceal or cover work needing re-testing or re-inspection.
- F. Re-testing and/or re-inspections required because of non-compliance with specified requirements shall be paid for by Contractor.

### **3.05 MANUFACTURERS' FIELD SERVICES**

- A. When specified in individual specification sections, require material or product suppliers or manufacturers to provide qualified staff personnel to observe site conditions, conditions of surfaces and installation, quality of workmanship, start-up of equipment, test, adjust, and balance equipment, and field quality control requirements as applicable, and to initiate instructions when necessary.
- B. Provide a written report of observations and site decisions or instructions given to applicators or installers that are supplemental or contrary to manufacturers' written instructions or Contract Documents. Obtain Owner's approval prior to proceeding with any modifications.

### **3.06 DEFECT ASSESSMENT**

- A. Replace Work or portions of the Work not complying with specified requirements.

FIRE STATIONS RENOVATION  
Arlington County, Virginia  
Architect's Project No.: 563006

---

- B. Contractor may request to restore defective Work or portions of the Work to comply with specified requirements in lieu of replacement. Obtain Owner's approval prior to proceeding with restoration.
- C. If, in the opinion of Owner, it is not practical to restore or remove and replace the work, Owner will direct an appropriate remedy or adjust payment.

**END OF SECTION**

FIRE STATIONS RENOVATION  
Arlington County, Virginia  
Architect's Project No.: 563006

---

**SECTION 014200**  
**DEFINITIONS AND REFERENCE STANDARDS**

**PART 1 GENERAL**

**1.01 SUMMARY**

- A. The definitions include in this section supplement, but do not replace, the definitions contained in the Owner/Contractor Agreement and associated Conditions. In the event of duplication, the Owner/Contractor Agreement shall govern.
- B. Other definitions are included in individual specification sections.

**1.02 DEFINITIONS**

- A. Furnish: To supply, deliver, unload, and inspect for damage.
- B. Install: To unpack, assemble, erect, apply, place, finish, cure, protect, clean, start up, and make ready for use.
- C. Product: Material, machinery, components, equipment, fixtures, and systems forming the work result. Not materials or equipment used for preparation, fabrication, conveying, or erection and not incorporated into the work result. Products may be new, never before used, or re-used materials or equipment.
- D. Provide: To furnish and install.
- E. Supply: Same as Furnish.
- F. Installer: A Contractor or other entity engaged by Contractor, as an employee, subcontractor, or contractor of lower tier, to perform a particular construction operation, including installation, erection, application, and similar operations.
  - 1. Using a term such as "carpentry" does not imply that certain construction activities must be performed by accredited or unionized individuals of a corresponding generic name, such as "carpenter." It also does not imply that specified requirements apply exclusively to tradespeople of the corresponding generic name.
- G. Experienced: When used with the term "Installer," this term means having successfully completed previous work similar in size and scope to this Project; being familiar with the special requirements indicated; and having complied with the requirements of local authorities having jurisdiction.
- H. Replace: Provide an acceptable like product or material in place of a missing or unacceptable (rejected) product or material. To "replace" an unacceptable product or material includes its removal and disposal.
- I. Punch List: A written list of unfinished Work and defective Work resulting from inspection and testing to determine whether Substantial Completion has been accomplished. The unfinished Work and defective Work must be finished and corrected to obtain Substantial or Final Completion.
- J. Written or Printed: When used in conjunction with manufacturer's product data or installation requirements, either of these terms may be used to require compliance with manufacturer's current printed and published information.

**1.03 REFERENCE STANDARDS**

- A. For products or workmanship specified by reference to a document or documents not included in the Project Manual, also referred to as reference standards, comply with requirements of the standard, except when more rigid requirements are specified, or are required by applicable codes or local authorities having jurisdiction.
- B. Should specified reference standards conflict with Contract Documents, request clarification from the Architect before proceeding.
- C. Neither the contractual relationships, duties, or responsibilities of the parties in Contract nor those of the Architect shall be altered by Contract Documents by mention or inference otherwise in any reference document.

FIRE STATIONS RENOVATION  
Arlington County, Virginia  
Architect's Project No.: 563006

---

**PART 2 PRODUCTS - NOT USED**  
**PART 3 EXECUTION - NOT USED**

**END OF SECTION**



FIRE STATIONS RENOVATION  
ARLINGTON COUNTY, VIRGINIA  
Architect's Project No: 563006

SECTION 014520 - TESTING, ADJUSTING, AND BALANCING (TAB)

PART 1 - GENERAL

1.1 RELATED DOCUMENTS

- A. Provisions of the Contract and of the Contract Documents apply to this Section.

1.2 DEFINITIONS

- A. Adjust: To regulate fluid flow rate and air patterns at the terminal equipment, such as to reduce fan speed or adjust a damper.
- B. Balance: To proportion flows within the distribution system, including sub-mains, branches, and terminals, according to design quantities.
- C. Draft: A current of air, when referring to localized effect caused by one or more factors of high air velocity, low ambient temperature, or direction of airflow, whereby more heat is withdrawn from a person's skin than is normally dissipated.
- D. Procedure: An approach to and execution of a sequence of work operations to yield repeatable results.
- E. Report Forms: Test data sheets for recording test data in logical order.
- F. Static Head: The pressure due to the weight of the fluid above the point of measurement. In a closed system, static head is equal on both sides of the pump.
- G. Suction Head: The height of fluid surface above the centerline of the pump on the suction side.
- H. System Effect: A phenomenon that can create undesired or unpredicted conditions that cause reduced capacities in all or part of a system.
- I. System Effect Factors: Allowances used to calculate a reduction of the performance ratings of a fan when installed under conditions different from those presented when the fan was performance tested.
- J. Terminal: A point where the controlled medium, such as fluid or energy, enters or leaves the distribution system.
- K. Test: A procedure to determine quantitative performance of a system or equipment.
- L. TAB Agent: The entity responsible for performing and reporting the TAB procedures.
- M. AABC: Associated Air Balance Council.

FIRE STATIONS RENOVATION  
ARLINGTON COUNTY, VIRGINIA  
Architect's Project No: 563006

- N. AMCA: Air Movement and Control Association.
- O. CTI: Cooling Tower Institute.
- P. NEBB: National Environmental Balancing Bureau.
- Q. SMACNA: Sheet Metal and Air Conditioning Contractors' National Association.
- R. TAB: Testing, Adjusting, and Balancing

1.3 SUBMITTALS

- A. Quality-Assurance Submittals: Within 30 days of the Contractor's Notice to Proceed, submit evidence that the TAB Agent and this Project's TAB team members meet the qualifications indicated in the "Quality Assurance" Article below.
- B. Warranty: Submit warranties indicated below.
- C. Special Guarantee: Submit Special guarantee indicated below
- D. Contract Documents Examination Report: Within 60 days of the Contractor's Notice to Proceed, submit the Contract Documents review report as indicated in Part 3 below.
- E. Strategies and Procedures Plan: Within 90 days of the Contractor's Notice to Proceed, submit the TAB strategies and step-by-step procedures as indicated in Part 3 below. Include a complete set of report forms intended for use on this Project.
- F. Testing Adjusting and Balancing Conference Notification: Within 120 days of the Contractor's Notice to Proceed, submit the testing adjusting and balancing conference notification. The notification shall include the date, time and location of the conference as well as a list of attendees.
- G. TAB Conference Minutes: Within 180 days of the Contractor's Notice to Proceed, submit the TAB conference minutes. Minutes shall include a list of attendees and a record of the discussions and decisions made during the conference.
- H. System Readiness Reports: 60 days prior to substantial completion the contractor performing work under section "Building Automation System" (BAS) shall complete pre-commissioning checklists. The contractor performing work under this section shall, as part of the system readiness report, witness pre-commissioning activities and shall initial each element on the pre-commissioning checklist. The system readiness report shall be completed and submitted as specified. Do not include the checklists as they will be submitted under section "BAS".
- I. Certified TAB Reports: Within 60 days of substantial completion submit the testing and balancing reports prepared, as indicated in this Section, on approved forms certified by the TAB Agent.
  - 1. Balancing report.

FIRE STATIONS RENOVATION  
ARLINGTON COUNTY, VIRGINIA  
Architect's Project No: 563006

1.4 QUALITY ASSURANCE

- A. Agent Qualifications: Agent and agent's representatives shall be certified by either AABC or NEBB. The testing and balancing agent shall be one of the following:
1. C&W Tesco, Inc.  
430 Southlake Boulevard, Suite B-12  
Richmond, VA 23236  
804.379.9345
  2. Complete Commissioning, Inc.  
6304 Aaron Lane  
Clinton, MD 20735  
301.877.2260
  3. Mechanical Systems Testing and Balancing, Inc. (MSTB)  
7314 Impala Drive  
Richmond, Virginia 23228  
804.264.0454
- B. Testing and Balancing Agents not listed shall be permitted to bid. The following information shall be submitted as part of the Quality Assurance Submittal:
1. Provide evidence of satisfactory completion of at least two projects of similar size and scope. Submit the following for each project:
    - a. Completed testing and balancing reports for each project.
    - b. If not included in the testing and balancing report, provide equipment startup checklists for each project.
    - c. Owner contact for each project.
    - d. Design engineer contact for each project.
    - e. Architect contact for each project.
  2. The architect shall determine whether the agent is qualified, and the decision shall be final. Re-submittals on behalf of the same company shall not be considered.
- C. TAB Conference: Meet with the Owner's and the Architect's representatives on approval of the TAB strategies and procedures plan to develop a mutual understanding of the details. Ensure the participation of TAB team members, equipment manufacturers' authorized service representatives, HVAC controls Installer, and other support personnel. Set meeting and submit TAB Conference Notification.
1. Minimum Agenda:
    - a. Submittal distribution requirements.
    - b. Contract documents examination report.
    - c. TAB plan.
    - d. Work schedule and project site access requirements.
    - e. Coordination and cooperation of trades and subcontractors.
    - f. Coordination of documentation and communication flow.
- D. TAB Reports: Use standard forms from AABC's "National Standards for TAB" or NEBB's "Procedural Standards for TAB of Environmental Systems."

FIRE STATIONS RENOVATION  
ARLINGTON COUNTY, VIRGINIA  
Architect's Project No: 563006

- E. Instrumentation Type, Quantity, and Accuracy: As described in NEBB's "Procedural Standards for TAB of Environmental Systems," Section II, "Required Instrumentation for NEBB Certification."
- F. Instrumentation Calibration: Calibrate instruments at least every 6 months or more frequently if required by the instrument manufacturer.

1.5 PROJECT CONDITIONS

- A. Full Owner Occupancy: The Owner will occupy the site and existing building during the entire TAB period. Minimize conflicts with the Owner's operations.

1.6 COORDINATION

- A. Coordinate the efforts of work performed under other sections for operation of systems and equipment to support and assist TAB activities.
- B. Notice: Provide 7 days' advance notice to the contractor and Moseley Architects for each test. Include scheduled test dates and times.
- C. Perform TAB after leakage and pressure tests on air, water, potable water, and non-potable water distribution systems have been satisfactorily completed.

1.7 WARRANTY

- A. General Warranty: The national project performance guarantee indicated in this Article shall not deprive the Owner of other rights the Owner may have under other provisions of the Contract Documents and shall be in addition to, and run concurrent with, other warranties made by the Contractor under requirements of the Contract Documents.
- B. Special Guarantee: Provide a guarantee on NEBB or AABC forms stating that NEBB or AABC will assist in completing the requirements of the Contract Documents if the TAB Agent fails to comply with the Contract Documents. Guarantee includes the following provisions:
  - 1. The certified Agent has tested and balanced systems according to the Contract Documents.
  - 2. Systems are balanced to optimum performance capabilities within design and installation limits.

PART 2 - PRODUCTS (Not Applicable)

PART 3 - EXECUTION

FIRE STATIONS RENOVATION  
ARLINGTON COUNTY, VIRGINIA  
Architect's Project No: 563006

3.1 GENERAL

- A. All new equipment shall be tested, adjusted, and balanced.
- B. Fire Station #1: Rooftop unit #8 shall be tested for proper economizer operation with outside air and return dampers adjusted as needed for proper balancing. Balance each branch and diffuser for existing RTU-4 as shown on floor plans on sheet M2.1. Report values in TAB submittal to architect for both prior to the renovation and post-renovation. Verify operation of existing exhaust fan in renovated area, provide testing, adjusting, and balancing to exhaust system.
- C. Fire Station #2, 3, 5, 6, 9: Provide branch and diffuser for supply and exhaust balancing as required on floor plans on sheets M2.2 thru M2.6. Verify operation of existing exhaust fan in renovated area, provide testing, adjusting, and balancing to exhaust system.

3.2 EXAMINATION

- A. Examine Contract Documents to become familiar with project requirements and to discover conditions in systems' designs that may preclude proper TAB of systems and equipment.
  - 1. Balancing devices, such as test ports, gage cocks, thermometer wells, flow-control devices, balancing valves and fittings, and manual volume dampers, are hereby required by the Contract Documents.
  - 2. Verify that quantities and locations of devices proposed by the contractor and indicated on the Contract Documents are accessible and appropriate for effective balancing and efficient system and equipment operation.
  - 3. Verify flow rates specified and compare to central equipment capacities.
  - 4. Identify discontinuities and omissions in the Contract Documents.
  - 5. Provide a detailed Testing and Balancing plan within six weeks of the Notice to Proceed.
  - 6. Provide a TAB technician to work at the direction of the CxA for up to a consecutive six work day period on site to assist in testing.
  - 7. Record configuration, set up, parameters, etc., that change during the testing period.
  - 8. Provide representative(s) for up to 16 hours of off-season testing each. Any and all time is required to be spent at the job site.
  - 9. Respond to Warranty issues. Record configuration, set up, parameters, etc., that change during the warranty period.
- B. Examine BAS submittal data prior to submission and provide comments to contractor, and Moseley Architects.
- C. Examine submittal data of HVAC systems and equipment prior to submission and provide comments to contractor, and Moseley Architects.
- D. Examine project record documents and provide comments to contractor, and Moseley Architects.

FIRE STATIONS RENOVATION  
ARLINGTON COUNTY, VIRGINIA  
Architect's Project No: 563006

- E. Examine Architect's design data, including HVAC system descriptions, statements of design, assumptions for environmental conditions, control drawings, and statements concerning systems and equipment.
- F. Examine equipment performance data, including fan and pump curves. Relate performance data to project conditions and requirements, including system effects that can create undesired or unpredicted conditions that cause reduced capacities in all or part of a system. Calculate system effect factors to reduce the performance ratings of HVAC equipment when installed under conditions different from those presented when the equipment was performance tested at the factory. To calculate system effects for air systems, use tables and charts found in AMCA 201, "Fans and Systems," Sections 7 through 10; or in SMACNA's "HVAC Systems--Duct Design," Sections 5 and 6. Compare this data with the design data and installed conditions.
- G. Examine system and equipment installations to verify that they are complete and that TAB, and cleaning indicated has been performed.
- H. Examine HVAC system and equipment installations to verify that indicated balancing devices, such as test ports, gage cocks, thermometer wells, flow-control devices, balancing valves and fittings, and manual volume dampers, are properly installed, and their locations are accessible and appropriate for effective balancing and for efficient system and equipment operation.
- I. Examine systems for functional deficiencies that cannot be corrected by adjusting and balancing.
- J. Examine air-handling equipment to ensure clean filters have been installed, bearings are greased, belts are aligned and tight, and equipment is ready for operation, including functioning controls.
- K. Examine terminal units, such as variable-air-volume boxes and mixing boxes, to verify that they are accessible, and their controls are connected and functioning.
- L. Examine strainers for clean screens and proper perforations.
- M. Examine 3-way valves for proper installation for their intended function of diverting or mixing fluid flows.
- N. Examine heat-transfer coils for correct piping connections and for clean and straight fins.
- O. Examine open-piping-system pumps to ensure absence of entrained air in the suction piping.
- P. Examine equipment for installation and for properly operating safety interlocks and controls.
- Q. Examine automatic temperature system components to verify the following:
  - 1. Dampers, valves, and other controlled devices operate by the intended controller.
  - 2. Dampers and valves are in the position indicated by the controller.

FIRE STATIONS RENOVATION  
ARLINGTON COUNTY, VIRGINIA  
Architect's Project No: 563006

3. Integrity of valves and dampers for free and full operation and for tightness of fully closed and fully open positions. This includes dampers in mixing boxes and variable-air-volume terminals.
  4. Automatic modulating and shutoff valves, including 2-way valves and 3-way mixing and diverting valves, are properly connected.
  5. Thermostats are located to avoid adverse effects of sunlight, drafts, and cold walls.
  6. Sensors are located to sense only the intended conditions.
  7. Sequence of operation for control modes is according to the Contract Documents.
  8. Controller set points are set at design values. Observe and record system reactions to changes in conditions. Record default set points if different from design values.
  9. Interlocked systems are operating.
  10. Changeover from heating to cooling mode occurs according to design values.
- R. Report deficiencies discovered before and during performance of TAB procedures.

### 3.3 PREPARATION

- A. Prepare a TAB plan that includes strategies and step-by-step procedures.
- B. Complete system readiness checks and prepare system readiness reports. Verify the following:
  1. Permanent electrical power wiring is complete.
  2. Hydronic systems are filled, clean, and free of air.
  3. Automatic temperature-control systems are operational.
  4. Equipment and duct access doors are securely closed.
  5. Balance, smoke, and fire dampers are open.
  6. Isolating and balancing valves are open and control valves are operational.
  7. Ceilings are installed in critical areas where air-pattern adjustments are required and access to balancing devices is provided.
  8. Windows and doors can be closed so design conditions for system operations can be met.

### 3.4 GENERAL TESTING AND BALANCING PROCEDURES

- A. Perform testing and balancing procedures on each system according to the procedures contained in AABC national standards or NEBB's "Procedural Standards for TAB of Environmental Systems" and this Section.
- B. Cut insulation, ducts, pipes, and equipment cabinets for installation of test probes to the minimum extent necessary to allow adequate performance of procedures. After testing and

FIRE STATIONS RENOVATION  
ARLINGTON COUNTY, VIRGINIA  
Architect's Project No: 563006

balancing, close probe holes and patch insulation with new materials identical to those removed. Restore vapor barrier and finish according to the insulation Specifications for this Project.

- C. Mark equipment settings with paint or other suitable, permanent identification material, including damper-control positions, valve indicators, fan-speed-control levers, and similar controls and devices, to show final settings.

### 3.5 MOTORS

- A. Motors, 1/2 HP and Larger: Test at final balanced conditions and record the following data:

1. Manufacturer, model, and serial numbers.
2. Motor horsepower rating.
3. Motor rpm.
4. Efficiency rating if high-efficiency motor.
5. Nameplate and measured voltage, each phase.
6. Nameplate and measured amperage, each phase.
7. Starter thermal-protection-element rating.

- B. Motors Driven by Variable-Frequency Controllers: Test for proper operation at speeds varying from minimum to maximum. Test the manual bypass to prove proper operation. Record observations, including controller manufacturer, model number, serial number, and nameplate data.

### 3.6 TEMPERATURE-CONTROL VERIFICATION

- A. Verify that controllers are calibrated and commissioned.
- B. Check transmitter and controller locations and note conditions that would adversely affect control functions.
- C. Record controller settings and note variances between set points and actual measurements.
- D. Verify operation of limiting controllers (i.e., high- and low-temperature controllers).
- E. Verify free travel and proper operation of control devices such as damper and valve operators.
- F. Verify sequence of operation of control devices. Note air pressures and device positions and correlate with air, water, and potable water-flow measurements. Note the speed of response to input changes.
- G. Confirm interaction of electrically operated switch transducers.
- H. Confirm interaction of interlock and lockout systems.



FIRE STATIONS RENOVATION  
ARLINGTON COUNTY, VIRGINIA  
Architect's Project No: 563006

- I. Record voltages of power supply and controller output. Determine if the system operates on a grounded or non-grounded power supply.
- J. Note operation of electric actuators using spring return for proper fail-safe operations.

3.7 TOLERANCES

- A. Set system airflow, water, and potable water-flow rates within the following tolerances:
  - 1. Supply, Return, and Exhaust Fans: 0 to plus 10 percent.
  - 2. Air Outlets: minus 10 percent to plus 10 percent.
  - 3. Return Inlets: minus 10 percent to plus 10 percent.
  - 4. Exhaust Inlets: 0 to plus 10 percent.
  - 5. Heating-Water Flow Rate: minus 5 percent to plus 5 percent.
  - 6. Cooling-Water Flow Rate: minus 5 percent to plus 5 percent.
  - 7. Potable water: minus 5 percent to plus 5 percent.
  - 8. Unless indicated otherwise: minus 10 percent to plus 10 percent.

3.8 REPORTING

- A. Initial Construction-Phase Report: Based on examination of the Contract Documents as specified in "Examination" Article above, prepare a report on the adequacy of design for systems' balancing devices. Recommend changes and additions to systems' balancing devices to facilitate proper performance measuring and balancing. Recommend changes and additions to HVAC systems and general construction to allow access for performance measuring and balancing devices.
- B. Status Reports: When 50% of the construction contract period has elapsed, the contractor performing work under this section shall visit the site twice per month thereafter. After each site visit for each system being tested and balanced, prepare a report to describe completed work, work in progress, and work at variance with the contract documents. Include a list of deficiencies and problems found in each system. Prepare a separate report for each system and each building floor for systems serving multiple floors. Submit the report to the contractor and architect. The contractor shall be responsible for ensuring that deficiencies are corrected. Deficiencies shall remain on the list permanently, shall be issued with each report, and shall be checked off only when they are corrected.

3.9 FINAL REPORT

- A. General: Typewritten, or computer printout in letter-quality font, on standard bond paper, in 3-ring binder, tabulated and divided into sections by tested and balanced systems.

FIRE STATIONS RENOVATION  
ARLINGTON COUNTY, VIRGINIA  
Architect's Project No: 563006

- B. Include a certification sheet in front of binder signed and sealed by the certified testing and balancing engineer.
  - 1. Include a list of the instruments used for procedures, along with proof of calibration.
  
- C. Final Report Contents: In addition to the certified field report data, include the following:
  - 1. Pump curves.
  - 2. Fan curves.
  - 3. Manufacturers' test data.
  - 4. Field test reports prepared by system and equipment installers.
  - 5. Other information relative to equipment performance, but do not include approved Shop Drawings and Product Data.
  
- D. General Report Data: In addition to the form titles and entries, include the following data in the final report, as applicable:
  - 1. Title page.
  - 2. Name and address of TAB Agent.
  - 3. Project name.
  - 4. Project location.
  - 5. Architect's name and address.
  - 6. Contractor's name and address.
  - 7. Report date.
  - 8. Signature of TAB Agent who certifies the report.
  - 9. Table of contents.
  - 10. Operating sequences that vary from the Contract Documents.
  - 11. Nomenclature sheets for each item of equipment.
  - 12. Data for terminal units, including manufacturer, type, and size.
  - 13. Notes to explain why certain final data in the body of reports varies from design values.
  - 14. Test conditions for fans and pump performance forms, including:
    - a. Settings for outside-, return-, and exhaust-air dampers.
    - b. Conditions of filters.
    - c. Cooling coil, wet- and dry-bulb conditions.
    - d. Fan drive settings, including:
      - 1) Percentage of maximum pitch or diameter.
      - 2) Maximum RPM.
      - 3) Minimum RPM on VAV systems.
    - e. Settings for supply-air static-pressure controllers on VAV systems.
    - f. System operating parameters/conditions that affect performance.

FIRE STATIONS RENOVATION  
ARLINGTON COUNTY, VIRGINIA  
Architect's Project No: 563006

- E. System Diagrams: Include schematic layouts of air, and water distribution systems. Provide single-line diagrams including the following:
  - 1. Quantities of outside, supply, return, exhaust, and water flow rates.
  - 2. Duct outlet, and inlet sizes.
  - 3. Pipe sizes and locations.
  - 4. Indicated Terminal unit(s): Information & location(s).
  - 5. Indicated Balancing station(s): Information & location(s).
  - 6. Indicated Meter(s): Information & location(s).
  
- F. Test Reports:
  - 1. All equipment test reports.
  - 2. Duct Traverse Reports.
  - 3. Terminal-Device Reports.
  - 4. Coil Reports.
  - 5. Instrument Calibration Reports.

3.10 ADDITIONAL TESTS

- A. When requested, provide up to six continuous and consecutive work days, by the technician that provided services under this section, directly knowledgeable of all systems and procedures specific to the project, to support commissioning for TAB verification.
  
- B. TAB verification site visit will be conducted after the TAB final report has been submitted and approved by the engineer of record.
  
- C. Within 90 days of completing work performed under this section, perform additional testing and balancing to verify that balanced conditions are being maintained throughout and to correct unusual conditions.
  
- D. Seasonal Periods:
  - 1. Winter: Re-test heating equipment, including central equipment and terminal devices, when the outside air temperature is below 30 degrees F.
  - 2. Summer: Re-test cooling equipment, including central equipment and terminal devices, when the outside air temperature is above 90 degrees F.

END OF SECTION 014520

FIRE STATIONS RENOVATION  
Arlington County, Virginia  
Architect's Project No.: 563006

---

**SECTION 015000**  
**TEMPORARY FACILITIES AND CONTROLS**

**PART 1 GENERAL**

**1.01 DEWATERING**

- A. Provide temporary means and methods for dewatering all temporary facilities and controls, in compliance with local authority having jurisdiction.
- B. Maintain temporary facilities in operable condition.

**1.02 TEMPORARY UTILITIES**

- A. Provide and pay for all electrical power, lighting, water, heating and cooling, and ventilation required for construction purposes.
- B. Temporary Lighting: Provide temporary lighting of type and producing lighting levels necessary for proper installation of the Work.
- C. Temporary Heating, Cooling, and Ventilation: Provide temporary measures and equipment as required for curing, drying, and humidity control. Comply with manufacturer's installation instructions for specific product requirements.
  - 1. Provide measures and equipment to meet warranty requirements of interior woodwork specified in Division 6 and/or Division 12 sections.
  - 2. Use of Permanent HVAC Facilities and Equipment: Use of HVAC equipment shall be subject to Owner approval.
    - a. Protect new and existing HVAC equipment from intrusion of dust, silica, dirt and debris during construction operations.
    - b. Cover all openings in new and existing inactive ductwork during construction operation with minimum 6 mil polyethylene sheet.
    - c. Where use of existing HVAC equipment is approved by Owner, provide temporary filters with a minimum MERV of 8. Change the filters every two weeks while construction is ongoing. Provide new filters at Substantial Completion; do not change out temporary filter until approved by Architect.
    - d. Do not perform testing and balancing of HVAC equipment until dust, silica, dirt and debris producing activities are complete.
- D. Temporary Water: For the duration of construction or until permanent water service is available at the site, the Contractor shall provide a temporary water source, as part of the Contract Price.
- E. Temporary Electric Service: Until electric utility provides permanent service at the site, the Contractor shall provide temporary electrical power, as part of the Contract Price.
- F. Temporary Sewer and Drainage: Comply with requirements of local authority having jurisdiction for connection of temporary sewer to public system.

**1.03 TELECOMMUNICATIONS SERVICES**

- A. Provide, maintain, and pay for telecommunications services to field office at time of project mobilization.
- B. Telecommunications services shall include:
  - 1. Telephone Service: Contractor shall ensure that all of its forces, including on-site managers/supervisors of each Subcontractor, have mobile devices and adequate voice and data coverage for on-site operations.
  - 2. Internet Connections: Minimum of one; DSL modem or faster.

**1.04 TEMPORARY SANITARY FACILITIES**

- A. Provide and maintain required facilities and enclosures. Provide at time of project mobilization.
  - 1. Provide temporary unisex toilet units and all required disposable supplies.
  - 2. Provide handwash stations and hand sanitizer at each toilet unit.
  - 3. Provide regular servicing of portable facilities by professional servicing company; including draining, cleaning, and disinfecting.
- B. New permanent facilities may not be used during construction operations.

FIRE STATIONS RENOVATION  
Arlington County, Virginia  
Architect's Project No.: 563006

---

- C. Maintain daily in clean and sanitary condition.

**1.05 BARRIERS**

- A. Provide barriers to prevent unauthorized entry to construction areas, to prevent access to areas that could be hazardous to workers or the public, to allow for owner's use of site and to protect existing facilities and adjacent properties from damage from construction operations and demolition.
- B. Provide barricades and covered walkways required by governing authorities for public rights-of-way and for public access to existing building, and for emergency egress.
- C. Provide protection for plants designated to remain. Replace damaged plants.
- D. Protect vehicular traffic, stored materials, site, and structures from damage.

**1.06 FENCING**

- A. Barrier Mesh Fence: Provide minimum 6-foot height open-mesh polypropylene barrier fabric mounted on lumber or galvanized steel posts to isolate and define construction area and prevent accidental public access.
- B. Construction: Commercial grade chain link fence.
1. Contractor may provide either fixed or portable fencing to suit conditions. For portable fencing, provide concrete or galvanized steel bases for supporting posts. Bases for portable fencing shall not obstruct sidewalks or other pathways used by pedestrians.
- C. Provide 6 foot high fence around construction site; equip with vehicular and pedestrian gates with locks.
- D. Unless otherwise indicated, provide barrier mesh fencing to enclose the approximate extent of the entire construction site. Chain link fencing shall be used to enclose Contractor's field office and laydown/storage areas, areas of the site actively in construction, and as deemed necessary by Contractor.

**1.07 EXTERIOR ENCLOSURES**

- A. Provide temporary weather tight closure of exterior openings to accommodate acceptable working conditions and protection for Products, to allow for temporary heating and maintenance of required ambient temperatures identified in individual specification sections, and to prevent entry of unauthorized persons. Provide access doors with self-closing hardware and locks.

**1.08 INTERIOR ENCLOSURES**

- A. Provide temporary partitions to separate work areas from Owner-occupied areas, to prevent penetration of dust and moisture into Owner-occupied areas, and to prevent damage to existing materials and equipment.
- B. Construction: Framing and gypsum board sheet materials with closed joints and sealed edges at intersections with existing surfaces:

**1.09 SECURITY**

- A. Provide security and facilities to protect Work, existing facilities, and Owner's operations from unauthorized entry, vandalism, or theft.
1. Contractor shall repair damage to existing facilities caused by Construction operations.
- B. Coordinate with Owner's security program.
- C. Environmental Protection: Comply with EPA, OSHA and other regulatory requirements to prevent contamination of site, air, and public sewer/runoff.
1. Provide additional work restrictions and protective measures as indicated on Civil/Site Drawings and as specified in Division 01 Section "Summary."

**1.10 VEHICULAR ACCESS AND PARKING**

- A. Comply with regulations relating to use of streets and sidewalks, access to emergency facilities, and access for emergency vehicles.
- B. Coordinate access and haul routes with governing authorities and Owner.
- C. Provide and maintain access to fire hydrants, free of obstructions.

FIRE STATIONS RENOVATION  
Arlington County, Virginia  
Architect's Project No.: 563006

---

- D. Provide means of removing mud from vehicle wheels before entering streets.
- E. Designated existing on-site roads may be used for construction traffic.
- F. Provide temporary parking areas to accommodate construction personnel. When site space is not adequate, provide additional off-site parking.

#### **1.11 WASTE REMOVAL**

- A. See Section 017419 - Construction Waste Management and Disposal, for additional requirements.
- B. Provide waste removal facilities and services as required to maintain the site in clean and orderly condition.
- C. Provide containers with lids. Remove trash from site periodically.
- D. If materials to be recycled or re-used on the project must be stored on-site, provide suitable non-combustible containers; locate containers holding flammable material outside the structure unless otherwise approved by the authorities having jurisdiction.
- E. Open free-fall chutes are not permitted. Terminate closed chutes into appropriate containers with lids.

#### **1.12 PROJECT IDENTIFICATION**

- A. Project signs are not part of the Contract.
  - 1. The Contractor may, at their option and expense, elect to provide Project identification signs. Proposed signs shall comply with layout and details indicated on Drawings, and shall be submitted for Owner approval. Unauthorized signs are not permitted.
- B. Erect on site at location indicated.
- C. Provide temporary directional signage as directed to facilitate site access for visitors and other construction personnel.
- D. No other signs are allowed without Owner permission except those required by law.

#### **1.13 FIELD OFFICES**

- A. Field Office: Contractor shall be permitted to use a designated portion of existing facility as temporary field office.
  - 1. Maintain the following materials in the field office, available to Architect and Owner's representative at all times:
    - a. A complete, up-to-date set of all Contract Documents, including FCs, RFIs, PCOs, and COs.
    - b. A complete, up-to-date set of all reviewed final shop drawings.

#### **1.14 REMOVAL OF UTILITIES, FACILITIES, AND CONTROLS**

- A. Remove temporary utilities, equipment, facilities, materials, prior to Date of Substantial Completion inspection.
- B. Remove temporary underground installations.
- C. Clean and repair damage caused by installation or use of temporary work.
- D. Restore existing facilities used during construction to original condition.
- E. Restore new permanent facilities used during construction to specified condition.

### **PART 2 PRODUCTS**

#### **2.01 MATERIALS**

- A. Rough Carpentry: 2x lumber, in length and depth required for floor to ceiling partitions. Partitions shall not be fastened to existing ceilings or flooring to remain. Provide additional bracing and concealed attachments to building structure.
- B. Gypsum Board: 1/2-inch gypsum wallboard; ASTM C 1396.
- C. Insulation: Mineral-wool fiber blankets; with maximum flame-spread and smoke-developed ratings of 25 and 50 when tested per ASTM E 84.

FIRE STATIONS RENOVATION  
Arlington County, Virginia  
Architect's Project No.: 563006

---

- D. Polyethylene Sheet: Minimum 10 mil reinforced sheeting; achieving a passing rating when tested per NFPA 701, and a maximum flame-spread rating of 15 when tested per ASTM E 84.
- E. Walk-Off Mats: Dust-, dirt- and silica-control walk-off mats at each entrance into the enclosed construction area and each entrance through temporary partitions.
- F. Hardware: Provide temporary hinges, latch, and lock at doors in temporary partitions. Where doors in temporary partitions are also indicated to serve as egress, provide ADA-compliant exit device and closer.

## **2.02 EQUIPMENT**

- A. Fire Extinguishers: Provide portable UL rated extinguishers. Provide extinguisher types rated for potential classes of fire expected for construction work indicated.

## **PART 3 EXECUTION**

### **3.01 PEST CONTROL**

- A. Provide pest-control services at regular intervals, performed in compliance with regulations of state regulations, and by a pest-control firm licensed in the state where the project is located. Any chemicals and pesticides used shall be approved by EPA and local authority having jurisdiction. Contractor's pest control plan shall ensure the facility is free of termites, roaches, rodents, and other pests at time of Substantial Completion.
  - 1. Coordinate with Owner's Integrated Pest Management (IPM) plan where applicable.
  - 2. Provide Owner with a minimum 72 hours pre-notification for pest-control treatments.

### **3.02 TEMPORARY FIRE PROTECTION**

- A. Comply with NFPA 241 "Standard for Safeguarding Construction, Alteration, and Demolition Operations" for preventing damage to structures under construction.
- B. Provide a fire-prevention program, review with all personnel on site, and post fire-prevention information in clearly visible area. Coordinate fire-prevention program with local fire department.
- C. Provide clearly labeled portable fire extinguishers
- D. Provide fire watch in compliance with OSHA requirements during and after use of all potential ignition sources, including but not limited to, welders, grinders, cutting torches, heating and electrical equipment, and lighting.
- E. Do not allow smoking in areas under construction.

### **3.03 MOISTURE CONTROL**

- A. Prevent the absorption of moisture and humidity by:
  - 1. Sequencing the delivery of such materials so that they are not present in the building until wet work is completed and dry.
  - 2. Delivery and storage of such materials in fully sealed moisture-impermeable packaging.
  - 3. Provide sufficient ventilation for drying within reasonable time frame.
- B. Prior to building dry-in, store porous materials in a separate enclosed storage building. Keep all surfaces clear of standing water, and cover or otherwise protect all materials from water infiltration and damage. Do not enclose interior spaces until dry-in is complete and ventilation can remove excess moisture.
- C. After building dry-in, provide temporary mechanical ventilation for humidity and moisture control until the building HVAC system is operational. Do not store or install material in the building until ambient temperature and humidity is within manufacturer's acceptable range. Do not install wet materials, and ensure that substrates are fully dry prior to installing other materials over them.
- D. Provide continuous monitoring of installed materials. Remove gypsum board, wood products, and other mold-supporting products, if they become and remain wet for 48 hours. Remove and replace any materials showing visible signs of mold or mildew.

FIRE STATIONS RENOVATION  
Arlington County, Virginia  
Architect's Project No.: 563006

---

**3.04 TEMPORARY FACILITY USAGE AND REMOVAL**

- A. Maintenance and Usage: Keep temporary facilities clean and in well-maintained condition for the duration of the Project. Prevent misuse of or damage to facilities by construction personnel. Make repairs to temporary facilities or replace facilities as required to keep them in good operating condition and in compliance with applicable OSHA, local permitting, and other applicable regulations.
- B. Changeover: Coordinate changeover from temporary facilities to permanent facilities at Substantial Completion, unless an alternate arrangement for changeover has been agreed upon in writing by Owner.
  - 1. Contractor shall be responsible for repair, restoration, and cleaning of permanent facilities that are used for construction purposes after changeover.
- C. Removal: Unless otherwise indicated, temporary facilities and controls are the property of the Contractor, and shall be removed upon Architect's approval when Contractor can demonstrate that they are no longer needed.
  - 1. Comply with construction waste management and recycling requirements for temporary facilities and materials that are not able to be reused.
  - 2. After removal of temporary facilities and controls, complete all permanent construction that was not accessible due to the presence of temporary facilities.
  - 3. Remove materials that have become soiled or contaminated due to construction vehicle traffic, parking, temporary field offices, oil or other chemical spillage, and other temporary usage, and replace with clean material. Complete grading, landscaping, paving, and other site improvements, and repair or restore all damage to existing or previously completed site improvements

**END OF SECTION**



FIRE STATIONS RENOVATION  
Arlington County, Virginia  
Architect's Project No.: 563006

---

**SECTION 016000  
PRODUCT REQUIREMENTS**

**PART 1 GENERAL**

**1.01 DEFINITIONS**

- A. Comparable Product: An unnamed product that is similar in quality and performance to named product(s).
- B. Basis-of-Design Product: A specific product selected by the Architect for use in the design process; based on certain performance characteristics, physical qualities or details, a specialized finish type, pattern, or color, or other indicated characteristics.

**1.02 WARRANTIES**

- A. Product warranties shall be provided in addition to and run concurrently to Contractor's general warranty/guarantee.
  - 1. Unless otherwise indicated, all warranty terms shall start on the date of Substantial Completion.
- B. Manufacturer's Warranty: A standard warranty issued by the product manufacturer, covering production and material defects.
- C. Special Warranties: Warranties in addition to standard manufacturer's warranty, covering fabrication, installation, or specific performance items such as weathertightness
- D. Warranty Form: Warranty shall be provided on either manufacturer's standard form or on specified form. When a sample warranty form is not included in the Project Manual, the warranty shall be on mutually agreed form.

**PART 2 PRODUCTS**

**2.01 EXISTING PRODUCTS**

- A. Do not use materials and equipment removed from existing premises unless specifically required or permitted by Contract Documents.
- B. Unforeseen historic items encountered remain the property of the Owner; notify Owner promptly upon discovery; protect, remove, handle, and store as directed by Owner.
- C. Existing materials and equipment indicated to be removed, but not to be re-used, relocated, reinstalled, delivered to the Owner, or otherwise indicated as to remain the property of the Owner, become the property of the Contractor; remove from site.

**2.02 NEW PRODUCTS**

- A. Provide new products unless specifically required or permitted by Contract Documents.
- B. See Section 014000 - Quality Requirements, for additional source quality control requirements.
- C. Use of products having any of the following characteristics is not permitted:
  - 1. Made using or containing CFC's or HCFC's.
  - 2. Containing lead, cadmium, or asbestos.

**2.03 PRODUCT OPTIONS**

- A. Products Specified with a Single Named Product: Where required by Owner due to facility standards, provide the named product; no options or substitutions allowed.
- B. Products Specified by Reference Standards or by Description Only: Use any product meeting those standards or description.
- C. Products Specified by Naming One or More Manufacturers: Use a product of one of the manufacturers named and meeting specifications, no options or substitutions allowed.
- D. Products Specified by Naming One or More Manufacturers with a Provision for Substitutions: Submit a request for substitution for any manufacturer not named.
- E. Products Specified by Naming One or More Manufacturers with a Provision for Comparable Products: Unnamed comparable product may be submitted after award of Contract. Comply with requirements in "Comparable Products" article below.

FIRE STATIONS RENOVATION  
Arlington County, Virginia  
Architect's Project No.: 563006

---

#### **2.04 BASIS-OF-DESIGN PRODUCTS**

- A. Where a product is specified by naming a Basis-of-Design, comply with the following:
1. Where a list of additional manufacturers is provided, provide the Basis-of-Design product or a comparable product by one of the listed manufacturers, in compliance with "Comparable Products" article below.
  2. Where a list of additional manufacturers is not provided, provide the Basis-of-Design product, or submit a substitution request in compliance with Section 012500 - Substitution Procedures.
  3. Basis-of-Design characteristics shall include requirements in the Specifications and on the Drawings.
  4. Where the Basis-of-Design lists a specific finish, manufacturers wishing to submit as a Comparable Product or as a substitution shall certify that they are able to provide an exact match to the specified finish, or that they will provide a custom finish to match.

#### **2.05 COMPARABLE PRODUCTS**

- A. Where a product is specified with a provision for comparable products, Contractors submitting a Comparable Product shall comply with the following:
1. The submitted product shall not require changes to the Work, unless specifically approved by Architect. If changes are required, the Contractor shall resubmit the product as a substitution request, and the Contractor shall bear the cost of the changes, coordinate with other impacted contractors, and provide appropriate notations on record documents.
  2. Contractor shall provide, with the submittal, a detailed breakdown comparing the submitted product to at least one of the other listed products; list specified performance qualities, test results, dimensions, finish, and other critical properties.
  3. Contractor shall provide warranty data indicating that submitted Comparable Product complies with indicated warranty term(s).
- B. Comparable product submittals are subject to Architect's final approval. If a proposed product is found to be unacceptable, Contractor shall revert to one of the named products.

#### **2.06 COLOR/FINISH OPTIONS**

- A. Preselected Color/Finish: Where a specific manufacturer's premium or custom finish or color is indicated as the basis-of-design, other listed manufacturers shall certify that they can provide an exact match, or that they will provide pricing under the assumption that a custom finish or color will be required.
- B. Color/Finish Selection: Unless specifically indicated to either be a custom color or to be selected from manufacturer's standard range, color and finish selections shall be made from manufacturer's full range of options, including premiums, metallics, wood grains, etc.

#### **2.07 MAINTENANCE MATERIALS**

- A. Furnish extra materials, spare parts, tools, and software of types and in quantities specified in individual specification sections.
- B. Deliver to location designated by Owner; obtain receipt prior to final payment.

### **PART 3 EXECUTION**

#### **3.01 SUBSTITUTION LIMITATIONS**

- A. See Section 012500 - Substitution Procedures.

#### **3.02 OWNER-SUPPLIED PRODUCTS**

- A. See Section 011000 - Summary for identification of Owner-supplied products.
- B. Owner's Responsibilities:
1. Arrange for and deliver Owner reviewed shop drawings, product data, and samples, to Contractor.
  2. Arrange and pay for product delivery to site.
  3. On delivery, inspect products jointly with Contractor.
  4. Submit claims for transportation damage and replace damaged, defective, or deficient items.

FIRE STATIONS RENOVATION  
Arlington County, Virginia  
Architect's Project No.: 563006

---

5. Arrange for manufacturers' warranties, inspections, and service.
- C. Contractor's Responsibilities:
1. Review Owner reviewed shop drawings, product data, and samples.
  2. Receive and unload products at site; inspect for completeness or damage jointly with Owner.
  3. Handle, store, install and finish products.
  4. Repair or replace items damaged after receipt.

### 3.03 TRANSPORTATION AND HANDLING

- A. Package products for shipment in manner to prevent damage; for equipment, package to avoid loss of factory calibration.
- B. If special precautions are required, attach instructions prominently and legibly on outside of packaging.
- C. Coordinate schedule of product delivery to designated prepared areas in order to minimize site storage time and potential damage to stored materials.
- D. Transport and handle products in accordance with manufacturer's instructions.
- E. Transport materials in covered trucks to prevent contamination of product and littering of surrounding areas.
- F. Promptly inspect shipments to ensure that products comply with requirements, quantities are correct, and products are undamaged.
- G. Provide equipment and personnel to handle products by methods to prevent soiling, disfigurement, or damage, and to minimize handling.
- H. Arrange for the return of packing materials, such as wood pallets, where economically feasible.

### 3.04 STORAGE AND PROTECTION

- A. Provide protection of stored materials and products against theft, casualty, or deterioration.
  - B. Designate receiving/storage areas for incoming products so that they are delivered according to installation schedule and placed convenient to work area in order to minimize waste due to excessive materials handling and misapplication. See Section 017419.
    1. Structural Loading Limitations: Handle and store products and materials so as not to exceed static and dynamic load-bearing capacities of project floor and roof areas.
  - C. Store and protect products in accordance with manufacturers' instructions.
  - D. Store with seals and labels intact and legible.
  - E. Arrange storage of materials and products to allow for visual inspection for the purpose of determination of quantities, amounts, and unit counts.
  - F. Store sensitive products in weathertight, climate-controlled enclosures in an environment favorable to product.
  - G. For exterior storage of fabricated products, place on sloped supports above ground.
  - H. Provide off-site storage and protection when site does not permit on-site storage or protection.
  - I. Protect products from damage or deterioration due to construction operations, weather, precipitation, humidity, temperature, sunlight and ultraviolet light, dirt, dust, and other contaminants.
  - J. Comply with manufacturer's warranty conditions, if any.
  - K. Do not store products directly on the ground.
  - L. Cover products subject to deterioration with impervious sheet covering. Provide ventilation to prevent condensation and degradation of products.
  - M. Prevent contact with material that may cause corrosion, discoloration, or staining.
  - N. Provide equipment and personnel to store products by methods to prevent soiling, disfigurement, or damage.
-

FIRE STATIONS RENOVATION  
Arlington County, Virginia  
Architect's Project No.: 563006

---

- O. Arrange storage of products to permit access for inspection. Periodically inspect to verify products are undamaged and are maintained in acceptable condition.

**END OF SECTION**

FIRE STATIONS RENOVATION  
Arlington County, Virginia  
Architect's Project No.: 563006

---

**SECTION 017000**  
**EXECUTION AND CLOSEOUT REQUIREMENTS**

**PART 1 GENERAL**

**1.01 SUBMITTALS**

- A. See Section 013000 - Administrative Requirements, for submittal procedures.
- B. Project Record Documents: Accurately record actual locations of capped and active utilities.

**1.02 QUALIFICATIONS**

- A. For design of temporary shoring and bracing, employ a Professional Engineer experienced in design of this type of work and licensed in the State in which the Project is located.

**1.03 PROJECT CONDITIONS**

- A. Use of explosives is not permitted.
- B. Grade site to drain. Maintain excavations free of water. Provide, operate, and maintain pumping equipment.
- C. Protect site from puddling or running water. Provide water barriers as required to protect site from soil erosion.
- D. Perform dewatering activities, as required, for the duration of the project.
- E. Ventilate enclosed areas to assist cure of materials, to dissipate humidity, and to prevent accumulation of dust, fumes, vapors, or gases.
- F. Dust and Silica Control: Execute work by methods to minimize raising dust and silica from construction operations. Provide positive means to prevent air-borne dust and silica from dispersing into atmosphere and over adjacent property.
  - 1. Provide dust-proof enclosures to prevent entry of dust and silica that is generated outdoors.
  - 2. Provide dust-proof barriers between construction areas and areas continuing to be occupied by Owner.
- G. Erosion and Sediment Control: Plan and execute work by methods to control surface drainage from cuts and fills, from borrow and waste disposal areas. Prevent erosion and sedimentation.
  - 1. Minimize amount of bare soil exposed at one time.
  - 2. Provide temporary measures such as berms, dikes, and drains, to prevent water flow.
  - 3. Construct fill and waste areas by selective placement to avoid erosive surface silts or clays.
  - 4. Periodically inspect earthwork to detect evidence of erosion and sedimentation; promptly apply corrective measures.
- H. Noise Control: Provide methods, means, and facilities to minimize noise produced by construction operations.
- I. Pest and Rodent Control: Provide methods, means, and facilities to prevent pests and insects from damaging the work.
- J. Pollution Control: Provide methods, means, and facilities to prevent contamination of soil, water, and atmosphere from discharge of noxious, toxic substances, and pollutants produced by construction operations. Comply with federal, state, and local regulations.
- K. Hazardous Materials: Do not use materials or products that contain hazardous substances, for permanently installed products and materials, installation materials, or for cleaning or other construction use.

**1.04 COORDINATION**

- A. See Section 011000 for occupancy-related requirements.
- B. Coordinate scheduling, submittals, and work of the various sections of the Project Manual to ensure efficient and orderly sequence of installation of interdependent construction elements, with provisions for accommodating items installed later.

FIRE STATIONS RENOVATION  
Arlington County, Virginia  
Architect's Project No.: 563006

---

- C. Notify affected utility companies and comply with their requirements.
- D. Verify that utility requirements and characteristics of new operating equipment are compatible with building utilities. Coordinate work of various sections having interdependent responsibilities for installing, connecting to, and placing in service, such equipment.
- E. Coordinate space requirements, supports, and installation of mechanical and electrical work that are indicated diagrammatically on drawings. Follow routing indicated for pipes, ducts, and conduit, as closely as practicable; place runs parallel with lines of building. Utilize spaces efficiently to maximize accessibility for other installations, for maintenance, and for repairs.
- F. In finished areas except as otherwise indicated, conceal pipes, ducts, and wiring within the construction. Coordinate locations of fixtures and outlets with finish elements.
- G. Coordinate completion and clean-up of work of separate sections.
- H. After Owner occupancy of premises, coordinate access to site for correction of defective work and work not in accordance with Contract Documents, to minimize disruption of Owner's activities.

## **PART 2 PRODUCTS**

### **2.01 PATCHING MATERIALS**

- A. New Materials: As specified in product sections; match existing products and work for patching and extending work.
- B. Type and Quality of Existing Products: Determine by inspecting and testing products where necessary, referring to existing work as a standard.
- C. Product Substitution: For any proposed change in materials, submit request for substitution described in Section 016000 - Product Requirements.

## **PART 3 EXECUTION**

### **3.01 EXAMINATION**

- A. Verify that existing site conditions and substrate surfaces are acceptable for subsequent work. Start of work means acceptance of existing conditions.
- B. Verify that existing substrate is capable of structural support or attachment of new work being applied or attached.
- C. Examine and verify specific conditions described in individual specification sections.
- D. Take field measurements before confirming product orders or beginning fabrication, to minimize waste due to over-ordering or misfabrication.
- E. Verify that utility services are available, of the correct characteristics, and in the correct locations.
- F. Prior to Cutting: Examine existing conditions prior to commencing work, including elements subject to damage or movement during cutting and patching. After uncovering existing work, assess conditions affecting performance of work. Beginning of cutting or patching means acceptance of existing conditions.

### **3.02 PREPARATION**

- A. Clean substrate surfaces prior to applying next material or substance.
- B. Seal cracks or openings of substrate prior to applying next material or substance.
- C. Apply manufacturer required or recommended substrate primer, sealer, or conditioner prior to applying any new material or substance in contact or bond.

### **3.03 GENERAL INSTALLATION REQUIREMENTS**

- A. In addition to compliance with regulatory requirements, conduct construction operations in compliance with NFPA 241, including applicable recommendations in Appendix A.
- B. Install products as specified in individual sections, in accordance with manufacturer's instructions and recommendations, and so as to avoid waste due to necessity for

FIRE STATIONS RENOVATION  
Arlington County, Virginia  
Architect's Project No.: 563006

---

replacement.

- C. Make vertical elements plumb and horizontal elements level, unless otherwise indicated.
- D. Install equipment and fittings plumb and level, neatly aligned with adjacent vertical and horizontal lines, unless otherwise indicated.
- E. Make consistent texture on surfaces, with seamless transitions, unless otherwise indicated.
- F. Make neat transitions between different surfaces, maintaining texture and appearance.

### 3.04 ALTERATIONS

- A. Drawings showing existing construction and utilities are based on casual field observation and existing record documents only.
    - 1. Verify that construction and utility arrangements are as indicated.
    - 2. Report discrepancies to Architect before disturbing existing installation.
    - 3. Beginning of alterations work constitutes acceptance of existing conditions.
  - B. Keep areas in which alterations are being conducted separated from other areas that are still occupied.
    - 1. Provide, erect, and maintain temporary dustproof partitions of construction specified in Section 015000.
  - C. Maintain weatherproof exterior building enclosure except for interruptions required for replacement or modifications; take care to prevent water and humidity damage.
    - 1. Where openings in exterior enclosure exist, provide construction to make exterior enclosure weatherproof.
    - 2. Insulate existing ducts or pipes that are exposed to outdoor ambient temperatures by alterations work.
  - D. Remove existing work as indicated and as required to accomplish new work.
    - 1. Remove items indicated on drawings.
    - 2. Relocate items indicated on drawings.
    - 3. Where new surface finishes are to be applied to existing work, perform removals, patch, and prepare existing surfaces as required to receive new finish; prepare substrate per manufacturer's requirements for successful application of new finish.
    - 4. Where new surface finishes are not specified or indicated, patch holes and damaged surfaces to match adjacent finished surfaces.
  - E. Services (Including but not limited to HVAC, Plumbing, Fire Protection, Electrical, and Telecommunications): Remove, relocate, and extend existing systems to accommodate new construction.
    - 1. Maintain existing active systems that are to remain in operation; maintain access to equipment and operational components; if necessary, modify installation to allow access or provide access panel.
    - 2. Where existing active systems serve occupied facilities but are to be replaced with new services, maintain existing systems in service until new systems are complete and ready for service.
      - a. Disable existing systems only to make switchovers and connections; minimize duration of outages.
      - b. See Section 011000 for other limitations on outages and required notifications.
      - c. Provide temporary connections as required to maintain existing systems in service.
    - 3. Remove abandoned pipe, ducts, conduits, and equipment, including those above accessible ceilings; remove back to source of supply where possible, otherwise cap stub and tag with identification; patch holes left by removal using materials specified for new construction.
  - F. Protect existing work to remain.
    - 1. Prevent movement of structure; provide shoring and bracing if necessary.
    - 2. Perform cutting to accomplish removals neatly and as specified for cutting new work.
    - 3. Repair adjacent construction and finishes damaged during removal work.
  - G. Adapt existing work to fit new work: Make as neat and smooth transition as possible.
-

FIRE STATIONS RENOVATION  
Arlington County, Virginia  
Architect's Project No.: 563006

---

1. When existing finished surfaces are cut so that a smooth transition with new work is not possible, terminate existing surface along a straight line at a natural line of division and make recommendation to Architect.
  2. Where removal of partitions or walls results in adjacent spaces becoming one, rework floors, walls, and ceilings to a smooth plane without breaks, steps, or bulkheads.
- H. Patching: Where the existing surface is not indicated to be refinished, patch to match the surface finish that existed prior to cutting. Where the surface is indicated to be refinished, patch so that the substrate is ready for the new finish.
- I. Refinish existing surfaces as indicated:
1. Where rooms or spaces are indicated to be refinished, refinish all visible existing surfaces to remain to the specified condition for each material, with a neat transition to adjacent finishes.
- J. Clean existing systems and equipment in all spaces impacted by alteration work.
- K. Remove demolition debris and abandoned items from alterations areas and dispose of off-site; do not burn or bury.
- L. Do not begin new construction in alterations areas before demolition is complete.

### **3.05 CUTTING AND PATCHING**

- A. Perform cutting and patching to:
1. Complete the work.
  2. Fit products together to integrate with other work.
  3. Provide openings for penetration of mechanical, electrical, and other services.
  4. Match work that has been cut to adjacent work.
  5. Repair areas adjacent to cuts to required condition.
  6. Repair new work damaged by subsequent work.
  7. Remove samples of installed work for testing when requested.
  8. Remove and replace defective and non-complying work.
- B. Execute work by methods that avoid damage to other work and that will provide appropriate surfaces to receive patching and finishing. In existing work, minimize damage and restore to specified condition.
- C. Employ skilled and experienced installer to perform cutting and patching.
- D. Restore work with new products in accordance with requirements of Contract Documents.
- E. Fit work to pipes, sleeves, ducts, conduit, and other penetrations through surfaces.
- F. At penetrations of fire rated walls, partitions, ceiling, or floor construction, completely seal voids with fire rated material to maintain existing fire ratings, to full thickness of the penetrated element.
- G. Patching:
1. Finish patched surfaces to match finish that existed prior to patching. On continuous surfaces, refinish to nearest intersection or natural break. For an assembly, refinish entire unit.
  2. Match color, texture, and appearance.
  3. Repair patched surfaces that are damaged, lifted, discolored, or showing other imperfections due to patching work. If defects are due to condition of substrate, repair substrate prior to repairing finish.

### **3.06 PROGRESS CLEANING**

- A. Maintain areas free of waste materials, debris, and rubbish. Maintain site in a clean and orderly condition.
- B. Remove debris and rubbish from pipe chases, plenums, attics, crawl spaces, and other closed or remote spaces, prior to enclosing the space.
- C. Broom and vacuum clean interior areas prior to start of surface finishing, and continue cleaning to eliminate dust and silica.



FIRE STATIONS RENOVATION  
Arlington County, Virginia  
Architect's Project No.: 563006

---

- D. Collect and remove waste materials, debris, and trash/rubbish from site periodically and dispose off-site; do not burn or bury.

### **3.07 PROTECTION OF INSTALLED WORK**

- A. Protect installed work from damage by construction operations.
- B. Provide special protection where specified in individual specification sections.
- C. Provide temporary and removable protection for installed products. Control activity in immediate work area to prevent damage.
- D. Provide protective coverings at walls, projections, jambs, sills, and soffits of openings.
- E. Protect finished floors, stairs, and other surfaces from traffic, dirt, wear, damage, or movement of heavy objects, by protecting with durable sheet materials.
- F. Protect work from spilled liquids. If work is exposed to spilled liquids, immediately remove protective coverings, dry out work, and replace protective coverings.
- G. Prohibit traffic or storage upon waterproofed or roofed surfaces. If traffic or activity is necessary, obtain recommendations for protection from waterproofing or roofing material manufacturer.
- H. Prohibit traffic from landscaped areas.
- I. Remove protective coverings when no longer needed; reuse or recycle coverings if possible.

### **3.08 SYSTEM STARTUP AND ADJUSTING**

- A. Coordinate schedule for start-up of various equipment and systems.
- B. Notify Architect and Owner seven days prior to start-up of each item.
- C. Verify that each piece of equipment or system has been checked for proper lubrication, drive rotation, belt tension, control sequence, and for conditions that may cause damage.
- D. Verify tests, meter readings, and specified electrical characteristics agree with those required by the equipment or system manufacturer.
- E. Verify that wiring and support components for equipment are complete and tested.
- F. Execute start-up under supervision of applicable Contractor personnel and manufacturer's representative in accordance with manufacturers' instructions.
- G. When specified in individual specification Sections, require manufacturer to provide authorized representative to be present at site to inspect, check, and approve equipment or system installation prior to start-up, and to supervise placing equipment or system in operation.
- H. Adjust operating products and equipment to ensure smooth and unhindered operation.
- I. Testing, Adjusting, and Balancing of HVAC Systems: Refer to Division 1 Section "Testing, Adjusting, and Balancing for HVAC."
- J. Submit a written report that equipment or system has been properly installed and is functioning correctly.

### **3.09 DEMONSTRATION AND INSTRUCTION**

- A. See Section 017900 - Demonstration and Training.

### **3.10 FINAL CLEANING**

- A. Execute final cleaning prior to Substantial Completion.
  - 1. Clean areas to be occupied by Owner prior to final completion before Owner occupancy.
- B. Use cleaning materials that are nonhazardous.
- C. Clean interior and exterior glass, surfaces exposed to view; remove temporary labels, stains and foreign substances, polish transparent and glossy surfaces, vacuum carpeted and soft surfaces.

FIRE STATIONS RENOVATION  
Arlington County, Virginia  
Architect's Project No.: 563006

---

- D. Remove all labels that are not permanent. Do not paint or otherwise cover fire test labels or nameplates on mechanical and electrical equipment.
- E. Clean equipment and fixtures to a sanitary condition with cleaning materials appropriate to the surface and material being cleaned.
- F. Replace filters of operating equipment.
- G. Clean debris from roofs, gutters, downspouts, scuppers, overflow drains, area drains, and drainage systems.
- H. Clean site; sweep paved areas, rake clean landscaped surfaces.
- I. Remove waste, surplus materials, trash/rubbish, and construction facilities from the site; dispose of in legal manner; do not burn or bury.

### 3.11 CLOSEOUT PROCEDURES

- A. Prior to Substantial Completion, complete the following:
    - 1. Provide startup, testing, and adjusting of all systems and equipment.
      - a. Demonstrate that air and water systems are balanced and that automatic temperature control system is in control of all equipment. This may require separate demonstrations if controls cannot be tested for applicable seasons of the year.
      - b. Submit written certification that testing/adjusting/balancing operations have been completed, and that systems are operation and under control in conformance with applicable specification section(s).
      - c. Submit written certification that all Building Commissioning has been completed.
      - d. Complete testing of the electronic security and detention systems and equipment, demonstrating security control.
    - 2. Provide all inspections required by local authorities having jurisdiction to obtain Certificate of Occupancy, and provide written certification of completion of Special Inspections.
    - 3. Provide preventive maintenance services for all equipment used prior to Substantial Completion, and provide initial maintenance servicing for all products and equipment that will be subject to ongoing maintenance/service contracts.
    - 4. Provide final cleaning of all products, materials, and equipment, and provide touch up and restoration of exposed materials and finishes.
    - 5. Provide fresh batteries in all battery-powered products and equipment.
    - 6. Provide demonstration and training for Owner's personnel on all required systems and equipment.
    - 7. Coordinate a walkthrough with the Owner and the local fire department and other emergency services.
    - 8. To the maximum extent possible, remove temporary facilities and controls, construction equipment and tools, and similar items that are not part of the finished Work.
    - 9. Coordinate changeover with the Owner of permanent utilities, insurance requirements, and building's permanent keying and lock system.
  - B. Notify Architect when work is considered ready for Architect's Substantial Completion inspection.
  - C. Submit written certification containing Contractor's Correction Punch List, that Contract Documents have been reviewed, work has been inspected, and that work is complete in accordance with Contract Documents and ready for Architect's Substantial Completion inspection.
  - D. Owner will occupy the building after Substantial Completion as specified in Section 011000.
  - E. Conduct Substantial Completion inspection and create Final Correction Punch List containing Architect's and Contractor's comprehensive list of items identified to be completed or corrected and submit to Architect.
  - F. Correct items of work listed in Final Correction Punch List and comply with requirements for access to Owner-occupied areas.
-

FIRE STATIONS RENOVATION  
Arlington County, Virginia  
Architect's Project No.: 563006

---

- G. Notify Architect when work is considered finally complete and ready for Architect's Substantial Completion final inspection.
- H. Prior to final completion, complete the following:
  - 1. Complete items of work determined by Architect listed in executed Certificate of Substantial Completion.
  - 2. Provide final pest and rodent control treatments and inspections.
  - 3. Remove any remaining construction equipment, tools, and materials; perform additional cleaning required due to construction activities following Substantial Completion, and leave the site prepared for Owner occupancy.
  - 4. Submit final demonstration and training materials and videos, as built/record documents, operation and maintenance binders, and warranty binders.
  - 5. Submit final application for payment.

**3.12 MAINTENANCE**

- A. Provide service and maintenance of components indicated in specification sections.
  - 1. Contractor's maintenance responsibility shall be through Substantial Completion, unless a longer term is required by individual specification section.
- B. Maintenance service shall not be assigned or transferred to any agent or third party without prior written consent of the Owner.

**END OF SECTION**

FIRE STATIONS RENOVATION  
Arlington County, Virginia  
Architect's Project No.: 563006

---

**SECTION 017419**  
**CONSTRUCTION WASTE MANAGEMENT AND DISPOSAL**

**PART 1 GENERAL**

**1.01 WASTE MANAGEMENT REQUIREMENTS**

- A. Owner requires that this project generate the least amount of trash and waste possible.
- B. Employ processes that ensure the generation of as little waste as possible due to error, poor planning, breakage, mishandling, contamination, or other factors.
- C. Minimize trash/waste disposal in landfills; reuse, salvage, or recycle as much waste as economically feasible.
- D. Contractor shall develop and follow a Waste Management Plan designed to implement these requirements.
- E. The following sources may be useful in developing the Waste Management Plan:
- F. Methods of trash/waste disposal that are not acceptable are:
  - 1. Burning on the project site.
  - 2. Burying on the project site.
  - 3. Dumping or burying on other property, public or private.
  - 4. Other illegal dumping or burying.
- G. Regulatory Requirements: Contractor is responsible for knowing and complying with regulatory requirements, including but not limited to Federal, state and local requirements, pertaining to legal disposal of all construction and demolition waste materials.

**1.02 DEFINITIONS**

- A. Clean: Untreated and unpainted; not contaminated with oils, solvents, caulk, or the like.
- B. Construction and Demolition Waste: Solid wastes typically including building materials, packaging, trash, debris, and rubble resulting from construction, remodeling, repair and demolition operations.
- C. Hazardous: Exhibiting the characteristics of hazardous substances, i.e., ignitibility, corrosivity, toxicity or reactivity.
- D. Nonhazardous: Exhibiting none of the characteristics of hazardous substances, i.e., ignitibility, corrosivity, toxicity, or reactivity.
- E. Nontoxic: Neither immediately poisonous to humans nor poisonous after a long period of exposure.
- F. Recyclable: The ability of a product or material to be recovered at the end of its life cycle and remanufactured into a new product for reuse by others.
- G. Recycle: To remove a waste material from the project site to another site for remanufacture into a new product for reuse by others.
- H. Recycling: The process of sorting, cleansing, treating and reconstituting solid waste and other discarded materials for the purpose of using the altered form. Recycling does not include burning, incinerating, or thermally destroying waste.
- I. Return: To give back reusable items or unused products to vendors for credit.
- J. Reuse: To reuse a construction waste material in some manner on the project site.
- K. Salvage: To remove a waste material from the project site to another site for resale or reuse by others.
- L. Sediment: Soil and other debris that has been eroded and transported by storm or well production run-off water.
- M. Source Separation: The act of keeping different types of waste materials separate beginning from the first time they become waste.
- N. Toxic: Poisonous to humans either immediately or after a long period of exposure.
- O. Trash: Any product or material unable to be reused, returned, recycled, or salvaged.

FIRE STATIONS RENOVATION  
Arlington County, Virginia  
Architect's Project No.: 563006

---

- P. Waste: Extra material or material that has reached the end of its useful life in its intended use. Waste includes salvageable, returnable, recyclable, and reusable material.

### 1.03 SUBMITTALS

- A. See Section 013000 - Administrative Requirements, for submittal procedures.
- B. Waste Management Plan: Include the following information:
1. Analysis of the trash and waste projected to be generated during the entire project construction cycle, including types and quantities.
  2. Landfill Options: The name, address, and telephone number of the landfill(s) where trash/waste will be disposed of, the applicable landfill tipping fee(s), and the projected cost of disposing of all project trash/waste in the landfill(s).
  3. Landfill Alternatives: List all waste materials that will be diverted from landfills by reuse, salvage, or recycling.
  4. Meetings: Describe regular meetings to be held to address waste prevention, reduction, recycling, salvage, reuse, and disposal.
  5. Materials Handling Procedures: Describe the means by which materials to be diverted from landfills will be protected from contamination and prepared for acceptance by designated facilities; include separation procedures for recyclables, storage, and packaging.
  6. Transportation: Identify the destination and means of transportation of materials to be recycled; i.e. whether materials will be site-separated and self-hauled to designated centers, or whether mixed materials will be collected by a waste hauler.

## PART 3 EXECUTION

### 2.01 WASTE MANAGEMENT PLAN IMPLEMENTATION

- A. Manager: Designate an on-site person or persons responsible for instructing workers and overseeing and documenting results of the Waste Management Plan.
- B. Communication: Distribute copies of the Waste Management Plan to job site foreman, each subcontractor, Owner, and Architect.
- C. Instruction: Provide on-site instruction of appropriate separation, handling, and recycling, salvage, reuse, and return methods to be used by all parties at the appropriate stages of the project.
- D. Meetings: Discuss trash/waste management goals and issues at project meetings.
1. Prebid meeting.
  2. Preconstruction meeting.
  3. Regular job-site meetings.
- E. Facilities: Provide specific facilities for separation and storage of materials for recycling, salvage, reuse, return, and trash disposal, for use by all contractors and installers.
1. Provide containers as required.
  2. Provide adequate space for pick-up and delivery and convenience to subcontractors.
  3. Keep recycling and trash/waste bin areas neat and clean and clearly marked in order to avoid contamination of materials.
- F. Hazardous Wastes: Separate, store, and dispose of hazardous wastes according to applicable regulations.
- G. Recycling: Separate, store, protect, and handle at the site identified recyclable waste products in order to prevent contamination of materials and to maximize recyclability of identified materials. Arrange for timely pickups from the site or deliveries to recycling facility in order to prevent contamination of recyclable materials.
- H. Reuse of Materials On-Site: Set aside, sort, and protect separated products in preparation for reuse.
- I. Salvage: Set aside, sort, and protect products to be salvaged for reuse off-site.

**END OF SECTION**

---

FIRE STATIONS RENOVATION  
Arlington County, Virginia  
Architect's Project No.: 563006

---

**SECTION 017800  
CLOSEOUT SUBMITTALS**

**PART 1 GENERAL**

**1.01 SECTION INCLUDES**

- A. Project record documents.
- B. Operation and maintenance data.
- C. Warranties and bonds.

**1.02 SUBMITTALS**

- A. Project Record Documents: Submit documents to Architect within 15 days after the date of Substantial Completion.
- B. Operation and Maintenance Data:
  - 1. For equipment, or component parts of equipment put into service during construction and operated by Owner, submit completed documents within 15 days after acceptance.
  - 2. Submit one PDF draft copy of completed documents within 15 days after the Closeout Conference. This copy will be reviewed and returned, with Architect comments. Revise content of all document sets as required prior to final submission.
  - 3. After revisions are complete, submit one bound hard copy and PDF electronic file of revised final documents in final form within 15 days after Substantial Completion.
- C. Warranties and Bonds:
  - 1. For equipment or component parts of equipment put into service during construction with Owner's permission, submit documents within 15 days after acceptance.
  - 2. Make other submittals within 15 days after Date of Substantial Completion, prior to final Application for Payment.
  - 3. For items of Work for which acceptance is delayed beyond Date of Substantial Completion, submit within 15 days after acceptance, listing the date of acceptance as the beginning of the warranty period.

**PART 2 PRODUCTS - NOT USED**

**PART 3 EXECUTION**

**3.01 PROJECT RECORD DOCUMENTS**

- A. Maintain on site one set of the following record documents; record actual revisions to the Work:
  - 1. Drawings.
  - 2. Addenda.
  - 3. Change Orders and other modifications to the Contract.
  - 4. Miscellaneous record submittals.
- B. Ensure entries are complete and accurate, enabling future reference by Owner.
  - 1. Include revised Drawings reissued during Bidding and Construction.
- C. Store record documents separate from documents used for construction.
  - 1. Keep record documents in a location accessible to Architect for periodic review and reference.
  - 2. Maintain in legible condition. If record document set becomes damaged or excessively dirty, transfer comments to clean set prior to submittal to Architect.
- D. Record information concurrent with construction progress.
- E. Record Drawings: Legibly mark each item to record actual construction including:
  - 1. Measured depths of foundations in relation to finish first floor datum.
  - 2. Measured horizontal and vertical locations of underground utilities and appurtenances, referenced to permanent surface improvements.
  - 3. Measured locations of internal utilities and appurtenances concealed in construction, referenced to visible and accessible features of the Work.
  - 4. Field changes of dimension and detail.

FIRE STATIONS RENOVATION  
Arlington County, Virginia  
Architect's Project No.: 563006

---

5. Details not on original Contract drawings.
- F. Miscellaneous Record Submittals: Where other specification sections require completion certifications, or closeout or record submittals, submit in a single binder organized by specification section.

### **3.02 ASSEMBLY OF RECORD DOCUMENTS**

- A. Submittal for Architect's Review:
  1. Submit PDF scanned copy of marked up prints.
  2. Architect shall review and provide comment on completeness
- B. Submittal for Distribution to Owner:
  1. After Architect has approved for content and completeness, submit PDF scanned copy of final marked up prints, and submit hard copy originals.
  2. Submit full set of Drawings, regardless of whether any modification or markings are on each sheet.

### **3.03 OPERATION AND MAINTENANCE DATA**

- A. Product Data: Mark each sheet to clearly identify specific products and component parts, and data applicable to installation. Delete inapplicable information.
- B. Drawings: Supplement product data to illustrate relations of component parts of equipment and systems, to show control and flow diagrams. Do not use Project Record Documents as maintenance drawings.
- C. Typed Text: As required to supplement product data. Provide logical sequence of instructions for each procedure, incorporating manufacturer's instructions.

### **3.04 OPERATION AND MAINTENANCE DATA FOR MATERIALS AND FINISHES**

- A. For Each Product, Applied Material, and Finish:
  1. Product data, with catalog number, size, composition, and color and texture designations.
  2. Information for re-ordering custom manufactured products.
- B. Instructions for Care and Maintenance: Manufacturer's recommendations for cleaning agents and methods, precautions against detrimental cleaning agents and methods, and recommended schedule for cleaning and maintenance.
- C. Moisture protection and weather-exposed products: Include product data listing applicable reference standards, chemical composition, and details of installation. Provide recommendations for inspections, maintenance, and repair.
- D. Additional information as specified in individual product specification sections.
- E. Where additional instructions are required, beyond the manufacturer's standard printed instructions, have instructions prepared by personnel experienced in the operation and maintenance of the specific products.

### **3.05 OPERATION AND MAINTENANCE DATA FOR EQUIPMENT AND SYSTEMS**

- A. For Each Item of Equipment and Each System:
  1. Description of unit or system, and component parts.
  2. Identify function, normal operating characteristics, and limiting conditions.
  3. Include performance curves, with engineering data and tests.
  4. Complete nomenclature and model number of replaceable parts.
- B. Where additional instructions are required, beyond the manufacturer's standard printed instructions, have instructions prepared by personnel experienced in the operation and maintenance of the specific products.
- C. Panelboard Circuit Directories: Provide electrical service characteristics, controls, and communications; typed.
- D. Include color coded wiring diagrams as installed.
- E. Operating Procedures: Include start-up, break-in, and routine normal operating instructions and sequences. Include regulation, control, stopping, shut-down, and emergency instructions. Include summer, winter, and any special operating instructions.

FIRE STATIONS RENOVATION  
Arlington County, Virginia  
Architect's Project No.: 563006

---

- F. Maintenance Requirements: Include routine procedures and guide for preventative maintenance and trouble shooting; disassembly, repair, and reassembly instructions; and alignment, adjusting, balancing, and checking instructions.
- G. Provide servicing and lubrication schedule, and list of lubricants required.
- H. Include manufacturer's printed operation and maintenance instructions.
- I. Include sequence of operation by controls manufacturer.
- J. Provide original manufacturer's parts list, illustrations, assembly drawings, and diagrams required for maintenance.
- K. Provide control diagrams by controls manufacturer as installed.
- L. Provide Contractor's coordination drawings, with color coded piping diagrams as installed.
- M. Provide charts of valve tag numbers, with location and function of each valve, keyed to flow and control diagrams.
- N. Provide list of original manufacturer's spare parts, current prices, and recommended quantities to be maintained in storage.
- O. Include test and balancing reports.
- P. Additional Requirements: As specified in individual product specification sections.

**3.06 ASSEMBLY OF OPERATION AND MAINTENANCE MANUALS**

- A. Assemble operation and maintenance data into durable manuals for Owner's personnel use, with data arranged in the same sequence as, and identified by, the specification sections.
- B. Where systems involve more than one specification section, provide separate tabbed divider for each system.
- C. Binders: Commercial quality, 8-1/2 by 11 inch three D side ring binders with durable plastic covers; 2 inch maximum ring size. When multiple binders are used, correlate data into related consistent groupings.
- D. Cover: Identify each binder on front and spine with typed or printed title OPERATION AND MAINTENANCE INSTRUCTIONS; identify title of Project; identify subject matter of contents.
- E. Project Directory: Title and address of Project; names, addresses, and telephone numbers of Architect, Consultants, Contractor and subcontractors, with names of responsible parties.
- F. Tables of Contents: List every item separated by a divider, using the same identification as on the divider tab; where multiple volumes are required, include all volumes Tables of Contents in each volume, with the current volume clearly identified.
- G. Dividers: Provide tabbed dividers for each separate product and system; identify the contents on the divider tab; immediately following the divider tab include a description of product and major component parts of equipment.
- H. Text: Manufacturer's printed data, or typewritten data on 20 pound paper.
- I. Drawings: Provide with reinforced punched binder tab. Bind in with text; fold larger drawings to size of text pages.
- J. Arrangement of Contents: Organize each volume in parts as follows:
  - 1. Project Directory.
  - 2. Table of Contents, of all volumes, and of this volume.
  - 3. Operation and Maintenance Data: Arranged by system, then by product category.
    - a. Source data.
    - b. Product data.
    - c. Operation and maintenance data.
    - d. Field quality control data.
    - e. Photocopies of warranties and bonds.



FIRE STATIONS RENOVATION  
Arlington County, Virginia  
Architect's Project No.: 563006

---

**3.07 WARRANTIES AND BONDS**

- A. Obtain warranties and bonds, executed in duplicate by responsible Subcontractors, suppliers, and manufacturers, within 15 days after completion of the applicable item of work. Except for items put into use with Owner's permission, leave date of beginning of time of warranty until Date of Substantial completion is determined.
- B. Verify that documents are in proper form, contain full information, and are notarized.
- C. Retain warranties and bonds until time specified for submittal.
- D. Manual: Bind in commercial quality 8-1/2 by 11 inch three D side ring binders with durable plastic covers.
- E. Cover: Identify each binder on front and spine with typed or printed title WARRANTIES AND BONDS, with title of Project; name, address and telephone number of Contractor and equipment supplier; and name of responsible company principal.
- F. Table of Contents: Neatly typed, in the sequence of the Table of Contents of the Project Manual, with each item identified with the number and title of the specification section in which specified, and the name of product or work item.
- G. Separate each warranty or bond with index tab sheets keyed to the Table of Contents listing. Provide full information, using separate typed sheets as necessary. List Subcontractor, supplier, and manufacturer, with name, address, and telephone number of responsible principal.
- H. Provide photocopy of each warranty in operation and maintenance manuals; locate each warranty with applicable O&M data for product or equipment.

**END OF SECTION**

FIRE STATIONS RENOVATION  
Arlington County, Virginia  
Architect's Project No.: 563006

---

**SECTION 017900  
DEMONSTRATION AND TRAINING**

**PART 1 GENERAL**

**1.01 SUMMARY**

- A. Demonstration of products, systems, equipment, and other items where indicated in specific specification sections.
- B. Training of Owner personnel in operation and maintenance of products, systems, equipment, and othwhere indicated in specific specification sections.

**1.02 SUBMITTALS**

- A. See Section 013000 - Administrative Requirements, for submittal procedures.
- B. Draft Training Plans: Owner will designate personnel to be trained; tailor training to needs and skill-level of attendees.
  - 1. Submit not less than four weeks prior to start of training.
  - 2. Revise and resubmit until acceptable.
  - 3. Provide an overall schedule showing all training sessions.
  - 4. Include at least the following for each training session:
    - a. Identification, date, time, and duration.
    - b. Description of products and/or systems to be covered.
    - c. Name of firm and person conducting training; include qualifications.
    - d. Intended audience, such as job description.
    - e. Objectives of training and suggested methods of ensuring adequate training.
    - f. Methods to be used, such as classroom lecture, live demonstrations, hands-on, etc.
    - g. Media to be used, such a slides, hand-outs, etc.
    - h. Training equipment required, such as projector, projection screen, etc., to be provided by Contractor.
- C. Training Manuals: Provide training manual for each attendee.
  - 1. Include applicable portion of O&M manuals.
  - 2. Include copies of all hand-outs, slides, overheads, video presentations, etc., that are not included in O&M manuals.
  - 3. Provide one extra copy of each training manual to be included with operation and maintenance data.
- D. Training Reports:
  - 1. Identification of each training session, date, time, and duration.
  - 2. Sign-in sheet showing names and job titles of attendees.
  - 3. List of attendee questions and written answers given, including copies of and references to supporting documentation required for clarification; include answers to questions that could not be answered in original training session.
- E. Video Recordings: Submit digital video recording of each demonstration and training session for Owner's subsequent use.
  - 1. Format: DVD Disc.
  - 2. Label each disc and container with session identification and date.
  - 3. Where available, provide manufacturer's pre-produced training videos in conjunction with live demonstration and training video.

**1.03 QUALITY ASSURANCE**

- A. Instructor Qualifications: Familiar with design, operation, maintenance and troubleshooting of the relevant products and systems.
  - 1. Instructor shall be certified by the manufacturer or fabricator of system.
  - 2. Where a single person is not familiar with all aspects, provide specialists with necessary qualifications.

FIRE STATIONS RENOVATION  
Arlington County, Virginia  
Architect's Project No.: 563006

---

**PART 2 PRODUCTS - NOT USED**

**PART 3 EXECUTION**

**3.01 DEMONSTRATION - GENERAL**

- A. Demonstrations conducted during system start-up do not qualify as demonstrations for the purposes of this section, unless approved in advance by Owner.
- B. Demonstrations conducted during Functional Testing need not be repeated unless Owner personnel training is specified.
- C. Demonstration may be combined with Owner personnel training if applicable, and if acceptable to Owner.
- D. Operating Equipment and Systems: Demonstrate operation in all modes, including start-up, shut-down, seasonal changeover, emergency conditions, and troubleshooting, and maintenance procedures, including scheduled and preventive maintenance.
  - 1. Complete demonstrations within two weeks after the date of Substantial Completion.
  - 2. For equipment or systems requiring seasonal operation, perform demonstration for other season within six months.
- E. Non-Operating Products: Demonstrate cleaning, scheduled and preventive maintenance, and repair procedures.
  - 1. Complete demonstrations within two weeks after the date of Substantial Completion.

**3.02 TRAINING - GENERAL**

- A. Conduct training on-site, utilizing installed products and equipment, unless otherwise indicated.
- B. Provide training in minimum two hour segments.
- C. Training schedule will be subject to availability of Owner's personnel to be trained; re-schedule training sessions as required by Owner; once schedule has been approved by Owner failure to conduct sessions according to schedule will be cause for Owner to charge Contractor for personnel "show-up" time.
- D. Review of Facility Policy on Operation and Maintenance Data: During training discuss:
  - 1. Typical contents and organization of all manuals, including explanatory information, system narratives, and product specific information.
  - 2. Typical uses of the O&M manuals.
- E. Product- and System-Specific Training:
  - 1. Review the applicable O&M manuals.
  - 2. For systems, provide an overview of system operation, design parameters and constraints, and operational strategies.
  - 3. Review instructions for proper operation in all modes, including start-up, shut-down, seasonal changeover and emergency procedures, and for maintenance, including preventative maintenance.
  - 4. Discuss cleaning products and procedures, including recommended cleaning products and products that are detrimental to equipment operation or finishes.
  - 5. Provide hands-on training on all operational modes possible and preventive maintenance.
  - 6. Emphasize safe and proper operating requirements; discuss relevant health and safety issues, warning or error indications, and emergency procedures and shutdown.
  - 7. Discuss common troubleshooting problems and solutions. Include minor adjustments for resolving noise, vibration, and improving system efficiency.
  - 8. Discuss any peculiarities of equipment installation or operation.
  - 9. Discuss warranties and guarantees, including procedures necessary to avoid voiding coverage. Include discussion of continuing maintenance agreements and procedures.
  - 10. Review recommended tools and spare parts inventory suggestions of manufacturers.
  - 11. Review spare parts and tools required to be furnished by Contractor.
  - 12. Review spare parts suppliers and sources and procurement procedures.

FIRE STATIONS RENOVATION  
Arlington County, Virginia  
Architect's Project No.: 563006

---

- F. Be prepared to answer questions raised by training attendees; if unable to answer during training session, provide written response within three days.

**END OF SECTION**

FIRE STATIONS RENOVATION  
Arlington County, Virginia  
Architect's Project No.: 563006

---

**SECTION 018119**  
**INDOOR AIR QUALITY REQUIREMENTS**

**PART 1 GENERAL**

**1.01 SUMMARY**

- A. Provide Indoor Air Quality (IAQ) Management Plan to remain in force during the construction period.
- B. Chapter 3 of the Sheet Metal and Air Conditioning National Contractors' Association (SMACNA) IAQ Guideline for Occupied Buildings Under Construction, 2nd Edition 2007, available from SMACNA (703-803-2980 or [www.smacna.org](http://www.smacna.org)).

**1.02 SUBMITTAL**

- A. Construction Indoor Air Quality Management Plan (CIAQM Plan).

**PART 2 OBJECTIVES DURING CONSTRUCTION**

**2.01 PROTECTION**

- A. Store all materials and equipment in a protected area (inside warehouse or storage trailer). Protect materials and equipment that are too large or heavy to store in a trailer from water and dirt/dust/debris.
  - 1. OPTION: When stored outside, provide two layers of minimum 8-mil poly on the ground and elevate equipment or material a minimum of 4 inches to allow water to run off. Secure top and sides with two layers of 8-mil poly to prevent water penetration and dust/dirt accumulation.
- B. Protect HVAC equipment from dust and odors. Do not store equipment in areas near painting, pressure washing, or excavation. Do not operate equipment during cutting or grinding of masonry or concrete.
  - 1. Refer to Division 23 for construction filter requirements for protection of mechanical duct systems during construction.
  - 2. Clean ductwork when installed. Cap ends of inactive duct with poly during construction to prevent contamination.
  - 3. Do not operate HVAC system until the exterior walls, roof, glass, doors and building filters are properly installed.
  - 4. Replace all filtration media immediately prior to Substantial Completion. Refer to Division 23 for filtration requirements.
  - 5. Do not perform Testing and Balancing until dust or odor generating activities are completed.

**2.02 SOURCE CONTROL**

- A. Minimize IAQ contaminants introduced by construction materials.
- B. Store waste construction materials a minimum of 30 feet away from the building.
- C. Do not smoke within 30 feet of the exterior building perimeter.

**2.03 PATHWAY INTERRUPTION**

- A. Provide barriers to contain construction areas to allow a portion of the building to be cleaned and then operate the HVAC system in that cleaned area. Acceptable barriers include dust curtains and temporary walls.
  - 1. Protect areas of the building in which HVAC is operational by physical barriers from areas of the building not acceptable for operation of the HVAC system.
- B. Maintain areas within 30 feet of outdoor air intakes free of dust, dirt, debris, and volatile materials while the HVAC system is in operation.

**2.04 HOUSEKEEPING**

- A. As dust accumulates at the Site, it can become airborne when disturbed by nearby activity. Similarly, spills or excess applications of products containing solvents will increase odors at the Site. Leaving the Site wet or damp for more than a day could result in the growth of mold and bacteria. Therefore, Site cleanup and maintenance is important to maintaining good IAQ during construction.

FIRE STATIONS RENOVATION  
Arlington County, Virginia  
Architect's Project No.: 563006

---

- B. Perform the following to control contaminants at the Site:
1. Suppress dust with wetting agents or sweeping compounds
  2. Provide an efficient dust collection method (e.g. a damp rag, wet mop, or vacuum equipped with a high efficiency particulate arrester (HEPA) filter or wet scrubber).
  3. Remove spills or excess applications of solvent-containing products immediately. Provide low-VOC emitting spot removers and cleaning agents near occupied areas.
  4. Remove accumulated water and keep work areas as dry as possible, including the use of dehumidification, if necessary.
  5. Once building is enclosed, vacuum with HEPA filtered vacuum cleaners to prevent settled dust from becoming airborne again.
  6. Protect porous materials from exposure to moisture. Replace items that remain damp for more than four hours.

**END OF SECTION**

FIRE STATIONS RENOVATION  
Arlington County, Virginia  
Architect's Project No.: 563006

---

**SECTION 024100  
DEMOLITION**

**PART 1 GENERAL**

**1.01 SUBMITTALS**

- A. See Section 013000 - Administrative Requirements, for submittal procedures.
- B. Project Record Documents: Accurately record actual locations of capped and active utilities and subsurface construction.

**PART 2 PRODUCTS -- NOT USED**

**PART 3 EXECUTION**

**3.01 GENERAL PROCEDURES AND PROJECT CONDITIONS**

- A. All demolition work shall be considered unclassified. Barring discovery of hazardous materials or undocumented structural components, where elements are indicated to be demolished, the bid price shall be for complete demolition of the element, regardless of the individual component makeup of that element.
- B. Comply with applicable codes and regulations for demolition operations and safety of adjacent structures and the public.
  - 1. Obtain required permits.
  - 2. Comply with applicable requirements of NFPA 241.
  - 3. Use of explosives is not permitted.
  - 4. Take precautions to prevent catastrophic or uncontrolled collapse of structures to be removed; do not allow worker or public access within range of potential collapse of unstable structures.
  - 5. Provide, erect, and maintain temporary barriers and security devices.
  - 6. Conduct operations to minimize effects on and interference with adjacent structures and occupants.
  - 7. Do not close or obstruct roadways or sidewalks without permit.
  - 8. Conduct operations to minimize obstruction of public and private entrances and exits; do not obstruct required exits at any time; protect persons using entrances and exits from removal operations.
  - 9. Obtain written permission from owners of adjacent properties when demolition equipment will traverse, infringe upon or limit access to their property.
- C. Do not begin removal until receipt of notification to proceed from Owner.
- D. Do not begin removal until built elements to be salvaged or relocated have been removed.
- E. Protect existing structures and other elements that are not to be removed.
  - 1. Provide bracing and shoring.
  - 2. Prevent movement or settlement of adjacent structures.
  - 3. Stop work immediately if adjacent structures appear to be in danger.
- F. Hazardous Materials: It is not expected that hazardous materials are present in existing construction to be demolished. If suspected hazardous materials are discovered during removal operations, stop work and notify Architect and Owner; hazardous materials include regulated asbestos containing materials, lead, PCB's, and mercury.
  - 1. A survey indicating locations of hazardous materials is on file for examination by demolition contractor upon request.

**3.02 EXISTING UTILITIES**

- A. Coordinate work with utility companies; notify before starting work and comply with their requirements; obtain required permits.
- B. Protect existing utilities to remain from damage.
- C. Do not disrupt public utilities without permit from authority having jurisdiction.
- D. Do not close, shut off, or disrupt existing life safety systems that are in use without at least 7 days prior written notification to Owner.

FIRE STATIONS RENOVATION  
Arlington County, Virginia  
Architect's Project No.: 563006

---

- E. Do not close, shut off, or disrupt existing utility branches or take-offs that are in use without at least 3 days prior written notification to Owner.
- F. Locate and mark utilities to remain; mark using highly visible tags or flags, with identification of utility type; protect from damage due to subsequent construction, using substantial barricades if necessary.
- G. Remove exposed piping, valves, meters, equipment, supports, and foundations of disconnected and abandoned utilities.

### **3.03 SELECTIVE DEMOLITION FOR ALTERATIONS**

- A. Drawings showing existing construction and utilities are based on casual field observation and existing record documents only.
  - 1. Verify that construction and utility arrangements are as indicated.
  - 2. Report discrepancies to Architect before disturbing existing installation.
  - 3. Beginning of demolition work constitutes acceptance of existing conditions that would be apparent upon examination prior to starting demolition.
- B. Separate areas in which demolition is being conducted from other areas that are still occupied.
  - 1. Provide, erect, and maintain temporary dustproof partitions of construction specified in Section 015000 in locations indicated on drawings.
- C. Maintain weatherproof exterior building enclosure except for interruptions required for replacement or modifications; take care to prevent water and humidity damage.
- D. Remove existing work as indicated and as required to accomplish new work.
  - 1. Remove items indicated on drawings.
- E. Services (Including but not limited to HVAC, Plumbing, Fire Protection, Electrical, and Telecommunications): Remove existing systems and equipment as indicated.
  - 1. Maintain existing active systems that are to remain in operation; maintain access to equipment and operational components.
  - 2. Where existing active systems serve occupied facilities but are to be replaced with new services, maintain existing systems in service until new systems are complete and ready for service.
  - 3. Verify that abandoned services serve only abandoned facilities before removal.
  - 4. Remove abandoned pipe, ducts, conduits, and equipment, including those above accessible ceilings; remove back to source of supply where possible, otherwise cap stub and tag with identification.
- F. Floor Finishes: After removal of existing floor finishes including backings, underlayments, and thick set mortar beds, remove all residual adhesives and glue. Provide grinding, sanding, or shot-blasting of existing concrete floor slab to achieve the proper surface to receive new indicated floor finish. Coordinate slab surface preparations required for each new indicated floor finish with appropriate subcontractor.
- G. Existing Surfaces to Receive Finishes: Remove miscellaneous hangers, exposed nails not serving as fasteners, and similar protrusions; remove adhesive residue and tape; fill anchorage holes; and otherwise patch and restore surface to be a uniform substrate suitable for applied finishes.
- H. Protect existing work to remain.
  - 1. Prevent movement of structure; provide shoring and bracing if necessary.
  - 2. Perform cutting to accomplish removals neatly and as specified for cutting new work.
  - 3. Repair adjacent construction and finishes damaged during removal work.
  - 4. Patch as specified for patching new work.

### **3.04 DEBRIS AND WASTE REMOVAL**

- A. Remove debris, junk, and trash from site.
- B. Leave site in clean condition, ready for subsequent work.
- C. Clean up spillage and wind-blown debris from public and private lands.

**END OF SECTION**

---



FIRE STATIONS RENOVATION  
Arlington County, Virginia  
Architect's Project No.: 563006

---

**SECTION 042000  
UNIT MASONRY**

**PART 1 GENERAL**

**1.01 ADMINISTRATIVE REQUIREMENTS**

- A. Preinstallation Meeting: Convene a preinstallation meeting one week before starting work of this section; require attendance by all relevant installers.

**1.02 SUBMITTALS**

- A. See Section 013000 - Administrative Requirements, for submittal procedures.
- B. Product Data: Provide data for masonry units, fabricated wire reinforcement, mortar, and masonry accessories.
- C. Shop Drawings: Indicate pertinent dimensions, materials, anchorage, size and type of fasteners, and accessories for brickwork support system.

**1.03 QUALITY ASSURANCE**

- A. Comply with provisions of ACI 530.1/ASCE 6/TMS 402/602, except where exceeded by requirements of Contract Documents.
- B. Aggregate for Concrete Masonry Units: If bottom ash is used as aggregate in the CMU, the Source for the bottom ash shall be a power station that has a minimum of ten (10) years continuous experience as a supplier of quality material as verified by independent certified laboratory testing and no defects in the marketplace.

**1.04 DELIVERY, STORAGE, AND HANDLING**

- A. Deliver, handle, and store masonry units by means that will prevent mechanical damage and contamination by other materials.

**PART 2 PRODUCTS**

**2.01 CONCRETE MASONRY UNITS**

- A. Concrete Block: Comply with referenced standards and as follows:
  - 1. Size: Standard units with nominal face dimensions of 16 by 8 inches and nominal depths as indicated on drawings for specific locations.
  - 2. Special Shapes: Provide non-standard blocks configured for corners.
    - a. Provide bullnose units for outside corners.
  - 3. Concrete Masonry Units: ASTM C90, lightweight.
    - a. Exposed Faces: Manufacturer's standard color and texture.
    - b. Aggregates:
      - 1) Lightweight Aggregates: Lightweight aggregate shall strictly comply with ASTM C 331, ASTM C 151, and ASTM C 641. Drying shrinkage of aggregate shall not exceed 0.10% at 100 days.
      - 2) Waste concrete, scoria, and aglite shall not be permitted.

**2.02 MORTAR AND GROUT MATERIALS**

- A. Masonry Cement: ASTM C91/C91M.
- B. Mortar Aggregate: ASTM C144.
- C. Grout Aggregate: ASTM C404.
- D. Water: Clean and potable.

**2.03 REINFORCEMENT AND ANCHORAGE**

- A. Reinforcing Steel: ASTM A615/A615M, Grade 60 (60,000 psi), deformed billet bars; uncoated.
- B. Single Wythe Joint Reinforcement: ASTM A951/A951M.
  - 1. Type: Ladder.
  - 2. Material: ASTM A1064/A1064M steel wire, mill galvanized to ASTM A641/A641M Class 3.

FIRE STATIONS RENOVATION  
Arlington County, Virginia  
Architect's Project No.: 563006

---

3. Size: 0.1483 inch side rods with 0.1483 inch cross rods; width as required to provide not less than 5/8 inch of mortar coverage on each exposure.
- C. Strap Anchors: Bent steel shapes, 1-1/2 inch width, 0.105 inch thick, 24 inch length, with 2 inch long, 90 degree bend at each end to form a U or Z shape or with cross pins, hot dip galvanized to ASTM A153/A153M Class B.
- D. Flexible Anchors: 2-piece anchors that permit differential movement between masonry and building frame, sized to provide not less than 5/8 inch of mortar coverage from masonry face.
  1. Steel frame: Crimped wire anchors for welding to frame, 0.25 inch thick, with trapezoidal wire ties 0.1875 inch thick, hot dip galvanized to ASTM A 153/A 153M, Class B.

#### **2.04 ACCESSORIES**

- A. Preformed Control Joints: Rubber material. Provide with corner and tee accessories, fused joints.
  1. Provide nominal 2.5-inch "standard" and "tee" configurations to suit application unless indicated otherwise.
- B. Joint Filler: Closed cell polyvinyl chloride; oversized 50 percent to joint width; self expanding; in maximum lengths available.
- C. Reinforcing Positioners: Provide wire positioners in bed joints to keep steel reinforcing bars centered in cells, fabricated of 0.1483-inch hot-dip galvanized steel wire.
  1. Available Products:
    - a. Heckmann Building Products, Inc.; No. 376 Rebar Positioner.
    - b. Hohmann & Barnard, Inc.; #RB or #RB-Twin Rebar Positioner.
    - c. Wire-Bond; O-Ring or Double O-Ring Rebar Positioner.
- D. Cleaning Solution: Non-acidic, not harmful to masonry work or adjacent materials.

#### **2.05 LINTELS**

- A. Masonry Lintels: Provide lintels fabricated from CMU bond beams, with steel reinforcing bars, and grouted continuous along entire length. Match adjacent CMU texture and coursing. Lintels may be either prefabricated or built in place.

#### **2.06 MORTAR AND GROUT MIXING**

- A. Mortar for Unit Masonry: ASTM C270, using the Proportion Specification.
  1. Masonry below grade and in contact with earth: Type S.
  2. Exterior, non-loadbearing masonry: Type N.
  3. Interior, non-loadbearing masonry: Type N or Type O.

### **PART 3 EXECUTION**

#### **3.01 EXAMINATION**

- A. Verify that field conditions are acceptable and are ready to receive masonry.
- B. Verify that related items provided under other sections are properly sized and located.
- C. Verify that built-in items are in proper location, and ready for roughing into masonry work.

#### **3.02 PREPARATION**

- A. Direct and coordinate placement of metal anchors supplied for installation under other sections.
- B. Provide temporary bracing during installation of masonry work. Maintain in place until building structure provides permanent bracing.

#### **3.03 COLD AND HOT WEATHER REQUIREMENTS**

- A. Comply with requirements of TMS 402/602 or applicable building code, whichever is more stringent.

#### **3.04 COURSING**

- A. Establish lines, levels, and coursing indicated. Protect from displacement.

FIRE STATIONS RENOVATION  
Arlington County, Virginia  
Architect's Project No.: 563006

---

- B. Maintain masonry courses to uniform dimension. Form vertical and horizontal joints of uniform thickness.
- C. Concrete Masonry Units:
  - 1. Bond: Running.
  - 2. Coursing: One unit and one mortar joint to equal 8 inches.
  - 3. Mortar Joints: Concave.

### **3.05 PLACING AND BONDING**

- A. Lay hollow masonry units with face shell bedding on head and bed joints.
- B. Buttering corners of joints or excessive furrowing of mortar joints is not permitted.
- C. Remove excess mortar and mortar smears as work progresses.
- D. Interlock intersections and external corners.
- E. Do not shift or tap masonry units after mortar has achieved initial set. Where adjustment must be made, remove mortar and replace.
- F. Perform job site cutting of masonry units with proper tools to provide straight, clean, unchipped edges. Prevent broken masonry unit corners or edges.
- G. Cut mortar joints flush where wall tile is scheduled or resilient base is scheduled.
- H. Isolate masonry partitions from vertical structural framing members with a control joint.
- I. Isolate top joint of masonry partitions from horizontal structural framing members and slabs or decks with compressible joint filler.

### **3.06 REINFORCEMENT AND ANCHORAGE - GENERAL AND SINGLE WYTHE MASONRY**

- A. Unless otherwise indicated on drawings or specified under specific wall type, install horizontal joint reinforcement 16 inches on center.
- B. Place masonry joint reinforcement in first and second horizontal joints above and below openings. Extend minimum 16 inches each side of opening.
- C. Place continuous joint reinforcement in first and second joint below top of walls.
- D. Embed longitudinal wires of joint reinforcement in mortar joint with at least 5/8 inch mortar cover on each side.
- E. Lap joint reinforcement ends minimum 6 inches.
- F. Fasten anchors to structural framing and embed in masonry joints as masonry is laid. Unless otherwise indicated on drawings or closer spacing is indicated under specific wall type, space anchors at maximum of 36 inches horizontally and 24 inches vertically.

### **3.07 LINTELS**

- A. Install reinforced unit masonry lintels over openings where steel or precast concrete lintels are not scheduled.
  - 1. Comply with requirements on Structural Drawings for additional lintel sizing, reinforcement, and installation requirements.
  - 2. Allow masonry lintels to attain specified strength before removing temporary supports.
- B. Maintain minimum 8 inch bearing on each side of opening.

### **3.08 CONTROL AND EXPANSION JOINTS**

- A. Do not continue horizontal joint reinforcement through control or expansion joints.
- B. Install preformed control joint device in continuous lengths. Seal butt and corner joints in accordance with manufacturer's instructions.
- C. Provide control and expansion joints at locations indicated on Drawings, and as follows:
  - 1. At changes in wall height.
  - 2. At changes in wall thickness
  - 3. At change in support (eg: transition from foundation support to floor slab support).
  - 4. Adjacent to corners of walls within a distance equal to no more than half the maximum control joint spacing.
  - 5. Wall intersections.

FIRE STATIONS RENOVATION  
Arlington County, Virginia  
Architect's Project No.: 563006

---

6. Do not place control joints closer than 16 inches to edge of wall openings (doors, windows, louvers, ducts).
7. Distance between joints shall not exceed a length to height ratio of 1.5:1.
8. Distance between joints shall not exceed 25 feet where no openings occur between joints.
9. Distance between joints shall not exceed 20 feet where openings occur between joints.

### 3.09 BUILT-IN WORK

- A. As work progresses, install built-in metal door frames, anchor bolts, and plates and other items to be built into the work and furnished under other sections.
- B. Install built-in items plumb, level, and true to line.
- C. Bed anchors of metal door frames in adjacent mortar joints. Fill frame voids solid with grout.
  1. Mix mortar (or grout) to a 4-inch maximum slump consistency and hand trowel into place in accordance with Steel Door Institute (SDI-100).
  2. Fill adjacent masonry cores with grout minimum 12 inches from framed openings.
- D. Do not build into masonry construction organic materials that are subject to deterioration.

### 3.10 TOLERANCES

- A. Install masonry within the site tolerances found in TMS 402/602.
- B. Maximum Variation From Unit to Adjacent Unit: 1/16 inch.
- C. Maximum Variation from Plane of Wall: 1/4 inch in 10 ft and 1/2 inch in 20 ft or more.
- D. Maximum Variation from Plumb: 1/4 inch per story non-cumulative; 1/2 inch in two stories or more.
- E. Maximum Variation from Level Coursing: 1/8 inch in 3 ft and 1/4 inch in 10 ft; 1/2 inch in 30 ft.
- F. Maximum Variation of Mortar Joint Thickness: Head joint, minus 1/4 inch, plus 3/8 inch.
- G. Maximum Variation from Cross Sectional Thickness of Walls: 1/4 inch.

### 3.11 CUTTING AND FITTING

- A. Cut and fit for chases, pipes, conduit, and other indicated built-in construction. Coordinate with other sections of work to provide correct size, shape, and location.
- B. Obtain approval prior to cutting or fitting masonry work not indicated or where appearance or strength of masonry work may be impaired.

### 3.12 FIELD QUALITY CONTROL

- A. An independent testing agency will perform field quality control tests, as specified in Section 014000 - Quality Requirements.
- B. Concrete Masonry Unit Tests: Test each variety of concrete unit masonry in accordance with ASTM C140/C140M for compliance with requirements of this specification.
- C. Mortar Tests: Test each type of mortar in accordance with ASTM C780, testing with same frequency as masonry samples.

### 3.13 CLEANING

- A. Remove excess mortar and mortar droppings.
- B. Replace defective mortar. Match adjacent work.
- C. Clean soiled surfaces with cleaning solution.
- D. Use non-metallic tools in cleaning operations.

### 3.14 PROTECTION

- A. Without damaging completed work, provide protective boards at exposed external corners that are subject to damage by construction activities.

**END OF SECTION**

FIRE STATIONS RENOVATION  
Arlington County, Virginia  
Architect's Project No.: 563006

---

**SECTION 055000  
METAL FABRICATIONS**

**PART 1 GENERAL**

**1.01 SUBMITTALS**

- A. See Section 013000 - Administrative Requirements, for submittal procedures.
- B. Shop Drawings: Indicate profiles, sizes, connection attachments, reinforcing, anchorage, size and type of fasteners, and accessories. Include erection drawings, elevations, and details where applicable.

**1.02 QUALITY ASSURANCE**

- A. Design miscellaneous steel fabrications and slotted channel framing assemblies under direct supervision of a Professional Structural Engineer experienced in design of this work and licensed in the State in which the Project is located.
- B. Welder Qualifications: Welding processes and welding operators qualified in accordance with AWS D1.1/D1.1M and AWS D1.2/D1.2M and dated no more than 12 months before start of scheduled welding work.

**PART 2 PRODUCTS**

**2.01 MATERIALS - STEEL**

- A. Steel Sections: ASTM A36/A36M.
- B. Steel Tubing: ASTM A501/A501M hot-formed structural tubing.
- C. Plates: ASTM A283/A283M.
- D. Pipe: ASTM A53/A53M, Grade B Schedule 40, black finish.
- E. Slotted Channel Fittings: ASTM A1011/A1011M.
- F. Mechanical Fasteners: Same material as or compatible with materials being fastened; type consistent with design and specified quality level.
- G. Bolts, Nuts, and Washers: ASTM A307, Grade A, plain.
- H. Welding Materials: AWS D1.1/D1.1M; type required for materials being welded.
- I. Shop and Touch-Up Primer: SSPC-Paint 15, complying with VOC limitations of authorities having jurisdiction.
- J. Touch-Up Primer for Galvanized Surfaces: SSPC-Paint 20, Type I - Inorganic, complying with VOC limitations of authorities having jurisdiction.

**2.02 FABRICATION**

- A. Fit and shop assemble items in largest practical sections, for delivery to site.
- B. Fabricate items with joints tightly fitted and secured.
- C. Continuously seal joined members by continuous welds.
- D. Grind exposed joints flush and smooth with adjacent finish surface. Make exposed joints butt tight, flush, and hairline. Ease exposed edges to small uniform radius.
- E. Supply components required for anchorage of fabrications. Fabricate anchors and related components of same material and finish as fabrication, except where specifically noted otherwise.

**2.03 FABRICATED ITEMS**

- A. Slotted Channel Framing: Fabricate channels and fittings from structural steel complying with the referenced standards; factory-applied, rust-inhibiting thermoset acrylic enamel finish.
- B. Perforated Metal Screen: Perforated aluminum sheet, 0.040" (18 gauge) minimum thickness; 3/32-inch diameter holes on 3/16-inch staggered centers, 23 percent open area.
  - 1. Provide screens in single sheet at each indicated location, with no joints or seams.
  - 2. Provide 1-1/2" x 1-1/2" aluminum angle trim clips at each side, for minimum 3 fasteners per side; equally spaced at top, middle, and bottom of each panel.

FIRE STATIONS RENOVATION  
Arlington County, Virginia  
Architect's Project No.: 563006

---

**2.04 FINISHES - STEEL**

- A. Prime paint steel items.
  - 1. Exceptions: Galvanize items to be embedded in concrete and items to be embedded in masonry.
- B. Prepare surfaces to be primed in accordance with SSPC-SP2.
- C. Clean surfaces of rust, scale, grease, and foreign matter prior to finishing.
- D. Prime Painting: One coat.
- E. Slotted Channel Framing: ASTM A653/A653M, Grade 33.
- F. Stainless Steel Finish: No. 4 Bright Polished finish.

**2.05 FABRICATION TOLERANCES**

- A. Squareness: 1/8 inch maximum difference in diagonal measurements.
- B. Maximum Offset Between Faces: 1/16 inch.
- C. Maximum Misalignment of Adjacent Members: 1/16 inch.
- D. Maximum Bow: 1/8 inch in 48 inches.
- E. Maximum Deviation From Plane: 1/16 inch in 48 inches.

**PART 3 EXECUTION**

**3.01 EXAMINATION**

- A. Verify that field conditions are acceptable and are ready to receive work.

**3.02 PREPARATION**

- A. Clean and strip primed steel items to bare metal where site welding is required.
- B. Supply setting templates to the appropriate entities for steel items required to be cast into concrete or embedded in masonry.

**3.03 INSTALLATION**

- A. Install items plumb and level, accurately fitted, free from distortion or defects.
- B. Provide for erection loads, and for sufficient temporary bracing to maintain true alignment until completion of erection and installation of permanent attachments.
- C. Perform field welding in accordance with AWS D1.1/D1.1M.
- D. Obtain approval prior to site cutting or making adjustments not scheduled.
- E. After erection, prime welds, abrasions, and surfaces not shop primed, except surfaces to be in contact with concrete.

**3.04 TOLERANCES**

- A. Maximum Variation From Plumb: 1/4 inch.
- B. Maximum Offset From True Alignment: 1/4 inch.
- C. Maximum Out-of-Position: 1/4 inch.

**END OF SECTION**

FIRE STATIONS RENOVATION  
Arlington County, Virginia  
Architect's Project No.: 563006

---

**SECTION 061000  
ROUGH CARPENTRY**

**PART 1 GENERAL**

**1.01 SUBMITTALS**

- A. See Section 013000 - Administrative Requirements for submittal procedures.
- B. Product Data: Provide technical data on wood preservative materials and application instructions.

**1.02 DELIVERY, STORAGE, AND HANDLING**

- A. General: Cover wood products to protect against moisture. Support stacked products to prevent deformation and to allow air circulation.
- B. Fire Retardant Treated Wood: Prevent exposure to precipitation during shipping, storage, and installation.

**PART 2 PRODUCTS**

**2.01 GENERAL REQUIREMENTS**

- A. Dimension Lumber: Comply with PS 20 and requirements of specified grading agencies.
  - 1. If no species is specified, provide species graded by the agency specified; if no grading agency is specified, provide lumber graded by grading agency meeting the specified requirements.
  - 2. Grading Agency: Grading agency whose rules are approved by the Board of Review, American Lumber Standard Committee at [www.alsc.org](http://www.alsc.org), and who provides grading service for the species and grade specified; provide lumber stamped with grade mark unless otherwise indicated.

**2.02 DIMENSION LUMBER FOR CONCEALED APPLICATIONS**

- A. Grading Agency: Southern Pine Inspection Bureau, Inc; SPIB (GR).
- B. Sizes: Nominal sizes as indicated on drawings, S4S.
- C. Moisture Content: S-dry or MC19.
- D. Miscellaneous Framing, Blocking, Nailers, Grounds, and Furring:
  - 1. Lumber: S4S, No. 2 or Standard Grade.
  - 2. Boards: Standard or No. 3.

**2.03 CONSTRUCTION PANELS**

- A. Plywood Sheathing, For Roof/Coping: PS 2 type, rated Structural I Sheathing.
  - 1. Bond Classification: Exposure 1.
  - 2. Performance Category: 3/4 PERF CAT.
- B. Communications and Electrical Room Mounting Boards: PS 1 A-D plywood, or medium density fiberboard; 3/4 inch thick; flame spread index of 25 or less, smoke developed index of 450 or less, when tested in accordance with ASTM E84.
- C. Other Applications: Provide in thickness indicated.
  - 1. Concealed Plywood Not Exposed to Weather: PS 1, Exposure 1, A-D or better.
  - 2. Other Locations: PS 1, C-D Plugged or better.

**2.04 ACCESSORIES**

- A. Fasteners and Anchors:
  - 1. Metal and Finish: Hot-dipped galvanized steel complying with ASTM A153/A153M for high humidity and preservative-treated wood locations, unfinished steel elsewhere.
  - 2. Drywall Screws: Bugle head, hardened steel, power driven type, length three times thickness of sheathing.
  - 3. Anchors: Toggle bolt type for anchorage to hollow masonry.
  - 4. Fasteners for Parapet Nailers:
    - a. For masonry backup: 1/4-inch diameter low profile flat head type concrete screw anchors, at spacing indicated. Length to suit embedment into CMU of 1-1/4 inches minimum. Pullout capacity of 100 lb minimum at 1 inch embedment in face

FIRE STATIONS RENOVATION  
Arlington County, Virginia  
Architect's Project No.: 563006

---

shell of hollow CMU.

- B. Construction Adhesives: Adhesives complying with ASTM C557 or ASTM D3498.

## **2.05 FACTORY WOOD TREATMENT**

- A. Treated Lumber and Plywood: Comply with requirements of AWPA U1 - Use Category System for wood treatments determined by use categories, expected service conditions, and specific applications.
1. Fire-Retardant Treated Wood: Mark each piece of wood with producer's stamp indicating compliance with specified requirements.
  2. Preservative-Treated Wood: Provide lumber and plywood marked or stamped by an ALSC-accredited testing agency, certifying level and type of treatment in accordance with AWPA standards.
- B. Fire Retardant Treatment:
1. Interior Type A: AWPA U1, Use Category UCFA, Commodity Specification H, low temperature (low hygroscopic) type, chemically treated and pressure impregnated; capable of providing a maximum flame spread index of 25 when tested in accordance with ASTM E84, with no evidence of significant combustion when test is extended for an additional 20 minutes.
    - a. Kiln dry wood after treatment to a maximum moisture content of 19 percent for lumber and 15 percent for plywood.
    - b. Treat rough carpentry items as indicated .
    - c. Do not use treated wood in applications exposed to weather or where the wood may become wet.
- C. Preservative Treatment:
1. Preservative Pressure Treatment of Lumber Above Grade: AWPA U1, Use Category UC3B, Commodity Specification A using waterborne preservative.
    - a. Kiln dry lumber after treatment to maximum moisture content of 19 percent.
    - b. Treat lumber exposed to weather.
    - c. Treat lumber in contact with roofing, flashing, or waterproofing.
    - d. Treat lumber in contact with masonry or concrete.
    - e. Treat lumber less than 18 inches above grade.
    - f. Treat lumber in other locations as indicated.

## **PART 3 EXECUTION**

### **3.01 PREPARATION**

- A. Coordinate installation of rough carpentry members specified in other sections.

### **3.02 INSTALLATION - GENERAL**

- A. Select material sizes to minimize waste.
- B. Reuse scrap to the greatest extent possible; clearly separate scrap for use on site as accessory components, including: shims, bracing, and blocking.
- C. Where treated wood is used on interior, provide temporary ventilation during and immediately after installation sufficient to remove indoor air contaminants.

### **3.03 BLOCKING, NAILERS, AND SUPPORTS**

- A. Provide framing and blocking members as indicated or as required to support finishes, fixtures, specialty items, and trim.
- B. In walls, provide blocking attached to studs as backing and support for wall-mounted items, unless item can be securely fastened to two or more studs or other method of support is explicitly indicated.

### **3.04 ROOF-RELATED CARPENTRY**

- A. Coordinate installation of roofing carpentry with deck construction, framing of roof openings, and roofing assembly installation.
- B. Provide wood curb at all roof openings except where prefabricated curbs are specified and where specifically indicated otherwise. Form corners by alternating lapping side members.



FIRE STATIONS RENOVATION  
Arlington County, Virginia  
Architect's Project No.: 563006

---

**3.05 INSTALLATION OF CONSTRUCTION PANELS**

- A. Roof Sheathing: Secure panels with long dimension perpendicular to framing members, with ends staggered and over firm bearing. Provide masonry anchors compatible with masonry substrate.
  - 1. Parapet Blocking and Nailers: Secure parapet blocking and nailers to masonry substrate with screw anchors in 2 rows at 24 inches on center, staggered, except within 10 feet of building corners provide 2 rows at 16 inches on center, staggered. Install screw heads flush with uppermost surface of blocking or sheathing, if any, and in accordance with manufacturer's instructions.
- B. Wall Sheathing: Secure with long dimension perpendicular to wall studs, with ends over firm bearing and staggered, using screws.
- C. Communications and Electrical Room Mounting Boards: Secure with screws to studs with edges over firm bearing; space fasteners at maximum 24 inches on center on all edges and into studs in field of board.
  - 1. At fire-rated walls, install board over wall board indicated as part of the fire-rated assembly.
  - 2. Where boards are indicated as full floor-to-ceiling height, install with long edge of board parallel to studs.
  - 3. Install adjacent boards without gaps.

**3.06 CLEANING**

- A. Waste Disposal: See Section 017419 - Construction Waste Management and Disposal.
  - 1. Comply with applicable regulations.
  - 2. Do not burn scrap on project site.
  - 3. Do not burn scraps that have been pressure treated.
  - 4. Do not send materials treated with pentachlorophenol, CCA, or ACA to co-generation facilities or "waste-to-energy" facilities.
- B. Do not leave wood, shavings, sawdust, etc. on the ground or buried in fill.
- C. Prevent sawdust and wood shavings from entering the storm drainage system.

**END OF SECTION**

FIRE STATIONS RENOVATION  
Arlington County, Virginia  
Architect's Project No.: 563006

---

**SECTION 062000  
FINISH CARPENTRY**

**PART 1 GENERAL**

**1.01 SUBMITTALS**

- A. See Section 013000 - Administrative Requirements for submittal procedures.
- B. Product Data:
  - 1. Provide manufacturer's product data, storage and handling instructions for factory-fabricated units.
- C. Shop Drawings: Indicate materials, component profiles, fastening methods, jointing details, and accessories.
  - 1. Provide the information required by AWI/AWMAC/WI (AWS) or AWMAC/WI (NAAWS).
- D. Samples: Submit manufacturer's color charts for available stain colors.

**1.02 DELIVERY, STORAGE, AND HANDLING**

- A. Store finish carpentry items under cover, elevated above grade, and in a dry, well-ventilated area not exposed to heat or sunlight.
- B. Protect from moisture damage.
- C. Handle materials and products to prevent damage to edges, ends, or surfaces.

**PART 2 PRODUCTS**

**2.01 FINISH CARPENTRY ITEMS**

- A. Quality Standard: Custom Grade, in accordance with AWI/AWMAC/WI (AWS), unless noted otherwise.
- B. Surface Burning Characteristics: Provide materials having fire and smoke properties as required by applicable code.
- C. Interior Woodwork Items:
  - 1. Moldings, Bases, Casings, and Miscellaneous Trim: Select white maple; prepare for stained/transparent finish.

**2.02 FASTENINGS**

- A. Adhesive for Purposes Other Than Laminate Installation: Suitable for the purpose; not containing formaldehyde or other volatile organic compounds.
- B. Fasteners: Of size and type to suit application; zinc-coated steel finish except provide stainless steel in locations subject to water.

**2.03 ACCESSORIES**

- A. Lumber for Shimming and Blocking: Softwood lumber of per Division 6 "Rough Carpentry."
- B. Wood Filler: Solvent base, tinted to match surface finish color.

**2.04 FINISHING MATERIALS**

- A. Stain, Shellac, Varnish, and Finishing Materials: In compliance with AWI/AWMAC/WI (AWS), unless noted otherwise.

**2.05 FABRICATION**

- A. Shop assemble work for delivery to site, permitting passage through building openings.
- B. When necessary to cut and fit on site, provide materials with ample allowance for cutting. Provide trim for scribing and site cutting.

**2.06 FINISHING**

- A. Sand work smooth and set exposed nails and screws.
- B. Apply wood filler in exposed nail and screw indentations.
- C. On items to receive transparent finishes, use wood filler that matches surrounding surfaces and is of type recommended for the applicable finish.

FIRE STATIONS RENOVATION  
Arlington County, Virginia  
Architect's Project No.: 563006

---

- D. Finish work in accordance with AWI/AWMAC/WI (AWS), Section 5 - Finishing for grade specified and as follows:
  - 1. Transparent:
    - a. System - 5, Varnish, Conversion.
    - b. Stain: As selected by Architect.
    - c. Sheen: Satin.

**PART 3 EXECUTION**

**3.01 EXAMINATION**

- A. Verify adequacy of backing and support framing.
- B. Verify mechanical, electrical, and building items affecting work of this section are placed and ready to receive this work.

**3.02 INSTALLATION**

- A. Install custom fabrications in accordance with AWI/AWMAC/WI (AWS) requirements for grade indicated.
- B. Set and secure materials and components in place, plumb and level.
- C. Carefully scribe work abutting other components, with maximum gaps of 1/32 inch. Do not use additional overlay trim to conceal larger gaps.
- D. Install components with screws at 16 inch on center.

**3.03 SITE FINISHING**

- A. Set exposed fasteners. Apply wood filler in exposed fastener indentations. Sand work smooth.
- B. Wood Surfaces to Receive Transparent Finish: Wipe off dust and grit prior to sealing, seal knots, pitch streaks, and sappy sections with sealer. Fill nail holes and cracks after sealer has dried; sand lightly between coats. Prime concealed surfaces with gloss varnish reduced 25 percent with thinner.
- C. Apply products in accordance with manufacturer's written instructions.
- D. Do not apply finishes to surfaces that are not dry. Allow applied coats to dry before next coat is applied.
- E. Apply each coat to uniform appearance in thicknesses specified by manufacturer.
- F. Sand wood surfaces lightly between coats to achieve required finish.
- G. Vacuum clean surfaces of loose particles. Use tack cloth to remove dust and particles just prior to applying next coat.

**3.04 TOLERANCES**

- A. Maximum Variation from True Position: 1/16 inch.
- B. Maximum Offset from True Alignment with Abutting Materials: 1/32 inch.

**END OF SECTION**

FIRE STATIONS RENOVATION  
Arlington County, Virginia  
Architect's Project No.: 563006

---

**SECTION 079200  
JOINT SEALANTS**

**PART 1 GENERAL**

**1.01 SUBMITTALS**

- A. See Section 013000 - Administrative Requirements for submittal procedures.
- B. Product Data for Sealants: Submit manufacturer's technical data sheets for each product to be used, that includes the following.
  - 1. Physical characteristics, including movement capability, VOC content, hardness, cure time, and color availability.
  - 2. List of backing materials approved for use with the specific product.
  - 3. Substrates that product is known to satisfactorily adhere to and with which it is compatible.
  - 4. Substrates the product should not be used on.
- C. Product Data for Accessory Products: Submit manufacturer's technical data sheet for each product to be used, including physical characteristics, installation instructions, and recommended tools.
- D. Color Cards for Selection: Where sealant color is not specified, submit manufacturer's color cards showing standard colors available for selection.
- E. Preconstruction Laboratory Test Reports: Submit at least four weeks prior to start of installation.
- F. Preinstallation Field Adhesion Test Plan: Submit at least two weeks prior to start of installation.
- G. Preinstallation Field Adhesion Test Reports: Submit filled out Preinstallation Field Adhesion Test Reports log within 10 days after completion of tests; include bagged test samples and photographic records.

**1.02 QUALITY ASSURANCE**

- A. Installer Qualifications: Company specializing in performing the work of this section, and is approved and/or certified by manufacturer.
  - B. Preconstruction Laboratory Testing: Arrange for sealant manufacturer(s) to test each combination of sealant, substrate, backing, and accessories.
    - 1. Adhesion Testing: In accordance with ASTM C794.
    - 2. Compatibility Testing: In accordance with ASTM C1087.
    - 3. Allow sufficient time for testing to avoid delaying the work.
    - 4. Deliver to manufacturer sufficient samples for testing.
    - 5. Report manufacturer's recommended corrective measures, if any, including primers or techniques not indicated in product data submittals.
    - 6. Testing is not required if sealant manufacturer provides data showing previous testing, not older than 24 months, that shows satisfactory adhesion, lack of staining, and compatibility.
  - C. Preinstallation Field Adhesion Test Plan: Include destructive field adhesion testing of one sample of each combination of sealant type and substrate, except interior acrylic latex sealants, and include the following for each tested sample.
    - 1. Identification of testing agency.
    - 2. Preinstallation Field Adhesion Test Log Form: Include the following data fields, with known information filled out.
      - a. Test date.
      - b. Copy of test method documents.
      - c. Age of sealant upon date of testing.
      - d. Test results, modeled after the sample form in the test method document.
      - e. Indicate use of photographic record of test.
  - D. Field Adhesion Test Procedures:
    - 1. Allow sealants to fully cure as recommended by manufacturer before testing.
-

**FIRE STATIONS RENOVATION**  
Arlington County, Virginia  
Architect's Project No.: 563006

---

2. Have a copy of the test method document available during tests.
  3. Record the type of failure that occurred, other information required by test method, and the information required on the Field Quality Control Log.
  4. When performing destructive tests, also inspect the opened joint for proper installation characteristics recommended by manufacturer, and report any deficiencies.
  5. Deliver the samples removed during destructive tests in separate sealed plastic bags, identified with project, location, test date, and test results, to Owner.
  6. If any combination of sealant type and substrate does not show evidence of minimum adhesion or shows cohesion failure before minimum adhesion, report results to Architect.
- E. Destructive Field Adhesion Test: Test for adhesion in accordance with ASTM C1521, using Destructive Tail Procedure.
1. Sample: At least 18 inches long.
  2. Minimum Elongation Without Adhesive Failure: Consider the tail at rest, not under any elongation stress; multiply the stated movement capability of the sealant in percent by two; then multiply 1 inch by that percentage; if adhesion failure occurs before the "1 inch mark" is that distance from the substrate, the test has failed.
  3. If either adhesive or cohesive failure occurs prior to minimum elongation, take necessary measures to correct conditions and re-test; record each modification to products or installation procedures.

### **1.03 WARRANTY**

- A. See Section 017800 - Closeout Submittals for additional warranty requirements.
- B. Correct defective work within a five year period after Date of Substantial Completion.
- C. Warranty: Include coverage for installed sealants and accessories that fail to achieve watertight seal, exhibit loss of adhesion or cohesion, or do not cure.

## **PART 2 PRODUCTS**

### **2.01 JOINT SEALANTS - GENERAL**

#### **2.02 NONSAG JOINT SEALANTS**

- A. Type ES-1 - Low-Modulus Non-Staining Silicone Sealant: ASTM C920, Grade NS, Uses M and A; not expected to withstand continuous water immersion or traffic.
  1. Movement Capability: Plus and minus 50 percent, minimum.
  2. Non-Staining To Porous Substrates: Non-staining to light-colored natural stone when tested in accordance with ASTM C1248.
  3. Dirt Pick-Up: Reduced dirt pick-up compared to other silicone sealants.
  4. Manufacturers:
    - a. Master Builders Solutions; MasterSeal NP 100.
    - b. Momentive Performance Materials, Inc/GE Silicones; SCS2000 SilPruf.
    - c. Pecora Corporation; Pecora 890 NST (Non-Staining Technology) or 890 FST (Field Tint).
    - d. Polymeric Systems Inc; PSI-641.
    - e. Tremco Commercial Sealants & Waterproofing; Spectrem 3 or Spectrem 4-TS (Field Tint).
    - f. Substitutions: See Section 016000 - Product Requirements.
- B. Type ES-2 - Medium-Modulus Non-Staining Silicone Sealant: ASTM C920, Grade NS, Uses M and A; not expected to withstand continuous water immersion or traffic.
  1. Movement Capability: Plus and minus 50 percent, minimum.
  2. Non-Staining To Porous Substrates: Non-staining to light-colored natural stone when tested in accordance with ASTM C1248.
  3. Dirt Pick-Up: Reduced dirt pick-up compared to other silicone sealants.
  4. Manufacturers:
    - a. Dow; DOWSIL 795 Silicone Building Sealant.
    - b. Momentive Performance Materials, Inc/GE Silicones; SCS9000 SilPruf NB - Non-Staining Silicone Weatherproofing Sealant.
    - c. Pecora Corporation; Pecora 895 NST (Non-Staining Technology).

FIRE STATIONS RENOVATION  
Arlington County, Virginia  
Architect's Project No.: 563006

---

- d. Tremco Commercial Sealants & Waterproofing; Spectrem 2.
  - e. Substitutions: See Section 016000 - Product Requirements.
- C. Type ES-3 - Mildew-Resistant Silicone Sealant: ASTM C920, Grade NS, Uses M and A; single component, mildew resistant; not expected to withstand continuous water immersion or traffic. Neutral- or acid-curing per manufacturer standard.
- 1. Color: White.
  - 2. Manufacturers:
    - a. Dow; DOWSIL 786 Mildew Resistant.
    - b. Momentive Performance Materials, Inc/GE Silicones; Sanitary SCS1700.
    - c. Pecora Corporation; Pecora 898 NST (Non-Staining Technology).
    - d. Tremco Commercial Sealants & Waterproofing; Tremsil 600 or Tremsil 200.
    - e. Substitutions: See Section 016000 - Product Requirements.
- D. ---- Hybrid Silane Polyether for Interior and Exterior Horizontal, Vertical and Overhead Use - ----
- E. Type ES-4 - Polyurethane Sealant: ASTM C920, Grade NS, Uses M and A; multi-component; not expected to withstand continuous water immersion or traffic.
- 1. Movement Capability: Plus and minus 25 percent, minimum.
  - 2. Manufacturers:
    - a. ITW Polymers Sealants; Permathane SM 7200.
    - b. Master Builders Solutions; Master Seal NP2.
    - c. Pecora Corporation; DynaTrol II.
    - d. Sika Corporation; Sikaflex-2c NS.
    - e. Tremco Commercial Sealants & Waterproofing; Dymeric 240 FC or Vulkem 227.
    - f. Substitutions: See Section 016000 - Product Requirements.
- F. Type LS-1 - Acrylic Emulsion Latex: Water-based; ASTM C834, single component, non-staining, non-bleeding, non-sagging; not intended for exterior use.
- 1. Color: Standard colors matching finished surfaces, Type OP (opaque).
  - 2. Grade: ASTM C834; Grade NF.
  - 3. Manufacturers:
    - a. Bostik Findley, Inc; Chem-Calk 600.
    - b. ITW Polymers Sealants; SM 8200.
    - c. Master Builders Solutions; MasterSeal NP 520.
    - d. Pecora Corporation; AC-20 +Silicone.
    - e. Tremco Commercial Sealants & Waterproofing; Tremflex 834.
    - f. Substitutions: See Section 016000 - Product Requirements.
- G. Type AS-1 - Acrylic Emulsion Latex: Water-based; ASTM C834, single component, non-staining, non-bleeding, non-sagging acoustical sealant.
- 1. Color: Standard colors matching finished surfaces, Type OP (opaque).
  - 2. Grade: ASTM C834; Grade NF.
  - 3. Manufacturers:
    - a. Accumetric LLC; BOSS 826 Acoustical Sound Sealant.
    - b. Franklin International, Inc; Titebond GREENchoice Acoustical Smoke & Sound Sealant.
    - c. Hilti, Inc; CP 506 Smoke and Acoustical Sealant.
    - d. Master Builders Solutions; MasterSeal NP 520.
    - e. Momentive Performance Materials, Inc/GE Silicones; RCS20 Acoustical.
    - f. Pecora Corporation; AC-20 FTR or AIS-919.
    - g. Specified Technologies Inc; Smoke N' Sound Acoustical Sealant: [www.stifirestop.com/#sle](http://www.stifirestop.com/#sle).
    - h. Tremco Commercial Sealants & Waterproofing; Tremstop Smoke and Sound.
    - i. Substitutions: See Section 016000 - Product Requirements.
- H. Type SRS-1 - Butyl Sealant: Solvent-based; ASTM C1311; single component, nonsag; not expected to withstand continuous water immersion or traffic.
- 1. Manufacturers:

FIRE STATIONS RENOVATION  
Arlington County, Virginia  
Architect's Project No.: 563006

---

- a. Bostik, Inc; Chem-Calk 300.
- b. Pecora Corporation; Pecora BC-158 Butyl Rubber Sealant.
- c. Tremco Commercial Sealants & Waterproofing; Tremco Butyl Sealant.

### 2.03 SELF-LEVELING SEALANTS

- A. Type ES-5 - Self-Leveling Polyurethane Sealant for Traffic: Polyurethane; ASTM C920, Grade P, Uses M and A; single- or multi-component; explicitly approved by manufacturer for traffic exposure.
  1. Movement Capability: Plus and minus 25 percent, minimum.
  2. Manufacturers:
    - a. Bostik Findley; Chem-Calk 550.
    - b. ITW Polymers Sealants; Permathane SM 7201.
    - c. Pacific Polymers, Inc; Elasto-Thane 227 Type 1 (Self-Leveling).
    - d. Polymeric Systems, Inc; PSI-270SL.
    - e. Tremco Commercial Sealants & Waterproofing; THC-901 or THC-900.
    - f. W. R. MEADOWS, Inc; POURTHANE SL.
    - g. Substitutions: See Section 016000 - Product Requirements.
- B. ---- Hybrid Silane Polyether for Interior and Exterior Horizontal Applications ----
- C. ---- Joint Filler for Expansion Joints in Concrete of Multi-Story Parking Garages ----

### 2.04 ACCESSORIES

- A. Backer Rod: Cylindrical cellular foam rod with surface that sealant will not adhere to, compatible with specific sealant used, and recommended by backing and sealant manufacturers for specific application.
- B. Backing Tape: Self-adhesive polyethylene tape with surface that sealant will not adhere to and recommended by tape and sealant manufacturers for specific application.
- C. Masking Tape: Self-adhesive, nonabsorbent, non-staining, removable without adhesive residue, and compatible with surfaces adjacent to joints and sealants.
- D. Joint Cleaner: Non-corrosive and non-staining type, type recommended by sealant manufacturer; compatible with joint forming materials.
- E. Primers: Type recommended by sealant manufacturer to suit application; non-staining.

## PART 3 EXECUTION

### 3.01 EXAMINATION

- A. Verify that joints are ready to receive work.
- B. Verify that backing materials are compatible with sealants.
- C. Verify that backer rods are of the correct size.
- D. Preinstallation Adhesion Testing: Install a sample for each test location indicated in the test plan.
  1. Test each sample as specified in PART 1 under QUALITY ASSURANCE article.
  2. Notify Architect of date and time that tests will be performed, at least seven days in advance.
  3. Record each test on Preinstallation Adhesion Test Log as indicated.
  4. If any sample fails, review products and installation procedures, consult manufacturer, or take whatever other measures are necessary to ensure adhesion; re-test in a different location; if unable to obtain satisfactory adhesion, report to Architect.
  5. After completion of tests, remove remaining sample material and prepare joint for new sealant installation.

### 3.02 PREPARATION

- A. Remove loose materials and foreign matter that could impair adhesion of sealant.
- B. Clean joints, and prime as necessary, in accordance with manufacturer's instructions.
- C. Perform preparation in accordance with manufacturer's instructions and ASTM C1193.

FIRE STATIONS RENOVATION  
Arlington County, Virginia  
Architect's Project No.: 563006

---

- D. Mask elements and surfaces adjacent to joints from damage and disfigurement due to sealant work; be aware that sealant drips and smears may not be completely removable.

**3.03 INSTALLATION**

- A. Perform work in accordance with sealant manufacturer's requirements for preparation of surfaces and material installation instructions.
- B. Perform installation in accordance with ASTM C1193.
- C. Perform acoustical sealant application work in accordance with ASTM C919.
- D. Measure joint dimensions and size joint backers to achieve width-to-depth ratio, neck dimension, and surface bond area as recommended by manufacturer, except where specific dimensions are indicated.
- E. Install bond breaker backing tape where backer rod cannot be used.
- F. Install sealant free of air pockets, foreign embedded matter, ridges, and sags, and without getting sealant on adjacent surfaces.
- G. Do not install sealant when ambient temperature is outside manufacturer's recommended temperature range, or will be outside that range during the entire curing period, unless manufacturer's approval is obtained and instructions are followed.
- H. Nonsag Sealants: Tool surface concave, unless otherwise indicated; remove masking tape immediately after tooling sealant surface.

**3.04 FIELD QUALITY CONTROL**

- A. Perform field quality control inspection/testing as specified in PART 1 under QUALITY ASSURANCE article.
- B. Destructive Adhesion Testing: If there are any failures in first 1000 linear feet, notify Architect immediately.
- C. Remove and replace failed portions of sealants using same materials and procedures as indicated for original installation.
- D. Repair destructive test location damage immediately after evaluation and recording of results.

**END OF SECTION**



FIRE STATIONS RENOVATION  
Arlington County, Virginia  
Architect's Project No.: 563006

---

**SECTION 081113  
STEEL DOORS AND FRAMES**

**PART 1 GENERAL**

**1.01 SUBMITTALS**

- A. See Section 013000 - Administrative Requirements for submittal procedures.
- B. Product Data: Materials and details of design and construction, hardware locations, reinforcement type and locations, anchorage and fastening methods, and finishes.
- C. Shop Drawings: Details of each opening, showing elevations, glazing, frame profiles, and any indicated finish requirements.

**1.02 QUALITY ASSURANCE**

- A. Maintain at project site copies of reference standards relating to installation of products specified.

**1.03 DELIVERY, STORAGE, AND HANDLING**

- A. Comply with NAAMM HMMA 840 or ANSI/SDI A250.8 (SDI-100) in accordance with specified requirements.
- B. Protect with resilient packaging; avoid humidity build-up under coverings; prevent corrosion and adverse effects on factory applied painted finish.

**PART 2 PRODUCTS**

**2.01 MANUFACTURERS**

- A. Hollow Metal Doors and Frames:
  - 1. Ceco Door, an Assa Abloy Group company.
  - 2. Curries, an Assa Abloy Group company.
  - 3. Fleming Door Products, an Assa Abloy Group company.
  - 4. Krieger Specialty Products.
  - 5. Mesker, dormakaba Group.
  - 6. Pioneer Industries, Inc.; an Assa Abloy Group company.
  - 7. Republic Doors, an Allegion brand.
  - 8. Steelcraft, an Allegion brand.
  - 9. Technical Glass Products.

**2.02 PERFORMANCE REQUIREMENTS**

- A. Requirements for Hollow Metal Doors and Frames:
  - 1. Steel Sheet: Comply with one or more of the following requirements; galvanized steel complying with ASTM A653/A653M, cold-rolled steel complying with ASTM A1008/A1008M, or hot-rolled pickled and oiled (HRPO) steel complying with ASTM A1011/A1011M, commercial steel (CS) Type B, for each.
  - 2. Accessibility: Comply with ICC A117.1 and ADA Standards.
  - 3. Door Top and Bottom Closures: Flush end closure channel, with top and door faces aligned.
    - a. Inverted channel closure is acceptable for bottom edges and top edges of interior doors that are not exposed to view from above.
  - 4. Door Edge Profile: Hinged edge square, and lock edge beveled.
  - 5. Typical Door Face Sheets: Flush.
  - 6. Glazed Lights: Non-removable stops on non-secure side; sizes and configurations as indicated on drawings. Style: Manufacturers standard.
  - 7. Hardware Preparations, Selections and Locations: Comply with NAAMM HMMA 830 and NAAMM HMMA 831 or BHMA A156.115 and ANSI/SDI A250.8 (SDI-100) in accordance with specified requirements.
  - 8. Zinc Coating for Typical Interior and/or Exterior Locations: Provide metal components zinc-coated (galvanized) and/or zinc-iron alloy-coated (galvanized) by the hot-dip process in accordance with ASTM A653/A653M, with manufacturer's standard coating thickness, unless noted otherwise for specific hollow metal doors and frames.

FIRE STATIONS RENOVATION  
Arlington County, Virginia  
Architect's Project No.: 563006

---

- a. Based on SDI Standards: Provide at least A40/ZF120 (galvannealed) when necessary, coating not required for typical interior door applications, and at least A60/ZF180 (galvannealed) for corrosive locations.
- B. Combined Requirements: If a particular door and frame unit is indicated to comply with more than one type of requirement, comply with the specified requirements for each type; for instance, an exterior door that is also indicated as being sound-rated must comply with the requirements specified for exterior doors and for sound-rated doors; where two requirements conflict, comply with the most stringent.

### **2.03 HOLLOW METAL DOORS**

- A. Door Finish: Factory primed and field finished.
- B. Interior Doors, Non-Fire-Rated: Fabricate from either cold-rolled steel sheet or metallic-coated steel sheet.
  - 1. Based on SDI Standards: ANSI/SDI A250.8 (SDI-100).
    - a. Level 2 - Heavy-duty.
    - b. Physical Performance Level B, 500,000 cycles; in accordance with ANSI/SDI A250.4.
    - c. Model 1 - Full Flush.
    - d. Door Face Metal Thickness: 18 gauge, 0.042 inch, minimum.
  - 2. Door Core Material: Manufacturers standard core material/construction and in compliance with requirements, except kraft paper honeycomb core is not acceptable.
  - 3. Door Thickness: 1-3/4 inches, nominal.

### **2.04 HOLLOW METAL FRAMES**

- A. Comply with standards and/or custom guidelines as indicated for corresponding door in accordance with applicable door frame requirements.
- B. Frame Finish: Factory primed and field finished.
- C. Interior Door Frames, Non-Fire Rated: Face welded type.
  - 1. Frame Metal Thickness: 16 gauge, 0.053 inch, minimum.
- D. Frames for Wood Doors: Comply with frame requirements in accordance with corresponding door.
- E. Provide mortar guard boxes for hardware cut-outs in frames to be installed in masonry or to be grouted.
- F. Frames in Masonry Walls: Size to suit masonry coursing with head member 4 inches high to fill opening without cutting masonry units.

### **2.05 FINISHES**

- A. Primer: Rust-inhibiting, complying with ANSI/SDI A250.10, door manufacturer's standard.

### **2.06 ACCESSORIES**

- A. Removable and Fixed Stops: Formed sheet steel, mitered or butted corners; prepared for countersink style tamper proof screws.
  - 1. Provide fixed stops toward the secure side of interior glazed lites (for example, toward the corridor or more public accessible spaces).
  - 2. Heights of Stops: Unless otherwise indicated or recommended by glazing manufacturer, provide standard 5/8-inch height stops where allowed by standards.
- B. Mechanical Fasteners for Concealed Metal-to-Metal Connections: Self-drilling, self-tapping, steel with electroplated zinc finish.
- C. Grout for Frames: Mortar grout complying with ASTM C476 with maximum slump of 4 inches as measured in accordance with ASTM C143/C143M for hand troweling in place; plaster grout and thinner pumpable grout are prohibited.
- D. Silencers: Resilient rubber, fitted into drilled hole; provide three on strike side of single doors.
- E. Temporary Frame Spreaders: Provide for factory- or shop-assembled frames.

FIRE STATIONS RENOVATION  
Arlington County, Virginia  
Architect's Project No.: 563006

---

**PART 3 EXECUTION**

**3.01 EXAMINATION**

- A. Verify existing conditions before starting work.
- B. Verify that opening sizes and tolerances are acceptable.
- C. Verify that finished walls are in plane to ensure proper door alignment.

**3.02 INSTALLATION**

- A. Install doors and frames in accordance with manufacturer's instructions and related requirements of specified door and frame standards or custom guidelines indicated.
  - 1. Install in accordance with ANSI/SDI A250.11.
  - 2. Do not remove temporary frame spreaders until after frames have been properly set and secured.
- B. Coordinate frame anchor placement with wall construction.
- C. Grout frames in masonry construction, using hand trowel methods; brace frames so that pressure of grout before setting will not deform frames.
- D. Install door hardware as specified in Section 087100.
- E. Comply with glazing installation requirements of Section 088000.
- F. Coordinate installation of electrical connections to electrical hardware items.
- G. Touch up damaged factory finishes.

**3.03 TOLERANCES**

- A. Clearances Between Door and Frame: Comply with related requirements of specified frame standards or custom guidelines indicated in accordance with SDI 117 or NAAMM HMMA 861.
- B. Maximum Diagonal Distortion: 1/16 inch measured with straight edge, corner to corner.

**3.04 ADJUSTING**

- A. Adjust for smooth and balanced door movement.

**END OF SECTION**

FIRE STATIONS RENOVATION  
Arlington County, Virginia  
Architect's Project No.: 563006

---

**SECTION 083100  
ACCESS DOORS AND PANELS**

**PART 1 GENERAL**

**1.01 SUBMITTALS**

- A. See Section 013000 - Administrative Requirements, for submittal procedures.
- B. Product Data: Provide sizes, types, finishes, hardware, scheduled locations, and details of adjoining work.
- C. Shop Drawings: Indicate exact position of each access door and/or panel unit.

**1.02 COORDINATION**

- A. Verification: Determine specific locations and sizes for access doors needed to gain access to concealed plumbing, mechanical, or other concealed work, and indicate in the schedule specified in "Submittals" Article.
  - 1. This (083100) material specification includes access doors required for Divisions 21 (Fire Suppression), Division 22, (Plumbing), 23 (HVAC) and Division 26 (Electrical) work and any other access doors indicated on Drawings.

**PART 2 PRODUCTS**

**2.01 WALL AND CEILING MOUNTED ACCESS UNITS**

- A. Manufacturers:
  - 1. Activar Construction Products Group, Inc. - JL Industries.
  - 2. ACUDOR Products Inc.
  - 3. Babcock-Davis.
  - 4. Bauco; Access Panel Solutions Inc.
  - 5. Best Access Doors.
  - 6. Cendrex, Inc.
  - 7. Karp Associates, Inc.
  - 8. Larsen's Manufacturing Company.
  - 9. Milcor, Inc.
  - 10. Nystrom, Inc.
  - 11. Williams Brothers Corporation of America.
  - 12. Substitutions: See Section 016000 - Product Requirements.
- B. Wall and Ceiling Mounted Units: Factory fabricated door and frame, fully assembled units with corner joints welded, filled and ground flush; square and without rack or warp; coordinate requirements with type of installation assembly being used for each unit.
  - 1. Material: Steel.
  - 2. Style (Gypsum Board locations): Recessed door panel for infill with wall/ceiling finish.
    - a. Gypsum Board Mounting Criteria: Use drywall bead type frame.
  - 3. Style (Masonry locations): Exposed frame, with door surface flush with frame surface.
  - 4. Door Style: Double-skinned hollow panel.
  - 5. Frames: 16 gauge, 0.0598 inch, minimum thickness.
  - 6. Double-Skinned Hollow Steel Sheet Door Panels: 16 gauge, 0.059 inch, minimum thickness, on both sides and along each edge.
  - 7. Steel Finish: Primed.
  - 8. Hardware:
    - a. Hinges for Non-Fire-Rated Units: Concealed, constant force closure spring type.
    - b. Latch/Lock: Screw driver slot for quarter turn cam latch.

**PART 3 EXECUTION**

**3.01 EXAMINATION**

- A. Verify that rough openings are correctly sized and located.
- B. Begin installation only after substrates have been properly prepared, and if the responsibility of another installer, notify Architect of unsatisfactory preparation before proceeding.

FIRE STATIONS RENOVATION  
Arlington County, Virginia  
Architect's Project No.: 563006

---

**3.02 PREPARATION**

- A. Clean surfaces thoroughly prior to proceeding with this work.
- B. Prepare surfaces using methods recommended by manufacturer for applicable substrates in accordance with project conditions.

**3.03 INSTALLATION**

- A. Install units in accordance with manufacturer's instructions.
- B. Install frames plumb and level in openings, and secure units rigidly in place.
- C. Position units to provide convenient access to concealed equipment when necessary.

**END OF SECTION**

FIRE STATIONS RENOVATION  
Arlington County, Virginia  
Architect's Project No.: 563006

---

**SECTION 092216**  
**COLD FORMED STEEL FRAMING - NON-STRUCTURAL (CFSF-NS)**

**PART 1 GENERAL**

**1.01 SUBMITTALS**

- A. See Section 013000 - Administrative Requirements for submittal procedures.
- B. Product Data: Provide data describing framing member materials and finish, product criteria, load charts, and limitations.

**PART 2 PRODUCTS**

**2.01 FRAMING MATERIALS**

- A. Non-Loadbearing Framing System Components: ASTM C645; galvanized sheet steel, of size and properties necessary to comply with ASTM C754 for the spacing indicated, with maximum deflection of wall framing of L/240 at 5 psf.
  - 1. Studs: C shaped with knurled or embossed faces.
  - 2. Runners: U shaped, sized to match studs.
  - 3. Furring: Hat-shaped sections, minimum depth of 7/8 inch.
- B. Partition Head to Structure Connections: Provide track fastened to structure with legs of sufficient length to accommodate deflection, for friction fit of studs cut short and braced with continuous bridging on both sides.
- C. Non-Loadbearing Framing Accessories:
  - 1. Partial Height Wall Framing Support: Provides stud reinforcement and anchored connection to floor.
  - 2. Framing Connectors: ASTM A653/A653M G90 galvanized steel clips; secures cold rolled channel to wall studs for lateral bracing.
  - 3. Sheet Metal Backing: 0.036 inch thick, galvanized.
  - 4. Fasteners: ASTM C1002 self-piercing tapping screws.
  - 5. Anchorage Devices: Powder actuated.
  - 6. Acoustic Insulation: ASTM C665; preformed glass fiber, friction fit type, unfaced.

**2.02 FABRICATION**

- A. Fabricate assemblies of framed sections to sizes and profiles required.
- B. Fit, reinforce, and brace framing members to suit design requirements.

**PART 3 EXECUTION**

**3.01 EXAMINATION**

- A. Verify existing conditions before starting work.
- B. Verify that rough-in utilities are in proper location.

**3.02 INSTALLATION OF STUD FRAMING**

- A. Comply with requirements of ASTM C754.
- B. Extend partition framing to structure where indicated and to ceiling in other locations.
- C. Partitions Terminating at Ceiling: Attach ceiling runner securely to ceiling track in accordance with manufacturer's instructions.
- D. Partitions Terminating at Structure: Attach extended leg top runner to structure, maintain clearance between top of studs and structure, and brace both flanges of studs as indicated.
- E. Align and secure top and bottom runners at 24 inches on center.
- F. Fit runners under and above openings; secure intermediate studs to same spacing as wall studs.
- G. Install studs vertically at spacing indicated on drawings.
- H. Align stud web openings horizontally.
- I. Secure studs to tracks using crimping method. Do not weld.
- J. Fabricate corners using a minimum of three studs.

FIRE STATIONS RENOVATION  
Arlington County, Virginia  
Architect's Project No.: 563006

---

- K. Install double studs at wall openings, door and window jambs, not more than 2 inches from each side of openings.
- L. Brace stud framing system rigid.
- M. Coordinate erection of studs with requirements of door frames; install supports and attachments.
- N. Coordinate installation of bucks, anchors, and blocking with electrical, mechanical, and other work to be placed within or behind stud framing.
- O. Blocking: Use wood blocking secured to studs. Provide blocking for support of plumbing fixtures, toilet partitions, wall cabinets, toilet accessories, hardware, and opening frames.
- P. Furring: Install at spacing and locations shown on drawings. Lap splices a minimum of 6 inches.

**3.03 TOLERANCES**

- A. Maximum Variation From True Position: 1/8 inch in 10 feet.
- B. Maximum Variation From Plumb: 1/8 inch in 10 feet.

**END OF SECTION**

FIRE STATIONS RENOVATION  
Arlington County, Virginia  
Architect's Project No.: 563006

---

**SECTION 092900  
GYPSUM BOARD**

**PART 1 GENERAL**

**1.01 SUBMITTALS**

- A. See Section 013000 - Administrative Requirements for submittal procedures.
- B. Product Data: Provide data on gypsum board, glass mat faced gypsum board, accessories, and joint finishing system.

**PART 2 PRODUCTS**

**2.01 BOARD MATERIALS**

- A. Gypsum Wallboard: Paper-faced gypsum panels as defined in ASTM C1396/C1396M; sizes to minimize joints in place; with tapered edges.
  - 1. Application: Use for vertical surfaces and ceilings, unless otherwise indicated.
  - 2. Mold Resistance: Score of 10, when tested in accordance with ASTM D3273.
    - a. Mold-resistant board is required whenever gypsum board is indicated in rooms subject to steam or water, including mechanical rooms, toilet rooms, custodial rooms, and kitchens.
  - 3. Thickness:
    - a. Vertical Surfaces: 5/8 inch.
    - b. Ceilings: 5/8 inch.
- B. Tile Backing Board:
  - 1. Application: Surfaces behind tile in wet areas including tub and shower surrounds.
  - 2. Mold Resistance: Score of 10, when tested in accordance with ASTM D3273.
  - 3. ANSI Cement-Based Board: Non-gypsum-based; cementitious panels with glass fiber mesh embedded in front and back surfaces complying with ANSI A118.9 and ASTM C 1288 or ASTM C1325.
    - a. Thickness: 5/8 inch.
    - b. Available Products:
      - 1) FinPan, Inc.; Util-A-Crete Backer Board.
      - 2) National Gypsum Company; PermaBase Cement Board.
      - 3) USG Corporation; Durock Cement Board.

**2.02 GYPSUM WALLBOARD ACCESSORIES**

- A. Acoustic Insulation: ASTM C665; preformed glass fiber, friction fit type, unfaced. Thickness sized to fit metal stud cavity.
- B. Acoustic Sealant: Acrylic emulsion latex or water-based elastomeric sealant; do not use solvent-based non-curing butyl sealant. Refer to Division 7 Section "Joint Sealants."
- C. Putty Pads: Non-hardening endothermic material, in pad form, faced on both sides with fpoly liner, designed to seal around penetrations and wiring devices, enhancing acoustic performance.
  - 1. Nominal Size: 7-1/4 x 7-1/4 x 3/16 inches.
  - 2. Available Products:
    - a. 3M; Fire Barrier Moldable Putty Pads MPP+.
    - b. Hilti; Firestop Putty Pad, CFS-P PA.
    - c. Specified Technologies, Inc.; SpecSeal Putty Pad.
- D. Beads, Joint Accessories, and Other Trim: ASTM C1047, rigid plastic, galvanized steel, or rolled zinc, unless noted otherwise.
  - 1. Corner Beads: Low profile, for 90 degree outside corners.
  - 2. L-Trim: Sized to fit gypsum wallboard size(s) indicated.
- E. Acoustic Partition Closure at Storefront or Curtain Wall: Multi-piece rectangular-section assembly of nested U-shape aluminum extrusions for finished closure between aluminum storefront or curtainwall system vertical mullion (and glass where indicated), and partition assembly. Closure shall allow for movements of framing and glass it attaches to, and shall not allow direct metal to glass contact. Fill cavity of partition closure with acoustic batt



FIRE STATIONS RENOVATION  
Arlington County, Virginia  
Architect's Project No.: 563006

---

insulation.

1. Thickness: Aluminum closure plates not less than 0.125-inch thick.
  2. Acoustic Rating: Provide product with a minimum tested STC rating of 55.
    - a. Acoustic Material: Fungi- and microbe-resistant foam, Class A rated when tested per ASTM E 84.
  3. Acoustical Sealant: Seal both ends of partition closure with acoustical sealant.
  4. Finish: Powder coat; color selected by Architect from manufacturer's full range.
  5. Available Products:
    - a. Gordon, Inc; Mullion Mate.
    - b. Mull-It-Over Products; Mull-It-Over.
- F. Joint Materials: ASTM C475/C475M and as recommended by gypsum board manufacturer for project conditions.
1. Paper Tape: 2 inch wide, creased paper tape for joints and corners.
  2. Joint Compound: Drying type, vinyl-based, ready-mixed.
- G. Screws for Fastening of Gypsum Panel Products to Cold-Formed Steel Studs Less than 0.033 inches in Thickness and Wood Members: ASTM C1002; self-piercing tapping screws, corrosion-resistant.
- H. Screws for Fastening of Gypsum Panel Products to Steel Members from 0.033 to 0.112 inch in Thickness: ASTM C954; steel drill screws, corrosion-resistant.
- I. Anchorage to Substrate: Tie wire, nails, screws, and other metal supports, of type and size to suit application; to rigidly secure materials in place.

### **PART 3 EXECUTION**

#### **3.01 EXAMINATION**

- A. Verify that project conditions are appropriate for work of this section to commence.

#### **3.02 ACOUSTIC ACCESSORIES INSTALLATION**

- A. Acoustic Insulation: Place tightly within spaces, around cut openings, behind and around electrical and mechanical items within partitions, and tight to items passing through partitions.
- B. Acoustic Sealant: Install in accordance with manufacturer's instructions.

#### **3.03 BOARD INSTALLATION**

- A. Comply with ASTM C840, GA-216, and manufacturer's instructions. Install to minimize butt end joints, especially in highly visible locations.
- B. Single-Layer Nonrated: Install gypsum board in most economical direction, with ends and edges occurring over firm bearing.
- C. Cementitious Backing Board: Install over steel framing members where indicated, in accordance with ANSI A108.11 and manufacturer's instructions.
- D. Installation on Metal Framing: Use screws for attachment of gypsum board.

#### **3.04 INSTALLATION OF TRIM AND ACCESSORIES**

- A. Control Joints: Place control joints in compliance with ASTM C 840, consistent with lines of building spaces, and as indicated.
1. Not more than 30 feet apart on walls and ceilings over 50 feet long.
  2. At exterior soffits, not more than 30 feet apart in both directions.
- B. Corner Beads: Install at external corners, using longest practical lengths.
- C. Edge Trim: Install at locations where gypsum board abuts dissimilar materials.
- D. Putty Pads: Install putty pads on the backside of items penetrating gypsum board on STC-rated walls/partitions. Items include, but are not limited to, wiring devices, cable, conduit, and pipe. Completely cover and seal around each penetration.

#### **3.05 JOINT TREATMENT**

- A. Paper Faced Gypsum Board: Use paper joint tape, embed with drying type joint compound and finish with drying type joint compound.

FIRE STATIONS RENOVATION  
Arlington County, Virginia  
Architect's Project No.: 563006

---

- B. Finish gypsum board in accordance with levels defined in ASTM C840, as follows:
  - 1. Level 4: Walls and ceilings to receive paint finish or wall coverings, unless otherwise indicated.
  - 2. Level 2: In utility areas, behind cabinetry, and on backing board to receive tile finish.
  - 3. Level 1: Wall areas above finished ceilings, whether or not accessible in the completed construction.
- C. Tape, fill, and sand exposed joints, edges, and corners to produce smooth surface ready to receive finishes.
  - 1. Feather coats of joint compound so that camber is maximum 1/32 inch.
- D. Fill and finish joints and corners of cementitious backing board as recommended by manufacturer.

**3.06 TOLERANCES**

- A. Maximum Variation of Finished Gypsum Board Surface from True Flatness: 1/8 inch in 10 feet in any direction.

**END OF SECTION**

FIRE STATIONS RENOVATION  
Arlington County, Virginia  
Architect's Project No.: 563006

---

**SECTION 093000 – ADD 01  
TILING**

**PART 1 GENERAL**

**1.01 REFERENCE STANDARDS**

- A. ANSI A108.1a - American National Standard Specifications for Installation of Ceramic Tile in the Wet-Set Method, with Portland Cement Mortar 2017.
- B. ANSI A108.1b - American National Standard Specifications for Installation of Ceramic Tile on a Cured Portland Cement Mortar Setting Bed with Dry-Set or Latex-Portland Cement Mortar 2017.
- C. ANSI A108.1c - Contractor's Option: Installation of Ceramic Tile in the Wet-Set Method with Portland Cement Mortar or Installation of Ceramic Tile on a Cured Portland Cement Mortar Setting Bed with Dry-Set or Latex-Portland Cement Mortar 1999 (Reaffirmed 2021).
- D. ANSI A108.2 - American National Standard General Requirements: Materials, Environmental and Workmanship 2019.
- E. ANSI A108.4 - American National Standard Specifications for Installation of Ceramic Tile with Organic Adhesives or Water Cleanable Tile-Setting Epoxy Adhesive 2019.
- F. ANSI A108.5 - American National Standard Specifications for Installation of Ceramic Tile with Dry-Set Portland Cement Mortar or Latex-Portland Cement Mortar 2020.
- G. ANSI A108.6 - American National Standard Specifications for Installation of Ceramic Tile with Chemical Resistant, Water Cleanable Tile-Setting and -Grouting Epoxy 1999 (Reaffirmed 2019).
- H. ANSI A108.8 - American National Standard Specifications for Installation of Ceramic Tile with Chemical Resistant Furan Resin Mortar and Grout 1999 (Reaffirmed 2019).
- I. ANSI A108.9 - American National Standard Specifications for Installation of Ceramic Tile with Modified Epoxy Emulsion Mortar/Grout 1999 (Reaffirmed 2019).
- J. ANSI A108.10 - American National Standard Specifications for Installation of Grout in Tilework 2017.
- K. ANSI A108.12 - American National Standard for Installation of Ceramic Tile with EGP (Exterior Glue Plywood) Latex-Portland Cement Mortar 1999 (Reaffirmed 2019).
- L. ANSI A108.13 - American National Standard for Installation of Load Bearing, Bonded, Waterproof Membranes for Thin-Set Ceramic Tile and Dimension Stone 2005 (Reaffirmed 2021).
- M. ANSI A108.19 - American National Standard Specifications for Interior Installation of Gauged Porcelain Tiles and Gauged Porcelain Tile Panels/Slabs by the Thin-Bed Method Bonded with Modified Dry-Set Cement Mortar or Improved Modified Dry-Set Cement Mortar 2020.
- N. ANSI A118.3 - American National Standard Specifications for Chemical Resistant, Water Cleanable Tile-Setting and -Grouting Epoxy and Water Cleanable Tile-Setting Epoxy Adhesive 2013 (Revised).
- O. ANSI A118.4 - American National Standard Specifications for Modified Dry-Set Cement Mortar 2012 (Revised).
- P. ANSI A118.7 - American National Standard Specifications for High Performance Cement Grouts for Tile Installation 2010 (Reaffirmed 2016).
- Q. ANSI A118.10 - American National Standard Specifications for Load Bearing, Bonded, Waterproof Membranes For Thin-Set Ceramic Tile And Dimension Stone Installation 2014.
- R. ANSI A118.12 - American National Standard Specifications for Crack Isolation Membranes for Thin-Set Ceramic Tile and Dimension Stone Installation 2014.
- S. ANSI A118.15 - American National Standard Specifications for Improved Modified Dry-Set Cement Mortar 2012.

FIRE STATIONS RENOVATION  
Arlington County, Virginia  
Architect's Project No.: 563006

---

- T. ANSI A137.1 - American National Standard Specifications for Ceramic Tile 2021.
- U. TCNA (HB) - Handbook for Ceramic, Glass, and Stone Tile Installation 2019.

**1.02 ADMINISTRATIVE REQUIREMENTS**

- A. Preinstallation Meeting: Convene a preinstallation meeting at the Project Site one week before starting work of this section; require attendance by affected installers.
  - 1. Review substrate preparation requirements.
  - 2. Review each type of tile, mortar, grout, and TCNA installation methods.
  - 3. Review requirements for waterproofing and/or crack isolation membrane(s).

**1.03 SUBMITTALS**

- A. See Section 013000 - Administrative Requirements, for submittal procedures.
- B. Product Data: Provide manufacturers' data sheets on tile, mortar, grout, and accessories. Include instructions for using grouts and adhesives.
- C. Shop Drawings: Indicate tile layout, patterns, color arrangement, perimeter conditions, junctions with dissimilar materials, control and expansion joints, thresholds, ceramic accessories, and setting details.
  - 1. Include waterproofing details at floor drains, shower pans, cove base, and thresholds.
- D. Installer's Qualification Statement:
- E. Maintenance Data: Include recommended cleaning methods, cleaning materials, and stain removal methods.

**1.04 QUALITY ASSURANCE**

- A. Installer Qualifications:
  - 1. Company specializing in performing tile installation, with minimum of five years of documented experience.

**1.05 MOCK-UP**

- A. See Section 014000 - Quality Requirements, for general requirements for mock-up.
- B. Construct tile mock-up where indicated on drawings, incorporating all components specified for the location.
  - 1. Provide mock-up of minimum 5 square feet for each type of floor tile, unless otherwise indicated.
  - 2. Provide mock-up of minimum 5 square feet for each type of wall tile, unless otherwise indicated.
  - 3. Approved mock-up may remain as part of the Work.

**1.06 DELIVERY, STORAGE, AND HANDLING**

- A. Store tile, grout, and mortar off the ground, protected from weather and water infiltration.
- B. Store products in unopened containers or packages until ready for use.
- C. Protect materials from freezing or overheating in accordance with manufacturer's instructions.

**1.07 FIELD CONDITIONS**

- A. Do not install solvent-based products in an unventilated environment.
- B. Maintain ambient and substrate temperature and humidity at levels required by referenced ANSI and TCNA tile standards, and per manufacturer's instructions.

FIRE STATIONS RENOVATION  
Arlington County, Virginia  
Architect's Project No.: 563006

---

## **PART 2 PRODUCTS**

### **2.01 TILE**

- A. Manufacturers: All products of each type by the same manufacturer.
- B. Ceramic Tile, Type P-TILE: glazed porcelain tile. ANSI A137.1 standard grade.
  - 1. Manufacturers: Subject to compliance with requirements, provide products by one of the following:
    - a. Daltile., "Reminiscent" (Basis-of-Design Product)
    - b. American Olean; a division of Dal-Tile Corporation.
    - c. Dal-Tile Corporation.
    - d. Deutsche Steinzeug America, Inc.
    - e. Porcelanite-Lamosa.
    - f. Interceramic.
    - g. Lone Star Ceramics; Elgin Butler.
    - h. Portobello America, Inc.
    - i. Seneca Tiles, Inc.
  - 2. Size: 2 by 2 inch, nominal, for walls in areas outside the shower.
  - 3. Size: 12 by 24 inch, nominal, for within showers, oriented vertically.
  - 4. Size: 12 by 12 inch, nominal, for floors.
  - 5. Size: 6 by 12 inch, nominal, for wall base.
  - 6. Thickness: 3/8 inch.
  - 7. Dynamic Coefficient of Friction: Not less than 0.42.
  - 8. Tile color, Glaze, and Pattern: As selected by Architect from manufacturer's full range. Provide three colors in the mosaic size. Refer to Tile Patterning drawing.
  - 9. Grout Color: As selected by Architect from manufacturer's full range.
  - 10. Trim Units: Matching bullnose, double bullnose, cove base, and cove shapes in sizes coordinated with field tile.
- C. Quarry Tile, Type QT-1: ANSI A137.1 standard grade.
  - 1. Size: 6 by 6 inch, nominal.
  - 2. Thickness: 1/2 inch, nominal.
  - 3. Edges: Square.
  - 4. Surface Finish: Unglazed.
  - 5. Color(s): To be selected by Architect from manufacturer's full range.
  - 6. Trim Units: Matching cove base shapes in sizes coordinated with field tile.
  - 7. Products:
    - a. American Olean; a division of Dal-Tile Corporation.
    - b. Dal-Tile Corporation.
    - c. Metropolitan Ceramics.
    - d. Summitville Tiles, Inc.

### **2.02 TRIM AND ACCESSORIES**

- A. Non-Ceramic Trim: Satin brass anodized extruded aluminum, style and dimensions to suit application, for setting using tile mortar or adhesive.
  - 1. Applications:
    - a. Open edges of wall tile.
    - b. Open edges of floor tile.
    - c. Wall corners, outside and inside.
    - d. Transition between floor finishes of different heights.
    - e. Thresholds at door openings.
    - f. Expansion and control joints, floor and wall.
    - g. Floor to wall joints.
    - h. Borders and other trim as indicated on drawings.
  - 2. Manufacturers:
    - a. Schluter-Systems.

FIRE STATIONS RENOVATION  
Arlington County, Virginia  
Architect's Project No.: 563006

---

- b. Genesis APS International.
  - c. Blanke.
  - d. Ceramic Tool Company (CTC).
  - e. Substitutions: See Section 016000 - Product Requirements.
- B. Thresholds: 2 inches wide by full width of wall or frame opening; beveled edge on both long edges; without holes, cracks, or open seams.
- 1. Material: Marble, honed finish.
  - 2. Applications:
    - a. At doorways where tile terminates.

### 2.03 SETTING MATERIALS

- A. Provide setting and grout materials from same manufacturer.
- B. Modified Dry-Set Mortar (Thinset): ANSI A118.4
- 1. Applications: Use this type at all locations where thinset mortar is indicated, unless otherwise indicated.
  - 2. Products:
    - a. H.B. Fuller Construction Products, Inc.; TEC Full Flex TA 390/391.
    - b. LATICRETE International, Inc.; 252 Silver.
    - c. MAPEI Corporation; Ultraflex 2.
    - d. Summitville Tiles, Inc.; S-1000 MP Thin-Set Latex Mortar.
    - e. Substitutions: See Section 016000 - Product Requirements.
- C. Latex-Portland Cement LHT Mortar (Medium-Bed): ANSI A118.4.
- 1. Applications: Use this type of bond coat where Large and Heavy Tile (LHT) mortar is indicated, in a 5/8-inch thick medium-bed application.
  - 2. Products:
    - a. Custom Building Products; ProLite Premium Rapid Setting Large Format Tile Mortar, with Multi-Surface Bonding Primer.
    - b. H.B. Fuller Construction Products, Inc; TEC Ultimate Large Tile Mortar.
    - c. LATICRETE International, Inc; 257 TITANIUM.
    - d. MAPEI Corporation; Ultraflex LFT.
    - e. Merkrete, by Parex USA, Inc; Merkrete 735 Premium Flex.
    - f. Summitville Tiles, Inc.; S-1200 MP Premium Medium Bed Mortar.
    - g. Substitutions: See Section 016000 - Product Requirements.
- D. Improved Latex-Portland Cement Dry-Set Mortar (Thinset): ANSI A118.15 and ISO 13007 "C2" classification.
- 1. Applications: Use this type of mortar where indicated.
  - 2. Products:
    - a. H.B. Fuller Construction Products, Inc; TEC 3N1 Performance Mortar.
    - b. LATICRETE International, Inc; LATICRETE 254 Platinum.
    - c. MAPEI Corporation; Ultraflex 3.
    - d. Substitutions: See Section 016000 - Product Requirements.

### 2.04 GROUTS

- A. Provide setting and grout materials from same manufacturer.
- B. High Performance Polymer Modified Grout: ANSI A118.7 polymer modified cement grout.
- 1. Applications: Use this type of grout where indicated and where no other type of grout is indicated.
  - 2. Use sanded grout for joints 1/8 inch wide and larger; use unsanded grout for joints less than 1/8 inch wide.
  - 3. Color(s): As selected by Architect from manufacturer's full line.
  - 4. Products:
    - a. Custom Building Products; Prism Color Consistent Grout.
    - b. H.B. Fuller Construction Products, Inc; TEC AccuColor Plus Grout.
    - c. LATICRETE International, Inc; LATICRETE PERMACOLOR Grout.
-

## FIRE STATIONS RENOVATION

Arlington County, Virginia

Architect's Project No.: 563006

- 
- d. MAPEI Corporation; Ultracolor Plus.
  - e. Merkrete, by Parex USA, Inc; Merkrete Pro Grout.
  - f. Substitutions: See Section 016000 - Product Requirements.
- C. Water-Cleanable Epoxy Grout: ANSI A118.3 stain-resistant epoxy grout.
- 1. Applications: Where indicated.
  - 2. Heat Resistance: Tested by manufacturer for continuous exposure up to 140 deg F, and intermittent exposure up to 212 deg F.
  - 3. Color(s): As selected by Architect from manufacturer's full line.
  - 4. Products:
    - a. Custom Building Products; CEG-Lite 100% Solids Commercial Epoxy Grout.
    - b. H.B. Fuller Construction Products, Inc; TEC AccuColor EFX Epoxy Special Effects Grout.
    - c. LATICRETE International, Inc; LATICRETE SPECTRALOCK PRO Premium Grout.
    - d. MAPEI Corporation; Kerapoxy CQ.
    - e. Merkrete, by Parex USA, Inc; Merkrete Pro Epoxy.
    - f. Summitville Tiles, Inc; S-500 Ultra Max.
    - g. Substitutions: See Section 016000 - Product Requirements.
- D. Water-Cleanable Chemical- and Heat-Resistant Epoxy Grout: ANSI A118.3 epoxy grout, also meeting applicable requirements of ANSI A118.5 for chemical resistance.
- 1. Applications: Where indicated.
  - 2. Heat Resistance: Tested by manufacturer for continuous exposure up to 140 deg F, and intermittent exposure up to 350 deg F.
  - 3. Chemical Resistance: Tested per ASTM C 267 for intermittent exposure to the following chemicals and concentrations, with no staining:
    - a. Citric Acid: 20%.
    - b. Phosphoric Acid: 25%.
    - c. Sodium Hydroxide: 10%.
    - d. Sodium Hypochlorite (Bleach): 3%.
    - e. Mineral Spirits.
  - 4. Color(s): As selected by Architect from manufacturer's full line.
  - 5. Products:
    - a. Custom Building Products; CEG-IG 100% Solids Industrial Grade Epoxy Grout.
    - b. LATICRETE International, Inc; LATICRETE SPECTRALOCK 2000 IG.
    - c. MAPEI Corporation; Kerapoxy IEG CQ.
    - d. Summitville Tiles, Inc; S-5100 NovaColor.

**2.05 MAINTENANCE MATERIALS**

- A. Tile Sealants: Moisture- and mildew-resistant type sealants; one-part silicone for wall applications and multi-part urethane for floor applications. Sealants and accessories shall comply with requirements below and with requirements of Division 7 Section "Joint Sealants."
- 1. Color(s): As selected by Architect from manufacturer's full line. Sealant colors shall match grout colors in adjacent joints unless otherwise indicated.
  - 2. Silicone Sealant (Walls): ASTM C 920, Type S, Grade NS, Class 25; Uses NT (non-traffic), G (glass), A (aluminum), O (other substrates indicated).
    - a. Products:
      - 1) GE Silicones, a division of GE Specialty Materials; SCS1700 Sanitary.
      - 2) Pecora Corporation; Pecora 898 NST.
      - 3) Tremco Incorporated; Tremsil 200.
      - 4) Substitutions: See Section 016000 - Product Requirements.
  - 3. Urethane Sealant (Floors): ASTM C 920, Type M, Grade P, Class 25; Uses T (traffic), M (mortar), A (aluminum), O (other substrates indicated).
    - a. Products:
      - 1) Master Builders Solutions; MasterSeal SL 2.
-

## FIRE STATIONS RENOVATION

Arlington County, Virginia

Architect's Project No.: 563006

- 2) Pecora Corporation; NR-200 Urexpan.
  - 3) Sika Corporation; Sikaflex-2c SL.
  - 4) Tremco Incorporated; THC-901.
  - 5) Substitutions: See Section 016000 - Product Requirements.
4. Sealant Accessories: Provide backer rod, primer, and other sealant accessories as recommended by sealant manufacturer for applications required.
- B. Grout Sealer: Liquid-applied, penetrating, moisture and stain protection for existing or new Portland cement grout.
1. Composition: Water-based colorless silicone.
  2. Products:
    - a. Custom Building Products; Aqua Mix Sealer's Choice Gold.
    - b. Merkrete, by Parex USA, Inc; Merkrete Grout Sealer.
    - c. SGM, Inc.; Grout Sealer.
    - d. Summitville Tiles, Inc.; SL-99 Summitseal II.
    - e. Substitutions: See Section 016000 - Product Requirements.
- C. Tile Sealer: Stain protection for exposed surfaces of unglazed ceramic tile, other porous tile, and grout. Provide penetrating sealer with no sheen, preserving natural tile appearance.
1. Products:
    - a. Custom Building Products; Aqua Mix Sealer's Choice Gold.
    - b. Rust-Oleum Corporation; Miracle Sealants 511 Impregnator Natural Looking Penetrating Sealer.
    - c. STONETECH, a division of LATICRETE international, Inc; STONETECH Heavy Duty Sealer.
    - d. Substitutions: See Section 016000 - Product Requirements.
- D. Grout Release: Temporary, water-soluble pre-grout coating.
1. Products:
    - a. Custom Building Products; Aqua Mix Grout Release.
    - b. MAPEI Corporation; UltraCare Grout Release.
    - c. Substitutions: See Section 016000 - Product Requirements.

**2.06 ACCESSORY MATERIALS**

- A. Concrete Floor Slab Crack Isolation Membrane: Material complying with ANSI A118.12; not intended as waterproofing.
1. Crack Resistance: No failure at 1/8 inch gap, minimum.
  2. Peel-and-Stick Sheet Type:
    - a. Material: Rubberized membrane laminated to reinforcing fabric.
    - b. Thickness: 40 mils, nominal.
    - c. Products:
      - 1) Boiardi Products Corp.; a QEP company; Elastiment 340 Sound Control Sheet Membrane Waterproofing and Anti-Fracture/Crack-Suppression System.
      - 2) Custom Building Products; Crack Buster Pro-Crack Prevention Mat Underlayment.
      - 3) MAPEI Corporation; Mapeguard 2.
      - 4) National Applied Construction Products, Inc.; ECB Anti-Fracture Membrane.
      - 5) Substitutions: See Section 016000 - Product Requirements.
- B. Waterproofing Membrane: Specifically designed for bonding to cementitious substrate under thick mortar bed or thin-set tile; complying with ANSI A118.10.
1. Crack Resistance: No failure at 1/8 inch gap, minimum; comply with ANSI A118.12.
  2. Fluid or Trowel Applied Type with Embedded Reinforcing Fabric:
    - a. Material: Synthetic rubber or Acrylic.
    - b. Thickness: 30 mils, minimum, dry film thickness.
    - c. Products:



## FIRE STATIONS RENOVATION

Arlington County, Virginia

Architect's Project No.: 563006

- 1) Custom Building Products; 9240 Waterproofing and Anti-Fracture Membrane
- 2) H.B. Fuller Construction Products, Inc; TEC HydraFlex Waterproofing Crack Isolation Membrane.
- 3) LATICRETE International, Inc; 9235 Waterproofing Membrane.
- 4) MAPEI Corporation; Mapelastic AquaDefense.
- 5) Merkrete, by Parex USA, Inc; Merkrete Hydro Guard 2000.
- 6) Summitville Tiles, Inc.; S-9000.
- 7) Substitutions: See Section 016000 - Product Requirements.

**PART 3 EXECUTION****3.01 EXAMINATION**

- A. Verify that subfloor surfaces are smooth and flat within the tolerances specified for that type of work, per ANSI A108.01, and are ready to receive tile.
- B. Verify that wall surfaces are smooth and flat within the tolerances specified for that type of work, are dust-free, and are ready to receive tile.
- C. Verify that subfloor surfaces are dust free and free of substances that could impair bonding of setting materials to subfloor surfaces.
- D. Verify that required floor-mounted utilities are in correct location.

**3.02 PREPARATION**

- A. Protect surrounding work from damage.
- B. Vacuum clean surfaces and damp clean.
- C. Seal substrate surface cracks with filler. Level existing substrate surfaces to acceptable flatness tolerances.
- D. For ease of cleaning and to prevent staining, precoat tile with temporary grout release. For unglazed ceramic and other porous tile types, provide either combination tile sealer/grout release, or a temporary grout release with final tile sealer applied after tile installation.

**3.03 INSTALLATION - GENERAL**

- A. Install tile, thresholds, and stair treads and grout in accordance with applicable requirements of ANSI A108.1a through ANSI A108.19, manufacturer's instructions, and TCNA (HB) recommendations.
- B. Lay tile to pattern indicated. Do not interrupt tile pattern through openings.
- C. Cut and fit tile to penetrations through tile, leaving sealant joint space. Form corners and bases neatly. Align floor joints.
- D. Place tile joints uniform in width, subject to variance in tolerance allowed in tile size. Make grout joints without voids, cracks, excess mortar or excess grout, or too little grout.
- E. Form internal angles square and external angles bullnosed.
- F. Install non-ceramic trim in accordance with manufacturer's instructions.
- G. Install thresholds where indicated.
- H. Sound tile after setting. Replace hollow sounding units.
- I. Keep control and expansion joints free of mortar, grout, and adhesive.
- J. Prior to grouting, allow installation to completely cure; minimum of 48 hours.
- K. Grout tile joints unless otherwise indicated. Use standard grout unless otherwise indicated.
- L. At changes in plane and tile-to-tile control joints, use tile sealant instead of grout, with either bond breaker tape or backer rod as appropriate to prevent three-sided bonding.

**3.04 INSTALLATION - FLOORS - THIN-SET METHODS**

- A. Over interior concrete substrates, install in accordance with TCNA (HB) Method F113, dry-set or latex-Portland cement bond coat, with standard grout, unless otherwise indicated.

FIRE STATIONS RENOVATION  
Arlington County, Virginia  
Architect's Project No.: 563006

---

1. Where waterproofing membrane is indicated, install in accordance with TCNA (HB) Method F122, with latex-Portland cement grout.

**3.05 INSTALLATION - WALL TILE**

- A. Over interior concrete and masonry install in accordance with TCNA (HB) Method W202, thin-set with dry-set or latex-Portland cement bond coat.

**3.06 CLEANING**

- A. Clean tile and grout surfaces.

**3.07 PROTECTION**

- A. Do not permit traffic over finished floor surface for 4 days after installation.

**END OF SECTION**

FIRE STATIONS RENOVATION  
Arlington County, Virginia  
Architect's Project No.: 563006

---

**SECTION 095100  
ACOUSTICAL CEILINGS**

**PART 1 GENERAL**

**1.01 REFERENCE STANDARDS**

- A. ASTM C635/C635M - Standard Specification for the Manufacture, Performance, and Testing of Metal Suspension Systems for Acoustical Tile and Lay-in Panel Ceilings 2017.

**1.02 SUBMITTALS**

- A. See Section 013000 - Administrative Requirements, for submittal procedures.
- B. Shop Drawings: Indicate grid layout and related dimensioning.
- C. Product Data: Provide data on suspension system components and acoustical units.

**1.03 FIELD CONDITIONS**

- A. Maintain uniform temperature of minimum 60 degrees F, and maximum humidity of 40 percent prior to, during, and after acoustical unit installation.

**PART 2 PRODUCTS**

**2.01 ACOUSTICAL UNITS**

**2.02 SUSPENSION SYSTEM(S)**

- A. Metal Suspension Systems - General: Complying with ASTM C635/C635M; die cut and interlocking components, with perimeter moldings, hold down clips, stabilizer bars, clips, and splices as required.

**2.03 ACCESSORIES**

- A. Support Channels and Hangers: Galvanized steel; size and type to suit application, seismic requirements, and ceiling system flatness requirement specified.
- B. Hanger Wire: 12 gauge, 0.08 inch galvanized steel wire.
- C. Perimeter Moldings: Same metal and finish as grid.
- D. Metal Edge Trim for "Cloud" Suspension Systems: Steel or extruded aluminum; provide attachment clips, splice plates, and preformed corner pieces for complete trim system.
  - 1. Trim Height: 4 inch.
  - 2. Finish: Baked enamel.
  - 3. Available Products:
    - a. Armstrong World Industries, Inc.; Axiom Classic.
    - b. Certainteed; Terminus Perimeter Trim.
    - c. Chicago Metallic Corp.; Infinity System.
    - d. USG Corporation; Compasso Suspension Trim.

**PART 3 EXECUTION**

**3.01 EXAMINATION**

- A. Verify existing conditions before starting work.
- B. Verify that layout of hangers will not interfere with other work.

**3.02 PREPARATION**

- A. Install after major above-ceiling work is complete.
- B. Coordinate the location of hangers with other work.

**3.03 INSTALLATION - SUSPENSION SYSTEM**

- A. Rigidly secure system, including integral mechanical and electrical components, for maximum deflection of 1:360.
- B. Perimeter Molding: Install at intersection of ceiling and vertical surfaces and at junctions with other interruptions.
  - 1. Use longest practical lengths.

FIRE STATIONS RENOVATION  
Arlington County, Virginia  
Architect's Project No.: 563006

---

- C. Suspension System, Non-Seismic: Hang suspension system independent of walls, columns, ducts, pipes and conduit. Where carrying members are spliced, avoid visible displacement of face plane of adjacent members.
- D. Where ducts or other equipment prevent the regular spacing of hangers, reinforce the nearest affected hangers and related carrying channels to span the extra distance.
- E. Do not support components on main runners or cross runners if weight causes total dead load to exceed deflection capability.
- F. Support fixture loads using supplementary hangers located within 6 inches of each corner, or support components independently.
- G. Do not eccentrically load system or induce rotation of runners.

**3.04 INSTALLATION - ACOUSTICAL UNITS**

- A. Install acoustical units in accordance with manufacturer's instructions.
- B. Fit acoustical units in place, free from damaged edges or other defects detrimental to appearance and function.
- C. Fit border trim neatly against abutting surfaces.
- D. Install acoustical units level, in uniform plane, and free from twist, warp, and dents.
- E. Cutting Acoustical Units:
  - 1. Make field cut edges of same profile as factory edges.

**END OF SECTION**

FIRE STATIONS RENOVATION  
Arlington County, Virginia  
Architect's Project No.: 563006

---

**SECTION 096513  
RESILIENT BASE AND ACCESSORIES**

**PART 1 GENERAL**

**1.01 SUBMITTALS**

- A. See Section 013000 - Administrative Requirements, for submittal procedures.
- B. Product Data: Provide data on specified products, describing physical and performance characteristics; including sizes, patterns and colors available; and installation instructions.
- C. Selection Samples: Submit manufacturer's complete set of color samples for Architect's initial selection.
- D. Verification Samples: Submit in manufacturer's standard size, illustrating color and pattern for each resilient flooring product specified.

**1.02 DELIVERY, STORAGE, AND HANDLING**

- A. Upon receipt, immediately remove any shrink-wrap and check materials for damage and the correct style, color, quantity and run numbers.
- B. Maintain temperature in storage area between 55 degrees F and 90 degrees F.
- C. Protect roll materials from damage by storing on end.

**1.03 FIELD CONDITIONS**

- A. Store materials for not less than 48 hours prior to installation in area of installation at a temperature of 70 degrees F to achieve temperature stability. Thereafter, maintain conditions above 55 degrees F.
- B. Maintain conditions at occupancy conditions for installation and until Substantial Completion.

**PART 2 PRODUCTS**

**2.01 RESILIENT BASE**

- A. Resilient Base: ASTM F1861, Type TP, rubber, thermoplastic; Style B, Cove.
  - 1. Products (Type TP):
    - a. Armstrong World Industries, Inc.; Rubber Coved Toe Wall Base.
    - b. Flexco (USA), Inc.; Flexco Base 2000 - Cove.
    - c. Johnsonite, a Tarkett Company; Rubber Wall Base - Cove.
    - d. Mannington Commercial; Burkebase Type TP - Coved.
    - e. Nora Systems, Inc; nora wall base; Article 820.
    - f. Roppe Corporation; 700 Series TPR Wall Base - Style B (Coved).
    - g. Substitutions: See Section 016000 - Product Requirements.
  - 2. Critical Radiant Flux (CRF): Minimum 0.45 watt per square centimeter, when tested in accordance with ASTM E648 or NFPA 253.
  - 3. Height: 4 inch.
  - 4. Thickness: 0.125 inch minimum.
  - 5. Finish: Satin.
  - 6. Length: Roll; manufacturer's standard length.
  - 7. Color: To be selected by Architect from manufacturer's full range.

**2.02 STAIR COVERING**

- A. Stair Treads: Rubber; full width and depth of stair tread in one piece; tapered thickness.
  - 1. Manufacturers:
    - a. Flexco, Inc.
    - b. Johnsonite, a Tarkett Company.
    - c. Mannington Commercial.
    - d. Nora Rubber Flooring.
    - e. Roppe Corporation.
    - f. Substitutions: See Section 016000 - Product Requirements.

FIRE STATIONS RENOVATION  
Arlington County, Virginia  
Architect's Project No.: 563006

---

2. Minimum Requirements: Comply with ASTM F2169, Type TS, rubber, vulcanized thermoset.
  3. Critical Radiant Flux (CRF): Minimum 0.45 watt per square centimeter, when tested in accordance with ASTM E648 or NFPA 253.
  4. Nominal Thickness: 0.250 inch, tapered towards rear.
  5. Nosing: Square, adjustable; 1-1/2 inch height.
  6. Striping: 2 inch wide contrasting color abrasive strips.
  7. Texture: Raised, with pattern selected from manufacturer's full range.
  8. Color: To be selected by Architect from manufacturer's full range.
- B. Stair Risers: Full height and width of tread in one piece, matching treads in material and color.
1. Manufacturer: Provide risers by same manufacturer as treads.
  2. Thickness: 0.125 inch.
- C. Stair Stringers: Full height in one piece and in maximum available lengths, matching treads in material and color.
1. Manufacturer: Provide stringers by same manufacturer as treads.
  2. Nominal Thickness: 0.080 inch.

### **2.03 MOLDINGS, TRANSITIONS, AND EDGE STRIPS**

- A. Moldings, Transition and Edge Strips:
1. Manufacturers:
    - a. Flexco, Inc.
    - b. Johnsonite.
    - c. Mannington Commercial.
    - d. R.C.A. Rubber Company (The).
    - e. Roppe Corporation.
    - f. VPI, LLC; Floor Products Division.
    - g. Substitutions: See Section 016000 - Product Requirements.
  2. Molding/Transition Strip Profiles: Provide in sizes as required to suit flooring thicknesses and applications.
    - a. Coved edge/cap for carpet.
    - b. Joiner between carpet and resilient flooring or other materials with different heights.
    - c. Transition strip between different types of materials that are the same height or between different styles/patterns of the same material.
    - d. Slim transition strip with approximately 1/4-inch wide visible transition profile.
    - e. Reducer strip at edges of flooring to reduce height to 0".
    - f. Subfloor leveling accessory to transition between materials with height differences up to 1/2 inch.
  3. Material: Manufacturer's standard rubber or vinyl.
  4. Color: To be selected by Architect from manufacturer's full range.

### **2.04 ACCESSORIES**

- A. Leveling Compound: Blended cement mix, latex-modified, for use as trowelable underlayment, approved by resilient accessory manufacturer.
- B. Primers, Adhesives, and Seam Sealer: Waterproof; types recommended by flooring manufacturer.
- C. Moisture Vapor Treatment: Where resilient flooring and accessories are installed over concrete slabs, provide alkaline-resistant product designed to control excessive moisture vapor transmission through concrete slab, per the following:
1. Products: Provide product approved by flooring manufacturer and complying with performance requirements below, equivalent to one of the following:
    - a. Duraamen Engineered Products, Inc.; Perdure MVT.
    - b. Maxxon Corporation; Maxxon MVP.
    - c. Tnemec Company Inc.; Epoxoprime MVT, Series 208.
  2. Performance Requirements:

FIRE STATIONS RENOVATION  
Arlington County, Virginia  
Architect's Project No.: 563006

---

- a. Verify with flooring manufacturer that submitted product maintains compliance with all provisions of flooring manufacturer's warranty.
- b. Low-VOC: Provide product with VOC content less than 15 g/L.
- c. Bond Strength to Concrete: Minimum 400 psi per ASTM D 4541 (100% concrete failure).
- d. Permeance: Maximum 0.1 perm per ASTM E 96, and 0.10 grains/hr/ft<sup>2</sup>/in-Hg, per ASTM F3010.
- e. Applications: Provide MVT for all concrete slabs on-grade and lightweight concrete elevated slabs.

D. Floor Polish: Fluid-applied polish recommended by resilient flooring manufacturer.

### **PART 3 EXECUTION**

#### **3.01 EXAMINATION**

- A. Verify that surfaces are flat to tolerances acceptable to flooring manufacturer, free of cracks that might telegraph through flooring, clean, dry, and free of curing compounds, surface hardeners, and other chemicals that might interfere with bonding of flooring to substrate.
- B. Verify that wall surfaces are smooth and flat within the tolerances specified for that type of work, are dust-free, and are ready to receive resilient base.
  1. Do not apply wall base until other finish items, including casework and painting, are complete.
- C. Cementitious Subfloor Surfaces (Stair Treads/Landings): Verify that substrates are ready for resilient flooring installation by testing for moisture and alkalinity (pH).
  1. Test as Follows:
    - a. Alkalinity (pH): ASTM F710, when required by stair accessory manufacturer.
    - b. Internal Relative Humidity: ASTM F2170. One test per stair area.
    - c. Moisture Vapor Emission: ASTM F1869. One test per stair area.
  2. After testing is complete, prepare concrete and install moisture vapor treatment (MVT) in accordance with manufacturer's written instructions. If testing indicates measurements are within acceptable levels for flooring installation with the need for MVT, the MVT may be omitted where approved by the Architect.
  3. After installation of MVT, perform final moisture tests to verify that moisture-vapor-emission-rate is at an acceptable level for stair accessory installation. Proceed with installation only after moisture-vapor-emission-rate and relative humidity do not exceed the following:
    - a. Moisture-Vapor-Emission Rate: Maximum 3lbs. of water/1,000 sq. ft. in 24 hours, unless indicated otherwise by resilient accessory manufacturer.
    - b. Relative Humidity: Maximum 75 percent relative humidity, unless indicated otherwise by resilient accessory manufacturer.

#### **3.02 PREPARATION**

- A. Prepare floor substrates as recommended by flooring and adhesive manufacturers.
- B. Remove subfloor ridges and bumps. Fill minor low spots, cracks, joints, holes, and other defects with leveling compound to achieve smooth, flat, hard surface.
- C. Prohibit traffic until leveling compound is fully cured.
- D. Clean substrate.

#### **3.03 INSTALLATION - GENERAL**

- A. Starting installation constitutes acceptance of subfloor conditions.
- B. Install in accordance with manufacturer's written instructions.
- C. Adhesive-Applied Installation:
  1. Fit joints and butt seams tightly.
  2. Set flooring in place, press with heavy roller to attain full adhesion.
- D. Where type of floor finish, pattern, or color are different on opposite sides of door, install such that molding profiles or transition strips are centered under the door panel..

FIRE STATIONS RENOVATION  
Arlington County, Virginia  
Architect's Project No.: 563006

---

- E. Install edge/reducer strips at unprotected or exposed edges, where flooring terminates, and where indicated.
  - 1. Resilient Strips: Attach to substrate using adhesive.

**3.04 INSTALLATION - RESILIENT BASE**

- A. Fit joints tightly and make vertical. Maintain minimum dimension of 18 inches between joints.
- B. Install base on solid backing. Bond tightly to wall and floor surfaces.
- C. Job form internal and external corners in accordance with manufacturer's instructions. Form corners by "V" cutting or scribing; do not bend material in a manner that creates stress whitening.
- D. In addition to walls, install base on other permanent construction with exposed vertical faces at floor level, including, but not limited to, columns, pilasters, and casework/cabinet knee and toe spaces.
- E. Scribe and fit to door frames and other interruptions.
- F. At uneven substrate surfaces (such as masonry mortar joints), provide manufacturer's recommended filler sealant or adhesive to fill voids along top of base.

**3.05 INSTALLATION - STAIR COVERINGS**

- A. Install stair coverings in one piece for full width and depth of tread.
- B. Install stringers configured tightly to stair profile.
- C. Adhere over entire surface. Fit accurately and securely.
- D. Clean stair tread and landing accessories and apply floor polish according to manufacturer's written instructions.

**3.06 CLEANING**

- A. Remove excess adhesive from floor, base, and wall surfaces without damage.
- B. Clean in accordance with manufacturer's written instructions.

**3.07 PROTECTION**

- A. Prohibit traffic on resilient accessories for 48 hours after installation.
- B. Cover resilient accessories and protect from heavy construction traffic and equipment until Substantial Completion.

**END OF SECTION**



FIRE STATIONS RENOVATION  
Arlington County, Virginia  
Architect's Project No.: 563006

---

**SECTION 099123  
INTERIOR PAINTING**

**PART 1 GENERAL**

**1.01 SUBMITTALS**

- A. See Section 013000 - Administrative Requirements, for submittal procedures.
- B. Product Data: Provide complete list of products to be used, with the following information for each:
  - 1. Manufacturer's name, product name and/or catalog number, and general product category (e.g., "alkyd enamel").
  - 2. Cross-reference to specified paint system(s) product is to be used in; include description of each system.
- C. Certification: By manufacturer that paints and finishes comply with VOC limits specified.
- D. Manufacturer's Instructions: Indicate special surface preparation procedures.
- E. Maintenance Data: Submit data including finish schedule showing where each product/color/finish was used, product technical data sheets, material safety data sheets (MSDS), care and cleaning instructions, touch-up procedures, repair of painted and finished surfaces, and color samples of each color and finish used.

**1.02 DELIVERY, STORAGE, AND HANDLING**

- A. Deliver products to site in sealed and labeled containers; inspect to verify acceptability.
- B. Container Label: Include manufacturer's name, type of paint, brand name, lot number, brand code, coverage, surface preparation, drying time, cleanup requirements, color designation, and instructions for mixing and reducing.
- C. Paint Materials: Store at minimum ambient temperature of 45 degrees F and a maximum of 90 degrees F, in ventilated area, and as required by manufacturer's instructions.

**1.03 FIELD CONDITIONS**

- A. Do not apply materials when surface and ambient temperatures are outside the temperature ranges required by the paint product manufacturer.
- B. Follow manufacturer's recommended procedures for producing best results, including testing of substrates, moisture in substrates, and humidity and temperature limitations.
- C. Do not apply materials when relative humidity exceeds 85 percent, at temperatures less than 5 degrees F above the dew point, or to damp or wet surfaces.
- D. Minimum Application Temperatures for Paints: 50 degrees F for interiors unless required otherwise by manufacturer's instructions.
- E. Provide lighting level of 80 ft candles measured mid-height at substrate surface.

**PART 2 PRODUCTS**

**2.01 MANUFACTURERS**

- A. Provide paints and finishes from the same manufacturer to the greatest extent possible.
  - 1. If a single manufacturer cannot provide specified products; minor exceptions will be permitted provided approval by Architect is obtained using the specified procedures for substitutions.
- B. Paints:
  - 1. Benjamin Moore & Co. (BM)
  - 2. PPG Paints. (PPG)
  - 3. Sherwin-Williams Company. (SW)
- C. Primer Sealers: Same manufacturer as top coats.

**2.02 PAINTS AND FINISHES - GENERAL**

- A. Paints and Finishes: Ready-mixed, unless intended to be a field-catalyzed paint.
  - 1. Provide paints and finishes of a soft paste consistency, capable of being readily and uniformly dispersed to a homogeneous coating, with good flow and brushing

FIRE STATIONS RENOVATION  
Arlington County, Virginia  
Architect's Project No.: 563006

---

- properties, and capable of drying or curing free of streaks or sags.
  - 2. Provide materials that are compatible with one another and the substrates indicated under conditions of service and application, as demonstrated by manufacturer based on testing and field experience.
  - 3. Supply each paint material in quantity required to complete entire project's work from a single production run.
  - 4. Do not reduce, thin, or dilute paint or finishes or add materials unless such procedure is specifically described in manufacturer's product instructions.
- B. Volatile Organic Compound (VOC) Content:
- 1. Provide paints and finishes that comply with the most stringent requirements specified in the following:
    - a. 40 CFR 59, Subpart D--National Volatile Organic Compound Emission Standards for Architectural Coatings.
    - b. SCAQMD 1113 Rule.
    - c. CARB (SCM).
  - 2. Determination of VOC Content: Testing and calculation in accordance with 40 CFR 59, Subpart D (EPA Method 24), exclusive of colorants added to a tint base and water added at project site; or other method acceptable to authorities having jurisdiction.
- C. Flammability: Comply with applicable code for surface burning characteristics.
- D. Colors: To be selected from manufacturer's full range of available colors.
- 1. Selection to be made by Architect after award of contract.
  - 2. Extend colors to surface edges; colors may change at any edge as directed by Architect.
  - 3. In finished areas, finish exposed pipes, conduit, and equipment the same color as the wall/ceiling to which they are mounted.

### 2.03 ACCESSORY MATERIALS

- A. Accessory Materials: Provide primers, sealers, cleaning agents, cleaning cloths, sanding materials, and clean-up materials as required for final completion of painted surfaces.
- B. Patching Material: Latex filler.
- C. Fastener Head Cover Material: Latex filler.

## PART 3 EXECUTION

### 3.01 EXAMINATION

- A. Do not begin application of paints and finishes until substrates have been adequately prepared.
- B. Verify that surfaces are ready to receive work as instructed by the product manufacturer.
- C. Examine surfaces scheduled to be finished prior to commencement of work. Report any condition that may potentially affect proper application.
- D. Test shop-applied primer for compatibility with subsequent cover materials.
- E. Measure moisture content of surfaces using an electronic moisture meter. Do not apply finishes unless moisture content of surfaces is below the following maximums:
  - 1. Gypsum Wallboard: 12 percent.
  - 2. Masonry, Concrete, and Concrete Masonry Units: 12 percent.

### 3.02 PREPARATION

- A. Clean surfaces thoroughly and correct defects prior to application.
- B. Prepare surfaces using the methods recommended by the manufacturer for achieving the best result for the substrate under the project conditions.
- C. Remove or repair existing paints or finishes that exhibit surface defects.
- D. Remove or mask surface appurtenances, including electrical plates, hardware, light fixture trim, escutcheons, and fittings, prior to preparing surfaces or finishing.
- E. Seal surfaces that might cause bleed through or staining of topcoat.

FIRE STATIONS RENOVATION  
Arlington County, Virginia  
Architect's Project No.: 563006

---

- F. Remove mildew from impervious surfaces by scrubbing with solution of tetra-sodium phosphate and bleach. Rinse with clean water and allow surface to dry.
- G. Masonry:
  - 1. Remove efflorescence and chalk. Do not coat surfaces if moisture content, alkalinity of surfaces, or if alkalinity of mortar joints exceed that permitted in manufacturer's written instructions. Allow to dry.
  - 2. Prepare surface as recommended by top coat manufacturer.
- H. Gypsum Board: Fill minor defects with filler compound. Spot prime defects after repair.
- I. Ferrous Metal:
  - 1. Solvent clean according to SSPC-SP 1.

### 3.03 APPLICATION

- A. Apply products in accordance with manufacturer's written instructions and recommendations in "MPI Architectural Painting Specification Manual".
- B. Where adjacent sealant is to be painted, do not apply finish coats until sealant is applied.
- C. Do not apply finishes to surfaces that are not dry. Allow applied coats to dry before next coat is applied.
- D. Apply each coat to uniform appearance in thicknesses specified by manufacturer.
- E. Sand metal surfaces lightly between coats to achieve required finish.
- F. Vacuum clean surfaces of loose particles. Use tack cloth to remove dust and particles just prior to applying next coat.
- G. Reinstall electrical cover plates, hardware, light fixture trim, escutcheons, and fittings removed prior to finishing.

### 3.04 CLEANING

- A. Collect waste material that could constitute a fire hazard, place in closed metal containers, and remove daily from site.

### 3.05 PROTECTION

- A. Protect finishes until completion of project.
- B. Touch-up damaged finishes after Substantial Completion.

### 3.06 SCHEDULE - INTERIOR PAINT SYSTEMS

- A. Concrete Masonry Units (CMU), Concrete Block, and Brick Masonry: Finish surfaces exposed to view. Low-VOC Acrylic Satin Finish: 2 coats over filler, with total DFT not less than 2.5 mils. Provide at all interior masonry except where epoxy finish is indicated.
  - 1. Filler Coat: Acrylic-latex Block Filler:
    - a. BM: 571 Ultra Spec Hi-Build Masonry Block Filler.
    - b. PPG: 6-15 Speedhide Interior/Exterior Acrylic Masonry Block Filler.
    - c. SW: B25W25 PrepRite Interior/Exterior Block Filler.
  - 2. Bonding Primer (Previously Painted): Acrylic Bonding Primer. Test for adhesion. Brush, spray, or roller apply and back roll.
    - a. BM: Insl-X SXA-110 Stix Bonding Primer.
    - b. PPG: 17-921 Seal Grip Acrylic Universal Primer/Sealer.
    - c. SW: B51W150 Extreme Bond Interior/Exterior Primer.
  - 3. First and Second Finish Coats: Commercial Interior Low-VOC Acrylic Satin.
    - a. BM: N538 Ultra Spec 500 Interior Eggshell Finish.
    - b. PPG: 6-4300 Speedhide Zero VOC Interior Eggshell Latex.
    - c. SW: B20-2600 ProMar 200 Zero VOC Interior Latex Eg-Shel.
- B. Concrete Masonry Units (CMU), Epoxy: Finish surfaces exposed to view. Semi-gloss Water Borne Epoxy Finish: 2 coats over filler. Provide at interior masonry where epoxy finish is indicated.
  - 1. Filler Coat: Acrylic-latex Block Filler:
    - a. BM: 571 Ultra Spec Hi-Build Masonry Block Filler.

FIRE STATIONS RENOVATION  
Arlington County, Virginia  
Architect's Project No.: 563006

---

- b. PPG: 6-15 Speedhide Interior/Exterior Acrylic Masonry Block Filler.
- c. SW: B25W25 PrepRite Interior/Exterior Block Filler.
- 2. First and Second Finish Coats: Two component, semi-gloss water-borne polyamide-epoxy, applied at a DFT of 1.5 - 4.0 mils per coat.
  - a. BM: Corotech V400 Polyamide Epoxy Coating.
  - b. PPG: 98-100 Aquapon WB Water Base Epoxy - Semi-Gloss.
  - c. SW: B73V300 Pro Industrial Water Based Catalyzed Epoxy Hardener.
- C. Gypsum Board: Finish surfaces exposed to view. Provide 0 VOC acrylic-latex formulation over 0 VOC filler coat/primer; satin finish at walls and flat finish at ceilings.
  - 1. Filler Coat: 0 VOC Latex primer.
    - a. BM: 534 Ultra Spec 500 Primer Flat.
    - b. PPG: 6-4900 Speedhide Zero VOC Interior Latex Primer.
    - c. SW: B28-2600 ProMar 200 Zero VOC Interior Latex Primer.
  - 2. First & Second Finish Coats: Interior Ceilings and Bulkheads: Flat.
    - a. BM: 536 Ultra Spec 500 Flat.
    - b. PPG: 6-4100 Speedhide Zero VOC Interior Latex Flat.
    - c. SW: B30-2600 ProMar 200 Zero VOC Interior Latex Flat.
  - 3. First & Second Finish Coats: Interior Walls: Satin.
    - a. BM: 538 Ultra Spec 500 Eggshell.
    - b. PPG: 6-4300 Speedhide Zero VOC Interior Eggshell Latex.
    - c. SW: B20-2600/B24-2600 ProMar 200 Zero VOC Interior Latex Eg-Shel/Low Sheen.
- D. Gypsum Board with Water-Borne Polyamide Epoxy Finish ("EPX" - Shower/toilet rooms):
  - 1. Filler Coat: Manufacturer's recommended acrylic/latex primer.
    - a. BM: 253 Super Spec Latex Enamel Undercoater & Primer Sealer.
    - b. PPG: 6-2 Speedhide Interior Latex Sealer.
    - c. SW: B28W2600 ProMar 200 Zero VOC Primer.
  - 2. First & Second Finish Coats: Two-component, water-borne polyamide epoxy applied at DFT of 1.5 - 4.0 mils per coat. Provide semi-gloss finish unless otherwise indicated.
    - a. BM: Corotech V440 Waterborne Amine Epoxy.
    - b. PPG: 98-100 Aquapon WB Water Base Epoxy - Semi-Gloss.
    - c. SW: B70V300 Water Based Catalyzed Epoxy Hardener.
- E. Ferrous Metal: Finish surfaces exposed to view. Provide semi-gloss direct to metal (DTM) acrylic enamel finish; except provide satin/egg-shell finish at hollow metal/steel doors and frames. Provide two coats over primer, with total DFT not less than 5.0 mils. For shop-primed items, verify shop primer with manufacturer and confirm compatibility.
  - 1. Primer: Lead-free, acrylic base primer. Not required on shop-primed items. Provide satin/low luster primer for steel doors and frames.
    - a. BM: HP29/HP 25 Ultra Spec DTM Acrylic Semi-Gloss/Low Lustre.
    - b. PPG: 90-712 Pitt-Tech Int/Ext Primer/Finish Industrial Enamel.
    - c. SW: B66W1 DTM Acrylic Primer/Finish (or B66W200).
  - 2. Bonding Primer (Previously Painted): Acrylic bonding primer for previously painted surfaces to ensure secure bond. Brush, spray, or roller apply and back roll.
    - a. BM: Insl-X SXA-110 Stix Bonding Primer.
    - b. PPG: 90-912 Pitt-Tech Plus DTM Industrial Primer.
    - c. SW: B66A50 DTM Bonding Primer.
  - 3. First and Second Finish Coats: DTM Acrylic Semi-Gloss Enamel.
    - a. BM: HP29 Ultra Spec DTM Acrylic Semi-Gloss.
    - b. PPG: 90-1210 Pitt-Tech Int/Ext Semi-Gloss DTM Industrial Enamel.
    - c. SW: B66W1150 Series Pro Industrial DTM Acrylic Semi-Gloss.
  - 4. First and Second Finish Coats (Steel Doors and Frames): DTM Acrylic Satin Enamel.
    - a. BM: HP25 Ultra Spec DTM Acrylic Low Lustre.
    - b. PPG: 90-1110 Pitt-Tech Int/Ext Satin DTM Industrial Enamel.
    - c. SW: B66W1250 Series Pro Industrial DTM Acrylic Eg-Shel Coating.

FIRE STATIONS RENOVATION  
Arlington County, Virginia  
Architect's Project No.: 563006

---

- F. Ferrous Metal with Latex Dry-Fall Finish: One finish coat over primed exposed construction. Apply to all exposed structure and as scheduled. Provide nominal 50 square foot sample/mock-up area to verify substrate compatibility.
1. Prime Coat: Acrylic, self-priming, or other recommended VOC-compliant metal primer. 2.0 mils DFT.
    - a. BM: Coronado N110 Superkote 5000 DryFall Latex Flat.
    - b. PPG: 90-712 Pitt-Tech Int/Ext Primer/Finish Industrial Enamel.
    - c. SW: B66-310 Pro-Cryl Universal Primer.
  2. Top Coat: Acrylic Dry Fall, flat, 3.0 mils DFT. Provide color selected by Architect from manufacturer's standard options, unless indicated otherwise.
    - a. BM: Coronado N110 Superkote 5000 DryFall Latex Flat.
    - b. PPG: 6-724XI Series - Speedhide Super Tech WB Interior Dry-Fog Flat Latex.
    - c. SW: B42 BW3 Waterborne Acrylic Dry Fall, Flat.
- G. Interior Woodwork: Stained woodwork with transparent finish is specified in Division 6 Section "Interior Finish Carpentry."

**END OF SECTION**

FIRE STATIONS RENOVATION  
Arlington County, Virginia  
Architect's Project No.: 563006

---

**SECTION 102800  
TOILET AND BATH ACCESSORIES**

**PART 1 GENERAL**

**1.01 SUBMITTALS**

- A. See Section 013000 - Administrative Requirements, for submittal procedures.
- B. Product Data: Submit data on accessories describing size, finish, details of function, and attachment methods.
- C. Setting Drawings: For cutouts required in other work; include templates, substrate preparation instructions, and directions for preparing cutouts and installing anchoring devices.
- D. Maintenance Data: For each type of accessory, to include in maintenance manual per Section 017800 - Closeout Submittals. Include list of replacement parts and service recommendations.

**PART 2 PRODUCTS**

**2.01 MANUFACTURERS**

- A. Commercial Toilet, Shower, and Bath Accessories:
  - 1. A&J Washroom Accessories, Inc.
  - 2. American Specialties, Inc.
  - 3. Bobrick Washroom Equipment.
  - 4. Bradley Corporation.
- B. Under-Lavatory Pipe Supply Covers:
  - 1. Plumberex Specialty Products, Inc.
  - 2. Truebro; IPS Corporation.

**2.02 MATERIALS**

- A. Accessories - General: Shop assembled, free of dents and scratches and packaged complete with anchors and fittings, steel anchor plates, adapters, and anchor components for installation.
- B. Keys: Provide 6 master/universal keys, minimum, to Owner.
- C. Stainless Steel Sheet: ASTM A666, Type 304.
- D. Stainless Steel Tubing: ASTM A269/A269M, Grade TP304 or TP316.
- E. Galvanized Sheet Steel: Hot-dipped galvanized steel sheet, ASTM A653/A653M, with G90/Z275 coating.
- F. Mirror Glass: Annealed float glass, ASTM C1036 Type I, Class 1, Quality Q2, with silvering, protective and physical characteristics complying with ASTM C1503.
- G. Fasteners, Screws, and Bolts: Hot dip galvanized; tamper-proof; security type.
  - 1. Provide mechanical attachment of all accessories. Use of adhesive or double-side tape is not acceptable.

**2.03 FINISHES**

- A. Stainless Steel: Satin finish, unless otherwise noted.

**2.04 COMMERCIAL TOILET ACCESSORIES**

- A. Toilet Paper Dispenser (TA-D): Roll-in-reserve type, designed to allow automatic activation of reserve roll when needed, or manual activation by pressing release bar, surface-mounted, stainless steel unit with pivot hinge, tumbler lock.
  - 1. Products:
    - a. American Specialties, Inc.; Model 20030.
    - b. Bobrick Washroom Equipment, Inc.; Model B-4288.
    - c. Bradley Corporation; Model 5402.
- B. Soap Dispenser (TA-F): Liquid soap dispenser, wall-mounted, surface, with stainless steel cover and vertical stainless steel tank and working parts; push type soap valve, check

**FIRE STATIONS RENOVATION**  
Arlington County, Virginia  
Architect's Project No.: 563006

---

- valve, and window gauge refill indicator, tumbler lock.
1. Minimum Capacity: 40 ounces.
  2. Products:
    - a. A&J Washroom Accessories, Inc.; Model U126.
    - b. American Specialties, Inc.; Model 0347.
    - c. Bobrick Washroom Equipment, Inc.; Model B-2111.
    - d. Bradley Corporation; Model 6562.
- C. Mirrors (TA-G): Stainless steel framed, 1/4 inch thick annealed float glass; ASTM C1036.
1. Annealed Float Glass: Silvering, protective and physical characteristics in compliance with ASTM C1503.
  2. Frame: 0.05 inch angle shapes, with mitered and welded and ground corners, and tamperproof hanging system; satin finish.
  3. Products:
    - a. A&J Washroom Accessories, Inc.; U700 Series.
    - b. American Specialties, Inc.; 0600 A Series.
    - c. Bobrick Washroom Equipment, Inc.; Model B-290.
    - d. Bradley Corporation; Model 780.
- D. Grab Bars (TA-A, B, & C): Stainless steel, smooth surface.
1. Standard Duty Grab Bars:
    - a. Push/Pull Point Load: 250 pound-force, minimum.
    - b. Dimensions: 1-1/4 inch outside diameter, minimum 0.05 inch wall thickness, concealed flange mounting, 1-1/2 inch clearance between wall and inside of grab bar.
    - c. Finish: Satin.
    - d. Length and Configuration: As indicated on drawings.
    - e. Products:
      - 1) A&J Washroom Accessories, Inc.; UG2 Series.
      - 2) American Specialties, Inc.; 3700 Series.
      - 3) Bobrick Washroom Equipment, Inc.; B-5806 Series.
      - 4) Bradley Corporation; 832 Series.
- E. Sanitary Napkin Disposal Unit (TA-E): Stainless steel, surface-mounted, self-closing door, locking bottom panel with full-length stainless steel piano-type hinge, removable receptacle.
1. Products:
    - a. A&J Washroom Accessories, Inc.; Model U591.
    - b. American Specialties, Inc.; Model 20852.
    - c. Bobrick Washroom Equipment, Inc.; Model B-270 Contura.
    - d. Bradley Corporation; Model 4781-15.
- F. Robe Hook: Heavy-duty stainless steel, double-prong, rectangular-shaped bracket and backplate for concealed attachment, satin finish.
1. Products:
    - a. A&J Washroom Accessories, Inc.; Model UX112.
    - b. American Specialties, Inc.; Model 7345.
    - c. Bobrick Washroom Equipment, Inc.; Model B-7672.
    - d. Bradley Corporation; Model 9124.

## **2.05 UNDER-LAVATORY PIPE AND SUPPLY COVERS**

- A. Under-Lavatory Pipe and Supply Covers:
1. Insulate exposed drainage piping, including hot, cold, and tempered water supplies under lavatories or sinks to comply with ADA Standards.
  2. Exterior Surfaces: Smooth non-absorbent, non-abrasive surfaces.
  3. Construction: 1/8 inch flexible PVC.
    - a. Surface Burning Characteristics: Flame spread index of 25 or less and smoke developed index of 450 or less, when tested in accordance with ASTM E84.
    - b. Microbial and Fungal Resistance: Comply with ASTM G21.
  4. Color: White.

FIRE STATIONS RENOVATION  
Arlington County, Virginia  
Architect's Project No.: 563006

---

5. Fasteners: Reusable, snap-locking fasteners with no sharp or abrasive external surfaces.
6. Products:
  - a. Plumberex Specialty Products, Inc; Plumberex Trap Gear.
  - b. Truebro; IPS Corporation; Lav Guard 2.

**2.06 UTILITY ROOM ACCESSORIES**

- A. Combination Utility Shelf/Mop and Broom Holder: 0.05 inch thick stainless steel, Type 304, with 1/2 inch returned edges, 0.06 inch steel wall brackets.
  1. Drying rod: Stainless steel, 1/4 inch diameter.
  2. Hooks: Three, 0.06 inch stainless steel rag hooks at shelf front.
  3. Mop/broom holders: Four spring-loaded rubber cam holders at shelf front.
  4. Length: 36 inches.
  5. Products:
    - a. A&J Washroom Accessories, Inc.; Model UJ41A.
    - b. American Specialties, Inc.; Model 1315.
    - c. Bobrick Washroom Equipment, Inc.; Model B-224 x 36.
    - d. Bradley Corporation; Model 9983.

**PART 3 EXECUTION**

**3.01 EXAMINATION**

- A. Verify existing conditions before starting work.
- B. Verify exact location of accessories for installation.

**3.02 INSTALLATION**

- A. Install accessories in accordance with manufacturers' instructions in locations indicated on drawings.
- B. Install plumb and level, securely and rigidly anchored to substrate.
- C. Mounting Heights: As required by accessibility regulations, unless otherwise indicated.

**3.03 PROTECTION**

- A. Protect installed accessories from damage due to subsequent construction operations.

**END OF SECTION**



FIRE STATIONS RENOVATION  
ARLINGTON COUNTY, VIRGINIA  
Architect's Project No: 563006

---

SECTION 211000 - WATER-BASED FIRE-SUPPRESSION SYSTEM

PART 1 - GENERAL

1.1 RELATED DOCUMENTS

- A. Provisions of the Contract and of the Contract Documents apply to this Section.

1.2 SUMMARY

- A. Description of Work:

1. The work includes the installation of a new water-based fire suppression systems throughout the building. The design, equipment, materials, installation and workmanship shall be in strict accordance with the Owner's insurance underwriter's requirements, the current edition of the North Carolina Building Code, the local authority having jurisdiction, and the required and advisory provisions of NFPA.
2. Piping shall not traverse spaces containing electrical equipment in the form of transformers, panel-boards, switchgear, or computer servers.
  - a. Exceptions:
    - 1) Personal computers (PCs)
    - 2) Spaces whose name does not include the term "Electrical", "Data", or "Computer."
3. Each system shall include materials, accessories and equipment necessary to provide each system complete and ready for use.
4. The design of each system shall give full consideration to blind spaces, piping, electrical equipment, ductwork, and all other construction and equipment to afford complete coverage.
5. Devices and equipment for fire protection service shall be of an approved make and type listed by the Underwriters' Laboratories, Inc., or approved by the Factory Mutual System.
6. In the publications referred to herein, the advisory provisions shall be considered to be mandatory, as though the word "shall" had been substituted for "should" wherever it appears.
7. Reference to the "authority having jurisdiction" shall be interpreted to mean the Local Fire Marshal.
8. Calculations shall include delivering water from the point of the fire hydrant flow test through the site piping.

FIRE STATIONS RENOVATION  
ARLINGTON COUNTY, VIRGINIA  
Architect's Project No: 563006

---

9. Consideration shall be given to all unheated areas such as attics, utility rooms, loading docks, outdoor storage spaces with canopies, etc., to provide freeze protection in accordance with NFPA 13. This shall include the installation of dry sprinklers where necessary.

### 1.3 DEFINITIONS

- A. CPVC: Chlorinated polyvinyl chloride plastic.
- B. Email: for the purposes of this section email shall be considered "in writing"

### 1.4 SYSTEM DESCRIPTIONS

- A. Wet-Pipe Sprinkler System: Automatic sprinklers are attached to piping containing water and that is connected to water supply. Water discharges immediately from sprinklers when they are opened. Sprinklers open when heat melts fusible link or destroys frangible device. Hose connections are included if indicated.

### 1.5 PERFORMANCE REQUIREMENTS

- A. Component Working Pressure: Listed for at least 175 psi.
- B. Design shall be approved by authorities having jurisdiction.
- C. Fire-suppression system design shall include the following:
  1. Margin of Safety for Available Water Flow and Pressure: As required by the local Fire Marshal's Office.
  2. Sprinkler Occupancy Hazard Classifications shall be as indicated on the drawings. Where not indicated, comply with NFPA 13.
  3. Maximum Protection Area per Sprinkler shall be in accordance with NFPA 13 and its UL listing.

### 1.6 SUBMITTALS

- A. Product Data: For the following:
  1. Piping materials, including flexible connections, and sprinkler specialty fittings.
  2. Pipe hangers and supports.
  3. Sprinklers, escutcheons, and guards. Include sprinkler flow characteristics, mounting, finish, and other pertinent data.
  4. Flexible sprinkler connection devices, including the manufacturer's installation instructions indicated in the most recent UL listing.
- B. Fire-hydrant flow test report.

FIRE STATIONS RENOVATION  
ARLINGTON COUNTY, VIRGINIA  
Architect's Project No: 563006

---

- C. Approved Sprinkler Piping Shop Drawings: Working plans, prepared according to NFPA 13, that have been approved by authorities having jurisdiction, including hydraulic calculations. Diagram power, signal, and control wiring.
  - 1. Include shop drawings indicating location of all sprinkler heads and all other construction that penetrates ceilings, including light fixtures, HVAC equipment, speakers, fire alarm devices, partition assemblies, etc.
  - 2. Sprinklers shall be referred to on drawings, submittals and other documentation, by the sprinkler identification or Model number as specifically published in the appropriate agency listing or approval. Trade names or other abbreviated designations shall not be allowed.
- D. Welding certificates.
- E. Operation and Maintenance Data to include in emergency, operation, and maintenance manuals.

1.7 CLOSEOUT SUBMITTALS

- A. Field Test Reports and Certificates: Indicate and interpret test results for compliance with performance requirements and as described in NFPA 13 and NFPA 14. Include "Contractor's Material and Test Certificate for Aboveground Piping" and "Contractor's Material and Test Certificate for Underground Piping."

1.8 QUALITY ASSURANCE

- A. Installer Qualifications:
  - 1. Installer's responsibilities include designing, fabricating, and installing fire-suppression systems and providing professional engineering services needed to assume engineering responsibility. A Professional Engineer registered in the state where the project is constructed shall stamp and seal the Shop Drawings.
- B. Flow test:
  - 1. Bid shall be based on the indicated fire-hydrant flow and pressure.
  - 2. Design calculations shall be based on the results of a confirming fire-hydrant flow test performed or caused to be performed by the contractor dated within 1 year of shop drawings submission date.
- C. Welding: Qualify processes and operators according to ASME Boiler and Pressure Vessel Code: Section IX.
- D. All grooved couplings, fittings, valves, and specialties shall be the products of a single manufacturer. Grooving tools shall be of the same manufacturer as the grooved components.
  - 1. All castings used for couplings housings, fittings, or valve and specialty bodies shall be date stamped for quality assurance and traceability.

FIRE STATIONS RENOVATION  
ARLINGTON COUNTY, VIRGINIA  
Architect's Project No: 563006

---

2. Any couplings requiring a torque wrench, per manufacturer installation instruction, must have a test tag attached to each bolt showing torque used for each. Tags shall be date stamped and initialed by the installer.

- E. NFPA Standards: Fire-suppression-system equipment, specialties, accessories, installation, and testing shall comply with the following:

1. 2016 NFPA 13: "Standard for the Installation of Sprinkler Systems."

#### 1.9 COORDINATION

- A. Relocate piping to clear the path of ductwork.
- B. Relocate piping to clear the path of conduit.
- C. Relocate piping to clear the path of cable tray.
- D. Coordinate layout and installation of sprinklers with other construction that penetrates ceilings, including light fixtures, HVAC equipment, and partition assemblies.

#### 1.10 SPRINKLER CABINET(S) AND SPARE SPRINKLERS

- A. Provide finished, wall-mounted, steel sprinkler cabinet with hinged cover.
- B. Provide number of sprinklers required by NFPA 13.
- C. Provide separate cabinet with sprinklers and wrench for each type of sprinkler on Project.
- D. Provide products packaged with protective covering for storage. Identify contents with label.

### PART 2 - PRODUCTS

#### 2.1 STEEL PIPE AND FITTINGS

- A. Threaded-End, Schedule 40 Steel Pipe,  $\frac{3}{4}$ " only, all other sizes will be grooved. ASTM A 53/A 53M, ASTM A 135, or ASTM A 795, hot-dip galvanized where indicated and with factory- or shop-formed threaded ends.
  1. Cast-Iron Threaded Flanges: ASME B16.1.
  2. Malleable-Iron Threaded Fittings: ASME B16.3.
  3. Gray-Iron Threaded Fittings: ASME B16.4.
  4. Steel Threaded Pipe Nipples: ASTM A 733, made of ASTM A 53/A 53M or ASTM A 106, Schedule 40, seamless steel pipe. Include ends matching joining method.
  5. Steel Threaded Couplings: ASTM A 865.

FIRE STATIONS RENOVATION  
ARLINGTON COUNTY, VIRGINIA  
Architect's Project No: 563006

---

- B. Plain-End, Schedule 40 Steel Pipe: ASTM A 53/A 53M, ASTM A 135, or ASTM A 795 hot-dip galvanized where indicated.
1. Steel Welding Fittings: ASTM A 234/A 234M, and ASME B16.9 or ASME B16.11.
  2. Steel Flanges and Flanged Fittings: ASME B16.5.
- C. Grooved-End, Schedule 40 Steel Pipe: ASTM A 53/A 53M, ASTM A 135, or ASTM A 795, hot-dip galvanized where indicated and with factory- or field-formed, square-cut- or roll-grooved ends.
1. Grooved-Joint Piping Systems:
    - a. Basis-of-Design Product: Subject to compliance with requirements, provide Victaulic Company: FireLock.
    - b. Grooved-End Fittings: UL-listed, ASTM A 536, ductile-iron casting with OD matching steel-pipe OD. Basis of design shall be Victaulic Firelock fittings, models 001, 002, 003, 006 for sizes 2" thru 8". Smaller sizes shall be Victaulic models 10, 11, 20, 60 or IR fittings or IGS fittings. No Threaded fittings can be used 1-1/4" -12".
      1. Installation-Ready™ fittings for grooved end steel piping in fire protection applications sizes NPS 1-¼ thru 2½ (DN 32 thru DN 65). Fittings shall consist of a ductile iron housing conforming to ASTM A-536, Grade 65-45-12, with Installation-Ready™ ends, [orange enamel coated] [red enamel coated] [galvanized]. Fittings complete with pre-lubricated Grade "E" EPDM Type 'A' gasket; and ASTM A449 electroplated steel bolts and nuts. System shall be UL listed for a working pressure of 300 psi (2065 kPa) and FM approved for working pressure 365 psi (2517kPa).
      2. Fittings shall have a shorter center-to-end dimensions for installation in tight spaces.
      3. Fittings are rigid, for direct stab installation without field disassembly.
      4. Installation-Ready™ Fittings shall be Victaulic FireLock® Style 101, Style 102, and style 103, which shall be designed for direct "stab" installation onto grooved pipe without prior disassembly of the fitting.
      5. Fittings shall require visual pad-to-pad verification of complete installation.
    - c. Grooved-End-Pipe Couplings: UL 213 and AWWA C606, rigid pattern, unless otherwise indicated; gasketed fitting matching steel-pipe OD. Include ductile-iron housing with keys matching steel-pipe and fitting grooves, pre-lubricated rubber gasket listed for use with housing, and ASTM A449 compliant steel bolts and nuts. Coupling design shall be visual bolt pad to bolt pad, NO coupling requiring a torque wrench shall be used. Only IR Couplings will be used. For dry systems a Flush Seal gasket shall be used.

FIRE STATIONS RENOVATION  
ARLINGTON COUNTY, VIRGINIA  
Architect's Project No: 563006

---

- d. 1" In lieu of threaded steel piping systems, the Victaulic FireLock IGS System with "Installation-Ready™ fittings and couplings will be used for NPS 1 (DN 25) Schedule 10 and Schedule 40 carbon steel pipe in fire protection applications. System rated for a maximum working pressure to 365 psi (2517 kPa).
1. Groove: IGS "Innovative Groove System" groove with shortened "A" dimension and tapered groove backside for ease of installation.
    - a. Grooving Tool: Victaulic RG2100, with IGS Confirmation Gauge.
  2. Fittings:
    - a. Ductile iron housing conforming to ASTM A-536, Grade 65-45-12. Orange enamel coated or galvanized.
      - i. Victaulic Style 101 (90-degree elbow), Style 102 (tee), and Style 108 (coupling) with Installation-Ready™ ends.
      - ii. Style 108 single-bolt coupling provided with EPDM Type A pressure responsive gasket with Vic-Plus lubricant, and ASTM A449 compliant electroplated steel bolt and nut. CrMo alloy steel coupling linkage.
    - b. Thread x Groove adapter fittings and welded outlets with IGS grooved end, ASTM A53, grade A.

**1. Victaulic Mechanical Couplings for Fire Protection:** Basis of Design. Manufactured in two segments of cast ductile iron, conforming to ASTM A-536, Grade 65-45-12. Gaskets shall be pressure-responsive synthetic rubber, grade to suit the intended service, conforming to ASTM D-2000. Mechanical Coupling bolts shall be zinc plated (ASTM B-633) heat treated carbon steel track head conforming to ASTM A-449 and A-183, minimum tensile strength 110,000 psi (758450 kPa) as provided standard Victaulic.

a. **Rigid Type:**

- 1) "Installation Ready" rigid joints shall be Victaulic FireLock® EZ Style 009N and 107N, in sizes 1-1/4"(DN32) through 12" (DN300) sizes as only approved manuf. Designed for direct "stab" installation onto grooved pipe without prior disassembly of the coupling. For sizes 1-1/4"(DN32) through 2" (DN50) sizes. One bolt Style 108 couplings will be used for 1" size. One bolt 109 couplings can be used in lieu of 009N.
- 2) Housings shall be cast with offsetting, angle-pattern bolt pads to provide system rigidity and support and hanging in accordance with NFPA 13.
- 3) Rigid couplings shall require visual pad-to-pad verification of complete installation. Tongue and recess type couplings which require the use of a torque wrench to achieve the exact required gap between housings are not permitted. Installation Ready (IR) couplings will be the only style coupling approved.

FIRE STATIONS RENOVATION  
ARLINGTON COUNTY, VIRGINIA  
Architect's Project No: 563006

---

- b. **Flexible Type:** Use in seismic areas where required by NFPA 13.
  - 1) "Installation Ready" flexible joints shall be Victaulic Style 177N QuickVic™, in sizes 2"(DN50) through 8"(DN200), which shall be designed for direct "stab" installation onto grooved pipe without prior disassembly of the coupling. .
- e. 2) Standard flexible couplings shall be Victaulic Style 77.

## 2.2 PLASTIC PIPE AND FITTINGS

- A. CPVC Pipe and Fittings: UL-Listed for fire protection use, 175 psi rated, installed in accordance with NFPA 13 and manufacturers listing requirements.

## 2.3 FLEXIBLE CONNECTORS

- A. Flexible connectors shall have materials suitable for system fluid. Include 175-psig minimum working-pressure rating and ends according to the following:
  - 1. NPS 2 and Smaller: grooved.
  - 2. NPS 2-1/2 and Larger: grooved.
  - 3. Option for NPS 2-1/2 and Larger: Grooved for use with grooved-end-pipe couplings.
- B. Basis-of-Design Product: Subject to compliance with requirements, provide Victaulic Company AH2CC.
- C. Stainless-Steel-Hose/Stainless-Steel Pipe, Flexible Connectors: Corrugated, stainless-steel, inner tubing covered with stainless-steel wire braid. Include stainless-steel nipples or flanges, welded to hose.

## 2.4 CORROSION-PROTECTIVE ENCASUREMENT FOR PIPING

- A. Encasement for Underground Metal Piping: ASTM A 674 or AWWA C105, PE film, 0.008-inch minimum thickness, tube or sheet.

## 2.5 SPRINKLER SPECIALTY FITTINGS

- A. Sprinkler specialty fittings shall be UL listed or FM approved, with 175-psig minimum working-pressure rating, and made of materials compatible with piping. Sprinkler specialty fittings shall have
- B. Outlet Specialty Fittings:
  - 1. Basis-of-Design Product: Subject to compliance with requirements, provide Victaulic Company.

FIRE STATIONS RENOVATION  
ARLINGTON COUNTY, VIRGINIA  
Architect's Project No: 563006

---

2. Mechanical-T and -Cross Fittings: UL 213, ductile-iron housing with gaskets, bolts and nuts, and grooved outlets. Basis of design Victaulic style 920/920N and style 922.
  3. Snap-On and Strapless Outlet Fittings: UL 213, ductile-iron housing or casting with gasket and threaded or grooved or grooved outlet. Basis of design Victaulic style 923.
- C. Sprinkler Drain and Alarm Test Fittings: Cast- or ductile-iron body; with threaded, grooved or locking-lug inlet and outlet, test valve, and orifice and sight glass.
1. Basis-of-Design Product: Subject to compliance with requirements, provide Victaulic Company.

## 2.6 LISTED FIRE-PROTECTION VALVES

- A. Valves shall be UL listed or FM approved, with 175-psig minimum pressure rating.
1. Basis-of-Design Product: Subject to compliance with requirements, provide Victaulic Company.
- B. Ball Valves: Comply with UL 1091, except with ball instead of disc.
1. Basis-of-Design Product: Subject to compliance with requirements, provide Victaulic Company.
  2. NPS 1-1/2 and Smaller: Bronze or brass body with grooved ends. Basis of Design: Victaulic Series 728.
  3. NPS 2 and NPS 2-1/2: Ductile-iron body with grooved ends.
  4. NPS 3: Ductile-iron body with grooved ends.
- C. OS&Y Gate Valves: UL 262.
1. Ductile-iron body with flanged x Groove or groove x groove ends. No Flange x Flange will be accepted.
    - a. Basis-of-Design Product: Subject to compliance with requirements, provide Victaulic Company or engineer approved equal. Basis of design Victaulic model 771H or 771F.
- D. Butterfly Valves: UL 1091.
1. NPS 2 and Smaller: Bronze body with grooved ends.
    - a. Basis-of-Design Product: Subject to compliance with requirements, provide Victaulic Company.
  2. NPS 2-1/2 and Larger: Bronze, cast-iron, or ductile-iron body; wafer type or with flanged or grooved ends. Valve seat shall be pressure-responsive, and the stem offset from the disc centerline to provide complete 360-degree circumferential seating. Basis of



FIRE STATIONS RENOVATION  
ARLINGTON COUNTY, VIRGINIA  
Architect's Project No: 563006

---

Design: Victaulic Series 705. Each valve must be individually tested at factory to include electronics.

- a. Basis-of-Design Product: Subject to compliance with requirements, provide Victaulic Company.
- E. Check Valves NPS 2 and Larger: UL 312, spring-assisted swing type for vertical or horizontal installation, cast- ductile iron body with flanged or grooved ends. Basis of Design: Victaulic Series 717.
- 1. Basis-of-Design Product: Subject to compliance with requirements, provide Victaulic Company.
- F. Indicating Valves: UL 1091, with integral indicating device and ends matching connecting piping.
- 1. Indicator: Weatherproof actuator housing with electrical, 15 amp @125-VAC 60 HZ, prewired, single-pole-single-throw, supervisory switches
  - 2. NPS 2 and Smaller: Ball or butterfly valve with bronze body with grooved ends. Basis of Design: Victaulic Series 728.
    - a. Basis-of-Design Product: Subject to compliance with requirements, provide Victaulic Company.
  - 3. NPS 2-1/2 and Larger: Butterfly valve with cast- or ductile-iron body; wafer type or with flanged or grooved ends.
    - a. Basis-of-Design Product: Subject to compliance with requirements, provide Victaulic Company.

## 2.7 GENERAL-DUTY VALVES

- A. Basis-of-Design Product: Subject to compliance with requirements, provide Victaulic Company.
- B. Ball Valves NPS 2 and Smaller: MSS SP-110, 2-piece copper-alloy body with chrome-plated brass ball, 600-psig minimum CWP rating, blowout-proof stem, and threaded or grooved ends.
- C. Check Valves NPS 2 and Smaller: MSS SP-80, Type 4, Class 125 minimum, swing type with bronze body, nonmetallic disc, and threaded or grooved ends.

## 2.8 SPECIALTY VALVES

- A. Sprinkler System Control Valves: UL listed or FM approved, cast- or ductile-iron body with flanged or grooved ends, and 175-psig minimum pressure rating.
  - 1. Basis-of-Design Product: Subject to compliance with requirements, provide Victaulic Company.

FIRE STATIONS RENOVATION  
ARLINGTON COUNTY, VIRGINIA  
Architect's Project No: 563006

---

2. Riser Check Valves: UL 193, designed for horizontal or vertical installation, with bronze grooved seat with O-ring seals, single-hinge pin, and latch design. Include trim sets for drain and pressure gages. Victaulic UMC model only.
  
3. Floor control valve assemblies: Universal Manifold Check Valve | Model UMC Model UMC - 1-1/4, 1-1/2, 2, 2-1/2, 3, 4, 6, and 8-inch Universal Manifold Check Valve: Where universal manifold check valves are specified for use in wet-pipe sprinkler systems, as floor control manifolds they shall be specifically listed for such use. Universal manifold check valves shall be ductile iron construction, incorporating a control valve, check valve, flow switch, test & drain assembly, adjustable relief valve, and system gauges in one compact body/footprint, and shall be manufactured for "right" and "left"-hand orientations. The test & drain assemble shall contain an adjustable relief valve, with a range of 175 to 310 psi, and a universal test orifice of K2.8; to provide testing capabilities of systems with k-factors ranging from K2.8 and larger. The Universal Manifold Check valve shall be rated for use at the maximum service pressure of 300 psi and shall be UL listed and FM approved. Universal manifold check valves shall be the Model UMC; as manufactured by Globe brand by Victaulic Company only.

## 2.9 SPRINKLERS

- A. Sprinklers shall be UL listed or FM approved, with 175-psig minimum pressure rating. Basis of design Victaulic / Globe.
- B. Basis-of-Design Product: Subject to compliance with requirements, provide Victaulic Company.
- C. Automatic Sprinklers: UL-Listed with quick response glass bulb type heat-responsive element complying with the following:
  1. UL 199, for nonresidential applications.
- D. Wrenches shall be provided by the sprinkler manufacturer that directly engage the hex-shaped wrench boss integrally cast in the sprinkler body.
- E. Sprinkler types, features, and options as follows:
  1. Brass upright sprinklers.
  2. Extended-coverage sprinklers.
  3. Concealed pendent sprinklers, including cover plate, must have 1" of adjustment.
  4. Pendent sprinklers.
  5. Pendent, dry-type sprinklers.
  6. Quick-response sprinklers.
  7. Recessed sprinklers, including escutcheon.
  8. Sidewall sprinklers.

FIRE STATIONS RENOVATION  
ARLINGTON COUNTY, VIRGINIA  
Architect's Project No: 563006

---

9. Sidewall, dry-type sprinklers as manuf. By Victaulic
10. Attic sprinkler Globe Brand by Victaulic where applicable.
11. Grooved heads as manufactured by Victaulic.

F. Sprinkler Escutcheons: Materials, types, and finishes for the following sprinkler mounting applications. Escutcheons for concealed, flush, and recessed-type sprinklers are specified with sprinklers.

1. Ceiling Mounting: 2 piece, with 1-inch vertical adjustment.
2. Sidewall Mounting: 2 piece, with 1-inch horizontal adjustment.

G. Sprinkler Guards: Wire-cage type, including fastening device for attaching to sprinkler.

H. In lieu of rigid connections to dry sprinkler heads, a Victaulic VicFlex™ dry sprinkler, Model VS1, may be used. The sprinkler shall provide a vertical or horizontal flexible connection with a bend radius to 2" and allow for up to 4 bends.

I. For cooler or Freezer boxes: Victaulic AB6 Freezer dry pendant utilizing a flexible hose connection shall be used. No dry Pendant utilizing a rubber boot will be allowed.

#### 2.11 Special Hazard fire extinguishing systems

Special Hazards systems must meet NFSA 770 standard. Must be 100% green with no need for assurance of tight room integrity, nearly zero wetting with no costly cleanup. Must have no life safety issues and a quick recharge with not patent on the Gas used. Must use only Nitrogen and water. For use in all water sensitive facilities including data centers. Basis of design is Victaulic Vortex extinguishing system.

#### 2.12 ALARM DEVICES

J. Alarm device types shall match piping and equipment connections.

K. Wet Pipe Water-Flow Indicator: UL 346, electrical-supervision, paddle-operated-type, water-flow detector with 250-psig pressure rating and designed for horizontal or vertical installation. Include two single-pole, double-throw circuit switches for isolated alarm and auxiliary contacts, 7 A, 125-V ac and 0.25 A, 24-V dc; complete with factory-set, field-adjustable retard element to prevent false signals and tamperproof cover that sends signal if removed.

1. Manufacturers including but not limited to:
  - a. Grinnell Fire Protection.
  - b. ITT McDonnell & Miller.
  - c. Potter Electric Signal Company.
  - d. Viking Corp.
  - e. Watts Industries, Inc.; Water Products Div.

L. Valve Supervisory Switch: UL 753, electrical, single-pole, double-throw switch with normally closed contacts. Include design that signals controlled valve is in other than fully open position.

1. Manufacturers including but not limited to:
  - a. McWane, Inc.; Kennedy Valve Div.

FIRE STATIONS RENOVATION  
ARLINGTON COUNTY, VIRGINIA  
Architect's Project No: 563006

---

- b. Potter Electric Signal Company.
- c. System Sensor.

2.10 PRESSURE GAGES

- A. Manufacturers including but not limited to:
  - 1. Dresser Equipment Group; Instrument Div.
- B. Description: UL 393, 3-1/2" to 4-1/2" diameter dial.
- C. Water System Piping: Include caption "WATER" or "AIR/WATER" on dial face.

2.11 FIRESTOP WRAP

- A. Manufacturers including but not limited to:
  - 1. 3M
- B. UL listed with minimum 1-hour fire rating

PART 3 - EXECUTION

3.1 PREPARATION

- A. Perform fire-hydrant flow test according to NFPA standards, procedures, appendices, or recommendations.
- B. Report test results no later than two days following the test in writing.

3.2 EARTHWORK

- A. Refer to Division 31 Section "Earth Moving" for excavating, trenching, and backfilling.

3.3 EXAMINATION

- A. Examine roughing-in for hose connections and stations to verify actual locations of piping connections before installation.
- B. Examine walls and partitions for suitable thicknesses, fire- and smoke-rated construction, framing for hose-station cabinets, and other conditions where hose connections and stations are to be installed.
- C. Proceed with installation only after unsatisfactory conditions have been corrected.

FIRE STATIONS RENOVATION  
ARLINGTON COUNTY, VIRGINIA  
Architect's Project No: 563006

---

3.4 PIPING APPLICATIONS, GENERAL

- A. Provide shop-welded joints where welding is required.
- B. Provide shop or manufacturer-threaded or grooved joints where threads are required.
- C. Field-welded joints will be permitted where indicated on the drawings. Field welding is optional where indicated. Other approved or specified methods are acceptable.
- D. Do not use welded joints for galvanized-steel.
- E. Flanges, flanged fittings, unions, nipples, transition and special fittings with finish and pressure ratings same as or higher than system's pressure rating may be used in aboveground applications, unless otherwise indicated.

3.5 SPRINKLER SYSTEM PIPING APPLICATIONS

- A. Wet-Pipe Sprinkler System, 175-psig Maximum Working Pressure:
  - 1. Sprinkler Piping NPS 2" and smaller use any of the following:
    - a. Threaded or grooved-end, black, schedule 40 steel pipe; cast- or malleable-iron threaded or grooved fittings; and threaded or grooved joints.
    - b. Plain-end, black, schedule 40 steel pipe; steel welding fittings; and welded joints.
    - c. Grooved-end, black, schedule 40 steel pipe with square-cut- or roll-grooved ends; grooved-end fittings; grooved-end-pipe couplings; and grooved joints.
  - 2. Sprinkler Piping NPS 2 1/2" and larger use any of the following:
    - a. Threaded or grooved-end, black, schedule 40 steel pipe; cast- or malleable-iron threaded or grooved fittings; and threaded or grooved joints.
    - b. Plain-end, black, schedule 10 steel pipe; steel welding fittings; and welded joints.
    - c. Grooved-end, black, Schedule 10 steel pipe; grooved-end fittings; grooved-end-pipe couplings; and roll grooved joints.
  - 3. CPVC Pipe and Fittings are permitted to be installed in accordance with NFPA 13 and the manufacturers listing requirements.

3.6 VALVE APPLICATIONS

- A. Where specific valve types are not indicated, the following requirements apply:
  - 1. Listed Fire-Protection Valves: UL listed and FMG approved for application.
    - a. Shutoff Duty: Use ball, or butterfly valves.

3.7 JOINT CONSTRUCTION

- A. Refer to Section "Common Work Results for Fire Suppression" for basic piping joint construction.

FIRE STATIONS RENOVATION  
ARLINGTON COUNTY, VIRGINIA  
Architect's Project No: 563006

---

- B. Threaded Joints: Comply with NFPA 13 for pipe thickness and threads. Do not thread pipe smaller than 8" with wall thickness less than Schedule 40 unless approved by authorities having jurisdiction.
- C. Threads shall be checked by a ring gage and shall comply with ASME B1.20.1.
- D. Grooved Joints: Assemble joints with listed coupling and gasket, lubricant, and bolts in accordance with the manufacturer's published installation instructions.
  - 1. Steel Pipe: Square-cut or roll-groove piping as indicated. Use grooved-end fittings and rigid, grooved-end-pipe couplings, unless otherwise indicated.
  - 2. Grooved coupling manufacturer's factory trained field representative shall provide on-site training for contractor's field personnel in the proper use of grooving tools, application of groove, and installation of grooved piping products. Factory trained representative shall periodically visit the jobsite to ensure best practices in grooved product installation are being followed. Contractor shall remove and replace any improperly installed products.
- E. Dissimilar-Metal Piping Joints: Construct joints using dielectric fittings compatible with both piping materials.
  - 1. NPS 2 and Smaller: Use dielectric unions, couplings, or nipples.
  - 2. NPS 2-1/2 to NPS 4: Use dielectric flanges.
  - 3. NPS 5 and Larger: Use dielectric flange insulation kits.

### 3.8 PIPING INSTALLATION

- A. Refer to Section "Common Work Results for Fire Suppression" for basic piping installation.
- B. Locations and Arrangements: Drawing plans, shop drawings, schematics, and diagrams indicate general location and arrangement of piping. Install piping as indicated.
  - 1. Deviations from approved working drawings for piping require written approval from authorities having jurisdiction and Architect. File written approval with Architect before deviating.
- C. Provide approved fittings to make changes in direction, branch takeoffs from mains, and reductions in pipe sizes.
- D. Provide unions adjacent to each valve in pipes 2" and smaller. Unions are not required on flanged devices or in piping installations using grooved joints.
- E. Provide sprinkler piping with drains for complete system drainage.
- F. Provide alarm devices.
- G. Install sprinkler system piping according to NFPA 13.

FIRE STATIONS RENOVATION  
ARLINGTON COUNTY, VIRGINIA  
Architect's Project No: 563006

---

- H. Install pressure gages on each riser or feed main, and at each sprinkler test connection. Include pressure gages with connection not less than 1/4" and with soft metal seated globe valve, arranged for draining pipe between gage and valve. Install gages to permit removal, and install where not subject to freezing.
- I. Fill wet-pipe sprinkler with water.

3.9 VALVE INSTALLATION

- A. Install listed fire-protection valves, unlisted general-duty valves, specialty valves and trim, controls, and specialties according to NFPA 13 and authorities having jurisdiction.
- B. Install listed fire-protection shutoff valves supervised-open, located to control sources of water supply except from fire department connections. Install permanent identification signs indicating portion of system controlled by each valve.

3.10 SPRINKLER INSTALLATION

- A. Install sprinklers in suspended ceilings in center of acoustical ceiling panels and tiles.
- B. Do not install pendent or sidewall, wet-type sprinklers in areas subject to freezing. Use dry-type sprinklers with water supply from heated space wherever possible.
- C. Do not install sprinklers that have been dropped, damaged, show a visible loss of fluid, or a cracked bulb.
- D. The sprinkler bulb protector shall be removable by hand, without tools or devices that may damage the bulb.

3.11 CONNECTIONS

- A. Install piping adjacent to equipment to allow service and maintenance.
- B. Connect water-supply piping to fire-suppression piping. Include backflow preventer between potable-water piping and fire-suppression piping.
- C. Install ball drip valves at each check valve for fire department connection. Drain as indicated. If not indicated otherwise, drain to floor drain or outside building.
- D. Coordinate connection of alarm devices to fire alarm.
- E. Ground equipment. Grounding shall be in accordance with section "Grounding and Bonding for Electrical Systems."
- F. Coordinate connection of wiring.

FIRE STATIONS RENOVATION  
ARLINGTON COUNTY, VIRGINIA  
Architect's Project No: 563006

---

- G. Tighten electrical connectors and terminals according to manufacturer's published torque-tightening values. If manufacturer's torque values are not indicated, use those specified in UL 486A and UL 486B.

3.12 LABELING AND IDENTIFICATION

- A. Install labeling and pipe markers on equipment and piping according to requirements in NFPA 13.

3.13 FIELD QUALITY CONTROL

- A. Perform the following field tests and inspections and prepare test reports:
  1. Leak Test: After installation, charge system and test for leaks. Repair leaks and retest until no leaks exist.
  2. Test and adjust controls and safeties. Replace damaged and malfunctioning controls and equipment.
  3. Energize circuits to electrical equipment and devices.
  4. Flush, test, and inspect sprinkler systems according to NFPA 13, "Systems Acceptance" Chapter.
  5. Coordinate with fire alarm tests. Operate as required.
  6. Verify that equipment hose threads are same as local fire department equipment.
- B. Report test results promptly and in writing to Architect and authorities having jurisdiction.

3.14 CLEANING AND PROTECTION

- A. Clean dirt and debris from sprinklers.
- B. Provide sprinklers to replace sprinklers with paint or coating other than the original factory finish.
- C. Protect sprinklers from damage and debris until Substantial Completion.
- D. Protect the building exterior when operating drains and test connections discharging to the building exterior.
- E. Dirt and stains on any surfaces resulting from the work of this section shall be cleaned and removed under this section.

3.15 DEMONSTRATION

- A. Engage a factory-authorized service representative to train Owner's maintenance personnel to adjust, operate, and maintain the system.

END OF SECTION 211000



FIRE STATIONS RENOVATION  
ARLINGTON COUNTY, VIRGINIA  
Architect's Project No: 563006

---

SECTION 220500 - COMMON WORK RESULTS FOR PLUMBING

PART 1 - GENERAL

1.1 RELATED DOCUMENTS

- A. Provisions of the Contract and of the Contract Documents apply to this Section.

1.2 DEFINITIONS

- A. Finished Spaces: Spaces other than mechanical and electrical equipment rooms, furred spaces, pipe chases, unheated spaces immediately below roof, spaces above ceilings, unexcavated spaces, crawlspace, and tunnels.
- B. Exposed, Interior Installations: Exposed to view indoors. Examples include finished occupied spaces and mechanical equipment rooms.
- C. Exposed, Exterior Installations: Exposed to view outdoors or subject to outdoor ambient temperatures and weather conditions. Examples include rooftop locations.
- D. Concealed, Interior Installations: Concealed from view and protected from physical contact by building occupants. Examples include above ceilings and in chases.
- E. Concealed, Exterior Installations: Concealed from view and protected from weather conditions and physical contact by building occupants but subject to outdoor ambient temperatures. Examples include installations within unheated shelters.
- F. The following are industry abbreviations for plastic materials:
1. ABS: Acrylonitrile-butadiene-styrene plastic.
  2. CPVC: Chlorinated polyvinyl chloride plastic.
  3. PE: Polyethylene plastic.
  4. PVC: Polyvinyl chloride plastic.
- G. The following are industry abbreviations for rubber materials:
1. EPDM: Ethylene-propylene-diene terpolymer rubber.
  2. NBR: Acrylonitrile-butadiene rubber.

1.3 SUBMITTALS

- A. Product Data: For the following:
1. Transition fittings.
  2. Dielectric fittings.
  3. Escutcheons.

FIRE STATIONS RENOVATION  
ARLINGTON COUNTY, VIRGINIA  
Architect's Project No: 563006

---

- B. LEED Submittals: Refer to Division 1 Section "Sustainable Design Requirements."

#### 1.4 QUALITY ASSURANCE

- A. Steel Support Welding: Qualify processes and operators according to AWS D1.1, "Structural Welding Code--Steel."
- B. Steel Pipe Welding: Qualify processes and operators according to ASME Boiler and Pressure Vessel Code: Section IX, "Welding and Brazing Qualifications."
  - 1. Comply with provisions in ASME B31 Series, "Code for Pressure Piping."
  - 2. Certify that each welder has passed AWS qualification tests for welding processes involved and that certification is current.
- C. Electrical Characteristics for Plumbing Equipment: Equipment of higher electrical characteristics may be furnished provided such proposed equipment is approved in writing and connecting electrical services, circuit breakers, and conduit sizes are appropriately modified. If minimum energy ratings or efficiencies are specified, equipment shall comply with requirements.

#### 1.5 DELIVERY, STORAGE, AND HANDLING

- A. Deliver pipes and tubes with factory-applied end caps. Maintain end caps through shipping, storage, and handling to prevent pipe end damage and to prevent entrance of dirt, debris, and moisture.
- B. Store plastic pipes protected from direct sunlight. Support to prevent sagging and bending.

#### 1.6 COORDINATION

- A. Arrange for pipe spaces, chases, slots, and openings in building structure during progress of construction, to allow for plumbing installations.
- B. Coordinate installation of required supporting devices and set sleeves in poured-in-place concrete and other structural components as they are constructed.
- C. Coordinate requirements for access panels and doors for plumbing items requiring access that are concealed behind finished surfaces. Access panels and doors are specified in Division 08 Section "Access Doors and Frames."

### PART 2 - PRODUCTS

#### 2.1 PIPE, TUBE, AND FITTINGS

- A. Refer to other Division 22 piping sections for pipe, tube, and fitting materials and joining methods.

FIRE STATIONS RENOVATION  
ARLINGTON COUNTY, VIRGINIA  
Architect's Project No: 563006

---

- B. Pipe Threads: ASME B1.20.1 for factory-threaded pipe and pipe fittings.

## 2.2 JOINING MATERIALS

- A. Refer to individual Division 22 piping sections for joining materials not listed below.
- B. Pipe-Flange Gasket Materials: Suitable for chemical and thermal conditions inside & outside pipe and:
  - 1. ASME B16.21, nonmetallic, flat, asbestos-free, 1/8-inch maximum thickness unless thickness or specific material is otherwise indicated.
    - a. Full-Face Type: For flat-face, Class 125, cast-iron and cast-bronze flanges.
    - b. Narrow-Face Type: For raised-face, Class 250, cast-iron and steel flanges.
  - 2. AWWA C110, rubber, flat face, 1/8 inch thick, unless otherwise indicated, and full-face or ring type, unless otherwise indicated.
- C. Solder Filler Metals: ASTM B 32, lead-free (95% Tin, 5% Antimony) alloy. Include water-flushable flux according to ASTM B 813.
- D. Brazing Filler Metals: AWS A5.8, BCuP Series, copper-phosphorus alloys for general-duty brazing, unless otherwise indicated; and AWS A5.8, BAg1, silver alloy for refrigerant piping, unless otherwise indicated.
- E. Welding Filler Metals: Comply with AWS D10.12 for welding materials appropriate for wall thickness and chemical analysis of steel pipe being welded.
- F. Solvent Cements for Joining Plastic Piping:
  - 1. ABS Piping: ASTM D 2235.
  - 2. CPVC Piping: ASTM F 493.
  - 3. PVC Piping: ASTM D 2564. Include primer according to ASTM F 656.
  - 4. PVC to ABS Piping Transition: ASTM D 3138.

## 2.3 MECHANICAL GROOVED JOINT COUPLINGS

- A. Manufacturer: Victaulic
- B. Description: Pipe joint consisting of a grooved pipe, EPDM gasket, steel housing, 2 bolts and 2 nuts.
- C. Gasket Material: Grade "E" EPDM suitable for use up to 250 degrees F.
- D. Housing: Carbon steel

FIRE STATIONS RENOVATION  
ARLINGTON COUNTY, VIRGINIA  
Architect's Project No: 563006

---

2.4 DIELECTRIC FITTINGS

- A. Description: Combination fitting of copper alloy and ferrous materials with threaded, solder-joint, plain, or weld-neck end connections that match piping system materials.
- B. Insulating Material: Suitable for system fluid, pressure, and temperature.
- C. Dielectric Flanges: Factory-fabricated, companion-flange assembly, for 150 or 300 psig working pressure as required to suit system pressures.
  - 1. Available Manufacturers:
    - a. Capitol Manufacturing Co.
    - b. Central Plastics Company.
    - c. Epco Sales, Inc.
    - d. Watts Industries, Inc.; Water Products Div.
- D. Dielectric-Flange Kits: Companion-flange assembly for field assembly. Include flanges, full-face- or ring-type neoprene or phenolic gasket, phenolic or polyethylene bolt sleeves, phenolic washers, and steel backing washers.
  - 1. Available Manufacturers:
    - a. Advance Products & Systems, Inc.
    - b. Calpico, Inc.
    - c. Central Plastics Company.
    - d. Pipeline Seal and Insulator, Inc.
  - 2. Separate companion flanges and steel bolts and nuts shall have 150- or 300-psig minimum working pressure where required to suit system pressures.
- E. Dielectric Couplings: Galvanized-steel coupling with inert and noncorrosive, thermoplastic lining; threaded ends; and 300-psig minimum working pressure at 225 deg F.
  - 1. Available Manufacturers:
    - a. Calpico, Inc.
    - b. Lochinvar Corp.

2.5 ESCUTCHEONS

- A. Description: Manufactured wall and ceiling escutcheons and floor plates, with an ID to closely fit around pipe, tube, and insulation of insulated piping and an OD that completely covers opening.
- B. One-Piece, Deep-Pattern Type: Deep-drawn, box-shaped brass with polished chrome-plated finish.
- C. One-Piece, Cast-Brass Type: With set screw.

FIRE STATIONS RENOVATION  
ARLINGTON COUNTY, VIRGINIA  
Architect's Project No: 563006

---

- 1. Finish: Polished chrome-plated.
- D. Split-Casting, Cast-Brass Type: With concealed hinge and set screw.
  - 1. Finish: Polished chrome-plated.
- E. One-Piece, Floor-Plate Type: Cast-iron floor plate.
- F. Split-Casting, Floor-Plate Type: Cast brass with concealed hinge and set screw.

## 2.6 GROUT

- A. Description: ASTM C 1107, Grade B, nonshrink and nonmetallic, dry hydraulic-cement grout.
  - 1. Characteristics: Post-hardening, volume-adjusting, nonstaining, noncorrosive, nongaseous, and recommended for interior and exterior applications.
  - 2. Design Mix: 5000-psi, 28-day compressive strength.
  - 3. Packaging: Premixed and factory packaged.

## 2.7 SECURITY FASTENERS:

- A. Description: Accessories, anchorage inserts, and security fasteners providing a complete tamperproof installation.
- B. Exposed Security Fasteners:
  - 1. Fastener: Provide torx-head (star with center reject pin) security fasteners for anchoring work in exposed security areas.
  - 2. Finish: Finish shall match that specified of the item anchored.
  - 3. Tools: Provide tools for fastening devices

## PART 3 - EXECUTION

### 3.1 PIPING SYSTEMS - COMMON REQUIREMENTS

- A. Install piping according to the following and Division 22 Sections specifying piping systems.
- B. Install piping in concealed locations, unless otherwise indicated and except in equipment rooms and service areas.
- C. Install piping indicated to be exposed and piping in equipment rooms and service areas at right angles or parallel to building walls. Diagonal runs are prohibited unless specifically indicated otherwise.
- D. Install piping above accessible ceilings to allow sufficient space for ceiling panel removal.
- E. Install piping to permit valve servicing.

FIRE STATIONS RENOVATION  
ARLINGTON COUNTY, VIRGINIA  
Architect's Project No: 563006

---

- F. Install piping at indicated slopes.
- G. Install piping free of sags and bends.
- H. Install fittings for changes in direction and branch connections.
- I. Install piping to allow application of insulation.
- J. Select system components with pressure rating equal to or greater than system operating pressure.
- K. Install escutcheons for penetrations of walls, ceilings, and floors according to the following:
  - 1. Exposed, Interior Installations/Piping with Fitting or Sleeve Protruding from Wall: One-piece, deep-pattern type.
  - 2. Exposed, Interior Installations/Chrome-Plated Piping: One-piece, cast-brass type with polished chrome-plated finish and set-screw.
  - 3. Exposed, Interior Installations/Insulated Piping: One-piece, cast-brass type with polished chrome-plated finish.
  - 4. Exposed, Interior Installations/Bare Piping at Wall and Floor Penetrations in Finished Spaces: One-piece, cast-brass type with finish to match surrounding surfaces.
  - 5. Exposed, Interior Installations/Bare Piping at Ceiling Penetrations in Finished Spaces: One-piece or split-casting, cast-brass type with finish to match surrounding surfaces.
  - 6. Exposed, Interior Installations/Piping in Unfinished Service Spaces: None, provide sealant.
  - 7. Exposed, Interior Installations/Piping in Equipment Rooms: None, provide sealant.
  - 8. Exposed, Interior Installations/Piping at Floor Penetrations in Equipment Rooms, Fan Rooms, or similar wet spaces: None - provide sealant and sleeve extending 2" above floor to prevent liquid leaking to floor below
- L. Fire-Barrier Penetrations: Maintain indicated fire rating of walls, partitions, ceilings, and floors at pipe penetrations. Seal pipe penetrations with firestop materials. Refer to Section "Penetration Firestopping" for materials.
- M. Verify final equipment locations for roughing-in.
- N. Refer to equipment specifications in other Sections of these Specifications for roughing-in requirements.

### 3.2 PIPING JOINT CONSTRUCTION

- A. Join pipe and fittings according to the following requirements and Division 22 Sections specifying piping systems.
- B. Ream ends of pipes and tubes and remove burrs. Bevel plain ends of steel pipe.
- C. Remove scale, slag, dirt, and debris from inside and outside of pipe and fittings before assembly.

FIRE STATIONS RENOVATION  
ARLINGTON COUNTY, VIRGINIA  
Architect's Project No: 563006

---

- D. Soldered Joints: Apply ASTM B 813, water-flushable flux, unless otherwise indicated, to tube end. Construct joints according to ASTM B 828 or CDA's "Copper Tube Handbook," using lead-free solder alloy complying with ASTM B 32.
- E. Brazed Joints: Construct joints according to AWS's "Brazing Handbook," "Pipe and Tube" Chapter, using copper-phosphorus brazing filler metal complying with AWS A5.8.
- F. Threaded Joints: Thread pipe with tapered pipe threads according to ASME B1.20.1. Cut threads full and clean using sharp dies. Ream threaded pipe ends to remove burrs and restore full ID. Join pipe fittings and valves as follows:
1. Apply appropriate tape or thread compound to external pipe threads unless dry seal threading is specified.
  2. Damaged Threads: Do not use pipe or pipe fittings with threads that are corroded or damaged. Do not use pipe sections that have cracked or open welds.
- G. Welded Joints: Construct joints according to AWS D10.12, using qualified processes and welding operators according to Part 1 "Quality Assurance" Article.
- H. Flanged Joints: Select appropriate gasket material, size, type, and thickness for service application. Install gasket concentrically positioned. Use suitable lubricants on bolt threads.
- I. Plastic Piping Solvent-Cement Joints: Clean and dry joining surfaces. Join pipe and fittings according to the following:
1. Comply with ASTM F 402 for safe-handling practice of cleaners, primers, and solvent cements.
  2. ABS Piping: Join according to ASTM D 2235 and ASTM D 2661 Appendixes.
  3. CPVC Piping: Join according to ASTM D 2846/D 2846M Appendix.
  4. PVC Pressure Piping: Join schedule number ASTM D 1785, PVC pipe and PVC socket fittings according to ASTM D 2672. Join other-than-schedule-number PVC pipe and socket fittings according to ASTM D 2855.
  5. PVC Nonpressure Piping: Join according to ASTM D 2855.
  6. PVC to ABS Nonpressure Transition Fittings: Join according to ASTM D 3138 Appendix.
- J. Plastic Pressure Piping Gasketed Joints: Join according to ASTM D 3139.
- K. Plastic Nonpressure Piping Gasketed Joints: Join according to ASTM D 3212.
- L. PE Piping Heat-Fusion Joints: Clean and dry joining surfaces by wiping with clean cloth or paper towels. Join according to ASTM D 2657.
1. Plain-End Pipe and Fittings: Use butt fusion.
  2. Plain-End Pipe and Socket Fittings: Use socket fusion.
- M. Fiberglass Bonded Joints: Prepare pipe ends and fittings, apply adhesive, and join according to pipe manufacturer's written instructions.

FIRE STATIONS RENOVATION  
ARLINGTON COUNTY, VIRGINIA  
Architect's Project No: 563006

---

- N. Mechanical Joints: Prepare pipe ends and fittings, apply coupling, and join according to joint manufacturer's written instructions.

### 3.3 PIPING CONNECTIONS

- A. Make connections according to the following, unless otherwise indicated:
  - 1. Install unions, in piping 2" and smaller, one adjacent to each valve and at final connections to each piece of equipment.
  - 2. Install flanges, in piping NPS 2-1/2" and larger, adjacent to final connections to each piece of equipment.
  - 3. Install dielectric unions or flanges for connections of dissimilar metals.

### 3.4 EQUIPMENT INSTALLATION - COMMON REQUIREMENTS

- A. Install equipment to allow maximum possible headroom unless specific mounting heights are indicated.
- B. Install equipment level and plumb, parallel and perpendicular to other building systems and components in exposed interior spaces, unless otherwise indicated.
- C. Install plumbing equipment to facilitate service, maintenance, and repair or replacement of components. Connect equipment for ease of disconnecting, with minimum interference to other installations. Extend grease fittings to accessible locations.
- D. Install equipment to allow right of way for piping installed at required slope.

### 3.5 PAINTING

- A. Damage and Touchup: Repair marred and damaged factory-painted finishes with materials and procedures to match original factory finish.
- B. All paints and coatings wet-applied on site must meet the applicable VOC limits of the California Air Resources Board (CARB) 2007, Suggested Control Measure (SCM) for Architectural Coatings, or the South Coast Air Quality Management District (SCAQMD) Rule 1113, effective June 3, 2011.

### 3.6 HOUSEKEEPING PADS AND EQUIPMENT PADS

- A. Housekeeping pads and equipment pads: Anchor equipment to concrete according to equipment manufacturer's written instructions and according to seismic codes at project location.
  - 1. Construct concrete pads in accordance with drawing details.
  - 2. Details may be found on structural drawings. If details are not provided comply with the following:



FIRE STATIONS RENOVATION  
ARLINGTON COUNTY, VIRGINIA  
Architect's Project No: 563006

---

- a. Housekeeping pads inside the building shall be 4" thick and 6" larger all around than supported equipment. Provide a 1" chamfer on all edges.
- b. If details are not provided, equipment pads outside the building shall be 8" thick with a 24" deep 12" wide turndown (footing) all around the outside edge of the pad. Provide welded wire mesh reinforcement. Pad shall be 12" larger all around than supported equipment.
- c. Install dowel rods to connect housekeeping pad to concrete floor. Unless otherwise indicated, install dowel rods on 18-inch centers around the full perimeter of the pad. Provide a 1" chamfer on all edges.
- d. Install epoxy-coated anchor bolts. For equipment on housekeeping pads bolts shall extend through housekeeping pad, and anchor into structural concrete floor.
- e. Place and secure anchor bolts using supported equipment manufacturer's setting drawings, templates, diagrams, instructions, and directions for placement.
- f. Install anchor bolts to elevations required for proper attachment to supported equipment.
- g. Install anchor bolts according to anchor bolt manufacturer's written instructions.

3.7 ERECTION OF METAL SUPPORTS AND ANCHORAGES

- A. Refer to Section "Metal Fabrications" for structural steel.
- B. Cut, fit, and place miscellaneous metal supports accurately in location, alignment, and elevation to support and anchor plumbing materials and equipment.
- C. Field Welding: Comply with AWS D1.1.

3.8 GROUTING

- A. Mix and install grout for plumbing equipment base bearing surfaces, pump and other equipment base plates, and anchors.
- B. Clean surfaces that will come into contact with grout.
- C. Provide forms as required for placement of grout.
- D. Avoid air entrapment during placement of grout.
- E. Place grout, completely filling equipment bases.
- F. Place grout on concrete bases and provide smooth bearing surface for equipment.
- G. Place grout around anchors.
- H. Cure placed grout.

END OF SECTION 220500

FIRE STATIONS RENOVATION  
ARLINGTON COUNTY, VIRGINIA  
Architect's Project No: 563006

SECTION 220517 - SLEEVES AND SLEEVE SEALS FOR PLUMBING PIPING

PART 1 - GENERAL

1.1 RELATED DOCUMENTS

- A. Provisions of the Contract and of the Contract Documents apply to this Section.

1.2 SUBMITTALS

- A. Product Data: For each type of product indicated.

PART 2 - PRODUCTS

2.1 SLEEVES

- A. Cast-Iron Wall Pipes: Cast or fabricated of cast or ductile iron and equivalent to ductile-iron pressure pipe, with plain ends and integral waterstop unless otherwise indicated.
- B. Galvanized-Steel Wall Pipes: ASTM A 53/A 53M, Schedule 40, with plain ends and welded steel collar; zinc coated.
- C. Galvanized-Steel-Pipe Sleeves: ASTM A 53/A 53M, Type E, Grade B, Schedule 40, zinc coated, with plain ends.
- D. Galvanized-Steel-Sheet Sleeves: 0.0239" minimum thickness; round tube closed with welded longitudinal joint.

2.2 STACK-SLEEVE FITTINGS

- A. Available Manufacturers:
  - 1. Smith, Jay R. Mfg. Co.
  - 2. Wade
  - 3. Zurn Specification Drainage Operation; Zurn Plumbing Products Group.
- B. Description: Manufactured, cast-iron sleeve with integral clamping flange. Include clamping ring, bolts, and nuts for membrane flashing.
  - 1. Underdeck Clamp: Clamping ring with setscrews.

2.3 SLEEVE-SEAL SYSTEMS

- A. Available Manufacturers:
  - 1. Advance Products & Systems, Inc.

FIRE STATIONS RENOVATION  
ARLINGTON COUNTY, VIRGINIA  
Architect's Project No: 563006

2. CALPICO, Inc.
  3. Link Seal
  4. Metraflex Company (The).
  5. Pipeline Seal and Insulator, Inc.
  6. Proco Products, Inc.
- B. Description: Modular sealing-element unit, designed for field assembly, for filling annular space between piping and sleeve.
1. Sealing Elements: EPDM or Nitrile rubber interlocking links shaped to fit surface of pipe. Include type and number required for pipe material and size of pipe.
  2. Pressure Plates: Stainless steel.
  3. Connecting Bolts and Nuts: Stainless steel of length required to secure pressure plates to sealing elements.

### PART 3 - EXECUTION

#### 3.1 SLEEVE INSTALLATION

- A. Install sleeves for piping passing through penetrations in floors, partitions, roofs, and walls.
- B. For sleeves that will have sleeve-seal system installed, select sleeves of size large enough to provide 1-inch annular clear space between piping and concrete slabs and walls.
1. Sleeves are not required for core-drilled holes.
- C. Install sleeves in concrete floors, concrete roof slabs, and concrete walls as new slabs and walls are constructed.
1. Permanent sleeves are not required for holes in slabs formed by molded-PE or -PP sleeves.
  2. Cut sleeves to length for mounting flush with both surfaces.
    - a. Exception: Extend sleeves installed in floors of mechanical equipment areas or other wet areas 2 inches above finished floor level.
  3. Using grout, seal the space outside of sleeves in slabs and walls without sleeve-seal system.
- D. Install sleeves for pipes passing through interior partitions.
1. Cut sleeves to length for mounting flush with both surfaces.
  2. Install sleeves that are large enough to provide ¼" clear space between sleeve and pipe or pipe insulation.
  3. Seal annular space between sleeve and piping or piping insulation; use joint sealants appropriate for size, depth, and location of joint. Comply with requirements for sealants.
- E. Fire Ratings: Maintain indicated fire rating of walls, partitions, ceilings, and floors at pipe penetrations. Seal pipe penetrations with firestop materials.

FIRE STATIONS RENOVATION  
ARLINGTON COUNTY, VIRGINIA  
Architect's Project No: 563006

3.2 STACK-SLEEVE-FITTING INSTALLATION

- A. Install stack-sleeve fittings in new slabs as slabs are constructed.
  - 1. Install fittings that are large enough to provide ¼” clear space between sleeve and pipe or pipe insulation.
  - 2. Secure flashing between clamping flanges for pipes penetrating floors with membrane waterproofing. Comply with requirements for flashing specified in Division 07 Section "Sheet Metal Flashing and Trim."
  - 3. Install section of cast-iron soil pipe to extend sleeve to 2 inches above finished floor level.
  - 4. Extend cast-iron sleeve fittings below floor slab as required to secure clamping ring if ring is specified.
  - 5. Using grout, seal the space around outside of stack-sleeve fittings.
- B. Fire Rating: Maintain indicated fire rating at pipe penetrations. Seal pipe penetrations with firestop materials.

3.3 SLEEVE-SEAL-SYSTEM INSTALLATION

- A. Install sleeve-seal systems in sleeves in exterior concrete walls and slabs-on-grade at service piping entries into building unless otherwise indicated.
- B. Select type, size, and number of sealing elements required for piping material and size and for sleeve ID or hole size. Position piping in center of sleeve. Center piping in penetration, assemble sleeve-seal system components, and install in annular space between piping and sleeve. Tighten bolts against pressure plates that cause sealing elements to expand and make a watertight seal.

3.4 SLEEVE AND SLEEVE-SEAL SCHEDULE

- A. Use sleeves and sleeve seals for the following piping-penetration applications:
  - 1. Exterior Concrete Walls above Grade, below Grade, Concrete Slabs-on-Grade, and Concrete Slabs above Grade:
    - a. Piping Smaller Than NPS 6: Cast-iron wall sleeves with sleeve-seal system.
      - 1) Select sleeve size to allow for 1-inch annular clear space between piping and sleeve for installing sleeve-seal system.
    - b. Piping NPS 6 and Larger: Galvanized-steel-pipe sleeves with sleeve-seal system.

END OF SECTION 220517

FIRE STATIONS RENOVATION  
ARLINGTON COUNTY, VIRGINIA  
Architect's Project No: 563006

SECTION 220519 - METERS AND GAGES FOR PLUMBING PIPING

PART 1 - GENERAL

1.1 RELATED DOCUMENTS

- A. Provisions of the Contract and of the Contract Documents apply to this Section.

1.2 SUBMITTALS

- A. Product Data: For each type of product indicated.
- B. Wiring Diagrams: For power, signal, and control wiring.
- C. Operation and Maintenance Data: For meters and gages to include in operation and maintenance manuals.

1.3 ABBREVIATIONS:

- A. AFF Above finished floor
- B. F Fahrenheit
- C. SS Stainless Steel

PART 2 - PRODUCTS

2.1 LIQUID-IN-GLASS THERMOMETERS

- A. Metal-Case, Industrial-Style, Liquid-in-Glass Thermometers:
  - 1. Available Manufacturers:
    - a. Flo Fab Inc.
    - b. Miljoco Corporation.
    - c. Palmer Wahl Instrumentation Group.
    - d. Tel-Tru Manufacturing Company.
    - e. Trelice, H. O. Co.
    - f. Weiss Instruments, Inc.
    - g. Winters Instruments - U.S.
  - 2. Standard: ASME B40.200.
  - 3. Case: Cast aluminum; 9-inch nominal size unless otherwise indicated.
  - 4. Case Form: Adjustable angle unless otherwise indicated.
  - 5. Tube: Glass with magnifying lens and blue or red organic liquid.
  - 6. Tube Background: Nonreflective aluminum with permanently etched scale markings graduated in degrees F.
  - 7. Window: Glass

FIRE STATIONS RENOVATION  
ARLINGTON COUNTY, VIRGINIA  
Architect's Project No: 563006

8. Stem: Aluminum length = 1/2 pipe diameter, 1/2 duct width or 12" whichever is less.
  - a. Air-Duct Installation: Provide ventilated shroud.
  - b. Thermowell Installation: Provide Bare stem.
9. Connector: 1-1/4 inches, with ASME B1.1 screw threads.
10. Accuracy: Plus or minus 1 percent of scale range or one scale division, to a maximum of 1.5 percent of scale range.

## 2.2 THERMOWELLS

### A. Thermowells:

1. Standard: ASME B40.200.
2. Description: Pressure-tight, socket-type fitting made for insertion into threaded fitting.
3. Material: Brass.
4. Type: Stepped shank unless straight or tapered shank is indicated.
5. External Threads: NPS 1/2, NPS 3/4, or NPS 1, ASME B1.20.1 pipe threads.
6. Internal Threads: 1/2, 3/4, and 1 inch, with ASME B1.1 screw threads.
7. Bore: Diameter required to match thermometer bulb or stem.
8. Insertion Length: Length required to match thermometer bulb or stem.
9. Lagging Extension: Include on thermowells for insulated piping and tubing.
10. Bushings: For converting size of thermowell's internal screw thread to size of thermometer connection.

## 2.3 PRESSURE GAGES

### A. Direct-Mounted, Metal-Case, Dial-Type Pressure Gages:

1. Available Manufacturers:
  - a. AMETEK, Inc.; U.S. Gauge.
  - b. Ashcroft Inc.
  - c. Ernst Flow Industries.
  - d. Flo Fab Inc.
  - e. Marsh Bellofram.
  - f. Miljoco Corporation.
  - g. Noshok.
  - h. Palmer Wahl Instrumentation Group.
  - i. REOTEMP Instrument Corporation.
  - j. Tel-Tru Manufacturing Company.
  - k. Trerice, H. O. Co.
  - l. Watts Regulator Co.; a div. of Watts Water Technologies, Inc.
  - m. Weiss Instruments, Inc.
  - n. WIKA Instrument Corporation - USA.
  - o. Winters Instruments - U.S.
2. Standard: ASME B40.100.

FIRE STATIONS RENOVATION  
ARLINGTON COUNTY, VIRGINIA  
Architect's Project No: 563006

3. Case: Solid-front, pressure relief type; cast aluminum or drawn steel; 4-1/2-inch nominal diameter.
4. Pressure-Element Assembly: Bourdon tube unless otherwise indicated.
5. Pressure Connection: Brass, with NPS 1/4, ASME B1.20.1 pipe threads and bottom-outlet type unless back-outlet type is indicated.
6. Movement: Phosphor bronze.
7. Dial: Nonreflective aluminum with permanently etched scale markings graduated in psi.
8. Pointer: Dark-colored metal.
9. Window: Glass.
10. Ring: Brass.
11. Accuracy: + or – 1.0 percent of full scale.

2.4 GAUGE ATTACHMENTS

- A. Snubbers: ASME B40.100, brass; with NPS 1/4, ASME B1.20.1 pipe threads and porous-metal-type surge-dampening device. Include extension for use on insulated piping.
- B. Siphons: Loop-shaped section of brass pipe with NPS 1/4 pipe threads.
- C. Valves: Brass or stainless-steel needle, with NPS 1/4, ASME B1.20.1 pipe threads.

2.5 TEST PLUGS

- A. Manufacturers: Subject to compliance with requirements, provide products by one of the following:
  1. Flow Design, Inc.
  2. Miljoco Corporation.
  3. National Meter, Inc.
  4. Peterson Equipment Co., Inc.
  5. Sisco Manufacturing Company, Inc.
  6. Trerice, H. O. Co.
  7. Watts Regulator Co.; a div. of Watts Water Technologies, Inc.
  8. Weiss Instruments, Inc.
- B. Description: Test-station fitting made for insertion into piping tee fitting.
- C. Body: Brass or stainless steel with core inserts and gasketed and threaded cap. Include extended stem on units to be installed in insulated piping.
- D. Thread Size: NPS 1/2, ASME B1.20.1 pipe thread.
- E. Minimum Pressure and Temperature Rating: 500 psig at 200 deg F.
- F. Core Inserts: Chlorosulfonated polyethylene synthetic and EPDM self-sealing rubber.

FIRE STATIONS RENOVATION  
ARLINGTON COUNTY, VIRGINIA  
Architect's Project No: 563006

PART 3 - EXECUTION

3.1 INSTALLATION

- A. Install thermowells with socket extending to center of pipe and in perpendicular to piping in piping tees.
- B. Install thermowells of sizes required to match thermometer connectors. Include bushings to match sizes.
- C. Install thermowells with extensions on insulated piping.
- D. Install direct-mounted thermometers in thermowells and adjust positions.
- E. Install pressure gages in piping tees located between 36" and 60" AFF unless otherwise indicated.
- F. Install valve and snubber for each pressure gage.
- G. Install test plugs in piping tees at locations indicated.
- H. Assemble and install connections, tubing, and accessories between flow-measuring elements and flowmeters according to manufacturer's written instructions.
- I. Install flowmeter elements in accessible positions in piping systems.
- J. Install permanent indicators on walls or brackets at 50" AFF unless otherwise indicated..
- K. Install connection fittings in accessible locations for attachment to portable indicators.
- L. Install thermometers in the following locations:
  - 1. Inlet and outlet of each water heater.
- M. Install pressure gages in the following locations:
  - 1. Inlet and outlet of each water heater.
  - 2. Suction and discharge of each pump.
- N. Install a test plug at each thermometer and pressure gauge.

3.2 THERMOMETER SCALE-RANGE SCHEDULE

- A. Scale Range for Domestic Cold-water Piping: 0 to 100 F with 2 degree scale divisions.
- B. Scale Range for Domestic Hot-water Piping 30 to 240 F with 2 degree scale divisions.

3.3 PRESSURE-GAGE SCALE-RANGE SCHEDULE

- A. Scale Range for Domestic Water Piping: 0 to 100 psi.

END OF SECTION 220519



FIRE STATIONS RENOVATION  
ARLINGTON COUNTY, VIRGINIA  
Architect's Project No: 563006

SECTION 220523 – GENERAL DUTY VALVES FOR PLUMBING PIPING

PART 1 - GENERAL

1.1 RELATED DOCUMENTS

- A. Provisions of the Contract and of the Contract Documents apply to this Section.

1.2 DEFINITIONS

- A. The following are standard abbreviations for valves:
1. CWP: Cold working pressure.
  2. EPDM: Ethylene-propylene-diene terpolymer rubber.
  3. MPTFE: Modified polytetrafluoroethylene plastic.
  4. NBR: Acrylonitrile-butadiene rubber.
  5. PTFE: Polytetrafluoroethylene plastic.
  6. RPTFE: Reinforced polytetrafluoroethylene plastic.
  7. SWP: Steam working pressure.
  8. TFE: Tetrafluoroethylene plastic.
  9. WOG: Water Oil Gas.

1.3 SUBMITTALS

- A. Product Data: For each type of valve proposed. Include body, seating, and trim materials; valve design; pressure and temperature classifications; end connections; arrangement; dimensions; and required clearances. Include proposed specialties and accessories.

1.4 QUALITY ASSURANCE

- A. ASME Compliance: ASME B31.1 for power piping valves and ASME B31.9 for building services piping valves.
1. Exceptions: Domestic hot- and cold-water valves unless referenced.
- B. ASME Compliance for Ferrous Valves: ASME B16.10 and ASME B16.34 for dimension and design criteria.
- C. NSF Compliance: NSF 61 for valve materials for potable-water service.

1.5 DELIVERY, STORAGE, AND HANDLING

- A. Prepare valves for shipping as follows:
1. Protect internal parts against rust and corrosion.
  2. Protect threads, flange faces, grooves, and weld ends.
  3. Set ball valves open to minimize exposure of functional surfaces.
  4. Set butterfly valves closed or slightly open.

FIRE STATIONS RENOVATION  
ARLINGTON COUNTY, VIRGINIA  
Architect's Project No: 563006

5. Block check valves in either closed or open position.
- B. Use the following precautions during storage:
  1. Maintain valve end protection.
  2. Store valves indoors and maintain at higher than ambient dew-point temperature. If outdoor storage is necessary, store valves off the ground in watertight enclosures.
- C. Use sling to handle large valves; rig sling to avoid damage to exposed parts. Do not use handwheels or stems as lifting or rigging points.

PART 2 - PRODUCTS

2.1 VALVES, GENERAL

- A. Refer to Part 3 "Valve Applications" Article for applications of valves.
- B. Bronze & Brass: Shall be dezincification resistant. (Zinc content shall be less than 15%)
- C. Bronze Valves: 2" and smaller with threaded ends, unless otherwise indicated.
- D. Ferrous Valves: 2-1/2" and larger with flanged ends, unless otherwise indicated.
- E. Valve Pressure and Temperature Ratings: Not less than indicated for system pressure and temperature.
- F. Valve Sizes: Same as the larger of the upstream or downstream pipe, unless otherwise indicated.
- G. Valve Actuators:
  1. As indicated in other Part 2 articles.
  2. Where indicated, provide a chain actuator.
  3. Chain Actuator: For attachment to valves of size and mounting height indicated.
  4. Wrench: For plug valves with square heads. Furnish Owner with 1 wrench for every 10 plug valves, for each size square plug head.
- H. Extended Valve Stems: Provide on insulated valves.
- I. Valve Flanges: Provide ASME B16.1 for cast-iron valves, ASME B16.5 for steel, and ASME B16.24 for bronze.
- J. Valve Grooved Ends: AWWA C606.
- K. Threaded: With threads according to ASME B1.20.1.
- L. Valve Bypass and Drain Connections: MSS SP-45.

FIRE STATIONS RENOVATION  
ARLINGTON COUNTY, VIRGINIA  
Architect's Project No: 563006

2.2 COPPER-ALLOY BALL VALVES

A. Two-Piece, Copper-Alloy Ball Valves (Full Port):

1. Conbraco Industries-Apollo 77C series with stainless steel ball & stem (Un-insulated piping)
2. Conbraco Industries-Apollo 77C series with stainless steel ball & stem. Provide 2 ¼" stem extension (Insulated piping)
3. Other Manufacturers:
  - a. Milwaukee
  - b. Watts
  - c. Nibco
4. Handle Nut: Zinc plated steel or 300 series stainless steel.
5. Handle: Zinc plated steel, clear chromate plastic, or vinyl coated.
6. Threaded Pack Gland: Brass ASTM B-16
7. Packing: MPTFE or TFE
8. Stem (Blowout Proof): ASTM A-276 type 316 stainless steel. Provide 2 ¼" stem extension for Insulated piping.
9. Thrust Washer: MPTFE or RPTFE
10. Ball: Full-port, ASTM A-276 Type 316 stainless steel.
11. Seats: MPTFE or Reinforced TFE (RPTFE)
12. Body: Bronze ASTM B-584 for solder or threaded connection.
13. Body End Piece: Bronze ASTM B-584 for solder or threaded connection.
14. Rating: 150 psig saturated steam, 600 psig non-shock cold water, oil, and gas.
15. Conform To: MSS SP-110

2.3 BRONZE CHECK VALVES

A. Bronze, Horizontal Swing Check Valves:

1. NIBCO Model 413
2. Other Manufacturers:
  - a. Milwaukee
  - b. Stockham
3. Bonnet: ASTM B-62 bronze.
4. Body: ASTM B-62 bronze.
5. Hinge Pin: ASTM B-140 alloy C31400 bronze, or B-134 alloy C23000 bronze.
6. Disc Hanger:
  - a. Sizes ¼" thru ¾": Type 304 stainless steel.
  - b. Sizes 1" and larger: ASTM B-62 bronze.
7. Hanger Nut: ASTM B-16 bronze.
8. Disc Holder: ASTM B-62 bronze.
9. Seat Disc:
  - a. Water and Other Heat Transfer Fluids: ASTM B-62 bronze.
  - b. Steam: TFE
10. Seat Disc Nut: ASTM B-16 or B-62 bronze.
11. Hinge Pin Plug: ASTM B-140 alloy C31600 bronze.
12. Seat Disc Washer (When Provided): ASTM B-98 alloy C65500 or B-103 bronze.
13. Rating: 125 psig SWP and 200 psig CWP.
14. Conform To: MSS SP-80

FIRE STATIONS RENOVATION  
ARLINGTON COUNTY, VIRGINIA  
Architect's Project No: 563006

- B. Bronze, Inline Spring Loaded Check Valves:
1. Conbraco Industries-Apollo 61-100 series
  2. Other Manufacturers:
    - a. Milwaukee
    - b. Stockham
    - c. Nibco
  3. Body: ASTM B-584 alloy C84400 bronze.
  4. Retainer/Stem: ASTM B16 brass or ASTM A-582 alloy C30300 stainless steel.
  5. Ball Check: RPTFE or
  6. Disc Holder 316 Stainless steel
    - a. Disc:
      - 1) Water, Oil, Gas: Buna-N
      - 2) Steam: TFE
    - b. Seat Screw: ASTM A-276 alloy S43000 stainless steel.
    - c. Body End: ASTM B-584 alloy C84400 bronze.
    - d. Rating: 125 psig SWP and 250 psig CWP.
  7. Guide: ASTM B16 Brass
  8. Spring: Type 316 stainless steel.
  9. Rating: 125 psig SWP and 400 psig WOG.

## 2.4 IRON BODY CHECK VALVES

- A. Iron Body, Horizontal Swing Check Valves:
1. NIBCO Model 918-B
  2. Other Manufacturers:
    - a. Milwaukee
    - b. Stockham
  3. Body Bolt: ASTM A-307 steel.
  4. Bonnet: ASTM A-126 class B cast iron.
  5. Body Gasket: Synthetic Fibers.
  6. Body Nut: ASTM A-307 steel
  7. Side Plug: ASTM B-16 alloy C36000 Brass.
  8. Hanger Pin: ASTM B-16 alloy C36000 Brass.
  9. Hanger: ASTM B-584 alloy C84400 cast bronze.
  10. Disc: ASTM B-584 alloy C84400 cast bronze or ASTM A-536 ductile iron w/bronze face ring.
  11. Seat Ring: ASTM B-584 alloy C84400 cast bronze.
  12. Disc Nut: ASTM B-16 alloy C36000.
  13. Body: ASTM A-126 class B cast iron.
  14. Disc Bolt: ASTM B-16 alloy C36000 Brass.
  15. Disc Plate: ASTM A-126 class B cast iron.
  16. Disc Cage: ASTM A-126 class B cast iron.
  17. Rating: 125 psig SWP and 200 psig CWP.
  18. Conform To: MSS SP-71 Type 1.
- B. Grooved-End, Ductile-Iron Spring Assisted Check Valves: Victaulic Series 716 with EPDM disc seal.
- C. Spring Actuated Silent Check Valves:

FIRE STATIONS RENOVATION  
ARLINGTON COUNTY, VIRGINIA  
Architect's Project No: 563006

1. NIBCO Model F-910
2. Other Manufacturers:
  - a. Milwaukee
  - b. Stockham
3. Body: ASTM A48 class 35 cast iron.
4. Seat: ASTM B-584 alloy C83600 (B) bronze.
5. Disc: ASTM B-584 alloy C83600 bronze.
6. Spring: Type 302 ASTM A313 stainless steel.
7. Bushing:
  - a. 6" and Smaller: ASTM B-16 brass
  - b. 8" and Larger: ASTM B-584 alloy C83600 bronze.
8. Set Screws: Type 304 ASTM A-276 stainless steel.
9. Rating: 200 psig CWP.
10. Conform To: MIL-V-18436F

### PART 3 - EXECUTION

#### 3.1 EXAMINATION

- A. Examine valve interior for cleanliness, freedom from foreign matter, and corrosion. Remove special packing materials, such as blocks, used to prevent disc movement during shipping and handling.
- B. Operate valves in positions from fully- open to fully-closed. Examine guides and seats made accessible by such operations.
- C. Examine threads on valve and mating pipe for form and cleanliness.
- D. Examine mating flange faces for conditions that might cause leakage. Check bolting for proper size, length, and material. Verify that gasket is of proper size, that its material composition is suitable for service, and that it is free from defects and damage.
- E. Do not attempt to repair defective valves; replace with new valves.

#### 3.2 VALVE INSTALLATION

- A. Install valves with unions or flanges at each piece of equipment arranged to allow service, maintenance, and equipment removal without system shutdown.
- B. Locate valves for easy access.
- C. Install valves in horizontal piping with stem at or above center of pipe.
- D. Install valves in position to allow full stem movement.
- E. Install chainwheels on operators for ball and butterfly valves 4" and larger and more than 96 inches above finished floor. Extend chains to 60 inches above finished floor.

FIRE STATIONS RENOVATION  
ARLINGTON COUNTY, VIRGINIA  
Architect's Project No: 563006

- F. Install check valves for proper direction of flow and as follows:
  - 1. Swing Check Valves: In horizontal position with hinge pin level.
  - 2. Center-Guided and Plate-Type Check Valves: In horizontal or vertical position, between flanges.
  - 3. Lift Check Valves: With stem upright and plumb.

3.3 ADJUSTING

- A. Adjust valve packing after piping systems have been tested and put into service but before final testing and balancing. Replace valves if persistent leaking occurs.

3.4 VALVE APPLICATIONS

- A. Refer to piping Sections for specific valve applications. If valve applications are not indicated, use the following:
  - 1. Shutoff Service: Ball valves.
  - 2. Throttling Service: Ball valves.
  - 3. Pump Discharge: Spring-loaded, lift-disc check valves and ball valves.
- B. If valves with specified SWP classes or CWP ratings are not available, the same types of valves with higher SWP class or CWP ratings may be substituted.
- C. Domestic Water Piping: Use the following types of valves:
  - 1. Valves, NPS 2" and Smaller: Two-Piece, Copper-Alloy Ball Valves (Full Port).
  - 2. Valves, NPS 2-1/2" and 3":
    - a. Two-piece or three-piece, Copper-Alloy Ball Valves (Full Port).
    - b. Wafer-Lug, grooved-end, or flanged butterfly valves.
  - 3. Valves, NPS 4" and Larger: Wafer-Lug, grooved-end, or flanged butterfly valves.
  - 4. Pump Discharge Check Valves (Horizontal or Vertical), NPS 2" and Smaller: Bronze, Inline Lift Check Valves.
  - 5. Horizontal Check Valves, NPS 2" and Smaller: Bronze, Horizontal Swing Check Valves.
  - 6. Vertical Check Valves, NPS 2" and Smaller: Bronze, Inline Lift Check Valves.
  - 7. Pump Discharge Check Valves (Horizontal or Vertical), NPS 2-1/2" and Larger: Grooved-End, Ductile-Iron Spring Assisted Check Valves or Spring Actuated Silent Check Valves.
  - 8. Horizontal Check Valves, NPS 2-1/2" and Larger: Bronze, Horizontal Swing Check Valves.

END OF SECTION 220523

FIRE STATIONS RENOVATION  
ARLINGTON COUNTY, VIRGINIA  
Architect's Project No: 563006

SECTION 220529 - HANGERS AND SUPPORTS FOR PLUMBING PIPING AND EQUIPMENT

PART 1 - GENERAL

1.1 RELATED DOCUMENTS

- A. Provisions of the Contract and of the Contract Documents apply to this Section.

1.2 DEFINITIONS

- A. MSS: Manufacturers Standardization Society of The Valve and Fittings Industry Inc.
- B. Terminology: As defined in MSS SP-90, "Guidelines on Terminology for Pipe Hangers and Supports."

1.3 PERFORMANCE REQUIREMENTS

- A. Design Requirement: Design trapeze pipe hangers and equipment supports, including comprehensive engineering analysis by a qualified professional engineer where using methods other than indicated.
- B. Structural Performance: Hangers and supports for HVAC piping and equipment shall withstand the effects of gravity loads and stresses within limits and under conditions indicated according to ASCE/SEI 7.
  - 1. Design supports for multiple pipes, including pipe stands, capable of supporting combined weight of supported systems, system contents, and test medium.
  - 2. Design equipment supports capable of supporting combined operating weight of supported equipment and connected systems and components.
  - 3. Design seismic-restraint hangers and supports for piping and equipment.

1.4 SUBMITTALS

- A. Product Data: For each type of product indicated.
- B. Shop Drawings: Show fabrication and installation details and include calculations for the following; include Product Data for components:
  - 1. Trapeze pipe hangers.
  - 2. Metal framing systems.
  - 3. Pipe stands.
  - 4. Equipment supports.
- C. Delegated Design Submittal: Signed and sealed by a qualified professional engineer where using methods other than indicated.

FIRE STATIONS RENOVATION  
ARLINGTON COUNTY, VIRGINIA  
Architect's Project No: 563006

1. Detail fabrication and assembly of trapeze hangers.
2. Design Calculations: Calculate requirements for designing trapeze hangers.

1.5 QUALITY ASSURANCE

- A. Structural Steel Welding Qualifications: Qualify procedures and personnel according to AWS D1.1/D1.1M, "Structural Welding Code - Steel."
- B. Pipe Welding Qualifications: Qualify procedures and operators according to ASME Boiler and Pressure Vessel Code.

PART 2 - PRODUCTS

2.1 METAL PIPE HANGERS AND SUPPORTS

- A. Carbon-Steel Pipe Hangers and Supports:
  1. Description: MSS SP-58, Types 1 through 58, factory-fabricated components.
  2. Galvanized Metallic Coatings: Pregalvanized or hot dipped.
  3. Nonmetallic Coatings: Plastic coating, jacket, or liner.
  4. Padded Hangers: Hanger with fiberglass or other pipe insulation pad or cushion to support bearing surface of piping.
  5. Hanger Rods: Continuous-thread rod, nuts, and washer made of carbon steel.
- B. Copper Pipe Hangers:
  1. Description: MSS SP-58, Types 1 through 58, copper-coated-steel, factory-fabricated components.
  2. Hanger Rods: Continuous-thread rod, nuts, and washer made of copper-coated steel.

2.2 TRAPEZE PIPE HANGERS

- A. Description: MSS SP-69, Type 59, shop- or field-fabricated pipe-support assembly made from structural carbon-steel shapes with MSS SP-58 carbon-steel hanger rods, nuts, saddles, and U-bolts.
- B. Trapeze Pipe Hanger Installation: Arrange for grouping of parallel runs of piping and support together on field-assembled channel systems.
  1. Assemble and provide according to manufacturer's written instructions. Center piping on channel to evenly distribute load.



FIRE STATIONS RENOVATION  
ARLINGTON COUNTY, VIRGINIA  
Architect's Project No: 563006

2. Pipe sizes and numbers shall be in accordance with the following:

<b>TRAPEZE PIPE HANGER TABLE</b>								
<b>PIPE SIZE</b>	<b>4"</b>	<b>3"</b>	<b>2 1/2"</b>	<b>2"</b>	<b>1 1/2"</b>	<b>1 1/4"</b>	<b>1"</b>	<b>TOTAL # of PIPES</b>
<b>NUMBER OF PIPES PERMITTED IN ONE CHANNEL SUPPORT</b>	<b>2</b>	<b>0</b>	<b>0</b>	<b>0</b>	<b>0</b>	<b>0</b>	<b>0</b>	<b>2</b>
	<b>0</b>	<b>2</b>	<b>2</b>	<b>0</b>	<b>0</b>	<b>0</b>	<b>0</b>	<b>4</b>
	<b>0</b>	<b>2</b>	<b>0</b>	<b>4</b>	<b>0</b>	<b>0</b>	<b>0</b>	<b>6</b>
	<b>0</b>	<b>2</b>	<b>0</b>	<b>0</b>	<b>6</b>	<b>0</b>	<b>0</b>	<b>8</b>
	<b>0</b>	<b>0</b>	<b>4</b>	<b>2</b>	<b>0</b>	<b>0</b>	<b>0</b>	<b>6</b>
	<b>0</b>	<b>0</b>	<b>4</b>	<b>0</b>	<b>2</b>	<b>2</b>	<b>0</b>	<b>8</b>
	<b>0</b>	<b>0</b>	<b>4</b>	<b>0</b>	<b>0</b>	<b>8</b>	<b>0</b>	<b>12</b>
	<b>0</b>	<b>0</b>	<b>0</b>	<b>6</b>	<b>2</b>	<b>2</b>	<b>2</b>	<b>12</b>
	<b>0</b>	<b>0</b>	<b>0</b>	<b>8</b>	<b>0</b>	<b>2</b>	<b>0</b>	<b>10</b>
	<b>0</b>	<b>0</b>	<b>0</b>	<b>0</b>	<b>14</b>	<b>0</b>	<b>0</b>	<b>14</b>
<b>0</b>	<b>0</b>	<b>0</b>	<b>0</b>	<b>0</b>	<b>16</b>	<b>0</b>	<b>16</b>	

**Notes:**

1. Piping larger than 4" in diameter is not permitted in a channel support system.
2. Channel support systems shall be limited to eight (8) pipes per channel and two (2) channels (levels) per support system.
3. Smaller pipes can be substituted for larger pipes. For example two 3/4" pipes may be installed in lieu of two 1" pipes, or 2" in lieu of 3", etc.
4. Spacing shall be in accordance with requirements for the smallest supported pipe. Refer to other specification sections for spacing requirements. If spacing requirements are not indicated comply with MSS SP-69.

C. Metal Framing Systems:

1. Available Manufacturers:
  - a. Anvil International; a subsidiary of Mueller Water Products Inc.
  - b. Empire Industries, Inc.
  - c. ERICO International Corporation.
  - d. Haydon Corporation; H-Strut Division.
  - e. NIBCO INC.
  - f. PHD Manufacturing, Inc.
  - g. PHS Industries, Inc.

FIRE STATIONS RENOVATION  
ARLINGTON COUNTY, VIRGINIA  
Architect's Project No: 563006

2. Description: Shop- or field-fabricated pipe-support assembly made of steel channels, accessories, fittings, and other components for supporting multiple parallel pipes.
3. Standard: Comply with MFMA-4.
4. Channels: Continuous slotted steel channel with inturned lips.
5. Channel Nuts: Formed or stamped steel nuts or other devices designed to fit into channel slot and, when tightened, prevent slipping along channel.
6. Hanger Rods: Continuous-thread rod, nuts, and washer made of carbon steel.
7. Coating: Zinc.

2.3 THERMAL-HANGER SHIELD INSERTS

A. Available Manufacturers:

1. Carpenter & Paterson, Inc.
2. Clement Support Services.
3. ERICO International Corporation.
4. National Pipe Hanger Corporation.
5. PHS Industries, Inc.
6. Pipe Shields, Inc.; a subsidiary of Piping Technology & Products, Inc.
7. Piping Technology & Products, Inc.
8. Rilco Manufacturing Co., Inc.
9. Value Engineered Products, Inc.

B. Insulation-Insert Material for Cold Piping: ASTM C 552, Type II cellular glass with 100-psig or ASTM C 591, Type VI, Grade 1 polyisocyanurate with 125-psig minimum compressive strength and vapor barrier.

C. Insulation-Insert Material for Hot Piping: Water-repellent treated, ASTM C 533, Type I calcium silicate with 100-psig, ASTM C 552, Type II cellular glass with 100-psig, or ASTM C 591, Type VI, Grade 1 polyisocyanurate with 125-psig minimum compressive strength.

D. For Trapeze or Clamped Systems: Insert and shield shall cover entire circumference of pipe.

E. For Clevis or Band Hangers: Insert and shield shall cover lower 180 degrees of pipe.

F. Insert Length: Extend 2" beyond sheet metal shield for piping operating below ambient air temperature.

2.4 PIPE STANDS

A. General Requirements for Pipe Stands: Shop- or field-fabricated assemblies made of manufactured corrosion-resistant components to support roof-mounted piping.

B. Compact Pipe Stand: One-piece plastic unit with integral-rod roller, pipe clamps, or V-shaped cradle to support pipe, for roof installation without membrane penetration.

C. Curb Mounted Pipe Stands: Shop- or field-fabricated pipe supports made from structural-steel shapes, continuous-thread rods, and rollers, for mounting on permanent stationary roof curb.

FIRE STATIONS RENOVATION  
ARLINGTON COUNTY, VIRGINIA  
Architect's Project No: 563006

2.5 EQUIPMENT SUPPORTS

- A. Description: Welded, shop or field fabricated equipment support made from structural carbon-steel shapes unless indicated otherwise.

2.6 MISCELLANEOUS MATERIALS

- A. Structural Steel: ASTM A 36/A 36M, carbon-steel plates, shapes, and bars; black and galvanized.
- B. Grout: ASTM C 1107, factory-mixed and -packaged, dry, hydraulic-cement, nonshrink and nonmetallic grout; suitable for interior and exterior applications.
  - 1. Properties: Nonstaining, noncorrosive, and nongaseous.
  - 2. Design Mix: 5000-psi, 28-day compressive strength.

PART 3 - EXECUTION

3.1 HANGER AND SUPPORT INSTALLATION

- A. Metal Pipe-Hanger Installation: Comply with MSS SP-69 and MSS SP-89. Provide hangers, supports, clamps, and attachments as required to properly support piping from the building structure.
- B. Metal Trapeze Pipe-Hanger Installation: Comply with MSS SP-69, MSS SP-89, and Table above. Arrange for grouping of parallel runs of horizontal piping, and support together on field-fabricated trapeze pipe hangers.
- C. Metal Framing System Installation: Arrange for grouping of parallel runs of piping, and support together on field-assembled metal framing systems.
- D. Thermal-Hanger Shield Installation: Provide in pipe hanger or shield for insulated piping.
- E. Pipe Stand Installation: Assemble components and mount on smooth roof surface. Do not penetrate roof membrane.
- F. Provide hangers and supports complete with necessary attachments, inserts, bolts, rods, nuts, washers, and other accessories.
- G. Equipment Support Installation: Fabricate from welded-structural-steel shapes.
- H. Provide hangers and supports to allow controlled thermal and seismic movement of piping systems, to permit freedom of movement between pipe anchors, and to facilitate action of expansion joints, expansion loops, expansion bends, and similar units.
- I. Provide lateral bracing with pipe hangers and supports to prevent swaying.
- J. Provide building attachments within concrete slabs or attach to structural steel. Building attachments may not used on steel joists unless otherwise indicated. Provide additional attachments

**FIRE STATIONS RENOVATION  
ARLINGTON COUNTY, VIRGINIA  
Architect's Project No: 563006**

at concentrated loads, including valves, flanges, and strainers, 2-1/2" and larger and at changes in direction of piping. Provide concrete inserts before concrete is placed; fasten inserts to forms and provide reinforcing bars through openings at top of inserts.

- K. Load Distribution: Provide hangers and supports so that piping live and dead loads and stresses from movement will not be transmitted to connected equipment.
- L. Pipe Slopes: Provide hangers and supports to provide indicated pipe slopes and to not exceed maximum pipe deflections allowed by ASME B31.9 for building services piping.
- M. Insulated Piping:
  - 1. Attach clamps and spacers to piping.
    - a. Piping Operating above Ambient Air Temperature: Clamp may project through insulation.
    - b. Piping Operating below Ambient Air Temperature: Provide thermal-hanger shield insert with clamp sized to match OD of insert.
    - c. Do not exceed pipe stress limits allowed by ASME B31.9 for building services piping.
  - 2. Provide MSS SP-58, Type 39, protection saddles if insulation without vapor barrier is indicated. Fill interior voids with insulation that matches adjoining insulation.
  - 3. Provide MSS SP-58, Type 40, protective shields on cold piping with vapor barrier. Shields shall span an arc of 180 degrees.
  - 4. Shield Dimensions for Pipe: Not less than the following:
    - a. Pipe 1/4" to 3-1/2": 12 inches long and 0.048 inch thick.
    - b. Pipe 4": 12 inches long and 0.06 inch thick.
    - c. Pipe 5" and 6": 18 inches long and 0.06 inch thick.
    - d. Pipe 8" to 14": 24 inches long and 0.075 inch thick.
  - 5. Pipes 8" and Larger: Include wood or reinforced calcium-silicate-insulation inserts of length at least as long as protective shield.
  - 6. Thermal-Hanger Shields: Provide with insulation same thickness as piping insulation.

### 3.2 EQUIPMENT SUPPORTS

- A. Fabricate structural-steel stands to suspend equipment from structure overhead or to support equipment above floor.
- B. Grouting: Place grout under supports for equipment and make bearing surface smooth.
- C. Provide lateral bracing, to prevent swaying, for equipment supports.

### 3.3 METAL FABRICATIONS

- A. Cut, drill, and fit miscellaneous metal fabrications for trapeze pipe hangers and equipment supports.
- B. Fit exposed connections together to form hairline joints. Field weld connections that cannot be shop welded because of shipping size limitations.

FIRE STATIONS RENOVATION  
ARLINGTON COUNTY, VIRGINIA  
Architect's Project No: 563006

- C. Field Welding: Comply with AWS D1.1/D1.1M procedures for shielded, metal arc welding; appearance and quality of welds; and methods used in correcting welding work; and with the following:
  - 1. Provide materials and methods that minimize distortion and develop strength and corrosion resistance of base metals.
  - 2. Obtain fusion without undercut or overlap.
  - 3. Remove welding flux immediately.
  - 4. Finish welds at exposed connections so no roughness shows after finishing and so contours of welded surfaces match adjacent contours.

3.4 ADJUSTING

- A. Hanger Adjustments: Adjust hangers to distribute loads equally on attachments and to achieve indicated slope of pipe.
- B. Trim excess length of continuous-thread hanger and support rods to 1-1/2 inches.

3.5 PAINTING

- A. Touchup: Unless otherwise indicated clean field welds and abraded areas of shop paint. Paint exposed areas immediately after erecting hangers and supports. Provide same materials as used for shop painting. Comply with SSPC-PA 1 requirements for touching up field-painted surfaces.
  - 1. Apply paint by brush or spray to provide a minimum dry film thickness of 2.0 mils.
- B. Galvanized Surfaces: Clean welds, bolted connections, and abraded areas and immediately apply galvanizing-repair paint. Paint shall comply with ASTM A 780.

3.6 HANGER AND SUPPORT SCHEDULE

- A. Specific hanger and support requirements are in Sections specifying piping systems and equipment.
- B. Comply with MSS SP-69 for pipe-hanger selections and applications that are not specified in piping system Sections.
- C. Provide hangers and supports with galvanized metallic coatings for piping and equipment that will not have field-applied finish.
- D. Provide nonmetallic coatings on attachments for electrolytic protection where attachments are in direct contact with copper tubing.
- E. Provide copper-plated pipe hangers and copper attachments for copper piping and tubing.
- F. Provide padded hangers for piping that is subject to scratching.
- G. Provide thermal-hanger shield inserts for insulated piping and tubing.

FIRE STATIONS RENOVATION  
ARLINGTON COUNTY, VIRGINIA  
Architect's Project No: 563006

H. Horizontal-Piping Hangers and Supports: Unless otherwise indicated provide the following:

1. Adjustable, Steel Clevis Hangers (MSS Type 1): For suspension of stationary pipes ½” to 30”.
2. Yoke-Type Pipe Clamps (MSS Type 2): For suspension of up to 1050 deg F pipes 4” to 14”, requiring up to 4” of insulation.
3. Carbon- or Alloy-Steel, Double-Bolt Pipe Clamps (MSS Type 3): For suspension of pipes ¾” to 14”, requiring clamp flexibility and up to 4 inches of insulation.
4. Steel Pipe Clamps (MSS Type 4): For suspension of cold and hot pipes ½” to 14” if little or no insulation is required.
5. Pipe Hangers (MSS Type 5): For suspension of pipes ½” to 4”, to allow off-center closure for hanger installation before pipe erection.
6. Adjustable, Swivel Split- or Solid-Ring Hangers (MSS Type 6): For suspension of noninsulated, stationary pipes ¾” to 8”.
7. Adjustable, Steel Band Hangers (MSS Type 7): For suspension of noninsulated, stationary pipes ½” to 8”.
8. Adjustable Band Hangers (MSS Type 9): For suspension of noninsulated, stationary pipes ½” to 8”.
9. Adjustable, Swivel-Ring Band Hangers (MSS Type 10): For suspension of noninsulated, stationary pipes ½” to 8”.
10. Split Pipe Ring with or without Turnbuckle Hangers (MSS Type 11): For suspension of noninsulated, stationary pipes ½” to 8”.
11. Extension Hinged or Two-Bolt Split Pipe Clamps (MSS Type 12): For suspension of noninsulated, stationary pipes NPS ½” to 3”.
12. U-Bolts (MSS Type 24): For support of heavy pipes ½” to 14”.
13. Clips (MSS Type 26): For support of insulated pipes not subject to expansion or contraction.
14. Pipe Saddle Supports (MSS Type 36): For support of pipes 4” to 14”, with steel-pipe base stanchion support and cast-iron floor flange or carbon-steel plate.
15. Pipe Stanchion Saddles (MSS Type 37): For support of pipes 4” to 14”, with steel-pipe base stanchion support and cast-iron floor flange or carbon-steel plate, and with U-bolt to retain pipe.
16. Adjustable Pipe Saddle Supports (MSS Type 38): For stanchion-type support for pipes 2-½” to 14” if vertical adjustment is required, with steel-pipe base stanchion support and cast-iron floor flange.
17. Single-Pipe Rolls (MSS Type 41): For suspension of pipes 1” to 14”, from two rods if longitudinal movement caused by expansion and contraction might occur.
18. Adjustable Roller Hangers (MSS Type 43): For suspension of pipes 2-½” to 14”, from single rod if horizontal movement caused by expansion and contraction might occur.
19. Complete Pipe Rolls (MSS Type 44): For support of pipes 2” to 14” if longitudinal movement caused by expansion and contraction might occur but vertical adjustment is not necessary.
20. Pipe Roll and Plate Units (MSS Type 45): For support of pipes 2” to 14” if small horizontal movement caused by expansion and contraction might occur and vertical adjustment is not necessary.
21. Adjustable Pipe Roll and Base Units (MSS Type 46): For support of pipes 2” to 14” if vertical and lateral adjustment during installation might be required in addition to expansion and contraction.

I. Vertical-Piping Clamps: Unless otherwise indicated provide the following:

FIRE STATIONS RENOVATION  
ARLINGTON COUNTY, VIRGINIA  
Architect's Project No: 563006

1. Extension Pipe or Riser Clamps (MSS Type 8): For support of pipe risers  $\frac{3}{4}$ " to 14".
  2. Carbon- or Alloy-Steel Riser Clamps (MSS Type 42): For support of pipe risers  $\frac{3}{4}$ " to 14" if longer ends are required for riser clamps.
- J. Hanger-Rod Attachments: Unless otherwise indicated provide the following:
1. Steel Turnbuckles (MSS Type 13): For adjustment up to 6 inches for heavy loads.
  2. Steel Clevises (MSS Type 14): For 120 to 450 deg F piping installations.
  3. Swivel Turnbuckles (MSS Type 15): For use with MSS Type 11, split pipe rings.
  4. Malleable-Iron Sockets (MSS Type 16): For attaching hanger rods to various types of building attachments.
  5. Steel Weldless Eye Nuts (MSS Type 17): For 120 to 450 deg F piping installations.
  6. Flat Plate, Double Nut, and Washer as Detailed on Structural Drawings: For attaching to bar joists. Method of attachment to bar joists must be approved by the structural engineer and joist manufacturer.
- K. Building Attachments: Unless otherwise indicated provide the following:
1. Steel or Malleable Concrete Inserts (MSS Type 18): For upper attachment to suspend pipe hangers from concrete ceiling.
  2. Flat Plate, Double Nuts, and Washer as Detailed on Structural Drawings: For use under roof installations with bar-joist construction to attach to bottom chord of joist.
  3. Side-Beam or Channel Clamps (MSS Type 20): For attaching to bottom flange of beams, channels, or angles.
  4. Center-Beam Clamps (MSS Type 21): For attaching to center of bottom flange of beams.
  5. Welded Beam Attachments (MSS Type 22): For attaching to bottom of beams if loads are considerable and rod sizes are large.
  6. C-Clamps (MSS Type 23): For structural shapes.
  7. Top-Beam Clamps (MSS Type 25): For top of beams if hanger rod is required tangent to flange edge.
  8. Side-Beam Clamps (MSS Type 27): For bottom of steel I-beams.
  9. Steel-Beam Clamps with Eye Nuts (MSS Type 28): For attaching to bottom of steel I-beams for heavy loads.
  10. Linked-Steel Clamps with Eye Nuts (MSS Type 29): For attaching to bottom of steel I-beams for heavy loads, with link extensions.
  11. Malleable-Beam Clamps with Extension Pieces (MSS Type 30): For attaching to structural steel.
  12. Welded-Steel Brackets: For support of pipes from below or for suspending from above by using clip and rod. Provide one of the following for indicated loads:
    - a. Light (MSS Type 31): 750 lb.
    - b. Medium (MSS Type 32): 1500 lb.
    - c. Heavy (MSS Type 33): 3000 lb.
  13. Side-Beam Brackets (MSS Type 34): For sides of steel or wooden beams.
  14. Plate Lugs (MSS Type 57): For attaching to steel beams if flexibility at beam is required.
  15. Horizontal Travelers (MSS Type 58): For supporting piping systems subject to linear horizontal movement where headroom is limited.
- L. Saddles and Shields: Unless otherwise indicated provide the followings:

FIRE STATIONS RENOVATION  
ARLINGTON COUNTY, VIRGINIA  
Architect's Project No: 563006

1. Steel-Pipe-Covering Protection Saddles (MSS Type 39): To fill interior voids with insulation that matches adjoining insulation.
  2. Protection Shields (MSS Type 40): Of length recommended in writing by manufacturer to prevent crushing insulation.
  3. Thermal-Hanger Shield Inserts: For supporting insulated pipe.
- M. Spring Hangers and Supports: Unless otherwise indicated provide the following:
1. Restraint-Control Devices (MSS Type 47): To control pipe movement.
  2. Spring Cushions (MSS Type 48): For light loads if vertical movement does not exceed 1-1/4 inches.
  3. Spring-Cushion Roll Hangers (MSS Type 49): For equipping Type 41, roll hanger with springs.
  4. Spring Sway Braces (MSS Type 50): To retard sway, shock, vibration, or thermal expansion in piping systems.
  5. Variable-Spring Hangers (MSS Type 51): Preset to indicated load and limit variability factor to 25 percent to allow expansion and contraction of piping system from hanger.
  6. Variable-Spring Base Supports (MSS Type 52): Preset to indicated load and limit variability factor to 25 percent to allow expansion and contraction of piping system from base support.
  7. Variable-Spring Trapeze Hangers (MSS Type 53): Preset to indicated load and limit variability factor to 25 percent to allow expansion and contraction of piping system from trapeze support.
  8. Constant Supports: For critical piping stress and if necessary to avoid transfer of stress from one support to another support, critical terminal, or connected equipment. Include auxiliary stops for erection, hydrostatic test, and load-adjustment capability. These supports include the following types:
    - a. Horizontal (MSS Type 54): Mounted horizontally.
    - b. Vertical (MSS Type 55): Mounted vertically.
    - c. Trapeze (MSS Type 56): Two vertical-type supports and one trapeze member.
- N. Comply with MSS SP-69 for trapeze pipe-hanger selections and applications that are not specified in piping system Sections.
- O. Comply with MFMA-103 for metal framing system selections and applications that are not specified in piping system Sections.
- P. Provide powder-actuated fasteners or mechanical-expansion anchors instead of building attachments where indicated in concrete construction.

END OF SECTION 220529



FIRE STATIONS RENOVATION  
ARLINGTON COUNTY, VIRGINIA  
Architect's Project No: 563006

SECTION 220553 - IDENTIFICATION FOR PLUMBING PIPING AND EQUIPMENT

PART 1 - GENERAL

1.1 RELATED DOCUMENTS

- A. Provisions of the Contract and of the Contract Documents apply to this Section.

1.2 SUBMITTALS

- A. Product Data: For each type of product indicated.
- B. Equipment Label Schedule: Include a listing of all equipment to be labeled with the proposed content for each label.
- C. Valve Schedules: For each piping system to include in maintenance manuals.

1.3 QUALITY ASSURANCE

- A. ASME Compliance: Comply with ASME A13.1, "Scheme for the Identification of Piping Systems," for letter size, length of color field, colors, and viewing angles of identification devices for piping.

1.4 COORDINATION

- A. Coordinate installation of identifying devices with completion of covering and painting of surfaces where devices are to be applied.
- B. Coordinate installation of identifying devices with locations of access panels and doors.
- C. Install identifying devices before installing acoustical ceilings and similar concealment.

PART 2 - PRODUCTS

2.1 EQUIPMENT LABELS

- A. Metal Labels for Equipment:
  - 1. Material and Thickness: Brass, Aluminum, or anodized aluminum, 0.032-inch minimum thickness, and having predrilled or stamped holes for attachment hardware.
  - 2. Minimum Label Size: Length and width vary for required label content, but not less than 2-1/2 by 3/4 inch.
  - 3. Minimum Letter Size: 1/4 inch for name of units if viewing distance is less than 24 inches, 1/2 inch for viewing distances up to 72 inches, and proportionately larger lettering for greater viewing distances. Include secondary lettering two-thirds to three-fourths the size of principal lettering.
  - 4. Fasteners: Stainless-steel rivets or self-tapping screws.

FIRE STATIONS RENOVATION  
ARLINGTON COUNTY, VIRGINIA  
Architect's Project No: 563006

5. Adhesive: Contact-type permanent adhesive, compatible with label and with substrate.

B. Plastic Labels for Equipment:

1. Material and Thickness: Multilayer, multicolor, plastic labels for mechanical engraving, 1/16 inch thick, and having predrilled holes for attachment hardware.
2. Letter Color: White.
3. Background Color: Black.
4. Maximum Temperature: Able to withstand temperatures up to 160 deg F.
5. Minimum Label Size: Length and width vary for required label content, but not less than 2-1/2 by 3/4 inch.
6. Minimum Letter Size: 1/4 inch for name of units if viewing distance is less than 24 inches, 1/2 inch for viewing distances up to 72 inches, and proportionately larger lettering for greater viewing distances. Include secondary lettering two-thirds to three-fourths the size of principal lettering.
7. Fasteners: Stainless-steel rivets or self-tapping screws.
8. Adhesive: Contact-type permanent adhesive, compatible with label and with substrate.

C. Label Content: Include equipment's Drawing designation or unique equipment number, Drawing numbers where equipment is indicated (plans, details, and schedules), plus the Specification Section number and title where equipment is specified.

D. Equipment Label Schedule: For each item of equipment to be labeled, on 8-1/2-by-11-inch bond paper. Tabulate equipment identification number and identify Drawing numbers where equipment is indicated (plans, details, and schedules), plus the Specification Section number and title where equipment is specified. Equipment schedule shall be included in operation and maintenance data.

2.2 WARNING SIGNS AND LABELS

A. Material and Thickness: Multilayer, multicolor, plastic labels for mechanical engraving, 1/16 inch thick, and having predrilled holes for attachment hardware.

B. Letter Color: White.

C. Background Color: Red.

D. Maximum Temperature: Able to withstand temperatures up to 160 deg F.

E. Minimum Label Size: Length and width vary for required label content, but not less than 2-1/2 by 3/4 inch.

F. Minimum Letter Size: 1/4 inch for name of units if viewing distance is less than 24 inches, 1/2 inch for viewing distances up to 72 inches, and proportionately larger lettering for greater viewing distances. Include secondary lettering two-thirds to three-fourths the size of principal lettering.

G. Fasteners: Stainless-steel rivets or self-tapping screws.

FIRE STATIONS RENOVATION  
ARLINGTON COUNTY, VIRGINIA  
Architect's Project No: 563006

- H. Adhesive: Contact-type permanent adhesive, compatible with label and with substrate.
- I. Label Content: Include caution and warning information, plus emergency notification instructions.

### 2.3 PIPE LABELS

- A. General Requirements for Manufactured Pipe Labels: Preprinted, color-coded, with lettering indicating service, and showing flow direction.
- B. Pretensioned Pipe Labels: Precoiled, semirigid plastic formed to cover full circumference of pipe and to attach to pipe without fasteners or adhesive.
- C. Self-Adhesive Pipe Labels: Printed plastic with contact-type, permanent-adhesive backing.
- D. Pipe Label Contents: Include identification of piping service using same designations or abbreviations as used on Drawings, pipe size, and an arrow indicating flow direction.
  - 1. Flow-Direction Arrows: Integral with piping system service lettering to accommodate both directions, or as separate unit on each pipe label to indicate flow direction.
  - 2. Lettering Size: At least 1-1/2 inches high.

### 2.4 STENCILS

- A. Stencils: Prepared with letter sizes according to ASME A13.1 for piping; minimum letter height of 1-1/4 inches for ducts; and minimum letter height of 3/4 inch for access panel and door markers, equipment markers, equipment signs, and similar operational instructions.
  - 1. Stencil Material: Metal or fiberboard.
  - 2. Stencil Paint: Exterior, gloss, black, unless otherwise indicated. Paint shall be low VOC and shall meet the requirements of section 09910. Paint may be in pressurized spray-can form.
  - 3. Identification Paint: Exterior, in colors according to ASME A13.1, unless otherwise indicated. Paint shall be low VOC and shall meet the requirements of section 09910.

### 2.5 VALVE TAGS

- A. Valve Tags: Stamped or engraved with 1/4-inch letters for piping system abbreviation and 1/2-inch numbers, numbering scheme approved by Architect. Provide 5/32-inch hole for fastener.
  - 1. Material: 0.032-inch- thick brass or
  - 2. Material: 0.0375-inch- thick stainless steel or
  - 3. Material: 3/32-inch- thick laminated plastic with 2 black surfaces and white inner layer.
- B. Valve-Tag Fasteners: Brass wire-link or beaded chain; or S-hook.

### 2.6 VALVE SCHEDULES

FIRE STATIONS RENOVATION  
ARLINGTON COUNTY, VIRGINIA  
Architect's Project No: 563006

- A. Valve Schedules: For each piping system, on standard-size bond paper. Tabulate valve number, piping system, system abbreviation (as shown on valve tag), location of valve (room or space), normal-operating position (open, closed, or modulating), and variations for identification. Mark valves for emergency shutoff and similar special uses.
1. Valve-Schedule Frames: Glazed display frame for removable mounting on masonry walls for each page of valve schedule. Include mounting screws and hangers.
  2. Frame: Finished hardwood or extruded aluminum.
  3. Glazing: ASTM C 1036, Type I, Class 1, Glazing Quality B, 2.5-mm, single-thickness glass.

2.7 WARNING TAGS

- A. Warning Tags: Preprinted or partially preprinted, accident-prevention tags, of plasticized card stock with matte finish suitable for writing.
1. Size: 3 by 5-1/4 inches minimum.
  2. Fasteners: Brass grommet and wire.
  3. Nomenclature: Large-size primary caption such as "DANGER," "CAUTION," or "DO NOT OPERATE."
  4. Color: Yellow background with black lettering.

PART 3 - EXECUTION

3.1 PREPARATION

- A. Clean piping and equipment surfaces of substances that could impair bond of identification devices, including dirt, oil, grease, release agents, and incompatible primers, paints, and encapsulants.

3.2 EQUIPMENT LABEL INSTALLATION

- A. Install and permanently fasten equipment nameplates on each major item of plumbing equipment that does not have nameplate, or has a nameplate that is damaged or located where not easily visible. Locate nameplates where easily visible. Include nameplates for the following general categories of equipment:
1. Pumps, compressors, and other motor-driven equipment.
  2. Water heaters and storage tanks.
- B. Install equipment markers with permanent adhesive on or near each major item of mechanical equipment. Data required for markers may be included on signs, and markers may be omitted if both are indicated.
1. Letter Size: Minimum 1/4 inch for name of units if viewing distance is less than 24 inches, 1/2 inch for viewing distances up to 72 inches, and proportionately larger lettering for greater viewing distances. Include secondary lettering two-thirds to three-fourths the size of principal lettering.

FIRE STATIONS RENOVATION  
ARLINGTON COUNTY, VIRGINIA  
Architect's Project No: 563006

2. Data: Distinguish among multiple units, indicate operational requirements, indicate safety and emergency precautions, warn of hazards and improper operations, and identify units.
  3. Locate markers where accessible and visible. Include markers for the following general categories of equipment:
    - a. Meters, gages, and thermometers.
    - b. Pumps, compressors, and other motor-driven equipment.
    - c. Water heaters and storage tanks.
- C. Install equipment signs with screws or permanent adhesive on or near each major item of mechanical equipment. Locate signs where easily visible.
1. Identify mechanical equipment with equipment markers in the following color codes:
    - a. Green: For cooling equipment and components.
    - b. Yellow: For heating equipment and components.
    - c. Orange: For combination cooling and heating equipment and components.
    - d. Brown: For energy-reclamation equipment and components.
    - e. Blue: For equipment not listed in a through d
  2. Letter Size: Minimum 1/4 inch for name of units if viewing distance is less than 24 inches, 1/2 inch for viewing distances up to 72 inches, and proportionately larger lettering for greater viewing distances. Include secondary lettering two-thirds to three-fourths the size of principal lettering.
  3. Data: Distinguish among multiple units, indicate operational requirements, indicate safety and emergency precautions, warn of hazards and improper operations, and identify units.
- D. Install access panel markers with screws on equipment access panels.

### 3.3 PIPE LABEL INSTALLATION

- A. Piping Color-Coding: Painting of piping is specified in other sections.
- B. Locate pipe labels where piping is exposed or above accessible ceilings in finished spaces; machine rooms; accessible maintenance spaces such as shafts, tunnels, and plenums; and exterior exposed locations as follows:
1. Near each valve and control device.
  2. Near each branch connection, excluding short takeoffs for fixtures and terminal units. Where flow pattern is not obvious, mark each pipe at branch.
  3. Near penetrations through walls, floors, ceilings, and inaccessible enclosures.
  4. At access doors, manholes, and similar access points that permit view of concealed piping.
  5. Near major equipment items and other points of origination and termination.
  6. Spaced at maximum intervals of 25 feet.
  7. On piping above removable acoustical ceilings. Omit intermediately spaced labels.
- C. Pipe Label Color Schedule:

FIRE STATIONS RENOVATION  
ARLINGTON COUNTY, VIRGINIA  
Architect's Project No: 563006

1. Domestic Cold Water Piping:
  - a. Background Color: Green.
  - b. Letter Color: White.
  
2. Domestic Hot Water Piping:
  - a. Background Color: Green.
  - b. Letter Color: White.
  
3. Sanitary Waste and Storm Drainage Piping:
  - a. Background Color: Green.
  - b. Letter Color: White.

3.4 VALVE-TAG INSTALLATION

- A. Install tags on valves and control devices in piping systems, except check valves; valves within factory-fabricated equipment units; plumbing fixture supply stops; shutoff valves; faucets; convenience and lawn-watering hose connections; and HVAC terminal devices and similar roughing-in connections of end-use fixtures and units. List tagged valves in a valve schedule.
- B. Valve-Tag Application Schedule: Tag valves according to size, shape, and color scheme and with captions similar to those indicated in the following:
  1. Valve-Tag Size and Shape:
    - a. Domestic Cold Water: 1 ½", round.
    - b. Domestic Hot Water: 1 ½", round.
    - c. Domestic Hot Water Recirculation: 1 ½", round.
  2. Valve-Tag Color:
    - a. Domestic Cold Water: Blue.
    - b. Domestic Hot Water: Red.
    - c. Domestic Hot Water Recirculation: Red.
  3. Letter Color:
    - a. Domestic Cold Water: Black.
    - b. Domestic Hot Water: White.
    - c. Domestic Hot Water Recirculation: White.

3.5 VALVE SCHEDULE INSTALLATION

- A. Mount valve schedules on wall in accessible location in each major equipment room and where directed by owner.

3.6 WARNING-TAG INSTALLATION

- A. Write required message on, and attach warning tags to, equipment and other items where required.

FIRE STATIONS RENOVATION  
ARLINGTON COUNTY, VIRGINIA  
Architect's Project No: 563006

3.7 ADJUSTING

- A. Relocate mechanical identification materials and devices that have become visually blocked by other work.

3.8 CLEANING

- A. Clean faces of mechanical identification devices and glass fronts of valve schedules.

END OF SECTION 220553

FIRE STATIONS RENOVATION  
ARLINGTON COUNTY, VIRGINIA  
Architect's Project No: 563006

SECTION 220700 - PLUMBING INSULATION

PART 1 - GENERAL

1.1 RELATED DOCUMENTS

- A. Provisions of the Contract and of the Contract Documents apply to this Section.

1.2 DEFINITIONS

- A. Outdoor pipe: Pipe located outside the building insulation envelope.
- B. Plenum: An unoccupied space or void, on the conditioned side of the building insulation and vapor barrier, being used to return conditioned air to the inlet side of a return or exhaust fan either directly or via a duct connection. An example would be a space with air handling light fixtures or openings in the ceiling used to transport air through the ceiling and then to an open duct located above the ceiling in another location.
- C. Indirectly Conditioned Space: A space having no direct conditioning but, due to air movement induced by an exhaust, or return opening, is conditioned by makeup air from an adjacent space. An example would be a small toilet. Boiler rooms, fan rooms, and mechanical rooms do not qualify as indirectly conditioned spaces.
- D. Inside the Building Insulation Envelope: For the purposes of this section, boiler rooms, fan rooms, and mechanical rooms are considered to be OUTSIDE the building insulation envelope.
- E. Exposed: Visible from any angle without removal of building element or equipment.
- F. Concealed: Enclosed in building element or above ceiling such that it is not visible from any angle without removal of building element or equipment.

1.3 SUBMITTALS

- A. Product Data: Identify thermal conductivity, thickness, and jackets (both factory and field applied, if any), for each type of product indicated.
- B. LEED Submittal: Refer to Division 1 Section "Sustainable Design Requirements."
- C. Shop Drawings: Show fabrication and installation details for the following:
  - 1. Detail application of removable insulation covers.
  - 2. Detail application of protective shields, saddles, and inserts at hangers for each type of insulation and hanger.
  - 3. Detail attachment and covering of heat tracing inside insulation.
  - 4. Detail insulation application at pipe expansion joints for each type of insulation.
  - 5. Detail insulation application at elbows, fittings, flanges, valves, and specialties for each type of insulation.
  - 6. Detail removable insulation at piping specialties, equipment connections, and access panels.
  - 7. Detail application of field-applied jackets.
  - 8. Detail application at linkages of control devices.
  - 9. Detail field application for each equipment type.



FIRE STATIONS RENOVATION  
ARLINGTON COUNTY, VIRGINIA  
Architect's Project No: 563006

1.4 QUALITY ASSURANCE

- A. Fire-Test-Response Characteristics: Insulation and related materials shall have fire-test-response characteristics indicated, as determined by testing identical products per ASTM E 84, by a testing and inspecting agency acceptable to authorities having jurisdiction. Factory label insulation and jacket materials and adhesive, mastic, tapes, and cement material containers, with appropriate markings of applicable testing and inspecting agency.
  - 1. Insulation Installed Indoors: Flame-spread index of 25 or less, and smoke-developed index of 50 or less.
  - 2. Insulation Installed Outdoors: Flame-spread index of 75 or less, and smoke-developed index of 150 or less.

1.5 DELIVERY, STORAGE, AND HANDLING

- A. Packaging: Ship insulation materials in containers marked by manufacturer with type, grade, and maximum use temperature.
- B. Ship Insulated Piping System Components on pallets and wood supports. Securely fasten and protect from damage. Store off the ground and cover with opaque waterproof tarp to protect materials from sunlight and rain.

1.6 COORDINATION

- A. Coordinate size and location of supports, hangers, and insulation shields specified in Section "Hangers and Supports for HVAC Piping and Equipment."
- B. Coordinate clearance requirements with piping Installer for piping insulation, duct Installer for duct insulation, and equipment Installer for equipment insulation.
- C. Maintain clearances required for maintenance.
- D. Coordinate installation and testing of heat tracing.

PART 2 - PRODUCTS

2.1 MANUFACTURERS

- A. Available Manufacturers:
  - 1. Mineral-Fiber Insulation:
    - a. CertainTeed Manson.
    - b. Johns Manville
    - c. Knauf FiberGlass GmbH.
    - d. Owens-Corning Fiberglas Corp.
    - e. Schuller International, Inc.
  - 2. Flexible Elastomeric Thermal Insulation:
    - a. Armstrong World Industries, Inc.
    - b. Rubatex Corp.
  - 3. Removable Insulation Covers:
    - a. Advance Thermal Corp.

FIRE STATIONS RENOVATION  
ARLINGTON COUNTY, VIRGINIA  
Architect's Project No: 563006

2.2 INSULATION MATERIALS

- A. Comply with requirements in Part 3 schedule articles for where insulating materials shall be applied.
- B. Products shall not contain asbestos, lead, mercury, or mercury compounds.
- C. Products that come in contact with stainless steel shall have a leachable chloride content of less than 50 ppm when tested according to ASTM C 871.
- D. Insulation materials for use on austenitic stainless steel shall be qualified as acceptable according to ASTM C 795.
- E. Foam insulation materials shall not use CFC or HCFC blowing agents in the manufacturing process.
- F. Insulation products must be tested and determined compliant in accordance with California Department of Public Health (CDPH) Standard Method v1.1-2010, using the applicable exposure scenario. The default scenario is the private office scenario. The manufacturer's or third-party certification must state the exposure scenario used to determine compliance. Claims of compliance for wet-applied products must state the amount applied in mass per surface area. Manufacturers' claims of compliance with the above requirements must also state the range of total VOCs after 14 days (336 hours), measured as specified in the CDPH Standard Method v1.1:
  - a. 0.5 mg/m<sup>3</sup> or less;
  - b. between 0.5 and 5.0 mg/m<sup>3</sup>; or
  - c. 5.0 mg/m<sup>3</sup> or more
- G. Mineral-Fiber Board: Glass fibers bonded with a thermosetting resin. Comply with ASTM C 612, Type IB, with factory applied FSK Jacket. Meet the requirements of ASTM C 1290, Type III, inorganic glass fibers bonded by a thermosetting resin to maximum service temperature of 250°F.. Faced insulation shall not exceed 25 Flame Spread, 50 Smoke Developed when tested in accordance with ASTM E84.
- H. Semi-Rigid Mineral-Fiber Board: Glass fibers bonded with a thermosetting resin. Comply with ASTM C 1136, Type I, II, III, & IV with factory applied all-service jacket (ASJ) or Type II, IV with factory applied Foil Scrim Kraft (FSK) jacket.
- I. Mineral-Fiber Blanket with Factory Applied FSK Jacket: Meet the requirements of ASTM C 1290, Type III, inorganic glass fibers bonded by a thermosetting resin with a multi-purpose foil-scrim kraft (FSK) jacket to maximum service temperature of 250°F. FSK shall meet the requirements of ASTM C 1136, Type II, when surface burning characteristics are determined in accordance with ASTM E 84 with the foil surface of the material exposed to the flame as it is in the final composite. Composite (insulation, facing and adhesive) shall not exceed 25 Flame Spread, 50 Smoke Developed when tested in accordance with ASTM E 84. Insulation properties shall be as follows:
  - 1. Thickness: 1-1/2"
    - a. Density: 0.75 pcf
    - b. Minimum uncompressed R value: 5.0
    - c. Minimum installed R value assuming 25% compression: 4.0
  - 2. Thickness: 2"
    - a. Density: 1.0 pcf
    - b. Minimum uncompressed R value: 7.4

FIRE STATIONS RENOVATION  
ARLINGTON COUNTY, VIRGINIA  
Architect's Project No: 563006

- c. Minimum installed R value assuming 25% compression: 6.0
    - 3. Alternate to 2" 1.0 pcf: Thickness: 2.2"
      - a. Density: 0.75 pcf
      - b. Minimum uncompressed R value: 7.4
      - c. Minimum installed R value assuming 25% compression: 6.0
    - 4. Thickness: 3"
      - a. Density: 0.75 pcf
      - b. Minimum uncompressed R value: 10.0
      - c. Minimum installed R value assuming 25% compression: 8.3
  - J. Medium Temperature Mineral-Fiber Blanket for Operating Temperatures from 250 to 850 deg F: Glass fibers bonded with a thermosetting resin. Comply with ASTM C 553, Type II, without facing and with all-service jacket manufactured from kraft paper, reinforcing scrim, aluminum foil, and vinyl film.
  - K. High Temperature Mineral-Fiber Blanket for Temperatures above 850 deg F: Glass fibers bonded with a thermosetting resin. Comply with ASTM C 553, Type V, without facing and with all-service jacket manufactured from kraft paper, reinforcing scrim, aluminum foil, and vinyl film.
  - L. Mineral-Fiber Pipe Insulation: Glass fibers bonded with a thermosetting resin complying with the following:
    - 1. Preformed Pipe Insulation: Comply with ASTM C 547, Type 1, with factory-applied, all-purpose, vapor-retarder jacket.
    - 2. Semi-Rigid Mineral-Fiber Board: Glass fibers bonded with a thermosetting resin. Comply with ASTM C 1136, Type I, II, III, IV with factory applied all-service jacket (ASJ) or Type II, IV with factory applied Foil Scrim Kraft (FSK) jacket.
    - 3. Blanket Insulation: Comply with ASTM C 553, Type II, without facing.
    - 4. Mineral-Fiber Insulating Cements: Comply with ASTM C 195.
    - 5. Expanded or Exfoliated Vermiculite Insulating Cements: Comply with ASTM C 196.
    - 6. Mineral-Fiber, Hydraulic-Setting Insulating and Finishing Cement: Comply with ASTM C 449/C 449M.
  - M. Flexible Elastomeric: Closed-cell, sponge- or expanded-rubber materials. Comply with ASTM C 534, Type I for tubular materials and Type II for sheet materials.
    - 1. Adhesive: As recommended by insulation material manufacturer.
    - 2. Ultraviolet-Protective Coating: As recommended by insulation manufacturer.
  - N. Prefabricated Thermal Insulating Fitting Covers: Comply with ASTM C 450 for dimensions used in performing insulation to cover valves, elbows, tees, and flanges.
- 2.3 FIELD-APPLIED JACKETS
- A. General: ASTM C 921, Type 1, unless otherwise indicated.
  - B. Glass Cloth: Woven glass-fiber fabric, plain weave, minimum 8 ounces per square yard.
  - C. Foil and Paper Jacket: Laminated, glass-fiber-reinforced, flame-retardant kraft paper and aluminum foil.
  - D. PVC Jacket: High-impact, ultraviolet-resistant PVC; 20 mils thick; roll stock ready for shop or field cutting and forming.
    - 1. Adhesive: As recommended by insulation material manufacturer.

FIRE STATIONS RENOVATION  
ARLINGTON COUNTY, VIRGINIA  
Architect's Project No: 563006

2. PVC Duct Jacket Color: White or gray.
  3. PVC Pipe Jacket Color: Color-code piping jackets based on materials contained within the piping system.
- E. Aluminum Jacket: Deep corrugated sheets manufactured from aluminum alloy complying with ASTM B 209, and having an integrally bonded moisture barrier over entire surface in contact with insulation. Factory cut and rolled to indicated sizes. Comply with ASTM B 209, 3003 alloy, H-14 temper.
1. Finish and Thickness: Stucco-embossed finish, 0.016 inch thick.
  2. Moisture Barrier: 1-mil- thick, heat-bonded polyethylene and kraft paper.
  3. Elbows: Preformed, 45- and 90-degree, short- and long-radius elbows; same material, finish, and thickness as jacket.
- F. Heavy PVC Pipe Fitting Covers: Factory-fabricated fitting covers manufactured from 30-mil-thick, high-impact, ultraviolet-resistant PVC.
1. Shapes: 45- and 90-degree, short- and long-radius elbows, tees, valves, flanges, reducers, end caps, soil-pipe hubs, traps, mechanical joints, and P-trap and supply covers for lavatories for the disabled.
  2. Adhesive: As recommended by insulation material manufacturer.
- G. Standard PVC Pipe Fitting Covers: Factory-fabricated fitting covers manufactured from 20-mil- thick, high-impact, ultraviolet-resistant PVC.
1. Shapes: 45- and 90-degree, short- and long-radius elbows, tees, valves, flanges, reducers, end caps, soil-pipe hubs, traps, mechanical joints, and P-trap and supply covers for lavatories for the disabled.
  2. Adhesive: As recommended by insulation material manufacturer.

#### 2.4 REMOVABLE INSULATION COVERS

- A. Pre-manufactured easily removable insulation cover/blanket intended for insulation of equipment and devices requiring periodic maintenance.

#### 2.5 ACCESSORIES AND ATTACHMENTS

- A. Glass Cloth and Tape: Comply with MIL-C-20079H, Type I for cloth and Type II for tape. Woven glass-fiber fabrics, plain weave, presized a minimum of 8 oz./sq. yd..
1. Tape Width: 4 inches.
- B. Bands: 3/4 inch wide, in one of the following materials compatible with jacket:
1. Stainless Steel: ASTM A 666, Type 304; 0.020 inch thick.
  2. Galvanized Steel: 0.005 inch thick.
  3. Aluminum: 0.007 inch thick.
  4. Brass: 0.010 inch thick.
  5. Nickel-Copper Alloy: 0.005 inch thick.
- C. Wire: 0.080-inch, nickel-copper alloy; 0.062-inch, soft-annealed, stainless steel; or 0.062-inch, soft-annealed, galvanized steel.
- D. Weld-Attached Anchor Pins and Washers: Copper-coated steel pin for capacitor-discharge welding and galvanized speed washer. Pin length sufficient for insulation thickness indicated.

FIRE STATIONS RENOVATION  
ARLINGTON COUNTY, VIRGINIA  
Architect's Project No: 563006

1. Welded Pin Holding Capacity: 100 lb for direct pull perpendicular to the attached surface.
  - E. Adhesive-Attached Anchor Pins and Speed Washers: Galvanized steel plate, pin, and washer manufactured for attachment to duct, pipe, plenum and breeching with adhesive. Pin length sufficient for insulation thickness indicated.
    1. Adhesive: Recommended by the anchor pin manufacturer as appropriate for surface temperatures of ducts, pipes, plenums, and breechings; and to achieve a holding capacity of 100 lb. for direct pull perpendicular to the adhered surface.
  - F. Self-Adhesive Anchor Pins and Speed Washers: Galvanized steel plate, pin, and washer manufactured for attachment to duct, pipe, and plenum with adhesive. Pin length sufficient for insulation thickness indicated.
- 2.6 VAPOR RETARDERS
- A. Mastics: Materials recommended by insulation material manufacturer that are compatible with insulation materials, jackets, and substrates.
- 2.7 REMOVABLE INSULATION COVERS
- A. Pre-manufactured easily removable insulation cover/blanket intended for insulation of equipment and devices requiring periodic maintenance.

PART 3 - EXECUTION

3.1 EXAMINATION

- A. Examine substrates and conditions for compliance with requirements for installation and other conditions affecting performance of insulation application.
- B. Proceed with installation only after unsatisfactory conditions have been corrected.

3.2 PREPARATION

- A. Surface Preparation: Clean and dry surfaces to receive insulation. Remove materials that will adversely affect insulation application.

3.3 GENERAL APPLICATION REQUIREMENTS

- A. Apply insulation materials, accessories, and finishes according to the manufacturer's written instructions; with smooth, straight, and even surfaces; and free of voids throughout the length of piping, and fittings.
- B. Refer to schedules at the end of this Section for materials, forms, jackets, and thickness required for each system.
- C. Use accessories compatible with insulation materials and suitable for the service. Use accessories that do not corrode, soften, or otherwise attack insulation or jacket in either wet or dry state.
- D. Apply multiple layers of insulation with seams staggered.
- E. Do not weld brackets, clips, or other attachment devices to piping, fittings, and specialties.

FIRE STATIONS RENOVATION  
ARLINGTON COUNTY, VIRGINIA  
Architect's Project No: 563006

- F. Seal joints and seams with vapor-retarder mastic on insulation indicated to receive a vapor retarder.
- G. Keep insulation materials dry at all times. Insulation that becomes wet or is otherwise damaged beyond repair, shall be removed immediately and replaced. Replacement material and installation shall be in accordance with these specifications.
- H. Apply insulation with tight longitudinal seams and end joints. Bond seams and joints with adhesive recommended by the insulation material manufacturer.
- I. Apply insulation with the minimum number of joints practical.
- J. Apply insulation over fittings, valves, and specialties, with continuous thermal and vapor-retarder integrity, unless otherwise indicated.
- K. Refer to special instructions for applying insulation over fittings, valves, and specialties.
- L. Hangers and Anchors: Where vapor retarder is indicated, seal penetrations in insulation at hangers, supports, anchors, and other projections with vapor-retarder mastic.
  - 1. Apply insulation continuously through hangers and around anchor attachments.
  - 2. For insulation application where vapor retarders are indicated, extend insulation on anchor legs at least 12 inches from point of attachment to pipe and taper insulation ends. Seal tapered ends with a compound recommended by the insulation material manufacturer to maintain vapor retarder.
  - 3. Install insert materials and apply insulation to tightly join the insert. Seal insulation to insulation inserts with adhesive or sealing compound recommended by the insulation material manufacturer.
  - 4. Cover inserts with jacket material matching adjacent pipe insulation. Install shields over jacket, arranged to protect the jacket from tear or puncture by the hanger, support, and shield.
- M. Insulation Terminations: For insulation application where vapor retarders are indicated, seal ends with a compound recommended by the insulation material manufacturer to maintain vapor retarder.
- N. Apply insulation with integral jackets as follows:
  - 1. Pull jacket tight and smooth.
  - 2. Joints and Seams: Cover with tape and vapor retarder as recommended by insulation material manufacturer to maintain vapor seal.
  - 3. Vapor-Retarder Mastics: Where vapor retarders are indicated, apply mastic on seams and joints and at ends adjacent to duct flanges, pipe joints, and fittings.
- O. Cut insulation according to manufacturer's written instructions to prevent compressing insulation to less than 75 percent of its nominal thickness.
- P. Install vapor-retarder mastic on ducts, pipes, plenums, and equipment.
  - 1. Ducts, pipes, plenums, and equipment with Vapor Retarders: Overlap insulation facing at seams and seal with vapor-retarder mastic and pressure-sensitive tape having same facing as insulation. Repair punctures, tears, and penetrations with tape or mastic to maintain vapor-retarder seal.
  - 2. Ducts, pipes, plenums, and equipment without Vapor Retarders: Overlap insulation facing at seams and secure with outward clinching staples and pressure-sensitive tape having same facing as insulation.

FIRE STATIONS RENOVATION  
ARLINGTON COUNTY, VIRGINIA  
Architect's Project No: 563006

- Q. Roof Penetrations: Apply insulation for interior applications to a point even with top of roof flashing.
1. Seal penetrations with vapor-retarder mastic.
  2. Apply insulation for exterior applications tightly joined to interior insulation ends.
  3. Seal insulation to roof flashing with vapor-retarder mastic.
- R. Interior Wall and Partition Penetrations: Apply insulation continuously through walls and partitions, except fire-rated walls and partitions.
- S. Fire-Rated Wall and Partition Penetrations: Terminate insulation at fire/smoke damper sleeves for fire-rated wall and partition penetrations.
- T. Floor Penetrations: Terminate insulation at underside of floor assembly and at floor support at top of floor.
1. For insulation indicated to have vapor retarders, taper termination and seal insulation ends with vapor-retarder mastic.

3.4 MINERAL-FIBER INSULATION APPLICATION

- A. Blanket Applications for Ducts, Pipes, and Plenums: Secure blanket insulation with adhesive, and anchor pins with speed washers.
1. Apply adhesives according to manufacturer's recommended coverage rates per square foot, for 100 percent coverage of duct, pipe, and plenum surfaces.
  2. Apply adhesive to entire circumference of ducts & pipes and to all surfaces of fittings and transitions. Adhesive may be omitted from the top of horizontal rectangular ducts.
  3. Install anchor pins and speed washers on sides and bottom of horizontal ducts and sides of vertical ducts as follows:
    - a. On duct sides with dimensions 18 inches and smaller, along longitudinal centerline of duct. Space 3 inches maximum from insulation end joints, and 16 inches o.c.
    - b. On duct sides with dimensions larger than 18 inches. Space 16 inches o.c. each way, and 3 inches maximum from insulation joints. Apply additional pins and clips to hold insulation tightly against surface at cross bracing.
    - c. Anchor pins may be omitted from top surface of horizontal, rectangular ducts and plenums.
    - d. Do not compress insulation to less than 75% of its original thickness during installation.
  4. Install anchor pins and speed washers on sides, top, and bottom of horizontal pipes.
  5. Impale insulation over anchors and attach speed washers.
  6. Cut excess portion of pins extending beyond speed washers. Cover exposed pins and washers with tape matching insulation facing.
  7. Create a facing lap for longitudinal seams and end joints with insulation by removing 2 inches from one edge and one end of insulation segment. Secure laps to adjacent insulation segment with 1/2-inch staples, 1-inch o.c., and cover with pressure-sensitive tape having same facing as insulation.
  8. Overlap unfaced blankets a minimum of 2 inches on longitudinal seams and end joints. Secure with steel band at end joints and spaced a maximum of 18 inches o.c.
  9. Apply insulation on rectangular duct elbows, pipe fittings, and transitions with a full insulation segment for each surface. Apply insulation on round and flat-oval duct elbows, and pipe elbows, with individually mitered gores cut to fit the elbow.

FIRE STATIONS RENOVATION  
ARLINGTON COUNTY, VIRGINIA  
Architect's Project No: 563006

10. Insulate duct and pipe stiffeners, hangers, and flanges that protrude beyond the insulation surface with 6-inch- wide strips of the same material as insulation. Secure on alternating sides of stiffener, hanger, and flange with anchor pins spaced 6 inches o.c.
  11. Apply vapor-retarder mastic to open joints, breaks, and punctures for insulation indicated to receive vapor retarder.
- B. Board Applications for Ducts, Plenums, & Equipment: Secure board insulation with adhesive and anchor pins and speed washers.
1. Apply adhesives according to manufacturer's recommended coverage rates per square foot, for 100 percent coverage of duct, plenum, & equipment surfaces.
  2. Apply adhesive to entire circumference of ducts and to all surfaces of fittings, transitions, and equipment. Adhesive may be omitted from top surface of horizontal rectangular ducts.
  3. Space anchor pins as follows:
    - a. On duct & equipment sides with dimensions 18 inches and smaller, along longitudinal centerline of duct. Space 3 inches maximum from insulation end joints, and 16 inches o.c.
    - b. On duct & equipment sides with dimensions larger than 18 inches. Space 16 inches o.c. each way, and 3 inches maximum from insulation joints. Apply additional pins and clips to hold insulation tightly against surface at bracing.
    - c. Anchor pins may be omitted from top surface of horizontal, rectangular ducts and plenums.
    - d. Do not compress insulation to less than 75% of its original thickness during installation.
  4. Cut excess portion of pins extending beyond speed washers. Cover exposed pins and washers with tape matching insulation facing.
  5. Create a facing lap for longitudinal seams and end joints with insulation by removing 2 inches from one edge and one end of insulation segment. Secure laps to adjacent insulation segment with 1/2-inch staples, 1-inch o.c., and cover with pressure-sensitive tape having same facing as insulation.
  6. Apply insulation on rectangular duct elbows and transitions with a full insulation segment for each surface. Groove and score insulation to fit as closely as possible to outside and inside radius of elbows. Apply insulation on round and flat-oval duct elbows with individually mitered gores cut to fit the elbow.
  7. Insulate duct and equipment stiffeners, hangers, and flanges that protrude beyond the insulation surface with 6" wide strips of the insulating materia. Secure on alternating sides of stiffener, hanger, and flange with anchor pins spaced 6 inches o.c.
  8. Apply vapor-retarder mastic to open joints, breaks, and punctures for insulation indicated to receive vapor retarder.
- 3.5 FLEXIBLE ELASTOMERIC THERMAL INSULATION APPLICATION
- A. Apply insulation to ducts, plenums, and equipment as follows:
1. Follow the manufacturer's written instructions for applying insulation.
  2. Seal longitudinal seams and end joints with manufacturer's recommended adhesive. Cement to avoid openings in insulation that will allow passage of air to the duct, plenum, and equipment surface.



FIRE STATIONS RENOVATION  
ARLINGTON COUNTY, VIRGINIA  
Architect's Project No: 563006

3.6 FIELD-APPLIED JACKET APPLICATION

- A. Apply glass-cloth jacket, where indicated, directly over bare insulation or insulation with factory-applied jackets.
  - 1. Apply jacket smooth and tight to surface with 2-inch overlap at seams and joints.
  - 2. Embed glass cloth between two 0.062-inch- thick coats of jacket manufacturer's recommended adhesive.
  - 3. Completely encapsulate insulation with jacket, leaving no exposed raw insulation.

3.7 FINISHES

- A. Glass-Cloth Jacketed Insulation: Paint insulation finished with glass-cloth jacket as indicated.
- B. Flexible Elastomeric Thermal Insulation: After adhesive has fully cured, apply two coats of insulation manufacturer's recommended protective coating.
- C. Color: Final color shall be as selected by Architect. Vary first and second coats to allow visual inspection of the completed Work.

3.8 APPLICATIONS

- A. Insulation materials and thickness are specified at the end of this Section.
- B. Insulate all pipe and equipment:
  - 1. Insulate pipe in accordance with the application schedule(s) below.
  - 2. Exceptions: Unless otherwise indicated, do not apply insulation to the following systems, materials, and equipment:
    - a. Vibration-control devices.
    - b. Testing agency labels and stamps.
    - c. Nameplates and data plates.
    - d. Manholes.
    - e. Handholes.
    - f. Cleanouts.
    - g. Plastic Condensate Drain piping.
    - h. Factory-insulated equipment.
    - i. Flexible connectors.

3.9 INDOOR APPLICATION SCHEDULE (ABOVE SLAB):

- A. Service: Domestic hot water and domestic circulated hot water.
  - 1. Insulation Material: Mineral fiber preformed or flexible elastomeric pipe insulation.
  - 2. Insulation Thickness: Apply the following insulation thicknesses:
    - a. Copper Pipe, ½" through 1½" in diameter: 1"
    - b. Copper Pipe, 1½" through 3" in diameter: 1 ½"
    - c. Copper Pipe, larger than 3" in diameter: 2"
  - 3. Vapor Retarder Required: No.
  - 4. Finish: Exposed = Painted, concealed = none.
- B. Service: Domestic cold water.
  - 1. Insulation Material: Mineral fiber preformed or flexible elastomeric pipe insulation.
  - 2. Insulation Thickness: ½"
  - 3. Vapor Retarder Required: Yes.

FIRE STATIONS RENOVATION  
ARLINGTON COUNTY, VIRGINIA  
Architect's Project No: 563006

4. Finish: Exposed = Painted, concealed = none.

C. Service: Rainwater conductors (Includes secondary roof drain conductors).

1. Insulation Material: Mineral fiber preformed pipe insulation or Mineral-Fiber Blanket with Factory Applied FSK Jacket.

2. Insulation Thickness: 1"

3. Vapor Retarder Required: Yes.

4. Finish: Exposed = Painted, concealed = none.

D. Service: Roof drain and overflow drain bodies.

1. Insulation Material: Semi-Rigid Mineral-Fiber Board Thermal Insulation

2. Insulation Thickness: 1½"

3. Vapor Retarder Required: Yes.

4. Finish: Exposed = Painted, concealed = none.

E. Service: Exposed piping:

1. Mineral fiber preformed pipe insulation with Factory Applied FSK Jacket.

2. Insulation Thickness: 1"

3. Vapor Retarder Required: Yes.

4. Finish: Exposed = Painted, concealed = none.

3.10 INDOOR APPLICATION SCHEDULE (BELOW SLAB):

1. None required.

END OF SECTION 220700

FIRE STATIONS RENOVATION  
ARLINGTON COUNTY, VIRGINIA  
Architect's Project No: 563006

---

SECTION 221113 – FACILITY NATURAL-GAS PIPING

1.1 RELATED DOCUMENTS

- A. Provisions of the Contract and of the Contract Documents apply to this Section.

1.2 DEFINITIONS

- A. Finished Spaces: Spaces other than mechanical and electrical equipment rooms, furred spaces, pipe and duct shafts, unheated spaces immediately below roof, spaces above ceilings, unexcavated spaces, crawlspaces, and tunnels.
- B. Exposed, Interior Installations: Exposed to view indoors. Examples include finished occupied spaces and mechanical equipment rooms.
- C. Exposed, Exterior Installations: Exposed to view outdoors or subject to outdoor ambient temperatures and weather conditions. Examples include rooftop locations.

1.3 PERFORMANCE REQUIREMENTS

- A. Minimum Operating-Pressure Ratings:
  - 1. Piping and Valves: 100 psig minimum unless otherwise indicated.
  - 2. Service Regulators: 65 psig minimum unless otherwise indicated.
  - 3. Service Meter: 65 psig minimum unless otherwise indicated.
- B. Gas System Pressures: Primary pressure from the utility is more than 2.0 psig and is reduced to a secondary pressure of 14in wc by a pressure reducing valve installed immediately downstream of the meter and is reduced again by pressure reducing valves located at each piece of equipment.

1.4 SUBMITTALS

- A. Product Data: For each type of the following:
  - 1. Piping specialties.
  - 2. Corrugated, stainless-steel tubing with associated components.
  - 3. Valves. Include pressure rating, capacity, settings, and electrical connection data of selected models.
  - 4. Pressure regulators. Indicate pressure ratings and capacities.
  - 5. Dielectric fittings.
- B. Operation and Maintenance Data: For motorized gas valves, pressure regulators, and to include in operation and maintenance manuals.

FIRE STATIONS RENOVATION  
ARLINGTON COUNTY, VIRGINIA  
Architect's Project No: 563006

---

1.5 QUALITY ASSURANCE

- A. Electrical Components and Devices: If indicated, provide electrical components and devices that are listed and labeled as defined in NFPA 70, Article 100, by testing agency acceptable to authorities having jurisdiction, and marked for intended use.
- B. Applicable Codes: Comply with the Virginia Uniform Statewide Building Code and the International Fuel Gas Code.
- C. Fuel Gas Piping: Listed and labeled as required by the International Fuel Gas Code.
- D. UL Standard: Provide components listed in UL's "Gas and Oil Equipment Directory" where UL listing is indicated.
- E. Steel Support Welding Qualifications: Qualify procedures and personnel according to AWS D1.1/D1.1M, "Structural Welding Code - Steel."
- F. Pipe Welding Qualifications: Qualify procedures and operators according to ASME Boiler and Pressure Vessel Code.

1.6 DELIVERY, STORAGE, AND HANDLING

- A. Handling Flammable Liquids: Remove and dispose of liquids from natural-gas piping according to requirements of authorities having jurisdiction.
- B. Deliver pipes and tubes with factory-applied end caps. Maintain end caps through shipping, storage, and handling to prevent pipe end damage and to prevent entrance of dirt, debris, and moisture.
- C. Store and handle pipes and tubes having factory-applied protective coatings to avoid damaging coating, and protect from direct sunlight.
- D. Protect stored PE pipes and valves from direct sunlight.

1.7 PROJECT CONDITIONS

- A. Perform site survey: Contract with utility-locating service for area where Project is located and locate utilities.
- B. Design values of fuel gas supplied for these systems are as follows:
  - 1. Nominal Heating Value: 1000 Btu/cu.ft.
  - 2. Nominal Specific Gravity: 0.6.
- C. Interruption of Natural-Gas Service: Do not interrupt natural-gas service to facilities occupied by Owner or others unless permitted under the following conditions and then only after arranging to provide purging and startup of natural-gas supply according to requirements indicated:

FIRE STATIONS RENOVATION  
ARLINGTON COUNTY, VIRGINIA  
Architect's Project No: 563006

---

1. Notify Owner and Architect no fewer than two days in advance of proposed interruption of natural-gas service.
2. Do not proceed with interruption of natural-gas service without Owner and Architect's written permission.

1.8 COORDINATION

- A. Coordinate sizes and locations of concrete bases with actual equipment provided.
- B. Coordinate requirements for access panels and doors for valves installed concealed behind finished surfaces.
- C. Coordinate with equipment and regulator manufacturer's recommendations and local utility service provider for final regulator and accessory selections.

PART 2 - PRODUCTS

2.1 PIPING MATERIALS

- A. Refer to Part 3 "Piping Applications" Article for applications of pipe, tube, fitting, and joining materials.

2.2 PIPES, TUBES, AND FITTINGS

- A. Steel Pipe: ASTM A 53/A 53M, black steel, Schedule 40, Type E or S, Grade B.
  1. Malleable-Iron Threaded Fittings: ASME B16.3, Class 150, standard pattern.
  2. Wrought-Steel Welding Fittings: ASTM A 234/A 234M for butt welding and socket welding.
  3. Unions: ASME B16.39, Class 150, malleable iron with brass-to-iron seat, ground joint, and threaded ends.
  4. Forged-Steel Flanges and Flanged Fittings: ASME B16.5, minimum Class 150, including bolts, nuts, and gaskets of the following material group, end connections, and facings:
    - a. Material Group: 1.1.
    - b. End Connections: Threaded or butt welding to match pipe.
    - c. Lapped Face: Not permitted underground.
    - d. Gasket Materials: ASME B16.20, metallic, flat, asbestos free, aluminum o-rings, and spiral-wound metal gaskets.
    - e. Bolts and Nuts: ASME B18.2.1, carbon steel aboveground and stainless steel underground.
  5. Protective Coating for Underground Piping: Factory-applied, three-layer coating of epoxy, adhesive, and PE.
    - a. Joint Cover Kits: Epoxy paint, adhesive, and heat-shrink PE sleeves.

2.3 PRE-SLEEVED CORRUGATED, STAINLESS-STEEL TUBING SYSTEMS

FIRE STATIONS RENOVATION  
ARLINGTON COUNTY, VIRGINIA  
Architect's Project No: 563006

---

A. Available Manufacturers:

1. Omega Flex, Inc.

B. Description: Comply with AGA LC 1 (ANSI LC-1) and include the following:

1. Tubing: Pre-sleeved with polyethylene, corrugated stainless steel with plastic jacket or coating.
2. Fittings: Copper alloy with ends made to fit corrugated tubing. Include ends with threads according to ASME B1.20.1 if connection to threaded pipe or fittings is required.
3. Striker Plates: Steel, designed to protect tubing from penetrations.
4. Manifolds: Malleable iron or steel with protective coating. Include threaded connections according to ASME B1.20.1 for pipe inlet and corrugated tubing outlets.

2.4 PROTECTIVE COATING

- A. Furnish pipe and fittings with factory-applied, corrosion-resistant polyethylene coating for use in corrosive atmosphere.

2.5 JOINING MATERIALS

- A. Joint Compound and Tape: Suitable for natural gas.
- B. Welding Filler Metals: Comply with AWS D10.12/D10.12M for welding materials appropriate for wall thickness and chemical analysis of steel pipe being welded.

2.6 VALVES

- A. Refer to section "General Duty Valves for Plumbing Piping".

2.7 PIPING SPECIALTIES

A. Appliance Flexible Connectors:

1. Indoor, Fixed-Appliance Flexible Connectors: Comply with ANSI Z21.24.
2. Indoor, Movable-Appliance Flexible Connectors: Comply with ANSI Z21.69.
3. Outdoor, Appliance Flexible Connectors: Comply with ANSI Z21.75.
4. Corrugated stainless-steel tubing with polymer coating.
5. Operating-Pressure Rating: 0.5 psig
6. End Fittings: Zinc-coated steel.
7. Threaded Ends: Comply with ASME B1.20.1.
8. Maximum Length: 72"

B. Y-Pattern Strainers:

1. Body: ASTM A 126, Class B, cast iron with bolted cover and bottom drain connection.
2. End Connections: Threaded ends for 2" and smaller; flanged ends for 2 1/2" and larger.

FIRE STATIONS RENOVATION  
ARLINGTON COUNTY, VIRGINIA  
Architect's Project No: 563006

---

3. Strainer Screen: 40-mesh startup strainer, and perforated stainless-steel basket with 50 percent free area.
4. CWP Rating: 125 psig.

C. Weatherproof Vent Cap: Cast- or malleable-iron increaser fitting with corrosion-resistant wire screen, with free area at least equal to cross-sectional area of connecting pipe and threaded-end connection.

## 2.8 SPECIALTY VALVES

A. Available Manufacturers:

1. ASCO General Controls.
2. Automatic Switch Co.
3. Eaton Corp.; Controls Div.
4. Honeywell, Inc.
5. Johnson Controls, Inc.

2.9 Valves, 2" and Smaller: Ball valves with threaded ends according to ASME B1.20.1 for pipe threads.

2.10 Valves, 2-1/2" and Larger: Butterfly valves for use with flanged ends according to ASME B16.5 for steel flanges.

## 2.11 PRESSURE REGULATORS

A. Available Manufacturers:

1. Line Pressure Regulators:
  - a. American Meter Co.
  - b. Donkin: Bryan Donkin RMG Canada, Ltd.
  - c. Eclipse Combustion, Inc.
  - d. Equimeter, Inc.
  - e. Fisher Controls International, Inc.
  - f. Maxitrol Co.
  - g. National Meter.
  - h. Richards Industries, Inc.; Jordan Valve Div.
  - i. Schlumberger Industries; Gas Div.

B. Description: Single stage and suitable for fuel gas service. Include steel jacket and corrosion-resistant components, elevation compensator, and atmospheric vent.

1. 2" and Smaller: Threaded ends according to ASME B1.20.1 for pipe threads.
2. 2 1/2" and Larger: Flanged ends according to ASME B16.5 for steel flanges and according to ASME B16.24 for copper and copper-alloy flanges.
3. Line Pressure Regulators: ANSI Z21.80 with 5-psig- minimum inlet pressure rating.

FIRE STATIONS RENOVATION  
ARLINGTON COUNTY, VIRGINIA  
Architect's Project No: 563006

---

4. Appliance Pressure Regulators: ANSI Z21.18 with 2-psig minimum inlet pressure. Regulator may include vent limiting device, instead of vent connection, if approved by authorities having jurisdiction. If vents are required provided piping necessary to extend to termination location outside the building as approved by the architect.
- C. Pressure Regulator Vents: Factory- or field-installed, corrosion-resistant screen in opening if not connected to vent piping. Extend to exterior of building and terminate in location approved by the architect.
- D. Appliance Pressure Regulators: Comply with ANSI Z21.18.
  1. Available Manufacturers:
    - a. Canadian Meter Company Inc.
    - b. Eaton Corporation; Controls Div.
    - c. Harper Wyman Co.
    - d. Maxitrol Company.
    - e. SCP, Inc.
  2. Body and Diaphragm Case: Die-cast aluminum.
  3. Springs: Zinc-plated steel; interchangeable.
  4. Diaphragm Plate: Zinc-plated steel.
  5. Seat Disc: Nitrile rubber.
  6. Seal Plug: Ultraviolet-stabilized, mineral-filled nylon.
  7. Factory-Applied Finish: Minimum three-layer polyester and polyurethane paint finish.
  8. Regulator may include vent limiting device, instead of vent connection, if approved by authorities having jurisdiction.
  9. Maximum Inlet Pressure: 2 psig.

## 2.12 DIELECTRIC FITTINGS

- A. Dielectric Unions:
  1. Available Manufacturers:
    - a. Capitol Manufacturing Company.
    - b. Central Plastics Company.
    - c. Hart Industries International, Inc.
    - d. McDonald, A. Y. Mfg. Co.
    - e. Watts Regulator Co.; Division of Watts Water Technologies, Inc.
    - f. Wilkins; Zurn Plumbing Products Group.
    - g. Conbraco Industries-Apollo
  2. Minimum Operating-Pressure Rating: 150 psig.
  3. Combination fitting of copper alloy and ferrous materials.
  4. Insulating materials suitable for natural gas.
  5. Combination fitting of copper alloy and ferrous materials with threaded, brazed-joint, plain, or welded end connections that match piping system materials.
- B. Dielectric Flanges:
  1. Available Manufacturers:



FIRE STATIONS RENOVATION  
ARLINGTON COUNTY, VIRGINIA  
Architect's Project No: 563006

---

- a. Capitol Manufacturing Company.
- b. Central Plastics Company.
- c. Watts Regulator Co.; Division of Watts Water Technologies, Inc.
- d. Wilkins; Zurn Plumbing Products Group.
2. Minimum Operating-Pressure Rating: 150 psig.
3. Combination fitting of copper alloy and ferrous materials.
4. Insulating materials suitable for natural gas.
5. Combination fitting of copper alloy and ferrous materials with threaded, brazed-joint, plain, or welded end connections that match piping system materials.

C. Dielectric-Flange Kits:

1. Available Manufacturers:
  - a. Advance Products & Systems, Inc.
  - b. Calpico Inc.
  - c. Central Plastics Company.
  - d. Pipeline Seal and Insulator, Inc.
2. Minimum Operating-Pressure Rating: 150 psig.
3. Companion-flange assembly for field assembly.
4. Include flanges, full-face- or ring-type neoprene or phenolic gasket, phenolic or PE bolt sleeves, phenolic washers, and steel backing washers.
5. Insulating materials suitable for natural gas.
6. Combination fitting of copper alloy and ferrous materials with threaded, brazed-joint, plain, or welded end connections that match piping system materials.

2.13 LABELING AND IDENTIFYING

- A. Detectable Warning Tape: Acid- and alkali-resistant, PE film warning tape manufactured for marking and identifying underground utilities, a minimum of 6 inches wide and 4 mils thick, continuously inscribed with a description of utility, with metallic core encased in a protective jacket for corrosion protection, detectable by metal detector when tape is buried up to 30 inches deep; colored yellow.

PART 3 - EXECUTION

3.1 EXAMINATION

- A. Examine roughing-in for natural-gas piping system to verify actual locations of piping connections before equipment installation.
- B. Proceed with installation only after unsatisfactory conditions have been corrected.

3.2 PREPARATION

- A. Close equipment shutoff valves before turning off fuel gas to premises or piping section.

FIRE STATIONS RENOVATION  
ARLINGTON COUNTY, VIRGINIA  
Architect's Project No: 563006

---

- B. Inspect natural-gas piping according to the International Fuel Gas Code to determine that natural-gas utilization devices are turned off in piping section affected.
- C. Comply with the International Fuel Gas Code requirements for prevention of accidental ignition.

3.3 SERVICE ENTRANCE PIPING

- A. Extend fuel gas piping and connect to fuel gas distribution piping downstream of meter.
  - 1. Service meter will be provided by Local Gas Utility.
- B. Install dielectric fitting downstream from and adjacent to each service meter unless meter is supported from service-meter bar with integral dielectric fitting. Install shutoff valve downstream from and adjacent to dielectric fitting. Refer to Division 22 Section "Common Work Results for Plumbing" for dielectric fittings.

3.4 OUTDOOR PIPING INSTALLATION

- A. Comply with the International Fuel Gas Code for installation and purging of natural-gas piping.
- B. Install underground, natural-gas piping buried at least 36 inches below finished grade. Comply with requirements in Section "Earth Moving" for excavating, trenching, and backfilling.
  - 1. If natural-gas piping is installed less than 36 inches below finished grade, install it in containment conduit.
- C. Install underground, PE, natural-gas piping according to ASTM D 2774.
- D. Steel Piping Protective Coating:
  - 1. Apply joint cover kits to pipe after joining to cover, seal, and protect joints.
  - 2. Repair damage to PE coating on pipe as recommended in writing by protective coating manufacturer.
- E. Copper Tubing Protective Coating:
  - 1. Apply joint cover kits over tubing to cover, seal, and protect joints.
  - 2. Repair damage to PE coating on pipe as recommended in writing by protective coating manufacturer.
- F. Install fittings for changes in direction and branch connections.
- G. Install pressure gage upstream and downstream from each service regulator. Pressure gages are specified in Section "Meters and Gages for Plumbing Piping."

3.5 INDOOR PIPING INSTALLATION

- A. Comply with the International Fuel Gas Code for installation and purging of natural-gas piping.

FIRE STATIONS RENOVATION  
ARLINGTON COUNTY, VIRGINIA  
Architect's Project No: 563006

---

- B. Drawing plans, schematics, and diagrams indicate general location and arrangement of piping systems. Indicated locations and arrangements are used to size pipe and calculate friction loss, expansion, and other design considerations. Install piping as indicated unless deviations to are accepted by architect.
- C. Arrange for pipe spaces, chases, slots, sleeves, and openings in building structure during progress of construction, to allow for mechanical installations.
- D. Install piping in concealed locations unless otherwise indicated and except in equipment rooms.
- E. Install piping indicated to be exposed and piping in equipment rooms at right angles or parallel to building walls. Diagonal runs are prohibited unless specifically indicated otherwise.
- F. Install piping above accessible ceilings to allow sufficient space for ceiling panel removal.
- G. Locate valves for easy access.
- H. Install natural-gas piping at uniform grade toward drip and sediment traps.
- I. Install piping free of sags and bends.
- J. Install fittings for changes in direction and branch connections.
- K. Verify final equipment locations for roughing-in.
- L. Comply with requirements in Sections specifying gas-fired appliances and equipment for roughing-in requirements.
- M. Drips and Sediment Traps: Install drips at points where condensate may collect, including service-meter outlets. Locate where accessible to permit cleaning and emptying. Do not install where condensate is subject to freezing.
  - 1. Construct drips and sediment traps using tee fitting with bottom outlet plugged or capped. Use nipple a minimum length of 3 pipe diameters, but not less than 3 inches long and same size as connected pipe. Install with space below bottom of drip to remove plug or cap.
- N. Extend relief vent connections for service regulators, line regulators, and overpressure protection devices to outdoors and terminate with weatherproof vent cap.
- O. Conceal pipe installations in walls, pipe spaces, utility spaces, above ceilings, below grade or floors, and in floor channels unless indicated to be exposed to view.
- P. Concealed Location Installations: Except as specified below, install concealed natural-gas piping and piping installed under the building in containment conduit constructed of steel pipe with welded joints as described in Part 2. Install a vent pipe from containment conduit to outdoors and terminate with weatherproof vent cap.
  - 1. Above Accessible Ceilings: Natural-gas piping, fittings, valves, and regulators may be installed in accessible spaces without containment conduit.

FIRE STATIONS RENOVATION  
ARLINGTON COUNTY, VIRGINIA  
Architect's Project No: 563006

---

2. In Floors: Install pre-sleeved corrugated, stainless-steel tubing systems for natural-gas. Cover with minimum of 1-1/2 inches of concrete. Jacket may not be in physical contact with metallic structures such as reinforcing rods or electrically neutral conductors. Do not embed piping in concrete slabs containing quick-set additives.
  3. In Walls or Partitions: Protect tubing installed inside partitions or hollow walls from physical damage using steel striker barriers at rigid supports.
    - a. Exception: Tubing passing through partitions or walls does not require striker barriers.
  4. Prohibited Locations:
    - a. Do not install natural-gas piping in or through circulating air ducts, clothes or trash chutes, chimneys or gas vents (flues), ventilating ducts, or dumbwaiter or elevator shafts.
    - b. Do not install natural-gas piping in solid walls or partitions.
- Q. Connect branch piping from top or side of horizontal piping.
- R. Install unions in pipes 2" and smaller, adjacent to each valve, at final connection to each piece of equipment and where otherwise indicated. Unions are not required at flanged connections.
- S. Do not use natural-gas piping as grounding electrode.
- T. Install strainer on inlet of each line-pressure regulator and automatic or electrically operated valve.
- U. Install pressure gage upstream and downstream from each line regulator. Pressure gages are specified in Section "Meters and Gages for Plumbing Piping."
- V. Install sleeves for piping penetrations of walls, ceilings, and floors. Comply with requirements for sleeves specified in Section "Sleeves and Sleeve Seals for Plumbing Piping."
- W. Install sleeve seals for piping penetrations of concrete walls and slabs. Comply with requirements for sleeve seals specified in Section "Sleeves and Sleeve Seals for HVAC Piping."
- X. Install escutcheons for piping penetrations of walls, ceilings, and floors. Comply with requirements for escutcheons specified in Division 22 Section "Escutcheons for Plumbing Piping."
- Y. Install corrugated, stainless-steel tubing system according to manufacturer's written instructions. Include striker plates to protect tubing from puncture where tubing is restrained and cannot move.
- Z. Install containment casings for gas piping below slabs extending minimum of 2 inches beyond point where pipe emerges from the floor. Tightly seal ends around gas piping using mechanical sleeve seals.

FIRE STATIONS RENOVATION  
ARLINGTON COUNTY, VIRGINIA  
Architect's Project No: 563006

---

3.6 VALVE INSTALLATION

- A. Install manual gas shutoff valve for each gas appliance ahead of corrugated stainless-steel tubing, aluminum, or copper connector.
- B. Install underground valves with valve boxes.
- C. Install regulators and overpressure protection devices with maintenance access space adequate for servicing and testing.

3.7 PIPING JOINT CONSTRUCTION

- A. Ream ends of pipes and tubes and remove burrs.
- B. Remove scale, slag, dirt, and debris from inside and outside of pipe and fittings before assembly.
- C. Threaded Joints:
  - 1. Thread pipe with tapered pipe threads complying with ASME B1.20.1.
  - 2. Cut threads full and clean using sharp dies.
  - 3. Ream threaded pipe ends to remove burrs and restore full inside diameter of pipe.
  - 4. Apply appropriate tape or thread compound to external pipe threads unless dryseal threading is specified.
  - 5. Damaged Threads: Do not use pipe or pipe fittings with threads that are corroded or damaged. Do not use pipe sections that have cracked or open welds.
- D. Welded Joints:
  - 1. Construct joints according to AWS D10.12/D10.12M, using qualified processes and welding operators.
  - 2. Bevel plain ends of steel pipe.
  - 3. Patch factory-applied protective coating as recommended by manufacturer at field welds and where damage to coating occurs during construction.
- E. Flanged Joints: Install gasket material, size, type, and thickness appropriate for natural-gas service. Install gasket concentrically positioned.
- F. Flared Joints: Cut tubing with roll cutting tool. Flare tube end with tool to result in flare dimensions complying with SAE J513. Tighten finger tight, then use wrench. Do not overtighten.
- G. PE Piping Heat-Fusion Joints: Clean and dry joining surfaces by wiping with clean cloth or paper towels. Join according to ASTM D 2657.
  - 1. Plain-End Pipe and Fittings: Use butt fusion.
  - 2. Plain-End Pipe and Socket Fittings: Use socket fusion.

3.8 HANGER AND SUPPORT INSTALLATION

FIRE STATIONS RENOVATION  
ARLINGTON COUNTY, VIRGINIA  
Architect's Project No: 563006

---

- A. Comply with requirements for pipe hangers and supports specified in Section "Hangers and Supports for Plumbing Piping and Equipment."
- B. Install hangers for horizontal steel piping with the following maximum spacing and minimum rod sizes:
  - 1. 1" and Smaller: Maximum span, 96"; minimum rod size, 3/8".
  - 2. 1¼": Maximum span, 108"; minimum rod size, 3/8".
  - 3. 1½" and 2": Maximum span, 108"; minimum rod size, 3/8".
  - 4. 2½" to 3 ½": Maximum span, 10'-0"; minimum rod size, ½".
  - 5. 4" and Larger: Maximum span, 10'-0"; minimum rod size, 5/8".
- C. Install hangers for horizontal, corrugated stainless-steel tubing with the following maximum spacing and minimum rod sizes:
  - 1. 3/8": Maximum span, 48"; minimum rod size, 3/8".
  - 2. ½": Maximum span, 72"; minimum rod size, 3/8".
  - 3. ¾" and Larger: Maximum span, 96"; minimum rod size, 3/8".

### 3.9 CONNECTIONS

- A. Connect to utility's gas meter according to utility's procedures and requirements.
- B. Install piping adjacent to appliances to allow service and maintenance of appliances.
- C. Connect piping to appliances using manual gas shutoff valves and unions. Install valve within 72" of each gas-fired appliance and equipment. Install union between valve and appliances or equipment.
- D. Sediment Traps: Install tee fitting with capped nipple in bottom to form drip, as close as practical to inlet of each appliance.

### 3.10 PIPING APPLICATIONS

- A. Flanges, unions, transition, and special fittings with pressure ratings same as or higher than system pressure rating may be used in applications below, unless otherwise indicated.
- B. Above Ground Exposed Fuel Gas Piping:
  - 1. Sizes up to 2":
    - a. Steel pipe, malleable-iron threaded fittings, and threaded joints.
    - b. Pre-sleeved corrugated stainless-steel piping shall only be used for final equipment whip connections, kept to 5' or less, and only where approved by AHJ. Sizing shall be determined based on equivalent hydraulic diameter and not direct transfer of size.
  - 2. 2½" to 4":
    - a. Steel pipe, malleable-iron threaded fittings, and threaded joints, or steel pipe, steel welding fittings, and welded joints.
  - 3. Larger Than NPS 4:

FIRE STATIONS RENOVATION  
ARLINGTON COUNTY, VIRGINIA  
Architect's Project No: 563006

---

- a. Steel pipe, steel welding fittings, and welded joints.
- C. Above Ground Concealed Fuel Gas Piping:
- 1. Sizes up to 2":
    - a. Steel pipe, malleable-iron threaded fittings, and threaded joints.
  - 2. 2½" to 4":
    - a. Steel pipe, malleable-iron threaded fittings, and threaded joints, or steel pipe, steel welding fittings, and welded joints.
  - 3. Larger Than NPS 4:
    - a. Steel pipe, steel welding fittings, and welded joints.

3.11 LABELING AND IDENTIFYING

- A. Comply with requirements in Section "Identification for Plumbing Piping and Equipment" for piping and valve identification.
- B. Install detectable warning tape directly above gas piping, 12" minimum below finished grade.
  - 1. Exception: 6 minimum below sub-grade under pavements and slabs.

3.12 PAINTING

- A. Use materials and procedures in Division 9 Section "Painting," "Exterior Paint Schedule" Article, "Ferrous Metal" Paragraph, "Full-Gloss, Alkyd-Enamel Finish" Subparagraph.
- B. Paint exterior service meters, pressure regulators, specialty valves, piping, and accessories.
  - 1. Color: Yellow

3.13 FIELD QUALITY CONTROL

- A. Inspect, test, and purge piping according to ANSI Z223.1, Part 4 "Inspection, Testing, and Purging," and requirements of authorities having jurisdiction.
- B. Repair leaks and defects with new materials and retest system until satisfactory results are obtained.
- C. Report test results promptly and in writing to Architect and authorities having jurisdiction.
- D. Verify capacities and pressure ratings of service meters, pressure regulators, valves, and specialties.
- E. Verify correct pressure settings for pressure regulators.
- F. Verify that specified piping tests are complete.

FIRE STATIONS RENOVATION  
ARLINGTON COUNTY, VIRGINIA  
Architect's Project No: 563006

---

3.14 ADJUSTING

- A. Adjust controls and safety devices. Replace damaged and malfunctioning controls and safety devices.

END OF SECTION 221113



FIRE STATIONS RENOVATION  
ARLINGTON COUNTY, VIRGINIA  
Architect's Project No: 563006

SECTION 221116 –DOMESTIC WATER PIPING

PART 1 - GENERAL

1.1 RELATED DOCUMENTS

- A. Provisions of the Contract and of the Contract Documents apply to this Section.

1.2 PERFORMANCE REQUIREMENTS

- A. Provide components and installation capable of producing domestic water piping systems with the following minimum working-pressure ratings, unless otherwise indicated:
  - 1. Domestic Water Service Piping: 160 psig.
  - 2. Domestic Water Distribution Piping: 125 psig.

1.3 SUBMITTALS

- A. Compliance Letter: Submit a list indicating materials proposed for use along with their associated listings and/or ratings for each application list in this section.

1.4 QUALITY ASSURANCE

- A. Piping materials shall bear label, stamp, or other markings of specified testing agency.
- B. Comply with NSF 61, "Drinking Water System Components-Health Effects; Sections 1 through 9," for potable domestic water piping and components.

PART 2 - PRODUCTS

2.1 PIPING MATERIALS

- A. Refer to Part 3 "Piping Applications" Article for applications of pipe, tube, fitting, and joining materials.
- B. Transition Couplings for Underground Pressure Piping: AWWA C219, metal, sleeve-type coupling or other manufactured fitting the same size as, with pressure rating at least equal to and ends compatible with, piping to be joined.
- C. Press fittings:
  - 1. Propress by Vieaga
  - 2. Xpress by Elkhart Products

2.2 COPPER TUBING

FIRE STATIONS RENOVATION  
ARLINGTON COUNTY, VIRGINIA  
Architect's Project No: 563006

- A. Soft Copper Tube: ASTM B 88, Type K, water tube, annealed temper.
  - 1. Copper Pressure Fittings: ASME B16.18, cast-copper-alloy or ASME B16.22, wrought-copper, solder-joint fittings. Furnish wrought-copper fittings if indicated.
  - 2. Bronze Flanges: ASME B16.24, Class 150, with solder-joint end. Furnish Class 300 flanges if required to match piping.
  - 3. Copper Unions: MSS SP-123, cast-copper-alloy, hexagonal-stock body, with ball-and-socket, metal-to-metal seating surfaces and solder-joint or threaded ends.
  
- B. Hard Copper Tube: ASTM B 88, Type L, water tube, drawn temper.
  - 1. Copper Pressure Fittings: ASME B16.18, cast-copper-alloy or ASME B16.22, wrought-copper, solder-joint fittings. Furnish wrought-copper fittings if indicated.
  - 2. Bronze Flanges: ASME B16.24, Class 150, with solder-joint end. Furnish Class 300 flanges if required to match piping.
  - 3. Copper Unions: MSS SP-123, cast-copper-alloy, hexagonal-stock body, with ball-and-socket, metal-to-metal seating surfaces and solder-joint or threaded ends.
  - 4. Copper, Grooved-End Fittings: ASTM B 75 copper tube or ASTM B 584 bronze castings.
    - a. Copper-Tubing, Keyed Couplings: Copper-tube dimensions and design similar to AWWA C606. Include ferrous housing sections, gasket suitable for hot water, and bolts and nuts.

PART 3 - EXECUTION

3.1 PIPING APPLICATIONS

- A. Transition and special fittings with pressure ratings at least equal to piping rating may be used in applications below, unless otherwise indicated.
- B. Flanges may be used on aboveground piping, unless otherwise indicated.
- C. Grooved joints may be used on aboveground grooved-end piping.
- D. Fitting Options:
  - 1. Press Fittings: Mechanically crimped fittings with neoprene gasket.
- E. Aboveground Domestic Water Piping: Use the following piping materials for each size range:
  - 1. 1-1/2" and Smaller: Hard copper tube, Type L copper pressure fittings; and soldered joints.
  - 2. 2": Hard copper tube, Type L copper pressure fittings; and soldered joints or hard copper tube, Type L with grooved ends; copper grooved-end fittings; copper-tubing, keyed couplings; and grooved joints.
  - 3. 2-1/2" to 8": Hard copper tube, Type L copper pressure fittings; and soldered joints or hard copper tube, Type L with grooved ends; copper grooved-end fittings; copper-tubing, keyed couplings; and grooved joints.

3.2 VALVE APPLICATIONS

FIRE STATIONS RENOVATION  
ARLINGTON COUNTY, VIRGINIA  
Architect's Project No: 563006

- A. Drawings indicate valve types to be used. Where specific valve types are not indicated, the following requirements apply:
  - 1. Shutoff Duty: Use bronze ball valves for piping NPS 2 and smaller. Use cast-iron butterfly valves with flanged ends for piping NPS 2-1/2 and larger.
  - 2. Throttling Duty: Use bronze ball valves for piping NPS 2 and smaller. Use cast-iron butterfly valves with flanged ends for piping NPS 2-1/2 and larger.
  - 3. Hot-Water-Piping, Balancing Duty: Use automatic flow control valves.
  - 4. Drain Duty: Hose-end drain valves.
- B. Grooved-end valves may be used with grooved-end piping.

### 3.3 PIPING INSTALLATION

- A. Extend domestic water service piping to exterior water distribution piping in sizes and locations indicated.
- B. Install underground copper according to CDA's "Copper Tube Handbook."
- C. Install cast-iron sleeve with water stop and mechanical sleeve seal at each service pipe penetration through foundation wall. Select number of interlocking rubber links required to make installation watertight.
- D. Install water-pressure regulators downstream from shutoff valves.
- E. Install aboveground domestic water piping level and plumb.
- F. Fill water piping. Check components to determine that they are not air bound and that piping is full of water.
- G. Perform the following steps before operation:
  - 1. Close drain valves, hydrants, and hose bibbs.
  - 2. Open shutoff valves to fully open position.
  - 3. Open throttling valves to proper setting.
  - 4. Remove plugs used during testing of piping and plugs used for temporary sealing of piping during installation.
  - 5. Remove and clean strainer screens. Close drain valves and replace drain plugs.
  - 6. Remove filter cartridges from housings, and verify that cartridges are as specified for application where used and that cartridges are clean and ready for use.
- H. Check plumbing equipment and verify proper settings, adjustments, and operation. Do not operate water heaters before filling with water.
- I. Check plumbing specialties and verify proper settings, adjustments, and operation.
  - 1. Water-Pressure Regulators: Set outlet pressure at 80 psig maximum, unless otherwise indicated.
- J. Energize pumps and verify proper operation.

FIRE STATIONS RENOVATION  
ARLINGTON COUNTY, VIRGINIA  
Architect's Project No: 563006

3.4 JOINT CONSTRUCTION

- A. Soldered Joints: Use ASTM B 813, water-flushable, lead-free flux; ASTM B 32, lead-free-alloy solder; and ASTM B 828 procedure, unless otherwise indicated.
- B. Grooved Joints: Assemble joints with keyed-coupling housing, gasket, lubricant, and bolts according to coupling and fitting manufacturer's written instructions.
- C. Mechanically Formed Outlets: Form tee in copper tube according to equipment manufacturer's written instructions. Use tool designed for copper tube; drill pilot hole, form collar for outlet, dimple tube to form seating stop, and braze branch tube into collar.
- D. Mechanically crimped fittings shall be installed in accordance with manufacturer's installation instructions.

3.5 VALVE INSTALLATION

- A. Install sectional valve close to water main on each branch and riser serving plumbing fixtures or equipment. Use ball valves for piping NPS 2 and smaller. Use butterfly valves for piping NPS 2-1/2 and larger.
- B. Install shutoff valve on each water supply to equipment and on each water supply to plumbing fixtures without supply stops. Use ball valves for piping NPS 2 and smaller. Use butterfly valves for piping NPS 2-1/2 and larger.
- C. Install balancing valve in each hot-water circulation return branch and discharge side of each pump and circulator. Use ball valves for piping NPS 2 and smaller and butterfly valves for piping NPS 2-1/2 and larger. Refer to HANGER AND SUPPORT INSTALLATION
- D. Install the following:
  - 1. Vertical Piping: MSS Type 8 or Type 42, clamps.
  - 2. Individual, Straight, Horizontal Piping Runs: According to the following:
    - a. 100 Feet and Less: MSS Type 1, adjustable, steel clevis hangers.
    - b. Longer Than 100 Feet: MSS Type 43, adjustable roller hangers.
    - c. Longer Than 100 Feet, if indicated: MSS Type 49, spring cushion rolls.
  - 3. Multiple, Straight, Horizontal Piping Runs 100 Feet or Longer: MSS Type 44, pipe rolls. Support pipe rolls on trapeze.
  - 4. Base of Vertical Piping: MSS Type 52, spring hangers.
- E. Install supports.
- F. Support vertical piping and tubing at base and at each floor.
- G. Rod diameter may be reduced 1 size for double-rod hangers, to a minimum of 3/8 inch.
- H. Install hangers for copper tubing with the following maximum horizontal spacing and minimum rod diameters:
  - 1. NPS 3/4 and Smaller: 60 inches with 3/8-inch rod.

FIRE STATIONS RENOVATION  
ARLINGTON COUNTY, VIRGINIA  
Architect's Project No: 563006

2. NPS 1 and NPS 1-1/4: 72 inches with 3/8-inch rod.
3. NPS 1-1/2 and NPS 2: 96 inches with 3/8-inch rod.
4. NPS 2-1/2: 108 inches with 1/2-inch rod.
5. NPS 3 to NPS 5: 10 feet with 1/2-inch rod.
6. NPS 6: 10 feet with 5/8-inch rod.
7. NPS 8: 10 feet with 3/4-inch rod.

- I. Install supports for vertical copper tubing every 10 feet.
- J. Support piping and tubing not listed above according to MSS SP-69 and manufacturer's written instructions.
- K. Where bends in the pipe occur, place hangers 1/3 of the maximum allowed spacing distance of the bend (i.e. is the maximum span is 12 feet, the hanger shall be 4 feet from the bend. Pipe shall be supported from both sides of the bend.

### 3.6 CONNECTIONS

- A. Drawings indicate general arrangement of piping, fittings, and specialties.
- B. Install piping adjacent to equipment and machines to allow service and maintenance.
- C. Connect domestic water piping to exterior water service piping. Use transition fitting to join dissimilar piping materials.

### 3.7 FIELD QUALITY CONTROL

- A. Inspect domestic water piping as follows:
  1. Do not enclose, cover, or put piping into operation until it is inspected and approved by authorities having jurisdiction.
  2. During installation, notify authorities having jurisdiction at least 24 hours before inspection must be made. Perform tests specified below in presence of authorities having jurisdiction:
    - a. Roughing-in Inspection: Arrange for inspection of piping before concealing or closing-in after roughing-in and before setting fixtures.
    - b. Final Inspection: Arrange for final inspection by authorities having jurisdiction to observe tests specified below and to ensure compliance with requirements.
  3. Reinspection: If authorities having jurisdiction find that piping will not pass test or inspection, make required corrections and arrange for reinspection.
  4. Reports: Prepare inspection reports and have them signed by authorities having jurisdiction.
- B. Test domestic water piping as follows:
  1. Test for leaks and defects in new piping and parts of existing piping that have been altered, extended, or repaired. If testing is performed in segments, submit separate report for each test, complete with diagram of portion of piping tested.

FIRE STATIONS RENOVATION  
ARLINGTON COUNTY, VIRGINIA  
Architect's Project No: 563006

2. Leave uncovered and unconcealed new, altered, extended, or replaced domestic water piping until it has been tested and approved. Expose work that was covered or concealed before it was tested.
3. Cap and subject piping to static water pressure of 50 psig above operating pressure, without exceeding pressure rating of piping system materials. Isolate test source and allow to stand for four hours. Leaks and loss in test pressure constitute defects that must be repaired.
4. Repair leaks and defects with new materials and retest piping or portion thereof until satisfactory results are obtained.
5. Prepare reports for tests and required corrective action.

3.8 ADJUSTING

- A. Adjust balancing valves in hot-water-circulation return piping to provide adequate flow.
  1. Manually adjust ball-type balancing valves in hot-water-circulation return piping to provide flow of hot water in each branch.

3.9 CLEANING

- A. Clean interior of domestic water piping system. Remove dirt and debris as work progresses.
- B. Clean and disinfect potable domestic water piping as follows:
  1. Purge new piping and parts of existing domestic water piping that have been altered, extended, or repaired before using.
  2. Use purging and disinfecting procedures prescribed by authorities having jurisdiction or, if methods are not prescribed, procedures described in AWWA C651, AWWA C652 or as described below:
    - a. Flush piping system with clean, potable water until dirty water does not appear at outlets.
    - b. Fill and isolate system according to either of the following:
      - 1) Fill system or part thereof with water/chlorine solution with at least 50 ppm of chlorine. Isolate with valves and allow to stand for 24 hours.
      - 2) Fill system or part thereof with water/chlorine solution with at least 200 ppm of chlorine. Isolate and allow to stand for three hours.
    - c. Flush system with clean, potable water until no chlorine is in water coming from system after the standing time.
    - d. Submit water samples in sterile bottles to authorities having jurisdiction. Repeat procedures if biological examination shows contamination.
- C. Prepare and submit reports of purging and disinfecting activities to authorities having jurisdiction.

END OF SECTION 221116

FIRE STATIONS RENOVATION  
ARLINGTON COUNTY, VIRGINIA  
Architect's Project No: 563006

SECTION 221119 - DOMESTIC WATER PIPING SPECIALTIES

PART 1 - GENERAL

1.1 RELATED DOCUMENTS

- A. Provisions of the Contract and of the Contract Documents apply to this Section.

1.2 PERFORMANCE REQUIREMENTS

- A. Minimum Working Pressure for Domestic Water Piping Specialties: 125 psig, unless otherwise indicated.

SUBMITTALS

- B. Product Data: For each type of product proposed.
- C. Shop Drawings: Diagram power, signal, and control wiring.
- D. Operation and Maintenance Data: For domestic water piping specialties to include in emergency, operation, and maintenance manuals.

1.3 QUALITY ASSURANCE

- A. Electrical Components, Devices, and Accessories: Listed and labeled as defined in NFPA 70, Article 100, by a testing agency acceptable to authorities having jurisdiction, and marked for intended use.
- B. NSF Compliance: Comply with NSF 61, "Drinking Water System Components - Health Effects; Sections 1 through 9."

PART 2 - PRODUCTS

2.1 MANUFACTURERS

- A. In other Part 2 articles where subparagraph titles below introduce lists, the following requirements apply for product selection:
  1. Available Products: Subject to compliance with requirements, products that may be incorporated into the Work include, but are not limited to, the products specified.
  2. Products: Subject to compliance with requirements, provide one of the products specified.
  3. Available Manufacturers: Subject to compliance with requirements, manufacturers offering products that may be incorporated into the Work include, but are not limited to, the manufacturers specified.
  4. Manufacturers: Subject to compliance with requirements, provide products by the manufacturers specified.

FIRE STATIONS RENOVATION  
ARLINGTON COUNTY, VIRGINIA  
Architect's Project No: 563006

2.2 VACUUM BREAKERS

A. Pipe-Applied, Atmospheric-Type (Anti-siphon) Vacuum Breakers:

1. Available Manufacturers:
  - a. Ames Co.
  - b. Apollo Valves - Apollo Valves - Conbraco Industries, Inc.
  - c. Watts Industries, Inc.; Water Products Div.
  - d. Zurn Plumbing Products Group; Wilkins Div.
2. Standard: ASSE 1001.
3. Sizes: ¾" thru 3" as required to match connected piping.
4. Body: Brass or Bronze.
5. Inlet and Outlet Connections: Threaded.
6. Finish: Rough bronze or chrome plated.

B. Pressure Vacuum Breakers:

1. Available Manufacturers:
  - a. Ames Co.
  - b. Apollo Valves - Apollo Valves - Conbraco Industries, Inc.
  - c. Watts Industries, Inc.; Water Products Div.
  - d. Zurn Plumbing Products Group; Wilkins Div.
2. Standard: ASSE 1020.
3. Operation: Continuous-pressure applications.
4. Accessories:
  - a. Valves: Ball type, on inlet and outlet.

2.3 BACKFLOW PREVENTERS

A. Reduced-Pressure-Zone (RPZ) Backflow Preventers:

1. Available Manufacturers:
  - a. Ames Co.
  - b. Apollo Valves - Apollo Valves - Conbraco Industries, Inc.
  - c. Watts Industries, Inc.; Water Products Div.
  - d. Zurn Plumbing Products Group; Wilkins Div.
2. Standard: ASSE 1013.
3. Operation: Continuous-pressure applications.
4. Pressure Loss: 10 psig maximum, through middle 1/3 of flow range.
5. Sizes: ¾" thru 10"
6. Body: Brass or bronze for 2" and smaller; cast iron or steel with interior lining complying with AWWA C550 or that is FDA approved for 2 ½" and larger.
7. Configuration: Comply with drawing requirements.



FIRE STATIONS RENOVATION  
ARLINGTON COUNTY, VIRGINIA  
Architect's Project No: 563006

8. Accessories:
  - a. Valves: Ball type with threaded ends on inlet and outlet of 2" and smaller; outside screw and yoke gate-type with flanged ends on inlet and outlet of 2 ½" and larger.
  - b. Air-Gap Fitting: ASME A112.1.2, matching backflow-preventer connection.

2.4 AUTOMATIC FLOW CONTROL VALVES

- A. Manufacturers:
  1. Bell & Gossett
  2. Flow Design, Inc.
  3. Griswold Controls.
  4. Nexus
  5. Hays
- B. Valves shall be factory set to maintain constant flow with plus or minus 10 percent. Each valve shall have an identification tag attached by chain, and be factory marked with the zone or equipment identification, valve number, and flow rate. Valve shall be line size and as follows:
  1. Body: Gray-iron or brass, designed for 175 psig at 200 deg F; brass or ferrous-metal, designed for 300 psig at 250 deg F.
  2. Cartridge: Stainless steel or nickel chrome plated brass, tamperproof, self-cleaning, piston-spring assembly, or polyphenylsulfone orifice seat with polymer diaphragm (Hays) removable for inspection or replacement.
  3. Adjustment: Flow and pressure differential shall be adjustable by cartridge replacement.
  4. Configuration: "Y" or other permitting cartridge replacement without valve removal for sizes 2" and smaller.
  5. Sizes: Match connecting pipe.
  6. Accessories:
    - a. Provide unions and isolation valves or other configuration permitting cartridge replacement with valve removal for sizes larger than 2".
    - b. Minimum pressure differential shall not exceed 2 psi. (Unless otherwise indicated)
    - c. Maximum pressure differential shall not be less than 32 psi. (Unless otherwise indicated)
    - d. Flow rates shall be as indicated on equipment schedules on the drawings.
    - e. Valves shall be installed in return piping.
    - f. Ball valves and unions included as part of the valve package may be used in place of ball valves and unions specified and indicated on the drawings only when in positions indicated. Ball valves shall be provided with a solid stainless steel or chrome plated brass ball.
    - g. Provide a #20 mesh Y-strainer with blow-down valve and garden hose connection between the supply side valve and equipment
    - h. Valves may be provided as part of a "hose kit".

2.5 STRAINERS

- A. Pattern: "Y"
  1. Pressure Rating: 125 psig minimum, unless otherwise indicated.

FIRE STATIONS RENOVATION  
ARLINGTON COUNTY, VIRGINIA  
Architect's Project No: 563006

2. Body: Bronze for NPS 2 and smaller; cast iron or steel with interior lining complying with AWWA C550 or FDA-approved, epoxy coating and for NPS 2-1/2 and larger.
3. End Connections: Threaded for NPS 2 and smaller; flanged for NPS 2-1/2 and larger.
4. Screen: Stainless steel with round perforations, unless otherwise indicated.
5. Perforation Size:
  - a. Strainers NPS 2 and Smaller: 0.033 inch.
  - b. Strainers NPS 2-1/2 to NPS 4: 0.062 inch.
  - c. Strainers NPS 5 and Larger: 0.10 inch.
6. Drain: Factory-installed, hose-end drain valve.

2.6 WATER HAMMER ARRESTERS

- A. Available Manufacturers:
  1. AMTROL, Inc.
  2. Josam Company.
  3. MIFAB, Inc.
  4. PPP Inc.
  5. Sioux Chief Manufacturing Company, Inc.
  6. Smith, Jay R. Mfg. Co.; Division of Smith Industries, Inc.
  7. Tyler Pipe; Wade Div.
  8. Watts Drainage Products Inc.
  9. Zurn Plumbing Products Group; Specification Drainage Operation.
- B. Standard: ASSE 1010 or PDI-WH 201.
- C. Type: Metal bellows or copper tube with piston.
- D. Size: ASSE 1010, Sizes AA and A through F or PDI-WH 201, Sizes A through F.

2.7 TRAP-SEAL PRIMER VALVES

- A. Supply-Type, Trap-Seal Primer Valves:
  1. Available Manufacturers:
    - a. MIFAB, Inc.
    - b. PPP Inc.
    - c. Sioux Chief Manufacturing Company, Inc.
    - d. Smith, Jay R. Mfg. Co.; Division of Smith Industries, Inc.
    - e. Watts Industries, Inc.; Water Products Div.
  2. Standard: ASSE 1018.
  3. Pressure Rating: 125 psig minimum.
  4. Body: Bronze.
  5. Inlet and Outlet Connections: NPS 1/2 threaded, union, or solder joint.
  6. Gravity Drain Outlet Connection: NPS 1/2 threaded or solder joint.

FIRE STATIONS RENOVATION  
ARLINGTON COUNTY, VIRGINIA  
Architect's Project No: 563006

7. Finish: Chrome plated, or rough bronze for units used with pipe or tube that is not chrome finished.

PART 3 - EXECUTION

3.1 INSTALLATION

- A. Refer to Section "Common Work Results for Plumbing" for piping joining materials, joint construction, and basic installation requirements.
- B. Install backflow preventers where indicated: If not indicated on each water supply to mechanical equipment and systems and to other equipment and water systems that may be sources of contamination. Comply with authorities having jurisdiction.
  1. Locate backflow preventers in same room as connected equipment or system.
  2. Install drain for backflow preventers with atmospheric-vent drain connection with air-gap fitting, fixed air-gap fitting, or equivalent positive pipe separation of at least two pipe diameters in drain piping and pipe to floor drain. Locate air-gap device attached to or under backflow preventer. Simple air breaks are not acceptable for this application.
  3. Do not install bypass piping around backflow preventers.
- C. Install balancing valves with-in 12" of ceiling at access door or tile where they can be reached with-out obstruction.
- D. Install strainers where indicated.
- E. Install outlet boxes recessed in wall. Install 2-by-4-inch fire-retardant-treated-wood blocking wall reinforcement between studs. Fire-retardant-treated-wood blocking is specified in Section "Rough Carpentry."
- F. Install water hammer arresters in water piping according to PDI-WH 201.
- G. Install supply-type, trap-seal primer valves with outlet piping pitched down toward drain trap a minimum of 1/8" per foot, and connect to floor-drain body, trap, or inlet fitting. Adjust valve for proper flow.
- H. Fasten wall-hanging plumbing specialties securely to supports attached to building substrate if supports are specified and to building wall construction if no support is indicated.
- I. Fasten recessed-type plumbing specialties to reinforcement built into walls.
- J. Install wood-blocking reinforcement for wall-mounting and recessed-type plumbing specialties.
- K. Install individual shutoff valve in each water supply to plumbing specialties. Use ball valve if specific valve is not indicated. Install shutoff valves in accessible locations. Refer to Section "Valves" for general-duty ball valves.
- L. Install air vents at water piping high points. Include ball valve in inlet.

FIRE STATIONS RENOVATION  
ARLINGTON COUNTY, VIRGINIA  
Architect's Project No: 563006

- M. Install traps on plumbing specialty drain outlets. Omit traps on indirect wastes unless trap is indicated.
- N. Install escutcheons at wall, floor, and ceiling penetrations in exposed finished locations and within cabinets and millwork. Use deep-pattern escutcheons if required to conceal protruding pipe fittings.

3.2 LABELING AND IDENTIFYING

- A. Indicate safety and emergency precautions, and warn of hazards and improper operations, in addition to identifying unit. Nameplates and signs are specified in Section "Plumbing Identification"

3.3 FIELD QUALITY CONTROL

- A. Perform the following tests and prepare test reports:
  - 1. Test each reduced-pressure-principle backflow preventer, double-check backflow-preventer and double-check, detector-assembly according to authorities having jurisdiction and the device manufacturer's recommendations.
- B. Remove and replace malfunctioning domestic water piping specialties and retest as specified above.

3.4 ADJUSTING

- A. Set field-adjustable pressure set points.
- B. Set field-adjustable flow set points.
- C. Set field-adjustable temperature set points.

END OF SECTION 221119

FIRE STATIONS RENOVATION  
ARLINGTON COUNTY, VIRGINIA  
Architect's Project No: 563006

SECTION 221316 - SANITARY WASTE AND VENT PIPING

PART 1 - GENERAL

1.1 RELATED DOCUMENTS

- A. Provisions of the Contract and of the Contract Documents apply to this Section.

1.2 DEFINITIONS

- A. The following are industry abbreviations for plastic and rubber piping materials:
  - 1. EPDM: Ethylene-propylene-diene terpolymer.
  - 2. LEED: Leadership in Energy and Environmental Design
  - 3. NBR: Acrylonitrile-butadiene rubber.
  - 4. PE: Polyethylene plastic.
  - 5. PVC: Polyvinyl chloride plastic.
  - 6. TPE: Thermoplastic elastomer.
  - 7. USGBC: United States Green Building Council

1.3 PERFORMANCE REQUIREMENTS

- A. Provide components and installation capable of producing piping systems with the following minimum working-pressure ratings, unless otherwise indicated:
  - 1. Soil, Waste, and Vent Piping: 10-foot head of water.

1.4 SUBMITTALS

- A. Compliance Letter: Submit a list indicating materials proposed for use along with their associated listings and/or ratings for each application list in this section.
- B. Submittal:
  - 1. Product Data for USGBC LEED Credit EQ 4.1: For solvent cements and adhesive primers, include printed statement of VOC content.

1.5 QUALITY ASSURANCE

- A. Piping materials shall bear label, stamp, or other markings of testing agency.

PART 2 - PRODUCTS

FIRE STATIONS RENOVATION  
ARLINGTON COUNTY, VIRGINIA  
Architect's Project No: 563006

2.1 PIPING MATERIALS

- A. Refer to Part 3 "Piping Applications" Article for applications of pipe, tube, fitting, and joining materials.
- B. Flexible Transition Couplings for Underground Nonpressure Piping: ASTM C 1173 with elastomeric sleeve. Include ends of same sizes as piping to be joined and include corrosion-resistant metal band on each end.

2.2 CAST-IRON SOIL PIPING

- A. All cast iron soil pipe and fittings shall be marked with the Collective Trademark of the Cast Iron Soil Pipe Institute.
- B. Pipe and Fittings: ASTM A 888, CISPI 301, or ASTM A 74 service weight.
- C. Hub-and-Spigot Gaskets: ASTM C 564, rubber.
- D. Hub-less Couplings:
  - 1. General: ASTM C 1277 assembly of metal housing, corrosion-resistant fasteners, and ASTM C 564 rubber sleeve with integral, center pipe stop.
    - a. Heavy-Duty, Type 304, Stainless-Steel Couplings: ASTM C 1540, Type 304, stainless-steel shield; stainless-steel bands; and sleeve.
      - 1) NPS 1-1/2 to NPS 4: 3-inch- wide shield with 4 bands.
      - 2) NPS 5 to NPS 10: 4-inch- wide shield with 6 bands.
    - b. Heavy-Duty, Cast-Iron Couplings: ASTM A 48, 2-piece, cast-iron housing; stainless-steel bolts and nuts; and sleeve.

PART 3 - EXECUTION

3.1 PIPING APPLICATIONS

- A. Transition fittings with pressure ratings at least equal to piping pressure ratings may be used in applications below, unless otherwise indicated.
- B. Aboveground, Soil, Waste, and Vent Piping located inside plenum: Hub-less service weight cast-iron soil piping with heavy duty couplings.
- C. Underground, Soil, Waste, and Vent Piping: Hub and Spigot cast-iron soil piping or no hub cast iron with heavy duty couplings.

3.2 PIPING INSTALLATION

FIRE STATIONS RENOVATION  
ARLINGTON COUNTY, VIRGINIA  
Architect's Project No: 563006

- A. Refer to Section "Facility Sanitary Sewers" for Project-site sanitary sewer piping.
- B. Refer to Section "Common Work Results for Plumbing" for basic installation.
- C. Install cleanouts at grade and extend to where building sanitary drains connect to building sanitary sewers.
- D. Install cleanout fitting with closure plug inside the building in sanitary force-main piping.
- E. Install cleanouts at grade and extend to where building sanitary drains connect to building sanitary sewers.
- F. Install cast-iron sleeve with water stop and mechanical sleeve seal at each service pipe penetration through foundation wall. Select number of interlocking rubber links required to make installation watertight.
- G. Install cast-iron soil piping according to CISPI's "Cast Iron Soil Pipe and Fittings Handbook," Chapter IV, "Installation of Cast Iron Soil Pipe and Fittings."
- H. Make changes in direction for soil and waste drainage and vent piping using appropriate branches, bends, and long-sweep bends. Sanitary tees and short-sweep 1/4 bends may be used on vertical stacks if change in direction of flow is from horizontal to vertical. Use long-turn, double Y-branch and 1/8-bend fittings if 2 fixtures are installed back to back or side by side with common drain pipe. Straight tees, elbows, and crosses may be used on vent lines. Do not change direction of flow more than 90 degrees. Use proper size of standard increasers and reducers if pipes of different sizes are connected. Reducing size of drainage piping in direction of flow is prohibited.
- I. Lay buried building drainage piping beginning at low point of each system. Install true to grades and alignment indicated, with unbroken continuity of invert. Place hub ends of piping upstream. Install required gaskets according to manufacturer's written instructions for use of lubricants, cements, and other installation requirements. Maintain swab in piping and pull past each joint as completed.
- J. Install soil and waste drainage and vent piping at the minimum slopes required by authorities having jurisdiction.
- K. Do not enclose, cover, or put piping into operation until it is inspected and approved by authorities having jurisdiction.

### 3.3 JOINT CONSTRUCTION

- A. Refer to section "Common Work Results for Plumbing" for basic piping joint construction.
- B. Join hub-and-spigot, cast-iron soil piping with gasket joints according to CISPI's "Cast Iron Soil Pipe and Fittings Handbook" for compression joints.

### 3.4 HANGER AND SUPPORT INSTALLATION

FIRE STATIONS RENOVATION  
ARLINGTON COUNTY, VIRGINIA  
Architect's Project No: 563006

- A. Refer to Section "Vibration and Seismic Controls for Plumbing Piping and Equipment" for seismic-restraint devices in zones other than A & B.
- B. Join hubless cast-iron soil piping according to CISPI 310 and CISPI's "Cast Iron Soil Pipe and Fittings Handbook" for hubless-coupling joints.
- C. Install the following:
  - 1. Vertical Piping: MSS Type 8 or Type 42, clamps.
  - 2. Individual, Straight, Horizontal Piping Runs: According to the following:
    - a. 100 Feet and Less: MSS Type 1, adjustable, steel clevis hangers.
    - b. Longer Than 100 Feet: MSS Type 43, adjustable roller hangers.
    - c. Longer Than 100 Feet, if indicated: MSS Type 49, spring cushion rolls.
  - 3. Multiple, Straight, Horizontal Piping Runs 100 Feet or Longer: MSS Type 44, pipe rolls. Support pipe rolls on trapeze.
  - 4. Base of Vertical Piping: MSS Type 52, spring hangers.
- D. Support vertical piping and tubing at base and at each floor.
- E. Rod diameter may be reduced 1 size for double-rod hangers, with 3/8-inch minimum rods.
- F. Install hangers for cast-iron soil piping with the following maximum horizontal spacing and minimum rod diameters:
  - 1. 1 1/2" and 2": 60" with 3/8" rod.
  - 2. 3": 60" with 1/2" rod.
  - 3. 4" and NPS 5: 60" with 5/8" rod.
  - 4. 6": 60" with 3/4" rod.
  - 5. 8" to 12": 60" with 7/8" rod.
  - 6. 15": 60" with 1" rod.
- G. Install supports for vertical cast-iron soil piping every 15 feet.
- H. Support piping and tubing not listed above according to MSS SP-69 and manufacturer's written instructions.

### 3.5 CONNECTIONS

- A. Drawings indicate general arrangement of piping, fittings, and specialties.
- B. Connect soil and waste piping to exterior sanitary sewerage piping. Use transition fitting to join dissimilar piping materials.
- C. Connect drainage and vent piping.

### 3.6 FIELD QUALITY CONTROL



FIRE STATIONS RENOVATION  
ARLINGTON COUNTY, VIRGINIA  
Architect's Project No: 563006

- A. During installation, notify authorities having jurisdiction at least 24 hours before inspection must be made. Perform tests specified below in presence of authorities having jurisdiction.
  - 1. Roughing-in Inspection: Arrange for inspection of piping before concealing or closing-in after roughing-in and before setting fixtures.
  - 2. Final Inspection: Arrange for final inspection by authorities having jurisdiction to observe tests specified below and to ensure compliance with requirements.
- B. Re-inspection: If authorities having jurisdiction find that piping will not pass test or inspection, make required corrections and arrange for re-inspection.
- C. Reports: Where required or indicated prepare inspection reports and have them signed by authorities having jurisdiction.
- D. Test sanitary drainage and vent piping according to procedures of authorities having jurisdiction or, in absence of published procedures, as follows:
  - 1. Test for leaks and defects in new piping and parts of existing piping that have been altered, extended, or repaired. If testing is performed in segments, submit separate report for each test, complete with diagram of portion of piping tested.
  - 2. Leave uncovered and unconcealed new, altered, extended, or replaced drainage and vent piping until it has been tested and approved. Expose work that was covered or concealed before it was tested.
  - 3. Roughing-in Plumbing Test Procedure: Test drainage and vent piping, except outside leaders, on completion of roughing-in. Close openings in piping system and fill with water to point of overflow, but not less than 10-foot head of water. From 15 minutes before inspection starts to completion of inspection, water level must not drop. Inspect joints for leaks.
  - 4. Repair leaks and defects with new materials and retest piping, or portion thereof, until satisfactory results are obtained.
  - 5. Prepare reports for tests and required corrective action.

3.7 CLEANING

- A. Clean interior of piping. Remove dirt and debris as work progresses.
- B. Protect drains during remainder of construction period to avoid clogging with dirt and debris and to prevent damage from traffic and construction work.
- C. Place plugs in ends of uncompleted piping at end of day and when work stops.

END OF SECTION 221316

FIRE STATIONS RENOVATION  
ARLINGTON COUNTY, VIRGINIA  
Architect's Project No: 563006

SECTION 221319 - SANITARY WASTE PIPING SPECIALTIES

PART 1 - GENERAL

1.1 RELATED DOCUMENTS

- A. Provisions of the Contract and of the Contract Documents apply to this Section.

1.2 ABBREVIATIONS

- A. RPZ Reduced Pressure Zone
- B. FOG Fats, oils, and greases.

1.3 DEFINITIONS

- A. Withstand: Units shall remain in place without separation of any parts when subjected to seismic forces indicated. "Essential facility" units shall be fully operational after the seismic event.

1.4 QUALITY ASSURANCE

- A. Drainage piping specialties shall bear label, stamp, or other markings of specified testing agency.
- B. Comply with NSF 14, "Plastics Piping Components and Related Materials," for plastic sanitary piping specialty components.

1.5 COORDINATION

- A. Coordinate size and location of roof penetrations.

PART 2 - PRODUCTS

2.1 CLEANOUTS

- A. General:
  - 1. Available Manufacturers:
    - a. Josam Company; Josam Div.
    - b. MIFAB, Inc.
    - c. Smith, Jay R. Mfg. Co.; Division of Smith Industries, Inc.
    - d. Tyler Pipe; Wade Div.

FIRE STATIONS RENOVATION  
ARLINGTON COUNTY, VIRGINIA  
Architect's Project No: 563006

- e. Watts Drainage Products Inc.
  - f. Zurn Plumbing Products Group; Specification
- 2. Standard: ASME A112.36.2M.
  - 3. Size: Same as connected drainage piping
  - 4. Closure Material: Match pipe, brass, PVC, or ABS
- B. Floor Cleanouts:
- 1. Housing: threaded, adjustable.
  - 2. Type: Threaded, adjustable housing.
  - 3. Body: Cast iron.
  - 4. Outlet Connection: Inside calk, Spigot, or Threaded.
  - 5. Adjustable Housing Material: Cast iron with threads.
  - 6. Frame and Cover Material and Finish: Satin finish nikaloy.
  - 7. Frame and Cover Shape: Round or Square (Contractors choice).
  - 8. Top Loading Classification: Extra Heavy Duty.
  - 9. Riser: ASTM A 74, Service weight, cast-iron drainage pipe fitting and riser to cleanout.
  - 10. Carpet Ring: Yes for carpeted floors.
  - 11. Tile Recess: Yes for tiled or vinyl floors.
  - 12. Terrazzo: Yes for terrazzo floors
- C. Wall Cleanouts:
- 1. Wall access: Yes
  - 2. Body: Match connected piping.
  - 3. Closure: Countersunk or raised-head, drilled-and-threaded plug.
  - 4. Closure Plug Size: Same as cleanout size but not larger than four inches in diameter.
  - 5. Wall Access: Round, flat, chrome-plated brass, nickel-bronze, copper-alloy, or stainless-steel cover plate with screw.

## 2.2 FLOOR DRAINS

- 1. Basis-of-Design Product: Subject to compliance with requirements, provide the product indicated on Drawings or a comparable product by one of the following:
  - a. Josam Company; Josam Div.
  - b. Smith, Jay R. Mfg. Co.; Division of Smith Industries, Inc.
  - c. Tyler Pipe; Wade Div.
  - d. Watts Drainage Products Inc.
  - e. Zurn Plumbing Products Group; Light Commercial Operation.
  - f. Zurn Plumbing Products Group; Specification Drainage Operation.
- 2. Standard: ASME A112.6.3
- 3. Pattern: As indicated.
- 4. Clamping Flange: Required.

## 2.3 MOTORS

- A. General requirements for motors are specified in Division 22 Section "Common Motor Requirements for Plumbing Equipment."

FIRE STATIONS RENOVATION  
ARLINGTON COUNTY, VIRGINIA  
Architect's Project No: 563006

1. Motor Sizes: Minimum size as indicated. If not indicated, large enough so driven load will not require motor to operate in service factor range above 1.0.
2. Controllers, Electrical Devices, and Wiring: Electrical devices and connections are specified in Division 26 Sections.

PART 3 - EXECUTION

3.1 INSTALLATION

- A. Refer to Division 22 Section "Common Work Results for Plumbing" for piping joining materials, joint construction, and basic installation requirements.
- B. Install cleanouts.
- C. Install cleanout deck plates with top flush with finished floor.
- D. For wall cleanouts located in concealed piping, install cleanout access covers, with cover tight to finished wall.
- E. Install floor drains at low points of surface areas to be drained. Set grates of drains flush with finished floor, unless otherwise indicated.
  1. Position floor drains as indicated. If indication is not clear, position for easy access and maintenance.
  2. Set floor drains at elevations indicated.
  3. Install floor-drain flashing flange so no leakage occurs between drain and adjoining flooring. Maintain integrity of waterproof membranes where penetrated.
  4. Install individual traps for floor drains connected to sanitary building drain.
- F. Install floor-drain, trap-seal primer fittings on inlet to floor drains indicated to receive trap-seal primer.
- G. Install sleeve flashing device with each riser and stack passing through floors with waterproof membrane.

3.2 CONNECTIONS

- A. Piping installation requirements are specified in other Division 22 Sections. Drawings indicate general arrangement of piping, fittings, and specialties.
- B. Install piping adjacent to equipment to allow service and maintenance.

3.3 LABELING AND IDENTIFYING

- A. Distinguish among multiple units, inform operator of operational requirements, and refer to Division 22 Section "Identification for Plumbing Piping and Equipment."

FIRE STATIONS RENOVATION  
ARLINGTON COUNTY, VIRGINIA  
Architect's Project No: 563006

3.4 FIELD QUALITY CONTROL

A. Checks and Inspections:

1. Leak Check: After installation, charge system and check for leaks. Repair leaks and recheck until no leaks exist.

3.5 PROTECTION

- A. Protect drains during construction period to avoid clogging with dirt or debris and to prevent damage from traffic or construction work.
- B. Place plugs in ends of open pipes at end of each day or when work stops.

END OF SECTION 221319

FIRE STATIONS RENOVATION  
ARLINGTON COUNTY, VIRGINIA  
Architect's Project No: 563006

**SECTION 224000 - PLUMBING FIXTURES – ADD 01**

PART 1 - GENERAL

1.1 RELATED DOCUMENTS

- A. Provisions of the Contract and of the Contract Documents apply to this Section.

1.2 DEFINITIONS

- A. ABS: Acrylonitrile-butadiene-styrene plastic.
- B. FRP: Fiberglass-reinforced plastic.
- C. PMMA: Polymethyl methacrylate (acrylic) plastic.
- D. PVC: Polyvinyl chloride plastic.
- E. RFI: Request for information.
- F. Accessible Fixture: Plumbing fixture that can be approached, entered, and used by people with disabilities.
- G. Cast Polymer: Cast-filled-polymer-plastic material. This material includes cultured-marble and solid-surface materials.
- H. Cultured Marble: Cast-filled-polymer-plastic material with surface coating.
- I. Fitting: Device that controls flow of water into or out of plumbing fixture. Fittings specified in this Section include supplies and stops, faucets and spouts, showerheads and tub spouts, drains and tailpieces, and traps and waste pipes.
- J. Solid Surface: Nonporous, homogeneous, cast-polymer-plastic material with heat-, impact-, scratch-, and stain-resistance qualities.
- K. Other Manufacturers: Use one of those listed.

1.3 SUBMITTALS

- A. Product Data: For each type of plumbing fixture indicated. Include proposed fixture, trim, fittings, accessories, appliances, appurtenances, equipment, and supports. Indicate materials & finishes, dimensions, construction details, flow-control rates and water consumption.
- B. Shop Drawings: Diagram power, signal, and control wiring.
- C. Operation and Maintenance Data: For plumbing fixtures to include in operation, and maintenance manuals.
- D. Warranty: Submit warranties.
  - 1. 1 Year non-prorated on all components of all products.
  - 2. Additional 9 years (total of 10) for de-zincification on flush valves when body metal contains more than 15% zinc.
- E. LEED Submittals: Refer to Division 1 Section “Sustainable Design Requirements.”

FIRE STATIONS RENOVATION  
ARLINGTON COUNTY, VIRGINIA  
Architect's Project No: 563006

F. All LEED V4 calculatable fixtures shall be certified as "Water Sense" compliant.

1.4 KEY OPERATOR:

- A. Provide Minimum number of key operators (wrenches/tools)for loose key stops, wall hydrants, aerators and any fixture where a key or special tool is required:
1. 1 for 10% of each size or 10, whichever is less.

1.5 QUALITY ASSURANCE

- A. Source Limitations: Obtain plumbing fixtures, faucets, and other components of each category through one source from a single manufacturer.
1. Exception: If fixtures, faucets, or other components are not available from a single manufacturer, obtain similar products from other manufacturers specified for that category.
- B. Electrical Components, Devices, and Accessories: Electrical components, devices, and accessories shall be listed and labeled as defined in NFPA 70, Article 100, by a testing agency acceptable to authorities having jurisdiction, and marked for intended use.
- C. Regulatory Requirements: Comply with requirements in ICC A117.1, "Accessible and Usable Buildings and Facilities"; Public Law 90-480, "Architectural Barriers Act"; and Public Law 101-336, "Americans with Disabilities Act"; for plumbing fixtures for people with disabilities. Comply with requirements in Public Law 102-486, "Energy Policy Act," regarding water flow and consumption rates for plumbing fixtures.
- D. NSF Standard: Comply with NSF 61, "Drinking Water System Components--Health Effects," for fixture materials that will be in contact with potable water.
- E. Select combinations of fixtures and trim, faucets, fittings, and other components that are compatible.
- F. Comply with the following standards and other requirements where applicable:
1. Vitreous-China Fixtures: ASME A112.19.2M.
  2. Backflow Protection Devices for Faucets with Hose-Thread Outlet: ASME A112.18.3M.
  3. Faucets: ASME A112.18.1.
  4. Hose-Connection Vacuum Breakers: ASSE 1011.
  5. Hose-Coupling Threads: ASME B1.20.7.
  6. Integral, Atmospheric Vacuum Breakers: ASSE 1001.
  7. NSF Potable-Water Materials: NSF 61.
  8. Pipe Threads: ASME B1.20.1.
  9. Sensor-Actuated Faucets and Electrical Devices: UL 1951.
  10. Supply Fittings: ASME A112.18.1.
  11. Brass Waste Fittings: ASME A112.18.2.
  12. Atmospheric Vacuum Breakers: ASSE 1001.
  13. Sensor-Operation Flushometers: ASSE 1037 and UL 1951.
  14. Flexible Water Connectors: ASME A112.18.6.
  15. Floor Drains: ASME A112.6.3.
  16. Plastic Toilet Seats: ANSI Z124.5.
  17. Supply and Drain Protective Shielding Guards: ICC A117.1.

FIRE STATIONS RENOVATION  
ARLINGTON COUNTY, VIRGINIA  
Architect's Project No: 563006

1.6 COORDINATION

- A. Coordinate all accessories. Ensure items fit and work together as an assembly.
- B. Coordinate roughing-in and final plumbing fixture locations, and verify that fixtures can be installed to comply with design.
- C. Model numbers are intended to identify families of fixtures and may be incomplete. Refer to other contract documents for hand.

1.7 EXTRA MATERIALS

- A. Furnish extra materials described below that match products installed and that are packaged with protective covering for storage and identified with labels describing contents.
  - 1. Faucet Cartridges, washers, aerators and O-Rings: Equal to 5 percent of amount of each type and size installed but not less than 5 of each type and size.
  - 2. Flushometer Valve, Repair Kits: 5 of each type.

PART 2 - PRODUCTS

2.1 WC-1 WATER CLOSET (ACCESSIBLE)

- A. Manufacturer & Model Number: 3043.001 (1.28 Gallon Flush)
  - 1. Material: Vitreous china
  - 2. Color: White
- B. Flush Valve: American Standard Model 6065.121 (1.28 Gallon Flush)
  - 1. Provide:
    - a. Wall Mounted Proximity Sensor valve with Indicator Light.
    - b. Courtesy Flush Over-ride Button.
    - c. Non-Hold-Open Integral Solenoid Operator.
    - d. 1" I.P.S. Screwdriver Back-Check Angle Stop
    - e. Free Spinning Vandal Resistant Stop Cap
    - f. Transformer
- C. Seat: Church 9500SSCT (White)
  - 1. Elongated extra heavy weight seat with stainless steel self-sustaining check hinge.
- D. Manufacturers:
  - 1. Water Closet
    - a. Kohler
    - b. Sloan
  - 2. Carrier:
    - a. Josam
    - b. J.R.Smith
  - 3. Flush Valve:
    - a. Kohler
    - b. Moen
    - c. Sloan



FIRE STATIONS RENOVATION  
ARLINGTON COUNTY, VIRGINIA  
Architect's Project No: 563006

4. Seat
  - a. Olsonite
  - b. Centoco

2.2 LA-1 LAVATORY – WALL HUNG (ACCESSIBLE)

- A. Basis-of-Design Product: Subject to compliance with requirements, provide Kohler No. K-1728 or a comparable product by one of the following:
  1. Material: Vitreous China
  2. Color: White
- B. Faucet: American Standard Model: 6053.205
  1. Infrared Sensor
  2. Filtered Solenoid valve with serviceable strainer
  3. Splash proof circuit control module
  4. Trim plate kit.
  5. 0.5 GPM vandal resistant spray head
  6. Below deck thermostatic mixing valve meeting ASSE 1070
  7. 120V Transformer
- C. Mixing Valve: TMV-1 (refer to schedule on P0.1)
  1. Anti-scald protection
  2. Integral check stops
  3. Lead free
  4. ASSE 1070 certified
- D. Drain: McGuire Part Number 155A
- E. Trap: McGuire Part Number 8902C-F
  1. 1-1/4"x 1-1/2" cast brass polished chrome trap with cleanout plug and brass slip nuts.
  2. 17-gauge seamless tubular chrome plated brass wall bend.
  3. Forged brass chrome plated wall flange with setscrew.
- F. Supplies: McGuire Part Number 2165-N3-F
  1. 1/2" IPS x 3/8" OD
  2. 1/2" x 3" chrome plated brass nipple.
  3. Heavy brass chrome plated wall flange with set-screw
  4. Contractor shall coordinate supply connection to back-check tee and shall provide required additional pipe.
- G. Insulation: Tru-Bro Lav Guard #102
  1. Color: White
  2. Insulate P-trap, hot and cold angle valves, hot and cold risers.
- H. Carrier: Josam Series 17100
  1. Floor mounted with rectangular uprights.
- I. Other Manufacturers: Provide products, features, and accessories equal to those specified above.
  1. Faucet:
    - a. Speakman

FIRE STATIONS RENOVATION  
ARLINGTON COUNTY, VIRGINIA  
Architect's Project No: 563006

- b. Sloan
- c. T&S Brass
- d. Moen
- 2. Drain:
  - a. Kohler
  - b. Cambridge Brass
  - c. Chicago
- 3. Trap:
  - a. Kohler
  - b. Cambridge Brass
- 4. Supplies:
  - a. Cambridge Brass
  - b. Kohler
- 5. Insulation:
  - a. McGuire

2.3 SH-1 (INDIVIDUAL SHOWER (ROLL-IN TYPE ACCESSIBLE))

A. Shower Valve: [Acorn Controls Model: SV16](#)

- 1. Temperature/Pressure compensating valve
- 2. Fixed shower head (2.0gpm)
- 3. Hand held shower set with 60" flex hose
- 4. 30" Slide bar for hand held shower mounted with stainless steel plates and bolts
- 5. In-line diverting valve
- 6. Integral service stops

**B. Shower Base/Pan: Swanstone Model: SS-3636 (\*ADD-01)**

- 1. Size 36"x 36"x 5-1/2"**
- 2. Color: White, verify with Architectural color selection.**
- 3. Drain: Integral**
- 4. Tiling flange(s): Yes, 3 sides**
- 5. Reinforced solid surface**

C. Provide self-sealing brass drain and strainer.

D. Other Manufacturers: Provide products, features, and accessories equal to those specified above.

- 1. Shower Valve
  - a. Leonard
  - b. Bradley
  - c. Symmons

PART 3 - EXECUTION

3.1 EXAMINATION

- A. Examine roughing-in for water soil and for waste piping systems and supports to verify actual locations and sizes of piping connections and that locations and types of supports match those

FIRE STATIONS RENOVATION  
ARLINGTON COUNTY, VIRGINIA  
Architect's Project No: 563006

indicated, before plumbing fixture installation. Manufacturer's roughing-in data overrides all other indicated data.

- B. Examine walls, floors, and cabinets for suitable conditions where fixtures are to be installed.
- C. Proceed with installation only after unsatisfactory conditions have been corrected.

### 3.2 FIXTURE INSTALLATION

- A. Assemble fixtures, trim, fittings, and other components according to manufacturers' written instructions.
- B. For wall-hanging fixtures, install off-floor supports affixed to building substrate.
- C. Install back-outlet, wall hanging fixtures onto waste fitting seals and attach to supports.
- D. Install floor-mounting fixtures on closet flanges or other attachments to piping or building substrate.
- E. Install wall-hanging fixtures with tubular waste piping attached to supports.
- F. Install counter-mounted fixtures in and attached to casework.
- G. Install fixtures level and plumb according to manufacturers' written instructions and roughing-in drawings.
- H. Install water-supply piping with stop on each supply to each fixture to be connected to water distribution piping. Attach supplies to supports or substrate within pipe spaces behind fixtures. Install stops in locations where they can be easily reached for operation.
  - 1. Exception: Use ball valve if stops are not specified with fixture. Refer to Section "Valves".
- I. Install trap and waste piping on drain outlet of each fixture to be directly connected to sanitary drainage system.
- J. Install flushometer valves for accessible water closets and urinals with handle mounted on wide side of compartment. Install other actuators in locations that are easy for people with disabilities to reach.
- K. Install toilet seats on water closets.
- L. Install faucet-spout fittings with specified flow rates and patterns in faucet spouts if faucets are not available with required rates and patterns. Include adapters if required.
- M. Install faucet, flow-control fittings with specified flow rates and patterns in faucet spouts if faucets are not available with required rates and patterns. Include adapters if required.
- N. Install traps on fixture outlets.
  - 1. Exception: Omit trap on fixtures with integral traps.
  - 2. Exception: Omit trap on indirect wastes, unless otherwise indicated.
- O. Install escutcheons at piping wall-ceiling penetrations in exposed, finished locations and within cabinets and millwork. Use deep-pattern escutcheons if required to conceal protruding fittings. Refer to Division 22 Section "Common Work Results For Plumbing" for escutcheons.
- P. Set service basins in leveling bed of cement grout. Refer to Division 22 Section "Common Work Results For Plumbing" for grout.

FIRE STATIONS RENOVATION  
ARLINGTON COUNTY, VIRGINIA  
Architect's Project No: 563006

- Q. Refer to Section "Joint Sealants" for sealant and installation requirements.
- R. Provide connection to automatic lavatories & flush valves as required via low-voltage transformer(s). Mount transformer(s) above accessible ceiling. Connect to local 120V receptacle circuit with disconnect switch adjacent to transformer. All circuitry (including low voltage) shall be run concealed & in conduit. Coordinate connection requirements.

3.3 CONNECTIONS

- A. Drawings indicate general arrangement of piping, fittings, and specialties.
- B. Connect water supplies from water distribution piping to fixtures.
- C. Connect drain piping from fixtures to drainage piping.
- D. Supply and Waste Connections to Plumbing Fixtures: Connect fixtures with water supplies, stops, risers, traps, and waste piping. Use sizes required to match fixtures. Connect to plumbing piping.
- E. Supply and Waste Connections to Fixtures and Equipment Specified in Other Sections: Connect fixtures and equipment with water supplies, stops, risers, traps, and waste piping. Use size fittings required to match fixtures and equipment. Connect to plumbing piping.
- F. Ground equipment: Tighten electrical connectors and terminals according to manufacturer's published torque-tightening values. If manufacturer's torque values are not indicated, use those specified in UL 486A and UL 486B.

3.4 FIELD QUALITY CONTROL

- A. Verify that installed fixtures are categories and types specified for locations where installed.
- B. Check that fixtures are complete with trim, faucets, fittings, and other specified components.
- C. Inspect installed fixtures for damage. Replace damaged fixtures and components.
- D. Test installed fixtures after water systems are pressurized for proper operation. Replace malfunctioning fixtures and components, then retest. Repeat procedure until units operate properly.
- E. Install fresh batteries in sensor-operated mechanisms.

3.5 ADJUSTING

- A. Replace washers and seals or cartridges of leaking and dripping faucets, stops, and valves.

3.6 CLEANING

- A. Clean fixtures, faucets, and other fittings with manufacturers' recommended cleaning methods and materials. Do the following:
  - 1. Remove faucet spouts and strainers, remove sediment and debris, and reinstall strainers and spouts.
  - 2. Remove sediment and debris from drains.

FIRE STATIONS RENOVATION  
ARLINGTON COUNTY, VIRGINIA  
Architect's Project No: 563006

3.7 PROTECTION

- A. Provide protective covering for installed fixtures and fittings.
- B. Do not allow use of fixtures for temporary facilities unless approved in writing by Owner.

END OF SECTION 224000

FIRE STATIONS RENOVATION  
ARLINGTON COUNTY, VIRGINIA  
Architect's Project No: 563006

SECTION 230500 - COMMON WORK RESULTS FOR HVAC

PART 1 - GENERAL

1.1 RELATED DOCUMENTS

- A. Provisions of the Contract and of the Contract Documents apply to this Section.

1.2 DEFINITIONS

- A. Finished Spaces: Spaces other than mechanical and electrical equipment rooms, furred spaces, pipe chases, unheated spaces immediately below roof, spaces above ceilings, unexcavated spaces, crawlspaces, and tunnels.
- B. Exposed, Interior Installations: Exposed to view indoors. Examples include finished occupied spaces and mechanical equipment rooms.
- C. Exposed, Exterior Installations: Exposed to view outdoors or subject to outdoor ambient temperatures and weather conditions. Examples include rooftop locations.
- D. Concealed, Interior Installations: Concealed from view and protected from physical contact by building occupants. Examples include above ceilings and in chases.
- E. Concealed, Exterior Installations: Concealed from view and protected from weather conditions and physical contact by building occupants but subject to outdoor ambient temperatures. Examples include installations within unheated shelters.
- F. The following are industry abbreviations for rubber materials:
  - 1. EPDM: Ethylene-propylene-diene terpolymer rubber.
  - 2. NBR: Acrylonitrile-butadiene rubber.
- G. VUSBC: Virginia Uniform Statewide Building Code

1.3 SUBMITTALS

- A. Product Data: For the following:
  - 1. Transition fittings.
  - 2. Dielectric fittings.
  - 3. Mechanical sleeve seals.
  - 4. Escutcheons.

FIRE STATIONS RENOVATION  
ARLINGTON COUNTY, VIRGINIA  
Architect's Project No: 563006

1.4 QUALITY ASSURANCE

- A. Equipment and appliances comprising portions of the mechanical systems regulated by the VUSBC shall be listed and labeled in accordance with the current edition of the VUSBC.
- B. Equipment and appliances comprising portions of the mechanical systems regulated by the VUSBC shall be installed in accordance with the listing, manufacturer's installation instructions, and the VUSBC. Manufacturer's installation instructions shall be available on the job site for use and inspection.
- C. Steel Support Welding: Qualify processes and operators according to AWS D1.1, "Structural Welding Code--Steel."
- D. Steel Pipe Welding: Qualify processes and operators according to ASME Boiler and Pressure Vessel Code: Section IX, "Welding and Brazing Qualifications."
  - 1. Comply with provisions in ASME B31 Series, "Code for Pressure Piping."
  - 2. Certify that each welder has passed AWS qualification tests for welding processes involved and that certification is current.
- E. Electrical Characteristics for HVAC Equipment: Equipment of higher electrical characteristics may be furnished provided such proposed equipment is approved in writing and connecting electrical services, circuit breakers, and conduit sizes are appropriately modified. If minimum energy ratings or efficiencies are specified, equipment shall comply with requirements.

1.5 DELIVERY, STORAGE, AND HANDLING

- A. Deliver pipes and tubes with factory-applied end caps. Maintain end caps through shipping, storage, and handling to prevent pipe end damage and to prevent entrance of dirt, debris, and moisture.

1.6 COORDINATION

- A. Arrange for pipe spaces, chases, slots, and openings in building structure during progress of construction, to allow for HVAC installations.
- B. Coordinate installation of required supporting devices and set sleeves in poured-in-place concrete and other structural components as they are constructed.
- C. Coordinate requirements for access panels and doors for HVAC items requiring access that are concealed behind finished surfaces. Access panels and doors are specified in Division 08 Section "Access Doors and Frames."

FIRE STATIONS RENOVATION  
ARLINGTON COUNTY, VIRGINIA  
Architect's Project No: 563006

1.7 INTENT OF CONTRACT DOCUMENTS

- A. Mechanical and HVAC drawings are diagrammatic, indicating general locations and arrangements of pipe, duct, and equipment. Not necessarily indicating all offsets, conditions, and appurtenances required to provide clearances for maximum practical accessibility to perform maintenance.
- B. Coordinate work in order to achieve proper operation and to provide a maintainable installed condition.
- C. Notify the Architect's representative immediately of conditions which do not comply or will not produce this result.
- D. Indicated configurations were used to size pipes, pumps, expansion tanks and other devices. Install piping, duct, and equipment generally as indicated. Minor deviations are permitted in the course of necessary coordination. Major changes shall be submitted for approval by the Architect's representative. Additional fittings and offsets not indicated are expected, anticipated by the design, and shall be provided. If more than 5% of the indicated number of fittings are required or if one change in direction is within six inches of another change in direction and this "Z" shape is not indicated notify the Architect's representative immediately. Provide necessary additional fittings and offsets. Changes in pipe size shall be made only with written approval from the Architect's representative.

PART 2 - PRODUCTS

2.1 PIPE, TUBE, AND FITTINGS

- A. Refer to Section "Hydronic Piping" for additional pipe, tube, and fitting materials and joining methods.
- B. Pipe Threads: ASME B1.20.1 for factory-threaded pipe and pipe fittings.

2.2 JOINING MATERIALS

- A. Refer to individual Division 23 piping sections for joining materials not listed below.
- B. Pipe-Flange Gasket Materials: Suitable for chemical and thermal conditions inside & outside pipe and:
  - 1. ASME B16.21, non-metallic, flat, asbestos-free, 1/8-inch maximum thickness unless thickness or specific material is otherwise indicated.
    - a. Full-Face Type: For flat-face, Class 125, cast-iron and cast-bronze flanges.
    - b. Narrow-Face Type: For raised-face, Class 250, cast-iron and steel flanges.



FIRE STATIONS RENOVATION  
ARLINGTON COUNTY, VIRGINIA  
Architect's Project No: 563006

- 2. AWWA C110, rubber, flat face, 1/8 inch thick, unless otherwise indicated, and full-face or ring type, unless otherwise indicated.
- C. Solder Filler Metals: ASTM B 32, lead-free (95% Tin, 5% Antimony) alloy. Include water-flushable flux according to ASTM B 813.
- D. Brazing Filler Metals: AWS A5.8, BCuP Series, copper-phosphorus alloys for general-duty brazing, unless otherwise indicated; and AWS A5.8, BAgl, silver alloy for refrigerant piping, unless otherwise indicated.
- E. Welding Filler Metals: Comply with AWS D10.12 for welding materials appropriate for wall thickness and chemical analysis of steel pipe being welded.

2.3 DIELECTRIC FITTINGS

- A. Description: Combination fitting of copper alloy and ferrous materials with threaded, solder-joint, plain, or weld-neck end connections that match piping system materials.
- B. Insulating Material: Suitable for system fluid, pressure, and temperature.
- C. Dielectric Flanges: Factory-fabricated, companion-flange assembly, for 150- or 300-psig minimum working pressure as required to suit system pressures.
  - 1. Available Manufacturers:
    - a. Capitol Manufacturing Co.
    - b. Central Plastics Company.
    - c. Epcos Sales, Inc.
    - d. Watts Industries, Inc.; Water Products Div.
- D. Dielectric-Flange Kits: Companion-flange assembly for field assembly. Include flanges, full-face- or ring-type neoprene or phenolic gasket, phenolic or polyethylene bolt sleeves, phenolic washers, and steel backing washers.
  - 1. Available Manufacturers:
    - a. Advance Products & Systems, Inc.
    - b. Calpico, Inc.
    - c. Central Plastics Company.
    - d. Pipeline Seal and Insulator, Inc.
  - 2. Separate companion flanges and steel bolts and nuts shall have 150- or 300-psig minimum working pressure where required to suit system pressures.
- E. Dielectric Couplings: Galvanized steel coupling with inert and non-corrosive, thermoplastic lining; threaded ends; and 300-psig minimum working pressure at 225°F.
  - 1. Available Manufacturers:

FIRE STATIONS RENOVATION  
ARLINGTON COUNTY, VIRGINIA  
Architect's Project No: 563006

- a. Calpico, Inc.
- b. Lochinvar Corp.

2.4 MECHANICAL SLEEVE SEALS

- A. Description: Modular sealing element unit, designed for field assembly, to fill annular space between pipe and sleeve.
  - 1. Available Manufacturers:
    - a. Advance Products & Systems, Inc.
    - b. Calpico, Inc.
    - c. Metraflex Co.
    - d. Pipeline Seal and Insulator, Inc.
  - 2. Sealing Elements: EPDM interlocking links shaped to fit surface of pipe. Include type and number required for pipe material and size of pipe.
  - 3. Pressure Plates: Plastic. Include two for each sealing element.
  - 4. Connecting Bolts and Nuts: Stainless steel of length required to secure pressure plates to sealing elements.

2.5 SLEEVES

- A. Galvanized-Steel Sheet: 0.0239-inch minimum thickness; round tube closed with welded longitudinal joint.
- B. Steel Pipe: ASTM A 53, Type E, Grade B, Schedule 40, galvanized, plain ends.
- C. Cast Iron: Cast or fabricated "wall pipe" equivalent to ductile-iron pressure pipe, with plain ends and integral waterstop, unless otherwise indicated.
- D. Stack Sleeve Fittings: Manufactured, cast-iron sleeve with integral clamping flange. Include clamping ring and bolts and nuts for membrane flashing.
  - 1. Underdeck Clamp: Clamping ring with set screws.
- E. Molded PE: Reusable, PE, tapered cup-shaped and smooth-outer surface with nailing flange for attaching to wooden forms.

2.6 ESCUTCHEONS

- A. Description: Manufactured wall and ceiling escutcheons and floor plates, with an ID to closely fit around pipe, tube, and insulation of insulated piping and an OD that completely covers opening.

FIRE STATIONS RENOVATION  
ARLINGTON COUNTY, VIRGINIA  
Architect's Project No: 563006

- B. One-Piece, Deep-Pattern Type: Deep-drawn, box-shaped brass with polished chrome-plated finish.
- C. One-Piece, Cast-Brass Type: With set screw.
  - 1. Finish: Polished chrome-plated.
- D. Split-Casting, Cast-Brass Type: With concealed hinge and set screw.
  - 1. Finish: Polished chrome-plated.
- E. One-Piece, Floor-Plate Type: Cast-iron floor plate.
- F. Split-Casting, Floor-Plate Type: Cast brass with concealed hinge and set screw.

2.7 GROUT

- A. Description: ASTM C 1107, Grade B, non-shrink and non-metallic, dry hydraulic cement grout.
  - 1. Characteristics: Post-hardening, volume-adjusting, non-staining, non-corrosive, non-gaseous, and recommended for interior and exterior applications.
  - 2. Design Mix: 5000-psi, 28-day compressive strength.
  - 3. Packaging: Premixed and factory packaged.

PART 3 - EXECUTION

3.1 HVAC DEMOLITION

- A. Refer to Sections "Cutting and Patching" and "Selective Structure Demolition" for general demolition requirements and procedures.
- B. Disconnect, demolish, and remove HVAC systems, equipment, and components indicated to be removed.
  - 1. Piping to Be Removed: Remove portion of piping indicated to be removed and cap or plug remaining piping with same or compatible piping material.
  - 2. Piping to Be Abandoned in Place: Drain piping and cap or plug piping with same or compatible piping material.
  - 3. Equipment to Be Removed: Remove equipment and associated piping back to main unless otherwise indicated. Cap services.
  - 4. Equipment to Be Removed and Reinstalled: Disconnect and cap services. Remove, clean, and store equipment. When appropriate, reinstall, reconnect, and make equipment operational.
  - 5. Equipment to Be Removed and Salvaged: Remove equipment and associated piping back to main unless otherwise indicated. Cap services. Remove equipment, clean, and

FIRE STATIONS RENOVATION  
ARLINGTON COUNTY, VIRGINIA  
Architect's Project No: 563006

store as directed (May be off-site). Make available to owner at time of the owner's choosing.

- C. If pipe, insulation, or equipment to remain is damaged in appearance or is unserviceable, remove damaged or unserviceable portions and replace with new products of equal capacity and quality.

### 3.2 PIPING SYSTEMS - COMMON REQUIREMENTS

- A. Install piping according to the following and Division 23 Sections specifying piping systems.
- B. Install piping in concealed locations, unless otherwise indicated and except in equipment rooms and service areas.
- C. Install piping indicated to be exposed and piping in equipment rooms and service areas at right angles or parallel to building walls. Diagonal runs are prohibited unless specifically indicated.
- D. Install piping above accessible ceilings allowing sufficient space for ceiling panel removal.
- E. Install piping to permit valve operation & servicing.
- F. Install condensate drain piping at 1% slope.
- G. Install piping free of sags and bends.
- H. Install fittings for changes in direction and branch connections unless otherwise indicated.
- I. Install piping leaving room for installation of insulation.
- J. Install system components with pressure rating equal to or greater than system operating pressure.
- K. Install escutcheons for penetrations of walls, ceilings, and floors according to the following:
  - 1. Exposed, Interior Installations/Piping with Fitting or Sleeve Protruding from Wall: One-piece, deep-pattern type.
  - 2. Exposed, Interior Installations/Chrome-Plated Piping: One-piece, cast-brass type with polished chrome-plated finish and set-screw.
  - 3. Exposed, Interior Installations/Insulated Piping: One-piece, cast-brass type with polished chrome-plated finish.
  - 4. Exposed, Interior Installations/Bare Piping at Wall and Floor Penetrations in Finished Spaces: One-piece, cast-brass type with finish to match surrounding surfaces.
  - 5. Exposed, Interior Installations/Bare Piping at Ceiling Penetrations in Finished Spaces: One-piece or split-casting, cast-brass type with finish to match surrounding surfaces.
  - 6. Exposed, Interior Installations/Piping in Unfinished Service Spaces: None, provide sealant.
  - 7. Exposed, Interior Installations/Piping in Equipment Rooms: None, provide sealant.

FIRE STATIONS RENOVATION  
ARLINGTON COUNTY, VIRGINIA  
Architect's Project No: 563006

8. Exposed, Interior Installations/Piping at Floor Penetrations in Equipment Rooms, Fan Rooms, or similar wet spaces: None - provide sealant and sleeve extending 2" above floor to prevent liquid leaking to floor below.
  
- L. Provide seal around piping penetrations of full height interior walls, both rated and non-rated, that occur above ceilings. Refer to Section 079200 Joint Sealants.
  
- M. Sleeves are not required for core-drilled holes.
  1. Exception: Exposed, Interior Installations at Floor Penetrations in Equipment Rooms, Fan Rooms, or similar wet spaces.
  
- N. Permanent sleeves are not required for holes formed by removable PE sleeves.
  1. Exception: Exposed, Interior Installations at Floor Penetrations in Equipment Rooms, Fan Rooms, or similar wet spaces.
  
- O. Install sleeves for pipes passing through walls, floors, or roofs.
  1. Cut sleeves to length for mounting flush with both surfaces.
    - a. Exception: Extend sleeves installed in floors of mechanical equipment rooms, fan rooms or other similar wet areas 2 inches above finished floor level. Extend cast-iron sleeve fittings below floor slab as required to secure clamping ring.
  2. Install sleeves as walls and slabs are constructed.
    - a. PVC Pipe Sleeves: Permitted for pipes smaller than 6" except aboveground, exterior-walls.
    - b. Steel Sheet Sleeves: Permitted for pipes 6" and larger, penetrating gypsum-board partitions except aboveground, exterior-walls.
    - c. Seal space outside sleeve fittings with grout and sealant.
  3. Except for penetrations where mechanical sleeve seals are used, seal annular space between sleeve and pipe or pipe insulation, using joint sealants appropriate for size, depth, and location of joint. Refer to Section "Joint Sealants".
  
- P. Aboveground Exterior Penetrations: Seal penetrations using sleeves and mechanical sleeve seals. Select sleeve size to allow for annular clear space required by the mechanical sleeve seal manufacturer between pipe and sleeve for installing mechanical sleeve seals.
  1. Install steel pipe for sleeves smaller than 6 inches in diameter.
  2. Install cast-iron "wall pipes" for sleeves 6 inches and larger in diameter.
  3. Mechanical Sleeve Seal Installation: Select type and number of sealing elements required for pipe material and size. Position pipe in center of sleeve. Assemble mechanical sleeve seals and install in annular space between pipe and sleeve. Tighten bolts against pressure plates that cause sealing elements to expand and make watertight seal.
  4. Sleeves from an approved sleeve seal manufacturer shall be acceptable.

FIRE STATIONS RENOVATION  
ARLINGTON COUNTY, VIRGINIA  
Architect's Project No: 563006

- Q. Underground Exterior Penetrations: Install cast-iron "wall pipes" for sleeves. Seal pipe penetrations using mechanical sleeve seals. Select sleeve size to allow for annular clear space required by the mechanical sleeve seal manufacturer between pipe and sleeve for installing mechanical sleeve seals.
- R. Mechanical Sleeve Seal Installation: Select type and number of sealing elements required for pipe material and size. Position pipe in center of sleeve. Assemble mechanical sleeve seals and install in annular space between pipe and sleeve. Tighten bolts against pressure plates that cause sealing elements to expand and make watertight seal.
- S. Fire-Barrier Penetrations: Maintain indicated fire rating of walls, partitions, ceilings, and floors at pipe penetrations. Seal pipe penetrations with firestop materials. Refer to Section "Penetration Firestopping" for materials.
- T. Verify final equipment locations for roughing-in.
- U. Refer to equipment specifications in other Sections of these Specifications for roughing-in requirements.

### 3.3 PIPING JOINT CONSTRUCTION

- A. Join pipe and fittings according to the following requirements and Division 22 Sections specifying piping systems.
- B. Ream ends of pipes and tubes and remove burrs. Bevel plain ends of steel pipe.
- C. Remove scale, slag, dirt, and debris from inside and outside of pipe and fittings before assembly.
- D. Soldered Joints: Apply water-flushable flux, unless otherwise indicated, to tube end. Construct joints using lead-free solder alloy.
- E. Brazed Joints: Construct joints using copper-phosphorus brazing filler metal.
- F. Threaded Joints: Thread pipe with tapered pipe threads. Cut threads full and clean using sharp dies. Ream threaded pipe ends to remove burrs and restore full ID. Join pipe fittings and valves as follows:
  - 1. Apply appropriate tape or thread compound to external pipe threads unless otherwise indicated.
- G. Welded Joints: Construct joints using qualified processes and welding operators.
- H. Flanged Joints: Select appropriate gasket material, size, type, and thickness for service application. Install gasket concentrically positioned. Use suitable lubricants on bolt threads.
- I. Mechanical Joints: Prepare pipe ends and fittings, apply coupling, and join according to joint manufacturer's written instructions.

FIRE STATIONS RENOVATION  
ARLINGTON COUNTY, VIRGINIA  
Architect's Project No: 563006

3.4 PIPING CONNECTIONS

- A. Make connections according to the following, unless otherwise indicated:
  - 1. Install unions, in piping 2" and smaller, one adjacent to each valve and at final connections to each piece of equipment.
  - 2. Install flanges, in piping NPS 2-1/2" and larger, adjacent to final connections to each piece of equipment.
  - 3. Install dielectric unions or flanges for connections of dissimilar metals.

3.5 EQUIPMENT INSTALLATION - COMMON REQUIREMENTS

- A. Install equipment to allow maximum possible headroom unless specific mounting heights are indicated.
- B. Install equipment level and plumb, parallel and perpendicular to other building systems and components in exposed interior spaces, unless otherwise indicated.
- C. Install HVAC equipment to facilitate service, maintenance, and repair or replacement of components. Connect equipment for ease of disconnecting, with minimum interference to other installations. Extend grease fittings to service side of equipment.
- D. Install equipment to allow space for other systems.

3.6 PAINTING

- A. Damage and Touchup: Repair marred and damaged factory-painted finishes with materials and procedures to match original factory finish.

3.7 HOUSEKEEPING PADS AND EQUIPMENT PADS

- A. Housekeeping pads and equipment pads: Anchor equipment to concrete according to equipment manufacturer's written instructions and according to seismic codes at project location.
  - 1. Construct concrete pads in accordance with drawing details.
  - 2. Details may be found on structural drawings.

3.8 ERECTION OF METAL SUPPORTS AND ANCHORAGES

- A. Refer to Section "Metal Fabrications" for structural steel.
- B. Cut, fit, and place miscellaneous metal supports accurately in location, alignment, and elevation to support and anchor HVAC materials and equipment.
- C. Field Welding: Comply with AWS D1.1.

FIRE STATIONS RENOVATION  
ARLINGTON COUNTY, VIRGINIA  
Architect's Project No: 563006

3.9 GROUTING

- A. Mix and install grout for HVAC equipment base bearing surfaces, pump and other equipment base plates, and anchors.
- B. Clean surfaces that will come into contact with grout.
- C. Provide forms as required for placement of grout.
- D. Avoid air entrapment during placement of grout.
- E. Place grout, completely filling equipment bases.
- F. Place grout on concrete bases and provide smooth bearing surface for equipment.
- G. Place grout around anchors.
- H. Cure placed grout.

3.10 EXCAVATION AND BACKFILL

- A. Excavation and backfill shall be as indicated in Division 1 specifications and on the drawings. If excavation and backfill is not otherwise indicated the following shall apply:
  - 1. Excavate trenches to indicated gradients, lines, depths, and elevations.
    - a. Beyond the building perimeter, excavate trenches to allow installation of top of pipe below frost line.
  - 2. Excavate trenches to uniform widths to provide twelve inches clear on each side of pipe. Excavate trench walls vertically from trench bottom.
  - 3. Trench Bottoms: Excavate trench bottoms to provide flat surface. Place and compact six inches of sand. Excavate and shape sand to provide uniform bearing and support of pipes. Shape sand to provide continuous support for bells, joints, fittings, and barrels of pipes. Sand shall be free of projecting stones and sharp objects.
  - 4. Backfill and hand tamp to 95% proctor to six inches above the top of the pipe.
  - 5. Backfill and machine tamp the remainder of the trench to 95% proctor in twelve inch lifts.

END OF SECTION 230500



FIRE STATIONS RENOVATION  
ARLINGTON COUNTY, VIRGINIA  
Architect's Project No: 563006

SECTION 230513 – MOTORS FOR HVAC EQUIPMENT

PART 1 - GENERAL

1.1 RELATED DOCUMENTS

- A. Provisions of the Contract and of the Contract Documents apply to this Section.

1.2 SUBMITTALS

- A. Manufacturer's catalog and efficiency data.

1.3 QUALITY ASSURANCE

- A. Electrical Components, Devices, and Accessories: Listed and labeled as defined in NFPA 70, Article 100, by a testing agency acceptable to authorities having jurisdiction, and marked for intended use.
- B. Comply with NFPA 70.

1.4 COORDINATION

- A. All motors are required to be equipped with overload protection located near the motor.
  - 1. Overload protection shall:
    - a. Be located between the circuit breaker or fuse provided under Division 26 and the motor windings.
    - b. Meet one of the options specified in the following paragraph.
  - 2. Overload protection may be:
    - a. Located in the motor installed by the motor manufacturer. (preferred)
    - b. A separate device located near the motor.
    - c. Located in, or with, a disconnect switch provided by the equipment manufacturer. Provision of this switch shall not modify, change, or eliminate any Division 26 requirement. This means some equipment shall be provided or specified with two disconnecting means.
- B. Coordinate features of motors, installed units, and accessory devices. Provide motors that are:
  - 1. Compatible with controller
  - 2. Matched to torque and horsepower requirements of the load.
  - 3. Matched to ratings and characteristics of supply circuit and required control sequence.
- C. Coordinate motor support with requirements for driven load; access for maintenance and motor replacement; installation of accessories, belts, belt guards; and adjustment of sliding rails for belt tensioning.
- D. Belt tension must be wrench and socket adjustable.
- E. Belt tensioning device must accommodate adjustable sheaves.

**FIRE STATIONS RENOVATION  
ARLINGTON COUNTY, VIRGINIA  
Architect's Project No: 563006**

**PART 2 - PRODUCTS**

**2.1 MOTOR REQUIREMENTS**

- A. Motor requirements apply except as follows:
1. Ratings, performance, or characteristics for a motor are specified in another Section or are scheduled on the drawings.
  2. Motor manufacturer requires ratings, performance, or characteristics, other than those specified to meet indicated performance.

**2.2 MOTOR CHARACTERISTICS**

- A. Frequency Rating: 60 Hz.
- B. Voltage Rating: NEMA standard voltage selected to operate on nominal circuit voltage to which motor is connected.
- C. Duty: Continuous at 105 deg F and 3300 feet above sea level.
- D. Capacity and Torque sufficient to:
1. Start, accelerate, and operate connected load.
  2. Maintain designated speeds.
  3. Operate at installed altitude and environment.
  4. Operate with indicated operating sequence.
  5. Operate without exceeding nameplate ratings.
  6. Operate without utilizing service factor.
- E. Enclosure: Open drip-proof unless otherwise indicated.
- F. Minimum Service Factor: 1.15 unless otherwise indicated.

**2.3 POLYPHASE MOTORS**

- A. Description: NEMA MG 1, Design B, medium induction motor.
- B. NEMA Premium efficiency motors shall meet the following full load efficiency:

HP	ODP			TEFC		
	6 Pole	4 Pole	2 Pole	6 Pole	4 Pole	2 Pole
1	82.5	85.5	77.0	82.5	85.5	77.0
1.5	86.5	86.5	84.0	87.5	86.5	84.0
2	87.5	86.5	85.5	88.5	86.5	85.5
3	88.5	89.5	85.5	89.5	89.5	86.5
5	89.5	89.5	86.5	89.5	89.5	88.5
7.5	90.2	91.0	88.5	91.0	91.7	89.5
10	91.7	91.7	89.5	91.0	91.7	90.2
15	91.7	93.0	90.2	91.7	92.4	91.0
20	92.4	93.0	91.0	91.7	93.0	91.0
25	93.0	93.6	91.7	93.0	93.6	91.7

FIRE STATIONS RENOVATION  
ARLINGTON COUNTY, VIRGINIA  
Architect's Project No: 563006

30	93.6	94.1	91.7	93.0	93.6	91.7
----	------	------	------	------	------	------

- C. Efficiency: NEMA Premium
- D. Stator: Copper windings, unless otherwise indicated.
- E. Rotor: Squirrel cage, unless otherwise indicated.
- F. Bearings: Double-shielded, prelubricated ball bearings suitable for radial and thrust loading.
- G. Temperature Rise: Match insulation rating, unless otherwise indicated.
- H. Insulation: Class F, unless otherwise indicated.
- I. Code Letter Designation: NEMA starting Code F or G.
- J. Enclosure: Cast iron.
- K. Finish: Gray enamel.
- L. Motors Used with Reduced-Inrush Controllers: Match wiring connection requirements for controller with required motor leads. Provide terminals in motor terminal box, suited to control method.

PART 3 - EXECUTION

3.1 FIELD QUALITY CONTROL

- A. Perform the following:
  - 1. Run each motor with its controller at load.
  - 2. Demonstrate correct rotation, alignment, and speed.
  - 3. Test interlocks and control features for proper operation.
  - 4. Verify that current in each phase is within nameplate rating.
  - 5. Verify RPM is in accordance with nameplate.
  - 6. Where a generator is provided, run each motor on the generator with its controller and load. Demonstrate correct rotation, alignment, and speed.

3.2 ADJUSTING

- A. Align motors, bases, and shafts.

3.3 CLEANING

- A. After completing equipment installation, inspect unit components. Remove paint splatters and other spots, dirt, and debris. Repair damaged finish to match original finish.

END OF SECTION 230513

FIRE STATIONS RENOVATION  
ARLINGTON COUNTY, VIRGINIA  
Architect's Project No: 563006

SECTION 230514 – VARIABLE SPEED DRIVES

PART 1 - GENERAL

1.1 RELATED DOCUMENTS

- A. Provisions of the Contract and of the Contract Documents apply to this Section.

1.2 DEFINITIONS

- A. Factory Installed Variable Speed Drive: A drive installed by motorized-equipment manufacturer as a component of equipment utilized to control the speed of a motor.
- B. Field-Installed Variable Speed Drive: A drive installed in the field by the contractor to control the speed of a motor not equipped with a factory installed drive.
- C. VSD: Variable Speed Drive

1.3 SUBMITTALS

- A. Submittals shall include the following information:
  - 1. Outline dimensions
  - 2. Conduit entry locations
  - 3. Weight.
- B. Customer connection and power wiring diagrams.
- C. Technical product description including but not limited to a complete list of options.
- D. Compliance to IEEE 519 – harmonic analysis for particular jobsite including total harmonic voltage distortion and total harmonic current distortion (TDD).
- E. The VFD manufacturer shall provide calculations; specific to this installation, showing total harmonic voltage distortion is less than 5%. All VFD's shall include a minimum of 5% impedance reactors.

1.4 QUALITY ASSURANCE

- A. VSDs and options shall be UL listed as a complete assembly.
- B. The base VSD shall be UL listed for 100 KAIC without the need for input fuses.
- C. The VSD shall be tested by the manufacturer.

FIRE STATIONS RENOVATION  
ARLINGTON COUNTY, VIRGINIA  
Architect's Project No: 563006

- D. All optional features shall be functionally tested at the factory for proper operation.
- E. Electrical Components, Devices, and Accessories: Listed and labeled as defined in NFPA 70, Article 100, by a testing agency acceptable to authorities having jurisdiction, and marked for intended use. Comply with UL 508C.
- F. Referenced standards:
  - 1. Standard 519-1992, IEEE Guide for Harmonic Content and Control.
  - 2. UL508C
  - 3. ICS 7.0, AC Adjustable Speed Drives
  - 4. IEC 16800 Parts 1, 2 and 3/NEC 430.120, Adjustable-Speed Drive Systems
  - 5. IBC 2006 Seismic – referencing ASC 7-05 and ICC AC-156
- G. All VSDs installed on this project shall be from the same manufacturer.
- H. The VSD enclosure shall be seismically certified and labeled in accordance with the IBC 2006 International Building Code:
  - 1. VSD manufacturer shall provide Seismic Certification and Installation requirements at time of submittal.
  - 2. A Seismic importance factor of 1.5 shall be used and shall be based upon actual shake test data as defined by ICC AC-156. Seismic ratings based upon calculations alone are not acceptable.
  - 3. Certification of Seismic rating must be based on testing done in all three axis of motion by a certified lab.
- I. Installations in life safety applications including but not limited to smoke removal and make up air to smoke removal systems shall be included in the seismic approval.

## 1.5 COORDINATION

- A. Coordinate features of VSDs with motors, installed units, and accessory devices. Provide VSDs that meet the requirements indicated in this and other equipment specific specification sections.
- B. Confirm that motors controlled by VSDs, provided under this section are designed and labeled for use with variable speed drives, and suitable for use throughout speed range without overheating.
- C. Coordinate VSD support with requirements for maintenance and replacement; and installation of accessories.

## PART 2 - PRODUCTS

### 2.1 FACTORY INSTALLED VARIABLE SPEED DRIVES

FIRE STATIONS RENOVATION  
ARLINGTON COUNTY, VIRGINIA  
Architect's Project No: 563006

- A. The VSD shall be enclosed in a UL Listed enclosure.
- B. Refer to equipment specific specification sections.
- C. Where equipment specific specification sections do not indicate variable speed drive requirements comply with 2.2 below.

2.2 FIELD-INSTALLED VARIABLE SPEED DRIVES

- A. Manufacturers
  - 1. ABB
  - 2. Yaskowa
  - 3. Basis of Design - Danfoss Graham
- B. General
  - 1. Furnish complete variable speed drives (VSDs) as indicated.
  - 2. Drawing schedules, sequences of control, control diagrams, details, or other specification sections may indicate variable speed requirements.
  - 3. All standard and optional features shall be included within the VSD enclosure, unless indicated otherwise. Each VSD shall be housed in a NEMA 1 enclosure, or other NEMA type according to installation and operating conditions.
  - 4. Provide NEMA 4 weatherproof enclosures for drives mounted outside.
  - 5. The UL listing shall allow mounting in a plenum or other air handling compartment. If a NEMA 12 enclosure is required for the plenum rating, the manufacturer shall supply a NEMA 12 rated VSD.
  - 6. Provide bypass on VSDs serving pumps. A bypass on all other equipment is not required unless indicated otherwise.
- C. The VSD shall convert incoming fixed frequency three-phase AC power into a variable frequency and voltage for controlling the speed of three-phase AC motors. The motor current shall closely approximate a sine wave. Motor voltage shall be varied with frequency to maintain desired motor magnetization current. Operation shall be suitable for centrifugal pump and fan control and shall eliminate the need for motor de-rating.
- D. With the motor's rated voltage applied to the VSD input, the VSD shall allow the motor to produce full rated power at rated amps, RMS fundamental volts, and speed without using the motor's service factor. VSDs utilizing sine weighted/coded modulation (with or without 3<sup>rd</sup> harmonic injection) must provide data verifying that the motors will not draw more than full load current during full load and full speed operation.
- E. The VSD shall include an input full-wave bridge rectifier and maintain a fundamental power factor near unity regardless of speed or load.
- F. The VSD and options shall be tested to ANSI/UL Standard 508. The complete VSD, including all specified options, shall be assembled by the manufacturer and shall be UL-508 certified for the building and drive assembly including options. Assembly of the options by a third-party

FIRE STATIONS RENOVATION  
ARLINGTON COUNTY, VIRGINIA  
Architect's Project No: 563006

panel shop is not acceptable. The appropriate UL stickers shall be applied to both the VSD and option panel, in the case where these are not contained in one panel.

- G. The VSD shall have DC link reactors on both the positive and negative rails of the DC bus to minimize power line harmonics. VSDs without DC link reactors shall provide a minimum 3% impedance line reactor.
- H. The VSD's full load amp rating shall meet or exceed NEC Table 430-150. The VSD shall be able to provide full rated output current continuously, 110% of rated current for 60 seconds and 160% of rated current for up to 0.5 second while starting.
- I. The VSD shall be able to provide full torque at any selected frequency from 28 Hz to base speed to allow driving direct drive fans without derating.
- J. An automatic energy optimization selection feature shall be provided standard in the VSD. This feature shall automatically and continually monitor the motor's speed and load and adjust the applied voltage to maximize energy savings and provide up to an additional 3% to 10% energy savings.
- K. Input and output power circuit switching shall be able to be accomplished without interlocks or damage to the VSD. Switching rate may be up to 1 time per minute on the input and unlimited on the output.
- L. An automatic motor adaptation test algorithm shall measure motor stator resistance and reactance to optimize performance and efficiency. It shall not be necessary to run the motor or de-couple the motor from the load to run the test.
- M. Galvanic and/or optical isolation shall be provided between the VSD's power circuitry and control circuitry to ensure operator safety and to protect connected electronic control equipment from damage caused by voltage spikes, current surges, and ground loop currents. VSDs not including either galvanic or optical isolation on both analog I/O and discrete I/O shall include additional isolation modules.
- N. VSD shall minimize the audible motor noise through the used of an adjustable carrier frequency. The carrier frequency shall be automatically adjusted to optimize motor and VSD efficiencies while reducing motor noise.
- O. Protective Features:
  - 1. Disconnect with drive fusing.
  - 2. A minimum of Class 20 I<sup>2</sup>t electronic motor overload protection for single motor applications and thermal-mechanical overloads for multiple motor applications shall be provided.
  - 3. Protection against input transients, loss of AC line phase, output short circuit, output ground fault, overvoltage, undervoltage, VSD overtemperature and motor overtemperature. The VSD shall display all faults in plain English. Codes are not acceptable.
  - 4. Protect VSD from sustained power or phase loss. The VSD shall provide full rated output with an input voltage as low as 90% of the nominal. The VSD will continue to

FIRE STATIONS RENOVATION  
ARLINGTON COUNTY, VIRGINIA  
Architect's Project No: 563006

operate with reduced output with an input voltage as low as 164 V AC for 208/230 volt units, and 313 V AC for 460 volt units.

5. The VSD shall incorporate a motor preheat circuit to keep the motor warm and prevent condensation build up in the stator.
6. VSD package shall include semi-conductor rated input fuses to protect power components.
7. To prevent breakdown of the motor winding insulation, the VSD shall be designed to comply with IEC Part 34-17. Otherwise, the VSD manufacturer must ensure that inverter rated motors are supplied.
8. VSD shall include a "signal loss detection" circuit to sense the loss of an analog input signal such as 4 to 20 mA or 2 to 10 V DC, and shall be programmable to react as desired in such an instance.
9. VSD shall function normally when the keypad is removed while the VSD is running and continue to follow remote commands. No warnings or alarms shall be issued as a result of removing the keypad.
10. VSD shall catch a rotating motor operating forward or reverse up to full speed.
11. VSD shall be rated for 100,000 amp interrupting capacity (AIC).
12. VSD shall include current sensors on all three output phases to detect and report phase loss to the motor. The VSD will identify which of the output phases is low or lost.
13. VSD shall continue to operate without faulting until input voltage reaches 300 V AC on 208/230 volt VSDs, and 539 V AC on 460 volt VSDs.

P. Interface Features:

1. Hand/Start, Off/Stop and Auto/Start selector switches shall be provided to start and stop the VSD and determine the speed reference.
2. The VSD shall be able to be programmed to provide a 24 V DC output signal to indicate that the VSD is in Auto/Remote mode.
3. The VSD shall provide potentiometer speed control. Electronic speed controls are not acceptable.
4. Lockable, alphanumeric backlit display keypad can be remotely mounted up to 10 feet away using standard 9-pin cable.
5. The keypads for all sizes of VSDs shall be identical and interchangeable.
6. To set up multiple VSDs, it shall be possible to upload all setup parameters to the VSD's keypad, place that keypad on all other VSDs in turn and download the setup parameters to each VSD. To facilitate setting up VSDs of various sizes, it shall be possible to download from the keypad only size independent parameters.
7. Display shall be programmable to display in 9 languages including English, Spanish and French.
8. The display shall have four lines, with 20 characters on three lines and eight large characters on one line.



FIRE STATIONS RENOVATION  
ARLINGTON COUNTY, VIRGINIA  
Architect's Project No: 563006

9. A red FAULT light, a yellow WARNING light and a green POWER-ON light shall be provided. These indications shall be visible both on the keypad and on the VSD when the keypad is removed.
10. A quick setup menu with factory preset typical HVAC parameters shall be provided on the VSD eliminating the need for macros.
11. The VSD shall include a standard RS-485 communications port.
12. As a minimum, the following points shall be controlled and/or accessible:
  - a. VSD Start/Stop
  - b. Speed reference
  - c. Fault diagnostics
  - d. Meter points
  - e. Motor power in HP
  - f. Motor power in kW
  - g. Motor kW-hr
  - h. Motor current
  - i. Motor voltage
  - j. Hours run
  - k. Feedback signal #1
  - l. Feedback signal #2
  - m. DC link voltage
  - n. Thermal load on motor
  - o. Thermal load on VSD
  - p. Heatsink temperature
13. Four additional Form C 230 volt programmable relays shall be available for factory or field installation within the VSD.
14. LonWorks communication shall be available for factory or field installation within the VSD.
15. Two set-point control interface (PID control) shall be standard in the unit. VSD shall be able to look at two feedback signals, compare with two set-points and make various process control decisions.
16. Floating point control interface shall be provided to increase/decrease speed in response to contact closures.
17. Four simultaneous displays shall be available. They shall include frequency or speed, run time, output amps and output power. VSDs unable to show these four displays simultaneously shall provide panel meters.
18. Sleep mode shall be provided to automatically stop the VSD when its speed drops below set "sleep" level for a specified time. The VSD shall automatically restart when the speed command exceeds the set "wake" level.
19. The sleep mode shall be functional in both follower mode and PID mode.
20. Run permissive circuit shall be provided to accept a "system ready" signal to ensure that the VSD does not start until dampers or other auxiliary equipment are in the proper state for VSD operation. The run permissive circuit shall also be capable of sending an output signal as a start command to actuate external equipment before allowing the VSD to start.

FIRE STATIONS RENOVATION  
ARLINGTON COUNTY, VIRGINIA  
Architect's Project No: 563006

21. The following displays shall be accessible from the control panel in actual units: Reference Signal Value in actual units, Output Frequency in Hz or percent, Output Amps, Motor HP, Motor kW, kWhr, Output Voltage, DC Bus Voltage, VSD Temperature in degrees, and Motor Speed in engineering units per application (in GPM, CFM, etc.). VSD will read out the selected engineering unit either in a linear, square or cubed relationship to output frequency as appropriate to the unit chosen.
22. The display shall be programmed to read in inches of water column (in-wg) for an air handler application, pressure per square inch (psi) for a pump application, and temperature (°F) for a cooling tower application.
23. VSD shall be able to be programmed to sense the loss of load and signal a no load/broken belt warning or fault.
24. If the temperature of the VSD's heat sink rises to 80°C, the VSD shall automatically reduce its carrier frequency to reduce the heat sink temperature. If the temperature of the heat sink continues to rise the VSD shall automatically reduce its output frequency to the motor. As the VSD's heat sink temperature returns to normal, the VSD shall automatically increase the output frequency to the motor and return the carrier frequency to its normal switching speed.
25. The VSD shall have temperature controlled cooling fans for quiet operation and minimized losses.
26. The VSD shall store in memory the last 10 faults and related operational data.
27. Eight programmable digital inputs shall be provided for interfacing with the systems control and safety interlock circuitry.
28. Two programmable relay outputs, one Form C 240 V AC, one Form A 30 V AC, shall be provided for remote indication of VSD status.
29. Three programmable analog inputs shall be provided and shall accept a direct-or-reverse acting signal. Analog reference inputs accepted shall include two voltage (0 to 10 V DC, 2 to 10 V DC) and one current (0 to 20 mA, 4 to 20 mA) input.
30. Two programmable 0 to 20 mA analog outputs shall be provided for indication of VSD status. These outputs shall be programmable for output speed, frequency, current and power. They shall also be programmable to provide a selected 24 V DC status indication.
31. Under fire mode conditions, the VSD shall be able to be programmed to automatically default to a preset speed.

Q. Adjustments

1. VSD shall have an adjustable carrier frequency in steps of not less than 0.1 kHz to allow tuning the VSD to the motor.
2. Sixteen preset speeds shall be provided.
3. Four acceleration and four deceleration ramps shall be provided. Accel and decel time shall be adjustable over the range from 0 to 3,600 seconds to base speed. The shape of these curves shall be automatically contoured to ensure no-trip acceleration and deceleration.
4. Four current limit settings shall be provided.

FIRE STATIONS RENOVATION  
ARLINGTON COUNTY, VIRGINIA  
Architect's Project No: 563006

5. If the VSD trips on one of the following conditions, the VSD shall be programmable for automatic or manual reset: undervoltage, overvoltage, current limit and inverter overload.
6. The number of restart attempts shall be selectable from 0 through 20 or infinitely and the time between attempts shall be adjustable from 0 through 600 seconds.
7. An automatic "on delay" may be selected from 0 to 120 seconds.

R. Service Conditions

1. Ambient temperature, -10 to 40°C (14 to 104°F).
2. 0 to 95% relative humidity, non-condensing.
3. Elevation to 3,300 feet without derating.
4. AC line voltage variation, -10 to +10% of nominal with full output.
5. No side clearance shall be required for cooling of any units. All power and control wiring shall be done from the bottom.

PART 3 - EXECUTION

3.1 FIELD QUALITY CONTROL

A. Examination

1. Contractor to verify that job site conditions for installation meet factory recommended and code-required conditions for VSD installation prior to start-up, including clearance spacing, temperature, contamination, dust, and moisture of the environment. Separate conduit installation of the motor wiring, power wiring, and control wiring, and installation per the manufacturer's recommendations shall be verified.
2. The VSD is to be covered and protected from installation dust and contamination until the environment is cleaned and ready for operation. The VSD shall not be operated while the unit is covered.

B. Start-up Service

1. The manufacturer shall provide start-up commissioning of the VSD and its optional circuits by a factory certified service technician who is experienced in start-up and repair services. Sales personnel and other agents who are not factory certified shall not be acceptable as commissioning agents. Start-up services shall include checking for verification of proper operation and installation for the VSD, its options and its interface wiring to the building automation system.

C. **WARRANTY:** The VSD shall be warranted by the manufacturer for a period of 2 Years from date of substantial completion. The warranty shall include parts, labor, travel costs and living expenses incurred by the manufacturer to provide factory authorized on-site service. The warranty shall be provided by the VSD manufacturer.

D. **CLEANING:** After completing equipment installation, inspect unit components. Remove paint splatters and other spots, dirt, and debris. Repair damaged finish to match original finish.

FIRE STATIONS RENOVATION  
ARLINGTON COUNTY, VIRGINIA  
Architect's Project No: 563006

END OF SECTION 230514

FIRE STATIONS RENOVATION  
ARLINGTON COUNTY, VIRGINIA  
Architect's Project No: 563006

SECTION 230529 - HANGERS AND SUPPORTS FOR HVAC PIPING AND EQUIPMENT

PART 1 - GENERAL

1.1 RELATED DOCUMENTS

- A. Provisions of the Contract and of the Contract Documents apply to this Section.

1.2 DEFINITIONS

- A. MSS: Manufacturers Standardization Society of the Valve and Fittings Industry Inc.
- B. Terminology: As defined in MSS SP-90, "Guidelines on Terminology for Pipe Hangers and Supports."

1.3 PERFORMANCE REQUIREMENTS

- A. Design Requirement: Design trapeze pipe hangers and equipment supports, including comprehensive engineering analysis by a qualified professional engineer where using methods other than indicated.
- B. Structural Performance: Hangers and supports for HVAC piping and equipment shall withstand the effects of gravity loads and stresses within limits and under conditions indicated according to ASCE/SEI 7.
  - 1. Design supports for multiple pipes, including pipe stands, capable of supporting combined weight of supported systems, system contents, and test medium.
  - 2. Design equipment supports capable of supporting combined operating weight of supported equipment and connected systems and components.
  - 3. Design seismic-restraint hangers and supports for piping and equipment.

1.4 QUALITY ASSURANCE

- A. Structural Steel Welding Qualifications: Qualify procedures and personnel according to AWS D1.1/D1.1M, "Structural Welding Code - Steel."
- B. Pipe Welding Qualifications: Qualify procedures and operators according to ASME Boiler and Pressure Vessel Code.

FIRE STATIONS RENOVATION  
ARLINGTON COUNTY, VIRGINIA  
Architect's Project No: 563006

PART 2 - PRODUCTS

2.1 PIPE STANDS

- A. General Requirements for Pipe Stands: Shop- or field-fabricated assemblies made of manufactured corrosion-resistant components to support roof-mounted piping.
1. Available Manufacturers:
    - a. Cooper B-Line – Dura-Blok
    - b. MAPA Products
    - c. Mifab, Inc. – C-Port
    - d. Miro Industries, Inc.
    - e. OMG, Inc.
    - f. PHP Systems/Design
    - g. Pipe Prop
    - h. Roof Top Blox
    - i. Rooftop Support Systems – Eberl Iron Works, Inc.
  2. Provide pipe supports for supporting gas, condensate, refrigeration lines, or hydronic piping on flat roof surfaces. Support shall rest on roof surface without penetrating the roof surface. Supports for condensate piping shall be adjustable vertically to ensure pipe slopes as required.
- B. Compact Pipe Stand: One-piece plastic unit with integral-rod roller, pipe clamps, or V-shaped cradle to support pipe, for roof installation without membrane penetration.
- C. Curb Mounted Pipe Stands: Shop- or field-fabricated pipe supports made from structural-steel shapes, continuous-thread rods, and rollers, for mounting on permanent stationary roof curb.

2.2 EQUIPMENT SUPPORTS

- A. Description: Welded, shop or field fabricated equipment support made from structural carbon-steel shapes unless indicated otherwise.
1. Available Manufacturers:
    - a. Cooper B-Line – Dura-Blok
    - b. MAPA Products
    - c. Mifab, Inc. – C-Port
    - d. Miro Industries, Inc.
    - e. OMG, Inc.
    - f. PHP Systems/Design
    - g. Pipe Prop
    - h. Roof Top Blox
    - i. Rooftop Support Systems – Eberl Iron Works, Inc.

FIRE STATIONS RENOVATION  
ARLINGTON COUNTY, VIRGINIA  
Architect's Project No: 563006

2.3 MISCELLANEOUS MATERIALS

- A. Structural Steel: ASTM A 36/A 36M, carbon-steel plates, shapes, and bars; black and galvanized.
- B. Grout: ASTM C 1107, factory-mixed and -packaged, dry, hydraulic-cement, non-shrink and nonmetallic grout; suitable for interior and exterior applications.
  - 1. Properties: Non-staining, noncorrosive, and nongaseous.
  - 2. Design Mix: 5000-psi, 28-day compressive strength.

PART 3 - EXECUTION

3.1 HANGER AND SUPPORT INSTALLATION

- A. Metal Pipe-Hanger Installation: Comply with MSS SP-69 and MSS SP-89. Provide hangers, supports, clamps, and attachments as required to properly support piping from the building structure.
- B. Metal Trapeze Pipe-Hanger Installation: Comply with MSS SP-69, MSS SP-89, and Table above. Arrange for grouping of parallel runs of horizontal piping, and support together on field-fabricated trapeze pipe hangers.
- C. Metal Framing System Installation: Arrange for grouping of parallel runs of piping, and support together on field-assembled metal framing systems.
- D. Thermal-Hanger Shield Installation: Provide in pipe hanger or shield for insulated piping.
- E. Pipe Stand Installation:
  - 1. Pipe Stand Types except Curb-Mounted Type: Assemble components and mount on smooth roof surface. Do not penetrate roof membrane.
  - 2. Curb-Mounted-Type Pipe Stands: Assemble components or fabricate pipe stand and mount on permanent, stationary roof curb. See Division 07 Section "Roof Accessories" for curbs.
- F. Provide hangers and supports complete with necessary attachments, inserts, bolts, rods, nuts, washers, and other accessories.
- G. Equipment Support Installation: Fabricate from welded-structural-steel shapes.
- H. Provide hangers and supports to allow controlled thermal and seismic movement of piping systems, to permit freedom of movement between pipe anchors, and to facilitate action of expansion joints, expansion loops, expansion bends, and similar units.
- I. Provide lateral bracing with pipe hangers and supports to prevent swaying.

FIRE STATIONS RENOVATION  
ARLINGTON COUNTY, VIRGINIA  
Architect's Project No: 563006

- J. Provide building attachments within concrete slabs or attach to structural steel. Building attachments may not be used on steel joists unless otherwise indicated. Provide additional attachments at concentrated loads, including valves, flanges, and strainers, 2-1/2" and larger and at changes in direction of piping. Provide concrete inserts before concrete is placed; fasten inserts to forms and provide reinforcing bars through openings at top of inserts.
- K. Load Distribution: Provide hangers and supports so that piping live and dead loads and stresses from movement will not be transmitted to connected equipment.
- L. Pipe Slopes: Provide hangers and supports to provide indicated pipe slopes and to not exceed maximum pipe deflections allowed by ASME B31.9 for building services piping.
- M. Insulated Piping:
  - 1. Attach clamps and spacers to piping.
    - a. Piping Operating above Ambient Air Temperature: Clamp may project through insulation.
    - b. Piping Operating below Ambient Air Temperature: Provide thermal-hanger shield insert with clamp sized to match OD of insert.
    - c. Do not exceed pipe stress limits allowed by ASME B31.9 for building services piping.
  - 2. Provide MSS SP-58, Type 39, protection saddles if insulation without vapor barrier is indicated. Fill interior voids with insulation that matches adjoining insulation.
  - 3. Provide MSS SP-58, Type 40, protective shields on cold piping with vapor barrier. Shields shall span an arc of 180 degrees.
  - 4. Shield Dimensions for Pipe: Not less than the following:
    - a. Pipe 1/4" to 3-1/2": 12 inches long and 0.048 inch thick.
    - b. Pipe 4": 12 inches long and 0.06 inch thick.
    - c. Pipe 5" and 6": 18 inches long and 0.06 inch thick.
    - d. Pipe 8" to 14": 24 inches long and 0.075 inch thick.
  - 5. Pipes 8" and Larger: Include wood or reinforced calcium-silicate-insulation inserts of length at least as long as protective shield.
  - 6. Thermal-Hanger Shields: Provide with insulation same thickness as piping insulation.

### 3.2 EQUIPMENT SUPPORTS

- A. Fabricate structural-steel stands to suspend equipment from structure overhead or to support equipment above floor.
- B. Grouting: Place grout under supports for equipment and make bearing surface smooth.
- C. Provide lateral bracing, to prevent swaying, for equipment supports.



FIRE STATIONS RENOVATION  
ARLINGTON COUNTY, VIRGINIA  
Architect's Project No: 563006

3.3 METAL FABRICATIONS

- A. Cut, drill, and fit miscellaneous metal fabrications for trapeze pipe hangers and equipment supports.
- B. Fit exposed connections together to form hairline joints. Field weld connections that cannot be shop welded because of shipping size limitations.
- C. Field Welding: Comply with AWS D1.1/D1.1M procedures for shielded, metal arc welding; appearance and quality of welds; and methods used in correcting welding work; and with the following:
  - 1. Provide materials and methods that minimize distortion and develop strength and corrosion resistance of base metals.
  - 2. Obtain fusion without undercut or overlap.
  - 3. Remove welding flux immediately.
  - 4. Finish welds at exposed connections so no roughness shows after finishing and so contours of welded surfaces match adjacent contours.

3.4 ADJUSTING

- A. Hanger Adjustments: Adjust hangers to distribute loads equally on attachments and to achieve indicated slope of pipe.
- B. Trim excess length of continuous-thread hanger and support rods to 1-1/2 inches.

3.5 PAINTING

- A. Touchup: Unless otherwise indicated clean field welds and abraded areas of shop paint. Paint exposed areas immediately after erecting hangers and supports. Provide same materials as used for shop painting. Comply with SSPC-PA 1 requirements for touching up field-painted surfaces.
  - 1. Apply paint by brush or spray to provide a minimum dry film thickness of 2.0 mils.
- B. Galvanized Surfaces: Clean welds, bolted connections, and abraded areas and immediately apply galvanizing-repair paint. Paint shall comply with ASTM A 780.

3.6 HANGER AND SUPPORT SCHEDULE

- A. Specific hanger and support requirements are in Sections specifying piping systems and equipment.
- B. Comply with MSS SP-69 for pipe-hanger selections and applications that are not specified in piping system Sections.
- C. Provide hangers and supports with galvanized metallic coatings for piping and equipment that will not have field-applied finish.

FIRE STATIONS RENOVATION  
ARLINGTON COUNTY, VIRGINIA  
Architect's Project No: 563006

- D. Provide nonmetallic coatings on attachments for electrolytic protection where attachments are in direct contact with copper tubing.
- E. Provide copper-plated pipe hangers and copper attachments for copper piping and tubing.
- F. Provide padded hangers for piping that is subject to scratching.
- G. Provide thermal-hanger shield inserts for insulated piping and tubing.
- H. Horizontal-Piping Hangers and Supports: Unless otherwise indicated provide the following:
  - 1. Adjustable, Steel Clevis Hangers (MSS Type 1): For suspension of stationary pipes ½" to 30".
  - 2. Yoke-Type Pipe Clamps (MSS Type 2): For suspension of up to 1050 deg F pipes 4" to 14", requiring up to 4" of insulation.
  - 3. Carbon- or Alloy-Steel, Double-Bolt Pipe Clamps (MSS Type 3): For suspension of pipes ¾" to 14", requiring clamp flexibility and up to 4 inches of insulation.
  - 4. Steel Pipe Clamps (MSS Type 4): For suspension of cold and hot pipes ½" to 14" if little or no insulation is required.
  - 5. Pipe Hangers (MSS Type 5): For suspension of pipes ½" to 4", to allow off-center closure for hanger installation before pipe erection.
  - 6. Adjustable, Swivel Split- or Solid-Ring Hangers (MSS Type 6): For suspension of noninsulated, stationary pipes ¾" to 8".
  - 7. Adjustable, Steel Band Hangers (MSS Type 7): For suspension of noninsulated, stationary pipes ½" to 8".
  - 8. Adjustable Band Hangers (MSS Type 9): For suspension of noninsulated, stationary pipes ½" to 8".
  - 9. Adjustable, Swivel-Ring Band Hangers (MSS Type 10): For suspension of noninsulated, stationary pipes ½" to 8".
  - 10. Split Pipe Ring with or without Turnbuckle Hangers (MSS Type 11): For suspension of noninsulated, stationary pipes ½" to 8".
  - 11. Extension Hinged or Two-Bolt Split Pipe Clamps (MSS Type 12): For suspension of noninsulated, stationary pipes NPS ½" to 3".
  - 12. U-Bolts (MSS Type 24): For support of heavy pipes ½" to 14".
  - 13. Clips (MSS Type 26): For support of insulated pipes not subject to expansion or contraction.
  - 14. Pipe Saddle Supports (MSS Type 36): For support of pipes 4" to 14", with steel-pipe base stanchion support and cast-iron floor flange or carbon-steel plate.
  - 15. Pipe Stanchion Saddles (MSS Type 37): For support of pipes 4" to 14", with steel-pipe base stanchion support and cast-iron floor flange or carbon-steel plate, and with U-bolt to retain pipe.
  - 16. Adjustable Pipe Saddle Supports (MSS Type 38): For stanchion-type support for pipes 2-½" to 14" if vertical adjustment is required, with steel-pipe base stanchion support and cast-iron floor flange.
  - 17. Single-Pipe Rolls (MSS Type 41): For suspension of pipes 1" to 14", from two rods if longitudinal movement caused by expansion and contraction might occur.
  - 18. Adjustable Roller Hangers (MSS Type 43): For suspension of pipes 2-½" to 14", from single rod if horizontal movement caused by expansion and contraction might occur.

FIRE STATIONS RENOVATION  
ARLINGTON COUNTY, VIRGINIA  
Architect's Project No: 563006

19. Complete Pipe Rolls (MSS Type 44): For support of pipes 2" to 14" if longitudinal movement caused by expansion and contraction might occur but vertical adjustment is not necessary.
  20. Pipe Roll and Plate Units (MSS Type 45): For support of pipes 2" to 14" if small horizontal movement caused by expansion and contraction might occur and vertical adjustment is not necessary.
  21. Adjustable Pipe Roll and Base Units (MSS Type 46): For support of pipes 2" to 14" if vertical and lateral adjustment during installation might be required in addition to expansion and contraction.
- I. Vertical-Piping Clamps: Unless otherwise indicated provide the following:
1. Extension Pipe or Riser Clamps (MSS Type 8): For support of pipe risers ¾" to 14".
  2. Carbon- or Alloy-Steel Riser Clamps (MSS Type 42): For support of pipe risers ¾" to 14" if longer ends are required for riser clamps.
- J. Hanger-Rod Attachments: Unless otherwise indicated provide the following:
1. Steel Turnbuckles (MSS Type 13): For adjustment up to 6 inches for heavy loads.
  2. Steel Clevises (MSS Type 14): For 120 to 450 deg F piping installations.
  3. Swivel Turnbuckles (MSS Type 15): For use with MSS Type 11, split pipe rings.
  4. Malleable-Iron Sockets (MSS Type 16): For attaching hanger rods to various types of building attachments.
  5. Steel Weldless Eye Nuts (MSS Type 17): For 120 to 450 deg F piping installations.
  6. Flat Plate, Double Nut, and Washer as Detailed on Structural Drawings: For attaching to bar joists. Method of attachment to bar joists must be approved by the structural engineer and joist manufacturer.
- K. Building Attachments: Unless otherwise indicated provide the following:
1. Steel or Malleable Concrete Inserts (MSS Type 18): For upper attachment to suspend pipe hangers from concrete ceiling.
  2. Flat Plate, Double Nuts, and Washer as Detailed on Structural Drawings: For use under roof installations with bar-joist construction to attach to bottom chord of joist.
  3. Side-Beam or Channel Clamps (MSS Type 20): For attaching to bottom flange of beams, channels, or angles.
  4. Center-Beam Clamps (MSS Type 21): For attaching to center of bottom flange of beams.
  5. Welded Beam Attachments (MSS Type 22): For attaching to bottom of beams if loads are considerable and rod sizes are large.
  6. C-Clamps (MSS Type 23): For structural shapes.
  7. Top-Beam Clamps (MSS Type 25): For top of beams if hanger rod is required tangent to flange edge.
  8. Side-Beam Clamps (MSS Type 27): For bottom of steel I-beams.
  9. Steel-Beam Clamps with Eye Nuts (MSS Type 28): For attaching to bottom of steel I-beams for heavy loads.
  10. Linked-Steel Clamps with Eye Nuts (MSS Type 29): For attaching to bottom of steel I-beams for heavy loads, with link extensions.
  11. Malleable-Beam Clamps with Extension Pieces (MSS Type 30): For attaching to structural steel.

FIRE STATIONS RENOVATION  
ARLINGTON COUNTY, VIRGINIA  
Architect's Project No: 563006

12. Welded-Steel Brackets: For support of pipes from below or for suspending from above by using clip and rod. Provide one of the following for indicated loads:
    - a. Light (MSS Type 31): 750 lb.
    - b. Medium (MSS Type 32): 1500 lb.
    - c. Heavy (MSS Type 33): 3000 lb.
  13. Side-Beam Brackets (MSS Type 34): For sides of steel or wooden beams.
  14. Plate Lugs (MSS Type 57): For attaching to steel beams if flexibility at beam is required.
  15. Horizontal Travelers (MSS Type 58): For supporting piping systems subject to linear horizontal movement where headroom is limited.
- L. Saddles and Shields: Unless otherwise indicated provide the followings:
1. Steel-Pipe-Covering Protection Saddles (MSS Type 39): To fill interior voids with insulation that matches adjoining insulation.
  2. Protection Shields (MSS Type 40): Of length recommended in writing by manufacturer to prevent crushing insulation.
  3. Thermal-Hanger Shield Inserts: For supporting insulated pipe.
- M. Spring Hangers and Supports: Unless otherwise indicated provide the following:
1. Restraint-Control Devices (MSS Type 47): To control pipe movement.
  2. Spring Cushions (MSS Type 48): For light loads if vertical movement does not exceed 1-1/4 inches.
  3. Spring-Cushion Roll Hangers (MSS Type 49): For equipping Type 41, roll hanger with springs.
  4. Spring Sway Braces (MSS Type 50): To retard sway, shock, vibration, or thermal expansion in piping systems.
  5. Variable-Spring Hangers (MSS Type 51): Preset to indicated load and limit variability factor to 25 percent to allow expansion and contraction of piping system from hanger.
  6. Variable-Spring Base Supports (MSS Type 52): Preset to indicated load and limit variability factor to 25 percent to allow expansion and contraction of piping system from base support.
  7. Variable-Spring Trapeze Hangers (MSS Type 53): Preset to indicated load and limit variability factor to 25 percent to allow expansion and contraction of piping system from trapeze support.
  8. Constant Supports: For critical piping stress and if necessary to avoid transfer of stress from one support to another support, critical terminal, or connected equipment. Include auxiliary stops for erection, hydrostatic test, and load-adjustment capability. These supports include the following types:
    - a. Horizontal (MSS Type 54): Mounted horizontally.
    - b. Vertical (MSS Type 55): Mounted vertically.
    - c. Trapeze (MSS Type 56): Two vertical-type supports and one trapeze member.
- N. Comply with MSS SP-69 for trapeze pipe-hanger selections and applications that are not specified in piping system Sections.

FIRE STATIONS RENOVATION  
ARLINGTON COUNTY, VIRGINIA  
Architect's Project No: 563006

- O. Comply with MFMA-103 for metal framing system selections and applications that are not specified in piping system Sections.
- P. Provide powder-actuated fasteners or mechanical-expansion anchors instead of building attachments where indicated in concrete construction.

END OF SECTION 230529

FIRE STATIONS RENOVATION  
ARLINGTON COUNTY, VIRGINIA  
Architect's Project No: 563006

SECTION 230548 - VIBRATION CONTROL FOR HVAC

PART 1 - GENERAL

1.1 RELATED DOCUMENTS

- A. Provisions of the Contract and of the Contract Documents apply to this Section.

1.2 DEFINITIONS

- A. IBC: International Building Code.
- B. ICC-ES: ICC-Evaluation Service.
- C. OSHPD: Office of Statewide Health Planning & Development for the State of California.
- D. ASCE: American Society of Civil Engineers
- E. VUSBC: Virginia Uniform Statewide Building Code

1.3 RESPONSIBILITIES:

- A. The manufacturer of vibration isolation systems and devices shall:
  - 1. Determine the sizes and locations of isolators and provide equipment isolation as indicated.
  - 2. Guarantee indicated isolation system deflections.
  - 3. Provide installation instructions and drawings.
  - 4. Certify correctness of installation upon completion.
- B. The Contractor shall cause all vibration isolation systems, including the isolators, and flexible connectors between the isolated equipment and associated piping, ducting, and electrical work to be designed by a manufacturer experienced in this type of work.

1.4 SUBMITTALS

- A. Product Data:
  - 1. Include rated load, rated deflection, and overload capacity for each vibration isolation device.
  - 2. Wind-Restraint Details:
    - a. Design Analysis: To support selection and arrangement of wind restraints. Include calculations of combined tensile and shear loads.
    - b. Details: Coordinate vibration isolation details with wind-restraint details required for equipment mounted outdoors.

FIRE STATIONS RENOVATION  
ARLINGTON COUNTY, VIRGINIA  
Architect's Project No: 563006

- B. Coordination Drawings: For areas indicated at 1/4" = 1'0" and where sections are cut on contract drawings, indicate coordination of HVAC piping and equipment with other systems and equipment in the vicinity, include supports and restraints.
- C. Qualification Data: For testing agency.
- D. Shop Drawings:
  - 1. Vibration Isolation Base Details: Detail fabrication, including anchorages, attachments to structure, and to supported equipment. Include auxiliary motor slides and rails, base weights, equipment static loads, power transmission, component misalignment, and cantilever loads.
  - 2. Dimensioned Outline Drawings for Each Scheduled Piece of Equipment: Identify center of gravity.
  - 3. Dimensioned Outline Drawings for Each Scheduled Piece of Equipment: Locate and describe mounting and anchorage provisions.

1.5 QUALITY ASSURANCE

- A. Welding: Qualify procedures and personnel according to AWS D1.1/D1.1M, "Structural Welding Code - Steel."
- B. Testing Agency Qualifications: An independent agency, with the experience and capability to conduct the testing indicated, that is a nationally recognized testing laboratory (NRTL) as defined by OSHA in 29 CFR 1910.7, and that is acceptable to authorities having jurisdiction.

PART 2 - PRODUCTS

2.1 VIBRATION ISOLATORS

- A. Available Manufacturers:
  - 1. Amber/Booth Company, Inc.
  - 2. B-Line Systems, Inc.
  - 3. Kinetics Noise Control.
  - 4. Mason Industries.
  - 5. Vibration Mountings & Controls, Inc.
- B. Pads: Oil- and water-resistant elastomer or natural rubber, arranged in single or multiple layers, molded with a nonslip pattern and galvanized steel baseplates of sufficient stiffness for uniform loading over pad area, and factory cut to sizes that match requirements of supported equipment.
  - 1. Resilient Material: Oil- and water-resistant neoprene.
  - 2. Durometer Rating: Minimum 30.
  - 3. Number of Layers: 1 2 3 or 4.

FIRE STATIONS RENOVATION  
ARLINGTON COUNTY, VIRGINIA  
Architect's Project No: 563006

- C. Mounts: Double-deflection type, with molded, oil-resistant rubber, or neoprene isolator elements with factory-drilled, encapsulated top plate for bolting to equipment and with baseplate for bolting to structure. Color-code or otherwise identify to indicate capacity range.
1. Durometer Rating: Minimum 30.
  2. Materials: Cast-ductile-iron or welded steel housing containing two separate and opposing, oil-resistant rubber or neoprene elements that prevent central threaded element and attachment hardware from contacting the housing during normal operation.
  3. Neoprene: Shock-absorbing materials compounded according to the standard for bridge-bearing neoprene as defined by AASHTO.
- D. Restrained Mounts: All-directional mountings with wind restraint.
1. Materials: Cast-ductile-iron or welded steel housing containing two separate and opposing, oil-resistant rubber or neoprene elements that prevent central threaded element and attachment hardware from contacting the housing during normal operation.
  2. Neoprene: Shock-absorbing materials compounded according to the standard for bridge-bearing neoprene as defined by AASHTO.
- E. Spring Isolators: Freestanding, laterally stable, open-spring isolators.
1. Outside Spring Diameter: Not less than 80 percent of the compressed height of the spring at rated load.
  2. Minimum Additional Travel: 50 percent of the required deflection at rated load.
  3. Lateral Stiffness: More than 80 percent of rated vertical stiffness.
  4. Overload Capacity: Support 200 percent of rated load, fully compressed, without deformation or failure.
  5. Baseplates: Factory drilled for bolting to structure and bonded to ¼" thick, rubber isolator pad attached to baseplate underside. Baseplates shall limit floor load to 500 psig.
  6. Top Plate and Adjustment Bolt: Threaded top plate with adjustment bolt and cap screw to fasten and level equipment.
- F. Restrained Spring Isolators: Freestanding, steel, open-spring isolators with limit-stop restraint.
1. Housing: Steel with resilient vertical-limit stops to prevent spring extension due to weight being removed; factory-drilled baseplate bonded to ¼" thick, neoprene or rubber isolator pad attached to baseplate underside; and adjustable equipment mounting and leveling bolt that acts as blocking during installation.
  2. Restraint: Limit stop as required for equipment and authorities having jurisdiction.
  3. Outside Spring Diameter: Not less than 80 percent of the compressed height of the spring at rated load.
  4. Minimum Additional Travel: 50 percent of the required deflection at rated load.
  5. Lateral Stiffness: More than 80 percent of rated vertical stiffness.
  6. Overload Capacity: Support 200 percent of rated load, fully compressed, without deformation or failure.



FIRE STATIONS RENOVATION  
ARLINGTON COUNTY, VIRGINIA  
Architect's Project No: 563006

- G. **Housed Spring Mounts:** Housed spring isolators.
  - 1. **Housing:** Ductile-iron or steel housing to provide all-directional restraint.
  - 2. **Base:** Factory drilled for bolting to structure.
  - 3. **Snubbers:** Vertically adjustable to allow a maximum of 1/4" travel up or down before contacting a resilient collar.
  
- H. **Elastomeric Hangers:** Double-deflection type, with molded, oil-resistant rubber or neoprene isolator elements bonded to steel housings with threaded connections for hanger rods. Color-code or otherwise identify to indicate capacity range.
  
- I. **Spring Hangers:** Combination coil-spring and elastomeric-insert hanger with spring and insert in compression.
  - 1. **Frame:** Steel, fabricated for connection to threaded hanger rods and to allow for a maximum of 30 degrees of angular hanger-rod misalignment without binding or reducing isolation efficiency.
  - 2. **Outside Spring Diameter:** Not less than 80 percent of the compressed height of the spring at rated load.
  - 3. **Minimum Additional Travel:** 50 percent of the required deflection at rated load.
  - 4. **Lateral Stiffness:** More than 80 percent of rated vertical stiffness.
  - 5. **Overload Capacity:** Support 200 percent of rated load, fully compressed, without deformation or failure.
  - 6. **Elastomeric Element:** Molded, oil-resistant rubber or neoprene. Steel-washer-reinforced cup to support spring and bushing projecting through bottom of frame.
  - 7. **Self-centering hanger rod cap** to ensure concentricity between hanger rod and support spring coil.
  
- J. **Spring Hangers with Vertical-Limit Stop:** Combination coil-spring and elastomeric-insert hanger with spring and insert in compression and with a vertical-limit stop.
  - 1. **Frame:** Steel, fabricated for connection to threaded hanger rods and to allow for a maximum of 30 degrees of angular hanger-rod misalignment without binding or reducing isolation efficiency.
  - 2. **Outside Spring Diameter:** Not less than 80 percent of the compressed height of the spring at rated load.
  - 3. **Minimum Additional Travel:** 50 percent of the required deflection at rated load.
  - 4. **Lateral Stiffness:** More than 80 percent of rated vertical stiffness.
  - 5. **Overload Capacity:** Support 200 percent of rated load, fully compressed, without deformation or failure.
  - 6. **Elastomeric Element:** Molded, oil-resistant rubber or neoprene.
  - 7. **Adjustable Vertical Stop:** Steel washer with neoprene washer "up-stop" on lower threaded rod.

FIRE STATIONS RENOVATION  
ARLINGTON COUNTY, VIRGINIA  
Architect's Project No: 563006

8. Self-centering hanger rod cap to ensure concentricity between hanger rod and support spring coil.
- K. Thrust Limits: Combination coil spring and elastomeric insert with spring and insert in compression and with a load stop. Include rod and angle-iron brackets for attaching to equipment.
1. Frame: Steel, fabricated for connection to threaded rods and to allow for a maximum of 30 degrees of angular rod misalignment without binding or reducing isolation efficiency.
  2. Outside Spring Diameter: Not less than 80 percent of the compressed height of the spring at rated load.
  3. Minimum Additional Travel: 50 percent of the required deflection at rated load.
  4. Lateral Stiffness: More than 80 percent of the rated vertical stiffness.
  5. Overload Capacity: Support 200 percent of rated load, fully compressed, without deformation or failure.
  6. Elastomeric Element: Molded, oil-resistant rubber or neoprene.
  7. Coil Spring: Factory set and field adjustable for a maximum of 1/4-inch movement at start and stop.
- L. Pipe Riser Resilient Support : All-directional, acoustical pipe anchor consisting of 2 steel tubes separated by a minimum of 1/2-inch- thick, 60-durometer neoprene. Include steel and neoprene vertical-limit stops arranged to prevent vertical travel in both directions. Design support for a maximum load on the isolation material of 500 psig and for equal resistance in all directions.
- M. Resilient Pipe Guides: Telescopic arrangement of 2 steel tubes separated by a minimum of 1/2-inch- thick, 60-durometer neoprene. Factory set guide height with a shear pin to allow vertical motion due to pipe expansion and contraction. Shear pin shall be removable and reinsertable to allow for selection of pipe movement. Guides shall be capable of motion to meet location requirements.
- 2.2 RESTRAINED VIBRATION ISOLATION ROOF-CURB RAILS
- A. Available Manufacturers:
1. Amber/Booth Company, Inc.
  2. Kinetics Noise Control.
  3. Mason Industries.
  4. Vibration Mountings & Controls, Inc.
- B. General Requirements for Restrained Vibration Isolation Roof-Curb Rails: Factory-assembled, fully enclosed, insulated, air- and watertight curb rail designed to resiliently support equipment and to withstand wind forces.
- C. Lower Support Assembly: Formed sheet-metal section containing adjustable and removable steel springs that support upper frame. Upper frame shall provide continuous support for

FIRE STATIONS RENOVATION  
ARLINGTON COUNTY, VIRGINIA  
Architect's Project No: 563006

equipment and shall be captive to resiliently resist wind forces. Lower support assembly shall have a means for attaching to building structure and a wood nailer for attaching roof materials, and shall be insulated with a minimum of 2" of rigid, glass-fiber insulation on inside of assembly.

- D. Spring Isolators: Adjustable, restrained spring isolators shall be mounted on 1/4-inch thick, elastomeric vibration isolation pads and shall have access ports, for level adjustment, with removable waterproof covers at all isolator locations. Isolators shall be located so they are accessible for adjustment at any time during the life of the installation without interfering with the integrity of the roof.
1. Restrained Spring Isolators: Freestanding, steel, open-spring isolators with wind restraint.
    - a. Housing: Steel with resilient vertical-limit stops and adjustable equipment mounting and leveling bolt.
    - b. Outside Spring Diameter: Not less than 80 percent of the compressed height of the spring at rated load.
    - c. Minimum Additional Travel: 50 percent of the required deflection at rated load.
    - d. Lateral Stiffness: More than 80 percent of rated vertical stiffness.
    - e. Overload Capacity: Support 200 percent of rated load, fully compressed, without deformation or failure.
- E. Snubber Bushings: All-directional, elastomeric snubber bushings at least 1/4 inch thick.
- F. Water Seal: Galvanized sheet metal with EPDM seals at corners, attached to upper support frame, extending down past wood nailer of lower support assembly, and counterflashed over roof materials.

### 2.3 VIBRATION ISOLATION EQUIPMENT BASES

- A. Available Manufacturers:
- B. Manufacturers:
1. Amber/Booth Company, Inc.
  2. Kinetics Noise Control.
  3. Mason Industries.
  4. Vibration Mountings & Controls, Inc.
- C. Steel Base: Factory-fabricated, welded, structural-steel bases and rails.
1. Design Requirements: Lowest possible mounting height with not less than 1" clearance above the floor. Include equipment anchor bolts and auxiliary motor slide bases or rails.
    - a. Include supports for suction and discharge elbows for pumps.
  2. Structural Steel: Steel shapes, plates, and bars complying with ASTM A 36/A 36M. Bases shall have shape to accommodate supported equipment.
  3. Support Brackets: Factory-welded steel brackets on frame for outrigger isolation mountings and to provide for anchor bolts and equipment support.

FIRE STATIONS RENOVATION  
ARLINGTON COUNTY, VIRGINIA  
Architect's Project No: 563006

- D. Inertia Base: Factory-fabricated, welded, structural-steel bases and rails ready for placement of cast-in-place concrete.
  - 1. Design Requirements: Lowest possible mounting height with not less than 1-inch clearance above the floor. Include equipment anchor bolts and auxiliary motor slide bases or rails.
    - a. Include supports for suction and discharge elbows for pumps.
  - 2. Structural Steel: Steel shapes, plates, and bars complying with ASTM A 36/A 36M. Bases shall have shape to accommodate supported equipment.
  - 3. Support Brackets: Factory-welded steel brackets on frame for outrigger isolation mountings and to provide for anchor bolts and equipment support.
  - 4. Fabrication: Fabricate steel templates to hold equipment anchor-bolt sleeves and anchors in place during placement of concrete. Obtain anchor-bolt templates from supported equipment manufacturer.

## 2.4 FACTORY FINISHES

- A. Finish: Manufacturer's standard paint applied to factory-assembled and -tested equipment before shipping.
  - 1. Powder coating on springs and housings.
  - 2. All hardware shall be galvanized. Hot-dip-galvanize metal components for exterior use.
  - 3. Bake enamel or powder coat for metal components on isolators for interior use.
  - 4. Color-code or otherwise mark vibration isolation and wind control devices to indicate capacity range.

## PART 3 - EXECUTION

### 3.1 EXAMINATION

- A. Examine areas and equipment to receive vibration isolation and wind-control devices for compliance with requirements for installation tolerances and other conditions affecting performance.
- B. Examine roughing-in of reinforcement and cast-in-place anchors to verify actual locations before installation.
- C. Proceed with installation only after unsatisfactory conditions have been corrected.

### 3.2 APPLICATIONS

- A. Multiple Pipe Supports: Secure pipes to trapeze member with clamps approved for application by an agency acceptable to authorities having jurisdiction.

FIRE STATIONS RENOVATION  
ARLINGTON COUNTY, VIRGINIA  
Architect's Project No: 563006

- B. Strength of Support and Wind Restraint Assemblies: Where not indicated, select sizes of components so strength will be adequate to resist loads within loading limits.

3.3 VIBRATION-CONTROL DEVICE INSTALLATION

- A. Comply with requirements indicated in the Contract Documents, in codes and ordinances, by Authority Having Jurisdiction, and by Manufacturer, for installation of all devices.

3.4 FIELD QUALITY CONTROL

- A. Perform tests.

- B. Tests:

1. Provide evidence of recent calibration of test equipment by a testing agency acceptable to authorities having jurisdiction.
2. Schedule test with Owner, through Architect, before connecting anchorage device to restrained component (unless postconnection testing has been approved), and with at least seven days' advance notice.
3. Obtain Architect's approval before transmitting test loads to structure. Provide temporary load-spreading members.
4. Test at least two of each type and size of installed anchors and fasteners.
5. Test to 90 percent of rated proof load of device.
6. Measure isolator restraint clearance.
7. Measure isolator deflection.
8. Verify snubber minimum clearances.
9. If a device fails test, fix and retest until satisfactory results are achieved then modify all installations of same type to match.

- C. Prepare test reports.

3.5 ADJUSTING

- A. Adjust isolators after piping system is at operating weight.
- B. Adjust limit stops on restrained spring isolators to mount equipment at normal operating height. After equipment installation is complete, adjust limit stops so they are out of contact during normal operation.
- C. Adjust active height of spring isolators.
- D. Adjust restraints to permit free movement of equipment within normal mode of operation.

3.6 VIBRATION ISOLATION SCHEDULE

FIRE STATIONS RENOVATION  
ARLINGTON COUNTY, VIRGINIA  
Architect's Project No: 563006

A. Ductwork

1. Flexible connectors shall be used for ductwork connections to air handling units. Refer to Section "Metal Ducts." Ductwork shall be suspended with elastomeric hangers for a distance of 20 feet from air handling units.

B. Air Handling Units

1. Units shall include fan and motor assemblies internally isolated from the unit casing using spring isolators and flexible duct connectors.

C. Power Ventilators

1. Provide elastomeric hangers for units suspended from structure above ceiling.

D. Split System Indoor Units

1. Provide elastomeric hangers for units suspended from structure above ceiling.

END OF SECTION

FIRE STATIONS RENOVATION  
ARLINGTON COUNTY, VIRGINIA  
Architect's Project No: 563006

SECTION 230700 - HVAC INSULATION

PART 1 - GENERAL

1.1 RELATED DOCUMENTS

- A. Provisions of the Contract and of the Contract Documents apply to this Section.

1.2 DEFINITIONS

- A. Outdoor duct and pipe: Duct conveying untreated outside air at ambient temperature and humidity.
- B. Outdoor pipe: Pipe located outside the building insulation envelope.
- C. Supply air duct: Duct conveying air on the discharge side of an air handling unit or fan which will be delivered to a space in a building through a diffuser or connection to the return duct of another unit. Ductwork on the discharge side of a 100% outside air unit is considered to be Supply air duct.
- D. Return air duct: Duct conveying air from a space or plenum that will return to an air handling unit or energy transfer device. The air may be returned to the supply air duct after being conditioned, or it may be exhausted after passing through an energy transfer device. Typical examples of an energy transfer devices are plate heat exchangers, runaround coils, heat pipes, and energy wheels.
- E. Exhaust air duct: Duct conveying air from a space or plenum that will be exhausted from the building without being passed through an energy transfer device.
- F. Plenum: An unoccupied space or void, on the conditioned side of the building insulation and vapor barrier, being used to return conditioned air to the inlet side of a return or exhaust fan either directly or via a duct connection. An example would be a space with air handling light fixtures or openings in the ceiling used to transport air through the ceiling and then to an open duct located above the ceiling in another location.
- G. Indirectly Conditioned Space: A space having no direct conditioning but, due to air movement induced by an exhaust, or return opening, is conditioned by makeup air from an adjacent space. An example would be a small toilet. Boiler rooms, fan rooms, and mechanical rooms do not qualify as indirectly conditioned spaces.
- H. Inside the Building Insulation Envelope: For the purposes of this section, boiler rooms, fan rooms, and mechanical rooms are considered to be OUTSIDE the building insulation envelope.

1.3 SUBMITTALS

- A. Product Data: Identify thermal conductivity, thickness, and jackets (both factory and field applied, if any), for each type of product indicated.
- B. Shop Drawings: Show fabrication and installation details for the following:
  - 1. Detail application of removable insulation covers.
  - 2. Detail application of protective shields, saddles, and inserts at hangers for each type of insulation and hanger.

FIRE STATIONS RENOVATION  
ARLINGTON COUNTY, VIRGINIA  
Architect's Project No: 563006

3. Detail attachment and covering of heat tracing inside insulation.
4. Detail insulation application at pipe expansion joints for each type of insulation.
5. Detail insulation application at elbows, fittings, flanges, valves, and specialties for each type of insulation.
6. Detail removable insulation at piping specialties, equipment connections, and access panels.
7. Detail application of field-applied jackets.
8. Detail application at linkages of control devices.
9. Detail field application for each equipment type.

1.4 QUALITY ASSURANCE

- A. Fire-Test-Response Characteristics: Insulation and related materials shall have fire-test-response characteristics indicated, as determined by testing identical products per ASTM E 84, by a testing and inspecting agency acceptable to authorities having jurisdiction. Factory label insulation and jacket materials and adhesive, mastic, tapes, and cement material containers, with appropriate markings of applicable testing and inspecting agency.
  1. Insulation Installed Indoors: Flame-spread index of 25 or less, and smoke-developed index of 50 or less.
  2. Insulation Installed Outdoors: Flame-spread index of 75 or less, and smoke-developed index of 150 or less.

1.5 DELIVERY, STORAGE, AND HANDLING

- A. Packaging: Ship insulation materials in containers marked by manufacturer with type, grade, and maximum use temperature.
- B. Ship Insulated Piping System Components on pallets and wood supports. Securely fasten and protect from damage. Store off the ground and cover with opaque waterproof tarp to protect materials from sunlight and rain.

1.6 COORDINATION

- A. Coordinate size and location of supports, hangers, and insulation shields specified in Section "Hangers and Supports for HVAC Piping and Equipment."
- B. Coordinate clearance requirements with piping Installer for piping insulation, duct Installer for duct insulation, and equipment Installer for equipment insulation.
- C. Maintain clearances required for maintenance.
- D. Coordinate installation and testing of heat tracing.

PART 2 - PRODUCTS

2.1 MANUFACTURERS

- A. Available Manufacturers:
  1. Mineral-Fiber Insulation:
    - a. CertainTeed Manson.
    - b. Johns Manville



FIRE STATIONS RENOVATION  
ARLINGTON COUNTY, VIRGINIA  
Architect's Project No: 563006

- c. Knauf FiberGlass GmbH.
    - d. Owens-Corning Fiberglas Corp.
    - e. Schuller International, Inc.
  - 2. Flexible Elastomeric Thermal Insulation:
    - a. Armacell, LLC
    - b. Rubatex Corp.
  - 3. Removable Insulation Covers:
    - a. Advance Thermal Corp.
- B. Comply with requirements in Part 3 schedule articles for where insulating materials shall be applied.
- C. Products shall not contain asbestos, lead, mercury, or mercury compounds.
- D. Products that come in contact with stainless steel shall have a leachable chloride content of less than 50 ppm when tested according to ASTM C 871.
- E. Insulation materials for use on austenitic stainless steel shall be qualified as acceptable according to ASTM C 795.
- F. Foam insulation materials shall not use CFC or HCFC blowing agents in the manufacturing process.
- G. Duct Liner: Refer to specification section "Metal Ducts"
- H. Mineral-Fiber Board: Glass fibers bonded with a thermosetting resin. Comply with ASTM C 612, Type IB, with factory applied FSK Jacket. Meet the requirements of ASTM C 1290, Type III, inorganic glass fibers bonded by a thermosetting resin to maximum service temperature of 250°F.. Faced insulation shall not exceed 25 Flame Spread, 50 Smoke Developed when tested in accordance with ASTM E84.
- I. Semi-Rigid Mineral-Fiber Board: Glass fibers bonded with a thermosetting resin. Comply with ASTM C 1136, Type I, II, III, & IV with factory applied all-service jacket (ASJ) or Type II, IV with factory applied Foil Scrim Kraft (FSK) jacket.
- J. Mineral-Fiber Blanket with Factory Applied FSK Jacket: Meet the requirements of ASTM C 1290, Type III, inorganic glass fibers bonded by a thermosetting resin with a multi-purpose foil-scrim kraft (FSK) jacket to maximum service temperature of 250°F. FSK shall meet the requirements of ASTM C 1136, Type II, when surface burning characteristics are determined in accordance with ASTM E 84 with the foil surface of the material exposed to the flame as it is in the final composite. Composite (insulation, facing and adhesive) shall not exceed 25 Flame Spread, 50 Smoke Developed when tested in accordance with ASTM E 84. Insulation properties shall be as follows:
- 1. Thickness: 1-1/2"
    - a. Density: 0.75 pcf
    - b. Minimum uncompressed R value: 5.0
    - c. Minimum installed R value assuming 25% compression: 4.0
  - 2. Thickness: 2"
    - a. Density: 1.0 pcf
    - b. Minimum uncompressed R value: 7.4
    - c. Minimum installed R value assuming 25% compression: 6.0
  - 3. Alternate to 2" 1.0 pcf: Thickness: 2.2"
    - a. Density: 0.75 pcf

**FIRE STATIONS RENOVATION  
ARLINGTON COUNTY, VIRGINIA  
Architect's Project No: 563006**

- b. Minimum uncompressed R value: 7.4
- c. Minimum installed R value assuming 25% compression: 6.0
- 4. Thickness: 3"
- a. Density: 0.75 pcf
- b. Minimum uncompressed R value: 10.0
- c. Minimum installed R value assuming 25% compression: 8.3

**K. Mineral-Fiber Pipe Insulation:** Glass fibers bonded with a thermosetting resin complying with the following:

- 1. Preformed Pipe Insulation: Comply with ASTM C 547, Type 1, with factory-applied, all-purpose, vapor-retarder jacket.
- 2. Semi-Rigid Mineral-Fiber Board Thermal Insulation: Glass fibers bonded with a thermosetting resin. Comply with ASTM C 1136, Type I, II, III, IV with factory applied all-service jacket (ASJ) or Type II, IV with factory applied Foil Scrim Kraft (FSK) jacket.
- 3. Fire-Resistant Adhesive: Comply with MIL-A-3316C in the following classes and grades:
  - a. Class 1, Grade A for bonding glass cloth and tape to unfaced glass-fiber insulation, for sealing edges of glass-fiber insulation, and for bonding lagging cloth to unfaced glass-fiber insulation.
  - b. Class 2, Grade A for bonding glass-fiber insulation to metal surfaces.
- 4. Mineral-Fiber Insulating Cements: Comply with ASTM C 195.
- 5. Expanded or Exfoliated Vermiculite Insulating Cements: Comply with ASTM C 196.
- 6. Mineral-Fiber, Hydraulic-Setting Insulating and Finishing Cement: Comply with ASTM C 449/C 449M.

**L. Flexible Elastomeric:** Closed-cell, sponge- or expanded-rubber materials. Comply with ASTM C 534, Type I for tubular materials and Type II for sheet materials.

- 1. Adhesive: As recommended by insulation material manufacturer.
- 2. Ultraviolet-Protective Coating: As recommended by insulation manufacturer.

**M. Closed-Cell Phenolic-Foam:** Block insulation of rigid, expanded, closed-cell structure. Comply with ASTM C 1126, Type II, Grade 1.

**N. Prefabricated Thermal Insulating Fitting Covers:** Comply with ASTM C 450 for dimensions used in preforming insulation to cover valves, elbows, tees, and flanges.

**2.2 FIELD-APPLIED JACKETS**

- A. General: ASTM C 921, Type 1, unless otherwise indicated.
- B. Glass Cloth: Woven glass-fiber fabric, plain weave, minimum 8 ounces per square yard.
- C. Foil and Paper Jacket: Laminated, glass-fiber-reinforced, flame-retardant kraft paper and aluminum foil.
- D. PVC Jacket: High-impact, ultraviolet-resistant PVC; 20 mils thick; roll stock ready for shop or field cutting and forming.
  - 1. Adhesive: As recommended by insulation material manufacturer.
  - 2. PVC Duct Jacket Color: White or gray.

FIRE STATIONS RENOVATION  
ARLINGTON COUNTY, VIRGINIA  
Architect's Project No: 563006

3. PVC Pipe Jacket Color: Color-code piping jackets based on materials contained within the piping system.
- E. Aluminum Jacket: Deep corrugated sheets manufactured from aluminum alloy complying with ASTM B 209, and having an integrally bonded moisture barrier over entire surface in contact with insulation. Factory cut and rolled to indicated sizes. Comply with ASTM B 209, 3003 alloy, H-14 temper.
1. Finish and Thickness: Stucco-embossed finish, 0.016 inch thick.
  2. Moisture Barrier: 1-mil- thick, heat-bonded polyethylene and kraft paper.
  3. Elbows: Preformed, 45- and 90-degree, short- and long-radius elbows; same material, finish, and thickness as jacket.
- F. Heavy PVC Pipe Fitting Covers: Factory-fabricated fitting covers manufactured from 30-mil-thick, high-impact, ultraviolet-resistant PVC.
1. Shapes: 45- and 90-degree, short- and long-radius elbows, tees, valves, flanges, reducers, end caps, soil-pipe hubs, traps, mechanical joints, and P-trap and supply covers for lavatories for the disabled.
  2. Adhesive: As recommended by insulation material manufacturer.
- G. Pre-engineered Jacketing systems: Metallic outer covering, with Velcro system suited for protecting outdoor refrigerant piping. Provide submittal for approval.

### 2.3 ACCESSORIES AND ATTACHMENTS

- A. Glass Cloth and Tape: Comply with MIL-C-20079H, Type I for cloth and Type II for tape. Woven glass-fiber fabrics, plain weave, presized a minimum of 8 oz./sq. yd..
1. Tape Width: 4 inches.
- B. Bands: 3/4 inch wide, in one of the following materials compatible with jacket:
1. Stainless Steel: ASTM A 666, Type 304; 0.020 inch thick.
  2. Galvanized Steel: 0.005 inch thick.
  3. Aluminum: 0.007 inch thick.
  4. Brass: 0.010 inch thick.
  5. Nickel-Copper Alloy: 0.005 inch thick.
- C. Wire: 0.080-inch, nickel-copper alloy; 0.062-inch, soft-annealed, stainless steel; or 0.062-inch, soft-annealed, galvanized steel.
- D. Weld-Attached Anchor Pins and Washers: Copper-coated steel pin for capacitor-discharge welding and galvanized speed washer. Pin length sufficient for insulation thickness indicated.
1. Welded Pin Holding Capacity: 100 lb for direct pull perpendicular to the attached surface.
- E. Adhesive-Attached Anchor Pins and Speed Washers: Galvanized steel plate, pin, and washer manufactured for attachment to duct, pipe, plenum and breeching with adhesive. Pin length sufficient for insulation thickness indicated.
1. Adhesive: Recommended by the anchor pin manufacturer as appropriate for surface temperatures of ducts, pipes, plenums, and breechings; and to achieve a holding capacity of 100 lb. for direct pull perpendicular to the adhered surface.

FIRE STATIONS RENOVATION  
ARLINGTON COUNTY, VIRGINIA  
Architect's Project No: 563006

- F. Self-Adhesive Anchor Pins and Speed Washers: Galvanized steel plate, pin, and washer manufactured for attachment to duct, pipe, and plenum with adhesive. Pin length sufficient for insulation thickness indicated.

2.4 VAPOR RETARDERS

- A. Mastics: Materials that are compatible with insulation materials, jackets, and substrates.

PART 3 - EXECUTION

3.1 EXAMINATION

- A. Examine substrates and conditions for compliance with requirements for installation and other conditions affecting performance of insulation application.
- B. Proceed with installation only after unsatisfactory conditions have been corrected.

3.2 PREPARATION

- A. Surface Preparation: Clean and dry surfaces to receive insulation. Remove materials that will adversely affect insulation application.

3.3 GENERAL APPLICATION REQUIREMENTS

- A. Apply insulation materials, accessories, and finishes according to the manufacturer's written instructions; with smooth, straight, and even surfaces; and free of voids throughout the length of ducts, piping, and fittings.
- B. Refer to schedules at the end of this Section for materials, forms, jackets, and thickness required for each system.
- C. Use accessories compatible with insulation materials and suitable for the service. Use accessories that do not corrode, soften, or otherwise attack insulation or jacket in either wet or dry state.
- D. Apply multiple layers of insulation with longitudinal and end seams staggered.
- E. Do not weld brackets, clips, or other attachment devices to piping, fittings, and specialties.
- F. Seal joints and seams with vapor-retarder mastic on insulation indicated to receive a vapor retarder.
- G. Keep insulation materials dry at all times. Insulation that becomes wet or is otherwise damaged beyond repair, shall be removed immediately and replaced. Replacement material and installation shall be in accordance with these specifications.
- H. Apply insulation with tight longitudinal seams and end joints. Bond seams and joints with adhesive recommended by the insulation material manufacturer.
- I. Apply insulation with the minimum number of joints practical.
- J. Apply insulation over fittings, valves, and specialties, with continuous thermal and vapor-retarder integrity, unless otherwise indicated.
- K. Refer to special instructions for applying insulation over fittings, valves, and specialties.

FIRE STATIONS RENOVATION  
ARLINGTON COUNTY, VIRGINIA  
Architect's Project No: 563006

- L. Hangers and Anchors: Where vapor retarder is indicated, seal penetrations in insulation at hangers, supports, anchors, and other projections with vapor-retarder mastic.
  - 1. Apply insulation continuously through hangers and around anchor attachments.
  - 2. For insulation application where vapor retarders are indicated, extend insulation on anchor legs at least 12 inches from point of attachment to pipe and taper insulation ends. Seal tapered ends with a compound recommended by the insulation material manufacturer to maintain vapor retarder.
  - 3. Install insert materials and apply insulation to tightly join the insert. Seal insulation to insulation inserts with adhesive or sealing compound recommended by the insulation material manufacturer.
  - 4. Cover inserts with jacket material matching adjacent pipe insulation. Install shields over jacket, arranged to protect the jacket from tear or puncture by the hanger, support, and shield.
  
- M. Insulation Terminations: For insulation application where vapor retarders are indicated, seal ends with a compound recommended by the insulation material manufacturer to maintain vapor retarder.
  
- N. Apply insulation with integral jackets as follows:
  - 1. Pull jacket tight and smooth.
  - 2. Circumferential Joints: Cover with 3-inch- wide strips, of same material as insulation jacket. Secure strips with adhesive and outward clinching staples along both edges of strip and spaced 4 inches o.c.
  - 3. Longitudinal Seams: Overlap jacket seams at least 1-1/2 inches. Apply insulation with longitudinal seams at bottom of pipe. Clean and dry surface to receive self-sealing lap. Staple laps with outward clinching staples along edge at 4 inches o.c.
    - a. Exception: Do not staple longitudinal laps on insulation having a vapor retarder.
  - 4. Vapor-Retarder Mastics: Where vapor retarders are indicated, apply mastic on seams and joints and at ends adjacent to flanges, unions, valves, and fittings.
  - 5. At penetrations in jackets for thermometers and pressure gages, fill and seal voids with vapor-retarder mastic.
  
- O. Cut insulation according to manufacturer's written instructions to prevent compressing insulation to less than 75 percent of its nominal thickness.
  
- P. Install vapor-retarder mastic on ducts, pipes, plenums, and equipment.
  - 1. Ducts, pipes, plenums, and equipment with Vapor Retarders: Overlap insulation facing at seams and seal with vapor-retarder mastic and pressure-sensitive tape having same facing as insulation. Repair punctures, tears, and penetrations with tape and mastic to maintain vapor-retarder seal.
  - 2. Ducts, pipes, plenums, and equipment without Vapor Retarders: Overlap insulation facing at seams and secure with outward clinching staples and pressure-sensitive tape having same facing as insulation.
  
- Q. Roof Penetrations: Apply insulation for interior applications to a point even with top of roof flashing.

FIRE STATIONS RENOVATION  
ARLINGTON COUNTY, VIRGINIA  
Architect's Project No: 563006

1. Seal penetrations with vapor-retarder mastic.
  2. Apply insulation for exterior applications tightly joined to interior insulation ends.
  3. Extend metal jacket of exterior insulation outside roof flashing at least 2 inches below top of roof flashing.
  4. Seal metal jacket to roof flashing with vapor-retarder mastic.
- R. Interior Wall and Partition Penetrations: Apply insulation continuously through walls and partitions, except fire-rated walls and partitions.
- S. Fire-Rated Wall and Partition Penetrations: Terminate insulation at fire/smoke damper sleeves for fire-rated wall and partition penetrations.
- T. Floor Penetrations: Terminate insulation at underside of floor assembly and at floor support at top of floor.
1. For insulation indicated to have vapor retarders, taper termination and seal insulation ends with vapor-retarder mastic.

### 3.4 MINERAL-FIBER INSULATION APPLICATION

- A. Blanket Applications for Ducts, Pipes, and Plenums: Secure blanket insulation with adhesive, and anchor pins with speed washers.
1. Apply adhesives according to manufacturer's recommended coverage rates per square foot, for 100 percent coverage of duct, pipe, and plenum surfaces.
  2. Apply adhesive to entire circumference of ducts & pipes and to all surfaces of fittings and transitions. Adhesive may be omitted from the top of horizontal rectangular ducts.
  3. Install anchor pins and speed washers on sides and bottom of horizontal ducts and sides of vertical ducts as follows:
    - a. On duct sides with dimensions 18 inches and smaller, along longitudinal centerline of duct. Space 3 inches maximum from insulation end joints, and 16 inches o.c.
    - b. On duct sides with dimensions larger than 18 inches. Space 16 inches o.c. each way, and 3 inches maximum from insulation joints. Apply additional pins and clips to hold insulation tightly against surface at cross bracing.
    - c. Anchor pins may be omitted from top surface of horizontal, rectangular ducts and plenums.
    - d. Do not compress insulation to less than 75% of its original thickness during installation.
  4. Install anchor pins and speed washers on sides, top, and bottom of horizontal pipes.
  5. Impale insulation over anchors and attach speed washers.
  6. Cut excess portion of pins extending beyond speed washers. Cover exposed pins and washers with tape matching insulation facing.
  7. Create a facing lap for longitudinal seams and end joints with insulation by removing 2 inches from one edge and one end of insulation segment. Secure laps to adjacent insulation segment with 1/2-inch staples, 1-inch o.c., and cover with pressure-sensitive tape having same facing as insulation.
  8. Overlap unfaced blankets a minimum of 2 inches on longitudinal seams and end joints. Secure with steel band at end joints and spaced a maximum of 18 inches o.c.
  9. Apply insulation on rectangular duct elbows, pipe fittings, and transitions with a full insulation segment for each surface. Apply insulation on round and flat-oval duct elbows, and pipe elbows, with individually mitered gores cut to fit the elbow.

FIRE STATIONS RENOVATION  
ARLINGTON COUNTY, VIRGINIA  
Architect's Project No: 563006

10. Insulate duct and pipe stiffeners, hangers, and flanges that protrude beyond the insulation surface with 6-inch- wide strips of the same material as insulation. Secure on alternating sides of stiffener, hanger, and flange with anchor pins spaced 6 inches o.c.
  11. Apply vapor-retarder mastic to open joints, breaks, and punctures for insulation indicated to receive vapor retarder.
- B. Board Applications for Ducts, Plenums, & Equipment: Secure board insulation with adhesive and anchor pins and speed washers.
1. Apply adhesives according to manufacturer's recommended coverage rates per square foot, for 100 percent coverage of duct, plenum, & equipment surfaces.
  2. Apply adhesive to entire circumference of ducts and to all surfaces of fittings, transitions, and equipment. Adhesive may be omitted from top surface of horizontal rectangular ducts.
  3. Space anchor pins as follows:
    - a. On duct & equipment sides with dimensions 18 inches and smaller, along longitudinal centerline of duct. Space 3 inches maximum from insulation end joints, and 16 inches o.c.
    - b. On duct & equipment sides with dimensions larger than 18 inches. Space 16 inches o.c. each way, and 3 inches maximum from insulation joints. Apply additional pins and clips to hold insulation tightly against surface at bracing.
    - c. Anchor pins may be omitted from top surface of horizontal, rectangular ducts and plenums.
    - d. Do not compress insulation to less than 75% of its original thickness during installation.
  4. Cut excess portion of pins extending beyond speed washers. Cover exposed pins and washers with tape matching insulation facing.
  5. Create a facing lap for longitudinal seams and end joints with insulation by removing 2 inches from one edge and one end of insulation segment. Secure laps to adjacent insulation segment with 1/2-inch staples, 1-inch o.c., and cover with pressure-sensitive tape having same facing as insulation.
  6. Apply insulation on rectangular duct elbows and transitions with a full insulation segment for each surface. Groove and score insulation to fit as closely as possible to outside and inside radius of elbows. Apply insulation on round and flat-oval duct elbows with individually mitered gores cut to fit the elbow.
  7. Insulate duct and equipment stiffeners, hangers, and flanges that protrude beyond the insulation surface with 6" wide strips of the insulating materia. Secure on alternating sides of stiffener, hanger, and flange with anchor pins spaced 6 inches o.c.
  8. Apply vapor-retarder mastic to open joints, breaks, and punctures for insulation indicated to receive vapor retarder.

### 3.5 FLEXIBLE ELASTOMERIC THERMAL INSULATION APPLICATION

- A. Apply insulation to ducts, plenums, and equipment as follows:
1. Follow the manufacturer's written instructions for applying insulation.
  2. Seal longitudinal seams and end joints with manufacturer's recommended adhesive. Cement to avoid openings in insulation that will allow passage of air to the duct, plenum, and equipment surface.

FIRE STATIONS RENOVATION  
ARLINGTON COUNTY, VIRGINIA  
Architect's Project No: 563006

3.6 FIELD-APPLIED JACKET APPLICATION

- A. Apply glass-cloth jacket, where indicated, directly over bare insulation or insulation with factory-applied jackets.
  - 1. Apply jacket smooth and tight to surface with 2-inch overlap at seams and joints.
  - 2. Embed glass cloth between two 0.062-inch- thick coats of jacket manufacturer's recommended adhesive.
  - 3. Completely encapsulate insulation with jacket, leaving no exposed raw insulation.

3.7 FINISHES

- A. Glass-Cloth Jacketed Insulation: Paint insulation finished with glass-cloth jacket as specified in Division 9 Section "Paints."
- B. Flexible Elastomeric Thermal Insulation: After adhesive has fully cured, apply two coats of insulation manufacturer's recommended protective coating.
- C. Color: Final color shall be as selected by Architect. Vary first and second coats to allow visual inspection of the completed Work.

3.8 DIFFUSER APPLICATIONS

- A. Insulate exposed metal surfaces on top of all supply diffusers. Where diffusers are mounted in a metal pan insulate the top of the metal pan.
  - 1. Material: Mineral-Fiber Blanket Thermal Insulation with Factory Applied FSK Jacket.
  - 2. Thickness: 1 inch.
  - 3. Vapor Retarder Required: Yes.

3.9 APPLICATIONS

- A. Insulation materials and thickness are specified at the end of this Section.
- B. Insulate all ductwork, pipe and equipment:
  - 1. Insulate ductwork in accordance with the application schedule(s) below.
  - 2. Exceptions: Unless otherwise indicated, do not apply insulation to the following systems, materials, and equipment:
    - a. Vibration-control devices.
    - b. Testing agency labels and stamps.
    - c. Nameplates and data plates.
    - d. Manholes.
    - e. Handholes.
    - f. Cleanouts.
    - g. Plastic condensate drain piping.
    - h. Pipe-mounted condensate sensors.
    - i. Return ductwork inside the building insulation envelope.
    - j. Indoor exposed return air ductwork.
    - k. Exhaust ductwork.
      - 1) Exception: Duct beginning 18" upstream of backdraft damper and continuing to building envelope insulation.
    - l. Metal ducts with duct liner.
    - m. Factory-insulated flexible ducts.



FIRE STATIONS RENOVATION  
ARLINGTON COUNTY, VIRGINIA  
Architect's Project No: 563006

- n. Factory-insulated plenums, casings, terminal boxes, and filter boxes and sections.
- o. Flexible connectors.
- p. Vibration-control devices.
- q. Testing agency labels and stamps.
- r. Nameplates and data plates.
- s. Access panels and doors in air-distribution systems.

3.10 INDOOR APPLICATION SCHEDULE

- A. Service: Condensate drain piping.
  - 1. Insulation Material: Mineral fiber preformed pipe insulation.
  - 2. Insulation Thickness: 1”
  - 3. Vapor Retarder Required: Yes.
  - 4. Finish: Exposed = Painted, concealed = none.
  
- B. Service: Refrigerant piping.
  - 1. Operating Temperature: 35 to 50 deg F.
  - 2. Insulation Material: Flexible Elastomeric.
  - 3. Insulation Thickness: 1”
  - 4. Vapor Retarder Required: Yes.
  - 5. Finish: Exposed = Painted, concealed = none.
  
- C. Service: Unless otherwise indicated provide the following:
  - 1. Concealed Ducts and Plenums:
    - a. Material: Mineral-Fiber Blanket.
    - b. Thickness: 1 1/2 inches.
    - c. Vapor Retarder Required: Yes.
  - 2. Exposed Ducts and Plenums:
    - a. Material: Mineral-Fiber Board.
    - b. Thickness: 1-1/2 inches.
    - c. Field-Applied Jacket: Glass cloth.
    - d. Vapor Retarder Required: Yes.
    - e. Paint: Color as selected by architect. Refer to section “Painting”.
  
- D. Service: Supply-air ducts, concealed and within the building insulation envelope.
  - 1. Material: Mineral-Fiber Blanket Thermal Insulation with Factory Applied FSK Jacket.
  - 2. Thickness: 1 1/2 inches.
  - 3. Vapor Retarder Required: Yes.
  
- E. Service: Outside-air ducts, concealed and within the building insulation envelope.
  - 1. Material: Mineral-Fiber Blanket Thermal Insulation with Factory Applied FSK Jacket.
  - 2. Thickness: 1 1/2 inches.
  - 3. Vapor Retarder Required: Yes.
  
- F. Service: Rectangular, return-air ducts, concealed in vented attics and unvented attics with insulated ceilings.
  - 1. Material: Mineral-Fiber Blanket Thermal Insulation with Factory Applied FSK Jacket.
  - 2. Thickness: 1-1/2 inches.

FIRE STATIONS RENOVATION  
ARLINGTON COUNTY, VIRGINIA  
Architect's Project No: 563006

3. Vapor Retarder Required: Yes.

3.11 OUTDOOR APPLICATION SCHEDULE

A. Service: Refrigerant piping.

1. Operating Temperature: 35 to 50 deg F.
2. Insulation Material: Flexible Elastomeric.
3. Insulation Thickness: 1"
4. Field-Applied Jacket: Aluminum or PVC or pre-engineered jacketing systems.
5. Vapor Retarder Required: Yes.
6. Finish: Two coats UV protectant.

END OF SECTION 230700

FIRE STATIONS RENOVATION  
ARLINGTON COUNTY, VIRGINIA  
Architect's Project No: 563006

SECTION 230900 – BUILDING AUTOMATION SYSTEM

PART 1 - GENERAL

1.1 RELATED DOCUMENTS

- A. Provisions of the Contract and of the Contract Documents apply to this Section.

1.2 WARRANTY

- A. Provide all services, materials and equipment necessary for the successful operation of the entire BAS system for a period of one year beginning on the date of Final Acceptance.
- B. Services, materials, and equipment shall include but not be limited to:
1. The adjustment, required testing, and repair of the system including all computer equipment, transmission lines, transmission equipment, sensors and control devices.
  2. On-line support services shall be provided as follows:
    - a. The local BAS representative shall have the capability to monitor and control the facility's building automation system via a dialup or internet connection. This connection to the facility shall be made within 2 hours of the time a problem is reported.
    - b. If the problem is not resolved by local support, the national office of the building automation system manufacturer, having the same dialup capability, shall also attempt to solve the problem online. If the problem cannot be resolved with on-line support, the BAS representative shall dispatch the appropriate personnel to the job site to resolve the problem within 4 hours of the time that the problem is reported.
    - c. This coverage shall include normal business hours, after business hours, weekends and holidays.

1.3 SUBMITTALS

- A. Pre-submittal meeting: The Contractor performing work under this Section of the specifications shall attend a meeting for coordinating the control system with major pieces of equipment including Rooftop Units. The meeting shall be held on the project site in the contractor's trailer or other location acceptable to the Contractor. The Contractor shall be responsible for arranging the meeting. Submittals shall be essentially complete at the time of the meeting so detailed coordination items can be discussed.
- B. Submit ten (10) complete sets of documentation in the following phased delivery schedule:
1. Schedule of dampers including size, leakage, and flow characteristics.
  2. Schedule of valves including leakage and flow characteristics.

FIRE STATIONS RENOVATION  
ARLINGTON COUNTY, VIRGINIA  
Architect's Project No: 563006

3. **Product Data:** Include manufacturer's technical literature for each control device. Indicate dimensions, capacities, performance characteristics, electrical characteristics, finishes for materials, and installation and startup instructions for each type of product indicated. Include each control device labeled with setting or adjustable range of control.
  - a. **DDC System Hardware:** Bill of materials of equipment indicating quantity, manufacturer, and model number. Include technical data for interface equipment, control units, transducers/transmitters, sensors, actuators, valves, relays/switches, control panels, and operator interface equipment.
  - b. **Control System Software:** Include technical data for operating system software, operator interface, color graphics, and other third-party applications.
  - c. **Controlled Systems:** Instrumentation list with element name, type of device, manufacturer, model number, and product data. Include written description of sequence of operation including schematic diagram.
  
4. **Shop Drawings:** Detail equipment assemblies and indicate dimensions, weights, loads, required clearances, method of field assembly, components, and location and size of each field connection. Include the following:
  - a. **System schematics, including:**
    - 1) Written sequences of operation
    - 2) Listing of connected data points, including connected control unit and input device.
      - a) Point names
      - b) Point addresses
    - 3) Power, signal, and control wiring. Differentiate between manufacturer-installed and field-installed wiring.
    - 4) Details of control panel faces, including controls, instruments, and labeling.
    - 5) Schematic flow diagrams showing fans, pumps, coils, dampers, valves, and control devices.
    - 6) Trunk cable schematic showing programmable control unit locations and trunk data conductors.
    - 7) System graphics indicating monitored systems, data (connected and calculated) point addresses, and operator notations.
    - 8) System configuration showing peripheral devices, batteries, power supplies, diagrams, modems, and interconnections.
  
- C. **Maintenance Data:** For systems to include in maintenance manuals specified in Division 1. Include the following:
  1. Maintenance instructions and lists of spare parts for each type of control device.
  2. Interconnection wiring diagrams with identified and numbered system components and devices.
  3. Keyboard illustrations and step-by-step procedures indexed for each operator function.
  4. Inspection period, cleaning methods, cleaning materials recommended, and calibration tolerances.
  5. Calibration records and list of set points.

FIRE STATIONS RENOVATION  
ARLINGTON COUNTY, VIRGINIA  
Architect's Project No: 563006

- D. Project Record Documents: Record actual locations of control components, including control units, thermostats, and sensors. Revise Shop Drawings to reflect actual installation and operating sequences.
- E. Upon project completion, submit operation and maintenance manuals, consisting of the following:
  - 1. Index sheet listing contents in alphabetical order.
  - 2. Manufacturer's equipment parts list of all functional components of the system.
  - 3. DVD of system schematics including wiring diagrams.
  - 4. Sequences of operations
  - 5. As-built interconnection wiring diagrams.
  - 6. Operator's manual.
  - 7. Trunk cable schematic showing remote electronic panel locations and all trunk data.
  - 8. List of connected data points, including panels to which they are connected and input device (sensors, thermostat, etc.)
  - 9. Software and firmware operational documentation. Include the following:
    - a. Software operating and upgrade manuals.
    - b. Program software backup: On a magnetic media or compact disc, complete with data files.
    - c. Device address list.
    - d. Printout of software application and graphic screens.
    - e. Software license required by control systems.
  - 10. Software Upgrade Kit: For Owner to use in modifying software to suit future power system revisions or monitoring and control revisions.
  - 11. Field Test Reports: Indicate and interpret test results for compliance with performance requirements.
- F. Submit product data sheets for airflow measuring devices indicating minimum placement requirements, sensor density, sensor distribution, and installed accuracy to the host control system. Submit a schedule of airflow measuring devices indicating compliance with specified accuracy at minimum and maximum airflow rates. Submit installation, operation and maintenance documentation.

1.4 QUALITY ASSURANCE

- A. The BAS system shall be designed and installed, commissioned, and serviced by a manufacturer's authorized installer.
- B. Manufacturer Qualifications: A firm experienced in manufacturing automatic temperature-control systems similar to those indicated for this Project and with a record of successful in-service performance.
- C. All materials and equipment used shall be standard components, regularly manufactured for this and/or other systems and not custom designed especially for this project.

FIRE STATIONS RENOVATION  
ARLINGTON COUNTY, VIRGINIA  
Architect's Project No: 563006

- D. Electrical Components, Devices, and Accessories: Listed and labeled as defined in NFPA 70, Article 100, by a testing agency acceptable to authorities having jurisdiction, and marked for intended use.
- E. Electronic equipment shall conform to the requirements of FCC Regulation, Part 15, Section 15, governing radio frequency electromagnetic interference and shall be so labeled.
- F. Comply with NFPA 90A, "Installation of Air Conditioning and Ventilation Systems."
- G. Comply with ASHRAE 135 for DDC system components.

1.5 DELIVERY, STORAGE, AND HANDLING

- A. Factory-Mounted Components: Where control devices specified in this Section are indicated to be factory-mounted on equipment, arrange for shipping of control devices to equipment manufacturer.
- B. System Software: Update to latest version of software at Project completion.

1.6 COORDINATION

- A. Control Wiring: The BAS manufacturer shall be responsible for all BAS and temperature control wiring for a complete and operable system. All wire and cable shall be plenum-rated and shall be in accordance with Division 26 specification sections and all local, state and national codes and ordinances.
- B. Where plenum-rated BAS cable is routed in concealed, accessible spaces, the cable may be run in the cable trays or in J-Hooks provided under this section of the specifications. Where plenum-rated BAS cable is routed in exposed or inaccessible areas, it shall be run conduit provided under this section of the specifications.
- C. Power Wiring:
  - 1. Power wiring indicated (device and circuit designation indicated) on the drawings shall be provided under Division 26.
  - 2. The BAS manufacturer shall be responsible for power wiring not indicated (device or circuit designation not indicated) on the Drawings. It shall be the BAS manufacturer's responsibility to review the Contract Documents to determine the extent of power wiring included in Division 26 and to provide additional power wiring as required. Work shall be in accordance with Division 26 specifications and all local, state and national codes and ordinances.
  - 3. Where the contractor performing work under this section requires an additional circuit for power wiring to a device or panel under paragraph 2 above, an RFI shall be issued requesting approval to use an available circuit in the nearest panel. Once approval is granted, all wiring and conduit from the breaker to the device or panel shall be provided under this section of the specifications.

FIRE STATIONS RENOVATION  
ARLINGTON COUNTY, VIRGINIA  
Architect's Project No: 563006

- D. Coordinate location of thermostats, humidistats, and other exposed control sensors with plans and room details before installation. All conduits shall be concealed within walls and above ceilings unless indicated otherwise.
- E. Coordinate installation of conduit to avoid cutting of finished surfaces.
- F. Coordinate equipment with Division 26 Section "Lighting Control Devices" to achieve compatibility with equipment that interfaces with that system.
- G. Coordinate equipment with Division 28 Section "Digital Addressable Fire Alarm" to achieve compatibility with equipment that interfaces with that system.
- H. Coordinate supply of conditioned electrical branch circuits for control units and operator workstation.

1.7 PROJECT CONDITIONS

- A. Maintain environmental conditions (temperature, humidity and ventilation) within limits recommended by manufacturer for optimum results. Do not install products under environmental conditions outside manufacturer's absolute limits.

PART 2 - PRODUCTS

2.1 MANUFACTURER

- 1. Trane

2.2 GENERAL:

- a. Provide controls to match the existing system controls supplier for each fire station.
- b. For fire station #1, provide DDC panel and control new RTU-8 and integrate into existing BAS.
- c. For fire station #6, provide monitoring for new fan and split system as required in sequence of controls for HVAC section and sheet M7.1 on drawings.

2.3 DDC CONTROLLERS

- A. All packaged equipment shall be provided with manufacturers controllers with BACnet interface.

2.4 ELECTRONIC SENSORS

- A. Description: Vibration and corrosion resistant; for wall, immersion, or duct mounting as required.

FIRE STATIONS RENOVATION  
ARLINGTON COUNTY, VIRGINIA  
Architect's Project No: 563006

B. Thermistor Temperature Sensors and Transmitters and Resistance Temperature Detectors and Transmitters:

1. Accuracy: Plus or minus 0.5 deg F at calibration point.
2. Wire: Twisted, shielded-pair cable.
3. Insertion Elements in Ducts: Single point, 8 inches long; use where not affected by temperature stratification or where ducts are smaller than 9 sq. ft.
4. Averaging Elements in Ducts: 36 inches long, flexible; use where prone to temperature stratification or where ducts are larger than 10 sq. ft.
5. Insertion Elements for Liquids: Brass or stainless-steel socket with minimum insertion length of 2-1/2 inches.
6. Room Sensor Cover Construction: Manufacturer's standard locking covers.
  - a. Set-Point Adjustment (classrooms, offices, work rooms and conference rooms): Exposed warmer/cooler slider. Range of adjustment capable at zone sensor shall be programmable through the BAS.
  - b. Set-Point Adjustment (other spaces): Concealed.
  - c. Set-Point Indication: Concealed.
  - d. Thermometer: Concealed.
  - e. Color: Manufacturer's standard.
  - f. Orientation: Vertical.
  - g. Option: No manufacturer logo.
7. Outside-Air Sensors: Watertight inlet fitting, shielded from direct sunlight.
8. Space Sensor Guards: Provide heavy-duty, cast aluminum guards for sensors located in the gymnasium, auxiliary gymnasium, auditorium and commons.
9. Public Corridors: In public corridors and entrances, provide blank stainless-steel cover plate sensors with insulated back and security screws.

C. Humidity Sensors: Capacitance or bulk polymer resistance type.

1. Accuracy: 5 percent full range with linear output.
2. Room Sensor Range: 20 to 80 percent relative humidity.
3. Room Sensor Cover Construction: Manufacturer's standard locking covers.
  - a. Color: Manufacturer's standard.
  - b. Orientation: Vertical.
  - c. Set-Point Adjustment: Concealed.
  - d. Set-Point Indication: Concealed.
4. Outside-Air Sensor: 20 to 80 percent relative humidity range with mounting enclosure, suitable for operation at outdoor temperatures of 0 to 185 deg F.
5. Duct-Mounted: Electric insertion, 2-position type with adjustable, 2 percent throttling range, 20 to 80 percent operating range, and single- or double-pole contacts.

D. Pressure Transmitters/Transducers:

1. Static-Pressure Transmitter: Non-directional sensor with suitable range for expected input and temperature-compensated.



FIRE STATIONS RENOVATION  
ARLINGTON COUNTY, VIRGINIA  
Architect's Project No: 563006

- a. Accuracy: 2 percent of full scale with repeatability of 0.5 percent.
  - b. Output: 4 to 20 mA.
  - c. Building Static-Pressure Range: 0- to 0.25-inch wg.
  - d. Duct Static-Pressure Range: 0- to 5-inch wg.
2. Water Pressure Transducers: Stainless-steel diaphragm construction, suitable for service; minimum 150-psig operating pressure; linear output 4 to 20 mA.
  3. Water Differential-Pressure Transducers: Stainless-steel diaphragm construction, suitable for service; minimum 150-psig operating pressure and tested to 300-psig; linear output 4 to 20 mA.
  4. Differential-Pressure Switch (Air or Water): Snap acting, with pilot-duty rating and with suitable scale range and differential. Accuracy shall be +/- 5% of range.
  5. Pressure Transmitters: Direct acting for gas, liquid, or steam service; range suitable for system; linear output 4 to 20 mA.
- E. Current Sensing Switch:
1. Sensor supply voltage and supply current shall be induced from monitored conductor. Contact rating shall be 0.2 amperes at 30 volts DC/AC. Trip set point shall be adjustable to +/-1% of range. Current sensing switch wiring shall not be polarity sensitive.
- F. Liquid Level Sensors:
1. Liquid level sensors shall have 1/2" accuracy calibrated to detect water in temperature range from 60°F to 80°F. Output signal shall be 4 to 20 mA. Sensor material shall be stainless steel or other non-corrosive material.
- 2.5 STATUS SENSORS
- A. Status Inputs for Fans: Differential-pressure switch with pilot-duty rating and with adjustable range of 0- to 5-inch wg.
  - B. Status Inputs for Pumps: Differential-pressure switch with pilot-duty rating and with adjustable pressure-differential range of 8 to 60 psig, piped across pump.
  - C. Status Inputs for Electric Motors: Comply with ISA 50.00.01, current-sensing fixed- or split-core transformers with self-powered transmitter, adjustable and suitable for 175 percent of rated motor current.
  - D. Voltage Transmitter (100- to 600-V ac): Comply with ISA 50.00.01, single-loop, self-powered transmitter, adjustable, with suitable range and 1 percent full-scale accuracy.
  - E. Current Switches: Self-powered, solid-state with adjustable trip current, selected to match current and system output requirements.
  - F. Electronic Valve/Damper Position Indicator: Visual scale indicating percent of travel and 2- to 10-V dc, feedback signal.

FIRE STATIONS RENOVATION  
ARLINGTON COUNTY, VIRGINIA  
Architect's Project No: 563006

- G. Water-Flow Switches: Bellows-actuated mercury or snap-acting type with pilot-duty rating, stainless-steel or bronze paddle, with appropriate range and differential adjustment, in NEMA 250, Type 1 enclosure.

2.6 THERMOSTATS

A. Available Manufacturers:

- 1. Danfoss Inc.; Air-Conditioning and Refrigeration Div.
- 2. Heat-Timer Corporation.
- 3. tekmar Control Systems, Inc.

B. Combination Thermostat and Fan Switches: Line-voltage thermostat with push-button or lever-operated fan switch.

- 1. Label switches "FAN ON-OFF" or "FAN HIGH-LOW-OFF" or "FAN HIGH-MED-LOW-OFF."
- 2. Mount on single electric switch box.

C. Electric, solid-state, microcomputer-based room thermostat with remote sensor.

- 1. Automatic switching from heating to cooling.
- 2. Preferential rate control to minimize overshoot and deviation from set point.
- 3. Set up for four separate temperatures per day.
- 4. Instant override of set point for continuous or timed period from 1 hour to 31 days.
- 5. Short-cycle protection.
- 6. Programming based on every day of week.
- 7. Selection features include degree F or degree C display, 12- or 24-hour clock, keyboard disable, remote sensor, and fan on-auto.
- 8. Battery replacement without program loss.
- 9. Thermostat display features include the following:
  - a. Time of day.
  - b. Actual room temperature.
  - c. Programmed temperature.
  - d. Programmed time.
  - e. Duration of timed override.
  - f. Day of week.
  - g. System mode indications include "heating," "off," "fan auto," and "fan on."

D. Low-Voltage, On-Off Thermostats: NEMA DC 3, 24-V, bimetal-operated, mercury-switch type, with adjustable or fixed anticipation heater, concealed set-point adjustment, 55 to 85 deg F set-point range, and 2 deg F maximum differential.

E. Line-Voltage, On-Off Thermostats: Bimetal-actuated, open contact or bellows-actuated, enclosed, snap-switch or equivalent solid-state type, with heat anticipator; listed for electrical rating; with concealed set-point adjustment, 55 to 85 deg F set-point range, and 2 deg F maximum differential.

FIRE STATIONS RENOVATION  
ARLINGTON COUNTY, VIRGINIA  
Architect's Project No: 563006

1. Electric Heating Thermostats: Equip with off position on dial wired to break ungrounded conductors.
  2. Selector Switch: Integral, manual on-off-auto.
- F. Remote-Bulb Thermostats: On-off or modulating type, liquid filled to compensate for changes in ambient temperature; with copper capillary and bulb, unless otherwise indicated.
1. Bulbs in water lines with separate wells of same material as bulb.
  2. Bulbs in air ducts with flanges and shields.
  3. Averaging Elements: Copper tubing with either single- or multiple-unit elements, extended to cover full width of duct or unit; adequately supported.
  4. Scale settings and differential settings are clearly visible and adjustable from front of instrument.
  5. On-Off Thermostat: With precision snap switches and with electrical ratings required by application.
  6. Modulating Thermostats: Construct so complete potentiometer coil and wiper assembly is removable for inspection or replacement without disturbing calibration of instrument.
- G. Immersion Thermostat: Remote-bulb or bimetal rod-and-tube type, proportioning action with adjustable throttling range and adjustable set point.
- H. Airstream Thermostats: Two-pipe, fully proportional, single-temperature type; with adjustable set point in middle of range, adjustable throttling range, plug-in test fitting or permanent pressure gage, remote bulb, bimetal rod and tube, or averaging element.
- I. Electric, Low-Limit Duct Thermostat: Snap-acting, single-pole, single-throw, manual- or automatic- reset switch that trips if temperature sensed across any 12 inches of bulb length is equal to or below set point.
1. Bulb Length: Minimum 20 feet.
  2. Quantity: One thermostat for every 20 sq. ft. of coil surface.
- J. Electric, High-Limit Duct Thermostat: Snap-acting, single-pole, single-throw, manual- or automatic- reset switch that trips if temperature sensed across any 12 inches of bulb length is equal to or above set point.
1. Bulb Length: Minimum 20 feet.
  2. Quantity: One thermostat for every 20 sq. ft. of coil surface.
- K. Heating/Cooling Valve-Top Thermostats: Proportional acting for proportional flow, with molded-rubber diaphragm, remote-bulb liquid-filled element, direct and reverse acting at minimum shutoff pressure of 25 psig, and cast housing with position indicator and adjusting knob.

## 2.7 ACTUATORS

- A. Electric Motors: Size to operate with sufficient reserve power to provide smooth modulating action or two-position action.

FIRE STATIONS RENOVATION  
ARLINGTON COUNTY, VIRGINIA  
Architect's Project No: 563006

1. Comply with requirements in Division 23 Section "Common Motor Requirements for HVAC Equipment."
  2. Permanent Split-Capacitor or Shaded-Pole Type: Gear trains completely oil immersed and sealed. Equip spring-return motors with integral spiral-spring mechanism in housings designed for easy removal for service or adjustment of limit switches, auxiliary switches, or feedback potentiometer.
  3. Non-spring-Return Motors for Valves Larger than NPS 2-1/2: Size for running torque of 150 in. x lbf and breakaway torque of 300 in. x lbf.
  4. Spring-Return Motors for Valves Larger than NPS 2-1/2: Size for running and breakaway torque of 150 in. x lbf.
  5. Non-spring-Return Motors for Dampers Larger than 25 Sq. Ft.: Size for running torque of 150 in. x lbf and breakaway torque of 300 in. x lbf.
  6. Spring-Return Motors for Dampers Larger than 25 Sq. Ft.: Size for running and breakaway torque of 150 in. x lbf.
- B. Electronic Actuators: Direct-coupled type designed for minimum 60,000 full-stroke cycles at rated torque.
1. Valves: Size for torque required for valve close off at maximum pump differential pressure.
  2. Dampers: Size for running torque calculated as follows:
    - a. Parallel-Blade Damper with Edge Seals: 7 inch-lb/sq. ft. of damper.
    - b. Opposed-Blade Damper with Edge Seals: 5 inch-lb/sq. ft. of damper.
    - c. Parallel-Blade Damper without Edge Seals: 4 inch-lb/sq. ft. of damper.
    - d. Opposed-Blade Damper without Edge Seals: 3 inch-lb/sq. ft. of damper.
    - e. Dampers with 2- to 3-Inch wg of Pressure Drop or Face Velocities of 1000 to 2500 fpm: Increase running torque by 1.5.
    - f. Dampers with 3- to 4-Inch wg of Pressure Drop or Face Velocities of 2500 to 3000 fpm: Increase running torque by 2.0.
  3. Coupling: V-bolt and V-shaped, toothed cradle.
  4. Overload Protection: Electronic overload or digital rotation-sensing circuitry.
  5. Fail-Safe Operation: Mechanical, spring-return mechanism. Provide external, manual gear release on non-spring-return actuators.
  6. Power Requirements (Modulating): Maximum 10 VA at 24-V ac or 8 W at 24-V dc.
  7. Proportional Signal: 2- to 10-V dc or 4 to 20 mA, and 2- to 10-V dc position feedback signal.
  8. Temperature Rating: Minus 22 to plus 122 deg F.
  9. Temperature Rating (Smoke Dampers): Minus 22 to plus 250 deg F.

## 2.8 DAMPERS

- A. Dampers: AMCA-rated, parallel or opposed-blade design; 0.108-inch- minimum thick, galvanized-steel or 0.125-inch- minimum thick, extruded-aluminum frames with holes for duct mounting; damper blades shall not be less than 0.064-inch- thick galvanized steel with maximum blade width of 8 inches and length of 48 inches.

FIRE STATIONS RENOVATION  
ARLINGTON COUNTY, VIRGINIA  
Architect's Project No: 563006

1. Secure blades to 1/2-inch- diameter, zinc-plated axles using zinc-plated hardware, with oil-impregnated sintered bronze blade bearings, blade-linkage hardware of zinc-plated steel and brass, ends sealed against spring-stainless-steel blade bearings, and thrust bearings at each end of every blade.
2. Operating Temperature Range: From minus 40 to plus 200 deg F.
3. Edge Seals, Standard Pressure Applications: Closed-cell neoprene.
4. Edge Seals, Low-Leakage Applications: Use inflatable blade edging or replaceable rubber blade seals and spring-loaded stainless-steel side seals, rated for leakage at less than 10 cfm per sq. ft. of damper area, at differential pressure of 4-inch wg when damper is held by torque of 50 in. x lbf; when tested according to AMCA 500D.

2.9 SMOKE DETECTORS

- A. Smoke detectors shall be furnished under Division 28 and installed under this Section.
- B. Wiring from smoke detectors to fire alarm system shall be under Division 28.
- C. Wiring from smoke detectors to mechanical equipment shall be under this Section.

2.10 Low Temperature Detection Stat: By BAS manufacturer.

2.11 CURRENT SENSING RELAYS:

- A. By controls contractor for all equipment.miscellaneous relays and switches:
- B. General: Where required by the sequence of operation switches, relays, and miscellaneous devices necessary to accomplish the sequence shall be provided under this Section.

PART 3 - EXECUTION

3.1 PROJECT MANAGEMENT

- A. Provide a designated project manager who will be responsible for the following:
  1. Construct and maintain project schedule
  2. On-site coordination with all applicable trades and subcontractors
  3. Authorized to accept and execute orders or instructions from owner/architect
  4. Attend project meetings as necessary to avoid conflicts and delays
  5. Make necessary field decisions relating to this scope of work
  6. Coordination/Single point of contact.

3.2 EXAMINATION

- A. Verify that power supply is available to control units and operator workstation.

FIRE STATIONS RENOVATION  
ARLINGTON COUNTY, VIRGINIA  
Architect's Project No: 563006

- B. Verify that duct-, pipe-, and equipment-mounted devices are installed before proceeding with installation.

3.3 INSTALLATION

- A. Install software in control units and operator workstation(s). Implement all features of programs to specified requirements and as appropriate to sequence of operation.
- B. Connect and configure equipment and software to achieve sequence of operation specified in Section 23 section "Sequence of Control."
- C. Verify location of thermostats, humidistats, and other exposed control sensors with Drawings and room details before installation. Install devices next to light switch(es) when space is available with top of device at 48 inches above finished floor. Where space next to light switch(es) is not available, align device vertically with light switch and locate device with top at 40 inches above the finished floor.
  - 1. Install averaging elements in ducts and plenums in crossing or zigzag pattern.
- D. Install guards on thermostats where indicated on Drawings.
- E. Install automatic dampers according to Division 23 Section "Air Duct Accessories."
- F. Install damper motors on outside of duct in warm areas, not in locations exposed to outdoor temperatures.
- G. Install labels and nameplates to identify control components according to Division 23 Section "Identification for HVAC Piping and Equipment."
- H. Install hydronic instrument wells, valves, and other accessories according to Division 23 Section "Hydronic Piping."
- I. Install duct volume-control dampers according to Division 23 Sections specifying air ducts.

3.4 FIELD QUALITY CONTROL

- A. Manufacturer's Field Service: Engage a factory-authorized service representative to inspect, test, and adjust field-assembled components and equipment installation, including connections, and to assist in field testing. Report results in writing.
- B. Perform the following field tests and inspections and prepare test reports:
  - 1. Operational Test: After electrical circuitry has been energized, start units to confirm proper unit operation. Remove and replace malfunctioning units and retest.
  - 2. Test and adjust controls and safeties.
  - 3. Test calibration of electronic controllers by disconnecting input sensors and stimulating operation with compatible signal generator.

FIRE STATIONS RENOVATION  
ARLINGTON COUNTY, VIRGINIA  
Architect's Project No: 563006

4. Test each point through its full operating range to verify that safety and operating control set points are as required.
5. Test each control loop to verify stable mode of operation and compliance with sequence of operation. Adjust PID actions.
6. Test each system for compliance with sequence of operation.
7. Test software and hardware interlocks.

C. DDC Verification:

1. Verify that instruments are installed before calibration, testing, and loop or leak checks.
2. Check instruments for proper location and accessibility.
3. Check instrument installation for direction of flow, elevation, orientation, insertion depth, and other applicable considerations.
4. Check instrument tubing for proper fittings, slope, material, and support.
5. Check flow instruments. Inspect tag number and line and bore size, and verify that inlet side is identified and that meters are installed correctly.
6. Check pressure instruments, piping slope, installation of valve manifold, and self-contained pressure regulators.
7. Check temperature instruments and material and length of sensing elements.
8. Check control valves. Verify that they are in correct direction.
9. Check DDC system as follows:
  - a. Verify that DDC controller power supply is from emergency power supply.
  - b. Verify that wires at control panels are tagged with their service designation and approved tagging system.
  - c. Verify that spare I/O capacity has been provided.
  - d. Verify that DDC controllers are protected from power supply surges.

D. Replace damaged or malfunctioning controls and equipment and repeat testing procedures.

3.5 ADJUSTING

A. Calibrating and Adjusting:

1. Calibrate instruments.
2. Make three-point calibration test for both linearity and accuracy for each analog instrument.
3. Calibrate equipment and procedures using manufacturer's written recommendations and instruction manuals. Use test equipment with accuracy at least double that of instrument being calibrated.
4. Control System Inputs and Outputs:
  - a. Check analog inputs at 0, 50, and 100 percent of span.
  - b. Check analog outputs using milliamperemeter at 0, 50, and 100 percent output.
  - c. Check digital inputs using jumper wire.
  - d. Check digital outputs using ohmmeter to test for contact making or breaking.
  - e. Check resistance temperature inputs at 0, 50, and 100 percent of span using a precision-resistant source.

FIRE STATIONS RENOVATION  
ARLINGTON COUNTY, VIRGINIA  
Architect's Project No: 563006

5. Flow:
    - a. Set differential pressure flow transmitters for 0 and 100 percent values with 3-point calibration accomplished at 50, 90, and 100 percent of span.
    - b. Manually operate flow switches to verify that they make or break contact.
  6. Pressure:
    - a. Calibrate pressure transmitters at 0, 50, and 100 percent of span.
    - b. Calibrate pressure switches to make or break contacts, with adjustable differential set at minimum.
  7. Temperature:
    - a. Calibrate resistance temperature transmitters at 0, 50, and 100 percent of span using a precision-resistance source.
    - b. Calibrate temperature switches to make or break contacts.
  8. Stroke and adjust control valves and dampers without positioners, following the manufacturer's recommended procedure, so that valve or damper is 100 percent open and closed.
  9. Stroke and adjust control valves and dampers with positioners, following manufacturer's recommended procedure, so that valve and damper is 0, 50, and 100 percent closed.
  10. Provide diagnostic and test instruments for calibration and adjustment of system.
  11. Provide written description of procedures and equipment for calibrating each type of instrument. Submit procedures review and approval before initiating startup procedures.
- B. Adjust initial temperature and humidity set points.
- C. Occupancy Adjustments: When requested within 12 months of date of Final Acceptance, provide on-site assistance in adjusting system to suit actual occupied conditions. Provide up to three visits to Project during other than normal occupancy hours for this purpose.

### 3.6 TRAINING

- A. Provide 8 hours of training for Owner's designated operating personnel. Training shall include:
1. Explanation of drawings and operation & maintenance manuals
  2. Walk-through of the job to locate control components
  3. Operator workstation and peripherals
  4. Operation of Portable computer
  5. DDC controller and ASC operation/function
  6. Operator control functions including graphic generation and field panel programming
  7. Explanation of adjustment, calibration and replacement procedures
- B. Since the Owner may require personnel to have more comprehensive understanding of the hardware and software, additional training must be available from the Manufacturer. If necessary additional training will be contracted by the Owner at a later date.



FIRE STATIONS RENOVATION  
ARLINGTON COUNTY, VIRGINIA  
Architect's Project No: 563006

- C. Coordinate with Owner is videotape documentation of training is required.

END OF SECTION 230900

FIRE STATIONS RENOVATION  
ARLINGTON COUNTY, VIRGINIA  
Architect's Project No: 563006

SECTION 230993 - SEQUENCE OF OPERATIONS FOR HVAC CONTROLS

PART 1 - GENERAL

1.1 RELATED DOCUMENTS

- A. Provisions of the Contract and of the Contract Documents apply to this Section.

1.2 SUMMARY

- A. This Section includes control sequences for HVAC systems, subsystems, and equipment.
- B. Related Sections include the following:
  - 1. Division 23 Section "Building Automation System" for control equipment and devices and for submittal requirements.

1.3 DEFINITIONS

- A. BAS: Building automation system.
- B. CO<sub>2</sub>: Carbon dioxide.
- C. CO: Carbon monoxide
- D. DDC: Direct digital control.
- E. PPM: Parts per million.
- F. RPM: Revolutions per minute.
- G. SCR: Silicon-Controlled Rectifier.
- H. TAB: Testing, Adjusting and Balancing.
- I. VAV: Variable air volume.
- J. VFD: Variable-frequency drive

1.4 GENERAL REQUIREMENTS OF THIS SECTION

- A. Control sequences shall be accomplished in accordance with control drawings and the sequences specified in this section. It is the intent of this section to utilize sequences included in pre-programmed controllers when such sequences provide the intended operation.

FIRE STATIONS RENOVATION  
ARLINGTON COUNTY, VIRGINIA  
Architect's Project No: 563006

- B. Points may not be deleted without prior approval from the Architect.
- C. Every attempt has been made to indicate all required points on the control drawings. Occasionally an additional point, or points, may be required to accomplish a specified sequence. The contractor performing work under this section shall understand the work to be implied and required by the contract documents. Additional hardware and software required shall be provided under section "Building Automation System" at no additional cost to the Owner.
  - 1. Such points include:
    - a. Sensors of all types whether or not specified under section "Building Automation System"
    - b. Air flow measuring stations.
    - c. Wiring, conduit, and related devices such as relays.
  - 2. Exceptions:
    - a. Equipment and devices covered under sections other than "Building Automation System".

1.5 DISPLAY GRAPHICS:

- A. Include system schematic for each system. Indicate all points in system on at least one graphic.
- B. Indicate all commanded values and temperatures.
- C. Indicate all sensed temperatures.
- D. Indicate all alarms.
- E. Indicate all status points.
- F. Indicate all monitored conditions.

1.6 WARRANTY

- A. Provide all services, materials and equipment necessary for the successful operation of the entire BAS system for a period of one year beginning on the date of Final Acceptance.

1.7 SUBMITTALS

- A. Refer to Section "Building Automation System."

PART 2 - SEQUENCES

- 2.1 SET POINTS: Unless indicated otherwise all set points shall be adjustable from the head end.

FIRE STATIONS RENOVATION  
ARLINGTON COUNTY, VIRGINIA  
Architect's Project No: 563006

2.2 ROOFTOP UNITS (RTU-8)

A. General:

1. Each unit shall be controlled by field installed BACnet IP building controllers provided by the DDC contractor. The controller shall interface with the 24V controls terminal strip provided by the equipment manufacturer.
2. Enthalpy High Limit: 28.0 BTU/lb

B. Initial Set Points:

1. Occupied:
  - a. Space Cooling Temperature: 75°F
  - b. Space Heating Temperature: 70°F
  - c. Space Maximum Relative Humidity: 55% RH
2. Unoccupied:
  - a. Space Cooling Temperature: 78°F
  - b. Space Heating Temperature: 65°F
  - c. Space Maximum Relative Humidity: 60% RH

C. Enable/Disable:

1. Occupied Operation: During occupied hours, the BAS shall enable the unit and provide set points as specified. The supply fan shall be started and dampers shall open.
2. Unoccupied Operation: During unoccupied hours, the unit shall be disabled, the supply and exhaust fans shall be off, and dampers shall be closed.

D. Supply Fan Control:

1. When the unit is started, the outside air damper shall be open and an end switch shall authorize the supply fan to start and go to its maximum speed. The required speed shall be determined by the equipment manufacturer and shall be constituted as the maximum fan speed.
2. Speed Control:
  - a. The supply fan shall be ramped up to design/ balanced airflow.
  - b. Drive Malfunction: Should the VFD malfunction as indicated by drive alarm circuit, an alarm shall be sent to the head end. The fan shall continue to operate unless deactivated by the VFD protection circuitry.
  - c. Fan Failure Alarm: Should the supply fan fail (as sensed by current sensing relay), the unit shall be disabled, and an alarm shall be sent to the head end identifying the unit and stating that the supply fan has failed.

E. Exhaust Fan Control:

1. During occupied operation, the exhaust air damper shall be open and an end switch shall start the exhaust fan.
2. Speed Control:
  - a. The relief fan speed ramp up to design/ balanced airflow.
3. Fan Failure Alarm: Should the exhaust fan fail (as sensed by its current sensing relay), the unit shall be disabled, and an alarm shall be sent to the head end identifying the unit and stating that the exhaust fan has failed.
4. Drive Malfunction: Should the VFD malfunction as indicated by the drive alarm circuit, an alarm shall be sent to the head end. The fan shall continue to operate unless deactivated by the VFD protection circuitry.

FIRE STATIONS RENOVATION  
ARLINGTON COUNTY, VIRGINIA  
Architect's Project No: 563006

- F. Supply Air Temperature Control: The unit shall use comparative enthalpy economizer, heating, or cooling to maintain leaving air conditions.
- G. Supply Air Low Limit Temperature: If the discharge air temperature falls below the low limit set point (initially 50°F, adjustable), for five minutes (adjustable), the unit will stop and an alarm will be issued to the BAS.
- H. Cooling Control: The supply fan shall be confirmed as running before cooling is enabled. If cooling is required, the direct expansion cooling shall enable the first stage of cooling and modulate to maintain supply leaving air temperature. If additional capacity is needed, the next available compressor shall be staged and modulated to maintain the set point (as sensed by the supply leaving air temperature sensor).
- I. Heating Control: If heating is required, the first stage of heating shall be enabled and module to maintain supply air leaving temperature. If additional capacity is needed, the gas burners shall be staged and modulated to maintain the set point (as sensed by the supply leaving air temperature sensor).
- J. Hot Gas Reheat Control: The hot gas reheat coil shall be modulated as required to maintain leaving air temperature setpoint.
- K. Dehumidification Control:
1. Occupied Mode: If the space relative humidity (based on a space mounted humidity sensor) rises above initial setpoint (50% RH, adjustable), the unit economizer and compressor will be controlled to maintain cooling coil leaving air temperature setpoint. This cooling coil leaving air temp setpoint will be slowly lowered until sufficient dehumidification is provided to meet the space RH set point.
  2. Unoccupied mode: If the space relative humidity rises above set point (initially 60% RH, adjustable), the supply fan shall be started and the compressor will be controlled to maintain the cooling coil leaving air temp setpoint. This cooling coil leaving air temp setpoint will be slowly lowered until sufficient dehumidification is provided to meet the space RH set point. The unit shall return to unoccupied mode when the space humidity is 10% below set point.
- L. Economizer Mode: Whenever outside air enthalpy is less than the enthalpy high limit setpoint (adjustable) and outside air temperature is less than the return air temperature and cooling is required, economizer operation shall be enabled and the enthalpy wheel shall be disabled and bypassed.
1. Outside air enthalpy will be calculated using the outdoor air temperature and outdoor air humidity sensors.
  2. Economizer operation shall be available 24/7 and shall override unoccupied damper controls.
- M. Motorized Control Valve: The motorized control valve shall open 90 seconds prior to the compressor start up. When the compressors shut off, the control valve shall close. The BAS shall monitor the valve position and indicate an alarm in the case of malfunction.
- N. Head Pressure Control: If there is a demand for mechanical cooling, the head pressure control valve shall open to 100%. When the compressor starts, the valve will modulate to maintain the factory set head pressure setpoint. The valve will be allowed to close to a minimum value set

FIRE STATIONS RENOVATION  
ARLINGTON COUNTY, VIRGINIA  
Architect's Project No: 563006

point of 50%. If the compressor has been off for 10 minutes, the valve will close. If there is a demand for mechanical heating, the head pressure control valve shall open to 100% and remain open until the compressor has been off for 10 minutes.

O. Outdoor Air Damper:

1. Occupied: Damper shall open. If damper fails to open, an alarm shall be sent to the head end identifying the unit and stating that the outdoor air damper failed to open.
2. Unoccupied: Damper shall remain closed. Damper end switch shall confirm the damper closed. If the damper fails to close, an alarm shall be sent to the head end identifying the unit and stating that the outdoor air damper failed to close.

P. Relief Air Damper:

1. Occupied: Damper shall open. If damper fails to open, an alarm shall be sent to the head end identifying the unit and stating that the relief air damper failed to open.
2. Unoccupied: Damper end switch shall confirm the damper closed. If the damper fails to close, an alarm shall be sent to the head end identifying the unit and stating that the relief air damper failed to close.

Q. Frost Prevention: The unit controller shall vary the rotational speed of the enthalpy wheel to maintain the exhaust airstream temperature above that which frost formation begins.

R. System Safety: Whenever the supply fan is stopped, or airflow ceases for any reason (as sensed by the current sensing relay), the supply fan shall be deactivated and alarm issued to BAS. In all modes of operation, commanded position values for all control devices such as dampers shall be readable from the head-end.

S. Filter Change Alarm: The differential pressure across the filters shall be monitored. If the differential pressure exceed 1" wg (adjustable), an alarm shall be issued to the BAS.

T. Life Safety: Duct smoke detectors located in the return air duct, upon detection of products of combustion from any detector, signal the building fire alarm system and shut down the unit & supply fan. This function shall be manually reset from the unit and shall be so identified on the head-end graphics. An alarm shall also be provided to the BAS head-end.

U. Condensate Pan Overflow Prevention: The unit shall monitor float switches in the condensate pan under the evaporator. If the float switch detects the pan is about to overflow and has reached its high limit, the unit shall disable the cooling and issue an alarm to the BAS.

### 2.3 DUCTLESS SPLIT SYSTEM AIR CONDITIONERS

A. Each unit shall operate on its factory-installed control system.

B. Initial Set Points:

- a. Cooling: 72°F
- b. Heating: 65°F

C. The BAS shall monitor the space temperature in the rooms served by Ductless Split Systems. These sensors are used for monitoring purposes and shall alarm if they deviate more from the below set points:

FIRE STATIONS RENOVATION  
ARLINGTON COUNTY, VIRGINIA  
Architect's Project No: 563006

1. Alarm High Limit Temperature: 85°F.
  - D. The BAS shall monitor a general alarm for each Ductless Split System. If in alarm, the graphics shall display an alarm for the associated unit.
- 2.4 FAN (Control Method BAS Schedule)
- A. General: These are general duty fans which operate on a time-of-day schedule. Refer to the Fan Schedule for fan information.
  - B. Occupied/Unoccupied:
    1. Unoccupied Operation: During unoccupied hours the fan shall be off and the damper shall be closed.
    2. Occupied Operation: During occupied hours, the fan shall be on and the damper shall be open.
  - C. Start:
    1. At the start of occupied operation, the BAS shall open the motorized damper associated with the fan. Once the damper is confirmed open, the BAS shall start the fan. If the damper is interlocked with fan operation, then the BAS shall start the fan.
  - D. Stop:
    1. At the beginning of unoccupied operation, the BAS shall stop the fan and close the associated damper (or just stop the fan if the damper is interlocked).
  - E. Fan failure alarm:
    1. If the fan fails to start (as sensed by its current sensing relay) an alarm shall be sent to the head end identifying the fan and stating that it has failed to start.

PART 3 - EXECUTION (Not Applicable)

END OF SECTION 230993

FIRE STATIONS RENOVATION  
ARLINGTON COUNTY, VIRGINIA  
Architect's Project No: 563006

SECTION 232300 - REFRIGERANT PIPING

PART 1 - GENERAL

1.1 RELATED DOCUMENTS

- A. Provisions of the Contract and of the Contract Documents apply to this Section.

1.2 SUBMITTALS

- A. Product Data: For each type of valve and refrigerant piping specialty indicated for the following:
1. Thermostatic expansion valves.
  2. Solenoid valves.
  3. Hot-gas bypass valves.
  4. Filter dryers.
  5. Strainers.
  6. Pressure-regulating valves.
- B. Shop Drawings: Show layout of refrigerant piping and specialties, including pipe, tube, and fitting sizes, flow capacities, slopes of horizontal runs, oil traps, double risers, valve arrangements & locations wall & floor penetrations, and equipment connection details. Show interface and spatial relationships between piping and equipment.
1. Shop Drawing Scale: ¼"=1'-0"
  2. Refrigerant piping indicated on Drawings is schematic only. Size piping and design actual piping layout, including oil traps, double risers, specialties, and pipe and tube sizes to accommodate, as a minimum, proposed equipment, elevation difference between compressor and evaporator, and length of piping to ensure proper operation and compliance with warranties of connected equipment.
- C. Operation and Maintenance Data: For refrigerant valves and piping specialties to include in maintenance manuals.

1.3 PRODUCT STORAGE AND HANDLING

- A. Store piping in a clean and protected area with end caps in place to ensure that piping interior and exterior are clean when installed.

1.4 QUALITY ASSURANCE

- A. Welding: Qualify procedures and personnel according to ASME Boiler and Pressure Vessel Code: Section IX; "Welding and Brazing Qualifications."



FIRE STATIONS RENOVATION  
ARLINGTON COUNTY, VIRGINIA  
Architect's Project No: 563006

- B. ASHRAE Standard: Comply with ASHRAE 15, "Safety Code for Mechanical Refrigeration."
- C. ASME Standard: Comply with ASME B31.5, "Refrigeration Piping."
- D. UL Standard: Provide products complying with UL 207, "Refrigerant-Containing Components and Accessories, Nonelectrical"; or UL 429, "Electrically Operated Valves."

1.5 COORDINATION

- A. Coordinate layout and installation of refrigerant piping and suspension system components with other construction, including light fixtures, HVAC equipment, fire-suppression-system components, and partition assemblies.
- B. Coordinate pipe sleeve installations for wall penetrations.
- C. Coordinate installation of roof curbs, equipment supports, and roof penetrations.
- D. Coordinate pipe sleeve installations for penetrations in exterior walls and floor assemblies. Coordinate with requirements for firestopping.
- E. Coordinate pipe fitting pressure classes with products specified in related Sections.

PART 2 - PRODUCTS

2.1 COPPER TUBE AND FITTINGS

- A. Copper Tube: ASTM B 280, Type ACR.
- B. Wrought-Copper Fittings: ASME B16.22.
- C. Wrought-Copper Unions: ASME B16.22.
- D. Solder Filler Metals: ASTM B 32. Use 95-5 tin antimony solder to join copper socket fittings on copper pipe.
- E. Brazing Filler Metals: AWS A5.8, BCuP series, copper-phosphorus alloys for general duty brazing unless otherwise indicated. AWS A5.8, BAg-5 silver alloy for refrigerant piping unless otherwise indicated.
- F. Flexible Connectors:
  - 1. Body: Tin-bronze bellows with woven, flexible, tinned-bronze-wire-reinforced protective jacket.
  - 2. End Connections: Socket ends.
  - 3. Offset Performance: Capable of minimum  $\frac{3}{4}$ " misalignment in minimum 7" length.
  - 4. Pressure Rating: Factory test at minimum 500 psig.
  - 5. Maximum Operating Temperature: 250 deg F.

FIRE STATIONS RENOVATION  
ARLINGTON COUNTY, VIRGINIA  
Architect's Project No: 563006

## 2.2 STEEL PIPE AND FITTINGS

- A. Steel Pipe: ASTM A 53/A 53M, black steel with plain ends; Type, Grade, and wall thickness as selected in Part 3 piping applications articles.
- B. Wrought-Steel Fittings: ASTM A 234/A 234M, for welded joints.
- C. Steel Flanges and Flanged Fittings: ASME B16.5, steel, including bolts, nuts, and gaskets, bevel-welded end connection, and raised face.
- D. Welding Filler Metals: Comply with AWS D10.12/D10.12M for welding materials appropriate for wall thickness and chemical analysis of steel pipe being welded.
- E. Flanged Unions:
  - 1. Body: Forged-steel flanges for 1" to 1 1/2" and ductile iron for 2" to 3". Apply rust-resistant finish at factory.
  - 2. Gasket: Fiber asbestos free.
  - 3. Fasteners: Four plated-steel bolts, with silicon bronze nuts. Apply rust-resistant finish at factory.
  - 4. End Connections: Brass tailpiece adapters for solder-end connections to copper tubing.
  - 5. Offset Performance: Capable of minimum 3/4" misalignment in minimum 7" length.
  - 6. Pressure Rating: Factory test at minimum 400 psig.
  - 7. Maximum Operating Temperature: 330 deg F.
- F. Flexible Connectors:
  - 1. Body: Stainless-steel bellows with woven, flexible, stainless-steel-wire-reinforced protective jacket
  - 2. End Connections:
    - a. NPS 2 and Smaller: With threaded-end connections.
    - b. NPS 2-1/2 and Larger: With flanged-end connections.
  - 3. Offset Performance: Capable of minimum 3/4-inch misalignment in minimum 7-inch-long assembly.
  - 4. Pressure Rating: Factory test at minimum 500 psig.
  - 5. Maximum Operating Temperature: 250 deg F.

## 2.3 VALVES AND SPECIALTIES

- A. Diaphragm Packless Valves:
  - 1. Body and Bonnet: Forged brass or cast bronze; globe design with straight-through or angle pattern.
  - 2. Diaphragm: Phosphor bronze and stainless steel with stainless-steel spring.
  - 3. Operator: Rising stem and hand wheel.
  - 4. Seat: Nylon.
  - 5. End Connections: Socket, union, or flanged.
  - 6. Working Pressure Rating: 500 psig.
  - 7. Maximum Operating Temperature: 275 deg F.
- B. Packed-Angle Valves:

FIRE STATIONS RENOVATION  
ARLINGTON COUNTY, VIRGINIA  
Architect's Project No: 563006

1. Body and Bonnet: Forged brass or cast bronze.
  2. Packing: Molded stem, back seating, and replaceable under pressure.
  3. Operator: Rising stem.
  4. Seat: Nonrotating, self-aligning polytetrafluoroethylene.
  5. Seal Cap: Forged-brass or valox hex cap.
  6. End Connections: Socket, union, threaded, or flanged.
  7. Working Pressure Rating: 500 psig.
  8. Maximum Operating Temperature: 275 deg F.
- C. Check Valves:
1. Body: Ductile iron, forged brass, or cast bronze; globe pattern.
  2. Bonnet: Bolted ductile iron, forged brass, or cast bronze; or brass hex plug.
  3. Piston: Removable polytetrafluoroethylene seat.
  4. Closing Spring: Stainless steel.
  5. End Connections: Socket, union, threaded, or flanged.
  6. Maximum Opening Pressure: 0.50 psig.
  7. Working Pressure Rating: 500 psig.
  8. Maximum Operating Temperature: 275 deg F.
- D. Service Valves:
1. Body: Forged brass with brass cap including key end to remove core.
  2. Core: Removable ball-type check valve with stainless-steel spring.
  3. Seat: Polytetrafluoroethylene.
  4. End Connections: Copper spring.
  5. Working Pressure Rating: 500 psig.
- E. Solenoid Valves: Comply with ARI 760 or UL 429.
1. Body and Bonnet: Plated steel.
  2. Solenoid Tube, Plunger, Closing Spring, and Seat Orifice: Stainless steel.
  3. Seat: Polytetrafluoroethylene.
  4. End Connections: Threaded.
  5. Electrical: Molded, watertight coil in NEMA 250 enclosure of type required by location with 1/2-inch conduit adapter, and 24, 115, or 208-V ac coil to meet requirements of control system.
  6. Working Pressure Rating: 400 psig.
  7. Maximum Operating Temperature: 240 deg F.
- F. Safety Relief Valves: Comply with ASME Boiler and Pressure Vessel Code; listed and labeled by an NRTL.
1. Body and Bonnet: Ductile iron and steel, with neoprene O-ring seal.
  2. Piston, Closing Spring, and Seat Insert: Stainless steel.
  3. Seat Disc: Polytetrafluoroethylene.
  4. End Connections: Threaded.
  5. Working Pressure Rating: 400 psig.
  6. Maximum Operating Temperature: 240 deg F.
- G. Thermostatic Expansion Valves: Comply with ARI 750.
1. Body, Bonnet, and Seal Cap: Forged brass or steel.
  2. Diaphragm, Piston, Closing Spring, and Seat Insert: Stainless steel.

FIRE STATIONS RENOVATION  
ARLINGTON COUNTY, VIRGINIA  
Architect's Project No: 563006

3. Packing and Gaskets: Non-asbestos.
  4. Capillary and Bulb: Copper tubing filled with refrigerant charge.
  5. Suction Temperature: 40 deg F.
  6. Superheat: Adjustable.
  7. Reverse-flow option for heat-pump applications.
  8. End Connections: Socket, flare, or threaded union.
  9. Working Pressure Rating: 450 psig.
- H. Hot-Gas Bypass Valves: Comply with UL 429; listed and labeled by an NRTL.
1. Body, Bonnet, and Seal Cap: Ductile iron or steel.
  2. Diaphragm, Piston, Closing Spring, and Seat Insert: Stainless steel.
  3. Packing and Gaskets: Non-asbestos.
  4. Solenoid Tube, Plunger, Closing Spring, and Seat Orifice: Stainless steel.
  5. Seat: Polytetrafluoroethylene.
  6. Equalizer: Internal or External.
  7. Electrical: Molded, watertight coil in NEMA 250 enclosure of type required by location with 1/2-inch conduit adapter, and 24, 115, or 208-V ac coil to meet requirements of control system.
  8. End Connections: Socket.
  9. Throttling Range: Maximum 5 psig.
  10. Working Pressure Rating: 500 psig.
  11. Maximum Operating Temperature: 240 deg F.
- I. Straight-Type Strainers:
1. Body: Welded steel with corrosion-resistant coating.
  2. Screen: 100-mesh stainless steel.
  3. End Connections: Socket or flare.
  4. Working Pressure Rating: 500 psig.
  5. Maximum Operating Temperature: 275 deg F.
- J. Angle-Type Strainers:
1. Body: Forged brass or cast bronze.
  2. Drain Plug: Brass hex plug.
  3. Screen: 100-mesh monel.
  4. End Connections: Socket or flare.
  5. Working Pressure Rating: 500 psig.
  6. Maximum Operating Temperature: 275 deg F.
- K. Moisture/Liquid Indicators:
1. Body: Forged brass.
  2. Window: Replaceable, clear, fused glass window with indicating element protected by filter screen.
  3. Indicator: Color coded to show moisture content in ppm.
  4. Minimum Moisture Indicator Sensitivity: Indicate moisture above 60 ppm.
  5. End Connections: Socket or flare.
  6. Working Pressure Rating: 500 psig.
  7. Maximum Operating Temperature: 240 deg F.
- L. Replaceable-Core Filter Dryers: Comply with ARI 730.

FIRE STATIONS RENOVATION  
ARLINGTON COUNTY, VIRGINIA  
Architect's Project No: 563006

1. Body and Cover: Painted-steel shell with ductile-iron cover, stainless-steel screws, and neoprene gaskets.
  2. Filter Media: 10 micron, pleated with integral end rings; stainless-steel support.
  3. Desiccant Media: Activated alumina or charcoal.
  4. Designed for reverse flow when used in for heat-pump applications.
  5. End Connections: Socket.
  6. Access Ports: NPS 1/4 connections at entering and leaving sides for pressure differential measurement.
  7. Maximum Pressure Loss: 2 psig.
  8. Rated Flow: Match equipment.
  9. Working Pressure Rating: 500 psig.
  10. Maximum Operating Temperature: 240 deg F.
- M. Permanent Filter Dryers: Comply with ARI 730.
1. Body and Cover: Painted-steel shell.
  2. Filter Media: 10 micron, pleated with integral end rings; stainless-steel support.
  3. Desiccant Media: Activated alumina or charcoal.
  4. Designed for reverse flow where heat-pump applications are indicated.
  5. End Connections: Socket.
  6. Access Ports: NPS 1/4 connections at entering and leaving sides for pressure differential measurement.
  7. Maximum Pressure Loss: 2 psig Insert value.
  8. Rated Flow: Match equipment.
  9. Working Pressure Rating: 500 psig.
  10. Maximum Operating Temperature: 240 deg F.
- N. Mufflers:
1. Body: Welded steel with corrosion-resistant coating.
  2. End Connections: Socket or flare.
  3. Working Pressure Rating: 500 psig.
  4. Maximum Operating Temperature: 275 deg F.
- O. Receivers: Comply with ARI 495.
1. Comply with ASME Boiler and Pressure Vessel Code; listed and labeled by an NRTL.
  2. Comply with UL 207; listed and labeled by an NRTL.
  3. Body: Welded steel with corrosion-resistant coating.
  4. Tappings: Inlet, outlet, liquid level indicator, and safety relief valve.
  5. End Connections: Socket or threaded.
  6. Working Pressure Rating: 500 psig.
  7. Maximum Operating Temperature: 275 deg F.
- P. Liquid Accumulators: Comply with ARI 495.
1. Body: Welded steel with corrosion-resistant coating.
  2. End Connections: Socket or threaded.
  3. Working Pressure Rating: 500 psig.
  4. Maximum Operating Temperature: 275 deg F.

FIRE STATIONS RENOVATION  
ARLINGTON COUNTY, VIRGINIA  
Architect's Project No: 563006

2.4 REFRIGERANTS

- A. Available Manufacturers:
  - 1. Atofina Chemicals, Inc.
  - 2. DuPont Company; Fluorochemicals Div.
  - 3. Honeywell, Inc.; Genetron Refrigerants.
  - 4. INEOS Fluor Americas LLC.
  
- B. ASHRAE 34, R-410A: Pentafluoroethane/Difluoromethane.

PART 3 - EXECUTION

3.1 PIPING APPLICATIONS FOR REFRIGERANT

- A. Suction Lines 1 ½” and Smaller for Conventional Air-Conditioning Applications: Copper, Type ACR, annealed-temper tubing and wrought-copper fittings with brazed or soldered joints.
- B. Suction Lines 2” to 4” for Conventional Air-Conditioning Applications: Copper, Type ACR, drawn-temper tubing and wrought-copper fittings with brazed or soldered joints.
- C. Hot-Gas, and Liquid Lines: Copper, Type ACR, annealed-temper tubing and wrought-copper fittings with brazed or soldered joints.
- D. Suction Lines for Heat-Pump Applications: Copper, Type ACR, annealed-temper tubing and wrought-copper fittings with brazed or soldered joints.
- E. Safety-Relief-Valve Discharge Piping: Copper, Type ACR, annealed-temper tubing and wrought-copper fittings with brazed or soldered joints or soldered joints or Schedule 40, black-steel and wrought-steel fittings with welded joints.

3.2 VALVE AND SPECIALTY APPLICATIONS

- A. Install diaphragm packless, or packed-angle valves in suction and discharge lines of compressors.
- B. Install service valves for gage taps at inlet and outlet of hot-gas bypass valves and strainers if they are not an integral part of proposed equipment.
- C. Install a check valve at the compressor discharge and a liquid accumulator. Locate at the compressor suction connection between the compressor and service valve.
- D. Unless indicated otherwise, install valves on inlet and outlet side of filter dryers.
- E. Install a full-sized, three-valve bypass around filter dryers.

FIRE STATIONS RENOVATION  
ARLINGTON COUNTY, VIRGINIA  
Architect's Project No: 563006

- F. Install solenoid valves upstream from each expansion valve and hot-gas bypass valve on systems with multiple thermostatic expansion valves. Install solenoid valves in horizontal lines with coil at top.
- G. Install thermostatic expansion valves as close as possible to distributors on evaporators.
  - 1. Install valve so diaphragm case is warmer than bulb.
  - 2. Secure bulb to clean, straight, horizontal section of suction line using two bulb straps. Do not mount bulb in a trap or at bottom of the line. Verify proper location with Equipment Manufacturer.
  - 3. Where external equalizer lines are required, make connection where it will reflect suction-line pressure at bulb location.
- H. Install safety relief valves where required by ASME Boiler and Pressure Vessel Code. Pipe safety-relief-valve discharge line to outside according to ASHRAE 15.
- I. Install moisture/liquid indicators in liquid line at the inlet of the thermostatic expansion valve or at the inlet of the evaporator coil capillary tube.
- J. Install strainers upstream from and adjacent to the following:
  - 1. Solenoid valves.
  - 2. Thermostatic expansion valves.
  - 3. Hot-gas bypass valves.
  - 4. Compressor.
- K. Install filter dryers in liquid line between compressor and thermostatic expansion valve.
- L. Install receivers sized to accommodate pump-down charge.

### 3.3 VALVE AND SPECIALTY APPLICATIONS

- A. Install diaphragm packless or packed-angle valves in suction and discharge lines of compressor.
- B. Install service valves for gage taps at inlet and outlet of hot-gas bypass valves and strainers if they are not an integral part of valves and strainers.
- C. Install a check valve at the compressor discharge and a liquid accumulator at the compressor suction connection.
- D. Except as otherwise indicated, install diaphragm packless or packed-angle valves on inlet and outlet side of filter dryers.
- E. Install a full-sized, three-valve bypass around filter dryers.
- F. Install solenoid valves upstream from each expansion valve and hot-gas bypass valve on systems with multiple thermostatic expansion valves. Install solenoid valves in horizontal lines with coil at top.
- G. Install thermostatic expansion valves as close as possible to distributors on evaporators.

FIRE STATIONS RENOVATION  
ARLINGTON COUNTY, VIRGINIA  
Architect's Project No: 563006

1. Install valve so diaphragm case is warmer than bulb.
  2. Secure bulb to clean, straight, horizontal section of suction line using two bulb straps. Verify proper location for bulb with valve manufacturer. Don't mount bulb in a trap or at bottom of line.
  3. If external equalizer lines are required, make connection where it will reflect suction-line pressure at bulb location.
- H. Install safety relief valves where required by ASME Boiler and Pressure Vessel Code. Pipe safety-relief-valve discharge line to outside according to ASHRAE 15.
- I. Install moisture/liquid indicators in liquid line at inlet of the thermostatic expansion valve or at inlet of the evaporator coil capillary tube.
- J. Install strainers upstream from and adjacent to the following unless they are furnished with equipment:
1. Solenoid valves.
  2. Thermostatic expansion valves.
  3. Hot-gas bypass valves.
  4. Compressor.
- K. Install filter dryer in liquid line between compressor and thermostatic expansion valve.
- L. Install filter dryer in the suction line at the compressor.
- M. Install receivers sized to accommodate pump-down charge.

3.4 PIPING INSTALLATION

- A. Drawing plans, schematics, and diagrams indicate general location and arrangement of piping systems; indicated locations and arrangements were used to size pipe and calculate friction loss, expansion, pump sizing, and other design considerations. Install piping as indicated unless deviations to layout are approved by The Architect on Shop Drawings.
- B. Install refrigerant piping according to ASHRAE 15.
- C. Install piping in concealed locations unless otherwise indicated and except in equipment rooms and service areas.
- D. Install piping indicated to be exposed and piping in equipment rooms and service areas at right angles or parallel to building walls. Diagonal runs are prohibited unless specifically indicated otherwise.
- E. Install piping above accessible ceilings to allow sufficient space for ceiling panel removal.
- F. Install piping adjacent to machines to allow service and maintenance.
- G. Install piping free of sags and bends.



FIRE STATIONS RENOVATION  
ARLINGTON COUNTY, VIRGINIA  
Architect's Project No: 563006

- H. Install fittings for changes in direction and branch connections.
- I. Select system components with pressure rating equal to or greater than system operating pressure.
- J. Refer to Division 23 Sections "Instrumentation and Control for HVAC" and "Sequence of Operations for HVAC Controls" for solenoid valve controllers, control wiring, and sequence of operation.
- K. Install piping as short and direct as possible, with a minimum number of joints, elbows, and fittings.
- L. Arrange piping to allow inspection and service of refrigeration equipment. Install valves and specialties in accessible locations to allow for service and inspection. Install access doors or panels as specified in Division 08 Section "Access Doors and Frames" if valves or equipment requiring maintenance is concealed behind finished surfaces.
- M. Install refrigerant piping in protective conduit where installed belowground.
- N. Install refrigerant piping in rigid or flexible conduit in locations where exposed to mechanical injury.
- O. Slope refrigerant piping as follows:
  - 1. Install horizontal hot-gas discharge piping with a uniform slope downward away from compressor.
  - 2. Install horizontal suction lines with a uniform slope downward to compressor.
  - 3. Install traps and double risers to entrain oil in vertical runs.
  - 4. Liquid lines may be installed level.
- P. When brazing or soldering, remove solenoid-valve coils and sight glasses; also remove valve stems, seats, & packing, and accessible internal parts of refrigerant specialties. Do not apply heat near expansion-valve bulb.
- Q. Install piping with adequate clearance between pipe and adjacent walls and hangers or between pipes for insulation installation.
- R. Identify refrigerant piping and valves according to Section "Identification for HVAC Piping and Equipment."
- S. Install sleeves for piping penetrations of walls, ceilings, and floors. Comply with requirements for sleeves specified in Section "Sleeves and Sleeve Seals for HVAC Piping."
- T. Install sleeve seals for piping penetrations of exterior walls and floor slabs. Comply with requirements for sleeve seals specified in Section "Sleeves and Sleeve Seals for HVAC Piping."
- U. Install escutcheons for piping penetrations of walls, ceilings, and floors. Comply with requirements for escutcheons specified in Section "Sleeves and Seals for HVAC Piping."

FIRE STATIONS RENOVATION  
ARLINGTON COUNTY, VIRGINIA  
Architect's Project No: 563006

3.5 PIPE JOINT CONSTRUCTION

- A. Ream ends of pipes and tubes and remove burrs.
- B. Remove scale, slag, dirt, and debris from inside and outside of pipe and fittings before assembly.
- C. Fill pipe and fittings with an inert gas (nitrogen or carbon dioxide), during brazing.
- D. Soldered Joints: Construct joints according to ASTM B 828 or CDA's "Copper Tube Handbook."
- E. Brazed Joints: Construct joints according to AWS's "Brazing Handbook," Chapter "Pipe and Tube."
  - 1. Use Type BcuP, copper-phosphorus alloy for joining copper socket fittings with copper pipe.
  - 2. Use Type BAg, cadmium-free silver alloy for joining copper with bronze or steel.
- F. Threaded Joints: Thread steel pipe with tapered pipe threads according to ASME B1.20.1. Cut threads full and clean using sharp dies. Ream threaded pipe ends to remove burrs and restore full ID. Join pipe fittings and valves as follows:
  - 1. Apply appropriate tape or thread compound to external pipe threads unless dry-seal threading is specified.
  - 2. Damaged Threads: Do not use pipe or pipe fittings with threads that are corroded or damaged. Do not use pipe sections that have cracked or open welds.
- G. Steel pipe can be threaded, but threaded joints must be seal brazed or seal welded.
- H. Welded Joints: Construct joints according to AWS D10.12/D10.12M.
- I. Flanged Joints: Select appropriate gasket material, size, type, and thickness for service application. Install gasket concentrically positioned. Use suitable lubricants on bolt threads.

3.6 HANGERS AND SUPPORTS

- A. Hanger, support, and anchor products are specified in Section "Hangers and Supports for HVAC Piping and Equipment."
- B. Install the following pipe attachments:
  - 1. Adjustable steel clevis hangers for individual horizontal runs less than 20'-0" long.
  - 2. Roller hangers and spring hangers for individual horizontal runs 20'-0" or longer.
  - 3. Pipe Roller: MSS SP-58, Type 44 for multiple horizontal piping 20'-0" or longer, supported on a trapeze.
  - 4. Spring hangers to support vertical runs.

FIRE STATIONS RENOVATION  
ARLINGTON COUNTY, VIRGINIA  
Architect's Project No: 563006

5. Copper-clad hangers and supports for hangers and supports in direct contact with copper pipe.

C. Install hangers for copper tubing with the following maximum spacing and minimum rod sizes:

1. ½": Maximum span, 60"; minimum rod size, ¼".
2. 5/8": Maximum span, 60"; minimum rod size, ¼".
3. 1": Maximum span, 72"; minimum rod size, ¼".
4. 1 ¼": Maximum span, 96"; minimum rod size, 3/8".
5. 1 ½": Maximum span, 96"; minimum rod size, 3/8".
6. 2": Maximum span, 96"; minimum rod size, 3/8".
7. 2 ½": Maximum span, 108"; minimum rod size, 3/8".
8. 3": Maximum span, 10'-0"; minimum rod size, 3/8".
9. 4": Maximum span, 12'-0"; minimum rod size, ½".

D. Install hangers for steel piping with the following maximum spacing and minimum rod sizes:

1. 2": Maximum span, 10'-0"; minimum rod size, 3/8".
2. 2 ½": Maximum span, 11'-0"; minimum rod size, 3/8".
3. 3": Maximum span, 12'-0"; minimum rod size, 3/8".
4. 4": Maximum span, 14'-0"; minimum rod size, ½".

### 3.7 FIELD QUALITY CONTROL

A. Perform tests and inspections and prepare test reports.

B. Tests and Inspections:

1. Comply with ASME B31.5, Chapter VI.
2. Test refrigerant piping, specialties, and receivers. Isolate compressor, condenser, evaporator, and safety devices from test pressure if they are not rated above the test pressure.
3. Test high- and low-pressure side piping of each system separately at not less than the pressures indicated in Part 1 "Performance Requirements" Article.
  - a. Fill system with nitrogen to the required test pressure.
  - b. System shall maintain test pressure at the manifold gage throughout duration of test.
  - c. Test joints and fittings with electronic leak detector or by brushing a small amount of soap and glycerin solution over joints.
  - d. Remake leaking joints using new materials, and retest until satisfactory results are achieved.

### 3.8 SYSTEM CHARGING

A. Charge system using the following procedures:

FIRE STATIONS RENOVATION  
ARLINGTON COUNTY, VIRGINIA  
Architect's Project No: 563006

1. Install core in filter dryers after leak test but before evacuation.
2. Evacuate entire refrigerant system with a vacuum pump to 500 micrometers. If vacuum holds for 12 hours, system is ready for charging.
3. Break vacuum with refrigerant gas, allowing pressure to build up to 2 psig.
4. Charge system with a new filter-dryer core in charging line.

3.9 ADJUSTING

- A. Adjust thermostatic expansion valve to obtain proper evaporator superheat.
- B. Adjust high- and low-pressure switch settings to avoid short cycling in response to fluctuating suction pressure.
- C. Adjust set-point temperature of air-conditioning or chilled-water controllers to the system design temperature.
- D. Perform the following adjustments before operating the refrigeration system, according to manufacturer's written instructions:
  1. Open shutoff valves in condenser water circuit.
  2. Verify that compressor oil level is correct.
  3. Open compressor suction and discharge valves.
  4. Open refrigerant valves except bypass valves that are used for other purposes.
  5. Check open compressor-motor alignment and verify lubrication for motors and bearings.
- E. Replace core of replaceable filter dryer after system has been adjusted and after design flow rates and pressures are established.

END OF SECTION 232300

FIRE STATIONS RENOVATION  
ARLINGTON COUNTY, VIRGINIA  
Architect's Project No: 563006

SECTION 233113 - METAL DUCTS

PART 1 - GENERAL

1.1 RELATED DOCUMENTS

- A. Provisions of the Contract and of the Contract Documents apply to this Section.

1.2 PERFORMANCE REQUIREMENTS

- A. Seal all ducts to seal class A as defined in SMACNA's HVAC Duct Construction Standards - Metal and Flexible, Third Edition 2005:
  - 1. Seal all longitudinal joints.
  - 2. Seal all transverse joints.
  - 3. Seal all penetrations.
- B. Seal Class: A
- C. Duct Construction: Duct construction, including sheet metal thicknesses, seam and joint construction, reinforcements, and hangers and supports, shall comply with SMACNA's "HVAC Duct Construction Standards - Metal and Flexible, Third Edition 2005" and performance requirements and design criteria indicated in "Duct Schedule" Article.
- D. Liner Airstream Surfaces: Liner surfaces in contact with the airstream shall comply with ASHRAE 62.1-2007, paragraph 5.5.
- E. Cleanliness: All factory fabricated duct shall be cleaned with a non-toxic, biodegradable cleaner/degreaser and shall be shrink wrapped prior to shipment.

1.3 ABBREVIATIONS

- A. BAS Building Automation System
- B. NRTL Nationally Recognized Testing Laboratory
- C. SMACNA Sheet Metal and Air Conditioning Contractors' National Association
- D. WC Water Column

1.4 DEFINITIONS:

- A. Duct System: For the purposes of this section "duct system" shall mean all metal supply, return, and exhaust duct and fittings between the air moving device and the space.
- B. Low Pressure: Plus two (2.0) inches WC to minus one (1.0) inches WC
- C. Medium Pressure: More than two (2.0) inches WC to plus ten (10.0) inches WC or more than minus one (1.0) inch to minus ten (10.0) inches WC
- D. High Pressure: More than plus or minus ten (10.0) inches WC.

FIRE STATIONS RENOVATION  
ARLINGTON COUNTY, VIRGINIA  
Architect's Project No: 563006

1.5 SUBMITTALS

- A. Product Data / Documentation: For each of the following:
1. Sheet metal thicknesses.
  2. Liners and adhesives.
  3. Pre-manufactured ductwork.
  4. Sealants and gaskets.
  5. VOC content for adhesives and sealants.
- B. CAD-generated Shop Drawings:
1. Provide coordination shop drawings with all trades for entire building including kitchen, laundry and water/mechanical rooms. Include
  2. Show fabrication and installation details for metal ducts.
  3. 1/4" = 1'-0" scale minimum including duct layout indicating sizes and pressure classes for the following areas:
    - a. Areas indicated on the drawings at 1/4" = 1'-0" scale.
    - b. Areas where sections are cut.
    - c. Finished spaces with exposed ductwork.
      - 1) Exceptions:
        - a) Janitors closets
        - b) Storage Rooms
        - c) Receiving Areas
      - 2) Include:
        - a) Plans, elevations and sections.
        - b) Elevations of top and bottom of ducts.
        - c) Dimensions of main duct runs from building grid lines.
  4. 3/4" = 1'-0" scale minimum for the following:
    - a. Hangers and supports, including methods for duct and building attachment, vibration isolation.
    - b. Duct accessories, including access doors and panels.
    - c. Equipment installation based on approved equipment submittals.
    - d. Penetrations through fire-rated and other partitions.
    - e. Fittings.
    - f. Components.
- C. Submittals during construction:
1. Duct-Cleaning Test Report: Documentation of work performed for compliance with ASHRAE 62.1-2007, Section 7.2.4 - "Ventilation System Start-Up."

1.6 QUALITY ASSURANCE

- A. Provide work in compliance with applicable Building Code requirements.
- B. Welding Qualifications: Qualify procedures and personnel according to the following:
- C. AWS D1.1/D1.1M, "Structural Welding Code - Steel," for hangers and supports.

FIRE STATIONS RENOVATION  
ARLINGTON COUNTY, VIRGINIA  
Architect's Project No: 563006

- D. AWS D1.2/D1.2M, "Structural Welding Code - Aluminum," for aluminum supports.
- E. AWS D9.1M/D9.1, "Sheet Metal Welding Code," for duct joint and seam welding.
- F. ASHRAE Compliance: Comply with applicable requirements in ASHRAE 62.1-2007, Section 5 - "Systems and Equipment" and Section 7 - "Construction and System Start-Up."
- G. ASHRAE/IESNA Compliance: Comply with applicable requirements in ASHRAE/IESNA 90.1-2007, Section 6.4.4 - "HVAC System Construction and Insulation."
- H. Mockups (Contractor's option in lieu of 3"=1'-0" details):
  - 1. Before installing duct systems, build mockups. Build mockups to comply with the following requirements, using materials indicated for the completed Work:
  - 2. Three transverse joints.
  - 3. One Reinforced section with 3 reinforcements.
  - 4. One of each type; attachments to other work.
  - 5. Two typical flexible duct or flexible-connector connections.
  - 6. Approved mockups may become part of the completed Work if undisturbed at time of Substantial Completion.

PART 2 - PRODUCTS

2.1 SINGLE-WALL RECTANGULAR DUCTS AND FITTINGS

- A. General Fabrication Requirements: Comply with SMACNA's "HVAC Duct Construction Standards - Metal and Flexible, Third Edition 2005" based on indicated static-pressure class unless otherwise indicated.
- B. Transverse Joints: Select joint types and fabricate according to SMACNA's "HVAC Duct Construction Standards - Metal and Flexible, Third Edition 2005," Figure 2-1, "Transverse (Girth) Joints," for static-pressure class, applicable sealing requirements, materials involved, duct-support intervals, and other provisions in SMACNA's "HVAC Duct Construction Standards - Metal and Flexible, Third Edition 2005."
- C. Longitudinal Seams: Select seam types and fabricate according to SMACNA's "HVAC Duct Construction Standards - Metal and Flexible, Third Edition 2005," Figure 2-2, "Rectangular Duct/Longitudinal Seams" for static-pressure class, applicable sealing requirements, materials involved, duct-support intervals, and other provisions in SMACNA's "HVAC Duct Construction Standards - Metal and Flexible, Third Edition 2005."
- D. Elbows, Transitions, Offsets, Branch Connections, and Other Duct Construction: Select types and fabricate according to SMACNA's "HVAC Duct Construction Standards - Metal and Flexible, Third Edition 2005," Chapter 4, "Fittings and Other Construction," for static-pressure class, applicable sealing requirements, materials involved, duct-support intervals, and other provisions in SMACNA's "HVAC Duct Construction Standards - Metal and Flexible, Third Edition 2005."

2.2 DOUBLE-WALL RECTANGULAR DUCTS AND FITTINGS (SOLID LINER)

- A. Manufacturers:

FIRE STATIONS RENOVATION  
ARLINGTON COUNTY, VIRGINIA  
Architect's Project No: 563006

1. McGill AirFlow LLC.
  2. MKT Metal Manufacturing
  3. Sheet Metal Connectors, Inc.
- B. Rectangular Ducts: Fabricate ducts with indicated dimensions for the inner duct.
- C. Outer Duct: Comply with SMACNA's "HVAC Duct Construction Standards - Metal and Flexible, Third Edition 2005" based on indicated static-pressure class unless otherwise indicated.
- D. Transverse Joints: Select joint types and fabricate according to SMACNA's "HVAC Duct Construction Standards - Metal and Flexible, Third Edition 2005," Figure 2-1, "Transverse (Girth) Joints," for static-pressure class, applicable sealing requirements, materials involved, duct-support intervals, and other provisions in SMACNA's "HVAC Duct Construction Standards - Metal and Flexible, Third Edition 2005."
- E. Longitudinal Seams: Select seam types and fabricate according to SMACNA's "HVAC Duct Construction Standards - Metal and Flexible, Third Edition 2005," Figure 2-2, "Longitudinal Seams - Rectangular Ducts," for static-pressure class, applicable sealing requirements, materials involved, duct-support intervals, and other provisions in SMACNA's "HVAC Duct Construction Standards - Metal and Flexible, Third Edition 2005."
- F. Interstitial Insulation: Fibrous-glass liner complying with ASTM C 1071, NFPA 90A, or NFPA 90B; and with NAIMA AH124, "Fibrous Glass Duct Liner Standard."
1. Install spacers that position the inner duct at uniform distance from outer duct without compressing insulation.
- G. Inner Duct: Minimum 22-gauge.
- H. Formed-on Transverse Joints (Flanges): Select joint types and fabricate according to SMACNA's "HVAC Duct Construction Standards - Metal and Flexible, Third Edition 2005," Figure 1-4, "Traverse (Girth) Joints," for static-pressure class, applicable sealing requirements, materials involved, duct-support intervals, and other provisions in SMACNA's "HVAC Duct Construction Standards - Metal and Flexible, Third Edition 2005."
- I. Longitudinal Seams: Select seam types and fabricate according to SMACNA's "HVAC Duct Construction Standards - Metal and Flexible, Third Edition 2005," Figure 2-2, "Rectangular Duct/Longitudinal Seams" for static-pressure class, applicable sealing requirements, materials involved, duct-support intervals, and other provisions in SMACNA's "HVAC Duct Construction Standards - Metal and Flexible, Third Edition 2005."
- 2.3 DOUBLE-WALL RECTANGULAR DUCTS AND FITTINGS (SOLID LINER, OUTDOORS)
- A. Manufacturers:
1. McGill AirFlow LLC.
  2. MKT Metal Manufacturing
  3. Sheet Metal Connectors, Inc.
- B. Rectangular Ducts: Fabricate ducts with indicated dimensions for the inner duct.
- C. Outer Duct: Comply with SMACNA's "HVAC Duct Construction Standards - Metal and Flexible, Third Edition 2005" based on indicated static-pressure class unless otherwise indicated. Minimum 20-gauge.



FIRE STATIONS RENOVATION  
ARLINGTON COUNTY, VIRGINIA  
Architect's Project No: 563006

- D. Transverse Joints: Flanged, gasketed joints suited for outdoor applications. Select joint types and fabricate according to SMACNA's "HVAC Duct Construction Standards - Metal and Flexible, Third Edition 2005," Figure 2-1, "Transverse (Girth) Joints," for static-pressure class, applicable sealing requirements, materials involved, duct-support intervals, and other provisions in SMACNA's "HVAC Duct Construction Standards - Metal and Flexible, Third Edition 2005."
- E. Longitudinal Seams: Liquid tight, welded. Select seam types and fabricate according to SMACNA's "HVAC Duct Construction Standards - Metal and Flexible, Third Edition 2005," Figure 2-2, "Longitudinal Seams - Rectangular Ducts," for static-pressure class, applicable sealing requirements, materials involved, duct-support intervals, and other provisions in SMACNA's "HVAC Duct Construction Standards - Metal and Flexible, Third Edition 2005."
- F. Interstitial Insulation: Closed-cell elastomeric.
- G. Inner Duct: Minimum 22-gauge.
- H. Formed-on Transverse Joints (Flanges): Select joint types and fabricate according to SMACNA's "HVAC Duct Construction Standards - Metal and Flexible, Third Edition 2005," Figure 1-4, "Traverse (Girth) Joints," for static-pressure class, applicable sealing requirements, materials involved, duct-support intervals, and other provisions in SMACNA's "HVAC Duct Construction Standards - Metal and Flexible, Third Edition 2005."
- I. Longitudinal Seams: Select seam types and fabricate according to SMACNA's "HVAC Duct Construction Standards - Metal and Flexible, Third Edition 2005," Figure 2-2, "Rectangular Duct/Longitudinal Seams" for static-pressure class, applicable sealing requirements, materials involved, duct-support intervals, and other provisions in SMACNA's "HVAC Duct Construction Standards - Metal and Flexible, Third Edition 2005."

#### 2.4 LOW PRESSURE SINGLE-WALL ROUND DUCTS AND FITTINGS –CONCEALED

- A. General Fabrication Requirements: Comply with SMACNA's "HVAC Duct Construction Standards - Metal and Flexible, Third Edition 2005," Chapter 3, "Round, Oval, and Flexible Duct," based on specified static-pressure class unless otherwise indicated.
- B. Manufacturers:
  - 1. Eastern Sheet Metal.
  - 2. Hamlin Sheet Metal.
  - 3. Linx Industries - Lindab.
  - 4. McGill AirFlow LLC.
  - 5. MKT Metal Manufacturing
  - 6. Semco, Inc.
  - 7. Sheet Metal Connectors, Inc.
  - 8. Spiral Manufacturing Co., Inc.
- C. Transverse Joints: Select joint types and fabricate according to SMACNA's "HVAC Duct Construction Standards - Metal and Flexible, Third Edition 2005," Figure 3-1, "Round Duct Transverse Joints"
  - 1. Transverse Joints in Ducts Equal to or Larger Than 48" in Diameter: Flanged.
  - 2. Gasketed, EPDM, self sealing Joints such as Eastern Tight or Spiro Safe may be used for ducts smaller than 48" in diameter.
  - 3. Flanges may be substituted in ducts smaller than 48" in diameter.

FIRE STATIONS RENOVATION  
ARLINGTON COUNTY, VIRGINIA  
Architect's Project No: 563006

- D. Duct support intervals, and other provisions: In accordance with SMACNA's "HVAC Duct Construction Standards - Metal and Flexible, Third Edition 2005."
- E. Longitudinal Seams: Select seam types and fabricate according to SMACNA's "HVAC Duct Construction Standards - Metal and Flexible, Third Edition 2005," Figure 3-2, "Seams - Round Duct and Fittings," for static-pressure class, applicable sealing requirements, materials involved, duct-support intervals, and other provisions in SMACNA's "HVAC Duct Construction Standards - Metal and Flexible, Third Edition 2005."
- F. Tees and Laterals: Select types and fabricate according to SMACNA's "HVAC Duct Construction Standards - Metal and Flexible, Third Edition 2005," Figure 3-5, "90° Tees and Laterals," and Figure 3-6, "Conical Tees," for static-pressure class, applicable sealing requirements, materials involved, duct-support intervals, and other provisions in SMACNA's "HVAC Duct Construction Standards - Metal and Flexible, Third Edition 2005." Adjustable elbows are not permitted.
- G. All round duct shall not be less than 26-gauge.

## 2.5 LOW PRESSURE SINGLE-WALL ROUND DUCTS AND FITTINGS -EXPOSED

- A. General Fabrication Requirements: Comply with SMACNA's "HVAC Duct Construction Standards - Metal and Flexible, Third Edition 2005," Chapter 3, "Round, Oval, and Flexible Duct," "FIGURE 3-2 ROUND DUCT LONGITUDINAL SEAMS" "SPIRAL SEAM RL-1" to plus-or-minus 10" WC unless otherwise indicated.
- B. Manufacturers:
  - 1. Eastern Sheet Metal.
  - 2. Hamlin Sheet Metal.
  - 3. Linx Industries - Lindab.
  - 4. McGill AirFlow LLC.
  - 5. MKT Metal Manufacturing
  - 6. Semco, Inc.
  - 7. Sheet Metal Connectors, Inc.
  - 8. Spiral Manufacturing Co., Inc.
- C. Transverse Joints: Select joint types and fabricate according to SMACNA's "HVAC Duct Construction Standards - Metal and Flexible, Third Edition 2005," Figure 3-1, "Round Duct Transverse Joints"
- D. Static-pressure class, applicable sealing requirements, materials involved, duct-support intervals, and other provisions: Comply with SMACNA's "HVAC Duct Construction Standards - Metal and Flexible, Third Edition 2005." And the following:
  - 1. Transverse Joints in Ducts Equal to or Larger Than 48" in Diameter or Flat Oval with a Major Dimension Equal to or Larger Than 48": Flanged.
  - 2. Gasketed, EPDM, self sealing Joints such as Eastern Tight or Spiro Safe may be used for ducts smaller than 48" in diameter.
  - 3. Flanges may be substituted in ducts smaller than 48" in diameter.
- E. Longitudinal Seams: Duct shall be spiral according to SMACNA's "HVAC Duct Construction Standards - Metal and Flexible, Third Edition 2005," Figure 3-2, "Round Duct Longitudinal Seams"

FIRE STATIONS RENOVATION  
ARLINGTON COUNTY, VIRGINIA  
Architect's Project No: 563006

- F. Tees and Laterals: Tees and laterals shall be created with fittings. Fabricate fittings according to SMACNA's "HVAC Duct Construction Standards - Metal and Flexible, Third Edition 2005." Adjustable elbows are not permitted.
- G. Static-pressure class: Applicable sealing requirements, materials involved, duct-support intervals, and other provisions in SMACNA's "HVAC Duct Construction Standards - Metal and Flexible, Third Edition 2005."
- H. Longitudinal seams shall be spiral type.
- I. All round duct shall not be less than 26-gauge.

2.6 DOUBLE-WALL ROUND DUCTS AND FITTINGS (SOLID LINER)

- A. Manufacturers:
  - 1. Eastern Sheet Metal.
  - 2. Hamlin Sheet Metal.
  - 3. Linx Industries - Lindab.
  - 4. McGill AirFlow LLC.
  - 5. MKT Metal Manufacturing
  - 6. Semco, Inc.
  - 7. Sheet Metal Connectors, Inc.
  - 8. Spiral Manufacturing Co., Inc.
- B. Outer Duct: Comply with SMACNA's "HVAC Duct Construction Standards - Metal and Flexible, Third Edition 2005," Chapter 3, "Round, Oval, and Flexible Duct," based on static-pressure class unless otherwise indicated.
- C. Transverse Joints: Select joint types and fabricate according to SMACNA's "HVAC Duct Construction Standards - Metal and Flexible, Third Edition 2005," Figure 3-2, "Transverse Joints - Round Duct," for static-pressure class, applicable sealing requirements, materials involved, duct-support intervals, and other provisions in SMACNA's "HVAC Duct Construction Standards - Metal and Flexible, Third Edition 2005."
  - 1. Transverse Joints in Ducts Equal to or Larger Than 48" in Diameter or Flat Oval with a Major Dimension Equal to or Larger Than 48": Flanged.
  - 2. Gasketed, EPDM, self sealing Joints such as Eastern Tight or Spiro Safe may be used for ducts smaller than 48" in diameter.
  - 3. Flanges may be substituted in ducts smaller than 48" in diameter.
- D. Longitudinal Seams: Select seam types and fabricate according to SMACNA's "HVAC Duct Construction Standards - Metal and Flexible, Third Edition 2005," Figure 3-2, "Seams - Round Duct and Fittings," for static-pressure class, applicable sealing requirements, materials involved, duct-support intervals, and other provisions in SMACNA's "HVAC Duct Construction Standards - Metal and Flexible, Third Edition 2005, Third Edition 2005."
- E. Tees and Laterals: Select types and fabricate according to SMACNA's "HVAC Duct Construction Standards - Metal and Flexible, Third Edition 2005," Figure 3-5, "90° Tees and Laterals," and Figure 3-6, "Conical Tees," for static-pressure class, applicable sealing requirements, materials involved, duct-support intervals, and other provisions in SMACNA's "HVAC Duct Construction Standards - Metal and Flexible, Third Edition 2005."

FIRE STATIONS RENOVATION  
ARLINGTON COUNTY, VIRGINIA  
Architect's Project No: 563006

- F. Inner Duct: Minimum 22-gauge.
- G. Interstitial Insulation: Fibrous-glass liner complying with ASTM C 1071, NFPA 90A, or NFPA 90B; and with NAIMA AH124, "Fibrous Glass Duct Liner Standard."
  - 1. Install spacers that position the inner duct at uniform distance from outer duct without compressing insulation.
- H. All round duct shall not be less than 26-gauge.

## 2.7 SHEET METAL MATERIALS

- A. General Material Requirements: Comply with SMACNA's "HVAC Duct Construction Standards - Metal and Flexible, Third Edition 2005" for acceptable materials, material thicknesses, and duct construction methods unless otherwise indicated. Sheet metal materials shall be free of pitting, seam marks, roller marks, stains, discolorations, and other imperfections.
- B. Galvanized Sheet Steel: Comply with ASTM A 653/A 653M.
  - 1. Galvanized Coating Designation: G90.
  - 2. Finishes for Surfaces Exposed to View: Mill phosphatized.
- C. Stainless-Steel Sheets: Comply with ASTM A 480/A 480M, Type 316, cold rolled, annealed, sheet. Exposed surface finish shall be No. 4.
- D. Aluminum Sheets: Comply with ASTM B 209 Alloy 3003, H14 temper; with mill finish for concealed ducts, and standard, one-side bright finish for duct surfaces exposed to view.
- E. Reinforcement Shapes and Plates: ASTM A 36/A 36M, steel plates, shapes, and bars; black and galvanized.
- F. Where black- and galvanized-steel shapes and plates are used to reinforce aluminum ducts, isolate the different metals with butyl rubber, neoprene, or EPDM gasket materials.
- G. Tie Rods: Galvanized steel, 1/4-inch minimum diameter for lengths 36 inches or less; 3/8-inch minimum diameter for lengths longer than 36 inches.

## 2.8 DUCT LINER

- A. For double wall duct: Not required. All other duct: Provide where indicated.
- B. Fibrous-Glass Duct Liner: Comply with ASTM C 1071, NFPA 90A, or NFPA 90B; and with NAIMA AH124, "Fibrous Glass Duct Liner Standard."
  - 1. Manufacturers:
    - a. CertainTeed Corporation.
    - b. Johns Manville.
    - c. Knauf Insulation.
    - d. Owens Corning.
  - 2. Maximum Thermal Conductivity:

FIRE STATIONS RENOVATION  
ARLINGTON COUNTY, VIRGINIA  
Architect's Project No: 563006

- 1) Type I, Flexible: 0.26 Btu x in./h x sq. ft. x deg F at 75 deg F mean temperature.
  - 2) Type II, Rigid: 0.23 Btu x in./h x sq. ft. x deg F at 75 deg F mean temperature.
3. For supply ductwork, provide antimicrobial, erosion-resistant coating: Apply to the surface of the liner that will form the interior surface of the duct to act as a moisture repellent and erosion-resistant coating. Antimicrobial compound shall be tested for efficacy by an NRTL and registered by the EPA for use in HVAC systems.
  4. Water-Based Liner Adhesive: Comply with NFPA 90A or NFPA 90B and with ASTM C 916.
- C. Flexible Elastomeric Duct Liner: Preformed, cellular, closed-cell, sheet materials complying with ASTM C 534, Type II, Grade 1; and with NFPA 90A or NFPA 90B. Foam shall contain or be coated with EPA-approved or EPA-registered antimicrobial additive or paint.
1. Manufacturers:
    - a. Aeroflex USA, Inc.
    - b. Armacell LLC.
    - c. K-Flex USA.
  2. Maximum Thermal Conductivity: 0.25 Btu x in./h x sq. ft. x deg F at 75 deg F mean temperature when tested according to ASTM C 518.
  3. Surface-Burning Characteristics: Maximum flame-spread index of 25 and maximum smoke-developed index of 50 when tested according to UL 723; certified by an NRTL.
  4. Liner Adhesive: As recommended by insulation manufacturer and complying with NFPA 90A or NFPA 90B.
- D. Natural-Fiber Duct Liner: 85 percent cotton, 10 percent borate, and 5 percent polybinding fibers, treated with a microbial growth inhibitor and complying with NFPA 90A or NFPA 90B.
1. Manufacturers:
    - a. Ductmate Industries, Inc.
  2. Maximum Thermal Conductivity: 0.24 Btu x in./h x sq. ft. x deg F at 75 deg F mean temperature when tested according to ASTM C 518.
  3. Surface-Burning Characteristics: Maximum flame-spread index of 25 and maximum smoke-developed index of 50 when tested according to ASTM E 84; certified by an NRTL.
  4. Liner Adhesive: As recommended by insulation manufacturer and complying with NFPA 90A or NFPA 90B.
- E. Insulation Pins and Washers:
1. Cupped-Head, Capacitor-Discharge-Weld Pins: Copper- or zinc-coated steel pin, fully annealed for capacitor-discharge welding, 0.106-inch- diameter shank, length to suit depth of insulation indicated with integral 1-1/2-inch galvanized carbon-steel washer.

FIRE STATIONS RENOVATION  
ARLINGTON COUNTY, VIRGINIA  
Architect's Project No: 563006

2. Insulation-Retaining Washers: Self-locking washers formed from 0.016-inch-thick galvanized steel; with beveled edge sized as required to hold insulation securely in place but not less than 1-1/2 inches in diameter.

F. Shop Application of Duct Liner: Comply with SMACNA's "HVAC Duct Construction Standards - Metal and Flexible," Figure 7-11, "Flexible Duct Liner Installation."

1. Adhere a single layer of indicated thickness of duct liner with at least 90 percent adhesive coverage at liner contact surface area. Attaining indicated thickness with multiple layers of duct liner is prohibited.
2. Apply adhesive to transverse edges of liner facing upstream that do not receive metal nosing.
3. Butt transverse joints without gaps, and coat joint with adhesive.
4. Fold and compress liner in corners of rectangular ducts or cut and fit to ensure butted-edge overlapping.
5. Do not apply liner in rectangular ducts with longitudinal joints, except at corners of ducts, unless duct size and dimensions of standard liner make longitudinal joints necessary.
6. Apply adhesive coating on longitudinal seams in ducts with air velocity of 2500 fpm.
7. Secure liner with mechanical fasteners 4 inches from corners and at intervals not exceeding 12 inches transversely; at 3 inches from transverse joints and at intervals not exceeding 18 inches longitudinally.
8. Secure transversely oriented liner edges facing the airstream with metal nosings that have either channel or "Z" profiles or are integrally formed from duct wall. Fabricate edge facings at the following locations:
  - a. Fan discharges.
  - b. Intervals of lined duct preceding unlined duct.
  - c. Upstream edges of transverse joints in ducts where air velocities are higher than 2500 fpm or where indicated.

- G. Terminate inner ducts with buildouts attached to fire-damper sleeves, dampers, turning vane assemblies, or other devices. Fabricated buildouts (metal hat sections) or other buildout means are optional; when used, secure buildouts to duct walls with bolts, screws, rivets, or welds.

## 2.9 SEALANT AND GASKETS

- A. General Sealant and Gasket Requirements: Surface-burning characteristics for sealants and gaskets shall be a maximum flame-spread index of 25 and a maximum smoke-developed index of 50 when tested according to UL 723.
1. Materials: Certified by a NRTL.
- B. Tape sealing systems are not permitted.
- C. Water-Based Joint and Seam Sealant:
1. Application Method: Brush on.
  2. Solids Content: Minimum 65 percent.
  3. Shore A Hardness: Minimum 20.
  4. Water resistant.
  5. Mold and mildew resistant.

FIRE STATIONS RENOVATION  
ARLINGTON COUNTY, VIRGINIA  
Architect's Project No: 563006

6. VOC: Maximum 75 g/L (less water).
  7. Maximum Static-Pressure Class: 10-inch wg, positive and negative.
  8. Service: Indoor or outdoor.
  9. Substrate: Compatible with galvanized sheet steel (both PVC coated and bare), stainless steel, or aluminum sheets.
  10. Indoor applications: Sealant with VOC content of 250 g/L or less when calculated according to 40 CFR 59, Subpart D (EPA Method 24).
  11. Maximum Static-Pressure Class: 10-inch wg, positive or negative.
  12. Service: Indoor or outdoor.
  13. Substrate: Compatible with galvanized sheet steel, stainless steel, or aluminum sheets.
- D. Flanged Joint Sealant: Comply with ASTM C 920.
1. General: Single-component, acid-curing, silicone, elastomeric.
  2. Type: S.
  3. Grade: NS.
  4. Class: 25.
  5. Use: O.
  6. Indoor applications: Sealant with VOC content of 250 g/L or less when calculated according to 40 CFR 59, Subpart D (EPA Method 24).
- E. Flange Gaskets: Butyl rubber, neoprene, or EPDM polymer with polyisobutylene plasticizer.

## 2.10 HANGERS AND SUPPORTS

- A. Ductwork Hangers inside indoor pool area:
1. Suited for corrosive environment, all aluminum, with aluminum fasteners. Where additional strength is required, galvanized steel can be used. Refer to Division 9 "Painting" for high performance coating for galvanized steel.
- B. Hanger Rods: Galvanized, all-thread.
- C. Strap and Rod Sizes: Comply with SMACNA's "HVAC Duct Construction Standards - Metal and Flexible, Third Edition 2005," Table 5-1, "Rectangular Duct Hangers Minimum Size," and Table 5-2, "Minimum Hanger Sizes for Round Duct."
- D. Steel Cables for Galvanized-Steel Ducts: Galvanized steel complying with ASTM A 603.
- E. Steel Cables for Stainless-Steel Ducts: Stainless steel complying with ASTM A 492.
- F. Steel Cable End Connections: Cadmium-plated steel assemblies with brackets, swivel, and bolts designed for duct hanger service; with an automatic-locking and clamping device.
- G. Duct Attachments: Sheet metal screws, blind rivets, or self-tapping metal screws; compatible with duct materials.
- H. Trapeze and Riser Supports:
1. Supports for Galvanized-Steel Ducts: Galvanized-steel shapes and plates.
  2. Supports for Stainless-Steel Ducts: Stainless-steel shapes and plates.
  3. Supports for Aluminum Ducts: Aluminum or galvanized steel coated with zinc chromate.

FIRE STATIONS RENOVATION  
ARLINGTON COUNTY, VIRGINIA  
Architect's Project No: 563006

PART 3 - EXECUTION

3.1 DUCT INSTALLATION

- A. Drawing plans, schematics, and diagrams indicate general location and arrangement of duct system. Duct locations, configurations, and arrangements were used to size ducts and calculate friction loss for air-handling equipment sizing and for other design considerations. Install duct systems as indicated unless deviations to layout are approved by Architect in writing.
- B. Comply with SMACNA's "HVAC Duct Construction Standards - Metal and Flexible, Third Edition 2005" unless otherwise indicated.
- C. Install ducts with fewest possible joints.
- D. Install factory-fabricated fittings for changes in direction, size, and shape and for branch connections.
- E. Unless otherwise indicated, install ducts vertically or horizontally, and parallel or perpendicular to building lines.
- F. Install ducts close to walls, overhead construction, columns, and other structural and permanent enclosure elements of building. Maintain clearances for equipment maintenance.
- G. Install ducts with a clearance of 1 inch, plus allowance for installation of insulation at specified thickness.
- H. Do not route ducts through transformer vaults, electrical equipment rooms, elevator equipment rooms or electrical enclosures.
- I. Where ducts pass through non-fire-rated interior partitions and exterior walls and are exposed to view, cover the opening between the partition and duct or duct insulation with sheet metal flanges of same metal thickness as the duct. Overlap openings on four sides by at least 1-1/2 inches.
- J. Provide fire dampers where ducts pass through fire-rated interior partitions, fire-rated exterior walls, fire-rated floor assemblies, or fire-rated shaft enclosures.
- K. Protect duct interiors from moisture, construction debris, dust, and other foreign materials. Comply with SMACNA's "Duct Cleanliness for New Construction Guidelines."

3.2 PROTECTION OF WALL AND FLOOR PENETRATIONS OF NON-RATED ASSEMBLIES

- A. Where ducts penetrate non-fire-resistance-rated wall or floor assemblies, protect the penetration with one of the following:
  - 1. For a duct that connects not more than two stories vertically, protect the annular space around the penetrating duct with an approved, noncombustible material that resists the free passage of flame and the products of combustion.
  - 2. For a duct that connects not more than three stories, protect the annular space around the penetrating duct with an approved, noncombustible material that resists the free passage of flame and the products of combustion and a fire damper at each floor line.
  - 3. For ducts that penetrate a smoke partition without a smoke damper, protect the annular space around the penetrating duct with an approved, non-combustible materials that resists the free passage of flame and the products of combustion.



FIRE STATIONS RENOVATION  
ARLINGTON COUNTY, VIRGINIA  
Architect's Project No: 563006

4. For ducts that penetrate a non-rated wall, protect the annular space around the penetrating duct with an approved, non-combustible materials that resists the free passage of flame and the products of combustion.

### 3.3 INSTALLATION OF EXPOSED DUCTWORK

- A. Protect ducts exposed in finished spaces from being dented, scratched, or damaged.
- B. Trim duct sealants flush with metal. Create a smooth and uniform exposed bead. Do not use two-part tape sealing system.
- C. Grind welds to provide smooth surface free of burrs, sharp edges, and weld splatter. When welding stainless steel with a No. 3 or 4 finish, grind the welds flush, polish the exposed welds, and treat the welds to remove discoloration caused by welding. Do not weld or grind lined ductwork.
- D. Maintain consistency, symmetry, and uniformity in the arrangement and fabrication of duct, fittings, hangers, supports, accessories, and air outlets.
- E. Repair or replace damaged sections and finished work that does not comply with these requirements.

### 3.4 DUCT SEALING

- A. Seal all ducts to seal class A as defined in SMACNA's HVAC Duct Construction Standards - Metal and Flexible, Third Edition 2005:
  1. Seal all longitudinal joints.
  2. Seal all transverse joints.
  3. Seal all penetrations.

### 3.5 HANGER AND SUPPORT INSTALLATION

- A. Comply with SMACNA's "HVAC Duct Construction Standards - Metal and Flexible, Third Edition 2005," Chapter 5, "Hangers and Supports."
- B. Building Attachments: Unless indicated otherwise, provide concrete inserts, powder-actuated fasteners, or structural-steel fasteners appropriate for construction materials to which hangers are being attached.
  1. Where practical, install concrete inserts before placing concrete.
  2. Do not use powder-actuated concrete fasteners for lightweight-aggregate concrete or for slabs less than 4 inches thick.
- C. Hanger Spacing: Comply with SMACNA's "HVAC Duct Construction Standards - Metal and Flexible, Third Edition 2005," Table 5-1, "Rectangular Duct Hangers Minimum Size," and Table 5-2, "Minimum Hanger Sizes for Round Duct," for maximum hanger spacing; install hangers and supports within 24 inches of each elbow and within 48 inches of each branch intersection.
- D. Hangers Exposed to View: Threaded rod and channel supports.

FIRE STATIONS RENOVATION  
ARLINGTON COUNTY, VIRGINIA  
Architect's Project No: 563006

- E. Support vertical ducts with channel secured to the sides of the duct with welds, bolts, sheet metal screws, or blind rivets; support at each floor or at a maximum intervals of 18 feet.
- F. Install upper attachments to structures. Select and size upper attachments with pull-out, tension, and shear capacities appropriate for supported loads and building materials where used.

3.6 CONNECTIONS

- A. Make connections to equipment with flexible connectors.
- B. Comply with SMACNA's "HVAC Duct Construction Standards - Metal and Flexible, Third Edition 2005" for branch, outlet, inlet, and terminal unit connections unless otherwise indicated.

3.7 PAINTING

- A. Paint interior of metal ducts that are visible through registers and grilles and that do not have duct liner. Apply two coats of flat black, latex paint over a compatible galvanized-steel primer.

3.8 FIELD QUALITY CONTROL

- A. Perform tests and inspections.
- B. Visually inspect, for proper seal application, all ductwork not tested prior to insulation application. Prepare inspection report.
- C. Duct System Cleanliness Tests:
  - 1. Visually inspect duct system to ensure that no visible contaminants are present. If visible contaminants are present, proceed to sub-paragraph 2 below. If not, no further cleaning shall be required.
  - 2. Test sections of metal duct systems, up to one location per ten thousand (10,000) square feet of building area, or a minimum of two (2) per system, whichever is greater, chosen by the Owner's Representative, for cleanliness according to "Vacuum Test" in NADCA ACR, "Assessment, Cleaning and Restoration of HVAC Systems." Net weight of debris collected on the filter media shall not exceed 0.75 mg/100 sq. cm. Cut hole in duct and install access door at each location selected. Size shall be as indicated in Division 23 Section "Air Duct Accessories."
  - 3. Duct system shall be considered dirty and in need of cleaning if any test location does not pass the cleanliness test. Cleaning shall be performed in accordance with this specification.
- D. Prepare and submit test and inspection reports.

3.9 DUCT CLEANING

- A. Clean new duct systems that fail duct system cleanliness tests before testing, adjusting, and balancing.
- B. Comply with SMACNA "Duct Cleanliness for New Construction Guidelines" dated 2000, for protection, cleaning, and installation methods for all ductwork. Adhere to the requirements for a duct cleanliness level of "C" (advanced level) as detailed in Section 3.1.

FIRE STATIONS RENOVATION  
ARLINGTON COUNTY, VIRGINIA  
Architect's Project No: 563006

3.10 START UP

- A. Air Balance: Comply with requirements in Division 23 Section "Testing, Adjusting, and Balancing for HVAC."

3.11 DUCT SCHEDULE

- A. Fabricate ducts with galvanized sheet steel except as otherwise indicated and as follows:
- B. Ducts Connected Serving Locker Rooms, Shower Rooms, and Team Rooms:
  - 1. Aluminum sheet.
  - 2. Exposed to View: Bright finish.
  - 3. Concealed: Mill finish.
- C. All double wall ductwork:
  - 1. Aluminum sheet perforated inner wall.
  - 2. Aluminum sheet outer wall.
  - 3. Exposed: Painted to match color selected by Architect.
- D. Double-Wall Duct Interstitial Insulation (where indicated):
  - 1. Supply Air Ducts: 1" thickness.
  - 2. Return Air Ducts: 1" thickness.
- E. Rectangular Duct Liner Thickness (where indicated):
  - 1. Supply Air Ducts: 1-1/2" thickness and minimum R=5.0.]
- F. Elbow Configuration:
  - 1. Rectangular Duct: Comply with SMACNA's "HVAC Duct Construction Standards - Metal and Flexible, Third Edition 2005," Figure 4-2, "Rectangular Elbows."
    - a. Velocity less than 1500 fpm or lower:
      - 1) Radius Type RE 1. Centerline radius =  $3W/2$ .
      - 2) Mitered Type RE 2 with vanes complying with SMACNA's "HVAC Duct Construction Standards - Metal and Flexible, Third Edition 2005," Figure 4-3, "Vanes and Vane Runners," and Figure 4-4, "Vane Support in Elbows."
      - 3) Transfer ducts indicated with mitered elbows do not require turning vanes.
    - b. Velocity 1500 fpm or Higher:
      - 1) Radius Type RE 3. Centerline radius =  $3w/2$  and three vanes.
      - 2) Mitered Type RE 2 with vanes complying with SMACNA's "HVAC Duct Construction Standards - Metal and Flexible, Third Edition 2005," Figure 2-3, "Vanes and Vane Runners," and Figure 2-4, "Vane Support in Elbows."
  - 2. Round Duct: Comply with SMACNA's "HVAC Duct Construction Standards - Metal and Flexible, Third Edition 2005," Figure 3-4, "Round Duct Elbows."
    - a. Minimum centerline radius-to-diameter ratio shall be 1.5 with a maximum of 5 Elbow Segments. Comply with SMACNA's "HVAC Duct Construction Standards - Metal and Flexible, Third Edition 2005," Table 3-1, "Mitered Elbows." Elbows with less than a 90 degree change of direction shall have segments per Table 3-1 in

FIRE STATIONS RENOVATION  
ARLINGTON COUNTY, VIRGINIA  
Architect's Project No: 563006

SMACNA's "HVAC Duct Construction Standards - Metal and Flexible, Third Edition 2005".

- b. Round Elbows, 12 Inches and Smaller in Diameter: Stamped, segmented, spiral or pleated. Adjustable elbows not acceptable.
  - c. Round Elbows, 14 Inches and Larger in Diameter: Standing seam, segmented, or spiral.
3. Flat Oval Duct: Comply with SMACNA's "HVAC Duct Construction Standards - Metal and Flexible, Third Edition 2005," Figure 3-7, "Flat Oval Ducts" for elbows.

G. Branch Configuration:

1. Rectangular Duct: Comply with SMACNA's "HVAC Duct Construction Standards - Metal and Flexible, Third Edition 2005," Figure 4-6, "Branch Connections."
  - a. Rectangular Main to Rectangular Branch: 45-degree entry.
  - b. Rectangular Main to Round Branch: Conical or bellmouth. No flanged or spin-in fittings permitted.
2. Round and Flat Oval: Comply with SMACNA's "HVAC Duct Construction Standards - Metal and Flexible, Third Edition 2005," Figure 3-6, "Conical Tees."
  - a. Conical fitting.
  - b. Conical saddle taps.
  - c. No 90 degree taps or 90 degree saddle taps permitted.

H. Divided Flow Branches:

1. Rectangular Duct: Comply with SMACNA's "HVAC Duct Construction Standards - Metal and Flexible, Third Edition 2005," Figure 4-5 Divided Flow Branches."

END OF SECTION 233113

FIRE STATIONS RENOVATION  
ARLINGTON COUNTY, VIRGINIA  
Architect's Project No: 563006

SECTION 233300 - AIR DUCT ACCESSORIES

PART 1 - GENERAL

1.1 RELATED DOCUMENTS

- A. Provisions of the Contract and of the Contract Documents apply to this Section.

1.2 SUBMITTALS

- A. Product Data: For the following:
  - 1. Radius forming braces
  - 2. Volume dampers.
  - 3. Take-offs
  - 4. Motorized control dampers.
  - 5. Fire dampers.
  - 6. Turning vanes.
  - 7. Duct-mounting access doors.
  - 8. Flexible connectors.
  - 9. Flexible ducts.
  - 10. Rooftop duct supports.
- B. Wiring Diagrams: For power, signal, and control wiring.
- C. Operation and Maintenance Data: For air duct accessories to include in operation and maintenance manuals.

1.3 ABBREVIATIONS

- A. CFM Cubic Feet per Minute
- B. F Fahrenheit
- C. FPM Feet Per Minute
- D. IN Inches
- E. LBF Pound Feet, or Pound Foot.
- F. NFPA National Fire Protection Association
- G. NO Number
- H. NRTL Nationally Recognized Testing laboratory
- I. OC On Center
- J. SqFt Square Feet
- K. WC Water Column

FIRE STATIONS RENOVATION  
ARLINGTON COUNTY, VIRGINIA  
Architect's Project No: 563006

1.4 QUALITY ASSURANCE

- A. Comply with NFPA 90A, "Installation of Air Conditioning and Ventilating Systems," and with NFPA 90B, "Installation of Warm Air Heating and Air Conditioning Systems."
- B. Comply with AMCA 500-D testing for damper rating.

1.5 EXTRA MATERIALS

- A. Furnish extra materials that match products installed and that are packaged with protective covering for storage and identified with labels describing contents.
  - 1. Fusible Links: Furnish quantity equal to 10 percent of amount installed. Minimum 1 of each type used.

PART 2 - PRODUCTS

2.1 MATERIALS

- A. Comply with SMACNA's "HVAC Duct Construction Standards - Metal and Flexible" for acceptable materials, material thicknesses, and duct construction methods unless otherwise indicated. Sheet metal materials shall be free of pitting, seam marks, roller marks, stains, discolorations, and other imperfections.
- B. Comply with SMACNA's "HVAC Duct Construction Standards - Metal and Flexible" for acceptable duct installation methods unless otherwise indicated.
- C. Galvanized Sheet Steel: Comply with ASTM A 653/A 653M.
  - 1. Galvanized Coating Designation: G60 or G90.
  - 2. Exposed-Surface Finish: Mill phosphatized.
- D. Stainless-Steel Sheets: Comply with ASTM A 480/A 480M, Type 304, and having a NO 2 finish for concealed ducts and NO 4 finish for exposed ducts.
- E. Aluminum Sheets: Comply with ASTM B 209, Alloy 3003, temper H14; with mill finish for concealed ducts and standard, 1-side bright finish for exposed ducts.
- F. Extruded Aluminum: Comply with ASTM B 221, Alloy 6063, Temper T6.
- G. Reinforcement Shapes and Plates: Galvanized-steel reinforcement where installed on galvanized sheet metal ducts; compatible materials for aluminum and stainless-steel ducts.
- H. Tie Rods: Galvanized steel, 1/4-inch minimum diameter for lengths 36 inches or less; 3/8-inch minimum diameter for lengths longer than 36 inches; compatible materials for aluminum and stainless-steel ducts.

2.2 RADIUS FORMING BRACES

- A. Available manufacturers:
  - 1. Titus, FlexRight (Basis of Design)
  - 2. Flexible Technologies, Inc., Thermaflex Division, FlexFlow
  - 3. Hart & Cooley, Smart Flow Elbow

FIRE STATIONS RENOVATION  
ARLINGTON COUNTY, VIRGINIA  
Architect's Project No: 563006

- B. General: UL-2043 listed or NRTL approved product constructed of metal or plastic manufactured for use with flexible duct to form a kink free elbow using the flexible duct. Any flexible duct used in forming the elbow shall be included in the maximum permitted length. Resulting flexible duct shall comply with SMACNA HVAC Duct Construction Standards.
- C. Duct Size: 6" through 16" in diameter.
- D. Inside (Bend) Radius: Minimum of one duct diameter along centerline.
- E. Attachments: Plastic zip ties or stainless steel worm gear clamps.
- F. Support to Overhead: Shall meet SMACNA requirements. Use of specified attachments for support shall not be permitted.

2.3 MANUAL VOLUME DAMPERS

- A. Steel, Manual Volume Dampers:
  - 1. Manufacturers:
    - a. Air Balance Inc.; a division of Mestek, Inc.
    - b. American Warming and Ventilating; a division of Mestek, Inc.
    - c. Flexmaster U.S.A., Inc.
    - d. Greenheck Fan Corporation.
    - e. McGill AirFlow LLC.
    - f. METALAIRE, Inc.
    - g. PCI Industries - Pottorff
    - h. Ruskin Company.
    - i. Vent Products Company, Inc.
  - 2. Standard leakage rating, with linkage outside airstream.
  - 3. Suitable for horizontal or vertical applications.
  - 4. Frames:
    - a. Hat-shaped, galvanized or stainless-steel channels, match duct material.
    - b. Mitered and welded corners.
    - c. Flanges for attaching to walls and flangeless frames for installing in ducts.
  - 5. Blades:
    - a. Multiple or single blade.
    - b. Opposed-blade design.
    - c. Stiffen damper blades for stability.
    - d. Galvanized or stainless-steel channels, match duct material.
    - e. Blade Axles: Galvanized steel or Stainless steel. Dampers over 12" width/diameter shall include continuous axles. Dampers 12" and less may have non-continuous axles.
  - 6. Bearings:
    - a. Molded synthetic. Provide bearing at both duct wall penetrations.
  - 7. Tie Bars and Brackets: Galvanized steel.
- B. Aluminum, Manual Volume Dampers:
  - 1. Manufacturers:
    - a. Air Balance Inc.; a division of Mestek, Inc.
    - b. American Warming and Ventilating; a division of Mestek, Inc.
    - c. Flexmaster U.S.A., Inc.

FIRE STATIONS RENOVATION  
ARLINGTON COUNTY, VIRGINIA  
Architect's Project No: 563006

- d. Greenheck Fan Corporation.
  - e. McGill AirFlow LLC.
  - f. METALAIRE, Inc.
  - g. PCI Industries - Pottorff
  - h. Ruskin Company.
  - i. Vent Products Company, Inc.
  2. Standard leakage rating, with linkage and operator outside airstream.
  3. Suitable for horizontal or vertical applications.
  4. Frames: Hat-shaped aluminum channels for installing in ducts.
  5. Blades:
    - a. Multiple or single blade.
    - b. Parallel- or opposed-blade design.
    - c. Stiffen damper blades for stability.
    - d. Roll Formed or Extruded Aluminum.
    - e. Blade Axles: Galvanized steel or Stainless steel. Dampers over 12" width/diameter shall include continuous axles. Dampers 12" and less may have non-continuous axles.
  6. Bearings:
    - a. Molded synthetic. Provide bearing at both duct wall penetrations.
  7. Tie Bars and Brackets: Aluminum.
- C. Damper Hardware:
1. Zinc-plated, die-cast quadrant with dial and handle made of zinc plated steel, and a hexagon lock nut. Friction lock dampers are not acceptable where system external static pressure exceeds 0.50"wc.
  2. Include center hole to suit damper operating-rod size.
  3. Include elevated platform or stand-off for insulated duct mounting.
- 2.4 CONTROL DAMPERS
- A. Parallel Blades shall be used for two position applications (Open or Closed) unless otherwise indicated.
1. Manufacturers:
    - a. American Warming and Ventilating; a division of Mestek, Inc.
    - b. Arrow United Industries; a division of Mestek, Inc.
    - c. Cesco Products; a division of Mestek, Inc.
    - d. Duro Dyne Inc.
    - e. Flexmaster U.S.A., Inc.
    - f. Greenheck Fan Corporation.
    - g. McGill AirFlow LLC.
    - h. METALAIRE, Inc.
    - i. PCI Industries - Pottorff
    - j. Ruskin Company.
    - k. Young Regulator Company.
  2. Low leakage or ultra low leakage rating, with linkage outside airstream, and having AMCA's Certified Ratings Seal for both air performance and air leakage.
  3. Ratings:
    - a. Pressure Differential Range: 0.0" WC – 6.0" WC.
    - b. Velocity Range: 0 FPM to 4000 FPM.



FIRE STATIONS RENOVATION  
ARLINGTON COUNTY, VIRGINIA  
Architect's Project No: 563006

- c. Leakage:
      - 1) 6 CFM/SqFt @ 4" WC.
      - 2) 3 CFM/SqFt @ 1" WC.
    - d. Temperature: Minimum 165° F.
  - 4. Frames:
    - a. Galvanized steel channels.
    - b. Mitered and welded corners.
  - 5. Blades:
    - a. Air foil
    - b. Multiple blade
    - c. Maximum blade width (not including seals): 8"
    - d. Parallel blade design.
    - e. Galvanized steel.
    - f. Edge Seal: Silicone blade edge seals.
      - 1) Temperature Range: From a minimum of minus 50 to a maximum of plus 300 degrees F.
  - 6. Blade Axles: 1/2-inch- diameter; galvanized or stainless steel.
  - 7. Linkage: Galvanized or stainless steel out of airstream.
  - 8. Jamb Seal: Stainless steel.
  - 9. Bearings:
    - a. Bronze.
    - b. Dampers shall have axles running the full length of the damper blades shall have bearings at each end of the shaft.
    - c. Thrust bearings shall be located at each end of every blade.
- B. Opposed Blades shall be used for modulating applications (Open, Closed, and Anywhere In Between) unless otherwise indicated.
  - 1. Manufacturers:
    - a. American Warming and Ventilating; a division of Mestek, Inc.
    - b. Arrow United Industries; a division of Mestek, Inc.
    - c. Cesco Products; a division of Mestek, Inc.
    - d. Duro Dyne Inc.
    - e. Flexmaster U.S.A., Inc.
    - f. Greenheck Fan Corporation.
    - g. McGill AirFlow LLC.
    - h. METALAIRE, Inc.
    - i. PCI Industries - Pottorff
    - j. Ruskin Company.
    - k. Young Regulator Company.
  - 2. Low leakage or ultra low leakage rating, with linkage outside airstream, and having AMCA's Certified Ratings Seal for both air performance and air leakage.
  - 3. Ratings:
    - a. Pressure Differential Range: 0.0" WC – 6.0" WC.
    - b. Velocity Range: 0 FPM to 4000 FPM.
    - c. Leakage:
      - 1) 6 CFM/SqFt @ 4" WC.
      - 2) 3 CFM/SqFt @ 1" WC.
    - d. Temperature: Minimum 165° F.
  - 4. Frames:

FIRE STATIONS RENOVATION  
ARLINGTON COUNTY, VIRGINIA  
Architect's Project No: 563006

- a. Galvanized steel channels.
- b. Mitered and welded corners.
5. Blades:
  - a. Air foil
  - b. Multiple blade
  - c. Maximum blade width (not including seals): 8"
  - d. Opposed blade design.
  - e. Galvanized steel.
  - f. Edge Seal: Silicone blade edge seals.
    - 1) Temperature Range: From a minimum of minus 50 to a maximum of plus 300 degrees F.
6. Blade Axles: 1/2-inch- diameter; galvanized or stainless steel.
7. Linkage: Galvanized or stainless steel out of airstream.
8. Jamb Seal: Stainless steel.
9. Bearings:
  - a. Bronze.
  - b. Dampers shall have axles running the full length of the damper blades shall have bearings at each end of the shaft.
  - c. Thrust bearings shall be located at each end of every blade.

## 2.5 FLANGE CONNECTORS

- A. Available Manufacturers:
  1. Ductmate Industries, Inc.
  2. Nexus PDQ; Division of Shilco Holdings Inc.
  3. Hart & Cooley, Inc.
- B. Description: Add-on or roll-formed, factory-fabricated, slide-on transverse flange connectors, gaskets, and components.
- C. Material: Match connecting ductwork.
- D. Gauge: 18, 20, or 24 as recommended by manufacturer or match connecting ductwork.

## 2.6 MANUFACTURED TURNING VANES

- A. Curved blades of galvanized sheet steel; support with bars perpendicular to blades set; set into vane runners suitable for duct mounting.
- B. General Requirements: Comply with SMACNA's "HVAC Duct Construction Standards - Metal and Flexible"; Figures 2-3, "Vaness and Vane Runners," and 2-4, "Vane Support in Elbows."
- C. Vane Construction: Single wall for ducts with the largest sectional dimension up to 48 inches wide and double wall for larger dimensions.

## 2.7 DUCT-MOUNTED ACCESS DOORS

- A. Available Manufacturers:
  1. Ductmate Industries, Inc.
  2. Flexmaster U.S.A., Inc.
  3. Greenheck Fan Corporation.

FIRE STATIONS RENOVATION  
ARLINGTON COUNTY, VIRGINIA  
Architect's Project No: 563006

4. Kees
  5. McGill AirFlow LLC.
- B. Duct-Mounted Access Doors: Fabricate access panels according to SMACNA's "HVAC Duct Construction Standards - Metal and Flexible"; Figures 2-10, "Duct Access Doors and Panels," and 2-11, "Access Panels - Round Duct."
1. Door:
    - a. Double wall, rectangular.
    - b. Galvanized sheet metal with insulation fill and thickness as indicated for duct pressure class.
    - c. Hinges and Latches: 1-by-1-inch butt or piano hinge. Cam latches.
    - d. Fabricate doors airtight and suitable for duct pressure class.
  2. Frame: Galvanized sheet steel, with bend-over tabs and foam gaskets.
  3. Number of Hinges and Locks:
    - a. Access Doors Less Than 12 Inches Square: No hinges and two sash locks.
    - b. Access Doors up to 18 Inches Square: Two hinges and two sash locks.
    - c. Access Doors up to 24 by 48 Inches: Three hinges and two compression latches with outside and inside handles.
    - d. Access Doors Larger Than 24 by 48 Inches: Four hinges and two compression latches with outside and inside handles.

2.8 FLEXIBLE CONNECTORS

- A. Available Manufacturers:
1. Ductmate Industries, Inc.
  2. Duro Dyne Inc.
  3. Ventfabrics, Inc.
  4. Hart & Cooley, Inc.
- B. Materials: Flame-retardant or noncombustible fabrics.
- C. Coatings and Adhesives: Comply with UL 181, Class 1.
- D. Connector: Factory fabricated with a fabric strip 3½ to 4½ inches wide attached to 2 strips of 2½ to 4½ inches wide, 23 to 25 gauge "0.0269 to .0209 inch thick" galvanized sheet steel, stainless sheet steel, or aluminum sheets. Provide metal compatible with connected ducts.
- E. Indoor System, Flexible Connector Fabric: Glass fabric double-coated with neoprene.
1. Minimum Weight: 26 oz/sq yd.
  2. Tensile Strength: 480 lbf/inch in the warp and 360 lbf/inch in the filling.
  3. Service Temperature: Minus 40 to plus 200 deg F.
- F. High-Temperature System, Flexible Connectors: Glass fabric coated with silicone rubber.
1. Minimum Weight: 16 oz./sq. yd..
  2. Tensile Strength: 285 lbf/inch in the warp and 185 lbf/inch in the filling.
  3. Service Temperature: Minus 67 to plus 500 deg F.
- G. Thrust Limiters:

FIRE STATIONS RENOVATION  
ARLINGTON COUNTY, VIRGINIA  
Architect's Project No: 563006

1. Field fabricated cable restraints on equipment producing greater than 4.0" WC of positive pressure.
2. Field fabricated cable restraints as detailed. If not detailed; Provide restraint consisting of a 1/16 inch diameter vinyl coated steel cable at 24" maximum on center, attached to flange bolts on each side of flexible connector. Cable length shall be such that, when in tension, 1/2" of movement in the flexible connection is preserved. If flanges are not used, contractor may provide steel, stainless steel, or aluminum angles for attaching cables. Match duct material. Cables shall attach to screw or fastener holding angle to duct and shall be routed through a 3/16" diameter hole in the bracket offset approximately 1" from duct.
3. Direction of connector movement: Parallel with airflow, perpendicular to connector.

2.9 FLEXIBLE AIR DUCTS

A. Manufacturers:

1. Flexmaster U.S.A., Inc. (Basis of design, Provide Type 1M)
2. Thermaflex
3. Hart & Cooley, Inc.

B. Provide bead on connecting duct for sizes greater than 12" in diameter.

C. Maximum length of flexible duct is 6'-0".

D. Insulated, Flexible Duct: UL 181, Class 1 air duct with vinyl film supported by helically wound, spring-steel wire; fibrous-glass insulation; aluminized vapor-barrier film.

1. Pressure Rating: 10-inch WC positive and 1.0-inch WC negative.
2. Maximum Air Velocity: 5000 fpm.
3. Vapor Barrier Permeance: 0.05 perm
4. Temperature Range: Minus 10 to plus 160 deg F.
5. Insulation R-value: 6.0

E. Flexible Duct Connection Accessories:

1. Low pressure (Not up stream of terminal units):
  - a. Clamps: Nylon strap in sizes 3 through 20", to suit duct size.
  - b. Sheet metal screws: No
  - c. Liquid adhesive: No
  - d. Tape: Yes
2. Medium pressure (Up stream of terminal units):
  - a. Clamps: Stainless-steel band with cadmium-plated hex screw to tighten band with worm-gear action in sizes 3 through 20 inches, to suit duct size.
  - b. Sheet metal screws: No
  - c. Liquid adhesive: Yes
  - d. Tape: Yes

2.10 ACCESSORY HARDWARE

A. Temporary Test Holes: Drilled in duct as required.

FIRE STATIONS RENOVATION  
ARLINGTON COUNTY, VIRGINIA  
Architect's Project No: 563006

- B. Permanent Test Holes: Cast iron, or cast aluminum, to suit adjacent material, including cap and gasket. Size to allow insertion of pitot tube and other testing instruments and of length to suit wall + insulation thickness.
- C. Adhesives: High strength, quick setting, waterproof, and resistant to grease.

PART 3 - EXECUTION

3.1 INSTALLATION

- A. Install duct accessories according to applicable details in SMACNA's "HVAC Duct Construction Standards - Metal and Flexible" for metal ducts and in NAIMA AH116, "Fibrous Glass Duct Construction Standards," for fibrous-glass ducts.
- B. Install duct accessories of materials suited to duct materials; use galvanized-steel accessories in galvanized-steel and fibrous-glass ducts, stainless-steel accessories in stainless-steel ducts, and aluminum accessories in aluminum ducts.
- C. Install backdraft dampers on exhaust fans or exhaust ducts nearest to outside and where indicated.
- D. Install volume dampers at points on supply, return, and exhaust systems where branches extend from larger ducts. Where dampers are installed in ducts having duct liner, install dampers with hat channels of same depth as liner, and terminate liner with nosing at hat channel.
  - 1. Install steel volume dampers in steel ducts.
  - 2. Install aluminum volume dampers in aluminum ducts.
- E. Set dampers to fully open position before testing, adjusting, and balancing.
- F. Install permanent test holes at fan inlets and outlets.
- G. Install permanent test holes where indicated.
- H. Provide temporary test holes where necessary for testing.
- I. Install temporary test hole plugs in temporary test holes.
- J. Repair insulation at temporary test holes.
- K. Install duct access doors on sides of ducts to allow for inspecting, adjusting, and maintaining accessories and equipment at the following locations:
  - 1. On both sides of duct coils.
  - 2. Downstream from volume dampers and equipment.
  - 3. Adjacent to fire or smoke dampers, providing access to reset or reinstall fusible links.
  - 4. To interior of ducts for cleaning; before and after each change in direction, at maximum 50-foot spacing.
  - 5. On sides of ducts where adequate clearance is available.
- L. Install access doors with swing against duct static pressure except at fire, smoke, and combination fire & smoke dampers.
- M. Install the largest access door possible in the following sizes for duct-mounting, rectangular access doors:

FIRE STATIONS RENOVATION  
ARLINGTON COUNTY, VIRGINIA  
Architect's Project No: 563006

1. One-Hand or Inspection Access: 8 by 5 inches.
  2. Two-Hand Access: 12 by 6 inches.
  3. Head and Hand Access: 18 by 10 inches.
  4. Head and Shoulders Access: 21 by 14 inches.
  5. Body Access: 25 by 14 inches.
  6. Body Plus Ladder Access: 25 by 17 inches.
- N. Install the largest access door possible in the following sizes for duct-mounting, round access doors:
1. One-Hand or Inspection Access: 8 inches in diameter.
  2. Two-Hand Access: 10 inches in diameter.
  3. Head and Hand Access: 12 inches in diameter.
  4. Head and Shoulders Access: 18 inches in diameter.
  5. Body Access: 24 inches in diameter.
- O. Label access doors to indicate purpose.
- P. Install flexible connectors to connect ducts to air moving equipment.
- Q. For fans developing static pressures of 4" WC and more, cover flexible connectors with loaded vinyl sheet held in place with metal straps.
- R. Connect terminal units to supply ducts with 36" of rigid duct and maximum 30" lengths of flexible duct.
- S. Connect flexible ducts to metal ducts as follows:
1. Low pressure (Not up stream of terminal units):
    - a. Clamps: Install in accordance with manufacturer's recommendations.
    - b. Sheet metal screws: Not required.
    - c. Liquid adhesive: Not required.
    - d. Tape: Install in accordance with manufacturer's recommendations.
  2. Medium pressure (Up stream of terminal units):
    - a. Clamps: Install in accordance with manufacturer's recommendations.
    - b. Sheet metal screws: Not required.
    - c. Liquid adhesive: Yes
    - d. Tape: Yes
- T. Connect flexible ducts to diffusers using a radius forming brace or rigid elbow. If using radius forming brace, deduct four (4) duct diameters from the indicated maximum flexible duct length.
- U. Install temporary test holes where required for testing and balancing purposes. Cap with neoprene, plastic or rubber plugs and repair insulation with like material.
- V. Install permanent test holes upstream and downstream of each fan within 6" of fan. Install in unit wall or adjacent duct.
1. Exception: Outlet of roof mounted fans
- W. Install thrust limiters at all flexible connectors consisting of a 1/16 inch diameter vinyl coated steel cable at 24" maximum on center, attached to flange bolts on each side of flexible connector. Cable length shall be such that, when in tension, 1/2" of movement in the flexible connection is preserved. If flanges are not used, contractor may provide steel, stainless steel, or

FIRE STATIONS RENOVATION  
ARLINGTON COUNTY, VIRGINIA  
Architect's Project No: 563006

aluminum angles for attaching cables. Match duct material. Cables shall attach to screw or fastener holding angle and shall be routed through a 3/16" diameter hole in the angle offset approximately 1" from duct.

X. TURNING VANES:

1. Install turning vanes in all duct elbows larger than 12" in height or width.
2. Exceptions:
  - a. Where prohibited by the applicable code.
  - b. Where prohibited by laws or ordinances.
  - c. Where prohibited by local requirements.
  - d. Where specifically eliminated by contract.

Y. FIELD QUALITY CONTROL

1. Tests and Inspections:
  - a. Operate dampers to verify full range of movement without interference.
  - b. Inspect access doors. Verify that door can be opened and closed. Verify fire damper, and combination fire and smoke damper fusible links can be reset and changed. Verify fire damper, and combination fire and smoke damper doors open in the direction of air pressure (out on supply ducts and in on return and exhaust ducts).
  - c. Operate fire, smoke, and combination fire and smoke dampers to verify full range of movement, verify non-interference, and verify that the proper heat-response device is installed.
  - d. Inspect elbows for turning vanes. Verify they are installed where required.
  - e. Inspect turning vanes using access doors for proper and secure installation.
  - f. Operate remote damper operators prior to ceiling installation to verify full range of movement of operator and damper. Verify no interference with damper movement.

END OF SECTION 233300

FIRE STATIONS RENOVATION  
ARLINGTON COUNTY, VIRGINIA  
Architect's Project No: 563006

SECTION 233423 - HVAC POWER VENTILATORS

PART 1 - GENERAL

1.1 RELATED DOCUMENTS

- A. Provisions of the Contract and of the Contract Documents apply to this Section.

1.2 SUBMITTALS

- A. Product Data: Provide manufacturer's technical data for each ventilator including rated capacities, dimensions, required clearances, operating characteristics, mounting requirements, and furnished specialties and accessories. Provide power and control wiring diagrams. Also include the following:
  - 1. Certified fan performance curves with system operating conditions indicated.
  - 2. Certified fan sound-power ratings.
  - 3. Motor ratings and electrical characteristics, plus motor and electrical accessories.
  - 4. Material thickness and finishes, including color charts.
  - 5. Dampers, including housings, linkages, and operators.
  - 6. Roof curbs with required slope and dimensions. Indicate shimming if required.
  - 7. .
  - 8. Fan speed controllers.
- B. Operation and Maintenance Data: For ventilators to include in emergency, operation, and maintenance manuals.
- C. Warranty: Special warranty specified in this Section.

1.3 QUALITY ASSURANCE

- A. Electrical Components, Devices, and Accessories: Listed and labeled as defined in NFPA 70, by a qualified testing agency, and marked for intended location and application.
- B. AMCA Compliance: Fans shall have AMCA-Certified performance ratings and shall bear the AMCA-Certified Ratings Seal.
- C. UL Standards: Power ventilators shall comply with UL 705. Power ventilators for use for grease (kitchen) hood exhaust shall also comply with UL 762.

1.4 COORDINATION

- A. Coordinate size and location of structural-steel support members.



FIRE STATIONS RENOVATION  
ARLINGTON COUNTY, VIRGINIA  
Architect's Project No: 563006

- B. Coordinate sizes and locations of roof curbs, equipment supports, and roof penetrations with actual equipment provided.

1.5 EXTRA MATERIALS

- A. Furnish extra materials that match products installed and that are packaged with protective covering for storage and identified with labels describing contents.
  - 1. Belts: One set for each belt-driven fan. Mark belt set with fan ID and turn over to owner's representative.

PART 2 - PRODUCTS

2.1 IN-LINE CENTRIFUGAL FANS

- A. Manufacturers:
  - 1. Acme Engineering & Manufacturing Corporation.
  - 2. Penn Ventilation Companies, Inc.
  - 3. Greenheck Fan Corporation.
  - 4. Loren Cook Company.
- B. Housing: Manufacturer's standard steel, inlet and outlet flanges, and support bracket adaptable to floor, side wall, or ceiling mounting.
- C. Direct-Drive Units: Motor mounted in airstream, factory wired to disconnect switch located on outside of fan housing.
- D. Belt-Driven Units: Motor mounted on adjustable base, enclosure around belts within fan housing, and lubricating tubes from fan bearings extended to outside of fan housing.
- E. Fan Wheels: Aluminum, airfoil blades welded to aluminum hub.
- F. Provide accessories:
  - 1. Volume-Control Damper: Manually operated with quadrant lock, located in fan outlet. (Not required where speed controllers are provided.)
  - 2. Variable-Speed Controller: Where indicated on the fan schedule provide solid-state control to reduce speed from 100 percent to less than 50 percent.
  - 3. Disconnect Switch.
  - 4. Companion Flanges: For inlet and outlet duct connections.
  - 5. Motor and Drive Cover (Belt Guard): Epoxy-coated steel.
  - 6. Motorized Dampers: Where indicated on the fan schedule provide parallel-blade dampers mounted in duct with electric actuator; wired to close when fan stops. When fan voltage exceeds 220 V provide 50VA minimum transformer to operate damper.

FIRE STATIONS RENOVATION  
ARLINGTON COUNTY, VIRGINIA  
Architect's Project No: 563006

2.2 MOTORS

- A. Refer to section "Common Motor Requirements for HVAC Equipment."
- B. Comply with NEMA designation, temperature rating, service factor, enclosure type, and efficiency requirements for motors.
  - 1. Motor Sizes: Size shall be as indicated. If not indicated, provide motor large enough to drive load and avoid operation in service factor range above 1.0.
  - 2. Controls: Provide controllers, electrical devices, and wiring to comply with requirements specified in Division 26 Sections.
- C. Enclosure Type: Totally enclosed, fan cooled.

2.3 SOURCE QUALITY CONTROL

- A. Certify sound-power level ratings according to AMCA 301, "Methods for Calculating Fan Sound Ratings from Laboratory Test Data." Factory test fans according to AMCA 300, "Reverberant Room Method for Sound Testing of Fans." Label fans with the AMCA-Certified Ratings Seal.
- B. Certify fan performance ratings, including flow rate, pressure, power, air density, speed of rotation, and efficiency by factory tests according to AMCA 210, "Laboratory Methods of Testing Fans for Aerodynamic Performance Rating." Label fans with the AMCA-Certified Ratings Seal.

PART 3 - EXECUTION

3.1 INSTALLATION

- A. Install HVAC Power Ventilators level and plumb.
- B. Ceiling Units: Suspend units from structure; use steel wire or metal straps.
- C. Support suspended units from structure using threaded steel rods and elastomeric hangers having a static deflection of 0.5 inches.
- D. Install units with clearances for service and maintenance.
- E. Label units.

3.2 FIELD QUALITY CONTROL

- A. Perform tests and inspections.

FIRE STATIONS RENOVATION  
ARLINGTON COUNTY, VIRGINIA  
Architect's Project No: 563006

1. Manufacturer's Field Service: Engage a factory-authorized service representative to inspect components, assemblies, and equipment installations, including connections, and to assist in testing.

B. Tests and Inspections:

1. Verify that Shipping blocking and bracing are removed.
2. Verify that unit is secure and connections to ducts and electrical components are complete. Verify that proper thermal-overload protection is installed in motors, starters, and disconnect switches.
3. Verify that cleaning and adjusting are complete.
4. For belt drive units disconnect fan drive from motor, verify proper motor rotation direction, and verify fan wheel free rotation and smooth bearing operation. Reconnect fan drive system, align belts, adjust belt tension, and install belt guards.
5. Adjust damper linkages & operators for proper damper operation.
6. Verify lubrication for bearings and other moving parts.
7. Verify that manual and automatic volume control, fire, smoke, and fire/smoke dampers in connected ductwork systems are in a fully open position.
8. Disable automatic temperature-control operators, energize motor and adjust fan to indicated rpm.
9. Measure and record motor voltage and amperage.
10. Shut unit down and reconnect automatic temperature-control operators.
11. Remove and replace malfunctioning units and retest as specified above.

- C. Test and adjust controls and safeties. Replace damaged and malfunctioning controls and equipment.

- D. Prepare test and inspection reports.

3.3 TESTING, ADJUSTING, BALANCING, AND LUBRICATION

- A. Adjust damper linkages for proper damper operation.

- B. Comply with requirements in Section "Testing, Adjusting, and Balancing for HVAC".

- C. Replace fan and motor pulleys to achieve design airflow.

1. Disable automatic temperature-control operators, energize motor and adjust fan to required rpm.
2. Measure and record RPM.
3. Measure and record motor voltage and amperage.

- D. Re-lubricate bearings.

END OF SECTION 233423

FIRE STATIONS RENOVATION  
ARLINGTON COUNTY, VIRGINIA  
Architect's Project No: 563006

SECTION 233713 - DIFFUSERS, REGISTERS, AND GRILLES

PART 1 - GENERAL

1.1 RELATED DOCUMENTS

- A. Provisions of the Contract and of the Contract Documents apply to this Section.

1.2 SUBMITTALS

- A. Product Data: For each type of product indicated, include the following:
1. Data Sheet: Indicate materials of construction, finish, mounting details, and performance data including throw, drop, static pressure drop, and noise ratings.
  2. Diffuser, Register, and Grille Schedule: Indicate drawing designation, room location, quantity, model number, size, and accessories furnished.
- B. Installation Drawings: Drawn to scale (Minimum 1 ½" = 1'-0"), on which the following items are indicated:
1. Trim & borders.
  2. Ceiling suspension assembly members.
  3. Method of attaching hangers to building structure.

PART 2 - PRODUCTS

2.1 DIFFUSERS, GRILLES, AND REGISTERS

- A. Manufacturers:
1. Anemostat.
  2. Carnes.
  3. Krueger.
  4. MetalAire, Inc.
  5. Nailor Industries.
  6. Price Industries.
  7. Titus.
- B. General:
1. The basis of design for each grille register and diffuser is indicated on the drawings. The contractor shall provide equivalent products by one of the listed manufacturers.

FIRE STATIONS RENOVATION  
ARLINGTON COUNTY, VIRGINIA  
Architect's Project No: 563006

2. Where aluminum construction is indicated blades and frames shall be extruded.
3. All trim pieces shall be mechanically fastened. Friction fit trim rings/frames shall not be provided or shall be mechanically fastened in the field. Fasteners shall not be visible.
4. Units located on walls in heavy use areas including but not limited to basketball courts, gymnasiums, and shop areas shall be heavy duty steel.
5. Finish: Powder Coated or Baked enamel, white.
6. Filter Grille Mounting Frame: Shall accept a 2" deep MERV 8 (30%) pleated media filter. Refer to section "Filters" for filter requirements. Provide two sets of filters for each filter grille.
7. Mounting: As Scheduled.
8. Damper Type: Adjustable opposed-blade assembly where damper is indicated on the schedule.
9. Construction: For locker rooms, showers, the grill, diffuser shall be aluminum construction.

## 2.2 SOURCE QUALITY CONTROL

- A. Verification of Performance: Rate diffusers, registers, and grilles according to ASHRAE 70, "Method of Testing for Rating the Performance of Air Outlets and Inlets."

## PART 3 - EXECUTION

### 3.1 EXAMINATION

- A. Examine areas where diffusers, registers, and grilles are to be installed for installation tolerances and other conditions affecting performance.
- B. Proceed with installation only after unsatisfactory conditions have been corrected.

### 3.2 INSTALLATION

- A. Install diffusers, registers, and grilles level and plumb.
- B. Install diffusers, registers, and grilles flush with ceiling unless otherwise indicated in contract documents.
- C. Ceiling-Mounted Outlets and Inlets: Drawings indicate general arrangement of ducts, fittings, and accessories. Air outlet and inlet locations have been indicated to achieve design requirements for air volume, noise criteria, airflow pattern, throw, and pressure drop. Install in locations indicated, as much as practical. For units installed in lay-in ceiling panels, center units in both directions in panel. Where architectural features or other items conflict with installation, notify Architect for a determination of final location.

FIRE STATIONS RENOVATION  
ARLINGTON COUNTY, VIRGINIA  
Architect's Project No: 563006

- D. Linear Slot Diffuser Installation: For typical diffuser, adjust each slot diffuser so half the slots throw horizontally along the ceiling in each direction unless indicated otherwise on drawings. For linear slot diffusers above windows at building perimeter, one half of the total slots at each diffuser shall be adjusted to throw air vertically downward to wash window and the other half of the slots shall be adjusted to throw air horizontally across ceiling unless indicated otherwise.
- E. Diffusers, registers and grilles shall be supported independently of the ceiling system and shall not be supported from conduit, piping or unrelated ductwork.
- F. Install diffusers, registers, and grilles with airtight connections to ducts and to allow service and maintenance.

3.3 ADJUSTING

- A. After installation, adjust diffusers, registers, and grilles to air patterns indicated, or as directed, before starting air balancing.

END OF SECTION 233713

FIRE STATIONS RENOVATION  
ARLINGTON COUNTY, VIRGINIA  
Architect's Project No: 563006

SECTION 234100 - PARTICULATE AIR FILTRATION

PART 1 - GENERAL

1.1 RELATED DOCUMENTS

- A. Provisions of the Contract and of the Contract Documents apply to this Section.

1.2 DEFINITIONS

- A. Finished Spaces: Spaces other than mechanical and electrical equipment rooms, furred spaces, pipe chases, unheated spaces immediately below roof, spaces above ceilings, unexcavated spaces, crawlspaces, and tunnels.
- B. Exposed, Interior Installations: Exposed to view indoors. Examples include finished occupied spaces and mechanical equipment rooms.
- C. Exposed, Exterior Installations: Exposed to view outdoors or subject to outdoor ambient temperatures and weather conditions. Examples include rooftop locations.
- D. Concealed, Interior Installations: Concealed from view and protected from physical contact by building occupants. Examples include above ceilings and in chases.
- E. Concealed, Exterior Installations: Concealed from view and protected from weather conditions and physical contact by building occupants but subject to outdoor ambient temperatures. Examples include installations within unheated shelters.
- F. HEPA: High-efficiency particulate air.
- G. Construction Filter: A filter maintained during construction to protect ductwork from construction dust, dirt, and debris. Construction filters shall be removed temporarily during balancing and permanently after the building is occupied.

1.3 ACTION SUBMITTALS

- A. Product Data: For each type of product indicated include dimensions, required operating clearances, required access clearances, and weights.
- B. Operating Characteristics: For each type of product indicated provide rated flow capacity, initial and final pressure drop at rated flow capacity.
- C. Efficiency: For each type of product indicated provide efficiency and test method.
- D. Fire Classification: For each type of product indicated provide the fire classification.

FIRE STATIONS RENOVATION  
ARLINGTON COUNTY, VIRGINIA  
Architect's Project No: 563006

- E. Specialties and Accessories: For each type of product indicated provide furnished specialties and accessories.

1.4 CLOSEOUT SUBMITTALS

- A. Operation and Maintenance Data: For each type of filter and rack to include in emergency, operation, and maintenance manuals.
- B. Replace all permanent filters with new filters of types specified.

1.5 QUALITY ASSURANCE

- A. Electrical Components, Devices, and Accessories: Listed and labeled as defined in NFPA 70, by a qualified testing agency, and marked for intended location and application.
- B. ASHRAE Compliance:
  - 1. Comply with applicable requirements in ASHRAE 62.1, Section 4 - "Outdoor Air Quality"; Section 5 - "Systems and Equipment"; and Section 7 - "Construction and Startup."
  - 2. Comply with ASHRAE 52.1 for arrestance and ASHRAE 52.2 for MERV for methods of testing and rating air-filter units.
- C. Comply with NFPA 90A and NFPA 90B.

1.6 COORDINATION

- A. Coordinate sizes and locations:
  - 1. Within air handling units.
  - 2. On open return ducts during construction.

PART 2 - PRODUCTS

2.1 MANUFACTURERS

- A. Manufacturers:
  - 1. Air Filters, and Filter-Holding Systems:
    - a. AAF International.
    - b. Airguard Industries, Inc.
    - c. Barnebey & Sutcliffe Corp.
    - d. Columbus Industries, Inc.
    - e. Continental Air Filter Div.; NiCon Filter Corp.
    - f. Farr Co.
    - g. Flanders Filters, Inc.



FIRE STATIONS RENOVATION  
ARLINGTON COUNTY, VIRGINIA  
Architect's Project No: 563006

- h. International Air Filter, Inc.
  - i. Koch Filter Corp.
  - j. Research Products Corp.
2. Filter Gages:
- a. Airguard Industries, Inc.
  - b. Dwyer Instruments Inc.

## 2.2 GENERAL FILTERS

- A. For return filter grilles, general filtration, and construction filters provide the following:
- 1. Media: Cotton and synthetic pleated with an average efficiency of 25-30% and an average arrestance of 90-92% in accordance with ASHRAE test standard 52.1-1992.
  - 2. Thickness: Unless otherwise indicated thickness shall be 2".
  - 3. Media Support Grid: Welded wire on 1" centers with 96% free area bonded to the media.
  - 4. Filter Frame: High wet strength cardboard with diagonal support members bonded to the media on the entering side and exiting side of each pleat.
  - 5. Holding Frame: Galvanized steel with metal grid on outlet side, polyurethane gaskets, and spring fasteners.
  - 6. Farr 30/30 or equal.

## 2.3 PRE-FILTERS

- A. Where pre-filters are indicated and for construction filters provide the following:
- 1. Media: Cotton and synthetic pleated with an average efficiency of 25-30% and an average arrestance of 90-92% in accordance with ASHRAE test standard 52.1-1992.
  - 2. Thickness: Unless otherwise indicated thickness shall be 4".
  - 3. Media Support Grid: Welded wire on 1" centers with 96% free area bonded to the media.
  - 4. Filter Frame: High wet strength cardboard with diagonal support members bonded to the media on the entering side and exiting side of each pleat.
  - 5. Holding Frame: Galvanized steel with metal grid on outlet side, polyurethane gaskets, and spring fasteners.
  - 6. Farr 30/30 or equal.

## 2.4 FINAL FILTERS (CARTRIDGE TYPE)

- A. Where final filters are indicated on the drawings provide the following:
- 1. Media: High density microfine glass fibers, laminated to a reinforcing backing to form a lofted filter blanket.
  - 2. Efficiency: Filter media shall have an average efficiency of 80-85% and an average arrestance of 98% in accordance with ASHRAE test standard 52.1-1992. Minimum MERV 13.
  - 3. Thickness: Unless otherwise indicated thickness shall be 12".
  - 4. Media Support Grid: Welded wire on 1" centers with 96% free area bonded to the media.

FIRE STATIONS RENOVATION  
ARLINGTON COUNTY, VIRGINIA  
Architect's Project No: 563006

5. Contour Stabilizers: Aluminized zinc finished steel strips permanently installed on the entering and leaving side of the filter. Filter shall withstand 10" of static pressure drop without noticeable distortion.
6. Filter Frame: Aluminized zinc finished steel with filter pack mechanically and chemically bonded to eliminate air bypass. Provide aluminized zinc finished steel diagonal supports
7. Holding Frame: 16 Gauge galvanized steel with polyurethane gaskets, and positive sealing fasteners.
8. Farr Riga-Flo 100 or equal.

### PART 3 - EXECUTION

#### 3.1 INSTALLATION

- A. Position each filter with clearance for normal service and maintenance.
- B. Install filters to prevent passage of unfiltered air.
- C. Do not operate fan system until filters are in place. During construction, all ductwork must be protected from dirt and debris. Remove filters used during construction and testing. Replace all filters in units with new filters of types specified.
- D. Unit operation during construction:
  1. Install minimum MERV 8 construction filters to protect all return ductwork from dirt and debris. Supply fan shall operate at all times.
- E. Unit not operating during construction:
  1. Install plastic sheet material over all supply and return openings to protect all ductwork from dirt and debris.
  2. Fans shall be off.
- F. Construction filter installation: Adhere all edges of filter with metal foil peel-n-stick tape having an acrylic adhesive.

#### 3.2 FIELD QUALITY CONTROL

- A. Perform tests and inspections.
  1. Check for leakage of unfiltered air while system is operating.
- B. Air filter and installation will be considered defective if they do not pass.
- C. Prepare a report for each filter.

FIRE STATIONS RENOVATION  
ARLINGTON COUNTY, VIRGINIA  
Architect's Project No: 563006

3.3 TESTING AND BALANCING

- A. Immediately prior to testing and balancing, install new filters of the same type that shall be permanently installed.

3.4 CLEANING

- A. After construction ends and prior to occupancy, and with all interior finishes installed, clean unit filter housings and install new filters.

END OF SECTION 234100

FIRE STATIONS RENOVATION  
ARLINGTON COUNTY, VIRGINIA  
Architect's Project No: 563006

SECTION 237413 – PACKAGED ROOFTOP UNITS

PART 1 - GENERAL

1.1 RELATED DOCUMENTS

- A. Provisions of the Contract and of the Contract Documents apply to this Section.

1.2 ABBREVIATIONS

- A. ABMA American Bearing Manufacturers Association. ([www.abma-dc.org](http://www.abma-dc.org))
- B. AI Analog Input (analog value input to the BAS from the unit controller)
- C. AO Analog Output (analog value output from BAS to the unit controller)
- D. ANSI American National Standards Institute. ([www.ansi.org](http://www.ansi.org))
- E. BAS Building Automation System.
- F. BI Binary Input (binary value input to the BAS from the unit controller)
- G. BO Binary Output (binary value output from BAS to the unit controller)
- H. CFM Cubic Feet per Minute.
- I. DDC Direct-digital controls.
- J. ECM Electrically commutated motor.
- K. FPM Feet Per Minute.
- L. RTU Rooftop unit. As used in this Section, this abbreviation means packaged, outdoor, central station air handling unit. This abbreviation is used regardless of whether the unit is mounted on the roof or on an equipment pad on the ground.
- M. RTU's Rooftop units. As used in this Section, this abbreviation means packaged, outdoor, central station air handling units. This abbreviation is used regardless of whether the units are mounted on the roof or on equipment pads on the ground.
- N. SS Stamped Steel
- O. VAV Variable-air volume
- P. W Wire

FIRE STATIONS RENOVATION  
ARLINGTON COUNTY, VIRGINIA  
Architect's Project No: 563006

- Q. WG Water Gauge
- R. VFD Variable Frequency Drive

1.3 DEFINITIONS

- A. Archival Quality: Will last a minimum of 20 years.
- B. Head end: Main temperature control computer system storing data accessible to the internet for WEB accessible systems and storing data accessible to the building system backbone for non-WEB accessible systems.
- C. HP Outdoor-Air Refrigerant Coil: Refrigerant coil in the outdoor-air stream to reject heat during cooling operations and to absorb heat during heating operations.
- D. Modulating: Able to electrically vary and stop in any position.
- E. Outdoor air: Air outside the building or taken from outdoors and not previously circulated through the building.
- F. Outdoor air measurement: Reporting of the volume of outdoor air taken into the building by RTU and reported to the building operator in CFM.
- G. Outdoor-Air Refrigerant Coil: Refrigerant coil in the outdoor-air stream to reject heat during cooling operations.
- H. Outdoor-Air Refrigerant-Coil Fan: The outdoor-air refrigerant-coil fan in RTUs. "Outdoor air" is defined as the air outside the building or taken from outdoors and not previously circulated through the system.
- I. Record: Maintain in writing on original paper and maintain a copy in electronic format, file type Portable Document Format (\*.PDF) is acceptable. Make paper copy available for inspection upon request by Owner, Owner's representative, Architect, or Architect's representative. Email electronic copy to requested email address when request is made by the Owner, Owner's representative, Architect, or Architect's representative. Document shall be "openable" by Owner and Architect's computer.
- J. Supply-Air Fan: Fan providing supply air to conditioned space.
- K. Supply air: Air entering a space from air-conditioning, heating, or ventilating equipment.
- L. Supply-Air Refrigerant Coil: Refrigerant coil in the supply-air stream to absorb heat (provide cooling) during cooling operations and to reject heat (provide heating) during heating operations. "Supply air" is defined as the air entering a space from air-conditioning, heating, or ventilating apparatus.
- M. Two-position: Able to electrically move and stop in only two positions. Usually open or closed.

FIRE STATIONS RENOVATION  
ARLINGTON COUNTY, VIRGINIA  
Architect's Project No: 563006

1.4 PERFORMANCE REQUIREMENTS

- A. Support: RTU supports shall comply with required wind and seismic performance requirements, including analysis by a qualified professional engineer.
- B. Wind-Restraint Performance shall comply with SEI/ASCE 7 for wind speed and building classification category. Provide minimum 10 lb/sq. ft. multiplied by the maximum area of the mechanical component projected on a vertical plane that is normal to the wind direction, and 45 degrees either side of normal.
- C. Seismic Performance: RTUs shall withstand the effects of earthquake motions determined according to SEI/ASCE 7.
  - 1. Unless otherwise indicated the term "withstand" means "the unit will remain in place without separation of any parts from the device when subjected to the seismic forces specified." The unit will not be required to operate after the event.

1.5 SUBMITTALS

- A. Pre-submittal Meeting: A representative of the manufacturer producing equipment being provided under this section of the specifications shall attend a meeting for the purpose of coordinating with the contractor performing work under section "Instrumentation and Control". The meeting shall be held at a location of the Contractor's choosing. The Contractor shall arrange the meeting. Submittals shall be essentially complete at the time of the meeting so detailed coordination items can be discussed.
- B. Product Data: Provide manufacturer's technical data for each RTU, including rated capacities, dimensions, required clearances, characteristics, furnished specialties, accessories, and mounting requirements.
- C. Exterior Color: Manufacturer's standard color shall be acceptable.
- D. Shop Drawings:
  - 1. Detail equipment assemblies, include:
    - 1. Internal components
    - 2. Dimensions
    - 3. Weights
    - 4. Loads
    - 5. Supports
    - 6. Required clearances.
  - 2. Provide method of field assembly.
  - 3. Indicate:
    - 1. Components
    - 2. Location
    - 3. size of each field connection
  - 4. Provide Wiring Diagrams for:
    - 1. Power

FIRE STATIONS RENOVATION  
ARLINGTON COUNTY, VIRGINIA  
Architect's Project No: 563006

2. Control
5. For RTU Support comply with performance requirements and design criteria, including analysis data signed and sealed by the qualified professional engineer responsible for support selection.
  1. Calculations: Calculate requirements for selecting vibration isolation, seismic restraint where required, and for vibration isolation.
  2. Detail mounting, securing, and flashing of roof curb to roof structure. Indicate coordinating requirements with roof membrane system, curb slope, and curb dimensions.
  3. Restraint: Detail fabrication and attachment of restraints. Indicate anchorage details, quantity, diameter, and connections.
- E. Coordination Drawings: Plans and other details, drawn to scale, on which the following items are indicated and coordinated using input from installers:
  1. Plan areas containing an RTU indicated at  $\frac{1}{4}'' = 1' - 0''$  or greater on construction drawings.
  2. Areas within 20 feet of section marks indicated on M2 series drawings where such section marks penetrate an RTU.
  3. Structural members to which RTUs will be attached.
  4. Related roof openings.
  5. Related roof curbs, slope, dimensions and flashing.
- F. Operation and Maintenance Data: For RTUs to include in emergency, operation, and maintenance manuals. In addition to items specified in Division 01 Section "Operation and Maintenance Data," Provide the following:
  1. After successful completion of testing & balancing, or commissioning provide the following:
    1. Completed Inspection & Testing form.
    2. Record copy of site-specific software on DVD.
    3. Maintenance, Inspection and Testing Records including, may not be limited to, the following:
      - 1) How to test installed components.
      - 2) Frequency of testing of installed components.
      - 3) Frequency of inspection of installed components.
      - 4) Manufacturer's user training manuals.
  2. Manufacturer's required maintenance related to system warranty requirements.
  3. Software and Firmware Operational Documentation:
    1. Software operating and upgrade manuals.
    2. Program Software Backup: On magnetic media or compact disk, complete with data files.
    3. Device address list.
    4. Printout of software application and graphic screens.
- G. Warranty: Special warranty specified in this Section.

FIRE STATIONS RENOVATION  
ARLINGTON COUNTY, VIRGINIA  
Architect's Project No: 563006

1.6 QUALITY ASSURANCE

A. ARI Compliance:

1. Comply with ARI 210/240 and ARI 340/360 for testing and rating energy efficiencies for RTUs.
2. Comply with ARI 270 for testing and rating sound performance for RTUs.

B. ASHRAE Compliance:

1. Comply with ASHRAE 15 for refrigeration system safety.
2. Comply with ASHRAE 33 for methods of testing cooling and heating coils.
3. Comply with applicable requirements in ASHRAE 62.1-2007, Section 5 - "Systems and Equipment" and Section 7 - "Construction and Startup."
4. Comply with all mandatory and prescriptive requirements of ASHRAE 90.1-2007

C. System safety. Comply with one of the following:

1. ASHRAE 15 for refrigeration system safety.
2. ASHRAE/IESNA 90.1-2007 applicable requirements in Section 6 - "Heating, Ventilating, and Air-Conditioning."
3. NFPA 90A and NFPA 90B.
4. UL 1995.

D. Electrical Components, Devices, and Accessories: Listed and labeled as defined in NFPA 70, Article 100, by a testing agency acceptable to authorities having jurisdiction, and marked for intended use.

E. The complete unit shall be ETL/CETL listed.

1.7 WARRANTY

A. Special Warranty: Manufacturer's standard form in which manufacturer agrees to provide labor and materials to remove and replace components of RTU's that fail in materials or workmanship within the following warranty period.

1. Compressors: 5 years from date of Substantial Completion.
2. Remainder of unit: 1 year from date of Substantial Completion.

PART 2 - PRODUCTS

2.1 MANUFACTURERS

- A. Daikin
- B. Trane



FIRE STATIONS RENOVATION  
ARLINGTON COUNTY, VIRGINIA  
Architect's Project No: 563006

C. Carrier

2.2 GENERAL

- A. Provide a packaged rooftop unit with digital or variable speed scroll compressor on lead circuit (as indicated on schedule), direct drive plenum supply and exhaust fan, double wall casing, indirect gas-fired burner, direct expansion cooling coil, hot gas reheat coil and factory installed controls as required by this specification.

2.3 CASINGS

1. General:

1. Fabrication Requirements: Formed and reinforced double-wall insulated panels, fabricated to allow removal for access to internal parts and components, with joints between sections sealed.
2. Exterior Material: Manufacturer's standard thickness galvanized steel and coated with factory-painted baked enamel finish, tested 750 hour in a salt spray test in compliance with ASTM B117, exterior color shall be manufacturer's standards, with pitched roof panels and knockouts with grommet seals for electrical and piping connections and lifting lugs.
3. Interior Material: Galvanized steel zinc coated with no finish or factory standard finish, with pitched roof panels and knockouts with grommet seals for electrical and piping connections. Construct supply and return opening with raised lip to ensure condensate will not spill into openings during overflow condition in primary condensate pan.

2. Fan Discharge Plenum Interior Material: Galvanized steel with no finish or factory standard finish.

3. Insulation and Adhesive:

1. Comply with NFPA 90A or NFPA 90B.
2. Materials: ASTM C 1071, Type I.
3. Thickness: 2"
4. Materials in contact with air stream shall have air-stream surface coated with an erosion- and temperature-resistant coating or they shall be faced with a plain or coated fibrous mat or fabric.
5. Liner Adhesive: Comply with ASTM C 916, Type I.

B. Condensate Drain Pans:

1. Formed sections of stainless-steel sheet, double sloped, a minimum of 2 inches deep, and complying with ASHRAE 62.1-2010.
2. Construction: Provide foam insulation on back. Double wall, foam insulated, moisture tight drain pans are acceptable.
3. Drain Connection(s): Threaded nipple with pan sloped in two directions to drain.

FIRE STATIONS RENOVATION  
ARLINGTON COUNTY, VIRGINIA  
Architect's Project No: 563006

4. Length downstream of cooling coil: Provide pan at least ½ the height of air tunnel to ensure all carryover is collected and drained.

- C. Airstream Surfaces: Surfaces in contact with the airstream shall comply with requirements in ASHRAE 62.1-2007 and UL 181.

## 2.4 FANS

- A. Supply Fan: Direct drive or belt driven plenum type with factory installed VFD or variable speed ECM motor. Provide with permanently lubricated, motor installed on an adjustable fan base resiliently mounted in the casing. Provide aluminum wheel and steel scroll.

- B. Exhaust/Relief Fan: Direct drive or belt driven plenum type with factory installed VFD or variable speed ECM motor. Provide with permanently lubricated, motor installed on an adjustable fan base resiliently mounted in the casing. Provide aluminum wheel and steel scroll.

- C. Fan Shaft Bearings:

1. Prelubricated and Sealed, Ball Bearings: Self-aligning, pillow-block type with a rated life of 120,000 hours according to ANSI/ABMA 9

Or

2. Grease-Lubricated, Tapered-Roller Bearings: Self-aligning, pillow-block type with double-locking collars and 2-piece, cast-iron housing with grease lines extended to outside unit and a rated life of 120,000 hours according to ANSI/ABMA 11.

- D. Fan Sound-Power Levels:

1. Fans, except condenser fans, shall meet or create lower sound power levels than those indicated.
2. Fans, except condenser fans, shall comply with AMCA 301, "Methods for Calculating Fan Sound Ratings from Laboratory Test Data." Test fans according to AMCA 300, "Reverberant Room Method for Sound Testing of Fans." Fans shall bear AMCA-certified sound ratings seal.

- E. Fan Performance Rating: Except condenser fans factory test fan performance for airflow, pressure, power, air density, rotation speed, and efficiency. Rate performance according to AMCA 210, "Laboratory Methods of Testing Fans for Aerodynamic Performance Rating."

- F. Condenser Fan(s): Propeller mounted on shaft of permanently lubricated motor.

- G. Fan Motor(s): Refer to section "Common Motor Requirements for HVAC Equipment."

## 2.5 COILS

- A. Indoor Air Refrigerant Coil:

FIRE STATIONS RENOVATION  
ARLINGTON COUNTY, VIRGINIA  
Architect's Project No: 563006

1. Aluminum fins, seamless copper tube with minimum 0.017" wall thickness, and equalizing vertical distributor.
2. Distribution: Interlaced.
3. Circuits: Minimum of one per compressor.
4. Casing: Galvanized steel.
5. Split: As indicated. If not indicated none required.
6. Leak Tested: 300 psig

B. Hot-Gas Reheat Coil:

1. Direct-Expansion Coil: Seamless copper tubes expanded into aluminum fins.
2. Refrigerant Circuits: A separate circuit for each compressor, with externally equalized thermal-expansion valve with adjustable superheat, filter-dryer, sight glass, high-pressure relief valve, and charging valves.
3. Coil Split: Face split.

2.6 REFRIGERANT CIRCUIT COMPONENTS

- A. Provide gauge ports with Schrader valves for measuring suction and hot gas pressure.
- B. Provide for operation of the unit for heating down to 0° F.
- C. Provide for operation of the unit for cooling down to 55° F.
- D. Compressor: Hermetic, scroll, mounted on rubber in shear pads; with internal overcurrent and high-temperature protection, internal pressure relief, and crankcase heater.
  1. Lead Circuit: Digital scroll or scroll with VFD for modulating capacity down to 15% or less.
- E. Refrigeration Specialties:
  1. Refrigerant: R-410A.
  2. Expansion valve with replaceable thermostatic element.
  3. Refrigerant filter/dryer.
  4. Manual-reset high-pressure safety switch.
  5. Automatic-reset low-pressure safety switch.
  6. Minimum off-time relay.
  7. Automatic-reset compressor motor thermal overload.
  8. Brass service valves and unions installed in compressor suction and discharge lines.

2.7 GAS FURNACE

- A. Description: Factory assembled, piped, and wired; complying with ANSI Z21.47 and NFPA 54.
  1. CSA Approval: Designed and certified by and bearing label of CSA.

FIRE STATIONS RENOVATION  
ARLINGTON COUNTY, VIRGINIA  
Architect's Project No: 563006

- B. Burners: Stainless steel.
  - 1. Fuel: As indicated.
  - 2. Ignition: Electronically controlled electric spark or hot-surface igniter with flame sensor.
- C. Heat-Exchanger and Drain Pan: Stainless steel. Provide 10 year warranty on heat exchanger.
- D. Venting: Gravity or power vented.
- E. Safety Controls: Manufacturer's standard in accordance with local and state code requirements.
- F. Capacity Control: As scheduled. If not scheduled modulating control shall be provided.
  - 1. Cycle: All heat on or off as needed
  - 2. Stage: Provide a minimum of 4 stages, 25%, 50%, 75%, and 100%. Maximum temperature rise at 25% shall be fifteen degrees Fahrenheit (15° F).
  - 3. Modulating: Heat output shall be variable down to 20% of scheduled capacity or a maximum temperature rise of fifteen degrees Fahrenheit (15° F).

2.8 AIR FILTRATION SECTION

- A. Required sections:
  - 1. Outside Air Filters: Provide MERV 8 (30% efficient) 2" thick disposable pre-filters and MERV-13 2" thick final filters.
  - 2. Exhaust Air Filters: Provide MERV 8 (30% efficient) 2" thick disposable filters in exhaust air stream prior to energy recovery device.
- B. Refer to Division 23, Section "Particulate Air Filtration"

2.9 DAMPERS

- A. General Requirements for Dampers: Leakage rate, per AMCA 500, "Laboratory Methods for Testing Dampers for Rating," shall not exceed 2% of air quantity at 2000 FPM face velocity through damper and 4" WG pressure differential.
- B. Outdoor Air Damper(s): Two-position opposed blade galvanized steel motorized mechanically fastened to cadmium plated steel operating rods in reinforced cabinet, with bird screen and intake hood. Damper can provide outside air flow measuring.
- C. Exhaust Air Damper(s): Two-position opposed blade galvanized steel dampers mechanically fastened to cadmium plated steel operating rod in reinforced cabinet. Can be inversely interlock with Outdoor Air Damper if factory standard.
- D. Damper Motors:
  - 1. Two-position.
  - 2. Adjustable minimum and maximum position.

FIRE STATIONS RENOVATION  
ARLINGTON COUNTY, VIRGINIA  
Architect's Project No: 563006

2.10 ELECTRICAL POWER CONNECTION

- A. Provide for single connection of power to unit with unit-mounted disconnect switch accessible from outside unit and control-circuit transformer with built-in overcurrent protection
- B. Provide electrical power phase monitoring to shut down unit if a phase is lost.

2.11 ACCESSORIES

- A. Guards:
  - 1. Provide coil guards of galvanized stamped steel, painted to match casing. Guards shall be on sides of unit. Coils shall not be clearly visible from any direction.

2.12 ROOF CURBS

- A. Provide under this section. Refer to seismic and wind-restraint requirements under part 1 of this specification.
- B. Height: 12" greater than the highest portion of adjacent roof insulation.
- C. Slope: Match structure. Top of curb shall be level and each edge shall be flush with other edges on all sides.
- D. Roof Deck: Remove roof deck as required for ductwork and piping installation and insulation. Where pipe chases are provided remove roof deck inside curb and inside pipe chase.
- E. Wood Blocking and Shimming: Not permitted.

2.13 CONTROLS

- A. Basic Unit Controls:
  - 1. Manufacturer to provide basic controls for RTU operation including air-side economizer, power relief/exhaust.
  - 2. Manufacturer to provide terminal strip for BAS to integrate and control unit.
  - 3. Unit shall be provided with commercial grade programmable thermostat capable of occupied/unoccupied modes to control outside airflow rates.
  - 4. Provide control voltage transformer:
    - 1. Primary Voltage: As required
    - 2. Secondary Voltage: As required
    - 3. Load: As required - 100 VA minimum
- B. Refrigeration system control

FIRE STATIONS RENOVATION  
ARLINGTON COUNTY, VIRGINIA  
Architect's Project No: 563006

1. The manufacturer furnishing equipment under this section shall provide all controls for the compressors and refrigeration system including but not limited to staging and safeties under this section.

C. Sequence of Control

1. Refer to spec section Sequence of Controls for HVAC Operation

PART 3 - EXECUTION

3.1 EXAMINATION

- A. Examine substrates, areas, and conditions, with Installer present, for compliance with requirements for installation tolerances and other conditions affecting performance of RTUs.
- B. Examine roughing-in for RTUs to verify actual locations of piping and duct connections before equipment installation.
- C. Examine roofs or grade for suitable conditions where RTUs will be installed.
- D. Proceed with installation only after unsatisfactory conditions have been corrected.

3.2 INSTALLATION

A. Roof Mounted Unit:

1. Roof Curb
  1. Coordinate roof penetrations.
  2. Coordinate flashing with roof manufacturer.
  3. Install curb on roof structure, secure with anchor bolts and make top edges of curb level and all edges flush with each other.
  4. Secure equipment to upper curb rail (level) as recommended by equipment manufacturer.
  5. Install roof deck and roof insulation inside the curb under the equipment.
  6. Install roof curb below equipment pipe chase where pipe chase is required/provided.
  7. Eliminate roof deck and insulation below pipe chase where pipe chase is required/provided.
  8. Attach stainless steel wire mesh to deck over opening in pipe chase between roof and space below.

- B. Coordination: Coordinate penetrations and flashing.

FIRE STATIONS RENOVATION  
ARLINGTON COUNTY, VIRGINIA  
Architect's Project No: 563006

3.3 FIELD QUALITY CONTROL

- A. Whether or not use of equipment is otherwise permitted, startup service, tests, and inspections must be complete prior to running unit. Failure to perform startup service, tests, and inspections prior to running equipment shall grant the owner's representative authority to have the units/equipment removed from the site at the Contractor's expense. This paragraph shall not be construed to grant the Contractor permission to use the unit(s)/equipment specified in this section of the specifications.
- B. Manufacturer's Field Service: Engage a factory-authorized service representative to inspect, test, and adjust components, assemblies, and equipment installations, including connections. Record results.
- C. Tests and Inspections:
  - 1. Inspect for and remove shipping bolts, blocks, and tie-down straps.
  - 2. Fan Operational Test: After electrical circuitry has been energized, start units to confirm proper motor rotation and unit operation. Replace or repair faulty equipment.
  - 3. Test and adjust controls and safeties. Replace damaged and malfunctioning controls and equipment.
- D. RTU's or components will be considered defective if unit or components do not pass tests and inspections.
- E. Prepare test and inspection reports.

3.4 STARTUP SERVICE

- A. Engage a factory-authorized service representative to perform startup service.
- B. Complete installation and startup checks according to manufacturer's written instructions and do the following:
  - 1. Verify that unit is secure on mountings and supporting devices and connections to piping, ducts, and electrical systems are complete.
  - 2. Verify that proper thermal overload protection is installed in motors, controllers, and switches.
  - 3. Disconnect fan drive system. Verify proper motor rotation direction, free fan wheel rotation, and smooth bearing operation. Reconnect fan drive system, align and adjust belts to proper tension.
  - 4. Verify that bearings, pulleys, belts, and other moving parts are lubricated with factory-recommended lubricants.
  - 5. Verify that dampers fully open and close.
  - 6. Inspect dampers for proper stroke.
  - 7. Inspect damper blades and seals for visible defects.
  - 8. Inspect coil fins. Comb damaged coil fins for parallel orientation.
  - 9. Verify that proper thermal overload protection is installed for electric coils.
  - 10. Install new filters.

FIRE STATIONS RENOVATION  
ARLINGTON COUNTY, VIRGINIA  
Architect's Project No: 563006

11. If not direct drive place new belts on coat hook attached with ¼” long stainless steel sheet metal screws inside unit adjacent to existing belts where no damage will occur. Including but not limited to fans, energy recovery wheels, and enthalpy wheels.
12. Verify that manual and automatic volume control and fire and smoke dampers in connected duct systems are in fully open position.
13. Verify that smoke dampers in connected duct system fully close when unit is deactivated.
14. Inspect for visible damage to unit casing.
15. If included in unit inspect furnace combustion chamber for visible damage.
16. Inspect coils, and fans for visible damage.
17. Inspect internal casing for visible damage.
18. Verify that labels are clearly visible.
19. Verify that clearances have been provided for servicing.
20. Verify that controls are connected and operable.
21. Clean condenser coil and inspect for construction debris.
22. If included in unit, clean furnace flue and inspect for construction debris.
23. Remove packing from vibration isolators.
24. Inspect fan wheel for operation without vibration and binding.
25. Start unit according to manufacturer's written instructions.
  1. Start cooling system.
  2. Do not operate below recommended ambient temperature.
  3. Complete startup sheets and attach 1 paper, and one “universally readable” electronic copy on USB flash drive, with startup report. Maintain a copy in electronic format, file type Portable Document Format (\*.TXT, \*.DOC, \*.RTF, & \*.PDF) file formats are acceptable. The file format must be one of those listed or the Owner and Architect must own a computer and software capable of reading the electronic file.
26. Inspect and record performance of interlocks and protective devices.
27. Verify sequence of operation.
28. Operate unit for an initial period as recommended or required by manufacturer.
29. Calibrate sensors including thermostats.
30. Adjust and inspect high-temperature limits.
31. With unit operating start cooling system, measure, and record the following when the ambient temperature is a minimum of 85° F:
  1. Coil leaving air, dry and wet bulb temperatures.
  2. Coil entering air, dry and wet bulb temperatures.
  3. Return air, dry and wet bulb temperatures.
  4. Outdoor air, dry and wet bulb temperatures.
  5. Outdoor air (condenser) coil, discharge air, dry bulb temperature.
32. Measure and record the following minimum and maximum airflows. Plot fan volumes on fan curve.
  1. Supply air volume.
  2. Return air volume.
  3. Relief/exhaust air volume.
  4. Record relief/exhaust airflow station reading in CFM from BAS head end.
  5. Outdoor air intake volume.
  6. Record outdoor air intake airflow station reading in CFM from BAS head end.
33. Simulate maximum cooling demand by utilizing 100% outdoor air and lowering discharge air temperature. Record the discharge air temperature and outdoor air volume



FIRE STATIONS RENOVATION  
ARLINGTON COUNTY, VIRGINIA  
Architect's Project No: 563006

used for the simulation. During simulation operation inspect, measure, and record the following:

1. Compressor refrigerant suction and hot gas pressures.
2. Short circuiting of air through condenser coil or from condenser fans to outdoor-air intake.

3.5 CLEANING AND ADJUSTING

- A. Occupancy Adjustments: Within 12 months of the date of Substantial Completion, provide up to two (2) on site visits, during normal or other than normal occupancy hours as requested by owner, to assist in adjusting system.
- B. After completing testing, adjusting, and balancing clean RTU's internally to remove foreign material and construction dirt and dust. Clean fan wheels, cabinets, dampers, coils, and filter housings, and install new, filters.

3.6 DEMONSTRATION

- A. Engage a factory-authorized service representative to train Owner's maintenance personnel to adjust, operate, and maintain units/equipment.

END OF SECTION 237413

FIRE STATIONS RENOVATION  
ARLINGTON COUNTY, VIRGINIA  
Architect's Project No: 563006

SECTION 238126 – DUCTLESS MINI-SPLIT AIR-CONDITIONING UNITS

PART 1 - GENERAL

1.1 RELATED DOCUMENTS

- A. Drawings and general provisions of the Contract, including General and Supplementary Conditions and Division 1 Specification Sections, apply to this Section.

1.2 SUMMARY

- A. This Section includes ductless mini-split air-conditioning units consisting of separate evaporator-fan and compressor-condenser components. Evaporator fan units are designed for ceiling or wall mounting. The compressor-condenser unit shall be remote and located on the roof where indicated on the Drawings.
- B. Related Sections include the following:
  - 1. Division 23 Section "Vibration Control for HVAC" for isolation pads.

1.3 DEFINITIONS

- A. Evaporator-Fan Unit: The part of the ductless mini-split air-conditioning unit that contains a coil for cooling and a fan to circulate air to conditioned space.
- B. Compressor-Condenser Unit: The part of the ductless mini-split air-conditioning unit that contains a refrigerant compressor and a coil for condensing refrigerant.

1.4 SUBMITTALS

- A. Product Data: Include rated capacities; shipping, installed, and operating weights; furnished specialties; and accessories for each type of product indicated. Include performance data in terms of capacities, outlet velocities, static pressures, sound power characteristics, motor requirements, and electrical characteristics.
- B. Shop Drawings: Diagram power, signal, and control wiring and differentiate between manufacturer-installed and field-installed wiring.
- C. Maintenance Data: For ductless mini-split air-conditioning units to include in maintenance manuals specified in Division 1.
- D. Warranties: Special warranties specified in this Section.

1.5 QUALITY ASSURANCE

FIRE STATIONS RENOVATION  
ARLINGTON COUNTY, VIRGINIA  
Architect's Project No: 563006

- A. Product Options: Drawings indicate size, profiles, and dimensional requirements of ductless mini-split units and are based on the specific system indicated. Other manufacturers' systems with equal performance characteristics may be considered.
- B. Units shall be tested by a Nationally Recognized Testing Laboratory and shall bear the ETL label.
- C. All wiring shall be in accordance with the governing version of the National Electrical Code.
- D. Units shall be rated in accordance with ARI Standard 210 and bear the ARI Certification label.
- E. Units shall be precharged with refrigerant for 70 feet of refrigerant tubing.
- F. Electrical Components, Devices, and Accessories: Listed and labeled as defined in NFPA 70, Article 100, by a testing agency acceptable to authorities having jurisdiction, and marked for intended use.
- G. ASHRAE/IESNA Compliance: Applicable requirements in ASHRAE/IESNA 90.1-2010.

1.6 COORDINATION

- A. Coordinate size, location, and connection details with roof curbs, equipment supports, and roof penetrations specified in Division 7 Section "Flashing, Sheet Metal and Roofing Accessories."

1.7 WARRANTY

- A. General Warranty: Special warranty specified in this Article shall not deprive Owner of other rights Owner may have under other provisions of the Contract Documents and shall be in addition to, and run concurrent with, other warranties made by Contractor under requirements of the Contract Documents.
- B. Warranty Period: One year from date of Substantial Completion. If, during this period, any part should fail to function properly due to defects in workmanship or material, it shall be replaced or repaired at the discretion of the manufacturer by the Contractor. Warranty does not include labor. Labor is paid for by the Owner.

PART 2 - PRODUCTS

2.1 MANUFACTURERS

- A. Available Manufacturers: Subject to compliance with requirements, manufacturers offering products that may be incorporated into the Work include, but are not limited to, the following:
  - 1. Daikin  
No other manufacturers are acceptable as the basis of design unit is matching the equipment for the existing fire station.

FIRE STATIONS RENOVATION  
ARLINGTON COUNTY, VIRGINIA  
Architect's Project No: 563006

2.2 CEILING-MOUNTED, EVAPORATOR-FAN COMPONENTS

- A. The evaporator section shall be designed to be ceiling-mounted by means of a factory supplied mounting plate. Air distribution shall be integral to the wall-mounted unit.
- B. Cabinet and Chassis: Cabinet shall be high strength molded plastic with front panel access for the filter. Cabinet color shall be white. Include drain pan with drain connection. Indoor unit shall be factory assembled, wired and tested. Contained within unit shall be all factory wiring and internal piping, control circuit board and fan motor. The unit in conjunction with the wall mounted controller shall have a self-diagnostic function, three minute time delay mechanism, an auto restart function, and a test run switch. Indoor unit and refrigerant piping shall be purged with dry nitrogen before shipment from the factory.
- C. Refrigerant Coil: Evaporator coil shall be nonferrous construction with pre-coated aluminum fins on copper tubing. All tube joints shall be brazed with silver alloy. Coils shall be pressure tested at the factory. A condensate pan and drain shall be provided under the coil.
- D. Fan and Motor: Evaporator fan shall be double inlet, forward curved, direct drive fan with a single motor. The fan shall be statically and dynamically balanced and run on a motor with permanently lubricated bearings. The indoor fan shall have two speeds: low and high.
- E. Vane: Unit shall include a motorized horizontal vane to automatically direct air flow in a horizontal and downward direction for uniform air distribution. The horizontal vane shall significantly decrease downward air resistance for lower noise levels and shall close when unit stops.
- F. Filters: Return air shall be filtered with a removable and washable filter.

2.3 AIR-COOLED, COMPRESSOR-CONDENSER COMPONENTS

- A. General: Outdoor unit shall be the same capacity as the indoor unit and include a control board that interfaces with the indoor unit to perform all necessary operation functions. Outdoor unit shall be capable of operating at 0°F ambient temperature without additional low ambient controls. Outdoor unit shall be able to operate with a maximum height difference of 100 feet from indoor unit to outdoor unit and a maximum refrigerant tubing length of 165 feet between the indoor and outdoor unit without the need for line size changes, traps, or additional oil
- B. Casing: Casing shall be galvanized steel plate coated with an electrostatically applied thermally fused acrylic or polyester powder coating. The fan grille shall be ABS plastic.
- C. Compressor: The compressor shall be a DC rotary compressor with variable compressor speed inverter technology. The compressor shall be driven by inverter circuitry to control compressor speed. Compressor speed shall be varied to match space load. Outdoor unit shall include an accumulator and high pressure safety switch. The compressor shall be mounted to avoid the transmission of vibration.
- D. Refrigerant Coil: Condenser coil shall be copper tubing with aluminum fins. The coil shall be protected with an integral metal guard. Refrigerant flow from the condenser shall be controlled

FIRE STATIONS RENOVATION  
ARLINGTON COUNTY, VIRGINIA  
Architect's Project No: 563006

by means of linear expansion valve (LEV) metering orifice. The LEV shall be controlled by a microprocessor-controlled step motor.

- E. Fan: The fan motor bearings shall be permanently lubricated. The fan shall have horizontal discharge airflow. The fan shall be mounted in front of the coil. The fan shall include a raised guard to prevent contact with moving parts.

## 2.4 ACCESSORIES

1. Control: The control system shall be microprocessor-based and include one microprocessor on the outdoor unit and one on the indoor unit. Wall-mounted controller shall have a liquid crystal display indicating operating status and alarm condition and shall include a temperature sensor. A membrane keypad shall be included for program control and set point adjustment.
  2. The controller shall consist of On/Off button, increase/decrease set temperature buttons, a cool/dry/fan mode selector, timer menu button, timer on/off button, set time buttons, fan speed selector, vane position selector, a ventilation button, a test run button, and a check mode button.
  3. The controller shall display operating conditions such as set temperature, room temperature, pipe temperatures (i.e. liquid, discharge, indoor and outdoor), compressor operating conditions (including running current, frequency, input voltage, On/Off status and operating time), LEV opening pulses, sub-cooling and discharge super heat.
  4. Normal operation of the controller shall provide individual system control in which one controller and one indoor unit are installed in the same room.
  5. The control voltage from the controller to the indoor unit shall be 12 volts, DC. The control signal between the indoor and outdoor unit shall be pulse signal 24 volts DC. Up to two wired controllers shall be able to be used to control one unit.
  6. Control system shall control the continued operation of the air sweep louvers, as well as provide On/Off and mode switching. The controller shall have the capability to provide sequential starting with up to fifty seconds delay.
- B. Refrigerant Line Sets: Soft-annealed copper suction and liquid lines factory cleaned, dried, pressurized, and sealed; factory-insulated suction line with flared fittings at both ends. Pre-charge line sets in proper lengths for application. Final length shall be field verified. Refer to section "Refrigerant Piping" for additional requirements.
  - C. Factory-installed and -wired disconnect to be provided under this Section.

## PART 3 - EXECUTION

### 3.1 INSTALLATION

- A. Install units level and plumb, firmly anchored, in accordance with the manufacturer's written recommendations.
- B. Install evaporator-fan components using manufacturer's standard mounting devices securely fastened to building structure.

FIRE STATIONS RENOVATION  
ARLINGTON COUNTY, VIRGINIA  
Architect's Project No: 563006

- C. Install roof-mounted compressor-condenser components on equipment supports specified in Division 7 Section "Flashing, Sheet Metal and Roofing Accessories." Anchor units to supports with removable, cadmium-plated fasteners.
- D. Install compressor-condenser components on Elastomeric pads. Refer to Division 23 Section "Vibration Control for HVAC."
- E. Connect pre-charged refrigerant tubing to component's quick-connect fittings. Install tubing to allow access to unit.

3.2 CONNECTIONS

- A. Piping installation requirements are specified in other Division 23 Sections. Drawings indicate general arrangement of piping, fittings, and specialties.
- B. Connect condensate drain piping. Unit drain shall be internally trapped.
- C. Install piping adjacent to unit to allow service and maintenance.
- D. Unless otherwise indicated, connect piping with unions and shutoff valves to allow units to be disconnected without draining piping. Refer to piping system Sections for specific valve and specialty arrangements.
- E. Ground equipment.
  - 1. Tighten electrical connectors and terminals according to manufacturer's published torque-tightening values. If manufacturer's torque values are not indicated, use those specified in UL 486A and UL 486B.

3.3 FIELD QUALITY CONTROL

- A. Installation Inspection: Engage a factory-authorized service representative to inspect field-assembled components and equipment installation, including piping and electrical connections, and to prepare a written report of inspection.
- B. Leak Test: After installation, charge system and test for leaks. Repair leaks and retest until no leaks exist.
- C. Operational Test: After electrical circuitry has been energized, start units to confirm proper motor rotation and unit operation. Remove malfunctioning units, replace with new components, and retest.
- D. Test and adjust controls and safeties. Replace damaged and malfunctioning controls and equipment.

3.4 COMMISSIONING

FIRE STATIONS RENOVATION  
ARLINGTON COUNTY, VIRGINIA  
Architect's Project No: 563006

- A. Engage a factory-authorized service representative to perform startup service.
- B. Verify that units are installed and connected according to the Contract Documents.
- C. Lubricate bearings, adjust belt tension, and change filters.
- D. Perform startup checks according to manufacturer's written instructions and do the following:
  - 1. Fill out manufacturer's checklists.
  - 2. Check for unobstructed airflow over coils.
  - 3. Check operation of condenser capacity-control device.
  - 4. Verify that vibration isolation devices and flexible connectors dampen vibration transmission to structure.

3.5 DEMONSTRATION

- A. Engage a factory-authorized service representative to train Owner's maintenance personnel to adjust, operate, and maintain units.
  - 1. Train Owner's maintenance personnel on procedures and schedules for starting and stopping, troubleshooting, servicing, and maintaining units.
  - 2. Review data in maintenance manuals. Refer to Division 1 Section "Closeout Procedures."

END OF SECTION 238126

FIRE STATIONS RENOVATION  
ARLINGTON COUNTY, VIRGINIA  
Architect's Project No: 563006

---

SECTION 260519 - LOW-VOLTAGE ELECTRICAL POWER CONDUCTORS AND CABLES

PART 1 - GENERAL

1.1 RELATED DOCUMENTS

- A. Drawings and general provisions of the Contract, including General and Supplementary Conditions and Division 01 Specification Sections, apply to this Section.

1.2 SUMMARY

A. Section Includes:

1. Building wires and cables rated 600 V and less.
2. Connectors, splices, and terminations rated 600 V and less.

B. Related Requirements:

1. Section 260523 "Control-Voltage Electrical Power Cables" for control systems communications cables and Classes 1, 2 and 3 control cables.

1.3 ACTION SUBMITTALS

- A. Product Data: For each type of product.

1.4 INFORMATIONAL SUBMITTALS

- A. Field quality-control reports.

PART 2 - PRODUCTS

2.1 CONDUCTORS AND CABLES

- A. Manufacturers: Subject to compliance with requirements, available manufacturers offering products that may be incorporated into the Work include, but are not limited to the following:

1. Cerro Wire LLC.
2. General Cable; General Cable Corporation.
3. Southwire Company.

- B. Copper Conductors: Comply with NEMA WC 70/ICEA S-95-658.



FIRE STATIONS RENOVATION  
ARLINGTON COUNTY, VIRGINIA  
Architect's Project No: 563006

---

- C. Conductor Insulation: Comply with NEMA WC 70/ICEA S-95-658 for Type THHN-2-THWN-2.
- D. Multiconductor Cable: Comply with NEMA WC 70/ICEA S-95-658 for type SO with ground wire. Type MC Cable is not allowed.

## 2.2 CONNECTORS AND SPLICES

- A. Manufacturers: Subject to compliance with requirements, available manufacturers offering products that may be incorporated into the Work include, but are not limited to the following:
  - 1. 3M.
  - 2. Hubbell Power Systems, Inc.
  - 3. ILSCO.
  - 4. Tyco Electronics Corp.
- B. Description: Factory-fabricated connectors and splices of size, ampacity rating, material, type, and class for application and service indicated.

## 2.3 SYSTEM DESCRIPTION

- A. Electrical Components, Devices, and Accessories: Listed and labeled as defined in NFPA 70, by a qualified testing agency, and marked for intended location and application.
- B. Comply with NFPA 70.

## PART 3 - EXECUTION

### 3.1 CONDUCTOR MATERIAL APPLICATIONS

- A. Feeders: Copper: Stranded for No. 8 AWG and larger.
- B. Branch Circuits: Copper. Solid or Stranded for No. 10 AWG and smaller; stranded for No. 8 AWG and larger.

### 3.2 CONDUCTOR INSULATION AND MULTICONDUCTOR CABLE APPLICATIONS AND WIRING METHODS

- A. Service Entrance: Type XHHW-2, single conductors in raceway.
- B. Exposed Feeders: Type THHN-2-THWN-2, single conductors in raceway.
- C. Feeders Concealed in Ceilings, Walls, Partitions, and Crawlspace: Type THHN-2-THWN-2, single conductors in raceway.

FIRE STATIONS RENOVATION  
ARLINGTON COUNTY, VIRGINIA  
Architect's Project No: 563006

---

- D. Feeders Concealed in Concrete, below Slabs-on-Grade, and Underground: Type THHN-2-THWN-2, single conductors in raceway.
- E. Exposed Branch Circuits, Including in Crawlspace: Type THHN-2-THWN-2, single conductors in raceway.
- F. Branch Circuits Concealed in Ceilings, Walls, and Partitions: Type THHN-2-THWN-2, single conductors in raceway.
- G. Branch Circuits Concealed in Concrete, below Slabs-on-Grade, and Underground: Type THHN-2-THWN-2, single conductors in raceway.
- H. Cord Drops and Portable Appliance Connections: Type SO, hard service cord with stainless-steel, wire-mesh, strain relief device at terminations to suit application.

### 3.3 INSTALLATION OF CONDUCTORS AND CABLES

- A. Conceal cables in finished walls, ceilings, and floors unless otherwise indicated.
- B. Complete raceway installation between conductor and cable termination points according to Section 260533 "Raceways and Boxes for Electrical Systems" prior to pulling conductors and cables.
- C. Use manufacturer-approved pulling compound or lubricant where necessary; compound used must not deteriorate conductor or insulation. Do not exceed manufacturer's recommended maximum pulling tensions and sidewall pressure values.
- D. Use pulling means, including fish tape, cable, rope, and basket-weave wire/cable grips, that will not damage cables or raceway.
- E. Install exposed cables parallel and perpendicular to surfaces of exposed structural members, and follow surface contours where possible.
- F. Branch Circuits Concealed in Casework: FMC with Stranded conductors may be used to feed to outlet boxes fish concealed in built-in casework. Route cable supported tight in upper inside corners of casework, not in conflict with drawers or cabinet doors.
- G. Support cables according to Section 260529 "Hangers and Supports for Electrical Systems."
- H. Whips from Junction Box Concealed in Ceilings to Lighting Fixtures:
  - 1. Type FMC, with minimum #12AWG copper THHN/THWN and full size equipment grounding conductor. Maximum whip length 72".
  - 2. FMC shall be supported within 24" of fixture connection so that whip is not in contact with ceiling or grid. Securing to fixture support wires with batwings is acceptable but not to ceiling support wires.
  - 3. Do not connect fixture whips from fixture to fixture (daisy chain). No more than 4 whips shall be connected to any one junction box.

FIRE STATIONS RENOVATION  
ARLINGTON COUNTY, VIRGINIA  
Architect's Project No: 563006

---

- I. All single-phase circuits shall include a dedicated neutral (grounded) and grounding conductor, unless specifically noted otherwise.
  - 1. The intent of this is to eliminate multiwire branch circuits and allow disconnection of one circuit without requiring disconnection of other(s) as would be required to comply with NEC 210.4(B). Per NEC 310.15(B)(b) each of these neutral (grounded) conductor is not considered to be load-bearing so derating is not required.
  
- J. Contract drawings are based upon a maximum of 3 current-carrying conductors in a conduit. Contractor may rework indicated circuitry to install a maximum of (6) L-N circuit (120 or 277V) in a single conduit. There shall be no more than 2 each A, B, C phase conductors per homerun. Each shall have dedicated neutral (grounded) conductor.
  - 1. Do not group L-L circuits in a homerun, unless specifically indicated on the drawings.
  - 2. Where there are more than 3 current-carrying conductors in a conduit, derate conductor ampacities in accordance with NEC Table 310.15(B)(2)(a).
  - 3. When running more than 3 ungrounded conductors in a raceway, increase size of conduits beyond those indicated in contract documents, as required to not exceed NEC Chapter 9, Table 1 conduit-fill requirements. As-built drawings shall clearly indicate which circuits are grouped in homeruns.
  
- K. Unless otherwise indicated, minimum conductor size shall be 12 AWG.

### 3.4 CONNECTIONS

- A. Tighten electrical connectors and terminals according to manufacturer's published torque-tightening values. If manufacturer's torque values are not indicated, use those specified in UL 486A-486B.
  
- B. Make splices, terminations, and taps that are compatible with conductor material and that possess equivalent or better mechanical strength and insulation ratings than unspliced conductors.
  
- C. Wiring at Outlets: Install conductor at each outlet, with at least 12 inches of slack.

### 3.5 IDENTIFICATION

- A. Identify and color-code conductors and cables according to Section 260553 "Identification for Electrical Systems."
  
- B. Identify each spare conductor at each end with identity number and location of other end of conductor, and identify as spare conductor.

### 3.6 SLEEVE AND SLEEVE-SEAL INSTALLATION FOR ELECTRICAL PENETRATIONS

- A. Install sleeves and sleeve seals at penetrations of exterior floor and wall assemblies. Comply with requirements in Section 260544 "Sleeves and Sleeve Seals for Electrical Raceways and Cabling."

FIRE STATIONS RENOVATION  
ARLINGTON COUNTY, VIRGINIA  
Architect's Project No: 563006

---

3.7 FIRESTOPPING

- A. Apply firestopping to electrical penetrations of fire-rated floor and wall assemblies to restore original fire-resistance rating of assembly according to Section 078413 "Penetration Firestopping."

3.8 FIELD QUALITY CONTROL

- A. Perform the following tests and inspections:
  - 1. After installing conductors and cables and before electrical circuitry has been energized, test service entrance and feeder conductors for compliance with requirements.
  - 2. Perform each visual and mechanical inspection and electrical test stated in NETA Acceptance Testing Specification. Certify compliance with test parameters.
- B. Test and Inspection Reports: Prepare a written report to record the following:
  - 1. Procedures used.
  - 2. Results that comply with requirements.
  - 3. Results that do not comply with requirements and corrective action taken to achieve compliance with requirements.
- C. Cables will be considered defective if they do not pass tests and inspections.

END OF SECTION 260519

FIRE STATIONS RENOVATION  
ARLINGTON COUNTY, VIRGINIA  
Architect's Project No: 563006

---

SECTION 260523 - CONTROL-VOLTAGE ELECTRICAL POWER CABLES

PART 1 - GENERAL

1.1 RELATED DOCUMENTS

- A. Drawings and general provisions of the Contract, including General and Supplementary Conditions and Division 01 Specification Sections, apply to this Section.

1.2 SUMMARY

- A. Section Includes:
  - 1. Low-voltage control cabling.
  - 2. Control-circuit conductors.
  - 3. Identification products.

1.3 DEFINITIONS

- A. EMI: Electromagnetic interference.
- B. Low Voltage: As defined in NFPA 70 for circuits and equipment operating at less than 50 V or for remote-control and signaling power-limited circuits.
- C. Plenum: A space forming part of the air distribution system to which one or more air ducts are connected. An air duct is a passageway, other than a plenum, for transporting air to or from heating, ventilating, or air-conditioning equipment.

1.4 ACTION SUBMITTALS

- A. Product Data: For each type of product.

1.5 INFORMATIONAL SUBMITTALS

- A. Qualification Data: For qualified layout technician, installation supervisor, and field inspector.
- B. Source quality-control reports.
- C. Field quality-control reports.

FIRE STATIONS RENOVATION  
ARLINGTON COUNTY, VIRGINIA  
Architect's Project No: 563006

---

PART 2 - PRODUCTS

2.1 SYSTEM DESCRIPTION

- A. Electrical Components, Devices, and Accessories: Listed and labeled as defined in NFPA 70, by a qualified testing agency, and marked for intended location and application.

2.2 PERFORMANCE REQUIREMENTS

- A. Flame Travel and Smoke Density in Plenums: As determined by testing identical products according to NFPA 262 by a qualified testing agency. Identify products for installation in plenums with appropriate markings of applicable testing agency.
  - 1. Flame Travel Distance: 60 inches or less.
  - 2. Peak Optical Smoke Density: 0.5 or less.
  - 3. Average Optical Smoke Density: 0.15 or less.
- B. Flame Travel and Smoke Density for Riser Cables in Non-Plenum Building Spaces: As determined by testing identical products according to UL 1666.
- C. Flame Travel and Smoke Density for Cables in Non-Riser Applications and Non-Plenum Building Spaces: As determined by testing identical products according to UL 1685.

2.3 BACKBOARDS

- A. Description: Plywood, fire-retardant treated, 3/4 by 48 by 96 inches. Comply with requirements for plywood backing panels in Section 061000 "Rough Carpentry."
- B. Painting: Paint plywood on all sides and edges with flat latex paint. Comply with requirements in Section 099123 "Interior Painting."

2.4 LOW-VOLTAGE CONTROL CABLE

- A. Paired Cable: NFPA 70, Type CMG.
  - 1. Multi-pair, twisted, No. 18 AWG, stranded (19x30) tinned-copper conductors.
  - 2. PVC insulation.
  - 3. Unshielded.
  - 4. PVC jacket.
  - 5. Flame Resistance: Comply with UL 1685.
- B. Plenum-Rated, Paired Cable: NFPA 70, Type CMP.
  - 1. Multi-pair, twisted, No. 18 AWG, stranded (19x30) tinned-copper conductors.

FIRE STATIONS RENOVATION  
ARLINGTON COUNTY, VIRGINIA  
Architect's Project No: 563006

---

2. PVC insulation.
3. Unshielded.
4. PVC jacket.
5. Flame Resistance: Comply with NFPA 262.

## 2.5 CONTROL-CIRCUIT CONDUCTORS

- A. Manufacturers: Subject to compliance with requirements, available manufacturers offering products that may be incorporated into the Work include, but are not limited to the following:
1. Encore Wire Corporation.
  2. General Cable; General Cable Corporation.
  3. Southwire Company.
- B. Class 1 Control Circuits: Stranded copper, Type THHN-2-THWN-2, in raceway, complying with UL 83.
- C. Class 2 Control Circuits: Stranded copper, Type THHN-2-THWN-2, in raceway, complying with UL 83.
- D. Class 3 Remote-Control and Signal Circuits: Stranded copper, Type THHN-2-THWN-2, in raceway, complying with UL 83.
- E. Class 2 Control Circuits and Class 3 Remote-Control and Signal Circuits That Supply Critical Circuits: Circuit Integrity (CI) cable.
1. Smoke control signaling and control circuits.

## 2.6 SOURCE QUALITY CONTROL

- A. Cable will be considered defective if it does not pass tests and inspections.
- B. Prepare test and inspection reports.

## PART 3 - EXECUTION

### 3.1 INSTALLATION OF RACEWAYS AND BOXES

- A. Comply with requirements in Section 260533 "Raceways and Boxes for Electrical Systems" for raceway selection and installation requirements for boxes, conduits, and wireways as supplemented or modified in this Section.
1. Outlet boxes shall be no smaller than 2 inches wide, 3 inches high and 2-1/2 inches deep.
  2. Flexible metal conduit shall not be used over 6'.

FIRE STATIONS RENOVATION  
ARLINGTON COUNTY, VIRGINIA  
Architect's Project No: 563006

---

- B. Backboards: Install backboards with 96-inch dimension vertical. Butt adjacent sheets tightly and form smooth gap-free corners and joints.

### 3.2 INSTALLATION OF CONDUCTORS AND CABLES

- A. Comply with NECA 1 and NFPA 70.

- B. General Requirements for Cabling:

1. Cables may not be spliced.
2. Secure and support cables at intervals not exceeding 30 inches and not more than 6 inches from cabinets, boxes, fittings, outlets, racks, frames, and terminals.
3. Do not install bruised, kinked, scored, deformed, or abraded cable. Do not splice cable between termination, tap, or junction points. Remove and discard cable if damaged during installation and replace it with new cable.
4. Cold-Weather Installation: Bring cable to room temperature before dereeling. Do not use heat lamps for heating.
5. Support: Do not allow cables to lay on removable ceiling tiles.
6. Secure: Fasten securely in place with hardware specifically designed and installed so as to not damage cables.

- C. Open-Cable Installation:

1. Install cabling with horizontal and vertical cable guides in telecommunications spaces with terminating hardware and interconnection equipment.
2. Suspend copper cable not in a wireway or pathway a minimum of 8 inches above ceilings by cable supports not more than 30 inches apart.
3. Cable shall not be run through or on structural members or in contact with pipes, ducts, or other potentially damaging items. Do not run cables between structural members and corrugated panels.

### 3.3 CONTROL-CIRCUIT CONDUCTORS

- A. Minimum Conductor Sizes:

1. Class 1 remote-control and signal circuits; No 14 AWG.
2. Class 2 low-energy, remote-control, and signal circuits; No. 16 AWG.
3. Class 3 low-energy, remote-control, alarm, and signal circuits; No 12 AWG.

### 3.4 FIRESTOPPING

- A. Comply with requirements in Section 078413 "Penetration Firestopping."



FIRE STATIONS RENOVATION  
ARLINGTON COUNTY, VIRGINIA  
Architect's Project No: 563006

---

3.5 GROUNDING

- A. For low-voltage control wiring and cabling, comply with requirements in Section 260526 "Grounding and Bonding for Electrical Systems."

3.6 IDENTIFICATION

- A. Comply with requirements for identification specified in Section 260553 "Identification for Electrical Systems."

3.7 FIELD QUALITY CONTROL

- A. Perform the following tests and inspections:
  - 1. Visually inspect cable placement, cable termination, grounding and bonding, equipment and patch cords, and labeling of all components.

END OF SECTION 260523

FIRE STATIONS RENOVATION  
ARLINGTON COUNTY, VIRGINIA  
Architect's Project No: 563006

---

SECTION 260526 - GROUNDING AND BONDING FOR ELECTRICAL SYSTEMS

PART 1 - GENERAL

1.1 RELATED DOCUMENTS

- A. Drawings and general provisions of the Contract, including General and Supplementary Conditions and Division 01 Specification Sections, apply to this Section.

1.2 SUMMARY

- A. Section includes grounding and bonding systems and equipment.

1.3 ACTION SUBMITTALS

- A. Product Data: For each type of product indicated.

1.4 INFORMATIONAL SUBMITTALS

- A. As-Built Data: Plans showing dimensioned as-built locations of grounding features specified in "Field Quality Control" Article, including the following:
  - 1. Test wells.
  - 2. Ground rods.
  - 3. Ground rings.
  - 4. Grounding arrangements and connections for separately derived systems.

- B. Field quality-control reports.

1.5 CLOSEOUT SUBMITTALS

- A. Operation and Maintenance Data: For grounding to include in emergency, operation, and maintenance manuals.
  - 1. In addition to items specified in Section 017823 "Operation and Maintenance Data," include the following:

1.6 QUALITY ASSURANCE

- A. Electrical Components, Devices, and Accessories: Listed and labeled as defined in NFPA 70, by a qualified testing agency, and marked for intended location and application.
- B. Comply with UL 467 for grounding and bonding materials and equipment.

FIRE STATIONS RENOVATION  
ARLINGTON COUNTY, VIRGINIA  
Architect's Project No: 563006

---

PART 2 - PRODUCTS

2.1 MANUFACTURERS

- A. Manufacturers: Subject to compliance with requirements, available manufacturers offering products that may be incorporated into the Work include, but are not limited to the following:
1. Burndy; Part of Hubbell Electrical Systems.
  2. ERICO International Corporation.
  3. Galvan Industries, Inc.; Electrical Products Division, LLC.
  4. ILSCO.
  5. O-Z/Gedney; an EGS Electrical Group brand; an Emerson Industrial Automation business.

2.2 SYSTEM DESCRIPTION

- A. Electrical Components, Devices, and Accessories: Listed and labeled as defined in NFPA 70, by a qualified testing agency, and marked for intended location and application.
- B. Comply with UL 467 for grounding and bonding materials and equipment.

2.3 CONDUCTORS

- A. Insulated Conductors: Copper wire or cable insulated for 600 V unless otherwise required by applicable Code or authorities having jurisdiction.
- B. Bare Copper Conductors:
1. Solid Conductors: ASTM B 3.
  2. Stranded Conductors: ASTM B 8.
  3. Tinned Conductors: ASTM B 33.
  4. Bonding Cable: 28 kcmil, 14 strands of No. 17 AWG conductor, 1/4 inch in diameter.
  5. Bonding Conductor: No. 4 AWG, stranded conductor.
  6. Bonding Jumper: Copper tape, braided conductors terminated with copper ferrules; 1-5/8 inches wide and 1/16 inch thick.
  7. Tinned Bonding Jumper: Tinned-copper tape, braided conductors terminated with copper ferrules; 1-5/8 inches wide and 1/16 inch thick.
- C. Telecommunication Grounding Bus: Refer to details on drawings

FIRE STATIONS RENOVATION  
ARLINGTON COUNTY, VIRGINIA  
Architect's Project No: 563006

---

2.4 CONNECTORS

- A. Listed and labeled by an NRTL acceptable to authorities having jurisdiction for applications in which used and for specific types, sizes, and combinations of conductors and other items connected.
- B. Bolted Connectors for Conductors and Pipes: Copper or copper alloy.
- C. Welded Connectors: Exothermic-welding kits of types recommended by kit manufacturer for materials being joined and installation conditions.
- D. Bus-Bar Connectors: Mechanical type, cast silicon bronze, solderless compression-type wire terminals, and long-barrel, two-bolt connection to ground bus bar.

2.5 GROUNDING ELECTRODES

- A. Ground Rods: Copper-clad steel; 3/4 inch by 10 feet.
- B. Chemical-Enhanced Grounding Electrodes: Copper tube, straight or L-shaped, charged with nonhazardous electrolytic chemical salts.
  - 1. Termination: Factory-attached No. 4/0 AWG bare conductor at least 48 inches long.
  - 2. Backfill Material: Electrode manufacturer's recommended material.

PART 3 - EXECUTION

3.1 APPLICATIONS

- A. Conductors: Install stranded conductors for No. 6 AWG and larger unless otherwise indicated.
- B. Underground Grounding Conductors: Install bare copper conductor, No. 2/0 AWG minimum.
  - 1. Bury at least 24 inches below grade.
  - 2. Ductbank Grounding Conductor: Bury 12 inches above ductbank when indicated as part of duct-bank installation..
- C. Telecommunication Grounding Bus: Install in MDF/IDF equipment rooms, in rooms housing service equipment, and elsewhere as indicated.
  - 1. Install bus horizontally, on insulated spacers 2 inches minimum from wall, 6 inches above finished floor unless otherwise indicated.
  - 2. Where indicated on both sides of doorways, route bus up to top of door frame, across top of doorway, and down; connect to horizontal bus.
- D. Conductor Terminations and Connections:

FIRE STATIONS RENOVATION  
ARLINGTON COUNTY, VIRGINIA  
Architect's Project No: 563006

---

1. Pipe and Equipment Grounding Conductor Terminations: Bolted connectors.
2. Underground Connections: Welded connectors except at test wells and as otherwise indicated.
3. Connections to Ground Rods at Test Wells: Bolted connectors.
4. Connections to Structural Steel: Welded connectors.

3.2 GROUNDING AT THE SERVICE

- A. Equipment grounding conductors and grounding electrode conductors shall be connected to the ground bus. Install a main bonding jumper between the neutral and ground buses.

3.3 GROUNDING SEPARATELY DERIVED SYSTEMS

- A. Generator: Install grounding electrode(s) at the generator location. The electrode shall be connected to the equipment grounding conductor and to the frame of the generator.

3.4 GROUNDING UNDERGROUND DISTRIBUTION SYSTEM COMPONENTS

- A. Comply with IEEE C2 grounding requirements.
- B. Grounding Manholes and Handholes: Install a driven ground rod through manhole or handhole floor, close to wall, and set rod depth so 4 inches will extend above finished floor. If necessary, install ground rod before manhole is placed and provide No. 1/0 AWG bare, tinned-copper conductor from ground rod into manhole through a waterproof sleeve in manhole wall. Protect ground rods passing through concrete floor with a double wrapping of pressure-sensitive insulating tape or heat-shrunk insulating sleeve from 2 inches above to 6 inches below concrete. Seal floor opening with waterproof, nonshrink grout.
- C. Grounding Connections to Manhole Components: Bond exposed-metal parts such as inserts, cable racks, pulling irons, ladders, and cable shields within each manhole or handhole, to ground rod or grounding conductor. Make connections with No. 4 AWG minimum, stranded, hard-drawn copper bonding conductor. Train conductors level or plumb around corners and fasten to manhole walls. Connect to cable armor and cable shields according to written instructions by manufacturer of splicing and termination kits.
- D. Pad mounted Transformers and Switches: Comply with AEP grounding Standards

3.5 EQUIPMENT GROUNDING

- A. Install insulated equipment grounding conductors with all feeders and branch circuits.
- B. Install insulated equipment grounding conductors with the following items, in addition to those required by NFPA 70:
  1. Feeders and branch circuits.

FIRE STATIONS RENOVATION  
ARLINGTON COUNTY, VIRGINIA  
Architect's Project No: 563006

---

2. Lighting circuits.
3. Receptacle circuits.
4. Single-phase motor and appliance branch circuits.
5. Three-phase motor and appliance branch circuits.
6. Flexible raceway runs.
7. Armored and metal-clad cable runs.

- C. Air-Duct Equipment Circuits: Install insulated equipment grounding conductor to duct-mounted electrical devices operating at 120 V and more, including air cleaners, heaters, dampers, humidifiers, and other duct electrical equipment. Bond conductor to each unit and to air duct and connected metallic piping.
- D. Water Heater, Heat-Tracing, and Antifrost Heating Cables: Install a separate insulated equipment grounding conductor to each electric water heater and heat-tracing cable. Bond conductor to heater units, piping, connected equipment, and components.
- E. Athletic Field Lighting Poles Supporting Lighting Fixtures: Install grounding electrode and a separate insulated equipment grounding conductor in addition to grounding conductor installed with branch-circuit conductors.

### 3.6 INSTALLATION

- A. Grounding Conductors: Route along shortest and straightest paths possible unless otherwise indicated or required by Code. Avoid obstructing access or placing conductors where they may be subjected to strain, impact, or damage.
- B. Ground Rods: Drive rods until tops are 2 inches below finished floor or final grade unless otherwise indicated.
1. Interconnect ground rods with grounding electrode conductor below grade and as otherwise indicated. Make connections without exposing steel or damaging coating if any.
  2. For grounding electrode system, install at least three rods spaced at least one-rod length from each other and located at least the same distance from other grounding electrodes, and connect to the service grounding electrode conductor.
- C. Test Wells: Ground rod driven through drilled hole in bottom of handhole. Handholes are specified in Section 260543 "Underground Ducts and Raceways for Electrical Systems," and shall be at least 12 inches deep, with cover.
1. Test Wells: Install at least one test well for each service unless otherwise indicated. Install at the ground rod electrically closest to service entrance. Set top of test well flush with finished grade or floor.
- D. Bonding Straps and Jumpers: Install in locations accessible for inspection and maintenance except where routed through short lengths of conduit.
1. Bonding to Structure: Bond straps directly to basic structure, taking care not to penetrate any adjacent parts.

FIRE STATIONS RENOVATION  
ARLINGTON COUNTY, VIRGINIA  
Architect's Project No: 563006

---

2. Bonding to Equipment Mounted on Vibration Isolation Hangers and Supports: Install bonding so vibration is not transmitted to rigidly mounted equipment.
3. Use exothermic-welded connectors for outdoor locations; if a disconnect-type connection is required, use a bolted clamp.

E. Grounding and Bonding for Piping:

1. Metal Water Service Pipe: Install insulated copper grounding conductors, in conduit, from building's main service equipment, or grounding bus, to main metal water service entrances to building. Connect grounding conductors to main metal water service pipes; use a bolted clamp connector or bolt a lug-type connector to a pipe flange by using one of the lug bolts of the flange. Where a dielectric main water fitting is installed, connect grounding conductor on street side of fitting. Bond metal grounding conductor conduit or sleeve to conductor at each end.
2. Water Meter Piping: Use braided-type bonding jumpers to electrically bypass water meters. Connect to pipe with a bolted connector.
3. Bond each aboveground portion of gas piping system downstream from equipment shutoff valve.

F. Bonding Interior Metal Ducts: Bond metal air ducts to equipment grounding conductors of associated fans, blowers, electric heaters, and air cleaners. Install bonding jumper to bond across flexible duct connections to achieve continuity.

G. Grounding for Steel Building Structure: Install a driven ground rod at base of each corner column and at intermediate exterior columns at distances not more than 60 feet apart.

I. Concrete-Encased Grounding Electrode (Ufer Ground): Fabricate according to NFPA 70; use a minimum of 20 feet of bare copper conductor not smaller than No. 4 AWG.

1. If concrete foundation is less than 20 feet long, coil excess conductor within base of foundation.
2. Bond grounding conductor to reinforcing steel in at least four locations and to anchor bolts. Extend grounding conductor below grade and connect to building's grounding grid or to grounding electrode external to concrete.

### 3.7 FIELD QUALITY CONTROL

A. Perform tests and inspections.

B. Tests and Inspections:

1. After installing grounding system but before permanent electrical circuits have been energized, test for compliance with requirements.
2. Inspect physical and mechanical condition. Verify tightness of accessible, bolted, electrical connections with a calibrated torque wrench according to manufacturer's written instructions.
3. Test completed grounding system at each location where a maximum ground-resistance level is specified, at service disconnect enclosure grounding terminal, at ground test wells. Make tests at ground rods before any conductors are connected.

FIRE STATIONS RENOVATION  
ARLINGTON COUNTY, VIRGINIA  
Architect's Project No: 563006

---

- a. Measure ground resistance no fewer than two full days after last trace of precipitation and without soil being moistened by any means other than natural drainage or seepage and without chemical treatment or other artificial means of reducing natural ground resistance.
  - b. Perform tests by fall-of-potential method according to IEEE 81.
4. Prepare dimensioned Drawings locating each test well, ground rod and ground-rod assembly, and other grounding electrodes. Identify each by letter in alphabetical order, and key to the record of tests and observations. Include the number of rods driven and their depth at each location, and include observations of weather and other phenomena that may affect test results. Describe measures taken to improve test results.
- C. Grounding system will be considered defective if it does not pass tests and inspections.
- D. Prepare test and inspection reports.
- E. Report measured ground resistances that exceed the following values:
1. Power and Lighting Equipment or System with Capacity More Than 1000 kVA: 3 ohms.
  2. Power Distribution Units or Panelboards Serving Electronic Equipment: 3 ohm(s).
  3. Substations and Pad-Mounted Equipment: 5 ohms.
  4. Manhole Grounds: 10 ohms.
- F. Excessive Ground Resistance: If resistance to ground exceeds specified values, notify Architect promptly and include recommendations to reduce ground resistance.

END OF SECTION 260526



FIRE STATIONS RENOVATION  
ARLINGTON COUNTY, VIRGINIA  
Architect's Project No: 563006

---

SECTION 260529 - HANGERS AND SUPPORTS FOR ELECTRICAL SYSTEMS

PART 1 - GENERAL

1.1 RELATED DOCUMENTS

- A. Drawings and general provisions of the Contract, including General and Supplementary Conditions and Division 01 Specification Sections, apply to this Section.

1.2 SUMMARY

- A. This Section includes the following:
  - 1. Hangers and supports for electrical equipment and systems.
  - 2. Construction requirements for concrete bases.

1.3 DEFINITIONS

- A. EMT: Electrical metallic tubing.
- B. IMC: Intermediate metal conduit.
- C. RMC: Rigid metal conduit.

1.4 PERFORMANCE REQUIREMENTS

- A. Design supports for multiple raceways capable of supporting combined weight of supported systems and its contents.
- B. Design equipment supports capable of supporting combined operating weight of supported equipment and connected systems and components.
- C. Rated Strength: Adequate in tension, shear, and pullout force to resist maximum loads calculated or imposed for this Project.

1.5 QUALITY ASSURANCE

- A. Welding: Qualify procedures and personnel according to AWS D1.1/D1.1M, "Structural Welding Code - Steel."
- B. Comply with NFPA 70.

FIRE STATIONS RENOVATION  
ARLINGTON COUNTY, VIRGINIA  
Architect's Project No: 563006

---

1.6 COORDINATION

- A. Coordinate size and location of concrete bases. Cast anchor-bolt inserts into bases. Concrete, reinforcement, and formwork requirements are specified together with concrete Specifications.
- B. Coordinate installation of roof curbs, equipment supports, and roof penetrations. These items are specified in Division 7.

PART 2 - PRODUCTS

2.1 SUPPORT, ANCHORAGE, AND ATTACHMENT COMPONENTS

- A. Steel Slotted Support Systems: Comply with MFMA-4, factory-fabricated components for field assembly.
  - 1. Manufacturers: Subject to compliance with requirements, available manufacturers offering products that may be incorporated into the Work include, but are not limited to the following:
    - a. Cooper B-Line, Inc.; a division of Cooper Industries.
    - b. ERICO International Corporation.
    - c. Thomas & Betts Corporation.
    - d. Unistrut; an Atkore International company.
  - 2. Metallic Coatings: Hot-dip galvanized after fabrication and applied according to MFMA-4.
  - 3. Channel Dimensions: Selected for applicable load criteria.
- B. Raceway and Cable Supports: As described in NECA 1 and NECA 101.
- C. Conduit and Cable Support Devices: Steel and malleable-iron hangers, clamps, and associated fittings, designed for types and sizes of raceway or cable to be supported.
- D. Support for Conductors in Vertical Conduit: Factory-fabricated assembly consisting of threaded body and insulating wedging plug or plugs for non-armored electrical conductors or cables in riser conduits. Plugs shall have number, size, and shape of conductor gripping pieces as required to suit individual conductors or cables supported. Body shall be malleable iron.
- E. Structural Steel for Fabricated Supports and Restraints: ASTM A 36/A 36M, steel plates, shapes, and bars; black and galvanized.
- F. Mounting, Anchoring, and Attachment Components: Items for fastening electrical items or their supports to building surfaces include the following:

FIRE STATIONS RENOVATION  
ARLINGTON COUNTY, VIRGINIA  
Architect's Project No: 563006

---

1. Powder-Actuated Fasteners: Threaded-steel stud, for use in hardened Portland cement concrete, steel, or wood, with tension, shear, and pullout capacities appropriate for supported loads and building materials where used.
  - a. Manufacturers: Subject to compliance with requirements, available manufacturers offering products that may be incorporated into the Work include, but are not limited to the following:
    - 1) Hilti, Inc.
    - 2) MKT Fastening, LLC.
    - 3) Simpson Strong-Tie Co., Inc.
2. Mechanical-Expansion Anchors: Insert-wedge-type, stainless steel, for use in hardened Portland cement concrete with tension, shear, and pullout capacities appropriate for supported loads and building materials in which used.
  - a. Manufacturers: Subject to compliance with requirements, available manufacturers offering products that may be incorporated into the Work include, but are not limited to the following:
    - 1) Cooper B-Line, Inc.; a division of Cooper Industries.
    - 2) Hilti, Inc.
    - 3) MKT Fastening, LLC.
3. Concrete Inserts: Steel or malleable-iron, slotted support system units similar to MSS Type 18; complying with MFMA-4 or MSS SP-58.
4. Clamps for Attachment to Steel Structural Elements: MSS SP-58, type suitable for attached structural element.
5. Through Bolts: Structural type, hex head, and high strength. Comply with ASTM A 325.
6. Toggle Bolts: All-steel springhead type.
7. Hanger Rods: Threaded steel.

## 2.2 FABRICATED METAL EQUIPMENT SUPPORT ASSEMBLIES

- A. Description: Welded or bolted, structural-steel shapes, shop or field fabricated to fit dimensions of supported equipment.
- B. Materials: Comply with requirements in Section 055000 "Metal Fabrications" for steel shapes and plates.

## PART 3 - EXECUTION

### 3.1 APPLICATION

- A. Comply with NECA 1 and NECA 101 for application of hangers and supports for electrical equipment and systems except if requirements in this Section are stricter.

FIRE STATIONS RENOVATION  
ARLINGTON COUNTY, VIRGINIA  
Architect's Project No: 563006

---

- B. Maximum Support Spacing and Minimum Hanger Rod Size for Raceway: Space supports for EMT, IMC, and RMC as required by NFPA 70. Minimum rod size shall be 1/4 inch in diameter.
- C. Multiple Raceways or Cables: Install trapeze-type supports fabricated with steel slotted support system, sized so capacity can be increased by at least 25 percent in future without exceeding specified design load limits.
  - 1. Secure raceways and cables to these supports with two-bolt conduit clamps.
- D. Spring-steel clamps designed for supporting single conduits without bolts may be used for 1-1/2-inch and smaller raceways serving branch circuits and communication systems above suspended ceilings and for fastening raceways to trapeze supports.

### 3.2 SUPPORT INSTALLATION

- A. Comply with NECA 1 and NECA 101 for installation requirements except as specified in this Article.
- B. Raceway Support Methods: In addition to methods described in NECA 1, EMT, IMC, and RMC may be supported by openings through structure members, as permitted in NFPA 70.
- C. Strength of Support Assemblies: Where not indicated, select sizes of components so strength will be adequate to carry present and future static loads within specified loading limits. Minimum static design load used for strength determination shall be weight of supported components plus 200 lb.
- D. Mounting and Anchorage of Surface-Mounted Equipment and Components: Anchor and fasten electrical items and their supports to building structural elements by the following methods unless otherwise indicated by code:
  - 1. To Wood: Fasten with lag screws or through bolts.
  - 2. To New Concrete: Bolt to concrete inserts.
  - 3. To Masonry: Approved toggle-type bolts on hollow masonry units and expansion anchor fasteners on solid masonry units.
  - 4. To Existing Concrete: Expansion anchor fasteners.
  - 5. Instead of expansion anchors, powder-actuated driven threaded studs provided with lock washers and nuts may be used in existing standard-weight concrete 4 inches thick or greater. Do not use for anchorage to lightweight-aggregate concrete or for slabs less than 4 inches thick.
  - 6. To Steel: Beam clamps (MSS Type 19, 21, 23, 25, or 27) complying with MSS SP-69.
  - 7. To Light Steel: Sheet metal screws.
  - 8. Items Mounted on Hollow Walls and Nonstructural Building Surfaces: Mount cabinets, panelboards, disconnect switches, control enclosures, pull and junction boxes, transformers, and other devices on slotted-channel racks attached to substrate.
- E. Drill holes for expansion anchors in concrete at locations and to depths that avoid reinforcing bars.

FIRE STATIONS RENOVATION  
ARLINGTON COUNTY, VIRGINIA  
Architect's Project No: 563006

---

3.3 INSTALLATION OF FABRICATED METAL SUPPORTS

- A. Comply with installation requirements in Section 055000 "Metal Fabrications" for site-fabricated metal supports.
- B. Cut, fit, and place miscellaneous metal supports accurately in location, alignment, and elevation to support and anchor electrical materials and equipment.
- C. Field Welding: Comply with AWS D1.1/D1.1M.

3.4 CONCRETE BASES

- A. Construct concrete bases of dimensions indicated but not less than 4 inches larger in both directions than supported unit, and so anchors will be a minimum of 10 bolt diameters from edge of the base.
- B. Anchor equipment to concrete base.
  - 1. Place and secure anchorage devices. Use supported equipment manufacturer's setting drawings, templates, diagrams, instructions, and directions furnished with items to be embedded.
  - 2. Install anchor bolts to elevations required for proper attachment to supported equipment.
  - 3. Install anchor bolts according to anchor-bolt manufacturer's written instructions.

3.5 PAINTING

- A. Touchup: Comply with requirements in Division 9 for cleaning and touchup painting of field welds, bolted connections, and abraded areas of shop paint on miscellaneous metal.
- B. Galvanized Surfaces: Clean welds, bolted connections, and abraded areas and apply galvanizing-repair paint to comply with ASTM A 780.

END OF SECTION 260529

FIRE STATIONS RENOVATION  
ARLINGTON COUNTY, VIRGINIA  
Architect's Project No: 563006

---

SECTION 260533 - RACEWAYS AND BOXES FOR ELECTRICAL SYSTEMS

PART 1 - GENERAL

1.1 RELATED DOCUMENTS

- A. Drawings and general provisions of the Contract, including General and Supplementary Conditions and Division 01 Specification Sections, apply to this Section.

1.2 SUMMARY

- A. Section Includes:
  - 1. Metal conduits, tubing, and fittings.
  - 2. Nonmetal conduits, tubing, and fittings.
  - 3. Metal wireways and auxiliary gutters.
  - 4. Surface raceways.
  - 5. Boxes, enclosures, and cabinets.
- B. Part 2 of this section includes material requirements for all raceways and boxes that may or may not be used on the project. Part 3 of this Section defines where a given type of product shall be or is permitted to be utilized.

1.3 DEFINITIONS

- A. ARC: Aluminum rigid conduit.
- B. GRC: Galvanized rigid steel conduit.
- C. IMC: Intermediate metal conduit.

1.4 ACTION SUBMITTALS

- A. Product Data: For surface raceways, wireways and fittings, floor boxes, hinged-cover enclosures, and cabinets.
- B. Shop Drawings: For custom enclosures and cabinets. Include plans, elevations, sections, and attachment details.

1.5 INFORMATIONAL SUBMITTALS

- A. Source quality-control reports.

FIRE STATIONS RENOVATION  
ARLINGTON COUNTY, VIRGINIA  
Architect's Project No: 563006

---

## PART 2 - PRODUCTS

### 2.1 METAL CONDUITS, TUBING, AND FITTINGS

- A. Manufacturers: Subject to compliance with requirements, available manufacturers offering products that may be incorporated into the Work include, but are not limited to the following:
1. Allied Tube & Conduit.
  2. O-Z/Gedney; an EGS Electrical Group brand; an Emerson Industrial Automation business.
  3. Robroy Industries.
  4. Thomas & Betts Corporation.
- B. Listing and Labeling: Metal conduits, tubing, and fittings shall be listed and labeled as defined in NFPA 70, by a qualified testing agency, and marked for intended location and application.
- C. GRC: Comply with ANSI C80.1 and UL 6.
- D. IMC: Comply with ANSI C80.6 and UL 1242.
- E. PVC-Coated Steel Conduit: PVC-coated rigid steel conduit.
1. Comply with NEMA RN 1.
  2. Coating Thickness: 0.040 inch, minimum.
- F. EMT: Comply with ANSI C80.3 and UL 797.
- G. FMC: Comply with UL 1; zinc-coated steel.
- H. LFMC: Flexible steel conduit with PVC jacket and complying with UL 360.
- I. Fittings for Metal Conduit: Comply with NEMA FB 1 and UL 514B.
1. Conduit Fittings for Hazardous (Classified) Locations: Comply with UL 886 and NFPA 70.
  2. Fittings for EMT:
    - a. Material: Steel.
    - b. Type: Setscrew or compression.
  3. Expansion Fittings: PVC or steel to match conduit type, complying with UL 651, rated for environmental conditions where installed, and including flexible external bonding jumper.
  4. Coating for Fittings for PVC-Coated Conduit: Minimum thickness of 0.040 inch, with overlapping sleeves protecting threaded joints.

FIRE STATIONS RENOVATION  
ARLINGTON COUNTY, VIRGINIA  
Architect's Project No: 563006

---

- J. Joint Compound for IMC, GRC, or ARC: Approved, as defined in NFPA 70, by authorities having jurisdiction for use in conduit assemblies, and compounded for use to lubricate and protect threaded conduit joints from corrosion and to enhance their conductivity.

## 2.2 NONMETALLIC CONDUITS, TUBING, AND FITTINGS

- A. Manufacturers: Subject to compliance with requirements, available manufacturers offering products that may be incorporated into the Work include, but are not limited to the following:
  - 1. AFC Cable Systems, Inc.
  - 2. Electri-Flex Company.
  - 3. RACO; Hubbell.
  - 4. Thomas & Betts Corporation.
- B. Listing and Labeling: Nonmetallic conduits, tubing, and fittings shall be listed and labeled as defined in NFPA 70, by a qualified testing agency, and marked for intended location and application.
- C. RNC: Type EPC-40-PVC, complying with NEMA TC 2 and UL 651 unless otherwise indicated.
- D. LFNC: Comply with UL 1660.
- E. Rigid HDPE: Comply with UL 651A.
- F. RTRC: Comply with UL 1684A and NEMA TC 14.
- G. Fittings for ENT and RNC: Comply with NEMA TC 3; match to conduit or tubing type and material.
- H. Fittings for LFNC: Comply with UL 514B.
- I. Solvent cements and adhesive primers shall have a VOC content of 510 and 550 g/L or less, respectively, when calculated according to 40 CFR 59, Subpart D (EPA Method 24).

## 2.3 METAL WIREWAYS AND AUXILIARY GUTTERS

- A. Manufacturers: Subject to compliance with requirements, available manufacturers offering products that may be incorporated into the Work include, but are not limited to the following:
  - 1. Cooper B-Line, Inc.; a division of Cooper Industries.
  - 2. Hoffman; a brand of Pentair Equipment Protection.
  - 3. Square D.
- B. Description: Sheet metal, complying with UL 870 and NEMA 250, Type 1 unless otherwise indicated, and sized according to NFPA 70.



FIRE STATIONS RENOVATION  
ARLINGTON COUNTY, VIRGINIA  
Architect's Project No: 563006

---

1. Metal wireways installed outdoors shall be listed and labeled as defined in NFPA 70, by a qualified testing agency, and marked for intended location and application.
- C. Fittings and Accessories: Include covers, couplings, offsets, elbows, expansion joints, adapters, hold-down straps, end caps, and other fittings to match and mate with wireways as required for complete system.
- D. Wireway Covers: Hinged type unless otherwise indicated.
- E. Finish: Manufacturer's standard enamel finish.

#### 2.4 BOXES, ENCLOSURES, AND CABINETS

- A. Manufacturers: Subject to compliance with requirements, available manufacturers offering products that may be incorporated into the Work include, but are not limited to the following:
  1. EGS/Appleton Electric.
  2. Erickson Electrical Equipment Company.
  3. Hoffman; a brand of Pentair Equipment Protection.
  4. Hubbell Incorporated.
  5. O-Z/Gedney; an EGS Electrical Group brand; an Emerson Industrial Automation business.
  6. RACO; Hubbell
  7. Wiremold / Legrand.
- B. General Requirements for Boxes, Enclosures, and Cabinets: Boxes, enclosures, and cabinets installed in wet locations shall be listed for use in wet locations.
- C. Sheet Metal Outlet and Device Boxes: Comply with NEMA OS 1 and UL 514A.
- D. Cast-Metal Outlet and Device Boxes: Comply with NEMA FB 1, aluminum, Type FD, with gasketed cover.
- E. Metal Floor Boxes:
  1. Material: Cast metal.
  2. Type: Fully adjustable.
  3. Shape: Rectangular.
  4. Listing and Labeling: Metal floor boxes shall be listed and labeled as defined in NFPA 70, by a qualified testing agency, and marked for intended location and application.
- F. Luminaire Outlet Boxes: Nonadjustable, designed for attachment of luminaire weighing 50 lb. Outlet boxes designed for attachment of luminaires weighing more than 50 lb shall be listed and marked for the maximum allowable weight.
- G. Small Sheet Metal Pull and Junction Boxes: NEMA OS 1.

FIRE STATIONS RENOVATION  
ARLINGTON COUNTY, VIRGINIA  
Architect's Project No: 563006

---

- H. Cast-Metal Access, Pull, and Junction Boxes: Comply with NEMA FB 1 and UL 1773, cast aluminum with gasketed cover.
- I. Box extensions used to accommodate new building finishes shall be of same material as recessed box.
- J. Device Box Dimensions: 4 inches square by 2-1/8 inches deep.
- K. Gangable boxes are allowed.
- L. Hinged-Cover Enclosures: Comply with UL 50 and NEMA 250, Type 3R with continuous-hinge cover with flush latch unless otherwise indicated.
  - 1. Metal Enclosures: Steel, finished inside and out with manufacturer's standard enamel.
  - 2. Interior Panels: Steel; all sides finished with manufacturer's standard enamel.
- M. Cabinets:
  - 1. NEMA 250, Type 12 galvanized-steel box with removable interior panel and removable front, finished inside and out with manufacturer's standard enamel.
  - 2. Hinged door in front cover with flush latch and concealed hinge.
  - 3. Key latch to match panelboards.
  - 4. Metal barriers to separate wiring of different systems and voltage.
  - 5. Accessory feet where required for freestanding equipment.
  - 6. Nonmetallic cabinets shall be listed and labeled as defined in NFPA 70, by a qualified testing agency, and marked for intended location and application.

## 2.5 FLOOR BOXES AND SERVICE FITTINGS

- A. Multi-service Floor Boxes: Basis of Design: Wiremold, RFB4 Series Floor Boxes.
  - 1. Floor boxes mounted on first floor grade shall be manufactured from cast-iron and be approved for use on grade and above grade floors. The box shall be 14 1/2" L x 11 7/8" W x 3 7/16" H. There shall be four independent wiring compartments that allow capacity for up to four duplex receptacles and/or communication services. The RFB4-CI-1 Series Box shall permit tunneling from adjacent or opposite compartments. Two of the four compartments shall have a minimum wiring capacity of 27 cu in., and two compartments shall have a minimum wiring capacity of 36 cu in.. The box shall provide the following number of conduit hubs: four 1" and four 1 1/4". The box shall be fully adjustable, providing a maximum of 1 7/8" pre-pour adjustment, and a maximum of 3/4" after-pour adjustment. Wiremold RFB4-CI-1.
  - 2. Floor boxes not on grade slab shall be manufactured from stamped-steel and be approved for use on above-grade floors. The box shall be 13 5/8" L x 10" W x 2 7/16" H. There shall be four independent wiring compartments that allow capacity for up to four duplex receptacles and/or communication services. The RFB4-SS Series Box shall permit feed through tunneling from adjacent compartments. Two of the four compartments shall have a minimum wiring capacity of 15.7 cu in., and two compartments shall have a minimum

**FIRE STATIONS RENOVATION  
ARLINGTON COUNTY, VIRGINIA  
Architect's Project No: 563006**

---

wiring capacity of 31.2 cu in.. The box shall provide the following number of conduit knockouts: two 1/2", six 3/4", and eight 1". The box shall be fully adjustable, providing a maximum of 1 7/8" pre-pour adjustment, and a maximum of 3/4" after-pour adjustment. Wiremold RFB4-SS.

3. Activation covers shall be manufactured of die-cast aluminum or die-cast zinc, and be available in a brushed aluminum finish, plated brass finish, or a powder-coated paint finish. The activation cover shall be listed by UL to meet the applicable U.S. and Canadian safety standards for scrub water exclusion when used on tile, terrazzo, wood, and carpet covered floors. The floor box manufacturer shall provide a complete line of faceplates and bezels to facilitate mounting of UTP, STP (150 ohm), fiber optic, coaxial, and communication devices within the box.
  4. Activation covers shall be available in flanged and flangeless versions of cast aluminum with aluminum, black, bronze, brass, nickel or gray finish. Covers shall be available with options for tile or carpet inserts, flush covers, or furniture feed. Flanged covers shall be 7 3/4" L x 6 9/16" W. Flangeless covers shall be 6 3/4" L x 5 9/16" W.
    - a. Unless indicated otherwise, provide the following cover configurations:
      - 1) Power/Telecom Outlets: Brushed aluminum flanged with blank lid flush with floor and NO carpet/tile cutouts.
      - 2) Furniture Floor Feed: Brushed aluminum flanged with 1" trade size screw plug opening and one combination 1 1/4" and 2" trade size screw plug openings.
- B. Single Service Floor boxes: Basis of Design: Wiremold, Omnibox Floor Boxes, One-, two- or three-gang floor boxes.**
1. Floor boxes mounted on first floor grade shall be manufactured from cast-iron and be approved for use on grade and above grade floors. Box interior and exterior shall be painted. Boxes shall be available in one-, two-, and three-gang configurations. All cast-iron versions shall provide 1 3/4" of pre-pour adjustment and 1/2" of post-pour adjustment. Minimum depth of deep boxes shall be 3 7/16". Overall box dimensions shall be as follows:
    - a. One-gang: 5 3/16" W x 4 3/8" L
    - b. Two-gang: 5 3/16" W x 8 1/2" L
    - c. Three-gang: 5 3/16" W x 12 1/2" L
  2. Floor boxes on the second floor and above shall be manufactured from stamped-steel and be approved for use on cast-in-place floors. Boxes shall be manufactured from stamped steel and formed. Boxes shall be available in one-, two-, or three-gang configurations. All stamped steel versions shall provide 1 3/4" of pre-pour adjustment and 1/2" of post-pour adjustment. Maximum depth of boxes shall be 2 15/32". Overall box dimensions shall be as follows:
    - a. One-gang: 4 13/16" W x 3 23/32" L
    - b. Two-gang: 4 13/16" W x 7 15/16" L
    - c. Three-gang: 4 13/16" W x 12" L
  3. All floor box options shall accept brass, brushed aluminum, and nonmetallic cover plates and flanges. Flanges for brass, brushed aluminum, and nonmetallic shall be available for

FIRE STATIONS RENOVATION  
ARLINGTON COUNTY, VIRGINIA  
Architect's Project No: 563006

---

one-, two-, or three-gang applications and install on the previously mentioned boxes. Each flange shall provide 1/2" of adjustment to accommodate various floor covering and concrete pour depths.

- a. All brass, brushed aluminum, and nonmetallic flanges shall be approved for use on carpet, tile, or wood covered floor applications. Brass and brushed aluminum flanges and cover plates shall have a buffed appearance and be protected with a lacquer finish. Nonmetallic flanges and cover plates shall be provided in a black, brown, or gray finish. Modular inserts shall snap directly into each flange through use of a mounting bezel.
- b. Brushed aluminum and nonmetallic cover plate options shall seat inside either the aluminum or nonmetallic flanges and be flush with the finished floor. Brushed aluminum and nonmetallic cover plate dimensions shall be 3.29" W x 4.310" L. Brass cover plate dimensions are 3.156" W x 4.182" L. Brass cover plates shall seat inside only brass flanges and be flush with the finished floor. All cover plate options shall provide for both power and communication services.

C. Wood Floor Boxes: Basis of Design: Wiremold, 880 Series Floor Boxes, one-, two- or three-gang floor boxes designed for wooden floors.

1. Boxes shall be available in one-, two-, or three-gang configurations. Boxes shall also be rectangular in shape. These boxes shall consist of a stamped steel body, applicable stamped steel barriers and stamped steel mounting brackets for flanges. All boxes shall have an overall depth of 3 7/16". All boxes shall provide a mounting mechanism to attach the floor box to the wood sub floor.
2. All floor box options shall accept brass, brushed aluminum, and nonmetallic cover plates and flanges. Flanges for brass, brushed aluminum, and nonmetallic shall be available for one-, two-, or three-gang applications and install on the previously mentioned boxes. Each flange shall provide 1/2" of adjustment to accommodate various floor covering and concrete pour depths.
3. All brass, brushed aluminum, and nonmetallic flanges shall be approved for use on wood covered floor applications. Brass and brushed aluminum flanges and cover plates shall have a buffed appearance and be protected with a lacquer finish. Nonmetallic flanges and cover plates shall be provided in a black, brown, or gray finish.
4. The floor box shall be warranted for one year from the date of final acceptance.

## PART 3 - EXECUTION

### 3.1 RACEWAY APPLICATION

- A. Outdoors: Apply raceway products as specified below unless otherwise indicated:
1. Exposed Conduit: GRC.
  2. Concealed Conduit, Aboveground: GRC.
  3. Underground Conduit: Per section 260543.

FIRE STATIONS RENOVATION  
ARLINGTON COUNTY, VIRGINIA  
Architect's Project No: 563006

---

4. Connection to Vibrating Equipment (Including Transformers and Hydraulic, Pneumatic, Electric Solenoid, or Motor-Driven Equipment): LFMC.
  5. Boxes and Enclosures, Aboveground: NEMA 250, Type 3R.
- B. Indoors: Apply raceway products as specified below unless otherwise indicated:
1. Exposed, Not Subject to Physical Damage: EMT.
  2. Exposed, Not Subject to Severe Physical Damage: EMT.
  3. Exposed and Subject to Severe Physical Damage: GRC. Raceway locations include the following:
    - a. Loading dock.
    - b. Corridors used for traffic of mechanized carts, forklifts, and pallet-handling units.
    - c. Mechanical rooms, below 8'.
    - d. Gymnasiums.
  4. Concealed in Ceilings and Interior Walls and Partitions: EMT.
  5. Connection to Vibrating Equipment (Including Transformers and Hydraulic, Pneumatic, Electric Solenoid, or Motor-Driven Equipment): FMC, except use LFMC mechanical and Custodial spaces.
  6. Damp or Wet Locations: GRC.
  7. Boxes and Enclosures: NEMA 250, Type 1, except use NEMA 250, Type 4 stainless steel in kitchens and damp or wet locations.
- C. Minimum Raceway Size: 3/4-inch trade size.
- D. Raceway Fittings: Compatible with raceways and suitable for use and location.
1. Rigid and Intermediate Steel Conduit: Use threaded rigid steel conduit fittings unless otherwise indicated. Comply with NEMA FB 2.10.
  2. PVC Externally Coated, Rigid Steel Conduits: Use only fittings listed for use with this type of conduit. Patch and seal all joints, nicks, and scrapes in PVC coating after installing conduits and fittings. Use sealant recommended by fitting manufacturer and apply in thickness and number of coats recommended by manufacturer.
  3. EMT: Use setscrew or compression, steel fittings. Comply with NEMA FB 2.10.
  4. Flexible Conduit: Use only fittings listed for use with flexible conduit. Comply with NEMA FB 2.20.
- E. Install nonferrous conduit or tubing for circuits operating above 60 Hz. Where aluminum raceways are installed for such circuits and pass through concrete, install in nonmetallic sleeve.
- F. Do not install aluminum conduits, boxes, or fittings in contact with concrete or earth.
- G. surface raceways shall not be installed without prior approval of the Architect.
- H. Do not install nonmetallic conduit where ambient temperature exceeds 120 deg F.

FIRE STATIONS RENOVATION  
ARLINGTON COUNTY, VIRGINIA  
Architect's Project No: 563006

---

### 3.2 INSTALLATION

- A. Comply with NECA 1 and NECA 101 for installation requirements except where requirements on Drawings or in this article are stricter. Comply with NECA 102 for aluminum conduits. Comply with NFPA 70 limitations for types of raceways allowed in specific occupancies and number of floors.
- B. Keep raceways at least 6 inches away from parallel runs of flues and hot-water pipes. Install horizontal raceway runs above water and steam piping.
- C. Complete raceway installation before starting conductor installation.
- D. Comply with requirements in Section 260529 "Hangers and Supports for Electrical Systems" for hangers and supports.
- E. Arrange stub-ups so curved portions of bends are not visible above finished slab.
- F. Install no more than the equivalent of three 90-degree bends in any conduit run except for control wiring conduits, for which fewer bends are allowed. Support within 12 inches of changes in direction. Refer to Division 27 for conduit requirements for telecommunication wiring.
- G. Conceal conduit and EMT within finished walls, ceilings, and floors unless otherwise indicated. Install conduits parallel or perpendicular to building lines.
- H. All conduit to be installed on exterior masonry shall not run continuously within the wall cavity. Exposed conduit shall not be installed without prior approval of the Architect.
- I. Support conduit within 12 inches of enclosures to which attached.
- J. Raceways Embedded in Slabs:
  - 1. Are not permitted, except as required for entry into recessed floor boxes.
  - 2. Conduits run below slab on ground floor level shall be buried within the porous fill and stub-up at the required location. Transition from RNC to RGS with RGS elbow before rising above the floor. After RGS elbow, stub-up conduit shall be type indicated in Part 3.1 above.
  - 3. Where raceways are terminated with threaded hubs, screw raceways or fittings tightly into hub so end bears against wire protection shoulder. Where chase nipples are used, align raceways so coupling is square to box; tighten chase nipple so no threads are exposed.
  - 4. Do not embed threadless fittings in concrete.
  - 5. Change from ENT to GRC before rising above floor.
- K. Stub-ups to Above Recessed Ceilings:
  - 1. Use EMT, IMC, or RMC for raceways.

FIRE STATIONS RENOVATION  
ARLINGTON COUNTY, VIRGINIA  
Architect's Project No: 563006

---

2. Use a conduit bushing or insulated fitting to terminate stub-ups not terminated in hubs or in an enclosure. Refer to Division 27 for telecommunication conduit stub-up requirements.
- L. Threaded Conduit Joints, Exposed to Wet, Damp, Corrosive, or Outdoor Conditions: Apply listed compound to threads of raceway and fittings before making up joints. Follow compound manufacturer's written instructions.
- M. Coat field-cut threads on PVC-coated raceway with a corrosion-preventing conductive compound prior to assembly.
- N. Raceway Terminations at Locations Subject to Moisture or Vibration: Use insulating bushings to protect conductors.
- O. Terminate threaded conduits into insulated throat threaded hubs. Install bushings on conduits up to 1-1/4-inch trade size and insulated throat metal bushings on 1-1/2-inch trade size and larger. Install insulated throat metal grounding bushings on service conduits.
- P. Install raceways square to the enclosure and terminate at enclosures with locknuts. Install locknuts hand tight plus 1/4 turn more.
- Q. Do not rely on locknuts to penetrate nonconductive coatings on enclosures. Remove coatings in the locknut area prior to assembling conduit to enclosure to assure a continuous ground path.
- R. Cut conduit perpendicular to the length. For conduits 2-inch trade size and larger, use roll cutter or a guide to make cut straight and perpendicular to the length.
- S. Install pull wires in empty raceways. Use polypropylene or monofilament plastic line with not less than 200-lb tensile strength. Leave at least 12 inches of slack at each end of pull wire. Cap underground raceways designated as spare above grade alongside raceways in use.
- T. Surface Raceways:
  1. Install surface raceway with a minimum 2-inch radius control at bend points.
  2. Secure surface raceway with screws or other anchor-type devices at intervals not exceeding 48 inches and with no less than two supports per straight raceway section. Support surface raceway according to manufacturer's written instructions. Tape and glue are not acceptable support methods.
  3. Surface Raceways shall not be installed without prior approval outside of Mechanical or Electrical spaces
- U. Install raceway sealing fittings at accessible locations according to NFPA 70 and fill them with listed sealing compound. For concealed raceways, install each fitting in a flush steel box with a blank cover plate having a finish similar to that of adjacent plates or surfaces. Install raceway sealing fittings according to NFPA 70.
- V. Install devices to seal raceway interiors at accessible locations. Locate seals so no fittings or boxes are between the seal and the following changes of environments. Seal the interior of all raceways at the following points:

FIRE STATIONS RENOVATION  
ARLINGTON COUNTY, VIRGINIA  
Architect's Project No: 563006

---

1. Where conduits pass from warm to cold locations, such as boundaries of refrigerated spaces.
  2. Where an underground service raceway enters a building or structure.
  3. Where otherwise required by NFPA 70.
- W. Comply with manufacturer's written instructions for solvent welding RNC and fittings.
- X. Expansion-Joint Fittings:
1. Do not install ENT above ground.
  2. Install type and quantity of fittings that accommodate temperature change listed for each of the following locations:
    - a. Indoor Spaces Connected with Outdoors without Physical Separation: 125 deg F temperature change.
    - b. Attics: 135 deg F temperature change.
  3. Install fitting(s) that provide expansion and contraction for at least 0.00041 inch per foot of length of straight run per deg F of temperature change for PVC conduits. Install fitting(s) that provide expansion and contraction for at least 0.000078 inch per foot of length of straight run per deg F of temperature change for metal conduits.
  4. Install expansion fittings at all locations where conduits cross building or structure expansion joints.
  5. Install each expansion-joint fitting with position, mounting, and piston setting selected according to manufacturer's written instructions for conditions at specific location at time of installation. Install conduit supports to allow for expansion movement.
- Y. Flexible Conduit Connections: Comply with NEMA RV 3. Use a maximum of 72 inches of flexible conduit for recessed and semi-recessed luminaires, equipment subject to vibration, noise transmission, or movement; and for transformers and motors.
1. Use LFMC in damp or wet locations subject to severe physical damage.
  2. Use LFMC or LFNC in damp or wet locations not subject to severe physical damage.
- Z. Mount boxes at heights indicated on Drawings. If mounting heights of boxes are not individually indicated, give priority to ADA requirements and also refer to Architectural elevations. Install boxes with height measured to center of box unless otherwise indicated.
- AA. Recessed Boxes in Masonry Walls: Saw-cut opening for box in masonry block, and install box flush with surface of wall. Prepare block surfaces to provide a flat surface for a tight connection between box and cover plate or supported equipment and box.
- BB. Horizontally separate boxes mounted on opposite sides of walls so they are not in the same vertical channel.
- CC. Locate boxes so that cover or plate will not span different building finishes.
- DD. Support boxes of three gangs or more from more than one side by spanning two framing members or mounting on brackets specifically designed for the purpose.



FIRE STATIONS RENOVATION  
ARLINGTON COUNTY, VIRGINIA  
Architect's Project No: 563006

---

- EE. Fasten junction and pull boxes to or support from building structure. Do not support boxes by conduits.
- FF. Set metal floor boxes level and flush with finished floor surface.
- GG. Where communication outlets and data outlets are shown together on drawings, do not scale drawings to obtain distance between outlets. Locate outlets such that there is no more than 4" between receptacle outlet and communication outlet.

3.3 INSTALLATION OF UNDERGROUND CONDUIT

- A. See Section 260543.

3.4 SLEEVE AND SLEEVE-SEAL INSTALLATION FOR ELECTRICAL PENETRATIONS

- A. Install sleeves and sleeve seals at penetrations of exterior floor and wall assemblies. Comply with requirements in Section 260544 "Sleeves and Sleeve Seals for Electrical Raceways and Cabling."

3.5 FIRESTOPPING

- A. Install firestopping at penetrations of fire-rated floor and wall assemblies. Comply with requirements in Division 07.

3.6 PROTECTION

- A. Protect coatings, finishes, and cabinets from damage and deterioration.
  - 1. Repair damage to galvanized finishes with zinc-rich paint recommended by manufacturer.
  - 2. Repair damage to PVC coatings or paint finishes with matching touchup coating recommended by manufacturer.

END OF SECTION 260533

FIRE STATIONS RENOVATION  
ARLINGTON COUNTY, VIRGINIA  
Architect's Project No: 563006

---

SECTION 260553 - IDENTIFICATION FOR ELECTRICAL SYSTEMS

PART 1 - GENERAL

1.1 RELATED DOCUMENTS

- A. Drawings and general provisions of the Contract, including General and Supplementary Conditions and Division 01 Specification Sections, apply to this Section.

1.2 SUMMARY

- A. Section Includes:
  - 1. Identification for raceways.
  - 2. Identification of power and control cables.
  - 3. Identification for conductors.
  - 4. Underground-line warning tape.
  - 5. Warning labels and signs.
  - 6. Instruction signs.
  - 7. Equipment identification labels.
  - 8. Miscellaneous identification products.

1.3 ACTION SUBMITTALS

- A. Product Data: For each electrical identification product indicated.

1.4 QUALITY ASSURANCE

- A. Comply with ANSI A13.1 and IEEE C2.
- B. Comply with NFPA 70.
- C. Comply with 29 CFR 1910.144 and 29 CFR 1910.145.
- D. Comply with ANSI Z535.4 for safety signs and labels.

1.5 COORDINATION

- A. Coordinate identification names, abbreviations, colors, and other features with requirements in other Sections requiring identification applications, Drawings, Shop Drawings, manufacturer's wiring diagrams, and the Operation and Maintenance Manual; and with those required by codes, standards, and 29 CFR 1910.145. Use consistent designations throughout Project.

FIRE STATIONS RENOVATION  
ARLINGTON COUNTY, VIRGINIA  
Architect's Project No: 563006

---

- B. Coordinate installation of identifying devices with completion of covering and painting of surfaces where devices are to be applied.
- C. Coordinate installation of identifying devices with location of access panels and doors.
- D. Install identifying devices before installing acoustical ceilings and similar concealment.

## PART 2 - PRODUCTS

### 2.1 POWER AND CONTROL RACEWAY IDENTIFICATION MATERIALS

- A. Comply with ANSI A13.1 for minimum size of letters for legend and for minimum length of color field for each raceway size.
- B. Colors for Raceways Carrying Circuits at 600 V or Less:
  - 1. Black letters on an orange field.
  - 2. Legend: Indicate voltage and system or service type.
- C. Colors for Raceways Carrying Circuits at More Than 600 V:
  - 1. Black letters on an orange field.
  - 2. Legend: "DANGER CONCEALED HIGH VOLTAGE WIRING."
- D. Vinyl Labels for Raceways Carrying Circuits at 600 V or Less: Preprinted, flexible label laminated with a clear, weather- and chemical-resistant coating and matching wraparound clear adhesive tape for securing ends of legend label.

### 2.2 POWER AND CONTROL CABLE IDENTIFICATION MATERIALS

- A. Comply with ANSI A13.1 for minimum size of letters for legend and for minimum length of color field for each cable size.
- B. Vinyl Labels: Preprinted, flexible label laminated with a clear, weather- and chemical-resistant coating and matching wraparound clear adhesive tape for securing ends of legend label. Do not use Paper type labels.

### 2.3 FLOOR MARKING TAPE

- A. 2-inch- wide, 5-mil pressure-sensitive vinyl tape, with yellow and black stripes and clear vinyl overlay.

FIRE STATIONS RENOVATION  
ARLINGTON COUNTY, VIRGINIA  
Architect's Project No: 563006

---

2.4 UNDERGROUND-LINE WARNING TAPE

A. Tape:

1. Recommended by manufacturer for the method of installation and suitable to identify and locate underground electrical and communications utility lines.
2. Printing on tape shall be permanent and shall not be damaged by burial operations.
3. Tape material and ink shall be chemically inert, and not subject to degrading when exposed to acids, alkalis, and other destructive substances commonly found in soils.

B. Color and Printing:

1. Comply with ANSI Z535.1 through ANSI Z535.5.
2. Inscriptions for Red-Colored Tapes: ELECTRIC LINE, HIGH VOLTAGE,.
3. Inscriptions for Orange-Colored Tapes: TELEPHONE CABLE, CATV CABLE, COMMUNICATIONS CABLE, OPTICAL FIBER CABLE,.

C. Warning Tape:

1. Detectable three-layer laminate, consisting of a printed pigmented polyolefin film, a solid aluminum-foil core, and a clear protective film that allows inspection of the continuity of the conductive core, bright-colored, continuous-printed on one side with the inscription of the utility, compounded for direct-burial service.
2. Overall Thickness: 5 mils.
3. Foil Core Thickness: 0.35mil.
4. Weight: 28 lb/1000 sq. ft.
5. 3-Inch Tensile According to ASTM D 882: 70 lbf, and 4600 psi.

2.5 WARNING LABELS AND SIGNS

A. Comply with NFPA 70 and 29 CFR 1910.145.

B. Metal-Backed, Butyrate Warning Signs: Weather-resistant, nonfading, preprinted, cellulose-acetate butyrate signs with 0.0396-inch galvanized-steel backing; and with colors, legend, and size required for application. 1/4-inch grommets in corners for mounting. Nominal size, 10 by 14 inches.

1. Warning labels and signs shall include, but are not limited to, the following:
  - a. Multiple Power Source Warning: "DANGER - ELECTRICAL SHOCK HAZARD - EQUIPMENT HAS MULTIPLE POWER SOURCES."
  - b. Workspace Clearance Warning: "WARNING - OSHA REGULATION - AREA IN FRONT OF ELECTRICAL EQUIPMENT MUST BE KEPT CLEAR FOR 36 INCHES"
  - c. Arc Flash Hazard Warning: Refer to Section 260574 for requirements.

FIRE STATIONS RENOVATION  
ARLINGTON COUNTY, VIRGINIA  
Architect's Project No: 563006

---

2.6 INSTRUCTION SIGNS

- A. Engraved, laminated acrylic or melamine plastic, minimum 1/16 inch thick for signs up to 20 sq. inches and 1/8 inch thick for larger sizes.
  - 1. Engraved legend with black letters on white face.
  - 2. Punched or drilled for mechanical fasteners.
  - 3. Framed with mitered acrylic molding and arranged for attachment at applicable equipment.
- B. Adhesive Film Label: Do not use for Instructional Signs

2.7 EQUIPMENT IDENTIFICATION LABELS

- A. Engraved, Laminated Acrylic or Melamine Label: Punched or drilled for screw mounting. White letters on a dark-gray background. Minimum letter height shall be 3/8 inch.

2.8 CABLE TIES

- A. Plenum-Rated Cable Ties: Self extinguishing, UV stabilized, one piece, self locking.
  - 1. Minimum Width: 3/16 inch.
  - 2. Tensile Strength at 73 deg F, According to ASTM D 638: 7000 psi.
  - 3. UL 94 Flame Rating: 94V-0.
  - 4. Temperature Range: Minus 50 to plus 284 deg F.
  - 5. Color: Black.

2.9 MISCELLANEOUS IDENTIFICATION PRODUCTS

- A. Paint: Comply with requirements in painting Sections for paint materials and application requirements. Select paint system applicable for surface material and location (exterior or interior).
- B. Fasteners for Labels and Signs: Self-tapping, stainless-steel screws or stainless-steel machine screws with nuts and flat and lock washers.

PART 3 - EXECUTION

3.1 INSTALLATION

- A. Verify identity of each item before installing identification products.

FIRE STATIONS RENOVATION  
ARLINGTON COUNTY, VIRGINIA  
Architect's Project No: 563006

---

- B. Location: Install identification materials and devices at locations for most convenient viewing without interference with operation and maintenance of equipment.
- C. Apply identification devices to surfaces that require finish after completing finish work.
- D. Self-Adhesive Identification Products: Do not use
- E. Attach signs and plastic labels with mechanical fasteners appropriate to the location and substrate.
- F. System Identification Color-Coding Bands for Raceways and Cables: Each color-coding band shall completely encircle cable or conduit. Place adjacent bands of two-color markings in contact, side by side. Locate bands at changes in direction, at penetrations of walls and floors, at 50-foot maximum intervals in straight runs, and at 25-foot maximum intervals in congested areas.
- G. Aluminum Wraparound Marker Labels and Metal Tags: Secure tight to surface of conductor or cable at a location with high visibility and accessibility.
- H. Cable Ties: For attaching tags. Use Plenum rated, except as listed below:
  - 1. Outdoors: UV-stabilized nylon.
- I. Underground-Line Warning Tape: During backfilling of trenches install continuous underground-line warning tape directly above line at 6 to 8 inches below finished grade. Use multiple tapes where width of multiple lines installed in a common trench or concrete envelope exceeds 16 inches overall.
- J. Painted Identification: Comply with requirements in painting Sections for surface preparation and paint application.

### 3.2 IDENTIFICATION SCHEDULE

- A. Accessible Raceways 600 V or Less, for Service, Feeder, and Branch Circuits: Identify with self-adhesive vinyl label. Install labels at 10-foot maximum intervals.
- B. Accessible Raceways and Cables within Buildings: Identify the covers of each junction and pull box of the following systems with self-adhesive vinyl labels with the wiring system legend and system voltage. System legends shall be as follows:
  - 1. Emergency Power.
  - 2. Standby Power
  - 3. Power.
- C. Power-Circuit Conductor Identification, 600 V or Less: For conductors in vaults, pull and junction boxes, manholes, and handholes, use color-coding conductor tape to identify the phase.

FIRE STATIONS RENOVATION  
ARLINGTON COUNTY, VIRGINIA  
Architect's Project No: 563006

---

1. Color-Coding for Phase and Voltage Level Identification, 600 V or Less: Use colors listed below for ungrounded service feeder and branch-circuit conductors.
  - a. Color shall be factory applied or field applied for sizes larger than No. 8 AWG, if authorities having jurisdiction permit.
  - b. Colors for 208/120-V Circuits:
    - 1) Phase A: Black.
    - 2) Phase B: Red.
    - 3) Phase C: Blue.
    - 4) Grounded (Neutral): White.
    - 5) Ground: Green.
  - c. Colors for 480/277-V Circuits:
    - 1) Phase A: Brown.
    - 2) Phase B: Orange.
    - 3) Phase C: Yellow.
    - 4) Grounded (Neutral): Gray.
    - 5) Ground: Green.
  - d. Field-Applied, Color-Coding Conductor Tape: Apply in half-lapped turns for a minimum distance of 6 inches from terminal points and in boxes where splices or taps are made. Apply last two turns of tape with no tension to prevent possible unwinding. Locate bands to avoid obscuring factory cable markings.
- D. Install instructional sign including the color-code for grounded and ungrounded conductors using adhesive-film-type labels.
- E. Control-Circuit Conductor Identification: For conductors and cables in pull and junction boxes, manholes, and handholes, use self-adhesive, self-laminating polyester labels with the conductor or cable designation, origin, and destination.
- F. Control-Circuit Conductor Termination Identification: For identification at terminations provide heat-shrink preprinted tubes or self-adhesive, self-laminating polyester labels with the conductor designation.
- G. Conductors to Be Extended in the Future: Attach marker tape to conductors and list source.
- H. Auxiliary Electrical Systems Conductor Identification: Identify field-installed alarm, control, and signal connections.
  1. Identify conductors, cables, and terminals in enclosures and at junctions, terminals, and pull points. Identify by system and circuit designation.
  2. Use system of marker tape designations that is uniform and consistent with system used by manufacturer for factory-installed connections.
  3. Coordinate identification with Project Drawings, manufacturer's wiring diagrams, and the Operation and Maintenance Manual.

FIRE STATIONS RENOVATION  
ARLINGTON COUNTY, VIRGINIA  
Architect's Project No: 563006

---

- I. Locations of Underground Lines: Identify with underground-line warning tape for power, lighting, communication, and control wiring and optical fiber cable.
1. Limit use of underground-line warning tape to direct-buried cables.
  2. Install underground-line warning tape for both direct-buried cables and cables in raceway.
- J. Workspace Indication: Install floor marking tape to show working clearances in the direction of access to live parts. Workspace shall be as required by NFPA 70 and 29 CFR 1926.403 unless otherwise indicated. Do not install at flush-mounted panelboards and similar equipment in finished spaces unless otherwise noted.
- K. Warning Labels for Indoor Cabinets, Boxes, and Enclosures for Power and Lighting:
1. Comply with 29 CFR 1910.145.
  2. Identify system voltage with black letters on an orange background.
  3. Apply to exterior of door, cover, or other access.
  4. For equipment with multiple power or control sources, apply to door or cover of equipment including, but not limited to, the following:
    - a. Power transfer switches.
    - b. Controls with external control power connections.
- L. Operating Instruction Signs: Install instruction signs to facilitate proper operation and maintenance of electrical systems and items to which they connect. Install instruction signs with approved legend where instructions are needed for system or equipment operation including but not limited to:
1. Athletic lighting control equipment
  2. Gymnasium lighting control equipment
  3. Transfer switches
  4. Switches associated with bypass of contactors for lighting.
  5. Sound systems
  6. Theatrical Lighting
  7. Common Area/Corridor master lighting control
- M. Emergency Operating Instruction Signs: Install instruction signs with white legend on a red background with minimum 3/8-inch- high letters for emergency instructions at equipment used for power transfer and load shedding.
- N. Equipment Identification Labels: On each unit of equipment, install unique designation label that is consistent with wiring diagrams, schedules, and the Operation and Maintenance Manual. Apply labels to disconnect switches and protection equipment, central or master units, control panels, control stations, terminal cabinets, and racks of each system. Systems include power, lighting, control, communication, signal, monitoring, and alarm systems unless equipment is provided with its own identification.
1. Labeling Instructions:



FIRE STATIONS RENOVATION  
ARLINGTON COUNTY, VIRGINIA  
Architect's Project No: 563006

---

- a. Indoor Equipment: Engraved, laminated acrylic or melamine label. Unless otherwise indicated, provide a single line of text with 1/2-inch- high letters on 1-1/2-inch- high label; where two lines of text are required, use labels 2 inches high.
  - b. Outdoor Equipment: Engraved, laminated acrylic or melamine label.
  - c. Elevated Components: Increase sizes of labels and letters to those appropriate for viewing from the floor.
  - d. Fasten labels with appropriate mechanical fasteners that do not change the NEMA or NRTL rating of the enclosure.
2. Equipment to Be Labeled:
- a. Panelboards: Type written directory of circuits in the location provided by panelboard manufacturer. Panelboard identification shall be laminated acrylic or melamine label.
  - b. Enclosures and electrical cabinets.
  - c. Access doors and panels for concealed electrical items.
  - d. Switchboards.
  - e. Transformers: Label that includes tag designation shown on Drawings for the transformer, feeder, and panelboards or equipment supplied by the secondary.
  - f. Emergency system boxes and enclosures.
  - g. Enclosed switches.
  - h. Enclosed circuit breakers.
  - i. Enclosed controllers.
  - j. Variable-speed controllers.
  - k. Push-button stations.
  - l. Power transfer equipment.
  - m. Contactors.
  - n. Remote-controlled switches, dimmer modules, and control devices.
  - o. Power-generating units.
  - p. Monitoring and control equipment.

O. RISER DIAGRAMS

1. Provide full size laminated as-built riser diagram of electrical system. Mount on wall in main electrical room.
2. Provide full size laminated as-built risers of all vertical cabling of communications systems in the main data room and each IDF closet.

END OF SECTION 260553

FIRE STATIONS RENOVATION  
ARLINGTON COUNTY, VIRGINIA  
Architect's Project No: 563006

---

SECTION 260923 - LIGHTING CONTROL DEVICES

PART 1 - GENERAL

1.1 RELATED DOCUMENTS

- A. Drawings and general provisions of the Contract, including General and Supplementary Conditions and Division 01 Specification Sections, apply to this Section.

1.2 SUMMARY

- A. Section Includes:
  - 1. Time switches.
  - 2. Photoelectric switches.
  - 3. Indoor occupancy sensors.
  - 4. Lighting contactors.
  - 5. Emergency shunt relays.

1.3 ACTION SUBMITTALS

- A. Product Data: For each type of product.
- B. Shop Drawings: Show installation details for occupancy and light-level sensors.
  - 1. Interconnection diagrams showing field-installed wiring.
  - 2. Include diagrams for power, signal, and control wiring.

1.4 INFORMATIONAL SUBMITTALS

- A. Field quality-control reports.

1.5 CLOSEOUT SUBMITTALS

- A. Operation and Maintenance Data: For each type of lighting control device to include in emergency, operation, and maintenance manuals.

FIRE STATIONS RENOVATION  
ARLINGTON COUNTY, VIRGINIA  
Architect's Project No: 563006

---

PART 2 - PRODUCTS

2.1 TIME SWITCHES

- A. Manufacturers: Subject to compliance with requirements, available manufacturers offering products that may be incorporated into the Work include, but are not limited to the following:
1. Cooper Industries, Inc.
  2. Intermatic, Inc.
  3. Leviton Manufacturing Co., Inc.
  4. NSi Industries LLC.
- B. Basis of Design: Tork EWZ101

2.2 OUTDOOR PHOTOELECTRIC SWITCHES

- A. Manufacturers: Subject to compliance with requirements, available manufacturers offering products that may be incorporated into the Work include, but are not limited to the following:
1. Cooper Industries, Inc.
  2. Intermatic, Inc.
  3. NSi Industries LLC.
  4. Tyco Electronics.
- B. Description: Solid state, with SPST dry contacts rated for 1800-VA tungsten or 1000-VA inductive, to operate connected relay, contactor coils, or microprocessor input; complying with UL 773A.
1. Listed and labeled as defined in NFPA 70, by a qualified testing agency, and marked for intended location and application.
  2. Light-Level Monitoring Range: 1.5 to 10 fc, with an adjustment for turn-on and turn-off levels within that range, and a directional lens in front of the photocell to prevent fixed light sources from causing turn-off.
  3. Time Delay: Fifteen second minimum, to prevent false operation.
  4. Surge Protection: Metal-oxide varistor.
  5. Mounting: Twist lock complies with NEMA C136.10, with base-and-stem mounting or stem-and-swivel mounting accessories as required to direct sensor to the north sky exposure.

2.3 INDOOR OCCUPANCY SENSORS

- A. Manufacturers: Subject to compliance with requirements, available manufacturers offering products that may be incorporated into the Work include, but are not limited to the following:
1. Hubbell Building Automation, Inc.

FIRE STATIONS RENOVATION  
ARLINGTON COUNTY, VIRGINIA  
Architect's Project No: 563006

---

2. Leviton Manufacturing Co., Inc.
  3. Lutron Electronics Co., Inc.
  4. Sensor Switch, Inc.
  5. Watt Stopper.
- B. General Requirements for Sensors: Wall- or ceiling-mounted, solid-state indoor occupancy sensors with a separate power pack.
1. Listed and labeled as defined in NFPA 70, by a qualified testing agency, and marked for intended location and application.
  2. Operation: Unless otherwise indicated, turn lights on when coverage area is occupied, and turn them off when unoccupied; with a time delay for turning lights off, adjustable over a minimum range of 1 to 15 minutes.
  3. Sensor Output: Contacts rated to operate the connected relay, complying with UL 773A. Sensor is powered from the power pack.
  4. Power Pack: Dry contacts rated for 20-A ballast load at 120- and 277-V ac, for 13-A tungsten at 120-V ac, and for 1 hp at 120-V ac. Sensor has 24-V dc, 150-mA, Class 2 power source, as defined by NFPA 70.
  5. Mounting:
    - a. Sensor: Suitable for mounting in any position on a standard outlet box.
    - b. Relay: Externally mounted through a 1/2-inch knockout in a standard electrical enclosure.
    - c. Time-Delay and Sensitivity Adjustments: Recessed and concealed behind hinged door.
  6. Indicator: Digital display, to show when motion is detected during testing and normal operation of sensor.
  7. Bypass Switch: Override the "on" function in case of sensor failure.
  8. Automatic Light-Level Sensor: Adjustable from 2 to 200 fc; turn lights off when selected lighting level is present.
- C. Ultrasonic Type: Ceiling mounted; detect occupants in coverage area through pattern changes of reflected ultrasonic energy. Basis of Design Wattstopper WT 2255
1. Detector Sensitivity: Detect a person of average size and weight moving not less than 12 inches in either a horizontal or a vertical manner at an approximate speed of 12 inches/s. Detection Coverage (Corridor): Detect occupancy anywhere within 90 feet when mounted on a 10-foot- high ceiling in a corridor not wider than 14 feet.
- D. Dual-Technology Type: Wattstopper Ceiling mounted; detect occupants in coverage area using PIR and ultrasonic detection methods. The particular technology or combination of technologies that control on-off functions is selectable in the field by operating controls on unit.
1. Sensitivity Adjustment: Separate for each sensing technology.
  2. Detector Sensitivity: Detect occurrences of 6-inch- minimum movement of any portion of a human body that presents a target of not less than 36 sq. in., and detect a person of average size and weight moving not less than 12 inches in either a horizontal or a vertical manner at an approximate speed of 12 inches/s.
  3. Detection Coverage:

FIRE STATIONS RENOVATION  
ARLINGTON COUNTY, VIRGINIA  
Architect's Project No: 563006

---

- a. **Standard Height Units:**(WattStopper DT-355 Basis of design) In areas that have ceiling heights of 12 feet or lower, provide Watt Stopper unit DT-300 (or approved equal): Detect occupancy anywhere within a circular area up to 2000 square feet. Detectors shall be networkable to allow coverage of larger or irregularly shaped areas.
- b. **High Ceiling Units:**(WattStopper HB3x0 Basis of design) In areas that have ceiling/mounting height over 12 feet up to 40 foot mounting including but not limited to Gymnasium, Auditorium, Cafeteria (commons) and forum spaces, provide Watt Stopper unit HB3x0 with L4 lens, or approved equal. Detect occupancy anywhere within a circular area up to 3500 square feet. Detectors shall be networkable to allow coverage of larger or irregularly shaped areas.

#### 2.4 SWITCHBOX-MOUNTED OCCUPANCY SENSORS

- A. **Manufacturers:** Subject to compliance with requirements, available manufacturers offering products that may be incorporated into the Work include, but are not limited to the following:
  1. Hubbell Building Automation, Inc.
  2. Leviton Manufacturing Co., Inc.
  3. Lutron Electronics Co., Inc.
  4. Sensor Switch, Inc.
  5. Watt Stopper.
- B. **General Requirements for Sensors:** Automatic-wall-switch occupancy sensor, suitable for mounting in a single gang switchbox.
  1. Listed and labeled as defined in NFPA 70, by a qualified testing agency, and marked for intended location and application.
  2. **Operating Ambient Conditions:** Dry interior conditions, 32 to 120 deg F.
- C. **Wall-Switch Sensor Tag OS Wattstopper DW-100(basis of design):**
  1. **Standard Range:** 180-degree field of view, field adjustable from 180 to 40 degrees; with a minimum coverage area of 900 sq. ft..
  2. **Sensing Technology:** Dual technology - PIR and ultrasonic.
  3. **Switch Type:** SP, field selectable automatic "on," or manual "on" automatic "off."
  4. **Voltage:** Dual voltage, 120 and 277 V; dual-technology type.
  5. **Ambient-Light Override:** Concealed, field-adjustable, light-level sensor from 10 to 150 fc. The switch prevents the lights from turning on when the light level is higher than the set point of the sensor.
  6. Concealed, field-adjustable, "off" time-delay selector at up to 30 minutes.
  7. **Adaptive Technology:** Self-adjusting circuitry detects and memorizes usage patterns of the space and helps eliminate false "off" switching.

#### 2.5 LIGHTING CONTACTORS

- A. **Manufacturers:** Subject to compliance with requirements, available manufacturers offering products that may be incorporated into the Work include, but are not limited to the following:

FIRE STATIONS RENOVATION  
ARLINGTON COUNTY, VIRGINIA  
Architect's Project No: 563006

---

1. Allen-Bradley/Rockwell Automation.
2. ASCO Power Technologies, LP.
3. Eaton corp
4. Square D.
5. Siemens

- B. Description: Electrically operated and mechanically held, combination-type lighting contactors with nonfused disconnect, and Hand off auto switch complying with NEMA ICS 2 and UL 508.
1. Fault Current Withstand Rating: Equal to or exceeding the available fault current at the point of installation.
  2. Enclosure: Comply with NEMA 250.
  3. Provide with control and pilot devices as indicated on Drawings, matching the NEMA type specified for the enclosure.

## 2.6 EMERGENCY POWER DIMMER CONTROL

- A. Manufacturers: Subject to compliance with requirements, available manufacturers offering products that may be incorporated into the Work include, but are not limited to the following:
1. LVS Model EPC-1-D
  2. Non-Dimming Bodine GTD

## PART 3 - EXECUTION

### 3.1 SENSOR INSTALLATION

- A. Coordinate layout and installation of ceiling-mounted devices with other construction that penetrates ceilings or is supported by them, including light fixtures, HVAC equipment, smoke detectors, fire-suppression systems, and partition assemblies.
- B. Install and aim sensors in locations to achieve not less than 90 percent coverage of areas indicated. Do not exceed coverage limits specified in manufacturer's written instructions.
- C. Provide types in locations according to list below
1. Corridors – Wattstopper WT-2255
  2. Classrooms – Wattstopper DT-355
  3. Classrooms (wireless indicated) Complete Radio Powr Savr system for two zone, 0-10v dimming and wall mounted occupancy detection. Provide three (3) PJ2-2BRL-WG-LO1 with wall mount. Program 1 switch for all on/off program two switches on/off/raise/lower for each zone.
  4. High ceiling areas Wattstopper H3x0-lx as required for application.

FIRE STATIONS RENOVATION  
ARLINGTON COUNTY, VIRGINIA  
Architect's Project No: 563006

---

3.2 CONTACTOR INSTALLATION

- A. Mount electrically held lighting contactors with elastomeric isolator pads to eliminate structure-borne vibration, unless contactors are installed in an enclosure with factory-installed vibration isolators.

3.3 WIRING INSTALLATION

- A. Wiring Method: Comply with Section 260519 "Low-Voltage Electrical Power Conductors and Cables." Minimum conduit size is 1/2 inch.
- B. Wiring within Enclosures: Comply with NECA 1. Separate power-limited and non-power-limited conductors according to conductor manufacturer's written instructions.
- C. Size conductors according to lighting control device manufacturer's written instructions unless otherwise indicated.
- D. Splices, Taps, and Terminations: Make connections only on numbered terminal strips in junction, pull, and outlet boxes; terminal cabinets; and equipment enclosures.

3.4 IDENTIFICATION

- A. Identify components and power and control wiring according to Section 260553 "Identification for Electrical Systems."
  - 1. Identify controlled circuits in lighting contactors.
  - 2. Identify circuits or luminaries controlled by photoelectric and occupancy sensors at each sensor.
- B. Label time switches and contactors with a unique designation.

3.5 FIELD QUALITY CONTROL

- A. Perform the following tests and inspections:
  - 1. Operational Test: After installing time switches and sensors, and after electrical circuitry has been energized, start units to confirm proper unit operation.
  - 2. Test and adjust controls and safeties. Replace damaged and malfunctioning controls and equipment.
- B. Lighting control devices will be considered defective if they do not pass tests and inspections.
- C. Prepare test and inspection reports.

FIRE STATIONS RENOVATION  
ARLINGTON COUNTY, VIRGINIA  
Architect's Project No: 563006

---

3.6 ADJUSTING

- A. Occupancy Adjustments: When requested within 12 months from date of Substantial Completion, provide on-site assistance in adjusting sensors to suit actual occupied conditions. Provide up to four visits to Project during other-than-normal occupancy hours for this purpose.
  - 1. For occupancy and motion sensors, verify operation at outer limits of detector range. Set time delay to suit Owner's operations.
  - 2. For daylighting controls, adjust set points and deadband controls to suit Owner's operations.
  - 3. Align high-bay occupancy sensors using manufacturer's laser aiming tool.

3.7 DEMONSTRATION

- A. Coordinate demonstration of products specified in this Section with demonstration requirements for low-voltage, programmable lighting control systems specified.
- B. Train Owner's maintenance personnel to adjust, operate, and maintain lighting control devices.

END OF SECTION 260923



FIRE STATIONS RENOVATION  
ARLINGTON COUNTY, VIRGINIA  
Architect's Project No: 563006

---

SECTION 262726 - WIRING DEVICES

PART 1 - GENERAL

1.1 RELATED DOCUMENTS

- A. Drawings and general provisions of the Contract, including General and Supplementary Conditions and Division 01 Specification Sections, apply to this Section.

1.2 SUMMARY

A. Section Includes:

1. Receptacles, receptacles with integral GFCI, and associated device plates.
2. Twist-locking receptacles.
3. Tamper-resistant receptacles.
4. Weather-resistant receptacles.
5. Snap switches and wall-box dimmers.
6. Pendant cord-connector devices.
7. Cord and plug sets.
8. Poke-through assemblies

1.3 DEFINITIONS

- A. EMI: Electromagnetic interference.
- B. GFCI: Ground-fault circuit interrupter.
- C. Pigtail: Short lead used to connect a device to a branch-circuit conductor.
- D. RFI: Radio-frequency interference.

1.4 ADMINISTRATIVE REQUIREMENTS

A. Coordination:

1. Receptacles for Owner-Furnished Equipment: Match plug configurations.
2. Cord and Plug Sets: Match equipment requirements.

1.5 ACTION SUBMITTALS

- A. Product Data: For each type of product.

FIRE STATIONS RENOVATION  
ARLINGTON COUNTY, VIRGINIA  
Architect's Project No: 563006

---

- B. Shop Drawings: List of legends and description of materials and process used for pre-marking wall plates.

1.6 INFORMATIONAL SUBMITTALS

- A. Field quality-control reports.

1.7 CLOSEOUT SUBMITTALS

- A. Operation and Maintenance Data: For wiring devices to include in all manufacturers' packing-label warnings and instruction manuals that include labeling conditions.

PART 2 - PRODUCTS

2.1 MANUFACTURERS

- A. Source Limitations: Obtain each type of wiring device and associated wall plate from single source from single manufacturer.

2.2 GENERAL WIRING-DEVICE REQUIREMENTS

- A. Wiring Devices, Components, and Accessories: Listed and labeled as defined in NFPA 70, by a qualified testing agency, and marked for intended location and application.
- B. Comply with NFPA 70.

2.3 STRAIGHT-BLADE RECEPTACLES

- A. Convenience Receptacles, 125 V, 20 A: Comply with NEMA WD 1, NEMA WD 6 Configuration 5-20R, UL 498, and FS W-C-596.
  - 1. Manufacturers: Subject to compliance with requirements, available manufacturers offering products that may be incorporated into the Work include, but are not limited to the following:
    - a. Cooper Wiring Devices, Inc.
    - b. Hubbell.
    - c. Leviton Manufacturing Co., Inc.
    - d. Pass & Seymour/Legrand (Pass & Seymour).
- B. Tamper-Resistant Convenience Receptacles, 125 V, 20 A: Comply with NEMA WD 1, NEMA WD 6 Configuration 5-20R, UL 498 Supplement sd, and FS W-C-596.

FIRE STATIONS RENOVATION  
ARLINGTON COUNTY, VIRGINIA  
Architect's Project No: 563006

---

1. Manufacturers: Subject to compliance with requirements, available manufacturers offering products that may be incorporated into the Work include, but are not limited to the following:
  - a. Cooper Wiring Devices, Inc.
  - b. Hubbell Premise Wiring.
  - c. Leviton Manufacturing Co., Inc.
  - d. Pass & Seymour/Legrand (Pass & Seymour).
2. Description: Labeled shall comply with NFPA 70, "Health Care Facilities" Article, "Pediatric Locations" Section.

#### 2.4 GFCI RECEPTACLES

##### A. General Description:

1. Straight blade, non-feed-through type.
2. Comply with NEMA WD 1, NEMA WD 6, UL 498, UL 943 Class A, and FS W-C-596.
3. Include indicator light that shows when the GFCI has malfunctioned and no longer provides proper GFCI protection.

##### B. Duplex GFCI Convenience Receptacles, 125 V, 20 A:

1. Manufacturers: Subject to compliance with requirements, available manufacturers offering products that may be incorporated into the Work include, but are not limited to the following:
  - a. Cooper Wiring Devices, Inc.
  - b. Hubbell.
  - c. Leviton Manufacturing Co., Inc.
  - d. Pass & Seymour/Legrand (Pass & Seymour).

#### 2.5 HAZARDOUS (CLASSIFIED) LOCATION RECEPTACLES

##### A. Wiring Devices for Hazardous (Classified) Locations: Comply with NEMA FB 11 and UL 1010.

1. Manufacturers: Subject to compliance with requirements, available manufacturers offering products that may be incorporated into the Work include, but are not limited to the following:
  - a. Cooper Wiring Devices, Inc.
  - b. EGS/Appleton Electric.
  - c. Killark.

FIRE STATIONS RENOVATION  
ARLINGTON COUNTY, VIRGINIA  
Architect's Project No: 563006

---

2.6 TWIST-LOCKING RECEPTACLES

- A. Single Convenience Receptacles, 125 V, 20 A: Comply with NEMA WD 1, NEMA WD 6 Configurations as required, and UL 498.
1. Manufacturers: Subject to compliance with requirements, available manufacturers offering products that may be incorporated into the Work include, but are not limited to the following:
    - a. Cooper Wiring Devices, Inc.
    - b. Hubbell.
    - c. Leviton Manufacturing Co., Inc.
    - d. Pass & Seymour/Legrand (Pass & Seymour).

2.7 PENDANT CORD-CONNECTOR DEVICES

- A. Description:
1. Matching, locking-type plug and receptacle body connector.
  2. NEMA WD 6 Configurations as required, heavy-duty grade, and FS W-C-596.
  3. Body: Nylon, with screw-open, cable-gripping jaws and provision for attaching external cable grip.

2.8 CORD AND PLUG SETS

- A. Description:
1. Match voltage and current ratings and number of conductors to requirements of equipment being connected.
  2. Cord: Rubber-insulated, stranded-copper conductors, with Type SOW-A jacket; with green-insulated grounding conductor and ampacity of at least 130 percent of the equipment rating.
  3. Plug: Nylon body and integral cable-clamping jaws. Match cord and receptacle type for connection.

2.9 TOGGLE SWITCHES

- A. Comply with NEMA WD 1, UL 20, and FS W-S-896.
- B. Switches, 120/277 V, 20 A:
1. Products: Subject to compliance with requirements, available products that may be incorporated into the Work include, but are not limited to, the following:
    - a. Single Pole:

FIRE STATIONS RENOVATION  
ARLINGTON COUNTY, VIRGINIA  
Architect's Project No: 563006

---

- 1) Cooper; AH1221.
- 2) Hubbell; HBL1221.
- 3) Leviton; 1221-2.
- 4) Pass & Seymour; CSB20AC1.

b. Two Pole:

- 1) Cooper; AH1222.
- 2) Hubbell; HBL1222.
- 3) Leviton; 1222-2.
- 4) Pass & Seymour; CSB20AC2.

c. Three Way:

- 1) Cooper; AH1223.
- 2) Hubbell; HBL1223.
- 3) Leviton; 1223-2.
- 4) Pass & Seymour; CSB20AC3.

d. Four Way:

- 1) Cooper; AH1224.
- 2) Hubbell; HBL1224.
- 3) Leviton; 1224-2.
- 4) Pass & Seymour; CSB20AC4.

C. Pilot-Light Switches, 20 A:

1. Manufacturers: Subject to compliance with requirements, available manufacturers offering products that may be incorporated into the Work include, but are not limited to the following:
  - a. Cooper Wiring Devices, Inc.
  - b. Hubbell.
  - c. Leviton Manufacturing Co., Inc.
  - d. Pass & Seymour/Legrand (Pass & Seymour).
2. Description: Single pole, with neon-lighted handle, illuminated when switch is "off."

D. Key-Operated Switches, 120/277 V, 20 A:

1. Manufacturers: Subject to compliance with requirements, available manufacturers offering products that may be incorporated into the Work include, but are not limited to the following:
  - a. Cooper Wiring Devices, Inc.
  - b. Hubbell.
  - c. Leviton Manufacturing Co., Inc.
  - d. Pass & Seymour/Legrand (Pass & Seymour).

FIRE STATIONS RENOVATION  
ARLINGTON COUNTY, VIRGINIA  
Architect's Project No: 563006

---

2. Description: Single pole, with factory-supplied key in lieu of switch handle.
- E. Single-Pole, Double-Throw, Momentary-Contact, Center-off Switches: 120/277 V, 20 A; for use with mechanically held lighting contactors.
1. Manufacturers: Subject to compliance with requirements, available manufacturers offering products that may be incorporated into the Work include, but are not limited to the following:
    - a. Cooper Wiring Devices, Inc.
    - b. Hubbell.
    - c. Leviton Manufacturing Co., Inc.
    - d. Pass & Seymour/Legrand (Pass & Seymour).
- F. Key-Operated, Single-Pole, Double-Throw, Momentary-Contact, Center-off Switches: 120/277 V, 20 A; for use with mechanically held lighting contactors, with factory-supplied key in lieu of switch handle.
1. Manufacturers: Subject to compliance with requirements, available manufacturers offering products that may be incorporated into the Work include, but are not limited to the following:
    - a. Cooper Wiring Devices, Inc.
    - b. Hubbell.
    - c. Leviton Manufacturing Co., Inc.
    - d. Pass & Seymour/Legrand (Pass & Seymour).
- 2.10 WALL-BOX DIMMERS
- A. Dimmer Switches: Lutron Nova T NTSTV-DV up to 8A utilize power packs for larger loads. 0-10V.
  - B. Control: Continuously adjustable slider; with single-pole or three-way switching. Comply with UL 1472.
- 2.11 WALL PLATES
- A. Single and combination types shall match corresponding wiring devices.
    1. Plate-Securing Screws: Metal with head color to match plate finish.
    2. Material for Finished Spaces: 0.035-inch- thick, satin-finished, Type 302 stainless steel
    3. At locations where switches or outlets penetrate wall mirrors, provide glass mirror finish wall plates.
  - B. Wet-Location, Weatherproof Cover Plates: NEMA 250, complying with Type 3R, weather-resistant, die-cast aluminum with lockable cover.

FIRE STATIONS RENOVATION  
ARLINGTON COUNTY, VIRGINIA  
Architect's Project No: 563006

---

2.12 POKE-THROUGH ASSEMBLIES

- A. Manufacturers: Subject to compliance with requirements, available manufacturers offering products that may be incorporated into the Work include, but are not limited to the following:
  - 1. Hubbell.
  - 2. Mono Systems, inc
  - 3. Wiremold / Legrand.
- B. Description:
  - Refer to detail on drawing.

2.13 FINISHES

- A. Device Color:
  - 1. Wiring Devices Connected to Normal and Emergency Power System: As selected by Architect from standard offering unless otherwise indicated or required by NFPA 70 or device listing.
  - 2. Wiring Devices Connected to Emergency Power System:
- B. Wall Plate Color: Stainless Steel

PART 3 - EXECUTION

3.1 INSTALLATION

- A. Comply with NECA 1, including mounting heights listed in that standard, unless otherwise indicated.
- B. Coordination with Other Trades:
  - 1. Protect installed devices and their boxes. Do not place wall finish materials over device boxes and do not cut holes for boxes with routers that are guided by riding against outside of boxes.
  - 2. Keep outlet boxes free of plaster, drywall joint compound, mortar, cement, concrete, dust, paint, and other material that may contaminate the raceway system, conductors, and cables.
  - 3. Install device boxes in brick or block walls so that the cover plate does not cross a joint unless the joint is troweled flush with the face of the wall.
  - 4. Install wiring devices after all wall preparation, including painting, is complete.
- C. Conductors:

FIRE STATIONS RENOVATION  
ARLINGTON COUNTY, VIRGINIA  
Architect's Project No: 563006

---

1. Do not strip insulation from conductors until right before they are spliced or terminated on devices.
2. Strip insulation evenly around the conductor using tools designed for the purpose. Avoid scoring or nicking of solid wire or cutting strands from stranded wire.
3. The length of free conductors at outlets for devices shall meet provisions of NFPA 70, Article 300, without pigtails.

D. Device Installation:

1. Replace devices that have been in temporary use during construction and that were installed before building finishing operations were complete.
2. Keep each wiring device in its package or otherwise protected until it is time to connect conductors.
3. Do not remove surface protection, such as plastic film and smudge covers, until the last possible moment.
4. Connect devices to branch circuits using pigtails that are not less than 6 inches in length.
5. Use side wiring with binding-head screw terminals. Wrap solid conductor tightly clockwise, two-thirds to three-fourths of the way around terminal screw. Provide hook terminals on stranded wiring
6. Use a torque screwdriver when a torque is recommended or required by manufacturer.
7. When conductors larger than No. 12 AWG are installed on 15- or 20-A circuits, splice No. 12 AWG pigtails for device connections.
8. Tighten unused terminal screws on the device.
9. When mounting into metal boxes, remove the fiber or plastic washers used to hold device-mounting screws in yokes, allowing metal-to-metal contact.

E. Receptacle Orientation:

1. Install ground pin of vertically mounted receptacles down (confirm with Owner), and on horizontally mounted receptacles to the right.

F. Device Plates: Do not use oversized or extra-deep plates. Repair wall finishes and remount outlet boxes when standard device plates do not fit flush or do not cover rough wall opening.

G. Dimmers:

1. Install dimmers within terms of their listing.
2. Install unshared neutral conductors on line and load side of dimmers according to manufacturers' device listing conditions in the written instructions.

H. Arrangement of Devices: Unless otherwise indicated, mount flush, with long dimension vertical and with grounding terminal of receptacles on top. Group adjacent switches under single, multigang wall plates.

I. Adjust locations of floor service outlets and service poles to suit arrangement of partitions and furnishings.

J. Locate adjacent Data Outlets and Power outlets with no more than 4" between device covers.



FIRE STATIONS RENOVATION  
ARLINGTON COUNTY, VIRGINIA  
Architect's Project No: 563006

---

3.2 GFCI RECEPTACLES

- A. Install non-feed-through-type GFCI receptacles in each location called for on the drawings and any additional location required by the NEC.

3.3 IDENTIFICATION

- A. Comply with Section 260553 "Identification for Electrical Systems."
- B. Identify each receptacle with panelboard identification and circuit number. Use hot, stamped, or engraved machine printing with black-filled lettering on face of plate, and durable wire markers or tags inside outlet boxes.

3.4 POKE-THRU DEVICES

- A. Unit shall permit all wiring to be completed at floor level. The 6AT units shall mount in a 6" cored hole, actual 6 1/16" core hole. Use is defined by the UL Fire Resistance Directory as a minimum spacing of "2 ft. on center and not more than one device per each 65 sq. ft. of floor area in each span.
- B. Installation shall be completed by pushing unit down into the cored hole. Prior to and during installation, refer to system layout and/or approval drawings. Installer shall comply with detailed manufacturer's instruction sheet included with each device. The unit shall contain a retainer for securing the device in the slab, as well as the necessary intumescent material to seal the cored hole under fire conditions.
- C. Unit shall provide all accessories to accommodate devices indicated on E4.3.

3.5 FIELD QUALITY CONTROL

- A. Perform the following tests and inspections:
  - 1. Test Instruments: Use instruments that comply with UL 1436.
- B. Tests for Convenience Receptacles:
  - 1. Line Voltage: Acceptable range is 105 to 132 V.
  - 2. Percent Voltage Drop under 15-A Load: A value of 6 percent or higher is unacceptable.
  - 3. Ground Impedance: Values of up to 2 ohms are acceptable.
  - 4. GFCI Trip: Test for tripping values specified in UL 1436 and UL 943.
  - 5. Using the test plug, verify that the device and its outlet box are securely mounted.
  - 6. Tests shall be diagnostic, indicating damaged conductors, high resistance at the circuit breaker, poor connections, inadequate fault current path, defective devices, or similar problems. Correct circuit conditions, remove malfunctioning units and replace with new ones, and retest as specified above.

FIRE STATIONS RENOVATION  
ARLINGTON COUNTY, VIRGINIA  
Architect's Project No: 563006

---

- C. Test straight-blade for the retention force of the grounding blade according to NFPA 99. Retention force shall be not less than 4 oz.
- D. Wiring device will be considered defective if it does not pass tests and inspections.
- E. Prepare test and inspection reports.

END OF SECTION 262726

FIRE STATIONS RENOVATION  
ARLINGTON COUNTY, VIRGINIA  
Architect's Project No: 563006

---

SECTION 262813 - FUSES

PART 1 - GENERAL

1.1 RELATED DOCUMENTS

- A. Drawings and general provisions of the Contract, including General and Supplementary Conditions and Division 01 Specification Sections, apply to this Section.

1.2 SUMMARY

- A. Section Includes:

1. Cartridge fuses rated 600 V ac and less for use in the following:
  - a. Control circuits.
  - b. Enclosed controllers.
  - c. Enclosed switches.

1.3 ACTION SUBMITTALS

- A. Product Data: For each type of product. Include construction details, material descriptions, dimensions of individual components and profiles, and finishes for spare-fuse cabinets. Include the following for each fuse type indicated:

1. Ambient Temperature Adjustment Information: If ratings of fuses have been adjusted to accommodate ambient temperatures, provide list of fuses with adjusted ratings.
  - a. For each fuse having adjusted ratings, include location of fuse, original fuse rating, local ambient temperature, and adjusted fuse rating.
  - b. Provide manufacturer's technical data on which ambient temperature adjustment calculations are based.
2. Dimensions and manufacturer's technical data on features, performance, electrical characteristics, and ratings.
3. Current-limitation curves for fuses with current-limiting characteristics.
4. Time-current coordination curves (average melt) and current-limitation curves (instantaneous peak let-through current) for each type and rating of fuse. Submit in electronic format suitable for use in coordination software and in PDF format.
5. Coordination charts and tables and related data.
6. Fuse sizes for elevator feeders and elevator disconnect switches.

1.4 CLOSEOUT SUBMITTALS

- A. Operation and Maintenance Data: For fuses to include in emergency, operation, and maintenance manuals. In addition to items specified in Section 017823 "Operation and Maintenance Data," include the following:

FIRE STATIONS RENOVATION  
ARLINGTON COUNTY, VIRGINIA  
Architect's Project No: 563006

---

1. Ambient temperature adjustment information.
2. Current-limitation curves for fuses with current-limiting characteristics.
3. Time-current coordination curves (average melt) and current-limitation curves (instantaneous peak let-through current) for each type and rating of fuse used on the Project. Submit in electronic format suitable for use in coordination software and in PDF format.
4. Coordination charts and tables and related data.

1.5 FIELD CONDITIONS

- A. Where ambient temperature to which fuses are directly exposed is less than 40 deg F or more than 100 deg F, apply manufacturer's ambient temperature adjustment factors to fuse ratings.

PART 2 - PRODUCTS

2.1 MANUFACTURERS

- A. Manufacturers: Subject to compliance with requirements, available manufacturers offering products that may be incorporated into the Work include, but are not limited to the following:
  1. Cooper Bussmann; a division of Cooper Industries.
  2. Littelfuse, Inc.
- B. Source Limitations: Obtain fuses, for use within a specific product or circuit, from single source from single manufacturer.

2.2 CARTRIDGE FUSES

- A. Characteristics: NEMA FU 1, current-limiting, nonrenewable cartridge fuses with voltage ratings consistent with circuit voltages.
  1. Type RK-1: 600-V, zero- to 600-A rating, 200 kAIC, time delay.
  2. Type CC: 600-V, zero- to 30-A rating, 200 kAIC , time delay.
  3. Type J: 600-V, zero- to 600-A rating, 200 kAIC.
  4. Type L: 600-V, 601- to 6000-A rating, 200 kAIC, time delay.
- B. Electrical Components, Devices, and Accessories: Listed and labeled as defined in NFPA 70, by a qualified testing agency, and marked for intended location and application.
- C. Comply with NEMA FU 1 for cartridge fuses.
- D. Comply with NFPA 70.
- E. Coordinate fuse ratings with utilization equipment nameplate limitations of maximum fuse size and with system short-circuit current levels.

FIRE STATIONS RENOVATION  
ARLINGTON COUNTY, VIRGINIA  
Architect's Project No: 563006

---

PART 3 - EXECUTION

3.1 EXAMINATION

- A. Examine fuses before installation. Reject fuses that are moisture damaged or physically damaged.
- B. Examine holders to receive fuses for compliance with installation tolerances and other conditions affecting performance, such as rejection features.
- C. Examine utilization equipment nameplates and installation instructions. Install fuses of sizes and with characteristics appropriate for each piece of equipment.
- D. Evaluate ambient temperatures to determine if fuse rating adjustment factors must be applied to fuse ratings.
- E. Proceed with installation only after unsatisfactory conditions have been corrected.

3.2 FUSE APPLICATIONS

- A. Cartridge Fuses:
  - 1. Feeders: Class RK1, time delay.
  - 2. Motor Branch Circuits: Class RK5, time delay.
  - 3. Large Motor Branch (601-4000 A): Class L, time delay.
  - 4. Power Electronics Circuits: Class J, high speed.
  - 5. Other Branch Circuits: Class RK1, time delay.
  - 6. Control Transformer Circuits: Class CC, time delay, control transformer duty.
  - 7. Provide open-fuse indicator fuses or fuse covers with open fuse indication.

3.3 INSTALLATION

- A. Install fuses in fusible devices. Arrange fuses so rating information is readable without removing fuse.

3.4 IDENTIFICATION

- A. Install labels complying with requirements for identification specified in Section 260553 "Identification for Electrical Systems" and indicating fuse replacement information inside of door of each fused switch and adjacent to each fuse block, socket, and holder.

END OF SECTION 262813

FIRE STATIONS RENOVATION  
ARLINGTON COUNTY, VIRGINIA  
Architect's Project No: 563006

---

SECTION 262816 - ENCLOSED SWITCHES AND CIRCUIT BREAKERS

PART 1 - GENERAL

1.1 RELATED DOCUMENTS

- A. Drawings and general provisions of the Contract, including General and Supplementary Conditions and other Division 01 Specification Sections, apply to this Section.

1.2 SUMMARY

- A. Section Includes:
  - 1. Fusible switches.
  - 2. Nonfusible switches.
  - 3. Shunt trip switches.
  - 4. Molded-case circuit breakers (MCCBs).
  - 5. Enclosures.

1.3 DEFINITIONS

- A. NC: Normally closed.
- B. NO: Normally open.
- C. SPDT: Single pole, double throw.

1.4 ACTION SUBMITTALS

- A. Product Data: For each type of enclosed switch, circuit breaker, accessory, and component indicated. Include dimensioned elevations, sections, weights, and manufacturers' technical data on features, performance, electrical characteristics, ratings, accessories, and finishes.
  - 1. Enclosure types and details for types other than NEMA 250, Type 1.
  - 2. Current and voltage ratings.
  - 3. Short-circuit current ratings (interrupting and withstand, as appropriate).
  - 4. Include evidence of NRTL listing for series rating of installed devices.
  - 5. Detail features, characteristics, ratings, and factory settings of individual overcurrent protective devices, accessories, and auxiliary components.
  - 6. Include time-current coordination curves (average melt) for each type and rating of overcurrent protective device; include selectable ranges for each type of overcurrent protective device.
- B. Shop Drawings: For enclosed switches and circuit breakers. Include plans, elevations, sections, details, and attachments to other work.

FIRE STATIONS RENOVATION  
ARLINGTON COUNTY, VIRGINIA  
Architect's Project No: 563006

---

1. Wiring Diagrams: For power, signal, and control wiring.

1.5 INFORMATIONAL SUBMITTALS

- A. Field quality-control reports.
  1. Test procedures used.
  2. Test results that comply with requirements.
  3. Results of failed tests and corrective action taken to achieve test results that comply with requirements.
- B. Manufacturer's field service report.

1.6 CLOSEOUT SUBMITTALS

- A. Operation and Maintenance Data: For enclosed switches and circuit breakers to include in emergency, operation, and maintenance manuals. In addition to items specified in Section 017823 "Operation and Maintenance Data," include the following:
  1. Manufacturer's written instructions for testing and adjusting enclosed switches and circuit breakers.
  2. Time-current coordination curves (average melt) for each type and rating of overcurrent protective device; include selectable ranges for each type of overcurrent protective device.

1.7 QUALITY ASSURANCE

- A. Source Limitations: Obtain enclosed switches and circuit breakers, overcurrent protective devices, components, and accessories, within same product category, from single source from single manufacturer.
- B. Product Selection for Restricted Space: Drawings indicate maximum dimensions for enclosed switches and circuit breakers, including clearances between enclosures, and adjacent surfaces and other items. Comply with indicated maximum dimensions.
- C. Electrical Components, Devices, and Accessories: Listed and labeled as defined in NFPA 70, by a qualified testing agency, and marked for intended location and application.
- D. Comply with NFPA 70.

1.8 PROJECT CONDITIONS

- A. Environmental Limitations: Rate equipment for continuous operation under the following conditions unless otherwise indicated:

FIRE STATIONS RENOVATION  
ARLINGTON COUNTY, VIRGINIA  
Architect's Project No: 563006

---

1. Ambient Temperature: Not less than minus 22 deg F and not exceeding 104 deg F.
2. Altitude: Not exceeding 6600 feet.

1.9 COORDINATION

- A. Coordinate layout and installation of switches, circuit breakers, and components with equipment served and adjacent surfaces. Maintain required workspace clearances and required clearances for equipment access doors and panels.

PART 2 - PRODUCTS

- 2.1 All panelboards, switchboards, circuit breakers, dry type transformers and disconnect switches shall be of the same manufacturer.

2.2 FUSIBLE SWITCHES

- A. Manufacturers: Subject to compliance with requirements, available manufacturers offering products that may be incorporated into the Work include, but are not limited to the following:
  1. Eaton Electrical Sector; Eaton Corporation.
  2. Siemens Industry, Inc.
  3. Square D.
- B. Type HD, Heavy Duty, Single Throw, 600-V ac, 1200 A and Smaller: UL 98 and NEMA KS 1, horsepower rated, with clips or bolt pads to accommodate specified fuses, lockable handle with capability to accept three padlocks, and interlocked with cover in closed position.
- C. Type HD, Heavy Duty, Double Throw, 600-V ac, 1200 A and Smaller: UL 98 and NEMA KS 1, horsepower rated, with clips or bolt pads to accommodate specified fuses, lockable handle with capability to accept three padlocks, and interlocked with cover in closed position.
- D. Accessories:
  1. Equipment Ground Kit: Internally mounted and labeled for copper and aluminum ground conductors.
  2. Neutral Kit: Internally mounted; insulated, capable of being grounded and bonded; labeled for copper and aluminum neutral conductors.
  3. Isolated Ground Kit: Internally mounted; insulated, capable of being grounded and bonded; labeled for copper and aluminum neutral conductors.
  4. Class R Fuse Kit: Provides rejection of other fuse types when Class R fuses are specified.
  5. Auxiliary Contact Kit: One NO/NC (Form "C") auxiliary contact(s), arranged to activate before switch blades open.
  6. Hookstick Handle: Allows use of a hookstick to operate the handle.
  7. Lugs: Mechanical type, suitable for number, size, and conductor material.



FIRE STATIONS RENOVATION  
ARLINGTON COUNTY, VIRGINIA  
Architect's Project No: 563006

---

8. Service-Rated Switches: Labeled for use as service equipment.
9. Accessory Control Power Voltage: as required

### 2.3 NONFUSIBLE SWITCHES

- A. Manufacturers: Subject to compliance with requirements, available manufacturers offering products that may be incorporated into the Work include, but are not limited to the following:
  1. Eaton Electrical Sector; Eaton Corporation.
  2. Siemens Industry, Inc.
  3. Square D..
- B. Type HD, Heavy Duty, Single Throw, 600-V ac, 1200 A and Smaller: UL 98 and NEMA KS 1, horsepower rated, lockable handle with capability to accept three padlocks, and interlocked with cover in closed position.
- C. Type HD, Heavy Duty, Double Throw, 600-V ac, 1200 A and Smaller: UL 98 and NEMA KS 1, horsepower rated, lockable handle with capability to accept three padlocks, and interlocked with cover in closed position.
- D. Accessories:
  1. Equipment Ground Kit: Internally mounted and labeled for copper and aluminum ground conductors.
  2. Neutral Kit: Internally mounted; insulated, capable of being grounded and bonded; labeled for copper and aluminum neutral conductors.
  3. Isolated Ground Kit: Internally mounted; insulated, capable of being grounded and bonded; labeled for copper and aluminum neutral conductors.
  4. Auxiliary Contact Kit: One NO/NC (Form "C") auxiliary contact(s), arranged to activate before switch blades open.
  5. Hookstick Handle: Allows use of a hookstick to operate the handle.
  6. Lugs: Mechanical type, suitable for number, size, and conductor material.
  7. Accessory Control Power Voltage: as required

### 2.4 SHUNT TRIP SWITCHES

- A. Manufacturers: Subject to compliance with requirements, available manufacturers offering products that may be incorporated into the Work include, but are not limited to the following:
  1. Cooper Bussmann; a division of Cooper Industries.
  2. Littelfuse, Inc.
  3. Mersen USA.
- B. General Requirements: Comply with ASME A17.1, UL 50, and UL 98, with 200-kA interrupting and short-circuit current rating when fitted with Class J fuses.

FIRE STATIONS RENOVATION  
ARLINGTON COUNTY, VIRGINIA  
Architect's Project No: 563006

---

- C. Switches: Three-pole, horsepower rated, with integral shunt trip mechanism and Class J fuse block; lockable handle with capability to accept three padlocks; interlocked with cover in closed position.
- D. Control Circuit: 120-V ac; obtained from integral control power transformer, with primary and secondary fuses, with a control power transformer source of enough capacity to operate shunt trip, connected pilot, and indicating and control devices.
- E. Accessories:
  - 1. Oiltight key switch for key-to-test function.
  - 2. Oiltight red ON pilot light.
  - 3. Isolated neutral lug; 100 percent rating.
  - 4. Mechanically interlocked auxiliary contacts that change state when switch is opened and closed.
  - 5. Form C alarm contacts that change state when switch is tripped.
  - 6. Three-pole, double-throw, fire-alarm voltage monitoring relay complying with NFPA 72.

## 2.5 MOLDED-CASE CIRCUIT BREAKERS

- A. Manufacturers: Subject to compliance with requirements, available manufacturers offering products that may be incorporated into the Work include, but are not limited to the following:
  - 1. Eaton Electrical Sector; Eaton Corporation.
  - 2. Siemens Industry, Inc.
  - 3. Square D.
- B. General Requirements: Comply with UL 489, NEMA AB 1, and NEMA AB 3, with interrupting capacity to comply with available fault currents.
- C. Adjustable, Instantaneous-Trip Circuit Breakers: Magnetic trip element with front-mounted, field-adjustable trip setting.
- D. Electronic Trip Circuit Breakers: Field-replaceable rating plug, rms sensing, with the following field-adjustable settings:
  - 1. Instantaneous trip.
  - 2. Long- and short-time pickup levels.
  - 3. Long- and short-time time adjustments.
  - 4. Ground-fault pickup level, time delay, and I<sup>2</sup>t response.(for mechanical equipment only)
- E. Current-Limiting Circuit Breakers: Frame sizes 400 A and smaller, and let-through ratings less than NEMA FU 1, RK-1.
- F. Integrally Fused Circuit Breakers: Thermal-magnetic trip element with integral limiter-style fuse listed for use with circuit breaker and trip activation on fuse opening or on opening of fuse compartment door..

FIRE STATIONS RENOVATION  
ARLINGTON COUNTY, VIRGINIA  
Architect's Project No: 563006

---

- G. Ground-Fault, Circuit-Interrupter (GFCI) Circuit Breakers: Single- and two-pole configurations with Class A ground-fault protection (6-mA trip).
- H. Ground-Fault, Equipment-Protection (GFEP) Circuit Breakers: With Class B ground-fault protection (30-mA trip).
- I. Features and Accessories:
  - 1. Standard frame sizes, trip ratings, and number of poles.
  - 2. Lugs: Mechanical type, suitable for number, size, trip ratings, and conductor material.
  - 3. Application Listing: Appropriate for application; Type SWD for switching fluorescent lighting loads; Type HID for feeding fluorescent and high-intensity discharge lighting circuits.

### PART 3 - EXECUTION

#### 3.1 EXAMINATION

- A. Examine elements and surfaces to receive enclosed switches and circuit breakers for compliance with installation tolerances and other conditions affecting performance of the Work.
- B. Proceed with installation only after unsatisfactory conditions have been corrected.

#### 3.2 INSTALLATION

- A. Install individual wall-mounted switches and circuit breakers with tops at uniform height unless otherwise indicated.
- B. Temporary Lifting Provisions: Remove temporary lifting eyes, channels, and brackets and temporary blocking of moving parts from enclosures and components.
- C. Install fuses in fusible devices.
- D. Comply with NECA 1.

#### 3.3 IDENTIFICATION

- A. Comply with requirements in Section 260553 "Identification for Electrical Systems."
  - 1. Identify field-installed conductors, interconnecting wiring, and components; provide warning signs.
  - 2. Label each enclosure with engraved metal or laminated-plastic nameplate.

FIRE STATIONS RENOVATION  
ARLINGTON COUNTY, VIRGINIA  
Architect's Project No: 563006

---

3.4 FIELD QUALITY CONTROL

- A. Manufacturer's Field Service: Engage a factory-authorized service representative to inspect, test, and adjust components, assemblies, and equipment installations, including connections.
- B. Perform tests and inspections.
- C. Acceptance Testing Preparation:
  - 1. Test insulation resistance for each enclosed switch and circuit breaker, component, connecting supply, feeder, and control circuit.
  - 2. Test continuity of each circuit.
- D. Tests and Inspections:
  - 1. Perform each visual and mechanical inspection and electrical test stated in NETA Acceptance Testing Specification. Certify compliance with test parameters.
  - 2. Correct malfunctioning units on-site, where possible, and retest to demonstrate compliance; otherwise, replace with new units and retest.
  - 3. Perform the following infrared scan tests and inspections and prepare reports:
    - a. Initial Infrared Scanning: After Substantial Completion, but not more than 60 days after Final Acceptance, perform an infrared scan of each enclosed switch and circuit breaker. Remove front panels so joints and connections are accessible to portable scanner.
    - b. Follow-up Infrared Scanning: Perform an additional follow-up infrared scan of each enclosed switch and circuit breaker 11 months after date of Substantial Completion.
    - c. Instruments and Equipment: Use an infrared scanning device designed to measure temperature or to detect significant deviations from normal values. Provide calibration record for device.
  - 4. Test and adjust controls, remote monitoring, and safeties. Replace damaged and malfunctioning controls and equipment.
- E. Enclosed switches and circuit breakers will be considered defective if they do not pass tests and inspections.
- F. Prepare test and inspection reports, including a certified report that identifies enclosed switches and circuit breakers and that describes scanning results. Include notation of deficiencies detected, remedial action taken, and observations after remedial action.

3.5 ADJUSTING

- A. Adjust moving parts and operable components to function smoothly, and lubricate as recommended by manufacturer.

FIRE STATIONS RENOVATION  
ARLINGTON COUNTY, VIRGINIA  
Architect's Project No: 563006

---

- B. Set field-adjustable circuit-breaker trip ranges.

END OF SECTION 262816

FIRE STATIONS RENOVATION  
ARLINGTON COUNTY, VIRGINIA  
Architect's Project No: 563006

---

SECTION 265100 - INTERIOR LIGHTING

PART 1 - GENERAL

1.1 RELATED DOCUMENTS

- A. Drawings and general provisions of the Contract, including General and Supplementary Conditions and Division 01 Specification Sections, apply to this Section.

1.2 SUMMARY

- A. Section Includes:
  - 1. Interior lighting fixtures, lamps, and ballasts.
  - 2. Exit signs.
  - 3. Lighting fixture supports.

1.3 DEFINITIONS

- A. BF: Ballast factor.
- B. CCT: Correlated color temperature.
- C. CRI: Color-rendering index.
- D. HID: High-intensity discharge.
- E. LER: Luminaire efficacy rating.
- F. Lumen: Measured output of lamp and luminaire, or both.
- G. Luminaire: Complete lighting fixture, including ballast housing if provided.

1.4 SUBSTITUTIONS

- A. The lighting fixture layouts of spaces indicated in the Contract Documents are based upon photometric data, quality, construction and appearance of fixtures listed in the lighting fixture schedule. Substitutions of listed fixtures are allowed provided the following is provided with the Submittal package.
  - 1. Provide all data as required for submittals with substitution package. Indicate variances with fixtures listed in lighting fixture schedule.
  - 2. Provide footcandle calculations for each room or area that fixture substitution is requested.
  - 3. Architect/Engineer has final aesthetic and technical approval on all substituted fixtures.

1.5 ACTION SUBMITTALS

- A. Product Data: For each type of lighting fixture, arranged in order of fixture designation. Include data on features, accessories, finishes, and the following:

FIRE STATIONS RENOVATION  
ARLINGTON COUNTY, VIRGINIA  
Architect's Project No: 563006

---

1. Physical description of lighting fixture including dimensions.
  2. Specific LED drivers and lamp product information
  3. Energy-efficiency data.
  4. Life, output (lumens, CCT, and CRI), and energy-efficiency data for lamps.
  5. Photometric data and adjustment factors based on laboratory tests, complying with IESNA Lighting Measurements Testing & Calculation Guides, of each lighting fixture type. The adjustment factors shall be for lamps, ballasts, and accessories identical to those indicated for the lighting fixture as applied in this Project.
    - a. Manufacturer Certified Data: Photometric data shall be certified by a manufacturer's laboratory with a current accreditation under the National Voluntary Laboratory Accreditation Program for Energy Efficient Lighting Products.
- B. Shop Drawings: For nonstandard, continuous runs of cove lighting or custom lighting fixtures. Include plans, elevations, sections, details, and attachments to other work.
1. Detail equipment assemblies and indicate dimensions, weights, loads, required clearances, method of field assembly, components, and location and size of each field connection.
  2. Wiring Diagrams: For power, signal, and control wiring.
- C. Samples: Upon request or if being submitted as an equal, for each lighting fixture indicated in the Interior Lighting Fixture Schedule. Each Sample shall include the following:
1. Lamps and drivers, installed.
  2. Cords and plugs.
  3. Pendant support system.
- D. Installation instructions.

1.6 INFORMATIONAL SUBMITTALS

- A. Coordination Drawings: Reflected ceiling plan(s) and other details, drawn to scale, on which the following items are shown and coordinated with each other, using input from installers of the items involved:
  1. Cove lighting detail.
- B. Qualification Data: For qualified agencies providing photometric data for lighting fixtures.
- C. Product Certificates: For each type of driver for dimmer-controlled fixtures, from manufacturer.
- D. Field quality-control reports.
- E. Warranty: Sample of special warranty.

FIRE STATIONS RENOVATION  
ARLINGTON COUNTY, VIRGINIA  
Architect's Project No: 563006

---

1.7 CLOSEOUT SUBMITTALS

- A. Operation and Maintenance Data: For lighting equipment and fixtures to include in emergency, operation, and maintenance manuals.
  - 1. Provide a list of all LEDs and Driver types used on Project; use ANSI and manufacturers' codes.

1.8 QUALITY ASSURANCE

- A. Luminaire Photometric Data Testing Laboratory Qualifications: Provided by manufacturers' laboratories that are accredited under the National Volunteer Laboratory Accreditation Program for Energy Efficient Lighting Products.
- B. Electrical Components, Devices, and Accessories: Listed and labeled as defined in NFPA 70, by a qualified testing agency, and marked for intended location and application.
- C. Comply with NFPA 70.

1.9 COORDINATION

- A. Coordinate layout and installation of lighting fixtures and suspension system with other construction that penetrates ceilings or is supported by them, including HVAC equipment, fire-suppression system, and partition assemblies.

1.10 WARRANTY

- A. Warranty Period for LED lamps and Drivers, 5 years from date of Substantial Completion. Manufacturer shall guarantee

PART 2 - PRODUCTS

2.1 MANUFACTURERS

- A. As scheduled or acceptable equal. Architect has final decision on evaluation of equals.

2.2 GENERAL REQUIREMENTS FOR LIGHTING FIXTURES AND COMPONENTS

- A. Recessed Fixtures: Comply with NEMA LE 4 for ceiling compatibility for recessed fixtures.
- B. Metal Parts: Free of burrs and sharp comers and edges.



FIRE STATIONS RENOVATION  
ARLINGTON COUNTY, VIRGINIA  
Architect's Project No: 563006

---

- C. Sheet Metal Components: Steel unless otherwise indicated. Form and support to prevent warping and sagging.
- D. Doors, Frames, and Other Internal Access: Smooth operating, free of light leakage under operating conditions, and designed to permit re-lamping without use of tools. Designed to prevent doors, frames, lenses, diffusers, and other components from falling accidentally during re-lamping and when secured in operating position.
- E. Factory-Applied Labels: Comply with UL 1598. Include recommended lamps and Drivers. Labels shall be located where they will be readily visible to service personnel, but not seen from normal viewing angles when lamps are in place.

1. Label shall include the following lamp and ballast characteristics:

- a. "USE ONLY" and include specific lamp type.
- b. ANSI ballast type (M98, M57, etc.) for HID luminaires.
- c. CCT and CRI for all luminaires.

F. LED LIGHT FIXTURES

A. General:

- 1. LED light fixtures shall be in accordance with IES, NFPA, UL, as shown on the drawings, and as specified.
- 2. LED light fixtures shall be Reduction of Hazardous Substances (RoHS)-compliant.
- 3. LED drivers shall include the following features unless otherwise indicated:
  - a. Minimum efficiency: 85% at full load.
  - b. Minimum Operating Ambient Temperature: -20° C. (-4° F.)
  - c. Input Voltage: 120 - 277V (±10%) at 60 Hz.
  - d. Integral short circuit, open circuit, and overload protection.
  - e. Power Factor:  $\geq 0.95$ .
  - f. Total Harmonic Distortion:  $\leq 20\%$ .
  - g. Comply with FCC 47 CFR Part 15.
- 4. LED modules shall include the following features unless otherwise indicated:
  - a. Comply with IES LM-79 and LM-80 requirements.
  - b. Minimum CRI 80 and color temperature 3500° K unless otherwise specified in LIGHTING FIXTURE SCHEDULE.
  - c. Minimum Rated Life: 50,000 hours per IES L70.
  - d. Light output lumens as indicated in the LIGHTING FIXTURE SCHEDULE.

B. LED Downlights:

FIRE STATIONS RENOVATION  
ARLINGTON COUNTY, VIRGINIA  
Architect's Project No: 563006

---

1. Housing, LED driver, and LED module shall be products of the same manufacturer.

C. LED Troffers:

1. LED drivers, modules, and reflector shall be accessible, serviceable, and replaceable from below the ceiling.
2. Housing, LED driver, and LED module shall be products of the same manufacturer

## 2.3 EXIT SIGNS

- A. General Requirements for Exit Signs: Comply with UL 924; for sign colors, visibility, luminance, and lettering size, comply with authorities having jurisdiction.
- B. Internally Lighted Signs:
  1. Lamps for AC Operation: LEDs, 50,000 hours minimum rated lamp life.

## 2.4 LIGHTING FIXTURE SUPPORT COMPONENTS

- A. Comply with Section 260529 "Hangers and Supports for Electrical Systems" for channel- and angle-iron supports and nonmetallic channel and angle supports.
- B. Single-Stem Hangers: 1/2-inch steel tubing with swivel ball fittings and ceiling canopy. Finish same as fixture.
- C. Twin-Stem Hangers: Two, 1/2-inch steel tubes with single canopy designed to mount a single fixture. Finish same as fixture.
- D. Wires: ASTM A 641/A 641M, Class 3, soft temper, zinc-coated steel, 12 gage
- E. Rod Hangers: 3/16-inch minimum diameter, cadmium-plated, threaded steel rod.
- F. Hook Hangers: Integrated assembly matched to fixture and line voltage and equipped with threaded attachment, cord, and locking-type plug.

## PART 3 - EXECUTION

### 3.1 INSTALLATION

- A. Lighting fixtures:
  1. Set level, plumb, and square with ceilings and walls unless otherwise indicated.
- B. Temporary Lighting: If it is necessary, and approved by Architect, to use permanent luminaires for temporary lighting, install and energize the minimum number of luminaires necessary. When construction is sufficiently complete, remove the temporary luminaires, disassemble, clean thoroughly, install new lamps, and reinstall.

FIRE STATIONS RENOVATION  
ARLINGTON COUNTY, VIRGINIA  
Architect's Project No: 563006

---

- C. Remote Mounting of Drivers: Distance between the Driver and fixture shall not exceed that recommended by ballast manufacturer. Verify, with ballast manufacturers, maximum distance between ballast and luminaire.
  
- D. Lay-in Ceiling Lighting Fixtures Supports: Use grid as a support element.
  - 1. Install ceiling support system rods or wires, independent of the ceiling suspension devices, for each fixture. Locate not more than 6 inches from lighting fixture corners.
  - 2. Support Clips: Fasten to lighting fixtures and to ceiling grid members at or near each fixture corner with clips that are UL listed for the application.
  - 3. Fixtures of Sizes Less Than Ceiling Grid: Install as indicated on reflected ceiling plans or center in acoustical panel, and support fixtures independently with at least two 3/4-inch metal channels spanning and secured to ceiling tees.
  - 4. Install wire from structure to a tab on lighting fixture as detailed on drawings.
  
- E. Suspended Lighting Fixture Support:
  - 1. Pendants and Rods: Where longer than 48 inches, brace to limit swinging.
  - 2. Stem-Mounted, Single-Unit Fixtures: Suspend with twin-stem hangers.
  - 3. Continuous Rows: Use tubing or stem for wiring at one point and tubing or rod for suspension for each unit length of fixture chassis, including one at each end.
  - 4. Do not use grid as support for pendant luminaires. Connect support wires or rods to building structure.
  
- F. Connect wiring according to Section 260519 "Low-Voltage Electrical Power Conductors and Cables."

### 3.2 IDENTIFICATION

- A. Install labels with panel and circuit numbers on concealed junction and outlet boxes. Comply with requirements for identification specified in Section 260553 "Identification for Electrical Systems."

### 3.3 FIELD QUALITY CONTROL

- A. Prepare a written report of tests, inspections, observations, and verifications indicating and interpreting results. If adjustments are made to lighting system, retest to demonstrate compliance with standards

### 3.4 ADJUSTING

- A. Occupancy Adjustments: When requested within 12 months of date of Substantial Completion, provide on-site assistance in adjusting aimable luminaires to suit actual occupied conditions. Provide up to two visits to Project during other-than-normal occupancy hours for this purpose. Some of this work may be required after dark.
  - 1. Adjust aimable luminaires in the presence of Architect.

FIRE STATIONS RENOVATION  
ARLINGTON COUNTY, VIRGINIA  
Architect's Project No: 563006

---

END OF SECTION 265100

FIRE STATIONS RENOVATION  
ARLINGTON COUNTY, VIRGINIA  
Architect's Project No: 563006

---

## SECTION 270000 - COMMUNICATIONS

### PART 1 - GENERAL

#### 1.1 GENERAL REQUIREMENTS

- A. Applicable requirements of General Requirements/Provisions shall be considered a part of this section and shall have the same force as if printed herein full. In addition, all information related to communications infrastructure that is documented in the architectural, structural, mechanical, and electrical drawings/documents shall be included as part of the Communications documents.

#### 1.2 QUALITY ASSURANCE

- A. Specifications, Standards and Codes: All work shall be in accordance with the following:
1. The 2011 edition of the National Electrical Code (NFPA 70)
  2. American National Standards Institute (ANSI)
  3. National Electrical Manufacturers Association (NEMA)
  4. Telecommunications Industries Association (TIA)
  5. Electronic Industries Association (EIA)
  6. Institute of Electrical & Electronics Engineers (IEEE)
  7. Underwriters Laboratories (UL)
  8. American Standards Association (ASA)
  9. Federal Communications Commission (FCC)
  10. Occupational Safety and Health Administration (OSHA)
  11. American Society of Testing Material (ASTM)
  12. Americans with Disabilities Act (ADA)
  13. Local city and county ordinances governing electrical work
  14. In the event of conflicts, the more stringent provisions shall apply.

#### 1.3 SCOPE

- A. The work to be done under this section of the Specifications shall include the furnishing of labor, material, equipment and tools required for the complete installation of the work indicated on the Drawings or as specified herein.
- B. All materials, obviously a part of the Communications Infrastructure and necessary to its proper operation, but not specifically mentioned or shown on the Drawings, shall be furnished and installed without additional charge.
- C. The Drawings and Specifications are complementary to each other and what is called for by one shall be as binding as if called for by both. If a discrepancy

FIRE STATIONS RENOVATION  
ARLINGTON COUNTY, VIRGINIA  
Architect's Project No: 563006

---

exists between the Drawing and Specifications, the higher cost shall be included, and the Owner shall be notified of the discrepancy.

#### 1.4 WORK INCLUDED

The Communications Infrastructure installed and work performed under this Division of the Specifications shall include but not necessarily be limited to the following:

- A. Voice/Data Cabling Infrastructure
- B. CATV Cabling Infrastructure System
- C. Wireless Access System
- D. Communications raceways, cable tray, racks, cabinets and equipment mounting boards
- E. Grounding and Bonding
- F. Underground raceway excavation, backfill, and compaction
- G. Concrete work for duct banks, maintenance holes, handholes, vaults and restoration (where applicable)

#### 1.5 DEFINITIONS

- A. Terms: The following definitions of terms supplement those of the General Requirements and are applicable to Division 27 - Communications:
  - 1. Provide: As used herein shall mean "furnish, install and test (if applicable) complete."
  - 2. Infrastructure: As used herein shall mean cable, conduit, raceway, cable tray or j-hooks with all required boxes, fittings, connectors, and accessories; completely installed.
  - 3. Work: As used herein shall be understood to mean the materials completely installed, including the labor involved.

#### 1.6 DRAWINGS

- A. Drawings are generally diagrammatic and show the arrangement and location of pathways, outlets, support structures and equipment. The Contractor shall carefully investigate the structural and finish conditions affecting his work and arrange his work accordingly. Should conditions on the job make it necessary to make adjustments to pathways or materials, the Contractor shall so advise the Owner and secure approval before proceeding with such work.

FIRE STATIONS RENOVATION  
ARLINGTON COUNTY, VIRGINIA  
Architect's Project No: 563006

---

- B. Where exact locations are required by equipment for stubbing-up and terminating conduit concealed in floor slabs, the Contractor shall request shop drawings, equipment location drawings, foundation drawings, and any other data required by him to locate the concealed conduit before the floor slab is poured.
- C. Materials, equipment or labor not indicated but which can be reasonably inferred to be necessary for a complete installation shall be provided. Drawings and Specifications do not undertake to indicate every item of material, equipment, or labor required to produce a complete and properly operating installation.
- D. The right is reserved to make reasonable changes in locations of equipment indicated on Drawings prior to rough-in without increase in contract cost.
- E. The Contractor shall not reduce the size or number of conduit runs indicated on the Drawings without the written approval of the Owner.
- F. Any work installed contrary to Contract Drawings shall be subject to change as directed by the Owner, and no extra compensation will be allowed for making these changes.
- G. The location of equipment, support structures, outlets, and similar devices shown on the Drawings are approximate only. Do not scale Drawings. Obtain layout dimensions for equipment from architectural plans unless indicated on Communications plans.
- H. Schematic diagrams shown on the Drawings indicate the required functions only. The technology of a particular manufacturer may be used to accomplish the functions indicated without exact adherence to the schematic Drawings shown. Additional labor and materials required for such deviations shall be furnished at the Contractor's expense.
- I. Verify the ceiling type, ceiling suspension systems, and clearance above hung ceilings prior to ordering cabling and associated hardware. Notify the Owner of any discrepancies.
- J. Review all architectural drawings for modular furniture.
- K. Portions of these Drawings and Specifications are abbreviated and may include incomplete sentences. Omissions of words or phrases such as "the Contractor shall," "shall be," "as indicated on the Drawings," "In accordance with," "a," "the" and "all are intended" shall be supplied by inference.

## 1.7 SUBMITTALS

FIRE STATIONS RENOVATION  
ARLINGTON COUNTY, VIRGINIA  
Architect's Project No: 563006

---

- A. Submit for approval, details of all materials, equipment and systems to be furnished. Work shall not proceed without the Owner's approval of the submitted items. Three (3) copies of the following shall be submitted:
  - 1. Submittals for individual systems and equipment assemblies that consist of more than one item or component shall be made for the system or assembly as a whole. Partial submittals will not be considered, reviewed or stored, and such submittals will not be returned except at the request and expense of the Contractor.
  - 2. Contractor shall generate shop drawings. Modify reviewed and accepted shop drawings to include revisions based upon completion of work. Submit shop drawings with record drawings on hard copy.
  - 3. Shop drawings shall include equipment racks, patch panels, termination blocks, connection details, rack mounting details and any other details not included in the construction drawings.
- B. Any materials and equipment listed that are not in accordance with Specification requirements may be rejected.
- C. The approval of material, equipment, systems and shop drawings is a general approval subject to the Drawings, Specifications and verification of all measurements at the job. Approval does not relieve the Contractor from the responsibility of shop drawing errors. The Contractor shall carefully check and correct all shop drawings prior to submission for approval.

## 1.8 QUALITY ASSURANCE

- A. Equipment and materials required for installation under these Specifications shall be the current model and new (less than one [1] year from the date of manufacture), unused and without blemish or defect.
- B. Equipment shall bear labels attesting to Underwriters Laboratories, where subject to label service. Manufacturers of equipment and materials pertinent to these items shall have been engaged in the manufacture of said equipment a minimum of three (3) years and, if so directed by the Owner, be able to furnish proof of their ability by submitting affidavits and descriptive data about their product including size and magnitude comparable to requirements specified herein.

## 1.9 CONTRACTOR QUALIFICATIONS

- A. The Contractor shall have total responsibility for the coordination and installation of the work shown and described in the Drawings and/or Specifications. The Contractor shall be a company specializing in the design, fabrication and installation of integrated communications systems.



FIRE STATIONS RENOVATION  
ARLINGTON COUNTY, VIRGINIA  
Architect's Project No: 563006

---

- B. Communications Systems specified shall be installed under the direction of a qualified Contractor. Qualification requirements shall include submittal by the Contractor to the Owner of the following:
  - 1. List of previous projects of this scope, size and nature; including names and sizes of projects, description of work, time of completion and names of contact persons for reference.
  - 2. Shall certify that they are manufacturer-authorized for work to be performed.
- C. Contractor must employ at least one (1) full-time Registered Communications Distribution Designer (RCDD). The RCDD shall be a W2 employee and not a subcontractor.

#### 1.10 COORDINATION WITH OTHER TRADES

- A. The Contractor shall coordinate communications work with that of other sections as required to ensure that the entire communications work will be carried out in an orderly, complete and coordinated fashion.

#### 1.11 SITE INVESTIGATION

- A. Prior to submitting bids of the project, visit the site of the work to become aware of existing conditions that may affect the cost of the project. Where work under this project requires extension, relocation, reconnections or modifications to existing equipment or systems, the existing equipment or systems, shall be restored to their original condition before the completion of this project.

#### 1.12 PERMITS

- A. Obtain all permits and inspections for the installation of this work and pay all charges incident thereto. Deliver to the Owner all certificates of said inspection issued by authorities having jurisdiction.

#### 1.13 RENOVATIONS AND ADDITIONS

- A. All work that would adversely affect the normal operation of the other portions of the Owner's property shall be done at a time other than normal working hours. Normal working hours shall be considered 8 a.m. to 5 p.m. Monday through Friday.
- B. Prior to submitting bids on the project, visit the site of the work to become aware of existing conditions that may affect the cost of the project.

FIRE STATIONS RENOVATION  
ARLINGTON COUNTY, VIRGINIA  
Architect's Project No: 563006

---

- C. Where work under this project requires extension, relocation, reconnections or modifications to existing equipment or systems, the existing equipment or systems shall be restored to their original and operating condition. Remove all equipment indicated to be demolished, including outlets, devices, raceways and support structures.
- D. Care shall be exercised in the removal and storage of equipment indicated to be relocated or removed and reused. Prior to placing back into service, equipment shall be cleaned, and marred or chipped paint surfaces touched-up.
- E. Provide all coring, cutting and patching to existing walls, floors, etc., required for the removal of existing work or the installation of new work.

## PART 2 - PRODUCTS

### 2.01 MATERIALS

- A. All materials used in this work shall be new and shall bear the inspection label of Underwriters' Laboratories Inc. or certification by other recognized laboratory.
- B. The published standards and requirements of the Telecommunications Industries Association (TIA), National Electrical Manufacturers Association (NEMA), the American National Standard Institute (ANSI), the Institute of Electrical and Electronic Engineers (IEEE), and the American Society of Testing Materials (ASTM), are made a part of these Specifications and shall apply wherever applicable.
- C. Materials and equipment furnished shall be of current production by manufacturers regularly engaged in the manufacture of such items, for which replacement parts are available.
- D. When more than one unit of the same class of equipment or material is required, such units shall be the products of a single manufacturer or partner manufacturers that offer a certified solution.
- E. Components of an assembled unit need not be products of the same manufacturer, but must offer a certified end-to-end solution.
- F. Manufacturers of equipment assemblies, which include components made by others, shall assume complete responsibility for the final assembled unit.
- G. Components shall be compatible with each other and with the total assembly for the intended service.

## PART 3 - EXECUTION

FIRE STATIONS RENOVATION  
ARLINGTON COUNTY, VIRGINIA  
Architect's Project No: 563006

---

3.01 EXAMINATION OF CONDITIONS

- A. Prior to the start of work, the Contractor shall carefully inspect the installed work of other trades and verify that such work is complete to the point where installation may properly commence. Start of work indicates acceptance of conditions.
- B. Install equipment in accordance with applicable codes and regulations, the original design and the referenced standards.
- C. In the event of a discrepancy, immediately notify the Owner.
- D. Do not proceed with installation until unsatisfactory conditions and discrepancies have been fully resolved.

3.02 PROTECTION OF SYSTEMS AND EQUIPMENT

- A. Protect materials and equipment from damage during storage at the site and throughout the construction period. Equipment and materials shall be protected during shipment and storage against physical damage, dirt, theft, moisture, extreme temperature and rain.
- B. Damage from rain, dirt, sun and ground water shall be prevented by storing the equipment on elevated supports and covering the sides with securely fastened protective rigid or flexible waterproof coverings.
- C. During installation, equipment shall be protected against entry of foreign matter on the inside and be vacuum cleaned both inside and outside before testing, operating or painting.
- D. As determined by the Owner, damaged equipment shall be fully repaired or shall be removed and replaced with new equipment to fully comply with requirements of the Contract Documents. Decision of the Owner shall be final.
- E. Damaged paint on equipment and materials shall be repainted with painting equipment and finished with the same quality of paint and workmanship as used by the manufacturer.

3.03 ACCESS TO EQUIPMENT

- A. Equipment shall be installed in location and manner that will allow convenient access for maintenance and inspection.

FIRE STATIONS RENOVATION  
ARLINGTON COUNTY, VIRGINIA  
Architect's Project No: 563006

---

- B. Working spaces shall be not less than specified in the National Electrical Code (NEC) for voltages specified.
- C. Where the Owner determines that the Contractor has installed equipment not conveniently accessible for operation and maintenance, equipment shall be removed and reinstalled, one time only, as directed by the Owner, at no additional cost to the Owner. "Conveniently accessible" is defined as being capable of being reached without the use of ladders or without climbing or crawling under or over obstacles such as motors, pumps, belt guards, transformers, piping and duct work.

### 3.04 CLEANING

- A. During construction, and prior to Owner acceptance of the building, remove from the premises and dispose of packing material and debris caused by communications work.
- B. Remove dust and debris from interiors and exteriors of electrical equipment. Clean accessible current carrying elements prior to being energized.

### 3.05 COMPLETION

- A. General: Upon completion of the work, remove excess debris, materials, equipment, apparatus, tools and similar items. Leave the premises clean, neat and orderly.
- B. Results Expected: Systems shall be complete and operational and controls shall be set and calibrated. Testing, start-up and cleaning work shall be complete.
- C. Maintenance Materials: Special tools for proper operation and maintenance of the equipment provided under this Specification shall be delivered to the Owner.

### 3.06 TESTING AND VERIFICATION

- A. See specific Division 27 sections for testing parameters of sub-systems.
- B. The Contractor shall verify that requirements of this Specification are met. Verification shall be through a combination of analyses, inspections, demonstrations and tests, as described below.
- C. Verification by inspection includes examination of items and comparison of pertinent characteristics against the qualitative or quantitative standard set forth in the Specifications. Inspection may require moving or partially disassembling the item to accomplish the verification, included as part of the work at no additional cost to the Owner.

FIRE STATIONS RENOVATION  
ARLINGTON COUNTY, VIRGINIA  
Architect's Project No: 563006

---

- D. The Contractor shall verify by formal demonstrations or tests that the requirements of this Specification have been met. The Contractor shall demonstrate that the communications systems, components and subsystems meet Specification requirements in the "as-installed" operating environment during the "System Operation Test." Even though no formal environmental testing is required, the Contractor shall measure and record temperature, humidity and other environmental parameters and the environmental conditions, which were encountered during the "System Operation Test."
  
- E. The Contractor shall carefully plan and coordinate the final acceptance tests so that tests can be satisfactorily completed. The Contractor shall provide necessary instruments, labor and materials required for tests, including the equipment manufacturer's technical representative and qualified technicians in sufficient numbers to perform the tests within a reasonable time period.
  
- F. The Contractor shall satisfy all items detailed in the final acceptance check-off list (punch list). The list shall be a complete representation of specified installation requirements. At the time of final acceptance punch list items shall be corrected until the system is found to be acceptable to the Owner.
  
- G. After the systems have been installed and tested, the completed test plan shall be signed by the Communications Contractor and submitted for approval.

END OF SECTION 270000

FIRE STATIONS RENOVATION  
ARLINGTON COUNTY, VIRGINIA  
Architect's Project No: 563006

---

SECTION 270528 - PATHWAYS FOR COMMUNICATIONS SYSTEMS

PART 1 - GENERAL

1.01 GENERAL REQUIREMENTS

- A. Applicable requirements of Division 27 - Communications shall be considered a part of this section and shall have the same force as if printed herein full.
- B. This document describes the products and execution requirements relating to Pathways for Communications Systems.
- C. Product specifications, general design considerations, and installation guidelines are provided in this document. The successful vendor shall meet or exceed all requirements described in this document and on the drawings.

1.02 SUBMITTALS

- A. Provide product data from manufacturer's specifications.

1.03 WORK INCLUDED

- A. The work included under this specification consists of furnishing all labor, equipment, materials, supplies and performing all operations necessary to complete the installation. The Contractor will provide and install all of the required material whether specifically addressed in the Specification or not.

PART 2 - PRODUCTS

2.01 APPROVED PRODUCTS

- A. Rigid/Intermediate Conduit Manufacturer(s)
  - 1. Allied
  - 2. Triangle
  - 3. Wheatland
  - 4. Youngstown
- B. Non-Metallic (PVC) Manufacturer(s)
  - 1. Carlon
  - 2. Georgia Pipe Company
- C. Electrical Metallic Tubing (EMT) Manufacturer(s)

FIRE STATIONS RENOVATION  
ARLINGTON COUNTY, VIRGINIA  
Architect's Project No: 563006

---

1. Allied
  2. Triangle
  3. Wheatland
  4. Youngstown
- D. EMT Fittings Manufacturer(s)
1. Thomas & Betts
  2. Steel City
- E. Innerduct/Inner-Conduit Channel Manufacturer(s)
1. Carlon
  2. Endot Industries
  3. MaxCell
  4. Petroflex
  5. Eastern
- F. Metallic Communications Outlet Box Manufacturer(s)
1. Steel City
  2. Raco
- G. Non-Metallic Communications Outlet Box Manufacturer(s)
1. Thomas & Betts
  2. Carlon
- H. Pull Box Manufacturer(s)
1. Hoffman
  2. OZ Gedney
- I. Approved Cable Tray System Manufacturer(s)
1. Flex Tray
  2. Wiremold
  3. EZ Tray
  4. Mono Systems, Inc.
  5. Snake Tray

FIRE STATIONS RENOVATION  
ARLINGTON COUNTY, VIRGINIA  
Architect's Project No: 563006

---

- 6. B-Line
- 7. Gulf Coast Systems
  
- J. Approved Cable Hanger Manufacturer(s)
  - 1. Erico Products – Caddy
  - 2. B-Line
  
- K. Approved Tie Wrap/Velcro Strap Manufacturer(s)
  - 1. Leviton
  - 2. Panduit

## 2.02 CONDUIT

- A. Rigid and Intermediate Conduit
  - 1. Rigid conduit, intermediate conduit, couplings, locknuts, bushings, elbows and connectors shall be standard thread. All materials shall be steel. Set screw or non-threaded fittings are not permitted.
  
- B. Non-Metallic (PVC) Conduit
  - 1. Non-metallic conduit shall be heavy wall, Schedule 40 PVC.
  - 2. Couplings and connectors for non-metallic conduit shall be of the same material and be the product of the same manufacturer of the conduit furnished.
  
- C. Electrical Metallic Tubing (EMT)
  - 1. Electrical metallic tubing (EMT), couplings and connectors shall be steel. Malleable iron, pressure-cast or die-cast fittings are not permitted.
  - 2. Fittings for 2" EMT and smaller shall be steel set screw type, except where otherwise noted. Fittings for 2.5" and larger shall be steel set screw type with two (2) screws for connectors and four (4) screws for couplings. All connectors shall be insulated throat type.
  
- D. Conduit Support
  - 1. Individual conduit hangers shall be galvanized spring steel specifically designed for the purpose and sized appropriately for the conduit type and diameter. Support individual conduits 1-1/2 inch and smaller with 1/4 inch threaded steel rods and use 3/8 inch rods for 2 inch and larger.



FIRE STATIONS RENOVATION  
ARLINGTON COUNTY, VIRGINIA  
Architect's Project No: 563006

---

2. Conduit support channels shall be 14 gauge galvanized (or equivalent treatment) channel sized for the amount of conduit to be supported. Channel suspension shall be 3/8" threaded steel rods. Attach suspension rods to structure with swivel type connectors. Conduit straps shall be spring steel type compatible with channel.
  3. Conduit straps shall be single hole cast metal type or two hole galvanized metal type. Conduit clamps shall be spring steel type for use with exposed structural steel.
- E. Innerduct/Inner-Conduit Channel
1. Innerduct shall be corrugated plastic equipped with pull-string or mule tape.
  2. Inner-conduit channel (MaxCell) shall be 3-channel with each channel equipped with mule tape.
  3. See Drawings for innerduct / inner-conduit channel (MaxCell) details.

#### 2.03 METALLIC COMMUNICATIONS OUTLET BOXES

- A. Metallic outlet boxes and device covers shall be galvanized steel not less than 1/16" thick.
- B. The dimensions of the metallic outlet box shall be 4" x 4" square with a minimum depth of 2-1/8".
- C. Metallic outlet boxes shall be equipped with single device covers (or two-device covers where needed). Where installed in plaster, gypsum board, etc., covers shall be raised to compensate for the thickness of the wall finish.
- D. Where metallic outlet boxes are to be empty for future use, blank coverplates shall be used.

#### 2.04 NON-METALLIC COMMUNICATIONS OUTLET BOXES

- A. The non-metallic outlet box shall be thermoplastic and be rated according to the space it occupies.
- B. The dimensions of the non-metallic outlet box shall be approximately 4" x 4" square with a minimum depth of 2-1/8".
- C. Non-metallic outlet boxes shall be equipped with single device covers. Covers shall be raised to compensate for the thickness of the wall finish.
- D. Where non-metallic outlet boxes are to be empty for future use, blank faceplates shall be used.

FIRE STATIONS RENOVATION  
ARLINGTON COUNTY, VIRGINIA  
Architect's Project No: 563006

---

2.05 PULL BOXES

- A. Pull boxes shall be constructed of galvanized steel with flat, removable covers fastened with plated steel screws.
- B. Pull boxes shall be equipped with keyhole screw slots in the cover to permit removal of the cover without extracting the screws.
- C. Pull boxes shall have provisions for grounding.

2.06 CABLE TRAY

- A. Cable Tray System
  - 1. Cable tray shall be steel or aluminum construction.
  - 2. Cable tray cross members shall be factory welded at 12" intervals maximum.
  - 3. Cable tray shall be equipped with one (1) or two (2) support rails that run the length of each segment.
  - 4. End caps shall be installed on the exposed ends of the cable tray, channel supports and bolts. Protective covers shall be installed on threaded rods that come in contact with cabling plant.
  - 5. Wall mount cable tray used in limited clearance areas shall be hook style and constructed of aluminum.
  - 6. See Drawings for cable tray dimensions.
    - a. Cable Tray color shall be black.

2.07 CABLE HANGERS

- A. J-Hooks
  - 1. J-hooks shall provide a bearing surface of sufficient width to comply with required bend radii of high-performance cables. J-hook shall be cULus Listed.
  - 2. J-hooks shall have flared edges to prevent damage while installing cables.
  - 3. J-hooks sized 1 5/16" and larger shall have a cable retainer strap to provide containment of cables within the hanger. The cable retainer strap shall be removable and reusable and be suitable for use in air handling spaces.
- B. Adjustable Non-Continuous Cable Support Sling
  - 1. Constructed from steel and woven laminate; sling length can be adjusted to hold up to 425 4-pair balanced twisted pair cables; rated for indoor use

FIRE STATIONS RENOVATION  
ARLINGTON COUNTY, VIRGINIA  
Architect's Project No: 563006

---

- in non-corrosive environments. Rated to support Category 5 and higher cable, or optical fiber cable. Cable support sling shall be cULus Listed.
2. Adjustable non-continuous cable support sling shall have a static load limit of 100 lbs.
  3. Adjustable non-continuous cable support sling shall be suitable for use in air handling spaces.

## 2.08 TIE WRAPS AND VELCRO STRAPS

### A. Tie Wraps and Velcro Straps

1. Cables shall be fastened to support structures with tie wraps/Velcro straps.
2. Tie wraps/Velcro straps installed in air handling spaces must be plenum rated.
  - a. Non-plenum Tie Wrap color shall be black.
  - b. Plenum Tie Wrap color shall be red.
  - c. Non-plenum Velcro strap color shall be black.
  - d. Plenum Velcro strap color shall be red.

## PART 3 - EXECUTION

### 3.01 PENETRATIONS

- A. Holes through concrete and masonry in new and existing structures shall be cut with a diamond core drill or concrete saw upon approval of the structural engineer of record for the base of building. Pneumatic hammer, impact electric, hand or manual hammer type drills shall not be allowed, except where permitted by the Project Manager as required by limited working space. X-ray all floor penetrations accordingly.
- B. Holes shall be located so as not to affect structural sections such as ribs or beams.
- C. Holes shall be laid out in advance. The Project Manager shall be advised prior to drilling through structural sections, for determination of proper layout.
- D. Structural Penetrations: Where conduits, wireways and other raceways pass through fire partitions, fire walls or walls and floors provide a code compliant effective barrier against the spread of fire, smoke and gases.
- E. All penetrations where conduit is not used shall be sleeved.
- F. No gaps or rough edges shall be allowed between wall and conduit/sleeve.

### 3.02 CONDUIT SYSTEM

FIRE STATIONS RENOVATION  
ARLINGTON COUNTY, VIRGINIA  
Architect's Project No: 563006

---

- A. Conceal all conduits, except in unfinished spaces such as equipment rooms or as indicated by symbol on the Drawings.
- B. Leave all empty conduits with a 200 pound test nylon cord pull line.
- C. Flattened, dented, or deformed conduits are not permitted and shall be removed and replaced.
- D. Fasten conduit support device to structure with wood screws on wood, toggle bolts on hollow masonry, anchors as specified on solid masonry or concrete, and machine bolts, clamps, or spring steel clips, on steel.
- E. Install conduit with wiring, including homeruns as indicated on the Drawings. Any change resulting in a savings in labor or materials is to be made only in accordance with a contract change. Deviations shall be made only where necessary to avoid interferences and when approved by Engineer by written authorization.
- F. Conduit shall be run parallel or at right angles to existing walls, ceilings, and structural members.
- G. Attach backbone conduits larger than one-inch trade diameter to or from structure on intervals not exceeding twelve feet with conduit beam clamps, one-hole conduit straps or trapeze type support.
- H. Where conduits must pass through structural members obtain approval of Architect.
- I. Install all conduits or sleeves penetrating or routed within rated firewalls or fire floors to maintain fire rating of wall or floor. Conduit shall not be installed in rated floors or walls if it compromises or violates the fire rating of floor or wall. Refer to architectural documents.
- J. Provide expansion and deflection coupling where conduit passes over a building expansion joint.
- K. Service entrance conduits and feeder conduits in direct contact with earth shall be schedule 40, heavy wall PVC. All service entrance conduit elbows shall be galvanized rigid steel. Service entrance conduits installed exposed or concealed in walls or above ceilings shall be galvanized rigid steel (G.R.S.) or intermediate metal conduit (IMC). Service entrance conduits shall be installed "outside" of the building as defined by the N.E.C. Provide concrete encasement where required or as indicated on Drawings.

FIRE STATIONS RENOVATION  
ARLINGTON COUNTY, VIRGINIA  
Architect's Project No: 563006

---

- L. All other conduit, unless specified herein, shall be electrical metallic tubing (EMT). PVC conduit is not allowed in exposed or concealed areas, but only within concrete.
  
- M. Conduit Installations Within Slab/Floor
  - 1. Conduit shall be run following the most direct route between points.
  - 2. Conduit shall not be installed in concrete where the outside diameter is larger than 1/3 of the slab thickness.
  - 3. Conduits shall not be installed within shear walls unless specifically indicated on the Drawings. Conduit shall not be run directly below and parallel with load bearing walls.
  - 4. Protect each metallic conduit installed in concrete slab or conduits 1-1/2 inch and smaller passing through a concrete slab against corrosion where conduit enters and leaves concrete by wrapping conduit with vinyl all-weather electrical tape.
  - 5. Protect all conduits entering and leaving concrete floor slabs from physical damage during construction.
  - 6. Provide expansion fittings in all conduits where length or run exceeds 200 feet or where conduits pass through building expansion joints.
  - 7. Install all conduits penetrating or routed within rated fire floors to maintain the fire rating of the floor. Conduit shall not be installed in rated floors or walls if it compromises or violates the fire rating of floor or wall. Refer to architectural documents.
  - 8. Conduits installed within concrete floor slabs which are in direct contact with grade or which penetrate the building roof shall be galvanized rigid steel (G.R.S.), intermediate metal conduit (I.M.C.) or Schedule 40, heavy wall PVC.
  
- N. Communications cables shall not occupy conduits with power cables.
  
- O. Metallic conduits shall be grounded in accordance with ANSI/TIA-607-B.
  
- P. Conduit runs shall not have more than two (2) 90-degree bends between pull points.
  
- Q. Communications conduit system shall contain no condulets (also know as an LB).
  
- A. Rigid metal conduit (RMC) or intermediate metal conduit (IMC) shall be used for entrance conduits that exceed 50 feet into the building.
  
- B. Horizontal Conduits
  - 1. Support horizontal conduits at intervals not exceeding ten feet and within three feet of each outlet, junction box, backboard, enclosure or cabinet.

FIRE STATIONS RENOVATION  
ARLINGTON COUNTY, VIRGINIA  
Architect's Project No: 563006

---

Support conduits from structural steel members with spring steel type or beam conduit clamps and to non-metallic structural members with one-hole conduit straps. For exposed conduits and where conduits must be suspended below structure, single conduit runs shall be supported from structure by hanger rod and conduit clamp assembly, and multiple conduits shall be supported by trapeze type support suspended from structure. Do not attach conduits to ceiling suspension system channels or suspension wires.

2. For runs that total more than 100 feet in length, insert pull boxes so that no segment between boxes exceeds the 100 feet limit.
3. Each horizontal home-run conduit can serve from one (1) to three (3) outlet boxes. For one (1) outlet box, a 3/4" conduit shall be used, minimum. For two (2) outlet boxes, a 1" conduit shall be used, minimum. For three (3) outlet boxes, a 1-1/4" conduit shall be used, minimum.

### 3.03 COMMUNICATIONS OUTLET BOXES

- A. Exact locations of the outlet boxes shall be coordinated with the electrical contractor and other trades.
- B. Non-metallic communications outlet boxes may only be used for wood frame construction and/or where code allows.
- C. The approximate locations of the outlets are indicated on the Drawings. The exact locations of outlets shall be determined at the building. The right is reserved to change, without additional cost, the exact location of any outlet, a maximum of 10' before it is permanently installed.
- D. Orientation of outlet boxes (horizontal or vertical) shall be as indicated on the architectural elevations.
- E. Install all outlet boxes in finished areas flush with the wall. Maintain 1/4" or less space between outlet box front and finished wall surface.
- F. Outlet boxes shall be firmly anchored in place and shall not depend on the coverplate to hold it secure to the wall.
- G. Outlet boxes installed back-to-back in fire-rated walls shall be separated horizontally by a minimum of 24".

### 3.04 PULL BOXES

- A. Pull boxes shall be secured, independent of the conduit entries into the box. Pull boxes shall be secured to the building structure. In ceiling applications, pull boxes shall not be supported with ceiling wires.

FIRE STATIONS RENOVATION  
ARLINGTON COUNTY, VIRGINIA  
Architect's Project No: 563006

---

- B. Conduits entering pull boxes shall connect to pull boxes using die-cast zinc connectors.
- C. Pull boxes shall be free from burrs, dirt and debris.
- D. Pull boxes shall be installed in accordance with ANSI/TIA-569-B.
- E. Pull boxes shall be grounded in accordance with ANSI/TIA-607-B.

### 3.05 CABLE TRAY SYSTEM

- A. Install trays in accordance with recognized industry practices, to ensure that the cable tray equipment complies with requirements of the NEC.
- B. All open trays shall be installed a minimum of six (6) inches away from any light fixture.
- C. Provide external grounding strap at expansion joints, sleeves, crossover and other locations where tray continuity is interrupted.
- D. Support all pathways from building construction. Do not support pathways from ductwork, piping or equipment hangers.
- E. Install cable tray level and straight.
- F. Provide all hardware, accessories, fasteners, anchors, threaded rods and support channels required to provide a complete cable tray system.
- G. Cable trays shall not be used to house both low voltage and power cables unless cables are separated by a grounded physical barrier.
- H. Cable tray system shall be grounded in accordance with ANSI/TIA-607-B.

### 3.06 CABLE HANGERS

- A. Installation and configuration shall conform to the requirements of ANSI/TIA-568-C.0, ANSI/TIA-568-C.1 & ANSI/TIA-569-B, NFPA 70 (National Electrical Code), applicable local codes, and to the manufacturer's installation instructions.
- B. Install cables using techniques, practices, and methods that are consistent with Category 5e or higher requirements and that supports Category 5e or higher performance of completed and linked signal paths, end to end.
- C. Install cables without damaging conductors, shield, or jacket.

FIRE STATIONS RENOVATION  
ARLINGTON COUNTY, VIRGINIA  
Architect's Project No: 563006

---

- D. Do not bend cables, in handling or in installing, to smaller radii than minimums recommended by manufacturer.
- E. Pull cables without exceeding cable manufacturer's recommended pulling tensions. Use pulling means that will not damage media.
- F. Do not exceed load ratings specified by manufacturer.
- G. Adjustable non-continuous support sling shall have a static load limit of 100 lbs.
- H. To avoid electromagnetic interference (EMI), pathways shall provide minimum clearances of four feet from motors or transformers, one foot from conduit and cables used for electrical power distribution, and five inches from fluorescent lighting. Pathways shall cross perpendicular to fluorescent lighting and electrical power cables or conduits.

3.07 TIE WRAPS AND VELCRO STRAPS

- A. Tie wraps/Velcro straps shall be installed around cables at intervals of 12" minimum.
- B. Tie wraps shall secure cables to cable trays using an "X" pattern.
- C. Do not over-cinch cables.

3.08 IDENTIFICATION

- A. Refer to Section 270553 - Identification for Communications Systems for labeling details.

END OF SECTION 270528



FIRE STATIONS RENOVATION  
ARLINGTON COUNTY, VIRGINIA  
Architect's Project No: 563006

---

SECTION 283111 - DIGITAL, ADDRESSABLE FIRE-ALARM SYSTEM

PART 1 - GENERAL

1.1 RELATED DOCUMENTS

- A. Drawings and general provisions of the Contract apply to this Section.

1.2 SUMMARY

- A. Project work consists of extending the existing fire alarm system initiation and notification circuits and devices to serve the renovated portions of the facility. Upgrade and reprogram the existing system as required to provide the functionality required to serve the additional devices and functions.
- B. Section Includes:
  - 1. Manual fire-alarm boxes.
  - 2. System smoke detectors.
  - 3. Heat detectors.
  - 4. Notification appliances.
  - 5. Magnetic door holders.
  - 6. Addressable interface device.

1.3 DEFINITIONS

- A. LED: Light-emitting diode.
- B. NICET: National Institute for Certification in Engineering Technologies.
- C. Definitions in NFPA 72-apply to fire alarm terms used in this Section.

1.4 SYSTEM DESCRIPTION

- A. Noncoded, UL-listed addressable system, with multiplexed signal transmission, dedicated to fire-alarm service only.

1.5 SUBMITTALS

- A. General Submittal Requirements:
  - 1. Submissions to Authorities Having Jurisdiction: The A/E shall review the Contractor's submittal(s) which the Contractor shall revise and resubmit through the A/E until the submittals are deemed Approved. The contractor shall submit the A/E approved shop drawing and product data to the authority having jurisdiction and shall make any revisions as required for acceptance.

FIRE STATIONS RENOVATION  
ARLINGTON COUNTY, VIRGINIA  
Architect's Project No: 563006

---

2. Shop Drawings shall be prepared by persons with the following qualifications:
  - a. Trained and certified by manufacturer in fire-alarm system design.
  - b. NICET-certified fire-alarm technician, Level III minimum.
  - c. Licensed or certified by authorities having jurisdiction.
  
- A. Product Data: For each type of product indicated. . Submissions shall include UL file numbers for all devices.
  
- B. Shop Drawings: For fire-alarm system. Include plans, elevations, sections, details, and attachments to other work.
  1. Comply with recommendations in the "Documentation" Section of the "Fundamentals of Fire Alarm Systems" Chapter in NFPA 72.
  2. Include voltage drop calculations for notification appliance circuits. Use minimum 30cd current draw per visual appliance provided regardless of actual setting.
  3. Include battery-size calculations. Use minimum 30cd current draw per visual appliance provided regardless of actual setting.
  4. Include performance parameters and installation details for each detector, verifying that each detector is listed for complete range of air velocity, temperature, and humidity possible when air-handling system is operating.
  5. Include plans coordinating installation of duct smoke detectors and access to them. Show critical dimensions that relate to placement and support of sampling tubes, detector housing, and remote status and alarm indicators. Locate detectors according to manufacturer's written recommendations.
  6. Include 1/8" = 1'-0" scale floor plans to indicate final outlet locations showing address of each addressable device. Show size and route of cable and conduits.
  7. Wiring Diagrams: Detail wiring and differentiate between manufacturer-installed and field-installed wiring. Include diagrams for equipment and for system with all terminals and interconnections identified.
  8. Device Address List: Coordinate with final system programming.
  9. Input-Output Matrix: For each type of device (or function of device) and the associated system output. Format in accordance with NFPA 72, Explanatory Material, Figure "Typical Input/Output Matrix".
  10. System Operation Description: Detailed description for this project, including method of operation and supervision of each type of circuit and sequence of operations for manually and automatically initiated system inputs and outputs. Manufacturer's standard descriptions for generic system are not acceptable.
  
- C. Qualification Data: For qualified Installer.
  
- D. Field quality-control reports.
  
- E. Operation and Maintenance Data: For fire-alarm systems and components to include in emergency, operation, and maintenance manuals. In addition to items specified in Division 01 Section "Operation and Maintenance Data," include the following:
  1. Comply with the "Records" Section of the "Inspection, Testing and Maintenance" Chapter in NFPA 72.

FIRE STATIONS RENOVATION  
ARLINGTON COUNTY, VIRGINIA  
Architect's Project No: 563006

---

2. Provide "Record of Completion Documents" according to NFPA 72 article "Permanent Records" in the "Records" Section of the "Inspection, Testing and Maintenance" Chapter.
3. Record copy of site-specific software.
4. Provide "Maintenance, Inspection and Testing Records" according to NFPA 72 article of the same name and include the following:
  - a. Frequency of testing of installed components.
  - b. Frequency of inspection of installed components.
  - c. Requirements and recommendations related to results of maintenance.
  - d. Manufacturer's user training manuals.
5. Manufacturer's required maintenance related to system warranty requirements.
6. Abbreviated operating instructions for mounting at fire-alarm control unit.
7. Copy of NFPA 25.
8. Software and Firmware Operational Documentation:
  - a. Software operating and upgrade manuals.
  - b. Program Software Backup: On magnetic media or compact disk, complete with data files.
  - c. Device address list.
  - d. Printout of software application and graphic screens.

1.6 QUALITY ASSURANCE

- A. Installer Qualifications: Personnel shall be trained and certified by manufacturer for installation of units required for this Project.
- B. Installer Qualifications: Installation shall be by personnel certified by NICET as fire-alarm Level II technician.
- C. Source Limitations for Fire-Alarm System and Components: Obtain fire-alarm system from single source from single manufacturer. Components shall be compatible with, and operate as, an extension of existing system.
- D. Electrical Components, Devices, and Accessories: Listed and labeled as defined in NFPA 70, by a qualified testing agency, and marked for intended location and application.
- E. NFPA Certification: Obtain certification according to NFPA 72 by an NRTL.

1.7 PROJECT CONDITIONS

- A. Interruption of Existing Fire-Alarm Service: Do not interrupt fire-alarm service to facilities occupied by Owner or others unless permitted under the following conditions and then only after arranging to provide temporary guard service according to requirements indicated:
  1. Notify Owner no fewer than two days in advance of proposed interruption of fire-alarm service.
  2. Do not proceed with interruption of fire-alarm service without Owner's written permission.

FIRE STATIONS RENOVATION  
ARLINGTON COUNTY, VIRGINIA  
Architect's Project No: 563006

---

1.8 SEQUENCING AND SCHEDULING

- A. Existing Fire-Alarm Equipment: Maintain existing equipment fully operational until new equipment has been tested and accepted. As new equipment or devices are installed, label it "NOT IN SERVICE" until it is accepted. Remove labels from new equipment when put into service and label existing fire-alarm equipment "NOT IN SERVICE" until removed from the building.
- B. Equipment Removal: After acceptance of new fire-alarm system, remove existing disconnected fire-alarm equipment and wiring.
  - 1. Package Owner designated operational equipment and deliver to Owner.

1.9 SOFTWARE SERVICE AGREEMENT

- A. Comply with UL 864.
- B. Technical Support: Beginning with Substantial Completion, provide software support for two years.
- C. Upgrade Service: Update software to latest version at Project completion. Install and program software upgrades that become available within two years from date of Substantial Completion. Upgrading software shall include operating system. Upgrade shall include new or revised licenses for use of software.
  - 1. Provide 30 days' notice to Owner to allow scheduling and access to system and to allow Owner to upgrade computer equipment if necessary.

1.10 EXTRA MATERIALS

- A. Furnish extra materials that match products installed and that are packaged with protective covering for storage and identified with labels describing contents.
  - 1. Lamps for Remote Indicating Lamp Units: Quantity equal to 10 percent of amount installed, but no fewer than 1 unit.
  - 2. Lamps for Strobe Units: Quantity equal to 10 percent of amount installed, but no fewer than 1 unit.
  - 3. Smoke Detectors, Fire Detectors: Quantity equal to 10 percent of amount of each type installed, but no fewer than 1 unit of each type. Provide 50 feet of cabling in conduit for each appliance and connect to nearest annunciation circuit as directed by Authority Having Jurisdiction.
  - 4. Detector Bases: Quantity equal to 2 percent of amount of each type installed, but no fewer than 1 unit of each type. Provide 50 feet of cabling in conduit for each appliance and connect to nearest annunciation circuit as directed by Authority Having Jurisdiction.
  - 5. Keys and Tools: One extra set for access to locked and tamperproofed components.

FIRE STATIONS RENOVATION  
ARLINGTON COUNTY, VIRGINIA  
Architect's Project No: 563006

---

6. Audible and Visual Notification Appliances: One of each type installed. Provide 50 feet of cabling in conduit for each appliance and connect to nearest annunciation circuit as directed by Authority Having Jurisdiction.
7. Fuses: Two of each type installed in the system.

## PART 2 - PRODUCTS

### 2.1 MANUFACTURERS

1. Manufacturer: Subject to compliance with requirements, and fully compatible (UL listed and labeled) with the existing system.

### 2.2 SYSTEMS OPERATIONAL DESCRIPTION

A. Fire-alarm signal initiation shall be by one or more of the following devices:

1. Manual stations.
2. Heat detectors.
3. Smoke detectors.
4. Duct smoke detectors.
5. Automatic sprinkler system water flow.

B. Fire-alarm signal shall initiate the following actions:

1. Continuously operate alarm notification appliances.
2. Identify alarm at fire-alarm control unit and remote annunciators.
3. Transmit an alarm signal to the remote alarm receiving station.
4. Unlock electric door locks in designated egress paths.
5. Release fire and smoke doors held open by magnetic door holders.
6. Switch heating, ventilating, and air-conditioning equipment controls to fire-alarm mode.
7. Record events in the system memory.

C. Supervisory signal initiation shall be by one or more of the following devices and actions:

1. Valve supervisory switch.

D. System trouble signal initiation shall be by one or more of the following devices and actions:

1. Open circuits, shorts, and grounds in designated circuits.
2. Opening, tampering with, or removing alarm-initiating and supervisory signal-initiating devices.
3. Loss of primary power at fire-alarm control unit.
4. Ground or a single break in fire-alarm control unit internal circuits.
5. Abnormal ac voltage at fire-alarm control unit.
6. Break in standby battery circuitry.
7. Failure of battery charging.
8. Abnormal position of any switch at fire-alarm control unit or annunciator.

FIRE STATIONS RENOVATION  
ARLINGTON COUNTY, VIRGINIA  
Architect's Project No: 563006

---

- E. System Trouble and Supervisory Signal Actions: Initiate notification appliance and annunciate at fire-alarm control unit and remote annunciators.

2.3 FIRE-ALARM CONTROL UNIT

- A. FACP's are Existing to Remain. Upgrade as required to provide required functionality at the FACP's and to serve the renovated space.
- B. General Requirements for Fire-Alarm Control Unit:
  - 1. Field-programmable, microprocessor-based, modular, power-limited design with electronic modules, complying with UL 864 and listed and labeled by an NRTL.
    - a. System software and programs shall be held in flash electrically erasable programmable read-only memory (EEPROM), retaining the information through failure of primary and secondary power supplies.
    - b. Include a real-time clock for time annotation of events on the event recorder and printer.
  - 2. Addressable initiation devices that communicate device identity and status.
    - a. Smoke sensors shall additionally communicate sensitivity setting.
    - b. Temperature sensors shall additionally test for and communicate the sensitivity range of the device.
  - 3. Addressable control circuits for operation of mechanical equipment.
- C. Alphanumeric Display and System Controls: Arranged for interface between human operator at fire-alarm control unit and addressable system components including annunciation and supervision. Display alarm, supervisory, and component status messages and the programming and control menu.
- D. Circuits:
  - 1. Initiating Device, Notification Appliance, and Signaling Line Circuits: NFPA 72, Class A.
    - a. Initiating Device Circuits: Style D.
    - b. Notification Appliance Circuits: Style Z.
    - c. Signaling Line Circuits: Style 6.
- E. Door Controls: Door hold-open devices that are controlled by smoke detectors at doors in smoke barrier walls shall be connected to fire-alarm system.
- F. Transmission to Remote Alarm Receiving Station: Automatically transmit alarm, supervisory, and trouble signals to a remote alarm station.

FIRE STATIONS RENOVATION  
ARLINGTON COUNTY, VIRGINIA  
Architect's Project No: 563006

---

- G. Primary Power: 24-V dc obtained from 120-V ac service and a power-supply module. Initiating devices, notification appliances, signaling lines, trouble signals, supervisory and digital alarm communicator transmitters shall be powered by 24-V dc source.
1. Alarm current draw of entire fire-alarm system shall not exceed 80 percent of the power-supply module rating.
- H. Emergency Power Supply: Components include batteries, charger, and automatic transfer switch.
1. Batteries: Sealed lead calcium.
    - a. Batteries shall be in accordance with fire alarm system manufacturer's installation instructions.
    - b. Battery Nominal Life Expectancy: 10 years, minimum.
    - c. Battery date code shall indicate battery age of not more than 3 months at time of system acceptance.
    - d. Battery Capacity: Comply with NFPA 72.
  2. Battery Charger: Solid-state, fully automatic, variable-charging-rate type. Provide capacity for 150 percent of the connected system load while maintaining batteries at full charge. If batteries are fully discharged, the charger recharges them completely within four hours. Charger output is supervised as part of system power supply supervision.
  3. Integral Automatic Transfer Switch: Transfers the load to the battery without loss of signals or status indications when normal power fails.
- I. Instructions: Computer printout or typewritten instruction card mounted behind a plastic or glass cover in a stainless-steel or aluminum frame. Include interpretation and describe appropriate response for displays and signals. Briefly describe the functional operation of the system under normal, alarm, and trouble conditions.

## 2.4 MANUAL FIRE-ALARM BOXES

- A. General Requirements for Manual Fire-Alarm Boxes: Comply with UL 38. Boxes shall be finished in red with molded, raised-letter operating instructions in contrasting color; shall show visible indication of operation; and shall be mounted on recessed outlet box. If indicated as surface mounted, provide manufacturer's surface back box.
1. Double-action mechanism requiring two actions to initiate an alarm, pull-lever type; with integral addressable module arranged to communicate manual-station status (normal, alarm, or trouble) to fire-alarm control unit.
  2. Station Reset: Key-operated switch.

## 2.5 SYSTEM SMOKE DETECTORS

- A. General Requirements for System Smoke Detectors:
1. Comply with UL 268; operating at 24-V dc, nominal.
  2. Detectors shall be two-wire type.

FIRE STATIONS RENOVATION  
ARLINGTON COUNTY, VIRGINIA  
Architect's Project No: 563006

---

3. Base Mounting: Detector and associated electronic components shall be mounted in a twist-lock module that connects to a fixed base. Provide terminals in the fixed base for connection to building wiring.
4. Self-Restoring: Detectors do not require resetting or readjustment after actuation to restore them to normal operation.
5. Integral Visual-Indicating Light: LED type indicating detector has operated and power-on status.

B. Photoelectric Smoke Detectors:

1. Detector address shall be accessible from fire-alarm control unit and shall be able to identify the detector's location within the system and its sensitivity setting.
2. An operator at fire-alarm control unit, having the designated access level, shall be able to manually access the following for each detector:
  - a. Primary status.
  - b. Device type.
  - c. Present average value.
  - d. Present sensitivity selected.
  - e. Sensor range (normal, dirty, etc.).

C. Duct Smoke Detectors: Photoelectric type complying with UL 268A.

1. Detector address shall be accessible from fire-alarm control unit and shall be able to identify the detector's location within the system and its sensitivity setting.
2. An operator at fire-alarm control unit, having the designated access level, shall be able to manually access the following for each detector:
  - a. Primary status.
  - b. Device type.
  - c. Present average value.
  - d. Present sensitivity selected.
  - e. Sensor range (normal, dirty, etc.).
3. Weatherproof Duct Housing Enclosure: NEMA 250, Type 4X; NRTL listed for use with the supplied detector.
4. Each sensor shall have multiple levels of detection sensitivity.
5. Sampling Tubes: Design and dimensions as recommended by manufacturer for specific duct size, air velocity, and installation conditions where applied.

## 2.6 HEAT DETECTORS

- A. General Requirements for Heat Detectors: Comply with UL 521.
- B. Heat Detector, Combination Type: Actuated by either a fixed temperature of 135 deg F or a rate of rise that exceeds 15 deg F per minute unless otherwise indicated.
  1. Mounting: Twist-lock base interchangeable with smoke-detector bases.



FIRE STATIONS RENOVATION  
ARLINGTON COUNTY, VIRGINIA  
Architect's Project No: 563006

---

2. Integral Addressable Module: Arranged to communicate detector status (normal, alarm, or trouble) to fire-alarm control unit.

## 2.7 NOTIFICATION APPLIANCES

- A. General Requirements for Notification Appliances: Connected to notification appliance signal circuits, zoned as indicated, equipped for mounting as indicated and with screw terminals for system connections.
  1. Combination Devices: Factory-integrated audible and visible devices in a single-mounting assembly, equipped for mounting as indicated and with screw terminals for system connections.
- B. Horns: Electric-vibrating-polarized type, 24-V dc; with provision for housing the operating mechanism behind a grille. Comply with UL 464. Horns shall produce a sound-pressure level of 90 dBA, measured 10 feet from the horn, using the Code-3 coded signal prescribed in UL 464 test protocol.
- C. Bells: Electric-vibrating, 24-V dc, under-dome type; with provision for housing the operating mechanism behind the bell. When operating, bells provide a sound-pressure level of 94 dB, measured 10 feet from the bell. 10-inch size, unless otherwise indicated. Bells are weatherproof.
- D. Visible Notification Appliances: Xenon strobe lights comply with UL 1971, with clear or nominal white polycarbonate lens mounted on an aluminum faceplate. The word "FIRE" is engraved in minimum 1-inch-high letters on the lens.
  1. Rated Light Output:
    - a. 15/30/75/110 cd, selectable in the field.
  2. Mounting: Wall mounted unless otherwise indicated.
  3. For units with guards to prevent physical damage, light output ratings shall be determined with guards in place.
  4. Flashing shall be in a temporal pattern, synchronized with other units.
  5. Strobe Leads: Factory connected to screw terminals.
  6. Mounting Faceplate: Factory finished, red.

## 2.8 MAGNETIC DOOR HOLDERS

- A. Description: Units are equipped for wall or floor mounting as indicated and are complete with matching doorplate.
  1. Electromagnet: Requires no more than 3 W to develop 25-lbf holding force.
  2. Wall-Mounted Units: Flush mounted unless otherwise indicated.
  3. Rating: 120-V ac.
- B. Material and Finish: Match door hardware.

FIRE STATIONS RENOVATION  
ARLINGTON COUNTY, VIRGINIA  
Architect's Project No: 563006

---

2.9 REMOTE ANNUNCIATOR

- A. Description: Annunciator functions shall match those of fire-alarm control unit for alarm, supervisory, and trouble indications. Manual switching functions shall match those of fire-alarm control unit, including acknowledging, silencing, resetting, and testing.
  - 1. Mounting: Flush cabinet, NEMA 250, Type 1.
- B. Display Type and Functional Performance: Alphanumeric display and LED indicating lights shall match those of fire-alarm control unit. Provide controls to acknowledge, silence, reset, and test functions for alarm, supervisory, and trouble signals.

2.10 ADDRESSABLE INTERFACE DEVICE

- A. Description: Microelectronic monitor module, NRTL listed for use in providing a system address for alarm-initiating devices for wired applications with normally open contacts.

PART 3 - EXECUTION

3.1 EQUIPMENT INSTALLATION

- A. Comply with NFPA 72 for installation of fire-alarm equipment.
- B. Connecting to Existing Equipment: Verify that existing fire-alarm system is operational before making changes or connections.
  - 1. Connect new equipment to existing control panel in existing part of the building.
  - 2. Connect new equipment to existing monitoring equipment at the supervising station.
  - 3. Expand, modify, and supplement existing equipment as necessary to extend existing functions to the new points. New components shall be capable of merging with existing configuration without degrading the performance of either system.
- C. Smoke- or Heat-Detector Spacing:
  - 1. Comply with NFPA 72, "Smoke-Sensing Fire Detectors" Section in the "Initiating Devices" Chapter, for smoke-detector spacing.
  - 2. Comply with NFPA 72, "Heat-Sensing Fire Detectors" Section in the "Initiating Devices" Chapter, for heat-detector spacing.
  - 3. HVAC: Locate detectors not closer than [3 feet] [5 feet] from air-supply diffuser or return-air opening.
- D. Duct Smoke Detectors: Comply with NFPA 72 and NFPA 90A. Install sampling tubes so they extend the full width of duct.

FIRE STATIONS RENOVATION  
ARLINGTON COUNTY, VIRGINIA  
Architect's Project No: 563006

---

- E. Audible Alarm-Indicating Devices: Install not less than 6 inches below the ceiling. Install bells and horns on flush-mounted back boxes with the device-operating mechanism concealed behind a grille.
- F. Visible Alarm-Indicating Devices: Install adjacent to each alarm bell or alarm horn and at least 6 inches below the ceiling.
- G. Device Location-Indicating Lights: Locate in public space near the device they monitor.
- H. Fire-Alarm Control Unit: Surface mounted, with tops of cabinets not more than 72 inches above the finished floor.
- I. Annunciator: Install with top of panel not more than 72 inches above the finished floor.

### 3.2 CONNECTIONS

- A. For fire-protection systems related to doors in fire-rated walls and partitions and to doors in smoke partitions, comply with requirements in Division 08 Section "Door Hardware." Connect hardware and devices to fire-alarm system.
  - 1. Verify that hardware and devices are NRTL listed for use with fire-alarm system in this Section before making connections.
- B. Make addressable connections with a supervised interface device to the following devices and systems. Install the interface device less than 3 feet from the device controlled. Make an addressable confirmation connection when such feedback is available at the device or system being controlled.
  - 1. Smoke dampers in air ducts of designated air-conditioning duct systems.
  - 2. Supervisory connections at valve supervisory switches.

### 3.3 IDENTIFICATION

- A. Identify system components, wiring, cabling, and terminals. Comply with requirements for identification specified in Division 26 Section "Identification for Electrical Systems."
- B. Install framed instructions in a location visible from fire-alarm control unit.

### 3.4 GROUNDING

- A. Ground fire-alarm control unit and associated circuits; comply with IEEE 1100. Install a ground wire from main service ground to fire-alarm control unit.

### 3.5 PROGRAMMING

FIRE STATIONS RENOVATION  
ARLINGTON COUNTY, VIRGINIA  
Architect's Project No: 563006

---

- A. Provide all system programming required to accomplish the functions outlined by this specification, and the Fire Alarm Input/Output Matrix (on the Contract Drawings), and as required by the Authority Having Jurisdiction.
  - 1. Space names and numbers used in the programming shall be per the Owner's list, not necessarily those indicated on the Contract Documents.

3.6 FIELD QUALITY CONTROL

- A. Field tests shall be witnessed by authorities having jurisdiction.
- B. Perform tests and inspections.
  - 1. Manufacturer's Field Service: Engage a factory-authorized service representative to inspect components, assemblies, and equipment installations, including connections, and to assist in testing.
- C. Tests and Inspections:
  - 1. Visual Inspection: Conduct visual inspection prior to testing.
    - a. Inspection shall be based on completed Record Drawings and system documentation that is required by NFPA 72 in its "Completion Documents, Preparation" Table in the "Documentation" Section of the "Fundamentals of Fire Alarm Systems" Chapter.
    - b. Comply with "Visual Inspection Frequencies" Table in the "Inspection" Section of the "Inspection, Testing and Maintenance" Chapter in NFPA 72; retain the "Initial/Reacceptance" column and list only the installed components.
  - 2. System Testing: Comply with "Test Methods" Table in the "Testing" Section of the "Inspection, Testing and Maintenance" Chapter in NFPA 72.
  - 3. Factory-authorized service representative shall prepare the "Fire Alarm System Record of Completion" in the "Documentation" Section of the "Fundamentals of Fire Alarm Systems" Chapter in NFPA 72 and the "Inspection and Testing Form" in the "Records" Section of the "Inspection, Testing and Maintenance" Chapter in NFPA 72.
- D. Reacceptance Testing: Perform reacceptance testing to verify the proper operation of added or replaced devices and appliances.
- E. Fire-alarm system will be considered defective if it does not pass tests and inspections.
- F. Prepare test and inspection reports.
- G. Annual Test and Inspection: One year after date of Substantial Completion, test fire-alarm system complying with visual and testing inspection requirements in NFPA 72. Use forms developed for initial tests and inspections.

FIRE STATIONS RENOVATION  
ARLINGTON COUNTY, VIRGINIA  
Architect's Project No: 563006

---

3.7 DEMONSTRATION

- A. Engage a factory-authorized service representative to train Owner's maintenance personnel to adjust, operate, and maintain fire-alarm system.

END OF SECTION 283111

# PROJECT SPECIFICATIONS

## ARLINGTON COUNTY KELLY DAY RENOVATIONS FIRE STATION 6

6950 LITTLE FALLS ROAD  
ARLINGTON COUNTY, VIRGINIA  
22213

**MOSELEY**ARCHITECTS

ARCHITECT/ENGINEER

RICHMOND, VIRGINIA

PERMIT SET

**September 22, 2021**

A/E's Proj. #563006 Set No.

FIRE STATIONS RENOVATION  
ARLINGTON COUNTY, VIRGINIA  
Architect's Project No: 563006

---

SPECIFICATIONS

DIVISION 1 – GENERAL REQUIREMENTS

011000	Summary
012000	Price and Payment Procedures
012500	Substitution Procedures
013000	Administrative Requirements
013216	Construction Progress Schedule
014000	Quality Requirements
014200	Definitions and Reference Standards
014520	Testing, Adjusting, and Balancing (TAB)
015000	Temporary Facilities and Controls
016000	Product Requirements
017000	Execution and Closeout Requirements
017419	Construction Waste Management and Disposal
017800	Closeout Submittals
017900	Demonstration and Training
018119	Indoor Air Quality Requirements

DIVISION 2 – EXISTING CONDITIONS

024100	Demolition
--------	------------

DIVISION 3 – CONCRETE (not used)

DIVISION 4 – MASONRY

042000	Unit Masonry
--------	--------------

DIVISION 5 – METALS

055000	Metal Fabrications
--------	--------------------

DIVISION 6 – WOOD PLASTICS AND COMPOSITES

061000	Rough Carpentry
--------	-----------------

DIVISION 7 – THERMAL AND MOISTURE PROTECTION

079200	Joint Sealants
--------	----------------

DIVISION 8 – OPENINGS

081113	Steel Doors and Frames
083100	Access Doors and Panels

DIVISION 9 – FINISHES

092216	Cold Formed Steel Framing - Non-Structural (CFSF-NS)
092900	Gypsum Board
093000	Tiling
095100	Acoustical Panel Ceilings
096513	Resilient Base and Accessories
099123	Interior Painting

FIRE STATIONS RENOVATION  
ARLINGTON COUNTY, VIRGINIA  
Architect's Project No: 563006

---

DIVISION 10 – SPECIALTIES

102800 Toilet and Bath Accessories

DIVISION 11 – EQUIPMENT (not used)DIVISION 12 – FURNISHINGS (not used)DIVISION 13 – SPECIAL CONSTRUCTION (not used)DIVISION 14 – CONVEYING SYSTEMS (not used)DIVISION 21 – FIRE SUPPRESSION

211000 Water-Based Fire-Suppression Systems

DIVISION 22 – PLUMBING

220500 Common Work Results for Plumbing  
220517 Sleeves and Sleeve Seals for Plumbing Piping  
220519 Meters and Gages for Plumbing Piping  
220523 General-Duty Valves for Plumbing Piping  
220529 Hangers and Supports for Plumbing Piping and Equipment  
220553 Identification for Plumbing Piping and Equipment  
220700 Plumbing Insulation  
221113 Facility Natural Gas Piping  
221116 Domestic Water Piping  
221119 Domestic Water Piping Specialties  
221316 Sanitary Waste and Vent Piping  
221319 Sanitary Waste Piping Specialties  
224000 Plumbing Fixtures

DIVISION 23 – MECHANICAL

230500 Common Work Results for HVAC  
230513 Motors for HVAC Equipment  
230514 Variable Speed Drives  
230529 Hangers and Supports for HVAC Piping and Equipment  
230548 Vibration Control for HVAC  
230700 HVAC Insulation  
230900 Building Automation System  
230993 Sequence of Control for HVAC Controls  
232300 Refrigerant Piping  
233113 Metal Ducts  
233300 Air Duct Accessories  
233423 HVAC Power Ventilators  
233713 Diffusers, Registers, and Grilles  
234100 Particulate Air Filtration  
237413 Packaged Rooftop Units  
238126 Ductless Mini-Split Air Conditioning Units



FIRE STATIONS RENOVATION  
ARLINGTON COUNTY, VIRGINIA  
Architect's Project No: 563006

---

DIVISION 25 – INTEGRATED AUTOMATION (not used)

DIVISION 26 – ELECTRICAL

260519	Low-Voltage Electrical Power Conductors and Cables
260523	Control-Voltage Electrical Power Cables
260526	Grounding and Bonding for Electrical Systems
260529	Hangers and Supports for Electrical Systems
260533	Raceway and Boxes for Electrical Systems
260553	Identification for Electrical Systems
260923	Lighting Control Devices
262200	Low voltage Transformers
262416	Panelboards
262726	Wiring Devices
262813	Fuses
262816	Enclosed Switches and Circuit Breakers
265100	Interior Lighting

DIVISION 27 – COMMUNICATIONS

270000	Communications
270528	Pathways for Communications Systems

DIVISION 28 – ELECTRONIC SAFETY AND SECURITY

283111	Digital, Addressable Fire-Alarm System
--------	--

DIVISION 31 – EARTHWORK (not used)

DIVISION 32 – EXTERIOR IMPROVEMENTS (not used)

DIVISION 33 – UTILITIES (not used)

DIVISION 34 – TRANSPORTATION (not used)

END OF TABLE OF CONTENTS

FIRE STATIONS RENOVATION  
Arlington County, Virginia  
Architect's Project No.: 563006

---

**SECTION 011000  
SUMMARY**

**PART 1 GENERAL**

**1.01 PROJECT**

- A. Project Name: Arlington County Fire Stations Renovation.
- B. Owner's Name: Arlington County, Virginia.
- C. Architect's Name: Moseley Architects of Richmond, VA.

**1.02 CONTRACT DESCRIPTION**

- A. Contract Type: A single prime contract based on a Stipulated Price as described in Document 005200 - Agreement Form.

**1.03 PROFESSIONAL SEALS**

- A. Use of Professional Seals on Bidding, Procurement, and Contract Documents: For the purposes of this paragraph, the term "Regulant" refers to the individual who signs and seals parts of the Contract Documents (e.g. the Drawings and Specifications). Certain information has been excerpted verbatim from a source or sources (e.g., UL Assemblies, SMACNA details, IBC code text) which was considered or used by Regulant in preparing parts of the Contract Documents, as follows:
  - 1. The excerpted information was neither prepared under the direct control nor personal supervision nor created by the Regulant, as it was prepared by the source and owner of the excerpted information.
  - 2. For purposes of bidding, procuring, and performance of the Work, and in any event of conflicts or ambiguities between the excerpted information in the Contract Documents and the requirements of applicable codes and standards, provide the better quality or greater quantity of Work which, at a minimum, complies with the requirements of the applicable codes and standards.
  - 3. Advise Architect immediately upon becoming aware of requirements of the Work which are not consistent with the requirements of the excerpted information.
  - 4. Attribution is acknowledged for information obtained and included herein verbatim from other source or sources.
  - 5. Regulant has taken into consideration and used certain excerpted information from other sources which are applicable to the Contract Documents, and the Regulant indicates by its seal that it is assuming responsibility for its services in use and application of the excerpted information to the requirements of Work, but not for the excerpted information itself which was prepared by others. Regulant does not indicate by its seal that it is responsible for use or application of other information in such source or sources which was not included herein.

**1.04 WORK BY OWNER**

- A. Owner will furnish and install the following items before Substantial Completion. Contractor shall coordinate with and accommodate Owner's construction forces.
  - 1. Indicated metal lockers.
- B. Owner will furnish the following for installation by Contractor:
  - 1. Indicated appliances.

**1.05 OWNER OCCUPANCY**

- A. Owner intends to continue to occupy adjacent portions of the existing building during the entire construction period.
- B. Owner intends to occupy the Project upon Substantial Completion.
- C. Cooperate with Owner to minimize conflict and to facilitate Owner's operations.
- D. Schedule the Work to accommodate Owner occupancy.
  - 1. Maintain routes of egress and life safety systems for Owner and occupants at all times.

FIRE STATIONS RENOVATION  
Arlington County, Virginia  
Architect's Project No.: 563006

---

**1.06 CONTRACTOR USE OF SITE AND PREMISES**

- A. Construction Operations: Limited to areas noted on Drawings.
  - 1. Locate and conduct construction activities in ways that will limit disturbance to site.
- B. Provide access to and from site as required by law and by Owner:
  - 1. Emergency Building Exits During Construction: Keep all exits required by code open during construction period; provide temporary exit signs if exit routes are temporarily altered.
  - 2. Do not obstruct roadways, sidewalks, or other public ways without permit.
- C. Existing building spaces may not be used for storage.
- D. Existing building shall be maintained weathertight. Do not modify elements of the existing building except as indicated on the Construction Documents. Repair damage to the existing building due to construction activity.
- E. Time Restrictions:
  - 1. Limit conduct of especially noisy, malodorous, and dusty work to the hours of 8 AM to 4 PM.
  - 2. Comply with local regulations for hours of work, noise ordinances, and similar requirements.
- F. Utility Outages and Shutdown:
  - 1. Limit disruption of utility services to hours the building is unoccupied.
  - 2. Do not disrupt or shut down life safety systems, including but not limited to fire sprinklers and fire alarm system, without 7 days notice to Owner and authorities having jurisdiction.
  - 3. Prevent accidental disruption of utility services to other facilities.
- G. Controlled Substances: The use of alcohol and drugs is not permitted on the Project site. Provide a designated outdoor smoking area for construction personnel that is at least 25 feet away from the building.

**1.07 SPECIFICATION SECTIONS APPLICABLE TO ALL WORK**

- A. The provisions of the Owner/Contractor agreement, General Conditions of the Contract, Supplementary Conditions (if any), and all Division 01 sections shall apply to all sections of the Project Manual. In the event of discrepancy or conflict, the Owner/Contractor agreement and any associated conditions shall govern.

**PART 2 PRODUCTS - NOT USED**

**PART 3 EXECUTION - NOT USED**

**END OF SECTION**

FIRE STATIONS RENOVATION  
Arlington County, Virginia  
Architect's Project No.: 563006

---

**SECTION 012000  
PRICE AND PAYMENT PROCEDURES**

**PART 1 GENERAL**

**1.01 SECTION INCLUDES**

- A. Procedures for preparation and submittal of applications for progress payments.

**1.02 SCHEDULE OF VALUES**

- A. Use Schedule of Values Form: AIA G703, unless otherwise agreed to by Owner in writing.
- B. Forms filled out by hand will not be accepted.
- C. Format: Utilize the Table of Contents of this Project Manual. Identify each line item with number and title of the specification section. Identify site mobilization.
- D. Include in each line item, the amount of Allowances specified in this section. For unit cost Allowances, identify quantities taken from Contract Documents multiplied by the unit cost to achieve the total for the item.
- E. Include separately from each line item, a direct proportional amount of Contractor's overhead and profit.
- F. Revise schedule to list approved Change Orders, with each Application For Payment.
  - 1. When a Change Order includes multiple PCOs, break down the total Change Order to include each PCO as an individual line item.

**1.03 APPLICATIONS FOR PROGRESS PAYMENTS**

- A. Payment Period: Submit at intervals stipulated in the Agreement.
- B. Use Form AIA G702 and Form AIA G703.
- C. Electronic media printout including equivalent information will be considered in lieu of standard form specified; submit sample to Architect for approval.
- D. Forms filled out by hand will not be accepted.
- E. For each item, provide a column for listing each of the following:
  - 1. Item Number.
  - 2. Description of work.
  - 3. Scheduled Values.
  - 4. Previous Applications.
  - 5. Work in Place and Stored Materials under this Application.
  - 6. Authorized Change Orders.
  - 7. Total Completed and Stored to Date of Application.
  - 8. Balance to Finish.
  - 9. Retainage.
- F. Execute certification by signature of authorized officer.
- G. Use data from approved Schedule of Values. Provide dollar value in each column for each line item for portion of work performed and for stored products.
- H. List each authorized Change Order as a separate line item, listing Change Order number and dollar amount as for an original item of work.
  - 1. When a Change Order includes multiple PCOs, break down the total Change Order to include each PCO as an individual line item.
- I. Submit one electronic and three hard-copies of each Application for Payment.
- J. Include the following with the application:
  - 1. Transmittal letter as specified for submittals in Section 013000.
  - 2. Construction progress schedule, revised and current as specified in Section 013000.
  - 3. Partial release of liens from major subcontractors and vendors.
  - 4. Affidavits attesting to off-site stored products.

FIRE STATIONS RENOVATION  
Arlington County, Virginia  
Architect's Project No.: 563006

---

#### 1.04 MODIFICATION PROCEDURES

- A. For minor changes not involving an adjustment to the Contract Sum or Contract Time, Architect will issue instructions directly to Contractor on AIA Document G710 "Architect's Supplemental Instructions."
- B. For changes for which advance pricing is desired, Architect will issue a document that includes a detailed description of a proposed change with supplementary or revised drawings and specifications, a change in Contract Time for executing the change with a stipulation of any overtime work required and the period of time during which the requested price will be considered valid. Contractor shall prepare and submit a fixed price quotation within 7 days.
- C. Contractor may propose a change by submitting a request for change to Architect, describing the proposed change and its full effect on the work, with a statement describing the reason for the change, and the effect on the Contract Sum and Contract Time with full documentation.
- D. For other required changes, Architect will issue a Construction Change Directive, on AIA Document G714, signed by Owner instructing Contractor to proceed with the change, for subsequent inclusion in a Change Order.
  - 1. The document will describe the required changes and will designate method of determining any change in Contract Sum or Contract Time.
  - 2. Promptly execute the change.
- E. Computation of Change in Contract Amount: As specified in the Agreement and Conditions of the Contract.
  - 1. For change requested by Architect for work falling under a fixed price contract, the amount will be based on Contractor's price quotation.
  - 2. For change requested by Contractor, the amount will be based on the Contractor's request for a Change Order as approved by Architect.
  - 3. For pre-determined unit prices and quantities, the amount will be based on the fixed unit prices.
- F. Substantiation of Costs: Provide full information required for evaluation.
  - 1. Provide the following data:
    - a. Quantities of products, labor, and equipment.
    - b. Taxes, insurance, and bonds.
    - c. Overhead and profit.
    - d. Justification for any change in Contract Time.
    - e. Credit for deletions from Contract, similarly documented.
  - 2. Support each claim for additional costs with additional information:
    - a. Origin and date of claim.
    - b. Dates and times work was performed, and by whom.
    - c. Time records and wage rates paid.
    - d. Invoices and receipts for products, equipment, and subcontracts, similarly documented.
- G. Execution of Change Orders: Architect will issue Change Orders on AIA Document G701 for signatures of parties as provided in the Conditions of the Contract.
- H. After execution of Change Order, promptly revise Schedule of Values and Application for Payment forms to record each authorized Change Order as a separate line item and adjust the Contract Sum.
- I. Promptly revise progress schedules to reflect any change in Contract Time, revise sub-schedules to adjust times for other items of work affected by the change, and resubmit.

#### 1.05 APPLICATION FOR FINAL PAYMENT

- A. Prepare Application for Final Payment as specified for progress payments, identifying total adjusted Contract Sum, previous payments, and sum remaining due.
- B. Application for Final Payment will not be considered until the following have been accomplished:

FIRE STATIONS RENOVATION  
Arlington County, Virginia  
Architect's Project No.: 563006

---

1. All closeout procedures specified in Section 017000.
- C. Provide evidence and supporting data for the following, as attachments to the Application for Final Payment:
  1. AIA G706, "Contractor's Affidavit of Payment of Debts and Claims."
  2. AIA G707, "Consent of Surety to Final Payment."
  3. Settlement of all debts and claims, including liquidated damages, taxes, and fees.
  4. Utility meter readings, fuel levels, and similar measurements, as of the date of turn over to the Owner.
  5. Certificates for insured products.

**PART 2 PRODUCTS - NOT USED**

**PART 3 EXECUTION - NOT USED**

**END OF SECTION**

FIRE STATIONS RENOVATION  
Arlington County, Virginia  
Architect's Project No.: 563006

---

**SECTION 012500  
SUBSTITUTION PROCEDURES**

**PART 1 GENERAL**

**1.01 DEFINITIONS**

- A. Substitutions: Changes from Contract Documents requirements proposed by Contractor to materials, products, assemblies, and equipment.
1. Substitutions for Cause: Proposed due to changed Project circumstances beyond Contractor's control, such as unavailability, regulatory changes, or unobtainable warranty terms.
  2. Substitutions for Convenience: Proposed due to possibility of offering substantial advantage to the Project.

**PART 2 PRODUCTS - NOT USED**

**PART 3 EXECUTION**

**3.01 GENERAL REQUIREMENTS**

- A. A Substitution Request for products, assemblies, materials, and equipment constitutes a representation that the submitter:
1. Has investigated proposed product and determined that it meets or exceeds the quality level of the specified product, equipment, assembly, or system.
  2. Agrees to provide the same warranty for the substitution as for the specified product.
  3. Agrees to provide same or equivalent maintenance service and source of replacement parts, as applicable.
  4. Agrees to coordinate installation and make changes to other work that may be required for the work to be complete, with no additional cost to Owner.
  5. Waives claims for additional costs or time extension that may subsequently become apparent.
  6. Agrees to reimburse Owner and Architect for review or redesign services associated with re-approval by authorities.
- B. Document each request with complete data substantiating compliance of proposed substitution with Contract Documents. Burden of proof is on proposer.
1. Note explicitly any non-compliant characteristics.
- C. Content: Include information necessary for tracking the status of each Substitution Request, and information necessary to provide an actionable response.
1. A copy of the Substitution Request Form that shall be used is included at the end of this Section for informational purposes. Request a Word or editable PDF version of the form from the Architect and complete the form digitally; do not complete the form by hand.
  2. Contractor's Substitution Request documentation must include the following:
    - a. Substitution Request Information:
      - 1) Indication of whether the substitution is for cause or convenience.
      - 2) Issue date.
      - 3) Reference to particular Contract Document(s) specification section number, title, and article/paragraph(s).
      - 4) Description of Substitution.
      - 5) Reason why the specified item cannot be provided.
      - 6) Description of how proposed substitution affects other parts of work.
    - b. Attached Comparative Data: Provide point-by-point, side-by-side comparison addressing essential attributes specified, as appropriate and relevant for the item:
      - 1) Physical characteristics.
      - 2) In-service performance.
      - 3) Expected durability.
      - 4) Visual effect.
      - 5) Sustainable design features.
      - 6) Warranties.
      - 7) Other salient features and requirements.

FIRE STATIONS RENOVATION  
Arlington County, Virginia  
Architect's Project No.: 563006

---

- 8) Include, as appropriate or requested, the following types of documentation:
  - (a) Product Data:
  - (b) Samples.
  - (c) Certificates, test, reports or similar qualification data.
  - (d) Drawings, when required to show impact on adjacent construction elements.
- c. Impact of Substitution: Provide data indicating cost savings to Owner and change in Contract Time due to accepting substitution.
- D. Limit each request to a single proposed substitution item.
  - 1. Submit an electronic document, combining the request form with supporting data into single document.

**3.02 SUBSTITUTION PROCEDURES DURING CONSTRUCTION**

- A. Architect will consider requests for substitutions for convenience only within 30 days after date of Agreement.
  - 1. Substitutions for convenience submitted after this time period may or may not be considered, at the Architect's discretion.
- B. Submit request for Substitution for Cause immediately upon discovery of need for substitution, but not later than 14 days prior to time required for review and approval by Architect, in order to stay on approved project schedule.
- C. Submit request for Substitution for Convenience immediately upon discovery of its potential advantage to the project, but not later than 14 days prior to time required for review and approval by Architect, in order to stay on approved project schedule.
  - 1. In addition to meeting general documentation requirements, document how the requested substitution benefits the Owner through cost savings, time savings, greater energy conservation, or in other specific ways.
  - 2. Document means of coordinating of substitution item with other portions of the work, including work by affected subcontractors.
  - 3. Bear the costs engendered by proposed substitution of:
    - a. Owner's compensation to the Architect for any required redesign, time spent processing and evaluating the request.
    - b. Other unanticipated project considerations.
- D. Substitutions will not be considered under one or more of the following circumstances:
  - 1. When they are indicated or implied on shop drawing or product data submittals, without having received prior approval.
  - 2. Without a separate written request.

**3.03 RESOLUTION**

- A. Architect may request additional information and documentation prior to rendering a decision. Provide this data in an expeditious manner.
- B. Architect will notify Contractor in writing of decision to accept or reject request.

**3.04 ACCEPTANCE**

- A. Accepted substitutions change the work of the Project. They will be documented and incorporated into work of the project by Change Order, Construction Change Directive, Architectural Supplementary Instructions, or similar instruments provided for in the Conditions of the Contract.

**3.05 CLOSEOUT ACTIVITIES**

- A. See Section 017800 - Closeout Submittals, for closeout submittals.

**END OF SECTION**



FIRE STATIONS RENOVATION  
Arlington County, Virginia  
Architect's Project No.: 563006

---

**SECTION 013000  
ADMINISTRATIVE REQUIREMENTS**

**PART 1 GENERAL**

**1.01 GENERAL ADMINISTRATIVE REQUIREMENTS**

- A. Comply with requirements of Section 017000 - Execution and Closeout Requirements for coordination of execution of administrative tasks with timing of construction activities.
- B. Electronic File Distribution: Upon request, Contractor may be provided electronic files for use in coordination of the Work and preparation of submittals. Contractor shall submit a signed Request Form for Electronic Files, provided by the Architect.
  - 1. Electronic files do not contain all of the information of the Bid Documents or Contract Documents for construction of the Project, and the Architect shall not be responsible for differences between electronic files, Bid Documents, and Contract Documents.

**1.02 SUBMITTALS**

- A. General Contractor Personnel: As soon as practical after award of Contract, provide a summary of General Contractor's on site personnel. Identify each individual, beginning with project superintendent. List project responsibilities, cell phone number, and email address.
- B. Subcontractors: As soon as practical after award of Contract, provide a summary of all companies and individuals engaged as subcontractors for any part of the Project. Include a contact name, company address, phone number, and email address, and identify what part of the Work shall be completed by each subcontractor.
- C. Coordination Drawings: Submit completed Coordination Drawings for Architect's information.

**PART 2 PRODUCTS - NOT USED**

**PART 3 EXECUTION**

**3.01 ELECTRONIC DOCUMENT SUBMITTAL SERVICE**

- A. All documents transmitted for purposes of administration of the contract are to be in electronic (PDF, MS Word, or MS Excel) format, as appropriate to the document, and transmitted via an Internet-based submittal service that receives, logs and stores documents, provides electronic stamping and signatures, and notifies addressees via email.
  - 1. Besides submittals for review, information, and closeout, this procedure applies to Requests for Interpretation (RFIs), progress documentation, contract modification documents (e.g. supplementary instructions, change proposals, change orders), applications for payment, field reports and meeting minutes, Contractor's correction punchlist, and any other document any participant wishes to make part of the project record.
  - 2. It is Contractor's responsibility to submit documents in allowable format.
  - 3. Subcontractors, suppliers, and Architect's consultants will be permitted to use the service at no extra charge.
  - 4. Paper document transmittals will not be reviewed unless previously approved; emailed electronic documents will not be reviewed.
  - 5. All other specified submittal and document transmission procedures apply, except that electronic document requirements do not apply to samples or color selection charts.
- B. Submittal Service: Coordinate method for exchanging files no later than the Preconstruction Meeting. The Architect's "Newforma InfoExchange" website and procedures can be used at no charge. If the Contractor chooses to use a different platform and methodology:
  - 1. The Architect may reject the methodology or platform proposed and:
    - a. use the Architect's Newforma InfoExchange website, or
    - b. the project team will revert to traditional hard-copy exchange;
  - 2. or the Contractor shall bear the cost of software, licensing, training, etc, for the project team to participate.
- C. Project Closeout: Architect will determine when to terminate the service for the project and is responsible for obtaining archive/record copies of files for Owner. If the Project Team uses an alternate platform preferred by the Contractor, the Contractor shall be responsible

FIRE STATIONS RENOVATION  
Arlington County, Virginia  
Architect's Project No.: 563006

---

for distributing archive/record copies of files to Owner and Architect.

### **3.02 PRECONSTRUCTION MEETING**

- A. Architect will schedule a meeting after Notice of Award.
- B. Attendance Required:
  - 1. Owner.
  - 2. Architect.
  - 3. Contractor.
  - 4. Major subcontractors, consultants, and others as necessary and appropriate.
- C. Agenda:
  - 1. Execution of Owner-Contractor Agreement.
  - 2. Submission of executed bonds and insurance certificates.
  - 3. Distribution of Contract Documents.
  - 4. Submission of list of subcontractors, list of products, schedule of values, and progress schedule.
  - 5. Designation of personnel representing the parties to Contract and Architect.
  - 6. Procedures and processing of field decisions, submittals, substitutions, applications for payments, proposal request, Change Orders, and Contract closeout procedures.
  - 7. Scheduling.
  - 8. Site mobilization and utilization.
  - 9. Other project-specific items on pre-distributed agenda.
- D. Architect shall record minutes and distribute digital copies to Owner, Contractor, and other attendees. Contractor shall be responsible for distribution to subcontractors and other personnel affected by decisions made.

### **3.03 INDOOR AIR QUALITY (IAQ) MANAGEMENT PLAN DEVELOPMENT SESSION**

- A. Architect will schedule a meeting after Notice of Award.
- B. Attendance Required:
  - 1. Owner.
  - 2. Architect.
  - 3. Mechanical engineer.
  - 4. Contractor.
  - 5. HVAC subcontractor.
  - 6. Other major subcontractors, consultants, and others as necessary and appropriate.
- C. Agenda:
  - 1. Protection of Materials: Discussion of how and where materials that could impact IAQ will be stored, including but not limited to, the following:
    - a. Insulation.
    - b. Gypsum board.
    - c. Flooring materials.
    - d. Ceiling panels.
    - e. Furnishings.
    - f. Odorous chemicals.
  - 2. Protection of HVAC: Discussion of how HVAC equipment will be stored installed, and operated during construction.
  - 3. Pathway Interruption: Discussion of how airflow between construction zones will be limited to prevent the spreading of pollutants from one part of the building to another.
  - 4. Housekeeping: Discussion of how the building will be kept clean and dry.
  - 5. Materials Installation Scheduling: Discussion of what wet (odor emitting) materials will be used on the project, in order to schedule their installation before fuzzy (odor absorbing) materials.

### **3.04 PREINSTALLATION MEETINGS**

- A. When required in individual specification sections, convene a preinstallation meeting at the site prior to commencing work of the section. Do not allow installation of affected work to proceed until preinstallation meeting can be held.

FIRE STATIONS RENOVATION  
Arlington County, Virginia  
Architect's Project No.: 563006

---

- B. Require attendance of parties directly affecting, or affected by, work of the specific section.
- C. Notify Architect and Owner in advance of meeting date.
- D. Prepare agenda and preside at meeting:
  - 1. Review conditions of examination, preparation and installation procedures.
  - 2. Review coordination with related work.
- E. Record minutes and distribute copies within two days after meeting to participants, with copies to Architect, Owner, participants, and those affected by decisions made.

### **3.05 PROGRESS MEETINGS**

- A. Architect will make arrangements for meetings, prepare agenda with copies for participants, preside at meetings.
- B. Attendance Required:
  - 1. Owner.
  - 2. Architect.
  - 3. Contractor's superintendent.
  - 4. Other subcontractors or consultants as required for the specific parts of the Work to be discussed.
- C. Agenda:
  - 1. Review minutes of previous meetings.
  - 2. Review of work progress.
  - 3. Field observations, problems, and decisions.
  - 4. Identification of problems that impede, or will impede, planned progress.
  - 5. Review of submittals schedule and status of submittals.
  - 6. Review of RFIs log and status of responses.
  - 7. Maintenance of progress schedule.
  - 8. Corrective measures to regain projected schedules.
  - 9. Planned progress during succeeding work period.
  - 10. Maintenance of quality and work standards.
  - 11. Effect of proposed changes on progress schedule and coordination.
  - 12. Other business relating to the work.
- D. Architect shall record minutes and distribute copies to the Owner, Contractor, and other consultants, Owner's representatives, or other third party attendees. The Contractor shall be responsible for distributing to any affected subcontractors and other personnel.

### **3.06 CLOSEOUT MEETING**

- A. Schedule and administer closeout meeting no later than 30 days before the scheduled Date of Substantial Completion.
- B. Make arrangements for the meeting, prepare agenda with copies for participants, and preside at the meeting.
- C. Attendance Required:
  - 1. Owner.
  - 2. Architect.
  - 3. Contractor's superintendent.
  - 4. Major subcontractors.
  - 5. Other subcontractors or consultants as required.
- D. Agenda:
  - 1. Review closeout requirements and procedures in Division 1 Section "Execution and Closeout Requirements."
  - 2. Review startup, testing, and adjusting of all systems, including testing/adjusting/balancing and Commissioning,
  - 3. Coordination of inspections by local authorities having jurisdiction and third party Special Inspectors as required to obtain Certificate of Occupancy.
  - 4. Coordination of Owner's occupancy and changeover of utilities, insurance, and building keying/lock system.

FIRE STATIONS RENOVATION  
Arlington County, Virginia  
Architect's Project No.: 563006

---

5. Procedures for Contractor's Correction Punch List, Architect's Substantial Completion inspection, and Final Correction Punch List.
  6. Delivery, turnover, and storage of maintenance materials, attic stock, special tools, and other non-installed materials.
  7. Coordination of closeout documentation, including demonstration and training materials and videos, as built/record documents, operation and maintenance binders, and warranty binders.
  8. Removal of temporary facilities, construction equipment, and tools.
  9. Final cleaning, touchup, restoration, and preventive maintenance.
  10. Coordination of final Applications for Payment.
- E. Record minutes and distribute copies within two days after meeting to participants, with copies to Architect, Owner, participants, and those affected by decisions made.

### **3.07 DAILY CONSTRUCTION REPORTS**

- A. Include only factual information. Do not include personal remarks or opinions regarding operations and/or personnel.
- B. Prepare a daily construction report recording the following information concerning events at Project site and project progress:
1. Date.
  2. High and low temperatures, and general weather conditions.
  3. List of subcontractors at Project site.
  4. Approximate count of personnel at Project site.
  5. Major equipment at Project site.
  6. Material deliveries.
  7. Safety, environmental, or industrial relations incidents.
  8. Meetings and significant decisions.
  9. Unusual events (submit a separate special report).
  10. Stoppages, delays, shortages, and losses. Include comparison between scheduled work activities (in Contractor's most recently updated and published schedule) and actual activities. Explain differences, if any. Note days or periods when no work was in progress and explain the reasons why.
  11. Directives and requests of Authority(s) Having Jurisdiction (AHJ).
  12. Testing and/or inspections performed.
  13. Signature of Contractor's authorized representative.

### **3.08 COORDINATION DRAWINGS AND COORDINATION CONFERENCE**

- A. Coordination Drawings: The Contractor shall prepare coordination drawings of all spaces where utilities, systems, and other components converge or intersect and efficient installation is required to accommodate all components.
1. Prepare coordination drawings of the following spaces, at minimum. Supplement with additional spaces as required by project-specific conditions.
    - a. Above ceilings.
    - b. Vertical chases, shafts, and wall cavities.
    - c. Mechanical and electrical rooms, fire pump room, and other major utility spaces.
  2. Provide accurate overall dimensions of components (for example, outside diameters of pipe and conduit, or overall ductwork dimensions including insulation and enclosure thickness).
  3. Include accessory components of systems that could cause potential conflicts, such as bracing, slotted channel framing, hangers, and other supports, valve handles, flanges, fittings, cable/wire management trays, and other similar components.
  4. Include sequence of installation of all components, materials, and systems.
  5. Include means of access to each component, material, or system, for maintenance and repairs.
  6. Provide additional coordination drawings as required by individual specification sections.
  7. Prepare Coordination Drawings using project-specific information. Do not use photocopies or reproductions of Contract Documents, and do not use standard details

FIRE STATIONS RENOVATION  
Arlington County, Virginia  
Architect's Project No.: 563006

---

- or data from manufacturers, suppliers, or other outside parties.
8. Drawing Files: The Contractor may develop coordination drawings using 2D CAD software or with 3D BIM software with clash-detection functionality.
    - a. The Architect will furnish original 3D BIM model or 2D DWG files for Contractor's use upon receipt of Architect's "Request Form for Electronic Files". A copy of this form shall be provided to the Contractor upon request.
      - 1) The Architect makes no guarantee to the accuracy of components in electronic files. The Contractor shall coordinate electronic data with the Contract Documents in order to provide final Coordination Drawings.
      - 2) If using 2D files, the Contractor shall prepare drawings in multiple views (for example, RCP and section) to fully represent 3D space, for example plenum heights, wall assembly thicknesses, etc.
  9. Submittal: Submit Coordination Drawings as a "Submittal for Information." Architect will not approve Coordination Drawings, but will keep on file for use in subsequent coordination and conflict resolution.
- B. Coordination Conference: Schedule and conduct a Coordination Conference prior to beginning construction or rough-in of affected work. Require attendance by all affected trades and installers.
1. Identify the Coordination Conference as a "milestone" date on the Construction Progress Schedule.
  2. Advise the Architect of all potential conflicts identified in the Coordination Drawings and at the Coordination Conference.
  3. Do not proceed with construction or installation of components, materials, or systems until potential conflicts have been resolved and affected parties have agreed to a remedy.
  4. Remedies to address conflicts not identified in the Coordination Drawings, at the Coordination Conference, or otherwise addressed prior to construction or installation of affected components, materials, and systems, or discovery of a non-workable situation not identified or addressed, will not be considered as a basis for delay, time extension, or additional cost to the Contract.

### 3.09 REQUESTS FOR INFORMATION (RFI)

- A. Definition: A request seeking one of the following:
1. An interpretation, amplification, or clarification of some requirement of Contract Documents arising from inability to determine from them the exact material, process, or system to be installed; or when the elements of construction are required to occupy the same space (interference); or when an item of work is described differently at more than one place in Contract Documents.
  2. A resolution to an issue which has arisen due to field conditions and affects design intent.
- B. Preparation: Prepare an RFI immediately upon discovery of a need for interpretation of Contract Documents. Failure to submit a RFI in a timely manner is not a legitimate cause for claiming additional costs or delays in execution of the work.
1. Prepare a separate RFI for each specific item.
    - a. Review, coordinate, and comment on requests originating with subcontractors and/or materials suppliers.
    - b. Do not forward requests which solely require internal coordination between subcontractors.
  2. Prepare in a format and with content acceptable to Owner.
  3. Prepare using software provided by the Electronic Document Submittal Service.
  4. Combine RFI and its attachments into a single electronic file. PDF format is preferred.
- C. Reason for the RFI: Prior to initiation of an RFI, carefully study all Contract Documents to confirm that information sufficient for their interpretation is definitely not included.
1. Include in each request Contractor's signature attesting to good faith effort to determine from Contract Documents information requiring interpretation.
  2. Unacceptable Uses for RFIs: Do not use RFIs to request the following:
    - a. Approval of submittals (use procedures specified elsewhere in this section).

FIRE STATIONS RENOVATION  
Arlington County, Virginia  
Architect's Project No.: 563006

---

- b. Approval of substitutions (see Section - 016000 - Product Requirements)
  - c. Changes that entail change in Contract Time and Contract Sum (comply with provisions of the Conditions of the Contract).
  - d. Different methods of performing work than those indicated in the Contract Drawings and Specifications (comply with provisions of the Conditions of the Contract).
3. Improper RFIs: Requests not prepared in compliance with requirements of this section, and/or missing key information required to render an actionable response. They will be returned without a response.
4. Frivolous RFIs: Requests regarding information that is clearly indicated on, or reasonably inferable from, Contract Documents, with no additional input required to clarify the question. They will be returned without a response.
- a. The Owner reserves the right to assess the Contractor for the costs (on time-and-materials basis) incurred by the Architect, and any of its consultants, due to processing of such RFIs.
- D. Content: Include identifiers necessary for tracking the status of each RFI, and information necessary to provide an actionable response.
- 1. Official Project name and number, and any additional required identifiers established in Contract Documents.
  - 2. Owner's, Architect's, and Contractor's names.
  - 3. Discrete and consecutive RFI number, and descriptive subject/title.
  - 4. Issue date, and requested reply date.
  - 5. Reference to particular Contract Document(s) requiring additional information/interpretation. Identify pertinent drawing and detail number and/or specification section number, title, and paragraph(s).
  - 6. Annotations: Field dimensions and/or description of conditions which have engendered the request.
  - 7. Contractor's suggested resolution: A written and/or a graphic solution, to scale, is required in cases where clarification of coordination issues is involved, for example; routing, clearances, and/or specific locations of work shown diagrammatically in Contract Documents. If applicable, state the likely impact of the suggested resolution on Contract Time or the Contract Sum.
- E. Attachments: Include sketches, coordination drawings, descriptions, photos, submittals, and other information necessary to substantiate the reason for the request.
- F. RFI Log: Prepare and maintain a tabular log of RFIs for the duration of the project.
- 1. Indicate current status of every RFI. Update log promptly and on a regular basis.
  - 2. Note dates of when each request is made, and when a response is received.
- G. Review Time: Architect will respond and return RFIs to Contractor within seven calendar days of receipt. For the purpose of establishing the start of the mandated response period, RFIs received after 12:00 noon will be considered as having been received on the following regular working day.
- 1. Response period may be shortened or lengthened for specific items, subject to mutual agreement.
- H. Responses: Content of answered RFIs will not constitute in any manner a directive or authorization to perform extra work or delay the project. If in Contractor's belief it is likely to lead to a change to Contract Sum or Contract Time, promptly issue a notice to this effect, and follow up with an appropriate Change Order request to Owner.
- 1. Response may include a request for additional information, in which case the original RFI will be deemed as having been answered, and an amended one is to be issued forthwith. Identify the amended RFI with an R suffix to the original number.
  - 2. Do not extend applicability of a response to specific item to encompass other similar conditions, unless specifically so noted in the response.
  - 3. Upon receipt of a response, promptly review and distribute it to all affected parties, and update the RFI Log.
  - 4. Notify Architect within seven calendar days if an additional or corrected response is required by submitting an amended version of the original RFI, identified as specified

FIRE STATIONS RENOVATION  
Arlington County, Virginia  
Architect's Project No.: 563006

---

above.

### 3.10 SUBMITTAL SCHEDULE

- A. Submit to Architect for review a schedule for submittals in tabular format.
  - 1. Coordinate with Contractor's construction schedule and schedule of values.
  - 2. Format schedule to allow tracking of status of submittals throughout duration of construction.
  - 3. Arrange information to include scheduled date for initial submittal, specification number and title, submittal category (for review or for information), description of item of work covered, and role and name of subcontractor.
  - 4. Account for time required for preparation, review, manufacturing, fabrication and delivery when establishing submittal delivery and review deadline dates.
    - a. For assemblies, equipment, systems comprised of multiple components and/or requiring detailed coordination with other work, allow for additional time to make corrections or revisions to initial submittals, and time for their review.
    - b. Account for a reasonable duration of time to allow for final color selections, approvals, and preparation of final finish schedules (one finish schedule for interior color selections, and one for exterior color selections). This period shall begin upon receipt of all submittals requiring color selection.

### 3.11 SUBMITTALS FOR REVIEW

- A. When the following are specified in individual sections, submit them for review:
  - 1. Product data.
  - 2. Design data.
  - 3. Shop drawings.
  - 4. Samples for selection.
  - 5. Samples for verification.
- B. Submit to Architect for review for the limited purpose of checking for compliance with information given and the design concept expressed in Contract Documents.
- C. Samples will be reviewed for aesthetic, color, or finish selection.
- D. Color Selection: In individual specification sections, specific items are identified which require color/finish selections to be made by the Architect from color chart or sample submittals. The Submittal Schedule, prepared according to "Submittal Schedule" paragraph above, shall identify these required color/finish submittals.
  - 1. Submittals requiring color selection must be submitted by Contractor and approved by Architect for conformance with Contract Documents prior to the start of the color selection process. When the submittals have been approved for conformance with Contract Documents, the process for color selection, presentation of color concepts, Owner approval, and Color Schedule preparation will begin.
  - 2. Interior Color Selections: The Architect will make coordinated selections of colors/finishes for the building interior, present the resulting color concepts to the Owner for approval, and prepare the actual Interior Color Schedule for the Work.
  - 3. Exterior Color Selections: The Architect will make coordinated selections of colors/finishes for the building exterior and prepare Exterior Color Schedule.
- E. After review, provide copies and distribute in accordance with SUBMITTAL PROCEDURES article below.

### 3.12 SUBMITTALS FOR INFORMATION

- A. When the following are specified in individual sections, submit them for information:
    - 1. Certificates.
    - 2. Test reports.
    - 3. Inspection reports.
    - 4. Manufacturer's instructions.
    - 5. Manufacturer's field reports.
    - 6. Other types indicated.
  - B. Submit for Architect's knowledge as contract administrator or for Owner.
-

FIRE STATIONS RENOVATION  
Arlington County, Virginia  
Architect's Project No.: 563006

---

### 3.13 SUBMITTALS FOR PROJECT CLOSEOUT

- A. Submit Correction Punch List for Substantial Completion.
- B. Submit Final Correction Punch List for Substantial Completion.
- C. When the following are specified in individual sections, submit them at project closeout in compliance with requirements of Section 017800 - Closeout Submittals:
  - 1. Project record documents.
  - 2. Operation and maintenance data.
  - 3. Warranties.
  - 4. Bonds.
  - 5. Other types as indicated.

### 3.14 NUMBER OF COPIES OF SUBMITTALS

- A. Electronic Documents: Submit one electronic copy in PDF format; an electronically-marked up file will be returned. Create PDFs at native size and right-side up; illegible files will be rejected.
- B. Selection Samples: Submit one set of manufacturer's charts indicating full range of available colors, textures, patterns, and other aesthetic qualities.
- C. Verification Samples: Submit three sets of physical samples. Two sets will be retained by Architect, the third will be returned to the Contractor. Maintain approved sample at the Project site for use in comparing to installed Work.
  - 1. Where a full-size assembly of multiple components is required as a sample (for example, railing section or full-size cabinet), only one sample is required for those items.

### 3.15 SUBMITTAL PROCEDURES

- A. General Requirements:
  - 1. Use a single transmittal for all submittals required by each individual specification section, unless otherwise indicated.
    - a. Verification samples and large shop drawing submittals may be submitted under separate cover when approved by Architect.
  - 2. Transmit using AIA G810 or other approved form.
  - 3. Sequentially identify each item. For revised submittals use original number and a sequential numerical suffix.
  - 4. Identify: Project; Contractor; subcontractor or supplier; pertinent drawing and detail number; and specification section number and article/paragraph, as appropriate on each copy.
  - 5. Apply Contractor's stamp, signed or initialed certifying that review, approval, verification of products required, field dimensions, adjacent construction work, and coordination of information is in accordance with the requirements of the work and Contract Documents.
    - a. Submittals from sources other than the Contractor, or without Contractor's stamp will not be acknowledged, reviewed, or returned.
  - 6. Deliver each submittal on date noted in submittal schedule, unless an earlier date has been agreed to by all affected parties, and is of the benefit to the project.
    - a. Upload submittals in electronic form to Electronic Document Submittal Service website.
  - 7. Schedule submittals to expedite the Project, and coordinate submission of related items.
    - a. Allow sufficient time for administrative processing, Architect's initial review, and potential resubmittals.
    - b. Allow additional time for submittals requiring sequential reviews involving Architect's consultants, Owner, or another affected party.
    - c. Allow additional time for submittals requiring sequential reviews involving approval from authorities having jurisdiction (AHJ), in addition to Architect's approval.



FIRE STATIONS RENOVATION  
Arlington County, Virginia  
Architect's Project No.: 563006

---

- d. No extensions to the project schedule shall be granted due to delays that can be attributed to submittal processing or failure to allow for sequential reviews or resubmittals.
  8. Identify variations from Contract Documents and product or system limitations that may be detrimental to successful performance of the completed work.
  9. When revised for resubmission, identify all changes made since previous submission.
  10. Distribute reviewed submittals. Instruct parties to promptly report inability to comply with requirements.
  11. Incomplete submittals may not be reviewed, unless they are partial submittals for distinct portion(s) of the work, and have received prior approval for their use.
  12. Submittals not requested will be recognized, and will be returned "Not Reviewed".
- B. Product Data Procedures:
1. Submit only information required by individual specification sections.
  2. Collect required information into a single submittal.
  3. Submit concurrently with related shop drawing submittal.
  4. Do not submit (Material) Safety Data Sheets for materials or products.
- C. Shop Drawing Procedures:
1. Prepare accurate, drawn-to-scale, original shop drawing documentation by interpreting Contract Documents and coordinating related work.
  2. Do not reproduce Contract Documents to create shop drawings.
  3. Generic, non-project-specific information submitted as shop drawings do not meet the requirements for shop drawings.
- D. Samples Procedures:
1. Transmit related items together as single package.
  2. Identify each item to allow review for applicability in relation to shop drawings showing installation locations.
  3. Selection Samples: Provide color charts that accurately relay color, pattern, and texture information. Photographs or photocopies of color charts are unacceptable and subject to rejection.
  4. Verification Samples: Provide physical samples of each color selected by Architect from Selection Samples. Verification samples shall be manufactured and prepared identically to the material that shall be used in the installed Work. Label each sample clearly with manufacturer, product name, and color, texture, and/or pattern name as applicable. Photographs of physical samples are unacceptable and subject to rejection.

### 3.16 SUBMITTAL REVIEW

- A. Submittals for Review: Architect will review each submittal, and approve, or take other appropriate action.
- B. Submittals for Information: Architect will acknowledge receipt, but will take no other action.
- C. Architect's actions will be reflected by marking each returned submittal using virtual stamp on electronic submittals.
1. Notations may be made directly on submitted items and/or listed on appended Submittal Review cover sheet.
- D. Architect's actions on items submitted for review:
1. Authorizing purchasing, fabrication, delivery, and installation:
    - a. "Approved as Noted":
      - 1) Where review notations indicate revisions are necessary, submit corrected item, with review notations acknowledged and incorporated.
  2. Not Authorizing fabrication, delivery, and installation:
    - a. "Revise and Resubmit":
      - 1) Resubmit revised item, with review notations acknowledged and incorporated.
    - b. "Rejected/Resubmit":

FIRE STATIONS RENOVATION  
Arlington County, Virginia  
Architect's Project No.: 563006

---

- 1) New submittal required, with item complying with requirements of Contract Documents.
- c. "Color Selection Required":
  - 1) Color selections for the entire project, or portion thereof, will be provided after receipt of all color charts and samples required for the Project.
- d. "Not Submitted":
  - 1) Additional submittal items are required that were not provided in the original submittal.
- E. Architect's actions on items submitted for information:
  - 1. Items for which no action was taken:
    - a. "Not Reviewed": To notify the Contractor that the submittal has been received for record only.

**END OF SECTION**

FIRE STATIONS RENOVATION  
Arlington County, Virginia  
Architect's Project No.: 563006

---

**SECTION 013216  
CONSTRUCTION PROGRESS SCHEDULE**

**PART 1 GENERAL**

**1.01 SUBMITTALS**

- A. Within 10 days after date of Agreement, submit preliminary schedule defining planned operations for the first 30 days of Work, with a general outline for remainder of Work.
- B. If preliminary schedule requires revision after review, submit revised schedule within 5 days.
- C. Within 10 days after review of preliminary schedule, submit draft of proposed complete schedule for review.
  - 1. Include written certification that major contractors have reviewed and accepted proposed schedule.
- D. Within 10 days after joint review, submit complete schedule.
- E. Submit updated schedule with each Application for Payment.
- F. Submit in PDF format.

**1.02 SCHEDULE FORMAT**

- A. Listings: In chronological order according to the start date for each activity. Identify each activity with the applicable specification section number.

**PART 2 PRODUCTS - NOT USED**

**PART 3 EXECUTION**

**3.01 PRELIMINARY SCHEDULE**

- A. Prepare preliminary schedule in the form of a horizontal bar chart.

**3.02 CONTENT**

- A. Show complete sequence of construction by activity, with dates for beginning and completion of each element of construction.
- B. Identify work of separate phases and other logically grouped activities.
- C. Identify all major milestone dates, including, but not limited to, Notice to Proceed and Substantial and Final Completion dates.
- D. Identify duration of each activity, in maximum 15 day intervals.
- E. Incorporate work restrictions indicated in Division 1 Section "Summary," if any.
- F. Show accumulated percentage of completion of each item, and total percentage of Work completed, as of the first day of each month.
- G. Provide separate schedule of submittal dates for shop drawings, product data, and samples, owner-furnished products, products identified under Allowances, and dates reviewed submittals will be required from Architect. Indicate decision dates for selection of finishes.
- H. Indicate procurement duration and delivery dates for long-lead time items.
- I. Coordinate submittal approval process with procurement and delivery requirements. Submittals requiring resubmission or revision for approval will not be allowed as a basis for schedule impacts.
- J. Indicate delivery dates for owner-furnished products.
- K. Indicate the time period for color selection activity and approval by Owner and Architect, as required per Division 1 Section "Administrative Requirements."
- L. Indicate date of changeover from temporary to permanent utilities.
- M. Indicate time periods for Commissioning activities, equipment startup, and testing and balancing.
- N. Provide a reasonable time period prior to the date of Substantial Completion for administrative activities and procedures.

FIRE STATIONS RENOVATION  
Arlington County, Virginia  
Architect's Project No.: 563006

---

- O. Provide legend for symbols and abbreviations used.

**3.03 BAR CHARTS**

- A. Include a separate bar for each major portion of Work or operation.  
B. Identify critical path activities.  
C. Identify the first work day of each week.

**3.04 REVIEW AND EVALUATION OF SCHEDULE**

- A. Participate in joint review and evaluation of schedule with Architect at each submittal.  
B. Evaluate project status to determine work behind schedule and work ahead of schedule.  
C. After review, revise as necessary as result of review, and resubmit within 10 days.

**3.05 UPDATING SCHEDULE**

- A. Maintain schedules to record actual start and finish dates of completed activities.  
B. Indicate progress of each activity to date of revision, with projected completion date of each activity.  
C. Annotate diagrams to graphically depict current status of Work.  
D. Identify activities modified since previous submittal, major changes in Work, and other identifiable changes.  
E. Indicate changes required to maintain Date of Substantial Completion.  
F. Schedule revisions shall not modify any Contract Dates or the Contract Sum, unless specifically approved and documented via Change Order.  
G. Submit reports required to support recommended changes.  
H. Provide narrative report to define problem areas, anticipated delays, and impact on the schedule. Report corrective action taken or proposed and its effect.  
I. Recovery Schedule: If the Contractor is 14 or more days behind schedule, in the opinion of the Owner, the Contractor shall prepare a Recovery Schedule, incorporating a reasonable, mutually agreed upon length of time to return the Work to the approved Schedule. The Recovery Schedule shall be prepared to the same level of detail as the original construction progress schedule. Submit the recovery schedule for Owner review; do not proceed until the Owner has approved.  
1. At the end of the recovery period, Owner shall reevaluate construction progress and determine if the Recovery Schedule has been successfully completed. If completed, Owner shall direct the Contractor to proceed with the latest approved Construction Schedule.  
a. If the Contractor is still behind schedule at the end of the recovery period, the Owner shall direct the Contractor to provide additional schedule revisions to complete the recovery, or may at its option pursue other means of resolution as provided for by the Contract Documents.  
2. Need for and preparation of a Recovery Plan shall not be the basis of additional cost to the Owner or extension of Project Schedule, unless the Contractor can demonstrate that the reason for being behind schedule is no fault of their own.

**3.06 DISTRIBUTION OF SCHEDULE**

- A. Distribute copies of updated schedules to Contractor's project site file, to subcontractors, suppliers, Architect, Owner, and other concerned parties.  
B. Instruct recipients to promptly report, in writing, problems anticipated by projections indicated in schedules.

**END OF SECTION**

FIRE STATIONS RENOVATION  
Arlington County, Virginia  
Architect's Project No.: 563006

---

**SECTION 014000  
QUALITY REQUIREMENTS**

**PART 1 GENERAL**

**1.01 DEFINITIONS**

- A. Contractor's Quality Control Plan: Contractor's management plan for executing the Contract for Construction.
- B. Contractor's Professional Design Services/Delegated Design: Design of some aspect or portion of the project by party other than the design professional of record. Provide these services as part of the Contract for Construction.
  - 1. Design Services Types Required:
    - a. Construction-Related: Services Contractor needs to provide in order to carry out the Contractor's sole responsibilities for construction means, methods, techniques, sequences, and procedures.
    - b. Design-Related: Design services explicitly required to be performed by another design professional due to highly-technical and/or specialized nature of a portion of the project. Services primarily involve engineering analysis, calculations, and design, and are not intended to alter the aesthetic aspects of the design.
- C. Design Data: Design-related, signed and sealed drawings, calculations, specifications, certifications, shop drawings and other submittals provided by Contractor, and prepared directly by, or under direct supervision of, appropriately licensed design professional.

**1.02 CONTRACTOR'S CONSTRUCTION-RELATED PROFESSIONAL DESIGN SERVICES**

- A. Coordination: Contractor's professional design services are subject to requirements of project's Conditions for Construction Contract.
- B. Provide such engineering design services as may be necessary to plan and safely conduct certain construction operations, pertaining to, but not limited to the following:
  - 1. Temporary sheeting, shoring, or supports.
  - 2. Temporary scaffolding.
  - 3. Temporary bracing.
  - 4. Temporary falsework for support of spanning or arched structures.
  - 5. Temporary foundation underpinning.
  - 6. Temporary stairs or steps required for construction access only.
  - 7. Temporary hoist(s) and rigging.
  - 8. Investigation of soil conditions and design of temporary foundations to support construction equipment.
  - 9. Additional temporary controls as required.

**1.03 CONTRACTOR'S DESIGN-RELATED PROFESSIONAL DESIGN SERVICES**

- A. Coordination: Contractor's professional design services are subject to requirements of project's Conditions for Construction Contract.
- B. Base design on performance and/or design criteria indicated in individual specification sections.
  - 1. Submit a Request for Information to Architect if the criteria indicated are not sufficient to perform required design services.
- C. Scope of Design Services/Delegated Design: As required by individual specification sections.

**1.04 SUBMITTALS**

- A. See Section 013000 - Administrative Requirements, for submittal procedures.
- B. Designer's Qualification Statement: Submit for Architect's knowledge as contract administrator, or for Owner's information.
  - 1. Include information for each individual professional responsible for producing, or supervising production of, design-related professional services provided by Contractor.
    - a. Full name.
    - b. Professional licensure information.

FIRE STATIONS RENOVATION  
Arlington County, Virginia  
Architect's Project No.: 563006

---

- c. Statement addressing extent and depth of experience specifically relevant to design of items assigned to Contractor.
- C. Design Data: Submit for Architect's knowledge as contract administrator for the limited purpose of assessing compliance with information given and the design concept expressed in the Contract Documents, or for Owner's information.
  1. Include calculations that have been used to demonstrate compliance to performance and regulatory criteria provided, and to determine design solutions.
  2. Include required product data and shop drawings.
  3. Include a statement or certification attesting that design data complies with criteria indicated, such as building codes, loads, functional, and similar engineering requirements.
  4. Include signature and seal of design professional responsible for allocated design services on calculations and drawings.
- D. Test Reports: After each test/inspection, require testing agency to promptly distribute digital copy of report to Architect, Owner, Contractor, and others as required.
  1. Include:
    - a. Date issued.
    - b. Project title and number.
    - c. Name of inspector.
    - d. Date and time of sampling or inspection.
    - e. Identification of product and specifications section.
    - f. Location in the Project.
    - g. Type of test/inspection.
    - h. Date of test/inspection.
    - i. Results of test/inspection.
    - j. Compliance with Contract Documents.
    - k. When requested by Architect, provide interpretation of results.
- E. Certificates: When specified in individual specification sections, submit certification by the manufacturer and Contractor to Architect, in quantities specified for Product Data.
  1. Indicate material or product complies with or exceeds specified requirements. Submit supporting reference data, affidavits, and certifications as appropriate.
  2. Certificates may be recent or previous test results on material or product, but must be acceptable to Architect.
- F. Manufacturer's Instructions: When specified in individual specification sections, submit printed instructions for delivery, storage, assembly, installation, start-up, adjusting, and finishing, for the Owner's information. Indicate special procedures, perimeter conditions requiring special attention, and special environmental criteria required for application or installation.
- G. Manufacturer's Field Reports:
  1. Submit report promptly to Architect for information.
  2. Submit for information for the limited purpose of assessing compliance with information given and the design concept expressed in the Contract Documents.

#### **1.05 QUALITY ASSURANCE**

- A. Testing Agency Qualifications:
  1. Submit copy of report of laboratory facilities inspection made by NIST Construction Materials Reference Laboratory during most recent inspection, with memorandum of remedies of any deficiencies reported by the inspection.
  2. Qualification Statement: Provide documentation showing testing laboratory is accredited under OSHA's Nationally Recognized Testing Laboratory (NRTL) program or through the National Institute of Standards and Technology's (NIST's) National Voluntary Laboratory Accreditation Program (NVLAP).
- B. Designer Qualifications: Where professional engineering design services and design data submittals are specifically required of Contractor by Contract Documents, provide services of a Professional Engineer experienced in design of this type of work and licensed in the State in which the Project is located.

FIRE STATIONS RENOVATION  
Arlington County, Virginia  
Architect's Project No.: 563006

---

- C. Contractor's Quality Control (CQC) Plan:
1. Prior to start of work, submit a comprehensive plan describing how contract deliverables will be produced. Tailor CQC plan to specific requirements of the project. Include the following information:
    - a. Management Structure: Identify personnel responsible for quality. Include a chart showing lines of authority.
      - 1) Include qualifications (in resume form), duties, responsibilities of each person assigned to CQC function.
    - b. Management Approach: Define, describe, and include in the plan specific methodologies used in executing the work.
      - 1) Management and control of documents and records relating to quality.
      - 2) Communications.
      - 3) Coordination procedures.
      - 4) Resource management.
      - 5) Process control.
      - 6) Inspection and testing procedures and scheduling, including inspections by authorities having jurisdiction and special inspections.
      - 7) Control of noncomplying work.
      - 8) Tracking deficiencies from identification, through acceptable corrective action, and verification.
      - 9) Control of testing and measuring equipment.
      - 10) Project materials certification.
      - 11) Managerial continuity and flexibility.
    - c. Acceptance of the plan is required prior to start of construction activities not including mobilization work. Owner's acceptance of the plan will be conditional and predicated on continuing satisfactory adherence to the plan. Owner reserves the right to require Contractor to make changes to the plan and operations, including removal of personnel, as necessary, to obtain specified quality of work results.

#### 1.06 REFERENCES AND STANDARDS

- A. For products and workmanship specified by reference to a document or documents not included in the Project Manual, also referred to as reference standards, comply with requirements of the standard, except when more rigid requirements are specified or are required by applicable codes.
- B. Comply with reference standard of date of issue current on date of Contract Documents, except where a specific date is established by applicable code.
- C. Obtain copies of standards where required by product specification sections.
- D. Maintain copy at project site during submittals, planning, and progress of the specific work, until Substantial Completion.
- E. Should specified reference standards conflict with Contract Documents, comply with the higher quality or quantity, and provide documentation of the conflict to the Architect.
- F. Neither the contractual relationships, duties, or responsibilities of the parties in Contract nor those of Architect shall be altered from Contract Documents by mention or inference otherwise in any reference document.

#### 1.07 TESTING AND INSPECTION AGENCIES AND SERVICES

- A. Owner will employ and pay for services of an independent testing agency to perform Special Inspections and other specified testing indicated in individual specification sections.
- B. Where indicated in individual specification sections, Contractor shall employ and pay for services of an independent testing agency to perform other specified testing.
- C. Employment of agency in no way relieves Contractor of obligation to perform Work in accordance with requirements of Contract Documents.
- D. Contractor Employed Agency: Testing agency shall comply with requirements of ASTM E 329, and shall be certified through OSHA's Nationally Recognized Testing Laboratory

FIRE STATIONS RENOVATION  
Arlington County, Virginia  
Architect's Project No.: 563006

---

(NRTL) program or through the National Institute of Standards and Technology's (NIST's) National Voluntary Laboratory Accreditation Program (NVLAP).

1. Testing Equipment: Calibrated at reasonable intervals either by NIST or using an NIST established Measurement Assurance Program, under a laboratory measurement quality assurance program.

**PART 2 PRODUCTS - NOT USED**

**PART 3 EXECUTION**

**3.01 CONTROL OF INSTALLATION**

- A. Monitor quality control over suppliers, manufacturers, products, services, site conditions, and workmanship, to produce work of specified quality.
- B. Comply with manufacturers' instructions, including each step in sequence.
- C. Should manufacturers' instructions conflict with Contract Documents, request clarification from Architect before proceeding.
- D. Comply with specified standards as minimum quality for the work except where more stringent tolerances, codes, or specified requirements indicate higher standards or more precise workmanship.
- E. Have work performed by persons qualified to produce required and specified quality.
- F. Verify that field measurements are as indicated on shop drawings or as instructed by the manufacturer.
- G. Secure products in place with positive anchorage devices designed and sized to withstand stresses, vibration, physical distortion, and disfigurement.

**3.02 MOCK-UPS**

- A. Before installing portions of the Work where mock-ups are required, construct mock-ups in location and size indicated for each form of construction and finish required to comply with the following requirements, using materials indicated for the completed Work. The purpose of mock-up is to demonstrate the proposed range of aesthetic effects and workmanship.
- B. Accepted mock-ups establish the standard of quality the Architect will use to judge the Work.
- C. Tests shall be performed under provisions identified in this section and identified in the respective product specification sections.
- D. Assemble and erect specified items with specified attachment and anchorage devices, flashings, seals, and finishes.
- E. Obtain Architect's approval of mock-ups before starting work, fabrication, or construction.
  1. Architect will issue written comments within seven (7) working days of initial review and each subsequent follow up review of each mock-up.
  2. Make corrections as necessary until Architect's approval is issued.
- F. Architect will use accepted mock-ups as a comparison standard for the remaining Work.
- G. Where mock-up has been accepted by Architect and is specified in product specification sections to be removed, protect mock-up throughout construction, remove mock-up and clear area when directed to do so by Architect.

**3.03 TOLERANCES**

- A. Monitor fabrication and installation tolerance control of products to produce acceptable Work. Do not permit tolerances to accumulate.
- B. Comply with manufacturers' tolerances. Should manufacturers' tolerances conflict with Contract Documents, request clarification from Architect before proceeding.
- C. Adjust products to appropriate dimensions; position before securing products in place.

**3.04 TESTING AND INSPECTION**

- A. See individual specification sections for testing and inspection required.
- B. Testing Agency Duties for Contractor-employed Testing and Inspection Agencies:



FIRE STATIONS RENOVATION  
Arlington County, Virginia  
Architect's Project No.: 563006

---

1. Test samples of mixes submitted by Contractor.
  2. Provide qualified personnel at site. Cooperate with Architect and Contractor in performance of services.
  3. Perform specified sampling and testing of products in accordance with specified standards.
  4. Ascertain compliance of materials and mixes with requirements of Contract Documents.
  5. Promptly notify Architect and Contractor of observed irregularities or non-compliance of Work or products.
  6. Perform additional tests and inspections required by Architect.
  7. Attend preconstruction meetings and progress meetings.
  8. Submit reports of all tests/inspections specified.
- C. Limits on Testing/Inspection Agency Authority:
1. Agency may not release, revoke, alter, or enlarge on requirements of Contract Documents.
  2. Agency may not approve or accept any portion of the Work.
  3. Agency may not assume any duties of Contractor.
  4. Agency has no authority to stop the Work.
- D. Contractor Responsibilities:
1. Deliver to agency at designated location, adequate samples of materials proposed to be used that require testing, along with proposed mix designs.
  2. Cooperate with laboratory personnel, and provide access to the Work and to manufacturers' facilities.
  3. Provide incidental labor and facilities:
    - a. To provide access to Work to be tested/inspected.
    - b. To obtain and handle samples at the site or at source of Products to be tested/inspected.
    - c. To facilitate tests/inspections.
    - d. To provide storage and curing of test samples.
  4. Notify Architect and laboratory 24 hours prior to expected time for operations requiring testing/inspection services.
  5. Employ services of an independent qualified testing laboratory and pay for additional samples, tests, and inspections required by Contractor beyond specified requirements.
  6. Arrange with Owner's agency and pay for additional samples, tests, and inspections required by Contractor beyond specified requirements.
  7. Coordinate repairs where testing and inspection has damaged the Work.
- E. Re-testing and/or re-inspections required because of non-compliance with specified requirements shall be performed by the same agency. Do not proceed with construction activities that would conceal or cover work needing re-testing or re-inspection.
- F. Re-testing and/or re-inspections required because of non-compliance with specified requirements shall be paid for by Contractor.

### **3.05 MANUFACTURERS' FIELD SERVICES**

- A. When specified in individual specification sections, require material or product suppliers or manufacturers to provide qualified staff personnel to observe site conditions, conditions of surfaces and installation, quality of workmanship, start-up of equipment, test, adjust, and balance equipment, and field quality control requirements as applicable, and to initiate instructions when necessary.
- B. Provide a written report of observations and site decisions or instructions given to applicators or installers that are supplemental or contrary to manufacturers' written instructions or Contract Documents. Obtain Owner's approval prior to proceeding with any modifications.

### **3.06 DEFECT ASSESSMENT**

- A. Replace Work or portions of the Work not complying with specified requirements.

FIRE STATIONS RENOVATION  
Arlington County, Virginia  
Architect's Project No.: 563006

---

- B. Contractor may request to restore defective Work or portions of the Work to comply with specified requirements in lieu of replacement. Obtain Owner's approval prior to proceeding with restoration.
- C. If, in the opinion of Owner, it is not practical to restore or remove and replace the work, Owner will direct an appropriate remedy or adjust payment.

**END OF SECTION**

FIRE STATIONS RENOVATION  
Arlington County, Virginia  
Architect's Project No.: 563006

---

**SECTION 014200**  
**DEFINITIONS AND REFERENCE STANDARDS**

**PART 1 GENERAL**

**1.01 SUMMARY**

- A. The definitions include in this section supplement, but do not replace, the definitions contained in the Owner/Contractor Agreement and associated Conditions. In the event of duplication, the Owner/Contractor Agreement shall govern.
- B. Other definitions are included in individual specification sections.

**1.02 DEFINITIONS**

- A. Furnish: To supply, deliver, unload, and inspect for damage.
- B. Install: To unpack, assemble, erect, apply, place, finish, cure, protect, clean, start up, and make ready for use.
- C. Product: Material, machinery, components, equipment, fixtures, and systems forming the work result. Not materials or equipment used for preparation, fabrication, conveying, or erection and not incorporated into the work result. Products may be new, never before used, or re-used materials or equipment.
- D. Provide: To furnish and install.
- E. Supply: Same as Furnish.
- F. Installer: A Contractor or other entity engaged by Contractor, as an employee, subcontractor, or contractor of lower tier, to perform a particular construction operation, including installation, erection, application, and similar operations.
  - 1. Using a term such as "carpentry" does not imply that certain construction activities must be performed by accredited or unionized individuals of a corresponding generic name, such as "carpenter." It also does not imply that specified requirements apply exclusively to tradespeople of the corresponding generic name.
- G. Experienced: When used with the term "Installer," this term means having successfully completed previous work similar in size and scope to this Project; being familiar with the special requirements indicated; and having complied with the requirements of local authorities having jurisdiction.
- H. Replace: Provide an acceptable like product or material in place of a missing or unacceptable (rejected) product or material. To "replace" an unacceptable product or material includes its removal and disposal.
- I. Punch List: A written list of unfinished Work and defective Work resulting from inspection and testing to determine whether Substantial Completion has been accomplished. The unfinished Work and defective Work must be finished and corrected to obtain Substantial or Final Completion.
- J. Written or Printed: When used in conjunction with manufacturer's product data or installation requirements, either of these terms may be used to require compliance with manufacturer's current printed and published information.

**1.03 REFERENCE STANDARDS**

- A. For products or workmanship specified by reference to a document or documents not included in the Project Manual, also referred to as reference standards, comply with requirements of the standard, except when more rigid requirements are specified, or are required by applicable codes or local authorities having jurisdiction.
- B. Should specified reference standards conflict with Contract Documents, request clarification from the Architect before proceeding.
- C. Neither the contractual relationships, duties, or responsibilities of the parties in Contract nor those of the Architect shall be altered by Contract Documents by mention or inference otherwise in any reference document.

FIRE STATIONS RENOVATION  
Arlington County, Virginia  
Architect's Project No.: 563006

---

**PART 2 PRODUCTS - NOT USED**  
**PART 3 EXECUTION - NOT USED**

**END OF SECTION**

FIRE STATIONS RENOVATION  
ARLINGTON COUNTY, VIRGINIA  
Architect's Project No: 563006

SECTION 014520 - TESTING, ADJUSTING, AND BALANCING (TAB)

PART 1 - GENERAL

1.1 RELATED DOCUMENTS

- A. Provisions of the Contract and of the Contract Documents apply to this Section.

1.2 DEFINITIONS

- A. Adjust: To regulate fluid flow rate and air patterns at the terminal equipment, such as to reduce fan speed or adjust a damper.
- B. Balance: To proportion flows within the distribution system, including sub-mains, branches, and terminals, according to design quantities.
- C. Draft: A current of air, when referring to localized effect caused by one or more factors of high air velocity, low ambient temperature, or direction of airflow, whereby more heat is withdrawn from a person's skin than is normally dissipated.
- D. Procedure: An approach to and execution of a sequence of work operations to yield repeatable results.
- E. Report Forms: Test data sheets for recording test data in logical order.
- F. Static Head: The pressure due to the weight of the fluid above the point of measurement. In a closed system, static head is equal on both sides of the pump.
- G. Suction Head: The height of fluid surface above the centerline of the pump on the suction side.
- H. System Effect: A phenomenon that can create undesired or unpredicted conditions that cause reduced capacities in all or part of a system.
- I. System Effect Factors: Allowances used to calculate a reduction of the performance ratings of a fan when installed under conditions different from those presented when the fan was performance tested.
- J. Terminal: A point where the controlled medium, such as fluid or energy, enters or leaves the distribution system.
- K. Test: A procedure to determine quantitative performance of a system or equipment.
- L. TAB Agent: The entity responsible for performing and reporting the TAB procedures.
- M. AABC: Associated Air Balance Council.

FIRE STATIONS RENOVATION  
ARLINGTON COUNTY, VIRGINIA  
Architect's Project No: 563006

- N. AMCA: Air Movement and Control Association.
- O. CTI: Cooling Tower Institute.
- P. NEBB: National Environmental Balancing Bureau.
- Q. SMACNA: Sheet Metal and Air Conditioning Contractors' National Association.
- R. TAB: Testing, Adjusting, and Balancing

1.3 SUBMITTALS

- A. Quality-Assurance Submittals: Within 30 days of the Contractor's Notice to Proceed, submit evidence that the TAB Agent and this Project's TAB team members meet the qualifications indicated in the "Quality Assurance" Article below.
- B. Warranty: Submit warranties indicated below.
- C. Special Guarantee: Submit Special guarantee indicated below
- D. Contract Documents Examination Report: Within 60 days of the Contractor's Notice to Proceed, submit the Contract Documents review report as indicated in Part 3 below.
- E. Strategies and Procedures Plan: Within 90 days of the Contractor's Notice to Proceed, submit the TAB strategies and step-by-step procedures as indicated in Part 3 below. Include a complete set of report forms intended for use on this Project.
- F. Testing Adjusting and Balancing Conference Notification: Within 120 days of the Contractor's Notice to Proceed, submit the testing adjusting and balancing conference notification. The notification shall include the date, time and location of the conference as well as a list of attendees.
- G. TAB Conference Minutes: Within 180 days of the Contractor's Notice to Proceed, submit the TAB conference minutes. Minutes shall include a list of attendees and a record of the discussions and decisions made during the conference.
- H. System Readiness Reports: 60 days prior to substantial completion the contractor performing work under section "Building Automation System" (BAS) shall complete pre-commissioning checklists. The contractor performing work under this section shall, as part of the system readiness report, witness pre-commissioning activities and shall initial each element on the pre-commissioning checklist. The system readiness report shall be completed and submitted as specified. Do not include the checklists as they will be submitted under section "BAS".
- I. Certified TAB Reports: Within 60 days of substantial completion submit the testing and balancing reports prepared, as indicated in this Section, on approved forms certified by the TAB Agent.
  - 1. Balancing report.

FIRE STATIONS RENOVATION  
ARLINGTON COUNTY, VIRGINIA  
Architect's Project No: 563006

1.4 QUALITY ASSURANCE

- A. Agent Qualifications: Agent and agent's representatives shall be certified by either AABC or NEBB. The testing and balancing agent shall be one of the following:
1. C&W Tesco, Inc.  
430 Southlake Boulevard, Suite B-12  
Richmond, VA 23236  
804.379.9345
  2. Complete Commissioning, Inc.  
6304 Aaron Lane  
Clinton, MD 20735  
301.877.2260
  3. Mechanical Systems Testing and Balancing, Inc. (MSTB)  
7314 Impala Drive  
Richmond, Virginia 23228  
804.264.0454
- B. Testing and Balancing Agents not listed shall be permitted to bid. The following information shall be submitted as part of the Quality Assurance Submittal:
1. Provide evidence of satisfactory completion of at least two projects of similar size and scope. Submit the following for each project:
    - a. Completed testing and balancing reports for each project.
    - b. If not included in the testing and balancing report, provide equipment startup checklists for each project.
    - c. Owner contact for each project.
    - d. Design engineer contact for each project.
    - e. Architect contact for each project.
  2. The architect shall determine whether the agent is qualified, and the decision shall be final. Re-submittals on behalf of the same company shall not be considered.
- C. TAB Conference: Meet with the Owner's and the Architect's representatives on approval of the TAB strategies and procedures plan to develop a mutual understanding of the details. Ensure the participation of TAB team members, equipment manufacturers' authorized service representatives, HVAC controls Installer, and other support personnel. Set meeting and submit TAB Conference Notification.
1. Minimum Agenda:
    - a. Submittal distribution requirements.
    - b. Contract documents examination report.
    - c. TAB plan.
    - d. Work schedule and project site access requirements.
    - e. Coordination and cooperation of trades and subcontractors.
    - f. Coordination of documentation and communication flow.
- D. TAB Reports: Use standard forms from AABC's "National Standards for TAB" or NEBB's "Procedural Standards for TAB of Environmental Systems."

FIRE STATIONS RENOVATION  
ARLINGTON COUNTY, VIRGINIA  
Architect's Project No: 563006

- E. Instrumentation Type, Quantity, and Accuracy: As described in NEBB's "Procedural Standards for TAB of Environmental Systems," Section II, "Required Instrumentation for NEBB Certification."
- F. Instrumentation Calibration: Calibrate instruments at least every 6 months or more frequently if required by the instrument manufacturer.

1.5 PROJECT CONDITIONS

- A. Full Owner Occupancy: The Owner will occupy the site and existing building during the entire TAB period. Minimize conflicts with the Owner's operations.

1.6 COORDINATION

- A. Coordinate the efforts of work performed under other sections for operation of systems and equipment to support and assist TAB activities.
- B. Notice: Provide 7 days' advance notice to the contractor and Moseley Architects for each test. Include scheduled test dates and times.
- C. Perform TAB after leakage and pressure tests on air, water, potable water, and non-potable water distribution systems have been satisfactorily completed.

1.7 WARRANTY

- A. General Warranty: The national project performance guarantee indicated in this Article shall not deprive the Owner of other rights the Owner may have under other provisions of the Contract Documents and shall be in addition to, and run concurrent with, other warranties made by the Contractor under requirements of the Contract Documents.
- B. Special Guarantee: Provide a guarantee on NEBB or AABC forms stating that NEBB or AABC will assist in completing the requirements of the Contract Documents if the TAB Agent fails to comply with the Contract Documents. Guarantee includes the following provisions:
  - 1. The certified Agent has tested and balanced systems according to the Contract Documents.
  - 2. Systems are balanced to optimum performance capabilities within design and installation limits.

PART 2 - PRODUCTS (Not Applicable)

PART 3 - EXECUTION



FIRE STATIONS RENOVATION  
ARLINGTON COUNTY, VIRGINIA  
Architect's Project No: 563006

3.1 GENERAL

- A. All new equipment shall be tested, adjusted, and balanced.
- B. Fire Station #1: Rooftop unit #8 shall be tested for proper economizer operation with outside air and return dampers adjusted as needed for proper balancing. Balance each branch and diffuser for existing RTU-4 as shown on floor plans on sheet M2.1. Report values in TAB submittal to architect for both prior to the renovation and post-renovation. Verify operation of existing exhaust fan in renovated area, provide testing, adjusting, and balancing to exhaust system.
- C. Fire Station #2, 3, 5, 6, 9: Provide branch and diffuser for supply and exhaust balancing as required on floor plans on sheets M2.2 thru M2.6. Verify operation of existing exhaust fan in renovated area, provide testing, adjusting, and balancing to exhaust system.

3.2 EXAMINATION

- A. Examine Contract Documents to become familiar with project requirements and to discover conditions in systems' designs that may preclude proper TAB of systems and equipment.
  - 1. Balancing devices, such as test ports, gage cocks, thermometer wells, flow-control devices, balancing valves and fittings, and manual volume dampers, are hereby required by the Contract Documents.
  - 2. Verify that quantities and locations of devices proposed by the contractor and indicated on the Contract Documents are accessible and appropriate for effective balancing and efficient system and equipment operation.
  - 3. Verify flow rates specified and compare to central equipment capacities.
  - 4. Identify discontinuities and omissions in the Contract Documents.
  - 5. Provide a detailed Testing and Balancing plan within six weeks of the Notice to Proceed.
  - 6. Provide a TAB technician to work at the direction of the CxA for up to a consecutive six work day period on site to assist in testing.
  - 7. Record configuration, set up, parameters, etc., that change during the testing period.
  - 8. Provide representative(s) for up to 16 hours of off-season testing each. Any and all time is required to be spent at the job site.
  - 9. Respond to Warranty issues. Record configuration, set up, parameters, etc., that change during the warranty period.
- B. Examine BAS submittal data prior to submission and provide comments to contractor, and Moseley Architects.
- C. Examine submittal data of HVAC systems and equipment prior to submission and provide comments to contractor, and Moseley Architects.
- D. Examine project record documents and provide comments to contractor, and Moseley Architects.

FIRE STATIONS RENOVATION  
ARLINGTON COUNTY, VIRGINIA  
Architect's Project No: 563006

- E. Examine Architect's design data, including HVAC system descriptions, statements of design, assumptions for environmental conditions, control drawings, and statements concerning systems and equipment.
- F. Examine equipment performance data, including fan and pump curves. Relate performance data to project conditions and requirements, including system effects that can create undesired or unpredicted conditions that cause reduced capacities in all or part of a system. Calculate system effect factors to reduce the performance ratings of HVAC equipment when installed under conditions different from those presented when the equipment was performance tested at the factory. To calculate system effects for air systems, use tables and charts found in AMCA 201, "Fans and Systems," Sections 7 through 10; or in SMACNA's "HVAC Systems--Duct Design," Sections 5 and 6. Compare this data with the design data and installed conditions.
- G. Examine system and equipment installations to verify that they are complete and that TAB, and cleaning indicated has been performed.
- H. Examine HVAC system and equipment installations to verify that indicated balancing devices, such as test ports, gage cocks, thermometer wells, flow-control devices, balancing valves and fittings, and manual volume dampers, are properly installed, and their locations are accessible and appropriate for effective balancing and for efficient system and equipment operation.
- I. Examine systems for functional deficiencies that cannot be corrected by adjusting and balancing.
- J. Examine air-handling equipment to ensure clean filters have been installed, bearings are greased, belts are aligned and tight, and equipment is ready for operation, including functioning controls.
- K. Examine terminal units, such as variable-air-volume boxes and mixing boxes, to verify that they are accessible, and their controls are connected and functioning.
- L. Examine strainers for clean screens and proper perforations.
- M. Examine 3-way valves for proper installation for their intended function of diverting or mixing fluid flows.
- N. Examine heat-transfer coils for correct piping connections and for clean and straight fins.
- O. Examine open-piping-system pumps to ensure absence of entrained air in the suction piping.
- P. Examine equipment for installation and for properly operating safety interlocks and controls.
- Q. Examine automatic temperature system components to verify the following:
  - 1. Dampers, valves, and other controlled devices operate by the intended controller.
  - 2. Dampers and valves are in the position indicated by the controller.

FIRE STATIONS RENOVATION  
ARLINGTON COUNTY, VIRGINIA  
Architect's Project No: 563006

3. Integrity of valves and dampers for free and full operation and for tightness of fully closed and fully open positions. This includes dampers in mixing boxes and variable-air-volume terminals.
  4. Automatic modulating and shutoff valves, including 2-way valves and 3-way mixing and diverting valves, are properly connected.
  5. Thermostats are located to avoid adverse effects of sunlight, drafts, and cold walls.
  6. Sensors are located to sense only the intended conditions.
  7. Sequence of operation for control modes is according to the Contract Documents.
  8. Controller set points are set at design values. Observe and record system reactions to changes in conditions. Record default set points if different from design values.
  9. Interlocked systems are operating.
  10. Changeover from heating to cooling mode occurs according to design values.
- R. Report deficiencies discovered before and during performance of TAB procedures.

### 3.3 PREPARATION

- A. Prepare a TAB plan that includes strategies and step-by-step procedures.
- B. Complete system readiness checks and prepare system readiness reports. Verify the following:
  1. Permanent electrical power wiring is complete.
  2. Hydronic systems are filled, clean, and free of air.
  3. Automatic temperature-control systems are operational.
  4. Equipment and duct access doors are securely closed.
  5. Balance, smoke, and fire dampers are open.
  6. Isolating and balancing valves are open and control valves are operational.
  7. Ceilings are installed in critical areas where air-pattern adjustments are required and access to balancing devices is provided.
  8. Windows and doors can be closed so design conditions for system operations can be met.

### 3.4 GENERAL TESTING AND BALANCING PROCEDURES

- A. Perform testing and balancing procedures on each system according to the procedures contained in AABC national standards or NEBB's "Procedural Standards for TAB of Environmental Systems" and this Section.
- B. Cut insulation, ducts, pipes, and equipment cabinets for installation of test probes to the minimum extent necessary to allow adequate performance of procedures. After testing and

FIRE STATIONS RENOVATION  
ARLINGTON COUNTY, VIRGINIA  
Architect's Project No: 563006

balancing, close probe holes and patch insulation with new materials identical to those removed. Restore vapor barrier and finish according to the insulation Specifications for this Project.

- C. Mark equipment settings with paint or other suitable, permanent identification material, including damper-control positions, valve indicators, fan-speed-control levers, and similar controls and devices, to show final settings.

### 3.5 MOTORS

- A. Motors, 1/2 HP and Larger: Test at final balanced conditions and record the following data:

1. Manufacturer, model, and serial numbers.
2. Motor horsepower rating.
3. Motor rpm.
4. Efficiency rating if high-efficiency motor.
5. Nameplate and measured voltage, each phase.
6. Nameplate and measured amperage, each phase.
7. Starter thermal-protection-element rating.

- B. Motors Driven by Variable-Frequency Controllers: Test for proper operation at speeds varying from minimum to maximum. Test the manual bypass to prove proper operation. Record observations, including controller manufacturer, model number, serial number, and nameplate data.

### 3.6 TEMPERATURE-CONTROL VERIFICATION

- A. Verify that controllers are calibrated and commissioned.
- B. Check transmitter and controller locations and note conditions that would adversely affect control functions.
- C. Record controller settings and note variances between set points and actual measurements.
- D. Verify operation of limiting controllers (i.e., high- and low-temperature controllers).
- E. Verify free travel and proper operation of control devices such as damper and valve operators.
- F. Verify sequence of operation of control devices. Note air pressures and device positions and correlate with air, water, and potable water-flow measurements. Note the speed of response to input changes.
- G. Confirm interaction of electrically operated switch transducers.
- H. Confirm interaction of interlock and lockout systems.

FIRE STATIONS RENOVATION  
ARLINGTON COUNTY, VIRGINIA  
Architect's Project No: 563006

- I. Record voltages of power supply and controller output. Determine if the system operates on a grounded or non-grounded power supply.
- J. Note operation of electric actuators using spring return for proper fail-safe operations.

3.7 TOLERANCES

- A. Set system airflow, water, and potable water-flow rates within the following tolerances:
  - 1. Supply, Return, and Exhaust Fans: 0 to plus 10 percent.
  - 2. Air Outlets: minus 10 percent to plus 10 percent.
  - 3. Return Inlets: minus 10 percent to plus 10 percent.
  - 4. Exhaust Inlets: 0 to plus 10 percent.
  - 5. Heating-Water Flow Rate: minus 5 percent to plus 5 percent.
  - 6. Cooling-Water Flow Rate: minus 5 percent to plus 5 percent.
  - 7. Potable water: minus 5 percent to plus 5 percent.
  - 8. Unless indicated otherwise: minus 10 percent to plus 10 percent.

3.8 REPORTING

- A. Initial Construction-Phase Report: Based on examination of the Contract Documents as specified in "Examination" Article above, prepare a report on the adequacy of design for systems' balancing devices. Recommend changes and additions to systems' balancing devices to facilitate proper performance measuring and balancing. Recommend changes and additions to HVAC systems and general construction to allow access for performance measuring and balancing devices.
- B. Status Reports: When 50% of the construction contract period has elapsed, the contractor performing work under this section shall visit the site twice per month thereafter. After each site visit for each system being tested and balanced, prepare a report to describe completed work, work in progress, and work at variance with the contract documents. Include a list of deficiencies and problems found in each system. Prepare a separate report for each system and each building floor for systems serving multiple floors. Submit the report to the contractor and architect. The contractor shall be responsible for ensuring that deficiencies are corrected. Deficiencies shall remain on the list permanently, shall be issued with each report, and shall be checked off only when they are corrected.

3.9 FINAL REPORT

- A. General: Typewritten, or computer printout in letter-quality font, on standard bond paper, in 3-ring binder, tabulated and divided into sections by tested and balanced systems.

FIRE STATIONS RENOVATION  
ARLINGTON COUNTY, VIRGINIA  
Architect's Project No: 563006

- B. Include a certification sheet in front of binder signed and sealed by the certified testing and balancing engineer.
  - 1. Include a list of the instruments used for procedures, along with proof of calibration.
  
- C. Final Report Contents: In addition to the certified field report data, include the following:
  - 1. Pump curves.
  - 2. Fan curves.
  - 3. Manufacturers' test data.
  - 4. Field test reports prepared by system and equipment installers.
  - 5. Other information relative to equipment performance, but do not include approved Shop Drawings and Product Data.
  
- D. General Report Data: In addition to the form titles and entries, include the following data in the final report, as applicable:
  - 1. Title page.
  - 2. Name and address of TAB Agent.
  - 3. Project name.
  - 4. Project location.
  - 5. Architect's name and address.
  - 6. Contractor's name and address.
  - 7. Report date.
  - 8. Signature of TAB Agent who certifies the report.
  - 9. Table of contents.
  - 10. Operating sequences that vary from the Contract Documents.
  - 11. Nomenclature sheets for each item of equipment.
  - 12. Data for terminal units, including manufacturer, type, and size.
  - 13. Notes to explain why certain final data in the body of reports varies from design values.
  - 14. Test conditions for fans and pump performance forms, including:
    - a. Settings for outside-, return-, and exhaust-air dampers.
    - b. Conditions of filters.
    - c. Cooling coil, wet- and dry-bulb conditions.
    - d. Fan drive settings, including:
      - 1) Percentage of maximum pitch or diameter.
      - 2) Maximum RPM.
      - 3) Minimum RPM on VAV systems.
    - e. Settings for supply-air static-pressure controllers on VAV systems.
    - f. System operating parameters/conditions that affect performance.

FIRE STATIONS RENOVATION  
ARLINGTON COUNTY, VIRGINIA  
Architect's Project No: 563006

- E. System Diagrams: Include schematic layouts of air, and water distribution systems. Provide single-line diagrams including the following:
  - 1. Quantities of outside, supply, return, exhaust, and water flow rates.
  - 2. Duct outlet, and inlet sizes.
  - 3. Pipe sizes and locations.
  - 4. Indicated Terminal unit(s): Information & location(s).
  - 5. Indicated Balancing station(s): Information & location(s).
  - 6. Indicated Meter(s): Information & location(s).
  
- F. Test Reports:
  - 1. All equipment test reports.
  - 2. Duct Traverse Reports.
  - 3. Terminal-Device Reports.
  - 4. Coil Reports.
  - 5. Instrument Calibration Reports.

3.10 ADDITIONAL TESTS

- A. When requested, provide up to six continuous and consecutive work days, by the technician that provided services under this section, directly knowledgeable of all systems and procedures specific to the project, to support commissioning for TAB verification.
  
- B. TAB verification site visit will be conducted after the TAB final report has been submitted and approved by the engineer of record.
  
- C. Within 90 days of completing work performed under this section, perform additional testing and balancing to verify that balanced conditions are being maintained throughout and to correct unusual conditions.
  
- D. Seasonal Periods:
  - 1. Winter: Re-test heating equipment, including central equipment and terminal devices, when the outside air temperature is below 30 degrees F.
  - 2. Summer: Re-test cooling equipment, including central equipment and terminal devices, when the outside air temperature is above 90 degrees F.

END OF SECTION 014520

FIRE STATIONS RENOVATION  
Arlington County, Virginia  
Architect's Project No.: 563006

---

**SECTION 015000  
TEMPORARY FACILITIES AND CONTROLS**

**PART 1 GENERAL**

**1.01 DEWATERING**

- A. Provide temporary means and methods for dewatering all temporary facilities and controls, in compliance with local authority having jurisdiction.
- B. Maintain temporary facilities in operable condition.

**1.02 TEMPORARY UTILITIES**

- A. Provide and pay for all electrical power, lighting, water, heating and cooling, and ventilation required for construction purposes.
- B. Temporary Lighting: Provide temporary lighting of type and producing lighting levels necessary for proper installation of the Work.
- C. Temporary Heating, Cooling, and Ventilation: Provide temporary measures and equipment as required for curing, drying, and humidity control. Comply with manufacturer's installation instructions for specific product requirements.
  - 1. Provide measures and equipment to meet warranty requirements of interior woodwork specified in Division 6 and/or Division 12 sections.
  - 2. Use of Permanent HVAC Facilities and Equipment: Use of HVAC equipment shall be subject to Owner approval.
    - a. Protect new and existing HVAC equipment from intrusion of dust, silica, dirt and debris during construction operations.
    - b. Cover all openings in new and existing inactive ductwork during construction operation with minimum 6 mil polyethylene sheet.
    - c. Where use of existing HVAC equipment is approved by Owner, provide temporary filters with a minimum MERV of 8. Change the filters every two weeks while construction is ongoing. Provide new filters at Substantial Completion; do not change out temporary filter until approved by Architect.
    - d. Do not perform testing and balancing of HVAC equipment until dust, silica, dirt and debris producing activities are complete.
- D. Temporary Water: For the duration of construction or until permanent water service is available at the site, the Contractor shall provide a temporary water source, as part of the Contract Price.
- E. Temporary Electric Service: Until electric utility provides permanent service at the site, the Contractor shall provide temporary electrical power, as part of the Contract Price.
- F. Temporary Sewer and Drainage: Comply with requirements of local authority having jurisdiction for connection of temporary sewer to public system.

**1.03 TELECOMMUNICATIONS SERVICES**

- A. Provide, maintain, and pay for telecommunications services to field office at time of project mobilization.
- B. Telecommunications services shall include:
  - 1. Telephone Service: Contractor shall ensure that all of its forces, including on-site managers/supervisors of each Subcontractor, have mobile devices and adequate voice and data coverage for on-site operations.
  - 2. Internet Connections: Minimum of one; DSL modem or faster.

**1.04 TEMPORARY SANITARY FACILITIES**

- A. Provide and maintain required facilities and enclosures. Provide at time of project mobilization.
  - 1. Provide temporary unisex toilet units and all required disposable supplies.
  - 2. Provide handwash stations and hand sanitizer at each toilet unit.
  - 3. Provide regular servicing of portable facilities by professional servicing company; including draining, cleaning, and disinfecting.
- B. New permanent facilities may not be used during construction operations.



FIRE STATIONS RENOVATION  
Arlington County, Virginia  
Architect's Project No.: 563006

---

- C. Maintain daily in clean and sanitary condition.

**1.05 BARRIERS**

- A. Provide barriers to prevent unauthorized entry to construction areas, to prevent access to areas that could be hazardous to workers or the public, to allow for owner's use of site and to protect existing facilities and adjacent properties from damage from construction operations and demolition.
- B. Provide barricades and covered walkways required by governing authorities for public rights-of-way and for public access to existing building, and for emergency egress.
- C. Provide protection for plants designated to remain. Replace damaged plants.
- D. Protect vehicular traffic, stored materials, site, and structures from damage.

**1.06 FENCING**

- A. Barrier Mesh Fence: Provide minimum 6-foot height open-mesh polypropylene barrier fabric mounted on lumber or galvanized steel posts to isolate and define construction area and prevent accidental public access.
- B. Construction: Commercial grade chain link fence.
1. Contractor may provide either fixed or portable fencing to suit conditions. For portable fencing, provide concrete or galvanized steel bases for supporting posts. Bases for portable fencing shall not obstruct sidewalks or other pathways used by pedestrians.
- C. Provide 6 foot high fence around construction site; equip with vehicular and pedestrian gates with locks.
- D. Unless otherwise indicated, provide barrier mesh fencing to enclose the approximate extent of the entire construction site. Chain link fencing shall be used to enclose Contractor's field office and laydown/storage areas, areas of the site actively in construction, and as deemed necessary by Contractor.

**1.07 EXTERIOR ENCLOSURES**

- A. Provide temporary weather tight closure of exterior openings to accommodate acceptable working conditions and protection for Products, to allow for temporary heating and maintenance of required ambient temperatures identified in individual specification sections, and to prevent entry of unauthorized persons. Provide access doors with self-closing hardware and locks.

**1.08 INTERIOR ENCLOSURES**

- A. Provide temporary partitions to separate work areas from Owner-occupied areas, to prevent penetration of dust and moisture into Owner-occupied areas, and to prevent damage to existing materials and equipment.
- B. Construction: Framing and gypsum board sheet materials with closed joints and sealed edges at intersections with existing surfaces:

**1.09 SECURITY**

- A. Provide security and facilities to protect Work, existing facilities, and Owner's operations from unauthorized entry, vandalism, or theft.
1. Contractor shall repair damage to existing facilities caused by Construction operations.
- B. Coordinate with Owner's security program.
- C. Environmental Protection: Comply with EPA, OSHA and other regulatory requirements to prevent contamination of site, air, and public sewer/runoff.
1. Provide additional work restrictions and protective measures as indicated on Civil/Site Drawings and as specified in Division 01 Section "Summary."

**1.10 VEHICULAR ACCESS AND PARKING**

- A. Comply with regulations relating to use of streets and sidewalks, access to emergency facilities, and access for emergency vehicles.
- B. Coordinate access and haul routes with governing authorities and Owner.
- C. Provide and maintain access to fire hydrants, free of obstructions.

FIRE STATIONS RENOVATION  
Arlington County, Virginia  
Architect's Project No.: 563006

---

- D. Provide means of removing mud from vehicle wheels before entering streets.
- E. Designated existing on-site roads may be used for construction traffic.
- F. Provide temporary parking areas to accommodate construction personnel. When site space is not adequate, provide additional off-site parking.

#### **1.11 WASTE REMOVAL**

- A. See Section 017419 - Construction Waste Management and Disposal, for additional requirements.
- B. Provide waste removal facilities and services as required to maintain the site in clean and orderly condition.
- C. Provide containers with lids. Remove trash from site periodically.
- D. If materials to be recycled or re-used on the project must be stored on-site, provide suitable non-combustible containers; locate containers holding flammable material outside the structure unless otherwise approved by the authorities having jurisdiction.
- E. Open free-fall chutes are not permitted. Terminate closed chutes into appropriate containers with lids.

#### **1.12 PROJECT IDENTIFICATION**

- A. Project signs are not part of the Contract.
  - 1. The Contractor may, at their option and expense, elect to provide Project identification signs. Proposed signs shall comply with layout and details indicated on Drawings, and shall be submitted for Owner approval. Unauthorized signs are not permitted.
- B. Erect on site at location indicated.
- C. Provide temporary directional signage as directed to facilitate site access for visitors and other construction personnel.
- D. No other signs are allowed without Owner permission except those required by law.

#### **1.13 FIELD OFFICES**

- A. Field Office: Contractor shall be permitted to use a designated portion of existing facility as temporary field office.
  - 1. Maintain the following materials in the field office, available to Architect and Owner's representative at all times:
    - a. A complete, up-to-date set of all Contract Documents, including FCs, RFIs, PCOs, and COs.
    - b. A complete, up-to-date set of all reviewed final shop drawings.

#### **1.14 REMOVAL OF UTILITIES, FACILITIES, AND CONTROLS**

- A. Remove temporary utilities, equipment, facilities, materials, prior to Date of Substantial Completion inspection.
- B. Remove temporary underground installations.
- C. Clean and repair damage caused by installation or use of temporary work.
- D. Restore existing facilities used during construction to original condition.
- E. Restore new permanent facilities used during construction to specified condition.

### **PART 2 PRODUCTS**

#### **2.01 MATERIALS**

- A. Rough Carpentry: 2x lumber, in length and depth required for floor to ceiling partitions. Partitions shall not be fastened to existing ceilings or flooring to remain. Provide additional bracing and concealed attachments to building structure.
- B. Gypsum Board: 1/2-inch gypsum wallboard; ASTM C 1396.
- C. Insulation: Mineral-wool fiber blankets; with maximum flame-spread and smoke-developed ratings of 25 and 50 when tested per ASTM E 84.

FIRE STATIONS RENOVATION  
Arlington County, Virginia  
Architect's Project No.: 563006

---

- D. Polyethylene Sheet: Minimum 10 mil reinforced sheeting; achieving a passing rating when tested per NFPA 701, and a maximum flame-spread rating of 15 when tested per ASTM E 84.
- E. Walk-Off Mats: Dust-, dirt- and silica-control walk-off mats at each entrance into the enclosed construction area and each entrance through temporary partitions.
- F. Hardware: Provide temporary hinges, latch, and lock at doors in temporary partitions. Where doors in temporary partitions are also indicated to serve as egress, provide ADA-compliant exit device and closer.

## **2.02 EQUIPMENT**

- A. Fire Extinguishers: Provide portable UL rated extinguishers. Provide extinguisher types rated for potential classes of fire expected for construction work indicated.

## **PART 3 EXECUTION**

### **3.01 PEST CONTROL**

- A. Provide pest-control services at regular intervals, performed in compliance with regulations of state regulations, and by a pest-control firm licensed in the state where the project is located. Any chemicals and pesticides used shall be approved by EPA and local authority having jurisdiction. Contractor's pest control plan shall ensure the facility is free of termites, roaches, rodents, and other pests at time of Substantial Completion.
  - 1. Coordinate with Owner's Integrated Pest Management (IPM) plan where applicable.
  - 2. Provide Owner with a minimum 72 hours pre-notification for pest-control treatments.

### **3.02 TEMPORARY FIRE PROTECTION**

- A. Comply with NFPA 241 "Standard for Safeguarding Construction, Alteration, and Demolition Operations" for preventing damage to structures under construction.
- B. Provide a fire-prevention program, review with all personnel on site, and post fire-prevention information in clearly visible area. Coordinate fire-prevention program with local fire department.
- C. Provide clearly labeled portable fire extinguishers
- D. Provide fire watch in compliance with OSHA requirements during and after use of all potential ignition sources, including but not limited to, welders, grinders, cutting torches, heating and electrical equipment, and lighting.
- E. Do not allow smoking in areas under construction.

### **3.03 MOISTURE CONTROL**

- A. Prevent the absorption of moisture and humidity by:
  - 1. Sequencing the delivery of such materials so that they are not present in the building until wet work is completed and dry.
  - 2. Delivery and storage of such materials in fully sealed moisture-impermeable packaging.
  - 3. Provide sufficient ventilation for drying within reasonable time frame.
- B. Prior to building dry-in, store porous materials in a separate enclosed storage building. Keep all surfaces clear of standing water, and cover or otherwise protect all materials from water infiltration and damage. Do not enclose interior spaces until dry-in is complete and ventilation can remove excess moisture.
- C. After building dry-in, provide temporary mechanical ventilation for humidity and moisture control until the building HVAC system is operational. Do not store or install material in the building until ambient temperature and humidity is within manufacturer's acceptable range. Do not install wet materials, and ensure that substrates are fully dry prior to installing other materials over them.
- D. Provide continuous monitoring of installed materials. Remove gypsum board, wood products, and other mold-supporting products, if they become and remain wet for 48 hours. Remove and replace any materials showing visible signs of mold or mildew.

FIRE STATIONS RENOVATION  
Arlington County, Virginia  
Architect's Project No.: 563006

---

**3.04 TEMPORARY FACILITY USAGE AND REMOVAL**

- A. Maintenance and Usage: Keep temporary facilities clean and in well-maintained condition for the duration of the Project. Prevent misuse of or damage to facilities by construction personnel. Make repairs to temporary facilities or replace facilities as required to keep them in good operating condition and in compliance with applicable OSHA, local permitting, and other applicable regulations.
- B. Changeover: Coordinate changeover from temporary facilities to permanent facilities at Substantial Completion, unless an alternate arrangement for changeover has been agreed upon in writing by Owner.
  - 1. Contractor shall be responsible for repair, restoration, and cleaning of permanent facilities that are used for construction purposes after changeover.
- C. Removal: Unless otherwise indicated, temporary facilities and controls are the property of the Contractor, and shall be removed upon Architect's approval when Contractor can demonstrate that they are no longer needed.
  - 1. Comply with construction waste management and recycling requirements for temporary facilities and materials that are not able to be reused.
  - 2. After removal of temporary facilities and controls, complete all permanent construction that was not accessible due to the presence of temporary facilities.
  - 3. Remove materials that have become soiled or contaminated due to construction vehicle traffic, parking, temporary field offices, oil or other chemical spillage, and other temporary usage, and replace with clean material. Complete grading, landscaping, paving, and other site improvements, and repair or restore all damage to existing or previously completed site improvements

**END OF SECTION**

FIRE STATIONS RENOVATION  
Arlington County, Virginia  
Architect's Project No.: 563006

---

**SECTION 016000  
PRODUCT REQUIREMENTS**

**PART 1 GENERAL**

**1.01 DEFINITIONS**

- A. Comparable Product: An unnamed product that is similar in quality and performance to named product(s).
- B. Basis-of-Design Product: A specific product selected by the Architect for use in the design process; based on certain performance characteristics, physical qualities or details, a specialized finish type, pattern, or color, or other indicated characteristics.

**1.02 WARRANTIES**

- A. Product warranties shall be provided in addition to and run concurrently to Contractor's general warranty/guarantee.
  - 1. Unless otherwise indicated, all warranty terms shall start on the date of Substantial Completion.
- B. Manufacturer's Warranty: A standard warranty issued by the product manufacturer, covering production and material defects.
- C. Special Warranties: Warranties in addition to standard manufacturer's warranty, covering fabrication, installation, or specific performance items such as weathertightness
- D. Warranty Form: Warranty shall be provided on either manufacturer's standard form or on specified form. When a sample warranty form is not included in the Project Manual, the warranty shall be on mutually agreed form.

**PART 2 PRODUCTS**

**2.01 EXISTING PRODUCTS**

- A. Do not use materials and equipment removed from existing premises unless specifically required or permitted by Contract Documents.
- B. Unforeseen historic items encountered remain the property of the Owner; notify Owner promptly upon discovery; protect, remove, handle, and store as directed by Owner.
- C. Existing materials and equipment indicated to be removed, but not to be re-used, relocated, reinstalled, delivered to the Owner, or otherwise indicated as to remain the property of the Owner, become the property of the Contractor; remove from site.

**2.02 NEW PRODUCTS**

- A. Provide new products unless specifically required or permitted by Contract Documents.
- B. See Section 014000 - Quality Requirements, for additional source quality control requirements.
- C. Use of products having any of the following characteristics is not permitted:
  - 1. Made using or containing CFC's or HCFC's.
  - 2. Containing lead, cadmium, or asbestos.

**2.03 PRODUCT OPTIONS**

- A. Products Specified with a Single Named Product: Where required by Owner due to facility standards, provide the named product; no options or substitutions allowed.
- B. Products Specified by Reference Standards or by Description Only: Use any product meeting those standards or description.
- C. Products Specified by Naming One or More Manufacturers: Use a product of one of the manufacturers named and meeting specifications, no options or substitutions allowed.
- D. Products Specified by Naming One or More Manufacturers with a Provision for Substitutions: Submit a request for substitution for any manufacturer not named.
- E. Products Specified by Naming One or More Manufacturers with a Provision for Comparable Products: Unnamed comparable product may be submitted after award of Contract. Comply with requirements in "Comparable Products" article below.

FIRE STATIONS RENOVATION  
Arlington County, Virginia  
Architect's Project No.: 563006

---

#### **2.04 BASIS-OF-DESIGN PRODUCTS**

- A. Where a product is specified by naming a Basis-of-Design, comply with the following:
1. Where a list of additional manufacturers is provided, provide the Basis-of-Design product or a comparable product by one of the listed manufacturers, in compliance with "Comparable Products" article below.
  2. Where a list of additional manufacturers is not provided, provide the Basis-of-Design product, or submit a substitution request in compliance with Section 012500 - Substitution Procedures.
  3. Basis-of-Design characteristics shall include requirements in the Specifications and on the Drawings.
  4. Where the Basis-of-Design lists a specific finish, manufacturers wishing to submit as a Comparable Product or as a substitution shall certify that they are able to provide an exact match to the specified finish, or that they will provide a custom finish to match.

#### **2.05 COMPARABLE PRODUCTS**

- A. Where a product is specified with a provision for comparable products, Contractors submitting a Comparable Product shall comply with the following:
1. The submitted product shall not require changes to the Work, unless specifically approved by Architect. If changes are required, the Contractor shall resubmit the product as a substitution request, and the Contractor shall bear the cost of the changes, coordinate with other impacted contractors, and provide appropriate notations on record documents.
  2. Contractor shall provide, with the submittal, a detailed breakdown comparing the submitted product to at least one of the other listed products; list specified performance qualities, test results, dimensions, finish, and other critical properties.
  3. Contractor shall provide warranty data indicating that submitted Comparable Product complies with indicated warranty term(s).
- B. Comparable product submittals are subject to Architect's final approval. If a proposed product is found to be unacceptable, Contractor shall revert to one of the named products.

#### **2.06 COLOR/FINISH OPTIONS**

- A. Preselected Color/Finish: Where a specific manufacturer's premium or custom finish or color is indicated as the basis-of-design, other listed manufacturers shall certify that they can provide an exact match, or that they will provide pricing under the assumption that a custom finish or color will be required.
- B. Color/Finish Selection: Unless specifically indicated to either be a custom color or to be selected from manufacturer's standard range, color and finish selections shall be made from manufacturer's full range of options, including premiums, metallics, wood grains, etc.

#### **2.07 MAINTENANCE MATERIALS**

- A. Furnish extra materials, spare parts, tools, and software of types and in quantities specified in individual specification sections.
- B. Deliver to location designated by Owner; obtain receipt prior to final payment.

### **PART 3 EXECUTION**

#### **3.01 SUBSTITUTION LIMITATIONS**

- A. See Section 012500 - Substitution Procedures.

#### **3.02 OWNER-SUPPLIED PRODUCTS**

- A. See Section 011000 - Summary for identification of Owner-supplied products.
- B. Owner's Responsibilities:
1. Arrange for and deliver Owner reviewed shop drawings, product data, and samples, to Contractor.
  2. Arrange and pay for product delivery to site.
  3. On delivery, inspect products jointly with Contractor.
  4. Submit claims for transportation damage and replace damaged, defective, or deficient items.

FIRE STATIONS RENOVATION  
Arlington County, Virginia  
Architect's Project No.: 563006

---

5. Arrange for manufacturers' warranties, inspections, and service.
- C. Contractor's Responsibilities:
1. Review Owner reviewed shop drawings, product data, and samples.
  2. Receive and unload products at site; inspect for completeness or damage jointly with Owner.
  3. Handle, store, install and finish products.
  4. Repair or replace items damaged after receipt.

### 3.03 TRANSPORTATION AND HANDLING

- A. Package products for shipment in manner to prevent damage; for equipment, package to avoid loss of factory calibration.
- B. If special precautions are required, attach instructions prominently and legibly on outside of packaging.
- C. Coordinate schedule of product delivery to designated prepared areas in order to minimize site storage time and potential damage to stored materials.
- D. Transport and handle products in accordance with manufacturer's instructions.
- E. Transport materials in covered trucks to prevent contamination of product and littering of surrounding areas.
- F. Promptly inspect shipments to ensure that products comply with requirements, quantities are correct, and products are undamaged.
- G. Provide equipment and personnel to handle products by methods to prevent soiling, disfigurement, or damage, and to minimize handling.
- H. Arrange for the return of packing materials, such as wood pallets, where economically feasible.

### 3.04 STORAGE AND PROTECTION

- A. Provide protection of stored materials and products against theft, casualty, or deterioration.
  - B. Designate receiving/storage areas for incoming products so that they are delivered according to installation schedule and placed convenient to work area in order to minimize waste due to excessive materials handling and misapplication. See Section 017419.
    1. Structural Loading Limitations: Handle and store products and materials so as not to exceed static and dynamic load-bearing capacities of project floor and roof areas.
  - C. Store and protect products in accordance with manufacturers' instructions.
  - D. Store with seals and labels intact and legible.
  - E. Arrange storage of materials and products to allow for visual inspection for the purpose of determination of quantities, amounts, and unit counts.
  - F. Store sensitive products in weathertight, climate-controlled enclosures in an environment favorable to product.
  - G. For exterior storage of fabricated products, place on sloped supports above ground.
  - H. Provide off-site storage and protection when site does not permit on-site storage or protection.
  - I. Protect products from damage or deterioration due to construction operations, weather, precipitation, humidity, temperature, sunlight and ultraviolet light, dirt, dust, and other contaminants.
  - J. Comply with manufacturer's warranty conditions, if any.
  - K. Do not store products directly on the ground.
  - L. Cover products subject to deterioration with impervious sheet covering. Provide ventilation to prevent condensation and degradation of products.
  - M. Prevent contact with material that may cause corrosion, discoloration, or staining.
  - N. Provide equipment and personnel to store products by methods to prevent soiling, disfigurement, or damage.
-

FIRE STATIONS RENOVATION  
Arlington County, Virginia  
Architect's Project No.: 563006

---

- O. Arrange storage of products to permit access for inspection. Periodically inspect to verify products are undamaged and are maintained in acceptable condition.

**END OF SECTION**



FIRE STATIONS RENOVATION  
Arlington County, Virginia  
Architect's Project No.: 563006

---

**SECTION 017000  
EXECUTION AND CLOSEOUT REQUIREMENTS**

**PART 1 GENERAL**

**1.01 SUBMITTALS**

- A. See Section 013000 - Administrative Requirements, for submittal procedures.
- B. Project Record Documents: Accurately record actual locations of capped and active utilities.

**1.02 QUALIFICATIONS**

- A. For design of temporary shoring and bracing, employ a Professional Engineer experienced in design of this type of work and licensed in the State in which the Project is located.

**1.03 PROJECT CONDITIONS**

- A. Use of explosives is not permitted.
- B. Grade site to drain. Maintain excavations free of water. Provide, operate, and maintain pumping equipment.
- C. Protect site from puddling or running water. Provide water barriers as required to protect site from soil erosion.
- D. Perform dewatering activities, as required, for the duration of the project.
- E. Ventilate enclosed areas to assist cure of materials, to dissipate humidity, and to prevent accumulation of dust, fumes, vapors, or gases.
- F. Dust and Silica Control: Execute work by methods to minimize raising dust and silica from construction operations. Provide positive means to prevent air-borne dust and silica from dispersing into atmosphere and over adjacent property.
  - 1. Provide dust-proof enclosures to prevent entry of dust and silica that is generated outdoors.
  - 2. Provide dust-proof barriers between construction areas and areas continuing to be occupied by Owner.
- G. Erosion and Sediment Control: Plan and execute work by methods to control surface drainage from cuts and fills, from borrow and waste disposal areas. Prevent erosion and sedimentation.
  - 1. Minimize amount of bare soil exposed at one time.
  - 2. Provide temporary measures such as berms, dikes, and drains, to prevent water flow.
  - 3. Construct fill and waste areas by selective placement to avoid erosive surface silts or clays.
  - 4. Periodically inspect earthwork to detect evidence of erosion and sedimentation; promptly apply corrective measures.
- H. Noise Control: Provide methods, means, and facilities to minimize noise produced by construction operations.
- I. Pest and Rodent Control: Provide methods, means, and facilities to prevent pests and insects from damaging the work.
- J. Pollution Control: Provide methods, means, and facilities to prevent contamination of soil, water, and atmosphere from discharge of noxious, toxic substances, and pollutants produced by construction operations. Comply with federal, state, and local regulations.
- K. Hazardous Materials: Do not use materials or products that contain hazardous substances, for permanently installed products and materials, installation materials, or for cleaning or other construction use.

**1.04 COORDINATION**

- A. See Section 011000 for occupancy-related requirements.
- B. Coordinate scheduling, submittals, and work of the various sections of the Project Manual to ensure efficient and orderly sequence of installation of interdependent construction elements, with provisions for accommodating items installed later.

FIRE STATIONS RENOVATION  
Arlington County, Virginia  
Architect's Project No.: 563006

---

- C. Notify affected utility companies and comply with their requirements.
- D. Verify that utility requirements and characteristics of new operating equipment are compatible with building utilities. Coordinate work of various sections having interdependent responsibilities for installing, connecting to, and placing in service, such equipment.
- E. Coordinate space requirements, supports, and installation of mechanical and electrical work that are indicated diagrammatically on drawings. Follow routing indicated for pipes, ducts, and conduit, as closely as practicable; place runs parallel with lines of building. Utilize spaces efficiently to maximize accessibility for other installations, for maintenance, and for repairs.
- F. In finished areas except as otherwise indicated, conceal pipes, ducts, and wiring within the construction. Coordinate locations of fixtures and outlets with finish elements.
- G. Coordinate completion and clean-up of work of separate sections.
- H. After Owner occupancy of premises, coordinate access to site for correction of defective work and work not in accordance with Contract Documents, to minimize disruption of Owner's activities.

## **PART 2 PRODUCTS**

### **2.01 PATCHING MATERIALS**

- A. New Materials: As specified in product sections; match existing products and work for patching and extending work.
- B. Type and Quality of Existing Products: Determine by inspecting and testing products where necessary, referring to existing work as a standard.
- C. Product Substitution: For any proposed change in materials, submit request for substitution described in Section 016000 - Product Requirements.

## **PART 3 EXECUTION**

### **3.01 EXAMINATION**

- A. Verify that existing site conditions and substrate surfaces are acceptable for subsequent work. Start of work means acceptance of existing conditions.
- B. Verify that existing substrate is capable of structural support or attachment of new work being applied or attached.
- C. Examine and verify specific conditions described in individual specification sections.
- D. Take field measurements before confirming product orders or beginning fabrication, to minimize waste due to over-ordering or misfabrication.
- E. Verify that utility services are available, of the correct characteristics, and in the correct locations.
- F. Prior to Cutting: Examine existing conditions prior to commencing work, including elements subject to damage or movement during cutting and patching. After uncovering existing work, assess conditions affecting performance of work. Beginning of cutting or patching means acceptance of existing conditions.

### **3.02 PREPARATION**

- A. Clean substrate surfaces prior to applying next material or substance.
- B. Seal cracks or openings of substrate prior to applying next material or substance.
- C. Apply manufacturer required or recommended substrate primer, sealer, or conditioner prior to applying any new material or substance in contact or bond.

### **3.03 GENERAL INSTALLATION REQUIREMENTS**

- A. In addition to compliance with regulatory requirements, conduct construction operations in compliance with NFPA 241, including applicable recommendations in Appendix A.
- B. Install products as specified in individual sections, in accordance with manufacturer's instructions and recommendations, and so as to avoid waste due to necessity for

FIRE STATIONS RENOVATION  
Arlington County, Virginia  
Architect's Project No.: 563006

---

replacement.

- C. Make vertical elements plumb and horizontal elements level, unless otherwise indicated.
- D. Install equipment and fittings plumb and level, neatly aligned with adjacent vertical and horizontal lines, unless otherwise indicated.
- E. Make consistent texture on surfaces, with seamless transitions, unless otherwise indicated.
- F. Make neat transitions between different surfaces, maintaining texture and appearance.

### 3.04 ALTERATIONS

- A. Drawings showing existing construction and utilities are based on casual field observation and existing record documents only.
    - 1. Verify that construction and utility arrangements are as indicated.
    - 2. Report discrepancies to Architect before disturbing existing installation.
    - 3. Beginning of alterations work constitutes acceptance of existing conditions.
  - B. Keep areas in which alterations are being conducted separated from other areas that are still occupied.
    - 1. Provide, erect, and maintain temporary dustproof partitions of construction specified in Section 015000.
  - C. Maintain weatherproof exterior building enclosure except for interruptions required for replacement or modifications; take care to prevent water and humidity damage.
    - 1. Where openings in exterior enclosure exist, provide construction to make exterior enclosure weatherproof.
    - 2. Insulate existing ducts or pipes that are exposed to outdoor ambient temperatures by alterations work.
  - D. Remove existing work as indicated and as required to accomplish new work.
    - 1. Remove items indicated on drawings.
    - 2. Relocate items indicated on drawings.
    - 3. Where new surface finishes are to be applied to existing work, perform removals, patch, and prepare existing surfaces as required to receive new finish; prepare substrate per manufacturer's requirements for successful application of new finish.
    - 4. Where new surface finishes are not specified or indicated, patch holes and damaged surfaces to match adjacent finished surfaces.
  - E. Services (Including but not limited to HVAC, Plumbing, Fire Protection, Electrical, and Telecommunications): Remove, relocate, and extend existing systems to accommodate new construction.
    - 1. Maintain existing active systems that are to remain in operation; maintain access to equipment and operational components; if necessary, modify installation to allow access or provide access panel.
    - 2. Where existing active systems serve occupied facilities but are to be replaced with new services, maintain existing systems in service until new systems are complete and ready for service.
      - a. Disable existing systems only to make switchovers and connections; minimize duration of outages.
      - b. See Section 011000 for other limitations on outages and required notifications.
      - c. Provide temporary connections as required to maintain existing systems in service.
    - 3. Remove abandoned pipe, ducts, conduits, and equipment, including those above accessible ceilings; remove back to source of supply where possible, otherwise cap stub and tag with identification; patch holes left by removal using materials specified for new construction.
  - F. Protect existing work to remain.
    - 1. Prevent movement of structure; provide shoring and bracing if necessary.
    - 2. Perform cutting to accomplish removals neatly and as specified for cutting new work.
    - 3. Repair adjacent construction and finishes damaged during removal work.
  - G. Adapt existing work to fit new work: Make as neat and smooth transition as possible.
-

FIRE STATIONS RENOVATION  
Arlington County, Virginia  
Architect's Project No.: 563006

---

1. When existing finished surfaces are cut so that a smooth transition with new work is not possible, terminate existing surface along a straight line at a natural line of division and make recommendation to Architect.
  2. Where removal of partitions or walls results in adjacent spaces becoming one, rework floors, walls, and ceilings to a smooth plane without breaks, steps, or bulkheads.
- H. Patching: Where the existing surface is not indicated to be refinished, patch to match the surface finish that existed prior to cutting. Where the surface is indicated to be refinished, patch so that the substrate is ready for the new finish.
- I. Refinish existing surfaces as indicated:
1. Where rooms or spaces are indicated to be refinished, refinish all visible existing surfaces to remain to the specified condition for each material, with a neat transition to adjacent finishes.
- J. Clean existing systems and equipment in all spaces impacted by alteration work.
- K. Remove demolition debris and abandoned items from alterations areas and dispose of off-site; do not burn or bury.
- L. Do not begin new construction in alterations areas before demolition is complete.

### **3.05 CUTTING AND PATCHING**

- A. Perform cutting and patching to:
1. Complete the work.
  2. Fit products together to integrate with other work.
  3. Provide openings for penetration of mechanical, electrical, and other services.
  4. Match work that has been cut to adjacent work.
  5. Repair areas adjacent to cuts to required condition.
  6. Repair new work damaged by subsequent work.
  7. Remove samples of installed work for testing when requested.
  8. Remove and replace defective and non-complying work.
- B. Execute work by methods that avoid damage to other work and that will provide appropriate surfaces to receive patching and finishing. In existing work, minimize damage and restore to specified condition.
- C. Employ skilled and experienced installer to perform cutting and patching.
- D. Restore work with new products in accordance with requirements of Contract Documents.
- E. Fit work to pipes, sleeves, ducts, conduit, and other penetrations through surfaces.
- F. At penetrations of fire rated walls, partitions, ceiling, or floor construction, completely seal voids with fire rated material to maintain existing fire ratings, to full thickness of the penetrated element.
- G. Patching:
1. Finish patched surfaces to match finish that existed prior to patching. On continuous surfaces, refinish to nearest intersection or natural break. For an assembly, refinish entire unit.
  2. Match color, texture, and appearance.
  3. Repair patched surfaces that are damaged, lifted, discolored, or showing other imperfections due to patching work. If defects are due to condition of substrate, repair substrate prior to repairing finish.

### **3.06 PROGRESS CLEANING**

- A. Maintain areas free of waste materials, debris, and rubbish. Maintain site in a clean and orderly condition.
- B. Remove debris and rubbish from pipe chases, plenums, attics, crawl spaces, and other closed or remote spaces, prior to enclosing the space.
- C. Broom and vacuum clean interior areas prior to start of surface finishing, and continue cleaning to eliminate dust and silica.

FIRE STATIONS RENOVATION  
Arlington County, Virginia  
Architect's Project No.: 563006

---

- D. Collect and remove waste materials, debris, and trash/rubbish from site periodically and dispose off-site; do not burn or bury.

### **3.07 PROTECTION OF INSTALLED WORK**

- A. Protect installed work from damage by construction operations.
- B. Provide special protection where specified in individual specification sections.
- C. Provide temporary and removable protection for installed products. Control activity in immediate work area to prevent damage.
- D. Provide protective coverings at walls, projections, jambs, sills, and soffits of openings.
- E. Protect finished floors, stairs, and other surfaces from traffic, dirt, wear, damage, or movement of heavy objects, by protecting with durable sheet materials.
- F. Protect work from spilled liquids. If work is exposed to spilled liquids, immediately remove protective coverings, dry out work, and replace protective coverings.
- G. Prohibit traffic or storage upon waterproofed or roofed surfaces. If traffic or activity is necessary, obtain recommendations for protection from waterproofing or roofing material manufacturer.
- H. Prohibit traffic from landscaped areas.
- I. Remove protective coverings when no longer needed; reuse or recycle coverings if possible.

### **3.08 SYSTEM STARTUP AND ADJUSTING**

- A. Coordinate schedule for start-up of various equipment and systems.
- B. Notify Architect and Owner seven days prior to start-up of each item.
- C. Verify that each piece of equipment or system has been checked for proper lubrication, drive rotation, belt tension, control sequence, and for conditions that may cause damage.
- D. Verify tests, meter readings, and specified electrical characteristics agree with those required by the equipment or system manufacturer.
- E. Verify that wiring and support components for equipment are complete and tested.
- F. Execute start-up under supervision of applicable Contractor personnel and manufacturer's representative in accordance with manufacturers' instructions.
- G. When specified in individual specification Sections, require manufacturer to provide authorized representative to be present at site to inspect, check, and approve equipment or system installation prior to start-up, and to supervise placing equipment or system in operation.
- H. Adjust operating products and equipment to ensure smooth and unhindered operation.
- I. Testing, Adjusting, and Balancing of HVAC Systems: Refer to Division 1 Section "Testing, Adjusting, and Balancing for HVAC."
- J. Submit a written report that equipment or system has been properly installed and is functioning correctly.

### **3.09 DEMONSTRATION AND INSTRUCTION**

- A. See Section 017900 - Demonstration and Training.

### **3.10 FINAL CLEANING**

- A. Execute final cleaning prior to Substantial Completion.
  - 1. Clean areas to be occupied by Owner prior to final completion before Owner occupancy.
- B. Use cleaning materials that are nonhazardous.
- C. Clean interior and exterior glass, surfaces exposed to view; remove temporary labels, stains and foreign substances, polish transparent and glossy surfaces, vacuum carpeted and soft surfaces.

FIRE STATIONS RENOVATION  
Arlington County, Virginia  
Architect's Project No.: 563006

---

- D. Remove all labels that are not permanent. Do not paint or otherwise cover fire test labels or nameplates on mechanical and electrical equipment.
- E. Clean equipment and fixtures to a sanitary condition with cleaning materials appropriate to the surface and material being cleaned.
- F. Replace filters of operating equipment.
- G. Clean debris from roofs, gutters, downspouts, scuppers, overflow drains, area drains, and drainage systems.
- H. Clean site; sweep paved areas, rake clean landscaped surfaces.
- I. Remove waste, surplus materials, trash/rubbish, and construction facilities from the site; dispose of in legal manner; do not burn or bury.

### 3.11 CLOSEOUT PROCEDURES

- A. Prior to Substantial Completion, complete the following:
    - 1. Provide startup, testing, and adjusting of all systems and equipment.
      - a. Demonstrate that air and water systems are balanced and that automatic temperature control system is in control of all equipment. This may require separate demonstrations if controls cannot be tested for applicable seasons of the year.
      - b. Submit written certification that testing/adjusting/balancing operations have been completed, and that systems are operation and under control in conformance with applicable specification section(s).
      - c. Submit written certification that all Building Commissioning has been completed.
      - d. Complete testing of the electronic security and detention systems and equipment, demonstrating security control.
    - 2. Provide all inspections required by local authorities having jurisdiction to obtain Certificate of Occupancy, and provide written certification of completion of Special Inspections.
    - 3. Provide preventive maintenance services for all equipment used prior to Substantial Completion, and provide initial maintenance servicing for all products and equipment that will be subject to ongoing maintenance/service contracts.
    - 4. Provide final cleaning of all products, materials, and equipment, and provide touch up and restoration of exposed materials and finishes.
    - 5. Provide fresh batteries in all battery-powered products and equipment.
    - 6. Provide demonstration and training for Owner's personnel on all required systems and equipment.
    - 7. Coordinate a walkthrough with the Owner and the local fire department and other emergency services.
    - 8. To the maximum extent possible, remove temporary facilities and controls, construction equipment and tools, and similar items that are not part of the finished Work.
    - 9. Coordinate changeover with the Owner of permanent utilities, insurance requirements, and building's permanent keying and lock system.
  - B. Notify Architect when work is considered ready for Architect's Substantial Completion inspection.
  - C. Submit written certification containing Contractor's Correction Punch List, that Contract Documents have been reviewed, work has been inspected, and that work is complete in accordance with Contract Documents and ready for Architect's Substantial Completion inspection.
  - D. Owner will occupy the building after Substantial Completion as specified in Section 011000.
  - E. Conduct Substantial Completion inspection and create Final Correction Punch List containing Architect's and Contractor's comprehensive list of items identified to be completed or corrected and submit to Architect.
  - F. Correct items of work listed in Final Correction Punch List and comply with requirements for access to Owner-occupied areas.
-

FIRE STATIONS RENOVATION  
Arlington County, Virginia  
Architect's Project No.: 563006

---

- G. Notify Architect when work is considered finally complete and ready for Architect's Substantial Completion final inspection.
- H. Prior to final completion, complete the following:
  - 1. Complete items of work determined by Architect listed in executed Certificate of Substantial Completion.
  - 2. Provide final pest and rodent control treatments and inspections.
  - 3. Remove any remaining construction equipment, tools, and materials; perform additional cleaning required due to construction activities following Substantial Completion, and leave the site prepared for Owner occupancy.
  - 4. Submit final demonstration and training materials and videos, as built/record documents, operation and maintenance binders, and warranty binders.
  - 5. Submit final application for payment.

**3.12 MAINTENANCE**

- A. Provide service and maintenance of components indicated in specification sections.
  - 1. Contractor's maintenance responsibility shall be through Substantial Completion, unless a longer term is required by individual specification section.
- B. Maintenance service shall not be assigned or transferred to any agent or third party without prior written consent of the Owner.

**END OF SECTION**

FIRE STATIONS RENOVATION  
Arlington County, Virginia  
Architect's Project No.: 563006

---

**SECTION 017419**  
**CONSTRUCTION WASTE MANAGEMENT AND DISPOSAL**

**PART 1 GENERAL**

**1.01 WASTE MANAGEMENT REQUIREMENTS**

- A. Owner requires that this project generate the least amount of trash and waste possible.
- B. Employ processes that ensure the generation of as little waste as possible due to error, poor planning, breakage, mishandling, contamination, or other factors.
- C. Minimize trash/waste disposal in landfills; reuse, salvage, or recycle as much waste as economically feasible.
- D. Contractor shall develop and follow a Waste Management Plan designed to implement these requirements.
- E. The following sources may be useful in developing the Waste Management Plan:
- F. Methods of trash/waste disposal that are not acceptable are:
  - 1. Burning on the project site.
  - 2. Burying on the project site.
  - 3. Dumping or burying on other property, public or private.
  - 4. Other illegal dumping or burying.
- G. Regulatory Requirements: Contractor is responsible for knowing and complying with regulatory requirements, including but not limited to Federal, state and local requirements, pertaining to legal disposal of all construction and demolition waste materials.

**1.02 DEFINITIONS**

- A. Clean: Untreated and unpainted; not contaminated with oils, solvents, caulk, or the like.
- B. Construction and Demolition Waste: Solid wastes typically including building materials, packaging, trash, debris, and rubble resulting from construction, remodeling, repair and demolition operations.
- C. Hazardous: Exhibiting the characteristics of hazardous substances, i.e., ignitibility, corrosivity, toxicity or reactivity.
- D. Nonhazardous: Exhibiting none of the characteristics of hazardous substances, i.e., ignitibility, corrosivity, toxicity, or reactivity.
- E. Nontoxic: Neither immediately poisonous to humans nor poisonous after a long period of exposure.
- F. Recyclable: The ability of a product or material to be recovered at the end of its life cycle and remanufactured into a new product for reuse by others.
- G. Recycle: To remove a waste material from the project site to another site for remanufacture into a new product for reuse by others.
- H. Recycling: The process of sorting, cleansing, treating and reconstituting solid waste and other discarded materials for the purpose of using the altered form. Recycling does not include burning, incinerating, or thermally destroying waste.
- I. Return: To give back reusable items or unused products to vendors for credit.
- J. Reuse: To reuse a construction waste material in some manner on the project site.
- K. Salvage: To remove a waste material from the project site to another site for resale or reuse by others.
- L. Sediment: Soil and other debris that has been eroded and transported by storm or well production run-off water.
- M. Source Separation: The act of keeping different types of waste materials separate beginning from the first time they become waste.
- N. Toxic: Poisonous to humans either immediately or after a long period of exposure.
- O. Trash: Any product or material unable to be reused, returned, recycled, or salvaged.



FIRE STATIONS RENOVATION  
Arlington County, Virginia  
Architect's Project No.: 563006

---

- P. Waste: Extra material or material that has reached the end of its useful life in its intended use. Waste includes salvageable, returnable, recyclable, and reusable material.

### 1.03 SUBMITTALS

- A. See Section 013000 - Administrative Requirements, for submittal procedures.
- B. Waste Management Plan: Include the following information:
1. Analysis of the trash and waste projected to be generated during the entire project construction cycle, including types and quantities.
  2. Landfill Options: The name, address, and telephone number of the landfill(s) where trash/waste will be disposed of, the applicable landfill tipping fee(s), and the projected cost of disposing of all project trash/waste in the landfill(s).
  3. Landfill Alternatives: List all waste materials that will be diverted from landfills by reuse, salvage, or recycling.
  4. Meetings: Describe regular meetings to be held to address waste prevention, reduction, recycling, salvage, reuse, and disposal.
  5. Materials Handling Procedures: Describe the means by which materials to be diverted from landfills will be protected from contamination and prepared for acceptance by designated facilities; include separation procedures for recyclables, storage, and packaging.
  6. Transportation: Identify the destination and means of transportation of materials to be recycled; i.e. whether materials will be site-separated and self-hauled to designated centers, or whether mixed materials will be collected by a waste hauler.

## PART 3 EXECUTION

### 2.01 WASTE MANAGEMENT PLAN IMPLEMENTATION

- A. Manager: Designate an on-site person or persons responsible for instructing workers and overseeing and documenting results of the Waste Management Plan.
- B. Communication: Distribute copies of the Waste Management Plan to job site foreman, each subcontractor, Owner, and Architect.
- C. Instruction: Provide on-site instruction of appropriate separation, handling, and recycling, salvage, reuse, and return methods to be used by all parties at the appropriate stages of the project.
- D. Meetings: Discuss trash/waste management goals and issues at project meetings.
1. Prebid meeting.
  2. Preconstruction meeting.
  3. Regular job-site meetings.
- E. Facilities: Provide specific facilities for separation and storage of materials for recycling, salvage, reuse, return, and trash disposal, for use by all contractors and installers.
1. Provide containers as required.
  2. Provide adequate space for pick-up and delivery and convenience to subcontractors.
  3. Keep recycling and trash/waste bin areas neat and clean and clearly marked in order to avoid contamination of materials.
- F. Hazardous Wastes: Separate, store, and dispose of hazardous wastes according to applicable regulations.
- G. Recycling: Separate, store, protect, and handle at the site identified recyclable waste products in order to prevent contamination of materials and to maximize recyclability of identified materials. Arrange for timely pickups from the site or deliveries to recycling facility in order to prevent contamination of recyclable materials.
- H. Reuse of Materials On-Site: Set aside, sort, and protect separated products in preparation for reuse.
- I. Salvage: Set aside, sort, and protect products to be salvaged for reuse off-site.

**END OF SECTION**

---

FIRE STATIONS RENOVATION  
Arlington County, Virginia  
Architect's Project No.: 563006

---

**SECTION 017800  
CLOSEOUT SUBMITTALS**

**PART 1 GENERAL**

**1.01 SECTION INCLUDES**

- A. Project record documents.
- B. Operation and maintenance data.
- C. Warranties and bonds.

**1.02 SUBMITTALS**

- A. Project Record Documents: Submit documents to Architect within 15 days after the date of Substantial Completion.
- B. Operation and Maintenance Data:
  - 1. For equipment, or component parts of equipment put into service during construction and operated by Owner, submit completed documents within 15 days after acceptance.
  - 2. Submit one PDF draft copy of completed documents within 15 days after the Closeout Conference. This copy will be reviewed and returned, with Architect comments. Revise content of all document sets as required prior to final submission.
  - 3. After revisions are complete, submit one bound hard copy and PDF electronic file of revised final documents in final form within 15 days after Substantial Completion.
- C. Warranties and Bonds:
  - 1. For equipment or component parts of equipment put into service during construction with Owner's permission, submit documents within 15 days after acceptance.
  - 2. Make other submittals within 15 days after Date of Substantial Completion, prior to final Application for Payment.
  - 3. For items of Work for which acceptance is delayed beyond Date of Substantial Completion, submit within 15 days after acceptance, listing the date of acceptance as the beginning of the warranty period.

**PART 2 PRODUCTS - NOT USED**

**PART 3 EXECUTION**

**3.01 PROJECT RECORD DOCUMENTS**

- A. Maintain on site one set of the following record documents; record actual revisions to the Work:
  - 1. Drawings.
  - 2. Addenda.
  - 3. Change Orders and other modifications to the Contract.
  - 4. Miscellaneous record submittals.
- B. Ensure entries are complete and accurate, enabling future reference by Owner.
  - 1. Include revised Drawings reissued during Bidding and Construction.
- C. Store record documents separate from documents used for construction.
  - 1. Keep record documents in a location accessible to Architect for periodic review and reference.
  - 2. Maintain in legible condition. If record document set becomes damaged or excessively dirty, transfer comments to clean set prior to submittal to Architect.
- D. Record information concurrent with construction progress.
- E. Record Drawings: Legibly mark each item to record actual construction including:
  - 1. Measured depths of foundations in relation to finish first floor datum.
  - 2. Measured horizontal and vertical locations of underground utilities and appurtenances, referenced to permanent surface improvements.
  - 3. Measured locations of internal utilities and appurtenances concealed in construction, referenced to visible and accessible features of the Work.
  - 4. Field changes of dimension and detail.

FIRE STATIONS RENOVATION  
Arlington County, Virginia  
Architect's Project No.: 563006

---

5. Details not on original Contract drawings.
- F. Miscellaneous Record Submittals: Where other specification sections require completion certifications, or closeout or record submittals, submit in a single binder organized by specification section.

### **3.02 ASSEMBLY OF RECORD DOCUMENTS**

- A. Submittal for Architect's Review:
  1. Submit PDF scanned copy of marked up prints.
  2. Architect shall review and provide comment on completeness
- B. Submittal for Distribution to Owner:
  1. After Architect has approved for content and completeness, submit PDF scanned copy of final marked up prints, and submit hard copy originals.
  2. Submit full set of Drawings, regardless of whether any modification or markings are on each sheet.

### **3.03 OPERATION AND MAINTENANCE DATA**

- A. Product Data: Mark each sheet to clearly identify specific products and component parts, and data applicable to installation. Delete inapplicable information.
- B. Drawings: Supplement product data to illustrate relations of component parts of equipment and systems, to show control and flow diagrams. Do not use Project Record Documents as maintenance drawings.
- C. Typed Text: As required to supplement product data. Provide logical sequence of instructions for each procedure, incorporating manufacturer's instructions.

### **3.04 OPERATION AND MAINTENANCE DATA FOR MATERIALS AND FINISHES**

- A. For Each Product, Applied Material, and Finish:
  1. Product data, with catalog number, size, composition, and color and texture designations.
  2. Information for re-ordering custom manufactured products.
- B. Instructions for Care and Maintenance: Manufacturer's recommendations for cleaning agents and methods, precautions against detrimental cleaning agents and methods, and recommended schedule for cleaning and maintenance.
- C. Moisture protection and weather-exposed products: Include product data listing applicable reference standards, chemical composition, and details of installation. Provide recommendations for inspections, maintenance, and repair.
- D. Additional information as specified in individual product specification sections.
- E. Where additional instructions are required, beyond the manufacturer's standard printed instructions, have instructions prepared by personnel experienced in the operation and maintenance of the specific products.

### **3.05 OPERATION AND MAINTENANCE DATA FOR EQUIPMENT AND SYSTEMS**

- A. For Each Item of Equipment and Each System:
  1. Description of unit or system, and component parts.
  2. Identify function, normal operating characteristics, and limiting conditions.
  3. Include performance curves, with engineering data and tests.
  4. Complete nomenclature and model number of replaceable parts.
- B. Where additional instructions are required, beyond the manufacturer's standard printed instructions, have instructions prepared by personnel experienced in the operation and maintenance of the specific products.
- C. Panelboard Circuit Directories: Provide electrical service characteristics, controls, and communications; typed.
- D. Include color coded wiring diagrams as installed.
- E. Operating Procedures: Include start-up, break-in, and routine normal operating instructions and sequences. Include regulation, control, stopping, shut-down, and emergency instructions. Include summer, winter, and any special operating instructions.

FIRE STATIONS RENOVATION  
Arlington County, Virginia  
Architect's Project No.: 563006

---

- F. Maintenance Requirements: Include routine procedures and guide for preventative maintenance and trouble shooting; disassembly, repair, and reassembly instructions; and alignment, adjusting, balancing, and checking instructions.
- G. Provide servicing and lubrication schedule, and list of lubricants required.
- H. Include manufacturer's printed operation and maintenance instructions.
- I. Include sequence of operation by controls manufacturer.
- J. Provide original manufacturer's parts list, illustrations, assembly drawings, and diagrams required for maintenance.
- K. Provide control diagrams by controls manufacturer as installed.
- L. Provide Contractor's coordination drawings, with color coded piping diagrams as installed.
- M. Provide charts of valve tag numbers, with location and function of each valve, keyed to flow and control diagrams.
- N. Provide list of original manufacturer's spare parts, current prices, and recommended quantities to be maintained in storage.
- O. Include test and balancing reports.
- P. Additional Requirements: As specified in individual product specification sections.

**3.06 ASSEMBLY OF OPERATION AND MAINTENANCE MANUALS**

- A. Assemble operation and maintenance data into durable manuals for Owner's personnel use, with data arranged in the same sequence as, and identified by, the specification sections.
- B. Where systems involve more than one specification section, provide separate tabbed divider for each system.
- C. Binders: Commercial quality, 8-1/2 by 11 inch three D side ring binders with durable plastic covers; 2 inch maximum ring size. When multiple binders are used, correlate data into related consistent groupings.
- D. Cover: Identify each binder on front and spine with typed or printed title OPERATION AND MAINTENANCE INSTRUCTIONS; identify title of Project; identify subject matter of contents.
- E. Project Directory: Title and address of Project; names, addresses, and telephone numbers of Architect, Consultants, Contractor and subcontractors, with names of responsible parties.
- F. Tables of Contents: List every item separated by a divider, using the same identification as on the divider tab; where multiple volumes are required, include all volumes Tables of Contents in each volume, with the current volume clearly identified.
- G. Dividers: Provide tabbed dividers for each separate product and system; identify the contents on the divider tab; immediately following the divider tab include a description of product and major component parts of equipment.
- H. Text: Manufacturer's printed data, or typewritten data on 20 pound paper.
- I. Drawings: Provide with reinforced punched binder tab. Bind in with text; fold larger drawings to size of text pages.
- J. Arrangement of Contents: Organize each volume in parts as follows:
  - 1. Project Directory.
  - 2. Table of Contents, of all volumes, and of this volume.
  - 3. Operation and Maintenance Data: Arranged by system, then by product category.
    - a. Source data.
    - b. Product data.
    - c. Operation and maintenance data.
    - d. Field quality control data.
    - e. Photocopies of warranties and bonds.

FIRE STATIONS RENOVATION  
Arlington County, Virginia  
Architect's Project No.: 563006

---

**3.07 WARRANTIES AND BONDS**

- A. Obtain warranties and bonds, executed in duplicate by responsible Subcontractors, suppliers, and manufacturers, within 15 days after completion of the applicable item of work. Except for items put into use with Owner's permission, leave date of beginning of time of warranty until Date of Substantial completion is determined.
- B. Verify that documents are in proper form, contain full information, and are notarized.
- C. Retain warranties and bonds until time specified for submittal.
- D. Manual: Bind in commercial quality 8-1/2 by 11 inch three D side ring binders with durable plastic covers.
- E. Cover: Identify each binder on front and spine with typed or printed title WARRANTIES AND BONDS, with title of Project; name, address and telephone number of Contractor and equipment supplier; and name of responsible company principal.
- F. Table of Contents: Neatly typed, in the sequence of the Table of Contents of the Project Manual, with each item identified with the number and title of the specification section in which specified, and the name of product or work item.
- G. Separate each warranty or bond with index tab sheets keyed to the Table of Contents listing. Provide full information, using separate typed sheets as necessary. List Subcontractor, supplier, and manufacturer, with name, address, and telephone number of responsible principal.
- H. Provide photocopy of each warranty in operation and maintenance manuals; locate each warranty with applicable O&M data for product or equipment.

**END OF SECTION**

FIRE STATIONS RENOVATION  
Arlington County, Virginia  
Architect's Project No.: 563006

---

**SECTION 017900  
DEMONSTRATION AND TRAINING**

**PART 1 GENERAL**

**1.01 SUMMARY**

- A. Demonstration of products, systems, equipment, and other items where indicated in specific specification sections.
- B. Training of Owner personnel in operation and maintenance of products, systems, equipment, and othwhere indicated in specific specification sections.

**1.02 SUBMITTALS**

- A. See Section 013000 - Administrative Requirements, for submittal procedures.
- B. Draft Training Plans: Owner will designate personnel to be trained; tailor training to needs and skill-level of attendees.
  - 1. Submit not less than four weeks prior to start of training.
  - 2. Revise and resubmit until acceptable.
  - 3. Provide an overall schedule showing all training sessions.
  - 4. Include at least the following for each training session:
    - a. Identification, date, time, and duration.
    - b. Description of products and/or systems to be covered.
    - c. Name of firm and person conducting training; include qualifications.
    - d. Intended audience, such as job description.
    - e. Objectives of training and suggested methods of ensuring adequate training.
    - f. Methods to be used, such as classroom lecture, live demonstrations, hands-on, etc.
    - g. Media to be used, such a slides, hand-outs, etc.
    - h. Training equipment required, such as projector, projection screen, etc., to be provided by Contractor.
- C. Training Manuals: Provide training manual for each attendee.
  - 1. Include applicable portion of O&M manuals.
  - 2. Include copies of all hand-outs, slides, overheads, video presentations, etc., that are not included in O&M manuals.
  - 3. Provide one extra copy of each training manual to be included with operation and maintenance data.
- D. Training Reports:
  - 1. Identification of each training session, date, time, and duration.
  - 2. Sign-in sheet showing names and job titles of attendees.
  - 3. List of attendee questions and written answers given, including copies of and references to supporting documentation required for clarification; include answers to questions that could not be answered in original training session.
- E. Video Recordings: Submit digital video recording of each demonstration and training session for Owner's subsequent use.
  - 1. Format: DVD Disc.
  - 2. Label each disc and container with session identification and date.
  - 3. Where available, provide manufacturer's pre-produced training videos in conjunction with live demonstration and training video.

**1.03 QUALITY ASSURANCE**

- A. Instructor Qualifications: Familiar with design, operation, maintenance and troubleshooting of the relevant products and systems.
  - 1. Instructor shall be certified by the manufacturer or fabricator of system.
  - 2. Where a single person is not familiar with all aspects, provide specialists with necessary qualifications.

FIRE STATIONS RENOVATION  
Arlington County, Virginia  
Architect's Project No.: 563006

---

**PART 2 PRODUCTS - NOT USED**

**PART 3 EXECUTION**

**3.01 DEMONSTRATION - GENERAL**

- A. Demonstrations conducted during system start-up do not qualify as demonstrations for the purposes of this section, unless approved in advance by Owner.
- B. Demonstrations conducted during Functional Testing need not be repeated unless Owner personnel training is specified.
- C. Demonstration may be combined with Owner personnel training if applicable, and if acceptable to Owner.
- D. Operating Equipment and Systems: Demonstrate operation in all modes, including start-up, shut-down, seasonal changeover, emergency conditions, and troubleshooting, and maintenance procedures, including scheduled and preventive maintenance.
  - 1. Complete demonstrations within two weeks after the date of Substantial Completion.
  - 2. For equipment or systems requiring seasonal operation, perform demonstration for other season within six months.
- E. Non-Operating Products: Demonstrate cleaning, scheduled and preventive maintenance, and repair procedures.
  - 1. Complete demonstrations within two weeks after the date of Substantial Completion.

**3.02 TRAINING - GENERAL**

- A. Conduct training on-site, utilizing installed products and equipment, unless otherwise indicated.
- B. Provide training in minimum two hour segments.
- C. Training schedule will be subject to availability of Owner's personnel to be trained; re-schedule training sessions as required by Owner; once schedule has been approved by Owner failure to conduct sessions according to schedule will be cause for Owner to charge Contractor for personnel "show-up" time.
- D. Review of Facility Policy on Operation and Maintenance Data: During training discuss:
  - 1. Typical contents and organization of all manuals, including explanatory information, system narratives, and product specific information.
  - 2. Typical uses of the O&M manuals.
- E. Product- and System-Specific Training:
  - 1. Review the applicable O&M manuals.
  - 2. For systems, provide an overview of system operation, design parameters and constraints, and operational strategies.
  - 3. Review instructions for proper operation in all modes, including start-up, shut-down, seasonal changeover and emergency procedures, and for maintenance, including preventative maintenance.
  - 4. Discuss cleaning products and procedures, including recommended cleaning products and products that are detrimental to equipment operation or finishes.
  - 5. Provide hands-on training on all operational modes possible and preventive maintenance.
  - 6. Emphasize safe and proper operating requirements; discuss relevant health and safety issues, warning or error indications, and emergency procedures and shutdown.
  - 7. Discuss common troubleshooting problems and solutions. Include minor adjustments for resolving noise, vibration, and improving system efficiency.
  - 8. Discuss any peculiarities of equipment installation or operation.
  - 9. Discuss warranties and guarantees, including procedures necessary to avoid voiding coverage. Include discussion of continuing maintenance agreements and procedures.
  - 10. Review recommended tools and spare parts inventory suggestions of manufacturers.
  - 11. Review spare parts and tools required to be furnished by Contractor.
  - 12. Review spare parts suppliers and sources and procurement procedures.

FIRE STATIONS RENOVATION  
Arlington County, Virginia  
Architect's Project No.: 563006

---

- F. Be prepared to answer questions raised by training attendees; if unable to answer during training session, provide written response within three days.

**END OF SECTION**



FIRE STATIONS RENOVATION  
Arlington County, Virginia  
Architect's Project No.: 563006

---

**SECTION 018119**  
**INDOOR AIR QUALITY REQUIREMENTS**

**PART 1 GENERAL**

**1.01 SUMMARY**

- A. Provide Indoor Air Quality (IAQ) Management Plan to remain in force during the construction period.
- B. Chapter 3 of the Sheet Metal and Air Conditioning National Contractors' Association (SMACNA) IAQ Guideline for Occupied Buildings Under Construction, 2nd Edition 2007, available from SMACNA (703-803-2980 or www.smacna.org).

**1.02 SUBMITTAL**

- A. Construction Indoor Air Quality Management Plan (CIAQM Plan).

**PART 2 OBJECTIVES DURING CONSTRUCTION**

**2.01 PROTECTION**

- A. Store all materials and equipment in a protected area (inside warehouse or storage trailer). Protect materials and equipment that are too large or heavy to store in a trailer from water and dirt/dust/debris.
  - 1. OPTION: When stored outside, provide two layers of minimum 8-mil poly on the ground and elevate equipment or material a minimum of 4 inches to allow water to run off. Secure top and sides with two layers of 8-mil poly to prevent water penetration and dust/dirt accumulation.
- B. Protect HVAC equipment from dust and odors. Do not store equipment in areas near painting, pressure washing, or excavation. Do not operate equipment during cutting or grinding of masonry or concrete.
  - 1. Refer to Division 23 for construction filter requirements for protection of mechanical duct systems during construction.
  - 2. Clean ductwork when installed. Cap ends of inactive duct with poly during construction to prevent contamination.
  - 3. Do not operate HVAC system until the exterior walls, roof, glass, doors and building filters are properly installed.
  - 4. Replace all filtration media immediately prior to Substantial Completion. Refer to Division 23 for filtration requirements.
  - 5. Do not perform Testing and Balancing until dust or odor generating activities are completed.

**2.02 SOURCE CONTROL**

- A. Minimize IAQ contaminants introduced by construction materials.
- B. Store waste construction materials a minimum of 30 feet away from the building.
- C. Do not smoke within 30 feet of the exterior building perimeter.

**2.03 PATHWAY INTERRUPTION**

- A. Provide barriers to contain construction areas to allow a portion of the building to be cleaned and then operate the HVAC system in that cleaned area. Acceptable barriers include dust curtains and temporary walls.
  - 1. Protect areas of the building in which HVAC is operational by physical barriers from areas of the building not acceptable for operation of the HVAC system.
- B. Maintain areas within 30 feet of outdoor air intakes free of dust, dirt, debris, and volatile materials while the HVAC system is in operation.

**2.04 HOUSEKEEPING**

- A. As dust accumulates at the Site, it can become airborne when disturbed by nearby activity. Similarly, spills or excess applications of products containing solvents will increase odors at the Site. Leaving the Site wet or damp for more than a day could result in the growth of mold and bacteria. Therefore, Site cleanup and maintenance is important to maintaining good IAQ during construction.

FIRE STATIONS RENOVATION  
Arlington County, Virginia  
Architect's Project No.: 563006

---

- B. Perform the following to control contaminants at the Site:
1. Suppress dust with wetting agents or sweeping compounds
  2. Provide an efficient dust collection method (e.g. a damp rag, wet mop, or vacuum equipped with a high efficiency particulate arrester (HEPA) filter or wet scrubber).
  3. Remove spills or excess applications of solvent-containing products immediately. Provide low-VOC emitting spot removers and cleaning agents near occupied areas.
  4. Remove accumulated water and keep work areas as dry as possible, including the use of dehumidification, if necessary.
  5. Once building is enclosed, vacuum with HEPA filtered vacuum cleaners to prevent settled dust from becoming airborne again.
  6. Protect porous materials from exposure to moisture. Replace items that remain damp for more than four hours.

**END OF SECTION**

FIRE STATIONS RENOVATION  
Arlington County, Virginia  
Architect's Project No.: 563006

---

**SECTION 024100  
DEMOLITION**

**PART 1 GENERAL**

**1.01 SUBMITTALS**

- A. See Section 013000 - Administrative Requirements, for submittal procedures.
- B. Project Record Documents: Accurately record actual locations of capped and active utilities and subsurface construction.

**PART 2 PRODUCTS -- NOT USED**

**PART 3 EXECUTION**

**3.01 GENERAL PROCEDURES AND PROJECT CONDITIONS**

- A. All demolition work shall be considered unclassified. Barring discovery of hazardous materials or undocumented structural components, where elements are indicated to be demolished, the bid price shall be for complete demolition of the element, regardless of the individual component makeup of that element.
- B. Comply with applicable codes and regulations for demolition operations and safety of adjacent structures and the public.
  - 1. Obtain required permits.
  - 2. Comply with applicable requirements of NFPA 241.
  - 3. Use of explosives is not permitted.
  - 4. Take precautions to prevent catastrophic or uncontrolled collapse of structures to be removed; do not allow worker or public access within range of potential collapse of unstable structures.
  - 5. Provide, erect, and maintain temporary barriers and security devices.
  - 6. Conduct operations to minimize effects on and interference with adjacent structures and occupants.
  - 7. Do not close or obstruct roadways or sidewalks without permit.
  - 8. Conduct operations to minimize obstruction of public and private entrances and exits; do not obstruct required exits at any time; protect persons using entrances and exits from removal operations.
  - 9. Obtain written permission from owners of adjacent properties when demolition equipment will traverse, infringe upon or limit access to their property.
- C. Do not begin removal until receipt of notification to proceed from Owner.
- D. Do not begin removal until built elements to be salvaged or relocated have been removed.
- E. Protect existing structures and other elements that are not to be removed.
  - 1. Provide bracing and shoring.
  - 2. Prevent movement or settlement of adjacent structures.
  - 3. Stop work immediately if adjacent structures appear to be in danger.
- F. Hazardous Materials: It is not expected that hazardous materials are present in existing construction to be demolished. If suspected hazardous materials are discovered during removal operations, stop work and notify Architect and Owner; hazardous materials include regulated asbestos containing materials, lead, PCB's, and mercury.
  - 1. A survey indicating locations of hazardous materials is on file for examination by demolition contractor upon request.

**3.02 EXISTING UTILITIES**

- A. Coordinate work with utility companies; notify before starting work and comply with their requirements; obtain required permits.
- B. Protect existing utilities to remain from damage.
- C. Do not disrupt public utilities without permit from authority having jurisdiction.
- D. Do not close, shut off, or disrupt existing life safety systems that are in use without at least 7 days prior written notification to Owner.

FIRE STATIONS RENOVATION  
Arlington County, Virginia  
Architect's Project No.: 563006

---

- E. Do not close, shut off, or disrupt existing utility branches or take-offs that are in use without at least 3 days prior written notification to Owner.
- F. Locate and mark utilities to remain; mark using highly visible tags or flags, with identification of utility type; protect from damage due to subsequent construction, using substantial barricades if necessary.
- G. Remove exposed piping, valves, meters, equipment, supports, and foundations of disconnected and abandoned utilities.

### 3.03 SELECTIVE DEMOLITION FOR ALTERATIONS

- A. Drawings showing existing construction and utilities are based on casual field observation and existing record documents only.
  - 1. Verify that construction and utility arrangements are as indicated.
  - 2. Report discrepancies to Architect before disturbing existing installation.
  - 3. Beginning of demolition work constitutes acceptance of existing conditions that would be apparent upon examination prior to starting demolition.
- B. Separate areas in which demolition is being conducted from other areas that are still occupied.
  - 1. Provide, erect, and maintain temporary dustproof partitions of construction specified in Section 015000 in locations indicated on drawings.
- C. Maintain weatherproof exterior building enclosure except for interruptions required for replacement or modifications; take care to prevent water and humidity damage.
- D. Remove existing work as indicated and as required to accomplish new work.
  - 1. Remove items indicated on drawings.
- E. Services (Including but not limited to HVAC, Plumbing, Fire Protection, Electrical, and Telecommunications): Remove existing systems and equipment as indicated.
  - 1. Maintain existing active systems that are to remain in operation; maintain access to equipment and operational components.
  - 2. Where existing active systems serve occupied facilities but are to be replaced with new services, maintain existing systems in service until new systems are complete and ready for service.
  - 3. Verify that abandoned services serve only abandoned facilities before removal.
  - 4. Remove abandoned pipe, ducts, conduits, and equipment, including those above accessible ceilings; remove back to source of supply where possible, otherwise cap stub and tag with identification.
- F. Floor Finishes: After removal of existing floor finishes including backings, underlayments, and thick set mortar beds, remove all residual adhesives and glue. Provide grinding, sanding, or shot-blasting of existing concrete floor slab to achieve the proper surface to receive new indicated floor finish. Coordinate slab surface preparations required for each new indicated floor finish with appropriate subcontractor.
- G. Existing Surfaces to Receive Finishes: Remove miscellaneous hangers, exposed nails not serving as fasteners, and similar protrusions; remove adhesive residue and tape; fill anchorage holes; and otherwise patch and restore surface to be a uniform substrate suitable for applied finishes.
- H. Protect existing work to remain.
  - 1. Prevent movement of structure; provide shoring and bracing if necessary.
  - 2. Perform cutting to accomplish removals neatly and as specified for cutting new work.
  - 3. Repair adjacent construction and finishes damaged during removal work.
  - 4. Patch as specified for patching new work.

### 3.04 DEBRIS AND WASTE REMOVAL

- A. Remove debris, junk, and trash from site.
- B. Leave site in clean condition, ready for subsequent work.
- C. Clean up spillage and wind-blown debris from public and private lands.

**END OF SECTION**

---

FIRE STATIONS RENOVATION  
Arlington County, Virginia  
Architect's Project No.: 563006

---

**SECTION 042000  
UNIT MASONRY**

**PART 1 GENERAL**

**1.01 ADMINISTRATIVE REQUIREMENTS**

- A. Preinstallation Meeting: Convene a preinstallation meeting one week before starting work of this section; require attendance by all relevant installers.

**1.02 SUBMITTALS**

- A. See Section 013000 - Administrative Requirements, for submittal procedures.
- B. Product Data: Provide data for masonry units, fabricated wire reinforcement, mortar, and masonry accessories.
- C. Shop Drawings: Indicate pertinent dimensions, materials, anchorage, size and type of fasteners, and accessories for brickwork support system.

**1.03 QUALITY ASSURANCE**

- A. Comply with provisions of ACI 530.1/ASCE 6/TMS 402/602, except where exceeded by requirements of Contract Documents.
- B. Aggregate for Concrete Masonry Units: If bottom ash is used as aggregate in the CMU, the Source for the bottom ash shall be a power station that has a minimum of ten (10) years continuous experience as a supplier of quality material as verified by independent certified laboratory testing and no defects in the marketplace.

**1.04 DELIVERY, STORAGE, AND HANDLING**

- A. Deliver, handle, and store masonry units by means that will prevent mechanical damage and contamination by other materials.

**PART 2 PRODUCTS**

**2.01 CONCRETE MASONRY UNITS**

- A. Concrete Block: Comply with referenced standards and as follows:
  - 1. Size: Standard units with nominal face dimensions of 16 by 8 inches and nominal depths as indicated on drawings for specific locations.
  - 2. Special Shapes: Provide non-standard blocks configured for corners.
    - a. Provide bullnose units for outside corners.
  - 3. Concrete Masonry Units: ASTM C90, lightweight.
    - a. Exposed Faces: Manufacturer's standard color and texture.
    - b. Aggregates:
      - 1) Lightweight Aggregates: Lightweight aggregate shall strictly comply with ASTM C 331, ASTM C 151, and ASTM C 641. Drying shrinkage of aggregate shall not exceed 0.10% at 100 days.
      - 2) Waste concrete, scoria, and aglite shall not be permitted.

**2.02 MORTAR AND GROUT MATERIALS**

- A. Masonry Cement: ASTM C91/C91M.
- B. Mortar Aggregate: ASTM C144.
- C. Grout Aggregate: ASTM C404.
- D. Water: Clean and potable.

**2.03 REINFORCEMENT AND ANCHORAGE**

- A. Reinforcing Steel: ASTM A615/A615M, Grade 60 (60,000 psi), deformed billet bars; uncoated.
- B. Single Wythe Joint Reinforcement: ASTM A951/A951M.
  - 1. Type: Ladder.
  - 2. Material: ASTM A1064/A1064M steel wire, mill galvanized to ASTM A641/A641M Class 3.

FIRE STATIONS RENOVATION  
Arlington County, Virginia  
Architect's Project No.: 563006

---

3. Size: 0.1483 inch side rods with 0.1483 inch cross rods; width as required to provide not less than 5/8 inch of mortar coverage on each exposure.
- C. Strap Anchors: Bent steel shapes, 1-1/2 inch width, 0.105 inch thick, 24 inch length, with 2 inch long, 90 degree bend at each end to form a U or Z shape or with cross pins, hot dip galvanized to ASTM A153/A153M Class B.
- D. Flexible Anchors: 2-piece anchors that permit differential movement between masonry and building frame, sized to provide not less than 5/8 inch of mortar coverage from masonry face.
  1. Steel frame: Crimped wire anchors for welding to frame, 0.25 inch thick, with trapezoidal wire ties 0.1875 inch thick, hot dip galvanized to ASTM A 153/A 153M, Class B.

#### **2.04 ACCESSORIES**

- A. Preformed Control Joints: Rubber material. Provide with corner and tee accessories, fused joints.
  1. Provide nominal 2.5-inch "standard" and "tee" configurations to suit application unless indicated otherwise.
- B. Joint Filler: Closed cell polyvinyl chloride; oversized 50 percent to joint width; self expanding; in maximum lengths available.
- C. Reinforcing Positioners: Provide wire positioners in bed joints to keep steel reinforcing bars centered in cells, fabricated of 0.1483-inch hot-dip galvanized steel wire.
  1. Available Products:
    - a. Heckmann Building Products, Inc.; No. 376 Rebar Positioner.
    - b. Hohmann & Barnard, Inc.; #RB or #RB-Twin Rebar Positioner.
    - c. Wire-Bond; O-Ring or Double O-Ring Rebar Positioner.
- D. Cleaning Solution: Non-acidic, not harmful to masonry work or adjacent materials.

#### **2.05 LINTELS**

- A. Masonry Lintels: Provide lintels fabricated from CMU bond beams, with steel reinforcing bars, and grouted continuous along entire length. Match adjacent CMU texture and coursing. Lintels may be either prefabricated or built in place.

#### **2.06 MORTAR AND GROUT MIXING**

- A. Mortar for Unit Masonry: ASTM C270, using the Proportion Specification.
  1. Masonry below grade and in contact with earth: Type S.
  2. Exterior, non-loadbearing masonry: Type N.
  3. Interior, non-loadbearing masonry: Type N or Type O.

### **PART 3 EXECUTION**

#### **3.01 EXAMINATION**

- A. Verify that field conditions are acceptable and are ready to receive masonry.
- B. Verify that related items provided under other sections are properly sized and located.
- C. Verify that built-in items are in proper location, and ready for roughing into masonry work.

#### **3.02 PREPARATION**

- A. Direct and coordinate placement of metal anchors supplied for installation under other sections.
- B. Provide temporary bracing during installation of masonry work. Maintain in place until building structure provides permanent bracing.

#### **3.03 COLD AND HOT WEATHER REQUIREMENTS**

- A. Comply with requirements of TMS 402/602 or applicable building code, whichever is more stringent.

#### **3.04 COURSING**

- A. Establish lines, levels, and coursing indicated. Protect from displacement.

FIRE STATIONS RENOVATION  
Arlington County, Virginia  
Architect's Project No.: 563006

---

- B. Maintain masonry courses to uniform dimension. Form vertical and horizontal joints of uniform thickness.
- C. Concrete Masonry Units:
  - 1. Bond: Running.
  - 2. Coursing: One unit and one mortar joint to equal 8 inches.
  - 3. Mortar Joints: Concave.

### **3.05 PLACING AND BONDING**

- A. Lay hollow masonry units with face shell bedding on head and bed joints.
- B. Buttering corners of joints or excessive furrowing of mortar joints is not permitted.
- C. Remove excess mortar and mortar smears as work progresses.
- D. Interlock intersections and external corners.
- E. Do not shift or tap masonry units after mortar has achieved initial set. Where adjustment must be made, remove mortar and replace.
- F. Perform job site cutting of masonry units with proper tools to provide straight, clean, unchipped edges. Prevent broken masonry unit corners or edges.
- G. Cut mortar joints flush where wall tile is scheduled or resilient base is scheduled.
- H. Isolate masonry partitions from vertical structural framing members with a control joint.
- I. Isolate top joint of masonry partitions from horizontal structural framing members and slabs or decks with compressible joint filler.

### **3.06 REINFORCEMENT AND ANCHORAGE - GENERAL AND SINGLE WYTHE MASONRY**

- A. Unless otherwise indicated on drawings or specified under specific wall type, install horizontal joint reinforcement 16 inches on center.
- B. Place masonry joint reinforcement in first and second horizontal joints above and below openings. Extend minimum 16 inches each side of opening.
- C. Place continuous joint reinforcement in first and second joint below top of walls.
- D. Embed longitudinal wires of joint reinforcement in mortar joint with at least 5/8 inch mortar cover on each side.
- E. Lap joint reinforcement ends minimum 6 inches.
- F. Fasten anchors to structural framing and embed in masonry joints as masonry is laid. Unless otherwise indicated on drawings or closer spacing is indicated under specific wall type, space anchors at maximum of 36 inches horizontally and 24 inches vertically.

### **3.07 LINTELS**

- A. Install reinforced unit masonry lintels over openings where steel or precast concrete lintels are not scheduled.
  - 1. Comply with requirements on Structural Drawings for additional lintel sizing, reinforcement, and installation requirements.
  - 2. Allow masonry lintels to attain specified strength before removing temporary supports.
- B. Maintain minimum 8 inch bearing on each side of opening.

### **3.08 CONTROL AND EXPANSION JOINTS**

- A. Do not continue horizontal joint reinforcement through control or expansion joints.
- B. Install preformed control joint device in continuous lengths. Seal butt and corner joints in accordance with manufacturer's instructions.
- C. Provide control and expansion joints at locations indicated on Drawings, and as follows:
  - 1. At changes in wall height.
  - 2. At changes in wall thickness
  - 3. At change in support (eg: transition from foundation support to floor slab support).
  - 4. Adjacent to corners of walls within a distance equal to no more than half the maximum control joint spacing.
  - 5. Wall intersections.

FIRE STATIONS RENOVATION  
Arlington County, Virginia  
Architect's Project No.: 563006

---

6. Do not place control joints closer than 16 inches to edge of wall openings (doors, windows, louvers, ducts).
7. Distance between joints shall not exceed a length to height ratio of 1.5:1.
8. Distance between joints shall not exceed 25 feet where no openings occur between joints.
9. Distance between joints shall not exceed 20 feet where openings occur between joints.

### 3.09 BUILT-IN WORK

- A. As work progresses, install built-in metal door frames, anchor bolts, and plates and other items to be built into the work and furnished under other sections.
- B. Install built-in items plumb, level, and true to line.
- C. Bed anchors of metal door frames in adjacent mortar joints. Fill frame voids solid with grout.
  1. Mix mortar (or grout) to a 4-inch maximum slump consistency and hand trowel into place in accordance with Steel Door Institute (SDI-100).
  2. Fill adjacent masonry cores with grout minimum 12 inches from framed openings.
- D. Do not build into masonry construction organic materials that are subject to deterioration.

### 3.10 TOLERANCES

- A. Install masonry within the site tolerances found in TMS 402/602.
- B. Maximum Variation From Unit to Adjacent Unit: 1/16 inch.
- C. Maximum Variation from Plane of Wall: 1/4 inch in 10 ft and 1/2 inch in 20 ft or more.
- D. Maximum Variation from Plumb: 1/4 inch per story non-cumulative; 1/2 inch in two stories or more.
- E. Maximum Variation from Level Coursing: 1/8 inch in 3 ft and 1/4 inch in 10 ft; 1/2 inch in 30 ft.
- F. Maximum Variation of Mortar Joint Thickness: Head joint, minus 1/4 inch, plus 3/8 inch.
- G. Maximum Variation from Cross Sectional Thickness of Walls: 1/4 inch.

### 3.11 CUTTING AND FITTING

- A. Cut and fit for chases, pipes, conduit, and other indicated built-in construction. Coordinate with other sections of work to provide correct size, shape, and location.
- B. Obtain approval prior to cutting or fitting masonry work not indicated or where appearance or strength of masonry work may be impaired.

### 3.12 FIELD QUALITY CONTROL

- A. An independent testing agency will perform field quality control tests, as specified in Section 014000 - Quality Requirements.
- B. Concrete Masonry Unit Tests: Test each variety of concrete unit masonry in accordance with ASTM C140/C140M for compliance with requirements of this specification.
- C. Mortar Tests: Test each type of mortar in accordance with ASTM C780, testing with same frequency as masonry samples.

### 3.13 CLEANING

- A. Remove excess mortar and mortar droppings.
- B. Replace defective mortar. Match adjacent work.
- C. Clean soiled surfaces with cleaning solution.
- D. Use non-metallic tools in cleaning operations.

### 3.14 PROTECTION

- A. Without damaging completed work, provide protective boards at exposed external corners that are subject to damage by construction activities.

**END OF SECTION**



FIRE STATIONS RENOVATION  
Arlington County, Virginia  
Architect's Project No.: 563006

---

**SECTION 055000  
METAL FABRICATIONS**

**PART 1 GENERAL**

**1.01 SUBMITTALS**

- A. See Section 013000 - Administrative Requirements, for submittal procedures.
- B. Shop Drawings: Indicate profiles, sizes, connection attachments, reinforcing, anchorage, size and type of fasteners, and accessories. Include erection drawings, elevations, and details where applicable.

**1.02 QUALITY ASSURANCE**

- A. Design miscellaneous steel fabrications and slotted channel framing assemblies under direct supervision of a Professional Structural Engineer experienced in design of this work and licensed in the State in which the Project is located.
- B. Welder Qualifications: Welding processes and welding operators qualified in accordance with AWS D1.1/D1.1M and AWS D1.2/D1.2M and dated no more than 12 months before start of scheduled welding work.

**PART 2 PRODUCTS**

**2.01 MATERIALS - STEEL**

- A. Steel Sections: ASTM A36/A36M.
- B. Steel Tubing: ASTM A501/A501M hot-formed structural tubing.
- C. Plates: ASTM A283/A283M.
- D. Pipe: ASTM A53/A53M, Grade B Schedule 40, black finish.
- E. Slotted Channel Fittings: ASTM A1011/A1011M.
- F. Mechanical Fasteners: Same material as or compatible with materials being fastened; type consistent with design and specified quality level.
- G. Bolts, Nuts, and Washers: ASTM A307, Grade A, plain.
- H. Welding Materials: AWS D1.1/D1.1M; type required for materials being welded.
- I. Shop and Touch-Up Primer: SSPC-Paint 15, complying with VOC limitations of authorities having jurisdiction.
- J. Touch-Up Primer for Galvanized Surfaces: SSPC-Paint 20, Type I - Inorganic, complying with VOC limitations of authorities having jurisdiction.

**2.02 FABRICATION**

- A. Fit and shop assemble items in largest practical sections, for delivery to site.
- B. Fabricate items with joints tightly fitted and secured.
- C. Continuously seal joined members by continuous welds.
- D. Grind exposed joints flush and smooth with adjacent finish surface. Make exposed joints butt tight, flush, and hairline. Ease exposed edges to small uniform radius.
- E. Supply components required for anchorage of fabrications. Fabricate anchors and related components of same material and finish as fabrication, except where specifically noted otherwise.

**2.03 FABRICATED ITEMS**

- A. Slotted Channel Framing: Fabricate channels and fittings from structural steel complying with the referenced standards; factory-applied, rust-inhibiting thermoset acrylic enamel finish.
- B. Perforated Metal Screen: Perforated aluminum sheet, 0.040" (18 gauge) minimum thickness; 3/32-inch diameter holes on 3/16-inch staggered centers, 23 percent open area.
  - 1. Provide screens in single sheet at each indicated location, with no joints or seams.
  - 2. Provide 1-1/2" x 1-1/2" aluminum angle trim clips at each side, for minimum 3 fasteners per side; equally spaced at top, middle, and bottom of each panel.

FIRE STATIONS RENOVATION  
Arlington County, Virginia  
Architect's Project No.: 563006

---

**2.04 FINISHES - STEEL**

- A. Prime paint steel items.
  - 1. Exceptions: Galvanize items to be embedded in concrete and items to be embedded in masonry.
- B. Prepare surfaces to be primed in accordance with SSPC-SP2.
- C. Clean surfaces of rust, scale, grease, and foreign matter prior to finishing.
- D. Prime Painting: One coat.
- E. Slotted Channel Framing: ASTM A653/A653M, Grade 33.
- F. Stainless Steel Finish: No. 4 Bright Polished finish.

**2.05 FABRICATION TOLERANCES**

- A. Squareness: 1/8 inch maximum difference in diagonal measurements.
- B. Maximum Offset Between Faces: 1/16 inch.
- C. Maximum Misalignment of Adjacent Members: 1/16 inch.
- D. Maximum Bow: 1/8 inch in 48 inches.
- E. Maximum Deviation From Plane: 1/16 inch in 48 inches.

**PART 3 EXECUTION**

**3.01 EXAMINATION**

- A. Verify that field conditions are acceptable and are ready to receive work.

**3.02 PREPARATION**

- A. Clean and strip primed steel items to bare metal where site welding is required.
- B. Supply setting templates to the appropriate entities for steel items required to be cast into concrete or embedded in masonry.

**3.03 INSTALLATION**

- A. Install items plumb and level, accurately fitted, free from distortion or defects.
- B. Provide for erection loads, and for sufficient temporary bracing to maintain true alignment until completion of erection and installation of permanent attachments.
- C. Perform field welding in accordance with AWS D1.1/D1.1M.
- D. Obtain approval prior to site cutting or making adjustments not scheduled.
- E. After erection, prime welds, abrasions, and surfaces not shop primed, except surfaces to be in contact with concrete.

**3.04 TOLERANCES**

- A. Maximum Variation From Plumb: 1/4 inch.
- B. Maximum Offset From True Alignment: 1/4 inch.
- C. Maximum Out-of-Position: 1/4 inch.

**END OF SECTION**

FIRE STATIONS RENOVATION  
Arlington County, Virginia  
Architect's Project No.: 563006

---

**SECTION 061000  
ROUGH CARPENTRY**

**PART 1 GENERAL**

**1.01 SUBMITTALS**

- A. See Section 013000 - Administrative Requirements for submittal procedures.
- B. Product Data: Provide technical data on wood preservative materials and application instructions.

**1.02 DELIVERY, STORAGE, AND HANDLING**

- A. General: Cover wood products to protect against moisture. Support stacked products to prevent deformation and to allow air circulation.
- B. Fire Retardant Treated Wood: Prevent exposure to precipitation during shipping, storage, and installation.

**PART 2 PRODUCTS**

**2.01 GENERAL REQUIREMENTS**

- A. Dimension Lumber: Comply with PS 20 and requirements of specified grading agencies.
  - 1. If no species is specified, provide species graded by the agency specified; if no grading agency is specified, provide lumber graded by grading agency meeting the specified requirements.
  - 2. Grading Agency: Grading agency whose rules are approved by the Board of Review, American Lumber Standard Committee at [www.alsc.org](http://www.alsc.org), and who provides grading service for the species and grade specified; provide lumber stamped with grade mark unless otherwise indicated.

**2.02 DIMENSION LUMBER FOR CONCEALED APPLICATIONS**

- A. Grading Agency: Southern Pine Inspection Bureau, Inc; SPIB (GR).
- B. Sizes: Nominal sizes as indicated on drawings, S4S.
- C. Moisture Content: S-dry or MC19.
- D. Miscellaneous Framing, Blocking, Nailers, Grounds, and Furring:
  - 1. Lumber: S4S, No. 2 or Standard Grade.
  - 2. Boards: Standard or No. 3.

**2.03 CONSTRUCTION PANELS**

- A. Plywood Sheathing, For Roof/Coping: PS 2 type, rated Structural I Sheathing.
  - 1. Bond Classification: Exposure 1.
  - 2. Performance Category: 3/4 PERF CAT.
- B. Communications and Electrical Room Mounting Boards: PS 1 A-D plywood, or medium density fiberboard; 3/4 inch thick; flame spread index of 25 or less, smoke developed index of 450 or less, when tested in accordance with ASTM E84.
- C. Other Applications: Provide in thickness indicated.
  - 1. Concealed Plywood Not Exposed to Weather: PS 1, Exposure 1, A-D or better.
  - 2. Other Locations: PS 1, C-D Plugged or better.

**2.04 ACCESSORIES**

- A. Fasteners and Anchors:
  - 1. Metal and Finish: Hot-dipped galvanized steel complying with ASTM A153/A153M for high humidity and preservative-treated wood locations, unfinished steel elsewhere.
  - 2. Drywall Screws: Bugle head, hardened steel, power driven type, length three times thickness of sheathing.
  - 3. Anchors: Toggle bolt type for anchorage to hollow masonry.
  - 4. Fasteners for Parapet Nailers:
    - a. For masonry backup: 1/4-inch diameter low profile flat head type concrete screw anchors, at spacing indicated. Length to suit embedment into CMU of 1-1/4 inches minimum. Pullout capacity of 100 lb minimum at 1 inch embedment in face

FIRE STATIONS RENOVATION  
Arlington County, Virginia  
Architect's Project No.: 563006

---

shell of hollow CMU.

- B. Construction Adhesives: Adhesives complying with ASTM C557 or ASTM D3498.

## **2.05 FACTORY WOOD TREATMENT**

- A. Treated Lumber and Plywood: Comply with requirements of AWPA U1 - Use Category System for wood treatments determined by use categories, expected service conditions, and specific applications.
1. Fire-Retardant Treated Wood: Mark each piece of wood with producer's stamp indicating compliance with specified requirements.
  2. Preservative-Treated Wood: Provide lumber and plywood marked or stamped by an ALSC-accredited testing agency, certifying level and type of treatment in accordance with AWPA standards.
- B. Fire Retardant Treatment:
1. Interior Type A: AWPA U1, Use Category UCFA, Commodity Specification H, low temperature (low hygroscopic) type, chemically treated and pressure impregnated; capable of providing a maximum flame spread index of 25 when tested in accordance with ASTM E84, with no evidence of significant combustion when test is extended for an additional 20 minutes.
    - a. Kiln dry wood after treatment to a maximum moisture content of 19 percent for lumber and 15 percent for plywood.
    - b. Treat rough carpentry items as indicated .
    - c. Do not use treated wood in applications exposed to weather or where the wood may become wet.
- C. Preservative Treatment:
1. Preservative Pressure Treatment of Lumber Above Grade: AWPA U1, Use Category UC3B, Commodity Specification A using waterborne preservative.
    - a. Kiln dry lumber after treatment to maximum moisture content of 19 percent.
    - b. Treat lumber exposed to weather.
    - c. Treat lumber in contact with roofing, flashing, or waterproofing.
    - d. Treat lumber in contact with masonry or concrete.
    - e. Treat lumber less than 18 inches above grade.
    - f. Treat lumber in other locations as indicated.

## **PART 3 EXECUTION**

### **3.01 PREPARATION**

- A. Coordinate installation of rough carpentry members specified in other sections.

### **3.02 INSTALLATION - GENERAL**

- A. Select material sizes to minimize waste.
- B. Reuse scrap to the greatest extent possible; clearly separate scrap for use on site as accessory components, including: shims, bracing, and blocking.
- C. Where treated wood is used on interior, provide temporary ventilation during and immediately after installation sufficient to remove indoor air contaminants.

### **3.03 BLOCKING, NAILERS, AND SUPPORTS**

- A. Provide framing and blocking members as indicated or as required to support finishes, fixtures, specialty items, and trim.
- B. In walls, provide blocking attached to studs as backing and support for wall-mounted items, unless item can be securely fastened to two or more studs or other method of support is explicitly indicated.

### **3.04 ROOF-RELATED CARPENTRY**

- A. Coordinate installation of roofing carpentry with deck construction, framing of roof openings, and roofing assembly installation.
- B. Provide wood curb at all roof openings except where prefabricated curbs are specified and where specifically indicated otherwise. Form corners by alternating lapping side members.

FIRE STATIONS RENOVATION  
Arlington County, Virginia  
Architect's Project No.: 563006

---

**3.05 INSTALLATION OF CONSTRUCTION PANELS**

- A. Roof Sheathing: Secure panels with long dimension perpendicular to framing members, with ends staggered and over firm bearing. Provide masonry anchors compatible with masonry substrate.
  - 1. Parapet Blocking and Nailers: Secure parapet blocking and nailers to masonry substrate with screw anchors in 2 rows at 24 inches on center, staggered, except within 10 feet of building corners provide 2 rows at 16 inches on center, staggered. Install screw heads flush with uppermost surface of blocking or sheathing, if any, and in accordance with manufacturer's instructions.
- B. Wall Sheathing: Secure with long dimension perpendicular to wall studs, with ends over firm bearing and staggered, using screws.
- C. Communications and Electrical Room Mounting Boards: Secure with screws to studs with edges over firm bearing; space fasteners at maximum 24 inches on center on all edges and into studs in field of board.
  - 1. At fire-rated walls, install board over wall board indicated as part of the fire-rated assembly.
  - 2. Where boards are indicated as full floor-to-ceiling height, install with long edge of board parallel to studs.
  - 3. Install adjacent boards without gaps.

**3.06 CLEANING**

- A. Waste Disposal: See Section 017419 - Construction Waste Management and Disposal.
  - 1. Comply with applicable regulations.
  - 2. Do not burn scrap on project site.
  - 3. Do not burn scraps that have been pressure treated.
  - 4. Do not send materials treated with pentachlorophenol, CCA, or ACA to co-generation facilities or "waste-to-energy" facilities.
- B. Do not leave wood, shavings, sawdust, etc. on the ground or buried in fill.
- C. Prevent sawdust and wood shavings from entering the storm drainage system.

**END OF SECTION**

FIRE STATIONS RENOVATION  
Arlington County, Virginia  
Architect's Project No.: 563006

---

**SECTION 079200  
JOINT SEALANTS**

**PART 1 GENERAL**

**1.01 SUBMITTALS**

- A. See Section 013000 - Administrative Requirements for submittal procedures.
- B. Product Data for Sealants: Submit manufacturer's technical data sheets for each product to be used, that includes the following.
  - 1. Physical characteristics, including movement capability, VOC content, hardness, cure time, and color availability.
  - 2. List of backing materials approved for use with the specific product.
  - 3. Substrates that product is known to satisfactorily adhere to and with which it is compatible.
  - 4. Substrates the product should not be used on.
- C. Product Data for Accessory Products: Submit manufacturer's technical data sheet for each product to be used, including physical characteristics, installation instructions, and recommended tools.
- D. Color Cards for Selection: Where sealant color is not specified, submit manufacturer's color cards showing standard colors available for selection.
- E. Preconstruction Laboratory Test Reports: Submit at least four weeks prior to start of installation.
- F. Preinstallation Field Adhesion Test Plan: Submit at least two weeks prior to start of installation.
- G. Preinstallation Field Adhesion Test Reports: Submit filled out Preinstallation Field Adhesion Test Reports log within 10 days after completion of tests; include bagged test samples and photographic records.

**1.02 QUALITY ASSURANCE**

- A. Installer Qualifications: Company specializing in performing the work of this section, and is approved and/or certified by manufacturer.
- B. Preconstruction Laboratory Testing: Arrange for sealant manufacturer(s) to test each combination of sealant, substrate, backing, and accessories.
  - 1. Adhesion Testing: In accordance with ASTM C794.
  - 2. Compatibility Testing: In accordance with ASTM C1087.
  - 3. Allow sufficient time for testing to avoid delaying the work.
  - 4. Deliver to manufacturer sufficient samples for testing.
  - 5. Report manufacturer's recommended corrective measures, if any, including primers or techniques not indicated in product data submittals.
  - 6. Testing is not required if sealant manufacturer provides data showing previous testing, not older than 24 months, that shows satisfactory adhesion, lack of staining, and compatibility.
- C. Preinstallation Field Adhesion Test Plan: Include destructive field adhesion testing of one sample of each combination of sealant type and substrate, except interior acrylic latex sealants, and include the following for each tested sample.
  - 1. Identification of testing agency.
  - 2. Preinstallation Field Adhesion Test Log Form: Include the following data fields, with known information filled out.
    - a. Test date.
    - b. Copy of test method documents.
    - c. Age of sealant upon date of testing.
    - d. Test results, modeled after the sample form in the test method document.
    - e. Indicate use of photographic record of test.
- D. Field Adhesion Test Procedures:
  - 1. Allow sealants to fully cure as recommended by manufacturer before testing.

**FIRE STATIONS RENOVATION**  
Arlington County, Virginia  
Architect's Project No.: 563006

---

2. Have a copy of the test method document available during tests.
  3. Record the type of failure that occurred, other information required by test method, and the information required on the Field Quality Control Log.
  4. When performing destructive tests, also inspect the opened joint for proper installation characteristics recommended by manufacturer, and report any deficiencies.
  5. Deliver the samples removed during destructive tests in separate sealed plastic bags, identified with project, location, test date, and test results, to Owner.
  6. If any combination of sealant type and substrate does not show evidence of minimum adhesion or shows cohesion failure before minimum adhesion, report results to Architect.
- E. Destructive Field Adhesion Test: Test for adhesion in accordance with ASTM C1521, using Destructive Tail Procedure.
1. Sample: At least 18 inches long.
  2. Minimum Elongation Without Adhesive Failure: Consider the tail at rest, not under any elongation stress; multiply the stated movement capability of the sealant in percent by two; then multiply 1 inch by that percentage; if adhesion failure occurs before the "1 inch mark" is that distance from the substrate, the test has failed.
  3. If either adhesive or cohesive failure occurs prior to minimum elongation, take necessary measures to correct conditions and re-test; record each modification to products or installation procedures.

### **1.03 WARRANTY**

- A. See Section 017800 - Closeout Submittals for additional warranty requirements.
- B. Correct defective work within a five year period after Date of Substantial Completion.
- C. Warranty: Include coverage for installed sealants and accessories that fail to achieve watertight seal, exhibit loss of adhesion or cohesion, or do not cure.

## **PART 2 PRODUCTS**

### **2.01 JOINT SEALANTS - GENERAL**

#### **2.02 NONSAG JOINT SEALANTS**

- A. Type ES-1 - Low-Modulus Non-Staining Silicone Sealant: ASTM C920, Grade NS, Uses M and A; not expected to withstand continuous water immersion or traffic.
  1. Movement Capability: Plus and minus 50 percent, minimum.
  2. Non-Staining To Porous Substrates: Non-staining to light-colored natural stone when tested in accordance with ASTM C1248.
  3. Dirt Pick-Up: Reduced dirt pick-up compared to other silicone sealants.
  4. Manufacturers:
    - a. Master Builders Solutions; MasterSeal NP 100.
    - b. Momentive Performance Materials, Inc/GE Silicones; SCS2000 SilPruf.
    - c. Pecora Corporation; Pecora 890 NST (Non-Staining Technology) or 890 FST (Field Tint).
    - d. Polymeric Systems Inc; PSI-641.
    - e. Tremco Commercial Sealants & Waterproofing; Spectrem 3 or Spectrem 4-TS (Field Tint).
    - f. Substitutions: See Section 016000 - Product Requirements.
- B. Type ES-2 - Medium-Modulus Non-Staining Silicone Sealant: ASTM C920, Grade NS, Uses M and A; not expected to withstand continuous water immersion or traffic.
  1. Movement Capability: Plus and minus 50 percent, minimum.
  2. Non-Staining To Porous Substrates: Non-staining to light-colored natural stone when tested in accordance with ASTM C1248.
  3. Dirt Pick-Up: Reduced dirt pick-up compared to other silicone sealants.
  4. Manufacturers:
    - a. Dow; DOWSIL 795 Silicone Building Sealant.
    - b. Momentive Performance Materials, Inc/GE Silicones; SCS9000 SilPruf NB - Non-Staining Silicone Weatherproofing Sealant.
    - c. Pecora Corporation; Pecora 895 NST (Non-Staining Technology).

FIRE STATIONS RENOVATION  
Arlington County, Virginia  
Architect's Project No.: 563006

---

- d. Tremco Commercial Sealants & Waterproofing; Spectrem 2.
  - e. Substitutions: See Section 016000 - Product Requirements.
- C. Type ES-3 - Mildew-Resistant Silicone Sealant: ASTM C920, Grade NS, Uses M and A; single component, mildew resistant; not expected to withstand continuous water immersion or traffic. Neutral- or acid-curing per manufacturer standard.
- 1. Color: White.
  - 2. Manufacturers:
    - a. Dow; DOWSIL 786 Mildew Resistant.
    - b. Momentive Performance Materials, Inc/GE Silicones; Sanitary SCS1700.
    - c. Pecora Corporation; Pecora 898 NST (Non-Staining Technology).
    - d. Tremco Commercial Sealants & Waterproofing; Tremsil 600 or Tremsil 200.
    - e. Substitutions: See Section 016000 - Product Requirements.
- D. ---- Hybrid Silane Polyether for Interior and Exterior Horizontal, Vertical and Overhead Use - ----
- E. Type ES-4 - Polyurethane Sealant: ASTM C920, Grade NS, Uses M and A; multi-component; not expected to withstand continuous water immersion or traffic.
- 1. Movement Capability: Plus and minus 25 percent, minimum.
  - 2. Manufacturers:
    - a. ITW Polymers Sealants; Permathane SM 7200.
    - b. Master Builders Solutions; Master Seal NP2.
    - c. Pecora Corporation; DynaTrol II.
    - d. Sika Corporation; Sikaflex-2c NS.
    - e. Tremco Commercial Sealants & Waterproofing; Dymeric 240 FC or Vulkem 227.
    - f. Substitutions: See Section 016000 - Product Requirements.
- F. Type LS-1 - Acrylic Emulsion Latex: Water-based; ASTM C834, single component, non-staining, non-bleeding, non-sagging; not intended for exterior use.
- 1. Color: Standard colors matching finished surfaces, Type OP (opaque).
  - 2. Grade: ASTM C834; Grade NF.
  - 3. Manufacturers:
    - a. Bostik Findley, Inc; Chem-Calk 600.
    - b. ITW Polymers Sealants; SM 8200.
    - c. Master Builders Solutions; MasterSeal NP 520.
    - d. Pecora Corporation; AC-20 +Silicone.
    - e. Tremco Commercial Sealants & Waterproofing; Tremflex 834.
    - f. Substitutions: See Section 016000 - Product Requirements.
- G. Type AS-1 - Acrylic Emulsion Latex: Water-based; ASTM C834, single component, non-staining, non-bleeding, non-sagging acoustical sealant.
- 1. Color: Standard colors matching finished surfaces, Type OP (opaque).
  - 2. Grade: ASTM C834; Grade NF.
  - 3. Manufacturers:
    - a. Accumetric LLC; BOSS 826 Acoustical Sound Sealant.
    - b. Franklin International, Inc; Titebond GREENchoice Acoustical Smoke & Sound Sealant.
    - c. Hilti, Inc; CP 506 Smoke and Acoustical Sealant.
    - d. Master Builders Solutions; MasterSeal NP 520.
    - e. Momentive Performance Materials, Inc/GE Silicones; RCS20 Acoustical.
    - f. Pecora Corporation; AC-20 FTR or AIS-919.
    - g. Specified Technologies Inc; Smoke N' Sound Acoustical Sealant: [www.stifirestop.com/#sle](http://www.stifirestop.com/#sle).
    - h. Tremco Commercial Sealants & Waterproofing; Tremstop Smoke and Sound.
    - i. Substitutions: See Section 016000 - Product Requirements.
- H. Type SRS-1 - Butyl Sealant: Solvent-based; ASTM C1311; single component, nonsag; not expected to withstand continuous water immersion or traffic.
- 1. Manufacturers:



FIRE STATIONS RENOVATION  
Arlington County, Virginia  
Architect's Project No.: 563006

---

- a. Bostik, Inc; Chem-Calk 300.
- b. Pecora Corporation; Pecora BC-158 Butyl Rubber Sealant.
- c. Tremco Commercial Sealants & Waterproofing; Tremco Butyl Sealant.

### 2.03 SELF-LEVELING SEALANTS

- A. Type ES-5 - Self-Leveling Polyurethane Sealant for Traffic: Polyurethane; ASTM C920, Grade P, Uses M and A; single- or multi-component; explicitly approved by manufacturer for traffic exposure.
  1. Movement Capability: Plus and minus 25 percent, minimum.
  2. Manufacturers:
    - a. Bostik Findley; Chem-Calk 550.
    - b. ITW Polymers Sealants; Permathane SM 7201.
    - c. Pacific Polymers, Inc; Elasto-Thane 227 Type 1 (Self-Leveling).
    - d. Polymeric Systems, Inc; PSI-270SL.
    - e. Tremco Commercial Sealants & Waterproofing; THC-901 or THC-900.
    - f. W. R. MEADOWS, Inc; POURTHANE SL.
    - g. Substitutions: See Section 016000 - Product Requirements.
- B. ---- Hybrid Silane Polyether for Interior and Exterior Horizontal Applications ----
- C. ---- Joint Filler for Expansion Joints in Concrete of Multi-Story Parking Garages ----

### 2.04 ACCESSORIES

- A. Backer Rod: Cylindrical cellular foam rod with surface that sealant will not adhere to, compatible with specific sealant used, and recommended by backing and sealant manufacturers for specific application.
- B. Backing Tape: Self-adhesive polyethylene tape with surface that sealant will not adhere to and recommended by tape and sealant manufacturers for specific application.
- C. Masking Tape: Self-adhesive, nonabsorbent, non-staining, removable without adhesive residue, and compatible with surfaces adjacent to joints and sealants.
- D. Joint Cleaner: Non-corrosive and non-staining type, type recommended by sealant manufacturer; compatible with joint forming materials.
- E. Primers: Type recommended by sealant manufacturer to suit application; non-staining.

## PART 3 EXECUTION

### 3.01 EXAMINATION

- A. Verify that joints are ready to receive work.
- B. Verify that backing materials are compatible with sealants.
- C. Verify that backer rods are of the correct size.
- D. Preinstallation Adhesion Testing: Install a sample for each test location indicated in the test plan.
  1. Test each sample as specified in PART 1 under QUALITY ASSURANCE article.
  2. Notify Architect of date and time that tests will be performed, at least seven days in advance.
  3. Record each test on Preinstallation Adhesion Test Log as indicated.
  4. If any sample fails, review products and installation procedures, consult manufacturer, or take whatever other measures are necessary to ensure adhesion; re-test in a different location; if unable to obtain satisfactory adhesion, report to Architect.
  5. After completion of tests, remove remaining sample material and prepare joint for new sealant installation.

### 3.02 PREPARATION

- A. Remove loose materials and foreign matter that could impair adhesion of sealant.
- B. Clean joints, and prime as necessary, in accordance with manufacturer's instructions.
- C. Perform preparation in accordance with manufacturer's instructions and ASTM C1193.

FIRE STATIONS RENOVATION  
Arlington County, Virginia  
Architect's Project No.: 563006

---

- D. Mask elements and surfaces adjacent to joints from damage and disfigurement due to sealant work; be aware that sealant drips and smears may not be completely removable.

**3.03 INSTALLATION**

- A. Perform work in accordance with sealant manufacturer's requirements for preparation of surfaces and material installation instructions.
- B. Perform installation in accordance with ASTM C1193.
- C. Perform acoustical sealant application work in accordance with ASTM C919.
- D. Measure joint dimensions and size joint backers to achieve width-to-depth ratio, neck dimension, and surface bond area as recommended by manufacturer, except where specific dimensions are indicated.
- E. Install bond breaker backing tape where backer rod cannot be used.
- F. Install sealant free of air pockets, foreign embedded matter, ridges, and sags, and without getting sealant on adjacent surfaces.
- G. Do not install sealant when ambient temperature is outside manufacturer's recommended temperature range, or will be outside that range during the entire curing period, unless manufacturer's approval is obtained and instructions are followed.
- H. Nonsag Sealants: Tool surface concave, unless otherwise indicated; remove masking tape immediately after tooling sealant surface.

**3.04 FIELD QUALITY CONTROL**

- A. Perform field quality control inspection/testing as specified in PART 1 under QUALITY ASSURANCE article.
- B. Destructive Adhesion Testing: If there are any failures in first 1000 linear feet, notify Architect immediately.
- C. Remove and replace failed portions of sealants using same materials and procedures as indicated for original installation.
- D. Repair destructive test location damage immediately after evaluation and recording of results.

**END OF SECTION**

FIRE STATIONS RENOVATION  
Arlington County, Virginia  
Architect's Project No.: 563006

---

**SECTION 081113  
STEEL DOORS AND FRAMES**

**PART 1 GENERAL**

**1.01 SUBMITTALS**

- A. See Section 013000 - Administrative Requirements for submittal procedures.
- B. Product Data: Materials and details of design and construction, hardware locations, reinforcement type and locations, anchorage and fastening methods, and finishes.
- C. Shop Drawings: Details of each opening, showing elevations, glazing, frame profiles, and any indicated finish requirements.

**1.02 QUALITY ASSURANCE**

- A. Maintain at project site copies of reference standards relating to installation of products specified.

**1.03 DELIVERY, STORAGE, AND HANDLING**

- A. Comply with NAAMM HMMA 840 or ANSI/SDI A250.8 (SDI-100) in accordance with specified requirements.
- B. Protect with resilient packaging; avoid humidity build-up under coverings; prevent corrosion and adverse effects on factory applied painted finish.

**PART 2 PRODUCTS**

**2.01 MANUFACTURERS**

- A. Hollow Metal Doors and Frames:
  - 1. Ceco Door, an Assa Abloy Group company.
  - 2. Curries, an Assa Abloy Group company.
  - 3. Fleming Door Products, an Assa Abloy Group company.
  - 4. Krieger Specialty Products.
  - 5. Mesker, dormakaba Group.
  - 6. Pioneer Industries, Inc.; an Assa Abloy Group company.
  - 7. Republic Doors, an Allegion brand.
  - 8. Steelcraft, an Allegion brand.
  - 9. Technical Glass Products.

**2.02 PERFORMANCE REQUIREMENTS**

- A. Requirements for Hollow Metal Doors and Frames:
  - 1. Steel Sheet: Comply with one or more of the following requirements; galvanized steel complying with ASTM A653/A653M, cold-rolled steel complying with ASTM A1008/A1008M, or hot-rolled pickled and oiled (HRPO) steel complying with ASTM A1011/A1011M, commercial steel (CS) Type B, for each.
  - 2. Accessibility: Comply with ICC A117.1 and ADA Standards.
  - 3. Door Top and Bottom Closures: Flush end closure channel, with top and door faces aligned.
    - a. Inverted channel closure is acceptable for bottom edges and top edges of interior doors that are not exposed to view from above.
  - 4. Door Edge Profile: Hinged edge square, and lock edge beveled.
  - 5. Typical Door Face Sheets: Flush.
  - 6. Glazed Lights: Non-removable stops on non-secure side; sizes and configurations as indicated on drawings. Style: Manufacturers standard.
  - 7. Hardware Preparations, Selections and Locations: Comply with NAAMM HMMA 830 and NAAMM HMMA 831 or BHMA A156.115 and ANSI/SDI A250.8 (SDI-100) in accordance with specified requirements.
  - 8. Zinc Coating for Typical Interior and/or Exterior Locations: Provide metal components zinc-coated (galvanized) and/or zinc-iron alloy-coated (galvanized) by the hot-dip process in accordance with ASTM A653/A653M, with manufacturer's standard coating thickness, unless noted otherwise for specific hollow metal doors and frames.

FIRE STATIONS RENOVATION  
Arlington County, Virginia  
Architect's Project No.: 563006

---

- a. Based on SDI Standards: Provide at least A40/ZF120 (galvannealed) when necessary, coating not required for typical interior door applications, and at least A60/ZF180 (galvannealed) for corrosive locations.
- B. Combined Requirements: If a particular door and frame unit is indicated to comply with more than one type of requirement, comply with the specified requirements for each type; for instance, an exterior door that is also indicated as being sound-rated must comply with the requirements specified for exterior doors and for sound-rated doors; where two requirements conflict, comply with the most stringent.

### **2.03 HOLLOW METAL DOORS**

- A. Door Finish: Factory primed and field finished.
- B. Interior Doors, Non-Fire-Rated: Fabricate from either cold-rolled steel sheet or metallic-coated steel sheet.
  - 1. Based on SDI Standards: ANSI/SDI A250.8 (SDI-100).
    - a. Level 2 - Heavy-duty.
    - b. Physical Performance Level B, 500,000 cycles; in accordance with ANSI/SDI A250.4.
    - c. Model 1 - Full Flush.
    - d. Door Face Metal Thickness: 18 gauge, 0.042 inch, minimum.
  - 2. Door Core Material: Manufacturers standard core material/construction and in compliance with requirements, except kraft paper honeycomb core is not acceptable.
  - 3. Door Thickness: 1-3/4 inches, nominal.

### **2.04 HOLLOW METAL FRAMES**

- A. Comply with standards and/or custom guidelines as indicated for corresponding door in accordance with applicable door frame requirements.
- B. Frame Finish: Factory primed and field finished.
- C. Interior Door Frames, Non-Fire Rated: Face welded type.
  - 1. Frame Metal Thickness: 16 gauge, 0.053 inch, minimum.
- D. Frames for Wood Doors: Comply with frame requirements in accordance with corresponding door.
- E. Provide mortar guard boxes for hardware cut-outs in frames to be installed in masonry or to be grouted.
- F. Frames in Masonry Walls: Size to suit masonry coursing with head member 4 inches high to fill opening without cutting masonry units.

### **2.05 FINISHES**

- A. Primer: Rust-inhibiting, complying with ANSI/SDI A250.10, door manufacturer's standard.

### **2.06 ACCESSORIES**

- A. Removable and Fixed Stops: Formed sheet steel, mitered or butted corners; prepared for countersink style tamper proof screws.
  - 1. Provide fixed stops toward the secure side of interior glazed lites (for example, toward the corridor or more public accessible spaces).
  - 2. Heights of Stops: Unless otherwise indicated or recommended by glazing manufacturer, provide standard 5/8-inch height stops where allowed by standards.
- B. Mechanical Fasteners for Concealed Metal-to-Metal Connections: Self-drilling, self-tapping, steel with electroplated zinc finish.
- C. Grout for Frames: Mortar grout complying with ASTM C476 with maximum slump of 4 inches as measured in accordance with ASTM C143/C143M for hand troweling in place; plaster grout and thinner pumpable grout are prohibited.
- D. Silencers: Resilient rubber, fitted into drilled hole; provide three on strike side of single doors.
- E. Temporary Frame Spreaders: Provide for factory- or shop-assembled frames.

FIRE STATIONS RENOVATION  
Arlington County, Virginia  
Architect's Project No.: 563006

---

**PART 3 EXECUTION**

**3.01 EXAMINATION**

- A. Verify existing conditions before starting work.
- B. Verify that opening sizes and tolerances are acceptable.
- C. Verify that finished walls are in plane to ensure proper door alignment.

**3.02 INSTALLATION**

- A. Install doors and frames in accordance with manufacturer's instructions and related requirements of specified door and frame standards or custom guidelines indicated.
  - 1. Install in accordance with ANSI/SDI A250.11.
  - 2. Do not remove temporary frame spreaders until after frames have been properly set and secured.
- B. Coordinate frame anchor placement with wall construction.
- C. Grout frames in masonry construction, using hand trowel methods; brace frames so that pressure of grout before setting will not deform frames.
- D. Install door hardware as specified in Section 087100.
- E. Comply with glazing installation requirements of Section 088000.
- F. Coordinate installation of electrical connections to electrical hardware items.
- G. Touch up damaged factory finishes.

**3.03 TOLERANCES**

- A. Clearances Between Door and Frame: Comply with related requirements of specified frame standards or custom guidelines indicated in accordance with SDI 117 or NAAMM HMMA 861.
- B. Maximum Diagonal Distortion: 1/16 inch measured with straight edge, corner to corner.

**3.04 ADJUSTING**

- A. Adjust for smooth and balanced door movement.

**END OF SECTION**

FIRE STATIONS RENOVATION  
Arlington County, Virginia  
Architect's Project No.: 563006

---

**SECTION 083100  
ACCESS DOORS AND PANELS**

**PART 1 GENERAL**

**1.01 SUBMITTALS**

- A. See Section 013000 - Administrative Requirements, for submittal procedures.
- B. Product Data: Provide sizes, types, finishes, hardware, scheduled locations, and details of adjoining work.
- C. Shop Drawings: Indicate exact position of each access door and/or panel unit.

**1.02 COORDINATION**

- A. Verification: Determine specific locations and sizes for access doors needed to gain access to concealed plumbing, mechanical, or other concealed work, and indicate in the schedule specified in "Submittals" Article.
  - 1. This (083100) material specification includes access doors required for Divisions 21 (Fire Suppression), Division 22, (Plumbing), 23 (HVAC) and Division 26 (Electrical) work and any other access doors indicated on Drawings.

**PART 2 PRODUCTS**

**2.01 WALL AND CEILING MOUNTED ACCESS UNITS**

- A. Manufacturers:
  - 1. Activar Construction Products Group, Inc. - JL Industries.
  - 2. ACUDOR Products Inc.
  - 3. Babcock-Davis.
  - 4. Bauco; Access Panel Solutions Inc.
  - 5. Best Access Doors.
  - 6. Cendrex, Inc.
  - 7. Karp Associates, Inc.
  - 8. Larsen's Manufacturing Company.
  - 9. Milcor, Inc.
  - 10. Nystrom, Inc.
  - 11. Williams Brothers Corporation of America.
  - 12. Substitutions: See Section 016000 - Product Requirements.
- B. Wall and Ceiling Mounted Units: Factory fabricated door and frame, fully assembled units with corner joints welded, filled and ground flush; square and without rack or warp; coordinate requirements with type of installation assembly being used for each unit.
  - 1. Material: Steel.
  - 2. Style (Gypsum Board locations): Recessed door panel for infill with wall/ceiling finish.
    - a. Gypsum Board Mounting Criteria: Use drywall bead type frame.
  - 3. Style (Masonry locations): Exposed frame, with door surface flush with frame surface.
  - 4. Door Style: Double-skinned hollow panel.
  - 5. Frames: 16 gauge, 0.0598 inch, minimum thickness.
  - 6. Double-Skinned Hollow Steel Sheet Door Panels: 16 gauge, 0.059 inch, minimum thickness, on both sides and along each edge.
  - 7. Steel Finish: Primed.
  - 8. Hardware:
    - a. Hinges for Non-Fire-Rated Units: Concealed, constant force closure spring type.
    - b. Latch/Lock: Screw driver slot for quarter turn cam latch.

**PART 3 EXECUTION**

**3.01 EXAMINATION**

- A. Verify that rough openings are correctly sized and located.
- B. Begin installation only after substrates have been properly prepared, and if the responsibility of another installer, notify Architect of unsatisfactory preparation before proceeding.

FIRE STATIONS RENOVATION  
Arlington County, Virginia  
Architect's Project No.: 563006

---

**3.02 PREPARATION**

- A. Clean surfaces thoroughly prior to proceeding with this work.
- B. Prepare surfaces using methods recommended by manufacturer for applicable substrates in accordance with project conditions.

**3.03 INSTALLATION**

- A. Install units in accordance with manufacturer's instructions.
- B. Install frames plumb and level in openings, and secure units rigidly in place.
- C. Position units to provide convenient access to concealed equipment when necessary.

**END OF SECTION**

FIRE STATIONS RENOVATION  
Arlington County, Virginia  
Architect's Project No.: 563006

---

**SECTION 092216**  
**COLD FORMED STEEL FRAMING - NON-STRUCTURAL (CFSF-NS)**

**PART 1 GENERAL**

**1.01 SUBMITTALS**

- A. See Section 013000 - Administrative Requirements for submittal procedures.
- B. Product Data: Provide data describing framing member materials and finish, product criteria, load charts, and limitations.

**PART 2 PRODUCTS**

**2.01 FRAMING MATERIALS**

- A. Non-Loadbearing Framing System Components: ASTM C645; galvanized sheet steel, of size and properties necessary to comply with ASTM C754 for the spacing indicated, with maximum deflection of wall framing of L/240 at 5 psf.
  - 1. Studs: C shaped with knurled or embossed faces.
  - 2. Runners: U shaped, sized to match studs.
  - 3. Furring: Hat-shaped sections, minimum depth of 7/8 inch.
- B. Partition Head to Structure Connections: Provide track fastened to structure with legs of sufficient length to accommodate deflection, for friction fit of studs cut short and braced with continuous bridging on both sides.
- C. Non-Loadbearing Framing Accessories:
  - 1. Partial Height Wall Framing Support: Provides stud reinforcement and anchored connection to floor.
  - 2. Framing Connectors: ASTM A653/A653M G90 galvanized steel clips; secures cold rolled channel to wall studs for lateral bracing.
  - 3. Sheet Metal Backing: 0.036 inch thick, galvanized.
  - 4. Fasteners: ASTM C1002 self-piercing tapping screws.
  - 5. Anchorage Devices: Powder actuated.
  - 6. Acoustic Insulation: ASTM C665; preformed glass fiber, friction fit type, unfaced.

**2.02 FABRICATION**

- A. Fabricate assemblies of framed sections to sizes and profiles required.
- B. Fit, reinforce, and brace framing members to suit design requirements.

**PART 3 EXECUTION**

**3.01 EXAMINATION**

- A. Verify existing conditions before starting work.
- B. Verify that rough-in utilities are in proper location.

**3.02 INSTALLATION OF STUD FRAMING**

- A. Comply with requirements of ASTM C754.
- B. Extend partition framing to structure where indicated and to ceiling in other locations.
- C. Partitions Terminating at Ceiling: Attach ceiling runner securely to ceiling track in accordance with manufacturer's instructions.
- D. Partitions Terminating at Structure: Attach extended leg top runner to structure, maintain clearance between top of studs and structure, and brace both flanges of studs as indicated.
- E. Align and secure top and bottom runners at 24 inches on center.
- F. Fit runners under and above openings; secure intermediate studs to same spacing as wall studs.
- G. Install studs vertically at spacing indicated on drawings.
- H. Align stud web openings horizontally.
- I. Secure studs to tracks using crimping method. Do not weld.
- J. Fabricate corners using a minimum of three studs.



FIRE STATIONS RENOVATION  
Arlington County, Virginia  
Architect's Project No.: 563006

---

- K. Install double studs at wall openings, door and window jambs, not more than 2 inches from each side of openings.
- L. Brace stud framing system rigid.
- M. Coordinate erection of studs with requirements of door frames; install supports and attachments.
- N. Coordinate installation of bucks, anchors, and blocking with electrical, mechanical, and other work to be placed within or behind stud framing.
- O. Blocking: Use wood blocking secured to studs. Provide blocking for support of plumbing fixtures, toilet partitions, wall cabinets, toilet accessories, hardware, and opening frames.
- P. Furring: Install at spacing and locations shown on drawings. Lap splices a minimum of 6 inches.

**3.03 TOLERANCES**

- A. Maximum Variation From True Position: 1/8 inch in 10 feet.
- B. Maximum Variation From Plumb: 1/8 inch in 10 feet.

**END OF SECTION**

FIRE STATIONS RENOVATION  
Arlington County, Virginia  
Architect's Project No.: 563006

---

**SECTION 092900  
GYPSUM BOARD**

**PART 1 GENERAL**

**1.01 SUBMITTALS**

- A. See Section 013000 - Administrative Requirements for submittal procedures.
- B. Product Data: Provide data on gypsum board, glass mat faced gypsum board, accessories, and joint finishing system.

**PART 2 PRODUCTS**

**2.01 BOARD MATERIALS**

- A. Gypsum Wallboard: Paper-faced gypsum panels as defined in ASTM C1396/C1396M; sizes to minimize joints in place; with tapered edges.
  - 1. Application: Use for vertical surfaces and ceilings, unless otherwise indicated.
  - 2. Mold Resistance: Score of 10, when tested in accordance with ASTM D3273.
    - a. Mold-resistant board is required whenever gypsum board is indicated in rooms subject to steam or water, including mechanical rooms, toilet rooms, custodial rooms, and kitchens.
  - 3. Thickness:
    - a. Vertical Surfaces: 5/8 inch.
    - b. Ceilings: 5/8 inch.
- B. Tile Backing Board:
  - 1. Application: Surfaces behind tile in wet areas including tub and shower surrounds.
  - 2. Mold Resistance: Score of 10, when tested in accordance with ASTM D3273.
  - 3. ANSI Cement-Based Board: Non-gypsum-based; cementitious panels with glass fiber mesh embedded in front and back surfaces complying with ANSI A118.9 and ASTM C 1288 or ASTM C1325.
    - a. Thickness: 5/8 inch.
    - b. Available Products:
      - 1) FinPan, Inc.; Util-A-Crete Backer Board.
      - 2) National Gypsum Company; PermaBase Cement Board.
      - 3) USG Corporation; Durock Cement Board.

**2.02 GYPSUM WALLBOARD ACCESSORIES**

- A. Acoustic Insulation: ASTM C665; preformed glass fiber, friction fit type, unfaced. Thickness sized to fit metal stud cavity.
- B. Acoustic Sealant: Acrylic emulsion latex or water-based elastomeric sealant; do not use solvent-based non-curing butyl sealant. Refer to Division 7 Section "Joint Sealants."
- C. Putty Pads: Non-hardening endothermic material, in pad form, faced on both sides with fpoly liner, designed to seal around penetrations and wiring devices, enhancing acoustic performance.
  - 1. Nominal Size: 7-1/4 x 7-1/4 x 3/16 inches.
  - 2. Available Products:
    - a. 3M; Fire Barrier Moldable Putty Pads MPP+.
    - b. Hilti; Firestop Putty Pad, CFS-P PA.
    - c. Specified Technologies, Inc.; SpecSeal Putty Pad.
- D. Beads, Joint Accessories, and Other Trim: ASTM C1047, rigid plastic, galvanized steel, or rolled zinc, unless noted otherwise.
  - 1. Corner Beads: Low profile, for 90 degree outside corners.
  - 2. L-Trim: Sized to fit gypsum wallboard size(s) indicated.
- E. Acoustic Partition Closure at Storefront or Curtain Wall: Multi-piece rectangular-section assembly of nested U-shape aluminum extrusions for finished closure between aluminum storefront or curtainwall system vertical mullion (and glass where indicated), and partition assembly. Closure shall allow for movements of framing and glass it attaches to, and shall not allow direct metal to glass contact. Fill cavity of partition closure with acoustic batt

FIRE STATIONS RENOVATION  
Arlington County, Virginia  
Architect's Project No.: 563006

---

insulation.

1. Thickness: Aluminum closure plates not less than 0.125-inch thick.
  2. Acoustic Rating: Provide product with a minimum tested STC rating of 55.
    - a. Acoustic Material: Fungi- and microbe-resistant foam, Class A rated when tested per ASTM E 84.
  3. Acoustical Sealant: Seal both ends of partition closure with acoustical sealant.
  4. Finish: Powder coat; color selected by Architect from manufacturer's full range.
  5. Available Products:
    - a. Gordon, Inc; Mullion Mate.
    - b. Mull-It-Over Products; Mull-It-Over.
- F. Joint Materials: ASTM C475/C475M and as recommended by gypsum board manufacturer for project conditions.
1. Paper Tape: 2 inch wide, creased paper tape for joints and corners.
  2. Joint Compound: Drying type, vinyl-based, ready-mixed.
- G. Screws for Fastening of Gypsum Panel Products to Cold-Formed Steel Studs Less than 0.033 inches in Thickness and Wood Members: ASTM C1002; self-piercing tapping screws, corrosion-resistant.
- H. Screws for Fastening of Gypsum Panel Products to Steel Members from 0.033 to 0.112 inch in Thickness: ASTM C954; steel drill screws, corrosion-resistant.
- I. Anchorage to Substrate: Tie wire, nails, screws, and other metal supports, of type and size to suit application; to rigidly secure materials in place.

### **PART 3 EXECUTION**

#### **3.01 EXAMINATION**

- A. Verify that project conditions are appropriate for work of this section to commence.

#### **3.02 ACOUSTIC ACCESSORIES INSTALLATION**

- A. Acoustic Insulation: Place tightly within spaces, around cut openings, behind and around electrical and mechanical items within partitions, and tight to items passing through partitions.
- B. Acoustic Sealant: Install in accordance with manufacturer's instructions.

#### **3.03 BOARD INSTALLATION**

- A. Comply with ASTM C840, GA-216, and manufacturer's instructions. Install to minimize butt end joints, especially in highly visible locations.
- B. Single-Layer Nonrated: Install gypsum board in most economical direction, with ends and edges occurring over firm bearing.
- C. Cementitious Backing Board: Install over steel framing members where indicated, in accordance with ANSI A108.11 and manufacturer's instructions.
- D. Installation on Metal Framing: Use screws for attachment of gypsum board.

#### **3.04 INSTALLATION OF TRIM AND ACCESSORIES**

- A. Control Joints: Place control joints in compliance with ASTM C 840, consistent with lines of building spaces, and as indicated.
1. Not more than 30 feet apart on walls and ceilings over 50 feet long.
  2. At exterior soffits, not more than 30 feet apart in both directions.
- B. Corner Beads: Install at external corners, using longest practical lengths.
- C. Edge Trim: Install at locations where gypsum board abuts dissimilar materials.
- D. Putty Pads: Install putty pads on the backside of items penetrating gypsum board on STC-rated walls/partitions. Items include, but are not limited to, wiring devices, cable, conduit, and pipe. Completely cover and seal around each penetration.

#### **3.05 JOINT TREATMENT**

- A. Paper Faced Gypsum Board: Use paper joint tape, embed with drying type joint compound and finish with drying type joint compound.

FIRE STATIONS RENOVATION  
Arlington County, Virginia  
Architect's Project No.: 563006

---

- B. Finish gypsum board in accordance with levels defined in ASTM C840, as follows:
  - 1. Level 4: Walls and ceilings to receive paint finish or wall coverings, unless otherwise indicated.
  - 2. Level 2: In utility areas, behind cabinetry, and on backing board to receive tile finish.
  - 3. Level 1: Wall areas above finished ceilings, whether or not accessible in the completed construction.
- C. Tape, fill, and sand exposed joints, edges, and corners to produce smooth surface ready to receive finishes.
  - 1. Feather coats of joint compound so that camber is maximum 1/32 inch.
- D. Fill and finish joints and corners of cementitious backing board as recommended by manufacturer.

**3.06 TOLERANCES**

- A. Maximum Variation of Finished Gypsum Board Surface from True Flatness: 1/8 inch in 10 feet in any direction.

**END OF SECTION**

FIRE STATIONS RENOVATION  
Arlington County, Virginia  
Architect's Project No.: 563006

---

**SECTION 093000 – ADD 01  
TILING**

**PART 1 GENERAL**

**1.01 REFERENCE STANDARDS**

- A. ANSI A108.1a - American National Standard Specifications for Installation of Ceramic Tile in the Wet-Set Method, with Portland Cement Mortar 2017.
- B. ANSI A108.1b - American National Standard Specifications for Installation of Ceramic Tile on a Cured Portland Cement Mortar Setting Bed with Dry-Set or Latex-Portland Cement Mortar 2017.
- C. ANSI A108.1c - Contractor's Option: Installation of Ceramic Tile in the Wet-Set Method with Portland Cement Mortar or Installation of Ceramic Tile on a Cured Portland Cement Mortar Setting Bed with Dry-Set or Latex-Portland Cement Mortar 1999 (Reaffirmed 2021).
- D. ANSI A108.2 - American National Standard General Requirements: Materials, Environmental and Workmanship 2019.
- E. ANSI A108.4 - American National Standard Specifications for Installation of Ceramic Tile with Organic Adhesives or Water Cleanable Tile-Setting Epoxy Adhesive 2019.
- F. ANSI A108.5 - American National Standard Specifications for Installation of Ceramic Tile with Dry-Set Portland Cement Mortar or Latex-Portland Cement Mortar 2020.
- G. ANSI A108.6 - American National Standard Specifications for Installation of Ceramic Tile with Chemical Resistant, Water Cleanable Tile-Setting and -Grouting Epoxy 1999 (Reaffirmed 2019).
- H. ANSI A108.8 - American National Standard Specifications for Installation of Ceramic Tile with Chemical Resistant Furan Resin Mortar and Grout 1999 (Reaffirmed 2019).
- I. ANSI A108.9 - American National Standard Specifications for Installation of Ceramic Tile with Modified Epoxy Emulsion Mortar/Grout 1999 (Reaffirmed 2019).
- J. ANSI A108.10 - American National Standard Specifications for Installation of Grout in Tilework 2017.
- K. ANSI A108.12 - American National Standard for Installation of Ceramic Tile with EGP (Exterior Glue Plywood) Latex-Portland Cement Mortar 1999 (Reaffirmed 2019).
- L. ANSI A108.13 - American National Standard for Installation of Load Bearing, Bonded, Waterproof Membranes for Thin-Set Ceramic Tile and Dimension Stone 2005 (Reaffirmed 2021).
- M. ANSI A108.19 - American National Standard Specifications for Interior Installation of Gauged Porcelain Tiles and Gauged Porcelain Tile Panels/Slabs by the Thin-Bed Method Bonded with Modified Dry-Set Cement Mortar or Improved Modified Dry-Set Cement Mortar 2020.
- N. ANSI A118.3 - American National Standard Specifications for Chemical Resistant, Water Cleanable Tile-Setting and -Grouting Epoxy and Water Cleanable Tile-Setting Epoxy Adhesive 2013 (Revised).
- O. ANSI A118.4 - American National Standard Specifications for Modified Dry-Set Cement Mortar 2012 (Revised).
- P. ANSI A118.7 - American National Standard Specifications for High Performance Cement Grouts for Tile Installation 2010 (Reaffirmed 2016).
- Q. ANSI A118.10 - American National Standard Specifications for Load Bearing, Bonded, Waterproof Membranes For Thin-Set Ceramic Tile And Dimension Stone Installation 2014.
- R. ANSI A118.12 - American National Standard Specifications for Crack Isolation Membranes for Thin-Set Ceramic Tile and Dimension Stone Installation 2014.
- S. ANSI A118.15 - American National Standard Specifications for Improved Modified Dry-Set Cement Mortar 2012.

FIRE STATIONS RENOVATION  
Arlington County, Virginia  
Architect's Project No.: 563006

---

- T. ANSI A137.1 - American National Standard Specifications for Ceramic Tile 2021.
- U. TCNA (HB) - Handbook for Ceramic, Glass, and Stone Tile Installation 2019.

**1.02 ADMINISTRATIVE REQUIREMENTS**

- A. Preinstallation Meeting: Convene a preinstallation meeting at the Project Site one week before starting work of this section; require attendance by affected installers.
  - 1. Review substrate preparation requirements.
  - 2. Review each type of tile, mortar, grout, and TCNA installation methods.
  - 3. Review requirements for waterproofing and/or crack isolation membrane(s).

**1.03 SUBMITTALS**

- A. See Section 013000 - Administrative Requirements, for submittal procedures.
- B. Product Data: Provide manufacturers' data sheets on tile, mortar, grout, and accessories. Include instructions for using grouts and adhesives.
- C. Shop Drawings: Indicate tile layout, patterns, color arrangement, perimeter conditions, junctions with dissimilar materials, control and expansion joints, thresholds, ceramic accessories, and setting details.
  - 1. Include waterproofing details at floor drains, shower pans, cove base, and thresholds.
- D. Installer's Qualification Statement:
- E. Maintenance Data: Include recommended cleaning methods, cleaning materials, and stain removal methods.

**1.04 QUALITY ASSURANCE**

- A. Installer Qualifications:
  - 1. Company specializing in performing tile installation, with minimum of five years of documented experience.

**1.05 MOCK-UP**

- A. See Section 014000 - Quality Requirements, for general requirements for mock-up.
- B. Construct tile mock-up where indicated on drawings, incorporating all components specified for the location.
  - 1. Provide mock-up of minimum 5 square feet for each type of floor tile, unless otherwise indicated.
  - 2. Provide mock-up of minimum 5 square feet for each type of wall tile, unless otherwise indicated.
  - 3. Approved mock-up may remain as part of the Work.

**1.06 DELIVERY, STORAGE, AND HANDLING**

- A. Store tile, grout, and mortar off the ground, protected from weather and water infiltration.
- B. Store products in unopened containers or packages until ready for use.
- C. Protect materials from freezing or overheating in accordance with manufacturer's instructions.

**1.07 FIELD CONDITIONS**

- A. Do not install solvent-based products in an unventilated environment.
- B. Maintain ambient and substrate temperature and humidity at levels required by referenced ANSI and TCNA tile standards, and per manufacturer's instructions.

FIRE STATIONS RENOVATION  
Arlington County, Virginia  
Architect's Project No.: 563006

---

## **PART 2 PRODUCTS**

### **2.01 TILE**

- A. Manufacturers: All products of each type by the same manufacturer.
- B. Ceramic Tile, Type P-TILE: glazed porcelain tile. ANSI A137.1 standard grade.
  - 1. Manufacturers: Subject to compliance with requirements, provide products by one of the following:
    - a. Daltile., "Reminiscent" (Basis-of-Design Product)
    - b. American Olean; a division of Dal-Tile Corporation.
    - c. Dal-Tile Corporation.
    - d. Deutsche Steinzeug America, Inc.
    - e. Porcelanite-Lamosa.
    - f. Interceramic.
    - g. Lone Star Ceramics; Elgin Butler.
    - h. Portobello America, Inc.
    - i. Seneca Tiles, Inc.
  - 2. Size: 2 by 2 inch, nominal, for walls in areas outside the shower.
  - 3. Size: 12 by 24 inch, nominal, for within showers, oriented vertically.
  - 4. Size: 12 by 12 inch, nominal, for floors.
  - 5. Size: 6 by 12 inch, nominal, for wall base.
  - 6. Thickness: 3/8 inch.
  - 7. Dynamic Coefficient of Friction: Not less than 0.42.
  - 8. Tile color, Glaze, and Pattern: As selected by Architect from manufacturer's full range. Provide three colors in the mosaic size. Refer to Tile Patterning drawing.
  - 9. Grout Color: As selected by Architect from manufacturer's full range.
  - 10. Trim Units: Matching bullnose, double bullnose, cove base, and cove shapes in sizes coordinated with field tile.
- C. Quarry Tile, Type QT-1: ANSI A137.1 standard grade.
  - 1. Size: 6 by 6 inch, nominal.
  - 2. Thickness: 1/2 inch, nominal.
  - 3. Edges: Square.
  - 4. Surface Finish: Unglazed.
  - 5. Color(s): To be selected by Architect from manufacturer's full range.
  - 6. Trim Units: Matching cove base shapes in sizes coordinated with field tile.
  - 7. Products:
    - a. American Olean; a division of Dal-Tile Corporation.
    - b. Dal-Tile Corporation.
    - c. Metropolitan Ceramics.
    - d. Summitville Tiles, Inc.

### **2.02 TRIM AND ACCESSORIES**

- A. Non-Ceramic Trim: Satin brass anodized extruded aluminum, style and dimensions to suit application, for setting using tile mortar or adhesive.
  - 1. Applications:
    - a. Open edges of wall tile.
    - b. Open edges of floor tile.
    - c. Wall corners, outside and inside.
    - d. Transition between floor finishes of different heights.
    - e. Thresholds at door openings.
    - f. Expansion and control joints, floor and wall.
    - g. Floor to wall joints.
    - h. Borders and other trim as indicated on drawings.
  - 2. Manufacturers:
    - a. Schluter-Systems.

FIRE STATIONS RENOVATION  
Arlington County, Virginia  
Architect's Project No.: 563006

---

- b. Genesis APS International.
  - c. Blanke.
  - d. Ceramic Tool Company (CTC).
  - e. Substitutions: See Section 016000 - Product Requirements.
- B. Thresholds: 2 inches wide by full width of wall or frame opening; beveled edge on both long edges; without holes, cracks, or open seams.
- 1. Material: Marble, honed finish.
  - 2. Applications:
    - a. At doorways where tile terminates.

### 2.03 SETTING MATERIALS

- A. Provide setting and grout materials from same manufacturer.
- B. Modified Dry-Set Mortar (Thinset): ANSI A118.4
- 1. Applications: Use this type at all locations where thinset mortar is indicated, unless otherwise indicated.
  - 2. Products:
    - a. H.B. Fuller Construction Products, Inc.; TEC Full Flex TA 390/391.
    - b. LATICRETE International, Inc.; 252 Silver.
    - c. MAPEI Corporation; Ultraflex 2.
    - d. Summitville Tiles, Inc.; S-1000 MP Thin-Set Latex Mortar.
    - e. Substitutions: See Section 016000 - Product Requirements.
- C. Latex-Portland Cement LHT Mortar (Medium-Bed): ANSI A118.4.
- 1. Applications: Use this type of bond coat where Large and Heavy Tile (LHT) mortar is indicated, in a 5/8-inch thick medium-bed application.
  - 2. Products:
    - a. Custom Building Products; ProLite Premium Rapid Setting Large Format Tile Mortar, with Multi-Surface Bonding Primer.
    - b. H.B. Fuller Construction Products, Inc; TEC Ultimate Large Tile Mortar.
    - c. LATICRETE International, Inc; 257 TITANIUM.
    - d. MAPEI Corporation; Ultraflex LFT.
    - e. Merkrete, by Parex USA, Inc; Merkrete 735 Premium Flex.
    - f. Summitville Tiles, Inc.; S-1200 MP Premium Medium Bed Mortar.
    - g. Substitutions: See Section 016000 - Product Requirements.
- D. Improved Latex-Portland Cement Dry-Set Mortar (Thinset): ANSI A118.15 and ISO 13007 "C2" classification.
- 1. Applications: Use this type of mortar where indicated.
  - 2. Products:
    - a. H.B. Fuller Construction Products, Inc; TEC 3N1 Performance Mortar.
    - b. LATICRETE International, Inc; LATICRETE 254 Platinum.
    - c. MAPEI Corporation; Ultraflex 3.
    - d. Substitutions: See Section 016000 - Product Requirements.

### 2.04 GROUTS

- A. Provide setting and grout materials from same manufacturer.
- B. High Performance Polymer Modified Grout: ANSI A118.7 polymer modified cement grout.
- 1. Applications: Use this type of grout where indicated and where no other type of grout is indicated.
  - 2. Use sanded grout for joints 1/8 inch wide and larger; use unsanded grout for joints less than 1/8 inch wide.
  - 3. Color(s): As selected by Architect from manufacturer's full line.
  - 4. Products:
    - a. Custom Building Products; Prism Color Consistent Grout.
    - b. H.B. Fuller Construction Products, Inc; TEC AccuColor Plus Grout.
    - c. LATICRETE International, Inc; LATICRETE PERMACOLOR Grout.
-



## FIRE STATIONS RENOVATION

Arlington County, Virginia

Architect's Project No.: 563006

- 
- d. MAPEI Corporation; Ultracolor Plus.
  - e. Merkrete, by Parex USA, Inc; Merkrete Pro Grout.
  - f. Substitutions: See Section 016000 - Product Requirements.
- C. Water-Cleanable Epoxy Grout: ANSI A118.3 stain-resistant epoxy grout.
- 1. Applications: Where indicated.
  - 2. Heat Resistance: Tested by manufacturer for continuous exposure up to 140 deg F, and intermittent exposure up to 212 deg F.
  - 3. Color(s): As selected by Architect from manufacturer's full line.
  - 4. Products:
    - a. Custom Building Products; CEG-Lite 100% Solids Commercial Epoxy Grout.
    - b. H.B. Fuller Construction Products, Inc; TEC AccuColor EFX Epoxy Special Effects Grout.
    - c. LATICRETE International, Inc; LATICRETE SPECTRALOCK PRO Premium Grout.
    - d. MAPEI Corporation; Kerapoxy CQ.
    - e. Merkrete, by Parex USA, Inc; Merkrete Pro Epoxy.
    - f. Summitville Tiles, Inc; S-500 Ultra Max.
    - g. Substitutions: See Section 016000 - Product Requirements.
- D. Water-Cleanable Chemical- and Heat-Resistant Epoxy Grout: ANSI A118.3 epoxy grout, also meeting applicable requirements of ANSI A118.5 for chemical resistance.
- 1. Applications: Where indicated.
  - 2. Heat Resistance: Tested by manufacturer for continuous exposure up to 140 deg F, and intermittent exposure up to 350 deg F.
  - 3. Chemical Resistance: Tested per ASTM C 267 for intermittent exposure to the following chemicals and concentrations, with no staining:
    - a. Citric Acid: 20%.
    - b. Phosphoric Acid: 25%.
    - c. Sodium Hydroxide: 10%.
    - d. Sodium Hypochlorite (Bleach): 3%.
    - e. Mineral Spirits.
  - 4. Color(s): As selected by Architect from manufacturer's full line.
  - 5. Products:
    - a. Custom Building Products; CEG-IG 100% Solids Industrial Grade Epoxy Grout.
    - b. LATICRETE International, Inc; LATICRETE SPECTRALOCK 2000 IG.
    - c. MAPEI Corporation; Kerapoxy IEG CQ.
    - d. Summitville Tiles, Inc; S-5100 NovaColor.

**2.05 MAINTENANCE MATERIALS**

- A. Tile Sealants: Moisture- and mildew-resistant type sealants; one-part silicone for wall applications and multi-part urethane for floor applications. Sealants and accessories shall comply with requirements below and with requirements of Division 7 Section "Joint Sealants."
- 1. Color(s): As selected by Architect from manufacturer's full line. Sealant colors shall match grout colors in adjacent joints unless otherwise indicated.
  - 2. Silicone Sealant (Walls): ASTM C 920, Type S, Grade NS, Class 25; Uses NT (non-traffic), G (glass), A (aluminum), O (other substrates indicated).
    - a. Products:
      - 1) GE Silicones, a division of GE Specialty Materials; SCS1700 Sanitary.
      - 2) Pecora Corporation; Pecora 898 NST.
      - 3) Tremco Incorporated; Tremsil 200.
      - 4) Substitutions: See Section 016000 - Product Requirements.
  - 3. Urethane Sealant (Floors): ASTM C 920, Type M, Grade P, Class 25; Uses T (traffic), M (mortar), A (aluminum), O (other substrates indicated).
    - a. Products:
      - 1) Master Builders Solutions; MasterSeal SL 2.
-

## FIRE STATIONS RENOVATION

Arlington County, Virginia

Architect's Project No.: 563006

- 2) Pecora Corporation; NR-200 Urexpan.
  - 3) Sika Corporation; Sikaflex-2c SL.
  - 4) Tremco Incorporated; THC-901.
  - 5) Substitutions: See Section 016000 - Product Requirements.
4. Sealant Accessories: Provide backer rod, primer, and other sealant accessories as recommended by sealant manufacturer for applications required.
- B. Grout Sealer: Liquid-applied, penetrating, moisture and stain protection for existing or new Portland cement grout.
1. Composition: Water-based colorless silicone.
  2. Products:
    - a. Custom Building Products; Aqua Mix Sealer's Choice Gold.
    - b. Merkrete, by Parex USA, Inc; Merkrete Grout Sealer.
    - c. SGM, Inc.; Grout Sealer.
    - d. Summitville Tiles, Inc.; SL-99 Summitseal II.
    - e. Substitutions: See Section 016000 - Product Requirements.
- C. Tile Sealer: Stain protection for exposed surfaces of unglazed ceramic tile, other porous tile, and grout. Provide penetrating sealer with no sheen, preserving natural tile appearance.
1. Products:
    - a. Custom Building Products; Aqua Mix Sealer's Choice Gold.
    - b. Rust-Oleum Corporation; Miracle Sealants 511 Impregnator Natural Looking Penetrating Sealer.
    - c. STONETECH, a division of LATICRETE international, Inc; STONETECH Heavy Duty Sealer.
    - d. Substitutions: See Section 016000 - Product Requirements.
- D. Grout Release: Temporary, water-soluble pre-grout coating.
1. Products:
    - a. Custom Building Products; Aqua Mix Grout Release.
    - b. MAPEI Corporation; UltraCare Grout Release.
    - c. Substitutions: See Section 016000 - Product Requirements.

**2.06 ACCESSORY MATERIALS**

- A. Concrete Floor Slab Crack Isolation Membrane: Material complying with ANSI A118.12; not intended as waterproofing.
1. Crack Resistance: No failure at 1/8 inch gap, minimum.
  2. Peel-and-Stick Sheet Type:
    - a. Material: Rubberized membrane laminated to reinforcing fabric.
    - b. Thickness: 40 mils, nominal.
    - c. Products:
      - 1) Boiardi Products Corp.; a QEP company; Elastiment 340 Sound Control Sheet Membrane Waterproofing and Anti-Fracture/Crack-Suppression System.
      - 2) Custom Building Products; Crack Buster Pro-Crack Prevention Mat Underlayment.
      - 3) MAPEI Corporation; Mapeguard 2.
      - 4) National Applied Construction Products, Inc.; ECB Anti-Fracture Membrane.
      - 5) Substitutions: See Section 016000 - Product Requirements.
- B. Waterproofing Membrane: Specifically designed for bonding to cementitious substrate under thick mortar bed or thin-set tile; complying with ANSI A118.10.
1. Crack Resistance: No failure at 1/8 inch gap, minimum; comply with ANSI A118.12.
  2. Fluid or Trowel Applied Type with Embedded Reinforcing Fabric:
    - a. Material: Synthetic rubber or Acrylic.
    - b. Thickness: 30 mils, minimum, dry film thickness.
    - c. Products:

**FIRE STATIONS RENOVATION**

Arlington County, Virginia

Architect's Project No.: 563006

---

- 1) Custom Building Products; 9240 Waterproofing and Anti-Fracture Membrane
- 2) H.B. Fuller Construction Products, Inc; TEC HydraFlex Waterproofing Crack Isolation Membrane.
- 3) LATICRETE International, Inc; 9235 Waterproofing Membrane.
- 4) MAPEI Corporation; Mapelastic AquaDefense.
- 5) Merkrete, by Parex USA, Inc; Merkrete Hydro Guard 2000.
- 6) Summitville Tiles, Inc.; S-9000.
- 7) Substitutions: See Section 016000 - Product Requirements.

**PART 3 EXECUTION****3.01 EXAMINATION**

- A. Verify that subfloor surfaces are smooth and flat within the tolerances specified for that type of work, per ANSI A108.01, and are ready to receive tile.
- B. Verify that wall surfaces are smooth and flat within the tolerances specified for that type of work, are dust-free, and are ready to receive tile.
- C. Verify that subfloor surfaces are dust free and free of substances that could impair bonding of setting materials to subfloor surfaces.
- D. Verify that required floor-mounted utilities are in correct location.

**3.02 PREPARATION**

- A. Protect surrounding work from damage.
- B. Vacuum clean surfaces and damp clean.
- C. Seal substrate surface cracks with filler. Level existing substrate surfaces to acceptable flatness tolerances.
- D. For ease of cleaning and to prevent staining, precoat tile with temporary grout release. For unglazed ceramic and other porous tile types, provide either combination tile sealer/grout release, or a temporary grout release with final tile sealer applied after tile installation.

**3.03 INSTALLATION - GENERAL**

- A. Install tile, thresholds, and stair treads and grout in accordance with applicable requirements of ANSI A108.1a through ANSI A108.19, manufacturer's instructions, and TCNA (HB) recommendations.
- B. Lay tile to pattern indicated. Do not interrupt tile pattern through openings.
- C. Cut and fit tile to penetrations through tile, leaving sealant joint space. Form corners and bases neatly. Align floor joints.
- D. Place tile joints uniform in width, subject to variance in tolerance allowed in tile size. Make grout joints without voids, cracks, excess mortar or excess grout, or too little grout.
- E. Form internal angles square and external angles bullnosed.
- F. Install non-ceramic trim in accordance with manufacturer's instructions.
- G. Install thresholds where indicated.
- H. Sound tile after setting. Replace hollow sounding units.
- I. Keep control and expansion joints free of mortar, grout, and adhesive.
- J. Prior to grouting, allow installation to completely cure; minimum of 48 hours.
- K. Grout tile joints unless otherwise indicated. Use standard grout unless otherwise indicated.
- L. At changes in plane and tile-to-tile control joints, use tile sealant instead of grout, with either bond breaker tape or backer rod as appropriate to prevent three-sided bonding.

**3.04 INSTALLATION - FLOORS - THIN-SET METHODS**

- A. Over interior concrete substrates, install in accordance with TCNA (HB) Method F113, dry-set or latex-Portland cement bond coat, with standard grout, unless otherwise indicated.

FIRE STATIONS RENOVATION  
Arlington County, Virginia  
Architect's Project No.: 563006

---

1. Where waterproofing membrane is indicated, install in accordance with TCNA (HB) Method F122, with latex-Portland cement grout.

**3.05 INSTALLATION - WALL TILE**

- A. Over interior concrete and masonry install in accordance with TCNA (HB) Method W202, thin-set with dry-set or latex-Portland cement bond coat.

**3.06 CLEANING**

- A. Clean tile and grout surfaces.

**3.07 PROTECTION**

- A. Do not permit traffic over finished floor surface for 4 days after installation.

**END OF SECTION**

FIRE STATIONS RENOVATION  
Arlington County, Virginia  
Architect's Project No.: 563006

---

**SECTION 095100  
ACOUSTICAL CEILINGS**

**PART 1 GENERAL**

**1.01 REFERENCE STANDARDS**

- A. ASTM C635/C635M - Standard Specification for the Manufacture, Performance, and Testing of Metal Suspension Systems for Acoustical Tile and Lay-in Panel Ceilings 2017.

**1.02 SUBMITTALS**

- A. See Section 013000 - Administrative Requirements, for submittal procedures.
- B. Shop Drawings: Indicate grid layout and related dimensioning.
- C. Product Data: Provide data on suspension system components and acoustical units.

**1.03 FIELD CONDITIONS**

- A. Maintain uniform temperature of minimum 60 degrees F, and maximum humidity of 40 percent prior to, during, and after acoustical unit installation.

**PART 2 PRODUCTS**

**2.01 ACOUSTICAL UNITS**

**2.02 SUSPENSION SYSTEM(S)**

- A. Metal Suspension Systems - General: Complying with ASTM C635/C635M; die cut and interlocking components, with perimeter moldings, hold down clips, stabilizer bars, clips, and splices as required.

**2.03 ACCESSORIES**

- A. Support Channels and Hangers: Galvanized steel; size and type to suit application, seismic requirements, and ceiling system flatness requirement specified.
- B. Hanger Wire: 12 gauge, 0.08 inch galvanized steel wire.
- C. Perimeter Moldings: Same metal and finish as grid.
- D. Metal Edge Trim for "Cloud" Suspension Systems: Steel or extruded aluminum; provide attachment clips, splice plates, and preformed corner pieces for complete trim system.
  - 1. Trim Height: 4 inch.
  - 2. Finish: Baked enamel.
  - 3. Available Products:
    - a. Armstrong World Industries, Inc.; Axiom Classic.
    - b. Certainteed; Terminus Perimeter Trim.
    - c. Chicago Metallic Corp.; Infinity System.
    - d. USG Corporation; Compasso Suspension Trim.

**PART 3 EXECUTION**

**3.01 EXAMINATION**

- A. Verify existing conditions before starting work.
- B. Verify that layout of hangers will not interfere with other work.

**3.02 PREPARATION**

- A. Install after major above-ceiling work is complete.
- B. Coordinate the location of hangers with other work.

**3.03 INSTALLATION - SUSPENSION SYSTEM**

- A. Rigidly secure system, including integral mechanical and electrical components, for maximum deflection of 1:360.
- B. Perimeter Molding: Install at intersection of ceiling and vertical surfaces and at junctions with other interruptions.
  - 1. Use longest practical lengths.

FIRE STATIONS RENOVATION  
Arlington County, Virginia  
Architect's Project No.: 563006

---

- C. Suspension System, Non-Seismic: Hang suspension system independent of walls, columns, ducts, pipes and conduit. Where carrying members are spliced, avoid visible displacement of face plane of adjacent members.
- D. Where ducts or other equipment prevent the regular spacing of hangers, reinforce the nearest affected hangers and related carrying channels to span the extra distance.
- E. Do not support components on main runners or cross runners if weight causes total dead load to exceed deflection capability.
- F. Support fixture loads using supplementary hangers located within 6 inches of each corner, or support components independently.
- G. Do not eccentrically load system or induce rotation of runners.

**3.04 INSTALLATION - ACOUSTICAL UNITS**

- A. Install acoustical units in accordance with manufacturer's instructions.
- B. Fit acoustical units in place, free from damaged edges or other defects detrimental to appearance and function.
- C. Fit border trim neatly against abutting surfaces.
- D. Install acoustical units level, in uniform plane, and free from twist, warp, and dents.
- E. Cutting Acoustical Units:
  - 1. Make field cut edges of same profile as factory edges.

**END OF SECTION**

FIRE STATIONS RENOVATION  
Arlington County, Virginia  
Architect's Project No.: 563006

---

**SECTION 096513  
RESILIENT BASE AND ACCESSORIES**

**PART 1 GENERAL**

**1.01 SUBMITTALS**

- A. See Section 013000 - Administrative Requirements, for submittal procedures.
- B. Product Data: Provide data on specified products, describing physical and performance characteristics; including sizes, patterns and colors available; and installation instructions.
- C. Selection Samples: Submit manufacturer's complete set of color samples for Architect's initial selection.
- D. Verification Samples: Submit in manufacturer's standard size, illustrating color and pattern for each resilient flooring product specified.

**1.02 DELIVERY, STORAGE, AND HANDLING**

- A. Upon receipt, immediately remove any shrink-wrap and check materials for damage and the correct style, color, quantity and run numbers.
- B. Maintain temperature in storage area between 55 degrees F and 90 degrees F.
- C. Protect roll materials from damage by storing on end.

**1.03 FIELD CONDITIONS**

- A. Store materials for not less than 48 hours prior to installation in area of installation at a temperature of 70 degrees F to achieve temperature stability. Thereafter, maintain conditions above 55 degrees F.
- B. Maintain conditions at occupancy conditions for installation and until Substantial Completion.

**PART 2 PRODUCTS**

**2.01 RESILIENT BASE**

- A. Resilient Base: ASTM F1861, Type TP, rubber, thermoplastic; Style B, Cove.
  - 1. Products (Type TP):
    - a. Armstrong World Industries, Inc.; Rubber Coved Toe Wall Base.
    - b. Flexco (USA), Inc.; Flexco Base 2000 - Cove.
    - c. Johnsonite, a Tarkett Company; Rubber Wall Base - Cove.
    - d. Mannington Commercial; Burkebase Type TP - Coved.
    - e. Nora Systems, Inc; nora wall base; Article 820.
    - f. Roppe Corporation; 700 Series TPR Wall Base - Style B (Coved).
    - g. Substitutions: See Section 016000 - Product Requirements.
  - 2. Critical Radiant Flux (CRF): Minimum 0.45 watt per square centimeter, when tested in accordance with ASTM E648 or NFPA 253.
  - 3. Height: 4 inch.
  - 4. Thickness: 0.125 inch minimum.
  - 5. Finish: Satin.
  - 6. Length: Roll; manufacturer's standard length.
  - 7. Color: To be selected by Architect from manufacturer's full range.

**2.02 STAIR COVERING**

- A. Stair Treads: Rubber; full width and depth of stair tread in one piece; tapered thickness.
  - 1. Manufacturers:
    - a. Flexco, Inc.
    - b. Johnsonite, a Tarkett Company.
    - c. Mannington Commercial.
    - d. Nora Rubber Flooring.
    - e. Roppe Corporation.
    - f. Substitutions: See Section 016000 - Product Requirements.

FIRE STATIONS RENOVATION  
Arlington County, Virginia  
Architect's Project No.: 563006

---

2. Minimum Requirements: Comply with ASTM F2169, Type TS, rubber, vulcanized thermoset.
  3. Critical Radiant Flux (CRF): Minimum 0.45 watt per square centimeter, when tested in accordance with ASTM E648 or NFPA 253.
  4. Nominal Thickness: 0.250 inch, tapered towards rear.
  5. Nosing: Square, adjustable; 1-1/2 inch height.
  6. Striping: 2 inch wide contrasting color abrasive strips.
  7. Texture: Raised, with pattern selected from manufacturer's full range.
  8. Color: To be selected by Architect from manufacturer's full range.
- B. Stair Risers: Full height and width of tread in one piece, matching treads in material and color.
1. Manufacturer: Provide risers by same manufacturer as treads.
  2. Thickness: 0.125 inch.
- C. Stair Stringers: Full height in one piece and in maximum available lengths, matching treads in material and color.
1. Manufacturer: Provide stringers by same manufacturer as treads.
  2. Nominal Thickness: 0.080 inch.

### 2.03 MOLDINGS, TRANSITIONS, AND EDGE STRIPS

- A. Moldings, Transition and Edge Strips:
1. Manufacturers:
    - a. Flexco, Inc.
    - b. Johnsonite.
    - c. Mannington Commercial.
    - d. R.C.A. Rubber Company (The).
    - e. Roppe Corporation.
    - f. VPI, LLC; Floor Products Division.
    - g. Substitutions: See Section 016000 - Product Requirements.
  2. Molding/Transition Strip Profiles: Provide in sizes as required to suit flooring thicknesses and applications.
    - a. Coved edge/cap for carpet.
    - b. Joiner between carpet and resilient flooring or other materials with different heights.
    - c. Transition strip between different types of materials that are the same height or between different styles/patterns of the same material.
    - d. Slim transition strip with approximately 1/4-inch wide visible transition profile.
    - e. Reducer strip at edges of flooring to reduce height to 0".
    - f. Subfloor leveling accessory to transition between materials with height differences up to 1/2 inch.
  3. Material: Manufacturer's standard rubber or vinyl.
  4. Color: To be selected by Architect from manufacturer's full range.

### 2.04 ACCESSORIES

- A. Leveling Compound: Blended cement mix, latex-modified, for use as trowelable underlayment, approved by resilient accessory manufacturer.
- B. Primers, Adhesives, and Seam Sealer: Waterproof; types recommended by flooring manufacturer.
- C. Moisture Vapor Treatment: Where resilient flooring and accessories are installed over concrete slabs, provide alkaline-resistant product designed to control excessive moisture vapor transmission through concrete slab, per the following:
1. Products: Provide product approved by flooring manufacturer and complying with performance requirements below, equivalent to one of the following:
    - a. Duraamen Engineered Products, Inc.; Perdure MVT.
    - b. Maxxon Corporation; Maxxon MVP.
    - c. Tnemec Company Inc.; Epoxoprime MVT, Series 208.
  2. Performance Requirements:



FIRE STATIONS RENOVATION  
Arlington County, Virginia  
Architect's Project No.: 563006

---

- a. Verify with flooring manufacturer that submitted product maintains compliance with all provisions of flooring manufacturer's warranty.
- b. Low-VOC: Provide product with VOC content less than 15 g/L.
- c. Bond Strength to Concrete: Minimum 400 psi per ASTM D 4541 (100% concrete failure).
- d. Permeance: Maximum 0.1 perm per ASTM E 96, and 0.10 grains/hr/ft<sup>2</sup>/in-Hg, per ASTM F3010.
- e. Applications: Provide MVT for all concrete slabs on-grade and lightweight concrete elevated slabs.

D. Floor Polish: Fluid-applied polish recommended by resilient flooring manufacturer.

### **PART 3 EXECUTION**

#### **3.01 EXAMINATION**

- A. Verify that surfaces are flat to tolerances acceptable to flooring manufacturer, free of cracks that might telegraph through flooring, clean, dry, and free of curing compounds, surface hardeners, and other chemicals that might interfere with bonding of flooring to substrate.
- B. Verify that wall surfaces are smooth and flat within the tolerances specified for that type of work, are dust-free, and are ready to receive resilient base.
  1. Do not apply wall base until other finish items, including casework and painting, are complete.
- C. Cementitious Subfloor Surfaces (Stair Treads/Landings): Verify that substrates are ready for resilient flooring installation by testing for moisture and alkalinity (pH).
  1. Test as Follows:
    - a. Alkalinity (pH): ASTM F710, when required by stair accessory manufacturer.
    - b. Internal Relative Humidity: ASTM F2170. One test per stair area.
    - c. Moisture Vapor Emission: ASTM F1869. One test per stair area.
  2. After testing is complete, prepare concrete and install moisture vapor treatment (MVT) in accordance with manufacturer's written instructions. If testing indicates measurements are within acceptable levels for flooring installation with the need for MVT, the MVT may be omitted where approved by the Architect.
  3. After installation of MVT, perform final moisture tests to verify that moisture-vapor-emission-rate is at an acceptable level for stair accessory installation. Proceed with installation only after moisture-vapor-emission-rate and relative humidity do not exceed the following:
    - a. Moisture-Vapor-Emission Rate: Maximum 3lbs. of water/1,000 sq. ft. in 24 hours, unless indicated otherwise by resilient accessory manufacturer.
    - b. Relative Humidity: Maximum 75 percent relative humidity, unless indicated otherwise by resilient accessory manufacturer.

#### **3.02 PREPARATION**

- A. Prepare floor substrates as recommended by flooring and adhesive manufacturers.
- B. Remove subfloor ridges and bumps. Fill minor low spots, cracks, joints, holes, and other defects with leveling compound to achieve smooth, flat, hard surface.
- C. Prohibit traffic until leveling compound is fully cured.
- D. Clean substrate.

#### **3.03 INSTALLATION - GENERAL**

- A. Starting installation constitutes acceptance of subfloor conditions.
- B. Install in accordance with manufacturer's written instructions.
- C. Adhesive-Applied Installation:
  1. Fit joints and butt seams tightly.
  2. Set flooring in place, press with heavy roller to attain full adhesion.
- D. Where type of floor finish, pattern, or color are different on opposite sides of door, install such that molding profiles or transition strips are centered under the door panel..

FIRE STATIONS RENOVATION  
Arlington County, Virginia  
Architect's Project No.: 563006

---

- E. Install edge/reducer strips at unprotected or exposed edges, where flooring terminates, and where indicated.
  - 1. Resilient Strips: Attach to substrate using adhesive.

**3.04 INSTALLATION - RESILIENT BASE**

- A. Fit joints tightly and make vertical. Maintain minimum dimension of 18 inches between joints.
- B. Install base on solid backing. Bond tightly to wall and floor surfaces.
- C. Job form internal and external corners in accordance with manufacturer's instructions. Form corners by "V" cutting or scribing; do not bend material in a manner that creates stress whitening.
- D. In addition to walls, install base on other permanent construction with exposed vertical faces at floor level, including, but not limited to, columns, pilasters, and casework/cabinet knee and toe spaces.
- E. Scribe and fit to door frames and other interruptions.
- F. At uneven substrate surfaces (such as masonry mortar joints), provide manufacturer's recommended filler sealant or adhesive to fill voids along top of base.

**3.05 INSTALLATION - STAIR COVERINGS**

- A. Install stair coverings in one piece for full width and depth of tread.
- B. Install stringers configured tightly to stair profile.
- C. Adhere over entire surface. Fit accurately and securely.
- D. Clean stair tread and landing accessories and apply floor polish according to manufacturer's written instructions.

**3.06 CLEANING**

- A. Remove excess adhesive from floor, base, and wall surfaces without damage.
- B. Clean in accordance with manufacturer's written instructions.

**3.07 PROTECTION**

- A. Prohibit traffic on resilient accessories for 48 hours after installation.
- B. Cover resilient accessories and protect from heavy construction traffic and equipment until Substantial Completion.

**END OF SECTION**

FIRE STATIONS RENOVATION  
Arlington County, Virginia  
Architect's Project No.: 563006

---

**SECTION 099123  
INTERIOR PAINTING**

**PART 1 GENERAL**

**1.01 SUBMITTALS**

- A. See Section 013000 - Administrative Requirements, for submittal procedures.
- B. Product Data: Provide complete list of products to be used, with the following information for each:
  - 1. Manufacturer's name, product name and/or catalog number, and general product category (e.g., "alkyd enamel").
  - 2. Cross-reference to specified paint system(s) product is to be used in; include description of each system.
- C. Certification: By manufacturer that paints and finishes comply with VOC limits specified.
- D. Manufacturer's Instructions: Indicate special surface preparation procedures.
- E. Maintenance Data: Submit data including finish schedule showing where each product/color/finish was used, product technical data sheets, material safety data sheets (MSDS), care and cleaning instructions, touch-up procedures, repair of painted and finished surfaces, and color samples of each color and finish used.

**1.02 DELIVERY, STORAGE, AND HANDLING**

- A. Deliver products to site in sealed and labeled containers; inspect to verify acceptability.
- B. Container Label: Include manufacturer's name, type of paint, brand name, lot number, brand code, coverage, surface preparation, drying time, cleanup requirements, color designation, and instructions for mixing and reducing.
- C. Paint Materials: Store at minimum ambient temperature of 45 degrees F and a maximum of 90 degrees F, in ventilated area, and as required by manufacturer's instructions.

**1.03 FIELD CONDITIONS**

- A. Do not apply materials when surface and ambient temperatures are outside the temperature ranges required by the paint product manufacturer.
- B. Follow manufacturer's recommended procedures for producing best results, including testing of substrates, moisture in substrates, and humidity and temperature limitations.
- C. Do not apply materials when relative humidity exceeds 85 percent, at temperatures less than 5 degrees F above the dew point, or to damp or wet surfaces.
- D. Minimum Application Temperatures for Paints: 50 degrees F for interiors unless required otherwise by manufacturer's instructions.
- E. Provide lighting level of 80 ft candles measured mid-height at substrate surface.

**PART 2 PRODUCTS**

**2.01 MANUFACTURERS**

- A. Provide paints and finishes from the same manufacturer to the greatest extent possible.
  - 1. If a single manufacturer cannot provide specified products; minor exceptions will be permitted provided approval by Architect is obtained using the specified procedures for substitutions.
- B. Paints:
  - 1. Benjamin Moore & Co. (BM)
  - 2. PPG Paints. (PPG)
  - 3. Sherwin-Williams Company. (SW)
- C. Primer Sealers: Same manufacturer as top coats.

**2.02 PAINTS AND FINISHES - GENERAL**

- A. Paints and Finishes: Ready-mixed, unless intended to be a field-catalyzed paint.
  - 1. Provide paints and finishes of a soft paste consistency, capable of being readily and uniformly dispersed to a homogeneous coating, with good flow and brushing

FIRE STATIONS RENOVATION  
Arlington County, Virginia  
Architect's Project No.: 563006

---

- properties, and capable of drying or curing free of streaks or sags.
2. Provide materials that are compatible with one another and the substrates indicated under conditions of service and application, as demonstrated by manufacturer based on testing and field experience.
  3. Supply each paint material in quantity required to complete entire project's work from a single production run.
  4. Do not reduce, thin, or dilute paint or finishes or add materials unless such procedure is specifically described in manufacturer's product instructions.
- B. Volatile Organic Compound (VOC) Content:
1. Provide paints and finishes that comply with the most stringent requirements specified in the following:
    - a. 40 CFR 59, Subpart D--National Volatile Organic Compound Emission Standards for Architectural Coatings.
    - b. SCAQMD 1113 Rule.
    - c. CARB (SCM).
  2. Determination of VOC Content: Testing and calculation in accordance with 40 CFR 59, Subpart D (EPA Method 24), exclusive of colorants added to a tint base and water added at project site; or other method acceptable to authorities having jurisdiction.
- C. Flammability: Comply with applicable code for surface burning characteristics.
- D. Colors: To be selected from manufacturer's full range of available colors.
1. Selection to be made by Architect after award of contract.
  2. Extend colors to surface edges; colors may change at any edge as directed by Architect.
  3. In finished areas, finish exposed pipes, conduit, and equipment the same color as the wall/ceiling to which they are mounted.

### 2.03 ACCESSORY MATERIALS

- A. Accessory Materials: Provide primers, sealers, cleaning agents, cleaning cloths, sanding materials, and clean-up materials as required for final completion of painted surfaces.
- B. Patching Material: Latex filler.
- C. Fastener Head Cover Material: Latex filler.

## PART 3 EXECUTION

### 3.01 EXAMINATION

- A. Do not begin application of paints and finishes until substrates have been adequately prepared.
- B. Verify that surfaces are ready to receive work as instructed by the product manufacturer.
- C. Examine surfaces scheduled to be finished prior to commencement of work. Report any condition that may potentially affect proper application.
- D. Test shop-applied primer for compatibility with subsequent cover materials.
- E. Measure moisture content of surfaces using an electronic moisture meter. Do not apply finishes unless moisture content of surfaces is below the following maximums:
  1. Gypsum Wallboard: 12 percent.
  2. Masonry, Concrete, and Concrete Masonry Units: 12 percent.

### 3.02 PREPARATION

- A. Clean surfaces thoroughly and correct defects prior to application.
- B. Prepare surfaces using the methods recommended by the manufacturer for achieving the best result for the substrate under the project conditions.
- C. Remove or repair existing paints or finishes that exhibit surface defects.
- D. Remove or mask surface appurtenances, including electrical plates, hardware, light fixture trim, escutcheons, and fittings, prior to preparing surfaces or finishing.
- E. Seal surfaces that might cause bleed through or staining of topcoat.

FIRE STATIONS RENOVATION  
Arlington County, Virginia  
Architect's Project No.: 563006

---

- F. Remove mildew from impervious surfaces by scrubbing with solution of tetra-sodium phosphate and bleach. Rinse with clean water and allow surface to dry.
- G. Masonry:
  - 1. Remove efflorescence and chalk. Do not coat surfaces if moisture content, alkalinity of surfaces, or if alkalinity of mortar joints exceed that permitted in manufacturer's written instructions. Allow to dry.
  - 2. Prepare surface as recommended by top coat manufacturer.
- H. Gypsum Board: Fill minor defects with filler compound. Spot prime defects after repair.
- I. Ferrous Metal:
  - 1. Solvent clean according to SSPC-SP 1.

### 3.03 APPLICATION

- A. Apply products in accordance with manufacturer's written instructions and recommendations in "MPI Architectural Painting Specification Manual".
- B. Where adjacent sealant is to be painted, do not apply finish coats until sealant is applied.
- C. Do not apply finishes to surfaces that are not dry. Allow applied coats to dry before next coat is applied.
- D. Apply each coat to uniform appearance in thicknesses specified by manufacturer.
- E. Sand metal surfaces lightly between coats to achieve required finish.
- F. Vacuum clean surfaces of loose particles. Use tack cloth to remove dust and particles just prior to applying next coat.
- G. Reinstall electrical cover plates, hardware, light fixture trim, escutcheons, and fittings removed prior to finishing.

### 3.04 CLEANING

- A. Collect waste material that could constitute a fire hazard, place in closed metal containers, and remove daily from site.

### 3.05 PROTECTION

- A. Protect finishes until completion of project.
- B. Touch-up damaged finishes after Substantial Completion.

### 3.06 SCHEDULE - INTERIOR PAINT SYSTEMS

- A. Concrete Masonry Units (CMU), Concrete Block, and Brick Masonry: Finish surfaces exposed to view. Low-VOC Acrylic Satin Finish: 2 coats over filler, with total DFT not less than 2.5 mils. Provide at all interior masonry except where epoxy finish is indicated.
  - 1. Filler Coat: Acrylic-latex Block Filler:
    - a. BM: 571 Ultra Spec Hi-Build Masonry Block Filler.
    - b. PPG: 6-15 Speedhide Interior/Exterior Acrylic Masonry Block Filler.
    - c. SW: B25W25 PrepRite Interior/Exterior Block Filler.
  - 2. Bonding Primer (Previously Painted): Acrylic Bonding Primer. Test for adhesion. Brush, spray, or roller apply and back roll.
    - a. BM: Insl-X SXA-110 Stix Bonding Primer.
    - b. PPG: 17-921 Seal Grip Acrylic Universal Primer/Sealer.
    - c. SW: B51W150 Extreme Bond Interior/Exterior Primer.
  - 3. First and Second Finish Coats: Commercial Interior Low-VOC Acrylic Satin.
    - a. BM: N538 Ultra Spec 500 Interior Eggshell Finish.
    - b. PPG: 6-4300 Speedhide Zero VOC Interior Eggshell Latex.
    - c. SW: B20-2600 ProMar 200 Zero VOC Interior Latex Eg-Shel.
- B. Concrete Masonry Units (CMU), Epoxy: Finish surfaces exposed to view. Semi-gloss Water Borne Epoxy Finish: 2 coats over filler. Provide at interior masonry where epoxy finish is indicated.
  - 1. Filler Coat: Acrylic-latex Block Filler:
    - a. BM: 571 Ultra Spec Hi-Build Masonry Block Filler.

FIRE STATIONS RENOVATION  
Arlington County, Virginia  
Architect's Project No.: 563006

---

- b. PPG: 6-15 Speedhide Interior/Exterior Acrylic Masonry Block Filler.
- c. SW: B25W25 PrepRite Interior/Exterior Block Filler.
- 2. First and Second Finish Coats: Two component, semi-gloss water-borne polyamide-epoxy, applied at a DFT of 1.5 - 4.0 mils per coat.
  - a. BM: Corotech V400 Polyamide Epoxy Coating.
  - b. PPG: 98-100 Aquapon WB Water Base Epoxy - Semi-Gloss.
  - c. SW: B73V300 Pro Industrial Water Based Catalyzed Epoxy Hardener.
- C. Gypsum Board: Finish surfaces exposed to view. Provide 0 VOC acrylic-latex formulation over 0 VOC filler coat/primer; satin finish at walls and flat finish at ceilings.
  - 1. Filler Coat: 0 VOC Latex primer.
    - a. BM: 534 Ultra Spec 500 Primer Flat.
    - b. PPG: 6-4900 Speedhide Zero VOC Interior Latex Primer.
    - c. SW: B28-2600 ProMar 200 Zero VOC Interior Latex Primer.
  - 2. First & Second Finish Coats: Interior Ceilings and Bulkheads: Flat.
    - a. BM: 536 Ultra Spec 500 Flat.
    - b. PPG: 6-4100 Speedhide Zero VOC Interior Latex Flat.
    - c. SW: B30-2600 ProMar 200 Zero VOC Interior Latex Flat.
  - 3. First & Second Finish Coats: Interior Walls: Satin.
    - a. BM: 538 Ultra Spec 500 Eggshell.
    - b. PPG: 6-4300 Speedhide Zero VOC Interior Eggshell Latex.
    - c. SW: B20-2600/B24-2600 ProMar 200 Zero VOC Interior Latex Eg-Shel/Low Sheen.
- D. Gypsum Board with Water-Borne Polyamide Epoxy Finish ("EPX" - Shower/toilet rooms):
  - 1. Filler Coat: Manufacturer's recommended acrylic/latex primer.
    - a. BM: 253 Super Spec Latex Enamel Undercoater & Primer Sealer.
    - b. PPG: 6-2 Speedhide Interior Latex Sealer.
    - c. SW: B28W2600 ProMar 200 Zero VOC Primer.
  - 2. First & Second Finish Coats: Two-component, water-borne polyamide epoxy applied at DFT of 1.5 - 4.0 mils per coat. Provide semi-gloss finish unless otherwise indicated.
    - a. BM: Corotech V440 Waterborne Amine Epoxy.
    - b. PPG: 98-100 Aquapon WB Water Base Epoxy - Semi-Gloss.
    - c. SW: B70V300 Water Based Catalyzed Epoxy Hardener.
- E. Ferrous Metal: Finish surfaces exposed to view. Provide semi-gloss direct to metal (DTM) acrylic enamel finish; except provide satin/egg-shell finish at hollow metal/steel doors and frames. Provide two coats over primer, with total DFT not less than 5.0 mils. For shop-primed items, verify shop primer with manufacturer and confirm compatibility.
  - 1. Primer: Lead-free, acrylic base primer. Not required on shop-primed items. Provide satin/low luster primer for steel doors and frames.
    - a. BM: HP29/HP 25 Ultra Spec DTM Acrylic Semi-Gloss/Low Lustre.
    - b. PPG: 90-712 Pitt-Tech Int/Ext Primer/Finish Industrial Enamel.
    - c. SW: B66W1 DTM Acrylic Primer/Finish (or B66W200).
  - 2. Bonding Primer (Previously Painted): Acrylic bonding primer for previously painted surfaces to ensure secure bond. Brush, spray, or roller apply and back roll.
    - a. BM: Insl-X SXA-110 Stix Bonding Primer.
    - b. PPG: 90-912 Pitt-Tech Plus DTM Industrial Primer.
    - c. SW: B66A50 DTM Bonding Primer.
  - 3. First and Second Finish Coats: DTM Acrylic Semi-Gloss Enamel.
    - a. BM: HP29 Ultra Spec DTM Acrylic Semi-Gloss.
    - b. PPG: 90-1210 Pitt-Tech Int/Ext Semi-Gloss DTM Industrial Enamel.
    - c. SW: B66W1150 Series Pro Industrial DTM Acrylic Semi-Gloss.
  - 4. First and Second Finish Coats (Steel Doors and Frames): DTM Acrylic Satin Enamel.
    - a. BM: HP25 Ultra Spec DTM Acrylic Low Lustre.
    - b. PPG: 90-1110 Pitt-Tech Int/Ext Satin DTM Industrial Enamel.
    - c. SW: B66W1250 Series Pro Industrial DTM Acrylic Eg-Shel Coating.

FIRE STATIONS RENOVATION  
Arlington County, Virginia  
Architect's Project No.: 563006

---

- F. Ferrous Metal with Latex Dry-Fall Finish: One finish coat over primed exposed construction. Apply to all exposed structure and as scheduled. Provide nominal 50 square foot sample/mock-up area to verify substrate compatibility.
1. Prime Coat: Acrylic, self-priming, or other recommended VOC-compliant metal primer. 2.0 mils DFT.
    - a. BM: Coronado N110 Superkote 5000 DryFall Latex Flat.
    - b. PPG: 90-712 Pitt-Tech Int/Ext Primer/Finish Industrial Enamel.
    - c. SW: B66-310 Pro-Cryl Universal Primer.
  2. Top Coat: Acrylic Dry Fall, flat, 3.0 mils DFT. Provide color selected by Architect from manufacturer's standard options, unless indicated otherwise.
    - a. BM: Coronado N110 Superkote 5000 DryFall Latex Flat.
    - b. PPG: 6-724XI Series - Speedhide Super Tech WB Interior Dry-Fog Flat Latex.
    - c. SW: B42 BW3 Waterborne Acrylic Dry Fall, Flat.
- G. Interior Woodwork: Stained woodwork with transparent finish is specified in Division 6 Section "Interior Finish Carpentry."

**END OF SECTION**

FIRE STATIONS RENOVATION  
Arlington County, Virginia  
Architect's Project No.: 563006

---

**SECTION 102800  
TOILET AND BATH ACCESSORIES**

**PART 1 GENERAL**

**1.01 SUBMITTALS**

- A. See Section 013000 - Administrative Requirements, for submittal procedures.
- B. Product Data: Submit data on accessories describing size, finish, details of function, and attachment methods.
- C. Setting Drawings: For cutouts required in other work; include templates, substrate preparation instructions, and directions for preparing cutouts and installing anchoring devices.
- D. Maintenance Data: For each type of accessory, to include in maintenance manual per Section 017800 - Closeout Submittals. Include list of replacement parts and service recommendations.

**PART 2 PRODUCTS**

**2.01 MANUFACTURERS**

- A. Commercial Toilet, Shower, and Bath Accessories:
  - 1. A&J Washroom Accessories, Inc.
  - 2. American Specialties, Inc.
  - 3. Bobrick Washroom Equipment.
  - 4. Bradley Corporation.
- B. Under-Lavatory Pipe Supply Covers:
  - 1. Plumberex Specialty Products, Inc.
  - 2. Truebro; IPS Corporation.

**2.02 MATERIALS**

- A. Accessories - General: Shop assembled, free of dents and scratches and packaged complete with anchors and fittings, steel anchor plates, adapters, and anchor components for installation.
- B. Keys: Provide 6 master/universal keys, minimum, to Owner.
- C. Stainless Steel Sheet: ASTM A666, Type 304.
- D. Stainless Steel Tubing: ASTM A269/A269M, Grade TP304 or TP316.
- E. Galvanized Sheet Steel: Hot-dipped galvanized steel sheet, ASTM A653/A653M, with G90/Z275 coating.
- F. Mirror Glass: Annealed float glass, ASTM C1036 Type I, Class 1, Quality Q2, with silvering, protective and physical characteristics complying with ASTM C1503.
- G. Fasteners, Screws, and Bolts: Hot dip galvanized; tamper-proof; security type.
  - 1. Provide mechanical attachment of all accessories. Use of adhesive or double-side tape is not acceptable.

**2.03 FINISHES**

- A. Stainless Steel: Satin finish, unless otherwise noted.

**2.04 COMMERCIAL TOILET ACCESSORIES**

- A. Toilet Paper Dispenser (TA-D): Roll-in-reserve type, designed to allow automatic activation of reserve roll when needed, or manual activation by pressing release bar, surface-mounted, stainless steel unit with pivot hinge, tumbler lock.
  - 1. Products:
    - a. American Specialties, Inc.; Model 20030.
    - b. Bobrick Washroom Equipment, Inc.; Model B-4288.
    - c. Bradley Corporation; Model 5402.
- B. Soap Dispenser (TA-F): Liquid soap dispenser, wall-mounted, surface, with stainless steel cover and vertical stainless steel tank and working parts; push type soap valve, check



FIRE STATIONS RENOVATION  
Arlington County, Virginia  
Architect's Project No.: 563006

---

- valve, and window gauge refill indicator, tumbler lock.
1. Minimum Capacity: 40 ounces.
  2. Products:
    - a. A&J Washroom Accessories, Inc.; Model U126.
    - b. American Specialties, Inc.; Model 0347.
    - c. Bobrick Washroom Equipment, Inc.; Model B-2111.
    - d. Bradley Corporation; Model 6562.
- C. Mirrors (TA-G): Stainless steel framed, 1/4 inch thick annealed float glass; ASTM C1036.
1. Annealed Float Glass: Silvering, protective and physical characteristics in compliance with ASTM C1503.
  2. Frame: 0.05 inch angle shapes, with mitered and welded and ground corners, and tamperproof hanging system; satin finish.
  3. Products:
    - a. A&J Washroom Accessories, Inc.; U700 Series.
    - b. American Specialties, Inc.; 0600 A Series.
    - c. Bobrick Washroom Equipment, Inc.; Model B-290.
    - d. Bradley Corporation; Model 780.
- D. Grab Bars (TA-A, B, & C): Stainless steel, smooth surface.
1. Standard Duty Grab Bars:
    - a. Push/Pull Point Load: 250 pound-force, minimum.
    - b. Dimensions: 1-1/4 inch outside diameter, minimum 0.05 inch wall thickness, concealed flange mounting, 1-1/2 inch clearance between wall and inside of grab bar.
    - c. Finish: Satin.
    - d. Length and Configuration: As indicated on drawings.
    - e. Products:
      - 1) A&J Washroom Accessories, Inc.; UG2 Series.
      - 2) American Specialties, Inc.; 3700 Series.
      - 3) Bobrick Washroom Equipment, Inc.; B-5806 Series.
      - 4) Bradley Corporation; 832 Series.
- E. Sanitary Napkin Disposal Unit (TA-E): Stainless steel, surface-mounted, self-closing door, locking bottom panel with full-length stainless steel piano-type hinge, removable receptacle.
1. Products:
    - a. A&J Washroom Accessories, Inc.; Model U591.
    - b. American Specialties, Inc.; Model 20852.
    - c. Bobrick Washroom Equipment, Inc.; Model B-270 Contura.
    - d. Bradley Corporation; Model 4781-15.
- F. Robe Hook: Heavy-duty stainless steel, double-prong, rectangular-shaped bracket and backplate for concealed attachment, satin finish.
1. Products:
    - a. A&J Washroom Accessories, Inc.; Model UX112.
    - b. American Specialties, Inc.; Model 7345.
    - c. Bobrick Washroom Equipment, Inc.; Model B-7672.
    - d. Bradley Corporation; Model 9124.

## **2.05 UNDER-LAVATORY PIPE AND SUPPLY COVERS**

- A. Under-Lavatory Pipe and Supply Covers:
1. Insulate exposed drainage piping, including hot, cold, and tempered water supplies under lavatories or sinks to comply with ADA Standards.
  2. Exterior Surfaces: Smooth non-absorbent, non-abrasive surfaces.
  3. Construction: 1/8 inch flexible PVC.
    - a. Surface Burning Characteristics: Flame spread index of 25 or less and smoke developed index of 450 or less, when tested in accordance with ASTM E84.
    - b. Microbial and Fungal Resistance: Comply with ASTM G21.
  4. Color: White.
-

FIRE STATIONS RENOVATION  
Arlington County, Virginia  
Architect's Project No.: 563006

---

5. Fasteners: Reusable, snap-locking fasteners with no sharp or abrasive external surfaces.
6. Products:
  - a. Plumberex Specialty Products, Inc; Plumberex Trap Gear.
  - b. Truebro; IPS Corporation; Lav Guard 2.

**2.06 UTILITY ROOM ACCESSORIES**

- A. Combination Utility Shelf/Mop and Broom Holder: 0.05 inch thick stainless steel, Type 304, with 1/2 inch returned edges, 0.06 inch steel wall brackets.
  1. Drying rod: Stainless steel, 1/4 inch diameter.
  2. Hooks: Three, 0.06 inch stainless steel rag hooks at shelf front.
  3. Mop/broom holders: Four spring-loaded rubber cam holders at shelf front.
  4. Length: 36 inches.
  5. Products:
    - a. A&J Washroom Accessories, Inc.; Model UJ41A.
    - b. American Specialties, Inc.; Model 1315.
    - c. Bobrick Washroom Equipment, Inc.; Model B-224 x 36.
    - d. Bradley Corporation; Model 9983.

**PART 3 EXECUTION**

**3.01 EXAMINATION**

- A. Verify existing conditions before starting work.
- B. Verify exact location of accessories for installation.

**3.02 INSTALLATION**

- A. Install accessories in accordance with manufacturers' instructions in locations indicated on drawings.
- B. Install plumb and level, securely and rigidly anchored to substrate.
- C. Mounting Heights: As required by accessibility regulations, unless otherwise indicated.

**3.03 PROTECTION**

- A. Protect installed accessories from damage due to subsequent construction operations.

**END OF SECTION**

FIRE STATIONS RENOVATION  
ARLINGTON COUNTY, VIRGINIA  
Architect's Project No: 563006

---

SECTION 211000 - WATER-BASED FIRE-SUPPRESSION SYSTEM

PART 1 - GENERAL

1.1 RELATED DOCUMENTS

- A. Provisions of the Contract and of the Contract Documents apply to this Section.

1.2 SUMMARY

- A. Description of Work:

1. The work includes the installation of a new water-based fire suppression systems throughout the building. The design, equipment, materials, installation and workmanship shall be in strict accordance with the Owner's insurance underwriter's requirements, the current edition of the North Carolina Building Code, the local authority having jurisdiction, and the required and advisory provisions of NFPA.
2. Piping shall not traverse spaces containing electrical equipment in the form of transformers, panel-boards, switchgear, or computer servers.
  - a. Exceptions:
    - 1) Personal computers (PCs)
    - 2) Spaces whose name does not include the term "Electrical", "Data", or "Computer."
3. Each system shall include materials, accessories and equipment necessary to provide each system complete and ready for use.
4. The design of each system shall give full consideration to blind spaces, piping, electrical equipment, ductwork, and all other construction and equipment to afford complete coverage.
5. Devices and equipment for fire protection service shall be of an approved make and type listed by the Underwriters' Laboratories, Inc., or approved by the Factory Mutual System.
6. In the publications referred to herein, the advisory provisions shall be considered to be mandatory, as though the word "shall" had been substituted for "should" wherever it appears.
7. Reference to the "authority having jurisdiction" shall be interpreted to mean the Local Fire Marshal.
8. Calculations shall include delivering water from the point of the fire hydrant flow test through the site piping.

FIRE STATIONS RENOVATION  
ARLINGTON COUNTY, VIRGINIA  
Architect's Project No: 563006

---

9. Consideration shall be given to all unheated areas such as attics, utility rooms, loading docks, outdoor storage spaces with canopies, etc., to provide freeze protection in accordance with NFPA 13. This shall include the installation of dry sprinklers where necessary.

### 1.3 DEFINITIONS

- A. CPVC: Chlorinated polyvinyl chloride plastic.
- B. Email: for the purposes of this section email shall be considered "in writing"

### 1.4 SYSTEM DESCRIPTIONS

- A. Wet-Pipe Sprinkler System: Automatic sprinklers are attached to piping containing water and that is connected to water supply. Water discharges immediately from sprinklers when they are opened. Sprinklers open when heat melts fusible link or destroys frangible device. Hose connections are included if indicated.

### 1.5 PERFORMANCE REQUIREMENTS

- A. Component Working Pressure: Listed for at least 175 psi.
- B. Design shall be approved by authorities having jurisdiction.
- C. Fire-suppression system design shall include the following:
  1. Margin of Safety for Available Water Flow and Pressure: As required by the local Fire Marshal's Office.
  2. Sprinkler Occupancy Hazard Classifications shall be as indicated on the drawings. Where not indicated, comply with NFPA 13.
  3. Maximum Protection Area per Sprinkler shall be in accordance with NFPA 13 and its UL listing.

### 1.6 SUBMITTALS

- A. Product Data: For the following:
  1. Piping materials, including flexible connections, and sprinkler specialty fittings.
  2. Pipe hangers and supports.
  3. Sprinklers, escutcheons, and guards. Include sprinkler flow characteristics, mounting, finish, and other pertinent data.
  4. Flexible sprinkler connection devices, including the manufacturer's installation instructions indicated in the most recent UL listing.
- B. Fire-hydrant flow test report.

FIRE STATIONS RENOVATION  
ARLINGTON COUNTY, VIRGINIA  
Architect's Project No: 563006

---

- C. Approved Sprinkler Piping Shop Drawings: Working plans, prepared according to NFPA 13, that have been approved by authorities having jurisdiction, including hydraulic calculations. Diagram power, signal, and control wiring.
  - 1. Include shop drawings indicating location of all sprinkler heads and all other construction that penetrates ceilings, including light fixtures, HVAC equipment, speakers, fire alarm devices, partition assemblies, etc.
  - 2. Sprinklers shall be referred to on drawings, submittals and other documentation, by the sprinkler identification or Model number as specifically published in the appropriate agency listing or approval. Trade names or other abbreviated designations shall not be allowed.
- D. Welding certificates.
- E. Operation and Maintenance Data to include in emergency, operation, and maintenance manuals.

1.7 CLOSEOUT SUBMITTALS

- A. Field Test Reports and Certificates: Indicate and interpret test results for compliance with performance requirements and as described in NFPA 13 and NFPA 14. Include "Contractor's Material and Test Certificate for Aboveground Piping" and "Contractor's Material and Test Certificate for Underground Piping."

1.8 QUALITY ASSURANCE

- A. Installer Qualifications:
  - 1. Installer's responsibilities include designing, fabricating, and installing fire-suppression systems and providing professional engineering services needed to assume engineering responsibility. A Professional Engineer registered in the state where the project is constructed shall stamp and seal the Shop Drawings.
- B. Flow test:
  - 1. Bid shall be based on the indicated fire-hydrant flow and pressure.
  - 2. Design calculations shall be based on the results of a confirming fire-hydrant flow test performed or caused to be performed by the contractor dated within 1 year of shop drawings submission date.
- C. Welding: Qualify processes and operators according to ASME Boiler and Pressure Vessel Code: Section IX.
- D. All grooved couplings, fittings, valves, and specialties shall be the products of a single manufacturer. Grooving tools shall be of the same manufacturer as the grooved components.
  - 1. All castings used for couplings housings, fittings, or valve and specialty bodies shall be date stamped for quality assurance and traceability.

FIRE STATIONS RENOVATION  
ARLINGTON COUNTY, VIRGINIA  
Architect's Project No: 563006

---

2. Any couplings requiring a torque wrench, per manufacturer installation instruction, must have a test tag attached to each bolt showing torque used for each. Tags shall be date stamped and initialed by the installer.

E. NFPA Standards: Fire-suppression-system equipment, specialties, accessories, installation, and testing shall comply with the following:

1. 2016 NFPA 13: "Standard for the Installation of Sprinkler Systems."

#### 1.9 COORDINATION

- A. Relocate piping to clear the path of ductwork.
- B. Relocate piping to clear the path of conduit.
- C. Relocate piping to clear the path of cable tray.
- D. Coordinate layout and installation of sprinklers with other construction that penetrates ceilings, including light fixtures, HVAC equipment, and partition assemblies.

#### 1.10 SPRINKLER CABINET(S) AND SPARE SPRINKLERS

- A. Provide finished, wall-mounted, steel sprinkler cabinet with hinged cover.
- B. Provide number of sprinklers required by NFPA 13.
- C. Provide separate cabinet with sprinklers and wrench for each type of sprinkler on Project.
- D. Provide products packaged with protective covering for storage. Identify contents with label.

### PART 2 - PRODUCTS

#### 2.1 STEEL PIPE AND FITTINGS

- A. Threaded-End, Schedule 40 Steel Pipe,  $\frac{3}{4}$ " only, all other sizes will be grooved. ASTM A 53/A 53M, ASTM A 135, or ASTM A 795, hot-dip galvanized where indicated and with factory- or shop-formed threaded ends.
  1. Cast-Iron Threaded Flanges: ASME B16.1.
  2. Malleable-Iron Threaded Fittings: ASME B16.3.
  3. Gray-Iron Threaded Fittings: ASME B16.4.
  4. Steel Threaded Pipe Nipples: ASTM A 733, made of ASTM A 53/A 53M or ASTM A 106, Schedule 40, seamless steel pipe. Include ends matching joining method.
  5. Steel Threaded Couplings: ASTM A 865.

FIRE STATIONS RENOVATION  
ARLINGTON COUNTY, VIRGINIA  
Architect's Project No: 563006

---

- B. Plain-End, Schedule 40 Steel Pipe: ASTM A 53/A 53M, ASTM A 135, or ASTM A 795 hot-dip galvanized where indicated.
1. Steel Welding Fittings: ASTM A 234/A 234M, and ASME B16.9 or ASME B16.11.
  2. Steel Flanges and Flanged Fittings: ASME B16.5.
- C. Grooved-End, Schedule 40 Steel Pipe: ASTM A 53/A 53M, ASTM A 135, or ASTM A 795, hot-dip galvanized where indicated and with factory- or field-formed, square-cut- or roll-grooved ends.
1. Grooved-Joint Piping Systems:
    - a. Basis-of-Design Product: Subject to compliance with requirements, provide Victaulic Company: FireLock.
    - b. Grooved-End Fittings: UL-listed, ASTM A 536, ductile-iron casting with OD matching steel-pipe OD. Basis of design shall be Victaulic Firelock fittings, models 001, 002, 003, 006 for sizes 2" thru 8". Smaller sizes shall be Victaulic models 10, 11, 20, 60 or IR fittings or IGS fittings. No Threaded fittings can be used 1-1/4" -12".
      1. Installation-Ready™ fittings for grooved end steel piping in fire protection applications sizes NPS 1-¼ thru 2½ (DN 32 thru DN 65). Fittings shall consist of a ductile iron housing conforming to ASTM A-536, Grade 65-45-12, with Installation-Ready™ ends, [orange enamel coated] [red enamel coated] [galvanized]. Fittings complete with pre-lubricated Grade "E" EPDM Type 'A' gasket; and ASTM A449 electroplated steel bolts and nuts. System shall be UL listed for a working pressure of 300 psi (2065 kPa) and FM approved for working pressure 365 psi (2517kPa).
      2. Fittings shall have a shorter center-to-end dimensions for installation in tight spaces.
      3. Fittings are rigid, for direct stab installation without field disassembly.
      4. Installation-Ready™ Fittings shall be Victaulic FireLock® Style 101, Style 102, and style 103, which shall be designed for direct "stab" installation onto grooved pipe without prior disassembly of the fitting.
      5. Fittings shall require visual pad-to-pad verification of complete installation.
    - c. Grooved-End-Pipe Couplings: UL 213 and AWWA C606, rigid pattern, unless otherwise indicated; gasketed fitting matching steel-pipe OD. Include ductile-iron housing with keys matching steel-pipe and fitting grooves, pre-lubricated rubber gasket listed for use with housing, and ASTM A449 compliant steel bolts and nuts. Coupling design shall be visual bolt pad to bolt pad, NO coupling requiring a torque wrench shall be used. Only IR Couplings will be used. For dry systems a Flush Seal gasket shall be used.

FIRE STATIONS RENOVATION  
ARLINGTON COUNTY, VIRGINIA  
Architect's Project No: 563006

---

- d. 1" In lieu of threaded steel piping systems, the Victaulic FireLock IGS System with "Installation-Ready™ fittings and couplings will be used for NPS 1 (DN 25) Schedule 10 and Schedule 40 carbon steel pipe in fire protection applications. System rated for a maximum working pressure to 365 psi (2517 kPa).
1. Groove: IGS "Innovative Groove System" groove with shortened "A" dimension and tapered groove backside for ease of installation.
    - a. Grooving Tool: Victaulic RG2100, with IGS Confirmation Gauge.
  2. Fittings:
    - a. Ductile iron housing conforming to ASTM A-536, Grade 65-45-12. Orange enamel coated or galvanized.
      - i. Victaulic Style 101 (90-degree elbow), Style 102 (tee), and Style 108 (coupling) with Installation-Ready™ ends.
      - ii. Style 108 single-bolt coupling provided with EPDM Type A pressure responsive gasket with Vic-Plus lubricant, and ASTM A449 compliant electroplated steel bolt and nut. CrMo alloy steel coupling linkage.
    - b. Thread x Groove adapter fittings and welded outlets with IGS grooved end, ASTM A53, grade A.

**1. Victaulic Mechanical Couplings for Fire Protection:** Basis of Design. Manufactured in two segments of cast ductile iron, conforming to ASTM A-536, Grade 65-45-12. Gaskets shall be pressure-responsive synthetic rubber, grade to suit the intended service, conforming to ASTM D-2000. Mechanical Coupling bolts shall be zinc plated (ASTM B-633) heat treated carbon steel track head conforming to ASTM A-449 and A-183, minimum tensile strength 110,000 psi (758450 kPa) as provided standard Victaulic.

a. **Rigid Type:**

- 1) "Installation Ready" rigid joints shall be Victaulic FireLock® EZ Style 009N and 107N, in sizes 1-1/4"(DN32) through 12" (DN300) sizes as only approved manuf. Designed for direct "stab" installation onto grooved pipe without prior disassembly of the coupling. For sizes 1-1/4"(DN32) through 2" (DN50) sizes. One bolt Style 108 couplings will be used for 1" size. One bolt 109 couplings can be used in lieu of 009N.
- 2) Housings shall be cast with offsetting, angle-pattern bolt pads to provide system rigidity and support and hanging in accordance with NFPA 13.
- 3) Rigid couplings shall require visual pad-to-pad verification of complete installation. Tongue and recess type couplings which require the use of a torque wrench to achieve the exact required gap between housings are not permitted. Installation Ready (IR) couplings will be the only style coupling approved.



FIRE STATIONS RENOVATION  
ARLINGTON COUNTY, VIRGINIA  
Architect's Project No: 563006

---

- b. **Flexible Type:** Use in seismic areas where required by NFPA 13.
  - 1) "Installation Ready" flexible joints shall be Victaulic Style 177N QuickVic™, in sizes 2"(DN50) through 8"(DN200), which shall be designed for direct "stab" installation onto grooved pipe without prior disassembly of the coupling. .
- e. 2) Standard flexible couplings shall be Victaulic Style 77.

## 2.2 PLASTIC PIPE AND FITTINGS

- A. CPVC Pipe and Fittings: UL-Listed for fire protection use, 175 psi rated, installed in accordance with NFPA 13 and manufacturers listing requirements.

## 2.3 FLEXIBLE CONNECTORS

- A. Flexible connectors shall have materials suitable for system fluid. Include 175-psig minimum working-pressure rating and ends according to the following:
  - 1. NPS 2 and Smaller: grooved.
  - 2. NPS 2-1/2 and Larger: grooved.
  - 3. Option for NPS 2-1/2 and Larger: Grooved for use with grooved-end-pipe couplings.
- B. Basis-of-Design Product: Subject to compliance with requirements, provide Victaulic Company AH2CC.
- C. Stainless-Steel-Hose/Stainless-Steel Pipe, Flexible Connectors: Corrugated, stainless-steel, inner tubing covered with stainless-steel wire braid. Include stainless-steel nipples or flanges, welded to hose.

## 2.4 CORROSION-PROTECTIVE ENCASUREMENT FOR PIPING

- A. Encasement for Underground Metal Piping: ASTM A 674 or AWWA C105, PE film, 0.008-inch minimum thickness, tube or sheet.

## 2.5 SPRINKLER SPECIALTY FITTINGS

- A. Sprinkler specialty fittings shall be UL listed or FM approved, with 175-psig minimum working-pressure rating, and made of materials compatible with piping. Sprinkler specialty fittings shall have
- B. Outlet Specialty Fittings:
  - 1. Basis-of-Design Product: Subject to compliance with requirements, provide Victaulic Company.

FIRE STATIONS RENOVATION  
ARLINGTON COUNTY, VIRGINIA  
Architect's Project No: 563006

---

2. Mechanical-T and -Cross Fittings: UL 213, ductile-iron housing with gaskets, bolts and nuts, and grooved outlets. Basis of design Victaulic style 920/920N and style 922.
3. Snap-On and Strapless Outlet Fittings: UL 213, ductile-iron housing or casting with gasket and threaded or grooved or grooved outlet. Basis of design Victaulic style 923.
- C. Sprinkler Drain and Alarm Test Fittings: Cast- or ductile-iron body; with threaded, grooved or locking-lug inlet and outlet, test valve, and orifice and sight glass.
  1. Basis-of-Design Product: Subject to compliance with requirements, provide Victaulic Company.

## 2.6 LISTED FIRE-PROTECTION VALVES

- A. Valves shall be UL listed or FM approved, with 175-psig minimum pressure rating.
  1. Basis-of-Design Product: Subject to compliance with requirements, provide Victaulic Company.
- B. Ball Valves: Comply with UL 1091, except with ball instead of disc.
  1. Basis-of-Design Product: Subject to compliance with requirements, provide Victaulic Company.
  2. NPS 1-1/2 and Smaller: Bronze or brass body with grooved ends. Basis of Design: Victaulic Series 728.
  3. NPS 2 and NPS 2-1/2: Ductile-iron body with grooved ends.
  4. NPS 3: Ductile-iron body with grooved ends.
- C. OS&Y Gate Valves: UL 262.
  1. Ductile-iron body with flanged x Groove or groove x groove ends. No Flange x Flange will be accepted.
    - a. Basis-of-Design Product: Subject to compliance with requirements, provide Victaulic Company or engineer approved equal. Basis of design Victaulic model 771H or 771F.
- D. Butterfly Valves: UL 1091.
  1. NPS 2 and Smaller: Bronze body with grooved ends.
    - a. Basis-of-Design Product: Subject to compliance with requirements, provide Victaulic Company.
  2. NPS 2-1/2 and Larger: Bronze, cast-iron, or ductile-iron body; wafer type or with flanged or grooved ends. Valve seat shall be pressure-responsive, and the stem offset from the disc centerline to provide complete 360-degree circumferential seating. Basis of

FIRE STATIONS RENOVATION  
ARLINGTON COUNTY, VIRGINIA  
Architect's Project No: 563006

---

Design: Victaulic Series 705. Each valve must be individually tested at factory to include electronics.

- a. Basis-of-Design Product: Subject to compliance with requirements, provide Victaulic Company.
- E. Check Valves NPS 2 and Larger: UL 312, spring-assisted swing type for vertical or horizontal installation, cast- ductile iron body with flanged or grooved ends. Basis of Design: Victaulic Series 717.
- 1. Basis-of-Design Product: Subject to compliance with requirements, provide Victaulic Company.
- F. Indicating Valves: UL 1091, with integral indicating device and ends matching connecting piping.
- 1. Indicator: Weatherproof actuator housing with electrical, 15 amp @125-VAC 60 HZ, prewired, single-pole-single-throw, supervisory switches
  - 2. NPS 2 and Smaller: Ball or butterfly valve with bronze body with grooved ends. Basis of Design: Victaulic Series 728.
    - a. Basis-of-Design Product: Subject to compliance with requirements, provide Victaulic Company.
  - 3. NPS 2-1/2 and Larger: Butterfly valve with cast- or ductile-iron body; wafer type or with flanged or grooved ends.
    - a. Basis-of-Design Product: Subject to compliance with requirements, provide Victaulic Company.

## 2.7 GENERAL-DUTY VALVES

- A. Basis-of-Design Product: Subject to compliance with requirements, provide Victaulic Company.
- B. Ball Valves NPS 2 and Smaller: MSS SP-110, 2-piece copper-alloy body with chrome-plated brass ball, 600-psig minimum CWP rating, blowout-proof stem, and threaded or grooved ends.
- C. Check Valves NPS 2 and Smaller: MSS SP-80, Type 4, Class 125 minimum, swing type with bronze body, nonmetallic disc, and threaded or grooved ends.

## 2.8 SPECIALTY VALVES

- A. Sprinkler System Control Valves: UL listed or FM approved, cast- or ductile-iron body with flanged or grooved ends, and 175-psig minimum pressure rating.
  - 1. Basis-of-Design Product: Subject to compliance with requirements, provide Victaulic Company.

FIRE STATIONS RENOVATION  
ARLINGTON COUNTY, VIRGINIA  
Architect's Project No: 563006

---

2. Riser Check Valves: UL 193, designed for horizontal or vertical installation, with bronze grooved seat with O-ring seals, single-hinge pin, and latch design. Include trim sets for drain and pressure gages. Victaulic UMC model only.
  
3. Floor control valve assemblies: Universal Manifold Check Valve | Model UMC Model UMC - 1-1/4, 1-1/2, 2, 2-1/2, 3, 4, 6, and 8-inch Universal Manifold Check Valve: Where universal manifold check valves are specified for use in wet-pipe sprinkler systems, as floor control manifolds they shall be specifically listed for such use. Universal manifold check valves shall be ductile iron construction, incorporating a control valve, check valve, flow switch, test & drain assembly, adjustable relief valve, and system gauges in one compact body/footprint, and shall be manufactured for "right" and "left"-hand orientations. The test & drain assemble shall contain an adjustable relief valve, with a range of 175 to 310 psi, and a universal test orifice of K2.8; to provide testing capabilities of systems with k-factors ranging from K2.8 and larger. The Universal Manifold Check valve shall be rated for use at the maximum service pressure of 300 psi and shall be UL listed and FM approved. Universal manifold check valves shall be the Model UMC; as manufactured by Globe brand by Victaulic Company only.

## 2.9 SPRINKLERS

- A. Sprinklers shall be UL listed or FM approved, with 175-psig minimum pressure rating. Basis of design Victaulic / Globe.
- B. Basis-of-Design Product: Subject to compliance with requirements, provide Victaulic Company.
- C. Automatic Sprinklers: UL-Listed with quick response glass bulb type heat-responsive element complying with the following:
  1. UL 199, for nonresidential applications.
- D. Wrenches shall be provided by the sprinkler manufacturer that directly engage the hex-shaped wrench boss integrally cast in the sprinkler body.
- E. Sprinkler types, features, and options as follows:
  1. Brass upright sprinklers.
  2. Extended-coverage sprinklers.
  3. Concealed pendent sprinklers, including cover plate, must have 1" of adjustment.
  4. Pendent sprinklers.
  5. Pendent, dry-type sprinklers.
  6. Quick-response sprinklers.
  7. Recessed sprinklers, including escutcheon.
  8. Sidewall sprinklers.

FIRE STATIONS RENOVATION  
ARLINGTON COUNTY, VIRGINIA  
Architect's Project No: 563006

---

9. Sidewall, dry-type sprinklers as manuf. By Victaulic
10. Attic sprinkler Globe Brand by Victaulic where applicable.
11. Grooved heads as manufactured by Victaulic.

F. Sprinkler Escutcheons: Materials, types, and finishes for the following sprinkler mounting applications. Escutcheons for concealed, flush, and recessed-type sprinklers are specified with sprinklers.

1. Ceiling Mounting: 2 piece, with 1-inch vertical adjustment.
2. Sidewall Mounting: 2 piece, with 1-inch horizontal adjustment.

G. Sprinkler Guards: Wire-cage type, including fastening device for attaching to sprinkler.

H. In lieu of rigid connections to dry sprinkler heads, a Victaulic VicFlex™ dry sprinkler, Model VS1, may be used. The sprinkler shall provide a vertical or horizontal flexible connection with a bend radius to 2" and allow for up to 4 bends.

I. For cooler or Freezer boxes: Victaulic AB6 Freezer dry pendant utilizing a flexible hose connection shall be used. No dry Pendant utilizing a rubber boot will be allowed.

#### 2.11 Special Hazard fire extinguishing systems

Special Hazards systems must meet NFSA 770 standard. Must be 100% green with no need for assurance of tight room integrity, nearly zero wetting with no costly cleanup. Must have no life safety issues and a quick recharge with not patent on the Gas used. Must use only Nitrogen and water. For use in all water sensitive facilities including data centers. Basis of design is Victaulic Vortex extinguishing system.

#### 2.12 ALARM DEVICES

J. Alarm device types shall match piping and equipment connections.

K. Wet Pipe Water-Flow Indicator: UL 346, electrical-supervision, paddle-operated-type, water-flow detector with 250-psig pressure rating and designed for horizontal or vertical installation. Include two single-pole, double-throw circuit switches for isolated alarm and auxiliary contacts, 7 A, 125-V ac and 0.25 A, 24-V dc; complete with factory-set, field-adjustable retard element to prevent false signals and tamperproof cover that sends signal if removed.

1. Manufacturers including but not limited to:
  - a. Grinnell Fire Protection.
  - b. ITT McDonnell & Miller.
  - c. Potter Electric Signal Company.
  - d. Viking Corp.
  - e. Watts Industries, Inc.; Water Products Div.

L. Valve Supervisory Switch: UL 753, electrical, single-pole, double-throw switch with normally closed contacts. Include design that signals controlled valve is in other than fully open position.

1. Manufacturers including but not limited to:
  - a. McWane, Inc.; Kennedy Valve Div.

FIRE STATIONS RENOVATION  
ARLINGTON COUNTY, VIRGINIA  
Architect's Project No: 563006

---

- b. Potter Electric Signal Company.
- c. System Sensor.

2.10 PRESSURE GAGES

- A. Manufacturers including but not limited to:
  - 1. Dresser Equipment Group; Instrument Div.
- B. Description: UL 393, 3-1/2" to 4-1/2" diameter dial.
- C. Water System Piping: Include caption "WATER" or "AIR/WATER" on dial face.

2.11 FIRESTOP WRAP

- A. Manufacturers including but not limited to:
  - 1. 3M
- B. UL listed with minimum 1-hour fire rating

PART 3 - EXECUTION

3.1 PREPARATION

- A. Perform fire-hydrant flow test according to NFPA standards, procedures, appendices, or recommendations.
- B. Report test results no later than two days following the test in writing.

3.2 EARTHWORK

- A. Refer to Division 31 Section "Earth Moving" for excavating, trenching, and backfilling.

3.3 EXAMINATION

- A. Examine roughing-in for hose connections and stations to verify actual locations of piping connections before installation.
- B. Examine walls and partitions for suitable thicknesses, fire- and smoke-rated construction, framing for hose-station cabinets, and other conditions where hose connections and stations are to be installed.
- C. Proceed with installation only after unsatisfactory conditions have been corrected.

FIRE STATIONS RENOVATION  
ARLINGTON COUNTY, VIRGINIA  
Architect's Project No: 563006

---

3.4 PIPING APPLICATIONS, GENERAL

- A. Provide shop-welded joints where welding is required.
- B. Provide shop or manufacturer-threaded or grooved joints where threads are required.
- C. Field-welded joints will be permitted where indicated on the drawings. Field welding is optional where indicated. Other approved or specified methods are acceptable.
- D. Do not use welded joints for galvanized-steel.
- E. Flanges, flanged fittings, unions, nipples, transition and special fittings with finish and pressure ratings same as or higher than system's pressure rating may be used in aboveground applications, unless otherwise indicated.

3.5 SPRINKLER SYSTEM PIPING APPLICATIONS

- A. Wet-Pipe Sprinkler System, 175-psig Maximum Working Pressure:
  - 1. Sprinkler Piping NPS 2" and smaller use any of the following:
    - a. Threaded or grooved-end, black, schedule 40 steel pipe; cast- or malleable-iron threaded or grooved fittings; and threaded or grooved joints.
    - b. Plain-end, black, schedule 40 steel pipe; steel welding fittings; and welded joints.
    - c. Grooved-end, black, schedule 40 steel pipe with square-cut- or roll-grooved ends; grooved-end fittings; grooved-end-pipe couplings; and grooved joints.
  - 2. Sprinkler Piping NPS 2 1/2" and larger use any of the following:
    - a. Threaded or grooved-end, black, schedule 40 steel pipe; cast- or malleable-iron threaded or grooved fittings; and threaded or grooved joints.
    - b. Plain-end, black, schedule 10 steel pipe; steel welding fittings; and welded joints.
    - c. Grooved-end, black, Schedule 10 steel pipe; grooved-end fittings; grooved-end-pipe couplings; and roll grooved joints.
  - 3. CPVC Pipe and Fittings are permitted to be installed in accordance with NFPA 13 and the manufacturers listing requirements.

3.6 VALVE APPLICATIONS

- A. Where specific valve types are not indicated, the following requirements apply:
  - 1. Listed Fire-Protection Valves: UL listed and FMG approved for application.
    - a. Shutoff Duty: Use ball, or butterfly valves.

3.7 JOINT CONSTRUCTION

- A. Refer to Section "Common Work Results for Fire Suppression" for basic piping joint construction.

FIRE STATIONS RENOVATION  
ARLINGTON COUNTY, VIRGINIA  
Architect's Project No: 563006

---

- B. Threaded Joints: Comply with NFPA 13 for pipe thickness and threads. Do not thread pipe smaller than 8" with wall thickness less than Schedule 40 unless approved by authorities having jurisdiction.
- C. Threads shall be checked by a ring gage and shall comply with ASME B1.20.1.
- D. Grooved Joints: Assemble joints with listed coupling and gasket, lubricant, and bolts in accordance with the manufacturer's published installation instructions.
  - 1. Steel Pipe: Square-cut or roll-groove piping as indicated. Use grooved-end fittings and rigid, grooved-end-pipe couplings, unless otherwise indicated.
  - 2. Grooved coupling manufacturer's factory trained field representative shall provide on-site training for contractor's field personnel in the proper use of grooving tools, application of groove, and installation of grooved piping products. Factory trained representative shall periodically visit the jobsite to ensure best practices in grooved product installation are being followed. Contractor shall remove and replace any improperly installed products.
- E. Dissimilar-Metal Piping Joints: Construct joints using dielectric fittings compatible with both piping materials.
  - 1. NPS 2 and Smaller: Use dielectric unions, couplings, or nipples.
  - 2. NPS 2-1/2 to NPS 4: Use dielectric flanges.
  - 3. NPS 5 and Larger: Use dielectric flange insulation kits.

### 3.8 PIPING INSTALLATION

- A. Refer to Section "Common Work Results for Fire Suppression" for basic piping installation.
- B. Locations and Arrangements: Drawing plans, shop drawings, schematics, and diagrams indicate general location and arrangement of piping. Install piping as indicated.
  - 1. Deviations from approved working drawings for piping require written approval from authorities having jurisdiction and Architect. File written approval with Architect before deviating.
- C. Provide approved fittings to make changes in direction, branch takeoffs from mains, and reductions in pipe sizes.
- D. Provide unions adjacent to each valve in pipes 2" and smaller. Unions are not required on flanged devices or in piping installations using grooved joints.
- E. Provide sprinkler piping with drains for complete system drainage.
- F. Provide alarm devices.
- G. Install sprinkler system piping according to NFPA 13.



FIRE STATIONS RENOVATION  
ARLINGTON COUNTY, VIRGINIA  
Architect's Project No: 563006

---

- H. Install pressure gages on each riser or feed main, and at each sprinkler test connection. Include pressure gages with connection not less than 1/4" and with soft metal seated globe valve, arranged for draining pipe between gage and valve. Install gages to permit removal, and install where not subject to freezing.
- I. Fill wet-pipe sprinkler with water.

3.9 VALVE INSTALLATION

- A. Install listed fire-protection valves, unlisted general-duty valves, specialty valves and trim, controls, and specialties according to NFPA 13 and authorities having jurisdiction.
- B. Install listed fire-protection shutoff valves supervised-open, located to control sources of water supply except from fire department connections. Install permanent identification signs indicating portion of system controlled by each valve.

3.10 SPRINKLER INSTALLATION

- A. Install sprinklers in suspended ceilings in center of acoustical ceiling panels and tiles.
- B. Do not install pendent or sidewall, wet-type sprinklers in areas subject to freezing. Use dry-type sprinklers with water supply from heated space wherever possible.
- C. Do not install sprinklers that have been dropped, damaged, show a visible loss of fluid, or a cracked bulb.
- D. The sprinkler bulb protector shall be removable by hand, without tools or devices that may damage the bulb.

3.11 CONNECTIONS

- A. Install piping adjacent to equipment to allow service and maintenance.
- B. Connect water-supply piping to fire-suppression piping. Include backflow preventer between potable-water piping and fire-suppression piping.
- C. Install ball drip valves at each check valve for fire department connection. Drain as indicated. If not indicated otherwise, drain to floor drain or outside building.
- D. Coordinate connection of alarm devices to fire alarm.
- E. Ground equipment. Grounding shall be in accordance with section "Grounding and Bonding for Electrical Systems."
- F. Coordinate connection of wiring.

FIRE STATIONS RENOVATION  
ARLINGTON COUNTY, VIRGINIA  
Architect's Project No: 563006

---

- G. Tighten electrical connectors and terminals according to manufacturer's published torque-tightening values. If manufacturer's torque values are not indicated, use those specified in UL 486A and UL 486B.

3.12 LABELING AND IDENTIFICATION

- A. Install labeling and pipe markers on equipment and piping according to requirements in NFPA 13.

3.13 FIELD QUALITY CONTROL

- A. Perform the following field tests and inspections and prepare test reports:
  1. Leak Test: After installation, charge system and test for leaks. Repair leaks and retest until no leaks exist.
  2. Test and adjust controls and safeties. Replace damaged and malfunctioning controls and equipment.
  3. Energize circuits to electrical equipment and devices.
  4. Flush, test, and inspect sprinkler systems according to NFPA 13, "Systems Acceptance" Chapter.
  5. Coordinate with fire alarm tests. Operate as required.
  6. Verify that equipment hose threads are same as local fire department equipment.
- B. Report test results promptly and in writing to Architect and authorities having jurisdiction.

3.14 CLEANING AND PROTECTION

- A. Clean dirt and debris from sprinklers.
- B. Provide sprinklers to replace sprinklers with paint or coating other than the original factory finish.
- C. Protect sprinklers from damage and debris until Substantial Completion.
- D. Protect the building exterior when operating drains and test connections discharging to the building exterior.
- E. Dirt and stains on any surfaces resulting from the work of this section shall be cleaned and removed under this section.

3.15 DEMONSTRATION

- A. Engage a factory-authorized service representative to train Owner's maintenance personnel to adjust, operate, and maintain the system.

END OF SECTION 211000

FIRE STATIONS RENOVATION  
ARLINGTON COUNTY, VIRGINIA  
Architect's Project No: 563006

---

SECTION 220500 - COMMON WORK RESULTS FOR PLUMBING

PART 1 - GENERAL

1.1 RELATED DOCUMENTS

- A. Provisions of the Contract and of the Contract Documents apply to this Section.

1.2 DEFINITIONS

- A. Finished Spaces: Spaces other than mechanical and electrical equipment rooms, furred spaces, pipe chases, unheated spaces immediately below roof, spaces above ceilings, unexcavated spaces, crawlspace, and tunnels.
- B. Exposed, Interior Installations: Exposed to view indoors. Examples include finished occupied spaces and mechanical equipment rooms.
- C. Exposed, Exterior Installations: Exposed to view outdoors or subject to outdoor ambient temperatures and weather conditions. Examples include rooftop locations.
- D. Concealed, Interior Installations: Concealed from view and protected from physical contact by building occupants. Examples include above ceilings and in chases.
- E. Concealed, Exterior Installations: Concealed from view and protected from weather conditions and physical contact by building occupants but subject to outdoor ambient temperatures. Examples include installations within unheated shelters.
- F. The following are industry abbreviations for plastic materials:
  - 1. ABS: Acrylonitrile-butadiene-styrene plastic.
  - 2. CPVC: Chlorinated polyvinyl chloride plastic.
  - 3. PE: Polyethylene plastic.
  - 4. PVC: Polyvinyl chloride plastic.
- G. The following are industry abbreviations for rubber materials:
  - 1. EPDM: Ethylene-propylene-diene terpolymer rubber.
  - 2. NBR: Acrylonitrile-butadiene rubber.

1.3 SUBMITTALS

- A. Product Data: For the following:
  - 1. Transition fittings.
  - 2. Dielectric fittings.
  - 3. Escutcheons.

FIRE STATIONS RENOVATION  
ARLINGTON COUNTY, VIRGINIA  
Architect's Project No: 563006

---

- B. LEED Submittals: Refer to Division 1 Section "Sustainable Design Requirements."

#### 1.4 QUALITY ASSURANCE

- A. Steel Support Welding: Qualify processes and operators according to AWS D1.1, "Structural Welding Code--Steel."
- B. Steel Pipe Welding: Qualify processes and operators according to ASME Boiler and Pressure Vessel Code: Section IX, "Welding and Brazing Qualifications."
  - 1. Comply with provisions in ASME B31 Series, "Code for Pressure Piping."
  - 2. Certify that each welder has passed AWS qualification tests for welding processes involved and that certification is current.
- C. Electrical Characteristics for Plumbing Equipment: Equipment of higher electrical characteristics may be furnished provided such proposed equipment is approved in writing and connecting electrical services, circuit breakers, and conduit sizes are appropriately modified. If minimum energy ratings or efficiencies are specified, equipment shall comply with requirements.

#### 1.5 DELIVERY, STORAGE, AND HANDLING

- A. Deliver pipes and tubes with factory-applied end caps. Maintain end caps through shipping, storage, and handling to prevent pipe end damage and to prevent entrance of dirt, debris, and moisture.
- B. Store plastic pipes protected from direct sunlight. Support to prevent sagging and bending.

#### 1.6 COORDINATION

- A. Arrange for pipe spaces, chases, slots, and openings in building structure during progress of construction, to allow for plumbing installations.
- B. Coordinate installation of required supporting devices and set sleeves in poured-in-place concrete and other structural components as they are constructed.
- C. Coordinate requirements for access panels and doors for plumbing items requiring access that are concealed behind finished surfaces. Access panels and doors are specified in Division 08 Section "Access Doors and Frames."

### PART 2 - PRODUCTS

#### 2.1 PIPE, TUBE, AND FITTINGS

- A. Refer to other Division 22 piping sections for pipe, tube, and fitting materials and joining methods.

FIRE STATIONS RENOVATION  
ARLINGTON COUNTY, VIRGINIA  
Architect's Project No: 563006

---

- B. Pipe Threads: ASME B1.20.1 for factory-threaded pipe and pipe fittings.

## 2.2 JOINING MATERIALS

- A. Refer to individual Division 22 piping sections for joining materials not listed below.
- B. Pipe-Flange Gasket Materials: Suitable for chemical and thermal conditions inside & outside pipe and:
  - 1. ASME B16.21, nonmetallic, flat, asbestos-free, 1/8-inch maximum thickness unless thickness or specific material is otherwise indicated.
    - a. Full-Face Type: For flat-face, Class 125, cast-iron and cast-bronze flanges.
    - b. Narrow-Face Type: For raised-face, Class 250, cast-iron and steel flanges.
  - 2. AWWA C110, rubber, flat face, 1/8 inch thick, unless otherwise indicated, and full-face or ring type, unless otherwise indicated.
- C. Solder Filler Metals: ASTM B 32, lead-free (95% Tin, 5% Antimony) alloy. Include water-flushable flux according to ASTM B 813.
- D. Brazing Filler Metals: AWS A5.8, BCuP Series, copper-phosphorus alloys for general-duty brazing, unless otherwise indicated; and AWS A5.8, BAgl, silver alloy for refrigerant piping, unless otherwise indicated.
- E. Welding Filler Metals: Comply with AWS D10.12 for welding materials appropriate for wall thickness and chemical analysis of steel pipe being welded.
- F. Solvent Cements for Joining Plastic Piping:
  - 1. ABS Piping: ASTM D 2235.
  - 2. CPVC Piping: ASTM F 493.
  - 3. PVC Piping: ASTM D 2564. Include primer according to ASTM F 656.
  - 4. PVC to ABS Piping Transition: ASTM D 3138.

## 2.3 MECHANICAL GROOVED JOINT COUPLINGS

- A. Manufacturer: Victaulic
- B. Description: Pipe joint consisting of a grooved pipe, EPDM gasket, steel housing, 2 bolts and 2 nuts.
- C. Gasket Material: Grade "E" EPDM suitable for use up to 250 degrees F.
- D. Housing: Carbon steel

FIRE STATIONS RENOVATION  
ARLINGTON COUNTY, VIRGINIA  
Architect's Project No: 563006

---

2.4 DIELECTRIC FITTINGS

- A. Description: Combination fitting of copper alloy and ferrous materials with threaded, solder-joint, plain, or weld-neck end connections that match piping system materials.
- B. Insulating Material: Suitable for system fluid, pressure, and temperature.
- C. Dielectric Flanges: Factory-fabricated, companion-flange assembly, for 150 or 300 psig working pressure as required to suit system pressures.
  - 1. Available Manufacturers:
    - a. Capitol Manufacturing Co.
    - b. Central Plastics Company.
    - c. Epco Sales, Inc.
    - d. Watts Industries, Inc.; Water Products Div.
- D. Dielectric-Flange Kits: Companion-flange assembly for field assembly. Include flanges, full-face- or ring-type neoprene or phenolic gasket, phenolic or polyethylene bolt sleeves, phenolic washers, and steel backing washers.
  - 1. Available Manufacturers:
    - a. Advance Products & Systems, Inc.
    - b. Calpico, Inc.
    - c. Central Plastics Company.
    - d. Pipeline Seal and Insulator, Inc.
  - 2. Separate companion flanges and steel bolts and nuts shall have 150- or 300-psig minimum working pressure where required to suit system pressures.
- E. Dielectric Couplings: Galvanized-steel coupling with inert and noncorrosive, thermoplastic lining; threaded ends; and 300-psig minimum working pressure at 225 deg F.
  - 1. Available Manufacturers:
    - a. Calpico, Inc.
    - b. Lochinvar Corp.

2.5 ESCUTCHEONS

- A. Description: Manufactured wall and ceiling escutcheons and floor plates, with an ID to closely fit around pipe, tube, and insulation of insulated piping and an OD that completely covers opening.
- B. One-Piece, Deep-Pattern Type: Deep-drawn, box-shaped brass with polished chrome-plated finish.
- C. One-Piece, Cast-Brass Type: With set screw.

FIRE STATIONS RENOVATION  
ARLINGTON COUNTY, VIRGINIA  
Architect's Project No: 563006

---

- 1. Finish: Polished chrome-plated.
- D. Split-Casting, Cast-Brass Type: With concealed hinge and set screw.
  - 1. Finish: Polished chrome-plated.
- E. One-Piece, Floor-Plate Type: Cast-iron floor plate.
- F. Split-Casting, Floor-Plate Type: Cast brass with concealed hinge and set screw.

## 2.6 GROUT

- A. Description: ASTM C 1107, Grade B, nonshrink and nonmetallic, dry hydraulic-cement grout.
  - 1. Characteristics: Post-hardening, volume-adjusting, nonstaining, noncorrosive, nongaseous, and recommended for interior and exterior applications.
  - 2. Design Mix: 5000-psi, 28-day compressive strength.
  - 3. Packaging: Premixed and factory packaged.

## 2.7 SECURITY FASTENERS:

- A. Description: Accessories, anchorage inserts, and security fasteners providing a complete tamperproof installation.
- B. Exposed Security Fasteners:
  - 1. Fastener: Provide torx-head (star with center reject pin) security fasteners for anchoring work in exposed security areas.
  - 2. Finish: Finish shall match that specified of the item anchored.
  - 3. Tools: Provide tools for fastening devices

## PART 3 - EXECUTION

### 3.1 PIPING SYSTEMS - COMMON REQUIREMENTS

- A. Install piping according to the following and Division 22 Sections specifying piping systems.
- B. Install piping in concealed locations, unless otherwise indicated and except in equipment rooms and service areas.
- C. Install piping indicated to be exposed and piping in equipment rooms and service areas at right angles or parallel to building walls. Diagonal runs are prohibited unless specifically indicated otherwise.
- D. Install piping above accessible ceilings to allow sufficient space for ceiling panel removal.
- E. Install piping to permit valve servicing.

FIRE STATIONS RENOVATION  
ARLINGTON COUNTY, VIRGINIA  
Architect's Project No: 563006

---

- F. Install piping at indicated slopes.
- G. Install piping free of sags and bends.
- H. Install fittings for changes in direction and branch connections.
- I. Install piping to allow application of insulation.
- J. Select system components with pressure rating equal to or greater than system operating pressure.
- K. Install escutcheons for penetrations of walls, ceilings, and floors according to the following:
  - 1. Exposed, Interior Installations/Piping with Fitting or Sleeve Protruding from Wall: One-piece, deep-pattern type.
  - 2. Exposed, Interior Installations/Chrome-Plated Piping: One-piece, cast-brass type with polished chrome-plated finish and set-screw.
  - 3. Exposed, Interior Installations/Insulated Piping: One-piece, cast-brass type with polished chrome-plated finish.
  - 4. Exposed, Interior Installations/Bare Piping at Wall and Floor Penetrations in Finished Spaces: One-piece, cast-brass type with finish to match surrounding surfaces.
  - 5. Exposed, Interior Installations/Bare Piping at Ceiling Penetrations in Finished Spaces: One-piece or split-casting, cast-brass type with finish to match surrounding surfaces.
  - 6. Exposed, Interior Installations/Piping in Unfinished Service Spaces: None, provide sealant.
  - 7. Exposed, Interior Installations/Piping in Equipment Rooms: None, provide sealant.
  - 8. Exposed, Interior Installations/Piping at Floor Penetrations in Equipment Rooms, Fan Rooms, or similar wet spaces: None - provide sealant and sleeve extending 2" above floor to prevent liquid leaking to floor below
- L. Fire-Barrier Penetrations: Maintain indicated fire rating of walls, partitions, ceilings, and floors at pipe penetrations. Seal pipe penetrations with firestop materials. Refer to Section "Penetration Firestopping" for materials.
- M. Verify final equipment locations for roughing-in.
- N. Refer to equipment specifications in other Sections of these Specifications for roughing-in requirements.

### 3.2 PIPING JOINT CONSTRUCTION

- A. Join pipe and fittings according to the following requirements and Division 22 Sections specifying piping systems.
- B. Ream ends of pipes and tubes and remove burrs. Bevel plain ends of steel pipe.
- C. Remove scale, slag, dirt, and debris from inside and outside of pipe and fittings before assembly.



FIRE STATIONS RENOVATION  
ARLINGTON COUNTY, VIRGINIA  
Architect's Project No: 563006

---

- D. Soldered Joints: Apply ASTM B 813, water-flushable flux, unless otherwise indicated, to tube end. Construct joints according to ASTM B 828 or CDA's "Copper Tube Handbook," using lead-free solder alloy complying with ASTM B 32.
- E. Brazed Joints: Construct joints according to AWS's "Brazing Handbook," "Pipe and Tube" Chapter, using copper-phosphorus brazing filler metal complying with AWS A5.8.
- F. Threaded Joints: Thread pipe with tapered pipe threads according to ASME B1.20.1. Cut threads full and clean using sharp dies. Ream threaded pipe ends to remove burrs and restore full ID. Join pipe fittings and valves as follows:
1. Apply appropriate tape or thread compound to external pipe threads unless dry seal threading is specified.
  2. Damaged Threads: Do not use pipe or pipe fittings with threads that are corroded or damaged. Do not use pipe sections that have cracked or open welds.
- G. Welded Joints: Construct joints according to AWS D10.12, using qualified processes and welding operators according to Part 1 "Quality Assurance" Article.
- H. Flanged Joints: Select appropriate gasket material, size, type, and thickness for service application. Install gasket concentrically positioned. Use suitable lubricants on bolt threads.
- I. Plastic Piping Solvent-Cement Joints: Clean and dry joining surfaces. Join pipe and fittings according to the following:
1. Comply with ASTM F 402 for safe-handling practice of cleaners, primers, and solvent cements.
  2. ABS Piping: Join according to ASTM D 2235 and ASTM D 2661 Appendixes.
  3. CPVC Piping: Join according to ASTM D 2846/D 2846M Appendix.
  4. PVC Pressure Piping: Join schedule number ASTM D 1785, PVC pipe and PVC socket fittings according to ASTM D 2672. Join other-than-schedule-number PVC pipe and socket fittings according to ASTM D 2855.
  5. PVC Nonpressure Piping: Join according to ASTM D 2855.
  6. PVC to ABS Nonpressure Transition Fittings: Join according to ASTM D 3138 Appendix.
- J. Plastic Pressure Piping Gasketed Joints: Join according to ASTM D 3139.
- K. Plastic Nonpressure Piping Gasketed Joints: Join according to ASTM D 3212.
- L. PE Piping Heat-Fusion Joints: Clean and dry joining surfaces by wiping with clean cloth or paper towels. Join according to ASTM D 2657.
1. Plain-End Pipe and Fittings: Use butt fusion.
  2. Plain-End Pipe and Socket Fittings: Use socket fusion.
- M. Fiberglass Bonded Joints: Prepare pipe ends and fittings, apply adhesive, and join according to pipe manufacturer's written instructions.

FIRE STATIONS RENOVATION  
ARLINGTON COUNTY, VIRGINIA  
Architect's Project No: 563006

---

- N. Mechanical Joints: Prepare pipe ends and fittings, apply coupling, and join according to joint manufacturer's written instructions.

### 3.3 PIPING CONNECTIONS

- A. Make connections according to the following, unless otherwise indicated:
  - 1. Install unions, in piping 2" and smaller, one adjacent to each valve and at final connections to each piece of equipment.
  - 2. Install flanges, in piping NPS 2-1/2" and larger, adjacent to final connections to each piece of equipment.
  - 3. Install dielectric unions or flanges for connections of dissimilar metals.

### 3.4 EQUIPMENT INSTALLATION - COMMON REQUIREMENTS

- A. Install equipment to allow maximum possible headroom unless specific mounting heights are indicated.
- B. Install equipment level and plumb, parallel and perpendicular to other building systems and components in exposed interior spaces, unless otherwise indicated.
- C. Install plumbing equipment to facilitate service, maintenance, and repair or replacement of components. Connect equipment for ease of disconnecting, with minimum interference to other installations. Extend grease fittings to accessible locations.
- D. Install equipment to allow right of way for piping installed at required slope.

### 3.5 PAINTING

- A. Damage and Touchup: Repair marred and damaged factory-painted finishes with materials and procedures to match original factory finish.
- B. All paints and coatings wet-applied on site must meet the applicable VOC limits of the California Air Resources Board (CARB) 2007, Suggested Control Measure (SCM) for Architectural Coatings, or the South Coast Air Quality Management District (SCAQMD) Rule 1113, effective June 3, 2011.

### 3.6 HOUSEKEEPING PADS AND EQUIPMENT PADS

- A. Housekeeping pads and equipment pads: Anchor equipment to concrete according to equipment manufacturer's written instructions and according to seismic codes at project location.
  - 1. Construct concrete pads in accordance with drawing details.
  - 2. Details may be found on structural drawings. If details are not provided comply with the following:

FIRE STATIONS RENOVATION  
ARLINGTON COUNTY, VIRGINIA  
Architect's Project No: 563006

---

- a. Housekeeping pads inside the building shall be 4" thick and 6" larger all around than supported equipment. Provide a 1" chamfer on all edges.
- b. If details are not provided, equipment pads outside the building shall be 8" thick with a 24" deep 12" wide turndown (footing) all around the outside edge of the pad. Provide welded wire mesh reinforcement. Pad shall be 12" larger all around than supported equipment.
- c. Install dowel rods to connect housekeeping pad to concrete floor. Unless otherwise indicated, install dowel rods on 18-inch centers around the full perimeter of the pad. Provide a 1" chamfer on all edges.
- d. Install epoxy-coated anchor bolts. For equipment on housekeeping pads bolts shall extend through housekeeping pad, and anchor into structural concrete floor.
- e. Place and secure anchor bolts using supported equipment manufacturer's setting drawings, templates, diagrams, instructions, and directions for placement.
- f. Install anchor bolts to elevations required for proper attachment to supported equipment.
- g. Install anchor bolts according to anchor bolt manufacturer's written instructions.

3.7 ERECTION OF METAL SUPPORTS AND ANCHORAGES

- A. Refer to Section "Metal Fabrications" for structural steel.
- B. Cut, fit, and place miscellaneous metal supports accurately in location, alignment, and elevation to support and anchor plumbing materials and equipment.
- C. Field Welding: Comply with AWS D1.1.

3.8 GROUTING

- A. Mix and install grout for plumbing equipment base bearing surfaces, pump and other equipment base plates, and anchors.
- B. Clean surfaces that will come into contact with grout.
- C. Provide forms as required for placement of grout.
- D. Avoid air entrapment during placement of grout.
- E. Place grout, completely filling equipment bases.
- F. Place grout on concrete bases and provide smooth bearing surface for equipment.
- G. Place grout around anchors.
- H. Cure placed grout.

END OF SECTION 220500

FIRE STATIONS RENOVATION  
ARLINGTON COUNTY, VIRGINIA  
Architect's Project No: 563006

SECTION 220517 - SLEEVES AND SLEEVE SEALS FOR PLUMBING PIPING

PART 1 - GENERAL

1.1 RELATED DOCUMENTS

- A. Provisions of the Contract and of the Contract Documents apply to this Section.

1.2 SUBMITTALS

- A. Product Data: For each type of product indicated.

PART 2 - PRODUCTS

2.1 SLEEVES

- A. Cast-Iron Wall Pipes: Cast or fabricated of cast or ductile iron and equivalent to ductile-iron pressure pipe, with plain ends and integral waterstop unless otherwise indicated.
- B. Galvanized-Steel Wall Pipes: ASTM A 53/A 53M, Schedule 40, with plain ends and welded steel collar; zinc coated.
- C. Galvanized-Steel-Pipe Sleeves: ASTM A 53/A 53M, Type E, Grade B, Schedule 40, zinc coated, with plain ends.
- D. Galvanized-Steel-Sheet Sleeves: 0.0239" minimum thickness; round tube closed with welded longitudinal joint.

2.2 STACK-SLEEVE FITTINGS

- A. Available Manufacturers:
  - 1. Smith, Jay R. Mfg. Co.
  - 2. Wade
  - 3. Zurn Specification Drainage Operation; Zurn Plumbing Products Group.
- B. Description: Manufactured, cast-iron sleeve with integral clamping flange. Include clamping ring, bolts, and nuts for membrane flashing.
  - 1. Underdeck Clamp: Clamping ring with setscrews.

2.3 SLEEVE-SEAL SYSTEMS

- A. Available Manufacturers:
  - 1. Advance Products & Systems, Inc.

FIRE STATIONS RENOVATION  
ARLINGTON COUNTY, VIRGINIA  
Architect's Project No: 563006

2. CALPICO, Inc.
  3. Link Seal
  4. Metraflex Company (The).
  5. Pipeline Seal and Insulator, Inc.
  6. Proco Products, Inc.
- B. Description: Modular sealing-element unit, designed for field assembly, for filling annular space between piping and sleeve.
1. Sealing Elements: EPDM or Nitrile rubber interlocking links shaped to fit surface of pipe. Include type and number required for pipe material and size of pipe.
  2. Pressure Plates: Stainless steel.
  3. Connecting Bolts and Nuts: Stainless steel of length required to secure pressure plates to sealing elements.

### PART 3 - EXECUTION

#### 3.1 SLEEVE INSTALLATION

- A. Install sleeves for piping passing through penetrations in floors, partitions, roofs, and walls.
- B. For sleeves that will have sleeve-seal system installed, select sleeves of size large enough to provide 1-inch annular clear space between piping and concrete slabs and walls.
1. Sleeves are not required for core-drilled holes.
- C. Install sleeves in concrete floors, concrete roof slabs, and concrete walls as new slabs and walls are constructed.
1. Permanent sleeves are not required for holes in slabs formed by molded-PE or -PP sleeves.
  2. Cut sleeves to length for mounting flush with both surfaces.
    - a. Exception: Extend sleeves installed in floors of mechanical equipment areas or other wet areas 2 inches above finished floor level.
  3. Using grout, seal the space outside of sleeves in slabs and walls without sleeve-seal system.
- D. Install sleeves for pipes passing through interior partitions.
1. Cut sleeves to length for mounting flush with both surfaces.
  2. Install sleeves that are large enough to provide ¼" clear space between sleeve and pipe or pipe insulation.
  3. Seal annular space between sleeve and piping or piping insulation; use joint sealants appropriate for size, depth, and location of joint. Comply with requirements for sealants.
- E. Fire Ratings: Maintain indicated fire rating of walls, partitions, ceilings, and floors at pipe penetrations. Seal pipe penetrations with firestop materials.

FIRE STATIONS RENOVATION  
ARLINGTON COUNTY, VIRGINIA  
Architect's Project No: 563006

3.2 STACK-SLEEVE-FITTING INSTALLATION

- A. Install stack-sleeve fittings in new slabs as slabs are constructed.
  - 1. Install fittings that are large enough to provide ¼” clear space between sleeve and pipe or pipe insulation.
  - 2. Secure flashing between clamping flanges for pipes penetrating floors with membrane waterproofing. Comply with requirements for flashing specified in Division 07 Section "Sheet Metal Flashing and Trim."
  - 3. Install section of cast-iron soil pipe to extend sleeve to 2 inches above finished floor level.
  - 4. Extend cast-iron sleeve fittings below floor slab as required to secure clamping ring if ring is specified.
  - 5. Using grout, seal the space around outside of stack-sleeve fittings.
- B. Fire Rating: Maintain indicated fire rating at pipe penetrations. Seal pipe penetrations with firestop materials.

3.3 SLEEVE-SEAL-SYSTEM INSTALLATION

- A. Install sleeve-seal systems in sleeves in exterior concrete walls and slabs-on-grade at service piping entries into building unless otherwise indicated.
- B. Select type, size, and number of sealing elements required for piping material and size and for sleeve ID or hole size. Position piping in center of sleeve. Center piping in penetration, assemble sleeve-seal system components, and install in annular space between piping and sleeve. Tighten bolts against pressure plates that cause sealing elements to expand and make a watertight seal.

3.4 SLEEVE AND SLEEVE-SEAL SCHEDULE

- A. Use sleeves and sleeve seals for the following piping-penetration applications:
  - 1. Exterior Concrete Walls above Grade, below Grade, Concrete Slabs-on-Grade, and Concrete Slabs above Grade:
    - a. Piping Smaller Than NPS 6: Cast-iron wall sleeves with sleeve-seal system.
      - 1) Select sleeve size to allow for 1-inch annular clear space between piping and sleeve for installing sleeve-seal system.
    - b. Piping NPS 6 and Larger: Galvanized-steel-pipe sleeves with sleeve-seal system.

END OF SECTION 220517

FIRE STATIONS RENOVATION  
ARLINGTON COUNTY, VIRGINIA  
Architect's Project No: 563006

SECTION 220519 - METERS AND GAGES FOR PLUMBING PIPING

PART 1 - GENERAL

1.1 RELATED DOCUMENTS

- A. Provisions of the Contract and of the Contract Documents apply to this Section.

1.2 SUBMITTALS

- A. Product Data: For each type of product indicated.
- B. Wiring Diagrams: For power, signal, and control wiring.
- C. Operation and Maintenance Data: For meters and gages to include in operation and maintenance manuals.

1.3 ABBREVIATIONS:

- A. AFF Above finished floor
- B. F Fahrenheit
- C. SS Stainless Steel

PART 2 - PRODUCTS

2.1 LIQUID-IN-GLASS THERMOMETERS

- A. Metal-Case, Industrial-Style, Liquid-in-Glass Thermometers:
  - 1. Available Manufacturers:
    - a. Flo Fab Inc.
    - b. Miljoco Corporation.
    - c. Palmer Wahl Instrumentation Group.
    - d. Tel-Tru Manufacturing Company.
    - e. Trerice, H. O. Co.
    - f. Weiss Instruments, Inc.
    - g. Winters Instruments - U.S.
  - 2. Standard: ASME B40.200.
  - 3. Case: Cast aluminum; 9-inch nominal size unless otherwise indicated.
  - 4. Case Form: Adjustable angle unless otherwise indicated.
  - 5. Tube: Glass with magnifying lens and blue or red organic liquid.
  - 6. Tube Background: Nonreflective aluminum with permanently etched scale markings graduated in degrees F.
  - 7. Window: Glass

FIRE STATIONS RENOVATION  
ARLINGTON COUNTY, VIRGINIA  
Architect's Project No: 563006

8. Stem: Aluminum length = 1/2 pipe diameter, 1/2 duct width or 12" whichever is less.
  - a. Air-Duct Installation: Provide ventilated shroud.
  - b. Thermowell Installation: Provide Bare stem.
9. Connector: 1-1/4 inches, with ASME B1.1 screw threads.
10. Accuracy: Plus or minus 1 percent of scale range or one scale division, to a maximum of 1.5 percent of scale range.

## 2.2 THERMOWELLS

### A. Thermowells:

1. Standard: ASME B40.200.
2. Description: Pressure-tight, socket-type fitting made for insertion into threaded fitting.
3. Material: Brass.
4. Type: Stepped shank unless straight or tapered shank is indicated.
5. External Threads: NPS 1/2, NPS 3/4, or NPS 1, ASME B1.20.1 pipe threads.
6. Internal Threads: 1/2, 3/4, and 1 inch, with ASME B1.1 screw threads.
7. Bore: Diameter required to match thermometer bulb or stem.
8. Insertion Length: Length required to match thermometer bulb or stem.
9. Lagging Extension: Include on thermowells for insulated piping and tubing.
10. Bushings: For converting size of thermowell's internal screw thread to size of thermometer connection.

## 2.3 PRESSURE GAGES

### A. Direct-Mounted, Metal-Case, Dial-Type Pressure Gages:

1. Available Manufacturers:
  - a. AMETEK, Inc.; U.S. Gauge.
  - b. Ashcroft Inc.
  - c. Ernst Flow Industries.
  - d. Flo Fab Inc.
  - e. Marsh Bellofram.
  - f. Miljoco Corporation.
  - g. Noshok.
  - h. Palmer Wahl Instrumentation Group.
  - i. REOTEMP Instrument Corporation.
  - j. Tel-Tru Manufacturing Company.
  - k. Trerice, H. O. Co.
  - l. Watts Regulator Co.; a div. of Watts Water Technologies, Inc.
  - m. Weiss Instruments, Inc.
  - n. WIKA Instrument Corporation - USA.
  - o. Winters Instruments - U.S.
2. Standard: ASME B40.100.



FIRE STATIONS RENOVATION  
ARLINGTON COUNTY, VIRGINIA  
Architect's Project No: 563006

3. Case: Solid-front, pressure relief type; cast aluminum or drawn steel; 4-1/2-inch nominal diameter.
4. Pressure-Element Assembly: Bourdon tube unless otherwise indicated.
5. Pressure Connection: Brass, with NPS 1/4, ASME B1.20.1 pipe threads and bottom-outlet type unless back-outlet type is indicated.
6. Movement: Phosphor bronze.
7. Dial: Nonreflective aluminum with permanently etched scale markings graduated in psi.
8. Pointer: Dark-colored metal.
9. Window: Glass.
10. Ring: Brass.
11. Accuracy: + or – 1.0 percent of full scale.

2.4 GAUGE ATTACHMENTS

- A. Snubbers: ASME B40.100, brass; with NPS 1/4, ASME B1.20.1 pipe threads and porous-metal-type surge-dampening device. Include extension for use on insulated piping.
- B. Siphons: Loop-shaped section of brass pipe with NPS 1/4 pipe threads.
- C. Valves: Brass or stainless-steel needle, with NPS 1/4, ASME B1.20.1 pipe threads.

2.5 TEST PLUGS

- A. Manufacturers: Subject to compliance with requirements, provide products by one of the following:
  1. Flow Design, Inc.
  2. Miljoco Corporation.
  3. National Meter, Inc.
  4. Peterson Equipment Co., Inc.
  5. Sisco Manufacturing Company, Inc.
  6. Trerice, H. O. Co.
  7. Watts Regulator Co.; a div. of Watts Water Technologies, Inc.
  8. Weiss Instruments, Inc.
- B. Description: Test-station fitting made for insertion into piping tee fitting.
- C. Body: Brass or stainless steel with core inserts and gasketed and threaded cap. Include extended stem on units to be installed in insulated piping.
- D. Thread Size: NPS 1/2, ASME B1.20.1 pipe thread.
- E. Minimum Pressure and Temperature Rating: 500 psig at 200 deg F.
- F. Core Inserts: Chlorosulfonated polyethylene synthetic and EPDM self-sealing rubber.

FIRE STATIONS RENOVATION  
ARLINGTON COUNTY, VIRGINIA  
Architect's Project No: 563006

PART 3 - EXECUTION

3.1 INSTALLATION

- A. Install thermowells with socket extending to center of pipe and in perpendicular to piping in piping tees.
- B. Install thermowells of sizes required to match thermometer connectors. Include bushings to match sizes.
- C. Install thermowells with extensions on insulated piping.
- D. Install direct-mounted thermometers in thermowells and adjust positions.
- E. Install pressure gages in piping tees located between 36" and 60" AFF unless otherwise indicated.
- F. Install valve and snubber for each pressure gage.
- G. Install test plugs in piping tees at locations indicated.
- H. Assemble and install connections, tubing, and accessories between flow-measuring elements and flowmeters according to manufacturer's written instructions.
- I. Install flowmeter elements in accessible positions in piping systems.
- J. Install permanent indicators on walls or brackets at 50" AFF unless otherwise indicated..
- K. Install connection fittings in accessible locations for attachment to portable indicators.
- L. Install thermometers in the following locations:
  - 1. Inlet and outlet of each water heater.
- M. Install pressure gages in the following locations:
  - 1. Inlet and outlet of each water heater.
  - 2. Suction and discharge of each pump.
- N. Install a test plug at each thermometer and pressure gauge.

3.2 THERMOMETER SCALE-RANGE SCHEDULE

- A. Scale Range for Domestic Cold-water Piping: 0 to 100 F with 2 degree scale divisions.
- B. Scale Range for Domestic Hot-water Piping 30 to 240 F with 2 degree scale divisions.

3.3 PRESSURE-GAGE SCALE-RANGE SCHEDULE

- A. Scale Range for Domestic Water Piping: 0 to 100 psi.

END OF SECTION 220519

FIRE STATIONS RENOVATION  
ARLINGTON COUNTY, VIRGINIA  
Architect's Project No: 563006

SECTION 220523 – GENERAL DUTY VALVES FOR PLUMBING PIPING

PART 1 - GENERAL

1.1 RELATED DOCUMENTS

- A. Provisions of the Contract and of the Contract Documents apply to this Section.

1.2 DEFINITIONS

- A. The following are standard abbreviations for valves:
1. CWP: Cold working pressure.
  2. EPDM: Ethylene-propylene-diene terpolymer rubber.
  3. MPTFE: Modified polytetrafluoroethylene plastic.
  4. NBR: Acrylonitrile-butadiene rubber.
  5. PTFE: Polytetrafluoroethylene plastic.
  6. RPTFE: Reinforced polytetrafluoroethylene plastic.
  7. SWP: Steam working pressure.
  8. TFE: Tetrafluoroethylene plastic.
  9. WOG: Water Oil Gas.

1.3 SUBMITTALS

- A. Product Data: For each type of valve proposed. Include body, seating, and trim materials; valve design; pressure and temperature classifications; end connections; arrangement; dimensions; and required clearances. Include proposed specialties and accessories.

1.4 QUALITY ASSURANCE

- A. ASME Compliance: ASME B31.1 for power piping valves and ASME B31.9 for building services piping valves.
1. Exceptions: Domestic hot- and cold-water valves unless referenced.
- B. ASME Compliance for Ferrous Valves: ASME B16.10 and ASME B16.34 for dimension and design criteria.
- C. NSF Compliance: NSF 61 for valve materials for potable-water service.

1.5 DELIVERY, STORAGE, AND HANDLING

- A. Prepare valves for shipping as follows:
1. Protect internal parts against rust and corrosion.
  2. Protect threads, flange faces, grooves, and weld ends.
  3. Set ball valves open to minimize exposure of functional surfaces.
  4. Set butterfly valves closed or slightly open.

FIRE STATIONS RENOVATION  
ARLINGTON COUNTY, VIRGINIA  
Architect's Project No: 563006

5. Block check valves in either closed or open position.
- B. Use the following precautions during storage:
  1. Maintain valve end protection.
  2. Store valves indoors and maintain at higher than ambient dew-point temperature. If outdoor storage is necessary, store valves off the ground in watertight enclosures.
- C. Use sling to handle large valves; rig sling to avoid damage to exposed parts. Do not use handwheels or stems as lifting or rigging points.

## PART 2 - PRODUCTS

### 2.1 VALVES, GENERAL

- A. Refer to Part 3 "Valve Applications" Article for applications of valves.
- B. Bronze & Brass: Shall be dezincification resistant. (Zinc content shall be less than 15%)
- C. Bronze Valves: 2" and smaller with threaded ends, unless otherwise indicated.
- D. Ferrous Valves: 2-1/2" and larger with flanged ends, unless otherwise indicated.
- E. Valve Pressure and Temperature Ratings: Not less than indicated for system pressure and temperature.
- F. Valve Sizes: Same as the larger of the upstream or downstream pipe, unless otherwise indicated.
- G. Valve Actuators:
  1. As indicated in other Part 2 articles.
  2. Where indicated, provide a chain actuator.
  3. Chain Actuator: For attachment to valves of size and mounting height indicated.
  4. Wrench: For plug valves with square heads. Furnish Owner with 1 wrench for every 10 plug valves, for each size square plug head.
- H. Extended Valve Stems: Provide on insulated valves.
- I. Valve Flanges: Provide ASME B16.1 for cast-iron valves, ASME B16.5 for steel, and ASME B16.24 for bronze.
- J. Valve Grooved Ends: AWWA C606.
- K. Threaded: With threads according to ASME B1.20.1.
- L. Valve Bypass and Drain Connections: MSS SP-45.

FIRE STATIONS RENOVATION  
ARLINGTON COUNTY, VIRGINIA  
Architect's Project No: 563006

2.2 COPPER-ALLOY BALL VALVES

A. Two-Piece, Copper-Alloy Ball Valves (Full Port):

1. Conbraco Industries-Apollo 77C series with stainless steel ball & stem (Un-insulated piping)
2. Conbraco Industries-Apollo 77C series with stainless steel ball & stem. Provide 2 ¼" stem extension (Insulated piping)
3. Other Manufacturers:
  - a. Milwaukee
  - b. Watts
  - c. Nibco
4. Handle Nut: Zinc plated steel or 300 series stainless steel.
5. Handle: Zinc plated steel, clear chromate plastic, or vinyl coated.
6. Threaded Pack Gland: Brass ASTM B-16
7. Packing: MPTFE or TFE
8. Stem (Blowout Proof): ASTM A-276 type 316 stainless steel. Provide 2 ¼" stem extension for Insulated piping.
9. Thrust Washer: MPTFE or RPTFE
10. Ball: Full-port, ASTM A-276 Type 316 stainless steel.
11. Seats: MPTFE or Reinforced TFE (RPTFE)
12. Body: Bronze ASTM B-584 for solder or threaded connection.
13. Body End Piece: Bronze ASTM B-584 for solder or threaded connection.
14. Rating: 150 psig saturated steam, 600 psig non-shock cold water, oil, and gas.
15. Conform To: MSS SP-110

2.3 BRONZE CHECK VALVES

A. Bronze, Horizontal Swing Check Valves:

1. NIBCO Model 413
2. Other Manufacturers:
  - a. Milwaukee
  - b. Stockham
3. Bonnet: ASTM B-62 bronze.
4. Body: ASTM B-62 bronze.
5. Hinge Pin: ASTM B-140 alloy C31400 bronze, or B-134 alloy C23000 bronze.
6. Disc Hanger:
  - a. Sizes ¼" thru ¾": Type 304 stainless steel.
  - b. Sizes 1" and larger: ASTM B-62 bronze.
7. Hanger Nut: ASTM B-16 bronze.
8. Disc Holder: ASTM B-62 bronze.
9. Seat Disc:
  - a. Water and Other Heat Transfer Fluids: ASTM B-62 bronze.
  - b. Steam: TFE
10. Seat Disc Nut: ASTM B-16 or B-62 bronze.
11. Hinge Pin Plug: ASTM B-140 alloy C31600 bronze.
12. Seat Disc Washer (When Provided): ASTM B-98 alloy C65500 or B-103 bronze.
13. Rating: 125 psig SWP and 200 psig CWP.
14. Conform To: MSS SP-80

FIRE STATIONS RENOVATION  
ARLINGTON COUNTY, VIRGINIA  
Architect's Project No: 563006

- B. Bronze, Inline Spring Loaded Check Valves:
1. Conbraco Industries-Apollo 61-100 series
  2. Other Manufacturers:
    - a. Milwaukee
    - b. Stockham
    - c. Nibco
  3. Body: ASTM B-584 alloy C84400 bronze.
  4. Retainer/Stem: ASTM B16 brass or ASTM A-582 alloy C30300 stainless steel.
  5. Ball Check: RPTFE or
  6. Disc Holder 316 Stainless steel
    - a. Disc:
      - 1) Water, Oil, Gas: Buna-N
      - 2) Steam: TFE
    - b. Seat Screw: ASTM A-276 alloy S43000 stainless steel.
    - c. Body End: ASTM B-584 alloy C84400 bronze.
    - d. Rating: 125 psig SWP and 250 psig CWP.
  7. Guide: ASTM B16 Brass
  8. Spring: Type 316 stainless steel.
  9. Rating: 125 psig SWP and 400 psig WOG.

## 2.4 IRON BODY CHECK VALVES

- A. Iron Body, Horizontal Swing Check Valves:
1. NIBCO Model 918-B
  2. Other Manufacturers:
    - a. Milwaukee
    - b. Stockham
  3. Body Bolt: ASTM A-307 steel.
  4. Bonnet: ASTM A-126 class B cast iron.
  5. Body Gasket: Synthetic Fibers.
  6. Body Nut: ASTM A-307 steel
  7. Side Plug: ASTM B-16 alloy C36000 Brass.
  8. Hanger Pin: ASTM B-16 alloy C36000 Brass.
  9. Hanger: ASTM B-584 alloy C84400 cast bronze.
  10. Disc: ASTM B-584 alloy C84400 cast bronze or ASTM A-536 ductile iron w/bronze face ring.
  11. Seat Ring: ASTM B-584 alloy C84400 cast bronze.
  12. Disc Nut: ASTM B-16 alloy C36000.
  13. Body: ASTM A-126 class B cast iron.
  14. Disc Bolt: ASTM B-16 alloy C36000 Brass.
  15. Disc Plate: ASTM A-126 class B cast iron.
  16. Disc Cage: ASTM A-126 class B cast iron.
  17. Rating: 125 psig SWP and 200 psig CWP.
  18. Conform To: MSS SP-71 Type 1.
- B. Grooved-End, Ductile-Iron Spring Assisted Check Valves: Victaulic Series 716 with EPDM disc seal.
- C. Spring Actuated Silent Check Valves:

FIRE STATIONS RENOVATION  
ARLINGTON COUNTY, VIRGINIA  
Architect's Project No: 563006

1. NIBCO Model F-910
2. Other Manufacturers:
  - a. Milwaukee
  - b. Stockham
3. Body: ASTM A48 class 35 cast iron.
4. Seat: ASTM B-584 alloy C83600 (B) bronze.
5. Disc: ASTM B-584 alloy C83600 bronze.
6. Spring: Type 302 ASTM A313 stainless steel.
7. Bushing:
  - a. 6" and Smaller: ASTM B-16 brass
  - b. 8" and Larger: ASTM B-584 alloy C83600 bronze.
8. Set Screws: Type 304 ASTM A-276 stainless steel.
9. Rating: 200 psig CWP.
10. Conform To: MIL-V-18436F

PART 3 - EXECUTION

3.1 EXAMINATION

- A. Examine valve interior for cleanliness, freedom from foreign matter, and corrosion. Remove special packing materials, such as blocks, used to prevent disc movement during shipping and handling.
- B. Operate valves in positions from fully- open to fully-closed. Examine guides and seats made accessible by such operations.
- C. Examine threads on valve and mating pipe for form and cleanliness.
- D. Examine mating flange faces for conditions that might cause leakage. Check bolting for proper size, length, and material. Verify that gasket is of proper size, that its material composition is suitable for service, and that it is free from defects and damage.
- E. Do not attempt to repair defective valves; replace with new valves.

3.2 VALVE INSTALLATION

- A. Install valves with unions or flanges at each piece of equipment arranged to allow service, maintenance, and equipment removal without system shutdown.
- B. Locate valves for easy access.
- C. Install valves in horizontal piping with stem at or above center of pipe.
- D. Install valves in position to allow full stem movement.
- E. Install chainwheels on operators for ball and butterfly valves 4" and larger and more than 96 inches above finished floor. Extend chains to 60 inches above finished floor.

FIRE STATIONS RENOVATION  
ARLINGTON COUNTY, VIRGINIA  
Architect's Project No: 563006

- F. Install check valves for proper direction of flow and as follows:
  - 1. Swing Check Valves: In horizontal position with hinge pin level.
  - 2. Center-Guided and Plate-Type Check Valves: In horizontal or vertical position, between flanges.
  - 3. Lift Check Valves: With stem upright and plumb.

3.3 ADJUSTING

- A. Adjust valve packing after piping systems have been tested and put into service but before final testing and balancing. Replace valves if persistent leaking occurs.

3.4 VALVE APPLICATIONS

- A. Refer to piping Sections for specific valve applications. If valve applications are not indicated, use the following:
  - 1. Shutoff Service: Ball valves.
  - 2. Throttling Service: Ball valves.
  - 3. Pump Discharge: Spring-loaded, lift-disc check valves and ball valves.
- B. If valves with specified SWP classes or CWP ratings are not available, the same types of valves with higher SWP class or CWP ratings may be substituted.
- C. Domestic Water Piping: Use the following types of valves:
  - 1. Valves, NPS 2" and Smaller: Two-Piece, Copper-Alloy Ball Valves (Full Port).
  - 2. Valves, NPS 2-1/2" and 3":
    - a. Two-piece or three-piece, Copper-Alloy Ball Valves (Full Port).
    - b. Wafer-Lug, grooved-end, or flanged butterfly valves.
  - 3. Valves, NPS 4" and Larger: Wafer-Lug, grooved-end, or flanged butterfly valves.
  - 4. Pump Discharge Check Valves (Horizontal or Vertical), NPS 2" and Smaller: Bronze, Inline Lift Check Valves.
  - 5. Horizontal Check Valves, NPS 2" and Smaller: Bronze, Horizontal Swing Check Valves.
  - 6. Vertical Check Valves, NPS 2" and Smaller: Bronze, Inline Lift Check Valves.
  - 7. Pump Discharge Check Valves (Horizontal or Vertical), NPS 2-1/2" and Larger: Grooved-End, Ductile-Iron Spring Assisted Check Valves or Spring Actuated Silent Check Valves.
  - 8. Horizontal Check Valves, NPS 2-1/2" and Larger: Bronze, Horizontal Swing Check Valves.

END OF SECTION 220523



FIRE STATIONS RENOVATION  
ARLINGTON COUNTY, VIRGINIA  
Architect's Project No: 563006

SECTION 220529 - HANGERS AND SUPPORTS FOR PLUMBING PIPING AND EQUIPMENT

PART 1 - GENERAL

1.1 RELATED DOCUMENTS

- A. Provisions of the Contract and of the Contract Documents apply to this Section.

1.2 DEFINITIONS

- A. MSS: Manufacturers Standardization Society of The Valve and Fittings Industry Inc.
- B. Terminology: As defined in MSS SP-90, "Guidelines on Terminology for Pipe Hangers and Supports."

1.3 PERFORMANCE REQUIREMENTS

- A. Design Requirement: Design trapeze pipe hangers and equipment supports, including comprehensive engineering analysis by a qualified professional engineer where using methods other than indicated.
- B. Structural Performance: Hangers and supports for HVAC piping and equipment shall withstand the effects of gravity loads and stresses within limits and under conditions indicated according to ASCE/SEI 7.
  - 1. Design supports for multiple pipes, including pipe stands, capable of supporting combined weight of supported systems, system contents, and test medium.
  - 2. Design equipment supports capable of supporting combined operating weight of supported equipment and connected systems and components.
  - 3. Design seismic-restraint hangers and supports for piping and equipment.

1.4 SUBMITTALS

- A. Product Data: For each type of product indicated.
- B. Shop Drawings: Show fabrication and installation details and include calculations for the following; include Product Data for components:
  - 1. Trapeze pipe hangers.
  - 2. Metal framing systems.
  - 3. Pipe stands.
  - 4. Equipment supports.
- C. Delegated Design Submittal: Signed and sealed by a qualified professional engineer where using methods other than indicated.

FIRE STATIONS RENOVATION  
ARLINGTON COUNTY, VIRGINIA  
Architect's Project No: 563006

1. Detail fabrication and assembly of trapeze hangers.
2. Design Calculations: Calculate requirements for designing trapeze hangers.

1.5 QUALITY ASSURANCE

- A. Structural Steel Welding Qualifications: Qualify procedures and personnel according to AWS D1.1/D1.1M, "Structural Welding Code - Steel."
- B. Pipe Welding Qualifications: Qualify procedures and operators according to ASME Boiler and Pressure Vessel Code.

PART 2 - PRODUCTS

2.1 METAL PIPE HANGERS AND SUPPORTS

- A. Carbon-Steel Pipe Hangers and Supports:
  1. Description: MSS SP-58, Types 1 through 58, factory-fabricated components.
  2. Galvanized Metallic Coatings: Pregalvanized or hot dipped.
  3. Nonmetallic Coatings: Plastic coating, jacket, or liner.
  4. Padded Hangers: Hanger with fiberglass or other pipe insulation pad or cushion to support bearing surface of piping.
  5. Hanger Rods: Continuous-thread rod, nuts, and washer made of carbon steel.
- B. Copper Pipe Hangers:
  1. Description: MSS SP-58, Types 1 through 58, copper-coated-steel, factory-fabricated components.
  2. Hanger Rods: Continuous-thread rod, nuts, and washer made of copper-coated steel.

2.2 TRAPEZE PIPE HANGERS

- A. Description: MSS SP-69, Type 59, shop- or field-fabricated pipe-support assembly made from structural carbon-steel shapes with MSS SP-58 carbon-steel hanger rods, nuts, saddles, and U-bolts.
- B. Trapeze Pipe Hanger Installation: Arrange for grouping of parallel runs of piping and support together on field-assembled channel systems.
  1. Assemble and provide according to manufacturer's written instructions. Center piping on channel to evenly distribute load.

FIRE STATIONS RENOVATION  
ARLINGTON COUNTY, VIRGINIA  
Architect's Project No: 563006

2. Pipe sizes and numbers shall be in accordance with the following:

<b>TRAPEZE PIPE HANGER TABLE</b>								
<b>PIPE SIZE</b>	<b>4"</b>	<b>3"</b>	<b>2 1/2"</b>	<b>2"</b>	<b>1 1/2"</b>	<b>1 1/4"</b>	<b>1"</b>	<b>TOTAL # of PIPES</b>
<b>NUMBER OF PIPES PERMITTED IN ONE CHANNEL SUPPORT</b>	<b>2</b>	<b>0</b>	<b>0</b>	<b>0</b>	<b>0</b>	<b>0</b>	<b>0</b>	<b>2</b>
	<b>0</b>	<b>2</b>	<b>2</b>	<b>0</b>	<b>0</b>	<b>0</b>	<b>0</b>	<b>4</b>
	<b>0</b>	<b>2</b>	<b>0</b>	<b>4</b>	<b>0</b>	<b>0</b>	<b>0</b>	<b>6</b>
	<b>0</b>	<b>2</b>	<b>0</b>	<b>0</b>	<b>6</b>	<b>0</b>	<b>0</b>	<b>8</b>
	<b>0</b>	<b>0</b>	<b>4</b>	<b>2</b>	<b>0</b>	<b>0</b>	<b>0</b>	<b>6</b>
	<b>0</b>	<b>0</b>	<b>4</b>	<b>0</b>	<b>2</b>	<b>2</b>	<b>0</b>	<b>8</b>
	<b>0</b>	<b>0</b>	<b>4</b>	<b>0</b>	<b>0</b>	<b>8</b>	<b>0</b>	<b>12</b>
	<b>0</b>	<b>0</b>	<b>0</b>	<b>6</b>	<b>2</b>	<b>2</b>	<b>2</b>	<b>12</b>
	<b>0</b>	<b>0</b>	<b>0</b>	<b>8</b>	<b>0</b>	<b>2</b>	<b>0</b>	<b>10</b>
	<b>0</b>	<b>0</b>	<b>0</b>	<b>0</b>	<b>14</b>	<b>0</b>	<b>0</b>	<b>14</b>
<b>0</b>	<b>0</b>	<b>0</b>	<b>0</b>	<b>0</b>	<b>16</b>	<b>0</b>	<b>16</b>	

**Notes:**

1. Piping larger than 4" in diameter is not permitted in a channel support system.
2. Channel support systems shall be limited to eight (8) pipes per channel and two (2) channels (levels) per support system.
3. Smaller pipes can be substituted for larger pipes. For example two 3/4" pipes may be installed in lieu of two 1" pipes, or 2" in lieu of 3", etc.
4. Spacing shall be in accordance with requirements for the smallest supported pipe. Refer to other specification sections for spacing requirements. If spacing requirements are not indicated comply with MSS SP-69.

C. Metal Framing Systems:

1. Available Manufacturers:
  - a. Anvil International; a subsidiary of Mueller Water Products Inc.
  - b. Empire Industries, Inc.
  - c. ERICO International Corporation.
  - d. Haydon Corporation; H-Strut Division.
  - e. NIBCO INC.
  - f. PHD Manufacturing, Inc.
  - g. PHS Industries, Inc.

FIRE STATIONS RENOVATION  
ARLINGTON COUNTY, VIRGINIA  
Architect's Project No: 563006

2. Description: Shop- or field-fabricated pipe-support assembly made of steel channels, accessories, fittings, and other components for supporting multiple parallel pipes.
3. Standard: Comply with MFMA-4.
4. Channels: Continuous slotted steel channel with inturned lips.
5. Channel Nuts: Formed or stamped steel nuts or other devices designed to fit into channel slot and, when tightened, prevent slipping along channel.
6. Hanger Rods: Continuous-thread rod, nuts, and washer made of carbon steel.
7. Coating: Zinc.

### 2.3 THERMAL-HANGER SHIELD INSERTS

#### A. Available Manufacturers:

1. Carpenter & Paterson, Inc.
2. Clement Support Services.
3. ERICO International Corporation.
4. National Pipe Hanger Corporation.
5. PHS Industries, Inc.
6. Pipe Shields, Inc.; a subsidiary of Piping Technology & Products, Inc.
7. Piping Technology & Products, Inc.
8. Rilco Manufacturing Co., Inc.
9. Value Engineered Products, Inc.

B. Insulation-Insert Material for Cold Piping: ASTM C 552, Type II cellular glass with 100-psig or ASTM C 591, Type VI, Grade 1 polyisocyanurate with 125-psig minimum compressive strength and vapor barrier.

C. Insulation-Insert Material for Hot Piping: Water-repellent treated, ASTM C 533, Type I calcium silicate with 100-psig, ASTM C 552, Type II cellular glass with 100-psig, or ASTM C 591, Type VI, Grade 1 polyisocyanurate with 125-psig minimum compressive strength.

D. For Trapeze or Clamped Systems: Insert and shield shall cover entire circumference of pipe.

E. For Clevis or Band Hangers: Insert and shield shall cover lower 180 degrees of pipe.

F. Insert Length: Extend 2" beyond sheet metal shield for piping operating below ambient air temperature.

### 2.4 PIPE STANDS

A. General Requirements for Pipe Stands: Shop- or field-fabricated assemblies made of manufactured corrosion-resistant components to support roof-mounted piping.

B. Compact Pipe Stand: One-piece plastic unit with integral-rod roller, pipe clamps, or V-shaped cradle to support pipe, for roof installation without membrane penetration.

C. Curb Mounted Pipe Stands: Shop- or field-fabricated pipe supports made from structural-steel shapes, continuous-thread rods, and rollers, for mounting on permanent stationary roof curb.

FIRE STATIONS RENOVATION  
ARLINGTON COUNTY, VIRGINIA  
Architect's Project No: 563006

2.5 EQUIPMENT SUPPORTS

- A. Description: Welded, shop or field fabricated equipment support made from structural carbon-steel shapes unless indicated otherwise.

2.6 MISCELLANEOUS MATERIALS

- A. Structural Steel: ASTM A 36/A 36M, carbon-steel plates, shapes, and bars; black and galvanized.
- B. Grout: ASTM C 1107, factory-mixed and -packaged, dry, hydraulic-cement, nonshrink and nonmetallic grout; suitable for interior and exterior applications.
  - 1. Properties: Nonstaining, noncorrosive, and nongaseous.
  - 2. Design Mix: 5000-psi, 28-day compressive strength.

PART 3 - EXECUTION

3.1 HANGER AND SUPPORT INSTALLATION

- A. Metal Pipe-Hanger Installation: Comply with MSS SP-69 and MSS SP-89. Provide hangers, supports, clamps, and attachments as required to properly support piping from the building structure.
- B. Metal Trapeze Pipe-Hanger Installation: Comply with MSS SP-69, MSS SP-89, and Table above. Arrange for grouping of parallel runs of horizontal piping, and support together on field-fabricated trapeze pipe hangers.
- C. Metal Framing System Installation: Arrange for grouping of parallel runs of piping, and support together on field-assembled metal framing systems.
- D. Thermal-Hanger Shield Installation: Provide in pipe hanger or shield for insulated piping.
- E. Pipe Stand Installation: Assemble components and mount on smooth roof surface. Do not penetrate roof membrane.
- F. Provide hangers and supports complete with necessary attachments, inserts, bolts, rods, nuts, washers, and other accessories.
- G. Equipment Support Installation: Fabricate from welded-structural-steel shapes.
- H. Provide hangers and supports to allow controlled thermal and seismic movement of piping systems, to permit freedom of movement between pipe anchors, and to facilitate action of expansion joints, expansion loops, expansion bends, and similar units.
- I. Provide lateral bracing with pipe hangers and supports to prevent swaying.
- J. Provide building attachments within concrete slabs or attach to structural steel. Building attachments may not used on steel joists unless otherwise indicated. Provide additional attachments

**FIRE STATIONS RENOVATION  
ARLINGTON COUNTY, VIRGINIA  
Architect's Project No: 563006**

at concentrated loads, including valves, flanges, and strainers, 2-1/2" and larger and at changes in direction of piping. Provide concrete inserts before concrete is placed; fasten inserts to forms and provide reinforcing bars through openings at top of inserts.

- K. Load Distribution: Provide hangers and supports so that piping live and dead loads and stresses from movement will not be transmitted to connected equipment.
- L. Pipe Slopes: Provide hangers and supports to provide indicated pipe slopes and to not exceed maximum pipe deflections allowed by ASME B31.9 for building services piping.
- M. Insulated Piping:
  - 1. Attach clamps and spacers to piping.
    - a. Piping Operating above Ambient Air Temperature: Clamp may project through insulation.
    - b. Piping Operating below Ambient Air Temperature: Provide thermal-hanger shield insert with clamp sized to match OD of insert.
    - c. Do not exceed pipe stress limits allowed by ASME B31.9 for building services piping.
  - 2. Provide MSS SP-58, Type 39, protection saddles if insulation without vapor barrier is indicated. Fill interior voids with insulation that matches adjoining insulation.
  - 3. Provide MSS SP-58, Type 40, protective shields on cold piping with vapor barrier. Shields shall span an arc of 180 degrees.
  - 4. Shield Dimensions for Pipe: Not less than the following:
    - a. Pipe 1/4" to 3-1/2": 12 inches long and 0.048 inch thick.
    - b. Pipe 4": 12 inches long and 0.06 inch thick.
    - c. Pipe 5" and 6": 18 inches long and 0.06 inch thick.
    - d. Pipe 8" to 14": 24 inches long and 0.075 inch thick.
  - 5. Pipes 8" and Larger: Include wood or reinforced calcium-silicate-insulation inserts of length at least as long as protective shield.
  - 6. Thermal-Hanger Shields: Provide with insulation same thickness as piping insulation.

### 3.2 EQUIPMENT SUPPORTS

- A. Fabricate structural-steel stands to suspend equipment from structure overhead or to support equipment above floor.
- B. Grouting: Place grout under supports for equipment and make bearing surface smooth.
- C. Provide lateral bracing, to prevent swaying, for equipment supports.

### 3.3 METAL FABRICATIONS

- A. Cut, drill, and fit miscellaneous metal fabrications for trapeze pipe hangers and equipment supports.
- B. Fit exposed connections together to form hairline joints. Field weld connections that cannot be shop welded because of shipping size limitations.

FIRE STATIONS RENOVATION  
ARLINGTON COUNTY, VIRGINIA  
Architect's Project No: 563006

- C. Field Welding: Comply with AWS D1.1/D1.1M procedures for shielded, metal arc welding; appearance and quality of welds; and methods used in correcting welding work; and with the following:
  - 1. Provide materials and methods that minimize distortion and develop strength and corrosion resistance of base metals.
  - 2. Obtain fusion without undercut or overlap.
  - 3. Remove welding flux immediately.
  - 4. Finish welds at exposed connections so no roughness shows after finishing and so contours of welded surfaces match adjacent contours.

### 3.4 ADJUSTING

- A. Hanger Adjustments: Adjust hangers to distribute loads equally on attachments and to achieve indicated slope of pipe.
- B. Trim excess length of continuous-thread hanger and support rods to 1-1/2 inches.

### 3.5 PAINTING

- A. Touchup: Unless otherwise indicated clean field welds and abraded areas of shop paint. Paint exposed areas immediately after erecting hangers and supports. Provide same materials as used for shop painting. Comply with SSPC-PA 1 requirements for touching up field-painted surfaces.
  - 1. Apply paint by brush or spray to provide a minimum dry film thickness of 2.0 mils.
- B. Galvanized Surfaces: Clean welds, bolted connections, and abraded areas and immediately apply galvanizing-repair paint. Paint shall comply with ASTM A 780.

### 3.6 HANGER AND SUPPORT SCHEDULE

- A. Specific hanger and support requirements are in Sections specifying piping systems and equipment.
- B. Comply with MSS SP-69 for pipe-hanger selections and applications that are not specified in piping system Sections.
- C. Provide hangers and supports with galvanized metallic coatings for piping and equipment that will not have field-applied finish.
- D. Provide nonmetallic coatings on attachments for electrolytic protection where attachments are in direct contact with copper tubing.
- E. Provide copper-plated pipe hangers and copper attachments for copper piping and tubing.
- F. Provide padded hangers for piping that is subject to scratching.
- G. Provide thermal-hanger shield inserts for insulated piping and tubing.

FIRE STATIONS RENOVATION  
ARLINGTON COUNTY, VIRGINIA  
Architect's Project No: 563006

H. Horizontal-Piping Hangers and Supports: Unless otherwise indicated provide the following:

1. Adjustable, Steel Clevis Hangers (MSS Type 1): For suspension of stationary pipes ½” to 30”.
2. Yoke-Type Pipe Clamps (MSS Type 2): For suspension of up to 1050 deg F pipes 4” to 14”, requiring up to 4” of insulation.
3. Carbon- or Alloy-Steel, Double-Bolt Pipe Clamps (MSS Type 3): For suspension of pipes ¾” to 14”, requiring clamp flexibility and up to 4 inches of insulation.
4. Steel Pipe Clamps (MSS Type 4): For suspension of cold and hot pipes ½” to 14” if little or no insulation is required.
5. Pipe Hangers (MSS Type 5): For suspension of pipes ½” to 4”, to allow off-center closure for hanger installation before pipe erection.
6. Adjustable, Swivel Split- or Solid-Ring Hangers (MSS Type 6): For suspension of noninsulated, stationary pipes ¾” to 8”.
7. Adjustable, Steel Band Hangers (MSS Type 7): For suspension of noninsulated, stationary pipes ½” to 8”.
8. Adjustable Band Hangers (MSS Type 9): For suspension of noninsulated, stationary pipes ½” to 8”.
9. Adjustable, Swivel-Ring Band Hangers (MSS Type 10): For suspension of noninsulated, stationary pipes ½” to 8”.
10. Split Pipe Ring with or without Turnbuckle Hangers (MSS Type 11): For suspension of noninsulated, stationary pipes ½” to 8”.
11. Extension Hinged or Two-Bolt Split Pipe Clamps (MSS Type 12): For suspension of noninsulated, stationary pipes NPS ½” to 3”.
12. U-Bolts (MSS Type 24): For support of heavy pipes ½” to 14”.
13. Clips (MSS Type 26): For support of insulated pipes not subject to expansion or contraction.
14. Pipe Saddle Supports (MSS Type 36): For support of pipes 4” to 14”, with steel-pipe base stanchion support and cast-iron floor flange or carbon-steel plate.
15. Pipe Stanchion Saddles (MSS Type 37): For support of pipes 4” to 14”, with steel-pipe base stanchion support and cast-iron floor flange or carbon-steel plate, and with U-bolt to retain pipe.
16. Adjustable Pipe Saddle Supports (MSS Type 38): For stanchion-type support for pipes 2-½” to 14” if vertical adjustment is required, with steel-pipe base stanchion support and cast-iron floor flange.
17. Single-Pipe Rolls (MSS Type 41): For suspension of pipes 1” to 14”, from two rods if longitudinal movement caused by expansion and contraction might occur.
18. Adjustable Roller Hangers (MSS Type 43): For suspension of pipes 2-½” to 14”, from single rod if horizontal movement caused by expansion and contraction might occur.
19. Complete Pipe Rolls (MSS Type 44): For support of pipes 2” to 14” if longitudinal movement caused by expansion and contraction might occur but vertical adjustment is not necessary.
20. Pipe Roll and Plate Units (MSS Type 45): For support of pipes 2” to 14” if small horizontal movement caused by expansion and contraction might occur and vertical adjustment is not necessary.
21. Adjustable Pipe Roll and Base Units (MSS Type 46): For support of pipes 2” to 14” if vertical and lateral adjustment during installation might be required in addition to expansion and contraction.

I. Vertical-Piping Clamps: Unless otherwise indicated provide the following:



**FIRE STATIONS RENOVATION  
ARLINGTON COUNTY, VIRGINIA  
Architect's Project No: 563006**

1. Extension Pipe or Riser Clamps (MSS Type 8): For support of pipe risers ¾" to 14".
  2. Carbon- or Alloy-Steel Riser Clamps (MSS Type 42): For support of pipe risers ¾" to 14" if longer ends are required for riser clamps.
- J. Hanger-Rod Attachments: Unless otherwise indicated provide the following:
1. Steel Turnbuckles (MSS Type 13): For adjustment up to 6 inches for heavy loads.
  2. Steel Clevises (MSS Type 14): For 120 to 450 deg F piping installations.
  3. Swivel Turnbuckles (MSS Type 15): For use with MSS Type 11, split pipe rings.
  4. Malleable-Iron Sockets (MSS Type 16): For attaching hanger rods to various types of building attachments.
  5. Steel Weldless Eye Nuts (MSS Type 17): For 120 to 450 deg F piping installations.
  6. Flat Plate, Double Nut, and Washer as Detailed on Structural Drawings: For attaching to bar joists. Method of attachment to bar joists must be approved by the structural engineer and joist manufacturer.
- K. Building Attachments: Unless otherwise indicated provide the following:
1. Steel or Malleable Concrete Inserts (MSS Type 18): For upper attachment to suspend pipe hangers from concrete ceiling.
  2. Flat Plate, Double Nuts, and Washer as Detailed on Structural Drawings: For use under roof installations with bar-joist construction to attach to bottom chord of joist.
  3. Side-Beam or Channel Clamps (MSS Type 20): For attaching to bottom flange of beams, channels, or angles.
  4. Center-Beam Clamps (MSS Type 21): For attaching to center of bottom flange of beams.
  5. Welded Beam Attachments (MSS Type 22): For attaching to bottom of beams if loads are considerable and rod sizes are large.
  6. C-Clamps (MSS Type 23): For structural shapes.
  7. Top-Beam Clamps (MSS Type 25): For top of beams if hanger rod is required tangent to flange edge.
  8. Side-Beam Clamps (MSS Type 27): For bottom of steel I-beams.
  9. Steel-Beam Clamps with Eye Nuts (MSS Type 28): For attaching to bottom of steel I-beams for heavy loads.
  10. Linked-Steel Clamps with Eye Nuts (MSS Type 29): For attaching to bottom of steel I-beams for heavy loads, with link extensions.
  11. Malleable-Beam Clamps with Extension Pieces (MSS Type 30): For attaching to structural steel.
  12. Welded-Steel Brackets: For support of pipes from below or for suspending from above by using clip and rod. Provide one of the following for indicated loads:
    - a. Light (MSS Type 31): 750 lb.
    - b. Medium (MSS Type 32): 1500 lb.
    - c. Heavy (MSS Type 33): 3000 lb.
  13. Side-Beam Brackets (MSS Type 34): For sides of steel or wooden beams.
  14. Plate Lugs (MSS Type 57): For attaching to steel beams if flexibility at beam is required.
  15. Horizontal Travelers (MSS Type 58): For supporting piping systems subject to linear horizontal movement where headroom is limited.
- L. Saddles and Shields: Unless otherwise indicated provide the followings:

FIRE STATIONS RENOVATION  
ARLINGTON COUNTY, VIRGINIA  
Architect's Project No: 563006

1. Steel-Pipe-Covering Protection Saddles (MSS Type 39): To fill interior voids with insulation that matches adjoining insulation.
  2. Protection Shields (MSS Type 40): Of length recommended in writing by manufacturer to prevent crushing insulation.
  3. Thermal-Hanger Shield Inserts: For supporting insulated pipe.
- M. Spring Hangers and Supports: Unless otherwise indicated provide the following:
1. Restraint-Control Devices (MSS Type 47): To control pipe movement.
  2. Spring Cushions (MSS Type 48): For light loads if vertical movement does not exceed 1-1/4 inches.
  3. Spring-Cushion Roll Hangers (MSS Type 49): For equipping Type 41, roll hanger with springs.
  4. Spring Sway Braces (MSS Type 50): To retard sway, shock, vibration, or thermal expansion in piping systems.
  5. Variable-Spring Hangers (MSS Type 51): Preset to indicated load and limit variability factor to 25 percent to allow expansion and contraction of piping system from hanger.
  6. Variable-Spring Base Supports (MSS Type 52): Preset to indicated load and limit variability factor to 25 percent to allow expansion and contraction of piping system from base support.
  7. Variable-Spring Trapeze Hangers (MSS Type 53): Preset to indicated load and limit variability factor to 25 percent to allow expansion and contraction of piping system from trapeze support.
  8. Constant Supports: For critical piping stress and if necessary to avoid transfer of stress from one support to another support, critical terminal, or connected equipment. Include auxiliary stops for erection, hydrostatic test, and load-adjustment capability. These supports include the following types:
    - a. Horizontal (MSS Type 54): Mounted horizontally.
    - b. Vertical (MSS Type 55): Mounted vertically.
    - c. Trapeze (MSS Type 56): Two vertical-type supports and one trapeze member.
- N. Comply with MSS SP-69 for trapeze pipe-hanger selections and applications that are not specified in piping system Sections.
- O. Comply with MFMA-103 for metal framing system selections and applications that are not specified in piping system Sections.
- P. Provide powder-actuated fasteners or mechanical-expansion anchors instead of building attachments where indicated in concrete construction.

END OF SECTION 220529

FIRE STATIONS RENOVATION  
ARLINGTON COUNTY, VIRGINIA  
Architect's Project No: 563006

SECTION 220553 - IDENTIFICATION FOR PLUMBING PIPING AND EQUIPMENT

PART 1 - GENERAL

1.1 RELATED DOCUMENTS

- A. Provisions of the Contract and of the Contract Documents apply to this Section.

1.2 SUBMITTALS

- A. Product Data: For each type of product indicated.
- B. Equipment Label Schedule: Include a listing of all equipment to be labeled with the proposed content for each label.
- C. Valve Schedules: For each piping system to include in maintenance manuals.

1.3 QUALITY ASSURANCE

- A. ASME Compliance: Comply with ASME A13.1, "Scheme for the Identification of Piping Systems," for letter size, length of color field, colors, and viewing angles of identification devices for piping.

1.4 COORDINATION

- A. Coordinate installation of identifying devices with completion of covering and painting of surfaces where devices are to be applied.
- B. Coordinate installation of identifying devices with locations of access panels and doors.
- C. Install identifying devices before installing acoustical ceilings and similar concealment.

PART 2 - PRODUCTS

2.1 EQUIPMENT LABELS

- A. Metal Labels for Equipment:
  - 1. Material and Thickness: Brass, Aluminum, or anodized aluminum, 0.032-inch minimum thickness, and having predrilled or stamped holes for attachment hardware.
  - 2. Minimum Label Size: Length and width vary for required label content, but not less than 2-1/2 by 3/4 inch.
  - 3. Minimum Letter Size: 1/4 inch for name of units if viewing distance is less than 24 inches, 1/2 inch for viewing distances up to 72 inches, and proportionately larger lettering for greater viewing distances. Include secondary lettering two-thirds to three-fourths the size of principal lettering.
  - 4. Fasteners: Stainless-steel rivets or self-tapping screws.

FIRE STATIONS RENOVATION  
ARLINGTON COUNTY, VIRGINIA  
Architect's Project No: 563006

5. Adhesive: Contact-type permanent adhesive, compatible with label and with substrate.

B. Plastic Labels for Equipment:

1. Material and Thickness: Multilayer, multicolor, plastic labels for mechanical engraving, 1/16 inch thick, and having predrilled holes for attachment hardware.
2. Letter Color: White.
3. Background Color: Black.
4. Maximum Temperature: Able to withstand temperatures up to 160 deg F.
5. Minimum Label Size: Length and width vary for required label content, but not less than 2-1/2 by 3/4 inch.
6. Minimum Letter Size: 1/4 inch for name of units if viewing distance is less than 24 inches, 1/2 inch for viewing distances up to 72 inches, and proportionately larger lettering for greater viewing distances. Include secondary lettering two-thirds to three-fourths the size of principal lettering.
7. Fasteners: Stainless-steel rivets or self-tapping screws.
8. Adhesive: Contact-type permanent adhesive, compatible with label and with substrate.

C. Label Content: Include equipment's Drawing designation or unique equipment number, Drawing numbers where equipment is indicated (plans, details, and schedules), plus the Specification Section number and title where equipment is specified.

D. Equipment Label Schedule: For each item of equipment to be labeled, on 8-1/2-by-11-inch bond paper. Tabulate equipment identification number and identify Drawing numbers where equipment is indicated (plans, details, and schedules), plus the Specification Section number and title where equipment is specified. Equipment schedule shall be included in operation and maintenance data.

2.2 WARNING SIGNS AND LABELS

A. Material and Thickness: Multilayer, multicolor, plastic labels for mechanical engraving, 1/16 inch thick, and having predrilled holes for attachment hardware.

B. Letter Color: White.

C. Background Color: Red.

D. Maximum Temperature: Able to withstand temperatures up to 160 deg F.

E. Minimum Label Size: Length and width vary for required label content, but not less than 2-1/2 by 3/4 inch.

F. Minimum Letter Size: 1/4 inch for name of units if viewing distance is less than 24 inches, 1/2 inch for viewing distances up to 72 inches, and proportionately larger lettering for greater viewing distances. Include secondary lettering two-thirds to three-fourths the size of principal lettering.

G. Fasteners: Stainless-steel rivets or self-tapping screws.

FIRE STATIONS RENOVATION  
ARLINGTON COUNTY, VIRGINIA  
Architect's Project No: 563006

- H. Adhesive: Contact-type permanent adhesive, compatible with label and with substrate.
- I. Label Content: Include caution and warning information, plus emergency notification instructions.

### 2.3 PIPE LABELS

- A. General Requirements for Manufactured Pipe Labels: Preprinted, color-coded, with lettering indicating service, and showing flow direction.
- B. Pretensioned Pipe Labels: Precoiled, semirigid plastic formed to cover full circumference of pipe and to attach to pipe without fasteners or adhesive.
- C. Self-Adhesive Pipe Labels: Printed plastic with contact-type, permanent-adhesive backing.
- D. Pipe Label Contents: Include identification of piping service using same designations or abbreviations as used on Drawings, pipe size, and an arrow indicating flow direction.
  - 1. Flow-Direction Arrows: Integral with piping system service lettering to accommodate both directions, or as separate unit on each pipe label to indicate flow direction.
  - 2. Lettering Size: At least 1-1/2 inches high.

### 2.4 STENCILS

- A. Stencils: Prepared with letter sizes according to ASME A13.1 for piping; minimum letter height of 1-1/4 inches for ducts; and minimum letter height of 3/4 inch for access panel and door markers, equipment markers, equipment signs, and similar operational instructions.
  - 1. Stencil Material: Metal or fiberboard.
  - 2. Stencil Paint: Exterior, gloss, black, unless otherwise indicated. Paint shall be low VOC and shall meet the requirements of section 09910. Paint may be in pressurized spray-can form.
  - 3. Identification Paint: Exterior, in colors according to ASME A13.1, unless otherwise indicated. Paint shall be low VOC and shall meet the requirements of section 09910.

### 2.5 VALVE TAGS

- A. Valve Tags: Stamped or engraved with 1/4-inch letters for piping system abbreviation and 1/2-inch numbers, numbering scheme approved by Architect. Provide 5/32-inch hole for fastener.
  - 1. Material: 0.032-inch- thick brass or
  - 2. Material: 0.0375-inch- thick stainless steel or
  - 3. Material: 3/32-inch- thick laminated plastic with 2 black surfaces and white inner layer.
- B. Valve-Tag Fasteners: Brass wire-link or beaded chain; or S-hook.

### 2.6 VALVE SCHEDULES

FIRE STATIONS RENOVATION  
ARLINGTON COUNTY, VIRGINIA  
Architect's Project No: 563006

- A. Valve Schedules: For each piping system, on standard-size bond paper. Tabulate valve number, piping system, system abbreviation (as shown on valve tag), location of valve (room or space), normal-operating position (open, closed, or modulating), and variations for identification. Mark valves for emergency shutoff and similar special uses.
1. Valve-Schedule Frames: Glazed display frame for removable mounting on masonry walls for each page of valve schedule. Include mounting screws and hangers.
  2. Frame: Finished hardwood or extruded aluminum.
  3. Glazing: ASTM C 1036, Type I, Class 1, Glazing Quality B, 2.5-mm, single-thickness glass.

2.7 WARNING TAGS

- A. Warning Tags: Preprinted or partially preprinted, accident-prevention tags, of plasticized card stock with matte finish suitable for writing.
1. Size: 3 by 5-1/4 inches minimum.
  2. Fasteners: Brass grommet and wire.
  3. Nomenclature: Large-size primary caption such as "DANGER," "CAUTION," or "DO NOT OPERATE."
  4. Color: Yellow background with black lettering.

PART 3 - EXECUTION

3.1 PREPARATION

- A. Clean piping and equipment surfaces of substances that could impair bond of identification devices, including dirt, oil, grease, release agents, and incompatible primers, paints, and encapsulants.

3.2 EQUIPMENT LABEL INSTALLATION

- A. Install and permanently fasten equipment nameplates on each major item of plumbing equipment that does not have nameplate, or has a nameplate that is damaged or located where not easily visible. Locate nameplates where easily visible. Include nameplates for the following general categories of equipment:
1. Pumps, compressors, and other motor-driven equipment.
  2. Water heaters and storage tanks.
- B. Install equipment markers with permanent adhesive on or near each major item of mechanical equipment. Data required for markers may be included on signs, and markers may be omitted if both are indicated.
1. Letter Size: Minimum 1/4 inch for name of units if viewing distance is less than 24 inches, 1/2 inch for viewing distances up to 72 inches, and proportionately larger lettering for greater viewing distances. Include secondary lettering two-thirds to three-fourths the size of principal lettering.

FIRE STATIONS RENOVATION  
ARLINGTON COUNTY, VIRGINIA  
Architect's Project No: 563006

2. Data: Distinguish among multiple units, indicate operational requirements, indicate safety and emergency precautions, warn of hazards and improper operations, and identify units.
  3. Locate markers where accessible and visible. Include markers for the following general categories of equipment:
    - a. Meters, gages, and thermometers.
    - b. Pumps, compressors, and other motor-driven equipment.
    - c. Water heaters and storage tanks.
- C. Install equipment signs with screws or permanent adhesive on or near each major item of mechanical equipment. Locate signs where easily visible.
1. Identify mechanical equipment with equipment markers in the following color codes:
    - a. Green: For cooling equipment and components.
    - b. Yellow: For heating equipment and components.
    - c. Orange: For combination cooling and heating equipment and components.
    - d. Brown: For energy-reclamation equipment and components.
    - e. Blue: For equipment not listed in a through d
  2. Letter Size: Minimum 1/4 inch for name of units if viewing distance is less than 24 inches, 1/2 inch for viewing distances up to 72 inches, and proportionately larger lettering for greater viewing distances. Include secondary lettering two-thirds to three-fourths the size of principal lettering.
  3. Data: Distinguish among multiple units, indicate operational requirements, indicate safety and emergency precautions, warn of hazards and improper operations, and identify units.
- D. Install access panel markers with screws on equipment access panels.

### 3.3 PIPE LABEL INSTALLATION

- A. Piping Color-Coding: Painting of piping is specified in other sections.
- B. Locate pipe labels where piping is exposed or above accessible ceilings in finished spaces; machine rooms; accessible maintenance spaces such as shafts, tunnels, and plenums; and exterior exposed locations as follows:
1. Near each valve and control device.
  2. Near each branch connection, excluding short takeoffs for fixtures and terminal units. Where flow pattern is not obvious, mark each pipe at branch.
  3. Near penetrations through walls, floors, ceilings, and inaccessible enclosures.
  4. At access doors, manholes, and similar access points that permit view of concealed piping.
  5. Near major equipment items and other points of origination and termination.
  6. Spaced at maximum intervals of 25 feet.
  7. On piping above removable acoustical ceilings. Omit intermediately spaced labels.
- C. Pipe Label Color Schedule:

FIRE STATIONS RENOVATION  
ARLINGTON COUNTY, VIRGINIA  
Architect's Project No: 563006

1. Domestic Cold Water Piping:
  - a. Background Color: Green.
  - b. Letter Color: White.
2. Domestic Hot Water Piping:
  - a. Background Color: Green.
  - b. Letter Color: White.
3. Sanitary Waste and Storm Drainage Piping:
  - a. Background Color: Green.
  - b. Letter Color: White.

3.4 VALVE-TAG INSTALLATION

- A. Install tags on valves and control devices in piping systems, except check valves; valves within factory-fabricated equipment units; plumbing fixture supply stops; shutoff valves; faucets; convenience and lawn-watering hose connections; and HVAC terminal devices and similar roughing-in connections of end-use fixtures and units. List tagged valves in a valve schedule.
- B. Valve-Tag Application Schedule: Tag valves according to size, shape, and color scheme and with captions similar to those indicated in the following:
  1. Valve-Tag Size and Shape:
    - a. Domestic Cold Water: 1 ½", round.
    - b. Domestic Hot Water: 1 ½", round.
    - c. Domestic Hot Water Recirculation: 1 ½", round.
  2. Valve-Tag Color:
    - a. Domestic Cold Water: Blue.
    - b. Domestic Hot Water: Red.
    - c. Domestic Hot Water Recirculation: Red.
  3. Letter Color:
    - a. Domestic Cold Water: Black.
    - b. Domestic Hot Water: White.
    - c. Domestic Hot Water Recirculation: White.

3.5 VALVE SCHEDULE INSTALLATION

- A. Mount valve schedules on wall in accessible location in each major equipment room and where directed by owner.

3.6 WARNING-TAG INSTALLATION

- A. Write required message on, and attach warning tags to, equipment and other items where required.



FIRE STATIONS RENOVATION  
ARLINGTON COUNTY, VIRGINIA  
Architect's Project No: 563006

3.7 ADJUSTING

- A. Relocate mechanical identification materials and devices that have become visually blocked by other work.

3.8 CLEANING

- A. Clean faces of mechanical identification devices and glass fronts of valve schedules.

END OF SECTION 220553

FIRE STATIONS RENOVATION  
ARLINGTON COUNTY, VIRGINIA  
Architect's Project No: 563006

SECTION 220700 - PLUMBING INSULATION

PART 1 - GENERAL

1.1 RELATED DOCUMENTS

- A. Provisions of the Contract and of the Contract Documents apply to this Section.

1.2 DEFINITIONS

- A. Outdoor pipe: Pipe located outside the building insulation envelope.
- B. Plenum: An unoccupied space or void, on the conditioned side of the building insulation and vapor barrier, being used to return conditioned air to the inlet side of a return or exhaust fan either directly or via a duct connection. An example would be a space with air handling light fixtures or openings in the ceiling used to transport air through the ceiling and then to an open duct located above the ceiling in another location.
- C. Indirectly Conditioned Space: A space having no direct conditioning but, due to air movement induced by an exhaust, or return opening, is conditioned by makeup air from an adjacent space. An example would be a small toilet. Boiler rooms, fan rooms, and mechanical rooms do not qualify as indirectly conditioned spaces.
- D. Inside the Building Insulation Envelope: For the purposes of this section, boiler rooms, fan rooms, and mechanical rooms are considered to be OUTSIDE the building insulation envelope.
- E. Exposed: Visible from any angle without removal of building element or equipment.
- F. Concealed: Enclosed in building element or above ceiling such that it is not visible from any angle without removal of building element or equipment.

1.3 SUBMITTALS

- A. Product Data: Identify thermal conductivity, thickness, and jackets (both factory and field applied, if any), for each type of product indicated.
- B. LEED Submittal: Refer to Division 1 Section "Sustainable Design Requirements."
- C. Shop Drawings: Show fabrication and installation details for the following:
  - 1. Detail application of removable insulation covers.
  - 2. Detail application of protective shields, saddles, and inserts at hangers for each type of insulation and hanger.
  - 3. Detail attachment and covering of heat tracing inside insulation.
  - 4. Detail insulation application at pipe expansion joints for each type of insulation.
  - 5. Detail insulation application at elbows, fittings, flanges, valves, and specialties for each type of insulation.
  - 6. Detail removable insulation at piping specialties, equipment connections, and access panels.
  - 7. Detail application of field-applied jackets.
  - 8. Detail application at linkages of control devices.
  - 9. Detail field application for each equipment type.

FIRE STATIONS RENOVATION  
ARLINGTON COUNTY, VIRGINIA  
Architect's Project No: 563006

1.4 QUALITY ASSURANCE

- A. Fire-Test-Response Characteristics: Insulation and related materials shall have fire-test-response characteristics indicated, as determined by testing identical products per ASTM E 84, by a testing and inspecting agency acceptable to authorities having jurisdiction. Factory label insulation and jacket materials and adhesive, mastic, tapes, and cement material containers, with appropriate markings of applicable testing and inspecting agency.
  - 1. Insulation Installed Indoors: Flame-spread index of 25 or less, and smoke-developed index of 50 or less.
  - 2. Insulation Installed Outdoors: Flame-spread index of 75 or less, and smoke-developed index of 150 or less.

1.5 DELIVERY, STORAGE, AND HANDLING

- A. Packaging: Ship insulation materials in containers marked by manufacturer with type, grade, and maximum use temperature.
- B. Ship Insulated Piping System Components on pallets and wood supports. Securely fasten and protect from damage. Store off the ground and cover with opaque waterproof tarp to protect materials from sunlight and rain.

1.6 COORDINATION

- A. Coordinate size and location of supports, hangers, and insulation shields specified in Section "Hangers and Supports for HVAC Piping and Equipment."
- B. Coordinate clearance requirements with piping Installer for piping insulation, duct Installer for duct insulation, and equipment Installer for equipment insulation.
- C. Maintain clearances required for maintenance.
- D. Coordinate installation and testing of heat tracing.

PART 2 - PRODUCTS

2.1 MANUFACTURERS

- A. Available Manufacturers:
  - 1. Mineral-Fiber Insulation:
    - a. CertainTeed Manson.
    - b. Johns Manville
    - c. Knauf FiberGlass GmbH.
    - d. Owens-Corning Fiberglas Corp.
    - e. Schuller International, Inc.
  - 2. Flexible Elastomeric Thermal Insulation:
    - a. Armstrong World Industries, Inc.
    - b. Rubatex Corp.
  - 3. Removable Insulation Covers:
    - a. Advance Thermal Corp.

FIRE STATIONS RENOVATION  
ARLINGTON COUNTY, VIRGINIA  
Architect's Project No: 563006

2.2 INSULATION MATERIALS

- A. Comply with requirements in Part 3 schedule articles for where insulating materials shall be applied.
- B. Products shall not contain asbestos, lead, mercury, or mercury compounds.
- C. Products that come in contact with stainless steel shall have a leachable chloride content of less than 50 ppm when tested according to ASTM C 871.
- D. Insulation materials for use on austenitic stainless steel shall be qualified as acceptable according to ASTM C 795.
- E. Foam insulation materials shall not use CFC or HCFC blowing agents in the manufacturing process.
- F. Insulation products must be tested and determined compliant in accordance with California Department of Public Health (CDPH) Standard Method v1.1-2010, using the applicable exposure scenario. The default scenario is the private office scenario. The manufacturer's or third-party certification must state the exposure scenario used to determine compliance. Claims of compliance for wet-applied products must state the amount applied in mass per surface area. Manufacturers' claims of compliance with the above requirements must also state the range of total VOCs after 14 days (336 hours), measured as specified in the CDPH Standard Method v1.1:
  - a. 0.5 mg/m<sup>3</sup> or less;
  - b. between 0.5 and 5.0 mg/m<sup>3</sup>; or
  - c. 5.0 mg/m<sup>3</sup> or more
- G. Mineral-Fiber Board: Glass fibers bonded with a thermosetting resin. Comply with ASTM C 612, Type IB, with factory applied FSK Jacket. Meet the requirements of ASTM C 1290, Type III, inorganic glass fibers bonded by a thermosetting resin to maximum service temperature of 250°F.. Faced insulation shall not exceed 25 Flame Spread, 50 Smoke Developed when tested in accordance with ASTM E84.
- H. Semi-Rigid Mineral-Fiber Board: Glass fibers bonded with a thermosetting resin. Comply with ASTM C 1136, Type I, II, III, & IV with factory applied all-service jacket (ASJ) or Type II, IV with factory applied Foil Scrim Kraft (FSK) jacket.
- I. Mineral-Fiber Blanket with Factory Applied FSK Jacket: Meet the requirements of ASTM C 1290, Type III, inorganic glass fibers bonded by a thermosetting resin with a multi-purpose foil-scrim kraft (FSK) jacket to maximum service temperature of 250°F. FSK shall meet the requirements of ASTM C 1136, Type II, when surface burning characteristics are determined in accordance with ASTM E 84 with the foil surface of the material exposed to the flame as it is in the final composite. Composite (insulation, facing and adhesive) shall not exceed 25 Flame Spread, 50 Smoke Developed when tested in accordance with ASTM E 84. Insulation properties shall be as follows:
  - 1. Thickness: 1-1/2"
    - a. Density: 0.75 pcf
    - b. Minimum uncompressed R value: 5.0
    - c. Minimum installed R value assuming 25% compression: 4.0
  - 2. Thickness: 2"
    - a. Density: 1.0 pcf
    - b. Minimum uncompressed R value: 7.4

FIRE STATIONS RENOVATION  
ARLINGTON COUNTY, VIRGINIA  
Architect's Project No: 563006

- c. Minimum installed R value assuming 25% compression: 6.0
    - 3. Alternate to 2" 1.0 pcf: Thickness: 2.2"
      - a. Density: 0.75 pcf
      - b. Minimum uncompressed R value: 7.4
      - c. Minimum installed R value assuming 25% compression: 6.0
    - 4. Thickness: 3"
      - a. Density: 0.75 pcf
      - b. Minimum uncompressed R value: 10.0
      - c. Minimum installed R value assuming 25% compression: 8.3
  - J. Medium Temperature Mineral-Fiber Blanket for Operating Temperatures from 250 to 850 deg F: Glass fibers bonded with a thermosetting resin. Comply with ASTM C 553, Type II, without facing and with all-service jacket manufactured from kraft paper, reinforcing scrim, aluminum foil, and vinyl film.
  - K. High Temperature Mineral-Fiber Blanket for Temperatures above 850 deg F: Glass fibers bonded with a thermosetting resin. Comply with ASTM C 553, Type V, without facing and with all-service jacket manufactured from kraft paper, reinforcing scrim, aluminum foil, and vinyl film.
  - L. Mineral-Fiber Pipe Insulation: Glass fibers bonded with a thermosetting resin complying with the following:
    - 1. Preformed Pipe Insulation: Comply with ASTM C 547, Type 1, with factory-applied, all-purpose, vapor-retarder jacket.
    - 2. Semi-Rigid Mineral-Fiber Board: Glass fibers bonded with a thermosetting resin. Comply with ASTM C 1136, Type I, II, III, IV with factory applied all-service jacket (ASJ) or Type II, IV with factory applied Foil Scrim Kraft (FSK) jacket.
    - 3. Blanket Insulation: Comply with ASTM C 553, Type II, without facing.
    - 4. Mineral-Fiber Insulating Cements: Comply with ASTM C 195.
    - 5. Expanded or Exfoliated Vermiculite Insulating Cements: Comply with ASTM C 196.
    - 6. Mineral-Fiber, Hydraulic-Setting Insulating and Finishing Cement: Comply with ASTM C 449/C 449M.
  - M. Flexible Elastomeric: Closed-cell, sponge- or expanded-rubber materials. Comply with ASTM C 534, Type I for tubular materials and Type II for sheet materials.
    - 1. Adhesive: As recommended by insulation material manufacturer.
    - 2. Ultraviolet-Protective Coating: As recommended by insulation manufacturer.
  - N. Prefabricated Thermal Insulating Fitting Covers: Comply with ASTM C 450 for dimensions used in performing insulation to cover valves, elbows, tees, and flanges.
- 2.3 FIELD-APPLIED JACKETS
- A. General: ASTM C 921, Type 1, unless otherwise indicated.
  - B. Glass Cloth: Woven glass-fiber fabric, plain weave, minimum 8 ounces per square yard.
  - C. Foil and Paper Jacket: Laminated, glass-fiber-reinforced, flame-retardant kraft paper and aluminum foil.
  - D. PVC Jacket: High-impact, ultraviolet-resistant PVC; 20 mils thick; roll stock ready for shop or field cutting and forming.
    - 1. Adhesive: As recommended by insulation material manufacturer.

FIRE STATIONS RENOVATION  
ARLINGTON COUNTY, VIRGINIA  
Architect's Project No: 563006

2. PVC Duct Jacket Color: White or gray.
  3. PVC Pipe Jacket Color: Color-code piping jackets based on materials contained within the piping system.
- E. Aluminum Jacket: Deep corrugated sheets manufactured from aluminum alloy complying with ASTM B 209, and having an integrally bonded moisture barrier over entire surface in contact with insulation. Factory cut and rolled to indicated sizes. Comply with ASTM B 209, 3003 alloy, H-14 temper.
1. Finish and Thickness: Stucco-embossed finish, 0.016 inch thick.
  2. Moisture Barrier: 1-mil- thick, heat-bonded polyethylene and kraft paper.
  3. Elbows: Preformed, 45- and 90-degree, short- and long-radius elbows; same material, finish, and thickness as jacket.
- F. Heavy PVC Pipe Fitting Covers: Factory-fabricated fitting covers manufactured from 30-mil-thick, high-impact, ultraviolet-resistant PVC.
1. Shapes: 45- and 90-degree, short- and long-radius elbows, tees, valves, flanges, reducers, end caps, soil-pipe hubs, traps, mechanical joints, and P-trap and supply covers for lavatories for the disabled.
  2. Adhesive: As recommended by insulation material manufacturer.
- G. Standard PVC Pipe Fitting Covers: Factory-fabricated fitting covers manufactured from 20-mil- thick, high-impact, ultraviolet-resistant PVC.
1. Shapes: 45- and 90-degree, short- and long-radius elbows, tees, valves, flanges, reducers, end caps, soil-pipe hubs, traps, mechanical joints, and P-trap and supply covers for lavatories for the disabled.
  2. Adhesive: As recommended by insulation material manufacturer.

#### 2.4 REMOVABLE INSULATION COVERS

- A. Pre-manufactured easily removable insulation cover/blanket intended for insulation of equipment and devices requiring periodic maintenance.

#### 2.5 ACCESSORIES AND ATTACHMENTS

- A. Glass Cloth and Tape: Comply with MIL-C-20079H, Type I for cloth and Type II for tape. Woven glass-fiber fabrics, plain weave, presized a minimum of 8 oz./sq. yd..
1. Tape Width: 4 inches.
- B. Bands: 3/4 inch wide, in one of the following materials compatible with jacket:
1. Stainless Steel: ASTM A 666, Type 304; 0.020 inch thick.
  2. Galvanized Steel: 0.005 inch thick.
  3. Aluminum: 0.007 inch thick.
  4. Brass: 0.010 inch thick.
  5. Nickel-Copper Alloy: 0.005 inch thick.
- C. Wire: 0.080-inch, nickel-copper alloy; 0.062-inch, soft-annealed, stainless steel; or 0.062-inch, soft-annealed, galvanized steel.
- D. Weld-Attached Anchor Pins and Washers: Copper-coated steel pin for capacitor-discharge welding and galvanized speed washer. Pin length sufficient for insulation thickness indicated.

FIRE STATIONS RENOVATION  
ARLINGTON COUNTY, VIRGINIA  
Architect's Project No: 563006

1. Welded Pin Holding Capacity: 100 lb for direct pull perpendicular to the attached surface.
  - E. Adhesive-Attached Anchor Pins and Speed Washers: Galvanized steel plate, pin, and washer manufactured for attachment to duct, pipe, plenum and breeching with adhesive. Pin length sufficient for insulation thickness indicated.
    1. Adhesive: Recommended by the anchor pin manufacturer as appropriate for surface temperatures of ducts, pipes, plenums, and breechings; and to achieve a holding capacity of 100 lb. for direct pull perpendicular to the adhered surface.
  - F. Self-Adhesive Anchor Pins and Speed Washers: Galvanized steel plate, pin, and washer manufactured for attachment to duct, pipe, and plenum with adhesive. Pin length sufficient for insulation thickness indicated.
- 2.6 VAPOR RETARDERS
- A. Mastics: Materials recommended by insulation material manufacturer that are compatible with insulation materials, jackets, and substrates.
- 2.7 REMOVABLE INSULATION COVERS
- A. Pre-manufactured easily removable insulation cover/blanket intended for insulation of equipment and devices requiring periodic maintenance.

PART 3 - EXECUTION

3.1 EXAMINATION

- A. Examine substrates and conditions for compliance with requirements for installation and other conditions affecting performance of insulation application.
- B. Proceed with installation only after unsatisfactory conditions have been corrected.

3.2 PREPARATION

- A. Surface Preparation: Clean and dry surfaces to receive insulation. Remove materials that will adversely affect insulation application.

3.3 GENERAL APPLICATION REQUIREMENTS

- A. Apply insulation materials, accessories, and finishes according to the manufacturer's written instructions; with smooth, straight, and even surfaces; and free of voids throughout the length of piping, and fittings.
- B. Refer to schedules at the end of this Section for materials, forms, jackets, and thickness required for each system.
- C. Use accessories compatible with insulation materials and suitable for the service. Use accessories that do not corrode, soften, or otherwise attack insulation or jacket in either wet or dry state.
- D. Apply multiple layers of insulation with seams staggered.
- E. Do not weld brackets, clips, or other attachment devices to piping, fittings, and specialties.

FIRE STATIONS RENOVATION  
ARLINGTON COUNTY, VIRGINIA  
Architect's Project No: 563006

- F. Seal joints and seams with vapor-retarder mastic on insulation indicated to receive a vapor retarder.
- G. Keep insulation materials dry at all times. Insulation that becomes wet or is otherwise damaged beyond repair, shall be removed immediately and replaced. Replacement material and installation shall be in accordance with these specifications.
- H. Apply insulation with tight longitudinal seams and end joints. Bond seams and joints with adhesive recommended by the insulation material manufacturer.
- I. Apply insulation with the minimum number of joints practical.
- J. Apply insulation over fittings, valves, and specialties, with continuous thermal and vapor-retarder integrity, unless otherwise indicated.
- K. Refer to special instructions for applying insulation over fittings, valves, and specialties.
- L. Hangers and Anchors: Where vapor retarder is indicated, seal penetrations in insulation at hangers, supports, anchors, and other projections with vapor-retarder mastic.
  - 1. Apply insulation continuously through hangers and around anchor attachments.
  - 2. For insulation application where vapor retarders are indicated, extend insulation on anchor legs at least 12 inches from point of attachment to pipe and taper insulation ends. Seal tapered ends with a compound recommended by the insulation material manufacturer to maintain vapor retarder.
  - 3. Install insert materials and apply insulation to tightly join the insert. Seal insulation to insulation inserts with adhesive or sealing compound recommended by the insulation material manufacturer.
  - 4. Cover inserts with jacket material matching adjacent pipe insulation. Install shields over jacket, arranged to protect the jacket from tear or puncture by the hanger, support, and shield.
- M. Insulation Terminations: For insulation application where vapor retarders are indicated, seal ends with a compound recommended by the insulation material manufacturer to maintain vapor retarder.
- N. Apply insulation with integral jackets as follows:
  - 1. Pull jacket tight and smooth.
  - 2. Joints and Seams: Cover with tape and vapor retarder as recommended by insulation material manufacturer to maintain vapor seal.
  - 3. Vapor-Retarder Mastics: Where vapor retarders are indicated, apply mastic on seams and joints and at ends adjacent to duct flanges, pipe joints, and fittings.
- O. Cut insulation according to manufacturer's written instructions to prevent compressing insulation to less than 75 percent of its nominal thickness.
- P. Install vapor-retarder mastic on ducts, pipes, plenums, and equipment.
  - 1. Ducts, pipes, plenums, and equipment with Vapor Retarders: Overlap insulation facing at seams and seal with vapor-retarder mastic and pressure-sensitive tape having same facing as insulation. Repair punctures, tears, and penetrations with tape or mastic to maintain vapor-retarder seal.
  - 2. Ducts, pipes, plenums, and equipment without Vapor Retarders: Overlap insulation facing at seams and secure with outward clinching staples and pressure-sensitive tape having same facing as insulation.



FIRE STATIONS RENOVATION  
ARLINGTON COUNTY, VIRGINIA  
Architect's Project No: 563006

- Q. Roof Penetrations: Apply insulation for interior applications to a point even with top of roof flashing.
1. Seal penetrations with vapor-retarder mastic.
  2. Apply insulation for exterior applications tightly joined to interior insulation ends.
  3. Seal insulation to roof flashing with vapor-retarder mastic.
- R. Interior Wall and Partition Penetrations: Apply insulation continuously through walls and partitions, except fire-rated walls and partitions.
- S. Fire-Rated Wall and Partition Penetrations: Terminate insulation at fire/smoke damper sleeves for fire-rated wall and partition penetrations.
- T. Floor Penetrations: Terminate insulation at underside of floor assembly and at floor support at top of floor.
1. For insulation indicated to have vapor retarders, taper termination and seal insulation ends with vapor-retarder mastic.

3.4 MINERAL-FIBER INSULATION APPLICATION

- A. Blanket Applications for Ducts, Pipes, and Plenums: Secure blanket insulation with adhesive, and anchor pins with speed washers.
1. Apply adhesives according to manufacturer's recommended coverage rates per square foot, for 100 percent coverage of duct, pipe, and plenum surfaces.
  2. Apply adhesive to entire circumference of ducts & pipes and to all surfaces of fittings and transitions. Adhesive may be omitted from the top of horizontal rectangular ducts.
  3. Install anchor pins and speed washers on sides and bottom of horizontal ducts and sides of vertical ducts as follows:
    - a. On duct sides with dimensions 18 inches and smaller, along longitudinal centerline of duct. Space 3 inches maximum from insulation end joints, and 16 inches o.c.
    - b. On duct sides with dimensions larger than 18 inches. Space 16 inches o.c. each way, and 3 inches maximum from insulation joints. Apply additional pins and clips to hold insulation tightly against surface at cross bracing.
    - c. Anchor pins may be omitted from top surface of horizontal, rectangular ducts and plenums.
    - d. Do not compress insulation to less than 75% of its original thickness during installation.
  4. Install anchor pins and speed washers on sides, top, and bottom of horizontal pipes.
  5. Impale insulation over anchors and attach speed washers.
  6. Cut excess portion of pins extending beyond speed washers. Cover exposed pins and washers with tape matching insulation facing.
  7. Create a facing lap for longitudinal seams and end joints with insulation by removing 2 inches from one edge and one end of insulation segment. Secure laps to adjacent insulation segment with 1/2-inch staples, 1-inch o.c., and cover with pressure-sensitive tape having same facing as insulation.
  8. Overlap unfaced blankets a minimum of 2 inches on longitudinal seams and end joints. Secure with steel band at end joints and spaced a maximum of 18 inches o.c.
  9. Apply insulation on rectangular duct elbows, pipe fittings, and transitions with a full insulation segment for each surface. Apply insulation on round and flat-oval duct elbows, and pipe elbows, with individually mitered gores cut to fit the elbow.

FIRE STATIONS RENOVATION  
ARLINGTON COUNTY, VIRGINIA  
Architect's Project No: 563006

10. Insulate duct and pipe stiffeners, hangers, and flanges that protrude beyond the insulation surface with 6-inch- wide strips of the same material as insulation. Secure on alternating sides of stiffener, hanger, and flange with anchor pins spaced 6 inches o.c.
11. Apply vapor-retarder mastic to open joints, breaks, and punctures for insulation indicated to receive vapor retarder.

B. Board Applications for Ducts, Plenums, & Equipment: Secure board insulation with adhesive and anchor pins and speed washers.

1. Apply adhesives according to manufacturer's recommended coverage rates per square foot, for 100 percent coverage of duct, plenum, & equipment surfaces.
2. Apply adhesive to entire circumference of ducts and to all surfaces of fittings, transitions, and equipment. Adhesive may be omitted from top surface of horizontal rectangular ducts.
3. Space anchor pins as follows:
  - a. On duct & equipment sides with dimensions 18 inches and smaller, along longitudinal centerline of duct. Space 3 inches maximum from insulation end joints, and 16 inches o.c.
  - b. On duct & equipment sides with dimensions larger than 18 inches. Space 16 inches o.c. each way, and 3 inches maximum from insulation joints. Apply additional pins and clips to hold insulation tightly against surface at bracing.
  - c. Anchor pins may be omitted from top surface of horizontal, rectangular ducts and plenums.
  - d. Do not compress insulation to less than 75% of its original thickness during installation.
4. Cut excess portion of pins extending beyond speed washers. Cover exposed pins and washers with tape matching insulation facing.
5. Create a facing lap for longitudinal seams and end joints with insulation by removing 2 inches from one edge and one end of insulation segment. Secure laps to adjacent insulation segment with 1/2-inch staples, 1-inch o.c., and cover with pressure-sensitive tape having same facing as insulation.
6. Apply insulation on rectangular duct elbows and transitions with a full insulation segment for each surface. Groove and score insulation to fit as closely as possible to outside and inside radius of elbows. Apply insulation on round and flat-oval duct elbows with individually mitered gores cut to fit the elbow.
7. Insulate duct and equipment stiffeners, hangers, and flanges that protrude beyond the insulation surface with 6" wide strips of the insulating materia. Secure on alternating sides of stiffener, hanger, and flange with anchor pins spaced 6 inches o.c.
8. Apply vapor-retarder mastic to open joints, breaks, and punctures for insulation indicated to receive vapor retarder.

3.5 FLEXIBLE ELASTOMERIC THERMAL INSULATION APPLICATION

A. Apply insulation to ducts, plenums, and equipment as follows:

1. Follow the manufacturer's written instructions for applying insulation.
2. Seal longitudinal seams and end joints with manufacturer's recommended adhesive. Cement to avoid openings in insulation that will allow passage of air to the duct, plenum, and equipment surface.

FIRE STATIONS RENOVATION  
ARLINGTON COUNTY, VIRGINIA  
Architect's Project No: 563006

3.6 FIELD-APPLIED JACKET APPLICATION

- A. Apply glass-cloth jacket, where indicated, directly over bare insulation or insulation with factory-applied jackets.
  - 1. Apply jacket smooth and tight to surface with 2-inch overlap at seams and joints.
  - 2. Embed glass cloth between two 0.062-inch- thick coats of jacket manufacturer's recommended adhesive.
  - 3. Completely encapsulate insulation with jacket, leaving no exposed raw insulation.

3.7 FINISHES

- A. Glass-Cloth Jacketed Insulation: Paint insulation finished with glass-cloth jacket as indicated.
- B. Flexible Elastomeric Thermal Insulation: After adhesive has fully cured, apply two coats of insulation manufacturer's recommended protective coating.
- C. Color: Final color shall be as selected by Architect. Vary first and second coats to allow visual inspection of the completed Work.

3.8 APPLICATIONS

- A. Insulation materials and thickness are specified at the end of this Section.
- B. Insulate all pipe and equipment:
  - 1. Insulate pipe in accordance with the application schedule(s) below.
  - 2. Exceptions: Unless otherwise indicated, do not apply insulation to the following systems, materials, and equipment:
    - a. Vibration-control devices.
    - b. Testing agency labels and stamps.
    - c. Nameplates and data plates.
    - d. Manholes.
    - e. Handholes.
    - f. Cleanouts.
    - g. Plastic Condensate Drain piping.
    - h. Factory-insulated equipment.
    - i. Flexible connectors.

3.9 INDOOR APPLICATION SCHEDULE (ABOVE SLAB):

- A. Service: Domestic hot water and domestic circulated hot water.
  - 1. Insulation Material: Mineral fiber preformed or flexible elastomeric pipe insulation.
  - 2. Insulation Thickness: Apply the following insulation thicknesses:
    - a. Copper Pipe, ½" through 1½" in diameter: 1"
    - b. Copper Pipe, 1½" through 3" in diameter: 1 ½"
    - c. Copper Pipe, larger than 3" in diameter: 2"
  - 3. Vapor Retarder Required: No.
  - 4. Finish: Exposed = Painted, concealed = none.
- B. Service: Domestic cold water.
  - 1. Insulation Material: Mineral fiber preformed or flexible elastomeric pipe insulation.
  - 2. Insulation Thickness: ½"
  - 3. Vapor Retarder Required: Yes.

FIRE STATIONS RENOVATION  
ARLINGTON COUNTY, VIRGINIA  
Architect's Project No: 563006

4. Finish: Exposed = Painted, concealed = none.

C. Service: Rainwater conductors (Includes secondary roof drain conductors).

1. Insulation Material: Mineral fiber preformed pipe insulation or Mineral-Fiber Blanket with Factory Applied FSK Jacket.

2. Insulation Thickness: 1"

3. Vapor Retarder Required: Yes.

4. Finish: Exposed = Painted, concealed = none.

D. Service: Roof drain and overflow drain bodies.

1. Insulation Material: Semi-Rigid Mineral-Fiber Board Thermal Insulation

2. Insulation Thickness: 1½"

3. Vapor Retarder Required: Yes.

4. Finish: Exposed = Painted, concealed = none.

E. Service: Exposed piping:

1. Mineral fiber preformed pipe insulation with Factory Applied FSK Jacket.

2. Insulation Thickness: 1"

3. Vapor Retarder Required: Yes.

4. Finish: Exposed = Painted, concealed = none.

3.10 INDOOR APPLICATION SCHEDULE (BELOW SLAB):

1. None required.

END OF SECTION 220700

FIRE STATIONS RENOVATION  
ARLINGTON COUNTY, VIRGINIA  
Architect's Project No: 563006

---

SECTION 221113 – FACILITY NATURAL-GAS PIPING

1.1 RELATED DOCUMENTS

- A. Provisions of the Contract and of the Contract Documents apply to this Section.

1.2 DEFINITIONS

- A. Finished Spaces: Spaces other than mechanical and electrical equipment rooms, furred spaces, pipe and duct shafts, unheated spaces immediately below roof, spaces above ceilings, unexcavated spaces, crawlspaces, and tunnels.
- B. Exposed, Interior Installations: Exposed to view indoors. Examples include finished occupied spaces and mechanical equipment rooms.
- C. Exposed, Exterior Installations: Exposed to view outdoors or subject to outdoor ambient temperatures and weather conditions. Examples include rooftop locations.

1.3 PERFORMANCE REQUIREMENTS

- A. Minimum Operating-Pressure Ratings:
  - 1. Piping and Valves: 100 psig minimum unless otherwise indicated.
  - 2. Service Regulators: 65 psig minimum unless otherwise indicated.
  - 3. Service Meter: 65 psig minimum unless otherwise indicated.
- B. Gas System Pressures: Primary pressure from the utility is more than 2.0 psig and is reduced to a secondary pressure of 14in wc by a pressure reducing valve installed immediately downstream of the meter and is reduced again by pressure reducing valves located at each piece of equipment.

1.4 SUBMITTALS

- A. Product Data: For each type of the following:
  - 1. Piping specialties.
  - 2. Corrugated, stainless-steel tubing with associated components.
  - 3. Valves. Include pressure rating, capacity, settings, and electrical connection data of selected models.
  - 4. Pressure regulators. Indicate pressure ratings and capacities.
  - 5. Dielectric fittings.
- B. Operation and Maintenance Data: For motorized gas valves, pressure regulators, and to include in operation and maintenance manuals.

FIRE STATIONS RENOVATION  
ARLINGTON COUNTY, VIRGINIA  
Architect's Project No: 563006

---

1.5 QUALITY ASSURANCE

- A. Electrical Components and Devices: If indicated, provide electrical components and devices that are listed and labeled as defined in NFPA 70, Article 100, by testing agency acceptable to authorities having jurisdiction, and marked for intended use.
- B. Applicable Codes: Comply with the Virginia Uniform Statewide Building Code and the International Fuel Gas Code.
- C. Fuel Gas Piping: Listed and labeled as required by the International Fuel Gas Code.
- D. UL Standard: Provide components listed in UL's "Gas and Oil Equipment Directory" where UL listing is indicated.
- E. Steel Support Welding Qualifications: Qualify procedures and personnel according to AWS D1.1/D1.1M, "Structural Welding Code - Steel."
- F. Pipe Welding Qualifications: Qualify procedures and operators according to ASME Boiler and Pressure Vessel Code.

1.6 DELIVERY, STORAGE, AND HANDLING

- A. Handling Flammable Liquids: Remove and dispose of liquids from natural-gas piping according to requirements of authorities having jurisdiction.
- B. Deliver pipes and tubes with factory-applied end caps. Maintain end caps through shipping, storage, and handling to prevent pipe end damage and to prevent entrance of dirt, debris, and moisture.
- C. Store and handle pipes and tubes having factory-applied protective coatings to avoid damaging coating, and protect from direct sunlight.
- D. Protect stored PE pipes and valves from direct sunlight.

1.7 PROJECT CONDITIONS

- A. Perform site survey: Contract with utility-locating service for area where Project is located and locate utilities.
- B. Design values of fuel gas supplied for these systems are as follows:
  - 1. Nominal Heating Value: 1000 Btu/cu.ft.
  - 2. Nominal Specific Gravity: 0.6.
- C. Interruption of Natural-Gas Service: Do not interrupt natural-gas service to facilities occupied by Owner or others unless permitted under the following conditions and then only after arranging to provide purging and startup of natural-gas supply according to requirements indicated:

FIRE STATIONS RENOVATION  
ARLINGTON COUNTY, VIRGINIA  
Architect's Project No: 563006

---

1. Notify Owner and Architect no fewer than two days in advance of proposed interruption of natural-gas service.
2. Do not proceed with interruption of natural-gas service without Owner and Architect's written permission.

1.8 COORDINATION

- A. Coordinate sizes and locations of concrete bases with actual equipment provided.
- B. Coordinate requirements for access panels and doors for valves installed concealed behind finished surfaces.
- C. Coordinate with equipment and regulator manufacturer's recommendations and local utility service provider for final regulator and accessory selections.

PART 2 - PRODUCTS

2.1 PIPING MATERIALS

- A. Refer to Part 3 "Piping Applications" Article for applications of pipe, tube, fitting, and joining materials.

2.2 PIPES, TUBES, AND FITTINGS

- A. Steel Pipe: ASTM A 53/A 53M, black steel, Schedule 40, Type E or S, Grade B.
  1. Malleable-Iron Threaded Fittings: ASME B16.3, Class 150, standard pattern.
  2. Wrought-Steel Welding Fittings: ASTM A 234/A 234M for butt welding and socket welding.
  3. Unions: ASME B16.39, Class 150, malleable iron with brass-to-iron seat, ground joint, and threaded ends.
  4. Forged-Steel Flanges and Flanged Fittings: ASME B16.5, minimum Class 150, including bolts, nuts, and gaskets of the following material group, end connections, and facings:
    - a. Material Group: 1.1.
    - b. End Connections: Threaded or butt welding to match pipe.
    - c. Lapped Face: Not permitted underground.
    - d. Gasket Materials: ASME B16.20, metallic, flat, asbestos free, aluminum o-rings, and spiral-wound metal gaskets.
    - e. Bolts and Nuts: ASME B18.2.1, carbon steel aboveground and stainless steel underground.
  5. Protective Coating for Underground Piping: Factory-applied, three-layer coating of epoxy, adhesive, and PE.
    - a. Joint Cover Kits: Epoxy paint, adhesive, and heat-shrink PE sleeves.

2.3 PRE-SLEEVED CORRUGATED, STAINLESS-STEEL TUBING SYSTEMS

FIRE STATIONS RENOVATION  
ARLINGTON COUNTY, VIRGINIA  
Architect's Project No: 563006

---

A. Available Manufacturers:

1. Omega Flex, Inc.

B. Description: Comply with AGA LC 1 (ANSI LC-1) and include the following:

1. Tubing: Pre-sleeved with polyethylene, corrugated stainless steel with plastic jacket or coating.
2. Fittings: Copper alloy with ends made to fit corrugated tubing. Include ends with threads according to ASME B1.20.1 if connection to threaded pipe or fittings is required.
3. Striker Plates: Steel, designed to protect tubing from penetrations.
4. Manifolds: Malleable iron or steel with protective coating. Include threaded connections according to ASME B1.20.1 for pipe inlet and corrugated tubing outlets.

2.4 PROTECTIVE COATING

- A. Furnish pipe and fittings with factory-applied, corrosion-resistant polyethylene coating for use in corrosive atmosphere.

2.5 JOINING MATERIALS

- A. Joint Compound and Tape: Suitable for natural gas.
- B. Welding Filler Metals: Comply with AWS D10.12/D10.12M for welding materials appropriate for wall thickness and chemical analysis of steel pipe being welded.

2.6 VALVES

- A. Refer to section "General Duty Valves for Plumbing Piping".

2.7 PIPING SPECIALTIES

A. Appliance Flexible Connectors:

1. Indoor, Fixed-Appliance Flexible Connectors: Comply with ANSI Z21.24.
2. Indoor, Movable-Appliance Flexible Connectors: Comply with ANSI Z21.69.
3. Outdoor, Appliance Flexible Connectors: Comply with ANSI Z21.75.
4. Corrugated stainless-steel tubing with polymer coating.
5. Operating-Pressure Rating: 0.5 psig
6. End Fittings: Zinc-coated steel.
7. Threaded Ends: Comply with ASME B1.20.1.
8. Maximum Length: 72"

B. Y-Pattern Strainers:

1. Body: ASTM A 126, Class B, cast iron with bolted cover and bottom drain connection.
2. End Connections: Threaded ends for 2" and smaller; flanged ends for 2 1/2" and larger.



FIRE STATIONS RENOVATION  
ARLINGTON COUNTY, VIRGINIA  
Architect's Project No: 563006

---

3. Strainer Screen: 40-mesh startup strainer, and perforated stainless-steel basket with 50 percent free area.
4. CWP Rating: 125 psig.

C. Weatherproof Vent Cap: Cast- or malleable-iron increaser fitting with corrosion-resistant wire screen, with free area at least equal to cross-sectional area of connecting pipe and threaded-end connection.

## 2.8 SPECIALTY VALVES

A. Available Manufacturers:

1. ASCO General Controls.
2. Automatic Switch Co.
3. Eaton Corp.; Controls Div.
4. Honeywell, Inc.
5. Johnson Controls, Inc.

2.9 Valves, 2" and Smaller: Ball valves with threaded ends according to ASME B1.20.1 for pipe threads.

2.10 Valves, 2-1/2" and Larger: Butterfly valves for use with flanged ends according to ASME B16.5 for steel flanges.

## 2.11 PRESSURE REGULATORS

A. Available Manufacturers:

1. Line Pressure Regulators:
  - a. American Meter Co.
  - b. Donkin: Bryan Donkin RMG Canada, Ltd.
  - c. Eclipse Combustion, Inc.
  - d. Equimeter, Inc.
  - e. Fisher Controls International, Inc.
  - f. Maxitrol Co.
  - g. National Meter.
  - h. Richards Industries, Inc.; Jordan Valve Div.
  - i. Schlumberger Industries; Gas Div.

B. Description: Single stage and suitable for fuel gas service. Include steel jacket and corrosion-resistant components, elevation compensator, and atmospheric vent.

1. 2" and Smaller: Threaded ends according to ASME B1.20.1 for pipe threads.
2. 2 1/2" and Larger: Flanged ends according to ASME B16.5 for steel flanges and according to ASME B16.24 for copper and copper-alloy flanges.
3. Line Pressure Regulators: ANSI Z21.80 with 5-psig- minimum inlet pressure rating.

FIRE STATIONS RENOVATION  
ARLINGTON COUNTY, VIRGINIA  
Architect's Project No: 563006

---

4. Appliance Pressure Regulators: ANSI Z21.18 with 2-psig minimum inlet pressure. Regulator may include vent limiting device, instead of vent connection, if approved by authorities having jurisdiction. If vents are required provided piping necessary to extend to termination location outside the building as approved by the architect.
- C. Pressure Regulator Vents: Factory- or field-installed, corrosion-resistant screen in opening if not connected to vent piping. Extend to exterior of building and terminate in location approved by the architect.
- D. Appliance Pressure Regulators: Comply with ANSI Z21.18.
  1. Available Manufacturers:
    - a. Canadian Meter Company Inc.
    - b. Eaton Corporation; Controls Div.
    - c. Harper Wyman Co.
    - d. Maxitrol Company.
    - e. SCP, Inc.
  2. Body and Diaphragm Case: Die-cast aluminum.
  3. Springs: Zinc-plated steel; interchangeable.
  4. Diaphragm Plate: Zinc-plated steel.
  5. Seat Disc: Nitrile rubber.
  6. Seal Plug: Ultraviolet-stabilized, mineral-filled nylon.
  7. Factory-Applied Finish: Minimum three-layer polyester and polyurethane paint finish.
  8. Regulator may include vent limiting device, instead of vent connection, if approved by authorities having jurisdiction.
  9. Maximum Inlet Pressure: 2 psig.

## 2.12 DIELECTRIC FITTINGS

- A. Dielectric Unions:
  1. Available Manufacturers:
    - a. Capitol Manufacturing Company.
    - b. Central Plastics Company.
    - c. Hart Industries International, Inc.
    - d. McDonald, A. Y. Mfg. Co.
    - e. Watts Regulator Co.; Division of Watts Water Technologies, Inc.
    - f. Wilkins; Zurn Plumbing Products Group.
    - g. Conbraco Industries-Apollo
  2. Minimum Operating-Pressure Rating: 150 psig.
  3. Combination fitting of copper alloy and ferrous materials.
  4. Insulating materials suitable for natural gas.
  5. Combination fitting of copper alloy and ferrous materials with threaded, brazed-joint, plain, or welded end connections that match piping system materials.
- B. Dielectric Flanges:
  1. Available Manufacturers:

FIRE STATIONS RENOVATION  
ARLINGTON COUNTY, VIRGINIA  
Architect's Project No: 563006

---

- a. Capitol Manufacturing Company.
- b. Central Plastics Company.
- c. Watts Regulator Co.; Division of Watts Water Technologies, Inc.
- d. Wilkins; Zurn Plumbing Products Group.
2. Minimum Operating-Pressure Rating: 150 psig.
3. Combination fitting of copper alloy and ferrous materials.
4. Insulating materials suitable for natural gas.
5. Combination fitting of copper alloy and ferrous materials with threaded, brazed-joint, plain, or welded end connections that match piping system materials.

C. Dielectric-Flange Kits:

1. Available Manufacturers:
  - a. Advance Products & Systems, Inc.
  - b. Calpico Inc.
  - c. Central Plastics Company.
  - d. Pipeline Seal and Insulator, Inc.
2. Minimum Operating-Pressure Rating: 150 psig.
3. Companion-flange assembly for field assembly.
4. Include flanges, full-face- or ring-type neoprene or phenolic gasket, phenolic or PE bolt sleeves, phenolic washers, and steel backing washers.
5. Insulating materials suitable for natural gas.
6. Combination fitting of copper alloy and ferrous materials with threaded, brazed-joint, plain, or welded end connections that match piping system materials.

2.13 LABELING AND IDENTIFYING

- A. Detectable Warning Tape: Acid- and alkali-resistant, PE film warning tape manufactured for marking and identifying underground utilities, a minimum of 6 inches wide and 4 mils thick, continuously inscribed with a description of utility, with metallic core encased in a protective jacket for corrosion protection, detectable by metal detector when tape is buried up to 30 inches deep; colored yellow.

PART 3 - EXECUTION

3.1 EXAMINATION

- A. Examine roughing-in for natural-gas piping system to verify actual locations of piping connections before equipment installation.
- B. Proceed with installation only after unsatisfactory conditions have been corrected.

3.2 PREPARATION

- A. Close equipment shutoff valves before turning off fuel gas to premises or piping section.

FIRE STATIONS RENOVATION  
ARLINGTON COUNTY, VIRGINIA  
Architect's Project No: 563006

---

- B. Inspect natural-gas piping according to the International Fuel Gas Code to determine that natural-gas utilization devices are turned off in piping section affected.
- C. Comply with the International Fuel Gas Code requirements for prevention of accidental ignition.

3.3 SERVICE ENTRANCE PIPING

- A. Extend fuel gas piping and connect to fuel gas distribution piping downstream of meter.
  - 1. Service meter will be provided by Local Gas Utility.
- B. Install dielectric fitting downstream from and adjacent to each service meter unless meter is supported from service-meter bar with integral dielectric fitting. Install shutoff valve downstream from and adjacent to dielectric fitting. Refer to Division 22 Section "Common Work Results for Plumbing" for dielectric fittings.

3.4 OUTDOOR PIPING INSTALLATION

- A. Comply with the International Fuel Gas Code for installation and purging of natural-gas piping.
- B. Install underground, natural-gas piping buried at least 36 inches below finished grade. Comply with requirements in Section "Earth Moving" for excavating, trenching, and backfilling.
  - 1. If natural-gas piping is installed less than 36 inches below finished grade, install it in containment conduit.
- C. Install underground, PE, natural-gas piping according to ASTM D 2774.
- D. Steel Piping Protective Coating:
  - 1. Apply joint cover kits to pipe after joining to cover, seal, and protect joints.
  - 2. Repair damage to PE coating on pipe as recommended in writing by protective coating manufacturer.
- E. Copper Tubing Protective Coating:
  - 1. Apply joint cover kits over tubing to cover, seal, and protect joints.
  - 2. Repair damage to PE coating on pipe as recommended in writing by protective coating manufacturer.
- F. Install fittings for changes in direction and branch connections.
- G. Install pressure gage upstream and downstream from each service regulator. Pressure gages are specified in Section "Meters and Gages for Plumbing Piping."

3.5 INDOOR PIPING INSTALLATION

- A. Comply with the International Fuel Gas Code for installation and purging of natural-gas piping.

FIRE STATIONS RENOVATION  
ARLINGTON COUNTY, VIRGINIA  
Architect's Project No: 563006

---

- B. Drawing plans, schematics, and diagrams indicate general location and arrangement of piping systems. Indicated locations and arrangements are used to size pipe and calculate friction loss, expansion, and other design considerations. Install piping as indicated unless deviations to are accepted by architect.
- C. Arrange for pipe spaces, chases, slots, sleeves, and openings in building structure during progress of construction, to allow for mechanical installations.
- D. Install piping in concealed locations unless otherwise indicated and except in equipment rooms.
- E. Install piping indicated to be exposed and piping in equipment rooms at right angles or parallel to building walls. Diagonal runs are prohibited unless specifically indicated otherwise.
- F. Install piping above accessible ceilings to allow sufficient space for ceiling panel removal.
- G. Locate valves for easy access.
- H. Install natural-gas piping at uniform grade toward drip and sediment traps.
- I. Install piping free of sags and bends.
- J. Install fittings for changes in direction and branch connections.
- K. Verify final equipment locations for roughing-in.
- L. Comply with requirements in Sections specifying gas-fired appliances and equipment for roughing-in requirements.
- M. Drips and Sediment Traps: Install drips at points where condensate may collect, including service-meter outlets. Locate where accessible to permit cleaning and emptying. Do not install where condensate is subject to freezing.
  - 1. Construct drips and sediment traps using tee fitting with bottom outlet plugged or capped. Use nipple a minimum length of 3 pipe diameters, but not less than 3 inches long and same size as connected pipe. Install with space below bottom of drip to remove plug or cap.
- N. Extend relief vent connections for service regulators, line regulators, and overpressure protection devices to outdoors and terminate with weatherproof vent cap.
- O. Conceal pipe installations in walls, pipe spaces, utility spaces, above ceilings, below grade or floors, and in floor channels unless indicated to be exposed to view.
- P. Concealed Location Installations: Except as specified below, install concealed natural-gas piping and piping installed under the building in containment conduit constructed of steel pipe with welded joints as described in Part 2. Install a vent pipe from containment conduit to outdoors and terminate with weatherproof vent cap.
  - 1. Above Accessible Ceilings: Natural-gas piping, fittings, valves, and regulators may be installed in accessible spaces without containment conduit.

FIRE STATIONS RENOVATION  
ARLINGTON COUNTY, VIRGINIA  
Architect's Project No: 563006

---

2. In Floors: Install pre-sleeved corrugated, stainless-steel tubing systems for natural-gas. Cover with minimum of 1-1/2 inches of concrete. Jacket may not be in physical contact with metallic structures such as reinforcing rods or electrically neutral conductors. Do not embed piping in concrete slabs containing quick-set additives.
  3. In Walls or Partitions: Protect tubing installed inside partitions or hollow walls from physical damage using steel striker barriers at rigid supports.
    - a. Exception: Tubing passing through partitions or walls does not require striker barriers.
  4. Prohibited Locations:
    - a. Do not install natural-gas piping in or through circulating air ducts, clothes or trash chutes, chimneys or gas vents (flues), ventilating ducts, or dumbwaiter or elevator shafts.
    - b. Do not install natural-gas piping in solid walls or partitions.
- Q. Connect branch piping from top or side of horizontal piping.
- R. Install unions in pipes 2" and smaller, adjacent to each valve, at final connection to each piece of equipment and where otherwise indicated. Unions are not required at flanged connections.
- S. Do not use natural-gas piping as grounding electrode.
- T. Install strainer on inlet of each line-pressure regulator and automatic or electrically operated valve.
- U. Install pressure gage upstream and downstream from each line regulator. Pressure gages are specified in Section "Meters and Gages for Plumbing Piping."
- V. Install sleeves for piping penetrations of walls, ceilings, and floors. Comply with requirements for sleeves specified in Section "Sleeves and Sleeve Seals for Plumbing Piping."
- W. Install sleeve seals for piping penetrations of concrete walls and slabs. Comply with requirements for sleeve seals specified in Section "Sleeves and Sleeve Seals for HVAC Piping."
- X. Install escutcheons for piping penetrations of walls, ceilings, and floors. Comply with requirements for escutcheons specified in Division 22 Section "Escutcheons for Plumbing Piping."
- Y. Install corrugated, stainless-steel tubing system according to manufacturer's written instructions. Include striker plates to protect tubing from puncture where tubing is restrained and cannot move.
- Z. Install containment casings for gas piping below slabs extending minimum of 2 inches beyond point where pipe emerges from the floor. Tightly seal ends around gas piping using mechanical sleeve seals.

FIRE STATIONS RENOVATION  
ARLINGTON COUNTY, VIRGINIA  
Architect's Project No: 563006

---

3.6 VALVE INSTALLATION

- A. Install manual gas shutoff valve for each gas appliance ahead of corrugated stainless-steel tubing, aluminum, or copper connector.
- B. Install underground valves with valve boxes.
- C. Install regulators and overpressure protection devices with maintenance access space adequate for servicing and testing.

3.7 PIPING JOINT CONSTRUCTION

- A. Ream ends of pipes and tubes and remove burrs.
- B. Remove scale, slag, dirt, and debris from inside and outside of pipe and fittings before assembly.
- C. Threaded Joints:
  - 1. Thread pipe with tapered pipe threads complying with ASME B1.20.1.
  - 2. Cut threads full and clean using sharp dies.
  - 3. Ream threaded pipe ends to remove burrs and restore full inside diameter of pipe.
  - 4. Apply appropriate tape or thread compound to external pipe threads unless dryseal threading is specified.
  - 5. Damaged Threads: Do not use pipe or pipe fittings with threads that are corroded or damaged. Do not use pipe sections that have cracked or open welds.
- D. Welded Joints:
  - 1. Construct joints according to AWS D10.12/D10.12M, using qualified processes and welding operators.
  - 2. Bevel plain ends of steel pipe.
  - 3. Patch factory-applied protective coating as recommended by manufacturer at field welds and where damage to coating occurs during construction.
- E. Flanged Joints: Install gasket material, size, type, and thickness appropriate for natural-gas service. Install gasket concentrically positioned.
- F. Flared Joints: Cut tubing with roll cutting tool. Flare tube end with tool to result in flare dimensions complying with SAE J513. Tighten finger tight, then use wrench. Do not overtighten.
- G. PE Piping Heat-Fusion Joints: Clean and dry joining surfaces by wiping with clean cloth or paper towels. Join according to ASTM D 2657.
  - 1. Plain-End Pipe and Fittings: Use butt fusion.
  - 2. Plain-End Pipe and Socket Fittings: Use socket fusion.

3.8 HANGER AND SUPPORT INSTALLATION

FIRE STATIONS RENOVATION  
ARLINGTON COUNTY, VIRGINIA  
Architect's Project No: 563006

---

- A. Comply with requirements for pipe hangers and supports specified in Section "Hangers and Supports for Plumbing Piping and Equipment."
- B. Install hangers for horizontal steel piping with the following maximum spacing and minimum rod sizes:
  - 1. 1" and Smaller: Maximum span, 96"; minimum rod size, 3/8".
  - 2. 1¼": Maximum span, 108"; minimum rod size, 3/8".
  - 3. 1½" and 2": Maximum span, 108"; minimum rod size, 3/8".
  - 4. 2½" to 3 ½": Maximum span, 10'-0"; minimum rod size, ½".
  - 5. 4" and Larger: Maximum span, 10'-0"; minimum rod size, 5/8".
- C. Install hangers for horizontal, corrugated stainless-steel tubing with the following maximum spacing and minimum rod sizes:
  - 1. 3/8": Maximum span, 48"; minimum rod size, 3/8".
  - 2. ½": Maximum span, 72"; minimum rod size, 3/8".
  - 3. ¾" and Larger: Maximum span, 96"; minimum rod size, 3/8".

### 3.9 CONNECTIONS

- A. Connect to utility's gas meter according to utility's procedures and requirements.
- B. Install piping adjacent to appliances to allow service and maintenance of appliances.
- C. Connect piping to appliances using manual gas shutoff valves and unions. Install valve within 72" of each gas-fired appliance and equipment. Install union between valve and appliances or equipment.
- D. Sediment Traps: Install tee fitting with capped nipple in bottom to form drip, as close as practical to inlet of each appliance.

### 3.10 PIPING APPLICATIONS

- A. Flanges, unions, transition, and special fittings with pressure ratings same as or higher than system pressure rating may be used in applications below, unless otherwise indicated.
- B. Above Ground Exposed Fuel Gas Piping:
  - 1. Sizes up to 2":
    - a. Steel pipe, malleable-iron threaded fittings, and threaded joints.
    - b. Pre-sleeved corrugated stainless-steel piping shall only be used for final equipment whip connections, kept to 5' or less, and only where approved by AHJ. Sizing shall be determined based on equivalent hydraulic diameter and not direct transfer of size.
  - 2. 2½" to 4":
    - a. Steel pipe, malleable-iron threaded fittings, and threaded joints, or steel pipe, steel welding fittings, and welded joints.
  - 3. Larger Than NPS 4:



FIRE STATIONS RENOVATION  
ARLINGTON COUNTY, VIRGINIA  
Architect's Project No: 563006

---

- a. Steel pipe, steel welding fittings, and welded joints.
- C. Above Ground Concealed Fuel Gas Piping:
- 1. Sizes up to 2":
    - a. Steel pipe, malleable-iron threaded fittings, and threaded joints.
  - 2. 2½" to 4":
    - a. Steel pipe, malleable-iron threaded fittings, and threaded joints, or steel pipe, steel welding fittings, and welded joints.
  - 3. Larger Than NPS 4:
    - a. Steel pipe, steel welding fittings, and welded joints.

3.11 LABELING AND IDENTIFYING

- A. Comply with requirements in Section "Identification for Plumbing Piping and Equipment" for piping and valve identification.
- B. Install detectable warning tape directly above gas piping, 12" minimum below finished grade.
  - 1. Exception: 6 minimum below sub-grade under pavements and slabs.

3.12 PAINTING

- A. Use materials and procedures in Division 9 Section "Painting," "Exterior Paint Schedule" Article, "Ferrous Metal" Paragraph, "Full-Gloss, Alkyd-Enamel Finish" Subparagraph.
- B. Paint exterior service meters, pressure regulators, specialty valves, piping, and accessories.
  - 1. Color: Yellow

3.13 FIELD QUALITY CONTROL

- A. Inspect, test, and purge piping according to ANSI Z223.1, Part 4 "Inspection, Testing, and Purging," and requirements of authorities having jurisdiction.
- B. Repair leaks and defects with new materials and retest system until satisfactory results are obtained.
- C. Report test results promptly and in writing to Architect and authorities having jurisdiction.
- D. Verify capacities and pressure ratings of service meters, pressure regulators, valves, and specialties.
- E. Verify correct pressure settings for pressure regulators.
- F. Verify that specified piping tests are complete.

FIRE STATIONS RENOVATION  
ARLINGTON COUNTY, VIRGINIA  
Architect's Project No: 563006

---

3.14 ADJUSTING

- A. Adjust controls and safety devices. Replace damaged and malfunctioning controls and safety devices.

END OF SECTION 221113

FIRE STATIONS RENOVATION  
ARLINGTON COUNTY, VIRGINIA  
Architect's Project No: 563006

SECTION 221116 –DOMESTIC WATER PIPING

PART 1 - GENERAL

1.1 RELATED DOCUMENTS

- A. Provisions of the Contract and of the Contract Documents apply to this Section.

1.2 PERFORMANCE REQUIREMENTS

- A. Provide components and installation capable of producing domestic water piping systems with the following minimum working-pressure ratings, unless otherwise indicated:
  - 1. Domestic Water Service Piping: 160 psig.
  - 2. Domestic Water Distribution Piping: 125 psig.

1.3 SUBMITTALS

- A. Compliance Letter: Submit a list indicating materials proposed for use along with their associated listings and/or ratings for each application list in this section.

1.4 QUALITY ASSURANCE

- A. Piping materials shall bear label, stamp, or other markings of specified testing agency.
- B. Comply with NSF 61, "Drinking Water System Components-Health Effects; Sections 1 through 9," for potable domestic water piping and components.

PART 2 - PRODUCTS

2.1 PIPING MATERIALS

- A. Refer to Part 3 "Piping Applications" Article for applications of pipe, tube, fitting, and joining materials.
- B. Transition Couplings for Underground Pressure Piping: AWWA C219, metal, sleeve-type coupling or other manufactured fitting the same size as, with pressure rating at least equal to and ends compatible with, piping to be joined.
- C. Press fittings:
  - 1. Propress by Vieaga
  - 2. Xpress by Elkhart Products

2.2 COPPER TUBING

FIRE STATIONS RENOVATION  
ARLINGTON COUNTY, VIRGINIA  
Architect's Project No: 563006

- A. Soft Copper Tube: ASTM B 88, Type K, water tube, annealed temper.
  - 1. Copper Pressure Fittings: ASME B16.18, cast-copper-alloy or ASME B16.22, wrought-copper, solder-joint fittings. Furnish wrought-copper fittings if indicated.
  - 2. Bronze Flanges: ASME B16.24, Class 150, with solder-joint end. Furnish Class 300 flanges if required to match piping.
  - 3. Copper Unions: MSS SP-123, cast-copper-alloy, hexagonal-stock body, with ball-and-socket, metal-to-metal seating surfaces and solder-joint or threaded ends.
  
- B. Hard Copper Tube: ASTM B 88, Type L, water tube, drawn temper.
  - 1. Copper Pressure Fittings: ASME B16.18, cast-copper-alloy or ASME B16.22, wrought-copper, solder-joint fittings. Furnish wrought-copper fittings if indicated.
  - 2. Bronze Flanges: ASME B16.24, Class 150, with solder-joint end. Furnish Class 300 flanges if required to match piping.
  - 3. Copper Unions: MSS SP-123, cast-copper-alloy, hexagonal-stock body, with ball-and-socket, metal-to-metal seating surfaces and solder-joint or threaded ends.
  - 4. Copper, Grooved-End Fittings: ASTM B 75 copper tube or ASTM B 584 bronze castings.
    - a. Copper-Tubing, Keyed Couplings: Copper-tube dimensions and design similar to AWWA C606. Include ferrous housing sections, gasket suitable for hot water, and bolts and nuts.

PART 3 - EXECUTION

3.1 PIPING APPLICATIONS

- A. Transition and special fittings with pressure ratings at least equal to piping rating may be used in applications below, unless otherwise indicated.
  
- B. Flanges may be used on aboveground piping, unless otherwise indicated.
  
- C. Grooved joints may be used on aboveground grooved-end piping.
  
- D. Fitting Options:
  - 1. Press Fittings: Mechanically crimped fittings with neoprene gasket.
  
- E. Aboveground Domestic Water Piping: Use the following piping materials for each size range:
  - 1. 1-1/2" and Smaller: Hard copper tube, Type L copper pressure fittings; and soldered joints.
  - 2. 2": Hard copper tube, Type L copper pressure fittings; and soldered joints or hard copper tube, Type L with grooved ends; copper grooved-end fittings; copper-tubing, keyed couplings; and grooved joints.
  - 3. 2-1/2" to 8": Hard copper tube, Type L copper pressure fittings; and soldered joints or hard copper tube, Type L with grooved ends; copper grooved-end fittings; copper-tubing, keyed couplings; and grooved joints.

3.2 VALVE APPLICATIONS

FIRE STATIONS RENOVATION  
ARLINGTON COUNTY, VIRGINIA  
Architect's Project No: 563006

- A. Drawings indicate valve types to be used. Where specific valve types are not indicated, the following requirements apply:
  - 1. Shutoff Duty: Use bronze ball valves for piping NPS 2 and smaller. Use cast-iron butterfly valves with flanged ends for piping NPS 2-1/2 and larger.
  - 2. Throttling Duty: Use bronze ball valves for piping NPS 2 and smaller. Use cast-iron butterfly valves with flanged ends for piping NPS 2-1/2 and larger.
  - 3. Hot-Water-Piping, Balancing Duty: Use automatic flow control valves.
  - 4. Drain Duty: Hose-end drain valves.
- B. Grooved-end valves may be used with grooved-end piping.

### 3.3 PIPING INSTALLATION

- A. Extend domestic water service piping to exterior water distribution piping in sizes and locations indicated.
- B. Install underground copper according to CDA's "Copper Tube Handbook."
- C. Install cast-iron sleeve with water stop and mechanical sleeve seal at each service pipe penetration through foundation wall. Select number of interlocking rubber links required to make installation watertight.
- D. Install water-pressure regulators downstream from shutoff valves.
- E. Install aboveground domestic water piping level and plumb.
- F. Fill water piping. Check components to determine that they are not air bound and that piping is full of water.
- G. Perform the following steps before operation:
  - 1. Close drain valves, hydrants, and hose bibbs.
  - 2. Open shutoff valves to fully open position.
  - 3. Open throttling valves to proper setting.
  - 4. Remove plugs used during testing of piping and plugs used for temporary sealing of piping during installation.
  - 5. Remove and clean strainer screens. Close drain valves and replace drain plugs.
  - 6. Remove filter cartridges from housings, and verify that cartridges are as specified for application where used and that cartridges are clean and ready for use.
- H. Check plumbing equipment and verify proper settings, adjustments, and operation. Do not operate water heaters before filling with water.
- I. Check plumbing specialties and verify proper settings, adjustments, and operation.
  - 1. Water-Pressure Regulators: Set outlet pressure at 80 psig maximum, unless otherwise indicated.
- J. Energize pumps and verify proper operation.

FIRE STATIONS RENOVATION  
ARLINGTON COUNTY, VIRGINIA  
Architect's Project No: 563006

3.4 JOINT CONSTRUCTION

- A. Soldered Joints: Use ASTM B 813, water-flushable, lead-free flux; ASTM B 32, lead-free-alloy solder; and ASTM B 828 procedure, unless otherwise indicated.
- B. Grooved Joints: Assemble joints with keyed-coupling housing, gasket, lubricant, and bolts according to coupling and fitting manufacturer's written instructions.
- C. Mechanically Formed Outlets: Form tee in copper tube according to equipment manufacturer's written instructions. Use tool designed for copper tube; drill pilot hole, form collar for outlet, dimple tube to form seating stop, and braze branch tube into collar.
- D. Mechanically crimped fittings shall be installed in accordance with manufacturer's installation instructions.

3.5 VALVE INSTALLATION

- A. Install sectional valve close to water main on each branch and riser serving plumbing fixtures or equipment. Use ball valves for piping NPS 2 and smaller. Use butterfly valves for piping NPS 2-1/2 and larger.
- B. Install shutoff valve on each water supply to equipment and on each water supply to plumbing fixtures without supply stops. Use ball valves for piping NPS 2 and smaller. Use butterfly valves for piping NPS 2-1/2 and larger.
- C. Install balancing valve in each hot-water circulation return branch and discharge side of each pump and circulator. Use ball valves for piping NPS 2 and smaller and butterfly valves for piping NPS 2-1/2 and larger. Refer to HANGER AND SUPPORT INSTALLATION
- D. Install the following:
  - 1. Vertical Piping: MSS Type 8 or Type 42, clamps.
  - 2. Individual, Straight, Horizontal Piping Runs: According to the following:
    - a. 100 Feet and Less: MSS Type 1, adjustable, steel clevis hangers.
    - b. Longer Than 100 Feet: MSS Type 43, adjustable roller hangers.
    - c. Longer Than 100 Feet, if indicated: MSS Type 49, spring cushion rolls.
  - 3. Multiple, Straight, Horizontal Piping Runs 100 Feet or Longer: MSS Type 44, pipe rolls. Support pipe rolls on trapeze.
  - 4. Base of Vertical Piping: MSS Type 52, spring hangers.
- E. Install supports.
- F. Support vertical piping and tubing at base and at each floor.
- G. Rod diameter may be reduced 1 size for double-rod hangers, to a minimum of 3/8 inch.
- H. Install hangers for copper tubing with the following maximum horizontal spacing and minimum rod diameters:
  - 1. NPS 3/4 and Smaller: 60 inches with 3/8-inch rod.

FIRE STATIONS RENOVATION  
ARLINGTON COUNTY, VIRGINIA  
Architect's Project No: 563006

2. NPS 1 and NPS 1-1/4: 72 inches with 3/8-inch rod.
3. NPS 1-1/2 and NPS 2: 96 inches with 3/8-inch rod.
4. NPS 2-1/2: 108 inches with 1/2-inch rod.
5. NPS 3 to NPS 5: 10 feet with 1/2-inch rod.
6. NPS 6: 10 feet with 5/8-inch rod.
7. NPS 8: 10 feet with 3/4-inch rod.

- I. Install supports for vertical copper tubing every 10 feet.
- J. Support piping and tubing not listed above according to MSS SP-69 and manufacturer's written instructions.
- K. Where bends in the pipe occur, place hangers 1/3 of the maximum allowed spacing distance of the bend (i.e. is the maximum span is 12 feet, the hanger shall be 4 feet from the bend. Pipe shall be supported from both sides of the bend.

### 3.6 CONNECTIONS

- A. Drawings indicate general arrangement of piping, fittings, and specialties.
- B. Install piping adjacent to equipment and machines to allow service and maintenance.
- C. Connect domestic water piping to exterior water service piping. Use transition fitting to join dissimilar piping materials.

### 3.7 FIELD QUALITY CONTROL

- A. Inspect domestic water piping as follows:
  1. Do not enclose, cover, or put piping into operation until it is inspected and approved by authorities having jurisdiction.
  2. During installation, notify authorities having jurisdiction at least 24 hours before inspection must be made. Perform tests specified below in presence of authorities having jurisdiction:
    - a. Roughing-in Inspection: Arrange for inspection of piping before concealing or closing-in after roughing-in and before setting fixtures.
    - b. Final Inspection: Arrange for final inspection by authorities having jurisdiction to observe tests specified below and to ensure compliance with requirements.
  3. Reinspection: If authorities having jurisdiction find that piping will not pass test or inspection, make required corrections and arrange for reinspection.
  4. Reports: Prepare inspection reports and have them signed by authorities having jurisdiction.
- B. Test domestic water piping as follows:
  1. Test for leaks and defects in new piping and parts of existing piping that have been altered, extended, or repaired. If testing is performed in segments, submit separate report for each test, complete with diagram of portion of piping tested.

FIRE STATIONS RENOVATION  
ARLINGTON COUNTY, VIRGINIA  
Architect's Project No: 563006

2. Leave uncovered and unconcealed new, altered, extended, or replaced domestic water piping until it has been tested and approved. Expose work that was covered or concealed before it was tested.
3. Cap and subject piping to static water pressure of 50 psig above operating pressure, without exceeding pressure rating of piping system materials. Isolate test source and allow to stand for four hours. Leaks and loss in test pressure constitute defects that must be repaired.
4. Repair leaks and defects with new materials and retest piping or portion thereof until satisfactory results are obtained.
5. Prepare reports for tests and required corrective action.

3.8 ADJUSTING

- A. Adjust balancing valves in hot-water-circulation return piping to provide adequate flow.
  1. Manually adjust ball-type balancing valves in hot-water-circulation return piping to provide flow of hot water in each branch.

3.9 CLEANING

- A. Clean interior of domestic water piping system. Remove dirt and debris as work progresses.
- B. Clean and disinfect potable domestic water piping as follows:
  1. Purge new piping and parts of existing domestic water piping that have been altered, extended, or repaired before using.
  2. Use purging and disinfecting procedures prescribed by authorities having jurisdiction or, if methods are not prescribed, procedures described in AWWA C651, AWWA C652 or as described below:
    - a. Flush piping system with clean, potable water until dirty water does not appear at outlets.
    - b. Fill and isolate system according to either of the following:
      - 1) Fill system or part thereof with water/chlorine solution with at least 50 ppm of chlorine. Isolate with valves and allow to stand for 24 hours.
      - 2) Fill system or part thereof with water/chlorine solution with at least 200 ppm of chlorine. Isolate and allow to stand for three hours.
    - c. Flush system with clean, potable water until no chlorine is in water coming from system after the standing time.
    - d. Submit water samples in sterile bottles to authorities having jurisdiction. Repeat procedures if biological examination shows contamination.
- C. Prepare and submit reports of purging and disinfecting activities to authorities having jurisdiction.

END OF SECTION 221116



FIRE STATIONS RENOVATION  
ARLINGTON COUNTY, VIRGINIA  
Architect's Project No: 563006

SECTION 221119 - DOMESTIC WATER PIPING SPECIALTIES

PART 1 - GENERAL

1.1 RELATED DOCUMENTS

- A. Provisions of the Contract and of the Contract Documents apply to this Section.

1.2 PERFORMANCE REQUIREMENTS

- A. Minimum Working Pressure for Domestic Water Piping Specialties: 125 psig, unless otherwise indicated.

SUBMITTALS

- B. Product Data: For each type of product proposed.
- C. Shop Drawings: Diagram power, signal, and control wiring.
- D. Operation and Maintenance Data: For domestic water piping specialties to include in emergency, operation, and maintenance manuals.

1.3 QUALITY ASSURANCE

- A. Electrical Components, Devices, and Accessories: Listed and labeled as defined in NFPA 70, Article 100, by a testing agency acceptable to authorities having jurisdiction, and marked for intended use.
- B. NSF Compliance: Comply with NSF 61, "Drinking Water System Components - Health Effects; Sections 1 through 9."

PART 2 - PRODUCTS

2.1 MANUFACTURERS

- A. In other Part 2 articles where subparagraph titles below introduce lists, the following requirements apply for product selection:
  - 1. Available Products: Subject to compliance with requirements, products that may be incorporated into the Work include, but are not limited to, the products specified.
  - 2. Products: Subject to compliance with requirements, provide one of the products specified.
  - 3. Available Manufacturers: Subject to compliance with requirements, manufacturers offering products that may be incorporated into the Work include, but are not limited to, the manufacturers specified.
  - 4. Manufacturers: Subject to compliance with requirements, provide products by the manufacturers specified.

FIRE STATIONS RENOVATION  
ARLINGTON COUNTY, VIRGINIA  
Architect's Project No: 563006

2.2 VACUUM BREAKERS

A. Pipe-Applied, Atmospheric-Type (Anti-siphon) Vacuum Breakers:

1. Available Manufacturers:
  - a. Ames Co.
  - b. Apollo Valves - Apollo Valves - Conbraco Industries, Inc.
  - c. Watts Industries, Inc.; Water Products Div.
  - d. Zurn Plumbing Products Group; Wilkins Div.
2. Standard: ASSE 1001.
3. Sizes: ¾" thru 3" as required to match connected piping.
4. Body: Brass or Bronze.
5. Inlet and Outlet Connections: Threaded.
6. Finish: Rough bronze or chrome plated.

B. Pressure Vacuum Breakers:

1. Available Manufacturers:
  - a. Ames Co.
  - b. Apollo Valves - Apollo Valves - Conbraco Industries, Inc.
  - c. Watts Industries, Inc.; Water Products Div.
  - d. Zurn Plumbing Products Group; Wilkins Div.
2. Standard: ASSE 1020.
3. Operation: Continuous-pressure applications.
4. Accessories:
  - a. Valves: Ball type, on inlet and outlet.

2.3 BACKFLOW PREVENTERS

A. Reduced-Pressure-Zone (RPZ) Backflow Preventers:

1. Available Manufacturers:
  - a. Ames Co.
  - b. Apollo Valves - Apollo Valves - Conbraco Industries, Inc.
  - c. Watts Industries, Inc.; Water Products Div.
  - d. Zurn Plumbing Products Group; Wilkins Div.
2. Standard: ASSE 1013.
3. Operation: Continuous-pressure applications.
4. Pressure Loss: 10 psig maximum, through middle 1/3 of flow range.
5. Sizes: ¾" thru 10"
6. Body: Brass or bronze for 2" and smaller; cast iron or steel with interior lining complying with AWWA C550 or that is FDA approved for 2 ½" and larger.
7. Configuration: Comply with drawing requirements.

FIRE STATIONS RENOVATION  
ARLINGTON COUNTY, VIRGINIA  
Architect's Project No: 563006

8. Accessories:
  - a. Valves: Ball type with threaded ends on inlet and outlet of 2" and smaller; outside screw and yoke gate-type with flanged ends on inlet and outlet of 2 ½" and larger.
  - b. Air-Gap Fitting: ASME A112.1.2, matching backflow-preventer connection.

2.4 AUTOMATIC FLOW CONTROL VALVES

- A. Manufacturers:
  1. Bell & Gossett
  2. Flow Design, Inc.
  3. Griswold Controls.
  4. Nexus
  5. Hays
- B. Valves shall be factory set to maintain constant flow with plus or minus 10 percent. Each valve shall have an identification tag attached by chain, and be factory marked with the zone or equipment identification, valve number, and flow rate. Valve shall be line size and as follows:
  1. Body: Gray-iron or brass, designed for 175 psig at 200 deg F; brass or ferrous-metal, designed for 300 psig at 250 deg F.
  2. Cartridge: Stainless steel or nickel chrome plated brass, tamperproof, self-cleaning, piston-spring assembly, or polyphenylsulfone orifice seat with polymer diaphragm (Hays) removable for inspection or replacement.
  3. Adjustment: Flow and pressure differential shall be adjustable by cartridge replacement.
  4. Configuration: "Y" or other permitting cartridge replacement without valve removal for sizes 2" and smaller.
  5. Sizes: Match connecting pipe.
  6. Accessories:
    - a. Provide unions and isolation valves or other configuration permitting cartridge replacement with valve removal for sizes larger than 2".
    - b. Minimum pressure differential shall not exceed 2 psi. (Unless otherwise indicated)
    - c. Maximum pressure differential shall not be less than 32 psi. (Unless otherwise indicated)
    - d. Flow rates shall be as indicated on equipment schedules on the drawings.
    - e. Valves shall be installed in return piping.
    - f. Ball valves and unions included as part of the valve package may be used in place of ball valves and unions specified and indicated on the drawings only when in positions indicated. Ball valves shall be provided with a solid stainless steel or chrome plated brass ball.
    - g. Provide a #20 mesh Y-strainer with blow-down valve and garden hose connection between the supply side valve and equipment
    - h. Valves may be provided as part of a "hose kit".

2.5 STRAINERS

- A. Pattern: "Y"
  1. Pressure Rating: 125 psig minimum, unless otherwise indicated.

FIRE STATIONS RENOVATION  
ARLINGTON COUNTY, VIRGINIA  
Architect's Project No: 563006

2. Body: Bronze for NPS 2 and smaller; cast iron or steel with interior lining complying with AWWA C550 or FDA-approved, epoxy coating and for NPS 2-1/2 and larger.
3. End Connections: Threaded for NPS 2 and smaller; flanged for NPS 2-1/2 and larger.
4. Screen: Stainless steel with round perforations, unless otherwise indicated.
5. Perforation Size:
  - a. Strainers NPS 2 and Smaller: 0.033 inch.
  - b. Strainers NPS 2-1/2 to NPS 4: 0.062 inch.
  - c. Strainers NPS 5 and Larger: 0.10 inch.
6. Drain: Factory-installed, hose-end drain valve.

2.6 WATER HAMMER ARRESTERS

- A. Available Manufacturers:
  1. AMTROL, Inc.
  2. Josam Company.
  3. MIFAB, Inc.
  4. PPP Inc.
  5. Sioux Chief Manufacturing Company, Inc.
  6. Smith, Jay R. Mfg. Co.; Division of Smith Industries, Inc.
  7. Tyler Pipe; Wade Div.
  8. Watts Drainage Products Inc.
  9. Zurn Plumbing Products Group; Specification Drainage Operation.
- B. Standard: ASSE 1010 or PDI-WH 201.
- C. Type: Metal bellows or copper tube with piston.
- D. Size: ASSE 1010, Sizes AA and A through F or PDI-WH 201, Sizes A through F.

2.7 TRAP-SEAL PRIMER VALVES

- A. Supply-Type, Trap-Seal Primer Valves:
  1. Available Manufacturers:
    - a. MIFAB, Inc.
    - b. PPP Inc.
    - c. Sioux Chief Manufacturing Company, Inc.
    - d. Smith, Jay R. Mfg. Co.; Division of Smith Industries, Inc.
    - e. Watts Industries, Inc.; Water Products Div.
  2. Standard: ASSE 1018.
  3. Pressure Rating: 125 psig minimum.
  4. Body: Bronze.
  5. Inlet and Outlet Connections: NPS 1/2 threaded, union, or solder joint.
  6. Gravity Drain Outlet Connection: NPS 1/2 threaded or solder joint.

FIRE STATIONS RENOVATION  
ARLINGTON COUNTY, VIRGINIA  
Architect's Project No: 563006

7. Finish: Chrome plated, or rough bronze for units used with pipe or tube that is not chrome finished.

PART 3 - EXECUTION

3.1 INSTALLATION

- A. Refer to Section "Common Work Results for Plumbing" for piping joining materials, joint construction, and basic installation requirements.
- B. Install backflow preventers where indicated: If not indicated on each water supply to mechanical equipment and systems and to other equipment and water systems that may be sources of contamination. Comply with authorities having jurisdiction.
  1. Locate backflow preventers in same room as connected equipment or system.
  2. Install drain for backflow preventers with atmospheric-vent drain connection with air-gap fitting, fixed air-gap fitting, or equivalent positive pipe separation of at least two pipe diameters in drain piping and pipe to floor drain. Locate air-gap device attached to or under backflow preventer. Simple air breaks are not acceptable for this application.
  3. Do not install bypass piping around backflow preventers.
- C. Install balancing valves with-in 12" of ceiling at access door or tile where they can be reached with-out obstruction.
- D. Install strainers where indicated.
- E. Install outlet boxes recessed in wall. Install 2-by-4-inch fire-retardant-treated-wood blocking wall reinforcement between studs. Fire-retardant-treated-wood blocking is specified in Section "Rough Carpentry."
- F. Install water hammer arresters in water piping according to PDI-WH 201.
- G. Install supply-type, trap-seal primer valves with outlet piping pitched down toward drain trap a minimum of 1/8" per foot, and connect to floor-drain body, trap, or inlet fitting. Adjust valve for proper flow.
- H. Fasten wall-hanging plumbing specialties securely to supports attached to building substrate if supports are specified and to building wall construction if no support is indicated.
- I. Fasten recessed-type plumbing specialties to reinforcement built into walls.
- J. Install wood-blocking reinforcement for wall-mounting and recessed-type plumbing specialties.
- K. Install individual shutoff valve in each water supply to plumbing specialties. Use ball valve if specific valve is not indicated. Install shutoff valves in accessible locations. Refer to Section "Valves" for general-duty ball valves.
- L. Install air vents at water piping high points. Include ball valve in inlet.

FIRE STATIONS RENOVATION  
ARLINGTON COUNTY, VIRGINIA  
Architect's Project No: 563006

- M. Install traps on plumbing specialty drain outlets. Omit traps on indirect wastes unless trap is indicated.
- N. Install escutcheons at wall, floor, and ceiling penetrations in exposed finished locations and within cabinets and millwork. Use deep-pattern escutcheons if required to conceal protruding pipe fittings.

3.2 LABELING AND IDENTIFYING

- A. Indicate safety and emergency precautions, and warn of hazards and improper operations, in addition to identifying unit. Nameplates and signs are specified in Section "Plumbing Identification"

3.3 FIELD QUALITY CONTROL

- A. Perform the following tests and prepare test reports:
  - 1. Test each reduced-pressure-principle backflow preventer, double-check backflow-preventer and double-check, detector-assembly according to authorities having jurisdiction and the device manufacturer's recommendations.
- B. Remove and replace malfunctioning domestic water piping specialties and retest as specified above.

3.4 ADJUSTING

- A. Set field-adjustable pressure set points.
- B. Set field-adjustable flow set points.
- C. Set field-adjustable temperature set points.

END OF SECTION 221119

FIRE STATIONS RENOVATION  
ARLINGTON COUNTY, VIRGINIA  
Architect's Project No: 563006

SECTION 221316 - SANITARY WASTE AND VENT PIPING

PART 1 - GENERAL

1.1 RELATED DOCUMENTS

- A. Provisions of the Contract and of the Contract Documents apply to this Section.

1.2 DEFINITIONS

- A. The following are industry abbreviations for plastic and rubber piping materials:
  - 1. EPDM: Ethylene-propylene-diene terpolymer.
  - 2. LEED: Leadership in Energy and Environmental Design
  - 3. NBR: Acrylonitrile-butadiene rubber.
  - 4. PE: Polyethylene plastic.
  - 5. PVC: Polyvinyl chloride plastic.
  - 6. TPE: Thermoplastic elastomer.
  - 7. USGBC: United States Green Building Council

1.3 PERFORMANCE REQUIREMENTS

- A. Provide components and installation capable of producing piping systems with the following minimum working-pressure ratings, unless otherwise indicated:
  - 1. Soil, Waste, and Vent Piping: 10-foot head of water.

1.4 SUBMITTALS

- A. Compliance Letter: Submit a list indicating materials proposed for use along with their associated listings and/or ratings for each application list in this section.
- B. Submittal:
  - 1. Product Data for USGBC LEED Credit EQ 4.1: For solvent cements and adhesive primers, include printed statement of VOC content.

1.5 QUALITY ASSURANCE

- A. Piping materials shall bear label, stamp, or other markings of testing agency.

PART 2 - PRODUCTS

FIRE STATIONS RENOVATION  
ARLINGTON COUNTY, VIRGINIA  
Architect's Project No: 563006

2.1 PIPING MATERIALS

- A. Refer to Part 3 "Piping Applications" Article for applications of pipe, tube, fitting, and joining materials.
- B. Flexible Transition Couplings for Underground Nonpressure Piping: ASTM C 1173 with elastomeric sleeve. Include ends of same sizes as piping to be joined and include corrosion-resistant metal band on each end.

2.2 CAST-IRON SOIL PIPING

- A. All cast iron soil pipe and fittings shall be marked with the Collective Trademark of the Cast Iron Soil Pipe Institute.
- B. Pipe and Fittings: ASTM A 888, CISPI 301, or ASTM A 74 service weight.
- C. Hub-and-Spigot Gaskets: ASTM C 564, rubber.
- D. Hub-less Couplings:
  - 1. General: ASTM C 1277 assembly of metal housing, corrosion-resistant fasteners, and ASTM C 564 rubber sleeve with integral, center pipe stop.
    - a. Heavy-Duty, Type 304, Stainless-Steel Couplings: ASTM C 1540, Type 304, stainless-steel shield; stainless-steel bands; and sleeve.
      - 1) NPS 1-1/2 to NPS 4: 3-inch- wide shield with 4 bands.
      - 2) NPS 5 to NPS 10: 4-inch- wide shield with 6 bands.
    - b. Heavy-Duty, Cast-Iron Couplings: ASTM A 48, 2-piece, cast-iron housing; stainless-steel bolts and nuts; and sleeve.

PART 3 - EXECUTION

3.1 PIPING APPLICATIONS

- A. Transition fittings with pressure ratings at least equal to piping pressure ratings may be used in applications below, unless otherwise indicated.
- B. Aboveground, Soil, Waste, and Vent Piping located inside plenum: Hub-less service weight cast-iron soil piping with heavy duty couplings.
- C. Underground, Soil, Waste, and Vent Piping: Hub and Spigot cast-iron soil piping or no hub cast iron with heavy duty couplings.

3.2 PIPING INSTALLATION



FIRE STATIONS RENOVATION  
ARLINGTON COUNTY, VIRGINIA  
Architect's Project No: 563006

- A. Refer to Section "Facility Sanitary Sewers" for Project-site sanitary sewer piping.
- B. Refer to Section "Common Work Results for Plumbing" for basic installation.
- C. Install cleanouts at grade and extend to where building sanitary drains connect to building sanitary sewers.
- D. Install cleanout fitting with closure plug inside the building in sanitary force-main piping.
- E. Install cleanouts at grade and extend to where building sanitary drains connect to building sanitary sewers.
- F. Install cast-iron sleeve with water stop and mechanical sleeve seal at each service pipe penetration through foundation wall. Select number of interlocking rubber links required to make installation watertight.
- G. Install cast-iron soil piping according to CISPI's "Cast Iron Soil Pipe and Fittings Handbook," Chapter IV, "Installation of Cast Iron Soil Pipe and Fittings."
- H. Make changes in direction for soil and waste drainage and vent piping using appropriate branches, bends, and long-sweep bends. Sanitary tees and short-sweep 1/4 bends may be used on vertical stacks if change in direction of flow is from horizontal to vertical. Use long-turn, double Y-branch and 1/8-bend fittings if 2 fixtures are installed back to back or side by side with common drain pipe. Straight tees, elbows, and crosses may be used on vent lines. Do not change direction of flow more than 90 degrees. Use proper size of standard increasers and reducers if pipes of different sizes are connected. Reducing size of drainage piping in direction of flow is prohibited.
- I. Lay buried building drainage piping beginning at low point of each system. Install true to grades and alignment indicated, with unbroken continuity of invert. Place hub ends of piping upstream. Install required gaskets according to manufacturer's written instructions for use of lubricants, cements, and other installation requirements. Maintain swab in piping and pull past each joint as completed.
- J. Install soil and waste drainage and vent piping at the minimum slopes required by authorities having jurisdiction.
- K. Do not enclose, cover, or put piping into operation until it is inspected and approved by authorities having jurisdiction.

### 3.3 JOINT CONSTRUCTION

- A. Refer to section "Common Work Results for Plumbing" for basic piping joint construction.
- B. Join hub-and-spigot, cast-iron soil piping with gasket joints according to CISPI's "Cast Iron Soil Pipe and Fittings Handbook" for compression joints.

### 3.4 HANGER AND SUPPORT INSTALLATION

FIRE STATIONS RENOVATION  
ARLINGTON COUNTY, VIRGINIA  
Architect's Project No: 563006

- A. Refer to Section "Vibration and Seismic Controls for Plumbing Piping and Equipment" for seismic-restraint devices in zones other than A & B.
- B. Join hubless cast-iron soil piping according to CISPI 310 and CISPI's "Cast Iron Soil Pipe and Fittings Handbook" for hubless-coupling joints.
- C. Install the following:
  - 1. Vertical Piping: MSS Type 8 or Type 42, clamps.
  - 2. Individual, Straight, Horizontal Piping Runs: According to the following:
    - a. 100 Feet and Less: MSS Type 1, adjustable, steel clevis hangers.
    - b. Longer Than 100 Feet: MSS Type 43, adjustable roller hangers.
    - c. Longer Than 100 Feet, if indicated: MSS Type 49, spring cushion rolls.
  - 3. Multiple, Straight, Horizontal Piping Runs 100 Feet or Longer: MSS Type 44, pipe rolls. Support pipe rolls on trapeze.
  - 4. Base of Vertical Piping: MSS Type 52, spring hangers.
- D. Support vertical piping and tubing at base and at each floor.
- E. Rod diameter may be reduced 1 size for double-rod hangers, with 3/8-inch minimum rods.
- F. Install hangers for cast-iron soil piping with the following maximum horizontal spacing and minimum rod diameters:
  - 1. 1 1/2" and 2": 60" with 3/8" rod.
  - 2. 3": 60" with 1/2" rod.
  - 3. 4" and NPS 5: 60" with 5/8" rod.
  - 4. 6": 60" with 3/4" rod.
  - 5. 8" to 12": 60" with 7/8" rod.
  - 6. 15": 60" with 1" rod.
- G. Install supports for vertical cast-iron soil piping every 15 feet.
- H. Support piping and tubing not listed above according to MSS SP-69 and manufacturer's written instructions.

### 3.5 CONNECTIONS

- A. Drawings indicate general arrangement of piping, fittings, and specialties.
- B. Connect soil and waste piping to exterior sanitary sewerage piping. Use transition fitting to join dissimilar piping materials.
- C. Connect drainage and vent piping.

### 3.6 FIELD QUALITY CONTROL

FIRE STATIONS RENOVATION  
ARLINGTON COUNTY, VIRGINIA  
Architect's Project No: 563006

- A. During installation, notify authorities having jurisdiction at least 24 hours before inspection must be made. Perform tests specified below in presence of authorities having jurisdiction.
  - 1. Roughing-in Inspection: Arrange for inspection of piping before concealing or closing-in after roughing-in and before setting fixtures.
  - 2. Final Inspection: Arrange for final inspection by authorities having jurisdiction to observe tests specified below and to ensure compliance with requirements.
- B. Re-inspection: If authorities having jurisdiction find that piping will not pass test or inspection, make required corrections and arrange for re-inspection.
- C. Reports: Where required or indicated prepare inspection reports and have them signed by authorities having jurisdiction.
- D. Test sanitary drainage and vent piping according to procedures of authorities having jurisdiction or, in absence of published procedures, as follows:
  - 1. Test for leaks and defects in new piping and parts of existing piping that have been altered, extended, or repaired. If testing is performed in segments, submit separate report for each test, complete with diagram of portion of piping tested.
  - 2. Leave uncovered and unconcealed new, altered, extended, or replaced drainage and vent piping until it has been tested and approved. Expose work that was covered or concealed before it was tested.
  - 3. Roughing-in Plumbing Test Procedure: Test drainage and vent piping, except outside leaders, on completion of roughing-in. Close openings in piping system and fill with water to point of overflow, but not less than 10-foot head of water. From 15 minutes before inspection starts to completion of inspection, water level must not drop. Inspect joints for leaks.
  - 4. Repair leaks and defects with new materials and retest piping, or portion thereof, until satisfactory results are obtained.
  - 5. Prepare reports for tests and required corrective action.

3.7 CLEANING

- A. Clean interior of piping. Remove dirt and debris as work progresses.
- B. Protect drains during remainder of construction period to avoid clogging with dirt and debris and to prevent damage from traffic and construction work.
- C. Place plugs in ends of uncompleted piping at end of day and when work stops.

END OF SECTION 221316

FIRE STATIONS RENOVATION  
ARLINGTON COUNTY, VIRGINIA  
Architect's Project No: 563006

SECTION 221319 - SANITARY WASTE PIPING SPECIALTIES

PART 1 - GENERAL

1.1 RELATED DOCUMENTS

- A. Provisions of the Contract and of the Contract Documents apply to this Section.

1.2 ABBREVIATIONS

- A. RPZ Reduced Pressure Zone
- B. FOG Fats, oils, and greases.

1.3 DEFINITIONS

- A. Withstand: Units shall remain in place without separation of any parts when subjected to seismic forces indicated. "Essential facility" units shall be fully operational after the seismic event.

1.4 QUALITY ASSURANCE

- A. Drainage piping specialties shall bear label, stamp, or other markings of specified testing agency.
- B. Comply with NSF 14, "Plastics Piping Components and Related Materials," for plastic sanitary piping specialty components.

1.5 COORDINATION

- A. Coordinate size and location of roof penetrations.

PART 2 - PRODUCTS

2.1 CLEANOUTS

- A. General:
  - 1. Available Manufacturers:
    - a. Josam Company; Josam Div.
    - b. MIFAB, Inc.
    - c. Smith, Jay R. Mfg. Co.; Division of Smith Industries, Inc.
    - d. Tyler Pipe; Wade Div.

FIRE STATIONS RENOVATION  
ARLINGTON COUNTY, VIRGINIA  
Architect's Project No: 563006

- e. Watts Drainage Products Inc.
  - f. Zurn Plumbing Products Group; Specification
- 2. Standard: ASME A112.36.2M.
  - 3. Size: Same as connected drainage piping
  - 4. Closure Material: Match pipe, brass, PVC, or ABS
- B. Floor Cleanouts:
- 1. Housing: threaded, adjustable.
  - 2. Type: Threaded, adjustable housing.
  - 3. Body: Cast iron.
  - 4. Outlet Connection: Inside calk, Spigot, or Threaded.
  - 5. Adjustable Housing Material: Cast iron with threads.
  - 6. Frame and Cover Material and Finish: Satin finish nikaloy.
  - 7. Frame and Cover Shape: Round or Square (Contractors choice).
  - 8. Top Loading Classification: Extra Heavy Duty.
  - 9. Riser: ASTM A 74, Service weight, cast-iron drainage pipe fitting and riser to cleanout.
  - 10. Carpet Ring: Yes for carpeted floors.
  - 11. Tile Recess: Yes for tiled or vinyl floors.
  - 12. Terrazzo: Yes for terrazzo floors
- C. Wall Cleanouts:
- 1. Wall access: Yes
  - 2. Body: Match connected piping.
  - 3. Closure: Countersunk or raised-head, drilled-and-threaded plug.
  - 4. Closure Plug Size: Same as cleanout size but not larger than four inches in diameter.
  - 5. Wall Access: Round, flat, chrome-plated brass, nickel-bronze, copper-alloy, or stainless-steel cover plate with screw.

## 2.2 FLOOR DRAINS

- 1. Basis-of-Design Product: Subject to compliance with requirements, provide the product indicated on Drawings or a comparable product by one of the following:
  - a. Josam Company; Josam Div.
  - b. Smith, Jay R. Mfg. Co.; Division of Smith Industries, Inc.
  - c. Tyler Pipe; Wade Div.
  - d. Watts Drainage Products Inc.
  - e. Zurn Plumbing Products Group; Light Commercial Operation.
  - f. Zurn Plumbing Products Group; Specification Drainage Operation.
- 2. Standard: ASME A112.6.3
- 3. Pattern: As indicated.
- 4. Clamping Flange: Required.

## 2.3 MOTORS

- A. General requirements for motors are specified in Division 22 Section "Common Motor Requirements for Plumbing Equipment."

FIRE STATIONS RENOVATION  
ARLINGTON COUNTY, VIRGINIA  
Architect's Project No: 563006

1. Motor Sizes: Minimum size as indicated. If not indicated, large enough so driven load will not require motor to operate in service factor range above 1.0.
2. Controllers, Electrical Devices, and Wiring: Electrical devices and connections are specified in Division 26 Sections.

PART 3 - EXECUTION

3.1 INSTALLATION

- A. Refer to Division 22 Section "Common Work Results for Plumbing" for piping joining materials, joint construction, and basic installation requirements.
- B. Install cleanouts.
- C. Install cleanout deck plates with top flush with finished floor.
- D. For wall cleanouts located in concealed piping, install cleanout access covers, with cover tight to finished wall.
- E. Install floor drains at low points of surface areas to be drained. Set grates of drains flush with finished floor, unless otherwise indicated.
  1. Position floor drains as indicated. If indication is not clear, position for easy access and maintenance.
  2. Set floor drains at elevations indicated.
  3. Install floor-drain flashing flange so no leakage occurs between drain and adjoining flooring. Maintain integrity of waterproof membranes where penetrated.
  4. Install individual traps for floor drains connected to sanitary building drain.
- F. Install floor-drain, trap-seal primer fittings on inlet to floor drains indicated to receive trap-seal primer.
- G. Install sleeve flashing device with each riser and stack passing through floors with waterproof membrane.

3.2 CONNECTIONS

- A. Piping installation requirements are specified in other Division 22 Sections. Drawings indicate general arrangement of piping, fittings, and specialties.
- B. Install piping adjacent to equipment to allow service and maintenance.

3.3 LABELING AND IDENTIFYING

- A. Distinguish among multiple units, inform operator of operational requirements, and refer to Division 22 Section "Identification for Plumbing Piping and Equipment."

FIRE STATIONS RENOVATION  
ARLINGTON COUNTY, VIRGINIA  
Architect's Project No: 563006

3.4 FIELD QUALITY CONTROL

A. Checks and Inspections:

1. Leak Check: After installation, charge system and check for leaks. Repair leaks and recheck until no leaks exist.

3.5 PROTECTION

- A. Protect drains during construction period to avoid clogging with dirt or debris and to prevent damage from traffic or construction work.
- B. Place plugs in ends of open pipes at end of each day or when work stops.

END OF SECTION 221319

FIRE STATIONS RENOVATION  
ARLINGTON COUNTY, VIRGINIA  
Architect's Project No: 563006

**SECTION 224000 - PLUMBING FIXTURES – ADD 01**

PART 1 - GENERAL

1.1 RELATED DOCUMENTS

- A. Provisions of the Contract and of the Contract Documents apply to this Section.

1.2 DEFINITIONS

- A. ABS: Acrylonitrile-butadiene-styrene plastic.
- B. FRP: Fiberglass-reinforced plastic.
- C. PMMA: Polymethyl methacrylate (acrylic) plastic.
- D. PVC: Polyvinyl chloride plastic.
- E. RFI: Request for information.
- F. Accessible Fixture: Plumbing fixture that can be approached, entered, and used by people with disabilities.
- G. Cast Polymer: Cast-filled-polymer-plastic material. This material includes cultured-marble and solid-surface materials.
- H. Cultured Marble: Cast-filled-polymer-plastic material with surface coating.
- I. Fitting: Device that controls flow of water into or out of plumbing fixture. Fittings specified in this Section include supplies and stops, faucets and spouts, showerheads and tub spouts, drains and tailpieces, and traps and waste pipes.
- J. Solid Surface: Nonporous, homogeneous, cast-polymer-plastic material with heat-, impact-, scratch-, and stain-resistance qualities.
- K. Other Manufacturers: Use one of those listed.

1.3 SUBMITTALS

- A. Product Data: For each type of plumbing fixture indicated. Include proposed fixture, trim, fittings, accessories, appliances, appurtenances, equipment, and supports. Indicate materials & finishes, dimensions, construction details, flow-control rates and water consumption.
- B. Shop Drawings: Diagram power, signal, and control wiring.
- C. Operation and Maintenance Data: For plumbing fixtures to include in operation, and maintenance manuals.
- D. Warranty: Submit warranties.
  - 1. 1 Year non-prorated on all components of all products.
  - 2. Additional 9 years (total of 10) for de-zincification on flush valves when body metal contains more than 15% zinc.
- E. LEED Submittals: Refer to Division 1 Section “Sustainable Design Requirements.”



FIRE STATIONS RENOVATION  
ARLINGTON COUNTY, VIRGINIA  
Architect's Project No: 563006

F. All LEED V4 calculatable fixtures shall be certified as "Water Sense" compliant.

1.4 KEY OPERATOR:

- A. Provide Minimum number of key operators (wrenches/tools)for loose key stops, wall hydrants, aerators and any fixture where a key or special tool is required:
1. 1 for 10% of each size or 10, whichever is less.

1.5 QUALITY ASSURANCE

- A. Source Limitations: Obtain plumbing fixtures, faucets, and other components of each category through one source from a single manufacturer.
1. Exception: If fixtures, faucets, or other components are not available from a single manufacturer, obtain similar products from other manufacturers specified for that category.
- B. Electrical Components, Devices, and Accessories: Electrical components, devices, and accessories shall be listed and labeled as defined in NFPA 70, Article 100, by a testing agency acceptable to authorities having jurisdiction, and marked for intended use.
- C. Regulatory Requirements: Comply with requirements in ICC A117.1, "Accessible and Usable Buildings and Facilities"; Public Law 90-480, "Architectural Barriers Act"; and Public Law 101-336, "Americans with Disabilities Act"; for plumbing fixtures for people with disabilities. Comply with requirements in Public Law 102-486, "Energy Policy Act," regarding water flow and consumption rates for plumbing fixtures.
- D. NSF Standard: Comply with NSF 61, "Drinking Water System Components--Health Effects," for fixture materials that will be in contact with potable water.
- E. Select combinations of fixtures and trim, faucets, fittings, and other components that are compatible.
- F. Comply with the following standards and other requirements where applicable:
1. Vitreous-China Fixtures: ASME A112.19.2M.
  2. Backflow Protection Devices for Faucets with Hose-Thread Outlet: ASME A112.18.3M.
  3. Faucets: ASME A112.18.1.
  4. Hose-Connection Vacuum Breakers: ASSE 1011.
  5. Hose-Coupling Threads: ASME B1.20.7.
  6. Integral, Atmospheric Vacuum Breakers: ASSE 1001.
  7. NSF Potable-Water Materials: NSF 61.
  8. Pipe Threads: ASME B1.20.1.
  9. Sensor-Actuated Faucets and Electrical Devices: UL 1951.
  10. Supply Fittings: ASME A112.18.1.
  11. Brass Waste Fittings: ASME A112.18.2.
  12. Atmospheric Vacuum Breakers: ASSE 1001.
  13. Sensor-Operation Flushometers: ASSE 1037 and UL 1951.
  14. Flexible Water Connectors: ASME A112.18.6.
  15. Floor Drains: ASME A112.6.3.
  16. Plastic Toilet Seats: ANSI Z124.5.
  17. Supply and Drain Protective Shielding Guards: ICC A117.1.

FIRE STATIONS RENOVATION  
ARLINGTON COUNTY, VIRGINIA  
Architect's Project No: 563006

1.6 COORDINATION

- A. Coordinate all accessories. Ensure items fit and work together as an assembly.
- B. Coordinate roughing-in and final plumbing fixture locations, and verify that fixtures can be installed to comply with design.
- C. Model numbers are intended to identify families of fixtures and may be incomplete. Refer to other contract documents for hand.

1.7 EXTRA MATERIALS

- A. Furnish extra materials described below that match products installed and that are packaged with protective covering for storage and identified with labels describing contents.
  - 1. Faucet Cartridges, washers, aerators and O-Rings: Equal to 5 percent of amount of each type and size installed but not less than 5 of each type and size.
  - 2. Flushometer Valve, Repair Kits: 5 of each type.

PART 2 - PRODUCTS

2.1 WC-1 WATER CLOSET (ACCESSIBLE)

- A. Manufacturer & Model Number: 3043.001 (1.28 Gallon Flush)
  - 1. Material: Vitreous china
  - 2. Color: White
- B. Flush Valve: American Standard Model 6065.121 (1.28 Gallon Flush)
  - 1. Provide:
    - a. Wall Mounted Proximity Sensor valve with Indicator Light.
    - b. Courtesy Flush Over-ride Button.
    - c. Non-Hold-Open Integral Solenoid Operator.
    - d. 1" I.P.S. Screwdriver Back-Check Angle Stop
    - e. Free Spinning Vandal Resistant Stop Cap
    - f. Transformer
- C. Seat: Church 9500SSCT (White)
  - 1. Elongated extra heavy weight seat with stainless steel self-sustaining check hinge.
- D. Manufacturers:
  - 1. Water Closet
    - a. Kohler
    - b. Sloan
  - 2. Carrier:
    - a. Josam
    - b. J.R.Smith
  - 3. Flush Valve:
    - a. Kohler
    - b. Moen
    - c. Sloan

FIRE STATIONS RENOVATION  
ARLINGTON COUNTY, VIRGINIA  
Architect's Project No: 563006

4. Seat
  - a. Olsonite
  - b. Centoco

2.2 LA-1 LAVATORY – WALL HUNG (ACCESSIBLE)

- A. Basis-of-Design Product: Subject to compliance with requirements, provide Kohler No. K-1728 or a comparable product by one of the following:
  1. Material: Vitreous China
  2. Color: White
- B. Faucet: American Standard Model: 6053.205
  1. Infrared Sensor
  2. Filtered Solenoid valve with serviceable strainer
  3. Splash proof circuit control module
  4. Trim plate kit.
  5. 0.5 GPM vandal resistant spray head
  6. Below deck thermostatic mixing valve meeting ASSE 1070
  7. 120V Transformer
- C. Mixing Valve: TMV-1 (refer to schedule on P0.1)
  1. Anti-scald protection
  2. Integral check stops
  3. Lead free
  4. ASSE 1070 certified
- D. Drain: McGuire Part Number 155A
- E. Trap: McGuire Part Number 8902C-F
  1. 1-1/4"x 1-1/2" cast brass polished chrome trap with cleanout plug and brass slip nuts.
  2. 17-gauge seamless tubular chrome plated brass wall bend.
  3. Forged brass chrome plated wall flange with setscrew.
- F. Supplies: McGuire Part Number 2165-N3-F
  1. 1/2" IPS x 3/8" OD
  2. 1/2" x 3" chrome plated brass nipple.
  3. Heavy brass chrome plated wall flange with set-screw
  4. Contractor shall coordinate supply connection to back-check tee and shall provide required additional pipe.
- G. Insulation: Tru-Bro Lav Guard #102
  1. Color: White
  2. Insulate P-trap, hot and cold angle valves, hot and cold risers.
- H. Carrier: Josam Series 17100
  1. Floor mounted with rectangular uprights.
- I. Other Manufacturers: Provide products, features, and accessories equal to those specified above.
  1. Faucet:
    - a. Speakman

FIRE STATIONS RENOVATION  
ARLINGTON COUNTY, VIRGINIA  
Architect's Project No: 563006

- b. Sloan
- c. T&S Brass
- d. Moen
- 2. Drain:
  - a. Kohler
  - b. Cambridge Brass
  - c. Chicago
- 3. Trap:
  - a. Kohler
  - b. Cambridge Brass
- 4. Supplies:
  - a. Cambridge Brass
  - b. Kohler
- 5. Insulation:
  - a. McGuire

2.3 SH-1 (INDIVIDUAL SHOWER (ROLL-IN TYPE ACCESSIBLE))

A. Shower Valve: [Acorn Controls Model: SV16](#)

- 1. Temperature/Pressure compensating valve
- 2. Fixed shower head (2.0gpm)
- 3. Hand held shower set with 60" flex hose
- 4. 30" Slide bar for hand held shower mounted with stainless steel plates and bolts
- 5. In-line diverting valve
- 6. Integral service stops

**B. Shower Base/Pan: Swanstone Model: SS-3636 (\*ADD-01)**

- 1. Size 36"x 36"x 5-1/2"**
- 2. Color: White, verify with Architectural color selection.**
- 3. Drain: Integral**
- 4. Tiling flange(s): Yes, 3 sides**
- 5. Reinforced solid surface**

C. Provide self-sealing brass drain and strainer.

D. Other Manufacturers: Provide products, features, and accessories equal to those specified above.

- 1. Shower Valve
  - a. Leonard
  - b. Bradley
  - c. Symmons

PART 3 - EXECUTION

3.1 EXAMINATION

- A. Examine roughing-in for water soil and for waste piping systems and supports to verify actual locations and sizes of piping connections and that locations and types of supports match those

FIRE STATIONS RENOVATION  
ARLINGTON COUNTY, VIRGINIA  
Architect's Project No: 563006

indicated, before plumbing fixture installation. Manufacturer's roughing-in data overrides all other indicated data.

- B. Examine walls, floors, and cabinets for suitable conditions where fixtures are to be installed.
- C. Proceed with installation only after unsatisfactory conditions have been corrected.

### 3.2 FIXTURE INSTALLATION

- A. Assemble fixtures, trim, fittings, and other components according to manufacturers' written instructions.
- B. For wall-hanging fixtures, install off-floor supports affixed to building substrate.
- C. Install back-outlet, wall hanging fixtures onto waste fitting seals and attach to supports.
- D. Install floor-mounting fixtures on closet flanges or other attachments to piping or building substrate.
- E. Install wall-hanging fixtures with tubular waste piping attached to supports.
- F. Install counter-mounted fixtures in and attached to casework.
- G. Install fixtures level and plumb according to manufacturers' written instructions and roughing-in drawings.
- H. Install water-supply piping with stop on each supply to each fixture to be connected to water distribution piping. Attach supplies to supports or substrate within pipe spaces behind fixtures. Install stops in locations where they can be easily reached for operation.
  - 1. Exception: Use ball valve if stops are not specified with fixture. Refer to Section "Valves".
- I. Install trap and waste piping on drain outlet of each fixture to be directly connected to sanitary drainage system.
- J. Install flushometer valves for accessible water closets and urinals with handle mounted on wide side of compartment. Install other actuators in locations that are easy for people with disabilities to reach.
- K. Install toilet seats on water closets.
- L. Install faucet-spout fittings with specified flow rates and patterns in faucet spouts if faucets are not available with required rates and patterns. Include adapters if required.
- M. Install faucet, flow-control fittings with specified flow rates and patterns in faucet spouts if faucets are not available with required rates and patterns. Include adapters if required.
- N. Install traps on fixture outlets.
  - 1. Exception: Omit trap on fixtures with integral traps.
  - 2. Exception: Omit trap on indirect wastes, unless otherwise indicated.
- O. Install escutcheons at piping wall-ceiling penetrations in exposed, finished locations and within cabinets and millwork. Use deep-pattern escutcheons if required to conceal protruding fittings. Refer to Division 22 Section "Common Work Results For Plumbing" for escutcheons.
- P. Set service basins in leveling bed of cement grout. Refer to Division 22 Section "Common Work Results For Plumbing" for grout.

FIRE STATIONS RENOVATION  
ARLINGTON COUNTY, VIRGINIA  
Architect's Project No: 563006

- Q. Refer to Section "Joint Sealants" for sealant and installation requirements.
- R. Provide connection to automatic lavatories & flush valves as required via low-voltage transformer(s). Mount transformer(s) above accessible ceiling. Connect to local 120V receptacle circuit with disconnect switch adjacent to transformer. All circuitry (including low voltage) shall be run concealed & in conduit. Coordinate connection requirements.

3.3 CONNECTIONS

- A. Drawings indicate general arrangement of piping, fittings, and specialties.
- B. Connect water supplies from water distribution piping to fixtures.
- C. Connect drain piping from fixtures to drainage piping.
- D. Supply and Waste Connections to Plumbing Fixtures: Connect fixtures with water supplies, stops, risers, traps, and waste piping. Use sizes required to match fixtures. Connect to plumbing piping.
- E. Supply and Waste Connections to Fixtures and Equipment Specified in Other Sections: Connect fixtures and equipment with water supplies, stops, risers, traps, and waste piping. Use size fittings required to match fixtures and equipment. Connect to plumbing piping.
- F. Ground equipment: Tighten electrical connectors and terminals according to manufacturer's published torque-tightening values. If manufacturer's torque values are not indicated, use those specified in UL 486A and UL 486B.

3.4 FIELD QUALITY CONTROL

- A. Verify that installed fixtures are categories and types specified for locations where installed.
- B. Check that fixtures are complete with trim, faucets, fittings, and other specified components.
- C. Inspect installed fixtures for damage. Replace damaged fixtures and components.
- D. Test installed fixtures after water systems are pressurized for proper operation. Replace malfunctioning fixtures and components, then retest. Repeat procedure until units operate properly.
- E. Install fresh batteries in sensor-operated mechanisms.

3.5 ADJUSTING

- A. Replace washers and seals or cartridges of leaking and dripping faucets, stops, and valves.

3.6 CLEANING

- A. Clean fixtures, faucets, and other fittings with manufacturers' recommended cleaning methods and materials. Do the following:
  - 1. Remove faucet spouts and strainers, remove sediment and debris, and reinstall strainers and spouts.
  - 2. Remove sediment and debris from drains.

FIRE STATIONS RENOVATION  
ARLINGTON COUNTY, VIRGINIA  
Architect's Project No: 563006

3.7 PROTECTION

- A. Provide protective covering for installed fixtures and fittings.
- B. Do not allow use of fixtures for temporary facilities unless approved in writing by Owner.

END OF SECTION 224000

FIRE STATIONS RENOVATION  
ARLINGTON COUNTY, VIRGINIA  
Architect's Project No: 563006

SECTION 230500 - COMMON WORK RESULTS FOR HVAC

PART 1 - GENERAL

1.1 RELATED DOCUMENTS

- A. Provisions of the Contract and of the Contract Documents apply to this Section.

1.2 DEFINITIONS

- A. Finished Spaces: Spaces other than mechanical and electrical equipment rooms, furred spaces, pipe chases, unheated spaces immediately below roof, spaces above ceilings, unexcavated spaces, crawlspaces, and tunnels.
- B. Exposed, Interior Installations: Exposed to view indoors. Examples include finished occupied spaces and mechanical equipment rooms.
- C. Exposed, Exterior Installations: Exposed to view outdoors or subject to outdoor ambient temperatures and weather conditions. Examples include rooftop locations.
- D. Concealed, Interior Installations: Concealed from view and protected from physical contact by building occupants. Examples include above ceilings and in chases.
- E. Concealed, Exterior Installations: Concealed from view and protected from weather conditions and physical contact by building occupants but subject to outdoor ambient temperatures. Examples include installations within unheated shelters.
- F. The following are industry abbreviations for rubber materials:
  - 1. EPDM: Ethylene-propylene-diene terpolymer rubber.
  - 2. NBR: Acrylonitrile-butadiene rubber.
- G. VUSBC: Virginia Uniform Statewide Building Code

1.3 SUBMITTALS

- A. Product Data: For the following:
  - 1. Transition fittings.
  - 2. Dielectric fittings.
  - 3. Mechanical sleeve seals.
  - 4. Escutcheons.



FIRE STATIONS RENOVATION  
ARLINGTON COUNTY, VIRGINIA  
Architect's Project No: 563006

1.4 QUALITY ASSURANCE

- A. Equipment and appliances comprising portions of the mechanical systems regulated by the VUSBC shall be listed and labeled in accordance with the current edition of the VUSBC.
- B. Equipment and appliances comprising portions of the mechanical systems regulated by the VUSBC shall be installed in accordance with the listing, manufacturer's installation instructions, and the VUSBC. Manufacturer's installation instructions shall be available on the job site for use and inspection.
- C. Steel Support Welding: Qualify processes and operators according to AWS D1.1, "Structural Welding Code--Steel."
- D. Steel Pipe Welding: Qualify processes and operators according to ASME Boiler and Pressure Vessel Code: Section IX, "Welding and Brazing Qualifications."
  - 1. Comply with provisions in ASME B31 Series, "Code for Pressure Piping."
  - 2. Certify that each welder has passed AWS qualification tests for welding processes involved and that certification is current.
- E. Electrical Characteristics for HVAC Equipment: Equipment of higher electrical characteristics may be furnished provided such proposed equipment is approved in writing and connecting electrical services, circuit breakers, and conduit sizes are appropriately modified. If minimum energy ratings or efficiencies are specified, equipment shall comply with requirements.

1.5 DELIVERY, STORAGE, AND HANDLING

- A. Deliver pipes and tubes with factory-applied end caps. Maintain end caps through shipping, storage, and handling to prevent pipe end damage and to prevent entrance of dirt, debris, and moisture.

1.6 COORDINATION

- A. Arrange for pipe spaces, chases, slots, and openings in building structure during progress of construction, to allow for HVAC installations.
- B. Coordinate installation of required supporting devices and set sleeves in poured-in-place concrete and other structural components as they are constructed.
- C. Coordinate requirements for access panels and doors for HVAC items requiring access that are concealed behind finished surfaces. Access panels and doors are specified in Division 08 Section "Access Doors and Frames."

FIRE STATIONS RENOVATION  
ARLINGTON COUNTY, VIRGINIA  
Architect's Project No: 563006

1.7 INTENT OF CONTRACT DOCUMENTS

- A. Mechanical and HVAC drawings are diagrammatic, indicating general locations and arrangements of pipe, duct, and equipment. Not necessarily indicating all offsets, conditions, and appurtenances required to provide clearances for maximum practical accessibility to perform maintenance.
- B. Coordinate work in order to achieve proper operation and to provide a maintainable installed condition.
- C. Notify the Architect's representative immediately of conditions which do not comply or will not produce this result.
- D. Indicated configurations were used to size pipes, pumps, expansion tanks and other devices. Install piping, duct, and equipment generally as indicated. Minor deviations are permitted in the course of necessary coordination. Major changes shall be submitted for approval by the Architect's representative. Additional fittings and offsets not indicated are expected, anticipated by the design, and shall be provided. If more than 5% of the indicated number of fittings are required or if one change in direction is within six inches of another change in direction and this "Z" shape is not indicated notify the Architect's representative immediately. Provide necessary additional fittings and offsets. Changes in pipe size shall be made only with written approval from the Architect's representative.

PART 2 - PRODUCTS

2.1 PIPE, TUBE, AND FITTINGS

- A. Refer to Section "Hydronic Piping" for additional pipe, tube, and fitting materials and joining methods.
- B. Pipe Threads: ASME B1.20.1 for factory-threaded pipe and pipe fittings.

2.2 JOINING MATERIALS

- A. Refer to individual Division 23 piping sections for joining materials not listed below.
- B. Pipe-Flange Gasket Materials: Suitable for chemical and thermal conditions inside & outside pipe and:
  - 1. ASME B16.21, non-metallic, flat, asbestos-free, 1/8-inch maximum thickness unless thickness or specific material is otherwise indicated.
    - a. Full-Face Type: For flat-face, Class 125, cast-iron and cast-bronze flanges.
    - b. Narrow-Face Type: For raised-face, Class 250, cast-iron and steel flanges.

FIRE STATIONS RENOVATION  
ARLINGTON COUNTY, VIRGINIA  
Architect's Project No: 563006

- 2. AWWA C110, rubber, flat face, 1/8 inch thick, unless otherwise indicated, and full-face or ring type, unless otherwise indicated.
- C. Solder Filler Metals: ASTM B 32, lead-free (95% Tin, 5% Antimony) alloy. Include water-flushable flux according to ASTM B 813.
- D. Brazing Filler Metals: AWS A5.8, BCuP Series, copper-phosphorus alloys for general-duty brazing, unless otherwise indicated; and AWS A5.8, BAgl, silver alloy for refrigerant piping, unless otherwise indicated.
- E. Welding Filler Metals: Comply with AWS D10.12 for welding materials appropriate for wall thickness and chemical analysis of steel pipe being welded.

2.3 DIELECTRIC FITTINGS

- A. Description: Combination fitting of copper alloy and ferrous materials with threaded, solder-joint, plain, or weld-neck end connections that match piping system materials.
- B. Insulating Material: Suitable for system fluid, pressure, and temperature.
- C. Dielectric Flanges: Factory-fabricated, companion-flange assembly, for 150- or 300-psig minimum working pressure as required to suit system pressures.
  - 1. Available Manufacturers:
    - a. Capitol Manufacturing Co.
    - b. Central Plastics Company.
    - c. Epcos Sales, Inc.
    - d. Watts Industries, Inc.; Water Products Div.
- D. Dielectric-Flange Kits: Companion-flange assembly for field assembly. Include flanges, full-face- or ring-type neoprene or phenolic gasket, phenolic or polyethylene bolt sleeves, phenolic washers, and steel backing washers.
  - 1. Available Manufacturers:
    - a. Advance Products & Systems, Inc.
    - b. Calpico, Inc.
    - c. Central Plastics Company.
    - d. Pipeline Seal and Insulator, Inc.
  - 2. Separate companion flanges and steel bolts and nuts shall have 150- or 300-psig minimum working pressure where required to suit system pressures.
- E. Dielectric Couplings: Galvanized steel coupling with inert and non-corrosive, thermoplastic lining; threaded ends; and 300-psig minimum working pressure at 225°F.
  - 1. Available Manufacturers:

FIRE STATIONS RENOVATION  
ARLINGTON COUNTY, VIRGINIA  
Architect's Project No: 563006

- a. Calpico, Inc.
- b. Lochinvar Corp.

2.4 MECHANICAL SLEEVE SEALS

- A. Description: Modular sealing element unit, designed for field assembly, to fill annular space between pipe and sleeve.
  - 1. Available Manufacturers:
    - a. Advance Products & Systems, Inc.
    - b. Calpico, Inc.
    - c. Metraflex Co.
    - d. Pipeline Seal and Insulator, Inc.
  - 2. Sealing Elements: EPDM interlocking links shaped to fit surface of pipe. Include type and number required for pipe material and size of pipe.
  - 3. Pressure Plates: Plastic. Include two for each sealing element.
  - 4. Connecting Bolts and Nuts: Stainless steel of length required to secure pressure plates to sealing elements.

2.5 SLEEVES

- A. Galvanized-Steel Sheet: 0.0239-inch minimum thickness; round tube closed with welded longitudinal joint.
- B. Steel Pipe: ASTM A 53, Type E, Grade B, Schedule 40, galvanized, plain ends.
- C. Cast Iron: Cast or fabricated "wall pipe" equivalent to ductile-iron pressure pipe, with plain ends and integral waterstop, unless otherwise indicated.
- D. Stack Sleeve Fittings: Manufactured, cast-iron sleeve with integral clamping flange. Include clamping ring and bolts and nuts for membrane flashing.
  - 1. Underdeck Clamp: Clamping ring with set screws.
- E. Molded PE: Reusable, PE, tapered cup-shaped and smooth-outer surface with nailing flange for attaching to wooden forms.

2.6 ESCUTCHEONS

- A. Description: Manufactured wall and ceiling escutcheons and floor plates, with an ID to closely fit around pipe, tube, and insulation of insulated piping and an OD that completely covers opening.

FIRE STATIONS RENOVATION  
ARLINGTON COUNTY, VIRGINIA  
Architect's Project No: 563006

- B. One-Piece, Deep-Pattern Type: Deep-drawn, box-shaped brass with polished chrome-plated finish.
- C. One-Piece, Cast-Brass Type: With set screw.
  - 1. Finish: Polished chrome-plated.
- D. Split-Casting, Cast-Brass Type: With concealed hinge and set screw.
  - 1. Finish: Polished chrome-plated.
- E. One-Piece, Floor-Plate Type: Cast-iron floor plate.
- F. Split-Casting, Floor-Plate Type: Cast brass with concealed hinge and set screw.

2.7 GROUT

- A. Description: ASTM C 1107, Grade B, non-shrink and non-metallic, dry hydraulic cement grout.
  - 1. Characteristics: Post-hardening, volume-adjusting, non-staining, non-corrosive, non-gaseous, and recommended for interior and exterior applications.
  - 2. Design Mix: 5000-psi, 28-day compressive strength.
  - 3. Packaging: Premixed and factory packaged.

PART 3 - EXECUTION

3.1 HVAC DEMOLITION

- A. Refer to Sections "Cutting and Patching" and "Selective Structure Demolition" for general demolition requirements and procedures.
- B. Disconnect, demolish, and remove HVAC systems, equipment, and components indicated to be removed.
  - 1. Piping to Be Removed: Remove portion of piping indicated to be removed and cap or plug remaining piping with same or compatible piping material.
  - 2. Piping to Be Abandoned in Place: Drain piping and cap or plug piping with same or compatible piping material.
  - 3. Equipment to Be Removed: Remove equipment and associated piping back to main unless otherwise indicated. Cap services.
  - 4. Equipment to Be Removed and Reinstalled: Disconnect and cap services. Remove, clean, and store equipment. When appropriate, reinstall, reconnect, and make equipment operational.
  - 5. Equipment to Be Removed and Salvaged: Remove equipment and associated piping back to main unless otherwise indicated. Cap services. Remove equipment, clean, and

FIRE STATIONS RENOVATION  
ARLINGTON COUNTY, VIRGINIA  
Architect's Project No: 563006

store as directed (May be off-site). Make available to owner at time of the owner's choosing.

- C. If pipe, insulation, or equipment to remain is damaged in appearance or is unserviceable, remove damaged or unserviceable portions and replace with new products of equal capacity and quality.

### 3.2 PIPING SYSTEMS - COMMON REQUIREMENTS

- A. Install piping according to the following and Division 23 Sections specifying piping systems.
- B. Install piping in concealed locations, unless otherwise indicated and except in equipment rooms and service areas.
- C. Install piping indicated to be exposed and piping in equipment rooms and service areas at right angles or parallel to building walls. Diagonal runs are prohibited unless specifically indicated.
- D. Install piping above accessible ceilings allowing sufficient space for ceiling panel removal.
- E. Install piping to permit valve operation & servicing.
- F. Install condensate drain piping at 1% slope.
- G. Install piping free of sags and bends.
- H. Install fittings for changes in direction and branch connections unless otherwise indicated.
- I. Install piping leaving room for installation of insulation.
- J. Install system components with pressure rating equal to or greater than system operating pressure.
- K. Install escutcheons for penetrations of walls, ceilings, and floors according to the following:
  - 1. Exposed, Interior Installations/Piping with Fitting or Sleeve Protruding from Wall: One-piece, deep-pattern type.
  - 2. Exposed, Interior Installations/Chrome-Plated Piping: One-piece, cast-brass type with polished chrome-plated finish and set-screw.
  - 3. Exposed, Interior Installations/Insulated Piping: One-piece, cast-brass type with polished chrome-plated finish.
  - 4. Exposed, Interior Installations/Bare Piping at Wall and Floor Penetrations in Finished Spaces: One-piece, cast-brass type with finish to match surrounding surfaces.
  - 5. Exposed, Interior Installations/Bare Piping at Ceiling Penetrations in Finished Spaces: One-piece or split-casting, cast-brass type with finish to match surrounding surfaces.
  - 6. Exposed, Interior Installations/Piping in Unfinished Service Spaces: None, provide sealant.
  - 7. Exposed, Interior Installations/Piping in Equipment Rooms: None, provide sealant.

FIRE STATIONS RENOVATION  
ARLINGTON COUNTY, VIRGINIA  
Architect's Project No: 563006

8. Exposed, Interior Installations/Piping at Floor Penetrations in Equipment Rooms, Fan Rooms, or similar wet spaces: None - provide sealant and sleeve extending 2" above floor to prevent liquid leaking to floor below.
  
- L. Provide seal around piping penetrations of full height interior walls, both rated and non-rated, that occur above ceilings. Refer to Section 079200 Joint Sealants.
  
- M. Sleeves are not required for core-drilled holes.
  1. Exception: Exposed, Interior Installations at Floor Penetrations in Equipment Rooms, Fan Rooms, or similar wet spaces.
  
- N. Permanent sleeves are not required for holes formed by removable PE sleeves.
  1. Exception: Exposed, Interior Installations at Floor Penetrations in Equipment Rooms, Fan Rooms, or similar wet spaces.
  
- O. Install sleeves for pipes passing through walls, floors, or roofs.
  1. Cut sleeves to length for mounting flush with both surfaces.
    - a. Exception: Extend sleeves installed in floors of mechanical equipment rooms, fan rooms or other similar wet areas 2 inches above finished floor level. Extend cast-iron sleeve fittings below floor slab as required to secure clamping ring.
  2. Install sleeves as walls and slabs are constructed.
    - a. PVC Pipe Sleeves: Permitted for pipes smaller than 6" except aboveground, exterior-walls.
    - b. Steel Sheet Sleeves: Permitted for pipes 6" and larger, penetrating gypsum-board partitions except aboveground, exterior-walls.
    - c. Seal space outside sleeve fittings with grout and sealant.
  3. Except for penetrations where mechanical sleeve seals are used, seal annular space between sleeve and pipe or pipe insulation, using joint sealants appropriate for size, depth, and location of joint. Refer to Section "Joint Sealants".
  
- P. Aboveground Exterior Penetrations: Seal penetrations using sleeves and mechanical sleeve seals. Select sleeve size to allow for annular clear space required by the mechanical sleeve seal manufacturer between pipe and sleeve for installing mechanical sleeve seals.
  1. Install steel pipe for sleeves smaller than 6 inches in diameter.
  2. Install cast-iron "wall pipes" for sleeves 6 inches and larger in diameter.
  3. Mechanical Sleeve Seal Installation: Select type and number of sealing elements required for pipe material and size. Position pipe in center of sleeve. Assemble mechanical sleeve seals and install in annular space between pipe and sleeve. Tighten bolts against pressure plates that cause sealing elements to expand and make watertight seal.
  4. Sleeves from an approved sleeve seal manufacturer shall be acceptable.

FIRE STATIONS RENOVATION  
ARLINGTON COUNTY, VIRGINIA  
Architect's Project No: 563006

- Q. Underground Exterior Penetrations: Install cast-iron "wall pipes" for sleeves. Seal pipe penetrations using mechanical sleeve seals. Select sleeve size to allow for annular clear space required by the mechanical sleeve seal manufacturer between pipe and sleeve for installing mechanical sleeve seals.
- R. Mechanical Sleeve Seal Installation: Select type and number of sealing elements required for pipe material and size. Position pipe in center of sleeve. Assemble mechanical sleeve seals and install in annular space between pipe and sleeve. Tighten bolts against pressure plates that cause sealing elements to expand and make watertight seal.
- S. Fire-Barrier Penetrations: Maintain indicated fire rating of walls, partitions, ceilings, and floors at pipe penetrations. Seal pipe penetrations with firestop materials. Refer to Section "Penetration Firestopping" for materials.
- T. Verify final equipment locations for roughing-in.
- U. Refer to equipment specifications in other Sections of these Specifications for roughing-in requirements.

### 3.3 PIPING JOINT CONSTRUCTION

- A. Join pipe and fittings according to the following requirements and Division 22 Sections specifying piping systems.
- B. Ream ends of pipes and tubes and remove burrs. Bevel plain ends of steel pipe.
- C. Remove scale, slag, dirt, and debris from inside and outside of pipe and fittings before assembly.
- D. Soldered Joints: Apply water-flushable flux, unless otherwise indicated, to tube end. Construct joints using lead-free solder alloy.
- E. Brazed Joints: Construct joints using copper-phosphorus brazing filler metal.
- F. Threaded Joints: Thread pipe with tapered pipe threads. Cut threads full and clean using sharp dies. Ream threaded pipe ends to remove burrs and restore full ID. Join pipe fittings and valves as follows:
  - 1. Apply appropriate tape or thread compound to external pipe threads unless otherwise indicated.
- G. Welded Joints: Construct joints using qualified processes and welding operators.
- H. Flanged Joints: Select appropriate gasket material, size, type, and thickness for service application. Install gasket concentrically positioned. Use suitable lubricants on bolt threads.
- I. Mechanical Joints: Prepare pipe ends and fittings, apply coupling, and join according to joint manufacturer's written instructions.



FIRE STATIONS RENOVATION  
ARLINGTON COUNTY, VIRGINIA  
Architect's Project No: 563006

3.4 PIPING CONNECTIONS

- A. Make connections according to the following, unless otherwise indicated:
  - 1. Install unions, in piping 2" and smaller, one adjacent to each valve and at final connections to each piece of equipment.
  - 2. Install flanges, in piping NPS 2-1/2" and larger, adjacent to final connections to each piece of equipment.
  - 3. Install dielectric unions or flanges for connections of dissimilar metals.

3.5 EQUIPMENT INSTALLATION - COMMON REQUIREMENTS

- A. Install equipment to allow maximum possible headroom unless specific mounting heights are indicated.
- B. Install equipment level and plumb, parallel and perpendicular to other building systems and components in exposed interior spaces, unless otherwise indicated.
- C. Install HVAC equipment to facilitate service, maintenance, and repair or replacement of components. Connect equipment for ease of disconnecting, with minimum interference to other installations. Extend grease fittings to service side of equipment.
- D. Install equipment to allow space for other systems.

3.6 PAINTING

- A. Damage and Touchup: Repair marred and damaged factory-painted finishes with materials and procedures to match original factory finish.

3.7 HOUSEKEEPING PADS AND EQUIPMENT PADS

- A. Housekeeping pads and equipment pads: Anchor equipment to concrete according to equipment manufacturer's written instructions and according to seismic codes at project location.
  - 1. Construct concrete pads in accordance with drawing details.
  - 2. Details may be found on structural drawings.

3.8 ERECTION OF METAL SUPPORTS AND ANCHORAGES

- A. Refer to Section "Metal Fabrications" for structural steel.
- B. Cut, fit, and place miscellaneous metal supports accurately in location, alignment, and elevation to support and anchor HVAC materials and equipment.
- C. Field Welding: Comply with AWS D1.1.

FIRE STATIONS RENOVATION  
ARLINGTON COUNTY, VIRGINIA  
Architect's Project No: 563006

3.9 GROUTING

- A. Mix and install grout for HVAC equipment base bearing surfaces, pump and other equipment base plates, and anchors.
- B. Clean surfaces that will come into contact with grout.
- C. Provide forms as required for placement of grout.
- D. Avoid air entrapment during placement of grout.
- E. Place grout, completely filling equipment bases.
- F. Place grout on concrete bases and provide smooth bearing surface for equipment.
- G. Place grout around anchors.
- H. Cure placed grout.

3.10 EXCAVATION AND BACKFILL

- A. Excavation and backfill shall be as indicated in Division 1 specifications and on the drawings. If excavation and backfill is not otherwise indicated the following shall apply:
  - 1. Excavate trenches to indicated gradients, lines, depths, and elevations.
    - a. Beyond the building perimeter, excavate trenches to allow installation of top of pipe below frost line.
  - 2. Excavate trenches to uniform widths to provide twelve inches clear on each side of pipe. Excavate trench walls vertically from trench bottom.
  - 3. Trench Bottoms: Excavate trench bottoms to provide flat surface. Place and compact six inches of sand. Excavate and shape sand to provide uniform bearing and support of pipes. Shape sand to provide continuous support for bells, joints, fittings, and barrels of pipes. Sand shall be free of projecting stones and sharp objects.
  - 4. Backfill and hand tamp to 95% proctor to six inches above the top of the pipe.
  - 5. Backfill and machine tamp the remainder of the trench to 95% proctor in twelve inch lifts.

END OF SECTION 230500

FIRE STATIONS RENOVATION  
ARLINGTON COUNTY, VIRGINIA  
Architect's Project No: 563006

SECTION 230513 – MOTORS FOR HVAC EQUIPMENT

PART 1 - GENERAL

1.1 RELATED DOCUMENTS

- A. Provisions of the Contract and of the Contract Documents apply to this Section.

1.2 SUBMITTALS

- A. Manufacturer's catalog and efficiency data.

1.3 QUALITY ASSURANCE

- A. Electrical Components, Devices, and Accessories: Listed and labeled as defined in NFPA 70, Article 100, by a testing agency acceptable to authorities having jurisdiction, and marked for intended use.
- B. Comply with NFPA 70.

1.4 COORDINATION

- A. All motors are required to be equipped with overload protection located near the motor.
  - 1. Overload protection shall:
    - a. Be located between the circuit breaker or fuse provided under Division 26 and the motor windings.
    - b. Meet one of the options specified in the following paragraph.
  - 2. Overload protection may be:
    - a. Located in the motor installed by the motor manufacturer. (preferred)
    - b. A separate device located near the motor.
    - c. Located in, or with, a disconnect switch provided by the equipment manufacturer. Provision of this switch shall not modify, change, or eliminate any Division 26 requirement. This means some equipment shall be provided or specified with two disconnecting means.
- B. Coordinate features of motors, installed units, and accessory devices. Provide motors that are:
  - 1. Compatible with controller
  - 2. Matched to torque and horsepower requirements of the load.
  - 3. Matched to ratings and characteristics of supply circuit and required control sequence.
- C. Coordinate motor support with requirements for driven load; access for maintenance and motor replacement; installation of accessories, belts, belt guards; and adjustment of sliding rails for belt tensioning.
- D. Belt tension must be wrench and socket adjustable.
- E. Belt tensioning device must accommodate adjustable sheaves.

**FIRE STATIONS RENOVATION  
ARLINGTON COUNTY, VIRGINIA  
Architect's Project No: 563006**

**PART 2 - PRODUCTS**

**2.1 MOTOR REQUIREMENTS**

- A. Motor requirements apply except as follows:
1. Ratings, performance, or characteristics for a motor are specified in another Section or are scheduled on the drawings.
  2. Motor manufacturer requires ratings, performance, or characteristics, other than those specified to meet indicated performance.

**2.2 MOTOR CHARACTERISTICS**

- A. Frequency Rating: 60 Hz.
- B. Voltage Rating: NEMA standard voltage selected to operate on nominal circuit voltage to which motor is connected.
- C. Duty: Continuous at 105 deg F and 3300 feet above sea level.
- D. Capacity and Torque sufficient to:
1. Start, accelerate, and operate connected load.
  2. Maintain designated speeds.
  3. Operate at installed altitude and environment.
  4. Operate with indicated operating sequence.
  5. Operate without exceeding nameplate ratings.
  6. Operate without utilizing service factor.
- E. Enclosure: Open drip-proof unless otherwise indicated.
- F. Minimum Service Factor: 1.15 unless otherwise indicated.

**2.3 POLYPHASE MOTORS**

- A. Description: NEMA MG 1, Design B, medium induction motor.
- B. NEMA Premium efficiency motors shall meet the following full load efficiency:

HP	ODP			TEFC		
	6 Pole	4 Pole	2 Pole	6 Pole	4 Pole	2 Pole
1	82.5	85.5	77.0	82.5	85.5	77.0
1.5	86.5	86.5	84.0	87.5	86.5	84.0
2	87.5	86.5	85.5	88.5	86.5	85.5
3	88.5	89.5	85.5	89.5	89.5	86.5
5	89.5	89.5	86.5	89.5	89.5	88.5
7.5	90.2	91.0	88.5	91.0	91.7	89.5
10	91.7	91.7	89.5	91.0	91.7	90.2
15	91.7	93.0	90.2	91.7	92.4	91.0
20	92.4	93.0	91.0	91.7	93.0	91.0
25	93.0	93.6	91.7	93.0	93.6	91.7

FIRE STATIONS RENOVATION  
ARLINGTON COUNTY, VIRGINIA  
Architect's Project No: 563006

30	93.6	94.1	91.7	93.0	93.6	91.7
----	------	------	------	------	------	------

- C. Efficiency: NEMA Premium
- D. Stator: Copper windings, unless otherwise indicated.
- E. Rotor: Squirrel cage, unless otherwise indicated.
- F. Bearings: Double-shielded, prelubricated ball bearings suitable for radial and thrust loading.
- G. Temperature Rise: Match insulation rating, unless otherwise indicated.
- H. Insulation: Class F, unless otherwise indicated.
- I. Code Letter Designation: NEMA starting Code F or G.
- J. Enclosure: Cast iron.
- K. Finish: Gray enamel.
- L. Motors Used with Reduced-Inrush Controllers: Match wiring connection requirements for controller with required motor leads. Provide terminals in motor terminal box, suited to control method.

PART 3 - EXECUTION

3.1 FIELD QUALITY CONTROL

- A. Perform the following:
  - 1. Run each motor with its controller at load.
  - 2. Demonstrate correct rotation, alignment, and speed.
  - 3. Test interlocks and control features for proper operation.
  - 4. Verify that current in each phase is within nameplate rating.
  - 5. Verify RPM is in accordance with nameplate.
  - 6. Where a generator is provided, run each motor on the generator with its controller and load. Demonstrate correct rotation, alignment, and speed.

3.2 ADJUSTING

- A. Align motors, bases, and shafts.

3.3 CLEANING

- A. After completing equipment installation, inspect unit components. Remove paint splatters and other spots, dirt, and debris. Repair damaged finish to match original finish.

END OF SECTION 230513

FIRE STATIONS RENOVATION  
ARLINGTON COUNTY, VIRGINIA  
Architect's Project No: 563006

SECTION 230514 – VARIABLE SPEED DRIVES

PART 1 - GENERAL

1.1 RELATED DOCUMENTS

- A. Provisions of the Contract and of the Contract Documents apply to this Section.

1.2 DEFINITIONS

- A. Factory Installed Variable Speed Drive: A drive installed by motorized-equipment manufacturer as a component of equipment utilized to control the speed of a motor.
- B. Field-Installed Variable Speed Drive: A drive installed in the field by the contractor to control the speed of a motor not equipped with a factory installed drive.
- C. VSD: Variable Speed Drive

1.3 SUBMITTALS

- A. Submittals shall include the following information:
  - 1. Outline dimensions
  - 2. Conduit entry locations
  - 3. Weight.
- B. Customer connection and power wiring diagrams.
- C. Technical product description including but not limited to a complete list of options.
- D. Compliance to IEEE 519 – harmonic analysis for particular jobsite including total harmonic voltage distortion and total harmonic current distortion (TDD).
- E. The VFD manufacturer shall provide calculations; specific to this installation, showing total harmonic voltage distortion is less than 5%. All VFD's shall include a minimum of 5% impedance reactors.

1.4 QUALITY ASSURANCE

- A. VSDs and options shall be UL listed as a complete assembly.
- B. The base VSD shall be UL listed for 100 KAIC without the need for input fuses.
- C. The VSD shall be tested by the manufacturer.

FIRE STATIONS RENOVATION  
ARLINGTON COUNTY, VIRGINIA  
Architect's Project No: 563006

- D. All optional features shall be functionally tested at the factory for proper operation.
- E. Electrical Components, Devices, and Accessories: Listed and labeled as defined in NFPA 70, Article 100, by a testing agency acceptable to authorities having jurisdiction, and marked for intended use. Comply with UL 508C.
- F. Referenced standards:
  - 1. Standard 519-1992, IEEE Guide for Harmonic Content and Control.
  - 2. UL508C
  - 3. ICS 7.0, AC Adjustable Speed Drives
  - 4. IEC 16800 Parts 1, 2 and 3/NEC 430.120, Adjustable-Speed Drive Systems
  - 5. IBC 2006 Seismic – referencing ASC 7-05 and ICC AC-156
- G. All VSDs installed on this project shall be from the same manufacturer.
- H. The VSD enclosure shall be seismically certified and labeled in accordance with the IBC 2006 International Building Code:
  - 1. VSD manufacturer shall provide Seismic Certification and Installation requirements at time of submittal.
  - 2. A Seismic importance factor of 1.5 shall be used and shall be based upon actual shake test data as defined by ICC AC-156. Seismic ratings based upon calculations alone are not acceptable.
  - 3. Certification of Seismic rating must be based on testing done in all three axis of motion by a certified lab.
- I. Installations in life safety applications including but not limited to smoke removal and make up air to smoke removal systems shall be included in the seismic approval.

## 1.5 COORDINATION

- A. Coordinate features of VSDs with motors, installed units, and accessory devices. Provide VSDs that meet the requirements indicated in this and other equipment specific specification sections.
- B. Confirm that motors controlled by VSDs, provided under this section are designed and labeled for use with variable speed drives, and suitable for use throughout speed range without overheating.
- C. Coordinate VSD support with requirements for maintenance and replacement; and installation of accessories.

## PART 2 - PRODUCTS

### 2.1 FACTORY INSTALLED VARIABLE SPEED DRIVES

FIRE STATIONS RENOVATION  
ARLINGTON COUNTY, VIRGINIA  
Architect's Project No: 563006

- A. The VSD shall be enclosed in a UL Listed enclosure.
- B. Refer to equipment specific specification sections.
- C. Where equipment specific specification sections do not indicate variable speed drive requirements comply with 2.2 below.

2.2 FIELD-INSTALLED VARIABLE SPEED DRIVES

- A. Manufacturers
  - 1. ABB
  - 2. Yaskowa
  - 3. Basis of Design - Danfoss Graham
- B. General
  - 1. Furnish complete variable speed drives (VSDs) as indicated.
  - 2. Drawing schedules, sequences of control, control diagrams, details, or other specification sections may indicate variable speed requirements.
  - 3. All standard and optional features shall be included within the VSD enclosure, unless indicated otherwise. Each VSD shall be housed in a NEMA 1 enclosure, or other NEMA type according to installation and operating conditions.
  - 4. Provide NEMA 4 weatherproof enclosures for drives mounted outside.
  - 5. The UL listing shall allow mounting in a plenum or other air handling compartment. If a NEMA 12 enclosure is required for the plenum rating, the manufacturer shall supply a NEMA 12 rated VSD.
  - 6. Provide bypass on VSDs serving pumps. A bypass on all other equipment is not required unless indicated otherwise.
- C. The VSD shall convert incoming fixed frequency three-phase AC power into a variable frequency and voltage for controlling the speed of three-phase AC motors. The motor current shall closely approximate a sine wave. Motor voltage shall be varied with frequency to maintain desired motor magnetization current. Operation shall be suitable for centrifugal pump and fan control and shall eliminate the need for motor de-rating.
- D. With the motor's rated voltage applied to the VSD input, the VSD shall allow the motor to produce full rated power at rated amps, RMS fundamental volts, and speed without using the motor's service factor. VSDs utilizing sine weighted/coded modulation (with or without 3<sup>rd</sup> harmonic injection) must provide data verifying that the motors will not draw more than full load current during full load and full speed operation.
- E. The VSD shall include an input full-wave bridge rectifier and maintain a fundamental power factor near unity regardless of speed or load.
- F. The VSD and options shall be tested to ANSI/UL Standard 508. The complete VSD, including all specified options, shall be assembled by the manufacturer and shall be UL-508 certified for the building and drive assembly including options. Assembly of the options by a third-party



FIRE STATIONS RENOVATION  
ARLINGTON COUNTY, VIRGINIA  
Architect's Project No: 563006

panel shop is not acceptable. The appropriate UL stickers shall be applied to both the VSD and option panel, in the case where these are not contained in one panel.

- G. The VSD shall have DC link reactors on both the positive and negative rails of the DC bus to minimize power line harmonics. VSDs without DC link reactors shall provide a minimum 3% impedance line reactor.
- H. The VSD's full load amp rating shall meet or exceed NEC Table 430-150. The VSD shall be able to provide full rated output current continuously, 110% of rated current for 60 seconds and 160% of rated current for up to 0.5 second while starting.
- I. The VSD shall be able to provide full torque at any selected frequency from 28 Hz to base speed to allow driving direct drive fans without derating.
- J. An automatic energy optimization selection feature shall be provided standard in the VSD. This feature shall automatically and continually monitor the motor's speed and load and adjust the applied voltage to maximize energy savings and provide up to an additional 3% to 10% energy savings.
- K. Input and output power circuit switching shall be able to be accomplished without interlocks or damage to the VSD. Switching rate may be up to 1 time per minute on the input and unlimited on the output.
- L. An automatic motor adaptation test algorithm shall measure motor stator resistance and reactance to optimize performance and efficiency. It shall not be necessary to run the motor or de-couple the motor from the load to run the test.
- M. Galvanic and/or optical isolation shall be provided between the VSD's power circuitry and control circuitry to ensure operator safety and to protect connected electronic control equipment from damage caused by voltage spikes, current surges, and ground loop currents. VSDs not including either galvanic or optical isolation on both analog I/O and discrete I/O shall include additional isolation modules.
- N. VSD shall minimize the audible motor noise through the used of an adjustable carrier frequency. The carrier frequency shall be automatically adjusted to optimize motor and VSD efficiencies while reducing motor noise.
- O. Protective Features:
  - 1. Disconnect with drive fusing.
  - 2. A minimum of Class 20 I<sup>2</sup>t electronic motor overload protection for single motor applications and thermal-mechanical overloads for multiple motor applications shall be provided.
  - 3. Protection against input transients, loss of AC line phase, output short circuit, output ground fault, overvoltage, undervoltage, VSD overtemperature and motor overtemperature. The VSD shall display all faults in plain English. Codes are not acceptable.
  - 4. Protect VSD from sustained power or phase loss. The VSD shall provide full rated output with an input voltage as low as 90% of the nominal. The VSD will continue to

FIRE STATIONS RENOVATION  
ARLINGTON COUNTY, VIRGINIA  
Architect's Project No: 563006

operate with reduced output with an input voltage as low as 164 V AC for 208/230 volt units, and 313 V AC for 460 volt units.

5. The VSD shall incorporate a motor preheat circuit to keep the motor warm and prevent condensation build up in the stator.
6. VSD package shall include semi-conductor rated input fuses to protect power components.
7. To prevent breakdown of the motor winding insulation, the VSD shall be designed to comply with IEC Part 34-17. Otherwise, the VSD manufacturer must ensure that inverter rated motors are supplied.
8. VSD shall include a "signal loss detection" circuit to sense the loss of an analog input signal such as 4 to 20 mA or 2 to 10 V DC, and shall be programmable to react as desired in such an instance.
9. VSD shall function normally when the keypad is removed while the VSD is running and continue to follow remote commands. No warnings or alarms shall be issued as a result of removing the keypad.
10. VSD shall catch a rotating motor operating forward or reverse up to full speed.
11. VSD shall be rated for 100,000 amp interrupting capacity (AIC).
12. VSD shall include current sensors on all three output phases to detect and report phase loss to the motor. The VSD will identify which of the output phases is low or lost.
13. VSD shall continue to operate without faulting until input voltage reaches 300 V AC on 208/230 volt VSDs, and 539 V AC on 460 volt VSDs.

P. Interface Features:

1. Hand/Start, Off/Stop and Auto/Start selector switches shall be provided to start and stop the VSD and determine the speed reference.
2. The VSD shall be able to be programmed to provide a 24 V DC output signal to indicate that the VSD is in Auto/Remote mode.
3. The VSD shall provide potentiometer speed control. Electronic speed controls are not acceptable.
4. Lockable, alphanumeric backlit display keypad can be remotely mounted up to 10 feet away using standard 9-pin cable.
5. The keypads for all sizes of VSDs shall be identical and interchangeable.
6. To set up multiple VSDs, it shall be possible to upload all setup parameters to the VSD's keypad, place that keypad on all other VSDs in turn and download the setup parameters to each VSD. To facilitate setting up VSDs of various sizes, it shall be possible to download from the keypad only size independent parameters.
7. Display shall be programmable to display in 9 languages including English, Spanish and French.
8. The display shall have four lines, with 20 characters on three lines and eight large characters on one line.

FIRE STATIONS RENOVATION  
ARLINGTON COUNTY, VIRGINIA  
Architect's Project No: 563006

9. A red FAULT light, a yellow WARNING light and a green POWER-ON light shall be provided. These indications shall be visible both on the keypad and on the VSD when the keypad is removed.
10. A quick setup menu with factory preset typical HVAC parameters shall be provided on the VSD eliminating the need for macros.
11. The VSD shall include a standard RS-485 communications port.
12. As a minimum, the following points shall be controlled and/or accessible:
  - a. VSD Start/Stop
  - b. Speed reference
  - c. Fault diagnostics
  - d. Meter points
  - e. Motor power in HP
  - f. Motor power in kW
  - g. Motor kW-hr
  - h. Motor current
  - i. Motor voltage
  - j. Hours run
  - k. Feedback signal #1
  - l. Feedback signal #2
  - m. DC link voltage
  - n. Thermal load on motor
  - o. Thermal load on VSD
  - p. Heatsink temperature
13. Four additional Form C 230 volt programmable relays shall be available for factory or field installation within the VSD.
14. LonWorks communication shall be available for factory or field installation within the VSD.
15. Two set-point control interface (PID control) shall be standard in the unit. VSD shall be able to look at two feedback signals, compare with two set-points and make various process control decisions.
16. Floating point control interface shall be provided to increase/decrease speed in response to contact closures.
17. Four simultaneous displays shall be available. They shall include frequency or speed, run time, output amps and output power. VSDs unable to show these four displays simultaneously shall provide panel meters.
18. Sleep mode shall be provided to automatically stop the VSD when its speed drops below set "sleep" level for a specified time. The VSD shall automatically restart when the speed command exceeds the set "wake" level.
19. The sleep mode shall be functional in both follower mode and PID mode.
20. Run permissive circuit shall be provided to accept a "system ready" signal to ensure that the VSD does not start until dampers or other auxiliary equipment are in the proper state for VSD operation. The run permissive circuit shall also be capable of sending an output signal as a start command to actuate external equipment before allowing the VSD to start.

FIRE STATIONS RENOVATION  
ARLINGTON COUNTY, VIRGINIA  
Architect's Project No: 563006

21. The following displays shall be accessible from the control panel in actual units: Reference Signal Value in actual units, Output Frequency in Hz or percent, Output Amps, Motor HP, Motor kW, kWhr, Output Voltage, DC Bus Voltage, VSD Temperature in degrees, and Motor Speed in engineering units per application (in GPM, CFM, etc.). VSD will read out the selected engineering unit either in a linear, square or cubed relationship to output frequency as appropriate to the unit chosen.
22. The display shall be programmed to read in inches of water column (in-wg) for an air handler application, pressure per square inch (psi) for a pump application, and temperature (°F) for a cooling tower application.
23. VSD shall be able to be programmed to sense the loss of load and signal a no load/broken belt warning or fault.
24. If the temperature of the VSD's heat sink rises to 80°C, the VSD shall automatically reduce its carrier frequency to reduce the heat sink temperature. If the temperature of the heat sink continues to rise the VSD shall automatically reduce its output frequency to the motor. As the VSD's heat sink temperature returns to normal, the VSD shall automatically increase the output frequency to the motor and return the carrier frequency to its normal switching speed.
25. The VSD shall have temperature controlled cooling fans for quiet operation and minimized losses.
26. The VSD shall store in memory the last 10 faults and related operational data.
27. Eight programmable digital inputs shall be provided for interfacing with the systems control and safety interlock circuitry.
28. Two programmable relay outputs, one Form C 240 V AC, one Form A 30 V AC, shall be provided for remote indication of VSD status.
29. Three programmable analog inputs shall be provided and shall accept a direct-or-reverse acting signal. Analog reference inputs accepted shall include two voltage (0 to 10 V DC, 2 to 10 V DC) and one current (0 to 20 mA, 4 to 20 mA) input.
30. Two programmable 0 to 20 mA analog outputs shall be provided for indication of VSD status. These outputs shall be programmable for output speed, frequency, current and power. They shall also be programmable to provide a selected 24 V DC status indication.
31. Under fire mode conditions, the VSD shall be able to be programmed to automatically default to a preset speed.

Q. Adjustments

1. VSD shall have an adjustable carrier frequency in steps of not less than 0.1 kHz to allow tuning the VSD to the motor.
2. Sixteen preset speeds shall be provided.
3. Four acceleration and four deceleration ramps shall be provided. Accel and decel time shall be adjustable over the range from 0 to 3,600 seconds to base speed. The shape of these curves shall be automatically contoured to ensure no-trip acceleration and deceleration.
4. Four current limit settings shall be provided.

FIRE STATIONS RENOVATION  
ARLINGTON COUNTY, VIRGINIA  
Architect's Project No: 563006

5. If the VSD trips on one of the following conditions, the VSD shall be programmable for automatic or manual reset: undervoltage, overvoltage, current limit and inverter overload.
6. The number of restart attempts shall be selectable from 0 through 20 or infinitely and the time between attempts shall be adjustable from 0 through 600 seconds.
7. An automatic "on delay" may be selected from 0 to 120 seconds.

R. Service Conditions

1. Ambient temperature, -10 to 40°C (14 to 104°F).
2. 0 to 95% relative humidity, non-condensing.
3. Elevation to 3,300 feet without derating.
4. AC line voltage variation, -10 to +10% of nominal with full output.
5. No side clearance shall be required for cooling of any units. All power and control wiring shall be done from the bottom.

PART 3 - EXECUTION

3.1 FIELD QUALITY CONTROL

A. Examination

1. Contractor to verify that job site conditions for installation meet factory recommended and code-required conditions for VSD installation prior to start-up, including clearance spacing, temperature, contamination, dust, and moisture of the environment. Separate conduit installation of the motor wiring, power wiring, and control wiring, and installation per the manufacturer's recommendations shall be verified.
2. The VSD is to be covered and protected from installation dust and contamination until the environment is cleaned and ready for operation. The VSD shall not be operated while the unit is covered.

B. Start-up Service

1. The manufacturer shall provide start-up commissioning of the VSD and its optional circuits by a factory certified service technician who is experienced in start-up and repair services. Sales personnel and other agents who are not factory certified shall not be acceptable as commissioning agents. Start-up services shall include checking for verification of proper operation and installation for the VSD, its options and its interface wiring to the building automation system.

C. **WARRANTY:** The VSD shall be warranted by the manufacturer for a period of 2 Years from date of substantial completion. The warranty shall include parts, labor, travel costs and living expenses incurred by the manufacturer to provide factory authorized on-site service. The warranty shall be provided by the VSD manufacturer.

D. **CLEANING:** After completing equipment installation, inspect unit components. Remove paint splatters and other spots, dirt, and debris. Repair damaged finish to match original finish.

FIRE STATIONS RENOVATION  
ARLINGTON COUNTY, VIRGINIA  
Architect's Project No: 563006

END OF SECTION 230514

FIRE STATIONS RENOVATION  
ARLINGTON COUNTY, VIRGINIA  
Architect's Project No: 563006

SECTION 230529 - HANGERS AND SUPPORTS FOR HVAC PIPING AND EQUIPMENT

PART 1 - GENERAL

1.1 RELATED DOCUMENTS

- A. Provisions of the Contract and of the Contract Documents apply to this Section.

1.2 DEFINITIONS

- A. MSS: Manufacturers Standardization Society of the Valve and Fittings Industry Inc.
- B. Terminology: As defined in MSS SP-90, "Guidelines on Terminology for Pipe Hangers and Supports."

1.3 PERFORMANCE REQUIREMENTS

- A. Design Requirement: Design trapeze pipe hangers and equipment supports, including comprehensive engineering analysis by a qualified professional engineer where using methods other than indicated.
- B. Structural Performance: Hangers and supports for HVAC piping and equipment shall withstand the effects of gravity loads and stresses within limits and under conditions indicated according to ASCE/SEI 7.
  - 1. Design supports for multiple pipes, including pipe stands, capable of supporting combined weight of supported systems, system contents, and test medium.
  - 2. Design equipment supports capable of supporting combined operating weight of supported equipment and connected systems and components.
  - 3. Design seismic-restraint hangers and supports for piping and equipment.

1.4 QUALITY ASSURANCE

- A. Structural Steel Welding Qualifications: Qualify procedures and personnel according to AWS D1.1/D1.1M, "Structural Welding Code - Steel."
- B. Pipe Welding Qualifications: Qualify procedures and operators according to ASME Boiler and Pressure Vessel Code.

FIRE STATIONS RENOVATION  
ARLINGTON COUNTY, VIRGINIA  
Architect's Project No: 563006

PART 2 - PRODUCTS

2.1 PIPE STANDS

- A. General Requirements for Pipe Stands: Shop- or field-fabricated assemblies made of manufactured corrosion-resistant components to support roof-mounted piping.
1. Available Manufacturers:
    - a. Cooper B-Line – Dura-Blok
    - b. MAPA Products
    - c. Mifab, Inc. – C-Port
    - d. Miro Industries, Inc.
    - e. OMG, Inc.
    - f. PHP Systems/Design
    - g. Pipe Prop
    - h. Roof Top Blox
    - i. Rooftop Support Systems – Eberl Iron Works, Inc.
  2. Provide pipe supports for supporting gas, condensate, refrigeration lines, or hydronic piping on flat roof surfaces. Support shall rest on roof surface without penetrating the roof surface. Supports for condensate piping shall be adjustable vertically to ensure pipe slopes as required.
- B. Compact Pipe Stand: One-piece plastic unit with integral-rod roller, pipe clamps, or V-shaped cradle to support pipe, for roof installation without membrane penetration.
- C. Curb Mounted Pipe Stands: Shop- or field-fabricated pipe supports made from structural-steel shapes, continuous-thread rods, and rollers, for mounting on permanent stationary roof curb.

2.2 EQUIPMENT SUPPORTS

- A. Description: Welded, shop or field fabricated equipment support made from structural carbon-steel shapes unless indicated otherwise.
1. Available Manufacturers:
    - a. Cooper B-Line – Dura-Blok
    - b. MAPA Products
    - c. Mifab, Inc. – C-Port
    - d. Miro Industries, Inc.
    - e. OMG, Inc.
    - f. PHP Systems/Design
    - g. Pipe Prop
    - h. Roof Top Blox
    - i. Rooftop Support Systems – Eberl Iron Works, Inc.



FIRE STATIONS RENOVATION  
ARLINGTON COUNTY, VIRGINIA  
Architect's Project No: 563006

2.3 MISCELLANEOUS MATERIALS

- A. Structural Steel: ASTM A 36/A 36M, carbon-steel plates, shapes, and bars; black and galvanized.
- B. Grout: ASTM C 1107, factory-mixed and -packaged, dry, hydraulic-cement, non-shrink and nonmetallic grout; suitable for interior and exterior applications.
  - 1. Properties: Non-staining, noncorrosive, and nongaseous.
  - 2. Design Mix: 5000-psi, 28-day compressive strength.

PART 3 - EXECUTION

3.1 HANGER AND SUPPORT INSTALLATION

- A. Metal Pipe-Hanger Installation: Comply with MSS SP-69 and MSS SP-89. Provide hangers, supports, clamps, and attachments as required to properly support piping from the building structure.
- B. Metal Trapeze Pipe-Hanger Installation: Comply with MSS SP-69, MSS SP-89, and Table above. Arrange for grouping of parallel runs of horizontal piping, and support together on field-fabricated trapeze pipe hangers.
- C. Metal Framing System Installation: Arrange for grouping of parallel runs of piping, and support together on field-assembled metal framing systems.
- D. Thermal-Hanger Shield Installation: Provide in pipe hanger or shield for insulated piping.
- E. Pipe Stand Installation:
  - 1. Pipe Stand Types except Curb-Mounted Type: Assemble components and mount on smooth roof surface. Do not penetrate roof membrane.
  - 2. Curb-Mounted-Type Pipe Stands: Assemble components or fabricate pipe stand and mount on permanent, stationary roof curb. See Division 07 Section "Roof Accessories" for curbs.
- F. Provide hangers and supports complete with necessary attachments, inserts, bolts, rods, nuts, washers, and other accessories.
- G. Equipment Support Installation: Fabricate from welded-structural-steel shapes.
- H. Provide hangers and supports to allow controlled thermal and seismic movement of piping systems, to permit freedom of movement between pipe anchors, and to facilitate action of expansion joints, expansion loops, expansion bends, and similar units.
- I. Provide lateral bracing with pipe hangers and supports to prevent swaying.

FIRE STATIONS RENOVATION  
ARLINGTON COUNTY, VIRGINIA  
Architect's Project No: 563006

- J. Provide building attachments within concrete slabs or attach to structural steel. Building attachments may not be used on steel joists unless otherwise indicated. Provide additional attachments at concentrated loads, including valves, flanges, and strainers, 2-1/2" and larger and at changes in direction of piping. Provide concrete inserts before concrete is placed; fasten inserts to forms and provide reinforcing bars through openings at top of inserts.
- K. Load Distribution: Provide hangers and supports so that piping live and dead loads and stresses from movement will not be transmitted to connected equipment.
- L. Pipe Slopes: Provide hangers and supports to provide indicated pipe slopes and to not exceed maximum pipe deflections allowed by ASME B31.9 for building services piping.
- M. Insulated Piping:
  - 1. Attach clamps and spacers to piping.
    - a. Piping Operating above Ambient Air Temperature: Clamp may project through insulation.
    - b. Piping Operating below Ambient Air Temperature: Provide thermal-hanger shield insert with clamp sized to match OD of insert.
    - c. Do not exceed pipe stress limits allowed by ASME B31.9 for building services piping.
  - 2. Provide MSS SP-58, Type 39, protection saddles if insulation without vapor barrier is indicated. Fill interior voids with insulation that matches adjoining insulation.
  - 3. Provide MSS SP-58, Type 40, protective shields on cold piping with vapor barrier. Shields shall span an arc of 180 degrees.
  - 4. Shield Dimensions for Pipe: Not less than the following:
    - a. Pipe 1/4" to 3-1/2": 12 inches long and 0.048 inch thick.
    - b. Pipe 4": 12 inches long and 0.06 inch thick.
    - c. Pipe 5" and 6": 18 inches long and 0.06 inch thick.
    - d. Pipe 8" to 14": 24 inches long and 0.075 inch thick.
  - 5. Pipes 8" and Larger: Include wood or reinforced calcium-silicate-insulation inserts of length at least as long as protective shield.
  - 6. Thermal-Hanger Shields: Provide with insulation same thickness as piping insulation.

3.2 EQUIPMENT SUPPORTS

- A. Fabricate structural-steel stands to suspend equipment from structure overhead or to support equipment above floor.
- B. Grouting: Place grout under supports for equipment and make bearing surface smooth.
- C. Provide lateral bracing, to prevent swaying, for equipment supports.

FIRE STATIONS RENOVATION  
ARLINGTON COUNTY, VIRGINIA  
Architect's Project No: 563006

3.3 METAL FABRICATIONS

- A. Cut, drill, and fit miscellaneous metal fabrications for trapeze pipe hangers and equipment supports.
- B. Fit exposed connections together to form hairline joints. Field weld connections that cannot be shop welded because of shipping size limitations.
- C. Field Welding: Comply with AWS D1.1/D1.1M procedures for shielded, metal arc welding; appearance and quality of welds; and methods used in correcting welding work; and with the following:
  - 1. Provide materials and methods that minimize distortion and develop strength and corrosion resistance of base metals.
  - 2. Obtain fusion without undercut or overlap.
  - 3. Remove welding flux immediately.
  - 4. Finish welds at exposed connections so no roughness shows after finishing and so contours of welded surfaces match adjacent contours.

3.4 ADJUSTING

- A. Hanger Adjustments: Adjust hangers to distribute loads equally on attachments and to achieve indicated slope of pipe.
- B. Trim excess length of continuous-thread hanger and support rods to 1-1/2 inches.

3.5 PAINTING

- A. Touchup: Unless otherwise indicated clean field welds and abraded areas of shop paint. Paint exposed areas immediately after erecting hangers and supports. Provide same materials as used for shop painting. Comply with SSPC-PA 1 requirements for touching up field-painted surfaces.
  - 1. Apply paint by brush or spray to provide a minimum dry film thickness of 2.0 mils.
- B. Galvanized Surfaces: Clean welds, bolted connections, and abraded areas and immediately apply galvanizing-repair paint. Paint shall comply with ASTM A 780.

3.6 HANGER AND SUPPORT SCHEDULE

- A. Specific hanger and support requirements are in Sections specifying piping systems and equipment.
- B. Comply with MSS SP-69 for pipe-hanger selections and applications that are not specified in piping system Sections.
- C. Provide hangers and supports with galvanized metallic coatings for piping and equipment that will not have field-applied finish.

FIRE STATIONS RENOVATION  
ARLINGTON COUNTY, VIRGINIA  
Architect's Project No: 563006

- D. Provide nonmetallic coatings on attachments for electrolytic protection where attachments are in direct contact with copper tubing.
- E. Provide copper-plated pipe hangers and copper attachments for copper piping and tubing.
- F. Provide padded hangers for piping that is subject to scratching.
- G. Provide thermal-hanger shield inserts for insulated piping and tubing.
- H. Horizontal-Piping Hangers and Supports: Unless otherwise indicated provide the following:
  - 1. Adjustable, Steel Clevis Hangers (MSS Type 1): For suspension of stationary pipes ½" to 30".
  - 2. Yoke-Type Pipe Clamps (MSS Type 2): For suspension of up to 1050 deg F pipes 4" to 14", requiring up to 4" of insulation.
  - 3. Carbon- or Alloy-Steel, Double-Bolt Pipe Clamps (MSS Type 3): For suspension of pipes ¾" to 14", requiring clamp flexibility and up to 4 inches of insulation.
  - 4. Steel Pipe Clamps (MSS Type 4): For suspension of cold and hot pipes ½" to 14" if little or no insulation is required.
  - 5. Pipe Hangers (MSS Type 5): For suspension of pipes ½" to 4", to allow off-center closure for hanger installation before pipe erection.
  - 6. Adjustable, Swivel Split- or Solid-Ring Hangers (MSS Type 6): For suspension of noninsulated, stationary pipes ¾" to 8".
  - 7. Adjustable, Steel Band Hangers (MSS Type 7): For suspension of noninsulated, stationary pipes ½" to 8".
  - 8. Adjustable Band Hangers (MSS Type 9): For suspension of noninsulated, stationary pipes ½" to 8".
  - 9. Adjustable, Swivel-Ring Band Hangers (MSS Type 10): For suspension of noninsulated, stationary pipes ½" to 8".
  - 10. Split Pipe Ring with or without Turnbuckle Hangers (MSS Type 11): For suspension of noninsulated, stationary pipes ½" to 8".
  - 11. Extension Hinged or Two-Bolt Split Pipe Clamps (MSS Type 12): For suspension of noninsulated, stationary pipes NPS ½" to 3".
  - 12. U-Bolts (MSS Type 24): For support of heavy pipes ½" to 14".
  - 13. Clips (MSS Type 26): For support of insulated pipes not subject to expansion or contraction.
  - 14. Pipe Saddle Supports (MSS Type 36): For support of pipes 4" to 14", with steel-pipe base stanchion support and cast-iron floor flange or carbon-steel plate.
  - 15. Pipe Stanchion Saddles (MSS Type 37): For support of pipes 4" to 14", with steel-pipe base stanchion support and cast-iron floor flange or carbon-steel plate, and with U-bolt to retain pipe.
  - 16. Adjustable Pipe Saddle Supports (MSS Type 38): For stanchion-type support for pipes 2-½" to 14" if vertical adjustment is required, with steel-pipe base stanchion support and cast-iron floor flange.
  - 17. Single-Pipe Rolls (MSS Type 41): For suspension of pipes 1" to 14", from two rods if longitudinal movement caused by expansion and contraction might occur.
  - 18. Adjustable Roller Hangers (MSS Type 43): For suspension of pipes 2-½" to 14", from single rod if horizontal movement caused by expansion and contraction might occur.

FIRE STATIONS RENOVATION  
ARLINGTON COUNTY, VIRGINIA  
Architect's Project No: 563006

19. Complete Pipe Rolls (MSS Type 44): For support of pipes 2" to 14" if longitudinal movement caused by expansion and contraction might occur but vertical adjustment is not necessary.
  20. Pipe Roll and Plate Units (MSS Type 45): For support of pipes 2" to 14" if small horizontal movement caused by expansion and contraction might occur and vertical adjustment is not necessary.
  21. Adjustable Pipe Roll and Base Units (MSS Type 46): For support of pipes 2" to 14" if vertical and lateral adjustment during installation might be required in addition to expansion and contraction.
- I. Vertical-Piping Clamps: Unless otherwise indicated provide the following:
1. Extension Pipe or Riser Clamps (MSS Type 8): For support of pipe risers ¾" to 14".
  2. Carbon- or Alloy-Steel Riser Clamps (MSS Type 42): For support of pipe risers ¾" to 14" if longer ends are required for riser clamps.
- J. Hanger-Rod Attachments: Unless otherwise indicated provide the following:
1. Steel Turnbuckles (MSS Type 13): For adjustment up to 6 inches for heavy loads.
  2. Steel Clevises (MSS Type 14): For 120 to 450 deg F piping installations.
  3. Swivel Turnbuckles (MSS Type 15): For use with MSS Type 11, split pipe rings.
  4. Malleable-Iron Sockets (MSS Type 16): For attaching hanger rods to various types of building attachments.
  5. Steel Weldless Eye Nuts (MSS Type 17): For 120 to 450 deg F piping installations.
  6. Flat Plate, Double Nut, and Washer as Detailed on Structural Drawings: For attaching to bar joists. Method of attachment to bar joists must be approved by the structural engineer and joist manufacturer.
- K. Building Attachments: Unless otherwise indicated provide the following:
1. Steel or Malleable Concrete Inserts (MSS Type 18): For upper attachment to suspend pipe hangers from concrete ceiling.
  2. Flat Plate, Double Nuts, and Washer as Detailed on Structural Drawings: For use under roof installations with bar-joist construction to attach to bottom chord of joist.
  3. Side-Beam or Channel Clamps (MSS Type 20): For attaching to bottom flange of beams, channels, or angles.
  4. Center-Beam Clamps (MSS Type 21): For attaching to center of bottom flange of beams.
  5. Welded Beam Attachments (MSS Type 22): For attaching to bottom of beams if loads are considerable and rod sizes are large.
  6. C-Clamps (MSS Type 23): For structural shapes.
  7. Top-Beam Clamps (MSS Type 25): For top of beams if hanger rod is required tangent to flange edge.
  8. Side-Beam Clamps (MSS Type 27): For bottom of steel I-beams.
  9. Steel-Beam Clamps with Eye Nuts (MSS Type 28): For attaching to bottom of steel I-beams for heavy loads.
  10. Linked-Steel Clamps with Eye Nuts (MSS Type 29): For attaching to bottom of steel I-beams for heavy loads, with link extensions.
  11. Malleable-Beam Clamps with Extension Pieces (MSS Type 30): For attaching to structural steel.

FIRE STATIONS RENOVATION  
ARLINGTON COUNTY, VIRGINIA  
Architect's Project No: 563006

12. Welded-Steel Brackets: For support of pipes from below or for suspending from above by using clip and rod. Provide one of the following for indicated loads:
    - a. Light (MSS Type 31): 750 lb.
    - b. Medium (MSS Type 32): 1500 lb.
    - c. Heavy (MSS Type 33): 3000 lb.
  13. Side-Beam Brackets (MSS Type 34): For sides of steel or wooden beams.
  14. Plate Lugs (MSS Type 57): For attaching to steel beams if flexibility at beam is required.
  15. Horizontal Travelers (MSS Type 58): For supporting piping systems subject to linear horizontal movement where headroom is limited.
- L. Saddles and Shields: Unless otherwise indicated provide the followings:
1. Steel-Pipe-Covering Protection Saddles (MSS Type 39): To fill interior voids with insulation that matches adjoining insulation.
  2. Protection Shields (MSS Type 40): Of length recommended in writing by manufacturer to prevent crushing insulation.
  3. Thermal-Hanger Shield Inserts: For supporting insulated pipe.
- M. Spring Hangers and Supports: Unless otherwise indicated provide the following:
1. Restraint-Control Devices (MSS Type 47): To control pipe movement.
  2. Spring Cushions (MSS Type 48): For light loads if vertical movement does not exceed 1-1/4 inches.
  3. Spring-Cushion Roll Hangers (MSS Type 49): For equipping Type 41, roll hanger with springs.
  4. Spring Sway Braces (MSS Type 50): To retard sway, shock, vibration, or thermal expansion in piping systems.
  5. Variable-Spring Hangers (MSS Type 51): Preset to indicated load and limit variability factor to 25 percent to allow expansion and contraction of piping system from hanger.
  6. Variable-Spring Base Supports (MSS Type 52): Preset to indicated load and limit variability factor to 25 percent to allow expansion and contraction of piping system from base support.
  7. Variable-Spring Trapeze Hangers (MSS Type 53): Preset to indicated load and limit variability factor to 25 percent to allow expansion and contraction of piping system from trapeze support.
  8. Constant Supports: For critical piping stress and if necessary to avoid transfer of stress from one support to another support, critical terminal, or connected equipment. Include auxiliary stops for erection, hydrostatic test, and load-adjustment capability. These supports include the following types:
    - a. Horizontal (MSS Type 54): Mounted horizontally.
    - b. Vertical (MSS Type 55): Mounted vertically.
    - c. Trapeze (MSS Type 56): Two vertical-type supports and one trapeze member.
- N. Comply with MSS SP-69 for trapeze pipe-hanger selections and applications that are not specified in piping system Sections.

FIRE STATIONS RENOVATION  
ARLINGTON COUNTY, VIRGINIA  
Architect's Project No: 563006

- O. Comply with MFMA-103 for metal framing system selections and applications that are not specified in piping system Sections.
- P. Provide powder-actuated fasteners or mechanical-expansion anchors instead of building attachments where indicated in concrete construction.

END OF SECTION 230529

FIRE STATIONS RENOVATION  
ARLINGTON COUNTY, VIRGINIA  
Architect's Project No: 563006

SECTION 230548 - VIBRATION CONTROL FOR HVAC

PART 1 - GENERAL

1.1 RELATED DOCUMENTS

- A. Provisions of the Contract and of the Contract Documents apply to this Section.

1.2 DEFINITIONS

- A. IBC: International Building Code.
- B. ICC-ES: ICC-Evaluation Service.
- C. OSHPD: Office of Statewide Health Planning & Development for the State of California.
- D. ASCE: American Society of Civil Engineers
- E. VUSBC: Virginia Uniform Statewide Building Code

1.3 RESPONSIBILITIES:

- A. The manufacturer of vibration isolation systems and devices shall:
  - 1. Determine the sizes and locations of isolators and provide equipment isolation as indicated.
  - 2. Guarantee indicated isolation system deflections.
  - 3. Provide installation instructions and drawings.
  - 4. Certify correctness of installation upon completion.
- B. The Contractor shall cause all vibration isolation systems, including the isolators, and flexible connectors between the isolated equipment and associated piping, ducting, and electrical work to be designed by a manufacturer experienced in this type of work.

1.4 SUBMITTALS

- A. Product Data:
  - 1. Include rated load, rated deflection, and overload capacity for each vibration isolation device.
  - 2. Wind-Restraint Details:
    - a. Design Analysis: To support selection and arrangement of wind restraints. Include calculations of combined tensile and shear loads.
    - b. Details: Coordinate vibration isolation details with wind-restraint details required for equipment mounted outdoors.



FIRE STATIONS RENOVATION  
ARLINGTON COUNTY, VIRGINIA  
Architect's Project No: 563006

- B. Coordination Drawings: For areas indicated at 1/4" = 1'0" and where sections are cut on contract drawings, indicate coordination of HVAC piping and equipment with other systems and equipment in the vicinity, include supports and restraints.
- C. Qualification Data: For testing agency.
- D. Shop Drawings:
  - 1. Vibration Isolation Base Details: Detail fabrication, including anchorages, attachments to structure, and to supported equipment. Include auxiliary motor slides and rails, base weights, equipment static loads, power transmission, component misalignment, and cantilever loads.
  - 2. Dimensioned Outline Drawings for Each Scheduled Piece of Equipment: Identify center of gravity.
  - 3. Dimensioned Outline Drawings for Each Scheduled Piece of Equipment: Locate and describe mounting and anchorage provisions.

1.5 QUALITY ASSURANCE

- A. Welding: Qualify procedures and personnel according to AWS D1.1/D1.1M, "Structural Welding Code - Steel."
- B. Testing Agency Qualifications: An independent agency, with the experience and capability to conduct the testing indicated, that is a nationally recognized testing laboratory (NRTL) as defined by OSHA in 29 CFR 1910.7, and that is acceptable to authorities having jurisdiction.

PART 2 - PRODUCTS

2.1 VIBRATION ISOLATORS

- A. Available Manufacturers:
  - 1. Amber/Booth Company, Inc.
  - 2. B-Line Systems, Inc.
  - 3. Kinetics Noise Control.
  - 4. Mason Industries.
  - 5. Vibration Mountings & Controls, Inc.
- B. Pads: Oil- and water-resistant elastomer or natural rubber, arranged in single or multiple layers, molded with a nonslip pattern and galvanized steel baseplates of sufficient stiffness for uniform loading over pad area, and factory cut to sizes that match requirements of supported equipment.
  - 1. Resilient Material: Oil- and water-resistant neoprene.
  - 2. Durometer Rating: Minimum 30.
  - 3. Number of Layers: 1 2 3 or 4.

FIRE STATIONS RENOVATION  
ARLINGTON COUNTY, VIRGINIA  
Architect's Project No: 563006

- C. Mounts: Double-deflection type, with molded, oil-resistant rubber, or neoprene isolator elements with factory-drilled, encapsulated top plate for bolting to equipment and with baseplate for bolting to structure. Color-code or otherwise identify to indicate capacity range.
1. Durometer Rating: Minimum 30.
  2. Materials: Cast-ductile-iron or welded steel housing containing two separate and opposing, oil-resistant rubber or neoprene elements that prevent central threaded element and attachment hardware from contacting the housing during normal operation.
  3. Neoprene: Shock-absorbing materials compounded according to the standard for bridge-bearing neoprene as defined by AASHTO.
- D. Restrained Mounts: All-directional mountings with wind restraint.
1. Materials: Cast-ductile-iron or welded steel housing containing two separate and opposing, oil-resistant rubber or neoprene elements that prevent central threaded element and attachment hardware from contacting the housing during normal operation.
  2. Neoprene: Shock-absorbing materials compounded according to the standard for bridge-bearing neoprene as defined by AASHTO.
- E. Spring Isolators: Freestanding, laterally stable, open-spring isolators.
1. Outside Spring Diameter: Not less than 80 percent of the compressed height of the spring at rated load.
  2. Minimum Additional Travel: 50 percent of the required deflection at rated load.
  3. Lateral Stiffness: More than 80 percent of rated vertical stiffness.
  4. Overload Capacity: Support 200 percent of rated load, fully compressed, without deformation or failure.
  5. Baseplates: Factory drilled for bolting to structure and bonded to ¼" thick, rubber isolator pad attached to baseplate underside. Baseplates shall limit floor load to 500 psig.
  6. Top Plate and Adjustment Bolt: Threaded top plate with adjustment bolt and cap screw to fasten and level equipment.
- F. Restrained Spring Isolators: Freestanding, steel, open-spring isolators with limit-stop restraint.
1. Housing: Steel with resilient vertical-limit stops to prevent spring extension due to weight being removed; factory-drilled baseplate bonded to ¼" thick, neoprene or rubber isolator pad attached to baseplate underside; and adjustable equipment mounting and leveling bolt that acts as blocking during installation.
  2. Restraint: Limit stop as required for equipment and authorities having jurisdiction.
  3. Outside Spring Diameter: Not less than 80 percent of the compressed height of the spring at rated load.
  4. Minimum Additional Travel: 50 percent of the required deflection at rated load.
  5. Lateral Stiffness: More than 80 percent of rated vertical stiffness.
  6. Overload Capacity: Support 200 percent of rated load, fully compressed, without deformation or failure.

FIRE STATIONS RENOVATION  
ARLINGTON COUNTY, VIRGINIA  
Architect's Project No: 563006

- G. **Housed Spring Mounts:** Housed spring isolators.
  - 1. **Housing:** Ductile-iron or steel housing to provide all-directional restraint.
  - 2. **Base:** Factory drilled for bolting to structure.
  - 3. **Snubbers:** Vertically adjustable to allow a maximum of 1/4" travel up or down before contacting a resilient collar.
  
- H. **Elastomeric Hangers:** Double-deflection type, with molded, oil-resistant rubber or neoprene isolator elements bonded to steel housings with threaded connections for hanger rods. Color-code or otherwise identify to indicate capacity range.
  
- I. **Spring Hangers:** Combination coil-spring and elastomeric-insert hanger with spring and insert in compression.
  - 1. **Frame:** Steel, fabricated for connection to threaded hanger rods and to allow for a maximum of 30 degrees of angular hanger-rod misalignment without binding or reducing isolation efficiency.
  - 2. **Outside Spring Diameter:** Not less than 80 percent of the compressed height of the spring at rated load.
  - 3. **Minimum Additional Travel:** 50 percent of the required deflection at rated load.
  - 4. **Lateral Stiffness:** More than 80 percent of rated vertical stiffness.
  - 5. **Overload Capacity:** Support 200 percent of rated load, fully compressed, without deformation or failure.
  - 6. **Elastomeric Element:** Molded, oil-resistant rubber or neoprene. Steel-washer-reinforced cup to support spring and bushing projecting through bottom of frame.
  - 7. **Self-centering hanger rod cap** to ensure concentricity between hanger rod and support spring coil.
  
- J. **Spring Hangers with Vertical-Limit Stop:** Combination coil-spring and elastomeric-insert hanger with spring and insert in compression and with a vertical-limit stop.
  - 1. **Frame:** Steel, fabricated for connection to threaded hanger rods and to allow for a maximum of 30 degrees of angular hanger-rod misalignment without binding or reducing isolation efficiency.
  - 2. **Outside Spring Diameter:** Not less than 80 percent of the compressed height of the spring at rated load.
  - 3. **Minimum Additional Travel:** 50 percent of the required deflection at rated load.
  - 4. **Lateral Stiffness:** More than 80 percent of rated vertical stiffness.
  - 5. **Overload Capacity:** Support 200 percent of rated load, fully compressed, without deformation or failure.
  - 6. **Elastomeric Element:** Molded, oil-resistant rubber or neoprene.
  - 7. **Adjustable Vertical Stop:** Steel washer with neoprene washer "up-stop" on lower threaded rod.

FIRE STATIONS RENOVATION  
ARLINGTON COUNTY, VIRGINIA  
Architect's Project No: 563006

8. Self-centering hanger rod cap to ensure concentricity between hanger rod and support spring coil.
- K. Thrust Limits: Combination coil spring and elastomeric insert with spring and insert in compression and with a load stop. Include rod and angle-iron brackets for attaching to equipment.
1. Frame: Steel, fabricated for connection to threaded rods and to allow for a maximum of 30 degrees of angular rod misalignment without binding or reducing isolation efficiency.
  2. Outside Spring Diameter: Not less than 80 percent of the compressed height of the spring at rated load.
  3. Minimum Additional Travel: 50 percent of the required deflection at rated load.
  4. Lateral Stiffness: More than 80 percent of the rated vertical stiffness.
  5. Overload Capacity: Support 200 percent of rated load, fully compressed, without deformation or failure.
  6. Elastomeric Element: Molded, oil-resistant rubber or neoprene.
  7. Coil Spring: Factory set and field adjustable for a maximum of 1/4-inch movement at start and stop.
- L. Pipe Riser Resilient Support : All-directional, acoustical pipe anchor consisting of 2 steel tubes separated by a minimum of 1/2-inch- thick, 60-durometer neoprene. Include steel and neoprene vertical-limit stops arranged to prevent vertical travel in both directions. Design support for a maximum load on the isolation material of 500 psig and for equal resistance in all directions.
- M. Resilient Pipe Guides: Telescopic arrangement of 2 steel tubes separated by a minimum of 1/2-inch- thick, 60-durometer neoprene. Factory set guide height with a shear pin to allow vertical motion due to pipe expansion and contraction. Shear pin shall be removable and reinsertable to allow for selection of pipe movement. Guides shall be capable of motion to meet location requirements.
- 2.2 RESTRAINED VIBRATION ISOLATION ROOF-CURB RAILS
- A. Available Manufacturers:
1. Amber/Booth Company, Inc.
  2. Kinetics Noise Control.
  3. Mason Industries.
  4. Vibration Mountings & Controls, Inc.
- B. General Requirements for Restrained Vibration Isolation Roof-Curb Rails: Factory-assembled, fully enclosed, insulated, air- and watertight curb rail designed to resiliently support equipment and to withstand wind forces.
- C. Lower Support Assembly: Formed sheet-metal section containing adjustable and removable steel springs that support upper frame. Upper frame shall provide continuous support for

FIRE STATIONS RENOVATION  
ARLINGTON COUNTY, VIRGINIA  
Architect's Project No: 563006

equipment and shall be captive to resiliently resist wind forces. Lower support assembly shall have a means for attaching to building structure and a wood nailer for attaching roof materials, and shall be insulated with a minimum of 2" of rigid, glass-fiber insulation on inside of assembly.

- D. Spring Isolators: Adjustable, restrained spring isolators shall be mounted on 1/4-inch thick, elastomeric vibration isolation pads and shall have access ports, for level adjustment, with removable waterproof covers at all isolator locations. Isolators shall be located so they are accessible for adjustment at any time during the life of the installation without interfering with the integrity of the roof.
1. Restrained Spring Isolators: Freestanding, steel, open-spring isolators with wind restraint.
    - a. Housing: Steel with resilient vertical-limit stops and adjustable equipment mounting and leveling bolt.
    - b. Outside Spring Diameter: Not less than 80 percent of the compressed height of the spring at rated load.
    - c. Minimum Additional Travel: 50 percent of the required deflection at rated load.
    - d. Lateral Stiffness: More than 80 percent of rated vertical stiffness.
    - e. Overload Capacity: Support 200 percent of rated load, fully compressed, without deformation or failure.
- E. Snubber Bushings: All-directional, elastomeric snubber bushings at least 1/4 inch thick.
- F. Water Seal: Galvanized sheet metal with EPDM seals at corners, attached to upper support frame, extending down past wood nailer of lower support assembly, and counterflashed over roof materials.

### 2.3 VIBRATION ISOLATION EQUIPMENT BASES

- A. Available Manufacturers:
- B. Manufacturers:
1. Amber/Booth Company, Inc.
  2. Kinetics Noise Control.
  3. Mason Industries.
  4. Vibration Mountings & Controls, Inc.
- C. Steel Base: Factory-fabricated, welded, structural-steel bases and rails.
1. Design Requirements: Lowest possible mounting height with not less than 1" clearance above the floor. Include equipment anchor bolts and auxiliary motor slide bases or rails.
    - a. Include supports for suction and discharge elbows for pumps.
  2. Structural Steel: Steel shapes, plates, and bars complying with ASTM A 36/A 36M. Bases shall have shape to accommodate supported equipment.
  3. Support Brackets: Factory-welded steel brackets on frame for outrigger isolation mountings and to provide for anchor bolts and equipment support.

FIRE STATIONS RENOVATION  
ARLINGTON COUNTY, VIRGINIA  
Architect's Project No: 563006

- D. Inertia Base: Factory-fabricated, welded, structural-steel bases and rails ready for placement of cast-in-place concrete.
1. Design Requirements: Lowest possible mounting height with not less than 1-inch clearance above the floor. Include equipment anchor bolts and auxiliary motor slide bases or rails.
    - a. Include supports for suction and discharge elbows for pumps.
  2. Structural Steel: Steel shapes, plates, and bars complying with ASTM A 36/A 36M. Bases shall have shape to accommodate supported equipment.
  3. Support Brackets: Factory-welded steel brackets on frame for outrigger isolation mountings and to provide for anchor bolts and equipment support.
  4. Fabrication: Fabricate steel templates to hold equipment anchor-bolt sleeves and anchors in place during placement of concrete. Obtain anchor-bolt templates from supported equipment manufacturer.

2.4 FACTORY FINISHES

- A. Finish: Manufacturer's standard paint applied to factory-assembled and -tested equipment before shipping.
1. Powder coating on springs and housings.
  2. All hardware shall be galvanized. Hot-dip-galvanize metal components for exterior use.
  3. Bake enamel or powder coat for metal components on isolators for interior use.
  4. Color-code or otherwise mark vibration isolation and wind control devices to indicate capacity range.

PART 3 - EXECUTION

3.1 EXAMINATION

- A. Examine areas and equipment to receive vibration isolation and wind-control devices for compliance with requirements for installation tolerances and other conditions affecting performance.
- B. Examine roughing-in of reinforcement and cast-in-place anchors to verify actual locations before installation.
- C. Proceed with installation only after unsatisfactory conditions have been corrected.

3.2 APPLICATIONS

- A. Multiple Pipe Supports: Secure pipes to trapeze member with clamps approved for application by an agency acceptable to authorities having jurisdiction.

FIRE STATIONS RENOVATION  
ARLINGTON COUNTY, VIRGINIA  
Architect's Project No: 563006

- B. Strength of Support and Wind Restraint Assemblies: Where not indicated, select sizes of components so strength will be adequate to resist loads within loading limits.

3.3 VIBRATION-CONTROL DEVICE INSTALLATION

- A. Comply with requirements indicated in the Contract Documents, in codes and ordinances, by Authority Having Jurisdiction, and by Manufacturer, for installation of all devices.

3.4 FIELD QUALITY CONTROL

- A. Perform tests.

- B. Tests:

1. Provide evidence of recent calibration of test equipment by a testing agency acceptable to authorities having jurisdiction.
2. Schedule test with Owner, through Architect, before connecting anchorage device to restrained component (unless postconnection testing has been approved), and with at least seven days' advance notice.
3. Obtain Architect's approval before transmitting test loads to structure. Provide temporary load-spreading members.
4. Test at least two of each type and size of installed anchors and fasteners.
5. Test to 90 percent of rated proof load of device.
6. Measure isolator restraint clearance.
7. Measure isolator deflection.
8. Verify snubber minimum clearances.
9. If a device fails test, fix and retest until satisfactory results are achieved then modify all installations of same type to match.

- C. Prepare test reports.

3.5 ADJUSTING

- A. Adjust isolators after piping system is at operating weight.
- B. Adjust limit stops on restrained spring isolators to mount equipment at normal operating height. After equipment installation is complete, adjust limit stops so they are out of contact during normal operation.
- C. Adjust active height of spring isolators.
- D. Adjust restraints to permit free movement of equipment within normal mode of operation.

3.6 VIBRATION ISOLATION SCHEDULE

FIRE STATIONS RENOVATION  
ARLINGTON COUNTY, VIRGINIA  
Architect's Project No: 563006

- A. Ductwork
  - 1. Flexible connectors shall be used for ductwork connections to air handling units. Refer to Section "Metal Ducts." Ductwork shall be suspended with elastomeric hangers for a distance of 20 feet from air handling units.
- B. Air Handling Units
  - 1. Units shall include fan and motor assemblies internally isolated from the unit casing using spring isolators and flexible duct connectors.
- C. Power Ventilators
  - 1. Provide elastomeric hangers for units suspended from structure above ceiling.
- D. Split System Indoor Units
  - 1. Provide elastomeric hangers for units suspended from structure above ceiling.

END OF SECTION



FIRE STATIONS RENOVATION  
ARLINGTON COUNTY, VIRGINIA  
Architect's Project No: 563006

SECTION 230700 - HVAC INSULATION

PART 1 - GENERAL

1.1 RELATED DOCUMENTS

- A. Provisions of the Contract and of the Contract Documents apply to this Section.

1.2 DEFINITIONS

- A. Outdoor duct and pipe: Duct conveying untreated outside air at ambient temperature and humidity.
- B. Outdoor pipe: Pipe located outside the building insulation envelope.
- C. Supply air duct: Duct conveying air on the discharge side of an air handling unit or fan which will be delivered to a space in a building through a diffuser or connection to the return duct of another unit. Ductwork on the discharge side of a 100% outside air unit is considered to be Supply air duct.
- D. Return air duct: Duct conveying air from a space or plenum that will return to an air handling unit or energy transfer device. The air may be returned to the supply air duct after being conditioned, or it may be exhausted after passing through an energy transfer device. Typical examples of an energy transfer devices are plate heat exchangers, runaround coils, heat pipes, and energy wheels.
- E. Exhaust air duct: Duct conveying air from a space or plenum that will be exhausted from the building without being passed through an energy transfer device.
- F. Plenum: An unoccupied space or void, on the conditioned side of the building insulation and vapor barrier, being used to return conditioned air to the inlet side of a return or exhaust fan either directly or via a duct connection. An example would be a space with air handling light fixtures or openings in the ceiling used to transport air through the ceiling and then to an open duct located above the ceiling in another location.
- G. Indirectly Conditioned Space: A space having no direct conditioning but, due to air movement induced by an exhaust, or return opening, is conditioned by makeup air from an adjacent space. An example would be a small toilet. Boiler rooms, fan rooms, and mechanical rooms do not qualify as indirectly conditioned spaces.
- H. Inside the Building Insulation Envelope: For the purposes of this section, boiler rooms, fan rooms, and mechanical rooms are considered to be OUTSIDE the building insulation envelope.

1.3 SUBMITTALS

- A. Product Data: Identify thermal conductivity, thickness, and jackets (both factory and field applied, if any), for each type of product indicated.
- B. Shop Drawings: Show fabrication and installation details for the following:
  - 1. Detail application of removable insulation covers.
  - 2. Detail application of protective shields, saddles, and inserts at hangers for each type of insulation and hanger.

FIRE STATIONS RENOVATION  
ARLINGTON COUNTY, VIRGINIA  
Architect's Project No: 563006

3. Detail attachment and covering of heat tracing inside insulation.
4. Detail insulation application at pipe expansion joints for each type of insulation.
5. Detail insulation application at elbows, fittings, flanges, valves, and specialties for each type of insulation.
6. Detail removable insulation at piping specialties, equipment connections, and access panels.
7. Detail application of field-applied jackets.
8. Detail application at linkages of control devices.
9. Detail field application for each equipment type.

1.4 QUALITY ASSURANCE

- A. Fire-Test-Response Characteristics: Insulation and related materials shall have fire-test-response characteristics indicated, as determined by testing identical products per ASTM E 84, by a testing and inspecting agency acceptable to authorities having jurisdiction. Factory label insulation and jacket materials and adhesive, mastic, tapes, and cement material containers, with appropriate markings of applicable testing and inspecting agency.
  1. Insulation Installed Indoors: Flame-spread index of 25 or less, and smoke-developed index of 50 or less.
  2. Insulation Installed Outdoors: Flame-spread index of 75 or less, and smoke-developed index of 150 or less.

1.5 DELIVERY, STORAGE, AND HANDLING

- A. Packaging: Ship insulation materials in containers marked by manufacturer with type, grade, and maximum use temperature.
- B. Ship Insulated Piping System Components on pallets and wood supports. Securely fasten and protect from damage. Store off the ground and cover with opaque waterproof tarp to protect materials from sunlight and rain.

1.6 COORDINATION

- A. Coordinate size and location of supports, hangers, and insulation shields specified in Section "Hangers and Supports for HVAC Piping and Equipment."
- B. Coordinate clearance requirements with piping Installer for piping insulation, duct Installer for duct insulation, and equipment Installer for equipment insulation.
- C. Maintain clearances required for maintenance.
- D. Coordinate installation and testing of heat tracing.

PART 2 - PRODUCTS

2.1 MANUFACTURERS

- A. Available Manufacturers:
  1. Mineral-Fiber Insulation:
    - a. CertainTeed Manson.
    - b. Johns Manville

FIRE STATIONS RENOVATION  
ARLINGTON COUNTY, VIRGINIA  
Architect's Project No: 563006

- c. Knauf FiberGlass GmbH.
    - d. Owens-Corning Fiberglas Corp.
    - e. Schuller International, Inc.
  2. Flexible Elastomeric Thermal Insulation:
    - a. Armacell, LLC
    - b. Rubatex Corp.
  3. Removable Insulation Covers:
    - a. Advance Thermal Corp.
- B. Comply with requirements in Part 3 schedule articles for where insulating materials shall be applied.
- C. Products shall not contain asbestos, lead, mercury, or mercury compounds.
- D. Products that come in contact with stainless steel shall have a leachable chloride content of less than 50 ppm when tested according to ASTM C 871.
- E. Insulation materials for use on austenitic stainless steel shall be qualified as acceptable according to ASTM C 795.
- F. Foam insulation materials shall not use CFC or HCFC blowing agents in the manufacturing process.
- G. Duct Liner: Refer to specification section "Metal Ducts"
- H. Mineral-Fiber Board: Glass fibers bonded with a thermosetting resin. Comply with ASTM C 612, Type IB, with factory applied FSK Jacket. Meet the requirements of ASTM C 1290, Type III, inorganic glass fibers bonded by a thermosetting resin to maximum service temperature of 250°F.. Faced insulation shall not exceed 25 Flame Spread, 50 Smoke Developed when tested in accordance with ASTM E84.
- I. Semi-Rigid Mineral-Fiber Board: Glass fibers bonded with a thermosetting resin. Comply with ASTM C 1136, Type I, II, III, & IV with factory applied all-service jacket (ASJ) or Type II, IV with factory applied Foil Scrim Kraft (FSK) jacket.
- J. Mineral-Fiber Blanket with Factory Applied FSK Jacket: Meet the requirements of ASTM C 1290, Type III, inorganic glass fibers bonded by a thermosetting resin with a multi-purpose foil-scrim kraft (FSK) jacket to maximum service temperature of 250°F. FSK shall meet the requirements of ASTM C 1136, Type II, when surface burning characteristics are determined in accordance with ASTM E 84 with the foil surface of the material exposed to the flame as it is in the final composite. Composite (insulation, facing and adhesive) shall not exceed 25 Flame Spread, 50 Smoke Developed when tested in accordance with ASTM E 84. Insulation properties shall be as follows:
  1. Thickness: 1-1/2"
    - a. Density: 0.75 pcf
    - b. Minimum uncompressed R value: 5.0
    - c. Minimum installed R value assuming 25% compression: 4.0
  2. Thickness: 2"
    - a. Density: 1.0 pcf
    - b. Minimum uncompressed R value: 7.4
    - c. Minimum installed R value assuming 25% compression: 6.0
  3. Alternate to 2" 1.0 pcf: Thickness: 2.2"
    - a. Density: 0.75 pcf

**FIRE STATIONS RENOVATION  
ARLINGTON COUNTY, VIRGINIA  
Architect's Project No: 563006**

- b. Minimum uncompressed R value: 7.4
      - c. Minimum installed R value assuming 25% compression: 6.0
    - 4. Thickness: 3"
      - a. Density: 0.75 pcf
      - b. Minimum uncompressed R value: 10.0
      - c. Minimum installed R value assuming 25% compression: 8.3
  
  - K. Mineral-Fiber Pipe Insulation: Glass fibers bonded with a thermosetting resin complying with the following:
    - 1. Preformed Pipe Insulation: Comply with ASTM C 547, Type 1, with factory-applied, all-purpose, vapor-retarder jacket.
    - 2. Semi-Rigid Mineral-Fiber Board Thermal Insulation: Glass fibers bonded with a thermosetting resin. Comply with ASTM C 1136, Type I, II, III, IV with factory applied all-service jacket (ASJ) or Type II, IV with factory applied Foil Scrim Kraft (FSK) jacket.
    - 3. Fire-Resistant Adhesive: Comply with MIL-A-3316C in the following classes and grades:
      - a. Class 1, Grade A for bonding glass cloth and tape to unfaced glass-fiber insulation, for sealing edges of glass-fiber insulation, and for bonding lagging cloth to unfaced glass-fiber insulation.
      - b. Class 2, Grade A for bonding glass-fiber insulation to metal surfaces.
    - 4. Mineral-Fiber Insulating Cements: Comply with ASTM C 195.
    - 5. Expanded or Exfoliated Vermiculite Insulating Cements: Comply with ASTM C 196.
    - 6. Mineral-Fiber, Hydraulic-Setting Insulating and Finishing Cement: Comply with ASTM C 449/C 449M.
  
  - L. Flexible Elastomeric: Closed-cell, sponge- or expanded-rubber materials. Comply with ASTM C 534, Type I for tubular materials and Type II for sheet materials.
    - 1. Adhesive: As recommended by insulation material manufacturer.
    - 2. Ultraviolet-Protective Coating: As recommended by insulation manufacturer.
  
  - M. Closed-Cell Phenolic-Foam: Block insulation of rigid, expanded, closed-cell structure. Comply with ASTM C 1126, Type II, Grade 1.
  
  - N. Prefabricated Thermal Insulating Fitting Covers: Comply with ASTM C 450 for dimensions used in preforming insulation to cover valves, elbows, tees, and flanges.
- 2.2 FIELD-APPLIED JACKETS
- A. General: ASTM C 921, Type 1, unless otherwise indicated.
  - B. Glass Cloth: Woven glass-fiber fabric, plain weave, minimum 8 ounces per square yard.
  - C. Foil and Paper Jacket: Laminated, glass-fiber-reinforced, flame-retardant kraft paper and aluminum foil.
  - D. PVC Jacket: High-impact, ultraviolet-resistant PVC; 20 mils thick; roll stock ready for shop or field cutting and forming.
    - 1. Adhesive: As recommended by insulation material manufacturer.
    - 2. PVC Duct Jacket Color: White or gray.

FIRE STATIONS RENOVATION  
ARLINGTON COUNTY, VIRGINIA  
Architect's Project No: 563006

3. PVC Pipe Jacket Color: Color-code piping jackets based on materials contained within the piping system.
- E. Aluminum Jacket: Deep corrugated sheets manufactured from aluminum alloy complying with ASTM B 209, and having an integrally bonded moisture barrier over entire surface in contact with insulation. Factory cut and rolled to indicated sizes. Comply with ASTM B 209, 3003 alloy, H-14 temper.
1. Finish and Thickness: Stucco-embossed finish, 0.016 inch thick.
  2. Moisture Barrier: 1-mil- thick, heat-bonded polyethylene and kraft paper.
  3. Elbows: Preformed, 45- and 90-degree, short- and long-radius elbows; same material, finish, and thickness as jacket.
- F. Heavy PVC Pipe Fitting Covers: Factory-fabricated fitting covers manufactured from 30-mil-thick, high-impact, ultraviolet-resistant PVC.
1. Shapes: 45- and 90-degree, short- and long-radius elbows, tees, valves, flanges, reducers, end caps, soil-pipe hubs, traps, mechanical joints, and P-trap and supply covers for lavatories for the disabled.
  2. Adhesive: As recommended by insulation material manufacturer.
- G. Pre-engineered Jacketing systems: Metallic outer covering, with Velcro system suited for protecting outdoor refrigerant piping. Provide submittal for approval.

### 2.3 ACCESSORIES AND ATTACHMENTS

- A. Glass Cloth and Tape: Comply with MIL-C-20079H, Type I for cloth and Type II for tape. Woven glass-fiber fabrics, plain weave, presized a minimum of 8 oz./sq. yd..
1. Tape Width: 4 inches.
- B. Bands: 3/4 inch wide, in one of the following materials compatible with jacket:
1. Stainless Steel: ASTM A 666, Type 304; 0.020 inch thick.
  2. Galvanized Steel: 0.005 inch thick.
  3. Aluminum: 0.007 inch thick.
  4. Brass: 0.010 inch thick.
  5. Nickel-Copper Alloy: 0.005 inch thick.
- C. Wire: 0.080-inch, nickel-copper alloy; 0.062-inch, soft-annealed, stainless steel; or 0.062-inch, soft-annealed, galvanized steel.
- D. Weld-Attached Anchor Pins and Washers: Copper-coated steel pin for capacitor-discharge welding and galvanized speed washer. Pin length sufficient for insulation thickness indicated.
1. Welded Pin Holding Capacity: 100 lb for direct pull perpendicular to the attached surface.
- E. Adhesive-Attached Anchor Pins and Speed Washers: Galvanized steel plate, pin, and washer manufactured for attachment to duct, pipe, plenum and breeching with adhesive. Pin length sufficient for insulation thickness indicated.
1. Adhesive: Recommended by the anchor pin manufacturer as appropriate for surface temperatures of ducts, pipes, plenums, and breechings; and to achieve a holding capacity of 100 lb. for direct pull perpendicular to the adhered surface.

FIRE STATIONS RENOVATION  
ARLINGTON COUNTY, VIRGINIA  
Architect's Project No: 563006

- F. Self-Adhesive Anchor Pins and Speed Washers: Galvanized steel plate, pin, and washer manufactured for attachment to duct, pipe, and plenum with adhesive. Pin length sufficient for insulation thickness indicated.

2.4 VAPOR RETARDERS

- A. Mastics: Materials that are compatible with insulation materials, jackets, and substrates.

PART 3 - EXECUTION

3.1 EXAMINATION

- A. Examine substrates and conditions for compliance with requirements for installation and other conditions affecting performance of insulation application.
- B. Proceed with installation only after unsatisfactory conditions have been corrected.

3.2 PREPARATION

- A. Surface Preparation: Clean and dry surfaces to receive insulation. Remove materials that will adversely affect insulation application.

3.3 GENERAL APPLICATION REQUIREMENTS

- A. Apply insulation materials, accessories, and finishes according to the manufacturer's written instructions; with smooth, straight, and even surfaces; and free of voids throughout the length of ducts, piping, and fittings.
- B. Refer to schedules at the end of this Section for materials, forms, jackets, and thickness required for each system.
- C. Use accessories compatible with insulation materials and suitable for the service. Use accessories that do not corrode, soften, or otherwise attack insulation or jacket in either wet or dry state.
- D. Apply multiple layers of insulation with longitudinal and end seams staggered.
- E. Do not weld brackets, clips, or other attachment devices to piping, fittings, and specialties.
- F. Seal joints and seams with vapor-retarder mastic on insulation indicated to receive a vapor retarder.
- G. Keep insulation materials dry at all times. Insulation that becomes wet or is otherwise damaged beyond repair, shall be removed immediately and replaced. Replacement material and installation shall be in accordance with these specifications.
- H. Apply insulation with tight longitudinal seams and end joints. Bond seams and joints with adhesive recommended by the insulation material manufacturer.
- I. Apply insulation with the minimum number of joints practical.
- J. Apply insulation over fittings, valves, and specialties, with continuous thermal and vapor-retarder integrity, unless otherwise indicated.
- K. Refer to special instructions for applying insulation over fittings, valves, and specialties.

FIRE STATIONS RENOVATION  
ARLINGTON COUNTY, VIRGINIA  
Architect's Project No: 563006

- L. Hangers and Anchors: Where vapor retarder is indicated, seal penetrations in insulation at hangers, supports, anchors, and other projections with vapor-retarder mastic.
  - 1. Apply insulation continuously through hangers and around anchor attachments.
  - 2. For insulation application where vapor retarders are indicated, extend insulation on anchor legs at least 12 inches from point of attachment to pipe and taper insulation ends. Seal tapered ends with a compound recommended by the insulation material manufacturer to maintain vapor retarder.
  - 3. Install insert materials and apply insulation to tightly join the insert. Seal insulation to insulation inserts with adhesive or sealing compound recommended by the insulation material manufacturer.
  - 4. Cover inserts with jacket material matching adjacent pipe insulation. Install shields over jacket, arranged to protect the jacket from tear or puncture by the hanger, support, and shield.
- M. Insulation Terminations: For insulation application where vapor retarders are indicated, seal ends with a compound recommended by the insulation material manufacturer to maintain vapor retarder.
- N. Apply insulation with integral jackets as follows:
  - 1. Pull jacket tight and smooth.
  - 2. Circumferential Joints: Cover with 3-inch- wide strips, of same material as insulation jacket. Secure strips with adhesive and outward clinching staples along both edges of strip and spaced 4 inches o.c.
  - 3. Longitudinal Seams: Overlap jacket seams at least 1-1/2 inches. Apply insulation with longitudinal seams at bottom of pipe. Clean and dry surface to receive self-sealing lap. Staple laps with outward clinching staples along edge at 4 inches o.c.
    - a. Exception: Do not staple longitudinal laps on insulation having a vapor retarder.
  - 4. Vapor-Retarder Mastics: Where vapor retarders are indicated, apply mastic on seams and joints and at ends adjacent to flanges, unions, valves, and fittings.
  - 5. At penetrations in jackets for thermometers and pressure gages, fill and seal voids with vapor-retarder mastic.
- O. Cut insulation according to manufacturer's written instructions to prevent compressing insulation to less than 75 percent of its nominal thickness.
- P. Install vapor-retarder mastic on ducts, pipes, plenums, and equipment.
  - 1. Ducts, pipes, plenums, and equipment with Vapor Retarders: Overlap insulation facing at seams and seal with vapor-retarder mastic and pressure-sensitive tape having same facing as insulation. Repair punctures, tears, and penetrations with tape and mastic to maintain vapor-retarder seal.
  - 2. Ducts, pipes, plenums, and equipment without Vapor Retarders: Overlap insulation facing at seams and secure with outward clinching staples and pressure-sensitive tape having same facing as insulation.
- Q. Roof Penetrations: Apply insulation for interior applications to a point even with top of roof flashing.

FIRE STATIONS RENOVATION  
ARLINGTON COUNTY, VIRGINIA  
Architect's Project No: 563006

1. Seal penetrations with vapor-retarder mastic.
  2. Apply insulation for exterior applications tightly joined to interior insulation ends.
  3. Extend metal jacket of exterior insulation outside roof flashing at least 2 inches below top of roof flashing.
  4. Seal metal jacket to roof flashing with vapor-retarder mastic.
- R. Interior Wall and Partition Penetrations: Apply insulation continuously through walls and partitions, except fire-rated walls and partitions.
- S. Fire-Rated Wall and Partition Penetrations: Terminate insulation at fire/smoke damper sleeves for fire-rated wall and partition penetrations.
- T. Floor Penetrations: Terminate insulation at underside of floor assembly and at floor support at top of floor.
1. For insulation indicated to have vapor retarders, taper termination and seal insulation ends with vapor-retarder mastic.

### 3.4 MINERAL-FIBER INSULATION APPLICATION

- A. Blanket Applications for Ducts, Pipes, and Plenums: Secure blanket insulation with adhesive, and anchor pins with speed washers.
1. Apply adhesives according to manufacturer's recommended coverage rates per square foot, for 100 percent coverage of duct, pipe, and plenum surfaces.
  2. Apply adhesive to entire circumference of ducts & pipes and to all surfaces of fittings and transitions. Adhesive may be omitted from the top of horizontal rectangular ducts.
  3. Install anchor pins and speed washers on sides and bottom of horizontal ducts and sides of vertical ducts as follows:
    - a. On duct sides with dimensions 18 inches and smaller, along longitudinal centerline of duct. Space 3 inches maximum from insulation end joints, and 16 inches o.c.
    - b. On duct sides with dimensions larger than 18 inches. Space 16 inches o.c. each way, and 3 inches maximum from insulation joints. Apply additional pins and clips to hold insulation tightly against surface at cross bracing.
    - c. Anchor pins may be omitted from top surface of horizontal, rectangular ducts and plenums.
    - d. Do not compress insulation to less than 75% of its original thickness during installation.
  4. Install anchor pins and speed washers on sides, top, and bottom of horizontal pipes.
  5. Impale insulation over anchors and attach speed washers.
  6. Cut excess portion of pins extending beyond speed washers. Cover exposed pins and washers with tape matching insulation facing.
  7. Create a facing lap for longitudinal seams and end joints with insulation by removing 2 inches from one edge and one end of insulation segment. Secure laps to adjacent insulation segment with 1/2-inch staples, 1-inch o.c., and cover with pressure-sensitive tape having same facing as insulation.
  8. Overlap unfaced blankets a minimum of 2 inches on longitudinal seams and end joints. Secure with steel band at end joints and spaced a maximum of 18 inches o.c.
  9. Apply insulation on rectangular duct elbows, pipe fittings, and transitions with a full insulation segment for each surface. Apply insulation on round and flat-oval duct elbows, and pipe elbows, with individually mitered gores cut to fit the elbow.



FIRE STATIONS RENOVATION  
ARLINGTON COUNTY, VIRGINIA  
Architect's Project No: 563006

10. Insulate duct and pipe stiffeners, hangers, and flanges that protrude beyond the insulation surface with 6-inch- wide strips of the same material as insulation. Secure on alternating sides of stiffener, hanger, and flange with anchor pins spaced 6 inches o.c.
  11. Apply vapor-retarder mastic to open joints, breaks, and punctures for insulation indicated to receive vapor retarder.
- B. Board Applications for Ducts, Plenums, & Equipment: Secure board insulation with adhesive and anchor pins and speed washers.
1. Apply adhesives according to manufacturer's recommended coverage rates per square foot, for 100 percent coverage of duct, plenum, & equipment surfaces.
  2. Apply adhesive to entire circumference of ducts and to all surfaces of fittings, transitions, and equipment. Adhesive may be omitted from top surface of horizontal rectangular ducts.
  3. Space anchor pins as follows:
    - a. On duct & equipment sides with dimensions 18 inches and smaller, along longitudinal centerline of duct. Space 3 inches maximum from insulation end joints, and 16 inches o.c.
    - b. On duct & equipment sides with dimensions larger than 18 inches. Space 16 inches o.c. each way, and 3 inches maximum from insulation joints. Apply additional pins and clips to hold insulation tightly against surface at bracing.
    - c. Anchor pins may be omitted from top surface of horizontal, rectangular ducts and plenums.
    - d. Do not compress insulation to less than 75% of its original thickness during installation.
  4. Cut excess portion of pins extending beyond speed washers. Cover exposed pins and washers with tape matching insulation facing.
  5. Create a facing lap for longitudinal seams and end joints with insulation by removing 2 inches from one edge and one end of insulation segment. Secure laps to adjacent insulation segment with 1/2-inch staples, 1-inch o.c., and cover with pressure-sensitive tape having same facing as insulation.
  6. Apply insulation on rectangular duct elbows and transitions with a full insulation segment for each surface. Groove and score insulation to fit as closely as possible to outside and inside radius of elbows. Apply insulation on round and flat-oval duct elbows with individually mitered gores cut to fit the elbow.
  7. Insulate duct and equipment stiffeners, hangers, and flanges that protrude beyond the insulation surface with 6" wide strips of the insulating materia. Secure on alternating sides of stiffener, hanger, and flange with anchor pins spaced 6 inches o.c.
  8. Apply vapor-retarder mastic to open joints, breaks, and punctures for insulation indicated to receive vapor retarder.

### 3.5 FLEXIBLE ELASTOMERIC THERMAL INSULATION APPLICATION

- A. Apply insulation to ducts, plenums, and equipment as follows:
1. Follow the manufacturer's written instructions for applying insulation.
  2. Seal longitudinal seams and end joints with manufacturer's recommended adhesive. Cement to avoid openings in insulation that will allow passage of air to the duct, plenum, and equipment surface.

FIRE STATIONS RENOVATION  
ARLINGTON COUNTY, VIRGINIA  
Architect's Project No: 563006

3.6 FIELD-APPLIED JACKET APPLICATION

- A. Apply glass-cloth jacket, where indicated, directly over bare insulation or insulation with factory-applied jackets.
  - 1. Apply jacket smooth and tight to surface with 2-inch overlap at seams and joints.
  - 2. Embed glass cloth between two 0.062-inch- thick coats of jacket manufacturer's recommended adhesive.
  - 3. Completely encapsulate insulation with jacket, leaving no exposed raw insulation.

3.7 FINISHES

- A. Glass-Cloth Jacketed Insulation: Paint insulation finished with glass-cloth jacket as specified in Division 9 Section "Paints."
- B. Flexible Elastomeric Thermal Insulation: After adhesive has fully cured, apply two coats of insulation manufacturer's recommended protective coating.
- C. Color: Final color shall be as selected by Architect. Vary first and second coats to allow visual inspection of the completed Work.

3.8 DIFFUSER APPLICATIONS

- A. Insulate exposed metal surfaces on top of all supply diffusers. Where diffusers are mounted in a metal pan insulate the top of the metal pan.
  - 1. Material: Mineral-Fiber Blanket Thermal Insulation with Factory Applied FSK Jacket.
  - 2. Thickness: 1 inch.
  - 3. Vapor Retarder Required: Yes.

3.9 APPLICATIONS

- A. Insulation materials and thickness are specified at the end of this Section.
- B. Insulate all ductwork, pipe and equipment:
  - 1. Insulate ductwork in accordance with the application schedule(s) below.
  - 2. Exceptions: Unless otherwise indicated, do not apply insulation to the following systems, materials, and equipment:
    - a. Vibration-control devices.
    - b. Testing agency labels and stamps.
    - c. Nameplates and data plates.
    - d. Manholes.
    - e. Handholes.
    - f. Cleanouts.
    - g. Plastic condensate drain piping.
    - h. Pipe-mounted condensate sensors.
    - i. Return ductwork inside the building insulation envelope.
    - j. Indoor exposed return air ductwork.
    - k. Exhaust ductwork.
      - 1) Exception: Duct beginning 18" upstream of backdraft damper and continuing to building envelope insulation.
    - l. Metal ducts with duct liner.
    - m. Factory-insulated flexible ducts.

FIRE STATIONS RENOVATION  
ARLINGTON COUNTY, VIRGINIA  
Architect's Project No: 563006

- n. Factory-insulated plenums, casings, terminal boxes, and filter boxes and sections.
- o. Flexible connectors.
- p. Vibration-control devices.
- q. Testing agency labels and stamps.
- r. Nameplates and data plates.
- s. Access panels and doors in air-distribution systems.

3.10 INDOOR APPLICATION SCHEDULE

- A. Service: Condensate drain piping.
  - 1. Insulation Material: Mineral fiber preformed pipe insulation.
  - 2. Insulation Thickness: 1"
  - 3. Vapor Retarder Required: Yes.
  - 4. Finish: Exposed = Painted, concealed = none.
  
- B. Service: Refrigerant piping.
  - 1. Operating Temperature: 35 to 50 deg F.
  - 2. Insulation Material: Flexible Elastomeric.
  - 3. Insulation Thickness: 1"
  - 4. Vapor Retarder Required: Yes.
  - 5. Finish: Exposed = Painted, concealed = none.
  
- C. Service: Unless otherwise indicated provide the following:
  - 1. Concealed Ducts and Plenums:
    - a. Material: Mineral-Fiber Blanket.
    - b. Thickness: 1 1/2 inches.
    - c. Vapor Retarder Required: Yes.
  - 2. Exposed Ducts and Plenums:
    - a. Material: Mineral-Fiber Board.
    - b. Thickness: 1-1/2 inches.
    - c. Field-Applied Jacket: Glass cloth.
    - d. Vapor Retarder Required: Yes.
    - e. Paint: Color as selected by architect. Refer to section "Painting".
  
- D. Service: Supply-air ducts, concealed and within the building insulation envelope.
  - 1. Material: Mineral-Fiber Blanket Thermal Insulation with Factory Applied FSK Jacket.
  - 2. Thickness: 1 1/2 inches.
  - 3. Vapor Retarder Required: Yes.
  
- E. Service: Outside-air ducts, concealed and within the building insulation envelope.
  - 1. Material: Mineral-Fiber Blanket Thermal Insulation with Factory Applied FSK Jacket.
  - 2. Thickness: 1 1/2 inches.
  - 3. Vapor Retarder Required: Yes.
  
- F. Service: Rectangular, return-air ducts, concealed in vented attics and unvented attics with insulated ceilings.
  - 1. Material: Mineral-Fiber Blanket Thermal Insulation with Factory Applied FSK Jacket.
  - 2. Thickness: 1-1/2 inches.

FIRE STATIONS RENOVATION  
ARLINGTON COUNTY, VIRGINIA  
Architect's Project No: 563006

3. Vapor Retarder Required: Yes.

3.11 OUTDOOR APPLICATION SCHEDULE

A. Service: Refrigerant piping.

1. Operating Temperature: 35 to 50 deg F.
2. Insulation Material: Flexible Elastomeric.
3. Insulation Thickness: 1"
4. Field-Applied Jacket: Aluminum or PVC or pre-engineered jacketing systems.
5. Vapor Retarder Required: Yes.
6. Finish: Two coats UV protectant.

END OF SECTION 230700

FIRE STATIONS RENOVATION  
ARLINGTON COUNTY, VIRGINIA  
Architect's Project No: 563006

SECTION 230900 – BUILDING AUTOMATION SYSTEM

PART 1 - GENERAL

1.1 RELATED DOCUMENTS

- A. Provisions of the Contract and of the Contract Documents apply to this Section.

1.2 WARRANTY

- A. Provide all services, materials and equipment necessary for the successful operation of the entire BAS system for a period of one year beginning on the date of Final Acceptance.
- B. Services, materials, and equipment shall include but not be limited to:
1. The adjustment, required testing, and repair of the system including all computer equipment, transmission lines, transmission equipment, sensors and control devices.
  2. On-line support services shall be provided as follows:
    - a. The local BAS representative shall have the capability to monitor and control the facility's building automation system via a dialup or internet connection. This connection to the facility shall be made within 2 hours of the time a problem is reported.
    - b. If the problem is not resolved by local support, the national office of the building automation system manufacturer, having the same dialup capability, shall also attempt to solve the problem online. If the problem cannot be resolved with on-line support, the BAS representative shall dispatch the appropriate personnel to the job site to resolve the problem within 4 hours of the time that the problem is reported.
    - c. This coverage shall include normal business hours, after business hours, weekends and holidays.

1.3 SUBMITTALS

- A. Pre-submittal meeting: The Contractor performing work under this Section of the specifications shall attend a meeting for coordinating the control system with major pieces of equipment including Rooftop Units. The meeting shall be held on the project site in the contractor's trailer or other location acceptable to the Contractor. The Contractor shall be responsible for arranging the meeting. Submittals shall be essentially complete at the time of the meeting so detailed coordination items can be discussed.
- B. Submit ten (10) complete sets of documentation in the following phased delivery schedule:
1. Schedule of dampers including size, leakage, and flow characteristics.
  2. Schedule of valves including leakage and flow characteristics.

FIRE STATIONS RENOVATION  
ARLINGTON COUNTY, VIRGINIA  
Architect's Project No: 563006

3. **Product Data:** Include manufacturer's technical literature for each control device. Indicate dimensions, capacities, performance characteristics, electrical characteristics, finishes for materials, and installation and startup instructions for each type of product indicated. Include each control device labeled with setting or adjustable range of control.
  - a. **DDC System Hardware:** Bill of materials of equipment indicating quantity, manufacturer, and model number. Include technical data for interface equipment, control units, transducers/transmitters, sensors, actuators, valves, relays/switches, control panels, and operator interface equipment.
  - b. **Control System Software:** Include technical data for operating system software, operator interface, color graphics, and other third-party applications.
  - c. **Controlled Systems:** Instrumentation list with element name, type of device, manufacturer, model number, and product data. Include written description of sequence of operation including schematic diagram.
  
4. **Shop Drawings:** Detail equipment assemblies and indicate dimensions, weights, loads, required clearances, method of field assembly, components, and location and size of each field connection. Include the following:
  - a. **System schematics, including:**
    - 1) Written sequences of operation
    - 2) Listing of connected data points, including connected control unit and input device.
      - a) Point names
      - b) Point addresses
    - 3) Power, signal, and control wiring. Differentiate between manufacturer-installed and field-installed wiring.
    - 4) Details of control panel faces, including controls, instruments, and labeling.
    - 5) Schematic flow diagrams showing fans, pumps, coils, dampers, valves, and control devices.
    - 6) Trunk cable schematic showing programmable control unit locations and trunk data conductors.
    - 7) System graphics indicating monitored systems, data (connected and calculated) point addresses, and operator notations.
    - 8) System configuration showing peripheral devices, batteries, power supplies, diagrams, modems, and interconnections.
  
- C. **Maintenance Data:** For systems to include in maintenance manuals specified in Division 1. Include the following:
  1. Maintenance instructions and lists of spare parts for each type of control device.
  2. Interconnection wiring diagrams with identified and numbered system components and devices.
  3. Keyboard illustrations and step-by-step procedures indexed for each operator function.
  4. Inspection period, cleaning methods, cleaning materials recommended, and calibration tolerances.
  5. Calibration records and list of set points.

FIRE STATIONS RENOVATION  
ARLINGTON COUNTY, VIRGINIA  
Architect's Project No: 563006

- D. Project Record Documents: Record actual locations of control components, including control units, thermostats, and sensors. Revise Shop Drawings to reflect actual installation and operating sequences.
  
- E. Upon project completion, submit operation and maintenance manuals, consisting of the following:
  - 1. Index sheet listing contents in alphabetical order.
  - 2. Manufacturer's equipment parts list of all functional components of the system.
  - 3. DVD of system schematics including wiring diagrams.
  - 4. Sequences of operations
  - 5. As-built interconnection wiring diagrams.
  - 6. Operator's manual.
  - 7. Trunk cable schematic showing remote electronic panel locations and all trunk data.
  - 8. List of connected data points, including panels to which they are connected and input device (sensors, thermostat, etc.)
  - 9. Software and firmware operational documentation. Include the following:
    - a. Software operating and upgrade manuals.
    - b. Program software backup: On a magnetic media or compact disc, complete with data files.
    - c. Device address list.
    - d. Printout of software application and graphic screens.
    - e. Software license required by control systems.
  - 10. Software Upgrade Kit: For Owner to use in modifying software to suit future power system revisions or monitoring and control revisions.
  - 11. Field Test Reports: Indicate and interpret test results for compliance with performance requirements.
  
- F. Submit product data sheets for airflow measuring devices indicating minimum placement requirements, sensor density, sensor distribution, and installed accuracy to the host control system. Submit a schedule of airflow measuring devices indicating compliance with specified accuracy at minimum and maximum airflow rates. Submit installation, operation and maintenance documentation.

1.4 QUALITY ASSURANCE

- A. The BAS system shall be designed and installed, commissioned, and serviced by a manufacturer's authorized installer.
  
- B. Manufacturer Qualifications: A firm experienced in manufacturing automatic temperature-control systems similar to those indicated for this Project and with a record of successful in-service performance.
  
- C. All materials and equipment used shall be standard components, regularly manufactured for this and/or other systems and not custom designed especially for this project.

FIRE STATIONS RENOVATION  
ARLINGTON COUNTY, VIRGINIA  
Architect's Project No: 563006

- D. Electrical Components, Devices, and Accessories: Listed and labeled as defined in NFPA 70, Article 100, by a testing agency acceptable to authorities having jurisdiction, and marked for intended use.
- E. Electronic equipment shall conform to the requirements of FCC Regulation, Part 15, Section 15, governing radio frequency electromagnetic interference and shall be so labeled.
- F. Comply with NFPA 90A, "Installation of Air Conditioning and Ventilation Systems."
- G. Comply with ASHRAE 135 for DDC system components.

1.5 DELIVERY, STORAGE, AND HANDLING

- A. Factory-Mounted Components: Where control devices specified in this Section are indicated to be factory-mounted on equipment, arrange for shipping of control devices to equipment manufacturer.
- B. System Software: Update to latest version of software at Project completion.

1.6 COORDINATION

- A. Control Wiring: The BAS manufacturer shall be responsible for all BAS and temperature control wiring for a complete and operable system. All wire and cable shall be plenum-rated and shall be in accordance with Division 26 specification sections and all local, state and national codes and ordinances.
- B. Where plenum-rated BAS cable is routed in concealed, accessible spaces, the cable may be run in the cable trays or in J-Hooks provided under this section of the specifications. Where plenum-rated BAS cable is routed in exposed or inaccessible areas, it shall be run conduit provided under this section of the specifications.
- C. Power Wiring:
  - 1. Power wiring indicated (device and circuit designation indicated) on the drawings shall be provided under Division 26.
  - 2. The BAS manufacturer shall be responsible for power wiring not indicated (device or circuit designation not indicated) on the Drawings. It shall be the BAS manufacturer's responsibility to review the Contract Documents to determine the extent of power wiring included in Division 26 and to provide additional power wiring as required. Work shall be in accordance with Division 26 specifications and all local, state and national codes and ordinances.
  - 3. Where the contractor performing work under this section requires an additional circuit for power wiring to a device or panel under paragraph 2 above, an RFI shall be issued requesting approval to use an available circuit in the nearest panel. Once approval is granted, all wiring and conduit from the breaker to the device or panel shall be provided under this section of the specifications.



FIRE STATIONS RENOVATION  
ARLINGTON COUNTY, VIRGINIA  
Architect's Project No: 563006

- D. Coordinate location of thermostats, humidistats, and other exposed control sensors with plans and room details before installation. All conduits shall be concealed within walls and above ceilings unless indicated otherwise.
- E. Coordinate installation of conduit to avoid cutting of finished surfaces.
- F. Coordinate equipment with Division 26 Section "Lighting Control Devices" to achieve compatibility with equipment that interfaces with that system.
- G. Coordinate equipment with Division 28 Section "Digital Addressable Fire Alarm" to achieve compatibility with equipment that interfaces with that system.
- H. Coordinate supply of conditioned electrical branch circuits for control units and operator workstation.

1.7 PROJECT CONDITIONS

- A. Maintain environmental conditions (temperature, humidity and ventilation) within limits recommended by manufacturer for optimum results. Do not install products under environmental conditions outside manufacturer's absolute limits.

PART 2 - PRODUCTS

2.1 MANUFACTURER

- 1. Trane

2.2 GENERAL:

- a. Provide controls to match the existing system controls supplier for each fire station.
- b. For fire station #1, provide DDC panel and control new RTU-8 and integrate into existing BAS.
- c. For fire station #6, provide monitoring for new fan and split system as required in sequence of controls for HVAC section and sheet M7.1 on drawings.

2.3 DDC CONTROLLERS

- A. All packaged equipment shall be provided with manufacturers controllers with BACnet interface.

2.4 ELECTRONIC SENSORS

- A. Description: Vibration and corrosion resistant; for wall, immersion, or duct mounting as required.

FIRE STATIONS RENOVATION  
ARLINGTON COUNTY, VIRGINIA  
Architect's Project No: 563006

B. Thermistor Temperature Sensors and Transmitters and Resistance Temperature Detectors and Transmitters:

1. Accuracy: Plus or minus 0.5 deg F at calibration point.
2. Wire: Twisted, shielded-pair cable.
3. Insertion Elements in Ducts: Single point, 8 inches long; use where not affected by temperature stratification or where ducts are smaller than 9 sq. ft.
4. Averaging Elements in Ducts: 36 inches long, flexible; use where prone to temperature stratification or where ducts are larger than 10 sq. ft.
5. Insertion Elements for Liquids: Brass or stainless-steel socket with minimum insertion length of 2-1/2 inches.
6. Room Sensor Cover Construction: Manufacturer's standard locking covers.
  - a. Set-Point Adjustment (classrooms, offices, work rooms and conference rooms): Exposed warmer/cooler slider. Range of adjustment capable at zone sensor shall be programmable through the BAS.
  - b. Set-Point Adjustment (other spaces): Concealed.
  - c. Set-Point Indication: Concealed.
  - d. Thermometer: Concealed.
  - e. Color: Manufacturer's standard.
  - f. Orientation: Vertical.
  - g. Option: No manufacturer logo.
7. Outside-Air Sensors: Watertight inlet fitting, shielded from direct sunlight.
8. Space Sensor Guards: Provide heavy-duty, cast aluminum guards for sensors located in the gymnasium, auxiliary gymnasium, auditorium and commons.
9. Public Corridors: In public corridors and entrances, provide blank stainless-steel cover plate sensors with insulated back and security screws.

C. Humidity Sensors: Capacitance or bulk polymer resistance type.

1. Accuracy: 5 percent full range with linear output.
2. Room Sensor Range: 20 to 80 percent relative humidity.
3. Room Sensor Cover Construction: Manufacturer's standard locking covers.
  - a. Color: Manufacturer's standard.
  - b. Orientation: Vertical.
  - c. Set-Point Adjustment: Concealed.
  - d. Set-Point Indication: Concealed.
4. Outside-Air Sensor: 20 to 80 percent relative humidity range with mounting enclosure, suitable for operation at outdoor temperatures of 0 to 185 deg F.
5. Duct-Mounted: Electric insertion, 2-position type with adjustable, 2 percent throttling range, 20 to 80 percent operating range, and single- or double-pole contacts.

D. Pressure Transmitters/Transducers:

1. Static-Pressure Transmitter: Non-directional sensor with suitable range for expected input and temperature-compensated.

FIRE STATIONS RENOVATION  
ARLINGTON COUNTY, VIRGINIA  
Architect's Project No: 563006

- a. Accuracy: 2 percent of full scale with repeatability of 0.5 percent.
  - b. Output: 4 to 20 mA.
  - c. Building Static-Pressure Range: 0- to 0.25-inch wg.
  - d. Duct Static-Pressure Range: 0- to 5-inch wg.
2. Water Pressure Transducers: Stainless-steel diaphragm construction, suitable for service; minimum 150-psig operating pressure; linear output 4 to 20 mA.
  3. Water Differential-Pressure Transducers: Stainless-steel diaphragm construction, suitable for service; minimum 150-psig operating pressure and tested to 300-psig; linear output 4 to 20 mA.
  4. Differential-Pressure Switch (Air or Water): Snap acting, with pilot-duty rating and with suitable scale range and differential. Accuracy shall be +/- 5% of range.
  5. Pressure Transmitters: Direct acting for gas, liquid, or steam service; range suitable for system; linear output 4 to 20 mA.
- E. Current Sensing Switch:
1. Sensor supply voltage and supply current shall be induced from monitored conductor. Contact rating shall be 0.2 amperes at 30 volts DC/AC. Trip set point shall be adjustable to +/-1% of range. Current sensing switch wiring shall not be polarity sensitive.
- F. Liquid Level Sensors:
1. Liquid level sensors shall have 1/2" accuracy calibrated to detect water in temperature range from 60°F to 80°F. Output signal shall be 4 to 20 mA. Sensor material shall be stainless steel or other non-corrosive material.
- 2.5 STATUS SENSORS
- A. Status Inputs for Fans: Differential-pressure switch with pilot-duty rating and with adjustable range of 0- to 5-inch wg.
  - B. Status Inputs for Pumps: Differential-pressure switch with pilot-duty rating and with adjustable pressure-differential range of 8 to 60 psig, piped across pump.
  - C. Status Inputs for Electric Motors: Comply with ISA 50.00.01, current-sensing fixed- or split-core transformers with self-powered transmitter, adjustable and suitable for 175 percent of rated motor current.
  - D. Voltage Transmitter (100- to 600-V ac): Comply with ISA 50.00.01, single-loop, self-powered transmitter, adjustable, with suitable range and 1 percent full-scale accuracy.
  - E. Current Switches: Self-powered, solid-state with adjustable trip current, selected to match current and system output requirements.
  - F. Electronic Valve/Damper Position Indicator: Visual scale indicating percent of travel and 2- to 10-V dc, feedback signal.

FIRE STATIONS RENOVATION  
ARLINGTON COUNTY, VIRGINIA  
Architect's Project No: 563006

- G. Water-Flow Switches: Bellows-actuated mercury or snap-acting type with pilot-duty rating, stainless-steel or bronze paddle, with appropriate range and differential adjustment, in NEMA 250, Type 1 enclosure.

2.6 THERMOSTATS

A. Available Manufacturers:

- 1. Danfoss Inc.; Air-Conditioning and Refrigeration Div.
- 2. Heat-Timer Corporation.
- 3. tekmar Control Systems, Inc.

B. Combination Thermostat and Fan Switches: Line-voltage thermostat with push-button or lever-operated fan switch.

- 1. Label switches "FAN ON-OFF" or "FAN HIGH-LOW-OFF" or "FAN HIGH-MED-LOW-OFF."
- 2. Mount on single electric switch box.

C. Electric, solid-state, microcomputer-based room thermostat with remote sensor.

- 1. Automatic switching from heating to cooling.
- 2. Preferential rate control to minimize overshoot and deviation from set point.
- 3. Set up for four separate temperatures per day.
- 4. Instant override of set point for continuous or timed period from 1 hour to 31 days.
- 5. Short-cycle protection.
- 6. Programming based on every day of week.
- 7. Selection features include degree F or degree C display, 12- or 24-hour clock, keyboard disable, remote sensor, and fan on-auto.
- 8. Battery replacement without program loss.
- 9. Thermostat display features include the following:
  - a. Time of day.
  - b. Actual room temperature.
  - c. Programmed temperature.
  - d. Programmed time.
  - e. Duration of timed override.
  - f. Day of week.
  - g. System mode indications include "heating," "off," "fan auto," and "fan on."

D. Low-Voltage, On-Off Thermostats: NEMA DC 3, 24-V, bimetal-operated, mercury-switch type, with adjustable or fixed anticipation heater, concealed set-point adjustment, 55 to 85 deg F set-point range, and 2 deg F maximum differential.

E. Line-Voltage, On-Off Thermostats: Bimetal-actuated, open contact or bellows-actuated, enclosed, snap-switch or equivalent solid-state type, with heat anticipator; listed for electrical rating; with concealed set-point adjustment, 55 to 85 deg F set-point range, and 2 deg F maximum differential.

FIRE STATIONS RENOVATION  
ARLINGTON COUNTY, VIRGINIA  
Architect's Project No: 563006

1. Electric Heating Thermostats: Equip with off position on dial wired to break ungrounded conductors.
  2. Selector Switch: Integral, manual on-off-auto.
- F. Remote-Bulb Thermostats: On-off or modulating type, liquid filled to compensate for changes in ambient temperature; with copper capillary and bulb, unless otherwise indicated.
1. Bulbs in water lines with separate wells of same material as bulb.
  2. Bulbs in air ducts with flanges and shields.
  3. Averaging Elements: Copper tubing with either single- or multiple-unit elements, extended to cover full width of duct or unit; adequately supported.
  4. Scale settings and differential settings are clearly visible and adjustable from front of instrument.
  5. On-Off Thermostat: With precision snap switches and with electrical ratings required by application.
  6. Modulating Thermostats: Construct so complete potentiometer coil and wiper assembly is removable for inspection or replacement without disturbing calibration of instrument.
- G. Immersion Thermostat: Remote-bulb or bimetal rod-and-tube type, proportioning action with adjustable throttling range and adjustable set point.
- H. Airstream Thermostats: Two-pipe, fully proportional, single-temperature type; with adjustable set point in middle of range, adjustable throttling range, plug-in test fitting or permanent pressure gage, remote bulb, bimetal rod and tube, or averaging element.
- I. Electric, Low-Limit Duct Thermostat: Snap-acting, single-pole, single-throw, manual- or automatic- reset switch that trips if temperature sensed across any 12 inches of bulb length is equal to or below set point.
1. Bulb Length: Minimum 20 feet.
  2. Quantity: One thermostat for every 20 sq. ft. of coil surface.
- J. Electric, High-Limit Duct Thermostat: Snap-acting, single-pole, single-throw, manual- or automatic- reset switch that trips if temperature sensed across any 12 inches of bulb length is equal to or above set point.
1. Bulb Length: Minimum 20 feet.
  2. Quantity: One thermostat for every 20 sq. ft. of coil surface.
- K. Heating/Cooling Valve-Top Thermostats: Proportional acting for proportional flow, with molded-rubber diaphragm, remote-bulb liquid-filled element, direct and reverse acting at minimum shutoff pressure of 25 psig, and cast housing with position indicator and adjusting knob.

## 2.7 ACTUATORS

- A. Electric Motors: Size to operate with sufficient reserve power to provide smooth modulating action or two-position action.

FIRE STATIONS RENOVATION  
ARLINGTON COUNTY, VIRGINIA  
Architect's Project No: 563006

1. Comply with requirements in Division 23 Section "Common Motor Requirements for HVAC Equipment."
  2. Permanent Split-Capacitor or Shaded-Pole Type: Gear trains completely oil immersed and sealed. Equip spring-return motors with integral spiral-spring mechanism in housings designed for easy removal for service or adjustment of limit switches, auxiliary switches, or feedback potentiometer.
  3. Non-spring-Return Motors for Valves Larger than NPS 2-1/2: Size for running torque of 150 in. x lbf and breakaway torque of 300 in. x lbf.
  4. Spring-Return Motors for Valves Larger than NPS 2-1/2: Size for running and breakaway torque of 150 in. x lbf.
  5. Non-spring-Return Motors for Dampers Larger than 25 Sq. Ft.: Size for running torque of 150 in. x lbf and breakaway torque of 300 in. x lbf.
  6. Spring-Return Motors for Dampers Larger than 25 Sq. Ft.: Size for running and breakaway torque of 150 in. x lbf.
- B. Electronic Actuators: Direct-coupled type designed for minimum 60,000 full-stroke cycles at rated torque.
1. Valves: Size for torque required for valve close off at maximum pump differential pressure.
  2. Dampers: Size for running torque calculated as follows:
    - a. Parallel-Blade Damper with Edge Seals: 7 inch-lb/sq. ft. of damper.
    - b. Opposed-Blade Damper with Edge Seals: 5 inch-lb/sq. ft. of damper.
    - c. Parallel-Blade Damper without Edge Seals: 4 inch-lb/sq. ft. of damper.
    - d. Opposed-Blade Damper without Edge Seals: 3 inch-lb/sq. ft. of damper.
    - e. Dampers with 2- to 3-Inch wg of Pressure Drop or Face Velocities of 1000 to 2500 fpm: Increase running torque by 1.5.
    - f. Dampers with 3- to 4-Inch wg of Pressure Drop or Face Velocities of 2500 to 3000 fpm: Increase running torque by 2.0.
  3. Coupling: V-bolt and V-shaped, toothed cradle.
  4. Overload Protection: Electronic overload or digital rotation-sensing circuitry.
  5. Fail-Safe Operation: Mechanical, spring-return mechanism. Provide external, manual gear release on non-spring-return actuators.
  6. Power Requirements (Modulating): Maximum 10 VA at 24-V ac or 8 W at 24-V dc.
  7. Proportional Signal: 2- to 10-V dc or 4 to 20 mA, and 2- to 10-V dc position feedback signal.
  8. Temperature Rating: Minus 22 to plus 122 deg F.
  9. Temperature Rating (Smoke Dampers): Minus 22 to plus 250 deg F.

## 2.8 DAMPERS

- A. Dampers: AMCA-rated, parallel or opposed-blade design; 0.108-inch- minimum thick, galvanized-steel or 0.125-inch- minimum thick, extruded-aluminum frames with holes for duct mounting; damper blades shall not be less than 0.064-inch- thick galvanized steel with maximum blade width of 8 inches and length of 48 inches.

FIRE STATIONS RENOVATION  
ARLINGTON COUNTY, VIRGINIA  
Architect's Project No: 563006

1. Secure blades to 1/2-inch- diameter, zinc-plated axles using zinc-plated hardware, with oil-impregnated sintered bronze blade bearings, blade-linkage hardware of zinc-plated steel and brass, ends sealed against spring-stainless-steel blade bearings, and thrust bearings at each end of every blade.
2. Operating Temperature Range: From minus 40 to plus 200 deg F.
3. Edge Seals, Standard Pressure Applications: Closed-cell neoprene.
4. Edge Seals, Low-Leakage Applications: Use inflatable blade edging or replaceable rubber blade seals and spring-loaded stainless-steel side seals, rated for leakage at less than 10 cfm per sq. ft. of damper area, at differential pressure of 4-inch wg when damper is held by torque of 50 in. x lbf; when tested according to AMCA 500D.

2.9 SMOKE DETECTORS

- A. Smoke detectors shall be furnished under Division 28 and installed under this Section.
- B. Wiring from smoke detectors to fire alarm system shall be under Division 28.
- C. Wiring from smoke detectors to mechanical equipment shall be under this Section.

2.10 Low Temperature Detection Stat: By BAS manufacturer.

2.11 CURRENT SENSING RELAYS:

- A. By controls contractor for all equipment.miscellaneous relays and switches:
- B. General: Where required by the sequence of operation switches, relays, and miscellaneous devices necessary to accomplish the sequence shall be provided under this Section.

PART 3 - EXECUTION

3.1 PROJECT MANAGEMENT

- A. Provide a designated project manager who will be responsible for the following:
  1. Construct and maintain project schedule
  2. On-site coordination with all applicable trades and subcontractors
  3. Authorized to accept and execute orders or instructions from owner/architect
  4. Attend project meetings as necessary to avoid conflicts and delays
  5. Make necessary field decisions relating to this scope of work
  6. Coordination/Single point of contact.

3.2 EXAMINATION

- A. Verify that power supply is available to control units and operator workstation.

FIRE STATIONS RENOVATION  
ARLINGTON COUNTY, VIRGINIA  
Architect's Project No: 563006

- B. Verify that duct-, pipe-, and equipment-mounted devices are installed before proceeding with installation.

3.3 INSTALLATION

- A. Install software in control units and operator workstation(s). Implement all features of programs to specified requirements and as appropriate to sequence of operation.
- B. Connect and configure equipment and software to achieve sequence of operation specified in Section 23 section "Sequence of Control."
- C. Verify location of thermostats, humidistats, and other exposed control sensors with Drawings and room details before installation. Install devices next to light switch(es) when space is available with top of device at 48 inches above finished floor. Where space next to light switch(es) is not available, align device vertically with light switch and locate device with top at 40 inches above the finished floor.
  - 1. Install averaging elements in ducts and plenums in crossing or zigzag pattern.
- D. Install guards on thermostats where indicated on Drawings.
- E. Install automatic dampers according to Division 23 Section "Air Duct Accessories."
- F. Install damper motors on outside of duct in warm areas, not in locations exposed to outdoor temperatures.
- G. Install labels and nameplates to identify control components according to Division 23 Section "Identification for HVAC Piping and Equipment."
- H. Install hydronic instrument wells, valves, and other accessories according to Division 23 Section "Hydronic Piping."
- I. Install duct volume-control dampers according to Division 23 Sections specifying air ducts.

3.4 FIELD QUALITY CONTROL

- A. Manufacturer's Field Service: Engage a factory-authorized service representative to inspect, test, and adjust field-assembled components and equipment installation, including connections, and to assist in field testing. Report results in writing.
- B. Perform the following field tests and inspections and prepare test reports:
  - 1. Operational Test: After electrical circuitry has been energized, start units to confirm proper unit operation. Remove and replace malfunctioning units and retest.
  - 2. Test and adjust controls and safeties.
  - 3. Test calibration of electronic controllers by disconnecting input sensors and stimulating operation with compatible signal generator.



FIRE STATIONS RENOVATION  
ARLINGTON COUNTY, VIRGINIA  
Architect's Project No: 563006

4. Test each point through its full operating range to verify that safety and operating control set points are as required.
5. Test each control loop to verify stable mode of operation and compliance with sequence of operation. Adjust PID actions.
6. Test each system for compliance with sequence of operation.
7. Test software and hardware interlocks.

C. DDC Verification:

1. Verify that instruments are installed before calibration, testing, and loop or leak checks.
2. Check instruments for proper location and accessibility.
3. Check instrument installation for direction of flow, elevation, orientation, insertion depth, and other applicable considerations.
4. Check instrument tubing for proper fittings, slope, material, and support.
5. Check flow instruments. Inspect tag number and line and bore size, and verify that inlet side is identified and that meters are installed correctly.
6. Check pressure instruments, piping slope, installation of valve manifold, and self-contained pressure regulators.
7. Check temperature instruments and material and length of sensing elements.
8. Check control valves. Verify that they are in correct direction.
9. Check DDC system as follows:
  - a. Verify that DDC controller power supply is from emergency power supply.
  - b. Verify that wires at control panels are tagged with their service designation and approved tagging system.
  - c. Verify that spare I/O capacity has been provided.
  - d. Verify that DDC controllers are protected from power supply surges.

D. Replace damaged or malfunctioning controls and equipment and repeat testing procedures.

### 3.5 ADJUSTING

A. Calibrating and Adjusting:

1. Calibrate instruments.
2. Make three-point calibration test for both linearity and accuracy for each analog instrument.
3. Calibrate equipment and procedures using manufacturer's written recommendations and instruction manuals. Use test equipment with accuracy at least double that of instrument being calibrated.
4. Control System Inputs and Outputs:
  - a. Check analog inputs at 0, 50, and 100 percent of span.
  - b. Check analog outputs using milliamperemeter at 0, 50, and 100 percent output.
  - c. Check digital inputs using jumper wire.
  - d. Check digital outputs using ohmmeter to test for contact making or breaking.
  - e. Check resistance temperature inputs at 0, 50, and 100 percent of span using a precision-resistant source.

FIRE STATIONS RENOVATION  
ARLINGTON COUNTY, VIRGINIA  
Architect's Project No: 563006

5. Flow:
    - a. Set differential pressure flow transmitters for 0 and 100 percent values with 3-point calibration accomplished at 50, 90, and 100 percent of span.
    - b. Manually operate flow switches to verify that they make or break contact.
  6. Pressure:
    - a. Calibrate pressure transmitters at 0, 50, and 100 percent of span.
    - b. Calibrate pressure switches to make or break contacts, with adjustable differential set at minimum.
  7. Temperature:
    - a. Calibrate resistance temperature transmitters at 0, 50, and 100 percent of span using a precision-resistance source.
    - b. Calibrate temperature switches to make or break contacts.
  8. Stroke and adjust control valves and dampers without positioners, following the manufacturer's recommended procedure, so that valve or damper is 100 percent open and closed.
  9. Stroke and adjust control valves and dampers with positioners, following manufacturer's recommended procedure, so that valve and damper is 0, 50, and 100 percent closed.
  10. Provide diagnostic and test instruments for calibration and adjustment of system.
  11. Provide written description of procedures and equipment for calibrating each type of instrument. Submit procedures review and approval before initiating startup procedures.
- B. Adjust initial temperature and humidity set points.
- C. Occupancy Adjustments: When requested within 12 months of date of Final Acceptance, provide on-site assistance in adjusting system to suit actual occupied conditions. Provide up to three visits to Project during other than normal occupancy hours for this purpose.

### 3.6 TRAINING

- A. Provide 8 hours of training for Owner's designated operating personnel. Training shall include:
1. Explanation of drawings and operation & maintenance manuals
  2. Walk-through of the job to locate control components
  3. Operator workstation and peripherals
  4. Operation of Portable computer
  5. DDC controller and ASC operation/function
  6. Operator control functions including graphic generation and field panel programming
  7. Explanation of adjustment, calibration and replacement procedures
- B. Since the Owner may require personnel to have more comprehensive understanding of the hardware and software, additional training must be available from the Manufacturer. If necessary additional training will be contracted by the Owner at a later date.

FIRE STATIONS RENOVATION  
ARLINGTON COUNTY, VIRGINIA  
Architect's Project No: 563006

- C. Coordinate with Owner is videotape documentation of training is required.

END OF SECTION 230900

FIRE STATIONS RENOVATION  
ARLINGTON COUNTY, VIRGINIA  
Architect's Project No: 563006

SECTION 230993 - SEQUENCE OF OPERATIONS FOR HVAC CONTROLS

PART 1 - GENERAL

1.1 RELATED DOCUMENTS

- A. Provisions of the Contract and of the Contract Documents apply to this Section.

1.2 SUMMARY

- A. This Section includes control sequences for HVAC systems, subsystems, and equipment.
- B. Related Sections include the following:
  - 1. Division 23 Section "Building Automation System" for control equipment and devices and for submittal requirements.

1.3 DEFINITIONS

- A. BAS: Building automation system.
- B. CO<sub>2</sub>: Carbon dioxide.
- C. CO: Carbon monoxide
- D. DDC: Direct digital control.
- E. PPM: Parts per million.
- F. RPM: Revolutions per minute.
- G. SCR: Silicon-Controlled Rectifier.
- H. TAB: Testing, Adjusting and Balancing.
- I. VAV: Variable air volume.
- J. VFD: Variable-frequency drive

1.4 GENERAL REQUIREMENTS OF THIS SECTION

- A. Control sequences shall be accomplished in accordance with control drawings and the sequences specified in this section. It is the intent of this section to utilize sequences included in pre-programmed controllers when such sequences provide the intended operation.

FIRE STATIONS RENOVATION  
ARLINGTON COUNTY, VIRGINIA  
Architect's Project No: 563006

- B. Points may not be deleted without prior approval from the Architect.
- C. Every attempt has been made to indicate all required points on the control drawings. Occasionally an additional point, or points, may be required to accomplish a specified sequence. The contractor performing work under this section shall understand the work to be implied and required by the contract documents. Additional hardware and software required shall be provided under section "Building Automation System" at no additional cost to the Owner.
  - 1. Such points include:
    - a. Sensors of all types whether or not specified under section "Building Automation System"
    - b. Air flow measuring stations.
    - c. Wiring, conduit, and related devices such as relays.
  - 2. Exceptions:
    - a. Equipment and devices covered under sections other than "Building Automation System".

1.5 DISPLAY GRAPHICS:

- A. Include system schematic for each system. Indicate all points in system on at least one graphic.
- B. Indicate all commanded values and temperatures.
- C. Indicate all sensed temperatures.
- D. Indicate all alarms.
- E. Indicate all status points.
- F. Indicate all monitored conditions.

1.6 WARRANTY

- A. Provide all services, materials and equipment necessary for the successful operation of the entire BAS system for a period of one year beginning on the date of Final Acceptance.

1.7 SUBMITTALS

- A. Refer to Section "Building Automation System."

PART 2 - SEQUENCES

- 2.1 SET POINTS: Unless indicated otherwise all set points shall be adjustable from the head end.

FIRE STATIONS RENOVATION  
ARLINGTON COUNTY, VIRGINIA  
Architect's Project No: 563006

2.2 ROOFTOP UNITS (RTU-8)

A. General:

1. Each unit shall be controlled by field installed BACnet IP building controllers provided by the DDC contractor. The controller shall interface with the 24V controls terminal strip provided by the equipment manufacturer.
2. Enthalpy High Limit: 28.0 BTU/lb

B. Initial Set Points:

1. Occupied:
  - a. Space Cooling Temperature: 75°F
  - b. Space Heating Temperature: 70°F
  - c. Space Maximum Relative Humidity: 55% RH
2. Unoccupied:
  - a. Space Cooling Temperature: 78°F
  - b. Space Heating Temperature: 65°F
  - c. Space Maximum Relative Humidity: 60% RH

C. Enable/Disable:

1. Occupied Operation: During occupied hours, the BAS shall enable the unit and provide set points as specified. The supply fan shall be started and dampers shall open.
2. Unoccupied Operation: During unoccupied hours, the unit shall be disabled, the supply and exhaust fans shall be off, and dampers shall be closed.

D. Supply Fan Control:

1. When the unit is started, the outside air damper shall be open and an end switch shall authorize the supply fan to start and go to its maximum speed. The required speed shall be determined by the equipment manufacturer and shall be constituted as the maximum fan speed.
2. Speed Control:
  - a. The supply fan shall be ramped up to design/ balanced airflow.
  - b. Drive Malfunction: Should the VFD malfunction as indicated by drive alarm circuit, an alarm shall be sent to the head end. The fan shall continue to operate unless deactivated by the VFD protection circuitry.
  - c. Fan Failure Alarm: Should the supply fan fail (as sensed by current sensing relay), the unit shall be disabled, and an alarm shall be sent to the head end identifying the unit and stating that the supply fan has failed.

E. Exhaust Fan Control:

1. During occupied operation, the exhaust air damper shall be open and an end switch shall start the exhaust fan.
2. Speed Control:
  - a. The relief fan speed ramp up to design/ balanced airflow.
3. Fan Failure Alarm: Should the exhaust fan fail (as sensed by its current sensing relay), the unit shall be disabled, and an alarm shall be sent to the head end identifying the unit and stating that the exhaust fan has failed.
4. Drive Malfunction: Should the VFD malfunction as indicated by the drive alarm circuit, an alarm shall be sent to the head end. The fan shall continue to operate unless deactivated by the VFD protection circuitry.

FIRE STATIONS RENOVATION  
ARLINGTON COUNTY, VIRGINIA  
Architect's Project No: 563006

- F. Supply Air Temperature Control: The unit shall use comparative enthalpy economizer, heating, or cooling to maintain leaving air conditions.
- G. Supply Air Low Limit Temperature: If the discharge air temperature falls below the low limit set point (initially 50°F, adjustable), for five minutes (adjustable), the unit will stop and an alarm will be issued to the BAS.
- H. Cooling Control: The supply fan shall be confirmed as running before cooling is enabled. If cooling is required, the direct expansion cooling shall enable the first stage of cooling and modulate to maintain supply leaving air temperature. If additional capacity is needed, the next available compressor shall be staged and modulated to maintain the set point (as sensed by the supply leaving air temperature sensor).
- I. Heating Control: If heating is required, the first stage of heating shall be enabled and module to maintain supply air leaving temperature. If additional capacity is needed, the gas burners shall be staged and modulated to maintain the set point (as sensed by the supply leaving air temperature sensor).
- J. Hot Gas Reheat Control: The hot gas reheat coil shall be modulated as required to maintain leaving air temperature setpoint.
- K. Dehumidification Control:
1. Occupied Mode: If the space relative humidity (based on a space mounted humidity sensor) rises above initial setpoint (50% RH, adjustable), the unit economizer and compressor will be controlled to maintain cooling coil leaving air temperature setpoint. This cooling coil leaving air temp setpoint will be slowly lowered until sufficient dehumidification is provided to meet the space RH set point.
  2. Unoccupied mode: If the space relative humidity rises above set point (initially 60% RH, adjustable), the supply fan shall be started and the compressor will be controlled to maintain the cooling coil leaving air temp setpoint. This cooling coil leaving air temp setpoint will be slowly lowered until sufficient dehumidification is provided to meet the space RH set point. The unit shall return to unoccupied mode when the space humidity is 10% below set point.
- L. Economizer Mode: Whenever outside air enthalpy is less than the enthalpy high limit setpoint (adjustable) and outside air temperature is less than the return air temperature and cooling is required, economizer operation shall be enabled and the enthalpy wheel shall be disabled and bypassed.
1. Outside air enthalpy will be calculated using the outdoor air temperature and outdoor air humidity sensors.
  2. Economizer operation shall be available 24/7 and shall override unoccupied damper controls.
- M. Motorized Control Valve: The motorized control valve shall open 90 seconds prior to the compressor start up. When the compressors shut off, the control valve shall close. The BAS shall monitor the valve position and indicate an alarm in the case of malfunction.
- N. Head Pressure Control: If there is a demand for mechanical cooling, the head pressure control valve shall open to 100%. When the compressor starts, the valve will modulate to maintain the factory set head pressure setpoint. The valve will be allowed to close to a minimum value set

FIRE STATIONS RENOVATION  
ARLINGTON COUNTY, VIRGINIA  
Architect's Project No: 563006

point of 50%. If the compressor has been off for 10 minutes, the valve will close. If there is a demand for mechanical heating, the head pressure control valve shall open to 100% and remain open until the compressor has been off for 10 minutes.

O. Outdoor Air Damper:

1. Occupied: Damper shall open. If damper fails to open, an alarm shall be sent to the head end identifying the unit and stating that the outdoor air damper failed to open.
2. Unoccupied: Damper shall remain closed. Damper end switch shall confirm the damper closed. If the damper fails to close, an alarm shall be sent to the head end identifying the unit and stating that the outdoor air damper failed to close.

P. Relief Air Damper:

1. Occupied: Damper shall open. If damper fails to open, an alarm shall be sent to the head end identifying the unit and stating that the relief air damper failed to open.
2. Unoccupied: Damper end switch shall confirm the damper closed. If the damper fails to close, an alarm shall be sent to the head end identifying the unit and stating that the relief air damper failed to close.

Q. Frost Prevention: The unit controller shall vary the rotational speed of the enthalpy wheel to maintain the exhaust airstream temperature above that which frost formation begins.

R. System Safety: Whenever the supply fan is stopped, or airflow ceases for any reason (as sensed by the current sensing relay), the supply fan shall be deactivated and alarm issued to BAS. In all modes of operation, commanded position values for all control devices such as dampers shall be readable from the head-end.

S. Filter Change Alarm: The differential pressure across the filters shall be monitored. If the differential pressure exceed 1" wg (adjustable), an alarm shall be issued to the BAS.

T. Life Safety: Duct smoke detectors located in the return air duct, upon detection of products of combustion from any detector, signal the building fire alarm system and shut down the unit & supply fan. This function shall be manually reset from the unit and shall be so identified on the head-end graphics. An alarm shall also be provided to the BAS head-end.

U. Condensate Pan Overflow Prevention: The unit shall monitor float switches in the condensate pan under the evaporator. If the float switch detects the pan is about to overflow and has reached its high limit, the unit shall disable the cooling and issue an alarm to the BAS.

## 2.3 DUCTLESS SPLIT SYSTEM AIR CONDITIONERS

A. Each unit shall operate on its factory-installed control system.

B. Initial Set Points:

- a. Cooling: 72°F
- b. Heating: 65°F

C. The BAS shall monitor the space temperature in the rooms served by Ductless Split Systems. These sensors are used for monitoring purposes and shall alarm if they deviate more from the below set points:



FIRE STATIONS RENOVATION  
ARLINGTON COUNTY, VIRGINIA  
Architect's Project No: 563006

1. Alarm High Limit Temperature: 85°F.
  - D. The BAS shall monitor a general alarm for each Ductless Split System. If in alarm, the graphics shall display an alarm for the associated unit.
- 2.4 FAN (Control Method BAS Schedule)
- A. General: These are general duty fans which operate on a time-of-day schedule. Refer to the Fan Schedule for fan information.
  - B. Occupied/Unoccupied:
    1. Unoccupied Operation: During unoccupied hours the fan shall be off and the damper shall be closed.
    2. Occupied Operation: During occupied hours, the fan shall be on and the damper shall be open.
  - C. Start:
    1. At the start of occupied operation, the BAS shall open the motorized damper associated with the fan. Once the damper is confirmed open, the BAS shall start the fan. If the damper is interlocked with fan operation, then the BAS shall start the fan.
  - D. Stop:
    1. At the beginning of unoccupied operation, the BAS shall stop the fan and close the associated damper (or just stop the fan if the damper is interlocked).
  - E. Fan failure alarm:
    1. If the fan fails to start (as sensed by its current sensing relay) an alarm shall be sent to the head end identifying the fan and stating that it has failed to start.

PART 3 - EXECUTION (Not Applicable)

END OF SECTION 230993

FIRE STATIONS RENOVATION  
ARLINGTON COUNTY, VIRGINIA  
Architect's Project No: 563006

SECTION 232300 - REFRIGERANT PIPING

PART 1 - GENERAL

1.1 RELATED DOCUMENTS

- A. Provisions of the Contract and of the Contract Documents apply to this Section.

1.2 SUBMITTALS

- A. Product Data: For each type of valve and refrigerant piping specialty indicated for the following:
1. Thermostatic expansion valves.
  2. Solenoid valves.
  3. Hot-gas bypass valves.
  4. Filter dryers.
  5. Strainers.
  6. Pressure-regulating valves.
- B. Shop Drawings: Show layout of refrigerant piping and specialties, including pipe, tube, and fitting sizes, flow capacities, slopes of horizontal runs, oil traps, double risers, valve arrangements & locations wall & floor penetrations, and equipment connection details. Show interface and spatial relationships between piping and equipment.
1. Shop Drawing Scale: ¼"=1'-0"
  2. Refrigerant piping indicated on Drawings is schematic only. Size piping and design actual piping layout, including oil traps, double risers, specialties, and pipe and tube sizes to accommodate, as a minimum, proposed equipment, elevation difference between compressor and evaporator, and length of piping to ensure proper operation and compliance with warranties of connected equipment.
- C. Operation and Maintenance Data: For refrigerant valves and piping specialties to include in maintenance manuals.

1.3 PRODUCT STORAGE AND HANDLING

- A. Store piping in a clean and protected area with end caps in place to ensure that piping interior and exterior are clean when installed.

1.4 QUALITY ASSURANCE

- A. Welding: Qualify procedures and personnel according to ASME Boiler and Pressure Vessel Code: Section IX; "Welding and Brazing Qualifications."

FIRE STATIONS RENOVATION  
ARLINGTON COUNTY, VIRGINIA  
Architect's Project No: 563006

- B. ASHRAE Standard: Comply with ASHRAE 15, "Safety Code for Mechanical Refrigeration."
- C. ASME Standard: Comply with ASME B31.5, "Refrigeration Piping."
- D. UL Standard: Provide products complying with UL 207, "Refrigerant-Containing Components and Accessories, Nonelectrical"; or UL 429, "Electrically Operated Valves."

1.5 COORDINATION

- A. Coordinate layout and installation of refrigerant piping and suspension system components with other construction, including light fixtures, HVAC equipment, fire-suppression-system components, and partition assemblies.
- B. Coordinate pipe sleeve installations for wall penetrations.
- C. Coordinate installation of roof curbs, equipment supports, and roof penetrations.
- D. Coordinate pipe sleeve installations for penetrations in exterior walls and floor assemblies. Coordinate with requirements for firestopping.
- E. Coordinate pipe fitting pressure classes with products specified in related Sections.

PART 2 - PRODUCTS

2.1 COPPER TUBE AND FITTINGS

- A. Copper Tube: ASTM B 280, Type ACR.
- B. Wrought-Copper Fittings: ASME B16.22.
- C. Wrought-Copper Unions: ASME B16.22.
- D. Solder Filler Metals: ASTM B 32. Use 95-5 tin antimony solder to join copper socket fittings on copper pipe.
- E. Brazing Filler Metals: AWS A5.8, BCuP series, copper-phosphorus alloys for general duty brazing unless otherwise indicated. AWS A5.8, BAg-5 silver alloy for refrigerant piping unless otherwise indicated.
- F. Flexible Connectors:
  - 1. Body: Tin-bronze bellows with woven, flexible, tinned-bronze-wire-reinforced protective jacket.
  - 2. End Connections: Socket ends.
  - 3. Offset Performance: Capable of minimum  $\frac{3}{4}$ " misalignment in minimum 7" length.
  - 4. Pressure Rating: Factory test at minimum 500 psig.
  - 5. Maximum Operating Temperature: 250 deg F.

FIRE STATIONS RENOVATION  
ARLINGTON COUNTY, VIRGINIA  
Architect's Project No: 563006

## 2.2 STEEL PIPE AND FITTINGS

- A. Steel Pipe: ASTM A 53/A 53M, black steel with plain ends; Type, Grade, and wall thickness as selected in Part 3 piping applications articles.
- B. Wrought-Steel Fittings: ASTM A 234/A 234M, for welded joints.
- C. Steel Flanges and Flanged Fittings: ASME B16.5, steel, including bolts, nuts, and gaskets, bevel-welded end connection, and raised face.
- D. Welding Filler Metals: Comply with AWS D10.12/D10.12M for welding materials appropriate for wall thickness and chemical analysis of steel pipe being welded.
- E. Flanged Unions:
  - 1. Body: Forged-steel flanges for 1" to 1 ½" and ductile iron for 2" to 3". Apply rust-resistant finish at factory.
  - 2. Gasket: Fiber asbestos free.
  - 3. Fasteners: Four plated-steel bolts, with silicon bronze nuts. Apply rust-resistant finish at factory.
  - 4. End Connections: Brass tailpiece adapters for solder-end connections to copper tubing.
  - 5. Offset Performance: Capable of minimum ¾" misalignment in minimum 7" length.
  - 6. Pressure Rating: Factory test at minimum 400 psig.
  - 7. Maximum Operating Temperature: 330 deg F.
- F. Flexible Connectors:
  - 1. Body: Stainless-steel bellows with woven, flexible, stainless-steel-wire-reinforced protective jacket
  - 2. End Connections:
    - a. NPS 2 and Smaller: With threaded-end connections.
    - b. NPS 2-1/2 and Larger: With flanged-end connections.
  - 3. Offset Performance: Capable of minimum 3/4-inch misalignment in minimum 7-inch-long assembly.
  - 4. Pressure Rating: Factory test at minimum 500 psig.
  - 5. Maximum Operating Temperature: 250 deg F.

## 2.3 VALVES AND SPECIALTIES

- A. Diaphragm Packless Valves:
  - 1. Body and Bonnet: Forged brass or cast bronze; globe design with straight-through or angle pattern.
  - 2. Diaphragm: Phosphor bronze and stainless steel with stainless-steel spring.
  - 3. Operator: Rising stem and hand wheel.
  - 4. Seat: Nylon.
  - 5. End Connections: Socket, union, or flanged.
  - 6. Working Pressure Rating: 500 psig.
  - 7. Maximum Operating Temperature: 275 deg F.
- B. Packed-Angle Valves:

FIRE STATIONS RENOVATION  
ARLINGTON COUNTY, VIRGINIA  
Architect's Project No: 563006

1. Body and Bonnet: Forged brass or cast bronze.
  2. Packing: Molded stem, back seating, and replaceable under pressure.
  3. Operator: Rising stem.
  4. Seat: Nonrotating, self-aligning polytetrafluoroethylene.
  5. Seal Cap: Forged-brass or valox hex cap.
  6. End Connections: Socket, union, threaded, or flanged.
  7. Working Pressure Rating: 500 psig.
  8. Maximum Operating Temperature: 275 deg F.
- C. Check Valves:
1. Body: Ductile iron, forged brass, or cast bronze; globe pattern.
  2. Bonnet: Bolted ductile iron, forged brass, or cast bronze; or brass hex plug.
  3. Piston: Removable polytetrafluoroethylene seat.
  4. Closing Spring: Stainless steel.
  5. End Connections: Socket, union, threaded, or flanged.
  6. Maximum Opening Pressure: 0.50 psig.
  7. Working Pressure Rating: 500 psig.
  8. Maximum Operating Temperature: 275 deg F.
- D. Service Valves:
1. Body: Forged brass with brass cap including key end to remove core.
  2. Core: Removable ball-type check valve with stainless-steel spring.
  3. Seat: Polytetrafluoroethylene.
  4. End Connections: Copper spring.
  5. Working Pressure Rating: 500 psig.
- E. Solenoid Valves: Comply with ARI 760 or UL 429.
1. Body and Bonnet: Plated steel.
  2. Solenoid Tube, Plunger, Closing Spring, and Seat Orifice: Stainless steel.
  3. Seat: Polytetrafluoroethylene.
  4. End Connections: Threaded.
  5. Electrical: Molded, watertight coil in NEMA 250 enclosure of type required by location with 1/2-inch conduit adapter, and 24, 115, or 208-V ac coil to meet requirements of control system.
  6. Working Pressure Rating: 400 psig.
  7. Maximum Operating Temperature: 240 deg F.
- F. Safety Relief Valves: Comply with ASME Boiler and Pressure Vessel Code; listed and labeled by an NRTL.
1. Body and Bonnet: Ductile iron and steel, with neoprene O-ring seal.
  2. Piston, Closing Spring, and Seat Insert: Stainless steel.
  3. Seat Disc: Polytetrafluoroethylene.
  4. End Connections: Threaded.
  5. Working Pressure Rating: 400 psig.
  6. Maximum Operating Temperature: 240 deg F.
- G. Thermostatic Expansion Valves: Comply with ARI 750.
1. Body, Bonnet, and Seal Cap: Forged brass or steel.
  2. Diaphragm, Piston, Closing Spring, and Seat Insert: Stainless steel.

FIRE STATIONS RENOVATION  
ARLINGTON COUNTY, VIRGINIA  
Architect's Project No: 563006

3. Packing and Gaskets: Non-asbestos.
  4. Capillary and Bulb: Copper tubing filled with refrigerant charge.
  5. Suction Temperature: 40 deg F.
  6. Superheat: Adjustable.
  7. Reverse-flow option for heat-pump applications.
  8. End Connections: Socket, flare, or threaded union.
  9. Working Pressure Rating: 450 psig.
- H. Hot-Gas Bypass Valves: Comply with UL 429; listed and labeled by an NRTL.
1. Body, Bonnet, and Seal Cap: Ductile iron or steel.
  2. Diaphragm, Piston, Closing Spring, and Seat Insert: Stainless steel.
  3. Packing and Gaskets: Non-asbestos.
  4. Solenoid Tube, Plunger, Closing Spring, and Seat Orifice: Stainless steel.
  5. Seat: Polytetrafluoroethylene.
  6. Equalizer: Internal or External.
  7. Electrical: Molded, watertight coil in NEMA 250 enclosure of type required by location with 1/2-inch conduit adapter, and 24, 115, or 208-V ac coil to meet requirements of control system.
  8. End Connections: Socket.
  9. Throttling Range: Maximum 5 psig.
  10. Working Pressure Rating: 500 psig.
  11. Maximum Operating Temperature: 240 deg F.
- I. Straight-Type Strainers:
1. Body: Welded steel with corrosion-resistant coating.
  2. Screen: 100-mesh stainless steel.
  3. End Connections: Socket or flare.
  4. Working Pressure Rating: 500 psig.
  5. Maximum Operating Temperature: 275 deg F.
- J. Angle-Type Strainers:
1. Body: Forged brass or cast bronze.
  2. Drain Plug: Brass hex plug.
  3. Screen: 100-mesh monel.
  4. End Connections: Socket or flare.
  5. Working Pressure Rating: 500 psig.
  6. Maximum Operating Temperature: 275 deg F.
- K. Moisture/Liquid Indicators:
1. Body: Forged brass.
  2. Window: Replaceable, clear, fused glass window with indicating element protected by filter screen.
  3. Indicator: Color coded to show moisture content in ppm.
  4. Minimum Moisture Indicator Sensitivity: Indicate moisture above 60 ppm.
  5. End Connections: Socket or flare.
  6. Working Pressure Rating: 500 psig.
  7. Maximum Operating Temperature: 240 deg F.
- L. Replaceable-Core Filter Dryers: Comply with ARI 730.

FIRE STATIONS RENOVATION  
ARLINGTON COUNTY, VIRGINIA  
Architect's Project No: 563006

1. Body and Cover: Painted-steel shell with ductile-iron cover, stainless-steel screws, and neoprene gaskets.
  2. Filter Media: 10 micron, pleated with integral end rings; stainless-steel support.
  3. Desiccant Media: Activated alumina or charcoal.
  4. Designed for reverse flow when used in for heat-pump applications.
  5. End Connections: Socket.
  6. Access Ports: NPS 1/4 connections at entering and leaving sides for pressure differential measurement.
  7. Maximum Pressure Loss: 2 psig.
  8. Rated Flow: Match equipment.
  9. Working Pressure Rating: 500 psig.
  10. Maximum Operating Temperature: 240 deg F.
- M. Permanent Filter Dryers: Comply with ARI 730.
1. Body and Cover: Painted-steel shell.
  2. Filter Media: 10 micron, pleated with integral end rings; stainless-steel support.
  3. Desiccant Media: Activated alumina or charcoal.
  4. Designed for reverse flow where heat-pump applications are indicated.
  5. End Connections: Socket.
  6. Access Ports: NPS 1/4 connections at entering and leaving sides for pressure differential measurement.
  7. Maximum Pressure Loss: 2 psig Insert value.
  8. Rated Flow: Match equipment.
  9. Working Pressure Rating: 500 psig.
  10. Maximum Operating Temperature: 240 deg F.
- N. Mufflers:
1. Body: Welded steel with corrosion-resistant coating.
  2. End Connections: Socket or flare.
  3. Working Pressure Rating: 500 psig.
  4. Maximum Operating Temperature: 275 deg F.
- O. Receivers: Comply with ARI 495.
1. Comply with ASME Boiler and Pressure Vessel Code; listed and labeled by an NRTL.
  2. Comply with UL 207; listed and labeled by an NRTL.
  3. Body: Welded steel with corrosion-resistant coating.
  4. Tappings: Inlet, outlet, liquid level indicator, and safety relief valve.
  5. End Connections: Socket or threaded.
  6. Working Pressure Rating: 500 psig.
  7. Maximum Operating Temperature: 275 deg F.
- P. Liquid Accumulators: Comply with ARI 495.
1. Body: Welded steel with corrosion-resistant coating.
  2. End Connections: Socket or threaded.
  3. Working Pressure Rating: 500 psig.
  4. Maximum Operating Temperature: 275 deg F.

FIRE STATIONS RENOVATION  
ARLINGTON COUNTY, VIRGINIA  
Architect's Project No: 563006

2.4 REFRIGERANTS

- A. Available Manufacturers:
  - 1. Atofina Chemicals, Inc.
  - 2. DuPont Company; Fluorochemicals Div.
  - 3. Honeywell, Inc.; Genetron Refrigerants.
  - 4. INEOS Fluor Americas LLC.
  
- B. ASHRAE 34, R-410A: Pentafluoroethane/Difluoromethane.

PART 3 - EXECUTION

3.1 PIPING APPLICATIONS FOR REFRIGERANT

- A. Suction Lines 1 ½” and Smaller for Conventional Air-Conditioning Applications: Copper, Type ACR, annealed-temper tubing and wrought-copper fittings with brazed or soldered joints.
- B. Suction Lines 2” to 4” for Conventional Air-Conditioning Applications: Copper, Type ACR, drawn-temper tubing and wrought-copper fittings with brazed or soldered joints.
- C. Hot-Gas, and Liquid Lines: Copper, Type ACR, annealed-temper tubing and wrought-copper fittings with brazed or soldered joints.
- D. Suction Lines for Heat-Pump Applications: Copper, Type ACR, annealed-temper tubing and wrought-copper fittings with brazed or soldered joints.
- E. Safety-Relief-Valve Discharge Piping: Copper, Type ACR, annealed-temper tubing and wrought-copper fittings with brazed or soldered joints or soldered joints or Schedule 40, black-steel and wrought-steel fittings with welded joints.

3.2 VALVE AND SPECIALTY APPLICATIONS

- A. Install diaphragm packless, or packed-angle valves in suction and discharge lines of compressors.
- B. Install service valves for gage taps at inlet and outlet of hot-gas bypass valves and strainers if they are not an integral part of proposed equipment.
- C. Install a check valve at the compressor discharge and a liquid accumulator. Locate at the compressor suction connection between the compressor and service valve.
- D. Unless indicated otherwise, install valves on inlet and outlet side of filter dryers.
- E. Install a full-sized, three-valve bypass around filter dryers.



FIRE STATIONS RENOVATION  
ARLINGTON COUNTY, VIRGINIA  
Architect's Project No: 563006

- F. Install solenoid valves upstream from each expansion valve and hot-gas bypass valve on systems with multiple thermostatic expansion valves. Install solenoid valves in horizontal lines with coil at top.
- G. Install thermostatic expansion valves as close as possible to distributors on evaporators.
  - 1. Install valve so diaphragm case is warmer than bulb.
  - 2. Secure bulb to clean, straight, horizontal section of suction line using two bulb straps. Do not mount bulb in a trap or at bottom of the line. Verify proper location with Equipment Manufacturer.
  - 3. Where external equalizer lines are required, make connection where it will reflect suction-line pressure at bulb location.
- H. Install safety relief valves where required by ASME Boiler and Pressure Vessel Code. Pipe safety-relief-valve discharge line to outside according to ASHRAE 15.
- I. Install moisture/liquid indicators in liquid line at the inlet of the thermostatic expansion valve or at the inlet of the evaporator coil capillary tube.
- J. Install strainers upstream from and adjacent to the following:
  - 1. Solenoid valves.
  - 2. Thermostatic expansion valves.
  - 3. Hot-gas bypass valves.
  - 4. Compressor.
- K. Install filter dryers in liquid line between compressor and thermostatic expansion valve.
- L. Install receivers sized to accommodate pump-down charge.

### 3.3 VALVE AND SPECIALTY APPLICATIONS

- A. Install diaphragm packless or packed-angle valves in suction and discharge lines of compressor.
- B. Install service valves for gage taps at inlet and outlet of hot-gas bypass valves and strainers if they are not an integral part of valves and strainers.
- C. Install a check valve at the compressor discharge and a liquid accumulator at the compressor suction connection.
- D. Except as otherwise indicated, install diaphragm packless or packed-angle valves on inlet and outlet side of filter dryers.
- E. Install a full-sized, three-valve bypass around filter dryers.
- F. Install solenoid valves upstream from each expansion valve and hot-gas bypass valve on systems with multiple thermostatic expansion valves. Install solenoid valves in horizontal lines with coil at top.
- G. Install thermostatic expansion valves as close as possible to distributors on evaporators.

FIRE STATIONS RENOVATION  
ARLINGTON COUNTY, VIRGINIA  
Architect's Project No: 563006

1. Install valve so diaphragm case is warmer than bulb.
  2. Secure bulb to clean, straight, horizontal section of suction line using two bulb straps. Verify proper location for bulb with valve manufacturer. Don't mount bulb in a trap or at bottom of line.
  3. If external equalizer lines are required, make connection where it will reflect suction-line pressure at bulb location.
- H. Install safety relief valves where required by ASME Boiler and Pressure Vessel Code. Pipe safety-relief-valve discharge line to outside according to ASHRAE 15.
- I. Install moisture/liquid indicators in liquid line at inlet of the thermostatic expansion valve or at inlet of the evaporator coil capillary tube.
- J. Install strainers upstream from and adjacent to the following unless they are furnished with equipment:
1. Solenoid valves.
  2. Thermostatic expansion valves.
  3. Hot-gas bypass valves.
  4. Compressor.
- K. Install filter dryer in liquid line between compressor and thermostatic expansion valve.
- L. Install filter dryer in the suction line at the compressor.
- M. Install receivers sized to accommodate pump-down charge.

### 3.4 PIPING INSTALLATION

- A. Drawing plans, schematics, and diagrams indicate general location and arrangement of piping systems; indicated locations and arrangements were used to size pipe and calculate friction loss, expansion, pump sizing, and other design considerations. Install piping as indicated unless deviations to layout are approved by The Architect on Shop Drawings.
- B. Install refrigerant piping according to ASHRAE 15.
- C. Install piping in concealed locations unless otherwise indicated and except in equipment rooms and service areas.
- D. Install piping indicated to be exposed and piping in equipment rooms and service areas at right angles or parallel to building walls. Diagonal runs are prohibited unless specifically indicated otherwise.
- E. Install piping above accessible ceilings to allow sufficient space for ceiling panel removal.
- F. Install piping adjacent to machines to allow service and maintenance.
- G. Install piping free of sags and bends.

FIRE STATIONS RENOVATION  
ARLINGTON COUNTY, VIRGINIA  
Architect's Project No: 563006

- H. Install fittings for changes in direction and branch connections.
- I. Select system components with pressure rating equal to or greater than system operating pressure.
- J. Refer to Division 23 Sections "Instrumentation and Control for HVAC" and "Sequence of Operations for HVAC Controls" for solenoid valve controllers, control wiring, and sequence of operation.
- K. Install piping as short and direct as possible, with a minimum number of joints, elbows, and fittings.
- L. Arrange piping to allow inspection and service of refrigeration equipment. Install valves and specialties in accessible locations to allow for service and inspection. Install access doors or panels as specified in Division 08 Section "Access Doors and Frames" if valves or equipment requiring maintenance is concealed behind finished surfaces.
- M. Install refrigerant piping in protective conduit where installed belowground.
- N. Install refrigerant piping in rigid or flexible conduit in locations where exposed to mechanical injury.
- O. Slope refrigerant piping as follows:
  - 1. Install horizontal hot-gas discharge piping with a uniform slope downward away from compressor.
  - 2. Install horizontal suction lines with a uniform slope downward to compressor.
  - 3. Install traps and double risers to entrain oil in vertical runs.
  - 4. Liquid lines may be installed level.
- P. When brazing or soldering, remove solenoid-valve coils and sight glasses; also remove valve stems, seats, & packing, and accessible internal parts of refrigerant specialties. Do not apply heat near expansion-valve bulb.
- Q. Install piping with adequate clearance between pipe and adjacent walls and hangers or between pipes for insulation installation.
- R. Identify refrigerant piping and valves according to Section "Identification for HVAC Piping and Equipment."
- S. Install sleeves for piping penetrations of walls, ceilings, and floors. Comply with requirements for sleeves specified in Section "Sleeves and Sleeve Seals for HVAC Piping."
- T. Install sleeve seals for piping penetrations of exterior walls and floor slabs. Comply with requirements for sleeve seals specified in Section "Sleeves and Sleeve Seals for HVAC Piping."
- U. Install escutcheons for piping penetrations of walls, ceilings, and floors. Comply with requirements for escutcheons specified in Section "Sleeves and Seals for HVAC Piping."

FIRE STATIONS RENOVATION  
ARLINGTON COUNTY, VIRGINIA  
Architect's Project No: 563006

3.5 PIPE JOINT CONSTRUCTION

- A. Ream ends of pipes and tubes and remove burrs.
- B. Remove scale, slag, dirt, and debris from inside and outside of pipe and fittings before assembly.
- C. Fill pipe and fittings with an inert gas (nitrogen or carbon dioxide), during brazing.
- D. Soldered Joints: Construct joints according to ASTM B 828 or CDA's "Copper Tube Handbook."
- E. Brazed Joints: Construct joints according to AWS's "Brazing Handbook," Chapter "Pipe and Tube."
  - 1. Use Type BcuP, copper-phosphorus alloy for joining copper socket fittings with copper pipe.
  - 2. Use Type BAg, cadmium-free silver alloy for joining copper with bronze or steel.
- F. Threaded Joints: Thread steel pipe with tapered pipe threads according to ASME B1.20.1. Cut threads full and clean using sharp dies. Ream threaded pipe ends to remove burrs and restore full ID. Join pipe fittings and valves as follows:
  - 1. Apply appropriate tape or thread compound to external pipe threads unless dry-seal threading is specified.
  - 2. Damaged Threads: Do not use pipe or pipe fittings with threads that are corroded or damaged. Do not use pipe sections that have cracked or open welds.
- G. Steel pipe can be threaded, but threaded joints must be seal brazed or seal welded.
- H. Welded Joints: Construct joints according to AWS D10.12/D10.12M.
- I. Flanged Joints: Select appropriate gasket material, size, type, and thickness for service application. Install gasket concentrically positioned. Use suitable lubricants on bolt threads.

3.6 HANGERS AND SUPPORTS

- A. Hanger, support, and anchor products are specified in Section "Hangers and Supports for HVAC Piping and Equipment."
- B. Install the following pipe attachments:
  - 1. Adjustable steel clevis hangers for individual horizontal runs less than 20'-0" long.
  - 2. Roller hangers and spring hangers for individual horizontal runs 20'-0" or longer.
  - 3. Pipe Roller: MSS SP-58, Type 44 for multiple horizontal piping 20'-0" or longer, supported on a trapeze.
  - 4. Spring hangers to support vertical runs.

FIRE STATIONS RENOVATION  
ARLINGTON COUNTY, VIRGINIA  
Architect's Project No: 563006

5. Copper-clad hangers and supports for hangers and supports in direct contact with copper pipe.
- C. Install hangers for copper tubing with the following maximum spacing and minimum rod sizes:
1. ½": Maximum span, 60"; minimum rod size, ¼".
  2. 5/8": Maximum span, 60"; minimum rod size, ¼".
  3. 1": Maximum span, 72"; minimum rod size, ¼".
  4. 1 ¼": Maximum span, 96"; minimum rod size, 3/8".
  5. 1 ½": Maximum span, 96"; minimum rod size, 3/8".
  6. 2": Maximum span, 96"; minimum rod size, 3/8".
  7. 2 ½": Maximum span, 108"; minimum rod size, 3/8".
  8. 3": Maximum span, 10'-0"; minimum rod size, 3/8".
  9. 4": Maximum span, 12'-0"; minimum rod size, ½".
- D. Install hangers for steel piping with the following maximum spacing and minimum rod sizes:
1. 2": Maximum span, 10'-0"; minimum rod size, 3/8".
  2. 2 ½": Maximum span, 11'-0"; minimum rod size, 3/8".
  3. 3": Maximum span, 12'-0"; minimum rod size, 3/8".
  4. 4": Maximum span, 14'-0"; minimum rod size, ½".

### 3.7 FIELD QUALITY CONTROL

- A. Perform tests and inspections and prepare test reports.
- B. Tests and Inspections:
1. Comply with ASME B31.5, Chapter VI.
  2. Test refrigerant piping, specialties, and receivers. Isolate compressor, condenser, evaporator, and safety devices from test pressure if they are not rated above the test pressure.
  3. Test high- and low-pressure side piping of each system separately at not less than the pressures indicated in Part 1 "Performance Requirements" Article.
    - a. Fill system with nitrogen to the required test pressure.
    - b. System shall maintain test pressure at the manifold gage throughout duration of test.
    - c. Test joints and fittings with electronic leak detector or by brushing a small amount of soap and glycerin solution over joints.
    - d. Remake leaking joints using new materials, and retest until satisfactory results are achieved.

### 3.8 SYSTEM CHARGING

- A. Charge system using the following procedures:

FIRE STATIONS RENOVATION  
ARLINGTON COUNTY, VIRGINIA  
Architect's Project No: 563006

1. Install core in filter dryers after leak test but before evacuation.
2. Evacuate entire refrigerant system with a vacuum pump to 500 micrometers. If vacuum holds for 12 hours, system is ready for charging.
3. Break vacuum with refrigerant gas, allowing pressure to build up to 2 psig.
4. Charge system with a new filter-dryer core in charging line.

3.9 ADJUSTING

- A. Adjust thermostatic expansion valve to obtain proper evaporator superheat.
- B. Adjust high- and low-pressure switch settings to avoid short cycling in response to fluctuating suction pressure.
- C. Adjust set-point temperature of air-conditioning or chilled-water controllers to the system design temperature.
- D. Perform the following adjustments before operating the refrigeration system, according to manufacturer's written instructions:
  1. Open shutoff valves in condenser water circuit.
  2. Verify that compressor oil level is correct.
  3. Open compressor suction and discharge valves.
  4. Open refrigerant valves except bypass valves that are used for other purposes.
  5. Check open compressor-motor alignment and verify lubrication for motors and bearings.
- E. Replace core of replaceable filter dryer after system has been adjusted and after design flow rates and pressures are established.

END OF SECTION 232300

FIRE STATIONS RENOVATION  
ARLINGTON COUNTY, VIRGINIA  
Architect's Project No: 563006

SECTION 233113 - METAL DUCTS

PART 1 - GENERAL

1.1 RELATED DOCUMENTS

- A. Provisions of the Contract and of the Contract Documents apply to this Section.

1.2 PERFORMANCE REQUIREMENTS

- A. Seal all ducts to seal class A as defined in SMACNA's HVAC Duct Construction Standards - Metal and Flexible, Third Edition 2005:
  - 1. Seal all longitudinal joints.
  - 2. Seal all transverse joints.
  - 3. Seal all penetrations.
- B. Seal Class: A
- C. Duct Construction: Duct construction, including sheet metal thicknesses, seam and joint construction, reinforcements, and hangers and supports, shall comply with SMACNA's "HVAC Duct Construction Standards - Metal and Flexible, Third Edition 2005" and performance requirements and design criteria indicated in "Duct Schedule" Article.
- D. Liner Airstream Surfaces: Liner surfaces in contact with the airstream shall comply with ASHRAE 62.1-2007, paragraph 5.5.
- E. Cleanliness: All factory fabricated duct shall be cleaned with a non-toxic, biodegradable cleaner/degreaser and shall be shrink wrapped prior to shipment.

1.3 ABBREVIATIONS

- A. BAS Building Automation System
- B. NRTL Nationally Recognized Testing Laboratory
- C. SMACNA Sheet Metal and Air Conditioning Contractors' National Association
- D. WC Water Column

1.4 DEFINITIONS:

- A. Duct System: For the purposes of this section "duct system" shall mean all metal supply, return, and exhaust duct and fittings between the air moving device and the space.
- B. Low Pressure: Plus two (2.0) inches WC to minus one (1.0) inches WC
- C. Medium Pressure: More than two (2.0) inches WC to plus ten (10.0) inches WC or more than minus one (1.0) inch to minus ten (10.0) inches WC
- D. High Pressure: More than plus or minus ten (10.0) inches WC.

FIRE STATIONS RENOVATION  
ARLINGTON COUNTY, VIRGINIA  
Architect's Project No: 563006

1.5 SUBMITTALS

- A. Product Data / Documentation: For each of the following:
1. Sheet metal thicknesses.
  2. Liners and adhesives.
  3. Pre-manufactured ductwork.
  4. Sealants and gaskets.
  5. VOC content for adhesives and sealants.
- B. CAD-generated Shop Drawings:
1. Provide coordination shop drawings with all trades for entire building including kitchen, laundry and water/mechanical rooms. Include
  2. Show fabrication and installation details for metal ducts.
  3. 1/4" = 1'-0" scale minimum including duct layout indicating sizes and pressure classes for the following areas:
    - a. Areas indicated on the drawings at 1/4" = 1'-0" scale.
    - b. Areas where sections are cut.
    - c. Finished spaces with exposed ductwork.
      - 1) Exceptions:
        - a) Janitors closets
        - b) Storage Rooms
        - c) Receiving Areas
      - 2) Include:
        - a) Plans, elevations and sections.
        - b) Elevations of top and bottom of ducts.
        - c) Dimensions of main duct runs from building grid lines.
  4. 3/4" = 1'-0" scale minimum for the following:
    - a. Hangers and supports, including methods for duct and building attachment, vibration isolation.
    - b. Duct accessories, including access doors and panels.
    - c. Equipment installation based on approved equipment submittals.
    - d. Penetrations through fire-rated and other partitions.
    - e. Fittings.
    - f. Components.
- C. Submittals during construction:
1. Duct-Cleaning Test Report: Documentation of work performed for compliance with ASHRAE 62.1-2007, Section 7.2.4 - "Ventilation System Start-Up."

1.6 QUALITY ASSURANCE

- A. Provide work in compliance with applicable Building Code requirements.
- B. Welding Qualifications: Qualify procedures and personnel according to the following:
- C. AWS D1.1/D1.1M, "Structural Welding Code - Steel," for hangers and supports.



FIRE STATIONS RENOVATION  
ARLINGTON COUNTY, VIRGINIA  
Architect's Project No: 563006

- D. AWS D1.2/D1.2M, "Structural Welding Code - Aluminum," for aluminum supports.
- E. AWS D9.1M/D9.1, "Sheet Metal Welding Code," for duct joint and seam welding.
- F. ASHRAE Compliance: Comply with applicable requirements in ASHRAE 62.1-2007, Section 5 - "Systems and Equipment" and Section 7 - "Construction and System Start-Up."
- G. ASHRAE/IESNA Compliance: Comply with applicable requirements in ASHRAE/IESNA 90.1-2007, Section 6.4.4 - "HVAC System Construction and Insulation."
- H. Mockups (Contractor's option in lieu of 3"=1'-0" details):
  - 1. Before installing duct systems, build mockups. Build mockups to comply with the following requirements, using materials indicated for the completed Work:
  - 2. Three transverse joints.
  - 3. One Reinforced section with 3 reinforcements.
  - 4. One of each type; attachments to other work.
  - 5. Two typical flexible duct or flexible-connector connections.
  - 6. Approved mockups may become part of the completed Work if undisturbed at time of Substantial Completion.

## PART 2 - PRODUCTS

### 2.1 SINGLE-WALL RECTANGULAR DUCTS AND FITTINGS

- A. General Fabrication Requirements: Comply with SMACNA's "HVAC Duct Construction Standards - Metal and Flexible, Third Edition 2005" based on indicated static-pressure class unless otherwise indicated.
- B. Transverse Joints: Select joint types and fabricate according to SMACNA's "HVAC Duct Construction Standards - Metal and Flexible, Third Edition 2005," Figure 2-1, "Transverse (Girth) Joints," for static-pressure class, applicable sealing requirements, materials involved, duct-support intervals, and other provisions in SMACNA's "HVAC Duct Construction Standards - Metal and Flexible, Third Edition 2005."
- C. Longitudinal Seams: Select seam types and fabricate according to SMACNA's "HVAC Duct Construction Standards - Metal and Flexible, Third Edition 2005," Figure 2-2, "Rectangular Duct/Longitudinal Seams" for static-pressure class, applicable sealing requirements, materials involved, duct-support intervals, and other provisions in SMACNA's "HVAC Duct Construction Standards - Metal and Flexible, Third Edition 2005."
- D. Elbows, Transitions, Offsets, Branch Connections, and Other Duct Construction: Select types and fabricate according to SMACNA's "HVAC Duct Construction Standards - Metal and Flexible, Third Edition 2005," Chapter 4, "Fittings and Other Construction," for static-pressure class, applicable sealing requirements, materials involved, duct-support intervals, and other provisions in SMACNA's "HVAC Duct Construction Standards - Metal and Flexible, Third Edition 2005."

### 2.2 DOUBLE-WALL RECTANGULAR DUCTS AND FITTINGS (SOLID LINER)

- A. Manufacturers:

FIRE STATIONS RENOVATION  
ARLINGTON COUNTY, VIRGINIA  
Architect's Project No: 563006

1. McGill AirFlow LLC.
  2. MKT Metal Manufacturing
  3. Sheet Metal Connectors, Inc.
- B. Rectangular Ducts: Fabricate ducts with indicated dimensions for the inner duct.
- C. Outer Duct: Comply with SMACNA's "HVAC Duct Construction Standards - Metal and Flexible, Third Edition 2005" based on indicated static-pressure class unless otherwise indicated.
- D. Transverse Joints: Select joint types and fabricate according to SMACNA's "HVAC Duct Construction Standards - Metal and Flexible, Third Edition 2005," Figure 2-1, "Transverse (Girth) Joints," for static-pressure class, applicable sealing requirements, materials involved, duct-support intervals, and other provisions in SMACNA's "HVAC Duct Construction Standards - Metal and Flexible, Third Edition 2005."
- E. Longitudinal Seams: Select seam types and fabricate according to SMACNA's "HVAC Duct Construction Standards - Metal and Flexible, Third Edition 2005," Figure 2-2, "Longitudinal Seams - Rectangular Ducts," for static-pressure class, applicable sealing requirements, materials involved, duct-support intervals, and other provisions in SMACNA's "HVAC Duct Construction Standards - Metal and Flexible, Third Edition 2005."
- F. Interstitial Insulation: Fibrous-glass liner complying with ASTM C 1071, NFPA 90A, or NFPA 90B; and with NAIMA AH124, "Fibrous Glass Duct Liner Standard."
1. Install spacers that position the inner duct at uniform distance from outer duct without compressing insulation.
- G. Inner Duct: Minimum 22-gauge.
- H. Formed-on Transverse Joints (Flanges): Select joint types and fabricate according to SMACNA's "HVAC Duct Construction Standards - Metal and Flexible, Third Edition 2005," Figure 1-4, "Traverse (Girth) Joints," for static-pressure class, applicable sealing requirements, materials involved, duct-support intervals, and other provisions in SMACNA's "HVAC Duct Construction Standards - Metal and Flexible, Third Edition 2005."
- I. Longitudinal Seams: Select seam types and fabricate according to SMACNA's "HVAC Duct Construction Standards - Metal and Flexible, Third Edition 2005," Figure 2-2, "Rectangular Duct/Longitudinal Seams" for static-pressure class, applicable sealing requirements, materials involved, duct-support intervals, and other provisions in SMACNA's "HVAC Duct Construction Standards - Metal and Flexible, Third Edition 2005."
- 2.3 DOUBLE-WALL RECTANGULAR DUCTS AND FITTINGS (SOLID LINER, OUTDOORS)
- A. Manufacturers:
1. McGill AirFlow LLC.
  2. MKT Metal Manufacturing
  3. Sheet Metal Connectors, Inc.
- B. Rectangular Ducts: Fabricate ducts with indicated dimensions for the inner duct.
- C. Outer Duct: Comply with SMACNA's "HVAC Duct Construction Standards - Metal and Flexible, Third Edition 2005" based on indicated static-pressure class unless otherwise indicated. Minimum 20-gauge.

FIRE STATIONS RENOVATION  
ARLINGTON COUNTY, VIRGINIA  
Architect's Project No: 563006

- D. Transverse Joints: Flanged, gasketed joints suited for outdoor applications. Select joint types and fabricate according to SMACNA's "HVAC Duct Construction Standards - Metal and Flexible, Third Edition 2005," Figure 2-1, "Transverse (Girth) Joints," for static-pressure class, applicable sealing requirements, materials involved, duct-support intervals, and other provisions in SMACNA's "HVAC Duct Construction Standards - Metal and Flexible, Third Edition 2005."
- E. Longitudinal Seams: Liquid tight, welded. Select seam types and fabricate according to SMACNA's "HVAC Duct Construction Standards - Metal and Flexible, Third Edition 2005," Figure 2-2, "Longitudinal Seams - Rectangular Ducts," for static-pressure class, applicable sealing requirements, materials involved, duct-support intervals, and other provisions in SMACNA's "HVAC Duct Construction Standards - Metal and Flexible, Third Edition 2005."
- F. Interstitial Insulation: Closed-cell elastomeric.
- G. Inner Duct: Minimum 22-gauge.
- H. Formed-on Transverse Joints (Flanges): Select joint types and fabricate according to SMACNA's "HVAC Duct Construction Standards - Metal and Flexible, Third Edition 2005," Figure 1-4, "Traverse (Girth) Joints," for static-pressure class, applicable sealing requirements, materials involved, duct-support intervals, and other provisions in SMACNA's "HVAC Duct Construction Standards - Metal and Flexible, Third Edition 2005."
- I. Longitudinal Seams: Select seam types and fabricate according to SMACNA's "HVAC Duct Construction Standards - Metal and Flexible, Third Edition 2005," Figure 2-2, "Rectangular Duct/Longitudinal Seams" for static-pressure class, applicable sealing requirements, materials involved, duct-support intervals, and other provisions in SMACNA's "HVAC Duct Construction Standards - Metal and Flexible, Third Edition 2005."

#### 2.4 LOW PRESSURE SINGLE-WALL ROUND DUCTS AND FITTINGS –CONCEALED

- A. General Fabrication Requirements: Comply with SMACNA's "HVAC Duct Construction Standards - Metal and Flexible, Third Edition 2005," Chapter 3, "Round, Oval, and Flexible Duct," based on specified static-pressure class unless otherwise indicated.
- B. Manufacturers:
  - 1. Eastern Sheet Metal.
  - 2. Hamlin Sheet Metal.
  - 3. Linx Industries - Lindab.
  - 4. McGill AirFlow LLC.
  - 5. MKT Metal Manufacturing
  - 6. Semco, Inc.
  - 7. Sheet Metal Connectors, Inc.
  - 8. Spiral Manufacturing Co., Inc.
- C. Transverse Joints: Select joint types and fabricate according to SMACNA's "HVAC Duct Construction Standards - Metal and Flexible, Third Edition 2005," Figure 3-1, "Round Duct Transverse Joints"
  - 1. Transverse Joints in Ducts Equal to or Larger Than 48" in Diameter: Flanged.
  - 2. Gasketed, EPDM, self sealing Joints such as Eastern Tight or Spiro Safe may be used for ducts smaller than 48" in diameter.
  - 3. Flanges may be substituted in ducts smaller than 48" in diameter.

FIRE STATIONS RENOVATION  
ARLINGTON COUNTY, VIRGINIA  
Architect's Project No: 563006

- D. Duct support intervals, and other provisions: In accordance with SMACNA's "HVAC Duct Construction Standards - Metal and Flexible, Third Edition 2005."
- E. Longitudinal Seams: Select seam types and fabricate according to SMACNA's "HVAC Duct Construction Standards - Metal and Flexible, Third Edition 2005," Figure 3-2, "Seams - Round Duct and Fittings," for static-pressure class, applicable sealing requirements, materials involved, duct-support intervals, and other provisions in SMACNA's "HVAC Duct Construction Standards - Metal and Flexible, Third Edition 2005."
- F. Tees and Laterals: Select types and fabricate according to SMACNA's "HVAC Duct Construction Standards - Metal and Flexible, Third Edition 2005," Figure 3-5, "90° Tees and Laterals," and Figure 3-6, "Conical Tees," for static-pressure class, applicable sealing requirements, materials involved, duct-support intervals, and other provisions in SMACNA's "HVAC Duct Construction Standards - Metal and Flexible, Third Edition 2005." Adjustable elbows are not permitted.
- G. All round duct shall not be less than 26-gauge.

## 2.5 LOW PRESSURE SINGLE-WALL ROUND DUCTS AND FITTINGS -EXPOSED

- A. General Fabrication Requirements: Comply with SMACNA's "HVAC Duct Construction Standards - Metal and Flexible, Third Edition 2005," Chapter 3, "Round, Oval, and Flexible Duct," "FIGURE 3-2 ROUND DUCT LONGITUDINAL SEAMS" "SPIRAL SEAM RL-1" to plus-or-minus 10" WC unless otherwise indicated.
- B. Manufacturers:
  - 1. Eastern Sheet Metal.
  - 2. Hamlin Sheet Metal.
  - 3. Linx Industries - Lindab.
  - 4. McGill AirFlow LLC.
  - 5. MKT Metal Manufacturing
  - 6. Semco, Inc.
  - 7. Sheet Metal Connectors, Inc.
  - 8. Spiral Manufacturing Co., Inc.
- C. Transverse Joints: Select joint types and fabricate according to SMACNA's "HVAC Duct Construction Standards - Metal and Flexible, Third Edition 2005," Figure 3-1, "Round Duct Transverse Joints"
- D. Static-pressure class, applicable sealing requirements, materials involved, duct-support intervals, and other provisions: Comply with SMACNA's "HVAC Duct Construction Standards - Metal and Flexible, Third Edition 2005." And the following:
  - 1. Transverse Joints in Ducts Equal to or Larger Than 48" in Diameter or Flat Oval with a Major Dimension Equal to or Larger Than 48": Flanged.
  - 2. Gasketed, EPDM, self sealing Joints such as Eastern Tight or Spiro Safe may be used for ducts smaller than 48" in diameter.
  - 3. Flanges may be substituted in ducts smaller than 48" in diameter.
- E. Longitudinal Seams: Duct shall be spiral according to SMACNA's "HVAC Duct Construction Standards - Metal and Flexible, Third Edition 2005," Figure 3-2, "Round Duct Longitudinal Seams"

FIRE STATIONS RENOVATION  
ARLINGTON COUNTY, VIRGINIA  
Architect's Project No: 563006

- F. Tees and Laterals: Tees and laterals shall be created with fittings. Fabricate fittings according to SMACNA's "HVAC Duct Construction Standards - Metal and Flexible, Third Edition 2005." Adjustable elbows are not permitted.
- G. Static-pressure class: Applicable sealing requirements, materials involved, duct-support intervals, and other provisions in SMACNA's "HVAC Duct Construction Standards - Metal and Flexible, Third Edition 2005."
- H. Longitudinal seams shall be spiral type.
- I. All round duct shall not be less than 26-gauge.

2.6 DOUBLE-WALL ROUND DUCTS AND FITTINGS (SOLID LINER)

- A. Manufacturers:
  - 1. Eastern Sheet Metal.
  - 2. Hamlin Sheet Metal.
  - 3. Linx Industries - Lindab.
  - 4. McGill AirFlow LLC.
  - 5. MKT Metal Manufacturing
  - 6. Semco, Inc.
  - 7. Sheet Metal Connectors, Inc.
  - 8. Spiral Manufacturing Co., Inc.
- B. Outer Duct: Comply with SMACNA's "HVAC Duct Construction Standards - Metal and Flexible, Third Edition 2005," Chapter 3, "Round, Oval, and Flexible Duct," based on static-pressure class unless otherwise indicated.
- C. Transverse Joints: Select joint types and fabricate according to SMACNA's "HVAC Duct Construction Standards - Metal and Flexible, Third Edition 2005," Figure 3-2, "Transverse Joints - Round Duct," for static-pressure class, applicable sealing requirements, materials involved, duct-support intervals, and other provisions in SMACNA's "HVAC Duct Construction Standards - Metal and Flexible, Third Edition 2005."
  - 1. Transverse Joints in Ducts Equal to or Larger Than 48" in Diameter or Flat Oval with a Major Dimension Equal to or Larger Than 48": Flanged.
  - 2. Gasketed, EPDM, self sealing Joints such as Eastern Tight or Spiro Safe may be used for ducts smaller than 48" in diameter.
  - 3. Flanges may be substituted in ducts smaller than 48" in diameter.
- D. Longitudinal Seams: Select seam types and fabricate according to SMACNA's "HVAC Duct Construction Standards - Metal and Flexible, Third Edition 2005," Figure 3-2, "Seams - Round Duct and Fittings," for static-pressure class, applicable sealing requirements, materials involved, duct-support intervals, and other provisions in SMACNA's "HVAC Duct Construction Standards - Metal and Flexible, Third Edition 2005, Third Edition 2005."
- E. Tees and Laterals: Select types and fabricate according to SMACNA's "HVAC Duct Construction Standards - Metal and Flexible, Third Edition 2005," Figure 3-5, "90° Tees and Laterals," and Figure 3-6, "Conical Tees," for static-pressure class, applicable sealing requirements, materials involved, duct-support intervals, and other provisions in SMACNA's "HVAC Duct Construction Standards - Metal and Flexible, Third Edition 2005."

FIRE STATIONS RENOVATION  
ARLINGTON COUNTY, VIRGINIA  
Architect's Project No: 563006

- F. Inner Duct: Minimum 22-gauge.
- G. Interstitial Insulation: Fibrous-glass liner complying with ASTM C 1071, NFPA 90A, or NFPA 90B; and with NAIMA AH124, "Fibrous Glass Duct Liner Standard."
  - 1. Install spacers that position the inner duct at uniform distance from outer duct without compressing insulation.
- H. All round duct shall not be less than 26-gauge.

## 2.7 SHEET METAL MATERIALS

- A. General Material Requirements: Comply with SMACNA's "HVAC Duct Construction Standards - Metal and Flexible, Third Edition 2005" for acceptable materials, material thicknesses, and duct construction methods unless otherwise indicated. Sheet metal materials shall be free of pitting, seam marks, roller marks, stains, discolorations, and other imperfections.
- B. Galvanized Sheet Steel: Comply with ASTM A 653/A 653M.
  - 1. Galvanized Coating Designation: G90.
  - 2. Finishes for Surfaces Exposed to View: Mill phosphatized.
- C. Stainless-Steel Sheets: Comply with ASTM A 480/A 480M, Type 316, cold rolled, annealed, sheet. Exposed surface finish shall be No. 4.
- D. Aluminum Sheets: Comply with ASTM B 209 Alloy 3003, H14 temper; with mill finish for concealed ducts, and standard, one-side bright finish for duct surfaces exposed to view.
- E. Reinforcement Shapes and Plates: ASTM A 36/A 36M, steel plates, shapes, and bars; black and galvanized.
- F. Where black- and galvanized-steel shapes and plates are used to reinforce aluminum ducts, isolate the different metals with butyl rubber, neoprene, or EPDM gasket materials.
- G. Tie Rods: Galvanized steel, 1/4-inch minimum diameter for lengths 36 inches or less; 3/8-inch minimum diameter for lengths longer than 36 inches.

## 2.8 DUCT LINER

- A. For double wall duct: Not required. All other duct: Provide where indicated.
- B. Fibrous-Glass Duct Liner: Comply with ASTM C 1071, NFPA 90A, or NFPA 90B; and with NAIMA AH124, "Fibrous Glass Duct Liner Standard."
  - 1. Manufacturers:
    - a. CertainTeed Corporation.
    - b. Johns Manville.
    - c. Knauf Insulation.
    - d. Owens Corning.
  - 2. Maximum Thermal Conductivity:

FIRE STATIONS RENOVATION  
ARLINGTON COUNTY, VIRGINIA  
Architect's Project No: 563006

- 1) Type I, Flexible: 0.26 Btu x in./h x sq. ft. x deg F at 75 deg F mean temperature.
  - 2) Type II, Rigid: 0.23 Btu x in./h x sq. ft. x deg F at 75 deg F mean temperature.
3. For supply ductwork, provide antimicrobial, erosion-resistant coating: Apply to the surface of the liner that will form the interior surface of the duct to act as a moisture repellent and erosion-resistant coating. Antimicrobial compound shall be tested for efficacy by an NRTL and registered by the EPA for use in HVAC systems.
  4. Water-Based Liner Adhesive: Comply with NFPA 90A or NFPA 90B and with ASTM C 916.
- C. Flexible Elastomeric Duct Liner: Preformed, cellular, closed-cell, sheet materials complying with ASTM C 534, Type II, Grade 1; and with NFPA 90A or NFPA 90B. Foam shall contain or be coated with EPA-approved or EPA-registered antimicrobial additive or paint.
1. Manufacturers:
    - a. Aeroflex USA, Inc.
    - b. Armacell LLC.
    - c. K-Flex USA.
  2. Maximum Thermal Conductivity: 0.25 Btu x in./h x sq. ft. x deg F at 75 deg F mean temperature when tested according to ASTM C 518.
  3. Surface-Burning Characteristics: Maximum flame-spread index of 25 and maximum smoke-developed index of 50 when tested according to UL 723; certified by an NRTL.
  4. Liner Adhesive: As recommended by insulation manufacturer and complying with NFPA 90A or NFPA 90B.
- D. Natural-Fiber Duct Liner: 85 percent cotton, 10 percent borate, and 5 percent polybinding fibers, treated with a microbial growth inhibitor and complying with NFPA 90A or NFPA 90B.
1. Manufacturers:
    - a. Ductmate Industries, Inc.
  2. Maximum Thermal Conductivity: 0.24 Btu x in./h x sq. ft. x deg F at 75 deg F mean temperature when tested according to ASTM C 518.
  3. Surface-Burning Characteristics: Maximum flame-spread index of 25 and maximum smoke-developed index of 50 when tested according to ASTM E 84; certified by an NRTL.
  4. Liner Adhesive: As recommended by insulation manufacturer and complying with NFPA 90A or NFPA 90B.
- E. Insulation Pins and Washers:
1. Cupped-Head, Capacitor-Discharge-Weld Pins: Copper- or zinc-coated steel pin, fully annealed for capacitor-discharge welding, 0.106-inch- diameter shank, length to suit depth of insulation indicated with integral 1-1/2-inch galvanized carbon-steel washer.

FIRE STATIONS RENOVATION  
ARLINGTON COUNTY, VIRGINIA  
Architect's Project No: 563006

2. Insulation-Retaining Washers: Self-locking washers formed from 0.016-inch-thick galvanized steel; with beveled edge sized as required to hold insulation securely in place but not less than 1-1/2 inches in diameter.

F. Shop Application of Duct Liner: Comply with SMACNA's "HVAC Duct Construction Standards - Metal and Flexible," Figure 7-11, "Flexible Duct Liner Installation."

1. Adhere a single layer of indicated thickness of duct liner with at least 90 percent adhesive coverage at liner contact surface area. Attaining indicated thickness with multiple layers of duct liner is prohibited.
2. Apply adhesive to transverse edges of liner facing upstream that do not receive metal nosing.
3. Butt transverse joints without gaps, and coat joint with adhesive.
4. Fold and compress liner in corners of rectangular ducts or cut and fit to ensure butted-edge overlapping.
5. Do not apply liner in rectangular ducts with longitudinal joints, except at corners of ducts, unless duct size and dimensions of standard liner make longitudinal joints necessary.
6. Apply adhesive coating on longitudinal seams in ducts with air velocity of 2500 fpm.
7. Secure liner with mechanical fasteners 4 inches from corners and at intervals not exceeding 12 inches transversely; at 3 inches from transverse joints and at intervals not exceeding 18 inches longitudinally.
8. Secure transversely oriented liner edges facing the airstream with metal nosings that have either channel or "Z" profiles or are integrally formed from duct wall. Fabricate edge facings at the following locations:
  - a. Fan discharges.
  - b. Intervals of lined duct preceding unlined duct.
  - c. Upstream edges of transverse joints in ducts where air velocities are higher than 2500 fpm or where indicated.

- G. Terminate inner ducts with buildouts attached to fire-damper sleeves, dampers, turning vane assemblies, or other devices. Fabricated buildouts (metal hat sections) or other buildout means are optional; when used, secure buildouts to duct walls with bolts, screws, rivets, or welds.

## 2.9 SEALANT AND GASKETS

- A. General Sealant and Gasket Requirements: Surface-burning characteristics for sealants and gaskets shall be a maximum flame-spread index of 25 and a maximum smoke-developed index of 50 when tested according to UL 723.
1. Materials: Certified by a NRTL.
- B. Tape sealing systems are not permitted.
- C. Water-Based Joint and Seam Sealant:
1. Application Method: Brush on.
  2. Solids Content: Minimum 65 percent.
  3. Shore A Hardness: Minimum 20.
  4. Water resistant.
  5. Mold and mildew resistant.



FIRE STATIONS RENOVATION  
ARLINGTON COUNTY, VIRGINIA  
Architect's Project No: 563006

6. VOC: Maximum 75 g/L (less water).
  7. Maximum Static-Pressure Class: 10-inch wg, positive and negative.
  8. Service: Indoor or outdoor.
  9. Substrate: Compatible with galvanized sheet steel (both PVC coated and bare), stainless steel, or aluminum sheets.
  10. Indoor applications: Sealant with VOC content of 250 g/L or less when calculated according to 40 CFR 59, Subpart D (EPA Method 24).
  11. Maximum Static-Pressure Class: 10-inch wg, positive or negative.
  12. Service: Indoor or outdoor.
  13. Substrate: Compatible with galvanized sheet steel, stainless steel, or aluminum sheets.
- D. Flanged Joint Sealant: Comply with ASTM C 920.
1. General: Single-component, acid-curing, silicone, elastomeric.
  2. Type: S.
  3. Grade: NS.
  4. Class: 25.
  5. Use: O.
  6. Indoor applications: Sealant with VOC content of 250 g/L or less when calculated according to 40 CFR 59, Subpart D (EPA Method 24).
- E. Flange Gaskets: Butyl rubber, neoprene, or EPDM polymer with polyisobutylene plasticizer.

## 2.10 HANGERS AND SUPPORTS

- A. Ductwork Hangers inside indoor pool area:
1. Suited for corrosive environment, all aluminum, with aluminum fasteners. Where additional strength is required, galvanized steel can be used. Refer to Division 9 "Painting" for high performance coating for galvanized steel.
- B. Hanger Rods: Galvanized, all-thread.
- C. Strap and Rod Sizes: Comply with SMACNA's "HVAC Duct Construction Standards - Metal and Flexible, Third Edition 2005," Table 5-1, "Rectangular Duct Hangers Minimum Size," and Table 5-2, "Minimum Hanger Sizes for Round Duct."
- D. Steel Cables for Galvanized-Steel Ducts: Galvanized steel complying with ASTM A 603.
- E. Steel Cables for Stainless-Steel Ducts: Stainless steel complying with ASTM A 492.
- F. Steel Cable End Connections: Cadmium-plated steel assemblies with brackets, swivel, and bolts designed for duct hanger service; with an automatic-locking and clamping device.
- G. Duct Attachments: Sheet metal screws, blind rivets, or self-tapping metal screws; compatible with duct materials.
- H. Trapeze and Riser Supports:
1. Supports for Galvanized-Steel Ducts: Galvanized-steel shapes and plates.
  2. Supports for Stainless-Steel Ducts: Stainless-steel shapes and plates.
  3. Supports for Aluminum Ducts: Aluminum or galvanized steel coated with zinc chromate.

FIRE STATIONS RENOVATION  
ARLINGTON COUNTY, VIRGINIA  
Architect's Project No: 563006

PART 3 - EXECUTION

3.1 DUCT INSTALLATION

- A. Drawing plans, schematics, and diagrams indicate general location and arrangement of duct system. Duct locations, configurations, and arrangements were used to size ducts and calculate friction loss for air-handling equipment sizing and for other design considerations. Install duct systems as indicated unless deviations to layout are approved by Architect in writing.
- B. Comply with SMACNA's "HVAC Duct Construction Standards - Metal and Flexible, Third Edition 2005" unless otherwise indicated.
- C. Install ducts with fewest possible joints.
- D. Install factory-fabricated fittings for changes in direction, size, and shape and for branch connections.
- E. Unless otherwise indicated, install ducts vertically or horizontally, and parallel or perpendicular to building lines.
- F. Install ducts close to walls, overhead construction, columns, and other structural and permanent enclosure elements of building. Maintain clearances for equipment maintenance.
- G. Install ducts with a clearance of 1 inch, plus allowance for installation of insulation at specified thickness.
- H. Do not route ducts through transformer vaults, electrical equipment rooms, elevator equipment rooms or electrical enclosures.
- I. Where ducts pass through non-fire-rated interior partitions and exterior walls and are exposed to view, cover the opening between the partition and duct or duct insulation with sheet metal flanges of same metal thickness as the duct. Overlap openings on four sides by at least 1-1/2 inches.
- J. Provide fire dampers where ducts pass through fire-rated interior partitions, fire-rated exterior walls, fire-rated floor assemblies, or fire-rated shaft enclosures.
- K. Protect duct interiors from moisture, construction debris, dust, and other foreign materials. Comply with SMACNA's "Duct Cleanliness for New Construction Guidelines."

3.2 PROTECTION OF WALL AND FLOOR PENETRATIONS OF NON-RATED ASSEMBLIES

- A. Where ducts penetrate non-fire-resistance-rated wall or floor assemblies, protect the penetration with one of the following:
  - 1. For a duct that connects not more than two stories vertically, protect the annular space around the penetrating duct with an approved, noncombustible material that resists the free passage of flame and the products of combustion.
  - 2. For a duct that connects not more than three stories, protect the annular space around the penetrating duct with an approved, noncombustible material that resists the free passage of flame and the products of combustion and a fire damper at each floor line.
  - 3. For ducts that penetrate a smoke partition without a smoke damper, protect the annular space around the penetrating duct with an approved, non-combustible materials that resists the free passage of flame and the products of combustion.

FIRE STATIONS RENOVATION  
ARLINGTON COUNTY, VIRGINIA  
Architect's Project No: 563006

4. For ducts that penetrate a non-rated wall, protect the annular space around the penetrating duct with an approved, non-combustible materials that resists the free passage of flame and the products of combustion.

### 3.3 INSTALLATION OF EXPOSED DUCTWORK

- A. Protect ducts exposed in finished spaces from being dented, scratched, or damaged.
- B. Trim duct sealants flush with metal. Create a smooth and uniform exposed bead. Do not use two-part tape sealing system.
- C. Grind welds to provide smooth surface free of burrs, sharp edges, and weld splatter. When welding stainless steel with a No. 3 or 4 finish, grind the welds flush, polish the exposed welds, and treat the welds to remove discoloration caused by welding. Do not weld or grind lined ductwork.
- D. Maintain consistency, symmetry, and uniformity in the arrangement and fabrication of duct, fittings, hangers, supports, accessories, and air outlets.
- E. Repair or replace damaged sections and finished work that does not comply with these requirements.

### 3.4 DUCT SEALING

- A. Seal all ducts to seal class A as defined in SMACNA's HVAC Duct Construction Standards - Metal and Flexible, Third Edition 2005:
  1. Seal all longitudinal joints.
  2. Seal all transverse joints.
  3. Seal all penetrations.

### 3.5 HANGER AND SUPPORT INSTALLATION

- A. Comply with SMACNA's "HVAC Duct Construction Standards - Metal and Flexible, Third Edition 2005," Chapter 5, "Hangers and Supports."
- B. Building Attachments: Unless indicated otherwise, provide concrete inserts, powder-actuated fasteners, or structural-steel fasteners appropriate for construction materials to which hangers are being attached.
  1. Where practical, install concrete inserts before placing concrete.
  2. Do not use powder-actuated concrete fasteners for lightweight-aggregate concrete or for slabs less than 4 inches thick.
- C. Hanger Spacing: Comply with SMACNA's "HVAC Duct Construction Standards - Metal and Flexible, Third Edition 2005," Table 5-1, "Rectangular Duct Hangers Minimum Size," and Table 5-2, "Minimum Hanger Sizes for Round Duct," for maximum hanger spacing; install hangers and supports within 24 inches of each elbow and within 48 inches of each branch intersection.
- D. Hangers Exposed to View: Threaded rod and channel supports.

FIRE STATIONS RENOVATION  
ARLINGTON COUNTY, VIRGINIA  
Architect's Project No: 563006

- E. Support vertical ducts with channel secured to the sides of the duct with welds, bolts, sheet metal screws, or blind rivets; support at each floor or at a maximum intervals of 18 feet.
- F. Install upper attachments to structures. Select and size upper attachments with pull-out, tension, and shear capacities appropriate for supported loads and building materials where used.

3.6 CONNECTIONS

- A. Make connections to equipment with flexible connectors.
- B. Comply with SMACNA's "HVAC Duct Construction Standards - Metal and Flexible, Third Edition 2005" for branch, outlet, inlet, and terminal unit connections unless otherwise indicated.

3.7 PAINTING

- A. Paint interior of metal ducts that are visible through registers and grilles and that do not have duct liner. Apply two coats of flat black, latex paint over a compatible galvanized-steel primer.

3.8 FIELD QUALITY CONTROL

- A. Perform tests and inspections.
- B. Visually inspect, for proper seal application, all ductwork not tested prior to insulation application. Prepare inspection report.
- C. Duct System Cleanliness Tests:
  - 1. Visually inspect duct system to ensure that no visible contaminants are present. If visible contaminants are present, proceed to sub-paragraph 2 below. If not, no further cleaning shall be required.
  - 2. Test sections of metal duct systems, up to one location per ten thousand (10,000) square feet of building area, or a minimum of two (2) per system, whichever is greater, chosen by the Owner's Representative, for cleanliness according to "Vacuum Test" in NADCA ACR, "Assessment, Cleaning and Restoration of HVAC Systems." Net weight of debris collected on the filter media shall not exceed 0.75 mg/100 sq. cm. Cut hole in duct and install access door at each location selected. Size shall be as indicated in Division 23 Section "Air Duct Accessories."
  - 3. Duct system shall be considered dirty and in need of cleaning if any test location does not pass the cleanliness test. Cleaning shall be performed in accordance with this specification.
- D. Prepare and submit test and inspection reports.

3.9 DUCT CLEANING

- A. Clean new duct systems that fail duct system cleanliness tests before testing, adjusting, and balancing.
- B. Comply with SMACNA "Duct Cleanliness for New Construction Guidelines" dated 2000, for protection, cleaning, and installation methods for all ductwork. Adhere to the requirements for a duct cleanliness level of "C" (advanced level) as detailed in Section 3.1.

FIRE STATIONS RENOVATION  
ARLINGTON COUNTY, VIRGINIA  
Architect's Project No: 563006

3.10 START UP

- A. Air Balance: Comply with requirements in Division 23 Section "Testing, Adjusting, and Balancing for HVAC."

3.11 DUCT SCHEDULE

- A. Fabricate ducts with galvanized sheet steel except as otherwise indicated and as follows:
- B. Ducts Connected Serving Locker Rooms, Shower Rooms, and Team Rooms:
  - 1. Aluminum sheet.
  - 2. Exposed to View: Bright finish.
  - 3. Concealed: Mill finish.
- C. All double wall ductwork:
  - 1. Aluminum sheet perforated inner wall.
  - 2. Aluminum sheet outer wall.
  - 3. Exposed: Painted to match color selected by Architect.
- D. Double-Wall Duct Interstitial Insulation (where indicated):
  - 1. Supply Air Ducts: 1" thickness.
  - 2. Return Air Ducts: 1" thickness.
- E. Rectangular Duct Liner Thickness (where indicated):
  - 1. Supply Air Ducts: 1-1/2" thickness and minimum R=5.0.]
- F. Elbow Configuration:
  - 1. Rectangular Duct: Comply with SMACNA's "HVAC Duct Construction Standards - Metal and Flexible, Third Edition 2005," Figure 4-2, "Rectangular Elbows."
    - a. Velocity less than 1500 fpm or lower:
      - 1) Radius Type RE 1. Centerline radius =  $3W/2$ .
      - 2) Mitered Type RE 2 with vanes complying with SMACNA's "HVAC Duct Construction Standards - Metal and Flexible, Third Edition 2005," Figure 4-3, "Vanes and Vane Runners," and Figure 4-4, "Vane Support in Elbows."
      - 3) Transfer ducts indicated with mitered elbows do not require turning vanes.
    - b. Velocity 1500 fpm or Higher:
      - 1) Radius Type RE 3. Centerline radius =  $3w/2$  and three vanes.
      - 2) Mitered Type RE 2 with vanes complying with SMACNA's "HVAC Duct Construction Standards - Metal and Flexible, Third Edition 2005," Figure 2-3, "Vanes and Vane Runners," and Figure 2-4, "Vane Support in Elbows."
  - 2. Round Duct: Comply with SMACNA's "HVAC Duct Construction Standards - Metal and Flexible, Third Edition 2005," Figure 3-4, "Round Duct Elbows."
    - a. Minimum centerline radius-to-diameter ratio shall be 1.5 with a maximum of 5 Elbow Segments. Comply with SMACNA's "HVAC Duct Construction Standards - Metal and Flexible, Third Edition 2005," Table 3-1, "Mitered Elbows." Elbows with less than a 90 degree change of direction shall have segments per Table 3-1 in

FIRE STATIONS RENOVATION  
ARLINGTON COUNTY, VIRGINIA  
Architect's Project No: 563006

SMACNA's "HVAC Duct Construction Standards - Metal and Flexible, Third Edition 2005".

- b. Round Elbows, 12 Inches and Smaller in Diameter: Stamped, segmented, spiral or pleated. Adjustable elbows not acceptable.
  - c. Round Elbows, 14 Inches and Larger in Diameter: Standing seam, segmented, or spiral.
3. Flat Oval Duct: Comply with SMACNA's "HVAC Duct Construction Standards - Metal and Flexible, Third Edition 2005," Figure 3-7, "Flat Oval Ducts" for elbows.

G. Branch Configuration:

1. Rectangular Duct: Comply with SMACNA's "HVAC Duct Construction Standards - Metal and Flexible, Third Edition 2005," Figure 4-6, "Branch Connections."
  - a. Rectangular Main to Rectangular Branch: 45-degree entry.
  - b. Rectangular Main to Round Branch: Conical or bellmouth. No flanged or spin-in fittings permitted.
2. Round and Flat Oval: Comply with SMACNA's "HVAC Duct Construction Standards - Metal and Flexible, Third Edition 2005," Figure 3-6, "Conical Tees."
  - a. Conical fitting.
  - b. Conical saddle taps.
  - c. No 90 degree taps or 90 degree saddle taps permitted.

H. Divided Flow Branches:

1. Rectangular Duct: Comply with SMACNA's "HVAC Duct Construction Standards - Metal and Flexible, Third Edition 2005," Figure 4-5 Divided Flow Branches."

END OF SECTION 233113

FIRE STATIONS RENOVATION  
ARLINGTON COUNTY, VIRGINIA  
Architect's Project No: 563006

SECTION 233300 - AIR DUCT ACCESSORIES

PART 1 - GENERAL

1.1 RELATED DOCUMENTS

- A. Provisions of the Contract and of the Contract Documents apply to this Section.

1.2 SUBMITTALS

- A. Product Data: For the following:
  - 1. Radius forming braces
  - 2. Volume dampers.
  - 3. Take-offs
  - 4. Motorized control dampers.
  - 5. Fire dampers.
  - 6. Turning vanes.
  - 7. Duct-mounting access doors.
  - 8. Flexible connectors.
  - 9. Flexible ducts.
  - 10. Rooftop duct supports.
- B. Wiring Diagrams: For power, signal, and control wiring.
- C. Operation and Maintenance Data: For air duct accessories to include in operation and maintenance manuals.

1.3 ABBREVIATIONS

- A. CFM Cubic Feet per Minute
- B. F Fahrenheit
- C. FPM Feet Per Minute
- D. IN Inches
- E. LBF Pound Feet, or Pound Foot.
- F. NFPA National Fire Protection Association
- G. NO Number
- H. NRTL Nationally Recognized Testing laboratory
- I. OC On Center
- J. SqFt Square Feet
- K. WC Water Column

FIRE STATIONS RENOVATION  
ARLINGTON COUNTY, VIRGINIA  
Architect's Project No: 563006

1.4 QUALITY ASSURANCE

- A. Comply with NFPA 90A, "Installation of Air Conditioning and Ventilating Systems," and with NFPA 90B, "Installation of Warm Air Heating and Air Conditioning Systems."
- B. Comply with AMCA 500-D testing for damper rating.

1.5 EXTRA MATERIALS

- A. Furnish extra materials that match products installed and that are packaged with protective covering for storage and identified with labels describing contents.
  - 1. Fusible Links: Furnish quantity equal to 10 percent of amount installed. Minimum 1 of each type used.

PART 2 - PRODUCTS

2.1 MATERIALS

- A. Comply with SMACNA's "HVAC Duct Construction Standards - Metal and Flexible" for acceptable materials, material thicknesses, and duct construction methods unless otherwise indicated. Sheet metal materials shall be free of pitting, seam marks, roller marks, stains, discolorations, and other imperfections.
- B. Comply with SMACNA's "HVAC Duct Construction Standards - Metal and Flexible" for acceptable duct installation methods unless otherwise indicated.
- C. Galvanized Sheet Steel: Comply with ASTM A 653/A 653M.
  - 1. Galvanized Coating Designation: G60 or G90.
  - 2. Exposed-Surface Finish: Mill phosphatized.
- D. Stainless-Steel Sheets: Comply with ASTM A 480/A 480M, Type 304, and having a NO 2 finish for concealed ducts and NO 4 finish for exposed ducts.
- E. Aluminum Sheets: Comply with ASTM B 209, Alloy 3003, temper H14; with mill finish for concealed ducts and standard, 1-side bright finish for exposed ducts.
- F. Extruded Aluminum: Comply with ASTM B 221, Alloy 6063, Temper T6.
- G. Reinforcement Shapes and Plates: Galvanized-steel reinforcement where installed on galvanized sheet metal ducts; compatible materials for aluminum and stainless-steel ducts.
- H. Tie Rods: Galvanized steel, 1/4-inch minimum diameter for lengths 36 inches or less; 3/8-inch minimum diameter for lengths longer than 36 inches; compatible materials for aluminum and stainless-steel ducts.

2.2 RADIUS FORMING BRACES

- A. Available manufacturers:
  - 1. Titus, FlexRight (Basis of Design)
  - 2. Flexible Technologies, Inc., Thermaflex Division, FlexFlow
  - 3. Hart & Cooley, Smart Flow Elbow



FIRE STATIONS RENOVATION  
ARLINGTON COUNTY, VIRGINIA  
Architect's Project No: 563006

- B. General: UL-2043 listed or NRTL approved product constructed of metal or plastic manufactured for use with flexible duct to form a kink free elbow using the flexible duct. Any flexible duct used in forming the elbow shall be included in the maximum permitted length. Resulting flexible duct shall comply with SMACNA HVAC Duct Construction Standards.
- C. Duct Size: 6" through 16" in diameter.
- D. Inside (Bend) Radius: Minimum of one duct diameter along centerline.
- E. Attachments: Plastic zip ties or stainless steel worm gear clamps.
- F. Support to Overhead: Shall meet SMACNA requirements. Use of specified attachments for support shall not be permitted.

2.3 MANUAL VOLUME DAMPERS

- A. Steel, Manual Volume Dampers:
  - 1. Manufacturers:
    - a. Air Balance Inc.; a division of Mestek, Inc.
    - b. American Warming and Ventilating; a division of Mestek, Inc.
    - c. Flexmaster U.S.A., Inc.
    - d. Greenheck Fan Corporation.
    - e. McGill AirFlow LLC.
    - f. METALAIRE, Inc.
    - g. PCI Industries - Pottorff
    - h. Ruskin Company.
    - i. Vent Products Company, Inc.
  - 2. Standard leakage rating, with linkage outside airstream.
  - 3. Suitable for horizontal or vertical applications.
  - 4. Frames:
    - a. Hat-shaped, galvanized or stainless-steel channels, match duct material.
    - b. Mitered and welded corners.
    - c. Flanges for attaching to walls and flangeless frames for installing in ducts.
  - 5. Blades:
    - a. Multiple or single blade.
    - b. Opposed-blade design.
    - c. Stiffen damper blades for stability.
    - d. Galvanized or stainless-steel channels, match duct material.
    - e. Blade Axles: Galvanized steel or Stainless steel. Dampers over 12" width/diameter shall include continuous axles. Dampers 12" and less may have non-continuous axles.
  - 6. Bearings:
    - a. Molded synthetic. Provide bearing at both duct wall penetrations.
  - 7. Tie Bars and Brackets: Galvanized steel.
- B. Aluminum, Manual Volume Dampers:
  - 1. Manufacturers:
    - a. Air Balance Inc.; a division of Mestek, Inc.
    - b. American Warming and Ventilating; a division of Mestek, Inc.
    - c. Flexmaster U.S.A., Inc.

FIRE STATIONS RENOVATION  
ARLINGTON COUNTY, VIRGINIA  
Architect's Project No: 563006

- d. Greenheck Fan Corporation.
  - e. McGill AirFlow LLC.
  - f. METALAIRE, Inc.
  - g. PCI Industries - Pottorff
  - h. Ruskin Company.
  - i. Vent Products Company, Inc.
  2. Standard leakage rating, with linkage and operator outside airstream.
  3. Suitable for horizontal or vertical applications.
  4. Frames: Hat-shaped aluminum channels for installing in ducts.
  5. Blades:
    - a. Multiple or single blade.
    - b. Parallel- or opposed-blade design.
    - c. Stiffen damper blades for stability.
    - d. Roll Formed or Extruded Aluminum.
    - e. Blade Axles: Galvanized steel or Stainless steel. Dampers over 12" width/diameter shall include continuous axles. Dampers 12" and less may have non-continuous axles.
  6. Bearings:
    - a. Molded synthetic. Provide bearing at both duct wall penetrations.
  7. Tie Bars and Brackets: Aluminum.
- C. Damper Hardware:
1. Zinc-plated, die-cast quadrant with dial and handle made of zinc plated steel, and a hexagon lock nut. Friction lock dampers are not acceptable where system external static pressure exceeds 0.50"wc.
  2. Include center hole to suit damper operating-rod size.
  3. Include elevated platform or stand-off for insulated duct mounting.
- 2.4 CONTROL DAMPERS
- A. Parallel Blades shall be used for two position applications (Open or Closed) unless otherwise indicated.
1. Manufacturers:
    - a. American Warming and Ventilating; a division of Mestek, Inc.
    - b. Arrow United Industries; a division of Mestek, Inc.
    - c. Cesco Products; a division of Mestek, Inc.
    - d. Duro Dyne Inc.
    - e. Flexmaster U.S.A., Inc.
    - f. Greenheck Fan Corporation.
    - g. McGill AirFlow LLC.
    - h. METALAIRE, Inc.
    - i. PCI Industries - Pottorff
    - j. Ruskin Company.
    - k. Young Regulator Company.
  2. Low leakage or ultra low leakage rating, with linkage outside airstream, and having AMCA's Certified Ratings Seal for both air performance and air leakage.
  3. Ratings:
    - a. Pressure Differential Range: 0.0" WC – 6.0" WC.
    - b. Velocity Range: 0 FPM to 4000 FPM.

FIRE STATIONS RENOVATION  
ARLINGTON COUNTY, VIRGINIA  
Architect's Project No: 563006

- c. Leakage:
    - 1) 6 CFM/SqFt @ 4" WC.
    - 2) 3 CFM/SqFt @ 1" WC.
  - d. Temperature: Minimum 165° F.
  - 4. Frames:
    - a. Galvanized steel channels.
    - b. Mitered and welded corners.
  - 5. Blades:
    - a. Air foil
    - b. Multiple blade
    - c. Maximum blade width (not including seals): 8"
    - d. Parallel blade design.
    - e. Galvanized steel.
    - f. Edge Seal: Silicone blade edge seals.
      - 1) Temperature Range: From a minimum of minus 50 to a maximum of plus 300 degrees F.
  - 6. Blade Axles: 1/2-inch- diameter; galvanized or stainless steel.
  - 7. Linkage: Galvanized or stainless steel out of airstream.
  - 8. Jamb Seal: Stainless steel.
  - 9. Bearings:
    - a. Bronze.
    - b. Dampers shall have axles running the full length of the damper blades shall have bearings at each end of the shaft.
    - c. Thrust bearings shall be located at each end of every blade.
- B. Opposed Blades shall be used for modulating applications (Open, Closed, and Anywhere In Between) unless otherwise indicated.
- 1. Manufacturers:
    - a. American Warming and Ventilating; a division of Mestek, Inc.
    - b. Arrow United Industries; a division of Mestek, Inc.
    - c. Cesco Products; a division of Mestek, Inc.
    - d. Duro Dyne Inc.
    - e. Flexmaster U.S.A., Inc.
    - f. Greenheck Fan Corporation.
    - g. McGill AirFlow LLC.
    - h. METALAIRE, Inc.
    - i. PCI Industries - Pottorff
    - j. Ruskin Company.
    - k. Young Regulator Company.
  - 2. Low leakage or ultra low leakage rating, with linkage outside airstream, and having AMCA's Certified Ratings Seal for both air performance and air leakage.
  - 3. Ratings:
    - a. Pressure Differential Range: 0.0" WC – 6.0" WC.
    - b. Velocity Range: 0 FPM to 4000 FPM.
    - c. Leakage:
      - 1) 6 CFM/SqFt @ 4" WC.
      - 2) 3 CFM/SqFt @ 1" WC.
    - d. Temperature: Minimum 165° F.
  - 4. Frames:

FIRE STATIONS RENOVATION  
ARLINGTON COUNTY, VIRGINIA  
Architect's Project No: 563006

- a. Galvanized steel channels.
- b. Mitered and welded corners.
- 5. Blades:
  - a. Air foil
  - b. Multiple blade
  - c. Maximum blade width (not including seals): 8"
  - d. Opposed blade design.
  - e. Galvanized steel.
  - f. Edge Seal: Silicone blade edge seals.
    - 1) Temperature Range: From a minimum of minus 50 to a maximum of plus 300 degrees F.
- 6. Blade Axles: 1/2-inch- diameter; galvanized or stainless steel.
- 7. Linkage: Galvanized or stainless steel out of airstream.
- 8. Jamb Seal: Stainless steel.
- 9. Bearings:
  - a. Bronze.
  - b. Dampers shall have axles running the full length of the damper blades shall have bearings at each end of the shaft.
  - c. Thrust bearings shall be located at each end of every blade.

## 2.5 FLANGE CONNECTORS

- A. Available Manufacturers:
  - 1. Ductmate Industries, Inc.
  - 2. Nexus PDQ; Division of Shilco Holdings Inc.
  - 3. Hart & Cooley, Inc.
- B. Description: Add-on or roll-formed, factory-fabricated, slide-on transverse flange connectors, gaskets, and components.
- C. Material: Match connecting ductwork.
- D. Gauge: 18, 20, or 24 as recommended by manufacturer or match connecting ductwork.

## 2.6 MANUFACTURED TURNING VANES

- A. Curved blades of galvanized sheet steel; support with bars perpendicular to blades set; set into vane runners suitable for duct mounting.
- B. General Requirements: Comply with SMACNA's "HVAC Duct Construction Standards - Metal and Flexible"; Figures 2-3, "Vaness and Vane Runners," and 2-4, "Vane Support in Elbows."
- C. Vane Construction: Single wall for ducts with the largest sectional dimension up to 48 inches wide and double wall for larger dimensions.

## 2.7 DUCT-MOUNTED ACCESS DOORS

- A. Available Manufacturers:
  - 1. Ductmate Industries, Inc.
  - 2. Flexmaster U.S.A., Inc.
  - 3. Greenheck Fan Corporation.

FIRE STATIONS RENOVATION  
ARLINGTON COUNTY, VIRGINIA  
Architect's Project No: 563006

4. Kees
  5. McGill AirFlow LLC.
- B. Duct-Mounted Access Doors: Fabricate access panels according to SMACNA's "HVAC Duct Construction Standards - Metal and Flexible"; Figures 2-10, "Duct Access Doors and Panels," and 2-11, "Access Panels - Round Duct."
1. Door:
    - a. Double wall, rectangular.
    - b. Galvanized sheet metal with insulation fill and thickness as indicated for duct pressure class.
    - c. Hinges and Latches: 1-by-1-inch butt or piano hinge. Cam latches.
    - d. Fabricate doors airtight and suitable for duct pressure class.
  2. Frame: Galvanized sheet steel, with bend-over tabs and foam gaskets.
  3. Number of Hinges and Locks:
    - a. Access Doors Less Than 12 Inches Square: No hinges and two sash locks.
    - b. Access Doors up to 18 Inches Square: Two hinges and two sash locks.
    - c. Access Doors up to 24 by 48 Inches: Three hinges and two compression latches with outside and inside handles.
    - d. Access Doors Larger Than 24 by 48 Inches: Four hinges and two compression latches with outside and inside handles.

2.8 FLEXIBLE CONNECTORS

- A. Available Manufacturers:
1. Ductmate Industries, Inc.
  2. Duro Dyne Inc.
  3. Ventfabrics, Inc.
  4. Hart & Cooley, Inc.
- B. Materials: Flame-retardant or noncombustible fabrics.
- C. Coatings and Adhesives: Comply with UL 181, Class 1.
- D. Connector: Factory fabricated with a fabric strip 3½ to 4½ inches wide attached to 2 strips of 2½ to 4½ inches wide, 23 to 25 gauge "0.0269 to .0209 inch thick" galvanized sheet steel, stainless sheet steel, or aluminum sheets. Provide metal compatible with connected ducts.
- E. Indoor System, Flexible Connector Fabric: Glass fabric double-coated with neoprene.
1. Minimum Weight: 26 oz/sq yd.
  2. Tensile Strength: 480 lbf/inch in the warp and 360 lbf/inch in the filling.
  3. Service Temperature: Minus 40 to plus 200 deg F.
- F. High-Temperature System, Flexible Connectors: Glass fabric coated with silicone rubber.
1. Minimum Weight: 16 oz./sq. yd..
  2. Tensile Strength: 285 lbf/inch in the warp and 185 lbf/inch in the filling.
  3. Service Temperature: Minus 67 to plus 500 deg F.
- G. Thrust Limiters:

FIRE STATIONS RENOVATION  
ARLINGTON COUNTY, VIRGINIA  
Architect's Project No: 563006

1. Field fabricated cable restraints on equipment producing greater than 4.0" WC of positive pressure.
2. Field fabricated cable restraints as detailed. If not detailed; Provide restraint consisting of a 1/16 inch diameter vinyl coated steel cable at 24" maximum on center, attached to flange bolts on each side of flexible connector. Cable length shall be such that, when in tension, 1/2" of movement in the flexible connection is preserved. If flanges are not used, contractor may provide steel, stainless steel, or aluminum angles for attaching cables. Match duct material. Cables shall attach to screw or fastener holding angle to duct and shall be routed through a 3/16" diameter hole in the bracket offset approximately 1" from duct.
3. Direction of connector movement: Parallel with airflow, perpendicular to connector.

2.9 FLEXIBLE AIR DUCTS

A. Manufacturers:

1. Flexmaster U.S.A., Inc. (Basis of design, Provide Type 1M)
2. Thermaflex
3. Hart & Cooley, Inc.

B. Provide bead on connecting duct for sizes greater than 12" in diameter.

C. Maximum length of flexible duct is 6'-0".

D. Insulated, Flexible Duct: UL 181, Class 1 air duct with vinyl film supported by helically wound, spring-steel wire; fibrous-glass insulation; aluminized vapor-barrier film.

1. Pressure Rating: 10-inch WC positive and 1.0-inch WC negative.
2. Maximum Air Velocity: 5000 fpm.
3. Vapor Barrier Permeance: 0.05 perm
4. Temperature Range: Minus 10 to plus 160 deg F.
5. Insulation R-value: 6.0

E. Flexible Duct Connection Accessories:

1. Low pressure (Not up stream of terminal units):
  - a. Clamps: Nylon strap in sizes 3 through 20", to suit duct size.
  - b. Sheet metal screws: No
  - c. Liquid adhesive: No
  - d. Tape: Yes
2. Medium pressure (Up stream of terminal units):
  - a. Clamps: Stainless-steel band with cadmium-plated hex screw to tighten band with worm-gear action in sizes 3 through 20 inches, to suit duct size.
  - b. Sheet metal screws: No
  - c. Liquid adhesive: Yes
  - d. Tape: Yes

2.10 ACCESSORY HARDWARE

A. Temporary Test Holes: Drilled in duct as required.

FIRE STATIONS RENOVATION  
ARLINGTON COUNTY, VIRGINIA  
Architect's Project No: 563006

- B. Permanent Test Holes: Cast iron, or cast aluminum, to suit adjacent material, including cap and gasket. Size to allow insertion of pitot tube and other testing instruments and of length to suit wall + insulation thickness.
- C. Adhesives: High strength, quick setting, waterproof, and resistant to grease.

PART 3 - EXECUTION

3.1 INSTALLATION

- A. Install duct accessories according to applicable details in SMACNA's "HVAC Duct Construction Standards - Metal and Flexible" for metal ducts and in NAIMA AH116, "Fibrous Glass Duct Construction Standards," for fibrous-glass ducts.
- B. Install duct accessories of materials suited to duct materials; use galvanized-steel accessories in galvanized-steel and fibrous-glass ducts, stainless-steel accessories in stainless-steel ducts, and aluminum accessories in aluminum ducts.
- C. Install backdraft dampers on exhaust fans or exhaust ducts nearest to outside and where indicated.
- D. Install volume dampers at points on supply, return, and exhaust systems where branches extend from larger ducts. Where dampers are installed in ducts having duct liner, install dampers with hat channels of same depth as liner, and terminate liner with nosing at hat channel.
  - 1. Install steel volume dampers in steel ducts.
  - 2. Install aluminum volume dampers in aluminum ducts.
- E. Set dampers to fully open position before testing, adjusting, and balancing.
- F. Install permanent test holes at fan inlets and outlets.
- G. Install permanent test holes where indicated.
- H. Provide temporary test holes where necessary for testing.
- I. Install temporary test hole plugs in temporary test holes.
- J. Repair insulation at temporary test holes.
- K. Install duct access doors on sides of ducts to allow for inspecting, adjusting, and maintaining accessories and equipment at the following locations:
  - 1. On both sides of duct coils.
  - 2. Downstream from volume dampers and equipment.
  - 3. Adjacent to fire or smoke dampers, providing access to reset or reinstall fusible links.
  - 4. To interior of ducts for cleaning; before and after each change in direction, at maximum 50-foot spacing.
  - 5. On sides of ducts where adequate clearance is available.
- L. Install access doors with swing against duct static pressure except at fire, smoke, and combination fire & smoke dampers.
- M. Install the largest access door possible in the following sizes for duct-mounting, rectangular access doors:

FIRE STATIONS RENOVATION  
ARLINGTON COUNTY, VIRGINIA  
Architect's Project No: 563006

1. One-Hand or Inspection Access: 8 by 5 inches.
  2. Two-Hand Access: 12 by 6 inches.
  3. Head and Hand Access: 18 by 10 inches.
  4. Head and Shoulders Access: 21 by 14 inches.
  5. Body Access: 25 by 14 inches.
  6. Body Plus Ladder Access: 25 by 17 inches.
- N. Install the largest access door possible in the following sizes for duct-mounting, round access doors:
1. One-Hand or Inspection Access: 8 inches in diameter.
  2. Two-Hand Access: 10 inches in diameter.
  3. Head and Hand Access: 12 inches in diameter.
  4. Head and Shoulders Access: 18 inches in diameter.
  5. Body Access: 24 inches in diameter.
- O. Label access doors to indicate purpose.
- P. Install flexible connectors to connect ducts to air moving equipment.
- Q. For fans developing static pressures of 4" WC and more, cover flexible connectors with loaded vinyl sheet held in place with metal straps.
- R. Connect terminal units to supply ducts with 36" of rigid duct and maximum 30" lengths of flexible duct.
- S. Connect flexible ducts to metal ducts as follows:
1. Low pressure (Not up stream of terminal units):
    - a. Clamps: Install in accordance with manufacturer's recommendations.
    - b. Sheet metal screws: Not required.
    - c. Liquid adhesive: Not required.
    - d. Tape: Install in accordance with manufacturer's recommendations.
  2. Medium pressure (Up stream of terminal units):
    - a. Clamps: Install in accordance with manufacturer's recommendations.
    - b. Sheet metal screws: Not required.
    - c. Liquid adhesive: Yes
    - d. Tape: Yes
- T. Connect flexible ducts to diffusers using a radius forming brace or rigid elbow. If using radius forming brace, deduct four (4) duct diameters from the indicated maximum flexible duct length.
- U. Install temporary test holes where required for testing and balancing purposes. Cap with neoprene, plastic or rubber plugs and repair insulation with like material.
- V. Install permanent test holes upstream and downstream of each fan within 6" of fan. Install in unit wall or adjacent duct.
1. Exception: Outlet of roof mounted fans
- W. Install thrust limiters at all flexible connectors consisting of a 1/16 inch diameter vinyl coated steel cable at 24" maximum on center, attached to flange bolts on each side of flexible connector. Cable length shall be such that, when in tension, 1/2" of movement in the flexible connection is preserved. If flanges are not used, contractor may provide steel, stainless steel, or



FIRE STATIONS RENOVATION  
ARLINGTON COUNTY, VIRGINIA  
Architect's Project No: 563006

aluminum angles for attaching cables. Match duct material. Cables shall attach to screw or fastener holding angle and shall be routed through a 3/16" diameter hole in the angle offset approximately 1" from duct.

X. TURNING VANES:

1. Install turning vanes in all duct elbows larger than 12" in height or width.
2. Exceptions:
  - a. Where prohibited by the applicable code.
  - b. Where prohibited by laws or ordinances.
  - c. Where prohibited by local requirements.
  - d. Where specifically eliminated by contract.

Y. FIELD QUALITY CONTROL

1. Tests and Inspections:
  - a. Operate dampers to verify full range of movement without interference.
  - b. Inspect access doors. Verify that door can be opened and closed. Verify fire damper, and combination fire and smoke damper fusible links can be reset and changed. Verify fire damper, and combination fire and smoke damper doors open in the direction of air pressure (out on supply ducts and in on return and exhaust ducts).
  - c. Operate fire, smoke, and combination fire and smoke dampers to verify full range of movement, verify non-interference, and verify that the proper heat-response device is installed.
  - d. Inspect elbows for turning vanes. Verify they are installed where required.
  - e. Inspect turning vanes using access doors for proper and secure installation.
  - f. Operate remote damper operators prior to ceiling installation to verify full range of movement of operator and damper. Verify no interference with damper movement.

END OF SECTION 233300

FIRE STATIONS RENOVATION  
ARLINGTON COUNTY, VIRGINIA  
Architect's Project No: 563006

SECTION 233423 - HVAC POWER VENTILATORS

PART 1 - GENERAL

1.1 RELATED DOCUMENTS

- A. Provisions of the Contract and of the Contract Documents apply to this Section.

1.2 SUBMITTALS

- A. Product Data: Provide manufacturer's technical data for each ventilator including rated capacities, dimensions, required clearances, operating characteristics, mounting requirements, and furnished specialties and accessories. Provide power and control wiring diagrams. Also include the following:
  - 1. Certified fan performance curves with system operating conditions indicated.
  - 2. Certified fan sound-power ratings.
  - 3. Motor ratings and electrical characteristics, plus motor and electrical accessories.
  - 4. Material thickness and finishes, including color charts.
  - 5. Dampers, including housings, linkages, and operators.
  - 6. Roof curbs with required slope and dimensions. Indicate shimming if required.
  - 7. .
  - 8. Fan speed controllers.
- B. Operation and Maintenance Data: For ventilators to include in emergency, operation, and maintenance manuals.
- C. Warranty: Special warranty specified in this Section.

1.3 QUALITY ASSURANCE

- A. Electrical Components, Devices, and Accessories: Listed and labeled as defined in NFPA 70, by a qualified testing agency, and marked for intended location and application.
- B. AMCA Compliance: Fans shall have AMCA-Certified performance ratings and shall bear the AMCA-Certified Ratings Seal.
- C. UL Standards: Power ventilators shall comply with UL 705. Power ventilators for use for grease (kitchen) hood exhaust shall also comply with UL 762.

1.4 COORDINATION

- A. Coordinate size and location of structural-steel support members.

FIRE STATIONS RENOVATION  
ARLINGTON COUNTY, VIRGINIA  
Architect's Project No: 563006

- B. Coordinate sizes and locations of roof curbs, equipment supports, and roof penetrations with actual equipment provided.

1.5 EXTRA MATERIALS

- A. Furnish extra materials that match products installed and that are packaged with protective covering for storage and identified with labels describing contents.
  - 1. Belts: One set for each belt-driven fan. Mark belt set with fan ID and turn over to owner's representative.

PART 2 - PRODUCTS

2.1 IN-LINE CENTRIFUGAL FANS

- A. Manufacturers:
  - 1. Acme Engineering & Manufacturing Corporation.
  - 2. Penn Ventilation Companies, Inc.
  - 3. Greenheck Fan Corporation.
  - 4. Loren Cook Company.
- B. Housing: Manufacturer's standard steel, inlet and outlet flanges, and support bracket adaptable to floor, side wall, or ceiling mounting.
- C. Direct-Drive Units: Motor mounted in airstream, factory wired to disconnect switch located on outside of fan housing.
- D. Belt-Driven Units: Motor mounted on adjustable base, enclosure around belts within fan housing, and lubricating tubes from fan bearings extended to outside of fan housing.
- E. Fan Wheels: Aluminum, airfoil blades welded to aluminum hub.
- F. Provide accessories:
  - 1. Volume-Control Damper: Manually operated with quadrant lock, located in fan outlet. (Not required where speed controllers are provided.)
  - 2. Variable-Speed Controller: Where indicated on the fan schedule provide solid-state control to reduce speed from 100 percent to less than 50 percent.
  - 3. Disconnect Switch.
  - 4. Companion Flanges: For inlet and outlet duct connections.
  - 5. Motor and Drive Cover (Belt Guard): Epoxy-coated steel.
  - 6. Motorized Dampers: Where indicated on the fan schedule provide parallel-blade dampers mounted in duct with electric actuator; wired to close when fan stops. When fan voltage exceeds 220 V provide 50VA minimum transformer to operate damper.

FIRE STATIONS RENOVATION  
ARLINGTON COUNTY, VIRGINIA  
Architect's Project No: 563006

2.2 MOTORS

- A. Refer to section "Common Motor Requirements for HVAC Equipment."
- B. Comply with NEMA designation, temperature rating, service factor, enclosure type, and efficiency requirements for motors.
  - 1. Motor Sizes: Size shall be as indicated. If not indicated, provide motor large enough to drive load and avoid operation in service factor range above 1.0.
  - 2. Controls: Provide controllers, electrical devices, and wiring to comply with requirements specified in Division 26 Sections.
- C. Enclosure Type: Totally enclosed, fan cooled.

2.3 SOURCE QUALITY CONTROL

- A. Certify sound-power level ratings according to AMCA 301, "Methods for Calculating Fan Sound Ratings from Laboratory Test Data." Factory test fans according to AMCA 300, "Reverberant Room Method for Sound Testing of Fans." Label fans with the AMCA-Certified Ratings Seal.
- B. Certify fan performance ratings, including flow rate, pressure, power, air density, speed of rotation, and efficiency by factory tests according to AMCA 210, "Laboratory Methods of Testing Fans for Aerodynamic Performance Rating." Label fans with the AMCA-Certified Ratings Seal.

PART 3 - EXECUTION

3.1 INSTALLATION

- A. Install HVAC Power Ventilators level and plumb.
- B. Ceiling Units: Suspend units from structure; use steel wire or metal straps.
- C. Support suspended units from structure using threaded steel rods and elastomeric hangers having a static deflection of 0.5 inches.
- D. Install units with clearances for service and maintenance.
- E. Label units.

3.2 FIELD QUALITY CONTROL

- A. Perform tests and inspections.

FIRE STATIONS RENOVATION  
ARLINGTON COUNTY, VIRGINIA  
Architect's Project No: 563006

1. Manufacturer's Field Service: Engage a factory-authorized service representative to inspect components, assemblies, and equipment installations, including connections, and to assist in testing.

B. Tests and Inspections:

1. Verify that Shipping blocking and bracing are removed.
2. Verify that unit is secure and connections to ducts and electrical components are complete. Verify that proper thermal-overload protection is installed in motors, starters, and disconnect switches.
3. Verify that cleaning and adjusting are complete.
4. For belt drive units disconnect fan drive from motor, verify proper motor rotation direction, and verify fan wheel free rotation and smooth bearing operation. Reconnect fan drive system, align belts, adjust belt tension, and install belt guards.
5. Adjust damper linkages & operators for proper damper operation.
6. Verify lubrication for bearings and other moving parts.
7. Verify that manual and automatic volume control, fire, smoke, and fire/smoke dampers in connected ductwork systems are in a fully open position.
8. Disable automatic temperature-control operators, energize motor and adjust fan to indicated rpm.
9. Measure and record motor voltage and amperage.
10. Shut unit down and reconnect automatic temperature-control operators.
11. Remove and replace malfunctioning units and retest as specified above.

- C. Test and adjust controls and safeties. Replace damaged and malfunctioning controls and equipment.

- D. Prepare test and inspection reports.

3.3 TESTING, ADJUSTING, BALANCING, AND LUBRICATION

- A. Adjust damper linkages for proper damper operation.

- B. Comply with requirements in Section "Testing, Adjusting, and Balancing for HVAC".

- C. Replace fan and motor pulleys to achieve design airflow.

1. Disable automatic temperature-control operators, energize motor and adjust fan to required rpm.
2. Measure and record RPM.
3. Measure and record motor voltage and amperage.

- D. Re-lubricate bearings.

END OF SECTION 233423

FIRE STATIONS RENOVATION  
ARLINGTON COUNTY, VIRGINIA  
Architect's Project No: 563006

SECTION 233713 - DIFFUSERS, REGISTERS, AND GRILLES

PART 1 - GENERAL

1.1 RELATED DOCUMENTS

- A. Provisions of the Contract and of the Contract Documents apply to this Section.

1.2 SUBMITTALS

- A. Product Data: For each type of product indicated, include the following:
1. Data Sheet: Indicate materials of construction, finish, mounting details, and performance data including throw, drop, static pressure drop, and noise ratings.
  2. Diffuser, Register, and Grille Schedule: Indicate drawing designation, room location, quantity, model number, size, and accessories furnished.
- B. Installation Drawings: Drawn to scale (Minimum 1 ½" = 1'-0"), on which the following items are indicated:
1. Trim & borders.
  2. Ceiling suspension assembly members.
  3. Method of attaching hangers to building structure.

PART 2 - PRODUCTS

2.1 DIFFUSERS, GRILLES, AND REGISTERS

- A. Manufacturers:
1. Anemostat.
  2. Carnes.
  3. Krueger.
  4. MetalAire, Inc.
  5. Nailor Industries.
  6. Price Industries.
  7. Titus.
- B. General:
1. The basis of design for each grille register and diffuser is indicated on the drawings. The contractor shall provide equivalent products by one of the listed manufacturers.

FIRE STATIONS RENOVATION  
ARLINGTON COUNTY, VIRGINIA  
Architect's Project No: 563006

2. Where aluminum construction is indicated blades and frames shall be extruded.
3. All trim pieces shall be mechanically fastened. Friction fit trim rings/frames shall not be provided or shall be mechanically fastened in the field. Fasteners shall not be visible.
4. Units located on walls in heavy use areas including but not limited to basketball courts, gymnasiums, and shop areas shall be heavy duty steel.
5. Finish: Powder Coated or Baked enamel, white.
6. Filter Grille Mounting Frame: Shall accept a 2" deep MERV 8 (30%) pleated media filter. Refer to section "Filters" for filter requirements. Provide two sets of filters for each filter grille.
7. Mounting: As Scheduled.
8. Damper Type: Adjustable opposed-blade assembly where damper is indicated on the schedule.
9. Construction: For locker rooms, showers, the grill, diffuser shall be aluminum construction.

## 2.2 SOURCE QUALITY CONTROL

- A. Verification of Performance: Rate diffusers, registers, and grilles according to ASHRAE 70, "Method of Testing for Rating the Performance of Air Outlets and Inlets."

## PART 3 - EXECUTION

### 3.1 EXAMINATION

- A. Examine areas where diffusers, registers, and grilles are to be installed for installation tolerances and other conditions affecting performance.
- B. Proceed with installation only after unsatisfactory conditions have been corrected.

### 3.2 INSTALLATION

- A. Install diffusers, registers, and grilles level and plumb.
- B. Install diffusers, registers, and grilles flush with ceiling unless otherwise indicated in contract documents.
- C. Ceiling-Mounted Outlets and Inlets: Drawings indicate general arrangement of ducts, fittings, and accessories. Air outlet and inlet locations have been indicated to achieve design requirements for air volume, noise criteria, airflow pattern, throw, and pressure drop. Install in locations indicated, as much as practical. For units installed in lay-in ceiling panels, center units in both directions in panel. Where architectural features or other items conflict with installation, notify Architect for a determination of final location.

FIRE STATIONS RENOVATION  
ARLINGTON COUNTY, VIRGINIA  
Architect's Project No: 563006

- D. Linear Slot Diffuser Installation: For typical diffuser, adjust each slot diffuser so half the slots throw horizontally along the ceiling in each direction unless indicated otherwise on drawings. For linear slot diffusers above windows at building perimeter, one half of the total slots at each diffuser shall be adjusted to throw air vertically downward to wash window and the other half of the slots shall be adjusted to throw air horizontally across ceiling unless indicated otherwise.
- E. Diffusers, registers and grilles shall be supported independently of the ceiling system and shall not be supported from conduit, piping or unrelated ductwork.
- F. Install diffusers, registers, and grilles with airtight connections to ducts and to allow service and maintenance.

3.3 ADJUSTING

- A. After installation, adjust diffusers, registers, and grilles to air patterns indicated, or as directed, before starting air balancing.

END OF SECTION 233713



FIRE STATIONS RENOVATION  
ARLINGTON COUNTY, VIRGINIA  
Architect's Project No: 563006

SECTION 234100 - PARTICULATE AIR FILTRATION

PART 1 - GENERAL

1.1 RELATED DOCUMENTS

- A. Provisions of the Contract and of the Contract Documents apply to this Section.

1.2 DEFINITIONS

- A. Finished Spaces: Spaces other than mechanical and electrical equipment rooms, furred spaces, pipe chases, unheated spaces immediately below roof, spaces above ceilings, unexcavated spaces, crawlspaces, and tunnels.
- B. Exposed, Interior Installations: Exposed to view indoors. Examples include finished occupied spaces and mechanical equipment rooms.
- C. Exposed, Exterior Installations: Exposed to view outdoors or subject to outdoor ambient temperatures and weather conditions. Examples include rooftop locations.
- D. Concealed, Interior Installations: Concealed from view and protected from physical contact by building occupants. Examples include above ceilings and in chases.
- E. Concealed, Exterior Installations: Concealed from view and protected from weather conditions and physical contact by building occupants but subject to outdoor ambient temperatures. Examples include installations within unheated shelters.
- F. HEPA: High-efficiency particulate air.
- G. Construction Filter: A filter maintained during construction to protect ductwork from construction dust, dirt, and debris. Construction filters shall be removed temporarily during balancing and permanently after the building is occupied.

1.3 ACTION SUBMITTALS

- A. Product Data: For each type of product indicated include dimensions, required operating clearances, required access clearances, and weights.
- B. Operating Characteristics: For each type of product indicated provide rated flow capacity, initial and final pressure drop at rated flow capacity.
- C. Efficiency: For each type of product indicated provide efficiency and test method.
- D. Fire Classification: For each type of product indicated provide the fire classification.

FIRE STATIONS RENOVATION  
ARLINGTON COUNTY, VIRGINIA  
Architect's Project No: 563006

- E. Specialties and Accessories: For each type of product indicated provide furnished specialties and accessories.

1.4 CLOSEOUT SUBMITTALS

- A. Operation and Maintenance Data: For each type of filter and rack to include in emergency, operation, and maintenance manuals.
- B. Replace all permanent filters with new filters of types specified.

1.5 QUALITY ASSURANCE

- A. Electrical Components, Devices, and Accessories: Listed and labeled as defined in NFPA 70, by a qualified testing agency, and marked for intended location and application.
- B. ASHRAE Compliance:
  - 1. Comply with applicable requirements in ASHRAE 62.1, Section 4 - "Outdoor Air Quality"; Section 5 - "Systems and Equipment"; and Section 7 - "Construction and Startup."
  - 2. Comply with ASHRAE 52.1 for arrestance and ASHRAE 52.2 for MERV for methods of testing and rating air-filter units.
- C. Comply with NFPA 90A and NFPA 90B.

1.6 COORDINATION

- A. Coordinate sizes and locations:
  - 1. Within air handling units.
  - 2. On open return ducts during construction.

PART 2 - PRODUCTS

2.1 MANUFACTURERS

- A. Manufacturers:
  - 1. Air Filters, and Filter-Holding Systems:
    - a. AAF International.
    - b. Airguard Industries, Inc.
    - c. Barnebey & Sutcliffe Corp.
    - d. Columbus Industries, Inc.
    - e. Continental Air Filter Div.; NiCon Filter Corp.
    - f. Farr Co.
    - g. Flanders Filters, Inc.

FIRE STATIONS RENOVATION  
ARLINGTON COUNTY, VIRGINIA  
Architect's Project No: 563006

- h. International Air Filter, Inc.
  - i. Koch Filter Corp.
  - j. Research Products Corp.
2. Filter Gages:
- a. Airguard Industries, Inc.
  - b. Dwyer Instruments Inc.

## 2.2 GENERAL FILTERS

- A. For return filter grilles, general filtration, and construction filters provide the following:
- 1. Media: Cotton and synthetic pleated with an average efficiency of 25-30% and an average arrestance of 90-92% in accordance with ASHRAE test standard 52.1-1992.
  - 2. Thickness: Unless otherwise indicated thickness shall be 2".
  - 3. Media Support Grid: Welded wire on 1" centers with 96% free area bonded to the media.
  - 4. Filter Frame: High wet strength cardboard with diagonal support members bonded to the media on the entering side and exiting side of each pleat.
  - 5. Holding Frame: Galvanized steel with metal grid on outlet side, polyurethane gaskets, and spring fasteners.
  - 6. Farr 30/30 or equal.

## 2.3 PRE-FILTERS

- A. Where pre-filters are indicated and for construction filters provide the following:
- 1. Media: Cotton and synthetic pleated with an average efficiency of 25-30% and an average arrestance of 90-92% in accordance with ASHRAE test standard 52.1-1992.
  - 2. Thickness: Unless otherwise indicated thickness shall be 4".
  - 3. Media Support Grid: Welded wire on 1" centers with 96% free area bonded to the media.
  - 4. Filter Frame: High wet strength cardboard with diagonal support members bonded to the media on the entering side and exiting side of each pleat.
  - 5. Holding Frame: Galvanized steel with metal grid on outlet side, polyurethane gaskets, and spring fasteners.
  - 6. Farr 30/30 or equal.

## 2.4 FINAL FILTERS (CARTRIDGE TYPE)

- A. Where final filters are indicated on the drawings provide the following:
- 1. Media: High density microfine glass fibers, laminated to a reinforcing backing to form a lofted filter blanket.
  - 2. Efficiency: Filter media shall have an average efficiency of 80-85% and an average arrestance of 98% in accordance with ASHRAE test standard 52.1-1992. Minimum MERV 13.
  - 3. Thickness: Unless otherwise indicated thickness shall be 12".
  - 4. Media Support Grid: Welded wire on 1" centers with 96% free area bonded to the media.

FIRE STATIONS RENOVATION  
ARLINGTON COUNTY, VIRGINIA  
Architect's Project No: 563006

5. Contour Stabilizers: Aluminized zinc finished steel strips permanently installed on the entering and leaving side of the filter. Filter shall withstand 10" of static pressure drop without noticeable distortion.
6. Filter Frame: Aluminized zinc finished steel with filter pack mechanically and chemically bonded to eliminate air bypass. Provide aluminized zinc finished steel diagonal supports
7. Holding Frame: 16 Gauge galvanized steel with polyurethane gaskets, and positive sealing fasteners.
8. Farr Riga-Flo 100 or equal.

### PART 3 - EXECUTION

#### 3.1 INSTALLATION

- A. Position each filter with clearance for normal service and maintenance.
- B. Install filters to prevent passage of unfiltered air.
- C. Do not operate fan system until filters are in place. During construction, all ductwork must be protected from dirt and debris. Remove filters used during construction and testing. Replace all filters in units with new filters of types specified.
- D. Unit operation during construction:
  1. Install minimum MERV 8 construction filters to protect all return ductwork from dirt and debris. Supply fan shall operate at all times.
- E. Unit not operating during construction:
  1. Install plastic sheet material over all supply and return openings to protect all ductwork from dirt and debris.
  2. Fans shall be off.
- F. Construction filter installation: Adhere all edges of filter with metal foil peel-n-stick tape having an acrylic adhesive.

#### 3.2 FIELD QUALITY CONTROL

- A. Perform tests and inspections.
  1. Check for leakage of unfiltered air while system is operating.
- B. Air filter and installation will be considered defective if they do not pass.
- C. Prepare a report for each filter.

FIRE STATIONS RENOVATION  
ARLINGTON COUNTY, VIRGINIA  
Architect's Project No: 563006

3.3 TESTING AND BALANCING

- A. Immediately prior to testing and balancing, install new filters of the same type that shall be permanently installed.

3.4 CLEANING

- A. After construction ends and prior to occupancy, and with all interior finishes installed, clean unit filter housings and install new filters.

END OF SECTION 234100

FIRE STATIONS RENOVATION  
ARLINGTON COUNTY, VIRGINIA  
Architect's Project No: 563006

SECTION 237413 – PACKAGED ROOFTOP UNITS

PART 1 - GENERAL

1.1 RELATED DOCUMENTS

- A. Provisions of the Contract and of the Contract Documents apply to this Section.

1.2 ABBREVIATIONS

- A. ABMA American Bearing Manufacturers Association. ([www.abma-dc.org](http://www.abma-dc.org))
- B. AI Analog Input (analog value input to the BAS from the unit controller)
- C. AO Analog Output (analog value output from BAS to the unit controller)
- D. ANSI American National Standards Institute. ([www.ansi.org](http://www.ansi.org))
- E. BAS Building Automation System.
- F. BI Binary Input (binary value input to the BAS from the unit controller)
- G. BO Binary Output (binary value output from BAS to the unit controller)
- H. CFM Cubic Feet per Minute.
- I. DDC Direct-digital controls.
- J. ECM Electrically commutated motor.
- K. FPM Feet Per Minute.
- L. RTU Rooftop unit. As used in this Section, this abbreviation means packaged, outdoor, central station air handling unit. This abbreviation is used regardless of whether the unit is mounted on the roof or on an equipment pad on the ground.
- M. RTU's Rooftop units. As used in this Section, this abbreviation means packaged, outdoor, central station air handling units. This abbreviation is used regardless of whether the units are mounted on the roof or on equipment pads on the ground.
- N. SS Stamped Steel
- O. VAV Variable-air volume
- P. W Wire

FIRE STATIONS RENOVATION  
ARLINGTON COUNTY, VIRGINIA  
Architect's Project No: 563006

- Q. WG Water Gauge
- R. VFD Variable Frequency Drive

1.3 DEFINITIONS

- A. Archival Quality: Will last a minimum of 20 years.
- B. Head end: Main temperature control computer system storing data accessible to the internet for WEB accessible systems and storing data accessible to the building system backbone for non-WEB accessible systems.
- C. HP Outdoor-Air Refrigerant Coil: Refrigerant coil in the outdoor-air stream to reject heat during cooling operations and to absorb heat during heating operations.
- D. Modulating: Able to electrically vary and stop in any position.
- E. Outdoor air: Air outside the building or taken from outdoors and not previously circulated through the building.
- F. Outdoor air measurement: Reporting of the volume of outdoor air taken into the building by RTU and reported to the building operator in CFM.
- G. Outdoor-Air Refrigerant Coil: Refrigerant coil in the outdoor-air stream to reject heat during cooling operations.
- H. Outdoor-Air Refrigerant-Coil Fan: The outdoor-air refrigerant-coil fan in RTUs. "Outdoor air" is defined as the air outside the building or taken from outdoors and not previously circulated through the system.
- I. Record: Maintain in writing on original paper and maintain a copy in electronic format, file type Portable Document Format (\*.PDF) is acceptable. Make paper copy available for inspection upon request by Owner, Owner's representative, Architect, or Architect's representative. Email electronic copy to requested email address when request is made by the Owner, Owner's representative, Architect, or Architect's representative. Document shall be "openable" by Owner and Architect's computer.
- J. Supply-Air Fan: Fan providing supply air to conditioned space.
- K. Supply air: Air entering a space from air-conditioning, heating, or ventilating equipment.
- L. Supply-Air Refrigerant Coil: Refrigerant coil in the supply-air stream to absorb heat (provide cooling) during cooling operations and to reject heat (provide heating) during heating operations. "Supply air" is defined as the air entering a space from air-conditioning, heating, or ventilating apparatus.
- M. Two-position: Able to electrically move and stop in only two positions. Usually open or closed.

FIRE STATIONS RENOVATION  
ARLINGTON COUNTY, VIRGINIA  
Architect's Project No: 563006

1.4 PERFORMANCE REQUIREMENTS

- A. Support: RTU supports shall comply with required wind and seismic performance requirements, including analysis by a qualified professional engineer.
- B. Wind-Restraint Performance shall comply with SEI/ASCE 7 for wind speed and building classification category. Provide minimum 10 lb/sq. ft. multiplied by the maximum area of the mechanical component projected on a vertical plane that is normal to the wind direction, and 45 degrees either side of normal.
- C. Seismic Performance: RTUs shall withstand the effects of earthquake motions determined according to SEI/ASCE 7.
  - 1. Unless otherwise indicated the term "withstand" means "the unit will remain in place without separation of any parts from the device when subjected to the seismic forces specified." The unit will not be required to operate after the event.

1.5 SUBMITTALS

- A. Pre-submittal Meeting: A representative of the manufacturer producing equipment being provided under this section of the specifications shall attend a meeting for the purpose of coordinating with the contractor performing work under section "Instrumentation and Control". The meeting shall be held at a location of the Contractor's choosing. The Contractor shall arrange the meeting. Submittals shall be essentially complete at the time of the meeting so detailed coordination items can be discussed.
- B. Product Data: Provide manufacturer's technical data for each RTU, including rated capacities, dimensions, required clearances, characteristics, furnished specialties, accessories, and mounting requirements.
- C. Exterior Color: Manufacturer's standard color shall be acceptable.
- D. Shop Drawings:
  - 1. Detail equipment assemblies, include:
    - 1. Internal components
    - 2. Dimensions
    - 3. Weights
    - 4. Loads
    - 5. Supports
    - 6. Required clearances.
  - 2. Provide method of field assembly.
  - 3. Indicate:
    - 1. Components
    - 2. Location
    - 3. size of each field connection
  - 4. Provide Wiring Diagrams for:
    - 1. Power



FIRE STATIONS RENOVATION  
ARLINGTON COUNTY, VIRGINIA  
Architect's Project No: 563006

2. Control
5. For RTU Support comply with performance requirements and design criteria, including analysis data signed and sealed by the qualified professional engineer responsible for support selection.
  1. Calculations: Calculate requirements for selecting vibration isolation, seismic restraint where required, and for vibration isolation.
  2. Detail mounting, securing, and flashing of roof curb to roof structure. Indicate coordinating requirements with roof membrane system, curb slope, and curb dimensions.
  3. Restraint: Detail fabrication and attachment of restraints. Indicate anchorage details, quantity, diameter, and connections.
- E. Coordination Drawings: Plans and other details, drawn to scale, on which the following items are indicated and coordinated using input from installers:
  1. Plan areas containing an RTU indicated at  $\frac{1}{4}'' = 1' - 0''$  or greater on construction drawings.
  2. Areas within 20 feet of section marks indicated on M2 series drawings where such section marks penetrate an RTU.
  3. Structural members to which RTUs will be attached.
  4. Related roof openings.
  5. Related roof curbs, slope, dimensions and flashing.
- F. Operation and Maintenance Data: For RTUs to include in emergency, operation, and maintenance manuals. In addition to items specified in Division 01 Section "Operation and Maintenance Data," Provide the following:
  1. After successful completion of testing & balancing, or commissioning provide the following:
    1. Completed Inspection & Testing form.
    2. Record copy of site-specific software on DVD.
    3. Maintenance, Inspection and Testing Records including, may not be limited to, the following:
      - 1) How to test installed components.
      - 2) Frequency of testing of installed components.
      - 3) Frequency of inspection of installed components.
      - 4) Manufacturer's user training manuals.
  2. Manufacturer's required maintenance related to system warranty requirements.
  3. Software and Firmware Operational Documentation:
    1. Software operating and upgrade manuals.
    2. Program Software Backup: On magnetic media or compact disk, complete with data files.
    3. Device address list.
    4. Printout of software application and graphic screens.
- G. Warranty: Special warranty specified in this Section.

FIRE STATIONS RENOVATION  
ARLINGTON COUNTY, VIRGINIA  
Architect's Project No: 563006

1.6 QUALITY ASSURANCE

A. ARI Compliance:

1. Comply with ARI 210/240 and ARI 340/360 for testing and rating energy efficiencies for RTUs.
2. Comply with ARI 270 for testing and rating sound performance for RTUs.

B. ASHRAE Compliance:

1. Comply with ASHRAE 15 for refrigeration system safety.
2. Comply with ASHRAE 33 for methods of testing cooling and heating coils.
3. Comply with applicable requirements in ASHRAE 62.1-2007, Section 5 - "Systems and Equipment" and Section 7 - "Construction and Startup."
4. Comply with all mandatory and prescriptive requirements of ASHRAE 90.1-2007

C. System safety. Comply with one of the following:

1. ASHRAE 15 for refrigeration system safety.
2. ASHRAE/IESNA 90.1-2007 applicable requirements in Section 6 - "Heating, Ventilating, and Air-Conditioning."
3. NFPA 90A and NFPA 90B.
4. UL 1995.

D. Electrical Components, Devices, and Accessories: Listed and labeled as defined in NFPA 70, Article 100, by a testing agency acceptable to authorities having jurisdiction, and marked for intended use.

E. The complete unit shall be ETL/CETL listed.

1.7 WARRANTY

A. Special Warranty: Manufacturer's standard form in which manufacturer agrees to provide labor and materials to remove and replace components of RTU's that fail in materials or workmanship within the following warranty period.

1. Compressors: 5 years from date of Substantial Completion.
2. Remainder of unit: 1 year from date of Substantial Completion.

PART 2 - PRODUCTS

2.1 MANUFACTURERS

- A. Daikin
- B. Trane

FIRE STATIONS RENOVATION  
ARLINGTON COUNTY, VIRGINIA  
Architect's Project No: 563006

C. Carrier

2.2 GENERAL

- A. Provide a packaged rooftop unit with digital or variable speed scroll compressor on lead circuit (as indicated on schedule), direct drive plenum supply and exhaust fan, double wall casing, indirect gas-fired burner, direct expansion cooling coil, hot gas reheat coil and factory installed controls as required by this specification.

2.3 CASINGS

1. General:

1. Fabrication Requirements: Formed and reinforced double-wall insulated panels, fabricated to allow removal for access to internal parts and components, with joints between sections sealed.
2. Exterior Material: Manufacturer's standard thickness galvanized steel and coated with factory-painted baked enamel finish, tested 750 hour in a salt spray test in compliance with ASTM B117, exterior color shall be manufacturer's standards, with pitched roof panels and knockouts with grommet seals for electrical and piping connections and lifting lugs.
3. Interior Material: Galvanized steel zinc coated with no finish or factory standard finish, with pitched roof panels and knockouts with grommet seals for electrical and piping connections. Construct supply and return opening with raised lip to ensure condensate will not spill into openings during overflow condition in primary condensate pan.

2. Fan Discharge Plenum Interior Material: Galvanized steel with no finish or factory standard finish.

3. Insulation and Adhesive:

1. Comply with NFPA 90A or NFPA 90B.
2. Materials: ASTM C 1071, Type I.
3. Thickness: 2"
4. Materials in contact with air stream shall have air-stream surface coated with an erosion- and temperature-resistant coating or they shall be faced with a plain or coated fibrous mat or fabric.
5. Liner Adhesive: Comply with ASTM C 916, Type I.

B. Condensate Drain Pans:

1. Formed sections of stainless-steel sheet, double sloped, a minimum of 2 inches deep, and complying with ASHRAE 62.1-2010.
2. Construction: Provide foam insulation on back. Double wall, foam insulated, moisture tight drain pans are acceptable.
3. Drain Connection(s): Threaded nipple with pan sloped in two directions to drain.

FIRE STATIONS RENOVATION  
ARLINGTON COUNTY, VIRGINIA  
Architect's Project No: 563006

4. Length downstream of cooling coil: Provide pan at least ½ the height of air tunnel to ensure all carryover is collected and drained.

- C. Airstream Surfaces: Surfaces in contact with the airstream shall comply with requirements in ASHRAE 62.1-2007 and UL 181.

#### 2.4 FANS

- A. Supply Fan: Direct drive or belt driven plenum type with factory installed VFD or variable speed ECM motor. Provide with permanently lubricated, motor installed on an adjustable fan base resiliently mounted in the casing. Provide aluminum wheel and steel scroll.

- B. Exhaust/Relief Fan: Direct drive or belt driven plenum type with factory installed VFD or variable speed ECM motor. Provide with permanently lubricated, motor installed on an adjustable fan base resiliently mounted in the casing. Provide aluminum wheel and steel scroll.

- C. Fan Shaft Bearings:

1. Prelubricated and Sealed, Ball Bearings: Self-aligning, pillow-block type with a rated life of 120,000 hours according to ANSI/ABMA 9

Or

2. Grease-Lubricated, Tapered-Roller Bearings: Self-aligning, pillow-block type with double-locking collars and 2-piece, cast-iron housing with grease lines extended to outside unit and a rated life of 120,000 hours according to ANSI/ABMA 11.

- D. Fan Sound-Power Levels:

1. Fans, except condenser fans, shall meet or create lower sound power levels than those indicated.
2. Fans, except condenser fans, shall comply with AMCA 301, "Methods for Calculating Fan Sound Ratings from Laboratory Test Data." Test fans according to AMCA 300, "Reverberant Room Method for Sound Testing of Fans." Fans shall bear AMCA-certified sound ratings seal.

- E. Fan Performance Rating: Except condenser fans factory test fan performance for airflow, pressure, power, air density, rotation speed, and efficiency. Rate performance according to AMCA 210, "Laboratory Methods of Testing Fans for Aerodynamic Performance Rating."

- F. Condenser Fan(s): Propeller mounted on shaft of permanently lubricated motor.

- G. Fan Motor(s): Refer to section "Common Motor Requirements for HVAC Equipment."

#### 2.5 COILS

- A. Indoor Air Refrigerant Coil:

FIRE STATIONS RENOVATION  
ARLINGTON COUNTY, VIRGINIA  
Architect's Project No: 563006

1. Aluminum fins, seamless copper tube with minimum 0.017" wall thickness, and equalizing vertical distributor.
2. Distribution: Interlaced.
3. Circuits: Minimum of one per compressor.
4. Casing: Galvanized steel.
5. Split: As indicated. If not indicated none required.
6. Leak Tested: 300 psig

B. Hot-Gas Reheat Coil:

1. Direct-Expansion Coil: Seamless copper tubes expanded into aluminum fins.
2. Refrigerant Circuits: A separate circuit for each compressor, with externally equalized thermal-expansion valve with adjustable superheat, filter-dryer, sight glass, high-pressure relief valve, and charging valves.
3. Coil Split: Face split.

2.6 REFRIGERANT CIRCUIT COMPONENTS

- A. Provide gauge ports with Schrader valves for measuring suction and hot gas pressure.
- B. Provide for operation of the unit for heating down to 0° F.
- C. Provide for operation of the unit for cooling down to 55° F.
- D. Compressor: Hermetic, scroll, mounted on rubber in shear pads; with internal overcurrent and high-temperature protection, internal pressure relief, and crankcase heater.
  1. Lead Circuit: Digital scroll or scroll with VFD for modulating capacity down to 15% or less.
- E. Refrigeration Specialties:
  1. Refrigerant: R-410A.
  2. Expansion valve with replaceable thermostatic element.
  3. Refrigerant filter/dryer.
  4. Manual-reset high-pressure safety switch.
  5. Automatic-reset low-pressure safety switch.
  6. Minimum off-time relay.
  7. Automatic-reset compressor motor thermal overload.
  8. Brass service valves and unions installed in compressor suction and discharge lines.

2.7 GAS FURNACE

- A. Description: Factory assembled, piped, and wired; complying with ANSI Z21.47 and NFPA 54.
  1. CSA Approval: Designed and certified by and bearing label of CSA.

FIRE STATIONS RENOVATION  
ARLINGTON COUNTY, VIRGINIA  
Architect's Project No: 563006

- B. Burners: Stainless steel.
  - 1. Fuel: As indicated.
  - 2. Ignition: Electronically controlled electric spark or hot-surface igniter with flame sensor.
- C. Heat-Exchanger and Drain Pan: Stainless steel. Provide 10 year warranty on heat exchanger.
- D. Venting: Gravity or power vented.
- E. Safety Controls: Manufacturer's standard in accordance with local and state code requirements.
- F. Capacity Control: As scheduled. If not scheduled modulating control shall be provided.
  - 1. Cycle: All heat on or off as needed
  - 2. Stage: Provide a minimum of 4 stages, 25%, 50%, 75%, and 100%. Maximum temperature rise at 25% shall be fifteen degrees Fahrenheit (15° F).
  - 3. Modulating: Heat output shall be variable down to 20% of scheduled capacity or a maximum temperature rise of fifteen degrees Fahrenheit (15° F).

2.8 AIR FILTRATION SECTION

- A. Required sections:
  - 1. Outside Air Filters: Provide MERV 8 (30% efficient) 2" thick disposable pre-filters and MERV-13 2" thick final filters.
  - 2. Exhaust Air Filters: Provide MERV 8 (30% efficient) 2" thick disposable filters in exhaust air stream prior to energy recovery device.
- B. Refer to Division 23, Section "Particulate Air Filtration"

2.9 DAMPERS

- A. General Requirements for Dampers: Leakage rate, per AMCA 500, "Laboratory Methods for Testing Dampers for Rating," shall not exceed 2% of air quantity at 2000 FPM face velocity through damper and 4" WG pressure differential.
- B. Outdoor Air Damper(s): Two-position opposed blade galvanized steel motorized mechanically fastened to cadmium plated steel operating rods in reinforced cabinet, with bird screen and intake hood. Damper can provide outside air flow measuring.
- C. Exhaust Air Damper(s): Two-position opposed blade galvanized steel dampers mechanically fastened to cadmium plated steel operating rod in reinforced cabinet. Can be inversely interlock with Outdoor Air Damper if factory standard.
- D. Damper Motors:
  - 1. Two-position.
  - 2. Adjustable minimum and maximum position.

FIRE STATIONS RENOVATION  
ARLINGTON COUNTY, VIRGINIA  
Architect's Project No: 563006

2.10 ELECTRICAL POWER CONNECTION

- A. Provide for single connection of power to unit with unit-mounted disconnect switch accessible from outside unit and control-circuit transformer with built-in overcurrent protection
- B. Provide electrical power phase monitoring to shut down unit if a phase is lost.

2.11 ACCESSORIES

- A. Guards:
  - 1. Provide coil guards of galvanized stamped steel, painted to match casing. Guards shall be on sides of unit. Coils shall not be clearly visible from any direction.

2.12 ROOF CURBS

- A. Provide under this section. Refer to seismic and wind-restraint requirements under part 1 of this specification.
- B. Height: 12" greater than the highest portion of adjacent roof insulation.
- C. Slope: Match structure. Top of curb shall be level and each edge shall be flush with other edges on all sides.
- D. Roof Deck: Remove roof deck as required for ductwork and piping installation and insulation. Where pipe chases are provided remove roof deck inside curb and inside pipe chase.
- E. Wood Blocking and Shimming: Not permitted.

2.13 CONTROLS

- A. Basic Unit Controls:
  - 1. Manufacturer to provide basic controls for RTU operation including air-side economizer, power relief/exhaust.
  - 2. Manufacturer to provide terminal strip for BAS to integrate and control unit.
  - 3. Unit shall be provided with commercial grade programmable thermostat capable of occupied/unoccupied modes to control outside airflow rates.
  - 4. Provide control voltage transformer:
    - 1. Primary Voltage: As required
    - 2. Secondary Voltage: As required
    - 3. Load: As required - 100 VA minimum
- B. Refrigeration system control

FIRE STATIONS RENOVATION  
ARLINGTON COUNTY, VIRGINIA  
Architect's Project No: 563006

1. The manufacturer furnishing equipment under this section shall provide all controls for the compressors and refrigeration system including but not limited to staging and safeties under this section.

C. Sequence of Control

1. Refer to spec section Sequence of Controls for HVAC Operation

PART 3 - EXECUTION

3.1 EXAMINATION

- A. Examine substrates, areas, and conditions, with Installer present, for compliance with requirements for installation tolerances and other conditions affecting performance of RTUs.
- B. Examine roughing-in for RTUs to verify actual locations of piping and duct connections before equipment installation.
- C. Examine roofs or grade for suitable conditions where RTUs will be installed.
- D. Proceed with installation only after unsatisfactory conditions have been corrected.

3.2 INSTALLATION

A. Roof Mounted Unit:

1. Roof Curb
  1. Coordinate roof penetrations.
  2. Coordinate flashing with roof manufacturer.
  3. Install curb on roof structure, secure with anchor bolts and make top edges of curb level and all edges flush with each other.
  4. Secure equipment to upper curb rail (level) as recommended by equipment manufacturer.
  5. Install roof deck and roof insulation inside the curb under the equipment.
  6. Install roof curb below equipment pipe chase where pipe chase is required/provided.
  7. Eliminate roof deck and insulation below pipe chase where pipe chase is required/provided.
  8. Attach stainless steel wire mesh to deck over opening in pipe chase between roof and space below.

- B. Coordination: Coordinate penetrations and flashing.



FIRE STATIONS RENOVATION  
ARLINGTON COUNTY, VIRGINIA  
Architect's Project No: 563006

3.3 FIELD QUALITY CONTROL

- A. Whether or not use of equipment is otherwise permitted, startup service, tests, and inspections must be complete prior to running unit. Failure to perform startup service, tests, and inspections prior to running equipment shall grant the owner's representative authority to have the units/equipment removed from the site at the Contractor's expense. This paragraph shall not be construed to grant the Contractor permission to use the unit(s)/equipment specified in this section of the specifications.
- B. Manufacturer's Field Service: Engage a factory-authorized service representative to inspect, test, and adjust components, assemblies, and equipment installations, including connections. Record results.
- C. Tests and Inspections:
  - 1. Inspect for and remove shipping bolts, blocks, and tie-down straps.
  - 2. Fan Operational Test: After electrical circuitry has been energized, start units to confirm proper motor rotation and unit operation. Replace or repair faulty equipment.
  - 3. Test and adjust controls and safeties. Replace damaged and malfunctioning controls and equipment.
- D. RTU's or components will be considered defective if unit or components do not pass tests and inspections.
- E. Prepare test and inspection reports.

3.4 STARTUP SERVICE

- A. Engage a factory-authorized service representative to perform startup service.
- B. Complete installation and startup checks according to manufacturer's written instructions and do the following:
  - 1. Verify that unit is secure on mountings and supporting devices and connections to piping, ducts, and electrical systems are complete.
  - 2. Verify that proper thermal overload protection is installed in motors, controllers, and switches.
  - 3. Disconnect fan drive system. Verify proper motor rotation direction, free fan wheel rotation, and smooth bearing operation. Reconnect fan drive system, align and adjust belts to proper tension.
  - 4. Verify that bearings, pulleys, belts, and other moving parts are lubricated with factory-recommended lubricants.
  - 5. Verify that dampers fully open and close.
  - 6. Inspect dampers for proper stroke.
  - 7. Inspect damper blades and seals for visible defects.
  - 8. Inspect coil fins. Comb damaged coil fins for parallel orientation.
  - 9. Verify that proper thermal overload protection is installed for electric coils.
  - 10. Install new filters.

FIRE STATIONS RENOVATION  
ARLINGTON COUNTY, VIRGINIA  
Architect's Project No: 563006

11. If not direct drive place new belts on coat hook attached with ¼” long stainless steel sheet metal screws inside unit adjacent to existing belts where no damage will occur. Including but not limited to fans, energy recovery wheels, and enthalpy wheels.
12. Verify that manual and automatic volume control and fire and smoke dampers in connected duct systems are in fully open position.
13. Verify that smoke dampers in connected duct system fully close when unit is deactivated.
14. Inspect for visible damage to unit casing.
15. If included in unit inspect furnace combustion chamber for visible damage.
16. Inspect coils, and fans for visible damage.
17. Inspect internal casing for visible damage.
18. Verify that labels are clearly visible.
19. Verify that clearances have been provided for servicing.
20. Verify that controls are connected and operable.
21. Clean condenser coil and inspect for construction debris.
22. If included in unit, clean furnace flue and inspect for construction debris.
23. Remove packing from vibration isolators.
24. Inspect fan wheel for operation without vibration and binding.
25. Start unit according to manufacturer's written instructions.
  1. Start cooling system.
  2. Do not operate below recommended ambient temperature.
  3. Complete startup sheets and attach 1 paper, and one “universally readable” electronic copy on USB flash drive, with startup report. Maintain a copy in electronic format, file type Portable Document Format (\*.TXT, \*.DOC, \*.RTF, & \*.PDF) file formats are acceptable. The file format must be one of those listed or the Owner and Architect must own a computer and software capable of reading the electronic file.
26. Inspect and record performance of interlocks and protective devices.
27. Verify sequence of operation.
28. Operate unit for an initial period as recommended or required by manufacturer.
29. Calibrate sensors including thermostats.
30. Adjust and inspect high-temperature limits.
31. With unit operating start cooling system, measure, and record the following when the ambient temperature is a minimum of 85° F:
  1. Coil leaving air, dry and wet bulb temperatures.
  2. Coil entering air, dry and wet bulb temperatures.
  3. Return air, dry and wet bulb temperatures.
  4. Outdoor air, dry and wet bulb temperatures.
  5. Outdoor air (condenser) coil, discharge air, dry bulb temperature.
32. Measure and record the following minimum and maximum airflows. Plot fan volumes on fan curve.
  1. Supply air volume.
  2. Return air volume.
  3. Relief/exhaust air volume.
  4. Record relief/exhaust airflow station reading in CFM from BAS head end.
  5. Outdoor air intake volume.
  6. Record outdoor air intake airflow station reading in CFM from BAS head end.
33. Simulate maximum cooling demand by utilizing 100% outdoor air and lowering discharge air temperature. Record the discharge air temperature and outdoor air volume

FIRE STATIONS RENOVATION  
ARLINGTON COUNTY, VIRGINIA  
Architect's Project No: 563006

used for the simulation. During simulation operation inspect, measure, and record the following:

1. Compressor refrigerant suction and hot gas pressures.
2. Short circuiting of air through condenser coil or from condenser fans to outdoor-air intake.

3.5 CLEANING AND ADJUSTING

- A. Occupancy Adjustments: Within 12 months of the date of Substantial Completion, provide up to two (2) on site visits, during normal or other than normal occupancy hours as requested by owner, to assist in adjusting system.
- B. After completing testing, adjusting, and balancing clean RTU's internally to remove foreign material and construction dirt and dust. Clean fan wheels, cabinets, dampers, coils, and filter housings, and install new, filters.

3.6 DEMONSTRATION

- A. Engage a factory-authorized service representative to train Owner's maintenance personnel to adjust, operate, and maintain units/equipment.

END OF SECTION 237413

FIRE STATIONS RENOVATION  
ARLINGTON COUNTY, VIRGINIA  
Architect's Project No: 563006

SECTION 238126 – DUCTLESS MINI-SPLIT AIR-CONDITIONING UNITS

PART 1 - GENERAL

1.1 RELATED DOCUMENTS

- A. Drawings and general provisions of the Contract, including General and Supplementary Conditions and Division 1 Specification Sections, apply to this Section.

1.2 SUMMARY

- A. This Section includes ductless mini-split air-conditioning units consisting of separate evaporator-fan and compressor-condenser components. Evaporator fan units are designed for ceiling or wall mounting. The compressor-condenser unit shall be remote and located on the roof where indicated on the Drawings.
- B. Related Sections include the following:
  - 1. Division 23 Section "Vibration Control for HVAC" for isolation pads.

1.3 DEFINITIONS

- A. Evaporator-Fan Unit: The part of the ductless mini-split air-conditioning unit that contains a coil for cooling and a fan to circulate air to conditioned space.
- B. Compressor-Condenser Unit: The part of the ductless mini-split air-conditioning unit that contains a refrigerant compressor and a coil for condensing refrigerant.

1.4 SUBMITTALS

- A. Product Data: Include rated capacities; shipping, installed, and operating weights; furnished specialties; and accessories for each type of product indicated. Include performance data in terms of capacities, outlet velocities, static pressures, sound power characteristics, motor requirements, and electrical characteristics.
- B. Shop Drawings: Diagram power, signal, and control wiring and differentiate between manufacturer-installed and field-installed wiring.
- C. Maintenance Data: For ductless mini-split air-conditioning units to include in maintenance manuals specified in Division 1.
- D. Warranties: Special warranties specified in this Section.

1.5 QUALITY ASSURANCE

FIRE STATIONS RENOVATION  
ARLINGTON COUNTY, VIRGINIA  
Architect's Project No: 563006

- A. Product Options: Drawings indicate size, profiles, and dimensional requirements of ductless mini-split units and are based on the specific system indicated. Other manufacturers' systems with equal performance characteristics may be considered.
- B. Units shall be tested by a Nationally Recognized Testing Laboratory and shall bear the ETL label.
- C. All wiring shall be in accordance with the governing version of the National Electrical Code.
- D. Units shall be rated in accordance with ARI Standard 210 and bear the ARI Certification label.
- E. Units shall be precharged with refrigerant for 70 feet of refrigerant tubing.
- F. Electrical Components, Devices, and Accessories: Listed and labeled as defined in NFPA 70, Article 100, by a testing agency acceptable to authorities having jurisdiction, and marked for intended use.
- G. ASHRAE/IESNA Compliance: Applicable requirements in ASHRAE/IESNA 90.1-2010.

1.6 COORDINATION

- A. Coordinate size, location, and connection details with roof curbs, equipment supports, and roof penetrations specified in Division 7 Section "Flashing, Sheet Metal and Roofing Accessories."

1.7 WARRANTY

- A. General Warranty: Special warranty specified in this Article shall not deprive Owner of other rights Owner may have under other provisions of the Contract Documents and shall be in addition to, and run concurrent with, other warranties made by Contractor under requirements of the Contract Documents.
- B. Warranty Period: One year from date of Substantial Completion. If, during this period, any part should fail to function properly due to defects in workmanship or material, it shall be replaced or repaired at the discretion of the manufacturer by the Contractor. Warranty does not include labor. Labor is paid for by the Owner.

PART 2 - PRODUCTS

2.1 MANUFACTURERS

- A. Available Manufacturers: Subject to compliance with requirements, manufacturers offering products that may be incorporated into the Work include, but are not limited to, the following:
  - 1. Daikin  
No other manufacturers are acceptable as the basis of design unit is matching the equipment for the existing fire station.

FIRE STATIONS RENOVATION  
ARLINGTON COUNTY, VIRGINIA  
Architect's Project No: 563006

2.2 CEILING-MOUNTED, EVAPORATOR-FAN COMPONENTS

- A. The evaporator section shall be designed to be ceiling-mounted by means of a factory supplied mounting plate. Air distribution shall be integral to the wall-mounted unit.
- B. Cabinet and Chassis: Cabinet shall be high strength molded plastic with front panel access for the filter. Cabinet color shall be white. Include drain pan with drain connection. Indoor unit shall be factory assembled, wired and tested. Contained within unit shall be all factory wiring and internal piping, control circuit board and fan motor. The unit in conjunction with the wall mounted controller shall have a self-diagnostic function, three minute time delay mechanism, an auto restart function, and a test run switch. Indoor unit and refrigerant piping shall be purged with dry nitrogen before shipment from the factory.
- C. Refrigerant Coil: Evaporator coil shall be nonferrous construction with pre-coated aluminum fins on copper tubing. All tube joints shall be brazed with silver alloy. Coils shall be pressure tested at the factory. A condensate pan and drain shall be provided under the coil.
- D. Fan and Motor: Evaporator fan shall be double inlet, forward curved, direct drive fan with a single motor. The fan shall be statically and dynamically balanced and run on a motor with permanently lubricated bearings. The indoor fan shall have two speeds: low and high.
- E. Vane: Unit shall include a motorized horizontal vane to automatically direct air flow in a horizontal and downward direction for uniform air distribution. The horizontal vane shall significantly decrease downward air resistance for lower noise levels and shall close when unit stops.
- F. Filters: Return air shall be filtered with a removable and washable filter.

2.3 AIR-COOLED, COMPRESSOR-CONDENSER COMPONENTS

- A. General: Outdoor unit shall be the same capacity as the indoor unit and include a control board that interfaces with the indoor unit to perform all necessary operation functions. Outdoor unit shall be capable of operating at 0°F ambient temperature without additional low ambient controls. Outdoor unit shall be able to operate with a maximum height difference of 100 feet from indoor unit to outdoor unit and a maximum refrigerant tubing length of 165 feet between the indoor and outdoor unit without the need for line size changes, traps, or additional oil
- B. Casing: Casing shall be galvanized steel plate coated with an electrostatically applied thermally fused acrylic or polyester powder coating. The fan grille shall be ABS plastic.
- C. Compressor: The compressor shall be a DC rotary compressor with variable compressor speed inverter technology. The compressor shall be driven by inverter circuitry to control compressor speed. Compressor speed shall be varied to match space load. Outdoor unit shall include an accumulator and high pressure safety switch. The compressor shall be mounted to avoid the transmission of vibration.
- D. Refrigerant Coil: Condenser coil shall be copper tubing with aluminum fins. The coil shall be protected with an integral metal guard. Refrigerant flow from the condenser shall be controlled

FIRE STATIONS RENOVATION  
ARLINGTON COUNTY, VIRGINIA  
Architect's Project No: 563006

by means of linear expansion valve (LEV) metering orifice. The LEV shall be controlled by a microprocessor-controlled step motor.

- E. Fan: The fan motor bearings shall be permanently lubricated. The fan shall have horizontal discharge airflow. The fan shall be mounted in front of the coil. The fan shall include a raised guard to prevent contact with moving parts.

## 2.4 ACCESSORIES

1. Control: The control system shall be microprocessor-based and include one microprocessor on the outdoor unit and one on the indoor unit. Wall-mounted controller shall have a liquid crystal display indicating operating status and alarm condition and shall include a temperature sensor. A membrane keypad shall be included for program control and set point adjustment.
  2. The controller shall consist of On/Off button, increase/decrease set temperature buttons, a cool/dry/fan mode selector, timer menu button, timer on/off button, set time buttons, fan speed selector, vane position selector, a ventilation button, a test run button, and a check mode button.
  3. The controller shall display operating conditions such as set temperature, room temperature, pipe temperatures (i.e. liquid, discharge, indoor and outdoor), compressor operating conditions (including running current, frequency, input voltage, On/Off status and operating time), LEV opening pulses, sub-cooling and discharge super heat.
  4. Normal operation of the controller shall provide individual system control in which one controller and one indoor unit are installed in the same room.
  5. The control voltage from the controller to the indoor unit shall be 12 volts, DC. The control signal between the indoor and outdoor unit shall be pulse signal 24 volts DC. Up to two wired controllers shall be able to be used to control one unit.
  6. Control system shall control the continued operation of the air sweep louvers, as well as provide On/Off and mode switching. The controller shall have the capability to provide sequential starting with up to fifty seconds delay.
- B. Refrigerant Line Sets: Soft-annealed copper suction and liquid lines factory cleaned, dried, pressurized, and sealed; factory-insulated suction line with flared fittings at both ends. Pre-charge line sets in proper lengths for application. Final length shall be field verified. Refer to section "Refrigerant Piping" for additional requirements.
  - C. Factory-installed and -wired disconnect to be provided under this Section.

## PART 3 - EXECUTION

### 3.1 INSTALLATION

- A. Install units level and plumb, firmly anchored, in accordance with the manufacturer's written recommendations.
- B. Install evaporator-fan components using manufacturer's standard mounting devices securely fastened to building structure.

FIRE STATIONS RENOVATION  
ARLINGTON COUNTY, VIRGINIA  
Architect's Project No: 563006

- C. Install roof-mounted compressor-condenser components on equipment supports specified in Division 7 Section "Flashing, Sheet Metal and Roofing Accessories." Anchor units to supports with removable, cadmium-plated fasteners.
- D. Install compressor-condenser components on Elastomeric pads. Refer to Division 23 Section "Vibration Control for HVAC."
- E. Connect pre-charged refrigerant tubing to component's quick-connect fittings. Install tubing to allow access to unit.

### 3.2 CONNECTIONS

- A. Piping installation requirements are specified in other Division 23 Sections. Drawings indicate general arrangement of piping, fittings, and specialties.
- B. Connect condensate drain piping. Unit drain shall be internally trapped.
- C. Install piping adjacent to unit to allow service and maintenance.
- D. Unless otherwise indicated, connect piping with unions and shutoff valves to allow units to be disconnected without draining piping. Refer to piping system Sections for specific valve and specialty arrangements.
- E. Ground equipment.
  - 1. Tighten electrical connectors and terminals according to manufacturer's published torque-tightening values. If manufacturer's torque values are not indicated, use those specified in UL 486A and UL 486B.

### 3.3 FIELD QUALITY CONTROL

- A. Installation Inspection: Engage a factory-authorized service representative to inspect field-assembled components and equipment installation, including piping and electrical connections, and to prepare a written report of inspection.
- B. Leak Test: After installation, charge system and test for leaks. Repair leaks and retest until no leaks exist.
- C. Operational Test: After electrical circuitry has been energized, start units to confirm proper motor rotation and unit operation. Remove malfunctioning units, replace with new components, and retest.
- D. Test and adjust controls and safeties. Replace damaged and malfunctioning controls and equipment.

### 3.4 COMMISSIONING



FIRE STATIONS RENOVATION  
ARLINGTON COUNTY, VIRGINIA  
Architect's Project No: 563006

- A. Engage a factory-authorized service representative to perform startup service.
- B. Verify that units are installed and connected according to the Contract Documents.
- C. Lubricate bearings, adjust belt tension, and change filters.
- D. Perform startup checks according to manufacturer's written instructions and do the following:
  - 1. Fill out manufacturer's checklists.
  - 2. Check for unobstructed airflow over coils.
  - 3. Check operation of condenser capacity-control device.
  - 4. Verify that vibration isolation devices and flexible connectors dampen vibration transmission to structure.

3.5 DEMONSTRATION

- A. Engage a factory-authorized service representative to train Owner's maintenance personnel to adjust, operate, and maintain units.
  - 1. Train Owner's maintenance personnel on procedures and schedules for starting and stopping, troubleshooting, servicing, and maintaining units.
  - 2. Review data in maintenance manuals. Refer to Division 1 Section "Closeout Procedures."

END OF SECTION 238126

FIRE STATIONS RENOVATION  
ARLINGTON COUNTY, VIRGINIA  
Architect's Project No: 563006

---

SECTION 260519 - LOW-VOLTAGE ELECTRICAL POWER CONDUCTORS AND CABLES

PART 1 - GENERAL

1.1 RELATED DOCUMENTS

- A. Drawings and general provisions of the Contract, including General and Supplementary Conditions and Division 01 Specification Sections, apply to this Section.

1.2 SUMMARY

A. Section Includes:

- 1. Building wires and cables rated 600 V and less.
- 2. Connectors, splices, and terminations rated 600 V and less.

B. Related Requirements:

- 1. Section 260523 "Control-Voltage Electrical Power Cables" for control systems communications cables and Classes 1, 2 and 3 control cables.

1.3 ACTION SUBMITTALS

- A. Product Data: For each type of product.

1.4 INFORMATIONAL SUBMITTALS

- A. Field quality-control reports.

PART 2 - PRODUCTS

2.1 CONDUCTORS AND CABLES

- A. Manufacturers: Subject to compliance with requirements, available manufacturers offering products that may be incorporated into the Work include, but are not limited to the following:

- 1. Cerro Wire LLC.
- 2. General Cable; General Cable Corporation.
- 3. Southwire Company.

- B. Copper Conductors: Comply with NEMA WC 70/ICEA S-95-658.

FIRE STATIONS RENOVATION  
ARLINGTON COUNTY, VIRGINIA  
Architect's Project No: 563006

---

- C. Conductor Insulation: Comply with NEMA WC 70/ICEA S-95-658 for Type THHN-2-THWN-2.
- D. Multiconductor Cable: Comply with NEMA WC 70/ICEA S-95-658 for type SO with ground wire. Type MC Cable is not allowed.

## 2.2 CONNECTORS AND SPLICES

- A. Manufacturers: Subject to compliance with requirements, available manufacturers offering products that may be incorporated into the Work include, but are not limited to the following:
  - 1. 3M.
  - 2. Hubbell Power Systems, Inc.
  - 3. ILSCO.
  - 4. Tyco Electronics Corp.
- B. Description: Factory-fabricated connectors and splices of size, ampacity rating, material, type, and class for application and service indicated.

## 2.3 SYSTEM DESCRIPTION

- A. Electrical Components, Devices, and Accessories: Listed and labeled as defined in NFPA 70, by a qualified testing agency, and marked for intended location and application.
- B. Comply with NFPA 70.

## PART 3 - EXECUTION

### 3.1 CONDUCTOR MATERIAL APPLICATIONS

- A. Feeders: Copper: Stranded for No. 8 AWG and larger.
- B. Branch Circuits: Copper. Solid or Stranded for No. 10 AWG and smaller; stranded for No. 8 AWG and larger.

### 3.2 CONDUCTOR INSULATION AND MULTICONDUCTOR CABLE APPLICATIONS AND WIRING METHODS

- A. Service Entrance: Type XHHW-2, single conductors in raceway.
- B. Exposed Feeders: Type THHN-2-THWN-2, single conductors in raceway.
- C. Feeders Concealed in Ceilings, Walls, Partitions, and Crawlspace: Type THHN-2-THWN-2, single conductors in raceway.

FIRE STATIONS RENOVATION  
ARLINGTON COUNTY, VIRGINIA  
Architect's Project No: 563006

---

- D. Feeders Concealed in Concrete, below Slabs-on-Grade, and Underground: Type THHN-2-THWN-2, single conductors in raceway.
- E. Exposed Branch Circuits, Including in Crawlspace: Type THHN-2-THWN-2, single conductors in raceway.
- F. Branch Circuits Concealed in Ceilings, Walls, and Partitions: Type THHN-2-THWN-2, single conductors in raceway.
- G. Branch Circuits Concealed in Concrete, below Slabs-on-Grade, and Underground: Type THHN-2-THWN-2, single conductors in raceway.
- H. Cord Drops and Portable Appliance Connections: Type SO, hard service cord with stainless-steel, wire-mesh, strain relief device at terminations to suit application.

### 3.3 INSTALLATION OF CONDUCTORS AND CABLES

- A. Conceal cables in finished walls, ceilings, and floors unless otherwise indicated.
- B. Complete raceway installation between conductor and cable termination points according to Section 260533 "Raceways and Boxes for Electrical Systems" prior to pulling conductors and cables.
- C. Use manufacturer-approved pulling compound or lubricant where necessary; compound used must not deteriorate conductor or insulation. Do not exceed manufacturer's recommended maximum pulling tensions and sidewall pressure values.
- D. Use pulling means, including fish tape, cable, rope, and basket-weave wire/cable grips, that will not damage cables or raceway.
- E. Install exposed cables parallel and perpendicular to surfaces of exposed structural members, and follow surface contours where possible.
- F. Branch Circuits Concealed in Casework: FMC with Stranded conductors may be used to feed to outlet boxes fish concealed in built-in casework. Route cable supported tight in upper inside corners of casework, not in conflict with drawers or cabinet doors.
- G. Support cables according to Section 260529 "Hangers and Supports for Electrical Systems."
- H. Whips from Junction Box Concealed in Ceilings to Lighting Fixtures:
  - 1. Type FMC, with minimum #12AWG copper THHN/THWN and full size equipment grounding conductor. Maximum whip length 72".
  - 2. FMC shall be supported within 24" of fixture connection so that whip is not in contact with ceiling or grid. Securing to fixture support wires with batwings is acceptable but not to ceiling support wires.
  - 3. Do not connect fixture whips from fixture to fixture (daisy chain). No more than 4 whips shall be connected to any one junction box.

FIRE STATIONS RENOVATION  
ARLINGTON COUNTY, VIRGINIA  
Architect's Project No: 563006

---

- I. All single-phase circuits shall include a dedicated neutral (grounded) and grounding conductor, unless specifically noted otherwise.
  - 1. The intent of this is to eliminate multiwire branch circuits and allow disconnection of one circuit without requiring disconnection of other(s) as would be required to comply with NEC 210.4(B). Per NEC 310.15(B)(b) each of these neutral (grounded) conductor is not considered to be load-bearing so derating is not required.
  
- J. Contract drawings are based upon a maximum of 3 current-carrying conductors in a conduit. Contractor may rework indicated circuitry to install a maximum of (6) L-N circuit (120 or 277V) in a single conduit. There shall be no more than 2 each A, B, C phase conductors per homerun. Each shall have dedicated neutral (grounded) conductor.
  - 1. Do not group L-L circuits in a homerun, unless specifically indicated on the drawings.
  - 2. Where there are more than 3 current-carrying conductors in a conduit, derate conductor ampacities in accordance with NEC Table 310.15(B)(2)(a).
  - 3. When running more than 3 ungrounded conductors in a raceway, increase size of conduits beyond those indicated in contract documents, as required to not exceed NEC Chapter 9, Table 1 conduit-fill requirements. As-built drawings shall clearly indicate which circuits are grouped in homeruns.
  
- K. Unless otherwise indicated, minimum conductor size shall be 12 AWG.

### 3.4 CONNECTIONS

- A. Tighten electrical connectors and terminals according to manufacturer's published torque-tightening values. If manufacturer's torque values are not indicated, use those specified in UL 486A-486B.
  
- B. Make splices, terminations, and taps that are compatible with conductor material and that possess equivalent or better mechanical strength and insulation ratings than unspliced conductors.
  
- C. Wiring at Outlets: Install conductor at each outlet, with at least 12 inches of slack.

### 3.5 IDENTIFICATION

- A. Identify and color-code conductors and cables according to Section 260553 "Identification for Electrical Systems."
  
- B. Identify each spare conductor at each end with identity number and location of other end of conductor, and identify as spare conductor.

### 3.6 SLEEVE AND SLEEVE-SEAL INSTALLATION FOR ELECTRICAL PENETRATIONS

- A. Install sleeves and sleeve seals at penetrations of exterior floor and wall assemblies. Comply with requirements in Section 260544 "Sleeves and Sleeve Seals for Electrical Raceways and Cabling."

FIRE STATIONS RENOVATION  
ARLINGTON COUNTY, VIRGINIA  
Architect's Project No: 563006

---

3.7 FIRESTOPPING

- A. Apply firestopping to electrical penetrations of fire-rated floor and wall assemblies to restore original fire-resistance rating of assembly according to Section 078413 "Penetration Firestopping."

3.8 FIELD QUALITY CONTROL

- A. Perform the following tests and inspections:
1. After installing conductors and cables and before electrical circuitry has been energized, test service entrance and feeder conductors for compliance with requirements.
  2. Perform each visual and mechanical inspection and electrical test stated in NETA Acceptance Testing Specification. Certify compliance with test parameters.
- B. Test and Inspection Reports: Prepare a written report to record the following:
1. Procedures used.
  2. Results that comply with requirements.
  3. Results that do not comply with requirements and corrective action taken to achieve compliance with requirements.
- C. Cables will be considered defective if they do not pass tests and inspections.

END OF SECTION 260519

FIRE STATIONS RENOVATION  
ARLINGTON COUNTY, VIRGINIA  
Architect's Project No: 563006

---

SECTION 260523 - CONTROL-VOLTAGE ELECTRICAL POWER CABLES

PART 1 - GENERAL

1.1 RELATED DOCUMENTS

- A. Drawings and general provisions of the Contract, including General and Supplementary Conditions and Division 01 Specification Sections, apply to this Section.

1.2 SUMMARY

- A. Section Includes:
  - 1. Low-voltage control cabling.
  - 2. Control-circuit conductors.
  - 3. Identification products.

1.3 DEFINITIONS

- A. EMI: Electromagnetic interference.
- B. Low Voltage: As defined in NFPA 70 for circuits and equipment operating at less than 50 V or for remote-control and signaling power-limited circuits.
- C. Plenum: A space forming part of the air distribution system to which one or more air ducts are connected. An air duct is a passageway, other than a plenum, for transporting air to or from heating, ventilating, or air-conditioning equipment.

1.4 ACTION SUBMITTALS

- A. Product Data: For each type of product.

1.5 INFORMATIONAL SUBMITTALS

- A. Qualification Data: For qualified layout technician, installation supervisor, and field inspector.
- B. Source quality-control reports.
- C. Field quality-control reports.

FIRE STATIONS RENOVATION  
ARLINGTON COUNTY, VIRGINIA  
Architect's Project No: 563006

---

PART 2 - PRODUCTS

2.1 SYSTEM DESCRIPTION

- A. Electrical Components, Devices, and Accessories: Listed and labeled as defined in NFPA 70, by a qualified testing agency, and marked for intended location and application.

2.2 PERFORMANCE REQUIREMENTS

- A. Flame Travel and Smoke Density in Plenums: As determined by testing identical products according to NFPA 262 by a qualified testing agency. Identify products for installation in plenums with appropriate markings of applicable testing agency.
  - 1. Flame Travel Distance: 60 inches or less.
  - 2. Peak Optical Smoke Density: 0.5 or less.
  - 3. Average Optical Smoke Density: 0.15 or less.
- B. Flame Travel and Smoke Density for Riser Cables in Non-Plenum Building Spaces: As determined by testing identical products according to UL 1666.
- C. Flame Travel and Smoke Density for Cables in Non-Riser Applications and Non-Plenum Building Spaces: As determined by testing identical products according to UL 1685.

2.3 BACKBOARDS

- A. Description: Plywood, fire-retardant treated, 3/4 by 48 by 96 inches. Comply with requirements for plywood backing panels in Section 061000 "Rough Carpentry."
- B. Painting: Paint plywood on all sides and edges with flat latex paint. Comply with requirements in Section 099123 "Interior Painting."

2.4 LOW-VOLTAGE CONTROL CABLE

- A. Paired Cable: NFPA 70, Type CMG.
  - 1. Multi-pair, twisted, No. 18 AWG, stranded (19x30) tinned-copper conductors.
  - 2. PVC insulation.
  - 3. Unshielded.
  - 4. PVC jacket.
  - 5. Flame Resistance: Comply with UL 1685.
- B. Plenum-Rated, Paired Cable: NFPA 70, Type CMP.
  - 1. Multi-pair, twisted, No. 18 AWG, stranded (19x30) tinned-copper conductors.



FIRE STATIONS RENOVATION  
ARLINGTON COUNTY, VIRGINIA  
Architect's Project No: 563006

---

2. PVC insulation.
3. Unshielded.
4. PVC jacket.
5. Flame Resistance: Comply with NFPA 262.

## 2.5 CONTROL-CIRCUIT CONDUCTORS

- A. Manufacturers: Subject to compliance with requirements, available manufacturers offering products that may be incorporated into the Work include, but are not limited to the following:
1. Encore Wire Corporation.
  2. General Cable; General Cable Corporation.
  3. Southwire Company.
- B. Class 1 Control Circuits: Stranded copper, Type THHN-2-THWN-2, in raceway, complying with UL 83.
- C. Class 2 Control Circuits: Stranded copper, Type THHN-2-THWN-2, in raceway, complying with UL 83.
- D. Class 3 Remote-Control and Signal Circuits: Stranded copper, Type THHN-2-THWN-2, in raceway, complying with UL 83.
- E. Class 2 Control Circuits and Class 3 Remote-Control and Signal Circuits That Supply Critical Circuits: Circuit Integrity (CI) cable.
1. Smoke control signaling and control circuits.

## 2.6 SOURCE QUALITY CONTROL

- A. Cable will be considered defective if it does not pass tests and inspections.
- B. Prepare test and inspection reports.

## PART 3 - EXECUTION

### 3.1 INSTALLATION OF RACEWAYS AND BOXES

- A. Comply with requirements in Section 260533 "Raceways and Boxes for Electrical Systems" for raceway selection and installation requirements for boxes, conduits, and wireways as supplemented or modified in this Section.
1. Outlet boxes shall be no smaller than 2 inches wide, 3 inches high and 2-1/2 inches deep.
  2. Flexible metal conduit shall not be used over 6'.

FIRE STATIONS RENOVATION  
ARLINGTON COUNTY, VIRGINIA  
Architect's Project No: 563006

---

- B. Backboards: Install backboards with 96-inch dimension vertical. Butt adjacent sheets tightly and form smooth gap-free corners and joints.

### 3.2 INSTALLATION OF CONDUCTORS AND CABLES

- A. Comply with NECA 1 and NFPA 70.

- B. General Requirements for Cabling:

1. Cables may not be spliced.
2. Secure and support cables at intervals not exceeding 30 inches and not more than 6 inches from cabinets, boxes, fittings, outlets, racks, frames, and terminals.
3. Do not install bruised, kinked, scored, deformed, or abraded cable. Do not splice cable between termination, tap, or junction points. Remove and discard cable if damaged during installation and replace it with new cable.
4. Cold-Weather Installation: Bring cable to room temperature before dereeling. Do not use heat lamps for heating.
5. Support: Do not allow cables to lay on removable ceiling tiles.
6. Secure: Fasten securely in place with hardware specifically designed and installed so as to not damage cables.

- C. Open-Cable Installation:

1. Install cabling with horizontal and vertical cable guides in telecommunications spaces with terminating hardware and interconnection equipment.
2. Suspend copper cable not in a wireway or pathway a minimum of 8 inches above ceilings by cable supports not more than 30 inches apart.
3. Cable shall not be run through or on structural members or in contact with pipes, ducts, or other potentially damaging items. Do not run cables between structural members and corrugated panels.

### 3.3 CONTROL-CIRCUIT CONDUCTORS

- A. Minimum Conductor Sizes:

1. Class 1 remote-control and signal circuits; No 14 AWG.
2. Class 2 low-energy, remote-control, and signal circuits; No. 16 AWG.
3. Class 3 low-energy, remote-control, alarm, and signal circuits; No 12 AWG.

### 3.4 FIRESTOPPING

- A. Comply with requirements in Section 078413 "Penetration Firestopping."

FIRE STATIONS RENOVATION  
ARLINGTON COUNTY, VIRGINIA  
Architect's Project No: 563006

---

3.5 GROUNDING

- A. For low-voltage control wiring and cabling, comply with requirements in Section 260526 "Grounding and Bonding for Electrical Systems."

3.6 IDENTIFICATION

- A. Comply with requirements for identification specified in Section 260553 "Identification for Electrical Systems."

3.7 FIELD QUALITY CONTROL

- A. Perform the following tests and inspections:
  - 1. Visually inspect cable placement, cable termination, grounding and bonding, equipment and patch cords, and labeling of all components.

END OF SECTION 260523

FIRE STATIONS RENOVATION  
ARLINGTON COUNTY, VIRGINIA  
Architect's Project No: 563006

---

SECTION 260526 - GROUNDING AND BONDING FOR ELECTRICAL SYSTEMS

PART 1 - GENERAL

1.1 RELATED DOCUMENTS

- A. Drawings and general provisions of the Contract, including General and Supplementary Conditions and Division 01 Specification Sections, apply to this Section.

1.2 SUMMARY

- A. Section includes grounding and bonding systems and equipment.

1.3 ACTION SUBMITTALS

- A. Product Data: For each type of product indicated.

1.4 INFORMATIONAL SUBMITTALS

- A. As-Built Data: Plans showing dimensioned as-built locations of grounding features specified in "Field Quality Control" Article, including the following:
  - 1. Test wells.
  - 2. Ground rods.
  - 3. Ground rings.
  - 4. Grounding arrangements and connections for separately derived systems.

- B. Field quality-control reports.

1.5 CLOSEOUT SUBMITTALS

- A. Operation and Maintenance Data: For grounding to include in emergency, operation, and maintenance manuals.
  - 1. In addition to items specified in Section 017823 "Operation and Maintenance Data," include the following:

1.6 QUALITY ASSURANCE

- A. Electrical Components, Devices, and Accessories: Listed and labeled as defined in NFPA 70, by a qualified testing agency, and marked for intended location and application.
- B. Comply with UL 467 for grounding and bonding materials and equipment.

FIRE STATIONS RENOVATION  
ARLINGTON COUNTY, VIRGINIA  
Architect's Project No: 563006

---

PART 2 - PRODUCTS

2.1 MANUFACTURERS

- A. Manufacturers: Subject to compliance with requirements, available manufacturers offering products that may be incorporated into the Work include, but are not limited to the following:
1. Burndy; Part of Hubbell Electrical Systems.
  2. ERICO International Corporation.
  3. Galvan Industries, Inc.; Electrical Products Division, LLC.
  4. ILSCO.
  5. O-Z/Gedney; an EGS Electrical Group brand; an Emerson Industrial Automation business.

2.2 SYSTEM DESCRIPTION

- A. Electrical Components, Devices, and Accessories: Listed and labeled as defined in NFPA 70, by a qualified testing agency, and marked for intended location and application.
- B. Comply with UL 467 for grounding and bonding materials and equipment.

2.3 CONDUCTORS

- A. Insulated Conductors: Copper wire or cable insulated for 600 V unless otherwise required by applicable Code or authorities having jurisdiction.
- B. Bare Copper Conductors:
1. Solid Conductors: ASTM B 3.
  2. Stranded Conductors: ASTM B 8.
  3. Tinned Conductors: ASTM B 33.
  4. Bonding Cable: 28 kcmil, 14 strands of No. 17 AWG conductor, 1/4 inch in diameter.
  5. Bonding Conductor: No. 4 AWG, stranded conductor.
  6. Bonding Jumper: Copper tape, braided conductors terminated with copper ferrules; 1-5/8 inches wide and 1/16 inch thick.
  7. Tinned Bonding Jumper: Tinned-copper tape, braided conductors terminated with copper ferrules; 1-5/8 inches wide and 1/16 inch thick.
- C. Telecommunication Grounding Bus: Refer to details on drawings

FIRE STATIONS RENOVATION  
ARLINGTON COUNTY, VIRGINIA  
Architect's Project No: 563006

---

2.4 CONNECTORS

- A. Listed and labeled by an NRTL acceptable to authorities having jurisdiction for applications in which used and for specific types, sizes, and combinations of conductors and other items connected.
- B. Bolted Connectors for Conductors and Pipes: Copper or copper alloy.
- C. Welded Connectors: Exothermic-welding kits of types recommended by kit manufacturer for materials being joined and installation conditions.
- D. Bus-Bar Connectors: Mechanical type, cast silicon bronze, solderless compression-type wire terminals, and long-barrel, two-bolt connection to ground bus bar.

2.5 GROUNDING ELECTRODES

- A. Ground Rods: Copper-clad steel; 3/4 inch by 10 feet.
- B. Chemical-Enhanced Grounding Electrodes: Copper tube, straight or L-shaped, charged with nonhazardous electrolytic chemical salts.
  - 1. Termination: Factory-attached No. 4/0 AWG bare conductor at least 48 inches long.
  - 2. Backfill Material: Electrode manufacturer's recommended material.

PART 3 - EXECUTION

3.1 APPLICATIONS

- A. Conductors: Install stranded conductors for No. 6 AWG and larger unless otherwise indicated.
- B. Underground Grounding Conductors: Install bare copper conductor, No. 2/0 AWG minimum.
  - 1. Bury at least 24 inches below grade.
  - 2. Ductbank Grounding Conductor: Bury 12 inches above ductbank when indicated as part of duct-bank installation..
- C. Telecommunication Grounding Bus: Install in MDF/IDF equipment rooms, in rooms housing service equipment, and elsewhere as indicated.
  - 1. Install bus horizontally, on insulated spacers 2 inches minimum from wall, 6 inches above finished floor unless otherwise indicated.
  - 2. Where indicated on both sides of doorways, route bus up to top of door frame, across top of doorway, and down; connect to horizontal bus.
- D. Conductor Terminations and Connections:

FIRE STATIONS RENOVATION  
ARLINGTON COUNTY, VIRGINIA  
Architect's Project No: 563006

---

1. Pipe and Equipment Grounding Conductor Terminations: Bolted connectors.
2. Underground Connections: Welded connectors except at test wells and as otherwise indicated.
3. Connections to Ground Rods at Test Wells: Bolted connectors.
4. Connections to Structural Steel: Welded connectors.

3.2 GROUNDING AT THE SERVICE

- A. Equipment grounding conductors and grounding electrode conductors shall be connected to the ground bus. Install a main bonding jumper between the neutral and ground buses.

3.3 GROUNDING SEPARATELY DERIVED SYSTEMS

- A. Generator: Install grounding electrode(s) at the generator location. The electrode shall be connected to the equipment grounding conductor and to the frame of the generator.

3.4 GROUNDING UNDERGROUND DISTRIBUTION SYSTEM COMPONENTS

- A. Comply with IEEE C2 grounding requirements.
- B. Grounding Manholes and Handholes: Install a driven ground rod through manhole or handhole floor, close to wall, and set rod depth so 4 inches will extend above finished floor. If necessary, install ground rod before manhole is placed and provide No. 1/0 AWG bare, tinned-copper conductor from ground rod into manhole through a waterproof sleeve in manhole wall. Protect ground rods passing through concrete floor with a double wrapping of pressure-sensitive insulating tape or heat-shrunk insulating sleeve from 2 inches above to 6 inches below concrete. Seal floor opening with waterproof, nonshrink grout.
- C. Grounding Connections to Manhole Components: Bond exposed-metal parts such as inserts, cable racks, pulling irons, ladders, and cable shields within each manhole or handhole, to ground rod or grounding conductor. Make connections with No. 4 AWG minimum, stranded, hard-drawn copper bonding conductor. Train conductors level or plumb around corners and fasten to manhole walls. Connect to cable armor and cable shields according to written instructions by manufacturer of splicing and termination kits.
- D. Pad mounted Transformers and Switches: Comply with AEP grounding Standards

3.5 EQUIPMENT GROUNDING

- A. Install insulated equipment grounding conductors with all feeders and branch circuits.
- B. Install insulated equipment grounding conductors with the following items, in addition to those required by NFPA 70:
  1. Feeders and branch circuits.

FIRE STATIONS RENOVATION  
ARLINGTON COUNTY, VIRGINIA  
Architect's Project No: 563006

---

2. Lighting circuits.
3. Receptacle circuits.
4. Single-phase motor and appliance branch circuits.
5. Three-phase motor and appliance branch circuits.
6. Flexible raceway runs.
7. Armored and metal-clad cable runs.

- C. Air-Duct Equipment Circuits: Install insulated equipment grounding conductor to duct-mounted electrical devices operating at 120 V and more, including air cleaners, heaters, dampers, humidifiers, and other duct electrical equipment. Bond conductor to each unit and to air duct and connected metallic piping.
- D. Water Heater, Heat-Tracing, and Antifrost Heating Cables: Install a separate insulated equipment grounding conductor to each electric water heater and heat-tracing cable. Bond conductor to heater units, piping, connected equipment, and components.
- E. Athletic Field Lighting Poles Supporting Lighting Fixtures: Install grounding electrode and a separate insulated equipment grounding conductor in addition to grounding conductor installed with branch-circuit conductors.

### 3.6 INSTALLATION

- A. Grounding Conductors: Route along shortest and straightest paths possible unless otherwise indicated or required by Code. Avoid obstructing access or placing conductors where they may be subjected to strain, impact, or damage.
- B. Ground Rods: Drive rods until tops are 2 inches below finished floor or final grade unless otherwise indicated.
1. Interconnect ground rods with grounding electrode conductor below grade and as otherwise indicated. Make connections without exposing steel or damaging coating if any.
  2. For grounding electrode system, install at least three rods spaced at least one-rod length from each other and located at least the same distance from other grounding electrodes, and connect to the service grounding electrode conductor.
- C. Test Wells: Ground rod driven through drilled hole in bottom of handhole. Handholes are specified in Section 260543 "Underground Ducts and Raceways for Electrical Systems," and shall be at least 12 inches deep, with cover.
1. Test Wells: Install at least one test well for each service unless otherwise indicated. Install at the ground rod electrically closest to service entrance. Set top of test well flush with finished grade or floor.
- D. Bonding Straps and Jumpers: Install in locations accessible for inspection and maintenance except where routed through short lengths of conduit.
1. Bonding to Structure: Bond straps directly to basic structure, taking care not to penetrate any adjacent parts.



FIRE STATIONS RENOVATION  
ARLINGTON COUNTY, VIRGINIA  
Architect's Project No: 563006

---

2. Bonding to Equipment Mounted on Vibration Isolation Hangers and Supports: Install bonding so vibration is not transmitted to rigidly mounted equipment.
3. Use exothermic-welded connectors for outdoor locations; if a disconnect-type connection is required, use a bolted clamp.

E. Grounding and Bonding for Piping:

1. Metal Water Service Pipe: Install insulated copper grounding conductors, in conduit, from building's main service equipment, or grounding bus, to main metal water service entrances to building. Connect grounding conductors to main metal water service pipes; use a bolted clamp connector or bolt a lug-type connector to a pipe flange by using one of the lug bolts of the flange. Where a dielectric main water fitting is installed, connect grounding conductor on street side of fitting. Bond metal grounding conductor conduit or sleeve to conductor at each end.
2. Water Meter Piping: Use braided-type bonding jumpers to electrically bypass water meters. Connect to pipe with a bolted connector.
3. Bond each aboveground portion of gas piping system downstream from equipment shutoff valve.

F. Bonding Interior Metal Ducts: Bond metal air ducts to equipment grounding conductors of associated fans, blowers, electric heaters, and air cleaners. Install bonding jumper to bond across flexible duct connections to achieve continuity.

G. Grounding for Steel Building Structure: Install a driven ground rod at base of each corner column and at intermediate exterior columns at distances not more than 60 feet apart.

I. Concrete-Encased Grounding Electrode (Ufer Ground): Fabricate according to NFPA 70; use a minimum of 20 feet of bare copper conductor not smaller than No. 4 AWG.

1. If concrete foundation is less than 20 feet long, coil excess conductor within base of foundation.
2. Bond grounding conductor to reinforcing steel in at least four locations and to anchor bolts. Extend grounding conductor below grade and connect to building's grounding grid or to grounding electrode external to concrete.

### 3.7 FIELD QUALITY CONTROL

A. Perform tests and inspections.

B. Tests and Inspections:

1. After installing grounding system but before permanent electrical circuits have been energized, test for compliance with requirements.
2. Inspect physical and mechanical condition. Verify tightness of accessible, bolted, electrical connections with a calibrated torque wrench according to manufacturer's written instructions.
3. Test completed grounding system at each location where a maximum ground-resistance level is specified, at service disconnect enclosure grounding terminal, at ground test wells. Make tests at ground rods before any conductors are connected.

FIRE STATIONS RENOVATION  
ARLINGTON COUNTY, VIRGINIA  
Architect's Project No: 563006

---

- a. Measure ground resistance no fewer than two full days after last trace of precipitation and without soil being moistened by any means other than natural drainage or seepage and without chemical treatment or other artificial means of reducing natural ground resistance.
  - b. Perform tests by fall-of-potential method according to IEEE 81.
4. Prepare dimensioned Drawings locating each test well, ground rod and ground-rod assembly, and other grounding electrodes. Identify each by letter in alphabetical order, and key to the record of tests and observations. Include the number of rods driven and their depth at each location, and include observations of weather and other phenomena that may affect test results. Describe measures taken to improve test results.
- C. Grounding system will be considered defective if it does not pass tests and inspections.
- D. Prepare test and inspection reports.
- E. Report measured ground resistances that exceed the following values:
1. Power and Lighting Equipment or System with Capacity More Than 1000 kVA: 3 ohms.
  2. Power Distribution Units or Panelboards Serving Electronic Equipment: 3 ohm(s).
  3. Substations and Pad-Mounted Equipment: 5 ohms.
  4. Manhole Grounds: 10 ohms.
- F. Excessive Ground Resistance: If resistance to ground exceeds specified values, notify Architect promptly and include recommendations to reduce ground resistance.

END OF SECTION 260526

FIRE STATIONS RENOVATION  
ARLINGTON COUNTY, VIRGINIA  
Architect's Project No: 563006

---

SECTION 260529 - HANGERS AND SUPPORTS FOR ELECTRICAL SYSTEMS

PART 1 - GENERAL

1.1 RELATED DOCUMENTS

- A. Drawings and general provisions of the Contract, including General and Supplementary Conditions and Division 01 Specification Sections, apply to this Section.

1.2 SUMMARY

- A. This Section includes the following:
  - 1. Hangers and supports for electrical equipment and systems.
  - 2. Construction requirements for concrete bases.

1.3 DEFINITIONS

- A. EMT: Electrical metallic tubing.
- B. IMC: Intermediate metal conduit.
- C. RMC: Rigid metal conduit.

1.4 PERFORMANCE REQUIREMENTS

- A. Design supports for multiple raceways capable of supporting combined weight of supported systems and its contents.
- B. Design equipment supports capable of supporting combined operating weight of supported equipment and connected systems and components.
- C. Rated Strength: Adequate in tension, shear, and pullout force to resist maximum loads calculated or imposed for this Project.

1.5 QUALITY ASSURANCE

- A. Welding: Qualify procedures and personnel according to AWS D1.1/D1.1M, "Structural Welding Code - Steel."
- B. Comply with NFPA 70.

FIRE STATIONS RENOVATION  
ARLINGTON COUNTY, VIRGINIA  
Architect's Project No: 563006

---

1.6 COORDINATION

- A. Coordinate size and location of concrete bases. Cast anchor-bolt inserts into bases. Concrete, reinforcement, and formwork requirements are specified together with concrete Specifications.
- B. Coordinate installation of roof curbs, equipment supports, and roof penetrations. These items are specified in Division 7.

PART 2 - PRODUCTS

2.1 SUPPORT, ANCHORAGE, AND ATTACHMENT COMPONENTS

- A. Steel Slotted Support Systems: Comply with MFMA-4, factory-fabricated components for field assembly.
  - 1. Manufacturers: Subject to compliance with requirements, available manufacturers offering products that may be incorporated into the Work include, but are not limited to the following:
    - a. Cooper B-Line, Inc.; a division of Cooper Industries.
    - b. ERICO International Corporation.
    - c. Thomas & Betts Corporation.
    - d. Unistrut; an Atkore International company.
  - 2. Metallic Coatings: Hot-dip galvanized after fabrication and applied according to MFMA-4.
  - 3. Channel Dimensions: Selected for applicable load criteria.
- B. Raceway and Cable Supports: As described in NECA 1 and NECA 101.
- C. Conduit and Cable Support Devices: Steel and malleable-iron hangers, clamps, and associated fittings, designed for types and sizes of raceway or cable to be supported.
- D. Support for Conductors in Vertical Conduit: Factory-fabricated assembly consisting of threaded body and insulating wedging plug or plugs for non-armored electrical conductors or cables in riser conduits. Plugs shall have number, size, and shape of conductor gripping pieces as required to suit individual conductors or cables supported. Body shall be malleable iron.
- E. Structural Steel for Fabricated Supports and Restraints: ASTM A 36/A 36M, steel plates, shapes, and bars; black and galvanized.
- F. Mounting, Anchoring, and Attachment Components: Items for fastening electrical items or their supports to building surfaces include the following:

FIRE STATIONS RENOVATION  
ARLINGTON COUNTY, VIRGINIA  
Architect's Project No: 563006

---

1. Powder-Actuated Fasteners: Threaded-steel stud, for use in hardened Portland cement concrete, steel, or wood, with tension, shear, and pullout capacities appropriate for supported loads and building materials where used.
  - a. Manufacturers: Subject to compliance with requirements, available manufacturers offering products that may be incorporated into the Work include, but are not limited to the following:
    - 1) Hilti, Inc.
    - 2) MKT Fastening, LLC.
    - 3) Simpson Strong-Tie Co., Inc.
2. Mechanical-Expansion Anchors: Insert-wedge-type, stainless steel, for use in hardened Portland cement concrete with tension, shear, and pullout capacities appropriate for supported loads and building materials in which used.
  - a. Manufacturers: Subject to compliance with requirements, available manufacturers offering products that may be incorporated into the Work include, but are not limited to the following:
    - 1) Cooper B-Line, Inc.; a division of Cooper Industries.
    - 2) Hilti, Inc.
    - 3) MKT Fastening, LLC.
3. Concrete Inserts: Steel or malleable-iron, slotted support system units similar to MSS Type 18; complying with MFMA-4 or MSS SP-58.
4. Clamps for Attachment to Steel Structural Elements: MSS SP-58, type suitable for attached structural element.
5. Through Bolts: Structural type, hex head, and high strength. Comply with ASTM A 325.
6. Toggle Bolts: All-steel springhead type.
7. Hanger Rods: Threaded steel.

## 2.2 FABRICATED METAL EQUIPMENT SUPPORT ASSEMBLIES

- A. Description: Welded or bolted, structural-steel shapes, shop or field fabricated to fit dimensions of supported equipment.
- B. Materials: Comply with requirements in Section 055000 "Metal Fabrications" for steel shapes and plates.

## PART 3 - EXECUTION

### 3.1 APPLICATION

- A. Comply with NECA 1 and NECA 101 for application of hangers and supports for electrical equipment and systems except if requirements in this Section are stricter.

FIRE STATIONS RENOVATION  
ARLINGTON COUNTY, VIRGINIA  
Architect's Project No: 563006

---

- B. Maximum Support Spacing and Minimum Hanger Rod Size for Raceway: Space supports for EMT, IMC, and RMC as required by NFPA 70. Minimum rod size shall be 1/4 inch in diameter.
- C. Multiple Raceways or Cables: Install trapeze-type supports fabricated with steel slotted support system, sized so capacity can be increased by at least 25 percent in future without exceeding specified design load limits.
  - 1. Secure raceways and cables to these supports with two-bolt conduit clamps.
- D. Spring-steel clamps designed for supporting single conduits without bolts may be used for 1-1/2-inch and smaller raceways serving branch circuits and communication systems above suspended ceilings and for fastening raceways to trapeze supports.

### 3.2 SUPPORT INSTALLATION

- A. Comply with NECA 1 and NECA 101 for installation requirements except as specified in this Article.
- B. Raceway Support Methods: In addition to methods described in NECA 1, EMT, IMC, and RMC may be supported by openings through structure members, as permitted in NFPA 70.
- C. Strength of Support Assemblies: Where not indicated, select sizes of components so strength will be adequate to carry present and future static loads within specified loading limits. Minimum static design load used for strength determination shall be weight of supported components plus 200 lb.
- D. Mounting and Anchorage of Surface-Mounted Equipment and Components: Anchor and fasten electrical items and their supports to building structural elements by the following methods unless otherwise indicated by code:
  - 1. To Wood: Fasten with lag screws or through bolts.
  - 2. To New Concrete: Bolt to concrete inserts.
  - 3. To Masonry: Approved toggle-type bolts on hollow masonry units and expansion anchor fasteners on solid masonry units.
  - 4. To Existing Concrete: Expansion anchor fasteners.
  - 5. Instead of expansion anchors, powder-actuated driven threaded studs provided with lock washers and nuts may be used in existing standard-weight concrete 4 inches thick or greater. Do not use for anchorage to lightweight-aggregate concrete or for slabs less than 4 inches thick.
  - 6. To Steel: Beam clamps (MSS Type 19, 21, 23, 25, or 27) complying with MSS SP-69.
  - 7. To Light Steel: Sheet metal screws.
  - 8. Items Mounted on Hollow Walls and Nonstructural Building Surfaces: Mount cabinets, panelboards, disconnect switches, control enclosures, pull and junction boxes, transformers, and other devices on slotted-channel racks attached to substrate.
- E. Drill holes for expansion anchors in concrete at locations and to depths that avoid reinforcing bars.

FIRE STATIONS RENOVATION  
ARLINGTON COUNTY, VIRGINIA  
Architect's Project No: 563006

---

3.3 INSTALLATION OF FABRICATED METAL SUPPORTS

- A. Comply with installation requirements in Section 055000 "Metal Fabrications" for site-fabricated metal supports.
- B. Cut, fit, and place miscellaneous metal supports accurately in location, alignment, and elevation to support and anchor electrical materials and equipment.
- C. Field Welding: Comply with AWS D1.1/D1.1M.

3.4 CONCRETE BASES

- A. Construct concrete bases of dimensions indicated but not less than 4 inches larger in both directions than supported unit, and so anchors will be a minimum of 10 bolt diameters from edge of the base.
- B. Anchor equipment to concrete base.
  - 1. Place and secure anchorage devices. Use supported equipment manufacturer's setting drawings, templates, diagrams, instructions, and directions furnished with items to be embedded.
  - 2. Install anchor bolts to elevations required for proper attachment to supported equipment.
  - 3. Install anchor bolts according to anchor-bolt manufacturer's written instructions.

3.5 PAINTING

- A. Touchup: Comply with requirements in Division 9 for cleaning and touchup painting of field welds, bolted connections, and abraded areas of shop paint on miscellaneous metal.
- B. Galvanized Surfaces: Clean welds, bolted connections, and abraded areas and apply galvanizing-repair paint to comply with ASTM A 780.

END OF SECTION 260529

FIRE STATIONS RENOVATION  
ARLINGTON COUNTY, VIRGINIA  
Architect's Project No: 563006

---

SECTION 260533 - RACEWAYS AND BOXES FOR ELECTRICAL SYSTEMS

PART 1 - GENERAL

1.1 RELATED DOCUMENTS

- A. Drawings and general provisions of the Contract, including General and Supplementary Conditions and Division 01 Specification Sections, apply to this Section.

1.2 SUMMARY

- A. Section Includes:
  - 1. Metal conduits, tubing, and fittings.
  - 2. Nonmetal conduits, tubing, and fittings.
  - 3. Metal wireways and auxiliary gutters.
  - 4. Surface raceways.
  - 5. Boxes, enclosures, and cabinets.
- B. Part 2 of this section includes material requirements for all raceways and boxes that may or may not be used on the project. Part 3 of this Section defines where a given type of product shall be or is permitted to be utilized.

1.3 DEFINITIONS

- A. ARC: Aluminum rigid conduit.
- B. GRC: Galvanized rigid steel conduit.
- C. IMC: Intermediate metal conduit.

1.4 ACTION SUBMITTALS

- A. Product Data: For surface raceways, wireways and fittings, floor boxes, hinged-cover enclosures, and cabinets.
- B. Shop Drawings: For custom enclosures and cabinets. Include plans, elevations, sections, and attachment details.

1.5 INFORMATIONAL SUBMITTALS

- A. Source quality-control reports.



FIRE STATIONS RENOVATION  
ARLINGTON COUNTY, VIRGINIA  
Architect's Project No: 563006

---

## PART 2 - PRODUCTS

### 2.1 METAL CONDUITS, TUBING, AND FITTINGS

- A. Manufacturers: Subject to compliance with requirements, available manufacturers offering products that may be incorporated into the Work include, but are not limited to the following:
1. Allied Tube & Conduit.
  2. O-Z/Gedney; an EGS Electrical Group brand; an Emerson Industrial Automation business.
  3. Robroy Industries.
  4. Thomas & Betts Corporation.
- B. Listing and Labeling: Metal conduits, tubing, and fittings shall be listed and labeled as defined in NFPA 70, by a qualified testing agency, and marked for intended location and application.
- C. GRC: Comply with ANSI C80.1 and UL 6.
- D. IMC: Comply with ANSI C80.6 and UL 1242.
- E. PVC-Coated Steel Conduit: PVC-coated rigid steel conduit.
1. Comply with NEMA RN 1.
  2. Coating Thickness: 0.040 inch, minimum.
- F. EMT: Comply with ANSI C80.3 and UL 797.
- G. FMC: Comply with UL 1; zinc-coated steel.
- H. LFMC: Flexible steel conduit with PVC jacket and complying with UL 360.
- I. Fittings for Metal Conduit: Comply with NEMA FB 1 and UL 514B.
1. Conduit Fittings for Hazardous (Classified) Locations: Comply with UL 886 and NFPA 70.
  2. Fittings for EMT:
    - a. Material: Steel.
    - b. Type: Setscrew or compression.
  3. Expansion Fittings: PVC or steel to match conduit type, complying with UL 651, rated for environmental conditions where installed, and including flexible external bonding jumper.
  4. Coating for Fittings for PVC-Coated Conduit: Minimum thickness of 0.040 inch, with overlapping sleeves protecting threaded joints.

FIRE STATIONS RENOVATION  
ARLINGTON COUNTY, VIRGINIA  
Architect's Project No: 563006

---

- J. Joint Compound for IMC, GRC, or ARC: Approved, as defined in NFPA 70, by authorities having jurisdiction for use in conduit assemblies, and compounded for use to lubricate and protect threaded conduit joints from corrosion and to enhance their conductivity.

## 2.2 NONMETALLIC CONDUITS, TUBING, AND FITTINGS

- A. Manufacturers: Subject to compliance with requirements, available manufacturers offering products that may be incorporated into the Work include, but are not limited to the following:
  - 1. AFC Cable Systems, Inc.
  - 2. Electri-Flex Company.
  - 3. RACO; Hubbell.
  - 4. Thomas & Betts Corporation.
- B. Listing and Labeling: Nonmetallic conduits, tubing, and fittings shall be listed and labeled as defined in NFPA 70, by a qualified testing agency, and marked for intended location and application.
- C. RNC: Type EPC-40-PVC, complying with NEMA TC 2 and UL 651 unless otherwise indicated.
- D. LFNC: Comply with UL 1660.
- E. Rigid HDPE: Comply with UL 651A.
- F. RTRC: Comply with UL 1684A and NEMA TC 14.
- G. Fittings for ENT and RNC: Comply with NEMA TC 3; match to conduit or tubing type and material.
- H. Fittings for LFNC: Comply with UL 514B.
- I. Solvent cements and adhesive primers shall have a VOC content of 510 and 550 g/L or less, respectively, when calculated according to 40 CFR 59, Subpart D (EPA Method 24).

## 2.3 METAL WIREWAYS AND AUXILIARY GUTTERS

- A. Manufacturers: Subject to compliance with requirements, available manufacturers offering products that may be incorporated into the Work include, but are not limited to the following:
  - 1. Cooper B-Line, Inc.; a division of Cooper Industries.
  - 2. Hoffman; a brand of Pentair Equipment Protection.
  - 3. Square D.
- B. Description: Sheet metal, complying with UL 870 and NEMA 250, Type 1 unless otherwise indicated, and sized according to NFPA 70.

FIRE STATIONS RENOVATION  
ARLINGTON COUNTY, VIRGINIA  
Architect's Project No: 563006

---

1. Metal wireways installed outdoors shall be listed and labeled as defined in NFPA 70, by a qualified testing agency, and marked for intended location and application.
- C. Fittings and Accessories: Include covers, couplings, offsets, elbows, expansion joints, adapters, hold-down straps, end caps, and other fittings to match and mate with wireways as required for complete system.
- D. Wireway Covers: Hinged type unless otherwise indicated.
- E. Finish: Manufacturer's standard enamel finish.

#### 2.4 BOXES, ENCLOSURES, AND CABINETS

- A. Manufacturers: Subject to compliance with requirements, available manufacturers offering products that may be incorporated into the Work include, but are not limited to the following:
  1. EGS/Appleton Electric.
  2. Erickson Electrical Equipment Company.
  3. Hoffman; a brand of Pentair Equipment Protection.
  4. Hubbell Incorporated.
  5. O-Z/Gedney; an EGS Electrical Group brand; an Emerson Industrial Automation business.
  6. RACO; Hubbell
  7. Wiremold / Legrand.
- B. General Requirements for Boxes, Enclosures, and Cabinets: Boxes, enclosures, and cabinets installed in wet locations shall be listed for use in wet locations.
- C. Sheet Metal Outlet and Device Boxes: Comply with NEMA OS 1 and UL 514A.
- D. Cast-Metal Outlet and Device Boxes: Comply with NEMA FB 1, aluminum, Type FD, with gasketed cover.
- E. Metal Floor Boxes:
  1. Material: Cast metal.
  2. Type: Fully adjustable.
  3. Shape: Rectangular.
  4. Listing and Labeling: Metal floor boxes shall be listed and labeled as defined in NFPA 70, by a qualified testing agency, and marked for intended location and application.
- F. Luminaire Outlet Boxes: Nonadjustable, designed for attachment of luminaire weighing 50 lb. Outlet boxes designed for attachment of luminaires weighing more than 50 lb shall be listed and marked for the maximum allowable weight.
- G. Small Sheet Metal Pull and Junction Boxes: NEMA OS 1.

FIRE STATIONS RENOVATION  
ARLINGTON COUNTY, VIRGINIA  
Architect's Project No: 563006

---

- H. Cast-Metal Access, Pull, and Junction Boxes: Comply with NEMA FB 1 and UL 1773, cast aluminum with gasketed cover.
- I. Box extensions used to accommodate new building finishes shall be of same material as recessed box.
- J. Device Box Dimensions: 4 inches square by 2-1/8 inches deep.
- K. Gangable boxes are allowed.
- L. Hinged-Cover Enclosures: Comply with UL 50 and NEMA 250, Type 3R with continuous-hinge cover with flush latch unless otherwise indicated.
  - 1. Metal Enclosures: Steel, finished inside and out with manufacturer's standard enamel.
  - 2. Interior Panels: Steel; all sides finished with manufacturer's standard enamel.
- M. Cabinets:
  - 1. NEMA 250, Type 12 galvanized-steel box with removable interior panel and removable front, finished inside and out with manufacturer's standard enamel.
  - 2. Hinged door in front cover with flush latch and concealed hinge.
  - 3. Key latch to match panelboards.
  - 4. Metal barriers to separate wiring of different systems and voltage.
  - 5. Accessory feet where required for freestanding equipment.
  - 6. Nonmetallic cabinets shall be listed and labeled as defined in NFPA 70, by a qualified testing agency, and marked for intended location and application.

## 2.5 FLOOR BOXES AND SERVICE FITTINGS

- A. Multi-service Floor Boxes: Basis of Design: Wiremold, RFB4 Series Floor Boxes.
  - 1. Floor boxes mounted on first floor grade shall be manufactured from cast-iron and be approved for use on grade and above grade floors. The box shall be 14 1/2" L x 11 7/8" W x 3 7/16" H. There shall be four independent wiring compartments that allow capacity for up to four duplex receptacles and/or communication services. The RFB4-CI-1 Series Box shall permit tunneling from adjacent or opposite compartments. Two of the four compartments shall have a minimum wiring capacity of 27 cu in., and two compartments shall have a minimum wiring capacity of 36 cu in.. The box shall provide the following number of conduit hubs: four 1" and four 1 1/4". The box shall be fully adjustable, providing a maximum of 1 7/8" pre-pour adjustment, and a maximum of 3/4" after-pour adjustment. Wiremold RFB4-CI-1.
  - 2. Floor boxes not on grade slab shall be manufactured from stamped-steel and be approved for use on above-grade floors. The box shall be 13 5/8" L x 10" W x 2 7/16" H. There shall be four independent wiring compartments that allow capacity for up to four duplex receptacles and/or communication services. The RFB4-SS Series Box shall permit feed through tunneling from adjacent compartments. Two of the four compartments shall have a minimum wiring capacity of 15.7 cu in., and two compartments shall have a minimum

**FIRE STATIONS RENOVATION  
ARLINGTON COUNTY, VIRGINIA  
Architect's Project No: 563006**

---

wiring capacity of 31.2 cu in.. The box shall provide the following number of conduit knockouts: two 1/2", six 3/4", and eight 1". The box shall be fully adjustable, providing a maximum of 1 7/8" pre-pour adjustment, and a maximum of 3/4" after-pour adjustment. Wiremold RFB4-SS.

3. Activation covers shall be manufactured of die-cast aluminum or die-cast zinc, and be available in a brushed aluminum finish, plated brass finish, or a powder-coated paint finish. The activation cover shall be listed by UL to meet the applicable U.S. and Canadian safety standards for scrub water exclusion when used on tile, terrazzo, wood, and carpet covered floors. The floor box manufacturer shall provide a complete line of faceplates and bezels to facilitate mounting of UTP, STP (150 ohm), fiber optic, coaxial, and communication devices within the box.
  4. Activation covers shall be available in flanged and flangeless versions of cast aluminum with aluminum, black, bronze, brass, nickel or gray finish. Covers shall be available with options for tile or carpet inserts, flush covers, or furniture feed. Flanged covers shall be 7 3/4" L x 6 9/16" W. Flangeless covers shall be 6 3/4" L x 5 9/16" W.
    - a. Unless indicated otherwise, provide the following cover configurations:
      - 1) Power/Telecom Outlets: Brushed aluminum flanged with blank lid flush with floor and NO carpet/tile cutouts.
      - 2) Furniture Floor Feed: Brushed aluminum flanged with 1" trade size screw plug opening and one combination 1 1/4" and 2" trade size screw plug openings.
- B. Single Service Floor boxes: Basis of Design: Wiremold, Omnibox Floor Boxes, One-, two- or three-gang floor boxes.**
1. Floor boxes mounted on first floor grade shall be manufactured from cast-iron and be approved for use on grade and above grade floors. Box interior and exterior shall be painted. Boxes shall be available in one-, two-, and three-gang configurations. All cast-iron versions shall provide 1 3/4" of pre-pour adjustment and 1/2" of post-pour adjustment. Minimum depth of deep boxes shall be 3 7/16". Overall box dimensions shall be as follows:
    - a. One-gang: 5 3/16" W x 4 3/8" L
    - b. Two-gang: 5 3/16" W x 8 1/2" L
    - c. Three-gang: 5 3/16" W x 12 1/2" L
  2. Floor boxes on the second floor and above shall be manufactured from stamped-steel and be approved for use on cast-in-place floors. Boxes shall be manufactured from stamped steel and formed. Boxes shall be available in one-, two-, or three-gang configurations. All stamped steel versions shall provide 1 3/4" of pre-pour adjustment and 1/2" of post-pour adjustment. Maximum depth of boxes shall be 2 15/32". Overall box dimensions shall be as follows:
    - a. One-gang: 4 13/16" W x 3 23/32" L
    - b. Two-gang: 4 13/16" W x 7 15/16" L
    - c. Three-gang: 4 13/16" W x 12" L
  3. All floor box options shall accept brass, brushed aluminum, and nonmetallic cover plates and flanges. Flanges for brass, brushed aluminum, and nonmetallic shall be available for

FIRE STATIONS RENOVATION  
ARLINGTON COUNTY, VIRGINIA  
Architect's Project No: 563006

---

one-, two-, or three-gang applications and install on the previously mentioned boxes. Each flange shall provide 1/2" of adjustment to accommodate various floor covering and concrete pour depths.

- a. All brass, brushed aluminum, and nonmetallic flanges shall be approved for use on carpet, tile, or wood covered floor applications. Brass and brushed aluminum flanges and cover plates shall have a buffed appearance and be protected with a lacquer finish. Nonmetallic flanges and cover plates shall be provided in a black, brown, or gray finish. Modular inserts shall snap directly into each flange through use of a mounting bezel.
- b. Brushed aluminum and nonmetallic cover plate options shall seat inside either the aluminum or nonmetallic flanges and be flush with the finished floor. Brushed aluminum and nonmetallic cover plate dimensions shall be 3.29" W x 4.310" L. Brass cover plate dimensions are 3.156" W x 4.182" L. Brass cover plates shall seat inside only brass flanges and be flush with the finished floor. All cover plate options shall provide for both power and communication services.

C. Wood Floor Boxes: Basis of Design: Wiremold, 880 Series Floor Boxes, one-, two- or three-gang floor boxes designed for wooden floors.

1. Boxes shall be available in one-, two-, or three-gang configurations. Boxes shall also be rectangular in shape. These boxes shall consist of a stamped steel body, applicable stamped steel barriers and stamped steel mounting brackets for flanges. All boxes shall have an overall depth of 3 7/16". All boxes shall provide a mounting mechanism to attach the floor box to the wood sub floor.
2. All floor box options shall accept brass, brushed aluminum, and nonmetallic cover plates and flanges. Flanges for brass, brushed aluminum, and nonmetallic shall be available for one-, two-, or three-gang applications and install on the previously mentioned boxes. Each flange shall provide 1/2" of adjustment to accommodate various floor covering and concrete pour depths.
3. All brass, brushed aluminum, and nonmetallic flanges shall be approved for use on wood covered floor applications. Brass and brushed aluminum flanges and cover plates shall have a buffed appearance and be protected with a lacquer finish. Nonmetallic flanges and cover plates shall be provided in a black, brown, or gray finish.
4. The floor box shall be warranted for one year from the date of final acceptance.

## PART 3 - EXECUTION

### 3.1 RACEWAY APPLICATION

- A. Outdoors: Apply raceway products as specified below unless otherwise indicated:
1. Exposed Conduit: GRC.
  2. Concealed Conduit, Aboveground: GRC.
  3. Underground Conduit: Per section 260543.

FIRE STATIONS RENOVATION  
ARLINGTON COUNTY, VIRGINIA  
Architect's Project No: 563006

---

4. Connection to Vibrating Equipment (Including Transformers and Hydraulic, Pneumatic, Electric Solenoid, or Motor-Driven Equipment): LFMC.
  5. Boxes and Enclosures, Aboveground: NEMA 250, Type 3R.
- B. Indoors: Apply raceway products as specified below unless otherwise indicated:
1. Exposed, Not Subject to Physical Damage: EMT.
  2. Exposed, Not Subject to Severe Physical Damage: EMT.
  3. Exposed and Subject to Severe Physical Damage: GRC. Raceway locations include the following:
    - a. Loading dock.
    - b. Corridors used for traffic of mechanized carts, forklifts, and pallet-handling units.
    - c. Mechanical rooms, below 8'.
    - d. Gymnasiums.
  4. Concealed in Ceilings and Interior Walls and Partitions: EMT.
  5. Connection to Vibrating Equipment (Including Transformers and Hydraulic, Pneumatic, Electric Solenoid, or Motor-Driven Equipment): FMC, except use LFMC mechanical and Custodial spaces.
  6. Damp or Wet Locations: GRC.
  7. Boxes and Enclosures: NEMA 250, Type 1, except use NEMA 250, Type 4 stainless steel in kitchens and damp or wet locations.
- C. Minimum Raceway Size: 3/4-inch trade size.
- D. Raceway Fittings: Compatible with raceways and suitable for use and location.
1. Rigid and Intermediate Steel Conduit: Use threaded rigid steel conduit fittings unless otherwise indicated. Comply with NEMA FB 2.10.
  2. PVC Externally Coated, Rigid Steel Conduits: Use only fittings listed for use with this type of conduit. Patch and seal all joints, nicks, and scrapes in PVC coating after installing conduits and fittings. Use sealant recommended by fitting manufacturer and apply in thickness and number of coats recommended by manufacturer.
  3. EMT: Use setscrew or compression, steel fittings. Comply with NEMA FB 2.10.
  4. Flexible Conduit: Use only fittings listed for use with flexible conduit. Comply with NEMA FB 2.20.
- E. Install nonferrous conduit or tubing for circuits operating above 60 Hz. Where aluminum raceways are installed for such circuits and pass through concrete, install in nonmetallic sleeve.
- F. Do not install aluminum conduits, boxes, or fittings in contact with concrete or earth.
- G. surface raceways shall not be installed without prior approval of the Architect.
- H. Do not install nonmetallic conduit where ambient temperature exceeds 120 deg F.

FIRE STATIONS RENOVATION  
ARLINGTON COUNTY, VIRGINIA  
Architect's Project No: 563006

---

### 3.2 INSTALLATION

- A. Comply with NECA 1 and NECA 101 for installation requirements except where requirements on Drawings or in this article are stricter. Comply with NECA 102 for aluminum conduits. Comply with NFPA 70 limitations for types of raceways allowed in specific occupancies and number of floors.
- B. Keep raceways at least 6 inches away from parallel runs of flues and hot-water pipes. Install horizontal raceway runs above water and steam piping.
- C. Complete raceway installation before starting conductor installation.
- D. Comply with requirements in Section 260529 "Hangers and Supports for Electrical Systems" for hangers and supports.
- E. Arrange stub-ups so curved portions of bends are not visible above finished slab.
- F. Install no more than the equivalent of three 90-degree bends in any conduit run except for control wiring conduits, for which fewer bends are allowed. Support within 12 inches of changes in direction. Refer to Division 27 for conduit requirements for telecommunication wiring.
- G. Conceal conduit and EMT within finished walls, ceilings, and floors unless otherwise indicated. Install conduits parallel or perpendicular to building lines.
- H. All conduit to be installed on exterior masonry shall not run continuously within the wall cavity. Exposed conduit shall not be installed without prior approval of the Architect.
- I. Support conduit within 12 inches of enclosures to which attached.
- J. Raceways Embedded in Slabs:
  - 1. Are not permitted, except as required for entry into recessed floor boxes.
  - 2. Conduits run below slab on ground floor level shall be buried within the porous fill and stub-up at the required location. Transition from RNC to RGS with RGS elbow before rising above the floor. After RGS elbow, stub-up conduit shall be type indicated in Part 3.1 above.
  - 3. Where raceways are terminated with threaded hubs, screw raceways or fittings tightly into hub so end bears against wire protection shoulder. Where chase nipples are used, align raceways so coupling is square to box; tighten chase nipple so no threads are exposed.
  - 4. Do not embed threadless fittings in concrete.
  - 5. Change from ENT to GRC before rising above floor.
- K. Stub-ups to Above Recessed Ceilings:
  - 1. Use EMT, IMC, or RMC for raceways.



FIRE STATIONS RENOVATION  
ARLINGTON COUNTY, VIRGINIA  
Architect's Project No: 563006

---

2. Use a conduit bushing or insulated fitting to terminate stub-ups not terminated in hubs or in an enclosure. Refer to Division 27 for telecommunication conduit stub-up requirements.
- L. Threaded Conduit Joints, Exposed to Wet, Damp, Corrosive, or Outdoor Conditions: Apply listed compound to threads of raceway and fittings before making up joints. Follow compound manufacturer's written instructions.
- M. Coat field-cut threads on PVC-coated raceway with a corrosion-preventing conductive compound prior to assembly.
- N. Raceway Terminations at Locations Subject to Moisture or Vibration: Use insulating bushings to protect conductors.
- O. Terminate threaded conduits into insulated throat threaded hubs. Install bushings on conduits up to 1-1/4-inch trade size and insulated throat metal bushings on 1-1/2-inch trade size and larger. Install insulated throat metal grounding bushings on service conduits.
- P. Install raceways square to the enclosure and terminate at enclosures with locknuts. Install locknuts hand tight plus 1/4 turn more.
- Q. Do not rely on locknuts to penetrate nonconductive coatings on enclosures. Remove coatings in the locknut area prior to assembling conduit to enclosure to assure a continuous ground path.
- R. Cut conduit perpendicular to the length. For conduits 2-inch trade size and larger, use roll cutter or a guide to make cut straight and perpendicular to the length.
- S. Install pull wires in empty raceways. Use polypropylene or monofilament plastic line with not less than 200-lb tensile strength. Leave at least 12 inches of slack at each end of pull wire. Cap underground raceways designated as spare above grade alongside raceways in use.
- T. Surface Raceways:
  1. Install surface raceway with a minimum 2-inch radius control at bend points.
  2. Secure surface raceway with screws or other anchor-type devices at intervals not exceeding 48 inches and with no less than two supports per straight raceway section. Support surface raceway according to manufacturer's written instructions. Tape and glue are not acceptable support methods.
  3. Surface Raceways shall not be installed without prior approval outside of Mechanical or Electrical spaces
- U. Install raceway sealing fittings at accessible locations according to NFPA 70 and fill them with listed sealing compound. For concealed raceways, install each fitting in a flush steel box with a blank cover plate having a finish similar to that of adjacent plates or surfaces. Install raceway sealing fittings according to NFPA 70.
- V. Install devices to seal raceway interiors at accessible locations. Locate seals so no fittings or boxes are between the seal and the following changes of environments. Seal the interior of all raceways at the following points:

FIRE STATIONS RENOVATION  
ARLINGTON COUNTY, VIRGINIA  
Architect's Project No: 563006

---

1. Where conduits pass from warm to cold locations, such as boundaries of refrigerated spaces.
  2. Where an underground service raceway enters a building or structure.
  3. Where otherwise required by NFPA 70.
- W. Comply with manufacturer's written instructions for solvent welding RNC and fittings.
- X. Expansion-Joint Fittings:
1. Do not install ENT above ground.
  2. Install type and quantity of fittings that accommodate temperature change listed for each of the following locations:
    - a. Indoor Spaces Connected with Outdoors without Physical Separation: 125 deg F temperature change.
    - b. Attics: 135 deg F temperature change.
  3. Install fitting(s) that provide expansion and contraction for at least 0.00041 inch per foot of length of straight run per deg F of temperature change for PVC conduits. Install fitting(s) that provide expansion and contraction for at least 0.000078 inch per foot of length of straight run per deg F of temperature change for metal conduits.
  4. Install expansion fittings at all locations where conduits cross building or structure expansion joints.
  5. Install each expansion-joint fitting with position, mounting, and piston setting selected according to manufacturer's written instructions for conditions at specific location at time of installation. Install conduit supports to allow for expansion movement.
- Y. Flexible Conduit Connections: Comply with NEMA RV 3. Use a maximum of 72 inches of flexible conduit for recessed and semi-recessed luminaires, equipment subject to vibration, noise transmission, or movement; and for transformers and motors.
1. Use LFMC in damp or wet locations subject to severe physical damage.
  2. Use LFMC or LFNC in damp or wet locations not subject to severe physical damage.
- Z. Mount boxes at heights indicated on Drawings. If mounting heights of boxes are not individually indicated, give priority to ADA requirements and also refer to Architectural elevations. Install boxes with height measured to center of box unless otherwise indicated.
- AA. Recessed Boxes in Masonry Walls: Saw-cut opening for box in masonry block, and install box flush with surface of wall. Prepare block surfaces to provide a flat surface for a tight connection between box and cover plate or supported equipment and box.
- BB. Horizontally separate boxes mounted on opposite sides of walls so they are not in the same vertical channel.
- CC. Locate boxes so that cover or plate will not span different building finishes.
- DD. Support boxes of three gangs or more from more than one side by spanning two framing members or mounting on brackets specifically designed for the purpose.

FIRE STATIONS RENOVATION  
ARLINGTON COUNTY, VIRGINIA  
Architect's Project No: 563006

---

- EE. Fasten junction and pull boxes to or support from building structure. Do not support boxes by conduits.
- FF. Set metal floor boxes level and flush with finished floor surface.
- GG. Where communication outlets and data outlets are shown together on drawings, do not scale drawings to obtain distance between outlets. Locate outlets such that there is no more than 4” between receptacle outlet and communication outlet.

3.3 INSTALLATION OF UNDERGROUND CONDUIT

- A. See Section 260543.

3.4 SLEEVE AND SLEEVE-SEAL INSTALLATION FOR ELECTRICAL PENETRATIONS

- A. Install sleeves and sleeve seals at penetrations of exterior floor and wall assemblies. Comply with requirements in Section 260544 "Sleeves and Sleeve Seals for Electrical Raceways and Cabling."

3.5 FIRESTOPPING

- A. Install firestopping at penetrations of fire-rated floor and wall assemblies. Comply with requirements in Division 07.

3.6 PROTECTION

- A. Protect coatings, finishes, and cabinets from damage and deterioration.
  - 1. Repair damage to galvanized finishes with zinc-rich paint recommended by manufacturer.
  - 2. Repair damage to PVC coatings or paint finishes with matching touchup coating recommended by manufacturer.

END OF SECTION 260533

FIRE STATIONS RENOVATION  
ARLINGTON COUNTY, VIRGINIA  
Architect's Project No: 563006

---

SECTION 260553 - IDENTIFICATION FOR ELECTRICAL SYSTEMS

PART 1 - GENERAL

1.1 RELATED DOCUMENTS

- A. Drawings and general provisions of the Contract, including General and Supplementary Conditions and Division 01 Specification Sections, apply to this Section.

1.2 SUMMARY

- A. Section Includes:
  - 1. Identification for raceways.
  - 2. Identification of power and control cables.
  - 3. Identification for conductors.
  - 4. Underground-line warning tape.
  - 5. Warning labels and signs.
  - 6. Instruction signs.
  - 7. Equipment identification labels.
  - 8. Miscellaneous identification products.

1.3 ACTION SUBMITTALS

- A. Product Data: For each electrical identification product indicated.

1.4 QUALITY ASSURANCE

- A. Comply with ANSI A13.1 and IEEE C2.
- B. Comply with NFPA 70.
- C. Comply with 29 CFR 1910.144 and 29 CFR 1910.145.
- D. Comply with ANSI Z535.4 for safety signs and labels.

1.5 COORDINATION

- A. Coordinate identification names, abbreviations, colors, and other features with requirements in other Sections requiring identification applications, Drawings, Shop Drawings, manufacturer's wiring diagrams, and the Operation and Maintenance Manual; and with those required by codes, standards, and 29 CFR 1910.145. Use consistent designations throughout Project.

FIRE STATIONS RENOVATION  
ARLINGTON COUNTY, VIRGINIA  
Architect's Project No: 563006

---

- B. Coordinate installation of identifying devices with completion of covering and painting of surfaces where devices are to be applied.
- C. Coordinate installation of identifying devices with location of access panels and doors.
- D. Install identifying devices before installing acoustical ceilings and similar concealment.

## PART 2 - PRODUCTS

### 2.1 POWER AND CONTROL RACEWAY IDENTIFICATION MATERIALS

- A. Comply with ANSI A13.1 for minimum size of letters for legend and for minimum length of color field for each raceway size.
- B. Colors for Raceways Carrying Circuits at 600 V or Less:
  - 1. Black letters on an orange field.
  - 2. Legend: Indicate voltage and system or service type.
- C. Colors for Raceways Carrying Circuits at More Than 600 V:
  - 1. Black letters on an orange field.
  - 2. Legend: "DANGER CONCEALED HIGH VOLTAGE WIRING."
- D. Vinyl Labels for Raceways Carrying Circuits at 600 V or Less: Preprinted, flexible label laminated with a clear, weather- and chemical-resistant coating and matching wraparound clear adhesive tape for securing ends of legend label.

### 2.2 POWER AND CONTROL CABLE IDENTIFICATION MATERIALS

- A. Comply with ANSI A13.1 for minimum size of letters for legend and for minimum length of color field for each cable size.
- B. Vinyl Labels: Preprinted, flexible label laminated with a clear, weather- and chemical-resistant coating and matching wraparound clear adhesive tape for securing ends of legend label. Do not use Paper type labels.

### 2.3 FLOOR MARKING TAPE

- A. 2-inch- wide, 5-mil pressure-sensitive vinyl tape, with yellow and black stripes and clear vinyl overlay.

FIRE STATIONS RENOVATION  
ARLINGTON COUNTY, VIRGINIA  
Architect's Project No: 563006

---

2.4 UNDERGROUND-LINE WARNING TAPE

A. Tape:

1. Recommended by manufacturer for the method of installation and suitable to identify and locate underground electrical and communications utility lines.
2. Printing on tape shall be permanent and shall not be damaged by burial operations.
3. Tape material and ink shall be chemically inert, and not subject to degrading when exposed to acids, alkalis, and other destructive substances commonly found in soils.

B. Color and Printing:

1. Comply with ANSI Z535.1 through ANSI Z535.5.
2. Inscriptions for Red-Colored Tapes: ELECTRIC LINE, HIGH VOLTAGE,.
3. Inscriptions for Orange-Colored Tapes: TELEPHONE CABLE, CATV CABLE, COMMUNICATIONS CABLE, OPTICAL FIBER CABLE,.

C. Warning Tape:

1. Detectable three-layer laminate, consisting of a printed pigmented polyolefin film, a solid aluminum-foil core, and a clear protective film that allows inspection of the continuity of the conductive core, bright-colored, continuous-printed on one side with the inscription of the utility, compounded for direct-burial service.
2. Overall Thickness: 5 mils.
3. Foil Core Thickness: 0.35mil.
4. Weight: 28 lb/1000 sq. ft.
5. 3-Inch Tensile According to ASTM D 882: 70 lbf, and 4600 psi.

2.5 WARNING LABELS AND SIGNS

A. Comply with NFPA 70 and 29 CFR 1910.145.

B. Metal-Backed, Butyrate Warning Signs: Weather-resistant, nonfading, preprinted, cellulose-acetate butyrate signs with 0.0396-inch galvanized-steel backing; and with colors, legend, and size required for application. 1/4-inch grommets in corners for mounting. Nominal size, 10 by 14 inches.

1. Warning labels and signs shall include, but are not limited to, the following:
  - a. Multiple Power Source Warning: "DANGER - ELECTRICAL SHOCK HAZARD - EQUIPMENT HAS MULTIPLE POWER SOURCES."
  - b. Workspace Clearance Warning: "WARNING - OSHA REGULATION - AREA IN FRONT OF ELECTRICAL EQUIPMENT MUST BE KEPT CLEAR FOR 36 INCHES"
  - c. Arc Flash Hazard Warning: Refer to Section 260574 for requirements.

FIRE STATIONS RENOVATION  
ARLINGTON COUNTY, VIRGINIA  
Architect's Project No: 563006

---

2.6 INSTRUCTION SIGNS

- A. Engraved, laminated acrylic or melamine plastic, minimum 1/16 inch thick for signs up to 20 sq. inches and 1/8 inch thick for larger sizes.
  - 1. Engraved legend with black letters on white face.
  - 2. Punched or drilled for mechanical fasteners.
  - 3. Framed with mitered acrylic molding and arranged for attachment at applicable equipment.
- B. Adhesive Film Label: Do not use for Instructional Signs

2.7 EQUIPMENT IDENTIFICATION LABELS

- A. Engraved, Laminated Acrylic or Melamine Label: Punched or drilled for screw mounting. White letters on a dark-gray background. Minimum letter height shall be 3/8 inch.

2.8 CABLE TIES

- A. Plenum-Rated Cable Ties: Self extinguishing, UV stabilized, one piece, self locking.
  - 1. Minimum Width: 3/16 inch.
  - 2. Tensile Strength at 73 deg F, According to ASTM D 638: 7000 psi.
  - 3. UL 94 Flame Rating: 94V-0.
  - 4. Temperature Range: Minus 50 to plus 284 deg F.
  - 5. Color: Black.

2.9 MISCELLANEOUS IDENTIFICATION PRODUCTS

- A. Paint: Comply with requirements in painting Sections for paint materials and application requirements. Select paint system applicable for surface material and location (exterior or interior).
- B. Fasteners for Labels and Signs: Self-tapping, stainless-steel screws or stainless-steel machine screws with nuts and flat and lock washers.

PART 3 - EXECUTION

3.1 INSTALLATION

- A. Verify identity of each item before installing identification products.

FIRE STATIONS RENOVATION  
ARLINGTON COUNTY, VIRGINIA  
Architect's Project No: 563006

---

- B. Location: Install identification materials and devices at locations for most convenient viewing without interference with operation and maintenance of equipment.
- C. Apply identification devices to surfaces that require finish after completing finish work.
- D. Self-Adhesive Identification Products: Do not use
- E. Attach signs and plastic labels with mechanical fasteners appropriate to the location and substrate.
- F. System Identification Color-Coding Bands for Raceways and Cables: Each color-coding band shall completely encircle cable or conduit. Place adjacent bands of two-color markings in contact, side by side. Locate bands at changes in direction, at penetrations of walls and floors, at 50-foot maximum intervals in straight runs, and at 25-foot maximum intervals in congested areas.
- G. Aluminum Wraparound Marker Labels and Metal Tags: Secure tight to surface of conductor or cable at a location with high visibility and accessibility.
- H. Cable Ties: For attaching tags. Use Plenum rated, except as listed below:
  - 1. Outdoors: UV-stabilized nylon.
- I. Underground-Line Warning Tape: During backfilling of trenches install continuous underground-line warning tape directly above line at 6 to 8 inches below finished grade. Use multiple tapes where width of multiple lines installed in a common trench or concrete envelope exceeds 16 inches overall.
- J. Painted Identification: Comply with requirements in painting Sections for surface preparation and paint application.

### 3.2 IDENTIFICATION SCHEDULE

- A. Accessible Raceways 600 V or Less, for Service, Feeder, and Branch Circuits: Identify with self-adhesive vinyl label. Install labels at 10-foot maximum intervals.
- B. Accessible Raceways and Cables within Buildings: Identify the covers of each junction and pull box of the following systems with self-adhesive vinyl labels with the wiring system legend and system voltage. System legends shall be as follows:
  - 1. Emergency Power.
  - 2. Standby Power
  - 3. Power.
- C. Power-Circuit Conductor Identification, 600 V or Less: For conductors in vaults, pull and junction boxes, manholes, and handholes, use color-coding conductor tape to identify the phase.



FIRE STATIONS RENOVATION  
ARLINGTON COUNTY, VIRGINIA  
Architect's Project No: 563006

---

1. Color-Coding for Phase and Voltage Level Identification, 600 V or Less: Use colors listed below for ungrounded service feeder and branch-circuit conductors.
  - a. Color shall be factory applied or field applied for sizes larger than No. 8 AWG, if authorities having jurisdiction permit.
  - b. Colors for 208/120-V Circuits:
    - 1) Phase A: Black.
    - 2) Phase B: Red.
    - 3) Phase C: Blue.
    - 4) Grounded (Neutral): White.
    - 5) Ground: Green.
  - c. Colors for 480/277-V Circuits:
    - 1) Phase A: Brown.
    - 2) Phase B: Orange.
    - 3) Phase C: Yellow.
    - 4) Grounded (Neutral): Gray.
    - 5) Ground: Green.
  - d. Field-Applied, Color-Coding Conductor Tape: Apply in half-lapped turns for a minimum distance of 6 inches from terminal points and in boxes where splices or taps are made. Apply last two turns of tape with no tension to prevent possible unwinding. Locate bands to avoid obscuring factory cable markings.
- D. Install instructional sign including the color-code for grounded and ungrounded conductors using adhesive-film-type labels.
- E. Control-Circuit Conductor Identification: For conductors and cables in pull and junction boxes, manholes, and handholes, use self-adhesive, self-laminating polyester labels with the conductor or cable designation, origin, and destination.
- F. Control-Circuit Conductor Termination Identification: For identification at terminations provide heat-shrink preprinted tubes or self-adhesive, self-laminating polyester labels with the conductor designation.
- G. Conductors to Be Extended in the Future: Attach marker tape to conductors and list source.
- H. Auxiliary Electrical Systems Conductor Identification: Identify field-installed alarm, control, and signal connections.
  1. Identify conductors, cables, and terminals in enclosures and at junctions, terminals, and pull points. Identify by system and circuit designation.
  2. Use system of marker tape designations that is uniform and consistent with system used by manufacturer for factory-installed connections.
  3. Coordinate identification with Project Drawings, manufacturer's wiring diagrams, and the Operation and Maintenance Manual.

FIRE STATIONS RENOVATION  
ARLINGTON COUNTY, VIRGINIA  
Architect's Project No: 563006

---

- I. Locations of Underground Lines: Identify with underground-line warning tape for power, lighting, communication, and control wiring and optical fiber cable.
1. Limit use of underground-line warning tape to direct-buried cables.
  2. Install underground-line warning tape for both direct-buried cables and cables in raceway.
- J. Workspace Indication: Install floor marking tape to show working clearances in the direction of access to live parts. Workspace shall be as required by NFPA 70 and 29 CFR 1926.403 unless otherwise indicated. Do not install at flush-mounted panelboards and similar equipment in finished spaces unless otherwise noted.
- K. Warning Labels for Indoor Cabinets, Boxes, and Enclosures for Power and Lighting:
1. Comply with 29 CFR 1910.145.
  2. Identify system voltage with black letters on an orange background.
  3. Apply to exterior of door, cover, or other access.
  4. For equipment with multiple power or control sources, apply to door or cover of equipment including, but not limited to, the following:
    - a. Power transfer switches.
    - b. Controls with external control power connections.
- L. Operating Instruction Signs: Install instruction signs to facilitate proper operation and maintenance of electrical systems and items to which they connect. Install instruction signs with approved legend where instructions are needed for system or equipment operation including but not limited to:
1. Athletic lighting control equipment
  2. Gymnasium lighting control equipment
  3. Transfer switches
  4. Switches associated with bypass of contactors for lighting.
  5. Sound systems
  6. Theatrical Lighting
  7. Common Area/Corridor master lighting control
- M. Emergency Operating Instruction Signs: Install instruction signs with white legend on a red background with minimum 3/8-inch- high letters for emergency instructions at equipment used for power transfer and load shedding.
- N. Equipment Identification Labels: On each unit of equipment, install unique designation label that is consistent with wiring diagrams, schedules, and the Operation and Maintenance Manual. Apply labels to disconnect switches and protection equipment, central or master units, control panels, control stations, terminal cabinets, and racks of each system. Systems include power, lighting, control, communication, signal, monitoring, and alarm systems unless equipment is provided with its own identification.
1. Labeling Instructions:

FIRE STATIONS RENOVATION  
ARLINGTON COUNTY, VIRGINIA  
Architect's Project No: 563006

---

- a. Indoor Equipment: Engraved, laminated acrylic or melamine label. Unless otherwise indicated, provide a single line of text with 1/2-inch- high letters on 1-1/2-inch- high label; where two lines of text are required, use labels 2 inches high.
  - b. Outdoor Equipment: Engraved, laminated acrylic or melamine label.
  - c. Elevated Components: Increase sizes of labels and letters to those appropriate for viewing from the floor.
  - d. Fasten labels with appropriate mechanical fasteners that do not change the NEMA or NRTL rating of the enclosure.
2. Equipment to Be Labeled:
- a. Panelboards: Type written directory of circuits in the location provided by panelboard manufacturer. Panelboard identification shall be laminated acrylic or melamine label.
  - b. Enclosures and electrical cabinets.
  - c. Access doors and panels for concealed electrical items.
  - d. Switchboards.
  - e. Transformers: Label that includes tag designation shown on Drawings for the transformer, feeder, and panelboards or equipment supplied by the secondary.
  - f. Emergency system boxes and enclosures.
  - g. Enclosed switches.
  - h. Enclosed circuit breakers.
  - i. Enclosed controllers.
  - j. Variable-speed controllers.
  - k. Push-button stations.
  - l. Power transfer equipment.
  - m. Contactors.
  - n. Remote-controlled switches, dimmer modules, and control devices.
  - o. Power-generating units.
  - p. Monitoring and control equipment.

O. RISER DIAGRAMS

1. Provide full size laminated as-built riser diagram of electrical system. Mount on wall in main electrical room.
2. Provide full size laminated as-built risers of all vertical cabling of communications systems in the main data room and each IDF closet.

END OF SECTION 260553

FIRE STATIONS RENOVATION  
ARLINGTON COUNTY, VIRGINIA  
Architect's Project No: 563006

---

SECTION 260923 - LIGHTING CONTROL DEVICES

PART 1 - GENERAL

1.1 RELATED DOCUMENTS

- A. Drawings and general provisions of the Contract, including General and Supplementary Conditions and Division 01 Specification Sections, apply to this Section.

1.2 SUMMARY

- A. Section Includes:
  - 1. Time switches.
  - 2. Photoelectric switches.
  - 3. Indoor occupancy sensors.
  - 4. Lighting contactors.
  - 5. Emergency shunt relays.

1.3 ACTION SUBMITTALS

- A. Product Data: For each type of product.
- B. Shop Drawings: Show installation details for occupancy and light-level sensors.
  - 1. Interconnection diagrams showing field-installed wiring.
  - 2. Include diagrams for power, signal, and control wiring.

1.4 INFORMATIONAL SUBMITTALS

- A. Field quality-control reports.

1.5 CLOSEOUT SUBMITTALS

- A. Operation and Maintenance Data: For each type of lighting control device to include in emergency, operation, and maintenance manuals.

FIRE STATIONS RENOVATION  
ARLINGTON COUNTY, VIRGINIA  
Architect's Project No: 563006

---

PART 2 - PRODUCTS

2.1 TIME SWITCHES

- A. Manufacturers: Subject to compliance with requirements, available manufacturers offering products that may be incorporated into the Work include, but are not limited to the following:
1. Cooper Industries, Inc.
  2. Intermatic, Inc.
  3. Leviton Manufacturing Co., Inc.
  4. NSi Industries LLC.
- B. Basis of Design: Tork EWZ101

2.2 OUTDOOR PHOTOELECTRIC SWITCHES

- A. Manufacturers: Subject to compliance with requirements, available manufacturers offering products that may be incorporated into the Work include, but are not limited to the following:
1. Cooper Industries, Inc.
  2. Intermatic, Inc.
  3. NSi Industries LLC.
  4. Tyco Electronics.
- B. Description: Solid state, with SPST dry contacts rated for 1800-VA tungsten or 1000-VA inductive, to operate connected relay, contactor coils, or microprocessor input; complying with UL 773A.
1. Listed and labeled as defined in NFPA 70, by a qualified testing agency, and marked for intended location and application.
  2. Light-Level Monitoring Range: 1.5 to 10 fc, with an adjustment for turn-on and turn-off levels within that range, and a directional lens in front of the photocell to prevent fixed light sources from causing turn-off.
  3. Time Delay: Fifteen second minimum, to prevent false operation.
  4. Surge Protection: Metal-oxide varistor.
  5. Mounting: Twist lock complies with NEMA C136.10, with base-and-stem mounting or stem-and-swivel mounting accessories as required to direct sensor to the north sky exposure.

2.3 INDOOR OCCUPANCY SENSORS

- A. Manufacturers: Subject to compliance with requirements, available manufacturers offering products that may be incorporated into the Work include, but are not limited to the following:
1. Hubbell Building Automation, Inc.

FIRE STATIONS RENOVATION  
ARLINGTON COUNTY, VIRGINIA  
Architect's Project No: 563006

---

2. Leviton Manufacturing Co., Inc.
  3. Lutron Electronics Co., Inc.
  4. Sensor Switch, Inc.
  5. Watt Stopper.
- B. General Requirements for Sensors: Wall- or ceiling-mounted, solid-state indoor occupancy sensors with a separate power pack.
1. Listed and labeled as defined in NFPA 70, by a qualified testing agency, and marked for intended location and application.
  2. Operation: Unless otherwise indicated, turn lights on when coverage area is occupied, and turn them off when unoccupied; with a time delay for turning lights off, adjustable over a minimum range of 1 to 15 minutes.
  3. Sensor Output: Contacts rated to operate the connected relay, complying with UL 773A. Sensor is powered from the power pack.
  4. Power Pack: Dry contacts rated for 20-A ballast load at 120- and 277-V ac, for 13-A tungsten at 120-V ac, and for 1 hp at 120-V ac. Sensor has 24-V dc, 150-mA, Class 2 power source, as defined by NFPA 70.
  5. Mounting:
    - a. Sensor: Suitable for mounting in any position on a standard outlet box.
    - b. Relay: Externally mounted through a 1/2-inch knockout in a standard electrical enclosure.
    - c. Time-Delay and Sensitivity Adjustments: Recessed and concealed behind hinged door.
  6. Indicator: Digital display, to show when motion is detected during testing and normal operation of sensor.
  7. Bypass Switch: Override the "on" function in case of sensor failure.
  8. Automatic Light-Level Sensor: Adjustable from 2 to 200 fc; turn lights off when selected lighting level is present.
- C. Ultrasonic Type: Ceiling mounted; detect occupants in coverage area through pattern changes of reflected ultrasonic energy. Basis of Design Wattstopper WT 2255
1. Detector Sensitivity: Detect a person of average size and weight moving not less than 12 inches in either a horizontal or a vertical manner at an approximate speed of 12 inches/s. Detection Coverage (Corridor): Detect occupancy anywhere within 90 feet when mounted on a 10-foot- high ceiling in a corridor not wider than 14 feet.
- D. Dual-Technology Type: Wattstopper Ceiling mounted; detect occupants in coverage area using PIR and ultrasonic detection methods. The particular technology or combination of technologies that control on-off functions is selectable in the field by operating controls on unit.
1. Sensitivity Adjustment: Separate for each sensing technology.
  2. Detector Sensitivity: Detect occurrences of 6-inch- minimum movement of any portion of a human body that presents a target of not less than 36 sq. in., and detect a person of average size and weight moving not less than 12 inches in either a horizontal or a vertical manner at an approximate speed of 12 inches/s.
  3. Detection Coverage:

FIRE STATIONS RENOVATION  
ARLINGTON COUNTY, VIRGINIA  
Architect's Project No: 563006

---

- a. **Standard Height Units:(WattStopper DT-355 Basis of design)** In areas that have ceiling heights of 12 feet or lower, provide Watt Stopper unit DT-300 (or approved equal): Detect occupancy anywhere within a circular area up to 2000 square feet. Detectors shall be networkable to allow coverage of larger or irregularly shaped areas.
- b. **High Ceiling Units:(WattStopper HB3x0 Basis of design)** In areas that have ceiling/mounting height over 12 feet up to 40 foot mounting including but not limited to Gymnasium, Auditorium, Cafeteria (commons) and forum spaces, provide Watt Stopper unit HB3x0 with L4 lens, or approved equal. Detect occupancy anywhere within a circular area up to 3500 square feet. Detectors shall be networkable to allow coverage of larger or irregularly shaped areas.

#### 2.4 SWITCHBOX-MOUNTED OCCUPANCY SENSORS

- A. **Manufacturers:** Subject to compliance with requirements, available manufacturers offering products that may be incorporated into the Work include, but are not limited to the following:
  1. Hubbell Building Automation, Inc.
  2. Leviton Manufacturing Co., Inc.
  3. Lutron Electronics Co., Inc.
  4. Sensor Switch, Inc.
  5. Watt Stopper.
- B. **General Requirements for Sensors:** Automatic-wall-switch occupancy sensor, suitable for mounting in a single gang switchbox.
  1. Listed and labeled as defined in NFPA 70, by a qualified testing agency, and marked for intended location and application.
  2. **Operating Ambient Conditions:** Dry interior conditions, 32 to 120 deg F.
- C. **Wall-Switch Sensor Tag OS Wattstopper DW-100(basis of design):**
  1. **Standard Range:** 180-degree field of view, field adjustable from 180 to 40 degrees; with a minimum coverage area of 900 sq. ft..
  2. **Sensing Technology:** Dual technology - PIR and ultrasonic.
  3. **Switch Type:** SP, field selectable automatic "on," or manual "on" automatic "off."
  4. **Voltage:** Dual voltage, 120 and 277 V; dual-technology type.
  5. **Ambient-Light Override:** Concealed, field-adjustable, light-level sensor from 10 to 150 fc. The switch prevents the lights from turning on when the light level is higher than the set point of the sensor.
  6. Concealed, field-adjustable, "off" time-delay selector at up to 30 minutes.
  7. **Adaptive Technology:** Self-adjusting circuitry detects and memorizes usage patterns of the space and helps eliminate false "off" switching.

#### 2.5 LIGHTING CONTACTORS

- A. **Manufacturers:** Subject to compliance with requirements, available manufacturers offering products that may be incorporated into the Work include, but are not limited to the following:

FIRE STATIONS RENOVATION  
ARLINGTON COUNTY, VIRGINIA  
Architect's Project No: 563006

---

1. Allen-Bradley/Rockwell Automation.
2. ASCO Power Technologies, LP.
3. Eaton corp
4. Square D.
5. Siemens

- B. Description: Electrically operated and mechanically held, combination-type lighting contactors with nonfused disconnect, and Hand off auto switch complying with NEMA ICS 2 and UL 508.
1. Fault Current Withstand Rating: Equal to or exceeding the available fault current at the point of installation.
  2. Enclosure: Comply with NEMA 250.
  3. Provide with control and pilot devices as indicated on Drawings, matching the NEMA type specified for the enclosure.

## 2.6 EMERGENCY POWER DIMMER CONTROL

- A. Manufacturers: Subject to compliance with requirements, available manufacturers offering products that may be incorporated into the Work include, but are not limited to the following:
1. LVS Model EPC-1-D
  2. Non-Dimming Bodine GTD

## PART 3 - EXECUTION

### 3.1 SENSOR INSTALLATION

- A. Coordinate layout and installation of ceiling-mounted devices with other construction that penetrates ceilings or is supported by them, including light fixtures, HVAC equipment, smoke detectors, fire-suppression systems, and partition assemblies.
- B. Install and aim sensors in locations to achieve not less than 90 percent coverage of areas indicated. Do not exceed coverage limits specified in manufacturer's written instructions.
- C. Provide types in locations according to list below
1. Corridors – Wattstopper WT-2255
  2. Classrooms – Wattstopper DT-355
  3. Classrooms (wireless indicated) Complete Radio Powr Savr system for two zone, 0-10v dimming and wall mounted occupancy detection. Provide three (3) PJ2-2BRL-WG-LO1 with wall mount. Program 1 switch for all on/off program two switches on/off/raise/lower for each zone.
  4. High ceiling areas Wattstopper H3x0-lx as required for application.



FIRE STATIONS RENOVATION  
ARLINGTON COUNTY, VIRGINIA  
Architect's Project No: 563006

---

3.2 CONTACTOR INSTALLATION

- A. Mount electrically held lighting contactors with elastomeric isolator pads to eliminate structure-borne vibration, unless contactors are installed in an enclosure with factory-installed vibration isolators.

3.3 WIRING INSTALLATION

- A. Wiring Method: Comply with Section 260519 "Low-Voltage Electrical Power Conductors and Cables." Minimum conduit size is 1/2 inch.
- B. Wiring within Enclosures: Comply with NECA 1. Separate power-limited and non-power-limited conductors according to conductor manufacturer's written instructions.
- C. Size conductors according to lighting control device manufacturer's written instructions unless otherwise indicated.
- D. Splices, Taps, and Terminations: Make connections only on numbered terminal strips in junction, pull, and outlet boxes; terminal cabinets; and equipment enclosures.

3.4 IDENTIFICATION

- A. Identify components and power and control wiring according to Section 260553 "Identification for Electrical Systems."
  - 1. Identify controlled circuits in lighting contactors.
  - 2. Identify circuits or luminaries controlled by photoelectric and occupancy sensors at each sensor.
- B. Label time switches and contactors with a unique designation.

3.5 FIELD QUALITY CONTROL

- A. Perform the following tests and inspections:
  - 1. Operational Test: After installing time switches and sensors, and after electrical circuitry has been energized, start units to confirm proper unit operation.
  - 2. Test and adjust controls and safeties. Replace damaged and malfunctioning controls and equipment.
- B. Lighting control devices will be considered defective if they do not pass tests and inspections.
- C. Prepare test and inspection reports.

FIRE STATIONS RENOVATION  
ARLINGTON COUNTY, VIRGINIA  
Architect's Project No: 563006

---

3.6 ADJUSTING

- A. Occupancy Adjustments: When requested within 12 months from date of Substantial Completion, provide on-site assistance in adjusting sensors to suit actual occupied conditions. Provide up to four visits to Project during other-than-normal occupancy hours for this purpose.
  - 1. For occupancy and motion sensors, verify operation at outer limits of detector range. Set time delay to suit Owner's operations.
  - 2. For daylighting controls, adjust set points and deadband controls to suit Owner's operations.
  - 3. Align high-bay occupancy sensors using manufacturer's laser aiming tool.

3.7 DEMONSTRATION

- A. Coordinate demonstration of products specified in this Section with demonstration requirements for low-voltage, programmable lighting control systems specified.
- B. Train Owner's maintenance personnel to adjust, operate, and maintain lighting control devices.

END OF SECTION 260923

FIRE STATIONS RENOVATION  
ARLINGTON COUNTY, VIRGINIA  
Architect's Project No: 563006

---

SECTION 262200 - LOW-VOLTAGE TRANSFORMERS

PART 1 - GENERAL

1.1 RELATED DOCUMENTS

- A. Drawings and general provisions of the Contract, including General and Supplementary Conditions and Division 01 Specification Sections, apply to this Section.

1.2 SUMMARY

- A. Section Includes: Distribution, dry-type transformers rated 600 V and less, with capacities up to 1500 kVA.

1.3 ACTION SUBMITTALS

- A. Product Data: For each type of product.
  - 1. Include construction details, material descriptions, dimensions of individual components and profiles, and finishes for each type and size of transformer.
  - 2. Include rated nameplate data, capacities, weights, dimensions, minimum clearances, installed devices and features, and performance for each type and size of transformer.
- B. Shop Drawings:
  - 1. Detail equipment assemblies and indicate dimensions, weights, loads, required clearances, method of field assembly, components, and location and size of each field connection.
  - 2. Vibration Isolation Base Details: Detail fabrication including anchorages and attachments to structure and to supported equipment.
  - 3. Include diagrams for power, signal, and control wiring.

1.4 INFORMATIONAL SUBMITTALS

- A. Source quality-control reports.
- B. Field quality-control reports.

1.5 CLOSEOUT SUBMITTALS

- A. Operation and Maintenance Data: For transformers to include in emergency, operation, and maintenance manuals.

FIRE STATIONS RENOVATION  
ARLINGTON COUNTY, VIRGINIA  
Architect's Project No: 563006

---

1.6 DELIVERY, STORAGE, AND HANDLING

- A. Temporary Heating: Apply temporary heat according to manufacturer's written instructions within the enclosure of each ventilated-type unit, throughout periods during which equipment is not energized and when transformer is not in a space that is continuously under normal control of temperature and humidity.

PART 2 - PRODUCTS

2.1 MANUFACTURERS

- A. Manufacturers: Subject to compliance with requirements, available manufacturers offering products that may be incorporated into the Work include, but are not limited to the following:
  - 1. Eaton Electrical Sector; Eaton Corporation.
  - 2. Siemens Power Transmission & Distribution, Inc.
  - 3. Square D; by Schneider Electric.
- B. Source Limitations: Obtain each transformer type from single source from single manufacturer.
- C. All panelboards, switchboards, circuit breakers, dry type transformers and disconnect switches shall be of the same manufacturer.

2.2 GENERAL TRANSFORMER REQUIREMENTS

- A. Description: Factory-assembled and -tested, air-cooled units for 60-Hz service.
- B. Electrical Components, Devices, and Accessories: Listed and labeled as defined in NFPA 70, by a qualified testing agency, and marked for intended location and application.
- C. Transformers Rated 15 kVA and Larger: Comply with 10 CFR Part 431 (2016), DOE 2016 energy-efficiency levels as verified by testing according to NEMA TP 2.
- D. Cores: Electrical grade, non-aging silicon steel with high permeability and low hysteresis losses.
- E. Coils: Continuous windings without splices except for taps.
  - 1. Internal Coil Connections: Brazed or pressure type.
  - 2. Coil Material: Copper.
- F. Encapsulation: Transformers smaller than 30 kVA shall have core and coils completely resin encapsulated.
- G. Shipping Restraints: Paint or otherwise color code bolts, wedges, blocks, and other restraints that are to be removed after installation and before energizing. Use fluorescent colors that are easily identifiable inside the transformer enclosure.

FIRE STATIONS RENOVATION  
ARLINGTON COUNTY, VIRGINIA  
Architect's Project No: 563006

---

2.3 DISTRIBUTION TRANSFORMERS

- A. Comply with NFPA 70, and list and label as complying with UL 1561.
- B. Cores: One leg per phase.
- C. Enclosure: Ventilated.
  - 1. NEMA 250, Type 2: Core and coil shall be encapsulated within resin compound to seal out moisture and air.
  - 2. KVA Ratings: Based on convection cooling only and not relying on auxiliary fans.
- D. Transformer Enclosure Finish: Comply with NEMA 250.
  - 1. Finish Color: Gray.
- E. Taps for Transformers 3 kVA and Smaller: None.
- F. Taps for Transformers 7.5 to 24 kVA: One 5 percent tap above and one 5 percent tap below normal full capacity.
- G. Taps for Transformers 25 kVA and Larger: Two 2.5 percent taps above and two 2.5 percent taps below normal full capacity.
- H. Insulation Class, Smaller than 30 kVA: 185 deg C, UL-component-recognized insulation system with a maximum of 115-deg C rise above 40-deg C ambient temperature.
- I. Insulation Class, 30 kVA and Larger: 220 deg C, UL-component-recognized insulation system with a maximum of 150-deg C rise above 40-deg C ambient temperature.
- J. K-Factor Rating: Transformers indicated to be K-factor rated shall comply with UL 1561 requirements for nonsinusoidal load current-handling capability to the degree defined by designated K-factor.
  - 1. Unit shall not overheat when carrying full-load current with harmonic distortion corresponding to designated K-factor.
  - 2. Indicate value of K-factor on transformer nameplate.
  - 3. Unit shall meet requirements of NEMA TP 1 when tested according to NEMA TP 2 with a K-factor equal to one.
- K. Electrostatic Shielding: Each winding shall have an independent, single, full-width copper electrostatic shield arranged to minimize interwinding capacitance.
  - 1. Arrange coil leads and terminal strips to minimize capacitive coupling between input and output terminals.
  - 2. Include special terminal for grounding the shield.
- L. Neutral: Rated 200 percent of full load current for K-factor rated transformers.
- M. Wall Brackets: Manufacturer's standard brackets.

FIRE STATIONS RENOVATION  
ARLINGTON COUNTY, VIRGINIA  
Architect's Project No: 563006

---

- N. Fungus Proofing: Permanent fungicidal treatment for coil and core.
  
- O. Low-Sound-Level Requirements: Maximum sound levels when factory tested according to IEEE C57.12.91, as follows:
  - 1. 9 kVA and Less: 40dBA.
  - 2. 30 to 50 kVA: 45dBA.
  - 3. 51 to 150 kVA: 50dBA.
  - 4. 151 to 300 kVA: 55dBA.
  - 5. 301 to 500 kVA: 60dBA.
  - 6. 501 to 750 kVA: 62dBA.
  - 7. 751 to 1000 kVA: 64dBA.
  - 8. 1001 to 1500 kVA: 65dBA.

2.4 IDENTIFICATION DEVICES

- A. Nameplates: Engraved, laminated-plastic or metal nameplate for each distribution transformer, mounted with corrosion-resistant screws. Nameplates and label products are specified in Section 260553 "Identification for Electrical Systems."

2.5 SOURCE QUALITY CONTROL

- A. Test and inspect transformers according to IEEE C57.12.01 and IEEE C57.12.91.
  - 1. Resistance measurements of all windings at the rated voltage connections and at all tap connections.
  - 2. Ratio tests at the rated voltage connections and at all tap connections.
  - 3. Phase relation and polarity tests at the rated voltage connections.
  - 4. No load losses, and excitation current and rated voltage at the rated voltage connections.
  - 5. Impedance and load losses at rated current and rated frequency at the rated voltage connections.
  - 6. Applied and induced tensile tests.
  - 7. Regulation and efficiency at rated load and voltage.
  - 8. Insulation Resistance Tests:
    - a. High-voltage to ground.
    - b. Low-voltage to ground.
    - c. High-voltage to low-voltage.
  - 9. Temperature tests.
  
- B. Factory Sound-Level Tests: Conduct prototype sound-level tests on production-line products.

FIRE STATIONS RENOVATION  
ARLINGTON COUNTY, VIRGINIA  
Architect's Project No: 563006

---

PART 3 - EXECUTION

3.1 EXAMINATION

- A. Examine conditions for compliance with enclosure- and ambient-temperature requirements for each transformer.
- B. Verify that field measurements are as needed to maintain working clearances required by NFPA 70 and manufacturer's written instructions.
- C. Examine walls, floors, roofs, and concrete bases for suitable mounting conditions where transformers will be installed.
- D. Verify that ground connections are in place and requirements in Section 260526 "Grounding and Bonding for Electrical Systems" have been met. Maximum ground resistance shall be 5 ohms at location of transformer.
- E. Environment: Enclosures shall be rated for the environment in which they are located. Covers for NEMA 250, Type 4X enclosures shall not cause accessibility problems.
- F. Proceed with installation only after unsatisfactory conditions have been corrected.

3.2 INSTALLATION

- A. Install wall-mounted transformers level and plumb with wall brackets fabricated by transformer manufacturer.
  - 1. Coordinate installation of wall-mounted and structure-hanging supports with actual transformer provided.
- B. Install transformers level and plumb on a concrete base with vibration-dampening supports. Locate transformers away from corners and not parallel to adjacent wall surface.
- C. Construct concrete bases according to Section 033000 "Cast-in-Place Concrete" and anchor floor-mounted transformers according to manufacturer's written instructions and requirements in Section 260529 "Hangers and Supports for Electrical Systems."
  - 1. Coordinate size and location of concrete bases with actual transformer provided. Cast anchor-bolt inserts into bases. Concrete, reinforcement, and formwork requirements are specified with concrete.
- D. Secure transformer to concrete base according to manufacturer's written instructions.
- E. Secure covers to enclosure and tighten all bolts to manufacturer-recommended torques to reduce noise generation.
- F. Remove shipping bolts, blocking, and wedges.

FIRE STATIONS RENOVATION  
ARLINGTON COUNTY, VIRGINIA  
Architect's Project No: 563006

---

3.3 CONNECTIONS

- A. Ground equipment according to Section 260526 "Grounding and Bonding for Electrical Systems."
- B. Connect wiring according to Section 260519 "Low-Voltage Electrical Power Conductors and Cables."
- C. Tighten electrical connectors and terminals according to manufacturer's published torque-tightening values. If manufacturer's torque values are not indicated, use those specified in UL 486A-486B.
- D. Provide flexible connections at all conduit and conductor terminations and supports to eliminate sound and vibration transmission to the building structure.

3.4 FIELD QUALITY CONTROL

- A. Perform tests and inspections and prepare test reports.
- B. Tests and Inspections:
  - 1. Perform each visual and mechanical inspection and electrical test stated in NETA ATS for dry-type, air-cooled, low-voltage transformers. Certify compliance with test parameters.
- C. Remove and replace units that do not pass tests or inspections and retest as specified above.
- D. Test Labeling: On completion of satisfactory testing of each unit, attach a dated and signed "Satisfactory Test" label to tested component.

3.5 ADJUSTING

- A. Record transformer secondary voltage at each unit for at least 48 hours of typical occupancy period. Adjust transformer taps to provide optimum voltage conditions at secondary terminals. Optimum is defined as not exceeding nameplate voltage plus 5 percent and not being lower than nameplate voltage minus 3 percent at maximum load conditions. Submit recording and tap settings as test results.
- B. Connect buck-boost transformers to provide nameplate voltage of equipment being served, plus or minus 5 percent, at secondary terminals.
- C. Output Settings Report: Prepare a written report recording output voltages and tap settings.

3.6 CLEANING

- A. Vacuum dirt and debris; do not use compressed air to assist in cleaning.



FIRE STATIONS RENOVATION  
ARLINGTON COUNTY, VIRGINIA

Architect's Project No: 563006

---

END OF SECTION 262200

FIRE STATIONS RENOVATION  
ARLINGTON COUNTY, VIRGINIA  
Architect's Project No: 563006

---

SECTION 262416 - PANELBOARDS

PART 1 - GENERAL

1.1 RELATED DOCUMENTS

- A. Drawings and general provisions of the Contract, including General and Supplementary Conditions and Division 01 Specification Sections, apply to this Section.

1.2 SUMMARY

- A. Section Includes:
  - 1. Distribution panelboards.
  - 2. Lighting and appliance branch-circuit panelboards.
  - 3. Secondary panelboard metering

1.3 DEFINITIONS

- A. SVR: Suppressed voltage rating.

1.4 ACTION SUBMITTALS

- A. Product Data: For each type of panelboard, switching and overcurrent protective device, transient voltage suppression device, accessory, and component indicated. Include dimensions and manufacturers' technical data on features, performance, electrical characteristics, ratings, and finishes.
- B. Shop Drawings: For each panelboard and related equipment.
  - 1. Include dimensioned plans, elevations, sections, and details. Show tabulations of installed devices, equipment features, and ratings.
  - 2. Detail enclosure types and details for types other than NEMA 250, Type 1.
  - 3. Detail bus configuration, current, and voltage ratings.
  - 4. Short-circuit current rating of panelboards and overcurrent protective devices.
  - 5. Include evidence of NRTL listing for series rating of installed devices.
  - 6. Detail features, characteristics, ratings, and factory settings of individual overcurrent protective devices and auxiliary components.
  - 7. Include wiring diagrams for power, signal, and control wiring.
  - 8. Include time-current coordination curves for each type and rating of overcurrent protective device included in panelboards. Submit on translucent log-log graft paper; include selectable ranges for each type of overcurrent protective device.

FIRE STATIONS RENOVATION  
ARLINGTON COUNTY, VIRGINIA  
Architect's Project No: 563006

---

1.5 INFORMATIONAL SUBMITTALS

A. Field Quality-Control Reports:

1. Test procedures used.
2. Test results that comply with requirements.
3. Results of failed tests and corrective action taken to achieve test results that comply with requirements.

B. Panelboard Schedules: For installation in panelboards.

1.6 CLOSEOUT SUBMITTALS

A. Operation and Maintenance Data: For panelboards and components to include in emergency, operation, and maintenance manuals. In addition to items specified in Section 017823 "Operation and Maintenance Data," include the following:

1. Manufacturer's written instructions for testing and adjusting overcurrent protective devices.
2. Time-current curves, including selectable ranges for each type of overcurrent protective device that allows adjustments.

1.7 QUALITY ASSURANCE

A. Source Limitations: Obtain panelboards, overcurrent protective devices, components, and accessories from single source from single manufacturer.

B. Product Selection for Restricted Space: Drawings indicate maximum dimensions by means of scaled symbols for panelboards including clearances between panelboards and adjacent surfaces and other items. Comply with maximum dimensions of symbols shown.

C. Electrical Components, Devices, and Accessories: Listed and labeled as defined in NFPA 70, by a qualified testing agency, and marked for intended location and application.

D. Comply with NEMA PB 1.

E. Comply with NFPA 70.

1.8 DELIVERY, STORAGE, AND HANDLING

A. Remove loose packing and flammable materials from inside panelboards; install temporary electric heating (250 W per panelboard) to prevent condensation.

B. Handle and prepare panelboards for installation according to NEMA PB 1.

FIRE STATIONS RENOVATION  
ARLINGTON COUNTY, VIRGINIA  
Architect's Project No: 563006

---

1.9 PROJECT CONDITIONS

A. Environmental Limitations:

1. Do not deliver or install panelboards until spaces are enclosed and weathertight, wet work in spaces is complete and dry, work above panelboards is complete.
2. Rate equipment for continuous operation under the following conditions unless otherwise indicated:
  - a. Ambient Temperature: Not exceeding 23 deg F to plus 104 deg F.
  - b. Altitude: Not exceeding 6600 feet.

1.10 COORDINATION

- A. Coordinate layout and installation of panelboards and components with other construction that penetrates walls or is supported by them, including electrical and other types of equipment, raceways, piping, encumbrances to workspace clearance requirements, and adjacent surfaces. Maintain required workspace clearances and required clearances for equipment access doors and panels.
- B. Coordinate sizes and locations of concrete bases with actual equipment provided. Cast anchor-bolt inserts into bases. Concrete, reinforcement, and formwork requirements are specified with concrete.

1.11 WARRANTY

- A. Special Warranty: Manufacturer's standard form in which manufacturer agrees to repair or replace transient voltage suppression devices that fail in materials or workmanship within specified warranty period.
  1. Warranty Period: One year from date of Substantial Completion.

PART 2 - PRODUCTS

2.1 GENERAL REQUIREMENTS FOR PANELBOARDS

- A. All panelboards, switchboards, circuit breakers, dry type transformers and disconnect switches shall be of the same manufacturer.
- B. Enclosures: Flush and surface-mounted cabinets as indicated on the drawings.
  1. Rated for environmental conditions at installed location.
    - a. Indoor Dry and Clean Locations: NEMA 250, Type 1.

FIRE STATIONS RENOVATION  
ARLINGTON COUNTY, VIRGINIA  
Architect's Project No: 563006

---

- b. Outdoor Locations: NEMA 250, Type 3R.
    - c. Kitchen Areas: NEMA 250, Type 4X, stainless steel.
    - d. Other Wet or Damp Indoor Locations: NEMA 250, Type 4.
  2. Piano Type Hinged Front Cover: Entire front trim hinged to box and with standard door within hinged trim cover.
  3. Finishes:
    - a. Panels and Trim: galvanized steel, factory finished immediately after cleaning and pretreating with manufacturer's standard two-coat, baked-on finish consisting of prime coat and thermosetting topcoat.
    - b. Back Boxes: Galvanized steel.
  4. Metal Directory Card holder: Inside panelboard door, mounted in transparent card holder.
- C. Incoming Mains Location: Top or bottom to match incoming conduit location.
- D. Phase, Neutral, and Ground Buses:
  1. Material: Hard-drawn copper, 98 percent conductivity.
  2. Equipment Ground Bus: Copper, Adequate for feeder and branch-circuit equipment grounding conductors; bonded to box.
  3. Neutral Bus: Copper fully rated
- E. Conductor Connectors: Suitable for use with conductor material and sizes.
  1. Material: Hard-drawn copper, 98 percent conductivity.
  2. Main and Neutral Lugs: Mechanical type.
  3. Ground Lugs and Bus-Configured Terminators: Mechanical type.
  4. Feed-Through Lugs: Mechanical type, suitable for use with conductor material. Locate at opposite end of bus from incoming lugs or main device, where indicated on drawings.
  5. Subfeed (Double) Lugs: Mechanical type suitable for use with conductor material. Locate at same end of bus as incoming lugs or main device.
- F. Service Equipment Label: NRTL labeled for use as service equipment for panelboards or load centers with one or more main service disconnecting and overcurrent protective devices where required by NEC.
- G. Future Devices: Mounting brackets, bus connections, filler plates, and necessary appurtenances required for future installation of devices.
- H. Panelboard Short-Circuit Current Rating: Fully rated to interrupt symmetrical short-circuit current available at terminals as determined by the specified studies. Rating indicated on drawings shall be verified by the Manufacturer and adjusted, if required, at no additional cost to the Owner.
- I. All doors shall be keyed alike.

FIRE STATIONS RENOVATION  
ARLINGTON COUNTY, VIRGINIA  
Architect's Project No: 563006

---

2.2 DISTRIBUTION PANELBOARDS

- A. Manufacturers: Subject to compliance with requirements, provide products by one of the following:
  - 1. Eaton Electrical Sector; Eaton Corporation.
  - 2. Siemens Industry, Inc.
  - 3. Square D. I-Line
- B. Panelboards: NEMA PB 1, power and feeder distribution type.
- C. Provide piano hinged trim
- D. Doors: Secured with vault-type latch with tumbler lock; keyed alike.
  - 1. For doors more than 36 inches high, provide two latches, keyed alike.
- E. Mains: Circuit breaker or Lugs only per drawings.
- F. Branch Overcurrent Protective Devices for Circuit-Breaker: Bolt-on circuit breakers

2.3 LIGHTING AND APPLIANCE BRANCH-CIRCUIT PANELBOARDS

- A. Manufacturers: Subject to compliance with requirements, provide products by one of the following:
  - 1. Siemens Industry, Inc.
  - 2. Square D.
  - 3. Eaton Electrical Sector; Eaton Corporation.
- B. Panelboards: NEMA PB 1, lighting and appliance branch-circuit type.
- C. Mains: Circuit breaker or lugs only per the drawings.
- D. Branch Overcurrent Protective Devices: Bolt-on circuit breakers, replaceable without disturbing adjacent units.
- E. Doors: Concealed hinges; secured with flush latch with tumbler lock; keyed alike.
- F. Provide piano hinged trim.

2.4 PANELBOARD DISCONNECTING AND OVERCURRENT PROTECTIVE DEVICES

- A. Manufacturers: Subject to compliance with requirements, available manufacturers offering products that may be incorporated into the Work include, but are not limited to the following:

FIRE STATIONS RENOVATION  
ARLINGTON COUNTY, VIRGINIA  
Architect's Project No: 563006

---

1. Eaton Electrical Sector; Eaton Corporation.
  2. Siemens Industry, Inc.
  3. Square D.
- B. Molded-Case Circuit Breaker (MCCB): Comply with UL 489, with interrupting capacity to meet available fault currents.
1. Thermal-Magnetic Circuit Breakers: Inverse time-current element for low-level overloads, and instantaneous magnetic trip element for short circuits. Adjustable magnetic trip setting for circuit-breaker frame sizes 250 A and larger.
  2. Adjustable Instantaneous-Trip Circuit Breakers: Magnetic trip element with front-mounted, field-adjustable trip setting.
  3. Electronic trip circuit breakers with Square D Energy trip unit or equivalent equal; field-replaceable rating plug or field-replicable electronic trip; and the following field-adjustable settings:
    - a. Instantaneous trip.
    - b. Long- and short-time pickup levels.
    - c. Long- and short-time time adjustments.
  4. Current-Limiting Circuit Breakers: Frame sizes 400 A and smaller; let-through ratings less than NEMA FU 1, RK-5.
  5. GFCI Circuit Breakers: Single- and two-pole configurations with Class A ground-fault protection (6-mA trip).
  6. Ground-Fault Equipment Protection (GFEP) Circuit Breakers: Class B ground-fault protection (30-mA trip).
  7. Molded-Case Circuit-Breaker (MCCB) Features and Accessories:
    - a. Standard frame sizes, trip ratings, and number of poles.
    - b. Lugs: Mechanical style, suitable for number, size, trip ratings, and conductor materials.
    - c. Application Listing: Appropriate for application; Type SWD for switching fluorescent lighting loads; Type HID for feeding fluorescent and high-intensity discharge (HID) lighting circuits..
    - d. Ground-Fault Protection: Integrally mounted relay and trip unit with adjustable pickup and time-delay settings, push-to-test feature, and ground-fault indicator.
    - e. Shunt Trip: trip coil energized from separate circuit, set to trip at 55 percent of rated voltage.
    - f. Undervoltage Trip: Set to operate at 35 to 75 percent of rated voltage with field-adjustable 0.1- to 0.6-second time delay.
    - g. Multipole units enclosed in a single housing or factory assembled to operate as a single unit.
    - h. Handle Padlocking Device: Fixed attachment, for locking circuit-breaker handles in on or off position.

FIRE STATIONS RENOVATION  
ARLINGTON COUNTY, VIRGINIA  
Architect's Project No: 563006

---

2.5 ACCESSORY COMPONENTS AND FEATURES

- A. Accessory Set: Include tools and miscellaneous items required for overcurrent protective device test, inspection, maintenance, and operation.
- B. Portable Test Set: For testing functions of solid-state trip devices without removing from panelboard. Include relay and meter test plugs suitable for testing panelboard meters and switchboard class relays.

PART 3 - EXECUTION

3.1 EXAMINATION

- A. Receive, inspect, handle, and store panelboards according to NEMA PB 1.1.
- B. Examine panelboards before installation. Reject panelboards that are damaged or rusted or have been subjected to water saturation.
- C. Examine elements and surfaces to receive panelboards for compliance with installation tolerances and other conditions affecting performance of the Work.
- D. Proceed with installation only after unsatisfactory conditions have been corrected.

3.2 INSTALLATION

- A. Install panelboards and accessories according to NEMA PB 1.1.
- B. Equipment Mounting: Install large free standing distribution panelboards on concrete bases, 4-inch nominal thickness.
  - 1. Install dowel rods to connect concrete base to concrete floor. Unless otherwise indicated, install dowel rods on 18-inch centers around full perimeter of base.
  - 2. For panelboards, install epoxy-coated anchor bolts that extend through concrete base and anchor into structural concrete floor.
  - 3. Place and secure anchorage devices. Use setting drawings, templates, diagrams, instructions, and directions furnished with items to be embedded.
  - 4. Install anchor bolts to elevations required for proper attachment to panelboards.
  - 5. Attach panelboard to the vertical finished or structural surface behind the panelboard.
- C. Temporary Lifting Provisions: Remove temporary lifting eyes, channels, and brackets and temporary blocking of moving parts from panelboards.
- D. Set all cabinets of all branch circuit and distribution panelboards, with top 6'-0" above finished floor, unless noted otherwise, or unless panel is taller than 4'-6".



FIRE STATIONS RENOVATION  
ARLINGTON COUNTY, VIRGINIA  
Architect's Project No: 563006

---

- E. Mount panelboard cabinet plumb and rigid without distortion of box. Mount recessed panelboards with fronts uniformly flush with wall finish and mating with back box.
- F. Install overcurrent protective devices and controllers not already factory installed.
  - 1. Set field-adjustable, circuit-breaker trip ranges.
- G. Install filler plates in unused spaces.
- H. Stub four 1-inch empty conduits from panelboard into accessible ceiling space or space designated to be ceiling space in the future. Stub four 1-inch empty conduits into raised floor space or below slab not on grade.
- I. Arrange conductors in gutters into groups and bundle and wrap with wire ties.
- J. Comply with NECA 1.
- K. Coordinate voltage of shunt trips with connected systems.
- L. Utilize Electronic Energy Trip Breakers in Distribution Panelboards, which are location in interior spaces. Distribution boards located in 3R panelboards shall be thermal magnetic
- M. Branch circuit breakers serving the following items shall have lock-on devices.
  - 1. Exit signs
  - 2. Walk-through and/or exit (egress) lighting
  - 3. Fire alarm system(s)
  - 4. Security systems(s)
  - 5. Timeclocks
  - 6. Clock and Program Time Control System(s)
  - 7. Building Intercommunication Systems
  - 8. Telephone power disconnect switches and receptacles
  - 9. Sump pumps
  - 10. HVAC controls
  - 11. Refrigerators and Freezers.
  - 12. Control circuits for shunt trips and "panic" switches

### 3.3 IDENTIFICATION

- A. Identify field-installed conductors, interconnecting wiring, and components; provide warning signs complying with Section 260553 "Identification for Electrical Systems."
- B. Create a directory to indicate installed circuit loads; incorporate Owner's final room designations. Obtain approval before installing. Use a computer or typewriter to create directory; handwritten directories are not acceptable.
- C. Panelboard Nameplates: Label each panelboard with a nameplate complying with requirements for identification specified in Section 260553 "Identification for Electrical Systems."

FIRE STATIONS RENOVATION  
ARLINGTON COUNTY, VIRGINIA  
Architect's Project No: 563006

---

- D. Device Nameplates: Label each branch circuit device in distribution panelboards with a nameplate complying with requirements for identification specified in Section 260553 "Identification for Electrical Systems."

FIRE STATIONS RENOVATION  
ARLINGTON COUNTY, VIRGINIA  
Architect's Project No: 563006

---

3.4 FIELD QUALITY CONTROL

- A. Perform tests and inspections.
  - 1. Manufacturer's Field Service: Engage a factory-authorized service representative to inspect components, assemblies, and equipment installations, including connections, and to assist in testing.
- B. Acceptance Testing Preparation:
  - 1. Test insulation resistance for each panelboard bus, component, connecting supply, feeder, and control circuit.
  - 2. Test continuity of each circuit.
- C. Tests and Inspections:
  - 1. Perform each visual and mechanical inspection and electrical test stated in NETA Acceptance Testing Specification. Certify compliance with test parameters.
  - 2. Correct malfunctioning units on-site, where possible, and retest to demonstrate compliance; otherwise, replace with new units and retest.
- D. Panelboards will be considered defective if they do not pass tests and inspections.
- E. Prepare test and inspection reports, including a certified report that identifies panelboards included and that describes scanning results. Include notation of deficiencies detected, remedial action taken and observations after remedial action.

3.5 ADJUSTING

- A. Adjust moving parts and operable component to function smoothly, and lubricate as recommended by manufacturer.
- B. Set field-adjustable circuit-breaker trip ranges as specified in Section 260573 "Overcurrent Protective Device Coordination Study."

3.6 PROTECTION

- A. Temporary Heating: Apply temporary heat to maintain temperature according to manufacturer's written instructions.

END OF SECTION 262416

FIRE STATIONS RENOVATION  
ARLINGTON COUNTY, VIRGINIA  
Architect's Project No: 563006

---

SECTION 262726 - WIRING DEVICES

PART 1 - GENERAL

1.1 RELATED DOCUMENTS

- A. Drawings and general provisions of the Contract, including General and Supplementary Conditions and Division 01 Specification Sections, apply to this Section.

1.2 SUMMARY

A. Section Includes:

1. Receptacles, receptacles with integral GFCI, and associated device plates.
2. Twist-locking receptacles.
3. Tamper-resistant receptacles.
4. Weather-resistant receptacles.
5. Snap switches and wall-box dimmers.
6. Pendant cord-connector devices.
7. Cord and plug sets.
8. Poke-through assemblies

1.3 DEFINITIONS

- A. EMI: Electromagnetic interference.
- B. GFCI: Ground-fault circuit interrupter.
- C. Pigtail: Short lead used to connect a device to a branch-circuit conductor.
- D. RFI: Radio-frequency interference.

1.4 ADMINISTRATIVE REQUIREMENTS

A. Coordination:

1. Receptacles for Owner-Furnished Equipment: Match plug configurations.
2. Cord and Plug Sets: Match equipment requirements.

1.5 ACTION SUBMITTALS

- A. Product Data: For each type of product.

FIRE STATIONS RENOVATION  
ARLINGTON COUNTY, VIRGINIA  
Architect's Project No: 563006

---

- B. Shop Drawings: List of legends and description of materials and process used for pre-marking wall plates.

1.6 INFORMATIONAL SUBMITTALS

- A. Field quality-control reports.

1.7 CLOSEOUT SUBMITTALS

- A. Operation and Maintenance Data: For wiring devices to include in all manufacturers' packing-label warnings and instruction manuals that include labeling conditions.

PART 2 - PRODUCTS

2.1 MANUFACTURERS

- A. Source Limitations: Obtain each type of wiring device and associated wall plate from single source from single manufacturer.

2.2 GENERAL WIRING-DEVICE REQUIREMENTS

- A. Wiring Devices, Components, and Accessories: Listed and labeled as defined in NFPA 70, by a qualified testing agency, and marked for intended location and application.
- B. Comply with NFPA 70.

2.3 STRAIGHT-BLADE RECEPTACLES

- A. Convenience Receptacles, 125 V, 20 A: Comply with NEMA WD 1, NEMA WD 6 Configuration 5-20R, UL 498, and FS W-C-596.
  - 1. Manufacturers: Subject to compliance with requirements, available manufacturers offering products that may be incorporated into the Work include, but are not limited to the following:
    - a. Cooper Wiring Devices, Inc.
    - b. Hubbell.
    - c. Leviton Manufacturing Co., Inc.
    - d. Pass & Seymour/Legrand (Pass & Seymour).
- B. Tamper-Resistant Convenience Receptacles, 125 V, 20 A: Comply with NEMA WD 1, NEMA WD 6 Configuration 5-20R, UL 498 Supplement sd, and FS W-C-596.

FIRE STATIONS RENOVATION  
ARLINGTON COUNTY, VIRGINIA  
Architect's Project No: 563006

---

1. Manufacturers: Subject to compliance with requirements, available manufacturers offering products that may be incorporated into the Work include, but are not limited to the following:
  - a. Cooper Wiring Devices, Inc.
  - b. Hubbell Premise Wiring.
  - c. Leviton Manufacturing Co., Inc.
  - d. Pass & Seymour/Legrand (Pass & Seymour).
2. Description: Labeled shall comply with NFPA 70, "Health Care Facilities" Article, "Pediatric Locations" Section.

#### 2.4 GFCI RECEPTACLES

##### A. General Description:

1. Straight blade, non-feed-through type.
2. Comply with NEMA WD 1, NEMA WD 6, UL 498, UL 943 Class A, and FS W-C-596.
3. Include indicator light that shows when the GFCI has malfunctioned and no longer provides proper GFCI protection.

##### B. Duplex GFCI Convenience Receptacles, 125 V, 20 A:

1. Manufacturers: Subject to compliance with requirements, available manufacturers offering products that may be incorporated into the Work include, but are not limited to the following:
  - a. Cooper Wiring Devices, Inc.
  - b. Hubbell.
  - c. Leviton Manufacturing Co., Inc.
  - d. Pass & Seymour/Legrand (Pass & Seymour).

#### 2.5 HAZARDOUS (CLASSIFIED) LOCATION RECEPTACLES

##### A. Wiring Devices for Hazardous (Classified) Locations: Comply with NEMA FB 11 and UL 1010.

1. Manufacturers: Subject to compliance with requirements, available manufacturers offering products that may be incorporated into the Work include, but are not limited to the following:
  - a. Cooper Wiring Devices, Inc.
  - b. EGS/Appleton Electric.
  - c. Killark.

FIRE STATIONS RENOVATION  
ARLINGTON COUNTY, VIRGINIA  
Architect's Project No: 563006

---

2.6 TWIST-LOCKING RECEPTACLES

- A. Single Convenience Receptacles, 125 V, 20 A: Comply with NEMA WD 1, NEMA WD 6 Configurations as required, and UL 498.
1. Manufacturers: Subject to compliance with requirements, available manufacturers offering products that may be incorporated into the Work include, but are not limited to the following:
    - a. Cooper Wiring Devices, Inc.
    - b. Hubbell.
    - c. Leviton Manufacturing Co., Inc.
    - d. Pass & Seymour/Legrand (Pass & Seymour).

2.7 PENDANT CORD-CONNECTOR DEVICES

- A. Description:
1. Matching, locking-type plug and receptacle body connector.
  2. NEMA WD 6 Configurations as required, heavy-duty grade, and FS W-C-596.
  3. Body: Nylon, with screw-open, cable-gripping jaws and provision for attaching external cable grip.

2.8 CORD AND PLUG SETS

- A. Description:
1. Match voltage and current ratings and number of conductors to requirements of equipment being connected.
  2. Cord: Rubber-insulated, stranded-copper conductors, with Type SOW-A jacket; with green-insulated grounding conductor and ampacity of at least 130 percent of the equipment rating.
  3. Plug: Nylon body and integral cable-clamping jaws. Match cord and receptacle type for connection.

2.9 TOGGLE SWITCHES

- A. Comply with NEMA WD 1, UL 20, and FS W-S-896.
- B. Switches, 120/277 V, 20 A:
1. Products: Subject to compliance with requirements, available products that may be incorporated into the Work include, but are not limited to, the following:
    - a. Single Pole:

FIRE STATIONS RENOVATION  
ARLINGTON COUNTY, VIRGINIA  
Architect's Project No: 563006

---

- 1) Cooper; AH1221.
- 2) Hubbell; HBL1221.
- 3) Leviton; 1221-2.
- 4) Pass & Seymour; CSB20AC1.

b. Two Pole:

- 1) Cooper; AH1222.
- 2) Hubbell; HBL1222.
- 3) Leviton; 1222-2.
- 4) Pass & Seymour; CSB20AC2.

c. Three Way:

- 1) Cooper; AH1223.
- 2) Hubbell; HBL1223.
- 3) Leviton; 1223-2.
- 4) Pass & Seymour; CSB20AC3.

d. Four Way:

- 1) Cooper; AH1224.
- 2) Hubbell; HBL1224.
- 3) Leviton; 1224-2.
- 4) Pass & Seymour; CSB20AC4.

C. Pilot-Light Switches, 20 A:

1. Manufacturers: Subject to compliance with requirements, available manufacturers offering products that may be incorporated into the Work include, but are not limited to the following:
  - a. Cooper Wiring Devices, Inc.
  - b. Hubbell.
  - c. Leviton Manufacturing Co., Inc.
  - d. Pass & Seymour/Legrand (Pass & Seymour).
2. Description: Single pole, with neon-lighted handle, illuminated when switch is "off."

D. Key-Operated Switches, 120/277 V, 20 A:

1. Manufacturers: Subject to compliance with requirements, available manufacturers offering products that may be incorporated into the Work include, but are not limited to the following:
  - a. Cooper Wiring Devices, Inc.
  - b. Hubbell.
  - c. Leviton Manufacturing Co., Inc.
  - d. Pass & Seymour/Legrand (Pass & Seymour).



FIRE STATIONS RENOVATION  
ARLINGTON COUNTY, VIRGINIA  
Architect's Project No: 563006

---

2. Description: Single pole, with factory-supplied key in lieu of switch handle.
- E. Single-Pole, Double-Throw, Momentary-Contact, Center-off Switches: 120/277 V, 20 A; for use with mechanically held lighting contactors.
1. Manufacturers: Subject to compliance with requirements, available manufacturers offering products that may be incorporated into the Work include, but are not limited to the following:
    - a. Cooper Wiring Devices, Inc.
    - b. Hubbell.
    - c. Leviton Manufacturing Co., Inc.
    - d. Pass & Seymour/Legrand (Pass & Seymour).
- F. Key-Operated, Single-Pole, Double-Throw, Momentary-Contact, Center-off Switches: 120/277 V, 20 A; for use with mechanically held lighting contactors, with factory-supplied key in lieu of switch handle.
1. Manufacturers: Subject to compliance with requirements, available manufacturers offering products that may be incorporated into the Work include, but are not limited to the following:
    - a. Cooper Wiring Devices, Inc.
    - b. Hubbell.
    - c. Leviton Manufacturing Co., Inc.
    - d. Pass & Seymour/Legrand (Pass & Seymour).
- 2.10 WALL-BOX DIMMERS
- A. Dimmer Switches: Lutron Nova T NTSTV-DV up to 8A utilize power packs for larger loads. 0-10V.
  - B. Control: Continuously adjustable slider; with single-pole or three-way switching. Comply with UL 1472.
- 2.11 WALL PLATES
- A. Single and combination types shall match corresponding wiring devices.
    1. Plate-Securing Screws: Metal with head color to match plate finish.
    2. Material for Finished Spaces: 0.035-inch- thick, satin-finished, Type 302 stainless steel
    3. At locations where switches or outlets penetrate wall mirrors, provide glass mirror finish wall plates.
  - B. Wet-Location, Weatherproof Cover Plates: NEMA 250, complying with Type 3R, weather-resistant, die-cast aluminum with lockable cover.

FIRE STATIONS RENOVATION  
ARLINGTON COUNTY, VIRGINIA  
Architect's Project No: 563006

---

2.12 POKE-THROUGH ASSEMBLIES

- A. Manufacturers: Subject to compliance with requirements, available manufacturers offering products that may be incorporated into the Work include, but are not limited to the following:
  - 1. Hubbell.
  - 2. Mono Systems, inc
  - 3. Wiremold / Legrand.
- B. Description:
  - Refer to detail on drawing.

2.13 FINISHES

- A. Device Color:
  - 1. Wiring Devices Connected to Normal and Emergency Power System: As selected by Architect from standard offering unless otherwise indicated or required by NFPA 70 or device listing.
  - 2. Wiring Devices Connected to Emergency Power System:
- B. Wall Plate Color: Stainless Steel

PART 3 - EXECUTION

3.1 INSTALLATION

- A. Comply with NECA 1, including mounting heights listed in that standard, unless otherwise indicated.
- B. Coordination with Other Trades:
  - 1. Protect installed devices and their boxes. Do not place wall finish materials over device boxes and do not cut holes for boxes with routers that are guided by riding against outside of boxes.
  - 2. Keep outlet boxes free of plaster, drywall joint compound, mortar, cement, concrete, dust, paint, and other material that may contaminate the raceway system, conductors, and cables.
  - 3. Install device boxes in brick or block walls so that the cover plate does not cross a joint unless the joint is troweled flush with the face of the wall.
  - 4. Install wiring devices after all wall preparation, including painting, is complete.
- C. Conductors:

FIRE STATIONS RENOVATION  
ARLINGTON COUNTY, VIRGINIA  
Architect's Project No: 563006

---

1. Do not strip insulation from conductors until right before they are spliced or terminated on devices.
2. Strip insulation evenly around the conductor using tools designed for the purpose. Avoid scoring or nicking of solid wire or cutting strands from stranded wire.
3. The length of free conductors at outlets for devices shall meet provisions of NFPA 70, Article 300, without pigtails.

D. Device Installation:

1. Replace devices that have been in temporary use during construction and that were installed before building finishing operations were complete.
2. Keep each wiring device in its package or otherwise protected until it is time to connect conductors.
3. Do not remove surface protection, such as plastic film and smudge covers, until the last possible moment.
4. Connect devices to branch circuits using pigtails that are not less than 6 inches in length.
5. Use side wiring with binding-head screw terminals. Wrap solid conductor tightly clockwise, two-thirds to three-fourths of the way around terminal screw. Provide hook terminals on stranded wiring
6. Use a torque screwdriver when a torque is recommended or required by manufacturer.
7. When conductors larger than No. 12 AWG are installed on 15- or 20-A circuits, splice No. 12 AWG pigtails for device connections.
8. Tighten unused terminal screws on the device.
9. When mounting into metal boxes, remove the fiber or plastic washers used to hold device-mounting screws in yokes, allowing metal-to-metal contact.

E. Receptacle Orientation:

1. Install ground pin of vertically mounted receptacles down (confirm with Owner), and on horizontally mounted receptacles to the right.

F. Device Plates: Do not use oversized or extra-deep plates. Repair wall finishes and remount outlet boxes when standard device plates do not fit flush or do not cover rough wall opening.

G. Dimmers:

1. Install dimmers within terms of their listing.
2. Install unshared neutral conductors on line and load side of dimmers according to manufacturers' device listing conditions in the written instructions.

H. Arrangement of Devices: Unless otherwise indicated, mount flush, with long dimension vertical and with grounding terminal of receptacles on top. Group adjacent switches under single, multigang wall plates.

I. Adjust locations of floor service outlets and service poles to suit arrangement of partitions and furnishings.

J. Locate adjacent Data Outlets and Power outlets with no more than 4" between device covers.

FIRE STATIONS RENOVATION  
ARLINGTON COUNTY, VIRGINIA  
Architect's Project No: 563006

---

3.2 GFCI RECEPTACLES

- A. Install non-feed-through-type GFCI receptacles in each location called for on the drawings and any additional location required by the NEC.

3.3 IDENTIFICATION

- A. Comply with Section 260553 "Identification for Electrical Systems."
- B. Identify each receptacle with panelboard identification and circuit number. Use hot, stamped, or engraved machine printing with black-filled lettering on face of plate, and durable wire markers or tags inside outlet boxes.

3.4 POKE-THRU DEVICES

- A. Unit shall permit all wiring to be completed at floor level. The 6AT units shall mount in a 6" cored hole, actual 6 1/16" core hole. Use is defined by the UL Fire Resistance Directory as a minimum spacing of "2 ft. on center and not more than one device per each 65 sq. ft. of floor area in each span.
- B. Installation shall be completed by pushing unit down into the cored hole. Prior to and during installation, refer to system layout and/or approval drawings. Installer shall comply with detailed manufacturer's instruction sheet included with each device. The unit shall contain a retainer for securing the device in the slab, as well as the necessary intumescent material to seal the cored hole under fire conditions.
- C. Unit shall provide all accessories to accommodate devices indicated on E4.3.

3.5 FIELD QUALITY CONTROL

- A. Perform the following tests and inspections:
  - 1. Test Instruments: Use instruments that comply with UL 1436.
- B. Tests for Convenience Receptacles:
  - 1. Line Voltage: Acceptable range is 105 to 132 V.
  - 2. Percent Voltage Drop under 15-A Load: A value of 6 percent or higher is unacceptable.
  - 3. Ground Impedance: Values of up to 2 ohms are acceptable.
  - 4. GFCI Trip: Test for tripping values specified in UL 1436 and UL 943.
  - 5. Using the test plug, verify that the device and its outlet box are securely mounted.
  - 6. Tests shall be diagnostic, indicating damaged conductors, high resistance at the circuit breaker, poor connections, inadequate fault current path, defective devices, or similar problems. Correct circuit conditions, remove malfunctioning units and replace with new ones, and retest as specified above.

FIRE STATIONS RENOVATION  
ARLINGTON COUNTY, VIRGINIA  
Architect's Project No: 563006

---

- C. Test straight-blade for the retention force of the grounding blade according to NFPA 99. Retention force shall be not less than 4 oz.
- D. Wiring device will be considered defective if it does not pass tests and inspections.
- E. Prepare test and inspection reports.

END OF SECTION 262726

FIRE STATIONS RENOVATION  
ARLINGTON COUNTY, VIRGINIA  
Architect's Project No: 563006

---

SECTION 262813 - FUSES

PART 1 - GENERAL

1.1 RELATED DOCUMENTS

- A. Drawings and general provisions of the Contract, including General and Supplementary Conditions and Division 01 Specification Sections, apply to this Section.

1.2 SUMMARY

- A. Section Includes:

1. Cartridge fuses rated 600 V ac and less for use in the following:
  - a. Control circuits.
  - b. Enclosed controllers.
  - c. Enclosed switches.

1.3 ACTION SUBMITTALS

- A. Product Data: For each type of product. Include construction details, material descriptions, dimensions of individual components and profiles, and finishes for spare-fuse cabinets. Include the following for each fuse type indicated:
1. Ambient Temperature Adjustment Information: If ratings of fuses have been adjusted to accommodate ambient temperatures, provide list of fuses with adjusted ratings.
    - a. For each fuse having adjusted ratings, include location of fuse, original fuse rating, local ambient temperature, and adjusted fuse rating.
    - b. Provide manufacturer's technical data on which ambient temperature adjustment calculations are based.
  2. Dimensions and manufacturer's technical data on features, performance, electrical characteristics, and ratings.
  3. Current-limitation curves for fuses with current-limiting characteristics.
  4. Time-current coordination curves (average melt) and current-limitation curves (instantaneous peak let-through current) for each type and rating of fuse. Submit in electronic format suitable for use in coordination software and in PDF format.
  5. Coordination charts and tables and related data.
  6. Fuse sizes for elevator feeders and elevator disconnect switches.

1.4 CLOSEOUT SUBMITTALS

- A. Operation and Maintenance Data: For fuses to include in emergency, operation, and maintenance manuals. In addition to items specified in Section 017823 "Operation and Maintenance Data," include the following:

FIRE STATIONS RENOVATION  
ARLINGTON COUNTY, VIRGINIA  
Architect's Project No: 563006

---

1. Ambient temperature adjustment information.
2. Current-limitation curves for fuses with current-limiting characteristics.
3. Time-current coordination curves (average melt) and current-limitation curves (instantaneous peak let-through current) for each type and rating of fuse used on the Project. Submit in electronic format suitable for use in coordination software and in PDF format.
4. Coordination charts and tables and related data.

1.5 FIELD CONDITIONS

- A. Where ambient temperature to which fuses are directly exposed is less than 40 deg F or more than 100 deg F, apply manufacturer's ambient temperature adjustment factors to fuse ratings.

PART 2 - PRODUCTS

2.1 MANUFACTURERS

- A. Manufacturers: Subject to compliance with requirements, available manufacturers offering products that may be incorporated into the Work include, but are not limited to the following:
  1. Cooper Bussmann; a division of Cooper Industries.
  2. Littelfuse, Inc.
- B. Source Limitations: Obtain fuses, for use within a specific product or circuit, from single source from single manufacturer.

2.2 CARTRIDGE FUSES

- A. Characteristics: NEMA FU 1, current-limiting, nonrenewable cartridge fuses with voltage ratings consistent with circuit voltages.
  1. Type RK-1: 600-V, zero- to 600-A rating, 200 kAIC, time delay.
  2. Type CC: 600-V, zero- to 30-A rating, 200 kAIC , time delay.
  3. Type J: 600-V, zero- to 600-A rating, 200 kAIC.
  4. Type L: 600-V, 601- to 6000-A rating, 200 kAIC, time delay.
- B. Electrical Components, Devices, and Accessories: Listed and labeled as defined in NFPA 70, by a qualified testing agency, and marked for intended location and application.
- C. Comply with NEMA FU 1 for cartridge fuses.
- D. Comply with NFPA 70.
- E. Coordinate fuse ratings with utilization equipment nameplate limitations of maximum fuse size and with system short-circuit current levels.

FIRE STATIONS RENOVATION  
ARLINGTON COUNTY, VIRGINIA  
Architect's Project No: 563006

---

PART 3 - EXECUTION

3.1 EXAMINATION

- A. Examine fuses before installation. Reject fuses that are moisture damaged or physically damaged.
- B. Examine holders to receive fuses for compliance with installation tolerances and other conditions affecting performance, such as rejection features.
- C. Examine utilization equipment nameplates and installation instructions. Install fuses of sizes and with characteristics appropriate for each piece of equipment.
- D. Evaluate ambient temperatures to determine if fuse rating adjustment factors must be applied to fuse ratings.
- E. Proceed with installation only after unsatisfactory conditions have been corrected.

3.2 FUSE APPLICATIONS

- A. Cartridge Fuses:
  - 1. Feeders: Class RK1, time delay.
  - 2. Motor Branch Circuits: Class RK5, time delay.
  - 3. Large Motor Branch (601-4000 A): Class L, time delay.
  - 4. Power Electronics Circuits: Class J, high speed.
  - 5. Other Branch Circuits: Class RK1, time delay.
  - 6. Control Transformer Circuits: Class CC, time delay, control transformer duty.
  - 7. Provide open-fuse indicator fuses or fuse covers with open fuse indication.

3.3 INSTALLATION

- A. Install fuses in fusible devices. Arrange fuses so rating information is readable without removing fuse.

3.4 IDENTIFICATION

- A. Install labels complying with requirements for identification specified in Section 260553 "Identification for Electrical Systems" and indicating fuse replacement information inside of door of each fused switch and adjacent to each fuse block, socket, and holder.

END OF SECTION 262813



FIRE STATIONS RENOVATION  
ARLINGTON COUNTY, VIRGINIA  
Architect's Project No: 563006

---

SECTION 262816 - ENCLOSED SWITCHES AND CIRCUIT BREAKERS

PART 1 - GENERAL

1.1 RELATED DOCUMENTS

- A. Drawings and general provisions of the Contract, including General and Supplementary Conditions and other Division 01 Specification Sections, apply to this Section.

1.2 SUMMARY

- A. Section Includes:
  - 1. Fusible switches.
  - 2. Nonfusible switches.
  - 3. Shunt trip switches.
  - 4. Molded-case circuit breakers (MCCBs).
  - 5. Enclosures.

1.3 DEFINITIONS

- A. NC: Normally closed.
- B. NO: Normally open.
- C. SPDT: Single pole, double throw.

1.4 ACTION SUBMITTALS

- A. Product Data: For each type of enclosed switch, circuit breaker, accessory, and component indicated. Include dimensioned elevations, sections, weights, and manufacturers' technical data on features, performance, electrical characteristics, ratings, accessories, and finishes.
  - 1. Enclosure types and details for types other than NEMA 250, Type 1.
  - 2. Current and voltage ratings.
  - 3. Short-circuit current ratings (interrupting and withstand, as appropriate).
  - 4. Include evidence of NRTL listing for series rating of installed devices.
  - 5. Detail features, characteristics, ratings, and factory settings of individual overcurrent protective devices, accessories, and auxiliary components.
  - 6. Include time-current coordination curves (average melt) for each type and rating of overcurrent protective device; include selectable ranges for each type of overcurrent protective device.
- B. Shop Drawings: For enclosed switches and circuit breakers. Include plans, elevations, sections, details, and attachments to other work.

FIRE STATIONS RENOVATION  
ARLINGTON COUNTY, VIRGINIA  
Architect's Project No: 563006

---

1. Wiring Diagrams: For power, signal, and control wiring.

1.5 INFORMATIONAL SUBMITTALS

- A. Field quality-control reports.
  1. Test procedures used.
  2. Test results that comply with requirements.
  3. Results of failed tests and corrective action taken to achieve test results that comply with requirements.
- B. Manufacturer's field service report.

1.6 CLOSEOUT SUBMITTALS

- A. Operation and Maintenance Data: For enclosed switches and circuit breakers to include in emergency, operation, and maintenance manuals. In addition to items specified in Section 017823 "Operation and Maintenance Data," include the following:
  1. Manufacturer's written instructions for testing and adjusting enclosed switches and circuit breakers.
  2. Time-current coordination curves (average melt) for each type and rating of overcurrent protective device; include selectable ranges for each type of overcurrent protective device.

1.7 QUALITY ASSURANCE

- A. Source Limitations: Obtain enclosed switches and circuit breakers, overcurrent protective devices, components, and accessories, within same product category, from single source from single manufacturer.
- B. Product Selection for Restricted Space: Drawings indicate maximum dimensions for enclosed switches and circuit breakers, including clearances between enclosures, and adjacent surfaces and other items. Comply with indicated maximum dimensions.
- C. Electrical Components, Devices, and Accessories: Listed and labeled as defined in NFPA 70, by a qualified testing agency, and marked for intended location and application.
- D. Comply with NFPA 70.

1.8 PROJECT CONDITIONS

- A. Environmental Limitations: Rate equipment for continuous operation under the following conditions unless otherwise indicated:

FIRE STATIONS RENOVATION  
ARLINGTON COUNTY, VIRGINIA  
Architect's Project No: 563006

---

1. Ambient Temperature: Not less than minus 22 deg F and not exceeding 104 deg F.
2. Altitude: Not exceeding 6600 feet.

1.9 COORDINATION

- A. Coordinate layout and installation of switches, circuit breakers, and components with equipment served and adjacent surfaces. Maintain required workspace clearances and required clearances for equipment access doors and panels.

PART 2 - PRODUCTS

- 2.1 All panelboards, switchboards, circuit breakers, dry type transformers and disconnect switches shall be of the same manufacturer.

2.2 FUSIBLE SWITCHES

- A. Manufacturers: Subject to compliance with requirements, available manufacturers offering products that may be incorporated into the Work include, but are not limited to the following:
  1. Eaton Electrical Sector; Eaton Corporation.
  2. Siemens Industry, Inc.
  3. Square D.
- B. Type HD, Heavy Duty, Single Throw, 600-V ac, 1200 A and Smaller: UL 98 and NEMA KS 1, horsepower rated, with clips or bolt pads to accommodate specified fuses, lockable handle with capability to accept three padlocks, and interlocked with cover in closed position.
- C. Type HD, Heavy Duty, Double Throw, 600-V ac, 1200 A and Smaller: UL 98 and NEMA KS 1, horsepower rated, with clips or bolt pads to accommodate specified fuses, lockable handle with capability to accept three padlocks, and interlocked with cover in closed position.
- D. Accessories:
  1. Equipment Ground Kit: Internally mounted and labeled for copper and aluminum ground conductors.
  2. Neutral Kit: Internally mounted; insulated, capable of being grounded and bonded; labeled for copper and aluminum neutral conductors.
  3. Isolated Ground Kit: Internally mounted; insulated, capable of being grounded and bonded; labeled for copper and aluminum neutral conductors.
  4. Class R Fuse Kit: Provides rejection of other fuse types when Class R fuses are specified.
  5. Auxiliary Contact Kit: One NO/NC (Form "C") auxiliary contact(s), arranged to activate before switch blades open.
  6. Hookstick Handle: Allows use of a hookstick to operate the handle.
  7. Lugs: Mechanical type, suitable for number, size, and conductor material.

FIRE STATIONS RENOVATION  
ARLINGTON COUNTY, VIRGINIA  
Architect's Project No: 563006

---

8. Service-Rated Switches: Labeled for use as service equipment.
9. Accessory Control Power Voltage: as required

### 2.3 NONFUSIBLE SWITCHES

- A. Manufacturers: Subject to compliance with requirements, available manufacturers offering products that may be incorporated into the Work include, but are not limited to the following:
  1. Eaton Electrical Sector; Eaton Corporation.
  2. Siemens Industry, Inc.
  3. Square D..
- B. Type HD, Heavy Duty, Single Throw, 600-V ac, 1200 A and Smaller: UL 98 and NEMA KS 1, horsepower rated, lockable handle with capability to accept three padlocks, and interlocked with cover in closed position.
- C. Type HD, Heavy Duty, Double Throw, 600-V ac, 1200 A and Smaller: UL 98 and NEMA KS 1, horsepower rated, lockable handle with capability to accept three padlocks, and interlocked with cover in closed position.
- D. Accessories:
  1. Equipment Ground Kit: Internally mounted and labeled for copper and aluminum ground conductors.
  2. Neutral Kit: Internally mounted; insulated, capable of being grounded and bonded; labeled for copper and aluminum neutral conductors.
  3. Isolated Ground Kit: Internally mounted; insulated, capable of being grounded and bonded; labeled for copper and aluminum neutral conductors.
  4. Auxiliary Contact Kit: One NO/NC (Form "C") auxiliary contact(s), arranged to activate before switch blades open.
  5. Hookstick Handle: Allows use of a hookstick to operate the handle.
  6. Lugs: Mechanical type, suitable for number, size, and conductor material.
  7. Accessory Control Power Voltage: as required

### 2.4 SHUNT TRIP SWITCHES

- A. Manufacturers: Subject to compliance with requirements, available manufacturers offering products that may be incorporated into the Work include, but are not limited to the following:
  1. Cooper Bussmann; a division of Cooper Industries.
  2. Littelfuse, Inc.
  3. Mersen USA.
- B. General Requirements: Comply with ASME A17.1, UL 50, and UL 98, with 200-kA interrupting and short-circuit current rating when fitted with Class J fuses.

FIRE STATIONS RENOVATION  
ARLINGTON COUNTY, VIRGINIA  
Architect's Project No: 563006

---

- C. Switches: Three-pole, horsepower rated, with integral shunt trip mechanism and Class J fuse block; lockable handle with capability to accept three padlocks; interlocked with cover in closed position.
- D. Control Circuit: 120-V ac; obtained from integral control power transformer, with primary and secondary fuses, with a control power transformer source of enough capacity to operate shunt trip, connected pilot, and indicating and control devices.
- E. Accessories:
  - 1. Oiltight key switch for key-to-test function.
  - 2. Oiltight red ON pilot light.
  - 3. Isolated neutral lug; 100 percent rating.
  - 4. Mechanically interlocked auxiliary contacts that change state when switch is opened and closed.
  - 5. Form C alarm contacts that change state when switch is tripped.
  - 6. Three-pole, double-throw, fire-alarm voltage monitoring relay complying with NFPA 72.

## 2.5 MOLDED-CASE CIRCUIT BREAKERS

- A. Manufacturers: Subject to compliance with requirements, available manufacturers offering products that may be incorporated into the Work include, but are not limited to the following:
  - 1. Eaton Electrical Sector; Eaton Corporation.
  - 2. Siemens Industry, Inc.
  - 3. Square D.
- B. General Requirements: Comply with UL 489, NEMA AB 1, and NEMA AB 3, with interrupting capacity to comply with available fault currents.
- C. Adjustable, Instantaneous-Trip Circuit Breakers: Magnetic trip element with front-mounted, field-adjustable trip setting.
- D. Electronic Trip Circuit Breakers: Field-replaceable rating plug, rms sensing, with the following field-adjustable settings:
  - 1. Instantaneous trip.
  - 2. Long- and short-time pickup levels.
  - 3. Long- and short-time time adjustments.
  - 4. Ground-fault pickup level, time delay, and I<sup>2</sup>t response.(for mechanical equipment only)
- E. Current-Limiting Circuit Breakers: Frame sizes 400 A and smaller, and let-through ratings less than NEMA FU 1, RK-1.
- F. Integrally Fused Circuit Breakers: Thermal-magnetic trip element with integral limiter-style fuse listed for use with circuit breaker and trip activation on fuse opening or on opening of fuse compartment door..

FIRE STATIONS RENOVATION  
ARLINGTON COUNTY, VIRGINIA  
Architect's Project No: 563006

---

- G. Ground-Fault, Circuit-Interrupter (GFCI) Circuit Breakers: Single- and two-pole configurations with Class A ground-fault protection (6-mA trip).
- H. Ground-Fault, Equipment-Protection (GFEP) Circuit Breakers: With Class B ground-fault protection (30-mA trip).
- I. Features and Accessories:
  - 1. Standard frame sizes, trip ratings, and number of poles.
  - 2. Lugs: Mechanical type, suitable for number, size, trip ratings, and conductor material.
  - 3. Application Listing: Appropriate for application; Type SWD for switching fluorescent lighting loads; Type HID for feeding fluorescent and high-intensity discharge lighting circuits.

### PART 3 - EXECUTION

#### 3.1 EXAMINATION

- A. Examine elements and surfaces to receive enclosed switches and circuit breakers for compliance with installation tolerances and other conditions affecting performance of the Work.
- B. Proceed with installation only after unsatisfactory conditions have been corrected.

#### 3.2 INSTALLATION

- A. Install individual wall-mounted switches and circuit breakers with tops at uniform height unless otherwise indicated.
- B. Temporary Lifting Provisions: Remove temporary lifting eyes, channels, and brackets and temporary blocking of moving parts from enclosures and components.
- C. Install fuses in fusible devices.
- D. Comply with NECA 1.

#### 3.3 IDENTIFICATION

- A. Comply with requirements in Section 260553 "Identification for Electrical Systems."
  - 1. Identify field-installed conductors, interconnecting wiring, and components; provide warning signs.
  - 2. Label each enclosure with engraved metal or laminated-plastic nameplate.

FIRE STATIONS RENOVATION  
ARLINGTON COUNTY, VIRGINIA  
Architect's Project No: 563006

---

3.4 FIELD QUALITY CONTROL

- A. Manufacturer's Field Service: Engage a factory-authorized service representative to inspect, test, and adjust components, assemblies, and equipment installations, including connections.
- B. Perform tests and inspections.
- C. Acceptance Testing Preparation:
  - 1. Test insulation resistance for each enclosed switch and circuit breaker, component, connecting supply, feeder, and control circuit.
  - 2. Test continuity of each circuit.
- D. Tests and Inspections:
  - 1. Perform each visual and mechanical inspection and electrical test stated in NETA Acceptance Testing Specification. Certify compliance with test parameters.
  - 2. Correct malfunctioning units on-site, where possible, and retest to demonstrate compliance; otherwise, replace with new units and retest.
  - 3. Perform the following infrared scan tests and inspections and prepare reports:
    - a. Initial Infrared Scanning: After Substantial Completion, but not more than 60 days after Final Acceptance, perform an infrared scan of each enclosed switch and circuit breaker. Remove front panels so joints and connections are accessible to portable scanner.
    - b. Follow-up Infrared Scanning: Perform an additional follow-up infrared scan of each enclosed switch and circuit breaker 11 months after date of Substantial Completion.
    - c. Instruments and Equipment: Use an infrared scanning device designed to measure temperature or to detect significant deviations from normal values. Provide calibration record for device.
  - 4. Test and adjust controls, remote monitoring, and safeties. Replace damaged and malfunctioning controls and equipment.
- E. Enclosed switches and circuit breakers will be considered defective if they do not pass tests and inspections.
- F. Prepare test and inspection reports, including a certified report that identifies enclosed switches and circuit breakers and that describes scanning results. Include notation of deficiencies detected, remedial action taken, and observations after remedial action.

3.5 ADJUSTING

- A. Adjust moving parts and operable components to function smoothly, and lubricate as recommended by manufacturer.

FIRE STATIONS RENOVATION  
ARLINGTON COUNTY, VIRGINIA  
Architect's Project No: 563006

---

- B. Set field-adjustable circuit-breaker trip ranges.

END OF SECTION 262816



FIRE STATIONS RENOVATION  
ARLINGTON COUNTY, VIRGINIA  
Architect's Project No: 563006

---

SECTION 265100 - INTERIOR LIGHTING

PART 1 - GENERAL

1.1 RELATED DOCUMENTS

- A. Drawings and general provisions of the Contract, including General and Supplementary Conditions and Division 01 Specification Sections, apply to this Section.

1.2 SUMMARY

- A. Section Includes:
  - 1. Interior lighting fixtures, lamps, and ballasts.
  - 2. Exit signs.
  - 3. Lighting fixture supports.

1.3 DEFINITIONS

- A. BF: Ballast factor.
- B. CCT: Correlated color temperature.
- C. CRI: Color-rendering index.
- D. HID: High-intensity discharge.
- E. LER: Luminaire efficacy rating.
- F. Lumen: Measured output of lamp and luminaire, or both.
- G. Luminaire: Complete lighting fixture, including ballast housing if provided.

1.4 SUBSTITUTIONS

- A. The lighting fixture layouts of spaces indicated in the Contract Documents are based upon photometric data, quality, construction and appearance of fixtures listed in the lighting fixture schedule. Substitutions of listed fixtures are allowed provided the following is provided with the Submittal package.
  - 1. Provide all data as required for submittals with substitution package. Indicate variances with fixtures listed in lighting fixture schedule.
  - 2. Provide footcandle calculations for each room or area that fixture substitution is requested.
  - 3. Architect/Engineer has final aesthetic and technical approval on all substituted fixtures.

1.5 ACTION SUBMITTALS

- A. Product Data: For each type of lighting fixture, arranged in order of fixture designation. Include data on features, accessories, finishes, and the following:

FIRE STATIONS RENOVATION  
ARLINGTON COUNTY, VIRGINIA  
Architect's Project No: 563006

---

1. Physical description of lighting fixture including dimensions.
  2. Specific LED drivers and lamp product information
  3. Energy-efficiency data.
  4. Life, output (lumens, CCT, and CRI), and energy-efficiency data for lamps.
  5. Photometric data and adjustment factors based on laboratory tests, complying with IESNA Lighting Measurements Testing & Calculation Guides, of each lighting fixture type. The adjustment factors shall be for lamps, ballasts, and accessories identical to those indicated for the lighting fixture as applied in this Project.
    - a. Manufacturer Certified Data: Photometric data shall be certified by a manufacturer's laboratory with a current accreditation under the National Voluntary Laboratory Accreditation Program for Energy Efficient Lighting Products.
- B. Shop Drawings: For nonstandard, continuous runs of cove lighting or custom lighting fixtures. Include plans, elevations, sections, details, and attachments to other work.
1. Detail equipment assemblies and indicate dimensions, weights, loads, required clearances, method of field assembly, components, and location and size of each field connection.
  2. Wiring Diagrams: For power, signal, and control wiring.
- C. Samples: Upon request or if being submitted as an equal, for each lighting fixture indicated in the Interior Lighting Fixture Schedule. Each Sample shall include the following:
1. Lamps and drivers, installed.
  2. Cords and plugs.
  3. Pendant support system.
- D. Installation instructions.

1.6 INFORMATIONAL SUBMITTALS

- A. Coordination Drawings: Reflected ceiling plan(s) and other details, drawn to scale, on which the following items are shown and coordinated with each other, using input from installers of the items involved:
  1. Cove lighting detail.
- B. Qualification Data: For qualified agencies providing photometric data for lighting fixtures.
- C. Product Certificates: For each type of driver for dimmer-controlled fixtures, from manufacturer.
- D. Field quality-control reports.
- E. Warranty: Sample of special warranty.

FIRE STATIONS RENOVATION  
ARLINGTON COUNTY, VIRGINIA  
Architect's Project No: 563006

---

1.7 CLOSEOUT SUBMITTALS

- A. Operation and Maintenance Data: For lighting equipment and fixtures to include in emergency, operation, and maintenance manuals.
  - 1. Provide a list of all LEDs and Driver types used on Project; use ANSI and manufacturers' codes.

1.8 QUALITY ASSURANCE

- A. Luminaire Photometric Data Testing Laboratory Qualifications: Provided by manufacturers' laboratories that are accredited under the National Volunteer Laboratory Accreditation Program for Energy Efficient Lighting Products.
- B. Electrical Components, Devices, and Accessories: Listed and labeled as defined in NFPA 70, by a qualified testing agency, and marked for intended location and application.
- C. Comply with NFPA 70.

1.9 COORDINATION

- A. Coordinate layout and installation of lighting fixtures and suspension system with other construction that penetrates ceilings or is supported by them, including HVAC equipment, fire-suppression system, and partition assemblies.

1.10 WARRANTY

- A. Warranty Period for LED lamps and Drivers, 5 years from date of Substantial Completion. Manufacturer shall guarantee

PART 2 - PRODUCTS

2.1 MANUFACTURERS

- A. As scheduled or acceptable equal. Architect has final decision on evaluation of equals.

2.2 GENERAL REQUIREMENTS FOR LIGHTING FIXTURES AND COMPONENTS

- A. Recessed Fixtures: Comply with NEMA LE 4 for ceiling compatibility for recessed fixtures.
- B. Metal Parts: Free of burrs and sharp comers and edges.

FIRE STATIONS RENOVATION  
ARLINGTON COUNTY, VIRGINIA  
Architect's Project No: 563006

---

- C. Sheet Metal Components: Steel unless otherwise indicated. Form and support to prevent warping and sagging.
- D. Doors, Frames, and Other Internal Access: Smooth operating, free of light leakage under operating conditions, and designed to permit re-lamping without use of tools. Designed to prevent doors, frames, lenses, diffusers, and other components from falling accidentally during re-lamping and when secured in operating position.
- E. Factory-Applied Labels: Comply with UL 1598. Include recommended lamps and Drivers. Labels shall be located where they will be readily visible to service personnel, but not seen from normal viewing angles when lamps are in place.

1. Label shall include the following lamp and ballast characteristics:

- a. "USE ONLY" and include specific lamp type.
- b. ANSI ballast type (M98, M57, etc.) for HID luminaires.
- c. CCT and CRI for all luminaires.

F. LED LIGHT FIXTURES

A. General:

- 1. LED light fixtures shall be in accordance with IES, NFPA, UL, as shown on the drawings, and as specified.
- 2. LED light fixtures shall be Reduction of Hazardous Substances (RoHS)-compliant.
- 3. LED drivers shall include the following features unless otherwise indicated:
  - a. Minimum efficiency: 85% at full load.
  - b. Minimum Operating Ambient Temperature: -20° C. (-4° F.)
  - c. Input Voltage: 120 - 277V (±10%) at 60 Hz.
  - d. Integral short circuit, open circuit, and overload protection.
  - e. Power Factor:  $\geq 0.95$ .
  - f. Total Harmonic Distortion:  $\leq 20\%$ .
  - g. Comply with FCC 47 CFR Part 15.
- 4. LED modules shall include the following features unless otherwise indicated:
  - a. Comply with IES LM-79 and LM-80 requirements.
  - b. Minimum CRI 80 and color temperature 3500° K unless otherwise specified in LIGHTING FIXTURE SCHEDULE.
  - c. Minimum Rated Life: 50,000 hours per IES L70.
  - d. Light output lumens as indicated in the LIGHTING FIXTURE SCHEDULE.

B. LED Downlights:

FIRE STATIONS RENOVATION  
ARLINGTON COUNTY, VIRGINIA  
Architect's Project No: 563006

---

1. Housing, LED driver, and LED module shall be products of the same manufacturer.

C. LED Troffers:

1. LED drivers, modules, and reflector shall be accessible, serviceable, and replaceable from below the ceiling.
2. Housing, LED driver, and LED module shall be products of the same manufacturer

## 2.3 EXIT SIGNS

- A. General Requirements for Exit Signs: Comply with UL 924; for sign colors, visibility, luminance, and lettering size, comply with authorities having jurisdiction.
- B. Internally Lighted Signs:
  1. Lamps for AC Operation: LEDs, 50,000 hours minimum rated lamp life.

## 2.4 LIGHTING FIXTURE SUPPORT COMPONENTS

- A. Comply with Section 260529 "Hangers and Supports for Electrical Systems" for channel- and angle-iron supports and nonmetallic channel and angle supports.
- B. Single-Stem Hangers: 1/2-inch steel tubing with swivel ball fittings and ceiling canopy. Finish same as fixture.
- C. Twin-Stem Hangers: Two, 1/2-inch steel tubes with single canopy designed to mount a single fixture. Finish same as fixture.
- D. Wires: ASTM A 641/A 641M, Class 3, soft temper, zinc-coated steel, 12 gage
- E. Rod Hangers: 3/16-inch minimum diameter, cadmium-plated, threaded steel rod.
- F. Hook Hangers: Integrated assembly matched to fixture and line voltage and equipped with threaded attachment, cord, and locking-type plug.

## PART 3 - EXECUTION

### 3.1 INSTALLATION

- A. Lighting fixtures:
  1. Set level, plumb, and square with ceilings and walls unless otherwise indicated.
- B. Temporary Lighting: If it is necessary, and approved by Architect, to use permanent luminaires for temporary lighting, install and energize the minimum number of luminaires necessary. When construction is sufficiently complete, remove the temporary luminaires, disassemble, clean thoroughly, install new lamps, and reinstall.

FIRE STATIONS RENOVATION  
ARLINGTON COUNTY, VIRGINIA  
Architect's Project No: 563006

---

- C. Remote Mounting of Drivers: Distance between the Driver and fixture shall not exceed that recommended by ballast manufacturer. Verify, with ballast manufacturers, maximum distance between ballast and luminaire.
- D. Lay-in Ceiling Lighting Fixtures Supports: Use grid as a support element.
  - 1. Install ceiling support system rods or wires, independent of the ceiling suspension devices, for each fixture. Locate not more than 6 inches from lighting fixture corners.
  - 2. Support Clips: Fasten to lighting fixtures and to ceiling grid members at or near each fixture corner with clips that are UL listed for the application.
  - 3. Fixtures of Sizes Less Than Ceiling Grid: Install as indicated on reflected ceiling plans or center in acoustical panel, and support fixtures independently with at least two 3/4-inch metal channels spanning and secured to ceiling tees.
  - 4. Install wire from structure to a tab on lighting fixture as detailed on drawings.
- E. Suspended Lighting Fixture Support:
  - 1. Pendants and Rods: Where longer than 48 inches, brace to limit swinging.
  - 2. Stem-Mounted, Single-Unit Fixtures: Suspend with twin-stem hangers.
  - 3. Continuous Rows: Use tubing or stem for wiring at one point and tubing or rod for suspension for each unit length of fixture chassis, including one at each end.
  - 4. Do not use grid as support for pendant luminaires. Connect support wires or rods to building structure.
- F. Connect wiring according to Section 260519 "Low-Voltage Electrical Power Conductors and Cables."

### 3.2 IDENTIFICATION

- A. Install labels with panel and circuit numbers on concealed junction and outlet boxes. Comply with requirements for identification specified in Section 260553 "Identification for Electrical Systems."

### 3.3 FIELD QUALITY CONTROL

- A. Prepare a written report of tests, inspections, observations, and verifications indicating and interpreting results. If adjustments are made to lighting system, retest to demonstrate compliance with standards

### 3.4 ADJUSTING

- A. Occupancy Adjustments: When requested within 12 months of date of Substantial Completion, provide on-site assistance in adjusting aimable luminaires to suit actual occupied conditions. Provide up to two visits to Project during other-than-normal occupancy hours for this purpose. Some of this work may be required after dark.
  - 1. Adjust aimable luminaires in the presence of Architect.

FIRE STATIONS RENOVATION  
ARLINGTON COUNTY, VIRGINIA  
Architect's Project No: 563006

---

END OF SECTION 265100

FIRE STATIONS RENOVATION  
ARLINGTON COUNTY, VIRGINIA  
Architect's Project No: 563006

---

SECTION 270000 - COMMUNICATIONS

PART 1 - GENERAL

1.1 GENERAL REQUIREMENTS

- A. Applicable requirements of General Requirements/Provisions shall be considered a part of this section and shall have the same force as if printed herein full. In addition, all information related to communications infrastructure that is documented in the architectural, structural, mechanical, and electrical drawings/documents shall be included as part of the Communications documents.

1.2 QUALITY ASSURANCE

- A. Specifications, Standards and Codes: All work shall be in accordance with the following:
1. The 2011 edition of the National Electrical Code (NFPA 70)
  2. American National Standards Institute (ANSI)
  3. National Electrical Manufacturers Association (NEMA)
  4. Telecommunications Industries Association (TIA)
  5. Electronic Industries Association (EIA)
  6. Institute of Electrical & Electronics Engineers (IEEE)
  7. Underwriters Laboratories (UL)
  8. American Standards Association (ASA)
  9. Federal Communications Commission (FCC)
  10. Occupational Safety and Health Administration (OSHA)
  11. American Society of Testing Material (ASTM)
  12. Americans with Disabilities Act (ADA)
  13. Local city and county ordinances governing electrical work
  14. In the event of conflicts, the more stringent provisions shall apply.

1.3 SCOPE

- A. The work to be done under this section of the Specifications shall include the furnishing of labor, material, equipment and tools required for the complete installation of the work indicated on the Drawings or as specified herein.
- B. All materials, obviously a part of the Communications Infrastructure and necessary to its proper operation, but not specifically mentioned or shown on the Drawings, shall be furnished and installed without additional charge.
- C. The Drawings and Specifications are complementary to each other and what is called for by one shall be as binding as if called for by both. If a discrepancy



FIRE STATIONS RENOVATION  
ARLINGTON COUNTY, VIRGINIA  
Architect's Project No: 563006

---

exists between the Drawing and Specifications, the higher cost shall be included, and the Owner shall be notified of the discrepancy.

#### 1.4 WORK INCLUDED

The Communications Infrastructure installed and work performed under this Division of the Specifications shall include but not necessarily be limited to the following:

- A. Voice/Data Cabling Infrastructure
- B. CATV Cabling Infrastructure System
- C. Wireless Access System
- D. Communications raceways, cable tray, racks, cabinets and equipment mounting boards
- E. Grounding and Bonding
- F. Underground raceway excavation, backfill, and compaction
- G. Concrete work for duct banks, maintenance holes, handholes, vaults and restoration (where applicable)

#### 1.5 DEFINITIONS

- A. Terms: The following definitions of terms supplement those of the General Requirements and are applicable to Division 27 - Communications:
  - 1. Provide: As used herein shall mean "furnish, install and test (if applicable) complete."
  - 2. Infrastructure: As used herein shall mean cable, conduit, raceway, cable tray or j-hooks with all required boxes, fittings, connectors, and accessories; completely installed.
  - 3. Work: As used herein shall be understood to mean the materials completely installed, including the labor involved.

#### 1.6 DRAWINGS

- A. Drawings are generally diagrammatic and show the arrangement and location of pathways, outlets, support structures and equipment. The Contractor shall carefully investigate the structural and finish conditions affecting his work and arrange his work accordingly. Should conditions on the job make it necessary to make adjustments to pathways or materials, the Contractor shall so advise the Owner and secure approval before proceeding with such work.

FIRE STATIONS RENOVATION  
ARLINGTON COUNTY, VIRGINIA  
Architect's Project No: 563006

---

- B. Where exact locations are required by equipment for stubbing-up and terminating conduit concealed in floor slabs, the Contractor shall request shop drawings, equipment location drawings, foundation drawings, and any other data required by him to locate the concealed conduit before the floor slab is poured.
- C. Materials, equipment or labor not indicated but which can be reasonably inferred to be necessary for a complete installation shall be provided. Drawings and Specifications do not undertake to indicate every item of material, equipment, or labor required to produce a complete and properly operating installation.
- D. The right is reserved to make reasonable changes in locations of equipment indicated on Drawings prior to rough-in without increase in contract cost.
- E. The Contractor shall not reduce the size or number of conduit runs indicated on the Drawings without the written approval of the Owner.
- F. Any work installed contrary to Contract Drawings shall be subject to change as directed by the Owner, and no extra compensation will be allowed for making these changes.
- G. The location of equipment, support structures, outlets, and similar devices shown on the Drawings are approximate only. Do not scale Drawings. Obtain layout dimensions for equipment from architectural plans unless indicated on Communications plans.
- H. Schematic diagrams shown on the Drawings indicate the required functions only. The technology of a particular manufacturer may be used to accomplish the functions indicated without exact adherence to the schematic Drawings shown. Additional labor and materials required for such deviations shall be furnished at the Contractor's expense.
- I. Verify the ceiling type, ceiling suspension systems, and clearance above hung ceilings prior to ordering cabling and associated hardware. Notify the Owner of any discrepancies.
- J. Review all architectural drawings for modular furniture.
- K. Portions of these Drawings and Specifications are abbreviated and may include incomplete sentences. Omissions of words or phrases such as "the Contractor shall," "shall be," "as indicated on the Drawings," "In accordance with," "a," "the" and "all are intended" shall be supplied by inference.

## 1.7 SUBMITTALS

FIRE STATIONS RENOVATION  
ARLINGTON COUNTY, VIRGINIA  
Architect's Project No: 563006

---

- A. Submit for approval, details of all materials, equipment and systems to be furnished. Work shall not proceed without the Owner's approval of the submitted items. Three (3) copies of the following shall be submitted:
  - 1. Submittals for individual systems and equipment assemblies that consist of more than one item or component shall be made for the system or assembly as a whole. Partial submittals will not be considered, reviewed or stored, and such submittals will not be returned except at the request and expense of the Contractor.
  - 2. Contractor shall generate shop drawings. Modify reviewed and accepted shop drawings to include revisions based upon completion of work. Submit shop drawings with record drawings on hard copy.
  - 3. Shop drawings shall include equipment racks, patch panels, termination blocks, connection details, rack mounting details and any other details not included in the construction drawings.
- B. Any materials and equipment listed that are not in accordance with Specification requirements may be rejected.
- C. The approval of material, equipment, systems and shop drawings is a general approval subject to the Drawings, Specifications and verification of all measurements at the job. Approval does not relieve the Contractor from the responsibility of shop drawing errors. The Contractor shall carefully check and correct all shop drawings prior to submission for approval.

## 1.8 QUALITY ASSURANCE

- A. Equipment and materials required for installation under these Specifications shall be the current model and new (less than one [1] year from the date of manufacture), unused and without blemish or defect.
- B. Equipment shall bear labels attesting to Underwriters Laboratories, where subject to label service. Manufacturers of equipment and materials pertinent to these items shall have been engaged in the manufacture of said equipment a minimum of three (3) years and, if so directed by the Owner, be able to furnish proof of their ability by submitting affidavits and descriptive data about their product including size and magnitude comparable to requirements specified herein.

## 1.9 CONTRACTOR QUALIFICATIONS

- A. The Contractor shall have total responsibility for the coordination and installation of the work shown and described in the Drawings and/or Specifications. The Contractor shall be a company specializing in the design, fabrication and installation of integrated communications systems.

FIRE STATIONS RENOVATION  
ARLINGTON COUNTY, VIRGINIA  
Architect's Project No: 563006

---

- B. Communications Systems specified shall be installed under the direction of a qualified Contractor. Qualification requirements shall include submittal by the Contractor to the Owner of the following:
  - 1. List of previous projects of this scope, size and nature; including names and sizes of projects, description of work, time of completion and names of contact persons for reference.
  - 2. Shall certify that they are manufacturer-authorized for work to be performed.
- C. Contractor must employ at least one (1) full-time Registered Communications Distribution Designer (RCDD). The RCDD shall be a W2 employee and not a subcontractor.

#### 1.10 COORDINATION WITH OTHER TRADES

- A. The Contractor shall coordinate communications work with that of other sections as required to ensure that the entire communications work will be carried out in an orderly, complete and coordinated fashion.

#### 1.11 SITE INVESTIGATION

- A. Prior to submitting bids of the project, visit the site of the work to become aware of existing conditions that may affect the cost of the project. Where work under this project requires extension, relocation, reconnections or modifications to existing equipment or systems, the existing equipment or systems, shall be restored to their original condition before the completion of this project.

#### 1.12 PERMITS

- A. Obtain all permits and inspections for the installation of this work and pay all charges incident thereto. Deliver to the Owner all certificates of said inspection issued by authorities having jurisdiction.

#### 1.13 RENOVATIONS AND ADDITIONS

- A. All work that would adversely affect the normal operation of the other portions of the Owner's property shall be done at a time other than normal working hours. Normal working hours shall be considered 8 a.m. to 5 p.m. Monday through Friday.
- B. Prior to submitting bids on the project, visit the site of the work to become aware of existing conditions that may affect the cost of the project.

FIRE STATIONS RENOVATION  
ARLINGTON COUNTY, VIRGINIA  
Architect's Project No: 563006

---

- C. Where work under this project requires extension, relocation, reconnections or modifications to existing equipment or systems, the existing equipment or systems shall be restored to their original and operating condition. Remove all equipment indicated to be demolished, including outlets, devices, raceways and support structures.
- D. Care shall be exercised in the removal and storage of equipment indicated to be relocated or removed and reused. Prior to placing back into service, equipment shall be cleaned, and marred or chipped paint surfaces touched-up.
- E. Provide all coring, cutting and patching to existing walls, floors, etc., required for the removal of existing work or the installation of new work.

PART 2 - PRODUCTS

2.01 MATERIALS

- A. All materials used in this work shall be new and shall bear the inspection label of Underwriters' Laboratories Inc. or certification by other recognized laboratory.
- B. The published standards and requirements of the Telecommunications Industries Association (TIA), National Electrical Manufacturers Association (NEMA), the American National Standard Institute (ANSI), the Institute of Electrical and Electronic Engineers (IEEE), and the American Society of Testing Materials (ASTM), are made a part of these Specifications and shall apply wherever applicable.
- C. Materials and equipment furnished shall be of current production by manufacturers regularly engaged in the manufacture of such items, for which replacement parts are available.
- D. When more than one unit of the same class of equipment or material is required, such units shall be the products of a single manufacturer or partner manufacturers that offer a certified solution.
- E. Components of an assembled unit need not be products of the same manufacturer, but must offer a certified end-to-end solution.
- F. Manufacturers of equipment assemblies, which include components made by others, shall assume complete responsibility for the final assembled unit.
- G. Components shall be compatible with each other and with the total assembly for the intended service.

PART 3 - EXECUTION

FIRE STATIONS RENOVATION  
ARLINGTON COUNTY, VIRGINIA  
Architect's Project No: 563006

---

3.01 EXAMINATION OF CONDITIONS

- A. Prior to the start of work, the Contractor shall carefully inspect the installed work of other trades and verify that such work is complete to the point where installation may properly commence. Start of work indicates acceptance of conditions.
- B. Install equipment in accordance with applicable codes and regulations, the original design and the referenced standards.
- C. In the event of a discrepancy, immediately notify the Owner.
- D. Do not proceed with installation until unsatisfactory conditions and discrepancies have been fully resolved.

3.02 PROTECTION OF SYSTEMS AND EQUIPMENT

- A. Protect materials and equipment from damage during storage at the site and throughout the construction period. Equipment and materials shall be protected during shipment and storage against physical damage, dirt, theft, moisture, extreme temperature and rain.
- B. Damage from rain, dirt, sun and ground water shall be prevented by storing the equipment on elevated supports and covering the sides with securely fastened protective rigid or flexible waterproof coverings.
- C. During installation, equipment shall be protected against entry of foreign matter on the inside and be vacuum cleaned both inside and outside before testing, operating or painting.
- D. As determined by the Owner, damaged equipment shall be fully repaired or shall be removed and replaced with new equipment to fully comply with requirements of the Contract Documents. Decision of the Owner shall be final.
- E. Damaged paint on equipment and materials shall be repainted with painting equipment and finished with the same quality of paint and workmanship as used by the manufacturer.

3.03 ACCESS TO EQUIPMENT

- A. Equipment shall be installed in location and manner that will allow convenient access for maintenance and inspection.

FIRE STATIONS RENOVATION  
ARLINGTON COUNTY, VIRGINIA  
Architect's Project No: 563006

---

- B. Working spaces shall be not less than specified in the National Electrical Code (NEC) for voltages specified.
- C. Where the Owner determines that the Contractor has installed equipment not conveniently accessible for operation and maintenance, equipment shall be removed and reinstalled, one time only, as directed by the Owner, at no additional cost to the Owner. "Conveniently accessible" is defined as being capable of being reached without the use of ladders or without climbing or crawling under or over obstacles such as motors, pumps, belt guards, transformers, piping and duct work.

### 3.04 CLEANING

- A. During construction, and prior to Owner acceptance of the building, remove from the premises and dispose of packing material and debris caused by communications work.
- B. Remove dust and debris from interiors and exteriors of electrical equipment. Clean accessible current carrying elements prior to being energized.

### 3.05 COMPLETION

- A. General: Upon completion of the work, remove excess debris, materials, equipment, apparatus, tools and similar items. Leave the premises clean, neat and orderly.
- B. Results Expected: Systems shall be complete and operational and controls shall be set and calibrated. Testing, start-up and cleaning work shall be complete.
- C. Maintenance Materials: Special tools for proper operation and maintenance of the equipment provided under this Specification shall be delivered to the Owner.

### 3.06 TESTING AND VERIFICATION

- A. See specific Division 27 sections for testing parameters of sub-systems.
- B. The Contractor shall verify that requirements of this Specification are met. Verification shall be through a combination of analyses, inspections, demonstrations and tests, as described below.
- C. Verification by inspection includes examination of items and comparison of pertinent characteristics against the qualitative or quantitative standard set forth in the Specifications. Inspection may require moving or partially disassembling the item to accomplish the verification, included as part of the work at no additional cost to the Owner.

FIRE STATIONS RENOVATION  
ARLINGTON COUNTY, VIRGINIA  
Architect's Project No: 563006

---

- D. The Contractor shall verify by formal demonstrations or tests that the requirements of this Specification have been met. The Contractor shall demonstrate that the communications systems, components and subsystems meet Specification requirements in the "as-installed" operating environment during the "System Operation Test." Even though no formal environmental testing is required, the Contractor shall measure and record temperature, humidity and other environmental parameters and the environmental conditions, which were encountered during the "System Operation Test."
- E. The Contractor shall carefully plan and coordinate the final acceptance tests so that tests can be satisfactorily completed. The Contractor shall provide necessary instruments, labor and materials required for tests, including the equipment manufacturer's technical representative and qualified technicians in sufficient numbers to perform the tests within a reasonable time period.
- F. The Contractor shall satisfy all items detailed in the final acceptance check-off list (punch list). The list shall be a complete representation of specified installation requirements. At the time of final acceptance punch list items shall be corrected until the system is found to be acceptable to the Owner.
- G. After the systems have been installed and tested, the completed test plan shall be signed by the Communications Contractor and submitted for approval.

END OF SECTION 270000



FIRE STATIONS RENOVATION  
ARLINGTON COUNTY, VIRGINIA  
Architect's Project No: 563006

---

SECTION 270528 - PATHWAYS FOR COMMUNICATIONS SYSTEMS

PART 1 - GENERAL

1.01 GENERAL REQUIREMENTS

- A. Applicable requirements of Division 27 - Communications shall be considered a part of this section and shall have the same force as if printed herein full.
- B. This document describes the products and execution requirements relating to Pathways for Communications Systems.
- C. Product specifications, general design considerations, and installation guidelines are provided in this document. The successful vendor shall meet or exceed all requirements described in this document and on the drawings.

1.02 SUBMITTALS

- A. Provide product data from manufacturer's specifications.

1.03 WORK INCLUDED

- A. The work included under this specification consists of furnishing all labor, equipment, materials, supplies and performing all operations necessary to complete the installation. The Contractor will provide and install all of the required material whether specifically addressed in the Specification or not.

PART 2 - PRODUCTS

2.01 APPROVED PRODUCTS

- A. Rigid/Intermediate Conduit Manufacturer(s)
  - 1. Allied
  - 2. Triangle
  - 3. Wheatland
  - 4. Youngstown
- B. Non-Metallic (PVC) Manufacturer(s)
  - 1. Carlon
  - 2. Georgia Pipe Company
- C. Electrical Metallic Tubing (EMT) Manufacturer(s)

FIRE STATIONS RENOVATION  
ARLINGTON COUNTY, VIRGINIA  
Architect's Project No: 563006

---

1. Allied
  2. Triangle
  3. Wheatland
  4. Youngstown
- D. EMT Fittings Manufacturer(s)
1. Thomas & Betts
  2. Steel City
- E. Innerduct/Inner-Conduit Channel Manufacturer(s)
1. Carlon
  2. Endot Industries
  3. MaxCell
  4. Petroflex
  5. Eastern
- F. Metallic Communications Outlet Box Manufacturer(s)
1. Steel City
  2. Raco
- G. Non-Metallic Communications Outlet Box Manufacturer(s)
1. Thomas & Betts
  2. Carlon
- H. Pull Box Manufacturer(s)
1. Hoffman
  2. OZ Gedney
- I. Approved Cable Tray System Manufacturer(s)
1. Flex Tray
  2. Wiremold
  3. EZ Tray
  4. Mono Systems, Inc.
  5. Snake Tray

FIRE STATIONS RENOVATION  
ARLINGTON COUNTY, VIRGINIA  
Architect's Project No: 563006

---

- 6. B-Line
- 7. Gulf Coast Systems
  
- J. Approved Cable Hanger Manufacturer(s)
  - 1. Erico Products – Caddy
  - 2. B-Line
  
- K. Approved Tie Wrap/Velcro Strap Manufacturer(s)
  - 1. Leviton
  - 2. Panduit

## 2.02 CONDUIT

- A. Rigid and Intermediate Conduit
  - 1. Rigid conduit, intermediate conduit, couplings, locknuts, bushings, elbows and connectors shall be standard thread. All materials shall be steel. Set screw or non-threaded fittings are not permitted.
  
- B. Non-Metallic (PVC) Conduit
  - 1. Non-metallic conduit shall be heavy wall, Schedule 40 PVC.
  - 2. Couplings and connectors for non-metallic conduit shall be of the same material and be the product of the same manufacturer of the conduit furnished.
  
- C. Electrical Metallic Tubing (EMT)
  - 1. Electrical metallic tubing (EMT), couplings and connectors shall be steel. Malleable iron, pressure-cast or die-cast fittings are not permitted.
  - 2. Fittings for 2" EMT and smaller shall be steel set screw type, except where otherwise noted. Fittings for 2.5" and larger shall be steel set screw type with two (2) screws for connectors and four (4) screws for couplings. All connectors shall be insulated throat type.
  
- D. Conduit Support
  - 1. Individual conduit hangers shall be galvanized spring steel specifically designed for the purpose and sized appropriately for the conduit type and diameter. Support individual conduits 1-1/2 inch and smaller with 1/4 inch threaded steel rods and use 3/8 inch rods for 2 inch and larger.

FIRE STATIONS RENOVATION  
ARLINGTON COUNTY, VIRGINIA  
Architect's Project No: 563006

---

2. Conduit support channels shall be 14 gauge galvanized (or equivalent treatment) channel sized for the amount of conduit to be supported. Channel suspension shall be 3/8" threaded steel rods. Attach suspension rods to structure with swivel type connectors. Conduit straps shall be spring steel type compatible with channel.
  3. Conduit straps shall be single hole cast metal type or two hole galvanized metal type. Conduit clamps shall be spring steel type for use with exposed structural steel.
- E. Innerduct/Inner-Conduit Channel
1. Innerduct shall be corrugated plastic equipped with pull-string or mule tape.
  2. Inner-conduit channel (MaxCell) shall be 3-channel with each channel equipped with mule tape.
  3. See Drawings for innerduct / inner-conduit channel (MaxCell) details.

#### 2.03 METALLIC COMMUNICATIONS OUTLET BOXES

- A. Metallic outlet boxes and device covers shall be galvanized steel not less than 1/16" thick.
- B. The dimensions of the metallic outlet box shall be 4" x 4" square with a minimum depth of 2-1/8".
- C. Metallic outlet boxes shall be equipped with single device covers (or two-device covers where needed). Where installed in plaster, gypsum board, etc., covers shall be raised to compensate for the thickness of the wall finish.
- D. Where metallic outlet boxes are to be empty for future use, blank coverplates shall be used.

#### 2.04 NON-METALLIC COMMUNICATIONS OUTLET BOXES

- A. The non-metallic outlet box shall be thermoplastic and be rated according to the space it occupies.
- B. The dimensions of the non-metallic outlet box shall be approximately 4" x 4" square with a minimum depth of 2-1/8".
- C. Non-metallic outlet boxes shall be equipped with single device covers. Covers shall be raised to compensate for the thickness of the wall finish.
- D. Where non-metallic outlet boxes are to be empty for future use, blank faceplates shall be used.

FIRE STATIONS RENOVATION  
ARLINGTON COUNTY, VIRGINIA  
Architect's Project No: 563006

---

2.05 PULL BOXES

- A. Pull boxes shall be constructed of galvanized steel with flat, removable covers fastened with plated steel screws.
- B. Pull boxes shall be equipped with keyhole screw slots in the cover to permit removal of the cover without extracting the screws.
- C. Pull boxes shall have provisions for grounding.

2.06 CABLE TRAY

- A. Cable Tray System
  - 1. Cable tray shall be steel or aluminum construction.
  - 2. Cable tray cross members shall be factory welded at 12" intervals maximum.
  - 3. Cable tray shall be equipped with one (1) or two (2) support rails that run the length of each segment.
  - 4. End caps shall be installed on the exposed ends of the cable tray, channel supports and bolts. Protective covers shall be installed on threaded rods that come in contact with cabling plant.
  - 5. Wall mount cable tray used in limited clearance areas shall be hook style and constructed of aluminum.
  - 6. See Drawings for cable tray dimensions.
    - a. Cable Tray color shall be black.

2.07 CABLE HANGERS

- A. J-Hooks
  - 1. J-hooks shall provide a bearing surface of sufficient width to comply with required bend radii of high-performance cables. J-hook shall be cULus Listed.
  - 2. J-hooks shall have flared edges to prevent damage while installing cables.
  - 3. J-hooks sized 1 5/16" and larger shall have a cable retainer strap to provide containment of cables within the hanger. The cable retainer strap shall be removable and reusable and be suitable for use in air handling spaces.
- B. Adjustable Non-Continuous Cable Support Sling
  - 1. Constructed from steel and woven laminate; sling length can be adjusted to hold up to 425 4-pair balanced twisted pair cables; rated for indoor use

FIRE STATIONS RENOVATION  
ARLINGTON COUNTY, VIRGINIA  
Architect's Project No: 563006

---

- in non-corrosive environments. Rated to support Category 5 and higher cable, or optical fiber cable. Cable support sling shall be cULus Listed.
2. Adjustable non-continuous cable support sling shall have a static load limit of 100 lbs.
  3. Adjustable non-continuous cable support sling shall be suitable for use in air handling spaces.

## 2.08 TIE WRAPS AND VELCRO STRAPS

### A. Tie Wraps and Velcro Straps

1. Cables shall be fastened to support structures with tie wraps/Velcro straps.
2. Tie wraps/Velcro straps installed in air handling spaces must be plenum rated.
  - a. Non-plenum Tie Wrap color shall be black.
  - b. Plenum Tie Wrap color shall be red.
  - c. Non-plenum Velcro strap color shall be black.
  - d. Plenum Velcro strap color shall be red.

## PART 3 - EXECUTION

### 3.01 PENETRATIONS

- A. Holes through concrete and masonry in new and existing structures shall be cut with a diamond core drill or concrete saw upon approval of the structural engineer of record for the base of building. Pneumatic hammer, impact electric, hand or manual hammer type drills shall not be allowed, except where permitted by the Project Manager as required by limited working space. X-ray all floor penetrations accordingly.
- B. Holes shall be located so as not to affect structural sections such as ribs or beams.
- C. Holes shall be laid out in advance. The Project Manager shall be advised prior to drilling through structural sections, for determination of proper layout.
- D. Structural Penetrations: Where conduits, wireways and other raceways pass through fire partitions, fire walls or walls and floors provide a code compliant effective barrier against the spread of fire, smoke and gases.
- E. All penetrations where conduit is not used shall be sleeved.
- F. No gaps or rough edges shall be allowed between wall and conduit/sleeve.

### 3.02 CONDUIT SYSTEM

FIRE STATIONS RENOVATION  
ARLINGTON COUNTY, VIRGINIA  
Architect's Project No: 563006

---

- A. Conceal all conduits, except in unfinished spaces such as equipment rooms or as indicated by symbol on the Drawings.
- B. Leave all empty conduits with a 200 pound test nylon cord pull line.
- C. Flattened, dented, or deformed conduits are not permitted and shall be removed and replaced.
- D. Fasten conduit support device to structure with wood screws on wood, toggle bolts on hollow masonry, anchors as specified on solid masonry or concrete, and machine bolts, clamps, or spring steel clips, on steel.
- E. Install conduit with wiring, including homeruns as indicated on the Drawings. Any change resulting in a savings in labor or materials is to be made only in accordance with a contract change. Deviations shall be made only where necessary to avoid interferences and when approved by Engineer by written authorization.
- F. Conduit shall be run parallel or at right angles to existing walls, ceilings, and structural members.
- G. Attach backbone conduits larger than one-inch trade diameter to or from structure on intervals not exceeding twelve feet with conduit beam clamps, one-hole conduit straps or trapeze type support.
- H. Where conduits must pass through structural members obtain approval of Architect.
- I. Install all conduits or sleeves penetrating or routed within rated firewalls or fire floors to maintain fire rating of wall or floor. Conduit shall not be installed in rated floors or walls if it compromises or violates the fire rating of floor or wall. Refer to architectural documents.
- J. Provide expansion and deflection coupling where conduit passes over a building expansion joint.
- K. Service entrance conduits and feeder conduits in direct contact with earth shall be schedule 40, heavy wall PVC. All service entrance conduit elbows shall be galvanized rigid steel. Service entrance conduits installed exposed or concealed in walls or above ceilings shall be galvanized rigid steel (G.R.S.) or intermediate metal conduit (IMC). Service entrance conduits shall be installed "outside" of the building as defined by the N.E.C. Provide concrete encasement where required or as indicated on Drawings.

FIRE STATIONS RENOVATION  
ARLINGTON COUNTY, VIRGINIA  
Architect's Project No: 563006

---

- L. All other conduit, unless specified herein, shall be electrical metallic tubing (EMT). PVC conduit is not allowed in exposed or concealed areas, but only within concrete.
  
- M. Conduit Installations Within Slab/Floor
  - 1. Conduit shall be run following the most direct route between points.
  - 2. Conduit shall not be installed in concrete where the outside diameter is larger than 1/3 of the slab thickness.
  - 3. Conduits shall not be installed within shear walls unless specifically indicated on the Drawings. Conduit shall not be run directly below and parallel with load bearing walls.
  - 4. Protect each metallic conduit installed in concrete slab or conduits 1-1/2 inch and smaller passing through a concrete slab against corrosion where conduit enters and leaves concrete by wrapping conduit with vinyl all-weather electrical tape.
  - 5. Protect all conduits entering and leaving concrete floor slabs from physical damage during construction.
  - 6. Provide expansion fittings in all conduits where length or run exceeds 200 feet or where conduits pass through building expansion joints.
  - 7. Install all conduits penetrating or routed within rated fire floors to maintain the fire rating of the floor. Conduit shall not be installed in rated floors or walls if it compromises or violates the fire rating of floor or wall. Refer to architectural documents.
  - 8. Conduits installed within concrete floor slabs which are in direct contact with grade or which penetrate the building roof shall be galvanized rigid steel (G.R.S.), intermediate metal conduit (I.M.C.) or Schedule 40, heavy wall PVC.
  
- N. Communications cables shall not occupy conduits with power cables.
  
- O. Metallic conduits shall be grounded in accordance with ANSI/TIA-607-B.
  
- P. Conduit runs shall not have more than two (2) 90-degree bends between pull points.
  
- Q. Communications conduit system shall contain no condulets (also know as an LB).
  
- A. Rigid metal conduit (RMC) or intermediate metal conduit (IMC) shall be used for entrance conduits that exceed 50 feet into the building.
  
- B. Horizontal Conduits
  - 1. Support horizontal conduits at intervals not exceeding ten feet and within three feet of each outlet, junction box, backboard, enclosure or cabinet.



FIRE STATIONS RENOVATION  
ARLINGTON COUNTY, VIRGINIA  
Architect's Project No: 563006

---

Support conduits from structural steel members with spring steel type or beam conduit clamps and to non-metallic structural members with one-hole conduit straps. For exposed conduits and where conduits must be suspended below structure, single conduit runs shall be supported from structure by hanger rod and conduit clamp assembly, and multiple conduits shall be supported by trapeze type support suspended from structure. Do not attach conduits to ceiling suspension system channels or suspension wires.

2. For runs that total more than 100 feet in length, insert pull boxes so that no segment between boxes exceeds the 100 feet limit.
3. Each horizontal home-run conduit can serve from one (1) to three (3) outlet boxes. For one (1) outlet box, a 3/4" conduit shall be used, minimum. For two (2) outlet boxes, a 1" conduit shall be used, minimum. For three (3) outlet boxes, a 1-1/4" conduit shall be used, minimum.

### 3.03 COMMUNICATIONS OUTLET BOXES

- A. Exact locations of the outlet boxes shall be coordinated with the electrical contractor and other trades.
- B. Non-metallic communications outlet boxes may only be used for wood frame construction and/or where code allows.
- C. The approximate locations of the outlets are indicated on the Drawings. The exact locations of outlets shall be determined at the building. The right is reserved to change, without additional cost, the exact location of any outlet, a maximum of 10' before it is permanently installed.
- D. Orientation of outlet boxes (horizontal or vertical) shall be as indicated on the architectural elevations.
- E. Install all outlet boxes in finished areas flush with the wall. Maintain 1/4" or less space between outlet box front and finished wall surface.
- F. Outlet boxes shall be firmly anchored in place and shall not depend on the coverplate to hold it secure to the wall.
- G. Outlet boxes installed back-to-back in fire-rated walls shall be separated horizontally by a minimum of 24".

### 3.04 PULL BOXES

- A. Pull boxes shall be secured, independent of the conduit entries into the box. Pull boxes shall be secured to the building structure. In ceiling applications, pull boxes shall not be supported with ceiling wires.

FIRE STATIONS RENOVATION  
ARLINGTON COUNTY, VIRGINIA  
Architect's Project No: 563006

---

- B. Conduits entering pull boxes shall connect to pull boxes using die-cast zinc connectors.
- C. Pull boxes shall be free from burrs, dirt and debris.
- D. Pull boxes shall be installed in accordance with ANSI/TIA-569-B.
- E. Pull boxes shall be grounded in accordance with ANSI/TIA-607-B.

### 3.05 CABLE TRAY SYSTEM

- A. Install trays in accordance with recognized industry practices, to ensure that the cable tray equipment complies with requirements of the NEC.
- B. All open trays shall be installed a minimum of six (6) inches away from any light fixture.
- C. Provide external grounding strap at expansion joints, sleeves, crossover and other locations where tray continuity is interrupted.
- D. Support all pathways from building construction. Do not support pathways from ductwork, piping or equipment hangers.
- E. Install cable tray level and straight.
- F. Provide all hardware, accessories, fasteners, anchors, threaded rods and support channels required to provide a complete cable tray system.
- G. Cable trays shall not be used to house both low voltage and power cables unless cables are separated by a grounded physical barrier.
- H. Cable tray system shall be grounded in accordance with ANSI/TIA-607-B.

### 3.06 CABLE HANGERS

- A. Installation and configuration shall conform to the requirements of ANSI/TIA-568-C.0, ANSI/TIA-568-C.1 & ANSI/TIA-569-B, NFPA 70 (National Electrical Code), applicable local codes, and to the manufacturer's installation instructions.
- B. Install cables using techniques, practices, and methods that are consistent with Category 5e or higher requirements and that supports Category 5e or higher performance of completed and linked signal paths, end to end.
- C. Install cables without damaging conductors, shield, or jacket.

FIRE STATIONS RENOVATION  
ARLINGTON COUNTY, VIRGINIA  
Architect's Project No: 563006

---

- D. Do not bend cables, in handling or in installing, to smaller radii than minimums recommended by manufacturer.
- E. Pull cables without exceeding cable manufacturer's recommended pulling tensions. Use pulling means that will not damage media.
- F. Do not exceed load ratings specified by manufacturer.
- G. Adjustable non-continuous support sling shall have a static load limit of 100 lbs.
- H. To avoid electromagnetic interference (EMI), pathways shall provide minimum clearances of four feet from motors or transformers, one foot from conduit and cables used for electrical power distribution, and five inches from fluorescent lighting. Pathways shall cross perpendicular to fluorescent lighting and electrical power cables or conduits.

### 3.07 TIE WRAPS AND VELCRO STRAPS

- A. Tie wraps/Velcro straps shall be installed around cables at intervals of 12" minimum.
- B. Tie wraps shall secure cables to cable trays using an "X" pattern.
- C. Do not over-cinch cables.

### 3.08 IDENTIFICATION

- A. Refer to Section 270553 - Identification for Communications Systems for labeling details.

END OF SECTION 270528

FIRE STATIONS RENOVATION  
ARLINGTON COUNTY, VIRGINIA  
Architect's Project No: 563006

---

SECTION 283111 - DIGITAL, ADDRESSABLE FIRE-ALARM SYSTEM

PART 1 - GENERAL

1.1 RELATED DOCUMENTS

- A. Drawings and general provisions of the Contract apply to this Section.

1.2 SUMMARY

- A. Project work consists of extending the existing fire alarm system initiation and notification circuits and devices to serve the renovated portions of the facility. Upgrade and reprogram the existing system as required to provide the functionality required to serve the additional devices and functions.
- B. Section Includes:
  - 1. Manual fire-alarm boxes.
  - 2. System smoke detectors.
  - 3. Heat detectors.
  - 4. Notification appliances.
  - 5. Magnetic door holders.
  - 6. Addressable interface device.

1.3 DEFINITIONS

- A. LED: Light-emitting diode.
- B. NICET: National Institute for Certification in Engineering Technologies.
- C. Definitions in NFPA 72-apply to fire alarm terms used in this Section.

1.4 SYSTEM DESCRIPTION

- A. Noncoded, UL-listed addressable system, with multiplexed signal transmission, dedicated to fire-alarm service only.

1.5 SUBMITTALS

- A. General Submittal Requirements:
  - 1. Submissions to Authorities Having Jurisdiction: The A/E shall review the Contractor's submittal(s) which the Contractor shall revise and resubmit through the A/E until the submittals are deemed Approved. The contractor shall submit the A/E approved shop drawing and product data to the authority having jurisdiction and shall make any revisions as required for acceptance.

FIRE STATIONS RENOVATION  
ARLINGTON COUNTY, VIRGINIA  
Architect's Project No: 563006

---

2. Shop Drawings shall be prepared by persons with the following qualifications:
  - a. Trained and certified by manufacturer in fire-alarm system design.
  - b. NICET-certified fire-alarm technician, Level III minimum.
  - c. Licensed or certified by authorities having jurisdiction.
  
- A. Product Data: For each type of product indicated. . Submissions shall include UL file numbers for all devices.
  
- B. Shop Drawings: For fire-alarm system. Include plans, elevations, sections, details, and attachments to other work.
  1. Comply with recommendations in the "Documentation" Section of the "Fundamentals of Fire Alarm Systems" Chapter in NFPA 72.
  2. Include voltage drop calculations for notification appliance circuits. Use minimum 30cd current draw per visual appliance provided regardless of actual setting.
  3. Include battery-size calculations. Use minimum 30cd current draw per visual appliance provided regardless of actual setting.
  4. Include performance parameters and installation details for each detector, verifying that each detector is listed for complete range of air velocity, temperature, and humidity possible when air-handling system is operating.
  5. Include plans coordinating installation of duct smoke detectors and access to them. Show critical dimensions that relate to placement and support of sampling tubes, detector housing, and remote status and alarm indicators. Locate detectors according to manufacturer's written recommendations.
  6. Include 1/8" = 1'-0" scale floor plans to indicate final outlet locations showing address of each addressable device. Show size and route of cable and conduits.
  7. Wiring Diagrams: Detail wiring and differentiate between manufacturer-installed and field-installed wiring. Include diagrams for equipment and for system with all terminals and interconnections identified.
  8. Device Address List: Coordinate with final system programming.
  9. Input-Output Matrix: For each type of device (or function of device) and the associated system output. Format in accordance with NFPA 72, Explanatory Material, Figure "Typical Input/Output Matrix".
  10. System Operation Description: Detailed description for this project, including method of operation and supervision of each type of circuit and sequence of operations for manually and automatically initiated system inputs and outputs. Manufacturer's standard descriptions for generic system are not acceptable.
  
- C. Qualification Data: For qualified Installer.
  
- D. Field quality-control reports.
  
- E. Operation and Maintenance Data: For fire-alarm systems and components to include in emergency, operation, and maintenance manuals. In addition to items specified in Division 01 Section "Operation and Maintenance Data," include the following:
  1. Comply with the "Records" Section of the "Inspection, Testing and Maintenance" Chapter in NFPA 72.

FIRE STATIONS RENOVATION  
ARLINGTON COUNTY, VIRGINIA  
Architect's Project No: 563006

---

2. Provide "Record of Completion Documents" according to NFPA 72 article "Permanent Records" in the "Records" Section of the "Inspection, Testing and Maintenance" Chapter.
3. Record copy of site-specific software.
4. Provide "Maintenance, Inspection and Testing Records" according to NFPA 72 article of the same name and include the following:
  - a. Frequency of testing of installed components.
  - b. Frequency of inspection of installed components.
  - c. Requirements and recommendations related to results of maintenance.
  - d. Manufacturer's user training manuals.
5. Manufacturer's required maintenance related to system warranty requirements.
6. Abbreviated operating instructions for mounting at fire-alarm control unit.
7. Copy of NFPA 25.
8. Software and Firmware Operational Documentation:
  - a. Software operating and upgrade manuals.
  - b. Program Software Backup: On magnetic media or compact disk, complete with data files.
  - c. Device address list.
  - d. Printout of software application and graphic screens.

1.6 QUALITY ASSURANCE

- A. Installer Qualifications: Personnel shall be trained and certified by manufacturer for installation of units required for this Project.
- B. Installer Qualifications: Installation shall be by personnel certified by NICET as fire-alarm Level II technician.
- C. Source Limitations for Fire-Alarm System and Components: Obtain fire-alarm system from single source from single manufacturer. Components shall be compatible with, and operate as, an extension of existing system.
- D. Electrical Components, Devices, and Accessories: Listed and labeled as defined in NFPA 70, by a qualified testing agency, and marked for intended location and application.
- E. NFPA Certification: Obtain certification according to NFPA 72 by an NRTL.

1.7 PROJECT CONDITIONS

- A. Interruption of Existing Fire-Alarm Service: Do not interrupt fire-alarm service to facilities occupied by Owner or others unless permitted under the following conditions and then only after arranging to provide temporary guard service according to requirements indicated:
  1. Notify Owner no fewer than two days in advance of proposed interruption of fire-alarm service.
  2. Do not proceed with interruption of fire-alarm service without Owner's written permission.

FIRE STATIONS RENOVATION  
ARLINGTON COUNTY, VIRGINIA  
Architect's Project No: 563006

---

1.8 SEQUENCING AND SCHEDULING

- A. Existing Fire-Alarm Equipment: Maintain existing equipment fully operational until new equipment has been tested and accepted. As new equipment or devices are installed, label it "NOT IN SERVICE" until it is accepted. Remove labels from new equipment when put into service and label existing fire-alarm equipment "NOT IN SERVICE" until removed from the building.
- B. Equipment Removal: After acceptance of new fire-alarm system, remove existing disconnected fire-alarm equipment and wiring.
  - 1. Package Owner designated operational equipment and deliver to Owner.

1.9 SOFTWARE SERVICE AGREEMENT

- A. Comply with UL 864.
- B. Technical Support: Beginning with Substantial Completion, provide software support for two years.
- C. Upgrade Service: Update software to latest version at Project completion. Install and program software upgrades that become available within two years from date of Substantial Completion. Upgrading software shall include operating system. Upgrade shall include new or revised licenses for use of software.
  - 1. Provide 30 days' notice to Owner to allow scheduling and access to system and to allow Owner to upgrade computer equipment if necessary.

1.10 EXTRA MATERIALS

- A. Furnish extra materials that match products installed and that are packaged with protective covering for storage and identified with labels describing contents.
  - 1. Lamps for Remote Indicating Lamp Units: Quantity equal to 10 percent of amount installed, but no fewer than 1 unit.
  - 2. Lamps for Strobe Units: Quantity equal to 10 percent of amount installed, but no fewer than 1 unit.
  - 3. Smoke Detectors, Fire Detectors: Quantity equal to 10 percent of amount of each type installed, but no fewer than 1 unit of each type. Provide 50 feet of cabling in conduit for each appliance and connect to nearest annunciation circuit as directed by Authority Having Jurisdiction.
  - 4. Detector Bases: Quantity equal to 2 percent of amount of each type installed, but no fewer than 1 unit of each type. Provide 50 feet of cabling in conduit for each appliance and connect to nearest annunciation circuit as directed by Authority Having Jurisdiction.
  - 5. Keys and Tools: One extra set for access to locked and tamperproofed components.

FIRE STATIONS RENOVATION  
ARLINGTON COUNTY, VIRGINIA  
Architect's Project No: 563006

---

6. Audible and Visual Notification Appliances: One of each type installed. Provide 50 feet of cabling in conduit for each appliance and connect to nearest annunciation circuit as directed by Authority Having Jurisdiction.
7. Fuses: Two of each type installed in the system.

## PART 2 - PRODUCTS

### 2.1 MANUFACTURERS

1. Manufacturer: Subject to compliance with requirements, and fully compatible (UL listed and labeled) with the existing system.

### 2.2 SYSTEMS OPERATIONAL DESCRIPTION

A. Fire-alarm signal initiation shall be by one or more of the following devices:

1. Manual stations.
2. Heat detectors.
3. Smoke detectors.
4. Duct smoke detectors.
5. Automatic sprinkler system water flow.

B. Fire-alarm signal shall initiate the following actions:

1. Continuously operate alarm notification appliances.
2. Identify alarm at fire-alarm control unit and remote annunciators.
3. Transmit an alarm signal to the remote alarm receiving station.
4. Unlock electric door locks in designated egress paths.
5. Release fire and smoke doors held open by magnetic door holders.
6. Switch heating, ventilating, and air-conditioning equipment controls to fire-alarm mode.
7. Record events in the system memory.

C. Supervisory signal initiation shall be by one or more of the following devices and actions:

1. Valve supervisory switch.

D. System trouble signal initiation shall be by one or more of the following devices and actions:

1. Open circuits, shorts, and grounds in designated circuits.
2. Opening, tampering with, or removing alarm-initiating and supervisory signal-initiating devices.
3. Loss of primary power at fire-alarm control unit.
4. Ground or a single break in fire-alarm control unit internal circuits.
5. Abnormal ac voltage at fire-alarm control unit.
6. Break in standby battery circuitry.
7. Failure of battery charging.
8. Abnormal position of any switch at fire-alarm control unit or annunciator.



FIRE STATIONS RENOVATION  
ARLINGTON COUNTY, VIRGINIA  
Architect's Project No: 563006

---

- E. System Trouble and Supervisory Signal Actions: Initiate notification appliance and annunciate at fire-alarm control unit and remote annunciators.

2.3 FIRE-ALARM CONTROL UNIT

- A. FACP's are Existing to Remain. Upgrade as required to provide required functionality at the FACP's and to serve the renovated space.
- B. General Requirements for Fire-Alarm Control Unit:
  - 1. Field-programmable, microprocessor-based, modular, power-limited design with electronic modules, complying with UL 864 and listed and labeled by an NRTL.
    - a. System software and programs shall be held in flash electrically erasable programmable read-only memory (EEPROM), retaining the information through failure of primary and secondary power supplies.
    - b. Include a real-time clock for time annotation of events on the event recorder and printer.
  - 2. Addressable initiation devices that communicate device identity and status.
    - a. Smoke sensors shall additionally communicate sensitivity setting.
    - b. Temperature sensors shall additionally test for and communicate the sensitivity range of the device.
  - 3. Addressable control circuits for operation of mechanical equipment.
- C. Alphanumeric Display and System Controls: Arranged for interface between human operator at fire-alarm control unit and addressable system components including annunciation and supervision. Display alarm, supervisory, and component status messages and the programming and control menu.
- D. Circuits:
  - 1. Initiating Device, Notification Appliance, and Signaling Line Circuits: NFPA 72, Class A.
    - a. Initiating Device Circuits: Style D.
    - b. Notification Appliance Circuits: Style Z.
    - c. Signaling Line Circuits: Style 6.
- E. Door Controls: Door hold-open devices that are controlled by smoke detectors at doors in smoke barrier walls shall be connected to fire-alarm system.
- F. Transmission to Remote Alarm Receiving Station: Automatically transmit alarm, supervisory, and trouble signals to a remote alarm station.

FIRE STATIONS RENOVATION  
ARLINGTON COUNTY, VIRGINIA  
Architect's Project No: 563006

---

- G. Primary Power: 24-V dc obtained from 120-V ac service and a power-supply module. Initiating devices, notification appliances, signaling lines, trouble signals, supervisory and digital alarm communicator transmitters shall be powered by 24-V dc source.
1. Alarm current draw of entire fire-alarm system shall not exceed 80 percent of the power-supply module rating.
- H. Emergency Power Supply: Components include batteries, charger, and automatic transfer switch.
1. Batteries: Sealed lead calcium.
    - a. Batteries shall be in accordance with fire alarm system manufacturer's installation instructions.
    - b. Battery Nominal Life Expectancy: 10 years, minimum.
    - c. Battery date code shall indicate battery age of not more than 3 months at time of system acceptance.
    - d. Battery Capacity: Comply with NFPA 72.
  2. Battery Charger: Solid-state, fully automatic, variable-charging-rate type. Provide capacity for 150 percent of the connected system load while maintaining batteries at full charge. If batteries are fully discharged, the charger recharges them completely within four hours. Charger output is supervised as part of system power supply supervision.
  3. Integral Automatic Transfer Switch: Transfers the load to the battery without loss of signals or status indications when normal power fails.
- I. Instructions: Computer printout or typewritten instruction card mounted behind a plastic or glass cover in a stainless-steel or aluminum frame. Include interpretation and describe appropriate response for displays and signals. Briefly describe the functional operation of the system under normal, alarm, and trouble conditions.

## 2.4 MANUAL FIRE-ALARM BOXES

- A. General Requirements for Manual Fire-Alarm Boxes: Comply with UL 38. Boxes shall be finished in red with molded, raised-letter operating instructions in contrasting color; shall show visible indication of operation; and shall be mounted on recessed outlet box. If indicated as surface mounted, provide manufacturer's surface back box.
1. Double-action mechanism requiring two actions to initiate an alarm, pull-lever type; with integral addressable module arranged to communicate manual-station status (normal, alarm, or trouble) to fire-alarm control unit.
  2. Station Reset: Key-operated switch.

## 2.5 SYSTEM SMOKE DETECTORS

- A. General Requirements for System Smoke Detectors:
1. Comply with UL 268; operating at 24-V dc, nominal.
  2. Detectors shall be two-wire type.

FIRE STATIONS RENOVATION  
ARLINGTON COUNTY, VIRGINIA  
Architect's Project No: 563006

---

3. Base Mounting: Detector and associated electronic components shall be mounted in a twist-lock module that connects to a fixed base. Provide terminals in the fixed base for connection to building wiring.
4. Self-Restoring: Detectors do not require resetting or readjustment after actuation to restore them to normal operation.
5. Integral Visual-Indicating Light: LED type indicating detector has operated and power-on status.

B. Photoelectric Smoke Detectors:

1. Detector address shall be accessible from fire-alarm control unit and shall be able to identify the detector's location within the system and its sensitivity setting.
2. An operator at fire-alarm control unit, having the designated access level, shall be able to manually access the following for each detector:
  - a. Primary status.
  - b. Device type.
  - c. Present average value.
  - d. Present sensitivity selected.
  - e. Sensor range (normal, dirty, etc.).

C. Duct Smoke Detectors: Photoelectric type complying with UL 268A.

1. Detector address shall be accessible from fire-alarm control unit and shall be able to identify the detector's location within the system and its sensitivity setting.
2. An operator at fire-alarm control unit, having the designated access level, shall be able to manually access the following for each detector:
  - a. Primary status.
  - b. Device type.
  - c. Present average value.
  - d. Present sensitivity selected.
  - e. Sensor range (normal, dirty, etc.).
3. Weatherproof Duct Housing Enclosure: NEMA 250, Type 4X; NRTL listed for use with the supplied detector.
4. Each sensor shall have multiple levels of detection sensitivity.
5. Sampling Tubes: Design and dimensions as recommended by manufacturer for specific duct size, air velocity, and installation conditions where applied.

## 2.6 HEAT DETECTORS

- A. General Requirements for Heat Detectors: Comply with UL 521.
- B. Heat Detector, Combination Type: Actuated by either a fixed temperature of 135 deg F or a rate of rise that exceeds 15 deg F per minute unless otherwise indicated.
  1. Mounting: Twist-lock base interchangeable with smoke-detector bases.

FIRE STATIONS RENOVATION  
ARLINGTON COUNTY, VIRGINIA  
Architect's Project No: 563006

---

2. Integral Addressable Module: Arranged to communicate detector status (normal, alarm, or trouble) to fire-alarm control unit.

## 2.7 NOTIFICATION APPLIANCES

- A. General Requirements for Notification Appliances: Connected to notification appliance signal circuits, zoned as indicated, equipped for mounting as indicated and with screw terminals for system connections.
  1. Combination Devices: Factory-integrated audible and visible devices in a single-mounting assembly, equipped for mounting as indicated and with screw terminals for system connections.
- B. Horns: Electric-vibrating-polarized type, 24-V dc; with provision for housing the operating mechanism behind a grille. Comply with UL 464. Horns shall produce a sound-pressure level of 90 dBA, measured 10 feet from the horn, using the Code-3 coded signal prescribed in UL 464 test protocol.
- C. Bells: Electric-vibrating, 24-V dc, under-dome type; with provision for housing the operating mechanism behind the bell. When operating, bells provide a sound-pressure level of 94 dB, measured 10 feet from the bell. 10-inch size, unless otherwise indicated. Bells are weatherproof.
- D. Visible Notification Appliances: Xenon strobe lights comply with UL 1971, with clear or nominal white polycarbonate lens mounted on an aluminum faceplate. The word "FIRE" is engraved in minimum 1-inch-high letters on the lens.
  1. Rated Light Output:
    - a. 15/30/75/110 cd, selectable in the field.
  2. Mounting: Wall mounted unless otherwise indicated.
  3. For units with guards to prevent physical damage, light output ratings shall be determined with guards in place.
  4. Flashing shall be in a temporal pattern, synchronized with other units.
  5. Strobe Leads: Factory connected to screw terminals.
  6. Mounting Faceplate: Factory finished, red.

## 2.8 MAGNETIC DOOR HOLDERS

- A. Description: Units are equipped for wall or floor mounting as indicated and are complete with matching doorplate.
  1. Electromagnet: Requires no more than 3 W to develop 25-lbf holding force.
  2. Wall-Mounted Units: Flush mounted unless otherwise indicated.
  3. Rating: 120-V ac.
- B. Material and Finish: Match door hardware.

FIRE STATIONS RENOVATION  
ARLINGTON COUNTY, VIRGINIA  
Architect's Project No: 563006

---

2.9 REMOTE ANNUNCIATOR

- A. Description: Annunciator functions shall match those of fire-alarm control unit for alarm, supervisory, and trouble indications. Manual switching functions shall match those of fire-alarm control unit, including acknowledging, silencing, resetting, and testing.
  - 1. Mounting: Flush cabinet, NEMA 250, Type 1.
- B. Display Type and Functional Performance: Alphanumeric display and LED indicating lights shall match those of fire-alarm control unit. Provide controls to acknowledge, silence, reset, and test functions for alarm, supervisory, and trouble signals.

2.10 ADDRESSABLE INTERFACE DEVICE

- A. Description: Microelectronic monitor module, NRTL listed for use in providing a system address for alarm-initiating devices for wired applications with normally open contacts.

PART 3 - EXECUTION

3.1 EQUIPMENT INSTALLATION

- A. Comply with NFPA 72 for installation of fire-alarm equipment.
- B. Connecting to Existing Equipment: Verify that existing fire-alarm system is operational before making changes or connections.
  - 1. Connect new equipment to existing control panel in existing part of the building.
  - 2. Connect new equipment to existing monitoring equipment at the supervising station.
  - 3. Expand, modify, and supplement existing equipment as necessary to extend existing functions to the new points. New components shall be capable of merging with existing configuration without degrading the performance of either system.
- C. Smoke- or Heat-Detector Spacing:
  - 1. Comply with NFPA 72, "Smoke-Sensing Fire Detectors" Section in the "Initiating Devices" Chapter, for smoke-detector spacing.
  - 2. Comply with NFPA 72, "Heat-Sensing Fire Detectors" Section in the "Initiating Devices" Chapter, for heat-detector spacing.
  - 3. HVAC: Locate detectors not closer than [3 feet] [5 feet] from air-supply diffuser or return-air opening.
- D. Duct Smoke Detectors: Comply with NFPA 72 and NFPA 90A. Install sampling tubes so they extend the full width of duct.

FIRE STATIONS RENOVATION  
ARLINGTON COUNTY, VIRGINIA  
Architect's Project No: 563006

---

- E. Audible Alarm-Indicating Devices: Install not less than 6 inches below the ceiling. Install bells and horns on flush-mounted back boxes with the device-operating mechanism concealed behind a grille.
- F. Visible Alarm-Indicating Devices: Install adjacent to each alarm bell or alarm horn and at least 6 inches below the ceiling.
- G. Device Location-Indicating Lights: Locate in public space near the device they monitor.
- H. Fire-Alarm Control Unit: Surface mounted, with tops of cabinets not more than 72 inches above the finished floor.
- I. Annunciator: Install with top of panel not more than 72 inches above the finished floor.

### 3.2 CONNECTIONS

- A. For fire-protection systems related to doors in fire-rated walls and partitions and to doors in smoke partitions, comply with requirements in Division 08 Section "Door Hardware." Connect hardware and devices to fire-alarm system.
  - 1. Verify that hardware and devices are NRTL listed for use with fire-alarm system in this Section before making connections.
- B. Make addressable connections with a supervised interface device to the following devices and systems. Install the interface device less than 3 feet from the device controlled. Make an addressable confirmation connection when such feedback is available at the device or system being controlled.
  - 1. Smoke dampers in air ducts of designated air-conditioning duct systems.
  - 2. Supervisory connections at valve supervisory switches.

### 3.3 IDENTIFICATION

- A. Identify system components, wiring, cabling, and terminals. Comply with requirements for identification specified in Division 26 Section "Identification for Electrical Systems."
- B. Install framed instructions in a location visible from fire-alarm control unit.

### 3.4 GROUNDING

- A. Ground fire-alarm control unit and associated circuits; comply with IEEE 1100. Install a ground wire from main service ground to fire-alarm control unit.

### 3.5 PROGRAMMING

FIRE STATIONS RENOVATION  
ARLINGTON COUNTY, VIRGINIA  
Architect's Project No: 563006

---

- A. Provide all system programming required to accomplish the functions outlined by this specification, and the Fire Alarm Input/Output Matrix (on the Contract Drawings), and as required by the Authority Having Jurisdiction.
  - 1. Space names and numbers used in the programming shall be per the Owner's list, not necessarily those indicated on the Contract Documents.

3.6 FIELD QUALITY CONTROL

- A. Field tests shall be witnessed by authorities having jurisdiction.
- B. Perform tests and inspections.
  - 1. Manufacturer's Field Service: Engage a factory-authorized service representative to inspect components, assemblies, and equipment installations, including connections, and to assist in testing.
- C. Tests and Inspections:
  - 1. Visual Inspection: Conduct visual inspection prior to testing.
    - a. Inspection shall be based on completed Record Drawings and system documentation that is required by NFPA 72 in its "Completion Documents, Preparation" Table in the "Documentation" Section of the "Fundamentals of Fire Alarm Systems" Chapter.
    - b. Comply with "Visual Inspection Frequencies" Table in the "Inspection" Section of the "Inspection, Testing and Maintenance" Chapter in NFPA 72; retain the "Initial/Reacceptance" column and list only the installed components.
  - 2. System Testing: Comply with "Test Methods" Table in the "Testing" Section of the "Inspection, Testing and Maintenance" Chapter in NFPA 72.
  - 3. Factory-authorized service representative shall prepare the "Fire Alarm System Record of Completion" in the "Documentation" Section of the "Fundamentals of Fire Alarm Systems" Chapter in NFPA 72 and the "Inspection and Testing Form" in the "Records" Section of the "Inspection, Testing and Maintenance" Chapter in NFPA 72.
- D. Reacceptance Testing: Perform reacceptance testing to verify the proper operation of added or replaced devices and appliances.
- E. Fire-alarm system will be considered defective if it does not pass tests and inspections.
- F. Prepare test and inspection reports.
- G. Annual Test and Inspection: One year after date of Substantial Completion, test fire-alarm system complying with visual and testing inspection requirements in NFPA 72. Use forms developed for initial tests and inspections.

FIRE STATIONS RENOVATION  
ARLINGTON COUNTY, VIRGINIA  
Architect's Project No: 563006

---

3.7 DEMONSTRATION

- A. Engage a factory-authorized service representative to train Owner's maintenance personnel to adjust, operate, and maintain fire-alarm system.

END OF SECTION 283111



# PROJECT SPECIFICATIONS

## ARLINGTON COUNTY KELLY DAY RENOVATIONS FIRE STATION 3

4100 OLD DOMINION DR  
ARLINGTON COUNTY, VIRGINIA  
22207

**MOSELEY**ARCHITECTS

ARCHITECT/ENGINEER

RICHMOND, VIRGINIA

PERMIT SET

**September 22, 2021**

A/E's Proj. #563006 Set No.

FIRE STATIONS RENOVATION  
ARLINGTON COUNTY, VIRGINIA  
Architect's Project No: 563006

---

SPECIFICATIONS

DIVISION 1 – GENERAL REQUIREMENTS

011000	Summary
012000	Price and Payment Procedures
012500	Substitution Procedures
013000	Administrative Requirements
013216	Construction Progress Schedule
014000	Quality Requirements
014200	Definitions and Reference Standards
014520	Testing, Adjusting, and Balancing (TAB)
015000	Temporary Facilities and Controls
016000	Product Requirements
017000	Execution and Closeout Requirements
017419	Construction Waste Management and Disposal
017800	Closeout Submittals
017900	Demonstration and Training
018119	Indoor Air Quality Requirements

DIVISION 2 – EXISTING CONDITIONS

024100	Demolition
--------	------------

DIVISION 3 – CONCRETE (not used)

DIVISION 4 – MASONRY

042000	Unit Masonry
--------	--------------

DIVISION 5 – METALS

055000	Metal Fabrications
055213	Pipe and Tube Railings

DIVISION 6 – WOOD PLASTICS AND COMPOSITES

061000	Rough Carpentry
--------	-----------------

DIVISION 7 – THERMAL AND MOISTURE PROTECTION

079200	Joint Sealants
--------	----------------

DIVISION 8 – OPENINGS

081113	Steel Doors and Frames
083100	Access Doors and Panels
088700	Decorative Window Film

DIVISION 9 – FINISHES

092216	Cold Formed Steel Framing - Non-Structural (CFSF-NS)
092900	Gypsum Board
093000	Tiling

FIRE STATIONS RENOVATION  
ARLINGTON COUNTY, VIRGINIA  
Architect's Project No: 563006

---

095100	Acoustical Ceilings
096513	Resilient Base and Accessories
099123	Interior Painting

DIVISION 10 – SPECIALTIES

102800	Toilet and Bath Accessories
--------	-----------------------------

DIVISION 11 – EQUIPMENT (not used)

DIVISION 12 – FURNISHINGS (not used)

DIVISION 13 – SPECIAL CONSTRUCTION (not used)

DIVISION 14 – CONVEYING SYSTEMS (not used)

DIVISION 21 – FIRE SUPPRESSION

211000	Water-Based Fire-Suppression Systems
--------	--------------------------------------

DIVISION 22 – PLUMBING

220500	Common Work Results for Plumbing
220517	Sleeves and Sleeve Seals for Plumbing Piping
220519	Meters and Gages for Plumbing Piping
220523	General-Duty Valves for Plumbing Piping
220529	Hangers and Supports for Plumbing Piping and Equipment
220553	Identification for Plumbing Piping and Equipment
220700	Plumbing Insulation
221113	Facility Natural Gas Piping
221116	Domestic Water Piping
221119	Domestic Water Piping Specialties
221316	Sanitary Waste and Vent Piping
221319	Sanitary Waste Piping Specialties
224000	Plumbing Fixtures

DIVISION 23 – MECHANICAL

230500	Common Work Results for HVAC
230513	Motors for HVAC Equipment
230514	Variable Speed Drives
230529	Hangers and Supports for HVAC Piping and Equipment
230548	Vibration Control for HVAC
230700	HVAC Insulation
230900	Building Automation System
230993	Sequence of Control for HVAC Controls
232300	Refrigerant Piping
233113	Metal Ducts
233300	Air Duct Accessories
233423	HVAC Power Ventilators
233713	Diffusers, Registers, and Grilles
234100	Particulate Air Filtration

FIRE STATIONS RENOVATION  
ARLINGTON COUNTY, VIRGINIA  
Architect's Project No: 563006

---

237413	Packaged Rooftop Units
238126	Ductless Mini-Split Air Conditioning Units

DIVISION 25 – INTEGRATED AUTOMATION (not used)

DIVISION 26 – ELECTRICAL

260519	Low-Voltage Electrical Power Conductors and Cables
260523	Control-Voltage Electrical Power Cables
260526	Grounding and Bonding for Electrical Systems
260529	Hangers and Supports for Electrical Systems
260533	Raceway and Boxes for Electrical Systems
260553	Identification for Electrical Systems
260923	Lighting Control Devices
262726	Wiring Devices
262813	Fuses
262816	Enclosed Switches and Circuit Breakers
265100	Interior Lighting

DIVISION 27 – COMMUNICATIONS

270000	Communications
270528	Pathways for Communications Systems

DIVISION 28 – ELECTRONIC SAFETY AND SECURITY

283111	Digital, Addressable Fire-Alarm System
--------	--

DIVISION 31 – EARTHWORK (not used)

DIVISION 32 – EXTERIOR IMPROVEMENTS (not used)

DIVISION 33 – UTILITIES (not used)

DIVISION 34 – TRANSPORTATION (not used)

END OF TABLE OF CONTENTS

FIRE STATIONS RENOVATION  
Arlington County, Virginia  
Architect's Project No.: 563006

---

**SECTION 011000  
SUMMARY**

**PART 1 GENERAL**

**1.01 PROJECT**

- A. Project Name: Arlington County Fire Stations Renovation.
- B. Owner's Name: Arlington County, Virginia.
- C. Architect's Name: Moseley Architects of Richmond, VA.

**1.02 CONTRACT DESCRIPTION**

- A. Contract Type: A single prime contract based on a Stipulated Price as described in Document 005200 - Agreement Form.

**1.03 PROFESSIONAL SEALS**

- A. Use of Professional Seals on Bidding, Procurement, and Contract Documents: For the purposes of this paragraph, the term "Regulant" refers to the individual who signs and seals parts of the Contract Documents (e.g. the Drawings and Specifications). Certain information has been excerpted verbatim from a source or sources (e.g., UL Assemblies, SMACNA details, IBC code text) which was considered or used by Regulant in preparing parts of the Contract Documents, as follows:
  - 1. The excerpted information was neither prepared under the direct control nor personal supervision nor created by the Regulant, as it was prepared by the source and owner of the excerpted information.
  - 2. For purposes of bidding, procuring, and performance of the Work, and in any event of conflicts or ambiguities between the excerpted information in the Contract Documents and the requirements of applicable codes and standards, provide the better quality or greater quantity of Work which, at a minimum, complies with the requirements of the applicable codes and standards.
  - 3. Advise Architect immediately upon becoming aware of requirements of the Work which are not consistent with the requirements of the excerpted information.
  - 4. Attribution is acknowledged for information obtained and included herein verbatim from other source or sources.
  - 5. Regulant has taken into consideration and used certain excerpted information from other sources which are applicable to the Contract Documents, and the Regulant indicates by its seal that it is assuming responsibility for its services in use and application of the excerpted information to the requirements of Work, but not for the excerpted information itself which was prepared by others. Regulant does not indicate by its seal that it is responsible for use or application of other information in such source or sources which was not included herein.

**1.04 WORK BY OWNER**

- A. Owner will furnish and install the following items before Substantial Completion. Contractor shall coordinate with and accommodate Owner's construction forces.
  - 1. Indicated metal lockers.
- B. Owner will furnish the following for installation by Contractor:
  - 1. Indicated appliances.

**1.05 OWNER OCCUPANCY**

- A. Owner intends to continue to occupy adjacent portions of the existing building during the entire construction period.
- B. Owner intends to occupy the Project upon Substantial Completion.
- C. Cooperate with Owner to minimize conflict and to facilitate Owner's operations.
- D. Schedule the Work to accommodate Owner occupancy.
  - 1. Maintain routes of egress and life safety systems for Owner and occupants at all times.

FIRE STATIONS RENOVATION  
Arlington County, Virginia  
Architect's Project No.: 563006

---

**1.06 CONTRACTOR USE OF SITE AND PREMISES**

- A. Construction Operations: Limited to areas noted on Drawings.
  - 1. Locate and conduct construction activities in ways that will limit disturbance to site.
- B. Provide access to and from site as required by law and by Owner:
  - 1. Emergency Building Exits During Construction: Keep all exits required by code open during construction period; provide temporary exit signs if exit routes are temporarily altered.
  - 2. Do not obstruct roadways, sidewalks, or other public ways without permit.
- C. Existing building spaces may not be used for storage.
- D. Existing building shall be maintained weathertight. Do not modify elements of the existing building except as indicated on the Construction Documents. Repair damage to the existing building due to construction activity.
- E. Time Restrictions:
  - 1. Limit conduct of especially noisy, malodorous, and dusty work to the hours of 8 AM to 4 PM.
  - 2. Comply with local regulations for hours of work, noise ordinances, and similar requirements.
- F. Utility Outages and Shutdown:
  - 1. Limit disruption of utility services to hours the building is unoccupied.
  - 2. Do not disrupt or shut down life safety systems, including but not limited to fire sprinklers and fire alarm system, without 7 days notice to Owner and authorities having jurisdiction.
  - 3. Prevent accidental disruption of utility services to other facilities.
- G. Controlled Substances: The use of alcohol and drugs is not permitted on the Project site. Provide a designated outdoor smoking area for construction personnel that is at least 25 feet away from the building.

**1.07 SPECIFICATION SECTIONS APPLICABLE TO ALL WORK**

- A. The provisions of the Owner/Contractor agreement, General Conditions of the Contract, Supplementary Conditions (if any), and all Division 01 sections shall apply to all sections of the Project Manual. In the event of discrepancy or conflict, the Owner/Contractor agreement and any associated conditions shall govern.

**PART 2 PRODUCTS - NOT USED**

**PART 3 EXECUTION - NOT USED**

**END OF SECTION**

FIRE STATIONS RENOVATION  
Arlington County, Virginia  
Architect's Project No.: 563006

---

**SECTION 012000  
PRICE AND PAYMENT PROCEDURES**

**PART 1 GENERAL**

**1.01 SECTION INCLUDES**

- A. Procedures for preparation and submittal of applications for progress payments.

**1.02 SCHEDULE OF VALUES**

- A. Use Schedule of Values Form: AIA G703, unless otherwise agreed to by Owner in writing.
- B. Forms filled out by hand will not be accepted.
- C. Format: Utilize the Table of Contents of this Project Manual. Identify each line item with number and title of the specification section. Identify site mobilization.
- D. Include in each line item, the amount of Allowances specified in this section. For unit cost Allowances, identify quantities taken from Contract Documents multiplied by the unit cost to achieve the total for the item.
- E. Include separately from each line item, a direct proportional amount of Contractor's overhead and profit.
- F. Revise schedule to list approved Change Orders, with each Application For Payment.
  - 1. When a Change Order includes multiple PCOs, break down the total Change Order to include each PCO as an individual line item.

**1.03 APPLICATIONS FOR PROGRESS PAYMENTS**

- A. Payment Period: Submit at intervals stipulated in the Agreement.
- B. Use Form AIA G702 and Form AIA G703.
- C. Electronic media printout including equivalent information will be considered in lieu of standard form specified; submit sample to Architect for approval.
- D. Forms filled out by hand will not be accepted.
- E. For each item, provide a column for listing each of the following:
  - 1. Item Number.
  - 2. Description of work.
  - 3. Scheduled Values.
  - 4. Previous Applications.
  - 5. Work in Place and Stored Materials under this Application.
  - 6. Authorized Change Orders.
  - 7. Total Completed and Stored to Date of Application.
  - 8. Balance to Finish.
  - 9. Retainage.
- F. Execute certification by signature of authorized officer.
- G. Use data from approved Schedule of Values. Provide dollar value in each column for each line item for portion of work performed and for stored products.
- H. List each authorized Change Order as a separate line item, listing Change Order number and dollar amount as for an original item of work.
  - 1. When a Change Order includes multiple PCOs, break down the total Change Order to include each PCO as an individual line item.
- I. Submit one electronic and three hard-copies of each Application for Payment.
- J. Include the following with the application:
  - 1. Transmittal letter as specified for submittals in Section 013000.
  - 2. Construction progress schedule, revised and current as specified in Section 013000.
  - 3. Partial release of liens from major subcontractors and vendors.
  - 4. Affidavits attesting to off-site stored products.

FIRE STATIONS RENOVATION  
Arlington County, Virginia  
Architect's Project No.: 563006

---

#### 1.04 MODIFICATION PROCEDURES

- A. For minor changes not involving an adjustment to the Contract Sum or Contract Time, Architect will issue instructions directly to Contractor on AIA Document G710 "Architect's Supplemental Instructions."
- B. For changes for which advance pricing is desired, Architect will issue a document that includes a detailed description of a proposed change with supplementary or revised drawings and specifications, a change in Contract Time for executing the change with a stipulation of any overtime work required and the period of time during which the requested price will be considered valid. Contractor shall prepare and submit a fixed price quotation within 7 days.
- C. Contractor may propose a change by submitting a request for change to Architect, describing the proposed change and its full effect on the work, with a statement describing the reason for the change, and the effect on the Contract Sum and Contract Time with full documentation.
- D. For other required changes, Architect will issue a Construction Change Directive, on AIA Document G714, signed by Owner instructing Contractor to proceed with the change, for subsequent inclusion in a Change Order.
  - 1. The document will describe the required changes and will designate method of determining any change in Contract Sum or Contract Time.
  - 2. Promptly execute the change.
- E. Computation of Change in Contract Amount: As specified in the Agreement and Conditions of the Contract.
  - 1. For change requested by Architect for work falling under a fixed price contract, the amount will be based on Contractor's price quotation.
  - 2. For change requested by Contractor, the amount will be based on the Contractor's request for a Change Order as approved by Architect.
  - 3. For pre-determined unit prices and quantities, the amount will be based on the fixed unit prices.
- F. Substantiation of Costs: Provide full information required for evaluation.
  - 1. Provide the following data:
    - a. Quantities of products, labor, and equipment.
    - b. Taxes, insurance, and bonds.
    - c. Overhead and profit.
    - d. Justification for any change in Contract Time.
    - e. Credit for deletions from Contract, similarly documented.
  - 2. Support each claim for additional costs with additional information:
    - a. Origin and date of claim.
    - b. Dates and times work was performed, and by whom.
    - c. Time records and wage rates paid.
    - d. Invoices and receipts for products, equipment, and subcontracts, similarly documented.
- G. Execution of Change Orders: Architect will issue Change Orders on AIA Document G701 for signatures of parties as provided in the Conditions of the Contract.
- H. After execution of Change Order, promptly revise Schedule of Values and Application for Payment forms to record each authorized Change Order as a separate line item and adjust the Contract Sum.
- I. Promptly revise progress schedules to reflect any change in Contract Time, revise sub-schedules to adjust times for other items of work affected by the change, and resubmit.

#### 1.05 APPLICATION FOR FINAL PAYMENT

- A. Prepare Application for Final Payment as specified for progress payments, identifying total adjusted Contract Sum, previous payments, and sum remaining due.
- B. Application for Final Payment will not be considered until the following have been accomplished:



FIRE STATIONS RENOVATION  
Arlington County, Virginia  
Architect's Project No.: 563006

---

1. All closeout procedures specified in Section 017000.
- C. Provide evidence and supporting data for the following, as attachments to the Application for Final Payment:
  1. AIA G706, "Contractor's Affidavit of Payment of Debts and Claims."
  2. AIA G707, "Consent of Surety to Final Payment."
  3. Settlement of all debts and claims, including liquidated damages, taxes, and fees.
  4. Utility meter readings, fuel levels, and similar measurements, as of the date of turn over to the Owner.
  5. Certificates for insured products.

**PART 2 PRODUCTS - NOT USED**

**PART 3 EXECUTION - NOT USED**

**END OF SECTION**

FIRE STATIONS RENOVATION  
Arlington County, Virginia  
Architect's Project No.: 563006

---

**SECTION 012500  
SUBSTITUTION PROCEDURES**

**PART 1 GENERAL**

**1.01 DEFINITIONS**

- A. Substitutions: Changes from Contract Documents requirements proposed by Contractor to materials, products, assemblies, and equipment.
  - 1. Substitutions for Cause: Proposed due to changed Project circumstances beyond Contractor's control, such as unavailability, regulatory changes, or unobtainable warranty terms.
  - 2. Substitutions for Convenience: Proposed due to possibility of offering substantial advantage to the Project.

**PART 2 PRODUCTS - NOT USED**

**PART 3 EXECUTION**

**3.01 GENERAL REQUIREMENTS**

- A. A Substitution Request for products, assemblies, materials, and equipment constitutes a representation that the submitter:
  - 1. Has investigated proposed product and determined that it meets or exceeds the quality level of the specified product, equipment, assembly, or system.
  - 2. Agrees to provide the same warranty for the substitution as for the specified product.
  - 3. Agrees to provide same or equivalent maintenance service and source of replacement parts, as applicable.
  - 4. Agrees to coordinate installation and make changes to other work that may be required for the work to be complete, with no additional cost to Owner.
  - 5. Waives claims for additional costs or time extension that may subsequently become apparent.
  - 6. Agrees to reimburse Owner and Architect for review or redesign services associated with re-approval by authorities.
- B. Document each request with complete data substantiating compliance of proposed substitution with Contract Documents. Burden of proof is on proposer.
  - 1. Note explicitly any non-compliant characteristics.
- C. Content: Include information necessary for tracking the status of each Substitution Request, and information necessary to provide an actionable response.
  - 1. A copy of the Substitution Request Form that shall be used is included at the end of this Section for informational purposes. Request a Word or editable PDF version of the form from the Architect and complete the form digitally; do not complete the form by hand.
  - 2. Contractor's Substitution Request documentation must include the following:
    - a. Substitution Request Information:
      - 1) Indication of whether the substitution is for cause or convenience.
      - 2) Issue date.
      - 3) Reference to particular Contract Document(s) specification section number, title, and article/paragraph(s).
      - 4) Description of Substitution.
      - 5) Reason why the specified item cannot be provided.
      - 6) Description of how proposed substitution affects other parts of work.
    - b. Attached Comparative Data: Provide point-by-point, side-by-side comparison addressing essential attributes specified, as appropriate and relevant for the item:
      - 1) Physical characteristics.
      - 2) In-service performance.
      - 3) Expected durability.
      - 4) Visual effect.
      - 5) Sustainable design features.
      - 6) Warranties.
      - 7) Other salient features and requirements.

FIRE STATIONS RENOVATION  
Arlington County, Virginia  
Architect's Project No.: 563006

---

- 8) Include, as appropriate or requested, the following types of documentation:
  - (a) Product Data:
  - (b) Samples.
  - (c) Certificates, test, reports or similar qualification data.
  - (d) Drawings, when required to show impact on adjacent construction elements.
- c. Impact of Substitution: Provide data indicating cost savings to Owner and change in Contract Time due to accepting substitution.
- D. Limit each request to a single proposed substitution item.
  - 1. Submit an electronic document, combining the request form with supporting data into single document.

**3.02 SUBSTITUTION PROCEDURES DURING CONSTRUCTION**

- A. Architect will consider requests for substitutions for convenience only within 30 days after date of Agreement.
  - 1. Substitutions for convenience submitted after this time period may or may not be considered, at the Architect's discretion.
- B. Submit request for Substitution for Cause immediately upon discovery of need for substitution, but not later than 14 days prior to time required for review and approval by Architect, in order to stay on approved project schedule.
- C. Submit request for Substitution for Convenience immediately upon discovery of its potential advantage to the project, but not later than 14 days prior to time required for review and approval by Architect, in order to stay on approved project schedule.
  - 1. In addition to meeting general documentation requirements, document how the requested substitution benefits the Owner through cost savings, time savings, greater energy conservation, or in other specific ways.
  - 2. Document means of coordinating of substitution item with other portions of the work, including work by affected subcontractors.
  - 3. Bear the costs engendered by proposed substitution of:
    - a. Owner's compensation to the Architect for any required redesign, time spent processing and evaluating the request.
    - b. Other unanticipated project considerations.
- D. Substitutions will not be considered under one or more of the following circumstances:
  - 1. When they are indicated or implied on shop drawing or product data submittals, without having received prior approval.
  - 2. Without a separate written request.

**3.03 RESOLUTION**

- A. Architect may request additional information and documentation prior to rendering a decision. Provide this data in an expeditious manner.
- B. Architect will notify Contractor in writing of decision to accept or reject request.

**3.04 ACCEPTANCE**

- A. Accepted substitutions change the work of the Project. They will be documented and incorporated into work of the project by Change Order, Construction Change Directive, Architectural Supplementary Instructions, or similar instruments provided for in the Conditions of the Contract.

**3.05 CLOSEOUT ACTIVITIES**

- A. See Section 017800 - Closeout Submittals, for closeout submittals.

**END OF SECTION**

FIRE STATIONS RENOVATION  
Arlington County, Virginia  
Architect's Project No.: 563006

---

**SECTION 013000  
ADMINISTRATIVE REQUIREMENTS**

**PART 1 GENERAL**

**1.01 GENERAL ADMINISTRATIVE REQUIREMENTS**

- A. Comply with requirements of Section 017000 - Execution and Closeout Requirements for coordination of execution of administrative tasks with timing of construction activities.
- B. Electronic File Distribution: Upon request, Contractor may be provided electronic files for use in coordination of the Work and preparation of submittals. Contractor shall submit a signed Request Form for Electronic Files, provided by the Architect.
  - 1. Electronic files do not contain all of the information of the Bid Documents or Contract Documents for construction of the Project, and the Architect shall not be responsible for differences between electronic files, Bid Documents, and Contract Documents.

**1.02 SUBMITTALS**

- A. General Contractor Personnel: As soon as practical after award of Contract, provide a summary of General Contractor's on site personnel. Identify each individual, beginning with project superintendent. List project responsibilities, cell phone number, and email address.
- B. Subcontractors: As soon as practical after award of Contract, provide a summary of all companies and individuals engaged as subcontractors for any part of the Project. Include a contact name, company address, phone number, and email address, and identify what part of the Work shall be completed by each subcontractor.
- C. Coordination Drawings: Submit completed Coordination Drawings for Architect's information.

**PART 2 PRODUCTS - NOT USED**

**PART 3 EXECUTION**

**3.01 ELECTRONIC DOCUMENT SUBMITTAL SERVICE**

- A. All documents transmitted for purposes of administration of the contract are to be in electronic (PDF, MS Word, or MS Excel) format, as appropriate to the document, and transmitted via an Internet-based submittal service that receives, logs and stores documents, provides electronic stamping and signatures, and notifies addressees via email.
  - 1. Besides submittals for review, information, and closeout, this procedure applies to Requests for Interpretation (RFIs), progress documentation, contract modification documents (e.g. supplementary instructions, change proposals, change orders), applications for payment, field reports and meeting minutes, Contractor's correction punchlist, and any other document any participant wishes to make part of the project record.
  - 2. It is Contractor's responsibility to submit documents in allowable format.
  - 3. Subcontractors, suppliers, and Architect's consultants will be permitted to use the service at no extra charge.
  - 4. Paper document transmittals will not be reviewed unless previously approved; emailed electronic documents will not be reviewed.
  - 5. All other specified submittal and document transmission procedures apply, except that electronic document requirements do not apply to samples or color selection charts.
- B. Submittal Service: Coordinate method for exchanging files no later than the Preconstruction Meeting. The Architect's "Newforma InfoExchange" website and procedures can be used at no charge. If the Contractor chooses to use a different platform and methodology:
  - 1. The Architect may reject the methodology or platform proposed and:
    - a. use the Architect's Newforma InfoExchange website, or
    - b. the project team will revert to traditional hard-copy exchange;
  - 2. or the Contractor shall bear the cost of software, licensing, training, etc, for the project team to participate.
- C. Project Closeout: Architect will determine when to terminate the service for the project and is responsible for obtaining archive/record copies of files for Owner. If the Project Team uses an alternate platform preferred by the Contractor, the Contractor shall be responsible

FIRE STATIONS RENOVATION  
Arlington County, Virginia  
Architect's Project No.: 563006

---

for distributing archive/record copies of files to Owner and Architect.

### **3.02 PRECONSTRUCTION MEETING**

- A. Architect will schedule a meeting after Notice of Award.
- B. Attendance Required:
  - 1. Owner.
  - 2. Architect.
  - 3. Contractor.
  - 4. Major subcontractors, consultants, and others as necessary and appropriate.
- C. Agenda:
  - 1. Execution of Owner-Contractor Agreement.
  - 2. Submission of executed bonds and insurance certificates.
  - 3. Distribution of Contract Documents.
  - 4. Submission of list of subcontractors, list of products, schedule of values, and progress schedule.
  - 5. Designation of personnel representing the parties to Contract and Architect.
  - 6. Procedures and processing of field decisions, submittals, substitutions, applications for payments, proposal request, Change Orders, and Contract closeout procedures.
  - 7. Scheduling.
  - 8. Site mobilization and utilization.
  - 9. Other project-specific items on pre-distributed agenda.
- D. Architect shall record minutes and distribute digital copies to Owner, Contractor, and other attendees. Contractor shall be responsible for distribution to subcontractors and other personnel affected by decisions made.

### **3.03 INDOOR AIR QUALITY (IAQ) MANAGEMENT PLAN DEVELOPMENT SESSION**

- A. Architect will schedule a meeting after Notice of Award.
- B. Attendance Required:
  - 1. Owner.
  - 2. Architect.
  - 3. Mechanical engineer.
  - 4. Contractor.
  - 5. HVAC subcontractor.
  - 6. Other major subcontractors, consultants, and others as necessary and appropriate.
- C. Agenda:
  - 1. Protection of Materials: Discussion of how and where materials that could impact IAQ will be stored, including but not limited to, the following:
    - a. Insulation.
    - b. Gypsum board.
    - c. Flooring materials.
    - d. Ceiling panels.
    - e. Furnishings.
    - f. Odorous chemicals.
  - 2. Protection of HVAC: Discussion of how HVAC equipment will be stored installed, and operated during construction.
  - 3. Pathway Interruption: Discussion of how airflow between construction zones will be limited to prevent the spreading of pollutants from one part of the building to another.
  - 4. Housekeeping: Discussion of how the building will be kept clean and dry.
  - 5. Materials Installation Scheduling: Discussion of what wet (odor emitting) materials will be used on the project, in order to schedule their installation before fuzzy (odor absorbing) materials.

### **3.04 PREINSTALLATION MEETINGS**

- A. When required in individual specification sections, convene a preinstallation meeting at the site prior to commencing work of the section. Do not allow installation of affected work to proceed until preinstallation meeting can be held.

FIRE STATIONS RENOVATION  
Arlington County, Virginia  
Architect's Project No.: 563006

---

- B. Require attendance of parties directly affecting, or affected by, work of the specific section.
- C. Notify Architect and Owner in advance of meeting date.
- D. Prepare agenda and preside at meeting:
  - 1. Review conditions of examination, preparation and installation procedures.
  - 2. Review coordination with related work.
- E. Record minutes and distribute copies within two days after meeting to participants, with copies to Architect, Owner, participants, and those affected by decisions made.

### 3.05 PROGRESS MEETINGS

- A. Architect will make arrangements for meetings, prepare agenda with copies for participants, preside at meetings.
- B. Attendance Required:
  - 1. Owner.
  - 2. Architect.
  - 3. Contractor's superintendent.
  - 4. Other subcontractors or consultants as required for the specific parts of the Work to be discussed.
- C. Agenda:
  - 1. Review minutes of previous meetings.
  - 2. Review of work progress.
  - 3. Field observations, problems, and decisions.
  - 4. Identification of problems that impede, or will impede, planned progress.
  - 5. Review of submittals schedule and status of submittals.
  - 6. Review of RFIs log and status of responses.
  - 7. Maintenance of progress schedule.
  - 8. Corrective measures to regain projected schedules.
  - 9. Planned progress during succeeding work period.
  - 10. Maintenance of quality and work standards.
  - 11. Effect of proposed changes on progress schedule and coordination.
  - 12. Other business relating to the work.
- D. Architect shall record minutes and distribute copies to the Owner, Contractor, and other consultants, Owner's representatives, or other third party attendees. The Contractor shall be responsible for distributing to any affected subcontractors and other personnel.

### 3.06 CLOSEOUT MEETING

- A. Schedule and administer closeout meeting no later than 30 days before the scheduled Date of Substantial Completion.
- B. Make arrangements for the meeting, prepare agenda with copies for participants, and preside at the meeting.
- C. Attendance Required:
  - 1. Owner.
  - 2. Architect.
  - 3. Contractor's superintendent.
  - 4. Major subcontractors.
  - 5. Other subcontractors or consultants as required.
- D. Agenda:
  - 1. Review closeout requirements and procedures in Division 1 Section "Execution and Closeout Requirements."
  - 2. Review startup, testing, and adjusting of all systems, including testing/adjusting/balancing and Commissioning,
  - 3. Coordination of inspections by local authorities having jurisdiction and third party Special Inspectors as required to obtain Certificate of Occupancy.
  - 4. Coordination of Owner's occupancy and changeover of utilities, insurance, and building keying/lock system.

FIRE STATIONS RENOVATION  
Arlington County, Virginia  
Architect's Project No.: 563006

---

5. Procedures for Contractor's Correction Punch List, Architect's Substantial Completion inspection, and Final Correction Punch List.
  6. Delivery, turnover, and storage of maintenance materials, attic stock, special tools, and other non-installed materials.
  7. Coordination of closeout documentation, including demonstration and training materials and videos, as built/record documents, operation and maintenance binders, and warranty binders.
  8. Removal of temporary facilities, construction equipment, and tools.
  9. Final cleaning, touchup, restoration, and preventive maintenance.
  10. Coordination of final Applications for Payment.
- E. Record minutes and distribute copies within two days after meeting to participants, with copies to Architect, Owner, participants, and those affected by decisions made.

### **3.07 DAILY CONSTRUCTION REPORTS**

- A. Include only factual information. Do not include personal remarks or opinions regarding operations and/or personnel.
- B. Prepare a daily construction report recording the following information concerning events at Project site and project progress:
1. Date.
  2. High and low temperatures, and general weather conditions.
  3. List of subcontractors at Project site.
  4. Approximate count of personnel at Project site.
  5. Major equipment at Project site.
  6. Material deliveries.
  7. Safety, environmental, or industrial relations incidents.
  8. Meetings and significant decisions.
  9. Unusual events (submit a separate special report).
  10. Stoppages, delays, shortages, and losses. Include comparison between scheduled work activities (in Contractor's most recently updated and published schedule) and actual activities. Explain differences, if any. Note days or periods when no work was in progress and explain the reasons why.
  11. Directives and requests of Authority(s) Having Jurisdiction (AHJ).
  12. Testing and/or inspections performed.
  13. Signature of Contractor's authorized representative.

### **3.08 COORDINATION DRAWINGS AND COORDINATION CONFERENCE**

- A. Coordination Drawings: The Contractor shall prepare coordination drawings of all spaces where utilities, systems, and other components converge or intersect and efficient installation is required to accommodate all components.
1. Prepare coordination drawings of the following spaces, at minimum. Supplement with additional spaces as required by project-specific conditions.
    - a. Above ceilings.
    - b. Vertical chases, shafts, and wall cavities.
    - c. Mechanical and electrical rooms, fire pump room, and other major utility spaces.
  2. Provide accurate overall dimensions of components (for example, outside diameters of pipe and conduit, or overall ductwork dimensions including insulation and enclosure thickness).
  3. Include accessory components of systems that could cause potential conflicts, such as bracing, slotted channel framing, hangers, and other supports, valve handles, flanges, fittings, cable/wire management trays, and other similar components.
  4. Include sequence of installation of all components, materials, and systems.
  5. Include means of access to each component, material, or system, for maintenance and repairs.
  6. Provide additional coordination drawings as required by individual specification sections.
  7. Prepare Coordination Drawings using project-specific information. Do not use photocopies or reproductions of Contract Documents, and do not use standard details

FIRE STATIONS RENOVATION  
Arlington County, Virginia  
Architect's Project No.: 563006

---

- or data from manufacturers, suppliers, or other outside parties.
8. Drawing Files: The Contractor may develop coordination drawings using 2D CAD software or with 3D BIM software with clash-detection functionality.
    - a. The Architect will furnish original 3D BIM model or 2D DWG files for Contractor's use upon receipt of Architect's "Request Form for Electronic Files". A copy of this form shall be provided to the Contractor upon request.
      - 1) The Architect makes no guarantee to the accuracy of components in electronic files. The Contractor shall coordinate electronic data with the Contract Documents in order to provide final Coordination Drawings.
      - 2) If using 2D files, the Contractor shall prepare drawings in multiple views (for example, RCP and section) to fully represent 3D space, for example plenum heights, wall assembly thicknesses, etc.
  9. Submittal: Submit Coordination Drawings as a "Submittal for Information." Architect will not approve Coordination Drawings, but will keep on file for use in subsequent coordination and conflict resolution.
- B. Coordination Conference: Schedule and conduct a Coordination Conference prior to beginning construction or rough-in of affected work. Require attendance by all affected trades and installers.
1. Identify the Coordination Conference as a "milestone" date on the Construction Progress Schedule.
  2. Advise the Architect of all potential conflicts identified in the Coordination Drawings and at the Coordination Conference.
  3. Do not proceed with construction or installation of components, materials, or systems until potential conflicts have been resolved and affected parties have agreed to a remedy.
  4. Remedies to address conflicts not identified in the Coordination Drawings, at the Coordination Conference, or otherwise addressed prior to construction or installation of affected components, materials, and systems, or discovery of a non-workable situation not identified or addressed, will not be considered as a basis for delay, time extension, or additional cost to the Contract.

### 3.09 REQUESTS FOR INFORMATION (RFI)

- A. Definition: A request seeking one of the following:
1. An interpretation, amplification, or clarification of some requirement of Contract Documents arising from inability to determine from them the exact material, process, or system to be installed; or when the elements of construction are required to occupy the same space (interference); or when an item of work is described differently at more than one place in Contract Documents.
  2. A resolution to an issue which has arisen due to field conditions and affects design intent.
- B. Preparation: Prepare an RFI immediately upon discovery of a need for interpretation of Contract Documents. Failure to submit a RFI in a timely manner is not a legitimate cause for claiming additional costs or delays in execution of the work.
1. Prepare a separate RFI for each specific item.
    - a. Review, coordinate, and comment on requests originating with subcontractors and/or materials suppliers.
    - b. Do not forward requests which solely require internal coordination between subcontractors.
  2. Prepare in a format and with content acceptable to Owner.
  3. Prepare using software provided by the Electronic Document Submittal Service.
  4. Combine RFI and its attachments into a single electronic file. PDF format is preferred.
- C. Reason for the RFI: Prior to initiation of an RFI, carefully study all Contract Documents to confirm that information sufficient for their interpretation is definitely not included.
1. Include in each request Contractor's signature attesting to good faith effort to determine from Contract Documents information requiring interpretation.
  2. Unacceptable Uses for RFIs: Do not use RFIs to request the following:
    - a. Approval of submittals (use procedures specified elsewhere in this section).



FIRE STATIONS RENOVATION  
Arlington County, Virginia  
Architect's Project No.: 563006

---

- b. Approval of substitutions (see Section - 016000 - Product Requirements)
  - c. Changes that entail change in Contract Time and Contract Sum (comply with provisions of the Conditions of the Contract).
  - d. Different methods of performing work than those indicated in the Contract Drawings and Specifications (comply with provisions of the Conditions of the Contract).
3. Improper RFIs: Requests not prepared in compliance with requirements of this section, and/or missing key information required to render an actionable response. They will be returned without a response.
4. Frivolous RFIs: Requests regarding information that is clearly indicated on, or reasonably inferable from, Contract Documents, with no additional input required to clarify the question. They will be returned without a response.
- a. The Owner reserves the right to assess the Contractor for the costs (on time-and-materials basis) incurred by the Architect, and any of its consultants, due to processing of such RFIs.
- D. Content: Include identifiers necessary for tracking the status of each RFI, and information necessary to provide an actionable response.
- 1. Official Project name and number, and any additional required identifiers established in Contract Documents.
  - 2. Owner's, Architect's, and Contractor's names.
  - 3. Discrete and consecutive RFI number, and descriptive subject/title.
  - 4. Issue date, and requested reply date.
  - 5. Reference to particular Contract Document(s) requiring additional information/interpretation. Identify pertinent drawing and detail number and/or specification section number, title, and paragraph(s).
  - 6. Annotations: Field dimensions and/or description of conditions which have engendered the request.
  - 7. Contractor's suggested resolution: A written and/or a graphic solution, to scale, is required in cases where clarification of coordination issues is involved, for example; routing, clearances, and/or specific locations of work shown diagrammatically in Contract Documents. If applicable, state the likely impact of the suggested resolution on Contract Time or the Contract Sum.
- E. Attachments: Include sketches, coordination drawings, descriptions, photos, submittals, and other information necessary to substantiate the reason for the request.
- F. RFI Log: Prepare and maintain a tabular log of RFIs for the duration of the project.
- 1. Indicate current status of every RFI. Update log promptly and on a regular basis.
  - 2. Note dates of when each request is made, and when a response is received.
- G. Review Time: Architect will respond and return RFIs to Contractor within seven calendar days of receipt. For the purpose of establishing the start of the mandated response period, RFIs received after 12:00 noon will be considered as having been received on the following regular working day.
- 1. Response period may be shortened or lengthened for specific items, subject to mutual agreement.
- H. Responses: Content of answered RFIs will not constitute in any manner a directive or authorization to perform extra work or delay the project. If in Contractor's belief it is likely to lead to a change to Contract Sum or Contract Time, promptly issue a notice to this effect, and follow up with an appropriate Change Order request to Owner.
- 1. Response may include a request for additional information, in which case the original RFI will be deemed as having been answered, and an amended one is to be issued forthwith. Identify the amended RFI with an R suffix to the original number.
  - 2. Do not extend applicability of a response to specific item to encompass other similar conditions, unless specifically so noted in the response.
  - 3. Upon receipt of a response, promptly review and distribute it to all affected parties, and update the RFI Log.
  - 4. Notify Architect within seven calendar days if an additional or corrected response is required by submitting an amended version of the original RFI, identified as specified

FIRE STATIONS RENOVATION  
Arlington County, Virginia  
Architect's Project No.: 563006

---

above.

### 3.10 SUBMITTAL SCHEDULE

- A. Submit to Architect for review a schedule for submittals in tabular format.
  - 1. Coordinate with Contractor's construction schedule and schedule of values.
  - 2. Format schedule to allow tracking of status of submittals throughout duration of construction.
  - 3. Arrange information to include scheduled date for initial submittal, specification number and title, submittal category (for review or for information), description of item of work covered, and role and name of subcontractor.
  - 4. Account for time required for preparation, review, manufacturing, fabrication and delivery when establishing submittal delivery and review deadline dates.
    - a. For assemblies, equipment, systems comprised of multiple components and/or requiring detailed coordination with other work, allow for additional time to make corrections or revisions to initial submittals, and time for their review.
    - b. Account for a reasonable duration of time to allow for final color selections, approvals, and preparation of final finish schedules (one finish schedule for interior color selections, and one for exterior color selections). This period shall begin upon receipt of all submittals requiring color selection.

### 3.11 SUBMITTALS FOR REVIEW

- A. When the following are specified in individual sections, submit them for review:
  - 1. Product data.
  - 2. Design data.
  - 3. Shop drawings.
  - 4. Samples for selection.
  - 5. Samples for verification.
- B. Submit to Architect for review for the limited purpose of checking for compliance with information given and the design concept expressed in Contract Documents.
- C. Samples will be reviewed for aesthetic, color, or finish selection.
- D. Color Selection: In individual specification sections, specific items are identified which require color/finish selections to be made by the Architect from color chart or sample submittals. The Submittal Schedule, prepared according to "Submittal Schedule" paragraph above, shall identify these required color/finish submittals.
  - 1. Submittals requiring color selection must be submitted by Contractor and approved by Architect for conformance with Contract Documents prior to the start of the color selection process. When the submittals have been approved for conformance with Contract Documents, the process for color selection, presentation of color concepts, Owner approval, and Color Schedule preparation will begin.
  - 2. Interior Color Selections: The Architect will make coordinated selections of colors/finishes for the building interior, present the resulting color concepts to the Owner for approval, and prepare the actual Interior Color Schedule for the Work.
  - 3. Exterior Color Selections: The Architect will make coordinated selections of colors/finishes for the building exterior and prepare Exterior Color Schedule.
- E. After review, provide copies and distribute in accordance with SUBMITTAL PROCEDURES article below.

### 3.12 SUBMITTALS FOR INFORMATION

- A. When the following are specified in individual sections, submit them for information:
    - 1. Certificates.
    - 2. Test reports.
    - 3. Inspection reports.
    - 4. Manufacturer's instructions.
    - 5. Manufacturer's field reports.
    - 6. Other types indicated.
  - B. Submit for Architect's knowledge as contract administrator or for Owner.
-

FIRE STATIONS RENOVATION  
Arlington County, Virginia  
Architect's Project No.: 563006

---

### 3.13 SUBMITTALS FOR PROJECT CLOSEOUT

- A. Submit Correction Punch List for Substantial Completion.
- B. Submit Final Correction Punch List for Substantial Completion.
- C. When the following are specified in individual sections, submit them at project closeout in compliance with requirements of Section 017800 - Closeout Submittals:
  - 1. Project record documents.
  - 2. Operation and maintenance data.
  - 3. Warranties.
  - 4. Bonds.
  - 5. Other types as indicated.

### 3.14 NUMBER OF COPIES OF SUBMITTALS

- A. Electronic Documents: Submit one electronic copy in PDF format; an electronically-marked up file will be returned. Create PDFs at native size and right-side up; illegible files will be rejected.
- B. Selection Samples: Submit one set of manufacturer's charts indicating full range of available colors, textures, patterns, and other aesthetic qualities.
- C. Verification Samples: Submit three sets of physical samples. Two sets will be retained by Architect, the third will be returned to the Contractor. Maintain approved sample at the Project site for use in comparing to installed Work.
  - 1. Where a full-size assembly of multiple components is required as a sample (for example, railing section or full-size cabinet), only one sample is required for those items.

### 3.15 SUBMITTAL PROCEDURES

- A. General Requirements:
  - 1. Use a single transmittal for all submittals required by each individual specification section, unless otherwise indicated.
    - a. Verification samples and large shop drawing submittals may be submitted under separate cover when approved by Architect.
  - 2. Transmit using AIA G810 or other approved form.
  - 3. Sequentially identify each item. For revised submittals use original number and a sequential numerical suffix.
  - 4. Identify: Project; Contractor; subcontractor or supplier; pertinent drawing and detail number; and specification section number and article/paragraph, as appropriate on each copy.
  - 5. Apply Contractor's stamp, signed or initialed certifying that review, approval, verification of products required, field dimensions, adjacent construction work, and coordination of information is in accordance with the requirements of the work and Contract Documents.
    - a. Submittals from sources other than the Contractor, or without Contractor's stamp will not be acknowledged, reviewed, or returned.
  - 6. Deliver each submittal on date noted in submittal schedule, unless an earlier date has been agreed to by all affected parties, and is of the benefit to the project.
    - a. Upload submittals in electronic form to Electronic Document Submittal Service website.
  - 7. Schedule submittals to expedite the Project, and coordinate submission of related items.
    - a. Allow sufficient time for administrative processing, Architect's initial review, and potential resubmittals.
    - b. Allow additional time for submittals requiring sequential reviews involving Architect's consultants, Owner, or another affected party.
    - c. Allow additional time for submittals requiring sequential reviews involving approval from authorities having jurisdiction (AHJ), in addition to Architect's approval.

FIRE STATIONS RENOVATION  
Arlington County, Virginia  
Architect's Project No.: 563006

---

- d. No extensions to the project schedule shall be granted due to delays that can be attributed to submittal processing or failure to allow for sequential reviews or resubmittals.
  8. Identify variations from Contract Documents and product or system limitations that may be detrimental to successful performance of the completed work.
  9. When revised for resubmission, identify all changes made since previous submission.
  10. Distribute reviewed submittals. Instruct parties to promptly report inability to comply with requirements.
  11. Incomplete submittals may not be reviewed, unless they are partial submittals for distinct portion(s) of the work, and have received prior approval for their use.
  12. Submittals not requested will be recognized, and will be returned "Not Reviewed".
- B. Product Data Procedures:
1. Submit only information required by individual specification sections.
  2. Collect required information into a single submittal.
  3. Submit concurrently with related shop drawing submittal.
  4. Do not submit (Material) Safety Data Sheets for materials or products.
- C. Shop Drawing Procedures:
1. Prepare accurate, drawn-to-scale, original shop drawing documentation by interpreting Contract Documents and coordinating related work.
  2. Do not reproduce Contract Documents to create shop drawings.
  3. Generic, non-project-specific information submitted as shop drawings do not meet the requirements for shop drawings.
- D. Samples Procedures:
1. Transmit related items together as single package.
  2. Identify each item to allow review for applicability in relation to shop drawings showing installation locations.
  3. Selection Samples: Provide color charts that accurately relay color, pattern, and texture information. Photographs or photocopies of color charts are unacceptable and subject to rejection.
  4. Verification Samples: Provide physical samples of each color selected by Architect from Selection Samples. Verification samples shall be manufactured and prepared identically to the material that shall be used in the installed Work. Label each sample clearly with manufacturer, product name, and color, texture, and/or pattern name as applicable. Photographs of physical samples are unacceptable and subject to rejection.

### 3.16 SUBMITTAL REVIEW

- A. Submittals for Review: Architect will review each submittal, and approve, or take other appropriate action.
- B. Submittals for Information: Architect will acknowledge receipt, but will take no other action.
- C. Architect's actions will be reflected by marking each returned submittal using virtual stamp on electronic submittals.
1. Notations may be made directly on submitted items and/or listed on appended Submittal Review cover sheet.
- D. Architect's actions on items submitted for review:
1. Authorizing purchasing, fabrication, delivery, and installation:
    - a. "Approved as Noted":
      - 1) Where review notations indicate revisions are necessary, submit corrected item, with review notations acknowledged and incorporated.
  2. Not Authorizing fabrication, delivery, and installation:
    - a. "Revise and Resubmit":
      - 1) Resubmit revised item, with review notations acknowledged and incorporated.
    - b. "Rejected/Resubmit":

FIRE STATIONS RENOVATION  
Arlington County, Virginia  
Architect's Project No.: 563006

---

- 1) New submittal required, with item complying with requirements of Contract Documents.
- c. "Color Selection Required":
  - 1) Color selections for the entire project, or portion thereof, will be provided after receipt of all color charts and samples required for the Project.
- d. "Not Submitted":
  - 1) Additional submittal items are required that were not provided in the original submittal.
- E. Architect's actions on items submitted for information:
  - 1. Items for which no action was taken:
    - a. "Not Reviewed": To notify the Contractor that the submittal has been received for record only.

**END OF SECTION**

FIRE STATIONS RENOVATION  
Arlington County, Virginia  
Architect's Project No.: 563006

---

**SECTION 013216  
CONSTRUCTION PROGRESS SCHEDULE**

**PART 1 GENERAL**

**1.01 SUBMITTALS**

- A. Within 10 days after date of Agreement, submit preliminary schedule defining planned operations for the first 30 days of Work, with a general outline for remainder of Work.
- B. If preliminary schedule requires revision after review, submit revised schedule within 5 days.
- C. Within 10 days after review of preliminary schedule, submit draft of proposed complete schedule for review.
  - 1. Include written certification that major contractors have reviewed and accepted proposed schedule.
- D. Within 10 days after joint review, submit complete schedule.
- E. Submit updated schedule with each Application for Payment.
- F. Submit in PDF format.

**1.02 SCHEDULE FORMAT**

- A. Listings: In chronological order according to the start date for each activity. Identify each activity with the applicable specification section number.

**PART 2 PRODUCTS - NOT USED**

**PART 3 EXECUTION**

**3.01 PRELIMINARY SCHEDULE**

- A. Prepare preliminary schedule in the form of a horizontal bar chart.

**3.02 CONTENT**

- A. Show complete sequence of construction by activity, with dates for beginning and completion of each element of construction.
- B. Identify work of separate phases and other logically grouped activities.
- C. Identify all major milestone dates, including, but not limited to, Notice to Proceed and Substantial and Final Completion dates.
- D. Identify duration of each activity, in maximum 15 day intervals.
- E. Incorporate work restrictions indicated in Division 1 Section "Summary," if any.
- F. Show accumulated percentage of completion of each item, and total percentage of Work completed, as of the first day of each month.
- G. Provide separate schedule of submittal dates for shop drawings, product data, and samples, owner-furnished products, products identified under Allowances, and dates reviewed submittals will be required from Architect. Indicate decision dates for selection of finishes.
- H. Indicate procurement duration and delivery dates for long-lead time items.
- I. Coordinate submittal approval process with procurement and delivery requirements. Submittals requiring resubmission or revision for approval will not be allowed as a basis for schedule impacts.
- J. Indicate delivery dates for owner-furnished products.
- K. Indicate the time period for color selection activity and approval by Owner and Architect, as required per Division 1 Section "Administrative Requirements."
- L. Indicate date of changeover from temporary to permanent utilities.
- M. Indicate time periods for Commissioning activities, equipment startup, and testing and balancing.
- N. Provide a reasonable time period prior to the date of Substantial Completion for administrative activities and procedures.

FIRE STATIONS RENOVATION  
Arlington County, Virginia  
Architect's Project No.: 563006

---

- O. Provide legend for symbols and abbreviations used.

**3.03 BAR CHARTS**

- A. Include a separate bar for each major portion of Work or operation.  
B. Identify critical path activities.  
C. Identify the first work day of each week.

**3.04 REVIEW AND EVALUATION OF SCHEDULE**

- A. Participate in joint review and evaluation of schedule with Architect at each submittal.  
B. Evaluate project status to determine work behind schedule and work ahead of schedule.  
C. After review, revise as necessary as result of review, and resubmit within 10 days.

**3.05 UPDATING SCHEDULE**

- A. Maintain schedules to record actual start and finish dates of completed activities.  
B. Indicate progress of each activity to date of revision, with projected completion date of each activity.  
C. Annotate diagrams to graphically depict current status of Work.  
D. Identify activities modified since previous submittal, major changes in Work, and other identifiable changes.  
E. Indicate changes required to maintain Date of Substantial Completion.  
F. Schedule revisions shall not modify any Contract Dates or the Contract Sum, unless specifically approved and documented via Change Order.  
G. Submit reports required to support recommended changes.  
H. Provide narrative report to define problem areas, anticipated delays, and impact on the schedule. Report corrective action taken or proposed and its effect.  
I. Recovery Schedule: If the Contractor is 14 or more days behind schedule, in the opinion of the Owner, the Contractor shall prepare a Recovery Schedule, incorporating a reasonable, mutually agreed upon length of time to return the Work to the approved Schedule. The Recovery Schedule shall be prepared to the same level of detail as the original construction progress schedule. Submit the recovery schedule for Owner review; do not proceed until the Owner has approved.
  1. At the end of the recovery period, Owner shall reevaluate construction progress and determine if the Recovery Schedule has been successfully completed. If completed, Owner shall direct the Contractor to proceed with the latest approved Construction Schedule.
    - a. If the Contractor is still behind schedule at the end of the recovery period, the Owner shall direct the Contractor to provide additional schedule revisions to complete the recovery, or may at its option pursue other means of resolution as provided for by the Contract Documents.
  2. Need for and preparation of a Recovery Plan shall not be the basis of additional cost to the Owner or extension of Project Schedule, unless the Contractor can demonstrate that the reason for being behind schedule is no fault of their own.

**3.06 DISTRIBUTION OF SCHEDULE**

- A. Distribute copies of updated schedules to Contractor's project site file, to subcontractors, suppliers, Architect, Owner, and other concerned parties.  
B. Instruct recipients to promptly report, in writing, problems anticipated by projections indicated in schedules.

**END OF SECTION**

FIRE STATIONS RENOVATION  
Arlington County, Virginia  
Architect's Project No.: 563006

---

**SECTION 014000  
QUALITY REQUIREMENTS**

**PART 1 GENERAL**

**1.01 DEFINITIONS**

- A. Contractor's Quality Control Plan: Contractor's management plan for executing the Contract for Construction.
- B. Contractor's Professional Design Services/Delegated Design: Design of some aspect or portion of the project by party other than the design professional of record. Provide these services as part of the Contract for Construction.
  - 1. Design Services Types Required:
    - a. Construction-Related: Services Contractor needs to provide in order to carry out the Contractor's sole responsibilities for construction means, methods, techniques, sequences, and procedures.
    - b. Design-Related: Design services explicitly required to be performed by another design professional due to highly-technical and/or specialized nature of a portion of the project. Services primarily involve engineering analysis, calculations, and design, and are not intended to alter the aesthetic aspects of the design.
- C. Design Data: Design-related, signed and sealed drawings, calculations, specifications, certifications, shop drawings and other submittals provided by Contractor, and prepared directly by, or under direct supervision of, appropriately licensed design professional.

**1.02 CONTRACTOR'S CONSTRUCTION-RELATED PROFESSIONAL DESIGN SERVICES**

- A. Coordination: Contractor's professional design services are subject to requirements of project's Conditions for Construction Contract.
- B. Provide such engineering design services as may be necessary to plan and safely conduct certain construction operations, pertaining to, but not limited to the following:
  - 1. Temporary sheeting, shoring, or supports.
  - 2. Temporary scaffolding.
  - 3. Temporary bracing.
  - 4. Temporary falsework for support of spanning or arched structures.
  - 5. Temporary foundation underpinning.
  - 6. Temporary stairs or steps required for construction access only.
  - 7. Temporary hoist(s) and rigging.
  - 8. Investigation of soil conditions and design of temporary foundations to support construction equipment.
  - 9. Additional temporary controls as required.

**1.03 CONTRACTOR'S DESIGN-RELATED PROFESSIONAL DESIGN SERVICES**

- A. Coordination: Contractor's professional design services are subject to requirements of project's Conditions for Construction Contract.
- B. Base design on performance and/or design criteria indicated in individual specification sections.
  - 1. Submit a Request for Information to Architect if the criteria indicated are not sufficient to perform required design services.
- C. Scope of Design Services/Delegated Design: As required by individual specification sections.

**1.04 SUBMITTALS**

- A. See Section 013000 - Administrative Requirements, for submittal procedures.
- B. Designer's Qualification Statement: Submit for Architect's knowledge as contract administrator, or for Owner's information.
  - 1. Include information for each individual professional responsible for producing, or supervising production of, design-related professional services provided by Contractor.
    - a. Full name.
    - b. Professional licensure information.



FIRE STATIONS RENOVATION  
Arlington County, Virginia  
Architect's Project No.: 563006

---

- c. Statement addressing extent and depth of experience specifically relevant to design of items assigned to Contractor.
- C. Design Data: Submit for Architect's knowledge as contract administrator for the limited purpose of assessing compliance with information given and the design concept expressed in the Contract Documents, or for Owner's information.
  - 1. Include calculations that have been used to demonstrate compliance to performance and regulatory criteria provided, and to determine design solutions.
  - 2. Include required product data and shop drawings.
  - 3. Include a statement or certification attesting that design data complies with criteria indicated, such as building codes, loads, functional, and similar engineering requirements.
  - 4. Include signature and seal of design professional responsible for allocated design services on calculations and drawings.
- D. Test Reports: After each test/inspection, require testing agency to promptly distribute digital copy of report to Architect, Owner, Contractor, and others as required.
  - 1. Include:
    - a. Date issued.
    - b. Project title and number.
    - c. Name of inspector.
    - d. Date and time of sampling or inspection.
    - e. Identification of product and specifications section.
    - f. Location in the Project.
    - g. Type of test/inspection.
    - h. Date of test/inspection.
    - i. Results of test/inspection.
    - j. Compliance with Contract Documents.
    - k. When requested by Architect, provide interpretation of results.
- E. Certificates: When specified in individual specification sections, submit certification by the manufacturer and Contractor to Architect, in quantities specified for Product Data.
  - 1. Indicate material or product complies with or exceeds specified requirements. Submit supporting reference data, affidavits, and certifications as appropriate.
  - 2. Certificates may be recent or previous test results on material or product, but must be acceptable to Architect.
- F. Manufacturer's Instructions: When specified in individual specification sections, submit printed instructions for delivery, storage, assembly, installation, start-up, adjusting, and finishing, for the Owner's information. Indicate special procedures, perimeter conditions requiring special attention, and special environmental criteria required for application or installation.
- G. Manufacturer's Field Reports:
  - 1. Submit report promptly to Architect for information.
  - 2. Submit for information for the limited purpose of assessing compliance with information given and the design concept expressed in the Contract Documents.

#### 1.05 QUALITY ASSURANCE

- A. Testing Agency Qualifications:
  - 1. Submit copy of report of laboratory facilities inspection made by NIST Construction Materials Reference Laboratory during most recent inspection, with memorandum of remedies of any deficiencies reported by the inspection.
  - 2. Qualification Statement: Provide documentation showing testing laboratory is accredited under OSHA's Nationally Recognized Testing Laboratory (NRTL) program or through the National Institute of Standards and Technology's (NIST's) National Voluntary Laboratory Accreditation Program (NVLAP).
- B. Designer Qualifications: Where professional engineering design services and design data submittals are specifically required of Contractor by Contract Documents, provide services of a Professional Engineer experienced in design of this type of work and licensed in the State in which the Project is located.

**FIRE STATIONS RENOVATION**  
Arlington County, Virginia  
Architect's Project No.: 563006

---

- C. Contractor's Quality Control (CQC) Plan:
1. Prior to start of work, submit a comprehensive plan describing how contract deliverables will be produced. Tailor CQC plan to specific requirements of the project. Include the following information:
    - a. Management Structure: Identify personnel responsible for quality. Include a chart showing lines of authority.
      - 1) Include qualifications (in resume form), duties, responsibilities of each person assigned to CQC function.
    - b. Management Approach: Define, describe, and include in the plan specific methodologies used in executing the work.
      - 1) Management and control of documents and records relating to quality.
      - 2) Communications.
      - 3) Coordination procedures.
      - 4) Resource management.
      - 5) Process control.
      - 6) Inspection and testing procedures and scheduling, including inspections by authorities having jurisdiction and special inspections.
      - 7) Control of noncomplying work.
      - 8) Tracking deficiencies from identification, through acceptable corrective action, and verification.
      - 9) Control of testing and measuring equipment.
      - 10) Project materials certification.
      - 11) Managerial continuity and flexibility.
    - c. Acceptance of the plan is required prior to start of construction activities not including mobilization work. Owner's acceptance of the plan will be conditional and predicated on continuing satisfactory adherence to the plan. Owner reserves the right to require Contractor to make changes to the plan and operations, including removal of personnel, as necessary, to obtain specified quality of work results.

#### **1.06 REFERENCES AND STANDARDS**

- A. For products and workmanship specified by reference to a document or documents not included in the Project Manual, also referred to as reference standards, comply with requirements of the standard, except when more rigid requirements are specified or are required by applicable codes.
- B. Comply with reference standard of date of issue current on date of Contract Documents, except where a specific date is established by applicable code.
- C. Obtain copies of standards where required by product specification sections.
- D. Maintain copy at project site during submittals, planning, and progress of the specific work, until Substantial Completion.
- E. Should specified reference standards conflict with Contract Documents, comply with the higher quality or quantity, and provide documentation of the conflict to the Architect.
- F. Neither the contractual relationships, duties, or responsibilities of the parties in Contract nor those of Architect shall be altered from Contract Documents by mention or inference otherwise in any reference document.

#### **1.07 TESTING AND INSPECTION AGENCIES AND SERVICES**

- A. Owner will employ and pay for services of an independent testing agency to perform Special Inspections and other specified testing indicated in individual specification sections.
- B. Where indicated in individual specification sections, Contractor shall employ and pay for services of an independent testing agency to perform other specified testing.
- C. Employment of agency in no way relieves Contractor of obligation to perform Work in accordance with requirements of Contract Documents.
- D. Contractor Employed Agency: Testing agency shall comply with requirements of ASTM E 329, and shall be certified through OSHA's Nationally Recognized Testing Laboratory

FIRE STATIONS RENOVATION  
Arlington County, Virginia  
Architect's Project No.: 563006

---

(NRTL) program or through the National Institute of Standards and Technology's (NIST's) National Voluntary Laboratory Accreditation Program (NVLAP).

1. Testing Equipment: Calibrated at reasonable intervals either by NIST or using an NIST established Measurement Assurance Program, under a laboratory measurement quality assurance program.

**PART 2 PRODUCTS - NOT USED**

**PART 3 EXECUTION**

**3.01 CONTROL OF INSTALLATION**

- A. Monitor quality control over suppliers, manufacturers, products, services, site conditions, and workmanship, to produce work of specified quality.
- B. Comply with manufacturers' instructions, including each step in sequence.
- C. Should manufacturers' instructions conflict with Contract Documents, request clarification from Architect before proceeding.
- D. Comply with specified standards as minimum quality for the work except where more stringent tolerances, codes, or specified requirements indicate higher standards or more precise workmanship.
- E. Have work performed by persons qualified to produce required and specified quality.
- F. Verify that field measurements are as indicated on shop drawings or as instructed by the manufacturer.
- G. Secure products in place with positive anchorage devices designed and sized to withstand stresses, vibration, physical distortion, and disfigurement.

**3.02 MOCK-UPS**

- A. Before installing portions of the Work where mock-ups are required, construct mock-ups in location and size indicated for each form of construction and finish required to comply with the following requirements, using materials indicated for the completed Work. The purpose of mock-up is to demonstrate the proposed range of aesthetic effects and workmanship.
- B. Accepted mock-ups establish the standard of quality the Architect will use to judge the Work.
- C. Tests shall be performed under provisions identified in this section and identified in the respective product specification sections.
- D. Assemble and erect specified items with specified attachment and anchorage devices, flashings, seals, and finishes.
- E. Obtain Architect's approval of mock-ups before starting work, fabrication, or construction.
  1. Architect will issue written comments within seven (7) working days of initial review and each subsequent follow up review of each mock-up.
  2. Make corrections as necessary until Architect's approval is issued.
- F. Architect will use accepted mock-ups as a comparison standard for the remaining Work.
- G. Where mock-up has been accepted by Architect and is specified in product specification sections to be removed, protect mock-up throughout construction, remove mock-up and clear area when directed to do so by Architect.

**3.03 TOLERANCES**

- A. Monitor fabrication and installation tolerance control of products to produce acceptable Work. Do not permit tolerances to accumulate.
- B. Comply with manufacturers' tolerances. Should manufacturers' tolerances conflict with Contract Documents, request clarification from Architect before proceeding.
- C. Adjust products to appropriate dimensions; position before securing products in place.

**3.04 TESTING AND INSPECTION**

- A. See individual specification sections for testing and inspection required.
- B. Testing Agency Duties for Contractor-employed Testing and Inspection Agencies:

FIRE STATIONS RENOVATION  
Arlington County, Virginia  
Architect's Project No.: 563006

---

1. Test samples of mixes submitted by Contractor.
  2. Provide qualified personnel at site. Cooperate with Architect and Contractor in performance of services.
  3. Perform specified sampling and testing of products in accordance with specified standards.
  4. Ascertain compliance of materials and mixes with requirements of Contract Documents.
  5. Promptly notify Architect and Contractor of observed irregularities or non-compliance of Work or products.
  6. Perform additional tests and inspections required by Architect.
  7. Attend preconstruction meetings and progress meetings.
  8. Submit reports of all tests/inspections specified.
- C. Limits on Testing/Inspection Agency Authority:
1. Agency may not release, revoke, alter, or enlarge on requirements of Contract Documents.
  2. Agency may not approve or accept any portion of the Work.
  3. Agency may not assume any duties of Contractor.
  4. Agency has no authority to stop the Work.
- D. Contractor Responsibilities:
1. Deliver to agency at designated location, adequate samples of materials proposed to be used that require testing, along with proposed mix designs.
  2. Cooperate with laboratory personnel, and provide access to the Work and to manufacturers' facilities.
  3. Provide incidental labor and facilities:
    - a. To provide access to Work to be tested/inspected.
    - b. To obtain and handle samples at the site or at source of Products to be tested/inspected.
    - c. To facilitate tests/inspections.
    - d. To provide storage and curing of test samples.
  4. Notify Architect and laboratory 24 hours prior to expected time for operations requiring testing/inspection services.
  5. Employ services of an independent qualified testing laboratory and pay for additional samples, tests, and inspections required by Contractor beyond specified requirements.
  6. Arrange with Owner's agency and pay for additional samples, tests, and inspections required by Contractor beyond specified requirements.
  7. Coordinate repairs where testing and inspection has damaged the Work.
- E. Re-testing and/or re-inspections required because of non-compliance with specified requirements shall be performed by the same agency. Do not proceed with construction activities that would conceal or cover work needing re-testing or re-inspection.
- F. Re-testing and/or re-inspections required because of non-compliance with specified requirements shall be paid for by Contractor.

### **3.05 MANUFACTURERS' FIELD SERVICES**

- A. When specified in individual specification sections, require material or product suppliers or manufacturers to provide qualified staff personnel to observe site conditions, conditions of surfaces and installation, quality of workmanship, start-up of equipment, test, adjust, and balance equipment, and field quality control requirements as applicable, and to initiate instructions when necessary.
- B. Provide a written report of observations and site decisions or instructions given to applicators or installers that are supplemental or contrary to manufacturers' written instructions or Contract Documents. Obtain Owner's approval prior to proceeding with any modifications.

### **3.06 DEFECT ASSESSMENT**

- A. Replace Work or portions of the Work not complying with specified requirements.

FIRE STATIONS RENOVATION  
Arlington County, Virginia  
Architect's Project No.: 563006

---

- B. Contractor may request to restore defective Work or portions of the Work to comply with specified requirements in lieu of replacement. Obtain Owner's approval prior to proceeding with restoration.
- C. If, in the opinion of Owner, it is not practical to restore or remove and replace the work, Owner will direct an appropriate remedy or adjust payment.

**END OF SECTION**

FIRE STATIONS RENOVATION  
Arlington County, Virginia  
Architect's Project No.: 563006

---

**SECTION 014200**  
**DEFINITIONS AND REFERENCE STANDARDS**

**PART 1 GENERAL**

**1.01 SUMMARY**

- A. The definitions include in this section supplement, but do not replace, the definitions contained in the Owner/Contractor Agreement and associated Conditions. In the event of duplication, the Owner/Contractor Agreement shall govern.
- B. Other definitions are included in individual specification sections.

**1.02 DEFINITIONS**

- A. Furnish: To supply, deliver, unload, and inspect for damage.
- B. Install: To unpack, assemble, erect, apply, place, finish, cure, protect, clean, start up, and make ready for use.
- C. Product: Material, machinery, components, equipment, fixtures, and systems forming the work result. Not materials or equipment used for preparation, fabrication, conveying, or erection and not incorporated into the work result. Products may be new, never before used, or re-used materials or equipment.
- D. Provide: To furnish and install.
- E. Supply: Same as Furnish.
- F. Installer: A Contractor or other entity engaged by Contractor, as an employee, subcontractor, or contractor of lower tier, to perform a particular construction operation, including installation, erection, application, and similar operations.
  - 1. Using a term such as "carpentry" does not imply that certain construction activities must be performed by accredited or unionized individuals of a corresponding generic name, such as "carpenter." It also does not imply that specified requirements apply exclusively to tradespeople of the corresponding generic name.
- G. Experienced: When used with the term "Installer," this term means having successfully completed previous work similar in size and scope to this Project; being familiar with the special requirements indicated; and having complied with the requirements of local authorities having jurisdiction.
- H. Replace: Provide an acceptable like product or material in place of a missing or unacceptable (rejected) product or material. To "replace" an unacceptable product or material includes its removal and disposal.
- I. Punch List: A written list of unfinished Work and defective Work resulting from inspection and testing to determine whether Substantial Completion has been accomplished. The unfinished Work and defective Work must be finished and corrected to obtain Substantial or Final Completion.
- J. Written or Printed: When used in conjunction with manufacturer's product data or installation requirements, either of these terms may be used to require compliance with manufacturer's current printed and published information.

**1.03 REFERENCE STANDARDS**

- A. For products or workmanship specified by reference to a document or documents not included in the Project Manual, also referred to as reference standards, comply with requirements of the standard, except when more rigid requirements are specified, or are required by applicable codes or local authorities having jurisdiction.
- B. Should specified reference standards conflict with Contract Documents, request clarification from the Architect before proceeding.
- C. Neither the contractual relationships, duties, or responsibilities of the parties in Contract nor those of the Architect shall be altered by Contract Documents by mention or inference otherwise in any reference document.

FIRE STATIONS RENOVATION  
Arlington County, Virginia  
Architect's Project No.: 563006

---

**PART 2 PRODUCTS - NOT USED**  
**PART 3 EXECUTION - NOT USED**

**END OF SECTION**

FIRE STATIONS RENOVATION  
ARLINGTON COUNTY, VIRGINIA  
Architect's Project No: 563006

SECTION 014520 - TESTING, ADJUSTING, AND BALANCING (TAB)

PART 1 - GENERAL

1.1 RELATED DOCUMENTS

- A. Provisions of the Contract and of the Contract Documents apply to this Section.

1.2 DEFINITIONS

- A. Adjust: To regulate fluid flow rate and air patterns at the terminal equipment, such as to reduce fan speed or adjust a damper.
- B. Balance: To proportion flows within the distribution system, including sub-mains, branches, and terminals, according to design quantities.
- C. Draft: A current of air, when referring to localized effect caused by one or more factors of high air velocity, low ambient temperature, or direction of airflow, whereby more heat is withdrawn from a person's skin than is normally dissipated.
- D. Procedure: An approach to and execution of a sequence of work operations to yield repeatable results.
- E. Report Forms: Test data sheets for recording test data in logical order.
- F. Static Head: The pressure due to the weight of the fluid above the point of measurement. In a closed system, static head is equal on both sides of the pump.
- G. Suction Head: The height of fluid surface above the centerline of the pump on the suction side.
- H. System Effect: A phenomenon that can create undesired or unpredicted conditions that cause reduced capacities in all or part of a system.
- I. System Effect Factors: Allowances used to calculate a reduction of the performance ratings of a fan when installed under conditions different from those presented when the fan was performance tested.
- J. Terminal: A point where the controlled medium, such as fluid or energy, enters or leaves the distribution system.
- K. Test: A procedure to determine quantitative performance of a system or equipment.
- L. TAB Agent: The entity responsible for performing and reporting the TAB procedures.
- M. AABC: Associated Air Balance Council.



FIRE STATIONS RENOVATION  
ARLINGTON COUNTY, VIRGINIA  
Architect's Project No: 563006

- N. AMCA: Air Movement and Control Association.
- O. CTI: Cooling Tower Institute.
- P. NEBB: National Environmental Balancing Bureau.
- Q. SMACNA: Sheet Metal and Air Conditioning Contractors' National Association.
- R. TAB: Testing, Adjusting, and Balancing

1.3 SUBMITTALS

- A. Quality-Assurance Submittals: Within 30 days of the Contractor's Notice to Proceed, submit evidence that the TAB Agent and this Project's TAB team members meet the qualifications indicated in the "Quality Assurance" Article below.
- B. Warranty: Submit warranties indicated below.
- C. Special Guarantee: Submit Special guarantee indicated below
- D. Contract Documents Examination Report: Within 60 days of the Contractor's Notice to Proceed, submit the Contract Documents review report as indicated in Part 3 below.
- E. Strategies and Procedures Plan: Within 90 days of the Contractor's Notice to Proceed, submit the TAB strategies and step-by-step procedures as indicated in Part 3 below. Include a complete set of report forms intended for use on this Project.
- F. Testing Adjusting and Balancing Conference Notification: Within 120 days of the Contractor's Notice to Proceed, submit the testing adjusting and balancing conference notification. The notification shall include the date, time and location of the conference as well as a list of attendees.
- G. TAB Conference Minutes: Within 180 days of the Contractor's Notice to Proceed, submit the TAB conference minutes. Minutes shall include a list of attendees and a record of the discussions and decisions made during the conference.
- H. System Readiness Reports: 60 days prior to substantial completion the contractor performing work under section "Building Automation System" (BAS) shall complete pre-commissioning checklists. The contractor performing work under this section shall, as part of the system readiness report, witness pre-commissioning activities and shall initial each element on the pre-commissioning checklist. The system readiness report shall be completed and submitted as specified. Do not include the checklists as they will be submitted under section "BAS".
- I. Certified TAB Reports: Within 60 days of substantial completion submit the testing and balancing reports prepared, as indicated in this Section, on approved forms certified by the TAB Agent.
  - 1. Balancing report.

FIRE STATIONS RENOVATION  
ARLINGTON COUNTY, VIRGINIA  
Architect's Project No: 563006

1.4 QUALITY ASSURANCE

- A. Agent Qualifications: Agent and agent's representatives shall be certified by either AABC or NEBB. The testing and balancing agent shall be one of the following:
1. C&W Tesco, Inc.  
430 Southlake Boulevard, Suite B-12  
Richmond, VA 23236  
804.379.9345
  2. Complete Commissioning, Inc.  
6304 Aaron Lane  
Clinton, MD 20735  
301.877.2260
  3. Mechanical Systems Testing and Balancing, Inc. (MSTB)  
7314 Impala Drive  
Richmond, Virginia 23228  
804.264.0454
- B. Testing and Balancing Agents not listed shall be permitted to bid. The following information shall be submitted as part of the Quality Assurance Submittal:
1. Provide evidence of satisfactory completion of at least two projects of similar size and scope. Submit the following for each project:
    - a. Completed testing and balancing reports for each project.
    - b. If not included in the testing and balancing report, provide equipment startup checklists for each project.
    - c. Owner contact for each project.
    - d. Design engineer contact for each project.
    - e. Architect contact for each project.
  2. The architect shall determine whether the agent is qualified, and the decision shall be final. Re-submittals on behalf of the same company shall not be considered.
- C. TAB Conference: Meet with the Owner's and the Architect's representatives on approval of the TAB strategies and procedures plan to develop a mutual understanding of the details. Ensure the participation of TAB team members, equipment manufacturers' authorized service representatives, HVAC controls Installer, and other support personnel. Set meeting and submit TAB Conference Notification.
1. Minimum Agenda:
    - a. Submittal distribution requirements.
    - b. Contract documents examination report.
    - c. TAB plan.
    - d. Work schedule and project site access requirements.
    - e. Coordination and cooperation of trades and subcontractors.
    - f. Coordination of documentation and communication flow.
- D. TAB Reports: Use standard forms from AABC's "National Standards for TAB" or NEBB's "Procedural Standards for TAB of Environmental Systems."

FIRE STATIONS RENOVATION  
ARLINGTON COUNTY, VIRGINIA  
Architect's Project No: 563006

- E. Instrumentation Type, Quantity, and Accuracy: As described in NEBB's "Procedural Standards for TAB of Environmental Systems," Section II, "Required Instrumentation for NEBB Certification."
- F. Instrumentation Calibration: Calibrate instruments at least every 6 months or more frequently if required by the instrument manufacturer.

1.5 PROJECT CONDITIONS

- A. Full Owner Occupancy: The Owner will occupy the site and existing building during the entire TAB period. Minimize conflicts with the Owner's operations.

1.6 COORDINATION

- A. Coordinate the efforts of work performed under other sections for operation of systems and equipment to support and assist TAB activities.
- B. Notice: Provide 7 days' advance notice to the contractor and Moseley Architects for each test. Include scheduled test dates and times.
- C. Perform TAB after leakage and pressure tests on air, water, potable water, and non-potable water distribution systems have been satisfactorily completed.

1.7 WARRANTY

- A. General Warranty: The national project performance guarantee indicated in this Article shall not deprive the Owner of other rights the Owner may have under other provisions of the Contract Documents and shall be in addition to, and run concurrent with, other warranties made by the Contractor under requirements of the Contract Documents.
- B. Special Guarantee: Provide a guarantee on NEBB or AABC forms stating that NEBB or AABC will assist in completing the requirements of the Contract Documents if the TAB Agent fails to comply with the Contract Documents. Guarantee includes the following provisions:
  - 1. The certified Agent has tested and balanced systems according to the Contract Documents.
  - 2. Systems are balanced to optimum performance capabilities within design and installation limits.

PART 2 - PRODUCTS (Not Applicable)

PART 3 - EXECUTION

FIRE STATIONS RENOVATION  
ARLINGTON COUNTY, VIRGINIA  
Architect's Project No: 563006

3.1 GENERAL

- A. All new equipment shall be tested, adjusted, and balanced.
- B. Fire Station #1: Rooftop unit #8 shall be tested for proper economizer operation with outside air and return dampers adjusted as needed for proper balancing. Balance each branch and diffuser for existing RTU-4 as shown on floor plans on sheet M2.1. Report values in TAB submittal to architect for both prior to the renovation and post-renovation. Verify operation of existing exhaust fan in renovated area, provide testing, adjusting, and balancing to exhaust system.
- C. Fire Station #2, 3, 5, 6, 9: Provide branch and diffuser for supply and exhaust balancing as required on floor plans on sheets M2.2 thru M2.6. Verify operation of existing exhaust fan in renovated area, provide testing, adjusting, and balancing to exhaust system.

3.2 EXAMINATION

- A. Examine Contract Documents to become familiar with project requirements and to discover conditions in systems' designs that may preclude proper TAB of systems and equipment.
  - 1. Balancing devices, such as test ports, gage cocks, thermometer wells, flow-control devices, balancing valves and fittings, and manual volume dampers, are hereby required by the Contract Documents.
  - 2. Verify that quantities and locations of devices proposed by the contractor and indicated on the Contract Documents are accessible and appropriate for effective balancing and efficient system and equipment operation.
  - 3. Verify flow rates specified and compare to central equipment capacities.
  - 4. Identify discontinuities and omissions in the Contract Documents.
  - 5. Provide a detailed Testing and Balancing plan within six weeks of the Notice to Proceed.
  - 6. Provide a TAB technician to work at the direction of the CxA for up to a consecutive six work day period on site to assist in testing.
  - 7. Record configuration, set up, parameters, etc., that change during the testing period.
  - 8. Provide representative(s) for up to 16 hours of off-season testing each. Any and all time is required to be spent at the job site.
  - 9. Respond to Warranty issues. Record configuration, set up, parameters, etc., that change during the warranty period.
- B. Examine BAS submittal data prior to submission and provide comments to contractor, and Moseley Architects.
- C. Examine submittal data of HVAC systems and equipment prior to submission and provide comments to contractor, and Moseley Architects.
- D. Examine project record documents and provide comments to contractor, and Moseley Architects.

FIRE STATIONS RENOVATION  
ARLINGTON COUNTY, VIRGINIA  
Architect's Project No: 563006

- E. Examine Architect's design data, including HVAC system descriptions, statements of design, assumptions for environmental conditions, control drawings, and statements concerning systems and equipment.
- F. Examine equipment performance data, including fan and pump curves. Relate performance data to project conditions and requirements, including system effects that can create undesired or unpredicted conditions that cause reduced capacities in all or part of a system. Calculate system effect factors to reduce the performance ratings of HVAC equipment when installed under conditions different from those presented when the equipment was performance tested at the factory. To calculate system effects for air systems, use tables and charts found in AMCA 201, "Fans and Systems," Sections 7 through 10; or in SMACNA's "HVAC Systems--Duct Design," Sections 5 and 6. Compare this data with the design data and installed conditions.
- G. Examine system and equipment installations to verify that they are complete and that TAB, and cleaning indicated has been performed.
- H. Examine HVAC system and equipment installations to verify that indicated balancing devices, such as test ports, gage cocks, thermometer wells, flow-control devices, balancing valves and fittings, and manual volume dampers, are properly installed, and their locations are accessible and appropriate for effective balancing and for efficient system and equipment operation.
- I. Examine systems for functional deficiencies that cannot be corrected by adjusting and balancing.
- J. Examine air-handling equipment to ensure clean filters have been installed, bearings are greased, belts are aligned and tight, and equipment is ready for operation, including functioning controls.
- K. Examine terminal units, such as variable-air-volume boxes and mixing boxes, to verify that they are accessible, and their controls are connected and functioning.
- L. Examine strainers for clean screens and proper perforations.
- M. Examine 3-way valves for proper installation for their intended function of diverting or mixing fluid flows.
- N. Examine heat-transfer coils for correct piping connections and for clean and straight fins.
- O. Examine open-piping-system pumps to ensure absence of entrained air in the suction piping.
- P. Examine equipment for installation and for properly operating safety interlocks and controls.
- Q. Examine automatic temperature system components to verify the following:
  - 1. Dampers, valves, and other controlled devices operate by the intended controller.
  - 2. Dampers and valves are in the position indicated by the controller.

FIRE STATIONS RENOVATION  
ARLINGTON COUNTY, VIRGINIA  
Architect's Project No: 563006

3. Integrity of valves and dampers for free and full operation and for tightness of fully closed and fully open positions. This includes dampers in mixing boxes and variable-air-volume terminals.
  4. Automatic modulating and shutoff valves, including 2-way valves and 3-way mixing and diverting valves, are properly connected.
  5. Thermostats are located to avoid adverse effects of sunlight, drafts, and cold walls.
  6. Sensors are located to sense only the intended conditions.
  7. Sequence of operation for control modes is according to the Contract Documents.
  8. Controller set points are set at design values. Observe and record system reactions to changes in conditions. Record default set points if different from design values.
  9. Interlocked systems are operating.
  10. Changeover from heating to cooling mode occurs according to design values.
- R. Report deficiencies discovered before and during performance of TAB procedures.

### 3.3 PREPARATION

- A. Prepare a TAB plan that includes strategies and step-by-step procedures.
- B. Complete system readiness checks and prepare system readiness reports. Verify the following:
  1. Permanent electrical power wiring is complete.
  2. Hydronic systems are filled, clean, and free of air.
  3. Automatic temperature-control systems are operational.
  4. Equipment and duct access doors are securely closed.
  5. Balance, smoke, and fire dampers are open.
  6. Isolating and balancing valves are open and control valves are operational.
  7. Ceilings are installed in critical areas where air-pattern adjustments are required and access to balancing devices is provided.
  8. Windows and doors can be closed so design conditions for system operations can be met.

### 3.4 GENERAL TESTING AND BALANCING PROCEDURES

- A. Perform testing and balancing procedures on each system according to the procedures contained in AABC national standards or NEBB's "Procedural Standards for TAB of Environmental Systems" and this Section.
- B. Cut insulation, ducts, pipes, and equipment cabinets for installation of test probes to the minimum extent necessary to allow adequate performance of procedures. After testing and

FIRE STATIONS RENOVATION  
ARLINGTON COUNTY, VIRGINIA  
Architect's Project No: 563006

balancing, close probe holes and patch insulation with new materials identical to those removed. Restore vapor barrier and finish according to the insulation Specifications for this Project.

- C. Mark equipment settings with paint or other suitable, permanent identification material, including damper-control positions, valve indicators, fan-speed-control levers, and similar controls and devices, to show final settings.

### 3.5 MOTORS

- A. Motors, 1/2 HP and Larger: Test at final balanced conditions and record the following data:

1. Manufacturer, model, and serial numbers.
2. Motor horsepower rating.
3. Motor rpm.
4. Efficiency rating if high-efficiency motor.
5. Nameplate and measured voltage, each phase.
6. Nameplate and measured amperage, each phase.
7. Starter thermal-protection-element rating.

- B. Motors Driven by Variable-Frequency Controllers: Test for proper operation at speeds varying from minimum to maximum. Test the manual bypass to prove proper operation. Record observations, including controller manufacturer, model number, serial number, and nameplate data.

### 3.6 TEMPERATURE-CONTROL VERIFICATION

- A. Verify that controllers are calibrated and commissioned.
- B. Check transmitter and controller locations and note conditions that would adversely affect control functions.
- C. Record controller settings and note variances between set points and actual measurements.
- D. Verify operation of limiting controllers (i.e., high- and low-temperature controllers).
- E. Verify free travel and proper operation of control devices such as damper and valve operators.
- F. Verify sequence of operation of control devices. Note air pressures and device positions and correlate with air, water, and potable water-flow measurements. Note the speed of response to input changes.
- G. Confirm interaction of electrically operated switch transducers.
- H. Confirm interaction of interlock and lockout systems.

FIRE STATIONS RENOVATION  
ARLINGTON COUNTY, VIRGINIA  
Architect's Project No: 563006

- I. Record voltages of power supply and controller output. Determine if the system operates on a grounded or non-grounded power supply.
- J. Note operation of electric actuators using spring return for proper fail-safe operations.

3.7 TOLERANCES

- A. Set system airflow, water, and potable water-flow rates within the following tolerances:
  - 1. Supply, Return, and Exhaust Fans: 0 to plus 10 percent.
  - 2. Air Outlets: minus 10 percent to plus 10 percent.
  - 3. Return Inlets: minus 10 percent to plus 10 percent.
  - 4. Exhaust Inlets: 0 to plus 10 percent.
  - 5. Heating-Water Flow Rate: minus 5 percent to plus 5 percent.
  - 6. Cooling-Water Flow Rate: minus 5 percent to plus 5 percent.
  - 7. Potable water: minus 5 percent to plus 5 percent.
  - 8. Unless indicated otherwise: minus 10 percent to plus 10 percent.

3.8 REPORTING

- A. Initial Construction-Phase Report: Based on examination of the Contract Documents as specified in "Examination" Article above, prepare a report on the adequacy of design for systems' balancing devices. Recommend changes and additions to systems' balancing devices to facilitate proper performance measuring and balancing. Recommend changes and additions to HVAC systems and general construction to allow access for performance measuring and balancing devices.
- B. Status Reports: When 50% of the construction contract period has elapsed, the contractor performing work under this section shall visit the site twice per month thereafter. After each site visit for each system being tested and balanced, prepare a report to describe completed work, work in progress, and work at variance with the contract documents. Include a list of deficiencies and problems found in each system. Prepare a separate report for each system and each building floor for systems serving multiple floors. Submit the report to the contractor and architect. The contractor shall be responsible for ensuring that deficiencies are corrected. Deficiencies shall remain on the list permanently, shall be issued with each report, and shall be checked off only when they are corrected.

3.9 FINAL REPORT

- A. General: Typewritten, or computer printout in letter-quality font, on standard bond paper, in 3-ring binder, tabulated and divided into sections by tested and balanced systems.



FIRE STATIONS RENOVATION  
ARLINGTON COUNTY, VIRGINIA  
Architect's Project No: 563006

- B. Include a certification sheet in front of binder signed and sealed by the certified testing and balancing engineer.
  - 1. Include a list of the instruments used for procedures, along with proof of calibration.
  
- C. Final Report Contents: In addition to the certified field report data, include the following:
  - 1. Pump curves.
  - 2. Fan curves.
  - 3. Manufacturers' test data.
  - 4. Field test reports prepared by system and equipment installers.
  - 5. Other information relative to equipment performance, but do not include approved Shop Drawings and Product Data.
  
- D. General Report Data: In addition to the form titles and entries, include the following data in the final report, as applicable:
  - 1. Title page.
  - 2. Name and address of TAB Agent.
  - 3. Project name.
  - 4. Project location.
  - 5. Architect's name and address.
  - 6. Contractor's name and address.
  - 7. Report date.
  - 8. Signature of TAB Agent who certifies the report.
  - 9. Table of contents.
  - 10. Operating sequences that vary from the Contract Documents.
  - 11. Nomenclature sheets for each item of equipment.
  - 12. Data for terminal units, including manufacturer, type, and size.
  - 13. Notes to explain why certain final data in the body of reports varies from design values.
  - 14. Test conditions for fans and pump performance forms, including:
    - a. Settings for outside-, return-, and exhaust-air dampers.
    - b. Conditions of filters.
    - c. Cooling coil, wet- and dry-bulb conditions.
    - d. Fan drive settings, including:
      - 1) Percentage of maximum pitch or diameter.
      - 2) Maximum RPM.
      - 3) Minimum RPM on VAV systems.
    - e. Settings for supply-air static-pressure controllers on VAV systems.
    - f. System operating parameters/conditions that affect performance.

FIRE STATIONS RENOVATION  
ARLINGTON COUNTY, VIRGINIA  
Architect's Project No: 563006

- E. System Diagrams: Include schematic layouts of air, and water distribution systems. Provide single-line diagrams including the following:
  - 1. Quantities of outside, supply, return, exhaust, and water flow rates.
  - 2. Duct outlet, and inlet sizes.
  - 3. Pipe sizes and locations.
  - 4. Indicated Terminal unit(s): Information & location(s).
  - 5. Indicated Balancing station(s): Information & location(s).
  - 6. Indicated Meter(s): Information & location(s).
  
- F. Test Reports:
  - 1. All equipment test reports.
  - 2. Duct Traverse Reports.
  - 3. Terminal-Device Reports.
  - 4. Coil Reports.
  - 5. Instrument Calibration Reports.

3.10 ADDITIONAL TESTS

- A. When requested, provide up to six continuous and consecutive work days, by the technician that provided services under this section, directly knowledgeable of all systems and procedures specific to the project, to support commissioning for TAB verification.
  
- B. TAB verification site visit will be conducted after the TAB final report has been submitted and approved by the engineer of record.
  
- C. Within 90 days of completing work performed under this section, perform additional testing and balancing to verify that balanced conditions are being maintained throughout and to correct unusual conditions.
  
- D. Seasonal Periods:
  - 1. Winter: Re-test heating equipment, including central equipment and terminal devices, when the outside air temperature is below 30 degrees F.
  - 2. Summer: Re-test cooling equipment, including central equipment and terminal devices, when the outside air temperature is above 90 degrees F.

END OF SECTION 014520

FIRE STATIONS RENOVATION  
Arlington County, Virginia  
Architect's Project No.: 563006

---

**SECTION 015000  
TEMPORARY FACILITIES AND CONTROLS**

**PART 1 GENERAL**

**1.01 DEWATERING**

- A. Provide temporary means and methods for dewatering all temporary facilities and controls, in compliance with local authority having jurisdiction.
- B. Maintain temporary facilities in operable condition.

**1.02 TEMPORARY UTILITIES**

- A. Provide and pay for all electrical power, lighting, water, heating and cooling, and ventilation required for construction purposes.
- B. Temporary Lighting: Provide temporary lighting of type and producing lighting levels necessary for proper installation of the Work.
- C. Temporary Heating, Cooling, and Ventilation: Provide temporary measures and equipment as required for curing, drying, and humidity control. Comply with manufacturer's installation instructions for specific product requirements.
  - 1. Provide measures and equipment to meet warranty requirements of interior woodwork specified in Division 6 and/or Division 12 sections.
  - 2. Use of Permanent HVAC Facilities and Equipment: Use of HVAC equipment shall be subject to Owner approval.
    - a. Protect new and existing HVAC equipment from intrusion of dust, silica, dirt and debris during construction operations.
    - b. Cover all openings in new and existing inactive ductwork during construction operation with minimum 6 mil polyethylene sheet.
    - c. Where use of existing HVAC equipment is approved by Owner, provide temporary filters with a minimum MERV of 8. Change the filters every two weeks while construction is ongoing. Provide new filters at Substantial Completion; do not change out temporary filter until approved by Architect.
    - d. Do not perform testing and balancing of HVAC equipment until dust, silica, dirt and debris producing activities are complete.
- D. Temporary Water: For the duration of construction or until permanent water service is available at the site, the Contractor shall provide a temporary water source, as part of the Contract Price.
- E. Temporary Electric Service: Until electric utility provides permanent service at the site, the Contractor shall provide temporary electrical power, as part of the Contract Price.
- F. Temporary Sewer and Drainage: Comply with requirements of local authority having jurisdiction for connection of temporary sewer to public system.

**1.03 TELECOMMUNICATIONS SERVICES**

- A. Provide, maintain, and pay for telecommunications services to field office at time of project mobilization.
- B. Telecommunications services shall include:
  - 1. Telephone Service: Contractor shall ensure that all of its forces, including on-site managers/supervisors of each Subcontractor, have mobile devices and adequate voice and data coverage for on-site operations.
  - 2. Internet Connections: Minimum of one; DSL modem or faster.

**1.04 TEMPORARY SANITARY FACILITIES**

- A. Provide and maintain required facilities and enclosures. Provide at time of project mobilization.
  - 1. Provide temporary unisex toilet units and all required disposable supplies.
  - 2. Provide handwash stations and hand sanitizer at each toilet unit.
  - 3. Provide regular servicing of portable facilities by professional servicing company; including draining, cleaning, and disinfecting.
- B. New permanent facilities may not be used during construction operations.

FIRE STATIONS RENOVATION  
Arlington County, Virginia  
Architect's Project No.: 563006

---

- C. Maintain daily in clean and sanitary condition.

**1.05 BARRIERS**

- A. Provide barriers to prevent unauthorized entry to construction areas, to prevent access to areas that could be hazardous to workers or the public, to allow for owner's use of site and to protect existing facilities and adjacent properties from damage from construction operations and demolition.
- B. Provide barricades and covered walkways required by governing authorities for public rights-of-way and for public access to existing building, and for emergency egress.
- C. Provide protection for plants designated to remain. Replace damaged plants.
- D. Protect vehicular traffic, stored materials, site, and structures from damage.

**1.06 FENCING**

- A. Barrier Mesh Fence: Provide minimum 6-foot height open-mesh polypropylene barrier fabric mounted on lumber or galvanized steel posts to isolate and define construction area and prevent accidental public access.
- B. Construction: Commercial grade chain link fence.
1. Contractor may provide either fixed or portable fencing to suit conditions. For portable fencing, provide concrete or galvanized steel bases for supporting posts. Bases for portable fencing shall not obstruct sidewalks or other pathways used by pedestrians.
- C. Provide 6 foot high fence around construction site; equip with vehicular and pedestrian gates with locks.
- D. Unless otherwise indicated, provide barrier mesh fencing to enclose the approximate extent of the entire construction site. Chain link fencing shall be used to enclose Contractor's field office and laydown/storage areas, areas of the site actively in construction, and as deemed necessary by Contractor.

**1.07 EXTERIOR ENCLOSURES**

- A. Provide temporary weather tight closure of exterior openings to accommodate acceptable working conditions and protection for Products, to allow for temporary heating and maintenance of required ambient temperatures identified in individual specification sections, and to prevent entry of unauthorized persons. Provide access doors with self-closing hardware and locks.

**1.08 INTERIOR ENCLOSURES**

- A. Provide temporary partitions to separate work areas from Owner-occupied areas, to prevent penetration of dust and moisture into Owner-occupied areas, and to prevent damage to existing materials and equipment.
- B. Construction: Framing and gypsum board sheet materials with closed joints and sealed edges at intersections with existing surfaces:

**1.09 SECURITY**

- A. Provide security and facilities to protect Work, existing facilities, and Owner's operations from unauthorized entry, vandalism, or theft.
1. Contractor shall repair damage to existing facilities caused by Construction operations.
- B. Coordinate with Owner's security program.
- C. Environmental Protection: Comply with EPA, OSHA and other regulatory requirements to prevent contamination of site, air, and public sewer/runoff.
1. Provide additional work restrictions and protective measures as indicated on Civil/Site Drawings and as specified in Division 01 Section "Summary."

**1.10 VEHICULAR ACCESS AND PARKING**

- A. Comply with regulations relating to use of streets and sidewalks, access to emergency facilities, and access for emergency vehicles.
- B. Coordinate access and haul routes with governing authorities and Owner.
- C. Provide and maintain access to fire hydrants, free of obstructions.

FIRE STATIONS RENOVATION  
Arlington County, Virginia  
Architect's Project No.: 563006

---

- D. Provide means of removing mud from vehicle wheels before entering streets.
- E. Designated existing on-site roads may be used for construction traffic.
- F. Provide temporary parking areas to accommodate construction personnel. When site space is not adequate, provide additional off-site parking.

#### **1.11 WASTE REMOVAL**

- A. See Section 017419 - Construction Waste Management and Disposal, for additional requirements.
- B. Provide waste removal facilities and services as required to maintain the site in clean and orderly condition.
- C. Provide containers with lids. Remove trash from site periodically.
- D. If materials to be recycled or re-used on the project must be stored on-site, provide suitable non-combustible containers; locate containers holding flammable material outside the structure unless otherwise approved by the authorities having jurisdiction.
- E. Open free-fall chutes are not permitted. Terminate closed chutes into appropriate containers with lids.

#### **1.12 PROJECT IDENTIFICATION**

- A. Project signs are not part of the Contract.
  - 1. The Contractor may, at their option and expense, elect to provide Project identification signs. Proposed signs shall comply with layout and details indicated on Drawings, and shall be submitted for Owner approval. Unauthorized signs are not permitted.
- B. Erect on site at location indicated.
- C. Provide temporary directional signage as directed to facilitate site access for visitors and other construction personnel.
- D. No other signs are allowed without Owner permission except those required by law.

#### **1.13 FIELD OFFICES**

- A. Field Office: Contractor shall be permitted to use a designated portion of existing facility as temporary field office.
  - 1. Maintain the following materials in the field office, available to Architect and Owner's representative at all times:
    - a. A complete, up-to-date set of all Contract Documents, including FCs, RFIs, PCOs, and COs.
    - b. A complete, up-to-date set of all reviewed final shop drawings.

#### **1.14 REMOVAL OF UTILITIES, FACILITIES, AND CONTROLS**

- A. Remove temporary utilities, equipment, facilities, materials, prior to Date of Substantial Completion inspection.
- B. Remove temporary underground installations.
- C. Clean and repair damage caused by installation or use of temporary work.
- D. Restore existing facilities used during construction to original condition.
- E. Restore new permanent facilities used during construction to specified condition.

### **PART 2 PRODUCTS**

#### **2.01 MATERIALS**

- A. Rough Carpentry: 2x lumber, in length and depth required for floor to ceiling partitions. Partitions shall not be fastened to existing ceilings or flooring to remain. Provide additional bracing and concealed attachments to building structure.
- B. Gypsum Board: 1/2-inch gypsum wallboard; ASTM C 1396.
- C. Insulation: Mineral-wool fiber blankets; with maximum flame-spread and smoke-developed ratings of 25 and 50 when tested per ASTM E 84.

FIRE STATIONS RENOVATION  
Arlington County, Virginia  
Architect's Project No.: 563006

---

- D. Polyethylene Sheet: Minimum 10 mil reinforced sheeting; achieving a passing rating when tested per NFPA 701, and a maximum flame-spread rating of 15 when tested per ASTM E 84.
- E. Walk-Off Mats: Dust-, dirt- and silica-control walk-off mats at each entrance into the enclosed construction area and each entrance through temporary partitions.
- F. Hardware: Provide temporary hinges, latch, and lock at doors in temporary partitions. Where doors in temporary partitions are also indicated to serve as egress, provide ADA-compliant exit device and closer.

## **2.02 EQUIPMENT**

- A. Fire Extinguishers: Provide portable UL rated extinguishers. Provide extinguisher types rated for potential classes of fire expected for construction work indicated.

## **PART 3 EXECUTION**

### **3.01 PEST CONTROL**

- A. Provide pest-control services at regular intervals, performed in compliance with regulations of state regulations, and by a pest-control firm licensed in the state where the project is located. Any chemicals and pesticides used shall be approved by EPA and local authority having jurisdiction. Contractor's pest control plan shall ensure the facility is free of termites, roaches, rodents, and other pests at time of Substantial Completion.
  - 1. Coordinate with Owner's Integrated Pest Management (IPM) plan where applicable.
  - 2. Provide Owner with a minimum 72 hours pre-notification for pest-control treatments.

### **3.02 TEMPORARY FIRE PROTECTION**

- A. Comply with NFPA 241 "Standard for Safeguarding Construction, Alteration, and Demolition Operations" for preventing damage to structures under construction.
- B. Provide a fire-prevention program, review with all personnel on site, and post fire-prevention information in clearly visible area. Coordinate fire-prevention program with local fire department.
- C. Provide clearly labeled portable fire extinguishers
- D. Provide fire watch in compliance with OSHA requirements during and after use of all potential ignition sources, including but not limited to, welders, grinders, cutting torches, heating and electrical equipment, and lighting.
- E. Do not allow smoking in areas under construction.

### **3.03 MOISTURE CONTROL**

- A. Prevent the absorption of moisture and humidity by:
  - 1. Sequencing the delivery of such materials so that they are not present in the building until wet work is completed and dry.
  - 2. Delivery and storage of such materials in fully sealed moisture-impermeable packaging.
  - 3. Provide sufficient ventilation for drying within reasonable time frame.
- B. Prior to building dry-in, store porous materials in a separate enclosed storage building. Keep all surfaces clear of standing water, and cover or otherwise protect all materials from water infiltration and damage. Do not enclose interior spaces until dry-in is complete and ventilation can remove excess moisture.
- C. After building dry-in, provide temporary mechanical ventilation for humidity and moisture control until the building HVAC system is operational. Do not store or install material in the building until ambient temperature and humidity is within manufacturer's acceptable range. Do not install wet materials, and ensure that substrates are fully dry prior to installing other materials over them.
- D. Provide continuous monitoring of installed materials. Remove gypsum board, wood products, and other mold-supporting products, if they become and remain wet for 48 hours. Remove and replace any materials showing visible signs of mold or mildew.

FIRE STATIONS RENOVATION  
Arlington County, Virginia  
Architect's Project No.: 563006

---

**3.04 TEMPORARY FACILITY USAGE AND REMOVAL**

- A. Maintenance and Usage: Keep temporary facilities clean and in well-maintained condition for the duration of the Project. Prevent misuse of or damage to facilities by construction personnel. Make repairs to temporary facilities or replace facilities as required to keep them in good operating condition and in compliance with applicable OSHA, local permitting, and other applicable regulations.
- B. Changeover: Coordinate changeover from temporary facilities to permanent facilities at Substantial Completion, unless an alternate arrangement for changeover has been agreed upon in writing by Owner.
  - 1. Contractor shall be responsible for repair, restoration, and cleaning of permanent facilities that are used for construction purposes after changeover.
- C. Removal: Unless otherwise indicated, temporary facilities and controls are the property of the Contractor, and shall be removed upon Architect's approval when Contractor can demonstrate that they are no longer needed.
  - 1. Comply with construction waste management and recycling requirements for temporary facilities and materials that are not able to be reused.
  - 2. After removal of temporary facilities and controls, complete all permanent construction that was not accessible due to the presence of temporary facilities.
  - 3. Remove materials that have become soiled or contaminated due to construction vehicle traffic, parking, temporary field offices, oil or other chemical spillage, and other temporary usage, and replace with clean material. Complete grading, landscaping, paving, and other site improvements, and repair or restore all damage to existing or previously completed site improvements

**END OF SECTION**

FIRE STATIONS RENOVATION  
Arlington County, Virginia  
Architect's Project No.: 563006

---

**SECTION 016000  
PRODUCT REQUIREMENTS**

**PART 1 GENERAL**

**1.01 DEFINITIONS**

- A. Comparable Product: An unnamed product that is similar in quality and performance to named product(s).
- B. Basis-of-Design Product: A specific product selected by the Architect for use in the design process; based on certain performance characteristics, physical qualities or details, a specialized finish type, pattern, or color, or other indicated characteristics.

**1.02 WARRANTIES**

- A. Product warranties shall be provided in addition to and run concurrently to Contractor's general warranty/guarantee.
  - 1. Unless otherwise indicated, all warranty terms shall start on the date of Substantial Completion.
- B. Manufacturer's Warranty: A standard warranty issued by the product manufacturer, covering production and material defects.
- C. Special Warranties: Warranties in addition to standard manufacturer's warranty, covering fabrication, installation, or specific performance items such as weathertightness
- D. Warranty Form: Warranty shall be provided on either manufacturer's standard form or on specified form. When a sample warranty form is not included in the Project Manual, the warranty shall be on mutually agreed form.

**PART 2 PRODUCTS**

**2.01 EXISTING PRODUCTS**

- A. Do not use materials and equipment removed from existing premises unless specifically required or permitted by Contract Documents.
- B. Unforeseen historic items encountered remain the property of the Owner; notify Owner promptly upon discovery; protect, remove, handle, and store as directed by Owner.
- C. Existing materials and equipment indicated to be removed, but not to be re-used, relocated, reinstalled, delivered to the Owner, or otherwise indicated as to remain the property of the Owner, become the property of the Contractor; remove from site.

**2.02 NEW PRODUCTS**

- A. Provide new products unless specifically required or permitted by Contract Documents.
- B. See Section 014000 - Quality Requirements, for additional source quality control requirements.
- C. Use of products having any of the following characteristics is not permitted:
  - 1. Made using or containing CFC's or HCFC's.
  - 2. Containing lead, cadmium, or asbestos.

**2.03 PRODUCT OPTIONS**

- A. Products Specified with a Single Named Product: Where required by Owner due to facility standards, provide the named product; no options or substitutions allowed.
- B. Products Specified by Reference Standards or by Description Only: Use any product meeting those standards or description.
- C. Products Specified by Naming One or More Manufacturers: Use a product of one of the manufacturers named and meeting specifications, no options or substitutions allowed.
- D. Products Specified by Naming One or More Manufacturers with a Provision for Substitutions: Submit a request for substitution for any manufacturer not named.
- E. Products Specified by Naming One or More Manufacturers with a Provision for Comparable Products: Unnamed comparable product may be submitted after award of Contract. Comply with requirements in "Comparable Products" article below.



FIRE STATIONS RENOVATION  
Arlington County, Virginia  
Architect's Project No.: 563006

---

#### **2.04 BASIS-OF-DESIGN PRODUCTS**

- A. Where a product is specified by naming a Basis-of-Design, comply with the following:
1. Where a list of additional manufacturers is provided, provide the Basis-of-Design product or a comparable product by one of the listed manufacturers, in compliance with "Comparable Products" article below.
  2. Where a list of additional manufacturers is not provided, provide the Basis-of-Design product, or submit a substitution request in compliance with Section 012500 - Substitution Procedures.
  3. Basis-of-Design characteristics shall include requirements in the Specifications and on the Drawings.
  4. Where the Basis-of-Design lists a specific finish, manufacturers wishing to submit as a Comparable Product or as a substitution shall certify that they are able to provide an exact match to the specified finish, or that they will provide a custom finish to match.

#### **2.05 COMPARABLE PRODUCTS**

- A. Where a product is specified with a provision for comparable products, Contractors submitting a Comparable Product shall comply with the following:
1. The submitted product shall not require changes to the Work, unless specifically approved by Architect. If changes are required, the Contractor shall resubmit the product as a substitution request, and the Contractor shall bear the cost of the changes, coordinate with other impacted contractors, and provide appropriate notations on record documents.
  2. Contractor shall provide, with the submittal, a detailed breakdown comparing the submitted product to at least one of the other listed products; list specified performance qualities, test results, dimensions, finish, and other critical properties.
  3. Contractor shall provide warranty data indicating that submitted Comparable Product complies with indicated warranty term(s).
- B. Comparable product submittals are subject to Architect's final approval. If a proposed product is found to be unacceptable, Contractor shall revert to one of the named products.

#### **2.06 COLOR/FINISH OPTIONS**

- A. Preselected Color/Finish: Where a specific manufacturer's premium or custom finish or color is indicated as the basis-of-design, other listed manufacturers shall certify that they can provide an exact match, or that they will provide pricing under the assumption that a custom finish or color will be required.
- B. Color/Finish Selection: Unless specifically indicated to either be a custom color or to be selected from manufacturer's standard range, color and finish selections shall be made from manufacturer's full range of options, including premiums, metallics, wood grains, etc.

#### **2.07 MAINTENANCE MATERIALS**

- A. Furnish extra materials, spare parts, tools, and software of types and in quantities specified in individual specification sections.
- B. Deliver to location designated by Owner; obtain receipt prior to final payment.

### **PART 3 EXECUTION**

#### **3.01 SUBSTITUTION LIMITATIONS**

- A. See Section 012500 - Substitution Procedures.

#### **3.02 OWNER-SUPPLIED PRODUCTS**

- A. See Section 011000 - Summary for identification of Owner-supplied products.
- B. Owner's Responsibilities:
1. Arrange for and deliver Owner reviewed shop drawings, product data, and samples, to Contractor.
  2. Arrange and pay for product delivery to site.
  3. On delivery, inspect products jointly with Contractor.
  4. Submit claims for transportation damage and replace damaged, defective, or deficient items.

FIRE STATIONS RENOVATION  
Arlington County, Virginia  
Architect's Project No.: 563006

---

5. Arrange for manufacturers' warranties, inspections, and service.
- C. Contractor's Responsibilities:
1. Review Owner reviewed shop drawings, product data, and samples.
  2. Receive and unload products at site; inspect for completeness or damage jointly with Owner.
  3. Handle, store, install and finish products.
  4. Repair or replace items damaged after receipt.

### **3.03 TRANSPORTATION AND HANDLING**

- A. Package products for shipment in manner to prevent damage; for equipment, package to avoid loss of factory calibration.
- B. If special precautions are required, attach instructions prominently and legibly on outside of packaging.
- C. Coordinate schedule of product delivery to designated prepared areas in order to minimize site storage time and potential damage to stored materials.
- D. Transport and handle products in accordance with manufacturer's instructions.
- E. Transport materials in covered trucks to prevent contamination of product and littering of surrounding areas.
- F. Promptly inspect shipments to ensure that products comply with requirements, quantities are correct, and products are undamaged.
- G. Provide equipment and personnel to handle products by methods to prevent soiling, disfigurement, or damage, and to minimize handling.
- H. Arrange for the return of packing materials, such as wood pallets, where economically feasible.

### **3.04 STORAGE AND PROTECTION**

- A. Provide protection of stored materials and products against theft, casualty, or deterioration.
  - B. Designate receiving/storage areas for incoming products so that they are delivered according to installation schedule and placed convenient to work area in order to minimize waste due to excessive materials handling and misapplication. See Section 017419.
    1. Structural Loading Limitations: Handle and store products and materials so as not to exceed static and dynamic load-bearing capacities of project floor and roof areas.
  - C. Store and protect products in accordance with manufacturers' instructions.
  - D. Store with seals and labels intact and legible.
  - E. Arrange storage of materials and products to allow for visual inspection for the purpose of determination of quantities, amounts, and unit counts.
  - F. Store sensitive products in weathertight, climate-controlled enclosures in an environment favorable to product.
  - G. For exterior storage of fabricated products, place on sloped supports above ground.
  - H. Provide off-site storage and protection when site does not permit on-site storage or protection.
  - I. Protect products from damage or deterioration due to construction operations, weather, precipitation, humidity, temperature, sunlight and ultraviolet light, dirt, dust, and other contaminants.
  - J. Comply with manufacturer's warranty conditions, if any.
  - K. Do not store products directly on the ground.
  - L. Cover products subject to deterioration with impervious sheet covering. Provide ventilation to prevent condensation and degradation of products.
  - M. Prevent contact with material that may cause corrosion, discoloration, or staining.
  - N. Provide equipment and personnel to store products by methods to prevent soiling, disfigurement, or damage.
-

FIRE STATIONS RENOVATION  
Arlington County, Virginia  
Architect's Project No.: 563006

---

- O. Arrange storage of products to permit access for inspection. Periodically inspect to verify products are undamaged and are maintained in acceptable condition.

**END OF SECTION**

FIRE STATIONS RENOVATION  
Arlington County, Virginia  
Architect's Project No.: 563006

---

**SECTION 017000**  
**EXECUTION AND CLOSEOUT REQUIREMENTS**

**PART 1 GENERAL**

**1.01 SUBMITTALS**

- A. See Section 013000 - Administrative Requirements, for submittal procedures.
- B. Project Record Documents: Accurately record actual locations of capped and active utilities.

**1.02 QUALIFICATIONS**

- A. For design of temporary shoring and bracing, employ a Professional Engineer experienced in design of this type of work and licensed in the State in which the Project is located.

**1.03 PROJECT CONDITIONS**

- A. Use of explosives is not permitted.
- B. Grade site to drain. Maintain excavations free of water. Provide, operate, and maintain pumping equipment.
- C. Protect site from puddling or running water. Provide water barriers as required to protect site from soil erosion.
- D. Perform dewatering activities, as required, for the duration of the project.
- E. Ventilate enclosed areas to assist cure of materials, to dissipate humidity, and to prevent accumulation of dust, fumes, vapors, or gases.
- F. Dust and Silica Control: Execute work by methods to minimize raising dust and silica from construction operations. Provide positive means to prevent air-borne dust and silica from dispersing into atmosphere and over adjacent property.
  - 1. Provide dust-proof enclosures to prevent entry of dust and silica that is generated outdoors.
  - 2. Provide dust-proof barriers between construction areas and areas continuing to be occupied by Owner.
- G. Erosion and Sediment Control: Plan and execute work by methods to control surface drainage from cuts and fills, from borrow and waste disposal areas. Prevent erosion and sedimentation.
  - 1. Minimize amount of bare soil exposed at one time.
  - 2. Provide temporary measures such as berms, dikes, and drains, to prevent water flow.
  - 3. Construct fill and waste areas by selective placement to avoid erosive surface silts or clays.
  - 4. Periodically inspect earthwork to detect evidence of erosion and sedimentation; promptly apply corrective measures.
- H. Noise Control: Provide methods, means, and facilities to minimize noise produced by construction operations.
- I. Pest and Rodent Control: Provide methods, means, and facilities to prevent pests and insects from damaging the work.
- J. Pollution Control: Provide methods, means, and facilities to prevent contamination of soil, water, and atmosphere from discharge of noxious, toxic substances, and pollutants produced by construction operations. Comply with federal, state, and local regulations.
- K. Hazardous Materials: Do not use materials or products that contain hazardous substances, for permanently installed products and materials, installation materials, or for cleaning or other construction use.

**1.04 COORDINATION**

- A. See Section 011000 for occupancy-related requirements.
- B. Coordinate scheduling, submittals, and work of the various sections of the Project Manual to ensure efficient and orderly sequence of installation of interdependent construction elements, with provisions for accommodating items installed later.

FIRE STATIONS RENOVATION  
Arlington County, Virginia  
Architect's Project No.: 563006

---

- C. Notify affected utility companies and comply with their requirements.
- D. Verify that utility requirements and characteristics of new operating equipment are compatible with building utilities. Coordinate work of various sections having interdependent responsibilities for installing, connecting to, and placing in service, such equipment.
- E. Coordinate space requirements, supports, and installation of mechanical and electrical work that are indicated diagrammatically on drawings. Follow routing indicated for pipes, ducts, and conduit, as closely as practicable; place runs parallel with lines of building. Utilize spaces efficiently to maximize accessibility for other installations, for maintenance, and for repairs.
- F. In finished areas except as otherwise indicated, conceal pipes, ducts, and wiring within the construction. Coordinate locations of fixtures and outlets with finish elements.
- G. Coordinate completion and clean-up of work of separate sections.
- H. After Owner occupancy of premises, coordinate access to site for correction of defective work and work not in accordance with Contract Documents, to minimize disruption of Owner's activities.

## **PART 2 PRODUCTS**

### **2.01 PATCHING MATERIALS**

- A. New Materials: As specified in product sections; match existing products and work for patching and extending work.
- B. Type and Quality of Existing Products: Determine by inspecting and testing products where necessary, referring to existing work as a standard.
- C. Product Substitution: For any proposed change in materials, submit request for substitution described in Section 016000 - Product Requirements.

## **PART 3 EXECUTION**

### **3.01 EXAMINATION**

- A. Verify that existing site conditions and substrate surfaces are acceptable for subsequent work. Start of work means acceptance of existing conditions.
- B. Verify that existing substrate is capable of structural support or attachment of new work being applied or attached.
- C. Examine and verify specific conditions described in individual specification sections.
- D. Take field measurements before confirming product orders or beginning fabrication, to minimize waste due to over-ordering or misfabrication.
- E. Verify that utility services are available, of the correct characteristics, and in the correct locations.
- F. Prior to Cutting: Examine existing conditions prior to commencing work, including elements subject to damage or movement during cutting and patching. After uncovering existing work, assess conditions affecting performance of work. Beginning of cutting or patching means acceptance of existing conditions.

### **3.02 PREPARATION**

- A. Clean substrate surfaces prior to applying next material or substance.
- B. Seal cracks or openings of substrate prior to applying next material or substance.
- C. Apply manufacturer required or recommended substrate primer, sealer, or conditioner prior to applying any new material or substance in contact or bond.

### **3.03 GENERAL INSTALLATION REQUIREMENTS**

- A. In addition to compliance with regulatory requirements, conduct construction operations in compliance with NFPA 241, including applicable recommendations in Appendix A.
- B. Install products as specified in individual sections, in accordance with manufacturer's instructions and recommendations, and so as to avoid waste due to necessity for

FIRE STATIONS RENOVATION  
Arlington County, Virginia  
Architect's Project No.: 563006

---

replacement.

- C. Make vertical elements plumb and horizontal elements level, unless otherwise indicated.
- D. Install equipment and fittings plumb and level, neatly aligned with adjacent vertical and horizontal lines, unless otherwise indicated.
- E. Make consistent texture on surfaces, with seamless transitions, unless otherwise indicated.
- F. Make neat transitions between different surfaces, maintaining texture and appearance.

### 3.04 ALTERATIONS

- A. Drawings showing existing construction and utilities are based on casual field observation and existing record documents only.
    - 1. Verify that construction and utility arrangements are as indicated.
    - 2. Report discrepancies to Architect before disturbing existing installation.
    - 3. Beginning of alterations work constitutes acceptance of existing conditions.
  - B. Keep areas in which alterations are being conducted separated from other areas that are still occupied.
    - 1. Provide, erect, and maintain temporary dustproof partitions of construction specified in Section 015000.
  - C. Maintain weatherproof exterior building enclosure except for interruptions required for replacement or modifications; take care to prevent water and humidity damage.
    - 1. Where openings in exterior enclosure exist, provide construction to make exterior enclosure weatherproof.
    - 2. Insulate existing ducts or pipes that are exposed to outdoor ambient temperatures by alterations work.
  - D. Remove existing work as indicated and as required to accomplish new work.
    - 1. Remove items indicated on drawings.
    - 2. Relocate items indicated on drawings.
    - 3. Where new surface finishes are to be applied to existing work, perform removals, patch, and prepare existing surfaces as required to receive new finish; prepare substrate per manufacturer's requirements for successful application of new finish.
    - 4. Where new surface finishes are not specified or indicated, patch holes and damaged surfaces to match adjacent finished surfaces.
  - E. Services (Including but not limited to HVAC, Plumbing, Fire Protection, Electrical, and Telecommunications): Remove, relocate, and extend existing systems to accommodate new construction.
    - 1. Maintain existing active systems that are to remain in operation; maintain access to equipment and operational components; if necessary, modify installation to allow access or provide access panel.
    - 2. Where existing active systems serve occupied facilities but are to be replaced with new services, maintain existing systems in service until new systems are complete and ready for service.
      - a. Disable existing systems only to make switchovers and connections; minimize duration of outages.
      - b. See Section 011000 for other limitations on outages and required notifications.
      - c. Provide temporary connections as required to maintain existing systems in service.
    - 3. Remove abandoned pipe, ducts, conduits, and equipment, including those above accessible ceilings; remove back to source of supply where possible, otherwise cap stub and tag with identification; patch holes left by removal using materials specified for new construction.
  - F. Protect existing work to remain.
    - 1. Prevent movement of structure; provide shoring and bracing if necessary.
    - 2. Perform cutting to accomplish removals neatly and as specified for cutting new work.
    - 3. Repair adjacent construction and finishes damaged during removal work.
  - G. Adapt existing work to fit new work: Make as neat and smooth transition as possible.
-

FIRE STATIONS RENOVATION  
Arlington County, Virginia  
Architect's Project No.: 563006

---

1. When existing finished surfaces are cut so that a smooth transition with new work is not possible, terminate existing surface along a straight line at a natural line of division and make recommendation to Architect.
  2. Where removal of partitions or walls results in adjacent spaces becoming one, rework floors, walls, and ceilings to a smooth plane without breaks, steps, or bulkheads.
- H. Patching: Where the existing surface is not indicated to be refinished, patch to match the surface finish that existed prior to cutting. Where the surface is indicated to be refinished, patch so that the substrate is ready for the new finish.
- I. Refinish existing surfaces as indicated:
1. Where rooms or spaces are indicated to be refinished, refinish all visible existing surfaces to remain to the specified condition for each material, with a neat transition to adjacent finishes.
- J. Clean existing systems and equipment in all spaces impacted by alteration work.
- K. Remove demolition debris and abandoned items from alterations areas and dispose of off-site; do not burn or bury.
- L. Do not begin new construction in alterations areas before demolition is complete.

### **3.05 CUTTING AND PATCHING**

- A. Perform cutting and patching to:
1. Complete the work.
  2. Fit products together to integrate with other work.
  3. Provide openings for penetration of mechanical, electrical, and other services.
  4. Match work that has been cut to adjacent work.
  5. Repair areas adjacent to cuts to required condition.
  6. Repair new work damaged by subsequent work.
  7. Remove samples of installed work for testing when requested.
  8. Remove and replace defective and non-complying work.
- B. Execute work by methods that avoid damage to other work and that will provide appropriate surfaces to receive patching and finishing. In existing work, minimize damage and restore to specified condition.
- C. Employ skilled and experienced installer to perform cutting and patching.
- D. Restore work with new products in accordance with requirements of Contract Documents.
- E. Fit work to pipes, sleeves, ducts, conduit, and other penetrations through surfaces.
- F. At penetrations of fire rated walls, partitions, ceiling, or floor construction, completely seal voids with fire rated material to maintain existing fire ratings, to full thickness of the penetrated element.
- G. Patching:
1. Finish patched surfaces to match finish that existed prior to patching. On continuous surfaces, refinish to nearest intersection or natural break. For an assembly, refinish entire unit.
  2. Match color, texture, and appearance.
  3. Repair patched surfaces that are damaged, lifted, discolored, or showing other imperfections due to patching work. If defects are due to condition of substrate, repair substrate prior to repairing finish.

### **3.06 PROGRESS CLEANING**

- A. Maintain areas free of waste materials, debris, and rubbish. Maintain site in a clean and orderly condition.
- B. Remove debris and rubbish from pipe chases, plenums, attics, crawl spaces, and other closed or remote spaces, prior to enclosing the space.
- C. Broom and vacuum clean interior areas prior to start of surface finishing, and continue cleaning to eliminate dust and silica.

FIRE STATIONS RENOVATION  
Arlington County, Virginia  
Architect's Project No.: 563006

---

- D. Collect and remove waste materials, debris, and trash/rubbish from site periodically and dispose off-site; do not burn or bury.

### **3.07 PROTECTION OF INSTALLED WORK**

- A. Protect installed work from damage by construction operations.
- B. Provide special protection where specified in individual specification sections.
- C. Provide temporary and removable protection for installed products. Control activity in immediate work area to prevent damage.
- D. Provide protective coverings at walls, projections, jambs, sills, and soffits of openings.
- E. Protect finished floors, stairs, and other surfaces from traffic, dirt, wear, damage, or movement of heavy objects, by protecting with durable sheet materials.
- F. Protect work from spilled liquids. If work is exposed to spilled liquids, immediately remove protective coverings, dry out work, and replace protective coverings.
- G. Prohibit traffic or storage upon waterproofed or roofed surfaces. If traffic or activity is necessary, obtain recommendations for protection from waterproofing or roofing material manufacturer.
- H. Prohibit traffic from landscaped areas.
- I. Remove protective coverings when no longer needed; reuse or recycle coverings if possible.

### **3.08 SYSTEM STARTUP AND ADJUSTING**

- A. Coordinate schedule for start-up of various equipment and systems.
- B. Notify Architect and Owner seven days prior to start-up of each item.
- C. Verify that each piece of equipment or system has been checked for proper lubrication, drive rotation, belt tension, control sequence, and for conditions that may cause damage.
- D. Verify tests, meter readings, and specified electrical characteristics agree with those required by the equipment or system manufacturer.
- E. Verify that wiring and support components for equipment are complete and tested.
- F. Execute start-up under supervision of applicable Contractor personnel and manufacturer's representative in accordance with manufacturers' instructions.
- G. When specified in individual specification Sections, require manufacturer to provide authorized representative to be present at site to inspect, check, and approve equipment or system installation prior to start-up, and to supervise placing equipment or system in operation.
- H. Adjust operating products and equipment to ensure smooth and unhindered operation.
- I. Testing, Adjusting, and Balancing of HVAC Systems: Refer to Division 1 Section "Testing, Adjusting, and Balancing for HVAC."
- J. Submit a written report that equipment or system has been properly installed and is functioning correctly.

### **3.09 DEMONSTRATION AND INSTRUCTION**

- A. See Section 017900 - Demonstration and Training.

### **3.10 FINAL CLEANING**

- A. Execute final cleaning prior to Substantial Completion.
  - 1. Clean areas to be occupied by Owner prior to final completion before Owner occupancy.
- B. Use cleaning materials that are nonhazardous.
- C. Clean interior and exterior glass, surfaces exposed to view; remove temporary labels, stains and foreign substances, polish transparent and glossy surfaces, vacuum carpeted and soft surfaces.



FIRE STATIONS RENOVATION  
Arlington County, Virginia  
Architect's Project No.: 563006

---

- D. Remove all labels that are not permanent. Do not paint or otherwise cover fire test labels or nameplates on mechanical and electrical equipment.
- E. Clean equipment and fixtures to a sanitary condition with cleaning materials appropriate to the surface and material being cleaned.
- F. Replace filters of operating equipment.
- G. Clean debris from roofs, gutters, downspouts, scuppers, overflow drains, area drains, and drainage systems.
- H. Clean site; sweep paved areas, rake clean landscaped surfaces.
- I. Remove waste, surplus materials, trash/rubbish, and construction facilities from the site; dispose of in legal manner; do not burn or bury.

### 3.11 CLOSEOUT PROCEDURES

- A. Prior to Substantial Completion, complete the following:
    - 1. Provide startup, testing, and adjusting of all systems and equipment.
      - a. Demonstrate that air and water systems are balanced and that automatic temperature control system is in control of all equipment. This may require separate demonstrations if controls cannot be tested for applicable seasons of the year.
      - b. Submit written certification that testing/adjusting/balancing operations have been completed, and that systems are operation and under control in conformance with applicable specification section(s).
      - c. Submit written certification that all Building Commissioning has been completed.
      - d. Complete testing of the electronic security and detention systems and equipment, demonstrating security control.
    - 2. Provide all inspections required by local authorities having jurisdiction to obtain Certificate of Occupancy, and provide written certification of completion of Special Inspections.
    - 3. Provide preventive maintenance services for all equipment used prior to Substantial Completion, and provide initial maintenance servicing for all products and equipment that will be subject to ongoing maintenance/service contracts.
    - 4. Provide final cleaning of all products, materials, and equipment, and provide touch up and restoration of exposed materials and finishes.
    - 5. Provide fresh batteries in all battery-powered products and equipment.
    - 6. Provide demonstration and training for Owner's personnel on all required systems and equipment.
    - 7. Coordinate a walkthrough with the Owner and the local fire department and other emergency services.
    - 8. To the maximum extent possible, remove temporary facilities and controls, construction equipment and tools, and similar items that are not part of the finished Work.
    - 9. Coordinate changeover with the Owner of permanent utilities, insurance requirements, and building's permanent keying and lock system.
  - B. Notify Architect when work is considered ready for Architect's Substantial Completion inspection.
  - C. Submit written certification containing Contractor's Correction Punch List, that Contract Documents have been reviewed, work has been inspected, and that work is complete in accordance with Contract Documents and ready for Architect's Substantial Completion inspection.
  - D. Owner will occupy the building after Substantial Completion as specified in Section 011000.
  - E. Conduct Substantial Completion inspection and create Final Correction Punch List containing Architect's and Contractor's comprehensive list of items identified to be completed or corrected and submit to Architect.
  - F. Correct items of work listed in Final Correction Punch List and comply with requirements for access to Owner-occupied areas.
-

FIRE STATIONS RENOVATION  
Arlington County, Virginia  
Architect's Project No.: 563006

---

- G. Notify Architect when work is considered finally complete and ready for Architect's Substantial Completion final inspection.
- H. Prior to final completion, complete the following:
  - 1. Complete items of work determined by Architect listed in executed Certificate of Substantial Completion.
  - 2. Provide final pest and rodent control treatments and inspections.
  - 3. Remove any remaining construction equipment, tools, and materials; perform additional cleaning required due to construction activities following Substantial Completion, and leave the site prepared for Owner occupancy.
  - 4. Submit final demonstration and training materials and videos, as built/record documents, operation and maintenance binders, and warranty binders.
  - 5. Submit final application for payment.

**3.12 MAINTENANCE**

- A. Provide service and maintenance of components indicated in specification sections.
  - 1. Contractor's maintenance responsibility shall be through Substantial Completion, unless a longer term is required by individual specification section.
- B. Maintenance service shall not be assigned or transferred to any agent or third party without prior written consent of the Owner.

**END OF SECTION**

FIRE STATIONS RENOVATION  
Arlington County, Virginia  
Architect's Project No.: 563006

---

**SECTION 017419**  
**CONSTRUCTION WASTE MANAGEMENT AND DISPOSAL**

**PART 1 GENERAL**

**1.01 WASTE MANAGEMENT REQUIREMENTS**

- A. Owner requires that this project generate the least amount of trash and waste possible.
- B. Employ processes that ensure the generation of as little waste as possible due to error, poor planning, breakage, mishandling, contamination, or other factors.
- C. Minimize trash/waste disposal in landfills; reuse, salvage, or recycle as much waste as economically feasible.
- D. Contractor shall develop and follow a Waste Management Plan designed to implement these requirements.
- E. The following sources may be useful in developing the Waste Management Plan:
- F. Methods of trash/waste disposal that are not acceptable are:
  - 1. Burning on the project site.
  - 2. Burying on the project site.
  - 3. Dumping or burying on other property, public or private.
  - 4. Other illegal dumping or burying.
- G. Regulatory Requirements: Contractor is responsible for knowing and complying with regulatory requirements, including but not limited to Federal, state and local requirements, pertaining to legal disposal of all construction and demolition waste materials.

**1.02 DEFINITIONS**

- A. Clean: Untreated and unpainted; not contaminated with oils, solvents, caulk, or the like.
- B. Construction and Demolition Waste: Solid wastes typically including building materials, packaging, trash, debris, and rubble resulting from construction, remodeling, repair and demolition operations.
- C. Hazardous: Exhibiting the characteristics of hazardous substances, i.e., ignitibility, corrosivity, toxicity or reactivity.
- D. Nonhazardous: Exhibiting none of the characteristics of hazardous substances, i.e., ignitibility, corrosivity, toxicity, or reactivity.
- E. Nontoxic: Neither immediately poisonous to humans nor poisonous after a long period of exposure.
- F. Recyclable: The ability of a product or material to be recovered at the end of its life cycle and remanufactured into a new product for reuse by others.
- G. Recycle: To remove a waste material from the project site to another site for remanufacture into a new product for reuse by others.
- H. Recycling: The process of sorting, cleansing, treating and reconstituting solid waste and other discarded materials for the purpose of using the altered form. Recycling does not include burning, incinerating, or thermally destroying waste.
- I. Return: To give back reusable items or unused products to vendors for credit.
- J. Reuse: To reuse a construction waste material in some manner on the project site.
- K. Salvage: To remove a waste material from the project site to another site for resale or reuse by others.
- L. Sediment: Soil and other debris that has been eroded and transported by storm or well production run-off water.
- M. Source Separation: The act of keeping different types of waste materials separate beginning from the first time they become waste.
- N. Toxic: Poisonous to humans either immediately or after a long period of exposure.
- O. Trash: Any product or material unable to be reused, returned, recycled, or salvaged.

FIRE STATIONS RENOVATION  
Arlington County, Virginia  
Architect's Project No.: 563006

---

- P. Waste: Extra material or material that has reached the end of its useful life in its intended use. Waste includes salvageable, returnable, recyclable, and reusable material.

### 1.03 SUBMITTALS

- A. See Section 013000 - Administrative Requirements, for submittal procedures.
- B. Waste Management Plan: Include the following information:
1. Analysis of the trash and waste projected to be generated during the entire project construction cycle, including types and quantities.
  2. Landfill Options: The name, address, and telephone number of the landfill(s) where trash/waste will be disposed of, the applicable landfill tipping fee(s), and the projected cost of disposing of all project trash/waste in the landfill(s).
  3. Landfill Alternatives: List all waste materials that will be diverted from landfills by reuse, salvage, or recycling.
  4. Meetings: Describe regular meetings to be held to address waste prevention, reduction, recycling, salvage, reuse, and disposal.
  5. Materials Handling Procedures: Describe the means by which materials to be diverted from landfills will be protected from contamination and prepared for acceptance by designated facilities; include separation procedures for recyclables, storage, and packaging.
  6. Transportation: Identify the destination and means of transportation of materials to be recycled; i.e. whether materials will be site-separated and self-hauled to designated centers, or whether mixed materials will be collected by a waste hauler.

## PART 3 EXECUTION

### 2.01 WASTE MANAGEMENT PLAN IMPLEMENTATION

- A. Manager: Designate an on-site person or persons responsible for instructing workers and overseeing and documenting results of the Waste Management Plan.
- B. Communication: Distribute copies of the Waste Management Plan to job site foreman, each subcontractor, Owner, and Architect.
- C. Instruction: Provide on-site instruction of appropriate separation, handling, and recycling, salvage, reuse, and return methods to be used by all parties at the appropriate stages of the project.
- D. Meetings: Discuss trash/waste management goals and issues at project meetings.
1. Prebid meeting.
  2. Preconstruction meeting.
  3. Regular job-site meetings.
- E. Facilities: Provide specific facilities for separation and storage of materials for recycling, salvage, reuse, return, and trash disposal, for use by all contractors and installers.
1. Provide containers as required.
  2. Provide adequate space for pick-up and delivery and convenience to subcontractors.
  3. Keep recycling and trash/waste bin areas neat and clean and clearly marked in order to avoid contamination of materials.
- F. Hazardous Wastes: Separate, store, and dispose of hazardous wastes according to applicable regulations.
- G. Recycling: Separate, store, protect, and handle at the site identified recyclable waste products in order to prevent contamination of materials and to maximize recyclability of identified materials. Arrange for timely pickups from the site or deliveries to recycling facility in order to prevent contamination of recyclable materials.
- H. Reuse of Materials On-Site: Set aside, sort, and protect separated products in preparation for reuse.
- I. Salvage: Set aside, sort, and protect products to be salvaged for reuse off-site.

**END OF SECTION**

FIRE STATIONS RENOVATION  
Arlington County, Virginia  
Architect's Project No.: 563006

---

**SECTION 017800  
CLOSEOUT SUBMITTALS**

**PART 1 GENERAL**

**1.01 SECTION INCLUDES**

- A. Project record documents.
- B. Operation and maintenance data.
- C. Warranties and bonds.

**1.02 SUBMITTALS**

- A. Project Record Documents: Submit documents to Architect within 15 days after the date of Substantial Completion.
- B. Operation and Maintenance Data:
  - 1. For equipment, or component parts of equipment put into service during construction and operated by Owner, submit completed documents within 15 days after acceptance.
  - 2. Submit one PDF draft copy of completed documents within 15 days after the Closeout Conference. This copy will be reviewed and returned, with Architect comments. Revise content of all document sets as required prior to final submission.
  - 3. After revisions are complete, submit one bound hard copy and PDF electronic file of revised final documents in final form within 15 days after Substantial Completion.
- C. Warranties and Bonds:
  - 1. For equipment or component parts of equipment put into service during construction with Owner's permission, submit documents within 15 days after acceptance.
  - 2. Make other submittals within 15 days after Date of Substantial Completion, prior to final Application for Payment.
  - 3. For items of Work for which acceptance is delayed beyond Date of Substantial Completion, submit within 15 days after acceptance, listing the date of acceptance as the beginning of the warranty period.

**PART 2 PRODUCTS - NOT USED**

**PART 3 EXECUTION**

**3.01 PROJECT RECORD DOCUMENTS**

- A. Maintain on site one set of the following record documents; record actual revisions to the Work:
  - 1. Drawings.
  - 2. Addenda.
  - 3. Change Orders and other modifications to the Contract.
  - 4. Miscellaneous record submittals.
- B. Ensure entries are complete and accurate, enabling future reference by Owner.
  - 1. Include revised Drawings reissued during Bidding and Construction.
- C. Store record documents separate from documents used for construction.
  - 1. Keep record documents in a location accessible to Architect for periodic review and reference.
  - 2. Maintain in legible condition. If record document set becomes damaged or excessively dirty, transfer comments to clean set prior to submittal to Architect.
- D. Record information concurrent with construction progress.
- E. Record Drawings: Legibly mark each item to record actual construction including:
  - 1. Measured depths of foundations in relation to finish first floor datum.
  - 2. Measured horizontal and vertical locations of underground utilities and appurtenances, referenced to permanent surface improvements.
  - 3. Measured locations of internal utilities and appurtenances concealed in construction, referenced to visible and accessible features of the Work.
  - 4. Field changes of dimension and detail.

FIRE STATIONS RENOVATION  
Arlington County, Virginia  
Architect's Project No.: 563006

---

5. Details not on original Contract drawings.
- F. Miscellaneous Record Submittals: Where other specification sections require completion certifications, or closeout or record submittals, submit in a single binder organized by specification section.

### **3.02 ASSEMBLY OF RECORD DOCUMENTS**

- A. Submittal for Architect's Review:
  1. Submit PDF scanned copy of marked up prints.
  2. Architect shall review and provide comment on completeness
- B. Submittal for Distribution to Owner:
  1. After Architect has approved for content and completeness, submit PDF scanned copy of final marked up prints, and submit hard copy originals.
  2. Submit full set of Drawings, regardless of whether any modification or markings are on each sheet.

### **3.03 OPERATION AND MAINTENANCE DATA**

- A. Product Data: Mark each sheet to clearly identify specific products and component parts, and data applicable to installation. Delete inapplicable information.
- B. Drawings: Supplement product data to illustrate relations of component parts of equipment and systems, to show control and flow diagrams. Do not use Project Record Documents as maintenance drawings.
- C. Typed Text: As required to supplement product data. Provide logical sequence of instructions for each procedure, incorporating manufacturer's instructions.

### **3.04 OPERATION AND MAINTENANCE DATA FOR MATERIALS AND FINISHES**

- A. For Each Product, Applied Material, and Finish:
  1. Product data, with catalog number, size, composition, and color and texture designations.
  2. Information for re-ordering custom manufactured products.
- B. Instructions for Care and Maintenance: Manufacturer's recommendations for cleaning agents and methods, precautions against detrimental cleaning agents and methods, and recommended schedule for cleaning and maintenance.
- C. Moisture protection and weather-exposed products: Include product data listing applicable reference standards, chemical composition, and details of installation. Provide recommendations for inspections, maintenance, and repair.
- D. Additional information as specified in individual product specification sections.
- E. Where additional instructions are required, beyond the manufacturer's standard printed instructions, have instructions prepared by personnel experienced in the operation and maintenance of the specific products.

### **3.05 OPERATION AND MAINTENANCE DATA FOR EQUIPMENT AND SYSTEMS**

- A. For Each Item of Equipment and Each System:
  1. Description of unit or system, and component parts.
  2. Identify function, normal operating characteristics, and limiting conditions.
  3. Include performance curves, with engineering data and tests.
  4. Complete nomenclature and model number of replaceable parts.
- B. Where additional instructions are required, beyond the manufacturer's standard printed instructions, have instructions prepared by personnel experienced in the operation and maintenance of the specific products.
- C. Panelboard Circuit Directories: Provide electrical service characteristics, controls, and communications; typed.
- D. Include color coded wiring diagrams as installed.
- E. Operating Procedures: Include start-up, break-in, and routine normal operating instructions and sequences. Include regulation, control, stopping, shut-down, and emergency instructions. Include summer, winter, and any special operating instructions.

FIRE STATIONS RENOVATION  
Arlington County, Virginia  
Architect's Project No.: 563006

---

- F. Maintenance Requirements: Include routine procedures and guide for preventative maintenance and trouble shooting; disassembly, repair, and reassembly instructions; and alignment, adjusting, balancing, and checking instructions.
- G. Provide servicing and lubrication schedule, and list of lubricants required.
- H. Include manufacturer's printed operation and maintenance instructions.
- I. Include sequence of operation by controls manufacturer.
- J. Provide original manufacturer's parts list, illustrations, assembly drawings, and diagrams required for maintenance.
- K. Provide control diagrams by controls manufacturer as installed.
- L. Provide Contractor's coordination drawings, with color coded piping diagrams as installed.
- M. Provide charts of valve tag numbers, with location and function of each valve, keyed to flow and control diagrams.
- N. Provide list of original manufacturer's spare parts, current prices, and recommended quantities to be maintained in storage.
- O. Include test and balancing reports.
- P. Additional Requirements: As specified in individual product specification sections.

**3.06 ASSEMBLY OF OPERATION AND MAINTENANCE MANUALS**

- A. Assemble operation and maintenance data into durable manuals for Owner's personnel use, with data arranged in the same sequence as, and identified by, the specification sections.
- B. Where systems involve more than one specification section, provide separate tabbed divider for each system.
- C. Binders: Commercial quality, 8-1/2 by 11 inch three D side ring binders with durable plastic covers; 2 inch maximum ring size. When multiple binders are used, correlate data into related consistent groupings.
- D. Cover: Identify each binder on front and spine with typed or printed title OPERATION AND MAINTENANCE INSTRUCTIONS; identify title of Project; identify subject matter of contents.
- E. Project Directory: Title and address of Project; names, addresses, and telephone numbers of Architect, Consultants, Contractor and subcontractors, with names of responsible parties.
- F. Tables of Contents: List every item separated by a divider, using the same identification as on the divider tab; where multiple volumes are required, include all volumes Tables of Contents in each volume, with the current volume clearly identified.
- G. Dividers: Provide tabbed dividers for each separate product and system; identify the contents on the divider tab; immediately following the divider tab include a description of product and major component parts of equipment.
- H. Text: Manufacturer's printed data, or typewritten data on 20 pound paper.
- I. Drawings: Provide with reinforced punched binder tab. Bind in with text; fold larger drawings to size of text pages.
- J. Arrangement of Contents: Organize each volume in parts as follows:
  - 1. Project Directory.
  - 2. Table of Contents, of all volumes, and of this volume.
  - 3. Operation and Maintenance Data: Arranged by system, then by product category.
    - a. Source data.
    - b. Product data.
    - c. Operation and maintenance data.
    - d. Field quality control data.
    - e. Photocopies of warranties and bonds.

FIRE STATIONS RENOVATION  
Arlington County, Virginia  
Architect's Project No.: 563006

---

**3.07 WARRANTIES AND BONDS**

- A. Obtain warranties and bonds, executed in duplicate by responsible Subcontractors, suppliers, and manufacturers, within 15 days after completion of the applicable item of work. Except for items put into use with Owner's permission, leave date of beginning of time of warranty until Date of Substantial completion is determined.
- B. Verify that documents are in proper form, contain full information, and are notarized.
- C. Retain warranties and bonds until time specified for submittal.
- D. Manual: Bind in commercial quality 8-1/2 by 11 inch three D side ring binders with durable plastic covers.
- E. Cover: Identify each binder on front and spine with typed or printed title WARRANTIES AND BONDS, with title of Project; name, address and telephone number of Contractor and equipment supplier; and name of responsible company principal.
- F. Table of Contents: Neatly typed, in the sequence of the Table of Contents of the Project Manual, with each item identified with the number and title of the specification section in which specified, and the name of product or work item.
- G. Separate each warranty or bond with index tab sheets keyed to the Table of Contents listing. Provide full information, using separate typed sheets as necessary. List Subcontractor, supplier, and manufacturer, with name, address, and telephone number of responsible principal.
- H. Provide photocopy of each warranty in operation and maintenance manuals; locate each warranty with applicable O&M data for product or equipment.

**END OF SECTION**



FIRE STATIONS RENOVATION  
Arlington County, Virginia  
Architect's Project No.: 563006

---

**SECTION 017900  
DEMONSTRATION AND TRAINING**

**PART 1 GENERAL**

**1.01 SUMMARY**

- A. Demonstration of products, systems, equipment, and other items where indicated in specific specification sections.
- B. Training of Owner personnel in operation and maintenance of products, systems, equipment, and othwhere indicated in specific specification sections.

**1.02 SUBMITTALS**

- A. See Section 013000 - Administrative Requirements, for submittal procedures.
- B. Draft Training Plans: Owner will designate personnel to be trained; tailor training to needs and skill-level of attendees.
  - 1. Submit not less than four weeks prior to start of training.
  - 2. Revise and resubmit until acceptable.
  - 3. Provide an overall schedule showing all training sessions.
  - 4. Include at least the following for each training session:
    - a. Identification, date, time, and duration.
    - b. Description of products and/or systems to be covered.
    - c. Name of firm and person conducting training; include qualifications.
    - d. Intended audience, such as job description.
    - e. Objectives of training and suggested methods of ensuring adequate training.
    - f. Methods to be used, such as classroom lecture, live demonstrations, hands-on, etc.
    - g. Media to be used, such a slides, hand-outs, etc.
    - h. Training equipment required, such as projector, projection screen, etc., to be provided by Contractor.
- C. Training Manuals: Provide training manual for each attendee.
  - 1. Include applicable portion of O&M manuals.
  - 2. Include copies of all hand-outs, slides, overheads, video presentations, etc., that are not included in O&M manuals.
  - 3. Provide one extra copy of each training manual to be included with operation and maintenance data.
- D. Training Reports:
  - 1. Identification of each training session, date, time, and duration.
  - 2. Sign-in sheet showing names and job titles of attendees.
  - 3. List of attendee questions and written answers given, including copies of and references to supporting documentation required for clarification; include answers to questions that could not be answered in original training session.
- E. Video Recordings: Submit digital video recording of each demonstration and training session for Owner's subsequent use.
  - 1. Format: DVD Disc.
  - 2. Label each disc and container with session identification and date.
  - 3. Where available, provide manufacturer's pre-produced training videos in conjunction with live demonstration and training video.

**1.03 QUALITY ASSURANCE**

- A. Instructor Qualifications: Familiar with design, operation, maintenance and troubleshooting of the relevant products and systems.
  - 1. Instructor shall be certified by the manufacturer or fabricator of system.
  - 2. Where a single person is not familiar with all aspects, provide specialists with necessary qualifications.

FIRE STATIONS RENOVATION  
Arlington County, Virginia  
Architect's Project No.: 563006

---

**PART 2 PRODUCTS - NOT USED**

**PART 3 EXECUTION**

**3.01 DEMONSTRATION - GENERAL**

- A. Demonstrations conducted during system start-up do not qualify as demonstrations for the purposes of this section, unless approved in advance by Owner.
- B. Demonstrations conducted during Functional Testing need not be repeated unless Owner personnel training is specified.
- C. Demonstration may be combined with Owner personnel training if applicable, and if acceptable to Owner.
- D. Operating Equipment and Systems: Demonstrate operation in all modes, including start-up, shut-down, seasonal changeover, emergency conditions, and troubleshooting, and maintenance procedures, including scheduled and preventive maintenance.
  - 1. Complete demonstrations within two weeks after the date of Substantial Completion.
  - 2. For equipment or systems requiring seasonal operation, perform demonstration for other season within six months.
- E. Non-Operating Products: Demonstrate cleaning, scheduled and preventive maintenance, and repair procedures.
  - 1. Complete demonstrations within two weeks after the date of Substantial Completion.

**3.02 TRAINING - GENERAL**

- A. Conduct training on-site, utilizing installed products and equipment, unless otherwise indicated.
- B. Provide training in minimum two hour segments.
- C. Training schedule will be subject to availability of Owner's personnel to be trained; re-schedule training sessions as required by Owner; once schedule has been approved by Owner failure to conduct sessions according to schedule will be cause for Owner to charge Contractor for personnel "show-up" time.
- D. Review of Facility Policy on Operation and Maintenance Data: During training discuss:
  - 1. Typical contents and organization of all manuals, including explanatory information, system narratives, and product specific information.
  - 2. Typical uses of the O&M manuals.
- E. Product- and System-Specific Training:
  - 1. Review the applicable O&M manuals.
  - 2. For systems, provide an overview of system operation, design parameters and constraints, and operational strategies.
  - 3. Review instructions for proper operation in all modes, including start-up, shut-down, seasonal changeover and emergency procedures, and for maintenance, including preventative maintenance.
  - 4. Discuss cleaning products and procedures, including recommended cleaning products and products that are detrimental to equipment operation or finishes.
  - 5. Provide hands-on training on all operational modes possible and preventive maintenance.
  - 6. Emphasize safe and proper operating requirements; discuss relevant health and safety issues, warning or error indications, and emergency procedures and shutdown.
  - 7. Discuss common troubleshooting problems and solutions. Include minor adjustments for resolving noise, vibration, and improving system efficiency.
  - 8. Discuss any peculiarities of equipment installation or operation.
  - 9. Discuss warranties and guarantees, including procedures necessary to avoid voiding coverage. Include discussion of continuing maintenance agreements and procedures.
  - 10. Review recommended tools and spare parts inventory suggestions of manufacturers.
  - 11. Review spare parts and tools required to be furnished by Contractor.
  - 12. Review spare parts suppliers and sources and procurement procedures.

FIRE STATIONS RENOVATION  
Arlington County, Virginia  
Architect's Project No.: 563006

---

- F. Be prepared to answer questions raised by training attendees; if unable to answer during training session, provide written response within three days.

**END OF SECTION**

FIRE STATIONS RENOVATION  
Arlington County, Virginia  
Architect's Project No.: 563006

---

**SECTION 018119**  
**INDOOR AIR QUALITY REQUIREMENTS**

**PART 1 GENERAL**

**1.01 SUMMARY**

- A. Provide Indoor Air Quality (IAQ) Management Plan to remain in force during the construction period.
- B. Chapter 3 of the Sheet Metal and Air Conditioning National Contractors' Association (SMACNA) IAQ Guideline for Occupied Buildings Under Construction, 2nd Edition 2007, available from SMACNA (703-803-2980 or www.smacna.org).

**1.02 SUBMITTAL**

- A. Construction Indoor Air Quality Management Plan (CIAQM Plan).

**PART 2 OBJECTIVES DURING CONSTRUCTION**

**2.01 PROTECTION**

- A. Store all materials and equipment in a protected area (inside warehouse or storage trailer). Protect materials and equipment that are too large or heavy to store in a trailer from water and dirt/dust/debris.
  - 1. OPTION: When stored outside, provide two layers of minimum 8-mil poly on the ground and elevate equipment or material a minimum of 4 inches to allow water to run off. Secure top and sides with two layers of 8-mil poly to prevent water penetration and dust/dirt accumulation.
- B. Protect HVAC equipment from dust and odors. Do not store equipment in areas near painting, pressure washing, or excavation. Do not operate equipment during cutting or grinding of masonry or concrete.
  - 1. Refer to Division 23 for construction filter requirements for protection of mechanical duct systems during construction.
  - 2. Clean ductwork when installed. Cap ends of inactive duct with poly during construction to prevent contamination.
  - 3. Do not operate HVAC system until the exterior walls, roof, glass, doors and building filters are properly installed.
  - 4. Replace all filtration media immediately prior to Substantial Completion. Refer to Division 23 for filtration requirements.
  - 5. Do not perform Testing and Balancing until dust or odor generating activities are completed.

**2.02 SOURCE CONTROL**

- A. Minimize IAQ contaminants introduced by construction materials.
- B. Store waste construction materials a minimum of 30 feet away from the building.
- C. Do not smoke within 30 feet of the exterior building perimeter.

**2.03 PATHWAY INTERRUPTION**

- A. Provide barriers to contain construction areas to allow a portion of the building to be cleaned and then operate the HVAC system in that cleaned area. Acceptable barriers include dust curtains and temporary walls.
  - 1. Protect areas of the building in which HVAC is operational by physical barriers from areas of the building not acceptable for operation of the HVAC system.
- B. Maintain areas within 30 feet of outdoor air intakes free of dust, dirt, debris, and volatile materials while the HVAC system is in operation.

**2.04 HOUSEKEEPING**

- A. As dust accumulates at the Site, it can become airborne when disturbed by nearby activity. Similarly, spills or excess applications of products containing solvents will increase odors at the Site. Leaving the Site wet or damp for more than a day could result in the growth of mold and bacteria. Therefore, Site cleanup and maintenance is important to maintaining good IAQ during construction.

FIRE STATIONS RENOVATION  
Arlington County, Virginia  
Architect's Project No.: 563006

---

- B. Perform the following to control contaminants at the Site:
1. Suppress dust with wetting agents or sweeping compounds
  2. Provide an efficient dust collection method (e.g. a damp rag, wet mop, or vacuum equipped with a high efficiency particulate arrester (HEPA) filter or wet scrubber).
  3. Remove spills or excess applications of solvent-containing products immediately. Provide low-VOC emitting spot removers and cleaning agents near occupied areas.
  4. Remove accumulated water and keep work areas as dry as possible, including the use of dehumidification, if necessary.
  5. Once building is enclosed, vacuum with HEPA filtered vacuum cleaners to prevent settled dust from becoming airborne again.
  6. Protect porous materials from exposure to moisture. Replace items that remain damp for more than four hours.

**END OF SECTION**

FIRE STATIONS RENOVATION  
Arlington County, Virginia  
Architect's Project No.: 563006

---

**SECTION 024100  
DEMOLITION**

**PART 1 GENERAL**

**1.01 SUBMITTALS**

- A. See Section 013000 - Administrative Requirements, for submittal procedures.
- B. Project Record Documents: Accurately record actual locations of capped and active utilities and subsurface construction.

**PART 2 PRODUCTS -- NOT USED**

**PART 3 EXECUTION**

**3.01 GENERAL PROCEDURES AND PROJECT CONDITIONS**

- A. All demolition work shall be considered unclassified. Barring discovery of hazardous materials or undocumented structural components, where elements are indicated to be demolished, the bid price shall be for complete demolition of the element, regardless of the individual component makeup of that element.
- B. Comply with applicable codes and regulations for demolition operations and safety of adjacent structures and the public.
  - 1. Obtain required permits.
  - 2. Comply with applicable requirements of NFPA 241.
  - 3. Use of explosives is not permitted.
  - 4. Take precautions to prevent catastrophic or uncontrolled collapse of structures to be removed; do not allow worker or public access within range of potential collapse of unstable structures.
  - 5. Provide, erect, and maintain temporary barriers and security devices.
  - 6. Conduct operations to minimize effects on and interference with adjacent structures and occupants.
  - 7. Do not close or obstruct roadways or sidewalks without permit.
  - 8. Conduct operations to minimize obstruction of public and private entrances and exits; do not obstruct required exits at any time; protect persons using entrances and exits from removal operations.
  - 9. Obtain written permission from owners of adjacent properties when demolition equipment will traverse, infringe upon or limit access to their property.
- C. Do not begin removal until receipt of notification to proceed from Owner.
- D. Do not begin removal until built elements to be salvaged or relocated have been removed.
- E. Protect existing structures and other elements that are not to be removed.
  - 1. Provide bracing and shoring.
  - 2. Prevent movement or settlement of adjacent structures.
  - 3. Stop work immediately if adjacent structures appear to be in danger.
- F. Hazardous Materials: It is not expected that hazardous materials are present in existing construction to be demolished. If suspected hazardous materials are discovered during removal operations, stop work and notify Architect and Owner; hazardous materials include regulated asbestos containing materials, lead, PCB's, and mercury.
  - 1. A survey indicating locations of hazardous materials is on file for examination by demolition contractor upon request.

**3.02 EXISTING UTILITIES**

- A. Coordinate work with utility companies; notify before starting work and comply with their requirements; obtain required permits.
- B. Protect existing utilities to remain from damage.
- C. Do not disrupt public utilities without permit from authority having jurisdiction.
- D. Do not close, shut off, or disrupt existing life safety systems that are in use without at least 7 days prior written notification to Owner.

FIRE STATIONS RENOVATION  
Arlington County, Virginia  
Architect's Project No.: 563006

---

- E. Do not close, shut off, or disrupt existing utility branches or take-offs that are in use without at least 3 days prior written notification to Owner.
- F. Locate and mark utilities to remain; mark using highly visible tags or flags, with identification of utility type; protect from damage due to subsequent construction, using substantial barricades if necessary.
- G. Remove exposed piping, valves, meters, equipment, supports, and foundations of disconnected and abandoned utilities.

### 3.03 SELECTIVE DEMOLITION FOR ALTERATIONS

- A. Drawings showing existing construction and utilities are based on casual field observation and existing record documents only.
  - 1. Verify that construction and utility arrangements are as indicated.
  - 2. Report discrepancies to Architect before disturbing existing installation.
  - 3. Beginning of demolition work constitutes acceptance of existing conditions that would be apparent upon examination prior to starting demolition.
- B. Separate areas in which demolition is being conducted from other areas that are still occupied.
  - 1. Provide, erect, and maintain temporary dustproof partitions of construction specified in Section 015000 in locations indicated on drawings.
- C. Maintain weatherproof exterior building enclosure except for interruptions required for replacement or modifications; take care to prevent water and humidity damage.
- D. Remove existing work as indicated and as required to accomplish new work.
  - 1. Remove items indicated on drawings.
- E. Services (Including but not limited to HVAC, Plumbing, Fire Protection, Electrical, and Telecommunications): Remove existing systems and equipment as indicated.
  - 1. Maintain existing active systems that are to remain in operation; maintain access to equipment and operational components.
  - 2. Where existing active systems serve occupied facilities but are to be replaced with new services, maintain existing systems in service until new systems are complete and ready for service.
  - 3. Verify that abandoned services serve only abandoned facilities before removal.
  - 4. Remove abandoned pipe, ducts, conduits, and equipment, including those above accessible ceilings; remove back to source of supply where possible, otherwise cap stub and tag with identification.
- F. Floor Finishes: After removal of existing floor finishes including backings, underlayments, and thick set mortar beds, remove all residual adhesives and glue. Provide grinding, sanding, or shot-blasting of existing concrete floor slab to achieve the proper surface to receive new indicated floor finish. Coordinate slab surface preparations required for each new indicated floor finish with appropriate subcontractor.
- G. Existing Surfaces to Receive Finishes: Remove miscellaneous hangers, exposed nails not serving as fasteners, and similar protrusions; remove adhesive residue and tape; fill anchorage holes; and otherwise patch and restore surface to be a uniform substrate suitable for applied finishes.
- H. Protect existing work to remain.
  - 1. Prevent movement of structure; provide shoring and bracing if necessary.
  - 2. Perform cutting to accomplish removals neatly and as specified for cutting new work.
  - 3. Repair adjacent construction and finishes damaged during removal work.
  - 4. Patch as specified for patching new work.

### 3.04 DEBRIS AND WASTE REMOVAL

- A. Remove debris, junk, and trash from site.
- B. Leave site in clean condition, ready for subsequent work.
- C. Clean up spillage and wind-blown debris from public and private lands.

**END OF SECTION**

---

FIRE STATIONS RENOVATION  
Arlington County, Virginia  
Architect's Project No.: 563006

---

**SECTION 042000  
UNIT MASONRY**

**PART 1 GENERAL**

**1.01 ADMINISTRATIVE REQUIREMENTS**

- A. Preinstallation Meeting: Convene a preinstallation meeting one week before starting work of this section; require attendance by all relevant installers.

**1.02 SUBMITTALS**

- A. See Section 013000 - Administrative Requirements, for submittal procedures.
- B. Product Data: Provide data for masonry units, fabricated wire reinforcement, mortar, and masonry accessories.
- C. Shop Drawings: Indicate pertinent dimensions, materials, anchorage, size and type of fasteners, and accessories for brickwork support system.

**1.03 QUALITY ASSURANCE**

- A. Comply with provisions of ACI 530.1/ASCE 6/TMS 402/602, except where exceeded by requirements of Contract Documents.
- B. Aggregate for Concrete Masonry Units: If bottom ash is used as aggregate in the CMU, the Source for the bottom ash shall be a power station that has a minimum of ten (10) years continuous experience as a supplier of quality material as verified by independent certified laboratory testing and no defects in the marketplace.

**1.04 DELIVERY, STORAGE, AND HANDLING**

- A. Deliver, handle, and store masonry units by means that will prevent mechanical damage and contamination by other materials.

**PART 2 PRODUCTS**

**2.01 CONCRETE MASONRY UNITS**

- A. Concrete Block: Comply with referenced standards and as follows:
  - 1. Size: Standard units with nominal face dimensions of 16 by 8 inches and nominal depths as indicated on drawings for specific locations.
  - 2. Special Shapes: Provide non-standard blocks configured for corners.
    - a. Provide bullnose units for outside corners.
  - 3. Concrete Masonry Units: ASTM C90, lightweight.
    - a. Exposed Faces: Manufacturer's standard color and texture.
    - b. Aggregates:
      - 1) Lightweight Aggregates: Lightweight aggregate shall strictly comply with ASTM C 331, ASTM C 151, and ASTM C 641. Drying shrinkage of aggregate shall not exceed 0.10% at 100 days.
      - 2) Waste concrete, scoria, and aglite shall not be permitted.

**2.02 MORTAR AND GROUT MATERIALS**

- A. Masonry Cement: ASTM C91/C91M.
- B. Mortar Aggregate: ASTM C144.
- C. Grout Aggregate: ASTM C404.
- D. Water: Clean and potable.

**2.03 REINFORCEMENT AND ANCHORAGE**

- A. Reinforcing Steel: ASTM A615/A615M, Grade 60 (60,000 psi), deformed billet bars; uncoated.
- B. Single Wythe Joint Reinforcement: ASTM A951/A951M.
  - 1. Type: Ladder.
  - 2. Material: ASTM A1064/A1064M steel wire, mill galvanized to ASTM A641/A641M Class 3.



FIRE STATIONS RENOVATION  
Arlington County, Virginia  
Architect's Project No.: 563006

---

3. Size: 0.1483 inch side rods with 0.1483 inch cross rods; width as required to provide not less than 5/8 inch of mortar coverage on each exposure.
- C. Strap Anchors: Bent steel shapes, 1-1/2 inch width, 0.105 inch thick, 24 inch length, with 2 inch long, 90 degree bend at each end to form a U or Z shape or with cross pins, hot dip galvanized to ASTM A153/A153M Class B.
- D. Flexible Anchors: 2-piece anchors that permit differential movement between masonry and building frame, sized to provide not less than 5/8 inch of mortar coverage from masonry face.
  1. Steel frame: Crimped wire anchors for welding to frame, 0.25 inch thick, with trapezoidal wire ties 0.1875 inch thick, hot dip galvanized to ASTM A 153/A 153M, Class B.

#### **2.04 ACCESSORIES**

- A. Preformed Control Joints: Rubber material. Provide with corner and tee accessories, fused joints.
  1. Provide nominal 2.5-inch "standard" and "tee" configurations to suit application unless indicated otherwise.
- B. Joint Filler: Closed cell polyvinyl chloride; oversized 50 percent to joint width; self expanding; in maximum lengths available.
- C. Reinforcing Positioners: Provide wire positioners in bed joints to keep steel reinforcing bars centered in cells, fabricated of 0.1483-inch hot-dip galvanized steel wire.
  1. Available Products:
    - a. Heckmann Building Products, Inc.; No. 376 Rebar Positioner.
    - b. Hohmann & Barnard, Inc.; #RB or #RB-Twin Rebar Positioner.
    - c. Wire-Bond; O-Ring or Double O-Ring Rebar Positioner.
- D. Cleaning Solution: Non-acidic, not harmful to masonry work or adjacent materials.

#### **2.05 LINTELS**

- A. Masonry Lintels: Provide lintels fabricated from CMU bond beams, with steel reinforcing bars, and grouted continuous along entire length. Match adjacent CMU texture and coursing. Lintels may be either prefabricated or built in place.

#### **2.06 MORTAR AND GROUT MIXING**

- A. Mortar for Unit Masonry: ASTM C270, using the Proportion Specification.
  1. Masonry below grade and in contact with earth: Type S.
  2. Exterior, non-loadbearing masonry: Type N.
  3. Interior, non-loadbearing masonry: Type N or Type O.

### **PART 3 EXECUTION**

#### **3.01 EXAMINATION**

- A. Verify that field conditions are acceptable and are ready to receive masonry.
- B. Verify that related items provided under other sections are properly sized and located.
- C. Verify that built-in items are in proper location, and ready for roughing into masonry work.

#### **3.02 PREPARATION**

- A. Direct and coordinate placement of metal anchors supplied for installation under other sections.
- B. Provide temporary bracing during installation of masonry work. Maintain in place until building structure provides permanent bracing.

#### **3.03 COLD AND HOT WEATHER REQUIREMENTS**

- A. Comply with requirements of TMS 402/602 or applicable building code, whichever is more stringent.

#### **3.04 COURSING**

- A. Establish lines, levels, and coursing indicated. Protect from displacement.

FIRE STATIONS RENOVATION  
Arlington County, Virginia  
Architect's Project No.: 563006

---

- B. Maintain masonry courses to uniform dimension. Form vertical and horizontal joints of uniform thickness.
- C. Concrete Masonry Units:
  - 1. Bond: Running.
  - 2. Coursing: One unit and one mortar joint to equal 8 inches.
  - 3. Mortar Joints: Concave.

### **3.05 PLACING AND BONDING**

- A. Lay hollow masonry units with face shell bedding on head and bed joints.
- B. Buttering corners of joints or excessive furrowing of mortar joints is not permitted.
- C. Remove excess mortar and mortar smears as work progresses.
- D. Interlock intersections and external corners.
- E. Do not shift or tap masonry units after mortar has achieved initial set. Where adjustment must be made, remove mortar and replace.
- F. Perform job site cutting of masonry units with proper tools to provide straight, clean, unchipped edges. Prevent broken masonry unit corners or edges.
- G. Cut mortar joints flush where wall tile is scheduled or resilient base is scheduled.
- H. Isolate masonry partitions from vertical structural framing members with a control joint.
- I. Isolate top joint of masonry partitions from horizontal structural framing members and slabs or decks with compressible joint filler.

### **3.06 REINFORCEMENT AND ANCHORAGE - GENERAL AND SINGLE WYTHE MASONRY**

- A. Unless otherwise indicated on drawings or specified under specific wall type, install horizontal joint reinforcement 16 inches on center.
- B. Place masonry joint reinforcement in first and second horizontal joints above and below openings. Extend minimum 16 inches each side of opening.
- C. Place continuous joint reinforcement in first and second joint below top of walls.
- D. Embed longitudinal wires of joint reinforcement in mortar joint with at least 5/8 inch mortar cover on each side.
- E. Lap joint reinforcement ends minimum 6 inches.
- F. Fasten anchors to structural framing and embed in masonry joints as masonry is laid. Unless otherwise indicated on drawings or closer spacing is indicated under specific wall type, space anchors at maximum of 36 inches horizontally and 24 inches vertically.

### **3.07 LINTELS**

- A. Install reinforced unit masonry lintels over openings where steel or precast concrete lintels are not scheduled.
  - 1. Comply with requirements on Structural Drawings for additional lintel sizing, reinforcement, and installation requirements.
  - 2. Allow masonry lintels to attain specified strength before removing temporary supports.
- B. Maintain minimum 8 inch bearing on each side of opening.

### **3.08 CONTROL AND EXPANSION JOINTS**

- A. Do not continue horizontal joint reinforcement through control or expansion joints.
- B. Install preformed control joint device in continuous lengths. Seal butt and corner joints in accordance with manufacturer's instructions.
- C. Provide control and expansion joints at locations indicated on Drawings, and as follows:
  - 1. At changes in wall height.
  - 2. At changes in wall thickness
  - 3. At change in support (eg: transition from foundation support to floor slab support).
  - 4. Adjacent to corners of walls within a distance equal to no more than half the maximum control joint spacing.
  - 5. Wall intersections.

FIRE STATIONS RENOVATION  
Arlington County, Virginia  
Architect's Project No.: 563006

---

6. Do not place control joints closer than 16 inches to edge of wall openings (doors, windows, louvers, ducts).
7. Distance between joints shall not exceed a length to height ratio of 1.5:1.
8. Distance between joints shall not exceed 25 feet where no openings occur between joints.
9. Distance between joints shall not exceed 20 feet where openings occur between joints.

### 3.09 BUILT-IN WORK

- A. As work progresses, install built-in metal door frames, anchor bolts, and plates and other items to be built into the work and furnished under other sections.
- B. Install built-in items plumb, level, and true to line.
- C. Bed anchors of metal door frames in adjacent mortar joints. Fill frame voids solid with grout.
  1. Mix mortar (or grout) to a 4-inch maximum slump consistency and hand trowel into place in accordance with Steel Door Institute (SDI-100).
  2. Fill adjacent masonry cores with grout minimum 12 inches from framed openings.
- D. Do not build into masonry construction organic materials that are subject to deterioration.

### 3.10 TOLERANCES

- A. Install masonry within the site tolerances found in TMS 402/602.
- B. Maximum Variation From Unit to Adjacent Unit: 1/16 inch.
- C. Maximum Variation from Plane of Wall: 1/4 inch in 10 ft and 1/2 inch in 20 ft or more.
- D. Maximum Variation from Plumb: 1/4 inch per story non-cumulative; 1/2 inch in two stories or more.
- E. Maximum Variation from Level Coursing: 1/8 inch in 3 ft and 1/4 inch in 10 ft; 1/2 inch in 30 ft.
- F. Maximum Variation of Mortar Joint Thickness: Head joint, minus 1/4 inch, plus 3/8 inch.
- G. Maximum Variation from Cross Sectional Thickness of Walls: 1/4 inch.

### 3.11 CUTTING AND FITTING

- A. Cut and fit for chases, pipes, conduit, and other indicated built-in construction. Coordinate with other sections of work to provide correct size, shape, and location.
- B. Obtain approval prior to cutting or fitting masonry work not indicated or where appearance or strength of masonry work may be impaired.

### 3.12 FIELD QUALITY CONTROL

- A. An independent testing agency will perform field quality control tests, as specified in Section 014000 - Quality Requirements.
- B. Concrete Masonry Unit Tests: Test each variety of concrete unit masonry in accordance with ASTM C140/C140M for compliance with requirements of this specification.
- C. Mortar Tests: Test each type of mortar in accordance with ASTM C780, testing with same frequency as masonry samples.

### 3.13 CLEANING

- A. Remove excess mortar and mortar droppings.
- B. Replace defective mortar. Match adjacent work.
- C. Clean soiled surfaces with cleaning solution.
- D. Use non-metallic tools in cleaning operations.

### 3.14 PROTECTION

- A. Without damaging completed work, provide protective boards at exposed external corners that are subject to damage by construction activities.

**END OF SECTION**

---

FIRE STATIONS RENOVATION  
Arlington County, Virginia  
Architect's Project No.: 563006

---

**SECTION 055000  
METAL FABRICATIONS**

**PART 1 GENERAL**

**1.01 SUBMITTALS**

- A. See Section 013000 - Administrative Requirements, for submittal procedures.
- B. Shop Drawings: Indicate profiles, sizes, connection attachments, reinforcing, anchorage, size and type of fasteners, and accessories. Include erection drawings, elevations, and details where applicable.

**1.02 QUALITY ASSURANCE**

- A. Design miscellaneous steel fabrications and slotted channel framing assemblies under direct supervision of a Professional Structural Engineer experienced in design of this work and licensed in the State in which the Project is located.
- B. Welder Qualifications: Welding processes and welding operators qualified in accordance with AWS D1.1/D1.1M and AWS D1.2/D1.2M and dated no more than 12 months before start of scheduled welding work.

**PART 2 PRODUCTS**

**2.01 MATERIALS - STEEL**

- A. Steel Sections: ASTM A36/A36M.
- B. Steel Tubing: ASTM A501/A501M hot-formed structural tubing.
- C. Plates: ASTM A283/A283M.
- D. Pipe: ASTM A53/A53M, Grade B Schedule 40, black finish.
- E. Slotted Channel Fittings: ASTM A1011/A1011M.
- F. Mechanical Fasteners: Same material as or compatible with materials being fastened; type consistent with design and specified quality level.
- G. Bolts, Nuts, and Washers: ASTM A307, Grade A, plain.
- H. Welding Materials: AWS D1.1/D1.1M; type required for materials being welded.
- I. Shop and Touch-Up Primer: SSPC-Paint 15, complying with VOC limitations of authorities having jurisdiction.
- J. Touch-Up Primer for Galvanized Surfaces: SSPC-Paint 20, Type I - Inorganic, complying with VOC limitations of authorities having jurisdiction.

**2.02 FABRICATION**

- A. Fit and shop assemble items in largest practical sections, for delivery to site.
- B. Fabricate items with joints tightly fitted and secured.
- C. Continuously seal joined members by continuous welds.
- D. Grind exposed joints flush and smooth with adjacent finish surface. Make exposed joints butt tight, flush, and hairline. Ease exposed edges to small uniform radius.
- E. Supply components required for anchorage of fabrications. Fabricate anchors and related components of same material and finish as fabrication, except where specifically noted otherwise.

**2.03 FABRICATED ITEMS**

- A. Slotted Channel Framing: Fabricate channels and fittings from structural steel complying with the referenced standards; factory-applied, rust-inhibiting thermoset acrylic enamel finish.
- B. Perforated Metal Screen: Perforated aluminum sheet, 0.040" (18 gauge) minimum thickness; 3/32-inch diameter holes on 3/16-inch staggered centers, 23 percent open area.
  - 1. Provide screens in single sheet at each indicated location, with no joints or seams.
  - 2. Provide 1-1/2" x 1-1/2" aluminum angle trim clips at each side, for minimum 3 fasteners per side; equally spaced at top, middle, and bottom of each panel.

FIRE STATIONS RENOVATION  
Arlington County, Virginia  
Architect's Project No.: 563006

---

**2.04 FINISHES - STEEL**

- A. Prime paint steel items.
  - 1. Exceptions: Galvanize items to be embedded in concrete and items to be embedded in masonry.
- B. Prepare surfaces to be primed in accordance with SSPC-SP2.
- C. Clean surfaces of rust, scale, grease, and foreign matter prior to finishing.
- D. Prime Painting: One coat.
- E. Slotted Channel Framing: ASTM A653/A653M, Grade 33.
- F. Stainless Steel Finish: No. 4 Bright Polished finish.

**2.05 FABRICATION TOLERANCES**

- A. Squareness: 1/8 inch maximum difference in diagonal measurements.
- B. Maximum Offset Between Faces: 1/16 inch.
- C. Maximum Misalignment of Adjacent Members: 1/16 inch.
- D. Maximum Bow: 1/8 inch in 48 inches.
- E. Maximum Deviation From Plane: 1/16 inch in 48 inches.

**PART 3 EXECUTION**

**3.01 EXAMINATION**

- A. Verify that field conditions are acceptable and are ready to receive work.

**3.02 PREPARATION**

- A. Clean and strip primed steel items to bare metal where site welding is required.
- B. Supply setting templates to the appropriate entities for steel items required to be cast into concrete or embedded in masonry.

**3.03 INSTALLATION**

- A. Install items plumb and level, accurately fitted, free from distortion or defects.
- B. Provide for erection loads, and for sufficient temporary bracing to maintain true alignment until completion of erection and installation of permanent attachments.
- C. Perform field welding in accordance with AWS D1.1/D1.1M.
- D. Obtain approval prior to site cutting or making adjustments not scheduled.
- E. After erection, prime welds, abrasions, and surfaces not shop primed, except surfaces to be in contact with concrete.

**3.04 TOLERANCES**

- A. Maximum Variation From Plumb: 1/4 inch.
- B. Maximum Offset From True Alignment: 1/4 inch.
- C. Maximum Out-of-Position: 1/4 inch.

**END OF SECTION**

FIRE STATIONS RENOVATION  
Arlington County, Virginia  
Architect's Project No.: 563006

---

**SECTION 055213  
PIPE AND TUBE RAILINGS**

**PART 1 GENERAL**

**1.01 REFERENCE STANDARDS**

- A. ASTM A53/A53M - Standard Specification for Pipe, Steel, Black and Hot-Dipped, Zinc-Coated, Welded and Seamless 2020.
- B. ASTM A123/A123M - Standard Specification for Zinc (Hot-Dip Galvanized) Coatings on Iron and Steel Products 2017.
- C. ASTM A500/A500M - Standard Specification for Cold-Formed Welded and Seamless Carbon Steel Structural Tubing in Rounds and Shapes 2021a.
- D. ASTM E935 - Standard Test Methods for Performance of Permanent Metal Railing Systems and Rails for Buildings 2021.
- E. AWS B2.1/B2.1M - Specification for Welding Procedure and Performance Qualification 2014 (Amended 2015).
- F. AWS D1.1/D1.1M - Structural Welding Code - Steel 2020.

**1.02 SUBMITTALS**

- A. See Section 013000 - Administrative Requirements, for submittal procedures.
- B. Shop Drawings: Indicate profiles, sizes, connection attachments, anchorage, size and type of fasteners, and accessories.
- C. Welders' Qualification Statement: Welders' certificates in accordance with AWS B2.1/B2.1M and dated within the previous 12 months.

**1.03 QUALITY ASSURANCE**

- A. Structural Designer Qualifications: Professional Structural Engineer experienced in design of this work and licensed in the State in which the Project is located, or personnel under direct supervision of such an engineer.
- B. Welder Qualifications: Welding processes and welding operators qualified within previous 12 months.

**PART 2 PRODUCTS**

**2.01 RAILINGS - GENERAL REQUIREMENTS**

- A. Design, fabricate, and test railing assemblies in accordance with the most stringent requirements of applicable local code.
- B. Distributed Loads: Design railing assembly, wall rails, and attachments to resist distributed force of 75 pounds per linear foot applied to the top of the assembly and in any direction, without damage or permanent set. Test in accordance with ASTM E935
- C. Concentrated Loads: Design railing assembly, wall rails, and attachments to resist a concentrated force of 200 pounds applied at any point on the top of the assembly and in any direction, without damage or permanent set. Test in accordance with ASTM E935
- D. Allow for expansion and contraction of members and building movement without damage to connections or members.
- E. Dimensions: See drawings for configurations and heights.
- F. Provide anchors and other components as required to attach to structure, made of same materials as railing components unless otherwise indicated; where exposed fasteners are unavoidable provide flush countersunk fasteners.
- G. Provide welding fittings to join lengths, seal open ends, and conceal exposed mounting bolts and nuts, including but not limited to elbows, T-shapes, splice connectors, flanges, escutcheons, and wall brackets.
- H. Welded Joints: Make visible joints butt tight, flush, and hairline; use methods that avoid discoloration and damage of finish; grind smooth, polish, and restore to required finish.
  - 1. Ease exposed edges to a small uniform radius.

FIRE STATIONS RENOVATION  
Arlington County, Virginia  
Architect's Project No.: 563006

---

2. Welded Joints:
  - a. Carbon Steel: Perform welding in accordance with AWS D1.1/D1.1M.

**2.02 STEEL RAILING SYSTEM**

- A. Steel Tube: ASTM A500/A500M Grade B cold-formed structural tubing.
- B. Steel Pipe: ASTM A53/A53M Grade B Schedule 80, black finish.
- C. Welding Fittings: Factory- or shop-welded from matching pipe or tube; seams continuously welded; joints and seams ground smooth.
- D. Exposed Fasteners: No exposed bolts or screws.
- E. Galvanizing: In accordance with requirements of ASTM A123/A123M.
- F. Shop Primer: Shop prime railings with primer specifically formulated for application over galvanized steel.

**2.03 FABRICATION**

- A. Accurately form components to suit specific project conditions and for proper connection to building structure.
- B. Fit and shop assemble components in largest practical sizes for delivery to site.
- C. Fabricate components with joints tightly fitted and secured.
- D. Welded Joints:
  1. Interior Components: Continuously seal joined pieces by intermittent welds and plastic filler.
  2. Grind exposed joints flush and smooth with adjacent finish surface. Make exposed joints butt tight, flush, and hairline. Ease exposed edges to small uniform radius.

**PART 3 EXECUTION**

**3.01 EXAMINATION**

- A. Verify that field conditions are acceptable and are ready to receive work.

**3.02 PREPARATION**

- A. Clean and strip primed steel items to bare metal where site welding is required.
- B. Supply items required to be cast into concrete or embedded in masonry with setting templates, for installation as work of other sections.

**3.03 INSTALLATION**

- A. Install in accordance with manufacturer's instructions.
- B. Install components plumb and level, accurately fitted, free from distortion or defects, with tight joints.
- C. Anchor railings securely to structure.
- D. Conceal anchor bolts and screws with flange covers.

**3.04 TOLERANCES**

- A. Maximum Variation From Plumb: 1/4 inch per floor level, non-cumulative.
- B. Maximum Offset From True Alignment: 1/4 inch.
- C. Maximum Out-of-Position: 1/4 inch.

**END OF SECTION**

FIRE STATIONS RENOVATION  
Arlington County, Virginia  
Architect's Project No.: 563006

---

**SECTION 061000  
ROUGH CARPENTRY**

**PART 1 GENERAL**

**1.01 SUBMITTALS**

- A. See Section 013000 - Administrative Requirements for submittal procedures.
- B. Product Data: Provide technical data on wood preservative materials and application instructions.

**1.02 DELIVERY, STORAGE, AND HANDLING**

- A. General: Cover wood products to protect against moisture. Support stacked products to prevent deformation and to allow air circulation.
- B. Fire Retardant Treated Wood: Prevent exposure to precipitation during shipping, storage, and installation.

**PART 2 PRODUCTS**

**2.01 GENERAL REQUIREMENTS**

- A. Dimension Lumber: Comply with PS 20 and requirements of specified grading agencies.
  - 1. If no species is specified, provide species graded by the agency specified; if no grading agency is specified, provide lumber graded by grading agency meeting the specified requirements.
  - 2. Grading Agency: Grading agency whose rules are approved by the Board of Review, American Lumber Standard Committee at [www.alsc.org](http://www.alsc.org), and who provides grading service for the species and grade specified; provide lumber stamped with grade mark unless otherwise indicated.

**2.02 DIMENSION LUMBER FOR CONCEALED APPLICATIONS**

- A. Grading Agency: Southern Pine Inspection Bureau, Inc; SPIB (GR).
- B. Sizes: Nominal sizes as indicated on drawings, S4S.
- C. Moisture Content: S-dry or MC19.
- D. Miscellaneous Framing, Blocking, Nailers, Grounds, and Furring:
  - 1. Lumber: S4S, No. 2 or Standard Grade.
  - 2. Boards: Standard or No. 3.

**2.03 CONSTRUCTION PANELS**

- A. Plywood Sheathing, For Roof/Coping: PS 2 type, rated Structural I Sheathing.
  - 1. Bond Classification: Exposure 1.
  - 2. Performance Category: 3/4 PERF CAT.
- B. Communications and Electrical Room Mounting Boards: PS 1 A-D plywood, or medium density fiberboard; 3/4 inch thick; flame spread index of 25 or less, smoke developed index of 450 or less, when tested in accordance with ASTM E84.
- C. Other Applications: Provide in thickness indicated.
  - 1. Concealed Plywood Not Exposed to Weather: PS 1, Exposure 1, A-D or better.
  - 2. Other Locations: PS 1, C-D Plugged or better.

**2.04 ACCESSORIES**

- A. Fasteners and Anchors:
  - 1. Metal and Finish: Hot-dipped galvanized steel complying with ASTM A153/A153M for high humidity and preservative-treated wood locations, unfinished steel elsewhere.
  - 2. Drywall Screws: Bugle head, hardened steel, power driven type, length three times thickness of sheathing.
  - 3. Anchors: Toggle bolt type for anchorage to hollow masonry.
  - 4. Fasteners for Parapet Nailers:
    - a. For masonry backup: 1/4-inch diameter low profile flat head type concrete screw anchors, at spacing indicated. Length to suit embedment into CMU of 1-1/4 inches minimum. Pullout capacity of 100 lb minimum at 1 inch embedment in face



FIRE STATIONS RENOVATION  
Arlington County, Virginia  
Architect's Project No.: 563006

---

shell of hollow CMU.

- B. Construction Adhesives: Adhesives complying with ASTM C557 or ASTM D3498.

## **2.05 FACTORY WOOD TREATMENT**

- A. Treated Lumber and Plywood: Comply with requirements of AWPA U1 - Use Category System for wood treatments determined by use categories, expected service conditions, and specific applications.
1. Fire-Retardant Treated Wood: Mark each piece of wood with producer's stamp indicating compliance with specified requirements.
  2. Preservative-Treated Wood: Provide lumber and plywood marked or stamped by an ALSC-accredited testing agency, certifying level and type of treatment in accordance with AWPA standards.
- B. Fire Retardant Treatment:
1. Interior Type A: AWPA U1, Use Category UCFA, Commodity Specification H, low temperature (low hygroscopic) type, chemically treated and pressure impregnated; capable of providing a maximum flame spread index of 25 when tested in accordance with ASTM E84, with no evidence of significant combustion when test is extended for an additional 20 minutes.
    - a. Kiln dry wood after treatment to a maximum moisture content of 19 percent for lumber and 15 percent for plywood.
    - b. Treat rough carpentry items as indicated .
    - c. Do not use treated wood in applications exposed to weather or where the wood may become wet.
- C. Preservative Treatment:
1. Preservative Pressure Treatment of Lumber Above Grade: AWPA U1, Use Category UC3B, Commodity Specification A using waterborne preservative.
    - a. Kiln dry lumber after treatment to maximum moisture content of 19 percent.
    - b. Treat lumber exposed to weather.
    - c. Treat lumber in contact with roofing, flashing, or waterproofing.
    - d. Treat lumber in contact with masonry or concrete.
    - e. Treat lumber less than 18 inches above grade.
    - f. Treat lumber in other locations as indicated.

## **PART 3 EXECUTION**

### **3.01 PREPARATION**

- A. Coordinate installation of rough carpentry members specified in other sections.

### **3.02 INSTALLATION - GENERAL**

- A. Select material sizes to minimize waste.
- B. Reuse scrap to the greatest extent possible; clearly separate scrap for use on site as accessory components, including: shims, bracing, and blocking.
- C. Where treated wood is used on interior, provide temporary ventilation during and immediately after installation sufficient to remove indoor air contaminants.

### **3.03 BLOCKING, NAILERS, AND SUPPORTS**

- A. Provide framing and blocking members as indicated or as required to support finishes, fixtures, specialty items, and trim.
- B. In walls, provide blocking attached to studs as backing and support for wall-mounted items, unless item can be securely fastened to two or more studs or other method of support is explicitly indicated.

### **3.04 ROOF-RELATED CARPENTRY**

- A. Coordinate installation of roofing carpentry with deck construction, framing of roof openings, and roofing assembly installation.
- B. Provide wood curb at all roof openings except where prefabricated curbs are specified and where specifically indicated otherwise. Form corners by alternating lapping side members.

FIRE STATIONS RENOVATION  
Arlington County, Virginia  
Architect's Project No.: 563006

---

**3.05 INSTALLATION OF CONSTRUCTION PANELS**

- A. Roof Sheathing: Secure panels with long dimension perpendicular to framing members, with ends staggered and over firm bearing. Provide masonry anchors compatible with masonry substrate.
  - 1. Parapet Blocking and Nailers: Secure parapet blocking and nailers to masonry substrate with screw anchors in 2 rows at 24 inches on center, staggered, except within 10 feet of building corners provide 2 rows at 16 inches on center, staggered. Install screw heads flush with uppermost surface of blocking or sheathing, if any, and in accordance with manufacturer's instructions.
- B. Wall Sheathing: Secure with long dimension perpendicular to wall studs, with ends over firm bearing and staggered, using screws.
- C. Communications and Electrical Room Mounting Boards: Secure with screws to studs with edges over firm bearing; space fasteners at maximum 24 inches on center on all edges and into studs in field of board.
  - 1. At fire-rated walls, install board over wall board indicated as part of the fire-rated assembly.
  - 2. Where boards are indicated as full floor-to-ceiling height, install with long edge of board parallel to studs.
  - 3. Install adjacent boards without gaps.

**3.06 CLEANING**

- A. Waste Disposal: See Section 017419 - Construction Waste Management and Disposal.
  - 1. Comply with applicable regulations.
  - 2. Do not burn scrap on project site.
  - 3. Do not burn scraps that have been pressure treated.
  - 4. Do not send materials treated with pentachlorophenol, CCA, or ACA to co-generation facilities or "waste-to-energy" facilities.
- B. Do not leave wood, shavings, sawdust, etc. on the ground or buried in fill.
- C. Prevent sawdust and wood shavings from entering the storm drainage system.

**END OF SECTION**

FIRE STATIONS RENOVATION  
Arlington County, Virginia  
Architect's Project No.: 563006

---

**SECTION 079200  
JOINT SEALANTS**

**PART 1 GENERAL**

**1.01 SUBMITTALS**

- A. See Section 013000 - Administrative Requirements for submittal procedures.
- B. Product Data for Sealants: Submit manufacturer's technical data sheets for each product to be used, that includes the following.
  - 1. Physical characteristics, including movement capability, VOC content, hardness, cure time, and color availability.
  - 2. List of backing materials approved for use with the specific product.
  - 3. Substrates that product is known to satisfactorily adhere to and with which it is compatible.
  - 4. Substrates the product should not be used on.
- C. Product Data for Accessory Products: Submit manufacturer's technical data sheet for each product to be used, including physical characteristics, installation instructions, and recommended tools.
- D. Color Cards for Selection: Where sealant color is not specified, submit manufacturer's color cards showing standard colors available for selection.
- E. Preconstruction Laboratory Test Reports: Submit at least four weeks prior to start of installation.
- F. Preinstallation Field Adhesion Test Plan: Submit at least two weeks prior to start of installation.
- G. Preinstallation Field Adhesion Test Reports: Submit filled out Preinstallation Field Adhesion Test Reports log within 10 days after completion of tests; include bagged test samples and photographic records.

**1.02 QUALITY ASSURANCE**

- A. Installer Qualifications: Company specializing in performing the work of this section, and is approved and/or certified by manufacturer.
  - B. Preconstruction Laboratory Testing: Arrange for sealant manufacturer(s) to test each combination of sealant, substrate, backing, and accessories.
    - 1. Adhesion Testing: In accordance with ASTM C794.
    - 2. Compatibility Testing: In accordance with ASTM C1087.
    - 3. Allow sufficient time for testing to avoid delaying the work.
    - 4. Deliver to manufacturer sufficient samples for testing.
    - 5. Report manufacturer's recommended corrective measures, if any, including primers or techniques not indicated in product data submittals.
    - 6. Testing is not required if sealant manufacturer provides data showing previous testing, not older than 24 months, that shows satisfactory adhesion, lack of staining, and compatibility.
  - C. Preinstallation Field Adhesion Test Plan: Include destructive field adhesion testing of one sample of each combination of sealant type and substrate, except interior acrylic latex sealants, and include the following for each tested sample.
    - 1. Identification of testing agency.
    - 2. Preinstallation Field Adhesion Test Log Form: Include the following data fields, with known information filled out.
      - a. Test date.
      - b. Copy of test method documents.
      - c. Age of sealant upon date of testing.
      - d. Test results, modeled after the sample form in the test method document.
      - e. Indicate use of photographic record of test.
  - D. Field Adhesion Test Procedures:
    - 1. Allow sealants to fully cure as recommended by manufacturer before testing.
-

**FIRE STATIONS RENOVATION**  
Arlington County, Virginia  
Architect's Project No.: 563006

---

2. Have a copy of the test method document available during tests.
  3. Record the type of failure that occurred, other information required by test method, and the information required on the Field Quality Control Log.
  4. When performing destructive tests, also inspect the opened joint for proper installation characteristics recommended by manufacturer, and report any deficiencies.
  5. Deliver the samples removed during destructive tests in separate sealed plastic bags, identified with project, location, test date, and test results, to Owner.
  6. If any combination of sealant type and substrate does not show evidence of minimum adhesion or shows cohesion failure before minimum adhesion, report results to Architect.
- E. Destructive Field Adhesion Test: Test for adhesion in accordance with ASTM C1521, using Destructive Tail Procedure.
1. Sample: At least 18 inches long.
  2. Minimum Elongation Without Adhesive Failure: Consider the tail at rest, not under any elongation stress; multiply the stated movement capability of the sealant in percent by two; then multiply 1 inch by that percentage; if adhesion failure occurs before the "1 inch mark" is that distance from the substrate, the test has failed.
  3. If either adhesive or cohesive failure occurs prior to minimum elongation, take necessary measures to correct conditions and re-test; record each modification to products or installation procedures.

### **1.03 WARRANTY**

- A. See Section 017800 - Closeout Submittals for additional warranty requirements.
- B. Correct defective work within a five year period after Date of Substantial Completion.
- C. Warranty: Include coverage for installed sealants and accessories that fail to achieve watertight seal, exhibit loss of adhesion or cohesion, or do not cure.

## **PART 2 PRODUCTS**

### **2.01 JOINT SEALANTS - GENERAL**

#### **2.02 NONSAG JOINT SEALANTS**

- A. Type ES-1 - Low-Modulus Non-Staining Silicone Sealant: ASTM C920, Grade NS, Uses M and A; not expected to withstand continuous water immersion or traffic.
  1. Movement Capability: Plus and minus 50 percent, minimum.
  2. Non-Staining To Porous Substrates: Non-staining to light-colored natural stone when tested in accordance with ASTM C1248.
  3. Dirt Pick-Up: Reduced dirt pick-up compared to other silicone sealants.
  4. Manufacturers:
    - a. Master Builders Solutions; MasterSeal NP 100.
    - b. Momentive Performance Materials, Inc/GE Silicones; SCS2000 SilPruf.
    - c. Pecora Corporation; Pecora 890 NST (Non-Staining Technology) or 890 FST (Field Tint).
    - d. Polymeric Systems Inc; PSI-641.
    - e. Tremco Commercial Sealants & Waterproofing; Spectrem 3 or Spectrem 4-TS (Field Tint).
    - f. Substitutions: See Section 016000 - Product Requirements.
- B. Type ES-2 - Medium-Modulus Non-Staining Silicone Sealant: ASTM C920, Grade NS, Uses M and A; not expected to withstand continuous water immersion or traffic.
  1. Movement Capability: Plus and minus 50 percent, minimum.
  2. Non-Staining To Porous Substrates: Non-staining to light-colored natural stone when tested in accordance with ASTM C1248.
  3. Dirt Pick-Up: Reduced dirt pick-up compared to other silicone sealants.
  4. Manufacturers:
    - a. Dow; DOWSIL 795 Silicone Building Sealant.
    - b. Momentive Performance Materials, Inc/GE Silicones; SCS9000 SilPruf NB - Non-Staining Silicone Weatherproofing Sealant.
    - c. Pecora Corporation; Pecora 895 NST (Non-Staining Technology).

FIRE STATIONS RENOVATION  
Arlington County, Virginia  
Architect's Project No.: 563006

---

- d. Tremco Commercial Sealants & Waterproofing; Spectrem 2.
  - e. Substitutions: See Section 016000 - Product Requirements.
- C. Type ES-3 - Mildew-Resistant Silicone Sealant: ASTM C920, Grade NS, Uses M and A; single component, mildew resistant; not expected to withstand continuous water immersion or traffic. Neutral- or acid-curing per manufacturer standard.
- 1. Color: White.
  - 2. Manufacturers:
    - a. Dow; DOWSIL 786 Mildew Resistant.
    - b. Momentive Performance Materials, Inc/GE Silicones; Sanitary SCS1700.
    - c. Pecora Corporation; Pecora 898 NST (Non-Staining Technology).
    - d. Tremco Commercial Sealants & Waterproofing; Tremsil 600 or Tremsil 200.
    - e. Substitutions: See Section 016000 - Product Requirements.
- D. ---- Hybrid Silane Polyether for Interior and Exterior Horizontal, Vertical and Overhead Use - ----
- E. Type ES-4 - Polyurethane Sealant: ASTM C920, Grade NS, Uses M and A; multi-component; not expected to withstand continuous water immersion or traffic.
- 1. Movement Capability: Plus and minus 25 percent, minimum.
  - 2. Manufacturers:
    - a. ITW Polymers Sealants; Permathane SM 7200.
    - b. Master Builders Solutions; Master Seal NP2.
    - c. Pecora Corporation; DynaTrol II.
    - d. Sika Corporation; Sikaflex-2c NS.
    - e. Tremco Commercial Sealants & Waterproofing; Dymeric 240 FC or Vulkem 227.
    - f. Substitutions: See Section 016000 - Product Requirements.
- F. Type LS-1 - Acrylic Emulsion Latex: Water-based; ASTM C834, single component, non-staining, non-bleeding, non-sagging; not intended for exterior use.
- 1. Color: Standard colors matching finished surfaces, Type OP (opaque).
  - 2. Grade: ASTM C834; Grade NF.
  - 3. Manufacturers:
    - a. Bostik Findley, Inc; Chem-Calk 600.
    - b. ITW Polymers Sealants; SM 8200.
    - c. Master Builders Solutions; MasterSeal NP 520.
    - d. Pecora Corporation; AC-20 +Silicone.
    - e. Tremco Commercial Sealants & Waterproofing; Tremflex 834.
    - f. Substitutions: See Section 016000 - Product Requirements.
- G. Type AS-1 - Acrylic Emulsion Latex: Water-based; ASTM C834, single component, non-staining, non-bleeding, non-sagging acoustical sealant.
- 1. Color: Standard colors matching finished surfaces, Type OP (opaque).
  - 2. Grade: ASTM C834; Grade NF.
  - 3. Manufacturers:
    - a. Accumetric LLC; BOSS 826 Acoustical Sound Sealant.
    - b. Franklin International, Inc; Titebond GREENchoice Acoustical Smoke & Sound Sealant.
    - c. Hilti, Inc; CP 506 Smoke and Acoustical Sealant.
    - d. Master Builders Solutions; MasterSeal NP 520.
    - e. Momentive Performance Materials, Inc/GE Silicones; RCS20 Acoustical.
    - f. Pecora Corporation; AC-20 FTR or AIS-919.
    - g. Specified Technologies Inc; Smoke N' Sound Acoustical Sealant: [www.stifirestop.com/#sle](http://www.stifirestop.com/#sle).
    - h. Tremco Commercial Sealants & Waterproofing; Tremstop Smoke and Sound.
    - i. Substitutions: See Section 016000 - Product Requirements.
- H. Type SRS-1 - Butyl Sealant: Solvent-based; ASTM C1311; single component, nonsag; not expected to withstand continuous water immersion or traffic.
- 1. Manufacturers:

FIRE STATIONS RENOVATION  
Arlington County, Virginia  
Architect's Project No.: 563006

---

- a. Bostik, Inc; Chem-Calk 300.
- b. Pecora Corporation; Pecora BC-158 Butyl Rubber Sealant.
- c. Tremco Commercial Sealants & Waterproofing; Tremco Butyl Sealant.

### 2.03 SELF-LEVELING SEALANTS

- A. Type ES-5 - Self-Leveling Polyurethane Sealant for Traffic: Polyurethane; ASTM C920, Grade P, Uses M and A; single- or multi-component; explicitly approved by manufacturer for traffic exposure.
  1. Movement Capability: Plus and minus 25 percent, minimum.
  2. Manufacturers:
    - a. Bostik Findley; Chem-Calk 550.
    - b. ITW Polymers Sealants; Permathane SM 7201.
    - c. Pacific Polymers, Inc; Elasto-Thane 227 Type 1 (Self-Leveling).
    - d. Polymeric Systems, Inc; PSI-270SL.
    - e. Tremco Commercial Sealants & Waterproofing; THC-901 or THC-900.
    - f. W. R. MEADOWS, Inc; POURTHANE SL.
    - g. Substitutions: See Section 016000 - Product Requirements.
- B. ---- Hybrid Silane Polyether for Interior and Exterior Horizontal Applications ----
- C. ---- Joint Filler for Expansion Joints in Concrete of Multi-Story Parking Garages ----

### 2.04 ACCESSORIES

- A. Backer Rod: Cylindrical cellular foam rod with surface that sealant will not adhere to, compatible with specific sealant used, and recommended by backing and sealant manufacturers for specific application.
- B. Backing Tape: Self-adhesive polyethylene tape with surface that sealant will not adhere to and recommended by tape and sealant manufacturers for specific application.
- C. Masking Tape: Self-adhesive, nonabsorbent, non-staining, removable without adhesive residue, and compatible with surfaces adjacent to joints and sealants.
- D. Joint Cleaner: Non-corrosive and non-staining type, type recommended by sealant manufacturer; compatible with joint forming materials.
- E. Primers: Type recommended by sealant manufacturer to suit application; non-staining.

## PART 3 EXECUTION

### 3.01 EXAMINATION

- A. Verify that joints are ready to receive work.
- B. Verify that backing materials are compatible with sealants.
- C. Verify that backer rods are of the correct size.
- D. Preinstallation Adhesion Testing: Install a sample for each test location indicated in the test plan.
  1. Test each sample as specified in PART 1 under QUALITY ASSURANCE article.
  2. Notify Architect of date and time that tests will be performed, at least seven days in advance.
  3. Record each test on Preinstallation Adhesion Test Log as indicated.
  4. If any sample fails, review products and installation procedures, consult manufacturer, or take whatever other measures are necessary to ensure adhesion; re-test in a different location; if unable to obtain satisfactory adhesion, report to Architect.
  5. After completion of tests, remove remaining sample material and prepare joint for new sealant installation.

### 3.02 PREPARATION

- A. Remove loose materials and foreign matter that could impair adhesion of sealant.
- B. Clean joints, and prime as necessary, in accordance with manufacturer's instructions.
- C. Perform preparation in accordance with manufacturer's instructions and ASTM C1193.

FIRE STATIONS RENOVATION  
Arlington County, Virginia  
Architect's Project No.: 563006

---

- D. Mask elements and surfaces adjacent to joints from damage and disfigurement due to sealant work; be aware that sealant drips and smears may not be completely removable.

**3.03 INSTALLATION**

- A. Perform work in accordance with sealant manufacturer's requirements for preparation of surfaces and material installation instructions.
- B. Perform installation in accordance with ASTM C1193.
- C. Perform acoustical sealant application work in accordance with ASTM C919.
- D. Measure joint dimensions and size joint backers to achieve width-to-depth ratio, neck dimension, and surface bond area as recommended by manufacturer, except where specific dimensions are indicated.
- E. Install bond breaker backing tape where backer rod cannot be used.
- F. Install sealant free of air pockets, foreign embedded matter, ridges, and sags, and without getting sealant on adjacent surfaces.
- G. Do not install sealant when ambient temperature is outside manufacturer's recommended temperature range, or will be outside that range during the entire curing period, unless manufacturer's approval is obtained and instructions are followed.
- H. Nonsag Sealants: Tool surface concave, unless otherwise indicated; remove masking tape immediately after tooling sealant surface.

**3.04 FIELD QUALITY CONTROL**

- A. Perform field quality control inspection/testing as specified in PART 1 under QUALITY ASSURANCE article.
- B. Destructive Adhesion Testing: If there are any failures in first 1000 linear feet, notify Architect immediately.
- C. Remove and replace failed portions of sealants using same materials and procedures as indicated for original installation.
- D. Repair destructive test location damage immediately after evaluation and recording of results.

**END OF SECTION**

FIRE STATIONS RENOVATION  
Arlington County, Virginia  
Architect's Project No.: 563006

---

**SECTION 081113  
STEEL DOORS AND FRAMES**

**PART 1 GENERAL**

**1.01 SUBMITTALS**

- A. See Section 013000 - Administrative Requirements for submittal procedures.
- B. Product Data: Materials and details of design and construction, hardware locations, reinforcement type and locations, anchorage and fastening methods, and finishes.
- C. Shop Drawings: Details of each opening, showing elevations, glazing, frame profiles, and any indicated finish requirements.

**1.02 QUALITY ASSURANCE**

- A. Maintain at project site copies of reference standards relating to installation of products specified.

**1.03 DELIVERY, STORAGE, AND HANDLING**

- A. Comply with NAAMM HMMA 840 or ANSI/SDI A250.8 (SDI-100) in accordance with specified requirements.
- B. Protect with resilient packaging; avoid humidity build-up under coverings; prevent corrosion and adverse effects on factory applied painted finish.

**PART 2 PRODUCTS**

**2.01 MANUFACTURERS**

- A. Hollow Metal Doors and Frames:
  - 1. Ceco Door, an Assa Abloy Group company.
  - 2. Curries, an Assa Abloy Group company.
  - 3. Fleming Door Products, an Assa Abloy Group company.
  - 4. Krieger Specialty Products.
  - 5. Mesker, dormakaba Group.
  - 6. Pioneer Industries, Inc.; an Assa Abloy Group company.
  - 7. Republic Doors, an Allegion brand.
  - 8. Steelcraft, an Allegion brand.
  - 9. Technical Glass Products.

**2.02 PERFORMANCE REQUIREMENTS**

- A. Requirements for Hollow Metal Doors and Frames:
  - 1. Steel Sheet: Comply with one or more of the following requirements; galvanized steel complying with ASTM A653/A653M, cold-rolled steel complying with ASTM A1008/A1008M, or hot-rolled pickled and oiled (HRPO) steel complying with ASTM A1011/A1011M, commercial steel (CS) Type B, for each.
  - 2. Accessibility: Comply with ICC A117.1 and ADA Standards.
  - 3. Door Top and Bottom Closures: Flush end closure channel, with top and door faces aligned.
    - a. Inverted channel closure is acceptable for bottom edges and top edges of interior doors that are not exposed to view from above.
  - 4. Door Edge Profile: Hinged edge square, and lock edge beveled.
  - 5. Typical Door Face Sheets: Flush.
  - 6. Glazed Lights: Non-removable stops on non-secure side; sizes and configurations as indicated on drawings. Style: Manufacturers standard.
  - 7. Hardware Preparations, Selections and Locations: Comply with NAAMM HMMA 830 and NAAMM HMMA 831 or BHMA A156.115 and ANSI/SDI A250.8 (SDI-100) in accordance with specified requirements.
  - 8. Zinc Coating for Typical Interior and/or Exterior Locations: Provide metal components zinc-coated (galvanized) and/or zinc-iron alloy-coated (galvanized) by the hot-dip process in accordance with ASTM A653/A653M, with manufacturer's standard coating thickness, unless noted otherwise for specific hollow metal doors and frames.



FIRE STATIONS RENOVATION  
Arlington County, Virginia  
Architect's Project No.: 563006

---

- a. Based on SDI Standards: Provide at least A40/ZF120 (galvannealed) when necessary, coating not required for typical interior door applications, and at least A60/ZF180 (galvannealed) for corrosive locations.
- B. Combined Requirements: If a particular door and frame unit is indicated to comply with more than one type of requirement, comply with the specified requirements for each type; for instance, an exterior door that is also indicated as being sound-rated must comply with the requirements specified for exterior doors and for sound-rated doors; where two requirements conflict, comply with the most stringent.

### **2.03 HOLLOW METAL DOORS**

- A. Door Finish: Factory primed and field finished.
- B. Interior Doors, Non-Fire-Rated: Fabricate from either cold-rolled steel sheet or metallic-coated steel sheet.
  - 1. Based on SDI Standards: ANSI/SDI A250.8 (SDI-100).
    - a. Level 2 - Heavy-duty.
    - b. Physical Performance Level B, 500,000 cycles; in accordance with ANSI/SDI A250.4.
    - c. Model 1 - Full Flush.
    - d. Door Face Metal Thickness: 18 gauge, 0.042 inch, minimum.
  - 2. Door Core Material: Manufacturers standard core material/construction and in compliance with requirements, except kraft paper honeycomb core is not acceptable.
  - 3. Door Thickness: 1-3/4 inches, nominal.

### **2.04 HOLLOW METAL FRAMES**

- A. Comply with standards and/or custom guidelines as indicated for corresponding door in accordance with applicable door frame requirements.
- B. Frame Finish: Factory primed and field finished.
- C. Interior Door Frames, Non-Fire Rated: Face welded type.
  - 1. Frame Metal Thickness: 16 gauge, 0.053 inch, minimum.
- D. Frames for Wood Doors: Comply with frame requirements in accordance with corresponding door.
- E. Provide mortar guard boxes for hardware cut-outs in frames to be installed in masonry or to be grouted.
- F. Frames in Masonry Walls: Size to suit masonry coursing with head member 4 inches high to fill opening without cutting masonry units.

### **2.05 FINISHES**

- A. Primer: Rust-inhibiting, complying with ANSI/SDI A250.10, door manufacturer's standard.

### **2.06 ACCESSORIES**

- A. Removable and Fixed Stops: Formed sheet steel, mitered or butted corners; prepared for countersink style tamper proof screws.
  - 1. Provide fixed stops toward the secure side of interior glazed lites (for example, toward the corridor or more public accessible spaces).
  - 2. Heights of Stops: Unless otherwise indicated or recommended by glazing manufacturer, provide standard 5/8-inch height stops where allowed by standards.
- B. Mechanical Fasteners for Concealed Metal-to-Metal Connections: Self-drilling, self-tapping, steel with electroplated zinc finish.
- C. Grout for Frames: Mortar grout complying with ASTM C476 with maximum slump of 4 inches as measured in accordance with ASTM C143/C143M for hand troweling in place; plaster grout and thinner pumpable grout are prohibited.
- D. Silencers: Resilient rubber, fitted into drilled hole; provide three on strike side of single doors.
- E. Temporary Frame Spreaders: Provide for factory- or shop-assembled frames.

FIRE STATIONS RENOVATION  
Arlington County, Virginia  
Architect's Project No.: 563006

---

**PART 3 EXECUTION**

**3.01 EXAMINATION**

- A. Verify existing conditions before starting work.
- B. Verify that opening sizes and tolerances are acceptable.
- C. Verify that finished walls are in plane to ensure proper door alignment.

**3.02 INSTALLATION**

- A. Install doors and frames in accordance with manufacturer's instructions and related requirements of specified door and frame standards or custom guidelines indicated.
  - 1. Install in accordance with ANSI/SDI A250.11.
  - 2. Do not remove temporary frame spreaders until after frames have been properly set and secured.
- B. Coordinate frame anchor placement with wall construction.
- C. Grout frames in masonry construction, using hand trowel methods; brace frames so that pressure of grout before setting will not deform frames.
- D. Install door hardware as specified in Section 087100.
- E. Comply with glazing installation requirements of Section 088000.
- F. Coordinate installation of electrical connections to electrical hardware items.
- G. Touch up damaged factory finishes.

**3.03 TOLERANCES**

- A. Clearances Between Door and Frame: Comply with related requirements of specified frame standards or custom guidelines indicated in accordance with SDI 117 or NAAMM HMMA 861.
- B. Maximum Diagonal Distortion: 1/16 inch measured with straight edge, corner to corner.

**3.04 ADJUSTING**

- A. Adjust for smooth and balanced door movement.

**END OF SECTION**

FIRE STATIONS RENOVATION  
Arlington County, Virginia  
Architect's Project No.: 563006

---

**SECTION 083100  
ACCESS DOORS AND PANELS**

**PART 1 GENERAL**

**1.01 SUBMITTALS**

- A. See Section 013000 - Administrative Requirements, for submittal procedures.
- B. Product Data: Provide sizes, types, finishes, hardware, scheduled locations, and details of adjoining work.
- C. Shop Drawings: Indicate exact position of each access door and/or panel unit.

**1.02 COORDINATION**

- A. Verification: Determine specific locations and sizes for access doors needed to gain access to concealed plumbing, mechanical, or other concealed work, and indicate in the schedule specified in "Submittals" Article.
  - 1. This (083100) material specification includes access doors required for Divisions 21 (Fire Suppression), Division 22, (Plumbing), 23 (HVAC) and Division 26 (Electrical) work and any other access doors indicated on Drawings.

**PART 2 PRODUCTS**

**2.01 WALL AND CEILING MOUNTED ACCESS UNITS**

- A. Manufacturers:
  - 1. Activar Construction Products Group, Inc. - JL Industries.
  - 2. ACUDOR Products Inc.
  - 3. Babcock-Davis.
  - 4. Bauco; Access Panel Solutions Inc.
  - 5. Best Access Doors.
  - 6. Cendrex, Inc.
  - 7. Karp Associates, Inc.
  - 8. Larsen's Manufacturing Company.
  - 9. Milcor, Inc.
  - 10. Nystrom, Inc.
  - 11. Williams Brothers Corporation of America.
  - 12. Substitutions: See Section 016000 - Product Requirements.
- B. Wall and Ceiling Mounted Units: Factory fabricated door and frame, fully assembled units with corner joints welded, filled and ground flush; square and without rack or warp; coordinate requirements with type of installation assembly being used for each unit.
  - 1. Material: Steel.
  - 2. Style (Gypsum Board locations): Recessed door panel for infill with wall/ceiling finish.
    - a. Gypsum Board Mounting Criteria: Use drywall bead type frame.
  - 3. Style (Masonry locations): Exposed frame, with door surface flush with frame surface.
  - 4. Door Style: Double-skinned hollow panel.
  - 5. Frames: 16 gauge, 0.0598 inch, minimum thickness.
  - 6. Double-Skinned Hollow Steel Sheet Door Panels: 16 gauge, 0.059 inch, minimum thickness, on both sides and along each edge.
  - 7. Steel Finish: Primed.
  - 8. Hardware:
    - a. Hinges for Non-Fire-Rated Units: Concealed, constant force closure spring type.
    - b. Latch/Lock: Screw driver slot for quarter turn cam latch.

**PART 3 EXECUTION**

**3.01 EXAMINATION**

- A. Verify that rough openings are correctly sized and located.
- B. Begin installation only after substrates have been properly prepared, and if the responsibility of another installer, notify Architect of unsatisfactory preparation before proceeding.

FIRE STATIONS RENOVATION  
Arlington County, Virginia  
Architect's Project No.: 563006

---

**3.02 PREPARATION**

- A. Clean surfaces thoroughly prior to proceeding with this work.
- B. Prepare surfaces using methods recommended by manufacturer for applicable substrates in accordance with project conditions.

**3.03 INSTALLATION**

- A. Install units in accordance with manufacturer's instructions.
- B. Install frames plumb and level in openings, and secure units rigidly in place.
- C. Position units to provide convenient access to concealed equipment when necessary.

**END OF SECTION**

FIRE STATIONS RENOVATION  
Arlington County, Virginia  
Architect's Project No.: 563006

---

**SECTION 088700  
DECORATIVE WINDOW FILM**

**PART 1 GENERAL**

**1.01 SUBMITTALS**

- A. See Section 013000 - Administrative Requirements, for submittal procedures.
- B. Product Data: Manufacturer's data sheets on each product to be used, including:
  - 1. Preparation instructions and recommendations.
  - 2. Storage and handling requirements and recommendations.
  - 3. Installation methods.
- C. Shop Drawings: Detailing installation of film, anchoring accessories, and sealant.
- D. Samples: For each film product to be used, minimum size 4 inches by 6 inches, representing actual product, color, and patterns.
- E. Test Reports: Detailed reports of full-scale chamber tests to specified criteria, using assemblies identical to those required for this project.
- F. Specimen Warranty.

**1.02 DELIVERY, STORAGE, AND HANDLING**

- A. Store products in manufacturer's unopened packaging until ready for installation.
- B. Store and dispose of solvent-based materials, and materials used with solvent-based materials, in accordance with requirements of authorities having jurisdiction.

**1.03 FIELD CONDITIONS**

- A. Maintain environmental conditions (temperature, humidity, and ventilation) within limits recommended by manufacturer for optimum results. Do not install products under environmental conditions outside manufacturer's absolute limits.

**1.04 WARRANTY**

- A. See Section 017800 - Closeout Submittals, for additional warranty requirements.
- B. Provide 10 year manufacturer's replacement warranty to cover film against peeling, cracking, discoloration, and deterioration.

**PART 2 PRODUCTS**

**2.01 MANUFACTURERS**

- A. 3M Window Filme.
- B. Clear Focus Imaging, Inc.
- C. Llumar.
- D. Madico, Inc.
- E. Solar Gard, brand of Saint Gobain.
- F. Solyx.
- G. Substitutions: See Section 016000 - Product Requirements.

**2.02 MATERIALS**

- A. Glazing Film: Translucent polyester film for permanent bonding to glass, with adhesive coating and compatible release liner.
    - 1. Description: Film shall mimic the appearance of acid-etched glass.
    - 2. Thickness: 4 mils, minimum.
    - 3. Color: Frosted/translucent white.
      - a. Final film type shall be selected by Architect from manufacturer's full range of available "frosted" products.
    - 4. Surface Burning Characteristics: Flame spread index of 25, maximum, and smoke developed index of 450, maximum, when tested in accordance with ASTM E84 (Class A).
  - B. Accessory Materials: As recommended or required by film manufacturer.
-

FIRE STATIONS RENOVATION  
Arlington County, Virginia  
Architect's Project No.: 563006

---

**PART 3 EXECUTION**

**3.01 EXAMINATION**

- A. Field-Applied Film: Verify that existing conditions are adequate for proper application and performance of film.
- B. Examine glass and frames. Verify that existing conditions are adequate for proper application and performance of film.
- C. Verify glass is not cracked, chipped, broken, or damaged.
- D. Verify that frames are securely anchored and free of defects.
- E. If substrate preparation is the responsibility of another installer, notify Architect of unsatisfactory preparation before proceeding.

**3.02 PREPARATION**

- A. Clean glass of dust, dirt, paint, oil, grease, mildew, mold, and other contaminants that would inhibit adhesion.
- B. Immediately prior to applying film, thoroughly wash glass with neutral cleaning solution.
- C. Protect adjacent surfaces.
- D. Do not begin installation until substrates have been properly prepared.

**3.03 INSTALLATION**

- A. Do not apply glazing film when surface temperature is less than 40 degrees F or if precipitation is imminent.
- B. Install in accordance with manufacturer's instructions, without air bubbles, wrinkles, streaks, bands, thin spots, pinholes, or gaps, as required to achieve specified performance.
- C. Accurately cut film with straight edges to required sizes allowing 1/16 inch to 1/8 inch gap at perimeter of glazed panel unless otherwise required by anchorage method.
- D. Seams: Seam film only as required to accommodate material sizes; form seams vertically without overlaps and gaps; do not install with horizontal seams.
- E. Clean glass and anchoring accessories following installation. Remove excess sealants and other glazing materials from adjacent finished surfaces.
- F. Remove labels and protective covers.

**3.04 PROTECTION**

- A. Protect installed products until completion of project.
- B. Touch-up, repair or replace damaged products before Date of Substantial Completion.

**END OF SECTION**

FIRE STATIONS RENOVATION  
Arlington County, Virginia  
Architect's Project No.: 563006

---

**SECTION 092216**  
**COLD FORMED STEEL FRAMING - NON-STRUCTURAL (CFSF-NS)**

**PART 1 GENERAL**

**1.01 SUBMITTALS**

- A. See Section 013000 - Administrative Requirements for submittal procedures.
- B. Product Data: Provide data describing framing member materials and finish, product criteria, load charts, and limitations.

**PART 2 PRODUCTS**

**2.01 FRAMING MATERIALS**

- A. Non-Loadbearing Framing System Components: ASTM C645; galvanized sheet steel, of size and properties necessary to comply with ASTM C754 for the spacing indicated, with maximum deflection of wall framing of L/240 at 5 psf.
  - 1. Studs: C shaped with knurled or embossed faces.
  - 2. Runners: U shaped, sized to match studs.
  - 3. Furring: Hat-shaped sections, minimum depth of 7/8 inch.
- B. Partition Head to Structure Connections: Provide track fastened to structure with legs of sufficient length to accommodate deflection, for friction fit of studs cut short and braced with continuous bridging on both sides.
- C. Non-Loadbearing Framing Accessories:
  - 1. Partial Height Wall Framing Support: Provides stud reinforcement and anchored connection to floor.
  - 2. Framing Connectors: ASTM A653/A653M G90 galvanized steel clips; secures cold rolled channel to wall studs for lateral bracing.
  - 3. Sheet Metal Backing: 0.036 inch thick, galvanized.
  - 4. Fasteners: ASTM C1002 self-piercing tapping screws.
  - 5. Anchorage Devices: Powder actuated.
  - 6. Acoustic Insulation: ASTM C665; preformed glass fiber, friction fit type, unfaced.

**2.02 FABRICATION**

- A. Fabricate assemblies of framed sections to sizes and profiles required.
- B. Fit, reinforce, and brace framing members to suit design requirements.

**PART 3 EXECUTION**

**3.01 EXAMINATION**

- A. Verify existing conditions before starting work.
- B. Verify that rough-in utilities are in proper location.

**3.02 INSTALLATION OF STUD FRAMING**

- A. Comply with requirements of ASTM C754.
- B. Extend partition framing to structure where indicated and to ceiling in other locations.
- C. Partitions Terminating at Ceiling: Attach ceiling runner securely to ceiling track in accordance with manufacturer's instructions.
- D. Partitions Terminating at Structure: Attach extended leg top runner to structure, maintain clearance between top of studs and structure, and brace both flanges of studs as indicated.
- E. Align and secure top and bottom runners at 24 inches on center.
- F. Fit runners under and above openings; secure intermediate studs to same spacing as wall studs.
- G. Install studs vertically at spacing indicated on drawings.
- H. Align stud web openings horizontally.
- I. Secure studs to tracks using crimping method. Do not weld.
- J. Fabricate corners using a minimum of three studs.

FIRE STATIONS RENOVATION  
Arlington County, Virginia  
Architect's Project No.: 563006

---

- K. Install double studs at wall openings, door and window jambs, not more than 2 inches from each side of openings.
- L. Brace stud framing system rigid.
- M. Coordinate erection of studs with requirements of door frames; install supports and attachments.
- N. Coordinate installation of bucks, anchors, and blocking with electrical, mechanical, and other work to be placed within or behind stud framing.
- O. Blocking: Use wood blocking secured to studs. Provide blocking for support of plumbing fixtures, toilet partitions, wall cabinets, toilet accessories, hardware, and opening frames.
- P. Furring: Install at spacing and locations shown on drawings. Lap splices a minimum of 6 inches.

**3.03 TOLERANCES**

- A. Maximum Variation From True Position: 1/8 inch in 10 feet.
- B. Maximum Variation From Plumb: 1/8 inch in 10 feet.

**END OF SECTION**



FIRE STATIONS RENOVATION  
Arlington County, Virginia  
Architect's Project No.: 563006

---

**SECTION 092900  
GYPSUM BOARD**

**PART 1 GENERAL**

**1.01 SUBMITTALS**

- A. See Section 013000 - Administrative Requirements for submittal procedures.
- B. Product Data: Provide data on gypsum board, glass mat faced gypsum board, accessories, and joint finishing system.

**PART 2 PRODUCTS**

**2.01 BOARD MATERIALS**

- A. Gypsum Wallboard: Paper-faced gypsum panels as defined in ASTM C1396/C1396M; sizes to minimize joints in place; with tapered edges.
  - 1. Application: Use for vertical surfaces and ceilings, unless otherwise indicated.
  - 2. Mold Resistance: Score of 10, when tested in accordance with ASTM D3273.
    - a. Mold-resistant board is required whenever gypsum board is indicated in rooms subject to steam or water, including mechanical rooms, toilet rooms, custodial rooms, and kitchens.
  - 3. Thickness:
    - a. Vertical Surfaces: 5/8 inch.
    - b. Ceilings: 5/8 inch.
- B. Tile Backing Board:
  - 1. Application: Surfaces behind tile in wet areas including tub and shower surrounds.
  - 2. Mold Resistance: Score of 10, when tested in accordance with ASTM D3273.
  - 3. ANSI Cement-Based Board: Non-gypsum-based; cementitious panels with glass fiber mesh embedded in front and back surfaces complying with ANSI A118.9 and ASTM C 1288 or ASTM C1325.
    - a. Thickness: 5/8 inch.
    - b. Available Products:
      - 1) FinPan, Inc.; Util-A-Crete Backer Board.
      - 2) National Gypsum Company; PermaBase Cement Board.
      - 3) USG Corporation; Durock Cement Board.

**2.02 GYPSUM WALLBOARD ACCESSORIES**

- A. Acoustic Insulation: ASTM C665; preformed glass fiber, friction fit type, unfaced. Thickness sized to fit metal stud cavity.
- B. Acoustic Sealant: Acrylic emulsion latex or water-based elastomeric sealant; do not use solvent-based non-curing butyl sealant. Refer to Division 7 Section "Joint Sealants."
- C. Putty Pads: Non-hardening endothermic material, in pad form, faced on both sides with fpoly liner, designed to seal around penetrations and wiring devices, enhancing acoustic performance.
  - 1. Nominal Size: 7-1/4 x 7-1/4 x 3/16 inches.
  - 2. Available Products:
    - a. 3M; Fire Barrier Moldable Putty Pads MPP+.
    - b. Hilti; Firestop Putty Pad, CFS-P PA.
    - c. Specified Technologies, Inc.; SpecSeal Putty Pad.
- D. Beads, Joint Accessories, and Other Trim: ASTM C1047, rigid plastic, galvanized steel, or rolled zinc, unless noted otherwise.
  - 1. Corner Beads: Low profile, for 90 degree outside corners.
  - 2. L-Trim: Sized to fit gypsum wallboard size(s) indicated.
- E. Acoustic Partition Closure at Storefront or Curtain Wall: Multi-piece rectangular-section assembly of nested U-shape aluminum extrusions for finished closure between aluminum storefront or curtainwall system vertical mullion (and glass where indicated), and partition assembly. Closure shall allow for movements of framing and glass it attaches to, and shall not allow direct metal to glass contact. Fill cavity of partition closure with acoustic batt

FIRE STATIONS RENOVATION  
Arlington County, Virginia  
Architect's Project No.: 563006

---

insulation.

1. Thickness: Aluminum closure plates not less than 0.125-inch thick.
  2. Acoustic Rating: Provide product with a minimum tested STC rating of 55.
    - a. Acoustic Material: Fungi- and microbe-resistant foam, Class A rated when tested per ASTM E 84.
  3. Acoustical Sealant: Seal both ends of partition closure with acoustical sealant.
  4. Finish: Powder coat; color selected by Architect from manufacturer's full range.
  5. Available Products:
    - a. Gordon, Inc; Mullion Mate.
    - b. Mull-It-Over Products; Mull-It-Over.
- F. Joint Materials: ASTM C475/C475M and as recommended by gypsum board manufacturer for project conditions.
1. Paper Tape: 2 inch wide, creased paper tape for joints and corners.
  2. Joint Compound: Drying type, vinyl-based, ready-mixed.
- G. Screws for Fastening of Gypsum Panel Products to Cold-Formed Steel Studs Less than 0.033 inches in Thickness and Wood Members: ASTM C1002; self-piercing tapping screws, corrosion-resistant.
- H. Screws for Fastening of Gypsum Panel Products to Steel Members from 0.033 to 0.112 inch in Thickness: ASTM C954; steel drill screws, corrosion-resistant.
- I. Anchorage to Substrate: Tie wire, nails, screws, and other metal supports, of type and size to suit application; to rigidly secure materials in place.

### **PART 3 EXECUTION**

#### **3.01 EXAMINATION**

- A. Verify that project conditions are appropriate for work of this section to commence.

#### **3.02 ACOUSTIC ACCESSORIES INSTALLATION**

- A. Acoustic Insulation: Place tightly within spaces, around cut openings, behind and around electrical and mechanical items within partitions, and tight to items passing through partitions.
- B. Acoustic Sealant: Install in accordance with manufacturer's instructions.

#### **3.03 BOARD INSTALLATION**

- A. Comply with ASTM C840, GA-216, and manufacturer's instructions. Install to minimize butt end joints, especially in highly visible locations.
- B. Single-Layer Nonrated: Install gypsum board in most economical direction, with ends and edges occurring over firm bearing.
- C. Cementitious Backing Board: Install over steel framing members where indicated, in accordance with ANSI A108.11 and manufacturer's instructions.
- D. Installation on Metal Framing: Use screws for attachment of gypsum board.

#### **3.04 INSTALLATION OF TRIM AND ACCESSORIES**

- A. Control Joints: Place control joints in compliance with ASTM C 840, consistent with lines of building spaces, and as indicated.
1. Not more than 30 feet apart on walls and ceilings over 50 feet long.
  2. At exterior soffits, not more than 30 feet apart in both directions.
- B. Corner Beads: Install at external corners, using longest practical lengths.
- C. Edge Trim: Install at locations where gypsum board abuts dissimilar materials.
- D. Putty Pads: Install putty pads on the backside of items penetrating gypsum board on STC-rated walls/partitions. Items include, but are not limited to, wiring devices, cable, conduit, and pipe. Completely cover and seal around each penetration.

#### **3.05 JOINT TREATMENT**

- A. Paper Faced Gypsum Board: Use paper joint tape, embed with drying type joint compound and finish with drying type joint compound.

FIRE STATIONS RENOVATION  
Arlington County, Virginia  
Architect's Project No.: 563006

---

- B. Finish gypsum board in accordance with levels defined in ASTM C840, as follows:
  - 1. Level 4: Walls and ceilings to receive paint finish or wall coverings, unless otherwise indicated.
  - 2. Level 2: In utility areas, behind cabinetry, and on backing board to receive tile finish.
  - 3. Level 1: Wall areas above finished ceilings, whether or not accessible in the completed construction.
- C. Tape, fill, and sand exposed joints, edges, and corners to produce smooth surface ready to receive finishes.
  - 1. Feather coats of joint compound so that camber is maximum 1/32 inch.
- D. Fill and finish joints and corners of cementitious backing board as recommended by manufacturer.

**3.06 TOLERANCES**

- A. Maximum Variation of Finished Gypsum Board Surface from True Flatness: 1/8 inch in 10 feet in any direction.

**END OF SECTION**

FIRE STATIONS RENOVATION  
Arlington County, Virginia  
Architect's Project No.: 563006

---

**SECTION 093000 – ADD 01  
TILING**

**PART 1 GENERAL**

**1.01 REFERENCE STANDARDS**

- A. ANSI A108.1a - American National Standard Specifications for Installation of Ceramic Tile in the Wet-Set Method, with Portland Cement Mortar 2017.
- B. ANSI A108.1b - American National Standard Specifications for Installation of Ceramic Tile on a Cured Portland Cement Mortar Setting Bed with Dry-Set or Latex-Portland Cement Mortar 2017.
- C. ANSI A108.1c - Contractor's Option: Installation of Ceramic Tile in the Wet-Set Method with Portland Cement Mortar or Installation of Ceramic Tile on a Cured Portland Cement Mortar Setting Bed with Dry-Set or Latex-Portland Cement Mortar 1999 (Reaffirmed 2021).
- D. ANSI A108.2 - American National Standard General Requirements: Materials, Environmental and Workmanship 2019.
- E. ANSI A108.4 - American National Standard Specifications for Installation of Ceramic Tile with Organic Adhesives or Water Cleanable Tile-Setting Epoxy Adhesive 2019.
- F. ANSI A108.5 - American National Standard Specifications for Installation of Ceramic Tile with Dry-Set Portland Cement Mortar or Latex-Portland Cement Mortar 2020.
- G. ANSI A108.6 - American National Standard Specifications for Installation of Ceramic Tile with Chemical Resistant, Water Cleanable Tile-Setting and -Grouting Epoxy 1999 (Reaffirmed 2019).
- H. ANSI A108.8 - American National Standard Specifications for Installation of Ceramic Tile with Chemical Resistant Furan Resin Mortar and Grout 1999 (Reaffirmed 2019).
- I. ANSI A108.9 - American National Standard Specifications for Installation of Ceramic Tile with Modified Epoxy Emulsion Mortar/Grout 1999 (Reaffirmed 2019).
- J. ANSI A108.10 - American National Standard Specifications for Installation of Grout in Tilework 2017.
- K. ANSI A108.12 - American National Standard for Installation of Ceramic Tile with EGP (Exterior Glue Plywood) Latex-Portland Cement Mortar 1999 (Reaffirmed 2019).
- L. ANSI A108.13 - American National Standard for Installation of Load Bearing, Bonded, Waterproof Membranes for Thin-Set Ceramic Tile and Dimension Stone 2005 (Reaffirmed 2021).
- M. ANSI A108.19 - American National Standard Specifications for Interior Installation of Gauged Porcelain Tiles and Gauged Porcelain Tile Panels/Slabs by the Thin-Bed Method Bonded with Modified Dry-Set Cement Mortar or Improved Modified Dry-Set Cement Mortar 2020.
- N. ANSI A118.3 - American National Standard Specifications for Chemical Resistant, Water Cleanable Tile-Setting and -Grouting Epoxy and Water Cleanable Tile-Setting Epoxy Adhesive 2013 (Revised).
- O. ANSI A118.4 - American National Standard Specifications for Modified Dry-Set Cement Mortar 2012 (Revised).
- P. ANSI A118.7 - American National Standard Specifications for High Performance Cement Grouts for Tile Installation 2010 (Reaffirmed 2016).
- Q. ANSI A118.10 - American National Standard Specifications for Load Bearing, Bonded, Waterproof Membranes For Thin-Set Ceramic Tile And Dimension Stone Installation 2014.
- R. ANSI A118.12 - American National Standard Specifications for Crack Isolation Membranes for Thin-Set Ceramic Tile and Dimension Stone Installation 2014.
- S. ANSI A118.15 - American National Standard Specifications for Improved Modified Dry-Set Cement Mortar 2012.

FIRE STATIONS RENOVATION  
Arlington County, Virginia  
Architect's Project No.: 563006

---

- T. ANSI A137.1 - American National Standard Specifications for Ceramic Tile 2021.
- U. TCNA (HB) - Handbook for Ceramic, Glass, and Stone Tile Installation 2019.

**1.02 ADMINISTRATIVE REQUIREMENTS**

- A. Preinstallation Meeting: Convene a preinstallation meeting at the Project Site one week before starting work of this section; require attendance by affected installers.
  - 1. Review substrate preparation requirements.
  - 2. Review each type of tile, mortar, grout, and TCNA installation methods.
  - 3. Review requirements for waterproofing and/or crack isolation membrane(s).

**1.03 SUBMITTALS**

- A. See Section 013000 - Administrative Requirements, for submittal procedures.
- B. Product Data: Provide manufacturers' data sheets on tile, mortar, grout, and accessories. Include instructions for using grouts and adhesives.
- C. Shop Drawings: Indicate tile layout, patterns, color arrangement, perimeter conditions, junctions with dissimilar materials, control and expansion joints, thresholds, ceramic accessories, and setting details.
  - 1. Include waterproofing details at floor drains, shower pans, cove base, and thresholds.
- D. Installer's Qualification Statement:
- E. Maintenance Data: Include recommended cleaning methods, cleaning materials, and stain removal methods.

**1.04 QUALITY ASSURANCE**

- A. Installer Qualifications:
  - 1. Company specializing in performing tile installation, with minimum of five years of documented experience.

**1.05 MOCK-UP**

- A. See Section 014000 - Quality Requirements, for general requirements for mock-up.
- B. Construct tile mock-up where indicated on drawings, incorporating all components specified for the location.
  - 1. Provide mock-up of minimum 5 square feet for each type of floor tile, unless otherwise indicated.
  - 2. Provide mock-up of minimum 5 square feet for each type of wall tile, unless otherwise indicated.
  - 3. Approved mock-up may remain as part of the Work.

**1.06 DELIVERY, STORAGE, AND HANDLING**

- A. Store tile, grout, and mortar off the ground, protected from weather and water infiltration.
- B. Store products in unopened containers or packages until ready for use.
- C. Protect materials from freezing or overheating in accordance with manufacturer's instructions.

**1.07 FIELD CONDITIONS**

- A. Do not install solvent-based products in an unventilated environment.
- B. Maintain ambient and substrate temperature and humidity at levels required by referenced ANSI and TCNA tile standards, and per manufacturer's instructions.

FIRE STATIONS RENOVATION  
Arlington County, Virginia  
Architect's Project No.: 563006

---

## **PART 2 PRODUCTS**

### **2.01 TILE**

- A. Manufacturers: All products of each type by the same manufacturer.
- B. Ceramic Tile, Type P-TILE: glazed porcelain tile. ANSI A137.1 standard grade.
  - 1. Manufacturers: Subject to compliance with requirements, provide products by one of the following:
    - a. Daltile., "Reminiscent" (Basis-of-Design Product)
    - b. American Olean; a division of Dal-Tile Corporation.
    - c. Dal-Tile Corporation.
    - d. Deutsche Steinzeug America, Inc.
    - e. Porcelanite-Lamosa.
    - f. Interceramic.
    - g. Lone Star Ceramics; Elgin Butler.
    - h. Portobello America, Inc.
    - i. Seneca Tiles, Inc.
  - 2. Size: 2 by 2 inch, nominal, for walls in areas outside the shower.
  - 3. Size: 12 by 24 inch, nominal, for within showers, oriented vertically.
  - 4. Size: 12 by 12 inch, nominal, for floors.
  - 5. Size: 6 by 12 inch, nominal, for wall base.
  - 6. Thickness: 3/8 inch.
  - 7. Dynamic Coefficient of Friction: Not less than 0.42.
  - 8. Tile color, Glaze, and Pattern: As selected by Architect from manufacturer's full range. Provide three colors in the mosaic size. Refer to Tile Patterning drawing.
  - 9. Grout Color: As selected by Architect from manufacturer's full range.
  - 10. Trim Units: Matching bullnose, double bullnose, cove base, and cove shapes in sizes coordinated with field tile.
- C. Quarry Tile, Type QT-1: ANSI A137.1 standard grade.
  - 1. Size: 6 by 6 inch, nominal.
  - 2. Thickness: 1/2 inch, nominal.
  - 3. Edges: Square.
  - 4. Surface Finish: Unglazed.
  - 5. Color(s): To be selected by Architect from manufacturer's full range.
  - 6. Trim Units: Matching cove base shapes in sizes coordinated with field tile.
  - 7. Products:
    - a. American Olean; a division of Dal-Tile Corporation.
    - b. Dal-Tile Corporation.
    - c. Metropolitan Ceramics.
    - d. Summitville Tiles, Inc.

### **2.02 TRIM AND ACCESSORIES**

- A. Non-Ceramic Trim: Satin brass anodized extruded aluminum, style and dimensions to suit application, for setting using tile mortar or adhesive.
  - 1. Applications:
    - a. Open edges of wall tile.
    - b. Open edges of floor tile.
    - c. Wall corners, outside and inside.
    - d. Transition between floor finishes of different heights.
    - e. Thresholds at door openings.
    - f. Expansion and control joints, floor and wall.
    - g. Floor to wall joints.
    - h. Borders and other trim as indicated on drawings.
  - 2. Manufacturers:
    - a. Schluter-Systems.

FIRE STATIONS RENOVATION  
Arlington County, Virginia  
Architect's Project No.: 563006

---

- b. Genesis APS International.
  - c. Blanke.
  - d. Ceramic Tool Company (CTC).
  - e. Substitutions: See Section 016000 - Product Requirements.
- B. Thresholds: 2 inches wide by full width of wall or frame opening; beveled edge on both long edges; without holes, cracks, or open seams.
- 1. Material: Marble, honed finish.
  - 2. Applications:
    - a. At doorways where tile terminates.

### 2.03 SETTING MATERIALS

- A. Provide setting and grout materials from same manufacturer.
- B. Modified Dry-Set Mortar (Thinset): ANSI A118.4
- 1. Applications: Use this type at all locations where thinset mortar is indicated, unless otherwise indicated.
  - 2. Products:
    - a. H.B. Fuller Construction Products, Inc.; TEC Full Flex TA 390/391.
    - b. LATICRETE International, Inc.; 252 Silver.
    - c. MAPEI Corporation; Ultraflex 2.
    - d. Summitville Tiles, Inc.; S-1000 MP Thin-Set Latex Mortar.
    - e. Substitutions: See Section 016000 - Product Requirements.
- C. Latex-Portland Cement LHT Mortar (Medium-Bed): ANSI A118.4.
- 1. Applications: Use this type of bond coat where Large and Heavy Tile (LHT) mortar is indicated, in a 5/8-inch thick medium-bed application.
  - 2. Products:
    - a. Custom Building Products; ProLite Premium Rapid Setting Large Format Tile Mortar, with Multi-Surface Bonding Primer.
    - b. H.B. Fuller Construction Products, Inc; TEC Ultimate Large Tile Mortar.
    - c. LATICRETE International, Inc; 257 TITANIUM.
    - d. MAPEI Corporation; Ultraflex LFT.
    - e. Merkrete, by Parex USA, Inc; Merkrete 735 Premium Flex.
    - f. Summitville Tiles, Inc.; S-1200 MP Premium Medium Bed Mortar.
    - g. Substitutions: See Section 016000 - Product Requirements.
- D. Improved Latex-Portland Cement Dry-Set Mortar (Thinset): ANSI A118.15 and ISO 13007 "C2" classification.
- 1. Applications: Use this type of mortar where indicated.
  - 2. Products:
    - a. H.B. Fuller Construction Products, Inc; TEC 3N1 Performance Mortar.
    - b. LATICRETE International, Inc; LATICRETE 254 Platinum.
    - c. MAPEI Corporation; Ultraflex 3.
    - d. Substitutions: See Section 016000 - Product Requirements.

### 2.04 GROUTS

- A. Provide setting and grout materials from same manufacturer.
- B. High Performance Polymer Modified Grout: ANSI A118.7 polymer modified cement grout.
- 1. Applications: Use this type of grout where indicated and where no other type of grout is indicated.
  - 2. Use sanded grout for joints 1/8 inch wide and larger; use unsanded grout for joints less than 1/8 inch wide.
  - 3. Color(s): As selected by Architect from manufacturer's full line.
  - 4. Products:
    - a. Custom Building Products; Prism Color Consistent Grout.
    - b. H.B. Fuller Construction Products, Inc; TEC AccuColor Plus Grout.
    - c. LATICRETE International, Inc; LATICRETE PERMACOLOR Grout.
-

## FIRE STATIONS RENOVATION

Arlington County, Virginia

Architect's Project No.: 563006

- 
- d. MAPEI Corporation; Ultracolor Plus.
  - e. Merkrete, by Parex USA, Inc; Merkrete Pro Grout.
  - f. Substitutions: See Section 016000 - Product Requirements.
- C. Water-Cleanable Epoxy Grout: ANSI A118.3 stain-resistant epoxy grout.
- 1. Applications: Where indicated.
  - 2. Heat Resistance: Tested by manufacturer for continuous exposure up to 140 deg F, and intermittent exposure up to 212 deg F.
  - 3. Color(s): As selected by Architect from manufacturer's full line.
  - 4. Products:
    - a. Custom Building Products; CEG-Lite 100% Solids Commercial Epoxy Grout.
    - b. H.B. Fuller Construction Products, Inc; TEC AccuColor EFX Epoxy Special Effects Grout.
    - c. LATICRETE International, Inc; LATICRETE SPECTRALOCK PRO Premium Grout.
    - d. MAPEI Corporation; Kerapoxy CQ.
    - e. Merkrete, by Parex USA, Inc; Merkrete Pro Epoxy.
    - f. Summitville Tiles, Inc; S-500 Ultra Max.
    - g. Substitutions: See Section 016000 - Product Requirements.
- D. Water-Cleanable Chemical- and Heat-Resistant Epoxy Grout: ANSI A118.3 epoxy grout, also meeting applicable requirements of ANSI A118.5 for chemical resistance.
- 1. Applications: Where indicated.
  - 2. Heat Resistance: Tested by manufacturer for continuous exposure up to 140 deg F, and intermittent exposure up to 350 deg F.
  - 3. Chemical Resistance: Tested per ASTM C 267 for intermittent exposure to the following chemicals and concentrations, with no staining:
    - a. Citric Acid: 20%.
    - b. Phosphoric Acid: 25%.
    - c. Sodium Hydroxide: 10%.
    - d. Sodium Hypochlorite (Bleach): 3%.
    - e. Mineral Spirits.
  - 4. Color(s): As selected by Architect from manufacturer's full line.
  - 5. Products:
    - a. Custom Building Products; CEG-IG 100% Solids Industrial Grade Epoxy Grout.
    - b. LATICRETE International, Inc; LATICRETE SPECTRALOCK 2000 IG.
    - c. MAPEI Corporation; Kerapoxy IEG CQ.
    - d. Summitville Tiles, Inc; S-5100 NovaColor.

**2.05 MAINTENANCE MATERIALS**

- A. Tile Sealants: Moisture- and mildew-resistant type sealants; one-part silicone for wall applications and multi-part urethane for floor applications. Sealants and accessories shall comply with requirements below and with requirements of Division 7 Section "Joint Sealants."
- 1. Color(s): As selected by Architect from manufacturer's full line. Sealant colors shall match grout colors in adjacent joints unless otherwise indicated.
  - 2. Silicone Sealant (Walls): ASTM C 920, Type S, Grade NS, Class 25; Uses NT (non-traffic), G (glass), A (aluminum), O (other substrates indicated).
    - a. Products:
      - 1) GE Silicones, a division of GE Specialty Materials; SCS1700 Sanitary.
      - 2) Pecora Corporation; Pecora 898 NST.
      - 3) Tremco Incorporated; Tremsil 200.
      - 4) Substitutions: See Section 016000 - Product Requirements.
  - 3. Urethane Sealant (Floors): ASTM C 920, Type M, Grade P, Class 25; Uses T (traffic), M (mortar), A (aluminum), O (other substrates indicated).
    - a. Products:
      - 1) Master Builders Solutions; MasterSeal SL 2.
-



## FIRE STATIONS RENOVATION

Arlington County, Virginia

Architect's Project No.: 563006

- 2) Pecora Corporation; NR-200 Urexpan.
- 3) Sika Corporation; Sikaflex-2c SL.
- 4) Tremco Incorporated; THC-901.
- 5) Substitutions: See Section 016000 - Product Requirements.
- 4. Sealant Accessories: Provide backer rod, primer, and other sealant accessories as recommended by sealant manufacturer for applications required.
- B. Grout Sealer: Liquid-applied, penetrating, moisture and stain protection for existing or new Portland cement grout.
  - 1. Composition: Water-based colorless silicone.
  - 2. Products:
    - a. Custom Building Products; Aqua Mix Sealer's Choice Gold.
    - b. Merkrete, by Parex USA, Inc; Merkrete Grout Sealer.
    - c. SGM, Inc.; Grout Sealer.
    - d. Summitville Tiles, Inc.; SL-99 Summitseal II.
    - e. Substitutions: See Section 016000 - Product Requirements.
- C. Tile Sealer: Stain protection for exposed surfaces of unglazed ceramic tile, other porous tile, and grout. Provide penetrating sealer with no sheen, preserving natural tile appearance.
  - 1. Products:
    - a. Custom Building Products; Aqua Mix Sealer's Choice Gold.
    - b. Rust-Oleum Corporation; Miracle Sealants 511 Impregnator Natural Looking Penetrating Sealer.
    - c. STONETECH, a division of LATICRETE international, Inc; STONETECH Heavy Duty Sealer.
    - d. Substitutions: See Section 016000 - Product Requirements.
- D. Grout Release: Temporary, water-soluble pre-grout coating.
  - 1. Products:
    - a. Custom Building Products; Aqua Mix Grout Release.
    - b. MAPEI Corporation; UltraCare Grout Release.
    - c. Substitutions: See Section 016000 - Product Requirements.

**2.06 ACCESSORY MATERIALS**

- A. Concrete Floor Slab Crack Isolation Membrane: Material complying with ANSI A118.12; not intended as waterproofing.
  - 1. Crack Resistance: No failure at 1/8 inch gap, minimum.
  - 2. Peel-and-Stick Sheet Type:
    - a. Material: Rubberized membrane laminated to reinforcing fabric.
    - b. Thickness: 40 mils, nominal.
    - c. Products:
      - 1) Boiardi Products Corp.; a QEP company; Elastiment 340 Sound Control Sheet Membrane Waterproofing and Anti-Fracture/Crack-Suppression System.
      - 2) Custom Building Products; Crack Buster Pro-Crack Prevention Mat Underlayment.
      - 3) MAPEI Corporation; Mapeguard 2.
      - 4) National Applied Construction Products, Inc.; ECB Anti-Fracture Membrane.
      - 5) Substitutions: See Section 016000 - Product Requirements.
- B. Waterproofing Membrane: Specifically designed for bonding to cementitious substrate under thick mortar bed or thin-set tile; complying with ANSI A118.10.
  - 1. Crack Resistance: No failure at 1/8 inch gap, minimum; comply with ANSI A118.12.
  - 2. Fluid or Trowel Applied Type with Embedded Reinforcing Fabric:
    - a. Material: Synthetic rubber or Acrylic.
    - b. Thickness: 30 mils, minimum, dry film thickness.
    - c. Products:

## FIRE STATIONS RENOVATION

Arlington County, Virginia

Architect's Project No.: 563006

- 1) Custom Building Products; 9240 Waterproofing and Anti-Fracture Membrane
- 2) H.B. Fuller Construction Products, Inc; TEC HydraFlex Waterproofing Crack Isolation Membrane.
- 3) LATICRETE International, Inc; 9235 Waterproofing Membrane.
- 4) MAPEI Corporation; Mapelastic AquaDefense.
- 5) Merkrete, by Parex USA, Inc; Merkrete Hydro Guard 2000.
- 6) Summitville Tiles, Inc.; S-9000.
- 7) Substitutions: See Section 016000 - Product Requirements.

**PART 3 EXECUTION****3.01 EXAMINATION**

- A. Verify that subfloor surfaces are smooth and flat within the tolerances specified for that type of work, per ANSI A108.01, and are ready to receive tile.
- B. Verify that wall surfaces are smooth and flat within the tolerances specified for that type of work, are dust-free, and are ready to receive tile.
- C. Verify that subfloor surfaces are dust free and free of substances that could impair bonding of setting materials to subfloor surfaces.
- D. Verify that required floor-mounted utilities are in correct location.

**3.02 PREPARATION**

- A. Protect surrounding work from damage.
- B. Vacuum clean surfaces and damp clean.
- C. Seal substrate surface cracks with filler. Level existing substrate surfaces to acceptable flatness tolerances.
- D. For ease of cleaning and to prevent staining, precoat tile with temporary grout release. For unglazed ceramic and other porous tile types, provide either combination tile sealer/grout release, or a temporary grout release with final tile sealer applied after tile installation.

**3.03 INSTALLATION - GENERAL**

- A. Install tile, thresholds, and stair treads and grout in accordance with applicable requirements of ANSI A108.1a through ANSI A108.19, manufacturer's instructions, and TCNA (HB) recommendations.
- B. Lay tile to pattern indicated. Do not interrupt tile pattern through openings.
- C. Cut and fit tile to penetrations through tile, leaving sealant joint space. Form corners and bases neatly. Align floor joints.
- D. Place tile joints uniform in width, subject to variance in tolerance allowed in tile size. Make grout joints without voids, cracks, excess mortar or excess grout, or too little grout.
- E. Form internal angles square and external angles bullnosed.
- F. Install non-ceramic trim in accordance with manufacturer's instructions.
- G. Install thresholds where indicated.
- H. Sound tile after setting. Replace hollow sounding units.
- I. Keep control and expansion joints free of mortar, grout, and adhesive.
- J. Prior to grouting, allow installation to completely cure; minimum of 48 hours.
- K. Grout tile joints unless otherwise indicated. Use standard grout unless otherwise indicated.
- L. At changes in plane and tile-to-tile control joints, use tile sealant instead of grout, with either bond breaker tape or backer rod as appropriate to prevent three-sided bonding.

**3.04 INSTALLATION - FLOORS - THIN-SET METHODS**

- A. Over interior concrete substrates, install in accordance with TCNA (HB) Method F113, dry-set or latex-Portland cement bond coat, with standard grout, unless otherwise indicated.

FIRE STATIONS RENOVATION

Arlington County, Virginia

Architect's Project No.: 563006

---

1. Where waterproofing membrane is indicated, install in accordance with TCNA (HB) Method F122, with latex-Portland cement grout.

**3.05 INSTALLATION - WALL TILE**

- A. Over interior concrete and masonry install in accordance with TCNA (HB) Method W202, thin-set with dry-set or latex-Portland cement bond coat.

**3.06 CLEANING**

- A. Clean tile and grout surfaces.

**3.07 PROTECTION**

- A. Do not permit traffic over finished floor surface for 4 days after installation.

**END OF SECTION**

FIRE STATIONS RENOVATION  
Arlington County, Virginia  
Architect's Project No.: 563006

---

**SECTION 095100  
ACOUSTICAL CEILINGS**

**PART 1 GENERAL**

**1.01 REFERENCE STANDARDS**

- A. ASTM C635/C635M - Standard Specification for the Manufacture, Performance, and Testing of Metal Suspension Systems for Acoustical Tile and Lay-in Panel Ceilings 2017.

**1.02 SUBMITTALS**

- A. See Section 013000 - Administrative Requirements, for submittal procedures.
- B. Shop Drawings: Indicate grid layout and related dimensioning.
- C. Product Data: Provide data on suspension system components and acoustical units.

**1.03 FIELD CONDITIONS**

- A. Maintain uniform temperature of minimum 60 degrees F, and maximum humidity of 40 percent prior to, during, and after acoustical unit installation.

**PART 2 PRODUCTS**

**2.01 ACOUSTICAL UNITS**

**2.02 SUSPENSION SYSTEM(S)**

- A. Metal Suspension Systems - General: Complying with ASTM C635/C635M; die cut and interlocking components, with perimeter moldings, hold down clips, stabilizer bars, clips, and splices as required.

**2.03 ACCESSORIES**

- A. Support Channels and Hangers: Galvanized steel; size and type to suit application, seismic requirements, and ceiling system flatness requirement specified.
- B. Hanger Wire: 12 gauge, 0.08 inch galvanized steel wire.
- C. Perimeter Moldings: Same metal and finish as grid.
- D. Metal Edge Trim for "Cloud" Suspension Systems: Steel or extruded aluminum; provide attachment clips, splice plates, and preformed corner pieces for complete trim system.
  - 1. Trim Height: 4 inch.
  - 2. Finish: Baked enamel.
  - 3. Available Products:
    - a. Armstrong World Industries, Inc.; Axiom Classic.
    - b. Certainteed; Terminus Perimeter Trim.
    - c. Chicago Metallic Corp.; Infinity System.
    - d. USG Corporation; Compasso Suspension Trim.

**PART 3 EXECUTION**

**3.01 EXAMINATION**

- A. Verify existing conditions before starting work.
- B. Verify that layout of hangers will not interfere with other work.

**3.02 PREPARATION**

- A. Install after major above-ceiling work is complete.
- B. Coordinate the location of hangers with other work.

**3.03 INSTALLATION - SUSPENSION SYSTEM**

- A. Rigidly secure system, including integral mechanical and electrical components, for maximum deflection of 1:360.
- B. Perimeter Molding: Install at intersection of ceiling and vertical surfaces and at junctions with other interruptions.
  - 1. Use longest practical lengths.

FIRE STATIONS RENOVATION  
Arlington County, Virginia  
Architect's Project No.: 563006

---

- C. Suspension System, Non-Seismic: Hang suspension system independent of walls, columns, ducts, pipes and conduit. Where carrying members are spliced, avoid visible displacement of face plane of adjacent members.
- D. Where ducts or other equipment prevent the regular spacing of hangers, reinforce the nearest affected hangers and related carrying channels to span the extra distance.
- E. Do not support components on main runners or cross runners if weight causes total dead load to exceed deflection capability.
- F. Support fixture loads using supplementary hangers located within 6 inches of each corner, or support components independently.
- G. Do not eccentrically load system or induce rotation of runners.

**3.04 INSTALLATION - ACOUSTICAL UNITS**

- A. Install acoustical units in accordance with manufacturer's instructions.
- B. Fit acoustical units in place, free from damaged edges or other defects detrimental to appearance and function.
- C. Fit border trim neatly against abutting surfaces.
- D. Install acoustical units level, in uniform plane, and free from twist, warp, and dents.
- E. Cutting Acoustical Units:
  - 1. Make field cut edges of same profile as factory edges.

**END OF SECTION**

FIRE STATIONS RENOVATION  
Arlington County, Virginia  
Architect's Project No.: 563006

---

**SECTION 096513  
RESILIENT BASE AND ACCESSORIES**

**PART 1 GENERAL**

**1.01 SUBMITTALS**

- A. See Section 013000 - Administrative Requirements, for submittal procedures.
- B. Product Data: Provide data on specified products, describing physical and performance characteristics; including sizes, patterns and colors available; and installation instructions.
- C. Selection Samples: Submit manufacturer's complete set of color samples for Architect's initial selection.
- D. Verification Samples: Submit in manufacturer's standard size, illustrating color and pattern for each resilient flooring product specified.

**1.02 DELIVERY, STORAGE, AND HANDLING**

- A. Upon receipt, immediately remove any shrink-wrap and check materials for damage and the correct style, color, quantity and run numbers.
- B. Maintain temperature in storage area between 55 degrees F and 90 degrees F.
- C. Protect roll materials from damage by storing on end.

**1.03 FIELD CONDITIONS**

- A. Store materials for not less than 48 hours prior to installation in area of installation at a temperature of 70 degrees F to achieve temperature stability. Thereafter, maintain conditions above 55 degrees F.
- B. Maintain conditions at occupancy conditions for installation and until Substantial Completion.

**PART 2 PRODUCTS**

**2.01 RESILIENT BASE**

- A. Resilient Base: ASTM F1861, Type TP, rubber, thermoplastic; Style B, Cove.
  - 1. Products (Type TP):
    - a. Armstrong World Industries, Inc.; Rubber Coved Toe Wall Base.
    - b. Flexco (USA), Inc.; Flexco Base 2000 - Cove.
    - c. Johnsonite, a Tarkett Company; Rubber Wall Base - Cove.
    - d. Mannington Commercial; Burkebase Type TP - Coved.
    - e. Nora Systems, Inc; nora wall base; Article 820.
    - f. Roppe Corporation; 700 Series TPR Wall Base - Style B (Coved).
    - g. Substitutions: See Section 016000 - Product Requirements.
  - 2. Critical Radiant Flux (CRF): Minimum 0.45 watt per square centimeter, when tested in accordance with ASTM E648 or NFPA 253.
  - 3. Height: 4 inch.
  - 4. Thickness: 0.125 inch minimum.
  - 5. Finish: Satin.
  - 6. Length: Roll; manufacturer's standard length.
  - 7. Color: To be selected by Architect from manufacturer's full range.

**2.02 STAIR COVERING**

- A. Stair Treads: Rubber; full width and depth of stair tread in one piece; tapered thickness.
  - 1. Manufacturers:
    - a. Flexco, Inc.
    - b. Johnsonite, a Tarkett Company.
    - c. Mannington Commercial.
    - d. Nora Rubber Flooring.
    - e. Roppe Corporation.
    - f. Substitutions: See Section 016000 - Product Requirements.

FIRE STATIONS RENOVATION  
Arlington County, Virginia  
Architect's Project No.: 563006

---

2. Minimum Requirements: Comply with ASTM F2169, Type TS, rubber, vulcanized thermoset.
  3. Critical Radiant Flux (CRF): Minimum 0.45 watt per square centimeter, when tested in accordance with ASTM E648 or NFPA 253.
  4. Nominal Thickness: 0.250 inch, tapered towards rear.
  5. Nosing: Square, adjustable; 1-1/2 inch height.
  6. Striping: 2 inch wide contrasting color abrasive strips.
  7. Texture: Raised, with pattern selected from manufacturer's full range.
  8. Color: To be selected by Architect from manufacturer's full range.
- B. Stair Risers: Full height and width of tread in one piece, matching treads in material and color.
1. Manufacturer: Provide risers by same manufacturer as treads.
  2. Thickness: 0.125 inch.
- C. Stair Stringers: Full height in one piece and in maximum available lengths, matching treads in material and color.
1. Manufacturer: Provide stringers by same manufacturer as treads.
  2. Nominal Thickness: 0.080 inch.

### 2.03 MOLDINGS, TRANSITIONS, AND EDGE STRIPS

- A. Moldings, Transition and Edge Strips:
1. Manufacturers:
    - a. Flexco, Inc.
    - b. Johnsonite.
    - c. Mannington Commercial.
    - d. R.C.A. Rubber Company (The).
    - e. Roppe Corporation.
    - f. VPI, LLC; Floor Products Division.
    - g. Substitutions: See Section 016000 - Product Requirements.
  2. Molding/Transition Strip Profiles: Provide in sizes as required to suit flooring thicknesses and applications.
    - a. Coved edge/cap for carpet.
    - b. Joiner between carpet and resilient flooring or other materials with different heights.
    - c. Transition strip between different types of materials that are the same height or between different styles/patterns of the same material.
    - d. Slim transition strip with approximately 1/4-inch wide visible transition profile.
    - e. Reducer strip at edges of flooring to reduce height to 0".
    - f. Subfloor leveling accessory to transition between materials with height differences up to 1/2 inch.
  3. Material: Manufacturer's standard rubber or vinyl.
  4. Color: To be selected by Architect from manufacturer's full range.

### 2.04 ACCESSORIES

- A. Leveling Compound: Blended cement mix, latex-modified, for use as trowelable underlayment, approved by resilient accessory manufacturer.
- B. Primers, Adhesives, and Seam Sealer: Waterproof; types recommended by flooring manufacturer.
- C. Moisture Vapor Treatment: Where resilient flooring and accessories are installed over concrete slabs, provide alkaline-resistant product designed to control excessive moisture vapor transmission through concrete slab, per the following:
1. Products: Provide product approved by flooring manufacturer and complying with performance requirements below, equivalent to one of the following:
    - a. Duraamen Engineered Products, Inc.; Perdure MVT.
    - b. Maxxon Corporation; Maxxon MVP.
    - c. Tnemec Company Inc.; Epoxoprime MVT, Series 208.
  2. Performance Requirements:

FIRE STATIONS RENOVATION  
Arlington County, Virginia  
Architect's Project No.: 563006

---

- a. Verify with flooring manufacturer that submitted product maintains compliance with all provisions of flooring manufacturer's warranty.
- b. Low-VOC: Provide product with VOC content less than 15 g/L.
- c. Bond Strength to Concrete: Minimum 400 psi per ASTM D 4541 (100% concrete failure).
- d. Permeance: Maximum 0.1 perm per ASTM E 96, and 0.10 grains/hr/ft<sup>2</sup>/in-Hg, per ASTM F3010.
- e. Applications: Provide MVT for all concrete slabs on-grade and lightweight concrete elevated slabs.

D. Floor Polish: Fluid-applied polish recommended by resilient flooring manufacturer.

### **PART 3 EXECUTION**

#### **3.01 EXAMINATION**

- A. Verify that surfaces are flat to tolerances acceptable to flooring manufacturer, free of cracks that might telegraph through flooring, clean, dry, and free of curing compounds, surface hardeners, and other chemicals that might interfere with bonding of flooring to substrate.
- B. Verify that wall surfaces are smooth and flat within the tolerances specified for that type of work, are dust-free, and are ready to receive resilient base.
  1. Do not apply wall base until other finish items, including casework and painting, are complete.
- C. Cementitious Subfloor Surfaces (Stair Treads/Landings): Verify that substrates are ready for resilient flooring installation by testing for moisture and alkalinity (pH).
  1. Test as Follows:
    - a. Alkalinity (pH): ASTM F710, when required by stair accessory manufacturer.
    - b. Internal Relative Humidity: ASTM F2170. One test per stair area.
    - c. Moisture Vapor Emission: ASTM F1869. One test per stair area.
  2. After testing is complete, prepare concrete and install moisture vapor treatment (MVT) in accordance with manufacturer's written instructions. If testing indicates measurements are within acceptable levels for flooring installation with the need for MVT, the MVT may be omitted where approved by the Architect.
  3. After installation of MVT, perform final moisture tests to verify that moisture-vapor-emission-rate is at an acceptable level for stair accessory installation. Proceed with installation only after moisture-vapor-emission-rate and relative humidity do not exceed the following:
    - a. Moisture-Vapor-Emission Rate: Maximum 3lbs. of water/1,000 sq. ft. in 24 hours, unless indicated otherwise by resilient accessory manufacturer.
    - b. Relative Humidity: Maximum 75 percent relative humidity, unless indicated otherwise by resilient accessory manufacturer.

#### **3.02 PREPARATION**

- A. Prepare floor substrates as recommended by flooring and adhesive manufacturers.
- B. Remove subfloor ridges and bumps. Fill minor low spots, cracks, joints, holes, and other defects with leveling compound to achieve smooth, flat, hard surface.
- C. Prohibit traffic until leveling compound is fully cured.
- D. Clean substrate.

#### **3.03 INSTALLATION - GENERAL**

- A. Starting installation constitutes acceptance of subfloor conditions.
- B. Install in accordance with manufacturer's written instructions.
- C. Adhesive-Applied Installation:
  1. Fit joints and butt seams tightly.
  2. Set flooring in place, press with heavy roller to attain full adhesion.
- D. Where type of floor finish, pattern, or color are different on opposite sides of door, install such that molding profiles or transition strips are centered under the door panel..



FIRE STATIONS RENOVATION  
Arlington County, Virginia  
Architect's Project No.: 563006

---

- E. Install edge/reducer strips at unprotected or exposed edges, where flooring terminates, and where indicated.
  - 1. Resilient Strips: Attach to substrate using adhesive.

**3.04 INSTALLATION - RESILIENT BASE**

- A. Fit joints tightly and make vertical. Maintain minimum dimension of 18 inches between joints.
- B. Install base on solid backing. Bond tightly to wall and floor surfaces.
- C. Job form internal and external corners in accordance with manufacturer's instructions. Form corners by "V" cutting or scribing; do not bend material in a manner that creates stress whitening.
- D. In addition to walls, install base on other permanent construction with exposed vertical faces at floor level, including, but not limited to, columns, pilasters, and casework/cabinet knee and toe spaces.
- E. Scribe and fit to door frames and other interruptions.
- F. At uneven substrate surfaces (such as masonry mortar joints), provide manufacturer's recommended filler sealant or adhesive to fill voids along top of base.

**3.05 INSTALLATION - STAIR COVERINGS**

- A. Install stair coverings in one piece for full width and depth of tread.
- B. Install stringers configured tightly to stair profile.
- C. Adhere over entire surface. Fit accurately and securely.
- D. Clean stair tread and landing accessories and apply floor polish according to manufacturer's written instructions.

**3.06 CLEANING**

- A. Remove excess adhesive from floor, base, and wall surfaces without damage.
- B. Clean in accordance with manufacturer's written instructions.

**3.07 PROTECTION**

- A. Prohibit traffic on resilient accessories for 48 hours after installation.
- B. Cover resilient accessories and protect from heavy construction traffic and equipment until Substantial Completion.

**END OF SECTION**

FIRE STATIONS RENOVATION  
Arlington County, Virginia  
Architect's Project No.: 563006

---

**SECTION 099123  
INTERIOR PAINTING**

**PART 1 GENERAL**

**1.01 SUBMITTALS**

- A. See Section 013000 - Administrative Requirements, for submittal procedures.
- B. Product Data: Provide complete list of products to be used, with the following information for each:
  - 1. Manufacturer's name, product name and/or catalog number, and general product category (e.g., "alkyd enamel").
  - 2. Cross-reference to specified paint system(s) product is to be used in; include description of each system.
- C. Certification: By manufacturer that paints and finishes comply with VOC limits specified.
- D. Manufacturer's Instructions: Indicate special surface preparation procedures.
- E. Maintenance Data: Submit data including finish schedule showing where each product/color/finish was used, product technical data sheets, material safety data sheets (MSDS), care and cleaning instructions, touch-up procedures, repair of painted and finished surfaces, and color samples of each color and finish used.

**1.02 DELIVERY, STORAGE, AND HANDLING**

- A. Deliver products to site in sealed and labeled containers; inspect to verify acceptability.
- B. Container Label: Include manufacturer's name, type of paint, brand name, lot number, brand code, coverage, surface preparation, drying time, cleanup requirements, color designation, and instructions for mixing and reducing.
- C. Paint Materials: Store at minimum ambient temperature of 45 degrees F and a maximum of 90 degrees F, in ventilated area, and as required by manufacturer's instructions.

**1.03 FIELD CONDITIONS**

- A. Do not apply materials when surface and ambient temperatures are outside the temperature ranges required by the paint product manufacturer.
- B. Follow manufacturer's recommended procedures for producing best results, including testing of substrates, moisture in substrates, and humidity and temperature limitations.
- C. Do not apply materials when relative humidity exceeds 85 percent, at temperatures less than 5 degrees F above the dew point, or to damp or wet surfaces.
- D. Minimum Application Temperatures for Paints: 50 degrees F for interiors unless required otherwise by manufacturer's instructions.
- E. Provide lighting level of 80 ft candles measured mid-height at substrate surface.

**PART 2 PRODUCTS**

**2.01 MANUFACTURERS**

- A. Provide paints and finishes from the same manufacturer to the greatest extent possible.
  - 1. If a single manufacturer cannot provide specified products; minor exceptions will be permitted provided approval by Architect is obtained using the specified procedures for substitutions.
- B. Paints:
  - 1. Benjamin Moore & Co. (BM)
  - 2. PPG Paints. (PPG)
  - 3. Sherwin-Williams Company. (SW)
- C. Primer Sealers: Same manufacturer as top coats.

**2.02 PAINTS AND FINISHES - GENERAL**

- A. Paints and Finishes: Ready-mixed, unless intended to be a field-catalyzed paint.
  - 1. Provide paints and finishes of a soft paste consistency, capable of being readily and uniformly dispersed to a homogeneous coating, with good flow and brushing

FIRE STATIONS RENOVATION  
Arlington County, Virginia  
Architect's Project No.: 563006

---

- properties, and capable of drying or curing free of streaks or sags.
  - 2. Provide materials that are compatible with one another and the substrates indicated under conditions of service and application, as demonstrated by manufacturer based on testing and field experience.
  - 3. Supply each paint material in quantity required to complete entire project's work from a single production run.
  - 4. Do not reduce, thin, or dilute paint or finishes or add materials unless such procedure is specifically described in manufacturer's product instructions.
- B. Volatile Organic Compound (VOC) Content:
- 1. Provide paints and finishes that comply with the most stringent requirements specified in the following:
    - a. 40 CFR 59, Subpart D--National Volatile Organic Compound Emission Standards for Architectural Coatings.
    - b. SCAQMD 1113 Rule.
    - c. CARB (SCM).
  - 2. Determination of VOC Content: Testing and calculation in accordance with 40 CFR 59, Subpart D (EPA Method 24), exclusive of colorants added to a tint base and water added at project site; or other method acceptable to authorities having jurisdiction.
- C. Flammability: Comply with applicable code for surface burning characteristics.
- D. Colors: To be selected from manufacturer's full range of available colors.
- 1. Selection to be made by Architect after award of contract.
  - 2. Extend colors to surface edges; colors may change at any edge as directed by Architect.
  - 3. In finished areas, finish exposed pipes, conduit, and equipment the same color as the wall/ceiling to which they are mounted.

### 2.03 ACCESSORY MATERIALS

- A. Accessory Materials: Provide primers, sealers, cleaning agents, cleaning cloths, sanding materials, and clean-up materials as required for final completion of painted surfaces.
- B. Patching Material: Latex filler.
- C. Fastener Head Cover Material: Latex filler.

## PART 3 EXECUTION

### 3.01 EXAMINATION

- A. Do not begin application of paints and finishes until substrates have been adequately prepared.
- B. Verify that surfaces are ready to receive work as instructed by the product manufacturer.
- C. Examine surfaces scheduled to be finished prior to commencement of work. Report any condition that may potentially affect proper application.
- D. Test shop-applied primer for compatibility with subsequent cover materials.
- E. Measure moisture content of surfaces using an electronic moisture meter. Do not apply finishes unless moisture content of surfaces is below the following maximums:
  - 1. Gypsum Wallboard: 12 percent.
  - 2. Masonry, Concrete, and Concrete Masonry Units: 12 percent.

### 3.02 PREPARATION

- A. Clean surfaces thoroughly and correct defects prior to application.
- B. Prepare surfaces using the methods recommended by the manufacturer for achieving the best result for the substrate under the project conditions.
- C. Remove or repair existing paints or finishes that exhibit surface defects.
- D. Remove or mask surface appurtenances, including electrical plates, hardware, light fixture trim, escutcheons, and fittings, prior to preparing surfaces or finishing.
- E. Seal surfaces that might cause bleed through or staining of topcoat.

FIRE STATIONS RENOVATION  
Arlington County, Virginia  
Architect's Project No.: 563006

---

- F. Remove mildew from impervious surfaces by scrubbing with solution of tetra-sodium phosphate and bleach. Rinse with clean water and allow surface to dry.
- G. Masonry:
  - 1. Remove efflorescence and chalk. Do not coat surfaces if moisture content, alkalinity of surfaces, or if alkalinity of mortar joints exceed that permitted in manufacturer's written instructions. Allow to dry.
  - 2. Prepare surface as recommended by top coat manufacturer.
- H. Gypsum Board: Fill minor defects with filler compound. Spot prime defects after repair.
- I. Ferrous Metal:
  - 1. Solvent clean according to SSPC-SP 1.

### 3.03 APPLICATION

- A. Apply products in accordance with manufacturer's written instructions and recommendations in "MPI Architectural Painting Specification Manual".
- B. Where adjacent sealant is to be painted, do not apply finish coats until sealant is applied.
- C. Do not apply finishes to surfaces that are not dry. Allow applied coats to dry before next coat is applied.
- D. Apply each coat to uniform appearance in thicknesses specified by manufacturer.
- E. Sand metal surfaces lightly between coats to achieve required finish.
- F. Vacuum clean surfaces of loose particles. Use tack cloth to remove dust and particles just prior to applying next coat.
- G. Reinstall electrical cover plates, hardware, light fixture trim, escutcheons, and fittings removed prior to finishing.

### 3.04 CLEANING

- A. Collect waste material that could constitute a fire hazard, place in closed metal containers, and remove daily from site.

### 3.05 PROTECTION

- A. Protect finishes until completion of project.
- B. Touch-up damaged finishes after Substantial Completion.

### 3.06 SCHEDULE - INTERIOR PAINT SYSTEMS

- A. Concrete Masonry Units (CMU), Concrete Block, and Brick Masonry: Finish surfaces exposed to view. Low-VOC Acrylic Satin Finish: 2 coats over filler, with total DFT not less than 2.5 mils. Provide at all interior masonry except where epoxy finish is indicated.
  - 1. Filler Coat: Acrylic-latex Block Filler:
    - a. BM: 571 Ultra Spec Hi-Build Masonry Block Filler.
    - b. PPG: 6-15 Speedhide Interior/Exterior Acrylic Masonry Block Filler.
    - c. SW: B25W25 PrepRite Interior/Exterior Block Filler.
  - 2. Bonding Primer (Previously Painted): Acrylic Bonding Primer. Test for adhesion. Brush, spray, or roller apply and back roll.
    - a. BM: Insl-X SXA-110 Stix Bonding Primer.
    - b. PPG: 17-921 Seal Grip Acrylic Universal Primer/Sealer.
    - c. SW: B51W150 Extreme Bond Interior/Exterior Primer.
  - 3. First and Second Finish Coats: Commercial Interior Low-VOC Acrylic Satin.
    - a. BM: N538 Ultra Spec 500 Interior Eggshell Finish.
    - b. PPG: 6-4300 Speedhide Zero VOC Interior Eggshell Latex.
    - c. SW: B20-2600 ProMar 200 Zero VOC Interior Latex Eg-Shel.
- B. Concrete Masonry Units (CMU), Epoxy: Finish surfaces exposed to view. Semi-gloss Water Borne Epoxy Finish: 2 coats over filler. Provide at interior masonry where epoxy finish is indicated.
  - 1. Filler Coat: Acrylic-latex Block Filler:
    - a. BM: 571 Ultra Spec Hi-Build Masonry Block Filler.

FIRE STATIONS RENOVATION  
Arlington County, Virginia  
Architect's Project No.: 563006

---

- b. PPG: 6-15 Speedhide Interior/Exterior Acrylic Masonry Block Filler.
- c. SW: B25W25 PrepRite Interior/Exterior Block Filler.
- 2. First and Second Finish Coats: Two component, semi-gloss water-borne polyamide-epoxy, applied at a DFT of 1.5 - 4.0 mils per coat.
  - a. BM: Corotech V400 Polyamide Epoxy Coating.
  - b. PPG: 98-100 Aquapon WB Water Base Epoxy - Semi-Gloss.
  - c. SW: B73V300 Pro Industrial Water Based Catalyzed Epoxy Hardener.
- C. Gypsum Board: Finish surfaces exposed to view. Provide 0 VOC acrylic-latex formulation over 0 VOC filler coat/primer; satin finish at walls and flat finish at ceilings.
  - 1. Filler Coat: 0 VOC Latex primer.
    - a. BM: 534 Ultra Spec 500 Primer Flat.
    - b. PPG: 6-4900 Speedhide Zero VOC Interior Latex Primer.
    - c. SW: B28-2600 ProMar 200 Zero VOC Interior Latex Primer.
  - 2. First & Second Finish Coats: Interior Ceilings and Bulkheads: Flat.
    - a. BM: 536 Ultra Spec 500 Flat.
    - b. PPG: 6-4100 Speedhide Zero VOC Interior Latex Flat.
    - c. SW: B30-2600 ProMar 200 Zero VOC Interior Latex Flat.
  - 3. First & Second Finish Coats: Interior Walls: Satin.
    - a. BM: 538 Ultra Spec 500 Eggshell.
    - b. PPG: 6-4300 Speedhide Zero VOC Interior Eggshell Latex.
    - c. SW: B20-2600/B24-2600 ProMar 200 Zero VOC Interior Latex Eg-Shel/Low Sheen.
- D. Gypsum Board with Water-Borne Polyamide Epoxy Finish ("EPX" - Shower/toilet rooms):
  - 1. Filler Coat: Manufacturer's recommended acrylic/latex primer.
    - a. BM: 253 Super Spec Latex Enamel Undercoater & Primer Sealer.
    - b. PPG: 6-2 Speedhide Interior Latex Sealer.
    - c. SW: B28W2600 ProMar 200 Zero VOC Primer.
  - 2. First & Second Finish Coats: Two-component, water-borne polyamide epoxy applied at DFT of 1.5 - 4.0 mils per coat. Provide semi-gloss finish unless otherwise indicated.
    - a. BM: Corotech V440 Waterborne Amine Epoxy.
    - b. PPG: 98-100 Aquapon WB Water Base Epoxy - Semi-Gloss.
    - c. SW: B70V300 Water Based Catalyzed Epoxy Hardener.
- E. Ferrous Metal: Finish surfaces exposed to view. Provide semi-gloss direct to metal (DTM) acrylic enamel finish; except provide satin/egg-shell finish at hollow metal/steel doors and frames. Provide two coats over primer, with total DFT not less than 5.0 mils. For shop-primed items, verify shop primer with manufacturer and confirm compatibility.
  - 1. Primer: Lead-free, acrylic base primer. Not required on shop-primed items. Provide satin/low luster primer for steel doors and frames.
    - a. BM: HP29/HP 25 Ultra Spec DTM Acrylic Semi-Gloss/Low Lustre.
    - b. PPG: 90-712 Pitt-Tech Int/Ext Primer/Finish Industrial Enamel.
    - c. SW: B66W1 DTM Acrylic Primer/Finish (or B66W200).
  - 2. Bonding Primer (Previously Painted): Acrylic bonding primer for previously painted surfaces to ensure secure bond. Brush, spray, or roller apply and back roll.
    - a. BM: Insl-X SXA-110 Stix Bonding Primer.
    - b. PPG: 90-912 Pitt-Tech Plus DTM Industrial Primer.
    - c. SW: B66A50 DTM Bonding Primer.
  - 3. First and Second Finish Coats: DTM Acrylic Semi-Gloss Enamel.
    - a. BM: HP29 Ultra Spec DTM Acrylic Semi-Gloss.
    - b. PPG: 90-1210 Pitt-Tech Int/Ext Semi-Gloss DTM Industrial Enamel.
    - c. SW: B66W1150 Series Pro Industrial DTM Acrylic Semi-Gloss.
  - 4. First and Second Finish Coats (Steel Doors and Frames): DTM Acrylic Satin Enamel.
    - a. BM: HP25 Ultra Spec DTM Acrylic Low Lustre.
    - b. PPG: 90-1110 Pitt-Tech Int/Ext Satin DTM Industrial Enamel.
    - c. SW: B66W1250 Series Pro Industrial DTM Acrylic Eg-Shel Coating.

FIRE STATIONS RENOVATION  
Arlington County, Virginia  
Architect's Project No.: 563006

---

- F. Ferrous Metal with Latex Dry-Fall Finish: One finish coat over primed exposed construction. Apply to all exposed structure and as scheduled. Provide nominal 50 square foot sample/mock-up area to verify substrate compatibility.
1. Prime Coat: Acrylic, self-priming, or other recommended VOC-compliant metal primer. 2.0 mils DFT.
    - a. BM: Coronado N110 Superkote 5000 DryFall Latex Flat.
    - b. PPG: 90-712 Pitt-Tech Int/Ext Primer/Finish Industrial Enamel.
    - c. SW: B66-310 Pro-Cryl Universal Primer.
  2. Top Coat: Acrylic Dry Fall, flat, 3.0 mils DFT. Provide color selected by Architect from manufacturer's standard options, unless indicated otherwise.
    - a. BM: Coronado N110 Superkote 5000 DryFall Latex Flat.
    - b. PPG: 6-724XI Series - Speedhide Super Tech WB Interior Dry-Fog Flat Latex.
    - c. SW: B42 BW3 Waterborne Acrylic Dry Fall, Flat.
- G. Interior Woodwork: Stained woodwork with transparent finish is specified in Division 6 Section "Interior Finish Carpentry."

**END OF SECTION**

FIRE STATIONS RENOVATION  
Arlington County, Virginia  
Architect's Project No.: 563006

---

**SECTION 102800  
TOILET AND BATH ACCESSORIES**

**PART 1 GENERAL**

**1.01 SUBMITTALS**

- A. See Section 013000 - Administrative Requirements, for submittal procedures.
- B. Product Data: Submit data on accessories describing size, finish, details of function, and attachment methods.
- C. Setting Drawings: For cutouts required in other work; include templates, substrate preparation instructions, and directions for preparing cutouts and installing anchoring devices.
- D. Maintenance Data: For each type of accessory, to include in maintenance manual per Section 017800 - Closeout Submittals. Include list of replacement parts and service recommendations.

**PART 2 PRODUCTS**

**2.01 MANUFACTURERS**

- A. Commercial Toilet, Shower, and Bath Accessories:
  - 1. A&J Washroom Accessories, Inc.
  - 2. American Specialties, Inc.
  - 3. Bobrick Washroom Equipment.
  - 4. Bradley Corporation.
- B. Under-Lavatory Pipe Supply Covers:
  - 1. Plumberex Specialty Products, Inc.
  - 2. Truebro; IPS Corporation.

**2.02 MATERIALS**

- A. Accessories - General: Shop assembled, free of dents and scratches and packaged complete with anchors and fittings, steel anchor plates, adapters, and anchor components for installation.
- B. Keys: Provide 6 master/universal keys, minimum, to Owner.
- C. Stainless Steel Sheet: ASTM A666, Type 304.
- D. Stainless Steel Tubing: ASTM A269/A269M, Grade TP304 or TP316.
- E. Galvanized Sheet Steel: Hot-dipped galvanized steel sheet, ASTM A653/A653M, with G90/Z275 coating.
- F. Mirror Glass: Annealed float glass, ASTM C1036 Type I, Class 1, Quality Q2, with silvering, protective and physical characteristics complying with ASTM C1503.
- G. Fasteners, Screws, and Bolts: Hot dip galvanized; tamper-proof; security type.
  - 1. Provide mechanical attachment of all accessories. Use of adhesive or double-side tape is not acceptable.

**2.03 FINISHES**

- A. Stainless Steel: Satin finish, unless otherwise noted.

**2.04 COMMERCIAL TOILET ACCESSORIES**

- A. Toilet Paper Dispenser (TA-D): Roll-in-reserve type, designed to allow automatic activation of reserve roll when needed, or manual activation by pressing release bar, surface-mounted, stainless steel unit with pivot hinge, tumbler lock.
  - 1. Products:
    - a. American Specialties, Inc.; Model 20030.
    - b. Bobrick Washroom Equipment, Inc.; Model B-4288.
    - c. Bradley Corporation; Model 5402.
- B. Soap Dispenser (TA-F): Liquid soap dispenser, wall-mounted, surface, with stainless steel cover and vertical stainless steel tank and working parts; push type soap valve, check

**FIRE STATIONS RENOVATION**  
Arlington County, Virginia  
Architect's Project No.: 563006

---

- valve, and window gauge refill indicator, tumbler lock.
1. Minimum Capacity: 40 ounces.
  2. Products:
    - a. A&J Washroom Accessories, Inc.; Model U126.
    - b. American Specialties, Inc.; Model 0347.
    - c. Bobrick Washroom Equipment, Inc.; Model B-2111.
    - d. Bradley Corporation; Model 6562.
- C. Mirrors (TA-G): Stainless steel framed, 1/4 inch thick annealed float glass; ASTM C1036.
1. Annealed Float Glass: Silvering, protective and physical characteristics in compliance with ASTM C1503.
  2. Frame: 0.05 inch angle shapes, with mitered and welded and ground corners, and tamperproof hanging system; satin finish.
  3. Products:
    - a. A&J Washroom Accessories, Inc.; U700 Series.
    - b. American Specialties, Inc.; 0600 A Series.
    - c. Bobrick Washroom Equipment, Inc.; Model B-290.
    - d. Bradley Corporation; Model 780.
- D. Grab Bars (TA-A, B, & C): Stainless steel, smooth surface.
1. Standard Duty Grab Bars:
    - a. Push/Pull Point Load: 250 pound-force, minimum.
    - b. Dimensions: 1-1/4 inch outside diameter, minimum 0.05 inch wall thickness, concealed flange mounting, 1-1/2 inch clearance between wall and inside of grab bar.
    - c. Finish: Satin.
    - d. Length and Configuration: As indicated on drawings.
    - e. Products:
      - 1) A&J Washroom Accessories, Inc.; UG2 Series.
      - 2) American Specialties, Inc.; 3700 Series.
      - 3) Bobrick Washroom Equipment, Inc.; B-5806 Series.
      - 4) Bradley Corporation; 832 Series.
- E. Sanitary Napkin Disposal Unit (TA-E): Stainless steel, surface-mounted, self-closing door, locking bottom panel with full-length stainless steel piano-type hinge, removable receptacle.
1. Products:
    - a. A&J Washroom Accessories, Inc.; Model U591.
    - b. American Specialties, Inc.; Model 20852.
    - c. Bobrick Washroom Equipment, Inc.; Model B-270 Contura.
    - d. Bradley Corporation; Model 4781-15.
- F. Robe Hook: Heavy-duty stainless steel, double-prong, rectangular-shaped bracket and backplate for concealed attachment, satin finish.
1. Products:
    - a. A&J Washroom Accessories, Inc.; Model UX112.
    - b. American Specialties, Inc.; Model 7345.
    - c. Bobrick Washroom Equipment, Inc.; Model B-7672.
    - d. Bradley Corporation; Model 9124.

## **2.05 UNDER-LAVATORY PIPE AND SUPPLY COVERS**

- A. Under-Lavatory Pipe and Supply Covers:
1. Insulate exposed drainage piping, including hot, cold, and tempered water supplies under lavatories or sinks to comply with ADA Standards.
  2. Exterior Surfaces: Smooth non-absorbent, non-abrasive surfaces.
  3. Construction: 1/8 inch flexible PVC.
    - a. Surface Burning Characteristics: Flame spread index of 25 or less and smoke developed index of 450 or less, when tested in accordance with ASTM E84.
    - b. Microbial and Fungal Resistance: Comply with ASTM G21.
  4. Color: White.



FIRE STATIONS RENOVATION  
Arlington County, Virginia  
Architect's Project No.: 563006

---

5. Fasteners: Reusable, snap-locking fasteners with no sharp or abrasive external surfaces.
6. Products:
  - a. Plumberex Specialty Products, Inc; Plumberex Trap Gear.
  - b. Truebro; IPS Corporation; Lav Guard 2.

**2.06 UTILITY ROOM ACCESSORIES**

- A. Combination Utility Shelf/Mop and Broom Holder: 0.05 inch thick stainless steel, Type 304, with 1/2 inch returned edges, 0.06 inch steel wall brackets.
  1. Drying rod: Stainless steel, 1/4 inch diameter.
  2. Hooks: Three, 0.06 inch stainless steel rag hooks at shelf front.
  3. Mop/broom holders: Four spring-loaded rubber cam holders at shelf front.
  4. Length: 36 inches.
  5. Products:
    - a. A&J Washroom Accessories, Inc.; Model UJ41A.
    - b. American Specialties, Inc.; Model 1315.
    - c. Bobrick Washroom Equipment, Inc.; Model B-224 x 36.
    - d. Bradley Corporation; Model 9983.

**PART 3 EXECUTION**

**3.01 EXAMINATION**

- A. Verify existing conditions before starting work.
- B. Verify exact location of accessories for installation.

**3.02 INSTALLATION**

- A. Install accessories in accordance with manufacturers' instructions in locations indicated on drawings.
- B. Install plumb and level, securely and rigidly anchored to substrate.
- C. Mounting Heights: As required by accessibility regulations, unless otherwise indicated.

**3.03 PROTECTION**

- A. Protect installed accessories from damage due to subsequent construction operations.

**END OF SECTION**

FIRE STATIONS RENOVATION  
ARLINGTON COUNTY, VIRGINIA  
Architect's Project No: 563006

---

SECTION 211000 - WATER-BASED FIRE-SUPPRESSION SYSTEM

PART 1 - GENERAL

1.1 RELATED DOCUMENTS

- A. Provisions of the Contract and of the Contract Documents apply to this Section.

1.2 SUMMARY

- A. Description of Work:

1. The work includes the installation of a new water-based fire suppression systems throughout the building. The design, equipment, materials, installation and workmanship shall be in strict accordance with the Owner's insurance underwriter's requirements, the current edition of the North Carolina Building Code, the local authority having jurisdiction, and the required and advisory provisions of NFPA.
2. Piping shall not traverse spaces containing electrical equipment in the form of transformers, panel-boards, switchgear, or computer servers.
  - a. Exceptions:
    - 1) Personal computers (PCs)
    - 2) Spaces whose name does not include the term "Electrical", "Data", or "Computer."
3. Each system shall include materials, accessories and equipment necessary to provide each system complete and ready for use.
4. The design of each system shall give full consideration to blind spaces, piping, electrical equipment, ductwork, and all other construction and equipment to afford complete coverage.
5. Devices and equipment for fire protection service shall be of an approved make and type listed by the Underwriters' Laboratories, Inc., or approved by the Factory Mutual System.
6. In the publications referred to herein, the advisory provisions shall be considered to be mandatory, as though the word "shall" had been substituted for "should" wherever it appears.
7. Reference to the "authority having jurisdiction" shall be interpreted to mean the Local Fire Marshal.
8. Calculations shall include delivering water from the point of the fire hydrant flow test through the site piping.

FIRE STATIONS RENOVATION  
ARLINGTON COUNTY, VIRGINIA  
Architect's Project No: 563006

---

9. Consideration shall be given to all unheated areas such as attics, utility rooms, loading docks, outdoor storage spaces with canopies, etc., to provide freeze protection in accordance with NFPA 13. This shall include the installation of dry sprinklers where necessary.

1.3 DEFINITIONS

- A. CPVC: Chlorinated polyvinyl chloride plastic.
- B. Email: for the purposes of this section email shall be considered "in writing"

1.4 SYSTEM DESCRIPTIONS

- A. Wet-Pipe Sprinkler System: Automatic sprinklers are attached to piping containing water and that is connected to water supply. Water discharges immediately from sprinklers when they are opened. Sprinklers open when heat melts fusible link or destroys frangible device. Hose connections are included if indicated.

1.5 PERFORMANCE REQUIREMENTS

- A. Component Working Pressure: Listed for at least 175 psi.
- B. Design shall be approved by authorities having jurisdiction.
- C. Fire-suppression system design shall include the following:
  1. Margin of Safety for Available Water Flow and Pressure: As required by the local Fire Marshal's Office.
  2. Sprinkler Occupancy Hazard Classifications shall be as indicated on the drawings. Where not indicated, comply with NFPA 13.
  3. Maximum Protection Area per Sprinkler shall be in accordance with NFPA 13 and its UL listing.

1.6 SUBMITTALS

- A. Product Data: For the following:
  1. Piping materials, including flexible connections, and sprinkler specialty fittings.
  2. Pipe hangers and supports.
  3. Sprinklers, escutcheons, and guards. Include sprinkler flow characteristics, mounting, finish, and other pertinent data.
  4. Flexible sprinkler connection devices, including the manufacturer's installation instructions indicated in the most recent UL listing.
- B. Fire-hydrant flow test report.

FIRE STATIONS RENOVATION  
ARLINGTON COUNTY, VIRGINIA  
Architect's Project No: 563006

---

- C. Approved Sprinkler Piping Shop Drawings: Working plans, prepared according to NFPA 13, that have been approved by authorities having jurisdiction, including hydraulic calculations. Diagram power, signal, and control wiring.
  - 1. Include shop drawings indicating location of all sprinkler heads and all other construction that penetrates ceilings, including light fixtures, HVAC equipment, speakers, fire alarm devices, partition assemblies, etc.
  - 2. Sprinklers shall be referred to on drawings, submittals and other documentation, by the sprinkler identification or Model number as specifically published in the appropriate agency listing or approval. Trade names or other abbreviated designations shall not be allowed.
- D. Welding certificates.
- E. Operation and Maintenance Data to include in emergency, operation, and maintenance manuals.

1.7 CLOSEOUT SUBMITTALS

- A. Field Test Reports and Certificates: Indicate and interpret test results for compliance with performance requirements and as described in NFPA 13 and NFPA 14. Include "Contractor's Material and Test Certificate for Aboveground Piping" and "Contractor's Material and Test Certificate for Underground Piping."

1.8 QUALITY ASSURANCE

- A. Installer Qualifications:
  - 1. Installer's responsibilities include designing, fabricating, and installing fire-suppression systems and providing professional engineering services needed to assume engineering responsibility. A Professional Engineer registered in the state where the project is constructed shall stamp and seal the Shop Drawings.
- B. Flow test:
  - 1. Bid shall be based on the indicated fire-hydrant flow and pressure.
  - 2. Design calculations shall be based on the results of a confirming fire-hydrant flow test performed or caused to be performed by the contractor dated within 1 year of shop drawings submission date.
- C. Welding: Qualify processes and operators according to ASME Boiler and Pressure Vessel Code: Section IX.
- D. All grooved couplings, fittings, valves, and specialties shall be the products of a single manufacturer. Grooving tools shall be of the same manufacturer as the grooved components.
  - 1. All castings used for couplings housings, fittings, or valve and specialty bodies shall be date stamped for quality assurance and traceability.

FIRE STATIONS RENOVATION  
ARLINGTON COUNTY, VIRGINIA  
Architect's Project No: 563006

---

2. Any couplings requiring a torque wrench, per manufacturer installation instruction, must have a test tag attached to each bolt showing torque used for each. Tags shall be date stamped and initialed by the installer.

- E. NFPA Standards: Fire-suppression-system equipment, specialties, accessories, installation, and testing shall comply with the following:

1. 2016 NFPA 13: "Standard for the Installation of Sprinkler Systems."

#### 1.9 COORDINATION

- A. Relocate piping to clear the path of ductwork.
- B. Relocate piping to clear the path of conduit.
- C. Relocate piping to clear the path of cable tray.
- D. Coordinate layout and installation of sprinklers with other construction that penetrates ceilings, including light fixtures, HVAC equipment, and partition assemblies.

#### 1.10 SPRINKLER CABINET(S) AND SPARE SPRINKLERS

- A. Provide finished, wall-mounted, steel sprinkler cabinet with hinged cover.
- B. Provide number of sprinklers required by NFPA 13.
- C. Provide separate cabinet with sprinklers and wrench for each type of sprinkler on Project.
- D. Provide products packaged with protective covering for storage. Identify contents with label.

### PART 2 - PRODUCTS

#### 2.1 STEEL PIPE AND FITTINGS

- A. Threaded-End, Schedule 40 Steel Pipe,  $\frac{3}{4}$ " only, all other sizes will be grooved. ASTM A 53/A 53M, ASTM A 135, or ASTM A 795, hot-dip galvanized where indicated and with factory- or shop-formed threaded ends.
  1. Cast-Iron Threaded Flanges: ASME B16.1.
  2. Malleable-Iron Threaded Fittings: ASME B16.3.
  3. Gray-Iron Threaded Fittings: ASME B16.4.
  4. Steel Threaded Pipe Nipples: ASTM A 733, made of ASTM A 53/A 53M or ASTM A 106, Schedule 40, seamless steel pipe. Include ends matching joining method.
  5. Steel Threaded Couplings: ASTM A 865.

FIRE STATIONS RENOVATION  
ARLINGTON COUNTY, VIRGINIA  
Architect's Project No: 563006

---

- B. Plain-End, Schedule 40 Steel Pipe: ASTM A 53/A 53M, ASTM A 135, or ASTM A 795 hot-dip galvanized where indicated.
1. Steel Welding Fittings: ASTM A 234/A 234M, and ASME B16.9 or ASME B16.11.
  2. Steel Flanges and Flanged Fittings: ASME B16.5.
- C. Grooved-End, Schedule 40 Steel Pipe: ASTM A 53/A 53M, ASTM A 135, or ASTM A 795, hot-dip galvanized where indicated and with factory- or field-formed, square-cut- or roll-grooved ends.
1. Grooved-Joint Piping Systems:
    - a. Basis-of-Design Product: Subject to compliance with requirements, provide Victaulic Company: FireLock.
    - b. Grooved-End Fittings: UL-listed, ASTM A 536, ductile-iron casting with OD matching steel-pipe OD. Basis of design shall be Victaulic Firelock fittings, models 001, 002, 003, 006 for sizes 2" thru 8". Smaller sizes shall be Victaulic models 10, 11, 20, 60 or IR fittings or IGS fittings. No Threaded fittings can be used 1-1/4" -12".
      1. Installation-Ready™ fittings for grooved end steel piping in fire protection applications sizes NPS 1-¼ thru 2½ (DN 32 thru DN 65). Fittings shall consist of a ductile iron housing conforming to ASTM A-536, Grade 65-45-12, with Installation-Ready™ ends, [orange enamel coated] [red enamel coated] [galvanized]. Fittings complete with pre-lubricated Grade "E" EPDM Type 'A' gasket; and ASTM A449 electroplated steel bolts and nuts. System shall be UL listed for a working pressure of 300 psi (2065 kPa) and FM approved for working pressure 365 psi (2517kPa).
      2. Fittings shall have a shorter center-to-end dimensions for installation in tight spaces.
      3. Fittings are rigid, for direct stab installation without field disassembly.
      4. Installation-Ready™ Fittings shall be Victaulic FireLock® Style 101, Style 102, and style 103, which shall be designed for direct "stab" installation onto grooved pipe without prior disassembly of the fitting.
      5. Fittings shall require visual pad-to-pad verification of complete installation.
    - c. Grooved-End-Pipe Couplings: UL 213 and AWWA C606, rigid pattern, unless otherwise indicated; gasketed fitting matching steel-pipe OD. Include ductile-iron housing with keys matching steel-pipe and fitting grooves, pre-lubricated rubber gasket listed for use with housing, and ASTM A449 compliant steel bolts and nuts. Coupling design shall be visual bolt pad to bolt pad, NO coupling requiring a torque wrench shall be used. Only IR Couplings will be used. For dry systems a Flush Seal gasket shall be used.

FIRE STATIONS RENOVATION  
ARLINGTON COUNTY, VIRGINIA  
Architect's Project No: 563006

---

- d. 1" In lieu of threaded steel piping systems, the Victaulic FireLock IGS System with "Installation-Ready™ fittings and couplings will be used for NPS 1 (DN 25) Schedule 10 and Schedule 40 carbon steel pipe in fire protection applications. System rated for a maximum working pressure to 365 psi (2517 kPa).
1. Groove: IGS "Innovative Groove System" groove with shortened "A" dimension and tapered groove backside for ease of installation.
    - a. Grooving Tool: Victaulic RG2100, with IGS Confirmation Gauge.
  2. Fittings:
    - a. Ductile iron housing conforming to ASTM A-536, Grade 65-45-12. Orange enamel coated or galvanized.
      - i. Victaulic Style 101 (90-degree elbow), Style 102 (tee), and Style 108 (coupling) with Installation-Ready™ ends.
      - ii. Style 108 single-bolt coupling provided with EPDM Type A pressure responsive gasket with Vic-Plus lubricant, and ASTM A449 compliant electroplated steel bolt and nut. CrMo alloy steel coupling linkage.
    - b. Thread x Groove adapter fittings and welded outlets with IGS grooved end, ASTM A53, grade A.

**1. Victaulic Mechanical Couplings for Fire Protection:** Basis of Design. Manufactured in two segments of cast ductile iron, conforming to ASTM A-536, Grade 65-45-12. Gaskets shall be pressure-responsive synthetic rubber, grade to suit the intended service, conforming to ASTM D-2000. Mechanical Coupling bolts shall be zinc plated (ASTM B-633) heat treated carbon steel track head conforming to ASTM A-449 and A-183, minimum tensile strength 110,000 psi (758450 kPa) as provided standard Victaulic.

a. **Rigid Type:**

- 1) "Installation Ready" rigid joints shall be Victaulic FireLock® EZ Style 009N and 107N, in sizes 1-1/4"(DN32) through 12" (DN300) sizes as only approved manuf. Designed for direct "stab" installation onto grooved pipe without prior disassembly of the coupling. For sizes 1-1/4"(DN32) through 2" (DN50) sizes. One bolt Style 108 couplings will be used for 1" size. One bolt 109 couplings can be used in lieu of 009N.
- 2) Housings shall be cast with offsetting, angle-pattern bolt pads to provide system rigidity and support and hanging in accordance with NFPA 13.
- 3) Rigid couplings shall require visual pad-to-pad verification of complete installation. Tongue and recess type couplings which require the use of a torque wrench to achieve the exact required gap between housings are not permitted. Installation Ready (IR) couplings will be the only style coupling approved.

FIRE STATIONS RENOVATION  
ARLINGTON COUNTY, VIRGINIA  
Architect's Project No: 563006

---

- b. **Flexible Type:** Use in seismic areas where required by NFPA 13.
  - 1) "Installation Ready" flexible joints shall be Victaulic Style 177N QuickVic™, in sizes 2"(DN50) through 8"(DN200), which shall be designed for direct "stab" installation onto grooved pipe without prior disassembly of the coupling. .
- e. 2) Standard flexible couplings shall be Victaulic Style 77.

## 2.2 PLASTIC PIPE AND FITTINGS

- A. CPVC Pipe and Fittings: UL-Listed for fire protection use, 175 psi rated, installed in accordance with NFPA 13 and manufacturers listing requirements.

## 2.3 FLEXIBLE CONNECTORS

- A. Flexible connectors shall have materials suitable for system fluid. Include 175-psig minimum working-pressure rating and ends according to the following:
  - 1. NPS 2 and Smaller: grooved.
  - 2. NPS 2-1/2 and Larger: grooved.
  - 3. Option for NPS 2-1/2 and Larger: Grooved for use with grooved-end-pipe couplings.
- B. Basis-of-Design Product: Subject to compliance with requirements, provide Victaulic Company AH2CC.
- C. Stainless-Steel-Hose/Stainless-Steel Pipe, Flexible Connectors: Corrugated, stainless-steel, inner tubing covered with stainless-steel wire braid. Include stainless-steel nipples or flanges, welded to hose.

## 2.4 CORROSION-PROTECTIVE ENCASUREMENT FOR PIPING

- A. Encasement for Underground Metal Piping: ASTM A 674 or AWWA C105, PE film, 0.008-inch minimum thickness, tube or sheet.

## 2.5 SPRINKLER SPECIALTY FITTINGS

- A. Sprinkler specialty fittings shall be UL listed or FM approved, with 175-psig minimum working-pressure rating, and made of materials compatible with piping. Sprinkler specialty fittings shall have
- B. Outlet Specialty Fittings:
  - 1. Basis-of-Design Product: Subject to compliance with requirements, provide Victaulic Company.



FIRE STATIONS RENOVATION  
ARLINGTON COUNTY, VIRGINIA  
Architect's Project No: 563006

---

2. Mechanical-T and -Cross Fittings: UL 213, ductile-iron housing with gaskets, bolts and nuts, and grooved outlets. Basis of design Victaulic style 920/920N and style 922.
  3. Snap-On and Strapless Outlet Fittings: UL 213, ductile-iron housing or casting with gasket and threaded or grooved or grooved outlet. Basis of design Victaulic style 923.
- C. Sprinkler Drain and Alarm Test Fittings: Cast- or ductile-iron body; with threaded, grooved or locking-lug inlet and outlet, test valve, and orifice and sight glass.
1. Basis-of-Design Product: Subject to compliance with requirements, provide Victaulic Company.

## 2.6 LISTED FIRE-PROTECTION VALVES

- A. Valves shall be UL listed or FM approved, with 175-psig minimum pressure rating.
1. Basis-of-Design Product: Subject to compliance with requirements, provide Victaulic Company.
- B. Ball Valves: Comply with UL 1091, except with ball instead of disc.
1. Basis-of-Design Product: Subject to compliance with requirements, provide Victaulic Company.
  2. NPS 1-1/2 and Smaller: Bronze or brass body with grooved ends. Basis of Design: Victaulic Series 728.
  3. NPS 2 and NPS 2-1/2: Ductile-iron body with grooved ends.
  4. NPS 3: Ductile-iron body with grooved ends.
- C. OS&Y Gate Valves: UL 262.
1. Ductile-iron body with flanged x Groove or groove x groove ends. No Flange x Flange will be accepted.
    - a. Basis-of-Design Product: Subject to compliance with requirements, provide Victaulic Company or engineer approved equal. Basis of design Victaulic model 771H or 771F.
- D. Butterfly Valves: UL 1091.
1. NPS 2 and Smaller: Bronze body with grooved ends.
    - a. Basis-of-Design Product: Subject to compliance with requirements, provide Victaulic Company.
  2. NPS 2-1/2 and Larger: Bronze, cast-iron, or ductile-iron body; wafer type or with flanged or grooved ends. Valve seat shall be pressure-responsive, and the stem offset from the disc centerline to provide complete 360-degree circumferential seating. Basis of

FIRE STATIONS RENOVATION  
ARLINGTON COUNTY, VIRGINIA  
Architect's Project No: 563006

---

Design: Victaulic Series 705. Each valve must be individually tested at factory to include electronics.

a. Basis-of-Design Product: Subject to compliance with requirements, provide Victaulic Company.

E. Check Valves NPS 2 and Larger: UL 312, spring-assisted swing type for vertical or horizontal installation, cast- ductile iron body with flanged or grooved ends. Basis of Design: Victaulic Series 717.

1. Basis-of-Design Product: Subject to compliance with requirements, provide Victaulic Company.

F. Indicating Valves: UL 1091, with integral indicating device and ends matching connecting piping.

1. Indicator: Weatherproof actuator housing with electrical, 15 amp @125-VAC 60 HZ, prewired, single-pole-single-throw, supervisory switches

2. NPS 2 and Smaller: Ball or butterfly valve with bronze body with grooved ends. Basis of Design: Victaulic Series 728.

a. Basis-of-Design Product: Subject to compliance with requirements, provide Victaulic Company.

3. NPS 2-1/2 and Larger: Butterfly valve with cast- or ductile-iron body; wafer type or with flanged or grooved ends.

a. Basis-of-Design Product: Subject to compliance with requirements, provide Victaulic Company.

## 2.7 GENERAL-DUTY VALVES

A. Basis-of-Design Product: Subject to compliance with requirements, provide Victaulic Company.

B. Ball Valves NPS 2 and Smaller: MSS SP-110, 2-piece copper-alloy body with chrome-plated brass ball, 600-psig minimum CWP rating, blowout-proof stem, and threaded or grooved ends.

C. Check Valves NPS 2 and Smaller: MSS SP-80, Type 4, Class 125 minimum, swing type with bronze body, nonmetallic disc, and threaded or grooved ends.

## 2.8 SPECIALTY VALVES

A. Sprinkler System Control Valves: UL listed or FM approved, cast- or ductile-iron body with flanged or grooved ends, and 175-psig minimum pressure rating.

1. Basis-of-Design Product: Subject to compliance with requirements, provide Victaulic Company.

FIRE STATIONS RENOVATION  
ARLINGTON COUNTY, VIRGINIA  
Architect's Project No: 563006

---

2. Riser Check Valves: UL 193, designed for horizontal or vertical installation, with bronze grooved seat with O-ring seals, single-hinge pin, and latch design. Include trim sets for drain and pressure gages. Victaulic UMC model only.
  
3. Floor control valve assemblies: Universal Manifold Check Valve | Model UMC Model UMC - 1-1/4, 1-1/2, 2, 2-1/2, 3, 4, 6, and 8-inch Universal Manifold Check Valve: Where universal manifold check valves are specified for use in wet-pipe sprinkler systems, as floor control manifolds they shall be specifically listed for such use. Universal manifold check valves shall be ductile iron construction, incorporating a control valve, check valve, flow switch, test & drain assembly, adjustable relief valve, and system gauges in one compact body/footprint, and shall be manufactured for "right" and "left"-hand orientations. The test & drain assemble shall contain an adjustable relief valve, with a range of 175 to 310 psi, and a universal test orifice of K2.8; to provide testing capabilities of systems with k-factors ranging from K2.8 and larger. The Universal Manifold Check valve shall be rated for use at the maximum service pressure of 300 psi and shall be UL listed and FM approved. Universal manifold check valves shall be the Model UMC; as manufactured by Globe brand by Victaulic Company only.

## 2.9 SPRINKLERS

- A. Sprinklers shall be UL listed or FM approved, with 175-psig minimum pressure rating. Basis of design Victaulic / Globe.
- B. Basis-of-Design Product: Subject to compliance with requirements, provide Victaulic Company.
- C. Automatic Sprinklers: UL-Listed with quick response glass bulb type heat-responsive element complying with the following:
  1. UL 199, for nonresidential applications.
- D. Wrenches shall be provided by the sprinkler manufacturer that directly engage the hex-shaped wrench boss integrally cast in the sprinkler body.
- E. Sprinkler types, features, and options as follows:
  1. Brass upright sprinklers.
  2. Extended-coverage sprinklers.
  3. Concealed pendent sprinklers, including cover plate, must have 1" of adjustment.
  4. Pendent sprinklers.
  5. Pendent, dry-type sprinklers.
  6. Quick-response sprinklers.
  7. Recessed sprinklers, including escutcheon.
  8. Sidewall sprinklers.

FIRE STATIONS RENOVATION  
ARLINGTON COUNTY, VIRGINIA  
Architect's Project No: 563006

---

9. Sidewall, dry-type sprinklers as manuf. By Victaulic
  10. Attic sprinkler Globe Brand by Victaulic where applicable.
  11. Grooved heads as manufactured by Victaulic.
- F. Sprinkler Escutcheons: Materials, types, and finishes for the following sprinkler mounting applications. Escutcheons for concealed, flush, and recessed-type sprinklers are specified with sprinklers.
1. Ceiling Mounting: 2 piece, with 1-inch vertical adjustment.
  2. Sidewall Mounting: 2 piece, with 1-inch horizontal adjustment.
- G. Sprinkler Guards: Wire-cage type, including fastening device for attaching to sprinkler.
- H. In lieu of rigid connections to dry sprinkler heads, a Victaulic VicFlex™ dry sprinkler, Model VS1, may be used. The sprinkler shall provide a vertical or horizontal flexible connection with a bend radius to 2" and allow for up to 4 bends.
- I. For cooler or Freezer boxes: Victaulic AB6 Freezer dry pendant utilizing a flexible hose connection shall be used. No dry Pendant utilizing a rubber boot will be allowed.

#### 2.11 Special Hazard fire extinguishing systems

Special Hazards systems must meet NFSA 770 standard. Must be 100% green with no need for assurance of tight room integrity, nearly zero wetting with no costly cleanup. Must have no life safety issues and a quick recharge with not patent on the Gas used. Must use only Nitrogen and water. For use in all water sensitive facilities including data centers. Basis of design is Victaulic Vortex extinguishing system.

#### 2.12 ALARM DEVICES

- J. Alarm device types shall match piping and equipment connections.
- K. Wet Pipe Water-Flow Indicator: UL 346, electrical-supervision, paddle-operated-type, water-flow detector with 250-psig pressure rating and designed for horizontal or vertical installation. Include two single-pole, double-throw circuit switches for isolated alarm and auxiliary contacts, 7 A, 125-V ac and 0.25 A, 24-V dc; complete with factory-set, field-adjustable retard element to prevent false signals and tamperproof cover that sends signal if removed.
1. Manufacturers including but not limited to:
    - a. Grinnell Fire Protection.
    - b. ITT McDonnell & Miller.
    - c. Potter Electric Signal Company.
    - d. Viking Corp.
    - e. Watts Industries, Inc.; Water Products Div.
- L. Valve Supervisory Switch: UL 753, electrical, single-pole, double-throw switch with normally closed contacts. Include design that signals controlled valve is in other than fully open position.
1. Manufacturers including but not limited to:
    - a. McWane, Inc.; Kennedy Valve Div.

FIRE STATIONS RENOVATION  
ARLINGTON COUNTY, VIRGINIA  
Architect's Project No: 563006

---

- b. Potter Electric Signal Company.
- c. System Sensor.

2.10 PRESSURE GAGES

- A. Manufacturers including but not limited to:
  - 1. Dresser Equipment Group; Instrument Div.
- B. Description: UL 393, 3-1/2" to 4-1/2" diameter dial.
- C. Water System Piping: Include caption "WATER" or "AIR/WATER" on dial face.

2.11 FIRESTOP WRAP

- A. Manufacturers including but not limited to:
  - 1. 3M
- B. UL listed with minimum 1-hour fire rating

PART 3 - EXECUTION

3.1 PREPARATION

- A. Perform fire-hydrant flow test according to NFPA standards, procedures, appendices, or recommendations.
- B. Report test results no later than two days following the test in writing.

3.2 EARTHWORK

- A. Refer to Division 31 Section "Earth Moving" for excavating, trenching, and backfilling.

3.3 EXAMINATION

- A. Examine roughing-in for hose connections and stations to verify actual locations of piping connections before installation.
- B. Examine walls and partitions for suitable thicknesses, fire- and smoke-rated construction, framing for hose-station cabinets, and other conditions where hose connections and stations are to be installed.
- C. Proceed with installation only after unsatisfactory conditions have been corrected.

FIRE STATIONS RENOVATION  
ARLINGTON COUNTY, VIRGINIA  
Architect's Project No: 563006

---

### 3.4 PIPING APPLICATIONS, GENERAL

- A. Provide shop-welded joints where welding is required.
- B. Provide shop or manufacturer-threaded or grooved joints where threads are required.
- C. Field-welded joints will be permitted where indicated on the drawings. Field welding is optional where indicated. Other approved or specified methods are acceptable.
- D. Do not use welded joints for galvanized-steel.
- E. Flanges, flanged fittings, unions, nipples, transition and special fittings with finish and pressure ratings same as or higher than system's pressure rating may be used in aboveground applications, unless otherwise indicated.

### 3.5 SPRINKLER SYSTEM PIPING APPLICATIONS

- A. Wet-Pipe Sprinkler System, 175-psig Maximum Working Pressure:
  - 1. Sprinkler Piping NPS 2" and smaller use any of the following:
    - a. Threaded or grooved-end, black, schedule 40 steel pipe; cast- or malleable-iron threaded or grooved fittings; and threaded or grooved joints.
    - b. Plain-end, black, schedule 40 steel pipe; steel welding fittings; and welded joints.
    - c. Grooved-end, black, schedule 40 steel pipe with square-cut- or roll-grooved ends; grooved-end fittings; grooved-end-pipe couplings; and grooved joints.
  - 2. Sprinkler Piping NPS 2 1/2" and larger use any of the following:
    - a. Threaded or grooved-end, black, schedule 40 steel pipe; cast- or malleable-iron threaded or grooved fittings; and threaded or grooved joints.
    - b. Plain-end, black, schedule 10 steel pipe; steel welding fittings; and welded joints.
    - c. Grooved-end, black, Schedule 10 steel pipe; grooved-end fittings; grooved-end-pipe couplings; and roll grooved joints.
  - 3. CPVC Pipe and Fittings are permitted to be installed in accordance with NFPA 13 and the manufacturers listing requirements.

### 3.6 VALVE APPLICATIONS

- A. Where specific valve types are not indicated, the following requirements apply:
  - 1. Listed Fire-Protection Valves: UL listed and FMG approved for application.
    - a. Shutoff Duty: Use ball, or butterfly valves.

### 3.7 JOINT CONSTRUCTION

- A. Refer to Section "Common Work Results for Fire Suppression" for basic piping joint construction.

FIRE STATIONS RENOVATION  
ARLINGTON COUNTY, VIRGINIA  
Architect's Project No: 563006

---

- B. Threaded Joints: Comply with NFPA 13 for pipe thickness and threads. Do not thread pipe smaller than 8" with wall thickness less than Schedule 40 unless approved by authorities having jurisdiction.
- C. Threads shall be checked by a ring gage and shall comply with ASME B1.20.1.
- D. Grooved Joints: Assemble joints with listed coupling and gasket, lubricant, and bolts in accordance with the manufacturer's published installation instructions.
  - 1. Steel Pipe: Square-cut or roll-groove piping as indicated. Use grooved-end fittings and rigid, grooved-end-pipe couplings, unless otherwise indicated.
  - 2. Grooved coupling manufacturer's factory trained field representative shall provide on-site training for contractor's field personnel in the proper use of grooving tools, application of groove, and installation of grooved piping products. Factory trained representative shall periodically visit the jobsite to ensure best practices in grooved product installation are being followed. Contractor shall remove and replace any improperly installed products.
- E. Dissimilar-Metal Piping Joints: Construct joints using dielectric fittings compatible with both piping materials.
  - 1. NPS 2 and Smaller: Use dielectric unions, couplings, or nipples.
  - 2. NPS 2-1/2 to NPS 4: Use dielectric flanges.
  - 3. NPS 5 and Larger: Use dielectric flange insulation kits.

### 3.8 PIPING INSTALLATION

- A. Refer to Section "Common Work Results for Fire Suppression" for basic piping installation.
- B. Locations and Arrangements: Drawing plans, shop drawings, schematics, and diagrams indicate general location and arrangement of piping. Install piping as indicated.
  - 1. Deviations from approved working drawings for piping require written approval from authorities having jurisdiction and Architect. File written approval with Architect before deviating.
- C. Provide approved fittings to make changes in direction, branch takeoffs from mains, and reductions in pipe sizes.
- D. Provide unions adjacent to each valve in pipes 2" and smaller. Unions are not required on flanged devices or in piping installations using grooved joints.
- E. Provide sprinkler piping with drains for complete system drainage.
- F. Provide alarm devices.
- G. Install sprinkler system piping according to NFPA 13.

FIRE STATIONS RENOVATION  
ARLINGTON COUNTY, VIRGINIA  
Architect's Project No: 563006

---

- H. Install pressure gages on each riser or feed main, and at each sprinkler test connection. Include pressure gages with connection not less than 1/4" and with soft metal seated globe valve, arranged for draining pipe between gage and valve. Install gages to permit removal, and install where not subject to freezing.
- I. Fill wet-pipe sprinkler with water.

3.9 VALVE INSTALLATION

- A. Install listed fire-protection valves, unlisted general-duty valves, specialty valves and trim, controls, and specialties according to NFPA 13 and authorities having jurisdiction.
- B. Install listed fire-protection shutoff valves supervised-open, located to control sources of water supply except from fire department connections. Install permanent identification signs indicating portion of system controlled by each valve.

3.10 SPRINKLER INSTALLATION

- A. Install sprinklers in suspended ceilings in center of acoustical ceiling panels and tiles.
- B. Do not install pendent or sidewall, wet-type sprinklers in areas subject to freezing. Use dry-type sprinklers with water supply from heated space wherever possible.
- C. Do not install sprinklers that have been dropped, damaged, show a visible loss of fluid, or a cracked bulb.
- D. The sprinkler bulb protector shall be removable by hand, without tools or devices that may damage the bulb.

3.11 CONNECTIONS

- A. Install piping adjacent to equipment to allow service and maintenance.
- B. Connect water-supply piping to fire-suppression piping. Include backflow preventer between potable-water piping and fire-suppression piping.
- C. Install ball drip valves at each check valve for fire department connection. Drain as indicated. If not indicated otherwise, drain to floor drain or outside building.
- D. Coordinate connection of alarm devices to fire alarm.
- E. Ground equipment. Grounding shall be in accordance with section "Grounding and Bonding for Electrical Systems."
- F. Coordinate connection of wiring.



FIRE STATIONS RENOVATION  
ARLINGTON COUNTY, VIRGINIA  
Architect's Project No: 563006

---

- G. Tighten electrical connectors and terminals according to manufacturer's published torque-tightening values. If manufacturer's torque values are not indicated, use those specified in UL 486A and UL 486B.

3.12 LABELING AND IDENTIFICATION

- A. Install labeling and pipe markers on equipment and piping according to requirements in NFPA 13.

3.13 FIELD QUALITY CONTROL

- A. Perform the following field tests and inspections and prepare test reports:
  1. Leak Test: After installation, charge system and test for leaks. Repair leaks and retest until no leaks exist.
  2. Test and adjust controls and safeties. Replace damaged and malfunctioning controls and equipment.
  3. Energize circuits to electrical equipment and devices.
  4. Flush, test, and inspect sprinkler systems according to NFPA 13, "Systems Acceptance" Chapter.
  5. Coordinate with fire alarm tests. Operate as required.
  6. Verify that equipment hose threads are same as local fire department equipment.
- B. Report test results promptly and in writing to Architect and authorities having jurisdiction.

3.14 CLEANING AND PROTECTION

- A. Clean dirt and debris from sprinklers.
- B. Provide sprinklers to replace sprinklers with paint or coating other than the original factory finish.
- C. Protect sprinklers from damage and debris until Substantial Completion.
- D. Protect the building exterior when operating drains and test connections discharging to the building exterior.
- E. Dirt and stains on any surfaces resulting from the work of this section shall be cleaned and removed under this section.

3.15 DEMONSTRATION

- A. Engage a factory-authorized service representative to train Owner's maintenance personnel to adjust, operate, and maintain the system.

END OF SECTION 211000

FIRE STATIONS RENOVATION  
ARLINGTON COUNTY, VIRGINIA  
Architect's Project No: 563006

---

SECTION 220500 - COMMON WORK RESULTS FOR PLUMBING

PART 1 - GENERAL

1.1 RELATED DOCUMENTS

- A. Provisions of the Contract and of the Contract Documents apply to this Section.

1.2 DEFINITIONS

- A. Finished Spaces: Spaces other than mechanical and electrical equipment rooms, furred spaces, pipe chases, unheated spaces immediately below roof, spaces above ceilings, unexcavated spaces, crawlspace, and tunnels.
- B. Exposed, Interior Installations: Exposed to view indoors. Examples include finished occupied spaces and mechanical equipment rooms.
- C. Exposed, Exterior Installations: Exposed to view outdoors or subject to outdoor ambient temperatures and weather conditions. Examples include rooftop locations.
- D. Concealed, Interior Installations: Concealed from view and protected from physical contact by building occupants. Examples include above ceilings and in chases.
- E. Concealed, Exterior Installations: Concealed from view and protected from weather conditions and physical contact by building occupants but subject to outdoor ambient temperatures. Examples include installations within unheated shelters.
- F. The following are industry abbreviations for plastic materials:
  - 1. ABS: Acrylonitrile-butadiene-styrene plastic.
  - 2. CPVC: Chlorinated polyvinyl chloride plastic.
  - 3. PE: Polyethylene plastic.
  - 4. PVC: Polyvinyl chloride plastic.
- G. The following are industry abbreviations for rubber materials:
  - 1. EPDM: Ethylene-propylene-diene terpolymer rubber.
  - 2. NBR: Acrylonitrile-butadiene rubber.

1.3 SUBMITTALS

- A. Product Data: For the following:
  - 1. Transition fittings.
  - 2. Dielectric fittings.
  - 3. Escutcheons.

FIRE STATIONS RENOVATION  
ARLINGTON COUNTY, VIRGINIA  
Architect's Project No: 563006

---

- B. LEED Submittals: Refer to Division 1 Section "Sustainable Design Requirements."

#### 1.4 QUALITY ASSURANCE

- A. Steel Support Welding: Qualify processes and operators according to AWS D1.1, "Structural Welding Code--Steel."
- B. Steel Pipe Welding: Qualify processes and operators according to ASME Boiler and Pressure Vessel Code: Section IX, "Welding and Brazing Qualifications."
  - 1. Comply with provisions in ASME B31 Series, "Code for Pressure Piping."
  - 2. Certify that each welder has passed AWS qualification tests for welding processes involved and that certification is current.
- C. Electrical Characteristics for Plumbing Equipment: Equipment of higher electrical characteristics may be furnished provided such proposed equipment is approved in writing and connecting electrical services, circuit breakers, and conduit sizes are appropriately modified. If minimum energy ratings or efficiencies are specified, equipment shall comply with requirements.

#### 1.5 DELIVERY, STORAGE, AND HANDLING

- A. Deliver pipes and tubes with factory-applied end caps. Maintain end caps through shipping, storage, and handling to prevent pipe end damage and to prevent entrance of dirt, debris, and moisture.
- B. Store plastic pipes protected from direct sunlight. Support to prevent sagging and bending.

#### 1.6 COORDINATION

- A. Arrange for pipe spaces, chases, slots, and openings in building structure during progress of construction, to allow for plumbing installations.
- B. Coordinate installation of required supporting devices and set sleeves in poured-in-place concrete and other structural components as they are constructed.
- C. Coordinate requirements for access panels and doors for plumbing items requiring access that are concealed behind finished surfaces. Access panels and doors are specified in Division 08 Section "Access Doors and Frames."

### PART 2 - PRODUCTS

#### 2.1 PIPE, TUBE, AND FITTINGS

- A. Refer to other Division 22 piping sections for pipe, tube, and fitting materials and joining methods.

FIRE STATIONS RENOVATION  
ARLINGTON COUNTY, VIRGINIA  
Architect's Project No: 563006

---

- B. Pipe Threads: ASME B1.20.1 for factory-threaded pipe and pipe fittings.

## 2.2 JOINING MATERIALS

- A. Refer to individual Division 22 piping sections for joining materials not listed below.
- B. Pipe-Flange Gasket Materials: Suitable for chemical and thermal conditions inside & outside pipe and:
  - 1. ASME B16.21, nonmetallic, flat, asbestos-free, 1/8-inch maximum thickness unless thickness or specific material is otherwise indicated.
    - a. Full-Face Type: For flat-face, Class 125, cast-iron and cast-bronze flanges.
    - b. Narrow-Face Type: For raised-face, Class 250, cast-iron and steel flanges.
  - 2. AWWA C110, rubber, flat face, 1/8 inch thick, unless otherwise indicated, and full-face or ring type, unless otherwise indicated.
- C. Solder Filler Metals: ASTM B 32, lead-free (95% Tin, 5% Antimony) alloy. Include water-flushable flux according to ASTM B 813.
- D. Brazing Filler Metals: AWS A5.8, BCuP Series, copper-phosphorus alloys for general-duty brazing, unless otherwise indicated; and AWS A5.8, BAgl, silver alloy for refrigerant piping, unless otherwise indicated.
- E. Welding Filler Metals: Comply with AWS D10.12 for welding materials appropriate for wall thickness and chemical analysis of steel pipe being welded.
- F. Solvent Cements for Joining Plastic Piping:
  - 1. ABS Piping: ASTM D 2235.
  - 2. CPVC Piping: ASTM F 493.
  - 3. PVC Piping: ASTM D 2564. Include primer according to ASTM F 656.
  - 4. PVC to ABS Piping Transition: ASTM D 3138.

## 2.3 MECHANICAL GROOVED JOINT COUPLINGS

- A. Manufacturer: Victaulic
- B. Description: Pipe joint consisting of a grooved pipe, EPDM gasket, steel housing, 2 bolts and 2 nuts.
- C. Gasket Material: Grade "E" EPDM suitable for use up to 250 degrees F.
- D. Housing: Carbon steel

FIRE STATIONS RENOVATION  
ARLINGTON COUNTY, VIRGINIA  
Architect's Project No: 563006

---

2.4 DIELECTRIC FITTINGS

- A. Description: Combination fitting of copper alloy and ferrous materials with threaded, solder-joint, plain, or weld-neck end connections that match piping system materials.
- B. Insulating Material: Suitable for system fluid, pressure, and temperature.
- C. Dielectric Flanges: Factory-fabricated, companion-flange assembly, for 150 or 300 psig working pressure as required to suit system pressures.
  - 1. Available Manufacturers:
    - a. Capitol Manufacturing Co.
    - b. Central Plastics Company.
    - c. Epco Sales, Inc.
    - d. Watts Industries, Inc.; Water Products Div.
- D. Dielectric-Flange Kits: Companion-flange assembly for field assembly. Include flanges, full-face- or ring-type neoprene or phenolic gasket, phenolic or polyethylene bolt sleeves, phenolic washers, and steel backing washers.
  - 1. Available Manufacturers:
    - a. Advance Products & Systems, Inc.
    - b. Calpico, Inc.
    - c. Central Plastics Company.
    - d. Pipeline Seal and Insulator, Inc.
  - 2. Separate companion flanges and steel bolts and nuts shall have 150- or 300-psig minimum working pressure where required to suit system pressures.
- E. Dielectric Couplings: Galvanized-steel coupling with inert and noncorrosive, thermoplastic lining; threaded ends; and 300-psig minimum working pressure at 225 deg F.
  - 1. Available Manufacturers:
    - a. Calpico, Inc.
    - b. Lochinvar Corp.

2.5 ESCUTCHEONS

- A. Description: Manufactured wall and ceiling escutcheons and floor plates, with an ID to closely fit around pipe, tube, and insulation of insulated piping and an OD that completely covers opening.
- B. One-Piece, Deep-Pattern Type: Deep-drawn, box-shaped brass with polished chrome-plated finish.
- C. One-Piece, Cast-Brass Type: With set screw.

FIRE STATIONS RENOVATION  
ARLINGTON COUNTY, VIRGINIA  
Architect's Project No: 563006

---

- 1. Finish: Polished chrome-plated.
- D. Split-Casting, Cast-Brass Type: With concealed hinge and set screw.
  - 1. Finish: Polished chrome-plated.
- E. One-Piece, Floor-Plate Type: Cast-iron floor plate.
- F. Split-Casting, Floor-Plate Type: Cast brass with concealed hinge and set screw.

## 2.6 GROUT

- A. Description: ASTM C 1107, Grade B, nonshrink and nonmetallic, dry hydraulic-cement grout.
  - 1. Characteristics: Post-hardening, volume-adjusting, nonstaining, noncorrosive, nongaseous, and recommended for interior and exterior applications.
  - 2. Design Mix: 5000-psi, 28-day compressive strength.
  - 3. Packaging: Premixed and factory packaged.

## 2.7 SECURITY FASTENERS:

- A. Description: Accessories, anchorage inserts, and security fasteners providing a complete tamperproof installation.
- B. Exposed Security Fasteners:
  - 1. Fastener: Provide torx-head (star with center reject pin) security fasteners for anchoring work in exposed security areas.
  - 2. Finish: Finish shall match that specified of the item anchored.
  - 3. Tools: Provide tools for fastening devices

## PART 3 - EXECUTION

### 3.1 PIPING SYSTEMS - COMMON REQUIREMENTS

- A. Install piping according to the following and Division 22 Sections specifying piping systems.
- B. Install piping in concealed locations, unless otherwise indicated and except in equipment rooms and service areas.
- C. Install piping indicated to be exposed and piping in equipment rooms and service areas at right angles or parallel to building walls. Diagonal runs are prohibited unless specifically indicated otherwise.
- D. Install piping above accessible ceilings to allow sufficient space for ceiling panel removal.
- E. Install piping to permit valve servicing.

FIRE STATIONS RENOVATION  
ARLINGTON COUNTY, VIRGINIA  
Architect's Project No: 563006

---

- F. Install piping at indicated slopes.
- G. Install piping free of sags and bends.
- H. Install fittings for changes in direction and branch connections.
- I. Install piping to allow application of insulation.
- J. Select system components with pressure rating equal to or greater than system operating pressure.
- K. Install escutcheons for penetrations of walls, ceilings, and floors according to the following:
  - 1. Exposed, Interior Installations/Piping with Fitting or Sleeve Protruding from Wall: One-piece, deep-pattern type.
  - 2. Exposed, Interior Installations/Chrome-Plated Piping: One-piece, cast-brass type with polished chrome-plated finish and set-screw.
  - 3. Exposed, Interior Installations/Insulated Piping: One-piece, cast-brass type with polished chrome-plated finish.
  - 4. Exposed, Interior Installations/Bare Piping at Wall and Floor Penetrations in Finished Spaces: One-piece, cast-brass type with finish to match surrounding surfaces.
  - 5. Exposed, Interior Installations/Bare Piping at Ceiling Penetrations in Finished Spaces: One-piece or split-casting, cast-brass type with finish to match surrounding surfaces.
  - 6. Exposed, Interior Installations/Piping in Unfinished Service Spaces: None, provide sealant.
  - 7. Exposed, Interior Installations/Piping in Equipment Rooms: None, provide sealant.
  - 8. Exposed, Interior Installations/Piping at Floor Penetrations in Equipment Rooms, Fan Rooms, or similar wet spaces: None - provide sealant and sleeve extending 2" above floor to prevent liquid leaking to floor below
- L. Fire-Barrier Penetrations: Maintain indicated fire rating of walls, partitions, ceilings, and floors at pipe penetrations. Seal pipe penetrations with firestop materials. Refer to Section "Penetration Firestopping" for materials.
- M. Verify final equipment locations for roughing-in.
- N. Refer to equipment specifications in other Sections of these Specifications for roughing-in requirements.

### 3.2 PIPING JOINT CONSTRUCTION

- A. Join pipe and fittings according to the following requirements and Division 22 Sections specifying piping systems.
- B. Ream ends of pipes and tubes and remove burrs. Bevel plain ends of steel pipe.
- C. Remove scale, slag, dirt, and debris from inside and outside of pipe and fittings before assembly.

FIRE STATIONS RENOVATION  
ARLINGTON COUNTY, VIRGINIA  
Architect's Project No: 563006

---

- D. Soldered Joints: Apply ASTM B 813, water-flushable flux, unless otherwise indicated, to tube end. Construct joints according to ASTM B 828 or CDA's "Copper Tube Handbook," using lead-free solder alloy complying with ASTM B 32.
- E. Brazed Joints: Construct joints according to AWS's "Brazing Handbook," "Pipe and Tube" Chapter, using copper-phosphorus brazing filler metal complying with AWS A5.8.
- F. Threaded Joints: Thread pipe with tapered pipe threads according to ASME B1.20.1. Cut threads full and clean using sharp dies. Ream threaded pipe ends to remove burrs and restore full ID. Join pipe fittings and valves as follows:
1. Apply appropriate tape or thread compound to external pipe threads unless dry seal threading is specified.
  2. Damaged Threads: Do not use pipe or pipe fittings with threads that are corroded or damaged. Do not use pipe sections that have cracked or open welds.
- G. Welded Joints: Construct joints according to AWS D10.12, using qualified processes and welding operators according to Part 1 "Quality Assurance" Article.
- H. Flanged Joints: Select appropriate gasket material, size, type, and thickness for service application. Install gasket concentrically positioned. Use suitable lubricants on bolt threads.
- I. Plastic Piping Solvent-Cement Joints: Clean and dry joining surfaces. Join pipe and fittings according to the following:
1. Comply with ASTM F 402 for safe-handling practice of cleaners, primers, and solvent cements.
  2. ABS Piping: Join according to ASTM D 2235 and ASTM D 2661 Appendixes.
  3. CPVC Piping: Join according to ASTM D 2846/D 2846M Appendix.
  4. PVC Pressure Piping: Join schedule number ASTM D 1785, PVC pipe and PVC socket fittings according to ASTM D 2672. Join other-than-schedule-number PVC pipe and socket fittings according to ASTM D 2855.
  5. PVC Nonpressure Piping: Join according to ASTM D 2855.
  6. PVC to ABS Nonpressure Transition Fittings: Join according to ASTM D 3138 Appendix.
- J. Plastic Pressure Piping Gasketed Joints: Join according to ASTM D 3139.
- K. Plastic Nonpressure Piping Gasketed Joints: Join according to ASTM D 3212.
- L. PE Piping Heat-Fusion Joints: Clean and dry joining surfaces by wiping with clean cloth or paper towels. Join according to ASTM D 2657.
1. Plain-End Pipe and Fittings: Use butt fusion.
  2. Plain-End Pipe and Socket Fittings: Use socket fusion.
- M. Fiberglass Bonded Joints: Prepare pipe ends and fittings, apply adhesive, and join according to pipe manufacturer's written instructions.



FIRE STATIONS RENOVATION  
ARLINGTON COUNTY, VIRGINIA  
Architect's Project No: 563006

---

- N. Mechanical Joints: Prepare pipe ends and fittings, apply coupling, and join according to joint manufacturer's written instructions.

### 3.3 PIPING CONNECTIONS

- A. Make connections according to the following, unless otherwise indicated:
  - 1. Install unions, in piping 2" and smaller, one adjacent to each valve and at final connections to each piece of equipment.
  - 2. Install flanges, in piping NPS 2-1/2" and larger, adjacent to final connections to each piece of equipment.
  - 3. Install dielectric unions or flanges for connections of dissimilar metals.

### 3.4 EQUIPMENT INSTALLATION - COMMON REQUIREMENTS

- A. Install equipment to allow maximum possible headroom unless specific mounting heights are indicated.
- B. Install equipment level and plumb, parallel and perpendicular to other building systems and components in exposed interior spaces, unless otherwise indicated.
- C. Install plumbing equipment to facilitate service, maintenance, and repair or replacement of components. Connect equipment for ease of disconnecting, with minimum interference to other installations. Extend grease fittings to accessible locations.
- D. Install equipment to allow right of way for piping installed at required slope.

### 3.5 PAINTING

- A. Damage and Touchup: Repair marred and damaged factory-painted finishes with materials and procedures to match original factory finish.
- B. All paints and coatings wet-applied on site must meet the applicable VOC limits of the California Air Resources Board (CARB) 2007, Suggested Control Measure (SCM) for Architectural Coatings, or the South Coast Air Quality Management District (SCAQMD) Rule 1113, effective June 3, 2011.

### 3.6 HOUSEKEEPING PADS AND EQUIPMENT PADS

- A. Housekeeping pads and equipment pads: Anchor equipment to concrete according to equipment manufacturer's written instructions and according to seismic codes at project location.
  - 1. Construct concrete pads in accordance with drawing details.
  - 2. Details may be found on structural drawings. If details are not provided comply with the following:

FIRE STATIONS RENOVATION  
ARLINGTON COUNTY, VIRGINIA  
Architect's Project No: 563006

---

- a. Housekeeping pads inside the building shall be 4" thick and 6" larger all around than supported equipment. Provide a 1" chamfer on all edges.
- b. If details are not provided, equipment pads outside the building shall be 8" thick with a 24" deep 12" wide turndown (footing) all around the outside edge of the pad. Provide welded wire mesh reinforcement. Pad shall be 12" larger all around than supported equipment.
- c. Install dowel rods to connect housekeeping pad to concrete floor. Unless otherwise indicated, install dowel rods on 18-inch centers around the full perimeter of the pad. Provide a 1" chamfer on all edges.
- d. Install epoxy-coated anchor bolts. For equipment on housekeeping pads bolts shall extend through housekeeping pad, and anchor into structural concrete floor.
- e. Place and secure anchor bolts using supported equipment manufacturer's setting drawings, templates, diagrams, instructions, and directions for placement.
- f. Install anchor bolts to elevations required for proper attachment to supported equipment.
- g. Install anchor bolts according to anchor bolt manufacturer's written instructions.

3.7 ERECTION OF METAL SUPPORTS AND ANCHORAGES

- A. Refer to Section "Metal Fabrications" for structural steel.
- B. Cut, fit, and place miscellaneous metal supports accurately in location, alignment, and elevation to support and anchor plumbing materials and equipment.
- C. Field Welding: Comply with AWS D1.1.

3.8 GROUTING

- A. Mix and install grout for plumbing equipment base bearing surfaces, pump and other equipment base plates, and anchors.
- B. Clean surfaces that will come into contact with grout.
- C. Provide forms as required for placement of grout.
- D. Avoid air entrapment during placement of grout.
- E. Place grout, completely filling equipment bases.
- F. Place grout on concrete bases and provide smooth bearing surface for equipment.
- G. Place grout around anchors.
- H. Cure placed grout.

END OF SECTION 220500

FIRE STATIONS RENOVATION  
ARLINGTON COUNTY, VIRGINIA  
Architect's Project No: 563006

SECTION 220517 - SLEEVES AND SLEEVE SEALS FOR PLUMBING PIPING

PART 1 - GENERAL

1.1 RELATED DOCUMENTS

- A. Provisions of the Contract and of the Contract Documents apply to this Section.

1.2 SUBMITTALS

- A. Product Data: For each type of product indicated.

PART 2 - PRODUCTS

2.1 SLEEVES

- A. Cast-Iron Wall Pipes: Cast or fabricated of cast or ductile iron and equivalent to ductile-iron pressure pipe, with plain ends and integral waterstop unless otherwise indicated.
- B. Galvanized-Steel Wall Pipes: ASTM A 53/A 53M, Schedule 40, with plain ends and welded steel collar; zinc coated.
- C. Galvanized-Steel-Pipe Sleeves: ASTM A 53/A 53M, Type E, Grade B, Schedule 40, zinc coated, with plain ends.
- D. Galvanized-Steel-Sheet Sleeves: 0.0239" minimum thickness; round tube closed with welded longitudinal joint.

2.2 STACK-SLEEVE FITTINGS

- A. Available Manufacturers:
  - 1. Smith, Jay R. Mfg. Co.
  - 2. Wade
  - 3. Zurn Specification Drainage Operation; Zurn Plumbing Products Group.
- B. Description: Manufactured, cast-iron sleeve with integral clamping flange. Include clamping ring, bolts, and nuts for membrane flashing.
  - 1. Underdeck Clamp: Clamping ring with setscrews.

2.3 SLEEVE-SEAL SYSTEMS

- A. Available Manufacturers:
  - 1. Advance Products & Systems, Inc.

FIRE STATIONS RENOVATION  
ARLINGTON COUNTY, VIRGINIA  
Architect's Project No: 563006

2. CALPICO, Inc.
  3. Link Seal
  4. Metraflex Company (The).
  5. Pipeline Seal and Insulator, Inc.
  6. Proco Products, Inc.
- B. Description: Modular sealing-element unit, designed for field assembly, for filling annular space between piping and sleeve.
1. Sealing Elements: EPDM or Nitrile rubber interlocking links shaped to fit surface of pipe. Include type and number required for pipe material and size of pipe.
  2. Pressure Plates: Stainless steel.
  3. Connecting Bolts and Nuts: Stainless steel of length required to secure pressure plates to sealing elements.

### PART 3 - EXECUTION

#### 3.1 SLEEVE INSTALLATION

- A. Install sleeves for piping passing through penetrations in floors, partitions, roofs, and walls.
- B. For sleeves that will have sleeve-seal system installed, select sleeves of size large enough to provide 1-inch annular clear space between piping and concrete slabs and walls.
1. Sleeves are not required for core-drilled holes.
- C. Install sleeves in concrete floors, concrete roof slabs, and concrete walls as new slabs and walls are constructed.
1. Permanent sleeves are not required for holes in slabs formed by molded-PE or -PP sleeves.
  2. Cut sleeves to length for mounting flush with both surfaces.
    - a. Exception: Extend sleeves installed in floors of mechanical equipment areas or other wet areas 2 inches above finished floor level.
  3. Using grout, seal the space outside of sleeves in slabs and walls without sleeve-seal system.
- D. Install sleeves for pipes passing through interior partitions.
1. Cut sleeves to length for mounting flush with both surfaces.
  2. Install sleeves that are large enough to provide ¼" clear space between sleeve and pipe or pipe insulation.
  3. Seal annular space between sleeve and piping or piping insulation; use joint sealants appropriate for size, depth, and location of joint. Comply with requirements for sealants.
- E. Fire Ratings: Maintain indicated fire rating of walls, partitions, ceilings, and floors at pipe penetrations. Seal pipe penetrations with firestop materials.

FIRE STATIONS RENOVATION  
ARLINGTON COUNTY, VIRGINIA  
Architect's Project No: 563006

3.2 STACK-SLEEVE-FITTING INSTALLATION

- A. Install stack-sleeve fittings in new slabs as slabs are constructed.
  - 1. Install fittings that are large enough to provide ¼” clear space between sleeve and pipe or pipe insulation.
  - 2. Secure flashing between clamping flanges for pipes penetrating floors with membrane waterproofing. Comply with requirements for flashing specified in Division 07 Section "Sheet Metal Flashing and Trim."
  - 3. Install section of cast-iron soil pipe to extend sleeve to 2 inches above finished floor level.
  - 4. Extend cast-iron sleeve fittings below floor slab as required to secure clamping ring if ring is specified.
  - 5. Using grout, seal the space around outside of stack-sleeve fittings.
- B. Fire Rating: Maintain indicated fire rating at pipe penetrations. Seal pipe penetrations with firestop materials.

3.3 SLEEVE-SEAL-SYSTEM INSTALLATION

- A. Install sleeve-seal systems in sleeves in exterior concrete walls and slabs-on-grade at service piping entries into building unless otherwise indicated.
- B. Select type, size, and number of sealing elements required for piping material and size and for sleeve ID or hole size. Position piping in center of sleeve. Center piping in penetration, assemble sleeve-seal system components, and install in annular space between piping and sleeve. Tighten bolts against pressure plates that cause sealing elements to expand and make a watertight seal.

3.4 SLEEVE AND SLEEVE-SEAL SCHEDULE

- A. Use sleeves and sleeve seals for the following piping-penetration applications:
  - 1. Exterior Concrete Walls above Grade, below Grade, Concrete Slabs-on-Grade, and Concrete Slabs above Grade:
    - a. Piping Smaller Than NPS 6: Cast-iron wall sleeves with sleeve-seal system.
      - 1) Select sleeve size to allow for 1-inch annular clear space between piping and sleeve for installing sleeve-seal system.
    - b. Piping NPS 6 and Larger: Galvanized-steel-pipe sleeves with sleeve-seal system.

END OF SECTION 220517

FIRE STATIONS RENOVATION  
ARLINGTON COUNTY, VIRGINIA  
Architect's Project No: 563006

SECTION 220519 - METERS AND GAGES FOR PLUMBING PIPING

PART 1 - GENERAL

1.1 RELATED DOCUMENTS

- A. Provisions of the Contract and of the Contract Documents apply to this Section.

1.2 SUBMITTALS

- A. Product Data: For each type of product indicated.
- B. Wiring Diagrams: For power, signal, and control wiring.
- C. Operation and Maintenance Data: For meters and gages to include in operation and maintenance manuals.

1.3 ABBREVIATIONS:

- A. AFF Above finished floor
- B. F Fahrenheit
- C. SS Stainless Steel

PART 2 - PRODUCTS

2.1 LIQUID-IN-GLASS THERMOMETERS

- A. Metal-Case, Industrial-Style, Liquid-in-Glass Thermometers:
  - 1. Available Manufacturers:
    - a. Flo Fab Inc.
    - b. Miljoco Corporation.
    - c. Palmer Wahl Instrumentation Group.
    - d. Tel-Tru Manufacturing Company.
    - e. Trerice, H. O. Co.
    - f. Weiss Instruments, Inc.
    - g. Winters Instruments - U.S.
  - 2. Standard: ASME B40.200.
  - 3. Case: Cast aluminum; 9-inch nominal size unless otherwise indicated.
  - 4. Case Form: Adjustable angle unless otherwise indicated.
  - 5. Tube: Glass with magnifying lens and blue or red organic liquid.
  - 6. Tube Background: Nonreflective aluminum with permanently etched scale markings graduated in degrees F.
  - 7. Window: Glass

FIRE STATIONS RENOVATION  
ARLINGTON COUNTY, VIRGINIA  
Architect's Project No: 563006

8. Stem: Aluminum length = 1/2 pipe diameter, 1/2 duct width or 12" whichever is less.
  - a. Air-Duct Installation: Provide ventilated shroud.
  - b. Thermowell Installation: Provide Bare stem.
9. Connector: 1-1/4 inches, with ASME B1.1 screw threads.
10. Accuracy: Plus or minus 1 percent of scale range or one scale division, to a maximum of 1.5 percent of scale range.

## 2.2 THERMOWELLS

### A. Thermowells:

1. Standard: ASME B40.200.
2. Description: Pressure-tight, socket-type fitting made for insertion into threaded fitting.
3. Material: Brass.
4. Type: Stepped shank unless straight or tapered shank is indicated.
5. External Threads: NPS 1/2, NPS 3/4, or NPS 1, ASME B1.20.1 pipe threads.
6. Internal Threads: 1/2, 3/4, and 1 inch, with ASME B1.1 screw threads.
7. Bore: Diameter required to match thermometer bulb or stem.
8. Insertion Length: Length required to match thermometer bulb or stem.
9. Lagging Extension: Include on thermowells for insulated piping and tubing.
10. Bushings: For converting size of thermowell's internal screw thread to size of thermometer connection.

## 2.3 PRESSURE GAGES

### A. Direct-Mounted, Metal-Case, Dial-Type Pressure Gages:

1. Available Manufacturers:
  - a. AMETEK, Inc.; U.S. Gauge.
  - b. Ashcroft Inc.
  - c. Ernst Flow Industries.
  - d. Flo Fab Inc.
  - e. Marsh Bellofram.
  - f. Miljoco Corporation.
  - g. Noshok.
  - h. Palmer Wahl Instrumentation Group.
  - i. REOTEMP Instrument Corporation.
  - j. Tel-Tru Manufacturing Company.
  - k. Trerice, H. O. Co.
  - l. Watts Regulator Co.; a div. of Watts Water Technologies, Inc.
  - m. Weiss Instruments, Inc.
  - n. WIKA Instrument Corporation - USA.
  - o. Winters Instruments - U.S.
2. Standard: ASME B40.100.

FIRE STATIONS RENOVATION  
ARLINGTON COUNTY, VIRGINIA  
Architect's Project No: 563006

3. Case: Solid-front, pressure relief type; cast aluminum or drawn steel; 4-1/2-inch nominal diameter.
4. Pressure-Element Assembly: Bourdon tube unless otherwise indicated.
5. Pressure Connection: Brass, with NPS 1/4, ASME B1.20.1 pipe threads and bottom-outlet type unless back-outlet type is indicated.
6. Movement: Phosphor bronze.
7. Dial: Nonreflective aluminum with permanently etched scale markings graduated in psi.
8. Pointer: Dark-colored metal.
9. Window: Glass.
10. Ring: Brass.
11. Accuracy: + or - 1.0 percent of full scale.

2.4 GAUGE ATTACHMENTS

- A. Snubbers: ASME B40.100, brass; with NPS 1/4, ASME B1.20.1 pipe threads and porous-metal-type surge-dampening device. Include extension for use on insulated piping.
- B. Siphons: Loop-shaped section of brass pipe with NPS 1/4 pipe threads.
- C. Valves: Brass or stainless-steel needle, with NPS 1/4, ASME B1.20.1 pipe threads.

2.5 TEST PLUGS

- A. Manufacturers: Subject to compliance with requirements, provide products by one of the following:
  1. Flow Design, Inc.
  2. Miljoco Corporation.
  3. National Meter, Inc.
  4. Peterson Equipment Co., Inc.
  5. Sisco Manufacturing Company, Inc.
  6. Trerice, H. O. Co.
  7. Watts Regulator Co.; a div. of Watts Water Technologies, Inc.
  8. Weiss Instruments, Inc.
- B. Description: Test-station fitting made for insertion into piping tee fitting.
- C. Body: Brass or stainless steel with core inserts and gasketed and threaded cap. Include extended stem on units to be installed in insulated piping.
- D. Thread Size: NPS 1/2, ASME B1.20.1 pipe thread.
- E. Minimum Pressure and Temperature Rating: 500 psig at 200 deg F.
- F. Core Inserts: Chlorosulfonated polyethylene synthetic and EPDM self-sealing rubber.



FIRE STATIONS RENOVATION  
ARLINGTON COUNTY, VIRGINIA  
Architect's Project No: 563006

PART 3 - EXECUTION

3.1 INSTALLATION

- A. Install thermowells with socket extending to center of pipe and in perpendicular to piping in piping tees.
- B. Install thermowells of sizes required to match thermometer connectors. Include bushings to match sizes.
- C. Install thermowells with extensions on insulated piping.
- D. Install direct-mounted thermometers in thermowells and adjust positions.
- E. Install pressure gages in piping tees located between 36" and 60" AFF unless otherwise indicated.
- F. Install valve and snubber for each pressure gage.
- G. Install test plugs in piping tees at locations indicated.
- H. Assemble and install connections, tubing, and accessories between flow-measuring elements and flowmeters according to manufacturer's written instructions.
- I. Install flowmeter elements in accessible positions in piping systems.
- J. Install permanent indicators on walls or brackets at 50" AFF unless otherwise indicated..
- K. Install connection fittings in accessible locations for attachment to portable indicators.
- L. Install thermometers in the following locations:
  - 1. Inlet and outlet of each water heater.
- M. Install pressure gages in the following locations:
  - 1. Inlet and outlet of each water heater.
  - 2. Suction and discharge of each pump.
- N. Install a test plug at each thermometer and pressure gauge.

3.2 THERMOMETER SCALE-RANGE SCHEDULE

- A. Scale Range for Domestic Cold-water Piping: 0 to 100 F with 2 degree scale divisions.
- B. Scale Range for Domestic Hot-water Piping 30 to 240 F with 2 degree scale divisions.

3.3 PRESSURE-GAGE SCALE-RANGE SCHEDULE

- A. Scale Range for Domestic Water Piping: 0 to 100 psi.

END OF SECTION 220519

FIRE STATIONS RENOVATION  
ARLINGTON COUNTY, VIRGINIA  
Architect's Project No: 563006

SECTION 220523 – GENERAL DUTY VALVES FOR PLUMBING PIPING

PART 1 - GENERAL

1.1 RELATED DOCUMENTS

- A. Provisions of the Contract and of the Contract Documents apply to this Section.

1.2 DEFINITIONS

- A. The following are standard abbreviations for valves:
1. CWP: Cold working pressure.
  2. EPDM: Ethylene-propylene-diene terpolymer rubber.
  3. MPTFE: Modified polytetrafluoroethylene plastic.
  4. NBR: Acrylonitrile-butadiene rubber.
  5. PTFE: Polytetrafluoroethylene plastic.
  6. RPTFE: Reinforced polytetrafluoroethylene plastic.
  7. SWP: Steam working pressure.
  8. TFE: Tetrafluoroethylene plastic.
  9. WOG: Water Oil Gas.

1.3 SUBMITTALS

- A. Product Data: For each type of valve proposed. Include body, seating, and trim materials; valve design; pressure and temperature classifications; end connections; arrangement; dimensions; and required clearances. Include proposed specialties and accessories.

1.4 QUALITY ASSURANCE

- A. ASME Compliance: ASME B31.1 for power piping valves and ASME B31.9 for building services piping valves.
1. Exceptions: Domestic hot- and cold-water valves unless referenced.
- B. ASME Compliance for Ferrous Valves: ASME B16.10 and ASME B16.34 for dimension and design criteria.
- C. NSF Compliance: NSF 61 for valve materials for potable-water service.

1.5 DELIVERY, STORAGE, AND HANDLING

- A. Prepare valves for shipping as follows:
1. Protect internal parts against rust and corrosion.
  2. Protect threads, flange faces, grooves, and weld ends.
  3. Set ball valves open to minimize exposure of functional surfaces.
  4. Set butterfly valves closed or slightly open.

FIRE STATIONS RENOVATION  
ARLINGTON COUNTY, VIRGINIA  
Architect's Project No: 563006

5. Block check valves in either closed or open position.
- B. Use the following precautions during storage:
  1. Maintain valve end protection.
  2. Store valves indoors and maintain at higher than ambient dew-point temperature. If outdoor storage is necessary, store valves off the ground in watertight enclosures.
- C. Use sling to handle large valves; rig sling to avoid damage to exposed parts. Do not use handwheels or stems as lifting or rigging points.

## PART 2 - PRODUCTS

### 2.1 VALVES, GENERAL

- A. Refer to Part 3 "Valve Applications" Article for applications of valves.
- B. Bronze & Brass: Shall be dezincification resistant. (Zinc content shall be less than 15%)
- C. Bronze Valves: 2" and smaller with threaded ends, unless otherwise indicated.
- D. Ferrous Valves: 2-1/2" and larger with flanged ends, unless otherwise indicated.
- E. Valve Pressure and Temperature Ratings: Not less than indicated for system pressure and temperature.
- F. Valve Sizes: Same as the larger of the upstream or downstream pipe, unless otherwise indicated.
- G. Valve Actuators:
  1. As indicated in other Part 2 articles.
  2. Where indicated, provide a chain actuator.
  3. Chain Actuator: For attachment to valves of size and mounting height indicated.
  4. Wrench: For plug valves with square heads. Furnish Owner with 1 wrench for every 10 plug valves, for each size square plug head.
- H. Extended Valve Stems: Provide on insulated valves.
- I. Valve Flanges: Provide ASME B16.1 for cast-iron valves, ASME B16.5 for steel, and ASME B16.24 for bronze.
- J. Valve Grooved Ends: AWWA C606.
- K. Threaded: With threads according to ASME B1.20.1.
- L. Valve Bypass and Drain Connections: MSS SP-45.

FIRE STATIONS RENOVATION  
ARLINGTON COUNTY, VIRGINIA  
Architect's Project No: 563006

2.2 COPPER-ALLOY BALL VALVES

- A. Two-Piece, Copper-Alloy Ball Valves (Full Port):
1. Conbraco Industries-Apollo 77C series with stainless steel ball & stem (Un-insulated piping)
  2. Conbraco Industries-Apollo 77C series with stainless steel ball & stem. Provide 2 ¼" stem extension (Insulated piping)
  3. Other Manufacturers:
    - a. Milwaukee
    - b. Watts
    - c. Nibco
  4. Handle Nut: Zinc plated steel or 300 series stainless steel.
  5. Handle: Zinc plated steel, clear chromate plastic, or vinyl coated.
  6. Threaded Pack Gland: Brass ASTM B-16
  7. Packing: MPTFE or TFE
  8. Stem (Blowout Proof): ASTM A-276 type 316 stainless steel. Provide 2 ¼" stem extension for Insulated piping.
  9. Thrust Washer: MPTFE or RPTFE
  10. Ball: Full-port, ASTM A-276 Type 316 stainless steel.
  11. Seats: MPTFE or Reinforced TFE (RPTFE)
  12. Body: Bronze ASTM B-584 for solder or threaded connection.
  13. Body End Piece: Bronze ASTM B-584 for solder or threaded connection.
  14. Rating: 150 psig saturated steam, 600 psig non-shock cold water, oil, and gas.
  15. Conform To: MSS SP-110

2.3 BRONZE CHECK VALVES

- A. Bronze, Horizontal Swing Check Valves:
1. NIBCO Model 413
  2. Other Manufacturers:
    - a. Milwaukee
    - b. Stockham
  3. Bonnet: ASTM B-62 bronze.
  4. Body: ASTM B-62 bronze.
  5. Hinge Pin: ASTM B-140 alloy C31400 bronze, or B-134 alloy C23000 bronze.
  6. Disc Hanger:
    - a. Sizes ¼" thru ¾": Type 304 stainless steel.
    - b. Sizes 1" and larger: ASTM B-62 bronze.
  7. Hanger Nut: ASTM B-16 bronze.
  8. Disc Holder: ASTM B-62 bronze.
  9. Seat Disc:
    - a. Water and Other Heat Transfer Fluids: ASTM B-62 bronze.
    - b. Steam: TFE
  10. Seat Disc Nut: ASTM B-16 or B-62 bronze.
  11. Hinge Pin Plug: ASTM B-140 alloy C31600 bronze.
  12. Seat Disc Washer (When Provided): ASTM B-98 alloy C65500 or B-103 bronze.
  13. Rating: 125 psig SWP and 200 psig CWP.
  14. Conform To: MSS SP-80

FIRE STATIONS RENOVATION  
ARLINGTON COUNTY, VIRGINIA  
Architect's Project No: 563006

- B. Bronze, Inline Spring Loaded Check Valves:
1. Conbraco Industries-Apollo 61-100 series
  2. Other Manufacturers:
    - a. Milwaukee
    - b. Stockham
    - c. Nibco
  3. Body: ASTM B-584 alloy C84400 bronze.
  4. Retainer/Stem: ASTM B16 brass or ASTM A-582 alloy C30300 stainless steel.
  5. Ball Check: RPTFE or
  6. Disc Holder 316 Stainless steel
    - a. Disc:
      - 1) Water, Oil, Gas: Buna-N
      - 2) Steam: TFE
    - b. Seat Screw: ASTM A-276 alloy S43000 stainless steel.
    - c. Body End: ASTM B-584 alloy C84400 bronze.
    - d. Rating: 125 psig SWP and 250 psig CWP.
  7. Guide: ASTM B16 Brass
  8. Spring: Type 316 stainless steel.
  9. Rating: 125 psig SWP and 400 psig WOG.

## 2.4 IRON BODY CHECK VALVES

- A. Iron Body, Horizontal Swing Check Valves:
1. NIBCO Model 918-B
  2. Other Manufacturers:
    - a. Milwaukee
    - b. Stockham
  3. Body Bolt: ASTM A-307 steel.
  4. Bonnet: ASTM A-126 class B cast iron.
  5. Body Gasket: Synthetic Fibers.
  6. Body Nut: ASTM A-307 steel
  7. Side Plug: ASTM B-16 alloy C36000 Brass.
  8. Hanger Pin: ASTM B-16 alloy C36000 Brass.
  9. Hanger: ASTM B-584 alloy C84400 cast bronze.
  10. Disc: ASTM B-584 alloy C84400 cast bronze or ASTM A-536 ductile iron w/bronze face ring.
  11. Seat Ring: ASTM B-584 alloy C84400 cast bronze.
  12. Disc Nut: ASTM B-16 alloy C36000.
  13. Body: ASTM A-126 class B cast iron.
  14. Disc Bolt: ASTM B-16 alloy C36000 Brass.
  15. Disc Plate: ASTM A-126 class B cast iron.
  16. Disc Cage: ASTM A-126 class B cast iron.
  17. Rating: 125 psig SWP and 200 psig CWP.
  18. Conform To: MSS SP-71 Type 1.
- B. Grooved-End, Ductile-Iron Spring Assisted Check Valves: Victaulic Series 716 with EPDM disc seal.
- C. Spring Actuated Silent Check Valves:

FIRE STATIONS RENOVATION  
ARLINGTON COUNTY, VIRGINIA  
Architect's Project No: 563006

1. NIBCO Model F-910
2. Other Manufacturers:
  - a. Milwaukee
  - b. Stockham
3. Body: ASTM A48 class 35 cast iron.
4. Seat: ASTM B-584 alloy C83600 (B) bronze.
5. Disc: ASTM B-584 alloy C83600 bronze.
6. Spring: Type 302 ASTM A313 stainless steel.
7. Bushing:
  - a. 6" and Smaller: ASTM B-16 brass
  - b. 8" and Larger: ASTM B-584 alloy C83600 bronze.
8. Set Screws: Type 304 ASTM A-276 stainless steel.
9. Rating: 200 psig CWP.
10. Conform To: MIL-V-18436F

PART 3 - EXECUTION

3.1 EXAMINATION

- A. Examine valve interior for cleanliness, freedom from foreign matter, and corrosion. Remove special packing materials, such as blocks, used to prevent disc movement during shipping and handling.
- B. Operate valves in positions from fully-open to fully-closed. Examine guides and seats made accessible by such operations.
- C. Examine threads on valve and mating pipe for form and cleanliness.
- D. Examine mating flange faces for conditions that might cause leakage. Check bolting for proper size, length, and material. Verify that gasket is of proper size, that its material composition is suitable for service, and that it is free from defects and damage.
- E. Do not attempt to repair defective valves; replace with new valves.

3.2 VALVE INSTALLATION

- A. Install valves with unions or flanges at each piece of equipment arranged to allow service, maintenance, and equipment removal without system shutdown.
- B. Locate valves for easy access.
- C. Install valves in horizontal piping with stem at or above center of pipe.
- D. Install valves in position to allow full stem movement.
- E. Install chainwheels on operators for ball and butterfly valves 4" and larger and more than 96 inches above finished floor. Extend chains to 60 inches above finished floor.

FIRE STATIONS RENOVATION  
ARLINGTON COUNTY, VIRGINIA  
Architect's Project No: 563006

- F. Install check valves for proper direction of flow and as follows:
  - 1. Swing Check Valves: In horizontal position with hinge pin level.
  - 2. Center-Guided and Plate-Type Check Valves: In horizontal or vertical position, between flanges.
  - 3. Lift Check Valves: With stem upright and plumb.

3.3 ADJUSTING

- A. Adjust valve packing after piping systems have been tested and put into service but before final testing and balancing. Replace valves if persistent leaking occurs.

3.4 VALVE APPLICATIONS

- A. Refer to piping Sections for specific valve applications. If valve applications are not indicated, use the following:
  - 1. Shutoff Service: Ball valves.
  - 2. Throttling Service: Ball valves.
  - 3. Pump Discharge: Spring-loaded, lift-disc check valves and ball valves.
- B. If valves with specified SWP classes or CWP ratings are not available, the same types of valves with higher SWP class or CWP ratings may be substituted.
- C. Domestic Water Piping: Use the following types of valves:
  - 1. Valves, NPS 2" and Smaller: Two-Piece, Copper-Alloy Ball Valves (Full Port).
  - 2. Valves, NPS 2-1/2" and 3":
    - a. Two-piece or three-piece, Copper-Alloy Ball Valves (Full Port).
    - b. Wafer-Lug, grooved-end, or flanged butterfly valves.
  - 3. Valves, NPS 4" and Larger: Wafer-Lug, grooved-end, or flanged butterfly valves.
  - 4. Pump Discharge Check Valves (Horizontal or Vertical), NPS 2" and Smaller: Bronze, Inline Lift Check Valves.
  - 5. Horizontal Check Valves, NPS 2" and Smaller: Bronze, Horizontal Swing Check Valves.
  - 6. Vertical Check Valves, NPS 2" and Smaller: Bronze, Inline Lift Check Valves.
  - 7. Pump Discharge Check Valves (Horizontal or Vertical), NPS 2-1/2" and Larger: Grooved-End, Ductile-Iron Spring Assisted Check Valves or Spring Actuated Silent Check Valves.
  - 8. Horizontal Check Valves, NPS 2-1/2" and Larger: Bronze, Horizontal Swing Check Valves.

END OF SECTION 220523

FIRE STATIONS RENOVATION  
ARLINGTON COUNTY, VIRGINIA  
Architect's Project No: 563006

SECTION 220529 - HANGERS AND SUPPORTS FOR PLUMBING PIPING AND EQUIPMENT

PART 1 - GENERAL

1.1 RELATED DOCUMENTS

- A. Provisions of the Contract and of the Contract Documents apply to this Section.

1.2 DEFINITIONS

- A. MSS: Manufacturers Standardization Society of The Valve and Fittings Industry Inc.
- B. Terminology: As defined in MSS SP-90, "Guidelines on Terminology for Pipe Hangers and Supports."

1.3 PERFORMANCE REQUIREMENTS

- A. Design Requirement: Design trapeze pipe hangers and equipment supports, including comprehensive engineering analysis by a qualified professional engineer where using methods other than indicated.
- B. Structural Performance: Hangers and supports for HVAC piping and equipment shall withstand the effects of gravity loads and stresses within limits and under conditions indicated according to ASCE/SEI 7.
  - 1. Design supports for multiple pipes, including pipe stands, capable of supporting combined weight of supported systems, system contents, and test medium.
  - 2. Design equipment supports capable of supporting combined operating weight of supported equipment and connected systems and components.
  - 3. Design seismic-restraint hangers and supports for piping and equipment.

1.4 SUBMITTALS

- A. Product Data: For each type of product indicated.
- B. Shop Drawings: Show fabrication and installation details and include calculations for the following; include Product Data for components:
  - 1. Trapeze pipe hangers.
  - 2. Metal framing systems.
  - 3. Pipe stands.
  - 4. Equipment supports.
- C. Delegated Design Submittal: Signed and sealed by a qualified professional engineer where using methods other than indicated.



FIRE STATIONS RENOVATION  
ARLINGTON COUNTY, VIRGINIA  
Architect's Project No: 563006

1. Detail fabrication and assembly of trapeze hangers.
2. Design Calculations: Calculate requirements for designing trapeze hangers.

1.5 QUALITY ASSURANCE

- A. Structural Steel Welding Qualifications: Qualify procedures and personnel according to AWS D1.1/D1.1M, "Structural Welding Code - Steel."
- B. Pipe Welding Qualifications: Qualify procedures and operators according to ASME Boiler and Pressure Vessel Code.

PART 2 - PRODUCTS

2.1 METAL PIPE HANGERS AND SUPPORTS

- A. Carbon-Steel Pipe Hangers and Supports:
  1. Description: MSS SP-58, Types 1 through 58, factory-fabricated components.
  2. Galvanized Metallic Coatings: Pregalvanized or hot dipped.
  3. Nonmetallic Coatings: Plastic coating, jacket, or liner.
  4. Padded Hangers: Hanger with fiberglass or other pipe insulation pad or cushion to support bearing surface of piping.
  5. Hanger Rods: Continuous-thread rod, nuts, and washer made of carbon steel.
- B. Copper Pipe Hangers:
  1. Description: MSS SP-58, Types 1 through 58, copper-coated-steel, factory-fabricated components.
  2. Hanger Rods: Continuous-thread rod, nuts, and washer made of copper-coated steel.

2.2 TRAPEZE PIPE HANGERS

- A. Description: MSS SP-69, Type 59, shop- or field-fabricated pipe-support assembly made from structural carbon-steel shapes with MSS SP-58 carbon-steel hanger rods, nuts, saddles, and U-bolts.
- B. Trapeze Pipe Hanger Installation: Arrange for grouping of parallel runs of piping and support together on field-assembled channel systems.
  1. Assemble and provide according to manufacturer's written instructions. Center piping on channel to evenly distribute load.

FIRE STATIONS RENOVATION  
ARLINGTON COUNTY, VIRGINIA  
Architect's Project No: 563006

2. Pipe sizes and numbers shall be in accordance with the following:

<b>TRAPEZE PIPE HANGER TABLE</b>								
<b>PIPE SIZE</b>	<b>4"</b>	<b>3"</b>	<b>2 1/2"</b>	<b>2"</b>	<b>1 1/2"</b>	<b>1 1/4"</b>	<b>1"</b>	<b>TOTAL # of PIPES</b>
<b>NUMBER OF PIPES PERMITTED IN ONE CHANNEL SUPPORT</b>	<b>2</b>	<b>0</b>	<b>0</b>	<b>0</b>	<b>0</b>	<b>0</b>	<b>0</b>	<b>2</b>
	<b>0</b>	<b>2</b>	<b>2</b>	<b>0</b>	<b>0</b>	<b>0</b>	<b>0</b>	<b>4</b>
	<b>0</b>	<b>2</b>	<b>0</b>	<b>4</b>	<b>0</b>	<b>0</b>	<b>0</b>	<b>6</b>
	<b>0</b>	<b>2</b>	<b>0</b>	<b>0</b>	<b>6</b>	<b>0</b>	<b>0</b>	<b>8</b>
	<b>0</b>	<b>0</b>	<b>4</b>	<b>2</b>	<b>0</b>	<b>0</b>	<b>0</b>	<b>6</b>
	<b>0</b>	<b>0</b>	<b>4</b>	<b>0</b>	<b>2</b>	<b>2</b>	<b>0</b>	<b>8</b>
	<b>0</b>	<b>0</b>	<b>4</b>	<b>0</b>	<b>0</b>	<b>8</b>	<b>0</b>	<b>12</b>
	<b>0</b>	<b>0</b>	<b>0</b>	<b>6</b>	<b>2</b>	<b>2</b>	<b>2</b>	<b>12</b>
	<b>0</b>	<b>0</b>	<b>0</b>	<b>8</b>	<b>0</b>	<b>2</b>	<b>0</b>	<b>10</b>
	<b>0</b>	<b>0</b>	<b>0</b>	<b>0</b>	<b>14</b>	<b>0</b>	<b>0</b>	<b>14</b>
<b>0</b>	<b>0</b>	<b>0</b>	<b>0</b>	<b>0</b>	<b>16</b>	<b>0</b>	<b>16</b>	

**Notes:**

1. Piping larger than 4" in diameter is not permitted in a channel support system.
2. Channel support systems shall be limited to eight (8) pipes per channel and two (2) channels (levels) per support system.
3. Smaller pipes can be substituted for larger pipes. For example two 3/4" pipes may be installed in lieu of two 1" pipes, or 2" in lieu of 3", etc.
4. Spacing shall be in accordance with requirements for the smallest supported pipe. Refer to other specification sections for spacing requirements. If spacing requirements are not indicated comply with MSS SP-69.

C. Metal Framing Systems:

1. Available Manufacturers:
  - a. Anvil International; a subsidiary of Mueller Water Products Inc.
  - b. Empire Industries, Inc.
  - c. ERICO International Corporation.
  - d. Haydon Corporation; H-Strut Division.
  - e. NIBCO INC.
  - f. PHD Manufacturing, Inc.
  - g. PHS Industries, Inc.

FIRE STATIONS RENOVATION  
ARLINGTON COUNTY, VIRGINIA  
Architect's Project No: 563006

2. Description: Shop- or field-fabricated pipe-support assembly made of steel channels, accessories, fittings, and other components for supporting multiple parallel pipes.
3. Standard: Comply with MFMA-4.
4. Channels: Continuous slotted steel channel with inturned lips.
5. Channel Nuts: Formed or stamped steel nuts or other devices designed to fit into channel slot and, when tightened, prevent slipping along channel.
6. Hanger Rods: Continuous-thread rod, nuts, and washer made of carbon steel.
7. Coating: Zinc.

2.3 THERMAL-HANGER SHIELD INSERTS

A. Available Manufacturers:

1. Carpenter & Paterson, Inc.
2. Clement Support Services.
3. ERICO International Corporation.
4. National Pipe Hanger Corporation.
5. PHS Industries, Inc.
6. Pipe Shields, Inc.; a subsidiary of Piping Technology & Products, Inc.
7. Piping Technology & Products, Inc.
8. Rilco Manufacturing Co., Inc.
9. Value Engineered Products, Inc.

B. Insulation-Insert Material for Cold Piping: ASTM C 552, Type II cellular glass with 100-psig or ASTM C 591, Type VI, Grade 1 polyisocyanurate with 125-psig minimum compressive strength and vapor barrier.

C. Insulation-Insert Material for Hot Piping: Water-repellent treated, ASTM C 533, Type I calcium silicate with 100-psig, ASTM C 552, Type II cellular glass with 100-psig, or ASTM C 591, Type VI, Grade 1 polyisocyanurate with 125-psig minimum compressive strength.

D. For Trapeze or Clamped Systems: Insert and shield shall cover entire circumference of pipe.

E. For Clevis or Band Hangers: Insert and shield shall cover lower 180 degrees of pipe.

F. Insert Length: Extend 2" beyond sheet metal shield for piping operating below ambient air temperature.

2.4 PIPE STANDS

A. General Requirements for Pipe Stands: Shop- or field-fabricated assemblies made of manufactured corrosion-resistant components to support roof-mounted piping.

B. Compact Pipe Stand: One-piece plastic unit with integral-rod roller, pipe clamps, or V-shaped cradle to support pipe, for roof installation without membrane penetration.

C. Curb Mounted Pipe Stands: Shop- or field-fabricated pipe supports made from structural-steel shapes, continuous-thread rods, and rollers, for mounting on permanent stationary roof curb.

FIRE STATIONS RENOVATION  
ARLINGTON COUNTY, VIRGINIA  
Architect's Project No: 563006

2.5 EQUIPMENT SUPPORTS

- A. Description: Welded, shop or field fabricated equipment support made from structural carbon-steel shapes unless indicated otherwise.

2.6 MISCELLANEOUS MATERIALS

- A. Structural Steel: ASTM A 36/A 36M, carbon-steel plates, shapes, and bars; black and galvanized.
- B. Grout: ASTM C 1107, factory-mixed and -packaged, dry, hydraulic-cement, nonshrink and nonmetallic grout; suitable for interior and exterior applications.
  - 1. Properties: Nonstaining, noncorrosive, and nongaseous.
  - 2. Design Mix: 5000-psi, 28-day compressive strength.

PART 3 - EXECUTION

3.1 HANGER AND SUPPORT INSTALLATION

- A. Metal Pipe-Hanger Installation: Comply with MSS SP-69 and MSS SP-89. Provide hangers, supports, clamps, and attachments as required to properly support piping from the building structure.
- B. Metal Trapeze Pipe-Hanger Installation: Comply with MSS SP-69, MSS SP-89, and Table above. Arrange for grouping of parallel runs of horizontal piping, and support together on field-fabricated trapeze pipe hangers.
- C. Metal Framing System Installation: Arrange for grouping of parallel runs of piping, and support together on field-assembled metal framing systems.
- D. Thermal-Hanger Shield Installation: Provide in pipe hanger or shield for insulated piping.
- E. Pipe Stand Installation: Assemble components and mount on smooth roof surface. Do not penetrate roof membrane.
- F. Provide hangers and supports complete with necessary attachments, inserts, bolts, rods, nuts, washers, and other accessories.
- G. Equipment Support Installation: Fabricate from welded-structural-steel shapes.
- H. Provide hangers and supports to allow controlled thermal and seismic movement of piping systems, to permit freedom of movement between pipe anchors, and to facilitate action of expansion joints, expansion loops, expansion bends, and similar units.
- I. Provide lateral bracing with pipe hangers and supports to prevent swaying.
- J. Provide building attachments within concrete slabs or attach to structural steel. Building attachments may not used on steel joists unless otherwise indicated. Provide additional attachments

FIRE STATIONS RENOVATION  
ARLINGTON COUNTY, VIRGINIA  
Architect's Project No: 563006

at concentrated loads, including valves, flanges, and strainers, 2-1/2" and larger and at changes in direction of piping. Provide concrete inserts before concrete is placed; fasten inserts to forms and provide reinforcing bars through openings at top of inserts.

- K. Load Distribution: Provide hangers and supports so that piping live and dead loads and stresses from movement will not be transmitted to connected equipment.
- L. Pipe Slopes: Provide hangers and supports to provide indicated pipe slopes and to not exceed maximum pipe deflections allowed by ASME B31.9 for building services piping.
- M. Insulated Piping:
  - 1. Attach clamps and spacers to piping.
    - a. Piping Operating above Ambient Air Temperature: Clamp may project through insulation.
    - b. Piping Operating below Ambient Air Temperature: Provide thermal-hanger shield insert with clamp sized to match OD of insert.
    - c. Do not exceed pipe stress limits allowed by ASME B31.9 for building services piping.
  - 2. Provide MSS SP-58, Type 39, protection saddles if insulation without vapor barrier is indicated. Fill interior voids with insulation that matches adjoining insulation.
  - 3. Provide MSS SP-58, Type 40, protective shields on cold piping with vapor barrier. Shields shall span an arc of 180 degrees.
  - 4. Shield Dimensions for Pipe: Not less than the following:
    - a. Pipe 1/4" to 3-1/2": 12 inches long and 0.048 inch thick.
    - b. Pipe 4": 12 inches long and 0.06 inch thick.
    - c. Pipe 5" and 6": 18 inches long and 0.06 inch thick.
    - d. Pipe 8" to 14": 24 inches long and 0.075 inch thick.
  - 5. Pipes 8" and Larger: Include wood or reinforced calcium-silicate-insulation inserts of length at least as long as protective shield.
  - 6. Thermal-Hanger Shields: Provide with insulation same thickness as piping insulation.

### 3.2 EQUIPMENT SUPPORTS

- A. Fabricate structural-steel stands to suspend equipment from structure overhead or to support equipment above floor.
- B. Grouting: Place grout under supports for equipment and make bearing surface smooth.
- C. Provide lateral bracing, to prevent swaying, for equipment supports.

### 3.3 METAL FABRICATIONS

- A. Cut, drill, and fit miscellaneous metal fabrications for trapeze pipe hangers and equipment supports.
- B. Fit exposed connections together to form hairline joints. Field weld connections that cannot be shop welded because of shipping size limitations.

FIRE STATIONS RENOVATION  
ARLINGTON COUNTY, VIRGINIA  
Architect's Project No: 563006

- C. Field Welding: Comply with AWS D1.1/D1.1M procedures for shielded, metal arc welding; appearance and quality of welds; and methods used in correcting welding work; and with the following:
  - 1. Provide materials and methods that minimize distortion and develop strength and corrosion resistance of base metals.
  - 2. Obtain fusion without undercut or overlap.
  - 3. Remove welding flux immediately.
  - 4. Finish welds at exposed connections so no roughness shows after finishing and so contours of welded surfaces match adjacent contours.

3.4 ADJUSTING

- A. Hanger Adjustments: Adjust hangers to distribute loads equally on attachments and to achieve indicated slope of pipe.
- B. Trim excess length of continuous-thread hanger and support rods to 1-1/2 inches.

3.5 PAINTING

- A. Touchup: Unless otherwise indicated clean field welds and abraded areas of shop paint. Paint exposed areas immediately after erecting hangers and supports. Provide same materials as used for shop painting. Comply with SSPC-PA 1 requirements for touching up field-painted surfaces.
  - 1. Apply paint by brush or spray to provide a minimum dry film thickness of 2.0 mils.
- B. Galvanized Surfaces: Clean welds, bolted connections, and abraded areas and immediately apply galvanizing-repair paint. Paint shall comply with ASTM A 780.

3.6 HANGER AND SUPPORT SCHEDULE

- A. Specific hanger and support requirements are in Sections specifying piping systems and equipment.
- B. Comply with MSS SP-69 for pipe-hanger selections and applications that are not specified in piping system Sections.
- C. Provide hangers and supports with galvanized metallic coatings for piping and equipment that will not have field-applied finish.
- D. Provide nonmetallic coatings on attachments for electrolytic protection where attachments are in direct contact with copper tubing.
- E. Provide copper-plated pipe hangers and copper attachments for copper piping and tubing.
- F. Provide padded hangers for piping that is subject to scratching.
- G. Provide thermal-hanger shield inserts for insulated piping and tubing.

FIRE STATIONS RENOVATION  
ARLINGTON COUNTY, VIRGINIA  
Architect's Project No: 563006

H. Horizontal-Piping Hangers and Supports: Unless otherwise indicated provide the following:

1. Adjustable, Steel Clevis Hangers (MSS Type 1): For suspension of stationary pipes ½” to 30”.
2. Yoke-Type Pipe Clamps (MSS Type 2): For suspension of up to 1050 deg F pipes 4” to 14”, requiring up to 4” of insulation.
3. Carbon- or Alloy-Steel, Double-Bolt Pipe Clamps (MSS Type 3): For suspension of pipes ¾” to 14”, requiring clamp flexibility and up to 4 inches of insulation.
4. Steel Pipe Clamps (MSS Type 4): For suspension of cold and hot pipes ½” to 14” if little or no insulation is required.
5. Pipe Hangers (MSS Type 5): For suspension of pipes ½” to 4”, to allow off-center closure for hanger installation before pipe erection.
6. Adjustable, Swivel Split- or Solid-Ring Hangers (MSS Type 6): For suspension of noninsulated, stationary pipes ¾” to 8”.
7. Adjustable, Steel Band Hangers (MSS Type 7): For suspension of noninsulated, stationary pipes ½” to 8”.
8. Adjustable Band Hangers (MSS Type 9): For suspension of noninsulated, stationary pipes ½” to 8”.
9. Adjustable, Swivel-Ring Band Hangers (MSS Type 10): For suspension of noninsulated, stationary pipes ½” to 8”.
10. Split Pipe Ring with or without Turnbuckle Hangers (MSS Type 11): For suspension of noninsulated, stationary pipes ½” to 8”.
11. Extension Hinged or Two-Bolt Split Pipe Clamps (MSS Type 12): For suspension of noninsulated, stationary pipes NPS ½” to 3”.
12. U-Bolts (MSS Type 24): For support of heavy pipes ½” to 14”.
13. Clips (MSS Type 26): For support of insulated pipes not subject to expansion or contraction.
14. Pipe Saddle Supports (MSS Type 36): For support of pipes 4” to 14”, with steel-pipe base stanchion support and cast-iron floor flange or carbon-steel plate.
15. Pipe Stanchion Saddles (MSS Type 37): For support of pipes 4” to 14”, with steel-pipe base stanchion support and cast-iron floor flange or carbon-steel plate, and with U-bolt to retain pipe.
16. Adjustable Pipe Saddle Supports (MSS Type 38): For stanchion-type support for pipes 2-½” to 14” if vertical adjustment is required, with steel-pipe base stanchion support and cast-iron floor flange.
17. Single-Pipe Rolls (MSS Type 41): For suspension of pipes 1” to 14”, from two rods if longitudinal movement caused by expansion and contraction might occur.
18. Adjustable Roller Hangers (MSS Type 43): For suspension of pipes 2-½” to 14”, from single rod if horizontal movement caused by expansion and contraction might occur.
19. Complete Pipe Rolls (MSS Type 44): For support of pipes 2” to 14” if longitudinal movement caused by expansion and contraction might occur but vertical adjustment is not necessary.
20. Pipe Roll and Plate Units (MSS Type 45): For support of pipes 2” to 14” if small horizontal movement caused by expansion and contraction might occur and vertical adjustment is not necessary.
21. Adjustable Pipe Roll and Base Units (MSS Type 46): For support of pipes 2” to 14” if vertical and lateral adjustment during installation might be required in addition to expansion and contraction.

I. Vertical-Piping Clamps: Unless otherwise indicated provide the following:

**FIRE STATIONS RENOVATION  
ARLINGTON COUNTY, VIRGINIA  
Architect's Project No: 563006**

1. Extension Pipe or Riser Clamps (MSS Type 8): For support of pipe risers ¾" to 14".
  2. Carbon- or Alloy-Steel Riser Clamps (MSS Type 42): For support of pipe risers ¾" to 14" if longer ends are required for riser clamps.
- J. Hanger-Rod Attachments: Unless otherwise indicated provide the following:
1. Steel Turnbuckles (MSS Type 13): For adjustment up to 6 inches for heavy loads.
  2. Steel Clevises (MSS Type 14): For 120 to 450 deg F piping installations.
  3. Swivel Turnbuckles (MSS Type 15): For use with MSS Type 11, split pipe rings.
  4. Malleable-Iron Sockets (MSS Type 16): For attaching hanger rods to various types of building attachments.
  5. Steel Weldless Eye Nuts (MSS Type 17): For 120 to 450 deg F piping installations.
  6. Flat Plate, Double Nut, and Washer as Detailed on Structural Drawings: For attaching to bar joists. Method of attachment to bar joists must be approved by the structural engineer and joist manufacturer.
- K. Building Attachments: Unless otherwise indicated provide the following:
1. Steel or Malleable Concrete Inserts (MSS Type 18): For upper attachment to suspend pipe hangers from concrete ceiling.
  2. Flat Plate, Double Nuts, and Washer as Detailed on Structural Drawings: For use under roof installations with bar-joist construction to attach to bottom chord of joist.
  3. Side-Beam or Channel Clamps (MSS Type 20): For attaching to bottom flange of beams, channels, or angles.
  4. Center-Beam Clamps (MSS Type 21): For attaching to center of bottom flange of beams.
  5. Welded Beam Attachments (MSS Type 22): For attaching to bottom of beams if loads are considerable and rod sizes are large.
  6. C-Clamps (MSS Type 23): For structural shapes.
  7. Top-Beam Clamps (MSS Type 25): For top of beams if hanger rod is required tangent to flange edge.
  8. Side-Beam Clamps (MSS Type 27): For bottom of steel I-beams.
  9. Steel-Beam Clamps with Eye Nuts (MSS Type 28): For attaching to bottom of steel I-beams for heavy loads.
  10. Linked-Steel Clamps with Eye Nuts (MSS Type 29): For attaching to bottom of steel I-beams for heavy loads, with link extensions.
  11. Malleable-Beam Clamps with Extension Pieces (MSS Type 30): For attaching to structural steel.
  12. Welded-Steel Brackets: For support of pipes from below or for suspending from above by using clip and rod. Provide one of the following for indicated loads:
    - a. Light (MSS Type 31): 750 lb.
    - b. Medium (MSS Type 32): 1500 lb.
    - c. Heavy (MSS Type 33): 3000 lb.
  13. Side-Beam Brackets (MSS Type 34): For sides of steel or wooden beams.
  14. Plate Lugs (MSS Type 57): For attaching to steel beams if flexibility at beam is required.
  15. Horizontal Travelers (MSS Type 58): For supporting piping systems subject to linear horizontal movement where headroom is limited.
- L. Saddles and Shields: Unless otherwise indicated provide the followings:



FIRE STATIONS RENOVATION  
ARLINGTON COUNTY, VIRGINIA  
Architect's Project No: 563006

1. Steel-Pipe-Covering Protection Saddles (MSS Type 39): To fill interior voids with insulation that matches adjoining insulation.
  2. Protection Shields (MSS Type 40): Of length recommended in writing by manufacturer to prevent crushing insulation.
  3. Thermal-Hanger Shield Inserts: For supporting insulated pipe.
- M. Spring Hangers and Supports: Unless otherwise indicated provide the following:
1. Restraint-Control Devices (MSS Type 47): To control pipe movement.
  2. Spring Cushions (MSS Type 48): For light loads if vertical movement does not exceed 1-1/4 inches.
  3. Spring-Cushion Roll Hangers (MSS Type 49): For equipping Type 41, roll hanger with springs.
  4. Spring Sway Braces (MSS Type 50): To retard sway, shock, vibration, or thermal expansion in piping systems.
  5. Variable-Spring Hangers (MSS Type 51): Preset to indicated load and limit variability factor to 25 percent to allow expansion and contraction of piping system from hanger.
  6. Variable-Spring Base Supports (MSS Type 52): Preset to indicated load and limit variability factor to 25 percent to allow expansion and contraction of piping system from base support.
  7. Variable-Spring Trapeze Hangers (MSS Type 53): Preset to indicated load and limit variability factor to 25 percent to allow expansion and contraction of piping system from trapeze support.
  8. Constant Supports: For critical piping stress and if necessary to avoid transfer of stress from one support to another support, critical terminal, or connected equipment. Include auxiliary stops for erection, hydrostatic test, and load-adjustment capability. These supports include the following types:
    - a. Horizontal (MSS Type 54): Mounted horizontally.
    - b. Vertical (MSS Type 55): Mounted vertically.
    - c. Trapeze (MSS Type 56): Two vertical-type supports and one trapeze member.
- N. Comply with MSS SP-69 for trapeze pipe-hanger selections and applications that are not specified in piping system Sections.
- O. Comply with MFMA-103 for metal framing system selections and applications that are not specified in piping system Sections.
- P. Provide powder-actuated fasteners or mechanical-expansion anchors instead of building attachments where indicated in concrete construction.

END OF SECTION 220529

FIRE STATIONS RENOVATION  
ARLINGTON COUNTY, VIRGINIA  
Architect's Project No: 563006

SECTION 220553 - IDENTIFICATION FOR PLUMBING PIPING AND EQUIPMENT

PART 1 - GENERAL

1.1 RELATED DOCUMENTS

- A. Provisions of the Contract and of the Contract Documents apply to this Section.

1.2 SUBMITTALS

- A. Product Data: For each type of product indicated.
- B. Equipment Label Schedule: Include a listing of all equipment to be labeled with the proposed content for each label.
- C. Valve Schedules: For each piping system to include in maintenance manuals.

1.3 QUALITY ASSURANCE

- A. ASME Compliance: Comply with ASME A13.1, "Scheme for the Identification of Piping Systems," for letter size, length of color field, colors, and viewing angles of identification devices for piping.

1.4 COORDINATION

- A. Coordinate installation of identifying devices with completion of covering and painting of surfaces where devices are to be applied.
- B. Coordinate installation of identifying devices with locations of access panels and doors.
- C. Install identifying devices before installing acoustical ceilings and similar concealment.

PART 2 - PRODUCTS

2.1 EQUIPMENT LABELS

- A. Metal Labels for Equipment:
  - 1. Material and Thickness: Brass, Aluminum, or anodized aluminum, 0.032-inch minimum thickness, and having predrilled or stamped holes for attachment hardware.
  - 2. Minimum Label Size: Length and width vary for required label content, but not less than 2-1/2 by 3/4 inch.
  - 3. Minimum Letter Size: 1/4 inch for name of units if viewing distance is less than 24 inches, 1/2 inch for viewing distances up to 72 inches, and proportionately larger lettering for greater viewing distances. Include secondary lettering two-thirds to three-fourths the size of principal lettering.
  - 4. Fasteners: Stainless-steel rivets or self-tapping screws.

FIRE STATIONS RENOVATION  
ARLINGTON COUNTY, VIRGINIA  
Architect's Project No: 563006

5. Adhesive: Contact-type permanent adhesive, compatible with label and with substrate.

B. Plastic Labels for Equipment:

1. Material and Thickness: Multilayer, multicolor, plastic labels for mechanical engraving, 1/16 inch thick, and having predrilled holes for attachment hardware.
2. Letter Color: White.
3. Background Color: Black.
4. Maximum Temperature: Able to withstand temperatures up to 160 deg F.
5. Minimum Label Size: Length and width vary for required label content, but not less than 2-1/2 by 3/4 inch.
6. Minimum Letter Size: 1/4 inch for name of units if viewing distance is less than 24 inches, 1/2 inch for viewing distances up to 72 inches, and proportionately larger lettering for greater viewing distances. Include secondary lettering two-thirds to three-fourths the size of principal lettering.
7. Fasteners: Stainless-steel rivets or self-tapping screws.
8. Adhesive: Contact-type permanent adhesive, compatible with label and with substrate.

C. Label Content: Include equipment's Drawing designation or unique equipment number, Drawing numbers where equipment is indicated (plans, details, and schedules), plus the Specification Section number and title where equipment is specified.

D. Equipment Label Schedule: For each item of equipment to be labeled, on 8-1/2-by-11-inch bond paper. Tabulate equipment identification number and identify Drawing numbers where equipment is indicated (plans, details, and schedules), plus the Specification Section number and title where equipment is specified. Equipment schedule shall be included in operation and maintenance data.

2.2 WARNING SIGNS AND LABELS

A. Material and Thickness: Multilayer, multicolor, plastic labels for mechanical engraving, 1/16 inch thick, and having predrilled holes for attachment hardware.

B. Letter Color: White.

C. Background Color: Red.

D. Maximum Temperature: Able to withstand temperatures up to 160 deg F.

E. Minimum Label Size: Length and width vary for required label content, but not less than 2-1/2 by 3/4 inch.

F. Minimum Letter Size: 1/4 inch for name of units if viewing distance is less than 24 inches, 1/2 inch for viewing distances up to 72 inches, and proportionately larger lettering for greater viewing distances. Include secondary lettering two-thirds to three-fourths the size of principal lettering.

G. Fasteners: Stainless-steel rivets or self-tapping screws.

FIRE STATIONS RENOVATION  
ARLINGTON COUNTY, VIRGINIA  
Architect's Project No: 563006

- H. Adhesive: Contact-type permanent adhesive, compatible with label and with substrate.
- I. Label Content: Include caution and warning information, plus emergency notification instructions.

### 2.3 PIPE LABELS

- A. General Requirements for Manufactured Pipe Labels: Preprinted, color-coded, with lettering indicating service, and showing flow direction.
- B. Pretensioned Pipe Labels: Precoiled, semirigid plastic formed to cover full circumference of pipe and to attach to pipe without fasteners or adhesive.
- C. Self-Adhesive Pipe Labels: Printed plastic with contact-type, permanent-adhesive backing.
- D. Pipe Label Contents: Include identification of piping service using same designations or abbreviations as used on Drawings, pipe size, and an arrow indicating flow direction.
  - 1. Flow-Direction Arrows: Integral with piping system service lettering to accommodate both directions, or as separate unit on each pipe label to indicate flow direction.
  - 2. Lettering Size: At least 1-1/2 inches high.

### 2.4 STENCILS

- A. Stencils: Prepared with letter sizes according to ASME A13.1 for piping; minimum letter height of 1-1/4 inches for ducts; and minimum letter height of 3/4 inch for access panel and door markers, equipment markers, equipment signs, and similar operational instructions.
  - 1. Stencil Material: Metal or fiberboard.
  - 2. Stencil Paint: Exterior, gloss, black, unless otherwise indicated. Paint shall be low VOC and shall meet the requirements of section 09910. Paint may be in pressurized spray-can form.
  - 3. Identification Paint: Exterior, in colors according to ASME A13.1, unless otherwise indicated. Paint shall be low VOC and shall meet the requirements of section 09910.

### 2.5 VALVE TAGS

- A. Valve Tags: Stamped or engraved with 1/4-inch letters for piping system abbreviation and 1/2-inch numbers, numbering scheme approved by Architect. Provide 5/32-inch hole for fastener.
  - 1. Material: 0.032-inch- thick brass or
  - 2. Material: 0.0375-inch- thick stainless steel or
  - 3. Material: 3/32-inch- thick laminated plastic with 2 black surfaces and white inner layer.
- B. Valve-Tag Fasteners: Brass wire-link or beaded chain; or S-hook.

### 2.6 VALVE SCHEDULES

FIRE STATIONS RENOVATION  
ARLINGTON COUNTY, VIRGINIA  
Architect's Project No: 563006

- A. Valve Schedules: For each piping system, on standard-size bond paper. Tabulate valve number, piping system, system abbreviation (as shown on valve tag), location of valve (room or space), normal-operating position (open, closed, or modulating), and variations for identification. Mark valves for emergency shutoff and similar special uses.
1. Valve-Schedule Frames: Glazed display frame for removable mounting on masonry walls for each page of valve schedule. Include mounting screws and hangers.
  2. Frame: Finished hardwood or extruded aluminum.
  3. Glazing: ASTM C 1036, Type I, Class 1, Glazing Quality B, 2.5-mm, single-thickness glass.

2.7 WARNING TAGS

- A. Warning Tags: Preprinted or partially preprinted, accident-prevention tags, of plasticized card stock with matte finish suitable for writing.
1. Size: 3 by 5-1/4 inches minimum.
  2. Fasteners: Brass grommet and wire.
  3. Nomenclature: Large-size primary caption such as "DANGER," "CAUTION," or "DO NOT OPERATE."
  4. Color: Yellow background with black lettering.

PART 3 - EXECUTION

3.1 PREPARATION

- A. Clean piping and equipment surfaces of substances that could impair bond of identification devices, including dirt, oil, grease, release agents, and incompatible primers, paints, and encapsulants.

3.2 EQUIPMENT LABEL INSTALLATION

- A. Install and permanently fasten equipment nameplates on each major item of plumbing equipment that does not have nameplate, or has a nameplate that is damaged or located where not easily visible. Locate nameplates where easily visible. Include nameplates for the following general categories of equipment:
1. Pumps, compressors, and other motor-driven equipment.
  2. Water heaters and storage tanks.
- B. Install equipment markers with permanent adhesive on or near each major item of mechanical equipment. Data required for markers may be included on signs, and markers may be omitted if both are indicated.
1. Letter Size: Minimum 1/4 inch for name of units if viewing distance is less than 24 inches, 1/2 inch for viewing distances up to 72 inches, and proportionately larger lettering for greater viewing distances. Include secondary lettering two-thirds to three-fourths the size of principal lettering.

FIRE STATIONS RENOVATION  
ARLINGTON COUNTY, VIRGINIA  
Architect's Project No: 563006

2. Data: Distinguish among multiple units, indicate operational requirements, indicate safety and emergency precautions, warn of hazards and improper operations, and identify units.
  3. Locate markers where accessible and visible. Include markers for the following general categories of equipment:
    - a. Meters, gages, and thermometers.
    - b. Pumps, compressors, and other motor-driven equipment.
    - c. Water heaters and storage tanks.
- C. Install equipment signs with screws or permanent adhesive on or near each major item of mechanical equipment. Locate signs where easily visible.
1. Identify mechanical equipment with equipment markers in the following color codes:
    - a. Green: For cooling equipment and components.
    - b. Yellow: For heating equipment and components.
    - c. Orange: For combination cooling and heating equipment and components.
    - d. Brown: For energy-reclamation equipment and components.
    - e. Blue: For equipment not listed in a through d
  2. Letter Size: Minimum 1/4 inch for name of units if viewing distance is less than 24 inches, 1/2 inch for viewing distances up to 72 inches, and proportionately larger lettering for greater viewing distances. Include secondary lettering two-thirds to three-fourths the size of principal lettering.
  3. Data: Distinguish among multiple units, indicate operational requirements, indicate safety and emergency precautions, warn of hazards and improper operations, and identify units.
- D. Install access panel markers with screws on equipment access panels.

### 3.3 PIPE LABEL INSTALLATION

- A. Piping Color-Coding: Painting of piping is specified in other sections.
- B. Locate pipe labels where piping is exposed or above accessible ceilings in finished spaces; machine rooms; accessible maintenance spaces such as shafts, tunnels, and plenums; and exterior exposed locations as follows:
1. Near each valve and control device.
  2. Near each branch connection, excluding short takeoffs for fixtures and terminal units. Where flow pattern is not obvious, mark each pipe at branch.
  3. Near penetrations through walls, floors, ceilings, and inaccessible enclosures.
  4. At access doors, manholes, and similar access points that permit view of concealed piping.
  5. Near major equipment items and other points of origination and termination.
  6. Spaced at maximum intervals of 25 feet.
  7. On piping above removable acoustical ceilings. Omit intermediately spaced labels.
- C. Pipe Label Color Schedule:

FIRE STATIONS RENOVATION  
ARLINGTON COUNTY, VIRGINIA  
Architect's Project No: 563006

1. Domestic Cold Water Piping:
  - a. Background Color: Green.
  - b. Letter Color: White.
2. Domestic Hot Water Piping:
  - a. Background Color: Green.
  - b. Letter Color: White.
3. Sanitary Waste and Storm Drainage Piping:
  - a. Background Color: Green.
  - b. Letter Color: White.

3.4 VALVE-TAG INSTALLATION

- A. Install tags on valves and control devices in piping systems, except check valves; valves within factory-fabricated equipment units; plumbing fixture supply stops; shutoff valves; faucets; convenience and lawn-watering hose connections; and HVAC terminal devices and similar roughing-in connections of end-use fixtures and units. List tagged valves in a valve schedule.
- B. Valve-Tag Application Schedule: Tag valves according to size, shape, and color scheme and with captions similar to those indicated in the following:
  1. Valve-Tag Size and Shape:
    - a. Domestic Cold Water: 1 ½", round.
    - b. Domestic Hot Water: 1 ½", round.
    - c. Domestic Hot Water Recirculation: 1 ½", round.
  2. Valve-Tag Color:
    - a. Domestic Cold Water: Blue.
    - b. Domestic Hot Water: Red.
    - c. Domestic Hot Water Recirculation: Red.
  3. Letter Color:
    - a. Domestic Cold Water: Black.
    - b. Domestic Hot Water: White.
    - c. Domestic Hot Water Recirculation: White.

3.5 VALVE SCHEDULE INSTALLATION

- A. Mount valve schedules on wall in accessible location in each major equipment room and where directed by owner.

3.6 WARNING-TAG INSTALLATION

- A. Write required message on, and attach warning tags to, equipment and other items where required.

FIRE STATIONS RENOVATION  
ARLINGTON COUNTY, VIRGINIA  
Architect's Project No: 563006

3.7 ADJUSTING

- A. Relocate mechanical identification materials and devices that have become visually blocked by other work.

3.8 CLEANING

- A. Clean faces of mechanical identification devices and glass fronts of valve schedules.

END OF SECTION 220553



FIRE STATIONS RENOVATION  
ARLINGTON COUNTY, VIRGINIA  
Architect's Project No: 563006

SECTION 220700 - PLUMBING INSULATION

PART 1 - GENERAL

1.1 RELATED DOCUMENTS

- A. Provisions of the Contract and of the Contract Documents apply to this Section.

1.2 DEFINITIONS

- A. Outdoor pipe: Pipe located outside the building insulation envelope.
- B. Plenum: An unoccupied space or void, on the conditioned side of the building insulation and vapor barrier, being used to return conditioned air to the inlet side of a return or exhaust fan either directly or via a duct connection. An example would be a space with air handling light fixtures or openings in the ceiling used to transport air through the ceiling and then to an open duct located above the ceiling in another location.
- C. Indirectly Conditioned Space: A space having no direct conditioning but, due to air movement induced by an exhaust, or return opening, is conditioned by makeup air from an adjacent space. An example would be a small toilet. Boiler rooms, fan rooms, and mechanical rooms do not qualify as indirectly conditioned spaces.
- D. Inside the Building Insulation Envelope: For the purposes of this section, boiler rooms, fan rooms, and mechanical rooms are considered to be OUTSIDE the building insulation envelope.
- E. Exposed: Visible from any angle without removal of building element or equipment.
- F. Concealed: Enclosed in building element or above ceiling such that it is not visible from any angle without removal of building element or equipment.

1.3 SUBMITTALS

- A. Product Data: Identify thermal conductivity, thickness, and jackets (both factory and field applied, if any), for each type of product indicated.
- B. LEED Submittal: Refer to Division 1 Section "Sustainable Design Requirements."
- C. Shop Drawings: Show fabrication and installation details for the following:
  - 1. Detail application of removable insulation covers.
  - 2. Detail application of protective shields, saddles, and inserts at hangers for each type of insulation and hanger.
  - 3. Detail attachment and covering of heat tracing inside insulation.
  - 4. Detail insulation application at pipe expansion joints for each type of insulation.
  - 5. Detail insulation application at elbows, fittings, flanges, valves, and specialties for each type of insulation.
  - 6. Detail removable insulation at piping specialties, equipment connections, and access panels.
  - 7. Detail application of field-applied jackets.
  - 8. Detail application at linkages of control devices.
  - 9. Detail field application for each equipment type.

FIRE STATIONS RENOVATION  
ARLINGTON COUNTY, VIRGINIA  
Architect's Project No: 563006

1.4 QUALITY ASSURANCE

- A. Fire-Test-Response Characteristics: Insulation and related materials shall have fire-test-response characteristics indicated, as determined by testing identical products per ASTM E 84, by a testing and inspecting agency acceptable to authorities having jurisdiction. Factory label insulation and jacket materials and adhesive, mastic, tapes, and cement material containers, with appropriate markings of applicable testing and inspecting agency.
  - 1. Insulation Installed Indoors: Flame-spread index of 25 or less, and smoke-developed index of 50 or less.
  - 2. Insulation Installed Outdoors: Flame-spread index of 75 or less, and smoke-developed index of 150 or less.

1.5 DELIVERY, STORAGE, AND HANDLING

- A. Packaging: Ship insulation materials in containers marked by manufacturer with type, grade, and maximum use temperature.
- B. Ship Insulated Piping System Components on pallets and wood supports. Securely fasten and protect from damage. Store off the ground and cover with opaque waterproof tarp to protect materials from sunlight and rain.

1.6 COORDINATION

- A. Coordinate size and location of supports, hangers, and insulation shields specified in Section "Hangers and Supports for HVAC Piping and Equipment."
- B. Coordinate clearance requirements with piping Installer for piping insulation, duct Installer for duct insulation, and equipment Installer for equipment insulation.
- C. Maintain clearances required for maintenance.
- D. Coordinate installation and testing of heat tracing.

PART 2 - PRODUCTS

2.1 MANUFACTURERS

- A. Available Manufacturers:
  - 1. Mineral-Fiber Insulation:
    - a. CertainTeed Manson.
    - b. Johns Manville
    - c. Knauf FiberGlass GmbH.
    - d. Owens-Corning Fiberglas Corp.
    - e. Schuller International, Inc.
  - 2. Flexible Elastomeric Thermal Insulation:
    - a. Armstrong World Industries, Inc.
    - b. Rubatex Corp.
  - 3. Removable Insulation Covers:
    - a. Advance Thermal Corp.

FIRE STATIONS RENOVATION  
ARLINGTON COUNTY, VIRGINIA  
Architect's Project No: 563006

2.2 INSULATION MATERIALS

- A. Comply with requirements in Part 3 schedule articles for where insulating materials shall be applied.
- B. Products shall not contain asbestos, lead, mercury, or mercury compounds.
- C. Products that come in contact with stainless steel shall have a leachable chloride content of less than 50 ppm when tested according to ASTM C 871.
- D. Insulation materials for use on austenitic stainless steel shall be qualified as acceptable according to ASTM C 795.
- E. Foam insulation materials shall not use CFC or HCFC blowing agents in the manufacturing process.
- F. Insulation products must be tested and determined compliant in accordance with California Department of Public Health (CDPH) Standard Method v1.1–2010, using the applicable exposure scenario. The default scenario is the private office scenario. The manufacturer's or third-party certification must state the exposure scenario used to determine compliance. Claims of compliance for wet-applied products must state the amount applied in mass per surface area. Manufacturers' claims of compliance with the above requirements must also state the range of total VOCs after 14 days (336 hours), measured as specified in the CDPH Standard Method v1.1:
  - a. 0.5 mg/m<sup>3</sup> or less;
  - b. between 0.5 and 5.0 mg/m<sup>3</sup>; or
  - c. 5.0 mg/m<sup>3</sup> or more
- G. Mineral-Fiber Board: Glass fibers bonded with a thermosetting resin. Comply with ASTM C 612, Type IB, with factory applied FSK Jacket. Meet the requirements of ASTM C 1290, Type III, inorganic glass fibers bonded by a thermosetting resin to maximum service temperature of 250°F.. Faced insulation shall not exceed 25 Flame Spread, 50 Smoke Developed when tested in accordance with ASTM E84.
- H. Semi-Rigid Mineral-Fiber Board: Glass fibers bonded with a thermosetting resin. Comply with ASTM C 1136, Type I, II, III, & IV with factory applied all-service jacket (ASJ) or Type II, IV with factory applied Foil Scrim Kraft (FSK) jacket.
- I. Mineral-Fiber Blanket with Factory Applied FSK Jacket: Meet the requirements of ASTM C 1290, Type III, inorganic glass fibers bonded by a thermosetting resin with a multi-purpose foil-scrim kraft (FSK) jacket to maximum service temperature of 250°F. FSK shall meet the requirements of ASTM C 1136, Type II, when surface burning characteristics are determined in accordance with ASTM E 84 with the foil surface of the material exposed to the flame as it is in the final composite. Composite (insulation, facing and adhesive) shall not exceed 25 Flame Spread, 50 Smoke Developed when tested in accordance with ASTM E 84. Insulation properties shall be as follows:
  - 1. Thickness: 1-1/2"
    - a. Density: 0.75 pcf
    - b. Minimum uncompressed R value: 5.0
    - c. Minimum installed R value assuming 25% compression: 4.0
  - 2. Thickness: 2"
    - a. Density: 1.0 pcf
    - b. Minimum uncompressed R value: 7.4

FIRE STATIONS RENOVATION  
ARLINGTON COUNTY, VIRGINIA  
Architect's Project No: 563006

- c. Minimum installed R value assuming 25% compression: 6.0
    - 3. Alternate to 2" 1.0 pcf: Thickness: 2.2"
      - a. Density: 0.75 pcf
      - b. Minimum uncompressed R value: 7.4
      - c. Minimum installed R value assuming 25% compression: 6.0
    - 4. Thickness: 3"
      - a. Density: 0.75 pcf
      - b. Minimum uncompressed R value: 10.0
      - c. Minimum installed R value assuming 25% compression: 8.3
  - J. Medium Temperature Mineral-Fiber Blanket for Operating Temperatures from 250 to 850 deg F: Glass fibers bonded with a thermosetting resin. Comply with ASTM C 553, Type II, without facing and with all-service jacket manufactured from kraft paper, reinforcing scrim, aluminum foil, and vinyl film.
  - K. High Temperature Mineral-Fiber Blanket for Temperatures above 850 deg F: Glass fibers bonded with a thermosetting resin. Comply with ASTM C 553, Type V, without facing and with all-service jacket manufactured from kraft paper, reinforcing scrim, aluminum foil, and vinyl film.
  - L. Mineral-Fiber Pipe Insulation: Glass fibers bonded with a thermosetting resin complying with the following:
    - 1. Preformed Pipe Insulation: Comply with ASTM C 547, Type 1, with factory-applied, all-purpose, vapor-retarder jacket.
    - 2. Semi-Rigid Mineral-Fiber Board: Glass fibers bonded with a thermosetting resin. Comply with ASTM C 1136, Type I, II, III, IV with factory applied all-service jacket (ASJ) or Type II, IV with factory applied Foil Scrim Kraft (FSK) jacket.
    - 3. Blanket Insulation: Comply with ASTM C 553, Type II, without facing.
    - 4. Mineral-Fiber Insulating Cements: Comply with ASTM C 195.
    - 5. Expanded or Exfoliated Vermiculite Insulating Cements: Comply with ASTM C 196.
    - 6. Mineral-Fiber, Hydraulic-Setting Insulating and Finishing Cement: Comply with ASTM C 449/C 449M.
  - M. Flexible Elastomeric: Closed-cell, sponge- or expanded-rubber materials. Comply with ASTM C 534, Type I for tubular materials and Type II for sheet materials.
    - 1. Adhesive: As recommended by insulation material manufacturer.
    - 2. Ultraviolet-Protective Coating: As recommended by insulation manufacturer.
  - N. Prefabricated Thermal Insulating Fitting Covers: Comply with ASTM C 450 for dimensions used in performing insulation to cover valves, elbows, tees, and flanges.
- 2.3 FIELD-APPLIED JACKETS
- A. General: ASTM C 921, Type 1, unless otherwise indicated.
  - B. Glass Cloth: Woven glass-fiber fabric, plain weave, minimum 8 ounces per square yard.
  - C. Foil and Paper Jacket: Laminated, glass-fiber-reinforced, flame-retardant kraft paper and aluminum foil.
  - D. PVC Jacket: High-impact, ultraviolet-resistant PVC; 20 mils thick; roll stock ready for shop or field cutting and forming.
    - 1. Adhesive: As recommended by insulation material manufacturer.

FIRE STATIONS RENOVATION  
ARLINGTON COUNTY, VIRGINIA  
Architect's Project No: 563006

2. PVC Duct Jacket Color: White or gray.
  3. PVC Pipe Jacket Color: Color-code piping jackets based on materials contained within the piping system.
- E. Aluminum Jacket: Deep corrugated sheets manufactured from aluminum alloy complying with ASTM B 209, and having an integrally bonded moisture barrier over entire surface in contact with insulation. Factory cut and rolled to indicated sizes. Comply with ASTM B 209, 3003 alloy, H-14 temper.
1. Finish and Thickness: Stucco-embossed finish, 0.016 inch thick.
  2. Moisture Barrier: 1-mil- thick, heat-bonded polyethylene and kraft paper.
  3. Elbows: Preformed, 45- and 90-degree, short- and long-radius elbows; same material, finish, and thickness as jacket.
- F. Heavy PVC Pipe Fitting Covers: Factory-fabricated fitting covers manufactured from 30-mil-thick, high-impact, ultraviolet-resistant PVC.
1. Shapes: 45- and 90-degree, short- and long-radius elbows, tees, valves, flanges, reducers, end caps, soil-pipe hubs, traps, mechanical joints, and P-trap and supply covers for lavatories for the disabled.
  2. Adhesive: As recommended by insulation material manufacturer.
- G. Standard PVC Pipe Fitting Covers: Factory-fabricated fitting covers manufactured from 20-mil- thick, high-impact, ultraviolet-resistant PVC.
1. Shapes: 45- and 90-degree, short- and long-radius elbows, tees, valves, flanges, reducers, end caps, soil-pipe hubs, traps, mechanical joints, and P-trap and supply covers for lavatories for the disabled.
  2. Adhesive: As recommended by insulation material manufacturer.

#### 2.4 REMOVABLE INSULATION COVERS

- A. Pre-manufactured easily removable insulation cover/blanket intended for insulation of equipment and devices requiring periodic maintenance.

#### 2.5 ACCESSORIES AND ATTACHMENTS

- A. Glass Cloth and Tape: Comply with MIL-C-20079H, Type I for cloth and Type II for tape. Woven glass-fiber fabrics, plain weave, presized a minimum of 8 oz./sq. yd..
1. Tape Width: 4 inches.
- B. Bands: 3/4 inch wide, in one of the following materials compatible with jacket:
1. Stainless Steel: ASTM A 666, Type 304; 0.020 inch thick.
  2. Galvanized Steel: 0.005 inch thick.
  3. Aluminum: 0.007 inch thick.
  4. Brass: 0.010 inch thick.
  5. Nickel-Copper Alloy: 0.005 inch thick.
- C. Wire: 0.080-inch, nickel-copper alloy; 0.062-inch, soft-annealed, stainless steel; or 0.062-inch, soft-annealed, galvanized steel.
- D. Weld-Attached Anchor Pins and Washers: Copper-coated steel pin for capacitor-discharge welding and galvanized speed washer. Pin length sufficient for insulation thickness indicated.

FIRE STATIONS RENOVATION  
ARLINGTON COUNTY, VIRGINIA  
Architect's Project No: 563006

1. Welded Pin Holding Capacity: 100 lb for direct pull perpendicular to the attached surface.
  - E. Adhesive-Attached Anchor Pins and Speed Washers: Galvanized steel plate, pin, and washer manufactured for attachment to duct, pipe, plenum and breeching with adhesive. Pin length sufficient for insulation thickness indicated.
    1. Adhesive: Recommended by the anchor pin manufacturer as appropriate for surface temperatures of ducts, pipes, plenums, and breechings; and to achieve a holding capacity of 100 lb. for direct pull perpendicular to the adhered surface.
  - F. Self-Adhesive Anchor Pins and Speed Washers: Galvanized steel plate, pin, and washer manufactured for attachment to duct, pipe, and plenum with adhesive. Pin length sufficient for insulation thickness indicated.
- 2.6 VAPOR RETARDERS
- A. Mastics: Materials recommended by insulation material manufacturer that are compatible with insulation materials, jackets, and substrates.
- 2.7 REMOVABLE INSULATION COVERS
- A. Pre-manufactured easily removable insulation cover/blanket intended for insulation of equipment and devices requiring periodic maintenance.

PART 3 - EXECUTION

3.1 EXAMINATION

- A. Examine substrates and conditions for compliance with requirements for installation and other conditions affecting performance of insulation application.
- B. Proceed with installation only after unsatisfactory conditions have been corrected.

3.2 PREPARATION

- A. Surface Preparation: Clean and dry surfaces to receive insulation. Remove materials that will adversely affect insulation application.

3.3 GENERAL APPLICATION REQUIREMENTS

- A. Apply insulation materials, accessories, and finishes according to the manufacturer's written instructions; with smooth, straight, and even surfaces; and free of voids throughout the length of piping, and fittings.
- B. Refer to schedules at the end of this Section for materials, forms, jackets, and thickness required for each system.
- C. Use accessories compatible with insulation materials and suitable for the service. Use accessories that do not corrode, soften, or otherwise attack insulation or jacket in either wet or dry state.
- D. Apply multiple layers of insulation with seams staggered.
- E. Do not weld brackets, clips, or other attachment devices to piping, fittings, and specialties.

FIRE STATIONS RENOVATION  
ARLINGTON COUNTY, VIRGINIA  
Architect's Project No: 563006

- F. Seal joints and seams with vapor-retarder mastic on insulation indicated to receive a vapor retarder.
- G. Keep insulation materials dry at all times. Insulation that becomes wet or is otherwise damaged beyond repair, shall be removed immediately and replaced. Replacement material and installation shall be in accordance with these specifications.
- H. Apply insulation with tight longitudinal seams and end joints. Bond seams and joints with adhesive recommended by the insulation material manufacturer.
- I. Apply insulation with the minimum number of joints practical.
- J. Apply insulation over fittings, valves, and specialties, with continuous thermal and vapor-retarder integrity, unless otherwise indicated.
- K. Refer to special instructions for applying insulation over fittings, valves, and specialties.
- L. Hangers and Anchors: Where vapor retarder is indicated, seal penetrations in insulation at hangers, supports, anchors, and other projections with vapor-retarder mastic.
  - 1. Apply insulation continuously through hangers and around anchor attachments.
  - 2. For insulation application where vapor retarders are indicated, extend insulation on anchor legs at least 12 inches from point of attachment to pipe and taper insulation ends. Seal tapered ends with a compound recommended by the insulation material manufacturer to maintain vapor retarder.
  - 3. Install insert materials and apply insulation to tightly join the insert. Seal insulation to insulation inserts with adhesive or sealing compound recommended by the insulation material manufacturer.
  - 4. Cover inserts with jacket material matching adjacent pipe insulation. Install shields over jacket, arranged to protect the jacket from tear or puncture by the hanger, support, and shield.
- M. Insulation Terminations: For insulation application where vapor retarders are indicated, seal ends with a compound recommended by the insulation material manufacturer to maintain vapor retarder.
- N. Apply insulation with integral jackets as follows:
  - 1. Pull jacket tight and smooth.
  - 2. Joints and Seams: Cover with tape and vapor retarder as recommended by insulation material manufacturer to maintain vapor seal.
  - 3. Vapor-Retarder Mastics: Where vapor retarders are indicated, apply mastic on seams and joints and at ends adjacent to duct flanges, pipe joints, and fittings.
- O. Cut insulation according to manufacturer's written instructions to prevent compressing insulation to less than 75 percent of its nominal thickness.
- P. Install vapor-retarder mastic on ducts, pipes, plenums, and equipment.
  - 1. Ducts, pipes, plenums, and equipment with Vapor Retarders: Overlap insulation facing at seams and seal with vapor-retarder mastic and pressure-sensitive tape having same facing as insulation. Repair punctures, tears, and penetrations with tape or mastic to maintain vapor-retarder seal.
  - 2. Ducts, pipes, plenums, and equipment without Vapor Retarders: Overlap insulation facing at seams and secure with outward clinching staples and pressure-sensitive tape having same facing as insulation.

FIRE STATIONS RENOVATION  
ARLINGTON COUNTY, VIRGINIA  
Architect's Project No: 563006

- Q. Roof Penetrations: Apply insulation for interior applications to a point even with top of roof flashing.
1. Seal penetrations with vapor-retarder mastic.
  2. Apply insulation for exterior applications tightly joined to interior insulation ends.
  3. Seal insulation to roof flashing with vapor-retarder mastic.
- R. Interior Wall and Partition Penetrations: Apply insulation continuously through walls and partitions, except fire-rated walls and partitions.
- S. Fire-Rated Wall and Partition Penetrations: Terminate insulation at fire/smoke damper sleeves for fire-rated wall and partition penetrations.
- T. Floor Penetrations: Terminate insulation at underside of floor assembly and at floor support at top of floor.
1. For insulation indicated to have vapor retarders, taper termination and seal insulation ends with vapor-retarder mastic.

### 3.4 MINERAL-FIBER INSULATION APPLICATION

- A. Blanket Applications for Ducts, Pipes, and Plenums: Secure blanket insulation with adhesive, and anchor pins with speed washers.
1. Apply adhesives according to manufacturer's recommended coverage rates per square foot, for 100 percent coverage of duct, pipe, and plenum surfaces.
  2. Apply adhesive to entire circumference of ducts & pipes and to all surfaces of fittings and transitions. Adhesive may be omitted from the top of horizontal rectangular ducts.
  3. Install anchor pins and speed washers on sides and bottom of horizontal ducts and sides of vertical ducts as follows:
    - a. On duct sides with dimensions 18 inches and smaller, along longitudinal centerline of duct. Space 3 inches maximum from insulation end joints, and 16 inches o.c.
    - b. On duct sides with dimensions larger than 18 inches. Space 16 inches o.c. each way, and 3 inches maximum from insulation joints. Apply additional pins and clips to hold insulation tightly against surface at cross bracing.
    - c. Anchor pins may be omitted from top surface of horizontal, rectangular ducts and plenums.
    - d. Do not compress insulation to less than 75% of its original thickness during installation.
  4. Install anchor pins and speed washers on sides, top, and bottom of horizontal pipes.
  5. Impale insulation over anchors and attach speed washers.
  6. Cut excess portion of pins extending beyond speed washers. Cover exposed pins and washers with tape matching insulation facing.
  7. Create a facing lap for longitudinal seams and end joints with insulation by removing 2 inches from one edge and one end of insulation segment. Secure laps to adjacent insulation segment with 1/2-inch staples, 1-inch o.c., and cover with pressure-sensitive tape having same facing as insulation.
  8. Overlap unfaced blankets a minimum of 2 inches on longitudinal seams and end joints. Secure with steel band at end joints and spaced a maximum of 18 inches o.c.
  9. Apply insulation on rectangular duct elbows, pipe fittings, and transitions with a full insulation segment for each surface. Apply insulation on round and flat-oval duct elbows, and pipe elbows, with individually mitered gores cut to fit the elbow.



FIRE STATIONS RENOVATION  
ARLINGTON COUNTY, VIRGINIA  
Architect's Project No: 563006

10. Insulate duct and pipe stiffeners, hangers, and flanges that protrude beyond the insulation surface with 6-inch- wide strips of the same material as insulation. Secure on alternating sides of stiffener, hanger, and flange with anchor pins spaced 6 inches o.c.
11. Apply vapor-retarder mastic to open joints, breaks, and punctures for insulation indicated to receive vapor retarder.

B. Board Applications for Ducts, Plenums, & Equipment: Secure board insulation with adhesive and anchor pins and speed washers.

1. Apply adhesives according to manufacturer's recommended coverage rates per square foot, for 100 percent coverage of duct, plenum, & equipment surfaces.
2. Apply adhesive to entire circumference of ducts and to all surfaces of fittings, transitions, and equipment. Adhesive may be omitted from top surface of horizontal rectangular ducts.
3. Space anchor pins as follows:
  - a. On duct & equipment sides with dimensions 18 inches and smaller, along longitudinal centerline of duct. Space 3 inches maximum from insulation end joints, and 16 inches o.c.
  - b. On duct & equipment sides with dimensions larger than 18 inches. Space 16 inches o.c. each way, and 3 inches maximum from insulation joints. Apply additional pins and clips to hold insulation tightly against surface at bracing.
  - c. Anchor pins may be omitted from top surface of horizontal, rectangular ducts and plenums.
  - d. Do not compress insulation to less than 75% of its original thickness during installation.
4. Cut excess portion of pins extending beyond speed washers. Cover exposed pins and washers with tape matching insulation facing.
5. Create a facing lap for longitudinal seams and end joints with insulation by removing 2 inches from one edge and one end of insulation segment. Secure laps to adjacent insulation segment with 1/2-inch staples, 1-inch o.c., and cover with pressure-sensitive tape having same facing as insulation.
6. Apply insulation on rectangular duct elbows and transitions with a full insulation segment for each surface. Groove and score insulation to fit as closely as possible to outside and inside radius of elbows. Apply insulation on round and flat-oval duct elbows with individually mitered gores cut to fit the elbow.
7. Insulate duct and equipment stiffeners, hangers, and flanges that protrude beyond the insulation surface with 6" wide strips of the insulating materia. Secure on alternating sides of stiffener, hanger, and flange with anchor pins spaced 6 inches o.c.
8. Apply vapor-retarder mastic to open joints, breaks, and punctures for insulation indicated to receive vapor retarder.

3.5 FLEXIBLE ELASTOMERIC THERMAL INSULATION APPLICATION

A. Apply insulation to ducts, plenums, and equipment as follows:

1. Follow the manufacturer's written instructions for applying insulation.
2. Seal longitudinal seams and end joints with manufacturer's recommended adhesive. Cement to avoid openings in insulation that will allow passage of air to the duct, plenum, and equipment surface.

FIRE STATIONS RENOVATION  
ARLINGTON COUNTY, VIRGINIA  
Architect's Project No: 563006

3.6 FIELD-APPLIED JACKET APPLICATION

- A. Apply glass-cloth jacket, where indicated, directly over bare insulation or insulation with factory-applied jackets.
  - 1. Apply jacket smooth and tight to surface with 2-inch overlap at seams and joints.
  - 2. Embed glass cloth between two 0.062-inch- thick coats of jacket manufacturer's recommended adhesive.
  - 3. Completely encapsulate insulation with jacket, leaving no exposed raw insulation.

3.7 FINISHES

- A. Glass-Cloth Jacketed Insulation: Paint insulation finished with glass-cloth jacket as indicated.
- B. Flexible Elastomeric Thermal Insulation: After adhesive has fully cured, apply two coats of insulation manufacturer's recommended protective coating.
- C. Color: Final color shall be as selected by Architect. Vary first and second coats to allow visual inspection of the completed Work.

3.8 APPLICATIONS

- A. Insulation materials and thickness are specified at the end of this Section.
- B. Insulate all pipe and equipment:
  - 1. Insulate pipe in accordance with the application schedule(s) below.
  - 2. Exceptions: Unless otherwise indicated, do not apply insulation to the following systems, materials, and equipment:
    - a. Vibration-control devices.
    - b. Testing agency labels and stamps.
    - c. Nameplates and data plates.
    - d. Manholes.
    - e. Handholes.
    - f. Cleanouts.
    - g. Plastic Condensate Drain piping.
    - h. Factory-insulated equipment.
    - i. Flexible connectors.

3.9 INDOOR APPLICATION SCHEDULE (ABOVE SLAB):

- A. Service: Domestic hot water and domestic circulated hot water.
  - 1. Insulation Material: Mineral fiber preformed or flexible elastomeric pipe insulation.
  - 2. Insulation Thickness: Apply the following insulation thicknesses:
    - a. Copper Pipe, ½" through 1½" in diameter: 1"
    - b. Copper Pipe, 1½" through 3" in diameter: 1 ½"
    - c. Copper Pipe, larger than 3" in diameter: 2"
  - 3. Vapor Retarder Required: No.
  - 4. Finish: Exposed = Painted, concealed = none.
- B. Service: Domestic cold water.
  - 1. Insulation Material: Mineral fiber preformed or flexible elastomeric pipe insulation.
  - 2. Insulation Thickness: ½"
  - 3. Vapor Retarder Required: Yes.

FIRE STATIONS RENOVATION  
ARLINGTON COUNTY, VIRGINIA  
Architect's Project No: 563006

4. Finish: Exposed = Painted, concealed = none.

C. Service: Rainwater conductors (Includes secondary roof drain conductors).

1. Insulation Material: Mineral fiber preformed pipe insulation or Mineral-Fiber Blanket with Factory Applied FSK Jacket.

2. Insulation Thickness: 1"

3. Vapor Retarder Required: Yes.

4. Finish: Exposed = Painted, concealed = none.

D. Service: Roof drain and overflow drain bodies.

1. Insulation Material: Semi-Rigid Mineral-Fiber Board Thermal Insulation

2. Insulation Thickness: 1½"

3. Vapor Retarder Required: Yes.

4. Finish: Exposed = Painted, concealed = none.

E. Service: Exposed piping:

1. Mineral fiber preformed pipe insulation with Factory Applied FSK Jacket.

2. Insulation Thickness: 1"

3. Vapor Retarder Required: Yes.

4. Finish: Exposed = Painted, concealed = none.

3.10 INDOOR APPLICATION SCHEDULE (BELOW SLAB):

1. None required.

END OF SECTION 220700

FIRE STATIONS RENOVATION  
ARLINGTON COUNTY, VIRGINIA  
Architect's Project No: 563006

---

SECTION 221113 – FACILITY NATURAL-GAS PIPING

1.1 RELATED DOCUMENTS

- A. Provisions of the Contract and of the Contract Documents apply to this Section.

1.2 DEFINITIONS

- A. Finished Spaces: Spaces other than mechanical and electrical equipment rooms, furred spaces, pipe and duct shafts, unheated spaces immediately below roof, spaces above ceilings, unexcavated spaces, crawlspaces, and tunnels.
- B. Exposed, Interior Installations: Exposed to view indoors. Examples include finished occupied spaces and mechanical equipment rooms.
- C. Exposed, Exterior Installations: Exposed to view outdoors or subject to outdoor ambient temperatures and weather conditions. Examples include rooftop locations.

1.3 PERFORMANCE REQUIREMENTS

- A. Minimum Operating-Pressure Ratings:
  - 1. Piping and Valves: 100 psig minimum unless otherwise indicated.
  - 2. Service Regulators: 65 psig minimum unless otherwise indicated.
  - 3. Service Meter: 65 psig minimum unless otherwise indicated.
- B. Gas System Pressures: Primary pressure from the utility is more than 2.0 psig and is reduced to a secondary pressure of 14in wc by a pressure reducing valve installed immediately downstream of the meter and is reduced again by pressure reducing valves located at each piece of equipment.

1.4 SUBMITTALS

- A. Product Data: For each type of the following:
  - 1. Piping specialties.
  - 2. Corrugated, stainless-steel tubing with associated components.
  - 3. Valves. Include pressure rating, capacity, settings, and electrical connection data of selected models.
  - 4. Pressure regulators. Indicate pressure ratings and capacities.
  - 5. Dielectric fittings.
- B. Operation and Maintenance Data: For motorized gas valves, pressure regulators, and to include in operation and maintenance manuals.

FIRE STATIONS RENOVATION  
ARLINGTON COUNTY, VIRGINIA  
Architect's Project No: 563006

---

1.5 QUALITY ASSURANCE

- A. Electrical Components and Devices: If indicated, provide electrical components and devices that are listed and labeled as defined in NFPA 70, Article 100, by testing agency acceptable to authorities having jurisdiction, and marked for intended use.
- B. Applicable Codes: Comply with the Virginia Uniform Statewide Building Code and the International Fuel Gas Code.
- C. Fuel Gas Piping: Listed and labeled as required by the International Fuel Gas Code.
- D. UL Standard: Provide components listed in UL's "Gas and Oil Equipment Directory" where UL listing is indicated.
- E. Steel Support Welding Qualifications: Qualify procedures and personnel according to AWS D1.1/D1.1M, "Structural Welding Code - Steel."
- F. Pipe Welding Qualifications: Qualify procedures and operators according to ASME Boiler and Pressure Vessel Code.

1.6 DELIVERY, STORAGE, AND HANDLING

- A. Handling Flammable Liquids: Remove and dispose of liquids from natural-gas piping according to requirements of authorities having jurisdiction.
- B. Deliver pipes and tubes with factory-applied end caps. Maintain end caps through shipping, storage, and handling to prevent pipe end damage and to prevent entrance of dirt, debris, and moisture.
- C. Store and handle pipes and tubes having factory-applied protective coatings to avoid damaging coating, and protect from direct sunlight.
- D. Protect stored PE pipes and valves from direct sunlight.

1.7 PROJECT CONDITIONS

- A. Perform site survey: Contract with utility-locating service for area where Project is located and locate utilities.
- B. Design values of fuel gas supplied for these systems are as follows:
  - 1. Nominal Heating Value: 1000 Btu/cu.ft.
  - 2. Nominal Specific Gravity: 0.6.
- C. Interruption of Natural-Gas Service: Do not interrupt natural-gas service to facilities occupied by Owner or others unless permitted under the following conditions and then only after arranging to provide purging and startup of natural-gas supply according to requirements indicated:

FIRE STATIONS RENOVATION  
ARLINGTON COUNTY, VIRGINIA  
Architect's Project No: 563006

---

1. Notify Owner and Architect no fewer than two days in advance of proposed interruption of natural-gas service.
2. Do not proceed with interruption of natural-gas service without Owner and Architect's written permission.

1.8 COORDINATION

- A. Coordinate sizes and locations of concrete bases with actual equipment provided.
- B. Coordinate requirements for access panels and doors for valves installed concealed behind finished surfaces.
- C. Coordinate with equipment and regulator manufacturer's recommendations and local utility service provider for final regulator and accessory selections.

PART 2 - PRODUCTS

2.1 PIPING MATERIALS

- A. Refer to Part 3 "Piping Applications" Article for applications of pipe, tube, fitting, and joining materials.

2.2 PIPES, TUBES, AND FITTINGS

- A. Steel Pipe: ASTM A 53/A 53M, black steel, Schedule 40, Type E or S, Grade B.
  1. Malleable-Iron Threaded Fittings: ASME B16.3, Class 150, standard pattern.
  2. Wrought-Steel Welding Fittings: ASTM A 234/A 234M for butt welding and socket welding.
  3. Unions: ASME B16.39, Class 150, malleable iron with brass-to-iron seat, ground joint, and threaded ends.
  4. Forged-Steel Flanges and Flanged Fittings: ASME B16.5, minimum Class 150, including bolts, nuts, and gaskets of the following material group, end connections, and facings:
    - a. Material Group: 1.1.
    - b. End Connections: Threaded or butt welding to match pipe.
    - c. Lapped Face: Not permitted underground.
    - d. Gasket Materials: ASME B16.20, metallic, flat, asbestos free, aluminum o-rings, and spiral-wound metal gaskets.
    - e. Bolts and Nuts: ASME B18.2.1, carbon steel aboveground and stainless steel underground.
  5. Protective Coating for Underground Piping: Factory-applied, three-layer coating of epoxy, adhesive, and PE.
    - a. Joint Cover Kits: Epoxy paint, adhesive, and heat-shrink PE sleeves.

2.3 PRE-SLEEVED CORRUGATED, STAINLESS-STEEL TUBING SYSTEMS

FIRE STATIONS RENOVATION  
ARLINGTON COUNTY, VIRGINIA  
Architect's Project No: 563006

---

A. Available Manufacturers:

1. Omega Flex, Inc.

B. Description: Comply with AGA LC 1 (ANSI LC-1) and include the following:

1. Tubing: Pre-sleeved with polyethylene, corrugated stainless steel with plastic jacket or coating.
2. Fittings: Copper alloy with ends made to fit corrugated tubing. Include ends with threads according to ASME B1.20.1 if connection to threaded pipe or fittings is required.
3. Striker Plates: Steel, designed to protect tubing from penetrations.
4. Manifolds: Malleable iron or steel with protective coating. Include threaded connections according to ASME B1.20.1 for pipe inlet and corrugated tubing outlets.

2.4 PROTECTIVE COATING

- A. Furnish pipe and fittings with factory-applied, corrosion-resistant polyethylene coating for use in corrosive atmosphere.

2.5 JOINING MATERIALS

- A. Joint Compound and Tape: Suitable for natural gas.
- B. Welding Filler Metals: Comply with AWS D10.12/D10.12M for welding materials appropriate for wall thickness and chemical analysis of steel pipe being welded.

2.6 VALVES

- A. Refer to section "General Duty Valves for Plumbing Piping".

2.7 PIPING SPECIALTIES

A. Appliance Flexible Connectors:

1. Indoor, Fixed-Appliance Flexible Connectors: Comply with ANSI Z21.24.
2. Indoor, Movable-Appliance Flexible Connectors: Comply with ANSI Z21.69.
3. Outdoor, Appliance Flexible Connectors: Comply with ANSI Z21.75.
4. Corrugated stainless-steel tubing with polymer coating.
5. Operating-Pressure Rating: 0.5 psig
6. End Fittings: Zinc-coated steel.
7. Threaded Ends: Comply with ASME B1.20.1.
8. Maximum Length: 72"

B. Y-Pattern Strainers:

1. Body: ASTM A 126, Class B, cast iron with bolted cover and bottom drain connection.
2. End Connections: Threaded ends for 2" and smaller; flanged ends for 2 1/2" and larger.

FIRE STATIONS RENOVATION  
ARLINGTON COUNTY, VIRGINIA  
Architect's Project No: 563006

---

3. Strainer Screen: 40-mesh startup strainer, and perforated stainless-steel basket with 50 percent free area.
4. CWP Rating: 125 psig.

C. Weatherproof Vent Cap: Cast- or malleable-iron increaser fitting with corrosion-resistant wire screen, with free area at least equal to cross-sectional area of connecting pipe and threaded-end connection.

## 2.8 SPECIALTY VALVES

A. Available Manufacturers:

1. ASCO General Controls.
2. Automatic Switch Co.
3. Eaton Corp.; Controls Div.
4. Honeywell, Inc.
5. Johnson Controls, Inc.

2.9 Valves, 2" and Smaller: Ball valves with threaded ends according to ASME B1.20.1 for pipe threads.

2.10 Valves, 2-1/2" and Larger: Butterfly valves for use with flanged ends according to ASME B16.5 for steel flanges.

## 2.11 PRESSURE REGULATORS

A. Available Manufacturers:

1. Line Pressure Regulators:
  - a. American Meter Co.
  - b. Donkin: Bryan Donkin RMG Canada, Ltd.
  - c. Eclipse Combustion, Inc.
  - d. Equimeter, Inc.
  - e. Fisher Controls International, Inc.
  - f. Maxitrol Co.
  - g. National Meter.
  - h. Richards Industries, Inc.; Jordan Valve Div.
  - i. Schlumberger Industries; Gas Div.

B. Description: Single stage and suitable for fuel gas service. Include steel jacket and corrosion-resistant components, elevation compensator, and atmospheric vent.

1. 2" and Smaller: Threaded ends according to ASME B1.20.1 for pipe threads.
2. 2 1/2" and Larger: Flanged ends according to ASME B16.5 for steel flanges and according to ASME B16.24 for copper and copper-alloy flanges.
3. Line Pressure Regulators: ANSI Z21.80 with 5-psig- minimum inlet pressure rating.



FIRE STATIONS RENOVATION  
ARLINGTON COUNTY, VIRGINIA  
Architect's Project No: 563006

---

4. Appliance Pressure Regulators: ANSI Z21.18 with 2-psig minimum inlet pressure. Regulator may include vent limiting device, instead of vent connection, if approved by authorities having jurisdiction. If vents are required provided piping necessary to extend to termination location outside the building as approved by the architect.
- C. Pressure Regulator Vents: Factory- or field-installed, corrosion-resistant screen in opening if not connected to vent piping. Extend to exterior of building and terminate in location approved by the architect.
- D. Appliance Pressure Regulators: Comply with ANSI Z21.18.
1. Available Manufacturers:
    - a. Canadian Meter Company Inc.
    - b. Eaton Corporation; Controls Div.
    - c. Harper Wyman Co.
    - d. Maxitrol Company.
    - e. SCP, Inc.
  2. Body and Diaphragm Case: Die-cast aluminum.
  3. Springs: Zinc-plated steel; interchangeable.
  4. Diaphragm Plate: Zinc-plated steel.
  5. Seat Disc: Nitrile rubber.
  6. Seal Plug: Ultraviolet-stabilized, mineral-filled nylon.
  7. Factory-Applied Finish: Minimum three-layer polyester and polyurethane paint finish.
  8. Regulator may include vent limiting device, instead of vent connection, if approved by authorities having jurisdiction.
  9. Maximum Inlet Pressure: 2 psig.

## 2.12 DIELECTRIC FITTINGS

- A. Dielectric Unions:
1. Available Manufacturers:
    - a. Capitol Manufacturing Company.
    - b. Central Plastics Company.
    - c. Hart Industries International, Inc.
    - d. McDonald, A. Y. Mfg. Co.
    - e. Watts Regulator Co.; Division of Watts Water Technologies, Inc.
    - f. Wilkins; Zurn Plumbing Products Group.
    - g. Conbraco Industries-Apollo
  2. Minimum Operating-Pressure Rating: 150 psig.
  3. Combination fitting of copper alloy and ferrous materials.
  4. Insulating materials suitable for natural gas.
  5. Combination fitting of copper alloy and ferrous materials with threaded, brazed-joint, plain, or welded end connections that match piping system materials.
- B. Dielectric Flanges:
1. Available Manufacturers:

FIRE STATIONS RENOVATION  
ARLINGTON COUNTY, VIRGINIA  
Architect's Project No: 563006

---

- a. Capitol Manufacturing Company.
- b. Central Plastics Company.
- c. Watts Regulator Co.; Division of Watts Water Technologies, Inc.
- d. Wilkins; Zurn Plumbing Products Group.
2. Minimum Operating-Pressure Rating: 150 psig.
3. Combination fitting of copper alloy and ferrous materials.
4. Insulating materials suitable for natural gas.
5. Combination fitting of copper alloy and ferrous materials with threaded, brazed-joint, plain, or welded end connections that match piping system materials.

C. Dielectric-Flange Kits:

1. Available Manufacturers:
  - a. Advance Products & Systems, Inc.
  - b. Calpico Inc.
  - c. Central Plastics Company.
  - d. Pipeline Seal and Insulator, Inc.
2. Minimum Operating-Pressure Rating: 150 psig.
3. Companion-flange assembly for field assembly.
4. Include flanges, full-face- or ring-type neoprene or phenolic gasket, phenolic or PE bolt sleeves, phenolic washers, and steel backing washers.
5. Insulating materials suitable for natural gas.
6. Combination fitting of copper alloy and ferrous materials with threaded, brazed-joint, plain, or welded end connections that match piping system materials.

2.13 LABELING AND IDENTIFYING

- A. Detectable Warning Tape: Acid- and alkali-resistant, PE film warning tape manufactured for marking and identifying underground utilities, a minimum of 6 inches wide and 4 mils thick, continuously inscribed with a description of utility, with metallic core encased in a protective jacket for corrosion protection, detectable by metal detector when tape is buried up to 30 inches deep; colored yellow.

PART 3 - EXECUTION

3.1 EXAMINATION

- A. Examine roughing-in for natural-gas piping system to verify actual locations of piping connections before equipment installation.
- B. Proceed with installation only after unsatisfactory conditions have been corrected.

3.2 PREPARATION

- A. Close equipment shutoff valves before turning off fuel gas to premises or piping section.

FIRE STATIONS RENOVATION  
ARLINGTON COUNTY, VIRGINIA  
Architect's Project No: 563006

---

- B. Inspect natural-gas piping according to the International Fuel Gas Code to determine that natural-gas utilization devices are turned off in piping section affected.
- C. Comply with the International Fuel Gas Code requirements for prevention of accidental ignition.

3.3 SERVICE ENTRANCE PIPING

- A. Extend fuel gas piping and connect to fuel gas distribution piping downstream of meter.
  - 1. Service meter will be provided by Local Gas Utility.
- B. Install dielectric fitting downstream from and adjacent to each service meter unless meter is supported from service-meter bar with integral dielectric fitting. Install shutoff valve downstream from and adjacent to dielectric fitting. Refer to Division 22 Section "Common Work Results for Plumbing" for dielectric fittings.

3.4 OUTDOOR PIPING INSTALLATION

- A. Comply with the International Fuel Gas Code for installation and purging of natural-gas piping.
- B. Install underground, natural-gas piping buried at least 36 inches below finished grade. Comply with requirements in Section "Earth Moving" for excavating, trenching, and backfilling.
  - 1. If natural-gas piping is installed less than 36 inches below finished grade, install it in containment conduit.
- C. Install underground, PE, natural-gas piping according to ASTM D 2774.
- D. Steel Piping Protective Coating:
  - 1. Apply joint cover kits to pipe after joining to cover, seal, and protect joints.
  - 2. Repair damage to PE coating on pipe as recommended in writing by protective coating manufacturer.
- E. Copper Tubing Protective Coating:
  - 1. Apply joint cover kits over tubing to cover, seal, and protect joints.
  - 2. Repair damage to PE coating on pipe as recommended in writing by protective coating manufacturer.
- F. Install fittings for changes in direction and branch connections.
- G. Install pressure gage upstream and downstream from each service regulator. Pressure gages are specified in Section "Meters and Gages for Plumbing Piping."

3.5 INDOOR PIPING INSTALLATION

- A. Comply with the International Fuel Gas Code for installation and purging of natural-gas piping.

FIRE STATIONS RENOVATION  
ARLINGTON COUNTY, VIRGINIA  
Architect's Project No: 563006

---

- B. Drawing plans, schematics, and diagrams indicate general location and arrangement of piping systems. Indicated locations and arrangements are used to size pipe and calculate friction loss, expansion, and other design considerations. Install piping as indicated unless deviations to are accepted by architect.
- C. Arrange for pipe spaces, chases, slots, sleeves, and openings in building structure during progress of construction, to allow for mechanical installations.
- D. Install piping in concealed locations unless otherwise indicated and except in equipment rooms.
- E. Install piping indicated to be exposed and piping in equipment rooms at right angles or parallel to building walls. Diagonal runs are prohibited unless specifically indicated otherwise.
- F. Install piping above accessible ceilings to allow sufficient space for ceiling panel removal.
- G. Locate valves for easy access.
- H. Install natural-gas piping at uniform grade toward drip and sediment traps.
- I. Install piping free of sags and bends.
- J. Install fittings for changes in direction and branch connections.
- K. Verify final equipment locations for roughing-in.
- L. Comply with requirements in Sections specifying gas-fired appliances and equipment for roughing-in requirements.
- M. Drips and Sediment Traps: Install drips at points where condensate may collect, including service-meter outlets. Locate where accessible to permit cleaning and emptying. Do not install where condensate is subject to freezing.
  - 1. Construct drips and sediment traps using tee fitting with bottom outlet plugged or capped. Use nipple a minimum length of 3 pipe diameters, but not less than 3 inches long and same size as connected pipe. Install with space below bottom of drip to remove plug or cap.
- N. Extend relief vent connections for service regulators, line regulators, and overpressure protection devices to outdoors and terminate with weatherproof vent cap.
- O. Conceal pipe installations in walls, pipe spaces, utility spaces, above ceilings, below grade or floors, and in floor channels unless indicated to be exposed to view.
- P. Concealed Location Installations: Except as specified below, install concealed natural-gas piping and piping installed under the building in containment conduit constructed of steel pipe with welded joints as described in Part 2. Install a vent pipe from containment conduit to outdoors and terminate with weatherproof vent cap.
  - 1. Above Accessible Ceilings: Natural-gas piping, fittings, valves, and regulators may be installed in accessible spaces without containment conduit.

FIRE STATIONS RENOVATION  
ARLINGTON COUNTY, VIRGINIA  
Architect's Project No: 563006

---

2. In Floors: Install pre-sleeved corrugated, stainless-steel tubing systems for natural-gas. Cover with minimum of 1-1/2 inches of concrete. Jacket may not be in physical contact with metallic structures such as reinforcing rods or electrically neutral conductors. Do not embed piping in concrete slabs containing quick-set additives.
  3. In Walls or Partitions: Protect tubing installed inside partitions or hollow walls from physical damage using steel striker barriers at rigid supports.
    - a. Exception: Tubing passing through partitions or walls does not require striker barriers.
  4. Prohibited Locations:
    - a. Do not install natural-gas piping in or through circulating air ducts, clothes or trash chutes, chimneys or gas vents (flues), ventilating ducts, or dumbwaiter or elevator shafts.
    - b. Do not install natural-gas piping in solid walls or partitions.
- Q. Connect branch piping from top or side of horizontal piping.
- R. Install unions in pipes 2" and smaller, adjacent to each valve, at final connection to each piece of equipment and where otherwise indicated. Unions are not required at flanged connections.
- S. Do not use natural-gas piping as grounding electrode.
- T. Install strainer on inlet of each line-pressure regulator and automatic or electrically operated valve.
- U. Install pressure gage upstream and downstream from each line regulator. Pressure gages are specified in Section "Meters and Gages for Plumbing Piping."
- V. Install sleeves for piping penetrations of walls, ceilings, and floors. Comply with requirements for sleeves specified in Section "Sleeves and Sleeve Seals for Plumbing Piping."
- W. Install sleeve seals for piping penetrations of concrete walls and slabs. Comply with requirements for sleeve seals specified in Section "Sleeves and Sleeve Seals for HVAC Piping."
- X. Install escutcheons for piping penetrations of walls, ceilings, and floors. Comply with requirements for escutcheons specified in Division 22 Section "Escutcheons for Plumbing Piping."
- Y. Install corrugated, stainless-steel tubing system according to manufacturer's written instructions. Include striker plates to protect tubing from puncture where tubing is restrained and cannot move.
- Z. Install containment casings for gas piping below slabs extending minimum of 2 inches beyond point where pipe emerges from the floor. Tightly seal ends around gas piping using mechanical sleeve seals.

FIRE STATIONS RENOVATION  
ARLINGTON COUNTY, VIRGINIA  
Architect's Project No: 563006

---

3.6 VALVE INSTALLATION

- A. Install manual gas shutoff valve for each gas appliance ahead of corrugated stainless-steel tubing, aluminum, or copper connector.
- B. Install underground valves with valve boxes.
- C. Install regulators and overpressure protection devices with maintenance access space adequate for servicing and testing.

3.7 PIPING JOINT CONSTRUCTION

- A. Ream ends of pipes and tubes and remove burrs.
- B. Remove scale, slag, dirt, and debris from inside and outside of pipe and fittings before assembly.
- C. Threaded Joints:
  - 1. Thread pipe with tapered pipe threads complying with ASME B1.20.1.
  - 2. Cut threads full and clean using sharp dies.
  - 3. Ream threaded pipe ends to remove burrs and restore full inside diameter of pipe.
  - 4. Apply appropriate tape or thread compound to external pipe threads unless dryseal threading is specified.
  - 5. Damaged Threads: Do not use pipe or pipe fittings with threads that are corroded or damaged. Do not use pipe sections that have cracked or open welds.
- D. Welded Joints:
  - 1. Construct joints according to AWS D10.12/D10.12M, using qualified processes and welding operators.
  - 2. Bevel plain ends of steel pipe.
  - 3. Patch factory-applied protective coating as recommended by manufacturer at field welds and where damage to coating occurs during construction.
- E. Flanged Joints: Install gasket material, size, type, and thickness appropriate for natural-gas service. Install gasket concentrically positioned.
- F. Flared Joints: Cut tubing with roll cutting tool. Flare tube end with tool to result in flare dimensions complying with SAE J513. Tighten finger tight, then use wrench. Do not overtighten.
- G. PE Piping Heat-Fusion Joints: Clean and dry joining surfaces by wiping with clean cloth or paper towels. Join according to ASTM D 2657.
  - 1. Plain-End Pipe and Fittings: Use butt fusion.
  - 2. Plain-End Pipe and Socket Fittings: Use socket fusion.

3.8 HANGER AND SUPPORT INSTALLATION

FIRE STATIONS RENOVATION  
ARLINGTON COUNTY, VIRGINIA  
Architect's Project No: 563006

---

- A. Comply with requirements for pipe hangers and supports specified in Section "Hangers and Supports for Plumbing Piping and Equipment."
- B. Install hangers for horizontal steel piping with the following maximum spacing and minimum rod sizes:
  - 1. 1" and Smaller: Maximum span, 96"; minimum rod size, 3/8".
  - 2. 1¼": Maximum span, 108"; minimum rod size, 3/8".
  - 3. 1½" and 2": Maximum span, 108"; minimum rod size, 3/8".
  - 4. 2½" to 3 ½": Maximum span, 10'-0"; minimum rod size, ½".
  - 5. 4" and Larger: Maximum span, 10'-0"; minimum rod size, 5/8".
- C. Install hangers for horizontal, corrugated stainless-steel tubing with the following maximum spacing and minimum rod sizes:
  - 1. 3/8": Maximum span, 48"; minimum rod size, 3/8".
  - 2. ½": Maximum span, 72"; minimum rod size, 3/8".
  - 3. ¾" and Larger: Maximum span, 96"; minimum rod size, 3/8".

### 3.9 CONNECTIONS

- A. Connect to utility's gas meter according to utility's procedures and requirements.
- B. Install piping adjacent to appliances to allow service and maintenance of appliances.
- C. Connect piping to appliances using manual gas shutoff valves and unions. Install valve within 72" of each gas-fired appliance and equipment. Install union between valve and appliances or equipment.
- D. Sediment Traps: Install tee fitting with capped nipple in bottom to form drip, as close as practical to inlet of each appliance.

### 3.10 PIPING APPLICATIONS

- A. Flanges, unions, transition, and special fittings with pressure ratings same as or higher than system pressure rating may be used in applications below, unless otherwise indicated.
- B. Above Ground Exposed Fuel Gas Piping:
  - 1. Sizes up to 2":
    - a. Steel pipe, malleable-iron threaded fittings, and threaded joints.
    - b. Pre-sleeved corrugated stainless-steel piping shall only be used for final equipment whip connections, kept to 5' or less, and only where approved by AHJ. Sizing shall be determined based on equivalent hydraulic diameter and not direct transfer of size.
  - 2. 2½" to 4":
    - a. Steel pipe, malleable-iron threaded fittings, and threaded joints, or steel pipe, steel welding fittings, and welded joints.
  - 3. Larger Than NPS 4:

FIRE STATIONS RENOVATION  
ARLINGTON COUNTY, VIRGINIA  
Architect's Project No: 563006

---

- a. Steel pipe, steel welding fittings, and welded joints.
- C. Above Ground Concealed Fuel Gas Piping:
- 1. Sizes up to 2":
    - a. Steel pipe, malleable-iron threaded fittings, and threaded joints.
  - 2. 2½" to 4":
    - a. Steel pipe, malleable-iron threaded fittings, and threaded joints, or steel pipe, steel welding fittings, and welded joints.
  - 3. Larger Than NPS 4:
    - a. Steel pipe, steel welding fittings, and welded joints.

3.11 LABELING AND IDENTIFYING

- A. Comply with requirements in Section "Identification for Plumbing Piping and Equipment" for piping and valve identification.
- B. Install detectable warning tape directly above gas piping, 12" minimum below finished grade.
  - 1. Exception: 6 minimum below sub-grade under pavements and slabs.

3.12 PAINTING

- A. Use materials and procedures in Division 9 Section "Painting," "Exterior Paint Schedule" Article, "Ferrous Metal" Paragraph, "Full-Gloss, Alkyd-Enamel Finish" Subparagraph.
- B. Paint exterior service meters, pressure regulators, specialty valves, piping, and accessories.
  - 1. Color: Yellow

3.13 FIELD QUALITY CONTROL

- A. Inspect, test, and purge piping according to ANSI Z223.1, Part 4 "Inspection, Testing, and Purging," and requirements of authorities having jurisdiction.
- B. Repair leaks and defects with new materials and retest system until satisfactory results are obtained.
- C. Report test results promptly and in writing to Architect and authorities having jurisdiction.
- D. Verify capacities and pressure ratings of service meters, pressure regulators, valves, and specialties.
- E. Verify correct pressure settings for pressure regulators.
- F. Verify that specified piping tests are complete.



FIRE STATIONS RENOVATION  
ARLINGTON COUNTY, VIRGINIA  
Architect's Project No: 563006

---

3.14 ADJUSTING

- A. Adjust controls and safety devices. Replace damaged and malfunctioning controls and safety devices.

END OF SECTION 221113

FIRE STATIONS RENOVATION  
ARLINGTON COUNTY, VIRGINIA  
Architect's Project No: 563006

SECTION 221116 –DOMESTIC WATER PIPING

PART 1 - GENERAL

1.1 RELATED DOCUMENTS

- A. Provisions of the Contract and of the Contract Documents apply to this Section.

1.2 PERFORMANCE REQUIREMENTS

- A. Provide components and installation capable of producing domestic water piping systems with the following minimum working-pressure ratings, unless otherwise indicated:
  - 1. Domestic Water Service Piping: 160 psig.
  - 2. Domestic Water Distribution Piping: 125 psig.

1.3 SUBMITTALS

- A. Compliance Letter: Submit a list indicating materials proposed for use along with their associated listings and/or ratings for each application list in this section.

1.4 QUALITY ASSURANCE

- A. Piping materials shall bear label, stamp, or other markings of specified testing agency.
- B. Comply with NSF 61, "Drinking Water System Components-Health Effects; Sections 1 through 9," for potable domestic water piping and components.

PART 2 - PRODUCTS

2.1 PIPING MATERIALS

- A. Refer to Part 3 "Piping Applications" Article for applications of pipe, tube, fitting, and joining materials.
- B. Transition Couplings for Underground Pressure Piping: AWWA C219, metal, sleeve-type coupling or other manufactured fitting the same size as, with pressure rating at least equal to and ends compatible with, piping to be joined.
- C. Press fittings:
  - 1. Propress by Vieaga
  - 2. Xpress by Elkhart Products

2.2 COPPER TUBING

FIRE STATIONS RENOVATION  
ARLINGTON COUNTY, VIRGINIA  
Architect's Project No: 563006

- A. Soft Copper Tube: ASTM B 88, Type K, water tube, annealed temper.
  - 1. Copper Pressure Fittings: ASME B16.18, cast-copper-alloy or ASME B16.22, wrought-copper, solder-joint fittings. Furnish wrought-copper fittings if indicated.
  - 2. Bronze Flanges: ASME B16.24, Class 150, with solder-joint end. Furnish Class 300 flanges if required to match piping.
  - 3. Copper Unions: MSS SP-123, cast-copper-alloy, hexagonal-stock body, with ball-and-socket, metal-to-metal seating surfaces and solder-joint or threaded ends.
  
- B. Hard Copper Tube: ASTM B 88, Type L, water tube, drawn temper.
  - 1. Copper Pressure Fittings: ASME B16.18, cast-copper-alloy or ASME B16.22, wrought-copper, solder-joint fittings. Furnish wrought-copper fittings if indicated.
  - 2. Bronze Flanges: ASME B16.24, Class 150, with solder-joint end. Furnish Class 300 flanges if required to match piping.
  - 3. Copper Unions: MSS SP-123, cast-copper-alloy, hexagonal-stock body, with ball-and-socket, metal-to-metal seating surfaces and solder-joint or threaded ends.
  - 4. Copper, Grooved-End Fittings: ASTM B 75 copper tube or ASTM B 584 bronze castings.
    - a. Copper-Tubing, Keyed Couplings: Copper-tube dimensions and design similar to AWWA C606. Include ferrous housing sections, gasket suitable for hot water, and bolts and nuts.

PART 3 - EXECUTION

3.1 PIPING APPLICATIONS

- A. Transition and special fittings with pressure ratings at least equal to piping rating may be used in applications below, unless otherwise indicated.
- B. Flanges may be used on aboveground piping, unless otherwise indicated.
- C. Grooved joints may be used on aboveground grooved-end piping.
- D. Fitting Options:
  - 1. Press Fittings: Mechanically crimped fittings with neoprene gasket.
- E. Aboveground Domestic Water Piping: Use the following piping materials for each size range:
  - 1. 1-1/2" and Smaller: Hard copper tube, Type L copper pressure fittings; and soldered joints.
  - 2. 2": Hard copper tube, Type L copper pressure fittings; and soldered joints or hard copper tube, Type L with grooved ends; copper grooved-end fittings; copper-tubing, keyed couplings; and grooved joints.
  - 3. 2-1/2" to 8": Hard copper tube, Type L copper pressure fittings; and soldered joints or hard copper tube, Type L with grooved ends; copper grooved-end fittings; copper-tubing, keyed couplings; and grooved joints.

3.2 VALVE APPLICATIONS

FIRE STATIONS RENOVATION  
ARLINGTON COUNTY, VIRGINIA  
Architect's Project No: 563006

- A. Drawings indicate valve types to be used. Where specific valve types are not indicated, the following requirements apply:
  - 1. Shutoff Duty: Use bronze ball valves for piping NPS 2 and smaller. Use cast-iron butterfly valves with flanged ends for piping NPS 2-1/2 and larger.
  - 2. Throttling Duty: Use bronze ball valves for piping NPS 2 and smaller. Use cast-iron butterfly valves with flanged ends for piping NPS 2-1/2 and larger.
  - 3. Hot-Water-Piping, Balancing Duty: Use automatic flow control valves.
  - 4. Drain Duty: Hose-end drain valves.
- B. Grooved-end valves may be used with grooved-end piping.

### 3.3 PIPING INSTALLATION

- A. Extend domestic water service piping to exterior water distribution piping in sizes and locations indicated.
- B. Install underground copper according to CDA's "Copper Tube Handbook."
- C. Install cast-iron sleeve with water stop and mechanical sleeve seal at each service pipe penetration through foundation wall. Select number of interlocking rubber links required to make installation watertight.
- D. Install water-pressure regulators downstream from shutoff valves.
- E. Install aboveground domestic water piping level and plumb.
- F. Fill water piping. Check components to determine that they are not air bound and that piping is full of water.
- G. Perform the following steps before operation:
  - 1. Close drain valves, hydrants, and hose bibbs.
  - 2. Open shutoff valves to fully open position.
  - 3. Open throttling valves to proper setting.
  - 4. Remove plugs used during testing of piping and plugs used for temporary sealing of piping during installation.
  - 5. Remove and clean strainer screens. Close drain valves and replace drain plugs.
  - 6. Remove filter cartridges from housings, and verify that cartridges are as specified for application where used and that cartridges are clean and ready for use.
- H. Check plumbing equipment and verify proper settings, adjustments, and operation. Do not operate water heaters before filling with water.
- I. Check plumbing specialties and verify proper settings, adjustments, and operation.
  - 1. Water-Pressure Regulators: Set outlet pressure at 80 psig maximum, unless otherwise indicated.
- J. Energize pumps and verify proper operation.

FIRE STATIONS RENOVATION  
ARLINGTON COUNTY, VIRGINIA  
Architect's Project No: 563006

3.4 JOINT CONSTRUCTION

- A. Soldered Joints: Use ASTM B 813, water-flushable, lead-free flux; ASTM B 32, lead-free-alloy solder; and ASTM B 828 procedure, unless otherwise indicated.
- B. Grooved Joints: Assemble joints with keyed-coupling housing, gasket, lubricant, and bolts according to coupling and fitting manufacturer's written instructions.
- C. Mechanically Formed Outlets: Form tee in copper tube according to equipment manufacturer's written instructions. Use tool designed for copper tube; drill pilot hole, form collar for outlet, dimple tube to form seating stop, and braze branch tube into collar.
- D. Mechanically crimped fittings shall be installed in accordance with manufacturer's installation instructions.

3.5 VALVE INSTALLATION

- A. Install sectional valve close to water main on each branch and riser serving plumbing fixtures or equipment. Use ball valves for piping NPS 2 and smaller. Use butterfly valves for piping NPS 2-1/2 and larger.
- B. Install shutoff valve on each water supply to equipment and on each water supply to plumbing fixtures without supply stops. Use ball valves for piping NPS 2 and smaller. Use butterfly valves for piping NPS 2-1/2 and larger.
- C. Install balancing valve in each hot-water circulation return branch and discharge side of each pump and circulator. Use ball valves for piping NPS 2 and smaller and butterfly valves for piping NPS 2-1/2 and larger. Refer to HANGER AND SUPPORT INSTALLATION
- D. Install the following:
  - 1. Vertical Piping: MSS Type 8 or Type 42, clamps.
  - 2. Individual, Straight, Horizontal Piping Runs: According to the following:
    - a. 100 Feet and Less: MSS Type 1, adjustable, steel clevis hangers.
    - b. Longer Than 100 Feet: MSS Type 43, adjustable roller hangers.
    - c. Longer Than 100 Feet, if indicated: MSS Type 49, spring cushion rolls.
  - 3. Multiple, Straight, Horizontal Piping Runs 100 Feet or Longer: MSS Type 44, pipe rolls. Support pipe rolls on trapeze.
  - 4. Base of Vertical Piping: MSS Type 52, spring hangers.
- E. Install supports.
- F. Support vertical piping and tubing at base and at each floor.
- G. Rod diameter may be reduced 1 size for double-rod hangers, to a minimum of 3/8 inch.
- H. Install hangers for copper tubing with the following maximum horizontal spacing and minimum rod diameters:
  - 1. NPS 3/4 and Smaller: 60 inches with 3/8-inch rod.

FIRE STATIONS RENOVATION  
ARLINGTON COUNTY, VIRGINIA  
Architect's Project No: 563006

2. NPS 1 and NPS 1-1/4: 72 inches with 3/8-inch rod.
3. NPS 1-1/2 and NPS 2: 96 inches with 3/8-inch rod.
4. NPS 2-1/2: 108 inches with 1/2-inch rod.
5. NPS 3 to NPS 5: 10 feet with 1/2-inch rod.
6. NPS 6: 10 feet with 5/8-inch rod.
7. NPS 8: 10 feet with 3/4-inch rod.

- I. Install supports for vertical copper tubing every 10 feet.
- J. Support piping and tubing not listed above according to MSS SP-69 and manufacturer's written instructions.
- K. Where bends in the pipe occur, place hangers 1/3 of the maximum allowed spacing distance of the bend (i.e. is the maximum span is 12 feet, the hanger shall be 4 feet from the bend. Pipe shall be supported from both sides of the bend.

### 3.6 CONNECTIONS

- A. Drawings indicate general arrangement of piping, fittings, and specialties.
- B. Install piping adjacent to equipment and machines to allow service and maintenance.
- C. Connect domestic water piping to exterior water service piping. Use transition fitting to join dissimilar piping materials.

### 3.7 FIELD QUALITY CONTROL

- A. Inspect domestic water piping as follows:
  1. Do not enclose, cover, or put piping into operation until it is inspected and approved by authorities having jurisdiction.
  2. During installation, notify authorities having jurisdiction at least 24 hours before inspection must be made. Perform tests specified below in presence of authorities having jurisdiction:
    - a. Roughing-in Inspection: Arrange for inspection of piping before concealing or closing-in after roughing-in and before setting fixtures.
    - b. Final Inspection: Arrange for final inspection by authorities having jurisdiction to observe tests specified below and to ensure compliance with requirements.
  3. Reinspection: If authorities having jurisdiction find that piping will not pass test or inspection, make required corrections and arrange for reinspection.
  4. Reports: Prepare inspection reports and have them signed by authorities having jurisdiction.
- B. Test domestic water piping as follows:
  1. Test for leaks and defects in new piping and parts of existing piping that have been altered, extended, or repaired. If testing is performed in segments, submit separate report for each test, complete with diagram of portion of piping tested.

FIRE STATIONS RENOVATION  
ARLINGTON COUNTY, VIRGINIA  
Architect's Project No: 563006

2. Leave uncovered and unconcealed new, altered, extended, or replaced domestic water piping until it has been tested and approved. Expose work that was covered or concealed before it was tested.
3. Cap and subject piping to static water pressure of 50 psig above operating pressure, without exceeding pressure rating of piping system materials. Isolate test source and allow to stand for four hours. Leaks and loss in test pressure constitute defects that must be repaired.
4. Repair leaks and defects with new materials and retest piping or portion thereof until satisfactory results are obtained.
5. Prepare reports for tests and required corrective action.

3.8 ADJUSTING

- A. Adjust balancing valves in hot-water-circulation return piping to provide adequate flow.
  1. Manually adjust ball-type balancing valves in hot-water-circulation return piping to provide flow of hot water in each branch.

3.9 CLEANING

- A. Clean interior of domestic water piping system. Remove dirt and debris as work progresses.
- B. Clean and disinfect potable domestic water piping as follows:
  1. Purge new piping and parts of existing domestic water piping that have been altered, extended, or repaired before using.
  2. Use purging and disinfecting procedures prescribed by authorities having jurisdiction or, if methods are not prescribed, procedures described in AWWA C651, AWWA C652 or as described below:
    - a. Flush piping system with clean, potable water until dirty water does not appear at outlets.
    - b. Fill and isolate system according to either of the following:
      - 1) Fill system or part thereof with water/chlorine solution with at least 50 ppm of chlorine. Isolate with valves and allow to stand for 24 hours.
      - 2) Fill system or part thereof with water/chlorine solution with at least 200 ppm of chlorine. Isolate and allow to stand for three hours.
    - c. Flush system with clean, potable water until no chlorine is in water coming from system after the standing time.
    - d. Submit water samples in sterile bottles to authorities having jurisdiction. Repeat procedures if biological examination shows contamination.
- C. Prepare and submit reports of purging and disinfecting activities to authorities having jurisdiction.

END OF SECTION 221116

FIRE STATIONS RENOVATION  
ARLINGTON COUNTY, VIRGINIA  
Architect's Project No: 563006

SECTION 221119 - DOMESTIC WATER PIPING SPECIALTIES

PART 1 - GENERAL

1.1 RELATED DOCUMENTS

- A. Provisions of the Contract and of the Contract Documents apply to this Section.

1.2 PERFORMANCE REQUIREMENTS

- A. Minimum Working Pressure for Domestic Water Piping Specialties: 125 psig, unless otherwise indicated.

SUBMITTALS

- B. Product Data: For each type of product proposed.
- C. Shop Drawings: Diagram power, signal, and control wiring.
- D. Operation and Maintenance Data: For domestic water piping specialties to include in emergency, operation, and maintenance manuals.

1.3 QUALITY ASSURANCE

- A. Electrical Components, Devices, and Accessories: Listed and labeled as defined in NFPA 70, Article 100, by a testing agency acceptable to authorities having jurisdiction, and marked for intended use.
- B. NSF Compliance: Comply with NSF 61, "Drinking Water System Components - Health Effects; Sections 1 through 9."

PART 2 - PRODUCTS

2.1 MANUFACTURERS

- A. In other Part 2 articles where subparagraph titles below introduce lists, the following requirements apply for product selection:
  - 1. Available Products: Subject to compliance with requirements, products that may be incorporated into the Work include, but are not limited to, the products specified.
  - 2. Products: Subject to compliance with requirements, provide one of the products specified.
  - 3. Available Manufacturers: Subject to compliance with requirements, manufacturers offering products that may be incorporated into the Work include, but are not limited to, the manufacturers specified.
  - 4. Manufacturers: Subject to compliance with requirements, provide products by the manufacturers specified.



FIRE STATIONS RENOVATION  
ARLINGTON COUNTY, VIRGINIA  
Architect's Project No: 563006

2.2 VACUUM BREAKERS

A. Pipe-Applied, Atmospheric-Type (Anti-siphon) Vacuum Breakers:

1. Available Manufacturers:
  - a. Ames Co.
  - b. Apollo Valves - Apollo Valves - Conbraco Industries, Inc.
  - c. Watts Industries, Inc.; Water Products Div.
  - d. Zurn Plumbing Products Group; Wilkins Div.
2. Standard: ASSE 1001.
3. Sizes: ¾" thru 3" as required to match connected piping.
4. Body: Brass or Bronze.
5. Inlet and Outlet Connections: Threaded.
6. Finish: Rough bronze or chrome plated.

B. Pressure Vacuum Breakers:

1. Available Manufacturers:
  - a. Ames Co.
  - b. Apollo Valves - Apollo Valves - Conbraco Industries, Inc.
  - c. Watts Industries, Inc.; Water Products Div.
  - d. Zurn Plumbing Products Group; Wilkins Div.
2. Standard: ASSE 1020.
3. Operation: Continuous-pressure applications.
4. Accessories:
  - a. Valves: Ball type, on inlet and outlet.

2.3 BACKFLOW PREVENTERS

A. Reduced-Pressure-Zone (RPZ) Backflow Preventers:

1. Available Manufacturers:
  - a. Ames Co.
  - b. Apollo Valves - Apollo Valves - Conbraco Industries, Inc.
  - c. Watts Industries, Inc.; Water Products Div.
  - d. Zurn Plumbing Products Group; Wilkins Div.
2. Standard: ASSE 1013.
3. Operation: Continuous-pressure applications.
4. Pressure Loss: 10 psig maximum, through middle 1/3 of flow range.
5. Sizes: ¾" thru 10"
6. Body: Brass or bronze for 2" and smaller; cast iron or steel with interior lining complying with AWWA C550 or that is FDA approved for 2 ½" and larger.
7. Configuration: Comply with drawing requirements.

FIRE STATIONS RENOVATION  
ARLINGTON COUNTY, VIRGINIA  
Architect's Project No: 563006

8. Accessories:
  - a. Valves: Ball type with threaded ends on inlet and outlet of 2" and smaller; outside screw and yoke gate-type with flanged ends on inlet and outlet of 2 ½" and larger.
  - b. Air-Gap Fitting: ASME A112.1.2, matching backflow-preventer connection.

2.4 AUTOMATIC FLOW CONTROL VALVES

- A. Manufacturers:
  1. Bell & Gossett
  2. Flow Design, Inc.
  3. Griswold Controls.
  4. Nexus
  5. Hays
- B. Valves shall be factory set to maintain constant flow with plus or minus 10 percent. Each valve shall have an identification tag attached by chain, and be factory marked with the zone or equipment identification, valve number, and flow rate. Valve shall be line size and as follows:
  1. Body: Gray-iron or brass, designed for 175 psig at 200 deg F; brass or ferrous-metal, designed for 300 psig at 250 deg F.
  2. Cartridge: Stainless steel or nickel chrome plated brass, tamperproof, self-cleaning, piston-spring assembly, or polyphenylsulfone orifice seat with polymer diaphragm (Hays) removable for inspection or replacement.
  3. Adjustment: Flow and pressure differential shall be adjustable by cartridge replacement.
  4. Configuration: "Y" or other permitting cartridge replacement without valve removal for sizes 2" and smaller.
  5. Sizes: Match connecting pipe.
  6. Accessories:
    - a. Provide unions and isolation valves or other configuration permitting cartridge replacement with valve removal for sizes larger than 2".
    - b. Minimum pressure differential shall not exceed 2 psi. (Unless otherwise indicated)
    - c. Maximum pressure differential shall not be less than 32 psi. (Unless otherwise indicated)
    - d. Flow rates shall be as indicated on equipment schedules on the drawings.
    - e. Valves shall be installed in return piping.
    - f. Ball valves and unions included as part of the valve package may be used in place of ball valves and unions specified and indicated on the drawings only when in positions indicated. Ball valves shall be provided with a solid stainless steel or chrome plated brass ball.
    - g. Provide a #20 mesh Y-strainer with blow-down valve and garden hose connection between the supply side valve and equipment
    - h. Valves may be provided as part of a "hose kit".

2.5 STRAINERS

- A. Pattern: "Y"
  1. Pressure Rating: 125 psig minimum, unless otherwise indicated.

FIRE STATIONS RENOVATION  
ARLINGTON COUNTY, VIRGINIA  
Architect's Project No: 563006

2. Body: Bronze for NPS 2 and smaller; cast iron or steel with interior lining complying with AWWA C550 or FDA-approved, epoxy coating and for NPS 2-1/2 and larger.
3. End Connections: Threaded for NPS 2 and smaller; flanged for NPS 2-1/2 and larger.
4. Screen: Stainless steel with round perforations, unless otherwise indicated.
5. Perforation Size:
  - a. Strainers NPS 2 and Smaller: 0.033 inch.
  - b. Strainers NPS 2-1/2 to NPS 4: 0.062 inch.
  - c. Strainers NPS 5 and Larger: 0.10 inch.
6. Drain: Factory-installed, hose-end drain valve.

2.6 WATER HAMMER ARRESTERS

- A. Available Manufacturers:
  1. AMTROL, Inc.
  2. Josam Company.
  3. MIFAB, Inc.
  4. PPP Inc.
  5. Sioux Chief Manufacturing Company, Inc.
  6. Smith, Jay R. Mfg. Co.; Division of Smith Industries, Inc.
  7. Tyler Pipe; Wade Div.
  8. Watts Drainage Products Inc.
  9. Zurn Plumbing Products Group; Specification Drainage Operation.
- B. Standard: ASSE 1010 or PDI-WH 201.
- C. Type: Metal bellows or copper tube with piston.
- D. Size: ASSE 1010, Sizes AA and A through F or PDI-WH 201, Sizes A through F.

2.7 TRAP-SEAL PRIMER VALVES

- A. Supply-Type, Trap-Seal Primer Valves:
  1. Available Manufacturers:
    - a. MIFAB, Inc.
    - b. PPP Inc.
    - c. Sioux Chief Manufacturing Company, Inc.
    - d. Smith, Jay R. Mfg. Co.; Division of Smith Industries, Inc.
    - e. Watts Industries, Inc.; Water Products Div.
  2. Standard: ASSE 1018.
  3. Pressure Rating: 125 psig minimum.
  4. Body: Bronze.
  5. Inlet and Outlet Connections: NPS 1/2 threaded, union, or solder joint.
  6. Gravity Drain Outlet Connection: NPS 1/2 threaded or solder joint.

FIRE STATIONS RENOVATION  
ARLINGTON COUNTY, VIRGINIA  
Architect's Project No: 563006

7. Finish: Chrome plated, or rough bronze for units used with pipe or tube that is not chrome finished.

PART 3 - EXECUTION

3.1 INSTALLATION

- A. Refer to Section "Common Work Results for Plumbing" for piping joining materials, joint construction, and basic installation requirements.
- B. Install backflow preventers where indicated: If not indicated on each water supply to mechanical equipment and systems and to other equipment and water systems that may be sources of contamination. Comply with authorities having jurisdiction.
  1. Locate backflow preventers in same room as connected equipment or system.
  2. Install drain for backflow preventers with atmospheric-vent drain connection with air-gap fitting, fixed air-gap fitting, or equivalent positive pipe separation of at least two pipe diameters in drain piping and pipe to floor drain. Locate air-gap device attached to or under backflow preventer. Simple air breaks are not acceptable for this application.
  3. Do not install bypass piping around backflow preventers.
- C. Install balancing valves with-in 12" of ceiling at access door or tile where they can be reached with-out obstruction.
- D. Install strainers where indicated.
- E. Install outlet boxes recessed in wall. Install 2-by-4-inch fire-retardant-treated-wood blocking wall reinforcement between studs. Fire-retardant-treated-wood blocking is specified in Section "Rough Carpentry."
- F. Install water hammer arresters in water piping according to PDI-WH 201.
- G. Install supply-type, trap-seal primer valves with outlet piping pitched down toward drain trap a minimum of 1/8" per foot, and connect to floor-drain body, trap, or inlet fitting. Adjust valve for proper flow.
- H. Fasten wall-hanging plumbing specialties securely to supports attached to building substrate if supports are specified and to building wall construction if no support is indicated.
- I. Fasten recessed-type plumbing specialties to reinforcement built into walls.
- J. Install wood-blocking reinforcement for wall-mounting and recessed-type plumbing specialties.
- K. Install individual shutoff valve in each water supply to plumbing specialties. Use ball valve if specific valve is not indicated. Install shutoff valves in accessible locations. Refer to Section "Valves" for general-duty ball valves.
- L. Install air vents at water piping high points. Include ball valve in inlet.

FIRE STATIONS RENOVATION  
ARLINGTON COUNTY, VIRGINIA  
Architect's Project No: 563006

- M. Install traps on plumbing specialty drain outlets. Omit traps on indirect wastes unless trap is indicated.
- N. Install escutcheons at wall, floor, and ceiling penetrations in exposed finished locations and within cabinets and millwork. Use deep-pattern escutcheons if required to conceal protruding pipe fittings.

3.2 LABELING AND IDENTIFYING

- A. Indicate safety and emergency precautions, and warn of hazards and improper operations, in addition to identifying unit. Nameplates and signs are specified in Section "Plumbing Identification"

3.3 FIELD QUALITY CONTROL

- A. Perform the following tests and prepare test reports:
  - 1. Test each reduced-pressure-principle backflow preventer, double-check backflow-preventer and double-check, detector-assembly according to authorities having jurisdiction and the device manufacturer's recommendations.
- B. Remove and replace malfunctioning domestic water piping specialties and retest as specified above.

3.4 ADJUSTING

- A. Set field-adjustable pressure set points.
- B. Set field-adjustable flow set points.
- C. Set field-adjustable temperature set points.

END OF SECTION 221119

FIRE STATIONS RENOVATION  
ARLINGTON COUNTY, VIRGINIA  
Architect's Project No: 563006

SECTION 221316 - SANITARY WASTE AND VENT PIPING

PART 1 - GENERAL

1.1 RELATED DOCUMENTS

- A. Provisions of the Contract and of the Contract Documents apply to this Section.

1.2 DEFINITIONS

- A. The following are industry abbreviations for plastic and rubber piping materials:
1. EPDM: Ethylene-propylene-diene terpolymer.
  2. LEED: Leadership in Energy and Environmental Design
  3. NBR: Acrylonitrile-butadiene rubber.
  4. PE: Polyethylene plastic.
  5. PVC: Polyvinyl chloride plastic.
  6. TPE: Thermoplastic elastomer.
  7. USGBC: United States Green Building Council

1.3 PERFORMANCE REQUIREMENTS

- A. Provide components and installation capable of producing piping systems with the following minimum working-pressure ratings, unless otherwise indicated:
1. Soil, Waste, and Vent Piping: 10-foot head of water.

1.4 SUBMITTALS

- A. Compliance Letter: Submit a list indicating materials proposed for use along with their associated listings and/or ratings for each application list in this section.
- B. Submittal:
1. Product Data for USGBC LEED Credit EQ 4.1: For solvent cements and adhesive primers, include printed statement of VOC content.

1.5 QUALITY ASSURANCE

- A. Piping materials shall bear label, stamp, or other markings of testing agency.

PART 2 - PRODUCTS

FIRE STATIONS RENOVATION  
ARLINGTON COUNTY, VIRGINIA  
Architect's Project No: 563006

2.1 PIPING MATERIALS

- A. Refer to Part 3 "Piping Applications" Article for applications of pipe, tube, fitting, and joining materials.
- B. Flexible Transition Couplings for Underground Nonpressure Piping: ASTM C 1173 with elastomeric sleeve. Include ends of same sizes as piping to be joined and include corrosion-resistant metal band on each end.

2.2 CAST-IRON SOIL PIPING

- A. All cast iron soil pipe and fittings shall be marked with the Collective Trademark of the Cast Iron Soil Pipe Institute.
- B. Pipe and Fittings: ASTM A 888, CISPI 301, or ASTM A 74 service weight.
- C. Hub-and-Spigot Gaskets: ASTM C 564, rubber.
- D. Hub-less Couplings:
  - 1. General: ASTM C 1277 assembly of metal housing, corrosion-resistant fasteners, and ASTM C 564 rubber sleeve with integral, center pipe stop.
    - a. Heavy-Duty, Type 304, Stainless-Steel Couplings: ASTM C 1540, Type 304, stainless-steel shield; stainless-steel bands; and sleeve.
      - 1) NPS 1-1/2 to NPS 4: 3-inch- wide shield with 4 bands.
      - 2) NPS 5 to NPS 10: 4-inch- wide shield with 6 bands.
    - b. Heavy-Duty, Cast-Iron Couplings: ASTM A 48, 2-piece, cast-iron housing; stainless-steel bolts and nuts; and sleeve.

PART 3 - EXECUTION

3.1 PIPING APPLICATIONS

- A. Transition fittings with pressure ratings at least equal to piping pressure ratings may be used in applications below, unless otherwise indicated.
- B. Aboveground, Soil, Waste, and Vent Piping located inside plenum: Hub-less service weight cast-iron soil piping with heavy duty couplings.
- C. Underground, Soil, Waste, and Vent Piping: Hub and Spigot cast-iron soil piping or no hub cast iron with heavy duty couplings.

3.2 PIPING INSTALLATION

FIRE STATIONS RENOVATION  
ARLINGTON COUNTY, VIRGINIA  
Architect's Project No: 563006

- A. Refer to Section "Facility Sanitary Sewers" for Project-site sanitary sewer piping.
- B. Refer to Section "Common Work Results for Plumbing" for basic installation.
- C. Install cleanouts at grade and extend to where building sanitary drains connect to building sanitary sewers.
- D. Install cleanout fitting with closure plug inside the building in sanitary force-main piping.
- E. Install cleanouts at grade and extend to where building sanitary drains connect to building sanitary sewers.
- F. Install cast-iron sleeve with water stop and mechanical sleeve seal at each service pipe penetration through foundation wall. Select number of interlocking rubber links required to make installation watertight.
- G. Install cast-iron soil piping according to CISPI's "Cast Iron Soil Pipe and Fittings Handbook," Chapter IV, "Installation of Cast Iron Soil Pipe and Fittings."
- H. Make changes in direction for soil and waste drainage and vent piping using appropriate branches, bends, and long-sweep bends. Sanitary tees and short-sweep 1/4 bends may be used on vertical stacks if change in direction of flow is from horizontal to vertical. Use long-turn, double Y-branch and 1/8-bend fittings if 2 fixtures are installed back to back or side by side with common drain pipe. Straight tees, elbows, and crosses may be used on vent lines. Do not change direction of flow more than 90 degrees. Use proper size of standard increasers and reducers if pipes of different sizes are connected. Reducing size of drainage piping in direction of flow is prohibited.
- I. Lay buried building drainage piping beginning at low point of each system. Install true to grades and alignment indicated, with unbroken continuity of invert. Place hub ends of piping upstream. Install required gaskets according to manufacturer's written instructions for use of lubricants, cements, and other installation requirements. Maintain swab in piping and pull past each joint as completed.
- J. Install soil and waste drainage and vent piping at the minimum slopes required by authorities having jurisdiction.
- K. Do not enclose, cover, or put piping into operation until it is inspected and approved by authorities having jurisdiction.

### 3.3 JOINT CONSTRUCTION

- A. Refer to section "Common Work Results for Plumbing" for basic piping joint construction.
- B. Join hub-and-spigot, cast-iron soil piping with gasket joints according to CISPI's "Cast Iron Soil Pipe and Fittings Handbook" for compression joints.

### 3.4 HANGER AND SUPPORT INSTALLATION



FIRE STATIONS RENOVATION  
ARLINGTON COUNTY, VIRGINIA  
Architect's Project No: 563006

- A. Refer to Section "Vibration and Seismic Controls for Plumbing Piping and Equipment" for seismic-restraint devices in zones other than A & B.
- B. Join hubless cast-iron soil piping according to CISPI 310 and CISPI's "Cast Iron Soil Pipe and Fittings Handbook" for hubless-coupling joints.
- C. Install the following:
  - 1. Vertical Piping: MSS Type 8 or Type 42, clamps.
  - 2. Individual, Straight, Horizontal Piping Runs: According to the following:
    - a. 100 Feet and Less: MSS Type 1, adjustable, steel clevis hangers.
    - b. Longer Than 100 Feet: MSS Type 43, adjustable roller hangers.
    - c. Longer Than 100 Feet, if indicated: MSS Type 49, spring cushion rolls.
  - 3. Multiple, Straight, Horizontal Piping Runs 100 Feet or Longer: MSS Type 44, pipe rolls. Support pipe rolls on trapeze.
  - 4. Base of Vertical Piping: MSS Type 52, spring hangers.
- D. Support vertical piping and tubing at base and at each floor.
- E. Rod diameter may be reduced 1 size for double-rod hangers, with 3/8-inch minimum rods.
- F. Install hangers for cast-iron soil piping with the following maximum horizontal spacing and minimum rod diameters:
  - 1. 1 1/2" and 2": 60" with 3/8" rod.
  - 2. 3": 60" with 1/2" rod.
  - 3. 4" and NPS 5: 60" with 5/8" rod.
  - 4. 6": 60" with 3/4" rod.
  - 5. 8" to 12": 60" with 7/8" rod.
  - 6. 15": 60" with 1" rod.
- G. Install supports for vertical cast-iron soil piping every 15 feet.
- H. Support piping and tubing not listed above according to MSS SP-69 and manufacturer's written instructions.

### 3.5 CONNECTIONS

- A. Drawings indicate general arrangement of piping, fittings, and specialties.
- B. Connect soil and waste piping to exterior sanitary sewerage piping. Use transition fitting to join dissimilar piping materials.
- C. Connect drainage and vent piping.

### 3.6 FIELD QUALITY CONTROL

FIRE STATIONS RENOVATION  
ARLINGTON COUNTY, VIRGINIA  
Architect's Project No: 563006

- A. During installation, notify authorities having jurisdiction at least 24 hours before inspection must be made. Perform tests specified below in presence of authorities having jurisdiction.
  - 1. Roughing-in Inspection: Arrange for inspection of piping before concealing or closing-in after roughing-in and before setting fixtures.
  - 2. Final Inspection: Arrange for final inspection by authorities having jurisdiction to observe tests specified below and to ensure compliance with requirements.
- B. Re-inspection: If authorities having jurisdiction find that piping will not pass test or inspection, make required corrections and arrange for re-inspection.
- C. Reports: Where required or indicated prepare inspection reports and have them signed by authorities having jurisdiction.
- D. Test sanitary drainage and vent piping according to procedures of authorities having jurisdiction or, in absence of published procedures, as follows:
  - 1. Test for leaks and defects in new piping and parts of existing piping that have been altered, extended, or repaired. If testing is performed in segments, submit separate report for each test, complete with diagram of portion of piping tested.
  - 2. Leave uncovered and unconcealed new, altered, extended, or replaced drainage and vent piping until it has been tested and approved. Expose work that was covered or concealed before it was tested.
  - 3. Roughing-in Plumbing Test Procedure: Test drainage and vent piping, except outside leaders, on completion of roughing-in. Close openings in piping system and fill with water to point of overflow, but not less than 10-foot head of water. From 15 minutes before inspection starts to completion of inspection, water level must not drop. Inspect joints for leaks.
  - 4. Repair leaks and defects with new materials and retest piping, or portion thereof, until satisfactory results are obtained.
  - 5. Prepare reports for tests and required corrective action.

3.7 CLEANING

- A. Clean interior of piping. Remove dirt and debris as work progresses.
- B. Protect drains during remainder of construction period to avoid clogging with dirt and debris and to prevent damage from traffic and construction work.
- C. Place plugs in ends of uncompleted piping at end of day and when work stops.

END OF SECTION 221316

FIRE STATIONS RENOVATION  
ARLINGTON COUNTY, VIRGINIA  
Architect's Project No: 563006

SECTION 221319 - SANITARY WASTE PIPING SPECIALTIES

PART 1 - GENERAL

1.1 RELATED DOCUMENTS

- A. Provisions of the Contract and of the Contract Documents apply to this Section.

1.2 ABBREVIATIONS

- A. RPZ Reduced Pressure Zone
- B. FOG Fats, oils, and greases.

1.3 DEFINITIONS

- A. Withstand: Units shall remain in place without separation of any parts when subjected to seismic forces indicated. "Essential facility" units shall be fully operational after the seismic event.

1.4 QUALITY ASSURANCE

- A. Drainage piping specialties shall bear label, stamp, or other markings of specified testing agency.
- B. Comply with NSF 14, "Plastics Piping Components and Related Materials," for plastic sanitary piping specialty components.

1.5 COORDINATION

- A. Coordinate size and location of roof penetrations.

PART 2 - PRODUCTS

2.1 CLEANOUTS

- A. General:
  - 1. Available Manufacturers:
    - a. Josam Company; Josam Div.
    - b. MIFAB, Inc.
    - c. Smith, Jay R. Mfg. Co.; Division of Smith Industries, Inc.
    - d. Tyler Pipe; Wade Div.

FIRE STATIONS RENOVATION  
ARLINGTON COUNTY, VIRGINIA  
Architect's Project No: 563006

- e. Watts Drainage Products Inc.
  - f. Zurn Plumbing Products Group; Specification
- 2. Standard: ASME A112.36.2M.
  - 3. Size: Same as connected drainage piping
  - 4. Closure Material: Match pipe, brass, PVC, or ABS
- B. Floor Cleanouts:
- 1. Housing: threaded, adjustable.
  - 2. Type: Threaded, adjustable housing.
  - 3. Body: Cast iron.
  - 4. Outlet Connection: Inside calk, Spigot, or Threaded.
  - 5. Adjustable Housing Material: Cast iron with threads.
  - 6. Frame and Cover Material and Finish: Satin finish nikaloy.
  - 7. Frame and Cover Shape: Round or Square (Contractors choice).
  - 8. Top Loading Classification: Extra Heavy Duty.
  - 9. Riser: ASTM A 74, Service weight, cast-iron drainage pipe fitting and riser to cleanout.
  - 10. Carpet Ring: Yes for carpeted floors.
  - 11. Tile Recess: Yes for tiled or vinyl floors.
  - 12. Terrazzo: Yes for terrazzo floors
- C. Wall Cleanouts:
- 1. Wall access: Yes
  - 2. Body: Match connected piping.
  - 3. Closure: Countersunk or raised-head, drilled-and-threaded plug.
  - 4. Closure Plug Size: Same as cleanout size but not larger than four inches in diameter.
  - 5. Wall Access: Round, flat, chrome-plated brass, nickel-bronze, copper-alloy, or stainless-steel cover plate with screw.

## 2.2 FLOOR DRAINS

- 1. Basis-of-Design Product: Subject to compliance with requirements, provide the product indicated on Drawings or a comparable product by one of the following:
  - a. Josam Company; Josam Div.
  - b. Smith, Jay R. Mfg. Co.; Division of Smith Industries, Inc.
  - c. Tyler Pipe; Wade Div.
  - d. Watts Drainage Products Inc.
  - e. Zurn Plumbing Products Group; Light Commercial Operation.
  - f. Zurn Plumbing Products Group; Specification Drainage Operation.
- 2. Standard: ASME A112.6.3
- 3. Pattern: As indicated.
- 4. Clamping Flange: Required.

## 2.3 MOTORS

- A. General requirements for motors are specified in Division 22 Section "Common Motor Requirements for Plumbing Equipment."

FIRE STATIONS RENOVATION  
ARLINGTON COUNTY, VIRGINIA  
Architect's Project No: 563006

1. Motor Sizes: Minimum size as indicated. If not indicated, large enough so driven load will not require motor to operate in service factor range above 1.0.
2. Controllers, Electrical Devices, and Wiring: Electrical devices and connections are specified in Division 26 Sections.

PART 3 - EXECUTION

3.1 INSTALLATION

- A. Refer to Division 22 Section "Common Work Results for Plumbing" for piping joining materials, joint construction, and basic installation requirements.
- B. Install cleanouts.
- C. Install cleanout deck plates with top flush with finished floor.
- D. For wall cleanouts located in concealed piping, install cleanout access covers, with cover tight to finished wall.
- E. Install floor drains at low points of surface areas to be drained. Set grates of drains flush with finished floor, unless otherwise indicated.
  1. Position floor drains as indicated. If indication is not clear, position for easy access and maintenance.
  2. Set floor drains at elevations indicated.
  3. Install floor-drain flashing flange so no leakage occurs between drain and adjoining flooring. Maintain integrity of waterproof membranes where penetrated.
  4. Install individual traps for floor drains connected to sanitary building drain.
- F. Install floor-drain, trap-seal primer fittings on inlet to floor drains indicated to receive trap-seal primer.
- G. Install sleeve flashing device with each riser and stack passing through floors with waterproof membrane.

3.2 CONNECTIONS

- A. Piping installation requirements are specified in other Division 22 Sections. Drawings indicate general arrangement of piping, fittings, and specialties.
- B. Install piping adjacent to equipment to allow service and maintenance.

3.3 LABELING AND IDENTIFYING

- A. Distinguish among multiple units, inform operator of operational requirements, and refer to Division 22 Section "Identification for Plumbing Piping and Equipment."

FIRE STATIONS RENOVATION  
ARLINGTON COUNTY, VIRGINIA  
Architect's Project No: 563006

3.4 FIELD QUALITY CONTROL

A. Checks and Inspections:

1. Leak Check: After installation, charge system and check for leaks. Repair leaks and recheck until no leaks exist.

3.5 PROTECTION

- A. Protect drains during construction period to avoid clogging with dirt or debris and to prevent damage from traffic or construction work.
- B. Place plugs in ends of open pipes at end of each day or when work stops.

END OF SECTION 221319

FIRE STATIONS RENOVATION  
ARLINGTON COUNTY, VIRGINIA  
Architect's Project No: 563006

**SECTION 224000 - PLUMBING FIXTURES – ADD 01**

PART 1 - GENERAL

1.1 RELATED DOCUMENTS

- A. Provisions of the Contract and of the Contract Documents apply to this Section.

1.2 DEFINITIONS

- A. ABS: Acrylonitrile-butadiene-styrene plastic.
- B. FRP: Fiberglass-reinforced plastic.
- C. PMMA: Polymethyl methacrylate (acrylic) plastic.
- D. PVC: Polyvinyl chloride plastic.
- E. RFI: Request for information.
- F. Accessible Fixture: Plumbing fixture that can be approached, entered, and used by people with disabilities.
- G. Cast Polymer: Cast-filled-polymer-plastic material. This material includes cultured-marble and solid-surface materials.
- H. Cultured Marble: Cast-filled-polymer-plastic material with surface coating.
- I. Fitting: Device that controls flow of water into or out of plumbing fixture. Fittings specified in this Section include supplies and stops, faucets and spouts, showerheads and tub spouts, drains and tailpieces, and traps and waste pipes.
- J. Solid Surface: Nonporous, homogeneous, cast-polymer-plastic material with heat-, impact-, scratch-, and stain-resistance qualities.
- K. Other Manufacturers: Use one of those listed.

1.3 SUBMITTALS

- A. Product Data: For each type of plumbing fixture indicated. Include proposed fixture, trim, fittings, accessories, appliances, appurtenances, equipment, and supports. Indicate materials & finishes, dimensions, construction details, flow-control rates and water consumption.
- B. Shop Drawings: Diagram power, signal, and control wiring.
- C. Operation and Maintenance Data: For plumbing fixtures to include in operation, and maintenance manuals.
- D. Warranty: Submit warranties.
  - 1. 1 Year non-prorated on all components of all products.
  - 2. Additional 9 years (total of 10) for de-zincification on flush valves when body metal contains more than 15% zinc.
- E. LEED Submittals: Refer to Division 1 Section “Sustainable Design Requirements.”

FIRE STATIONS RENOVATION  
ARLINGTON COUNTY, VIRGINIA  
Architect's Project No: 563006

F. All LEED V4 calculatable fixtures shall be certified as "Water Sense" compliant.

1.4 KEY OPERATOR:

- A. Provide Minimum number of key operators (wrenches/tools)for loose key stops, wall hydrants, aerators and any fixture where a key or special tool is required:
1. 1 for 10% of each size or 10, whichever is less.

1.5 QUALITY ASSURANCE

- A. Source Limitations: Obtain plumbing fixtures, faucets, and other components of each category through one source from a single manufacturer.
1. Exception: If fixtures, faucets, or other components are not available from a single manufacturer, obtain similar products from other manufacturers specified for that category.
- B. Electrical Components, Devices, and Accessories: Electrical components, devices, and accessories shall be listed and labeled as defined in NFPA 70, Article 100, by a testing agency acceptable to authorities having jurisdiction, and marked for intended use.
- C. Regulatory Requirements: Comply with requirements in ICC A117.1, "Accessible and Usable Buildings and Facilities"; Public Law 90-480, "Architectural Barriers Act"; and Public Law 101-336, "Americans with Disabilities Act"; for plumbing fixtures for people with disabilities. Comply with requirements in Public Law 102-486, "Energy Policy Act," regarding water flow and consumption rates for plumbing fixtures.
- D. NSF Standard: Comply with NSF 61, "Drinking Water System Components--Health Effects," for fixture materials that will be in contact with potable water.
- E. Select combinations of fixtures and trim, faucets, fittings, and other components that are compatible.
- F. Comply with the following standards and other requirements where applicable:
1. Vitreous-China Fixtures: ASME A112.19.2M.
  2. Backflow Protection Devices for Faucets with Hose-Thread Outlet: ASME A112.18.3M.
  3. Faucets: ASME A112.18.1.
  4. Hose-Connection Vacuum Breakers: ASSE 1011.
  5. Hose-Coupling Threads: ASME B1.20.7.
  6. Integral, Atmospheric Vacuum Breakers: ASSE 1001.
  7. NSF Potable-Water Materials: NSF 61.
  8. Pipe Threads: ASME B1.20.1.
  9. Sensor-Actuated Faucets and Electrical Devices: UL 1951.
  10. Supply Fittings: ASME A112.18.1.
  11. Brass Waste Fittings: ASME A112.18.2.
  12. Atmospheric Vacuum Breakers: ASSE 1001.
  13. Sensor-Operation Flushometers: ASSE 1037 and UL 1951.
  14. Flexible Water Connectors: ASME A112.18.6.
  15. Floor Drains: ASME A112.6.3.
  16. Plastic Toilet Seats: ANSI Z124.5.
  17. Supply and Drain Protective Shielding Guards: ICC A117.1.



FIRE STATIONS RENOVATION  
ARLINGTON COUNTY, VIRGINIA  
Architect's Project No: 563006

1.6 COORDINATION

- A. Coordinate all accessories. Ensure items fit and work together as an assembly.
- B. Coordinate roughing-in and final plumbing fixture locations, and verify that fixtures can be installed to comply with design.
- C. Model numbers are intended to identify families of fixtures and may be incomplete. Refer to other contract documents for hand.

1.7 EXTRA MATERIALS

- A. Furnish extra materials described below that match products installed and that are packaged with protective covering for storage and identified with labels describing contents.
  - 1. Faucet Cartridges, washers, aerators and O-Rings: Equal to 5 percent of amount of each type and size installed but not less than 5 of each type and size.
  - 2. Flushometer Valve, Repair Kits: 5 of each type.

PART 2 - PRODUCTS

2.1 WC-1 WATER CLOSET (ACCESSIBLE)

- A. Manufacturer & Model Number: 3043.001 (1.28 Gallon Flush)
  - 1. Material: Vitreous china
  - 2. Color: White
- B. Flush Valve: American Standard Model 6065.121 (1.28 Gallon Flush)
  - 1. Provide:
    - a. Wall Mounted Proximity Sensor valve with Indicator Light.
    - b. Courtesy Flush Over-ride Button.
    - c. Non-Hold-Open Integral Solenoid Operator.
    - d. 1" I.P.S. Screwdriver Back-Check Angle Stop
    - e. Free Spinning Vandal Resistant Stop Cap
    - f. Transformer
- C. Seat: Church 9500SSCT (White)
  - 1. Elongated extra heavy weight seat with stainless steel self-sustaining check hinge.
- D. Manufacturers:
  - 1. Water Closet
    - a. Kohler
    - b. Sloan
  - 2. Carrier:
    - a. Josam
    - b. J.R.Smith
  - 3. Flush Valve:
    - a. Kohler
    - b. Moen
    - c. Sloan

FIRE STATIONS RENOVATION  
ARLINGTON COUNTY, VIRGINIA  
Architect's Project No: 563006

4. Seat
  - a. Olsonite
  - b. Centoco

2.2 LA-1 LAVATORY – WALL HUNG (ACCESSIBLE)

- A. Basis-of-Design Product: Subject to compliance with requirements, provide Kohler No. K-1728 or a comparable product by one of the following:
  1. Material: Vitreous China
  2. Color: White
- B. Faucet: American Standard Model: 6053.205
  1. Infrared Sensor
  2. Filtered Solenoid valve with serviceable strainer
  3. Splash proof circuit control module
  4. Trim plate kit.
  5. 0.5 GPM vandal resistant spray head
  6. Below deck thermostatic mixing valve meeting ASSE 1070
  7. 120V Transformer
- C. Mixing Valve: TMV-1 (refer to schedule on P0.1)
  1. Anti-scald protection
  2. Integral check stops
  3. Lead free
  4. ASSE 1070 certified
- D. Drain: McGuire Part Number 155A
- E. Trap: McGuire Part Number 8902C-F
  1. 1-1/4"x 1-1/2" cast brass polished chrome trap with cleanout plug and brass slip nuts.
  2. 17-gauge seamless tubular chrome plated brass wall bend.
  3. Forged brass chrome plated wall flange with setscrew.
- F. Supplies: McGuire Part Number 2165-N3-F
  1. 1/2" IPS x 3/8" OD
  2. 1/2" x 3" chrome plated brass nipple.
  3. Heavy brass chrome plated wall flange with set-screw
  4. Contractor shall coordinate supply connection to back-check tee and shall provide required additional pipe.
- G. Insulation: Tru-Bro Lav Guard #102
  1. Color: White
  2. Insulate P-trap, hot and cold angle valves, hot and cold risers.
- H. Carrier: Josam Series 17100
  1. Floor mounted with rectangular uprights.
- I. Other Manufacturers: Provide products, features, and accessories equal to those specified above.
  1. Faucet:
    - a. Speakman

FIRE STATIONS RENOVATION  
ARLINGTON COUNTY, VIRGINIA  
Architect's Project No: 563006

- b. Sloan
- c. T&S Brass
- d. Moen
2. Drain:
  - a. Kohler
  - b. Cambridge Brass
  - c. Chicago
3. Trap:
  - a. Kohler
  - b. Cambridge Brass
4. Supplies:
  - a. Cambridge Brass
  - b. Kohler
5. Insulation:
  - a. McGuire

2.3 SH-1 (INDIVIDUAL SHOWER (ROLL-IN TYPE ACCESSIBLE))

A. Shower Valve: [Acorn Controls Model: SV16](#)

1. Temperature/Pressure compensating valve
2. Fixed shower head (2.0gpm)
3. Hand held shower set with 60" flex hose
4. 30" Slide bar for hand held shower mounted with stainless steel plates and bolts
5. In-line diverting valve
6. Integral service stops

**B. Shower Base/Pan: Swanstone Model: SS-3636 (\*ADD-01)**

- 1. Size 36"x 36"x 5-1/2"**
- 2. Color: White, verify with Architectural color selection.**
- 3. Drain: Integral**
- 4. Tiling flange(s): Yes, 3 sides**
- 5. Reinforced solid surface**

C. Provide self-sealing brass drain and strainer.

D. Other Manufacturers: Provide products, features, and accessories equal to those specified above.

1. Shower Valve
  - a. Leonard
  - b. Bradley
  - c. Symmons

PART 3 - EXECUTION

3.1 EXAMINATION

- A. Examine roughing-in for water soil and for waste piping systems and supports to verify actual locations and sizes of piping connections and that locations and types of supports match those

FIRE STATIONS RENOVATION  
ARLINGTON COUNTY, VIRGINIA  
Architect's Project No: 563006

indicated, before plumbing fixture installation. Manufacturer's roughing-in data overrides all other indicated data.

- B. Examine walls, floors, and cabinets for suitable conditions where fixtures are to be installed.
- C. Proceed with installation only after unsatisfactory conditions have been corrected.

### 3.2 FIXTURE INSTALLATION

- A. Assemble fixtures, trim, fittings, and other components according to manufacturers' written instructions.
- B. For wall-hanging fixtures, install off-floor supports affixed to building substrate.
- C. Install back-outlet, wall hanging fixtures onto waste fitting seals and attach to supports.
- D. Install floor-mounting fixtures on closet flanges or other attachments to piping or building substrate.
- E. Install wall-hanging fixtures with tubular waste piping attached to supports.
- F. Install counter-mounted fixtures in and attached to casework.
- G. Install fixtures level and plumb according to manufacturers' written instructions and roughing-in drawings.
- H. Install water-supply piping with stop on each supply to each fixture to be connected to water distribution piping. Attach supplies to supports or substrate within pipe spaces behind fixtures. Install stops in locations where they can be easily reached for operation.
  - 1. Exception: Use ball valve if stops are not specified with fixture. Refer to Section "Valves".
- I. Install trap and waste piping on drain outlet of each fixture to be directly connected to sanitary drainage system.
- J. Install flushometer valves for accessible water closets and urinals with handle mounted on wide side of compartment. Install other actuators in locations that are easy for people with disabilities to reach.
- K. Install toilet seats on water closets.
- L. Install faucet-spout fittings with specified flow rates and patterns in faucet spouts if faucets are not available with required rates and patterns. Include adapters if required.
- M. Install faucet, flow-control fittings with specified flow rates and patterns in faucet spouts if faucets are not available with required rates and patterns. Include adapters if required.
- N. Install traps on fixture outlets.
  - 1. Exception: Omit trap on fixtures with integral traps.
  - 2. Exception: Omit trap on indirect wastes, unless otherwise indicated.
- O. Install escutcheons at piping wall-ceiling penetrations in exposed, finished locations and within cabinets and millwork. Use deep-pattern escutcheons if required to conceal protruding fittings. Refer to Division 22 Section "Common Work Results For Plumbing" for escutcheons.
- P. Set service basins in leveling bed of cement grout. Refer to Division 22 Section "Common Work Results For Plumbing" for grout.

FIRE STATIONS RENOVATION  
ARLINGTON COUNTY, VIRGINIA  
Architect's Project No: 563006

- Q. Refer to Section "Joint Sealants" for sealant and installation requirements.
- R. Provide connection to automatic lavatories & flush valves as required via low-voltage transformer(s). Mount transformer(s) above accessible ceiling. Connect to local 120V receptacle circuit with disconnect switch adjacent to transformer. All circuitry (including low voltage) shall be run concealed & in conduit. Coordinate connection requirements.

3.3 CONNECTIONS

- A. Drawings indicate general arrangement of piping, fittings, and specialties.
- B. Connect water supplies from water distribution piping to fixtures.
- C. Connect drain piping from fixtures to drainage piping.
- D. Supply and Waste Connections to Plumbing Fixtures: Connect fixtures with water supplies, stops, risers, traps, and waste piping. Use sizes required to match fixtures. Connect to plumbing piping.
- E. Supply and Waste Connections to Fixtures and Equipment Specified in Other Sections: Connect fixtures and equipment with water supplies, stops, risers, traps, and waste piping. Use size fittings required to match fixtures and equipment. Connect to plumbing piping.
- F. Ground equipment: Tighten electrical connectors and terminals according to manufacturer's published torque-tightening values. If manufacturer's torque values are not indicated, use those specified in UL 486A and UL 486B.

3.4 FIELD QUALITY CONTROL

- A. Verify that installed fixtures are categories and types specified for locations where installed.
- B. Check that fixtures are complete with trim, faucets, fittings, and other specified components.
- C. Inspect installed fixtures for damage. Replace damaged fixtures and components.
- D. Test installed fixtures after water systems are pressurized for proper operation. Replace malfunctioning fixtures and components, then retest. Repeat procedure until units operate properly.
- E. Install fresh batteries in sensor-operated mechanisms.

3.5 ADJUSTING

- A. Replace washers and seals or cartridges of leaking and dripping faucets, stops, and valves.

3.6 CLEANING

- A. Clean fixtures, faucets, and other fittings with manufacturers' recommended cleaning methods and materials. Do the following:
  - 1. Remove faucet spouts and strainers, remove sediment and debris, and reinstall strainers and spouts.
  - 2. Remove sediment and debris from drains.

FIRE STATIONS RENOVATION  
ARLINGTON COUNTY, VIRGINIA  
Architect's Project No: 563006

3.7 PROTECTION

- A. Provide protective covering for installed fixtures and fittings.
- B. Do not allow use of fixtures for temporary facilities unless approved in writing by Owner.

END OF SECTION 224000

FIRE STATIONS RENOVATION  
ARLINGTON COUNTY, VIRGINIA  
Architect's Project No: 563006

SECTION 230500 - COMMON WORK RESULTS FOR HVAC

PART 1 - GENERAL

1.1 RELATED DOCUMENTS

- A. Provisions of the Contract and of the Contract Documents apply to this Section.

1.2 DEFINITIONS

- A. Finished Spaces: Spaces other than mechanical and electrical equipment rooms, furred spaces, pipe chases, unheated spaces immediately below roof, spaces above ceilings, unexcavated spaces, crawlspaces, and tunnels.
- B. Exposed, Interior Installations: Exposed to view indoors. Examples include finished occupied spaces and mechanical equipment rooms.
- C. Exposed, Exterior Installations: Exposed to view outdoors or subject to outdoor ambient temperatures and weather conditions. Examples include rooftop locations.
- D. Concealed, Interior Installations: Concealed from view and protected from physical contact by building occupants. Examples include above ceilings and in chases.
- E. Concealed, Exterior Installations: Concealed from view and protected from weather conditions and physical contact by building occupants but subject to outdoor ambient temperatures. Examples include installations within unheated shelters.
- F. The following are industry abbreviations for rubber materials:
  - 1. EPDM: Ethylene-propylene-diene terpolymer rubber.
  - 2. NBR: Acrylonitrile-butadiene rubber.
- G. VUSBC: Virginia Uniform Statewide Building Code

1.3 SUBMITTALS

- A. Product Data: For the following:
  - 1. Transition fittings.
  - 2. Dielectric fittings.
  - 3. Mechanical sleeve seals.
  - 4. Escutcheons.

FIRE STATIONS RENOVATION  
ARLINGTON COUNTY, VIRGINIA  
Architect's Project No: 563006

1.4 QUALITY ASSURANCE

- A. Equipment and appliances comprising portions of the mechanical systems regulated by the VUSBC shall be listed and labeled in accordance with the current edition of the VUSBC.
- B. Equipment and appliances comprising portions of the mechanical systems regulated by the VUSBC shall be installed in accordance with the listing, manufacturer's installation instructions, and the VUSBC. Manufacturer's installation instructions shall be available on the job site for use and inspection.
- C. Steel Support Welding: Qualify processes and operators according to AWS D1.1, "Structural Welding Code--Steel."
- D. Steel Pipe Welding: Qualify processes and operators according to ASME Boiler and Pressure Vessel Code: Section IX, "Welding and Brazing Qualifications."
  - 1. Comply with provisions in ASME B31 Series, "Code for Pressure Piping."
  - 2. Certify that each welder has passed AWS qualification tests for welding processes involved and that certification is current.
- E. Electrical Characteristics for HVAC Equipment: Equipment of higher electrical characteristics may be furnished provided such proposed equipment is approved in writing and connecting electrical services, circuit breakers, and conduit sizes are appropriately modified. If minimum energy ratings or efficiencies are specified, equipment shall comply with requirements.

1.5 DELIVERY, STORAGE, AND HANDLING

- A. Deliver pipes and tubes with factory-applied end caps. Maintain end caps through shipping, storage, and handling to prevent pipe end damage and to prevent entrance of dirt, debris, and moisture.

1.6 COORDINATION

- A. Arrange for pipe spaces, chases, slots, and openings in building structure during progress of construction, to allow for HVAC installations.
- B. Coordinate installation of required supporting devices and set sleeves in poured-in-place concrete and other structural components as they are constructed.
- C. Coordinate requirements for access panels and doors for HVAC items requiring access that are concealed behind finished surfaces. Access panels and doors are specified in Division 08 Section "Access Doors and Frames."



FIRE STATIONS RENOVATION  
ARLINGTON COUNTY, VIRGINIA  
Architect's Project No: 563006

1.7 INTENT OF CONTRACT DOCUMENTS

- A. Mechanical and HVAC drawings are diagrammatic, indicating general locations and arrangements of pipe, duct, and equipment. Not necessarily indicating all offsets, conditions, and appurtenances required to provide clearances for maximum practical accessibility to perform maintenance.
- B. Coordinate work in order to achieve proper operation and to provide a maintainable installed condition.
- C. Notify the Architect's representative immediately of conditions which do not comply or will not produce this result.
- D. Indicated configurations were used to size pipes, pumps, expansion tanks and other devices. Install piping, duct, and equipment generally as indicated. Minor deviations are permitted in the course of necessary coordination. Major changes shall be submitted for approval by the Architect's representative. Additional fittings and offsets not indicated are expected, anticipated by the design, and shall be provided. If more than 5% of the indicated number of fittings are required or if one change in direction is within six inches of another change in direction and this "Z" shape is not indicated notify the Architect's representative immediately. Provide necessary additional fittings and offsets. Changes in pipe size shall be made only with written approval from the Architect's representative.

PART 2 - PRODUCTS

2.1 PIPE, TUBE, AND FITTINGS

- A. Refer to Section "Hydronic Piping" for additional pipe, tube, and fitting materials and joining methods.
- B. Pipe Threads: ASME B1.20.1 for factory-threaded pipe and pipe fittings.

2.2 JOINING MATERIALS

- A. Refer to individual Division 23 piping sections for joining materials not listed below.
- B. Pipe-Flange Gasket Materials: Suitable for chemical and thermal conditions inside & outside pipe and:
  - 1. ASME B16.21, non-metallic, flat, asbestos-free, 1/8-inch maximum thickness unless thickness or specific material is otherwise indicated.
    - a. Full-Face Type: For flat-face, Class 125, cast-iron and cast-bronze flanges.
    - b. Narrow-Face Type: For raised-face, Class 250, cast-iron and steel flanges.

FIRE STATIONS RENOVATION  
ARLINGTON COUNTY, VIRGINIA  
Architect's Project No: 563006

- 2. AWWA C110, rubber, flat face, 1/8 inch thick, unless otherwise indicated, and full-face or ring type, unless otherwise indicated.
- C. Solder Filler Metals: ASTM B 32, lead-free (95% Tin, 5% Antimony) alloy. Include water-flushable flux according to ASTM B 813.
- D. Brazing Filler Metals: AWS A5.8, BCuP Series, copper-phosphorus alloys for general-duty brazing, unless otherwise indicated; and AWS A5.8, BAgl, silver alloy for refrigerant piping, unless otherwise indicated.
- E. Welding Filler Metals: Comply with AWS D10.12 for welding materials appropriate for wall thickness and chemical analysis of steel pipe being welded.

2.3 DIELECTRIC FITTINGS

- A. Description: Combination fitting of copper alloy and ferrous materials with threaded, solder-joint, plain, or weld-neck end connections that match piping system materials.
- B. Insulating Material: Suitable for system fluid, pressure, and temperature.
- C. Dielectric Flanges: Factory-fabricated, companion-flange assembly, for 150- or 300-psig minimum working pressure as required to suit system pressures.
  - 1. Available Manufacturers:
    - a. Capitol Manufacturing Co.
    - b. Central Plastics Company.
    - c. EpcO Sales, Inc.
    - d. Watts Industries, Inc.; Water Products Div.
- D. Dielectric-Flange Kits: Companion-flange assembly for field assembly. Include flanges, full-face- or ring-type neoprene or phenolic gasket, phenolic or polyethylene bolt sleeves, phenolic washers, and steel backing washers.
  - 1. Available Manufacturers:
    - a. Advance Products & Systems, Inc.
    - b. Calpico, Inc.
    - c. Central Plastics Company.
    - d. Pipeline Seal and Insulator, Inc.
  - 2. Separate companion flanges and steel bolts and nuts shall have 150- or 300-psig minimum working pressure where required to suit system pressures.
- E. Dielectric Couplings: Galvanized steel coupling with inert and non-corrosive, thermoplastic lining; threaded ends; and 300-psig minimum working pressure at 225°F.
  - 1. Available Manufacturers:

FIRE STATIONS RENOVATION  
ARLINGTON COUNTY, VIRGINIA  
Architect's Project No: 563006

- a. Calpico, Inc.
- b. Lochinvar Corp.

2.4 MECHANICAL SLEEVE SEALS

- A. Description: Modular sealing element unit, designed for field assembly, to fill annular space between pipe and sleeve.
  - 1. Available Manufacturers:
    - a. Advance Products & Systems, Inc.
    - b. Calpico, Inc.
    - c. Metraflex Co.
    - d. Pipeline Seal and Insulator, Inc.
  - 2. Sealing Elements: EPDM interlocking links shaped to fit surface of pipe. Include type and number required for pipe material and size of pipe.
  - 3. Pressure Plates: Plastic. Include two for each sealing element.
  - 4. Connecting Bolts and Nuts: Stainless steel of length required to secure pressure plates to sealing elements.

2.5 SLEEVES

- A. Galvanized-Steel Sheet: 0.0239-inch minimum thickness; round tube closed with welded longitudinal joint.
- B. Steel Pipe: ASTM A 53, Type E, Grade B, Schedule 40, galvanized, plain ends.
- C. Cast Iron: Cast or fabricated "wall pipe" equivalent to ductile-iron pressure pipe, with plain ends and integral waterstop, unless otherwise indicated.
- D. Stack Sleeve Fittings: Manufactured, cast-iron sleeve with integral clamping flange. Include clamping ring and bolts and nuts for membrane flashing.
  - 1. Underdeck Clamp: Clamping ring with set screws.
- E. Molded PE: Reusable, PE, tapered cup-shaped and smooth-outer surface with nailing flange for attaching to wooden forms.

2.6 ESCUTCHEONS

- A. Description: Manufactured wall and ceiling escutcheons and floor plates, with an ID to closely fit around pipe, tube, and insulation of insulated piping and an OD that completely covers opening.

FIRE STATIONS RENOVATION  
ARLINGTON COUNTY, VIRGINIA  
Architect's Project No: 563006

- B. One-Piece, Deep-Pattern Type: Deep-drawn, box-shaped brass with polished chrome-plated finish.
- C. One-Piece, Cast-Brass Type: With set screw.
  - 1. Finish: Polished chrome-plated.
- D. Split-Casting, Cast-Brass Type: With concealed hinge and set screw.
  - 1. Finish: Polished chrome-plated.
- E. One-Piece, Floor-Plate Type: Cast-iron floor plate.
- F. Split-Casting, Floor-Plate Type: Cast brass with concealed hinge and set screw.

2.7 GROUT

- A. Description: ASTM C 1107, Grade B, non-shrink and non-metallic, dry hydraulic cement grout.
  - 1. Characteristics: Post-hardening, volume-adjusting, non-staining, non-corrosive, non-gaseous, and recommended for interior and exterior applications.
  - 2. Design Mix: 5000-psi, 28-day compressive strength.
  - 3. Packaging: Premixed and factory packaged.

PART 3 - EXECUTION

3.1 HVAC DEMOLITION

- A. Refer to Sections "Cutting and Patching" and "Selective Structure Demolition" for general demolition requirements and procedures.
- B. Disconnect, demolish, and remove HVAC systems, equipment, and components indicated to be removed.
  - 1. Piping to Be Removed: Remove portion of piping indicated to be removed and cap or plug remaining piping with same or compatible piping material.
  - 2. Piping to Be Abandoned in Place: Drain piping and cap or plug piping with same or compatible piping material.
  - 3. Equipment to Be Removed: Remove equipment and associated piping back to main unless otherwise indicated. Cap services.
  - 4. Equipment to Be Removed and Reinstalled: Disconnect and cap services. Remove, clean, and store equipment. When appropriate, reinstall, reconnect, and make equipment operational.
  - 5. Equipment to Be Removed and Salvaged: Remove equipment and associated piping back to main unless otherwise indicated. Cap services. Remove equipment, clean, and

FIRE STATIONS RENOVATION  
ARLINGTON COUNTY, VIRGINIA  
Architect's Project No: 563006

store as directed (May be off-site). Make available to owner at time of the owner's choosing.

- C. If pipe, insulation, or equipment to remain is damaged in appearance or is unserviceable, remove damaged or unserviceable portions and replace with new products of equal capacity and quality.

### 3.2 PIPING SYSTEMS - COMMON REQUIREMENTS

- A. Install piping according to the following and Division 23 Sections specifying piping systems.
- B. Install piping in concealed locations, unless otherwise indicated and except in equipment rooms and service areas.
- C. Install piping indicated to be exposed and piping in equipment rooms and service areas at right angles or parallel to building walls. Diagonal runs are prohibited unless specifically indicated.
- D. Install piping above accessible ceilings allowing sufficient space for ceiling panel removal.
- E. Install piping to permit valve operation & servicing.
- F. Install condensate drain piping at 1% slope.
- G. Install piping free of sags and bends.
- H. Install fittings for changes in direction and branch connections unless otherwise indicated.
- I. Install piping leaving room for installation of insulation.
- J. Install system components with pressure rating equal to or greater than system operating pressure.
- K. Install escutcheons for penetrations of walls, ceilings, and floors according to the following:
  - 1. Exposed, Interior Installations/Piping with Fitting or Sleeve Protruding from Wall: One-piece, deep-pattern type.
  - 2. Exposed, Interior Installations/Chrome-Plated Piping: One-piece, cast-brass type with polished chrome-plated finish and set-screw.
  - 3. Exposed, Interior Installations/Insulated Piping: One-piece, cast-brass type with polished chrome-plated finish.
  - 4. Exposed, Interior Installations/Bare Piping at Wall and Floor Penetrations in Finished Spaces: One-piece, cast-brass type with finish to match surrounding surfaces.
  - 5. Exposed, Interior Installations/Bare Piping at Ceiling Penetrations in Finished Spaces: One-piece or split-casting, cast-brass type with finish to match surrounding surfaces.
  - 6. Exposed, Interior Installations/Piping in Unfinished Service Spaces: None, provide sealant.
  - 7. Exposed, Interior Installations/Piping in Equipment Rooms: None, provide sealant.

FIRE STATIONS RENOVATION  
ARLINGTON COUNTY, VIRGINIA  
Architect's Project No: 563006

8. Exposed, Interior Installations/Piping at Floor Penetrations in Equipment Rooms, Fan Rooms, or similar wet spaces: None - provide sealant and sleeve extending 2" above floor to prevent liquid leaking to floor below.
  
- L. Provide seal around piping penetrations of full height interior walls, both rated and non-rated, that occur above ceilings. Refer to Section 079200 Joint Sealants.
  
- M. Sleeves are not required for core-drilled holes.
  1. Exception: Exposed, Interior Installations at Floor Penetrations in Equipment Rooms, Fan Rooms, or similar wet spaces.
  
- N. Permanent sleeves are not required for holes formed by removable PE sleeves.
  1. Exception: Exposed, Interior Installations at Floor Penetrations in Equipment Rooms, Fan Rooms, or similar wet spaces.
  
- O. Install sleeves for pipes passing through walls, floors, or roofs.
  1. Cut sleeves to length for mounting flush with both surfaces.
    - a. Exception: Extend sleeves installed in floors of mechanical equipment rooms, fan rooms or other similar wet areas 2 inches above finished floor level. Extend cast-iron sleeve fittings below floor slab as required to secure clamping ring.
  2. Install sleeves as walls and slabs are constructed.
    - a. PVC Pipe Sleeves: Permitted for pipes smaller than 6" except aboveground, exterior-walls.
    - b. Steel Sheet Sleeves: Permitted for pipes 6" and larger, penetrating gypsum-board partitions except aboveground, exterior-walls.
    - c. Seal space outside sleeve fittings with grout and sealant.
  3. Except for penetrations where mechanical sleeve seals are used, seal annular space between sleeve and pipe or pipe insulation, using joint sealants appropriate for size, depth, and location of joint. Refer to Section "Joint Sealants".
  
- P. Aboveground Exterior Penetrations: Seal penetrations using sleeves and mechanical sleeve seals. Select sleeve size to allow for annular clear space required by the mechanical sleeve seal manufacturer between pipe and sleeve for installing mechanical sleeve seals.
  1. Install steel pipe for sleeves smaller than 6 inches in diameter.
  2. Install cast-iron "wall pipes" for sleeves 6 inches and larger in diameter.
  3. Mechanical Sleeve Seal Installation: Select type and number of sealing elements required for pipe material and size. Position pipe in center of sleeve. Assemble mechanical sleeve seals and install in annular space between pipe and sleeve. Tighten bolts against pressure plates that cause sealing elements to expand and make watertight seal.
  4. Sleeves from an approved sleeve seal manufacturer shall be acceptable.

FIRE STATIONS RENOVATION  
ARLINGTON COUNTY, VIRGINIA  
Architect's Project No: 563006

- Q. Underground Exterior Penetrations: Install cast-iron "wall pipes" for sleeves. Seal pipe penetrations using mechanical sleeve seals. Select sleeve size to allow for annular clear space required by the mechanical sleeve seal manufacturer between pipe and sleeve for installing mechanical sleeve seals.
- R. Mechanical Sleeve Seal Installation: Select type and number of sealing elements required for pipe material and size. Position pipe in center of sleeve. Assemble mechanical sleeve seals and install in annular space between pipe and sleeve. Tighten bolts against pressure plates that cause sealing elements to expand and make watertight seal.
- S. Fire-Barrier Penetrations: Maintain indicated fire rating of walls, partitions, ceilings, and floors at pipe penetrations. Seal pipe penetrations with firestop materials. Refer to Section "Penetration Firestopping" for materials.
- T. Verify final equipment locations for roughing-in.
- U. Refer to equipment specifications in other Sections of these Specifications for roughing-in requirements.

### 3.3 PIPING JOINT CONSTRUCTION

- A. Join pipe and fittings according to the following requirements and Division 22 Sections specifying piping systems.
- B. Ream ends of pipes and tubes and remove burrs. Bevel plain ends of steel pipe.
- C. Remove scale, slag, dirt, and debris from inside and outside of pipe and fittings before assembly.
- D. Soldered Joints: Apply water-flushable flux, unless otherwise indicated, to tube end. Construct joints using lead-free solder alloy.
- E. Brazed Joints: Construct joints using copper-phosphorus brazing filler metal.
- F. Threaded Joints: Thread pipe with tapered pipe threads. Cut threads full and clean using sharp dies. Ream threaded pipe ends to remove burrs and restore full ID. Join pipe fittings and valves as follows:
  - 1. Apply appropriate tape or thread compound to external pipe threads unless otherwise indicated.
- G. Welded Joints: Construct joints using qualified processes and welding operators.
- H. Flanged Joints: Select appropriate gasket material, size, type, and thickness for service application. Install gasket concentrically positioned. Use suitable lubricants on bolt threads.
- I. Mechanical Joints: Prepare pipe ends and fittings, apply coupling, and join according to joint manufacturer's written instructions.

FIRE STATIONS RENOVATION  
ARLINGTON COUNTY, VIRGINIA  
Architect's Project No: 563006

3.4 PIPING CONNECTIONS

- A. Make connections according to the following, unless otherwise indicated:
  - 1. Install unions, in piping 2" and smaller, one adjacent to each valve and at final connections to each piece of equipment.
  - 2. Install flanges, in piping NPS 2-1/2" and larger, adjacent to final connections to each piece of equipment.
  - 3. Install dielectric unions or flanges for connections of dissimilar metals.

3.5 EQUIPMENT INSTALLATION - COMMON REQUIREMENTS

- A. Install equipment to allow maximum possible headroom unless specific mounting heights are indicated.
- B. Install equipment level and plumb, parallel and perpendicular to other building systems and components in exposed interior spaces, unless otherwise indicated.
- C. Install HVAC equipment to facilitate service, maintenance, and repair or replacement of components. Connect equipment for ease of disconnecting, with minimum interference to other installations. Extend grease fittings to service side of equipment.
- D. Install equipment to allow space for other systems.

3.6 PAINTING

- A. Damage and Touchup: Repair marred and damaged factory-painted finishes with materials and procedures to match original factory finish.

3.7 HOUSEKEEPING PADS AND EQUIPMENT PADS

- A. Housekeeping pads and equipment pads: Anchor equipment to concrete according to equipment manufacturer's written instructions and according to seismic codes at project location.
  - 1. Construct concrete pads in accordance with drawing details.
  - 2. Details may be found on structural drawings.

3.8 ERECTION OF METAL SUPPORTS AND ANCHORAGES

- A. Refer to Section "Metal Fabrications" for structural steel.
- B. Cut, fit, and place miscellaneous metal supports accurately in location, alignment, and elevation to support and anchor HVAC materials and equipment.
- C. Field Welding: Comply with AWS D1.1.



FIRE STATIONS RENOVATION  
ARLINGTON COUNTY, VIRGINIA  
Architect's Project No: 563006

3.9 GROUTING

- A. Mix and install grout for HVAC equipment base bearing surfaces, pump and other equipment base plates, and anchors.
- B. Clean surfaces that will come into contact with grout.
- C. Provide forms as required for placement of grout.
- D. Avoid air entrapment during placement of grout.
- E. Place grout, completely filling equipment bases.
- F. Place grout on concrete bases and provide smooth bearing surface for equipment.
- G. Place grout around anchors.
- H. Cure placed grout.

3.10 EXCAVATION AND BACKFILL

- A. Excavation and backfill shall be as indicated in Division 1 specifications and on the drawings. If excavation and backfill is not otherwise indicated the following shall apply:
  - 1. Excavate trenches to indicated gradients, lines, depths, and elevations.
    - a. Beyond the building perimeter, excavate trenches to allow installation of top of pipe below frost line.
  - 2. Excavate trenches to uniform widths to provide twelve inches clear on each side of pipe. Excavate trench walls vertically from trench bottom.
  - 3. Trench Bottoms: Excavate trench bottoms to provide flat surface. Place and compact six inches of sand. Excavate and shape sand to provide uniform bearing and support of pipes. Shape sand to provide continuous support for bells, joints, fittings, and barrels of pipes. Sand shall be free of projecting stones and sharp objects.
  - 4. Backfill and hand tamp to 95% proctor to six inches above the top of the pipe.
  - 5. Backfill and machine tamp the remainder of the trench to 95% proctor in twelve inch lifts.

END OF SECTION 230500

FIRE STATIONS RENOVATION  
ARLINGTON COUNTY, VIRGINIA  
Architect's Project No: 563006

SECTION 230513 – MOTORS FOR HVAC EQUIPMENT

PART 1 - GENERAL

1.1 RELATED DOCUMENTS

- A. Provisions of the Contract and of the Contract Documents apply to this Section.

1.2 SUBMITTALS

- A. Manufacturer's catalog and efficiency data.

1.3 QUALITY ASSURANCE

- A. Electrical Components, Devices, and Accessories: Listed and labeled as defined in NFPA 70, Article 100, by a testing agency acceptable to authorities having jurisdiction, and marked for intended use.
- B. Comply with NFPA 70.

1.4 COORDINATION

- A. All motors are required to be equipped with overload protection located near the motor.
  - 1. Overload protection shall:
    - a. Be located between the circuit breaker or fuse provided under Division 26 and the motor windings.
    - b. Meet one of the options specified in the following paragraph.
  - 2. Overload protection may be:
    - a. Located in the motor installed by the motor manufacturer. (preferred)
    - b. A separate device located near the motor.
    - c. Located in, or with, a disconnect switch provided by the equipment manufacturer. Provision of this switch shall not modify, change, or eliminate any Division 26 requirement. This means some equipment shall be provided or specified with two disconnecting means.
- B. Coordinate features of motors, installed units, and accessory devices. Provide motors that are:
  - 1. Compatible with controller
  - 2. Matched to torque and horsepower requirements of the load.
  - 3. Matched to ratings and characteristics of supply circuit and required control sequence.
- C. Coordinate motor support with requirements for driven load; access for maintenance and motor replacement; installation of accessories, belts, belt guards; and adjustment of sliding rails for belt tensioning.
- D. Belt tension must be wrench and socket adjustable.
- E. Belt tensioning device must accommodate adjustable sheaves.

**FIRE STATIONS RENOVATION  
ARLINGTON COUNTY, VIRGINIA  
Architect's Project No: 563006**

**PART 2 - PRODUCTS**

**2.1 MOTOR REQUIREMENTS**

- A. Motor requirements apply except as follows:
1. Ratings, performance, or characteristics for a motor are specified in another Section or are scheduled on the drawings.
  2. Motor manufacturer requires ratings, performance, or characteristics, other than those specified to meet indicated performance.

**2.2 MOTOR CHARACTERISTICS**

- A. Frequency Rating: 60 Hz.
- B. Voltage Rating: NEMA standard voltage selected to operate on nominal circuit voltage to which motor is connected.
- C. Duty: Continuous at 105 deg F and 3300 feet above sea level.
- D. Capacity and Torque sufficient to:
1. Start, accelerate, and operate connected load.
  2. Maintain designated speeds.
  3. Operate at installed altitude and environment.
  4. Operate with indicated operating sequence.
  5. Operate without exceeding nameplate ratings.
  6. Operate without utilizing service factor.
- E. Enclosure: Open drip-proof unless otherwise indicated.
- F. Minimum Service Factor: 1.15 unless otherwise indicated.

**2.3 POLYPHASE MOTORS**

- A. Description: NEMA MG 1, Design B, medium induction motor.
- B. NEMA Premium efficiency motors shall meet the following full load efficiency:

HP	ODP			TEFC		
	6 Pole	4 Pole	2 Pole	6 Pole	4 Pole	2 Pole
1	82.5	85.5	77.0	82.5	85.5	77.0
1.5	86.5	86.5	84.0	87.5	86.5	84.0
2	87.5	86.5	85.5	88.5	86.5	85.5
3	88.5	89.5	85.5	89.5	89.5	86.5
5	89.5	89.5	86.5	89.5	89.5	88.5
7.5	90.2	91.0	88.5	91.0	91.7	89.5
10	91.7	91.7	89.5	91.0	91.7	90.2
15	91.7	93.0	90.2	91.7	92.4	91.0
20	92.4	93.0	91.0	91.7	93.0	91.0
25	93.0	93.6	91.7	93.0	93.6	91.7

FIRE STATIONS RENOVATION  
ARLINGTON COUNTY, VIRGINIA  
Architect's Project No: 563006

30	93.6	94.1	91.7	93.0	93.6	91.7
----	------	------	------	------	------	------

- C. Efficiency: NEMA Premium
- D. Stator: Copper windings, unless otherwise indicated.
- E. Rotor: Squirrel cage, unless otherwise indicated.
- F. Bearings: Double-shielded, prelubricated ball bearings suitable for radial and thrust loading.
- G. Temperature Rise: Match insulation rating, unless otherwise indicated.
- H. Insulation: Class F, unless otherwise indicated.
- I. Code Letter Designation: NEMA starting Code F or G.
- J. Enclosure: Cast iron.
- K. Finish: Gray enamel.
- L. Motors Used with Reduced-Inrush Controllers: Match wiring connection requirements for controller with required motor leads. Provide terminals in motor terminal box, suited to control method.

PART 3 - EXECUTION

3.1 FIELD QUALITY CONTROL

- A. Perform the following:
  - 1. Run each motor with its controller at load.
  - 2. Demonstrate correct rotation, alignment, and speed.
  - 3. Test interlocks and control features for proper operation.
  - 4. Verify that current in each phase is within nameplate rating.
  - 5. Verify RPM is in accordance with nameplate.
  - 6. Where a generator is provided, run each motor on the generator with its controller and load. Demonstrate correct rotation, alignment, and speed.

3.2 ADJUSTING

- A. Align motors, bases, and shafts.

3.3 CLEANING

- A. After completing equipment installation, inspect unit components. Remove paint splatters and other spots, dirt, and debris. Repair damaged finish to match original finish.

END OF SECTION 230513

FIRE STATIONS RENOVATION  
ARLINGTON COUNTY, VIRGINIA  
Architect's Project No: 563006

SECTION 230514 – VARIABLE SPEED DRIVES

PART 1 - GENERAL

1.1 RELATED DOCUMENTS

- A. Provisions of the Contract and of the Contract Documents apply to this Section.

1.2 DEFINITIONS

- A. Factory Installed Variable Speed Drive: A drive installed by motorized-equipment manufacturer as a component of equipment utilized to control the speed of a motor.
- B. Field-Installed Variable Speed Drive: A drive installed in the field by the contractor to control the speed of a motor not equipped with a factory installed drive.
- C. VSD: Variable Speed Drive

1.3 SUBMITTALS

- A. Submittals shall include the following information:
  - 1. Outline dimensions
  - 2. Conduit entry locations
  - 3. Weight.
- B. Customer connection and power wiring diagrams.
- C. Technical product description including but not limited to a complete list of options.
- D. Compliance to IEEE 519 – harmonic analysis for particular jobsite including total harmonic voltage distortion and total harmonic current distortion (TDD).
- E. The VFD manufacturer shall provide calculations; specific to this installation, showing total harmonic voltage distortion is less than 5%. All VFD's shall include a minimum of 5% impedance reactors.

1.4 QUALITY ASSURANCE

- A. VSDs and options shall be UL listed as a complete assembly.
- B. The base VSD shall be UL listed for 100 KAIC without the need for input fuses.
- C. The VSD shall be tested by the manufacturer.

FIRE STATIONS RENOVATION  
ARLINGTON COUNTY, VIRGINIA  
Architect's Project No: 563006

- D. All optional features shall be functionally tested at the factory for proper operation.
- E. Electrical Components, Devices, and Accessories: Listed and labeled as defined in NFPA 70, Article 100, by a testing agency acceptable to authorities having jurisdiction, and marked for intended use. Comply with UL 508C.
- F. Referenced standards:
  - 1. Standard 519-1992, IEEE Guide for Harmonic Content and Control.
  - 2. UL508C
  - 3. ICS 7.0, AC Adjustable Speed Drives
  - 4. IEC 16800 Parts 1, 2 and 3NEC 430.120, Adjustable-Speed Drive Systems
  - 5. IBC 2006 Seismic – referencing ASC 7-05 and ICC AC-156
- G. All VSDs installed on this project shall be from the same manufacturer.
- H. The VSD enclosure shall be seismically certified and labeled in accordance with the IBC 2006 International Building Code:
  - 1. VSD manufacturer shall provide Seismic Certification and Installation requirements at time of submittal.
  - 2. A Seismic importance factor of 1.5 shall be used and shall be based upon actual shake test data as defined by ICC AC-156. Seismic ratings based upon calculations alone are not acceptable.
  - 3. Certification of Seismic rating must be based on testing done in all three axis of motion by a certified lab.
- I. Installations in life safety applications including but not limited to smoke removal and make up air to smoke removal systems shall be included in the seismic approval.

## 1.5 COORDINATION

- A. Coordinate features of VSDs with motors, installed units, and accessory devices. Provide VSDs that meet the requirements indicated in this and other equipment specific specification sections.
- B. Confirm that motors controlled by VSDs, provided under this section are designed and labeled for use with variable speed drives, and suitable for use throughout speed range without overheating.
- C. Coordinate VSD support with requirements for maintenance and replacement; and installation of accessories.

## PART 2 - PRODUCTS

### 2.1 FACTORY INSTALLED VARIABLE SPEED DRIVES

FIRE STATIONS RENOVATION  
ARLINGTON COUNTY, VIRGINIA  
Architect's Project No: 563006

- A. The VSD shall be enclosed in a UL Listed enclosure.
- B. Refer to equipment specific specification sections.
- C. Where equipment specific specification sections do not indicate variable speed drive requirements comply with 2.2 below.

2.2 FIELD-INSTALLED VARIABLE SPEED DRIVES

- A. Manufacturers
  - 1. ABB
  - 2. Yaskowa
  - 3. Basis of Design - Danfoss Graham
- B. General
  - 1. Furnish complete variable speed drives (VSDs) as indicated.
  - 2. Drawing schedules, sequences of control, control diagrams, details, or other specification sections may indicate variable speed requirements.
  - 3. All standard and optional features shall be included within the VSD enclosure, unless indicated otherwise. Each VSD shall be housed in a NEMA 1 enclosure, or other NEMA type according to installation and operating conditions.
  - 4. Provide NEMA 4 weatherproof enclosures for drives mounted outside.
  - 5. The UL listing shall allow mounting in a plenum or other air handling compartment. If a NEMA 12 enclosure is required for the plenum rating, the manufacturer shall supply a NEMA 12 rated VSD.
  - 6. Provide bypass on VSDs serving pumps. A bypass on all other equipment is not required unless indicated otherwise.
- C. The VSD shall convert incoming fixed frequency three-phase AC power into a variable frequency and voltage for controlling the speed of three-phase AC motors. The motor current shall closely approximate a sine wave. Motor voltage shall be varied with frequency to maintain desired motor magnetization current. Operation shall be suitable for centrifugal pump and fan control and shall eliminate the need for motor de-rating.
- D. With the motor's rated voltage applied to the VSD input, the VSD shall allow the motor to produce full rated power at rated amps, RMS fundamental volts, and speed without using the motor's service factor. VSDs utilizing sine weighted/coded modulation (with or without 3<sup>rd</sup> harmonic injection) must provide data verifying that the motors will not draw more than full load current during full load and full speed operation.
- E. The VSD shall include an input full-wave bridge rectifier and maintain a fundamental power factor near unity regardless of speed or load.
- F. The VSD and options shall be tested to ANSI/UL Standard 508. The complete VSD, including all specified options, shall be assembled by the manufacturer and shall be UL-508 certified for the building and drive assembly including options. Assembly of the options by a third-party

FIRE STATIONS RENOVATION  
ARLINGTON COUNTY, VIRGINIA  
Architect's Project No: 563006

panel shop is not acceptable. The appropriate UL stickers shall be applied to both the VSD and option panel, in the case where these are not contained in one panel.

- G. The VSD shall have DC link reactors on both the positive and negative rails of the DC bus to minimize power line harmonics. VSDs without DC link reactors shall provide a minimum 3% impedance line reactor.
- H. The VSD's full load amp rating shall meet or exceed NEC Table 430-150. The VSD shall be able to provide full rated output current continuously, 110% of rated current for 60 seconds and 160% of rated current for up to 0.5 second while starting.
- I. The VSD shall be able to provide full torque at any selected frequency from 28 Hz to base speed to allow driving direct drive fans without derating.
- J. An automatic energy optimization selection feature shall be provided standard in the VSD. This feature shall automatically and continually monitor the motor's speed and load and adjust the applied voltage to maximize energy savings and provide up to an additional 3% to 10% energy savings.
- K. Input and output power circuit switching shall be able to be accomplished without interlocks or damage to the VSD. Switching rate may be up to 1 time per minute on the input and unlimited on the output.
- L. An automatic motor adaptation test algorithm shall measure motor stator resistance and reactance to optimize performance and efficiency. It shall not be necessary to run the motor or de-couple the motor from the load to run the test.
- M. Galvanic and/or optical isolation shall be provided between the VSD's power circuitry and control circuitry to ensure operator safety and to protect connected electronic control equipment from damage caused by voltage spikes, current surges, and ground loop currents. VSDs not including either galvanic or optical isolation on both analog I/O and discrete I/O shall include additional isolation modules.
- N. VSD shall minimize the audible motor noise through the used of an adjustable carrier frequency. The carrier frequency shall be automatically adjusted to optimize motor and VSD efficiencies while reducing motor noise.
- O. Protective Features:
  - 1. Disconnect with drive fusing.
  - 2. A minimum of Class 20 I<sup>2</sup>t electronic motor overload protection for single motor applications and thermal-mechanical overloads for multiple motor applications shall be provided.
  - 3. Protection against input transients, loss of AC line phase, output short circuit, output ground fault, overvoltage, undervoltage, VSD overtemperature and motor overtemperature. The VSD shall display all faults in plain English. Codes are not acceptable.
  - 4. Protect VSD from sustained power or phase loss. The VSD shall provide full rated output with an input voltage as low as 90% of the nominal. The VSD will continue to



FIRE STATIONS RENOVATION  
ARLINGTON COUNTY, VIRGINIA  
Architect's Project No: 563006

operate with reduced output with an input voltage as low as 164 V AC for 208/230 volt units, and 313 V AC for 460 volt units.

5. The VSD shall incorporate a motor preheat circuit to keep the motor warm and prevent condensation build up in the stator.
6. VSD package shall include semi-conductor rated input fuses to protect power components.
7. To prevent breakdown of the motor winding insulation, the VSD shall be designed to comply with IEC Part 34-17. Otherwise, the VSD manufacturer must ensure that inverter rated motors are supplied.
8. VSD shall include a "signal loss detection" circuit to sense the loss of an analog input signal such as 4 to 20 mA or 2 to 10 V DC, and shall be programmable to react as desired in such an instance.
9. VSD shall function normally when the keypad is removed while the VSD is running and continue to follow remote commands. No warnings or alarms shall be issued as a result of removing the keypad.
10. VSD shall catch a rotating motor operating forward or reverse up to full speed.
11. VSD shall be rated for 100,000 amp interrupting capacity (AIC).
12. VSD shall include current sensors on all three output phases to detect and report phase loss to the motor. The VSD will identify which of the output phases is low or lost.
13. VSD shall continue to operate without faulting until input voltage reaches 300 V AC on 208/230 volt VSDs, and 539 V AC on 460 volt VSDs.

P. Interface Features:

1. Hand/Start, Off/Stop and Auto/Start selector switches shall be provided to start and stop the VSD and determine the speed reference.
2. The VSD shall be able to be programmed to provide a 24 V DC output signal to indicate that the VSD is in Auto/Remote mode.
3. The VSD shall provide potentiometer speed control. Electronic speed controls are not acceptable.
4. Lockable, alphanumeric backlit display keypad can be remotely mounted up to 10 feet away using standard 9-pin cable.
5. The keypads for all sizes of VSDs shall be identical and interchangeable.
6. To set up multiple VSDs, it shall be possible to upload all setup parameters to the VSD's keypad, place that keypad on all other VSDs in turn and download the setup parameters to each VSD. To facilitate setting up VSDs of various sizes, it shall be possible to download from the keypad only size independent parameters.
7. Display shall be programmable to display in 9 languages including English, Spanish and French.
8. The display shall have four lines, with 20 characters on three lines and eight large characters on one line.

FIRE STATIONS RENOVATION  
ARLINGTON COUNTY, VIRGINIA  
Architect's Project No: 563006

9. A red FAULT light, a yellow WARNING light and a green POWER-ON light shall be provided. These indications shall be visible both on the keypad and on the VSD when the keypad is removed.
10. A quick setup menu with factory preset typical HVAC parameters shall be provided on the VSD eliminating the need for macros.
11. The VSD shall include a standard RS-485 communications port.
12. As a minimum, the following points shall be controlled and/or accessible:
  - a. VSD Start/Stop
  - b. Speed reference
  - c. Fault diagnostics
  - d. Meter points
  - e. Motor power in HP
  - f. Motor power in kW
  - g. Motor kW-hr
  - h. Motor current
  - i. Motor voltage
  - j. Hours run
  - k. Feedback signal #1
  - l. Feedback signal #2
  - m. DC link voltage
  - n. Thermal load on motor
  - o. Thermal load on VSD
  - p. Heatsink temperature
13. Four additional Form C 230 volt programmable relays shall be available for factory or field installation within the VSD.
14. LonWorks communication shall be available for factory or field installation within the VSD.
15. Two set-point control interface (PID control) shall be standard in the unit. VSD shall be able to look at two feedback signals, compare with two set-points and make various process control decisions.
16. Floating point control interface shall be provided to increase/decrease speed in response to contact closures.
17. Four simultaneous displays shall be available. They shall include frequency or speed, run time, output amps and output power. VSDs unable to show these four displays simultaneously shall provide panel meters.
18. Sleep mode shall be provided to automatically stop the VSD when its speed drops below set "sleep" level for a specified time. The VSD shall automatically restart when the speed command exceeds the set "wake" level.
19. The sleep mode shall be functional in both follower mode and PID mode.
20. Run permissive circuit shall be provided to accept a "system ready" signal to ensure that the VSD does not start until dampers or other auxiliary equipment are in the proper state for VSD operation. The run permissive circuit shall also be capable of sending an output signal as a start command to actuate external equipment before allowing the VSD to start.

FIRE STATIONS RENOVATION  
ARLINGTON COUNTY, VIRGINIA  
Architect's Project No: 563006

21. The following displays shall be accessible from the control panel in actual units: Reference Signal Value in actual units, Output Frequency in Hz or percent, Output Amps, Motor HP, Motor kW, kWhr, Output Voltage, DC Bus Voltage, VSD Temperature in degrees, and Motor Speed in engineering units per application (in GPM, CFM, etc.). VSD will read out the selected engineering unit either in a linear, square or cubed relationship to output frequency as appropriate to the unit chosen.
22. The display shall be programmed to read in inches of water column (in-wg) for an air handler application, pressure per square inch (psi) for a pump application, and temperature (°F) for a cooling tower application.
23. VSD shall be able to be programmed to sense the loss of load and signal a no load/broken belt warning or fault.
24. If the temperature of the VSD's heat sink rises to 80°C, the VSD shall automatically reduce its carrier frequency to reduce the heat sink temperature. If the temperature of the heat sink continues to rise the VSD shall automatically reduce its output frequency to the motor. As the VSD's heat sink temperature returns to normal, the VSD shall automatically increase the output frequency to the motor and return the carrier frequency to its normal switching speed.
25. The VSD shall have temperature controlled cooling fans for quiet operation and minimized losses.
26. The VSD shall store in memory the last 10 faults and related operational data.
27. Eight programmable digital inputs shall be provided for interfacing with the systems control and safety interlock circuitry.
28. Two programmable relay outputs, one Form C 240 V AC, one Form A 30 V AC, shall be provided for remote indication of VSD status.
29. Three programmable analog inputs shall be provided and shall accept a direct-or-reverse acting signal. Analog reference inputs accepted shall include two voltage (0 to 10 V DC, 2 to 10 V DC) and one current (0 to 20 mA, 4 to 20 mA) input.
30. Two programmable 0 to 20 mA analog outputs shall be provided for indication of VSD status. These outputs shall be programmable for output speed, frequency, current and power. They shall also be programmable to provide a selected 24 V DC status indication.
31. Under fire mode conditions, the VSD shall be able to be programmed to automatically default to a preset speed.

Q. Adjustments

1. VSD shall have an adjustable carrier frequency in steps of not less than 0.1 kHz to allow tuning the VSD to the motor.
2. Sixteen preset speeds shall be provided.
3. Four acceleration and four deceleration ramps shall be provided. Accel and decel time shall be adjustable over the range from 0 to 3,600 seconds to base speed. The shape of these curves shall be automatically contoured to ensure no-trip acceleration and deceleration.
4. Four current limit settings shall be provided.

FIRE STATIONS RENOVATION  
ARLINGTON COUNTY, VIRGINIA  
Architect's Project No: 563006

5. If the VSD trips on one of the following conditions, the VSD shall be programmable for automatic or manual reset: undervoltage, overvoltage, current limit and inverter overload.
6. The number of restart attempts shall be selectable from 0 through 20 or infinitely and the time between attempts shall be adjustable from 0 through 600 seconds.
7. An automatic "on delay" may be selected from 0 to 120 seconds.

R. Service Conditions

1. Ambient temperature, -10 to 40°C (14 to 104°F).
2. 0 to 95% relative humidity, non-condensing.
3. Elevation to 3,300 feet without derating.
4. AC line voltage variation, -10 to +10% of nominal with full output.
5. No side clearance shall be required for cooling of any units. All power and control wiring shall be done from the bottom.

PART 3 - EXECUTION

3.1 FIELD QUALITY CONTROL

A. Examination

1. Contractor to verify that job site conditions for installation meet factory recommended and code-required conditions for VSD installation prior to start-up, including clearance spacing, temperature, contamination, dust, and moisture of the environment. Separate conduit installation of the motor wiring, power wiring, and control wiring, and installation per the manufacturer's recommendations shall be verified.
2. The VSD is to be covered and protected from installation dust and contamination until the environment is cleaned and ready for operation. The VSD shall not be operated while the unit is covered.

B. Start-up Service

1. The manufacturer shall provide start-up commissioning of the VSD and its optional circuits by a factory certified service technician who is experienced in start-up and repair services. Sales personnel and other agents who are not factory certified shall not be acceptable as commissioning agents. Start-up services shall include checking for verification of proper operation and installation for the VSD, its options and its interface wiring to the building automation system.

C. **WARRANTY:** The VSD shall be warranted by the manufacturer for a period of 2 Years from date of substantial completion. The warranty shall include parts, labor, travel costs and living expenses incurred by the manufacturer to provide factory authorized on-site service. The warranty shall be provided by the VSD manufacturer.

D. **CLEANING:** After completing equipment installation, inspect unit components. Remove paint splatters and other spots, dirt, and debris. Repair damaged finish to match original finish.

FIRE STATIONS RENOVATION  
ARLINGTON COUNTY, VIRGINIA  
Architect's Project No: 563006

END OF SECTION 230514

FIRE STATIONS RENOVATION  
ARLINGTON COUNTY, VIRGINIA  
Architect's Project No: 563006

SECTION 230529 - HANGERS AND SUPPORTS FOR HVAC PIPING AND EQUIPMENT

PART 1 - GENERAL

1.1 RELATED DOCUMENTS

- A. Provisions of the Contract and of the Contract Documents apply to this Section.

1.2 DEFINITIONS

- A. MSS: Manufacturers Standardization Society of the Valve and Fittings Industry Inc.
- B. Terminology: As defined in MSS SP-90, "Guidelines on Terminology for Pipe Hangers and Supports."

1.3 PERFORMANCE REQUIREMENTS

- A. Design Requirement: Design trapeze pipe hangers and equipment supports, including comprehensive engineering analysis by a qualified professional engineer where using methods other than indicated.
- B. Structural Performance: Hangers and supports for HVAC piping and equipment shall withstand the effects of gravity loads and stresses within limits and under conditions indicated according to ASCE/SEI 7.
  - 1. Design supports for multiple pipes, including pipe stands, capable of supporting combined weight of supported systems, system contents, and test medium.
  - 2. Design equipment supports capable of supporting combined operating weight of supported equipment and connected systems and components.
  - 3. Design seismic-restraint hangers and supports for piping and equipment.

1.4 QUALITY ASSURANCE

- A. Structural Steel Welding Qualifications: Qualify procedures and personnel according to AWS D1.1/D1.1M, "Structural Welding Code - Steel."
- B. Pipe Welding Qualifications: Qualify procedures and operators according to ASME Boiler and Pressure Vessel Code.

FIRE STATIONS RENOVATION  
ARLINGTON COUNTY, VIRGINIA  
Architect's Project No: 563006

PART 2 - PRODUCTS

2.1 PIPE STANDS

- A. General Requirements for Pipe Stands: Shop- or field-fabricated assemblies made of manufactured corrosion-resistant components to support roof-mounted piping.
1. Available Manufacturers:
    - a. Cooper B-Line – Dura-Blok
    - b. MAPA Products
    - c. Mifab, Inc. – C-Port
    - d. Miro Industries, Inc.
    - e. OMG, Inc.
    - f. PHP Systems/Design
    - g. Pipe Prop
    - h. Roof Top Blox
    - i. Rooftop Support Systems – Eberl Iron Works, Inc.
  2. Provide pipe supports for supporting gas, condensate, refrigeration lines, or hydronic piping on flat roof surfaces. Support shall rest on roof surface without penetrating the roof surface. Supports for condensate piping shall be adjustable vertically to ensure pipe slopes as required.
- B. Compact Pipe Stand: One-piece plastic unit with integral-rod roller, pipe clamps, or V-shaped cradle to support pipe, for roof installation without membrane penetration.
- C. Curb Mounted Pipe Stands: Shop- or field-fabricated pipe supports made from structural-steel shapes, continuous-thread rods, and rollers, for mounting on permanent stationary roof curb.

2.2 EQUIPMENT SUPPORTS

- A. Description: Welded, shop or field fabricated equipment support made from structural carbon-steel shapes unless indicated otherwise.
1. Available Manufacturers:
    - a. Cooper B-Line – Dura-Blok
    - b. MAPA Products
    - c. Mifab, Inc. – C-Port
    - d. Miro Industries, Inc.
    - e. OMG, Inc.
    - f. PHP Systems/Design
    - g. Pipe Prop
    - h. Roof Top Blox
    - i. Rooftop Support Systems – Eberl Iron Works, Inc.

FIRE STATIONS RENOVATION  
ARLINGTON COUNTY, VIRGINIA  
Architect's Project No: 563006

2.3 MISCELLANEOUS MATERIALS

- A. Structural Steel: ASTM A 36/A 36M, carbon-steel plates, shapes, and bars; black and galvanized.
- B. Grout: ASTM C 1107, factory-mixed and -packaged, dry, hydraulic-cement, non-shrink and nonmetallic grout; suitable for interior and exterior applications.
  - 1. Properties: Non-staining, noncorrosive, and nongaseous.
  - 2. Design Mix: 5000-psi, 28-day compressive strength.

PART 3 - EXECUTION

3.1 HANGER AND SUPPORT INSTALLATION

- A. Metal Pipe-Hanger Installation: Comply with MSS SP-69 and MSS SP-89. Provide hangers, supports, clamps, and attachments as required to properly support piping from the building structure.
- B. Metal Trapeze Pipe-Hanger Installation: Comply with MSS SP-69, MSS SP-89, and Table above. Arrange for grouping of parallel runs of horizontal piping, and support together on field-fabricated trapeze pipe hangers.
- C. Metal Framing System Installation: Arrange for grouping of parallel runs of piping, and support together on field-assembled metal framing systems.
- D. Thermal-Hanger Shield Installation: Provide in pipe hanger or shield for insulated piping.
- E. Pipe Stand Installation:
  - 1. Pipe Stand Types except Curb-Mounted Type: Assemble components and mount on smooth roof surface. Do not penetrate roof membrane.
  - 2. Curb-Mounted-Type Pipe Stands: Assemble components or fabricate pipe stand and mount on permanent, stationary roof curb. See Division 07 Section "Roof Accessories" for curbs.
- F. Provide hangers and supports complete with necessary attachments, inserts, bolts, rods, nuts, washers, and other accessories.
- G. Equipment Support Installation: Fabricate from welded-structural-steel shapes.
- H. Provide hangers and supports to allow controlled thermal and seismic movement of piping systems, to permit freedom of movement between pipe anchors, and to facilitate action of expansion joints, expansion loops, expansion bends, and similar units.
- I. Provide lateral bracing with pipe hangers and supports to prevent swaying.



FIRE STATIONS RENOVATION  
ARLINGTON COUNTY, VIRGINIA  
Architect's Project No: 563006

- J. Provide building attachments within concrete slabs or attach to structural steel. Building attachments may not be used on steel joists unless otherwise indicated. Provide additional attachments at concentrated loads, including valves, flanges, and strainers, 2-1/2" and larger and at changes in direction of piping. Provide concrete inserts before concrete is placed; fasten inserts to forms and provide reinforcing bars through openings at top of inserts.
- K. Load Distribution: Provide hangers and supports so that piping live and dead loads and stresses from movement will not be transmitted to connected equipment.
- L. Pipe Slopes: Provide hangers and supports to provide indicated pipe slopes and to not exceed maximum pipe deflections allowed by ASME B31.9 for building services piping.
- M. Insulated Piping:
  - 1. Attach clamps and spacers to piping.
    - a. Piping Operating above Ambient Air Temperature: Clamp may project through insulation.
    - b. Piping Operating below Ambient Air Temperature: Provide thermal-hanger shield insert with clamp sized to match OD of insert.
    - c. Do not exceed pipe stress limits allowed by ASME B31.9 for building services piping.
  - 2. Provide MSS SP-58, Type 39, protection saddles if insulation without vapor barrier is indicated. Fill interior voids with insulation that matches adjoining insulation.
  - 3. Provide MSS SP-58, Type 40, protective shields on cold piping with vapor barrier. Shields shall span an arc of 180 degrees.
  - 4. Shield Dimensions for Pipe: Not less than the following:
    - a. Pipe 1/4" to 3-1/2": 12 inches long and 0.048 inch thick.
    - b. Pipe 4": 12 inches long and 0.06 inch thick.
    - c. Pipe 5" and 6": 18 inches long and 0.06 inch thick.
    - d. Pipe 8" to 14": 24 inches long and 0.075 inch thick.
  - 5. Pipes 8" and Larger: Include wood or reinforced calcium-silicate-insulation inserts of length at least as long as protective shield.
  - 6. Thermal-Hanger Shields: Provide with insulation same thickness as piping insulation.

3.2 EQUIPMENT SUPPORTS

- A. Fabricate structural-steel stands to suspend equipment from structure overhead or to support equipment above floor.
- B. Grouting: Place grout under supports for equipment and make bearing surface smooth.
- C. Provide lateral bracing, to prevent swaying, for equipment supports.

FIRE STATIONS RENOVATION  
ARLINGTON COUNTY, VIRGINIA  
Architect's Project No: 563006

3.3 METAL FABRICATIONS

- A. Cut, drill, and fit miscellaneous metal fabrications for trapeze pipe hangers and equipment supports.
- B. Fit exposed connections together to form hairline joints. Field weld connections that cannot be shop welded because of shipping size limitations.
- C. Field Welding: Comply with AWS D1.1/D1.1M procedures for shielded, metal arc welding; appearance and quality of welds; and methods used in correcting welding work; and with the following:
  - 1. Provide materials and methods that minimize distortion and develop strength and corrosion resistance of base metals.
  - 2. Obtain fusion without undercut or overlap.
  - 3. Remove welding flux immediately.
  - 4. Finish welds at exposed connections so no roughness shows after finishing and so contours of welded surfaces match adjacent contours.

3.4 ADJUSTING

- A. Hanger Adjustments: Adjust hangers to distribute loads equally on attachments and to achieve indicated slope of pipe.
- B. Trim excess length of continuous-thread hanger and support rods to 1-1/2 inches.

3.5 PAINTING

- A. Touchup: Unless otherwise indicated clean field welds and abraded areas of shop paint. Paint exposed areas immediately after erecting hangers and supports. Provide same materials as used for shop painting. Comply with SSPC-PA 1 requirements for touching up field-painted surfaces.
  - 1. Apply paint by brush or spray to provide a minimum dry film thickness of 2.0 mils.
- B. Galvanized Surfaces: Clean welds, bolted connections, and abraded areas and immediately apply galvanizing-repair paint. Paint shall comply with ASTM A 780.

3.6 HANGER AND SUPPORT SCHEDULE

- A. Specific hanger and support requirements are in Sections specifying piping systems and equipment.
- B. Comply with MSS SP-69 for pipe-hanger selections and applications that are not specified in piping system Sections.
- C. Provide hangers and supports with galvanized metallic coatings for piping and equipment that will not have field-applied finish.

FIRE STATIONS RENOVATION  
ARLINGTON COUNTY, VIRGINIA  
Architect's Project No: 563006

- D. Provide nonmetallic coatings on attachments for electrolytic protection where attachments are in direct contact with copper tubing.
- E. Provide copper-plated pipe hangers and copper attachments for copper piping and tubing.
- F. Provide padded hangers for piping that is subject to scratching.
- G. Provide thermal-hanger shield inserts for insulated piping and tubing.
- H. Horizontal-Piping Hangers and Supports: Unless otherwise indicated provide the following:
  - 1. Adjustable, Steel Clevis Hangers (MSS Type 1): For suspension of stationary pipes ½" to 30".
  - 2. Yoke-Type Pipe Clamps (MSS Type 2): For suspension of up to 1050 deg F pipes 4" to 14", requiring up to 4" of insulation.
  - 3. Carbon- or Alloy-Steel, Double-Bolt Pipe Clamps (MSS Type 3): For suspension of pipes ¾" to 14", requiring clamp flexibility and up to 4 inches of insulation.
  - 4. Steel Pipe Clamps (MSS Type 4): For suspension of cold and hot pipes ½" to 14" if little or no insulation is required.
  - 5. Pipe Hangers (MSS Type 5): For suspension of pipes ½" to 4", to allow off-center closure for hanger installation before pipe erection.
  - 6. Adjustable, Swivel Split- or Solid-Ring Hangers (MSS Type 6): For suspension of noninsulated, stationary pipes ¾" to 8".
  - 7. Adjustable, Steel Band Hangers (MSS Type 7): For suspension of noninsulated, stationary pipes ½" to 8".
  - 8. Adjustable Band Hangers (MSS Type 9): For suspension of noninsulated, stationary pipes ½" to 8".
  - 9. Adjustable, Swivel-Ring Band Hangers (MSS Type 10): For suspension of noninsulated, stationary pipes ½" to 8".
  - 10. Split Pipe Ring with or without Turnbuckle Hangers (MSS Type 11): For suspension of noninsulated, stationary pipes ½" to 8".
  - 11. Extension Hinged or Two-Bolt Split Pipe Clamps (MSS Type 12): For suspension of noninsulated, stationary pipes NPS ½" to 3".
  - 12. U-Bolts (MSS Type 24): For support of heavy pipes ½" to 14".
  - 13. Clips (MSS Type 26): For support of insulated pipes not subject to expansion or contraction.
  - 14. Pipe Saddle Supports (MSS Type 36): For support of pipes 4" to 14", with steel-pipe base stanchion support and cast-iron floor flange or carbon-steel plate.
  - 15. Pipe Stanchion Saddles (MSS Type 37): For support of pipes 4" to 14", with steel-pipe base stanchion support and cast-iron floor flange or carbon-steel plate, and with U-bolt to retain pipe.
  - 16. Adjustable Pipe Saddle Supports (MSS Type 38): For stanchion-type support for pipes 2-½" to 14" if vertical adjustment is required, with steel-pipe base stanchion support and cast-iron floor flange.
  - 17. Single-Pipe Rolls (MSS Type 41): For suspension of pipes 1" to 14", from two rods if longitudinal movement caused by expansion and contraction might occur.
  - 18. Adjustable Roller Hangers (MSS Type 43): For suspension of pipes 2-½" to 14", from single rod if horizontal movement caused by expansion and contraction might occur.

FIRE STATIONS RENOVATION  
ARLINGTON COUNTY, VIRGINIA  
Architect's Project No: 563006

19. Complete Pipe Rolls (MSS Type 44): For support of pipes 2" to 14" if longitudinal movement caused by expansion and contraction might occur but vertical adjustment is not necessary.
  20. Pipe Roll and Plate Units (MSS Type 45): For support of pipes 2" to 14" if small horizontal movement caused by expansion and contraction might occur and vertical adjustment is not necessary.
  21. Adjustable Pipe Roll and Base Units (MSS Type 46): For support of pipes 2" to 14" if vertical and lateral adjustment during installation might be required in addition to expansion and contraction.
- I. Vertical-Piping Clamps: Unless otherwise indicated provide the following:
1. Extension Pipe or Riser Clamps (MSS Type 8): For support of pipe risers ¾" to 14".
  2. Carbon- or Alloy-Steel Riser Clamps (MSS Type 42): For support of pipe risers ¾" to 14" if longer ends are required for riser clamps.
- J. Hanger-Rod Attachments: Unless otherwise indicated provide the following:
1. Steel Turnbuckles (MSS Type 13): For adjustment up to 6 inches for heavy loads.
  2. Steel Clevises (MSS Type 14): For 120 to 450 deg F piping installations.
  3. Swivel Turnbuckles (MSS Type 15): For use with MSS Type 11, split pipe rings.
  4. Malleable-Iron Sockets (MSS Type 16): For attaching hanger rods to various types of building attachments.
  5. Steel Weldless Eye Nuts (MSS Type 17): For 120 to 450 deg F piping installations.
  6. Flat Plate, Double Nut, and Washer as Detailed on Structural Drawings: For attaching to bar joists. Method of attachment to bar joists must be approved by the structural engineer and joist manufacturer.
- K. Building Attachments: Unless otherwise indicated provide the following:
1. Steel or Malleable Concrete Inserts (MSS Type 18): For upper attachment to suspend pipe hangers from concrete ceiling.
  2. Flat Plate, Double Nuts, and Washer as Detailed on Structural Drawings: For use under roof installations with bar-joist construction to attach to bottom chord of joist.
  3. Side-Beam or Channel Clamps (MSS Type 20): For attaching to bottom flange of beams, channels, or angles.
  4. Center-Beam Clamps (MSS Type 21): For attaching to center of bottom flange of beams.
  5. Welded Beam Attachments (MSS Type 22): For attaching to bottom of beams if loads are considerable and rod sizes are large.
  6. C-Clamps (MSS Type 23): For structural shapes.
  7. Top-Beam Clamps (MSS Type 25): For top of beams if hanger rod is required tangent to flange edge.
  8. Side-Beam Clamps (MSS Type 27): For bottom of steel I-beams.
  9. Steel-Beam Clamps with Eye Nuts (MSS Type 28): For attaching to bottom of steel I-beams for heavy loads.
  10. Linked-Steel Clamps with Eye Nuts (MSS Type 29): For attaching to bottom of steel I-beams for heavy loads, with link extensions.
  11. Malleable-Beam Clamps with Extension Pieces (MSS Type 30): For attaching to structural steel.

FIRE STATIONS RENOVATION  
ARLINGTON COUNTY, VIRGINIA  
Architect's Project No: 563006

12. Welded-Steel Brackets: For support of pipes from below or for suspending from above by using clip and rod. Provide one of the following for indicated loads:
    - a. Light (MSS Type 31): 750 lb.
    - b. Medium (MSS Type 32): 1500 lb.
    - c. Heavy (MSS Type 33): 3000 lb.
  13. Side-Beam Brackets (MSS Type 34): For sides of steel or wooden beams.
  14. Plate Lugs (MSS Type 57): For attaching to steel beams if flexibility at beam is required.
  15. Horizontal Travelers (MSS Type 58): For supporting piping systems subject to linear horizontal movement where headroom is limited.
- L. Saddles and Shields: Unless otherwise indicated provide the followings:
1. Steel-Pipe-Covering Protection Saddles (MSS Type 39): To fill interior voids with insulation that matches adjoining insulation.
  2. Protection Shields (MSS Type 40): Of length recommended in writing by manufacturer to prevent crushing insulation.
  3. Thermal-Hanger Shield Inserts: For supporting insulated pipe.
- M. Spring Hangers and Supports: Unless otherwise indicated provide the following:
1. Restraint-Control Devices (MSS Type 47): To control pipe movement.
  2. Spring Cushions (MSS Type 48): For light loads if vertical movement does not exceed 1-1/4 inches.
  3. Spring-Cushion Roll Hangers (MSS Type 49): For equipping Type 41, roll hanger with springs.
  4. Spring Sway Braces (MSS Type 50): To retard sway, shock, vibration, or thermal expansion in piping systems.
  5. Variable-Spring Hangers (MSS Type 51): Preset to indicated load and limit variability factor to 25 percent to allow expansion and contraction of piping system from hanger.
  6. Variable-Spring Base Supports (MSS Type 52): Preset to indicated load and limit variability factor to 25 percent to allow expansion and contraction of piping system from base support.
  7. Variable-Spring Trapeze Hangers (MSS Type 53): Preset to indicated load and limit variability factor to 25 percent to allow expansion and contraction of piping system from trapeze support.
  8. Constant Supports: For critical piping stress and if necessary to avoid transfer of stress from one support to another support, critical terminal, or connected equipment. Include auxiliary stops for erection, hydrostatic test, and load-adjustment capability. These supports include the following types:
    - a. Horizontal (MSS Type 54): Mounted horizontally.
    - b. Vertical (MSS Type 55): Mounted vertically.
    - c. Trapeze (MSS Type 56): Two vertical-type supports and one trapeze member.
- N. Comply with MSS SP-69 for trapeze pipe-hanger selections and applications that are not specified in piping system Sections.

FIRE STATIONS RENOVATION  
ARLINGTON COUNTY, VIRGINIA  
Architect's Project No: 563006

- O. Comply with MFMA-103 for metal framing system selections and applications that are not specified in piping system Sections.
- P. Provide powder-actuated fasteners or mechanical-expansion anchors instead of building attachments where indicated in concrete construction.

END OF SECTION 230529

FIRE STATIONS RENOVATION  
ARLINGTON COUNTY, VIRGINIA  
Architect's Project No: 563006

SECTION 230548 - VIBRATION CONTROL FOR HVAC

PART 1 - GENERAL

1.1 RELATED DOCUMENTS

- A. Provisions of the Contract and of the Contract Documents apply to this Section.

1.2 DEFINITIONS

- A. IBC: International Building Code.
- B. ICC-ES: ICC-Evaluation Service.
- C. OSHPD: Office of Statewide Health Planning & Development for the State of California.
- D. ASCE: American Society of Civil Engineers
- E. VUSBC: Virginia Uniform Statewide Building Code

1.3 RESPONSIBILITIES:

- A. The manufacturer of vibration isolation systems and devices shall:
  - 1. Determine the sizes and locations of isolators and provide equipment isolation as indicated.
  - 2. Guarantee indicated isolation system deflections.
  - 3. Provide installation instructions and drawings.
  - 4. Certify correctness of installation upon completion.
- B. The Contractor shall cause all vibration isolation systems, including the isolators, and flexible connectors between the isolated equipment and associated piping, ducting, and electrical work to be designed by a manufacturer experienced in this type of work.

1.4 SUBMITTALS

- A. Product Data:
  - 1. Include rated load, rated deflection, and overload capacity for each vibration isolation device.
  - 2. Wind-Restraint Details:
    - a. Design Analysis: To support selection and arrangement of wind restraints. Include calculations of combined tensile and shear loads.
    - b. Details: Coordinate vibration isolation details with wind-restraint details required for equipment mounted outdoors.

FIRE STATIONS RENOVATION  
ARLINGTON COUNTY, VIRGINIA  
Architect's Project No: 563006

- B. Coordination Drawings: For areas indicated at 1/4" = 1'0" and where sections are cut on contract drawings, indicate coordination of HVAC piping and equipment with other systems and equipment in the vicinity, include supports and restraints.
- C. Qualification Data: For testing agency.
- D. Shop Drawings:
  - 1. Vibration Isolation Base Details: Detail fabrication, including anchorages, attachments to structure, and to supported equipment. Include auxiliary motor slides and rails, base weights, equipment static loads, power transmission, component misalignment, and cantilever loads.
  - 2. Dimensioned Outline Drawings for Each Scheduled Piece of Equipment: Identify center of gravity.
  - 3. Dimensioned Outline Drawings for Each Scheduled Piece of Equipment: Locate and describe mounting and anchorage provisions.

1.5 QUALITY ASSURANCE

- A. Welding: Qualify procedures and personnel according to AWS D1.1/D1.1M, "Structural Welding Code - Steel."
- B. Testing Agency Qualifications: An independent agency, with the experience and capability to conduct the testing indicated, that is a nationally recognized testing laboratory (NRTL) as defined by OSHA in 29 CFR 1910.7, and that is acceptable to authorities having jurisdiction.

PART 2 - PRODUCTS

2.1 VIBRATION ISOLATORS

- A. Available Manufacturers:
  - 1. Amber/Booth Company, Inc.
  - 2. B-Line Systems, Inc.
  - 3. Kinetics Noise Control.
  - 4. Mason Industries.
  - 5. Vibration Mountings & Controls, Inc.
- B. Pads: Oil- and water-resistant elastomer or natural rubber, arranged in single or multiple layers, molded with a nonslip pattern and galvanized steel baseplates of sufficient stiffness for uniform loading over pad area, and factory cut to sizes that match requirements of supported equipment.
  - 1. Resilient Material: Oil- and water-resistant neoprene.
  - 2. Durometer Rating: Minimum 30.
  - 3. Number of Layers: 1 2 3 or 4.



FIRE STATIONS RENOVATION  
ARLINGTON COUNTY, VIRGINIA  
Architect's Project No: 563006

- C. Mounts: Double-deflection type, with molded, oil-resistant rubber, or neoprene isolator elements with factory-drilled, encapsulated top plate for bolting to equipment and with baseplate for bolting to structure. Color-code or otherwise identify to indicate capacity range.
1. Durometer Rating: Minimum 30.
  2. Materials: Cast-ductile-iron or welded steel housing containing two separate and opposing, oil-resistant rubber or neoprene elements that prevent central threaded element and attachment hardware from contacting the housing during normal operation.
  3. Neoprene: Shock-absorbing materials compounded according to the standard for bridge-bearing neoprene as defined by AASHTO.
- D. Restrained Mounts: All-directional mountings with wind restraint.
1. Materials: Cast-ductile-iron or welded steel housing containing two separate and opposing, oil-resistant rubber or neoprene elements that prevent central threaded element and attachment hardware from contacting the housing during normal operation.
  2. Neoprene: Shock-absorbing materials compounded according to the standard for bridge-bearing neoprene as defined by AASHTO.
- E. Spring Isolators: Freestanding, laterally stable, open-spring isolators.
1. Outside Spring Diameter: Not less than 80 percent of the compressed height of the spring at rated load.
  2. Minimum Additional Travel: 50 percent of the required deflection at rated load.
  3. Lateral Stiffness: More than 80 percent of rated vertical stiffness.
  4. Overload Capacity: Support 200 percent of rated load, fully compressed, without deformation or failure.
  5. Baseplates: Factory drilled for bolting to structure and bonded to ¼" thick, rubber isolator pad attached to baseplate underside. Baseplates shall limit floor load to 500 psig.
  6. Top Plate and Adjustment Bolt: Threaded top plate with adjustment bolt and cap screw to fasten and level equipment.
- F. Restrained Spring Isolators: Freestanding, steel, open-spring isolators with limit-stop restraint.
1. Housing: Steel with resilient vertical-limit stops to prevent spring extension due to weight being removed; factory-drilled baseplate bonded to ¼" thick, neoprene or rubber isolator pad attached to baseplate underside; and adjustable equipment mounting and leveling bolt that acts as blocking during installation.
  2. Restraint: Limit stop as required for equipment and authorities having jurisdiction.
  3. Outside Spring Diameter: Not less than 80 percent of the compressed height of the spring at rated load.
  4. Minimum Additional Travel: 50 percent of the required deflection at rated load.
  5. Lateral Stiffness: More than 80 percent of rated vertical stiffness.
  6. Overload Capacity: Support 200 percent of rated load, fully compressed, without deformation or failure.

FIRE STATIONS RENOVATION  
ARLINGTON COUNTY, VIRGINIA  
Architect's Project No: 563006

- G. **Housed Spring Mounts:** Housed spring isolators.
1. **Housing:** Ductile-iron or steel housing to provide all-directional restraint.
  2. **Base:** Factory drilled for bolting to structure.
  3. **Snubbers:** Vertically adjustable to allow a maximum of 1/4" travel up or down before contacting a resilient collar.
- H. **Elastomeric Hangers:** Double-deflection type, with molded, oil-resistant rubber or neoprene isolator elements bonded to steel housings with threaded connections for hanger rods. Color-code or otherwise identify to indicate capacity range.
- I. **Spring Hangers:** Combination coil-spring and elastomeric-insert hanger with spring and insert in compression.
1. **Frame:** Steel, fabricated for connection to threaded hanger rods and to allow for a maximum of 30 degrees of angular hanger-rod misalignment without binding or reducing isolation efficiency.
  2. **Outside Spring Diameter:** Not less than 80 percent of the compressed height of the spring at rated load.
  3. **Minimum Additional Travel:** 50 percent of the required deflection at rated load.
  4. **Lateral Stiffness:** More than 80 percent of rated vertical stiffness.
  5. **Overload Capacity:** Support 200 percent of rated load, fully compressed, without deformation or failure.
  6. **Elastomeric Element:** Molded, oil-resistant rubber or neoprene. Steel-washer-reinforced cup to support spring and bushing projecting through bottom of frame.
  7. **Self-centering hanger rod cap** to ensure concentricity between hanger rod and support spring coil.
- J. **Spring Hangers with Vertical-Limit Stop:** Combination coil-spring and elastomeric-insert hanger with spring and insert in compression and with a vertical-limit stop.
1. **Frame:** Steel, fabricated for connection to threaded hanger rods and to allow for a maximum of 30 degrees of angular hanger-rod misalignment without binding or reducing isolation efficiency.
  2. **Outside Spring Diameter:** Not less than 80 percent of the compressed height of the spring at rated load.
  3. **Minimum Additional Travel:** 50 percent of the required deflection at rated load.
  4. **Lateral Stiffness:** More than 80 percent of rated vertical stiffness.
  5. **Overload Capacity:** Support 200 percent of rated load, fully compressed, without deformation or failure.
  6. **Elastomeric Element:** Molded, oil-resistant rubber or neoprene.
  7. **Adjustable Vertical Stop:** Steel washer with neoprene washer "up-stop" on lower threaded rod.

FIRE STATIONS RENOVATION  
ARLINGTON COUNTY, VIRGINIA  
Architect's Project No: 563006

8. Self-centering hanger rod cap to ensure concentricity between hanger rod and support spring coil.
- K. Thrust Limits: Combination coil spring and elastomeric insert with spring and insert in compression and with a load stop. Include rod and angle-iron brackets for attaching to equipment.
1. Frame: Steel, fabricated for connection to threaded rods and to allow for a maximum of 30 degrees of angular rod misalignment without binding or reducing isolation efficiency.
  2. Outside Spring Diameter: Not less than 80 percent of the compressed height of the spring at rated load.
  3. Minimum Additional Travel: 50 percent of the required deflection at rated load.
  4. Lateral Stiffness: More than 80 percent of the rated vertical stiffness.
  5. Overload Capacity: Support 200 percent of rated load, fully compressed, without deformation or failure.
  6. Elastomeric Element: Molded, oil-resistant rubber or neoprene.
  7. Coil Spring: Factory set and field adjustable for a maximum of 1/4-inch movement at start and stop.
- L. Pipe Riser Resilient Support : All-directional, acoustical pipe anchor consisting of 2 steel tubes separated by a minimum of 1/2-inch- thick, 60-durometer neoprene. Include steel and neoprene vertical-limit stops arranged to prevent vertical travel in both directions. Design support for a maximum load on the isolation material of 500 psig and for equal resistance in all directions.
- M. Resilient Pipe Guides: Telescopic arrangement of 2 steel tubes separated by a minimum of 1/2-inch- thick, 60-durometer neoprene. Factory set guide height with a shear pin to allow vertical motion due to pipe expansion and contraction. Shear pin shall be removable and reinsertable to allow for selection of pipe movement. Guides shall be capable of motion to meet location requirements.
- 2.2 RESTRAINED VIBRATION ISOLATION ROOF-CURB RAILS
- A. Available Manufacturers:
1. Amber/Booth Company, Inc.
  2. Kinetics Noise Control.
  3. Mason Industries.
  4. Vibration Mountings & Controls, Inc.
- B. General Requirements for Restrained Vibration Isolation Roof-Curb Rails: Factory-assembled, fully enclosed, insulated, air- and watertight curb rail designed to resiliently support equipment and to withstand wind forces.
- C. Lower Support Assembly: Formed sheet-metal section containing adjustable and removable steel springs that support upper frame. Upper frame shall provide continuous support for

FIRE STATIONS RENOVATION  
ARLINGTON COUNTY, VIRGINIA  
Architect's Project No: 563006

equipment and shall be captive to resiliently resist wind forces. Lower support assembly shall have a means for attaching to building structure and a wood nailer for attaching roof materials, and shall be insulated with a minimum of 2" of rigid, glass-fiber insulation on inside of assembly.

- D. Spring Isolators: Adjustable, restrained spring isolators shall be mounted on 1/4-inch thick, elastomeric vibration isolation pads and shall have access ports, for level adjustment, with removable waterproof covers at all isolator locations. Isolators shall be located so they are accessible for adjustment at any time during the life of the installation without interfering with the integrity of the roof.
1. Restrained Spring Isolators: Freestanding, steel, open-spring isolators with wind restraint.
    - a. Housing: Steel with resilient vertical-limit stops and adjustable equipment mounting and leveling bolt.
    - b. Outside Spring Diameter: Not less than 80 percent of the compressed height of the spring at rated load.
    - c. Minimum Additional Travel: 50 percent of the required deflection at rated load.
    - d. Lateral Stiffness: More than 80 percent of rated vertical stiffness.
    - e. Overload Capacity: Support 200 percent of rated load, fully compressed, without deformation or failure.
- E. Snubber Bushings: All-directional, elastomeric snubber bushings at least 1/4 inch thick.
- F. Water Seal: Galvanized sheet metal with EPDM seals at corners, attached to upper support frame, extending down past wood nailer of lower support assembly, and counterflashed over roof materials.

### 2.3 VIBRATION ISOLATION EQUIPMENT BASES

- A. Available Manufacturers:
- B. Manufacturers:
1. Amber/Booth Company, Inc.
  2. Kinetics Noise Control.
  3. Mason Industries.
  4. Vibration Mountings & Controls, Inc.
- C. Steel Base: Factory-fabricated, welded, structural-steel bases and rails.
1. Design Requirements: Lowest possible mounting height with not less than 1" clearance above the floor. Include equipment anchor bolts and auxiliary motor slide bases or rails.
    - a. Include supports for suction and discharge elbows for pumps.
  2. Structural Steel: Steel shapes, plates, and bars complying with ASTM A 36/A 36M. Bases shall have shape to accommodate supported equipment.
  3. Support Brackets: Factory-welded steel brackets on frame for outrigger isolation mountings and to provide for anchor bolts and equipment support.

FIRE STATIONS RENOVATION  
ARLINGTON COUNTY, VIRGINIA  
Architect's Project No: 563006

- D. Inertia Base: Factory-fabricated, welded, structural-steel bases and rails ready for placement of cast-in-place concrete.
  - 1. Design Requirements: Lowest possible mounting height with not less than 1-inch clearance above the floor. Include equipment anchor bolts and auxiliary motor slide bases or rails.
    - a. Include supports for suction and discharge elbows for pumps.
  - 2. Structural Steel: Steel shapes, plates, and bars complying with ASTM A 36/A 36M. Bases shall have shape to accommodate supported equipment.
  - 3. Support Brackets: Factory-welded steel brackets on frame for outrigger isolation mountings and to provide for anchor bolts and equipment support.
  - 4. Fabrication: Fabricate steel templates to hold equipment anchor-bolt sleeves and anchors in place during placement of concrete. Obtain anchor-bolt templates from supported equipment manufacturer.

## 2.4 FACTORY FINISHES

- A. Finish: Manufacturer's standard paint applied to factory-assembled and -tested equipment before shipping.
  - 1. Powder coating on springs and housings.
  - 2. All hardware shall be galvanized. Hot-dip-galvanize metal components for exterior use.
  - 3. Bake enamel or powder coat for metal components on isolators for interior use.
  - 4. Color-code or otherwise mark vibration isolation and wind control devices to indicate capacity range.

## PART 3 - EXECUTION

### 3.1 EXAMINATION

- A. Examine areas and equipment to receive vibration isolation and wind-control devices for compliance with requirements for installation tolerances and other conditions affecting performance.
- B. Examine roughing-in of reinforcement and cast-in-place anchors to verify actual locations before installation.
- C. Proceed with installation only after unsatisfactory conditions have been corrected.

### 3.2 APPLICATIONS

- A. Multiple Pipe Supports: Secure pipes to trapeze member with clamps approved for application by an agency acceptable to authorities having jurisdiction.

FIRE STATIONS RENOVATION  
ARLINGTON COUNTY, VIRGINIA  
Architect's Project No: 563006

- B. Strength of Support and Wind Restraint Assemblies: Where not indicated, select sizes of components so strength will be adequate to resist loads within loading limits.

3.3 VIBRATION-CONTROL DEVICE INSTALLATION

- A. Comply with requirements indicated in the Contract Documents, in codes and ordinances, by Authority Having Jurisdiction, and by Manufacturer, for installation of all devices.

3.4 FIELD QUALITY CONTROL

- A. Perform tests.

- B. Tests:

1. Provide evidence of recent calibration of test equipment by a testing agency acceptable to authorities having jurisdiction.
2. Schedule test with Owner, through Architect, before connecting anchorage device to restrained component (unless postconnection testing has been approved), and with at least seven days' advance notice.
3. Obtain Architect's approval before transmitting test loads to structure. Provide temporary load-spreading members.
4. Test at least two of each type and size of installed anchors and fasteners.
5. Test to 90 percent of rated proof load of device.
6. Measure isolator restraint clearance.
7. Measure isolator deflection.
8. Verify snubber minimum clearances.
9. If a device fails test, fix and retest until satisfactory results are achieved then modify all installations of same type to match.

- C. Prepare test reports.

3.5 ADJUSTING

- A. Adjust isolators after piping system is at operating weight.
- B. Adjust limit stops on restrained spring isolators to mount equipment at normal operating height. After equipment installation is complete, adjust limit stops so they are out of contact during normal operation.
- C. Adjust active height of spring isolators.
- D. Adjust restraints to permit free movement of equipment within normal mode of operation.

3.6 VIBRATION ISOLATION SCHEDULE

FIRE STATIONS RENOVATION  
ARLINGTON COUNTY, VIRGINIA  
Architect's Project No: 563006

- A. Ductwork
  - 1. Flexible connectors shall be used for ductwork connections to air handling units. Refer to Section "Metal Ducts." Ductwork shall be suspended with elastomeric hangers for a distance of 20 feet from air handling units.
- B. Air Handling Units
  - 1. Units shall include fan and motor assemblies internally isolated from the unit casing using spring isolators and flexible duct connectors.
- C. Power Ventilators
  - 1. Provide elastomeric hangers for units suspended from structure above ceiling.
- D. Split System Indoor Units
  - 1. Provide elastomeric hangers for units suspended from structure above ceiling.

END OF SECTION

FIRE STATIONS RENOVATION  
ARLINGTON COUNTY, VIRGINIA  
Architect's Project No: 563006

SECTION 230700 - HVAC INSULATION

PART 1 - GENERAL

1.1 RELATED DOCUMENTS

- A. Provisions of the Contract and of the Contract Documents apply to this Section.

1.2 DEFINITIONS

- A. Outdoor duct and pipe: Duct conveying untreated outside air at ambient temperature and humidity.
- B. Outdoor pipe: Pipe located outside the building insulation envelope.
- C. Supply air duct: Duct conveying air on the discharge side of an air handling unit or fan which will be delivered to a space in a building through a diffuser or connection to the return duct of another unit. Ductwork on the discharge side of a 100% outside air unit is considered to be Supply air duct.
- D. Return air duct: Duct conveying air from a space or plenum that will return to an air handling unit or energy transfer device. The air may be returned to the supply air duct after being conditioned, or it may be exhausted after passing through an energy transfer device. Typical examples of an energy transfer devices are plate heat exchangers, runaround coils, heat pipes, and energy wheels.
- E. Exhaust air duct: Duct conveying air from a space or plenum that will be exhausted from the building without being passed through an energy transfer device.
- F. Plenum: An unoccupied space or void, on the conditioned side of the building insulation and vapor barrier, being used to return conditioned air to the inlet side of a return or exhaust fan either directly or via a duct connection. An example would be a space with air handling light fixtures or openings in the ceiling used to transport air through the ceiling and then to an open duct located above the ceiling in another location.
- G. Indirectly Conditioned Space: A space having no direct conditioning but, due to air movement induced by an exhaust, or return opening, is conditioned by makeup air from an adjacent space. An example would be a small toilet. Boiler rooms, fan rooms, and mechanical rooms do not qualify as indirectly conditioned spaces.
- H. Inside the Building Insulation Envelope: For the purposes of this section, boiler rooms, fan rooms, and mechanical rooms are considered to be OUTSIDE the building insulation envelope.

1.3 SUBMITTALS

- A. Product Data: Identify thermal conductivity, thickness, and jackets (both factory and field applied, if any), for each type of product indicated.
- B. Shop Drawings: Show fabrication and installation details for the following:
  - 1. Detail application of removable insulation covers.
  - 2. Detail application of protective shields, saddles, and inserts at hangers for each type of insulation and hanger.



FIRE STATIONS RENOVATION  
ARLINGTON COUNTY, VIRGINIA  
Architect's Project No: 563006

3. Detail attachment and covering of heat tracing inside insulation.
4. Detail insulation application at pipe expansion joints for each type of insulation.
5. Detail insulation application at elbows, fittings, flanges, valves, and specialties for each type of insulation.
6. Detail removable insulation at piping specialties, equipment connections, and access panels.
7. Detail application of field-applied jackets.
8. Detail application at linkages of control devices.
9. Detail field application for each equipment type.

1.4 QUALITY ASSURANCE

- A. Fire-Test-Response Characteristics: Insulation and related materials shall have fire-test-response characteristics indicated, as determined by testing identical products per ASTM E 84, by a testing and inspecting agency acceptable to authorities having jurisdiction. Factory label insulation and jacket materials and adhesive, mastic, tapes, and cement material containers, with appropriate markings of applicable testing and inspecting agency.
  1. Insulation Installed Indoors: Flame-spread index of 25 or less, and smoke-developed index of 50 or less.
  2. Insulation Installed Outdoors: Flame-spread index of 75 or less, and smoke-developed index of 150 or less.

1.5 DELIVERY, STORAGE, AND HANDLING

- A. Packaging: Ship insulation materials in containers marked by manufacturer with type, grade, and maximum use temperature.
- B. Ship Insulated Piping System Components on pallets and wood supports. Securely fasten and protect from damage. Store off the ground and cover with opaque waterproof tarp to protect materials from sunlight and rain.

1.6 COORDINATION

- A. Coordinate size and location of supports, hangers, and insulation shields specified in Section "Hangers and Supports for HVAC Piping and Equipment."
- B. Coordinate clearance requirements with piping Installer for piping insulation, duct Installer for duct insulation, and equipment Installer for equipment insulation.
- C. Maintain clearances required for maintenance.
- D. Coordinate installation and testing of heat tracing.

PART 2 - PRODUCTS

2.1 MANUFACTURERS

- A. Available Manufacturers:
  1. Mineral-Fiber Insulation:
    - a. CertainTeed Manson.
    - b. Johns Manville

FIRE STATIONS RENOVATION  
ARLINGTON COUNTY, VIRGINIA  
Architect's Project No: 563006

- c. Knauf FiberGlass GmbH.
    - d. Owens-Corning Fiberglas Corp.
    - e. Schuller International, Inc.
  - 2. Flexible Elastomeric Thermal Insulation:
    - a. Armacell, LLC
    - b. Rubatex Corp.
  - 3. Removable Insulation Covers:
    - a. Advance Thermal Corp.
- B. Comply with requirements in Part 3 schedule articles for where insulating materials shall be applied.
- C. Products shall not contain asbestos, lead, mercury, or mercury compounds.
- D. Products that come in contact with stainless steel shall have a leachable chloride content of less than 50 ppm when tested according to ASTM C 871.
- E. Insulation materials for use on austenitic stainless steel shall be qualified as acceptable according to ASTM C 795.
- F. Foam insulation materials shall not use CFC or HCFC blowing agents in the manufacturing process.
- G. Duct Liner: Refer to specification section "Metal Ducts"
- H. Mineral-Fiber Board: Glass fibers bonded with a thermosetting resin. Comply with ASTM C 612, Type IB, with factory applied FSK Jacket. Meet the requirements of ASTM C 1290, Type III, inorganic glass fibers bonded by a thermosetting resin to maximum service temperature of 250°F.. Faced insulation shall not exceed 25 Flame Spread, 50 Smoke Developed when tested in accordance with ASTM E84.
- I. Semi-Rigid Mineral-Fiber Board: Glass fibers bonded with a thermosetting resin. Comply with ASTM C 1136, Type I, II, III, & IV with factory applied all-service jacket (ASJ) or Type II, IV with factory applied Foil Scrim Kraft (FSK) jacket.
- J. Mineral-Fiber Blanket with Factory Applied FSK Jacket: Meet the requirements of ASTM C 1290, Type III, inorganic glass fibers bonded by a thermosetting resin with a multi-purpose foil-scrim kraft (FSK) jacket to maximum service temperature of 250°F. FSK shall meet the requirements of ASTM C 1136, Type II, when surface burning characteristics are determined in accordance with ASTM E 84 with the foil surface of the material exposed to the flame as it is in the final composite. Composite (insulation, facing and adhesive) shall not exceed 25 Flame Spread, 50 Smoke Developed when tested in accordance with ASTM E 84. Insulation properties shall be as follows:
- 1. Thickness: 1-1/2"
    - a. Density: 0.75 pcf
    - b. Minimum uncompressed R value: 5.0
    - c. Minimum installed R value assuming 25% compression: 4.0
  - 2. Thickness: 2"
    - a. Density: 1.0 pcf
    - b. Minimum uncompressed R value: 7.4
    - c. Minimum installed R value assuming 25% compression: 6.0
  - 3. Alternate to 2" 1.0 pcf: Thickness: 2.2"
    - a. Density: 0.75 pcf

**FIRE STATIONS RENOVATION  
ARLINGTON COUNTY, VIRGINIA  
Architect's Project No: 563006**

- b. Minimum uncompressed R value: 7.4
      - c. Minimum installed R value assuming 25% compression: 6.0
    - 4. Thickness: 3"
      - a. Density: 0.75 pcf
      - b. Minimum uncompressed R value: 10.0
      - c. Minimum installed R value assuming 25% compression: 8.3
  
  - K. Mineral-Fiber Pipe Insulation: Glass fibers bonded with a thermosetting resin complying with the following:
    - 1. Preformed Pipe Insulation: Comply with ASTM C 547, Type 1, with factory-applied, all-purpose, vapor-retarder jacket.
    - 2. Semi-Rigid Mineral-Fiber Board Thermal Insulation: Glass fibers bonded with a thermosetting resin. Comply with ASTM C 1136, Type I, II, III, IV with factory applied all-service jacket (ASJ) or Type II, IV with factory applied Foil Scrim Kraft (FSK) jacket.
    - 3. Fire-Resistant Adhesive: Comply with MIL-A-3316C in the following classes and grades:
      - a. Class 1, Grade A for bonding glass cloth and tape to unfaced glass-fiber insulation, for sealing edges of glass-fiber insulation, and for bonding lagging cloth to unfaced glass-fiber insulation.
      - b. Class 2, Grade A for bonding glass-fiber insulation to metal surfaces.
    - 4. Mineral-Fiber Insulating Cements: Comply with ASTM C 195.
    - 5. Expanded or Exfoliated Vermiculite Insulating Cements: Comply with ASTM C 196.
    - 6. Mineral-Fiber, Hydraulic-Setting Insulating and Finishing Cement: Comply with ASTM C 449/C 449M.
  
  - L. Flexible Elastomeric: Closed-cell, sponge- or expanded-rubber materials. Comply with ASTM C 534, Type I for tubular materials and Type II for sheet materials.
    - 1. Adhesive: As recommended by insulation material manufacturer.
    - 2. Ultraviolet-Protective Coating: As recommended by insulation manufacturer.
  
  - M. Closed-Cell Phenolic-Foam: Block insulation of rigid, expanded, closed-cell structure. Comply with ASTM C 1126, Type II, Grade 1.
  
  - N. Prefabricated Thermal Insulating Fitting Covers: Comply with ASTM C 450 for dimensions used in preforming insulation to cover valves, elbows, tees, and flanges.
- 2.2 FIELD-APPLIED JACKETS
- A. General: ASTM C 921, Type 1, unless otherwise indicated.
  - B. Glass Cloth: Woven glass-fiber fabric, plain weave, minimum 8 ounces per square yard.
  - C. Foil and Paper Jacket: Laminated, glass-fiber-reinforced, flame-retardant kraft paper and aluminum foil.
  - D. PVC Jacket: High-impact, ultraviolet-resistant PVC; 20 mils thick; roll stock ready for shop or field cutting and forming.
    - 1. Adhesive: As recommended by insulation material manufacturer.
    - 2. PVC Duct Jacket Color: White or gray.

FIRE STATIONS RENOVATION  
ARLINGTON COUNTY, VIRGINIA  
Architect's Project No: 563006

3. PVC Pipe Jacket Color: Color-code piping jackets based on materials contained within the piping system.
- E. Aluminum Jacket: Deep corrugated sheets manufactured from aluminum alloy complying with ASTM B 209, and having an integrally bonded moisture barrier over entire surface in contact with insulation. Factory cut and rolled to indicated sizes. Comply with ASTM B 209, 3003 alloy, H-14 temper.
1. Finish and Thickness: Stucco-embossed finish, 0.016 inch thick.
  2. Moisture Barrier: 1-mil- thick, heat-bonded polyethylene and kraft paper.
  3. Elbows: Preformed, 45- and 90-degree, short- and long-radius elbows; same material, finish, and thickness as jacket.
- F. Heavy PVC Pipe Fitting Covers: Factory-fabricated fitting covers manufactured from 30-mil-thick, high-impact, ultraviolet-resistant PVC.
1. Shapes: 45- and 90-degree, short- and long-radius elbows, tees, valves, flanges, reducers, end caps, soil-pipe hubs, traps, mechanical joints, and P-trap and supply covers for lavatories for the disabled.
  2. Adhesive: As recommended by insulation material manufacturer.
- G. Pre-engineered Jacketing systems: Metallic outer covering, with Velcro system suited for protecting outdoor refrigerant piping. Provide submittal for approval.

### 2.3 ACCESSORIES AND ATTACHMENTS

- A. Glass Cloth and Tape: Comply with MIL-C-20079H, Type I for cloth and Type II for tape. Woven glass-fiber fabrics, plain weave, presized a minimum of 8 oz./sq. yd..
1. Tape Width: 4 inches.
- B. Bands: 3/4 inch wide, in one of the following materials compatible with jacket:
1. Stainless Steel: ASTM A 666, Type 304; 0.020 inch thick.
  2. Galvanized Steel: 0.005 inch thick.
  3. Aluminum: 0.007 inch thick.
  4. Brass: 0.010 inch thick.
  5. Nickel-Copper Alloy: 0.005 inch thick.
- C. Wire: 0.080-inch, nickel-copper alloy; 0.062-inch, soft-annealed, stainless steel; or 0.062-inch, soft-annealed, galvanized steel.
- D. Weld-Attached Anchor Pins and Washers: Copper-coated steel pin for capacitor-discharge welding and galvanized speed washer. Pin length sufficient for insulation thickness indicated.
1. Welded Pin Holding Capacity: 100 lb for direct pull perpendicular to the attached surface.
- E. Adhesive-Attached Anchor Pins and Speed Washers: Galvanized steel plate, pin, and washer manufactured for attachment to duct, pipe, plenum and breeching with adhesive. Pin length sufficient for insulation thickness indicated.
1. Adhesive: Recommended by the anchor pin manufacturer as appropriate for surface temperatures of ducts, pipes, plenums, and breechings; and to achieve a holding capacity of 100 lb. for direct pull perpendicular to the adhered surface.

FIRE STATIONS RENOVATION  
ARLINGTON COUNTY, VIRGINIA  
Architect's Project No: 563006

- F. Self-Adhesive Anchor Pins and Speed Washers: Galvanized steel plate, pin, and washer manufactured for attachment to duct, pipe, and plenum with adhesive. Pin length sufficient for insulation thickness indicated.

2.4 VAPOR RETARDERS

- A. Mastics: Materials that are compatible with insulation materials, jackets, and substrates.

PART 3 - EXECUTION

3.1 EXAMINATION

- A. Examine substrates and conditions for compliance with requirements for installation and other conditions affecting performance of insulation application.
- B. Proceed with installation only after unsatisfactory conditions have been corrected.

3.2 PREPARATION

- A. Surface Preparation: Clean and dry surfaces to receive insulation. Remove materials that will adversely affect insulation application.

3.3 GENERAL APPLICATION REQUIREMENTS

- A. Apply insulation materials, accessories, and finishes according to the manufacturer's written instructions; with smooth, straight, and even surfaces; and free of voids throughout the length of ducts, piping, and fittings.
- B. Refer to schedules at the end of this Section for materials, forms, jackets, and thickness required for each system.
- C. Use accessories compatible with insulation materials and suitable for the service. Use accessories that do not corrode, soften, or otherwise attack insulation or jacket in either wet or dry state.
- D. Apply multiple layers of insulation with longitudinal and end seams staggered.
- E. Do not weld brackets, clips, or other attachment devices to piping, fittings, and specialties.
- F. Seal joints and seams with vapor-retarder mastic on insulation indicated to receive a vapor retarder.
- G. Keep insulation materials dry at all times. Insulation that becomes wet or is otherwise damaged beyond repair, shall be removed immediately and replaced. Replacement material and installation shall be in accordance with these specifications.
- H. Apply insulation with tight longitudinal seams and end joints. Bond seams and joints with adhesive recommended by the insulation material manufacturer.
- I. Apply insulation with the minimum number of joints practical.
- J. Apply insulation over fittings, valves, and specialties, with continuous thermal and vapor-retarder integrity, unless otherwise indicated.
- K. Refer to special instructions for applying insulation over fittings, valves, and specialties.

FIRE STATIONS RENOVATION  
ARLINGTON COUNTY, VIRGINIA  
Architect's Project No: 563006

- L. Hangers and Anchors: Where vapor retarder is indicated, seal penetrations in insulation at hangers, supports, anchors, and other projections with vapor-retarder mastic.
  - 1. Apply insulation continuously through hangers and around anchor attachments.
  - 2. For insulation application where vapor retarders are indicated, extend insulation on anchor legs at least 12 inches from point of attachment to pipe and taper insulation ends. Seal tapered ends with a compound recommended by the insulation material manufacturer to maintain vapor retarder.
  - 3. Install insert materials and apply insulation to tightly join the insert. Seal insulation to insulation inserts with adhesive or sealing compound recommended by the insulation material manufacturer.
  - 4. Cover inserts with jacket material matching adjacent pipe insulation. Install shields over jacket, arranged to protect the jacket from tear or puncture by the hanger, support, and shield.
  
- M. Insulation Terminations: For insulation application where vapor retarders are indicated, seal ends with a compound recommended by the insulation material manufacturer to maintain vapor retarder.
  
- N. Apply insulation with integral jackets as follows:
  - 1. Pull jacket tight and smooth.
  - 2. Circumferential Joints: Cover with 3-inch- wide strips, of same material as insulation jacket. Secure strips with adhesive and outward clinching staples along both edges of strip and spaced 4 inches o.c.
  - 3. Longitudinal Seams: Overlap jacket seams at least 1-1/2 inches. Apply insulation with longitudinal seams at bottom of pipe. Clean and dry surface to receive self-sealing lap. Staple laps with outward clinching staples along edge at 4 inches o.c.
    - a. Exception: Do not staple longitudinal laps on insulation having a vapor retarder.
  - 4. Vapor-Retarder Mastics: Where vapor retarders are indicated, apply mastic on seams and joints and at ends adjacent to flanges, unions, valves, and fittings.
  - 5. At penetrations in jackets for thermometers and pressure gages, fill and seal voids with vapor-retarder mastic.
  
- O. Cut insulation according to manufacturer's written instructions to prevent compressing insulation to less than 75 percent of its nominal thickness.
  
- P. Install vapor-retarder mastic on ducts, pipes, plenums, and equipment.
  - 1. Ducts, pipes, plenums, and equipment with Vapor Retarders: Overlap insulation facing at seams and seal with vapor-retarder mastic and pressure-sensitive tape having same facing as insulation. Repair punctures, tears, and penetrations with tape and mastic to maintain vapor-retarder seal.
  - 2. Ducts, pipes, plenums, and equipment without Vapor Retarders: Overlap insulation facing at seams and secure with outward clinching staples and pressure-sensitive tape having same facing as insulation.
  
- Q. Roof Penetrations: Apply insulation for interior applications to a point even with top of roof flashing.

FIRE STATIONS RENOVATION  
ARLINGTON COUNTY, VIRGINIA  
Architect's Project No: 563006

1. Seal penetrations with vapor-retarder mastic.
  2. Apply insulation for exterior applications tightly joined to interior insulation ends.
  3. Extend metal jacket of exterior insulation outside roof flashing at least 2 inches below top of roof flashing.
  4. Seal metal jacket to roof flashing with vapor-retarder mastic.
- R. Interior Wall and Partition Penetrations: Apply insulation continuously through walls and partitions, except fire-rated walls and partitions.
- S. Fire-Rated Wall and Partition Penetrations: Terminate insulation at fire/smoke damper sleeves for fire-rated wall and partition penetrations.
- T. Floor Penetrations: Terminate insulation at underside of floor assembly and at floor support at top of floor.
1. For insulation indicated to have vapor retarders, taper termination and seal insulation ends with vapor-retarder mastic.

### 3.4 MINERAL-FIBER INSULATION APPLICATION

- A. Blanket Applications for Ducts, Pipes, and Plenums: Secure blanket insulation with adhesive, and anchor pins with speed washers.
1. Apply adhesives according to manufacturer's recommended coverage rates per square foot, for 100 percent coverage of duct, pipe, and plenum surfaces.
  2. Apply adhesive to entire circumference of ducts & pipes and to all surfaces of fittings and transitions. Adhesive may be omitted from the top of horizontal rectangular ducts.
  3. Install anchor pins and speed washers on sides and bottom of horizontal ducts and sides of vertical ducts as follows:
    - a. On duct sides with dimensions 18 inches and smaller, along longitudinal centerline of duct. Space 3 inches maximum from insulation end joints, and 16 inches o.c.
    - b. On duct sides with dimensions larger than 18 inches. Space 16 inches o.c. each way, and 3 inches maximum from insulation joints. Apply additional pins and clips to hold insulation tightly against surface at cross bracing.
    - c. Anchor pins may be omitted from top surface of horizontal, rectangular ducts and plenums.
    - d. Do not compress insulation to less than 75% of its original thickness during installation.
  4. Install anchor pins and speed washers on sides, top, and bottom of horizontal pipes.
  5. Impale insulation over anchors and attach speed washers.
  6. Cut excess portion of pins extending beyond speed washers. Cover exposed pins and washers with tape matching insulation facing.
  7. Create a facing lap for longitudinal seams and end joints with insulation by removing 2 inches from one edge and one end of insulation segment. Secure laps to adjacent insulation segment with 1/2-inch staples, 1-inch o.c., and cover with pressure-sensitive tape having same facing as insulation.
  8. Overlap unfaced blankets a minimum of 2 inches on longitudinal seams and end joints. Secure with steel band at end joints and spaced a maximum of 18 inches o.c.
  9. Apply insulation on rectangular duct elbows, pipe fittings, and transitions with a full insulation segment for each surface. Apply insulation on round and flat-oval duct elbows, and pipe elbows, with individually mitered gores cut to fit the elbow.

FIRE STATIONS RENOVATION  
ARLINGTON COUNTY, VIRGINIA  
Architect's Project No: 563006

10. Insulate duct and pipe stiffeners, hangers, and flanges that protrude beyond the insulation surface with 6-inch- wide strips of the same material as insulation. Secure on alternating sides of stiffener, hanger, and flange with anchor pins spaced 6 inches o.c.
  11. Apply vapor-retarder mastic to open joints, breaks, and punctures for insulation indicated to receive vapor retarder.
- B. Board Applications for Ducts, Plenums, & Equipment: Secure board insulation with adhesive and anchor pins and speed washers.
1. Apply adhesives according to manufacturer's recommended coverage rates per square foot, for 100 percent coverage of duct, plenum, & equipment surfaces.
  2. Apply adhesive to entire circumference of ducts and to all surfaces of fittings, transitions, and equipment. Adhesive may be omitted from top surface of horizontal rectangular ducts.
  3. Space anchor pins as follows:
    - a. On duct & equipment sides with dimensions 18 inches and smaller, along longitudinal centerline of duct. Space 3 inches maximum from insulation end joints, and 16 inches o.c.
    - b. On duct & equipment sides with dimensions larger than 18 inches. Space 16 inches o.c. each way, and 3 inches maximum from insulation joints. Apply additional pins and clips to hold insulation tightly against surface at bracing.
    - c. Anchor pins may be omitted from top surface of horizontal, rectangular ducts and plenums.
    - d. Do not compress insulation to less than 75% of its original thickness during installation.
  4. Cut excess portion of pins extending beyond speed washers. Cover exposed pins and washers with tape matching insulation facing.
  5. Create a facing lap for longitudinal seams and end joints with insulation by removing 2 inches from one edge and one end of insulation segment. Secure laps to adjacent insulation segment with 1/2-inch staples, 1-inch o.c., and cover with pressure-sensitive tape having same facing as insulation.
  6. Apply insulation on rectangular duct elbows and transitions with a full insulation segment for each surface. Groove and score insulation to fit as closely as possible to outside and inside radius of elbows. Apply insulation on round and flat-oval duct elbows with individually mitered gores cut to fit the elbow.
  7. Insulate duct and equipment stiffeners, hangers, and flanges that protrude beyond the insulation surface with 6" wide strips of the insulating materia. Secure on alternating sides of stiffener, hanger, and flange with anchor pins spaced 6 inches o.c.
  8. Apply vapor-retarder mastic to open joints, breaks, and punctures for insulation indicated to receive vapor retarder.

### 3.5 FLEXIBLE ELASTOMERIC THERMAL INSULATION APPLICATION

- A. Apply insulation to ducts, plenums, and equipment as follows:
1. Follow the manufacturer's written instructions for applying insulation.
  2. Seal longitudinal seams and end joints with manufacturer's recommended adhesive. Cement to avoid openings in insulation that will allow passage of air to the duct, plenum, and equipment surface.



FIRE STATIONS RENOVATION  
ARLINGTON COUNTY, VIRGINIA  
Architect's Project No: 563006

3.6 FIELD-APPLIED JACKET APPLICATION

- A. Apply glass-cloth jacket, where indicated, directly over bare insulation or insulation with factory-applied jackets.
  - 1. Apply jacket smooth and tight to surface with 2-inch overlap at seams and joints.
  - 2. Embed glass cloth between two 0.062-inch- thick coats of jacket manufacturer's recommended adhesive.
  - 3. Completely encapsulate insulation with jacket, leaving no exposed raw insulation.

3.7 FINISHES

- A. Glass-Cloth Jacketed Insulation: Paint insulation finished with glass-cloth jacket as specified in Division 9 Section "Paints."
- B. Flexible Elastomeric Thermal Insulation: After adhesive has fully cured, apply two coats of insulation manufacturer's recommended protective coating.
- C. Color: Final color shall be as selected by Architect. Vary first and second coats to allow visual inspection of the completed Work.

3.8 DIFFUSER APPLICATIONS

- A. Insulate exposed metal surfaces on top of all supply diffusers. Where diffusers are mounted in a metal pan insulate the top of the metal pan.
  - 1. Material: Mineral-Fiber Blanket Thermal Insulation with Factory Applied FSK Jacket.
  - 2. Thickness: 1 inch.
  - 3. Vapor Retarder Required: Yes.

3.9 APPLICATIONS

- A. Insulation materials and thickness are specified at the end of this Section.
- B. Insulate all ductwork, pipe and equipment:
  - 1. Insulate ductwork in accordance with the application schedule(s) below.
  - 2. Exceptions: Unless otherwise indicated, do not apply insulation to the following systems, materials, and equipment:
    - a. Vibration-control devices.
    - b. Testing agency labels and stamps.
    - c. Nameplates and data plates.
    - d. Manholes.
    - e. Handholes.
    - f. Cleanouts.
    - g. Plastic condensate drain piping.
    - h. Pipe-mounted condensate sensors.
    - i. Return ductwork inside the building insulation envelope.
    - j. Indoor exposed return air ductwork.
    - k. Exhaust ductwork.
      - 1) Exception: Duct beginning 18" upstream of backdraft damper and continuing to building envelope insulation.
    - l. Metal ducts with duct liner.
    - m. Factory-insulated flexible ducts.

FIRE STATIONS RENOVATION  
ARLINGTON COUNTY, VIRGINIA  
Architect's Project No: 563006

- n. Factory-insulated plenums, casings, terminal boxes, and filter boxes and sections.
- o. Flexible connectors.
- p. Vibration-control devices.
- q. Testing agency labels and stamps.
- r. Nameplates and data plates.
- s. Access panels and doors in air-distribution systems.

3.10 INDOOR APPLICATION SCHEDULE

A. Service: Condensate drain piping.

- 1. Insulation Material: Mineral fiber preformed pipe insulation.
- 2. Insulation Thickness: 1"
- 3. Vapor Retarder Required: Yes.
- 4. Finish: Exposed = Painted, concealed = none.

B. Service: Refrigerant piping.

- 1. Operating Temperature: 35 to 50 deg F.
- 2. Insulation Material: Flexible Elastomeric.
- 3. Insulation Thickness: 1"
- 4. Vapor Retarder Required: Yes.
- 5. Finish: Exposed = Painted, concealed = none.

C. Service: Unless otherwise indicated provide the following:

- 1. Concealed Ducts and Plenums:
  - a. Material: Mineral-Fiber Blanket.
  - b. Thickness: 1 1/2 inches.
  - c. Vapor Retarder Required: Yes.
- 2. Exposed Ducts and Plenums:
  - a. Material: Mineral-Fiber Board.
  - b. Thickness: 1-1/2 inches.
  - c. Field-Applied Jacket: Glass cloth.
  - d. Vapor Retarder Required: Yes.
  - e. Paint: Color as selected by architect. Refer to section "Painting".

D. Service: Supply-air ducts, concealed and within the building insulation envelope.

- 1. Material: Mineral-Fiber Blanket Thermal Insulation with Factory Applied FSK Jacket.
- 2. Thickness: 1 1/2 inches.
- 3. Vapor Retarder Required: Yes.

E. Service: Outside-air ducts, concealed and within the building insulation envelope.

- 1. Material: Mineral-Fiber Blanket Thermal Insulation with Factory Applied FSK Jacket.
- 2. Thickness: 1 1/2 inches.
- 3. Vapor Retarder Required: Yes.

F. Service: Rectangular, return-air ducts, concealed in vented attics and unvented attics with insulated ceilings.

- 1. Material: Mineral-Fiber Blanket Thermal Insulation with Factory Applied FSK Jacket.
- 2. Thickness: 1-1/2 inches.

FIRE STATIONS RENOVATION  
ARLINGTON COUNTY, VIRGINIA  
Architect's Project No: 563006

3. Vapor Retarder Required: Yes.

3.11 OUTDOOR APPLICATION SCHEDULE

A. Service: Refrigerant piping.

1. Operating Temperature: 35 to 50 deg F.
2. Insulation Material: Flexible Elastomeric.
3. Insulation Thickness: 1"
4. Field-Applied Jacket: Aluminum or PVC or pre-engineered jacketing systems.
5. Vapor Retarder Required: Yes.
6. Finish: Two coats UV protectant.

END OF SECTION 230700

FIRE STATIONS RENOVATION  
ARLINGTON COUNTY, VIRGINIA  
Architect's Project No: 563006

SECTION 230900 – BUILDING AUTOMATION SYSTEM

PART 1 - GENERAL

1.1 RELATED DOCUMENTS

- A. Provisions of the Contract and of the Contract Documents apply to this Section.

1.2 WARRANTY

- A. Provide all services, materials and equipment necessary for the successful operation of the entire BAS system for a period of one year beginning on the date of Final Acceptance.
- B. Services, materials, and equipment shall include but not be limited to:
1. The adjustment, required testing, and repair of the system including all computer equipment, transmission lines, transmission equipment, sensors and control devices.
  2. On-line support services shall be provided as follows:
    - a. The local BAS representative shall have the capability to monitor and control the facility's building automation system via a dialup or internet connection. This connection to the facility shall be made within 2 hours of the time a problem is reported.
    - b. If the problem is not resolved by local support, the national office of the building automation system manufacturer, having the same dialup capability, shall also attempt to solve the problem online. If the problem cannot be resolved with on-line support, the BAS representative shall dispatch the appropriate personnel to the job site to resolve the problem within 4 hours of the time that the problem is reported.
    - c. This coverage shall include normal business hours, after business hours, weekends and holidays.

1.3 SUBMITTALS

- A. Pre-submittal meeting: The Contractor performing work under this Section of the specifications shall attend a meeting for coordinating the control system with major pieces of equipment including Rooftop Units. The meeting shall be held on the project site in the contractor's trailer or other location acceptable to the Contractor. The Contractor shall be responsible for arranging the meeting. Submittals shall be essentially complete at the time of the meeting so detailed coordination items can be discussed.
- B. Submit ten (10) complete sets of documentation in the following phased delivery schedule:
1. Schedule of dampers including size, leakage, and flow characteristics.
  2. Schedule of valves including leakage and flow characteristics.

FIRE STATIONS RENOVATION  
ARLINGTON COUNTY, VIRGINIA  
Architect's Project No: 563006

3. **Product Data:** Include manufacturer's technical literature for each control device. Indicate dimensions, capacities, performance characteristics, electrical characteristics, finishes for materials, and installation and startup instructions for each type of product indicated. Include each control device labeled with setting or adjustable range of control.
  - a. **DDC System Hardware:** Bill of materials of equipment indicating quantity, manufacturer, and model number. Include technical data for interface equipment, control units, transducers/transmitters, sensors, actuators, valves, relays/switches, control panels, and operator interface equipment.
  - b. **Control System Software:** Include technical data for operating system software, operator interface, color graphics, and other third-party applications.
  - c. **Controlled Systems:** Instrumentation list with element name, type of device, manufacturer, model number, and product data. Include written description of sequence of operation including schematic diagram.
  
4. **Shop Drawings:** Detail equipment assemblies and indicate dimensions, weights, loads, required clearances, method of field assembly, components, and location and size of each field connection. Include the following:
  - a. **System schematics, including:**
    - 1) Written sequences of operation
    - 2) Listing of connected data points, including connected control unit and input device.
      - a) Point names
      - b) Point addresses
    - 3) Power, signal, and control wiring. Differentiate between manufacturer-installed and field-installed wiring.
    - 4) Details of control panel faces, including controls, instruments, and labeling.
    - 5) Schematic flow diagrams showing fans, pumps, coils, dampers, valves, and control devices.
    - 6) Trunk cable schematic showing programmable control unit locations and trunk data conductors.
    - 7) System graphics indicating monitored systems, data (connected and calculated) point addresses, and operator notations.
    - 8) System configuration showing peripheral devices, batteries, power supplies, diagrams, modems, and interconnections.
  
- C. **Maintenance Data:** For systems to include in maintenance manuals specified in Division 1. Include the following:
  1. Maintenance instructions and lists of spare parts for each type of control device.
  2. Interconnection wiring diagrams with identified and numbered system components and devices.
  3. Keyboard illustrations and step-by-step procedures indexed for each operator function.
  4. Inspection period, cleaning methods, cleaning materials recommended, and calibration tolerances.
  5. Calibration records and list of set points.

FIRE STATIONS RENOVATION  
ARLINGTON COUNTY, VIRGINIA  
Architect's Project No: 563006

- D. Project Record Documents: Record actual locations of control components, including control units, thermostats, and sensors. Revise Shop Drawings to reflect actual installation and operating sequences.
  
- E. Upon project completion, submit operation and maintenance manuals, consisting of the following:
  - 1. Index sheet listing contents in alphabetical order.
  - 2. Manufacturer's equipment parts list of all functional components of the system.
  - 3. DVD of system schematics including wiring diagrams.
  - 4. Sequences of operations
  - 5. As-built interconnection wiring diagrams.
  - 6. Operator's manual.
  - 7. Trunk cable schematic showing remote electronic panel locations and all trunk data.
  - 8. List of connected data points, including panels to which they are connected and input device (sensors, thermostat, etc.)
  - 9. Software and firmware operational documentation. Include the following:
    - a. Software operating and upgrade manuals.
    - b. Program software backup: On a magnetic media or compact disc, complete with data files.
    - c. Device address list.
    - d. Printout of software application and graphic screens.
    - e. Software license required by control systems.
  - 10. Software Upgrade Kit: For Owner to use in modifying software to suit future power system revisions or monitoring and control revisions.
  - 11. Field Test Reports: Indicate and interpret test results for compliance with performance requirements.
  
- F. Submit product data sheets for airflow measuring devices indicating minimum placement requirements, sensor density, sensor distribution, and installed accuracy to the host control system. Submit a schedule of airflow measuring devices indicating compliance with specified accuracy at minimum and maximum airflow rates. Submit installation, operation and maintenance documentation.

1.4 QUALITY ASSURANCE

- A. The BAS system shall be designed and installed, commissioned, and serviced by a manufacturer's authorized installer.
  
- B. Manufacturer Qualifications: A firm experienced in manufacturing automatic temperature-control systems similar to those indicated for this Project and with a record of successful in-service performance.
  
- C. All materials and equipment used shall be standard components, regularly manufactured for this and/or other systems and not custom designed especially for this project.

FIRE STATIONS RENOVATION  
ARLINGTON COUNTY, VIRGINIA  
Architect's Project No: 563006

- D. Electrical Components, Devices, and Accessories: Listed and labeled as defined in NFPA 70, Article 100, by a testing agency acceptable to authorities having jurisdiction, and marked for intended use.
- E. Electronic equipment shall conform to the requirements of FCC Regulation, Part 15, Section 15, governing radio frequency electromagnetic interference and shall be so labeled.
- F. Comply with NFPA 90A, "Installation of Air Conditioning and Ventilation Systems."
- G. Comply with ASHRAE 135 for DDC system components.

1.5 DELIVERY, STORAGE, AND HANDLING

- A. Factory-Mounted Components: Where control devices specified in this Section are indicated to be factory-mounted on equipment, arrange for shipping of control devices to equipment manufacturer.
- B. System Software: Update to latest version of software at Project completion.

1.6 COORDINATION

- A. Control Wiring: The BAS manufacturer shall be responsible for all BAS and temperature control wiring for a complete and operable system. All wire and cable shall be plenum-rated and shall be in accordance with Division 26 specification sections and all local, state and national codes and ordinances.
- B. Where plenum-rated BAS cable is routed in concealed, accessible spaces, the cable may be run in the cable trays or in J-Hooks provided under this section of the specifications. Where plenum-rated BAS cable is routed in exposed or inaccessible areas, it shall be run conduit provided under this section of the specifications.
- C. Power Wiring:
  - 1. Power wiring indicated (device and circuit designation indicated) on the drawings shall be provided under Division 26.
  - 2. The BAS manufacturer shall be responsible for power wiring not indicated (device or circuit designation not indicated) on the Drawings. It shall be the BAS manufacturer's responsibility to review the Contract Documents to determine the extent of power wiring included in Division 26 and to provide additional power wiring as required. Work shall be in accordance with Division 26 specifications and all local, state and national codes and ordinances.
  - 3. Where the contractor performing work under this section requires an additional circuit for power wiring to a device or panel under paragraph 2 above, an RFI shall be issued requesting approval to use an available circuit in the nearest panel. Once approval is granted, all wiring and conduit from the breaker to the device or panel shall be provided under this section of the specifications.

FIRE STATIONS RENOVATION  
ARLINGTON COUNTY, VIRGINIA  
Architect's Project No: 563006

- D. Coordinate location of thermostats, humidistats, and other exposed control sensors with plans and room details before installation. All conduits shall be concealed within walls and above ceilings unless indicated otherwise.
- E. Coordinate installation of conduit to avoid cutting of finished surfaces.
- F. Coordinate equipment with Division 26 Section "Lighting Control Devices" to achieve compatibility with equipment that interfaces with that system.
- G. Coordinate equipment with Division 28 Section "Digital Addressable Fire Alarm" to achieve compatibility with equipment that interfaces with that system.
- H. Coordinate supply of conditioned electrical branch circuits for control units and operator workstation.

1.7 PROJECT CONDITIONS

- A. Maintain environmental conditions (temperature, humidity and ventilation) within limits recommended by manufacturer for optimum results. Do not install products under environmental conditions outside manufacturer's absolute limits.

PART 2 - PRODUCTS

2.1 MANUFACTURER

- 1. Trane

2.2 GENERAL:

- a. Provide controls to match the existing system controls supplier for each fire station.
- b. For fire station #1, provide DDC panel and control new RTU-8 and integrate into existing BAS.
- c. For fire station #6, provide monitoring for new fan and split system as required in sequence of controls for HVAC section and sheet M7.1 on drawings.

2.3 DDC CONTROLLERS

- A. All packaged equipment shall be provided with manufacturers controllers with BACnet interface.

2.4 ELECTRONIC SENSORS

- A. Description: Vibration and corrosion resistant; for wall, immersion, or duct mounting as required.



FIRE STATIONS RENOVATION  
ARLINGTON COUNTY, VIRGINIA  
Architect's Project No: 563006

B. Thermistor Temperature Sensors and Transmitters and Resistance Temperature Detectors and Transmitters:

1. Accuracy: Plus or minus 0.5 deg F at calibration point.
2. Wire: Twisted, shielded-pair cable.
3. Insertion Elements in Ducts: Single point, 8 inches long; use where not affected by temperature stratification or where ducts are smaller than 9 sq. ft.
4. Averaging Elements in Ducts: 36 inches long, flexible; use where prone to temperature stratification or where ducts are larger than 10 sq. ft.
5. Insertion Elements for Liquids: Brass or stainless-steel socket with minimum insertion length of 2-1/2 inches.
6. Room Sensor Cover Construction: Manufacturer's standard locking covers.
  - a. Set-Point Adjustment (classrooms, offices, work rooms and conference rooms): Exposed warmer/cooler slider. Range of adjustment capable at zone sensor shall be programmable through the BAS.
  - b. Set-Point Adjustment (other spaces): Concealed.
  - c. Set-Point Indication: Concealed.
  - d. Thermometer: Concealed.
  - e. Color: Manufacturer's standard.
  - f. Orientation: Vertical.
  - g. Option: No manufacturer logo.
7. Outside-Air Sensors: Watertight inlet fitting, shielded from direct sunlight.
8. Space Sensor Guards: Provide heavy-duty, cast aluminum guards for sensors located in the gymnasium, auxiliary gymnasium, auditorium and commons.
9. Public Corridors: In public corridors and entrances, provide blank stainless-steel cover plate sensors with insulated back and security screws.

C. Humidity Sensors: Capacitance or bulk polymer resistance type.

1. Accuracy: 5 percent full range with linear output.
2. Room Sensor Range: 20 to 80 percent relative humidity.
3. Room Sensor Cover Construction: Manufacturer's standard locking covers.
  - a. Color: Manufacturer's standard.
  - b. Orientation: Vertical.
  - c. Set-Point Adjustment: Concealed.
  - d. Set-Point Indication: Concealed.
4. Outside-Air Sensor: 20 to 80 percent relative humidity range with mounting enclosure, suitable for operation at outdoor temperatures of 0 to 185 deg F.
5. Duct-Mounted: Electric insertion, 2-position type with adjustable, 2 percent throttling range, 20 to 80 percent operating range, and single- or double-pole contacts.

D. Pressure Transmitters/Transducers:

1. Static-Pressure Transmitter: Non-directional sensor with suitable range for expected input and temperature-compensated.

FIRE STATIONS RENOVATION  
ARLINGTON COUNTY, VIRGINIA  
Architect's Project No: 563006

- a. Accuracy: 2 percent of full scale with repeatability of 0.5 percent.
  - b. Output: 4 to 20 mA.
  - c. Building Static-Pressure Range: 0- to 0.25-inch wg.
  - d. Duct Static-Pressure Range: 0- to 5-inch wg.
2. Water Pressure Transducers: Stainless-steel diaphragm construction, suitable for service; minimum 150-psig operating pressure; linear output 4 to 20 mA.
  3. Water Differential-Pressure Transducers: Stainless-steel diaphragm construction, suitable for service; minimum 150-psig operating pressure and tested to 300-psig; linear output 4 to 20 mA.
  4. Differential-Pressure Switch (Air or Water): Snap acting, with pilot-duty rating and with suitable scale range and differential. Accuracy shall be +/- 5% of range.
  5. Pressure Transmitters: Direct acting for gas, liquid, or steam service; range suitable for system; linear output 4 to 20 mA.
- E. Current Sensing Switch:
1. Sensor supply voltage and supply current shall be induced from monitored conductor. Contact rating shall be 0.2 amperes at 30 volts DC/AC. Trip set point shall be adjustable to +/-1% of range. Current sensing switch wiring shall not be polarity sensitive.
- F. Liquid Level Sensors:
1. Liquid level sensors shall have 1/2" accuracy calibrated to detect water in temperature range from 60°F to 80°F. Output signal shall be 4 to 20 mA. Sensor material shall be stainless steel or other non-corrosive material.
- 2.5 STATUS SENSORS
- A. Status Inputs for Fans: Differential-pressure switch with pilot-duty rating and with adjustable range of 0- to 5-inch wg.
  - B. Status Inputs for Pumps: Differential-pressure switch with pilot-duty rating and with adjustable pressure-differential range of 8 to 60 psig, piped across pump.
  - C. Status Inputs for Electric Motors: Comply with ISA 50.00.01, current-sensing fixed- or split-core transformers with self-powered transmitter, adjustable and suitable for 175 percent of rated motor current.
  - D. Voltage Transmitter (100- to 600-V ac): Comply with ISA 50.00.01, single-loop, self-powered transmitter, adjustable, with suitable range and 1 percent full-scale accuracy.
  - E. Current Switches: Self-powered, solid-state with adjustable trip current, selected to match current and system output requirements.
  - F. Electronic Valve/Damper Position Indicator: Visual scale indicating percent of travel and 2- to 10-V dc, feedback signal.

FIRE STATIONS RENOVATION  
ARLINGTON COUNTY, VIRGINIA  
Architect's Project No: 563006

- G. Water-Flow Switches: Bellows-actuated mercury or snap-acting type with pilot-duty rating, stainless-steel or bronze paddle, with appropriate range and differential adjustment, in NEMA 250, Type 1 enclosure.

2.6 THERMOSTATS

A. Available Manufacturers:

1. Danfoss Inc.; Air-Conditioning and Refrigeration Div.
2. Heat-Timer Corporation.
3. tekmar Control Systems, Inc.

B. Combination Thermostat and Fan Switches: Line-voltage thermostat with push-button or lever-operated fan switch.

1. Label switches "FAN ON-OFF" or "FAN HIGH-LOW-OFF" or "FAN HIGH-MED-LOW-OFF."
2. Mount on single electric switch box.

C. Electric, solid-state, microcomputer-based room thermostat with remote sensor.

1. Automatic switching from heating to cooling.
2. Preferential rate control to minimize overshoot and deviation from set point.
3. Set up for four separate temperatures per day.
4. Instant override of set point for continuous or timed period from 1 hour to 31 days.
5. Short-cycle protection.
6. Programming based on every day of week.
7. Selection features include degree F or degree C display, 12- or 24-hour clock, keyboard disable, remote sensor, and fan on-auto.
8. Battery replacement without program loss.
9. Thermostat display features include the following:
  - a. Time of day.
  - b. Actual room temperature.
  - c. Programmed temperature.
  - d. Programmed time.
  - e. Duration of timed override.
  - f. Day of week.
  - g. System mode indications include "heating," "off," "fan auto," and "fan on."

D. Low-Voltage, On-Off Thermostats: NEMA DC 3, 24-V, bimetal-operated, mercury-switch type, with adjustable or fixed anticipation heater, concealed set-point adjustment, 55 to 85 deg F set-point range, and 2 deg F maximum differential.

E. Line-Voltage, On-Off Thermostats: Bimetal-actuated, open contact or bellows-actuated, enclosed, snap-switch or equivalent solid-state type, with heat anticipator; listed for electrical rating; with concealed set-point adjustment, 55 to 85 deg F set-point range, and 2 deg F maximum differential.

FIRE STATIONS RENOVATION  
ARLINGTON COUNTY, VIRGINIA  
Architect's Project No: 563006

1. Electric Heating Thermostats: Equip with off position on dial wired to break ungrounded conductors.
  2. Selector Switch: Integral, manual on-off-auto.
- F. Remote-Bulb Thermostats: On-off or modulating type, liquid filled to compensate for changes in ambient temperature; with copper capillary and bulb, unless otherwise indicated.
1. Bulbs in water lines with separate wells of same material as bulb.
  2. Bulbs in air ducts with flanges and shields.
  3. Averaging Elements: Copper tubing with either single- or multiple-unit elements, extended to cover full width of duct or unit; adequately supported.
  4. Scale settings and differential settings are clearly visible and adjustable from front of instrument.
  5. On-Off Thermostat: With precision snap switches and with electrical ratings required by application.
  6. Modulating Thermostats: Construct so complete potentiometer coil and wiper assembly is removable for inspection or replacement without disturbing calibration of instrument.
- G. Immersion Thermostat: Remote-bulb or bimetal rod-and-tube type, proportioning action with adjustable throttling range and adjustable set point.
- H. Airstream Thermostats: Two-pipe, fully proportional, single-temperature type; with adjustable set point in middle of range, adjustable throttling range, plug-in test fitting or permanent pressure gage, remote bulb, bimetal rod and tube, or averaging element.
- I. Electric, Low-Limit Duct Thermostat: Snap-acting, single-pole, single-throw, manual- or automatic- reset switch that trips if temperature sensed across any 12 inches of bulb length is equal to or below set point.
1. Bulb Length: Minimum 20 feet.
  2. Quantity: One thermostat for every 20 sq. ft. of coil surface.
- J. Electric, High-Limit Duct Thermostat: Snap-acting, single-pole, single-throw, manual- or automatic- reset switch that trips if temperature sensed across any 12 inches of bulb length is equal to or above set point.
1. Bulb Length: Minimum 20 feet.
  2. Quantity: One thermostat for every 20 sq. ft. of coil surface.
- K. Heating/Cooling Valve-Top Thermostats: Proportional acting for proportional flow, with molded-rubber diaphragm, remote-bulb liquid-filled element, direct and reverse acting at minimum shutoff pressure of 25 psig, and cast housing with position indicator and adjusting knob.

## 2.7 ACTUATORS

- A. Electric Motors: Size to operate with sufficient reserve power to provide smooth modulating action or two-position action.

FIRE STATIONS RENOVATION  
ARLINGTON COUNTY, VIRGINIA  
Architect's Project No: 563006

1. Comply with requirements in Division 23 Section "Common Motor Requirements for HVAC Equipment."
  2. Permanent Split-Capacitor or Shaded-Pole Type: Gear trains completely oil immersed and sealed. Equip spring-return motors with integral spiral-spring mechanism in housings designed for easy removal for service or adjustment of limit switches, auxiliary switches, or feedback potentiometer.
  3. Non-spring-Return Motors for Valves Larger than NPS 2-1/2: Size for running torque of 150 in. x lbf and breakaway torque of 300 in. x lbf.
  4. Spring-Return Motors for Valves Larger than NPS 2-1/2: Size for running and breakaway torque of 150 in. x lbf.
  5. Non-spring-Return Motors for Dampers Larger than 25 Sq. Ft.: Size for running torque of 150 in. x lbf and breakaway torque of 300 in. x lbf.
  6. Spring-Return Motors for Dampers Larger than 25 Sq. Ft.: Size for running and breakaway torque of 150 in. x lbf.
- B. Electronic Actuators: Direct-coupled type designed for minimum 60,000 full-stroke cycles at rated torque.
1. Valves: Size for torque required for valve close off at maximum pump differential pressure.
  2. Dampers: Size for running torque calculated as follows:
    - a. Parallel-Blade Damper with Edge Seals: 7 inch-lb/sq. ft. of damper.
    - b. Opposed-Blade Damper with Edge Seals: 5 inch-lb/sq. ft. of damper.
    - c. Parallel-Blade Damper without Edge Seals: 4 inch-lb/sq. ft. of damper.
    - d. Opposed-Blade Damper without Edge Seals: 3 inch-lb/sq. ft. of damper.
    - e. Dampers with 2- to 3-Inch wg of Pressure Drop or Face Velocities of 1000 to 2500 fpm: Increase running torque by 1.5.
    - f. Dampers with 3- to 4-Inch wg of Pressure Drop or Face Velocities of 2500 to 3000 fpm: Increase running torque by 2.0.
  3. Coupling: V-bolt and V-shaped, toothed cradle.
  4. Overload Protection: Electronic overload or digital rotation-sensing circuitry.
  5. Fail-Safe Operation: Mechanical, spring-return mechanism. Provide external, manual gear release on non-spring-return actuators.
  6. Power Requirements (Modulating): Maximum 10 VA at 24-V ac or 8 W at 24-V dc.
  7. Proportional Signal: 2- to 10-V dc or 4 to 20 mA, and 2- to 10-V dc position feedback signal.
  8. Temperature Rating: Minus 22 to plus 122 deg F.
  9. Temperature Rating (Smoke Dampers): Minus 22 to plus 250 deg F.

## 2.8 DAMPERS

- A. Dampers: AMCA-rated, parallel or opposed-blade design; 0.108-inch- minimum thick, galvanized-steel or 0.125-inch- minimum thick, extruded-aluminum frames with holes for duct mounting; damper blades shall not be less than 0.064-inch- thick galvanized steel with maximum blade width of 8 inches and length of 48 inches.

FIRE STATIONS RENOVATION  
ARLINGTON COUNTY, VIRGINIA  
Architect's Project No: 563006

1. Secure blades to 1/2-inch- diameter, zinc-plated axles using zinc-plated hardware, with oil-impregnated sintered bronze blade bearings, blade-linkage hardware of zinc-plated steel and brass, ends sealed against spring-stainless-steel blade bearings, and thrust bearings at each end of every blade.
2. Operating Temperature Range: From minus 40 to plus 200 deg F.
3. Edge Seals, Standard Pressure Applications: Closed-cell neoprene.
4. Edge Seals, Low-Leakage Applications: Use inflatable blade edging or replaceable rubber blade seals and spring-loaded stainless-steel side seals, rated for leakage at less than 10 cfm per sq. ft. of damper area, at differential pressure of 4-inch wg when damper is held by torque of 50 in. x lbf; when tested according to AMCA 500D.

2.9 SMOKE DETECTORS

- A. Smoke detectors shall be furnished under Division 28 and installed under this Section.
- B. Wiring from smoke detectors to fire alarm system shall be under Division 28.
- C. Wiring from smoke detectors to mechanical equipment shall be under this Section.

2.10 Low Temperature Detection Stat: By BAS manufacturer.

2.11 CURRENT SENSING RELAYS:

- A. By controls contractor for all equipment.miscellaneous relays and switches:
- B. General: Where required by the sequence of operation switches, relays, and miscellaneous devices necessary to accomplish the sequence shall be provided under this Section.

PART 3 - EXECUTION

3.1 PROJECT MANAGEMENT

- A. Provide a designated project manager who will be responsible for the following:
  1. Construct and maintain project schedule
  2. On-site coordination with all applicable trades and subcontractors
  3. Authorized to accept and execute orders or instructions from owner/architect
  4. Attend project meetings as necessary to avoid conflicts and delays
  5. Make necessary field decisions relating to this scope of work
  6. Coordination/Single point of contact.

3.2 EXAMINATION

- A. Verify that power supply is available to control units and operator workstation.

FIRE STATIONS RENOVATION  
ARLINGTON COUNTY, VIRGINIA  
Architect's Project No: 563006

- B. Verify that duct-, pipe-, and equipment-mounted devices are installed before proceeding with installation.

3.3 INSTALLATION

- A. Install software in control units and operator workstation(s). Implement all features of programs to specified requirements and as appropriate to sequence of operation.
- B. Connect and configure equipment and software to achieve sequence of operation specified in Section 23 section "Sequence of Control."
- C. Verify location of thermostats, humidistats, and other exposed control sensors with Drawings and room details before installation. Install devices next to light switch(es) when space is available with top of device at 48 inches above finished floor. Where space next to light switch(es) is not available, align device vertically with light switch and locate device with top at 40 inches above the finished floor.
  - 1. Install averaging elements in ducts and plenums in crossing or zigzag pattern.
- D. Install guards on thermostats where indicated on Drawings.
- E. Install automatic dampers according to Division 23 Section "Air Duct Accessories."
- F. Install damper motors on outside of duct in warm areas, not in locations exposed to outdoor temperatures.
- G. Install labels and nameplates to identify control components according to Division 23 Section "Identification for HVAC Piping and Equipment."
- H. Install hydronic instrument wells, valves, and other accessories according to Division 23 Section "Hydronic Piping."
- I. Install duct volume-control dampers according to Division 23 Sections specifying air ducts.

3.4 FIELD QUALITY CONTROL

- A. Manufacturer's Field Service: Engage a factory-authorized service representative to inspect, test, and adjust field-assembled components and equipment installation, including connections, and to assist in field testing. Report results in writing.
- B. Perform the following field tests and inspections and prepare test reports:
  - 1. Operational Test: After electrical circuitry has been energized, start units to confirm proper unit operation. Remove and replace malfunctioning units and retest.
  - 2. Test and adjust controls and safeties.
  - 3. Test calibration of electronic controllers by disconnecting input sensors and stimulating operation with compatible signal generator.

FIRE STATIONS RENOVATION  
ARLINGTON COUNTY, VIRGINIA  
Architect's Project No: 563006

4. Test each point through its full operating range to verify that safety and operating control set points are as required.
5. Test each control loop to verify stable mode of operation and compliance with sequence of operation. Adjust PID actions.
6. Test each system for compliance with sequence of operation.
7. Test software and hardware interlocks.

C. DDC Verification:

1. Verify that instruments are installed before calibration, testing, and loop or leak checks.
2. Check instruments for proper location and accessibility.
3. Check instrument installation for direction of flow, elevation, orientation, insertion depth, and other applicable considerations.
4. Check instrument tubing for proper fittings, slope, material, and support.
5. Check flow instruments. Inspect tag number and line and bore size, and verify that inlet side is identified and that meters are installed correctly.
6. Check pressure instruments, piping slope, installation of valve manifold, and self-contained pressure regulators.
7. Check temperature instruments and material and length of sensing elements.
8. Check control valves. Verify that they are in correct direction.
9. Check DDC system as follows:
  - a. Verify that DDC controller power supply is from emergency power supply.
  - b. Verify that wires at control panels are tagged with their service designation and approved tagging system.
  - c. Verify that spare I/O capacity has been provided.
  - d. Verify that DDC controllers are protected from power supply surges.

D. Replace damaged or malfunctioning controls and equipment and repeat testing procedures.

3.5 ADJUSTING

A. Calibrating and Adjusting:

1. Calibrate instruments.
2. Make three-point calibration test for both linearity and accuracy for each analog instrument.
3. Calibrate equipment and procedures using manufacturer's written recommendations and instruction manuals. Use test equipment with accuracy at least double that of instrument being calibrated.
4. Control System Inputs and Outputs:
  - a. Check analog inputs at 0, 50, and 100 percent of span.
  - b. Check analog outputs using milliamperemeter at 0, 50, and 100 percent output.
  - c. Check digital inputs using jumper wire.
  - d. Check digital outputs using ohmmeter to test for contact making or breaking.
  - e. Check resistance temperature inputs at 0, 50, and 100 percent of span using a precision-resistant source.



FIRE STATIONS RENOVATION  
ARLINGTON COUNTY, VIRGINIA  
Architect's Project No: 563006

5. Flow:
    - a. Set differential pressure flow transmitters for 0 and 100 percent values with 3-point calibration accomplished at 50, 90, and 100 percent of span.
    - b. Manually operate flow switches to verify that they make or break contact.
  6. Pressure:
    - a. Calibrate pressure transmitters at 0, 50, and 100 percent of span.
    - b. Calibrate pressure switches to make or break contacts, with adjustable differential set at minimum.
  7. Temperature:
    - a. Calibrate resistance temperature transmitters at 0, 50, and 100 percent of span using a precision-resistance source.
    - b. Calibrate temperature switches to make or break contacts.
  8. Stroke and adjust control valves and dampers without positioners, following the manufacturer's recommended procedure, so that valve or damper is 100 percent open and closed.
  9. Stroke and adjust control valves and dampers with positioners, following manufacturer's recommended procedure, so that valve and damper is 0, 50, and 100 percent closed.
  10. Provide diagnostic and test instruments for calibration and adjustment of system.
  11. Provide written description of procedures and equipment for calibrating each type of instrument. Submit procedures review and approval before initiating startup procedures.
- B. Adjust initial temperature and humidity set points.
- C. Occupancy Adjustments: When requested within 12 months of date of Final Acceptance, provide on-site assistance in adjusting system to suit actual occupied conditions. Provide up to three visits to Project during other than normal occupancy hours for this purpose.

### 3.6 TRAINING

- A. Provide 8 hours of training for Owner's designated operating personnel. Training shall include:
1. Explanation of drawings and operation & maintenance manuals
  2. Walk-through of the job to locate control components
  3. Operator workstation and peripherals
  4. Operation of Portable computer
  5. DDC controller and ASC operation/function
  6. Operator control functions including graphic generation and field panel programming
  7. Explanation of adjustment, calibration and replacement procedures
- B. Since the Owner may require personnel to have more comprehensive understanding of the hardware and software, additional training must be available from the Manufacturer. If necessary additional training will be contracted by the Owner at a later date.

FIRE STATIONS RENOVATION  
ARLINGTON COUNTY, VIRGINIA  
Architect's Project No: 563006

- C. Coordinate with Owner is videotape documentation of training is required.

END OF SECTION 230900

FIRE STATIONS RENOVATION  
ARLINGTON COUNTY, VIRGINIA  
Architect's Project No: 563006

SECTION 230993 - SEQUENCE OF OPERATIONS FOR HVAC CONTROLS

PART 1 - GENERAL

1.1 RELATED DOCUMENTS

- A. Provisions of the Contract and of the Contract Documents apply to this Section.

1.2 SUMMARY

- A. This Section includes control sequences for HVAC systems, subsystems, and equipment.
- B. Related Sections include the following:
  - 1. Division 23 Section "Building Automation System" for control equipment and devices and for submittal requirements.

1.3 DEFINITIONS

- A. BAS: Building automation system.
- B. CO<sub>2</sub>: Carbon dioxide.
- C. CO: Carbon monoxide
- D. DDC: Direct digital control.
- E. PPM: Parts per million.
- F. RPM: Revolutions per minute.
- G. SCR: Silicon-Controlled Rectifier.
- H. TAB: Testing, Adjusting and Balancing.
- I. VAV: Variable air volume.
- J. VFD: Variable-frequency drive

1.4 GENERAL REQUIREMENTS OF THIS SECTION

- A. Control sequences shall be accomplished in accordance with control drawings and the sequences specified in this section. It is the intent of this section to utilize sequences included in pre-programmed controllers when such sequences provide the intended operation.

FIRE STATIONS RENOVATION  
ARLINGTON COUNTY, VIRGINIA  
Architect's Project No: 563006

- B. Points may not be deleted without prior approval from the Architect.
- C. Every attempt has been made to indicate all required points on the control drawings. Occasionally an additional point, or points, may be required to accomplish a specified sequence. The contractor performing work under this section shall understand the work to be implied and required by the contract documents. Additional hardware and software required shall be provided under section "Building Automation System" at no additional cost to the Owner.
  - 1. Such points include:
    - a. Sensors of all types whether or not specified under section "Building Automation System"
    - b. Air flow measuring stations.
    - c. Wiring, conduit, and related devices such as relays.
  - 2. Exceptions:
    - a. Equipment and devices covered under sections other than "Building Automation System".

1.5 DISPLAY GRAPHICS:

- A. Include system schematic for each system. Indicate all points in system on at least one graphic.
- B. Indicate all commanded values and temperatures.
- C. Indicate all sensed temperatures.
- D. Indicate all alarms.
- E. Indicate all status points.
- F. Indicate all monitored conditions.

1.6 WARRANTY

- A. Provide all services, materials and equipment necessary for the successful operation of the entire BAS system for a period of one year beginning on the date of Final Acceptance.

1.7 SUBMITTALS

- A. Refer to Section "Building Automation System."

PART 2 - SEQUENCES

- 2.1 SET POINTS: Unless indicated otherwise all set points shall be adjustable from the head end.

FIRE STATIONS RENOVATION  
ARLINGTON COUNTY, VIRGINIA  
Architect's Project No: 563006

2.2 ROOFTOP UNITS (RTU-8)

A. General:

1. Each unit shall be controlled by field installed BACnet IP building controllers provided by the DDC contractor. The controller shall interface with the 24V controls terminal strip provided by the equipment manufacturer.
2. Enthalpy High Limit: 28.0 BTU/lb

B. Initial Set Points:

1. Occupied:
  - a. Space Cooling Temperature: 75°F
  - b. Space Heating Temperature: 70°F
  - c. Space Maximum Relative Humidity: 55% RH
2. Unoccupied:
  - a. Space Cooling Temperature: 78°F
  - b. Space Heating Temperature: 65°F
  - c. Space Maximum Relative Humidity: 60% RH

C. Enable/Disable:

1. Occupied Operation: During occupied hours, the BAS shall enable the unit and provide set points as specified. The supply fan shall be started and dampers shall open.
2. Unoccupied Operation: During unoccupied hours, the unit shall be disabled, the supply and exhaust fans shall be off, and dampers shall be closed.

D. Supply Fan Control:

1. When the unit is started, the outside air damper shall be open and an end switch shall authorize the supply fan to start and go to its maximum speed. The required speed shall be determined by the equipment manufacturer and shall be constituted as the maximum fan speed.
2. Speed Control:
  - a. The supply fan shall be ramped up to design/ balanced airflow.
  - b. Drive Malfunction: Should the VFD malfunction as indicated by drive alarm circuit, an alarm shall be sent to the head end. The fan shall continue to operate unless deactivated by the VFD protection circuitry.
  - c. Fan Failure Alarm: Should the supply fan fail (as sensed by current sensing relay), the unit shall be disabled, and an alarm shall be sent to the head end identifying the unit and stating that the supply fan has failed.

E. Exhaust Fan Control:

1. During occupied operation, the exhaust air damper shall be open and an end switch shall start the exhaust fan.
2. Speed Control:
  - a. The relief fan speed ramp up to design/ balanced airflow.
3. Fan Failure Alarm: Should the exhaust fan fail (as sensed by its current sensing relay), the unit shall be disabled, and an alarm shall be sent to the head end identifying the unit and stating that the exhaust fan has failed.
4. Drive Malfunction: Should the VFD malfunction as indicated by the drive alarm circuit, an alarm shall be sent to the head end. The fan shall continue to operate unless deactivated by the VFD protection circuitry.

FIRE STATIONS RENOVATION  
ARLINGTON COUNTY, VIRGINIA  
Architect's Project No: 563006

- F. Supply Air Temperature Control: The unit shall use comparative enthalpy economizer, heating, or cooling to maintain leaving air conditions.
- G. Supply Air Low Limit Temperature: If the discharge air temperature falls below the low limit set point (initially 50°F, adjustable), for five minutes (adjustable), the unit will stop and an alarm will be issued to the BAS.
- H. Cooling Control: The supply fan shall be confirmed as running before cooling is enabled. If cooling is required, the direct expansion cooling shall enable the first stage of cooling and modulate to maintain supply leaving air temperature. If additional capacity is needed, the next available compressor shall be staged and modulated to maintain the set point (as sensed by the supply leaving air temperature sensor).
- I. Heating Control: If heating is required, the first stage of heating shall be enabled and module to maintain supply air leaving temperature. If additional capacity is needed, the gas burners shall be staged and modulated to maintain the set point (as sensed by the supply leaving air temperature sensor).
- J. Hot Gas Reheat Control: The hot gas reheat coil shall be modulated as required to maintain leaving air temperature setpoint.
- K. Dehumidification Control:
1. Occupied Mode: If the space relative humidity (based on a space mounted humidity sensor) rises above initial setpoint (50% RH, adjustable), the unit economizer and compressor will be controlled to maintain cooling coil leaving air temperature setpoint. This cooling coil leaving air temp setpoint will be slowly lowered until sufficient dehumidification is provided to meet the space RH set point.
  2. Unoccupied mode: If the space relative humidity rises above set point (initially 60% RH, adjustable), the supply fan shall be started and the compressor will be controlled to maintain the cooling coil leaving air temp setpoint. This cooling coil leaving air temp setpoint will be slowly lowered until sufficient dehumidification is provided to meet the space RH set point. The unit shall return to unoccupied mode when the space humidity is 10% below set point.
- L. Economizer Mode: Whenever outside air enthalpy is less than the enthalpy high limit setpoint (adjustable) and outside air temperature is less than the return air temperature and cooling is required, economizer operation shall be enabled and the enthalpy wheel shall be disabled and bypassed.
1. Outside air enthalpy will be calculated using the outdoor air temperature and outdoor air humidity sensors.
  2. Economizer operation shall be available 24/7 and shall override unoccupied damper controls.
- M. Motorized Control Valve: The motorized control valve shall open 90 seconds prior to the compressor start up. When the compressors shut off, the control valve shall close. The BAS shall monitor the valve position and indicate an alarm in the case of malfunction.
- N. Head Pressure Control: If there is a demand for mechanical cooling, the head pressure control valve shall open to 100%. When the compressor starts, the valve will modulate to maintain the factory set head pressure setpoint. The valve will be allowed to close to a minimum value set

FIRE STATIONS RENOVATION  
ARLINGTON COUNTY, VIRGINIA  
Architect's Project No: 563006

point of 50%. If the compressor has been off for 10 minutes, the valve will close. If there is a demand for mechanical heating, the head pressure control valve shall open to 100% and remain open until the compressor has been off for 10 minutes.

O. Outdoor Air Damper:

1. Occupied: Damper shall open. If damper fails to open, an alarm shall be sent to the head end identifying the unit and stating that the outdoor air damper failed to open.
2. Unoccupied: Damper shall remain closed. Damper end switch shall confirm the damper closed. If the damper fails to close, an alarm shall be sent to the head end identifying the unit and stating that the outdoor air damper failed to close.

P. Relief Air Damper:

1. Occupied: Damper shall open. If damper fails to open, an alarm shall be sent to the head end identifying the unit and stating that the relief air damper failed to open.
2. Unoccupied: Damper end switch shall confirm the damper closed. If the damper fails to close, an alarm shall be sent to the head end identifying the unit and stating that the relief air damper failed to close.

Q. Frost Prevention: The unit controller shall vary the rotational speed of the enthalpy wheel to maintain the exhaust airstream temperature above that which frost formation begins.

R. System Safety: Whenever the supply fan is stopped, or airflow ceases for any reason (as sensed by the current sensing relay), the supply fan shall be deactivated and alarm issued to BAS. In all modes of operation, commanded position values for all control devices such as dampers shall be readable from the head-end.

S. Filter Change Alarm: The differential pressure across the filters shall be monitored. If the differential pressure exceed 1" wg (adjustable), an alarm shall be issued to the BAS.

T. Life Safety: Duct smoke detectors located in the return air duct, upon detection of products of combustion from any detector, signal the building fire alarm system and shut down the unit & supply fan. This function shall be manually reset from the unit and shall be so identified on the head-end graphics. An alarm shall also be provided to the BAS head-end.

U. Condensate Pan Overflow Prevention: The unit shall monitor float switches in the condensate pan under the evaporator. If the float switch detects the pan is about to overflow and has reached its high limit, the unit shall disable the cooling and issue an alarm to the BAS.

### 2.3 DUCTLESS SPLIT SYSTEM AIR CONDITIONERS

A. Each unit shall operate on its factory-installed control system.

B. Initial Set Points:

- a. Cooling: 72°F
- b. Heating: 65°F

C. The BAS shall monitor the space temperature in the rooms served by Ductless Split Systems. These sensors are used for monitoring purposes and shall alarm if they deviate more from the below set points:

FIRE STATIONS RENOVATION  
ARLINGTON COUNTY, VIRGINIA  
Architect's Project No: 563006

1. Alarm High Limit Temperature: 85°F.
  - D. The BAS shall monitor a general alarm for each Ductless Split System. If in alarm, the graphics shall display an alarm for the associated unit.
- 2.4 FAN (Control Method BAS Schedule)
- A. General: These are general duty fans which operate on a time-of-day schedule. Refer to the Fan Schedule for fan information.
  - B. Occupied/Unoccupied:
    1. Unoccupied Operation: During unoccupied hours the fan shall be off and the damper shall be closed.
    2. Occupied Operation: During occupied hours, the fan shall be on and the damper shall be open.
  - C. Start:
    1. At the start of occupied operation, the BAS shall open the motorized damper associated with the fan. Once the damper is confirmed open, the BAS shall start the fan. If the damper is interlocked with fan operation, then the BAS shall start the fan.
  - D. Stop:
    1. At the beginning of unoccupied operation, the BAS shall stop the fan and close the associated damper (or just stop the fan if the damper is interlocked).
  - E. Fan failure alarm:
    1. If the fan fails to start (as sensed by its current sensing relay) an alarm shall be sent to the head end identifying the fan and stating that it has failed to start.

PART 3 - EXECUTION (Not Applicable)

END OF SECTION 230993



FIRE STATIONS RENOVATION  
ARLINGTON COUNTY, VIRGINIA  
Architect's Project No: 563006

SECTION 232300 - REFRIGERANT PIPING

PART 1 - GENERAL

1.1 RELATED DOCUMENTS

- A. Provisions of the Contract and of the Contract Documents apply to this Section.

1.2 SUBMITTALS

- A. Product Data: For each type of valve and refrigerant piping specialty indicated for the following:
1. Thermostatic expansion valves.
  2. Solenoid valves.
  3. Hot-gas bypass valves.
  4. Filter dryers.
  5. Strainers.
  6. Pressure-regulating valves.
- B. Shop Drawings: Show layout of refrigerant piping and specialties, including pipe, tube, and fitting sizes, flow capacities, slopes of horizontal runs, oil traps, double risers, valve arrangements & locations wall & floor penetrations, and equipment connection details. Show interface and spatial relationships between piping and equipment.
1. Shop Drawing Scale: 1/4"=1'-0"
  2. Refrigerant piping indicated on Drawings is schematic only. Size piping and design actual piping layout, including oil traps, double risers, specialties, and pipe and tube sizes to accommodate, as a minimum, proposed equipment, elevation difference between compressor and evaporator, and length of piping to ensure proper operation and compliance with warranties of connected equipment.
- C. Operation and Maintenance Data: For refrigerant valves and piping specialties to include in maintenance manuals.

1.3 PRODUCT STORAGE AND HANDLING

- A. Store piping in a clean and protected area with end caps in place to ensure that piping interior and exterior are clean when installed.

1.4 QUALITY ASSURANCE

- A. Welding: Qualify procedures and personnel according to ASME Boiler and Pressure Vessel Code: Section IX; "Welding and Brazing Qualifications."

FIRE STATIONS RENOVATION  
ARLINGTON COUNTY, VIRGINIA  
Architect's Project No: 563006

- B. ASHRAE Standard: Comply with ASHRAE 15, "Safety Code for Mechanical Refrigeration."
- C. ASME Standard: Comply with ASME B31.5, "Refrigeration Piping."
- D. UL Standard: Provide products complying with UL 207, "Refrigerant-Containing Components and Accessories, Nonelectrical"; or UL 429, "Electrically Operated Valves."

1.5 COORDINATION

- A. Coordinate layout and installation of refrigerant piping and suspension system components with other construction, including light fixtures, HVAC equipment, fire-suppression-system components, and partition assemblies.
- B. Coordinate pipe sleeve installations for wall penetrations.
- C. Coordinate installation of roof curbs, equipment supports, and roof penetrations.
- D. Coordinate pipe sleeve installations for penetrations in exterior walls and floor assemblies. Coordinate with requirements for firestopping.
- E. Coordinate pipe fitting pressure classes with products specified in related Sections.

PART 2 - PRODUCTS

2.1 COPPER TUBE AND FITTINGS

- A. Copper Tube: ASTM B 280, Type ACR.
- B. Wrought-Copper Fittings: ASME B16.22.
- C. Wrought-Copper Unions: ASME B16.22.
- D. Solder Filler Metals: ASTM B 32. Use 95-5 tin antimony solder to join copper socket fittings on copper pipe.
- E. Brazing Filler Metals: AWS A5.8, BCuP series, copper-phosphorus alloys for general duty brazing unless otherwise indicated. AWS A5.8, BAg-5 silver alloy for refrigerant piping unless otherwise indicated.
- F. Flexible Connectors:
  - 1. Body: Tin-bronze bellows with woven, flexible, tinned-bronze-wire-reinforced protective jacket.
  - 2. End Connections: Socket ends.
  - 3. Offset Performance: Capable of minimum  $\frac{3}{4}$ " misalignment in minimum 7" length.
  - 4. Pressure Rating: Factory test at minimum 500 psig.
  - 5. Maximum Operating Temperature: 250 deg F.

FIRE STATIONS RENOVATION  
ARLINGTON COUNTY, VIRGINIA  
Architect's Project No: 563006

## 2.2 STEEL PIPE AND FITTINGS

- A. Steel Pipe: ASTM A 53/A 53M, black steel with plain ends; Type, Grade, and wall thickness as selected in Part 3 piping applications articles.
- B. Wrought-Steel Fittings: ASTM A 234/A 234M, for welded joints.
- C. Steel Flanges and Flanged Fittings: ASME B16.5, steel, including bolts, nuts, and gaskets, bevel-welded end connection, and raised face.
- D. Welding Filler Metals: Comply with AWS D10.12/D10.12M for welding materials appropriate for wall thickness and chemical analysis of steel pipe being welded.
- E. Flanged Unions:
  - 1. Body: Forged-steel flanges for 1" to 1 1/2" and ductile iron for 2" to 3". Apply rust-resistant finish at factory.
  - 2. Gasket: Fiber asbestos free.
  - 3. Fasteners: Four plated-steel bolts, with silicon bronze nuts. Apply rust-resistant finish at factory.
  - 4. End Connections: Brass tailpiece adapters for solder-end connections to copper tubing.
  - 5. Offset Performance: Capable of minimum 3/4" misalignment in minimum 7" length.
  - 6. Pressure Rating: Factory test at minimum 400 psig.
  - 7. Maximum Operating Temperature: 330 deg F.
- F. Flexible Connectors:
  - 1. Body: Stainless-steel bellows with woven, flexible, stainless-steel-wire-reinforced protective jacket
  - 2. End Connections:
    - a. NPS 2 and Smaller: With threaded-end connections.
    - b. NPS 2-1/2 and Larger: With flanged-end connections.
  - 3. Offset Performance: Capable of minimum 3/4-inch misalignment in minimum 7-inch-long assembly.
  - 4. Pressure Rating: Factory test at minimum 500 psig.
  - 5. Maximum Operating Temperature: 250 deg F.

## 2.3 VALVES AND SPECIALTIES

- A. Diaphragm Packless Valves:
  - 1. Body and Bonnet: Forged brass or cast bronze; globe design with straight-through or angle pattern.
  - 2. Diaphragm: Phosphor bronze and stainless steel with stainless-steel spring.
  - 3. Operator: Rising stem and hand wheel.
  - 4. Seat: Nylon.
  - 5. End Connections: Socket, union, or flanged.
  - 6. Working Pressure Rating: 500 psig.
  - 7. Maximum Operating Temperature: 275 deg F.
- B. Packed-Angle Valves:

FIRE STATIONS RENOVATION  
ARLINGTON COUNTY, VIRGINIA  
Architect's Project No: 563006

1. Body and Bonnet: Forged brass or cast bronze.
  2. Packing: Molded stem, back seating, and replaceable under pressure.
  3. Operator: Rising stem.
  4. Seat: Nonrotating, self-aligning polytetrafluoroethylene.
  5. Seal Cap: Forged-brass or valox hex cap.
  6. End Connections: Socket, union, threaded, or flanged.
  7. Working Pressure Rating: 500 psig.
  8. Maximum Operating Temperature: 275 deg F.
- C. Check Valves:
1. Body: Ductile iron, forged brass, or cast bronze; globe pattern.
  2. Bonnet: Bolted ductile iron, forged brass, or cast bronze; or brass hex plug.
  3. Piston: Removable polytetrafluoroethylene seat.
  4. Closing Spring: Stainless steel.
  5. End Connections: Socket, union, threaded, or flanged.
  6. Maximum Opening Pressure: 0.50 psig.
  7. Working Pressure Rating: 500 psig.
  8. Maximum Operating Temperature: 275 deg F.
- D. Service Valves:
1. Body: Forged brass with brass cap including key end to remove core.
  2. Core: Removable ball-type check valve with stainless-steel spring.
  3. Seat: Polytetrafluoroethylene.
  4. End Connections: Copper spring.
  5. Working Pressure Rating: 500 psig.
- E. Solenoid Valves: Comply with ARI 760 or UL 429.
1. Body and Bonnet: Plated steel.
  2. Solenoid Tube, Plunger, Closing Spring, and Seat Orifice: Stainless steel.
  3. Seat: Polytetrafluoroethylene.
  4. End Connections: Threaded.
  5. Electrical: Molded, watertight coil in NEMA 250 enclosure of type required by location with 1/2-inch conduit adapter, and 24, 115, or 208-V ac coil to meet requirements of control system.
  6. Working Pressure Rating: 400 psig.
  7. Maximum Operating Temperature: 240 deg F.
- F. Safety Relief Valves: Comply with ASME Boiler and Pressure Vessel Code; listed and labeled by an NRTL.
1. Body and Bonnet: Ductile iron and steel, with neoprene O-ring seal.
  2. Piston, Closing Spring, and Seat Insert: Stainless steel.
  3. Seat Disc: Polytetrafluoroethylene.
  4. End Connections: Threaded.
  5. Working Pressure Rating: 400 psig.
  6. Maximum Operating Temperature: 240 deg F.
- G. Thermostatic Expansion Valves: Comply with ARI 750.
1. Body, Bonnet, and Seal Cap: Forged brass or steel.
  2. Diaphragm, Piston, Closing Spring, and Seat Insert: Stainless steel.

FIRE STATIONS RENOVATION  
ARLINGTON COUNTY, VIRGINIA  
Architect's Project No: 563006

3. Packing and Gaskets: Non-asbestos.
  4. Capillary and Bulb: Copper tubing filled with refrigerant charge.
  5. Suction Temperature: 40 deg F.
  6. Superheat: Adjustable.
  7. Reverse-flow option for heat-pump applications.
  8. End Connections: Socket, flare, or threaded union.
  9. Working Pressure Rating: 450 psig.
- H. Hot-Gas Bypass Valves: Comply with UL 429; listed and labeled by an NRTL.
1. Body, Bonnet, and Seal Cap: Ductile iron or steel.
  2. Diaphragm, Piston, Closing Spring, and Seat Insert: Stainless steel.
  3. Packing and Gaskets: Non-asbestos.
  4. Solenoid Tube, Plunger, Closing Spring, and Seat Orifice: Stainless steel.
  5. Seat: Polytetrafluoroethylene.
  6. Equalizer: Internal or External.
  7. Electrical: Molded, watertight coil in NEMA 250 enclosure of type required by location with 1/2-inch conduit adapter, and 24, 115, or 208-V ac coil to meet requirements of control system.
  8. End Connections: Socket.
  9. Throttling Range: Maximum 5 psig.
  10. Working Pressure Rating: 500 psig.
  11. Maximum Operating Temperature: 240 deg F.
- I. Straight-Type Strainers:
1. Body: Welded steel with corrosion-resistant coating.
  2. Screen: 100-mesh stainless steel.
  3. End Connections: Socket or flare.
  4. Working Pressure Rating: 500 psig.
  5. Maximum Operating Temperature: 275 deg F.
- J. Angle-Type Strainers:
1. Body: Forged brass or cast bronze.
  2. Drain Plug: Brass hex plug.
  3. Screen: 100-mesh monel.
  4. End Connections: Socket or flare.
  5. Working Pressure Rating: 500 psig.
  6. Maximum Operating Temperature: 275 deg F.
- K. Moisture/Liquid Indicators:
1. Body: Forged brass.
  2. Window: Replaceable, clear, fused glass window with indicating element protected by filter screen.
  3. Indicator: Color coded to show moisture content in ppm.
  4. Minimum Moisture Indicator Sensitivity: Indicate moisture above 60 ppm.
  5. End Connections: Socket or flare.
  6. Working Pressure Rating: 500 psig.
  7. Maximum Operating Temperature: 240 deg F.
- L. Replaceable-Core Filter Dryers: Comply with ARI 730.

FIRE STATIONS RENOVATION  
ARLINGTON COUNTY, VIRGINIA  
Architect's Project No: 563006

1. Body and Cover: Painted-steel shell with ductile-iron cover, stainless-steel screws, and neoprene gaskets.
  2. Filter Media: 10 micron, pleated with integral end rings; stainless-steel support.
  3. Desiccant Media: Activated alumina or charcoal.
  4. Designed for reverse flow when used in for heat-pump applications.
  5. End Connections: Socket.
  6. Access Ports: NPS 1/4 connections at entering and leaving sides for pressure differential measurement.
  7. Maximum Pressure Loss: 2 psig.
  8. Rated Flow: Match equipment.
  9. Working Pressure Rating: 500 psig.
  10. Maximum Operating Temperature: 240 deg F.
- M. Permanent Filter Dryers: Comply with ARI 730.
1. Body and Cover: Painted-steel shell.
  2. Filter Media: 10 micron, pleated with integral end rings; stainless-steel support.
  3. Desiccant Media: Activated alumina or charcoal.
  4. Designed for reverse flow where heat-pump applications are indicated.
  5. End Connections: Socket.
  6. Access Ports: NPS 1/4 connections at entering and leaving sides for pressure differential measurement.
  7. Maximum Pressure Loss: 2 psig Insert value.
  8. Rated Flow: Match equipment.
  9. Working Pressure Rating: 500 psig.
  10. Maximum Operating Temperature: 240 deg F.
- N. Mufflers:
1. Body: Welded steel with corrosion-resistant coating.
  2. End Connections: Socket or flare.
  3. Working Pressure Rating: 500 psig.
  4. Maximum Operating Temperature: 275 deg F.
- O. Receivers: Comply with ARI 495.
1. Comply with ASME Boiler and Pressure Vessel Code; listed and labeled by an NRTL.
  2. Comply with UL 207; listed and labeled by an NRTL.
  3. Body: Welded steel with corrosion-resistant coating.
  4. Tappings: Inlet, outlet, liquid level indicator, and safety relief valve.
  5. End Connections: Socket or threaded.
  6. Working Pressure Rating: 500 psig.
  7. Maximum Operating Temperature: 275 deg F.
- P. Liquid Accumulators: Comply with ARI 495.
1. Body: Welded steel with corrosion-resistant coating.
  2. End Connections: Socket or threaded.
  3. Working Pressure Rating: 500 psig.
  4. Maximum Operating Temperature: 275 deg F.

FIRE STATIONS RENOVATION  
ARLINGTON COUNTY, VIRGINIA  
Architect's Project No: 563006

2.4 REFRIGERANTS

- A. Available Manufacturers:
  - 1. Atofina Chemicals, Inc.
  - 2. DuPont Company; Fluorochemicals Div.
  - 3. Honeywell, Inc.; Genetron Refrigerants.
  - 4. INEOS Fluor Americas LLC.
- B. ASHRAE 34, R-410A: Pentafluoroethane/Difluoromethane.

PART 3 - EXECUTION

3.1 PIPING APPLICATIONS FOR REFRIGERANT

- A. Suction Lines 1 ½" and Smaller for Conventional Air-Conditioning Applications: Copper, Type ACR, annealed-temper tubing and wrought-copper fittings with brazed or soldered joints.
- B. Suction Lines 2" to 4" for Conventional Air-Conditioning Applications: Copper, Type ACR, drawn-temper tubing and wrought-copper fittings with brazed or soldered joints.
- C. Hot-Gas, and Liquid Lines: Copper, Type ACR, annealed-temper tubing and wrought-copper fittings with brazed or soldered joints.
- D. Suction Lines for Heat-Pump Applications: Copper, Type ACR, annealed-temper tubing and wrought-copper fittings with brazed or soldered joints.
- E. Safety-Relief-Valve Discharge Piping: Copper, Type ACR, annealed-temper tubing and wrought-copper fittings with brazed or soldered joints or soldered joints or Schedule 40, black-steel and wrought-steel fittings with welded joints.

3.2 VALVE AND SPECIALTY APPLICATIONS

- A. Install diaphragm packless, or packed-angle valves in suction and discharge lines of compressors.
- B. Install service valves for gage taps at inlet and outlet of hot-gas bypass valves and strainers if they are not an integral part of proposed equipment.
- C. Install a check valve at the compressor discharge and a liquid accumulator. Locate at the compressor suction connection between the compressor and service valve.
- D. Unless indicated otherwise, install valves on inlet and outlet side of filter dryers.
- E. Install a full-sized, three-valve bypass around filter dryers.

FIRE STATIONS RENOVATION  
ARLINGTON COUNTY, VIRGINIA  
Architect's Project No: 563006

- F. Install solenoid valves upstream from each expansion valve and hot-gas bypass valve on systems with multiple thermostatic expansion valves. Install solenoid valves in horizontal lines with coil at top.
- G. Install thermostatic expansion valves as close as possible to distributors on evaporators.
  - 1. Install valve so diaphragm case is warmer than bulb.
  - 2. Secure bulb to clean, straight, horizontal section of suction line using two bulb straps. Do not mount bulb in a trap or at bottom of the line. Verify proper location with Equipment Manufacturer.
  - 3. Where external equalizer lines are required, make connection where it will reflect suction-line pressure at bulb location.
- H. Install safety relief valves where required by ASME Boiler and Pressure Vessel Code. Pipe safety-relief-valve discharge line to outside according to ASHRAE 15.
- I. Install moisture/liquid indicators in liquid line at the inlet of the thermostatic expansion valve or at the inlet of the evaporator coil capillary tube.
- J. Install strainers upstream from and adjacent to the following:
  - 1. Solenoid valves.
  - 2. Thermostatic expansion valves.
  - 3. Hot-gas bypass valves.
  - 4. Compressor.
- K. Install filter dryers in liquid line between compressor and thermostatic expansion valve.
- L. Install receivers sized to accommodate pump-down charge.

### 3.3 VALVE AND SPECIALTY APPLICATIONS

- A. Install diaphragm packless or packed-angle valves in suction and discharge lines of compressor.
- B. Install service valves for gage taps at inlet and outlet of hot-gas bypass valves and strainers if they are not an integral part of valves and strainers.
- C. Install a check valve at the compressor discharge and a liquid accumulator at the compressor suction connection.
- D. Except as otherwise indicated, install diaphragm packless or packed-angle valves on inlet and outlet side of filter dryers.
- E. Install a full-sized, three-valve bypass around filter dryers.
- F. Install solenoid valves upstream from each expansion valve and hot-gas bypass valve on systems with multiple thermostatic expansion valves. Install solenoid valves in horizontal lines with coil at top.
- G. Install thermostatic expansion valves as close as possible to distributors on evaporators.



FIRE STATIONS RENOVATION  
ARLINGTON COUNTY, VIRGINIA  
Architect's Project No: 563006

1. Install valve so diaphragm case is warmer than bulb.
  2. Secure bulb to clean, straight, horizontal section of suction line using two bulb straps. Verify proper location for bulb with valve manufacturer. Don't mount bulb in a trap or at bottom of line.
  3. If external equalizer lines are required, make connection where it will reflect suction-line pressure at bulb location.
- H. Install safety relief valves where required by ASME Boiler and Pressure Vessel Code. Pipe safety-relief-valve discharge line to outside according to ASHRAE 15.
- I. Install moisture/liquid indicators in liquid line at inlet of the thermostatic expansion valve or at inlet of the evaporator coil capillary tube.
- J. Install strainers upstream from and adjacent to the following unless they are furnished with equipment:
1. Solenoid valves.
  2. Thermostatic expansion valves.
  3. Hot-gas bypass valves.
  4. Compressor.
- K. Install filter dryer in liquid line between compressor and thermostatic expansion valve.
- L. Install filter dryer in the suction line at the compressor.
- M. Install receivers sized to accommodate pump-down charge.

### 3.4 PIPING INSTALLATION

- A. Drawing plans, schematics, and diagrams indicate general location and arrangement of piping systems; indicated locations and arrangements were used to size pipe and calculate friction loss, expansion, pump sizing, and other design considerations. Install piping as indicated unless deviations to layout are approved by The Architect on Shop Drawings.
- B. Install refrigerant piping according to ASHRAE 15.
- C. Install piping in concealed locations unless otherwise indicated and except in equipment rooms and service areas.
- D. Install piping indicated to be exposed and piping in equipment rooms and service areas at right angles or parallel to building walls. Diagonal runs are prohibited unless specifically indicated otherwise.
- E. Install piping above accessible ceilings to allow sufficient space for ceiling panel removal.
- F. Install piping adjacent to machines to allow service and maintenance.
- G. Install piping free of sags and bends.

FIRE STATIONS RENOVATION  
ARLINGTON COUNTY, VIRGINIA  
Architect's Project No: 563006

- H. Install fittings for changes in direction and branch connections.
- I. Select system components with pressure rating equal to or greater than system operating pressure.
- J. Refer to Division 23 Sections "Instrumentation and Control for HVAC" and "Sequence of Operations for HVAC Controls" for solenoid valve controllers, control wiring, and sequence of operation.
- K. Install piping as short and direct as possible, with a minimum number of joints, elbows, and fittings.
- L. Arrange piping to allow inspection and service of refrigeration equipment. Install valves and specialties in accessible locations to allow for service and inspection. Install access doors or panels as specified in Division 08 Section "Access Doors and Frames" if valves or equipment requiring maintenance is concealed behind finished surfaces.
- M. Install refrigerant piping in protective conduit where installed belowground.
- N. Install refrigerant piping in rigid or flexible conduit in locations where exposed to mechanical injury.
- O. Slope refrigerant piping as follows:
  - 1. Install horizontal hot-gas discharge piping with a uniform slope downward away from compressor.
  - 2. Install horizontal suction lines with a uniform slope downward to compressor.
  - 3. Install traps and double risers to entrain oil in vertical runs.
  - 4. Liquid lines may be installed level.
- P. When brazing or soldering, remove solenoid-valve coils and sight glasses; also remove valve stems, seats, & packing, and accessible internal parts of refrigerant specialties. Do not apply heat near expansion-valve bulb.
- Q. Install piping with adequate clearance between pipe and adjacent walls and hangers or between pipes for insulation installation.
- R. Identify refrigerant piping and valves according to Section "Identification for HVAC Piping and Equipment."
- S. Install sleeves for piping penetrations of walls, ceilings, and floors. Comply with requirements for sleeves specified in Section "Sleeves and Sleeve Seals for HVAC Piping."
- T. Install sleeve seals for piping penetrations of exterior walls and floor slabs. Comply with requirements for sleeve seals specified in Section "Sleeves and Sleeve Seals for HVAC Piping."
- U. Install escutcheons for piping penetrations of walls, ceilings, and floors. Comply with requirements for escutcheons specified in Section "Sleeves and Seals for HVAC Piping."

FIRE STATIONS RENOVATION  
ARLINGTON COUNTY, VIRGINIA  
Architect's Project No: 563006

3.5 PIPE JOINT CONSTRUCTION

- A. Ream ends of pipes and tubes and remove burrs.
- B. Remove scale, slag, dirt, and debris from inside and outside of pipe and fittings before assembly.
- C. Fill pipe and fittings with an inert gas (nitrogen or carbon dioxide), during brazing.
- D. Soldered Joints: Construct joints according to ASTM B 828 or CDA's "Copper Tube Handbook."
- E. Brazed Joints: Construct joints according to AWS's "Brazing Handbook," Chapter "Pipe and Tube."
  - 1. Use Type BcuP, copper-phosphorus alloy for joining copper socket fittings with copper pipe.
  - 2. Use Type BAg, cadmium-free silver alloy for joining copper with bronze or steel.
- F. Threaded Joints: Thread steel pipe with tapered pipe threads according to ASME B1.20.1. Cut threads full and clean using sharp dies. Ream threaded pipe ends to remove burrs and restore full ID. Join pipe fittings and valves as follows:
  - 1. Apply appropriate tape or thread compound to external pipe threads unless dry-seal threading is specified.
  - 2. Damaged Threads: Do not use pipe or pipe fittings with threads that are corroded or damaged. Do not use pipe sections that have cracked or open welds.
- G. Steel pipe can be threaded, but threaded joints must be seal brazed or seal welded.
- H. Welded Joints: Construct joints according to AWS D10.12/D10.12M.
- I. Flanged Joints: Select appropriate gasket material, size, type, and thickness for service application. Install gasket concentrically positioned. Use suitable lubricants on bolt threads.

3.6 HANGERS AND SUPPORTS

- A. Hanger, support, and anchor products are specified in Section "Hangers and Supports for HVAC Piping and Equipment."
- B. Install the following pipe attachments:
  - 1. Adjustable steel clevis hangers for individual horizontal runs less than 20'-0" long.
  - 2. Roller hangers and spring hangers for individual horizontal runs 20'-0" or longer.
  - 3. Pipe Roller: MSS SP-58, Type 44 for multiple horizontal piping 20'-0" or longer, supported on a trapeze.
  - 4. Spring hangers to support vertical runs.

FIRE STATIONS RENOVATION  
ARLINGTON COUNTY, VIRGINIA  
Architect's Project No: 563006

5. Copper-clad hangers and supports for hangers and supports in direct contact with copper pipe.

C. Install hangers for copper tubing with the following maximum spacing and minimum rod sizes:

1. ½": Maximum span, 60"; minimum rod size, ¼".
2. 5/8": Maximum span, 60"; minimum rod size, ¼".
3. 1": Maximum span, 72"; minimum rod size, ¼".
4. 1 ¼": Maximum span, 96"; minimum rod size, 3/8".
5. 1 ½": Maximum span, 96"; minimum rod size, 3/8".
6. 2": Maximum span, 96"; minimum rod size, 3/8".
7. 2 ½": Maximum span, 108"; minimum rod size, 3/8".
8. 3": Maximum span, 10'-0"; minimum rod size, 3/8".
9. 4": Maximum span, 12'-0"; minimum rod size, ½".

D. Install hangers for steel piping with the following maximum spacing and minimum rod sizes:

1. 2": Maximum span, 10'-0"; minimum rod size, 3/8".
2. 2 ½": Maximum span, 11'-0"; minimum rod size, 3/8".
3. 3": Maximum span, 12'-0"; minimum rod size, 3/8".
4. 4": Maximum span, 14'-0"; minimum rod size, ½".

### 3.7 FIELD QUALITY CONTROL

A. Perform tests and inspections and prepare test reports.

B. Tests and Inspections:

1. Comply with ASME B31.5, Chapter VI.
2. Test refrigerant piping, specialties, and receivers. Isolate compressor, condenser, evaporator, and safety devices from test pressure if they are not rated above the test pressure.
3. Test high- and low-pressure side piping of each system separately at not less than the pressures indicated in Part 1 "Performance Requirements" Article.
  - a. Fill system with nitrogen to the required test pressure.
  - b. System shall maintain test pressure at the manifold gage throughout duration of test.
  - c. Test joints and fittings with electronic leak detector or by brushing a small amount of soap and glycerin solution over joints.
  - d. Remake leaking joints using new materials, and retest until satisfactory results are achieved.

### 3.8 SYSTEM CHARGING

A. Charge system using the following procedures:

FIRE STATIONS RENOVATION  
ARLINGTON COUNTY, VIRGINIA  
Architect's Project No: 563006

1. Install core in filter dryers after leak test but before evacuation.
2. Evacuate entire refrigerant system with a vacuum pump to 500 micrometers. If vacuum holds for 12 hours, system is ready for charging.
3. Break vacuum with refrigerant gas, allowing pressure to build up to 2 psig.
4. Charge system with a new filter-dryer core in charging line.

3.9 ADJUSTING

- A. Adjust thermostatic expansion valve to obtain proper evaporator superheat.
- B. Adjust high- and low-pressure switch settings to avoid short cycling in response to fluctuating suction pressure.
- C. Adjust set-point temperature of air-conditioning or chilled-water controllers to the system design temperature.
- D. Perform the following adjustments before operating the refrigeration system, according to manufacturer's written instructions:
  1. Open shutoff valves in condenser water circuit.
  2. Verify that compressor oil level is correct.
  3. Open compressor suction and discharge valves.
  4. Open refrigerant valves except bypass valves that are used for other purposes.
  5. Check open compressor-motor alignment and verify lubrication for motors and bearings.
- E. Replace core of replaceable filter dryer after system has been adjusted and after design flow rates and pressures are established.

END OF SECTION 232300

FIRE STATIONS RENOVATION  
ARLINGTON COUNTY, VIRGINIA  
Architect's Project No: 563006

SECTION 233113 - METAL DUCTS

PART 1 - GENERAL

1.1 RELATED DOCUMENTS

- A. Provisions of the Contract and of the Contract Documents apply to this Section.

1.2 PERFORMANCE REQUIREMENTS

- A. Seal all ducts to seal class A as defined in SMACNA's HVAC Duct Construction Standards - Metal and Flexible, Third Edition 2005:
  - 1. Seal all longitudinal joints.
  - 2. Seal all transverse joints.
  - 3. Seal all penetrations.
- B. Seal Class: A
- C. Duct Construction: Duct construction, including sheet metal thicknesses, seam and joint construction, reinforcements, and hangers and supports, shall comply with SMACNA's "HVAC Duct Construction Standards - Metal and Flexible, Third Edition 2005" and performance requirements and design criteria indicated in "Duct Schedule" Article.
- D. Liner Airstream Surfaces: Liner surfaces in contact with the airstream shall comply with ASHRAE 62.1-2007, paragraph 5.5.
- E. Cleanliness: All factory fabricated duct shall be cleaned with a non-toxic, biodegradable cleaner/degreaser and shall be shrink wrapped prior to shipment.

1.3 ABBREVIATIONS

- A. BAS Building Automation System
- B. NRTL Nationally Recognized Testing Laboratory
- C. SMACNA Sheet Metal and Air Conditioning Contractors' National Association
- D. WC Water Column

1.4 DEFINITIONS:

- A. Duct System: For the purposes of this section "duct system" shall mean all metal supply, return, and exhaust duct and fittings between the air moving device and the space.
- B. Low Pressure: Plus two (2.0) inches WC to minus one (1.0) inches WC
- C. Medium Pressure: More than two (2.0) inches WC to plus ten (10.0) inches WC or more than minus one (1.0) inch to minus ten (10.0) inches WC
- D. High Pressure: More than plus or minus ten (10.0) inches WC.

FIRE STATIONS RENOVATION  
ARLINGTON COUNTY, VIRGINIA  
Architect's Project No: 563006

1.5 SUBMITTALS

- A. Product Data / Documentation: For each of the following:
  - 1. Sheet metal thicknesses.
  - 2. Liners and adhesives.
  - 3. Pre-manufactured ductwork.
  - 4. Sealants and gaskets.
  - 5. VOC content for adhesives and sealants.
  
- B. CAD-generated Shop Drawings:
  - 1. Provide coordination shop drawings with all trades for entire building including kitchen, laundry and water/mechanical rooms. Include
  - 2. Show fabrication and installation details for metal ducts.
  - 3. 1/4" = 1'-0" scale minimum including duct layout indicating sizes and pressure classes for the following areas:
    - a. Areas indicated on the drawings at 1/4" = 1'-0" scale.
    - b. Areas where sections are cut.
    - c. Finished spaces with exposed ductwork.
      - 1) Exceptions:
        - a) Janitors closets
        - b) Storage Rooms
        - c) Receiving Areas
      - 2) Include:
        - a) Plans, elevations and sections.
        - b) Elevations of top and bottom of ducts.
        - c) Dimensions of main duct runs from building grid lines.
  - 4. 3/4" = 1'-0" scale minimum for the following:
    - a. Hangers and supports, including methods for duct and building attachment, vibration isolation.
    - b. Duct accessories, including access doors and panels.
    - c. Equipment installation based on approved equipment submittals.
    - d. Penetrations through fire-rated and other partitions.
    - e. Fittings.
    - f. Components.
  
- C. Submittals during construction:
  - 1. Duct-Cleaning Test Report: Documentation of work performed for compliance with ASHRAE 62.1-2007, Section 7.2.4 - "Ventilation System Start-Up."

1.6 QUALITY ASSURANCE

- A. Provide work in compliance with applicable Building Code requirements.
- B. Welding Qualifications: Qualify procedures and personnel according to the following:
- C. AWS D1.1/D1.1M, "Structural Welding Code - Steel," for hangers and supports.

FIRE STATIONS RENOVATION  
ARLINGTON COUNTY, VIRGINIA  
Architect's Project No: 563006

- D. AWS D1.2/D1.2M, "Structural Welding Code - Aluminum," for aluminum supports.
- E. AWS D9.1M/D9.1, "Sheet Metal Welding Code," for duct joint and seam welding.
- F. ASHRAE Compliance: Comply with applicable requirements in ASHRAE 62.1-2007, Section 5 - "Systems and Equipment" and Section 7 - "Construction and System Start-Up."
- G. ASHRAE/IESNA Compliance: Comply with applicable requirements in ASHRAE/IESNA 90.1-2007, Section 6.4.4 - "HVAC System Construction and Insulation."
- H. Mockups (Contractor's option in lieu of 3"=1'-0" details):
  - 1. Before installing duct systems, build mockups. Build mockups to comply with the following requirements, using materials indicated for the completed Work:
  - 2. Three transverse joints.
  - 3. One Reinforced section with 3 reinforcements.
  - 4. One of each type; attachments to other work.
  - 5. Two typical flexible duct or flexible-connector connections.
  - 6. Approved mockups may become part of the completed Work if undisturbed at time of Substantial Completion.

PART 2 - PRODUCTS

2.1 SINGLE-WALL RECTANGULAR DUCTS AND FITTINGS

- A. General Fabrication Requirements: Comply with SMACNA's "HVAC Duct Construction Standards - Metal and Flexible, Third Edition 2005" based on indicated static-pressure class unless otherwise indicated.
- B. Transverse Joints: Select joint types and fabricate according to SMACNA's "HVAC Duct Construction Standards - Metal and Flexible, Third Edition 2005," Figure 2-1, "Transverse (Girth) Joints," for static-pressure class, applicable sealing requirements, materials involved, duct-support intervals, and other provisions in SMACNA's "HVAC Duct Construction Standards - Metal and Flexible, Third Edition 2005."
- C. Longitudinal Seams: Select seam types and fabricate according to SMACNA's "HVAC Duct Construction Standards - Metal and Flexible, Third Edition 2005," Figure 2-2, "Rectangular Duct/Longitudinal Seams" for static-pressure class, applicable sealing requirements, materials involved, duct-support intervals, and other provisions in SMACNA's "HVAC Duct Construction Standards - Metal and Flexible, Third Edition 2005."
- D. Elbows, Transitions, Offsets, Branch Connections, and Other Duct Construction: Select types and fabricate according to SMACNA's "HVAC Duct Construction Standards - Metal and Flexible, Third Edition 2005," Chapter 4, "Fittings and Other Construction," for static-pressure class, applicable sealing requirements, materials involved, duct-support intervals, and other provisions in SMACNA's "HVAC Duct Construction Standards - Metal and Flexible, Third Edition 2005."

2.2 DOUBLE-WALL RECTANGULAR DUCTS AND FITTINGS (SOLID LINER)

- A. Manufacturers:



FIRE STATIONS RENOVATION  
ARLINGTON COUNTY, VIRGINIA  
Architect's Project No: 563006

1. McGill AirFlow LLC.
  2. MKT Metal Manufacturing
  3. Sheet Metal Connectors, Inc.
- B. Rectangular Ducts: Fabricate ducts with indicated dimensions for the inner duct.
- C. Outer Duct: Comply with SMACNA's "HVAC Duct Construction Standards - Metal and Flexible, Third Edition 2005" based on indicated static-pressure class unless otherwise indicated.
- D. Transverse Joints: Select joint types and fabricate according to SMACNA's "HVAC Duct Construction Standards - Metal and Flexible, Third Edition 2005," Figure 2-1, "Transverse (Girth) Joints," for static-pressure class, applicable sealing requirements, materials involved, duct-support intervals, and other provisions in SMACNA's "HVAC Duct Construction Standards - Metal and Flexible, Third Edition 2005."
- E. Longitudinal Seams: Select seam types and fabricate according to SMACNA's "HVAC Duct Construction Standards - Metal and Flexible, Third Edition 2005," Figure 2-2, "Longitudinal Seams - Rectangular Ducts," for static-pressure class, applicable sealing requirements, materials involved, duct-support intervals, and other provisions in SMACNA's "HVAC Duct Construction Standards - Metal and Flexible, Third Edition 2005."
- F. Interstitial Insulation: Fibrous-glass liner complying with ASTM C 1071, NFPA 90A, or NFPA 90B; and with NAIMA AH124, "Fibrous Glass Duct Liner Standard."
1. Install spacers that position the inner duct at uniform distance from outer duct without compressing insulation.
- G. Inner Duct: Minimum 22-gauge.
- H. Formed-on Transverse Joints (Flanges): Select joint types and fabricate according to SMACNA's "HVAC Duct Construction Standards - Metal and Flexible, Third Edition 2005," Figure 1-4, "Traverse (Girth) Joints," for static-pressure class, applicable sealing requirements, materials involved, duct-support intervals, and other provisions in SMACNA's "HVAC Duct Construction Standards - Metal and Flexible, Third Edition 2005."
- I. Longitudinal Seams: Select seam types and fabricate according to SMACNA's "HVAC Duct Construction Standards - Metal and Flexible, Third Edition 2005," Figure 2-2, "Rectangular Duct/Longitudinal Seams" for static-pressure class, applicable sealing requirements, materials involved, duct-support intervals, and other provisions in SMACNA's "HVAC Duct Construction Standards - Metal and Flexible, Third Edition 2005."
- 2.3 DOUBLE-WALL RECTANGULAR DUCTS AND FITTINGS (SOLID LINER, OUTDOORS)
- A. Manufacturers:
1. McGill AirFlow LLC.
  2. MKT Metal Manufacturing
  3. Sheet Metal Connectors, Inc.
- B. Rectangular Ducts: Fabricate ducts with indicated dimensions for the inner duct.
- C. Outer Duct: Comply with SMACNA's "HVAC Duct Construction Standards - Metal and Flexible, Third Edition 2005" based on indicated static-pressure class unless otherwise indicated. Minimum 20-gauge.

FIRE STATIONS RENOVATION  
ARLINGTON COUNTY, VIRGINIA  
Architect's Project No: 563006

- D. Transverse Joints: Flanged, gasketed joints suited for outdoor applications. Select joint types and fabricate according to SMACNA's "HVAC Duct Construction Standards - Metal and Flexible, Third Edition 2005," Figure 2-1, "Transverse (Girth) Joints," for static-pressure class, applicable sealing requirements, materials involved, duct-support intervals, and other provisions in SMACNA's "HVAC Duct Construction Standards - Metal and Flexible, Third Edition 2005."
- E. Longitudinal Seams: Liquid tight, welded. Select seam types and fabricate according to SMACNA's "HVAC Duct Construction Standards - Metal and Flexible, Third Edition 2005," Figure 2-2, "Longitudinal Seams - Rectangular Ducts," for static-pressure class, applicable sealing requirements, materials involved, duct-support intervals, and other provisions in SMACNA's "HVAC Duct Construction Standards - Metal and Flexible, Third Edition 2005."
- F. Interstitial Insulation: Closed-cell elastomeric.
- G. Inner Duct: Minimum 22-gauge.
- H. Formed-on Transverse Joints (Flanges): Select joint types and fabricate according to SMACNA's "HVAC Duct Construction Standards - Metal and Flexible, Third Edition 2005," Figure 1-4, "Traverse (Girth) Joints," for static-pressure class, applicable sealing requirements, materials involved, duct-support intervals, and other provisions in SMACNA's "HVAC Duct Construction Standards - Metal and Flexible, Third Edition 2005."
- I. Longitudinal Seams: Select seam types and fabricate according to SMACNA's "HVAC Duct Construction Standards - Metal and Flexible, Third Edition 2005," Figure 2-2, "Rectangular Duct/Longitudinal Seams" for static-pressure class, applicable sealing requirements, materials involved, duct-support intervals, and other provisions in SMACNA's "HVAC Duct Construction Standards - Metal and Flexible, Third Edition 2005."

#### 2.4 LOW PRESSURE SINGLE-WALL ROUND DUCTS AND FITTINGS –CONCEALED

- A. General Fabrication Requirements: Comply with SMACNA's "HVAC Duct Construction Standards - Metal and Flexible, Third Edition 2005," Chapter 3, "Round, Oval, and Flexible Duct," based on specified static-pressure class unless otherwise indicated.
- B. Manufacturers:
  - 1. Eastern Sheet Metal.
  - 2. Hamlin Sheet Metal.
  - 3. Linx Industries - Lindab.
  - 4. McGill AirFlow LLC.
  - 5. MKT Metal Manufacturing
  - 6. Semco, Inc.
  - 7. Sheet Metal Connectors, Inc.
  - 8. Spiral Manufacturing Co., Inc.
- C. Transverse Joints: Select joint types and fabricate according to SMACNA's "HVAC Duct Construction Standards - Metal and Flexible, Third Edition 2005," Figure 3-1, "Round Duct Transverse Joints"
  - 1. Transverse Joints in Ducts Equal to or Larger Than 48" in Diameter: Flanged.
  - 2. Gasketed, EPDM, self sealing Joints such as Eastern Tight or Spiro Safe may be used for ducts smaller than 48" in diameter.
  - 3. Flanges may be substituted in ducts smaller than 48" in diameter.

FIRE STATIONS RENOVATION  
ARLINGTON COUNTY, VIRGINIA  
Architect's Project No: 563006

- D. Duct support intervals, and other provisions: In accordance with SMACNA's "HVAC Duct Construction Standards - Metal and Flexible, Third Edition 2005."
- E. Longitudinal Seams: Select seam types and fabricate according to SMACNA's "HVAC Duct Construction Standards - Metal and Flexible, Third Edition 2005," Figure 3-2, "Seams - Round Duct and Fittings," for static-pressure class, applicable sealing requirements, materials involved, duct-support intervals, and other provisions in SMACNA's "HVAC Duct Construction Standards - Metal and Flexible, Third Edition 2005."
- F. Tees and Laterals: Select types and fabricate according to SMACNA's "HVAC Duct Construction Standards - Metal and Flexible, Third Edition 2005," Figure 3-5, "90° Tees and Laterals," and Figure 3-6, "Conical Tees," for static-pressure class, applicable sealing requirements, materials involved, duct-support intervals, and other provisions in SMACNA's "HVAC Duct Construction Standards - Metal and Flexible, Third Edition 2005." Adjustable elbows are not permitted.
- G. All round duct shall not be less than 26-gauge.

## 2.5 LOW PRESSURE SINGLE-WALL ROUND DUCTS AND FITTINGS -EXPOSED

- A. General Fabrication Requirements: Comply with SMACNA's "HVAC Duct Construction Standards - Metal and Flexible, Third Edition 2005," Chapter 3, "Round, Oval, and Flexible Duct," "FIGURE 3-2 ROUND DUCT LONGITUDINAL SEAMS" "SPIRAL SEAM RL-1" to plus-or-minus 10" WC unless otherwise indicated.
- B. Manufacturers:
  - 1. Eastern Sheet Metal.
  - 2. Hamlin Sheet Metal.
  - 3. Linx Industries - Lindab.
  - 4. McGill AirFlow LLC.
  - 5. MKT Metal Manufacturing
  - 6. Semco, Inc.
  - 7. Sheet Metal Connectors, Inc.
  - 8. Spiral Manufacturing Co., Inc.
- C. Transverse Joints: Select joint types and fabricate according to SMACNA's "HVAC Duct Construction Standards - Metal and Flexible, Third Edition 2005," Figure 3-1, "Round Duct Transverse Joints"
- D. Static-pressure class, applicable sealing requirements, materials involved, duct-support intervals, and other provisions: Comply with SMACNA's "HVAC Duct Construction Standards - Metal and Flexible, Third Edition 2005." And the following:
  - 1. Transverse Joints in Ducts Equal to or Larger Than 48" in Diameter or Flat Oval with a Major Dimension Equal to or Larger Than 48": Flanged.
  - 2. Gasketed, EPDM, self sealing Joints such as Eastern Tight or Spiro Safe may be used for ducts smaller than 48" in diameter.
  - 3. Flanges may be substituted in ducts smaller than 48" in diameter.
- E. Longitudinal Seams: Duct shall be spiral according to SMACNA's "HVAC Duct Construction Standards - Metal and Flexible, Third Edition 2005," Figure 3-2, "Round Duct Longitudinal Seams"

FIRE STATIONS RENOVATION  
ARLINGTON COUNTY, VIRGINIA  
Architect's Project No: 563006

- F. Tees and Laterals: Tees and laterals shall be created with fittings. Fabricate fittings according to SMACNA's "HVAC Duct Construction Standards - Metal and Flexible, Third Edition 2005." Adjustable elbows are not permitted.
- G. Static-pressure class: Applicable sealing requirements, materials involved, duct-support intervals, and other provisions in SMACNA's "HVAC Duct Construction Standards - Metal and Flexible, Third Edition 2005."
- H. Longitudinal seams shall be spiral type.
- I. All round duct shall not be less than 26-gauge.

2.6 DOUBLE-WALL ROUND DUCTS AND FITTINGS (SOLID LINER)

- A. Manufacturers:
  - 1. Eastern Sheet Metal.
  - 2. Hamlin Sheet Metal.
  - 3. Linx Industries - Lindab.
  - 4. McGill AirFlow LLC.
  - 5. MKT Metal Manufacturing
  - 6. Semco, Inc.
  - 7. Sheet Metal Connectors, Inc.
  - 8. Spiral Manufacturing Co., Inc.
- B. Outer Duct: Comply with SMACNA's "HVAC Duct Construction Standards - Metal and Flexible, Third Edition 2005," Chapter 3, "Round, Oval, and Flexible Duct," based on static-pressure class unless otherwise indicated.
- C. Transverse Joints: Select joint types and fabricate according to SMACNA's "HVAC Duct Construction Standards - Metal and Flexible, Third Edition 2005," Figure 3-2, "Transverse Joints - Round Duct," for static-pressure class, applicable sealing requirements, materials involved, duct-support intervals, and other provisions in SMACNA's "HVAC Duct Construction Standards - Metal and Flexible, Third Edition 2005."
  - 1. Transverse Joints in Ducts Equal to or Larger Than 48" in Diameter or Flat Oval with a Major Dimension Equal to or Larger Than 48": Flanged.
  - 2. Gasketed, EPDM, self sealing Joints such as Eastern Tight or Spiro Safe may be used for ducts smaller than 48" in diameter.
  - 3. Flanges may be substituted in ducts smaller than 48" in diameter.
- D. Longitudinal Seams: Select seam types and fabricate according to SMACNA's "HVAC Duct Construction Standards - Metal and Flexible, Third Edition 2005," Figure 3-2, "Seams - Round Duct and Fittings," for static-pressure class, applicable sealing requirements, materials involved, duct-support intervals, and other provisions in SMACNA's "HVAC Duct Construction Standards - Metal and Flexible, Third Edition 2005, Third Edition 2005."
- E. Tees and Laterals: Select types and fabricate according to SMACNA's "HVAC Duct Construction Standards - Metal and Flexible, Third Edition 2005," Figure 3-5, "90° Tees and Laterals," and Figure 3-6, "Conical Tees," for static-pressure class, applicable sealing requirements, materials involved, duct-support intervals, and other provisions in SMACNA's "HVAC Duct Construction Standards - Metal and Flexible, Third Edition 2005."

FIRE STATIONS RENOVATION  
ARLINGTON COUNTY, VIRGINIA  
Architect's Project No: 563006

- F. Inner Duct: Minimum 22-gauge.
- G. Interstitial Insulation: Fibrous-glass liner complying with ASTM C 1071, NFPA 90A, or NFPA 90B; and with NAIMA AH124, "Fibrous Glass Duct Liner Standard."
  - 1. Install spacers that position the inner duct at uniform distance from outer duct without compressing insulation.
- H. All round duct shall not be less than 26-gauge.

2.7 SHEET METAL MATERIALS

- A. General Material Requirements: Comply with SMACNA's "HVAC Duct Construction Standards - Metal and Flexible, Third Edition 2005" for acceptable materials, material thicknesses, and duct construction methods unless otherwise indicated. Sheet metal materials shall be free of pitting, seam marks, roller marks, stains, discolorations, and other imperfections.
- B. Galvanized Sheet Steel: Comply with ASTM A 653/A 653M.
  - 1. Galvanized Coating Designation: G90.
  - 2. Finishes for Surfaces Exposed to View: Mill phosphatized.
- C. Stainless-Steel Sheets: Comply with ASTM A 480/A 480M, Type 316, cold rolled, annealed, sheet. Exposed surface finish shall be No. 4.
- D. Aluminum Sheets: Comply with ASTM B 209 Alloy 3003, H14 temper; with mill finish for concealed ducts, and standard, one-side bright finish for duct surfaces exposed to view.
- E. Reinforcement Shapes and Plates: ASTM A 36/A 36M, steel plates, shapes, and bars; black and galvanized.
- F. Where black- and galvanized-steel shapes and plates are used to reinforce aluminum ducts, isolate the different metals with butyl rubber, neoprene, or EPDM gasket materials.
- G. Tie Rods: Galvanized steel, 1/4-inch minimum diameter for lengths 36 inches or less; 3/8-inch minimum diameter for lengths longer than 36 inches.

2.8 DUCT LINER

- A. For double wall duct: Not required. All other duct: Provide where indicated.
- B. Fibrous-Glass Duct Liner: Comply with ASTM C 1071, NFPA 90A, or NFPA 90B; and with NAIMA AH124, "Fibrous Glass Duct Liner Standard."
  - 1. Manufacturers:
    - a. CertainTeed Corporation.
    - b. Johns Manville.
    - c. Knauf Insulation.
    - d. Owens Corning.
  - 2. Maximum Thermal Conductivity:

FIRE STATIONS RENOVATION  
ARLINGTON COUNTY, VIRGINIA  
Architect's Project No: 563006

- 1) Type I, Flexible: 0.26 Btu x in./h x sq. ft. x deg F at 75 deg F mean temperature.
  - 2) Type II, Rigid: 0.23 Btu x in./h x sq. ft. x deg F at 75 deg F mean temperature.
3. For supply ductwork, provide antimicrobial, erosion-resistant coating: Apply to the surface of the liner that will form the interior surface of the duct to act as a moisture repellent and erosion-resistant coating. Antimicrobial compound shall be tested for efficacy by an NRTL and registered by the EPA for use in HVAC systems.
  4. Water-Based Liner Adhesive: Comply with NFPA 90A or NFPA 90B and with ASTM C 916.
- C. Flexible Elastomeric Duct Liner: Preformed, cellular, closed-cell, sheet materials complying with ASTM C 534, Type II, Grade 1; and with NFPA 90A or NFPA 90B. Foam shall contain or be coated with EPA-approved or EPA-registered antimicrobial additive or paint.
1. Manufacturers:
    - a. Aeroflex USA, Inc.
    - b. Armacell LLC.
    - c. K-Flex USA.
  2. Maximum Thermal Conductivity: 0.25 Btu x in./h x sq. ft. x deg F at 75 deg F mean temperature when tested according to ASTM C 518.
  3. Surface-Burning Characteristics: Maximum flame-spread index of 25 and maximum smoke-developed index of 50 when tested according to UL 723; certified by an NRTL.
  4. Liner Adhesive: As recommended by insulation manufacturer and complying with NFPA 90A or NFPA 90B.
- D. Natural-Fiber Duct Liner: 85 percent cotton, 10 percent borate, and 5 percent polybinding fibers, treated with a microbial growth inhibitor and complying with NFPA 90A or NFPA 90B.
1. Manufacturers:
    - a. Ductmate Industries, Inc.
  2. Maximum Thermal Conductivity: 0.24 Btu x in./h x sq. ft. x deg F at 75 deg F mean temperature when tested according to ASTM C 518.
  3. Surface-Burning Characteristics: Maximum flame-spread index of 25 and maximum smoke-developed index of 50 when tested according to ASTM E 84; certified by an NRTL.
  4. Liner Adhesive: As recommended by insulation manufacturer and complying with NFPA 90A or NFPA 90B.
- E. Insulation Pins and Washers:
1. Cupped-Head, Capacitor-Discharge-Weld Pins: Copper- or zinc-coated steel pin, fully annealed for capacitor-discharge welding, 0.106-inch- diameter shank, length to suit depth of insulation indicated with integral 1-1/2-inch galvanized carbon-steel washer.

FIRE STATIONS RENOVATION  
ARLINGTON COUNTY, VIRGINIA  
Architect's Project No: 563006

2. Insulation-Retaining Washers: Self-locking washers formed from 0.016-inch-thick galvanized steel; with beveled edge sized as required to hold insulation securely in place but not less than 1-1/2 inches in diameter.

F. Shop Application of Duct Liner: Comply with SMACNA's "HVAC Duct Construction Standards - Metal and Flexible," Figure 7-11, "Flexible Duct Liner Installation."

1. Adhere a single layer of indicated thickness of duct liner with at least 90 percent adhesive coverage at liner contact surface area. Attaining indicated thickness with multiple layers of duct liner is prohibited.
2. Apply adhesive to transverse edges of liner facing upstream that do not receive metal nosing.
3. Butt transverse joints without gaps, and coat joint with adhesive.
4. Fold and compress liner in corners of rectangular ducts or cut and fit to ensure butted-edge overlapping.
5. Do not apply liner in rectangular ducts with longitudinal joints, except at corners of ducts, unless duct size and dimensions of standard liner make longitudinal joints necessary.
6. Apply adhesive coating on longitudinal seams in ducts with air velocity of 2500 fpm.
7. Secure liner with mechanical fasteners 4 inches from corners and at intervals not exceeding 12 inches transversely; at 3 inches from transverse joints and at intervals not exceeding 18 inches longitudinally.
8. Secure transversely oriented liner edges facing the airstream with metal nosings that have either channel or "Z" profiles or are integrally formed from duct wall. Fabricate edge facings at the following locations:
  - a. Fan discharges.
  - b. Intervals of lined duct preceding unlined duct.
  - c. Upstream edges of transverse joints in ducts where air velocities are higher than 2500 fpm or where indicated.

- G. Terminate inner ducts with buildouts attached to fire-damper sleeves, dampers, turning vane assemblies, or other devices. Fabricated buildouts (metal hat sections) or other buildout means are optional; when used, secure buildouts to duct walls with bolts, screws, rivets, or welds.

## 2.9 SEALANT AND GASKETS

- A. General Sealant and Gasket Requirements: Surface-burning characteristics for sealants and gaskets shall be a maximum flame-spread index of 25 and a maximum smoke-developed index of 50 when tested according to UL 723.
1. Materials: Certified by a NRTL.
- B. Tape sealing systems are not permitted.
- C. Water-Based Joint and Seam Sealant:
1. Application Method: Brush on.
  2. Solids Content: Minimum 65 percent.
  3. Shore A Hardness: Minimum 20.
  4. Water resistant.
  5. Mold and mildew resistant.

FIRE STATIONS RENOVATION  
ARLINGTON COUNTY, VIRGINIA  
Architect's Project No: 563006

6. VOC: Maximum 75 g/L (less water).
  7. Maximum Static-Pressure Class: 10-inch wg, positive and negative.
  8. Service: Indoor or outdoor.
  9. Substrate: Compatible with galvanized sheet steel (both PVC coated and bare), stainless steel, or aluminum sheets.
  10. Indoor applications: Sealant with VOC content of 250 g/L or less when calculated according to 40 CFR 59, Subpart D (EPA Method 24).
  11. Maximum Static-Pressure Class: 10-inch wg, positive or negative.
  12. Service: Indoor or outdoor.
  13. Substrate: Compatible with galvanized sheet steel, stainless steel, or aluminum sheets.
- D. Flanged Joint Sealant: Comply with ASTM C 920.
1. General: Single-component, acid-curing, silicone, elastomeric.
  2. Type: S.
  3. Grade: NS.
  4. Class: 25.
  5. Use: O.
  6. Indoor applications: Sealant with VOC content of 250 g/L or less when calculated according to 40 CFR 59, Subpart D (EPA Method 24).
- E. Flange Gaskets: Butyl rubber, neoprene, or EPDM polymer with polyisobutylene plasticizer.

## 2.10 HANGERS AND SUPPORTS

- A. Ductwork Hangers inside indoor pool area:
1. Suited for corrosive environment, all aluminum, with aluminum fasteners. Where additional strength is required, galvanized steel can be used. Refer to Division 9 "Painting" for high performance coating for galvanized steel.
- B. Hanger Rods: Galvanized, all-thread.
- C. Strap and Rod Sizes: Comply with SMACNA's "HVAC Duct Construction Standards - Metal and Flexible, Third Edition 2005," Table 5-1, "Rectangular Duct Hangers Minimum Size," and Table 5-2, "Minimum Hanger Sizes for Round Duct."
- D. Steel Cables for Galvanized-Steel Ducts: Galvanized steel complying with ASTM A 603.
- E. Steel Cables for Stainless-Steel Ducts: Stainless steel complying with ASTM A 492.
- F. Steel Cable End Connections: Cadmium-plated steel assemblies with brackets, swivel, and bolts designed for duct hanger service; with an automatic-locking and clamping device.
- G. Duct Attachments: Sheet metal screws, blind rivets, or self-tapping metal screws; compatible with duct materials.
- H. Trapeze and Riser Supports:
1. Supports for Galvanized-Steel Ducts: Galvanized-steel shapes and plates.
  2. Supports for Stainless-Steel Ducts: Stainless-steel shapes and plates.
  3. Supports for Aluminum Ducts: Aluminum or galvanized steel coated with zinc chromate.



FIRE STATIONS RENOVATION  
ARLINGTON COUNTY, VIRGINIA  
Architect's Project No: 563006

PART 3 - EXECUTION

3.1 DUCT INSTALLATION

- A. Drawing plans, schematics, and diagrams indicate general location and arrangement of duct system. Duct locations, configurations, and arrangements were used to size ducts and calculate friction loss for air-handling equipment sizing and for other design considerations. Install duct systems as indicated unless deviations to layout are approved by Architect in writing.
- B. Comply with SMACNA's "HVAC Duct Construction Standards - Metal and Flexible, Third Edition 2005" unless otherwise indicated.
- C. Install ducts with fewest possible joints.
- D. Install factory-fabricated fittings for changes in direction, size, and shape and for branch connections.
- E. Unless otherwise indicated, install ducts vertically or horizontally, and parallel or perpendicular to building lines.
- F. Install ducts close to walls, overhead construction, columns, and other structural and permanent enclosure elements of building. Maintain clearances for equipment maintenance.
- G. Install ducts with a clearance of 1 inch, plus allowance for installation of insulation at specified thickness.
- H. Do not route ducts through transformer vaults, electrical equipment rooms, elevator equipment rooms or electrical enclosures.
- I. Where ducts pass through non-fire-rated interior partitions and exterior walls and are exposed to view, cover the opening between the partition and duct or duct insulation with sheet metal flanges of same metal thickness as the duct. Overlap openings on four sides by at least 1-1/2 inches.
- J. Provide fire dampers where ducts pass through fire-rated interior partitions, fire-rated exterior walls, fire-rated floor assemblies, or fire-rated shaft enclosures.
- K. Protect duct interiors from moisture, construction debris, dust, and other foreign materials. Comply with SMACNA's "Duct Cleanliness for New Construction Guidelines."

3.2 PROTECTION OF WALL AND FLOOR PENETRATIONS OF NON-RATED ASSEMBLIES

- A. Where ducts penetrate non-fire-resistance-rated wall or floor assemblies, protect the penetration with one of the following:
  - 1. For a duct that connects not more than two stories vertically, protect the annular space around the penetrating duct with an approved, noncombustible material that resists the free passage of flame and the products of combustion.
  - 2. For a duct that connects not more than three stories, protect the annular space around the penetrating duct with an approved, noncombustible material that resists the free passage of flame and the products of combustion and a fire damper at each floor line.
  - 3. For ducts that penetrate a smoke partition without a smoke damper, protect the annular space around the penetrating duct with an approved, non-combustible materials that resists the free passage of flame and the products of combustion.

FIRE STATIONS RENOVATION  
ARLINGTON COUNTY, VIRGINIA  
Architect's Project No: 563006

4. For ducts that penetrate a non-rated wall, protect the annular space around the penetrating duct with an approved, non-combustible materials that resists the free passage of flame and the products of combustion.

### 3.3 INSTALLATION OF EXPOSED DUCTWORK

- A. Protect ducts exposed in finished spaces from being dented, scratched, or damaged.
- B. Trim duct sealants flush with metal. Create a smooth and uniform exposed bead. Do not use two-part tape sealing system.
- C. Grind welds to provide smooth surface free of burrs, sharp edges, and weld splatter. When welding stainless steel with a No. 3 or 4 finish, grind the welds flush, polish the exposed welds, and treat the welds to remove discoloration caused by welding. Do not weld or grind lined ductwork.
- D. Maintain consistency, symmetry, and uniformity in the arrangement and fabrication of duct, fittings, hangers, supports, accessories, and air outlets.
- E. Repair or replace damaged sections and finished work that does not comply with these requirements.

### 3.4 DUCT SEALING

- A. Seal all ducts to seal class A as defined in SMACNA's HVAC Duct Construction Standards - Metal and Flexible, Third Edition 2005:
  1. Seal all longitudinal joints.
  2. Seal all transverse joints.
  3. Seal all penetrations.

### 3.5 HANGER AND SUPPORT INSTALLATION

- A. Comply with SMACNA's "HVAC Duct Construction Standards - Metal and Flexible, Third Edition 2005," Chapter 5, "Hangers and Supports."
- B. Building Attachments: Unless indicated otherwise, provide concrete inserts, powder-actuated fasteners, or structural-steel fasteners appropriate for construction materials to which hangers are being attached.
  1. Where practical, install concrete inserts before placing concrete.
  2. Do not use powder-actuated concrete fasteners for lightweight-aggregate concrete or for slabs less than 4 inches thick.
- C. Hanger Spacing: Comply with SMACNA's "HVAC Duct Construction Standards - Metal and Flexible, Third Edition 2005," Table 5-1, "Rectangular Duct Hangers Minimum Size," and Table 5-2, "Minimum Hanger Sizes for Round Duct," for maximum hanger spacing; install hangers and supports within 24 inches of each elbow and within 48 inches of each branch intersection.
- D. Hangers Exposed to View: Threaded rod and channel supports.

FIRE STATIONS RENOVATION  
ARLINGTON COUNTY, VIRGINIA  
Architect's Project No: 563006

- E. Support vertical ducts with channel secured to the sides of the duct with welds, bolts, sheet metal screws, or blind rivets; support at each floor or at a maximum intervals of 18 feet.
- F. Install upper attachments to structures. Select and size upper attachments with pull-out, tension, and shear capacities appropriate for supported loads and building materials where used.

3.6 CONNECTIONS

- A. Make connections to equipment with flexible connectors.
- B. Comply with SMACNA's "HVAC Duct Construction Standards - Metal and Flexible, Third Edition 2005" for branch, outlet, inlet, and terminal unit connections unless otherwise indicated.

3.7 PAINTING

- A. Paint interior of metal ducts that are visible through registers and grilles and that do not have duct liner. Apply two coats of flat black, latex paint over a compatible galvanized-steel primer.

3.8 FIELD QUALITY CONTROL

- A. Perform tests and inspections.
- B. Visually inspect, for proper seal application, all ductwork not tested prior to insulation application. Prepare inspection report.
- C. Duct System Cleanliness Tests:
  - 1. Visually inspect duct system to ensure that no visible contaminants are present. If visible contaminants are present, proceed to sub-paragraph 2 below. If not, no further cleaning shall be required.
  - 2. Test sections of metal duct systems, up to one location per ten thousand (10,000) square feet of building area, or a minimum of two (2) per system, whichever is greater, chosen by the Owner's Representative, for cleanliness according to "Vacuum Test" in NADCA ACR, "Assessment, Cleaning and Restoration of HVAC Systems." Net weight of debris collected on the filter media shall not exceed 0.75 mg/100 sq. cm. Cut hole in duct and install access door at each location selected. Size shall be as indicated in Division 23 Section "Air Duct Accessories."
  - 3. Duct system shall be considered dirty and in need of cleaning if any test location does not pass the cleanliness test. Cleaning shall be performed in accordance with this specification.
- D. Prepare and submit test and inspection reports.

3.9 DUCT CLEANING

- A. Clean new duct systems that fail duct system cleanliness tests before testing, adjusting, and balancing.
- B. Comply with SMACNA "Duct Cleanliness for New Construction Guidelines" dated 2000, for protection, cleaning, and installation methods for all ductwork. Adhere to the requirements for a duct cleanliness level of "C" (advanced level) as detailed in Section 3.1.

FIRE STATIONS RENOVATION  
ARLINGTON COUNTY, VIRGINIA  
Architect's Project No: 563006

3.10 START UP

- A. Air Balance: Comply with requirements in Division 23 Section "Testing, Adjusting, and Balancing for HVAC."

3.11 DUCT SCHEDULE

- A. Fabricate ducts with galvanized sheet steel except as otherwise indicated and as follows:
- B. Ducts Connected Serving Locker Rooms, Shower Rooms, and Team Rooms:
  - 1. Aluminum sheet.
  - 2. Exposed to View: Bright finish.
  - 3. Concealed: Mill finish.
- C. All double wall ductwork:
  - 1. Aluminum sheet perforated inner wall.
  - 2. Aluminum sheet outer wall.
  - 3. Exposed: Painted to match color selected by Architect.
- D. Double-Wall Duct Interstitial Insulation (where indicated):
  - 1. Supply Air Ducts: 1" thickness.
  - 2. Return Air Ducts: 1" thickness.
- E. Rectangular Duct Liner Thickness (where indicated):
  - 1. Supply Air Ducts: 1-1/2" thickness and minimum R=5.0.]
- F. Elbow Configuration:
  - 1. Rectangular Duct: Comply with SMACNA's "HVAC Duct Construction Standards - Metal and Flexible, Third Edition 2005," Figure 4-2, "Rectangular Elbows."
    - a. Velocity less than 1500 fpm or lower:
      - 1) Radius Type RE 1. Centerline radius =  $3W/2$ .
      - 2) Mitered Type RE 2 with vanes complying with SMACNA's "HVAC Duct Construction Standards - Metal and Flexible, Third Edition 2005," Figure 4-3, "Vanes and Vane Runners," and Figure 4-4, "Vane Support in Elbows."
      - 3) Transfer ducts indicated with mitered elbows do not require turning vanes.
    - b. Velocity 1500 fpm or Higher:
      - 1) Radius Type RE 3. Centerline radius =  $3w/2$  and three vanes.
      - 2) Mitered Type RE 2 with vanes complying with SMACNA's "HVAC Duct Construction Standards - Metal and Flexible, Third Edition 2005," Figure 2-3, "Vanes and Vane Runners," and Figure 2-4, "Vane Support in Elbows."
  - 2. Round Duct: Comply with SMACNA's "HVAC Duct Construction Standards - Metal and Flexible, Third Edition 2005," Figure 3-4, "Round Duct Elbows."
    - a. Minimum centerline radius-to-diameter ratio shall be 1.5 with a maximum of 5 Elbow Segments. Comply with SMACNA's "HVAC Duct Construction Standards - Metal and Flexible, Third Edition 2005," Table 3-1, "Mitered Elbows." Elbows with less than a 90 degree change of direction shall have segments per Table 3-1 in

FIRE STATIONS RENOVATION  
ARLINGTON COUNTY, VIRGINIA  
Architect's Project No: 563006

SMACNA's "HVAC Duct Construction Standards - Metal and Flexible, Third Edition 2005".

- b. Round Elbows, 12 Inches and Smaller in Diameter: Stamped, segmented, spiral or pleated. Adjustable elbows not acceptable.
  - c. Round Elbows, 14 Inches and Larger in Diameter: Standing seam, segmented, or spiral.
3. Flat Oval Duct: Comply with SMACNA's "HVAC Duct Construction Standards - Metal and Flexible, Third Edition 2005," Figure 3-7, "Flat Oval Ducts" for elbows.

G. Branch Configuration:

1. Rectangular Duct: Comply with SMACNA's "HVAC Duct Construction Standards - Metal and Flexible, Third Edition 2005," Figure 4-6, "Branch Connections."
  - a. Rectangular Main to Rectangular Branch: 45-degree entry.
  - b. Rectangular Main to Round Branch: Conical or bellmouth. No flanged or spin-in fittings permitted.
2. Round and Flat Oval: Comply with SMACNA's "HVAC Duct Construction Standards - Metal and Flexible, Third Edition 2005," Figure 3-6, "Conical Tees."
  - a. Conical fitting.
  - b. Conical saddle taps.
  - c. No 90 degree taps or 90 degree saddle taps permitted.

H. Divided Flow Branches:

1. Rectangular Duct: Comply with SMACNA's "HVAC Duct Construction Standards - Metal and Flexible, Third Edition 2005," Figure 4-5 Divided Flow Branches."

END OF SECTION 233113

FIRE STATIONS RENOVATION  
ARLINGTON COUNTY, VIRGINIA  
Architect's Project No: 563006

SECTION 233300 - AIR DUCT ACCESSORIES

PART 1 - GENERAL

1.1 RELATED DOCUMENTS

- A. Provisions of the Contract and of the Contract Documents apply to this Section.

1.2 SUBMITTALS

- A. Product Data: For the following:
  - 1. Radius forming braces
  - 2. Volume dampers.
  - 3. Take-offs
  - 4. Motorized control dampers.
  - 5. Fire dampers.
  - 6. Turning vanes.
  - 7. Duct-mounting access doors.
  - 8. Flexible connectors.
  - 9. Flexible ducts.
  - 10. Rooftop duct supports.
- B. Wiring Diagrams: For power, signal, and control wiring.
- C. Operation and Maintenance Data: For air duct accessories to include in operation and maintenance manuals.

1.3 ABBREVIATIONS

- A. CFM Cubic Feet per Minute
- B. F Fahrenheit
- C. FPM Feet Per Minute
- D. IN Inches
- E. LBF Pound Feet, or Pound Foot.
- F. NFPA National Fire Protection Association
- G. NO Number
- H. NRTL Nationally Recognized Testing laboratory
- I. OC On Center
- J. SqFt Square Feet
- K. WC Water Column

FIRE STATIONS RENOVATION  
ARLINGTON COUNTY, VIRGINIA  
Architect's Project No: 563006

1.4 QUALITY ASSURANCE

- A. Comply with NFPA 90A, "Installation of Air Conditioning and Ventilating Systems," and with NFPA 90B, "Installation of Warm Air Heating and Air Conditioning Systems."
- B. Comply with AMCA 500-D testing for damper rating.

1.5 EXTRA MATERIALS

- A. Furnish extra materials that match products installed and that are packaged with protective covering for storage and identified with labels describing contents.
  - 1. Fusible Links: Furnish quantity equal to 10 percent of amount installed. Minimum 1 of each type used.

PART 2 - PRODUCTS

2.1 MATERIALS

- A. Comply with SMACNA's "HVAC Duct Construction Standards - Metal and Flexible" for acceptable materials, material thicknesses, and duct construction methods unless otherwise indicated. Sheet metal materials shall be free of pitting, seam marks, roller marks, stains, discolorations, and other imperfections.
- B. Comply with SMACNA's "HVAC Duct Construction Standards - Metal and Flexible" for acceptable duct installation methods unless otherwise indicated.
- C. Galvanized Sheet Steel: Comply with ASTM A 653/A 653M.
  - 1. Galvanized Coating Designation: G60 or G90.
  - 2. Exposed-Surface Finish: Mill phosphatized.
- D. Stainless-Steel Sheets: Comply with ASTM A 480/A 480M, Type 304, and having a NO 2 finish for concealed ducts and NO 4 finish for exposed ducts.
- E. Aluminum Sheets: Comply with ASTM B 209, Alloy 3003, temper H14; with mill finish for concealed ducts and standard, 1-side bright finish for exposed ducts.
- F. Extruded Aluminum: Comply with ASTM B 221, Alloy 6063, Temper T6.
- G. Reinforcement Shapes and Plates: Galvanized-steel reinforcement where installed on galvanized sheet metal ducts; compatible materials for aluminum and stainless-steel ducts.
- H. Tie Rods: Galvanized steel, 1/4-inch minimum diameter for lengths 36 inches or less; 3/8-inch minimum diameter for lengths longer than 36 inches; compatible materials for aluminum and stainless-steel ducts.

2.2 RADIUS FORMING BRACES

- A. Available manufacturers:
  - 1. Titus, FlexRight (Basis of Design)
  - 2. Flexible Technologies, Inc., Thermaflex Division, FlexFlow
  - 3. Hart & Cooley, Smart Flow Elbow

FIRE STATIONS RENOVATION  
ARLINGTON COUNTY, VIRGINIA  
Architect's Project No: 563006

- B. General: UL-2043 listed or NRTL approved product constructed of metal or plastic manufactured for use with flexible duct to form a kink free elbow using the flexible duct. Any flexible duct used in forming the elbow shall be included in the maximum permitted length. Resulting flexible duct shall comply with SMACNA HVAC Duct Construction Standards.
- C. Duct Size: 6" through 16" in diameter.
- D. Inside (Bend) Radius: Minimum of one duct diameter along centerline.
- E. Attachments: Plastic zip ties or stainless steel worm gear clamps.
- F. Support to Overhead: Shall meet SMACNA requirements. Use of specified attachments for support shall not be permitted.

### 2.3 MANUAL VOLUME DAMPERS

- A. Steel, Manual Volume Dampers:
  - 1. Manufacturers:
    - a. Air Balance Inc.; a division of Mestek, Inc.
    - b. American Warming and Ventilating; a division of Mestek, Inc.
    - c. Flexmaster U.S.A., Inc.
    - d. Greenheck Fan Corporation.
    - e. McGill AirFlow LLC.
    - f. METALAIRE, Inc.
    - g. PCI Industries - Pottorff
    - h. Ruskin Company.
    - i. Vent Products Company, Inc.
  - 2. Standard leakage rating, with linkage outside airstream.
  - 3. Suitable for horizontal or vertical applications.
  - 4. Frames:
    - a. Hat-shaped, galvanized or stainless-steel channels, match duct material.
    - b. Mitered and welded corners.
    - c. Flanges for attaching to walls and flangeless frames for installing in ducts.
  - 5. Blades:
    - a. Multiple or single blade.
    - b. Opposed-blade design.
    - c. Stiffen damper blades for stability.
    - d. Galvanized or stainless-steel channels, match duct material.
    - e. Blade Axles: Galvanized steel or Stainless steel. Dampers over 12" width/diameter shall include continuous axles. Dampers 12" and less may have non-continuous axles.
  - 6. Bearings:
    - a. Molded synthetic. Provide bearing at both duct wall penetrations.
  - 7. Tie Bars and Brackets: Galvanized steel.
- B. Aluminum, Manual Volume Dampers:
  - 1. Manufacturers:
    - a. Air Balance Inc.; a division of Mestek, Inc.
    - b. American Warming and Ventilating; a division of Mestek, Inc.
    - c. Flexmaster U.S.A., Inc.



FIRE STATIONS RENOVATION  
ARLINGTON COUNTY, VIRGINIA  
Architect's Project No: 563006

- d. Greenheck Fan Corporation.
  - e. McGill AirFlow LLC.
  - f. METALAIRE, Inc.
  - g. PCI Industries - Pottorff
  - h. Ruskin Company.
  - i. Vent Products Company, Inc.
  2. Standard leakage rating, with linkage and operator outside airstream.
  3. Suitable for horizontal or vertical applications.
  4. Frames: Hat-shaped aluminum channels for installing in ducts.
  5. Blades:
    - a. Multiple or single blade.
    - b. Parallel- or opposed-blade design.
    - c. Stiffen damper blades for stability.
    - d. Roll Formed or Extruded Aluminum.
    - e. Blade Axles: Galvanized steel or Stainless steel. Dampers over 12" width/diameter shall include continuous axles. Dampers 12" and less may have non-continuous axles.
  6. Bearings:
    - a. Molded synthetic. Provide bearing at both duct wall penetrations.
  7. Tie Bars and Brackets: Aluminum.
- C. Damper Hardware:
1. Zinc-plated, die-cast quadrant with dial and handle made of zinc plated steel, and a hexagon lock nut. Friction lock dampers are not acceptable where system external static pressure exceeds 0.50"wc.
  2. Include center hole to suit damper operating-rod size.
  3. Include elevated platform or stand-off for insulated duct mounting.
- 2.4 CONTROL DAMPERS
- A. Parallel Blades shall be used for two position applications (Open or Closed) unless otherwise indicated.
1. Manufacturers:
    - a. American Warming and Ventilating; a division of Mestek, Inc.
    - b. Arrow United Industries; a division of Mestek, Inc.
    - c. Cesco Products; a division of Mestek, Inc.
    - d. Duro Dyne Inc.
    - e. Flexmaster U.S.A., Inc.
    - f. Greenheck Fan Corporation.
    - g. McGill AirFlow LLC.
    - h. METALAIRE, Inc.
    - i. PCI Industries - Pottorff
    - j. Ruskin Company.
    - k. Young Regulator Company.
  2. Low leakage or ultra low leakage rating, with linkage outside airstream, and having AMCA's Certified Ratings Seal for both air performance and air leakage.
  3. Ratings:
    - a. Pressure Differential Range: 0.0" WC – 6.0" WC.
    - b. Velocity Range: 0 FPM to 4000 FPM.

FIRE STATIONS RENOVATION  
ARLINGTON COUNTY, VIRGINIA  
Architect's Project No: 563006

- c. Leakage:
    - 1) 6 CFM/SqFt @ 4" WC.
    - 2) 3 CFM/SqFt @ 1" WC.
  - d. Temperature: Minimum 165° F.
  - 4. Frames:
    - a. Galvanized steel channels.
    - b. Mitered and welded corners.
  - 5. Blades:
    - a. Air foil
    - b. Multiple blade
    - c. Maximum blade width (not including seals): 8"
    - d. Parallel blade design.
    - e. Galvanized steel.
    - f. Edge Seal: Silicone blade edge seals.
      - 1) Temperature Range: From a minimum of minus 50 to a maximum of plus 300 degrees F.
  - 6. Blade Axles: 1/2-inch- diameter; galvanized or stainless steel.
  - 7. Linkage: Galvanized or stainless steel out of airstream.
  - 8. Jamb Seal: Stainless steel.
  - 9. Bearings:
    - a. Bronze.
    - b. Dampers shall have axles running the full length of the damper blades shall have bearings at each end of the shaft.
    - c. Thrust bearings shall be located at each end of every blade.
- B. Opposed Blades shall be used for modulating applications (Open, Closed, and Anywhere In Between) unless otherwise indicated.
- 1. Manufacturers:
    - a. American Warming and Ventilating; a division of Mestek, Inc.
    - b. Arrow United Industries; a division of Mestek, Inc.
    - c. Cesco Products; a division of Mestek, Inc.
    - d. Duro Dyne Inc.
    - e. Flexmaster U.S.A., Inc.
    - f. Greenheck Fan Corporation.
    - g. McGill AirFlow LLC.
    - h. METALAIRE, Inc.
    - i. PCI Industries - Pottorff
    - j. Ruskin Company.
    - k. Young Regulator Company.
  - 2. Low leakage or ultra low leakage rating, with linkage outside airstream, and having AMCA's Certified Ratings Seal for both air performance and air leakage.
  - 3. Ratings:
    - a. Pressure Differential Range: 0.0" WC – 6.0" WC.
    - b. Velocity Range: 0 FPM to 4000 FPM.
    - c. Leakage:
      - 1) 6 CFM/SqFt @ 4" WC.
      - 2) 3 CFM/SqFt @ 1" WC.
    - d. Temperature: Minimum 165° F.
  - 4. Frames:

FIRE STATIONS RENOVATION  
ARLINGTON COUNTY, VIRGINIA  
Architect's Project No: 563006

- a. Galvanized steel channels.
- b. Mitered and welded corners.
5. Blades:
  - a. Air foil
  - b. Multiple blade
  - c. Maximum blade width (not including seals): 8"
  - d. Opposed blade design.
  - e. Galvanized steel.
  - f. Edge Seal: Silicone blade edge seals.
    - 1) Temperature Range: From a minimum of minus 50 to a maximum of plus 300 degrees F.
6. Blade Axles: 1/2-inch- diameter; galvanized or stainless steel.
7. Linkage: Galvanized or stainless steel out of airstream.
8. Jamb Seal: Stainless steel.
9. Bearings:
  - a. Bronze.
  - b. Dampers shall have axles running the full length of the damper blades shall have bearings at each end of the shaft.
  - c. Thrust bearings shall be located at each end of every blade.

## 2.5 FLANGE CONNECTORS

- A. Available Manufacturers:
  1. Ductmate Industries, Inc.
  2. Nexus PDQ; Division of Shilco Holdings Inc.
  3. Hart & Cooley, Inc.
- B. Description: Add-on or roll-formed, factory-fabricated, slide-on transverse flange connectors, gaskets, and components.
- C. Material: Match connecting ductwork.
- D. Gauge: 18, 20, or 24 as recommended by manufacturer or match connecting ductwork.

## 2.6 MANUFACTURED TURNING VANES

- A. Curved blades of galvanized sheet steel; support with bars perpendicular to blades set; set into vane runners suitable for duct mounting.
- B. General Requirements: Comply with SMACNA's "HVAC Duct Construction Standards - Metal and Flexible"; Figures 2-3, "Vaness and Vane Runners," and 2-4, "Vane Support in Elbows."
- C. Vane Construction: Single wall for ducts with the largest sectional dimension up to 48 inches wide and double wall for larger dimensions.

## 2.7 DUCT-MOUNTED ACCESS DOORS

- A. Available Manufacturers:
  1. Ductmate Industries, Inc.
  2. Flexmaster U.S.A., Inc.
  3. Greenheck Fan Corporation.

FIRE STATIONS RENOVATION  
ARLINGTON COUNTY, VIRGINIA  
Architect's Project No: 563006

4. Kees
  5. McGill AirFlow LLC.
- B. Duct-Mounted Access Doors: Fabricate access panels according to SMACNA's "HVAC Duct Construction Standards - Metal and Flexible"; Figures 2-10, "Duct Access Doors and Panels," and 2-11, "Access Panels - Round Duct."
1. Door:
    - a. Double wall, rectangular.
    - b. Galvanized sheet metal with insulation fill and thickness as indicated for duct pressure class.
    - c. Hinges and Latches: 1-by-1-inch butt or piano hinge. Cam latches.
    - d. Fabricate doors airtight and suitable for duct pressure class.
  2. Frame: Galvanized sheet steel, with bend-over tabs and foam gaskets.
  3. Number of Hinges and Locks:
    - a. Access Doors Less Than 12 Inches Square: No hinges and two sash locks.
    - b. Access Doors up to 18 Inches Square: Two hinges and two sash locks.
    - c. Access Doors up to 24 by 48 Inches: Three hinges and two compression latches with outside and inside handles.
    - d. Access Doors Larger Than 24 by 48 Inches: Four hinges and two compression latches with outside and inside handles.

2.8 FLEXIBLE CONNECTORS

- A. Available Manufacturers:
1. Ductmate Industries, Inc.
  2. Duro Dyne Inc.
  3. Ventfabrics, Inc.
  4. Hart & Cooley, Inc.
- B. Materials: Flame-retardant or noncombustible fabrics.
- C. Coatings and Adhesives: Comply with UL 181, Class 1.
- D. Connector: Factory fabricated with a fabric strip 3½ to 4½ inches wide attached to 2 strips of 2½ to 4½ inches wide, 23 to 25 gauge "0.0269 to .0209 inch thick" galvanized sheet steel, stainless sheet steel, or aluminum sheets. Provide metal compatible with connected ducts.
- E. Indoor System, Flexible Connector Fabric: Glass fabric double-coated with neoprene.
1. Minimum Weight: 26 oz/sq yd.
  2. Tensile Strength: 480 lbf/inch in the warp and 360 lbf/inch in the filling.
  3. Service Temperature: Minus 40 to plus 200 deg F.
- F. High-Temperature System, Flexible Connectors: Glass fabric coated with silicone rubber.
1. Minimum Weight: 16 oz./sq. yd..
  2. Tensile Strength: 285 lbf/inch in the warp and 185 lbf/inch in the filling.
  3. Service Temperature: Minus 67 to plus 500 deg F.
- G. Thrust Limiters:

FIRE STATIONS RENOVATION  
ARLINGTON COUNTY, VIRGINIA  
Architect's Project No: 563006

1. Field fabricated cable restraints on equipment producing greater than 4.0" WC of positive pressure.
2. Field fabricated cable restraints as detailed. If not detailed; Provide restraint consisting of a 1/16 inch diameter vinyl coated steel cable at 24" maximum on center, attached to flange bolts on each side of flexible connector. Cable length shall be such that, when in tension, 1/2" of movement in the flexible connection is preserved. If flanges are not used, contractor may provide steel, stainless steel, or aluminum angles for attaching cables. Match duct material. Cables shall attach to screw or fastener holding angle to duct and shall be routed through a 3/16" diameter hole in the bracket offset approximately 1" from duct.
3. Direction of connector movement: Parallel with airflow, perpendicular to connector.

2.9 FLEXIBLE AIR DUCTS

A. Manufacturers:

1. Flexmaster U.S.A., Inc. (Basis of design, Provide Type 1M)
2. Thermaflex
3. Hart & Cooley, Inc.

B. Provide bead on connecting duct for sizes greater than 12" in diameter.

C. Maximum length of flexible duct is 6'-0".

D. Insulated, Flexible Duct: UL 181, Class 1 air duct with vinyl film supported by helically wound, spring-steel wire; fibrous-glass insulation; aluminized vapor-barrier film.

1. Pressure Rating: 10-inch WC positive and 1.0-inch WC negative.
2. Maximum Air Velocity: 5000 fpm.
3. Vapor Barrier Permeance: 0.05 perm
4. Temperature Range: Minus 10 to plus 160 deg F.
5. Insulation R-value: 6.0

E. Flexible Duct Connection Accessories:

1. Low pressure (Not up stream of terminal units):
  - a. Clamps: Nylon strap in sizes 3 through 20", to suit duct size.
  - b. Sheet metal screws: No
  - c. Liquid adhesive: No
  - d. Tape: Yes
2. Medium pressure (Up stream of terminal units):
  - a. Clamps: Stainless-steel band with cadmium-plated hex screw to tighten band with worm-gear action in sizes 3 through 20 inches, to suit duct size.
  - b. Sheet metal screws: No
  - c. Liquid adhesive: Yes
  - d. Tape: Yes

2.10 ACCESSORY HARDWARE

A. Temporary Test Holes: Drilled in duct as required.

FIRE STATIONS RENOVATION  
ARLINGTON COUNTY, VIRGINIA  
Architect's Project No: 563006

- B. Permanent Test Holes: Cast iron, or cast aluminum, to suit adjacent material, including cap and gasket. Size to allow insertion of pitot tube and other testing instruments and of length to suit wall + insulation thickness.
- C. Adhesives: High strength, quick setting, waterproof, and resistant to grease.

PART 3 - EXECUTION

3.1 INSTALLATION

- A. Install duct accessories according to applicable details in SMACNA's "HVAC Duct Construction Standards - Metal and Flexible" for metal ducts and in NAIMA AH116, "Fibrous Glass Duct Construction Standards," for fibrous-glass ducts.
- B. Install duct accessories of materials suited to duct materials; use galvanized-steel accessories in galvanized-steel and fibrous-glass ducts, stainless-steel accessories in stainless-steel ducts, and aluminum accessories in aluminum ducts.
- C. Install backdraft dampers on exhaust fans or exhaust ducts nearest to outside and where indicated.
- D. Install volume dampers at points on supply, return, and exhaust systems where branches extend from larger ducts. Where dampers are installed in ducts having duct liner, install dampers with hat channels of same depth as liner, and terminate liner with nosing at hat channel.
  - 1. Install steel volume dampers in steel ducts.
  - 2. Install aluminum volume dampers in aluminum ducts.
- E. Set dampers to fully open position before testing, adjusting, and balancing.
- F. Install permanent test holes at fan inlets and outlets.
- G. Install permanent test holes where indicated.
- H. Provide temporary test holes where necessary for testing.
- I. Install temporary test hole plugs in temporary test holes.
- J. Repair insulation at temporary test holes.
- K. Install duct access doors on sides of ducts to allow for inspecting, adjusting, and maintaining accessories and equipment at the following locations:
  - 1. On both sides of duct coils.
  - 2. Downstream from volume dampers and equipment.
  - 3. Adjacent to fire or smoke dampers, providing access to reset or reinstall fusible links.
  - 4. To interior of ducts for cleaning; before and after each change in direction, at maximum 50-foot spacing.
  - 5. On sides of ducts where adequate clearance is available.
- L. Install access doors with swing against duct static pressure except at fire, smoke, and combination fire & smoke dampers.
- M. Install the largest access door possible in the following sizes for duct-mounting, rectangular access doors:

FIRE STATIONS RENOVATION  
ARLINGTON COUNTY, VIRGINIA  
Architect's Project No: 563006

1. One-Hand or Inspection Access: 8 by 5 inches.
  2. Two-Hand Access: 12 by 6 inches.
  3. Head and Hand Access: 18 by 10 inches.
  4. Head and Shoulders Access: 21 by 14 inches.
  5. Body Access: 25 by 14 inches.
  6. Body Plus Ladder Access: 25 by 17 inches.
- N. Install the largest access door possible in the following sizes for duct-mounting, round access doors:
1. One-Hand or Inspection Access: 8 inches in diameter.
  2. Two-Hand Access: 10 inches in diameter.
  3. Head and Hand Access: 12 inches in diameter.
  4. Head and Shoulders Access: 18 inches in diameter.
  5. Body Access: 24 inches in diameter.
- O. Label access doors to indicate purpose.
- P. Install flexible connectors to connect ducts to air moving equipment.
- Q. For fans developing static pressures of 4" WC and more, cover flexible connectors with loaded vinyl sheet held in place with metal straps.
- R. Connect terminal units to supply ducts with 36" of rigid duct and maximum 30" lengths of flexible duct.
- S. Connect flexible ducts to metal ducts as follows:
1. Low pressure (Not up stream of terminal units):
    - a. Clamps: Install in accordance with manufacturer's recommendations.
    - b. Sheet metal screws: Not required.
    - c. Liquid adhesive: Not required.
    - d. Tape: Install in accordance with manufacturer's recommendations.
  2. Medium pressure (Up stream of terminal units):
    - a. Clamps: Install in accordance with manufacturer's recommendations.
    - b. Sheet metal screws: Not required.
    - c. Liquid adhesive: Yes
    - d. Tape: Yes
- T. Connect flexible ducts to diffusers using a radius forming brace or rigid elbow. If using radius forming brace, deduct four (4) duct diameters from the indicated maximum flexible duct length.
- U. Install temporary test holes where required for testing and balancing purposes. Cap with neoprene, plastic or rubber plugs and repair insulation with like material.
- V. Install permanent test holes upstream and downstream of each fan within 6" of fan. Install in unit wall or adjacent duct.
1. Exception: Outlet of roof mounted fans
- W. Install thrust limiters at all flexible connectors consisting of a 1/16 inch diameter vinyl coated steel cable at 24" maximum on center, attached to flange bolts on each side of flexible connector. Cable length shall be such that, when in tension, 1/2" of movement in the flexible connection is preserved. If flanges are not used, contractor may provide steel, stainless steel, or

FIRE STATIONS RENOVATION  
ARLINGTON COUNTY, VIRGINIA  
Architect's Project No: 563006

aluminum angles for attaching cables. Match duct material. Cables shall attach to screw or fastener holding angle and shall be routed through a 3/16" diameter hole in the angle offset approximately 1" from duct.

X. TURNING VANES:

1. Install turning vanes in all duct elbows larger than 12" in height or width.
2. Exceptions:
  - a. Where prohibited by the applicable code.
  - b. Where prohibited by laws or ordinances.
  - c. Where prohibited by local requirements.
  - d. Where specifically eliminated by contract.

Y. FIELD QUALITY CONTROL

1. Tests and Inspections:
  - a. Operate dampers to verify full range of movement without interference.
  - b. Inspect access doors. Verify that door can be opened and closed. Verify fire damper, and combination fire and smoke damper fusible links can be reset and changed. Verify fire damper, and combination fire and smoke damper doors open in the direction of air pressure (out on supply ducts and in on return and exhaust ducts).
  - c. Operate fire, smoke, and combination fire and smoke dampers to verify full range of movement, verify non-interference, and verify that the proper heat-response device is installed.
  - d. Inspect elbows for turning vanes. Verify they are installed where required.
  - e. Inspect turning vanes using access doors for proper and secure installation.
  - f. Operate remote damper operators prior to ceiling installation to verify full range of movement of operator and damper. Verify no interference with damper movement.

END OF SECTION 233300



FIRE STATIONS RENOVATION  
ARLINGTON COUNTY, VIRGINIA  
Architect's Project No: 563006

SECTION 233423 - HVAC POWER VENTILATORS

PART 1 - GENERAL

1.1 RELATED DOCUMENTS

- A. Provisions of the Contract and of the Contract Documents apply to this Section.

1.2 SUBMITTALS

- A. Product Data: Provide manufacturer's technical data for each ventilator including rated capacities, dimensions, required clearances, operating characteristics, mounting requirements, and furnished specialties and accessories. Provide power and control wiring diagrams. Also include the following:
  - 1. Certified fan performance curves with system operating conditions indicated.
  - 2. Certified fan sound-power ratings.
  - 3. Motor ratings and electrical characteristics, plus motor and electrical accessories.
  - 4. Material thickness and finishes, including color charts.
  - 5. Dampers, including housings, linkages, and operators.
  - 6. Roof curbs with required slope and dimensions. Indicate shimming if required.
  - 7. .
  - 8. Fan speed controllers.
- B. Operation and Maintenance Data: For ventilators to include in emergency, operation, and maintenance manuals.
- C. Warranty: Special warranty specified in this Section.

1.3 QUALITY ASSURANCE

- A. Electrical Components, Devices, and Accessories: Listed and labeled as defined in NFPA 70, by a qualified testing agency, and marked for intended location and application.
- B. AMCA Compliance: Fans shall have AMCA-Certified performance ratings and shall bear the AMCA-Certified Ratings Seal.
- C. UL Standards: Power ventilators shall comply with UL 705. Power ventilators for use for grease (kitchen) hood exhaust shall also comply with UL 762.

1.4 COORDINATION

- A. Coordinate size and location of structural-steel support members.

FIRE STATIONS RENOVATION  
ARLINGTON COUNTY, VIRGINIA  
Architect's Project No: 563006

- B. Coordinate sizes and locations of roof curbs, equipment supports, and roof penetrations with actual equipment provided.

1.5 EXTRA MATERIALS

- A. Furnish extra materials that match products installed and that are packaged with protective covering for storage and identified with labels describing contents.
  - 1. Belts: One set for each belt-driven fan. Mark belt set with fan ID and turn over to owner's representative.

PART 2 - PRODUCTS

2.1 IN-LINE CENTRIFUGAL FANS

- A. Manufacturers:
  - 1. Acme Engineering & Manufacturing Corporation.
  - 2. Penn Ventilation Companies, Inc.
  - 3. Greenheck Fan Corporation.
  - 4. Loren Cook Company.
- B. Housing: Manufacturer's standard steel, inlet and outlet flanges, and support bracket adaptable to floor, side wall, or ceiling mounting.
- C. Direct-Drive Units: Motor mounted in airstream, factory wired to disconnect switch located on outside of fan housing.
- D. Belt-Driven Units: Motor mounted on adjustable base, enclosure around belts within fan housing, and lubricating tubes from fan bearings extended to outside of fan housing.
- E. Fan Wheels: Aluminum, airfoil blades welded to aluminum hub.
- F. Provide accessories:
  - 1. Volume-Control Damper: Manually operated with quadrant lock, located in fan outlet. (Not required where speed controllers are provided.)
  - 2. Variable-Speed Controller: Where indicated on the fan schedule provide solid-state control to reduce speed from 100 percent to less than 50 percent.
  - 3. Disconnect Switch.
  - 4. Companion Flanges: For inlet and outlet duct connections.
  - 5. Motor and Drive Cover (Belt Guard): Epoxy-coated steel.
  - 6. Motorized Dampers: Where indicated on the fan schedule provide parallel-blade dampers mounted in duct with electric actuator; wired to close when fan stops. When fan voltage exceeds 220 V provide 50VA minimum transformer to operate damper.

FIRE STATIONS RENOVATION  
ARLINGTON COUNTY, VIRGINIA  
Architect's Project No: 563006

2.2 MOTORS

- A. Refer to section "Common Motor Requirements for HVAC Equipment."
- B. Comply with NEMA designation, temperature rating, service factor, enclosure type, and efficiency requirements for motors.
  - 1. Motor Sizes: Size shall be as indicated. If not indicated, provide motor large enough to drive load and avoid operation in service factor range above 1.0.
  - 2. Controls: Provide controllers, electrical devices, and wiring to comply with requirements specified in Division 26 Sections.
- C. Enclosure Type: Totally enclosed, fan cooled.

2.3 SOURCE QUALITY CONTROL

- A. Certify sound-power level ratings according to AMCA 301, "Methods for Calculating Fan Sound Ratings from Laboratory Test Data." Factory test fans according to AMCA 300, "Reverberant Room Method for Sound Testing of Fans." Label fans with the AMCA-Certified Ratings Seal.
- B. Certify fan performance ratings, including flow rate, pressure, power, air density, speed of rotation, and efficiency by factory tests according to AMCA 210, "Laboratory Methods of Testing Fans for Aerodynamic Performance Rating." Label fans with the AMCA-Certified Ratings Seal.

PART 3 - EXECUTION

3.1 INSTALLATION

- A. Install HVAC Power Ventilators level and plumb.
- B. Ceiling Units: Suspend units from structure; use steel wire or metal straps.
- C. Support suspended units from structure using threaded steel rods and elastomeric hangers having a static deflection of 0.5 inches.
- D. Install units with clearances for service and maintenance.
- E. Label units.

3.2 FIELD QUALITY CONTROL

- A. Perform tests and inspections.

FIRE STATIONS RENOVATION  
ARLINGTON COUNTY, VIRGINIA  
Architect's Project No: 563006

1. Manufacturer's Field Service: Engage a factory-authorized service representative to inspect components, assemblies, and equipment installations, including connections, and to assist in testing.

B. Tests and Inspections:

1. Verify that Shipping blocking and bracing are removed.
2. Verify that unit is secure and connections to ducts and electrical components are complete. Verify that proper thermal-overload protection is installed in motors, starters, and disconnect switches.
3. Verify that cleaning and adjusting are complete.
4. For belt drive units disconnect fan drive from motor, verify proper motor rotation direction, and verify fan wheel free rotation and smooth bearing operation. Reconnect fan drive system, align belts, adjust belt tension, and install belt guards.
5. Adjust damper linkages & operators for proper damper operation.
6. Verify lubrication for bearings and other moving parts.
7. Verify that manual and automatic volume control, fire, smoke, and fire/smoke dampers in connected ductwork systems are in a fully open position.
8. Disable automatic temperature-control operators, energize motor and adjust fan to indicated rpm.
9. Measure and record motor voltage and amperage.
10. Shut unit down and reconnect automatic temperature-control operators.
11. Remove and replace malfunctioning units and retest as specified above.

- C. Test and adjust controls and safeties. Replace damaged and malfunctioning controls and equipment.

- D. Prepare test and inspection reports.

3.3 TESTING, ADJUSTING, BALANCING, AND LUBRICATION

- A. Adjust damper linkages for proper damper operation.

- B. Comply with requirements in Section "Testing, Adjusting, and Balancing for HVAC".

- C. Replace fan and motor pulleys to achieve design airflow.

1. Disable automatic temperature-control operators, energize motor and adjust fan to required rpm.
2. Measure and record RPM.
3. Measure and record motor voltage and amperage.

- D. Re-lubricate bearings.

END OF SECTION 233423

FIRE STATIONS RENOVATION  
ARLINGTON COUNTY, VIRGINIA  
Architect's Project No: 563006

SECTION 233713 - DIFFUSERS, REGISTERS, AND GRILLES

PART 1 - GENERAL

1.1 RELATED DOCUMENTS

- A. Provisions of the Contract and of the Contract Documents apply to this Section.

1.2 SUBMITTALS

- A. Product Data: For each type of product indicated, include the following:
1. Data Sheet: Indicate materials of construction, finish, mounting details, and performance data including throw, drop, static pressure drop, and noise ratings.
  2. Diffuser, Register, and Grille Schedule: Indicate drawing designation, room location, quantity, model number, size, and accessories furnished.
- B. Installation Drawings: Drawn to scale (Minimum 1 ½" = 1'-0"), on which the following items are indicated:
1. Trim & borders.
  2. Ceiling suspension assembly members.
  3. Method of attaching hangers to building structure.

PART 2 - PRODUCTS

2.1 DIFFUSERS, GRILLES, AND REGISTERS

- A. Manufacturers:
1. Anemostat.
  2. Carnes.
  3. Krueger.
  4. MetalAire, Inc.
  5. Nailor Industries.
  6. Price Industries.
  7. Titus.
- B. General:
1. The basis of design for each grille register and diffuser is indicated on the drawings. The contractor shall provide equivalent products by one of the listed manufacturers.

FIRE STATIONS RENOVATION  
ARLINGTON COUNTY, VIRGINIA  
Architect's Project No: 563006

2. Where aluminum construction is indicated blades and frames shall be extruded.
3. All trim pieces shall be mechanically fastened. Friction fit trim rings/frames shall not be provided or shall be mechanically fastened in the field. Fasteners shall not be visible.
4. Units located on walls in heavy use areas including but not limited to basketball courts, gymnasiums, and shop areas shall be heavy duty steel.
5. Finish: Powder Coated or Baked enamel, white.
6. Filter Grille Mounting Frame: Shall accept a 2" deep MERV 8 (30%) pleated media filter. Refer to section "Filters" for filter requirements. Provide two sets of filters for each filter grille.
7. Mounting: As Scheduled.
8. Damper Type: Adjustable opposed-blade assembly where damper is indicated on the schedule.
9. Construction: For locker rooms, showers, the grill, diffuser shall be aluminum construction.

## 2.2 SOURCE QUALITY CONTROL

- A. Verification of Performance: Rate diffusers, registers, and grilles according to ASHRAE 70, "Method of Testing for Rating the Performance of Air Outlets and Inlets."

## PART 3 - EXECUTION

### 3.1 EXAMINATION

- A. Examine areas where diffusers, registers, and grilles are to be installed for installation tolerances and other conditions affecting performance.
- B. Proceed with installation only after unsatisfactory conditions have been corrected.

### 3.2 INSTALLATION

- A. Install diffusers, registers, and grilles level and plumb.
- B. Install diffusers, registers, and grilles flush with ceiling unless otherwise indicated in contract documents.
- C. Ceiling-Mounted Outlets and Inlets: Drawings indicate general arrangement of ducts, fittings, and accessories. Air outlet and inlet locations have been indicated to achieve design requirements for air volume, noise criteria, airflow pattern, throw, and pressure drop. Install in locations indicated, as much as practical. For units installed in lay-in ceiling panels, center units in both directions in panel. Where architectural features or other items conflict with installation, notify Architect for a determination of final location.

FIRE STATIONS RENOVATION  
ARLINGTON COUNTY, VIRGINIA  
Architect's Project No: 563006

- D. Linear Slot Diffuser Installation: For typical diffuser, adjust each slot diffuser so half the slots throw horizontally along the ceiling in each direction unless indicated otherwise on drawings. For linear slot diffusers above windows at building perimeter, one half of the total slots at each diffuser shall be adjusted to throw air vertically downward to wash window and the other half of the slots shall be adjusted to throw air horizontally across ceiling unless indicated otherwise.
- E. Diffusers, registers and grilles shall be supported independently of the ceiling system and shall not be supported from conduit, piping or unrelated ductwork.
- F. Install diffusers, registers, and grilles with airtight connections to ducts and to allow service and maintenance.

3.3 ADJUSTING

- A. After installation, adjust diffusers, registers, and grilles to air patterns indicated, or as directed, before starting air balancing.

END OF SECTION 233713

FIRE STATIONS RENOVATION  
ARLINGTON COUNTY, VIRGINIA  
Architect's Project No: 563006

SECTION 234100 - PARTICULATE AIR FILTRATION

PART 1 - GENERAL

1.1 RELATED DOCUMENTS

- A. Provisions of the Contract and of the Contract Documents apply to this Section.

1.2 DEFINITIONS

- A. Finished Spaces: Spaces other than mechanical and electrical equipment rooms, furred spaces, pipe chases, unheated spaces immediately below roof, spaces above ceilings, unexcavated spaces, crawlspaces, and tunnels.
- B. Exposed, Interior Installations: Exposed to view indoors. Examples include finished occupied spaces and mechanical equipment rooms.
- C. Exposed, Exterior Installations: Exposed to view outdoors or subject to outdoor ambient temperatures and weather conditions. Examples include rooftop locations.
- D. Concealed, Interior Installations: Concealed from view and protected from physical contact by building occupants. Examples include above ceilings and in chases.
- E. Concealed, Exterior Installations: Concealed from view and protected from weather conditions and physical contact by building occupants but subject to outdoor ambient temperatures. Examples include installations within unheated shelters.
- F. HEPA: High-efficiency particulate air.
- G. Construction Filter: A filter maintained during construction to protect ductwork from construction dust, dirt, and debris. Construction filters shall be removed temporarily during balancing and permanently after the building is occupied.

1.3 ACTION SUBMITTALS

- A. Product Data: For each type of product indicated include dimensions, required operating clearances, required access clearances, and weights.
- B. Operating Characteristics: For each type of product indicated provide rated flow capacity, initial and final pressure drop at rated flow capacity.
- C. Efficiency: For each type of product indicated provide efficiency and test method.
- D. Fire Classification: For each type of product indicated provide the fire classification.



FIRE STATIONS RENOVATION  
ARLINGTON COUNTY, VIRGINIA  
Architect's Project No: 563006

- E. Specialties and Accessories: For each type of product indicated provide furnished specialties and accessories.

1.4 CLOSEOUT SUBMITTALS

- A. Operation and Maintenance Data: For each type of filter and rack to include in emergency, operation, and maintenance manuals.
- B. Replace all permanent filters with new filters of types specified.

1.5 QUALITY ASSURANCE

- A. Electrical Components, Devices, and Accessories: Listed and labeled as defined in NFPA 70, by a qualified testing agency, and marked for intended location and application.
- B. ASHRAE Compliance:
  - 1. Comply with applicable requirements in ASHRAE 62.1, Section 4 - "Outdoor Air Quality"; Section 5 - "Systems and Equipment"; and Section 7 - "Construction and Startup."
  - 2. Comply with ASHRAE 52.1 for arrestance and ASHRAE 52.2 for MERV for methods of testing and rating air-filter units.
- C. Comply with NFPA 90A and NFPA 90B.

1.6 COORDINATION

- A. Coordinate sizes and locations:
  - 1. Within air handling units.
  - 2. On open return ducts during construction.

PART 2 - PRODUCTS

2.1 MANUFACTURERS

- A. Manufacturers:
  - 1. Air Filters, and Filter-Holding Systems:
    - a. AAF International.
    - b. Airguard Industries, Inc.
    - c. Barnebey & Sutcliffe Corp.
    - d. Columbus Industries, Inc.
    - e. Continental Air Filter Div.; NiCon Filter Corp.
    - f. Farr Co.
    - g. Flanders Filters, Inc.

FIRE STATIONS RENOVATION  
ARLINGTON COUNTY, VIRGINIA  
Architect's Project No: 563006

- h. International Air Filter, Inc.
  - i. Koch Filter Corp.
  - j. Research Products Corp.
2. Filter Gages:
- a. Airguard Industries, Inc.
  - b. Dwyer Instruments Inc.

## 2.2 GENERAL FILTERS

- A. For return filter grilles, general filtration, and construction filters provide the following:
- 1. Media: Cotton and synthetic pleated with an average efficiency of 25-30% and an average arrestance of 90-92% in accordance with ASHRAE test standard 52.1-1992.
  - 2. Thickness: Unless otherwise indicated thickness shall be 2".
  - 3. Media Support Grid: Welded wire on 1" centers with 96% free area bonded to the media.
  - 4. Filter Frame: High wet strength cardboard with diagonal support members bonded to the media on the entering side and exiting side of each pleat.
  - 5. Holding Frame: Galvanized steel with metal grid on outlet side, polyurethane gaskets, and spring fasteners.
  - 6. Farr 30/30 or equal.

## 2.3 PRE-FILTERS

- A. Where pre-filters are indicated and for construction filters provide the following:
- 1. Media: Cotton and synthetic pleated with an average efficiency of 25-30% and an average arrestance of 90-92% in accordance with ASHRAE test standard 52.1-1992.
  - 2. Thickness: Unless otherwise indicated thickness shall be 4".
  - 3. Media Support Grid: Welded wire on 1" centers with 96% free area bonded to the media.
  - 4. Filter Frame: High wet strength cardboard with diagonal support members bonded to the media on the entering side and exiting side of each pleat.
  - 5. Holding Frame: Galvanized steel with metal grid on outlet side, polyurethane gaskets, and spring fasteners.
  - 6. Farr 30/30 or equal.

## 2.4 FINAL FILTERS (CARTRIDGE TYPE)

- A. Where final filters are indicated on the drawings provide the following:
- 1. Media: High density microfine glass fibers, laminated to a reinforcing backing to form a lofted filter blanket.
  - 2. Efficiency: Filter media shall have an average efficiency of 80-85% and an average arrestance of 98% in accordance with ASHRAE test standard 52.1-1992. Minimum MERV 13.
  - 3. Thickness: Unless otherwise indicated thickness shall be 12".
  - 4. Media Support Grid: Welded wire on 1" centers with 96% free area bonded to the media.

FIRE STATIONS RENOVATION  
ARLINGTON COUNTY, VIRGINIA  
Architect's Project No: 563006

5. Contour Stabilizers: Aluminized zinc finished steel strips permanently installed on the entering and leaving side of the filter. Filter shall withstand 10" of static pressure drop without noticeable distortion.
6. Filter Frame: Aluminized zinc finished steel with filter pack mechanically and chemically bonded to eliminate air bypass. Provide aluminized zinc finished steel diagonal supports
7. Holding Frame: 16 Gauge galvanized steel with polyurethane gaskets, and positive sealing fasteners.
8. Farr Riga-Flo 100 or equal.

### PART 3 - EXECUTION

#### 3.1 INSTALLATION

- A. Position each filter with clearance for normal service and maintenance.
- B. Install filters to prevent passage of unfiltered air.
- C. Do not operate fan system until filters are in place. During construction, all ductwork must be protected from dirt and debris. Remove filters used during construction and testing. Replace all filters in units with new filters of types specified.
- D. Unit operation during construction:
  1. Install minimum MERV 8 construction filters to protect all return ductwork from dirt and debris. Supply fan shall operate at all times.
- E. Unit not operating during construction:
  1. Install plastic sheet material over all supply and return openings to protect all ductwork from dirt and debris.
  2. Fans shall be off.
- F. Construction filter installation: Adhere all edges of filter with metal foil peel-n-stick tape having an acrylic adhesive.

#### 3.2 FIELD QUALITY CONTROL

- A. Perform tests and inspections.
  1. Check for leakage of unfiltered air while system is operating.
- B. Air filter and installation will be considered defective if they do not pass.
- C. Prepare a report for each filter.

FIRE STATIONS RENOVATION  
ARLINGTON COUNTY, VIRGINIA  
Architect's Project No: 563006

3.3 TESTING AND BALANCING

- A. Immediately prior to testing and balancing, install new filters of the same type that shall be permanently installed.

3.4 CLEANING

- A. After construction ends and prior to occupancy, and with all interior finishes installed, clean unit filter housings and install new filters.

END OF SECTION 234100

FIRE STATIONS RENOVATION  
ARLINGTON COUNTY, VIRGINIA  
Architect's Project No: 563006

SECTION 237413 – PACKAGED ROOFTOP UNITS

PART 1 - GENERAL

1.1 RELATED DOCUMENTS

- A. Provisions of the Contract and of the Contract Documents apply to this Section.

1.2 ABBREVIATIONS

- A. ABMA American Bearing Manufacturers Association. ([www.abma-dc.org](http://www.abma-dc.org))
- B. AI Analog Input (analog value input to the BAS from the unit controller)
- C. AO Analog Output (analog value output from BAS to the unit controller)
- D. ANSI American National Standards Institute. ([www.ansi.org](http://www.ansi.org))
- E. BAS Building Automation System.
- F. BI Binary Input (binary value input to the BAS from the unit controller)
- G. BO Binary Output (binary value output from BAS to the unit controller)
- H. CFM Cubic Feet per Minute.
- I. DDC Direct-digital controls.
- J. ECM Electrically commutated motor.
- K. FPM Feet Per Minute.
- L. RTU Rooftop unit. As used in this Section, this abbreviation means packaged, outdoor, central station air handling unit. This abbreviation is used regardless of whether the unit is mounted on the roof or on an equipment pad on the ground.
- M. RTU's Rooftop units. As used in this Section, this abbreviation means packaged, outdoor, central station air handling units. This abbreviation is used regardless of whether the units are mounted on the roof or on equipment pads on the ground.
- N. SS Stamped Steel
- O. VAV Variable-air volume
- P. W Wire

FIRE STATIONS RENOVATION  
ARLINGTON COUNTY, VIRGINIA  
Architect's Project No: 563006

- Q. WG Water Gauge
- R. VFD Variable Frequency Drive

1.3 DEFINITIONS

- A. Archival Quality: Will last a minimum of 20 years.
- B. Head end: Main temperature control computer system storing data accessible to the internet for WEB accessible systems and storing data accessible to the building system backbone for non-WEB accessible systems.
- C. HP Outdoor-Air Refrigerant Coil: Refrigerant coil in the outdoor-air stream to reject heat during cooling operations and to absorb heat during heating operations.
- D. Modulating: Able to electrically vary and stop in any position.
- E. Outdoor air: Air outside the building or taken from outdoors and not previously circulated through the building.
- F. Outdoor air measurement: Reporting of the volume of outdoor air taken into the building by RTU and reported to the building operator in CFM.
- G. Outdoor-Air Refrigerant Coil: Refrigerant coil in the outdoor-air stream to reject heat during cooling operations.
- H. Outdoor-Air Refrigerant-Coil Fan: The outdoor-air refrigerant-coil fan in RTUs. "Outdoor air" is defined as the air outside the building or taken from outdoors and not previously circulated through the system.
- I. Record: Maintain in writing on original paper and maintain a copy in electronic format, file type Portable Document Format (\*.PDF) is acceptable. Make paper copy available for inspection upon request by Owner, Owner's representative, Architect, or Architect's representative. Email electronic copy to requested email address when request is made by the Owner, Owner's representative, Architect, or Architect's representative. Document shall be "openable" by Owner and Architect's computer.
- J. Supply-Air Fan: Fan providing supply air to conditioned space.
- K. Supply air: Air entering a space from air-conditioning, heating, or ventilating equipment.
- L. Supply-Air Refrigerant Coil: Refrigerant coil in the supply-air stream to absorb heat (provide cooling) during cooling operations and to reject heat (provide heating) during heating operations. "Supply air" is defined as the air entering a space from air-conditioning, heating, or ventilating apparatus.
- M. Two-position: Able to electrically move and stop in only two positions. Usually open or closed.

FIRE STATIONS RENOVATION  
ARLINGTON COUNTY, VIRGINIA  
Architect's Project No: 563006

1.4 PERFORMANCE REQUIREMENTS

- A. Support: RTU supports shall comply with required wind and seismic performance requirements, including analysis by a qualified professional engineer.
- B. Wind-Restraint Performance shall comply with SEI/ASCE 7 for wind speed and building classification category. Provide minimum 10 lb/sq. ft. multiplied by the maximum area of the mechanical component projected on a vertical plane that is normal to the wind direction, and 45 degrees either side of normal.
- C. Seismic Performance: RTUs shall withstand the effects of earthquake motions determined according to SEI/ASCE 7.
  - 1. Unless otherwise indicated the term "withstand" means "the unit will remain in place without separation of any parts from the device when subjected to the seismic forces specified." The unit will not be required to operate after the event.

1.5 SUBMITTALS

- A. Pre-submittal Meeting: A representative of the manufacturer producing equipment being provided under this section of the specifications shall attend a meeting for the purpose of coordinating with the contractor performing work under section "Instrumentation and Control". The meeting shall be held at a location of the Contractor's choosing. The Contractor shall arrange the meeting. Submittals shall be essentially complete at the time of the meeting so detailed coordination items can be discussed.
- B. Product Data: Provide manufacturer's technical data for each RTU, including rated capacities, dimensions, required clearances, characteristics, furnished specialties, accessories, and mounting requirements.
- C. Exterior Color: Manufacturer's standard color shall be acceptable.
- D. Shop Drawings:
  - 1. Detail equipment assemblies, include:
    - 1. Internal components
    - 2. Dimensions
    - 3. Weights
    - 4. Loads
    - 5. Supports
    - 6. Required clearances.
  - 2. Provide method of field assembly.
  - 3. Indicate:
    - 1. Components
    - 2. Location
    - 3. size of each field connection
  - 4. Provide Wiring Diagrams for:
    - 1. Power

FIRE STATIONS RENOVATION  
ARLINGTON COUNTY, VIRGINIA  
Architect's Project No: 563006

2. Control
5. For RTU Support comply with performance requirements and design criteria, including analysis data signed and sealed by the qualified professional engineer responsible for support selection.
  1. Calculations: Calculate requirements for selecting vibration isolation, seismic restraint where required, and for vibration isolation.
  2. Detail mounting, securing, and flashing of roof curb to roof structure. Indicate coordinating requirements with roof membrane system, curb slope, and curb dimensions.
  3. Restraint: Detail fabrication and attachment of restraints. Indicate anchorage details, quantity, diameter, and connections.
- E. Coordination Drawings: Plans and other details, drawn to scale, on which the following items are indicated and coordinated using input from installers:
  1. Plan areas containing an RTU indicated at  $\frac{1}{4}'' = 1' - 0''$  or greater on construction drawings.
  2. Areas within 20 feet of section marks indicated on M2 series drawings where such section marks penetrate an RTU.
  3. Structural members to which RTUs will be attached.
  4. Related roof openings.
  5. Related roof curbs, slope, dimensions and flashing.
- F. Operation and Maintenance Data: For RTUs to include in emergency, operation, and maintenance manuals. In addition to items specified in Division 01 Section "Operation and Maintenance Data," Provide the following:
  1. After successful completion of testing & balancing, or commissioning provide the following:
    1. Completed Inspection & Testing form.
    2. Record copy of site-specific software on DVD.
    3. Maintenance, Inspection and Testing Records including, may not be limited to, the following:
      - 1) How to test installed components.
      - 2) Frequency of testing of installed components.
      - 3) Frequency of inspection of installed components.
      - 4) Manufacturer's user training manuals.
  2. Manufacturer's required maintenance related to system warranty requirements.
  3. Software and Firmware Operational Documentation:
    1. Software operating and upgrade manuals.
    2. Program Software Backup: On magnetic media or compact disk, complete with data files.
    3. Device address list.
    4. Printout of software application and graphic screens.
- G. Warranty: Special warranty specified in this Section.



FIRE STATIONS RENOVATION  
ARLINGTON COUNTY, VIRGINIA  
Architect's Project No: 563006

1.6 QUALITY ASSURANCE

A. ARI Compliance:

1. Comply with ARI 210/240 and ARI 340/360 for testing and rating energy efficiencies for RTUs.
2. Comply with ARI 270 for testing and rating sound performance for RTUs.

B. ASHRAE Compliance:

1. Comply with ASHRAE 15 for refrigeration system safety.
2. Comply with ASHRAE 33 for methods of testing cooling and heating coils.
3. Comply with applicable requirements in ASHRAE 62.1-2007, Section 5 - "Systems and Equipment" and Section 7 - "Construction and Startup."
4. Comply with all mandatory and prescriptive requirements of ASHRAE 90.1-2007

C. System safety. Comply with one of the following:

1. ASHRAE 15 for refrigeration system safety.
2. ASHRAE/IESNA 90.1-2007 applicable requirements in Section 6 - "Heating, Ventilating, and Air-Conditioning."
3. NFPA 90A and NFPA 90B.
4. UL 1995.

D. Electrical Components, Devices, and Accessories: Listed and labeled as defined in NFPA 70, Article 100, by a testing agency acceptable to authorities having jurisdiction, and marked for intended use.

E. The complete unit shall be ETL/CETL listed.

1.7 WARRANTY

A. Special Warranty: Manufacturer's standard form in which manufacturer agrees to provide labor and materials to remove and replace components of RTU's that fail in materials or workmanship within the following warranty period.

1. Compressors: 5 years from date of Substantial Completion.
2. Remainder of unit: 1 year from date of Substantial Completion.

PART 2 - PRODUCTS

2.1 MANUFACTURERS

- A. Daikin
- B. Trane

FIRE STATIONS RENOVATION  
ARLINGTON COUNTY, VIRGINIA  
Architect's Project No: 563006

C. Carrier

2.2 GENERAL

- A. Provide a packaged rooftop unit with digital or variable speed scroll compressor on lead circuit (as indicated on schedule), direct drive plenum supply and exhaust fan, double wall casing, indirect gas-fired burner, direct expansion cooling coil, hot gas reheat coil and factory installed controls as required by this specification.

2.3 CASINGS

1. General:

1. Fabrication Requirements: Formed and reinforced double-wall insulated panels, fabricated to allow removal for access to internal parts and components, with joints between sections sealed.
2. Exterior Material: Manufacturer's standard thickness galvanized steel and coated with factory-painted baked enamel finish, tested 750 hour in a salt spray test in compliance with ASTM B117, exterior color shall be manufacturer's standards, with pitched roof panels and knockouts with grommet seals for electrical and piping connections and lifting lugs.
3. Interior Material: Galvanized steel zinc coated with no finish or factory standard finish, with pitched roof panels and knockouts with grommet seals for electrical and piping connections. Construct supply and return opening with raised lip to ensure condensate will not spill into openings during overflow condition in primary condensate pan.

2. Fan Discharge Plenum Interior Material: Galvanized steel with no finish or factory standard finish.

3. Insulation and Adhesive:

1. Comply with NFPA 90A or NFPA 90B.
2. Materials: ASTM C 1071, Type I.
3. Thickness: 2"
4. Materials in contact with air stream shall have air-stream surface coated with an erosion- and temperature-resistant coating or they shall be faced with a plain or coated fibrous mat or fabric.
5. Liner Adhesive: Comply with ASTM C 916, Type I.

B. Condensate Drain Pans:

1. Formed sections of stainless-steel sheet, double sloped, a minimum of 2 inches deep, and complying with ASHRAE 62.1-2010.
2. Construction: Provide foam insulation on back. Double wall, foam insulated, moisture tight drain pans are acceptable.
3. Drain Connection(s): Threaded nipple with pan sloped in two directions to drain.

FIRE STATIONS RENOVATION  
ARLINGTON COUNTY, VIRGINIA  
Architect's Project No: 563006

4. Length downstream of cooling coil: Provide pan at least ½ the height of air tunnel to ensure all carryover is collected and drained.

- C. Airstream Surfaces: Surfaces in contact with the airstream shall comply with requirements in ASHRAE 62.1-2007 and UL 181.

## 2.4 FANS

- A. Supply Fan: Direct drive or belt driven plenum type with factory installed VFD or variable speed ECM motor. Provide with permanently lubricated, motor installed on an adjustable fan base resiliently mounted in the casing. Provide aluminum wheel and steel scroll.

- B. Exhaust/Relief Fan: Direct drive or belt driven plenum type with factory installed VFD or variable speed ECM motor. Provide with permanently lubricated, motor installed on an adjustable fan base resiliently mounted in the casing. Provide aluminum wheel and steel scroll.

- C. Fan Shaft Bearings:

1. Prelubricated and Sealed, Ball Bearings: Self-aligning, pillow-block type with a rated life of 120,000 hours according to ANSI/ABMA 9

Or

2. Grease-Lubricated, Tapered-Roller Bearings: Self-aligning, pillow-block type with double-locking collars and 2-piece, cast-iron housing with grease lines extended to outside unit and a rated life of 120,000 hours according to ANSI/ABMA 11.

- D. Fan Sound-Power Levels:

1. Fans, except condenser fans, shall meet or create lower sound power levels than those indicated.
2. Fans, except condenser fans, shall comply with AMCA 301, "Methods for Calculating Fan Sound Ratings from Laboratory Test Data." Test fans according to AMCA 300, "Reverberant Room Method for Sound Testing of Fans." Fans shall bear AMCA-certified sound ratings seal.

- E. Fan Performance Rating: Except condenser fans factory test fan performance for airflow, pressure, power, air density, rotation speed, and efficiency. Rate performance according to AMCA 210, "Laboratory Methods of Testing Fans for Aerodynamic Performance Rating."

- F. Condenser Fan(s): Propeller mounted on shaft of permanently lubricated motor.

- G. Fan Motor(s): Refer to section "Common Motor Requirements for HVAC Equipment."

## 2.5 COILS

- A. Indoor Air Refrigerant Coil:

FIRE STATIONS RENOVATION  
ARLINGTON COUNTY, VIRGINIA  
Architect's Project No: 563006

1. Aluminum fins, seamless copper tube with minimum 0.017" wall thickness, and equalizing vertical distributor.
2. Distribution: Interlaced.
3. Circuits: Minimum of one per compressor.
4. Casing: Galvanized steel.
5. Split: As indicated. If not indicated none required.
6. Leak Tested: 300 psig

B. Hot-Gas Reheat Coil:

1. Direct-Expansion Coil: Seamless copper tubes expanded into aluminum fins.
2. Refrigerant Circuits: A separate circuit for each compressor, with externally equalized thermal-expansion valve with adjustable superheat, filter-dryer, sight glass, high-pressure relief valve, and charging valves.
3. Coil Split: Face split.

2.6 REFRIGERANT CIRCUIT COMPONENTS

- A. Provide gauge ports with Schrader valves for measuring suction and hot gas pressure.
- B. Provide for operation of the unit for heating down to 0° F.
- C. Provide for operation of the unit for cooling down to 55° F.
- D. Compressor: Hermetic, scroll, mounted on rubber in shear pads; with internal overcurrent and high-temperature protection, internal pressure relief, and crankcase heater.
  1. Lead Circuit: Digital scroll or scroll with VFD for modulating capacity down to 15% or less.
- E. Refrigeration Specialties:
  1. Refrigerant: R-410A.
  2. Expansion valve with replaceable thermostatic element.
  3. Refrigerant filter/dryer.
  4. Manual-reset high-pressure safety switch.
  5. Automatic-reset low-pressure safety switch.
  6. Minimum off-time relay.
  7. Automatic-reset compressor motor thermal overload.
  8. Brass service valves and unions installed in compressor suction and discharge lines.

2.7 GAS FURNACE

- A. Description: Factory assembled, piped, and wired; complying with ANSI Z21.47 and NFPA 54.
  1. CSA Approval: Designed and certified by and bearing label of CSA.

FIRE STATIONS RENOVATION  
ARLINGTON COUNTY, VIRGINIA  
Architect's Project No: 563006

- B. Burners: Stainless steel.
  - 1. Fuel: As indicated.
  - 2. Ignition: Electronically controlled electric spark or hot-surface igniter with flame sensor.
- C. Heat-Exchanger and Drain Pan: Stainless steel. Provide 10 year warranty on heat exchanger.
- D. Venting: Gravity or power vented.
- E. Safety Controls: Manufacturer's standard in accordance with local and state code requirements.
- F. Capacity Control: As scheduled. If not scheduled modulating control shall be provided.
  - 1. Cycle: All heat on or off as needed
  - 2. Stage: Provide a minimum of 4 stages, 25%, 50%, 75%, and 100%. Maximum temperature rise at 25% shall be fifteen degrees Fahrenheit (15° F).
  - 3. Modulating: Heat output shall be variable down to 20% of scheduled capacity or a maximum temperature rise of fifteen degrees Fahrenheit (15° F).

2.8 AIR FILTRATION SECTION

- A. Required sections:
  - 1. Outside Air Filters: Provide MERV 8 (30% efficient) 2" thick disposable pre-filters and MERV-13 2" thick final filters.
  - 2. Exhaust Air Filters: Provide MERV 8 (30% efficient) 2" thick disposable filters in exhaust air stream prior to energy recovery device.
- B. Refer to Division 23, Section "Particulate Air Filtration"

2.9 DAMPERS

- A. General Requirements for Dampers: Leakage rate, per AMCA 500, "Laboratory Methods for Testing Dampers for Rating," shall not exceed 2% of air quantity at 2000 FPM face velocity through damper and 4" WG pressure differential.
- B. Outdoor Air Damper(s): Two-position opposed blade galvanized steel motorized mechanically fastened to cadmium plated steel operating rods in reinforced cabinet, with bird screen and intake hood. Damper can provide outside air flow measuring.
- C. Exhaust Air Damper(s): Two-position opposed blade galvanized steel dampers mechanically fastened to cadmium plated steel operating rod in reinforced cabinet. Can be inversely interlock with Outdoor Air Damper if factory standard.
- D. Damper Motors:
  - 1. Two-position.
  - 2. Adjustable minimum and maximum position.

FIRE STATIONS RENOVATION  
ARLINGTON COUNTY, VIRGINIA  
Architect's Project No: 563006

2.10 ELECTRICAL POWER CONNECTION

- A. Provide for single connection of power to unit with unit-mounted disconnect switch accessible from outside unit and control-circuit transformer with built-in overcurrent protection
- B. Provide electrical power phase monitoring to shut down unit if a phase is lost.

2.11 ACCESSORIES

- A. Guards:
  - 1. Provide coil guards of galvanized stamped steel, painted to match casing. Guards shall be on sides of unit. Coils shall not be clearly visible from any direction.

2.12 ROOF CURBS

- A. Provide under this section. Refer to seismic and wind-restraint requirements under part 1 of this specification.
- B. Height: 12" greater than the highest portion of adjacent roof insulation.
- C. Slope: Match structure. Top of curb shall be level and each edge shall be flush with other edges on all sides.
- D. Roof Deck: Remove roof deck as required for ductwork and piping installation and insulation. Where pipe chases are provided remove roof deck inside curb and inside pipe chase.
- E. Wood Blocking and Shimming: Not permitted.

2.13 CONTROLS

- A. Basic Unit Controls:
  - 1. Manufacturer to provide basic controls for RTU operation including air-side economizer, power relief/exhaust.
  - 2. Manufacturer to provide terminal strip for BAS to integrate and control unit.
  - 3. Unit shall be provided with commercial grade programmable thermostat capable of occupied/unoccupied modes to control outside airflow rates.
  - 4. Provide control voltage transformer:
    - 1. Primary Voltage: As required
    - 2. Secondary Voltage: As required
    - 3. Load: As required - 100 VA minimum
- B. Refrigeration system control

FIRE STATIONS RENOVATION  
ARLINGTON COUNTY, VIRGINIA  
Architect's Project No: 563006

1. The manufacturer furnishing equipment under this section shall provide all controls for the compressors and refrigeration system including but not limited to staging and safeties under this section.

C. Sequence of Control

1. Refer to spec section Sequence of Controls for HVAC Operation

PART 3 - EXECUTION

3.1 EXAMINATION

- A. Examine substrates, areas, and conditions, with Installer present, for compliance with requirements for installation tolerances and other conditions affecting performance of RTUs.
- B. Examine roughing-in for RTUs to verify actual locations of piping and duct connections before equipment installation.
- C. Examine roofs or grade for suitable conditions where RTUs will be installed.
- D. Proceed with installation only after unsatisfactory conditions have been corrected.

3.2 INSTALLATION

A. Roof Mounted Unit:

1. Roof Curb
  1. Coordinate roof penetrations.
  2. Coordinate flashing with roof manufacturer.
  3. Install curb on roof structure, secure with anchor bolts and make top edges of curb level and all edges flush with each other.
  4. Secure equipment to upper curb rail (level) as recommended by equipment manufacturer.
  5. Install roof deck and roof insulation inside the curb under the equipment.
  6. Install roof curb below equipment pipe chase where pipe chase is required/provided.
  7. Eliminate roof deck and insulation below pipe chase where pipe chase is required/provided.
  8. Attach stainless steel wire mesh to deck over opening in pipe chase between roof and space below.

- B. Coordination: Coordinate penetrations and flashing.

FIRE STATIONS RENOVATION  
ARLINGTON COUNTY, VIRGINIA  
Architect's Project No: 563006

3.3 FIELD QUALITY CONTROL

- A. Whether or not use of equipment is otherwise permitted, startup service, tests, and inspections must be complete prior to running unit. Failure to perform startup service, tests, and inspections prior to running equipment shall grant the owner's representative authority to have the units/equipment removed from the site at the Contractor's expense. This paragraph shall not be construed to grant the Contractor permission to use the unit(s)/equipment specified in this section of the specifications.
- B. Manufacturer's Field Service: Engage a factory-authorized service representative to inspect, test, and adjust components, assemblies, and equipment installations, including connections. Record results.
- C. Tests and Inspections:
  - 1. Inspect for and remove shipping bolts, blocks, and tie-down straps.
  - 2. Fan Operational Test: After electrical circuitry has been energized, start units to confirm proper motor rotation and unit operation. Replace or repair faulty equipment.
  - 3. Test and adjust controls and safeties. Replace damaged and malfunctioning controls and equipment.
- D. RTU's or components will be considered defective if unit or components do not pass tests and inspections.
- E. Prepare test and inspection reports.

3.4 STARTUP SERVICE

- A. Engage a factory-authorized service representative to perform startup service.
- B. Complete installation and startup checks according to manufacturer's written instructions and do the following:
  - 1. Verify that unit is secure on mountings and supporting devices and connections to piping, ducts, and electrical systems are complete.
  - 2. Verify that proper thermal overload protection is installed in motors, controllers, and switches.
  - 3. Disconnect fan drive system. Verify proper motor rotation direction, free fan wheel rotation, and smooth bearing operation. Reconnect fan drive system, align and adjust belts to proper tension.
  - 4. Verify that bearings, pulleys, belts, and other moving parts are lubricated with factory-recommended lubricants.
  - 5. Verify that dampers fully open and close.
  - 6. Inspect dampers for proper stroke.
  - 7. Inspect damper blades and seals for visible defects.
  - 8. Inspect coil fins. Comb damaged coil fins for parallel orientation.
  - 9. Verify that proper thermal overload protection is installed for electric coils.
  - 10. Install new filters.



FIRE STATIONS RENOVATION  
ARLINGTON COUNTY, VIRGINIA  
Architect's Project No: 563006

11. If not direct drive place new belts on coat hook attached with ¼” long stainless steel sheet metal screws inside unit adjacent to existing belts where no damage will occur. Including but not limited to fans, energy recovery wheels, and enthalpy wheels.
12. Verify that manual and automatic volume control and fire and smoke dampers in connected duct systems are in fully open position.
13. Verify that smoke dampers in connected duct system fully close when unit is deactivated.
14. Inspect for visible damage to unit casing.
15. If included in unit inspect furnace combustion chamber for visible damage.
16. Inspect coils, and fans for visible damage.
17. Inspect internal casing for visible damage.
18. Verify that labels are clearly visible.
19. Verify that clearances have been provided for servicing.
20. Verify that controls are connected and operable.
21. Clean condenser coil and inspect for construction debris.
22. If included in unit, clean furnace flue and inspect for construction debris.
23. Remove packing from vibration isolators.
24. Inspect fan wheel for operation without vibration and binding.
25. Start unit according to manufacturer's written instructions.
  1. Start cooling system.
  2. Do not operate below recommended ambient temperature.
  3. Complete startup sheets and attach 1 paper, and one “universally readable” electronic copy on USB flash drive, with startup report. Maintain a copy in electronic format, file type Portable Document Format (\*.TXT, \*.DOC, \*.RTF, & \*.PDF) file formats are acceptable. The file format must be one of those listed or the Owner and Architect must own a computer and software capable of reading the electronic file.
26. Inspect and record performance of interlocks and protective devices.
27. Verify sequence of operation.
28. Operate unit for an initial period as recommended or required by manufacturer.
29. Calibrate sensors including thermostats.
30. Adjust and inspect high-temperature limits.
31. With unit operating start cooling system, measure, and record the following when the ambient temperature is a minimum of 85° F:
  1. Coil leaving air, dry and wet bulb temperatures.
  2. Coil entering air, dry and wet bulb temperatures.
  3. Return air, dry and wet bulb temperatures.
  4. Outdoor air, dry and wet bulb temperatures.
  5. Outdoor air (condenser) coil, discharge air, dry bulb temperature.
32. Measure and record the following minimum and maximum airflows. Plot fan volumes on fan curve.
  1. Supply air volume.
  2. Return air volume.
  3. Relief/exhaust air volume.
  4. Record relief/exhaust airflow station reading in CFM from BAS head end.
  5. Outdoor air intake volume.
  6. Record outdoor air intake airflow station reading in CFM from BAS head end.
33. Simulate maximum cooling demand by utilizing 100% outdoor air and lowering discharge air temperature. Record the discharge air temperature and outdoor air volume

FIRE STATIONS RENOVATION  
ARLINGTON COUNTY, VIRGINIA  
Architect's Project No: 563006

used for the simulation. During simulation operation inspect, measure, and record the following:

1. Compressor refrigerant suction and hot gas pressures.
2. Short circuiting of air through condenser coil or from condenser fans to outdoor-air intake.

3.5 CLEANING AND ADJUSTING

- A. Occupancy Adjustments: Within 12 months of the date of Substantial Completion, provide up to two (2) on site visits, during normal or other than normal occupancy hours as requested by owner, to assist in adjusting system.
- B. After completing testing, adjusting, and balancing clean RTU's internally to remove foreign material and construction dirt and dust. Clean fan wheels, cabinets, dampers, coils, and filter housings, and install new, filters.

3.6 DEMONSTRATION

- A. Engage a factory-authorized service representative to train Owner's maintenance personnel to adjust, operate, and maintain units/equipment.

END OF SECTION 237413

FIRE STATIONS RENOVATION  
ARLINGTON COUNTY, VIRGINIA  
Architect's Project No: 563006

SECTION 238126 – DUCTLESS MINI-SPLIT AIR-CONDITIONING UNITS

PART 1 - GENERAL

1.1 RELATED DOCUMENTS

- A. Drawings and general provisions of the Contract, including General and Supplementary Conditions and Division 1 Specification Sections, apply to this Section.

1.2 SUMMARY

- A. This Section includes ductless mini-split air-conditioning units consisting of separate evaporator-fan and compressor-condenser components. Evaporator fan units are designed for ceiling or wall mounting. The compressor-condenser unit shall be remote and located on the roof where indicated on the Drawings.
- B. Related Sections include the following:
  - 1. Division 23 Section "Vibration Control for HVAC" for isolation pads.

1.3 DEFINITIONS

- A. Evaporator-Fan Unit: The part of the ductless mini-split air-conditioning unit that contains a coil for cooling and a fan to circulate air to conditioned space.
- B. Compressor-Condenser Unit: The part of the ductless mini-split air-conditioning unit that contains a refrigerant compressor and a coil for condensing refrigerant.

1.4 SUBMITTALS

- A. Product Data: Include rated capacities; shipping, installed, and operating weights; furnished specialties; and accessories for each type of product indicated. Include performance data in terms of capacities, outlet velocities, static pressures, sound power characteristics, motor requirements, and electrical characteristics.
- B. Shop Drawings: Diagram power, signal, and control wiring and differentiate between manufacturer-installed and field-installed wiring.
- C. Maintenance Data: For ductless mini-split air-conditioning units to include in maintenance manuals specified in Division 1.
- D. Warranties: Special warranties specified in this Section.

1.5 QUALITY ASSURANCE

FIRE STATIONS RENOVATION  
ARLINGTON COUNTY, VIRGINIA  
Architect's Project No: 563006

- A. Product Options: Drawings indicate size, profiles, and dimensional requirements of ductless mini-split units and are based on the specific system indicated. Other manufacturers' systems with equal performance characteristics may be considered.
- B. Units shall be tested by a Nationally Recognized Testing Laboratory and shall bear the ETL label.
- C. All wiring shall be in accordance with the governing version of the National Electrical Code.
- D. Units shall be rated in accordance with ARI Standard 210 and bear the ARI Certification label.
- E. Units shall be precharged with refrigerant for 70 feet of refrigerant tubing.
- F. Electrical Components, Devices, and Accessories: Listed and labeled as defined in NFPA 70, Article 100, by a testing agency acceptable to authorities having jurisdiction, and marked for intended use.
- G. ASHRAE/IESNA Compliance: Applicable requirements in ASHRAE/IESNA 90.1-2010.

1.6 COORDINATION

- A. Coordinate size, location, and connection details with roof curbs, equipment supports, and roof penetrations specified in Division 7 Section "Flashing, Sheet Metal and Roofing Accessories."

1.7 WARRANTY

- A. General Warranty: Special warranty specified in this Article shall not deprive Owner of other rights Owner may have under other provisions of the Contract Documents and shall be in addition to, and run concurrent with, other warranties made by Contractor under requirements of the Contract Documents.
- B. Warranty Period: One year from date of Substantial Completion. If, during this period, any part should fail to function properly due to defects in workmanship or material, it shall be replaced or repaired at the discretion of the manufacturer by the Contractor. Warranty does not include labor. Labor is paid for by the Owner.

PART 2 - PRODUCTS

2.1 MANUFACTURERS

- A. Available Manufacturers: Subject to compliance with requirements, manufacturers offering products that may be incorporated into the Work include, but are not limited to, the following:
  - 1. Daikin  
No other manufacturers are acceptable as the basis of design unit is matching the equipment for the existing fire station.

FIRE STATIONS RENOVATION  
ARLINGTON COUNTY, VIRGINIA  
Architect's Project No: 563006

2.2 CEILING-MOUNTED, EVAPORATOR-FAN COMPONENTS

- A. The evaporator section shall be designed to be ceiling-mounted by means of a factory supplied mounting plate. Air distribution shall be integral to the wall-mounted unit.
- B. Cabinet and Chassis: Cabinet shall be high strength molded plastic with front panel access for the filter. Cabinet color shall be white. Include drain pan with drain connection. Indoor unit shall be factory assembled, wired and tested. Contained within unit shall be all factory wiring and internal piping, control circuit board and fan motor. The unit in conjunction with the wall mounted controller shall have a self-diagnostic function, three minute time delay mechanism, an auto restart function, and a test run switch. Indoor unit and refrigerant piping shall be purged with dry nitrogen before shipment from the factory.
- C. Refrigerant Coil: Evaporator coil shall be nonferrous construction with pre-coated aluminum fins on copper tubing. All tube joints shall be brazed with silver alloy. Coils shall be pressure tested at the factory. A condensate pan and drain shall be provided under the coil.
- D. Fan and Motor: Evaporator fan shall be double inlet, forward curved, direct drive fan with a single motor. The fan shall be statically and dynamically balanced and run on a motor with permanently lubricated bearings. The indoor fan shall have two speeds: low and high.
- E. Vane: Unit shall include a motorized horizontal vane to automatically direct air flow in a horizontal and downward direction for uniform air distribution. The horizontal vane shall significantly decrease downward air resistance for lower noise levels and shall close when unit stops.
- F. Filters: Return air shall be filtered with a removable and washable filter.

2.3 AIR-COOLED, COMPRESSOR-CONDENSER COMPONENTS

- A. General: Outdoor unit shall be the same capacity as the indoor unit and include a control board that interfaces with the indoor unit to perform all necessary operation functions. Outdoor unit shall be capable of operating at 0°F ambient temperature without additional low ambient controls. Outdoor unit shall be able to operate with a maximum height difference of 100 feet from indoor unit to outdoor unit and a maximum refrigerant tubing length of 165 feet between the indoor and outdoor unit without the need for line size changes, traps, or additional oil
- B. Casing: Casing shall be galvanized steel plate coated with an electrostatically applied thermally fused acrylic or polyester powder coating. The fan grille shall be ABS plastic.
- C. Compressor: The compressor shall be a DC rotary compressor with variable compressor speed inverter technology. The compressor shall be driven by inverter circuitry to control compressor speed. Compressor speed shall be varied to match space load. Outdoor unit shall include an accumulator and high pressure safety switch. The compressor shall be mounted to avoid the transmission of vibration.
- D. Refrigerant Coil: Condenser coil shall be copper tubing with aluminum fins. The coil shall be protected with an integral metal guard. Refrigerant flow from the condenser shall be controlled

FIRE STATIONS RENOVATION  
ARLINGTON COUNTY, VIRGINIA  
Architect's Project No: 563006

by means of linear expansion valve (LEV) metering orifice. The LEV shall be controlled by a microprocessor-controlled step motor.

- E. Fan: The fan motor bearings shall be permanently lubricated. The fan shall have horizontal discharge airflow. The fan shall be mounted in front of the coil. The fan shall include a raised guard to prevent contact with moving parts.

## 2.4 ACCESSORIES

1. Control: The control system shall be microprocessor-based and include one microprocessor on the outdoor unit and one on the indoor unit. Wall-mounted controller shall have a liquid crystal display indicating operating status and alarm condition and shall include a temperature sensor. A membrane keypad shall be included for program control and set point adjustment.
  2. The controller shall consist of On/Off button, increase/decrease set temperature buttons, a cool/dry/fan mode selector, timer menu button, timer on/off button, set time buttons, fan speed selector, vane position selector, a ventilation button, a test run button, and a check mode button.
  3. The controller shall display operating conditions such as set temperature, room temperature, pipe temperatures (i.e. liquid, discharge, indoor and outdoor), compressor operating conditions (including running current, frequency, input voltage, On/Off status and operating time), LEV opening pulses, sub-cooling and discharge super heat.
  4. Normal operation of the controller shall provide individual system control in which one controller and one indoor unit are installed in the same room.
  5. The control voltage from the controller to the indoor unit shall be 12 volts, DC. The control signal between the indoor and outdoor unit shall be pulse signal 24 volts DC. Up to two wired controllers shall be able to be used to control one unit.
  6. Control system shall control the continued operation of the air sweep louvers, as well as provide On/Off and mode switching. The controller shall have the capability to provide sequential starting with up to fifty seconds delay.
- B. Refrigerant Line Sets: Soft-annealed copper suction and liquid lines factory cleaned, dried, pressurized, and sealed; factory-insulated suction line with flared fittings at both ends. Pre-charge line sets in proper lengths for application. Final length shall be field verified. Refer to section "Refrigerant Piping" for additional requirements.
- C. Factory-installed and -wired disconnect to be provided under this Section.

## PART 3 - EXECUTION

### 3.1 INSTALLATION

- A. Install units level and plumb, firmly anchored, in accordance with the manufacturer's written recommendations.
- B. Install evaporator-fan components using manufacturer's standard mounting devices securely fastened to building structure.

FIRE STATIONS RENOVATION  
ARLINGTON COUNTY, VIRGINIA  
Architect's Project No: 563006

- C. Install roof-mounted compressor-condenser components on equipment supports specified in Division 7 Section "Flashing, Sheet Metal and Roofing Accessories." Anchor units to supports with removable, cadmium-plated fasteners.
- D. Install compressor-condenser components on Elastomeric pads. Refer to Division 23 Section "Vibration Control for HVAC."
- E. Connect pre-charged refrigerant tubing to component's quick-connect fittings. Install tubing to allow access to unit.

### 3.2 CONNECTIONS

- A. Piping installation requirements are specified in other Division 23 Sections. Drawings indicate general arrangement of piping, fittings, and specialties.
- B. Connect condensate drain piping. Unit drain shall be internally trapped.
- C. Install piping adjacent to unit to allow service and maintenance.
- D. Unless otherwise indicated, connect piping with unions and shutoff valves to allow units to be disconnected without draining piping. Refer to piping system Sections for specific valve and specialty arrangements.
- E. Ground equipment.
  - 1. Tighten electrical connectors and terminals according to manufacturer's published torque-tightening values. If manufacturer's torque values are not indicated, use those specified in UL 486A and UL 486B.

### 3.3 FIELD QUALITY CONTROL

- A. Installation Inspection: Engage a factory-authorized service representative to inspect field-assembled components and equipment installation, including piping and electrical connections, and to prepare a written report of inspection.
- B. Leak Test: After installation, charge system and test for leaks. Repair leaks and retest until no leaks exist.
- C. Operational Test: After electrical circuitry has been energized, start units to confirm proper motor rotation and unit operation. Remove malfunctioning units, replace with new components, and retest.
- D. Test and adjust controls and safeties. Replace damaged and malfunctioning controls and equipment.

### 3.4 COMMISSIONING

FIRE STATIONS RENOVATION  
ARLINGTON COUNTY, VIRGINIA  
Architect's Project No: 563006

- A. Engage a factory-authorized service representative to perform startup service.
- B. Verify that units are installed and connected according to the Contract Documents.
- C. Lubricate bearings, adjust belt tension, and change filters.
- D. Perform startup checks according to manufacturer's written instructions and do the following:
  - 1. Fill out manufacturer's checklists.
  - 2. Check for unobstructed airflow over coils.
  - 3. Check operation of condenser capacity-control device.
  - 4. Verify that vibration isolation devices and flexible connectors dampen vibration transmission to structure.

3.5 DEMONSTRATION

- A. Engage a factory-authorized service representative to train Owner's maintenance personnel to adjust, operate, and maintain units.
  - 1. Train Owner's maintenance personnel on procedures and schedules for starting and stopping, troubleshooting, servicing, and maintaining units.
  - 2. Review data in maintenance manuals. Refer to Division 1 Section "Closeout Procedures."

END OF SECTION 238126



FIRE STATIONS RENOVATION  
ARLINGTON COUNTY, VIRGINIA  
Architect's Project No: 563006

---

SECTION 260519 - LOW-VOLTAGE ELECTRICAL POWER CONDUCTORS AND CABLES

PART 1 - GENERAL

1.1 RELATED DOCUMENTS

- A. Drawings and general provisions of the Contract, including General and Supplementary Conditions and Division 01 Specification Sections, apply to this Section.

1.2 SUMMARY

A. Section Includes:

1. Building wires and cables rated 600 V and less.
2. Connectors, splices, and terminations rated 600 V and less.

B. Related Requirements:

1. Section 260523 "Control-Voltage Electrical Power Cables" for control systems communications cables and Classes 1, 2 and 3 control cables.

1.3 ACTION SUBMITTALS

- A. Product Data: For each type of product.

1.4 INFORMATIONAL SUBMITTALS

- A. Field quality-control reports.

PART 2 - PRODUCTS

2.1 CONDUCTORS AND CABLES

- A. Manufacturers: Subject to compliance with requirements, available manufacturers offering products that may be incorporated into the Work include, but are not limited to the following:

1. Cerro Wire LLC.
2. General Cable; General Cable Corporation.
3. Southwire Company.

- B. Copper Conductors: Comply with NEMA WC 70/ICEA S-95-658.

FIRE STATIONS RENOVATION  
ARLINGTON COUNTY, VIRGINIA  
Architect's Project No: 563006

---

- C. Conductor Insulation: Comply with NEMA WC 70/ICEA S-95-658 for Type THHN-2-THWN-2.
- D. Multiconductor Cable: Comply with NEMA WC 70/ICEA S-95-658 for type SO with ground wire. Type MC Cable is not allowed.

## 2.2 CONNECTORS AND SPLICES

- A. Manufacturers: Subject to compliance with requirements, available manufacturers offering products that may be incorporated into the Work include, but are not limited to the following:
  - 1. 3M.
  - 2. Hubbell Power Systems, Inc.
  - 3. ILSCO.
  - 4. Tyco Electronics Corp.
- B. Description: Factory-fabricated connectors and splices of size, ampacity rating, material, type, and class for application and service indicated.

## 2.3 SYSTEM DESCRIPTION

- A. Electrical Components, Devices, and Accessories: Listed and labeled as defined in NFPA 70, by a qualified testing agency, and marked for intended location and application.
- B. Comply with NFPA 70.

## PART 3 - EXECUTION

### 3.1 CONDUCTOR MATERIAL APPLICATIONS

- A. Feeders: Copper: Stranded for No. 8 AWG and larger.
- B. Branch Circuits: Copper. Solid or Stranded for No. 10 AWG and smaller; stranded for No. 8 AWG and larger.

### 3.2 CONDUCTOR INSULATION AND MULTICONDUCTOR CABLE APPLICATIONS AND WIRING METHODS

- A. Service Entrance: Type XHHW-2, single conductors in raceway.
- B. Exposed Feeders: Type THHN-2-THWN-2, single conductors in raceway.
- C. Feeders Concealed in Ceilings, Walls, Partitions, and Crawlspace: Type THHN-2-THWN-2, single conductors in raceway.

FIRE STATIONS RENOVATION  
ARLINGTON COUNTY, VIRGINIA  
Architect's Project No: 563006

---

- D. Feeders Concealed in Concrete, below Slabs-on-Grade, and Underground: Type THHN-2-THWN-2, single conductors in raceway.
- E. Exposed Branch Circuits, Including in Crawlspace: Type THHN-2-THWN-2, single conductors in raceway.
- F. Branch Circuits Concealed in Ceilings, Walls, and Partitions: Type THHN-2-THWN-2, single conductors in raceway.
- G. Branch Circuits Concealed in Concrete, below Slabs-on-Grade, and Underground: Type THHN-2-THWN-2, single conductors in raceway.
- H. Cord Drops and Portable Appliance Connections: Type SO, hard service cord with stainless-steel, wire-mesh, strain relief device at terminations to suit application.

### 3.3 INSTALLATION OF CONDUCTORS AND CABLES

- A. Conceal cables in finished walls, ceilings, and floors unless otherwise indicated.
- B. Complete raceway installation between conductor and cable termination points according to Section 260533 "Raceways and Boxes for Electrical Systems" prior to pulling conductors and cables.
- C. Use manufacturer-approved pulling compound or lubricant where necessary; compound used must not deteriorate conductor or insulation. Do not exceed manufacturer's recommended maximum pulling tensions and sidewall pressure values.
- D. Use pulling means, including fish tape, cable, rope, and basket-weave wire/cable grips, that will not damage cables or raceway.
- E. Install exposed cables parallel and perpendicular to surfaces of exposed structural members, and follow surface contours where possible.
- F. Branch Circuits Concealed in Casework: FMC with Stranded conductors may be used to feed to outlet boxes fish concealed in built-in casework. Route cable supported tight in upper inside corners of casework, not in conflict with drawers or cabinet doors.
- G. Support cables according to Section 260529 "Hangers and Supports for Electrical Systems."
- H. Whips from Junction Box Concealed in Ceilings to Lighting Fixtures:
  - 1. Type FMC, with minimum #12AWG copper THHN/THWN and full size equipment grounding conductor. Maximum whip length 72”.
  - 2. FMC shall be supported within 24” of fixture connection so that whip is not in contact with ceiling or grid. Securing to fixture support wires with batwings is acceptable but not to ceiling support wires.
  - 3. Do not connect fixture whips from fixture to fixture (daisy chain). No more than 4 whips shall be connected to any one junction box.

FIRE STATIONS RENOVATION  
ARLINGTON COUNTY, VIRGINIA  
Architect's Project No: 563006

---

- I. All single-phase circuits shall include a dedicated neutral (grounded) and grounding conductor, unless specifically noted otherwise.
  - 1. The intent of this is to eliminate multiwire branch circuits and allow disconnection of one circuit without requiring disconnection of other(s) as would be required to comply with NEC 210.4(B). Per NEC 310.15(B)(b) each of these neutral (grounded) conductor is not considered to be load-bearing so derating is not required.
  
- J. Contract drawings are based upon a maximum of 3 current-carrying conductors in a conduit. Contractor may rework indicated circuitry to install a maximum of (6) L-N circuit (120 or 277V) in a single conduit. There shall be no more than 2 each A, B, C phase conductors per homerun. Each shall have dedicated neutral (grounded) conductor.
  - 1. Do not group L-L circuits in a homerun, unless specifically indicated on the drawings.
  - 2. Where there are more than 3 current-carrying conductors in a conduit, derate conductor ampacities in accordance with NEC Table 310.15(B)(2)(a).
  - 3. When running more than 3 ungrounded conductors in a raceway, increase size of conduits beyond those indicated in contract documents, as required to not exceed NEC Chapter 9, Table 1 conduit-fill requirements. As-built drawings shall clearly indicate which circuits are grouped in homeruns.
  
- K. Unless otherwise indicated, minimum conductor size shall be 12 AWG.

### 3.4 CONNECTIONS

- A. Tighten electrical connectors and terminals according to manufacturer's published torque-tightening values. If manufacturer's torque values are not indicated, use those specified in UL 486A-486B.
  
- B. Make splices, terminations, and taps that are compatible with conductor material and that possess equivalent or better mechanical strength and insulation ratings than unspliced conductors.
  
- C. Wiring at Outlets: Install conductor at each outlet, with at least 12 inches of slack.

### 3.5 IDENTIFICATION

- A. Identify and color-code conductors and cables according to Section 260553 "Identification for Electrical Systems."
  
- B. Identify each spare conductor at each end with identity number and location of other end of conductor, and identify as spare conductor.

### 3.6 SLEEVE AND SLEEVE-SEAL INSTALLATION FOR ELECTRICAL PENETRATIONS

- A. Install sleeves and sleeve seals at penetrations of exterior floor and wall assemblies. Comply with requirements in Section 260544 "Sleeves and Sleeve Seals for Electrical Raceways and Cabling."

FIRE STATIONS RENOVATION  
ARLINGTON COUNTY, VIRGINIA  
Architect's Project No: 563006

---

3.7 FIRESTOPPING

- A. Apply firestopping to electrical penetrations of fire-rated floor and wall assemblies to restore original fire-resistance rating of assembly according to Section 078413 "Penetration Firestopping."

3.8 FIELD QUALITY CONTROL

- A. Perform the following tests and inspections:
  - 1. After installing conductors and cables and before electrical circuitry has been energized, test service entrance and feeder conductors for compliance with requirements.
  - 2. Perform each visual and mechanical inspection and electrical test stated in NETA Acceptance Testing Specification. Certify compliance with test parameters.
- B. Test and Inspection Reports: Prepare a written report to record the following:
  - 1. Procedures used.
  - 2. Results that comply with requirements.
  - 3. Results that do not comply with requirements and corrective action taken to achieve compliance with requirements.
- C. Cables will be considered defective if they do not pass tests and inspections.

END OF SECTION 260519

FIRE STATIONS RENOVATION  
ARLINGTON COUNTY, VIRGINIA  
Architect's Project No: 563006

---

SECTION 260523 - CONTROL-VOLTAGE ELECTRICAL POWER CABLES

PART 1 - GENERAL

1.1 RELATED DOCUMENTS

- A. Drawings and general provisions of the Contract, including General and Supplementary Conditions and Division 01 Specification Sections, apply to this Section.

1.2 SUMMARY

- A. Section Includes:
  - 1. Low-voltage control cabling.
  - 2. Control-circuit conductors.
  - 3. Identification products.

1.3 DEFINITIONS

- A. EMI: Electromagnetic interference.
- B. Low Voltage: As defined in NFPA 70 for circuits and equipment operating at less than 50 V or for remote-control and signaling power-limited circuits.
- C. Plenum: A space forming part of the air distribution system to which one or more air ducts are connected. An air duct is a passageway, other than a plenum, for transporting air to or from heating, ventilating, or air-conditioning equipment.

1.4 ACTION SUBMITTALS

- A. Product Data: For each type of product.

1.5 INFORMATIONAL SUBMITTALS

- A. Qualification Data: For qualified layout technician, installation supervisor, and field inspector.
- B. Source quality-control reports.
- C. Field quality-control reports.

FIRE STATIONS RENOVATION  
ARLINGTON COUNTY, VIRGINIA  
Architect's Project No: 563006

---

PART 2 - PRODUCTS

2.1 SYSTEM DESCRIPTION

- A. Electrical Components, Devices, and Accessories: Listed and labeled as defined in NFPA 70, by a qualified testing agency, and marked for intended location and application.

2.2 PERFORMANCE REQUIREMENTS

- A. Flame Travel and Smoke Density in Plenums: As determined by testing identical products according to NFPA 262 by a qualified testing agency. Identify products for installation in plenums with appropriate markings of applicable testing agency.
  - 1. Flame Travel Distance: 60 inches or less.
  - 2. Peak Optical Smoke Density: 0.5 or less.
  - 3. Average Optical Smoke Density: 0.15 or less.
- B. Flame Travel and Smoke Density for Riser Cables in Non-Plenum Building Spaces: As determined by testing identical products according to UL 1666.
- C. Flame Travel and Smoke Density for Cables in Non-Riser Applications and Non-Plenum Building Spaces: As determined by testing identical products according to UL 1685.

2.3 BACKBOARDS

- A. Description: Plywood, fire-retardant treated, 3/4 by 48 by 96 inches. Comply with requirements for plywood backing panels in Section 061000 "Rough Carpentry."
- B. Painting: Paint plywood on all sides and edges with flat latex paint. Comply with requirements in Section 099123 "Interior Painting."

2.4 LOW-VOLTAGE CONTROL CABLE

- A. Paired Cable: NFPA 70, Type CMG.
  - 1. Multi-pair, twisted, No. 18 AWG, stranded (19x30) tinned-copper conductors.
  - 2. PVC insulation.
  - 3. Unshielded.
  - 4. PVC jacket.
  - 5. Flame Resistance: Comply with UL 1685.
- B. Plenum-Rated, Paired Cable: NFPA 70, Type CMP.
  - 1. Multi-pair, twisted, No. 18 AWG, stranded (19x30) tinned-copper conductors.

FIRE STATIONS RENOVATION  
ARLINGTON COUNTY, VIRGINIA  
Architect's Project No: 563006

---

2. PVC insulation.
3. Unshielded.
4. PVC jacket.
5. Flame Resistance: Comply with NFPA 262.

## 2.5 CONTROL-CIRCUIT CONDUCTORS

- A. Manufacturers: Subject to compliance with requirements, available manufacturers offering products that may be incorporated into the Work include, but are not limited to the following:
1. Encore Wire Corporation.
  2. General Cable; General Cable Corporation.
  3. Southwire Company.
- B. Class 1 Control Circuits: Stranded copper, Type THHN-2-THWN-2, in raceway, complying with UL 83.
- C. Class 2 Control Circuits: Stranded copper, Type THHN-2-THWN-2, in raceway, complying with UL 83.
- D. Class 3 Remote-Control and Signal Circuits: Stranded copper, Type THHN-2-THWN-2, in raceway, complying with UL 83.
- E. Class 2 Control Circuits and Class 3 Remote-Control and Signal Circuits That Supply Critical Circuits: Circuit Integrity (CI) cable.
1. Smoke control signaling and control circuits.

## 2.6 SOURCE QUALITY CONTROL

- A. Cable will be considered defective if it does not pass tests and inspections.
- B. Prepare test and inspection reports.

## PART 3 - EXECUTION

### 3.1 INSTALLATION OF RACEWAYS AND BOXES

- A. Comply with requirements in Section 260533 "Raceways and Boxes for Electrical Systems" for raceway selection and installation requirements for boxes, conduits, and wireways as supplemented or modified in this Section.
1. Outlet boxes shall be no smaller than 2 inches wide, 3 inches high and 2-1/2 inches deep.
  2. Flexible metal conduit shall not be used over 6'.



FIRE STATIONS RENOVATION  
ARLINGTON COUNTY, VIRGINIA  
Architect's Project No: 563006

---

- B. Backboards: Install backboards with 96-inch dimension vertical. Butt adjacent sheets tightly and form smooth gap-free corners and joints.

### 3.2 INSTALLATION OF CONDUCTORS AND CABLES

- A. Comply with NECA 1 and NFPA 70.

- B. General Requirements for Cabling:

1. Cables may not be spliced.
2. Secure and support cables at intervals not exceeding 30 inches and not more than 6 inches from cabinets, boxes, fittings, outlets, racks, frames, and terminals.
3. Do not install bruised, kinked, scored, deformed, or abraded cable. Do not splice cable between termination, tap, or junction points. Remove and discard cable if damaged during installation and replace it with new cable.
4. Cold-Weather Installation: Bring cable to room temperature before dereeling. Do not use heat lamps for heating.
5. Support: Do not allow cables to lay on removable ceiling tiles.
6. Secure: Fasten securely in place with hardware specifically designed and installed so as to not damage cables.

- C. Open-Cable Installation:

1. Install cabling with horizontal and vertical cable guides in telecommunications spaces with terminating hardware and interconnection equipment.
2. Suspend copper cable not in a wireway or pathway a minimum of 8 inches above ceilings by cable supports not more than 30 inches apart.
3. Cable shall not be run through or on structural members or in contact with pipes, ducts, or other potentially damaging items. Do not run cables between structural members and corrugated panels.

### 3.3 CONTROL-CIRCUIT CONDUCTORS

- A. Minimum Conductor Sizes:

1. Class 1 remote-control and signal circuits; No 14 AWG.
2. Class 2 low-energy, remote-control, and signal circuits; No. 16 AWG.
3. Class 3 low-energy, remote-control, alarm, and signal circuits; No 12 AWG.

### 3.4 FIRESTOPPING

- A. Comply with requirements in Section 078413 "Penetration Firestopping."

FIRE STATIONS RENOVATION  
ARLINGTON COUNTY, VIRGINIA  
Architect's Project No: 563006

---

3.5 GROUNDING

- A. For low-voltage control wiring and cabling, comply with requirements in Section 260526 "Grounding and Bonding for Electrical Systems."

3.6 IDENTIFICATION

- A. Comply with requirements for identification specified in Section 260553 "Identification for Electrical Systems."

3.7 FIELD QUALITY CONTROL

- A. Perform the following tests and inspections:
  - 1. Visually inspect cable placement, cable termination, grounding and bonding, equipment and patch cords, and labeling of all components.

END OF SECTION 260523

FIRE STATIONS RENOVATION  
ARLINGTON COUNTY, VIRGINIA  
Architect's Project No: 563006

---

SECTION 260526 - GROUNDING AND BONDING FOR ELECTRICAL SYSTEMS

PART 1 - GENERAL

1.1 RELATED DOCUMENTS

- A. Drawings and general provisions of the Contract, including General and Supplementary Conditions and Division 01 Specification Sections, apply to this Section.

1.2 SUMMARY

- A. Section includes grounding and bonding systems and equipment.

1.3 ACTION SUBMITTALS

- A. Product Data: For each type of product indicated.

1.4 INFORMATIONAL SUBMITTALS

- A. As-Built Data: Plans showing dimensioned as-built locations of grounding features specified in "Field Quality Control" Article, including the following:

1. Test wells.
2. Ground rods.
3. Ground rings.
4. Grounding arrangements and connections for separately derived systems.

- B. Field quality-control reports.

1.5 CLOSEOUT SUBMITTALS

- A. Operation and Maintenance Data: For grounding to include in emergency, operation, and maintenance manuals.

1. In addition to items specified in Section 017823 "Operation and Maintenance Data," include the following:

1.6 QUALITY ASSURANCE

- A. Electrical Components, Devices, and Accessories: Listed and labeled as defined in NFPA 70, by a qualified testing agency, and marked for intended location and application.

- B. Comply with UL 467 for grounding and bonding materials and equipment.

FIRE STATIONS RENOVATION  
ARLINGTON COUNTY, VIRGINIA  
Architect's Project No: 563006

---

PART 2 - PRODUCTS

2.1 MANUFACTURERS

- A. Manufacturers: Subject to compliance with requirements, available manufacturers offering products that may be incorporated into the Work include, but are not limited to the following:
1. Burndy; Part of Hubbell Electrical Systems.
  2. ERICO International Corporation.
  3. Galvan Industries, Inc.; Electrical Products Division, LLC.
  4. ILSCO.
  5. O-Z/Gedney; an EGS Electrical Group brand; an Emerson Industrial Automation business.

2.2 SYSTEM DESCRIPTION

- A. Electrical Components, Devices, and Accessories: Listed and labeled as defined in NFPA 70, by a qualified testing agency, and marked for intended location and application.
- B. Comply with UL 467 for grounding and bonding materials and equipment.

2.3 CONDUCTORS

- A. Insulated Conductors: Copper wire or cable insulated for 600 V unless otherwise required by applicable Code or authorities having jurisdiction.
- B. Bare Copper Conductors:
1. Solid Conductors: ASTM B 3.
  2. Stranded Conductors: ASTM B 8.
  3. Tinned Conductors: ASTM B 33.
  4. Bonding Cable: 28 kcmil, 14 strands of No. 17 AWG conductor, 1/4 inch in diameter.
  5. Bonding Conductor: No. 4 AWG, stranded conductor.
  6. Bonding Jumper: Copper tape, braided conductors terminated with copper ferrules; 1-5/8 inches wide and 1/16 inch thick.
  7. Tinned Bonding Jumper: Tinned-copper tape, braided conductors terminated with copper ferrules; 1-5/8 inches wide and 1/16 inch thick.
- C. Telecommunication Grounding Bus: Refer to details on drawings

FIRE STATIONS RENOVATION  
ARLINGTON COUNTY, VIRGINIA  
Architect's Project No: 563006

---

2.4 CONNECTORS

- A. Listed and labeled by an NRTL acceptable to authorities having jurisdiction for applications in which used and for specific types, sizes, and combinations of conductors and other items connected.
- B. Bolted Connectors for Conductors and Pipes: Copper or copper alloy.
- C. Welded Connectors: Exothermic-welding kits of types recommended by kit manufacturer for materials being joined and installation conditions.
- D. Bus-Bar Connectors: Mechanical type, cast silicon bronze, solderless compression-type wire terminals, and long-barrel, two-bolt connection to ground bus bar.

2.5 GROUNDING ELECTRODES

- A. Ground Rods: Copper-clad steel; 3/4 inch by 10 feet.
- B. Chemical-Enhanced Grounding Electrodes: Copper tube, straight or L-shaped, charged with nonhazardous electrolytic chemical salts.
  - 1. Termination: Factory-attached No. 4/0 AWG bare conductor at least 48 inches long.
  - 2. Backfill Material: Electrode manufacturer's recommended material.

PART 3 - EXECUTION

3.1 APPLICATIONS

- A. Conductors: Install stranded conductors for No. 6 AWG and larger unless otherwise indicated.
- B. Underground Grounding Conductors: Install bare copper conductor, No. 2/0 AWG minimum.
  - 1. Bury at least 24 inches below grade.
  - 2. Ductbank Grounding Conductor: Bury 12 inches above ductbank when indicated as part of duct-bank installation..
- C. Telecommunication Grounding Bus: Install in MDF/IDF equipment rooms, in rooms housing service equipment, and elsewhere as indicated.
  - 1. Install bus horizontally, on insulated spacers 2 inches minimum from wall, 6 inches above finished floor unless otherwise indicated.
  - 2. Where indicated on both sides of doorways, route bus up to top of door frame, across top of doorway, and down; connect to horizontal bus.
- D. Conductor Terminations and Connections:

FIRE STATIONS RENOVATION  
ARLINGTON COUNTY, VIRGINIA  
Architect's Project No: 563006

---

1. Pipe and Equipment Grounding Conductor Terminations: Bolted connectors.
2. Underground Connections: Welded connectors except at test wells and as otherwise indicated.
3. Connections to Ground Rods at Test Wells: Bolted connectors.
4. Connections to Structural Steel: Welded connectors.

3.2 GROUNDING AT THE SERVICE

- A. Equipment grounding conductors and grounding electrode conductors shall be connected to the ground bus. Install a main bonding jumper between the neutral and ground buses.

3.3 GROUNDING SEPARATELY DERIVED SYSTEMS

- A. Generator: Install grounding electrode(s) at the generator location. The electrode shall be connected to the equipment grounding conductor and to the frame of the generator.

3.4 GROUNDING UNDERGROUND DISTRIBUTION SYSTEM COMPONENTS

- A. Comply with IEEE C2 grounding requirements.
- B. Grounding Manholes and Handholes: Install a driven ground rod through manhole or handhole floor, close to wall, and set rod depth so 4 inches will extend above finished floor. If necessary, install ground rod before manhole is placed and provide No. 1/0 AWG bare, tinned-copper conductor from ground rod into manhole through a waterproof sleeve in manhole wall. Protect ground rods passing through concrete floor with a double wrapping of pressure-sensitive insulating tape or heat-shrunk insulating sleeve from 2 inches above to 6 inches below concrete. Seal floor opening with waterproof, nonshrink grout.
- C. Grounding Connections to Manhole Components: Bond exposed-metal parts such as inserts, cable racks, pulling irons, ladders, and cable shields within each manhole or handhole, to ground rod or grounding conductor. Make connections with No. 4 AWG minimum, stranded, hard-drawn copper bonding conductor. Train conductors level or plumb around corners and fasten to manhole walls. Connect to cable armor and cable shields according to written instructions by manufacturer of splicing and termination kits.
- D. Pad mounted Transformers and Switches: Comply with AEP grounding Standards

3.5 EQUIPMENT GROUNDING

- A. Install insulated equipment grounding conductors with all feeders and branch circuits.
- B. Install insulated equipment grounding conductors with the following items, in addition to those required by NFPA 70:
  1. Feeders and branch circuits.

FIRE STATIONS RENOVATION  
ARLINGTON COUNTY, VIRGINIA  
Architect's Project No: 563006

---

2. Lighting circuits.
3. Receptacle circuits.
4. Single-phase motor and appliance branch circuits.
5. Three-phase motor and appliance branch circuits.
6. Flexible raceway runs.
7. Armored and metal-clad cable runs.

- C. Air-Duct Equipment Circuits: Install insulated equipment grounding conductor to duct-mounted electrical devices operating at 120 V and more, including air cleaners, heaters, dampers, humidifiers, and other duct electrical equipment. Bond conductor to each unit and to air duct and connected metallic piping.
- D. Water Heater, Heat-Tracing, and Antifrost Heating Cables: Install a separate insulated equipment grounding conductor to each electric water heater and heat-tracing cable. Bond conductor to heater units, piping, connected equipment, and components.
- E. Athletic Field Lighting Poles Supporting Lighting Fixtures: Install grounding electrode and a separate insulated equipment grounding conductor in addition to grounding conductor installed with branch-circuit conductors.

### 3.6 INSTALLATION

- A. Grounding Conductors: Route along shortest and straightest paths possible unless otherwise indicated or required by Code. Avoid obstructing access or placing conductors where they may be subjected to strain, impact, or damage.
- B. Ground Rods: Drive rods until tops are 2 inches below finished floor or final grade unless otherwise indicated.
1. Interconnect ground rods with grounding electrode conductor below grade and as otherwise indicated. Make connections without exposing steel or damaging coating if any.
  2. For grounding electrode system, install at least three rods spaced at least one-rod length from each other and located at least the same distance from other grounding electrodes, and connect to the service grounding electrode conductor.
- C. Test Wells: Ground rod driven through drilled hole in bottom of handhole. Handholes are specified in Section 260543 "Underground Ducts and Raceways for Electrical Systems," and shall be at least 12 inches deep, with cover.
1. Test Wells: Install at least one test well for each service unless otherwise indicated. Install at the ground rod electrically closest to service entrance. Set top of test well flush with finished grade or floor.
- D. Bonding Straps and Jumpers: Install in locations accessible for inspection and maintenance except where routed through short lengths of conduit.
1. Bonding to Structure: Bond straps directly to basic structure, taking care not to penetrate any adjacent parts.

FIRE STATIONS RENOVATION  
ARLINGTON COUNTY, VIRGINIA  
Architect's Project No: 563006

---

2. Bonding to Equipment Mounted on Vibration Isolation Hangers and Supports: Install bonding so vibration is not transmitted to rigidly mounted equipment.
3. Use exothermic-welded connectors for outdoor locations; if a disconnect-type connection is required, use a bolted clamp.

E. Grounding and Bonding for Piping:

1. Metal Water Service Pipe: Install insulated copper grounding conductors, in conduit, from building's main service equipment, or grounding bus, to main metal water service entrances to building. Connect grounding conductors to main metal water service pipes; use a bolted clamp connector or bolt a lug-type connector to a pipe flange by using one of the lug bolts of the flange. Where a dielectric main water fitting is installed, connect grounding conductor on street side of fitting. Bond metal grounding conductor conduit or sleeve to conductor at each end.
2. Water Meter Piping: Use braided-type bonding jumpers to electrically bypass water meters. Connect to pipe with a bolted connector.
3. Bond each aboveground portion of gas piping system downstream from equipment shutoff valve.

F. Bonding Interior Metal Ducts: Bond metal air ducts to equipment grounding conductors of associated fans, blowers, electric heaters, and air cleaners. Install bonding jumper to bond across flexible duct connections to achieve continuity.

G. Grounding for Steel Building Structure: Install a driven ground rod at base of each corner column and at intermediate exterior columns at distances not more than 60 feet apart.

I. Concrete-Encased Grounding Electrode (Ufer Ground): Fabricate according to NFPA 70; use a minimum of 20 feet of bare copper conductor not smaller than No. 4 AWG.

1. If concrete foundation is less than 20 feet long, coil excess conductor within base of foundation.
2. Bond grounding conductor to reinforcing steel in at least four locations and to anchor bolts. Extend grounding conductor below grade and connect to building's grounding grid or to grounding electrode external to concrete.

### 3.7 FIELD QUALITY CONTROL

A. Perform tests and inspections.

B. Tests and Inspections:

1. After installing grounding system but before permanent electrical circuits have been energized, test for compliance with requirements.
2. Inspect physical and mechanical condition. Verify tightness of accessible, bolted, electrical connections with a calibrated torque wrench according to manufacturer's written instructions.
3. Test completed grounding system at each location where a maximum ground-resistance level is specified, at service disconnect enclosure grounding terminal, at ground test wells. Make tests at ground rods before any conductors are connected.



FIRE STATIONS RENOVATION  
ARLINGTON COUNTY, VIRGINIA  
Architect's Project No: 563006

---

- a. Measure ground resistance no fewer than two full days after last trace of precipitation and without soil being moistened by any means other than natural drainage or seepage and without chemical treatment or other artificial means of reducing natural ground resistance.
  - b. Perform tests by fall-of-potential method according to IEEE 81.
4. Prepare dimensioned Drawings locating each test well, ground rod and ground-rod assembly, and other grounding electrodes. Identify each by letter in alphabetical order, and key to the record of tests and observations. Include the number of rods driven and their depth at each location, and include observations of weather and other phenomena that may affect test results. Describe measures taken to improve test results.
- C. Grounding system will be considered defective if it does not pass tests and inspections.
- D. Prepare test and inspection reports.
- E. Report measured ground resistances that exceed the following values:
1. Power and Lighting Equipment or System with Capacity More Than 1000 kVA: 3 ohms.
  2. Power Distribution Units or Panelboards Serving Electronic Equipment: 3 ohm(s).
  3. Substations and Pad-Mounted Equipment: 5 ohms.
  4. Manhole Grounds: 10 ohms.
- F. Excessive Ground Resistance: If resistance to ground exceeds specified values, notify Architect promptly and include recommendations to reduce ground resistance.

END OF SECTION 260526

FIRE STATIONS RENOVATION  
ARLINGTON COUNTY, VIRGINIA  
Architect's Project No: 563006

---

SECTION 260529 - HANGERS AND SUPPORTS FOR ELECTRICAL SYSTEMS

PART 1 - GENERAL

1.1 RELATED DOCUMENTS

- A. Drawings and general provisions of the Contract, including General and Supplementary Conditions and Division 01 Specification Sections, apply to this Section.

1.2 SUMMARY

- A. This Section includes the following:
  - 1. Hangers and supports for electrical equipment and systems.
  - 2. Construction requirements for concrete bases.

1.3 DEFINITIONS

- A. EMT: Electrical metallic tubing.
- B. IMC: Intermediate metal conduit.
- C. RMC: Rigid metal conduit.

1.4 PERFORMANCE REQUIREMENTS

- A. Design supports for multiple raceways capable of supporting combined weight of supported systems and its contents.
- B. Design equipment supports capable of supporting combined operating weight of supported equipment and connected systems and components.
- C. Rated Strength: Adequate in tension, shear, and pullout force to resist maximum loads calculated or imposed for this Project.

1.5 QUALITY ASSURANCE

- A. Welding: Qualify procedures and personnel according to AWS D1.1/D1.1M, "Structural Welding Code - Steel."
- B. Comply with NFPA 70.

FIRE STATIONS RENOVATION  
ARLINGTON COUNTY, VIRGINIA  
Architect's Project No: 563006

---

1.6 COORDINATION

- A. Coordinate size and location of concrete bases. Cast anchor-bolt inserts into bases. Concrete, reinforcement, and formwork requirements are specified together with concrete Specifications.
- B. Coordinate installation of roof curbs, equipment supports, and roof penetrations. These items are specified in Division 7.

PART 2 - PRODUCTS

2.1 SUPPORT, ANCHORAGE, AND ATTACHMENT COMPONENTS

- A. Steel Slotted Support Systems: Comply with MFMA-4, factory-fabricated components for field assembly.
  - 1. Manufacturers: Subject to compliance with requirements, available manufacturers offering products that may be incorporated into the Work include, but are not limited to the following:
    - a. Cooper B-Line, Inc.; a division of Cooper Industries.
    - b. ERICO International Corporation.
    - c. Thomas & Betts Corporation.
    - d. Unistrut; an Atkore International company.
  - 2. Metallic Coatings: Hot-dip galvanized after fabrication and applied according to MFMA-4.
  - 3. Channel Dimensions: Selected for applicable load criteria.
- B. Raceway and Cable Supports: As described in NECA 1 and NECA 101.
- C. Conduit and Cable Support Devices: Steel and malleable-iron hangers, clamps, and associated fittings, designed for types and sizes of raceway or cable to be supported.
- D. Support for Conductors in Vertical Conduit: Factory-fabricated assembly consisting of threaded body and insulating wedging plug or plugs for non-armored electrical conductors or cables in riser conduits. Plugs shall have number, size, and shape of conductor gripping pieces as required to suit individual conductors or cables supported. Body shall be malleable iron.
- E. Structural Steel for Fabricated Supports and Restraints: ASTM A 36/A 36M, steel plates, shapes, and bars; black and galvanized.
- F. Mounting, Anchoring, and Attachment Components: Items for fastening electrical items or their supports to building surfaces include the following:

FIRE STATIONS RENOVATION  
ARLINGTON COUNTY, VIRGINIA  
Architect's Project No: 563006

---

1. Powder-Actuated Fasteners: Threaded-steel stud, for use in hardened Portland cement concrete, steel, or wood, with tension, shear, and pullout capacities appropriate for supported loads and building materials where used.
  - a. Manufacturers: Subject to compliance with requirements, available manufacturers offering products that may be incorporated into the Work include, but are not limited to the following:
    - 1) Hilti, Inc.
    - 2) MKT Fastening, LLC.
    - 3) Simpson Strong-Tie Co., Inc.
2. Mechanical-Expansion Anchors: Insert-wedge-type, stainless steel, for use in hardened Portland cement concrete with tension, shear, and pullout capacities appropriate for supported loads and building materials in which used.
  - a. Manufacturers: Subject to compliance with requirements, available manufacturers offering products that may be incorporated into the Work include, but are not limited to the following:
    - 1) Cooper B-Line, Inc.; a division of Cooper Industries.
    - 2) Hilti, Inc.
    - 3) MKT Fastening, LLC.
3. Concrete Inserts: Steel or malleable-iron, slotted support system units similar to MSS Type 18; complying with MFMA-4 or MSS SP-58.
4. Clamps for Attachment to Steel Structural Elements: MSS SP-58, type suitable for attached structural element.
5. Through Bolts: Structural type, hex head, and high strength. Comply with ASTM A 325.
6. Toggle Bolts: All-steel springhead type.
7. Hanger Rods: Threaded steel.

## 2.2 FABRICATED METAL EQUIPMENT SUPPORT ASSEMBLIES

- A. Description: Welded or bolted, structural-steel shapes, shop or field fabricated to fit dimensions of supported equipment.
- B. Materials: Comply with requirements in Section 055000 "Metal Fabrications" for steel shapes and plates.

## PART 3 - EXECUTION

### 3.1 APPLICATION

- A. Comply with NECA 1 and NECA 101 for application of hangers and supports for electrical equipment and systems except if requirements in this Section are stricter.

FIRE STATIONS RENOVATION  
ARLINGTON COUNTY, VIRGINIA  
Architect's Project No: 563006

---

- B. Maximum Support Spacing and Minimum Hanger Rod Size for Raceway: Space supports for EMT, IMC, and RMC as required by NFPA 70. Minimum rod size shall be 1/4 inch in diameter.
- C. Multiple Raceways or Cables: Install trapeze-type supports fabricated with steel slotted support system, sized so capacity can be increased by at least 25 percent in future without exceeding specified design load limits.
  - 1. Secure raceways and cables to these supports with two-bolt conduit clamps.
- D. Spring-steel clamps designed for supporting single conduits without bolts may be used for 1-1/2-inch and smaller raceways serving branch circuits and communication systems above suspended ceilings and for fastening raceways to trapeze supports.

### 3.2 SUPPORT INSTALLATION

- A. Comply with NECA 1 and NECA 101 for installation requirements except as specified in this Article.
- B. Raceway Support Methods: In addition to methods described in NECA 1, EMT, IMC, and RMC may be supported by openings through structure members, as permitted in NFPA 70.
- C. Strength of Support Assemblies: Where not indicated, select sizes of components so strength will be adequate to carry present and future static loads within specified loading limits. Minimum static design load used for strength determination shall be weight of supported components plus 200 lb.
- D. Mounting and Anchorage of Surface-Mounted Equipment and Components: Anchor and fasten electrical items and their supports to building structural elements by the following methods unless otherwise indicated by code:
  - 1. To Wood: Fasten with lag screws or through bolts.
  - 2. To New Concrete: Bolt to concrete inserts.
  - 3. To Masonry: Approved toggle-type bolts on hollow masonry units and expansion anchor fasteners on solid masonry units.
  - 4. To Existing Concrete: Expansion anchor fasteners.
  - 5. Instead of expansion anchors, powder-actuated driven threaded studs provided with lock washers and nuts may be used in existing standard-weight concrete 4 inches thick or greater. Do not use for anchorage to lightweight-aggregate concrete or for slabs less than 4 inches thick.
  - 6. To Steel: Beam clamps (MSS Type 19, 21, 23, 25, or 27) complying with MSS SP-69.
  - 7. To Light Steel: Sheet metal screws.
  - 8. Items Mounted on Hollow Walls and Nonstructural Building Surfaces: Mount cabinets, panelboards, disconnect switches, control enclosures, pull and junction boxes, transformers, and other devices on slotted-channel racks attached to substrate.
- E. Drill holes for expansion anchors in concrete at locations and to depths that avoid reinforcing bars.

FIRE STATIONS RENOVATION  
ARLINGTON COUNTY, VIRGINIA  
Architect's Project No: 563006

---

3.3 INSTALLATION OF FABRICATED METAL SUPPORTS

- A. Comply with installation requirements in Section 055000 "Metal Fabrications" for site-fabricated metal supports.
- B. Cut, fit, and place miscellaneous metal supports accurately in location, alignment, and elevation to support and anchor electrical materials and equipment.
- C. Field Welding: Comply with AWS D1.1/D1.1M.

3.4 CONCRETE BASES

- A. Construct concrete bases of dimensions indicated but not less than 4 inches larger in both directions than supported unit, and so anchors will be a minimum of 10 bolt diameters from edge of the base.
- B. Anchor equipment to concrete base.
  - 1. Place and secure anchorage devices. Use supported equipment manufacturer's setting drawings, templates, diagrams, instructions, and directions furnished with items to be embedded.
  - 2. Install anchor bolts to elevations required for proper attachment to supported equipment.
  - 3. Install anchor bolts according to anchor-bolt manufacturer's written instructions.

3.5 PAINTING

- A. Touchup: Comply with requirements in Division 9 for cleaning and touchup painting of field welds, bolted connections, and abraded areas of shop paint on miscellaneous metal.
- B. Galvanized Surfaces: Clean welds, bolted connections, and abraded areas and apply galvanizing-repair paint to comply with ASTM A 780.

END OF SECTION 260529

FIRE STATIONS RENOVATION  
ARLINGTON COUNTY, VIRGINIA  
Architect's Project No: 563006

---

SECTION 260533 - RACEWAYS AND BOXES FOR ELECTRICAL SYSTEMS

PART 1 - GENERAL

1.1 RELATED DOCUMENTS

- A. Drawings and general provisions of the Contract, including General and Supplementary Conditions and Division 01 Specification Sections, apply to this Section.

1.2 SUMMARY

- A. Section Includes:
  - 1. Metal conduits, tubing, and fittings.
  - 2. Nonmetal conduits, tubing, and fittings.
  - 3. Metal wireways and auxiliary gutters.
  - 4. Surface raceways.
  - 5. Boxes, enclosures, and cabinets.
- B. Part 2 of this section includes material requirements for all raceways and boxes that may or may not be used on the project. Part 3 of this Section defines where a given type of product shall be or is permitted to be utilized.

1.3 DEFINITIONS

- A. ARC: Aluminum rigid conduit.
- B. GRC: Galvanized rigid steel conduit.
- C. IMC: Intermediate metal conduit.

1.4 ACTION SUBMITTALS

- A. Product Data: For surface raceways, wireways and fittings, floor boxes, hinged-cover enclosures, and cabinets.
- B. Shop Drawings: For custom enclosures and cabinets. Include plans, elevations, sections, and attachment details.

1.5 INFORMATIONAL SUBMITTALS

- A. Source quality-control reports.

FIRE STATIONS RENOVATION  
ARLINGTON COUNTY, VIRGINIA  
Architect's Project No: 563006

---

## PART 2 - PRODUCTS

### 2.1 METAL CONDUITS, TUBING, AND FITTINGS

- A. Manufacturers: Subject to compliance with requirements, available manufacturers offering products that may be incorporated into the Work include, but are not limited to the following:
1. Allied Tube & Conduit.
  2. O-Z/Gedney; an EGS Electrical Group brand; an Emerson Industrial Automation business.
  3. Robroy Industries.
  4. Thomas & Betts Corporation.
- B. Listing and Labeling: Metal conduits, tubing, and fittings shall be listed and labeled as defined in NFPA 70, by a qualified testing agency, and marked for intended location and application.
- C. GRC: Comply with ANSI C80.1 and UL 6.
- D. IMC: Comply with ANSI C80.6 and UL 1242.
- E. PVC-Coated Steel Conduit: PVC-coated rigid steel conduit.
1. Comply with NEMA RN 1.
  2. Coating Thickness: 0.040 inch, minimum.
- F. EMT: Comply with ANSI C80.3 and UL 797.
- G. FMC: Comply with UL 1; zinc-coated steel.
- H. LFMC: Flexible steel conduit with PVC jacket and complying with UL 360.
- I. Fittings for Metal Conduit: Comply with NEMA FB 1 and UL 514B.
1. Conduit Fittings for Hazardous (Classified) Locations: Comply with UL 886 and NFPA 70.
  2. Fittings for EMT:
    - a. Material: Steel.
    - b. Type: Setscrew or compression.
  3. Expansion Fittings: PVC or steel to match conduit type, complying with UL 651, rated for environmental conditions where installed, and including flexible external bonding jumper.
  4. Coating for Fittings for PVC-Coated Conduit: Minimum thickness of 0.040 inch, with overlapping sleeves protecting threaded joints.



FIRE STATIONS RENOVATION  
ARLINGTON COUNTY, VIRGINIA  
Architect's Project No: 563006

---

- J. Joint Compound for IMC, GRC, or ARC: Approved, as defined in NFPA 70, by authorities having jurisdiction for use in conduit assemblies, and compounded for use to lubricate and protect threaded conduit joints from corrosion and to enhance their conductivity.

## 2.2 NONMETALLIC CONDUITS, TUBING, AND FITTINGS

- A. Manufacturers: Subject to compliance with requirements, available manufacturers offering products that may be incorporated into the Work include, but are not limited to the following:
  - 1. AFC Cable Systems, Inc.
  - 2. Electri-Flex Company.
  - 3. RACO; Hubbell.
  - 4. Thomas & Betts Corporation.
- B. Listing and Labeling: Nonmetallic conduits, tubing, and fittings shall be listed and labeled as defined in NFPA 70, by a qualified testing agency, and marked for intended location and application.
- C. RNC: Type EPC-40-PVC, complying with NEMA TC 2 and UL 651 unless otherwise indicated.
- D. LFNC: Comply with UL 1660.
- E. Rigid HDPE: Comply with UL 651A.
- F. RTRC: Comply with UL 1684A and NEMA TC 14.
- G. Fittings for ENT and RNC: Comply with NEMA TC 3; match to conduit or tubing type and material.
- H. Fittings for LFNC: Comply with UL 514B.
- I. Solvent cements and adhesive primers shall have a VOC content of 510 and 550 g/L or less, respectively, when calculated according to 40 CFR 59, Subpart D (EPA Method 24).

## 2.3 METAL WIREWAYS AND AUXILIARY GUTTERS

- A. Manufacturers: Subject to compliance with requirements, available manufacturers offering products that may be incorporated into the Work include, but are not limited to the following:
  - 1. Cooper B-Line, Inc.; a division of Cooper Industries.
  - 2. Hoffman; a brand of Pentair Equipment Protection.
  - 3. Square D.
- B. Description: Sheet metal, complying with UL 870 and NEMA 250, Type 1 unless otherwise indicated, and sized according to NFPA 70.

FIRE STATIONS RENOVATION  
ARLINGTON COUNTY, VIRGINIA  
Architect's Project No: 563006

---

1. Metal wireways installed outdoors shall be listed and labeled as defined in NFPA 70, by a qualified testing agency, and marked for intended location and application.
- C. Fittings and Accessories: Include covers, couplings, offsets, elbows, expansion joints, adapters, hold-down straps, end caps, and other fittings to match and mate with wireways as required for complete system.
- D. Wireway Covers: Hinged type unless otherwise indicated.
- E. Finish: Manufacturer's standard enamel finish.

#### 2.4 BOXES, ENCLOSURES, AND CABINETS

- A. Manufacturers: Subject to compliance with requirements, available manufacturers offering products that may be incorporated into the Work include, but are not limited to the following:
  1. EGS/Appleton Electric.
  2. Erickson Electrical Equipment Company.
  3. Hoffman; a brand of Pentair Equipment Protection.
  4. Hubbell Incorporated.
  5. O-Z/Gedney; an EGS Electrical Group brand; an Emerson Industrial Automation business.
  6. RACO; Hubbell
  7. Wiremold / Legrand.
- B. General Requirements for Boxes, Enclosures, and Cabinets: Boxes, enclosures, and cabinets installed in wet locations shall be listed for use in wet locations.
- C. Sheet Metal Outlet and Device Boxes: Comply with NEMA OS 1 and UL 514A.
- D. Cast-Metal Outlet and Device Boxes: Comply with NEMA FB 1, aluminum, Type FD, with gasketed cover.
- E. Metal Floor Boxes:
  1. Material: Cast metal.
  2. Type: Fully adjustable.
  3. Shape: Rectangular.
  4. Listing and Labeling: Metal floor boxes shall be listed and labeled as defined in NFPA 70, by a qualified testing agency, and marked for intended location and application.
- F. Luminaire Outlet Boxes: Nonadjustable, designed for attachment of luminaire weighing 50 lb. Outlet boxes designed for attachment of luminaires weighing more than 50 lb shall be listed and marked for the maximum allowable weight.
- G. Small Sheet Metal Pull and Junction Boxes: NEMA OS 1.

FIRE STATIONS RENOVATION  
ARLINGTON COUNTY, VIRGINIA  
Architect's Project No: 563006

---

- H. Cast-Metal Access, Pull, and Junction Boxes: Comply with NEMA FB 1 and UL 1773, cast aluminum with gasketed cover.
- I. Box extensions used to accommodate new building finishes shall be of same material as recessed box.
- J. Device Box Dimensions: 4 inches square by 2-1/8 inches deep.
- K. Gangable boxes are allowed.
- L. Hinged-Cover Enclosures: Comply with UL 50 and NEMA 250, Type 3R with continuous-hinge cover with flush latch unless otherwise indicated.
  - 1. Metal Enclosures: Steel, finished inside and out with manufacturer's standard enamel.
  - 2. Interior Panels: Steel; all sides finished with manufacturer's standard enamel.
- M. Cabinets:
  - 1. NEMA 250, Type 12 galvanized-steel box with removable interior panel and removable front, finished inside and out with manufacturer's standard enamel.
  - 2. Hinged door in front cover with flush latch and concealed hinge.
  - 3. Key latch to match panelboards.
  - 4. Metal barriers to separate wiring of different systems and voltage.
  - 5. Accessory feet where required for freestanding equipment.
  - 6. Nonmetallic cabinets shall be listed and labeled as defined in NFPA 70, by a qualified testing agency, and marked for intended location and application.

## 2.5 FLOOR BOXES AND SERVICE FITTINGS

- A. Multi-service Floor Boxes: Basis of Design: Wiremold, RFB4 Series Floor Boxes.
  - 1. Floor boxes mounted on first floor grade shall be manufactured from cast-iron and be approved for use on grade and above grade floors. The box shall be 14 1/2" L x 11 7/8" W x 3 7/16" H. There shall be four independent wiring compartments that allow capacity for up to four duplex receptacles and/or communication services. The RFB4-CI-1 Series Box shall permit tunneling from adjacent or opposite compartments. Two of the four compartments shall have a minimum wiring capacity of 27 cu in., and two compartments shall have a minimum wiring capacity of 36 cu in.. The box shall provide the following number of conduit hubs: four 1" and four 1 1/4". The box shall be fully adjustable, providing a maximum of 1 7/8" pre-pour adjustment, and a maximum of 3/4" after-pour adjustment. Wiremold RFB4-CI-1.
  - 2. Floor boxes not on grade slab shall be manufactured from stamped-steel and be approved for use on above-grade floors. The box shall be 13 5/8" L x 10" W x 2 7/16" H. There shall be four independent wiring compartments that allow capacity for up to four duplex receptacles and/or communication services. The RFB4-SS Series Box shall permit feed through tunneling from adjacent compartments. Two of the four compartments shall have a minimum wiring capacity of 15.7 cu in., and two compartments shall have a minimum

**FIRE STATIONS RENOVATION  
ARLINGTON COUNTY, VIRGINIA  
Architect's Project No: 563006**

---

wiring capacity of 31.2 cu in.. The box shall provide the following number of conduit knockouts: two 1/2", six 3/4", and eight 1". The box shall be fully adjustable, providing a maximum of 1 7/8" pre-pour adjustment, and a maximum of 3/4" after-pour adjustment. Wiremold RFB4-SS.

3. Activation covers shall be manufactured of die-cast aluminum or die-cast zinc, and be available in a brushed aluminum finish, plated brass finish, or a powder-coated paint finish. The activation cover shall be listed by UL to meet the applicable U.S. and Canadian safety standards for scrub water exclusion when used on tile, terrazzo, wood, and carpet covered floors. The floor box manufacturer shall provide a complete line of faceplates and bezels to facilitate mounting of UTP, STP (150 ohm), fiber optic, coaxial, and communication devices within the box.
  4. Activation covers shall be available in flanged and flangeless versions of cast aluminum with aluminum, black, bronze, brass, nickel or gray finish. Covers shall be available with options for tile or carpet inserts, flush covers, or furniture feed. Flanged covers shall be 7 3/4" L x 6 9/16" W. Flangeless covers shall be 6 3/4" L x 5 9/16" W.
    - a. Unless indicated otherwise, provide the following cover configurations:
      - 1) Power/Telecom Outlets: Brushed aluminum flanged with blank lid flush with floor and NO carpet/tile cutouts.
      - 2) Furniture Floor Feed: Brushed aluminum flanged with 1" trade size screw plug opening and one combination 1 1/4" and 2" trade size screw plug openings.
- B. Single Service Floor boxes: Basis of Design: Wiremold, Omnibox Floor Boxes, One-, two- or three-gang floor boxes.**
1. Floor boxes mounted on first floor grade shall be manufactured from cast-iron and be approved for use on grade and above grade floors. Box interior and exterior shall be painted. Boxes shall be available in one-, two-, and three-gang configurations. All cast-iron versions shall provide 1 3/4" of pre-pour adjustment and 1/2" of post-pour adjustment. Minimum depth of deep boxes shall be 3 7/16". Overall box dimensions shall be as follows:
    - a. One-gang: 5 3/16" W x 4 3/8" L
    - b. Two-gang: 5 3/16" W x 8 1/2" L
    - c. Three-gang: 5 3/16" W x 12 1/2" L
  2. Floor boxes on the second floor and above shall be manufactured from stamped-steel and be approved for use on cast-in-place floors. Boxes shall be manufactured from stamped steel and formed. Boxes shall be available in one-, two-, or three-gang configurations. All stamped steel versions shall provide 1 3/4" of pre-pour adjustment and 1/2" of post-pour adjustment. Maximum depth of boxes shall be 2 15/32". Overall box dimensions shall be as follows:
    - a. One-gang: 4 13/16" W x 3 23/32" L
    - b. Two-gang: 4 13/16" W x 7 15/16" L
    - c. Three-gang: 4 13/16" W x 12" L
  3. All floor box options shall accept brass, brushed aluminum, and nonmetallic cover plates and flanges. Flanges for brass, brushed aluminum, and nonmetallic shall be available for

FIRE STATIONS RENOVATION  
ARLINGTON COUNTY, VIRGINIA  
Architect's Project No: 563006

---

one-, two-, or three-gang applications and install on the previously mentioned boxes. Each flange shall provide 1/2" of adjustment to accommodate various floor covering and concrete pour depths.

- a. All brass, brushed aluminum, and nonmetallic flanges shall be approved for use on carpet, tile, or wood covered floor applications. Brass and brushed aluminum flanges and cover plates shall have a buffed appearance and be protected with a lacquer finish. Nonmetallic flanges and cover plates shall be provided in a black, brown, or gray finish. Modular inserts shall snap directly into each flange through use of a mounting bezel.
- b. Brushed aluminum and nonmetallic cover plate options shall seat inside either the aluminum or nonmetallic flanges and be flush with the finished floor. Brushed aluminum and nonmetallic cover plate dimensions shall be 3.29" W x 4.310" L. Brass cover plate dimensions are 3.156" W x 4.182" L. Brass cover plates shall seat inside only brass flanges and be flush with the finished floor. All cover plate options shall provide for both power and communication services.

C. Wood Floor Boxes: Basis of Design: Wiremold, 880 Series Floor Boxes, one-, two- or three-gang floor boxes designed for wooden floors.

1. Boxes shall be available in one-, two-, or three-gang configurations. Boxes shall also be rectangular in shape. These boxes shall consist of a stamped steel body, applicable stamped steel barriers and stamped steel mounting brackets for flanges. All boxes shall have an overall depth of 3 7/16". All boxes shall provide a mounting mechanism to attach the floor box to the wood sub floor.
2. All floor box options shall accept brass, brushed aluminum, and nonmetallic cover plates and flanges. Flanges for brass, brushed aluminum, and nonmetallic shall be available for one-, two-, or three-gang applications and install on the previously mentioned boxes. Each flange shall provide 1/2" of adjustment to accommodate various floor covering and concrete pour depths.
3. All brass, brushed aluminum, and nonmetallic flanges shall be approved for use on wood covered floor applications. Brass and brushed aluminum flanges and cover plates shall have a buffed appearance and be protected with a lacquer finish. Nonmetallic flanges and cover plates shall be provided in a black, brown, or gray finish.
4. The floor box shall be warranted for one year from the date of final acceptance.

## PART 3 - EXECUTION

### 3.1 RACEWAY APPLICATION

- A. Outdoors: Apply raceway products as specified below unless otherwise indicated:
1. Exposed Conduit: GRC.
  2. Concealed Conduit, Aboveground: GRC.
  3. Underground Conduit: Per section 260543.

FIRE STATIONS RENOVATION  
ARLINGTON COUNTY, VIRGINIA  
Architect's Project No: 563006

---

4. Connection to Vibrating Equipment (Including Transformers and Hydraulic, Pneumatic, Electric Solenoid, or Motor-Driven Equipment): LFMC.
  5. Boxes and Enclosures, Aboveground: NEMA 250, Type 3R.
- B. Indoors: Apply raceway products as specified below unless otherwise indicated:
1. Exposed, Not Subject to Physical Damage: EMT.
  2. Exposed, Not Subject to Severe Physical Damage: EMT.
  3. Exposed and Subject to Severe Physical Damage: GRC. Raceway locations include the following:
    - a. Loading dock.
    - b. Corridors used for traffic of mechanized carts, forklifts, and pallet-handling units.
    - c. Mechanical rooms, below 8'.
    - d. Gymnasiums.
  4. Concealed in Ceilings and Interior Walls and Partitions: EMT.
  5. Connection to Vibrating Equipment (Including Transformers and Hydraulic, Pneumatic, Electric Solenoid, or Motor-Driven Equipment): FMC, except use LFMC mechanical and Custodial spaces.
  6. Damp or Wet Locations: GRC.
  7. Boxes and Enclosures: NEMA 250, Type 1, except use NEMA 250, Type 4 stainless steel in kitchens and damp or wet locations.
- C. Minimum Raceway Size: 3/4-inch trade size.
- D. Raceway Fittings: Compatible with raceways and suitable for use and location.
1. Rigid and Intermediate Steel Conduit: Use threaded rigid steel conduit fittings unless otherwise indicated. Comply with NEMA FB 2.10.
  2. PVC Externally Coated, Rigid Steel Conduits: Use only fittings listed for use with this type of conduit. Patch and seal all joints, nicks, and scrapes in PVC coating after installing conduits and fittings. Use sealant recommended by fitting manufacturer and apply in thickness and number of coats recommended by manufacturer.
  3. EMT: Use setscrew or compression, steel fittings. Comply with NEMA FB 2.10.
  4. Flexible Conduit: Use only fittings listed for use with flexible conduit. Comply with NEMA FB 2.20.
- E. Install nonferrous conduit or tubing for circuits operating above 60 Hz. Where aluminum raceways are installed for such circuits and pass through concrete, install in nonmetallic sleeve.
- F. Do not install aluminum conduits, boxes, or fittings in contact with concrete or earth.
- G. surface raceways shall not be installed without prior approval of the Architect.
- H. Do not install nonmetallic conduit where ambient temperature exceeds 120 deg F.

FIRE STATIONS RENOVATION  
ARLINGTON COUNTY, VIRGINIA  
Architect's Project No: 563006

---

3.2 INSTALLATION

- A. Comply with NECA 1 and NECA 101 for installation requirements except where requirements on Drawings or in this article are stricter. Comply with NECA 102 for aluminum conduits. Comply with NFPA 70 limitations for types of raceways allowed in specific occupancies and number of floors.
- B. Keep raceways at least 6 inches away from parallel runs of flues and hot-water pipes. Install horizontal raceway runs above water and steam piping.
- C. Complete raceway installation before starting conductor installation.
- D. Comply with requirements in Section 260529 "Hangers and Supports for Electrical Systems" for hangers and supports.
- E. Arrange stub-ups so curved portions of bends are not visible above finished slab.
- F. Install no more than the equivalent of three 90-degree bends in any conduit run except for control wiring conduits, for which fewer bends are allowed. Support within 12 inches of changes in direction. Refer to Division 27 for conduit requirements for telecommunication wiring.
- G. Conceal conduit and EMT within finished walls, ceilings, and floors unless otherwise indicated. Install conduits parallel or perpendicular to building lines.
- H. All conduit to be installed on exterior masonry shall not run continuously within the wall cavity. Exposed conduit shall not be installed without prior approval of the Architect.
- I. Support conduit within 12 inches of enclosures to which attached.
- J. Raceways Embedded in Slabs:
  - 1. Are not permitted, except as required for entry into recessed floor boxes.
  - 2. Conduits run below slab on ground floor level shall be buried within the porous fill and stub-up at the required location. Transition from RNC to RGS with RGS elbow before rising above the floor. After RGS elbow, stub-up conduit shall be type indicated in Part 3.1 above.
  - 3. Where raceways are terminated with threaded hubs, screw raceways or fittings tightly into hub so end bears against wire protection shoulder. Where chase nipples are used, align raceways so coupling is square to box; tighten chase nipple so no threads are exposed.
  - 4. Do not embed threadless fittings in concrete.
  - 5. Change from ENT to GRC before rising above floor.
- K. Stub-ups to Above Recessed Ceilings:
  - 1. Use EMT, IMC, or RMC for raceways.

FIRE STATIONS RENOVATION  
ARLINGTON COUNTY, VIRGINIA  
Architect's Project No: 563006

---

2. Use a conduit bushing or insulated fitting to terminate stub-ups not terminated in hubs or in an enclosure. Refer to Division 27 for telecommunication conduit stub-up requirements.
- L. Threaded Conduit Joints, Exposed to Wet, Damp, Corrosive, or Outdoor Conditions: Apply listed compound to threads of raceway and fittings before making up joints. Follow compound manufacturer's written instructions.
- M. Coat field-cut threads on PVC-coated raceway with a corrosion-preventing conductive compound prior to assembly.
- N. Raceway Terminations at Locations Subject to Moisture or Vibration: Use insulating bushings to protect conductors.
- O. Terminate threaded conduits into insulated throat threaded hubs. Install bushings on conduits up to 1-1/4-inch trade size and insulated throat metal bushings on 1-1/2-inch trade size and larger. Install insulated throat metal grounding bushings on service conduits.
- P. Install raceways square to the enclosure and terminate at enclosures with locknuts. Install locknuts hand tight plus 1/4 turn more.
- Q. Do not rely on locknuts to penetrate nonconductive coatings on enclosures. Remove coatings in the locknut area prior to assembling conduit to enclosure to assure a continuous ground path.
- R. Cut conduit perpendicular to the length. For conduits 2-inch trade size and larger, use roll cutter or a guide to make cut straight and perpendicular to the length.
- S. Install pull wires in empty raceways. Use polypropylene or monofilament plastic line with not less than 200-lb tensile strength. Leave at least 12 inches of slack at each end of pull wire. Cap underground raceways designated as spare above grade alongside raceways in use.
- T. Surface Raceways:
  1. Install surface raceway with a minimum 2-inch radius control at bend points.
  2. Secure surface raceway with screws or other anchor-type devices at intervals not exceeding 48 inches and with no less than two supports per straight raceway section. Support surface raceway according to manufacturer's written instructions. Tape and glue are not acceptable support methods.
  3. Surface Raceways shall not be installed without prior approval outside of Mechanical or Electrical spaces
- U. Install raceway sealing fittings at accessible locations according to NFPA 70 and fill them with listed sealing compound. For concealed raceways, install each fitting in a flush steel box with a blank cover plate having a finish similar to that of adjacent plates or surfaces. Install raceway sealing fittings according to NFPA 70.
- V. Install devices to seal raceway interiors at accessible locations. Locate seals so no fittings or boxes are between the seal and the following changes of environments. Seal the interior of all raceways at the following points:



FIRE STATIONS RENOVATION  
ARLINGTON COUNTY, VIRGINIA  
Architect's Project No: 563006

---

1. Where conduits pass from warm to cold locations, such as boundaries of refrigerated spaces.
  2. Where an underground service raceway enters a building or structure.
  3. Where otherwise required by NFPA 70.
- W. Comply with manufacturer's written instructions for solvent welding RNC and fittings.
- X. Expansion-Joint Fittings:
1. Do not install ENT above ground.
  2. Install type and quantity of fittings that accommodate temperature change listed for each of the following locations:
    - a. Indoor Spaces Connected with Outdoors without Physical Separation: 125 deg F temperature change.
    - b. Attics: 135 deg F temperature change.
  3. Install fitting(s) that provide expansion and contraction for at least 0.00041 inch per foot of length of straight run per deg F of temperature change for PVC conduits. Install fitting(s) that provide expansion and contraction for at least 0.000078 inch per foot of length of straight run per deg F of temperature change for metal conduits.
  4. Install expansion fittings at all locations where conduits cross building or structure expansion joints.
  5. Install each expansion-joint fitting with position, mounting, and piston setting selected according to manufacturer's written instructions for conditions at specific location at time of installation. Install conduit supports to allow for expansion movement.
- Y. Flexible Conduit Connections: Comply with NEMA RV 3. Use a maximum of 72 inches of flexible conduit for recessed and semi-recessed luminaires, equipment subject to vibration, noise transmission, or movement; and for transformers and motors.
1. Use LFMC in damp or wet locations subject to severe physical damage.
  2. Use LFMC or LFNC in damp or wet locations not subject to severe physical damage.
- Z. Mount boxes at heights indicated on Drawings. If mounting heights of boxes are not individually indicated, give priority to ADA requirements and also refer to Architectural elevations. Install boxes with height measured to center of box unless otherwise indicated.
- AA. Recessed Boxes in Masonry Walls: Saw-cut opening for box in masonry block, and install box flush with surface of wall. Prepare block surfaces to provide a flat surface for a tight connection between box and cover plate or supported equipment and box.
- BB. Horizontally separate boxes mounted on opposite sides of walls so they are not in the same vertical channel.
- CC. Locate boxes so that cover or plate will not span different building finishes.
- DD. Support boxes of three gangs or more from more than one side by spanning two framing members or mounting on brackets specifically designed for the purpose.

FIRE STATIONS RENOVATION  
ARLINGTON COUNTY, VIRGINIA  
Architect's Project No: 563006

---

- EE. Fasten junction and pull boxes to or support from building structure. Do not support boxes by conduits.
- FF. Set metal floor boxes level and flush with finished floor surface.
- GG. Where communication outlets and data outlets are shown together on drawings, do not scale drawings to obtain distance between outlets. Locate outlets such that there is no more than 4” between receptacle outlet and communication outlet.

3.3 INSTALLATION OF UNDERGROUND CONDUIT

- A. See Section 260543.

3.4 SLEEVE AND SLEEVE-SEAL INSTALLATION FOR ELECTRICAL PENETRATIONS

- A. Install sleeves and sleeve seals at penetrations of exterior floor and wall assemblies. Comply with requirements in Section 260544 "Sleeves and Sleeve Seals for Electrical Raceways and Cabling."

3.5 FIRESTOPPING

- A. Install firestopping at penetrations of fire-rated floor and wall assemblies. Comply with requirements in Division 07.

3.6 PROTECTION

- A. Protect coatings, finishes, and cabinets from damage and deterioration.
  - 1. Repair damage to galvanized finishes with zinc-rich paint recommended by manufacturer.
  - 2. Repair damage to PVC coatings or paint finishes with matching touchup coating recommended by manufacturer.

END OF SECTION 260533

FIRE STATIONS RENOVATION  
ARLINGTON COUNTY, VIRGINIA  
Architect's Project No: 563006

---

SECTION 260553 - IDENTIFICATION FOR ELECTRICAL SYSTEMS

PART 1 - GENERAL

1.1 RELATED DOCUMENTS

- A. Drawings and general provisions of the Contract, including General and Supplementary Conditions and Division 01 Specification Sections, apply to this Section.

1.2 SUMMARY

- A. Section Includes:
  - 1. Identification for raceways.
  - 2. Identification of power and control cables.
  - 3. Identification for conductors.
  - 4. Underground-line warning tape.
  - 5. Warning labels and signs.
  - 6. Instruction signs.
  - 7. Equipment identification labels.
  - 8. Miscellaneous identification products.

1.3 ACTION SUBMITTALS

- A. Product Data: For each electrical identification product indicated.

1.4 QUALITY ASSURANCE

- A. Comply with ANSI A13.1 and IEEE C2.
- B. Comply with NFPA 70.
- C. Comply with 29 CFR 1910.144 and 29 CFR 1910.145.
- D. Comply with ANSI Z535.4 for safety signs and labels.

1.5 COORDINATION

- A. Coordinate identification names, abbreviations, colors, and other features with requirements in other Sections requiring identification applications, Drawings, Shop Drawings, manufacturer's wiring diagrams, and the Operation and Maintenance Manual; and with those required by codes, standards, and 29 CFR 1910.145. Use consistent designations throughout Project.

FIRE STATIONS RENOVATION  
ARLINGTON COUNTY, VIRGINIA  
Architect's Project No: 563006

---

- B. Coordinate installation of identifying devices with completion of covering and painting of surfaces where devices are to be applied.
- C. Coordinate installation of identifying devices with location of access panels and doors.
- D. Install identifying devices before installing acoustical ceilings and similar concealment.

PART 2 - PRODUCTS

2.1 POWER AND CONTROL RACEWAY IDENTIFICATION MATERIALS

- A. Comply with ANSI A13.1 for minimum size of letters for legend and for minimum length of color field for each raceway size.
- B. Colors for Raceways Carrying Circuits at 600 V or Less:
  - 1. Black letters on an orange field.
  - 2. Legend: Indicate voltage and system or service type.
- C. Colors for Raceways Carrying Circuits at More Than 600 V:
  - 1. Black letters on an orange field.
  - 2. Legend: "DANGER CONCEALED HIGH VOLTAGE WIRING."
- D. Vinyl Labels for Raceways Carrying Circuits at 600 V or Less: Preprinted, flexible label laminated with a clear, weather- and chemical-resistant coating and matching wraparound clear adhesive tape for securing ends of legend label.

2.2 POWER AND CONTROL CABLE IDENTIFICATION MATERIALS

- A. Comply with ANSI A13.1 for minimum size of letters for legend and for minimum length of color field for each cable size.
- B. Vinyl Labels: Preprinted, flexible label laminated with a clear, weather- and chemical-resistant coating and matching wraparound clear adhesive tape for securing ends of legend label. Do not use Paper type labels.

2.3 FLOOR MARKING TAPE

- A. 2-inch- wide, 5-mil pressure-sensitive vinyl tape, with yellow and black stripes and clear vinyl overlay.

FIRE STATIONS RENOVATION  
ARLINGTON COUNTY, VIRGINIA  
Architect's Project No: 563006

---

2.4 UNDERGROUND-LINE WARNING TAPE

A. Tape:

1. Recommended by manufacturer for the method of installation and suitable to identify and locate underground electrical and communications utility lines.
2. Printing on tape shall be permanent and shall not be damaged by burial operations.
3. Tape material and ink shall be chemically inert, and not subject to degrading when exposed to acids, alkalis, and other destructive substances commonly found in soils.

B. Color and Printing:

1. Comply with ANSI Z535.1 through ANSI Z535.5.
2. Inscriptions for Red-Colored Tapes: ELECTRIC LINE, HIGH VOLTAGE,.
3. Inscriptions for Orange-Colored Tapes: TELEPHONE CABLE, CATV CABLE, COMMUNICATIONS CABLE, OPTICAL FIBER CABLE,.

C. Warning Tape:

1. Detectable three-layer laminate, consisting of a printed pigmented polyolefin film, a solid aluminum-foil core, and a clear protective film that allows inspection of the continuity of the conductive core, bright-colored, continuous-printed on one side with the inscription of the utility, compounded for direct-burial service.
2. Overall Thickness: 5 mils.
3. Foil Core Thickness: 0.35mil.
4. Weight: 28 lb/1000 sq. ft.
5. 3-Inch Tensile According to ASTM D 882: 70 lbf, and 4600 psi.

2.5 WARNING LABELS AND SIGNS

A. Comply with NFPA 70 and 29 CFR 1910.145.

B. Metal-Backed, Butyrate Warning Signs: Weather-resistant, nonfading, preprinted, cellulose-acetate butyrate signs with 0.0396-inch galvanized-steel backing; and with colors, legend, and size required for application. 1/4-inch grommets in corners for mounting. Nominal size, 10 by 14 inches.

1. Warning labels and signs shall include, but are not limited to, the following:
  - a. Multiple Power Source Warning: "DANGER - ELECTRICAL SHOCK HAZARD - EQUIPMENT HAS MULTIPLE POWER SOURCES."
  - b. Workspace Clearance Warning: "WARNING - OSHA REGULATION - AREA IN FRONT OF ELECTRICAL EQUIPMENT MUST BE KEPT CLEAR FOR 36 INCHES"
  - c. Arc Flash Hazard Warning: Refer to Section 260574 for requirements.

FIRE STATIONS RENOVATION  
ARLINGTON COUNTY, VIRGINIA  
Architect's Project No: 563006

---

2.6 INSTRUCTION SIGNS

- A. Engraved, laminated acrylic or melamine plastic, minimum 1/16 inch thick for signs up to 20 sq. inches and 1/8 inch thick for larger sizes.
  - 1. Engraved legend with black letters on white face.
  - 2. Punched or drilled for mechanical fasteners.
  - 3. Framed with mitered acrylic molding and arranged for attachment at applicable equipment.
- B. Adhesive Film Label: Do not use for Instructional Signs

2.7 EQUIPMENT IDENTIFICATION LABELS

- A. Engraved, Laminated Acrylic or Melamine Label: Punched or drilled for screw mounting. White letters on a dark-gray background. Minimum letter height shall be 3/8 inch.

2.8 CABLE TIES

- A. Plenum-Rated Cable Ties: Self extinguishing, UV stabilized, one piece, self locking.
  - 1. Minimum Width: 3/16 inch.
  - 2. Tensile Strength at 73 deg F, According to ASTM D 638: 7000 psi.
  - 3. UL 94 Flame Rating: 94V-0.
  - 4. Temperature Range: Minus 50 to plus 284 deg F.
  - 5. Color: Black.

2.9 MISCELLANEOUS IDENTIFICATION PRODUCTS

- A. Paint: Comply with requirements in painting Sections for paint materials and application requirements. Select paint system applicable for surface material and location (exterior or interior).
- B. Fasteners for Labels and Signs: Self-tapping, stainless-steel screws or stainless-steel machine screws with nuts and flat and lock washers.

PART 3 - EXECUTION

3.1 INSTALLATION

- A. Verify identity of each item before installing identification products.

FIRE STATIONS RENOVATION  
ARLINGTON COUNTY, VIRGINIA  
Architect's Project No: 563006

---

- B. Location: Install identification materials and devices at locations for most convenient viewing without interference with operation and maintenance of equipment.
- C. Apply identification devices to surfaces that require finish after completing finish work.
- D. Self-Adhesive Identification Products: Do not use
- E. Attach signs and plastic labels with mechanical fasteners appropriate to the location and substrate.
- F. System Identification Color-Coding Bands for Raceways and Cables: Each color-coding band shall completely encircle cable or conduit. Place adjacent bands of two-color markings in contact, side by side. Locate bands at changes in direction, at penetrations of walls and floors, at 50-foot maximum intervals in straight runs, and at 25-foot maximum intervals in congested areas.
- G. Aluminum Wraparound Marker Labels and Metal Tags: Secure tight to surface of conductor or cable at a location with high visibility and accessibility.
- H. Cable Ties: For attaching tags. Use Plenum rated, except as listed below:
  - 1. Outdoors: UV-stabilized nylon.
- I. Underground-Line Warning Tape: During backfilling of trenches install continuous underground-line warning tape directly above line at 6 to 8 inches below finished grade. Use multiple tapes where width of multiple lines installed in a common trench or concrete envelope exceeds 16 inches overall.
- J. Painted Identification: Comply with requirements in painting Sections for surface preparation and paint application.

### 3.2 IDENTIFICATION SCHEDULE

- A. Accessible Raceways 600 V or Less, for Service, Feeder, and Branch Circuits: Identify with self-adhesive vinyl label. Install labels at 10-foot maximum intervals.
- B. Accessible Raceways and Cables within Buildings: Identify the covers of each junction and pull box of the following systems with self-adhesive vinyl labels with the wiring system legend and system voltage. System legends shall be as follows:
  - 1. Emergency Power.
  - 2. Standby Power
  - 3. Power.
- C. Power-Circuit Conductor Identification, 600 V or Less: For conductors in vaults, pull and junction boxes, manholes, and handholes, use color-coding conductor tape to identify the phase.

FIRE STATIONS RENOVATION  
ARLINGTON COUNTY, VIRGINIA  
Architect's Project No: 563006

---

1. Color-Coding for Phase and Voltage Level Identification, 600 V or Less: Use colors listed below for ungrounded service feeder and branch-circuit conductors.
  - a. Color shall be factory applied or field applied for sizes larger than No. 8 AWG, if authorities having jurisdiction permit.
  - b. Colors for 208/120-V Circuits:
    - 1) Phase A: Black.
    - 2) Phase B: Red.
    - 3) Phase C: Blue.
    - 4) Grounded (Neutral): White.
    - 5) Ground: Green.
  - c. Colors for 480/277-V Circuits:
    - 1) Phase A: Brown.
    - 2) Phase B: Orange.
    - 3) Phase C: Yellow.
    - 4) Grounded (Neutral): Gray.
    - 5) Ground: Green.
  - d. Field-Applied, Color-Coding Conductor Tape: Apply in half-lapped turns for a minimum distance of 6 inches from terminal points and in boxes where splices or taps are made. Apply last two turns of tape with no tension to prevent possible unwinding. Locate bands to avoid obscuring factory cable markings.
- D. Install instructional sign including the color-code for grounded and ungrounded conductors using adhesive-film-type labels.
- E. Control-Circuit Conductor Identification: For conductors and cables in pull and junction boxes, manholes, and handholes, use self-adhesive, self-laminating polyester labels with the conductor or cable designation, origin, and destination.
- F. Control-Circuit Conductor Termination Identification: For identification at terminations provide heat-shrink preprinted tubes or self-adhesive, self-laminating polyester labels with the conductor designation.
- G. Conductors to Be Extended in the Future: Attach marker tape to conductors and list source.
- H. Auxiliary Electrical Systems Conductor Identification: Identify field-installed alarm, control, and signal connections.
  1. Identify conductors, cables, and terminals in enclosures and at junctions, terminals, and pull points. Identify by system and circuit designation.
  2. Use system of marker tape designations that is uniform and consistent with system used by manufacturer for factory-installed connections.
  3. Coordinate identification with Project Drawings, manufacturer's wiring diagrams, and the Operation and Maintenance Manual.



FIRE STATIONS RENOVATION  
ARLINGTON COUNTY, VIRGINIA  
Architect's Project No: 563006

---

- I. Locations of Underground Lines: Identify with underground-line warning tape for power, lighting, communication, and control wiring and optical fiber cable.
1. Limit use of underground-line warning tape to direct-buried cables.
  2. Install underground-line warning tape for both direct-buried cables and cables in raceway.
- J. Workspace Indication: Install floor marking tape to show working clearances in the direction of access to live parts. Workspace shall be as required by NFPA 70 and 29 CFR 1926.403 unless otherwise indicated. Do not install at flush-mounted panelboards and similar equipment in finished spaces unless otherwise noted.
- K. Warning Labels for Indoor Cabinets, Boxes, and Enclosures for Power and Lighting:
1. Comply with 29 CFR 1910.145.
  2. Identify system voltage with black letters on an orange background.
  3. Apply to exterior of door, cover, or other access.
  4. For equipment with multiple power or control sources, apply to door or cover of equipment including, but not limited to, the following:
    - a. Power transfer switches.
    - b. Controls with external control power connections.
- L. Operating Instruction Signs: Install instruction signs to facilitate proper operation and maintenance of electrical systems and items to which they connect. Install instruction signs with approved legend where instructions are needed for system or equipment operation including but not limited to:
1. Athletic lighting control equipment
  2. Gymnasium lighting control equipment
  3. Transfer switches
  4. Switches associated with bypass of contactors for lighting.
  5. Sound systems
  6. Theatrical Lighting
  7. Common Area/Corridor master lighting control
- M. Emergency Operating Instruction Signs: Install instruction signs with white legend on a red background with minimum 3/8-inch- high letters for emergency instructions at equipment used for power transfer and load shedding.
- N. Equipment Identification Labels: On each unit of equipment, install unique designation label that is consistent with wiring diagrams, schedules, and the Operation and Maintenance Manual. Apply labels to disconnect switches and protection equipment, central or master units, control panels, control stations, terminal cabinets, and racks of each system. Systems include power, lighting, control, communication, signal, monitoring, and alarm systems unless equipment is provided with its own identification.
1. Labeling Instructions:

FIRE STATIONS RENOVATION  
ARLINGTON COUNTY, VIRGINIA  
Architect's Project No: 563006

---

- a. Indoor Equipment: Engraved, laminated acrylic or melamine label. Unless otherwise indicated, provide a single line of text with 1/2-inch- high letters on 1-1/2-inch- high label; where two lines of text are required, use labels 2 inches high.
  - b. Outdoor Equipment: Engraved, laminated acrylic or melamine label.
  - c. Elevated Components: Increase sizes of labels and letters to those appropriate for viewing from the floor.
  - d. Fasten labels with appropriate mechanical fasteners that do not change the NEMA or NRTL rating of the enclosure.
2. Equipment to Be Labeled:
- a. Panelboards: Type written directory of circuits in the location provided by panelboard manufacturer. Panelboard identification shall be laminated acrylic or melamine label.
  - b. Enclosures and electrical cabinets.
  - c. Access doors and panels for concealed electrical items.
  - d. Switchboards.
  - e. Transformers: Label that includes tag designation shown on Drawings for the transformer, feeder, and panelboards or equipment supplied by the secondary.
  - f. Emergency system boxes and enclosures.
  - g. Enclosed switches.
  - h. Enclosed circuit breakers.
  - i. Enclosed controllers.
  - j. Variable-speed controllers.
  - k. Push-button stations.
  - l. Power transfer equipment.
  - m. Contactors.
  - n. Remote-controlled switches, dimmer modules, and control devices.
  - o. Power-generating units.
  - p. Monitoring and control equipment.

O. RISER DIAGRAMS

1. Provide full size laminated as-built riser diagram of electrical system. Mount on wall in main electrical room.
2. Provide full size laminated as-built risers of all vertical cabling of communications systems in the main data room and each IDF closet.

END OF SECTION 260553

FIRE STATIONS RENOVATION  
ARLINGTON COUNTY, VIRGINIA  
Architect's Project No: 563006

---

SECTION 260923 - LIGHTING CONTROL DEVICES

PART 1 - GENERAL

1.1 RELATED DOCUMENTS

- A. Drawings and general provisions of the Contract, including General and Supplementary Conditions and Division 01 Specification Sections, apply to this Section.

1.2 SUMMARY

- A. Section Includes:
  - 1. Time switches.
  - 2. Photoelectric switches.
  - 3. Indoor occupancy sensors.
  - 4. Lighting contactors.
  - 5. Emergency shunt relays.

1.3 ACTION SUBMITTALS

- A. Product Data: For each type of product.
- B. Shop Drawings: Show installation details for occupancy and light-level sensors.
  - 1. Interconnection diagrams showing field-installed wiring.
  - 2. Include diagrams for power, signal, and control wiring.

1.4 INFORMATIONAL SUBMITTALS

- A. Field quality-control reports.

1.5 CLOSEOUT SUBMITTALS

- A. Operation and Maintenance Data: For each type of lighting control device to include in emergency, operation, and maintenance manuals.

FIRE STATIONS RENOVATION  
ARLINGTON COUNTY, VIRGINIA  
Architect's Project No: 563006

---

PART 2 - PRODUCTS

2.1 TIME SWITCHES

- A. Manufacturers: Subject to compliance with requirements, available manufacturers offering products that may be incorporated into the Work include, but are not limited to the following:
1. Cooper Industries, Inc.
  2. Intermatic, Inc.
  3. Leviton Manufacturing Co., Inc.
  4. NSi Industries LLC.
- B. Basis of Design: Tork EWZ101

2.2 OUTDOOR PHOTOELECTRIC SWITCHES

- A. Manufacturers: Subject to compliance with requirements, available manufacturers offering products that may be incorporated into the Work include, but are not limited to the following:
1. Cooper Industries, Inc.
  2. Intermatic, Inc.
  3. NSi Industries LLC.
  4. Tyco Electronics.
- B. Description: Solid state, with SPST dry contacts rated for 1800-VA tungsten or 1000-VA inductive, to operate connected relay, contactor coils, or microprocessor input; complying with UL 773A.
1. Listed and labeled as defined in NFPA 70, by a qualified testing agency, and marked for intended location and application.
  2. Light-Level Monitoring Range: 1.5 to 10 fc, with an adjustment for turn-on and turn-off levels within that range, and a directional lens in front of the photocell to prevent fixed light sources from causing turn-off.
  3. Time Delay: Fifteen second minimum, to prevent false operation.
  4. Surge Protection: Metal-oxide varistor.
  5. Mounting: Twist lock complies with NEMA C136.10, with base-and-stem mounting or stem-and-swivel mounting accessories as required to direct sensor to the north sky exposure.

2.3 INDOOR OCCUPANCY SENSORS

- A. Manufacturers: Subject to compliance with requirements, available manufacturers offering products that may be incorporated into the Work include, but are not limited to the following:
1. Hubbell Building Automation, Inc.

FIRE STATIONS RENOVATION  
ARLINGTON COUNTY, VIRGINIA  
Architect's Project No: 563006

---

2. Leviton Manufacturing Co., Inc.
  3. Lutron Electronics Co., Inc.
  4. Sensor Switch, Inc.
  5. Watt Stopper.
- B. General Requirements for Sensors: Wall- or ceiling-mounted, solid-state indoor occupancy sensors with a separate power pack.
1. Listed and labeled as defined in NFPA 70, by a qualified testing agency, and marked for intended location and application.
  2. Operation: Unless otherwise indicated, turn lights on when coverage area is occupied, and turn them off when unoccupied; with a time delay for turning lights off, adjustable over a minimum range of 1 to 15 minutes.
  3. Sensor Output: Contacts rated to operate the connected relay, complying with UL 773A. Sensor is powered from the power pack.
  4. Power Pack: Dry contacts rated for 20-A ballast load at 120- and 277-V ac, for 13-A tungsten at 120-V ac, and for 1 hp at 120-V ac. Sensor has 24-V dc, 150-mA, Class 2 power source, as defined by NFPA 70.
  5. Mounting:
    - a. Sensor: Suitable for mounting in any position on a standard outlet box.
    - b. Relay: Externally mounted through a 1/2-inch knockout in a standard electrical enclosure.
    - c. Time-Delay and Sensitivity Adjustments: Recessed and concealed behind hinged door.
  6. Indicator: Digital display, to show when motion is detected during testing and normal operation of sensor.
  7. Bypass Switch: Override the "on" function in case of sensor failure.
  8. Automatic Light-Level Sensor: Adjustable from 2 to 200 fc; turn lights off when selected lighting level is present.
- C. Ultrasonic Type: Ceiling mounted; detect occupants in coverage area through pattern changes of reflected ultrasonic energy. Basis of Design Wattstopper WT 2255
1. Detector Sensitivity: Detect a person of average size and weight moving not less than 12 inches in either a horizontal or a vertical manner at an approximate speed of 12 inches/s. Detection Coverage (Corridor): Detect occupancy anywhere within 90 feet when mounted on a 10-foot- high ceiling in a corridor not wider than 14 feet.
- D. Dual-Technology Type: Wattstopper Ceiling mounted; detect occupants in coverage area using PIR and ultrasonic detection methods. The particular technology or combination of technologies that control on-off functions is selectable in the field by operating controls on unit.
1. Sensitivity Adjustment: Separate for each sensing technology.
  2. Detector Sensitivity: Detect occurrences of 6-inch- minimum movement of any portion of a human body that presents a target of not less than 36 sq. in., and detect a person of average size and weight moving not less than 12 inches in either a horizontal or a vertical manner at an approximate speed of 12 inches/s.
  3. Detection Coverage:

FIRE STATIONS RENOVATION  
ARLINGTON COUNTY, VIRGINIA  
Architect's Project No: 563006

---

- a. **Standard Height Units:(WattStopper DT-355 Basis of design)** In areas that have ceiling heights of 12 feet or lower, provide Watt Stopper unit DT-300 (or approved equal): Detect occupancy anywhere within a circular area up to 2000 square feet. Detectors shall be networkable to allow coverage of larger or irregularly shaped areas.
- b. **High Ceiling Units:(WattStopper HB3x0 Basis of design)** In areas that have ceiling/mounting height over 12 feet up to 40 foot mounting including but not limited to Gymnasium, Auditorium, Cafeteria (commons) and forum spaces, provide Watt Stopper unit HB3x0 with L4 lens, or approved equal. Detect occupancy anywhere within a circular area up to 3500 square feet. Detectors shall be networkable to allow coverage of larger or irregularly shaped areas.

#### 2.4 SWITCHBOX-MOUNTED OCCUPANCY SENSORS

- A. **Manufacturers:** Subject to compliance with requirements, available manufacturers offering products that may be incorporated into the Work include, but are not limited to the following:
  1. Hubbell Building Automation, Inc.
  2. Leviton Manufacturing Co., Inc.
  3. Lutron Electronics Co., Inc.
  4. Sensor Switch, Inc.
  5. Watt Stopper.
- B. **General Requirements for Sensors:** Automatic-wall-switch occupancy sensor, suitable for mounting in a single gang switchbox.
  1. Listed and labeled as defined in NFPA 70, by a qualified testing agency, and marked for intended location and application.
  2. **Operating Ambient Conditions:** Dry interior conditions, 32 to 120 deg F.
- C. **Wall-Switch Sensor Tag OS Wattstopper DW-100(basis of design):**
  1. **Standard Range:** 180-degree field of view, field adjustable from 180 to 40 degrees; with a minimum coverage area of 900 sq. ft..
  2. **Sensing Technology:** Dual technology - PIR and ultrasonic.
  3. **Switch Type:** SP, field selectable automatic "on," or manual "on" automatic "off."
  4. **Voltage:** Dual voltage, 120 and 277 V; dual-technology type.
  5. **Ambient-Light Override:** Concealed, field-adjustable, light-level sensor from 10 to 150 fc. The switch prevents the lights from turning on when the light level is higher than the set point of the sensor.
  6. Concealed, field-adjustable, "off" time-delay selector at up to 30 minutes.
  7. **Adaptive Technology:** Self-adjusting circuitry detects and memorizes usage patterns of the space and helps eliminate false "off" switching.

#### 2.5 LIGHTING CONTACTORS

- A. **Manufacturers:** Subject to compliance with requirements, available manufacturers offering products that may be incorporated into the Work include, but are not limited to the following:

FIRE STATIONS RENOVATION  
ARLINGTON COUNTY, VIRGINIA  
Architect's Project No: 563006

---

1. Allen-Bradley/Rockwell Automation.
2. ASCO Power Technologies, LP.
3. Eaton corp
4. Square D.
5. Siemens

- B. Description: Electrically operated and mechanically held, combination-type lighting contactors with nonfused disconnect, and Hand off auto switch complying with NEMA ICS 2 and UL 508.
1. Fault Current Withstand Rating: Equal to or exceeding the available fault current at the point of installation.
  2. Enclosure: Comply with NEMA 250.
  3. Provide with control and pilot devices as indicated on Drawings, matching the NEMA type specified for the enclosure.

## 2.6 EMERGENCY POWER DIMMER CONTROL

- A. Manufacturers: Subject to compliance with requirements, available manufacturers offering products that may be incorporated into the Work include, but are not limited to the following:
1. LVS Model EPC-1-D
  2. Non-Dimming Bodine GTD

## PART 3 - EXECUTION

### 3.1 SENSOR INSTALLATION

- A. Coordinate layout and installation of ceiling-mounted devices with other construction that penetrates ceilings or is supported by them, including light fixtures, HVAC equipment, smoke detectors, fire-suppression systems, and partition assemblies.
- B. Install and aim sensors in locations to achieve not less than 90 percent coverage of areas indicated. Do not exceed coverage limits specified in manufacturer's written instructions.
- C. Provide types in locations according to list below
1. Corridors – Wattstopper WT-2255
  2. Classrooms – Wattstopper DT-355
  3. Classrooms (wireless indicated) Complete Radio Powr Savr system for two zone, 0-10v dimming and wall mounted occupancy detection. Provide three (3) PJ2-2BRL-WG-LO1 with wall mount. Program 1 switch for all on/off program two switches on/off/raise/lower for each zone.
  4. High ceiling areas Wattstopper H3x0-lx as required for application.

FIRE STATIONS RENOVATION  
ARLINGTON COUNTY, VIRGINIA  
Architect's Project No: 563006

---

3.2 CONTACTOR INSTALLATION

- A. Mount electrically held lighting contactors with elastomeric isolator pads to eliminate structure-borne vibration, unless contactors are installed in an enclosure with factory-installed vibration isolators.

3.3 WIRING INSTALLATION

- A. Wiring Method: Comply with Section 260519 "Low-Voltage Electrical Power Conductors and Cables." Minimum conduit size is 1/2 inch.
- B. Wiring within Enclosures: Comply with NECA 1. Separate power-limited and non-power-limited conductors according to conductor manufacturer's written instructions.
- C. Size conductors according to lighting control device manufacturer's written instructions unless otherwise indicated.
- D. Splices, Taps, and Terminations: Make connections only on numbered terminal strips in junction, pull, and outlet boxes; terminal cabinets; and equipment enclosures.

3.4 IDENTIFICATION

- A. Identify components and power and control wiring according to Section 260553 "Identification for Electrical Systems."
  - 1. Identify controlled circuits in lighting contactors.
  - 2. Identify circuits or luminaries controlled by photoelectric and occupancy sensors at each sensor.
- B. Label time switches and contactors with a unique designation.

3.5 FIELD QUALITY CONTROL

- A. Perform the following tests and inspections:
  - 1. Operational Test: After installing time switches and sensors, and after electrical circuitry has been energized, start units to confirm proper unit operation.
  - 2. Test and adjust controls and safeties. Replace damaged and malfunctioning controls and equipment.
- B. Lighting control devices will be considered defective if they do not pass tests and inspections.
- C. Prepare test and inspection reports.



FIRE STATIONS RENOVATION  
ARLINGTON COUNTY, VIRGINIA  
Architect's Project No: 563006

---

3.6 ADJUSTING

- A. Occupancy Adjustments: When requested within 12 months from date of Substantial Completion, provide on-site assistance in adjusting sensors to suit actual occupied conditions. Provide up to four visits to Project during other-than-normal occupancy hours for this purpose.
  - 1. For occupancy and motion sensors, verify operation at outer limits of detector range. Set time delay to suit Owner's operations.
  - 2. For daylighting controls, adjust set points and deadband controls to suit Owner's operations.
  - 3. Align high-bay occupancy sensors using manufacturer's laser aiming tool.

3.7 DEMONSTRATION

- A. Coordinate demonstration of products specified in this Section with demonstration requirements for low-voltage, programmable lighting control systems specified.
- B. Train Owner's maintenance personnel to adjust, operate, and maintain lighting control devices.

END OF SECTION 260923

FIRE STATIONS RENOVATION  
ARLINGTON COUNTY, VIRGINIA  
Architect's Project No: 563006

---

SECTION 262726 - WIRING DEVICES

PART 1 - GENERAL

1.1 RELATED DOCUMENTS

- A. Drawings and general provisions of the Contract, including General and Supplementary Conditions and Division 01 Specification Sections, apply to this Section.

1.2 SUMMARY

A. Section Includes:

1. Receptacles, receptacles with integral GFCI, and associated device plates.
2. Twist-locking receptacles.
3. Tamper-resistant receptacles.
4. Weather-resistant receptacles.
5. Snap switches and wall-box dimmers.
6. Pendant cord-connector devices.
7. Cord and plug sets.
8. Poke-through assemblies

1.3 DEFINITIONS

- A. EMI: Electromagnetic interference.
- B. GFCI: Ground-fault circuit interrupter.
- C. Pigtail: Short lead used to connect a device to a branch-circuit conductor.
- D. RFI: Radio-frequency interference.

1.4 ADMINISTRATIVE REQUIREMENTS

A. Coordination:

1. Receptacles for Owner-Furnished Equipment: Match plug configurations.
2. Cord and Plug Sets: Match equipment requirements.

1.5 ACTION SUBMITTALS

- A. Product Data: For each type of product.

FIRE STATIONS RENOVATION  
ARLINGTON COUNTY, VIRGINIA  
Architect's Project No: 563006

---

- B. Shop Drawings: List of legends and description of materials and process used for pre-marking wall plates.

1.6 INFORMATIONAL SUBMITTALS

- A. Field quality-control reports.

1.7 CLOSEOUT SUBMITTALS

- A. Operation and Maintenance Data: For wiring devices to include in all manufacturers' packing-label warnings and instruction manuals that include labeling conditions.

PART 2 - PRODUCTS

2.1 MANUFACTURERS

- A. Source Limitations: Obtain each type of wiring device and associated wall plate from single source from single manufacturer.

2.2 GENERAL WIRING-DEVICE REQUIREMENTS

- A. Wiring Devices, Components, and Accessories: Listed and labeled as defined in NFPA 70, by a qualified testing agency, and marked for intended location and application.
- B. Comply with NFPA 70.

2.3 STRAIGHT-BLADE RECEPTACLES

- A. Convenience Receptacles, 125 V, 20 A: Comply with NEMA WD 1, NEMA WD 6 Configuration 5-20R, UL 498, and FS W-C-596.
  - 1. Manufacturers: Subject to compliance with requirements, available manufacturers offering products that may be incorporated into the Work include, but are not limited to the following:
    - a. Cooper Wiring Devices, Inc.
    - b. Hubbell.
    - c. Leviton Manufacturing Co., Inc.
    - d. Pass & Seymour/Legrand (Pass & Seymour).
- B. Tamper-Resistant Convenience Receptacles, 125 V, 20 A: Comply with NEMA WD 1, NEMA WD 6 Configuration 5-20R, UL 498 Supplement sd, and FS W-C-596.

FIRE STATIONS RENOVATION  
ARLINGTON COUNTY, VIRGINIA  
Architect's Project No: 563006

---

1. Manufacturers: Subject to compliance with requirements, available manufacturers offering products that may be incorporated into the Work include, but are not limited to the following:
  - a. Cooper Wiring Devices, Inc.
  - b. Hubbell Premise Wiring.
  - c. Leviton Manufacturing Co., Inc.
  - d. Pass & Seymour/Legrand (Pass & Seymour).
2. Description: Labeled shall comply with NFPA 70, "Health Care Facilities" Article, "Pediatric Locations" Section.

#### 2.4 GFCI RECEPTACLES

##### A. General Description:

1. Straight blade, non-feed-through type.
2. Comply with NEMA WD 1, NEMA WD 6, UL 498, UL 943 Class A, and FS W-C-596.
3. Include indicator light that shows when the GFCI has malfunctioned and no longer provides proper GFCI protection.

##### B. Duplex GFCI Convenience Receptacles, 125 V, 20 A:

1. Manufacturers: Subject to compliance with requirements, available manufacturers offering products that may be incorporated into the Work include, but are not limited to the following:
  - a. Cooper Wiring Devices, Inc.
  - b. Hubbell.
  - c. Leviton Manufacturing Co., Inc.
  - d. Pass & Seymour/Legrand (Pass & Seymour).

#### 2.5 HAZARDOUS (CLASSIFIED) LOCATION RECEPTACLES

##### A. Wiring Devices for Hazardous (Classified) Locations: Comply with NEMA FB 11 and UL 1010.

1. Manufacturers: Subject to compliance with requirements, available manufacturers offering products that may be incorporated into the Work include, but are not limited to the following:
  - a. Cooper Wiring Devices, Inc.
  - b. EGS/Appleton Electric.
  - c. Killark.

FIRE STATIONS RENOVATION  
ARLINGTON COUNTY, VIRGINIA  
Architect's Project No: 563006

---

2.6 TWIST-LOCKING RECEPTACLES

- A. Single Convenience Receptacles, 125 V, 20 A: Comply with NEMA WD 1, NEMA WD 6 Configurations as required, and UL 498.
1. Manufacturers: Subject to compliance with requirements, available manufacturers offering products that may be incorporated into the Work include, but are not limited to the following:
    - a. Cooper Wiring Devices, Inc.
    - b. Hubbell.
    - c. Leviton Manufacturing Co., Inc.
    - d. Pass & Seymour/Legrand (Pass & Seymour).

2.7 PENDANT CORD-CONNECTOR DEVICES

- A. Description:
1. Matching, locking-type plug and receptacle body connector.
  2. NEMA WD 6 Configurations as required, heavy-duty grade, and FS W-C-596.
  3. Body: Nylon, with screw-open, cable-gripping jaws and provision for attaching external cable grip.

2.8 CORD AND PLUG SETS

- A. Description:
1. Match voltage and current ratings and number of conductors to requirements of equipment being connected.
  2. Cord: Rubber-insulated, stranded-copper conductors, with Type SOW-A jacket; with green-insulated grounding conductor and ampacity of at least 130 percent of the equipment rating.
  3. Plug: Nylon body and integral cable-clamping jaws. Match cord and receptacle type for connection.

2.9 TOGGLE SWITCHES

- A. Comply with NEMA WD 1, UL 20, and FS W-S-896.
- B. Switches, 120/277 V, 20 A:
1. Products: Subject to compliance with requirements, available products that may be incorporated into the Work include, but are not limited to, the following:
    - a. Single Pole:

FIRE STATIONS RENOVATION  
ARLINGTON COUNTY, VIRGINIA  
Architect's Project No: 563006

---

- 1) Cooper; AH1221.
- 2) Hubbell; HBL1221.
- 3) Leviton; 1221-2.
- 4) Pass & Seymour; CSB20AC1.

b. Two Pole:

- 1) Cooper; AH1222.
- 2) Hubbell; HBL1222.
- 3) Leviton; 1222-2.
- 4) Pass & Seymour; CSB20AC2.

c. Three Way:

- 1) Cooper; AH1223.
- 2) Hubbell; HBL1223.
- 3) Leviton; 1223-2.
- 4) Pass & Seymour; CSB20AC3.

d. Four Way:

- 1) Cooper; AH1224.
- 2) Hubbell; HBL1224.
- 3) Leviton; 1224-2.
- 4) Pass & Seymour; CSB20AC4.

C. Pilot-Light Switches, 20 A:

1. Manufacturers: Subject to compliance with requirements, available manufacturers offering products that may be incorporated into the Work include, but are not limited to the following:
  - a. Cooper Wiring Devices, Inc.
  - b. Hubbell.
  - c. Leviton Manufacturing Co., Inc.
  - d. Pass & Seymour/Legrand (Pass & Seymour).
2. Description: Single pole, with neon-lighted handle, illuminated when switch is "off."

D. Key-Operated Switches, 120/277 V, 20 A:

1. Manufacturers: Subject to compliance with requirements, available manufacturers offering products that may be incorporated into the Work include, but are not limited to the following:
  - a. Cooper Wiring Devices, Inc.
  - b. Hubbell.
  - c. Leviton Manufacturing Co., Inc.
  - d. Pass & Seymour/Legrand (Pass & Seymour).

FIRE STATIONS RENOVATION  
ARLINGTON COUNTY, VIRGINIA  
Architect's Project No: 563006

---

2. Description: Single pole, with factory-supplied key in lieu of switch handle.
- E. Single-Pole, Double-Throw, Momentary-Contact, Center-off Switches: 120/277 V, 20 A; for use with mechanically held lighting contactors.
1. Manufacturers: Subject to compliance with requirements, available manufacturers offering products that may be incorporated into the Work include, but are not limited to the following:
    - a. Cooper Wiring Devices, Inc.
    - b. Hubbell.
    - c. Leviton Manufacturing Co., Inc.
    - d. Pass & Seymour/Legrand (Pass & Seymour).
- F. Key-Operated, Single-Pole, Double-Throw, Momentary-Contact, Center-off Switches: 120/277 V, 20 A; for use with mechanically held lighting contactors, with factory-supplied key in lieu of switch handle.
1. Manufacturers: Subject to compliance with requirements, available manufacturers offering products that may be incorporated into the Work include, but are not limited to the following:
    - a. Cooper Wiring Devices, Inc.
    - b. Hubbell.
    - c. Leviton Manufacturing Co., Inc.
    - d. Pass & Seymour/Legrand (Pass & Seymour).
- 2.10 WALL-BOX DIMMERS
- A. Dimmer Switches: Lutron Nova T NTSTV-DV up to 8A utilize power packs for larger loads. 0-10V.
  - B. Control: Continuously adjustable slider; with single-pole or three-way switching. Comply with UL 1472.
- 2.11 WALL PLATES
- A. Single and combination types shall match corresponding wiring devices.
    1. Plate-Securing Screws: Metal with head color to match plate finish.
    2. Material for Finished Spaces: 0.035-inch- thick, satin-finished, Type 302 stainless steel
    3. At locations where switches or outlets penetrate wall mirrors, provide glass mirror finish wall plates.
  - B. Wet-Location, Weatherproof Cover Plates: NEMA 250, complying with Type 3R, weather-resistant, die-cast aluminum with lockable cover.

FIRE STATIONS RENOVATION  
ARLINGTON COUNTY, VIRGINIA  
Architect's Project No: 563006

---

2.12 POKE-THROUGH ASSEMBLIES

- A. Manufacturers: Subject to compliance with requirements, available manufacturers offering products that may be incorporated into the Work include, but are not limited to the following:
  - 1. Hubbell.
  - 2. Mono Systems, inc
  - 3. Wiremold / Legrand.
- B. Description:  
Refer to detail on drawing.

2.13 FINISHES

- A. Device Color:
  - 1. Wiring Devices Connected to Normal and Emergency Power System: As selected by Architect from standard offering unless otherwise indicated or required by NFPA 70 or device listing.
  - 2. Wiring Devices Connected to Emergency Power System:
- B. Wall Plate Color: Stainless Steel

PART 3 - EXECUTION

3.1 INSTALLATION

- A. Comply with NECA 1, including mounting heights listed in that standard, unless otherwise indicated.
- B. Coordination with Other Trades:
  - 1. Protect installed devices and their boxes. Do not place wall finish materials over device boxes and do not cut holes for boxes with routers that are guided by riding against outside of boxes.
  - 2. Keep outlet boxes free of plaster, drywall joint compound, mortar, cement, concrete, dust, paint, and other material that may contaminate the raceway system, conductors, and cables.
  - 3. Install device boxes in brick or block walls so that the cover plate does not cross a joint unless the joint is troweled flush with the face of the wall.
  - 4. Install wiring devices after all wall preparation, including painting, is complete.
- C. Conductors:



FIRE STATIONS RENOVATION  
ARLINGTON COUNTY, VIRGINIA  
Architect's Project No: 563006

---

1. Do not strip insulation from conductors until right before they are spliced or terminated on devices.
2. Strip insulation evenly around the conductor using tools designed for the purpose. Avoid scoring or nicking of solid wire or cutting strands from stranded wire.
3. The length of free conductors at outlets for devices shall meet provisions of NFPA 70, Article 300, without pigtails.

D. Device Installation:

1. Replace devices that have been in temporary use during construction and that were installed before building finishing operations were complete.
2. Keep each wiring device in its package or otherwise protected until it is time to connect conductors.
3. Do not remove surface protection, such as plastic film and smudge covers, until the last possible moment.
4. Connect devices to branch circuits using pigtails that are not less than 6 inches in length.
5. Use side wiring with binding-head screw terminals. Wrap solid conductor tightly clockwise, two-thirds to three-fourths of the way around terminal screw. Provide hook terminals on stranded wiring
6. Use a torque screwdriver when a torque is recommended or required by manufacturer.
7. When conductors larger than No. 12 AWG are installed on 15- or 20-A circuits, splice No. 12 AWG pigtails for device connections.
8. Tighten unused terminal screws on the device.
9. When mounting into metal boxes, remove the fiber or plastic washers used to hold device-mounting screws in yokes, allowing metal-to-metal contact.

E. Receptacle Orientation:

1. Install ground pin of vertically mounted receptacles down (confirm with Owner), and on horizontally mounted receptacles to the right.

F. Device Plates: Do not use oversized or extra-deep plates. Repair wall finishes and remount outlet boxes when standard device plates do not fit flush or do not cover rough wall opening.

G. Dimmers:

1. Install dimmers within terms of their listing.
2. Install unshared neutral conductors on line and load side of dimmers according to manufacturers' device listing conditions in the written instructions.

H. Arrangement of Devices: Unless otherwise indicated, mount flush, with long dimension vertical and with grounding terminal of receptacles on top. Group adjacent switches under single, multigang wall plates.

I. Adjust locations of floor service outlets and service poles to suit arrangement of partitions and furnishings.

J. Locate adjacent Data Outlets and Power outlets with no more than 4" between device covers.

FIRE STATIONS RENOVATION  
ARLINGTON COUNTY, VIRGINIA  
Architect's Project No: 563006

---

3.2 GFCI RECEPTACLES

- A. Install non-feed-through-type GFCI receptacles in each location called for on the drawings and any additional location required by the NEC.

3.3 IDENTIFICATION

- A. Comply with Section 260553 "Identification for Electrical Systems."
- B. Identify each receptacle with panelboard identification and circuit number. Use hot, stamped, or engraved machine printing with black-filled lettering on face of plate, and durable wire markers or tags inside outlet boxes.

3.4 POKE-THRU DEVICES

- A. Unit shall permit all wiring to be completed at floor level. The 6AT units shall mount in a 6" cored hole, actual 6 1/16" core hole. Use is defined by the UL Fire Resistance Directory as a minimum spacing of "2 ft. on center and not more than one device per each 65 sq. ft. of floor area in each span.
- B. Installation shall be completed by pushing unit down into the cored hole. Prior to and during installation, refer to system layout and/or approval drawings. Installer shall comply with detailed manufacturer's instruction sheet included with each device. The unit shall contain a retainer for securing the device in the slab, as well as the necessary intumescent material to seal the cored hole under fire conditions.
- C. Unit shall provide all accessories to accommodate devices indicated on E4.3.

3.5 FIELD QUALITY CONTROL

- A. Perform the following tests and inspections:
  - 1. Test Instruments: Use instruments that comply with UL 1436.
- B. Tests for Convenience Receptacles:
  - 1. Line Voltage: Acceptable range is 105 to 132 V.
  - 2. Percent Voltage Drop under 15-A Load: A value of 6 percent or higher is unacceptable.
  - 3. Ground Impedance: Values of up to 2 ohms are acceptable.
  - 4. GFCI Trip: Test for tripping values specified in UL 1436 and UL 943.
  - 5. Using the test plug, verify that the device and its outlet box are securely mounted.
  - 6. Tests shall be diagnostic, indicating damaged conductors, high resistance at the circuit breaker, poor connections, inadequate fault current path, defective devices, or similar problems. Correct circuit conditions, remove malfunctioning units and replace with new ones, and retest as specified above.

FIRE STATIONS RENOVATION  
ARLINGTON COUNTY, VIRGINIA  
Architect's Project No: 563006

---

- C. Test straight-blade for the retention force of the grounding blade according to NFPA 99. Retention force shall be not less than 4 oz.
- D. Wiring device will be considered defective if it does not pass tests and inspections.
- E. Prepare test and inspection reports.

END OF SECTION 262726

FIRE STATIONS RENOVATION  
ARLINGTON COUNTY, VIRGINIA  
Architect's Project No: 563006

---

SECTION 262813 - FUSES

PART 1 - GENERAL

1.1 RELATED DOCUMENTS

- A. Drawings and general provisions of the Contract, including General and Supplementary Conditions and Division 01 Specification Sections, apply to this Section.

1.2 SUMMARY

- A. Section Includes:

1. Cartridge fuses rated 600 V ac and less for use in the following:
  - a. Control circuits.
  - b. Enclosed controllers.
  - c. Enclosed switches.

1.3 ACTION SUBMITTALS

- A. Product Data: For each type of product. Include construction details, material descriptions, dimensions of individual components and profiles, and finishes for spare-fuse cabinets. Include the following for each fuse type indicated:

1. Ambient Temperature Adjustment Information: If ratings of fuses have been adjusted to accommodate ambient temperatures, provide list of fuses with adjusted ratings.
  - a. For each fuse having adjusted ratings, include location of fuse, original fuse rating, local ambient temperature, and adjusted fuse rating.
  - b. Provide manufacturer's technical data on which ambient temperature adjustment calculations are based.
2. Dimensions and manufacturer's technical data on features, performance, electrical characteristics, and ratings.
3. Current-limitation curves for fuses with current-limiting characteristics.
4. Time-current coordination curves (average melt) and current-limitation curves (instantaneous peak let-through current) for each type and rating of fuse. Submit in electronic format suitable for use in coordination software and in PDF format.
5. Coordination charts and tables and related data.
6. Fuse sizes for elevator feeders and elevator disconnect switches.

1.4 CLOSEOUT SUBMITTALS

- A. Operation and Maintenance Data: For fuses to include in emergency, operation, and maintenance manuals. In addition to items specified in Section 017823 "Operation and Maintenance Data," include the following:

FIRE STATIONS RENOVATION  
ARLINGTON COUNTY, VIRGINIA  
Architect's Project No: 563006

---

1. Ambient temperature adjustment information.
2. Current-limitation curves for fuses with current-limiting characteristics.
3. Time-current coordination curves (average melt) and current-limitation curves (instantaneous peak let-through current) for each type and rating of fuse used on the Project. Submit in electronic format suitable for use in coordination software and in PDF format.
4. Coordination charts and tables and related data.

1.5 FIELD CONDITIONS

- A. Where ambient temperature to which fuses are directly exposed is less than 40 deg F or more than 100 deg F, apply manufacturer's ambient temperature adjustment factors to fuse ratings.

PART 2 - PRODUCTS

2.1 MANUFACTURERS

- A. Manufacturers: Subject to compliance with requirements, available manufacturers offering products that may be incorporated into the Work include, but are not limited to the following:
  1. Cooper Bussmann; a division of Cooper Industries.
  2. Littelfuse, Inc.
- B. Source Limitations: Obtain fuses, for use within a specific product or circuit, from single source from single manufacturer.

2.2 CARTRIDGE FUSES

- A. Characteristics: NEMA FU 1, current-limiting, nonrenewable cartridge fuses with voltage ratings consistent with circuit voltages.
  1. Type RK-1: 600-V, zero- to 600-A rating, 200 kAIC, time delay.
  2. Type CC: 600-V, zero- to 30-A rating, 200 kAIC, time delay.
  3. Type J: 600-V, zero- to 600-A rating, 200 kAIC.
  4. Type L: 600-V, 601- to 6000-A rating, 200 kAIC, time delay.
- B. Electrical Components, Devices, and Accessories: Listed and labeled as defined in NFPA 70, by a qualified testing agency, and marked for intended location and application.
- C. Comply with NEMA FU 1 for cartridge fuses.
- D. Comply with NFPA 70.
- E. Coordinate fuse ratings with utilization equipment nameplate limitations of maximum fuse size and with system short-circuit current levels.

FIRE STATIONS RENOVATION  
ARLINGTON COUNTY, VIRGINIA  
Architect's Project No: 563006

---

PART 3 - EXECUTION

3.1 EXAMINATION

- A. Examine fuses before installation. Reject fuses that are moisture damaged or physically damaged.
- B. Examine holders to receive fuses for compliance with installation tolerances and other conditions affecting performance, such as rejection features.
- C. Examine utilization equipment nameplates and installation instructions. Install fuses of sizes and with characteristics appropriate for each piece of equipment.
- D. Evaluate ambient temperatures to determine if fuse rating adjustment factors must be applied to fuse ratings.
- E. Proceed with installation only after unsatisfactory conditions have been corrected.

3.2 FUSE APPLICATIONS

- A. Cartridge Fuses:
  - 1. Feeders: Class RK1, time delay.
  - 2. Motor Branch Circuits: Class RK5, time delay.
  - 3. Large Motor Branch (601-4000 A): Class L, time delay.
  - 4. Power Electronics Circuits: Class J, high speed.
  - 5. Other Branch Circuits: Class RK1, time delay.
  - 6. Control Transformer Circuits: Class CC, time delay, control transformer duty.
  - 7. Provide open-fuse indicator fuses or fuse covers with open fuse indication.

3.3 INSTALLATION

- A. Install fuses in fusible devices. Arrange fuses so rating information is readable without removing fuse.

3.4 IDENTIFICATION

- A. Install labels complying with requirements for identification specified in Section 260553 "Identification for Electrical Systems" and indicating fuse replacement information inside of door of each fused switch and adjacent to each fuse block, socket, and holder.

END OF SECTION 262813

FIRE STATIONS RENOVATION  
ARLINGTON COUNTY, VIRGINIA  
Architect's Project No: 563006

---

SECTION 262816 - ENCLOSED SWITCHES AND CIRCUIT BREAKERS

PART 1 - GENERAL

1.1 RELATED DOCUMENTS

- A. Drawings and general provisions of the Contract, including General and Supplementary Conditions and other Division 01 Specification Sections, apply to this Section.

1.2 SUMMARY

- A. Section Includes:
  - 1. Fusible switches.
  - 2. Nonfusible switches.
  - 3. Shunt trip switches.
  - 4. Molded-case circuit breakers (MCCBs).
  - 5. Enclosures.

1.3 DEFINITIONS

- A. NC: Normally closed.
- B. NO: Normally open.
- C. SPDT: Single pole, double throw.

1.4 ACTION SUBMITTALS

- A. Product Data: For each type of enclosed switch, circuit breaker, accessory, and component indicated. Include dimensioned elevations, sections, weights, and manufacturers' technical data on features, performance, electrical characteristics, ratings, accessories, and finishes.
  - 1. Enclosure types and details for types other than NEMA 250, Type 1.
  - 2. Current and voltage ratings.
  - 3. Short-circuit current ratings (interrupting and withstand, as appropriate).
  - 4. Include evidence of NRTL listing for series rating of installed devices.
  - 5. Detail features, characteristics, ratings, and factory settings of individual overcurrent protective devices, accessories, and auxiliary components.
  - 6. Include time-current coordination curves (average melt) for each type and rating of overcurrent protective device; include selectable ranges for each type of overcurrent protective device.
- B. Shop Drawings: For enclosed switches and circuit breakers. Include plans, elevations, sections, details, and attachments to other work.

FIRE STATIONS RENOVATION  
ARLINGTON COUNTY, VIRGINIA  
Architect's Project No: 563006

---

1. Wiring Diagrams: For power, signal, and control wiring.

1.5 INFORMATIONAL SUBMITTALS

- A. Field quality-control reports.
  1. Test procedures used.
  2. Test results that comply with requirements.
  3. Results of failed tests and corrective action taken to achieve test results that comply with requirements.
- B. Manufacturer's field service report.

1.6 CLOSEOUT SUBMITTALS

- A. Operation and Maintenance Data: For enclosed switches and circuit breakers to include in emergency, operation, and maintenance manuals. In addition to items specified in Section 017823 "Operation and Maintenance Data," include the following:
  1. Manufacturer's written instructions for testing and adjusting enclosed switches and circuit breakers.
  2. Time-current coordination curves (average melt) for each type and rating of overcurrent protective device; include selectable ranges for each type of overcurrent protective device.

1.7 QUALITY ASSURANCE

- A. Source Limitations: Obtain enclosed switches and circuit breakers, overcurrent protective devices, components, and accessories, within same product category, from single source from single manufacturer.
- B. Product Selection for Restricted Space: Drawings indicate maximum dimensions for enclosed switches and circuit breakers, including clearances between enclosures, and adjacent surfaces and other items. Comply with indicated maximum dimensions.
- C. Electrical Components, Devices, and Accessories: Listed and labeled as defined in NFPA 70, by a qualified testing agency, and marked for intended location and application.
- D. Comply with NFPA 70.

1.8 PROJECT CONDITIONS

- A. Environmental Limitations: Rate equipment for continuous operation under the following conditions unless otherwise indicated:



FIRE STATIONS RENOVATION  
ARLINGTON COUNTY, VIRGINIA  
Architect's Project No: 563006

---

1. Ambient Temperature: Not less than minus 22 deg F and not exceeding 104 deg F.
2. Altitude: Not exceeding 6600 feet.

1.9 COORDINATION

- A. Coordinate layout and installation of switches, circuit breakers, and components with equipment served and adjacent surfaces. Maintain required workspace clearances and required clearances for equipment access doors and panels.

PART 2 - PRODUCTS

- 2.1 All panelboards, switchboards, circuit breakers, dry type transformers and disconnect switches shall be of the same manufacturer.

2.2 FUSIBLE SWITCHES

- A. Manufacturers: Subject to compliance with requirements, available manufacturers offering products that may be incorporated into the Work include, but are not limited to the following:
  1. Eaton Electrical Sector; Eaton Corporation.
  2. Siemens Industry, Inc.
  3. Square D.
- B. Type HD, Heavy Duty, Single Throw, 600-V ac, 1200 A and Smaller: UL 98 and NEMA KS 1, horsepower rated, with clips or bolt pads to accommodate specified fuses, lockable handle with capability to accept three padlocks, and interlocked with cover in closed position.
- C. Type HD, Heavy Duty, Double Throw, 600-V ac, 1200 A and Smaller: UL 98 and NEMA KS 1, horsepower rated, with clips or bolt pads to accommodate specified fuses, lockable handle with capability to accept three padlocks, and interlocked with cover in closed position.
- D. Accessories:
  1. Equipment Ground Kit: Internally mounted and labeled for copper and aluminum ground conductors.
  2. Neutral Kit: Internally mounted; insulated, capable of being grounded and bonded; labeled for copper and aluminum neutral conductors.
  3. Isolated Ground Kit: Internally mounted; insulated, capable of being grounded and bonded; labeled for copper and aluminum neutral conductors.
  4. Class R Fuse Kit: Provides rejection of other fuse types when Class R fuses are specified.
  5. Auxiliary Contact Kit: One NO/NC (Form "C") auxiliary contact(s), arranged to activate before switch blades open.
  6. Hookstick Handle: Allows use of a hookstick to operate the handle.
  7. Lugs: Mechanical type, suitable for number, size, and conductor material.

FIRE STATIONS RENOVATION  
ARLINGTON COUNTY, VIRGINIA  
Architect's Project No: 563006

---

8. Service-Rated Switches: Labeled for use as service equipment.
9. Accessory Control Power Voltage: as required

### 2.3 NONFUSIBLE SWITCHES

- A. Manufacturers: Subject to compliance with requirements, available manufacturers offering products that may be incorporated into the Work include, but are not limited to the following:
  1. Eaton Electrical Sector; Eaton Corporation.
  2. Siemens Industry, Inc.
  3. Square D..
- B. Type HD, Heavy Duty, Single Throw, 600-V ac, 1200 A and Smaller: UL 98 and NEMA KS 1, horsepower rated, lockable handle with capability to accept three padlocks, and interlocked with cover in closed position.
- C. Type HD, Heavy Duty, Double Throw, 600-V ac, 1200 A and Smaller: UL 98 and NEMA KS 1, horsepower rated, lockable handle with capability to accept three padlocks, and interlocked with cover in closed position.
- D. Accessories:
  1. Equipment Ground Kit: Internally mounted and labeled for copper and aluminum ground conductors.
  2. Neutral Kit: Internally mounted; insulated, capable of being grounded and bonded; labeled for copper and aluminum neutral conductors.
  3. Isolated Ground Kit: Internally mounted; insulated, capable of being grounded and bonded; labeled for copper and aluminum neutral conductors.
  4. Auxiliary Contact Kit: One NO/NC (Form "C") auxiliary contact(s), arranged to activate before switch blades open.
  5. Hookstick Handle: Allows use of a hookstick to operate the handle.
  6. Lugs: Mechanical type, suitable for number, size, and conductor material.
  7. Accessory Control Power Voltage: as required

### 2.4 SHUNT TRIP SWITCHES

- A. Manufacturers: Subject to compliance with requirements, available manufacturers offering products that may be incorporated into the Work include, but are not limited to the following:
  1. Cooper Bussmann; a division of Cooper Industries.
  2. Littelfuse, Inc.
  3. Mersen USA.
- B. General Requirements: Comply with ASME A17.1, UL 50, and UL 98, with 200-kA interrupting and short-circuit current rating when fitted with Class J fuses.

FIRE STATIONS RENOVATION  
ARLINGTON COUNTY, VIRGINIA  
Architect's Project No: 563006

---

- C. Switches: Three-pole, horsepower rated, with integral shunt trip mechanism and Class J fuse block; lockable handle with capability to accept three padlocks; interlocked with cover in closed position.
- D. Control Circuit: 120-V ac; obtained from integral control power transformer, with primary and secondary fuses, with a control power transformer source of enough capacity to operate shunt trip, connected pilot, and indicating and control devices.
- E. Accessories:
  - 1. Oiltight key switch for key-to-test function.
  - 2. Oiltight red ON pilot light.
  - 3. Isolated neutral lug; 100 percent rating.
  - 4. Mechanically interlocked auxiliary contacts that change state when switch is opened and closed.
  - 5. Form C alarm contacts that change state when switch is tripped.
  - 6. Three-pole, double-throw, fire-alarm voltage monitoring relay complying with NFPA 72.

## 2.5 MOLDED-CASE CIRCUIT BREAKERS

- A. Manufacturers: Subject to compliance with requirements, available manufacturers offering products that may be incorporated into the Work include, but are not limited to the following:
  - 1. Eaton Electrical Sector; Eaton Corporation.
  - 2. Siemens Industry, Inc.
  - 3. Square D.
- B. General Requirements: Comply with UL 489, NEMA AB 1, and NEMA AB 3, with interrupting capacity to comply with available fault currents.
- C. Adjustable, Instantaneous-Trip Circuit Breakers: Magnetic trip element with front-mounted, field-adjustable trip setting.
- D. Electronic Trip Circuit Breakers: Field-replaceable rating plug, rms sensing, with the following field-adjustable settings:
  - 1. Instantaneous trip.
  - 2. Long- and short-time pickup levels.
  - 3. Long- and short-time time adjustments.
  - 4. Ground-fault pickup level, time delay, and  $I^2t$  response.(for mechanical equipment only)
- E. Current-Limiting Circuit Breakers: Frame sizes 400 A and smaller, and let-through ratings less than NEMA FU 1, RK-1.
- F. Integrally Fused Circuit Breakers: Thermal-magnetic trip element with integral limiter-style fuse listed for use with circuit breaker and trip activation on fuse opening or on opening of fuse compartment door..

FIRE STATIONS RENOVATION  
ARLINGTON COUNTY, VIRGINIA  
Architect's Project No: 563006

---

- G. Ground-Fault, Circuit-Interrupter (GFCI) Circuit Breakers: Single- and two-pole configurations with Class A ground-fault protection (6-mA trip).
- H. Ground-Fault, Equipment-Protection (GFEP) Circuit Breakers: With Class B ground-fault protection (30-mA trip).
- I. Features and Accessories:
  - 1. Standard frame sizes, trip ratings, and number of poles.
  - 2. Lugs: Mechanical type, suitable for number, size, trip ratings, and conductor material.
  - 3. Application Listing: Appropriate for application; Type SWD for switching fluorescent lighting loads; Type HID for feeding fluorescent and high-intensity discharge lighting circuits.

### PART 3 - EXECUTION

#### 3.1 EXAMINATION

- A. Examine elements and surfaces to receive enclosed switches and circuit breakers for compliance with installation tolerances and other conditions affecting performance of the Work.
- B. Proceed with installation only after unsatisfactory conditions have been corrected.

#### 3.2 INSTALLATION

- A. Install individual wall-mounted switches and circuit breakers with tops at uniform height unless otherwise indicated.
- B. Temporary Lifting Provisions: Remove temporary lifting eyes, channels, and brackets and temporary blocking of moving parts from enclosures and components.
- C. Install fuses in fusible devices.
- D. Comply with NECA 1.

#### 3.3 IDENTIFICATION

- A. Comply with requirements in Section 260553 "Identification for Electrical Systems."
  - 1. Identify field-installed conductors, interconnecting wiring, and components; provide warning signs.
  - 2. Label each enclosure with engraved metal or laminated-plastic nameplate.

FIRE STATIONS RENOVATION  
ARLINGTON COUNTY, VIRGINIA  
Architect's Project No: 563006

---

3.4 FIELD QUALITY CONTROL

- A. Manufacturer's Field Service: Engage a factory-authorized service representative to inspect, test, and adjust components, assemblies, and equipment installations, including connections.
- B. Perform tests and inspections.
- C. Acceptance Testing Preparation:
  - 1. Test insulation resistance for each enclosed switch and circuit breaker, component, connecting supply, feeder, and control circuit.
  - 2. Test continuity of each circuit.
- D. Tests and Inspections:
  - 1. Perform each visual and mechanical inspection and electrical test stated in NETA Acceptance Testing Specification. Certify compliance with test parameters.
  - 2. Correct malfunctioning units on-site, where possible, and retest to demonstrate compliance; otherwise, replace with new units and retest.
  - 3. Perform the following infrared scan tests and inspections and prepare reports:
    - a. Initial Infrared Scanning: After Substantial Completion, but not more than 60 days after Final Acceptance, perform an infrared scan of each enclosed switch and circuit breaker. Remove front panels so joints and connections are accessible to portable scanner.
    - b. Follow-up Infrared Scanning: Perform an additional follow-up infrared scan of each enclosed switch and circuit breaker 11 months after date of Substantial Completion.
    - c. Instruments and Equipment: Use an infrared scanning device designed to measure temperature or to detect significant deviations from normal values. Provide calibration record for device.
  - 4. Test and adjust controls, remote monitoring, and safeties. Replace damaged and malfunctioning controls and equipment.
- E. Enclosed switches and circuit breakers will be considered defective if they do not pass tests and inspections.
- F. Prepare test and inspection reports, including a certified report that identifies enclosed switches and circuit breakers and that describes scanning results. Include notation of deficiencies detected, remedial action taken, and observations after remedial action.

3.5 ADJUSTING

- A. Adjust moving parts and operable components to function smoothly, and lubricate as recommended by manufacturer.

FIRE STATIONS RENOVATION  
ARLINGTON COUNTY, VIRGINIA  
Architect's Project No: 563006

---

- B. Set field-adjustable circuit-breaker trip ranges.

END OF SECTION 262816

FIRE STATIONS RENOVATION  
ARLINGTON COUNTY, VIRGINIA  
Architect's Project No: 563006

---

SECTION 265100 - INTERIOR LIGHTING

PART 1 - GENERAL

1.1 RELATED DOCUMENTS

- A. Drawings and general provisions of the Contract, including General and Supplementary Conditions and Division 01 Specification Sections, apply to this Section.

1.2 SUMMARY

- A. Section Includes:
  - 1. Interior lighting fixtures, lamps, and ballasts.
  - 2. Exit signs.
  - 3. Lighting fixture supports.

1.3 DEFINITIONS

- A. BF: Ballast factor.
- B. CCT: Correlated color temperature.
- C. CRI: Color-rendering index.
- D. HID: High-intensity discharge.
- E. LER: Luminaire efficacy rating.
- F. Lumen: Measured output of lamp and luminaire, or both.
- G. Luminaire: Complete lighting fixture, including ballast housing if provided.

1.4 SUBSTITUTIONS

- A. The lighting fixture layouts of spaces indicated in the Contract Documents are based upon photometric data, quality, construction and appearance of fixtures listed in the lighting fixture schedule. Substitutions of listed fixtures are allowed provided the following is provided with the Submittal package.
  - 1. Provide all data as required for submittals with substitution package. Indicate variances with fixtures listed in lighting fixture schedule.
  - 2. Provide footcandle calculations for each room or area that fixture substitution is requested.
  - 3. Architect/Engineer has final aesthetic and technical approval on all substituted fixtures.

1.5 ACTION SUBMITTALS

- A. Product Data: For each type of lighting fixture, arranged in order of fixture designation. Include data on features, accessories, finishes, and the following:

FIRE STATIONS RENOVATION  
ARLINGTON COUNTY, VIRGINIA  
Architect's Project No: 563006

---

1. Physical description of lighting fixture including dimensions.
  2. Specific LED drivers and lamp product information
  3. Energy-efficiency data.
  4. Life, output (lumens, CCT, and CRI), and energy-efficiency data for lamps.
  5. Photometric data and adjustment factors based on laboratory tests, complying with IESNA Lighting Measurements Testing & Calculation Guides, of each lighting fixture type. The adjustment factors shall be for lamps, ballasts, and accessories identical to those indicated for the lighting fixture as applied in this Project.
    - a. Manufacturer Certified Data: Photometric data shall be certified by a manufacturer's laboratory with a current accreditation under the National Voluntary Laboratory Accreditation Program for Energy Efficient Lighting Products.
- B. Shop Drawings: For nonstandard, continuous runs of cove lighting or custom lighting fixtures. Include plans, elevations, sections, details, and attachments to other work.
1. Detail equipment assemblies and indicate dimensions, weights, loads, required clearances, method of field assembly, components, and location and size of each field connection.
  2. Wiring Diagrams: For power, signal, and control wiring.
- C. Samples: Upon request or if being submitted as an equal, for each lighting fixture indicated in the Interior Lighting Fixture Schedule. Each Sample shall include the following:
1. Lamps and drivers, installed.
  2. Cords and plugs.
  3. Pendant support system.
- D. Installation instructions.

1.6 INFORMATIONAL SUBMITTALS

- A. Coordination Drawings: Reflected ceiling plan(s) and other details, drawn to scale, on which the following items are shown and coordinated with each other, using input from installers of the items involved:
  1. Cove lighting detail.
- B. Qualification Data: For qualified agencies providing photometric data for lighting fixtures.
- C. Product Certificates: For each type of driver for dimmer-controlled fixtures, from manufacturer.
- D. Field quality-control reports.
- E. Warranty: Sample of special warranty.



FIRE STATIONS RENOVATION  
ARLINGTON COUNTY, VIRGINIA  
Architect's Project No: 563006

---

1.7 CLOSEOUT SUBMITTALS

- A. Operation and Maintenance Data: For lighting equipment and fixtures to include in emergency, operation, and maintenance manuals.
  - 1. Provide a list of all LEDs and Driver types used on Project; use ANSI and manufacturers' codes.

1.8 QUALITY ASSURANCE

- A. Luminaire Photometric Data Testing Laboratory Qualifications: Provided by manufacturers' laboratories that are accredited under the National Volunteer Laboratory Accreditation Program for Energy Efficient Lighting Products.
- B. Electrical Components, Devices, and Accessories: Listed and labeled as defined in NFPA 70, by a qualified testing agency, and marked for intended location and application.
- C. Comply with NFPA 70.

1.9 COORDINATION

- A. Coordinate layout and installation of lighting fixtures and suspension system with other construction that penetrates ceilings or is supported by them, including HVAC equipment, fire-suppression system, and partition assemblies.

1.10 WARRANTY

- A. Warranty Period for LED lamps and Drivers, 5 years from date of Substantial Completion. Manufacturer shall guarantee

PART 2 - PRODUCTS

2.1 MANUFACTURERS

- A. As scheduled or acceptable equal. Architect has final decision on evaluation of equals.

2.2 GENERAL REQUIREMENTS FOR LIGHTING FIXTURES AND COMPONENTS

- A. Recessed Fixtures: Comply with NEMA LE 4 for ceiling compatibility for recessed fixtures.
- B. Metal Parts: Free of burrs and sharp comers and edges.

FIRE STATIONS RENOVATION  
ARLINGTON COUNTY, VIRGINIA  
Architect's Project No: 563006

---

- C. Sheet Metal Components: Steel unless otherwise indicated. Form and support to prevent warping and sagging.
- D. Doors, Frames, and Other Internal Access: Smooth operating, free of light leakage under operating conditions, and designed to permit re-lamping without use of tools. Designed to prevent doors, frames, lenses, diffusers, and other components from falling accidentally during re-lamping and when secured in operating position.
- E. Factory-Applied Labels: Comply with UL 1598. Include recommended lamps and Drivers. Labels shall be located where they will be readily visible to service personnel, but not seen from normal viewing angles when lamps are in place.
  - 1. Label shall include the following lamp and ballast characteristics:
    - a. "USE ONLY" and include specific lamp type.
    - b. ANSI ballast type (M98, M57, etc.) for HID luminaires.
    - c. CCT and CRI for all luminaires.

F. LED LIGHT FIXTURES

A. General:

- 1. LED light fixtures shall be in accordance with IES, NFPA, UL, as shown on the drawings, and as specified.
- 2. LED light fixtures shall be Reduction of Hazardous Substances (RoHS)-compliant.
- 3. LED drivers shall include the following features unless otherwise indicated:
  - a. Minimum efficiency: 85% at full load.
  - b. Minimum Operating Ambient Temperature: -20° C. (-4° F.)
  - c. Input Voltage: 120 - 277V (±10%) at 60 Hz.
  - d. Integral short circuit, open circuit, and overload protection.
  - e. Power Factor:  $\geq 0.95$ .
  - f. Total Harmonic Distortion:  $\leq 20\%$ .
  - g. Comply with FCC 47 CFR Part 15.
- 4. LED modules shall include the following features unless otherwise indicated:
  - a. Comply with IES LM-79 and LM-80 requirements.
  - b. Minimum CRI 80 and color temperature 3500° K unless otherwise specified in LIGHTING FIXTURE SCHEDULE.
  - c. Minimum Rated Life: 50,000 hours per IES L70.
  - d. Light output lumens as indicated in the LIGHTING FIXTURE SCHEDULE.

B. LED Downlights:

FIRE STATIONS RENOVATION  
ARLINGTON COUNTY, VIRGINIA  
Architect's Project No: 563006

---

1. Housing, LED driver, and LED module shall be products of the same manufacturer.

C. LED Troffers:

1. LED drivers, modules, and reflector shall be accessible, serviceable, and replaceable from below the ceiling.
2. Housing, LED driver, and LED module shall be products of the same manufacturer

## 2.3 EXIT SIGNS

- A. General Requirements for Exit Signs: Comply with UL 924; for sign colors, visibility, luminance, and lettering size, comply with authorities having jurisdiction.
- B. Internally Lighted Signs:
  1. Lamps for AC Operation: LEDs, 50,000 hours minimum rated lamp life.

## 2.4 LIGHTING FIXTURE SUPPORT COMPONENTS

- A. Comply with Section 260529 "Hangers and Supports for Electrical Systems" for channel- and angle-iron supports and nonmetallic channel and angle supports.
- B. Single-Stem Hangers: 1/2-inch steel tubing with swivel ball fittings and ceiling canopy. Finish same as fixture.
- C. Twin-Stem Hangers: Two, 1/2-inch steel tubes with single canopy designed to mount a single fixture. Finish same as fixture.
- D. Wires: ASTM A 641/A 641M, Class 3, soft temper, zinc-coated steel, 12 gage
- E. Rod Hangers: 3/16-inch minimum diameter, cadmium-plated, threaded steel rod.
- F. Hook Hangers: Integrated assembly matched to fixture and line voltage and equipped with threaded attachment, cord, and locking-type plug.

## PART 3 - EXECUTION

### 3.1 INSTALLATION

- A. Lighting fixtures:
  1. Set level, plumb, and square with ceilings and walls unless otherwise indicated.
- B. Temporary Lighting: If it is necessary, and approved by Architect, to use permanent luminaires for temporary lighting, install and energize the minimum number of luminaires necessary. When construction is sufficiently complete, remove the temporary luminaires, disassemble, clean thoroughly, install new lamps, and reinstall.

FIRE STATIONS RENOVATION  
ARLINGTON COUNTY, VIRGINIA  
Architect's Project No: 563006

---

- C. Remote Mounting of Drivers: Distance between the Driver and fixture shall not exceed that recommended by ballast manufacturer. Verify, with ballast manufacturers, maximum distance between ballast and luminaire.
  
- D. Lay-in Ceiling Lighting Fixtures Supports: Use grid as a support element.
  - 1. Install ceiling support system rods or wires, independent of the ceiling suspension devices, for each fixture. Locate not more than 6 inches from lighting fixture corners.
  - 2. Support Clips: Fasten to lighting fixtures and to ceiling grid members at or near each fixture corner with clips that are UL listed for the application.
  - 3. Fixtures of Sizes Less Than Ceiling Grid: Install as indicated on reflected ceiling plans or center in acoustical panel, and support fixtures independently with at least two 3/4-inch metal channels spanning and secured to ceiling tees.
  - 4. Install wire from structure to a tab on lighting fixture as detailed on drawings.
  
- E. Suspended Lighting Fixture Support:
  - 1. Pendants and Rods: Where longer than 48 inches, brace to limit swinging.
  - 2. Stem-Mounted, Single-Unit Fixtures: Suspend with twin-stem hangers.
  - 3. Continuous Rows: Use tubing or stem for wiring at one point and tubing or rod for suspension for each unit length of fixture chassis, including one at each end.
  - 4. Do not use grid as support for pendant luminaires. Connect support wires or rods to building structure.
  
- F. Connect wiring according to Section 260519 "Low-Voltage Electrical Power Conductors and Cables."

### 3.2 IDENTIFICATION

- A. Install labels with panel and circuit numbers on concealed junction and outlet boxes. Comply with requirements for identification specified in Section 260553 "Identification for Electrical Systems."

### 3.3 FIELD QUALITY CONTROL

- A. Prepare a written report of tests, inspections, observations, and verifications indicating and interpreting results. If adjustments are made to lighting system, retest to demonstrate compliance with standards

### 3.4 ADJUSTING

- A. Occupancy Adjustments: When requested within 12 months of date of Substantial Completion, provide on-site assistance in adjusting aimable luminaires to suit actual occupied conditions. Provide up to two visits to Project during other-than-normal occupancy hours for this purpose. Some of this work may be required after dark.
  - 1. Adjust aimable luminaires in the presence of Architect.

FIRE STATIONS RENOVATION  
ARLINGTON COUNTY, VIRGINIA  
Architect's Project No: 563006

---

END OF SECTION 265100

FIRE STATIONS RENOVATION  
ARLINGTON COUNTY, VIRGINIA  
Architect's Project No: 563006

---

SECTION 270000 - COMMUNICATIONS

PART 1 - GENERAL

1.1 GENERAL REQUIREMENTS

- A. Applicable requirements of General Requirements/Provisions shall be considered a part of this section and shall have the same force as if printed herein full. In addition, all information related to communications infrastructure that is documented in the architectural, structural, mechanical, and electrical drawings/documents shall be included as part of the Communications documents.

1.2 QUALITY ASSURANCE

- A. Specifications, Standards and Codes: All work shall be in accordance with the following:
1. The 2011 edition of the National Electrical Code (NFPA 70)
  2. American National Standards Institute (ANSI)
  3. National Electrical Manufacturers Association (NEMA)
  4. Telecommunications Industries Association (TIA)
  5. Electronic Industries Association (EIA)
  6. Institute of Electrical & Electronics Engineers (IEEE)
  7. Underwriters Laboratories (UL)
  8. American Standards Association (ASA)
  9. Federal Communications Commission (FCC)
  10. Occupational Safety and Health Administration (OSHA)
  11. American Society of Testing Material (ASTM)
  12. Americans with Disabilities Act (ADA)
  13. Local city and county ordinances governing electrical work
  14. In the event of conflicts, the more stringent provisions shall apply.

1.3 SCOPE

- A. The work to be done under this section of the Specifications shall include the furnishing of labor, material, equipment and tools required for the complete installation of the work indicated on the Drawings or as specified herein.
- B. All materials, obviously a part of the Communications Infrastructure and necessary to its proper operation, but not specifically mentioned or shown on the Drawings, shall be furnished and installed without additional charge.
- C. The Drawings and Specifications are complementary to each other and what is called for by one shall be as binding as if called for by both. If a discrepancy

FIRE STATIONS RENOVATION  
ARLINGTON COUNTY, VIRGINIA  
Architect's Project No: 563006

---

exists between the Drawing and Specifications, the higher cost shall be included, and the Owner shall be notified of the discrepancy.

#### 1.4 WORK INCLUDED

The Communications Infrastructure installed and work performed under this Division of the Specifications shall include but not necessarily be limited to the following:

- A. Voice/Data Cabling Infrastructure
- B. CATV Cabling Infrastructure System
- C. Wireless Access System
- D. Communications raceways, cable tray, racks, cabinets and equipment mounting boards
- E. Grounding and Bonding
- F. Underground raceway excavation, backfill, and compaction
- G. Concrete work for duct banks, maintenance holes, handholes, vaults and restoration (where applicable)

#### 1.5 DEFINITIONS

- A. Terms: The following definitions of terms supplement those of the General Requirements and are applicable to Division 27 - Communications:
  - 1. Provide: As used herein shall mean "furnish, install and test (if applicable) complete."
  - 2. Infrastructure: As used herein shall mean cable, conduit, raceway, cable tray or j-hooks with all required boxes, fittings, connectors, and accessories; completely installed.
  - 3. Work: As used herein shall be understood to mean the materials completely installed, including the labor involved.

#### 1.6 DRAWINGS

- A. Drawings are generally diagrammatic and show the arrangement and location of pathways, outlets, support structures and equipment. The Contractor shall carefully investigate the structural and finish conditions affecting his work and arrange his work accordingly. Should conditions on the job make it necessary to make adjustments to pathways or materials, the Contractor shall so advise the Owner and secure approval before proceeding with such work.

FIRE STATIONS RENOVATION  
ARLINGTON COUNTY, VIRGINIA  
Architect's Project No: 563006

---

- B. Where exact locations are required by equipment for stubbing-up and terminating conduit concealed in floor slabs, the Contractor shall request shop drawings, equipment location drawings, foundation drawings, and any other data required by him to locate the concealed conduit before the floor slab is poured.
- C. Materials, equipment or labor not indicated but which can be reasonably inferred to be necessary for a complete installation shall be provided. Drawings and Specifications do not undertake to indicate every item of material, equipment, or labor required to produce a complete and properly operating installation.
- D. The right is reserved to make reasonable changes in locations of equipment indicated on Drawings prior to rough-in without increase in contract cost.
- E. The Contractor shall not reduce the size or number of conduit runs indicated on the Drawings without the written approval of the Owner.
- F. Any work installed contrary to Contract Drawings shall be subject to change as directed by the Owner, and no extra compensation will be allowed for making these changes.
- G. The location of equipment, support structures, outlets, and similar devices shown on the Drawings are approximate only. Do not scale Drawings. Obtain layout dimensions for equipment from architectural plans unless indicated on Communications plans.
- H. Schematic diagrams shown on the Drawings indicate the required functions only. The technology of a particular manufacturer may be used to accomplish the functions indicated without exact adherence to the schematic Drawings shown. Additional labor and materials required for such deviations shall be furnished at the Contractor's expense.
- I. Verify the ceiling type, ceiling suspension systems, and clearance above hung ceilings prior to ordering cabling and associated hardware. Notify the Owner of any discrepancies.
- J. Review all architectural drawings for modular furniture.
- K. Portions of these Drawings and Specifications are abbreviated and may include incomplete sentences. Omissions of words or phrases such as "the Contractor shall," "shall be," "as indicated on the Drawings," "In accordance with," "a," "the" and "all are intended" shall be supplied by inference.

## 1.7 SUBMITTALS



FIRE STATIONS RENOVATION  
ARLINGTON COUNTY, VIRGINIA  
Architect's Project No: 563006

---

- A. Submit for approval, details of all materials, equipment and systems to be furnished. Work shall not proceed without the Owner's approval of the submitted items. Three (3) copies of the following shall be submitted:
  - 1. Submittals for individual systems and equipment assemblies that consist of more than one item or component shall be made for the system or assembly as a whole. Partial submittals will not be considered, reviewed or stored, and such submittals will not be returned except at the request and expense of the Contractor.
  - 2. Contractor shall generate shop drawings. Modify reviewed and accepted shop drawings to include revisions based upon completion of work. Submit shop drawings with record drawings on hard copy.
  - 3. Shop drawings shall include equipment racks, patch panels, termination blocks, connection details, rack mounting details and any other details not included in the construction drawings.
- B. Any materials and equipment listed that are not in accordance with Specification requirements may be rejected.
- C. The approval of material, equipment, systems and shop drawings is a general approval subject to the Drawings, Specifications and verification of all measurements at the job. Approval does not relieve the Contractor from the responsibility of shop drawing errors. The Contractor shall carefully check and correct all shop drawings prior to submission for approval.

## 1.8 QUALITY ASSURANCE

- A. Equipment and materials required for installation under these Specifications shall be the current model and new (less than one [1] year from the date of manufacture), unused and without blemish or defect.
- B. Equipment shall bear labels attesting to Underwriters Laboratories, where subject to label service. Manufacturers of equipment and materials pertinent to these items shall have been engaged in the manufacture of said equipment a minimum of three (3) years and, if so directed by the Owner, be able to furnish proof of their ability by submitting affidavits and descriptive data about their product including size and magnitude comparable to requirements specified herein.

## 1.9 CONTRACTOR QUALIFICATIONS

- A. The Contractor shall have total responsibility for the coordination and installation of the work shown and described in the Drawings and/or Specifications. The Contractor shall be a company specializing in the design, fabrication and installation of integrated communications systems.

FIRE STATIONS RENOVATION  
ARLINGTON COUNTY, VIRGINIA  
Architect's Project No: 563006

---

- B. Communications Systems specified shall be installed under the direction of a qualified Contractor. Qualification requirements shall include submittal by the Contractor to the Owner of the following:
  - 1. List of previous projects of this scope, size and nature; including names and sizes of projects, description of work, time of completion and names of contact persons for reference.
  - 2. Shall certify that they are manufacturer-authorized for work to be performed.
- C. Contractor must employ at least one (1) full-time Registered Communications Distribution Designer (RCDD). The RCDD shall be a W2 employee and not a subcontractor.

#### 1.10 COORDINATION WITH OTHER TRADES

- A. The Contractor shall coordinate communications work with that of other sections as required to ensure that the entire communications work will be carried out in an orderly, complete and coordinated fashion.

#### 1.11 SITE INVESTIGATION

- A. Prior to submitting bids of the project, visit the site of the work to become aware of existing conditions that may affect the cost of the project. Where work under this project requires extension, relocation, reconnections or modifications to existing equipment or systems, the existing equipment or systems, shall be restored to their original condition before the completion of this project.

#### 1.12 PERMITS

- A. Obtain all permits and inspections for the installation of this work and pay all charges incident thereto. Deliver to the Owner all certificates of said inspection issued by authorities having jurisdiction.

#### 1.13 RENOVATIONS AND ADDITIONS

- A. All work that would adversely affect the normal operation of the other portions of the Owner's property shall be done at a time other than normal working hours. Normal working hours shall be considered 8 a.m. to 5 p.m. Monday through Friday.
- B. Prior to submitting bids on the project, visit the site of the work to become aware of existing conditions that may affect the cost of the project.

FIRE STATIONS RENOVATION  
ARLINGTON COUNTY, VIRGINIA  
Architect's Project No: 563006

---

- C. Where work under this project requires extension, relocation, reconnections or modifications to existing equipment or systems, the existing equipment or systems shall be restored to their original and operating condition. Remove all equipment indicated to be demolished, including outlets, devices, raceways and support structures.
- D. Care shall be exercised in the removal and storage of equipment indicated to be relocated or removed and reused. Prior to placing back into service, equipment shall be cleaned, and marred or chipped paint surfaces touched-up.
- E. Provide all coring, cutting and patching to existing walls, floors, etc., required for the removal of existing work or the installation of new work.

## PART 2 - PRODUCTS

### 2.01 MATERIALS

- A. All materials used in this work shall be new and shall bear the inspection label of Underwriters' Laboratories Inc. or certification by other recognized laboratory.
- B. The published standards and requirements of the Telecommunications Industries Association (TIA), National Electrical Manufacturers Association (NEMA), the American National Standard Institute (ANSI), the Institute of Electrical and Electronic Engineers (IEEE), and the American Society of Testing Materials (ASTM), are made a part of these Specifications and shall apply wherever applicable.
- C. Materials and equipment furnished shall be of current production by manufacturers regularly engaged in the manufacture of such items, for which replacement parts are available.
- D. When more than one unit of the same class of equipment or material is required, such units shall be the products of a single manufacturer or partner manufacturers that offer a certified solution.
- E. Components of an assembled unit need not be products of the same manufacturer, but must offer a certified end-to-end solution.
- F. Manufacturers of equipment assemblies, which include components made by others, shall assume complete responsibility for the final assembled unit.
- G. Components shall be compatible with each other and with the total assembly for the intended service.

## PART 3 - EXECUTION

FIRE STATIONS RENOVATION  
ARLINGTON COUNTY, VIRGINIA  
Architect's Project No: 563006

---

3.01 EXAMINATION OF CONDITIONS

- A. Prior to the start of work, the Contractor shall carefully inspect the installed work of other trades and verify that such work is complete to the point where installation may properly commence. Start of work indicates acceptance of conditions.
- B. Install equipment in accordance with applicable codes and regulations, the original design and the referenced standards.
- C. In the event of a discrepancy, immediately notify the Owner.
- D. Do not proceed with installation until unsatisfactory conditions and discrepancies have been fully resolved.

3.02 PROTECTION OF SYSTEMS AND EQUIPMENT

- A. Protect materials and equipment from damage during storage at the site and throughout the construction period. Equipment and materials shall be protected during shipment and storage against physical damage, dirt, theft, moisture, extreme temperature and rain.
- B. Damage from rain, dirt, sun and ground water shall be prevented by storing the equipment on elevated supports and covering the sides with securely fastened protective rigid or flexible waterproof coverings.
- C. During installation, equipment shall be protected against entry of foreign matter on the inside and be vacuum cleaned both inside and outside before testing, operating or painting.
- D. As determined by the Owner, damaged equipment shall be fully repaired or shall be removed and replaced with new equipment to fully comply with requirements of the Contract Documents. Decision of the Owner shall be final.
- E. Damaged paint on equipment and materials shall be repainted with painting equipment and finished with the same quality of paint and workmanship as used by the manufacturer.

3.03 ACCESS TO EQUIPMENT

- A. Equipment shall be installed in location and manner that will allow convenient access for maintenance and inspection.

FIRE STATIONS RENOVATION  
ARLINGTON COUNTY, VIRGINIA  
Architect's Project No: 563006

---

- B. Working spaces shall be not less than specified in the National Electrical Code (NEC) for voltages specified.
- C. Where the Owner determines that the Contractor has installed equipment not conveniently accessible for operation and maintenance, equipment shall be removed and reinstalled, one time only, as directed by the Owner, at no additional cost to the Owner. "Conveniently accessible" is defined as being capable of being reached without the use of ladders or without climbing or crawling under or over obstacles such as motors, pumps, belt guards, transformers, piping and duct work.

### 3.04 CLEANING

- A. During construction, and prior to Owner acceptance of the building, remove from the premises and dispose of packing material and debris caused by communications work.
- B. Remove dust and debris from interiors and exteriors of electrical equipment. Clean accessible current carrying elements prior to being energized.

### 3.05 COMPLETION

- A. General: Upon completion of the work, remove excess debris, materials, equipment, apparatus, tools and similar items. Leave the premises clean, neat and orderly.
- B. Results Expected: Systems shall be complete and operational and controls shall be set and calibrated. Testing, start-up and cleaning work shall be complete.
- C. Maintenance Materials: Special tools for proper operation and maintenance of the equipment provided under this Specification shall be delivered to the Owner.

### 3.06 TESTING AND VERIFICATION

- A. See specific Division 27 sections for testing parameters of sub-systems.
- B. The Contractor shall verify that requirements of this Specification are met. Verification shall be through a combination of analyses, inspections, demonstrations and tests, as described below.
- C. Verification by inspection includes examination of items and comparison of pertinent characteristics against the qualitative or quantitative standard set forth in the Specifications. Inspection may require moving or partially disassembling the item to accomplish the verification, included as part of the work at no additional cost to the Owner.

FIRE STATIONS RENOVATION  
ARLINGTON COUNTY, VIRGINIA  
Architect's Project No: 563006

---

- D. The Contractor shall verify by formal demonstrations or tests that the requirements of this Specification have been met. The Contractor shall demonstrate that the communications systems, components and subsystems meet Specification requirements in the "as-installed" operating environment during the "System Operation Test." Even though no formal environmental testing is required, the Contractor shall measure and record temperature, humidity and other environmental parameters and the environmental conditions, which were encountered during the "System Operation Test."
- E. The Contractor shall carefully plan and coordinate the final acceptance tests so that tests can be satisfactorily completed. The Contractor shall provide necessary instruments, labor and materials required for tests, including the equipment manufacturer's technical representative and qualified technicians in sufficient numbers to perform the tests within a reasonable time period.
- F. The Contractor shall satisfy all items detailed in the final acceptance check-off list (punch list). The list shall be a complete representation of specified installation requirements. At the time of final acceptance punch list items shall be corrected until the system is found to be acceptable to the Owner.
- G. After the systems have been installed and tested, the completed test plan shall be signed by the Communications Contractor and submitted for approval.

END OF SECTION 270000

FIRE STATIONS RENOVATION  
ARLINGTON COUNTY, VIRGINIA  
Architect's Project No: 563006

---

SECTION 270528 - PATHWAYS FOR COMMUNICATIONS SYSTEMS

PART 1 - GENERAL

1.01 GENERAL REQUIREMENTS

- A. Applicable requirements of Division 27 - Communications shall be considered a part of this section and shall have the same force as if printed herein full.
- B. This document describes the products and execution requirements relating to Pathways for Communications Systems.
- C. Product specifications, general design considerations, and installation guidelines are provided in this document. The successful vendor shall meet or exceed all requirements described in this document and on the drawings.

1.02 SUBMITTALS

- A. Provide product data from manufacturer's specifications.

1.03 WORK INCLUDED

- A. The work included under this specification consists of furnishing all labor, equipment, materials, supplies and performing all operations necessary to complete the installation. The Contractor will provide and install all of the required material whether specifically addressed in the Specification or not.

PART 2 - PRODUCTS

2.01 APPROVED PRODUCTS

- A. Rigid/Intermediate Conduit Manufacturer(s)
  - 1. Allied
  - 2. Triangle
  - 3. Wheatland
  - 4. Youngstown
- B. Non-Metallic (PVC) Manufacturer(s)
  - 1. Carlon
  - 2. Georgia Pipe Company
- C. Electrical Metallic Tubing (EMT) Manufacturer(s)

FIRE STATIONS RENOVATION  
ARLINGTON COUNTY, VIRGINIA  
Architect's Project No: 563006

---

1. Allied
  2. Triangle
  3. Wheatland
  4. Youngstown
- D. EMT Fittings Manufacturer(s)
1. Thomas & Betts
  2. Steel City
- E. Innerduct/Inner-Conduit Channel Manufacturer(s)
1. Carlon
  2. Endot Industries
  3. MaxCell
  4. Petroflex
  5. Eastern
- F. Metallic Communications Outlet Box Manufacturer(s)
1. Steel City
  2. Raco
- G. Non-Metallic Communications Outlet Box Manufacturer(s)
1. Thomas & Betts
  2. Carlon
- H. Pull Box Manufacturer(s)
1. Hoffman
  2. OZ Gedney
- I. Approved Cable Tray System Manufacturer(s)
1. Flex Tray
  2. Wiremold
  3. EZ Tray
  4. Mono Systems, Inc.
  5. Snake Tray



FIRE STATIONS RENOVATION  
ARLINGTON COUNTY, VIRGINIA  
Architect's Project No: 563006

---

- 6. B-Line
- 7. Gulf Coast Systems
  
- J. Approved Cable Hanger Manufacturer(s)
  - 1. Erico Products – Caddy
  - 2. B-Line
  
- K. Approved Tie Wrap/Velcro Strap Manufacturer(s)
  - 1. Leviton
  - 2. Panduit

## 2.02 CONDUIT

- A. Rigid and Intermediate Conduit
  - 1. Rigid conduit, intermediate conduit, couplings, locknuts, bushings, elbows and connectors shall be standard thread. All materials shall be steel. Set screw or non-threaded fittings are not permitted.
  
- B. Non-Metallic (PVC) Conduit
  - 1. Non-metallic conduit shall be heavy wall, Schedule 40 PVC.
  - 2. Couplings and connectors for non-metallic conduit shall be of the same material and be the product of the same manufacturer of the conduit furnished.
  
- C. Electrical Metallic Tubing (EMT)
  - 1. Electrical metallic tubing (EMT), couplings and connectors shall be steel. Malleable iron, pressure-cast or die-cast fittings are not permitted.
  - 2. Fittings for 2" EMT and smaller shall be steel set screw type, except where otherwise noted. Fittings for 2.5" and larger shall be steel set screw type with two (2) screws for connectors and four (4) screws for couplings. All connectors shall be insulated throat type.
  
- D. Conduit Support
  - 1. Individual conduit hangers shall be galvanized spring steel specifically designed for the purpose and sized appropriately for the conduit type and diameter. Support individual conduits 1-1/2 inch and smaller with 1/4 inch threaded steel rods and use 3/8 inch rods for 2 inch and larger.

FIRE STATIONS RENOVATION  
ARLINGTON COUNTY, VIRGINIA  
Architect's Project No: 563006

---

2. Conduit support channels shall be 14 gauge galvanized (or equivalent treatment) channel sized for the amount of conduit to be supported. Channel suspension shall be 3/8" threaded steel rods. Attach suspension rods to structure with swivel type connectors. Conduit straps shall be spring steel type compatible with channel.
  3. Conduit straps shall be single hole cast metal type or two hole galvanized metal type. Conduit clamps shall be spring steel type for use with exposed structural steel.
- E. Innerduct/Inner-Conduit Channel
1. Innerduct shall be corrugated plastic equipped with pull-string or mule tape.
  2. Inner-conduit channel (MaxCell) shall be 3-channel with each channel equipped with mule tape.
  3. See Drawings for innerduct / inner-conduit channel (MaxCell) details.

#### 2.03 METALLIC COMMUNICATIONS OUTLET BOXES

- A. Metallic outlet boxes and device covers shall be galvanized steel not less than 1/16" thick.
- B. The dimensions of the metallic outlet box shall be 4" x 4" square with a minimum depth of 2-1/8".
- C. Metallic outlet boxes shall be equipped with single device covers (or two-device covers where needed). Where installed in plaster, gypsum board, etc., covers shall be raised to compensate for the thickness of the wall finish.
- D. Where metallic outlet boxes are to be empty for future use, blank coverplates shall be used.

#### 2.04 NON-METALLIC COMMUNICATIONS OUTLET BOXES

- A. The non-metallic outlet box shall be thermoplastic and be rated according to the space it occupies.
- B. The dimensions of the non-metallic outlet box shall be approximately 4" x 4" square with a minimum depth of 2-1/8".
- C. Non-metallic outlet boxes shall be equipped with single device covers. Covers shall be raised to compensate for the thickness of the wall finish.
- D. Where non-metallic outlet boxes are to be empty for future use, blank faceplates shall be used.

FIRE STATIONS RENOVATION  
ARLINGTON COUNTY, VIRGINIA  
Architect's Project No: 563006

---

2.05 PULL BOXES

- A. Pull boxes shall be constructed of galvanized steel with flat, removable covers fastened with plated steel screws.
- B. Pull boxes shall be equipped with keyhole screw slots in the cover to permit removal of the cover without extracting the screws.
- C. Pull boxes shall have provisions for grounding.

2.06 CABLE TRAY

- A. Cable Tray System
  - 1. Cable tray shall be steel or aluminum construction.
  - 2. Cable tray cross members shall be factory welded at 12" intervals maximum.
  - 3. Cable tray shall be equipped with one (1) or two (2) support rails that run the length of each segment.
  - 4. End caps shall be installed on the exposed ends of the cable tray, channel supports and bolts. Protective covers shall be installed on threaded rods that come in contact with cabling plant.
  - 5. Wall mount cable tray used in limited clearance areas shall be hook style and constructed of aluminum.
  - 6. See Drawings for cable tray dimensions.
    - a. Cable Tray color shall be black.

2.07 CABLE HANGERS

- A. J-Hooks
  - 1. J-hooks shall provide a bearing surface of sufficient width to comply with required bend radii of high-performance cables. J-hook shall be cULus Listed.
  - 2. J-hooks shall have flared edges to prevent damage while installing cables.
  - 3. J-hooks sized 1 5/16" and larger shall have a cable retainer strap to provide containment of cables within the hanger. The cable retainer strap shall be removable and reusable and be suitable for use in air handling spaces.
- B. Adjustable Non-Continuous Cable Support Sling
  - 1. Constructed from steel and woven laminate; sling length can be adjusted to hold up to 425 4-pair balanced twisted pair cables; rated for indoor use

FIRE STATIONS RENOVATION  
ARLINGTON COUNTY, VIRGINIA  
Architect's Project No: 563006

---

- in non-corrosive environments. Rated to support Category 5 and higher cable, or optical fiber cable. Cable support sling shall be cULus Listed.
2. Adjustable non-continuous cable support sling shall have a static load limit of 100 lbs.
  3. Adjustable non-continuous cable support sling shall be suitable for use in air handling spaces.

## 2.08 TIE WRAPS AND VELCRO STRAPS

### A. Tie Wraps and Velcro Straps

1. Cables shall be fastened to support structures with tie wraps/Velcro straps.
2. Tie wraps/Velcro straps installed in air handling spaces must be plenum rated.
  - a. Non-plenum Tie Wrap color shall be black.
  - b. Plenum Tie Wrap color shall be red.
  - c. Non-plenum Velcro strap color shall be black.
  - d. Plenum Velcro strap color shall be red.

## PART 3 - EXECUTION

### 3.01 PENETRATIONS

- A. Holes through concrete and masonry in new and existing structures shall be cut with a diamond core drill or concrete saw upon approval of the structural engineer of record for the base of building. Pneumatic hammer, impact electric, hand or manual hammer type drills shall not be allowed, except where permitted by the Project Manager as required by limited working space. X-ray all floor penetrations accordingly.
- B. Holes shall be located so as not to affect structural sections such as ribs or beams.
- C. Holes shall be laid out in advance. The Project Manager shall be advised prior to drilling through structural sections, for determination of proper layout.
- D. Structural Penetrations: Where conduits, wireways and other raceways pass through fire partitions, fire walls or walls and floors provide a code compliant effective barrier against the spread of fire, smoke and gases.
- E. All penetrations where conduit is not used shall be sleeved.
- F. No gaps or rough edges shall be allowed between wall and conduit/sleeve.

### 3.02 CONDUIT SYSTEM

FIRE STATIONS RENOVATION  
ARLINGTON COUNTY, VIRGINIA  
Architect's Project No: 563006

---

- A. Conceal all conduits, except in unfinished spaces such as equipment rooms or as indicated by symbol on the Drawings.
- B. Leave all empty conduits with a 200 pound test nylon cord pull line.
- C. Flattened, dented, or deformed conduits are not permitted and shall be removed and replaced.
- D. Fasten conduit support device to structure with wood screws on wood, toggle bolts on hollow masonry, anchors as specified on solid masonry or concrete, and machine bolts, clamps, or spring steel clips, on steel.
- E. Install conduit with wiring, including homeruns as indicated on the Drawings. Any change resulting in a savings in labor or materials is to be made only in accordance with a contract change. Deviations shall be made only where necessary to avoid interferences and when approved by Engineer by written authorization.
- F. Conduit shall be run parallel or at right angles to existing walls, ceilings, and structural members.
- G. Attach backbone conduits larger than one-inch trade diameter to or from structure on intervals not exceeding twelve feet with conduit beam clamps, one-hole conduit straps or trapeze type support.
- H. Where conduits must pass through structural members obtain approval of Architect.
- I. Install all conduits or sleeves penetrating or routed within rated firewalls or fire floors to maintain fire rating of wall or floor. Conduit shall not be installed in rated floors or walls if it compromises or violates the fire rating of floor or wall. Refer to architectural documents.
- J. Provide expansion and deflection coupling where conduit passes over a building expansion joint.
- K. Service entrance conduits and feeder conduits in direct contact with earth shall be schedule 40, heavy wall PVC. All service entrance conduit elbows shall be galvanized rigid steel. Service entrance conduits installed exposed or concealed in walls or above ceilings shall be galvanized rigid steel (G.R.S.) or intermediate metal conduit (IMC). Service entrance conduits shall be installed "outside" of the building as defined by the N.E.C. Provide concrete encasement where required or as indicated on Drawings.

FIRE STATIONS RENOVATION  
ARLINGTON COUNTY, VIRGINIA  
Architect's Project No: 563006

---

- L. All other conduit, unless specified herein, shall be electrical metallic tubing (EMT). PVC conduit is not allowed in exposed or concealed areas, but only within concrete.
  
- M. Conduit Installations Within Slab/Floor
  - 1. Conduit shall be run following the most direct route between points.
  - 2. Conduit shall not be installed in concrete where the outside diameter is larger than 1/3 of the slab thickness.
  - 3. Conduits shall not be installed within shear walls unless specifically indicated on the Drawings. Conduit shall not be run directly below and parallel with load bearing walls.
  - 4. Protect each metallic conduit installed in concrete slab or conduits 1-1/2 inch and smaller passing through a concrete slab against corrosion where conduit enters and leaves concrete by wrapping conduit with vinyl all-weather electrical tape.
  - 5. Protect all conduits entering and leaving concrete floor slabs from physical damage during construction.
  - 6. Provide expansion fittings in all conduits where length or run exceeds 200 feet or where conduits pass through building expansion joints.
  - 7. Install all conduits penetrating or routed within rated fire floors to maintain the fire rating of the floor. Conduit shall not be installed in rated floors or walls if it compromises or violates the fire rating of floor or wall. Refer to architectural documents.
  - 8. Conduits installed within concrete floor slabs which are in direct contact with grade or which penetrate the building roof shall be galvanized rigid steel (G.R.S.), intermediate metal conduit (I.M.C.) or Schedule 40, heavy wall PVC.
  
- N. Communications cables shall not occupy conduits with power cables.
  
- O. Metallic conduits shall be grounded in accordance with ANSI/TIA-607-B.
  
- P. Conduit runs shall not have more than two (2) 90-degree bends between pull points.
  
- Q. Communications conduit system shall contain no condulets (also know as an LB).
  
- A. Rigid metal conduit (RMC) or intermediate metal conduit (IMC) shall be used for entrance conduits that exceed 50 feet into the building.
  
- B. Horizontal Conduits
  - 1. Support horizontal conduits at intervals not exceeding ten feet and within three feet of each outlet, junction box, backboard, enclosure or cabinet.

FIRE STATIONS RENOVATION  
ARLINGTON COUNTY, VIRGINIA  
Architect's Project No: 563006

---

Support conduits from structural steel members with spring steel type or beam conduit clamps and to non-metallic structural members with one-hole conduit straps. For exposed conduits and where conduits must be suspended below structure, single conduit runs shall be supported from structure by hanger rod and conduit clamp assembly, and multiple conduits shall be supported by trapeze type support suspended from structure. Do not attach conduits to ceiling suspension system channels or suspension wires.

2. For runs that total more than 100 feet in length, insert pull boxes so that no segment between boxes exceeds the 100 feet limit.
3. Each horizontal home-run conduit can serve from one (1) to three (3) outlet boxes. For one (1) outlet box, a 3/4" conduit shall be used, minimum. For two (2) outlet boxes, a 1" conduit shall be used, minimum. For three (3) outlet boxes, a 1-1/4" conduit shall be used, minimum.

### 3.03 COMMUNICATIONS OUTLET BOXES

- A. Exact locations of the outlet boxes shall be coordinated with the electrical contractor and other trades.
- B. Non-metallic communications outlet boxes may only be used for wood frame construction and/or where code allows.
- C. The approximate locations of the outlets are indicated on the Drawings. The exact locations of outlets shall be determined at the building. The right is reserved to change, without additional cost, the exact location of any outlet, a maximum of 10' before it is permanently installed.
- D. Orientation of outlet boxes (horizontal or vertical) shall be as indicated on the architectural elevations.
- E. Install all outlet boxes in finished areas flush with the wall. Maintain 1/4" or less space between outlet box front and finished wall surface.
- F. Outlet boxes shall be firmly anchored in place and shall not depend on the coverplate to hold it secure to the wall.
- G. Outlet boxes installed back-to-back in fire-rated walls shall be separated horizontally by a minimum of 24".

### 3.04 PULL BOXES

- A. Pull boxes shall be secured, independent of the conduit entries into the box. Pull boxes shall be secured to the building structure. In ceiling applications, pull boxes shall not be supported with ceiling wires.

FIRE STATIONS RENOVATION  
ARLINGTON COUNTY, VIRGINIA  
Architect's Project No: 563006

---

- B. Conduits entering pull boxes shall connect to pull boxes using die-cast zinc connectors.
- C. Pull boxes shall be free from burrs, dirt and debris.
- D. Pull boxes shall be installed in accordance with ANSI/TIA-569-B.
- E. Pull boxes shall be grounded in accordance with ANSI/TIA-607-B.

### 3.05 CABLE TRAY SYSTEM

- A. Install trays in accordance with recognized industry practices, to ensure that the cable tray equipment complies with requirements of the NEC.
- B. All open trays shall be installed a minimum of six (6) inches away from any light fixture.
- C. Provide external grounding strap at expansion joints, sleeves, crossover and other locations where tray continuity is interrupted.
- D. Support all pathways from building construction. Do not support pathways from ductwork, piping or equipment hangers.
- E. Install cable tray level and straight.
- F. Provide all hardware, accessories, fasteners, anchors, threaded rods and support channels required to provide a complete cable tray system.
- G. Cable trays shall not be used to house both low voltage and power cables unless cables are separated by a grounded physical barrier.
- H. Cable tray system shall be grounded in accordance with ANSI/TIA-607-B.

### 3.06 CABLE HANGERS

- A. Installation and configuration shall conform to the requirements of ANSI/TIA-568-C.0, ANSI/TIA-568-C.1 & ANSI/TIA-569-B, NFPA 70 (National Electrical Code), applicable local codes, and to the manufacturer's installation instructions.
- B. Install cables using techniques, practices, and methods that are consistent with Category 5e or higher requirements and that supports Category 5e or higher performance of completed and linked signal paths, end to end.
- C. Install cables without damaging conductors, shield, or jacket.



FIRE STATIONS RENOVATION  
ARLINGTON COUNTY, VIRGINIA  
Architect's Project No: 563006

---

- D. Do not bend cables, in handling or in installing, to smaller radii than minimums recommended by manufacturer.
- E. Pull cables without exceeding cable manufacturer's recommended pulling tensions. Use pulling means that will not damage media.
- F. Do not exceed load ratings specified by manufacturer.
- G. Adjustable non-continuous support sling shall have a static load limit of 100 lbs.
- H. To avoid electromagnetic interference (EMI), pathways shall provide minimum clearances of four feet from motors or transformers, one foot from conduit and cables used for electrical power distribution, and five inches from fluorescent lighting. Pathways shall cross perpendicular to fluorescent lighting and electrical power cables or conduits.

### 3.07 TIE WRAPS AND VELCRO STRAPS

- A. Tie wraps/Velcro straps shall be installed around cables at intervals of 12" minimum.
- B. Tie wraps shall secure cables to cable trays using an "X" pattern.
- C. Do not over-cinch cables.

### 3.08 IDENTIFICATION

- A. Refer to Section 270553 - Identification for Communications Systems for labeling details.

END OF SECTION 270528

FIRE STATIONS RENOVATION  
ARLINGTON COUNTY, VIRGINIA  
Architect's Project No: 563006

---

SECTION 283111 - DIGITAL, ADDRESSABLE FIRE-ALARM SYSTEM

PART 1 - GENERAL

1.1 RELATED DOCUMENTS

- A. Drawings and general provisions of the Contract apply to this Section.

1.2 SUMMARY

- A. Project work consists of extending the existing fire alarm system initiation and notification circuits and devices to serve the renovated portions of the facility. Upgrade and reprogram the existing system as required to provide the functionality required to serve the additional devices and functions.
- B. Section Includes:
  - 1. Manual fire-alarm boxes.
  - 2. System smoke detectors.
  - 3. Heat detectors.
  - 4. Notification appliances.
  - 5. Magnetic door holders.
  - 6. Addressable interface device.

1.3 DEFINITIONS

- A. LED: Light-emitting diode.
- B. NICET: National Institute for Certification in Engineering Technologies.
- C. Definitions in NFPA 72-apply to fire alarm terms used in this Section.

1.4 SYSTEM DESCRIPTION

- A. Noncoded, UL-listed addressable system, with multiplexed signal transmission, dedicated to fire-alarm service only.

1.5 SUBMITTALS

- A. General Submittal Requirements:
  - 1. Submissions to Authorities Having Jurisdiction: The A/E shall review the Contractor's submittal(s) which the Contractor shall revise and resubmit through the A/E until the submittals are deemed Approved. The contractor shall submit the A/E approved shop drawing and product data to the authority having jurisdiction and shall make any revisions as required for acceptance.

FIRE STATIONS RENOVATION  
ARLINGTON COUNTY, VIRGINIA  
Architect's Project No: 563006

---

2. Shop Drawings shall be prepared by persons with the following qualifications:
  - a. Trained and certified by manufacturer in fire-alarm system design.
  - b. NICET-certified fire-alarm technician, Level III minimum.
  - c. Licensed or certified by authorities having jurisdiction.
  
- A. Product Data: For each type of product indicated. . Submissions shall include UL file numbers for all devices.
  
- B. Shop Drawings: For fire-alarm system. Include plans, elevations, sections, details, and attachments to other work.
  1. Comply with recommendations in the "Documentation" Section of the "Fundamentals of Fire Alarm Systems" Chapter in NFPA 72.
  2. Include voltage drop calculations for notification appliance circuits. Use minimum 30cd current draw per visual appliance provided regardless of actual setting.
  3. Include battery-size calculations. Use minimum 30cd current draw per visual appliance provided regardless of actual setting.
  4. Include performance parameters and installation details for each detector, verifying that each detector is listed for complete range of air velocity, temperature, and humidity possible when air-handling system is operating.
  5. Include plans coordinating installation of duct smoke detectors and access to them. Show critical dimensions that relate to placement and support of sampling tubes, detector housing, and remote status and alarm indicators. Locate detectors according to manufacturer's written recommendations.
  6. Include 1/8" = 1'-0" scale floor plans to indicate final outlet locations showing address of each addressable device. Show size and route of cable and conduits.
  7. Wiring Diagrams: Detail wiring and differentiate between manufacturer-installed and field-installed wiring. Include diagrams for equipment and for system with all terminals and interconnections identified.
  8. Device Address List: Coordinate with final system programming.
  9. Input-Output Matrix: For each type of device (or function of device) and the associated system output. Format in accordance with NFPA 72, Explanatory Material, Figure "Typical Input/Output Matrix".
  10. System Operation Description: Detailed description for this project, including method of operation and supervision of each type of circuit and sequence of operations for manually and automatically initiated system inputs and outputs. Manufacturer's standard descriptions for generic system are not acceptable.
  
- C. Qualification Data: For qualified Installer.
  
- D. Field quality-control reports.
  
- E. Operation and Maintenance Data: For fire-alarm systems and components to include in emergency, operation, and maintenance manuals. In addition to items specified in Division 01 Section "Operation and Maintenance Data," include the following:
  1. Comply with the "Records" Section of the "Inspection, Testing and Maintenance" Chapter in NFPA 72.

FIRE STATIONS RENOVATION  
ARLINGTON COUNTY, VIRGINIA  
Architect's Project No: 563006

---

2. Provide "Record of Completion Documents" according to NFPA 72 article "Permanent Records" in the "Records" Section of the "Inspection, Testing and Maintenance" Chapter.
3. Record copy of site-specific software.
4. Provide "Maintenance, Inspection and Testing Records" according to NFPA 72 article of the same name and include the following:
  - a. Frequency of testing of installed components.
  - b. Frequency of inspection of installed components.
  - c. Requirements and recommendations related to results of maintenance.
  - d. Manufacturer's user training manuals.
5. Manufacturer's required maintenance related to system warranty requirements.
6. Abbreviated operating instructions for mounting at fire-alarm control unit.
7. Copy of NFPA 25.
8. Software and Firmware Operational Documentation:
  - a. Software operating and upgrade manuals.
  - b. Program Software Backup: On magnetic media or compact disk, complete with data files.
  - c. Device address list.
  - d. Printout of software application and graphic screens.

1.6 QUALITY ASSURANCE

- A. Installer Qualifications: Personnel shall be trained and certified by manufacturer for installation of units required for this Project.
- B. Installer Qualifications: Installation shall be by personnel certified by NICET as fire-alarm Level II technician.
- C. Source Limitations for Fire-Alarm System and Components: Obtain fire-alarm system from single source from single manufacturer. Components shall be compatible with, and operate as, an extension of existing system.
- D. Electrical Components, Devices, and Accessories: Listed and labeled as defined in NFPA 70, by a qualified testing agency, and marked for intended location and application.
- E. NFPA Certification: Obtain certification according to NFPA 72 by an NRTL.

1.7 PROJECT CONDITIONS

- A. Interruption of Existing Fire-Alarm Service: Do not interrupt fire-alarm service to facilities occupied by Owner or others unless permitted under the following conditions and then only after arranging to provide temporary guard service according to requirements indicated:
  1. Notify Owner no fewer than two days in advance of proposed interruption of fire-alarm service.
  2. Do not proceed with interruption of fire-alarm service without Owner's written permission.

FIRE STATIONS RENOVATION  
ARLINGTON COUNTY, VIRGINIA  
Architect's Project No: 563006

---

1.8 SEQUENCING AND SCHEDULING

- A. Existing Fire-Alarm Equipment: Maintain existing equipment fully operational until new equipment has been tested and accepted. As new equipment or devices are installed, label it "NOT IN SERVICE" until it is accepted. Remove labels from new equipment when put into service and label existing fire-alarm equipment "NOT IN SERVICE" until removed from the building.
- B. Equipment Removal: After acceptance of new fire-alarm system, remove existing disconnected fire-alarm equipment and wiring.
  - 1. Package Owner designated operational equipment and deliver to Owner.

1.9 SOFTWARE SERVICE AGREEMENT

- A. Comply with UL 864.
- B. Technical Support: Beginning with Substantial Completion, provide software support for two years.
- C. Upgrade Service: Update software to latest version at Project completion. Install and program software upgrades that become available within two years from date of Substantial Completion. Upgrading software shall include operating system. Upgrade shall include new or revised licenses for use of software.
  - 1. Provide 30 days' notice to Owner to allow scheduling and access to system and to allow Owner to upgrade computer equipment if necessary.

1.10 EXTRA MATERIALS

- A. Furnish extra materials that match products installed and that are packaged with protective covering for storage and identified with labels describing contents.
  - 1. Lamps for Remote Indicating Lamp Units: Quantity equal to 10 percent of amount installed, but no fewer than 1 unit.
  - 2. Lamps for Strobe Units: Quantity equal to 10 percent of amount installed, but no fewer than 1 unit.
  - 3. Smoke Detectors, Fire Detectors: Quantity equal to 10 percent of amount of each type installed, but no fewer than 1 unit of each type. Provide 50 feet of cabling in conduit for each appliance and connect to nearest annunciation circuit as directed by Authority Having Jurisdiction.
  - 4. Detector Bases: Quantity equal to 2 percent of amount of each type installed, but no fewer than 1 unit of each type. Provide 50 feet of cabling in conduit for each appliance and connect to nearest annunciation circuit as directed by Authority Having Jurisdiction.
  - 5. Keys and Tools: One extra set for access to locked and tamperproofed components.

FIRE STATIONS RENOVATION  
ARLINGTON COUNTY, VIRGINIA  
Architect's Project No: 563006

---

6. Audible and Visual Notification Appliances: One of each type installed. Provide 50 feet of cabling in conduit for each appliance and connect to nearest annunciation circuit as directed by Authority Having Jurisdiction.
7. Fuses: Two of each type installed in the system.

## PART 2 - PRODUCTS

### 2.1 MANUFACTURERS

1. Manufacturer: Subject to compliance with requirements, and fully compatible (UL listed and labeled) with the existing system.

### 2.2 SYSTEMS OPERATIONAL DESCRIPTION

A. Fire-alarm signal initiation shall be by one or more of the following devices:

1. Manual stations.
2. Heat detectors.
3. Smoke detectors.
4. Duct smoke detectors.
5. Automatic sprinkler system water flow.

B. Fire-alarm signal shall initiate the following actions:

1. Continuously operate alarm notification appliances.
2. Identify alarm at fire-alarm control unit and remote annunciators.
3. Transmit an alarm signal to the remote alarm receiving station.
4. Unlock electric door locks in designated egress paths.
5. Release fire and smoke doors held open by magnetic door holders.
6. Switch heating, ventilating, and air-conditioning equipment controls to fire-alarm mode.
7. Record events in the system memory.

C. Supervisory signal initiation shall be by one or more of the following devices and actions:

1. Valve supervisory switch.

D. System trouble signal initiation shall be by one or more of the following devices and actions:

1. Open circuits, shorts, and grounds in designated circuits.
2. Opening, tampering with, or removing alarm-initiating and supervisory signal-initiating devices.
3. Loss of primary power at fire-alarm control unit.
4. Ground or a single break in fire-alarm control unit internal circuits.
5. Abnormal ac voltage at fire-alarm control unit.
6. Break in standby battery circuitry.
7. Failure of battery charging.
8. Abnormal position of any switch at fire-alarm control unit or annunciator.

FIRE STATIONS RENOVATION  
ARLINGTON COUNTY, VIRGINIA  
Architect's Project No: 563006

---

- E. System Trouble and Supervisory Signal Actions: Initiate notification appliance and annunciate at fire-alarm control unit and remote annunciators.

2.3 FIRE-ALARM CONTROL UNIT

- A. FACP's are Existing to Remain. Upgrade as required to provide required functionality at the FACP's and to serve the renovated space.
- B. General Requirements for Fire-Alarm Control Unit:
  - 1. Field-programmable, microprocessor-based, modular, power-limited design with electronic modules, complying with UL 864 and listed and labeled by an NRTL.
    - a. System software and programs shall be held in flash electrically erasable programmable read-only memory (EEPROM), retaining the information through failure of primary and secondary power supplies.
    - b. Include a real-time clock for time annotation of events on the event recorder and printer.
  - 2. Addressable initiation devices that communicate device identity and status.
    - a. Smoke sensors shall additionally communicate sensitivity setting.
    - b. Temperature sensors shall additionally test for and communicate the sensitivity range of the device.
  - 3. Addressable control circuits for operation of mechanical equipment.
- C. Alphanumeric Display and System Controls: Arranged for interface between human operator at fire-alarm control unit and addressable system components including annunciation and supervision. Display alarm, supervisory, and component status messages and the programming and control menu.
- D. Circuits:
  - 1. Initiating Device, Notification Appliance, and Signaling Line Circuits: NFPA 72, Class A.
    - a. Initiating Device Circuits: Style D.
    - b. Notification Appliance Circuits: Style Z.
    - c. Signaling Line Circuits: Style 6.
- E. Door Controls: Door hold-open devices that are controlled by smoke detectors at doors in smoke barrier walls shall be connected to fire-alarm system.
- F. Transmission to Remote Alarm Receiving Station: Automatically transmit alarm, supervisory, and trouble signals to a remote alarm station.

FIRE STATIONS RENOVATION  
ARLINGTON COUNTY, VIRGINIA  
Architect's Project No: 563006

---

- G. Primary Power: 24-V dc obtained from 120-V ac service and a power-supply module. Initiating devices, notification appliances, signaling lines, trouble signals, supervisory and digital alarm communicator transmitters shall be powered by 24-V dc source.
1. Alarm current draw of entire fire-alarm system shall not exceed 80 percent of the power-supply module rating.
- H. Emergency Power Supply: Components include batteries, charger, and automatic transfer switch.
1. Batteries: Sealed lead calcium.
    - a. Batteries shall be in accordance with fire alarm system manufacturer's installation instructions.
    - b. Battery Nominal Life Expectancy: 10 years, minimum.
    - c. Battery date code shall indicate battery age of not more than 3 months at time of system acceptance.
    - d. Battery Capacity: Comply with NFPA 72.
  2. Battery Charger: Solid-state, fully automatic, variable-charging-rate type. Provide capacity for 150 percent of the connected system load while maintaining batteries at full charge. If batteries are fully discharged, the charger recharges them completely within four hours. Charger output is supervised as part of system power supply supervision.
  3. Integral Automatic Transfer Switch: Transfers the load to the battery without loss of signals or status indications when normal power fails.
- I. Instructions: Computer printout or typewritten instruction card mounted behind a plastic or glass cover in a stainless-steel or aluminum frame. Include interpretation and describe appropriate response for displays and signals. Briefly describe the functional operation of the system under normal, alarm, and trouble conditions.

## 2.4 MANUAL FIRE-ALARM BOXES

- A. General Requirements for Manual Fire-Alarm Boxes: Comply with UL 38. Boxes shall be finished in red with molded, raised-letter operating instructions in contrasting color; shall show visible indication of operation; and shall be mounted on recessed outlet box. If indicated as surface mounted, provide manufacturer's surface back box.
1. Double-action mechanism requiring two actions to initiate an alarm, pull-lever type; with integral addressable module arranged to communicate manual-station status (normal, alarm, or trouble) to fire-alarm control unit.
  2. Station Reset: Key-operated switch.

## 2.5 SYSTEM SMOKE DETECTORS

- A. General Requirements for System Smoke Detectors:
1. Comply with UL 268; operating at 24-V dc, nominal.
  2. Detectors shall be two-wire type.



FIRE STATIONS RENOVATION  
ARLINGTON COUNTY, VIRGINIA  
Architect's Project No: 563006

---

3. Base Mounting: Detector and associated electronic components shall be mounted in a twist-lock module that connects to a fixed base. Provide terminals in the fixed base for connection to building wiring.
4. Self-Restoring: Detectors do not require resetting or readjustment after actuation to restore them to normal operation.
5. Integral Visual-Indicating Light: LED type indicating detector has operated and power-on status.

B. Photoelectric Smoke Detectors:

1. Detector address shall be accessible from fire-alarm control unit and shall be able to identify the detector's location within the system and its sensitivity setting.
2. An operator at fire-alarm control unit, having the designated access level, shall be able to manually access the following for each detector:
  - a. Primary status.
  - b. Device type.
  - c. Present average value.
  - d. Present sensitivity selected.
  - e. Sensor range (normal, dirty, etc.).

C. Duct Smoke Detectors: Photoelectric type complying with UL 268A.

1. Detector address shall be accessible from fire-alarm control unit and shall be able to identify the detector's location within the system and its sensitivity setting.
2. An operator at fire-alarm control unit, having the designated access level, shall be able to manually access the following for each detector:
  - a. Primary status.
  - b. Device type.
  - c. Present average value.
  - d. Present sensitivity selected.
  - e. Sensor range (normal, dirty, etc.).
3. Weatherproof Duct Housing Enclosure: NEMA 250, Type 4X; NRTL listed for use with the supplied detector.
4. Each sensor shall have multiple levels of detection sensitivity.
5. Sampling Tubes: Design and dimensions as recommended by manufacturer for specific duct size, air velocity, and installation conditions where applied.

## 2.6 HEAT DETECTORS

- A. General Requirements for Heat Detectors: Comply with UL 521.
- B. Heat Detector, Combination Type: Actuated by either a fixed temperature of 135 deg F or a rate of rise that exceeds 15 deg F per minute unless otherwise indicated.
  1. Mounting: Twist-lock base interchangeable with smoke-detector bases.

FIRE STATIONS RENOVATION  
ARLINGTON COUNTY, VIRGINIA  
Architect's Project No: 563006

---

2. Integral Addressable Module: Arranged to communicate detector status (normal, alarm, or trouble) to fire-alarm control unit.

## 2.7 NOTIFICATION APPLIANCES

- A. General Requirements for Notification Appliances: Connected to notification appliance signal circuits, zoned as indicated, equipped for mounting as indicated and with screw terminals for system connections.
  1. Combination Devices: Factory-integrated audible and visible devices in a single-mounting assembly, equipped for mounting as indicated and with screw terminals for system connections.
- B. Horns: Electric-vibrating-polarized type, 24-V dc; with provision for housing the operating mechanism behind a grille. Comply with UL 464. Horns shall produce a sound-pressure level of 90 dBA, measured 10 feet from the horn, using the Code-3 coded signal prescribed in UL 464 test protocol.
- C. Bells: Electric-vibrating, 24-V dc, under-dome type; with provision for housing the operating mechanism behind the bell. When operating, bells provide a sound-pressure level of 94 dB, measured 10 feet from the bell. 10-inch size, unless otherwise indicated. Bells are weatherproof.
- D. Visible Notification Appliances: Xenon strobe lights comply with UL 1971, with clear or nominal white polycarbonate lens mounted on an aluminum faceplate. The word "FIRE" is engraved in minimum 1-inch-high letters on the lens.
  1. Rated Light Output:
    - a. 15/30/75/110 cd, selectable in the field.
  2. Mounting: Wall mounted unless otherwise indicated.
  3. For units with guards to prevent physical damage, light output ratings shall be determined with guards in place.
  4. Flashing shall be in a temporal pattern, synchronized with other units.
  5. Strobe Leads: Factory connected to screw terminals.
  6. Mounting Faceplate: Factory finished, red.

## 2.8 MAGNETIC DOOR HOLDERS

- A. Description: Units are equipped for wall or floor mounting as indicated and are complete with matching doorplate.
  1. Electromagnet: Requires no more than 3 W to develop 25-lbf holding force.
  2. Wall-Mounted Units: Flush mounted unless otherwise indicated.
  3. Rating: 120-V ac.
- B. Material and Finish: Match door hardware.

FIRE STATIONS RENOVATION  
ARLINGTON COUNTY, VIRGINIA  
Architect's Project No: 563006

---

2.9 REMOTE ANNUNCIATOR

- A. Description: Annunciator functions shall match those of fire-alarm control unit for alarm, supervisory, and trouble indications. Manual switching functions shall match those of fire-alarm control unit, including acknowledging, silencing, resetting, and testing.
  - 1. Mounting: Flush cabinet, NEMA 250, Type 1.
- B. Display Type and Functional Performance: Alphanumeric display and LED indicating lights shall match those of fire-alarm control unit. Provide controls to acknowledge, silence, reset, and test functions for alarm, supervisory, and trouble signals.

2.10 ADDRESSABLE INTERFACE DEVICE

- A. Description: Microelectronic monitor module, NRTL listed for use in providing a system address for alarm-initiating devices for wired applications with normally open contacts.

PART 3 - EXECUTION

3.1 EQUIPMENT INSTALLATION

- A. Comply with NFPA 72 for installation of fire-alarm equipment.
- B. Connecting to Existing Equipment: Verify that existing fire-alarm system is operational before making changes or connections.
  - 1. Connect new equipment to existing control panel in existing part of the building.
  - 2. Connect new equipment to existing monitoring equipment at the supervising station.
  - 3. Expand, modify, and supplement existing equipment as necessary to extend existing functions to the new points. New components shall be capable of merging with existing configuration without degrading the performance of either system.
- C. Smoke- or Heat-Detector Spacing:
  - 1. Comply with NFPA 72, "Smoke-Sensing Fire Detectors" Section in the "Initiating Devices" Chapter, for smoke-detector spacing.
  - 2. Comply with NFPA 72, "Heat-Sensing Fire Detectors" Section in the "Initiating Devices" Chapter, for heat-detector spacing.
  - 3. HVAC: Locate detectors not closer than [3 feet] [5 feet] from air-supply diffuser or return-air opening.
- D. Duct Smoke Detectors: Comply with NFPA 72 and NFPA 90A. Install sampling tubes so they extend the full width of duct.

FIRE STATIONS RENOVATION  
ARLINGTON COUNTY, VIRGINIA  
Architect's Project No: 563006

---

- E. Audible Alarm-Indicating Devices: Install not less than 6 inches below the ceiling. Install bells and horns on flush-mounted back boxes with the device-operating mechanism concealed behind a grille.
- F. Visible Alarm-Indicating Devices: Install adjacent to each alarm bell or alarm horn and at least 6 inches below the ceiling.
- G. Device Location-Indicating Lights: Locate in public space near the device they monitor.
- H. Fire-Alarm Control Unit: Surface mounted, with tops of cabinets not more than 72 inches above the finished floor.
- I. Annunciator: Install with top of panel not more than 72 inches above the finished floor.

### 3.2 CONNECTIONS

- A. For fire-protection systems related to doors in fire-rated walls and partitions and to doors in smoke partitions, comply with requirements in Division 08 Section "Door Hardware." Connect hardware and devices to fire-alarm system.
  - 1. Verify that hardware and devices are NRTL listed for use with fire-alarm system in this Section before making connections.
- B. Make addressable connections with a supervised interface device to the following devices and systems. Install the interface device less than 3 feet from the device controlled. Make an addressable confirmation connection when such feedback is available at the device or system being controlled.
  - 1. Smoke dampers in air ducts of designated air-conditioning duct systems.
  - 2. Supervisory connections at valve supervisory switches.

### 3.3 IDENTIFICATION

- A. Identify system components, wiring, cabling, and terminals. Comply with requirements for identification specified in Division 26 Section "Identification for Electrical Systems."
- B. Install framed instructions in a location visible from fire-alarm control unit.

### 3.4 GROUNDING

- A. Ground fire-alarm control unit and associated circuits; comply with IEEE 1100. Install a ground wire from main service ground to fire-alarm control unit.

### 3.5 PROGRAMMING

FIRE STATIONS RENOVATION  
ARLINGTON COUNTY, VIRGINIA  
Architect's Project No: 563006

---

- A. Provide all system programming required to accomplish the functions outlined by this specification, and the Fire Alarm Input/Output Matrix (on the Contract Drawings), and as required by the Authority Having Jurisdiction.
  - 1. Space names and numbers used in the programming shall be per the Owner's list, not necessarily those indicated on the Contract Documents.

3.6 FIELD QUALITY CONTROL

- A. Field tests shall be witnessed by authorities having jurisdiction.
- B. Perform tests and inspections.
  - 1. Manufacturer's Field Service: Engage a factory-authorized service representative to inspect components, assemblies, and equipment installations, including connections, and to assist in testing.
- C. Tests and Inspections:
  - 1. Visual Inspection: Conduct visual inspection prior to testing.
    - a. Inspection shall be based on completed Record Drawings and system documentation that is required by NFPA 72 in its "Completion Documents, Preparation" Table in the "Documentation" Section of the "Fundamentals of Fire Alarm Systems" Chapter.
    - b. Comply with "Visual Inspection Frequencies" Table in the "Inspection" Section of the "Inspection, Testing and Maintenance" Chapter in NFPA 72; retain the "Initial/Reacceptance" column and list only the installed components.
  - 2. System Testing: Comply with "Test Methods" Table in the "Testing" Section of the "Inspection, Testing and Maintenance" Chapter in NFPA 72.
  - 3. Factory-authorized service representative shall prepare the "Fire Alarm System Record of Completion" in the "Documentation" Section of the "Fundamentals of Fire Alarm Systems" Chapter in NFPA 72 and the "Inspection and Testing Form" in the "Records" Section of the "Inspection, Testing and Maintenance" Chapter in NFPA 72.
- D. Reacceptance Testing: Perform reacceptance testing to verify the proper operation of added or replaced devices and appliances.
- E. Fire-alarm system will be considered defective if it does not pass tests and inspections.
- F. Prepare test and inspection reports.
- G. Annual Test and Inspection: One year after date of Substantial Completion, test fire-alarm system complying with visual and testing inspection requirements in NFPA 72. Use forms developed for initial tests and inspections.

FIRE STATIONS RENOVATION  
ARLINGTON COUNTY, VIRGINIA  
Architect's Project No: 563006

---

3.7 DEMONSTRATION

- A. Engage a factory-authorized service representative to train Owner's maintenance personnel to adjust, operate, and maintain fire-alarm system.

END OF SECTION 283111

# PROJECT SPECIFICATIONS

## ARLINGTON COUNTY KELLY DAY RENOVATIONS FIRE STATION 9

1900 S WALTER REED DR  
ARLINGTON COUNTY, VIRGINIA  
22204

**MOSELEY**ARCHITECTS

ARCHITECT/ENGINEER

RICHMOND, VIRGINIA

PERMIT SET

**September 22, 2021**

A/E's Proj. #563006 Set No.

FIRE STATIONS RENOVATION  
ARLINGTON COUNTY, VIRGINIA  
Architect's Project No: 563006

---

SPECIFICATIONS

DIVISION 1 – GENERAL REQUIREMENTS

011000	Summary
012000	Price and Payment Procedures
012500	Substitution Procedures
013000	Administrative Requirements
013216	Construction Progress Schedule
014000	Quality Requirements
014200	Definitions and Reference Standards
014520	Testing, Adjusting, and Balancing (TAB)
015000	Temporary Facilities and Controls
016000	Product Requirements
017000	Execution and Closeout Requirements
017419	Construction Waste Management and Disposal
017800	Closeout Submittals
017900	Demonstration and Training
018119	Indoor Air Quality Requirements

DIVISION 2 – EXISTING CONDITIONS

024100	Demolition
--------	------------

DIVISION 3 – CONCRETE (not used)

DIVISION 4 – MASONRY

042000	Unit Masonry
--------	--------------

DIVISION 5 – METALS

055000	Metal Fabrications
--------	--------------------

DIVISION 6 – WOOD PLASTICS AND COMPOSITES

061000	Rough Carpentry
--------	-----------------

DIVISION 7 – THERMAL AND MOISTURE PROTECTION

079200	Joint Sealants
--------	----------------

DIVISION 8 – OPENINGS

081113	Steel Doors and Frames
083100	Access Doors and Panels

DIVISION 9 – FINISHES

092216	Cold Formed Steel Framing - Non-Structural (CFSF-NS)
092900	Gypsum Board
093000	Tiling
095100	Acoustical Ceilings
096513	Resilient Base and Accessories
099123	Interior Painting



FIRE STATIONS RENOVATION  
ARLINGTON COUNTY, VIRGINIA  
Architect's Project No: 563006

---

DIVISION 10 – SPECIALTIES

102800 Toilet and Bath Accessories

DIVISION 11 – EQUIPMENT (not used)DIVISION 12 – FURNISHINGS (not used)DIVISION 13 – SPECIAL CONSTRUCTION (not used)DIVISION 14 – CONVEYING SYSTEMS (not used)DIVISION 21 – FIRE SUPPRESSION

211000 Water-Based Fire-Suppression Systems

DIVISION 22 – PLUMBING

220500 Common Work Results for Plumbing  
220517 Sleeves and Sleeve Seals for Plumbing Piping  
220519 Meters and Gages for Plumbing Piping  
220523 General-Duty Valves for Plumbing Piping  
220529 Hangers and Supports for Plumbing Piping and Equipment  
220553 Identification for Plumbing Piping and Equipment  
220700 Plumbing Insulation  
221113 Facility Natural Gas Piping  
221116 Domestic Water Piping  
221119 Domestic Water Piping Specialties  
221316 Sanitary Waste and Vent Piping  
221319 Sanitary Waste Piping Specialties  
224000 Plumbing Fixtures

DIVISION 23 – MECHANICAL

230500 Common Work Results for HVAC  
230513 Motors for HVAC Equipment  
230514 Variable Speed Drives  
230529 Hangers and Supports for HVAC Piping and Equipment  
230548 Vibration Control for HVAC  
230700 HVAC Insulation  
230900 Building Automation System  
230993 Sequence of Control for HVAC Controls  
232300 Refrigerant Piping  
233113 Metal Ducts  
233300 Air Duct Accessories  
233423 HVAC Power Ventilators  
233713 Diffusers, Registers, and Grilles  
234100 Particulate Air Filtration  
237413 Packaged Rooftop Units  
238126 Ductless Mini-Split Air Conditioning Units

FIRE STATIONS RENOVATION  
ARLINGTON COUNTY, VIRGINIA  
Architect's Project No: 563006

---

DIVISION 25 – INTEGRATED AUTOMATION (not used)

DIVISION 26 – ELECTRICAL

260519	Low-Voltage Electrical Power Conductors and Cables
260523	Control-Voltage Electrical Power Cables
260526	Grounding and Bonding for Electrical Systems
260529	Hangers and Supports for Electrical Systems
260533	Raceway and Boxes for Electrical Systems
260553	Identification for Electrical Systems
260923	Lighting Control Devices
262726	Wiring Devices
262813	Fuses
262816	Enclosed Switches and Circuit Breakers
265100	Interior Lighting

DIVISION 27 – COMMUNICATIONS

270000	Communications
270528	Pathways for Communications Systems

DIVISION 28 – ELECTRONIC SAFETY AND SECURITY

283111	Digital, Addressable Fire-Alarm System
--------	--

DIVISION 31 – EARTHWORK (not used)

DIVISION 32 – EXTERIOR IMPROVEMENTS (not used)

DIVISION 33 – UTILITIES (not used)

DIVISION 34 – TRANSPORTATION (not used)

END OF TABLE OF CONTENTS

FIRE STATIONS RENOVATION  
Arlington County, Virginia  
Architect's Project No.: 563006

---

**SECTION 011000  
SUMMARY**

**PART 1 GENERAL**

**1.01 PROJECT**

- A. Project Name: Arlington County Fire Stations Renovation.
- B. Owner's Name: Arlington County, Virginia.
- C. Architect's Name: Moseley Architects of Richmond, VA.

**1.02 CONTRACT DESCRIPTION**

- A. Contract Type: A single prime contract based on a Stipulated Price as described in Document 005200 - Agreement Form.

**1.03 PROFESSIONAL SEALS**

- A. Use of Professional Seals on Bidding, Procurement, and Contract Documents: For the purposes of this paragraph, the term "Regulant" refers to the individual who signs and seals parts of the Contract Documents (e.g. the Drawings and Specifications). Certain information has been excerpted verbatim from a source or sources (e.g., UL Assemblies, SMACNA details, IBC code text) which was considered or used by Regulant in preparing parts of the Contract Documents, as follows:
  - 1. The excerpted information was neither prepared under the direct control nor personal supervision nor created by the Regulant, as it was prepared by the source and owner of the excerpted information.
  - 2. For purposes of bidding, procuring, and performance of the Work, and in any event of conflicts or ambiguities between the excerpted information in the Contract Documents and the requirements of applicable codes and standards, provide the better quality or greater quantity of Work which, at a minimum, complies with the requirements of the applicable codes and standards.
  - 3. Advise Architect immediately upon becoming aware of requirements of the Work which are not consistent with the requirements of the excerpted information.
  - 4. Attribution is acknowledged for information obtained and included herein verbatim from other source or sources.
  - 5. Regulant has taken into consideration and used certain excerpted information from other sources which are applicable to the Contract Documents, and the Regulant indicates by its seal that it is assuming responsibility for its services in use and application of the excerpted information to the requirements of Work, but not for the excerpted information itself which was prepared by others. Regulant does not indicate by its seal that it is responsible for use or application of other information in such source or sources which was not included herein.

**1.04 WORK BY OWNER**

- A. Owner will furnish and install the following items before Substantial Completion. Contractor shall coordinate with and accommodate Owner's construction forces.
  - 1. Indicated metal lockers.
- B. Owner will furnish the following for installation by Contractor:
  - 1. Indicated appliances.

**1.05 OWNER OCCUPANCY**

- A. Owner intends to continue to occupy adjacent portions of the existing building during the entire construction period.
- B. Owner intends to occupy the Project upon Substantial Completion.
- C. Cooperate with Owner to minimize conflict and to facilitate Owner's operations.
- D. Schedule the Work to accommodate Owner occupancy.
  - 1. Maintain routes of egress and life safety systems for Owner and occupants at all times.

FIRE STATIONS RENOVATION  
Arlington County, Virginia  
Architect's Project No.: 563006

---

**1.06 CONTRACTOR USE OF SITE AND PREMISES**

- A. Construction Operations: Limited to areas noted on Drawings.
  - 1. Locate and conduct construction activities in ways that will limit disturbance to site.
- B. Provide access to and from site as required by law and by Owner:
  - 1. Emergency Building Exits During Construction: Keep all exits required by code open during construction period; provide temporary exit signs if exit routes are temporarily altered.
  - 2. Do not obstruct roadways, sidewalks, or other public ways without permit.
- C. Existing building spaces may not be used for storage.
- D. Existing building shall be maintained weathertight. Do not modify elements of the existing building except as indicated on the Construction Documents. Repair damage to the existing building due to construction activity.
- E. Time Restrictions:
  - 1. Limit conduct of especially noisy, malodorous, and dusty work to the hours of 8 AM to 4 PM.
  - 2. Comply with local regulations for hours of work, noise ordinances, and similar requirements.
- F. Utility Outages and Shutdown:
  - 1. Limit disruption of utility services to hours the building is unoccupied.
  - 2. Do not disrupt or shut down life safety systems, including but not limited to fire sprinklers and fire alarm system, without 7 days notice to Owner and authorities having jurisdiction.
  - 3. Prevent accidental disruption of utility services to other facilities.
- G. Controlled Substances: The use of alcohol and drugs is not permitted on the Project site. Provide a designated outdoor smoking area for construction personnel that is at least 25 feet away from the building.

**1.07 SPECIFICATION SECTIONS APPLICABLE TO ALL WORK**

- A. The provisions of the Owner/Contractor agreement, General Conditions of the Contract, Supplementary Conditions (if any), and all Division 01 sections shall apply to all sections of the Project Manual. In the event of discrepancy or conflict, the Owner/Contractor agreement and any associated conditions shall govern.

**PART 2 PRODUCTS - NOT USED**

**PART 3 EXECUTION - NOT USED**

**END OF SECTION**

FIRE STATIONS RENOVATION  
Arlington County, Virginia  
Architect's Project No.: 563006

---

**SECTION 012000  
PRICE AND PAYMENT PROCEDURES**

**PART 1 GENERAL**

**1.01 SECTION INCLUDES**

- A. Procedures for preparation and submittal of applications for progress payments.

**1.02 SCHEDULE OF VALUES**

- A. Use Schedule of Values Form: AIA G703, unless otherwise agreed to by Owner in writing.
- B. Forms filled out by hand will not be accepted.
- C. Format: Utilize the Table of Contents of this Project Manual. Identify each line item with number and title of the specification section. Identify site mobilization.
- D. Include in each line item, the amount of Allowances specified in this section. For unit cost Allowances, identify quantities taken from Contract Documents multiplied by the unit cost to achieve the total for the item.
- E. Include separately from each line item, a direct proportional amount of Contractor's overhead and profit.
- F. Revise schedule to list approved Change Orders, with each Application For Payment.
  - 1. When a Change Order includes multiple PCOs, break down the total Change Order to include each PCO as an individual line item.

**1.03 APPLICATIONS FOR PROGRESS PAYMENTS**

- A. Payment Period: Submit at intervals stipulated in the Agreement.
- B. Use Form AIA G702 and Form AIA G703.
- C. Electronic media printout including equivalent information will be considered in lieu of standard form specified; submit sample to Architect for approval.
- D. Forms filled out by hand will not be accepted.
- E. For each item, provide a column for listing each of the following:
  - 1. Item Number.
  - 2. Description of work.
  - 3. Scheduled Values.
  - 4. Previous Applications.
  - 5. Work in Place and Stored Materials under this Application.
  - 6. Authorized Change Orders.
  - 7. Total Completed and Stored to Date of Application.
  - 8. Balance to Finish.
  - 9. Retainage.
- F. Execute certification by signature of authorized officer.
- G. Use data from approved Schedule of Values. Provide dollar value in each column for each line item for portion of work performed and for stored products.
- H. List each authorized Change Order as a separate line item, listing Change Order number and dollar amount as for an original item of work.
  - 1. When a Change Order includes multiple PCOs, break down the total Change Order to include each PCO as an individual line item.
- I. Submit one electronic and three hard-copies of each Application for Payment.
- J. Include the following with the application:
  - 1. Transmittal letter as specified for submittals in Section 013000.
  - 2. Construction progress schedule, revised and current as specified in Section 013000.
  - 3. Partial release of liens from major subcontractors and vendors.
  - 4. Affidavits attesting to off-site stored products.

FIRE STATIONS RENOVATION  
Arlington County, Virginia  
Architect's Project No.: 563006

---

#### 1.04 MODIFICATION PROCEDURES

- A. For minor changes not involving an adjustment to the Contract Sum or Contract Time, Architect will issue instructions directly to Contractor on AIA Document G710 "Architect's Supplemental Instructions."
- B. For changes for which advance pricing is desired, Architect will issue a document that includes a detailed description of a proposed change with supplementary or revised drawings and specifications, a change in Contract Time for executing the change with a stipulation of any overtime work required and the period of time during which the requested price will be considered valid. Contractor shall prepare and submit a fixed price quotation within 7 days.
- C. Contractor may propose a change by submitting a request for change to Architect, describing the proposed change and its full effect on the work, with a statement describing the reason for the change, and the effect on the Contract Sum and Contract Time with full documentation.
- D. For other required changes, Architect will issue a Construction Change Directive, on AIA Document G714, signed by Owner instructing Contractor to proceed with the change, for subsequent inclusion in a Change Order.
  - 1. The document will describe the required changes and will designate method of determining any change in Contract Sum or Contract Time.
  - 2. Promptly execute the change.
- E. Computation of Change in Contract Amount: As specified in the Agreement and Conditions of the Contract.
  - 1. For change requested by Architect for work falling under a fixed price contract, the amount will be based on Contractor's price quotation.
  - 2. For change requested by Contractor, the amount will be based on the Contractor's request for a Change Order as approved by Architect.
  - 3. For pre-determined unit prices and quantities, the amount will be based on the fixed unit prices.
- F. Substantiation of Costs: Provide full information required for evaluation.
  - 1. Provide the following data:
    - a. Quantities of products, labor, and equipment.
    - b. Taxes, insurance, and bonds.
    - c. Overhead and profit.
    - d. Justification for any change in Contract Time.
    - e. Credit for deletions from Contract, similarly documented.
  - 2. Support each claim for additional costs with additional information:
    - a. Origin and date of claim.
    - b. Dates and times work was performed, and by whom.
    - c. Time records and wage rates paid.
    - d. Invoices and receipts for products, equipment, and subcontracts, similarly documented.
- G. Execution of Change Orders: Architect will issue Change Orders on AIA Document G701 for signatures of parties as provided in the Conditions of the Contract.
- H. After execution of Change Order, promptly revise Schedule of Values and Application for Payment forms to record each authorized Change Order as a separate line item and adjust the Contract Sum.
- I. Promptly revise progress schedules to reflect any change in Contract Time, revise sub-schedules to adjust times for other items of work affected by the change, and resubmit.

#### 1.05 APPLICATION FOR FINAL PAYMENT

- A. Prepare Application for Final Payment as specified for progress payments, identifying total adjusted Contract Sum, previous payments, and sum remaining due.
- B. Application for Final Payment will not be considered until the following have been accomplished:

FIRE STATIONS RENOVATION  
Arlington County, Virginia  
Architect's Project No.: 563006

---

1. All closeout procedures specified in Section 017000.
- C. Provide evidence and supporting data for the following, as attachments to the Application for Final Payment:
  1. AIA G706, "Contractor's Affidavit of Payment of Debts and Claims."
  2. AIA G707, "Consent of Surety to Final Payment."
  3. Settlement of all debts and claims, including liquidated damages, taxes, and fees.
  4. Utility meter readings, fuel levels, and similar measurements, as of the date of turn over to the Owner.
  5. Certificates for insured products.

**PART 2 PRODUCTS - NOT USED**

**PART 3 EXECUTION - NOT USED**

**END OF SECTION**

FIRE STATIONS RENOVATION  
Arlington County, Virginia  
Architect's Project No.: 563006

---

**SECTION 012500  
SUBSTITUTION PROCEDURES**

**PART 1 GENERAL**

**1.01 DEFINITIONS**

- A. Substitutions: Changes from Contract Documents requirements proposed by Contractor to materials, products, assemblies, and equipment.
  - 1. Substitutions for Cause: Proposed due to changed Project circumstances beyond Contractor's control, such as unavailability, regulatory changes, or unobtainable warranty terms.
  - 2. Substitutions for Convenience: Proposed due to possibility of offering substantial advantage to the Project.

**PART 2 PRODUCTS - NOT USED**

**PART 3 EXECUTION**

**3.01 GENERAL REQUIREMENTS**

- A. A Substitution Request for products, assemblies, materials, and equipment constitutes a representation that the submitter:
  - 1. Has investigated proposed product and determined that it meets or exceeds the quality level of the specified product, equipment, assembly, or system.
  - 2. Agrees to provide the same warranty for the substitution as for the specified product.
  - 3. Agrees to provide same or equivalent maintenance service and source of replacement parts, as applicable.
  - 4. Agrees to coordinate installation and make changes to other work that may be required for the work to be complete, with no additional cost to Owner.
  - 5. Waives claims for additional costs or time extension that may subsequently become apparent.
  - 6. Agrees to reimburse Owner and Architect for review or redesign services associated with re-approval by authorities.
- B. Document each request with complete data substantiating compliance of proposed substitution with Contract Documents. Burden of proof is on proposer.
  - 1. Note explicitly any non-compliant characteristics.
- C. Content: Include information necessary for tracking the status of each Substitution Request, and information necessary to provide an actionable response.
  - 1. A copy of the Substitution Request Form that shall be used is included at the end of this Section for informational purposes. Request a Word or editable PDF version of the form from the Architect and complete the form digitally; do not complete the form by hand.
  - 2. Contractor's Substitution Request documentation must include the following:
    - a. Substitution Request Information:
      - 1) Indication of whether the substitution is for cause or convenience.
      - 2) Issue date.
      - 3) Reference to particular Contract Document(s) specification section number, title, and article/paragraph(s).
      - 4) Description of Substitution.
      - 5) Reason why the specified item cannot be provided.
      - 6) Description of how proposed substitution affects other parts of work.
    - b. Attached Comparative Data: Provide point-by-point, side-by-side comparison addressing essential attributes specified, as appropriate and relevant for the item:
      - 1) Physical characteristics.
      - 2) In-service performance.
      - 3) Expected durability.
      - 4) Visual effect.
      - 5) Sustainable design features.
      - 6) Warranties.
      - 7) Other salient features and requirements.



FIRE STATIONS RENOVATION  
Arlington County, Virginia  
Architect's Project No.: 563006

---

- 8) Include, as appropriate or requested, the following types of documentation:
  - (a) Product Data:
  - (b) Samples.
  - (c) Certificates, test, reports or similar qualification data.
  - (d) Drawings, when required to show impact on adjacent construction elements.
- c. Impact of Substitution: Provide data indicating cost savings to Owner and change in Contract Time due to accepting substitution.
- D. Limit each request to a single proposed substitution item.
  - 1. Submit an electronic document, combining the request form with supporting data into single document.

**3.02 SUBSTITUTION PROCEDURES DURING CONSTRUCTION**

- A. Architect will consider requests for substitutions for convenience only within 30 days after date of Agreement.
  - 1. Substitutions for convenience submitted after this time period may or may not be considered, at the Architect's discretion.
- B. Submit request for Substitution for Cause immediately upon discovery of need for substitution, but not later than 14 days prior to time required for review and approval by Architect, in order to stay on approved project schedule.
- C. Submit request for Substitution for Convenience immediately upon discovery of its potential advantage to the project, but not later than 14 days prior to time required for review and approval by Architect, in order to stay on approved project schedule.
  - 1. In addition to meeting general documentation requirements, document how the requested substitution benefits the Owner through cost savings, time savings, greater energy conservation, or in other specific ways.
  - 2. Document means of coordinating of substitution item with other portions of the work, including work by affected subcontractors.
  - 3. Bear the costs engendered by proposed substitution of:
    - a. Owner's compensation to the Architect for any required redesign, time spent processing and evaluating the request.
    - b. Other unanticipated project considerations.
- D. Substitutions will not be considered under one or more of the following circumstances:
  - 1. When they are indicated or implied on shop drawing or product data submittals, without having received prior approval.
  - 2. Without a separate written request.

**3.03 RESOLUTION**

- A. Architect may request additional information and documentation prior to rendering a decision. Provide this data in an expeditious manner.
- B. Architect will notify Contractor in writing of decision to accept or reject request.

**3.04 ACCEPTANCE**

- A. Accepted substitutions change the work of the Project. They will be documented and incorporated into work of the project by Change Order, Construction Change Directive, Architectural Supplementary Instructions, or similar instruments provided for in the Conditions of the Contract.

**3.05 CLOSEOUT ACTIVITIES**

- A. See Section 017800 - Closeout Submittals, for closeout submittals.

**END OF SECTION**

FIRE STATIONS RENOVATION  
Arlington County, Virginia  
Architect's Project No.: 563006

---

**SECTION 013000  
ADMINISTRATIVE REQUIREMENTS**

**PART 1 GENERAL**

**1.01 GENERAL ADMINISTRATIVE REQUIREMENTS**

- A. Comply with requirements of Section 017000 - Execution and Closeout Requirements for coordination of execution of administrative tasks with timing of construction activities.
- B. Electronic File Distribution: Upon request, Contractor may be provided electronic files for use in coordination of the Work and preparation of submittals. Contractor shall submit a signed Request Form for Electronic Files, provided by the Architect.
  - 1. Electronic files do not contain all of the information of the Bid Documents or Contract Documents for construction of the Project, and the Architect shall not be responsible for differences between electronic files, Bid Documents, and Contract Documents.

**1.02 SUBMITTALS**

- A. General Contractor Personnel: As soon as practical after award of Contract, provide a summary of General Contractor's on site personnel. Identify each individual, beginning with project superintendent. List project responsibilities, cell phone number, and email address.
- B. Subcontractors: As soon as practical after award of Contract, provide a summary of all companies and individuals engaged as subcontractors for any part of the Project. Include a contact name, company address, phone number, and email address, and identify what part of the Work shall be completed by each subcontractor.
- C. Coordination Drawings: Submit completed Coordination Drawings for Architect's information.

**PART 2 PRODUCTS - NOT USED**

**PART 3 EXECUTION**

**3.01 ELECTRONIC DOCUMENT SUBMITTAL SERVICE**

- A. All documents transmitted for purposes of administration of the contract are to be in electronic (PDF, MS Word, or MS Excel) format, as appropriate to the document, and transmitted via an Internet-based submittal service that receives, logs and stores documents, provides electronic stamping and signatures, and notifies addressees via email.
  - 1. Besides submittals for review, information, and closeout, this procedure applies to Requests for Interpretation (RFIs), progress documentation, contract modification documents (e.g. supplementary instructions, change proposals, change orders), applications for payment, field reports and meeting minutes, Contractor's correction punchlist, and any other document any participant wishes to make part of the project record.
  - 2. It is Contractor's responsibility to submit documents in allowable format.
  - 3. Subcontractors, suppliers, and Architect's consultants will be permitted to use the service at no extra charge.
  - 4. Paper document transmittals will not be reviewed unless previously approved; emailed electronic documents will not be reviewed.
  - 5. All other specified submittal and document transmission procedures apply, except that electronic document requirements do not apply to samples or color selection charts.
- B. Submittal Service: Coordinate method for exchanging files no later than the Preconstruction Meeting. The Architect's "Newforma InfoExchange" website and procedures can be used at no charge. If the Contractor chooses to use a different platform and methodology:
  - 1. The Architect may reject the methodology or platform proposed and:
    - a. use the Architect's Newforma InfoExchange website, or
    - b. the project team will revert to traditional hard-copy exchange;
  - 2. or the Contractor shall bear the cost of software, licensing, training, etc, for the project team to participate.
- C. Project Closeout: Architect will determine when to terminate the service for the project and is responsible for obtaining archive/record copies of files for Owner. If the Project Team uses an alternate platform preferred by the Contractor, the Contractor shall be responsible

FIRE STATIONS RENOVATION  
Arlington County, Virginia  
Architect's Project No.: 563006

---

for distributing archive/record copies of files to Owner and Architect.

### **3.02 PRECONSTRUCTION MEETING**

- A. Architect will schedule a meeting after Notice of Award.
- B. Attendance Required:
  - 1. Owner.
  - 2. Architect.
  - 3. Contractor.
  - 4. Major subcontractors, consultants, and others as necessary and appropriate.
- C. Agenda:
  - 1. Execution of Owner-Contractor Agreement.
  - 2. Submission of executed bonds and insurance certificates.
  - 3. Distribution of Contract Documents.
  - 4. Submission of list of subcontractors, list of products, schedule of values, and progress schedule.
  - 5. Designation of personnel representing the parties to Contract and Architect.
  - 6. Procedures and processing of field decisions, submittals, substitutions, applications for payments, proposal request, Change Orders, and Contract closeout procedures.
  - 7. Scheduling.
  - 8. Site mobilization and utilization.
  - 9. Other project-specific items on pre-distributed agenda.
- D. Architect shall record minutes and distribute digital copies to Owner, Contractor, and other attendees. Contractor shall be responsible for distribution to subcontractors and other personnel affected by decisions made.

### **3.03 INDOOR AIR QUALITY (IAQ) MANAGEMENT PLAN DEVELOPMENT SESSION**

- A. Architect will schedule a meeting after Notice of Award.
- B. Attendance Required:
  - 1. Owner.
  - 2. Architect.
  - 3. Mechanical engineer.
  - 4. Contractor.
  - 5. HVAC subcontractor.
  - 6. Other major subcontractors, consultants, and others as necessary and appropriate.
- C. Agenda:
  - 1. Protection of Materials: Discussion of how and where materials that could impact IAQ will be stored, including but not limited to, the following:
    - a. Insulation.
    - b. Gypsum board.
    - c. Flooring materials.
    - d. Ceiling panels.
    - e. Furnishings.
    - f. Odorous chemicals.
  - 2. Protection of HVAC: Discussion of how HVAC equipment will be stored installed, and operated during construction.
  - 3. Pathway Interruption: Discussion of how airflow between construction zones will be limited to prevent the spreading of pollutants from one part of the building to another.
  - 4. Housekeeping: Discussion of how the building will be kept clean and dry.
  - 5. Materials Installation Scheduling: Discussion of what wet (odor emitting) materials will be used on the project, in order to schedule their installation before fuzzy (odor absorbing) materials.

### **3.04 PREINSTALLATION MEETINGS**

- A. When required in individual specification sections, convene a preinstallation meeting at the site prior to commencing work of the section. Do not allow installation of affected work to proceed until preinstallation meeting can be held.

FIRE STATIONS RENOVATION  
Arlington County, Virginia  
Architect's Project No.: 563006

---

- B. Require attendance of parties directly affecting, or affected by, work of the specific section.
- C. Notify Architect and Owner in advance of meeting date.
- D. Prepare agenda and preside at meeting:
  - 1. Review conditions of examination, preparation and installation procedures.
  - 2. Review coordination with related work.
- E. Record minutes and distribute copies within two days after meeting to participants, with copies to Architect, Owner, participants, and those affected by decisions made.

### **3.05 PROGRESS MEETINGS**

- A. Architect will make arrangements for meetings, prepare agenda with copies for participants, preside at meetings.
- B. Attendance Required:
  - 1. Owner.
  - 2. Architect.
  - 3. Contractor's superintendent.
  - 4. Other subcontractors or consultants as required for the specific parts of the Work to be discussed.
- C. Agenda:
  - 1. Review minutes of previous meetings.
  - 2. Review of work progress.
  - 3. Field observations, problems, and decisions.
  - 4. Identification of problems that impede, or will impede, planned progress.
  - 5. Review of submittals schedule and status of submittals.
  - 6. Review of RFIs log and status of responses.
  - 7. Maintenance of progress schedule.
  - 8. Corrective measures to regain projected schedules.
  - 9. Planned progress during succeeding work period.
  - 10. Maintenance of quality and work standards.
  - 11. Effect of proposed changes on progress schedule and coordination.
  - 12. Other business relating to the work.
- D. Architect shall record minutes and distribute copies to the Owner, Contractor, and other consultants, Owner's representatives, or other third party attendees. The Contractor shall be responsible for distributing to any affected subcontractors and other personnel.

### **3.06 CLOSEOUT MEETING**

- A. Schedule and administer closeout meeting no later than 30 days before the scheduled Date of Substantial Completion.
- B. Make arrangements for the meeting, prepare agenda with copies for participants, and preside at the meeting.
- C. Attendance Required:
  - 1. Owner.
  - 2. Architect.
  - 3. Contractor's superintendent.
  - 4. Major subcontractors.
  - 5. Other subcontractors or consultants as required.
- D. Agenda:
  - 1. Review closeout requirements and procedures in Division 1 Section "Execution and Closeout Requirements."
  - 2. Review startup, testing, and adjusting of all systems, including testing/adjusting/balancing and Commissioning,
  - 3. Coordination of inspections by local authorities having jurisdiction and third party Special Inspectors as required to obtain Certificate of Occupancy.
  - 4. Coordination of Owner's occupancy and changeover of utilities, insurance, and building keying/lock system.

FIRE STATIONS RENOVATION  
Arlington County, Virginia  
Architect's Project No.: 563006

---

5. Procedures for Contractor's Correction Punch List, Architect's Substantial Completion inspection, and Final Correction Punch List.
  6. Delivery, turnover, and storage of maintenance materials, attic stock, special tools, and other non-installed materials.
  7. Coordination of closeout documentation, including demonstration and training materials and videos, as built/record documents, operation and maintenance binders, and warranty binders.
  8. Removal of temporary facilities, construction equipment, and tools.
  9. Final cleaning, touchup, restoration, and preventive maintenance.
  10. Coordination of final Applications for Payment.
- E. Record minutes and distribute copies within two days after meeting to participants, with copies to Architect, Owner, participants, and those affected by decisions made.

### **3.07 DAILY CONSTRUCTION REPORTS**

- A. Include only factual information. Do not include personal remarks or opinions regarding operations and/or personnel.
- B. Prepare a daily construction report recording the following information concerning events at Project site and project progress:
1. Date.
  2. High and low temperatures, and general weather conditions.
  3. List of subcontractors at Project site.
  4. Approximate count of personnel at Project site.
  5. Major equipment at Project site.
  6. Material deliveries.
  7. Safety, environmental, or industrial relations incidents.
  8. Meetings and significant decisions.
  9. Unusual events (submit a separate special report).
  10. Stoppages, delays, shortages, and losses. Include comparison between scheduled work activities (in Contractor's most recently updated and published schedule) and actual activities. Explain differences, if any. Note days or periods when no work was in progress and explain the reasons why.
  11. Directives and requests of Authority(s) Having Jurisdiction (AHJ).
  12. Testing and/or inspections performed.
  13. Signature of Contractor's authorized representative.

### **3.08 COORDINATION DRAWINGS AND COORDINATION CONFERENCE**

- A. Coordination Drawings: The Contractor shall prepare coordination drawings of all spaces where utilities, systems, and other components converge or intersect and efficient installation is required to accommodate all components.
1. Prepare coordination drawings of the following spaces, at minimum. Supplement with additional spaces as required by project-specific conditions.
    - a. Above ceilings.
    - b. Vertical chases, shafts, and wall cavities.
    - c. Mechanical and electrical rooms, fire pump room, and other major utility spaces.
  2. Provide accurate overall dimensions of components (for example, outside diameters of pipe and conduit, or overall ductwork dimensions including insulation and enclosure thickness).
  3. Include accessory components of systems that could cause potential conflicts, such as bracing, slotted channel framing, hangers, and other supports, valve handles, flanges, fittings, cable/wire management trays, and other similar components.
  4. Include sequence of installation of all components, materials, and systems.
  5. Include means of access to each component, material, or system, for maintenance and repairs.
  6. Provide additional coordination drawings as required by individual specification sections.
  7. Prepare Coordination Drawings using project-specific information. Do not use photocopies or reproductions of Contract Documents, and do not use standard details

FIRE STATIONS RENOVATION  
Arlington County, Virginia  
Architect's Project No.: 563006

---

- or data from manufacturers, suppliers, or other outside parties.
8. Drawing Files: The Contractor may develop coordination drawings using 2D CAD software or with 3D BIM software with clash-detection functionality.
    - a. The Architect will furnish original 3D BIM model or 2D DWG files for Contractor's use upon receipt of Architect's "Request Form for Electronic Files". A copy of this form shall be provided to the Contractor upon request.
      - 1) The Architect makes no guarantee to the accuracy of components in electronic files. The Contractor shall coordinate electronic data with the Contract Documents in order to provide final Coordination Drawings.
      - 2) If using 2D files, the Contractor shall prepare drawings in multiple views (for example, RCP and section) to fully represent 3D space, for example plenum heights, wall assembly thicknesses, etc.
  9. Submittal: Submit Coordination Drawings as a "Submittal for Information." Architect will not approve Coordination Drawings, but will keep on file for use in subsequent coordination and conflict resolution.
- B. Coordination Conference: Schedule and conduct a Coordination Conference prior to beginning construction or rough-in of affected work. Require attendance by all affected trades and installers.
1. Identify the Coordination Conference as a "milestone" date on the Construction Progress Schedule.
  2. Advise the Architect of all potential conflicts identified in the Coordination Drawings and at the Coordination Conference.
  3. Do not proceed with construction or installation of components, materials, or systems until potential conflicts have been resolved and affected parties have agreed to a remedy.
  4. Remedies to address conflicts not identified in the Coordination Drawings, at the Coordination Conference, or otherwise addressed prior to construction or installation of affected components, materials, and systems, or discovery of a non-workable situation not identified or addressed, will not be considered as a basis for delay, time extension, or additional cost to the Contract.

### 3.09 REQUESTS FOR INFORMATION (RFI)

- A. Definition: A request seeking one of the following:
1. An interpretation, amplification, or clarification of some requirement of Contract Documents arising from inability to determine from them the exact material, process, or system to be installed; or when the elements of construction are required to occupy the same space (interference); or when an item of work is described differently at more than one place in Contract Documents.
  2. A resolution to an issue which has arisen due to field conditions and affects design intent.
- B. Preparation: Prepare an RFI immediately upon discovery of a need for interpretation of Contract Documents. Failure to submit a RFI in a timely manner is not a legitimate cause for claiming additional costs or delays in execution of the work.
1. Prepare a separate RFI for each specific item.
    - a. Review, coordinate, and comment on requests originating with subcontractors and/or materials suppliers.
    - b. Do not forward requests which solely require internal coordination between subcontractors.
  2. Prepare in a format and with content acceptable to Owner.
  3. Prepare using software provided by the Electronic Document Submittal Service.
  4. Combine RFI and its attachments into a single electronic file. PDF format is preferred.
- C. Reason for the RFI: Prior to initiation of an RFI, carefully study all Contract Documents to confirm that information sufficient for their interpretation is definitely not included.
1. Include in each request Contractor's signature attesting to good faith effort to determine from Contract Documents information requiring interpretation.
  2. Unacceptable Uses for RFIs: Do not use RFIs to request the following:
    - a. Approval of submittals (use procedures specified elsewhere in this section).

FIRE STATIONS RENOVATION  
Arlington County, Virginia  
Architect's Project No.: 563006

---

- b. Approval of substitutions (see Section - 016000 - Product Requirements)
  - c. Changes that entail change in Contract Time and Contract Sum (comply with provisions of the Conditions of the Contract).
  - d. Different methods of performing work than those indicated in the Contract Drawings and Specifications (comply with provisions of the Conditions of the Contract).
3. Improper RFIs: Requests not prepared in compliance with requirements of this section, and/or missing key information required to render an actionable response. They will be returned without a response.
4. Frivolous RFIs: Requests regarding information that is clearly indicated on, or reasonably inferable from, Contract Documents, with no additional input required to clarify the question. They will be returned without a response.
- a. The Owner reserves the right to assess the Contractor for the costs (on time-and-materials basis) incurred by the Architect, and any of its consultants, due to processing of such RFIs.
- D. Content: Include identifiers necessary for tracking the status of each RFI, and information necessary to provide an actionable response.
- 1. Official Project name and number, and any additional required identifiers established in Contract Documents.
  - 2. Owner's, Architect's, and Contractor's names.
  - 3. Discrete and consecutive RFI number, and descriptive subject/title.
  - 4. Issue date, and requested reply date.
  - 5. Reference to particular Contract Document(s) requiring additional information/interpretation. Identify pertinent drawing and detail number and/or specification section number, title, and paragraph(s).
  - 6. Annotations: Field dimensions and/or description of conditions which have engendered the request.
  - 7. Contractor's suggested resolution: A written and/or a graphic solution, to scale, is required in cases where clarification of coordination issues is involved, for example; routing, clearances, and/or specific locations of work shown diagrammatically in Contract Documents. If applicable, state the likely impact of the suggested resolution on Contract Time or the Contract Sum.
- E. Attachments: Include sketches, coordination drawings, descriptions, photos, submittals, and other information necessary to substantiate the reason for the request.
- F. RFI Log: Prepare and maintain a tabular log of RFIs for the duration of the project.
- 1. Indicate current status of every RFI. Update log promptly and on a regular basis.
  - 2. Note dates of when each request is made, and when a response is received.
- G. Review Time: Architect will respond and return RFIs to Contractor within seven calendar days of receipt. For the purpose of establishing the start of the mandated response period, RFIs received after 12:00 noon will be considered as having been received on the following regular working day.
- 1. Response period may be shortened or lengthened for specific items, subject to mutual agreement.
- H. Responses: Content of answered RFIs will not constitute in any manner a directive or authorization to perform extra work or delay the project. If in Contractor's belief it is likely to lead to a change to Contract Sum or Contract Time, promptly issue a notice to this effect, and follow up with an appropriate Change Order request to Owner.
- 1. Response may include a request for additional information, in which case the original RFI will be deemed as having been answered, and an amended one is to be issued forthwith. Identify the amended RFI with an R suffix to the original number.
  - 2. Do not extend applicability of a response to specific item to encompass other similar conditions, unless specifically so noted in the response.
  - 3. Upon receipt of a response, promptly review and distribute it to all affected parties, and update the RFI Log.
  - 4. Notify Architect within seven calendar days if an additional or corrected response is required by submitting an amended version of the original RFI, identified as specified

FIRE STATIONS RENOVATION  
Arlington County, Virginia  
Architect's Project No.: 563006

---

above.

### 3.10 SUBMITTAL SCHEDULE

- A. Submit to Architect for review a schedule for submittals in tabular format.
  - 1. Coordinate with Contractor's construction schedule and schedule of values.
  - 2. Format schedule to allow tracking of status of submittals throughout duration of construction.
  - 3. Arrange information to include scheduled date for initial submittal, specification number and title, submittal category (for review or for information), description of item of work covered, and role and name of subcontractor.
  - 4. Account for time required for preparation, review, manufacturing, fabrication and delivery when establishing submittal delivery and review deadline dates.
    - a. For assemblies, equipment, systems comprised of multiple components and/or requiring detailed coordination with other work, allow for additional time to make corrections or revisions to initial submittals, and time for their review.
    - b. Account for a reasonable duration of time to allow for final color selections, approvals, and preparation of final finish schedules (one finish schedule for interior color selections, and one for exterior color selections). This period shall begin upon receipt of all submittals requiring color selection.

### 3.11 SUBMITTALS FOR REVIEW

- A. When the following are specified in individual sections, submit them for review:
  - 1. Product data.
  - 2. Design data.
  - 3. Shop drawings.
  - 4. Samples for selection.
  - 5. Samples for verification.
- B. Submit to Architect for review for the limited purpose of checking for compliance with information given and the design concept expressed in Contract Documents.
- C. Samples will be reviewed for aesthetic, color, or finish selection.
- D. Color Selection: In individual specification sections, specific items are identified which require color/finish selections to be made by the Architect from color chart or sample submittals. The Submittal Schedule, prepared according to "Submittal Schedule" paragraph above, shall identify these required color/finish submittals.
  - 1. Submittals requiring color selection must be submitted by Contractor and approved by Architect for conformance with Contract Documents prior to the start of the color selection process. When the submittals have been approved for conformance with Contract Documents, the process for color selection, presentation of color concepts, Owner approval, and Color Schedule preparation will begin.
  - 2. Interior Color Selections: The Architect will make coordinated selections of colors/finishes for the building interior, present the resulting color concepts to the Owner for approval, and prepare the actual Interior Color Schedule for the Work.
  - 3. Exterior Color Selections: The Architect will make coordinated selections of colors/finishes for the building exterior and prepare Exterior Color Schedule.
- E. After review, provide copies and distribute in accordance with SUBMITTAL PROCEDURES article below.

### 3.12 SUBMITTALS FOR INFORMATION

- A. When the following are specified in individual sections, submit them for information:
    - 1. Certificates.
    - 2. Test reports.
    - 3. Inspection reports.
    - 4. Manufacturer's instructions.
    - 5. Manufacturer's field reports.
    - 6. Other types indicated.
  - B. Submit for Architect's knowledge as contract administrator or for Owner.
-



FIRE STATIONS RENOVATION  
Arlington County, Virginia  
Architect's Project No.: 563006

---

### 3.13 SUBMITTALS FOR PROJECT CLOSEOUT

- A. Submit Correction Punch List for Substantial Completion.
- B. Submit Final Correction Punch List for Substantial Completion.
- C. When the following are specified in individual sections, submit them at project closeout in compliance with requirements of Section 017800 - Closeout Submittals:
  - 1. Project record documents.
  - 2. Operation and maintenance data.
  - 3. Warranties.
  - 4. Bonds.
  - 5. Other types as indicated.

### 3.14 NUMBER OF COPIES OF SUBMITTALS

- A. Electronic Documents: Submit one electronic copy in PDF format; an electronically-marked up file will be returned. Create PDFs at native size and right-side up; illegible files will be rejected.
- B. Selection Samples: Submit one set of manufacturer's charts indicating full range of available colors, textures, patterns, and other aesthetic qualities.
- C. Verification Samples: Submit three sets of physical samples. Two sets will be retained by Architect, the third will be returned to the Contractor. Maintain approved sample at the Project site for use in comparing to installed Work.
  - 1. Where a full-size assembly of multiple components is required as a sample (for example, railing section or full-size cabinet), only one sample is required for those items.

### 3.15 SUBMITTAL PROCEDURES

- A. General Requirements:
  - 1. Use a single transmittal for all submittals required by each individual specification section, unless otherwise indicated.
    - a. Verification samples and large shop drawing submittals may be submitted under separate cover when approved by Architect.
  - 2. Transmit using AIA G810 or other approved form.
  - 3. Sequentially identify each item. For revised submittals use original number and a sequential numerical suffix.
  - 4. Identify: Project; Contractor; subcontractor or supplier; pertinent drawing and detail number; and specification section number and article/paragraph, as appropriate on each copy.
  - 5. Apply Contractor's stamp, signed or initialed certifying that review, approval, verification of products required, field dimensions, adjacent construction work, and coordination of information is in accordance with the requirements of the work and Contract Documents.
    - a. Submittals from sources other than the Contractor, or without Contractor's stamp will not be acknowledged, reviewed, or returned.
  - 6. Deliver each submittal on date noted in submittal schedule, unless an earlier date has been agreed to by all affected parties, and is of the benefit to the project.
    - a. Upload submittals in electronic form to Electronic Document Submittal Service website.
  - 7. Schedule submittals to expedite the Project, and coordinate submission of related items.
    - a. Allow sufficient time for administrative processing, Architect's initial review, and potential resubmittals.
    - b. Allow additional time for submittals requiring sequential reviews involving Architect's consultants, Owner, or another affected party.
    - c. Allow additional time for submittals requiring sequential reviews involving approval from authorities having jurisdiction (AHJ), in addition to Architect's approval.

FIRE STATIONS RENOVATION  
Arlington County, Virginia  
Architect's Project No.: 563006

---

- d. No extensions to the project schedule shall be granted due to delays that can be attributed to submittal processing or failure to allow for sequential reviews or resubmittals.
  8. Identify variations from Contract Documents and product or system limitations that may be detrimental to successful performance of the completed work.
  9. When revised for resubmission, identify all changes made since previous submission.
  10. Distribute reviewed submittals. Instruct parties to promptly report inability to comply with requirements.
  11. Incomplete submittals may not be reviewed, unless they are partial submittals for distinct portion(s) of the work, and have received prior approval for their use.
  12. Submittals not requested will be recognized, and will be returned "Not Reviewed".
- B. Product Data Procedures:
1. Submit only information required by individual specification sections.
  2. Collect required information into a single submittal.
  3. Submit concurrently with related shop drawing submittal.
  4. Do not submit (Material) Safety Data Sheets for materials or products.
- C. Shop Drawing Procedures:
1. Prepare accurate, drawn-to-scale, original shop drawing documentation by interpreting Contract Documents and coordinating related work.
  2. Do not reproduce Contract Documents to create shop drawings.
  3. Generic, non-project-specific information submitted as shop drawings do not meet the requirements for shop drawings.
- D. Samples Procedures:
1. Transmit related items together as single package.
  2. Identify each item to allow review for applicability in relation to shop drawings showing installation locations.
  3. Selection Samples: Provide color charts that accurately relay color, pattern, and texture information. Photographs or photocopies of color charts are unacceptable and subject to rejection.
  4. Verification Samples: Provide physical samples of each color selected by Architect from Selection Samples. Verification samples shall be manufactured and prepared identically to the material that shall be used in the installed Work. Label each sample clearly with manufacturer, product name, and color, texture, and/or pattern name as applicable. Photographs of physical samples are unacceptable and subject to rejection.

### 3.16 SUBMITTAL REVIEW

- A. Submittals for Review: Architect will review each submittal, and approve, or take other appropriate action.
- B. Submittals for Information: Architect will acknowledge receipt, but will take no other action.
- C. Architect's actions will be reflected by marking each returned submittal using virtual stamp on electronic submittals.
1. Notations may be made directly on submitted items and/or listed on appended Submittal Review cover sheet.
- D. Architect's actions on items submitted for review:
1. Authorizing purchasing, fabrication, delivery, and installation:
    - a. "Approved as Noted":
      - 1) Where review notations indicate revisions are necessary, submit corrected item, with review notations acknowledged and incorporated.
  2. Not Authorizing fabrication, delivery, and installation:
    - a. "Revise and Resubmit":
      - 1) Resubmit revised item, with review notations acknowledged and incorporated.
    - b. "Rejected/Resubmit":

FIRE STATIONS RENOVATION  
Arlington County, Virginia  
Architect's Project No.: 563006

---

- 1) New submittal required, with item complying with requirements of Contract Documents.
- c. "Color Selection Required":
  - 1) Color selections for the entire project, or portion thereof, will be provided after receipt of all color charts and samples required for the Project.
- d. "Not Submitted":
  - 1) Additional submittal items are required that were not provided in the original submittal.
- E. Architect's actions on items submitted for information:
  - 1. Items for which no action was taken:
    - a. "Not Reviewed": To notify the Contractor that the submittal has been received for record only.

**END OF SECTION**

FIRE STATIONS RENOVATION  
Arlington County, Virginia  
Architect's Project No.: 563006

---

**SECTION 013216**  
**CONSTRUCTION PROGRESS SCHEDULE**

**PART 1 GENERAL**

**1.01 SUBMITTALS**

- A. Within 10 days after date of Agreement, submit preliminary schedule defining planned operations for the first 30 days of Work, with a general outline for remainder of Work.
- B. If preliminary schedule requires revision after review, submit revised schedule within 5 days.
- C. Within 10 days after review of preliminary schedule, submit draft of proposed complete schedule for review.
  - 1. Include written certification that major contractors have reviewed and accepted proposed schedule.
- D. Within 10 days after joint review, submit complete schedule.
- E. Submit updated schedule with each Application for Payment.
- F. Submit in PDF format.

**1.02 SCHEDULE FORMAT**

- A. Listings: In chronological order according to the start date for each activity. Identify each activity with the applicable specification section number.

**PART 2 PRODUCTS - NOT USED**

**PART 3 EXECUTION**

**3.01 PRELIMINARY SCHEDULE**

- A. Prepare preliminary schedule in the form of a horizontal bar chart.

**3.02 CONTENT**

- A. Show complete sequence of construction by activity, with dates for beginning and completion of each element of construction.
- B. Identify work of separate phases and other logically grouped activities.
- C. Identify all major milestone dates, including, but not limited to, Notice to Proceed and Substantial and Final Completion dates.
- D. Identify duration of each activity, in maximum 15 day intervals.
- E. Incorporate work restrictions indicated in Division 1 Section "Summary," if any.
- F. Show accumulated percentage of completion of each item, and total percentage of Work completed, as of the first day of each month.
- G. Provide separate schedule of submittal dates for shop drawings, product data, and samples, owner-furnished products, products identified under Allowances, and dates reviewed submittals will be required from Architect. Indicate decision dates for selection of finishes.
- H. Indicate procurement duration and delivery dates for long-lead time items.
- I. Coordinate submittal approval process with procurement and delivery requirements. Submittals requiring resubmission or revision for approval will not be allowed as a basis for schedule impacts.
- J. Indicate delivery dates for owner-furnished products.
- K. Indicate the time period for color selection activity and approval by Owner and Architect, as required per Division 1 Section "Administrative Requirements."
- L. Indicate date of changeover from temporary to permanent utilities.
- M. Indicate time periods for Commissioning activities, equipment startup, and testing and balancing.
- N. Provide a reasonable time period prior to the date of Substantial Completion for administrative activities and procedures.

FIRE STATIONS RENOVATION  
Arlington County, Virginia  
Architect's Project No.: 563006

---

- O. Provide legend for symbols and abbreviations used.

**3.03 BAR CHARTS**

- A. Include a separate bar for each major portion of Work or operation.  
B. Identify critical path activities.  
C. Identify the first work day of each week.

**3.04 REVIEW AND EVALUATION OF SCHEDULE**

- A. Participate in joint review and evaluation of schedule with Architect at each submittal.  
B. Evaluate project status to determine work behind schedule and work ahead of schedule.  
C. After review, revise as necessary as result of review, and resubmit within 10 days.

**3.05 UPDATING SCHEDULE**

- A. Maintain schedules to record actual start and finish dates of completed activities.  
B. Indicate progress of each activity to date of revision, with projected completion date of each activity.  
C. Annotate diagrams to graphically depict current status of Work.  
D. Identify activities modified since previous submittal, major changes in Work, and other identifiable changes.  
E. Indicate changes required to maintain Date of Substantial Completion.  
F. Schedule revisions shall not modify any Contract Dates or the Contract Sum, unless specifically approved and documented via Change Order.  
G. Submit reports required to support recommended changes.  
H. Provide narrative report to define problem areas, anticipated delays, and impact on the schedule. Report corrective action taken or proposed and its effect.  
I. Recovery Schedule: If the Contractor is 14 or more days behind schedule, in the opinion of the Owner, the Contractor shall prepare a Recovery Schedule, incorporating a reasonable, mutually agreed upon length of time to return the Work to the approved Schedule. The Recovery Schedule shall be prepared to the same level of detail as the original construction progress schedule. Submit the recovery schedule for Owner review; do not proceed until the Owner has approved.
  1. At the end of the recovery period, Owner shall reevaluate construction progress and determine if the Recovery Schedule has been successfully completed. If completed, Owner shall direct the Contractor to proceed with the latest approved Construction Schedule.
    - a. If the Contractor is still behind schedule at the end of the recovery period, the Owner shall direct the Contractor to provide additional schedule revisions to complete the recovery, or may at its option pursue other means of resolution as provided for by the Contract Documents.
  2. Need for and preparation of a Recovery Plan shall not be the basis of additional cost to the Owner or extension of Project Schedule, unless the Contractor can demonstrate that the reason for being behind schedule is no fault of their own.

**3.06 DISTRIBUTION OF SCHEDULE**

- A. Distribute copies of updated schedules to Contractor's project site file, to subcontractors, suppliers, Architect, Owner, and other concerned parties.  
B. Instruct recipients to promptly report, in writing, problems anticipated by projections indicated in schedules.

**END OF SECTION**

FIRE STATIONS RENOVATION  
Arlington County, Virginia  
Architect's Project No.: 563006

---

**SECTION 014000  
QUALITY REQUIREMENTS**

**PART 1 GENERAL**

**1.01 DEFINITIONS**

- A. Contractor's Quality Control Plan: Contractor's management plan for executing the Contract for Construction.
- B. Contractor's Professional Design Services/Delegated Design: Design of some aspect or portion of the project by party other than the design professional of record. Provide these services as part of the Contract for Construction.
  - 1. Design Services Types Required:
    - a. Construction-Related: Services Contractor needs to provide in order to carry out the Contractor's sole responsibilities for construction means, methods, techniques, sequences, and procedures.
    - b. Design-Related: Design services explicitly required to be performed by another design professional due to highly-technical and/or specialized nature of a portion of the project. Services primarily involve engineering analysis, calculations, and design, and are not intended to alter the aesthetic aspects of the design.
- C. Design Data: Design-related, signed and sealed drawings, calculations, specifications, certifications, shop drawings and other submittals provided by Contractor, and prepared directly by, or under direct supervision of, appropriately licensed design professional.

**1.02 CONTRACTOR'S CONSTRUCTION-RELATED PROFESSIONAL DESIGN SERVICES**

- A. Coordination: Contractor's professional design services are subject to requirements of project's Conditions for Construction Contract.
- B. Provide such engineering design services as may be necessary to plan and safely conduct certain construction operations, pertaining to, but not limited to the following:
  - 1. Temporary sheeting, shoring, or supports.
  - 2. Temporary scaffolding.
  - 3. Temporary bracing.
  - 4. Temporary falsework for support of spanning or arched structures.
  - 5. Temporary foundation underpinning.
  - 6. Temporary stairs or steps required for construction access only.
  - 7. Temporary hoist(s) and rigging.
  - 8. Investigation of soil conditions and design of temporary foundations to support construction equipment.
  - 9. Additional temporary controls as required.

**1.03 CONTRACTOR'S DESIGN-RELATED PROFESSIONAL DESIGN SERVICES**

- A. Coordination: Contractor's professional design services are subject to requirements of project's Conditions for Construction Contract.
- B. Base design on performance and/or design criteria indicated in individual specification sections.
  - 1. Submit a Request for Information to Architect if the criteria indicated are not sufficient to perform required design services.
- C. Scope of Design Services/Delegated Design: As required by individual specification sections.

**1.04 SUBMITTALS**

- A. See Section 013000 - Administrative Requirements, for submittal procedures.
- B. Designer's Qualification Statement: Submit for Architect's knowledge as contract administrator, or for Owner's information.
  - 1. Include information for each individual professional responsible for producing, or supervising production of, design-related professional services provided by Contractor.
    - a. Full name.
    - b. Professional licensure information.

FIRE STATIONS RENOVATION  
Arlington County, Virginia  
Architect's Project No.: 563006

---

- c. Statement addressing extent and depth of experience specifically relevant to design of items assigned to Contractor.
- C. Design Data: Submit for Architect's knowledge as contract administrator for the limited purpose of assessing compliance with information given and the design concept expressed in the Contract Documents, or for Owner's information.
  1. Include calculations that have been used to demonstrate compliance to performance and regulatory criteria provided, and to determine design solutions.
  2. Include required product data and shop drawings.
  3. Include a statement or certification attesting that design data complies with criteria indicated, such as building codes, loads, functional, and similar engineering requirements.
  4. Include signature and seal of design professional responsible for allocated design services on calculations and drawings.
- D. Test Reports: After each test/inspection, require testing agency to promptly distribute digital copy of report to Architect, Owner, Contractor, and others as required.
  1. Include:
    - a. Date issued.
    - b. Project title and number.
    - c. Name of inspector.
    - d. Date and time of sampling or inspection.
    - e. Identification of product and specifications section.
    - f. Location in the Project.
    - g. Type of test/inspection.
    - h. Date of test/inspection.
    - i. Results of test/inspection.
    - j. Compliance with Contract Documents.
    - k. When requested by Architect, provide interpretation of results.
- E. Certificates: When specified in individual specification sections, submit certification by the manufacturer and Contractor to Architect, in quantities specified for Product Data.
  1. Indicate material or product complies with or exceeds specified requirements. Submit supporting reference data, affidavits, and certifications as appropriate.
  2. Certificates may be recent or previous test results on material or product, but must be acceptable to Architect.
- F. Manufacturer's Instructions: When specified in individual specification sections, submit printed instructions for delivery, storage, assembly, installation, start-up, adjusting, and finishing, for the Owner's information. Indicate special procedures, perimeter conditions requiring special attention, and special environmental criteria required for application or installation.
- G. Manufacturer's Field Reports:
  1. Submit report promptly to Architect for information.
  2. Submit for information for the limited purpose of assessing compliance with information given and the design concept expressed in the Contract Documents.

#### 1.05 QUALITY ASSURANCE

- A. Testing Agency Qualifications:
  1. Submit copy of report of laboratory facilities inspection made by NIST Construction Materials Reference Laboratory during most recent inspection, with memorandum of remedies of any deficiencies reported by the inspection.
  2. Qualification Statement: Provide documentation showing testing laboratory is accredited under OSHA's Nationally Recognized Testing Laboratory (NRTL) program or through the National Institute of Standards and Technology's (NIST's) National Voluntary Laboratory Accreditation Program (NVLAP).
- B. Designer Qualifications: Where professional engineering design services and design data submittals are specifically required of Contractor by Contract Documents, provide services of a Professional Engineer experienced in design of this type of work and licensed in the State in which the Project is located.

FIRE STATIONS RENOVATION  
Arlington County, Virginia  
Architect's Project No.: 563006

---

- C. Contractor's Quality Control (CQC) Plan:
1. Prior to start of work, submit a comprehensive plan describing how contract deliverables will be produced. Tailor CQC plan to specific requirements of the project. Include the following information:
    - a. Management Structure: Identify personnel responsible for quality. Include a chart showing lines of authority.
      - 1) Include qualifications (in resume form), duties, responsibilities of each person assigned to CQC function.
    - b. Management Approach: Define, describe, and include in the plan specific methodologies used in executing the work.
      - 1) Management and control of documents and records relating to quality.
      - 2) Communications.
      - 3) Coordination procedures.
      - 4) Resource management.
      - 5) Process control.
      - 6) Inspection and testing procedures and scheduling, including inspections by authorities having jurisdiction and special inspections.
      - 7) Control of noncomplying work.
      - 8) Tracking deficiencies from identification, through acceptable corrective action, and verification.
      - 9) Control of testing and measuring equipment.
      - 10) Project materials certification.
      - 11) Managerial continuity and flexibility.
    - c. Acceptance of the plan is required prior to start of construction activities not including mobilization work. Owner's acceptance of the plan will be conditional and predicated on continuing satisfactory adherence to the plan. Owner reserves the right to require Contractor to make changes to the plan and operations, including removal of personnel, as necessary, to obtain specified quality of work results.

#### 1.06 REFERENCES AND STANDARDS

- A. For products and workmanship specified by reference to a document or documents not included in the Project Manual, also referred to as reference standards, comply with requirements of the standard, except when more rigid requirements are specified or are required by applicable codes.
- B. Comply with reference standard of date of issue current on date of Contract Documents, except where a specific date is established by applicable code.
- C. Obtain copies of standards where required by product specification sections.
- D. Maintain copy at project site during submittals, planning, and progress of the specific work, until Substantial Completion.
- E. Should specified reference standards conflict with Contract Documents, comply with the higher quality or quantity, and provide documentation of the conflict to the Architect.
- F. Neither the contractual relationships, duties, or responsibilities of the parties in Contract nor those of Architect shall be altered from Contract Documents by mention or inference otherwise in any reference document.

#### 1.07 TESTING AND INSPECTION AGENCIES AND SERVICES

- A. Owner will employ and pay for services of an independent testing agency to perform Special Inspections and other specified testing indicated in individual specification sections.
- B. Where indicated in individual specification sections, Contractor shall employ and pay for services of an independent testing agency to perform other specified testing.
- C. Employment of agency in no way relieves Contractor of obligation to perform Work in accordance with requirements of Contract Documents.
- D. Contractor Employed Agency: Testing agency shall comply with requirements of ASTM E 329, and shall be certified through OSHA's Nationally Recognized Testing Laboratory



FIRE STATIONS RENOVATION  
Arlington County, Virginia  
Architect's Project No.: 563006

---

(NRTL) program or through the National Institute of Standards and Technology's (NIST's) National Voluntary Laboratory Accreditation Program (NVLAP).

1. Testing Equipment: Calibrated at reasonable intervals either by NIST or using an NIST established Measurement Assurance Program, under a laboratory measurement quality assurance program.

**PART 2 PRODUCTS - NOT USED**

**PART 3 EXECUTION**

**3.01 CONTROL OF INSTALLATION**

- A. Monitor quality control over suppliers, manufacturers, products, services, site conditions, and workmanship, to produce work of specified quality.
- B. Comply with manufacturers' instructions, including each step in sequence.
- C. Should manufacturers' instructions conflict with Contract Documents, request clarification from Architect before proceeding.
- D. Comply with specified standards as minimum quality for the work except where more stringent tolerances, codes, or specified requirements indicate higher standards or more precise workmanship.
- E. Have work performed by persons qualified to produce required and specified quality.
- F. Verify that field measurements are as indicated on shop drawings or as instructed by the manufacturer.
- G. Secure products in place with positive anchorage devices designed and sized to withstand stresses, vibration, physical distortion, and disfigurement.

**3.02 MOCK-UPS**

- A. Before installing portions of the Work where mock-ups are required, construct mock-ups in location and size indicated for each form of construction and finish required to comply with the following requirements, using materials indicated for the completed Work. The purpose of mock-up is to demonstrate the proposed range of aesthetic effects and workmanship.
- B. Accepted mock-ups establish the standard of quality the Architect will use to judge the Work.
- C. Tests shall be performed under provisions identified in this section and identified in the respective product specification sections.
- D. Assemble and erect specified items with specified attachment and anchorage devices, flashings, seals, and finishes.
- E. Obtain Architect's approval of mock-ups before starting work, fabrication, or construction.
  1. Architect will issue written comments within seven (7) working days of initial review and each subsequent follow up review of each mock-up.
  2. Make corrections as necessary until Architect's approval is issued.
- F. Architect will use accepted mock-ups as a comparison standard for the remaining Work.
- G. Where mock-up has been accepted by Architect and is specified in product specification sections to be removed, protect mock-up throughout construction, remove mock-up and clear area when directed to do so by Architect.

**3.03 TOLERANCES**

- A. Monitor fabrication and installation tolerance control of products to produce acceptable Work. Do not permit tolerances to accumulate.
- B. Comply with manufacturers' tolerances. Should manufacturers' tolerances conflict with Contract Documents, request clarification from Architect before proceeding.
- C. Adjust products to appropriate dimensions; position before securing products in place.

**3.04 TESTING AND INSPECTION**

- A. See individual specification sections for testing and inspection required.
- B. Testing Agency Duties for Contractor-employed Testing and Inspection Agencies:

FIRE STATIONS RENOVATION  
Arlington County, Virginia  
Architect's Project No.: 563006

---

1. Test samples of mixes submitted by Contractor.
  2. Provide qualified personnel at site. Cooperate with Architect and Contractor in performance of services.
  3. Perform specified sampling and testing of products in accordance with specified standards.
  4. Ascertain compliance of materials and mixes with requirements of Contract Documents.
  5. Promptly notify Architect and Contractor of observed irregularities or non-compliance of Work or products.
  6. Perform additional tests and inspections required by Architect.
  7. Attend preconstruction meetings and progress meetings.
  8. Submit reports of all tests/inspections specified.
- C. Limits on Testing/Inspection Agency Authority:
1. Agency may not release, revoke, alter, or enlarge on requirements of Contract Documents.
  2. Agency may not approve or accept any portion of the Work.
  3. Agency may not assume any duties of Contractor.
  4. Agency has no authority to stop the Work.
- D. Contractor Responsibilities:
1. Deliver to agency at designated location, adequate samples of materials proposed to be used that require testing, along with proposed mix designs.
  2. Cooperate with laboratory personnel, and provide access to the Work and to manufacturers' facilities.
  3. Provide incidental labor and facilities:
    - a. To provide access to Work to be tested/inspected.
    - b. To obtain and handle samples at the site or at source of Products to be tested/inspected.
    - c. To facilitate tests/inspections.
    - d. To provide storage and curing of test samples.
  4. Notify Architect and laboratory 24 hours prior to expected time for operations requiring testing/inspection services.
  5. Employ services of an independent qualified testing laboratory and pay for additional samples, tests, and inspections required by Contractor beyond specified requirements.
  6. Arrange with Owner's agency and pay for additional samples, tests, and inspections required by Contractor beyond specified requirements.
  7. Coordinate repairs where testing and inspection has damaged the Work.
- E. Re-testing and/or re-inspections required because of non-compliance with specified requirements shall be performed by the same agency. Do not proceed with construction activities that would conceal or cover work needing re-testing or re-inspection.
- F. Re-testing and/or re-inspections required because of non-compliance with specified requirements shall be paid for by Contractor.

### **3.05 MANUFACTURERS' FIELD SERVICES**

- A. When specified in individual specification sections, require material or product suppliers or manufacturers to provide qualified staff personnel to observe site conditions, conditions of surfaces and installation, quality of workmanship, start-up of equipment, test, adjust, and balance equipment, and field quality control requirements as applicable, and to initiate instructions when necessary.
- B. Provide a written report of observations and site decisions or instructions given to applicators or installers that are supplemental or contrary to manufacturers' written instructions or Contract Documents. Obtain Owner's approval prior to proceeding with any modifications.

### **3.06 DEFECT ASSESSMENT**

- A. Replace Work or portions of the Work not complying with specified requirements.

FIRE STATIONS RENOVATION  
Arlington County, Virginia  
Architect's Project No.: 563006

---

- B. Contractor may request to restore defective Work or portions of the Work to comply with specified requirements in lieu of replacement. Obtain Owner's approval prior to proceeding with restoration.
- C. If, in the opinion of Owner, it is not practical to restore or remove and replace the work, Owner will direct an appropriate remedy or adjust payment.

**END OF SECTION**

FIRE STATIONS RENOVATION  
Arlington County, Virginia  
Architect's Project No.: 563006

---

**SECTION 014200**  
**DEFINITIONS AND REFERENCE STANDARDS**

**PART 1 GENERAL**

**1.01 SUMMARY**

- A. The definitions include in this section supplement, but do not replace, the definitions contained in the Owner/Contractor Agreement and associated Conditions. In the event of duplication, the Owner/Contractor Agreement shall govern.
- B. Other definitions are included in individual specification sections.

**1.02 DEFINITIONS**

- A. Furnish: To supply, deliver, unload, and inspect for damage.
- B. Install: To unpack, assemble, erect, apply, place, finish, cure, protect, clean, start up, and make ready for use.
- C. Product: Material, machinery, components, equipment, fixtures, and systems forming the work result. Not materials or equipment used for preparation, fabrication, conveying, or erection and not incorporated into the work result. Products may be new, never before used, or re-used materials or equipment.
- D. Provide: To furnish and install.
- E. Supply: Same as Furnish.
- F. Installer: A Contractor or other entity engaged by Contractor, as an employee, subcontractor, or contractor of lower tier, to perform a particular construction operation, including installation, erection, application, and similar operations.
  - 1. Using a term such as "carpentry" does not imply that certain construction activities must be performed by accredited or unionized individuals of a corresponding generic name, such as "carpenter." It also does not imply that specified requirements apply exclusively to tradespeople of the corresponding generic name.
- G. Experienced: When used with the term "Installer," this term means having successfully completed previous work similar in size and scope to this Project; being familiar with the special requirements indicated; and having complied with the requirements of local authorities having jurisdiction.
- H. Replace: Provide an acceptable like product or material in place of a missing or unacceptable (rejected) product or material. To "replace" an unacceptable product or material includes its removal and disposal.
- I. Punch List: A written list of unfinished Work and defective Work resulting from inspection and testing to determine whether Substantial Completion has been accomplished. The unfinished Work and defective Work must be finished and corrected to obtain Substantial or Final Completion.
- J. Written or Printed: When used in conjunction with manufacturer's product data or installation requirements, either of these terms may be used to require compliance with manufacturer's current printed and published information.

**1.03 REFERENCE STANDARDS**

- A. For products or workmanship specified by reference to a document or documents not included in the Project Manual, also referred to as reference standards, comply with requirements of the standard, except when more rigid requirements are specified, or are required by applicable codes or local authorities having jurisdiction.
- B. Should specified reference standards conflict with Contract Documents, request clarification from the Architect before proceeding.
- C. Neither the contractual relationships, duties, or responsibilities of the parties in Contract nor those of the Architect shall be altered by Contract Documents by mention or inference otherwise in any reference document.

FIRE STATIONS RENOVATION  
Arlington County, Virginia  
Architect's Project No.: 563006

---

**PART 2 PRODUCTS - NOT USED**  
**PART 3 EXECUTION - NOT USED**

**END OF SECTION**

FIRE STATIONS RENOVATION  
ARLINGTON COUNTY, VIRGINIA  
Architect's Project No: 563006

SECTION 014520 - TESTING, ADJUSTING, AND BALANCING (TAB)

PART 1 - GENERAL

1.1 RELATED DOCUMENTS

- A. Provisions of the Contract and of the Contract Documents apply to this Section.

1.2 DEFINITIONS

- A. Adjust: To regulate fluid flow rate and air patterns at the terminal equipment, such as to reduce fan speed or adjust a damper.
- B. Balance: To proportion flows within the distribution system, including sub-mains, branches, and terminals, according to design quantities.
- C. Draft: A current of air, when referring to localized effect caused by one or more factors of high air velocity, low ambient temperature, or direction of airflow, whereby more heat is withdrawn from a person's skin than is normally dissipated.
- D. Procedure: An approach to and execution of a sequence of work operations to yield repeatable results.
- E. Report Forms: Test data sheets for recording test data in logical order.
- F. Static Head: The pressure due to the weight of the fluid above the point of measurement. In a closed system, static head is equal on both sides of the pump.
- G. Suction Head: The height of fluid surface above the centerline of the pump on the suction side.
- H. System Effect: A phenomenon that can create undesired or unpredicted conditions that cause reduced capacities in all or part of a system.
- I. System Effect Factors: Allowances used to calculate a reduction of the performance ratings of a fan when installed under conditions different from those presented when the fan was performance tested.
- J. Terminal: A point where the controlled medium, such as fluid or energy, enters or leaves the distribution system.
- K. Test: A procedure to determine quantitative performance of a system or equipment.
- L. TAB Agent: The entity responsible for performing and reporting the TAB procedures.
- M. AABC: Associated Air Balance Council.

FIRE STATIONS RENOVATION  
ARLINGTON COUNTY, VIRGINIA  
Architect's Project No: 563006

- N. AMCA: Air Movement and Control Association.
- O. CTI: Cooling Tower Institute.
- P. NEBB: National Environmental Balancing Bureau.
- Q. SMACNA: Sheet Metal and Air Conditioning Contractors' National Association.
- R. TAB: Testing, Adjusting, and Balancing

1.3 SUBMITTALS

- A. Quality-Assurance Submittals: Within 30 days of the Contractor's Notice to Proceed, submit evidence that the TAB Agent and this Project's TAB team members meet the qualifications indicated in the "Quality Assurance" Article below.
- B. Warranty: Submit warranties indicated below.
- C. Special Guarantee: Submit Special guarantee indicated below
- D. Contract Documents Examination Report: Within 60 days of the Contractor's Notice to Proceed, submit the Contract Documents review report as indicated in Part 3 below.
- E. Strategies and Procedures Plan: Within 90 days of the Contractor's Notice to Proceed, submit the TAB strategies and step-by-step procedures as indicated in Part 3 below. Include a complete set of report forms intended for use on this Project.
- F. Testing Adjusting and Balancing Conference Notification: Within 120 days of the Contractor's Notice to Proceed, submit the testing adjusting and balancing conference notification. The notification shall include the date, time and location of the conference as well as a list of attendees.
- G. TAB Conference Minutes: Within 180 days of the Contractor's Notice to Proceed, submit the TAB conference minutes. Minutes shall include a list of attendees and a record of the discussions and decisions made during the conference.
- H. System Readiness Reports: 60 days prior to substantial completion the contractor performing work under section "Building Automation System" (BAS) shall complete pre-commissioning checklists. The contractor performing work under this section shall, as part of the system readiness report, witness pre-commissioning activities and shall initial each element on the pre-commissioning checklist. The system readiness report shall be completed and submitted as specified. Do not include the checklists as they will be submitted under section "BAS".
- I. Certified TAB Reports: Within 60 days of substantial completion submit the testing and balancing reports prepared, as indicated in this Section, on approved forms certified by the TAB Agent.
  - 1. Balancing report.

FIRE STATIONS RENOVATION  
ARLINGTON COUNTY, VIRGINIA  
Architect's Project No: 563006

1.4 QUALITY ASSURANCE

- A. Agent Qualifications: Agent and agent's representatives shall be certified by either AABC or NEBB. The testing and balancing agent shall be one of the following:
1. C&W Tesco, Inc.  
430 Southlake Boulevard, Suite B-12  
Richmond, VA 23236  
804.379.9345
  2. Complete Commissioning, Inc.  
6304 Aaron Lane  
Clinton, MD 20735  
301.877.2260
  3. Mechanical Systems Testing and Balancing, Inc. (MSTB)  
7314 Impala Drive  
Richmond, Virginia 23228  
804.264.0454
- B. Testing and Balancing Agents not listed shall be permitted to bid. The following information shall be submitted as part of the Quality Assurance Submittal:
1. Provide evidence of satisfactory completion of at least two projects of similar size and scope. Submit the following for each project:
    - a. Completed testing and balancing reports for each project.
    - b. If not included in the testing and balancing report, provide equipment startup checklists for each project.
    - c. Owner contact for each project.
    - d. Design engineer contact for each project.
    - e. Architect contact for each project.
  2. The architect shall determine whether the agent is qualified, and the decision shall be final. Re-submittals on behalf of the same company shall not be considered.
- C. TAB Conference: Meet with the Owner's and the Architect's representatives on approval of the TAB strategies and procedures plan to develop a mutual understanding of the details. Ensure the participation of TAB team members, equipment manufacturers' authorized service representatives, HVAC controls Installer, and other support personnel. Set meeting and submit TAB Conference Notification.
1. Minimum Agenda:
    - a. Submittal distribution requirements.
    - b. Contract documents examination report.
    - c. TAB plan.
    - d. Work schedule and project site access requirements.
    - e. Coordination and cooperation of trades and subcontractors.
    - f. Coordination of documentation and communication flow.
- D. TAB Reports: Use standard forms from AABC's "National Standards for TAB" or NEBB's "Procedural Standards for TAB of Environmental Systems."



FIRE STATIONS RENOVATION  
ARLINGTON COUNTY, VIRGINIA  
Architect's Project No: 563006

- E. Instrumentation Type, Quantity, and Accuracy: As described in NEBB's "Procedural Standards for TAB of Environmental Systems," Section II, "Required Instrumentation for NEBB Certification."
- F. Instrumentation Calibration: Calibrate instruments at least every 6 months or more frequently if required by the instrument manufacturer.

1.5 PROJECT CONDITIONS

- A. Full Owner Occupancy: The Owner will occupy the site and existing building during the entire TAB period. Minimize conflicts with the Owner's operations.

1.6 COORDINATION

- A. Coordinate the efforts of work performed under other sections for operation of systems and equipment to support and assist TAB activities.
- B. Notice: Provide 7 days' advance notice to the contractor and Moseley Architects for each test. Include scheduled test dates and times.
- C. Perform TAB after leakage and pressure tests on air, water, potable water, and non-potable water distribution systems have been satisfactorily completed.

1.7 WARRANTY

- A. General Warranty: The national project performance guarantee indicated in this Article shall not deprive the Owner of other rights the Owner may have under other provisions of the Contract Documents and shall be in addition to, and run concurrent with, other warranties made by the Contractor under requirements of the Contract Documents.
- B. Special Guarantee: Provide a guarantee on NEBB or AABC forms stating that NEBB or AABC will assist in completing the requirements of the Contract Documents if the TAB Agent fails to comply with the Contract Documents. Guarantee includes the following provisions:
  - 1. The certified Agent has tested and balanced systems according to the Contract Documents.
  - 2. Systems are balanced to optimum performance capabilities within design and installation limits.

PART 2 - PRODUCTS (Not Applicable)

PART 3 - EXECUTION

FIRE STATIONS RENOVATION  
ARLINGTON COUNTY, VIRGINIA  
Architect's Project No: 563006

3.1 GENERAL

- A. All new equipment shall be tested, adjusted, and balanced.
- B. Fire Station #1: Rooftop unit #8 shall be tested for proper economizer operation with outside air and return dampers adjusted as needed for proper balancing. Balance each branch and diffuser for existing RTU-4 as shown on floor plans on sheet M2.1. Report values in TAB submittal to architect for both prior to the renovation and post-renovation. Verify operation of existing exhaust fan in renovated area, provide testing, adjusting, and balancing to exhaust system.
- C. Fire Station #2, 3, 5, 6, 9: Provide branch and diffuser for supply and exhaust balancing as required on floor plans on sheets M2.2 thru M2.6. Verify operation of existing exhaust fan in renovated area, provide testing, adjusting, and balancing to exhaust system.

3.2 EXAMINATION

- A. Examine Contract Documents to become familiar with project requirements and to discover conditions in systems' designs that may preclude proper TAB of systems and equipment.
  - 1. Balancing devices, such as test ports, gage cocks, thermometer wells, flow-control devices, balancing valves and fittings, and manual volume dampers, are hereby required by the Contract Documents.
  - 2. Verify that quantities and locations of devices proposed by the contractor and indicated on the Contract Documents are accessible and appropriate for effective balancing and efficient system and equipment operation.
  - 3. Verify flow rates specified and compare to central equipment capacities.
  - 4. Identify discontinuities and omissions in the Contract Documents.
  - 5. Provide a detailed Testing and Balancing plan within six weeks of the Notice to Proceed.
  - 6. Provide a TAB technician to work at the direction of the CxA for up to a consecutive six work day period on site to assist in testing.
  - 7. Record configuration, set up, parameters, etc., that change during the testing period.
  - 8. Provide representative(s) for up to 16 hours of off-season testing each. Any and all time is required to be spent at the job site.
  - 9. Respond to Warranty issues. Record configuration, set up, parameters, etc., that change during the warranty period.
- B. Examine BAS submittal data prior to submission and provide comments to contractor, and Moseley Architects.
- C. Examine submittal data of HVAC systems and equipment prior to submission and provide comments to contractor, and Moseley Architects.
- D. Examine project record documents and provide comments to contractor, and Moseley Architects.

FIRE STATIONS RENOVATION  
ARLINGTON COUNTY, VIRGINIA  
Architect's Project No: 563006

- E. Examine Architect's design data, including HVAC system descriptions, statements of design, assumptions for environmental conditions, control drawings, and statements concerning systems and equipment.
- F. Examine equipment performance data, including fan and pump curves. Relate performance data to project conditions and requirements, including system effects that can create undesired or unpredicted conditions that cause reduced capacities in all or part of a system. Calculate system effect factors to reduce the performance ratings of HVAC equipment when installed under conditions different from those presented when the equipment was performance tested at the factory. To calculate system effects for air systems, use tables and charts found in AMCA 201, "Fans and Systems," Sections 7 through 10; or in SMACNA's "HVAC Systems--Duct Design," Sections 5 and 6. Compare this data with the design data and installed conditions.
- G. Examine system and equipment installations to verify that they are complete and that TAB, and cleaning indicated has been performed.
- H. Examine HVAC system and equipment installations to verify that indicated balancing devices, such as test ports, gage cocks, thermometer wells, flow-control devices, balancing valves and fittings, and manual volume dampers, are properly installed, and their locations are accessible and appropriate for effective balancing and for efficient system and equipment operation.
- I. Examine systems for functional deficiencies that cannot be corrected by adjusting and balancing.
- J. Examine air-handling equipment to ensure clean filters have been installed, bearings are greased, belts are aligned and tight, and equipment is ready for operation, including functioning controls.
- K. Examine terminal units, such as variable-air-volume boxes and mixing boxes, to verify that they are accessible, and their controls are connected and functioning.
- L. Examine strainers for clean screens and proper perforations.
- M. Examine 3-way valves for proper installation for their intended function of diverting or mixing fluid flows.
- N. Examine heat-transfer coils for correct piping connections and for clean and straight fins.
- O. Examine open-piping-system pumps to ensure absence of entrained air in the suction piping.
- P. Examine equipment for installation and for properly operating safety interlocks and controls.
- Q. Examine automatic temperature system components to verify the following:
  - 1. Dampers, valves, and other controlled devices operate by the intended controller.
  - 2. Dampers and valves are in the position indicated by the controller.

FIRE STATIONS RENOVATION  
ARLINGTON COUNTY, VIRGINIA  
Architect's Project No: 563006

3. Integrity of valves and dampers for free and full operation and for tightness of fully closed and fully open positions. This includes dampers in mixing boxes and variable-air-volume terminals.
  4. Automatic modulating and shutoff valves, including 2-way valves and 3-way mixing and diverting valves, are properly connected.
  5. Thermostats are located to avoid adverse effects of sunlight, drafts, and cold walls.
  6. Sensors are located to sense only the intended conditions.
  7. Sequence of operation for control modes is according to the Contract Documents.
  8. Controller set points are set at design values. Observe and record system reactions to changes in conditions. Record default set points if different from design values.
  9. Interlocked systems are operating.
  10. Changeover from heating to cooling mode occurs according to design values.
- R. Report deficiencies discovered before and during performance of TAB procedures.

### 3.3 PREPARATION

- A. Prepare a TAB plan that includes strategies and step-by-step procedures.
- B. Complete system readiness checks and prepare system readiness reports. Verify the following:
  1. Permanent electrical power wiring is complete.
  2. Hydronic systems are filled, clean, and free of air.
  3. Automatic temperature-control systems are operational.
  4. Equipment and duct access doors are securely closed.
  5. Balance, smoke, and fire dampers are open.
  6. Isolating and balancing valves are open and control valves are operational.
  7. Ceilings are installed in critical areas where air-pattern adjustments are required and access to balancing devices is provided.
  8. Windows and doors can be closed so design conditions for system operations can be met.

### 3.4 GENERAL TESTING AND BALANCING PROCEDURES

- A. Perform testing and balancing procedures on each system according to the procedures contained in AABC national standards or NEBB's "Procedural Standards for TAB of Environmental Systems" and this Section.
- B. Cut insulation, ducts, pipes, and equipment cabinets for installation of test probes to the minimum extent necessary to allow adequate performance of procedures. After testing and

FIRE STATIONS RENOVATION  
ARLINGTON COUNTY, VIRGINIA  
Architect's Project No: 563006

balancing, close probe holes and patch insulation with new materials identical to those removed. Restore vapor barrier and finish according to the insulation Specifications for this Project.

- C. Mark equipment settings with paint or other suitable, permanent identification material, including damper-control positions, valve indicators, fan-speed-control levers, and similar controls and devices, to show final settings.

### 3.5 MOTORS

- A. Motors, 1/2 HP and Larger: Test at final balanced conditions and record the following data:

1. Manufacturer, model, and serial numbers.
2. Motor horsepower rating.
3. Motor rpm.
4. Efficiency rating if high-efficiency motor.
5. Nameplate and measured voltage, each phase.
6. Nameplate and measured amperage, each phase.
7. Starter thermal-protection-element rating.

- B. Motors Driven by Variable-Frequency Controllers: Test for proper operation at speeds varying from minimum to maximum. Test the manual bypass to prove proper operation. Record observations, including controller manufacturer, model number, serial number, and nameplate data.

### 3.6 TEMPERATURE-CONTROL VERIFICATION

- A. Verify that controllers are calibrated and commissioned.
- B. Check transmitter and controller locations and note conditions that would adversely affect control functions.
- C. Record controller settings and note variances between set points and actual measurements.
- D. Verify operation of limiting controllers (i.e., high- and low-temperature controllers).
- E. Verify free travel and proper operation of control devices such as damper and valve operators.
- F. Verify sequence of operation of control devices. Note air pressures and device positions and correlate with air, water, and potable water-flow measurements. Note the speed of response to input changes.
- G. Confirm interaction of electrically operated switch transducers.
- H. Confirm interaction of interlock and lockout systems.

FIRE STATIONS RENOVATION  
ARLINGTON COUNTY, VIRGINIA  
Architect's Project No: 563006

- I. Record voltages of power supply and controller output. Determine if the system operates on a grounded or non-grounded power supply.
- J. Note operation of electric actuators using spring return for proper fail-safe operations.

3.7 TOLERANCES

- A. Set system airflow, water, and potable water-flow rates within the following tolerances:
  - 1. Supply, Return, and Exhaust Fans: 0 to plus 10 percent.
  - 2. Air Outlets: minus 10 percent to plus 10 percent.
  - 3. Return Inlets: minus 10 percent to plus 10 percent.
  - 4. Exhaust Inlets: 0 to plus 10 percent.
  - 5. Heating-Water Flow Rate: minus 5 percent to plus 5 percent.
  - 6. Cooling-Water Flow Rate: minus 5 percent to plus 5 percent.
  - 7. Potable water: minus 5 percent to plus 5 percent.
  - 8. Unless indicated otherwise: minus 10 percent to plus 10 percent.

3.8 REPORTING

- A. Initial Construction-Phase Report: Based on examination of the Contract Documents as specified in "Examination" Article above, prepare a report on the adequacy of design for systems' balancing devices. Recommend changes and additions to systems' balancing devices to facilitate proper performance measuring and balancing. Recommend changes and additions to HVAC systems and general construction to allow access for performance measuring and balancing devices.
- B. Status Reports: When 50% of the construction contract period has elapsed, the contractor performing work under this section shall visit the site twice per month thereafter. After each site visit for each system being tested and balanced, prepare a report to describe completed work, work in progress, and work at variance with the contract documents. Include a list of deficiencies and problems found in each system. Prepare a separate report for each system and each building floor for systems serving multiple floors. Submit the report to the contractor and architect. The contractor shall be responsible for ensuring that deficiencies are corrected. Deficiencies shall remain on the list permanently, shall be issued with each report, and shall be checked off only when they are corrected.

3.9 FINAL REPORT

- A. General: Typewritten, or computer printout in letter-quality font, on standard bond paper, in 3-ring binder, tabulated and divided into sections by tested and balanced systems.

FIRE STATIONS RENOVATION  
ARLINGTON COUNTY, VIRGINIA  
Architect's Project No: 563006

- B. Include a certification sheet in front of binder signed and sealed by the certified testing and balancing engineer.
  - 1. Include a list of the instruments used for procedures, along with proof of calibration.
  
- C. Final Report Contents: In addition to the certified field report data, include the following:
  - 1. Pump curves.
  - 2. Fan curves.
  - 3. Manufacturers' test data.
  - 4. Field test reports prepared by system and equipment installers.
  - 5. Other information relative to equipment performance, but do not include approved Shop Drawings and Product Data.
  
- D. General Report Data: In addition to the form titles and entries, include the following data in the final report, as applicable:
  - 1. Title page.
  - 2. Name and address of TAB Agent.
  - 3. Project name.
  - 4. Project location.
  - 5. Architect's name and address.
  - 6. Contractor's name and address.
  - 7. Report date.
  - 8. Signature of TAB Agent who certifies the report.
  - 9. Table of contents.
  - 10. Operating sequences that vary from the Contract Documents.
  - 11. Nomenclature sheets for each item of equipment.
  - 12. Data for terminal units, including manufacturer, type, and size.
  - 13. Notes to explain why certain final data in the body of reports varies from design values.
  - 14. Test conditions for fans and pump performance forms, including:
    - a. Settings for outside-, return-, and exhaust-air dampers.
    - b. Conditions of filters.
    - c. Cooling coil, wet- and dry-bulb conditions.
    - d. Fan drive settings, including:
      - 1) Percentage of maximum pitch or diameter.
      - 2) Maximum RPM.
      - 3) Minimum RPM on VAV systems.
    - e. Settings for supply-air static-pressure controllers on VAV systems.
    - f. System operating parameters/conditions that affect performance.

FIRE STATIONS RENOVATION  
ARLINGTON COUNTY, VIRGINIA  
Architect's Project No: 563006

- E. System Diagrams: Include schematic layouts of air, and water distribution systems. Provide single-line diagrams including the following:
  - 1. Quantities of outside, supply, return, exhaust, and water flow rates.
  - 2. Duct outlet, and inlet sizes.
  - 3. Pipe sizes and locations.
  - 4. Indicated Terminal unit(s): Information & location(s).
  - 5. Indicated Balancing station(s): Information & location(s).
  - 6. Indicated Meter(s): Information & location(s).
  
- F. Test Reports:
  - 1. All equipment test reports.
  - 2. Duct Traverse Reports.
  - 3. Terminal-Device Reports.
  - 4. Coil Reports.
  - 5. Instrument Calibration Reports.

3.10 ADDITIONAL TESTS

- A. When requested, provide up to six continuous and consecutive work days, by the technician that provided services under this section, directly knowledgeable of all systems and procedures specific to the project, to support commissioning for TAB verification.
  
- B. TAB verification site visit will be conducted after the TAB final report has been submitted and approved by the engineer of record.
  
- C. Within 90 days of completing work performed under this section, perform additional testing and balancing to verify that balanced conditions are being maintained throughout and to correct unusual conditions.
  
- D. Seasonal Periods:
  - 1. Winter: Re-test heating equipment, including central equipment and terminal devices, when the outside air temperature is below 30 degrees F.
  - 2. Summer: Re-test cooling equipment, including central equipment and terminal devices, when the outside air temperature is above 90 degrees F.

END OF SECTION 014520



FIRE STATIONS RENOVATION  
Arlington County, Virginia  
Architect's Project No.: 563006

---

**SECTION 015000**  
**TEMPORARY FACILITIES AND CONTROLS**

**PART 1 GENERAL**

**1.01 DEWATERING**

- A. Provide temporary means and methods for dewatering all temporary facilities and controls, in compliance with local authority having jurisdiction.
- B. Maintain temporary facilities in operable condition.

**1.02 TEMPORARY UTILITIES**

- A. Provide and pay for all electrical power, lighting, water, heating and cooling, and ventilation required for construction purposes.
- B. Temporary Lighting: Provide temporary lighting of type and producing lighting levels necessary for proper installation of the Work.
- C. Temporary Heating, Cooling, and Ventilation: Provide temporary measures and equipment as required for curing, drying, and humidity control. Comply with manufacturer's installation instructions for specific product requirements.
  - 1. Provide measures and equipment to meet warranty requirements of interior woodwork specified in Division 6 and/or Division 12 sections.
  - 2. Use of Permanent HVAC Facilities and Equipment: Use of HVAC equipment shall be subject to Owner approval.
    - a. Protect new and existing HVAC equipment from intrusion of dust, silica, dirt and debris during construction operations.
    - b. Cover all openings in new and existing inactive ductwork during construction operation with minimum 6 mil polyethylene sheet.
    - c. Where use of existing HVAC equipment is approved by Owner, provide temporary filters with a minimum MERV of 8. Change the filters every two weeks while construction is ongoing. Provide new filters at Substantial Completion; do not change out temporary filter until approved by Architect.
    - d. Do not perform testing and balancing of HVAC equipment until dust, silica, dirt and debris producing activities are complete.
- D. Temporary Water: For the duration of construction or until permanent water service is available at the site, the Contractor shall provide a temporary water source, as part of the Contract Price.
- E. Temporary Electric Service: Until electric utility provides permanent service at the site, the Contractor shall provide temporary electrical power, as part of the Contract Price.
- F. Temporary Sewer and Drainage: Comply with requirements of local authority having jurisdiction for connection of temporary sewer to public system.

**1.03 TELECOMMUNICATIONS SERVICES**

- A. Provide, maintain, and pay for telecommunications services to field office at time of project mobilization.
- B. Telecommunications services shall include:
  - 1. Telephone Service: Contractor shall ensure that all of its forces, including on-site managers/supervisors of each Subcontractor, have mobile devices and adequate voice and data coverage for on-site operations.
  - 2. Internet Connections: Minimum of one; DSL modem or faster.

**1.04 TEMPORARY SANITARY FACILITIES**

- A. Provide and maintain required facilities and enclosures. Provide at time of project mobilization.
  - 1. Provide temporary unisex toilet units and all required disposable supplies.
  - 2. Provide handwash stations and hand sanitizer at each toilet unit.
  - 3. Provide regular servicing of portable facilities by professional servicing company; including draining, cleaning, and disinfecting.
- B. New permanent facilities may not be used during construction operations.

FIRE STATIONS RENOVATION  
Arlington County, Virginia  
Architect's Project No.: 563006

---

- C. Maintain daily in clean and sanitary condition.

**1.05 BARRIERS**

- A. Provide barriers to prevent unauthorized entry to construction areas, to prevent access to areas that could be hazardous to workers or the public, to allow for owner's use of site and to protect existing facilities and adjacent properties from damage from construction operations and demolition.
- B. Provide barricades and covered walkways required by governing authorities for public rights-of-way and for public access to existing building, and for emergency egress.
- C. Provide protection for plants designated to remain. Replace damaged plants.
- D. Protect vehicular traffic, stored materials, site, and structures from damage.

**1.06 FENCING**

- A. Barrier Mesh Fence: Provide minimum 6-foot height open-mesh polypropylene barrier fabric mounted on lumber or galvanized steel posts to isolate and define construction area and prevent accidental public access.
- B. Construction: Commercial grade chain link fence.
1. Contractor may provide either fixed or portable fencing to suit conditions. For portable fencing, provide concrete or galvanized steel bases for supporting posts. Bases for portable fencing shall not obstruct sidewalks or other pathways used by pedestrians.
- C. Provide 6 foot high fence around construction site; equip with vehicular and pedestrian gates with locks.
- D. Unless otherwise indicated, provide barrier mesh fencing to enclose the approximate extent of the entire construction site. Chain link fencing shall be used to enclose Contractor's field office and laydown/storage areas, areas of the site actively in construction, and as deemed necessary by Contractor.

**1.07 EXTERIOR ENCLOSURES**

- A. Provide temporary weather tight closure of exterior openings to accommodate acceptable working conditions and protection for Products, to allow for temporary heating and maintenance of required ambient temperatures identified in individual specification sections, and to prevent entry of unauthorized persons. Provide access doors with self-closing hardware and locks.

**1.08 INTERIOR ENCLOSURES**

- A. Provide temporary partitions to separate work areas from Owner-occupied areas, to prevent penetration of dust and moisture into Owner-occupied areas, and to prevent damage to existing materials and equipment.
- B. Construction: Framing and gypsum board sheet materials with closed joints and sealed edges at intersections with existing surfaces:

**1.09 SECURITY**

- A. Provide security and facilities to protect Work, existing facilities, and Owner's operations from unauthorized entry, vandalism, or theft.
1. Contractor shall repair damage to existing facilities caused by Construction operations.
- B. Coordinate with Owner's security program.
- C. Environmental Protection: Comply with EPA, OSHA and other regulatory requirements to prevent contamination of site, air, and public sewer/runoff.
1. Provide additional work restrictions and protective measures as indicated on Civil/Site Drawings and as specified in Division 01 Section "Summary."

**1.10 VEHICULAR ACCESS AND PARKING**

- A. Comply with regulations relating to use of streets and sidewalks, access to emergency facilities, and access for emergency vehicles.
- B. Coordinate access and haul routes with governing authorities and Owner.
- C. Provide and maintain access to fire hydrants, free of obstructions.

FIRE STATIONS RENOVATION  
Arlington County, Virginia  
Architect's Project No.: 563006

---

- D. Provide means of removing mud from vehicle wheels before entering streets.
- E. Designated existing on-site roads may be used for construction traffic.
- F. Provide temporary parking areas to accommodate construction personnel. When site space is not adequate, provide additional off-site parking.

#### **1.11 WASTE REMOVAL**

- A. See Section 017419 - Construction Waste Management and Disposal, for additional requirements.
- B. Provide waste removal facilities and services as required to maintain the site in clean and orderly condition.
- C. Provide containers with lids. Remove trash from site periodically.
- D. If materials to be recycled or re-used on the project must be stored on-site, provide suitable non-combustible containers; locate containers holding flammable material outside the structure unless otherwise approved by the authorities having jurisdiction.
- E. Open free-fall chutes are not permitted. Terminate closed chutes into appropriate containers with lids.

#### **1.12 PROJECT IDENTIFICATION**

- A. Project signs are not part of the Contract.
  - 1. The Contractor may, at their option and expense, elect to provide Project identification signs. Proposed signs shall comply with layout and details indicated on Drawings, and shall be submitted for Owner approval. Unauthorized signs are not permitted.
- B. Erect on site at location indicated.
- C. Provide temporary directional signage as directed to facilitate site access for visitors and other construction personnel.
- D. No other signs are allowed without Owner permission except those required by law.

#### **1.13 FIELD OFFICES**

- A. Field Office: Contractor shall be permitted to use a designated portion of existing facility as temporary field office.
  - 1. Maintain the following materials in the field office, available to Architect and Owner's representative at all times:
    - a. A complete, up-to-date set of all Contract Documents, including FCs, RFIs, PCOs, and COs.
    - b. A complete, up-to-date set of all reviewed final shop drawings.

#### **1.14 REMOVAL OF UTILITIES, FACILITIES, AND CONTROLS**

- A. Remove temporary utilities, equipment, facilities, materials, prior to Date of Substantial Completion inspection.
- B. Remove temporary underground installations.
- C. Clean and repair damage caused by installation or use of temporary work.
- D. Restore existing facilities used during construction to original condition.
- E. Restore new permanent facilities used during construction to specified condition.

### **PART 2 PRODUCTS**

#### **2.01 MATERIALS**

- A. Rough Carpentry: 2x lumber, in length and depth required for floor to ceiling partitions. Partitions shall not be fastened to existing ceilings or flooring to remain. Provide additional bracing and concealed attachments to building structure.
- B. Gypsum Board: 1/2-inch gypsum wallboard; ASTM C 1396.
- C. Insulation: Mineral-wool fiber blankets; with maximum flame-spread and smoke-developed ratings of 25 and 50 when tested per ASTM E 84.

FIRE STATIONS RENOVATION  
Arlington County, Virginia  
Architect's Project No.: 563006

---

- D. Polyethylene Sheet: Minimum 10 mil reinforced sheeting; achieving a passing rating when tested per NFPA 701, and a maximum flame-spread rating of 15 when tested per ASTM E 84.
- E. Walk-Off Mats: Dust-, dirt- and silica-control walk-off mats at each entrance into the enclosed construction area and each entrance through temporary partitions.
- F. Hardware: Provide temporary hinges, latch, and lock at doors in temporary partitions. Where doors in temporary partitions are also indicated to serve as egress, provide ADA-compliant exit device and closer.

## **2.02 EQUIPMENT**

- A. Fire Extinguishers: Provide portable UL rated extinguishers. Provide extinguisher types rated for potential classes of fire expected for construction work indicated.

## **PART 3 EXECUTION**

### **3.01 PEST CONTROL**

- A. Provide pest-control services at regular intervals, performed in compliance with regulations of state regulations, and by a pest-control firm licensed in the state where the project is located. Any chemicals and pesticides used shall be approved by EPA and local authority having jurisdiction. Contractor's pest control plan shall ensure the facility is free of termites, roaches, rodents, and other pests at time of Substantial Completion.
  - 1. Coordinate with Owner's Integrated Pest Management (IPM) plan where applicable.
  - 2. Provide Owner with a minimum 72 hours pre-notification for pest-control treatments.

### **3.02 TEMPORARY FIRE PROTECTION**

- A. Comply with NFPA 241 "Standard for Safeguarding Construction, Alteration, and Demolition Operations" for preventing damage to structures under construction.
- B. Provide a fire-prevention program, review with all personnel on site, and post fire-prevention information in clearly visible area. Coordinate fire-prevention program with local fire department.
- C. Provide clearly labeled portable fire extinguishers
- D. Provide fire watch in compliance with OSHA requirements during and after use of all potential ignition sources, including but not limited to, welders, grinders, cutting torches, heating and electrical equipment, and lighting.
- E. Do not allow smoking in areas under construction.

### **3.03 MOISTURE CONTROL**

- A. Prevent the absorption of moisture and humidity by:
  - 1. Sequencing the delivery of such materials so that they are not present in the building until wet work is completed and dry.
  - 2. Delivery and storage of such materials in fully sealed moisture-impermeable packaging.
  - 3. Provide sufficient ventilation for drying within reasonable time frame.
- B. Prior to building dry-in, store porous materials in a separate enclosed storage building. Keep all surfaces clear of standing water, and cover or otherwise protect all materials from water infiltration and damage. Do not enclose interior spaces until dry-in is complete and ventilation can remove excess moisture.
- C. After building dry-in, provide temporary mechanical ventilation for humidity and moisture control until the building HVAC system is operational. Do not store or install material in the building until ambient temperature and humidity is within manufacturer's acceptable range. Do not install wet materials, and ensure that substrates are fully dry prior to installing other materials over them.
- D. Provide continuous monitoring of installed materials. Remove gypsum board, wood products, and other mold-supporting products, if they become and remain wet for 48 hours. Remove and replace any materials showing visible signs of mold or mildew.

FIRE STATIONS RENOVATION  
Arlington County, Virginia  
Architect's Project No.: 563006

---

**3.04 TEMPORARY FACILITY USAGE AND REMOVAL**

- A. Maintenance and Usage: Keep temporary facilities clean and in well-maintained condition for the duration of the Project. Prevent misuse of or damage to facilities by construction personnel. Make repairs to temporary facilities or replace facilities as required to keep them in good operating condition and in compliance with applicable OSHA, local permitting, and other applicable regulations.
- B. Changeover: Coordinate changeover from temporary facilities to permanent facilities at Substantial Completion, unless an alternate arrangement for changeover has been agreed upon in writing by Owner.
  - 1. Contractor shall be responsible for repair, restoration, and cleaning of permanent facilities that are used for construction purposes after changeover.
- C. Removal: Unless otherwise indicated, temporary facilities and controls are the property of the Contractor, and shall be removed upon Architect's approval when Contractor can demonstrate that they are no longer needed.
  - 1. Comply with construction waste management and recycling requirements for temporary facilities and materials that are not able to be reused.
  - 2. After removal of temporary facilities and controls, complete all permanent construction that was not accessible due to the presence of temporary facilities.
  - 3. Remove materials that have become soiled or contaminated due to construction vehicle traffic, parking, temporary field offices, oil or other chemical spillage, and other temporary usage, and replace with clean material. Complete grading, landscaping, paving, and other site improvements, and repair or restore all damage to existing or previously completed site improvements

**END OF SECTION**

FIRE STATIONS RENOVATION  
Arlington County, Virginia  
Architect's Project No.: 563006

---

**SECTION 016000  
PRODUCT REQUIREMENTS**

**PART 1 GENERAL**

**1.01 DEFINITIONS**

- A. Comparable Product: An unnamed product that is similar in quality and performance to named product(s).
- B. Basis-of-Design Product: A specific product selected by the Architect for use in the design process; based on certain performance characteristics, physical qualities or details, a specialized finish type, pattern, or color, or other indicated characteristics.

**1.02 WARRANTIES**

- A. Product warranties shall be provided in addition to and run concurrently to Contractor's general warranty/guarantee.
  - 1. Unless otherwise indicated, all warranty terms shall start on the date of Substantial Completion.
- B. Manufacturer's Warranty: A standard warranty issued by the product manufacturer, covering production and material defects.
- C. Special Warranties: Warranties in addition to standard manufacturer's warranty, covering fabrication, installation, or specific performance items such as weathertightness
- D. Warranty Form: Warranty shall be provided on either manufacturer's standard form or on specified form. When a sample warranty form is not included in the Project Manual, the warranty shall be on mutually agreed form.

**PART 2 PRODUCTS**

**2.01 EXISTING PRODUCTS**

- A. Do not use materials and equipment removed from existing premises unless specifically required or permitted by Contract Documents.
- B. Unforeseen historic items encountered remain the property of the Owner; notify Owner promptly upon discovery; protect, remove, handle, and store as directed by Owner.
- C. Existing materials and equipment indicated to be removed, but not to be re-used, relocated, reinstalled, delivered to the Owner, or otherwise indicated as to remain the property of the Owner, become the property of the Contractor; remove from site.

**2.02 NEW PRODUCTS**

- A. Provide new products unless specifically required or permitted by Contract Documents.
- B. See Section 014000 - Quality Requirements, for additional source quality control requirements.
- C. Use of products having any of the following characteristics is not permitted:
  - 1. Made using or containing CFC's or HCFC's.
  - 2. Containing lead, cadmium, or asbestos.

**2.03 PRODUCT OPTIONS**

- A. Products Specified with a Single Named Product: Where required by Owner due to facility standards, provide the named product; no options or substitutions allowed.
- B. Products Specified by Reference Standards or by Description Only: Use any product meeting those standards or description.
- C. Products Specified by Naming One or More Manufacturers: Use a product of one of the manufacturers named and meeting specifications, no options or substitutions allowed.
- D. Products Specified by Naming One or More Manufacturers with a Provision for Substitutions: Submit a request for substitution for any manufacturer not named.
- E. Products Specified by Naming One or More Manufacturers with a Provision for Comparable Products: Unnamed comparable product may be submitted after award of Contract. Comply with requirements in "Comparable Products" article below.

FIRE STATIONS RENOVATION  
Arlington County, Virginia  
Architect's Project No.: 563006

---

#### 2.04 BASIS-OF-DESIGN PRODUCTS

- A. Where a product is specified by naming a Basis-of-Design, comply with the following:
1. Where a list of additional manufacturers is provided, provide the Basis-of-Design product or a comparable product by one of the listed manufacturers, in compliance with "Comparable Products" article below.
  2. Where a list of additional manufacturers is not provided, provide the Basis-of-Design product, or submit a substitution request in compliance with Section 012500 - Substitution Procedures.
  3. Basis-of-Design characteristics shall include requirements in the Specifications and on the Drawings.
  4. Where the Basis-of-Design lists a specific finish, manufacturers wishing to submit as a Comparable Product or as a substitution shall certify that they are able to provide an exact match to the specified finish, or that they will provide a custom finish to match.

#### 2.05 COMPARABLE PRODUCTS

- A. Where a product is specified with a provision for comparable products, Contractors submitting a Comparable Product shall comply with the following:
1. The submitted product shall not require changes to the Work, unless specifically approved by Architect. If changes are required, the Contractor shall resubmit the product as a substitution request, and the Contractor shall bear the cost of the changes, coordinate with other impacted contractors, and provide appropriate notations on record documents.
  2. Contractor shall provide, with the submittal, a detailed breakdown comparing the submitted product to at least one of the other listed products; list specified performance qualities, test results, dimensions, finish, and other critical properties.
  3. Contractor shall provide warranty data indicating that submitted Comparable Product complies with indicated warranty term(s).
- B. Comparable product submittals are subject to Architect's final approval. If a proposed product is found to be unacceptable, Contractor shall revert to one of the named products.

#### 2.06 COLOR/FINISH OPTIONS

- A. Preselected Color/Finish: Where a specific manufacturer's premium or custom finish or color is indicated as the basis-of-design, other listed manufacturers shall certify that they can provide an exact match, or that they will provide pricing under the assumption that a custom finish or color will be required.
- B. Color/Finish Selection: Unless specifically indicated to either be a custom color or to be selected from manufacturer's standard range, color and finish selections shall be made from manufacturer's full range of options, including premiums, metallics, wood grains, etc.

#### 2.07 MAINTENANCE MATERIALS

- A. Furnish extra materials, spare parts, tools, and software of types and in quantities specified in individual specification sections.
- B. Deliver to location designated by Owner; obtain receipt prior to final payment.

### PART 3 EXECUTION

#### 3.01 SUBSTITUTION LIMITATIONS

- A. See Section 012500 - Substitution Procedures.

#### 3.02 OWNER-SUPPLIED PRODUCTS

- A. See Section 011000 - Summary for identification of Owner-supplied products.
- B. Owner's Responsibilities:
1. Arrange for and deliver Owner reviewed shop drawings, product data, and samples, to Contractor.
  2. Arrange and pay for product delivery to site.
  3. On delivery, inspect products jointly with Contractor.
  4. Submit claims for transportation damage and replace damaged, defective, or deficient items.

FIRE STATIONS RENOVATION  
Arlington County, Virginia  
Architect's Project No.: 563006

---

5. Arrange for manufacturers' warranties, inspections, and service.
- C. Contractor's Responsibilities:
1. Review Owner reviewed shop drawings, product data, and samples.
  2. Receive and unload products at site; inspect for completeness or damage jointly with Owner.
  3. Handle, store, install and finish products.
  4. Repair or replace items damaged after receipt.

### 3.03 TRANSPORTATION AND HANDLING

- A. Package products for shipment in manner to prevent damage; for equipment, package to avoid loss of factory calibration.
- B. If special precautions are required, attach instructions prominently and legibly on outside of packaging.
- C. Coordinate schedule of product delivery to designated prepared areas in order to minimize site storage time and potential damage to stored materials.
- D. Transport and handle products in accordance with manufacturer's instructions.
- E. Transport materials in covered trucks to prevent contamination of product and littering of surrounding areas.
- F. Promptly inspect shipments to ensure that products comply with requirements, quantities are correct, and products are undamaged.
- G. Provide equipment and personnel to handle products by methods to prevent soiling, disfigurement, or damage, and to minimize handling.
- H. Arrange for the return of packing materials, such as wood pallets, where economically feasible.

### 3.04 STORAGE AND PROTECTION

- A. Provide protection of stored materials and products against theft, casualty, or deterioration.
  - B. Designate receiving/storage areas for incoming products so that they are delivered according to installation schedule and placed convenient to work area in order to minimize waste due to excessive materials handling and misapplication. See Section 017419.
    1. Structural Loading Limitations: Handle and store products and materials so as not to exceed static and dynamic load-bearing capacities of project floor and roof areas.
  - C. Store and protect products in accordance with manufacturers' instructions.
  - D. Store with seals and labels intact and legible.
  - E. Arrange storage of materials and products to allow for visual inspection for the purpose of determination of quantities, amounts, and unit counts.
  - F. Store sensitive products in weathertight, climate-controlled enclosures in an environment favorable to product.
  - G. For exterior storage of fabricated products, place on sloped supports above ground.
  - H. Provide off-site storage and protection when site does not permit on-site storage or protection.
  - I. Protect products from damage or deterioration due to construction operations, weather, precipitation, humidity, temperature, sunlight and ultraviolet light, dirt, dust, and other contaminants.
  - J. Comply with manufacturer's warranty conditions, if any.
  - K. Do not store products directly on the ground.
  - L. Cover products subject to deterioration with impervious sheet covering. Provide ventilation to prevent condensation and degradation of products.
  - M. Prevent contact with material that may cause corrosion, discoloration, or staining.
  - N. Provide equipment and personnel to store products by methods to prevent soiling, disfigurement, or damage.
-



FIRE STATIONS RENOVATION  
Arlington County, Virginia  
Architect's Project No.: 563006

---

- O. Arrange storage of products to permit access for inspection. Periodically inspect to verify products are undamaged and are maintained in acceptable condition.

**END OF SECTION**

FIRE STATIONS RENOVATION  
Arlington County, Virginia  
Architect's Project No.: 563006

---

**SECTION 017000**  
**EXECUTION AND CLOSEOUT REQUIREMENTS**

**PART 1 GENERAL**

**1.01 SUBMITTALS**

- A. See Section 013000 - Administrative Requirements, for submittal procedures.
- B. Project Record Documents: Accurately record actual locations of capped and active utilities.

**1.02 QUALIFICATIONS**

- A. For design of temporary shoring and bracing, employ a Professional Engineer experienced in design of this type of work and licensed in the State in which the Project is located.

**1.03 PROJECT CONDITIONS**

- A. Use of explosives is not permitted.
- B. Grade site to drain. Maintain excavations free of water. Provide, operate, and maintain pumping equipment.
- C. Protect site from puddling or running water. Provide water barriers as required to protect site from soil erosion.
- D. Perform dewatering activities, as required, for the duration of the project.
- E. Ventilate enclosed areas to assist cure of materials, to dissipate humidity, and to prevent accumulation of dust, fumes, vapors, or gases.
- F. Dust and Silica Control: Execute work by methods to minimize raising dust and silica from construction operations. Provide positive means to prevent air-borne dust and silica from dispersing into atmosphere and over adjacent property.
  - 1. Provide dust-proof enclosures to prevent entry of dust and silica that is generated outdoors.
  - 2. Provide dust-proof barriers between construction areas and areas continuing to be occupied by Owner.
- G. Erosion and Sediment Control: Plan and execute work by methods to control surface drainage from cuts and fills, from borrow and waste disposal areas. Prevent erosion and sedimentation.
  - 1. Minimize amount of bare soil exposed at one time.
  - 2. Provide temporary measures such as berms, dikes, and drains, to prevent water flow.
  - 3. Construct fill and waste areas by selective placement to avoid erosive surface silts or clays.
  - 4. Periodically inspect earthwork to detect evidence of erosion and sedimentation; promptly apply corrective measures.
- H. Noise Control: Provide methods, means, and facilities to minimize noise produced by construction operations.
- I. Pest and Rodent Control: Provide methods, means, and facilities to prevent pests and insects from damaging the work.
- J. Pollution Control: Provide methods, means, and facilities to prevent contamination of soil, water, and atmosphere from discharge of noxious, toxic substances, and pollutants produced by construction operations. Comply with federal, state, and local regulations.
- K. Hazardous Materials: Do not use materials or products that contain hazardous substances, for permanently installed products and materials, installation materials, or for cleaning or other construction use.

**1.04 COORDINATION**

- A. See Section 011000 for occupancy-related requirements.
- B. Coordinate scheduling, submittals, and work of the various sections of the Project Manual to ensure efficient and orderly sequence of installation of interdependent construction elements, with provisions for accommodating items installed later.

FIRE STATIONS RENOVATION  
Arlington County, Virginia  
Architect's Project No.: 563006

---

- C. Notify affected utility companies and comply with their requirements.
- D. Verify that utility requirements and characteristics of new operating equipment are compatible with building utilities. Coordinate work of various sections having interdependent responsibilities for installing, connecting to, and placing in service, such equipment.
- E. Coordinate space requirements, supports, and installation of mechanical and electrical work that are indicated diagrammatically on drawings. Follow routing indicated for pipes, ducts, and conduit, as closely as practicable; place runs parallel with lines of building. Utilize spaces efficiently to maximize accessibility for other installations, for maintenance, and for repairs.
- F. In finished areas except as otherwise indicated, conceal pipes, ducts, and wiring within the construction. Coordinate locations of fixtures and outlets with finish elements.
- G. Coordinate completion and clean-up of work of separate sections.
- H. After Owner occupancy of premises, coordinate access to site for correction of defective work and work not in accordance with Contract Documents, to minimize disruption of Owner's activities.

## **PART 2 PRODUCTS**

### **2.01 PATCHING MATERIALS**

- A. New Materials: As specified in product sections; match existing products and work for patching and extending work.
- B. Type and Quality of Existing Products: Determine by inspecting and testing products where necessary, referring to existing work as a standard.
- C. Product Substitution: For any proposed change in materials, submit request for substitution described in Section 016000 - Product Requirements.

## **PART 3 EXECUTION**

### **3.01 EXAMINATION**

- A. Verify that existing site conditions and substrate surfaces are acceptable for subsequent work. Start of work means acceptance of existing conditions.
- B. Verify that existing substrate is capable of structural support or attachment of new work being applied or attached.
- C. Examine and verify specific conditions described in individual specification sections.
- D. Take field measurements before confirming product orders or beginning fabrication, to minimize waste due to over-ordering or misfabrication.
- E. Verify that utility services are available, of the correct characteristics, and in the correct locations.
- F. Prior to Cutting: Examine existing conditions prior to commencing work, including elements subject to damage or movement during cutting and patching. After uncovering existing work, assess conditions affecting performance of work. Beginning of cutting or patching means acceptance of existing conditions.

### **3.02 PREPARATION**

- A. Clean substrate surfaces prior to applying next material or substance.
- B. Seal cracks or openings of substrate prior to applying next material or substance.
- C. Apply manufacturer required or recommended substrate primer, sealer, or conditioner prior to applying any new material or substance in contact or bond.

### **3.03 GENERAL INSTALLATION REQUIREMENTS**

- A. In addition to compliance with regulatory requirements, conduct construction operations in compliance with NFPA 241, including applicable recommendations in Appendix A.
- B. Install products as specified in individual sections, in accordance with manufacturer's instructions and recommendations, and so as to avoid waste due to necessity for

FIRE STATIONS RENOVATION  
Arlington County, Virginia  
Architect's Project No.: 563006

---

replacement.

- C. Make vertical elements plumb and horizontal elements level, unless otherwise indicated.
- D. Install equipment and fittings plumb and level, neatly aligned with adjacent vertical and horizontal lines, unless otherwise indicated.
- E. Make consistent texture on surfaces, with seamless transitions, unless otherwise indicated.
- F. Make neat transitions between different surfaces, maintaining texture and appearance.

### 3.04 ALTERATIONS

- A. Drawings showing existing construction and utilities are based on casual field observation and existing record documents only.
    - 1. Verify that construction and utility arrangements are as indicated.
    - 2. Report discrepancies to Architect before disturbing existing installation.
    - 3. Beginning of alterations work constitutes acceptance of existing conditions.
  - B. Keep areas in which alterations are being conducted separated from other areas that are still occupied.
    - 1. Provide, erect, and maintain temporary dustproof partitions of construction specified in Section 015000.
  - C. Maintain weatherproof exterior building enclosure except for interruptions required for replacement or modifications; take care to prevent water and humidity damage.
    - 1. Where openings in exterior enclosure exist, provide construction to make exterior enclosure weatherproof.
    - 2. Insulate existing ducts or pipes that are exposed to outdoor ambient temperatures by alterations work.
  - D. Remove existing work as indicated and as required to accomplish new work.
    - 1. Remove items indicated on drawings.
    - 2. Relocate items indicated on drawings.
    - 3. Where new surface finishes are to be applied to existing work, perform removals, patch, and prepare existing surfaces as required to receive new finish; prepare substrate per manufacturer's requirements for successful application of new finish.
    - 4. Where new surface finishes are not specified or indicated, patch holes and damaged surfaces to match adjacent finished surfaces.
  - E. Services (Including but not limited to HVAC, Plumbing, Fire Protection, Electrical, and Telecommunications): Remove, relocate, and extend existing systems to accommodate new construction.
    - 1. Maintain existing active systems that are to remain in operation; maintain access to equipment and operational components; if necessary, modify installation to allow access or provide access panel.
    - 2. Where existing active systems serve occupied facilities but are to be replaced with new services, maintain existing systems in service until new systems are complete and ready for service.
      - a. Disable existing systems only to make switchovers and connections; minimize duration of outages.
      - b. See Section 011000 for other limitations on outages and required notifications.
      - c. Provide temporary connections as required to maintain existing systems in service.
    - 3. Remove abandoned pipe, ducts, conduits, and equipment, including those above accessible ceilings; remove back to source of supply where possible, otherwise cap stub and tag with identification; patch holes left by removal using materials specified for new construction.
  - F. Protect existing work to remain.
    - 1. Prevent movement of structure; provide shoring and bracing if necessary.
    - 2. Perform cutting to accomplish removals neatly and as specified for cutting new work.
    - 3. Repair adjacent construction and finishes damaged during removal work.
  - G. Adapt existing work to fit new work: Make as neat and smooth transition as possible.
-

FIRE STATIONS RENOVATION  
Arlington County, Virginia  
Architect's Project No.: 563006

---

1. When existing finished surfaces are cut so that a smooth transition with new work is not possible, terminate existing surface along a straight line at a natural line of division and make recommendation to Architect.
  2. Where removal of partitions or walls results in adjacent spaces becoming one, rework floors, walls, and ceilings to a smooth plane without breaks, steps, or bulkheads.
- H. Patching: Where the existing surface is not indicated to be refinished, patch to match the surface finish that existed prior to cutting. Where the surface is indicated to be refinished, patch so that the substrate is ready for the new finish.
- I. Refinish existing surfaces as indicated:
1. Where rooms or spaces are indicated to be refinished, refinish all visible existing surfaces to remain to the specified condition for each material, with a neat transition to adjacent finishes.
- J. Clean existing systems and equipment in all spaces impacted by alteration work.
- K. Remove demolition debris and abandoned items from alterations areas and dispose of off-site; do not burn or bury.
- L. Do not begin new construction in alterations areas before demolition is complete.

### **3.05 CUTTING AND PATCHING**

- A. Perform cutting and patching to:
1. Complete the work.
  2. Fit products together to integrate with other work.
  3. Provide openings for penetration of mechanical, electrical, and other services.
  4. Match work that has been cut to adjacent work.
  5. Repair areas adjacent to cuts to required condition.
  6. Repair new work damaged by subsequent work.
  7. Remove samples of installed work for testing when requested.
  8. Remove and replace defective and non-complying work.
- B. Execute work by methods that avoid damage to other work and that will provide appropriate surfaces to receive patching and finishing. In existing work, minimize damage and restore to specified condition.
- C. Employ skilled and experienced installer to perform cutting and patching.
- D. Restore work with new products in accordance with requirements of Contract Documents.
- E. Fit work to pipes, sleeves, ducts, conduit, and other penetrations through surfaces.
- F. At penetrations of fire rated walls, partitions, ceiling, or floor construction, completely seal voids with fire rated material to maintain existing fire ratings, to full thickness of the penetrated element.
- G. Patching:
1. Finish patched surfaces to match finish that existed prior to patching. On continuous surfaces, refinish to nearest intersection or natural break. For an assembly, refinish entire unit.
  2. Match color, texture, and appearance.
  3. Repair patched surfaces that are damaged, lifted, discolored, or showing other imperfections due to patching work. If defects are due to condition of substrate, repair substrate prior to repairing finish.

### **3.06 PROGRESS CLEANING**

- A. Maintain areas free of waste materials, debris, and rubbish. Maintain site in a clean and orderly condition.
- B. Remove debris and rubbish from pipe chases, plenums, attics, crawl spaces, and other closed or remote spaces, prior to enclosing the space.
- C. Broom and vacuum clean interior areas prior to start of surface finishing, and continue cleaning to eliminate dust and silica.

FIRE STATIONS RENOVATION  
Arlington County, Virginia  
Architect's Project No.: 563006

---

- D. Collect and remove waste materials, debris, and trash/rubbish from site periodically and dispose off-site; do not burn or bury.

### **3.07 PROTECTION OF INSTALLED WORK**

- A. Protect installed work from damage by construction operations.
- B. Provide special protection where specified in individual specification sections.
- C. Provide temporary and removable protection for installed products. Control activity in immediate work area to prevent damage.
- D. Provide protective coverings at walls, projections, jambs, sills, and soffits of openings.
- E. Protect finished floors, stairs, and other surfaces from traffic, dirt, wear, damage, or movement of heavy objects, by protecting with durable sheet materials.
- F. Protect work from spilled liquids. If work is exposed to spilled liquids, immediately remove protective coverings, dry out work, and replace protective coverings.
- G. Prohibit traffic or storage upon waterproofed or roofed surfaces. If traffic or activity is necessary, obtain recommendations for protection from waterproofing or roofing material manufacturer.
- H. Prohibit traffic from landscaped areas.
- I. Remove protective coverings when no longer needed; reuse or recycle coverings if possible.

### **3.08 SYSTEM STARTUP AND ADJUSTING**

- A. Coordinate schedule for start-up of various equipment and systems.
- B. Notify Architect and Owner seven days prior to start-up of each item.
- C. Verify that each piece of equipment or system has been checked for proper lubrication, drive rotation, belt tension, control sequence, and for conditions that may cause damage.
- D. Verify tests, meter readings, and specified electrical characteristics agree with those required by the equipment or system manufacturer.
- E. Verify that wiring and support components for equipment are complete and tested.
- F. Execute start-up under supervision of applicable Contractor personnel and manufacturer's representative in accordance with manufacturers' instructions.
- G. When specified in individual specification Sections, require manufacturer to provide authorized representative to be present at site to inspect, check, and approve equipment or system installation prior to start-up, and to supervise placing equipment or system in operation.
- H. Adjust operating products and equipment to ensure smooth and unhindered operation.
- I. Testing, Adjusting, and Balancing of HVAC Systems: Refer to Division 1 Section "Testing, Adjusting, and Balancing for HVAC."
- J. Submit a written report that equipment or system has been properly installed and is functioning correctly.

### **3.09 DEMONSTRATION AND INSTRUCTION**

- A. See Section 017900 - Demonstration and Training.

### **3.10 FINAL CLEANING**

- A. Execute final cleaning prior to Substantial Completion.
  - 1. Clean areas to be occupied by Owner prior to final completion before Owner occupancy.
- B. Use cleaning materials that are nonhazardous.
- C. Clean interior and exterior glass, surfaces exposed to view; remove temporary labels, stains and foreign substances, polish transparent and glossy surfaces, vacuum carpeted and soft surfaces.

FIRE STATIONS RENOVATION  
Arlington County, Virginia  
Architect's Project No.: 563006

---

- D. Remove all labels that are not permanent. Do not paint or otherwise cover fire test labels or nameplates on mechanical and electrical equipment.
- E. Clean equipment and fixtures to a sanitary condition with cleaning materials appropriate to the surface and material being cleaned.
- F. Replace filters of operating equipment.
- G. Clean debris from roofs, gutters, downspouts, scuppers, overflow drains, area drains, and drainage systems.
- H. Clean site; sweep paved areas, rake clean landscaped surfaces.
- I. Remove waste, surplus materials, trash/rubbish, and construction facilities from the site; dispose of in legal manner; do not burn or bury.

### 3.11 CLOSEOUT PROCEDURES

- A. Prior to Substantial Completion, complete the following:
    - 1. Provide startup, testing, and adjusting of all systems and equipment.
      - a. Demonstrate that air and water systems are balanced and that automatic temperature control system is in control of all equipment. This may require separate demonstrations if controls cannot be tested for applicable seasons of the year.
      - b. Submit written certification that testing/adjusting/balancing operations have been completed, and that systems are operation and under control in conformance with applicable specification section(s).
      - c. Submit written certification that all Building Commissioning has been completed.
      - d. Complete testing of the electronic security and detention systems and equipment, demonstrating security control.
    - 2. Provide all inspections required by local authorities having jurisdiction to obtain Certificate of Occupancy, and provide written certification of completion of Special Inspections.
    - 3. Provide preventive maintenance services for all equipment used prior to Substantial Completion, and provide initial maintenance servicing for all products and equipment that will be subject to ongoing maintenance/service contracts.
    - 4. Provide final cleaning of all products, materials, and equipment, and provide touch up and restoration of exposed materials and finishes.
    - 5. Provide fresh batteries in all battery-powered products and equipment.
    - 6. Provide demonstration and training for Owner's personnel on all required systems and equipment.
    - 7. Coordinate a walkthrough with the Owner and the local fire department and other emergency services.
    - 8. To the maximum extent possible, remove temporary facilities and controls, construction equipment and tools, and similar items that are not part of the finished Work.
    - 9. Coordinate changeover with the Owner of permanent utilities, insurance requirements, and building's permanent keying and lock system.
  - B. Notify Architect when work is considered ready for Architect's Substantial Completion inspection.
  - C. Submit written certification containing Contractor's Correction Punch List, that Contract Documents have been reviewed, work has been inspected, and that work is complete in accordance with Contract Documents and ready for Architect's Substantial Completion inspection.
  - D. Owner will occupy the building after Substantial Completion as specified in Section 011000.
  - E. Conduct Substantial Completion inspection and create Final Correction Punch List containing Architect's and Contractor's comprehensive list of items identified to be completed or corrected and submit to Architect.
  - F. Correct items of work listed in Final Correction Punch List and comply with requirements for access to Owner-occupied areas.
-

FIRE STATIONS RENOVATION  
Arlington County, Virginia  
Architect's Project No.: 563006

---

- G. Notify Architect when work is considered finally complete and ready for Architect's Substantial Completion final inspection.
- H. Prior to final completion, complete the following:
  - 1. Complete items of work determined by Architect listed in executed Certificate of Substantial Completion.
  - 2. Provide final pest and rodent control treatments and inspections.
  - 3. Remove any remaining construction equipment, tools, and materials; perform additional cleaning required due to construction activities following Substantial Completion, and leave the site prepared for Owner occupancy.
  - 4. Submit final demonstration and training materials and videos, as built/record documents, operation and maintenance binders, and warranty binders.
  - 5. Submit final application for payment.

**3.12 MAINTENANCE**

- A. Provide service and maintenance of components indicated in specification sections.
  - 1. Contractor's maintenance responsibility shall be through Substantial Completion, unless a longer term is required by individual specification section.
- B. Maintenance service shall not be assigned or transferred to any agent or third party without prior written consent of the Owner.

**END OF SECTION**



FIRE STATIONS RENOVATION  
Arlington County, Virginia  
Architect's Project No.: 563006

---

**SECTION 017419**  
**CONSTRUCTION WASTE MANAGEMENT AND DISPOSAL**

**PART 1 GENERAL**

**1.01 WASTE MANAGEMENT REQUIREMENTS**

- A. Owner requires that this project generate the least amount of trash and waste possible.
- B. Employ processes that ensure the generation of as little waste as possible due to error, poor planning, breakage, mishandling, contamination, or other factors.
- C. Minimize trash/waste disposal in landfills; reuse, salvage, or recycle as much waste as economically feasible.
- D. Contractor shall develop and follow a Waste Management Plan designed to implement these requirements.
- E. The following sources may be useful in developing the Waste Management Plan:
- F. Methods of trash/waste disposal that are not acceptable are:
  - 1. Burning on the project site.
  - 2. Burying on the project site.
  - 3. Dumping or burying on other property, public or private.
  - 4. Other illegal dumping or burying.
- G. Regulatory Requirements: Contractor is responsible for knowing and complying with regulatory requirements, including but not limited to Federal, state and local requirements, pertaining to legal disposal of all construction and demolition waste materials.

**1.02 DEFINITIONS**

- A. Clean: Untreated and unpainted; not contaminated with oils, solvents, caulk, or the like.
- B. Construction and Demolition Waste: Solid wastes typically including building materials, packaging, trash, debris, and rubble resulting from construction, remodeling, repair and demolition operations.
- C. Hazardous: Exhibiting the characteristics of hazardous substances, i.e., ignitibility, corrosivity, toxicity or reactivity.
- D. Nonhazardous: Exhibiting none of the characteristics of hazardous substances, i.e., ignitibility, corrosivity, toxicity, or reactivity.
- E. Nontoxic: Neither immediately poisonous to humans nor poisonous after a long period of exposure.
- F. Recyclable: The ability of a product or material to be recovered at the end of its life cycle and remanufactured into a new product for reuse by others.
- G. Recycle: To remove a waste material from the project site to another site for remanufacture into a new product for reuse by others.
- H. Recycling: The process of sorting, cleansing, treating and reconstituting solid waste and other discarded materials for the purpose of using the altered form. Recycling does not include burning, incinerating, or thermally destroying waste.
- I. Return: To give back reusable items or unused products to vendors for credit.
- J. Reuse: To reuse a construction waste material in some manner on the project site.
- K. Salvage: To remove a waste material from the project site to another site for resale or reuse by others.
- L. Sediment: Soil and other debris that has been eroded and transported by storm or well production run-off water.
- M. Source Separation: The act of keeping different types of waste materials separate beginning from the first time they become waste.
- N. Toxic: Poisonous to humans either immediately or after a long period of exposure.
- O. Trash: Any product or material unable to be reused, returned, recycled, or salvaged.

FIRE STATIONS RENOVATION  
Arlington County, Virginia  
Architect's Project No.: 563006

---

- P. Waste: Extra material or material that has reached the end of its useful life in its intended use. Waste includes salvageable, returnable, recyclable, and reusable material.

### 1.03 SUBMITTALS

- A. See Section 013000 - Administrative Requirements, for submittal procedures.
- B. Waste Management Plan: Include the following information:
1. Analysis of the trash and waste projected to be generated during the entire project construction cycle, including types and quantities.
  2. Landfill Options: The name, address, and telephone number of the landfill(s) where trash/waste will be disposed of, the applicable landfill tipping fee(s), and the projected cost of disposing of all project trash/waste in the landfill(s).
  3. Landfill Alternatives: List all waste materials that will be diverted from landfills by reuse, salvage, or recycling.
  4. Meetings: Describe regular meetings to be held to address waste prevention, reduction, recycling, salvage, reuse, and disposal.
  5. Materials Handling Procedures: Describe the means by which materials to be diverted from landfills will be protected from contamination and prepared for acceptance by designated facilities; include separation procedures for recyclables, storage, and packaging.
  6. Transportation: Identify the destination and means of transportation of materials to be recycled; i.e. whether materials will be site-separated and self-hauled to designated centers, or whether mixed materials will be collected by a waste hauler.

## PART 3 EXECUTION

### 2.01 WASTE MANAGEMENT PLAN IMPLEMENTATION

- A. Manager: Designate an on-site person or persons responsible for instructing workers and overseeing and documenting results of the Waste Management Plan.
- B. Communication: Distribute copies of the Waste Management Plan to job site foreman, each subcontractor, Owner, and Architect.
- C. Instruction: Provide on-site instruction of appropriate separation, handling, and recycling, salvage, reuse, and return methods to be used by all parties at the appropriate stages of the project.
- D. Meetings: Discuss trash/waste management goals and issues at project meetings.
1. Prebid meeting.
  2. Preconstruction meeting.
  3. Regular job-site meetings.
- E. Facilities: Provide specific facilities for separation and storage of materials for recycling, salvage, reuse, return, and trash disposal, for use by all contractors and installers.
1. Provide containers as required.
  2. Provide adequate space for pick-up and delivery and convenience to subcontractors.
  3. Keep recycling and trash/waste bin areas neat and clean and clearly marked in order to avoid contamination of materials.
- F. Hazardous Wastes: Separate, store, and dispose of hazardous wastes according to applicable regulations.
- G. Recycling: Separate, store, protect, and handle at the site identified recyclable waste products in order to prevent contamination of materials and to maximize recyclability of identified materials. Arrange for timely pickups from the site or deliveries to recycling facility in order to prevent contamination of recyclable materials.
- H. Reuse of Materials On-Site: Set aside, sort, and protect separated products in preparation for reuse.
- I. Salvage: Set aside, sort, and protect products to be salvaged for reuse off-site.

**END OF SECTION**

---

FIRE STATIONS RENOVATION  
Arlington County, Virginia  
Architect's Project No.: 563006

---

**SECTION 017800  
CLOSEOUT SUBMITTALS**

**PART 1 GENERAL**

**1.01 SECTION INCLUDES**

- A. Project record documents.
- B. Operation and maintenance data.
- C. Warranties and bonds.

**1.02 SUBMITTALS**

- A. Project Record Documents: Submit documents to Architect within 15 days after the date of Substantial Completion.
- B. Operation and Maintenance Data:
  - 1. For equipment, or component parts of equipment put into service during construction and operated by Owner, submit completed documents within 15 days after acceptance.
  - 2. Submit one PDF draft copy of completed documents within 15 days after the Closeout Conference. This copy will be reviewed and returned, with Architect comments. Revise content of all document sets as required prior to final submission.
  - 3. After revisions are complete, submit one bound hard copy and PDF electronic file of revised final documents in final form within 15 days after Substantial Completion.
- C. Warranties and Bonds:
  - 1. For equipment or component parts of equipment put into service during construction with Owner's permission, submit documents within 15 days after acceptance.
  - 2. Make other submittals within 15 days after Date of Substantial Completion, prior to final Application for Payment.
  - 3. For items of Work for which acceptance is delayed beyond Date of Substantial Completion, submit within 15 days after acceptance, listing the date of acceptance as the beginning of the warranty period.

**PART 2 PRODUCTS - NOT USED**

**PART 3 EXECUTION**

**3.01 PROJECT RECORD DOCUMENTS**

- A. Maintain on site one set of the following record documents; record actual revisions to the Work:
  - 1. Drawings.
  - 2. Addenda.
  - 3. Change Orders and other modifications to the Contract.
  - 4. Miscellaneous record submittals.
- B. Ensure entries are complete and accurate, enabling future reference by Owner.
  - 1. Include revised Drawings reissued during Bidding and Construction.
- C. Store record documents separate from documents used for construction.
  - 1. Keep record documents in a location accessible to Architect for periodic review and reference.
  - 2. Maintain in legible condition. If record document set becomes damaged or excessively dirty, transfer comments to clean set prior to submittal to Architect.
- D. Record information concurrent with construction progress.
- E. Record Drawings: Legibly mark each item to record actual construction including:
  - 1. Measured depths of foundations in relation to finish first floor datum.
  - 2. Measured horizontal and vertical locations of underground utilities and appurtenances, referenced to permanent surface improvements.
  - 3. Measured locations of internal utilities and appurtenances concealed in construction, referenced to visible and accessible features of the Work.
  - 4. Field changes of dimension and detail.

FIRE STATIONS RENOVATION  
Arlington County, Virginia  
Architect's Project No.: 563006

---

5. Details not on original Contract drawings.
- F. Miscellaneous Record Submittals: Where other specification sections require completion certifications, or closeout or record submittals, submit in a single binder organized by specification section.

### **3.02 ASSEMBLY OF RECORD DOCUMENTS**

- A. Submittal for Architect's Review:
  1. Submit PDF scanned copy of marked up prints.
  2. Architect shall review and provide comment on completeness
- B. Submittal for Distribution to Owner:
  1. After Architect has approved for content and completeness, submit PDF scanned copy of final marked up prints, and submit hard copy originals.
  2. Submit full set of Drawings, regardless of whether any modification or markings are on each sheet.

### **3.03 OPERATION AND MAINTENANCE DATA**

- A. Product Data: Mark each sheet to clearly identify specific products and component parts, and data applicable to installation. Delete inapplicable information.
- B. Drawings: Supplement product data to illustrate relations of component parts of equipment and systems, to show control and flow diagrams. Do not use Project Record Documents as maintenance drawings.
- C. Typed Text: As required to supplement product data. Provide logical sequence of instructions for each procedure, incorporating manufacturer's instructions.

### **3.04 OPERATION AND MAINTENANCE DATA FOR MATERIALS AND FINISHES**

- A. For Each Product, Applied Material, and Finish:
  1. Product data, with catalog number, size, composition, and color and texture designations.
  2. Information for re-ordering custom manufactured products.
- B. Instructions for Care and Maintenance: Manufacturer's recommendations for cleaning agents and methods, precautions against detrimental cleaning agents and methods, and recommended schedule for cleaning and maintenance.
- C. Moisture protection and weather-exposed products: Include product data listing applicable reference standards, chemical composition, and details of installation. Provide recommendations for inspections, maintenance, and repair.
- D. Additional information as specified in individual product specification sections.
- E. Where additional instructions are required, beyond the manufacturer's standard printed instructions, have instructions prepared by personnel experienced in the operation and maintenance of the specific products.

### **3.05 OPERATION AND MAINTENANCE DATA FOR EQUIPMENT AND SYSTEMS**

- A. For Each Item of Equipment and Each System:
  1. Description of unit or system, and component parts.
  2. Identify function, normal operating characteristics, and limiting conditions.
  3. Include performance curves, with engineering data and tests.
  4. Complete nomenclature and model number of replaceable parts.
- B. Where additional instructions are required, beyond the manufacturer's standard printed instructions, have instructions prepared by personnel experienced in the operation and maintenance of the specific products.
- C. Panelboard Circuit Directories: Provide electrical service characteristics, controls, and communications; typed.
- D. Include color coded wiring diagrams as installed.
- E. Operating Procedures: Include start-up, break-in, and routine normal operating instructions and sequences. Include regulation, control, stopping, shut-down, and emergency instructions. Include summer, winter, and any special operating instructions.

FIRE STATIONS RENOVATION  
Arlington County, Virginia  
Architect's Project No.: 563006

---

- F. Maintenance Requirements: Include routine procedures and guide for preventative maintenance and trouble shooting; disassembly, repair, and reassembly instructions; and alignment, adjusting, balancing, and checking instructions.
- G. Provide servicing and lubrication schedule, and list of lubricants required.
- H. Include manufacturer's printed operation and maintenance instructions.
- I. Include sequence of operation by controls manufacturer.
- J. Provide original manufacturer's parts list, illustrations, assembly drawings, and diagrams required for maintenance.
- K. Provide control diagrams by controls manufacturer as installed.
- L. Provide Contractor's coordination drawings, with color coded piping diagrams as installed.
- M. Provide charts of valve tag numbers, with location and function of each valve, keyed to flow and control diagrams.
- N. Provide list of original manufacturer's spare parts, current prices, and recommended quantities to be maintained in storage.
- O. Include test and balancing reports.
- P. Additional Requirements: As specified in individual product specification sections.

**3.06 ASSEMBLY OF OPERATION AND MAINTENANCE MANUALS**

- A. Assemble operation and maintenance data into durable manuals for Owner's personnel use, with data arranged in the same sequence as, and identified by, the specification sections.
- B. Where systems involve more than one specification section, provide separate tabbed divider for each system.
- C. Binders: Commercial quality, 8-1/2 by 11 inch three D side ring binders with durable plastic covers; 2 inch maximum ring size. When multiple binders are used, correlate data into related consistent groupings.
- D. Cover: Identify each binder on front and spine with typed or printed title OPERATION AND MAINTENANCE INSTRUCTIONS; identify title of Project; identify subject matter of contents.
- E. Project Directory: Title and address of Project; names, addresses, and telephone numbers of Architect, Consultants, Contractor and subcontractors, with names of responsible parties.
- F. Tables of Contents: List every item separated by a divider, using the same identification as on the divider tab; where multiple volumes are required, include all volumes Tables of Contents in each volume, with the current volume clearly identified.
- G. Dividers: Provide tabbed dividers for each separate product and system; identify the contents on the divider tab; immediately following the divider tab include a description of product and major component parts of equipment.
- H. Text: Manufacturer's printed data, or typewritten data on 20 pound paper.
- I. Drawings: Provide with reinforced punched binder tab. Bind in with text; fold larger drawings to size of text pages.
- J. Arrangement of Contents: Organize each volume in parts as follows:
  - 1. Project Directory.
  - 2. Table of Contents, of all volumes, and of this volume.
  - 3. Operation and Maintenance Data: Arranged by system, then by product category.
    - a. Source data.
    - b. Product data.
    - c. Operation and maintenance data.
    - d. Field quality control data.
    - e. Photocopies of warranties and bonds.

FIRE STATIONS RENOVATION  
Arlington County, Virginia  
Architect's Project No.: 563006

---

**3.07 WARRANTIES AND BONDS**

- A. Obtain warranties and bonds, executed in duplicate by responsible Subcontractors, suppliers, and manufacturers, within 15 days after completion of the applicable item of work. Except for items put into use with Owner's permission, leave date of beginning of time of warranty until Date of Substantial completion is determined.
- B. Verify that documents are in proper form, contain full information, and are notarized.
- C. Retain warranties and bonds until time specified for submittal.
- D. Manual: Bind in commercial quality 8-1/2 by 11 inch three D side ring binders with durable plastic covers.
- E. Cover: Identify each binder on front and spine with typed or printed title WARRANTIES AND BONDS, with title of Project; name, address and telephone number of Contractor and equipment supplier; and name of responsible company principal.
- F. Table of Contents: Neatly typed, in the sequence of the Table of Contents of the Project Manual, with each item identified with the number and title of the specification section in which specified, and the name of product or work item.
- G. Separate each warranty or bond with index tab sheets keyed to the Table of Contents listing. Provide full information, using separate typed sheets as necessary. List Subcontractor, supplier, and manufacturer, with name, address, and telephone number of responsible principal.
- H. Provide photocopy of each warranty in operation and maintenance manuals; locate each warranty with applicable O&M data for product or equipment.

**END OF SECTION**

FIRE STATIONS RENOVATION  
Arlington County, Virginia  
Architect's Project No.: 563006

---

**SECTION 017900  
DEMONSTRATION AND TRAINING**

**PART 1 GENERAL**

**1.01 SUMMARY**

- A. Demonstration of products, systems, equipment, and other items where indicated in specific specification sections.
- B. Training of Owner personnel in operation and maintenance of products, systems, equipment, and othwhere indicated in specific specification sections.

**1.02 SUBMITTALS**

- A. See Section 013000 - Administrative Requirements, for submittal procedures.
- B. Draft Training Plans: Owner will designate personnel to be trained; tailor training to needs and skill-level of attendees.
  - 1. Submit not less than four weeks prior to start of training.
  - 2. Revise and resubmit until acceptable.
  - 3. Provide an overall schedule showing all training sessions.
  - 4. Include at least the following for each training session:
    - a. Identification, date, time, and duration.
    - b. Description of products and/or systems to be covered.
    - c. Name of firm and person conducting training; include qualifications.
    - d. Intended audience, such as job description.
    - e. Objectives of training and suggested methods of ensuring adequate training.
    - f. Methods to be used, such as classroom lecture, live demonstrations, hands-on, etc.
    - g. Media to be used, such a slides, hand-outs, etc.
    - h. Training equipment required, such as projector, projection screen, etc., to be provided by Contractor.
- C. Training Manuals: Provide training manual for each attendee.
  - 1. Include applicable portion of O&M manuals.
  - 2. Include copies of all hand-outs, slides, overheads, video presentations, etc., that are not included in O&M manuals.
  - 3. Provide one extra copy of each training manual to be included with operation and maintenance data.
- D. Training Reports:
  - 1. Identification of each training session, date, time, and duration.
  - 2. Sign-in sheet showing names and job titles of attendees.
  - 3. List of attendee questions and written answers given, including copies of and references to supporting documentation required for clarification; include answers to questions that could not be answered in original training session.
- E. Video Recordings: Submit digital video recording of each demonstration and training session for Owner's subsequent use.
  - 1. Format: DVD Disc.
  - 2. Label each disc and container with session identification and date.
  - 3. Where available, provide manufacturer's pre-produced training videos in conjunction with live demonstration and training video.

**1.03 QUALITY ASSURANCE**

- A. Instructor Qualifications: Familiar with design, operation, maintenance and troubleshooting of the relevant products and systems.
  - 1. Instructor shall be certified by the manufacturer or fabricator of system.
  - 2. Where a single person is not familiar with all aspects, provide specialists with necessary qualifications.

FIRE STATIONS RENOVATION  
Arlington County, Virginia  
Architect's Project No.: 563006

---

**PART 2 PRODUCTS - NOT USED**

**PART 3 EXECUTION**

**3.01 DEMONSTRATION - GENERAL**

- A. Demonstrations conducted during system start-up do not qualify as demonstrations for the purposes of this section, unless approved in advance by Owner.
- B. Demonstrations conducted during Functional Testing need not be repeated unless Owner personnel training is specified.
- C. Demonstration may be combined with Owner personnel training if applicable, and if acceptable to Owner.
- D. Operating Equipment and Systems: Demonstrate operation in all modes, including start-up, shut-down, seasonal changeover, emergency conditions, and troubleshooting, and maintenance procedures, including scheduled and preventive maintenance.
  - 1. Complete demonstrations within two weeks after the date of Substantial Completion.
  - 2. For equipment or systems requiring seasonal operation, perform demonstration for other season within six months.
- E. Non-Operating Products: Demonstrate cleaning, scheduled and preventive maintenance, and repair procedures.
  - 1. Complete demonstrations within two weeks after the date of Substantial Completion.

**3.02 TRAINING - GENERAL**

- A. Conduct training on-site, utilizing installed products and equipment, unless otherwise indicated.
- B. Provide training in minimum two hour segments.
- C. Training schedule will be subject to availability of Owner's personnel to be trained; re-schedule training sessions as required by Owner; once schedule has been approved by Owner failure to conduct sessions according to schedule will be cause for Owner to charge Contractor for personnel "show-up" time.
- D. Review of Facility Policy on Operation and Maintenance Data: During training discuss:
  - 1. Typical contents and organization of all manuals, including explanatory information, system narratives, and product specific information.
  - 2. Typical uses of the O&M manuals.
- E. Product- and System-Specific Training:
  - 1. Review the applicable O&M manuals.
  - 2. For systems, provide an overview of system operation, design parameters and constraints, and operational strategies.
  - 3. Review instructions for proper operation in all modes, including start-up, shut-down, seasonal changeover and emergency procedures, and for maintenance, including preventative maintenance.
  - 4. Discuss cleaning products and procedures, including recommended cleaning products and products that are detrimental to equipment operation or finishes.
  - 5. Provide hands-on training on all operational modes possible and preventive maintenance.
  - 6. Emphasize safe and proper operating requirements; discuss relevant health and safety issues, warning or error indications, and emergency procedures and shutdown.
  - 7. Discuss common troubleshooting problems and solutions. Include minor adjustments for resolving noise, vibration, and improving system efficiency.
  - 8. Discuss any peculiarities of equipment installation or operation.
  - 9. Discuss warranties and guarantees, including procedures necessary to avoid voiding coverage. Include discussion of continuing maintenance agreements and procedures.
  - 10. Review recommended tools and spare parts inventory suggestions of manufacturers.
  - 11. Review spare parts and tools required to be furnished by Contractor.
  - 12. Review spare parts suppliers and sources and procurement procedures.



FIRE STATIONS RENOVATION  
Arlington County, Virginia  
Architect's Project No.: 563006

---

- F. Be prepared to answer questions raised by training attendees; if unable to answer during training session, provide written response within three days.

**END OF SECTION**

FIRE STATIONS RENOVATION  
Arlington County, Virginia  
Architect's Project No.: 563006

---

**SECTION 018119**  
**INDOOR AIR QUALITY REQUIREMENTS**

**PART 1 GENERAL**

**1.01 SUMMARY**

- A. Provide Indoor Air Quality (IAQ) Management Plan to remain in force during the construction period.
- B. Chapter 3 of the Sheet Metal and Air Conditioning National Contractors' Association (SMACNA) IAQ Guideline for Occupied Buildings Under Construction, 2nd Edition 2007, available from SMACNA (703-803-2980 or www.smacna.org).

**1.02 SUBMITTAL**

- A. Construction Indoor Air Quality Management Plan (CIAQM Plan).

**PART 2 OBJECTIVES DURING CONSTRUCTION**

**2.01 PROTECTION**

- A. Store all materials and equipment in a protected area (inside warehouse or storage trailer). Protect materials and equipment that are too large or heavy to store in a trailer from water and dirt/dust/debris.
  - 1. OPTION: When stored outside, provide two layers of minimum 8-mil poly on the ground and elevate equipment or material a minimum of 4 inches to allow water to run off. Secure top and sides with two layers of 8-mil poly to prevent water penetration and dust/dirt accumulation.
- B. Protect HVAC equipment from dust and odors. Do not store equipment in areas near painting, pressure washing, or excavation. Do not operate equipment during cutting or grinding of masonry or concrete.
  - 1. Refer to Division 23 for construction filter requirements for protection of mechanical duct systems during construction.
  - 2. Clean ductwork when installed. Cap ends of inactive duct with poly during construction to prevent contamination.
  - 3. Do not operate HVAC system until the exterior walls, roof, glass, doors and building filters are properly installed.
  - 4. Replace all filtration media immediately prior to Substantial Completion. Refer to Division 23 for filtration requirements.
  - 5. Do not perform Testing and Balancing until dust or odor generating activities are completed.

**2.02 SOURCE CONTROL**

- A. Minimize IAQ contaminants introduced by construction materials.
- B. Store waste construction materials a minimum of 30 feet away from the building.
- C. Do not smoke within 30 feet of the exterior building perimeter.

**2.03 PATHWAY INTERRUPTION**

- A. Provide barriers to contain construction areas to allow a portion of the building to be cleaned and then operate the HVAC system in that cleaned area. Acceptable barriers include dust curtains and temporary walls.
  - 1. Protect areas of the building in which HVAC is operational by physical barriers from areas of the building not acceptable for operation of the HVAC system.
- B. Maintain areas within 30 feet of outdoor air intakes free of dust, dirt, debris, and volatile materials while the HVAC system is in operation.

**2.04 HOUSEKEEPING**

- A. As dust accumulates at the Site, it can become airborne when disturbed by nearby activity. Similarly, spills or excess applications of products containing solvents will increase odors at the Site. Leaving the Site wet or damp for more than a day could result in the growth of mold and bacteria. Therefore, Site cleanup and maintenance is important to maintaining good IAQ during construction.

FIRE STATIONS RENOVATION  
Arlington County, Virginia  
Architect's Project No.: 563006

---

- B. Perform the following to control contaminants at the Site:
1. Suppress dust with wetting agents or sweeping compounds
  2. Provide an efficient dust collection method (e.g. a damp rag, wet mop, or vacuum equipped with a high efficiency particulate arrester (HEPA) filter or wet scrubber).
  3. Remove spills or excess applications of solvent-containing products immediately. Provide low-VOC emitting spot removers and cleaning agents near occupied areas.
  4. Remove accumulated water and keep work areas as dry as possible, including the use of dehumidification, if necessary.
  5. Once building is enclosed, vacuum with HEPA filtered vacuum cleaners to prevent settled dust from becoming airborne again.
  6. Protect porous materials from exposure to moisture. Replace items that remain damp for more than four hours.

**END OF SECTION**

FIRE STATIONS RENOVATION  
Arlington County, Virginia  
Architect's Project No.: 563006

---

**SECTION 024100  
DEMOLITION**

**PART 1 GENERAL**

**1.01 SUBMITTALS**

- A. See Section 013000 - Administrative Requirements, for submittal procedures.
- B. Project Record Documents: Accurately record actual locations of capped and active utilities and subsurface construction.

**PART 2 PRODUCTS -- NOT USED**

**PART 3 EXECUTION**

**3.01 GENERAL PROCEDURES AND PROJECT CONDITIONS**

- A. All demolition work shall be considered unclassified. Barring discovery of hazardous materials or undocumented structural components, where elements are indicated to be demolished, the bid price shall be for complete demolition of the element, regardless of the individual component makeup of that element.
- B. Comply with applicable codes and regulations for demolition operations and safety of adjacent structures and the public.
  - 1. Obtain required permits.
  - 2. Comply with applicable requirements of NFPA 241.
  - 3. Use of explosives is not permitted.
  - 4. Take precautions to prevent catastrophic or uncontrolled collapse of structures to be removed; do not allow worker or public access within range of potential collapse of unstable structures.
  - 5. Provide, erect, and maintain temporary barriers and security devices.
  - 6. Conduct operations to minimize effects on and interference with adjacent structures and occupants.
  - 7. Do not close or obstruct roadways or sidewalks without permit.
  - 8. Conduct operations to minimize obstruction of public and private entrances and exits; do not obstruct required exits at any time; protect persons using entrances and exits from removal operations.
  - 9. Obtain written permission from owners of adjacent properties when demolition equipment will traverse, infringe upon or limit access to their property.
- C. Do not begin removal until receipt of notification to proceed from Owner.
- D. Do not begin removal until built elements to be salvaged or relocated have been removed.
- E. Protect existing structures and other elements that are not to be removed.
  - 1. Provide bracing and shoring.
  - 2. Prevent movement or settlement of adjacent structures.
  - 3. Stop work immediately if adjacent structures appear to be in danger.
- F. Hazardous Materials: It is not expected that hazardous materials are present in existing construction to be demolished. If suspected hazardous materials are discovered during removal operations, stop work and notify Architect and Owner; hazardous materials include regulated asbestos containing materials, lead, PCB's, and mercury.
  - 1. A survey indicating locations of hazardous materials is on file for examination by demolition contractor upon request.

**3.02 EXISTING UTILITIES**

- A. Coordinate work with utility companies; notify before starting work and comply with their requirements; obtain required permits.
- B. Protect existing utilities to remain from damage.
- C. Do not disrupt public utilities without permit from authority having jurisdiction.
- D. Do not close, shut off, or disrupt existing life safety systems that are in use without at least 7 days prior written notification to Owner.

FIRE STATIONS RENOVATION  
Arlington County, Virginia  
Architect's Project No.: 563006

---

- E. Do not close, shut off, or disrupt existing utility branches or take-offs that are in use without at least 3 days prior written notification to Owner.
- F. Locate and mark utilities to remain; mark using highly visible tags or flags, with identification of utility type; protect from damage due to subsequent construction, using substantial barricades if necessary.
- G. Remove exposed piping, valves, meters, equipment, supports, and foundations of disconnected and abandoned utilities.

### 3.03 SELECTIVE DEMOLITION FOR ALTERATIONS

- A. Drawings showing existing construction and utilities are based on casual field observation and existing record documents only.
  - 1. Verify that construction and utility arrangements are as indicated.
  - 2. Report discrepancies to Architect before disturbing existing installation.
  - 3. Beginning of demolition work constitutes acceptance of existing conditions that would be apparent upon examination prior to starting demolition.
- B. Separate areas in which demolition is being conducted from other areas that are still occupied.
  - 1. Provide, erect, and maintain temporary dustproof partitions of construction specified in Section 015000 in locations indicated on drawings.
- C. Maintain weatherproof exterior building enclosure except for interruptions required for replacement or modifications; take care to prevent water and humidity damage.
- D. Remove existing work as indicated and as required to accomplish new work.
  - 1. Remove items indicated on drawings.
- E. Services (Including but not limited to HVAC, Plumbing, Fire Protection, Electrical, and Telecommunications): Remove existing systems and equipment as indicated.
  - 1. Maintain existing active systems that are to remain in operation; maintain access to equipment and operational components.
  - 2. Where existing active systems serve occupied facilities but are to be replaced with new services, maintain existing systems in service until new systems are complete and ready for service.
  - 3. Verify that abandoned services serve only abandoned facilities before removal.
  - 4. Remove abandoned pipe, ducts, conduits, and equipment, including those above accessible ceilings; remove back to source of supply where possible, otherwise cap stub and tag with identification.
- F. Floor Finishes: After removal of existing floor finishes including backings, underlayments, and thick set mortar beds, remove all residual adhesives and glue. Provide grinding, sanding, or shot-blasting of existing concrete floor slab to achieve the proper surface to receive new indicated floor finish. Coordinate slab surface preparations required for each new indicated floor finish with appropriate subcontractor.
- G. Existing Surfaces to Receive Finishes: Remove miscellaneous hangers, exposed nails not serving as fasteners, and similar protrusions; remove adhesive residue and tape; fill anchorage holes; and otherwise patch and restore surface to be a uniform substrate suitable for applied finishes.
- H. Protect existing work to remain.
  - 1. Prevent movement of structure; provide shoring and bracing if necessary.
  - 2. Perform cutting to accomplish removals neatly and as specified for cutting new work.
  - 3. Repair adjacent construction and finishes damaged during removal work.
  - 4. Patch as specified for patching new work.

### 3.04 DEBRIS AND WASTE REMOVAL

- A. Remove debris, junk, and trash from site.
- B. Leave site in clean condition, ready for subsequent work.
- C. Clean up spillage and wind-blown debris from public and private lands.

**END OF SECTION**

---

FIRE STATIONS RENOVATION  
Arlington County, Virginia  
Architect's Project No.: 563006

---

**SECTION 042000  
UNIT MASONRY**

**PART 1 GENERAL**

**1.01 ADMINISTRATIVE REQUIREMENTS**

- A. Preinstallation Meeting: Convene a preinstallation meeting one week before starting work of this section; require attendance by all relevant installers.

**1.02 SUBMITTALS**

- A. See Section 013000 - Administrative Requirements, for submittal procedures.
- B. Product Data: Provide data for masonry units, fabricated wire reinforcement, mortar, and masonry accessories.
- C. Shop Drawings: Indicate pertinent dimensions, materials, anchorage, size and type of fasteners, and accessories for brickwork support system.

**1.03 QUALITY ASSURANCE**

- A. Comply with provisions of ACI 530.1/ASCE 6/TMS 402/602, except where exceeded by requirements of Contract Documents.
- B. Aggregate for Concrete Masonry Units: If bottom ash is used as aggregate in the CMU, the Source for the bottom ash shall be a power station that has a minimum of ten (10) years continuous experience as a supplier of quality material as verified by independent certified laboratory testing and no defects in the marketplace.

**1.04 DELIVERY, STORAGE, AND HANDLING**

- A. Deliver, handle, and store masonry units by means that will prevent mechanical damage and contamination by other materials.

**PART 2 PRODUCTS**

**2.01 CONCRETE MASONRY UNITS**

- A. Concrete Block: Comply with referenced standards and as follows:
  - 1. Size: Standard units with nominal face dimensions of 16 by 8 inches and nominal depths as indicated on drawings for specific locations.
  - 2. Special Shapes: Provide non-standard blocks configured for corners.
    - a. Provide bullnose units for outside corners.
  - 3. Concrete Masonry Units: ASTM C90, lightweight.
    - a. Exposed Faces: Manufacturer's standard color and texture.
    - b. Aggregates:
      - 1) Lightweight Aggregates: Lightweight aggregate shall strictly comply with ASTM C 331, ASTM C 151, and ASTM C 641. Drying shrinkage of aggregate shall not exceed 0.10% at 100 days.
      - 2) Waste concrete, scoria, and aglite shall not be permitted.

**2.02 MORTAR AND GROUT MATERIALS**

- A. Masonry Cement: ASTM C91/C91M.
- B. Mortar Aggregate: ASTM C144.
- C. Grout Aggregate: ASTM C404.
- D. Water: Clean and potable.

**2.03 REINFORCEMENT AND ANCHORAGE**

- A. Reinforcing Steel: ASTM A615/A615M, Grade 60 (60,000 psi), deformed billet bars; uncoated.
- B. Single Wythe Joint Reinforcement: ASTM A951/A951M.
  - 1. Type: Ladder.
  - 2. Material: ASTM A1064/A1064M steel wire, mill galvanized to ASTM A641/A641M Class 3.

FIRE STATIONS RENOVATION  
Arlington County, Virginia  
Architect's Project No.: 563006

---

3. Size: 0.1483 inch side rods with 0.1483 inch cross rods; width as required to provide not less than 5/8 inch of mortar coverage on each exposure.
- C. Strap Anchors: Bent steel shapes, 1-1/2 inch width, 0.105 inch thick, 24 inch length, with 2 inch long, 90 degree bend at each end to form a U or Z shape or with cross pins, hot dip galvanized to ASTM A153/A153M Class B.
- D. Flexible Anchors: 2-piece anchors that permit differential movement between masonry and building frame, sized to provide not less than 5/8 inch of mortar coverage from masonry face.
  1. Steel frame: Crimped wire anchors for welding to frame, 0.25 inch thick, with trapezoidal wire ties 0.1875 inch thick, hot dip galvanized to ASTM A 153/A 153M, Class B.

#### **2.04 ACCESSORIES**

- A. Preformed Control Joints: Rubber material. Provide with corner and tee accessories, fused joints.
  1. Provide nominal 2.5-inch "standard" and "tee" configurations to suit application unless indicated otherwise.
- B. Joint Filler: Closed cell polyvinyl chloride; oversized 50 percent to joint width; self expanding; in maximum lengths available.
- C. Reinforcing Positioners: Provide wire positioners in bed joints to keep steel reinforcing bars centered in cells, fabricated of 0.1483-inch hot-dip galvanized steel wire.
  1. Available Products:
    - a. Heckmann Building Products, Inc.; No. 376 Rebar Positioner.
    - b. Hohmann & Barnard, Inc.; #RB or #RB-Twin Rebar Positioner.
    - c. Wire-Bond; O-Ring or Double O-Ring Rebar Positioner.
- D. Cleaning Solution: Non-acidic, not harmful to masonry work or adjacent materials.

#### **2.05 LINTELS**

- A. Masonry Lintels: Provide lintels fabricated from CMU bond beams, with steel reinforcing bars, and grouted continuous along entire length. Match adjacent CMU texture and coursing. Lintels may be either prefabricated or built in place.

#### **2.06 MORTAR AND GROUT MIXING**

- A. Mortar for Unit Masonry: ASTM C270, using the Proportion Specification.
  1. Masonry below grade and in contact with earth: Type S.
  2. Exterior, non-loadbearing masonry: Type N.
  3. Interior, non-loadbearing masonry: Type N or Type O.

### **PART 3 EXECUTION**

#### **3.01 EXAMINATION**

- A. Verify that field conditions are acceptable and are ready to receive masonry.
- B. Verify that related items provided under other sections are properly sized and located.
- C. Verify that built-in items are in proper location, and ready for roughing into masonry work.

#### **3.02 PREPARATION**

- A. Direct and coordinate placement of metal anchors supplied for installation under other sections.
- B. Provide temporary bracing during installation of masonry work. Maintain in place until building structure provides permanent bracing.

#### **3.03 COLD AND HOT WEATHER REQUIREMENTS**

- A. Comply with requirements of TMS 402/602 or applicable building code, whichever is more stringent.

#### **3.04 COURSING**

- A. Establish lines, levels, and coursing indicated. Protect from displacement.

FIRE STATIONS RENOVATION  
Arlington County, Virginia  
Architect's Project No.: 563006

---

- B. Maintain masonry courses to uniform dimension. Form vertical and horizontal joints of uniform thickness.
- C. Concrete Masonry Units:
  - 1. Bond: Running.
  - 2. Coursing: One unit and one mortar joint to equal 8 inches.
  - 3. Mortar Joints: Concave.

### **3.05 PLACING AND BONDING**

- A. Lay hollow masonry units with face shell bedding on head and bed joints.
- B. Buttering corners of joints or excessive furrowing of mortar joints is not permitted.
- C. Remove excess mortar and mortar smears as work progresses.
- D. Interlock intersections and external corners.
- E. Do not shift or tap masonry units after mortar has achieved initial set. Where adjustment must be made, remove mortar and replace.
- F. Perform job site cutting of masonry units with proper tools to provide straight, clean, unchipped edges. Prevent broken masonry unit corners or edges.
- G. Cut mortar joints flush where wall tile is scheduled or resilient base is scheduled.
- H. Isolate masonry partitions from vertical structural framing members with a control joint.
- I. Isolate top joint of masonry partitions from horizontal structural framing members and slabs or decks with compressible joint filler.

### **3.06 REINFORCEMENT AND ANCHORAGE - GENERAL AND SINGLE WYTHE MASONRY**

- A. Unless otherwise indicated on drawings or specified under specific wall type, install horizontal joint reinforcement 16 inches on center.
- B. Place masonry joint reinforcement in first and second horizontal joints above and below openings. Extend minimum 16 inches each side of opening.
- C. Place continuous joint reinforcement in first and second joint below top of walls.
- D. Embed longitudinal wires of joint reinforcement in mortar joint with at least 5/8 inch mortar cover on each side.
- E. Lap joint reinforcement ends minimum 6 inches.
- F. Fasten anchors to structural framing and embed in masonry joints as masonry is laid. Unless otherwise indicated on drawings or closer spacing is indicated under specific wall type, space anchors at maximum of 36 inches horizontally and 24 inches vertically.

### **3.07 LINTELS**

- A. Install reinforced unit masonry lintels over openings where steel or precast concrete lintels are not scheduled.
  - 1. Comply with requirements on Structural Drawings for additional lintel sizing, reinforcement, and installation requirements.
  - 2. Allow masonry lintels to attain specified strength before removing temporary supports.
- B. Maintain minimum 8 inch bearing on each side of opening.

### **3.08 CONTROL AND EXPANSION JOINTS**

- A. Do not continue horizontal joint reinforcement through control or expansion joints.
- B. Install preformed control joint device in continuous lengths. Seal butt and corner joints in accordance with manufacturer's instructions.
- C. Provide control and expansion joints at locations indicated on Drawings, and as follows:
  - 1. At changes in wall height.
  - 2. At changes in wall thickness
  - 3. At change in support (eg: transition from foundation support to floor slab support).
  - 4. Adjacent to corners of walls within a distance equal to no more than half the maximum control joint spacing.
  - 5. Wall intersections.



FIRE STATIONS RENOVATION  
Arlington County, Virginia  
Architect's Project No.: 563006

---

6. Do not place control joints closer than 16 inches to edge of wall openings (doors, windows, louvers, ducts).
7. Distance between joints shall not exceed a length to height ratio of 1.5:1.
8. Distance between joints shall not exceed 25 feet where no openings occur between joints.
9. Distance between joints shall not exceed 20 feet where openings occur between joints.

### 3.09 BUILT-IN WORK

- A. As work progresses, install built-in metal door frames, anchor bolts, and plates and other items to be built into the work and furnished under other sections.
- B. Install built-in items plumb, level, and true to line.
- C. Bed anchors of metal door frames in adjacent mortar joints. Fill frame voids solid with grout.
  1. Mix mortar (or grout) to a 4-inch maximum slump consistency and hand trowel into place in accordance with Steel Door Institute (SDI-100).
  2. Fill adjacent masonry cores with grout minimum 12 inches from framed openings.
- D. Do not build into masonry construction organic materials that are subject to deterioration.

### 3.10 TOLERANCES

- A. Install masonry within the site tolerances found in TMS 402/602.
- B. Maximum Variation From Unit to Adjacent Unit: 1/16 inch.
- C. Maximum Variation from Plane of Wall: 1/4 inch in 10 ft and 1/2 inch in 20 ft or more.
- D. Maximum Variation from Plumb: 1/4 inch per story non-cumulative; 1/2 inch in two stories or more.
- E. Maximum Variation from Level Coursing: 1/8 inch in 3 ft and 1/4 inch in 10 ft; 1/2 inch in 30 ft.
- F. Maximum Variation of Mortar Joint Thickness: Head joint, minus 1/4 inch, plus 3/8 inch.
- G. Maximum Variation from Cross Sectional Thickness of Walls: 1/4 inch.

### 3.11 CUTTING AND FITTING

- A. Cut and fit for chases, pipes, conduit, and other indicated built-in construction. Coordinate with other sections of work to provide correct size, shape, and location.
- B. Obtain approval prior to cutting or fitting masonry work not indicated or where appearance or strength of masonry work may be impaired.

### 3.12 FIELD QUALITY CONTROL

- A. An independent testing agency will perform field quality control tests, as specified in Section 014000 - Quality Requirements.
- B. Concrete Masonry Unit Tests: Test each variety of concrete unit masonry in accordance with ASTM C140/C140M for compliance with requirements of this specification.
- C. Mortar Tests: Test each type of mortar in accordance with ASTM C780, testing with same frequency as masonry samples.

### 3.13 CLEANING

- A. Remove excess mortar and mortar droppings.
- B. Replace defective mortar. Match adjacent work.
- C. Clean soiled surfaces with cleaning solution.
- D. Use non-metallic tools in cleaning operations.

### 3.14 PROTECTION

- A. Without damaging completed work, provide protective boards at exposed external corners that are subject to damage by construction activities.

**END OF SECTION**

FIRE STATIONS RENOVATION  
Arlington County, Virginia  
Architect's Project No.: 563006

---

**SECTION 055000  
METAL FABRICATIONS**

**PART 1 GENERAL**

**1.01 SUBMITTALS**

- A. See Section 013000 - Administrative Requirements, for submittal procedures.
- B. Shop Drawings: Indicate profiles, sizes, connection attachments, reinforcing, anchorage, size and type of fasteners, and accessories. Include erection drawings, elevations, and details where applicable.

**1.02 QUALITY ASSURANCE**

- A. Design miscellaneous steel fabrications and slotted channel framing assemblies under direct supervision of a Professional Structural Engineer experienced in design of this work and licensed in the State in which the Project is located.
- B. Welder Qualifications: Welding processes and welding operators qualified in accordance with AWS D1.1/D1.1M and AWS D1.2/D1.2M and dated no more than 12 months before start of scheduled welding work.

**PART 2 PRODUCTS**

**2.01 MATERIALS - STEEL**

- A. Steel Sections: ASTM A36/A36M.
- B. Steel Tubing: ASTM A501/A501M hot-formed structural tubing.
- C. Plates: ASTM A283/A283M.
- D. Pipe: ASTM A53/A53M, Grade B Schedule 40, black finish.
- E. Slotted Channel Fittings: ASTM A1011/A1011M.
- F. Mechanical Fasteners: Same material as or compatible with materials being fastened; type consistent with design and specified quality level.
- G. Bolts, Nuts, and Washers: ASTM A307, Grade A, plain.
- H. Welding Materials: AWS D1.1/D1.1M; type required for materials being welded.
- I. Shop and Touch-Up Primer: SSPC-Paint 15, complying with VOC limitations of authorities having jurisdiction.
- J. Touch-Up Primer for Galvanized Surfaces: SSPC-Paint 20, Type I - Inorganic, complying with VOC limitations of authorities having jurisdiction.

**2.02 FABRICATION**

- A. Fit and shop assemble items in largest practical sections, for delivery to site.
- B. Fabricate items with joints tightly fitted and secured.
- C. Continuously seal joined members by continuous welds.
- D. Grind exposed joints flush and smooth with adjacent finish surface. Make exposed joints butt tight, flush, and hairline. Ease exposed edges to small uniform radius.
- E. Supply components required for anchorage of fabrications. Fabricate anchors and related components of same material and finish as fabrication, except where specifically noted otherwise.

**2.03 FABRICATED ITEMS**

- A. Slotted Channel Framing: Fabricate channels and fittings from structural steel complying with the referenced standards; factory-applied, rust-inhibiting thermoset acrylic enamel finish.
- B. Perforated Metal Screen: Perforated aluminum sheet, 0.040" (18 gauge) minimum thickness; 3/32-inch diameter holes on 3/16-inch staggered centers, 23 percent open area.
  - 1. Provide screens in single sheet at each indicated location, with no joints or seams.
  - 2. Provide 1-1/2" x 1-1/2" aluminum angle trim clips at each side, for minimum 3 fasteners per side; equally spaced at top, middle, and bottom of each panel.

FIRE STATIONS RENOVATION  
Arlington County, Virginia  
Architect's Project No.: 563006

---

**2.04 FINISHES - STEEL**

- A. Prime paint steel items.
  - 1. Exceptions: Galvanize items to be embedded in concrete and items to be embedded in masonry.
- B. Prepare surfaces to be primed in accordance with SSPC-SP2.
- C. Clean surfaces of rust, scale, grease, and foreign matter prior to finishing.
- D. Prime Painting: One coat.
- E. Slotted Channel Framing: ASTM A653/A653M, Grade 33.
- F. Stainless Steel Finish: No. 4 Bright Polished finish.

**2.05 FABRICATION TOLERANCES**

- A. Squareness: 1/8 inch maximum difference in diagonal measurements.
- B. Maximum Offset Between Faces: 1/16 inch.
- C. Maximum Misalignment of Adjacent Members: 1/16 inch.
- D. Maximum Bow: 1/8 inch in 48 inches.
- E. Maximum Deviation From Plane: 1/16 inch in 48 inches.

**PART 3 EXECUTION**

**3.01 EXAMINATION**

- A. Verify that field conditions are acceptable and are ready to receive work.

**3.02 PREPARATION**

- A. Clean and strip primed steel items to bare metal where site welding is required.
- B. Supply setting templates to the appropriate entities for steel items required to be cast into concrete or embedded in masonry.

**3.03 INSTALLATION**

- A. Install items plumb and level, accurately fitted, free from distortion or defects.
- B. Provide for erection loads, and for sufficient temporary bracing to maintain true alignment until completion of erection and installation of permanent attachments.
- C. Perform field welding in accordance with AWS D1.1/D1.1M.
- D. Obtain approval prior to site cutting or making adjustments not scheduled.
- E. After erection, prime welds, abrasions, and surfaces not shop primed, except surfaces to be in contact with concrete.

**3.04 TOLERANCES**

- A. Maximum Variation From Plumb: 1/4 inch.
- B. Maximum Offset From True Alignment: 1/4 inch.
- C. Maximum Out-of-Position: 1/4 inch.

**END OF SECTION**

FIRE STATIONS RENOVATION  
Arlington County, Virginia  
Architect's Project No.: 563006

---

**SECTION 061000  
ROUGH CARPENTRY**

**PART 1 GENERAL**

**1.01 SUBMITTALS**

- A. See Section 013000 - Administrative Requirements for submittal procedures.
- B. Product Data: Provide technical data on wood preservative materials and application instructions.

**1.02 DELIVERY, STORAGE, AND HANDLING**

- A. General: Cover wood products to protect against moisture. Support stacked products to prevent deformation and to allow air circulation.
- B. Fire Retardant Treated Wood: Prevent exposure to precipitation during shipping, storage, and installation.

**PART 2 PRODUCTS**

**2.01 GENERAL REQUIREMENTS**

- A. Dimension Lumber: Comply with PS 20 and requirements of specified grading agencies.
  - 1. If no species is specified, provide species graded by the agency specified; if no grading agency is specified, provide lumber graded by grading agency meeting the specified requirements.
  - 2. Grading Agency: Grading agency whose rules are approved by the Board of Review, American Lumber Standard Committee at [www.alsc.org](http://www.alsc.org), and who provides grading service for the species and grade specified; provide lumber stamped with grade mark unless otherwise indicated.

**2.02 DIMENSION LUMBER FOR CONCEALED APPLICATIONS**

- A. Grading Agency: Southern Pine Inspection Bureau, Inc; SPIB (GR).
- B. Sizes: Nominal sizes as indicated on drawings, S4S.
- C. Moisture Content: S-dry or MC19.
- D. Miscellaneous Framing, Blocking, Nailers, Grounds, and Furring:
  - 1. Lumber: S4S, No. 2 or Standard Grade.
  - 2. Boards: Standard or No. 3.

**2.03 CONSTRUCTION PANELS**

- A. Plywood Sheathing, For Roof/Coping: PS 2 type, rated Structural I Sheathing.
  - 1. Bond Classification: Exposure 1.
  - 2. Performance Category: 3/4 PERF CAT.
- B. Communications and Electrical Room Mounting Boards: PS 1 A-D plywood, or medium density fiberboard; 3/4 inch thick; flame spread index of 25 or less, smoke developed index of 450 or less, when tested in accordance with ASTM E84.
- C. Other Applications: Provide in thickness indicated.
  - 1. Concealed Plywood Not Exposed to Weather: PS 1, Exposure 1, A-D or better.
  - 2. Other Locations: PS 1, C-D Plugged or better.

**2.04 ACCESSORIES**

- A. Fasteners and Anchors:
  - 1. Metal and Finish: Hot-dipped galvanized steel complying with ASTM A153/A153M for high humidity and preservative-treated wood locations, unfinished steel elsewhere.
  - 2. Drywall Screws: Bugle head, hardened steel, power driven type, length three times thickness of sheathing.
  - 3. Anchors: Toggle bolt type for anchorage to hollow masonry.
  - 4. Fasteners for Parapet Nailers:
    - a. For masonry backup: 1/4-inch diameter low profile flat head type concrete screw anchors, at spacing indicated. Length to suit embedment into CMU of 1-1/4 inches minimum. Pullout capacity of 100 lb minimum at 1 inch embedment in face

FIRE STATIONS RENOVATION  
Arlington County, Virginia  
Architect's Project No.: 563006

---

shell of hollow CMU.

- B. Construction Adhesives: Adhesives complying with ASTM C557 or ASTM D3498.

## **2.05 FACTORY WOOD TREATMENT**

- A. Treated Lumber and Plywood: Comply with requirements of AWPA U1 - Use Category System for wood treatments determined by use categories, expected service conditions, and specific applications.
1. Fire-Retardant Treated Wood: Mark each piece of wood with producer's stamp indicating compliance with specified requirements.
  2. Preservative-Treated Wood: Provide lumber and plywood marked or stamped by an ALSC-accredited testing agency, certifying level and type of treatment in accordance with AWPA standards.
- B. Fire Retardant Treatment:
1. Interior Type A: AWPA U1, Use Category UCFA, Commodity Specification H, low temperature (low hygroscopic) type, chemically treated and pressure impregnated; capable of providing a maximum flame spread index of 25 when tested in accordance with ASTM E84, with no evidence of significant combustion when test is extended for an additional 20 minutes.
    - a. Kiln dry wood after treatment to a maximum moisture content of 19 percent for lumber and 15 percent for plywood.
    - b. Treat rough carpentry items as indicated .
    - c. Do not use treated wood in applications exposed to weather or where the wood may become wet.
- C. Preservative Treatment:
1. Preservative Pressure Treatment of Lumber Above Grade: AWPA U1, Use Category UC3B, Commodity Specification A using waterborne preservative.
    - a. Kiln dry lumber after treatment to maximum moisture content of 19 percent.
    - b. Treat lumber exposed to weather.
    - c. Treat lumber in contact with roofing, flashing, or waterproofing.
    - d. Treat lumber in contact with masonry or concrete.
    - e. Treat lumber less than 18 inches above grade.
    - f. Treat lumber in other locations as indicated.

## **PART 3 EXECUTION**

### **3.01 PREPARATION**

- A. Coordinate installation of rough carpentry members specified in other sections.

### **3.02 INSTALLATION - GENERAL**

- A. Select material sizes to minimize waste.
- B. Reuse scrap to the greatest extent possible; clearly separate scrap for use on site as accessory components, including: shims, bracing, and blocking.
- C. Where treated wood is used on interior, provide temporary ventilation during and immediately after installation sufficient to remove indoor air contaminants.

### **3.03 BLOCKING, NAILERS, AND SUPPORTS**

- A. Provide framing and blocking members as indicated or as required to support finishes, fixtures, specialty items, and trim.
- B. In walls, provide blocking attached to studs as backing and support for wall-mounted items, unless item can be securely fastened to two or more studs or other method of support is explicitly indicated.

### **3.04 ROOF-RELATED CARPENTRY**

- A. Coordinate installation of roofing carpentry with deck construction, framing of roof openings, and roofing assembly installation.
- B. Provide wood curb at all roof openings except where prefabricated curbs are specified and where specifically indicated otherwise. Form corners by alternating lapping side members.

FIRE STATIONS RENOVATION  
Arlington County, Virginia  
Architect's Project No.: 563006

---

**3.05 INSTALLATION OF CONSTRUCTION PANELS**

- A. Roof Sheathing: Secure panels with long dimension perpendicular to framing members, with ends staggered and over firm bearing. Provide masonry anchors compatible with masonry substrate.
  - 1. Parapet Blocking and Nailers: Secure parapet blocking and nailers to masonry substrate with screw anchors in 2 rows at 24 inches on center, staggered, except within 10 feet of building corners provide 2 rows at 16 inches on center, staggered. Install screw heads flush with uppermost surface of blocking or sheathing, if any, and in accordance with manufacturer's instructions.
- B. Wall Sheathing: Secure with long dimension perpendicular to wall studs, with ends over firm bearing and staggered, using screws.
- C. Communications and Electrical Room Mounting Boards: Secure with screws to studs with edges over firm bearing; space fasteners at maximum 24 inches on center on all edges and into studs in field of board.
  - 1. At fire-rated walls, install board over wall board indicated as part of the fire-rated assembly.
  - 2. Where boards are indicated as full floor-to-ceiling height, install with long edge of board parallel to studs.
  - 3. Install adjacent boards without gaps.

**3.06 CLEANING**

- A. Waste Disposal: See Section 017419 - Construction Waste Management and Disposal.
  - 1. Comply with applicable regulations.
  - 2. Do not burn scrap on project site.
  - 3. Do not burn scraps that have been pressure treated.
  - 4. Do not send materials treated with pentachlorophenol, CCA, or ACA to co-generation facilities or "waste-to-energy" facilities.
- B. Do not leave wood, shavings, sawdust, etc. on the ground or buried in fill.
- C. Prevent sawdust and wood shavings from entering the storm drainage system.

**END OF SECTION**

FIRE STATIONS RENOVATION  
Arlington County, Virginia  
Architect's Project No.: 563006

---

**SECTION 079200  
JOINT SEALANTS**

**PART 1 GENERAL**

**1.01 SUBMITTALS**

- A. See Section 013000 - Administrative Requirements for submittal procedures.
- B. Product Data for Sealants: Submit manufacturer's technical data sheets for each product to be used, that includes the following.
  - 1. Physical characteristics, including movement capability, VOC content, hardness, cure time, and color availability.
  - 2. List of backing materials approved for use with the specific product.
  - 3. Substrates that product is known to satisfactorily adhere to and with which it is compatible.
  - 4. Substrates the product should not be used on.
- C. Product Data for Accessory Products: Submit manufacturer's technical data sheet for each product to be used, including physical characteristics, installation instructions, and recommended tools.
- D. Color Cards for Selection: Where sealant color is not specified, submit manufacturer's color cards showing standard colors available for selection.
- E. Preconstruction Laboratory Test Reports: Submit at least four weeks prior to start of installation.
- F. Preinstallation Field Adhesion Test Plan: Submit at least two weeks prior to start of installation.
- G. Preinstallation Field Adhesion Test Reports: Submit filled out Preinstallation Field Adhesion Test Reports log within 10 days after completion of tests; include bagged test samples and photographic records.

**1.02 QUALITY ASSURANCE**

- A. Installer Qualifications: Company specializing in performing the work of this section, and is approved and/or certified by manufacturer.
  - B. Preconstruction Laboratory Testing: Arrange for sealant manufacturer(s) to test each combination of sealant, substrate, backing, and accessories.
    - 1. Adhesion Testing: In accordance with ASTM C794.
    - 2. Compatibility Testing: In accordance with ASTM C1087.
    - 3. Allow sufficient time for testing to avoid delaying the work.
    - 4. Deliver to manufacturer sufficient samples for testing.
    - 5. Report manufacturer's recommended corrective measures, if any, including primers or techniques not indicated in product data submittals.
    - 6. Testing is not required if sealant manufacturer provides data showing previous testing, not older than 24 months, that shows satisfactory adhesion, lack of staining, and compatibility.
  - C. Preinstallation Field Adhesion Test Plan: Include destructive field adhesion testing of one sample of each combination of sealant type and substrate, except interior acrylic latex sealants, and include the following for each tested sample.
    - 1. Identification of testing agency.
    - 2. Preinstallation Field Adhesion Test Log Form: Include the following data fields, with known information filled out.
      - a. Test date.
      - b. Copy of test method documents.
      - c. Age of sealant upon date of testing.
      - d. Test results, modeled after the sample form in the test method document.
      - e. Indicate use of photographic record of test.
  - D. Field Adhesion Test Procedures:
    - 1. Allow sealants to fully cure as recommended by manufacturer before testing.
-

FIRE STATIONS RENOVATION  
Arlington County, Virginia  
Architect's Project No.: 563006

---

2. Have a copy of the test method document available during tests.
  3. Record the type of failure that occurred, other information required by test method, and the information required on the Field Quality Control Log.
  4. When performing destructive tests, also inspect the opened joint for proper installation characteristics recommended by manufacturer, and report any deficiencies.
  5. Deliver the samples removed during destructive tests in separate sealed plastic bags, identified with project, location, test date, and test results, to Owner.
  6. If any combination of sealant type and substrate does not show evidence of minimum adhesion or shows cohesion failure before minimum adhesion, report results to Architect.
- E. Destructive Field Adhesion Test: Test for adhesion in accordance with ASTM C1521, using Destructive Tail Procedure.
1. Sample: At least 18 inches long.
  2. Minimum Elongation Without Adhesive Failure: Consider the tail at rest, not under any elongation stress; multiply the stated movement capability of the sealant in percent by two; then multiply 1 inch by that percentage; if adhesion failure occurs before the "1 inch mark" is that distance from the substrate, the test has failed.
  3. If either adhesive or cohesive failure occurs prior to minimum elongation, take necessary measures to correct conditions and re-test; record each modification to products or installation procedures.

### 1.03 WARRANTY

- A. See Section 017800 - Closeout Submittals for additional warranty requirements.
- B. Correct defective work within a five year period after Date of Substantial Completion.
- C. Warranty: Include coverage for installed sealants and accessories that fail to achieve watertight seal, exhibit loss of adhesion or cohesion, or do not cure.

## PART 2 PRODUCTS

### 2.01 JOINT SEALANTS - GENERAL

#### 2.02 NONSAG JOINT SEALANTS

- A. Type ES-1 - Low-Modulus Non-Staining Silicone Sealant: ASTM C920, Grade NS, Uses M and A; not expected to withstand continuous water immersion or traffic.
  1. Movement Capability: Plus and minus 50 percent, minimum.
  2. Non-Staining To Porous Substrates: Non-staining to light-colored natural stone when tested in accordance with ASTM C1248.
  3. Dirt Pick-Up: Reduced dirt pick-up compared to other silicone sealants.
  4. Manufacturers:
    - a. Master Builders Solutions; MasterSeal NP 100.
    - b. Momentive Performance Materials, Inc/GE Silicones; SCS2000 SilPruf.
    - c. Pecora Corporation; Pecora 890 NST (Non-Staining Technology) or 890 FST (Field Tint).
    - d. Polymeric Systems Inc; PSI-641.
    - e. Tremco Commercial Sealants & Waterproofing; Spectrem 3 or Spectrem 4-TS (Field Tint).
    - f. Substitutions: See Section 016000 - Product Requirements.
- B. Type ES-2 - Medium-Modulus Non-Staining Silicone Sealant: ASTM C920, Grade NS, Uses M and A; not expected to withstand continuous water immersion or traffic.
  1. Movement Capability: Plus and minus 50 percent, minimum.
  2. Non-Staining To Porous Substrates: Non-staining to light-colored natural stone when tested in accordance with ASTM C1248.
  3. Dirt Pick-Up: Reduced dirt pick-up compared to other silicone sealants.
  4. Manufacturers:
    - a. Dow; DOWSIL 795 Silicone Building Sealant.
    - b. Momentive Performance Materials, Inc/GE Silicones; SCS9000 SilPruf NB - Non-Staining Silicone Weatherproofing Sealant.
    - c. Pecora Corporation; Pecora 895 NST (Non-Staining Technology).



FIRE STATIONS RENOVATION  
Arlington County, Virginia  
Architect's Project No.: 563006

---

- d. Tremco Commercial Sealants & Waterproofing; Spectrem 2.
  - e. Substitutions: See Section 016000 - Product Requirements.
- C. Type ES-3 - Mildew-Resistant Silicone Sealant: ASTM C920, Grade NS, Uses M and A; single component, mildew resistant; not expected to withstand continuous water immersion or traffic. Neutral- or acid-curing per manufacturer standard.
- 1. Color: White.
  - 2. Manufacturers:
    - a. Dow; DOWSIL 786 Mildew Resistant.
    - b. Momentive Performance Materials, Inc/GE Silicones; Sanitary SCS1700.
    - c. Pecora Corporation; Pecora 898 NST (Non-Staining Technology).
    - d. Tremco Commercial Sealants & Waterproofing; Tremsil 600 or Tremsil 200.
    - e. Substitutions: See Section 016000 - Product Requirements.
- D. ---- Hybrid Silane Polyether for Interior and Exterior Horizontal, Vertical and Overhead Use - ----
- E. Type ES-4 - Polyurethane Sealant: ASTM C920, Grade NS, Uses M and A; multi-component; not expected to withstand continuous water immersion or traffic.
- 1. Movement Capability: Plus and minus 25 percent, minimum.
  - 2. Manufacturers:
    - a. ITW Polymers Sealants; Permathane SM 7200.
    - b. Master Builders Solutions; Master Seal NP2.
    - c. Pecora Corporation; DynaTrol II.
    - d. Sika Corporation; Sikaflex-2c NS.
    - e. Tremco Commercial Sealants & Waterproofing; Dymeric 240 FC or Vulkem 227.
    - f. Substitutions: See Section 016000 - Product Requirements.
- F. Type LS-1 - Acrylic Emulsion Latex: Water-based; ASTM C834, single component, non-staining, non-bleeding, non-sagging; not intended for exterior use.
- 1. Color: Standard colors matching finished surfaces, Type OP (opaque).
  - 2. Grade: ASTM C834; Grade NF.
  - 3. Manufacturers:
    - a. Bostik Findley, Inc; Chem-Calk 600.
    - b. ITW Polymers Sealants; SM 8200.
    - c. Master Builders Solutions; MasterSeal NP 520.
    - d. Pecora Corporation; AC-20 +Silicone.
    - e. Tremco Commercial Sealants & Waterproofing; Tremflex 834.
    - f. Substitutions: See Section 016000 - Product Requirements.
- G. Type AS-1 - Acrylic Emulsion Latex: Water-based; ASTM C834, single component, non-staining, non-bleeding, non-sagging acoustical sealant.
- 1. Color: Standard colors matching finished surfaces, Type OP (opaque).
  - 2. Grade: ASTM C834; Grade NF.
  - 3. Manufacturers:
    - a. Accumetric LLC; BOSS 826 Acoustical Sound Sealant.
    - b. Franklin International, Inc; Titebond GREENchoice Acoustical Smoke & Sound Sealant.
    - c. Hilti, Inc; CP 506 Smoke and Acoustical Sealant.
    - d. Master Builders Solutions; MasterSeal NP 520.
    - e. Momentive Performance Materials, Inc/GE Silicones; RCS20 Acoustical.
    - f. Pecora Corporation; AC-20 FTR or AIS-919.
    - g. Specified Technologies Inc; Smoke N' Sound Acoustical Sealant: [www.stifirestop.com/#sle](http://www.stifirestop.com/#sle).
    - h. Tremco Commercial Sealants & Waterproofing; Tremstop Smoke and Sound.
    - i. Substitutions: See Section 016000 - Product Requirements.
- H. Type SRS-1 - Butyl Sealant: Solvent-based; ASTM C1311; single component, nonsag; not expected to withstand continuous water immersion or traffic.
- 1. Manufacturers:

FIRE STATIONS RENOVATION  
Arlington County, Virginia  
Architect's Project No.: 563006

---

- a. Bostik, Inc; Chem-Calk 300.
- b. Pecora Corporation; Pecora BC-158 Butyl Rubber Sealant.
- c. Tremco Commercial Sealants & Waterproofing; Tremco Butyl Sealant.

### 2.03 SELF-LEVELING SEALANTS

- A. Type ES-5 - Self-Leveling Polyurethane Sealant for Traffic: Polyurethane; ASTM C920, Grade P, Uses M and A; single- or multi-component; explicitly approved by manufacturer for traffic exposure.
  1. Movement Capability: Plus and minus 25 percent, minimum.
  2. Manufacturers:
    - a. Bostik Findley; Chem-Calk 550.
    - b. ITW Polymers Sealants; Permathane SM 7201.
    - c. Pacific Polymers, Inc; Elasto-Thane 227 Type 1 (Self-Leveling).
    - d. Polymeric Systems, Inc; PSI-270SL.
    - e. Tremco Commercial Sealants & Waterproofing; THC-901 or THC-900.
    - f. W. R. MEADOWS, Inc; POURTHANE SL.
    - g. Substitutions: See Section 016000 - Product Requirements.
- B. ---- Hybrid Silane Polyether for Interior and Exterior Horizontal Applications ----
- C. ---- Joint Filler for Expansion Joints in Concrete of Multi-Story Parking Garages ----

### 2.04 ACCESSORIES

- A. Backer Rod: Cylindrical cellular foam rod with surface that sealant will not adhere to, compatible with specific sealant used, and recommended by backing and sealant manufacturers for specific application.
- B. Backing Tape: Self-adhesive polyethylene tape with surface that sealant will not adhere to and recommended by tape and sealant manufacturers for specific application.
- C. Masking Tape: Self-adhesive, nonabsorbent, non-staining, removable without adhesive residue, and compatible with surfaces adjacent to joints and sealants.
- D. Joint Cleaner: Non-corrosive and non-staining type, type recommended by sealant manufacturer; compatible with joint forming materials.
- E. Primers: Type recommended by sealant manufacturer to suit application; non-staining.

## PART 3 EXECUTION

### 3.01 EXAMINATION

- A. Verify that joints are ready to receive work.
- B. Verify that backing materials are compatible with sealants.
- C. Verify that backer rods are of the correct size.
- D. Preinstallation Adhesion Testing: Install a sample for each test location indicated in the test plan.
  1. Test each sample as specified in PART 1 under QUALITY ASSURANCE article.
  2. Notify Architect of date and time that tests will be performed, at least seven days in advance.
  3. Record each test on Preinstallation Adhesion Test Log as indicated.
  4. If any sample fails, review products and installation procedures, consult manufacturer, or take whatever other measures are necessary to ensure adhesion; re-test in a different location; if unable to obtain satisfactory adhesion, report to Architect.
  5. After completion of tests, remove remaining sample material and prepare joint for new sealant installation.

### 3.02 PREPARATION

- A. Remove loose materials and foreign matter that could impair adhesion of sealant.
- B. Clean joints, and prime as necessary, in accordance with manufacturer's instructions.
- C. Perform preparation in accordance with manufacturer's instructions and ASTM C1193.

FIRE STATIONS RENOVATION  
Arlington County, Virginia  
Architect's Project No.: 563006

---

- D. Mask elements and surfaces adjacent to joints from damage and disfigurement due to sealant work; be aware that sealant drips and smears may not be completely removable.

**3.03 INSTALLATION**

- A. Perform work in accordance with sealant manufacturer's requirements for preparation of surfaces and material installation instructions.
- B. Perform installation in accordance with ASTM C1193.
- C. Perform acoustical sealant application work in accordance with ASTM C919.
- D. Measure joint dimensions and size joint backers to achieve width-to-depth ratio, neck dimension, and surface bond area as recommended by manufacturer, except where specific dimensions are indicated.
- E. Install bond breaker backing tape where backer rod cannot be used.
- F. Install sealant free of air pockets, foreign embedded matter, ridges, and sags, and without getting sealant on adjacent surfaces.
- G. Do not install sealant when ambient temperature is outside manufacturer's recommended temperature range, or will be outside that range during the entire curing period, unless manufacturer's approval is obtained and instructions are followed.
- H. Nonsag Sealants: Tool surface concave, unless otherwise indicated; remove masking tape immediately after tooling sealant surface.

**3.04 FIELD QUALITY CONTROL**

- A. Perform field quality control inspection/testing as specified in PART 1 under QUALITY ASSURANCE article.
- B. Destructive Adhesion Testing: If there are any failures in first 1000 linear feet, notify Architect immediately.
- C. Remove and replace failed portions of sealants using same materials and procedures as indicated for original installation.
- D. Repair destructive test location damage immediately after evaluation and recording of results.

**END OF SECTION**

FIRE STATIONS RENOVATION  
Arlington County, Virginia  
Architect's Project No.: 563006

---

**SECTION 081113  
STEEL DOORS AND FRAMES**

**PART 1 GENERAL**

**1.01 SUBMITTALS**

- A. See Section 013000 - Administrative Requirements for submittal procedures.
- B. Product Data: Materials and details of design and construction, hardware locations, reinforcement type and locations, anchorage and fastening methods, and finishes.
- C. Shop Drawings: Details of each opening, showing elevations, glazing, frame profiles, and any indicated finish requirements.

**1.02 QUALITY ASSURANCE**

- A. Maintain at project site copies of reference standards relating to installation of products specified.

**1.03 DELIVERY, STORAGE, AND HANDLING**

- A. Comply with NAAMM HMMA 840 or ANSI/SDI A250.8 (SDI-100) in accordance with specified requirements.
- B. Protect with resilient packaging; avoid humidity build-up under coverings; prevent corrosion and adverse effects on factory applied painted finish.

**PART 2 PRODUCTS**

**2.01 MANUFACTURERS**

- A. Hollow Metal Doors and Frames:
  - 1. Ceco Door, an Assa Abloy Group company.
  - 2. Curries, an Assa Abloy Group company.
  - 3. Fleming Door Products, an Assa Abloy Group company.
  - 4. Krieger Specialty Products.
  - 5. Mesker, dormakaba Group.
  - 6. Pioneer Industries, Inc.; an Assa Abloy Group company.
  - 7. Republic Doors, an Allegion brand.
  - 8. Steelcraft, an Allegion brand.
  - 9. Technical Glass Products.

**2.02 PERFORMANCE REQUIREMENTS**

- A. Requirements for Hollow Metal Doors and Frames:
  - 1. Steel Sheet: Comply with one or more of the following requirements; galvanized steel complying with ASTM A653/A653M, cold-rolled steel complying with ASTM A1008/A1008M, or hot-rolled pickled and oiled (HRPO) steel complying with ASTM A1011/A1011M, commercial steel (CS) Type B, for each.
  - 2. Accessibility: Comply with ICC A117.1 and ADA Standards.
  - 3. Door Top and Bottom Closures: Flush end closure channel, with top and door faces aligned.
    - a. Inverted channel closure is acceptable for bottom edges and top edges of interior doors that are not exposed to view from above.
  - 4. Door Edge Profile: Hinged edge square, and lock edge beveled.
  - 5. Typical Door Face Sheets: Flush.
  - 6. Glazed Lights: Non-removable stops on non-secure side; sizes and configurations as indicated on drawings. Style: Manufacturers standard.
  - 7. Hardware Preparations, Selections and Locations: Comply with NAAMM HMMA 830 and NAAMM HMMA 831 or BHMA A156.115 and ANSI/SDI A250.8 (SDI-100) in accordance with specified requirements.
  - 8. Zinc Coating for Typical Interior and/or Exterior Locations: Provide metal components zinc-coated (galvanized) and/or zinc-iron alloy-coated (galvanized) by the hot-dip process in accordance with ASTM A653/A653M, with manufacturer's standard coating thickness, unless noted otherwise for specific hollow metal doors and frames.

FIRE STATIONS RENOVATION  
Arlington County, Virginia  
Architect's Project No.: 563006

---

- a. Based on SDI Standards: Provide at least A40/ZF120 (galvannealed) when necessary, coating not required for typical interior door applications, and at least A60/ZF180 (galvannealed) for corrosive locations.
- B. Combined Requirements: If a particular door and frame unit is indicated to comply with more than one type of requirement, comply with the specified requirements for each type; for instance, an exterior door that is also indicated as being sound-rated must comply with the requirements specified for exterior doors and for sound-rated doors; where two requirements conflict, comply with the most stringent.

### **2.03 HOLLOW METAL DOORS**

- A. Door Finish: Factory primed and field finished.
- B. Interior Doors, Non-Fire-Rated: Fabricate from either cold-rolled steel sheet or metallic-coated steel sheet.
  - 1. Based on SDI Standards: ANSI/SDI A250.8 (SDI-100).
    - a. Level 2 - Heavy-duty.
    - b. Physical Performance Level B, 500,000 cycles; in accordance with ANSI/SDI A250.4.
    - c. Model 1 - Full Flush.
    - d. Door Face Metal Thickness: 18 gauge, 0.042 inch, minimum.
  - 2. Door Core Material: Manufacturers standard core material/construction and in compliance with requirements, except kraft paper honeycomb core is not acceptable.
  - 3. Door Thickness: 1-3/4 inches, nominal.

### **2.04 HOLLOW METAL FRAMES**

- A. Comply with standards and/or custom guidelines as indicated for corresponding door in accordance with applicable door frame requirements.
- B. Frame Finish: Factory primed and field finished.
- C. Interior Door Frames, Non-Fire Rated: Face welded type.
  - 1. Frame Metal Thickness: 16 gauge, 0.053 inch, minimum.
- D. Frames for Wood Doors: Comply with frame requirements in accordance with corresponding door.
- E. Provide mortar guard boxes for hardware cut-outs in frames to be installed in masonry or to be grouted.
- F. Frames in Masonry Walls: Size to suit masonry coursing with head member 4 inches high to fill opening without cutting masonry units.

### **2.05 FINISHES**

- A. Primer: Rust-inhibiting, complying with ANSI/SDI A250.10, door manufacturer's standard.

### **2.06 ACCESSORIES**

- A. Removable and Fixed Stops: Formed sheet steel, mitered or butted corners; prepared for countersink style tamper proof screws.
  - 1. Provide fixed stops toward the secure side of interior glazed lites (for example, toward the corridor or more public accessible spaces).
  - 2. Heights of Stops: Unless otherwise indicated or recommended by glazing manufacturer, provide standard 5/8-inch height stops where allowed by standards.
- B. Mechanical Fasteners for Concealed Metal-to-Metal Connections: Self-drilling, self-tapping, steel with electroplated zinc finish.
- C. Grout for Frames: Mortar grout complying with ASTM C476 with maximum slump of 4 inches as measured in accordance with ASTM C143/C143M for hand troweling in place; plaster grout and thinner pumpable grout are prohibited.
- D. Silencers: Resilient rubber, fitted into drilled hole; provide three on strike side of single doors.
- E. Temporary Frame Spreaders: Provide for factory- or shop-assembled frames.

FIRE STATIONS RENOVATION  
Arlington County, Virginia  
Architect's Project No.: 563006

---

**PART 3 EXECUTION**

**3.01 EXAMINATION**

- A. Verify existing conditions before starting work.
- B. Verify that opening sizes and tolerances are acceptable.
- C. Verify that finished walls are in plane to ensure proper door alignment.

**3.02 INSTALLATION**

- A. Install doors and frames in accordance with manufacturer's instructions and related requirements of specified door and frame standards or custom guidelines indicated.
  - 1. Install in accordance with ANSI/SDI A250.11.
  - 2. Do not remove temporary frame spreaders until after frames have been properly set and secured.
- B. Coordinate frame anchor placement with wall construction.
- C. Grout frames in masonry construction, using hand trowel methods; brace frames so that pressure of grout before setting will not deform frames.
- D. Install door hardware as specified in Section 087100.
- E. Comply with glazing installation requirements of Section 088000.
- F. Coordinate installation of electrical connections to electrical hardware items.
- G. Touch up damaged factory finishes.

**3.03 TOLERANCES**

- A. Clearances Between Door and Frame: Comply with related requirements of specified frame standards or custom guidelines indicated in accordance with SDI 117 or NAAMM HMMA 861.
- B. Maximum Diagonal Distortion: 1/16 inch measured with straight edge, corner to corner.

**3.04 ADJUSTING**

- A. Adjust for smooth and balanced door movement.

**END OF SECTION**

FIRE STATIONS RENOVATION  
Arlington County, Virginia  
Architect's Project No.: 563006

---

**SECTION 083100  
ACCESS DOORS AND PANELS**

**PART 1 GENERAL**

**1.01 SUBMITTALS**

- A. See Section 013000 - Administrative Requirements, for submittal procedures.
- B. Product Data: Provide sizes, types, finishes, hardware, scheduled locations, and details of adjoining work.
- C. Shop Drawings: Indicate exact position of each access door and/or panel unit.

**1.02 COORDINATION**

- A. Verification: Determine specific locations and sizes for access doors needed to gain access to concealed plumbing, mechanical, or other concealed work, and indicate in the schedule specified in "Submittals" Article.
  - 1. This (083100) material specification includes access doors required for Divisions 21 (Fire Suppression), Division 22, (Plumbing), 23 (HVAC) and Division 26 (Electrical) work and any other access doors indicated on Drawings.

**PART 2 PRODUCTS**

**2.01 WALL AND CEILING MOUNTED ACCESS UNITS**

- A. Manufacturers:
  - 1. Activar Construction Products Group, Inc. - JL Industries.
  - 2. ACUDOR Products Inc.
  - 3. Babcock-Davis.
  - 4. Bauco; Access Panel Solutions Inc.
  - 5. Best Access Doors.
  - 6. Cendrex, Inc.
  - 7. Karp Associates, Inc.
  - 8. Larsen's Manufacturing Company.
  - 9. Milcor, Inc.
  - 10. Nystrom, Inc.
  - 11. Williams Brothers Corporation of America.
  - 12. Substitutions: See Section 016000 - Product Requirements.
- B. Wall and Ceiling Mounted Units: Factory fabricated door and frame, fully assembled units with corner joints welded, filled and ground flush; square and without rack or warp; coordinate requirements with type of installation assembly being used for each unit.
  - 1. Material: Steel.
  - 2. Style (Gypsum Board locations): Recessed door panel for infill with wall/ceiling finish.
    - a. Gypsum Board Mounting Criteria: Use drywall bead type frame.
  - 3. Style (Masonry locations): Exposed frame, with door surface flush with frame surface.
  - 4. Door Style: Double-skinned hollow panel.
  - 5. Frames: 16 gauge, 0.0598 inch, minimum thickness.
  - 6. Double-Skinned Hollow Steel Sheet Door Panels: 16 gauge, 0.059 inch, minimum thickness, on both sides and along each edge.
  - 7. Steel Finish: Primed.
  - 8. Hardware:
    - a. Hinges for Non-Fire-Rated Units: Concealed, constant force closure spring type.
    - b. Latch/Lock: Screw driver slot for quarter turn cam latch.

**PART 3 EXECUTION**

**3.01 EXAMINATION**

- A. Verify that rough openings are correctly sized and located.
- B. Begin installation only after substrates have been properly prepared, and if the responsibility of another installer, notify Architect of unsatisfactory preparation before proceeding.

FIRE STATIONS RENOVATION  
Arlington County, Virginia  
Architect's Project No.: 563006

---

**3.02 PREPARATION**

- A. Clean surfaces thoroughly prior to proceeding with this work.
- B. Prepare surfaces using methods recommended by manufacturer for applicable substrates in accordance with project conditions.

**3.03 INSTALLATION**

- A. Install units in accordance with manufacturer's instructions.
- B. Install frames plumb and level in openings, and secure units rigidly in place.
- C. Position units to provide convenient access to concealed equipment when necessary.

**END OF SECTION**



FIRE STATIONS RENOVATION  
Arlington County, Virginia  
Architect's Project No.: 563006

---

**SECTION 092216**  
**COLD FORMED STEEL FRAMING - NON-STRUCTURAL (CFSF-NS)**

**PART 1 GENERAL**

**1.01 SUBMITTALS**

- A. See Section 013000 - Administrative Requirements for submittal procedures.
- B. Product Data: Provide data describing framing member materials and finish, product criteria, load charts, and limitations.

**PART 2 PRODUCTS**

**2.01 FRAMING MATERIALS**

- A. Non-Loadbearing Framing System Components: ASTM C645; galvanized sheet steel, of size and properties necessary to comply with ASTM C754 for the spacing indicated, with maximum deflection of wall framing of L/240 at 5 psf.
  - 1. Studs: C shaped with knurled or embossed faces.
  - 2. Runners: U shaped, sized to match studs.
  - 3. Furring: Hat-shaped sections, minimum depth of 7/8 inch.
- B. Partition Head to Structure Connections: Provide track fastened to structure with legs of sufficient length to accommodate deflection, for friction fit of studs cut short and braced with continuous bridging on both sides.
- C. Non-Loadbearing Framing Accessories:
  - 1. Partial Height Wall Framing Support: Provides stud reinforcement and anchored connection to floor.
  - 2. Framing Connectors: ASTM A653/A653M G90 galvanized steel clips; secures cold rolled channel to wall studs for lateral bracing.
  - 3. Sheet Metal Backing: 0.036 inch thick, galvanized.
  - 4. Fasteners: ASTM C1002 self-piercing tapping screws.
  - 5. Anchorage Devices: Powder actuated.
  - 6. Acoustic Insulation: ASTM C665; preformed glass fiber, friction fit type, unfaced.

**2.02 FABRICATION**

- A. Fabricate assemblies of framed sections to sizes and profiles required.
- B. Fit, reinforce, and brace framing members to suit design requirements.

**PART 3 EXECUTION**

**3.01 EXAMINATION**

- A. Verify existing conditions before starting work.
- B. Verify that rough-in utilities are in proper location.

**3.02 INSTALLATION OF STUD FRAMING**

- A. Comply with requirements of ASTM C754.
- B. Extend partition framing to structure where indicated and to ceiling in other locations.
- C. Partitions Terminating at Ceiling: Attach ceiling runner securely to ceiling track in accordance with manufacturer's instructions.
- D. Partitions Terminating at Structure: Attach extended leg top runner to structure, maintain clearance between top of studs and structure, and brace both flanges of studs as indicated.
- E. Align and secure top and bottom runners at 24 inches on center.
- F. Fit runners under and above openings; secure intermediate studs to same spacing as wall studs.
- G. Install studs vertically at spacing indicated on drawings.
- H. Align stud web openings horizontally.
- I. Secure studs to tracks using crimping method. Do not weld.
- J. Fabricate corners using a minimum of three studs.

FIRE STATIONS RENOVATION  
Arlington County, Virginia  
Architect's Project No.: 563006

---

- K. Install double studs at wall openings, door and window jambs, not more than 2 inches from each side of openings.
- L. Brace stud framing system rigid.
- M. Coordinate erection of studs with requirements of door frames; install supports and attachments.
- N. Coordinate installation of bucks, anchors, and blocking with electrical, mechanical, and other work to be placed within or behind stud framing.
- O. Blocking: Use wood blocking secured to studs. Provide blocking for support of plumbing fixtures, toilet partitions, wall cabinets, toilet accessories, hardware, and opening frames.
- P. Furring: Install at spacing and locations shown on drawings. Lap splices a minimum of 6 inches.

**3.03 TOLERANCES**

- A. Maximum Variation From True Position: 1/8 inch in 10 feet.
- B. Maximum Variation From Plumb: 1/8 inch in 10 feet.

**END OF SECTION**

FIRE STATIONS RENOVATION  
Arlington County, Virginia  
Architect's Project No.: 563006

---

**SECTION 092900  
GYPSUM BOARD**

**PART 1 GENERAL**

**1.01 SUBMITTALS**

- A. See Section 013000 - Administrative Requirements for submittal procedures.
- B. Product Data: Provide data on gypsum board, glass mat faced gypsum board, accessories, and joint finishing system.

**PART 2 PRODUCTS**

**2.01 BOARD MATERIALS**

- A. Gypsum Wallboard: Paper-faced gypsum panels as defined in ASTM C1396/C1396M; sizes to minimize joints in place; with tapered edges.
  - 1. Application: Use for vertical surfaces and ceilings, unless otherwise indicated.
  - 2. Mold Resistance: Score of 10, when tested in accordance with ASTM D3273.
    - a. Mold-resistant board is required whenever gypsum board is indicated in rooms subject to steam or water, including mechanical rooms, toilet rooms, custodial rooms, and kitchens.
  - 3. Thickness:
    - a. Vertical Surfaces: 5/8 inch.
    - b. Ceilings: 5/8 inch.
- B. Tile Backing Board:
  - 1. Application: Surfaces behind tile in wet areas including tub and shower surrounds.
  - 2. Mold Resistance: Score of 10, when tested in accordance with ASTM D3273.
  - 3. ANSI Cement-Based Board: Non-gypsum-based; cementitious panels with glass fiber mesh embedded in front and back surfaces complying with ANSI A118.9 and ASTM C 1288 or ASTM C1325.
    - a. Thickness: 5/8 inch.
    - b. Available Products:
      - 1) FinPan, Inc.; Util-A-Crete Backer Board.
      - 2) National Gypsum Company; PermaBase Cement Board.
      - 3) USG Corporation; Durock Cement Board.

**2.02 GYPSUM WALLBOARD ACCESSORIES**

- A. Acoustic Insulation: ASTM C665; preformed glass fiber, friction fit type, unfaced. Thickness sized to fit metal stud cavity.
- B. Acoustic Sealant: Acrylic emulsion latex or water-based elastomeric sealant; do not use solvent-based non-curing butyl sealant. Refer to Division 7 Section "Joint Sealants."
- C. Putty Pads: Non-hardening endothermic material, in pad form, faced on both sides with fpoly liner, designed to seal around penetrations and wiring devices, enhancing acoustic performance.
  - 1. Nominal Size: 7-1/4 x 7-1/4 x 3/16 inches.
  - 2. Available Products:
    - a. 3M; Fire Barrier Moldable Putty Pads MPP+.
    - b. Hilti; Firestop Putty Pad, CFS-P PA.
    - c. Specified Technologies, Inc.; SpecSeal Putty Pad.
- D. Beads, Joint Accessories, and Other Trim: ASTM C1047, rigid plastic, galvanized steel, or rolled zinc, unless noted otherwise.
  - 1. Corner Beads: Low profile, for 90 degree outside corners.
  - 2. L-Trim: Sized to fit gypsum wallboard size(s) indicated.
- E. Acoustic Partition Closure at Storefront or Curtain Wall: Multi-piece rectangular-section assembly of nested U-shape aluminum extrusions for finished closure between aluminum storefront or curtainwall system vertical mullion (and glass where indicated), and partition assembly. Closure shall allow for movements of framing and glass it attaches to, and shall not allow direct metal to glass contact. Fill cavity of partition closure with acoustic batt

FIRE STATIONS RENOVATION  
Arlington County, Virginia  
Architect's Project No.: 563006

---

insulation.

1. Thickness: Aluminum closure plates not less than 0.125-inch thick.
  2. Acoustic Rating: Provide product with a minimum tested STC rating of 55.
    - a. Acoustic Material: Fungi- and microbe-resistant foam, Class A rated when tested per ASTM E 84.
  3. Acoustical Sealant: Seal both ends of partition closure with acoustical sealant.
  4. Finish: Powder coat; color selected by Architect from manufacturer's full range.
  5. Available Products:
    - a. Gordon, Inc; Mullion Mate.
    - b. Mull-It-Over Products; Mull-It-Over.
- F. Joint Materials: ASTM C475/C475M and as recommended by gypsum board manufacturer for project conditions.
1. Paper Tape: 2 inch wide, creased paper tape for joints and corners.
  2. Joint Compound: Drying type, vinyl-based, ready-mixed.
- G. Screws for Fastening of Gypsum Panel Products to Cold-Formed Steel Studs Less than 0.033 inches in Thickness and Wood Members: ASTM C1002; self-piercing tapping screws, corrosion-resistant.
- H. Screws for Fastening of Gypsum Panel Products to Steel Members from 0.033 to 0.112 inch in Thickness: ASTM C954; steel drill screws, corrosion-resistant.
- I. Anchorage to Substrate: Tie wire, nails, screws, and other metal supports, of type and size to suit application; to rigidly secure materials in place.

### **PART 3 EXECUTION**

#### **3.01 EXAMINATION**

- A. Verify that project conditions are appropriate for work of this section to commence.

#### **3.02 ACOUSTIC ACCESSORIES INSTALLATION**

- A. Acoustic Insulation: Place tightly within spaces, around cut openings, behind and around electrical and mechanical items within partitions, and tight to items passing through partitions.
- B. Acoustic Sealant: Install in accordance with manufacturer's instructions.

#### **3.03 BOARD INSTALLATION**

- A. Comply with ASTM C840, GA-216, and manufacturer's instructions. Install to minimize butt end joints, especially in highly visible locations.
- B. Single-Layer Nonrated: Install gypsum board in most economical direction, with ends and edges occurring over firm bearing.
- C. Cementitious Backing Board: Install over steel framing members where indicated, in accordance with ANSI A108.11 and manufacturer's instructions.
- D. Installation on Metal Framing: Use screws for attachment of gypsum board.

#### **3.04 INSTALLATION OF TRIM AND ACCESSORIES**

- A. Control Joints: Place control joints in compliance with ASTM C 840, consistent with lines of building spaces, and as indicated.
1. Not more than 30 feet apart on walls and ceilings over 50 feet long.
  2. At exterior soffits, not more than 30 feet apart in both directions.
- B. Corner Beads: Install at external corners, using longest practical lengths.
- C. Edge Trim: Install at locations where gypsum board abuts dissimilar materials.
- D. Putty Pads: Install putty pads on the backside of items penetrating gypsum board on STC-rated walls/partitions. Items include, but are not limited to, wiring devices, cable, conduit, and pipe. Completely cover and seal around each penetration.

#### **3.05 JOINT TREATMENT**

- A. Paper Faced Gypsum Board: Use paper joint tape, embed with drying type joint compound and finish with drying type joint compound.

FIRE STATIONS RENOVATION  
Arlington County, Virginia  
Architect's Project No.: 563006

---

- B. Finish gypsum board in accordance with levels defined in ASTM C840, as follows:
  - 1. Level 4: Walls and ceilings to receive paint finish or wall coverings, unless otherwise indicated.
  - 2. Level 2: In utility areas, behind cabinetry, and on backing board to receive tile finish.
  - 3. Level 1: Wall areas above finished ceilings, whether or not accessible in the completed construction.
- C. Tape, fill, and sand exposed joints, edges, and corners to produce smooth surface ready to receive finishes.
  - 1. Feather coats of joint compound so that camber is maximum 1/32 inch.
- D. Fill and finish joints and corners of cementitious backing board as recommended by manufacturer.

**3.06 TOLERANCES**

- A. Maximum Variation of Finished Gypsum Board Surface from True Flatness: 1/8 inch in 10 feet in any direction.

**END OF SECTION**

FIRE STATIONS RENOVATION  
Arlington County, Virginia  
Architect's Project No.: 563006

---

**SECTION 093000 – ADD 01  
TILING**

**PART 1 GENERAL**

**1.01 REFERENCE STANDARDS**

- A. ANSI A108.1a - American National Standard Specifications for Installation of Ceramic Tile in the Wet-Set Method, with Portland Cement Mortar 2017.
- B. ANSI A108.1b - American National Standard Specifications for Installation of Ceramic Tile on a Cured Portland Cement Mortar Setting Bed with Dry-Set or Latex-Portland Cement Mortar 2017.
- C. ANSI A108.1c - Contractor's Option: Installation of Ceramic Tile in the Wet-Set Method with Portland Cement Mortar or Installation of Ceramic Tile on a Cured Portland Cement Mortar Setting Bed with Dry-Set or Latex-Portland Cement Mortar 1999 (Reaffirmed 2021).
- D. ANSI A108.2 - American National Standard General Requirements: Materials, Environmental and Workmanship 2019.
- E. ANSI A108.4 - American National Standard Specifications for Installation of Ceramic Tile with Organic Adhesives or Water Cleanable Tile-Setting Epoxy Adhesive 2019.
- F. ANSI A108.5 - American National Standard Specifications for Installation of Ceramic Tile with Dry-Set Portland Cement Mortar or Latex-Portland Cement Mortar 2020.
- G. ANSI A108.6 - American National Standard Specifications for Installation of Ceramic Tile with Chemical Resistant, Water Cleanable Tile-Setting and -Grouting Epoxy 1999 (Reaffirmed 2019).
- H. ANSI A108.8 - American National Standard Specifications for Installation of Ceramic Tile with Chemical Resistant Furan Resin Mortar and Grout 1999 (Reaffirmed 2019).
- I. ANSI A108.9 - American National Standard Specifications for Installation of Ceramic Tile with Modified Epoxy Emulsion Mortar/Grout 1999 (Reaffirmed 2019).
- J. ANSI A108.10 - American National Standard Specifications for Installation of Grout in Tilework 2017.
- K. ANSI A108.12 - American National Standard for Installation of Ceramic Tile with EGP (Exterior Glue Plywood) Latex-Portland Cement Mortar 1999 (Reaffirmed 2019).
- L. ANSI A108.13 - American National Standard for Installation of Load Bearing, Bonded, Waterproof Membranes for Thin-Set Ceramic Tile and Dimension Stone 2005 (Reaffirmed 2021).
- M. ANSI A108.19 - American National Standard Specifications for Interior Installation of Gauged Porcelain Tiles and Gauged Porcelain Tile Panels/Slabs by the Thin-Bed Method Bonded with Modified Dry-Set Cement Mortar or Improved Modified Dry-Set Cement Mortar 2020.
- N. ANSI A118.3 - American National Standard Specifications for Chemical Resistant, Water Cleanable Tile-Setting and -Grouting Epoxy and Water Cleanable Tile-Setting Epoxy Adhesive 2013 (Revised).
- O. ANSI A118.4 - American National Standard Specifications for Modified Dry-Set Cement Mortar 2012 (Revised).
- P. ANSI A118.7 - American National Standard Specifications for High Performance Cement Grouts for Tile Installation 2010 (Reaffirmed 2016).
- Q. ANSI A118.10 - American National Standard Specifications for Load Bearing, Bonded, Waterproof Membranes For Thin-Set Ceramic Tile And Dimension Stone Installation 2014.
- R. ANSI A118.12 - American National Standard Specifications for Crack Isolation Membranes for Thin-Set Ceramic Tile and Dimension Stone Installation 2014.
- S. ANSI A118.15 - American National Standard Specifications for Improved Modified Dry-Set Cement Mortar 2012.

FIRE STATIONS RENOVATION  
Arlington County, Virginia  
Architect's Project No.: 563006

---

- T. ANSI A137.1 - American National Standard Specifications for Ceramic Tile 2021.
- U. TCNA (HB) - Handbook for Ceramic, Glass, and Stone Tile Installation 2019.

**1.02 ADMINISTRATIVE REQUIREMENTS**

- A. Preinstallation Meeting: Convene a preinstallation meeting at the Project Site one week before starting work of this section; require attendance by affected installers.
  - 1. Review substrate preparation requirements.
  - 2. Review each type of tile, mortar, grout, and TCNA installation methods.
  - 3. Review requirements for waterproofing and/or crack isolation membrane(s).

**1.03 SUBMITTALS**

- A. See Section 013000 - Administrative Requirements, for submittal procedures.
- B. Product Data: Provide manufacturers' data sheets on tile, mortar, grout, and accessories. Include instructions for using grouts and adhesives.
- C. Shop Drawings: Indicate tile layout, patterns, color arrangement, perimeter conditions, junctions with dissimilar materials, control and expansion joints, thresholds, ceramic accessories, and setting details.
  - 1. Include waterproofing details at floor drains, shower pans, cove base, and thresholds.
- D. Installer's Qualification Statement:
- E. Maintenance Data: Include recommended cleaning methods, cleaning materials, and stain removal methods.

**1.04 QUALITY ASSURANCE**

- A. Installer Qualifications:
  - 1. Company specializing in performing tile installation, with minimum of five years of documented experience.

**1.05 MOCK-UP**

- A. See Section 014000 - Quality Requirements, for general requirements for mock-up.
- B. Construct tile mock-up where indicated on drawings, incorporating all components specified for the location.
  - 1. Provide mock-up of minimum 5 square feet for each type of floor tile, unless otherwise indicated.
  - 2. Provide mock-up of minimum 5 square feet for each type of wall tile, unless otherwise indicated.
  - 3. Approved mock-up may remain as part of the Work.

**1.06 DELIVERY, STORAGE, AND HANDLING**

- A. Store tile, grout, and mortar off the ground, protected from weather and water infiltration.
- B. Store products in unopened containers or packages until ready for use.
- C. Protect materials from freezing or overheating in accordance with manufacturer's instructions.

**1.07 FIELD CONDITIONS**

- A. Do not install solvent-based products in an unventilated environment.
- B. Maintain ambient and substrate temperature and humidity at levels required by referenced ANSI and TCNA tile standards, and per manufacturer's instructions.

FIRE STATIONS RENOVATION  
Arlington County, Virginia  
Architect's Project No.: 563006

---

## **PART 2 PRODUCTS**

### **2.01 TILE**

- A. Manufacturers: All products of each type by the same manufacturer.
- B. Ceramic Tile, Type P-TILE: glazed porcelain tile. ANSI A137.1 standard grade.
  - 1. Manufacturers: Subject to compliance with requirements, provide products by one of the following:
    - a. Daltile., "Reminiscent" (Basis-of-Design Product)
    - b. American Olean; a division of Dal-Tile Corporation.
    - c. Dal-Tile Corporation.
    - d. Deutsche Steinzeug America, Inc.
    - e. Porcelanite-Lamosa.
    - f. Interceramic.
    - g. Lone Star Ceramics; Elgin Butler.
    - h. Portobello America, Inc.
    - i. Seneca Tiles, Inc.
  - 2. Size: 2 by 2 inch, nominal, for walls in areas outside the shower.
  - 3. Size: 12 by 24 inch, nominal, for within showers, oriented vertically.
  - 4. Size: 12 by 12 inch, nominal, for floors.
  - 5. Size: 6 by 12 inch, nominal, for wall base.
  - 6. Thickness: 3/8 inch.
  - 7. Dynamic Coefficient of Friction: Not less than 0.42.
  - 8. Tile color, Glaze, and Pattern: As selected by Architect from manufacturer's full range. Provide three colors in the mosaic size. Refer to Tile Patterning drawing.
  - 9. Grout Color: As selected by Architect from manufacturer's full range.
  - 10. Trim Units: Matching bullnose, double bullnose, cove base, and cove shapes in sizes coordinated with field tile.
- C. Quarry Tile, Type QT-1: ANSI A137.1 standard grade.
  - 1. Size: 6 by 6 inch, nominal.
  - 2. Thickness: 1/2 inch, nominal.
  - 3. Edges: Square.
  - 4. Surface Finish: Unglazed.
  - 5. Color(s): To be selected by Architect from manufacturer's full range.
  - 6. Trim Units: Matching cove base shapes in sizes coordinated with field tile.
  - 7. Products:
    - a. American Olean; a division of Dal-Tile Corporation.
    - b. Dal-Tile Corporation.
    - c. Metropolitan Ceramics.
    - d. Summitville Tiles, Inc.

### **2.02 TRIM AND ACCESSORIES**

- A. Non-Ceramic Trim: Satin brass anodized extruded aluminum, style and dimensions to suit application, for setting using tile mortar or adhesive.
  - 1. Applications:
    - a. Open edges of wall tile.
    - b. Open edges of floor tile.
    - c. Wall corners, outside and inside.
    - d. Transition between floor finishes of different heights.
    - e. Thresholds at door openings.
    - f. Expansion and control joints, floor and wall.
    - g. Floor to wall joints.
    - h. Borders and other trim as indicated on drawings.
  - 2. Manufacturers:
    - a. Schluter-Systems.



FIRE STATIONS RENOVATION  
Arlington County, Virginia  
Architect's Project No.: 563006

---

- b. Genesis APS International.
  - c. Blanke.
  - d. Ceramic Tool Company (CTC).
  - e. Substitutions: See Section 016000 - Product Requirements.
- B. Thresholds: 2 inches wide by full width of wall or frame opening; beveled edge on both long edges; without holes, cracks, or open seams.
- 1. Material: Marble, honed finish.
  - 2. Applications:
    - a. At doorways where tile terminates.

### 2.03 SETTING MATERIALS

- A. Provide setting and grout materials from same manufacturer.
- B. Modified Dry-Set Mortar (Thinset): ANSI A118.4
- 1. Applications: Use this type at all locations where thinset mortar is indicated, unless otherwise indicated.
  - 2. Products:
    - a. H.B. Fuller Construction Products, Inc.; TEC Full Flex TA 390/391.
    - b. LATICRETE International, Inc.; 252 Silver.
    - c. MAPEI Corporation; Ultraflex 2.
    - d. Summitville Tiles, Inc.; S-1000 MP Thin-Set Latex Mortar.
    - e. Substitutions: See Section 016000 - Product Requirements.
- C. Latex-Portland Cement LHT Mortar (Medium-Bed): ANSI A118.4.
- 1. Applications: Use this type of bond coat where Large and Heavy Tile (LHT) mortar is indicated, in a 5/8-inch thick medium-bed application.
  - 2. Products:
    - a. Custom Building Products; ProLite Premium Rapid Setting Large Format Tile Mortar, with Multi-Surface Bonding Primer.
    - b. H.B. Fuller Construction Products, Inc; TEC Ultimate Large Tile Mortar.
    - c. LATICRETE International, Inc; 257 TITANIUM.
    - d. MAPEI Corporation; Ultraflex LFT.
    - e. Merkrete, by Parex USA, Inc; Merkrete 735 Premium Flex.
    - f. Summitville Tiles, Inc.; S-1200 MP Premium Medium Bed Mortar.
    - g. Substitutions: See Section 016000 - Product Requirements.
- D. Improved Latex-Portland Cement Dry-Set Mortar (Thinset): ANSI A118.15 and ISO 13007 "C2" classification.
- 1. Applications: Use this type of mortar where indicated.
  - 2. Products:
    - a. H.B. Fuller Construction Products, Inc; TEC 3N1 Performance Mortar.
    - b. LATICRETE International, Inc; LATICRETE 254 Platinum.
    - c. MAPEI Corporation; Ultraflex 3.
    - d. Substitutions: See Section 016000 - Product Requirements.

### 2.04 GROUTS

- A. Provide setting and grout materials from same manufacturer.
- B. High Performance Polymer Modified Grout: ANSI A118.7 polymer modified cement grout.
- 1. Applications: Use this type of grout where indicated and where no other type of grout is indicated.
  - 2. Use sanded grout for joints 1/8 inch wide and larger; use unsanded grout for joints less than 1/8 inch wide.
  - 3. Color(s): As selected by Architect from manufacturer's full line.
  - 4. Products:
    - a. Custom Building Products; Prism Color Consistent Grout.
    - b. H.B. Fuller Construction Products, Inc; TEC AccuColor Plus Grout.
    - c. LATICRETE International, Inc; LATICRETE PERMACOLOR Grout.
-

## FIRE STATIONS RENOVATION

Arlington County, Virginia

Architect's Project No.: 563006

- 
- d. MAPEI Corporation; Ultracolor Plus.
  - e. Merkrete, by Parex USA, Inc; Merkrete Pro Grout.
  - f. Substitutions: See Section 016000 - Product Requirements.
- C. Water-Cleanable Epoxy Grout: ANSI A118.3 stain-resistant epoxy grout.
- 1. Applications: Where indicated.
  - 2. Heat Resistance: Tested by manufacturer for continuous exposure up to 140 deg F, and intermittent exposure up to 212 deg F.
  - 3. Color(s): As selected by Architect from manufacturer's full line.
  - 4. Products:
    - a. Custom Building Products; CEG-Lite 100% Solids Commercial Epoxy Grout.
    - b. H.B. Fuller Construction Products, Inc; TEC AccuColor EFX Epoxy Special Effects Grout.
    - c. LATICRETE International, Inc; LATICRETE SPECTRALOCK PRO Premium Grout.
    - d. MAPEI Corporation; Kerapoxy CQ.
    - e. Merkrete, by Parex USA, Inc; Merkrete Pro Epoxy.
    - f. Summitville Tiles, Inc; S-500 Ultra Max.
    - g. Substitutions: See Section 016000 - Product Requirements.
- D. Water-Cleanable Chemical- and Heat-Resistant Epoxy Grout: ANSI A118.3 epoxy grout, also meeting applicable requirements of ANSI A118.5 for chemical resistance.
- 1. Applications: Where indicated.
  - 2. Heat Resistance: Tested by manufacturer for continuous exposure up to 140 deg F, and intermittent exposure up to 350 deg F.
  - 3. Chemical Resistance: Tested per ASTM C 267 for intermittent exposure to the following chemicals and concentrations, with no staining:
    - a. Citric Acid: 20%.
    - b. Phosphoric Acid: 25%.
    - c. Sodium Hydroxide: 10%.
    - d. Sodium Hypochlorite (Bleach): 3%.
    - e. Mineral Spirits.
  - 4. Color(s): As selected by Architect from manufacturer's full line.
  - 5. Products:
    - a. Custom Building Products; CEG-IG 100% Solids Industrial Grade Epoxy Grout.
    - b. LATICRETE International, Inc; LATICRETE SPECTRALOCK 2000 IG.
    - c. MAPEI Corporation; Kerapoxy IEG CQ.
    - d. Summitville Tiles, Inc; S-5100 NovaColor.

**2.05 MAINTENANCE MATERIALS**

- A. Tile Sealants: Moisture- and mildew-resistant type sealants; one-part silicone for wall applications and multi-part urethane for floor applications. Sealants and accessories shall comply with requirements below and with requirements of Division 7 Section "Joint Sealants."
- 1. Color(s): As selected by Architect from manufacturer's full line. Sealant colors shall match grout colors in adjacent joints unless otherwise indicated.
  - 2. Silicone Sealant (Walls): ASTM C 920, Type S, Grade NS, Class 25; Uses NT (non-traffic), G (glass), A (aluminum), O (other substrates indicated).
    - a. Products:
      - 1) GE Silicones, a division of GE Specialty Materials; SCS1700 Sanitary.
      - 2) Pecora Corporation; Pecora 898 NST.
      - 3) Tremco Incorporated; Tremsil 200.
      - 4) Substitutions: See Section 016000 - Product Requirements.
  - 3. Urethane Sealant (Floors): ASTM C 920, Type M, Grade P, Class 25; Uses T (traffic), M (mortar), A (aluminum), O (other substrates indicated).
    - a. Products:
      - 1) Master Builders Solutions; MasterSeal SL 2.
-

## FIRE STATIONS RENOVATION

Arlington County, Virginia

Architect's Project No.: 563006

- 2) Pecora Corporation; NR-200 Urexpam.
  - 3) Sika Corporation; Sikaflex-2c SL.
  - 4) Tremco Incorporated; THC-901.
  - 5) Substitutions: See Section 016000 - Product Requirements.
4. Sealant Accessories: Provide backer rod, primer, and other sealant accessories as recommended by sealant manufacturer for applications required.
- B. Grout Sealer: Liquid-applied, penetrating, moisture and stain protection for existing or new Portland cement grout.
1. Composition: Water-based colorless silicone.
  2. Products:
    - a. Custom Building Products; Aqua Mix Sealer's Choice Gold.
    - b. Merkrete, by Parex USA, Inc; Merkrete Grout Sealer.
    - c. SGM, Inc.; Grout Sealer.
    - d. Summitville Tiles, Inc.; SL-99 Summitseal II.
    - e. Substitutions: See Section 016000 - Product Requirements.
- C. Tile Sealer: Stain protection for exposed surfaces of unglazed ceramic tile, other porous tile, and grout. Provide penetrating sealer with no sheen, preserving natural tile appearance.
1. Products:
    - a. Custom Building Products; Aqua Mix Sealer's Choice Gold.
    - b. Rust-Oleum Corporation; Miracle Sealants 511 Impregnator Natural Looking Penetrating Sealer.
    - c. STONETECH, a division of LATICRETE international, Inc; STONETECH Heavy Duty Sealer.
    - d. Substitutions: See Section 016000 - Product Requirements.
- D. Grout Release: Temporary, water-soluble pre-grout coating.
1. Products:
    - a. Custom Building Products; Aqua Mix Grout Release.
    - b. MAPEI Corporation; UltraCare Grout Release.
    - c. Substitutions: See Section 016000 - Product Requirements.

**2.06 ACCESSORY MATERIALS**

- A. Concrete Floor Slab Crack Isolation Membrane: Material complying with ANSI A118.12; not intended as waterproofing.
1. Crack Resistance: No failure at 1/8 inch gap, minimum.
  2. Peel-and-Stick Sheet Type:
    - a. Material: Rubberized membrane laminated to reinforcing fabric.
    - b. Thickness: 40 mils, nominal.
    - c. Products:
      - 1) Boiardi Products Corp.; a QEP company; Elastiment 340 Sound Control Sheet Membrane Waterproofing and Anti-Fracture/Crack-Suppression System.
      - 2) Custom Building Products; Crack Buster Pro-Crack Prevention Mat Underlayment.
      - 3) MAPEI Corporation; Mapeguard 2.
      - 4) National Applied Construction Products, Inc.; ECB Anti-Fracture Membrane.
      - 5) Substitutions: See Section 016000 - Product Requirements.
- B. Waterproofing Membrane: Specifically designed for bonding to cementitious substrate under thick mortar bed or thin-set tile; complying with ANSI A118.10.
1. Crack Resistance: No failure at 1/8 inch gap, minimum; comply with ANSI A118.12.
  2. Fluid or Trowel Applied Type with Embedded Reinforcing Fabric:
    - a. Material: Synthetic rubber or Acrylic.
    - b. Thickness: 30 mils, minimum, dry film thickness.
    - c. Products:

## FIRE STATIONS RENOVATION

Arlington County, Virginia

Architect's Project No.: 563006

---

- 1) Custom Building Products; 9240 Waterproofing and Anti-Fracture Membrane
- 2) H.B. Fuller Construction Products, Inc; TEC HydraFlex Waterproofing Crack Isolation Membrane.
- 3) LATICRETE International, Inc; 9235 Waterproofing Membrane.
- 4) MAPEI Corporation; Mapelastic AquaDefense.
- 5) Merkrete, by Parex USA, Inc; Merkrete Hydro Guard 2000.
- 6) Summitville Tiles, Inc.; S-9000.
- 7) Substitutions: See Section 016000 - Product Requirements.

**PART 3 EXECUTION****3.01 EXAMINATION**

- A. Verify that subfloor surfaces are smooth and flat within the tolerances specified for that type of work, per ANSI A108.01, and are ready to receive tile.
- B. Verify that wall surfaces are smooth and flat within the tolerances specified for that type of work, are dust-free, and are ready to receive tile.
- C. Verify that subfloor surfaces are dust free and free of substances that could impair bonding of setting materials to subfloor surfaces.
- D. Verify that required floor-mounted utilities are in correct location.

**3.02 PREPARATION**

- A. Protect surrounding work from damage.
- B. Vacuum clean surfaces and damp clean.
- C. Seal substrate surface cracks with filler. Level existing substrate surfaces to acceptable flatness tolerances.
- D. For ease of cleaning and to prevent staining, precoat tile with temporary grout release. For unglazed ceramic and other porous tile types, provide either combination tile sealer/grout release, or a temporary grout release with final tile sealer applied after tile installation.

**3.03 INSTALLATION - GENERAL**

- A. Install tile, thresholds, and stair treads and grout in accordance with applicable requirements of ANSI A108.1a through ANSI A108.19 , manufacturer's instructions, and TCNA (HB) recommendations.
- B. Lay tile to pattern indicated. Do not interrupt tile pattern through openings.
- C. Cut and fit tile to penetrations through tile, leaving sealant joint space. Form corners and bases neatly. Align floor joints.
- D. Place tile joints uniform in width, subject to variance in tolerance allowed in tile size. Make grout joints without voids, cracks, excess mortar or excess grout, or too little grout.
- E. Form internal angles square and external angles bullnosed.
- F. Install non-ceramic trim in accordance with manufacturer's instructions.
- G. Install thresholds where indicated.
- H. Sound tile after setting. Replace hollow sounding units.
- I. Keep control and expansion joints free of mortar, grout, and adhesive.
- J. Prior to grouting, allow installation to completely cure; minimum of 48 hours.
- K. Grout tile joints unless otherwise indicated. Use standard grout unless otherwise indicated.
- L. At changes in plane and tile-to-tile control joints, use tile sealant instead of grout, with either bond breaker tape or backer rod as appropriate to prevent three-sided bonding.

**3.04 INSTALLATION - FLOORS - THIN-SET METHODS**

- A. Over interior concrete substrates, install in accordance with TCNA (HB) Method F113, dry-set or latex-Portland cement bond coat, with standard grout, unless otherwise indicated.

FIRE STATIONS RENOVATION

Arlington County, Virginia

Architect's Project No.: 563006

---

1. Where waterproofing membrane is indicated, install in accordance with TCNA (HB) Method F122, with latex-Portland cement grout.

**3.05 INSTALLATION - WALL TILE**

- A. Over interior concrete and masonry install in accordance with TCNA (HB) Method W202, thin-set with dry-set or latex-Portland cement bond coat.

**3.06 CLEANING**

- A. Clean tile and grout surfaces.

**3.07 PROTECTION**

- A. Do not permit traffic over finished floor surface for 4 days after installation.

**END OF SECTION**

FIRE STATIONS RENOVATION  
Arlington County, Virginia  
Architect's Project No.: 563006

---

**SECTION 095100  
ACOUSTICAL CEILINGS**

**PART 1 GENERAL**

**1.01 REFERENCE STANDARDS**

- A. ASTM C635/C635M - Standard Specification for the Manufacture, Performance, and Testing of Metal Suspension Systems for Acoustical Tile and Lay-in Panel Ceilings 2017.

**1.02 SUBMITTALS**

- A. See Section 013000 - Administrative Requirements, for submittal procedures.
- B. Shop Drawings: Indicate grid layout and related dimensioning.
- C. Product Data: Provide data on suspension system components and acoustical units.

**1.03 FIELD CONDITIONS**

- A. Maintain uniform temperature of minimum 60 degrees F, and maximum humidity of 40 percent prior to, during, and after acoustical unit installation.

**PART 2 PRODUCTS**

**2.01 ACOUSTICAL UNITS**

**2.02 SUSPENSION SYSTEM(S)**

- A. Metal Suspension Systems - General: Complying with ASTM C635/C635M; die cut and interlocking components, with perimeter moldings, hold down clips, stabilizer bars, clips, and splices as required.

**2.03 ACCESSORIES**

- A. Support Channels and Hangers: Galvanized steel; size and type to suit application, seismic requirements, and ceiling system flatness requirement specified.
- B. Hanger Wire: 12 gauge, 0.08 inch galvanized steel wire.
- C. Perimeter Moldings: Same metal and finish as grid.
- D. Metal Edge Trim for "Cloud" Suspension Systems: Steel or extruded aluminum; provide attachment clips, splice plates, and preformed corner pieces for complete trim system.
  - 1. Trim Height: 4 inch.
  - 2. Finish: Baked enamel.
  - 3. Available Products:
    - a. Armstrong World Industries, Inc.; Axiom Classic.
    - b. Certainteed; Terminus Perimeter Trim.
    - c. Chicago Metallic Corp.; Infinity System.
    - d. USG Corporation; Compasso Suspension Trim.

**PART 3 EXECUTION**

**3.01 EXAMINATION**

- A. Verify existing conditions before starting work.
- B. Verify that layout of hangers will not interfere with other work.

**3.02 PREPARATION**

- A. Install after major above-ceiling work is complete.
- B. Coordinate the location of hangers with other work.

**3.03 INSTALLATION - SUSPENSION SYSTEM**

- A. Rigidly secure system, including integral mechanical and electrical components, for maximum deflection of 1:360.
- B. Perimeter Molding: Install at intersection of ceiling and vertical surfaces and at junctions with other interruptions.
  - 1. Use longest practical lengths.

FIRE STATIONS RENOVATION  
Arlington County, Virginia  
Architect's Project No.: 563006

---

- C. Suspension System, Non-Seismic: Hang suspension system independent of walls, columns, ducts, pipes and conduit. Where carrying members are spliced, avoid visible displacement of face plane of adjacent members.
- D. Where ducts or other equipment prevent the regular spacing of hangers, reinforce the nearest affected hangers and related carrying channels to span the extra distance.
- E. Do not support components on main runners or cross runners if weight causes total dead load to exceed deflection capability.
- F. Support fixture loads using supplementary hangers located within 6 inches of each corner, or support components independently.
- G. Do not eccentrically load system or induce rotation of runners.

**3.04 INSTALLATION - ACOUSTICAL UNITS**

- A. Install acoustical units in accordance with manufacturer's instructions.
- B. Fit acoustical units in place, free from damaged edges or other defects detrimental to appearance and function.
- C. Fit border trim neatly against abutting surfaces.
- D. Install acoustical units level, in uniform plane, and free from twist, warp, and dents.
- E. Cutting Acoustical Units:
  - 1. Make field cut edges of same profile as factory edges.

**END OF SECTION**

FIRE STATIONS RENOVATION  
Arlington County, Virginia  
Architect's Project No.: 563006

---

**SECTION 096513  
RESILIENT BASE AND ACCESSORIES**

**PART 1 GENERAL**

**1.01 SUBMITTALS**

- A. See Section 013000 - Administrative Requirements, for submittal procedures.
- B. Product Data: Provide data on specified products, describing physical and performance characteristics; including sizes, patterns and colors available; and installation instructions.
- C. Selection Samples: Submit manufacturer's complete set of color samples for Architect's initial selection.
- D. Verification Samples: Submit in manufacturer's standard size, illustrating color and pattern for each resilient flooring product specified.

**1.02 DELIVERY, STORAGE, AND HANDLING**

- A. Upon receipt, immediately remove any shrink-wrap and check materials for damage and the correct style, color, quantity and run numbers.
- B. Maintain temperature in storage area between 55 degrees F and 90 degrees F.
- C. Protect roll materials from damage by storing on end.

**1.03 FIELD CONDITIONS**

- A. Store materials for not less than 48 hours prior to installation in area of installation at a temperature of 70 degrees F to achieve temperature stability. Thereafter, maintain conditions above 55 degrees F.
- B. Maintain conditions at occupancy conditions for installation and until Substantial Completion.

**PART 2 PRODUCTS**

**2.01 RESILIENT BASE**

- A. Resilient Base: ASTM F1861, Type TP, rubber, thermoplastic; Style B, Cove.
  - 1. Products (Type TP):
    - a. Armstrong World Industries, Inc.; Rubber Coved Toe Wall Base.
    - b. Flexco (USA), Inc.; Flexco Base 2000 - Cove.
    - c. Johnsonite, a Tarkett Company; Rubber Wall Base - Cove.
    - d. Mannington Commercial; Burkebase Type TP - Coved.
    - e. Nora Systems, Inc; nora wall base; Article 820.
    - f. Roppe Corporation; 700 Series TPR Wall Base - Style B (Coved).
    - g. Substitutions: See Section 016000 - Product Requirements.
  - 2. Critical Radiant Flux (CRF): Minimum 0.45 watt per square centimeter, when tested in accordance with ASTM E648 or NFPA 253.
  - 3. Height: 4 inch.
  - 4. Thickness: 0.125 inch minimum.
  - 5. Finish: Satin.
  - 6. Length: Roll; manufacturer's standard length.
  - 7. Color: To be selected by Architect from manufacturer's full range.

**2.02 STAIR COVERING**

- A. Stair Treads: Rubber; full width and depth of stair tread in one piece; tapered thickness.
  - 1. Manufacturers:
    - a. Flexco, Inc.
    - b. Johnsonite, a Tarkett Company.
    - c. Mannington Commercial.
    - d. Nora Rubber Flooring.
    - e. Roppe Corporation.
    - f. Substitutions: See Section 016000 - Product Requirements.



FIRE STATIONS RENOVATION  
Arlington County, Virginia  
Architect's Project No.: 563006

---

2. Minimum Requirements: Comply with ASTM F2169, Type TS, rubber, vulcanized thermoset.
  3. Critical Radiant Flux (CRF): Minimum 0.45 watt per square centimeter, when tested in accordance with ASTM E648 or NFPA 253.
  4. Nominal Thickness: 0.250 inch, tapered towards rear.
  5. Nosing: Square, adjustable; 1-1/2 inch height.
  6. Striping: 2 inch wide contrasting color abrasive strips.
  7. Texture: Raised, with pattern selected from manufacturer's full range.
  8. Color: To be selected by Architect from manufacturer's full range.
- B. Stair Risers: Full height and width of tread in one piece, matching treads in material and color.
1. Manufacturer: Provide risers by same manufacturer as treads.
  2. Thickness: 0.125 inch.
- C. Stair Stringers: Full height in one piece and in maximum available lengths, matching treads in material and color.
1. Manufacturer: Provide stringers by same manufacturer as treads.
  2. Nominal Thickness: 0.080 inch.

### **2.03 MOLDINGS, TRANSITIONS, AND EDGE STRIPS**

- A. Moldings, Transition and Edge Strips:
1. Manufacturers:
    - a. Flexco, Inc.
    - b. Johnsonite.
    - c. Mannington Commercial.
    - d. R.C.A. Rubber Company (The).
    - e. Roppe Corporation.
    - f. VPI, LLC; Floor Products Division.
    - g. Substitutions: See Section 016000 - Product Requirements.
  2. Molding/Transition Strip Profiles: Provide in sizes as required to suit flooring thicknesses and applications.
    - a. Coved edge/cap for carpet.
    - b. Joiner between carpet and resilient flooring or other materials with different heights.
    - c. Transition strip between different types of materials that are the same height or between different styles/patterns of the same material.
    - d. Slim transition strip with approximately 1/4-inch wide visible transition profile.
    - e. Reducer strip at edges of flooring to reduce height to 0".
    - f. Subfloor leveling accessory to transition between materials with height differences up to 1/2 inch.
  3. Material: Manufacturer's standard rubber or vinyl.
  4. Color: To be selected by Architect from manufacturer's full range.

### **2.04 ACCESSORIES**

- A. Leveling Compound: Blended cement mix, latex-modified, for use as trowelable underlayment, approved by resilient accessory manufacturer.
- B. Primers, Adhesives, and Seam Sealer: Waterproof; types recommended by flooring manufacturer.
- C. Moisture Vapor Treatment: Where resilient flooring and accessories are installed over concrete slabs, provide alkaline-resistant product designed to control excessive moisture vapor transmission through concrete slab, per the following:
1. Products: Provide product approved by flooring manufacturer and complying with performance requirements below, equivalent to one of the following:
    - a. Duraamen Engineered Products, Inc.; Perdure MVT.
    - b. Maxxon Corporation; Maxxon MVP.
    - c. Tnemec Company Inc.; Epoxoprime MVT, Series 208.
  2. Performance Requirements:

FIRE STATIONS RENOVATION  
Arlington County, Virginia  
Architect's Project No.: 563006

---

- a. Verify with flooring manufacturer that submitted product maintains compliance with all provisions of flooring manufacturer's warranty.
- b. Low-VOC: Provide product with VOC content less than 15 g/L.
- c. Bond Strength to Concrete: Minimum 400 psi per ASTM D 4541 (100% concrete failure).
- d. Permeance: Maximum 0.1 perm per ASTM E 96, and 0.10 grains/hr/ft<sup>2</sup>/in-Hg, per ASTM F3010.
- e. Applications: Provide MVT for all concrete slabs on-grade and lightweight concrete elevated slabs.

D. Floor Polish: Fluid-applied polish recommended by resilient flooring manufacturer.

### **PART 3 EXECUTION**

#### **3.01 EXAMINATION**

- A. Verify that surfaces are flat to tolerances acceptable to flooring manufacturer, free of cracks that might telegraph through flooring, clean, dry, and free of curing compounds, surface hardeners, and other chemicals that might interfere with bonding of flooring to substrate.
- B. Verify that wall surfaces are smooth and flat within the tolerances specified for that type of work, are dust-free, and are ready to receive resilient base.
  1. Do not apply wall base until other finish items, including casework and painting, are complete.
- C. Cementitious Subfloor Surfaces (Stair Treads/Landings): Verify that substrates are ready for resilient flooring installation by testing for moisture and alkalinity (pH).
  1. Test as Follows:
    - a. Alkalinity (pH): ASTM F710, when required by stair accessory manufacturer.
    - b. Internal Relative Humidity: ASTM F2170. One test per stair area.
    - c. Moisture Vapor Emission: ASTM F1869. One test per stair area.
  2. After testing is complete, prepare concrete and install moisture vapor treatment (MVT) in accordance with manufacturer's written instructions. If testing indicates measurements are within acceptable levels for flooring installation with the need for MVT, the MVT may be omitted where approved by the Architect.
  3. After installation of MVT, perform final moisture tests to verify that moisture-vapor-emission-rate is at an acceptable level for stair accessory installation. Proceed with installation only after moisture-vapor-emission-rate and relative humidity do not exceed the following:
    - a. Moisture-Vapor-Emission Rate: Maximum 3lbs. of water/1,000 sq. ft. in 24 hours, unless indicated otherwise by resilient accessory manufacturer.
    - b. Relative Humidity: Maximum 75 percent relative humidity, unless indicated otherwise by resilient accessory manufacturer.

#### **3.02 PREPARATION**

- A. Prepare floor substrates as recommended by flooring and adhesive manufacturers.
- B. Remove subfloor ridges and bumps. Fill minor low spots, cracks, joints, holes, and other defects with leveling compound to achieve smooth, flat, hard surface.
- C. Prohibit traffic until leveling compound is fully cured.
- D. Clean substrate.

#### **3.03 INSTALLATION - GENERAL**

- A. Starting installation constitutes acceptance of subfloor conditions.
- B. Install in accordance with manufacturer's written instructions.
- C. Adhesive-Applied Installation:
  1. Fit joints and butt seams tightly.
  2. Set flooring in place, press with heavy roller to attain full adhesion.
- D. Where type of floor finish, pattern, or color are different on opposite sides of door, install such that molding profiles or transition strips are centered under the door panel..

FIRE STATIONS RENOVATION  
Arlington County, Virginia  
Architect's Project No.: 563006

---

- E. Install edge/reducer strips at unprotected or exposed edges, where flooring terminates, and where indicated.
  - 1. Resilient Strips: Attach to substrate using adhesive.

**3.04 INSTALLATION - RESILIENT BASE**

- A. Fit joints tightly and make vertical. Maintain minimum dimension of 18 inches between joints.
- B. Install base on solid backing. Bond tightly to wall and floor surfaces.
- C. Job form internal and external corners in accordance with manufacturer's instructions. Form corners by "V" cutting or scribing; do not bend material in a manner that creates stress whitening.
- D. In addition to walls, install base on other permanent construction with exposed vertical faces at floor level, including, but not limited to, columns, pilasters, and casework/cabinet knee and toe spaces.
- E. Scribe and fit to door frames and other interruptions.
- F. At uneven substrate surfaces (such as masonry mortar joints), provide manufacturer's recommended filler sealant or adhesive to fill voids along top of base.

**3.05 INSTALLATION - STAIR COVERINGS**

- A. Install stair coverings in one piece for full width and depth of tread.
- B. Install stringers configured tightly to stair profile.
- C. Adhere over entire surface. Fit accurately and securely.
- D. Clean stair tread and landing accessories and apply floor polish according to manufacturer's written instructions.

**3.06 CLEANING**

- A. Remove excess adhesive from floor, base, and wall surfaces without damage.
- B. Clean in accordance with manufacturer's written instructions.

**3.07 PROTECTION**

- A. Prohibit traffic on resilient accessories for 48 hours after installation.
- B. Cover resilient accessories and protect from heavy construction traffic and equipment until Substantial Completion.

**END OF SECTION**

FIRE STATIONS RENOVATION  
Arlington County, Virginia  
Architect's Project No.: 563006

---

**SECTION 099123  
INTERIOR PAINTING**

**PART 1 GENERAL**

**1.01 SUBMITTALS**

- A. See Section 013000 - Administrative Requirements, for submittal procedures.
- B. Product Data: Provide complete list of products to be used, with the following information for each:
  - 1. Manufacturer's name, product name and/or catalog number, and general product category (e.g., "alkyd enamel").
  - 2. Cross-reference to specified paint system(s) product is to be used in; include description of each system.
- C. Certification: By manufacturer that paints and finishes comply with VOC limits specified.
- D. Manufacturer's Instructions: Indicate special surface preparation procedures.
- E. Maintenance Data: Submit data including finish schedule showing where each product/color/finish was used, product technical data sheets, material safety data sheets (MSDS), care and cleaning instructions, touch-up procedures, repair of painted and finished surfaces, and color samples of each color and finish used.

**1.02 DELIVERY, STORAGE, AND HANDLING**

- A. Deliver products to site in sealed and labeled containers; inspect to verify acceptability.
- B. Container Label: Include manufacturer's name, type of paint, brand name, lot number, brand code, coverage, surface preparation, drying time, cleanup requirements, color designation, and instructions for mixing and reducing.
- C. Paint Materials: Store at minimum ambient temperature of 45 degrees F and a maximum of 90 degrees F, in ventilated area, and as required by manufacturer's instructions.

**1.03 FIELD CONDITIONS**

- A. Do not apply materials when surface and ambient temperatures are outside the temperature ranges required by the paint product manufacturer.
- B. Follow manufacturer's recommended procedures for producing best results, including testing of substrates, moisture in substrates, and humidity and temperature limitations.
- C. Do not apply materials when relative humidity exceeds 85 percent, at temperatures less than 5 degrees F above the dew point, or to damp or wet surfaces.
- D. Minimum Application Temperatures for Paints: 50 degrees F for interiors unless required otherwise by manufacturer's instructions.
- E. Provide lighting level of 80 ft candles measured mid-height at substrate surface.

**PART 2 PRODUCTS**

**2.01 MANUFACTURERS**

- A. Provide paints and finishes from the same manufacturer to the greatest extent possible.
  - 1. If a single manufacturer cannot provide specified products; minor exceptions will be permitted provided approval by Architect is obtained using the specified procedures for substitutions.
- B. Paints:
  - 1. Benjamin Moore & Co. (BM)
  - 2. PPG Paints. (PPG)
  - 3. Sherwin-Williams Company. (SW)
- C. Primer Sealers: Same manufacturer as top coats.

**2.02 PAINTS AND FINISHES - GENERAL**

- A. Paints and Finishes: Ready-mixed, unless intended to be a field-catalyzed paint.
  - 1. Provide paints and finishes of a soft paste consistency, capable of being readily and uniformly dispersed to a homogeneous coating, with good flow and brushing

FIRE STATIONS RENOVATION  
Arlington County, Virginia  
Architect's Project No.: 563006

---

- properties, and capable of drying or curing free of streaks or sags.
  - 2. Provide materials that are compatible with one another and the substrates indicated under conditions of service and application, as demonstrated by manufacturer based on testing and field experience.
  - 3. Supply each paint material in quantity required to complete entire project's work from a single production run.
  - 4. Do not reduce, thin, or dilute paint or finishes or add materials unless such procedure is specifically described in manufacturer's product instructions.
- B. Volatile Organic Compound (VOC) Content:
- 1. Provide paints and finishes that comply with the most stringent requirements specified in the following:
    - a. 40 CFR 59, Subpart D--National Volatile Organic Compound Emission Standards for Architectural Coatings.
    - b. SCAQMD 1113 Rule.
    - c. CARB (SCM).
  - 2. Determination of VOC Content: Testing and calculation in accordance with 40 CFR 59, Subpart D (EPA Method 24), exclusive of colorants added to a tint base and water added at project site; or other method acceptable to authorities having jurisdiction.
- C. Flammability: Comply with applicable code for surface burning characteristics.
- D. Colors: To be selected from manufacturer's full range of available colors.
- 1. Selection to be made by Architect after award of contract.
  - 2. Extend colors to surface edges; colors may change at any edge as directed by Architect.
  - 3. In finished areas, finish exposed pipes, conduit, and equipment the same color as the wall/ceiling to which they are mounted.

### 2.03 ACCESSORY MATERIALS

- A. Accessory Materials: Provide primers, sealers, cleaning agents, cleaning cloths, sanding materials, and clean-up materials as required for final completion of painted surfaces.
- B. Patching Material: Latex filler.
- C. Fastener Head Cover Material: Latex filler.

## PART 3 EXECUTION

### 3.01 EXAMINATION

- A. Do not begin application of paints and finishes until substrates have been adequately prepared.
- B. Verify that surfaces are ready to receive work as instructed by the product manufacturer.
- C. Examine surfaces scheduled to be finished prior to commencement of work. Report any condition that may potentially affect proper application.
- D. Test shop-applied primer for compatibility with subsequent cover materials.
- E. Measure moisture content of surfaces using an electronic moisture meter. Do not apply finishes unless moisture content of surfaces is below the following maximums:
  - 1. Gypsum Wallboard: 12 percent.
  - 2. Masonry, Concrete, and Concrete Masonry Units: 12 percent.

### 3.02 PREPARATION

- A. Clean surfaces thoroughly and correct defects prior to application.
- B. Prepare surfaces using the methods recommended by the manufacturer for achieving the best result for the substrate under the project conditions.
- C. Remove or repair existing paints or finishes that exhibit surface defects.
- D. Remove or mask surface appurtenances, including electrical plates, hardware, light fixture trim, escutcheons, and fittings, prior to preparing surfaces or finishing.
- E. Seal surfaces that might cause bleed through or staining of topcoat.

FIRE STATIONS RENOVATION  
Arlington County, Virginia  
Architect's Project No.: 563006

---

- F. Remove mildew from impervious surfaces by scrubbing with solution of tetra-sodium phosphate and bleach. Rinse with clean water and allow surface to dry.
- G. Masonry:
  - 1. Remove efflorescence and chalk. Do not coat surfaces if moisture content, alkalinity of surfaces, or if alkalinity of mortar joints exceed that permitted in manufacturer's written instructions. Allow to dry.
  - 2. Prepare surface as recommended by top coat manufacturer.
- H. Gypsum Board: Fill minor defects with filler compound. Spot prime defects after repair.
- I. Ferrous Metal:
  - 1. Solvent clean according to SSPC-SP 1.

### 3.03 APPLICATION

- A. Apply products in accordance with manufacturer's written instructions and recommendations in "MPI Architectural Painting Specification Manual".
- B. Where adjacent sealant is to be painted, do not apply finish coats until sealant is applied.
- C. Do not apply finishes to surfaces that are not dry. Allow applied coats to dry before next coat is applied.
- D. Apply each coat to uniform appearance in thicknesses specified by manufacturer.
- E. Sand metal surfaces lightly between coats to achieve required finish.
- F. Vacuum clean surfaces of loose particles. Use tack cloth to remove dust and particles just prior to applying next coat.
- G. Reinstall electrical cover plates, hardware, light fixture trim, escutcheons, and fittings removed prior to finishing.

### 3.04 CLEANING

- A. Collect waste material that could constitute a fire hazard, place in closed metal containers, and remove daily from site.

### 3.05 PROTECTION

- A. Protect finishes until completion of project.
- B. Touch-up damaged finishes after Substantial Completion.

### 3.06 SCHEDULE - INTERIOR PAINT SYSTEMS

- A. Concrete Masonry Units (CMU), Concrete Block, and Brick Masonry: Finish surfaces exposed to view. Low-VOC Acrylic Satin Finish: 2 coats over filler, with total DFT not less than 2.5 mils. Provide at all interior masonry except where epoxy finish is indicated.
  - 1. Filler Coat: Acrylic-latex Block Filler:
    - a. BM: 571 Ultra Spec Hi-Build Masonry Block Filler.
    - b. PPG: 6-15 Speedhide Interior/Exterior Acrylic Masonry Block Filler.
    - c. SW: B25W25 PrepRite Interior/Exterior Block Filler.
  - 2. Bonding Primer (Previously Painted): Acrylic Bonding Primer. Test for adhesion. Brush, spray, or roller apply and back roll.
    - a. BM: Insl-X SXA-110 Stix Bonding Primer.
    - b. PPG: 17-921 Seal Grip Acrylic Universal Primer/Sealer.
    - c. SW: B51W150 Extreme Bond Interior/Exterior Primer.
  - 3. First and Second Finish Coats: Commercial Interior Low-VOC Acrylic Satin.
    - a. BM: N538 Ultra Spec 500 Interior Eggshell Finish.
    - b. PPG: 6-4300 Speedhide Zero VOC Interior Eggshell Latex.
    - c. SW: B20-2600 ProMar 200 Zero VOC Interior Latex Eg-Shel.
- B. Concrete Masonry Units (CMU), Epoxy: Finish surfaces exposed to view. Semi-gloss Water Borne Epoxy Finish: 2 coats over filler. Provide at interior masonry where epoxy finish is indicated.
  - 1. Filler Coat: Acrylic-latex Block Filler:
    - a. BM: 571 Ultra Spec Hi-Build Masonry Block Filler.

FIRE STATIONS RENOVATION  
Arlington County, Virginia  
Architect's Project No.: 563006

---

- b. PPG: 6-15 Speedhide Interior/Exterior Acrylic Masonry Block Filler.
- c. SW: B25W25 PrepRite Interior/Exterior Block Filler.
- 2. First and Second Finish Coats: Two component, semi-gloss water-borne polyamide-epoxy, applied at a DFT of 1.5 - 4.0 mils per coat.
  - a. BM: Corotech V400 Polyamide Epoxy Coating.
  - b. PPG: 98-100 Aquapon WB Water Base Epoxy - Semi-Gloss.
  - c. SW: B73V300 Pro Industrial Water Based Catalyzed Epoxy Hardener.
- C. Gypsum Board: Finish surfaces exposed to view. Provide 0 VOC acrylic-latex formulation over 0 VOC filler coat/primer; satin finish at walls and flat finish at ceilings.
  - 1. Filler Coat: 0 VOC Latex primer.
    - a. BM: 534 Ultra Spec 500 Primer Flat.
    - b. PPG: 6-4900 Speedhide Zero VOC Interior Latex Primer.
    - c. SW: B28-2600 ProMar 200 Zero VOC Interior Latex Primer.
  - 2. First & Second Finish Coats: Interior Ceilings and Bulkheads: Flat.
    - a. BM: 536 Ultra Spec 500 Flat.
    - b. PPG: 6-4100 Speedhide Zero VOC Interior Latex Flat.
    - c. SW: B30-2600 ProMar 200 Zero VOC Interior Latex Flat.
  - 3. First & Second Finish Coats: Interior Walls: Satin.
    - a. BM: 538 Ultra Spec 500 Eggshell.
    - b. PPG: 6-4300 Speedhide Zero VOC Interior Eggshell Latex.
    - c. SW: B20-2600/B24-2600 ProMar 200 Zero VOC Interior Latex Eg-Shel/Low Sheen.
- D. Gypsum Board with Water-Borne Polyamide Epoxy Finish ("EPX" - Shower/toilet rooms):
  - 1. Filler Coat: Manufacturer's recommended acrylic/latex primer.
    - a. BM: 253 Super Spec Latex Enamel Undercoater & Primer Sealer.
    - b. PPG: 6-2 Speedhide Interior Latex Sealer.
    - c. SW: B28W2600 ProMar 200 Zero VOC Primer.
  - 2. First & Second Finish Coats: Two-component, water-borne polyamide epoxy applied at DFT of 1.5 - 4.0 mils per coat. Provide semi-gloss finish unless otherwise indicated.
    - a. BM: Corotech V440 Waterborne Amine Epoxy.
    - b. PPG: 98-100 Aquapon WB Water Base Epoxy - Semi-Gloss.
    - c. SW: B70V300 Water Based Catalyzed Epoxy Hardener.
- E. Ferrous Metal: Finish surfaces exposed to view. Provide semi-gloss direct to metal (DTM) acrylic enamel finish; except provide satin/egg-shell finish at hollow metal/steel doors and frames. Provide two coats over primer, with total DFT not less than 5.0 mils. For shop-primed items, verify shop primer with manufacturer and confirm compatibility.
  - 1. Primer: Lead-free, acrylic base primer. Not required on shop-primed items. Provide satin/low luster primer for steel doors and frames.
    - a. BM: HP29/HP 25 Ultra Spec DTM Acrylic Semi-Gloss/Low Lustre.
    - b. PPG: 90-712 Pitt-Tech Int/Ext Primer/Finish Industrial Enamel.
    - c. SW: B66W1 DTM Acrylic Primer/Finish (or B66W200).
  - 2. Bonding Primer (Previously Painted): Acrylic bonding primer for previously painted surfaces to ensure secure bond. Brush, spray, or roller apply and back roll.
    - a. BM: Insl-X SXA-110 Stix Bonding Primer.
    - b. PPG: 90-912 Pitt-Tech Plus DTM Industrial Primer.
    - c. SW: B66A50 DTM Bonding Primer.
  - 3. First and Second Finish Coats: DTM Acrylic Semi-Gloss Enamel.
    - a. BM: HP29 Ultra Spec DTM Acrylic Semi-Gloss.
    - b. PPG: 90-1210 Pitt-Tech Int/Ext Semi-Gloss DTM Industrial Enamel.
    - c. SW: B66W1150 Series Pro Industrial DTM Acrylic Semi-Gloss.
  - 4. First and Second Finish Coats (Steel Doors and Frames): DTM Acrylic Satin Enamel.
    - a. BM: HP25 Ultra Spec DTM Acrylic Low Lustre.
    - b. PPG: 90-1110 Pitt-Tech Int/Ext Satin DTM Industrial Enamel.
    - c. SW: B66W1250 Series Pro Industrial DTM Acrylic Eg-Shel Coating.

FIRE STATIONS RENOVATION  
Arlington County, Virginia  
Architect's Project No.: 563006

---

- F. Ferrous Metal with Latex Dry-Fall Finish: One finish coat over primed exposed construction. Apply to all exposed structure and as scheduled. Provide nominal 50 square foot sample/mock-up area to verify substrate compatibility.
1. Prime Coat: Acrylic, self-priming, or other recommended VOC-compliant metal primer. 2.0 mils DFT.
    - a. BM: Coronado N110 Superkote 5000 DryFall Latex Flat.
    - b. PPG: 90-712 Pitt-Tech Int/Ext Primer/Finish Industrial Enamel.
    - c. SW: B66-310 Pro-Cryl Universal Primer.
  2. Top Coat: Acrylic Dry Fall, flat, 3.0 mils DFT. Provide color selected by Architect from manufacturer's standard options, unless indicated otherwise.
    - a. BM: Coronado N110 Superkote 5000 DryFall Latex Flat.
    - b. PPG: 6-724XI Series - Speedhide Super Tech WB Interior Dry-Fog Flat Latex.
    - c. SW: B42 BW3 Waterborne Acrylic Dry Fall, Flat.
- G. Interior Woodwork: Stained woodwork with transparent finish is specified in Division 6 Section "Interior Finish Carpentry."

**END OF SECTION**



FIRE STATIONS RENOVATION  
Arlington County, Virginia  
Architect's Project No.: 563006

---

**SECTION 102800  
TOILET AND BATH ACCESSORIES**

**PART 1 GENERAL**

**1.01 SUBMITTALS**

- A. See Section 013000 - Administrative Requirements, for submittal procedures.
- B. Product Data: Submit data on accessories describing size, finish, details of function, and attachment methods.
- C. Setting Drawings: For cutouts required in other work; include templates, substrate preparation instructions, and directions for preparing cutouts and installing anchoring devices.
- D. Maintenance Data: For each type of accessory, to include in maintenance manual per Section 017800 - Closeout Submittals. Include list of replacement parts and service recommendations.

**PART 2 PRODUCTS**

**2.01 MANUFACTURERS**

- A. Commercial Toilet, Shower, and Bath Accessories:
  - 1. A&J Washroom Accessories, Inc.
  - 2. American Specialties, Inc.
  - 3. Bobrick Washroom Equipment.
  - 4. Bradley Corporation.
- B. Under-Lavatory Pipe Supply Covers:
  - 1. Plumberex Specialty Products, Inc.
  - 2. Truebro; IPS Corporation.

**2.02 MATERIALS**

- A. Accessories - General: Shop assembled, free of dents and scratches and packaged complete with anchors and fittings, steel anchor plates, adapters, and anchor components for installation.
- B. Keys: Provide 6 master/universal keys, minimum, to Owner.
- C. Stainless Steel Sheet: ASTM A666, Type 304.
- D. Stainless Steel Tubing: ASTM A269/A269M, Grade TP304 or TP316.
- E. Galvanized Sheet Steel: Hot-dipped galvanized steel sheet, ASTM A653/A653M, with G90/Z275 coating.
- F. Mirror Glass: Annealed float glass, ASTM C1036 Type I, Class 1, Quality Q2, with silvering, protective and physical characteristics complying with ASTM C1503.
- G. Fasteners, Screws, and Bolts: Hot dip galvanized; tamper-proof; security type.
  - 1. Provide mechanical attachment of all accessories. Use of adhesive or double-side tape is not acceptable.

**2.03 FINISHES**

- A. Stainless Steel: Satin finish, unless otherwise noted.

**2.04 COMMERCIAL TOILET ACCESSORIES**

- A. Toilet Paper Dispenser (TA-D): Roll-in-reserve type, designed to allow automatic activation of reserve roll when needed, or manual activation by pressing release bar, surface-mounted, stainless steel unit with pivot hinge, tumbler lock.
  - 1. Products:
    - a. American Specialties, Inc.; Model 20030.
    - b. Bobrick Washroom Equipment, Inc.; Model B-4288.
    - c. Bradley Corporation; Model 5402.
- B. Soap Dispenser (TA-F): Liquid soap dispenser, wall-mounted, surface, with stainless steel cover and vertical stainless steel tank and working parts; push type soap valve, check

FIRE STATIONS RENOVATION  
Arlington County, Virginia  
Architect's Project No.: 563006

---

- valve, and window gauge refill indicator, tumbler lock.
1. Minimum Capacity: 40 ounces.
  2. Products:
    - a. A&J Washroom Accessories, Inc.; Model U126.
    - b. American Specialties, Inc.; Model 0347.
    - c. Bobrick Washroom Equipment, Inc.; Model B-2111.
    - d. Bradley Corporation; Model 6562.
- C. Mirrors (TA-G): Stainless steel framed, 1/4 inch thick annealed float glass; ASTM C1036.
1. Annealed Float Glass: Silvering, protective and physical characteristics in compliance with ASTM C1503.
  2. Frame: 0.05 inch angle shapes, with mitered and welded and ground corners, and tamperproof hanging system; satin finish.
  3. Products:
    - a. A&J Washroom Accessories, Inc.; U700 Series.
    - b. American Specialties, Inc.; 0600 A Series.
    - c. Bobrick Washroom Equipment, Inc.; Model B-290.
    - d. Bradley Corporation; Model 780.
- D. Grab Bars (TA-A, B, & C): Stainless steel, smooth surface.
1. Standard Duty Grab Bars:
    - a. Push/Pull Point Load: 250 pound-force, minimum.
    - b. Dimensions: 1-1/4 inch outside diameter, minimum 0.05 inch wall thickness, concealed flange mounting, 1-1/2 inch clearance between wall and inside of grab bar.
    - c. Finish: Satin.
    - d. Length and Configuration: As indicated on drawings.
    - e. Products:
      - 1) A&J Washroom Accessories, Inc.; UG2 Series.
      - 2) American Specialties, Inc.; 3700 Series.
      - 3) Bobrick Washroom Equipment, Inc.; B-5806 Series.
      - 4) Bradley Corporation; 832 Series.
- E. Sanitary Napkin Disposal Unit (TA-E): Stainless steel, surface-mounted, self-closing door, locking bottom panel with full-length stainless steel piano-type hinge, removable receptacle.
1. Products:
    - a. A&J Washroom Accessories, Inc.; Model U591.
    - b. American Specialties, Inc.; Model 20852.
    - c. Bobrick Washroom Equipment, Inc.; Model B-270 Contura.
    - d. Bradley Corporation; Model 4781-15.
- F. Robe Hook: Heavy-duty stainless steel, double-prong, rectangular-shaped bracket and backplate for concealed attachment, satin finish.
1. Products:
    - a. A&J Washroom Accessories, Inc.; Model UX112.
    - b. American Specialties, Inc.; Model 7345.
    - c. Bobrick Washroom Equipment, Inc.; Model B-7672.
    - d. Bradley Corporation; Model 9124.

## 2.05 UNDER-LAVATORY PIPE AND SUPPLY COVERS

- A. Under-Lavatory Pipe and Supply Covers:
1. Insulate exposed drainage piping, including hot, cold, and tempered water supplies under lavatories or sinks to comply with ADA Standards.
  2. Exterior Surfaces: Smooth non-absorbent, non-abrasive surfaces.
  3. Construction: 1/8 inch flexible PVC.
    - a. Surface Burning Characteristics: Flame spread index of 25 or less and smoke developed index of 450 or less, when tested in accordance with ASTM E84.
    - b. Microbial and Fungal Resistance: Comply with ASTM G21.
  4. Color: White.

FIRE STATIONS RENOVATION  
Arlington County, Virginia  
Architect's Project No.: 563006

---

5. Fasteners: Reusable, snap-locking fasteners with no sharp or abrasive external surfaces.
6. Products:
  - a. Plumberex Specialty Products, Inc; Plumberex Trap Gear.
  - b. Truebro; IPS Corporation; Lav Guard 2.

**2.06 UTILITY ROOM ACCESSORIES**

- A. Combination Utility Shelf/Mop and Broom Holder: 0.05 inch thick stainless steel, Type 304, with 1/2 inch returned edges, 0.06 inch steel wall brackets.
  1. Drying rod: Stainless steel, 1/4 inch diameter.
  2. Hooks: Three, 0.06 inch stainless steel rag hooks at shelf front.
  3. Mop/broom holders: Four spring-loaded rubber cam holders at shelf front.
  4. Length: 36 inches.
  5. Products:
    - a. A&J Washroom Accessories, Inc.; Model UJ41A.
    - b. American Specialties, Inc.; Model 1315.
    - c. Bobrick Washroom Equipment, Inc.; Model B-224 x 36.
    - d. Bradley Corporation; Model 9983.

**PART 3 EXECUTION**

**3.01 EXAMINATION**

- A. Verify existing conditions before starting work.
- B. Verify exact location of accessories for installation.

**3.02 INSTALLATION**

- A. Install accessories in accordance with manufacturers' instructions in locations indicated on drawings.
- B. Install plumb and level, securely and rigidly anchored to substrate.
- C. Mounting Heights: As required by accessibility regulations, unless otherwise indicated.

**3.03 PROTECTION**

- A. Protect installed accessories from damage due to subsequent construction operations.

**END OF SECTION**

FIRE STATIONS RENOVATION  
ARLINGTON COUNTY, VIRGINIA  
Architect's Project No: 563006

---

SECTION 211000 - WATER-BASED FIRE-SUPPRESSION SYSTEM

PART 1 - GENERAL

1.1 RELATED DOCUMENTS

- A. Provisions of the Contract and of the Contract Documents apply to this Section.

1.2 SUMMARY

- A. Description of Work:

1. The work includes the installation of a new water-based fire suppression systems throughout the building. The design, equipment, materials, installation and workmanship shall be in strict accordance with the Owner's insurance underwriter's requirements, the current edition of the North Carolina Building Code, the local authority having jurisdiction, and the required and advisory provisions of NFPA.
2. Piping shall not traverse spaces containing electrical equipment in the form of transformers, panel-boards, switchgear, or computer servers.
  - a. Exceptions:
    - 1) Personal computers (PCs)
    - 2) Spaces whose name does not include the term "Electrical", "Data", or "Computer."
3. Each system shall include materials, accessories and equipment necessary to provide each system complete and ready for use.
4. The design of each system shall give full consideration to blind spaces, piping, electrical equipment, ductwork, and all other construction and equipment to afford complete coverage.
5. Devices and equipment for fire protection service shall be of an approved make and type listed by the Underwriters' Laboratories, Inc., or approved by the Factory Mutual System.
6. In the publications referred to herein, the advisory provisions shall be considered to be mandatory, as though the word "shall" had been substituted for "should" wherever it appears.
7. Reference to the "authority having jurisdiction" shall be interpreted to mean the Local Fire Marshal.
8. Calculations shall include delivering water from the point of the fire hydrant flow test through the site piping.

FIRE STATIONS RENOVATION  
ARLINGTON COUNTY, VIRGINIA  
Architect's Project No: 563006

---

9. Consideration shall be given to all unheated areas such as attics, utility rooms, loading docks, outdoor storage spaces with canopies, etc., to provide freeze protection in accordance with NFPA 13. This shall include the installation of dry sprinklers where necessary.

### 1.3 DEFINITIONS

- A. CPVC: Chlorinated polyvinyl chloride plastic.
- B. Email: for the purposes of this section email shall be considered "in writing"

### 1.4 SYSTEM DESCRIPTIONS

- A. Wet-Pipe Sprinkler System: Automatic sprinklers are attached to piping containing water and that is connected to water supply. Water discharges immediately from sprinklers when they are opened. Sprinklers open when heat melts fusible link or destroys frangible device. Hose connections are included if indicated.

### 1.5 PERFORMANCE REQUIREMENTS

- A. Component Working Pressure: Listed for at least 175 psi.
- B. Design shall be approved by authorities having jurisdiction.
- C. Fire-suppression system design shall include the following:
  1. Margin of Safety for Available Water Flow and Pressure: As required by the local Fire Marshal's Office.
  2. Sprinkler Occupancy Hazard Classifications shall be as indicated on the drawings. Where not indicated, comply with NFPA 13.
  3. Maximum Protection Area per Sprinkler shall be in accordance with NFPA 13 and its UL listing.

### 1.6 SUBMITTALS

- A. Product Data: For the following:
  1. Piping materials, including flexible connections, and sprinkler specialty fittings.
  2. Pipe hangers and supports.
  3. Sprinklers, escutcheons, and guards. Include sprinkler flow characteristics, mounting, finish, and other pertinent data.
  4. Flexible sprinkler connection devices, including the manufacturer's installation instructions indicated in the most recent UL listing.
- B. Fire-hydrant flow test report.

FIRE STATIONS RENOVATION  
ARLINGTON COUNTY, VIRGINIA  
Architect's Project No: 563006

---

- C. Approved Sprinkler Piping Shop Drawings: Working plans, prepared according to NFPA 13, that have been approved by authorities having jurisdiction, including hydraulic calculations. Diagram power, signal, and control wiring.
  - 1. Include shop drawings indicating location of all sprinkler heads and all other construction that penetrates ceilings, including light fixtures, HVAC equipment, speakers, fire alarm devices, partition assemblies, etc.
  - 2. Sprinklers shall be referred to on drawings, submittals and other documentation, by the sprinkler identification or Model number as specifically published in the appropriate agency listing or approval. Trade names or other abbreviated designations shall not be allowed.
- D. Welding certificates.
- E. Operation and Maintenance Data to include in emergency, operation, and maintenance manuals.

1.7 CLOSEOUT SUBMITTALS

- A. Field Test Reports and Certificates: Indicate and interpret test results for compliance with performance requirements and as described in NFPA 13 and NFPA 14. Include "Contractor's Material and Test Certificate for Aboveground Piping" and "Contractor's Material and Test Certificate for Underground Piping."

1.8 QUALITY ASSURANCE

- A. Installer Qualifications:
  - 1. Installer's responsibilities include designing, fabricating, and installing fire-suppression systems and providing professional engineering services needed to assume engineering responsibility. A Professional Engineer registered in the state where the project is constructed shall stamp and seal the Shop Drawings.
- B. Flow test:
  - 1. Bid shall be based on the indicated fire-hydrant flow and pressure.
  - 2. Design calculations shall be based on the results of a confirming fire-hydrant flow test performed or caused to be performed by the contractor dated within 1 year of shop drawings submission date.
- C. Welding: Qualify processes and operators according to ASME Boiler and Pressure Vessel Code: Section IX.
- D. All grooved couplings, fittings, valves, and specialties shall be the products of a single manufacturer. Grooving tools shall be of the same manufacturer as the grooved components.
  - 1. All castings used for couplings housings, fittings, or valve and specialty bodies shall be date stamped for quality assurance and traceability.

FIRE STATIONS RENOVATION  
ARLINGTON COUNTY, VIRGINIA  
Architect's Project No: 563006

---

2. Any couplings requiring a torque wrench, per manufacturer installation instruction, must have a test tag attached to each bolt showing torque used for each. Tags shall be date stamped and initialed by the installer.

- E. NFPA Standards: Fire-suppression-system equipment, specialties, accessories, installation, and testing shall comply with the following:

1. 2016 NFPA 13: "Standard for the Installation of Sprinkler Systems."

#### 1.9 COORDINATION

- A. Relocate piping to clear the path of ductwork.
- B. Relocate piping to clear the path of conduit.
- C. Relocate piping to clear the path of cable tray.
- D. Coordinate layout and installation of sprinklers with other construction that penetrates ceilings, including light fixtures, HVAC equipment, and partition assemblies.

#### 1.10 SPRINKLER CABINET(S) AND SPARE SPRINKLERS

- A. Provide finished, wall-mounted, steel sprinkler cabinet with hinged cover.
- B. Provide number of sprinklers required by NFPA 13.
- C. Provide separate cabinet with sprinklers and wrench for each type of sprinkler on Project.
- D. Provide products packaged with protective covering for storage. Identify contents with label.

### PART 2 - PRODUCTS

#### 2.1 STEEL PIPE AND FITTINGS

- A. Threaded-End, Schedule 40 Steel Pipe,  $\frac{3}{4}$ " only, all other sizes will be grooved. ASTM A 53/A 53M, ASTM A 135, or ASTM A 795, hot-dip galvanized where indicated and with factory- or shop-formed threaded ends.
  1. Cast-Iron Threaded Flanges: ASME B16.1.
  2. Malleable-Iron Threaded Fittings: ASME B16.3.
  3. Gray-Iron Threaded Fittings: ASME B16.4.
  4. Steel Threaded Pipe Nipples: ASTM A 733, made of ASTM A 53/A 53M or ASTM A 106, Schedule 40, seamless steel pipe. Include ends matching joining method.
  5. Steel Threaded Couplings: ASTM A 865.

FIRE STATIONS RENOVATION  
ARLINGTON COUNTY, VIRGINIA  
Architect's Project No: 563006

---

- B. Plain-End, Schedule 40 Steel Pipe: ASTM A 53/A 53M, ASTM A 135, or ASTM A 795 hot-dip galvanized where indicated.
1. Steel Welding Fittings: ASTM A 234/A 234M, and ASME B16.9 or ASME B16.11.
  2. Steel Flanges and Flanged Fittings: ASME B16.5.
- C. Grooved-End, Schedule 40 Steel Pipe: ASTM A 53/A 53M, ASTM A 135, or ASTM A 795, hot-dip galvanized where indicated and with factory- or field-formed, square-cut- or roll-grooved ends.
1. Grooved-Joint Piping Systems:
    - a. Basis-of-Design Product: Subject to compliance with requirements, provide Victaulic Company: FireLock.
    - b. Grooved-End Fittings: UL-listed, ASTM A 536, ductile-iron casting with OD matching steel-pipe OD. Basis of design shall be Victaulic Firelock fittings, models 001, 002, 003, 006 for sizes 2" thru 8". Smaller sizes shall be Victaulic models 10, 11, 20, 60 or IR fittings or IGS fittings. No Threaded fittings can be used 1-1/4" -12".
      1. Installation-Ready™ fittings for grooved end steel piping in fire protection applications sizes NPS 1-¼ thru 2½ (DN 32 thru DN 65). Fittings shall consist of a ductile iron housing conforming to ASTM A-536, Grade 65-45-12, with Installation-Ready™ ends, [orange enamel coated] [red enamel coated] [galvanized]. Fittings complete with pre-lubricated Grade "E" EPDM Type 'A' gasket; and ASTM A449 electroplated steel bolts and nuts. System shall be UL listed for a working pressure of 300 psi (2065 kPa) and FM approved for working pressure 365 psi (2517kPa).
      2. Fittings shall have a shorter center-to-end dimensions for installation in tight spaces.
      3. Fittings are rigid, for direct stab installation without field disassembly.
      4. Installation-Ready™ Fittings shall be Victaulic FireLock® Style 101, Style 102, and style 103, which shall be designed for direct "stab" installation onto grooved pipe without prior disassembly of the fitting.
      5. Fittings shall require visual pad-to-pad verification of complete installation.
    - c. Grooved-End-Pipe Couplings: UL 213 and AWWA C606, rigid pattern, unless otherwise indicated; gasketed fitting matching steel-pipe OD. Include ductile-iron housing with keys matching steel-pipe and fitting grooves, pre-lubricated rubber gasket listed for use with housing, and ASTM A449 compliant steel bolts and nuts. Coupling design shall be visual bolt pad to bolt pad, NO coupling requiring a torque wrench shall be used. Only IR Couplings will be used. For dry systems a Flush Seal gasket shall be used.



FIRE STATIONS RENOVATION  
ARLINGTON COUNTY, VIRGINIA  
Architect's Project No: 563006

---

- d. 1" In lieu of threaded steel piping systems, the Victaulic FireLock IGS System with "Installation-Ready™ fittings and couplings will be used for NPS 1 (DN 25) Schedule 10 and Schedule 40 carbon steel pipe in fire protection applications. System rated for a maximum working pressure to 365 psi (2517 kPa).
1. Groove: IGS "Innovative Groove System" groove with shortened "A" dimension and tapered groove backside for ease of installation.
    - a. Grooving Tool: Victaulic RG2100, with IGS Confirmation Gauge.
  2. Fittings:
    - a. Ductile iron housing conforming to ASTM A-536, Grade 65-45-12. Orange enamel coated or galvanized.
      - i. Victaulic Style 101 (90-degree elbow), Style 102 (tee), and Style 108 (coupling) with Installation-Ready™ ends.
      - ii. Style 108 single-bolt coupling provided with EPDM Type A pressure responsive gasket with Vic-Plus lubricant, and ASTM A449 compliant electroplated steel bolt and nut. CrMo alloy steel coupling linkage.
    - b. Thread x Groove adapter fittings and welded outlets with IGS grooved end, ASTM A53, grade A.

**1. Victaulic Mechanical Couplings for Fire Protection:** Basis of Design. Manufactured in two segments of cast ductile iron, conforming to ASTM A-536, Grade 65-45-12. Gaskets shall be pressure-responsive synthetic rubber, grade to suit the intended service, conforming to ASTM D-2000. Mechanical Coupling bolts shall be zinc plated (ASTM B-633) heat treated carbon steel track head conforming to ASTM A-449 and A-183, minimum tensile strength 110,000 psi (758450 kPa) as provided standard Victaulic.

a. **Rigid Type:**

- 1) "Installation Ready" rigid joints shall be Victaulic FireLock® EZ Style 009N and 107N, in sizes 1-1/4"(DN32) through 12" (DN300) sizes as only approved manuf. Designed for direct "stab" installation onto grooved pipe without prior disassembly of the coupling. For sizes 1-1/4"(DN32) through 2" (DN50) sizes. One bolt Style 108 couplings will be used for 1" size. One bolt 109 couplings can be used in lieu of 009N.
- 2) Housings shall be cast with offsetting, angle-pattern bolt pads to provide system rigidity and support and hanging in accordance with NFPA 13.
- 3) Rigid couplings shall require visual pad-to-pad verification of complete installation. Tongue and recess type couplings which require the use of a torque wrench to achieve the exact required gap between housings are not permitted. Installation Ready (IR) couplings will be the only style coupling approved.

FIRE STATIONS RENOVATION  
ARLINGTON COUNTY, VIRGINIA  
Architect's Project No: 563006

---

- b. **Flexible Type:** Use in seismic areas where required by NFPA 13.
  - 1) "Installation Ready" flexible joints shall be Victaulic Style 177N QuickVic™, in sizes 2"(DN50) through 8"(DN200), which shall be designed for direct "stab" installation onto grooved pipe without prior disassembly of the coupling. .
- e. 2) Standard flexible couplings shall be Victaulic Style 77.

## 2.2 PLASTIC PIPE AND FITTINGS

- A. CPVC Pipe and Fittings: UL-Listed for fire protection use, 175 psi rated, installed in accordance with NFPA 13 and manufacturers listing requirements.

## 2.3 FLEXIBLE CONNECTORS

- A. Flexible connectors shall have materials suitable for system fluid. Include 175-psig minimum working-pressure rating and ends according to the following:
  - 1. NPS 2 and Smaller: grooved.
  - 2. NPS 2-1/2 and Larger: grooved.
  - 3. Option for NPS 2-1/2 and Larger: Grooved for use with grooved-end-pipe couplings.
- B. Basis-of-Design Product: Subject to compliance with requirements, provide Victaulic Company AH2CC.
- C. Stainless-Steel-Hose/Stainless-Steel Pipe, Flexible Connectors: Corrugated, stainless-steel, inner tubing covered with stainless-steel wire braid. Include stainless-steel nipples or flanges, welded to hose.

## 2.4 CORROSION-PROTECTIVE ENCASUREMENT FOR PIPING

- A. Encasement for Underground Metal Piping: ASTM A 674 or AWWA C105, PE film, 0.008-inch minimum thickness, tube or sheet.

## 2.5 SPRINKLER SPECIALTY FITTINGS

- A. Sprinkler specialty fittings shall be UL listed or FM approved, with 175-psig minimum working-pressure rating, and made of materials compatible with piping. Sprinkler specialty fittings shall have
- B. Outlet Specialty Fittings:
  - 1. Basis-of-Design Product: Subject to compliance with requirements, provide Victaulic Company.

FIRE STATIONS RENOVATION  
ARLINGTON COUNTY, VIRGINIA  
Architect's Project No: 563006

---

2. Mechanical-T and -Cross Fittings: UL 213, ductile-iron housing with gaskets, bolts and nuts, and grooved outlets. Basis of design Victaulic style 920/920N and style 922.
  3. Snap-On and Strapless Outlet Fittings: UL 213, ductile-iron housing or casting with gasket and threaded or grooved or grooved outlet. Basis of design Victaulic style 923.
- C. Sprinkler Drain and Alarm Test Fittings: Cast- or ductile-iron body; with threaded, grooved or locking-lug inlet and outlet, test valve, and orifice and sight glass.
1. Basis-of-Design Product: Subject to compliance with requirements, provide Victaulic Company.

## 2.6 LISTED FIRE-PROTECTION VALVES

- A. Valves shall be UL listed or FM approved, with 175-psig minimum pressure rating.
1. Basis-of-Design Product: Subject to compliance with requirements, provide Victaulic Company.
- B. Ball Valves: Comply with UL 1091, except with ball instead of disc.
1. Basis-of-Design Product: Subject to compliance with requirements, provide Victaulic Company.
  2. NPS 1-1/2 and Smaller: Bronze or brass body with grooved ends. Basis of Design: Victaulic Series 728.
  3. NPS 2 and NPS 2-1/2: Ductile-iron body with grooved ends.
  4. NPS 3: Ductile-iron body with grooved ends.
- C. OS&Y Gate Valves: UL 262.
1. Ductile-iron body with flanged x Groove or groove x groove ends. No Flange x Flange will be accepted.
    - a. Basis-of-Design Product: Subject to compliance with requirements, provide Victaulic Company or engineer approved equal. Basis of design Victaulic model 771H or 771F.
- D. Butterfly Valves: UL 1091.
1. NPS 2 and Smaller: Bronze body with grooved ends.
    - a. Basis-of-Design Product: Subject to compliance with requirements, provide Victaulic Company.
  2. NPS 2-1/2 and Larger: Bronze, cast-iron, or ductile-iron body; wafer type or with flanged or grooved ends. Valve seat shall be pressure-responsive, and the stem offset from the disc centerline to provide complete 360-degree circumferential seating. Basis of

FIRE STATIONS RENOVATION  
ARLINGTON COUNTY, VIRGINIA  
Architect's Project No: 563006

---

Design: Victaulic Series 705. Each valve must be individually tested at factory to include electronics.

- a. Basis-of-Design Product: Subject to compliance with requirements, provide Victaulic Company.
- E. Check Valves NPS 2 and Larger: UL 312, spring-assisted swing type for vertical or horizontal installation, cast- ductile iron body with flanged or grooved ends. Basis of Design: Victaulic Series 717.
  - 1. Basis-of-Design Product: Subject to compliance with requirements, provide Victaulic Company.
- F. Indicating Valves: UL 1091, with integral indicating device and ends matching connecting piping.
  - 1. Indicator: Weatherproof actuator housing with electrical, 15 amp @125-VAC 60 HZ, prewired, single-pole-single-throw, supervisory switches
  - 2. NPS 2 and Smaller: Ball or butterfly valve with bronze body with grooved ends. Basis of Design: Victaulic Series 728.
    - a. Basis-of-Design Product: Subject to compliance with requirements, provide Victaulic Company.
  - 3. NPS 2-1/2 and Larger: Butterfly valve with cast- or ductile-iron body; wafer type or with flanged or grooved ends.
    - a. Basis-of-Design Product: Subject to compliance with requirements, provide Victaulic Company.

## 2.7 GENERAL-DUTY VALVES

- A. Basis-of-Design Product: Subject to compliance with requirements, provide Victaulic Company.
- B. Ball Valves NPS 2 and Smaller: MSS SP-110, 2-piece copper-alloy body with chrome-plated brass ball, 600-psig minimum CWP rating, blowout-proof stem, and threaded or grooved ends.
- C. Check Valves NPS 2 and Smaller: MSS SP-80, Type 4, Class 125 minimum, swing type with bronze body, nonmetallic disc, and threaded or grooved ends.

## 2.8 SPECIALTY VALVES

- A. Sprinkler System Control Valves: UL listed or FM approved, cast- or ductile-iron body with flanged or grooved ends, and 175-psig minimum pressure rating.
  - 1. Basis-of-Design Product: Subject to compliance with requirements, provide Victaulic Company.

FIRE STATIONS RENOVATION  
ARLINGTON COUNTY, VIRGINIA  
Architect's Project No: 563006

---

2. Riser Check Valves: UL 193, designed for horizontal or vertical installation, with bronze grooved seat with O-ring seals, single-hinge pin, and latch design. Include trim sets for drain and pressure gages. Victaulic UMC model only.
  
3. Floor control valve assemblies: Universal Manifold Check Valve | Model UMC Model UMC - 1-1/4, 1-1/2, 2, 2-1/2, 3, 4, 6, and 8-inch Universal Manifold Check Valve: Where universal manifold check valves are specified for use in wet-pipe sprinkler systems, as floor control manifolds they shall be specifically listed for such use. Universal manifold check valves shall be ductile iron construction, incorporating a control valve, check valve, flow switch, test & drain assembly, adjustable relief valve, and system gauges in one compact body/footprint, and shall be manufactured for "right" and "left"-hand orientations. The test & drain assemble shall contain an adjustable relief valve, with a range of 175 to 310 psi, and a universal test orifice of K2.8; to provide testing capabilities of systems with k-factors ranging from K2.8 and larger. The Universal Manifold Check valve shall be rated for use at the maximum service pressure of 300 psi and shall be UL listed and FM approved. Universal manifold check valves shall be the Model UMC; as manufactured by Globe brand by Victaulic Company only.

## 2.9 SPRINKLERS

- A. Sprinklers shall be UL listed or FM approved, with 175-psig minimum pressure rating. Basis of design Victaulic / Globe.
- B. Basis-of-Design Product: Subject to compliance with requirements, provide Victaulic Company.
- C. Automatic Sprinklers: UL-Listed with quick response glass bulb type heat-responsive element complying with the following:
  1. UL 199, for nonresidential applications.
- D. Wrenches shall be provided by the sprinkler manufacturer that directly engage the hex-shaped wrench boss integrally cast in the sprinkler body.
- E. Sprinkler types, features, and options as follows:
  1. Brass upright sprinklers.
  2. Extended-coverage sprinklers.
  3. Concealed pendent sprinklers, including cover plate, must have 1" of adjustment.
  4. Pendent sprinklers.
  5. Pendent, dry-type sprinklers.
  6. Quick-response sprinklers.
  7. Recessed sprinklers, including escutcheon.
  8. Sidewall sprinklers.

FIRE STATIONS RENOVATION  
ARLINGTON COUNTY, VIRGINIA  
Architect's Project No: 563006

---

9. Sidewall, dry-type sprinklers as manuf. By Victaulic
  10. Attic sprinkler Globe Brand by Victaulic where applicable.
  11. Grooved heads as manufactured by Victaulic.
- F. Sprinkler Escutcheons: Materials, types, and finishes for the following sprinkler mounting applications. Escutcheons for concealed, flush, and recessed-type sprinklers are specified with sprinklers.
1. Ceiling Mounting: 2 piece, with 1-inch vertical adjustment.
  2. Sidewall Mounting: 2 piece, with 1-inch horizontal adjustment.
- G. Sprinkler Guards: Wire-cage type, including fastening device for attaching to sprinkler.
- H. In lieu of rigid connections to dry sprinkler heads, a Victaulic VicFlex™ dry sprinkler, Model VS1, may be used. The sprinkler shall provide a vertical or horizontal flexible connection with a bend radius to 2" and allow for up to 4 bends.
- I. For cooler or Freezer boxes: Victaulic AB6 Freezer dry pendant utilizing a flexible hose connection shall be used. No dry Pendant utilizing a rubber boot will be allowed.

#### 2.11 Special Hazard fire extinguishing systems

Special Hazards systems must meet NFSA 770 standard. Must be 100% green with no need for assurance of tight room integrity, nearly zero wetting with no costly cleanup. Must have no life safety issues and a quick recharge with not patent on the Gas used. Must use only Nitrogen and water. For use in all water sensitive facilities including data centers. Basis of design is Victaulic Vortex extinguishing system.

#### 2.12 ALARM DEVICES

- J. Alarm device types shall match piping and equipment connections.
- K. Wet Pipe Water-Flow Indicator: UL 346, electrical-supervision, paddle-operated-type, water-flow detector with 250-psig pressure rating and designed for horizontal or vertical installation. Include two single-pole, double-throw circuit switches for isolated alarm and auxiliary contacts, 7 A, 125-V ac and 0.25 A, 24-V dc; complete with factory-set, field-adjustable retard element to prevent false signals and tamperproof cover that sends signal if removed.
1. Manufacturers including but not limited to:
    - a. Grinnell Fire Protection.
    - b. ITT McDonnell & Miller.
    - c. Potter Electric Signal Company.
    - d. Viking Corp.
    - e. Watts Industries, Inc.; Water Products Div.
- L. Valve Supervisory Switch: UL 753, electrical, single-pole, double-throw switch with normally closed contacts. Include design that signals controlled valve is in other than fully open position.
1. Manufacturers including but not limited to:
    - a. McWane, Inc.; Kennedy Valve Div.

FIRE STATIONS RENOVATION  
ARLINGTON COUNTY, VIRGINIA  
Architect's Project No: 563006

---

- b. Potter Electric Signal Company.
- c. System Sensor.

2.10 PRESSURE GAGES

- A. Manufacturers including but not limited to:
  - 1. Dresser Equipment Group; Instrument Div.
- B. Description: UL 393, 3-1/2" to 4-1/2" diameter dial.
- C. Water System Piping: Include caption "WATER" or "AIR/WATER" on dial face.

2.11 FIRESTOP WRAP

- A. Manufacturers including but not limited to:
  - 1. 3M
- B. UL listed with minimum 1-hour fire rating

PART 3 - EXECUTION

3.1 PREPARATION

- A. Perform fire-hydrant flow test according to NFPA standards, procedures, appendices, or recommendations.
- B. Report test results no later than two days following the test in writing.

3.2 EARTHWORK

- A. Refer to Division 31 Section "Earth Moving" for excavating, trenching, and backfilling.

3.3 EXAMINATION

- A. Examine roughing-in for hose connections and stations to verify actual locations of piping connections before installation.
- B. Examine walls and partitions for suitable thicknesses, fire- and smoke-rated construction, framing for hose-station cabinets, and other conditions where hose connections and stations are to be installed.
- C. Proceed with installation only after unsatisfactory conditions have been corrected.

FIRE STATIONS RENOVATION  
ARLINGTON COUNTY, VIRGINIA  
Architect's Project No: 563006

---

3.4 PIPING APPLICATIONS, GENERAL

- A. Provide shop-welded joints where welding is required.
- B. Provide shop or manufacturer-threaded or grooved joints where threads are required.
- C. Field-welded joints will be permitted where indicated on the drawings. Field welding is optional where indicated. Other approved or specified methods are acceptable.
- D. Do not use welded joints for galvanized-steel.
- E. Flanges, flanged fittings, unions, nipples, transition and special fittings with finish and pressure ratings same as or higher than system's pressure rating may be used in aboveground applications, unless otherwise indicated.

3.5 SPRINKLER SYSTEM PIPING APPLICATIONS

- A. Wet-Pipe Sprinkler System, 175-psig Maximum Working Pressure:
  - 1. Sprinkler Piping NPS 2" and smaller use any of the following:
    - a. Threaded or grooved-end, black, schedule 40 steel pipe; cast- or malleable-iron threaded or grooved fittings; and threaded or grooved joints.
    - b. Plain-end, black, schedule 40 steel pipe; steel welding fittings; and welded joints.
    - c. Grooved-end, black, schedule 40 steel pipe with square-cut- or roll-grooved ends; grooved-end fittings; grooved-end-pipe couplings; and grooved joints.
  - 2. Sprinkler Piping NPS 2 1/2" and larger use any of the following:
    - a. Threaded or grooved-end, black, schedule 40 steel pipe; cast- or malleable-iron threaded or grooved fittings; and threaded or grooved joints.
    - b. Plain-end, black, schedule 10 steel pipe; steel welding fittings; and welded joints.
    - c. Grooved-end, black, Schedule 10 steel pipe; grooved-end fittings; grooved-end-pipe couplings; and roll grooved joints.
  - 3. CPVC Pipe and Fittings are permitted to be installed in accordance with NFPA 13 and the manufacturers listing requirements.

3.6 VALVE APPLICATIONS

- A. Where specific valve types are not indicated, the following requirements apply:
  - 1. Listed Fire-Protection Valves: UL listed and FMG approved for application.
    - a. Shutoff Duty: Use ball, or butterfly valves.

3.7 JOINT CONSTRUCTION

- A. Refer to Section "Common Work Results for Fire Suppression" for basic piping joint construction.



FIRE STATIONS RENOVATION  
ARLINGTON COUNTY, VIRGINIA  
Architect's Project No: 563006

---

- B. Threaded Joints: Comply with NFPA 13 for pipe thickness and threads. Do not thread pipe smaller than 8" with wall thickness less than Schedule 40 unless approved by authorities having jurisdiction.
- C. Threads shall be checked by a ring gage and shall comply with ASME B1.20.1.
- D. Grooved Joints: Assemble joints with listed coupling and gasket, lubricant, and bolts in accordance with the manufacturer's published installation instructions.
  - 1. Steel Pipe: Square-cut or roll-groove piping as indicated. Use grooved-end fittings and rigid, grooved-end-pipe couplings, unless otherwise indicated.
  - 2. Grooved coupling manufacturer's factory trained field representative shall provide on-site training for contractor's field personnel in the proper use of grooving tools, application of groove, and installation of grooved piping products. Factory trained representative shall periodically visit the jobsite to ensure best practices in grooved product installation are being followed. Contractor shall remove and replace any improperly installed products.
- E. Dissimilar-Metal Piping Joints: Construct joints using dielectric fittings compatible with both piping materials.
  - 1. NPS 2 and Smaller: Use dielectric unions, couplings, or nipples.
  - 2. NPS 2-1/2 to NPS 4: Use dielectric flanges.
  - 3. NPS 5 and Larger: Use dielectric flange insulation kits.

### 3.8 PIPING INSTALLATION

- A. Refer to Section "Common Work Results for Fire Suppression" for basic piping installation.
- B. Locations and Arrangements: Drawing plans, shop drawings, schematics, and diagrams indicate general location and arrangement of piping. Install piping as indicated.
  - 1. Deviations from approved working drawings for piping require written approval from authorities having jurisdiction and Architect. File written approval with Architect before deviating.
- C. Provide approved fittings to make changes in direction, branch takeoffs from mains, and reductions in pipe sizes.
- D. Provide unions adjacent to each valve in pipes 2" and smaller. Unions are not required on flanged devices or in piping installations using grooved joints.
- E. Provide sprinkler piping with drains for complete system drainage.
- F. Provide alarm devices.
- G. Install sprinkler system piping according to NFPA 13.

FIRE STATIONS RENOVATION  
ARLINGTON COUNTY, VIRGINIA  
Architect's Project No: 563006

---

- H. Install pressure gages on each riser or feed main, and at each sprinkler test connection. Include pressure gages with connection not less than 1/4" and with soft metal seated globe valve, arranged for draining pipe between gage and valve. Install gages to permit removal, and install where not subject to freezing.
- I. Fill wet-pipe sprinkler with water.

3.9 VALVE INSTALLATION

- A. Install listed fire-protection valves, unlisted general-duty valves, specialty valves and trim, controls, and specialties according to NFPA 13 and authorities having jurisdiction.
- B. Install listed fire-protection shutoff valves supervised-open, located to control sources of water supply except from fire department connections. Install permanent identification signs indicating portion of system controlled by each valve.

3.10 SPRINKLER INSTALLATION

- A. Install sprinklers in suspended ceilings in center of acoustical ceiling panels and tiles.
- B. Do not install pendent or sidewall, wet-type sprinklers in areas subject to freezing. Use dry-type sprinklers with water supply from heated space wherever possible.
- C. Do not install sprinklers that have been dropped, damaged, show a visible loss of fluid, or a cracked bulb.
- D. The sprinkler bulb protector shall be removable by hand, without tools or devices that may damage the bulb.

3.11 CONNECTIONS

- A. Install piping adjacent to equipment to allow service and maintenance.
- B. Connect water-supply piping to fire-suppression piping. Include backflow preventer between potable-water piping and fire-suppression piping.
- C. Install ball drip valves at each check valve for fire department connection. Drain as indicated. If not indicated otherwise, drain to floor drain or outside building.
- D. Coordinate connection of alarm devices to fire alarm.
- E. Ground equipment. Grounding shall be in accordance with section "Grounding and Bonding for Electrical Systems."
- F. Coordinate connection of wiring.

FIRE STATIONS RENOVATION  
ARLINGTON COUNTY, VIRGINIA  
Architect's Project No: 563006

---

- G. Tighten electrical connectors and terminals according to manufacturer's published torque-tightening values. If manufacturer's torque values are not indicated, use those specified in UL 486A and UL 486B.

3.12 LABELING AND IDENTIFICATION

- A. Install labeling and pipe markers on equipment and piping according to requirements in NFPA 13.

3.13 FIELD QUALITY CONTROL

- A. Perform the following field tests and inspections and prepare test reports:
  1. Leak Test: After installation, charge system and test for leaks. Repair leaks and retest until no leaks exist.
  2. Test and adjust controls and safeties. Replace damaged and malfunctioning controls and equipment.
  3. Energize circuits to electrical equipment and devices.
  4. Flush, test, and inspect sprinkler systems according to NFPA 13, "Systems Acceptance" Chapter.
  5. Coordinate with fire alarm tests. Operate as required.
  6. Verify that equipment hose threads are same as local fire department equipment.
- B. Report test results promptly and in writing to Architect and authorities having jurisdiction.

3.14 CLEANING AND PROTECTION

- A. Clean dirt and debris from sprinklers.
- B. Provide sprinklers to replace sprinklers with paint or coating other than the original factory finish.
- C. Protect sprinklers from damage and debris until Substantial Completion.
- D. Protect the building exterior when operating drains and test connections discharging to the building exterior.
- E. Dirt and stains on any surfaces resulting from the work of this section shall be cleaned and removed under this section.

3.15 DEMONSTRATION

- A. Engage a factory-authorized service representative to train Owner's maintenance personnel to adjust, operate, and maintain the system.

END OF SECTION 211000

FIRE STATIONS RENOVATION  
ARLINGTON COUNTY, VIRGINIA  
Architect's Project No: 563006

---

SECTION 220500 - COMMON WORK RESULTS FOR PLUMBING

PART 1 - GENERAL

1.1 RELATED DOCUMENTS

- A. Provisions of the Contract and of the Contract Documents apply to this Section.

1.2 DEFINITIONS

- A. Finished Spaces: Spaces other than mechanical and electrical equipment rooms, furred spaces, pipe chases, unheated spaces immediately below roof, spaces above ceilings, unexcavated spaces, crawlspace, and tunnels.
- B. Exposed, Interior Installations: Exposed to view indoors. Examples include finished occupied spaces and mechanical equipment rooms.
- C. Exposed, Exterior Installations: Exposed to view outdoors or subject to outdoor ambient temperatures and weather conditions. Examples include rooftop locations.
- D. Concealed, Interior Installations: Concealed from view and protected from physical contact by building occupants. Examples include above ceilings and in chases.
- E. Concealed, Exterior Installations: Concealed from view and protected from weather conditions and physical contact by building occupants but subject to outdoor ambient temperatures. Examples include installations within unheated shelters.
- F. The following are industry abbreviations for plastic materials:
1. ABS: Acrylonitrile-butadiene-styrene plastic.
  2. CPVC: Chlorinated polyvinyl chloride plastic.
  3. PE: Polyethylene plastic.
  4. PVC: Polyvinyl chloride plastic.
- G. The following are industry abbreviations for rubber materials:
1. EPDM: Ethylene-propylene-diene terpolymer rubber.
  2. NBR: Acrylonitrile-butadiene rubber.

1.3 SUBMITTALS

- A. Product Data: For the following:
1. Transition fittings.
  2. Dielectric fittings.
  3. Escutcheons.

FIRE STATIONS RENOVATION  
ARLINGTON COUNTY, VIRGINIA  
Architect's Project No: 563006

---

- B. LEED Submittals: Refer to Division 1 Section "Sustainable Design Requirements."

1.4 QUALITY ASSURANCE

- A. Steel Support Welding: Qualify processes and operators according to AWS D1.1, "Structural Welding Code--Steel."
- B. Steel Pipe Welding: Qualify processes and operators according to ASME Boiler and Pressure Vessel Code: Section IX, "Welding and Brazing Qualifications."
  - 1. Comply with provisions in ASME B31 Series, "Code for Pressure Piping."
  - 2. Certify that each welder has passed AWS qualification tests for welding processes involved and that certification is current.
- C. Electrical Characteristics for Plumbing Equipment: Equipment of higher electrical characteristics may be furnished provided such proposed equipment is approved in writing and connecting electrical services, circuit breakers, and conduit sizes are appropriately modified. If minimum energy ratings or efficiencies are specified, equipment shall comply with requirements.

1.5 DELIVERY, STORAGE, AND HANDLING

- A. Deliver pipes and tubes with factory-applied end caps. Maintain end caps through shipping, storage, and handling to prevent pipe end damage and to prevent entrance of dirt, debris, and moisture.
- B. Store plastic pipes protected from direct sunlight. Support to prevent sagging and bending.

1.6 COORDINATION

- A. Arrange for pipe spaces, chases, slots, and openings in building structure during progress of construction, to allow for plumbing installations.
- B. Coordinate installation of required supporting devices and set sleeves in poured-in-place concrete and other structural components as they are constructed.
- C. Coordinate requirements for access panels and doors for plumbing items requiring access that are concealed behind finished surfaces. Access panels and doors are specified in Division 08 Section "Access Doors and Frames."

PART 2 - PRODUCTS

2.1 PIPE, TUBE, AND FITTINGS

- A. Refer to other Division 22 piping sections for pipe, tube, and fitting materials and joining methods.

FIRE STATIONS RENOVATION  
ARLINGTON COUNTY, VIRGINIA  
Architect's Project No: 563006

---

- B. Pipe Threads: ASME B1.20.1 for factory-threaded pipe and pipe fittings.

## 2.2 JOINING MATERIALS

- A. Refer to individual Division 22 piping sections for joining materials not listed below.
- B. Pipe-Flange Gasket Materials: Suitable for chemical and thermal conditions inside & outside pipe and:
  - 1. ASME B16.21, nonmetallic, flat, asbestos-free, 1/8-inch maximum thickness unless thickness or specific material is otherwise indicated.
    - a. Full-Face Type: For flat-face, Class 125, cast-iron and cast-bronze flanges.
    - b. Narrow-Face Type: For raised-face, Class 250, cast-iron and steel flanges.
  - 2. AWWA C110, rubber, flat face, 1/8 inch thick, unless otherwise indicated, and full-face or ring type, unless otherwise indicated.
- C. Solder Filler Metals: ASTM B 32, lead-free (95% Tin, 5% Antimony) alloy. Include water-flushable flux according to ASTM B 813.
- D. Brazing Filler Metals: AWS A5.8, BCuP Series, copper-phosphorus alloys for general-duty brazing, unless otherwise indicated; and AWS A5.8, BAgl, silver alloy for refrigerant piping, unless otherwise indicated.
- E. Welding Filler Metals: Comply with AWS D10.12 for welding materials appropriate for wall thickness and chemical analysis of steel pipe being welded.
- F. Solvent Cements for Joining Plastic Piping:
  - 1. ABS Piping: ASTM D 2235.
  - 2. CPVC Piping: ASTM F 493.
  - 3. PVC Piping: ASTM D 2564. Include primer according to ASTM F 656.
  - 4. PVC to ABS Piping Transition: ASTM D 3138.

## 2.3 MECHANICAL GROOVED JOINT COUPLINGS

- A. Manufacturer: Victaulic
- B. Description: Pipe joint consisting of a grooved pipe, EPDM gasket, steel housing, 2 bolts and 2 nuts.
- C. Gasket Material: Grade "E" EPDM suitable for use up to 250 degrees F.
- D. Housing: Carbon steel

FIRE STATIONS RENOVATION  
ARLINGTON COUNTY, VIRGINIA  
Architect's Project No: 563006

---

2.4 DIELECTRIC FITTINGS

- A. Description: Combination fitting of copper alloy and ferrous materials with threaded, solder-joint, plain, or weld-neck end connections that match piping system materials.
- B. Insulating Material: Suitable for system fluid, pressure, and temperature.
- C. Dielectric Flanges: Factory-fabricated, companion-flange assembly, for 150 or 300 psig working pressure as required to suit system pressures.
  - 1. Available Manufacturers:
    - a. Capitol Manufacturing Co.
    - b. Central Plastics Company.
    - c. Epco Sales, Inc.
    - d. Watts Industries, Inc.; Water Products Div.
- D. Dielectric-Flange Kits: Companion-flange assembly for field assembly. Include flanges, full-face- or ring-type neoprene or phenolic gasket, phenolic or polyethylene bolt sleeves, phenolic washers, and steel backing washers.
  - 1. Available Manufacturers:
    - a. Advance Products & Systems, Inc.
    - b. Calpico, Inc.
    - c. Central Plastics Company.
    - d. Pipeline Seal and Insulator, Inc.
  - 2. Separate companion flanges and steel bolts and nuts shall have 150- or 300-psig minimum working pressure where required to suit system pressures.
- E. Dielectric Couplings: Galvanized-steel coupling with inert and noncorrosive, thermoplastic lining; threaded ends; and 300-psig minimum working pressure at 225 deg F.
  - 1. Available Manufacturers:
    - a. Calpico, Inc.
    - b. Lochinvar Corp.

2.5 ESCUTCHEONS

- A. Description: Manufactured wall and ceiling escutcheons and floor plates, with an ID to closely fit around pipe, tube, and insulation of insulated piping and an OD that completely covers opening.
- B. One-Piece, Deep-Pattern Type: Deep-drawn, box-shaped brass with polished chrome-plated finish.
- C. One-Piece, Cast-Brass Type: With set screw.

FIRE STATIONS RENOVATION  
ARLINGTON COUNTY, VIRGINIA  
Architect's Project No: 563006

---

- 1. Finish: Polished chrome-plated.
- D. Split-Casting, Cast-Brass Type: With concealed hinge and set screw.
  - 1. Finish: Polished chrome-plated.
- E. One-Piece, Floor-Plate Type: Cast-iron floor plate.
- F. Split-Casting, Floor-Plate Type: Cast brass with concealed hinge and set screw.

## 2.6 GROUT

- A. Description: ASTM C 1107, Grade B, nonshrink and nonmetallic, dry hydraulic-cement grout.
  - 1. Characteristics: Post-hardening, volume-adjusting, nonstaining, noncorrosive, nongaseous, and recommended for interior and exterior applications.
  - 2. Design Mix: 5000-psi, 28-day compressive strength.
  - 3. Packaging: Premixed and factory packaged.

## 2.7 SECURITY FASTENERS:

- A. Description: Accessories, anchorage inserts, and security fasteners providing a complete tamperproof installation.
- B. Exposed Security Fasteners:
  - 1. Fastener: Provide torx-head (star with center reject pin) security fasteners for anchoring work in exposed security areas.
  - 2. Finish: Finish shall match that specified of the item anchored.
  - 3. Tools: Provide tools for fastening devices

## PART 3 - EXECUTION

### 3.1 PIPING SYSTEMS - COMMON REQUIREMENTS

- A. Install piping according to the following and Division 22 Sections specifying piping systems.
- B. Install piping in concealed locations, unless otherwise indicated and except in equipment rooms and service areas.
- C. Install piping indicated to be exposed and piping in equipment rooms and service areas at right angles or parallel to building walls. Diagonal runs are prohibited unless specifically indicated otherwise.
- D. Install piping above accessible ceilings to allow sufficient space for ceiling panel removal.
- E. Install piping to permit valve servicing.



FIRE STATIONS RENOVATION  
ARLINGTON COUNTY, VIRGINIA  
Architect's Project No: 563006

---

- F. Install piping at indicated slopes.
- G. Install piping free of sags and bends.
- H. Install fittings for changes in direction and branch connections.
- I. Install piping to allow application of insulation.
- J. Select system components with pressure rating equal to or greater than system operating pressure.
- K. Install escutcheons for penetrations of walls, ceilings, and floors according to the following:
  - 1. Exposed, Interior Installations/Piping with Fitting or Sleeve Protruding from Wall: One-piece, deep-pattern type.
  - 2. Exposed, Interior Installations/Chrome-Plated Piping: One-piece, cast-brass type with polished chrome-plated finish and set-screw.
  - 3. Exposed, Interior Installations/Insulated Piping: One-piece, cast-brass type with polished chrome-plated finish.
  - 4. Exposed, Interior Installations/Bare Piping at Wall and Floor Penetrations in Finished Spaces: One-piece, cast-brass type with finish to match surrounding surfaces.
  - 5. Exposed, Interior Installations/Bare Piping at Ceiling Penetrations in Finished Spaces: One-piece or split-casting, cast-brass type with finish to match surrounding surfaces.
  - 6. Exposed, Interior Installations/Piping in Unfinished Service Spaces: None, provide sealant.
  - 7. Exposed, Interior Installations/Piping in Equipment Rooms: None, provide sealant.
  - 8. Exposed, Interior Installations/Piping at Floor Penetrations in Equipment Rooms, Fan Rooms, or similar wet spaces: None - provide sealant and sleeve extending 2" above floor to prevent liquid leaking to floor below
- L. Fire-Barrier Penetrations: Maintain indicated fire rating of walls, partitions, ceilings, and floors at pipe penetrations. Seal pipe penetrations with firestop materials. Refer to Section "Penetration Firestopping" for materials.
- M. Verify final equipment locations for roughing-in.
- N. Refer to equipment specifications in other Sections of these Specifications for roughing-in requirements.

### 3.2 PIPING JOINT CONSTRUCTION

- A. Join pipe and fittings according to the following requirements and Division 22 Sections specifying piping systems.
- B. Ream ends of pipes and tubes and remove burrs. Bevel plain ends of steel pipe.
- C. Remove scale, slag, dirt, and debris from inside and outside of pipe and fittings before assembly.

FIRE STATIONS RENOVATION  
ARLINGTON COUNTY, VIRGINIA  
Architect's Project No: 563006

---

- D. Soldered Joints: Apply ASTM B 813, water-flushable flux, unless otherwise indicated, to tube end. Construct joints according to ASTM B 828 or CDA's "Copper Tube Handbook," using lead-free solder alloy complying with ASTM B 32.
- E. Brazed Joints: Construct joints according to AWS's "Brazing Handbook," "Pipe and Tube" Chapter, using copper-phosphorus brazing filler metal complying with AWS A5.8.
- F. Threaded Joints: Thread pipe with tapered pipe threads according to ASME B1.20.1. Cut threads full and clean using sharp dies. Ream threaded pipe ends to remove burrs and restore full ID. Join pipe fittings and valves as follows:
1. Apply appropriate tape or thread compound to external pipe threads unless dry seal threading is specified.
  2. Damaged Threads: Do not use pipe or pipe fittings with threads that are corroded or damaged. Do not use pipe sections that have cracked or open welds.
- G. Welded Joints: Construct joints according to AWS D10.12, using qualified processes and welding operators according to Part 1 "Quality Assurance" Article.
- H. Flanged Joints: Select appropriate gasket material, size, type, and thickness for service application. Install gasket concentrically positioned. Use suitable lubricants on bolt threads.
- I. Plastic Piping Solvent-Cement Joints: Clean and dry joining surfaces. Join pipe and fittings according to the following:
1. Comply with ASTM F 402 for safe-handling practice of cleaners, primers, and solvent cements.
  2. ABS Piping: Join according to ASTM D 2235 and ASTM D 2661 Appendixes.
  3. CPVC Piping: Join according to ASTM D 2846/D 2846M Appendix.
  4. PVC Pressure Piping: Join schedule number ASTM D 1785, PVC pipe and PVC socket fittings according to ASTM D 2672. Join other-than-schedule-number PVC pipe and socket fittings according to ASTM D 2855.
  5. PVC Nonpressure Piping: Join according to ASTM D 2855.
  6. PVC to ABS Nonpressure Transition Fittings: Join according to ASTM D 3138 Appendix.
- J. Plastic Pressure Piping Gasketed Joints: Join according to ASTM D 3139.
- K. Plastic Nonpressure Piping Gasketed Joints: Join according to ASTM D 3212.
- L. PE Piping Heat-Fusion Joints: Clean and dry joining surfaces by wiping with clean cloth or paper towels. Join according to ASTM D 2657.
1. Plain-End Pipe and Fittings: Use butt fusion.
  2. Plain-End Pipe and Socket Fittings: Use socket fusion.
- M. Fiberglass Bonded Joints: Prepare pipe ends and fittings, apply adhesive, and join according to pipe manufacturer's written instructions.

FIRE STATIONS RENOVATION  
ARLINGTON COUNTY, VIRGINIA  
Architect's Project No: 563006

---

- N. Mechanical Joints: Prepare pipe ends and fittings, apply coupling, and join according to joint manufacturer's written instructions.

### 3.3 PIPING CONNECTIONS

- A. Make connections according to the following, unless otherwise indicated:
  - 1. Install unions, in piping 2" and smaller, one adjacent to each valve and at final connections to each piece of equipment.
  - 2. Install flanges, in piping NPS 2-1/2" and larger, adjacent to final connections to each piece of equipment.
  - 3. Install dielectric unions or flanges for connections of dissimilar metals.

### 3.4 EQUIPMENT INSTALLATION - COMMON REQUIREMENTS

- A. Install equipment to allow maximum possible headroom unless specific mounting heights are indicated.
- B. Install equipment level and plumb, parallel and perpendicular to other building systems and components in exposed interior spaces, unless otherwise indicated.
- C. Install plumbing equipment to facilitate service, maintenance, and repair or replacement of components. Connect equipment for ease of disconnecting, with minimum interference to other installations. Extend grease fittings to accessible locations.
- D. Install equipment to allow right of way for piping installed at required slope.

### 3.5 PAINTING

- A. Damage and Touchup: Repair marred and damaged factory-painted finishes with materials and procedures to match original factory finish.
- B. All paints and coatings wet-applied on site must meet the applicable VOC limits of the California Air Resources Board (CARB) 2007, Suggested Control Measure (SCM) for Architectural Coatings, or the South Coast Air Quality Management District (SCAQMD) Rule 1113, effective June 3, 2011.

### 3.6 HOUSEKEEPING PADS AND EQUIPMENT PADS

- A. Housekeeping pads and equipment pads: Anchor equipment to concrete according to equipment manufacturer's written instructions and according to seismic codes at project location.
  - 1. Construct concrete pads in accordance with drawing details.
  - 2. Details may be found on structural drawings. If details are not provided comply with the following:

FIRE STATIONS RENOVATION  
ARLINGTON COUNTY, VIRGINIA  
Architect's Project No: 563006

---

- a. Housekeeping pads inside the building shall be 4" thick and 6" larger all around than supported equipment. Provide a 1" chamfer on all edges.
- b. If details are not provided, equipment pads outside the building shall be 8" thick with a 24" deep 12" wide turndown (footing) all around the outside edge of the pad. Provide welded wire mesh reinforcement. Pad shall be 12" larger all around than supported equipment.
- c. Install dowel rods to connect housekeeping pad to concrete floor. Unless otherwise indicated, install dowel rods on 18-inch centers around the full perimeter of the pad. Provide a 1" chamfer on all edges.
- d. Install epoxy-coated anchor bolts. For equipment on housekeeping pads bolts shall extend through housekeeping pad, and anchor into structural concrete floor.
- e. Place and secure anchor bolts using supported equipment manufacturer's setting drawings, templates, diagrams, instructions, and directions for placement.
- f. Install anchor bolts to elevations required for proper attachment to supported equipment.
- g. Install anchor bolts according to anchor bolt manufacturer's written instructions.

3.7 ERECTION OF METAL SUPPORTS AND ANCHORAGES

- A. Refer to Section "Metal Fabrications" for structural steel.
- B. Cut, fit, and place miscellaneous metal supports accurately in location, alignment, and elevation to support and anchor plumbing materials and equipment.
- C. Field Welding: Comply with AWS D1.1.

3.8 GROUTING

- A. Mix and install grout for plumbing equipment base bearing surfaces, pump and other equipment base plates, and anchors.
- B. Clean surfaces that will come into contact with grout.
- C. Provide forms as required for placement of grout.
- D. Avoid air entrapment during placement of grout.
- E. Place grout, completely filling equipment bases.
- F. Place grout on concrete bases and provide smooth bearing surface for equipment.
- G. Place grout around anchors.
- H. Cure placed grout.

END OF SECTION 220500

FIRE STATIONS RENOVATION  
ARLINGTON COUNTY, VIRGINIA  
Architect's Project No: 563006

SECTION 220517 - SLEEVES AND SLEEVE SEALS FOR PLUMBING PIPING

PART 1 - GENERAL

1.1 RELATED DOCUMENTS

- A. Provisions of the Contract and of the Contract Documents apply to this Section.

1.2 SUBMITTALS

- A. Product Data: For each type of product indicated.

PART 2 - PRODUCTS

2.1 SLEEVES

- A. Cast-Iron Wall Pipes: Cast or fabricated of cast or ductile iron and equivalent to ductile-iron pressure pipe, with plain ends and integral waterstop unless otherwise indicated.
- B. Galvanized-Steel Wall Pipes: ASTM A 53/A 53M, Schedule 40, with plain ends and welded steel collar; zinc coated.
- C. Galvanized-Steel-Pipe Sleeves: ASTM A 53/A 53M, Type E, Grade B, Schedule 40, zinc coated, with plain ends.
- D. Galvanized-Steel-Sheet Sleeves: 0.0239" minimum thickness; round tube closed with welded longitudinal joint.

2.2 STACK-SLEEVE FITTINGS

- A. Available Manufacturers:
  - 1. Smith, Jay R. Mfg. Co.
  - 2. Wade
  - 3. Zurn Specification Drainage Operation; Zurn Plumbing Products Group.
- B. Description: Manufactured, cast-iron sleeve with integral clamping flange. Include clamping ring, bolts, and nuts for membrane flashing.
  - 1. Underdeck Clamp: Clamping ring with setscrews.

2.3 SLEEVE-SEAL SYSTEMS

- A. Available Manufacturers:
  - 1. Advance Products & Systems, Inc.

FIRE STATIONS RENOVATION  
ARLINGTON COUNTY, VIRGINIA  
Architect's Project No: 563006

2. CALPICO, Inc.
  3. Link Seal
  4. Metraflex Company (The).
  5. Pipeline Seal and Insulator, Inc.
  6. Proco Products, Inc.
- B. Description: Modular sealing-element unit, designed for field assembly, for filling annular space between piping and sleeve.
1. Sealing Elements: EPDM or Nitrile rubber interlocking links shaped to fit surface of pipe. Include type and number required for pipe material and size of pipe.
  2. Pressure Plates: Stainless steel.
  3. Connecting Bolts and Nuts: Stainless steel of length required to secure pressure plates to sealing elements.

### PART 3 - EXECUTION

#### 3.1 SLEEVE INSTALLATION

- A. Install sleeves for piping passing through penetrations in floors, partitions, roofs, and walls.
- B. For sleeves that will have sleeve-seal system installed, select sleeves of size large enough to provide 1-inch annular clear space between piping and concrete slabs and walls.
1. Sleeves are not required for core-drilled holes.
- C. Install sleeves in concrete floors, concrete roof slabs, and concrete walls as new slabs and walls are constructed.
1. Permanent sleeves are not required for holes in slabs formed by molded-PE or -PP sleeves.
  2. Cut sleeves to length for mounting flush with both surfaces.
    - a. Exception: Extend sleeves installed in floors of mechanical equipment areas or other wet areas 2 inches above finished floor level.
  3. Using grout, seal the space outside of sleeves in slabs and walls without sleeve-seal system.
- D. Install sleeves for pipes passing through interior partitions.
1. Cut sleeves to length for mounting flush with both surfaces.
  2. Install sleeves that are large enough to provide ¼" clear space between sleeve and pipe or pipe insulation.
  3. Seal annular space between sleeve and piping or piping insulation; use joint sealants appropriate for size, depth, and location of joint. Comply with requirements for sealants.
- E. Fire Ratings: Maintain indicated fire rating of walls, partitions, ceilings, and floors at pipe penetrations. Seal pipe penetrations with firestop materials.

FIRE STATIONS RENOVATION  
ARLINGTON COUNTY, VIRGINIA  
Architect's Project No: 563006

3.2 STACK-SLEEVE-FITTING INSTALLATION

- A. Install stack-sleeve fittings in new slabs as slabs are constructed.
  - 1. Install fittings that are large enough to provide ¼” clear space between sleeve and pipe or pipe insulation.
  - 2. Secure flashing between clamping flanges for pipes penetrating floors with membrane waterproofing. Comply with requirements for flashing specified in Division 07 Section "Sheet Metal Flashing and Trim."
  - 3. Install section of cast-iron soil pipe to extend sleeve to 2 inches above finished floor level.
  - 4. Extend cast-iron sleeve fittings below floor slab as required to secure clamping ring if ring is specified.
  - 5. Using grout, seal the space around outside of stack-sleeve fittings.
- B. Fire Rating: Maintain indicated fire rating at pipe penetrations. Seal pipe penetrations with firestop materials.

3.3 SLEEVE-SEAL-SYSTEM INSTALLATION

- A. Install sleeve-seal systems in sleeves in exterior concrete walls and slabs-on-grade at service piping entries into building unless otherwise indicated.
- B. Select type, size, and number of sealing elements required for piping material and size and for sleeve ID or hole size. Position piping in center of sleeve. Center piping in penetration, assemble sleeve-seal system components, and install in annular space between piping and sleeve. Tighten bolts against pressure plates that cause sealing elements to expand and make a watertight seal.

3.4 SLEEVE AND SLEEVE-SEAL SCHEDULE

- A. Use sleeves and sleeve seals for the following piping-penetration applications:
  - 1. Exterior Concrete Walls above Grade, below Grade, Concrete Slabs-on-Grade, and Concrete Slabs above Grade:
    - a. Piping Smaller Than NPS 6: Cast-iron wall sleeves with sleeve-seal system.
      - 1) Select sleeve size to allow for 1-inch annular clear space between piping and sleeve for installing sleeve-seal system.
    - b. Piping NPS 6 and Larger: Galvanized-steel-pipe sleeves with sleeve-seal system.

END OF SECTION 220517

FIRE STATIONS RENOVATION  
ARLINGTON COUNTY, VIRGINIA  
Architect's Project No: 563006

SECTION 220519 - METERS AND GAGES FOR PLUMBING PIPING

PART 1 - GENERAL

1.1 RELATED DOCUMENTS

- A. Provisions of the Contract and of the Contract Documents apply to this Section.

1.2 SUBMITTALS

- A. Product Data: For each type of product indicated.
- B. Wiring Diagrams: For power, signal, and control wiring.
- C. Operation and Maintenance Data: For meters and gages to include in operation and maintenance manuals.

1.3 ABBREVIATIONS:

- A. AFF Above finished floor
- B. F Fahrenheit
- C. SS Stainless Steel

PART 2 - PRODUCTS

2.1 LIQUID-IN-GLASS THERMOMETERS

- A. Metal-Case, Industrial-Style, Liquid-in-Glass Thermometers:
  - 1. Available Manufacturers:
    - a. Flo Fab Inc.
    - b. Miljoco Corporation.
    - c. Palmer Wahl Instrumentation Group.
    - d. Tel-Tru Manufacturing Company.
    - e. Trerice, H. O. Co.
    - f. Weiss Instruments, Inc.
    - g. Winters Instruments - U.S.
  - 2. Standard: ASME B40.200.
  - 3. Case: Cast aluminum; 9-inch nominal size unless otherwise indicated.
  - 4. Case Form: Adjustable angle unless otherwise indicated.
  - 5. Tube: Glass with magnifying lens and blue or red organic liquid.
  - 6. Tube Background: Nonreflective aluminum with permanently etched scale markings graduated in degrees F.
  - 7. Window: Glass



FIRE STATIONS RENOVATION  
ARLINGTON COUNTY, VIRGINIA  
Architect's Project No: 563006

8. Stem: Aluminum length = 1/2 pipe diameter, 1/2 duct width or 12" whichever is less.
  - a. Air-Duct Installation: Provide ventilated shroud.
  - b. Thermowell Installation: Provide Bare stem.
9. Connector: 1-1/4 inches, with ASME B1.1 screw threads.
10. Accuracy: Plus or minus 1 percent of scale range or one scale division, to a maximum of 1.5 percent of scale range.

## 2.2 THERMOWELLS

### A. Thermowells:

1. Standard: ASME B40.200.
2. Description: Pressure-tight, socket-type fitting made for insertion into threaded fitting.
3. Material: Brass.
4. Type: Stepped shank unless straight or tapered shank is indicated.
5. External Threads: NPS 1/2, NPS 3/4, or NPS 1, ASME B1.20.1 pipe threads.
6. Internal Threads: 1/2, 3/4, and 1 inch, with ASME B1.1 screw threads.
7. Bore: Diameter required to match thermometer bulb or stem.
8. Insertion Length: Length required to match thermometer bulb or stem.
9. Lagging Extension: Include on thermowells for insulated piping and tubing.
10. Bushings: For converting size of thermowell's internal screw thread to size of thermometer connection.

## 2.3 PRESSURE GAGES

### A. Direct-Mounted, Metal-Case, Dial-Type Pressure Gages:

1. Available Manufacturers:
  - a. AMETEK, Inc.; U.S. Gauge.
  - b. Ashcroft Inc.
  - c. Ernst Flow Industries.
  - d. Flo Fab Inc.
  - e. Marsh Bellofram.
  - f. Miljoco Corporation.
  - g. Noshok.
  - h. Palmer Wahl Instrumentation Group.
  - i. REOTEMP Instrument Corporation.
  - j. Tel-Tru Manufacturing Company.
  - k. Trerice, H. O. Co.
  - l. Watts Regulator Co.; a div. of Watts Water Technologies, Inc.
  - m. Weiss Instruments, Inc.
  - n. WIKA Instrument Corporation - USA.
  - o. Winters Instruments - U.S.
2. Standard: ASME B40.100.

FIRE STATIONS RENOVATION  
ARLINGTON COUNTY, VIRGINIA  
Architect's Project No: 563006

3. Case: Solid-front, pressure relief type; cast aluminum or drawn steel; 4-1/2-inch nominal diameter.
4. Pressure-Element Assembly: Bourdon tube unless otherwise indicated.
5. Pressure Connection: Brass, with NPS 1/4, ASME B1.20.1 pipe threads and bottom-outlet type unless back-outlet type is indicated.
6. Movement: Phosphor bronze.
7. Dial: Nonreflective aluminum with permanently etched scale markings graduated in psi.
8. Pointer: Dark-colored metal.
9. Window: Glass.
10. Ring: Brass.
11. Accuracy: + or – 1.0 percent of full scale.

2.4 GAUGE ATTACHMENTS

- A. Snubbers: ASME B40.100, brass; with NPS 1/4, ASME B1.20.1 pipe threads and porous-metal-type surge-dampening device. Include extension for use on insulated piping.
- B. Siphons: Loop-shaped section of brass pipe with NPS 1/4 pipe threads.
- C. Valves: Brass or stainless-steel needle, with NPS 1/4, ASME B1.20.1 pipe threads.

2.5 TEST PLUGS

- A. Manufacturers: Subject to compliance with requirements, provide products by one of the following:
  1. Flow Design, Inc.
  2. Miljoco Corporation.
  3. National Meter, Inc.
  4. Peterson Equipment Co., Inc.
  5. Sisco Manufacturing Company, Inc.
  6. Trerice, H. O. Co.
  7. Watts Regulator Co.; a div. of Watts Water Technologies, Inc.
  8. Weiss Instruments, Inc.
- B. Description: Test-station fitting made for insertion into piping tee fitting.
- C. Body: Brass or stainless steel with core inserts and gasketed and threaded cap. Include extended stem on units to be installed in insulated piping.
- D. Thread Size: NPS 1/2, ASME B1.20.1 pipe thread.
- E. Minimum Pressure and Temperature Rating: 500 psig at 200 deg F.
- F. Core Inserts: Chlorosulfonated polyethylene synthetic and EPDM self-sealing rubber.

FIRE STATIONS RENOVATION  
ARLINGTON COUNTY, VIRGINIA  
Architect's Project No: 563006

PART 3 - EXECUTION

3.1 INSTALLATION

- A. Install thermowells with socket extending to center of pipe and in perpendicular to piping in piping tees.
- B. Install thermowells of sizes required to match thermometer connectors. Include bushings to match sizes.
- C. Install thermowells with extensions on insulated piping.
- D. Install direct-mounted thermometers in thermowells and adjust positions.
- E. Install pressure gages in piping tees located between 36" and 60" AFF unless otherwise indicated.
- F. Install valve and snubber for each pressure gage.
- G. Install test plugs in piping tees at locations indicated.
- H. Assemble and install connections, tubing, and accessories between flow-measuring elements and flowmeters according to manufacturer's written instructions.
- I. Install flowmeter elements in accessible positions in piping systems.
- J. Install permanent indicators on walls or brackets at 50" AFF unless otherwise indicated..
- K. Install connection fittings in accessible locations for attachment to portable indicators.
- L. Install thermometers in the following locations:
  - 1. Inlet and outlet of each water heater.
- M. Install pressure gages in the following locations:
  - 1. Inlet and outlet of each water heater.
  - 2. Suction and discharge of each pump.
- N. Install a test plug at each thermometer and pressure gauge.

3.2 THERMOMETER SCALE-RANGE SCHEDULE

- A. Scale Range for Domestic Cold-water Piping: 0 to 100 F with 2 degree scale divisions.
- B. Scale Range for Domestic Hot-water Piping 30 to 240 F with 2 degree scale divisions.

3.3 PRESSURE-GAGE SCALE-RANGE SCHEDULE

- A. Scale Range for Domestic Water Piping: 0 to 100 psi.

END OF SECTION 220519

FIRE STATIONS RENOVATION  
ARLINGTON COUNTY, VIRGINIA  
Architect's Project No: 563006

SECTION 220523 – GENERAL DUTY VALVES FOR PLUMBING PIPING

PART 1 - GENERAL

1.1 RELATED DOCUMENTS

- A. Provisions of the Contract and of the Contract Documents apply to this Section.

1.2 DEFINITIONS

- A. The following are standard abbreviations for valves:
1. CWP: Cold working pressure.
  2. EPDM: Ethylene-propylene-diene terpolymer rubber.
  3. MPTFE: Modified polytetrafluoroethylene plastic.
  4. NBR: Acrylonitrile-butadiene rubber.
  5. PTFE: Polytetrafluoroethylene plastic.
  6. RPTFE: Reinforced polytetrafluoroethylene plastic.
  7. SWP: Steam working pressure.
  8. TFE: Tetrafluoroethylene plastic.
  9. WOG: Water Oil Gas.

1.3 SUBMITTALS

- A. Product Data: For each type of valve proposed. Include body, seating, and trim materials; valve design; pressure and temperature classifications; end connections; arrangement; dimensions; and required clearances. Include proposed specialties and accessories.

1.4 QUALITY ASSURANCE

- A. ASME Compliance: ASME B31.1 for power piping valves and ASME B31.9 for building services piping valves.
1. Exceptions: Domestic hot- and cold-water valves unless referenced.
- B. ASME Compliance for Ferrous Valves: ASME B16.10 and ASME B16.34 for dimension and design criteria.
- C. NSF Compliance: NSF 61 for valve materials for potable-water service.

1.5 DELIVERY, STORAGE, AND HANDLING

- A. Prepare valves for shipping as follows:
1. Protect internal parts against rust and corrosion.
  2. Protect threads, flange faces, grooves, and weld ends.
  3. Set ball valves open to minimize exposure of functional surfaces.
  4. Set butterfly valves closed or slightly open.

FIRE STATIONS RENOVATION  
ARLINGTON COUNTY, VIRGINIA  
Architect's Project No: 563006

5. Block check valves in either closed or open position.
- B. Use the following precautions during storage:
  1. Maintain valve end protection.
  2. Store valves indoors and maintain at higher than ambient dew-point temperature. If outdoor storage is necessary, store valves off the ground in watertight enclosures.
- C. Use sling to handle large valves; rig sling to avoid damage to exposed parts. Do not use handwheels or stems as lifting or rigging points.

## PART 2 - PRODUCTS

### 2.1 VALVES, GENERAL

- A. Refer to Part 3 "Valve Applications" Article for applications of valves.
- B. Bronze & Brass: Shall be dezincification resistant. (Zinc content shall be less than 15%)
- C. Bronze Valves: 2" and smaller with threaded ends, unless otherwise indicated.
- D. Ferrous Valves: 2-1/2" and larger with flanged ends, unless otherwise indicated.
- E. Valve Pressure and Temperature Ratings: Not less than indicated for system pressure and temperature.
- F. Valve Sizes: Same as the larger of the upstream or downstream pipe, unless otherwise indicated.
- G. Valve Actuators:
  1. As indicated in other Part 2 articles.
  2. Where indicated, provide a chain actuator.
  3. Chain Actuator: For attachment to valves of size and mounting height indicated.
  4. Wrench: For plug valves with square heads. Furnish Owner with 1 wrench for every 10 plug valves, for each size square plug head.
- H. Extended Valve Stems: Provide on insulated valves.
- I. Valve Flanges: Provide ASME B16.1 for cast-iron valves, ASME B16.5 for steel, and ASME B16.24 for bronze.
- J. Valve Grooved Ends: AWWA C606.
- K. Threaded: With threads according to ASME B1.20.1.
- L. Valve Bypass and Drain Connections: MSS SP-45.

FIRE STATIONS RENOVATION  
ARLINGTON COUNTY, VIRGINIA  
Architect's Project No: 563006

2.2 COPPER-ALLOY BALL VALVES

- A. Two-Piece, Copper-Alloy Ball Valves (Full Port):
1. Conbraco Industries-Apollo 77C series with stainless steel ball & stem (Un-insulated piping)
  2. Conbraco Industries-Apollo 77C series with stainless steel ball & stem. Provide 2 ¼" stem extension (Insulated piping)
  3. Other Manufacturers:
    - a. Milwaukee
    - b. Watts
    - c. Nibco
  4. Handle Nut: Zinc plated steel or 300 series stainless steel.
  5. Handle: Zinc plated steel, clear chromate plastic, or vinyl coated.
  6. Threaded Pack Gland: Brass ASTM B-16
  7. Packing: MPTFE or TFE
  8. Stem (Blowout Proof): ASTM A-276 type 316 stainless steel. Provide 2 ¼" stem extension for Insulated piping.
  9. Thrust Washer: MPTFE or RPTFE
  10. Ball: Full-port, ASTM A-276 Type 316 stainless steel.
  11. Seats: MPTFE or Reinforced TFE (RPTFE)
  12. Body: Bronze ASTM B-584 for solder or threaded connection.
  13. Body End Piece: Bronze ASTM B-584 for solder or threaded connection.
  14. Rating: 150 psig saturated steam, 600 psig non-shock cold water, oil, and gas.
  15. Conform To: MSS SP-110

2.3 BRONZE CHECK VALVES

- A. Bronze, Horizontal Swing Check Valves:
1. NIBCO Model 413
  2. Other Manufacturers:
    - a. Milwaukee
    - b. Stockham
  3. Bonnet: ASTM B-62 bronze.
  4. Body: ASTM B-62 bronze.
  5. Hinge Pin: ASTM B-140 alloy C31400 bronze, or B-134 alloy C23000 bronze.
  6. Disc Hanger:
    - a. Sizes ¼" thru ¾": Type 304 stainless steel.
    - b. Sizes 1" and larger: ASTM B-62 bronze.
  7. Hanger Nut: ASTM B-16 bronze.
  8. Disc Holder: ASTM B-62 bronze.
  9. Seat Disc:
    - a. Water and Other Heat Transfer Fluids: ASTM B-62 bronze.
    - b. Steam: TFE
  10. Seat Disc Nut: ASTM B-16 or B-62 bronze.
  11. Hinge Pin Plug: ASTM B-140 alloy C31600 bronze.
  12. Seat Disc Washer (When Provided): ASTM B-98 alloy C65500 or B-103 bronze.
  13. Rating: 125 psig SWP and 200 psig CWP.
  14. Conform To: MSS SP-80

FIRE STATIONS RENOVATION  
ARLINGTON COUNTY, VIRGINIA  
Architect's Project No: 563006

- B. Bronze, Inline Spring Loaded Check Valves:
1. Conbraco Industries-Apollo 61-100 series
  2. Other Manufacturers:
    - a. Milwaukee
    - b. Stockham
    - c. Nibco
  3. Body: ASTM B-584 alloy C84400 bronze.
  4. Retainer/Stem: ASTM B16 brass or ASTM A-582 alloy C30300 stainless steel.
  5. Ball Check: RPTFE or
  6. Disc Holder 316 Stainless steel
    - a. Disc:
      - 1) Water, Oil, Gas: Buna-N
      - 2) Steam: TFE
    - b. Seat Screw: ASTM A-276 alloy S43000 stainless steel.
    - c. Body End: ASTM B-584 alloy C84400 bronze.
    - d. Rating: 125 psig SWP and 250 psig CWP.
  7. Guide: ASTM B16 Brass
  8. Spring: Type 316 stainless steel.
  9. Rating: 125 psig SWP and 400 psig WOG.

## 2.4 IRON BODY CHECK VALVES

- A. Iron Body, Horizontal Swing Check Valves:
1. NIBCO Model 918-B
  2. Other Manufacturers:
    - a. Milwaukee
    - b. Stockham
  3. Body Bolt: ASTM A-307 steel.
  4. Bonnet: ASTM A-126 class B cast iron.
  5. Body Gasket: Synthetic Fibers.
  6. Body Nut: ASTM A-307 steel
  7. Side Plug: ASTM B-16 alloy C36000 Brass.
  8. Hanger Pin: ASTM B-16 alloy C36000 Brass.
  9. Hanger: ASTM B-584 alloy C84400 cast bronze.
  10. Disc: ASTM B-584 alloy C84400 cast bronze or ASTM A-536 ductile iron w/bronze face ring.
  11. Seat Ring: ASTM B-584 alloy C84400 cast bronze.
  12. Disc Nut: ASTM B-16 alloy C36000.
  13. Body: ASTM A-126 class B cast iron.
  14. Disc Bolt: ASTM B-16 alloy C36000 Brass.
  15. Disc Plate: ASTM A-126 class B cast iron.
  16. Disc Cage: ASTM A-126 class B cast iron.
  17. Rating: 125 psig SWP and 200 psig CWP.
  18. Conform To: MSS SP-71 Type 1.
- B. Grooved-End, Ductile-Iron Spring Assisted Check Valves: Victaulic Series 716 with EPDM disc seal.
- C. Spring Actuated Silent Check Valves:

FIRE STATIONS RENOVATION  
ARLINGTON COUNTY, VIRGINIA  
Architect's Project No: 563006

1. NIBCO Model F-910
2. Other Manufacturers:
  - a. Milwaukee
  - b. Stockham
3. Body: ASTM A48 class 35 cast iron.
4. Seat: ASTM B-584 alloy C83600 (B) bronze.
5. Disc: ASTM B-584 alloy C83600 bronze.
6. Spring: Type 302 ASTM A313 stainless steel.
7. Bushing:
  - a. 6" and Smaller: ASTM B-16 brass
  - b. 8" and Larger: ASTM B-584 alloy C83600 bronze.
8. Set Screws: Type 304 ASTM A-276 stainless steel.
9. Rating: 200 psig CWP.
10. Conform To: MIL-V-18436F

PART 3 - EXECUTION

3.1 EXAMINATION

- A. Examine valve interior for cleanliness, freedom from foreign matter, and corrosion. Remove special packing materials, such as blocks, used to prevent disc movement during shipping and handling.
- B. Operate valves in positions from fully-open to fully-closed. Examine guides and seats made accessible by such operations.
- C. Examine threads on valve and mating pipe for form and cleanliness.
- D. Examine mating flange faces for conditions that might cause leakage. Check bolting for proper size, length, and material. Verify that gasket is of proper size, that its material composition is suitable for service, and that it is free from defects and damage.
- E. Do not attempt to repair defective valves; replace with new valves.

3.2 VALVE INSTALLATION

- A. Install valves with unions or flanges at each piece of equipment arranged to allow service, maintenance, and equipment removal without system shutdown.
- B. Locate valves for easy access.
- C. Install valves in horizontal piping with stem at or above center of pipe.
- D. Install valves in position to allow full stem movement.
- E. Install chainwheels on operators for ball and butterfly valves 4" and larger and more than 96 inches above finished floor. Extend chains to 60 inches above finished floor.



FIRE STATIONS RENOVATION  
ARLINGTON COUNTY, VIRGINIA  
Architect's Project No: 563006

- F. Install check valves for proper direction of flow and as follows:
  - 1. Swing Check Valves: In horizontal position with hinge pin level.
  - 2. Center-Guided and Plate-Type Check Valves: In horizontal or vertical position, between flanges.
  - 3. Lift Check Valves: With stem upright and plumb.

3.3 ADJUSTING

- A. Adjust valve packing after piping systems have been tested and put into service but before final testing and balancing. Replace valves if persistent leaking occurs.

3.4 VALVE APPLICATIONS

- A. Refer to piping Sections for specific valve applications. If valve applications are not indicated, use the following:
  - 1. Shutoff Service: Ball valves.
  - 2. Throttling Service: Ball valves.
  - 3. Pump Discharge: Spring-loaded, lift-disc check valves and ball valves.
- B. If valves with specified SWP classes or CWP ratings are not available, the same types of valves with higher SWP class or CWP ratings may be substituted.
- C. Domestic Water Piping: Use the following types of valves:
  - 1. Valves, NPS 2" and Smaller: Two-Piece, Copper-Alloy Ball Valves (Full Port).
  - 2. Valves, NPS 2-1/2" and 3":
    - a. Two-piece or three-piece, Copper-Alloy Ball Valves (Full Port).
    - b. Wafer-Lug, grooved-end, or flanged butterfly valves.
  - 3. Valves, NPS 4" and Larger: Wafer-Lug, grooved-end, or flanged butterfly valves.
  - 4. Pump Discharge Check Valves (Horizontal or Vertical), NPS 2" and Smaller: Bronze, Inline Lift Check Valves.
  - 5. Horizontal Check Valves, NPS 2" and Smaller: Bronze, Horizontal Swing Check Valves.
  - 6. Vertical Check Valves, NPS 2" and Smaller: Bronze, Inline Lift Check Valves.
  - 7. Pump Discharge Check Valves (Horizontal or Vertical), NPS 2-1/2" and Larger: Grooved-End, Ductile-Iron Spring Assisted Check Valves or Spring Actuated Silent Check Valves.
  - 8. Horizontal Check Valves, NPS 2-1/2" and Larger: Bronze, Horizontal Swing Check Valves.

END OF SECTION 220523

FIRE STATIONS RENOVATION  
ARLINGTON COUNTY, VIRGINIA  
Architect's Project No: 563006

SECTION 220529 - HANGERS AND SUPPORTS FOR PLUMBING PIPING AND EQUIPMENT

PART 1 - GENERAL

1.1 RELATED DOCUMENTS

- A. Provisions of the Contract and of the Contract Documents apply to this Section.

1.2 DEFINITIONS

- A. MSS: Manufacturers Standardization Society of The Valve and Fittings Industry Inc.
- B. Terminology: As defined in MSS SP-90, "Guidelines on Terminology for Pipe Hangers and Supports."

1.3 PERFORMANCE REQUIREMENTS

- A. Design Requirement: Design trapeze pipe hangers and equipment supports, including comprehensive engineering analysis by a qualified professional engineer where using methods other than indicated.
- B. Structural Performance: Hangers and supports for HVAC piping and equipment shall withstand the effects of gravity loads and stresses within limits and under conditions indicated according to ASCE/SEI 7.
  - 1. Design supports for multiple pipes, including pipe stands, capable of supporting combined weight of supported systems, system contents, and test medium.
  - 2. Design equipment supports capable of supporting combined operating weight of supported equipment and connected systems and components.
  - 3. Design seismic-restraint hangers and supports for piping and equipment.

1.4 SUBMITTALS

- A. Product Data: For each type of product indicated.
- B. Shop Drawings: Show fabrication and installation details and include calculations for the following; include Product Data for components:
  - 1. Trapeze pipe hangers.
  - 2. Metal framing systems.
  - 3. Pipe stands.
  - 4. Equipment supports.
- C. Delegated Design Submittal: Signed and sealed by a qualified professional engineer where using methods other than indicated.

FIRE STATIONS RENOVATION  
ARLINGTON COUNTY, VIRGINIA  
Architect's Project No: 563006

1. Detail fabrication and assembly of trapeze hangers.
2. Design Calculations: Calculate requirements for designing trapeze hangers.

1.5 QUALITY ASSURANCE

- A. Structural Steel Welding Qualifications: Qualify procedures and personnel according to AWS D1.1/D1.1M, "Structural Welding Code - Steel."
- B. Pipe Welding Qualifications: Qualify procedures and operators according to ASME Boiler and Pressure Vessel Code.

PART 2 - PRODUCTS

2.1 METAL PIPE HANGERS AND SUPPORTS

- A. Carbon-Steel Pipe Hangers and Supports:
  1. Description: MSS SP-58, Types 1 through 58, factory-fabricated components.
  2. Galvanized Metallic Coatings: Pregalvanized or hot dipped.
  3. Nonmetallic Coatings: Plastic coating, jacket, or liner.
  4. Padded Hangers: Hanger with fiberglass or other pipe insulation pad or cushion to support bearing surface of piping.
  5. Hanger Rods: Continuous-thread rod, nuts, and washer made of carbon steel.
- B. Copper Pipe Hangers:
  1. Description: MSS SP-58, Types 1 through 58, copper-coated-steel, factory-fabricated components.
  2. Hanger Rods: Continuous-thread rod, nuts, and washer made of copper-coated steel.

2.2 TRAPEZE PIPE HANGERS

- A. Description: MSS SP-69, Type 59, shop- or field-fabricated pipe-support assembly made from structural carbon-steel shapes with MSS SP-58 carbon-steel hanger rods, nuts, saddles, and U-bolts.
- B. Trapeze Pipe Hanger Installation: Arrange for grouping of parallel runs of piping and support together on field-assembled channel systems.
  1. Assemble and provide according to manufacturer's written instructions. Center piping on channel to evenly distribute load.

FIRE STATIONS RENOVATION  
ARLINGTON COUNTY, VIRGINIA  
Architect's Project No: 563006

2. Pipe sizes and numbers shall be in accordance with the following:

<b>TRAPEZE PIPE HANGER TABLE</b>								
<b>PIPE SIZE</b>	<b>4"</b>	<b>3"</b>	<b>2 1/2"</b>	<b>2"</b>	<b>1 1/2"</b>	<b>1 1/4"</b>	<b>1"</b>	<b>TOTAL # of PIPES</b>
<b>NUMBER OF PIPES PERMITTED IN ONE CHANNEL SUPPORT</b>	<b>2</b>	<b>0</b>	<b>0</b>	<b>0</b>	<b>0</b>	<b>0</b>	<b>0</b>	<b>2</b>
	<b>0</b>	<b>2</b>	<b>2</b>	<b>0</b>	<b>0</b>	<b>0</b>	<b>0</b>	<b>4</b>
	<b>0</b>	<b>2</b>	<b>0</b>	<b>4</b>	<b>0</b>	<b>0</b>	<b>0</b>	<b>6</b>
	<b>0</b>	<b>2</b>	<b>0</b>	<b>0</b>	<b>6</b>	<b>0</b>	<b>0</b>	<b>8</b>
	<b>0</b>	<b>0</b>	<b>4</b>	<b>2</b>	<b>0</b>	<b>0</b>	<b>0</b>	<b>6</b>
	<b>0</b>	<b>0</b>	<b>4</b>	<b>0</b>	<b>2</b>	<b>2</b>	<b>0</b>	<b>8</b>
	<b>0</b>	<b>0</b>	<b>4</b>	<b>0</b>	<b>0</b>	<b>8</b>	<b>0</b>	<b>12</b>
	<b>0</b>	<b>0</b>	<b>0</b>	<b>6</b>	<b>2</b>	<b>2</b>	<b>2</b>	<b>12</b>
	<b>0</b>	<b>0</b>	<b>0</b>	<b>8</b>	<b>0</b>	<b>2</b>	<b>0</b>	<b>10</b>
	<b>0</b>	<b>0</b>	<b>0</b>	<b>0</b>	<b>14</b>	<b>0</b>	<b>0</b>	<b>14</b>
<b>0</b>	<b>0</b>	<b>0</b>	<b>0</b>	<b>0</b>	<b>16</b>	<b>0</b>	<b>16</b>	

**Notes:**

1. Piping larger than 4" in diameter is not permitted in a channel support system.
2. Channel support systems shall be limited to eight (8) pipes per channel and two (2) channels (levels) per support system.
3. Smaller pipes can be substituted for larger pipes. For example two 3/4" pipes may be installed in lieu of two 1" pipes, or 2" in lieu of 3", etc.
4. Spacing shall be in accordance with requirements for the smallest supported pipe. Refer to other specification sections for spacing requirements. If spacing requirements are not indicated comply with MSS SP-69.

C. Metal Framing Systems:

1. Available Manufacturers:
  - a. Anvil International; a subsidiary of Mueller Water Products Inc.
  - b. Empire Industries, Inc.
  - c. ERICO International Corporation.
  - d. Haydon Corporation; H-Strut Division.
  - e. NIBCO INC.
  - f. PHD Manufacturing, Inc.
  - g. PHS Industries, Inc.

FIRE STATIONS RENOVATION  
ARLINGTON COUNTY, VIRGINIA  
Architect's Project No: 563006

2. Description: Shop- or field-fabricated pipe-support assembly made of steel channels, accessories, fittings, and other components for supporting multiple parallel pipes.
3. Standard: Comply with MFMA-4.
4. Channels: Continuous slotted steel channel with inturned lips.
5. Channel Nuts: Formed or stamped steel nuts or other devices designed to fit into channel slot and, when tightened, prevent slipping along channel.
6. Hanger Rods: Continuous-thread rod, nuts, and washer made of carbon steel.
7. Coating: Zinc.

2.3 THERMAL-HANGER SHIELD INSERTS

A. Available Manufacturers:

1. Carpenter & Paterson, Inc.
2. Clement Support Services.
3. ERICO International Corporation.
4. National Pipe Hanger Corporation.
5. PHS Industries, Inc.
6. Pipe Shields, Inc.; a subsidiary of Piping Technology & Products, Inc.
7. Piping Technology & Products, Inc.
8. Rilco Manufacturing Co., Inc.
9. Value Engineered Products, Inc.

B. Insulation-Insert Material for Cold Piping: ASTM C 552, Type II cellular glass with 100-psig or ASTM C 591, Type VI, Grade 1 polyisocyanurate with 125-psig minimum compressive strength and vapor barrier.

C. Insulation-Insert Material for Hot Piping: Water-repellent treated, ASTM C 533, Type I calcium silicate with 100-psig, ASTM C 552, Type II cellular glass with 100-psig, or ASTM C 591, Type VI, Grade 1 polyisocyanurate with 125-psig minimum compressive strength.

D. For Trapeze or Clamped Systems: Insert and shield shall cover entire circumference of pipe.

E. For Clevis or Band Hangers: Insert and shield shall cover lower 180 degrees of pipe.

F. Insert Length: Extend 2" beyond sheet metal shield for piping operating below ambient air temperature.

2.4 PIPE STANDS

A. General Requirements for Pipe Stands: Shop- or field-fabricated assemblies made of manufactured corrosion-resistant components to support roof-mounted piping.

B. Compact Pipe Stand: One-piece plastic unit with integral-rod roller, pipe clamps, or V-shaped cradle to support pipe, for roof installation without membrane penetration.

C. Curb Mounted Pipe Stands: Shop- or field-fabricated pipe supports made from structural-steel shapes, continuous-thread rods, and rollers, for mounting on permanent stationary roof curb.

FIRE STATIONS RENOVATION  
ARLINGTON COUNTY, VIRGINIA  
Architect's Project No: 563006

2.5 EQUIPMENT SUPPORTS

- A. Description: Welded, shop or field fabricated equipment support made from structural carbon-steel shapes unless indicated otherwise.

2.6 MISCELLANEOUS MATERIALS

- A. Structural Steel: ASTM A 36/A 36M, carbon-steel plates, shapes, and bars; black and galvanized.
- B. Grout: ASTM C 1107, factory-mixed and -packaged, dry, hydraulic-cement, nonshrink and nonmetallic grout; suitable for interior and exterior applications.
  - 1. Properties: Nonstaining, noncorrosive, and nongaseous.
  - 2. Design Mix: 5000-psi, 28-day compressive strength.

PART 3 - EXECUTION

3.1 HANGER AND SUPPORT INSTALLATION

- A. Metal Pipe-Hanger Installation: Comply with MSS SP-69 and MSS SP-89. Provide hangers, supports, clamps, and attachments as required to properly support piping from the building structure.
- B. Metal Trapeze Pipe-Hanger Installation: Comply with MSS SP-69, MSS SP-89, and Table above. Arrange for grouping of parallel runs of horizontal piping, and support together on field-fabricated trapeze pipe hangers.
- C. Metal Framing System Installation: Arrange for grouping of parallel runs of piping, and support together on field-assembled metal framing systems.
- D. Thermal-Hanger Shield Installation: Provide in pipe hanger or shield for insulated piping.
- E. Pipe Stand Installation: Assemble components and mount on smooth roof surface. Do not penetrate roof membrane.
- F. Provide hangers and supports complete with necessary attachments, inserts, bolts, rods, nuts, washers, and other accessories.
- G. Equipment Support Installation: Fabricate from welded-structural-steel shapes.
- H. Provide hangers and supports to allow controlled thermal and seismic movement of piping systems, to permit freedom of movement between pipe anchors, and to facilitate action of expansion joints, expansion loops, expansion bends, and similar units.
- I. Provide lateral bracing with pipe hangers and supports to prevent swaying.
- J. Provide building attachments within concrete slabs or attach to structural steel. Building attachments may not used on steel joists unless otherwise indicated. Provide additional attachments

FIRE STATIONS RENOVATION  
ARLINGTON COUNTY, VIRGINIA  
Architect's Project No: 563006

at concentrated loads, including valves, flanges, and strainers, 2-1/2" and larger and at changes in direction of piping. Provide concrete inserts before concrete is placed; fasten inserts to forms and provide reinforcing bars through openings at top of inserts.

- K. Load Distribution: Provide hangers and supports so that piping live and dead loads and stresses from movement will not be transmitted to connected equipment.
- L. Pipe Slopes: Provide hangers and supports to provide indicated pipe slopes and to not exceed maximum pipe deflections allowed by ASME B31.9 for building services piping.
- M. Insulated Piping:
  - 1. Attach clamps and spacers to piping.
    - a. Piping Operating above Ambient Air Temperature: Clamp may project through insulation.
    - b. Piping Operating below Ambient Air Temperature: Provide thermal-hanger shield insert with clamp sized to match OD of insert.
    - c. Do not exceed pipe stress limits allowed by ASME B31.9 for building services piping.
  - 2. Provide MSS SP-58, Type 39, protection saddles if insulation without vapor barrier is indicated. Fill interior voids with insulation that matches adjoining insulation.
  - 3. Provide MSS SP-58, Type 40, protective shields on cold piping with vapor barrier. Shields shall span an arc of 180 degrees.
  - 4. Shield Dimensions for Pipe: Not less than the following:
    - a. Pipe 1/4" to 3-1/2": 12 inches long and 0.048 inch thick.
    - b. Pipe 4": 12 inches long and 0.06 inch thick.
    - c. Pipe 5" and 6": 18 inches long and 0.06 inch thick.
    - d. Pipe 8" to 14": 24 inches long and 0.075 inch thick.
  - 5. Pipes 8" and Larger: Include wood or reinforced calcium-silicate-insulation inserts of length at least as long as protective shield.
  - 6. Thermal-Hanger Shields: Provide with insulation same thickness as piping insulation.

### 3.2 EQUIPMENT SUPPORTS

- A. Fabricate structural-steel stands to suspend equipment from structure overhead or to support equipment above floor.
- B. Grouting: Place grout under supports for equipment and make bearing surface smooth.
- C. Provide lateral bracing, to prevent swaying, for equipment supports.

### 3.3 METAL FABRICATIONS

- A. Cut, drill, and fit miscellaneous metal fabrications for trapeze pipe hangers and equipment supports.
- B. Fit exposed connections together to form hairline joints. Field weld connections that cannot be shop welded because of shipping size limitations.

FIRE STATIONS RENOVATION  
ARLINGTON COUNTY, VIRGINIA  
Architect's Project No: 563006

- C. Field Welding: Comply with AWS D1.1/D1.1M procedures for shielded, metal arc welding; appearance and quality of welds; and methods used in correcting welding work; and with the following:
  - 1. Provide materials and methods that minimize distortion and develop strength and corrosion resistance of base metals.
  - 2. Obtain fusion without undercut or overlap.
  - 3. Remove welding flux immediately.
  - 4. Finish welds at exposed connections so no roughness shows after finishing and so contours of welded surfaces match adjacent contours.

3.4 ADJUSTING

- A. Hanger Adjustments: Adjust hangers to distribute loads equally on attachments and to achieve indicated slope of pipe.
- B. Trim excess length of continuous-thread hanger and support rods to 1-1/2 inches.

3.5 PAINTING

- A. Touchup: Unless otherwise indicated clean field welds and abraded areas of shop paint. Paint exposed areas immediately after erecting hangers and supports. Provide same materials as used for shop painting. Comply with SSPC-PA 1 requirements for touching up field-painted surfaces.
  - 1. Apply paint by brush or spray to provide a minimum dry film thickness of 2.0 mils.
- B. Galvanized Surfaces: Clean welds, bolted connections, and abraded areas and immediately apply galvanizing-repair paint. Paint shall comply with ASTM A 780.

3.6 HANGER AND SUPPORT SCHEDULE

- A. Specific hanger and support requirements are in Sections specifying piping systems and equipment.
- B. Comply with MSS SP-69 for pipe-hanger selections and applications that are not specified in piping system Sections.
- C. Provide hangers and supports with galvanized metallic coatings for piping and equipment that will not have field-applied finish.
- D. Provide nonmetallic coatings on attachments for electrolytic protection where attachments are in direct contact with copper tubing.
- E. Provide copper-plated pipe hangers and copper attachments for copper piping and tubing.
- F. Provide padded hangers for piping that is subject to scratching.
- G. Provide thermal-hanger shield inserts for insulated piping and tubing.



FIRE STATIONS RENOVATION  
ARLINGTON COUNTY, VIRGINIA  
Architect's Project No: 563006

H. Horizontal-Piping Hangers and Supports: Unless otherwise indicated provide the following:

1. Adjustable, Steel Clevis Hangers (MSS Type 1): For suspension of stationary pipes ½” to 30”.
2. Yoke-Type Pipe Clamps (MSS Type 2): For suspension of up to 1050 deg F pipes 4” to 14”, requiring up to 4” of insulation.
3. Carbon- or Alloy-Steel, Double-Bolt Pipe Clamps (MSS Type 3): For suspension of pipes ¾” to 14”, requiring clamp flexibility and up to 4 inches of insulation.
4. Steel Pipe Clamps (MSS Type 4): For suspension of cold and hot pipes ½” to 14” if little or no insulation is required.
5. Pipe Hangers (MSS Type 5): For suspension of pipes ½” to 4”, to allow off-center closure for hanger installation before pipe erection.
6. Adjustable, Swivel Split- or Solid-Ring Hangers (MSS Type 6): For suspension of noninsulated, stationary pipes ¾” to 8”.
7. Adjustable, Steel Band Hangers (MSS Type 7): For suspension of noninsulated, stationary pipes ½” to 8”.
8. Adjustable Band Hangers (MSS Type 9): For suspension of noninsulated, stationary pipes ½” to 8”.
9. Adjustable, Swivel-Ring Band Hangers (MSS Type 10): For suspension of noninsulated, stationary pipes ½” to 8”.
10. Split Pipe Ring with or without Turnbuckle Hangers (MSS Type 11): For suspension of noninsulated, stationary pipes ½” to 8”.
11. Extension Hinged or Two-Bolt Split Pipe Clamps (MSS Type 12): For suspension of noninsulated, stationary pipes NPS ½” to 3”.
12. U-Bolts (MSS Type 24): For support of heavy pipes ½” to 14”.
13. Clips (MSS Type 26): For support of insulated pipes not subject to expansion or contraction.
14. Pipe Saddle Supports (MSS Type 36): For support of pipes 4” to 14”, with steel-pipe base stanchion support and cast-iron floor flange or carbon-steel plate.
15. Pipe Stanchion Saddles (MSS Type 37): For support of pipes 4” to 14”, with steel-pipe base stanchion support and cast-iron floor flange or carbon-steel plate, and with U-bolt to retain pipe.
16. Adjustable Pipe Saddle Supports (MSS Type 38): For stanchion-type support for pipes 2-½” to 14” if vertical adjustment is required, with steel-pipe base stanchion support and cast-iron floor flange.
17. Single-Pipe Rolls (MSS Type 41): For suspension of pipes 1” to 14”, from two rods if longitudinal movement caused by expansion and contraction might occur.
18. Adjustable Roller Hangers (MSS Type 43): For suspension of pipes 2-½” to 14”, from single rod if horizontal movement caused by expansion and contraction might occur.
19. Complete Pipe Rolls (MSS Type 44): For support of pipes 2” to 14” if longitudinal movement caused by expansion and contraction might occur but vertical adjustment is not necessary.
20. Pipe Roll and Plate Units (MSS Type 45): For support of pipes 2” to 14” if small horizontal movement caused by expansion and contraction might occur and vertical adjustment is not necessary.
21. Adjustable Pipe Roll and Base Units (MSS Type 46): For support of pipes 2” to 14” if vertical and lateral adjustment during installation might be required in addition to expansion and contraction.

I. Vertical-Piping Clamps: Unless otherwise indicated provide the following:

FIRE STATIONS RENOVATION  
ARLINGTON COUNTY, VIRGINIA  
Architect's Project No: 563006

1. Extension Pipe or Riser Clamps (MSS Type 8): For support of pipe risers  $\frac{3}{4}$ " to 14".
  2. Carbon- or Alloy-Steel Riser Clamps (MSS Type 42): For support of pipe risers  $\frac{3}{4}$ " to 14" if longer ends are required for riser clamps.
- J. Hanger-Rod Attachments: Unless otherwise indicated provide the following:
1. Steel Turnbuckles (MSS Type 13): For adjustment up to 6 inches for heavy loads.
  2. Steel Clevises (MSS Type 14): For 120 to 450 deg F piping installations.
  3. Swivel Turnbuckles (MSS Type 15): For use with MSS Type 11, split pipe rings.
  4. Malleable-Iron Sockets (MSS Type 16): For attaching hanger rods to various types of building attachments.
  5. Steel Weldless Eye Nuts (MSS Type 17): For 120 to 450 deg F piping installations.
  6. Flat Plate, Double Nut, and Washer as Detailed on Structural Drawings: For attaching to bar joists. Method of attachment to bar joists must be approved by the structural engineer and joist manufacturer.
- K. Building Attachments: Unless otherwise indicated provide the following:
1. Steel or Malleable Concrete Inserts (MSS Type 18): For upper attachment to suspend pipe hangers from concrete ceiling.
  2. Flat Plate, Double Nuts, and Washer as Detailed on Structural Drawings: For use under roof installations with bar-joist construction to attach to bottom chord of joist.
  3. Side-Beam or Channel Clamps (MSS Type 20): For attaching to bottom flange of beams, channels, or angles.
  4. Center-Beam Clamps (MSS Type 21): For attaching to center of bottom flange of beams.
  5. Welded Beam Attachments (MSS Type 22): For attaching to bottom of beams if loads are considerable and rod sizes are large.
  6. C-Clamps (MSS Type 23): For structural shapes.
  7. Top-Beam Clamps (MSS Type 25): For top of beams if hanger rod is required tangent to flange edge.
  8. Side-Beam Clamps (MSS Type 27): For bottom of steel I-beams.
  9. Steel-Beam Clamps with Eye Nuts (MSS Type 28): For attaching to bottom of steel I-beams for heavy loads.
  10. Linked-Steel Clamps with Eye Nuts (MSS Type 29): For attaching to bottom of steel I-beams for heavy loads, with link extensions.
  11. Malleable-Beam Clamps with Extension Pieces (MSS Type 30): For attaching to structural steel.
  12. Welded-Steel Brackets: For support of pipes from below or for suspending from above by using clip and rod. Provide one of the following for indicated loads:
    - a. Light (MSS Type 31): 750 lb.
    - b. Medium (MSS Type 32): 1500 lb.
    - c. Heavy (MSS Type 33): 3000 lb.
  13. Side-Beam Brackets (MSS Type 34): For sides of steel or wooden beams.
  14. Plate Lugs (MSS Type 57): For attaching to steel beams if flexibility at beam is required.
  15. Horizontal Travelers (MSS Type 58): For supporting piping systems subject to linear horizontal movement where headroom is limited.
- L. Saddles and Shields: Unless otherwise indicated provide the followings:

FIRE STATIONS RENOVATION  
ARLINGTON COUNTY, VIRGINIA  
Architect's Project No: 563006

1. Steel-Pipe-Covering Protection Saddles (MSS Type 39): To fill interior voids with insulation that matches adjoining insulation.
  2. Protection Shields (MSS Type 40): Of length recommended in writing by manufacturer to prevent crushing insulation.
  3. Thermal-Hanger Shield Inserts: For supporting insulated pipe.
- M. Spring Hangers and Supports: Unless otherwise indicated provide the following:
1. Restraint-Control Devices (MSS Type 47): To control pipe movement.
  2. Spring Cushions (MSS Type 48): For light loads if vertical movement does not exceed 1-1/4 inches.
  3. Spring-Cushion Roll Hangers (MSS Type 49): For equipping Type 41, roll hanger with springs.
  4. Spring Sway Braces (MSS Type 50): To retard sway, shock, vibration, or thermal expansion in piping systems.
  5. Variable-Spring Hangers (MSS Type 51): Preset to indicated load and limit variability factor to 25 percent to allow expansion and contraction of piping system from hanger.
  6. Variable-Spring Base Supports (MSS Type 52): Preset to indicated load and limit variability factor to 25 percent to allow expansion and contraction of piping system from base support.
  7. Variable-Spring Trapeze Hangers (MSS Type 53): Preset to indicated load and limit variability factor to 25 percent to allow expansion and contraction of piping system from trapeze support.
  8. Constant Supports: For critical piping stress and if necessary to avoid transfer of stress from one support to another support, critical terminal, or connected equipment. Include auxiliary stops for erection, hydrostatic test, and load-adjustment capability. These supports include the following types:
    - a. Horizontal (MSS Type 54): Mounted horizontally.
    - b. Vertical (MSS Type 55): Mounted vertically.
    - c. Trapeze (MSS Type 56): Two vertical-type supports and one trapeze member.
- N. Comply with MSS SP-69 for trapeze pipe-hanger selections and applications that are not specified in piping system Sections.
- O. Comply with MFMA-103 for metal framing system selections and applications that are not specified in piping system Sections.
- P. Provide powder-actuated fasteners or mechanical-expansion anchors instead of building attachments where indicated in concrete construction.

END OF SECTION 220529

FIRE STATIONS RENOVATION  
ARLINGTON COUNTY, VIRGINIA  
Architect's Project No: 563006

SECTION 220553 - IDENTIFICATION FOR PLUMBING PIPING AND EQUIPMENT

PART 1 - GENERAL

1.1 RELATED DOCUMENTS

- A. Provisions of the Contract and of the Contract Documents apply to this Section.

1.2 SUBMITTALS

- A. Product Data: For each type of product indicated.
- B. Equipment Label Schedule: Include a listing of all equipment to be labeled with the proposed content for each label.
- C. Valve Schedules: For each piping system to include in maintenance manuals.

1.3 QUALITY ASSURANCE

- A. ASME Compliance: Comply with ASME A13.1, "Scheme for the Identification of Piping Systems," for letter size, length of color field, colors, and viewing angles of identification devices for piping.

1.4 COORDINATION

- A. Coordinate installation of identifying devices with completion of covering and painting of surfaces where devices are to be applied.
- B. Coordinate installation of identifying devices with locations of access panels and doors.
- C. Install identifying devices before installing acoustical ceilings and similar concealment.

PART 2 - PRODUCTS

2.1 EQUIPMENT LABELS

- A. Metal Labels for Equipment:
  - 1. Material and Thickness: Brass, Aluminum, or anodized aluminum, 0.032-inch minimum thickness, and having predrilled or stamped holes for attachment hardware.
  - 2. Minimum Label Size: Length and width vary for required label content, but not less than 2-1/2 by 3/4 inch.
  - 3. Minimum Letter Size: 1/4 inch for name of units if viewing distance is less than 24 inches, 1/2 inch for viewing distances up to 72 inches, and proportionately larger lettering for greater viewing distances. Include secondary lettering two-thirds to three-fourths the size of principal lettering.
  - 4. Fasteners: Stainless-steel rivets or self-tapping screws.

FIRE STATIONS RENOVATION  
ARLINGTON COUNTY, VIRGINIA  
Architect's Project No: 563006

5. Adhesive: Contact-type permanent adhesive, compatible with label and with substrate.

B. Plastic Labels for Equipment:

1. Material and Thickness: Multilayer, multicolor, plastic labels for mechanical engraving, 1/16 inch thick, and having predrilled holes for attachment hardware.
2. Letter Color: White.
3. Background Color: Black.
4. Maximum Temperature: Able to withstand temperatures up to 160 deg F.
5. Minimum Label Size: Length and width vary for required label content, but not less than 2-1/2 by 3/4 inch.
6. Minimum Letter Size: 1/4 inch for name of units if viewing distance is less than 24 inches, 1/2 inch for viewing distances up to 72 inches, and proportionately larger lettering for greater viewing distances. Include secondary lettering two-thirds to three-fourths the size of principal lettering.
7. Fasteners: Stainless-steel rivets or self-tapping screws.
8. Adhesive: Contact-type permanent adhesive, compatible with label and with substrate.

C. Label Content: Include equipment's Drawing designation or unique equipment number, Drawing numbers where equipment is indicated (plans, details, and schedules), plus the Specification Section number and title where equipment is specified.

D. Equipment Label Schedule: For each item of equipment to be labeled, on 8-1/2-by-11-inch bond paper. Tabulate equipment identification number and identify Drawing numbers where equipment is indicated (plans, details, and schedules), plus the Specification Section number and title where equipment is specified. Equipment schedule shall be included in operation and maintenance data.

2.2 WARNING SIGNS AND LABELS

A. Material and Thickness: Multilayer, multicolor, plastic labels for mechanical engraving, 1/16 inch thick, and having predrilled holes for attachment hardware.

B. Letter Color: White.

C. Background Color: Red.

D. Maximum Temperature: Able to withstand temperatures up to 160 deg F.

E. Minimum Label Size: Length and width vary for required label content, but not less than 2-1/2 by 3/4 inch.

F. Minimum Letter Size: 1/4 inch for name of units if viewing distance is less than 24 inches, 1/2 inch for viewing distances up to 72 inches, and proportionately larger lettering for greater viewing distances. Include secondary lettering two-thirds to three-fourths the size of principal lettering.

G. Fasteners: Stainless-steel rivets or self-tapping screws.

FIRE STATIONS RENOVATION  
ARLINGTON COUNTY, VIRGINIA  
Architect's Project No: 563006

- H. Adhesive: Contact-type permanent adhesive, compatible with label and with substrate.
- I. Label Content: Include caution and warning information, plus emergency notification instructions.

### 2.3 PIPE LABELS

- A. General Requirements for Manufactured Pipe Labels: Preprinted, color-coded, with lettering indicating service, and showing flow direction.
- B. Pretensioned Pipe Labels: Precoiled, semirigid plastic formed to cover full circumference of pipe and to attach to pipe without fasteners or adhesive.
- C. Self-Adhesive Pipe Labels: Printed plastic with contact-type, permanent-adhesive backing.
- D. Pipe Label Contents: Include identification of piping service using same designations or abbreviations as used on Drawings, pipe size, and an arrow indicating flow direction.
  - 1. Flow-Direction Arrows: Integral with piping system service lettering to accommodate both directions, or as separate unit on each pipe label to indicate flow direction.
  - 2. Lettering Size: At least 1-1/2 inches high.

### 2.4 STENCILS

- A. Stencils: Prepared with letter sizes according to ASME A13.1 for piping; minimum letter height of 1-1/4 inches for ducts; and minimum letter height of 3/4 inch for access panel and door markers, equipment markers, equipment signs, and similar operational instructions.
  - 1. Stencil Material: Metal or fiberboard.
  - 2. Stencil Paint: Exterior, gloss, black, unless otherwise indicated. Paint shall be low VOC and shall meet the requirements of section 09910. Paint may be in pressurized spray-can form.
  - 3. Identification Paint: Exterior, in colors according to ASME A13.1, unless otherwise indicated. Paint shall be low VOC and shall meet the requirements of section 09910.

### 2.5 VALVE TAGS

- A. Valve Tags: Stamped or engraved with 1/4-inch letters for piping system abbreviation and 1/2-inch numbers, numbering scheme approved by Architect. Provide 5/32-inch hole for fastener.
  - 1. Material: 0.032-inch- thick brass or
  - 2. Material: 0.0375-inch- thick stainless steel or
  - 3. Material: 3/32-inch- thick laminated plastic with 2 black surfaces and white inner layer.
- B. Valve-Tag Fasteners: Brass wire-link or beaded chain; or S-hook.

### 2.6 VALVE SCHEDULES

FIRE STATIONS RENOVATION  
ARLINGTON COUNTY, VIRGINIA  
Architect's Project No: 563006

- A. Valve Schedules: For each piping system, on standard-size bond paper. Tabulate valve number, piping system, system abbreviation (as shown on valve tag), location of valve (room or space), normal-operating position (open, closed, or modulating), and variations for identification. Mark valves for emergency shutoff and similar special uses.
1. Valve-Schedule Frames: Glazed display frame for removable mounting on masonry walls for each page of valve schedule. Include mounting screws and hangers.
  2. Frame: Finished hardwood or extruded aluminum.
  3. Glazing: ASTM C 1036, Type I, Class 1, Glazing Quality B, 2.5-mm, single-thickness glass.

2.7 WARNING TAGS

- A. Warning Tags: Preprinted or partially preprinted, accident-prevention tags, of plasticized card stock with matte finish suitable for writing.
1. Size: 3 by 5-1/4 inches minimum.
  2. Fasteners: Brass grommet and wire.
  3. Nomenclature: Large-size primary caption such as "DANGER," "CAUTION," or "DO NOT OPERATE."
  4. Color: Yellow background with black lettering.

PART 3 - EXECUTION

3.1 PREPARATION

- A. Clean piping and equipment surfaces of substances that could impair bond of identification devices, including dirt, oil, grease, release agents, and incompatible primers, paints, and encapsulants.

3.2 EQUIPMENT LABEL INSTALLATION

- A. Install and permanently fasten equipment nameplates on each major item of plumbing equipment that does not have nameplate, or has a nameplate that is damaged or located where not easily visible. Locate nameplates where easily visible. Include nameplates for the following general categories of equipment:
1. Pumps, compressors, and other motor-driven equipment.
  2. Water heaters and storage tanks.
- B. Install equipment markers with permanent adhesive on or near each major item of mechanical equipment. Data required for markers may be included on signs, and markers may be omitted if both are indicated.
1. Letter Size: Minimum 1/4 inch for name of units if viewing distance is less than 24 inches, 1/2 inch for viewing distances up to 72 inches, and proportionately larger lettering for greater viewing distances. Include secondary lettering two-thirds to three-fourths the size of principal lettering.

FIRE STATIONS RENOVATION  
ARLINGTON COUNTY, VIRGINIA  
Architect's Project No: 563006

2. Data: Distinguish among multiple units, indicate operational requirements, indicate safety and emergency precautions, warn of hazards and improper operations, and identify units.
  3. Locate markers where accessible and visible. Include markers for the following general categories of equipment:
    - a. Meters, gages, and thermometers.
    - b. Pumps, compressors, and other motor-driven equipment.
    - c. Water heaters and storage tanks.
- C. Install equipment signs with screws or permanent adhesive on or near each major item of mechanical equipment. Locate signs where easily visible.
1. Identify mechanical equipment with equipment markers in the following color codes:
    - a. Green: For cooling equipment and components.
    - b. Yellow: For heating equipment and components.
    - c. Orange: For combination cooling and heating equipment and components.
    - d. Brown: For energy-reclamation equipment and components.
    - e. Blue: For equipment not listed in a through d
  2. Letter Size: Minimum 1/4 inch for name of units if viewing distance is less than 24 inches, 1/2 inch for viewing distances up to 72 inches, and proportionately larger lettering for greater viewing distances. Include secondary lettering two-thirds to three-fourths the size of principal lettering.
  3. Data: Distinguish among multiple units, indicate operational requirements, indicate safety and emergency precautions, warn of hazards and improper operations, and identify units.
- D. Install access panel markers with screws on equipment access panels.

### 3.3 PIPE LABEL INSTALLATION

- A. Piping Color-Coding: Painting of piping is specified in other sections.
- B. Locate pipe labels where piping is exposed or above accessible ceilings in finished spaces; machine rooms; accessible maintenance spaces such as shafts, tunnels, and plenums; and exterior exposed locations as follows:
1. Near each valve and control device.
  2. Near each branch connection, excluding short takeoffs for fixtures and terminal units. Where flow pattern is not obvious, mark each pipe at branch.
  3. Near penetrations through walls, floors, ceilings, and inaccessible enclosures.
  4. At access doors, manholes, and similar access points that permit view of concealed piping.
  5. Near major equipment items and other points of origination and termination.
  6. Spaced at maximum intervals of 25 feet.
  7. On piping above removable acoustical ceilings. Omit intermediately spaced labels.
- C. Pipe Label Color Schedule:



FIRE STATIONS RENOVATION  
ARLINGTON COUNTY, VIRGINIA  
Architect's Project No: 563006

1. Domestic Cold Water Piping:
  - a. Background Color: Green.
  - b. Letter Color: White.
2. Domestic Hot Water Piping:
  - a. Background Color: Green.
  - b. Letter Color: White.
3. Sanitary Waste and Storm Drainage Piping:
  - a. Background Color: Green.
  - b. Letter Color: White.

3.4 VALVE-TAG INSTALLATION

- A. Install tags on valves and control devices in piping systems, except check valves; valves within factory-fabricated equipment units; plumbing fixture supply stops; shutoff valves; faucets; convenience and lawn-watering hose connections; and HVAC terminal devices and similar roughing-in connections of end-use fixtures and units. List tagged valves in a valve schedule.
- B. Valve-Tag Application Schedule: Tag valves according to size, shape, and color scheme and with captions similar to those indicated in the following:
  1. Valve-Tag Size and Shape:
    - a. Domestic Cold Water: 1 ½", round.
    - b. Domestic Hot Water: 1 ½", round.
    - c. Domestic Hot Water Recirculation: 1 ½", round.
  2. Valve-Tag Color:
    - a. Domestic Cold Water: Blue.
    - b. Domestic Hot Water: Red.
    - c. Domestic Hot Water Recirculation: Red.
  3. Letter Color:
    - a. Domestic Cold Water: Black.
    - b. Domestic Hot Water: White.
    - c. Domestic Hot Water Recirculation: White.

3.5 VALVE SCHEDULE INSTALLATION

- A. Mount valve schedules on wall in accessible location in each major equipment room and where directed by owner.

3.6 WARNING-TAG INSTALLATION

- A. Write required message on, and attach warning tags to, equipment and other items where required.

FIRE STATIONS RENOVATION  
ARLINGTON COUNTY, VIRGINIA  
Architect's Project No: 563006

3.7 ADJUSTING

- A. Relocate mechanical identification materials and devices that have become visually blocked by other work.

3.8 CLEANING

- A. Clean faces of mechanical identification devices and glass fronts of valve schedules.

END OF SECTION 220553

FIRE STATIONS RENOVATION  
ARLINGTON COUNTY, VIRGINIA  
Architect's Project No: 563006

SECTION 220700 - PLUMBING INSULATION

PART 1 - GENERAL

1.1 RELATED DOCUMENTS

- A. Provisions of the Contract and of the Contract Documents apply to this Section.

1.2 DEFINITIONS

- A. Outdoor pipe: Pipe located outside the building insulation envelope.
- B. Plenum: An unoccupied space or void, on the conditioned side of the building insulation and vapor barrier, being used to return conditioned air to the inlet side of a return or exhaust fan either directly or via a duct connection. An example would be a space with air handling light fixtures or openings in the ceiling used to transport air through the ceiling and then to an open duct located above the ceiling in another location.
- C. Indirectly Conditioned Space: A space having no direct conditioning but, due to air movement induced by an exhaust, or return opening, is conditioned by makeup air from an adjacent space. An example would be a small toilet. Boiler rooms, fan rooms, and mechanical rooms do not qualify as indirectly conditioned spaces.
- D. Inside the Building Insulation Envelope: For the purposes of this section, boiler rooms, fan rooms, and mechanical rooms are considered to be OUTSIDE the building insulation envelope.
- E. Exposed: Visible from any angle without removal of building element or equipment.
- F. Concealed: Enclosed in building element or above ceiling such that it is not visible from any angle without removal of building element or equipment.

1.3 SUBMITTALS

- A. Product Data: Identify thermal conductivity, thickness, and jackets (both factory and field applied, if any), for each type of product indicated.
- B. LEED Submittal: Refer to Division 1 Section "Sustainable Design Requirements."
- C. Shop Drawings: Show fabrication and installation details for the following:
  - 1. Detail application of removable insulation covers.
  - 2. Detail application of protective shields, saddles, and inserts at hangers for each type of insulation and hanger.
  - 3. Detail attachment and covering of heat tracing inside insulation.
  - 4. Detail insulation application at pipe expansion joints for each type of insulation.
  - 5. Detail insulation application at elbows, fittings, flanges, valves, and specialties for each type of insulation.
  - 6. Detail removable insulation at piping specialties, equipment connections, and access panels.
  - 7. Detail application of field-applied jackets.
  - 8. Detail application at linkages of control devices.
  - 9. Detail field application for each equipment type.

FIRE STATIONS RENOVATION  
ARLINGTON COUNTY, VIRGINIA  
Architect's Project No: 563006

1.4 QUALITY ASSURANCE

- A. Fire-Test-Response Characteristics: Insulation and related materials shall have fire-test-response characteristics indicated, as determined by testing identical products per ASTM E 84, by a testing and inspecting agency acceptable to authorities having jurisdiction. Factory label insulation and jacket materials and adhesive, mastic, tapes, and cement material containers, with appropriate markings of applicable testing and inspecting agency.
  - 1. Insulation Installed Indoors: Flame-spread index of 25 or less, and smoke-developed index of 50 or less.
  - 2. Insulation Installed Outdoors: Flame-spread index of 75 or less, and smoke-developed index of 150 or less.

1.5 DELIVERY, STORAGE, AND HANDLING

- A. Packaging: Ship insulation materials in containers marked by manufacturer with type, grade, and maximum use temperature.
- B. Ship Insulated Piping System Components on pallets and wood supports. Securely fasten and protect from damage. Store off the ground and cover with opaque waterproof tarp to protect materials from sunlight and rain.

1.6 COORDINATION

- A. Coordinate size and location of supports, hangers, and insulation shields specified in Section "Hangers and Supports for HVAC Piping and Equipment."
- B. Coordinate clearance requirements with piping Installer for piping insulation, duct Installer for duct insulation, and equipment Installer for equipment insulation.
- C. Maintain clearances required for maintenance.
- D. Coordinate installation and testing of heat tracing.

PART 2 - PRODUCTS

2.1 MANUFACTURERS

- A. Available Manufacturers:
  - 1. Mineral-Fiber Insulation:
    - a. CertainTeed Manson.
    - b. Johns Manville
    - c. Knauf FiberGlass GmbH.
    - d. Owens-Corning Fiberglas Corp.
    - e. Schuller International, Inc.
  - 2. Flexible Elastomeric Thermal Insulation:
    - a. Armstrong World Industries, Inc.
    - b. Rubatex Corp.
  - 3. Removable Insulation Covers:
    - a. Advance Thermal Corp.

FIRE STATIONS RENOVATION  
ARLINGTON COUNTY, VIRGINIA  
Architect's Project No: 563006

2.2 INSULATION MATERIALS

- A. Comply with requirements in Part 3 schedule articles for where insulating materials shall be applied.
- B. Products shall not contain asbestos, lead, mercury, or mercury compounds.
- C. Products that come in contact with stainless steel shall have a leachable chloride content of less than 50 ppm when tested according to ASTM C 871.
- D. Insulation materials for use on austenitic stainless steel shall be qualified as acceptable according to ASTM C 795.
- E. Foam insulation materials shall not use CFC or HCFC blowing agents in the manufacturing process.
- F. Insulation products must be tested and determined compliant in accordance with California Department of Public Health (CDPH) Standard Method v1.1-2010, using the applicable exposure scenario. The default scenario is the private office scenario. The manufacturer's or third-party certification must state the exposure scenario used to determine compliance. Claims of compliance for wet-applied products must state the amount applied in mass per surface area. Manufacturers' claims of compliance with the above requirements must also state the range of total VOCs after 14 days (336 hours), measured as specified in the CDPH Standard Method v1.1:
  - a. 0.5 mg/m<sup>3</sup> or less;
  - b. between 0.5 and 5.0 mg/m<sup>3</sup>; or
  - c. 5.0 mg/m<sup>3</sup> or more
- G. Mineral-Fiber Board: Glass fibers bonded with a thermosetting resin. Comply with ASTM C 612, Type IB, with factory applied FSK Jacket. Meet the requirements of ASTM C 1290, Type III, inorganic glass fibers bonded by a thermosetting resin to maximum service temperature of 250°F.. Faced insulation shall not exceed 25 Flame Spread, 50 Smoke Developed when tested in accordance with ASTM E84.
- H. Semi-Rigid Mineral-Fiber Board: Glass fibers bonded with a thermosetting resin. Comply with ASTM C 1136, Type I, II, III, & IV with factory applied all-service jacket (ASJ) or Type II, IV with factory applied Foil Scrim Kraft (FSK) jacket.
- I. Mineral-Fiber Blanket with Factory Applied FSK Jacket: Meet the requirements of ASTM C 1290, Type III, inorganic glass fibers bonded by a thermosetting resin with a multi-purpose foil-scrim kraft (FSK) jacket to maximum service temperature of 250°F. FSK shall meet the requirements of ASTM C 1136, Type II, when surface burning characteristics are determined in accordance with ASTM E 84 with the foil surface of the material exposed to the flame as it is in the final composite. Composite (insulation, facing and adhesive) shall not exceed 25 Flame Spread, 50 Smoke Developed when tested in accordance with ASTM E 84. Insulation properties shall be as follows:
  - 1. Thickness: 1-1/2"
    - a. Density: 0.75 pcf
    - b. Minimum uncompressed R value: 5.0
    - c. Minimum installed R value assuming 25% compression: 4.0
  - 2. Thickness: 2"
    - a. Density: 1.0 pcf
    - b. Minimum uncompressed R value: 7.4

FIRE STATIONS RENOVATION  
ARLINGTON COUNTY, VIRGINIA  
Architect's Project No: 563006

- c. Minimum installed R value assuming 25% compression: 6.0
    - 3. Alternate to 2" 1.0 pcf: Thickness: 2.2"
      - a. Density: 0.75 pcf
      - b. Minimum uncompressed R value: 7.4
      - c. Minimum installed R value assuming 25% compression: 6.0
    - 4. Thickness: 3"
      - a. Density: 0.75 pcf
      - b. Minimum uncompressed R value: 10.0
      - c. Minimum installed R value assuming 25% compression: 8.3
  - J. Medium Temperature Mineral-Fiber Blanket for Operating Temperatures from 250 to 850 deg F: Glass fibers bonded with a thermosetting resin. Comply with ASTM C 553, Type II, without facing and with all-service jacket manufactured from kraft paper, reinforcing scrim, aluminum foil, and vinyl film.
  - K. High Temperature Mineral-Fiber Blanket for Temperatures above 850 deg F: Glass fibers bonded with a thermosetting resin. Comply with ASTM C 553, Type V, without facing and with all-service jacket manufactured from kraft paper, reinforcing scrim, aluminum foil, and vinyl film.
  - L. Mineral-Fiber Pipe Insulation: Glass fibers bonded with a thermosetting resin complying with the following:
    - 1. Preformed Pipe Insulation: Comply with ASTM C 547, Type 1, with factory-applied, all-purpose, vapor-retarder jacket.
    - 2. Semi-Rigid Mineral-Fiber Board: Glass fibers bonded with a thermosetting resin. Comply with ASTM C 1136, Type I, II, III, IV with factory applied all-service jacket (ASJ) or Type II, IV with factory applied Foil Scrim Kraft (FSK) jacket.
    - 3. Blanket Insulation: Comply with ASTM C 553, Type II, without facing.
    - 4. Mineral-Fiber Insulating Cements: Comply with ASTM C 195.
    - 5. Expanded or Exfoliated Vermiculite Insulating Cements: Comply with ASTM C 196.
    - 6. Mineral-Fiber, Hydraulic-Setting Insulating and Finishing Cement: Comply with ASTM C 449/C 449M.
  - M. Flexible Elastomeric: Closed-cell, sponge- or expanded-rubber materials. Comply with ASTM C 534, Type I for tubular materials and Type II for sheet materials.
    - 1. Adhesive: As recommended by insulation material manufacturer.
    - 2. Ultraviolet-Protective Coating: As recommended by insulation manufacturer.
  - N. Prefabricated Thermal Insulating Fitting Covers: Comply with ASTM C 450 for dimensions used in performing insulation to cover valves, elbows, tees, and flanges.
- 2.3 FIELD-APPLIED JACKETS
- A. General: ASTM C 921, Type 1, unless otherwise indicated.
  - B. Glass Cloth: Woven glass-fiber fabric, plain weave, minimum 8 ounces per square yard.
  - C. Foil and Paper Jacket: Laminated, glass-fiber-reinforced, flame-retardant kraft paper and aluminum foil.
  - D. PVC Jacket: High-impact, ultraviolet-resistant PVC; 20 mils thick; roll stock ready for shop or field cutting and forming.
    - 1. Adhesive: As recommended by insulation material manufacturer.

FIRE STATIONS RENOVATION  
ARLINGTON COUNTY, VIRGINIA  
Architect's Project No: 563006

2. PVC Duct Jacket Color: White or gray.
  3. PVC Pipe Jacket Color: Color-code piping jackets based on materials contained within the piping system.
- E. Aluminum Jacket: Deep corrugated sheets manufactured from aluminum alloy complying with ASTM B 209, and having an integrally bonded moisture barrier over entire surface in contact with insulation. Factory cut and rolled to indicated sizes. Comply with ASTM B 209, 3003 alloy, H-14 temper.
1. Finish and Thickness: Stucco-embossed finish, 0.016 inch thick.
  2. Moisture Barrier: 1-mil- thick, heat-bonded polyethylene and kraft paper.
  3. Elbows: Preformed, 45- and 90-degree, short- and long-radius elbows; same material, finish, and thickness as jacket.
- F. Heavy PVC Pipe Fitting Covers: Factory-fabricated fitting covers manufactured from 30-mil-thick, high-impact, ultraviolet-resistant PVC.
1. Shapes: 45- and 90-degree, short- and long-radius elbows, tees, valves, flanges, reducers, end caps, soil-pipe hubs, traps, mechanical joints, and P-trap and supply covers for lavatories for the disabled.
  2. Adhesive: As recommended by insulation material manufacturer.
- G. Standard PVC Pipe Fitting Covers: Factory-fabricated fitting covers manufactured from 20-mil- thick, high-impact, ultraviolet-resistant PVC.
1. Shapes: 45- and 90-degree, short- and long-radius elbows, tees, valves, flanges, reducers, end caps, soil-pipe hubs, traps, mechanical joints, and P-trap and supply covers for lavatories for the disabled.
  2. Adhesive: As recommended by insulation material manufacturer.

#### 2.4 REMOVABLE INSULATION COVERS

- A. Pre-manufactured easily removable insulation cover/blanket intended for insulation of equipment and devices requiring periodic maintenance.

#### 2.5 ACCESSORIES AND ATTACHMENTS

- A. Glass Cloth and Tape: Comply with MIL-C-20079H, Type I for cloth and Type II for tape. Woven glass-fiber fabrics, plain weave, presized a minimum of 8 oz./sq. yd..
1. Tape Width: 4 inches.
- B. Bands: 3/4 inch wide, in one of the following materials compatible with jacket:
1. Stainless Steel: ASTM A 666, Type 304; 0.020 inch thick.
  2. Galvanized Steel: 0.005 inch thick.
  3. Aluminum: 0.007 inch thick.
  4. Brass: 0.010 inch thick.
  5. Nickel-Copper Alloy: 0.005 inch thick.
- C. Wire: 0.080-inch, nickel-copper alloy; 0.062-inch, soft-annealed, stainless steel; or 0.062-inch, soft-annealed, galvanized steel.
- D. Weld-Attached Anchor Pins and Washers: Copper-coated steel pin for capacitor-discharge welding and galvanized speed washer. Pin length sufficient for insulation thickness indicated.

FIRE STATIONS RENOVATION  
ARLINGTON COUNTY, VIRGINIA  
Architect's Project No: 563006

1. Welded Pin Holding Capacity: 100 lb for direct pull perpendicular to the attached surface.
  - E. Adhesive-Attached Anchor Pins and Speed Washers: Galvanized steel plate, pin, and washer manufactured for attachment to duct, pipe, plenum and breeching with adhesive. Pin length sufficient for insulation thickness indicated.
    1. Adhesive: Recommended by the anchor pin manufacturer as appropriate for surface temperatures of ducts, pipes, plenums, and breechings; and to achieve a holding capacity of 100 lb. for direct pull perpendicular to the adhered surface.
  - F. Self-Adhesive Anchor Pins and Speed Washers: Galvanized steel plate, pin, and washer manufactured for attachment to duct, pipe, and plenum with adhesive. Pin length sufficient for insulation thickness indicated.
- 2.6 VAPOR RETARDERS
- A. Mastics: Materials recommended by insulation material manufacturer that are compatible with insulation materials, jackets, and substrates.
- 2.7 REMOVABLE INSULATION COVERS
- A. Pre-manufactured easily removable insulation cover/blanket intended for insulation of equipment and devices requiring periodic maintenance.

PART 3 - EXECUTION

3.1 EXAMINATION

- A. Examine substrates and conditions for compliance with requirements for installation and other conditions affecting performance of insulation application.
- B. Proceed with installation only after unsatisfactory conditions have been corrected.

3.2 PREPARATION

- A. Surface Preparation: Clean and dry surfaces to receive insulation. Remove materials that will adversely affect insulation application.

3.3 GENERAL APPLICATION REQUIREMENTS

- A. Apply insulation materials, accessories, and finishes according to the manufacturer's written instructions; with smooth, straight, and even surfaces; and free of voids throughout the length of piping, and fittings.
- B. Refer to schedules at the end of this Section for materials, forms, jackets, and thickness required for each system.
- C. Use accessories compatible with insulation materials and suitable for the service. Use accessories that do not corrode, soften, or otherwise attack insulation or jacket in either wet or dry state.
- D. Apply multiple layers of insulation with seams staggered.
- E. Do not weld brackets, clips, or other attachment devices to piping, fittings, and specialties.



FIRE STATIONS RENOVATION  
ARLINGTON COUNTY, VIRGINIA  
Architect's Project No: 563006

- F. Seal joints and seams with vapor-retarder mastic on insulation indicated to receive a vapor retarder.
- G. Keep insulation materials dry at all times. Insulation that becomes wet or is otherwise damaged beyond repair, shall be removed immediately and replaced. Replacement material and installation shall be in accordance with these specifications.
- H. Apply insulation with tight longitudinal seams and end joints. Bond seams and joints with adhesive recommended by the insulation material manufacturer.
- I. Apply insulation with the minimum number of joints practical.
- J. Apply insulation over fittings, valves, and specialties, with continuous thermal and vapor-retarder integrity, unless otherwise indicated.
- K. Refer to special instructions for applying insulation over fittings, valves, and specialties.
- L. Hangers and Anchors: Where vapor retarder is indicated, seal penetrations in insulation at hangers, supports, anchors, and other projections with vapor-retarder mastic.
  - 1. Apply insulation continuously through hangers and around anchor attachments.
  - 2. For insulation application where vapor retarders are indicated, extend insulation on anchor legs at least 12 inches from point of attachment to pipe and taper insulation ends. Seal tapered ends with a compound recommended by the insulation material manufacturer to maintain vapor retarder.
  - 3. Install insert materials and apply insulation to tightly join the insert. Seal insulation to insulation inserts with adhesive or sealing compound recommended by the insulation material manufacturer.
  - 4. Cover inserts with jacket material matching adjacent pipe insulation. Install shields over jacket, arranged to protect the jacket from tear or puncture by the hanger, support, and shield.
- M. Insulation Terminations: For insulation application where vapor retarders are indicated, seal ends with a compound recommended by the insulation material manufacturer to maintain vapor retarder.
- N. Apply insulation with integral jackets as follows:
  - 1. Pull jacket tight and smooth.
  - 2. Joints and Seams: Cover with tape and vapor retarder as recommended by insulation material manufacturer to maintain vapor seal.
  - 3. Vapor-Retarder Mastics: Where vapor retarders are indicated, apply mastic on seams and joints and at ends adjacent to duct flanges, pipe joints, and fittings.
- O. Cut insulation according to manufacturer's written instructions to prevent compressing insulation to less than 75 percent of its nominal thickness.
- P. Install vapor-retarder mastic on ducts, pipes, plenums, and equipment.
  - 1. Ducts, pipes, plenums, and equipment with Vapor Retarders: Overlap insulation facing at seams and seal with vapor-retarder mastic and pressure-sensitive tape having same facing as insulation. Repair punctures, tears, and penetrations with tape or mastic to maintain vapor-retarder seal.
  - 2. Ducts, pipes, plenums, and equipment without Vapor Retarders: Overlap insulation facing at seams and secure with outward clinching staples and pressure-sensitive tape having same facing as insulation.

FIRE STATIONS RENOVATION  
ARLINGTON COUNTY, VIRGINIA  
Architect's Project No: 563006

- Q. Roof Penetrations: Apply insulation for interior applications to a point even with top of roof flashing.
  - 1. Seal penetrations with vapor-retarder mastic.
  - 2. Apply insulation for exterior applications tightly joined to interior insulation ends.
  - 3. Seal insulation to roof flashing with vapor-retarder mastic.
- R. Interior Wall and Partition Penetrations: Apply insulation continuously through walls and partitions, except fire-rated walls and partitions.
- S. Fire-Rated Wall and Partition Penetrations: Terminate insulation at fire/smoke damper sleeves for fire-rated wall and partition penetrations.
- T. Floor Penetrations: Terminate insulation at underside of floor assembly and at floor support at top of floor.
  - 1. For insulation indicated to have vapor retarders, taper termination and seal insulation ends with vapor-retarder mastic.

### 3.4 MINERAL-FIBER INSULATION APPLICATION

- A. Blanket Applications for Ducts, Pipes, and Plenums: Secure blanket insulation with adhesive, and anchor pins with speed washers.
  - 1. Apply adhesives according to manufacturer's recommended coverage rates per square foot, for 100 percent coverage of duct, pipe, and plenum surfaces.
  - 2. Apply adhesive to entire circumference of ducts & pipes and to all surfaces of fittings and transitions. Adhesive may be omitted from the top of horizontal rectangular ducts.
  - 3. Install anchor pins and speed washers on sides and bottom of horizontal ducts and sides of vertical ducts as follows:
    - a. On duct sides with dimensions 18 inches and smaller, along longitudinal centerline of duct. Space 3 inches maximum from insulation end joints, and 16 inches o.c.
    - b. On duct sides with dimensions larger than 18 inches. Space 16 inches o.c. each way, and 3 inches maximum from insulation joints. Apply additional pins and clips to hold insulation tightly against surface at cross bracing.
    - c. Anchor pins may be omitted from top surface of horizontal, rectangular ducts and plenums.
    - d. Do not compress insulation to less than 75% of its original thickness during installation.
  - 4. Install anchor pins and speed washers on sides, top, and bottom of horizontal pipes.
  - 5. Impale insulation over anchors and attach speed washers.
  - 6. Cut excess portion of pins extending beyond speed washers. Cover exposed pins and washers with tape matching insulation facing.
  - 7. Create a facing lap for longitudinal seams and end joints with insulation by removing 2 inches from one edge and one end of insulation segment. Secure laps to adjacent insulation segment with 1/2-inch staples, 1-inch o.c., and cover with pressure-sensitive tape having same facing as insulation.
  - 8. Overlap unfaced blankets a minimum of 2 inches on longitudinal seams and end joints. Secure with steel band at end joints and spaced a maximum of 18 inches o.c.
  - 9. Apply insulation on rectangular duct elbows, pipe fittings, and transitions with a full insulation segment for each surface. Apply insulation on round and flat-oval duct elbows, and pipe elbows, with individually mitered gores cut to fit the elbow.

FIRE STATIONS RENOVATION  
ARLINGTON COUNTY, VIRGINIA  
Architect's Project No: 563006

10. Insulate duct and pipe stiffeners, hangers, and flanges that protrude beyond the insulation surface with 6-inch- wide strips of the same material as insulation. Secure on alternating sides of stiffener, hanger, and flange with anchor pins spaced 6 inches o.c.
11. Apply vapor-retarder mastic to open joints, breaks, and punctures for insulation indicated to receive vapor retarder.

B. Board Applications for Ducts, Plenums, & Equipment: Secure board insulation with adhesive and anchor pins and speed washers.

1. Apply adhesives according to manufacturer's recommended coverage rates per square foot, for 100 percent coverage of duct, plenum, & equipment surfaces.
2. Apply adhesive to entire circumference of ducts and to all surfaces of fittings, transitions, and equipment. Adhesive may be omitted from top surface of horizontal rectangular ducts.
3. Space anchor pins as follows:
  - a. On duct & equipment sides with dimensions 18 inches and smaller, along longitudinal centerline of duct. Space 3 inches maximum from insulation end joints, and 16 inches o.c.
  - b. On duct & equipment sides with dimensions larger than 18 inches. Space 16 inches o.c. each way, and 3 inches maximum from insulation joints. Apply additional pins and clips to hold insulation tightly against surface at bracing.
  - c. Anchor pins may be omitted from top surface of horizontal, rectangular ducts and plenums.
  - d. Do not compress insulation to less than 75% of its original thickness during installation.
4. Cut excess portion of pins extending beyond speed washers. Cover exposed pins and washers with tape matching insulation facing.
5. Create a facing lap for longitudinal seams and end joints with insulation by removing 2 inches from one edge and one end of insulation segment. Secure laps to adjacent insulation segment with 1/2-inch staples, 1-inch o.c., and cover with pressure-sensitive tape having same facing as insulation.
6. Apply insulation on rectangular duct elbows and transitions with a full insulation segment for each surface. Groove and score insulation to fit as closely as possible to outside and inside radius of elbows. Apply insulation on round and flat-oval duct elbows with individually mitered gores cut to fit the elbow.
7. Insulate duct and equipment stiffeners, hangers, and flanges that protrude beyond the insulation surface with 6" wide strips of the insulating materia. Secure on alternating sides of stiffener, hanger, and flange with anchor pins spaced 6 inches o.c.
8. Apply vapor-retarder mastic to open joints, breaks, and punctures for insulation indicated to receive vapor retarder.

### 3.5 FLEXIBLE ELASTOMERIC THERMAL INSULATION APPLICATION

A. Apply insulation to ducts, plenums, and equipment as follows:

1. Follow the manufacturer's written instructions for applying insulation.
2. Seal longitudinal seams and end joints with manufacturer's recommended adhesive. Cement to avoid openings in insulation that will allow passage of air to the duct, plenum, and equipment surface.

FIRE STATIONS RENOVATION  
ARLINGTON COUNTY, VIRGINIA  
Architect's Project No: 563006

3.6 FIELD-APPLIED JACKET APPLICATION

- A. Apply glass-cloth jacket, where indicated, directly over bare insulation or insulation with factory-applied jackets.
  - 1. Apply jacket smooth and tight to surface with 2-inch overlap at seams and joints.
  - 2. Embed glass cloth between two 0.062-inch- thick coats of jacket manufacturer's recommended adhesive.
  - 3. Completely encapsulate insulation with jacket, leaving no exposed raw insulation.

3.7 FINISHES

- A. Glass-Cloth Jacketed Insulation: Paint insulation finished with glass-cloth jacket as indicated.
- B. Flexible Elastomeric Thermal Insulation: After adhesive has fully cured, apply two coats of insulation manufacturer's recommended protective coating.
- C. Color: Final color shall be as selected by Architect. Vary first and second coats to allow visual inspection of the completed Work.

3.8 APPLICATIONS

- A. Insulation materials and thickness are specified at the end of this Section.
- B. Insulate all pipe and equipment:
  - 1. Insulate pipe in accordance with the application schedule(s) below.
  - 2. Exceptions: Unless otherwise indicated, do not apply insulation to the following systems, materials, and equipment:
    - a. Vibration-control devices.
    - b. Testing agency labels and stamps.
    - c. Nameplates and data plates.
    - d. Manholes.
    - e. Handholes.
    - f. Cleanouts.
    - g. Plastic Condensate Drain piping.
    - h. Factory-insulated equipment.
    - i. Flexible connectors.

3.9 INDOOR APPLICATION SCHEDULE (ABOVE SLAB):

- A. Service: Domestic hot water and domestic circulated hot water.
  - 1. Insulation Material: Mineral fiber preformed or flexible elastomeric pipe insulation.
  - 2. Insulation Thickness: Apply the following insulation thicknesses:
    - a. Copper Pipe, ½" through 1½" in diameter: 1"
    - b. Copper Pipe, 1½" through 3" in diameter: 1 ½"
    - c. Copper Pipe, larger than 3" in diameter: 2"
  - 3. Vapor Retarder Required: No.
  - 4. Finish: Exposed = Painted, concealed = none.
- B. Service: Domestic cold water.
  - 1. Insulation Material: Mineral fiber preformed or flexible elastomeric pipe insulation.
  - 2. Insulation Thickness: ½"
  - 3. Vapor Retarder Required: Yes.

FIRE STATIONS RENOVATION  
ARLINGTON COUNTY, VIRGINIA  
Architect's Project No: 563006

4. Finish: Exposed = Painted, concealed = none.

C. Service: Rainwater conductors (Includes secondary roof drain conductors).

1. Insulation Material: Mineral fiber preformed pipe insulation or Mineral-Fiber Blanket with Factory Applied FSK Jacket.

2. Insulation Thickness: 1"

3. Vapor Retarder Required: Yes.

4. Finish: Exposed = Painted, concealed = none.

D. Service: Roof drain and overflow drain bodies.

1. Insulation Material: Semi-Rigid Mineral-Fiber Board Thermal Insulation

2. Insulation Thickness: 1½"

3. Vapor Retarder Required: Yes.

4. Finish: Exposed = Painted, concealed = none.

E. Service: Exposed piping:

1. Mineral fiber preformed pipe insulation with Factory Applied FSK Jacket.

2. Insulation Thickness: 1"

3. Vapor Retarder Required: Yes.

4. Finish: Exposed = Painted, concealed = none.

3.10 INDOOR APPLICATION SCHEDULE (BELOW SLAB):

1. None required.

END OF SECTION 220700

FIRE STATIONS RENOVATION  
ARLINGTON COUNTY, VIRGINIA  
Architect's Project No: 563006

---

SECTION 221113 – FACILITY NATURAL-GAS PIPING

1.1 RELATED DOCUMENTS

- A. Provisions of the Contract and of the Contract Documents apply to this Section.

1.2 DEFINITIONS

- A. Finished Spaces: Spaces other than mechanical and electrical equipment rooms, furred spaces, pipe and duct shafts, unheated spaces immediately below roof, spaces above ceilings, unexcavated spaces, crawlspaces, and tunnels.
- B. Exposed, Interior Installations: Exposed to view indoors. Examples include finished occupied spaces and mechanical equipment rooms.
- C. Exposed, Exterior Installations: Exposed to view outdoors or subject to outdoor ambient temperatures and weather conditions. Examples include rooftop locations.

1.3 PERFORMANCE REQUIREMENTS

- A. Minimum Operating-Pressure Ratings:
  - 1. Piping and Valves: 100 psig minimum unless otherwise indicated.
  - 2. Service Regulators: 65 psig minimum unless otherwise indicated.
  - 3. Service Meter: 65 psig minimum unless otherwise indicated.
- B. Gas System Pressures: Primary pressure from the utility is more than 2.0 psig and is reduced to a secondary pressure of 14in wc by a pressure reducing valve installed immediately downstream of the meter and is reduced again by pressure reducing valves located at each piece of equipment.

1.4 SUBMITTALS

- A. Product Data: For each type of the following:
  - 1. Piping specialties.
  - 2. Corrugated, stainless-steel tubing with associated components.
  - 3. Valves. Include pressure rating, capacity, settings, and electrical connection data of selected models.
  - 4. Pressure regulators. Indicate pressure ratings and capacities.
  - 5. Dielectric fittings.
- B. Operation and Maintenance Data: For motorized gas valves, pressure regulators, and to include in operation and maintenance manuals.

FIRE STATIONS RENOVATION  
ARLINGTON COUNTY, VIRGINIA  
Architect's Project No: 563006

---

1.5 QUALITY ASSURANCE

- A. Electrical Components and Devices: If indicated, provide electrical components and devices that are listed and labeled as defined in NFPA 70, Article 100, by testing agency acceptable to authorities having jurisdiction, and marked for intended use.
- B. Applicable Codes: Comply with the Virginia Uniform Statewide Building Code and the International Fuel Gas Code.
- C. Fuel Gas Piping: Listed and labeled as required by the International Fuel Gas Code.
- D. UL Standard: Provide components listed in UL's "Gas and Oil Equipment Directory" where UL listing is indicated.
- E. Steel Support Welding Qualifications: Qualify procedures and personnel according to AWS D1.1/D1.1M, "Structural Welding Code - Steel."
- F. Pipe Welding Qualifications: Qualify procedures and operators according to ASME Boiler and Pressure Vessel Code.

1.6 DELIVERY, STORAGE, AND HANDLING

- A. Handling Flammable Liquids: Remove and dispose of liquids from natural-gas piping according to requirements of authorities having jurisdiction.
- B. Deliver pipes and tubes with factory-applied end caps. Maintain end caps through shipping, storage, and handling to prevent pipe end damage and to prevent entrance of dirt, debris, and moisture.
- C. Store and handle pipes and tubes having factory-applied protective coatings to avoid damaging coating, and protect from direct sunlight.
- D. Protect stored PE pipes and valves from direct sunlight.

1.7 PROJECT CONDITIONS

- A. Perform site survey: Contract with utility-locating service for area where Project is located and locate utilities.
- B. Design values of fuel gas supplied for these systems are as follows:
  - 1. Nominal Heating Value: 1000 Btu/cu.ft.
  - 2. Nominal Specific Gravity: 0.6.
- C. Interruption of Natural-Gas Service: Do not interrupt natural-gas service to facilities occupied by Owner or others unless permitted under the following conditions and then only after arranging to provide purging and startup of natural-gas supply according to requirements indicated:

FIRE STATIONS RENOVATION  
ARLINGTON COUNTY, VIRGINIA  
Architect's Project No: 563006

---

1. Notify Owner and Architect no fewer than two days in advance of proposed interruption of natural-gas service.
2. Do not proceed with interruption of natural-gas service without Owner and Architect's written permission.

1.8 COORDINATION

- A. Coordinate sizes and locations of concrete bases with actual equipment provided.
- B. Coordinate requirements for access panels and doors for valves installed concealed behind finished surfaces.
- C. Coordinate with equipment and regulator manufacturer's recommendations and local utility service provider for final regulator and accessory selections.

PART 2 - PRODUCTS

2.1 PIPING MATERIALS

- A. Refer to Part 3 "Piping Applications" Article for applications of pipe, tube, fitting, and joining materials.

2.2 PIPES, TUBES, AND FITTINGS

- A. Steel Pipe: ASTM A 53/A 53M, black steel, Schedule 40, Type E or S, Grade B.
  1. Malleable-Iron Threaded Fittings: ASME B16.3, Class 150, standard pattern.
  2. Wrought-Steel Welding Fittings: ASTM A 234/A 234M for butt welding and socket welding.
  3. Unions: ASME B16.39, Class 150, malleable iron with brass-to-iron seat, ground joint, and threaded ends.
  4. Forged-Steel Flanges and Flanged Fittings: ASME B16.5, minimum Class 150, including bolts, nuts, and gaskets of the following material group, end connections, and facings:
    - a. Material Group: 1.1.
    - b. End Connections: Threaded or butt welding to match pipe.
    - c. Lapped Face: Not permitted underground.
    - d. Gasket Materials: ASME B16.20, metallic, flat, asbestos free, aluminum o-rings, and spiral-wound metal gaskets.
    - e. Bolts and Nuts: ASME B18.2.1, carbon steel aboveground and stainless steel underground.
  5. Protective Coating for Underground Piping: Factory-applied, three-layer coating of epoxy, adhesive, and PE.
    - a. Joint Cover Kits: Epoxy paint, adhesive, and heat-shrink PE sleeves.

2.3 PRE-SLEEVED CORRUGATED, STAINLESS-STEEL TUBING SYSTEMS



FIRE STATIONS RENOVATION  
ARLINGTON COUNTY, VIRGINIA  
Architect's Project No: 563006

---

A. Available Manufacturers:

1. Omega Flex, Inc.

B. Description: Comply with AGA LC 1 (ANSI LC-1) and include the following:

1. Tubing: Pre-sleeved with polyethylene, corrugated stainless steel with plastic jacket or coating.
2. Fittings: Copper alloy with ends made to fit corrugated tubing. Include ends with threads according to ASME B1.20.1 if connection to threaded pipe or fittings is required.
3. Striker Plates: Steel, designed to protect tubing from penetrations.
4. Manifolds: Malleable iron or steel with protective coating. Include threaded connections according to ASME B1.20.1 for pipe inlet and corrugated tubing outlets.

2.4 PROTECTIVE COATING

- A. Furnish pipe and fittings with factory-applied, corrosion-resistant polyethylene coating for use in corrosive atmosphere.

2.5 JOINING MATERIALS

- A. Joint Compound and Tape: Suitable for natural gas.
- B. Welding Filler Metals: Comply with AWS D10.12/D10.12M for welding materials appropriate for wall thickness and chemical analysis of steel pipe being welded.

2.6 VALVES

- A. Refer to section "General Duty Valves for Plumbing Piping".

2.7 PIPING SPECIALTIES

A. Appliance Flexible Connectors:

1. Indoor, Fixed-Appliance Flexible Connectors: Comply with ANSI Z21.24.
2. Indoor, Movable-Appliance Flexible Connectors: Comply with ANSI Z21.69.
3. Outdoor, Appliance Flexible Connectors: Comply with ANSI Z21.75.
4. Corrugated stainless-steel tubing with polymer coating.
5. Operating-Pressure Rating: 0.5 psig
6. End Fittings: Zinc-coated steel.
7. Threaded Ends: Comply with ASME B1.20.1.
8. Maximum Length: 72"

B. Y-Pattern Strainers:

1. Body: ASTM A 126, Class B, cast iron with bolted cover and bottom drain connection.
2. End Connections: Threaded ends for 2" and smaller; flanged ends for 2 1/2" and larger.

FIRE STATIONS RENOVATION  
ARLINGTON COUNTY, VIRGINIA  
Architect's Project No: 563006

---

3. Strainer Screen: 40-mesh startup strainer, and perforated stainless-steel basket with 50 percent free area.
4. CWP Rating: 125 psig.

C. Weatherproof Vent Cap: Cast- or malleable-iron increaser fitting with corrosion-resistant wire screen, with free area at least equal to cross-sectional area of connecting pipe and threaded-end connection.

## 2.8 SPECIALTY VALVES

A. Available Manufacturers:

1. ASCO General Controls.
2. Automatic Switch Co.
3. Eaton Corp.; Controls Div.
4. Honeywell, Inc.
5. Johnson Controls, Inc.

2.9 Valves, 2" and Smaller: Ball valves with threaded ends according to ASME B1.20.1 for pipe threads.

2.10 Valves, 2-1/2" and Larger: Butterfly valves for use with flanged ends according to ASME B16.5 for steel flanges.

## 2.11 PRESSURE REGULATORS

A. Available Manufacturers:

1. Line Pressure Regulators:
  - a. American Meter Co.
  - b. Donkin: Bryan Donkin RMG Canada, Ltd.
  - c. Eclipse Combustion, Inc.
  - d. Equimeter, Inc.
  - e. Fisher Controls International, Inc.
  - f. Maxitrol Co.
  - g. National Meter.
  - h. Richards Industries, Inc.; Jordan Valve Div.
  - i. Schlumberger Industries; Gas Div.

B. Description: Single stage and suitable for fuel gas service. Include steel jacket and corrosion-resistant components, elevation compensator, and atmospheric vent.

1. 2" and Smaller: Threaded ends according to ASME B1.20.1 for pipe threads.
2. 2 1/2" and Larger: Flanged ends according to ASME B16.5 for steel flanges and according to ASME B16.24 for copper and copper-alloy flanges.
3. Line Pressure Regulators: ANSI Z21.80 with 5-psig- minimum inlet pressure rating.

FIRE STATIONS RENOVATION  
ARLINGTON COUNTY, VIRGINIA  
Architect's Project No: 563006

---

4. Appliance Pressure Regulators: ANSI Z21.18 with 2-psig minimum inlet pressure. Regulator may include vent limiting device, instead of vent connection, if approved by authorities having jurisdiction. If vents are required provided piping necessary to extend to termination location outside the building as approved by the architect.
- C. Pressure Regulator Vents: Factory- or field-installed, corrosion-resistant screen in opening if not connected to vent piping. Extend to exterior of building and terminate in location approved by the architect.
- D. Appliance Pressure Regulators: Comply with ANSI Z21.18.
  1. Available Manufacturers:
    - a. Canadian Meter Company Inc.
    - b. Eaton Corporation; Controls Div.
    - c. Harper Wyman Co.
    - d. Maxitrol Company.
    - e. SCP, Inc.
  2. Body and Diaphragm Case: Die-cast aluminum.
  3. Springs: Zinc-plated steel; interchangeable.
  4. Diaphragm Plate: Zinc-plated steel.
  5. Seat Disc: Nitrile rubber.
  6. Seal Plug: Ultraviolet-stabilized, mineral-filled nylon.
  7. Factory-Applied Finish: Minimum three-layer polyester and polyurethane paint finish.
  8. Regulator may include vent limiting device, instead of vent connection, if approved by authorities having jurisdiction.
  9. Maximum Inlet Pressure: 2 psig.

## 2.12 DIELECTRIC FITTINGS

- A. Dielectric Unions:
  1. Available Manufacturers:
    - a. Capitol Manufacturing Company.
    - b. Central Plastics Company.
    - c. Hart Industries International, Inc.
    - d. McDonald, A. Y. Mfg. Co.
    - e. Watts Regulator Co.; Division of Watts Water Technologies, Inc.
    - f. Wilkins; Zurn Plumbing Products Group.
    - g. Conbraco Industries-Apollo
  2. Minimum Operating-Pressure Rating: 150 psig.
  3. Combination fitting of copper alloy and ferrous materials.
  4. Insulating materials suitable for natural gas.
  5. Combination fitting of copper alloy and ferrous materials with threaded, brazed-joint, plain, or welded end connections that match piping system materials.
- B. Dielectric Flanges:
  1. Available Manufacturers:

FIRE STATIONS RENOVATION  
ARLINGTON COUNTY, VIRGINIA  
Architect's Project No: 563006

---

- a. Capitol Manufacturing Company.
  - b. Central Plastics Company.
  - c. Watts Regulator Co.; Division of Watts Water Technologies, Inc.
  - d. Wilkins; Zurn Plumbing Products Group.
2. Minimum Operating-Pressure Rating: 150 psig.
  3. Combination fitting of copper alloy and ferrous materials.
  4. Insulating materials suitable for natural gas.
  5. Combination fitting of copper alloy and ferrous materials with threaded, brazed-joint, plain, or welded end connections that match piping system materials.

C. Dielectric-Flange Kits:

1. Available Manufacturers:
  - a. Advance Products & Systems, Inc.
  - b. Calpico Inc.
  - c. Central Plastics Company.
  - d. Pipeline Seal and Insulator, Inc.
2. Minimum Operating-Pressure Rating: 150 psig.
3. Companion-flange assembly for field assembly.
4. Include flanges, full-face- or ring-type neoprene or phenolic gasket, phenolic or PE bolt sleeves, phenolic washers, and steel backing washers.
5. Insulating materials suitable for natural gas.
6. Combination fitting of copper alloy and ferrous materials with threaded, brazed-joint, plain, or welded end connections that match piping system materials.

2.13 LABELING AND IDENTIFYING

- A. Detectable Warning Tape: Acid- and alkali-resistant, PE film warning tape manufactured for marking and identifying underground utilities, a minimum of 6 inches wide and 4 mils thick, continuously inscribed with a description of utility, with metallic core encased in a protective jacket for corrosion protection, detectable by metal detector when tape is buried up to 30 inches deep; colored yellow.

PART 3 - EXECUTION

3.1 EXAMINATION

- A. Examine roughing-in for natural-gas piping system to verify actual locations of piping connections before equipment installation.
- B. Proceed with installation only after unsatisfactory conditions have been corrected.

3.2 PREPARATION

- A. Close equipment shutoff valves before turning off fuel gas to premises or piping section.

FIRE STATIONS RENOVATION  
ARLINGTON COUNTY, VIRGINIA  
Architect's Project No: 563006

---

- B. Inspect natural-gas piping according to the International Fuel Gas Code to determine that natural-gas utilization devices are turned off in piping section affected.
- C. Comply with the International Fuel Gas Code requirements for prevention of accidental ignition.

3.3 SERVICE ENTRANCE PIPING

- A. Extend fuel gas piping and connect to fuel gas distribution piping downstream of meter.
  - 1. Service meter will be provided by Local Gas Utility.
- B. Install dielectric fitting downstream from and adjacent to each service meter unless meter is supported from service-meter bar with integral dielectric fitting. Install shutoff valve downstream from and adjacent to dielectric fitting. Refer to Division 22 Section "Common Work Results for Plumbing" for dielectric fittings.

3.4 OUTDOOR PIPING INSTALLATION

- A. Comply with the International Fuel Gas Code for installation and purging of natural-gas piping.
- B. Install underground, natural-gas piping buried at least 36 inches below finished grade. Comply with requirements in Section "Earth Moving" for excavating, trenching, and backfilling.
  - 1. If natural-gas piping is installed less than 36 inches below finished grade, install it in containment conduit.
- C. Install underground, PE, natural-gas piping according to ASTM D 2774.
- D. Steel Piping Protective Coating:
  - 1. Apply joint cover kits to pipe after joining to cover, seal, and protect joints.
  - 2. Repair damage to PE coating on pipe as recommended in writing by protective coating manufacturer.
- E. Copper Tubing Protective Coating:
  - 1. Apply joint cover kits over tubing to cover, seal, and protect joints.
  - 2. Repair damage to PE coating on pipe as recommended in writing by protective coating manufacturer.
- F. Install fittings for changes in direction and branch connections.
- G. Install pressure gage upstream and downstream from each service regulator. Pressure gages are specified in Section "Meters and Gages for Plumbing Piping."

3.5 INDOOR PIPING INSTALLATION

- A. Comply with the International Fuel Gas Code for installation and purging of natural-gas piping.

FIRE STATIONS RENOVATION  
ARLINGTON COUNTY, VIRGINIA  
Architect's Project No: 563006

---

- B. Drawing plans, schematics, and diagrams indicate general location and arrangement of piping systems. Indicated locations and arrangements are used to size pipe and calculate friction loss, expansion, and other design considerations. Install piping as indicated unless deviations to are accepted by architect.
- C. Arrange for pipe spaces, chases, slots, sleeves, and openings in building structure during progress of construction, to allow for mechanical installations.
- D. Install piping in concealed locations unless otherwise indicated and except in equipment rooms.
- E. Install piping indicated to be exposed and piping in equipment rooms at right angles or parallel to building walls. Diagonal runs are prohibited unless specifically indicated otherwise.
- F. Install piping above accessible ceilings to allow sufficient space for ceiling panel removal.
- G. Locate valves for easy access.
- H. Install natural-gas piping at uniform grade toward drip and sediment traps.
- I. Install piping free of sags and bends.
- J. Install fittings for changes in direction and branch connections.
- K. Verify final equipment locations for roughing-in.
- L. Comply with requirements in Sections specifying gas-fired appliances and equipment for roughing-in requirements.
- M. Drips and Sediment Traps: Install drips at points where condensate may collect, including service-meter outlets. Locate where accessible to permit cleaning and emptying. Do not install where condensate is subject to freezing.
  - 1. Construct drips and sediment traps using tee fitting with bottom outlet plugged or capped. Use nipple a minimum length of 3 pipe diameters, but not less than 3 inches long and same size as connected pipe. Install with space below bottom of drip to remove plug or cap.
- N. Extend relief vent connections for service regulators, line regulators, and overpressure protection devices to outdoors and terminate with weatherproof vent cap.
- O. Conceal pipe installations in walls, pipe spaces, utility spaces, above ceilings, below grade or floors, and in floor channels unless indicated to be exposed to view.
- P. Concealed Location Installations: Except as specified below, install concealed natural-gas piping and piping installed under the building in containment conduit constructed of steel pipe with welded joints as described in Part 2. Install a vent pipe from containment conduit to outdoors and terminate with weatherproof vent cap.
  - 1. Above Accessible Ceilings: Natural-gas piping, fittings, valves, and regulators may be installed in accessible spaces without containment conduit.

FIRE STATIONS RENOVATION  
ARLINGTON COUNTY, VIRGINIA  
Architect's Project No: 563006

---

2. In Floors: Install pre-sleeved corrugated, stainless-steel tubing systems for natural-gas. Cover with minimum of 1-1/2 inches of concrete. Jacket may not be in physical contact with metallic structures such as reinforcing rods or electrically neutral conductors. Do not embed piping in concrete slabs containing quick-set additives.
  3. In Walls or Partitions: Protect tubing installed inside partitions or hollow walls from physical damage using steel striker barriers at rigid supports.
    - a. Exception: Tubing passing through partitions or walls does not require striker barriers.
  4. Prohibited Locations:
    - a. Do not install natural-gas piping in or through circulating air ducts, clothes or trash chutes, chimneys or gas vents (flues), ventilating ducts, or dumbwaiter or elevator shafts.
    - b. Do not install natural-gas piping in solid walls or partitions.
- Q. Connect branch piping from top or side of horizontal piping.
- R. Install unions in pipes 2" and smaller, adjacent to each valve, at final connection to each piece of equipment and where otherwise indicated. Unions are not required at flanged connections.
- S. Do not use natural-gas piping as grounding electrode.
- T. Install strainer on inlet of each line-pressure regulator and automatic or electrically operated valve.
- U. Install pressure gage upstream and downstream from each line regulator. Pressure gages are specified in Section "Meters and Gages for Plumbing Piping."
- V. Install sleeves for piping penetrations of walls, ceilings, and floors. Comply with requirements for sleeves specified in Section "Sleeves and Sleeve Seals for Plumbing Piping."
- W. Install sleeve seals for piping penetrations of concrete walls and slabs. Comply with requirements for sleeve seals specified in Section "Sleeves and Sleeve Seals for HVAC Piping."
- X. Install escutcheons for piping penetrations of walls, ceilings, and floors. Comply with requirements for escutcheons specified in Division 22 Section "Escutcheons for Plumbing Piping."
- Y. Install corrugated, stainless-steel tubing system according to manufacturer's written instructions. Include striker plates to protect tubing from puncture where tubing is restrained and cannot move.
- Z. Install containment casings for gas piping below slabs extending minimum of 2 inches beyond point where pipe emerges from the floor. Tightly seal ends around gas piping using mechanical sleeve seals.

FIRE STATIONS RENOVATION  
ARLINGTON COUNTY, VIRGINIA  
Architect's Project No: 563006

---

3.6 VALVE INSTALLATION

- A. Install manual gas shutoff valve for each gas appliance ahead of corrugated stainless-steel tubing, aluminum, or copper connector.
- B. Install underground valves with valve boxes.
- C. Install regulators and overpressure protection devices with maintenance access space adequate for servicing and testing.

3.7 PIPING JOINT CONSTRUCTION

- A. Ream ends of pipes and tubes and remove burrs.
- B. Remove scale, slag, dirt, and debris from inside and outside of pipe and fittings before assembly.
- C. Threaded Joints:
  - 1. Thread pipe with tapered pipe threads complying with ASME B1.20.1.
  - 2. Cut threads full and clean using sharp dies.
  - 3. Ream threaded pipe ends to remove burrs and restore full inside diameter of pipe.
  - 4. Apply appropriate tape or thread compound to external pipe threads unless dryseal threading is specified.
  - 5. Damaged Threads: Do not use pipe or pipe fittings with threads that are corroded or damaged. Do not use pipe sections that have cracked or open welds.
- D. Welded Joints:
  - 1. Construct joints according to AWS D10.12/D10.12M, using qualified processes and welding operators.
  - 2. Bevel plain ends of steel pipe.
  - 3. Patch factory-applied protective coating as recommended by manufacturer at field welds and where damage to coating occurs during construction.
- E. Flanged Joints: Install gasket material, size, type, and thickness appropriate for natural-gas service. Install gasket concentrically positioned.
- F. Flared Joints: Cut tubing with roll cutting tool. Flare tube end with tool to result in flare dimensions complying with SAE J513. Tighten finger tight, then use wrench. Do not overtighten.
- G. PE Piping Heat-Fusion Joints: Clean and dry joining surfaces by wiping with clean cloth or paper towels. Join according to ASTM D 2657.
  - 1. Plain-End Pipe and Fittings: Use butt fusion.
  - 2. Plain-End Pipe and Socket Fittings: Use socket fusion.

3.8 HANGER AND SUPPORT INSTALLATION



FIRE STATIONS RENOVATION  
ARLINGTON COUNTY, VIRGINIA  
Architect's Project No: 563006

---

- A. Comply with requirements for pipe hangers and supports specified in Section "Hangers and Supports for Plumbing Piping and Equipment."
- B. Install hangers for horizontal steel piping with the following maximum spacing and minimum rod sizes:
  - 1. 1" and Smaller: Maximum span, 96"; minimum rod size, 3/8".
  - 2. 1¼": Maximum span, 108"; minimum rod size, 3/8".
  - 3. 1½" and 2": Maximum span, 108"; minimum rod size, 3/8".
  - 4. 2½" to 3 ½": Maximum span, 10'-0"; minimum rod size, ½".
  - 5. 4" and Larger: Maximum span, 10'-0"; minimum rod size, 5/8".
- C. Install hangers for horizontal, corrugated stainless-steel tubing with the following maximum spacing and minimum rod sizes:
  - 1. 3/8": Maximum span, 48"; minimum rod size, 3/8".
  - 2. ½": Maximum span, 72"; minimum rod size, 3/8".
  - 3. ¾" and Larger: Maximum span, 96"; minimum rod size, 3/8".

### 3.9 CONNECTIONS

- A. Connect to utility's gas meter according to utility's procedures and requirements.
- B. Install piping adjacent to appliances to allow service and maintenance of appliances.
- C. Connect piping to appliances using manual gas shutoff valves and unions. Install valve within 72" of each gas-fired appliance and equipment. Install union between valve and appliances or equipment.
- D. Sediment Traps: Install tee fitting with capped nipple in bottom to form drip, as close as practical to inlet of each appliance.

### 3.10 PIPING APPLICATIONS

- A. Flanges, unions, transition, and special fittings with pressure ratings same as or higher than system pressure rating may be used in applications below, unless otherwise indicated.
- B. Above Ground Exposed Fuel Gas Piping:
  - 1. Sizes up to 2":
    - a. Steel pipe, malleable-iron threaded fittings, and threaded joints.
    - b. Pre-sleeved corrugated stainless-steel piping shall only be used for final equipment whip connections, kept to 5' or less, and only where approved by AHJ. Sizing shall be determined based on equivalent hydraulic diameter and not direct transfer of size.
  - 2. 2½" to 4":
    - a. Steel pipe, malleable-iron threaded fittings, and threaded joints, or steel pipe, steel welding fittings, and welded joints.
  - 3. Larger Than NPS 4:

FIRE STATIONS RENOVATION  
ARLINGTON COUNTY, VIRGINIA  
Architect's Project No: 563006

---

- a. Steel pipe, steel welding fittings, and welded joints.
- C. Above Ground Concealed Fuel Gas Piping:
- 1. Sizes up to 2":
    - a. Steel pipe, malleable-iron threaded fittings, and threaded joints.
  - 2. 2½" to 4":
    - a. Steel pipe, malleable-iron threaded fittings, and threaded joints, or steel pipe, steel welding fittings, and welded joints.
  - 3. Larger Than NPS 4:
    - a. Steel pipe, steel welding fittings, and welded joints.

3.11 LABELING AND IDENTIFYING

- A. Comply with requirements in Section "Identification for Plumbing Piping and Equipment" for piping and valve identification.
- B. Install detectable warning tape directly above gas piping, 12" minimum below finished grade.
  - 1. Exception: 6 minimum below sub-grade under pavements and slabs.

3.12 PAINTING

- A. Use materials and procedures in Division 9 Section "Painting," "Exterior Paint Schedule" Article, "Ferrous Metal" Paragraph, "Full-Gloss, Alkyd-Enamel Finish" Subparagraph.
- B. Paint exterior service meters, pressure regulators, specialty valves, piping, and accessories.
  - 1. Color: Yellow

3.13 FIELD QUALITY CONTROL

- A. Inspect, test, and purge piping according to ANSI Z223.1, Part 4 "Inspection, Testing, and Purging," and requirements of authorities having jurisdiction.
- B. Repair leaks and defects with new materials and retest system until satisfactory results are obtained.
- C. Report test results promptly and in writing to Architect and authorities having jurisdiction.
- D. Verify capacities and pressure ratings of service meters, pressure regulators, valves, and specialties.
- E. Verify correct pressure settings for pressure regulators.
- F. Verify that specified piping tests are complete.

FIRE STATIONS RENOVATION  
ARLINGTON COUNTY, VIRGINIA  
Architect's Project No: 563006

---

3.14 ADJUSTING

- A. Adjust controls and safety devices. Replace damaged and malfunctioning controls and safety devices.

END OF SECTION 221113

FIRE STATIONS RENOVATION  
ARLINGTON COUNTY, VIRGINIA  
Architect's Project No: 563006

SECTION 221116 –DOMESTIC WATER PIPING

PART 1 - GENERAL

1.1 RELATED DOCUMENTS

- A. Provisions of the Contract and of the Contract Documents apply to this Section.

1.2 PERFORMANCE REQUIREMENTS

- A. Provide components and installation capable of producing domestic water piping systems with the following minimum working-pressure ratings, unless otherwise indicated:
  - 1. Domestic Water Service Piping: 160 psig.
  - 2. Domestic Water Distribution Piping: 125 psig.

1.3 SUBMITTALS

- A. Compliance Letter: Submit a list indicating materials proposed for use along with their associated listings and/or ratings for each application list in this section.

1.4 QUALITY ASSURANCE

- A. Piping materials shall bear label, stamp, or other markings of specified testing agency.
- B. Comply with NSF 61, "Drinking Water System Components-Health Effects; Sections 1 through 9," for potable domestic water piping and components.

PART 2 - PRODUCTS

2.1 PIPING MATERIALS

- A. Refer to Part 3 "Piping Applications" Article for applications of pipe, tube, fitting, and joining materials.
- B. Transition Couplings for Underground Pressure Piping: AWWA C219, metal, sleeve-type coupling or other manufactured fitting the same size as, with pressure rating at least equal to and ends compatible with, piping to be joined.
- C. Press fittings:
  - 1. Propress by Vieaga
  - 2. Xpress by Elkhart Products

2.2 COPPER TUBING

FIRE STATIONS RENOVATION  
ARLINGTON COUNTY, VIRGINIA  
Architect's Project No: 563006

- A. Soft Copper Tube: ASTM B 88, Type K, water tube, annealed temper.
  - 1. Copper Pressure Fittings: ASME B16.18, cast-copper-alloy or ASME B16.22, wrought-copper, solder-joint fittings. Furnish wrought-copper fittings if indicated.
  - 2. Bronze Flanges: ASME B16.24, Class 150, with solder-joint end. Furnish Class 300 flanges if required to match piping.
  - 3. Copper Unions: MSS SP-123, cast-copper-alloy, hexagonal-stock body, with ball-and-socket, metal-to-metal seating surfaces and solder-joint or threaded ends.
  
- B. Hard Copper Tube: ASTM B 88, Type L, water tube, drawn temper.
  - 1. Copper Pressure Fittings: ASME B16.18, cast-copper-alloy or ASME B16.22, wrought-copper, solder-joint fittings. Furnish wrought-copper fittings if indicated.
  - 2. Bronze Flanges: ASME B16.24, Class 150, with solder-joint end. Furnish Class 300 flanges if required to match piping.
  - 3. Copper Unions: MSS SP-123, cast-copper-alloy, hexagonal-stock body, with ball-and-socket, metal-to-metal seating surfaces and solder-joint or threaded ends.
  - 4. Copper, Grooved-End Fittings: ASTM B 75 copper tube or ASTM B 584 bronze castings.
    - a. Copper-Tubing, Keyed Couplings: Copper-tube dimensions and design similar to AWWA C606. Include ferrous housing sections, gasket suitable for hot water, and bolts and nuts.

PART 3 - EXECUTION

3.1 PIPING APPLICATIONS

- A. Transition and special fittings with pressure ratings at least equal to piping rating may be used in applications below, unless otherwise indicated.
  
- B. Flanges may be used on aboveground piping, unless otherwise indicated.
  
- C. Grooved joints may be used on aboveground grooved-end piping.
  
- D. Fitting Options:
  - 1. Press Fittings: Mechanically crimped fittings with neoprene gasket.
  
- E. Aboveground Domestic Water Piping: Use the following piping materials for each size range:
  - 1. 1-1/2" and Smaller: Hard copper tube, Type L copper pressure fittings; and soldered joints.
  - 2. 2": Hard copper tube, Type L copper pressure fittings; and soldered joints or hard copper tube, Type L with grooved ends; copper grooved-end fittings; copper-tubing, keyed couplings; and grooved joints.
  - 3. 2-1/2" to 8": Hard copper tube, Type L copper pressure fittings; and soldered joints or hard copper tube, Type L with grooved ends; copper grooved-end fittings; copper-tubing, keyed couplings; and grooved joints.

3.2 VALVE APPLICATIONS

FIRE STATIONS RENOVATION  
ARLINGTON COUNTY, VIRGINIA  
Architect's Project No: 563006

- A. Drawings indicate valve types to be used. Where specific valve types are not indicated, the following requirements apply:
  - 1. Shutoff Duty: Use bronze ball valves for piping NPS 2 and smaller. Use cast-iron butterfly valves with flanged ends for piping NPS 2-1/2 and larger.
  - 2. Throttling Duty: Use bronze ball valves for piping NPS 2 and smaller. Use cast-iron butterfly valves with flanged ends for piping NPS 2-1/2 and larger.
  - 3. Hot-Water-Piping, Balancing Duty: Use automatic flow control valves.
  - 4. Drain Duty: Hose-end drain valves.
- B. Grooved-end valves may be used with grooved-end piping.

### 3.3 PIPING INSTALLATION

- A. Extend domestic water service piping to exterior water distribution piping in sizes and locations indicated.
- B. Install underground copper according to CDA's "Copper Tube Handbook."
- C. Install cast-iron sleeve with water stop and mechanical sleeve seal at each service pipe penetration through foundation wall. Select number of interlocking rubber links required to make installation watertight.
- D. Install water-pressure regulators downstream from shutoff valves.
- E. Install aboveground domestic water piping level and plumb.
- F. Fill water piping. Check components to determine that they are not air bound and that piping is full of water.
- G. Perform the following steps before operation:
  - 1. Close drain valves, hydrants, and hose bibbs.
  - 2. Open shutoff valves to fully open position.
  - 3. Open throttling valves to proper setting.
  - 4. Remove plugs used during testing of piping and plugs used for temporary sealing of piping during installation.
  - 5. Remove and clean strainer screens. Close drain valves and replace drain plugs.
  - 6. Remove filter cartridges from housings, and verify that cartridges are as specified for application where used and that cartridges are clean and ready for use.
- H. Check plumbing equipment and verify proper settings, adjustments, and operation. Do not operate water heaters before filling with water.
- I. Check plumbing specialties and verify proper settings, adjustments, and operation.
  - 1. Water-Pressure Regulators: Set outlet pressure at 80 psig maximum, unless otherwise indicated.
- J. Energize pumps and verify proper operation.

FIRE STATIONS RENOVATION  
ARLINGTON COUNTY, VIRGINIA  
Architect's Project No: 563006

3.4 JOINT CONSTRUCTION

- A. Soldered Joints: Use ASTM B 813, water-flushable, lead-free flux; ASTM B 32, lead-free-alloy solder; and ASTM B 828 procedure, unless otherwise indicated.
- B. Grooved Joints: Assemble joints with keyed-coupling housing, gasket, lubricant, and bolts according to coupling and fitting manufacturer's written instructions.
- C. Mechanically Formed Outlets: Form tee in copper tube according to equipment manufacturer's written instructions. Use tool designed for copper tube; drill pilot hole, form collar for outlet, dimple tube to form seating stop, and braze branch tube into collar.
- D. Mechanically crimped fittings shall be installed in accordance with manufacturer's installation instructions.

3.5 VALVE INSTALLATION

- A. Install sectional valve close to water main on each branch and riser serving plumbing fixtures or equipment. Use ball valves for piping NPS 2 and smaller. Use butterfly valves for piping NPS 2-1/2 and larger.
- B. Install shutoff valve on each water supply to equipment and on each water supply to plumbing fixtures without supply stops. Use ball valves for piping NPS 2 and smaller. Use butterfly valves for piping NPS 2-1/2 and larger.
- C. Install balancing valve in each hot-water circulation return branch and discharge side of each pump and circulator. Use ball valves for piping NPS 2 and smaller and butterfly valves for piping NPS 2-1/2 and larger. Refer to HANGER AND SUPPORT INSTALLATION
- D. Install the following:
  - 1. Vertical Piping: MSS Type 8 or Type 42, clamps.
  - 2. Individual, Straight, Horizontal Piping Runs: According to the following:
    - a. 100 Feet and Less: MSS Type 1, adjustable, steel clevis hangers.
    - b. Longer Than 100 Feet: MSS Type 43, adjustable roller hangers.
    - c. Longer Than 100 Feet, if indicated: MSS Type 49, spring cushion rolls.
  - 3. Multiple, Straight, Horizontal Piping Runs 100 Feet or Longer: MSS Type 44, pipe rolls. Support pipe rolls on trapeze.
  - 4. Base of Vertical Piping: MSS Type 52, spring hangers.
- E. Install supports.
- F. Support vertical piping and tubing at base and at each floor.
- G. Rod diameter may be reduced 1 size for double-rod hangers, to a minimum of 3/8 inch.
- H. Install hangers for copper tubing with the following maximum horizontal spacing and minimum rod diameters:
  - 1. NPS 3/4 and Smaller: 60 inches with 3/8-inch rod.

FIRE STATIONS RENOVATION  
ARLINGTON COUNTY, VIRGINIA  
Architect's Project No: 563006

2. NPS 1 and NPS 1-1/4: 72 inches with 3/8-inch rod.
3. NPS 1-1/2 and NPS 2: 96 inches with 3/8-inch rod.
4. NPS 2-1/2: 108 inches with 1/2-inch rod.
5. NPS 3 to NPS 5: 10 feet with 1/2-inch rod.
6. NPS 6: 10 feet with 5/8-inch rod.
7. NPS 8: 10 feet with 3/4-inch rod.

- I. Install supports for vertical copper tubing every 10 feet.
- J. Support piping and tubing not listed above according to MSS SP-69 and manufacturer's written instructions.
- K. Where bends in the pipe occur, place hangers 1/3 of the maximum allowed spacing distance of the bend (i.e. is the maximum span is 12 feet, the hanger shall be 4 feet from the bend. Pipe shall be supported from both sides of the bend.

### 3.6 CONNECTIONS

- A. Drawings indicate general arrangement of piping, fittings, and specialties.
- B. Install piping adjacent to equipment and machines to allow service and maintenance.
- C. Connect domestic water piping to exterior water service piping. Use transition fitting to join dissimilar piping materials.

### 3.7 FIELD QUALITY CONTROL

- A. Inspect domestic water piping as follows:
  1. Do not enclose, cover, or put piping into operation until it is inspected and approved by authorities having jurisdiction.
  2. During installation, notify authorities having jurisdiction at least 24 hours before inspection must be made. Perform tests specified below in presence of authorities having jurisdiction:
    - a. Roughing-in Inspection: Arrange for inspection of piping before concealing or closing-in after roughing-in and before setting fixtures.
    - b. Final Inspection: Arrange for final inspection by authorities having jurisdiction to observe tests specified below and to ensure compliance with requirements.
  3. Reinspection: If authorities having jurisdiction find that piping will not pass test or inspection, make required corrections and arrange for reinspection.
  4. Reports: Prepare inspection reports and have them signed by authorities having jurisdiction.
- B. Test domestic water piping as follows:
  1. Test for leaks and defects in new piping and parts of existing piping that have been altered, extended, or repaired. If testing is performed in segments, submit separate report for each test, complete with diagram of portion of piping tested.



FIRE STATIONS RENOVATION  
ARLINGTON COUNTY, VIRGINIA  
Architect's Project No: 563006

2. Leave uncovered and unconcealed new, altered, extended, or replaced domestic water piping until it has been tested and approved. Expose work that was covered or concealed before it was tested.
3. Cap and subject piping to static water pressure of 50 psig above operating pressure, without exceeding pressure rating of piping system materials. Isolate test source and allow to stand for four hours. Leaks and loss in test pressure constitute defects that must be repaired.
4. Repair leaks and defects with new materials and retest piping or portion thereof until satisfactory results are obtained.
5. Prepare reports for tests and required corrective action.

3.8 ADJUSTING

- A. Adjust balancing valves in hot-water-circulation return piping to provide adequate flow.
  1. Manually adjust ball-type balancing valves in hot-water-circulation return piping to provide flow of hot water in each branch.

3.9 CLEANING

- A. Clean interior of domestic water piping system. Remove dirt and debris as work progresses.
- B. Clean and disinfect potable domestic water piping as follows:
  1. Purge new piping and parts of existing domestic water piping that have been altered, extended, or repaired before using.
  2. Use purging and disinfecting procedures prescribed by authorities having jurisdiction or, if methods are not prescribed, procedures described in AWWA C651, AWWA C652 or as described below:
    - a. Flush piping system with clean, potable water until dirty water does not appear at outlets.
    - b. Fill and isolate system according to either of the following:
      - 1) Fill system or part thereof with water/chlorine solution with at least 50 ppm of chlorine. Isolate with valves and allow to stand for 24 hours.
      - 2) Fill system or part thereof with water/chlorine solution with at least 200 ppm of chlorine. Isolate and allow to stand for three hours.
    - c. Flush system with clean, potable water until no chlorine is in water coming from system after the standing time.
    - d. Submit water samples in sterile bottles to authorities having jurisdiction. Repeat procedures if biological examination shows contamination.
- C. Prepare and submit reports of purging and disinfecting activities to authorities having jurisdiction.

END OF SECTION 221116

FIRE STATIONS RENOVATION  
ARLINGTON COUNTY, VIRGINIA  
Architect's Project No: 563006

SECTION 221119 - DOMESTIC WATER PIPING SPECIALTIES

PART 1 - GENERAL

1.1 RELATED DOCUMENTS

- A. Provisions of the Contract and of the Contract Documents apply to this Section.

1.2 PERFORMANCE REQUIREMENTS

- A. Minimum Working Pressure for Domestic Water Piping Specialties: 125 psig, unless otherwise indicated.

SUBMITTALS

- B. Product Data: For each type of product proposed.
- C. Shop Drawings: Diagram power, signal, and control wiring.
- D. Operation and Maintenance Data: For domestic water piping specialties to include in emergency, operation, and maintenance manuals.

1.3 QUALITY ASSURANCE

- A. Electrical Components, Devices, and Accessories: Listed and labeled as defined in NFPA 70, Article 100, by a testing agency acceptable to authorities having jurisdiction, and marked for intended use.
- B. NSF Compliance: Comply with NSF 61, "Drinking Water System Components - Health Effects; Sections 1 through 9."

PART 2 - PRODUCTS

2.1 MANUFACTURERS

- A. In other Part 2 articles where subparagraph titles below introduce lists, the following requirements apply for product selection:
  - 1. Available Products: Subject to compliance with requirements, products that may be incorporated into the Work include, but are not limited to, the products specified.
  - 2. Products: Subject to compliance with requirements, provide one of the products specified.
  - 3. Available Manufacturers: Subject to compliance with requirements, manufacturers offering products that may be incorporated into the Work include, but are not limited to, the manufacturers specified.
  - 4. Manufacturers: Subject to compliance with requirements, provide products by the manufacturers specified.

FIRE STATIONS RENOVATION  
ARLINGTON COUNTY, VIRGINIA  
Architect's Project No: 563006

2.2 VACUUM BREAKERS

A. Pipe-Applied, Atmospheric-Type (Anti-siphon) Vacuum Breakers:

1. Available Manufacturers:
  - a. Ames Co.
  - b. Apollo Valves - Apollo Valves - Conbraco Industries, Inc.
  - c. Watts Industries, Inc.; Water Products Div.
  - d. Zurn Plumbing Products Group; Wilkins Div.
2. Standard: ASSE 1001.
3. Sizes: ¾" thru 3" as required to match connected piping.
4. Body: Brass or Bronze.
5. Inlet and Outlet Connections: Threaded.
6. Finish: Rough bronze or chrome plated.

B. Pressure Vacuum Breakers:

1. Available Manufacturers:
  - a. Ames Co.
  - b. Apollo Valves - Apollo Valves - Conbraco Industries, Inc.
  - c. Watts Industries, Inc.; Water Products Div.
  - d. Zurn Plumbing Products Group; Wilkins Div.
2. Standard: ASSE 1020.
3. Operation: Continuous-pressure applications.
4. Accessories:
  - a. Valves: Ball type, on inlet and outlet.

2.3 BACKFLOW PREVENTERS

A. Reduced-Pressure-Zone (RPZ) Backflow Preventers:

1. Available Manufacturers:
  - a. Ames Co.
  - b. Apollo Valves - Apollo Valves - Conbraco Industries, Inc.
  - c. Watts Industries, Inc.; Water Products Div.
  - d. Zurn Plumbing Products Group; Wilkins Div.
2. Standard: ASSE 1013.
3. Operation: Continuous-pressure applications.
4. Pressure Loss: 10 psig maximum, through middle 1/3 of flow range.
5. Sizes: ¾" thru 10"
6. Body: Brass or bronze for 2" and smaller; cast iron or steel with interior lining complying with AWWA C550 or that is FDA approved for 2 ½" and larger.
7. Configuration: Comply with drawing requirements.

FIRE STATIONS RENOVATION  
ARLINGTON COUNTY, VIRGINIA  
Architect's Project No: 563006

8. Accessories:
  - a. Valves: Ball type with threaded ends on inlet and outlet of 2" and smaller; outside screw and yoke gate-type with flanged ends on inlet and outlet of 2 ½" and larger.
  - b. Air-Gap Fitting: ASME A112.1.2, matching backflow-preventer connection.

2.4 AUTOMATIC FLOW CONTROL VALVES

- A. Manufacturers:
  1. Bell & Gossett
  2. Flow Design, Inc.
  3. Griswold Controls.
  4. Nexus
  5. Hays
- B. Valves shall be factory set to maintain constant flow with plus or minus 10 percent. Each valve shall have an identification tag attached by chain, and be factory marked with the zone or equipment identification, valve number, and flow rate. Valve shall be line size and as follows:
  1. Body: Gray-iron or brass, designed for 175 psig at 200 deg F; brass or ferrous-metal, designed for 300 psig at 250 deg F.
  2. Cartridge: Stainless steel or nickel chrome plated brass, tamperproof, self-cleaning, piston-spring assembly, or polyphenylsulfone orifice seat with polymer diaphragm (Hays) removable for inspection or replacement.
  3. Adjustment: Flow and pressure differential shall be adjustable by cartridge replacement.
  4. Configuration: "Y" or other permitting cartridge replacement without valve removal for sizes 2" and smaller.
  5. Sizes: Match connecting pipe.
  6. Accessories:
    - a. Provide unions and isolation valves or other configuration permitting cartridge replacement with valve removal for sizes larger than 2".
    - b. Minimum pressure differential shall not exceed 2 psi. (Unless otherwise indicated)
    - c. Maximum pressure differential shall not be less than 32 psi. (Unless otherwise indicated)
    - d. Flow rates shall be as indicated on equipment schedules on the drawings.
    - e. Valves shall be installed in return piping.
    - f. Ball valves and unions included as part of the valve package may be used in place of ball valves and unions specified and indicated on the drawings only when in positions indicated. Ball valves shall be provided with a solid stainless steel or chrome plated brass ball.
    - g. Provide a #20 mesh Y-strainer with blow-down valve and garden hose connection between the supply side valve and equipment
    - h. Valves may be provided as part of a "hose kit".

2.5 STRAINERS

- A. Pattern: "Y"
  1. Pressure Rating: 125 psig minimum, unless otherwise indicated.

FIRE STATIONS RENOVATION  
ARLINGTON COUNTY, VIRGINIA  
Architect's Project No: 563006

2. Body: Bronze for NPS 2 and smaller; cast iron or steel with interior lining complying with AWWA C550 or FDA-approved, epoxy coating and for NPS 2-1/2 and larger.
3. End Connections: Threaded for NPS 2 and smaller; flanged for NPS 2-1/2 and larger.
4. Screen: Stainless steel with round perforations, unless otherwise indicated.
5. Perforation Size:
  - a. Strainers NPS 2 and Smaller: 0.033 inch.
  - b. Strainers NPS 2-1/2 to NPS 4: 0.062 inch.
  - c. Strainers NPS 5 and Larger: 0.10 inch.
6. Drain: Factory-installed, hose-end drain valve.

2.6 WATER HAMMER ARRESTERS

- A. Available Manufacturers:
  1. AMTROL, Inc.
  2. Josam Company.
  3. MIFAB, Inc.
  4. PPP Inc.
  5. Sioux Chief Manufacturing Company, Inc.
  6. Smith, Jay R. Mfg. Co.; Division of Smith Industries, Inc.
  7. Tyler Pipe; Wade Div.
  8. Watts Drainage Products Inc.
  9. Zurn Plumbing Products Group; Specification Drainage Operation.
- B. Standard: ASSE 1010 or PDI-WH 201.
- C. Type: Metal bellows or copper tube with piston.
- D. Size: ASSE 1010, Sizes AA and A through F or PDI-WH 201, Sizes A through F.

2.7 TRAP-SEAL PRIMER VALVES

- A. Supply-Type, Trap-Seal Primer Valves:
  1. Available Manufacturers:
    - a. MIFAB, Inc.
    - b. PPP Inc.
    - c. Sioux Chief Manufacturing Company, Inc.
    - d. Smith, Jay R. Mfg. Co.; Division of Smith Industries, Inc.
    - e. Watts Industries, Inc.; Water Products Div.
  2. Standard: ASSE 1018.
  3. Pressure Rating: 125 psig minimum.
  4. Body: Bronze.
  5. Inlet and Outlet Connections: NPS 1/2 threaded, union, or solder joint.
  6. Gravity Drain Outlet Connection: NPS 1/2 threaded or solder joint.

FIRE STATIONS RENOVATION  
ARLINGTON COUNTY, VIRGINIA  
Architect's Project No: 563006

7. Finish: Chrome plated, or rough bronze for units used with pipe or tube that is not chrome finished.

### PART 3 - EXECUTION

#### 3.1 INSTALLATION

- A. Refer to Section "Common Work Results for Plumbing" for piping joining materials, joint construction, and basic installation requirements.
- B. Install backflow preventers where indicated: If not indicated on each water supply to mechanical equipment and systems and to other equipment and water systems that may be sources of contamination. Comply with authorities having jurisdiction.
  1. Locate backflow preventers in same room as connected equipment or system.
  2. Install drain for backflow preventers with atmospheric-vent drain connection with air-gap fitting, fixed air-gap fitting, or equivalent positive pipe separation of at least two pipe diameters in drain piping and pipe to floor drain. Locate air-gap device attached to or under backflow preventer. Simple air breaks are not acceptable for this application.
  3. Do not install bypass piping around backflow preventers.
- C. Install balancing valves with-in 12" of ceiling at access door or tile where they can be reached with-out obstruction.
- D. Install strainers where indicated.
- E. Install outlet boxes recessed in wall. Install 2-by-4-inch fire-retardant-treated-wood blocking wall reinforcement between studs. Fire-retardant-treated-wood blocking is specified in Section "Rough Carpentry."
- F. Install water hammer arresters in water piping according to PDI-WH 201.
- G. Install supply-type, trap-seal primer valves with outlet piping pitched down toward drain trap a minimum of 1/8" per foot, and connect to floor-drain body, trap, or inlet fitting. Adjust valve for proper flow.
- H. Fasten wall-hanging plumbing specialties securely to supports attached to building substrate if supports are specified and to building wall construction if no support is indicated.
- I. Fasten recessed-type plumbing specialties to reinforcement built into walls.
- J. Install wood-blocking reinforcement for wall-mounting and recessed-type plumbing specialties.
- K. Install individual shutoff valve in each water supply to plumbing specialties. Use ball valve if specific valve is not indicated. Install shutoff valves in accessible locations. Refer to Section "Valves" for general-duty ball valves.
- L. Install air vents at water piping high points. Include ball valve in inlet.

FIRE STATIONS RENOVATION  
ARLINGTON COUNTY, VIRGINIA  
Architect's Project No: 563006

- M. Install traps on plumbing specialty drain outlets. Omit traps on indirect wastes unless trap is indicated.
- N. Install escutcheons at wall, floor, and ceiling penetrations in exposed finished locations and within cabinets and millwork. Use deep-pattern escutcheons if required to conceal protruding pipe fittings.

3.2 LABELING AND IDENTIFYING

- A. Indicate safety and emergency precautions, and warn of hazards and improper operations, in addition to identifying unit. Nameplates and signs are specified in Section "Plumbing Identification"

3.3 FIELD QUALITY CONTROL

- A. Perform the following tests and prepare test reports:
  - 1. Test each reduced-pressure-principle backflow preventer, double-check backflow-preventer and double-check, detector-assembly according to authorities having jurisdiction and the device manufacturer's recommendations.
- B. Remove and replace malfunctioning domestic water piping specialties and retest as specified above.

3.4 ADJUSTING

- A. Set field-adjustable pressure set points.
- B. Set field-adjustable flow set points.
- C. Set field-adjustable temperature set points.

END OF SECTION 221119

FIRE STATIONS RENOVATION  
ARLINGTON COUNTY, VIRGINIA  
Architect's Project No: 563006

SECTION 221316 - SANITARY WASTE AND VENT PIPING

PART 1 - GENERAL

1.1 RELATED DOCUMENTS

- A. Provisions of the Contract and of the Contract Documents apply to this Section.

1.2 DEFINITIONS

- A. The following are industry abbreviations for plastic and rubber piping materials:
  - 1. EPDM: Ethylene-propylene-diene terpolymer.
  - 2. LEED: Leadership in Energy and Environmental Design
  - 3. NBR: Acrylonitrile-butadiene rubber.
  - 4. PE: Polyethylene plastic.
  - 5. PVC: Polyvinyl chloride plastic.
  - 6. TPE: Thermoplastic elastomer.
  - 7. USGBC: United States Green Building Council

1.3 PERFORMANCE REQUIREMENTS

- A. Provide components and installation capable of producing piping systems with the following minimum working-pressure ratings, unless otherwise indicated:
  - 1. Soil, Waste, and Vent Piping: 10-foot head of water.

1.4 SUBMITTALS

- A. Compliance Letter: Submit a list indicating materials proposed for use along with their associated listings and/or ratings for each application list in this section.
- B. Submittal:
  - 1. Product Data for USGBC LEED Credit EQ 4.1: For solvent cements and adhesive primers, include printed statement of VOC content.

1.5 QUALITY ASSURANCE

- A. Piping materials shall bear label, stamp, or other markings of testing agency.

PART 2 - PRODUCTS



FIRE STATIONS RENOVATION  
ARLINGTON COUNTY, VIRGINIA  
Architect's Project No: 563006

2.1 PIPING MATERIALS

- A. Refer to Part 3 "Piping Applications" Article for applications of pipe, tube, fitting, and joining materials.
- B. Flexible Transition Couplings for Underground Nonpressure Piping: ASTM C 1173 with elastomeric sleeve. Include ends of same sizes as piping to be joined and include corrosion-resistant metal band on each end.

2.2 CAST-IRON SOIL PIPING

- A. All cast iron soil pipe and fittings shall be marked with the Collective Trademark of the Cast Iron Soil Pipe Institute.
- B. Pipe and Fittings: ASTM A 888, CISPI 301, or ASTM A 74 service weight.
- C. Hub-and-Spigot Gaskets: ASTM C 564, rubber.
- D. Hub-less Couplings:
  - 1. General: ASTM C 1277 assembly of metal housing, corrosion-resistant fasteners, and ASTM C 564 rubber sleeve with integral, center pipe stop.
    - a. Heavy-Duty, Type 304, Stainless-Steel Couplings: ASTM C 1540, Type 304, stainless-steel shield; stainless-steel bands; and sleeve.
      - 1) NPS 1-1/2 to NPS 4: 3-inch- wide shield with 4 bands.
      - 2) NPS 5 to NPS 10: 4-inch- wide shield with 6 bands.
    - b. Heavy-Duty, Cast-Iron Couplings: ASTM A 48, 2-piece, cast-iron housing; stainless-steel bolts and nuts; and sleeve.

PART 3 - EXECUTION

3.1 PIPING APPLICATIONS

- A. Transition fittings with pressure ratings at least equal to piping pressure ratings may be used in applications below, unless otherwise indicated.
- B. Aboveground, Soil, Waste, and Vent Piping located inside plenum: Hub-less service weight cast-iron soil piping with heavy duty couplings.
- C. Underground, Soil, Waste, and Vent Piping: Hub and Spigot cast-iron soil piping or no hub cast iron with heavy duty couplings.

3.2 PIPING INSTALLATION

FIRE STATIONS RENOVATION  
ARLINGTON COUNTY, VIRGINIA  
Architect's Project No: 563006

- A. Refer to Section "Facility Sanitary Sewers" for Project-site sanitary sewer piping.
- B. Refer to Section "Common Work Results for Plumbing" for basic installation.
- C. Install cleanouts at grade and extend to where building sanitary drains connect to building sanitary sewers.
- D. Install cleanout fitting with closure plug inside the building in sanitary force-main piping.
- E. Install cleanouts at grade and extend to where building sanitary drains connect to building sanitary sewers.
- F. Install cast-iron sleeve with water stop and mechanical sleeve seal at each service pipe penetration through foundation wall. Select number of interlocking rubber links required to make installation watertight.
- G. Install cast-iron soil piping according to CISPI's "Cast Iron Soil Pipe and Fittings Handbook," Chapter IV, "Installation of Cast Iron Soil Pipe and Fittings."
- H. Make changes in direction for soil and waste drainage and vent piping using appropriate branches, bends, and long-sweep bends. Sanitary tees and short-sweep 1/4 bends may be used on vertical stacks if change in direction of flow is from horizontal to vertical. Use long-turn, double Y-branch and 1/8-bend fittings if 2 fixtures are installed back to back or side by side with common drain pipe. Straight tees, elbows, and crosses may be used on vent lines. Do not change direction of flow more than 90 degrees. Use proper size of standard increasers and reducers if pipes of different sizes are connected. Reducing size of drainage piping in direction of flow is prohibited.
- I. Lay buried building drainage piping beginning at low point of each system. Install true to grades and alignment indicated, with unbroken continuity of invert. Place hub ends of piping upstream. Install required gaskets according to manufacturer's written instructions for use of lubricants, cements, and other installation requirements. Maintain swab in piping and pull past each joint as completed.
- J. Install soil and waste drainage and vent piping at the minimum slopes required by authorities having jurisdiction.
- K. Do not enclose, cover, or put piping into operation until it is inspected and approved by authorities having jurisdiction.

### 3.3 JOINT CONSTRUCTION

- A. Refer to section "Common Work Results for Plumbing" for basic piping joint construction.
- B. Join hub-and-spigot, cast-iron soil piping with gasket joints according to CISPI's "Cast Iron Soil Pipe and Fittings Handbook" for compression joints.

### 3.4 HANGER AND SUPPORT INSTALLATION

FIRE STATIONS RENOVATION  
ARLINGTON COUNTY, VIRGINIA  
Architect's Project No: 563006

- A. Refer to Section "Vibration and Seismic Controls for Plumbing Piping and Equipment" for seismic-restraint devices in zones other than A & B.
- B. Join hubless cast-iron soil piping according to CISPI 310 and CISPI's "Cast Iron Soil Pipe and Fittings Handbook" for hubless-coupling joints.
- C. Install the following:
  - 1. Vertical Piping: MSS Type 8 or Type 42, clamps.
  - 2. Individual, Straight, Horizontal Piping Runs: According to the following:
    - a. 100 Feet and Less: MSS Type 1, adjustable, steel clevis hangers.
    - b. Longer Than 100 Feet: MSS Type 43, adjustable roller hangers.
    - c. Longer Than 100 Feet, if indicated: MSS Type 49, spring cushion rolls.
  - 3. Multiple, Straight, Horizontal Piping Runs 100 Feet or Longer: MSS Type 44, pipe rolls. Support pipe rolls on trapeze.
  - 4. Base of Vertical Piping: MSS Type 52, spring hangers.
- D. Support vertical piping and tubing at base and at each floor.
- E. Rod diameter may be reduced 1 size for double-rod hangers, with 3/8-inch minimum rods.
- F. Install hangers for cast-iron soil piping with the following maximum horizontal spacing and minimum rod diameters:
  - 1. 1 1/2" and 2": 60" with 3/8" rod.
  - 2. 3": 60" with 1/2" rod.
  - 3. 4" and NPS 5: 60" with 5/8" rod.
  - 4. 6": 60" with 3/4" rod.
  - 5. 8" to 12": 60" with 7/8" rod.
  - 6. 15": 60" with 1" rod.
- G. Install supports for vertical cast-iron soil piping every 15 feet.
- H. Support piping and tubing not listed above according to MSS SP-69 and manufacturer's written instructions.

### 3.5 CONNECTIONS

- A. Drawings indicate general arrangement of piping, fittings, and specialties.
- B. Connect soil and waste piping to exterior sanitary sewerage piping. Use transition fitting to join dissimilar piping materials.
- C. Connect drainage and vent piping.

### 3.6 FIELD QUALITY CONTROL

FIRE STATIONS RENOVATION  
ARLINGTON COUNTY, VIRGINIA  
Architect's Project No: 563006

- A. During installation, notify authorities having jurisdiction at least 24 hours before inspection must be made. Perform tests specified below in presence of authorities having jurisdiction.
  - 1. Roughing-in Inspection: Arrange for inspection of piping before concealing or closing-in after roughing-in and before setting fixtures.
  - 2. Final Inspection: Arrange for final inspection by authorities having jurisdiction to observe tests specified below and to ensure compliance with requirements.
- B. Re-inspection: If authorities having jurisdiction find that piping will not pass test or inspection, make required corrections and arrange for re-inspection.
- C. Reports: Where required or indicated prepare inspection reports and have them signed by authorities having jurisdiction.
- D. Test sanitary drainage and vent piping according to procedures of authorities having jurisdiction or, in absence of published procedures, as follows:
  - 1. Test for leaks and defects in new piping and parts of existing piping that have been altered, extended, or repaired. If testing is performed in segments, submit separate report for each test, complete with diagram of portion of piping tested.
  - 2. Leave uncovered and unconcealed new, altered, extended, or replaced drainage and vent piping until it has been tested and approved. Expose work that was covered or concealed before it was tested.
  - 3. Roughing-in Plumbing Test Procedure: Test drainage and vent piping, except outside leaders, on completion of roughing-in. Close openings in piping system and fill with water to point of overflow, but not less than 10-foot head of water. From 15 minutes before inspection starts to completion of inspection, water level must not drop. Inspect joints for leaks.
  - 4. Repair leaks and defects with new materials and retest piping, or portion thereof, until satisfactory results are obtained.
  - 5. Prepare reports for tests and required corrective action.

3.7 CLEANING

- A. Clean interior of piping. Remove dirt and debris as work progresses.
- B. Protect drains during remainder of construction period to avoid clogging with dirt and debris and to prevent damage from traffic and construction work.
- C. Place plugs in ends of uncompleted piping at end of day and when work stops.

END OF SECTION 221316

FIRE STATIONS RENOVATION  
ARLINGTON COUNTY, VIRGINIA  
Architect's Project No: 563006

SECTION 221319 - SANITARY WASTE PIPING SPECIALTIES

PART 1 - GENERAL

1.1 RELATED DOCUMENTS

- A. Provisions of the Contract and of the Contract Documents apply to this Section.

1.2 ABBREVIATIONS

- A. RPZ Reduced Pressure Zone
- B. FOG Fats, oils, and greases.

1.3 DEFINITIONS

- A. Withstand: Units shall remain in place without separation of any parts when subjected to seismic forces indicated. "Essential facility" units shall be fully operational after the seismic event.

1.4 QUALITY ASSURANCE

- A. Drainage piping specialties shall bear label, stamp, or other markings of specified testing agency.
- B. Comply with NSF 14, "Plastics Piping Components and Related Materials," for plastic sanitary piping specialty components.

1.5 COORDINATION

- A. Coordinate size and location of roof penetrations.

PART 2 - PRODUCTS

2.1 CLEANOUTS

- A. General:
  - 1. Available Manufacturers:
    - a. Josam Company; Josam Div.
    - b. MIFAB, Inc.
    - c. Smith, Jay R. Mfg. Co.; Division of Smith Industries, Inc.
    - d. Tyler Pipe; Wade Div.

FIRE STATIONS RENOVATION  
ARLINGTON COUNTY, VIRGINIA  
Architect's Project No: 563006

- e. Watts Drainage Products Inc.
  - f. Zurn Plumbing Products Group; Specification
- 2. Standard: ASME A112.36.2M.
  - 3. Size: Same as connected drainage piping
  - 4. Closure Material: Match pipe, brass, PVC, or ABS
- B. Floor Cleanouts:
- 1. Housing: threaded, adjustable.
  - 2. Type: Threaded, adjustable housing.
  - 3. Body: Cast iron.
  - 4. Outlet Connection: Inside calk, Spigot, or Threaded.
  - 5. Adjustable Housing Material: Cast iron with threads.
  - 6. Frame and Cover Material and Finish: Satin finish nikaloy.
  - 7. Frame and Cover Shape: Round or Square (Contractors choice).
  - 8. Top Loading Classification: Extra Heavy Duty.
  - 9. Riser: ASTM A 74, Service weight, cast-iron drainage pipe fitting and riser to cleanout.
  - 10. Carpet Ring: Yes for carpeted floors.
  - 11. Tile Recess: Yes for tiled or vinyl floors.
  - 12. Terrazzo: Yes for terrazzo floors
- C. Wall Cleanouts:
- 1. Wall access: Yes
  - 2. Body: Match connected piping.
  - 3. Closure: Countersunk or raised-head, drilled-and-threaded plug.
  - 4. Closure Plug Size: Same as cleanout size but not larger than four inches in diameter.
  - 5. Wall Access: Round, flat, chrome-plated brass, nickel-bronze, copper-alloy, or stainless-steel cover plate with screw.

## 2.2 FLOOR DRAINS

- 1. Basis-of-Design Product: Subject to compliance with requirements, provide the product indicated on Drawings or a comparable product by one of the following:
  - a. Josam Company; Josam Div.
  - b. Smith, Jay R. Mfg. Co.; Division of Smith Industries, Inc.
  - c. Tyler Pipe; Wade Div.
  - d. Watts Drainage Products Inc.
  - e. Zurn Plumbing Products Group; Light Commercial Operation.
  - f. Zurn Plumbing Products Group; Specification Drainage Operation.
- 2. Standard: ASME A112.6.3
- 3. Pattern: As indicated.
- 4. Clamping Flange: Required.

## 2.3 MOTORS

- A. General requirements for motors are specified in Division 22 Section "Common Motor Requirements for Plumbing Equipment."

FIRE STATIONS RENOVATION  
ARLINGTON COUNTY, VIRGINIA  
Architect's Project No: 563006

1. Motor Sizes: Minimum size as indicated. If not indicated, large enough so driven load will not require motor to operate in service factor range above 1.0.
2. Controllers, Electrical Devices, and Wiring: Electrical devices and connections are specified in Division 26 Sections.

PART 3 - EXECUTION

3.1 INSTALLATION

- A. Refer to Division 22 Section "Common Work Results for Plumbing" for piping joining materials, joint construction, and basic installation requirements.
- B. Install cleanouts.
- C. Install cleanout deck plates with top flush with finished floor.
- D. For wall cleanouts located in concealed piping, install cleanout access covers, with cover tight to finished wall.
- E. Install floor drains at low points of surface areas to be drained. Set grates of drains flush with finished floor, unless otherwise indicated.
  1. Position floor drains as indicated. If indication is not clear, position for easy access and maintenance.
  2. Set floor drains at elevations indicated.
  3. Install floor-drain flashing flange so no leakage occurs between drain and adjoining flooring. Maintain integrity of waterproof membranes where penetrated.
  4. Install individual traps for floor drains connected to sanitary building drain.
- F. Install floor-drain, trap-seal primer fittings on inlet to floor drains indicated to receive trap-seal primer.
- G. Install sleeve flashing device with each riser and stack passing through floors with waterproof membrane.

3.2 CONNECTIONS

- A. Piping installation requirements are specified in other Division 22 Sections. Drawings indicate general arrangement of piping, fittings, and specialties.
- B. Install piping adjacent to equipment to allow service and maintenance.

3.3 LABELING AND IDENTIFYING

- A. Distinguish among multiple units, inform operator of operational requirements, and refer to Division 22 Section "Identification for Plumbing Piping and Equipment."

FIRE STATIONS RENOVATION  
ARLINGTON COUNTY, VIRGINIA  
Architect's Project No: 563006

3.4 FIELD QUALITY CONTROL

A. Checks and Inspections:

1. Leak Check: After installation, charge system and check for leaks. Repair leaks and recheck until no leaks exist.

3.5 PROTECTION

- A. Protect drains during construction period to avoid clogging with dirt or debris and to prevent damage from traffic or construction work.
- B. Place plugs in ends of open pipes at end of each day or when work stops.

END OF SECTION 221319



FIRE STATIONS RENOVATION  
ARLINGTON COUNTY, VIRGINIA  
Architect's Project No: 563006

**SECTION 224000 - PLUMBING FIXTURES – ADD 01**

PART 1 - GENERAL

1.1 RELATED DOCUMENTS

- A. Provisions of the Contract and of the Contract Documents apply to this Section.

1.2 DEFINITIONS

- A. ABS: Acrylonitrile-butadiene-styrene plastic.
- B. FRP: Fiberglass-reinforced plastic.
- C. PMMA: Polymethyl methacrylate (acrylic) plastic.
- D. PVC: Polyvinyl chloride plastic.
- E. RFI: Request for information.
- F. Accessible Fixture: Plumbing fixture that can be approached, entered, and used by people with disabilities.
- G. Cast Polymer: Cast-filled-polymer-plastic material. This material includes cultured-marble and solid-surface materials.
- H. Cultured Marble: Cast-filled-polymer-plastic material with surface coating.
- I. Fitting: Device that controls flow of water into or out of plumbing fixture. Fittings specified in this Section include supplies and stops, faucets and spouts, showerheads and tub spouts, drains and tailpieces, and traps and waste pipes.
- J. Solid Surface: Nonporous, homogeneous, cast-polymer-plastic material with heat-, impact-, scratch-, and stain-resistance qualities.
- K. Other Manufacturers: Use one of those listed.

1.3 SUBMITTALS

- A. Product Data: For each type of plumbing fixture indicated. Include proposed fixture, trim, fittings, accessories, appliances, appurtenances, equipment, and supports. Indicate materials & finishes, dimensions, construction details, flow-control rates and water consumption.
- B. Shop Drawings: Diagram power, signal, and control wiring.
- C. Operation and Maintenance Data: For plumbing fixtures to include in operation, and maintenance manuals.
- D. Warranty: Submit warranties.
  - 1. 1 Year non-prorated on all components of all products.
  - 2. Additional 9 years (total of 10) for de-zincification on flush valves when body metal contains more than 15% zinc.
- E. LEED Submittals: Refer to Division 1 Section “Sustainable Design Requirements.”

FIRE STATIONS RENOVATION  
ARLINGTON COUNTY, VIRGINIA  
Architect's Project No: 563006

F. All LEED V4 calculatable fixtures shall be certified as "Water Sense" compliant.

1.4 KEY OPERATOR:

- A. Provide Minimum number of key operators (wrenches/tools)for loose key stops, wall hydrants, aerators and any fixture where a key or special tool is required:
1. 1 for 10% of each size or 10, whichever is less.

1.5 QUALITY ASSURANCE

- A. Source Limitations: Obtain plumbing fixtures, faucets, and other components of each category through one source from a single manufacturer.
1. Exception: If fixtures, faucets, or other components are not available from a single manufacturer, obtain similar products from other manufacturers specified for that category.
- B. Electrical Components, Devices, and Accessories: Electrical components, devices, and accessories shall be listed and labeled as defined in NFPA 70, Article 100, by a testing agency acceptable to authorities having jurisdiction, and marked for intended use.
- C. Regulatory Requirements: Comply with requirements in ICC A117.1, "Accessible and Usable Buildings and Facilities"; Public Law 90-480, "Architectural Barriers Act"; and Public Law 101-336, "Americans with Disabilities Act"; for plumbing fixtures for people with disabilities. Comply with requirements in Public Law 102-486, "Energy Policy Act," regarding water flow and consumption rates for plumbing fixtures.
- D. NSF Standard: Comply with NSF 61, "Drinking Water System Components--Health Effects," for fixture materials that will be in contact with potable water.
- E. Select combinations of fixtures and trim, faucets, fittings, and other components that are compatible.
- F. Comply with the following standards and other requirements where applicable:
1. Vitreous-China Fixtures: ASME A112.19.2M.
  2. Backflow Protection Devices for Faucets with Hose-Thread Outlet: ASME A112.18.3M.
  3. Faucets: ASME A112.18.1.
  4. Hose-Connection Vacuum Breakers: ASSE 1011.
  5. Hose-Coupling Threads: ASME B1.20.7.
  6. Integral, Atmospheric Vacuum Breakers: ASSE 1001.
  7. NSF Potable-Water Materials: NSF 61.
  8. Pipe Threads: ASME B1.20.1.
  9. Sensor-Actuated Faucets and Electrical Devices: UL 1951.
  10. Supply Fittings: ASME A112.18.1.
  11. Brass Waste Fittings: ASME A112.18.2.
  12. Atmospheric Vacuum Breakers: ASSE 1001.
  13. Sensor-Operation Flushometers: ASSE 1037 and UL 1951.
  14. Flexible Water Connectors: ASME A112.18.6.
  15. Floor Drains: ASME A112.6.3.
  16. Plastic Toilet Seats: ANSI Z124.5.
  17. Supply and Drain Protective Shielding Guards: ICC A117.1.

FIRE STATIONS RENOVATION  
ARLINGTON COUNTY, VIRGINIA  
Architect's Project No: 563006

1.6 COORDINATION

- A. Coordinate all accessories. Ensure items fit and work together as an assembly.
- B. Coordinate roughing-in and final plumbing fixture locations, and verify that fixtures can be installed to comply with design.
- C. Model numbers are intended to identify families of fixtures and may be incomplete. Refer to other contract documents for hand.

1.7 EXTRA MATERIALS

- A. Furnish extra materials described below that match products installed and that are packaged with protective covering for storage and identified with labels describing contents.
  - 1. Faucet Cartridges, washers, aerators and O-Rings: Equal to 5 percent of amount of each type and size installed but not less than 5 of each type and size.
  - 2. Flushometer Valve, Repair Kits: 5 of each type.

PART 2 - PRODUCTS

2.1 WC-1 WATER CLOSET (ACCESSIBLE)

- A. Manufacturer & Model Number: 3043.001 (1.28 Gallon Flush)
  - 1. Material: Vitreous china
  - 2. Color: White
- B. Flush Valve: American Standard Model 6065.121 (1.28 Gallon Flush)
  - 1. Provide:
    - a. Wall Mounted Proximity Sensor valve with Indicator Light.
    - b. Courtesy Flush Over-ride Button.
    - c. Non-Hold-Open Integral Solenoid Operator.
    - d. 1" I.P.S. Screwdriver Back-Check Angle Stop
    - e. Free Spinning Vandal Resistant Stop Cap
    - f. Transformer
- C. Seat: Church 9500SSCT (White)
  - 1. Elongated extra heavy weight seat with stainless steel self-sustaining check hinge.
- D. Manufacturers:
  - 1. Water Closet
    - a. Kohler
    - b. Sloan
  - 2. Carrier:
    - a. Josam
    - b. J.R.Smith
  - 3. Flush Valve:
    - a. Kohler
    - b. Moen
    - c. Sloan

FIRE STATIONS RENOVATION  
ARLINGTON COUNTY, VIRGINIA  
Architect's Project No: 563006

4. Seat
  - a. Olsonite
  - b. Centoco

2.2 LA-1 LAVATORY – WALL HUNG (ACCESSIBLE)

- A. Basis-of-Design Product: Subject to compliance with requirements, provide Kohler No. K-1728 or a comparable product by one of the following:
  1. Material: Vitreous China
  2. Color: White
- B. Faucet: American Standard Model: 6053.205
  1. Infrared Sensor
  2. Filtered Solenoid valve with serviceable strainer
  3. Splash proof circuit control module
  4. Trim plate kit.
  5. 0.5 GPM vandal resistant spray head
  6. Below deck thermostatic mixing valve meeting ASSE 1070
  7. 120V Transformer
- C. Mixing Valve: TMV-1 (refer to schedule on P0.1)
  1. Anti-scald protection
  2. Integral check stops
  3. Lead free
  4. ASSE 1070 certified
- D. Drain: McGuire Part Number 155A
- E. Trap: McGuire Part Number 8902C-F
  1. 1-1/4"x 1-1/2" cast brass polished chrome trap with cleanout plug and brass slip nuts.
  2. 17-gauge seamless tubular chrome plated brass wall bend.
  3. Forged brass chrome plated wall flange with setscrew.
- F. Supplies: McGuire Part Number 2165-N3-F
  1. 1/2" IPS x 3/8" OD
  2. 1/2" x 3" chrome plated brass nipple.
  3. Heavy brass chrome plated wall flange with set-screw
  4. Contractor shall coordinate supply connection to back-check tee and shall provide required additional pipe.
- G. Insulation: Tru-Bro Lav Guard #102
  1. Color: White
  2. Insulate P-trap, hot and cold angle valves, hot and cold risers.
- H. Carrier: Josam Series 17100
  1. Floor mounted with rectangular uprights.
- I. Other Manufacturers: Provide products, features, and accessories equal to those specified above.
  1. Faucet:
    - a. Speakman

FIRE STATIONS RENOVATION  
ARLINGTON COUNTY, VIRGINIA  
Architect's Project No: 563006

- b. Sloan
- c. T&S Brass
- d. Moen
2. Drain:
  - a. Kohler
  - b. Cambridge Brass
  - c. Chicago
3. Trap:
  - a. Kohler
  - b. Cambridge Brass
4. Supplies:
  - a. Cambridge Brass
  - b. Kohler
5. Insulation:
  - a. McGuire

2.3 SH-1 (INDIVIDUAL SHOWER (ROLL-IN TYPE ACCESSIBLE))

A. Shower Valve: [Acorn Controls Model: SV16](#)

1. Temperature/Pressure compensating valve
2. Fixed shower head (2.0gpm)
3. Hand held shower set with 60" flex hose
4. 30" Slide bar for hand held shower mounted with stainless steel plates and bolts
5. In-line diverting valve
6. Integral service stops

**B. Shower Base/Pan: Swanstone Model: SS-3636 (\*ADD-01)**

- 1. Size 36"x 36"x 5-1/2"**
- 2. Color: White, verify with Architectural color selection.**
- 3. Drain: Integral**
- 4. Tiling flange(s): Yes, 3 sides**
- 5. Reinforced solid surface**

C. Provide self-sealing brass drain and strainer.

D. Other Manufacturers: Provide products, features, and accessories equal to those specified above.

1. Shower Valve
  - a. Leonard
  - b. Bradley
  - c. Symmons

PART 3 - EXECUTION

3.1 EXAMINATION

- A. Examine roughing-in for water soil and for waste piping systems and supports to verify actual locations and sizes of piping connections and that locations and types of supports match those

FIRE STATIONS RENOVATION  
ARLINGTON COUNTY, VIRGINIA  
Architect's Project No: 563006

indicated, before plumbing fixture installation. Manufacturer's roughing-in data overrides all other indicated data.

- B. Examine walls, floors, and cabinets for suitable conditions where fixtures are to be installed.
- C. Proceed with installation only after unsatisfactory conditions have been corrected.

### 3.2 FIXTURE INSTALLATION

- A. Assemble fixtures, trim, fittings, and other components according to manufacturers' written instructions.
- B. For wall-hanging fixtures, install off-floor supports affixed to building substrate.
- C. Install back-outlet, wall hanging fixtures onto waste fitting seals and attach to supports.
- D. Install floor-mounting fixtures on closet flanges or other attachments to piping or building substrate.
- E. Install wall-hanging fixtures with tubular waste piping attached to supports.
- F. Install counter-mounted fixtures in and attached to casework.
- G. Install fixtures level and plumb according to manufacturers' written instructions and roughing-in drawings.
- H. Install water-supply piping with stop on each supply to each fixture to be connected to water distribution piping. Attach supplies to supports or substrate within pipe spaces behind fixtures. Install stops in locations where they can be easily reached for operation.
  - 1. Exception: Use ball valve if stops are not specified with fixture. Refer to Section "Valves".
- I. Install trap and waste piping on drain outlet of each fixture to be directly connected to sanitary drainage system.
- J. Install flushometer valves for accessible water closets and urinals with handle mounted on wide side of compartment. Install other actuators in locations that are easy for people with disabilities to reach.
- K. Install toilet seats on water closets.
- L. Install faucet-spout fittings with specified flow rates and patterns in faucet spouts if faucets are not available with required rates and patterns. Include adapters if required.
- M. Install faucet, flow-control fittings with specified flow rates and patterns in faucet spouts if faucets are not available with required rates and patterns. Include adapters if required.
- N. Install traps on fixture outlets.
  - 1. Exception: Omit trap on fixtures with integral traps.
  - 2. Exception: Omit trap on indirect wastes, unless otherwise indicated.
- O. Install escutcheons at piping wall-ceiling penetrations in exposed, finished locations and within cabinets and millwork. Use deep-pattern escutcheons if required to conceal protruding fittings. Refer to Division 22 Section "Common Work Results For Plumbing" for escutcheons.
- P. Set service basins in leveling bed of cement grout. Refer to Division 22 Section "Common Work Results For Plumbing" for grout.

FIRE STATIONS RENOVATION  
ARLINGTON COUNTY, VIRGINIA  
Architect's Project No: 563006

- Q. Refer to Section "Joint Sealants" for sealant and installation requirements.
- R. Provide connection to automatic lavatories & flush valves as required via low-voltage transformer(s). Mount transformer(s) above accessible ceiling. Connect to local 120V receptacle circuit with disconnect switch adjacent to transformer. All circuitry (including low voltage) shall be run concealed & in conduit. Coordinate connection requirements.

3.3 CONNECTIONS

- A. Drawings indicate general arrangement of piping, fittings, and specialties.
- B. Connect water supplies from water distribution piping to fixtures.
- C. Connect drain piping from fixtures to drainage piping.
- D. Supply and Waste Connections to Plumbing Fixtures: Connect fixtures with water supplies, stops, risers, traps, and waste piping. Use sizes required to match fixtures. Connect to plumbing piping.
- E. Supply and Waste Connections to Fixtures and Equipment Specified in Other Sections: Connect fixtures and equipment with water supplies, stops, risers, traps, and waste piping. Use size fittings required to match fixtures and equipment. Connect to plumbing piping.
- F. Ground equipment: Tighten electrical connectors and terminals according to manufacturer's published torque-tightening values. If manufacturer's torque values are not indicated, use those specified in UL 486A and UL 486B.

3.4 FIELD QUALITY CONTROL

- A. Verify that installed fixtures are categories and types specified for locations where installed.
- B. Check that fixtures are complete with trim, faucets, fittings, and other specified components.
- C. Inspect installed fixtures for damage. Replace damaged fixtures and components.
- D. Test installed fixtures after water systems are pressurized for proper operation. Replace malfunctioning fixtures and components, then retest. Repeat procedure until units operate properly.
- E. Install fresh batteries in sensor-operated mechanisms.

3.5 ADJUSTING

- A. Replace washers and seals or cartridges of leaking and dripping faucets, stops, and valves.

3.6 CLEANING

- A. Clean fixtures, faucets, and other fittings with manufacturers' recommended cleaning methods and materials. Do the following:
  - 1. Remove faucet spouts and strainers, remove sediment and debris, and reinstall strainers and spouts.
  - 2. Remove sediment and debris from drains.

FIRE STATIONS RENOVATION  
ARLINGTON COUNTY, VIRGINIA  
Architect's Project No: 563006

3.7 PROTECTION

- A. Provide protective covering for installed fixtures and fittings.
- B. Do not allow use of fixtures for temporary facilities unless approved in writing by Owner.

END OF SECTION 224000



FIRE STATIONS RENOVATION  
ARLINGTON COUNTY, VIRGINIA  
Architect's Project No: 563006

SECTION 230500 - COMMON WORK RESULTS FOR HVAC

PART 1 - GENERAL

1.1 RELATED DOCUMENTS

- A. Provisions of the Contract and of the Contract Documents apply to this Section.

1.2 DEFINITIONS

- A. Finished Spaces: Spaces other than mechanical and electrical equipment rooms, furred spaces, pipe chases, unheated spaces immediately below roof, spaces above ceilings, unexcavated spaces, crawlspaces, and tunnels.
- B. Exposed, Interior Installations: Exposed to view indoors. Examples include finished occupied spaces and mechanical equipment rooms.
- C. Exposed, Exterior Installations: Exposed to view outdoors or subject to outdoor ambient temperatures and weather conditions. Examples include rooftop locations.
- D. Concealed, Interior Installations: Concealed from view and protected from physical contact by building occupants. Examples include above ceilings and in chases.
- E. Concealed, Exterior Installations: Concealed from view and protected from weather conditions and physical contact by building occupants but subject to outdoor ambient temperatures. Examples include installations within unheated shelters.
- F. The following are industry abbreviations for rubber materials:
  - 1. EPDM: Ethylene-propylene-diene terpolymer rubber.
  - 2. NBR: Acrylonitrile-butadiene rubber.
- G. VUSBC: Virginia Uniform Statewide Building Code

1.3 SUBMITTALS

- A. Product Data: For the following:
  - 1. Transition fittings.
  - 2. Dielectric fittings.
  - 3. Mechanical sleeve seals.
  - 4. Escutcheons.

FIRE STATIONS RENOVATION  
ARLINGTON COUNTY, VIRGINIA  
Architect's Project No: 563006

1.4 QUALITY ASSURANCE

- A. Equipment and appliances comprising portions of the mechanical systems regulated by the VUSBC shall be listed and labeled in accordance with the current edition of the VUSBC.
- B. Equipment and appliances comprising portions of the mechanical systems regulated by the VUSBC shall be installed in accordance with the listing, manufacturer's installation instructions, and the VUSBC. Manufacturer's installation instructions shall be available on the job site for use and inspection.
- C. Steel Support Welding: Qualify processes and operators according to AWS D1.1, "Structural Welding Code--Steel."
- D. Steel Pipe Welding: Qualify processes and operators according to ASME Boiler and Pressure Vessel Code: Section IX, "Welding and Brazing Qualifications."
  - 1. Comply with provisions in ASME B31 Series, "Code for Pressure Piping."
  - 2. Certify that each welder has passed AWS qualification tests for welding processes involved and that certification is current.
- E. Electrical Characteristics for HVAC Equipment: Equipment of higher electrical characteristics may be furnished provided such proposed equipment is approved in writing and connecting electrical services, circuit breakers, and conduit sizes are appropriately modified. If minimum energy ratings or efficiencies are specified, equipment shall comply with requirements.

1.5 DELIVERY, STORAGE, AND HANDLING

- A. Deliver pipes and tubes with factory-applied end caps. Maintain end caps through shipping, storage, and handling to prevent pipe end damage and to prevent entrance of dirt, debris, and moisture.

1.6 COORDINATION

- A. Arrange for pipe spaces, chases, slots, and openings in building structure during progress of construction, to allow for HVAC installations.
- B. Coordinate installation of required supporting devices and set sleeves in poured-in-place concrete and other structural components as they are constructed.
- C. Coordinate requirements for access panels and doors for HVAC items requiring access that are concealed behind finished surfaces. Access panels and doors are specified in Division 08 Section "Access Doors and Frames."

FIRE STATIONS RENOVATION  
ARLINGTON COUNTY, VIRGINIA  
Architect's Project No: 563006

1.7 INTENT OF CONTRACT DOCUMENTS

- A. Mechanical and HVAC drawings are diagrammatic, indicating general locations and arrangements of pipe, duct, and equipment. Not necessarily indicating all offsets, conditions, and appurtenances required to provide clearances for maximum practical accessibility to perform maintenance.
- B. Coordinate work in order to achieve proper operation and to provide a maintainable installed condition.
- C. Notify the Architect's representative immediately of conditions which do not comply or will not produce this result.
- D. Indicated configurations were used to size pipes, pumps, expansion tanks and other devices. Install piping, duct, and equipment generally as indicated. Minor deviations are permitted in the course of necessary coordination. Major changes shall be submitted for approval by the Architect's representative. Additional fittings and offsets not indicated are expected, anticipated by the design, and shall be provided. If more than 5% of the indicated number of fittings are required or if one change in direction is within six inches of another change in direction and this "Z" shape is not indicated notify the Architect's representative immediately. Provide necessary additional fittings and offsets. Changes in pipe size shall be made only with written approval from the Architect's representative.

PART 2 - PRODUCTS

2.1 PIPE, TUBE, AND FITTINGS

- A. Refer to Section "Hydronic Piping" for additional pipe, tube, and fitting materials and joining methods.
- B. Pipe Threads: ASME B1.20.1 for factory-threaded pipe and pipe fittings.

2.2 JOINING MATERIALS

- A. Refer to individual Division 23 piping sections for joining materials not listed below.
- B. Pipe-Flange Gasket Materials: Suitable for chemical and thermal conditions inside & outside pipe and:
  - 1. ASME B16.21, non-metallic, flat, asbestos-free, 1/8-inch maximum thickness unless thickness or specific material is otherwise indicated.
    - a. Full-Face Type: For flat-face, Class 125, cast-iron and cast-bronze flanges.
    - b. Narrow-Face Type: For raised-face, Class 250, cast-iron and steel flanges.

FIRE STATIONS RENOVATION  
ARLINGTON COUNTY, VIRGINIA  
Architect's Project No: 563006

- 2. AWWA C110, rubber, flat face, 1/8 inch thick, unless otherwise indicated, and full-face or ring type, unless otherwise indicated.
- C. Solder Filler Metals: ASTM B 32, lead-free (95% Tin, 5% Antimony) alloy. Include water-flushable flux according to ASTM B 813.
- D. Brazing Filler Metals: AWS A5.8, BCuP Series, copper-phosphorus alloys for general-duty brazing, unless otherwise indicated; and AWS A5.8, BAgl, silver alloy for refrigerant piping, unless otherwise indicated.
- E. Welding Filler Metals: Comply with AWS D10.12 for welding materials appropriate for wall thickness and chemical analysis of steel pipe being welded.

2.3 DIELECTRIC FITTINGS

- A. Description: Combination fitting of copper alloy and ferrous materials with threaded, solder-joint, plain, or weld-neck end connections that match piping system materials.
- B. Insulating Material: Suitable for system fluid, pressure, and temperature.
- C. Dielectric Flanges: Factory-fabricated, companion-flange assembly, for 150- or 300-psig minimum working pressure as required to suit system pressures.
  - 1. Available Manufacturers:
    - a. Capitol Manufacturing Co.
    - b. Central Plastics Company.
    - c. EpcO Sales, Inc.
    - d. Watts Industries, Inc.; Water Products Div.
- D. Dielectric-Flange Kits: Companion-flange assembly for field assembly. Include flanges, full-face- or ring-type neoprene or phenolic gasket, phenolic or polyethylene bolt sleeves, phenolic washers, and steel backing washers.
  - 1. Available Manufacturers:
    - a. Advance Products & Systems, Inc.
    - b. Calpico, Inc.
    - c. Central Plastics Company.
    - d. Pipeline Seal and Insulator, Inc.
  - 2. Separate companion flanges and steel bolts and nuts shall have 150- or 300-psig minimum working pressure where required to suit system pressures.
- E. Dielectric Couplings: Galvanized steel coupling with inert and non-corrosive, thermoplastic lining; threaded ends; and 300-psig minimum working pressure at 225°F.
  - 1. Available Manufacturers:

FIRE STATIONS RENOVATION  
ARLINGTON COUNTY, VIRGINIA  
Architect's Project No: 563006

- a. Calpico, Inc.
- b. Lochinvar Corp.

2.4 MECHANICAL SLEEVE SEALS

- A. Description: Modular sealing element unit, designed for field assembly, to fill annular space between pipe and sleeve.
  - 1. Available Manufacturers:
    - a. Advance Products & Systems, Inc.
    - b. Calpico, Inc.
    - c. Metraflex Co.
    - d. Pipeline Seal and Insulator, Inc.
  - 2. Sealing Elements: EPDM interlocking links shaped to fit surface of pipe. Include type and number required for pipe material and size of pipe.
  - 3. Pressure Plates: Plastic. Include two for each sealing element.
  - 4. Connecting Bolts and Nuts: Stainless steel of length required to secure pressure plates to sealing elements.

2.5 SLEEVES

- A. Galvanized-Steel Sheet: 0.0239-inch minimum thickness; round tube closed with welded longitudinal joint.
- B. Steel Pipe: ASTM A 53, Type E, Grade B, Schedule 40, galvanized, plain ends.
- C. Cast Iron: Cast or fabricated "wall pipe" equivalent to ductile-iron pressure pipe, with plain ends and integral waterstop, unless otherwise indicated.
- D. Stack Sleeve Fittings: Manufactured, cast-iron sleeve with integral clamping flange. Include clamping ring and bolts and nuts for membrane flashing.
  - 1. Underdeck Clamp: Clamping ring with set screws.
- E. Molded PE: Reusable, PE, tapered cup-shaped and smooth-outer surface with nailing flange for attaching to wooden forms.

2.6 ESCUTCHEONS

- A. Description: Manufactured wall and ceiling escutcheons and floor plates, with an ID to closely fit around pipe, tube, and insulation of insulated piping and an OD that completely covers opening.

FIRE STATIONS RENOVATION  
ARLINGTON COUNTY, VIRGINIA  
Architect's Project No: 563006

- B. One-Piece, Deep-Pattern Type: Deep-drawn, box-shaped brass with polished chrome-plated finish.
- C. One-Piece, Cast-Brass Type: With set screw.
  - 1. Finish: Polished chrome-plated.
- D. Split-Casting, Cast-Brass Type: With concealed hinge and set screw.
  - 1. Finish: Polished chrome-plated.
- E. One-Piece, Floor-Plate Type: Cast-iron floor plate.
- F. Split-Casting, Floor-Plate Type: Cast brass with concealed hinge and set screw.

2.7 GROUT

- A. Description: ASTM C 1107, Grade B, non-shrink and non-metallic, dry hydraulic cement grout.
  - 1. Characteristics: Post-hardening, volume-adjusting, non-staining, non-corrosive, non-gaseous, and recommended for interior and exterior applications.
  - 2. Design Mix: 5000-psi, 28-day compressive strength.
  - 3. Packaging: Premixed and factory packaged.

PART 3 - EXECUTION

3.1 HVAC DEMOLITION

- A. Refer to Sections "Cutting and Patching" and "Selective Structure Demolition" for general demolition requirements and procedures.
- B. Disconnect, demolish, and remove HVAC systems, equipment, and components indicated to be removed.
  - 1. Piping to Be Removed: Remove portion of piping indicated to be removed and cap or plug remaining piping with same or compatible piping material.
  - 2. Piping to Be Abandoned in Place: Drain piping and cap or plug piping with same or compatible piping material.
  - 3. Equipment to Be Removed: Remove equipment and associated piping back to main unless otherwise indicated. Cap services.
  - 4. Equipment to Be Removed and Reinstalled: Disconnect and cap services. Remove, clean, and store equipment. When appropriate, reinstall, reconnect, and make equipment operational.
  - 5. Equipment to Be Removed and Salvaged: Remove equipment and associated piping back to main unless otherwise indicated. Cap services. Remove equipment, clean, and

FIRE STATIONS RENOVATION  
ARLINGTON COUNTY, VIRGINIA  
Architect's Project No: 563006

store as directed (May be off-site). Make available to owner at time of the owner's choosing.

- C. If pipe, insulation, or equipment to remain is damaged in appearance or is unserviceable, remove damaged or unserviceable portions and replace with new products of equal capacity and quality.

### 3.2 PIPING SYSTEMS - COMMON REQUIREMENTS

- A. Install piping according to the following and Division 23 Sections specifying piping systems.
- B. Install piping in concealed locations, unless otherwise indicated and except in equipment rooms and service areas.
- C. Install piping indicated to be exposed and piping in equipment rooms and service areas at right angles or parallel to building walls. Diagonal runs are prohibited unless specifically indicated.
- D. Install piping above accessible ceilings allowing sufficient space for ceiling panel removal.
- E. Install piping to permit valve operation & servicing.
- F. Install condensate drain piping at 1% slope.
- G. Install piping free of sags and bends.
- H. Install fittings for changes in direction and branch connections unless otherwise indicated.
- I. Install piping leaving room for installation of insulation.
- J. Install system components with pressure rating equal to or greater than system operating pressure.
- K. Install escutcheons for penetrations of walls, ceilings, and floors according to the following:
  - 1. Exposed, Interior Installations/Piping with Fitting or Sleeve Protruding from Wall: One-piece, deep-pattern type.
  - 2. Exposed, Interior Installations/Chrome-Plated Piping: One-piece, cast-brass type with polished chrome-plated finish and set-screw.
  - 3. Exposed, Interior Installations/Insulated Piping: One-piece, cast-brass type with polished chrome-plated finish.
  - 4. Exposed, Interior Installations/Bare Piping at Wall and Floor Penetrations in Finished Spaces: One-piece, cast-brass type with finish to match surrounding surfaces.
  - 5. Exposed, Interior Installations/Bare Piping at Ceiling Penetrations in Finished Spaces: One-piece or split-casting, cast-brass type with finish to match surrounding surfaces.
  - 6. Exposed, Interior Installations/Piping in Unfinished Service Spaces: None, provide sealant.
  - 7. Exposed, Interior Installations/Piping in Equipment Rooms: None, provide sealant.

FIRE STATIONS RENOVATION  
ARLINGTON COUNTY, VIRGINIA  
Architect's Project No: 563006

8. Exposed, Interior Installations/Piping at Floor Penetrations in Equipment Rooms, Fan Rooms, or similar wet spaces: None - provide sealant and sleeve extending 2" above floor to prevent liquid leaking to floor below.
  
- L. Provide seal around piping penetrations of full height interior walls, both rated and non-rated, that occur above ceilings. Refer to Section 079200 Joint Sealants.
  
- M. Sleeves are not required for core-drilled holes.
  1. Exception: Exposed, Interior Installations at Floor Penetrations in Equipment Rooms, Fan Rooms, or similar wet spaces.
  
- N. Permanent sleeves are not required for holes formed by removable PE sleeves.
  1. Exception: Exposed, Interior Installations at Floor Penetrations in Equipment Rooms, Fan Rooms, or similar wet spaces.
  
- O. Install sleeves for pipes passing through walls, floors, or roofs.
  1. Cut sleeves to length for mounting flush with both surfaces.
    - a. Exception: Extend sleeves installed in floors of mechanical equipment rooms, fan rooms or other similar wet areas 2 inches above finished floor level. Extend cast-iron sleeve fittings below floor slab as required to secure clamping ring.
  2. Install sleeves as walls and slabs are constructed.
    - a. PVC Pipe Sleeves: Permitted for pipes smaller than 6" except aboveground, exterior-walls.
    - b. Steel Sheet Sleeves: Permitted for pipes 6" and larger, penetrating gypsum-board partitions except aboveground, exterior-walls.
    - c. Seal space outside sleeve fittings with grout and sealant.
  3. Except for penetrations where mechanical sleeve seals are used, seal annular space between sleeve and pipe or pipe insulation, using joint sealants appropriate for size, depth, and location of joint. Refer to Section "Joint Sealants".
  
- P. Aboveground Exterior Penetrations: Seal penetrations using sleeves and mechanical sleeve seals. Select sleeve size to allow for annular clear space required by the mechanical sleeve seal manufacturer between pipe and sleeve for installing mechanical sleeve seals.
  1. Install steel pipe for sleeves smaller than 6 inches in diameter.
  2. Install cast-iron "wall pipes" for sleeves 6 inches and larger in diameter.
  3. Mechanical Sleeve Seal Installation: Select type and number of sealing elements required for pipe material and size. Position pipe in center of sleeve. Assemble mechanical sleeve seals and install in annular space between pipe and sleeve. Tighten bolts against pressure plates that cause sealing elements to expand and make watertight seal.
  4. Sleeves from an approved sleeve seal manufacturer shall be acceptable.



FIRE STATIONS RENOVATION  
ARLINGTON COUNTY, VIRGINIA  
Architect's Project No: 563006

- Q. Underground Exterior Penetrations: Install cast-iron "wall pipes" for sleeves. Seal pipe penetrations using mechanical sleeve seals. Select sleeve size to allow for annular clear space required by the mechanical sleeve seal manufacturer between pipe and sleeve for installing mechanical sleeve seals.
- R. Mechanical Sleeve Seal Installation: Select type and number of sealing elements required for pipe material and size. Position pipe in center of sleeve. Assemble mechanical sleeve seals and install in annular space between pipe and sleeve. Tighten bolts against pressure plates that cause sealing elements to expand and make watertight seal.
- S. Fire-Barrier Penetrations: Maintain indicated fire rating of walls, partitions, ceilings, and floors at pipe penetrations. Seal pipe penetrations with firestop materials. Refer to Section "Penetration Firestopping" for materials.
- T. Verify final equipment locations for roughing-in.
- U. Refer to equipment specifications in other Sections of these Specifications for roughing-in requirements.

### 3.3 PIPING JOINT CONSTRUCTION

- A. Join pipe and fittings according to the following requirements and Division 22 Sections specifying piping systems.
- B. Ream ends of pipes and tubes and remove burrs. Bevel plain ends of steel pipe.
- C. Remove scale, slag, dirt, and debris from inside and outside of pipe and fittings before assembly.
- D. Soldered Joints: Apply water-flushable flux, unless otherwise indicated, to tube end. Construct joints using lead-free solder alloy.
- E. Brazed Joints: Construct joints using copper-phosphorus brazing filler metal.
- F. Threaded Joints: Thread pipe with tapered pipe threads. Cut threads full and clean using sharp dies. Ream threaded pipe ends to remove burrs and restore full ID. Join pipe fittings and valves as follows:
  - 1. Apply appropriate tape or thread compound to external pipe threads unless otherwise indicated.
- G. Welded Joints: Construct joints using qualified processes and welding operators.
- H. Flanged Joints: Select appropriate gasket material, size, type, and thickness for service application. Install gasket concentrically positioned. Use suitable lubricants on bolt threads.
- I. Mechanical Joints: Prepare pipe ends and fittings, apply coupling, and join according to joint manufacturer's written instructions.

FIRE STATIONS RENOVATION  
ARLINGTON COUNTY, VIRGINIA  
Architect's Project No: 563006

3.4 PIPING CONNECTIONS

- A. Make connections according to the following, unless otherwise indicated:
  - 1. Install unions, in piping 2" and smaller, one adjacent to each valve and at final connections to each piece of equipment.
  - 2. Install flanges, in piping NPS 2-1/2" and larger, adjacent to final connections to each piece of equipment.
  - 3. Install dielectric unions or flanges for connections of dissimilar metals.

3.5 EQUIPMENT INSTALLATION - COMMON REQUIREMENTS

- A. Install equipment to allow maximum possible headroom unless specific mounting heights are indicated.
- B. Install equipment level and plumb, parallel and perpendicular to other building systems and components in exposed interior spaces, unless otherwise indicated.
- C. Install HVAC equipment to facilitate service, maintenance, and repair or replacement of components. Connect equipment for ease of disconnecting, with minimum interference to other installations. Extend grease fittings to service side of equipment.
- D. Install equipment to allow space for other systems.

3.6 PAINTING

- A. Damage and Touchup: Repair marred and damaged factory-painted finishes with materials and procedures to match original factory finish.

3.7 HOUSEKEEPING PADS AND EQUIPMENT PADS

- A. Housekeeping pads and equipment pads: Anchor equipment to concrete according to equipment manufacturer's written instructions and according to seismic codes at project location.
  - 1. Construct concrete pads in accordance with drawing details.
  - 2. Details may be found on structural drawings.

3.8 ERECTION OF METAL SUPPORTS AND ANCHORAGES

- A. Refer to Section "Metal Fabrications" for structural steel.
- B. Cut, fit, and place miscellaneous metal supports accurately in location, alignment, and elevation to support and anchor HVAC materials and equipment.
- C. Field Welding: Comply with AWS D1.1.

FIRE STATIONS RENOVATION  
ARLINGTON COUNTY, VIRGINIA  
Architect's Project No: 563006

3.9 GROUTING

- A. Mix and install grout for HVAC equipment base bearing surfaces, pump and other equipment base plates, and anchors.
- B. Clean surfaces that will come into contact with grout.
- C. Provide forms as required for placement of grout.
- D. Avoid air entrapment during placement of grout.
- E. Place grout, completely filling equipment bases.
- F. Place grout on concrete bases and provide smooth bearing surface for equipment.
- G. Place grout around anchors.
- H. Cure placed grout.

3.10 EXCAVATION AND BACKFILL

- A. Excavation and backfill shall be as indicated in Division 1 specifications and on the drawings. If excavation and backfill is not otherwise indicated the following shall apply:
  - 1. Excavate trenches to indicated gradients, lines, depths, and elevations.
    - a. Beyond the building perimeter, excavate trenches to allow installation of top of pipe below frost line.
  - 2. Excavate trenches to uniform widths to provide twelve inches clear on each side of pipe. Excavate trench walls vertically from trench bottom.
  - 3. Trench Bottoms: Excavate trench bottoms to provide flat surface. Place and compact six inches of sand. Excavate and shape sand to provide uniform bearing and support of pipes. Shape sand to provide continuous support for bells, joints, fittings, and barrels of pipes. Sand shall be free of projecting stones and sharp objects.
  - 4. Backfill and hand tamp to 95% proctor to six inches above the top of the pipe.
  - 5. Backfill and machine tamp the remainder of the trench to 95% proctor in twelve inch lifts.

END OF SECTION 230500

FIRE STATIONS RENOVATION  
ARLINGTON COUNTY, VIRGINIA  
Architect's Project No: 563006

SECTION 230513 – MOTORS FOR HVAC EQUIPMENT

PART 1 - GENERAL

1.1 RELATED DOCUMENTS

- A. Provisions of the Contract and of the Contract Documents apply to this Section.

1.2 SUBMITTALS

- A. Manufacturer's catalog and efficiency data.

1.3 QUALITY ASSURANCE

- A. Electrical Components, Devices, and Accessories: Listed and labeled as defined in NFPA 70, Article 100, by a testing agency acceptable to authorities having jurisdiction, and marked for intended use.
- B. Comply with NFPA 70.

1.4 COORDINATION

- A. All motors are required to be equipped with overload protection located near the motor.
  - 1. Overload protection shall:
    - a. Be located between the circuit breaker or fuse provided under Division 26 and the motor windings.
    - b. Meet one of the options specified in the following paragraph.
  - 2. Overload protection may be:
    - a. Located in the motor installed by the motor manufacturer. (preferred)
    - b. A separate device located near the motor.
    - c. Located in, or with, a disconnect switch provided by the equipment manufacturer. Provision of this switch shall not modify, change, or eliminate any Division 26 requirement. This means some equipment shall be provided or specified with two disconnecting means.
- B. Coordinate features of motors, installed units, and accessory devices. Provide motors that are:
  - 1. Compatible with controller
  - 2. Matched to torque and horsepower requirements of the load.
  - 3. Matched to ratings and characteristics of supply circuit and required control sequence.
- C. Coordinate motor support with requirements for driven load; access for maintenance and motor replacement; installation of accessories, belts, belt guards; and adjustment of sliding rails for belt tensioning.
- D. Belt tension must be wrench and socket adjustable.
- E. Belt tensioning device must accommodate adjustable sheaves.

FIRE STATIONS RENOVATION  
ARLINGTON COUNTY, VIRGINIA  
Architect's Project No: 563006

PART 2 - PRODUCTS

2.1 MOTOR REQUIREMENTS

- A. Motor requirements apply except as follows:
1. Ratings, performance, or characteristics for a motor are specified in another Section or are scheduled on the drawings.
  2. Motor manufacturer requires ratings, performance, or characteristics, other than those specified to meet indicated performance.

2.2 MOTOR CHARACTERISTICS

- A. Frequency Rating: 60 Hz.
- B. Voltage Rating: NEMA standard voltage selected to operate on nominal circuit voltage to which motor is connected.
- C. Duty: Continuous at 105 deg F and 3300 feet above sea level.
- D. Capacity and Torque sufficient to:
1. Start, accelerate, and operate connected load.
  2. Maintain designated speeds.
  3. Operate at installed altitude and environment.
  4. Operate with indicated operating sequence.
  5. Operate without exceeding nameplate ratings.
  6. Operate without utilizing service factor.
- E. Enclosure: Open drip-proof unless otherwise indicated.
- F. Minimum Service Factor: 1.15 unless otherwise indicated.

2.3 POLYPHASE MOTORS

- A. Description: NEMA MG 1, Design B, medium induction motor.
- B. NEMA Premium efficiency motors shall meet the following full load efficiency:

HP	ODP			TEFC		
	6 Pole	4 Pole	2 Pole	6 Pole	4 Pole	2 Pole
1	82.5	85.5	77.0	82.5	85.5	77.0
1.5	86.5	86.5	84.0	87.5	86.5	84.0
2	87.5	86.5	85.5	88.5	86.5	85.5
3	88.5	89.5	85.5	89.5	89.5	86.5
5	89.5	89.5	86.5	89.5	89.5	88.5
7.5	90.2	91.0	88.5	91.0	91.7	89.5
10	91.7	91.7	89.5	91.0	91.7	90.2
15	91.7	93.0	90.2	91.7	92.4	91.0
20	92.4	93.0	91.0	91.7	93.0	91.0
25	93.0	93.6	91.7	93.0	93.6	91.7

FIRE STATIONS RENOVATION  
ARLINGTON COUNTY, VIRGINIA  
Architect's Project No: 563006

30	93.6	94.1	91.7	93.0	93.6	91.7
----	------	------	------	------	------	------

- C. Efficiency: NEMA Premium
- D. Stator: Copper windings, unless otherwise indicated.
- E. Rotor: Squirrel cage, unless otherwise indicated.
- F. Bearings: Double-shielded, prelubricated ball bearings suitable for radial and thrust loading.
- G. Temperature Rise: Match insulation rating, unless otherwise indicated.
- H. Insulation: Class F, unless otherwise indicated.
- I. Code Letter Designation: NEMA starting Code F or G.
- J. Enclosure: Cast iron.
- K. Finish: Gray enamel.
- L. Motors Used with Reduced-Inrush Controllers: Match wiring connection requirements for controller with required motor leads. Provide terminals in motor terminal box, suited to control method.

### PART 3 - EXECUTION

#### 3.1 FIELD QUALITY CONTROL

- A. Perform the following:
  1. Run each motor with its controller at load.
  2. Demonstrate correct rotation, alignment, and speed.
  3. Test interlocks and control features for proper operation.
  4. Verify that current in each phase is within nameplate rating.
  5. Verify RPM is in accordance with nameplate.
  6. Where a generator is provided, run each motor on the generator with its controller and load. Demonstrate correct rotation, alignment, and speed.

#### 3.2 ADJUSTING

- A. Align motors, bases, and shafts.

#### 3.3 CLEANING

- A. After completing equipment installation, inspect unit components. Remove paint splatters and other spots, dirt, and debris. Repair damaged finish to match original finish.

END OF SECTION 230513

FIRE STATIONS RENOVATION  
ARLINGTON COUNTY, VIRGINIA  
Architect's Project No: 563006

SECTION 230514 – VARIABLE SPEED DRIVES

PART 1 - GENERAL

1.1 RELATED DOCUMENTS

- A. Provisions of the Contract and of the Contract Documents apply to this Section.

1.2 DEFINITIONS

- A. Factory Installed Variable Speed Drive: A drive installed by motorized-equipment manufacturer as a component of equipment utilized to control the speed of a motor.
- B. Field-Installed Variable Speed Drive: A drive installed in the field by the contractor to control the speed of a motor not equipped with a factory installed drive.
- C. VSD: Variable Speed Drive

1.3 SUBMITTALS

- A. Submittals shall include the following information:
  - 1. Outline dimensions
  - 2. Conduit entry locations
  - 3. Weight.
- B. Customer connection and power wiring diagrams.
- C. Technical product description including but not limited to a complete list of options.
- D. Compliance to IEEE 519 – harmonic analysis for particular jobsite including total harmonic voltage distortion and total harmonic current distortion (TDD).
- E. The VFD manufacturer shall provide calculations; specific to this installation, showing total harmonic voltage distortion is less than 5%. All VFD's shall include a minimum of 5% impedance reactors.

1.4 QUALITY ASSURANCE

- A. VSDs and options shall be UL listed as a complete assembly.
- B. The base VSD shall be UL listed for 100 KAIC without the need for input fuses.
- C. The VSD shall be tested by the manufacturer.

FIRE STATIONS RENOVATION  
ARLINGTON COUNTY, VIRGINIA  
Architect's Project No: 563006

- D. All optional features shall be functionally tested at the factory for proper operation.
- E. Electrical Components, Devices, and Accessories: Listed and labeled as defined in NFPA 70, Article 100, by a testing agency acceptable to authorities having jurisdiction, and marked for intended use. Comply with UL 508C.
- F. Referenced standards:
  - 1. Standard 519-1992, IEEE Guide for Harmonic Content and Control.
  - 2. UL508C
  - 3. ICS 7.0, AC Adjustable Speed Drives
  - 4. IEC 16800 Parts 1, 2 and 3/NEC 430.120, Adjustable-Speed Drive Systems
  - 5. IBC 2006 Seismic – referencing ASC 7-05 and ICC AC-156
- G. All VSDs installed on this project shall be from the same manufacturer.
- H. The VSD enclosure shall be seismically certified and labeled in accordance with the IBC 2006 International Building Code:
  - 1. VSD manufacturer shall provide Seismic Certification and Installation requirements at time of submittal.
  - 2. A Seismic importance factor of 1.5 shall be used and shall be based upon actual shake test data as defined by ICC AC-156. Seismic ratings based upon calculations alone are not acceptable.
  - 3. Certification of Seismic rating must be based on testing done in all three axis of motion by a certified lab.
- I. Installations in life safety applications including but not limited to smoke removal and make up air to smoke removal systems shall be included in the seismic approval.

## 1.5 COORDINATION

- A. Coordinate features of VSDs with motors, installed units, and accessory devices. Provide VSDs that meet the requirements indicated in this and other equipment specific specification sections.
- B. Confirm that motors controlled by VSDs, provided under this section are designed and labeled for use with variable speed drives, and suitable for use throughout speed range without overheating.
- C. Coordinate VSD support with requirements for maintenance and replacement; and installation of accessories.

## PART 2 - PRODUCTS

### 2.1 FACTORY INSTALLED VARIABLE SPEED DRIVES



FIRE STATIONS RENOVATION  
ARLINGTON COUNTY, VIRGINIA  
Architect's Project No: 563006

- A. The VSD shall be enclosed in a UL Listed enclosure.
- B. Refer to equipment specific specification sections.
- C. Where equipment specific specification sections do not indicate variable speed drive requirements comply with 2.2 below.

2.2 FIELD-INSTALLED VARIABLE SPEED DRIVES

- A. Manufacturers
  - 1. ABB
  - 2. Yaskowa
  - 3. Basis of Design - Danfoss Graham
- B. General
  - 1. Furnish complete variable speed drives (VSDs) as indicated.
  - 2. Drawing schedules, sequences of control, control diagrams, details, or other specification sections may indicate variable speed requirements.
  - 3. All standard and optional features shall be included within the VSD enclosure, unless indicated otherwise. Each VSD shall be housed in a NEMA 1 enclosure, or other NEMA type according to installation and operating conditions.
  - 4. Provide NEMA 4 weatherproof enclosures for drives mounted outside.
  - 5. The UL listing shall allow mounting in a plenum or other air handling compartment. If a NEMA 12 enclosure is required for the plenum rating, the manufacturer shall supply a NEMA 12 rated VSD.
  - 6. Provide bypass on VSDs serving pumps. A bypass on all other equipment is not required unless indicated otherwise.
- C. The VSD shall convert incoming fixed frequency three-phase AC power into a variable frequency and voltage for controlling the speed of three-phase AC motors. The motor current shall closely approximate a sine wave. Motor voltage shall be varied with frequency to maintain desired motor magnetization current. Operation shall be suitable for centrifugal pump and fan control and shall eliminate the need for motor de-rating.
- D. With the motor's rated voltage applied to the VSD input, the VSD shall allow the motor to produce full rated power at rated amps, RMS fundamental volts, and speed without using the motor's service factor. VSDs utilizing sine weighted/coded modulation (with or without 3<sup>rd</sup> harmonic injection) must provide data verifying that the motors will not draw more than full load current during full load and full speed operation.
- E. The VSD shall include an input full-wave bridge rectifier and maintain a fundamental power factor near unity regardless of speed or load.
- F. The VSD and options shall be tested to ANSI/UL Standard 508. The complete VSD, including all specified options, shall be assembled by the manufacturer and shall be UL-508 certified for the building and drive assembly including options. Assembly of the options by a third-party

FIRE STATIONS RENOVATION  
ARLINGTON COUNTY, VIRGINIA  
Architect's Project No: 563006

panel shop is not acceptable. The appropriate UL stickers shall be applied to both the VSD and option panel, in the case where these are not contained in one panel.

- G. The VSD shall have DC link reactors on both the positive and negative rails of the DC bus to minimize power line harmonics. VSDs without DC link reactors shall provide a minimum 3% impedance line reactor.
- H. The VSD's full load amp rating shall meet or exceed NEC Table 430-150. The VSD shall be able to provide full rated output current continuously, 110% of rated current for 60 seconds and 160% of rated current for up to 0.5 second while starting.
- I. The VSD shall be able to provide full torque at any selected frequency from 28 Hz to base speed to allow driving direct drive fans without derating.
- J. An automatic energy optimization selection feature shall be provided standard in the VSD. This feature shall automatically and continually monitor the motor's speed and load and adjust the applied voltage to maximize energy savings and provide up to an additional 3% to 10% energy savings.
- K. Input and output power circuit switching shall be able to be accomplished without interlocks or damage to the VSD. Switching rate may be up to 1 time per minute on the input and unlimited on the output.
- L. An automatic motor adaptation test algorithm shall measure motor stator resistance and reactance to optimize performance and efficiency. It shall not be necessary to run the motor or de-couple the motor from the load to run the test.
- M. Galvanic and/or optical isolation shall be provided between the VSD's power circuitry and control circuitry to ensure operator safety and to protect connected electronic control equipment from damage caused by voltage spikes, current surges, and ground loop currents. VSDs not including either galvanic or optical isolation on both analog I/O and discrete I/O shall include additional isolation modules.
- N. VSD shall minimize the audible motor noise through the used of an adjustable carrier frequency. The carrier frequency shall be automatically adjusted to optimize motor and VSD efficiencies while reducing motor noise.
- O. Protective Features:
  - 1. Disconnect with drive fusing.
  - 2. A minimum of Class 20 I<sup>2</sup>t electronic motor overload protection for single motor applications and thermal-mechanical overloads for multiple motor applications shall be provided.
  - 3. Protection against input transients, loss of AC line phase, output short circuit, output ground fault, overvoltage, undervoltage, VSD overtemperature and motor overtemperature. The VSD shall display all faults in plain English. Codes are not acceptable.
  - 4. Protect VSD from sustained power or phase loss. The VSD shall provide full rated output with an input voltage as low as 90% of the nominal. The VSD will continue to

FIRE STATIONS RENOVATION  
ARLINGTON COUNTY, VIRGINIA  
Architect's Project No: 563006

operate with reduced output with an input voltage as low as 164 V AC for 208/230 volt units, and 313 V AC for 460 volt units.

5. The VSD shall incorporate a motor preheat circuit to keep the motor warm and prevent condensation build up in the stator.
6. VSD package shall include semi-conductor rated input fuses to protect power components.
7. To prevent breakdown of the motor winding insulation, the VSD shall be designed to comply with IEC Part 34-17. Otherwise, the VSD manufacturer must ensure that inverter rated motors are supplied.
8. VSD shall include a "signal loss detection" circuit to sense the loss of an analog input signal such as 4 to 20 mA or 2 to 10 V DC, and shall be programmable to react as desired in such an instance.
9. VSD shall function normally when the keypad is removed while the VSD is running and continue to follow remote commands. No warnings or alarms shall be issued as a result of removing the keypad.
10. VSD shall catch a rotating motor operating forward or reverse up to full speed.
11. VSD shall be rated for 100,000 amp interrupting capacity (AIC).
12. VSD shall include current sensors on all three output phases to detect and report phase loss to the motor. The VSD will identify which of the output phases is low or lost.
13. VSD shall continue to operate without faulting until input voltage reaches 300 V AC on 208/230 volt VSDs, and 539 V AC on 460 volt VSDs.

P. Interface Features:

1. Hand/Start, Off/Stop and Auto/Start selector switches shall be provided to start and stop the VSD and determine the speed reference.
2. The VSD shall be able to be programmed to provide a 24 V DC output signal to indicate that the VSD is in Auto/Remote mode.
3. The VSD shall provide potentiometer speed control. Electronic speed controls are not acceptable.
4. Lockable, alphanumeric backlit display keypad can be remotely mounted up to 10 feet away using standard 9-pin cable.
5. The keypads for all sizes of VSDs shall be identical and interchangeable.
6. To set up multiple VSDs, it shall be possible to upload all setup parameters to the VSD's keypad, place that keypad on all other VSDs in turn and download the setup parameters to each VSD. To facilitate setting up VSDs of various sizes, it shall be possible to download from the keypad only size independent parameters.
7. Display shall be programmable to display in 9 languages including English, Spanish and French.
8. The display shall have four lines, with 20 characters on three lines and eight large characters on one line.

FIRE STATIONS RENOVATION  
ARLINGTON COUNTY, VIRGINIA  
Architect's Project No: 563006

9. A red FAULT light, a yellow WARNING light and a green POWER-ON light shall be provided. These indications shall be visible both on the keypad and on the VSD when the keypad is removed.
10. A quick setup menu with factory preset typical HVAC parameters shall be provided on the VSD eliminating the need for macros.
11. The VSD shall include a standard RS-485 communications port.
12. As a minimum, the following points shall be controlled and/or accessible:
  - a. VSD Start/Stop
  - b. Speed reference
  - c. Fault diagnostics
  - d. Meter points
  - e. Motor power in HP
  - f. Motor power in kW
  - g. Motor kW-hr
  - h. Motor current
  - i. Motor voltage
  - j. Hours run
  - k. Feedback signal #1
  - l. Feedback signal #2
  - m. DC link voltage
  - n. Thermal load on motor
  - o. Thermal load on VSD
  - p. Heatsink temperature
13. Four additional Form C 230 volt programmable relays shall be available for factory or field installation within the VSD.
14. LonWorks communication shall be available for factory or field installation within the VSD.
15. Two set-point control interface (PID control) shall be standard in the unit. VSD shall be able to look at two feedback signals, compare with two set-points and make various process control decisions.
16. Floating point control interface shall be provided to increase/decrease speed in response to contact closures.
17. Four simultaneous displays shall be available. They shall include frequency or speed, run time, output amps and output power. VSDs unable to show these four displays simultaneously shall provide panel meters.
18. Sleep mode shall be provided to automatically stop the VSD when its speed drops below set "sleep" level for a specified time. The VSD shall automatically restart when the speed command exceeds the set "wake" level.
19. The sleep mode shall be functional in both follower mode and PID mode.
20. Run permissive circuit shall be provided to accept a "system ready" signal to ensure that the VSD does not start until dampers or other auxiliary equipment are in the proper state for VSD operation. The run permissive circuit shall also be capable of sending an output signal as a start command to actuate external equipment before allowing the VSD to start.

FIRE STATIONS RENOVATION  
ARLINGTON COUNTY, VIRGINIA  
Architect's Project No: 563006

21. The following displays shall be accessible from the control panel in actual units: Reference Signal Value in actual units, Output Frequency in Hz or percent, Output Amps, Motor HP, Motor kW, kWhr, Output Voltage, DC Bus Voltage, VSD Temperature in degrees, and Motor Speed in engineering units per application (in GPM, CFM, etc.). VSD will read out the selected engineering unit either in a linear, square or cubed relationship to output frequency as appropriate to the unit chosen.
22. The display shall be programmed to read in inches of water column (in-wg) for an air handler application, pressure per square inch (psi) for a pump application, and temperature (°F) for a cooling tower application.
23. VSD shall be able to be programmed to sense the loss of load and signal a no load/broken belt warning or fault.
24. If the temperature of the VSD's heat sink rises to 80°C, the VSD shall automatically reduce its carrier frequency to reduce the heat sink temperature. If the temperature of the heat sink continues to rise the VSD shall automatically reduce its output frequency to the motor. As the VSD's heat sink temperature returns to normal, the VSD shall automatically increase the output frequency to the motor and return the carrier frequency to its normal switching speed.
25. The VSD shall have temperature controlled cooling fans for quiet operation and minimized losses.
26. The VSD shall store in memory the last 10 faults and related operational data.
27. Eight programmable digital inputs shall be provided for interfacing with the systems control and safety interlock circuitry.
28. Two programmable relay outputs, one Form C 240 V AC, one Form A 30 V AC, shall be provided for remote indication of VSD status.
29. Three programmable analog inputs shall be provided and shall accept a direct-or-reverse acting signal. Analog reference inputs accepted shall include two voltage (0 to 10 V DC, 2 to 10 V DC) and one current (0 to 20 mA, 4 to 20 mA) input.
30. Two programmable 0 to 20 mA analog outputs shall be provided for indication of VSD status. These outputs shall be programmable for output speed, frequency, current and power. They shall also be programmable to provide a selected 24 V DC status indication.
31. Under fire mode conditions, the VSD shall be able to be programmed to automatically default to a preset speed.

Q. Adjustments

1. VSD shall have an adjustable carrier frequency in steps of not less than 0.1 kHz to allow tuning the VSD to the motor.
2. Sixteen preset speeds shall be provided.
3. Four acceleration and four deceleration ramps shall be provided. Accel and decel time shall be adjustable over the range from 0 to 3,600 seconds to base speed. The shape of these curves shall be automatically contoured to ensure no-trip acceleration and deceleration.
4. Four current limit settings shall be provided.

FIRE STATIONS RENOVATION  
ARLINGTON COUNTY, VIRGINIA  
Architect's Project No: 563006

5. If the VSD trips on one of the following conditions, the VSD shall be programmable for automatic or manual reset: undervoltage, overvoltage, current limit and inverter overload.
6. The number of restart attempts shall be selectable from 0 through 20 or infinitely and the time between attempts shall be adjustable from 0 through 600 seconds.
7. An automatic "on delay" may be selected from 0 to 120 seconds.

R. Service Conditions

1. Ambient temperature, -10 to 40°C (14 to 104°F).
2. 0 to 95% relative humidity, non-condensing.
3. Elevation to 3,300 feet without derating.
4. AC line voltage variation, -10 to +10% of nominal with full output.
5. No side clearance shall be required for cooling of any units. All power and control wiring shall be done from the bottom.

PART 3 - EXECUTION

3.1 FIELD QUALITY CONTROL

A. Examination

1. Contractor to verify that job site conditions for installation meet factory recommended and code-required conditions for VSD installation prior to start-up, including clearance spacing, temperature, contamination, dust, and moisture of the environment. Separate conduit installation of the motor wiring, power wiring, and control wiring, and installation per the manufacturer's recommendations shall be verified.
2. The VSD is to be covered and protected from installation dust and contamination until the environment is cleaned and ready for operation. The VSD shall not be operated while the unit is covered.

B. Start-up Service

1. The manufacturer shall provide start-up commissioning of the VSD and its optional circuits by a factory certified service technician who is experienced in start-up and repair services. Sales personnel and other agents who are not factory certified shall not be acceptable as commissioning agents. Start-up services shall include checking for verification of proper operation and installation for the VSD, its options and its interface wiring to the building automation system.

C. **WARRANTY:** The VSD shall be warranted by the manufacturer for a period of 2 Years from date of substantial completion. The warranty shall include parts, labor, travel costs and living expenses incurred by the manufacturer to provide factory authorized on-site service. The warranty shall be provided by the VSD manufacturer.

D. **CLEANING:** After completing equipment installation, inspect unit components. Remove paint splatters and other spots, dirt, and debris. Repair damaged finish to match original finish.

FIRE STATIONS RENOVATION  
ARLINGTON COUNTY, VIRGINIA  
Architect's Project No: 563006

END OF SECTION 230514

FIRE STATIONS RENOVATION  
ARLINGTON COUNTY, VIRGINIA  
Architect's Project No: 563006

SECTION 230529 - HANGERS AND SUPPORTS FOR HVAC PIPING AND EQUIPMENT

PART 1 - GENERAL

1.1 RELATED DOCUMENTS

- A. Provisions of the Contract and of the Contract Documents apply to this Section.

1.2 DEFINITIONS

- A. MSS: Manufacturers Standardization Society of the Valve and Fittings Industry Inc.
- B. Terminology: As defined in MSS SP-90, "Guidelines on Terminology for Pipe Hangers and Supports."

1.3 PERFORMANCE REQUIREMENTS

- A. Design Requirement: Design trapeze pipe hangers and equipment supports, including comprehensive engineering analysis by a qualified professional engineer where using methods other than indicated.
- B. Structural Performance: Hangers and supports for HVAC piping and equipment shall withstand the effects of gravity loads and stresses within limits and under conditions indicated according to ASCE/SEI 7.
  - 1. Design supports for multiple pipes, including pipe stands, capable of supporting combined weight of supported systems, system contents, and test medium.
  - 2. Design equipment supports capable of supporting combined operating weight of supported equipment and connected systems and components.
  - 3. Design seismic-restraint hangers and supports for piping and equipment.

1.4 QUALITY ASSURANCE

- A. Structural Steel Welding Qualifications: Qualify procedures and personnel according to AWS D1.1/D1.1M, "Structural Welding Code - Steel."
- B. Pipe Welding Qualifications: Qualify procedures and operators according to ASME Boiler and Pressure Vessel Code.



FIRE STATIONS RENOVATION  
ARLINGTON COUNTY, VIRGINIA  
Architect's Project No: 563006

PART 2 - PRODUCTS

2.1 PIPE STANDS

- A. General Requirements for Pipe Stands: Shop- or field-fabricated assemblies made of manufactured corrosion-resistant components to support roof-mounted piping.
1. Available Manufacturers:
    - a. Cooper B-Line – Dura-Blok
    - b. MAPA Products
    - c. Mifab, Inc. – C-Port
    - d. Miro Industries, Inc.
    - e. OMG, Inc.
    - f. PHP Systems/Design
    - g. Pipe Prop
    - h. Roof Top Blox
    - i. Rooftop Support Systems – Eberl Iron Works, Inc.
  2. Provide pipe supports for supporting gas, condensate, refrigeration lines, or hydronic piping on flat roof surfaces. Support shall rest on roof surface without penetrating the roof surface. Supports for condensate piping shall be adjustable vertically to ensure pipe slopes as required.
- B. Compact Pipe Stand: One-piece plastic unit with integral-rod roller, pipe clamps, or V-shaped cradle to support pipe, for roof installation without membrane penetration.
- C. Curb Mounted Pipe Stands: Shop- or field-fabricated pipe supports made from structural-steel shapes, continuous-thread rods, and rollers, for mounting on permanent stationary roof curb.

2.2 EQUIPMENT SUPPORTS

- A. Description: Welded, shop or field fabricated equipment support made from structural carbon-steel shapes unless indicated otherwise.
1. Available Manufacturers:
    - a. Cooper B-Line – Dura-Blok
    - b. MAPA Products
    - c. Mifab, Inc. – C-Port
    - d. Miro Industries, Inc.
    - e. OMG, Inc.
    - f. PHP Systems/Design
    - g. Pipe Prop
    - h. Roof Top Blox
    - i. Rooftop Support Systems – Eberl Iron Works, Inc.

FIRE STATIONS RENOVATION  
ARLINGTON COUNTY, VIRGINIA  
Architect's Project No: 563006

2.3 MISCELLANEOUS MATERIALS

- A. Structural Steel: ASTM A 36/A 36M, carbon-steel plates, shapes, and bars; black and galvanized.
- B. Grout: ASTM C 1107, factory-mixed and -packaged, dry, hydraulic-cement, non-shrink and nonmetallic grout; suitable for interior and exterior applications.
  - 1. Properties: Non-staining, noncorrosive, and nongaseous.
  - 2. Design Mix: 5000-psi, 28-day compressive strength.

PART 3 - EXECUTION

3.1 HANGER AND SUPPORT INSTALLATION

- A. Metal Pipe-Hanger Installation: Comply with MSS SP-69 and MSS SP-89. Provide hangers, supports, clamps, and attachments as required to properly support piping from the building structure.
- B. Metal Trapeze Pipe-Hanger Installation: Comply with MSS SP-69, MSS SP-89, and Table above. Arrange for grouping of parallel runs of horizontal piping, and support together on field-fabricated trapeze pipe hangers.
- C. Metal Framing System Installation: Arrange for grouping of parallel runs of piping, and support together on field-assembled metal framing systems.
- D. Thermal-Hanger Shield Installation: Provide in pipe hanger or shield for insulated piping.
- E. Pipe Stand Installation:
  - 1. Pipe Stand Types except Curb-Mounted Type: Assemble components and mount on smooth roof surface. Do not penetrate roof membrane.
  - 2. Curb-Mounted-Type Pipe Stands: Assemble components or fabricate pipe stand and mount on permanent, stationary roof curb. See Division 07 Section "Roof Accessories" for curbs.
- F. Provide hangers and supports complete with necessary attachments, inserts, bolts, rods, nuts, washers, and other accessories.
- G. Equipment Support Installation: Fabricate from welded-structural-steel shapes.
- H. Provide hangers and supports to allow controlled thermal and seismic movement of piping systems, to permit freedom of movement between pipe anchors, and to facilitate action of expansion joints, expansion loops, expansion bends, and similar units.
- I. Provide lateral bracing with pipe hangers and supports to prevent swaying.

FIRE STATIONS RENOVATION  
ARLINGTON COUNTY, VIRGINIA  
Architect's Project No: 563006

- J. Provide building attachments within concrete slabs or attach to structural steel. Building attachments may not be used on steel joists unless otherwise indicated. Provide additional attachments at concentrated loads, including valves, flanges, and strainers, 2-1/2" and larger and at changes in direction of piping. Provide concrete inserts before concrete is placed; fasten inserts to forms and provide reinforcing bars through openings at top of inserts.
- K. Load Distribution: Provide hangers and supports so that piping live and dead loads and stresses from movement will not be transmitted to connected equipment.
- L. Pipe Slopes: Provide hangers and supports to provide indicated pipe slopes and to not exceed maximum pipe deflections allowed by ASME B31.9 for building services piping.
- M. Insulated Piping:
  - 1. Attach clamps and spacers to piping.
    - a. Piping Operating above Ambient Air Temperature: Clamp may project through insulation.
    - b. Piping Operating below Ambient Air Temperature: Provide thermal-hanger shield insert with clamp sized to match OD of insert.
    - c. Do not exceed pipe stress limits allowed by ASME B31.9 for building services piping.
  - 2. Provide MSS SP-58, Type 39, protection saddles if insulation without vapor barrier is indicated. Fill interior voids with insulation that matches adjoining insulation.
  - 3. Provide MSS SP-58, Type 40, protective shields on cold piping with vapor barrier. Shields shall span an arc of 180 degrees.
  - 4. Shield Dimensions for Pipe: Not less than the following:
    - a. Pipe 1/4" to 3-1/2": 12 inches long and 0.048 inch thick.
    - b. Pipe 4": 12 inches long and 0.06 inch thick.
    - c. Pipe 5" and 6": 18 inches long and 0.06 inch thick.
    - d. Pipe 8" to 14": 24 inches long and 0.075 inch thick.
  - 5. Pipes 8" and Larger: Include wood or reinforced calcium-silicate-insulation inserts of length at least as long as protective shield.
  - 6. Thermal-Hanger Shields: Provide with insulation same thickness as piping insulation.

### 3.2 EQUIPMENT SUPPORTS

- A. Fabricate structural-steel stands to suspend equipment from structure overhead or to support equipment above floor.
- B. Grouting: Place grout under supports for equipment and make bearing surface smooth.
- C. Provide lateral bracing, to prevent swaying, for equipment supports.

FIRE STATIONS RENOVATION  
ARLINGTON COUNTY, VIRGINIA  
Architect's Project No: 563006

3.3 METAL FABRICATIONS

- A. Cut, drill, and fit miscellaneous metal fabrications for trapeze pipe hangers and equipment supports.
- B. Fit exposed connections together to form hairline joints. Field weld connections that cannot be shop welded because of shipping size limitations.
- C. Field Welding: Comply with AWS D1.1/D1.1M procedures for shielded, metal arc welding; appearance and quality of welds; and methods used in correcting welding work; and with the following:
  - 1. Provide materials and methods that minimize distortion and develop strength and corrosion resistance of base metals.
  - 2. Obtain fusion without undercut or overlap.
  - 3. Remove welding flux immediately.
  - 4. Finish welds at exposed connections so no roughness shows after finishing and so contours of welded surfaces match adjacent contours.

3.4 ADJUSTING

- A. Hanger Adjustments: Adjust hangers to distribute loads equally on attachments and to achieve indicated slope of pipe.
- B. Trim excess length of continuous-thread hanger and support rods to 1-1/2 inches.

3.5 PAINTING

- A. Touchup: Unless otherwise indicated clean field welds and abraded areas of shop paint. Paint exposed areas immediately after erecting hangers and supports. Provide same materials as used for shop painting. Comply with SSPC-PA 1 requirements for touching up field-painted surfaces.
  - 1. Apply paint by brush or spray to provide a minimum dry film thickness of 2.0 mils.
- B. Galvanized Surfaces: Clean welds, bolted connections, and abraded areas and immediately apply galvanizing-repair paint. Paint shall comply with ASTM A 780.

3.6 HANGER AND SUPPORT SCHEDULE

- A. Specific hanger and support requirements are in Sections specifying piping systems and equipment.
- B. Comply with MSS SP-69 for pipe-hanger selections and applications that are not specified in piping system Sections.
- C. Provide hangers and supports with galvanized metallic coatings for piping and equipment that will not have field-applied finish.

FIRE STATIONS RENOVATION  
ARLINGTON COUNTY, VIRGINIA  
Architect's Project No: 563006

- D. Provide nonmetallic coatings on attachments for electrolytic protection where attachments are in direct contact with copper tubing.
- E. Provide copper-plated pipe hangers and copper attachments for copper piping and tubing.
- F. Provide padded hangers for piping that is subject to scratching.
- G. Provide thermal-hanger shield inserts for insulated piping and tubing.
- H. Horizontal-Piping Hangers and Supports: Unless otherwise indicated provide the following:
  - 1. Adjustable, Steel Clevis Hangers (MSS Type 1): For suspension of stationary pipes ½" to 30".
  - 2. Yoke-Type Pipe Clamps (MSS Type 2): For suspension of up to 1050 deg F pipes 4" to 14", requiring up to 4" of insulation.
  - 3. Carbon- or Alloy-Steel, Double-Bolt Pipe Clamps (MSS Type 3): For suspension of pipes ¾" to 14", requiring clamp flexibility and up to 4 inches of insulation.
  - 4. Steel Pipe Clamps (MSS Type 4): For suspension of cold and hot pipes ½" to 14" if little or no insulation is required.
  - 5. Pipe Hangers (MSS Type 5): For suspension of pipes ½" to 4", to allow off-center closure for hanger installation before pipe erection.
  - 6. Adjustable, Swivel Split- or Solid-Ring Hangers (MSS Type 6): For suspension of noninsulated, stationary pipes ¾" to 8".
  - 7. Adjustable, Steel Band Hangers (MSS Type 7): For suspension of noninsulated, stationary pipes ½" to 8".
  - 8. Adjustable Band Hangers (MSS Type 9): For suspension of noninsulated, stationary pipes ½" to 8".
  - 9. Adjustable, Swivel-Ring Band Hangers (MSS Type 10): For suspension of noninsulated, stationary pipes ½" to 8".
  - 10. Split Pipe Ring with or without Turnbuckle Hangers (MSS Type 11): For suspension of noninsulated, stationary pipes ½" to 8".
  - 11. Extension Hinged or Two-Bolt Split Pipe Clamps (MSS Type 12): For suspension of noninsulated, stationary pipes NPS ½" to 3".
  - 12. U-Bolts (MSS Type 24): For support of heavy pipes ½" to 14".
  - 13. Clips (MSS Type 26): For support of insulated pipes not subject to expansion or contraction.
  - 14. Pipe Saddle Supports (MSS Type 36): For support of pipes 4" to 14", with steel-pipe base stanchion support and cast-iron floor flange or carbon-steel plate.
  - 15. Pipe Stanchion Saddles (MSS Type 37): For support of pipes 4" to 14", with steel-pipe base stanchion support and cast-iron floor flange or carbon-steel plate, and with U-bolt to retain pipe.
  - 16. Adjustable Pipe Saddle Supports (MSS Type 38): For stanchion-type support for pipes 2-½" to 14" if vertical adjustment is required, with steel-pipe base stanchion support and cast-iron floor flange.
  - 17. Single-Pipe Rolls (MSS Type 41): For suspension of pipes 1" to 14", from two rods if longitudinal movement caused by expansion and contraction might occur.
  - 18. Adjustable Roller Hangers (MSS Type 43): For suspension of pipes 2-½" to 14", from single rod if horizontal movement caused by expansion and contraction might occur.

FIRE STATIONS RENOVATION  
ARLINGTON COUNTY, VIRGINIA  
Architect's Project No: 563006

19. Complete Pipe Rolls (MSS Type 44): For support of pipes 2" to 14" if longitudinal movement caused by expansion and contraction might occur but vertical adjustment is not necessary.
  20. Pipe Roll and Plate Units (MSS Type 45): For support of pipes 2" to 14" if small horizontal movement caused by expansion and contraction might occur and vertical adjustment is not necessary.
  21. Adjustable Pipe Roll and Base Units (MSS Type 46): For support of pipes 2" to 14" if vertical and lateral adjustment during installation might be required in addition to expansion and contraction.
- I. Vertical-Piping Clamps: Unless otherwise indicated provide the following:
1. Extension Pipe or Riser Clamps (MSS Type 8): For support of pipe risers ¾" to 14".
  2. Carbon- or Alloy-Steel Riser Clamps (MSS Type 42): For support of pipe risers ¾" to 14" if longer ends are required for riser clamps.
- J. Hanger-Rod Attachments: Unless otherwise indicated provide the following:
1. Steel Turnbuckles (MSS Type 13): For adjustment up to 6 inches for heavy loads.
  2. Steel Clevises (MSS Type 14): For 120 to 450 deg F piping installations.
  3. Swivel Turnbuckles (MSS Type 15): For use with MSS Type 11, split pipe rings.
  4. Malleable-Iron Sockets (MSS Type 16): For attaching hanger rods to various types of building attachments.
  5. Steel Weldless Eye Nuts (MSS Type 17): For 120 to 450 deg F piping installations.
  6. Flat Plate, Double Nut, and Washer as Detailed on Structural Drawings: For attaching to bar joists. Method of attachment to bar joists must be approved by the structural engineer and joist manufacturer.
- K. Building Attachments: Unless otherwise indicated provide the following:
1. Steel or Malleable Concrete Inserts (MSS Type 18): For upper attachment to suspend pipe hangers from concrete ceiling.
  2. Flat Plate, Double Nuts, and Washer as Detailed on Structural Drawings: For use under roof installations with bar-joist construction to attach to bottom chord of joist.
  3. Side-Beam or Channel Clamps (MSS Type 20): For attaching to bottom flange of beams, channels, or angles.
  4. Center-Beam Clamps (MSS Type 21): For attaching to center of bottom flange of beams.
  5. Welded Beam Attachments (MSS Type 22): For attaching to bottom of beams if loads are considerable and rod sizes are large.
  6. C-Clamps (MSS Type 23): For structural shapes.
  7. Top-Beam Clamps (MSS Type 25): For top of beams if hanger rod is required tangent to flange edge.
  8. Side-Beam Clamps (MSS Type 27): For bottom of steel I-beams.
  9. Steel-Beam Clamps with Eye Nuts (MSS Type 28): For attaching to bottom of steel I-beams for heavy loads.
  10. Linked-Steel Clamps with Eye Nuts (MSS Type 29): For attaching to bottom of steel I-beams for heavy loads, with link extensions.
  11. Malleable-Beam Clamps with Extension Pieces (MSS Type 30): For attaching to structural steel.

FIRE STATIONS RENOVATION  
ARLINGTON COUNTY, VIRGINIA  
Architect's Project No: 563006

12. Welded-Steel Brackets: For support of pipes from below or for suspending from above by using clip and rod. Provide one of the following for indicated loads:
    - a. Light (MSS Type 31): 750 lb.
    - b. Medium (MSS Type 32): 1500 lb.
    - c. Heavy (MSS Type 33): 3000 lb.
  13. Side-Beam Brackets (MSS Type 34): For sides of steel or wooden beams.
  14. Plate Lugs (MSS Type 57): For attaching to steel beams if flexibility at beam is required.
  15. Horizontal Travelers (MSS Type 58): For supporting piping systems subject to linear horizontal movement where headroom is limited.
- L. Saddles and Shields: Unless otherwise indicated provide the followings:
1. Steel-Pipe-Covering Protection Saddles (MSS Type 39): To fill interior voids with insulation that matches adjoining insulation.
  2. Protection Shields (MSS Type 40): Of length recommended in writing by manufacturer to prevent crushing insulation.
  3. Thermal-Hanger Shield Inserts: For supporting insulated pipe.
- M. Spring Hangers and Supports: Unless otherwise indicated provide the following:
1. Restraint-Control Devices (MSS Type 47): To control pipe movement.
  2. Spring Cushions (MSS Type 48): For light loads if vertical movement does not exceed 1-1/4 inches.
  3. Spring-Cushion Roll Hangers (MSS Type 49): For equipping Type 41, roll hanger with springs.
  4. Spring Sway Braces (MSS Type 50): To retard sway, shock, vibration, or thermal expansion in piping systems.
  5. Variable-Spring Hangers (MSS Type 51): Preset to indicated load and limit variability factor to 25 percent to allow expansion and contraction of piping system from hanger.
  6. Variable-Spring Base Supports (MSS Type 52): Preset to indicated load and limit variability factor to 25 percent to allow expansion and contraction of piping system from base support.
  7. Variable-Spring Trapeze Hangers (MSS Type 53): Preset to indicated load and limit variability factor to 25 percent to allow expansion and contraction of piping system from trapeze support.
  8. Constant Supports: For critical piping stress and if necessary to avoid transfer of stress from one support to another support, critical terminal, or connected equipment. Include auxiliary stops for erection, hydrostatic test, and load-adjustment capability. These supports include the following types:
    - a. Horizontal (MSS Type 54): Mounted horizontally.
    - b. Vertical (MSS Type 55): Mounted vertically.
    - c. Trapeze (MSS Type 56): Two vertical-type supports and one trapeze member.
- N. Comply with MSS SP-69 for trapeze pipe-hanger selections and applications that are not specified in piping system Sections.

FIRE STATIONS RENOVATION  
ARLINGTON COUNTY, VIRGINIA  
Architect's Project No: 563006

- O. Comply with MFMA-103 for metal framing system selections and applications that are not specified in piping system Sections.
- P. Provide powder-actuated fasteners or mechanical-expansion anchors instead of building attachments where indicated in concrete construction.

END OF SECTION 230529



FIRE STATIONS RENOVATION  
ARLINGTON COUNTY, VIRGINIA  
Architect's Project No: 563006

SECTION 230548 - VIBRATION CONTROL FOR HVAC

PART 1 - GENERAL

1.1 RELATED DOCUMENTS

- A. Provisions of the Contract and of the Contract Documents apply to this Section.

1.2 DEFINITIONS

- A. IBC: International Building Code.
- B. ICC-ES: ICC-Evaluation Service.
- C. OSHPD: Office of Statewide Health Planning & Development for the State of California.
- D. ASCE: American Society of Civil Engineers
- E. VUSBC: Virginia Uniform Statewide Building Code

1.3 RESPONSIBILITIES:

- A. The manufacturer of vibration isolation systems and devices shall:
  - 1. Determine the sizes and locations of isolators and provide equipment isolation as indicated.
  - 2. Guarantee indicated isolation system deflections.
  - 3. Provide installation instructions and drawings.
  - 4. Certify correctness of installation upon completion.
- B. The Contractor shall cause all vibration isolation systems, including the isolators, and flexible connectors between the isolated equipment and associated piping, ducting, and electrical work to be designed by a manufacturer experienced in this type of work.

1.4 SUBMITTALS

- A. Product Data:
  - 1. Include rated load, rated deflection, and overload capacity for each vibration isolation device.
  - 2. Wind-Restraint Details:
    - a. Design Analysis: To support selection and arrangement of wind restraints. Include calculations of combined tensile and shear loads.
    - b. Details: Coordinate vibration isolation details with wind-restraint details required for equipment mounted outdoors.

FIRE STATIONS RENOVATION  
ARLINGTON COUNTY, VIRGINIA  
Architect's Project No: 563006

- B. Coordination Drawings: For areas indicated at 1/4" = 1'0" and where sections are cut on contract drawings, indicate coordination of HVAC piping and equipment with other systems and equipment in the vicinity, include supports and restraints.
- C. Qualification Data: For testing agency.
- D. Shop Drawings:
  - 1. Vibration Isolation Base Details: Detail fabrication, including anchorages, attachments to structure, and to supported equipment. Include auxiliary motor slides and rails, base weights, equipment static loads, power transmission, component misalignment, and cantilever loads.
  - 2. Dimensioned Outline Drawings for Each Scheduled Piece of Equipment: Identify center of gravity.
  - 3. Dimensioned Outline Drawings for Each Scheduled Piece of Equipment: Locate and describe mounting and anchorage provisions.

1.5 QUALITY ASSURANCE

- A. Welding: Qualify procedures and personnel according to AWS D1.1/D1.1M, "Structural Welding Code - Steel."
- B. Testing Agency Qualifications: An independent agency, with the experience and capability to conduct the testing indicated, that is a nationally recognized testing laboratory (NRTL) as defined by OSHA in 29 CFR 1910.7, and that is acceptable to authorities having jurisdiction.

PART 2 - PRODUCTS

2.1 VIBRATION ISOLATORS

- A. Available Manufacturers:
  - 1. Amber/Booth Company, Inc.
  - 2. B-Line Systems, Inc.
  - 3. Kinetics Noise Control.
  - 4. Mason Industries.
  - 5. Vibration Mountings & Controls, Inc.
- B. Pads: Oil- and water-resistant elastomer or natural rubber, arranged in single or multiple layers, molded with a nonslip pattern and galvanized steel baseplates of sufficient stiffness for uniform loading over pad area, and factory cut to sizes that match requirements of supported equipment.
  - 1. Resilient Material: Oil- and water-resistant neoprene.
  - 2. Durometer Rating: Minimum 30.
  - 3. Number of Layers: 1 2 3 or 4.

FIRE STATIONS RENOVATION  
ARLINGTON COUNTY, VIRGINIA  
Architect's Project No: 563006

- C. Mounts: Double-deflection type, with molded, oil-resistant rubber, or neoprene isolator elements with factory-drilled, encapsulated top plate for bolting to equipment and with baseplate for bolting to structure. Color-code or otherwise identify to indicate capacity range.
1. Durometer Rating: Minimum 30.
  2. Materials: Cast-ductile-iron or welded steel housing containing two separate and opposing, oil-resistant rubber or neoprene elements that prevent central threaded element and attachment hardware from contacting the housing during normal operation.
  3. Neoprene: Shock-absorbing materials compounded according to the standard for bridge-bearing neoprene as defined by AASHTO.
- D. Restrained Mounts: All-directional mountings with wind restraint.
1. Materials: Cast-ductile-iron or welded steel housing containing two separate and opposing, oil-resistant rubber or neoprene elements that prevent central threaded element and attachment hardware from contacting the housing during normal operation.
  2. Neoprene: Shock-absorbing materials compounded according to the standard for bridge-bearing neoprene as defined by AASHTO.
- E. Spring Isolators: Freestanding, laterally stable, open-spring isolators.
1. Outside Spring Diameter: Not less than 80 percent of the compressed height of the spring at rated load.
  2. Minimum Additional Travel: 50 percent of the required deflection at rated load.
  3. Lateral Stiffness: More than 80 percent of rated vertical stiffness.
  4. Overload Capacity: Support 200 percent of rated load, fully compressed, without deformation or failure.
  5. Baseplates: Factory drilled for bolting to structure and bonded to ¼" thick, rubber isolator pad attached to baseplate underside. Baseplates shall limit floor load to 500 psig.
  6. Top Plate and Adjustment Bolt: Threaded top plate with adjustment bolt and cap screw to fasten and level equipment.
- F. Restrained Spring Isolators: Freestanding, steel, open-spring isolators with limit-stop restraint.
1. Housing: Steel with resilient vertical-limit stops to prevent spring extension due to weight being removed; factory-drilled baseplate bonded to ¼" thick, neoprene or rubber isolator pad attached to baseplate underside; and adjustable equipment mounting and leveling bolt that acts as blocking during installation.
  2. Restraint: Limit stop as required for equipment and authorities having jurisdiction.
  3. Outside Spring Diameter: Not less than 80 percent of the compressed height of the spring at rated load.
  4. Minimum Additional Travel: 50 percent of the required deflection at rated load.
  5. Lateral Stiffness: More than 80 percent of rated vertical stiffness.
  6. Overload Capacity: Support 200 percent of rated load, fully compressed, without deformation or failure.

FIRE STATIONS RENOVATION  
ARLINGTON COUNTY, VIRGINIA  
Architect's Project No: 563006

- G. **Housed Spring Mounts:** Housed spring isolators.
1. **Housing:** Ductile-iron or steel housing to provide all-directional restraint.
  2. **Base:** Factory drilled for bolting to structure.
  3. **Snubbers:** Vertically adjustable to allow a maximum of 1/4" travel up or down before contacting a resilient collar.
- H. **Elastomeric Hangers:** Double-deflection type, with molded, oil-resistant rubber or neoprene isolator elements bonded to steel housings with threaded connections for hanger rods. Color-code or otherwise identify to indicate capacity range.
- I. **Spring Hangers:** Combination coil-spring and elastomeric-insert hanger with spring and insert in compression.
1. **Frame:** Steel, fabricated for connection to threaded hanger rods and to allow for a maximum of 30 degrees of angular hanger-rod misalignment without binding or reducing isolation efficiency.
  2. **Outside Spring Diameter:** Not less than 80 percent of the compressed height of the spring at rated load.
  3. **Minimum Additional Travel:** 50 percent of the required deflection at rated load.
  4. **Lateral Stiffness:** More than 80 percent of rated vertical stiffness.
  5. **Overload Capacity:** Support 200 percent of rated load, fully compressed, without deformation or failure.
  6. **Elastomeric Element:** Molded, oil-resistant rubber or neoprene. Steel-washer-reinforced cup to support spring and bushing projecting through bottom of frame.
  7. **Self-centering hanger rod cap** to ensure concentricity between hanger rod and support spring coil.
- J. **Spring Hangers with Vertical-Limit Stop:** Combination coil-spring and elastomeric-insert hanger with spring and insert in compression and with a vertical-limit stop.
1. **Frame:** Steel, fabricated for connection to threaded hanger rods and to allow for a maximum of 30 degrees of angular hanger-rod misalignment without binding or reducing isolation efficiency.
  2. **Outside Spring Diameter:** Not less than 80 percent of the compressed height of the spring at rated load.
  3. **Minimum Additional Travel:** 50 percent of the required deflection at rated load.
  4. **Lateral Stiffness:** More than 80 percent of rated vertical stiffness.
  5. **Overload Capacity:** Support 200 percent of rated load, fully compressed, without deformation or failure.
  6. **Elastomeric Element:** Molded, oil-resistant rubber or neoprene.
  7. **Adjustable Vertical Stop:** Steel washer with neoprene washer "up-stop" on lower threaded rod.

FIRE STATIONS RENOVATION  
ARLINGTON COUNTY, VIRGINIA  
Architect's Project No: 563006

8. Self-centering hanger rod cap to ensure concentricity between hanger rod and support spring coil.
- K. Thrust Limits: Combination coil spring and elastomeric insert with spring and insert in compression and with a load stop. Include rod and angle-iron brackets for attaching to equipment.
1. Frame: Steel, fabricated for connection to threaded rods and to allow for a maximum of 30 degrees of angular rod misalignment without binding or reducing isolation efficiency.
  2. Outside Spring Diameter: Not less than 80 percent of the compressed height of the spring at rated load.
  3. Minimum Additional Travel: 50 percent of the required deflection at rated load.
  4. Lateral Stiffness: More than 80 percent of the rated vertical stiffness.
  5. Overload Capacity: Support 200 percent of rated load, fully compressed, without deformation or failure.
  6. Elastomeric Element: Molded, oil-resistant rubber or neoprene.
  7. Coil Spring: Factory set and field adjustable for a maximum of 1/4-inch movement at start and stop.
- L. Pipe Riser Resilient Support : All-directional, acoustical pipe anchor consisting of 2 steel tubes separated by a minimum of 1/2-inch- thick, 60-durometer neoprene. Include steel and neoprene vertical-limit stops arranged to prevent vertical travel in both directions. Design support for a maximum load on the isolation material of 500 psig and for equal resistance in all directions.
- M. Resilient Pipe Guides: Telescopic arrangement of 2 steel tubes separated by a minimum of 1/2-inch- thick, 60-durometer neoprene. Factory set guide height with a shear pin to allow vertical motion due to pipe expansion and contraction. Shear pin shall be removable and reinsertable to allow for selection of pipe movement. Guides shall be capable of motion to meet location requirements.
- 2.2 RESTRAINED VIBRATION ISOLATION ROOF-CURB RAILS
- A. Available Manufacturers:
1. Amber/Booth Company, Inc.
  2. Kinetics Noise Control.
  3. Mason Industries.
  4. Vibration Mountings & Controls, Inc.
- B. General Requirements for Restrained Vibration Isolation Roof-Curb Rails: Factory-assembled, fully enclosed, insulated, air- and watertight curb rail designed to resiliently support equipment and to withstand wind forces.
- C. Lower Support Assembly: Formed sheet-metal section containing adjustable and removable steel springs that support upper frame. Upper frame shall provide continuous support for

FIRE STATIONS RENOVATION  
ARLINGTON COUNTY, VIRGINIA  
Architect's Project No: 563006

equipment and shall be captive to resiliently resist wind forces. Lower support assembly shall have a means for attaching to building structure and a wood nailer for attaching roof materials, and shall be insulated with a minimum of 2" of rigid, glass-fiber insulation on inside of assembly.

- D. Spring Isolators: Adjustable, restrained spring isolators shall be mounted on 1/4-inch thick, elastomeric vibration isolation pads and shall have access ports, for level adjustment, with removable waterproof covers at all isolator locations. Isolators shall be located so they are accessible for adjustment at any time during the life of the installation without interfering with the integrity of the roof.
1. Restrained Spring Isolators: Freestanding, steel, open-spring isolators with wind restraint.
    - a. Housing: Steel with resilient vertical-limit stops and adjustable equipment mounting and leveling bolt.
    - b. Outside Spring Diameter: Not less than 80 percent of the compressed height of the spring at rated load.
    - c. Minimum Additional Travel: 50 percent of the required deflection at rated load.
    - d. Lateral Stiffness: More than 80 percent of rated vertical stiffness.
    - e. Overload Capacity: Support 200 percent of rated load, fully compressed, without deformation or failure.
- E. Snubber Bushings: All-directional, elastomeric snubber bushings at least 1/4 inch thick.
- F. Water Seal: Galvanized sheet metal with EPDM seals at corners, attached to upper support frame, extending down past wood nailer of lower support assembly, and counterflashed over roof materials.

### 2.3 VIBRATION ISOLATION EQUIPMENT BASES

- A. Available Manufacturers:
- B. Manufacturers:
1. Amber/Booth Company, Inc.
  2. Kinetics Noise Control.
  3. Mason Industries.
  4. Vibration Mountings & Controls, Inc.
- C. Steel Base: Factory-fabricated, welded, structural-steel bases and rails.
1. Design Requirements: Lowest possible mounting height with not less than 1" clearance above the floor. Include equipment anchor bolts and auxiliary motor slide bases or rails.
    - a. Include supports for suction and discharge elbows for pumps.
  2. Structural Steel: Steel shapes, plates, and bars complying with ASTM A 36/A 36M. Bases shall have shape to accommodate supported equipment.
  3. Support Brackets: Factory-welded steel brackets on frame for outrigger isolation mountings and to provide for anchor bolts and equipment support.

FIRE STATIONS RENOVATION  
ARLINGTON COUNTY, VIRGINIA  
Architect's Project No: 563006

- D. Inertia Base: Factory-fabricated, welded, structural-steel bases and rails ready for placement of cast-in-place concrete.
  - 1. Design Requirements: Lowest possible mounting height with not less than 1-inch clearance above the floor. Include equipment anchor bolts and auxiliary motor slide bases or rails.
    - a. Include supports for suction and discharge elbows for pumps.
  - 2. Structural Steel: Steel shapes, plates, and bars complying with ASTM A 36/A 36M. Bases shall have shape to accommodate supported equipment.
  - 3. Support Brackets: Factory-welded steel brackets on frame for outrigger isolation mountings and to provide for anchor bolts and equipment support.
  - 4. Fabrication: Fabricate steel templates to hold equipment anchor-bolt sleeves and anchors in place during placement of concrete. Obtain anchor-bolt templates from supported equipment manufacturer.

## 2.4 FACTORY FINISHES

- A. Finish: Manufacturer's standard paint applied to factory-assembled and -tested equipment before shipping.
  - 1. Powder coating on springs and housings.
  - 2. All hardware shall be galvanized. Hot-dip-galvanize metal components for exterior use.
  - 3. Bake enamel or powder coat for metal components on isolators for interior use.
  - 4. Color-code or otherwise mark vibration isolation and wind control devices to indicate capacity range.

## PART 3 - EXECUTION

### 3.1 EXAMINATION

- A. Examine areas and equipment to receive vibration isolation and wind-control devices for compliance with requirements for installation tolerances and other conditions affecting performance.
- B. Examine roughing-in of reinforcement and cast-in-place anchors to verify actual locations before installation.
- C. Proceed with installation only after unsatisfactory conditions have been corrected.

### 3.2 APPLICATIONS

- A. Multiple Pipe Supports: Secure pipes to trapeze member with clamps approved for application by an agency acceptable to authorities having jurisdiction.

FIRE STATIONS RENOVATION  
ARLINGTON COUNTY, VIRGINIA  
Architect's Project No: 563006

- B. Strength of Support and Wind Restraint Assemblies: Where not indicated, select sizes of components so strength will be adequate to resist loads within loading limits.

3.3 VIBRATION-CONTROL DEVICE INSTALLATION

- A. Comply with requirements indicated in the Contract Documents, in codes and ordinances, by Authority Having Jurisdiction, and by Manufacturer, for installation of all devices.

3.4 FIELD QUALITY CONTROL

- A. Perform tests.

- B. Tests:

1. Provide evidence of recent calibration of test equipment by a testing agency acceptable to authorities having jurisdiction.
2. Schedule test with Owner, through Architect, before connecting anchorage device to restrained component (unless postconnection testing has been approved), and with at least seven days' advance notice.
3. Obtain Architect's approval before transmitting test loads to structure. Provide temporary load-spreading members.
4. Test at least two of each type and size of installed anchors and fasteners.
5. Test to 90 percent of rated proof load of device.
6. Measure isolator restraint clearance.
7. Measure isolator deflection.
8. Verify snubber minimum clearances.
9. If a device fails test, fix and retest until satisfactory results are achieved then modify all installations of same type to match.

- C. Prepare test reports.

3.5 ADJUSTING

- A. Adjust isolators after piping system is at operating weight.
- B. Adjust limit stops on restrained spring isolators to mount equipment at normal operating height. After equipment installation is complete, adjust limit stops so they are out of contact during normal operation.
- C. Adjust active height of spring isolators.
- D. Adjust restraints to permit free movement of equipment within normal mode of operation.

3.6 VIBRATION ISOLATION SCHEDULE



FIRE STATIONS RENOVATION  
ARLINGTON COUNTY, VIRGINIA  
Architect's Project No: 563006

- A. Ductwork
  - 1. Flexible connectors shall be used for ductwork connections to air handling units. Refer to Section "Metal Ducts." Ductwork shall be suspended with elastomeric hangers for a distance of 20 feet from air handling units.
- B. Air Handling Units
  - 1. Units shall include fan and motor assemblies internally isolated from the unit casing using spring isolators and flexible duct connectors.
- C. Power Ventilators
  - 1. Provide elastomeric hangers for units suspended from structure above ceiling.
- D. Split System Indoor Units
  - 1. Provide elastomeric hangers for units suspended from structure above ceiling.

END OF SECTION

FIRE STATIONS RENOVATION  
ARLINGTON COUNTY, VIRGINIA  
Architect's Project No: 563006

SECTION 230700 - HVAC INSULATION

PART 1 - GENERAL

1.1 RELATED DOCUMENTS

- A. Provisions of the Contract and of the Contract Documents apply to this Section.

1.2 DEFINITIONS

- A. Outdoor duct and pipe: Duct conveying untreated outside air at ambient temperature and humidity.
- B. Outdoor pipe: Pipe located outside the building insulation envelope.
- C. Supply air duct: Duct conveying air on the discharge side of an air handling unit or fan which will be delivered to a space in a building through a diffuser or connection to the return duct of another unit. Ductwork on the discharge side of a 100% outside air unit is considered to be Supply air duct.
- D. Return air duct: Duct conveying air from a space or plenum that will return to an air handling unit or energy transfer device. The air may be returned to the supply air duct after being conditioned, or it may be exhausted after passing through an energy transfer device. Typical examples of an energy transfer devices are plate heat exchangers, runaround coils, heat pipes, and energy wheels.
- E. Exhaust air duct: Duct conveying air from a space or plenum that will be exhausted from the building without being passed through an energy transfer device.
- F. Plenum: An unoccupied space or void, on the conditioned side of the building insulation and vapor barrier, being used to return conditioned air to the inlet side of a return or exhaust fan either directly or via a duct connection. An example would be a space with air handling light fixtures or openings in the ceiling used to transport air through the ceiling and then to an open duct located above the ceiling in another location.
- G. Indirectly Conditioned Space: A space having no direct conditioning but, due to air movement induced by an exhaust, or return opening, is conditioned by makeup air from an adjacent space. An example would be a small toilet. Boiler rooms, fan rooms, and mechanical rooms do not qualify as indirectly conditioned spaces.
- H. Inside the Building Insulation Envelope: For the purposes of this section, boiler rooms, fan rooms, and mechanical rooms are considered to be OUTSIDE the building insulation envelope.

1.3 SUBMITTALS

- A. Product Data: Identify thermal conductivity, thickness, and jackets (both factory and field applied, if any), for each type of product indicated.
- B. Shop Drawings: Show fabrication and installation details for the following:
  - 1. Detail application of removable insulation covers.
  - 2. Detail application of protective shields, saddles, and inserts at hangers for each type of insulation and hanger.

FIRE STATIONS RENOVATION  
ARLINGTON COUNTY, VIRGINIA  
Architect's Project No: 563006

3. Detail attachment and covering of heat tracing inside insulation.
4. Detail insulation application at pipe expansion joints for each type of insulation.
5. Detail insulation application at elbows, fittings, flanges, valves, and specialties for each type of insulation.
6. Detail removable insulation at piping specialties, equipment connections, and access panels.
7. Detail application of field-applied jackets.
8. Detail application at linkages of control devices.
9. Detail field application for each equipment type.

1.4 QUALITY ASSURANCE

- A. Fire-Test-Response Characteristics: Insulation and related materials shall have fire-test-response characteristics indicated, as determined by testing identical products per ASTM E 84, by a testing and inspecting agency acceptable to authorities having jurisdiction. Factory label insulation and jacket materials and adhesive, mastic, tapes, and cement material containers, with appropriate markings of applicable testing and inspecting agency.
  1. Insulation Installed Indoors: Flame-spread index of 25 or less, and smoke-developed index of 50 or less.
  2. Insulation Installed Outdoors: Flame-spread index of 75 or less, and smoke-developed index of 150 or less.

1.5 DELIVERY, STORAGE, AND HANDLING

- A. Packaging: Ship insulation materials in containers marked by manufacturer with type, grade, and maximum use temperature.
- B. Ship Insulated Piping System Components on pallets and wood supports. Securely fasten and protect from damage. Store off the ground and cover with opaque waterproof tarp to protect materials from sunlight and rain.

1.6 COORDINATION

- A. Coordinate size and location of supports, hangers, and insulation shields specified in Section "Hangers and Supports for HVAC Piping and Equipment."
- B. Coordinate clearance requirements with piping Installer for piping insulation, duct Installer for duct insulation, and equipment Installer for equipment insulation.
- C. Maintain clearances required for maintenance.
- D. Coordinate installation and testing of heat tracing.

PART 2 - PRODUCTS

2.1 MANUFACTURERS

- A. Available Manufacturers:
  1. Mineral-Fiber Insulation:
    - a. CertainTeed Manson.
    - b. Johns Manville

FIRE STATIONS RENOVATION  
ARLINGTON COUNTY, VIRGINIA  
Architect's Project No: 563006

- c. Knauf FiberGlass GmbH.
    - d. Owens-Corning Fiberglas Corp.
    - e. Schuller International, Inc.
  - 2. Flexible Elastomeric Thermal Insulation:
    - a. Armacell, LLC
    - b. Rubatex Corp.
  - 3. Removable Insulation Covers:
    - a. Advance Thermal Corp.
- B. Comply with requirements in Part 3 schedule articles for where insulating materials shall be applied.
- C. Products shall not contain asbestos, lead, mercury, or mercury compounds.
- D. Products that come in contact with stainless steel shall have a leachable chloride content of less than 50 ppm when tested according to ASTM C 871.
- E. Insulation materials for use on austenitic stainless steel shall be qualified as acceptable according to ASTM C 795.
- F. Foam insulation materials shall not use CFC or HCFC blowing agents in the manufacturing process.
- G. Duct Liner: Refer to specification section "Metal Ducts"
- H. Mineral-Fiber Board: Glass fibers bonded with a thermosetting resin. Comply with ASTM C 612, Type IB, with factory applied FSK Jacket. Meet the requirements of ASTM C 1290, Type III, inorganic glass fibers bonded by a thermosetting resin to maximum service temperature of 250°F.. Faced insulation shall not exceed 25 Flame Spread, 50 Smoke Developed when tested in accordance with ASTM E84.
- I. Semi-Rigid Mineral-Fiber Board: Glass fibers bonded with a thermosetting resin. Comply with ASTM C 1136, Type I, II, III, & IV with factory applied all-service jacket (ASJ) or Type II, IV with factory applied Foil Scrim Kraft (FSK) jacket.
- J. Mineral-Fiber Blanket with Factory Applied FSK Jacket: Meet the requirements of ASTM C 1290, Type III, inorganic glass fibers bonded by a thermosetting resin with a multi-purpose foil-scrim kraft (FSK) jacket to maximum service temperature of 250°F. FSK shall meet the requirements of ASTM C 1136, Type II, when surface burning characteristics are determined in accordance with ASTM E 84 with the foil surface of the material exposed to the flame as it is in the final composite. Composite (insulation, facing and adhesive) shall not exceed 25 Flame Spread, 50 Smoke Developed when tested in accordance with ASTM E 84. Insulation properties shall be as follows:
- 1. Thickness: 1-1/2"
    - a. Density: 0.75 pcf
    - b. Minimum uncompressed R value: 5.0
    - c. Minimum installed R value assuming 25% compression: 4.0
  - 2. Thickness: 2"
    - a. Density: 1.0 pcf
    - b. Minimum uncompressed R value: 7.4
    - c. Minimum installed R value assuming 25% compression: 6.0
  - 3. Alternate to 2" 1.0 pcf: Thickness: 2.2"
    - a. Density: 0.75 pcf

**FIRE STATIONS RENOVATION  
ARLINGTON COUNTY, VIRGINIA  
Architect's Project No: 563006**

- b. Minimum uncompressed R value: 7.4
- c. Minimum installed R value assuming 25% compression: 6.0
- 4. Thickness: 3"
- a. Density: 0.75 pcf
- b. Minimum uncompressed R value: 10.0
- c. Minimum installed R value assuming 25% compression: 8.3

**K. Mineral-Fiber Pipe Insulation:** Glass fibers bonded with a thermosetting resin complying with the following:

- 1. Preformed Pipe Insulation: Comply with ASTM C 547, Type 1, with factory-applied, all-purpose, vapor-retarder jacket.
- 2. Semi-Rigid Mineral-Fiber Board Thermal Insulation: Glass fibers bonded with a thermosetting resin. Comply with ASTM C 1136, Type I, II, III, IV with factory applied all-service jacket (ASJ) or Type II, IV with factory applied Foil Scrim Kraft (FSK) jacket.
- 3. Fire-Resistant Adhesive: Comply with MIL-A-3316C in the following classes and grades:
  - a. Class 1, Grade A for bonding glass cloth and tape to unfaced glass-fiber insulation, for sealing edges of glass-fiber insulation, and for bonding lagging cloth to unfaced glass-fiber insulation.
  - b. Class 2, Grade A for bonding glass-fiber insulation to metal surfaces.
- 4. Mineral-Fiber Insulating Cements: Comply with ASTM C 195.
- 5. Expanded or Exfoliated Vermiculite Insulating Cements: Comply with ASTM C 196.
- 6. Mineral-Fiber, Hydraulic-Setting Insulating and Finishing Cement: Comply with ASTM C 449/C 449M.

**L. Flexible Elastomeric:** Closed-cell, sponge- or expanded-rubber materials. Comply with ASTM C 534, Type I for tubular materials and Type II for sheet materials.

- 1. Adhesive: As recommended by insulation material manufacturer.
- 2. Ultraviolet-Protective Coating: As recommended by insulation manufacturer.

**M. Closed-Cell Phenolic-Foam:** Block insulation of rigid, expanded, closed-cell structure. Comply with ASTM C 1126, Type II, Grade 1.

**N. Prefabricated Thermal Insulating Fitting Covers:** Comply with ASTM C 450 for dimensions used in preforming insulation to cover valves, elbows, tees, and flanges.

**2.2 FIELD-APPLIED JACKETS**

- A. General: ASTM C 921, Type 1, unless otherwise indicated.
- B. Glass Cloth: Woven glass-fiber fabric, plain weave, minimum 8 ounces per square yard.
- C. Foil and Paper Jacket: Laminated, glass-fiber-reinforced, flame-retardant kraft paper and aluminum foil.
- D. PVC Jacket: High-impact, ultraviolet-resistant PVC; 20 mils thick; roll stock ready for shop or field cutting and forming.
  - 1. Adhesive: As recommended by insulation material manufacturer.
  - 2. PVC Duct Jacket Color: White or gray.

FIRE STATIONS RENOVATION  
ARLINGTON COUNTY, VIRGINIA  
Architect's Project No: 563006

3. PVC Pipe Jacket Color: Color-code piping jackets based on materials contained within the piping system.
- E. Aluminum Jacket: Deep corrugated sheets manufactured from aluminum alloy complying with ASTM B 209, and having an integrally bonded moisture barrier over entire surface in contact with insulation. Factory cut and rolled to indicated sizes. Comply with ASTM B 209, 3003 alloy, H-14 temper.
1. Finish and Thickness: Stucco-embossed finish, 0.016 inch thick.
  2. Moisture Barrier: 1-mil- thick, heat-bonded polyethylene and kraft paper.
  3. Elbows: Preformed, 45- and 90-degree, short- and long-radius elbows; same material, finish, and thickness as jacket.
- F. Heavy PVC Pipe Fitting Covers: Factory-fabricated fitting covers manufactured from 30-mil-thick, high-impact, ultraviolet-resistant PVC.
1. Shapes: 45- and 90-degree, short- and long-radius elbows, tees, valves, flanges, reducers, end caps, soil-pipe hubs, traps, mechanical joints, and P-trap and supply covers for lavatories for the disabled.
  2. Adhesive: As recommended by insulation material manufacturer.
- G. Pre-engineered Jacketing systems: Metallic outer covering, with Velcro system suited for protecting outdoor refrigerant piping. Provide submittal for approval.

### 2.3 ACCESSORIES AND ATTACHMENTS

- A. Glass Cloth and Tape: Comply with MIL-C-20079H, Type I for cloth and Type II for tape. Woven glass-fiber fabrics, plain weave, presized a minimum of 8 oz./sq. yd..
1. Tape Width: 4 inches.
- B. Bands: 3/4 inch wide, in one of the following materials compatible with jacket:
1. Stainless Steel: ASTM A 666, Type 304; 0.020 inch thick.
  2. Galvanized Steel: 0.005 inch thick.
  3. Aluminum: 0.007 inch thick.
  4. Brass: 0.010 inch thick.
  5. Nickel-Copper Alloy: 0.005 inch thick.
- C. Wire: 0.080-inch, nickel-copper alloy; 0.062-inch, soft-annealed, stainless steel; or 0.062-inch, soft-annealed, galvanized steel.
- D. Weld-Attached Anchor Pins and Washers: Copper-coated steel pin for capacitor-discharge welding and galvanized speed washer. Pin length sufficient for insulation thickness indicated.
1. Welded Pin Holding Capacity: 100 lb for direct pull perpendicular to the attached surface.
- E. Adhesive-Attached Anchor Pins and Speed Washers: Galvanized steel plate, pin, and washer manufactured for attachment to duct, pipe, plenum and breeching with adhesive. Pin length sufficient for insulation thickness indicated.
1. Adhesive: Recommended by the anchor pin manufacturer as appropriate for surface temperatures of ducts, pipes, plenums, and breechings; and to achieve a holding capacity of 100 lb. for direct pull perpendicular to the adhered surface.

FIRE STATIONS RENOVATION  
ARLINGTON COUNTY, VIRGINIA  
Architect's Project No: 563006

- F. Self-Adhesive Anchor Pins and Speed Washers: Galvanized steel plate, pin, and washer manufactured for attachment to duct, pipe, and plenum with adhesive. Pin length sufficient for insulation thickness indicated.

2.4 VAPOR RETARDERS

- A. Mastics: Materials that are compatible with insulation materials, jackets, and substrates.

PART 3 - EXECUTION

3.1 EXAMINATION

- A. Examine substrates and conditions for compliance with requirements for installation and other conditions affecting performance of insulation application.
- B. Proceed with installation only after unsatisfactory conditions have been corrected.

3.2 PREPARATION

- A. Surface Preparation: Clean and dry surfaces to receive insulation. Remove materials that will adversely affect insulation application.

3.3 GENERAL APPLICATION REQUIREMENTS

- A. Apply insulation materials, accessories, and finishes according to the manufacturer's written instructions; with smooth, straight, and even surfaces; and free of voids throughout the length of ducts, piping, and fittings.
- B. Refer to schedules at the end of this Section for materials, forms, jackets, and thickness required for each system.
- C. Use accessories compatible with insulation materials and suitable for the service. Use accessories that do not corrode, soften, or otherwise attack insulation or jacket in either wet or dry state.
- D. Apply multiple layers of insulation with longitudinal and end seams staggered.
- E. Do not weld brackets, clips, or other attachment devices to piping, fittings, and specialties.
- F. Seal joints and seams with vapor-retarder mastic on insulation indicated to receive a vapor retarder.
- G. Keep insulation materials dry at all times. Insulation that becomes wet or is otherwise damaged beyond repair, shall be removed immediately and replaced. Replacement material and installation shall be in accordance with these specifications.
- H. Apply insulation with tight longitudinal seams and end joints. Bond seams and joints with adhesive recommended by the insulation material manufacturer.
- I. Apply insulation with the minimum number of joints practical.
- J. Apply insulation over fittings, valves, and specialties, with continuous thermal and vapor-retarder integrity, unless otherwise indicated.
- K. Refer to special instructions for applying insulation over fittings, valves, and specialties.

FIRE STATIONS RENOVATION  
ARLINGTON COUNTY, VIRGINIA  
Architect's Project No: 563006

- L. Hangers and Anchors: Where vapor retarder is indicated, seal penetrations in insulation at hangers, supports, anchors, and other projections with vapor-retarder mastic.
1. Apply insulation continuously through hangers and around anchor attachments.
  2. For insulation application where vapor retarders are indicated, extend insulation on anchor legs at least 12 inches from point of attachment to pipe and taper insulation ends. Seal tapered ends with a compound recommended by the insulation material manufacturer to maintain vapor retarder.
  3. Install insert materials and apply insulation to tightly join the insert. Seal insulation to insulation inserts with adhesive or sealing compound recommended by the insulation material manufacturer.
  4. Cover inserts with jacket material matching adjacent pipe insulation. Install shields over jacket, arranged to protect the jacket from tear or puncture by the hanger, support, and shield.
- M. Insulation Terminations: For insulation application where vapor retarders are indicated, seal ends with a compound recommended by the insulation material manufacturer to maintain vapor retarder.
- N. Apply insulation with integral jackets as follows:
1. Pull jacket tight and smooth.
  2. Circumferential Joints: Cover with 3-inch- wide strips, of same material as insulation jacket. Secure strips with adhesive and outward clinching staples along both edges of strip and spaced 4 inches o.c.
  3. Longitudinal Seams: Overlap jacket seams at least 1-1/2 inches. Apply insulation with longitudinal seams at bottom of pipe. Clean and dry surface to receive self-sealing lap. Staple laps with outward clinching staples along edge at 4 inches o.c.
    - a. Exception: Do not staple longitudinal laps on insulation having a vapor retarder.
  4. Vapor-Retarder Mastics: Where vapor retarders are indicated, apply mastic on seams and joints and at ends adjacent to flanges, unions, valves, and fittings.
  5. At penetrations in jackets for thermometers and pressure gages, fill and seal voids with vapor-retarder mastic.
- O. Cut insulation according to manufacturer's written instructions to prevent compressing insulation to less than 75 percent of its nominal thickness.
- P. Install vapor-retarder mastic on ducts, pipes, plenums, and equipment.
1. Ducts, pipes, plenums, and equipment with Vapor Retarders: Overlap insulation facing at seams and seal with vapor-retarder mastic and pressure-sensitive tape having same facing as insulation. Repair punctures, tears, and penetrations with tape and mastic to maintain vapor-retarder seal.
  2. Ducts, pipes, plenums, and equipment without Vapor Retarders: Overlap insulation facing at seams and secure with outward clinching staples and pressure-sensitive tape having same facing as insulation.
- Q. Roof Penetrations: Apply insulation for interior applications to a point even with top of roof flashing.



FIRE STATIONS RENOVATION  
ARLINGTON COUNTY, VIRGINIA  
Architect's Project No: 563006

1. Seal penetrations with vapor-retarder mastic.
  2. Apply insulation for exterior applications tightly joined to interior insulation ends.
  3. Extend metal jacket of exterior insulation outside roof flashing at least 2 inches below top of roof flashing.
  4. Seal metal jacket to roof flashing with vapor-retarder mastic.
- R. Interior Wall and Partition Penetrations: Apply insulation continuously through walls and partitions, except fire-rated walls and partitions.
- S. Fire-Rated Wall and Partition Penetrations: Terminate insulation at fire/smoke damper sleeves for fire-rated wall and partition penetrations.
- T. Floor Penetrations: Terminate insulation at underside of floor assembly and at floor support at top of floor.
1. For insulation indicated to have vapor retarders, taper termination and seal insulation ends with vapor-retarder mastic.

### 3.4 MINERAL-FIBER INSULATION APPLICATION

- A. Blanket Applications for Ducts, Pipes, and Plenums: Secure blanket insulation with adhesive, and anchor pins with speed washers.
1. Apply adhesives according to manufacturer's recommended coverage rates per square foot, for 100 percent coverage of duct, pipe, and plenum surfaces.
  2. Apply adhesive to entire circumference of ducts & pipes and to all surfaces of fittings and transitions. Adhesive may be omitted from the top of horizontal rectangular ducts.
  3. Install anchor pins and speed washers on sides and bottom of horizontal ducts and sides of vertical ducts as follows:
    - a. On duct sides with dimensions 18 inches and smaller, along longitudinal centerline of duct. Space 3 inches maximum from insulation end joints, and 16 inches o.c.
    - b. On duct sides with dimensions larger than 18 inches. Space 16 inches o.c. each way, and 3 inches maximum from insulation joints. Apply additional pins and clips to hold insulation tightly against surface at cross bracing.
    - c. Anchor pins may be omitted from top surface of horizontal, rectangular ducts and plenums.
    - d. Do not compress insulation to less than 75% of its original thickness during installation.
  4. Install anchor pins and speed washers on sides, top, and bottom of horizontal pipes.
  5. Impale insulation over anchors and attach speed washers.
  6. Cut excess portion of pins extending beyond speed washers. Cover exposed pins and washers with tape matching insulation facing.
  7. Create a facing lap for longitudinal seams and end joints with insulation by removing 2 inches from one edge and one end of insulation segment. Secure laps to adjacent insulation segment with 1/2-inch staples, 1-inch o.c., and cover with pressure-sensitive tape having same facing as insulation.
  8. Overlap unfaced blankets a minimum of 2 inches on longitudinal seams and end joints. Secure with steel band at end joints and spaced a maximum of 18 inches o.c.
  9. Apply insulation on rectangular duct elbows, pipe fittings, and transitions with a full insulation segment for each surface. Apply insulation on round and flat-oval duct elbows, and pipe elbows, with individually mitered gores cut to fit the elbow.

**FIRE STATIONS RENOVATION  
ARLINGTON COUNTY, VIRGINIA  
Architect's Project No: 563006**

10. Insulate duct and pipe stiffeners, hangers, and flanges that protrude beyond the insulation surface with 6-inch- wide strips of the same material as insulation. Secure on alternating sides of stiffener, hanger, and flange with anchor pins spaced 6 inches o.c.
  11. Apply vapor-retarder mastic to open joints, breaks, and punctures for insulation indicated to receive vapor retarder.
- B. Board Applications for Ducts, Plenums, & Equipment: Secure board insulation with adhesive and anchor pins and speed washers.**
1. Apply adhesives according to manufacturer's recommended coverage rates per square foot, for 100 percent coverage of duct, plenum, & equipment surfaces.
  2. Apply adhesive to entire circumference of ducts and to all surfaces of fittings, transitions, and equipment. Adhesive may be omitted from top surface of horizontal rectangular ducts.
  3. Space anchor pins as follows:
    - a. On duct & equipment sides with dimensions 18 inches and smaller, along longitudinal centerline of duct. Space 3 inches maximum from insulation end joints, and 16 inches o.c.
    - b. On duct & equipment sides with dimensions larger than 18 inches. Space 16 inches o.c. each way, and 3 inches maximum from insulation joints. Apply additional pins and clips to hold insulation tightly against surface at bracing.
    - c. Anchor pins may be omitted from top surface of horizontal, rectangular ducts and plenums.
    - d. Do not compress insulation to less than 75% of its original thickness during installation.
  4. Cut excess portion of pins extending beyond speed washers. Cover exposed pins and washers with tape matching insulation facing.
  5. Create a facing lap for longitudinal seams and end joints with insulation by removing 2 inches from one edge and one end of insulation segment. Secure laps to adjacent insulation segment with 1/2-inch staples, 1-inch o.c., and cover with pressure-sensitive tape having same facing as insulation.
  6. Apply insulation on rectangular duct elbows and transitions with a full insulation segment for each surface. Groove and score insulation to fit as closely as possible to outside and inside radius of elbows. Apply insulation on round and flat-oval duct elbows with individually mitered gores cut to fit the elbow.
  7. Insulate duct and equipment stiffeners, hangers, and flanges that protrude beyond the insulation surface with 6" wide strips of the insulating materia. Secure on alternating sides of stiffener, hanger, and flange with anchor pins spaced 6 inches o.c.
  8. Apply vapor-retarder mastic to open joints, breaks, and punctures for insulation indicated to receive vapor retarder.

### 3.5 FLEXIBLE ELASTOMERIC THERMAL INSULATION APPLICATION

- A. Apply insulation to ducts, plenums, and equipment as follows:**
1. Follow the manufacturer's written instructions for applying insulation.
  2. Seal longitudinal seams and end joints with manufacturer's recommended adhesive. Cement to avoid openings in insulation that will allow passage of air to the duct, plenum, and equipment surface.

FIRE STATIONS RENOVATION  
ARLINGTON COUNTY, VIRGINIA  
Architect's Project No: 563006

3.6 FIELD-APPLIED JACKET APPLICATION

- A. Apply glass-cloth jacket, where indicated, directly over bare insulation or insulation with factory-applied jackets.
  - 1. Apply jacket smooth and tight to surface with 2-inch overlap at seams and joints.
  - 2. Embed glass cloth between two 0.062-inch- thick coats of jacket manufacturer's recommended adhesive.
  - 3. Completely encapsulate insulation with jacket, leaving no exposed raw insulation.

3.7 FINISHES

- A. Glass-Cloth Jacketed Insulation: Paint insulation finished with glass-cloth jacket as specified in Division 9 Section "Paints."
- B. Flexible Elastomeric Thermal Insulation: After adhesive has fully cured, apply two coats of insulation manufacturer's recommended protective coating.
- C. Color: Final color shall be as selected by Architect. Vary first and second coats to allow visual inspection of the completed Work.

3.8 DIFFUSER APPLICATIONS

- A. Insulate exposed metal surfaces on top of all supply diffusers. Where diffusers are mounted in a metal pan insulate the top of the metal pan.
  - 1. Material: Mineral-Fiber Blanket Thermal Insulation with Factory Applied FSK Jacket.
  - 2. Thickness: 1 inch.
  - 3. Vapor Retarder Required: Yes.

3.9 APPLICATIONS

- A. Insulation materials and thickness are specified at the end of this Section.
- B. Insulate all ductwork, pipe and equipment:
  - 1. Insulate ductwork in accordance with the application schedule(s) below.
  - 2. Exceptions: Unless otherwise indicated, do not apply insulation to the following systems, materials, and equipment:
    - a. Vibration-control devices.
    - b. Testing agency labels and stamps.
    - c. Nameplates and data plates.
    - d. Manholes.
    - e. Handholes.
    - f. Cleanouts.
    - g. Plastic condensate drain piping.
    - h. Pipe-mounted condensate sensors.
    - i. Return ductwork inside the building insulation envelope.
    - j. Indoor exposed return air ductwork.
    - k. Exhaust ductwork.
      - 1) Exception: Duct beginning 18" upstream of backdraft damper and continuing to building envelope insulation.
    - l. Metal ducts with duct liner.
    - m. Factory-insulated flexible ducts.

FIRE STATIONS RENOVATION  
ARLINGTON COUNTY, VIRGINIA  
Architect's Project No: 563006

- n. Factory-insulated plenums, casings, terminal boxes, and filter boxes and sections.
- o. Flexible connectors.
- p. Vibration-control devices.
- q. Testing agency labels and stamps.
- r. Nameplates and data plates.
- s. Access panels and doors in air-distribution systems.

3.10 INDOOR APPLICATION SCHEDULE

- A. Service: Condensate drain piping.
  - 1. Insulation Material: Mineral fiber preformed pipe insulation.
  - 2. Insulation Thickness: 1"
  - 3. Vapor Retarder Required: Yes.
  - 4. Finish: Exposed = Painted, concealed = none.
  
- B. Service: Refrigerant piping.
  - 1. Operating Temperature: 35 to 50 deg F.
  - 2. Insulation Material: Flexible Elastomeric.
  - 3. Insulation Thickness: 1"
  - 4. Vapor Retarder Required: Yes.
  - 5. Finish: Exposed = Painted, concealed = none.
  
- C. Service: Unless otherwise indicated provide the following:
  - 1. Concealed Ducts and Plenums:
    - a. Material: Mineral-Fiber Blanket.
    - b. Thickness: 1 1/2 inches.
    - c. Vapor Retarder Required: Yes.
  - 2. Exposed Ducts and Plenums:
    - a. Material: Mineral-Fiber Board.
    - b. Thickness: 1-1/2 inches.
    - c. Field-Applied Jacket: Glass cloth.
    - d. Vapor Retarder Required: Yes.
    - e. Paint: Color as selected by architect. Refer to section "Painting".
  
- D. Service: Supply-air ducts, concealed and within the building insulation envelope.
  - 1. Material: Mineral-Fiber Blanket Thermal Insulation with Factory Applied FSK Jacket.
  - 2. Thickness: 1 1/2 inches.
  - 3. Vapor Retarder Required: Yes.
  
- E. Service: Outside-air ducts, concealed and within the building insulation envelope.
  - 1. Material: Mineral-Fiber Blanket Thermal Insulation with Factory Applied FSK Jacket.
  - 2. Thickness: 1 1/2 inches.
  - 3. Vapor Retarder Required: Yes.
  
- F. Service: Rectangular, return-air ducts, concealed in vented attics and unvented attics with insulated ceilings.
  - 1. Material: Mineral-Fiber Blanket Thermal Insulation with Factory Applied FSK Jacket.
  - 2. Thickness: 1-1/2 inches.

FIRE STATIONS RENOVATION  
ARLINGTON COUNTY, VIRGINIA  
Architect's Project No: 563006

3. Vapor Retarder Required: Yes.

3.11 OUTDOOR APPLICATION SCHEDULE

A. Service: Refrigerant piping.

1. Operating Temperature: 35 to 50 deg F.
2. Insulation Material: Flexible Elastomeric.
3. Insulation Thickness: 1"
4. Field-Applied Jacket: Aluminum or PVC or pre-engineered jacketing systems.
5. Vapor Retarder Required: Yes.
6. Finish: Two coats UV protectant.

END OF SECTION 230700

FIRE STATIONS RENOVATION  
ARLINGTON COUNTY, VIRGINIA  
Architect's Project No: 563006

SECTION 230900 – BUILDING AUTOMATION SYSTEM

PART 1 - GENERAL

1.1 RELATED DOCUMENTS

- A. Provisions of the Contract and of the Contract Documents apply to this Section.

1.2 WARRANTY

- A. Provide all services, materials and equipment necessary for the successful operation of the entire BAS system for a period of one year beginning on the date of Final Acceptance.
- B. Services, materials, and equipment shall include but not be limited to:
1. The adjustment, required testing, and repair of the system including all computer equipment, transmission lines, transmission equipment, sensors and control devices.
  2. On-line support services shall be provided as follows:
    - a. The local BAS representative shall have the capability to monitor and control the facility's building automation system via a dialup or internet connection. This connection to the facility shall be made within 2 hours of the time a problem is reported.
    - b. If the problem is not resolved by local support, the national office of the building automation system manufacturer, having the same dialup capability, shall also attempt to solve the problem online. If the problem cannot be resolved with on-line support, the BAS representative shall dispatch the appropriate personnel to the job site to resolve the problem within 4 hours of the time that the problem is reported.
    - c. This coverage shall include normal business hours, after business hours, weekends and holidays.

1.3 SUBMITTALS

- A. Pre-submittal meeting: The Contractor performing work under this Section of the specifications shall attend a meeting for coordinating the control system with major pieces of equipment including Rooftop Units. The meeting shall be held on the project site in the contractor's trailer or other location acceptable to the Contractor. The Contractor shall be responsible for arranging the meeting. Submittals shall be essentially complete at the time of the meeting so detailed coordination items can be discussed.
- B. Submit ten (10) complete sets of documentation in the following phased delivery schedule:
1. Schedule of dampers including size, leakage, and flow characteristics.
  2. Schedule of valves including leakage and flow characteristics.

FIRE STATIONS RENOVATION  
ARLINGTON COUNTY, VIRGINIA  
Architect's Project No: 563006

3. **Product Data:** Include manufacturer's technical literature for each control device. Indicate dimensions, capacities, performance characteristics, electrical characteristics, finishes for materials, and installation and startup instructions for each type of product indicated. Include each control device labeled with setting or adjustable range of control.
  - a. **DDC System Hardware:** Bill of materials of equipment indicating quantity, manufacturer, and model number. Include technical data for interface equipment, control units, transducers/transmitters, sensors, actuators, valves, relays/switches, control panels, and operator interface equipment.
  - b. **Control System Software:** Include technical data for operating system software, operator interface, color graphics, and other third-party applications.
  - c. **Controlled Systems:** Instrumentation list with element name, type of device, manufacturer, model number, and product data. Include written description of sequence of operation including schematic diagram.
  
4. **Shop Drawings:** Detail equipment assemblies and indicate dimensions, weights, loads, required clearances, method of field assembly, components, and location and size of each field connection. Include the following:
  - a. **System schematics, including:**
    - 1) Written sequences of operation
    - 2) Listing of connected data points, including connected control unit and input device.
      - a) Point names
      - b) Point addresses
    - 3) Power, signal, and control wiring. Differentiate between manufacturer-installed and field-installed wiring.
    - 4) Details of control panel faces, including controls, instruments, and labeling.
    - 5) Schematic flow diagrams showing fans, pumps, coils, dampers, valves, and control devices.
    - 6) Trunk cable schematic showing programmable control unit locations and trunk data conductors.
    - 7) System graphics indicating monitored systems, data (connected and calculated) point addresses, and operator notations.
    - 8) System configuration showing peripheral devices, batteries, power supplies, diagrams, modems, and interconnections.
  
- C. **Maintenance Data:** For systems to include in maintenance manuals specified in Division 1. Include the following:
  1. Maintenance instructions and lists of spare parts for each type of control device.
  2. Interconnection wiring diagrams with identified and numbered system components and devices.
  3. Keyboard illustrations and step-by-step procedures indexed for each operator function.
  4. Inspection period, cleaning methods, cleaning materials recommended, and calibration tolerances.
  5. Calibration records and list of set points.

FIRE STATIONS RENOVATION  
ARLINGTON COUNTY, VIRGINIA  
Architect's Project No: 563006

- D. Project Record Documents: Record actual locations of control components, including control units, thermostats, and sensors. Revise Shop Drawings to reflect actual installation and operating sequences.
- E. Upon project completion, submit operation and maintenance manuals, consisting of the following:
  - 1. Index sheet listing contents in alphabetical order.
  - 2. Manufacturer's equipment parts list of all functional components of the system.
  - 3. DVD of system schematics including wiring diagrams.
  - 4. Sequences of operations
  - 5. As-built interconnection wiring diagrams.
  - 6. Operator's manual.
  - 7. Trunk cable schematic showing remote electronic panel locations and all trunk data.
  - 8. List of connected data points, including panels to which they are connected and input device (sensors, thermostat, etc.)
  - 9. Software and firmware operational documentation. Include the following:
    - a. Software operating and upgrade manuals.
    - b. Program software backup: On a magnetic media or compact disc, complete with data files.
    - c. Device address list.
    - d. Printout of software application and graphic screens.
    - e. Software license required by control systems.
  - 10. Software Upgrade Kit: For Owner to use in modifying software to suit future power system revisions or monitoring and control revisions.
  - 11. Field Test Reports: Indicate and interpret test results for compliance with performance requirements.
- F. Submit product data sheets for airflow measuring devices indicating minimum placement requirements, sensor density, sensor distribution, and installed accuracy to the host control system. Submit a schedule of airflow measuring devices indicating compliance with specified accuracy at minimum and maximum airflow rates. Submit installation, operation and maintenance documentation.

1.4 QUALITY ASSURANCE

- A. The BAS system shall be designed and installed, commissioned, and serviced by a manufacturer's authorized installer.
- B. Manufacturer Qualifications: A firm experienced in manufacturing automatic temperature-control systems similar to those indicated for this Project and with a record of successful in-service performance.
- C. All materials and equipment used shall be standard components, regularly manufactured for this and/or other systems and not custom designed especially for this project.



FIRE STATIONS RENOVATION  
ARLINGTON COUNTY, VIRGINIA  
Architect's Project No: 563006

- D. Electrical Components, Devices, and Accessories: Listed and labeled as defined in NFPA 70, Article 100, by a testing agency acceptable to authorities having jurisdiction, and marked for intended use.
- E. Electronic equipment shall conform to the requirements of FCC Regulation, Part 15, Section 15, governing radio frequency electromagnetic interference and shall be so labeled.
- F. Comply with NFPA 90A, "Installation of Air Conditioning and Ventilation Systems."
- G. Comply with ASHRAE 135 for DDC system components.

1.5 DELIVERY, STORAGE, AND HANDLING

- A. Factory-Mounted Components: Where control devices specified in this Section are indicated to be factory-mounted on equipment, arrange for shipping of control devices to equipment manufacturer.
- B. System Software: Update to latest version of software at Project completion.

1.6 COORDINATION

- A. Control Wiring: The BAS manufacturer shall be responsible for all BAS and temperature control wiring for a complete and operable system. All wire and cable shall be plenum-rated and shall be in accordance with Division 26 specification sections and all local, state and national codes and ordinances.
- B. Where plenum-rated BAS cable is routed in concealed, accessible spaces, the cable may be run in the cable trays or in J-Hooks provided under this section of the specifications. Where plenum-rated BAS cable is routed in exposed or inaccessible areas, it shall be run conduit provided under this section of the specifications.
- C. Power Wiring:
  - 1. Power wiring indicated (device and circuit designation indicated) on the drawings shall be provided under Division 26.
  - 2. The BAS manufacturer shall be responsible for power wiring not indicated (device or circuit designation not indicated) on the Drawings. It shall be the BAS manufacturer's responsibility to review the Contract Documents to determine the extent of power wiring included in Division 26 and to provide additional power wiring as required. Work shall be in accordance with Division 26 specifications and all local, state and national codes and ordinances.
  - 3. Where the contractor performing work under this section requires an additional circuit for power wiring to a device or panel under paragraph 2 above, an RFI shall be issued requesting approval to use an available circuit in the nearest panel. Once approval is granted, all wiring and conduit from the breaker to the device or panel shall be provided under this section of the specifications.

FIRE STATIONS RENOVATION  
ARLINGTON COUNTY, VIRGINIA  
Architect's Project No: 563006

- D. Coordinate location of thermostats, humidistats, and other exposed control sensors with plans and room details before installation. All conduits shall be concealed within walls and above ceilings unless indicated otherwise.
- E. Coordinate installation of conduit to avoid cutting of finished surfaces.
- F. Coordinate equipment with Division 26 Section "Lighting Control Devices" to achieve compatibility with equipment that interfaces with that system.
- G. Coordinate equipment with Division 28 Section "Digital Addressable Fire Alarm" to achieve compatibility with equipment that interfaces with that system.
- H. Coordinate supply of conditioned electrical branch circuits for control units and operator workstation.

1.7 PROJECT CONDITIONS

- A. Maintain environmental conditions (temperature, humidity and ventilation) within limits recommended by manufacturer for optimum results. Do not install products under environmental conditions outside manufacturer's absolute limits.

PART 2 - PRODUCTS

2.1 MANUFACTURER

- 1. Trane

2.2 GENERAL:

- a. Provide controls to match the existing system controls supplier for each fire station.
- b. For fire station #1, provide DDC panel and control new RTU-8 and integrate into existing BAS.
- c. For fire station #6, provide monitoring for new fan and split system as required in sequence of controls for HVAC section and sheet M7.1 on drawings.

2.3 DDC CONTROLLERS

- A. All packaged equipment shall be provided with manufacturers controllers with BACnet interface.

2.4 ELECTRONIC SENSORS

- A. Description: Vibration and corrosion resistant; for wall, immersion, or duct mounting as required.

FIRE STATIONS RENOVATION  
ARLINGTON COUNTY, VIRGINIA  
Architect's Project No: 563006

B. Thermistor Temperature Sensors and Transmitters and Resistance Temperature Detectors and Transmitters:

1. Accuracy: Plus or minus 0.5 deg F at calibration point.
2. Wire: Twisted, shielded-pair cable.
3. Insertion Elements in Ducts: Single point, 8 inches long; use where not affected by temperature stratification or where ducts are smaller than 9 sq. ft.
4. Averaging Elements in Ducts: 36 inches long, flexible; use where prone to temperature stratification or where ducts are larger than 10 sq. ft.
5. Insertion Elements for Liquids: Brass or stainless-steel socket with minimum insertion length of 2-1/2 inches.
6. Room Sensor Cover Construction: Manufacturer's standard locking covers.
  - a. Set-Point Adjustment (classrooms, offices, work rooms and conference rooms): Exposed warmer/cooler slider. Range of adjustment capable at zone sensor shall be programmable through the BAS.
  - b. Set-Point Adjustment (other spaces): Concealed.
  - c. Set-Point Indication: Concealed.
  - d. Thermometer: Concealed.
  - e. Color: Manufacturer's standard.
  - f. Orientation: Vertical.
  - g. Option: No manufacturer logo.
7. Outside-Air Sensors: Watertight inlet fitting, shielded from direct sunlight.
8. Space Sensor Guards: Provide heavy-duty, cast aluminum guards for sensors located in the gymnasium, auxiliary gymnasium, auditorium and commons.
9. Public Corridors: In public corridors and entrances, provide blank stainless-steel cover plate sensors with insulated back and security screws.

C. Humidity Sensors: Capacitance or bulk polymer resistance type.

1. Accuracy: 5 percent full range with linear output.
2. Room Sensor Range: 20 to 80 percent relative humidity.
3. Room Sensor Cover Construction: Manufacturer's standard locking covers.
  - a. Color: Manufacturer's standard.
  - b. Orientation: Vertical.
  - c. Set-Point Adjustment: Concealed.
  - d. Set-Point Indication: Concealed.
4. Outside-Air Sensor: 20 to 80 percent relative humidity range with mounting enclosure, suitable for operation at outdoor temperatures of 0 to 185 deg F.
5. Duct-Mounted: Electric insertion, 2-position type with adjustable, 2 percent throttling range, 20 to 80 percent operating range, and single- or double-pole contacts.

D. Pressure Transmitters/Transducers:

1. Static-Pressure Transmitter: Non-directional sensor with suitable range for expected input and temperature-compensated.

FIRE STATIONS RENOVATION  
ARLINGTON COUNTY, VIRGINIA  
Architect's Project No: 563006

- a. Accuracy: 2 percent of full scale with repeatability of 0.5 percent.
  - b. Output: 4 to 20 mA.
  - c. Building Static-Pressure Range: 0- to 0.25-inch wg.
  - d. Duct Static-Pressure Range: 0- to 5-inch wg.
2. Water Pressure Transducers: Stainless-steel diaphragm construction, suitable for service; minimum 150-psig operating pressure; linear output 4 to 20 mA.
  3. Water Differential-Pressure Transducers: Stainless-steel diaphragm construction, suitable for service; minimum 150-psig operating pressure and tested to 300-psig; linear output 4 to 20 mA.
  4. Differential-Pressure Switch (Air or Water): Snap acting, with pilot-duty rating and with suitable scale range and differential. Accuracy shall be +/- 5% of range.
  5. Pressure Transmitters: Direct acting for gas, liquid, or steam service; range suitable for system; linear output 4 to 20 mA.
- E. Current Sensing Switch:
1. Sensor supply voltage and supply current shall be induced from monitored conductor. Contact rating shall be 0.2 amperes at 30 volts DC/AC. Trip set point shall be adjustable to +/-1% of range. Current sensing switch wiring shall not be polarity sensitive.
- F. Liquid Level Sensors:
1. Liquid level sensors shall have 1/2" accuracy calibrated to detect water in temperature range from 60°F to 80°F. Output signal shall be 4 to 20 mA. Sensor material shall be stainless steel or other non-corrosive material.
- 2.5 STATUS SENSORS
- A. Status Inputs for Fans: Differential-pressure switch with pilot-duty rating and with adjustable range of 0- to 5-inch wg.
  - B. Status Inputs for Pumps: Differential-pressure switch with pilot-duty rating and with adjustable pressure-differential range of 8 to 60 psig, piped across pump.
  - C. Status Inputs for Electric Motors: Comply with ISA 50.00.01, current-sensing fixed- or split-core transformers with self-powered transmitter, adjustable and suitable for 175 percent of rated motor current.
  - D. Voltage Transmitter (100- to 600-V ac): Comply with ISA 50.00.01, single-loop, self-powered transmitter, adjustable, with suitable range and 1 percent full-scale accuracy.
  - E. Current Switches: Self-powered, solid-state with adjustable trip current, selected to match current and system output requirements.
  - F. Electronic Valve/Damper Position Indicator: Visual scale indicating percent of travel and 2- to 10-V dc, feedback signal.

FIRE STATIONS RENOVATION  
ARLINGTON COUNTY, VIRGINIA  
Architect's Project No: 563006

- G. Water-Flow Switches: Bellows-actuated mercury or snap-acting type with pilot-duty rating, stainless-steel or bronze paddle, with appropriate range and differential adjustment, in NEMA 250, Type 1 enclosure.

2.6 THERMOSTATS

A. Available Manufacturers:

- 1. Danfoss Inc.; Air-Conditioning and Refrigeration Div.
- 2. Heat-Timer Corporation.
- 3. tekmar Control Systems, Inc.

B. Combination Thermostat and Fan Switches: Line-voltage thermostat with push-button or lever-operated fan switch.

- 1. Label switches "FAN ON-OFF" or "FAN HIGH-LOW-OFF" or "FAN HIGH-MED-LOW-OFF."
- 2. Mount on single electric switch box.

C. Electric, solid-state, microcomputer-based room thermostat with remote sensor.

- 1. Automatic switching from heating to cooling.
- 2. Preferential rate control to minimize overshoot and deviation from set point.
- 3. Set up for four separate temperatures per day.
- 4. Instant override of set point for continuous or timed period from 1 hour to 31 days.
- 5. Short-cycle protection.
- 6. Programming based on every day of week.
- 7. Selection features include degree F or degree C display, 12- or 24-hour clock, keyboard disable, remote sensor, and fan on-auto.
- 8. Battery replacement without program loss.
- 9. Thermostat display features include the following:
  - a. Time of day.
  - b. Actual room temperature.
  - c. Programmed temperature.
  - d. Programmed time.
  - e. Duration of timed override.
  - f. Day of week.
  - g. System mode indications include "heating," "off," "fan auto," and "fan on."

D. Low-Voltage, On-Off Thermostats: NEMA DC 3, 24-V, bimetal-operated, mercury-switch type, with adjustable or fixed anticipation heater, concealed set-point adjustment, 55 to 85 deg F set-point range, and 2 deg F maximum differential.

E. Line-Voltage, On-Off Thermostats: Bimetal-actuated, open contact or bellows-actuated, enclosed, snap-switch or equivalent solid-state type, with heat anticipator; listed for electrical rating; with concealed set-point adjustment, 55 to 85 deg F set-point range, and 2 deg F maximum differential.

FIRE STATIONS RENOVATION  
ARLINGTON COUNTY, VIRGINIA  
Architect's Project No: 563006

1. Electric Heating Thermostats: Equip with off position on dial wired to break ungrounded conductors.
  2. Selector Switch: Integral, manual on-off-auto.
- F. Remote-Bulb Thermostats: On-off or modulating type, liquid filled to compensate for changes in ambient temperature; with copper capillary and bulb, unless otherwise indicated.
1. Bulbs in water lines with separate wells of same material as bulb.
  2. Bulbs in air ducts with flanges and shields.
  3. Averaging Elements: Copper tubing with either single- or multiple-unit elements, extended to cover full width of duct or unit; adequately supported.
  4. Scale settings and differential settings are clearly visible and adjustable from front of instrument.
  5. On-Off Thermostat: With precision snap switches and with electrical ratings required by application.
  6. Modulating Thermostats: Construct so complete potentiometer coil and wiper assembly is removable for inspection or replacement without disturbing calibration of instrument.
- G. Immersion Thermostat: Remote-bulb or bimetal rod-and-tube type, proportioning action with adjustable throttling range and adjustable set point.
- H. Airstream Thermostats: Two-pipe, fully proportional, single-temperature type; with adjustable set point in middle of range, adjustable throttling range, plug-in test fitting or permanent pressure gage, remote bulb, bimetal rod and tube, or averaging element.
- I. Electric, Low-Limit Duct Thermostat: Snap-acting, single-pole, single-throw, manual- or automatic- reset switch that trips if temperature sensed across any 12 inches of bulb length is equal to or below set point.
1. Bulb Length: Minimum 20 feet.
  2. Quantity: One thermostat for every 20 sq. ft. of coil surface.
- J. Electric, High-Limit Duct Thermostat: Snap-acting, single-pole, single-throw, manual- or automatic- reset switch that trips if temperature sensed across any 12 inches of bulb length is equal to or above set point.
1. Bulb Length: Minimum 20 feet.
  2. Quantity: One thermostat for every 20 sq. ft. of coil surface.
- K. Heating/Cooling Valve-Top Thermostats: Proportional acting for proportional flow, with molded-rubber diaphragm, remote-bulb liquid-filled element, direct and reverse acting at minimum shutoff pressure of 25 psig, and cast housing with position indicator and adjusting knob.

## 2.7 ACTUATORS

- A. Electric Motors: Size to operate with sufficient reserve power to provide smooth modulating action or two-position action.

FIRE STATIONS RENOVATION  
ARLINGTON COUNTY, VIRGINIA  
Architect's Project No: 563006

1. Comply with requirements in Division 23 Section "Common Motor Requirements for HVAC Equipment."
  2. Permanent Split-Capacitor or Shaded-Pole Type: Gear trains completely oil immersed and sealed. Equip spring-return motors with integral spiral-spring mechanism in housings designed for easy removal for service or adjustment of limit switches, auxiliary switches, or feedback potentiometer.
  3. Non-spring-Return Motors for Valves Larger than NPS 2-1/2: Size for running torque of 150 in. x lbf and breakaway torque of 300 in. x lbf.
  4. Spring-Return Motors for Valves Larger than NPS 2-1/2: Size for running and breakaway torque of 150 in. x lbf.
  5. Non-spring-Return Motors for Dampers Larger than 25 Sq. Ft.: Size for running torque of 150 in. x lbf and breakaway torque of 300 in. x lbf.
  6. Spring-Return Motors for Dampers Larger than 25 Sq. Ft.: Size for running and breakaway torque of 150 in. x lbf.
- B. Electronic Actuators: Direct-coupled type designed for minimum 60,000 full-stroke cycles at rated torque.
1. Valves: Size for torque required for valve close off at maximum pump differential pressure.
  2. Dampers: Size for running torque calculated as follows:
    - a. Parallel-Blade Damper with Edge Seals: 7 inch-lb/sq. ft. of damper.
    - b. Opposed-Blade Damper with Edge Seals: 5 inch-lb/sq. ft. of damper.
    - c. Parallel-Blade Damper without Edge Seals: 4 inch-lb/sq. ft. of damper.
    - d. Opposed-Blade Damper without Edge Seals: 3 inch-lb/sq. ft. of damper.
    - e. Dampers with 2- to 3-Inch wg of Pressure Drop or Face Velocities of 1000 to 2500 fpm: Increase running torque by 1.5.
    - f. Dampers with 3- to 4-Inch wg of Pressure Drop or Face Velocities of 2500 to 3000 fpm: Increase running torque by 2.0.
  3. Coupling: V-bolt and V-shaped, toothed cradle.
  4. Overload Protection: Electronic overload or digital rotation-sensing circuitry.
  5. Fail-Safe Operation: Mechanical, spring-return mechanism. Provide external, manual gear release on non-spring-return actuators.
  6. Power Requirements (Modulating): Maximum 10 VA at 24-V ac or 8 W at 24-V dc.
  7. Proportional Signal: 2- to 10-V dc or 4 to 20 mA, and 2- to 10-V dc position feedback signal.
  8. Temperature Rating: Minus 22 to plus 122 deg F.
  9. Temperature Rating (Smoke Dampers): Minus 22 to plus 250 deg F.

## 2.8 DAMPERS

- A. Dampers: AMCA-rated, parallel or opposed-blade design; 0.108-inch- minimum thick, galvanized-steel or 0.125-inch- minimum thick, extruded-aluminum frames with holes for duct mounting; damper blades shall not be less than 0.064-inch- thick galvanized steel with maximum blade width of 8 inches and length of 48 inches.

FIRE STATIONS RENOVATION  
ARLINGTON COUNTY, VIRGINIA  
Architect's Project No: 563006

1. Secure blades to 1/2-inch- diameter, zinc-plated axles using zinc-plated hardware, with oil-impregnated sintered bronze blade bearings, blade-linkage hardware of zinc-plated steel and brass, ends sealed against spring-stainless-steel blade bearings, and thrust bearings at each end of every blade.
2. Operating Temperature Range: From minus 40 to plus 200 deg F.
3. Edge Seals, Standard Pressure Applications: Closed-cell neoprene.
4. Edge Seals, Low-Leakage Applications: Use inflatable blade edging or replaceable rubber blade seals and spring-loaded stainless-steel side seals, rated for leakage at less than 10 cfm per sq. ft. of damper area, at differential pressure of 4-inch wg when damper is held by torque of 50 in. x lbf; when tested according to AMCA 500D.

2.9 SMOKE DETECTORS

- A. Smoke detectors shall be furnished under Division 28 and installed under this Section.
- B. Wiring from smoke detectors to fire alarm system shall be under Division 28.
- C. Wiring from smoke detectors to mechanical equipment shall be under this Section.

2.10 Low Temperature Detection Stat: By BAS manufacturer.

2.11 CURRENT SENSING RELAYS:

- A. By controls contractor for all equipment.miscellaneous relays and switches:
- B. General: Where required by the sequence of operation switches, relays, and miscellaneous devices necessary to accomplish the sequence shall be provided under this Section.

PART 3 - EXECUTION

3.1 PROJECT MANAGEMENT

- A. Provide a designated project manager who will be responsible for the following:
  1. Construct and maintain project schedule
  2. On-site coordination with all applicable trades and subcontractors
  3. Authorized to accept and execute orders or instructions from owner/architect
  4. Attend project meetings as necessary to avoid conflicts and delays
  5. Make necessary field decisions relating to this scope of work
  6. Coordination/Single point of contact.

3.2 EXAMINATION

- A. Verify that power supply is available to control units and operator workstation.



FIRE STATIONS RENOVATION  
ARLINGTON COUNTY, VIRGINIA  
Architect's Project No: 563006

- B. Verify that duct-, pipe-, and equipment-mounted devices are installed before proceeding with installation.

3.3 INSTALLATION

- A. Install software in control units and operator workstation(s). Implement all features of programs to specified requirements and as appropriate to sequence of operation.
- B. Connect and configure equipment and software to achieve sequence of operation specified in Section 23 section "Sequence of Control."
- C. Verify location of thermostats, humidistats, and other exposed control sensors with Drawings and room details before installation. Install devices next to light switch(es) when space is available with top of device at 48 inches above finished floor. Where space next to light switch(es) is not available, align device vertically with light switch and locate device with top at 40 inches above the finished floor.
  - 1. Install averaging elements in ducts and plenums in crossing or zigzag pattern.
- D. Install guards on thermostats where indicated on Drawings.
- E. Install automatic dampers according to Division 23 Section "Air Duct Accessories."
- F. Install damper motors on outside of duct in warm areas, not in locations exposed to outdoor temperatures.
- G. Install labels and nameplates to identify control components according to Division 23 Section "Identification for HVAC Piping and Equipment."
- H. Install hydronic instrument wells, valves, and other accessories according to Division 23 Section "Hydronic Piping."
- I. Install duct volume-control dampers according to Division 23 Sections specifying air ducts.

3.4 FIELD QUALITY CONTROL

- A. Manufacturer's Field Service: Engage a factory-authorized service representative to inspect, test, and adjust field-assembled components and equipment installation, including connections, and to assist in field testing. Report results in writing.
- B. Perform the following field tests and inspections and prepare test reports:
  - 1. Operational Test: After electrical circuitry has been energized, start units to confirm proper unit operation. Remove and replace malfunctioning units and retest.
  - 2. Test and adjust controls and safeties.
  - 3. Test calibration of electronic controllers by disconnecting input sensors and stimulating operation with compatible signal generator.

FIRE STATIONS RENOVATION  
ARLINGTON COUNTY, VIRGINIA  
Architect's Project No: 563006

4. Test each point through its full operating range to verify that safety and operating control set points are as required.
5. Test each control loop to verify stable mode of operation and compliance with sequence of operation. Adjust PID actions.
6. Test each system for compliance with sequence of operation.
7. Test software and hardware interlocks.

C. DDC Verification:

1. Verify that instruments are installed before calibration, testing, and loop or leak checks.
2. Check instruments for proper location and accessibility.
3. Check instrument installation for direction of flow, elevation, orientation, insertion depth, and other applicable considerations.
4. Check instrument tubing for proper fittings, slope, material, and support.
5. Check flow instruments. Inspect tag number and line and bore size, and verify that inlet side is identified and that meters are installed correctly.
6. Check pressure instruments, piping slope, installation of valve manifold, and self-contained pressure regulators.
7. Check temperature instruments and material and length of sensing elements.
8. Check control valves. Verify that they are in correct direction.
9. Check DDC system as follows:
  - a. Verify that DDC controller power supply is from emergency power supply.
  - b. Verify that wires at control panels are tagged with their service designation and approved tagging system.
  - c. Verify that spare I/O capacity has been provided.
  - d. Verify that DDC controllers are protected from power supply surges.

D. Replace damaged or malfunctioning controls and equipment and repeat testing procedures.

### 3.5 ADJUSTING

A. Calibrating and Adjusting:

1. Calibrate instruments.
2. Make three-point calibration test for both linearity and accuracy for each analog instrument.
3. Calibrate equipment and procedures using manufacturer's written recommendations and instruction manuals. Use test equipment with accuracy at least double that of instrument being calibrated.
4. Control System Inputs and Outputs:
  - a. Check analog inputs at 0, 50, and 100 percent of span.
  - b. Check analog outputs using milliamperemeter at 0, 50, and 100 percent output.
  - c. Check digital inputs using jumper wire.
  - d. Check digital outputs using ohmmeter to test for contact making or breaking.
  - e. Check resistance temperature inputs at 0, 50, and 100 percent of span using a precision-resistant source.

FIRE STATIONS RENOVATION  
ARLINGTON COUNTY, VIRGINIA  
Architect's Project No: 563006

5. Flow:
    - a. Set differential pressure flow transmitters for 0 and 100 percent values with 3-point calibration accomplished at 50, 90, and 100 percent of span.
    - b. Manually operate flow switches to verify that they make or break contact.
  6. Pressure:
    - a. Calibrate pressure transmitters at 0, 50, and 100 percent of span.
    - b. Calibrate pressure switches to make or break contacts, with adjustable differential set at minimum.
  7. Temperature:
    - a. Calibrate resistance temperature transmitters at 0, 50, and 100 percent of span using a precision-resistance source.
    - b. Calibrate temperature switches to make or break contacts.
  8. Stroke and adjust control valves and dampers without positioners, following the manufacturer's recommended procedure, so that valve or damper is 100 percent open and closed.
  9. Stroke and adjust control valves and dampers with positioners, following manufacturer's recommended procedure, so that valve and damper is 0, 50, and 100 percent closed.
  10. Provide diagnostic and test instruments for calibration and adjustment of system.
  11. Provide written description of procedures and equipment for calibrating each type of instrument. Submit procedures review and approval before initiating startup procedures.
- B. Adjust initial temperature and humidity set points.
- C. Occupancy Adjustments: When requested within 12 months of date of Final Acceptance, provide on-site assistance in adjusting system to suit actual occupied conditions. Provide up to three visits to Project during other than normal occupancy hours for this purpose.

### 3.6 TRAINING

- A. Provide 8 hours of training for Owner's designated operating personnel. Training shall include:
1. Explanation of drawings and operation & maintenance manuals
  2. Walk-through of the job to locate control components
  3. Operator workstation and peripherals
  4. Operation of Portable computer
  5. DDC controller and ASC operation/function
  6. Operator control functions including graphic generation and field panel programming
  7. Explanation of adjustment, calibration and replacement procedures
- B. Since the Owner may require personnel to have more comprehensive understanding of the hardware and software, additional training must be available from the Manufacturer. If necessary additional training will be contracted by the Owner at a later date.

FIRE STATIONS RENOVATION  
ARLINGTON COUNTY, VIRGINIA  
Architect's Project No: 563006

- C. Coordinate with Owner is videotape documentation of training is required.

END OF SECTION 230900

FIRE STATIONS RENOVATION  
ARLINGTON COUNTY, VIRGINIA  
Architect's Project No: 563006

SECTION 230993 - SEQUENCE OF OPERATIONS FOR HVAC CONTROLS

PART 1 - GENERAL

1.1 RELATED DOCUMENTS

- A. Provisions of the Contract and of the Contract Documents apply to this Section.

1.2 SUMMARY

- A. This Section includes control sequences for HVAC systems, subsystems, and equipment.
- B. Related Sections include the following:
  - 1. Division 23 Section "Building Automation System" for control equipment and devices and for submittal requirements.

1.3 DEFINITIONS

- A. BAS: Building automation system.
- B. CO<sub>2</sub>: Carbon dioxide.
- C. CO: Carbon monoxide
- D. DDC: Direct digital control.
- E. PPM: Parts per million.
- F. RPM: Revolutions per minute.
- G. SCR: Silicon-Controlled Rectifier.
- H. TAB: Testing, Adjusting and Balancing.
- I. VAV: Variable air volume.
- J. VFD: Variable-frequency drive

1.4 GENERAL REQUIREMENTS OF THIS SECTION

- A. Control sequences shall be accomplished in accordance with control drawings and the sequences specified in this section. It is the intent of this section to utilize sequences included in pre-programmed controllers when such sequences provide the intended operation.

FIRE STATIONS RENOVATION  
ARLINGTON COUNTY, VIRGINIA  
Architect's Project No: 563006

- B. Points may not be deleted without prior approval from the Architect.
- C. Every attempt has been made to indicate all required points on the control drawings. Occasionally an additional point, or points, may be required to accomplish a specified sequence. The contractor performing work under this section shall understand the work to be implied and required by the contract documents. Additional hardware and software required shall be provided under section "Building Automation System" at no additional cost to the Owner.
  - 1. Such points include:
    - a. Sensors of all types whether or not specified under section "Building Automation System"
    - b. Air flow measuring stations.
    - c. Wiring, conduit, and related devices such as relays.
  - 2. Exceptions:
    - a. Equipment and devices covered under sections other than "Building Automation System".

1.5 DISPLAY GRAPHICS:

- A. Include system schematic for each system. Indicate all points in system on at least one graphic.
- B. Indicate all commanded values and temperatures.
- C. Indicate all sensed temperatures.
- D. Indicate all alarms.
- E. Indicate all status points.
- F. Indicate all monitored conditions.

1.6 WARRANTY

- A. Provide all services, materials and equipment necessary for the successful operation of the entire BAS system for a period of one year beginning on the date of Final Acceptance.

1.7 SUBMITTALS

- A. Refer to Section "Building Automation System."

PART 2 - SEQUENCES

- 2.1 SET POINTS: Unless indicated otherwise all set points shall be adjustable from the head end.

FIRE STATIONS RENOVATION  
ARLINGTON COUNTY, VIRGINIA  
Architect's Project No: 563006

2.2 ROOFTOP UNITS (RTU-8)

A. General:

1. Each unit shall be controlled by field installed BACnet IP building controllers provided by the DDC contractor. The controller shall interface with the 24V controls terminal strip provided by the equipment manufacturer.
2. Enthalpy High Limit: 28.0 BTU/lb

B. Initial Set Points:

1. Occupied:
  - a. Space Cooling Temperature: 75°F
  - b. Space Heating Temperature: 70°F
  - c. Space Maximum Relative Humidity: 55% RH
2. Unoccupied:
  - a. Space Cooling Temperature: 78°F
  - b. Space Heating Temperature: 65°F
  - c. Space Maximum Relative Humidity: 60% RH

C. Enable/Disable:

1. Occupied Operation: During occupied hours, the BAS shall enable the unit and provide set points as specified. The supply fan shall be started and dampers shall open.
2. Unoccupied Operation: During unoccupied hours, the unit shall be disabled, the supply and exhaust fans shall be off, and dampers shall be closed.

D. Supply Fan Control:

1. When the unit is started, the outside air damper shall be open and an end switch shall authorize the supply fan to start and go to its maximum speed. The required speed shall be determined by the equipment manufacturer and shall be constituted as the maximum fan speed.
2. Speed Control:
  - a. The supply fan shall be ramped up to design/ balanced airflow.
  - b. Drive Malfunction: Should the VFD malfunction as indicated by drive alarm circuit, an alarm shall be sent to the head end. The fan shall continue to operate unless deactivated by the VFD protection circuitry.
  - c. Fan Failure Alarm: Should the supply fan fail (as sensed by current sensing relay), the unit shall be disabled, and an alarm shall be sent to the head end identifying the unit and stating that the supply fan has failed.

E. Exhaust Fan Control:

1. During occupied operation, the exhaust air damper shall be open and an end switch shall start the exhaust fan.
2. Speed Control:
  - a. The relief fan speed ramp up to design/ balanced airflow.
3. Fan Failure Alarm: Should the exhaust fan fail (as sensed by its current sensing relay), the unit shall be disabled, and an alarm shall be sent to the head end identifying the unit and stating that the exhaust fan has failed.
4. Drive Malfunction: Should the VFD malfunction as indicated by the drive alarm circuit, an alarm shall be sent to the head end. The fan shall continue to operate unless deactivated by the VFD protection circuitry.

FIRE STATIONS RENOVATION  
ARLINGTON COUNTY, VIRGINIA  
Architect's Project No: 563006

- F. Supply Air Temperature Control: The unit shall use comparative enthalpy economizer, heating, or cooling to maintain leaving air conditions.
- G. Supply Air Low Limit Temperature: If the discharge air temperature falls below the low limit set point (initially 50°F, adjustable), for five minutes (adjustable), the unit will stop and an alarm will be issued to the BAS.
- H. Cooling Control: The supply fan shall be confirmed as running before cooling is enabled. If cooling is required, the direct expansion cooling shall enable the first stage of cooling and modulate to maintain supply leaving air temperature. If additional capacity is needed, the next available compressor shall be staged and modulated to maintain the set point (as sensed by the supply leaving air temperature sensor).
- I. Heating Control: If heating is required, the first stage of heating shall be enabled and module to maintain supply air leaving temperature. If additional capacity is needed, the gas burners shall be staged and modulated to maintain the set point (as sensed by the supply leaving air temperature sensor).
- J. Hot Gas Reheat Control: The hot gas reheat coil shall be modulated as required to maintain leaving air temperature setpoint.
- K. Dehumidification Control:
1. Occupied Mode: If the space relative humidity (based on a space mounted humidity sensor) rises above initial setpoint (50% RH, adjustable), the unit economizer and compressor will be controlled to maintain cooling coil leaving air temperature setpoint. This cooling coil leaving air temp setpoint will be slowly lowered until sufficient dehumidification is provided to meet the space RH set point.
  2. Unoccupied mode: If the space relative humidity rises above set point (initially 60% RH, adjustable), the supply fan shall be started and the compressor will be controlled to maintain the cooling coil leaving air temp setpoint. This cooling coil leaving air temp setpoint will be slowly lowered until sufficient dehumidification is provided to meet the space RH set point. The unit shall return to unoccupied mode when the space humidity is 10% below set point.
- L. Economizer Mode: Whenever outside air enthalpy is less than the enthalpy high limit setpoint (adjustable) and outside air temperature is less than the return air temperature and cooling is required, economizer operation shall be enabled and the enthalpy wheel shall be disabled and bypassed.
1. Outside air enthalpy will be calculated using the outdoor air temperature and outdoor air humidity sensors.
  2. Economizer operation shall be available 24/7 and shall override unoccupied damper controls.
- M. Motorized Control Valve: The motorized control valve shall open 90 seconds prior to the compressor start up. When the compressors shut off, the control valve shall close. The BAS shall monitor the valve position and indicate an alarm in the case of malfunction.
- N. Head Pressure Control: If there is a demand for mechanical cooling, the head pressure control valve shall open to 100%. When the compressor starts, the valve will modulate to maintain the factory set head pressure setpoint. The valve will be allowed to close to a minimum value set



FIRE STATIONS RENOVATION  
ARLINGTON COUNTY, VIRGINIA  
Architect's Project No: 563006

point of 50%. If the compressor has been off for 10 minutes, the valve will close. If there is a demand for mechanical heating, the head pressure control valve shall open to 100% and remain open until the compressor has been off for 10 minutes.

O. Outdoor Air Damper:

1. Occupied: Damper shall open. If damper fails to open, an alarm shall be sent to the head end identifying the unit and stating that the outdoor air damper failed to open.
2. Unoccupied: Damper shall remain closed. Damper end switch shall confirm the damper closed. If the damper fails to close, an alarm shall be sent to the head end identifying the unit and stating that the outdoor air damper failed to close.

P. Relief Air Damper:

1. Occupied: Damper shall open. If damper fails to open, an alarm shall be sent to the head end identifying the unit and stating that the relief air damper failed to open.
2. Unoccupied: Damper end switch shall confirm the damper closed. If the damper fails to close, an alarm shall be sent to the head end identifying the unit and stating that the relief air damper failed to close.

Q. Frost Prevention: The unit controller shall vary the rotational speed of the enthalpy wheel to maintain the exhaust airstream temperature above that which frost formation begins.

R. System Safety: Whenever the supply fan is stopped, or airflow ceases for any reason (as sensed by the current sensing relay), the supply fan shall be deactivated and alarm issued to BAS. In all modes of operation, commanded position values for all control devices such as dampers shall be readable from the head-end.

S. Filter Change Alarm: The differential pressure across the filters shall be monitored. If the differential pressure exceed 1" wg (adjustable), an alarm shall be issued to the BAS.

T. Life Safety: Duct smoke detectors located in the return air duct, upon detection of products of combustion from any detector, signal the building fire alarm system and shut down the unit & supply fan. This function shall be manually reset from the unit and shall be so identified on the head-end graphics. An alarm shall also be provided to the BAS head-end.

U. Condensate Pan Overflow Prevention: The unit shall monitor float switches in the condensate pan under the evaporator. If the float switch detects the pan is about to overflow and has reached its high limit, the unit shall disable the cooling and issue an alarm to the BAS.

### 2.3 DUCTLESS SPLIT SYSTEM AIR CONDITIONERS

A. Each unit shall operate on its factory-installed control system.

B. Initial Set Points:

- a. Cooling: 72°F
- b. Heating: 65°F

C. The BAS shall monitor the space temperature in the rooms served by Ductless Split Systems. These sensors are used for monitoring purposes and shall alarm if they deviate more from the below set points:

FIRE STATIONS RENOVATION  
ARLINGTON COUNTY, VIRGINIA  
Architect's Project No: 563006

1. Alarm High Limit Temperature: 85°F.
  - D. The BAS shall monitor a general alarm for each Ductless Split System. If in alarm, the graphics shall display an alarm for the associated unit.
- 2.4 FAN (Control Method BAS Schedule)
- A. General: These are general duty fans which operate on a time-of-day schedule. Refer to the Fan Schedule for fan information.
  - B. Occupied/Unoccupied:
    1. Unoccupied Operation: During unoccupied hours the fan shall be off and the damper shall be closed.
    2. Occupied Operation: During occupied hours, the fan shall be on and the damper shall be open.
  - C. Start:
    1. At the start of occupied operation, the BAS shall open the motorized damper associated with the fan. Once the damper is confirmed open, the BAS shall start the fan. If the damper is interlocked with fan operation, then the BAS shall start the fan.
  - D. Stop:
    1. At the beginning of unoccupied operation, the BAS shall stop the fan and close the associated damper (or just stop the fan if the damper is interlocked).
  - E. Fan failure alarm:
    1. If the fan fails to start (as sensed by its current sensing relay) an alarm shall be sent to the head end identifying the fan and stating that it has failed to start.

PART 3 - EXECUTION (Not Applicable)

END OF SECTION 230993

FIRE STATIONS RENOVATION  
ARLINGTON COUNTY, VIRGINIA  
Architect's Project No: 563006

SECTION 232300 - REFRIGERANT PIPING

PART 1 - GENERAL

1.1 RELATED DOCUMENTS

- A. Provisions of the Contract and of the Contract Documents apply to this Section.

1.2 SUBMITTALS

- A. Product Data: For each type of valve and refrigerant piping specialty indicated for the following:
1. Thermostatic expansion valves.
  2. Solenoid valves.
  3. Hot-gas bypass valves.
  4. Filter dryers.
  5. Strainers.
  6. Pressure-regulating valves.
- B. Shop Drawings: Show layout of refrigerant piping and specialties, including pipe, tube, and fitting sizes, flow capacities, slopes of horizontal runs, oil traps, double risers, valve arrangements & locations wall & floor penetrations, and equipment connection details. Show interface and spatial relationships between piping and equipment.
1. Shop Drawing Scale: 1/4"=1'-0"
  2. Refrigerant piping indicated on Drawings is schematic only. Size piping and design actual piping layout, including oil traps, double risers, specialties, and pipe and tube sizes to accommodate, as a minimum, proposed equipment, elevation difference between compressor and evaporator, and length of piping to ensure proper operation and compliance with warranties of connected equipment.
- C. Operation and Maintenance Data: For refrigerant valves and piping specialties to include in maintenance manuals.

1.3 PRODUCT STORAGE AND HANDLING

- A. Store piping in a clean and protected area with end caps in place to ensure that piping interior and exterior are clean when installed.

1.4 QUALITY ASSURANCE

- A. Welding: Qualify procedures and personnel according to ASME Boiler and Pressure Vessel Code: Section IX; "Welding and Brazing Qualifications."

FIRE STATIONS RENOVATION  
ARLINGTON COUNTY, VIRGINIA  
Architect's Project No: 563006

- B. ASHRAE Standard: Comply with ASHRAE 15, "Safety Code for Mechanical Refrigeration."
- C. ASME Standard: Comply with ASME B31.5, "Refrigeration Piping."
- D. UL Standard: Provide products complying with UL 207, "Refrigerant-Containing Components and Accessories, Nonelectrical"; or UL 429, "Electrically Operated Valves."

1.5 COORDINATION

- A. Coordinate layout and installation of refrigerant piping and suspension system components with other construction, including light fixtures, HVAC equipment, fire-suppression-system components, and partition assemblies.
- B. Coordinate pipe sleeve installations for wall penetrations.
- C. Coordinate installation of roof curbs, equipment supports, and roof penetrations.
- D. Coordinate pipe sleeve installations for penetrations in exterior walls and floor assemblies. Coordinate with requirements for firestopping.
- E. Coordinate pipe fitting pressure classes with products specified in related Sections.

PART 2 - PRODUCTS

2.1 COPPER TUBE AND FITTINGS

- A. Copper Tube: ASTM B 280, Type ACR.
- B. Wrought-Copper Fittings: ASME B16.22.
- C. Wrought-Copper Unions: ASME B16.22.
- D. Solder Filler Metals: ASTM B 32. Use 95-5 tin antimony solder to join copper socket fittings on copper pipe.
- E. Brazing Filler Metals: AWS A5.8, BCuP series, copper-phosphorus alloys for general duty brazing unless otherwise indicated. AWS A5.8, BAg-5 silver alloy for refrigerant piping unless otherwise indicated.
- F. Flexible Connectors:
  - 1. Body: Tin-bronze bellows with woven, flexible, tinned-bronze-wire-reinforced protective jacket.
  - 2. End Connections: Socket ends.
  - 3. Offset Performance: Capable of minimum 3/4" misalignment in minimum 7" length.
  - 4. Pressure Rating: Factory test at minimum 500 psig.
  - 5. Maximum Operating Temperature: 250 deg F.

FIRE STATIONS RENOVATION  
ARLINGTON COUNTY, VIRGINIA  
Architect's Project No: 563006

## 2.2 STEEL PIPE AND FITTINGS

- A. Steel Pipe: ASTM A 53/A 53M, black steel with plain ends; Type, Grade, and wall thickness as selected in Part 3 piping applications articles.
- B. Wrought-Steel Fittings: ASTM A 234/A 234M, for welded joints.
- C. Steel Flanges and Flanged Fittings: ASME B16.5, steel, including bolts, nuts, and gaskets, bevel-welded end connection, and raised face.
- D. Welding Filler Metals: Comply with AWS D10.12/D10.12M for welding materials appropriate for wall thickness and chemical analysis of steel pipe being welded.
- E. Flanged Unions:
  - 1. Body: Forged-steel flanges for 1" to 1 1/2" and ductile iron for 2" to 3". Apply rust-resistant finish at factory.
  - 2. Gasket: Fiber asbestos free.
  - 3. Fasteners: Four plated-steel bolts, with silicon bronze nuts. Apply rust-resistant finish at factory.
  - 4. End Connections: Brass tailpiece adapters for solder-end connections to copper tubing.
  - 5. Offset Performance: Capable of minimum 3/4" misalignment in minimum 7" length.
  - 6. Pressure Rating: Factory test at minimum 400 psig.
  - 7. Maximum Operating Temperature: 330 deg F.
- F. Flexible Connectors:
  - 1. Body: Stainless-steel bellows with woven, flexible, stainless-steel-wire-reinforced protective jacket
  - 2. End Connections:
    - a. NPS 2 and Smaller: With threaded-end connections.
    - b. NPS 2-1/2 and Larger: With flanged-end connections.
  - 3. Offset Performance: Capable of minimum 3/4-inch misalignment in minimum 7-inch-long assembly.
  - 4. Pressure Rating: Factory test at minimum 500 psig.
  - 5. Maximum Operating Temperature: 250 deg F.

## 2.3 VALVES AND SPECIALTIES

- A. Diaphragm Packless Valves:
  - 1. Body and Bonnet: Forged brass or cast bronze; globe design with straight-through or angle pattern.
  - 2. Diaphragm: Phosphor bronze and stainless steel with stainless-steel spring.
  - 3. Operator: Rising stem and hand wheel.
  - 4. Seat: Nylon.
  - 5. End Connections: Socket, union, or flanged.
  - 6. Working Pressure Rating: 500 psig.
  - 7. Maximum Operating Temperature: 275 deg F.
- B. Packed-Angle Valves:

FIRE STATIONS RENOVATION  
ARLINGTON COUNTY, VIRGINIA  
Architect's Project No: 563006

1. Body and Bonnet: Forged brass or cast bronze.
  2. Packing: Molded stem, back seating, and replaceable under pressure.
  3. Operator: Rising stem.
  4. Seat: Nonrotating, self-aligning polytetrafluoroethylene.
  5. Seal Cap: Forged-brass or valox hex cap.
  6. End Connections: Socket, union, threaded, or flanged.
  7. Working Pressure Rating: 500 psig.
  8. Maximum Operating Temperature: 275 deg F.
- C. Check Valves:
1. Body: Ductile iron, forged brass, or cast bronze; globe pattern.
  2. Bonnet: Bolted ductile iron, forged brass, or cast bronze; or brass hex plug.
  3. Piston: Removable polytetrafluoroethylene seat.
  4. Closing Spring: Stainless steel.
  5. End Connections: Socket, union, threaded, or flanged.
  6. Maximum Opening Pressure: 0.50 psig.
  7. Working Pressure Rating: 500 psig.
  8. Maximum Operating Temperature: 275 deg F.
- D. Service Valves:
1. Body: Forged brass with brass cap including key end to remove core.
  2. Core: Removable ball-type check valve with stainless-steel spring.
  3. Seat: Polytetrafluoroethylene.
  4. End Connections: Copper spring.
  5. Working Pressure Rating: 500 psig.
- E. Solenoid Valves: Comply with ARI 760 or UL 429.
1. Body and Bonnet: Plated steel.
  2. Solenoid Tube, Plunger, Closing Spring, and Seat Orifice: Stainless steel.
  3. Seat: Polytetrafluoroethylene.
  4. End Connections: Threaded.
  5. Electrical: Molded, watertight coil in NEMA 250 enclosure of type required by location with 1/2-inch conduit adapter, and 24, 115, or 208-V ac coil to meet requirements of control system.
  6. Working Pressure Rating: 400 psig.
  7. Maximum Operating Temperature: 240 deg F.
- F. Safety Relief Valves: Comply with ASME Boiler and Pressure Vessel Code; listed and labeled by an NRTL.
1. Body and Bonnet: Ductile iron and steel, with neoprene O-ring seal.
  2. Piston, Closing Spring, and Seat Insert: Stainless steel.
  3. Seat Disc: Polytetrafluoroethylene.
  4. End Connections: Threaded.
  5. Working Pressure Rating: 400 psig.
  6. Maximum Operating Temperature: 240 deg F.
- G. Thermostatic Expansion Valves: Comply with ARI 750.
1. Body, Bonnet, and Seal Cap: Forged brass or steel.
  2. Diaphragm, Piston, Closing Spring, and Seat Insert: Stainless steel.

FIRE STATIONS RENOVATION  
ARLINGTON COUNTY, VIRGINIA  
Architect's Project No: 563006

3. Packing and Gaskets: Non-asbestos.
  4. Capillary and Bulb: Copper tubing filled with refrigerant charge.
  5. Suction Temperature: 40 deg F.
  6. Superheat: Adjustable.
  7. Reverse-flow option for heat-pump applications.
  8. End Connections: Socket, flare, or threaded union.
  9. Working Pressure Rating: 450 psig.
- H. Hot-Gas Bypass Valves: Comply with UL 429; listed and labeled by an NRTL.
1. Body, Bonnet, and Seal Cap: Ductile iron or steel.
  2. Diaphragm, Piston, Closing Spring, and Seat Insert: Stainless steel.
  3. Packing and Gaskets: Non-asbestos.
  4. Solenoid Tube, Plunger, Closing Spring, and Seat Orifice: Stainless steel.
  5. Seat: Polytetrafluoroethylene.
  6. Equalizer: Internal or External.
  7. Electrical: Molded, watertight coil in NEMA 250 enclosure of type required by location with 1/2-inch conduit adapter, and 24, 115, or 208-V ac coil to meet requirements of control system.
  8. End Connections: Socket.
  9. Throttling Range: Maximum 5 psig.
  10. Working Pressure Rating: 500 psig.
  11. Maximum Operating Temperature: 240 deg F.
- I. Straight-Type Strainers:
1. Body: Welded steel with corrosion-resistant coating.
  2. Screen: 100-mesh stainless steel.
  3. End Connections: Socket or flare.
  4. Working Pressure Rating: 500 psig.
  5. Maximum Operating Temperature: 275 deg F.
- J. Angle-Type Strainers:
1. Body: Forged brass or cast bronze.
  2. Drain Plug: Brass hex plug.
  3. Screen: 100-mesh monel.
  4. End Connections: Socket or flare.
  5. Working Pressure Rating: 500 psig.
  6. Maximum Operating Temperature: 275 deg F.
- K. Moisture/Liquid Indicators:
1. Body: Forged brass.
  2. Window: Replaceable, clear, fused glass window with indicating element protected by filter screen.
  3. Indicator: Color coded to show moisture content in ppm.
  4. Minimum Moisture Indicator Sensitivity: Indicate moisture above 60 ppm.
  5. End Connections: Socket or flare.
  6. Working Pressure Rating: 500 psig.
  7. Maximum Operating Temperature: 240 deg F.
- L. Replaceable-Core Filter Dryers: Comply with ARI 730.

FIRE STATIONS RENOVATION  
ARLINGTON COUNTY, VIRGINIA  
Architect's Project No: 563006

1. Body and Cover: Painted-steel shell with ductile-iron cover, stainless-steel screws, and neoprene gaskets.
  2. Filter Media: 10 micron, pleated with integral end rings; stainless-steel support.
  3. Desiccant Media: Activated alumina or charcoal.
  4. Designed for reverse flow when used in for heat-pump applications.
  5. End Connections: Socket.
  6. Access Ports: NPS 1/4 connections at entering and leaving sides for pressure differential measurement.
  7. Maximum Pressure Loss: 2 psig.
  8. Rated Flow: Match equipment.
  9. Working Pressure Rating: 500 psig.
  10. Maximum Operating Temperature: 240 deg F.
- M. Permanent Filter Dryers: Comply with ARI 730.
1. Body and Cover: Painted-steel shell.
  2. Filter Media: 10 micron, pleated with integral end rings; stainless-steel support.
  3. Desiccant Media: Activated alumina or charcoal.
  4. Designed for reverse flow where heat-pump applications are indicated.
  5. End Connections: Socket.
  6. Access Ports: NPS 1/4 connections at entering and leaving sides for pressure differential measurement.
  7. Maximum Pressure Loss: 2 psig Insert value.
  8. Rated Flow: Match equipment.
  9. Working Pressure Rating: 500 psig.
  10. Maximum Operating Temperature: 240 deg F.
- N. Mufflers:
1. Body: Welded steel with corrosion-resistant coating.
  2. End Connections: Socket or flare.
  3. Working Pressure Rating: 500 psig.
  4. Maximum Operating Temperature: 275 deg F.
- O. Receivers: Comply with ARI 495.
1. Comply with ASME Boiler and Pressure Vessel Code; listed and labeled by an NRTL.
  2. Comply with UL 207; listed and labeled by an NRTL.
  3. Body: Welded steel with corrosion-resistant coating.
  4. Tappings: Inlet, outlet, liquid level indicator, and safety relief valve.
  5. End Connections: Socket or threaded.
  6. Working Pressure Rating: 500 psig.
  7. Maximum Operating Temperature: 275 deg F.
- P. Liquid Accumulators: Comply with ARI 495.
1. Body: Welded steel with corrosion-resistant coating.
  2. End Connections: Socket or threaded.
  3. Working Pressure Rating: 500 psig.
  4. Maximum Operating Temperature: 275 deg F.



FIRE STATIONS RENOVATION  
ARLINGTON COUNTY, VIRGINIA  
Architect's Project No: 563006

2.4 REFRIGERANTS

- A. Available Manufacturers:
  - 1. Atofina Chemicals, Inc.
  - 2. DuPont Company; Fluorochemicals Div.
  - 3. Honeywell, Inc.; Genetron Refrigerants.
  - 4. INEOS Fluor Americas LLC.
  
- B. ASHRAE 34, R-410A: Pentafluoroethane/Difluoromethane.

PART 3 - EXECUTION

3.1 PIPING APPLICATIONS FOR REFRIGERANT

- A. Suction Lines 1 ½” and Smaller for Conventional Air-Conditioning Applications: Copper, Type ACR, annealed-temper tubing and wrought-copper fittings with brazed or soldered joints.
- B. Suction Lines 2” to 4” for Conventional Air-Conditioning Applications: Copper, Type ACR, drawn-temper tubing and wrought-copper fittings with brazed or soldered joints.
- C. Hot-Gas, and Liquid Lines: Copper, Type ACR, annealed-temper tubing and wrought-copper fittings with brazed or soldered joints.
- D. Suction Lines for Heat-Pump Applications: Copper, Type ACR, annealed-temper tubing and wrought-copper fittings with brazed or soldered joints.
- E. Safety-Relief-Valve Discharge Piping: Copper, Type ACR, annealed-temper tubing and wrought-copper fittings with brazed or soldered joints or soldered joints or Schedule 40, black-steel and wrought-steel fittings with welded joints.

3.2 VALVE AND SPECIALTY APPLICATIONS

- A. Install diaphragm packless, or packed-angle valves in suction and discharge lines of compressors.
- B. Install service valves for gage taps at inlet and outlet of hot-gas bypass valves and strainers if they are not an integral part of proposed equipment.
- C. Install a check valve at the compressor discharge and a liquid accumulator. Locate at the compressor suction connection between the compressor and service valve.
- D. Unless indicated otherwise, install valves on inlet and outlet side of filter dryers.
- E. Install a full-sized, three-valve bypass around filter dryers.

FIRE STATIONS RENOVATION  
ARLINGTON COUNTY, VIRGINIA  
Architect's Project No: 563006

- F. Install solenoid valves upstream from each expansion valve and hot-gas bypass valve on systems with multiple thermostatic expansion valves. Install solenoid valves in horizontal lines with coil at top.
- G. Install thermostatic expansion valves as close as possible to distributors on evaporators.
  - 1. Install valve so diaphragm case is warmer than bulb.
  - 2. Secure bulb to clean, straight, horizontal section of suction line using two bulb straps. Do not mount bulb in a trap or at bottom of the line. Verify proper location with Equipment Manufacturer.
  - 3. Where external equalizer lines are required, make connection where it will reflect suction-line pressure at bulb location.
- H. Install safety relief valves where required by ASME Boiler and Pressure Vessel Code. Pipe safety-relief-valve discharge line to outside according to ASHRAE 15.
- I. Install moisture/liquid indicators in liquid line at the inlet of the thermostatic expansion valve or at the inlet of the evaporator coil capillary tube.
- J. Install strainers upstream from and adjacent to the following:
  - 1. Solenoid valves.
  - 2. Thermostatic expansion valves.
  - 3. Hot-gas bypass valves.
  - 4. Compressor.
- K. Install filter dryers in liquid line between compressor and thermostatic expansion valve.
- L. Install receivers sized to accommodate pump-down charge.

### 3.3 VALVE AND SPECIALTY APPLICATIONS

- A. Install diaphragm packless or packed-angle valves in suction and discharge lines of compressor.
- B. Install service valves for gage taps at inlet and outlet of hot-gas bypass valves and strainers if they are not an integral part of valves and strainers.
- C. Install a check valve at the compressor discharge and a liquid accumulator at the compressor suction connection.
- D. Except as otherwise indicated, install diaphragm packless or packed-angle valves on inlet and outlet side of filter dryers.
- E. Install a full-sized, three-valve bypass around filter dryers.
- F. Install solenoid valves upstream from each expansion valve and hot-gas bypass valve on systems with multiple thermostatic expansion valves. Install solenoid valves in horizontal lines with coil at top.
- G. Install thermostatic expansion valves as close as possible to distributors on evaporators.

FIRE STATIONS RENOVATION  
ARLINGTON COUNTY, VIRGINIA  
Architect's Project No: 563006

1. Install valve so diaphragm case is warmer than bulb.
  2. Secure bulb to clean, straight, horizontal section of suction line using two bulb straps. Verify proper location for bulb with valve manufacturer. Don't mount bulb in a trap or at bottom of line.
  3. If external equalizer lines are required, make connection where it will reflect suction-line pressure at bulb location.
- H. Install safety relief valves where required by ASME Boiler and Pressure Vessel Code. Pipe safety-relief-valve discharge line to outside according to ASHRAE 15.
- I. Install moisture/liquid indicators in liquid line at inlet of the thermostatic expansion valve or at inlet of the evaporator coil capillary tube.
- J. Install strainers upstream from and adjacent to the following unless they are furnished with equipment:
1. Solenoid valves.
  2. Thermostatic expansion valves.
  3. Hot-gas bypass valves.
  4. Compressor.
- K. Install filter dryer in liquid line between compressor and thermostatic expansion valve.
- L. Install filter dryer in the suction line at the compressor.
- M. Install receivers sized to accommodate pump-down charge.

3.4 PIPING INSTALLATION

- A. Drawing plans, schematics, and diagrams indicate general location and arrangement of piping systems; indicated locations and arrangements were used to size pipe and calculate friction loss, expansion, pump sizing, and other design considerations. Install piping as indicated unless deviations to layout are approved by The Architect on Shop Drawings.
- B. Install refrigerant piping according to ASHRAE 15.
- C. Install piping in concealed locations unless otherwise indicated and except in equipment rooms and service areas.
- D. Install piping indicated to be exposed and piping in equipment rooms and service areas at right angles or parallel to building walls. Diagonal runs are prohibited unless specifically indicated otherwise.
- E. Install piping above accessible ceilings to allow sufficient space for ceiling panel removal.
- F. Install piping adjacent to machines to allow service and maintenance.
- G. Install piping free of sags and bends.

FIRE STATIONS RENOVATION  
ARLINGTON COUNTY, VIRGINIA  
Architect's Project No: 563006

- H. Install fittings for changes in direction and branch connections.
- I. Select system components with pressure rating equal to or greater than system operating pressure.
- J. Refer to Division 23 Sections "Instrumentation and Control for HVAC" and "Sequence of Operations for HVAC Controls" for solenoid valve controllers, control wiring, and sequence of operation.
- K. Install piping as short and direct as possible, with a minimum number of joints, elbows, and fittings.
- L. Arrange piping to allow inspection and service of refrigeration equipment. Install valves and specialties in accessible locations to allow for service and inspection. Install access doors or panels as specified in Division 08 Section "Access Doors and Frames" if valves or equipment requiring maintenance is concealed behind finished surfaces.
- M. Install refrigerant piping in protective conduit where installed belowground.
- N. Install refrigerant piping in rigid or flexible conduit in locations where exposed to mechanical injury.
- O. Slope refrigerant piping as follows:
  - 1. Install horizontal hot-gas discharge piping with a uniform slope downward away from compressor.
  - 2. Install horizontal suction lines with a uniform slope downward to compressor.
  - 3. Install traps and double risers to entrain oil in vertical runs.
  - 4. Liquid lines may be installed level.
- P. When brazing or soldering, remove solenoid-valve coils and sight glasses; also remove valve stems, seats, & packing, and accessible internal parts of refrigerant specialties. Do not apply heat near expansion-valve bulb.
- Q. Install piping with adequate clearance between pipe and adjacent walls and hangers or between pipes for insulation installation.
- R. Identify refrigerant piping and valves according to Section "Identification for HVAC Piping and Equipment."
- S. Install sleeves for piping penetrations of walls, ceilings, and floors. Comply with requirements for sleeves specified in Section "Sleeves and Sleeve Seals for HVAC Piping."
- T. Install sleeve seals for piping penetrations of exterior walls and floor slabs. Comply with requirements for sleeve seals specified in Section "Sleeves and Sleeve Seals for HVAC Piping."
- U. Install escutcheons for piping penetrations of walls, ceilings, and floors. Comply with requirements for escutcheons specified in Section "Sleeves and Seals for HVAC Piping."

FIRE STATIONS RENOVATION  
ARLINGTON COUNTY, VIRGINIA  
Architect's Project No: 563006

3.5 PIPE JOINT CONSTRUCTION

- A. Ream ends of pipes and tubes and remove burrs.
- B. Remove scale, slag, dirt, and debris from inside and outside of pipe and fittings before assembly.
- C. Fill pipe and fittings with an inert gas (nitrogen or carbon dioxide), during brazing.
- D. Soldered Joints: Construct joints according to ASTM B 828 or CDA's "Copper Tube Handbook."
- E. Brazed Joints: Construct joints according to AWS's "Brazing Handbook," Chapter "Pipe and Tube."
  - 1. Use Type BcuP, copper-phosphorus alloy for joining copper socket fittings with copper pipe.
  - 2. Use Type BAg, cadmium-free silver alloy for joining copper with bronze or steel.
- F. Threaded Joints: Thread steel pipe with tapered pipe threads according to ASME B1.20.1. Cut threads full and clean using sharp dies. Ream threaded pipe ends to remove burrs and restore full ID. Join pipe fittings and valves as follows:
  - 1. Apply appropriate tape or thread compound to external pipe threads unless dry-seal threading is specified.
  - 2. Damaged Threads: Do not use pipe or pipe fittings with threads that are corroded or damaged. Do not use pipe sections that have cracked or open welds.
- G. Steel pipe can be threaded, but threaded joints must be seal brazed or seal welded.
- H. Welded Joints: Construct joints according to AWS D10.12/D10.12M.
- I. Flanged Joints: Select appropriate gasket material, size, type, and thickness for service application. Install gasket concentrically positioned. Use suitable lubricants on bolt threads.

3.6 HANGERS AND SUPPORTS

- A. Hanger, support, and anchor products are specified in Section "Hangers and Supports for HVAC Piping and Equipment."
- B. Install the following pipe attachments:
  - 1. Adjustable steel clevis hangers for individual horizontal runs less than 20'-0" long.
  - 2. Roller hangers and spring hangers for individual horizontal runs 20'-0" or longer.
  - 3. Pipe Roller: MSS SP-58, Type 44 for multiple horizontal piping 20'-0" or longer, supported on a trapeze.
  - 4. Spring hangers to support vertical runs.

FIRE STATIONS RENOVATION  
ARLINGTON COUNTY, VIRGINIA  
Architect's Project No: 563006

5. Copper-clad hangers and supports for hangers and supports in direct contact with copper pipe.

C. Install hangers for copper tubing with the following maximum spacing and minimum rod sizes:

1. ½": Maximum span, 60"; minimum rod size, ¼".
2. 5/8": Maximum span, 60"; minimum rod size, ¼".
3. 1": Maximum span, 72"; minimum rod size, ¼".
4. 1 ¼": Maximum span, 96"; minimum rod size, 3/8".
5. 1 ½": Maximum span, 96"; minimum rod size, 3/8".
6. 2": Maximum span, 96"; minimum rod size, 3/8".
7. 2 ½": Maximum span, 108"; minimum rod size, 3/8".
8. 3": Maximum span, 10'-0"; minimum rod size, 3/8".
9. 4": Maximum span, 12'-0"; minimum rod size, ½".

D. Install hangers for steel piping with the following maximum spacing and minimum rod sizes:

1. 2": Maximum span, 10'-0"; minimum rod size, 3/8".
2. 2 ½": Maximum span, 11'-0"; minimum rod size, 3/8".
3. 3": Maximum span, 12'-0"; minimum rod size, 3/8".
4. 4": Maximum span, 14'-0"; minimum rod size, ½".

### 3.7 FIELD QUALITY CONTROL

A. Perform tests and inspections and prepare test reports.

B. Tests and Inspections:

1. Comply with ASME B31.5, Chapter VI.
2. Test refrigerant piping, specialties, and receivers. Isolate compressor, condenser, evaporator, and safety devices from test pressure if they are not rated above the test pressure.
3. Test high- and low-pressure side piping of each system separately at not less than the pressures indicated in Part 1 "Performance Requirements" Article.
  - a. Fill system with nitrogen to the required test pressure.
  - b. System shall maintain test pressure at the manifold gage throughout duration of test.
  - c. Test joints and fittings with electronic leak detector or by brushing a small amount of soap and glycerin solution over joints.
  - d. Remake leaking joints using new materials, and retest until satisfactory results are achieved.

### 3.8 SYSTEM CHARGING

A. Charge system using the following procedures:

FIRE STATIONS RENOVATION  
ARLINGTON COUNTY, VIRGINIA  
Architect's Project No: 563006

1. Install core in filter dryers after leak test but before evacuation.
2. Evacuate entire refrigerant system with a vacuum pump to 500 micrometers. If vacuum holds for 12 hours, system is ready for charging.
3. Break vacuum with refrigerant gas, allowing pressure to build up to 2 psig.
4. Charge system with a new filter-dryer core in charging line.

3.9 ADJUSTING

- A. Adjust thermostatic expansion valve to obtain proper evaporator superheat.
- B. Adjust high- and low-pressure switch settings to avoid short cycling in response to fluctuating suction pressure.
- C. Adjust set-point temperature of air-conditioning or chilled-water controllers to the system design temperature.
- D. Perform the following adjustments before operating the refrigeration system, according to manufacturer's written instructions:
  1. Open shutoff valves in condenser water circuit.
  2. Verify that compressor oil level is correct.
  3. Open compressor suction and discharge valves.
  4. Open refrigerant valves except bypass valves that are used for other purposes.
  5. Check open compressor-motor alignment and verify lubrication for motors and bearings.
- E. Replace core of replaceable filter dryer after system has been adjusted and after design flow rates and pressures are established.

END OF SECTION 232300

FIRE STATIONS RENOVATION  
ARLINGTON COUNTY, VIRGINIA  
Architect's Project No: 563006

SECTION 233113 - METAL DUCTS

PART 1 - GENERAL

1.1 RELATED DOCUMENTS

- A. Provisions of the Contract and of the Contract Documents apply to this Section.

1.2 PERFORMANCE REQUIREMENTS

- A. Seal all ducts to seal class A as defined in SMACNA's HVAC Duct Construction Standards - Metal and Flexible, Third Edition 2005:
  - 1. Seal all longitudinal joints.
  - 2. Seal all transverse joints.
  - 3. Seal all penetrations.
- B. Seal Class: A
- C. Duct Construction: Duct construction, including sheet metal thicknesses, seam and joint construction, reinforcements, and hangers and supports, shall comply with SMACNA's "HVAC Duct Construction Standards - Metal and Flexible, Third Edition 2005" and performance requirements and design criteria indicated in "Duct Schedule" Article.
- D. Liner Airstream Surfaces: Liner surfaces in contact with the airstream shall comply with ASHRAE 62.1-2007, paragraph 5.5.
- E. Cleanliness: All factory fabricated duct shall be cleaned with a non-toxic, biodegradable cleaner/degreaser and shall be shrink wrapped prior to shipment.

1.3 ABBREVIATIONS

- A. BAS Building Automation System
- B. NRTL Nationally Recognized Testing Laboratory
- C. SMACNA Sheet Metal and Air Conditioning Contractors' National Association
- D. WC Water Column

1.4 DEFINITIONS:

- A. Duct System: For the purposes of this section "duct system" shall mean all metal supply, return, and exhaust duct and fittings between the air moving device and the space.
- B. Low Pressure: Plus two (2.0) inches WC to minus one (1.0) inches WC
- C. Medium Pressure: More than two (2.0) inches WC to plus ten (10.0) inches WC or more than minus one (1.0) inch to minus ten (10.0) inches WC
- D. High Pressure: More than plus or minus ten (10.0) inches WC.



FIRE STATIONS RENOVATION  
ARLINGTON COUNTY, VIRGINIA  
Architect's Project No: 563006

1.5 SUBMITTALS

- A. Product Data / Documentation: For each of the following:
1. Sheet metal thicknesses.
  2. Liners and adhesives.
  3. Pre-manufactured ductwork.
  4. Sealants and gaskets.
  5. VOC content for adhesives and sealants.
- B. CAD-generated Shop Drawings:
1. Provide coordination shop drawings with all trades for entire building including kitchen, laundry and water/mechanical rooms. Include
  2. Show fabrication and installation details for metal ducts.
  3. 1/4" = 1'-0" scale minimum including duct layout indicating sizes and pressure classes for the following areas:
    - a. Areas indicated on the drawings at 1/4" = 1'-0" scale.
    - b. Areas where sections are cut.
    - c. Finished spaces with exposed ductwork.
      - 1) Exceptions:
        - a) Janitors closets
        - b) Storage Rooms
        - c) Receiving Areas
      - 2) Include:
        - a) Plans, elevations and sections.
        - b) Elevations of top and bottom of ducts.
        - c) Dimensions of main duct runs from building grid lines.
  4. 3/4" = 1'-0" scale minimum for the following:
    - a. Hangers and supports, including methods for duct and building attachment, vibration isolation.
    - b. Duct accessories, including access doors and panels.
    - c. Equipment installation based on approved equipment submittals.
    - d. Penetrations through fire-rated and other partitions.
    - e. Fittings.
    - f. Components.
- C. Submittals during construction:
1. Duct-Cleaning Test Report: Documentation of work performed for compliance with ASHRAE 62.1-2007, Section 7.2.4 - "Ventilation System Start-Up."

1.6 QUALITY ASSURANCE

- A. Provide work in compliance with applicable Building Code requirements.
- B. Welding Qualifications: Qualify procedures and personnel according to the following:
- C. AWS D1.1/D1.1M, "Structural Welding Code - Steel," for hangers and supports.

FIRE STATIONS RENOVATION  
ARLINGTON COUNTY, VIRGINIA  
Architect's Project No: 563006

- D. AWS D1.2/D1.2M, "Structural Welding Code - Aluminum," for aluminum supports.
- E. AWS D9.1M/D9.1, "Sheet Metal Welding Code," for duct joint and seam welding.
- F. ASHRAE Compliance: Comply with applicable requirements in ASHRAE 62.1-2007, Section 5 - "Systems and Equipment" and Section 7 - "Construction and System Start-Up."
- G. ASHRAE/IESNA Compliance: Comply with applicable requirements in ASHRAE/IESNA 90.1-2007, Section 6.4.4 - "HVAC System Construction and Insulation."
- H. Mockups (Contractor's option in lieu of 3"=1'-0" details):
  - 1. Before installing duct systems, build mockups. Build mockups to comply with the following requirements, using materials indicated for the completed Work:
  - 2. Three transverse joints.
  - 3. One Reinforced section with 3 reinforcements.
  - 4. One of each type; attachments to other work.
  - 5. Two typical flexible duct or flexible-connector connections.
  - 6. Approved mockups may become part of the completed Work if undisturbed at time of Substantial Completion.

PART 2 - PRODUCTS

2.1 SINGLE-WALL RECTANGULAR DUCTS AND FITTINGS

- A. General Fabrication Requirements: Comply with SMACNA's "HVAC Duct Construction Standards - Metal and Flexible, Third Edition 2005" based on indicated static-pressure class unless otherwise indicated.
- B. Transverse Joints: Select joint types and fabricate according to SMACNA's "HVAC Duct Construction Standards - Metal and Flexible, Third Edition 2005," Figure 2-1, "Transverse (Girth) Joints," for static-pressure class, applicable sealing requirements, materials involved, duct-support intervals, and other provisions in SMACNA's "HVAC Duct Construction Standards - Metal and Flexible, Third Edition 2005."
- C. Longitudinal Seams: Select seam types and fabricate according to SMACNA's "HVAC Duct Construction Standards - Metal and Flexible, Third Edition 2005," Figure 2-2, "Rectangular Duct/Longitudinal Seams" for static-pressure class, applicable sealing requirements, materials involved, duct-support intervals, and other provisions in SMACNA's "HVAC Duct Construction Standards - Metal and Flexible, Third Edition 2005."
- D. Elbows, Transitions, Offsets, Branch Connections, and Other Duct Construction: Select types and fabricate according to SMACNA's "HVAC Duct Construction Standards - Metal and Flexible, Third Edition 2005," Chapter 4, "Fittings and Other Construction," for static-pressure class, applicable sealing requirements, materials involved, duct-support intervals, and other provisions in SMACNA's "HVAC Duct Construction Standards - Metal and Flexible, Third Edition 2005."

2.2 DOUBLE-WALL RECTANGULAR DUCTS AND FITTINGS (SOLID LINER)

- A. Manufacturers:

FIRE STATIONS RENOVATION  
ARLINGTON COUNTY, VIRGINIA  
Architect's Project No: 563006

1. McGill AirFlow LLC.
  2. MKT Metal Manufacturing
  3. Sheet Metal Connectors, Inc.
- B. Rectangular Ducts: Fabricate ducts with indicated dimensions for the inner duct.
- C. Outer Duct: Comply with SMACNA's "HVAC Duct Construction Standards - Metal and Flexible, Third Edition 2005" based on indicated static-pressure class unless otherwise indicated.
- D. Transverse Joints: Select joint types and fabricate according to SMACNA's "HVAC Duct Construction Standards - Metal and Flexible, Third Edition 2005," Figure 2-1, "Transverse (Girth) Joints," for static-pressure class, applicable sealing requirements, materials involved, duct-support intervals, and other provisions in SMACNA's "HVAC Duct Construction Standards - Metal and Flexible, Third Edition 2005."
- E. Longitudinal Seams: Select seam types and fabricate according to SMACNA's "HVAC Duct Construction Standards - Metal and Flexible, Third Edition 2005," Figure 2-2, "Longitudinal Seams - Rectangular Ducts," for static-pressure class, applicable sealing requirements, materials involved, duct-support intervals, and other provisions in SMACNA's "HVAC Duct Construction Standards - Metal and Flexible, Third Edition 2005."
- F. Interstitial Insulation: Fibrous-glass liner complying with ASTM C 1071, NFPA 90A, or NFPA 90B; and with NAIMA AH124, "Fibrous Glass Duct Liner Standard."
1. Install spacers that position the inner duct at uniform distance from outer duct without compressing insulation.
- G. Inner Duct: Minimum 22-gauge.
- H. Formed-on Transverse Joints (Flanges): Select joint types and fabricate according to SMACNA's "HVAC Duct Construction Standards - Metal and Flexible, Third Edition 2005," Figure 1-4, "Traverse (Girth) Joints," for static-pressure class, applicable sealing requirements, materials involved, duct-support intervals, and other provisions in SMACNA's "HVAC Duct Construction Standards - Metal and Flexible, Third Edition 2005."
- I. Longitudinal Seams: Select seam types and fabricate according to SMACNA's "HVAC Duct Construction Standards - Metal and Flexible, Third Edition 2005," Figure 2-2, "Rectangular Duct/Longitudinal Seams" for static-pressure class, applicable sealing requirements, materials involved, duct-support intervals, and other provisions in SMACNA's "HVAC Duct Construction Standards - Metal and Flexible, Third Edition 2005."
- 2.3 DOUBLE-WALL RECTANGULAR DUCTS AND FITTINGS (SOLID LINER, OUTDOORS)
- A. Manufacturers:
1. McGill AirFlow LLC.
  2. MKT Metal Manufacturing
  3. Sheet Metal Connectors, Inc.
- B. Rectangular Ducts: Fabricate ducts with indicated dimensions for the inner duct.
- C. Outer Duct: Comply with SMACNA's "HVAC Duct Construction Standards - Metal and Flexible, Third Edition 2005" based on indicated static-pressure class unless otherwise indicated. Minimum 20-gauge.

FIRE STATIONS RENOVATION  
ARLINGTON COUNTY, VIRGINIA  
Architect's Project No: 563006

- D. Transverse Joints: Flanged, gasketed joints suited for outdoor applications. Select joint types and fabricate according to SMACNA's "HVAC Duct Construction Standards - Metal and Flexible, Third Edition 2005," Figure 2-1, "Transverse (Girth) Joints," for static-pressure class, applicable sealing requirements, materials involved, duct-support intervals, and other provisions in SMACNA's "HVAC Duct Construction Standards - Metal and Flexible, Third Edition 2005."
- E. Longitudinal Seams: Liquid tight, welded. Select seam types and fabricate according to SMACNA's "HVAC Duct Construction Standards - Metal and Flexible, Third Edition 2005," Figure 2-2, "Longitudinal Seams - Rectangular Ducts," for static-pressure class, applicable sealing requirements, materials involved, duct-support intervals, and other provisions in SMACNA's "HVAC Duct Construction Standards - Metal and Flexible, Third Edition 2005."
- F. Interstitial Insulation: Closed-cell elastomeric.
- G. Inner Duct: Minimum 22-gauge.
- H. Formed-on Transverse Joints (Flanges): Select joint types and fabricate according to SMACNA's "HVAC Duct Construction Standards - Metal and Flexible, Third Edition 2005," Figure 1-4, "Traverse (Girth) Joints," for static-pressure class, applicable sealing requirements, materials involved, duct-support intervals, and other provisions in SMACNA's "HVAC Duct Construction Standards - Metal and Flexible, Third Edition 2005."
- I. Longitudinal Seams: Select seam types and fabricate according to SMACNA's "HVAC Duct Construction Standards - Metal and Flexible, Third Edition 2005," Figure 2-2, "Rectangular Duct/Longitudinal Seams" for static-pressure class, applicable sealing requirements, materials involved, duct-support intervals, and other provisions in SMACNA's "HVAC Duct Construction Standards - Metal and Flexible, Third Edition 2005."

#### 2.4 LOW PRESSURE SINGLE-WALL ROUND DUCTS AND FITTINGS –CONCEALED

- A. General Fabrication Requirements: Comply with SMACNA's "HVAC Duct Construction Standards - Metal and Flexible, Third Edition 2005," Chapter 3, "Round, Oval, and Flexible Duct," based on specified static-pressure class unless otherwise indicated.
- B. Manufacturers:
  - 1. Eastern Sheet Metal.
  - 2. Hamlin Sheet Metal.
  - 3. Linx Industries - Lindab.
  - 4. McGill AirFlow LLC.
  - 5. MKT Metal Manufacturing
  - 6. Semco, Inc.
  - 7. Sheet Metal Connectors, Inc.
  - 8. Spiral Manufacturing Co., Inc.
- C. Transverse Joints: Select joint types and fabricate according to SMACNA's "HVAC Duct Construction Standards - Metal and Flexible, Third Edition 2005," Figure 3-1, "Round Duct Transverse Joints"
  - 1. Transverse Joints in Ducts Equal to or Larger Than 48" in Diameter: Flanged.
  - 2. Gasketed, EPDM, self sealing Joints such as Eastern Tight or Spiro Safe may be used for ducts smaller than 48" in diameter.
  - 3. Flanges may be substituted in ducts smaller than 48" in diameter.

FIRE STATIONS RENOVATION  
ARLINGTON COUNTY, VIRGINIA  
Architect's Project No: 563006

- D. Duct support intervals, and other provisions: In accordance with SMACNA's "HVAC Duct Construction Standards - Metal and Flexible, Third Edition 2005."
- E. Longitudinal Seams: Select seam types and fabricate according to SMACNA's "HVAC Duct Construction Standards - Metal and Flexible, Third Edition 2005," Figure 3-2, "Seams - Round Duct and Fittings," for static-pressure class, applicable sealing requirements, materials involved, duct-support intervals, and other provisions in SMACNA's "HVAC Duct Construction Standards - Metal and Flexible, Third Edition 2005."
- F. Tees and Laterals: Select types and fabricate according to SMACNA's "HVAC Duct Construction Standards - Metal and Flexible, Third Edition 2005," Figure 3-5, "90° Tees and Laterals," and Figure 3-6, "Conical Tees," for static-pressure class, applicable sealing requirements, materials involved, duct-support intervals, and other provisions in SMACNA's "HVAC Duct Construction Standards - Metal and Flexible, Third Edition 2005." Adjustable elbows are not permitted.
- G. All round duct shall not be less than 26-gauge.

## 2.5 LOW PRESSURE SINGLE-WALL ROUND DUCTS AND FITTINGS -EXPOSED

- A. General Fabrication Requirements: Comply with SMACNA's "HVAC Duct Construction Standards - Metal and Flexible, Third Edition 2005," Chapter 3, "Round, Oval, and Flexible Duct," "FIGURE 3-2 ROUND DUCT LONGITUDINAL SEAMS" "SPIRAL SEAM RL-1" to plus-or-minus 10" WC unless otherwise indicated.
- B. Manufacturers:
  - 1. Eastern Sheet Metal.
  - 2. Hamlin Sheet Metal.
  - 3. Linx Industries - Lindab.
  - 4. McGill AirFlow LLC.
  - 5. MKT Metal Manufacturing
  - 6. Semco, Inc.
  - 7. Sheet Metal Connectors, Inc.
  - 8. Spiral Manufacturing Co., Inc.
- C. Transverse Joints: Select joint types and fabricate according to SMACNA's "HVAC Duct Construction Standards - Metal and Flexible, Third Edition 2005," Figure 3-1, "Round Duct Transverse Joints"
- D. Static-pressure class, applicable sealing requirements, materials involved, duct-support intervals, and other provisions: Comply with SMACNA's "HVAC Duct Construction Standards - Metal and Flexible, Third Edition 2005." And the following:
  - 1. Transverse Joints in Ducts Equal to or Larger Than 48" in Diameter or Flat Oval with a Major Dimension Equal to or Larger Than 48": Flanged.
  - 2. Gasketed, EPDM, self sealing Joints such as Eastern Tight or Spiro Safe may be used for ducts smaller than 48" in diameter.
  - 3. Flanges may be substituted in ducts smaller than 48" in diameter.
- E. Longitudinal Seams: Duct shall be spiral according to SMACNA's "HVAC Duct Construction Standards - Metal and Flexible, Third Edition 2005," Figure 3-2, " Round Duct Longitudinal Seams"

FIRE STATIONS RENOVATION  
ARLINGTON COUNTY, VIRGINIA  
Architect's Project No: 563006

- F. Tees and Laterals: Tees and laterals shall be created with fittings. Fabricate fittings according to SMACNA's "HVAC Duct Construction Standards - Metal and Flexible, Third Edition 2005." Adjustable elbows are not permitted.
- G. Static-pressure class: Applicable sealing requirements, materials involved, duct-support intervals, and other provisions in SMACNA's "HVAC Duct Construction Standards - Metal and Flexible, Third Edition 2005."
- H. Longitudinal seams shall be spiral type.
- I. All round duct shall not be less than 26-gauge.

## 2.6 DOUBLE-WALL ROUND DUCTS AND FITTINGS (SOLID LINER)

- A. Manufacturers:
  - 1. Eastern Sheet Metal.
  - 2. Hamlin Sheet Metal.
  - 3. Linx Industries - Lindab.
  - 4. McGill AirFlow LLC.
  - 5. MKT Metal Manufacturing
  - 6. Semco, Inc.
  - 7. Sheet Metal Connectors, Inc.
  - 8. Spiral Manufacturing Co., Inc.
- B. Outer Duct: Comply with SMACNA's "HVAC Duct Construction Standards - Metal and Flexible, Third Edition 2005," Chapter 3, "Round, Oval, and Flexible Duct," based on static-pressure class unless otherwise indicated.
- C. Transverse Joints: Select joint types and fabricate according to SMACNA's "HVAC Duct Construction Standards - Metal and Flexible, Third Edition 2005," Figure 3-2, "Transverse Joints - Round Duct," for static-pressure class, applicable sealing requirements, materials involved, duct-support intervals, and other provisions in SMACNA's "HVAC Duct Construction Standards - Metal and Flexible, Third Edition 2005."
  - 1. Transverse Joints in Ducts Equal to or Larger Than 48" in Diameter or Flat Oval with a Major Dimension Equal to or Larger Than 48": Flanged.
  - 2. Gasketed, EPDM, self sealing Joints such as Eastern Tight or Spiro Safe may be used for ducts smaller than 48" in diameter.
  - 3. Flanges may be substituted in ducts smaller than 48" in diameter.
- D. Longitudinal Seams: Select seam types and fabricate according to SMACNA's "HVAC Duct Construction Standards - Metal and Flexible, Third Edition 2005," Figure 3-2, "Seams - Round Duct and Fittings," for static-pressure class, applicable sealing requirements, materials involved, duct-support intervals, and other provisions in SMACNA's "HVAC Duct Construction Standards - Metal and Flexible, Third Edition 2005, Third Edition 2005."
- E. Tees and Laterals: Select types and fabricate according to SMACNA's "HVAC Duct Construction Standards - Metal and Flexible, Third Edition 2005," Figure 3-5, "90° Tees and Laterals," and Figure 3-6, "Conical Tees," for static-pressure class, applicable sealing requirements, materials involved, duct-support intervals, and other provisions in SMACNA's "HVAC Duct Construction Standards - Metal and Flexible, Third Edition 2005."

FIRE STATIONS RENOVATION  
ARLINGTON COUNTY, VIRGINIA  
Architect's Project No: 563006

- F. Inner Duct: Minimum 22-gauge.
- G. Interstitial Insulation: Fibrous-glass liner complying with ASTM C 1071, NFPA 90A, or NFPA 90B; and with NAIMA AH124, "Fibrous Glass Duct Liner Standard."
  - 1. Install spacers that position the inner duct at uniform distance from outer duct without compressing insulation.
- H. All round duct shall not be less than 26-gauge.

## 2.7 SHEET METAL MATERIALS

- A. General Material Requirements: Comply with SMACNA's "HVAC Duct Construction Standards - Metal and Flexible, Third Edition 2005" for acceptable materials, material thicknesses, and duct construction methods unless otherwise indicated. Sheet metal materials shall be free of pitting, seam marks, roller marks, stains, discolorations, and other imperfections.
- B. Galvanized Sheet Steel: Comply with ASTM A 653/A 653M.
  - 1. Galvanized Coating Designation: G90.
  - 2. Finishes for Surfaces Exposed to View: Mill phosphatized.
- C. Stainless-Steel Sheets: Comply with ASTM A 480/A 480M, Type 316, cold rolled, annealed, sheet. Exposed surface finish shall be No. 4.
- D. Aluminum Sheets: Comply with ASTM B 209 Alloy 3003, H14 temper; with mill finish for concealed ducts, and standard, one-side bright finish for duct surfaces exposed to view.
- E. Reinforcement Shapes and Plates: ASTM A 36/A 36M, steel plates, shapes, and bars; black and galvanized.
- F. Where black- and galvanized-steel shapes and plates are used to reinforce aluminum ducts, isolate the different metals with butyl rubber, neoprene, or EPDM gasket materials.
- G. Tie Rods: Galvanized steel, 1/4-inch minimum diameter for lengths 36 inches or less; 3/8-inch minimum diameter for lengths longer than 36 inches.

## 2.8 DUCT LINER

- A. For double wall duct: Not required. All other duct: Provide where indicated.
- B. Fibrous-Glass Duct Liner: Comply with ASTM C 1071, NFPA 90A, or NFPA 90B; and with NAIMA AH124, "Fibrous Glass Duct Liner Standard."
  - 1. Manufacturers:
    - a. CertainTeed Corporation.
    - b. Johns Manville.
    - c. Knauf Insulation.
    - d. Owens Corning.
  - 2. Maximum Thermal Conductivity:

FIRE STATIONS RENOVATION  
ARLINGTON COUNTY, VIRGINIA  
Architect's Project No: 563006

- 1) Type I, Flexible: 0.26 Btu x in./h x sq. ft. x deg F at 75 deg F mean temperature.
  - 2) Type II, Rigid: 0.23 Btu x in./h x sq. ft. x deg F at 75 deg F mean temperature.
3. For supply ductwork, provide antimicrobial, erosion-resistant coating: Apply to the surface of the liner that will form the interior surface of the duct to act as a moisture repellent and erosion-resistant coating. Antimicrobial compound shall be tested for efficacy by an NRTL and registered by the EPA for use in HVAC systems.
  4. Water-Based Liner Adhesive: Comply with NFPA 90A or NFPA 90B and with ASTM C 916.
- C. Flexible Elastomeric Duct Liner: Preformed, cellular, closed-cell, sheet materials complying with ASTM C 534, Type II, Grade 1; and with NFPA 90A or NFPA 90B. Foam shall contain or be coated with EPA-approved or EPA-registered antimicrobial additive or paint.
1. Manufacturers:
    - a. Aeroflex USA, Inc.
    - b. Armacell LLC.
    - c. K-Flex USA.
  2. Maximum Thermal Conductivity: 0.25 Btu x in./h x sq. ft. x deg F at 75 deg F mean temperature when tested according to ASTM C 518.
  3. Surface-Burning Characteristics: Maximum flame-spread index of 25 and maximum smoke-developed index of 50 when tested according to UL 723; certified by an NRTL.
  4. Liner Adhesive: As recommended by insulation manufacturer and complying with NFPA 90A or NFPA 90B.
- D. Natural-Fiber Duct Liner: 85 percent cotton, 10 percent borate, and 5 percent polybinding fibers, treated with a microbial growth inhibitor and complying with NFPA 90A or NFPA 90B.
1. Manufacturers:
    - a. Ductmate Industries, Inc.
  2. Maximum Thermal Conductivity: 0.24 Btu x in./h x sq. ft. x deg F at 75 deg F mean temperature when tested according to ASTM C 518.
  3. Surface-Burning Characteristics: Maximum flame-spread index of 25 and maximum smoke-developed index of 50 when tested according to ASTM E 84; certified by an NRTL.
  4. Liner Adhesive: As recommended by insulation manufacturer and complying with NFPA 90A or NFPA 90B.
- E. Insulation Pins and Washers:
1. Cupped-Head, Capacitor-Discharge-Weld Pins: Copper- or zinc-coated steel pin, fully annealed for capacitor-discharge welding, 0.106-inch- diameter shank, length to suit depth of insulation indicated with integral 1-1/2-inch galvanized carbon-steel washer.



FIRE STATIONS RENOVATION  
ARLINGTON COUNTY, VIRGINIA  
Architect's Project No: 563006

2. Insulation-Retaining Washers: Self-locking washers formed from 0.016-inch-thick galvanized steel; with beveled edge sized as required to hold insulation securely in place but not less than 1-1/2 inches in diameter.

F. Shop Application of Duct Liner: Comply with SMACNA's "HVAC Duct Construction Standards - Metal and Flexible," Figure 7-11, "Flexible Duct Liner Installation."

1. Adhere a single layer of indicated thickness of duct liner with at least 90 percent adhesive coverage at liner contact surface area. Attaining indicated thickness with multiple layers of duct liner is prohibited.
2. Apply adhesive to transverse edges of liner facing upstream that do not receive metal nosing.
3. Butt transverse joints without gaps, and coat joint with adhesive.
4. Fold and compress liner in corners of rectangular ducts or cut and fit to ensure butted-edge overlapping.
5. Do not apply liner in rectangular ducts with longitudinal joints, except at corners of ducts, unless duct size and dimensions of standard liner make longitudinal joints necessary.
6. Apply adhesive coating on longitudinal seams in ducts with air velocity of 2500 fpm.
7. Secure liner with mechanical fasteners 4 inches from corners and at intervals not exceeding 12 inches transversely; at 3 inches from transverse joints and at intervals not exceeding 18 inches longitudinally.
8. Secure transversely oriented liner edges facing the airstream with metal nosings that have either channel or "Z" profiles or are integrally formed from duct wall. Fabricate edge facings at the following locations:
  - a. Fan discharges.
  - b. Intervals of lined duct preceding unlined duct.
  - c. Upstream edges of transverse joints in ducts where air velocities are higher than 2500 fpm or where indicated.

- G. Terminate inner ducts with buildouts attached to fire-damper sleeves, dampers, turning vane assemblies, or other devices. Fabricated buildouts (metal hat sections) or other buildout means are optional; when used, secure buildouts to duct walls with bolts, screws, rivets, or welds.

## 2.9 SEALANT AND GASKETS

- A. General Sealant and Gasket Requirements: Surface-burning characteristics for sealants and gaskets shall be a maximum flame-spread index of 25 and a maximum smoke-developed index of 50 when tested according to UL 723.
1. Materials: Certified by a NRTL.
- B. Tape sealing systems are not permitted.
- C. Water-Based Joint and Seam Sealant:
1. Application Method: Brush on.
  2. Solids Content: Minimum 65 percent.
  3. Shore A Hardness: Minimum 20.
  4. Water resistant.
  5. Mold and mildew resistant.

FIRE STATIONS RENOVATION  
ARLINGTON COUNTY, VIRGINIA  
Architect's Project No: 563006

6. VOC: Maximum 75 g/L (less water).
  7. Maximum Static-Pressure Class: 10-inch wg, positive and negative.
  8. Service: Indoor or outdoor.
  9. Substrate: Compatible with galvanized sheet steel (both PVC coated and bare), stainless steel, or aluminum sheets.
  10. Indoor applications: Sealant with VOC content of 250 g/L or less when calculated according to 40 CFR 59, Subpart D (EPA Method 24).
  11. Maximum Static-Pressure Class: 10-inch wg, positive or negative.
  12. Service: Indoor or outdoor.
  13. Substrate: Compatible with galvanized sheet steel, stainless steel, or aluminum sheets.
- D. Flanged Joint Sealant: Comply with ASTM C 920.
1. General: Single-component, acid-curing, silicone, elastomeric.
  2. Type: S.
  3. Grade: NS.
  4. Class: 25.
  5. Use: O.
  6. Indoor applications: Sealant with VOC content of 250 g/L or less when calculated according to 40 CFR 59, Subpart D (EPA Method 24).
- E. Flange Gaskets: Butyl rubber, neoprene, or EPDM polymer with polyisobutylene plasticizer.

## 2.10 HANGERS AND SUPPORTS

- A. Ductwork Hangers inside indoor pool area:
1. Suited for corrosive environment, all aluminum, with aluminum fasteners. Where additional strength is required, galvanized steel can be used. Refer to Division 9 "Painting" for high performance coating for galvanized steel.
- B. Hanger Rods: Galvanized, all-thread.
- C. Strap and Rod Sizes: Comply with SMACNA's "HVAC Duct Construction Standards - Metal and Flexible, Third Edition 2005," Table 5-1, "Rectangular Duct Hangers Minimum Size," and Table 5-2, "Minimum Hanger Sizes for Round Duct."
- D. Steel Cables for Galvanized-Steel Ducts: Galvanized steel complying with ASTM A 603.
- E. Steel Cables for Stainless-Steel Ducts: Stainless steel complying with ASTM A 492.
- F. Steel Cable End Connections: Cadmium-plated steel assemblies with brackets, swivel, and bolts designed for duct hanger service; with an automatic-locking and clamping device.
- G. Duct Attachments: Sheet metal screws, blind rivets, or self-tapping metal screws; compatible with duct materials.
- H. Trapeze and Riser Supports:
1. Supports for Galvanized-Steel Ducts: Galvanized-steel shapes and plates.
  2. Supports for Stainless-Steel Ducts: Stainless-steel shapes and plates.
  3. Supports for Aluminum Ducts: Aluminum or galvanized steel coated with zinc chromate.

FIRE STATIONS RENOVATION  
ARLINGTON COUNTY, VIRGINIA  
Architect's Project No: 563006

PART 3 - EXECUTION

3.1 DUCT INSTALLATION

- A. Drawing plans, schematics, and diagrams indicate general location and arrangement of duct system. Duct locations, configurations, and arrangements were used to size ducts and calculate friction loss for air-handling equipment sizing and for other design considerations. Install duct systems as indicated unless deviations to layout are approved by Architect in writing.
- B. Comply with SMACNA's "HVAC Duct Construction Standards - Metal and Flexible, Third Edition 2005" unless otherwise indicated.
- C. Install ducts with fewest possible joints.
- D. Install factory-fabricated fittings for changes in direction, size, and shape and for branch connections.
- E. Unless otherwise indicated, install ducts vertically or horizontally, and parallel or perpendicular to building lines.
- F. Install ducts close to walls, overhead construction, columns, and other structural and permanent enclosure elements of building. Maintain clearances for equipment maintenance.
- G. Install ducts with a clearance of 1 inch, plus allowance for installation of insulation at specified thickness.
- H. Do not route ducts through transformer vaults, electrical equipment rooms, elevator equipment rooms or electrical enclosures.
- I. Where ducts pass through non-fire-rated interior partitions and exterior walls and are exposed to view, cover the opening between the partition and duct or duct insulation with sheet metal flanges of same metal thickness as the duct. Overlap openings on four sides by at least 1-1/2 inches.
- J. Provide fire dampers where ducts pass through fire-rated interior partitions, fire-rated exterior walls, fire-rated floor assemblies, or fire-rated shaft enclosures.
- K. Protect duct interiors from moisture, construction debris, dust, and other foreign materials. Comply with SMACNA's "Duct Cleanliness for New Construction Guidelines."

3.2 PROTECTION OF WALL AND FLOOR PENETRATIONS OF NON-RATED ASSEMBLIES

- A. Where ducts penetrate non-fire-resistance-rated wall or floor assemblies, protect the penetration with one of the following:
  - 1. For a duct that connects not more than two stories vertically, protect the annular space around the penetrating duct with an approved, noncombustible material that resists the free passage of flame and the products of combustion.
  - 2. For a duct that connects not more than three stories, protect the annular space around the penetrating duct with an approved, noncombustible material that resists the free passage of flame and the products of combustion and a fire damper at each floor line.
  - 3. For ducts that penetrate a smoke partition without a smoke damper, protect the annular space around the penetrating duct with an approved, non-combustible materials that resists the free passage of flame and the products of combustion.

FIRE STATIONS RENOVATION  
ARLINGTON COUNTY, VIRGINIA  
Architect's Project No: 563006

4. For ducts that penetrate a non-rated wall, protect the annular space around the penetrating duct with an approved, non-combustible materials that resists the free passage of flame and the products of combustion.

### 3.3 INSTALLATION OF EXPOSED DUCTWORK

- A. Protect ducts exposed in finished spaces from being dented, scratched, or damaged.
- B. Trim duct sealants flush with metal. Create a smooth and uniform exposed bead. Do not use two-part tape sealing system.
- C. Grind welds to provide smooth surface free of burrs, sharp edges, and weld splatter. When welding stainless steel with a No. 3 or 4 finish, grind the welds flush, polish the exposed welds, and treat the welds to remove discoloration caused by welding. Do not weld or grind lined ductwork.
- D. Maintain consistency, symmetry, and uniformity in the arrangement and fabrication of duct, fittings, hangers, supports, accessories, and air outlets.
- E. Repair or replace damaged sections and finished work that does not comply with these requirements.

### 3.4 DUCT SEALING

- A. Seal all ducts to seal class A as defined in SMACNA's HVAC Duct Construction Standards - Metal and Flexible, Third Edition 2005:
  1. Seal all longitudinal joints.
  2. Seal all transverse joints.
  3. Seal all penetrations.

### 3.5 HANGER AND SUPPORT INSTALLATION

- A. Comply with SMACNA's "HVAC Duct Construction Standards - Metal and Flexible, Third Edition 2005," Chapter 5, "Hangers and Supports."
- B. Building Attachments: Unless indicated otherwise, provide concrete inserts, powder-actuated fasteners, or structural-steel fasteners appropriate for construction materials to which hangers are being attached.
  1. Where practical, install concrete inserts before placing concrete.
  2. Do not use powder-actuated concrete fasteners for lightweight-aggregate concrete or for slabs less than 4 inches thick.
- C. Hanger Spacing: Comply with SMACNA's "HVAC Duct Construction Standards - Metal and Flexible, Third Edition 2005," Table 5-1, "Rectangular Duct Hangers Minimum Size," and Table 5-2, "Minimum Hanger Sizes for Round Duct," for maximum hanger spacing; install hangers and supports within 24 inches of each elbow and within 48 inches of each branch intersection.
- D. Hangers Exposed to View: Threaded rod and channel supports.

FIRE STATIONS RENOVATION  
ARLINGTON COUNTY, VIRGINIA  
Architect's Project No: 563006

- E. Support vertical ducts with channel secured to the sides of the duct with welds, bolts, sheet metal screws, or blind rivets; support at each floor or at a maximum intervals of 18 feet.
- F. Install upper attachments to structures. Select and size upper attachments with pull-out, tension, and shear capacities appropriate for supported loads and building materials where used.

3.6 CONNECTIONS

- A. Make connections to equipment with flexible connectors.
- B. Comply with SMACNA's "HVAC Duct Construction Standards - Metal and Flexible, Third Edition 2005" for branch, outlet, inlet, and terminal unit connections unless otherwise indicated.

3.7 PAINTING

- A. Paint interior of metal ducts that are visible through registers and grilles and that do not have duct liner. Apply two coats of flat black, latex paint over a compatible galvanized-steel primer.

3.8 FIELD QUALITY CONTROL

- A. Perform tests and inspections.
- B. Visually inspect, for proper seal application, all ductwork not tested prior to insulation application. Prepare inspection report.
- C. Duct System Cleanliness Tests:
  - 1. Visually inspect duct system to ensure that no visible contaminants are present. If visible contaminants are present, proceed to sub-paragraph 2 below. If not, no further cleaning shall be required.
  - 2. Test sections of metal duct systems, up to one location per ten thousand (10,000) square feet of building area, or a minimum of two (2) per system, whichever is greater, chosen by the Owner's Representative, for cleanliness according to "Vacuum Test" in NADCA ACR, "Assessment, Cleaning and Restoration of HVAC Systems." Net weight of debris collected on the filter media shall not exceed 0.75 mg/100 sq. cm. Cut hole in duct and install access door at each location selected. Size shall be as indicated in Division 23 Section "Air Duct Accessories."
  - 3. Duct system shall be considered dirty and in need of cleaning if any test location does not pass the cleanliness test. Cleaning shall be performed in accordance with this specification.
- D. Prepare and submit test and inspection reports.

3.9 DUCT CLEANING

- A. Clean new duct systems that fail duct system cleanliness tests before testing, adjusting, and balancing.
- B. Comply with SMACNA "Duct Cleanliness for New Construction Guidelines" dated 2000, for protection, cleaning, and installation methods for all ductwork. Adhere to the requirements for a duct cleanliness level of "C" (advanced level) as detailed in Section 3.1.

FIRE STATIONS RENOVATION  
ARLINGTON COUNTY, VIRGINIA  
Architect's Project No: 563006

3.10 START UP

- A. Air Balance: Comply with requirements in Division 23 Section "Testing, Adjusting, and Balancing for HVAC."

3.11 DUCT SCHEDULE

- A. Fabricate ducts with galvanized sheet steel except as otherwise indicated and as follows:
- B. Ducts Connected Serving Locker Rooms, Shower Rooms, and Team Rooms:
  - 1. Aluminum sheet.
  - 2. Exposed to View: Bright finish.
  - 3. Concealed: Mill finish.
- C. All double wall ductwork:
  - 1. Aluminum sheet perforated inner wall.
  - 2. Aluminum sheet outer wall.
  - 3. Exposed: Painted to match color selected by Architect.
- D. Double-Wall Duct Interstitial Insulation (where indicated):
  - 1. Supply Air Ducts: 1" thickness.
  - 2. Return Air Ducts: 1" thickness.
- E. Rectangular Duct Liner Thickness (where indicated):
  - 1. Supply Air Ducts: 1-1/2" thickness and minimum R=5.0.]
- F. Elbow Configuration:
  - 1. Rectangular Duct: Comply with SMACNA's "HVAC Duct Construction Standards - Metal and Flexible, Third Edition 2005," Figure 4-2, "Rectangular Elbows."
    - a. Velocity less than 1500 fpm or lower:
      - 1) Radius Type RE 1. Centerline radius =  $3W/2$ .
      - 2) Mitered Type RE 2 with vanes complying with SMACNA's "HVAC Duct Construction Standards - Metal and Flexible, Third Edition 2005," Figure 4-3, "Vanes and Vane Runners," and Figure 4-4, "Vane Support in Elbows."
      - 3) Transfer ducts indicated with mitered elbows do not require turning vanes.
    - b. Velocity 1500 fpm or Higher:
      - 1) Radius Type RE 3. Centerline radius =  $3w/2$  and three vanes.
      - 2) Mitered Type RE 2 with vanes complying with SMACNA's "HVAC Duct Construction Standards - Metal and Flexible, Third Edition 2005," Figure 2-3, "Vanes and Vane Runners," and Figure 2-4, "Vane Support in Elbows."
  - 2. Round Duct: Comply with SMACNA's "HVAC Duct Construction Standards - Metal and Flexible, Third Edition 2005," Figure 3-4, "Round Duct Elbows."
    - a. Minimum centerline radius-to-diameter ratio shall be 1.5 with a maximum of 5 Elbow Segments. Comply with SMACNA's "HVAC Duct Construction Standards - Metal and Flexible, Third Edition 2005," Table 3-1, "Mitered Elbows." Elbows with less than a 90 degree change of direction shall have segments per Table 3-1 in

FIRE STATIONS RENOVATION  
ARLINGTON COUNTY, VIRGINIA  
Architect's Project No: 563006

SMACNA's "HVAC Duct Construction Standards - Metal and Flexible, Third Edition 2005".

- b. Round Elbows, 12 Inches and Smaller in Diameter: Stamped, segmented, spiral or pleated. Adjustable elbows not acceptable.
  - c. Round Elbows, 14 Inches and Larger in Diameter: Standing seam, segmented, or spiral.
3. Flat Oval Duct: Comply with SMACNA's "HVAC Duct Construction Standards - Metal and Flexible, Third Edition 2005," Figure 3-7, "Flat Oval Ducts" for elbows.

G. Branch Configuration:

1. Rectangular Duct: Comply with SMACNA's "HVAC Duct Construction Standards - Metal and Flexible, Third Edition 2005," Figure 4-6, "Branch Connections."
  - a. Rectangular Main to Rectangular Branch: 45-degree entry.
  - b. Rectangular Main to Round Branch: Conical or bellmouth. No flanged or spin-in fittings permitted.
2. Round and Flat Oval: Comply with SMACNA's "HVAC Duct Construction Standards - Metal and Flexible, Third Edition 2005," Figure 3-6, "Conical Tees."
  - a. Conical fitting.
  - b. Conical saddle taps.
  - c. No 90 degree taps or 90 degree saddle taps permitted.

H. Divided Flow Branches:

1. Rectangular Duct: Comply with SMACNA's "HVAC Duct Construction Standards - Metal and Flexible, Third Edition 2005," Figure 4-5 Divided Flow Branches."

END OF SECTION 233113

FIRE STATIONS RENOVATION  
ARLINGTON COUNTY, VIRGINIA  
Architect's Project No: 563006

SECTION 233300 - AIR DUCT ACCESSORIES

PART 1 - GENERAL

1.1 RELATED DOCUMENTS

- A. Provisions of the Contract and of the Contract Documents apply to this Section.

1.2 SUBMITTALS

- A. Product Data: For the following:
  - 1. Radius forming braces
  - 2. Volume dampers.
  - 3. Take-offs
  - 4. Motorized control dampers.
  - 5. Fire dampers.
  - 6. Turning vanes.
  - 7. Duct-mounting access doors.
  - 8. Flexible connectors.
  - 9. Flexible ducts.
  - 10. Rooftop duct supports.
- B. Wiring Diagrams: For power, signal, and control wiring.
- C. Operation and Maintenance Data: For air duct accessories to include in operation and maintenance manuals.

1.3 ABBREVIATIONS

- A. CFM Cubic Feet per Minute
- B. F Fahrenheit
- C. FPM Feet Per Minute
- D. IN Inches
- E. LBF Pound Feet, or Pound Foot.
- F. NFPA National Fire Protection Association
- G. NO Number
- H. NRTL Nationally Recognized Testing laboratory
- I. OC On Center
- J. SqFt Square Feet
- K. WC Water Column



FIRE STATIONS RENOVATION  
ARLINGTON COUNTY, VIRGINIA  
Architect's Project No: 563006

1.4 QUALITY ASSURANCE

- A. Comply with NFPA 90A, "Installation of Air Conditioning and Ventilating Systems," and with NFPA 90B, "Installation of Warm Air Heating and Air Conditioning Systems."
- B. Comply with AMCA 500-D testing for damper rating.

1.5 EXTRA MATERIALS

- A. Furnish extra materials that match products installed and that are packaged with protective covering for storage and identified with labels describing contents.
  - 1. Fusible Links: Furnish quantity equal to 10 percent of amount installed. Minimum 1 of each type used.

PART 2 - PRODUCTS

2.1 MATERIALS

- A. Comply with SMACNA's "HVAC Duct Construction Standards - Metal and Flexible" for acceptable materials, material thicknesses, and duct construction methods unless otherwise indicated. Sheet metal materials shall be free of pitting, seam marks, roller marks, stains, discolorations, and other imperfections.
- B. Comply with SMACNA's "HVAC Duct Construction Standards - Metal and Flexible" for acceptable duct installation methods unless otherwise indicated.
- C. Galvanized Sheet Steel: Comply with ASTM A 653/A 653M.
  - 1. Galvanized Coating Designation: G60 or G90.
  - 2. Exposed-Surface Finish: Mill phosphatized.
- D. Stainless-Steel Sheets: Comply with ASTM A 480/A 480M, Type 304, and having a NO 2 finish for concealed ducts and NO 4 finish for exposed ducts.
- E. Aluminum Sheets: Comply with ASTM B 209, Alloy 3003, temper H14; with mill finish for concealed ducts and standard, 1-side bright finish for exposed ducts.
- F. Extruded Aluminum: Comply with ASTM B 221, Alloy 6063, Temper T6.
- G. Reinforcement Shapes and Plates: Galvanized-steel reinforcement where installed on galvanized sheet metal ducts; compatible materials for aluminum and stainless-steel ducts.
- H. Tie Rods: Galvanized steel, 1/4-inch minimum diameter for lengths 36 inches or less; 3/8-inch minimum diameter for lengths longer than 36 inches; compatible materials for aluminum and stainless-steel ducts.

2.2 RADIUS FORMING BRACES

- A. Available manufacturers:
  - 1. Titus, FlexRight (Basis of Design)
  - 2. Flexible Technologies, Inc., Thermaflex Division, FlexFlow
  - 3. Hart & Cooley, Smart Flow Elbow

FIRE STATIONS RENOVATION  
ARLINGTON COUNTY, VIRGINIA  
Architect's Project No: 563006

- B. General: UL-2043 listed or NRTL approved product constructed of metal or plastic manufactured for use with flexible duct to form a kink free elbow using the flexible duct. Any flexible duct used in forming the elbow shall be included in the maximum permitted length. Resulting flexible duct shall comply with SMACNA HVAC Duct Construction Standards.
- C. Duct Size: 6" through 16" in diameter.
- D. Inside (Bend) Radius: Minimum of one duct diameter along centerline.
- E. Attachments: Plastic zip ties or stainless steel worm gear clamps.
- F. Support to Overhead: Shall meet SMACNA requirements. Use of specified attachments for support shall not be permitted.

2.3 MANUAL VOLUME DAMPERS

- A. Steel, Manual Volume Dampers:
  - 1. Manufacturers:
    - a. Air Balance Inc.; a division of Mestek, Inc.
    - b. American Warming and Ventilating; a division of Mestek, Inc.
    - c. Flexmaster U.S.A., Inc.
    - d. Greenheck Fan Corporation.
    - e. McGill AirFlow LLC.
    - f. METALAIRE, Inc.
    - g. PCI Industries - Pottorff
    - h. Ruskin Company.
    - i. Vent Products Company, Inc.
  - 2. Standard leakage rating, with linkage outside airstream.
  - 3. Suitable for horizontal or vertical applications.
  - 4. Frames:
    - a. Hat-shaped, galvanized or stainless-steel channels, match duct material.
    - b. Mitered and welded corners.
    - c. Flanges for attaching to walls and flangeless frames for installing in ducts.
  - 5. Blades:
    - a. Multiple or single blade.
    - b. Opposed-blade design.
    - c. Stiffen damper blades for stability.
    - d. Galvanized or stainless-steel channels, match duct material.
    - e. Blade Axles: Galvanized steel or Stainless steel. Dampers over 12" width/diameter shall include continuous axles. Dampers 12" and less may have non-continuous axles.
  - 6. Bearings:
    - a. Molded synthetic. Provide bearing at both duct wall penetrations.
  - 7. Tie Bars and Brackets: Galvanized steel.
- B. Aluminum, Manual Volume Dampers:
  - 1. Manufacturers:
    - a. Air Balance Inc.; a division of Mestek, Inc.
    - b. American Warming and Ventilating; a division of Mestek, Inc.
    - c. Flexmaster U.S.A., Inc.

FIRE STATIONS RENOVATION  
ARLINGTON COUNTY, VIRGINIA  
Architect's Project No: 563006

- d. Greenheck Fan Corporation.
  - e. McGill AirFlow LLC.
  - f. METALAIRE, Inc.
  - g. PCI Industries - Pottorff
  - h. Ruskin Company.
  - i. Vent Products Company, Inc.
  2. Standard leakage rating, with linkage and operator outside airstream.
  3. Suitable for horizontal or vertical applications.
  4. Frames: Hat-shaped aluminum channels for installing in ducts.
  5. Blades:
    - a. Multiple or single blade.
    - b. Parallel- or opposed-blade design.
    - c. Stiffen damper blades for stability.
    - d. Roll Formed or Extruded Aluminum.
    - e. Blade Axles: Galvanized steel or Stainless steel. Dampers over 12" width/diameter shall include continuous axles. Dampers 12" and less may have non-continuous axles.
  6. Bearings:
    - a. Molded synthetic. Provide bearing at both duct wall penetrations.
  7. Tie Bars and Brackets: Aluminum.
- C. Damper Hardware:
1. Zinc-plated, die-cast quadrant with dial and handle made of zinc plated steel, and a hexagon lock nut. Friction lock dampers are not acceptable where system external static pressure exceeds 0.50"wc.
  2. Include center hole to suit damper operating-rod size.
  3. Include elevated platform or stand-off for insulated duct mounting.
- 2.4 CONTROL DAMPERS
- A. Parallel Blades shall be used for two position applications (Open or Closed) unless otherwise indicated.
1. Manufacturers:
    - a. American Warming and Ventilating; a division of Mestek, Inc.
    - b. Arrow United Industries; a division of Mestek, Inc.
    - c. Cesco Products; a division of Mestek, Inc.
    - d. Duro Dyne Inc.
    - e. Flexmaster U.S.A., Inc.
    - f. Greenheck Fan Corporation.
    - g. McGill AirFlow LLC.
    - h. METALAIRE, Inc.
    - i. PCI Industries - Pottorff
    - j. Ruskin Company.
    - k. Young Regulator Company.
  2. Low leakage or ultra low leakage rating, with linkage outside airstream, and having AMCA's Certified Ratings Seal for both air performance and air leakage.
  3. Ratings:
    - a. Pressure Differential Range: 0.0" WC – 6.0" WC.
    - b. Velocity Range: 0 FPM to 4000 FPM.

FIRE STATIONS RENOVATION  
ARLINGTON COUNTY, VIRGINIA  
Architect's Project No: 563006

- c. Leakage:
      - 1) 6 CFM/SqFt @ 4" WC.
      - 2) 3 CFM/SqFt @ 1" WC.
    - d. Temperature: Minimum 165° F.
  - 4. Frames:
    - a. Galvanized steel channels.
    - b. Mitered and welded corners.
  - 5. Blades:
    - a. Air foil
    - b. Multiple blade
    - c. Maximum blade width (not including seals): 8"
    - d. Parallel blade design.
    - e. Galvanized steel.
    - f. Edge Seal: Silicone blade edge seals.
      - 1) Temperature Range: From a minimum of minus 50 to a maximum of plus 300 degrees F.
  - 6. Blade Axles: 1/2-inch- diameter; galvanized or stainless steel.
  - 7. Linkage: Galvanized or stainless steel out of airstream.
  - 8. Jamb Seal: Stainless steel.
  - 9. Bearings:
    - a. Bronze.
    - b. Dampers shall have axles running the full length of the damper blades shall have bearings at each end of the shaft.
    - c. Thrust bearings shall be located at each end of every blade.
- B. Opposed Blades shall be used for modulating applications (Open, Closed, and Anywhere In Between) unless otherwise indicated.
  - 1. Manufacturers:
    - a. American Warming and Ventilating; a division of Mestek, Inc.
    - b. Arrow United Industries; a division of Mestek, Inc.
    - c. Cesco Products; a division of Mestek, Inc.
    - d. Duro Dyne Inc.
    - e. Flexmaster U.S.A., Inc.
    - f. Greenheck Fan Corporation.
    - g. McGill AirFlow LLC.
    - h. METALAIRE, Inc.
    - i. PCI Industries - Pottorff
    - j. Ruskin Company.
    - k. Young Regulator Company.
  - 2. Low leakage or ultra low leakage rating, with linkage outside airstream, and having AMCA's Certified Ratings Seal for both air performance and air leakage.
  - 3. Ratings:
    - a. Pressure Differential Range: 0.0" WC – 6.0" WC.
    - b. Velocity Range: 0 FPM to 4000 FPM.
    - c. Leakage:
      - 1) 6 CFM/SqFt @ 4" WC.
      - 2) 3 CFM/SqFt @ 1" WC.
    - d. Temperature: Minimum 165° F.
  - 4. Frames:

FIRE STATIONS RENOVATION  
ARLINGTON COUNTY, VIRGINIA  
Architect's Project No: 563006

- a. Galvanized steel channels.
- b. Mitered and welded corners.
5. Blades:
  - a. Air foil
  - b. Multiple blade
  - c. Maximum blade width (not including seals): 8"
  - d. Opposed blade design.
  - e. Galvanized steel.
  - f. Edge Seal: Silicone blade edge seals.
    - 1) Temperature Range: From a minimum of minus 50 to a maximum of plus 300 degrees F.
6. Blade Axles: 1/2-inch- diameter; galvanized or stainless steel.
7. Linkage: Galvanized or stainless steel out of airstream.
8. Jamb Seal: Stainless steel.
9. Bearings:
  - a. Bronze.
  - b. Dampers shall have axles running the full length of the damper blades shall have bearings at each end of the shaft.
  - c. Thrust bearings shall be located at each end of every blade.

## 2.5 FLANGE CONNECTORS

- A. Available Manufacturers:
  1. Ductmate Industries, Inc.
  2. Nexus PDQ; Division of Shilco Holdings Inc.
  3. Hart & Cooley, Inc.
- B. Description: Add-on or roll-formed, factory-fabricated, slide-on transverse flange connectors, gaskets, and components.
- C. Material: Match connecting ductwork.
- D. Gauge: 18, 20, or 24 as recommended by manufacturer or match connecting ductwork.

## 2.6 MANUFACTURED TURNING VANES

- A. Curved blades of galvanized sheet steel; support with bars perpendicular to blades set; set into vane runners suitable for duct mounting.
- B. General Requirements: Comply with SMACNA's "HVAC Duct Construction Standards - Metal and Flexible"; Figures 2-3, "Vaness and Vane Runners," and 2-4, "Vane Support in Elbows."
- C. Vane Construction: Single wall for ducts with the largest sectional dimension up to 48 inches wide and double wall for larger dimensions.

## 2.7 DUCT-MOUNTED ACCESS DOORS

- A. Available Manufacturers:
  1. Ductmate Industries, Inc.
  2. Flexmaster U.S.A., Inc.
  3. Greenheck Fan Corporation.

FIRE STATIONS RENOVATION  
ARLINGTON COUNTY, VIRGINIA  
Architect's Project No: 563006

4. Kees
  5. McGill AirFlow LLC.
- B. Duct-Mounted Access Doors: Fabricate access panels according to SMACNA's "HVAC Duct Construction Standards - Metal and Flexible"; Figures 2-10, "Duct Access Doors and Panels," and 2-11, "Access Panels - Round Duct."
1. Door:
    - a. Double wall, rectangular.
    - b. Galvanized sheet metal with insulation fill and thickness as indicated for duct pressure class.
    - c. Hinges and Latches: 1-by-1-inch butt or piano hinge. Cam latches.
    - d. Fabricate doors airtight and suitable for duct pressure class.
  2. Frame: Galvanized sheet steel, with bend-over tabs and foam gaskets.
  3. Number of Hinges and Locks:
    - a. Access Doors Less Than 12 Inches Square: No hinges and two sash locks.
    - b. Access Doors up to 18 Inches Square: Two hinges and two sash locks.
    - c. Access Doors up to 24 by 48 Inches: Three hinges and two compression latches with outside and inside handles.
    - d. Access Doors Larger Than 24 by 48 Inches: Four hinges and two compression latches with outside and inside handles.

2.8 FLEXIBLE CONNECTORS

- A. Available Manufacturers:
1. Ductmate Industries, Inc.
  2. Duro Dyne Inc.
  3. Ventfabrics, Inc.
  4. Hart & Cooley, Inc.
- B. Materials: Flame-retardant or noncombustible fabrics.
- C. Coatings and Adhesives: Comply with UL 181, Class 1.
- D. Connector: Factory fabricated with a fabric strip 3½ to 4½ inches wide attached to 2 strips of 2½ to 4½ inches wide, 23 to 25 gauge "0.0269 to .0209 inch thick" galvanized sheet steel, stainless sheet steel, or aluminum sheets. Provide metal compatible with connected ducts.
- E. Indoor System, Flexible Connector Fabric: Glass fabric double-coated with neoprene.
1. Minimum Weight: 26 oz/sq yd.
  2. Tensile Strength: 480 lbf/inch in the warp and 360 lbf/inch in the filling.
  3. Service Temperature: Minus 40 to plus 200 deg F.
- F. High-Temperature System, Flexible Connectors: Glass fabric coated with silicone rubber.
1. Minimum Weight: 16 oz./sq. yd..
  2. Tensile Strength: 285 lbf/inch in the warp and 185 lbf/inch in the filling.
  3. Service Temperature: Minus 67 to plus 500 deg F.
- G. Thrust Limiters:

FIRE STATIONS RENOVATION  
ARLINGTON COUNTY, VIRGINIA  
Architect's Project No: 563006

1. Field fabricated cable restraints on equipment producing greater than 4.0" WC of positive pressure.
2. Field fabricated cable restraints as detailed. If not detailed; Provide restraint consisting of a 1/16 inch diameter vinyl coated steel cable at 24" maximum on center, attached to flange bolts on each side of flexible connector. Cable length shall be such that, when in tension, 1/2" of movement in the flexible connection is preserved. If flanges are not used, contractor may provide steel, stainless steel, or aluminum angles for attaching cables. Match duct material. Cables shall attach to screw or fastener holding angle to duct and shall be routed through a 3/16" diameter hole in the bracket offset approximately 1" from duct.
3. Direction of connector movement: Parallel with airflow, perpendicular to connector.

2.9 FLEXIBLE AIR DUCTS

A. Manufacturers:

1. Flexmaster U.S.A., Inc. (Basis of design, Provide Type 1M)
2. Thermaflex
3. Hart & Cooley, Inc.

B. Provide bead on connecting duct for sizes greater than 12" in diameter.

C. Maximum length of flexible duct is 6'-0".

D. Insulated, Flexible Duct: UL 181, Class 1 air duct with vinyl film supported by helically wound, spring-steel wire; fibrous-glass insulation; aluminized vapor-barrier film.

1. Pressure Rating: 10-inch WC positive and 1.0-inch WC negative.
2. Maximum Air Velocity: 5000 fpm.
3. Vapor Barrier Permeance: 0.05 perm
4. Temperature Range: Minus 10 to plus 160 deg F.
5. Insulation R-value: 6.0

E. Flexible Duct Connection Accessories:

1. Low pressure (Not up stream of terminal units):
  - a. Clamps: Nylon strap in sizes 3 through 20", to suit duct size.
  - b. Sheet metal screws: No
  - c. Liquid adhesive: No
  - d. Tape: Yes
2. Medium pressure (Up stream of terminal units):
  - a. Clamps: Stainless-steel band with cadmium-plated hex screw to tighten band with worm-gear action in sizes 3 through 20 inches, to suit duct size.
  - b. Sheet metal screws: No
  - c. Liquid adhesive: Yes
  - d. Tape: Yes

2.10 ACCESSORY HARDWARE

A. Temporary Test Holes: Drilled in duct as required.

FIRE STATIONS RENOVATION  
ARLINGTON COUNTY, VIRGINIA  
Architect's Project No: 563006

- B. Permanent Test Holes: Cast iron, or cast aluminum, to suit adjacent material, including cap and gasket. Size to allow insertion of pitot tube and other testing instruments and of length to suit wall + insulation thickness.
- C. Adhesives: High strength, quick setting, waterproof, and resistant to grease.

PART 3 - EXECUTION

3.1 INSTALLATION

- A. Install duct accessories according to applicable details in SMACNA's "HVAC Duct Construction Standards - Metal and Flexible" for metal ducts and in NAIMA AH116, "Fibrous Glass Duct Construction Standards," for fibrous-glass ducts.
- B. Install duct accessories of materials suited to duct materials; use galvanized-steel accessories in galvanized-steel and fibrous-glass ducts, stainless-steel accessories in stainless-steel ducts, and aluminum accessories in aluminum ducts.
- C. Install backdraft dampers on exhaust fans or exhaust ducts nearest to outside and where indicated.
- D. Install volume dampers at points on supply, return, and exhaust systems where branches extend from larger ducts. Where dampers are installed in ducts having duct liner, install dampers with hat channels of same depth as liner, and terminate liner with nosing at hat channel.
  - 1. Install steel volume dampers in steel ducts.
  - 2. Install aluminum volume dampers in aluminum ducts.
- E. Set dampers to fully open position before testing, adjusting, and balancing.
- F. Install permanent test holes at fan inlets and outlets.
- G. Install permanent test holes where indicated.
- H. Provide temporary test holes where necessary for testing.
- I. Install temporary test hole plugs in temporary test holes.
- J. Repair insulation at temporary test holes.
- K. Install duct access doors on sides of ducts to allow for inspecting, adjusting, and maintaining accessories and equipment at the following locations:
  - 1. On both sides of duct coils.
  - 2. Downstream from volume dampers and equipment.
  - 3. Adjacent to fire or smoke dampers, providing access to reset or reinstall fusible links.
  - 4. To interior of ducts for cleaning; before and after each change in direction, at maximum 50-foot spacing.
  - 5. On sides of ducts where adequate clearance is available.
- L. Install access doors with swing against duct static pressure except at fire, smoke, and combination fire & smoke dampers.
- M. Install the largest access door possible in the following sizes for duct-mounting, rectangular access doors:



FIRE STATIONS RENOVATION  
ARLINGTON COUNTY, VIRGINIA  
Architect's Project No: 563006

1. One-Hand or Inspection Access: 8 by 5 inches.
  2. Two-Hand Access: 12 by 6 inches.
  3. Head and Hand Access: 18 by 10 inches.
  4. Head and Shoulders Access: 21 by 14 inches.
  5. Body Access: 25 by 14 inches.
  6. Body Plus Ladder Access: 25 by 17 inches.
- N. Install the largest access door possible in the following sizes for duct-mounting, round access doors:
1. One-Hand or Inspection Access: 8 inches in diameter.
  2. Two-Hand Access: 10 inches in diameter.
  3. Head and Hand Access: 12 inches in diameter.
  4. Head and Shoulders Access: 18 inches in diameter.
  5. Body Access: 24 inches in diameter.
- O. Label access doors to indicate purpose.
- P. Install flexible connectors to connect ducts to air moving equipment.
- Q. For fans developing static pressures of 4" WC and more, cover flexible connectors with loaded vinyl sheet held in place with metal straps.
- R. Connect terminal units to supply ducts with 36" of rigid duct and maximum 30" lengths of flexible duct.
- S. Connect flexible ducts to metal ducts as follows:
1. Low pressure (Not up stream of terminal units):
    - a. Clamps: Install in accordance with manufacturer's recommendations.
    - b. Sheet metal screws: Not required.
    - c. Liquid adhesive: Not required.
    - d. Tape: Install in accordance with manufacturer's recommendations.
  2. Medium pressure (Up stream of terminal units):
    - a. Clamps: Install in accordance with manufacturer's recommendations.
    - b. Sheet metal screws: Not required.
    - c. Liquid adhesive: Yes
    - d. Tape: Yes
- T. Connect flexible ducts to diffusers using a radius forming brace or rigid elbow. If using radius forming brace, deduct four (4) duct diameters from the indicated maximum flexible duct length.
- U. Install temporary test holes where required for testing and balancing purposes. Cap with neoprene, plastic or rubber plugs and repair insulation with like material.
- V. Install permanent test holes upstream and downstream of each fan within 6" of fan. Install in unit wall or adjacent duct.
1. Exception: Outlet of roof mounted fans
- W. Install thrust limiters at all flexible connectors consisting of a 1/16 inch diameter vinyl coated steel cable at 24" maximum on center, attached to flange bolts on each side of flexible connector. Cable length shall be such that, when in tension, 1/2" of movement in the flexible connection is preserved. If flanges are not used, contractor may provide steel, stainless steel, or

FIRE STATIONS RENOVATION  
ARLINGTON COUNTY, VIRGINIA  
Architect's Project No: 563006

aluminum angles for attaching cables. Match duct material. Cables shall attach to screw or fastener holding angle and shall be routed through a 3/16" diameter hole in the angle offset approximately 1" from duct.

X. TURNING VANES:

1. Install turning vanes in all duct elbows larger than 12" in height or width.
2. Exceptions:
  - a. Where prohibited by the applicable code.
  - b. Where prohibited by laws or ordinances.
  - c. Where prohibited by local requirements.
  - d. Where specifically eliminated by contract.

Y. FIELD QUALITY CONTROL

1. Tests and Inspections:
  - a. Operate dampers to verify full range of movement without interference.
  - b. Inspect access doors. Verify that door can be opened and closed. Verify fire damper, and combination fire and smoke damper fusible links can be reset and changed. Verify fire damper, and combination fire and smoke damper doors open in the direction of air pressure (out on supply ducts and in on return and exhaust ducts).
  - c. Operate fire, smoke, and combination fire and smoke dampers to verify full range of movement, verify non-interference, and verify that the proper heat-response device is installed.
  - d. Inspect elbows for turning vanes. Verify they are installed where required.
  - e. Inspect turning vanes using access doors for proper and secure installation.
  - f. Operate remote damper operators prior to ceiling installation to verify full range of movement of operator and damper. Verify no interference with damper movement.

END OF SECTION 233300

FIRE STATIONS RENOVATION  
ARLINGTON COUNTY, VIRGINIA  
Architect's Project No: 563006

SECTION 233423 - HVAC POWER VENTILATORS

PART 1 - GENERAL

1.1 RELATED DOCUMENTS

- A. Provisions of the Contract and of the Contract Documents apply to this Section.

1.2 SUBMITTALS

- A. Product Data: Provide manufacturer's technical data for each ventilator including rated capacities, dimensions, required clearances, operating characteristics, mounting requirements, and furnished specialties and accessories. Provide power and control wiring diagrams. Also include the following:
  - 1. Certified fan performance curves with system operating conditions indicated.
  - 2. Certified fan sound-power ratings.
  - 3. Motor ratings and electrical characteristics, plus motor and electrical accessories.
  - 4. Material thickness and finishes, including color charts.
  - 5. Dampers, including housings, linkages, and operators.
  - 6. Roof curbs with required slope and dimensions. Indicate shimming if required.
  - 7. .
  - 8. Fan speed controllers.
- B. Operation and Maintenance Data: For ventilators to include in emergency, operation, and maintenance manuals.
- C. Warranty: Special warranty specified in this Section.

1.3 QUALITY ASSURANCE

- A. Electrical Components, Devices, and Accessories: Listed and labeled as defined in NFPA 70, by a qualified testing agency, and marked for intended location and application.
- B. AMCA Compliance: Fans shall have AMCA-Certified performance ratings and shall bear the AMCA-Certified Ratings Seal.
- C. UL Standards: Power ventilators shall comply with UL 705. Power ventilators for use for grease (kitchen) hood exhaust shall also comply with UL 762.

1.4 COORDINATION

- A. Coordinate size and location of structural-steel support members.

FIRE STATIONS RENOVATION  
ARLINGTON COUNTY, VIRGINIA  
Architect's Project No: 563006

- B. Coordinate sizes and locations of roof curbs, equipment supports, and roof penetrations with actual equipment provided.

1.5 EXTRA MATERIALS

- A. Furnish extra materials that match products installed and that are packaged with protective covering for storage and identified with labels describing contents.
  - 1. Belts: One set for each belt-driven fan. Mark belt set with fan ID and turn over to owner's representative.

PART 2 - PRODUCTS

2.1 IN-LINE CENTRIFUGAL FANS

- A. Manufacturers:
  - 1. Acme Engineering & Manufacturing Corporation.
  - 2. Penn Ventilation Companies, Inc.
  - 3. Greenheck Fan Corporation.
  - 4. Loren Cook Company.
- B. Housing: Manufacturer's standard steel, inlet and outlet flanges, and support bracket adaptable to floor, side wall, or ceiling mounting.
- C. Direct-Drive Units: Motor mounted in airstream, factory wired to disconnect switch located on outside of fan housing.
- D. Belt-Driven Units: Motor mounted on adjustable base, enclosure around belts within fan housing, and lubricating tubes from fan bearings extended to outside of fan housing.
- E. Fan Wheels: Aluminum, airfoil blades welded to aluminum hub.
- F. Provide accessories:
  - 1. Volume-Control Damper: Manually operated with quadrant lock, located in fan outlet. (Not required where speed controllers are provided.)
  - 2. Variable-Speed Controller: Where indicated on the fan schedule provide solid-state control to reduce speed from 100 percent to less than 50 percent.
  - 3. Disconnect Switch.
  - 4. Companion Flanges: For inlet and outlet duct connections.
  - 5. Motor and Drive Cover (Belt Guard): Epoxy-coated steel.
  - 6. Motorized Dampers: Where indicated on the fan schedule provide parallel-blade dampers mounted in duct with electric actuator; wired to close when fan stops. When fan voltage exceeds 220 V provide 50VA minimum transformer to operate damper.

FIRE STATIONS RENOVATION  
ARLINGTON COUNTY, VIRGINIA  
Architect's Project No: 563006

2.2 MOTORS

- A. Refer to section "Common Motor Requirements for HVAC Equipment."
- B. Comply with NEMA designation, temperature rating, service factor, enclosure type, and efficiency requirements for motors.
  - 1. Motor Sizes: Size shall be as indicated. If not indicated, provide motor large enough to drive load and avoid operation in service factor range above 1.0.
  - 2. Controls: Provide controllers, electrical devices, and wiring to comply with requirements specified in Division 26 Sections.
- C. Enclosure Type: Totally enclosed, fan cooled.

2.3 SOURCE QUALITY CONTROL

- A. Certify sound-power level ratings according to AMCA 301, "Methods for Calculating Fan Sound Ratings from Laboratory Test Data." Factory test fans according to AMCA 300, "Reverberant Room Method for Sound Testing of Fans." Label fans with the AMCA-Certified Ratings Seal.
- B. Certify fan performance ratings, including flow rate, pressure, power, air density, speed of rotation, and efficiency by factory tests according to AMCA 210, "Laboratory Methods of Testing Fans for Aerodynamic Performance Rating." Label fans with the AMCA-Certified Ratings Seal.

PART 3 - EXECUTION

3.1 INSTALLATION

- A. Install HVAC Power Ventilators level and plumb.
- B. Ceiling Units: Suspend units from structure; use steel wire or metal straps.
- C. Support suspended units from structure using threaded steel rods and elastomeric hangers having a static deflection of 0.5 inches.
- D. Install units with clearances for service and maintenance.
- E. Label units.

3.2 FIELD QUALITY CONTROL

- A. Perform tests and inspections.

FIRE STATIONS RENOVATION  
ARLINGTON COUNTY, VIRGINIA  
Architect's Project No: 563006

1. Manufacturer's Field Service: Engage a factory-authorized service representative to inspect components, assemblies, and equipment installations, including connections, and to assist in testing.

B. Tests and Inspections:

1. Verify that Shipping blocking and bracing are removed.
2. Verify that unit is secure and connections to ducts and electrical components are complete. Verify that proper thermal-overload protection is installed in motors, starters, and disconnect switches.
3. Verify that cleaning and adjusting are complete.
4. For belt drive units disconnect fan drive from motor, verify proper motor rotation direction, and verify fan wheel free rotation and smooth bearing operation. Reconnect fan drive system, align belts, adjust belt tension, and install belt guards.
5. Adjust damper linkages & operators for proper damper operation.
6. Verify lubrication for bearings and other moving parts.
7. Verify that manual and automatic volume control, fire, smoke, and fire/smoke dampers in connected ductwork systems are in a fully open position.
8. Disable automatic temperature-control operators, energize motor and adjust fan to indicated rpm.
9. Measure and record motor voltage and amperage.
10. Shut unit down and reconnect automatic temperature-control operators.
11. Remove and replace malfunctioning units and retest as specified above.

- C. Test and adjust controls and safeties. Replace damaged and malfunctioning controls and equipment.

- D. Prepare test and inspection reports.

3.3 TESTING, ADJUSTING, BALANCING, AND LUBRICATION

- A. Adjust damper linkages for proper damper operation.

- B. Comply with requirements in Section "Testing, Adjusting, and Balancing for HVAC".

- C. Replace fan and motor pulleys to achieve design airflow.

1. Disable automatic temperature-control operators, energize motor and adjust fan to required rpm.
2. Measure and record RPM.
3. Measure and record motor voltage and amperage.

- D. Re-lubricate bearings.

END OF SECTION 233423

FIRE STATIONS RENOVATION  
ARLINGTON COUNTY, VIRGINIA  
Architect's Project No: 563006

SECTION 233713 - DIFFUSERS, REGISTERS, AND GRILLES

PART 1 - GENERAL

1.1 RELATED DOCUMENTS

- A. Provisions of the Contract and of the Contract Documents apply to this Section.

1.2 SUBMITTALS

- A. Product Data: For each type of product indicated, include the following:
1. Data Sheet: Indicate materials of construction, finish, mounting details, and performance data including throw, drop, static pressure drop, and noise ratings.
  2. Diffuser, Register, and Grille Schedule: Indicate drawing designation, room location, quantity, model number, size, and accessories furnished.
- B. Installation Drawings: Drawn to scale (Minimum 1 ½" = 1'-0"), on which the following items are indicated:
1. Trim & borders.
  2. Ceiling suspension assembly members.
  3. Method of attaching hangers to building structure.

PART 2 - PRODUCTS

2.1 DIFFUSERS, GRILLES, AND REGISTERS

- A. Manufacturers:
1. Anemostat.
  2. Carnes.
  3. Krueger.
  4. MetalAire, Inc.
  5. Nailor Industries.
  6. Price Industries.
  7. Titus.
- B. General:
1. The basis of design for each grille register and diffuser is indicated on the drawings. The contractor shall provide equivalent products by one of the listed manufacturers.

FIRE STATIONS RENOVATION  
ARLINGTON COUNTY, VIRGINIA  
Architect's Project No: 563006

2. Where aluminum construction is indicated blades and frames shall be extruded.
3. All trim pieces shall be mechanically fastened. Friction fit trim rings/frames shall not be provided or shall be mechanically fastened in the field. Fasteners shall not be visible.
4. Units located on walls in heavy use areas including but not limited to basketball courts, gymnasiums, and shop areas shall be heavy duty steel.
5. Finish: Powder Coated or Baked enamel, white.
6. Filter Grille Mounting Frame: Shall accept a 2" deep MERV 8 (30%) pleated media filter. Refer to section "Filters" for filter requirements. Provide two sets of filters for each filter grille.
7. Mounting: As Scheduled.
8. Damper Type: Adjustable opposed-blade assembly where damper is indicated on the schedule.
9. Construction: For locker rooms, showers, the grill, diffuser shall be aluminum construction.

## 2.2 SOURCE QUALITY CONTROL

- A. Verification of Performance: Rate diffusers, registers, and grilles according to ASHRAE 70, "Method of Testing for Rating the Performance of Air Outlets and Inlets."

## PART 3 - EXECUTION

### 3.1 EXAMINATION

- A. Examine areas where diffusers, registers, and grilles are to be installed for installation tolerances and other conditions affecting performance.
- B. Proceed with installation only after unsatisfactory conditions have been corrected.

### 3.2 INSTALLATION

- A. Install diffusers, registers, and grilles level and plumb.
- B. Install diffusers, registers, and grilles flush with ceiling unless otherwise indicated in contract documents.
- C. Ceiling-Mounted Outlets and Inlets: Drawings indicate general arrangement of ducts, fittings, and accessories. Air outlet and inlet locations have been indicated to achieve design requirements for air volume, noise criteria, airflow pattern, throw, and pressure drop. Install in locations indicated, as much as practical. For units installed in lay-in ceiling panels, center units in both directions in panel. Where architectural features or other items conflict with installation, notify Architect for a determination of final location.



FIRE STATIONS RENOVATION  
ARLINGTON COUNTY, VIRGINIA  
Architect's Project No: 563006

- D. Linear Slot Diffuser Installation: For typical diffuser, adjust each slot diffuser so half the slots throw horizontally along the ceiling in each direction unless indicated otherwise on drawings. For linear slot diffusers above windows at building perimeter, one half of the total slots at each diffuser shall be adjusted to throw air vertically downward to wash window and the other half of the slots shall be adjusted to throw air horizontally across ceiling unless indicated otherwise.
- E. Diffusers, registers and grilles shall be supported independently of the ceiling system and shall not be supported from conduit, piping or unrelated ductwork.
- F. Install diffusers, registers, and grilles with airtight connections to ducts and to allow service and maintenance.

3.3 ADJUSTING

- A. After installation, adjust diffusers, registers, and grilles to air patterns indicated, or as directed, before starting air balancing.

END OF SECTION 233713

FIRE STATIONS RENOVATION  
ARLINGTON COUNTY, VIRGINIA  
Architect's Project No: 563006

SECTION 234100 - PARTICULATE AIR FILTRATION

PART 1 - GENERAL

1.1 RELATED DOCUMENTS

- A. Provisions of the Contract and of the Contract Documents apply to this Section.

1.2 DEFINITIONS

- A. Finished Spaces: Spaces other than mechanical and electrical equipment rooms, furred spaces, pipe chases, unheated spaces immediately below roof, spaces above ceilings, unexcavated spaces, crawlspaces, and tunnels.
- B. Exposed, Interior Installations: Exposed to view indoors. Examples include finished occupied spaces and mechanical equipment rooms.
- C. Exposed, Exterior Installations: Exposed to view outdoors or subject to outdoor ambient temperatures and weather conditions. Examples include rooftop locations.
- D. Concealed, Interior Installations: Concealed from view and protected from physical contact by building occupants. Examples include above ceilings and in chases.
- E. Concealed, Exterior Installations: Concealed from view and protected from weather conditions and physical contact by building occupants but subject to outdoor ambient temperatures. Examples include installations within unheated shelters.
- F. HEPA: High-efficiency particulate air.
- G. Construction Filter: A filter maintained during construction to protect ductwork from construction dust, dirt, and debris. Construction filters shall be removed temporarily during balancing and permanently after the building is occupied.

1.3 ACTION SUBMITTALS

- A. Product Data: For each type of product indicated include dimensions, required operating clearances, required access clearances, and weights.
- B. Operating Characteristics: For each type of product indicated provide rated flow capacity, initial and final pressure drop at rated flow capacity.
- C. Efficiency: For each type of product indicated provide efficiency and test method.
- D. Fire Classification: For each type of product indicated provide the fire classification.

FIRE STATIONS RENOVATION  
ARLINGTON COUNTY, VIRGINIA  
Architect's Project No: 563006

- E. Specialties and Accessories: For each type of product indicated provide furnished specialties and accessories.

1.4 CLOSEOUT SUBMITTALS

- A. Operation and Maintenance Data: For each type of filter and rack to include in emergency, operation, and maintenance manuals.
- B. Replace all permanent filters with new filters of types specified.

1.5 QUALITY ASSURANCE

- A. Electrical Components, Devices, and Accessories: Listed and labeled as defined in NFPA 70, by a qualified testing agency, and marked for intended location and application.
- B. ASHRAE Compliance:
  - 1. Comply with applicable requirements in ASHRAE 62.1, Section 4 - "Outdoor Air Quality"; Section 5 - "Systems and Equipment"; and Section 7 - "Construction and Startup."
  - 2. Comply with ASHRAE 52.1 for arrestance and ASHRAE 52.2 for MERV for methods of testing and rating air-filter units.
- C. Comply with NFPA 90A and NFPA 90B.

1.6 COORDINATION

- A. Coordinate sizes and locations:
  - 1. Within air handling units.
  - 2. On open return ducts during construction.

PART 2 - PRODUCTS

2.1 MANUFACTURERS

- A. Manufacturers:
  - 1. Air Filters, and Filter-Holding Systems:
    - a. AAF International.
    - b. Airguard Industries, Inc.
    - c. Barnebey & Sutcliffe Corp.
    - d. Columbus Industries, Inc.
    - e. Continental Air Filter Div.; NiCon Filter Corp.
    - f. Farr Co.
    - g. Flanders Filters, Inc.

FIRE STATIONS RENOVATION  
ARLINGTON COUNTY, VIRGINIA  
Architect's Project No: 563006

- h. International Air Filter, Inc.
  - i. Koch Filter Corp.
  - j. Research Products Corp.
2. Filter Gages:
- a. Airguard Industries, Inc.
  - b. Dwyer Instruments Inc.

## 2.2 GENERAL FILTERS

- A. For return filter grilles, general filtration, and construction filters provide the following:
- 1. Media: Cotton and synthetic pleated with an average efficiency of 25-30% and an average arrestance of 90-92% in accordance with ASHRAE test standard 52.1-1992.
  - 2. Thickness: Unless otherwise indicated thickness shall be 2".
  - 3. Media Support Grid: Welded wire on 1" centers with 96% free area bonded to the media.
  - 4. Filter Frame: High wet strength cardboard with diagonal support members bonded to the media on the entering side and exiting side of each pleat.
  - 5. Holding Frame: Galvanized steel with metal grid on outlet side, polyurethane gaskets, and spring fasteners.
  - 6. Farr 30/30 or equal.

## 2.3 PRE-FILTERS

- A. Where pre-filters are indicated and for construction filters provide the following:
- 1. Media: Cotton and synthetic pleated with an average efficiency of 25-30% and an average arrestance of 90-92% in accordance with ASHRAE test standard 52.1-1992.
  - 2. Thickness: Unless otherwise indicated thickness shall be 4".
  - 3. Media Support Grid: Welded wire on 1" centers with 96% free area bonded to the media.
  - 4. Filter Frame: High wet strength cardboard with diagonal support members bonded to the media on the entering side and exiting side of each pleat.
  - 5. Holding Frame: Galvanized steel with metal grid on outlet side, polyurethane gaskets, and spring fasteners.
  - 6. Farr 30/30 or equal.

## 2.4 FINAL FILTERS (CARTRIDGE TYPE)

- A. Where final filters are indicated on the drawings provide the following:
- 1. Media: High density microfine glass fibers, laminated to a reinforcing backing to form a lofted filter blanket.
  - 2. Efficiency: Filter media shall have an average efficiency of 80-85% and an average arrestance of 98% in accordance with ASHRAE test standard 52.1-1992. Minimum MERV 13.
  - 3. Thickness: Unless otherwise indicated thickness shall be 12".
  - 4. Media Support Grid: Welded wire on 1" centers with 96% free area bonded to the media.

FIRE STATIONS RENOVATION  
ARLINGTON COUNTY, VIRGINIA  
Architect's Project No: 563006

5. Contour Stabilizers: Aluminized zinc finished steel strips permanently installed on the entering and leaving side of the filter. Filter shall withstand 10" of static pressure drop without noticeable distortion.
6. Filter Frame: Aluminized zinc finished steel with filter pack mechanically and chemically bonded to eliminate air bypass. Provide aluminized zinc finished steel diagonal supports
7. Holding Frame: 16 Gauge galvanized steel with polyurethane gaskets, and positive sealing fasteners.
8. Farr Riga-Flo 100 or equal.

### PART 3 - EXECUTION

#### 3.1 INSTALLATION

- A. Position each filter with clearance for normal service and maintenance.
- B. Install filters to prevent passage of unfiltered air.
- C. Do not operate fan system until filters are in place. During construction, all ductwork must be protected from dirt and debris. Remove filters used during construction and testing. Replace all filters in units with new filters of types specified.
- D. Unit operation during construction:
  1. Install minimum MERV 8 construction filters to protect all return ductwork from dirt and debris. Supply fan shall operate at all times.
- E. Unit not operating during construction:
  1. Install plastic sheet material over all supply and return openings to protect all ductwork from dirt and debris.
  2. Fans shall be off.
- F. Construction filter installation: Adhere all edges of filter with metal foil peel-n-stick tape having an acrylic adhesive.

#### 3.2 FIELD QUALITY CONTROL

- A. Perform tests and inspections.
  1. Check for leakage of unfiltered air while system is operating.
- B. Air filter and installation will be considered defective if they do not pass.
- C. Prepare a report for each filter.

FIRE STATIONS RENOVATION  
ARLINGTON COUNTY, VIRGINIA  
Architect's Project No: 563006

3.3 TESTING AND BALANCING

- A. Immediately prior to testing and balancing, install new filters of the same type that shall be permanently installed.

3.4 CLEANING

- A. After construction ends and prior to occupancy, and with all interior finishes installed, clean unit filter housings and install new filters.

END OF SECTION 234100

FIRE STATIONS RENOVATION  
ARLINGTON COUNTY, VIRGINIA  
Architect's Project No: 563006

SECTION 237413 – PACKAGED ROOFTOP UNITS

PART 1 - GENERAL

1.1 RELATED DOCUMENTS

- A. Provisions of the Contract and of the Contract Documents apply to this Section.

1.2 ABBREVIATIONS

- A. ABMA American Bearing Manufacturers Association. ([www.abma-dc.org](http://www.abma-dc.org))
- B. AI Analog Input (analog value input to the BAS from the unit controller)
- C. AO Analog Output (analog value output from BAS to the unit controller)
- D. ANSI American National Standards Institute. ([www.ansi.org](http://www.ansi.org))
- E. BAS Building Automation System.
- F. BI Binary Input (binary value input to the BAS from the unit controller)
- G. BO Binary Output (binary value output from BAS to the unit controller)
- H. CFM Cubic Feet per Minute.
- I. DDC Direct-digital controls.
- J. ECM Electrically commutated motor.
- K. FPM Feet Per Minute.
- L. RTU Rooftop unit. As used in this Section, this abbreviation means packaged, outdoor, central station air handling unit. This abbreviation is used regardless of whether the unit is mounted on the roof or on an equipment pad on the ground.
- M. RTU's Rooftop units. As used in this Section, this abbreviation means packaged, outdoor, central station air handling units. This abbreviation is used regardless of whether the units are mounted on the roof or on equipment pads on the ground.
- N. SS Stamped Steel
- O. VAV Variable-air volume
- P. W Wire

FIRE STATIONS RENOVATION  
ARLINGTON COUNTY, VIRGINIA  
Architect's Project No: 563006

- Q. WG Water Gauge
- R. VFD Variable Frequency Drive

1.3 DEFINITIONS

- A. Archival Quality: Will last a minimum of 20 years.
- B. Head end: Main temperature control computer system storing data accessible to the internet for WEB accessible systems and storing data accessible to the building system backbone for non-WEB accessible systems.
- C. HP Outdoor-Air Refrigerant Coil: Refrigerant coil in the outdoor-air stream to reject heat during cooling operations and to absorb heat during heating operations.
- D. Modulating: Able to electrically vary and stop in any position.
- E. Outdoor air: Air outside the building or taken from outdoors and not previously circulated through the building.
- F. Outdoor air measurement: Reporting of the volume of outdoor air taken into the building by RTU and reported to the building operator in CFM.
- G. Outdoor-Air Refrigerant Coil: Refrigerant coil in the outdoor-air stream to reject heat during cooling operations.
- H. Outdoor-Air Refrigerant-Coil Fan: The outdoor-air refrigerant-coil fan in RTUs. "Outdoor air" is defined as the air outside the building or taken from outdoors and not previously circulated through the system.
- I. Record: Maintain in writing on original paper and maintain a copy in electronic format, file type Portable Document Format (\*.PDF) is acceptable. Make paper copy available for inspection upon request by Owner, Owner's representative, Architect, or Architect's representative. Email electronic copy to requested email address when request is made by the Owner, Owner's representative, Architect, or Architect's representative. Document shall be "openable" by Owner and Architect's computer.
- J. Supply-Air Fan: Fan providing supply air to conditioned space.
- K. Supply air: Air entering a space from air-conditioning, heating, or ventilating equipment.
- L. Supply-Air Refrigerant Coil: Refrigerant coil in the supply-air stream to absorb heat (provide cooling) during cooling operations and to reject heat (provide heating) during heating operations. "Supply air" is defined as the air entering a space from air-conditioning, heating, or ventilating apparatus.
- M. Two-position: Able to electrically move and stop in only two positions. Usually open or closed.



FIRE STATIONS RENOVATION  
ARLINGTON COUNTY, VIRGINIA  
Architect's Project No: 563006

1.4 PERFORMANCE REQUIREMENTS

- A. Support: RTU supports shall comply with required wind and seismic performance requirements, including analysis by a qualified professional engineer.
- B. Wind-Restraint Performance shall comply with SEI/ASCE 7 for wind speed and building classification category. Provide minimum 10 lb/sq. ft. multiplied by the maximum area of the mechanical component projected on a vertical plane that is normal to the wind direction, and 45 degrees either side of normal.
- C. Seismic Performance: RTUs shall withstand the effects of earthquake motions determined according to SEI/ASCE 7.
  - 1. Unless otherwise indicated the term "withstand" means "the unit will remain in place without separation of any parts from the device when subjected to the seismic forces specified." The unit will not be required to operate after the event.

1.5 SUBMITTALS

- A. Pre-submittal Meeting: A representative of the manufacturer producing equipment being provided under this section of the specifications shall attend a meeting for the purpose of coordinating with the contractor performing work under section "Instrumentation and Control". The meeting shall be held at a location of the Contractor's choosing. The Contractor shall arrange the meeting. Submittals shall be essentially complete at the time of the meeting so detailed coordination items can be discussed.
- B. Product Data: Provide manufacturer's technical data for each RTU, including rated capacities, dimensions, required clearances, characteristics, furnished specialties, accessories, and mounting requirements.
- C. Exterior Color: Manufacturer's standard color shall be acceptable.
- D. Shop Drawings:
  - 1. Detail equipment assemblies, include:
    - 1. Internal components
    - 2. Dimensions
    - 3. Weights
    - 4. Loads
    - 5. Supports
    - 6. Required clearances.
  - 2. Provide method of field assembly.
  - 3. Indicate:
    - 1. Components
    - 2. Location
    - 3. size of each field connection
  - 4. Provide Wiring Diagrams for:
    - 1. Power

FIRE STATIONS RENOVATION  
ARLINGTON COUNTY, VIRGINIA  
Architect's Project No: 563006

2. Control
5. For RTU Support comply with performance requirements and design criteria, including analysis data signed and sealed by the qualified professional engineer responsible for support selection.
  1. Calculations: Calculate requirements for selecting vibration isolation, seismic restraint where required, and for vibration isolation.
  2. Detail mounting, securing, and flashing of roof curb to roof structure. Indicate coordinating requirements with roof membrane system, curb slope, and curb dimensions.
  3. Restraint: Detail fabrication and attachment of restraints. Indicate anchorage details, quantity, diameter, and connections.
- E. Coordination Drawings: Plans and other details, drawn to scale, on which the following items are indicated and coordinated using input from installers:
  1. Plan areas containing an RTU indicated at  $\frac{1}{4}'' = 1' - 0''$  or greater on construction drawings.
  2. Areas within 20 feet of section marks indicated on M2 series drawings where such section marks penetrate an RTU.
  3. Structural members to which RTUs will be attached.
  4. Related roof openings.
  5. Related roof curbs, slope, dimensions and flashing.
- F. Operation and Maintenance Data: For RTUs to include in emergency, operation, and maintenance manuals. In addition to items specified in Division 01 Section "Operation and Maintenance Data," Provide the following:
  1. After successful completion of testing & balancing, or commissioning provide the following:
    1. Completed Inspection & Testing form.
    2. Record copy of site-specific software on DVD.
    3. Maintenance, Inspection and Testing Records including, may not be limited to, the following:
      - 1) How to test installed components.
      - 2) Frequency of testing of installed components.
      - 3) Frequency of inspection of installed components.
      - 4) Manufacturer's user training manuals.
  2. Manufacturer's required maintenance related to system warranty requirements.
  3. Software and Firmware Operational Documentation:
    1. Software operating and upgrade manuals.
    2. Program Software Backup: On magnetic media or compact disk, complete with data files.
    3. Device address list.
    4. Printout of software application and graphic screens.
- G. Warranty: Special warranty specified in this Section.

FIRE STATIONS RENOVATION  
ARLINGTON COUNTY, VIRGINIA  
Architect's Project No: 563006

1.6 QUALITY ASSURANCE

A. ARI Compliance:

1. Comply with ARI 210/240 and ARI 340/360 for testing and rating energy efficiencies for RTUs.
2. Comply with ARI 270 for testing and rating sound performance for RTUs.

B. ASHRAE Compliance:

1. Comply with ASHRAE 15 for refrigeration system safety.
2. Comply with ASHRAE 33 for methods of testing cooling and heating coils.
3. Comply with applicable requirements in ASHRAE 62.1-2007, Section 5 - "Systems and Equipment" and Section 7 - "Construction and Startup."
4. Comply with all mandatory and prescriptive requirements of ASHRAE 90.1-2007

C. System safety. Comply with one of the following:

1. ASHRAE 15 for refrigeration system safety.
2. ASHRAE/IESNA 90.1-2007 applicable requirements in Section 6 - "Heating, Ventilating, and Air-Conditioning."
3. NFPA 90A and NFPA 90B.
4. UL 1995.

D. Electrical Components, Devices, and Accessories: Listed and labeled as defined in NFPA 70, Article 100, by a testing agency acceptable to authorities having jurisdiction, and marked for intended use.

E. The complete unit shall be ETL/CETL listed.

1.7 WARRANTY

A. Special Warranty: Manufacturer's standard form in which manufacturer agrees to provide labor and materials to remove and replace components of RTU's that fail in materials or workmanship within the following warranty period.

1. Compressors: 5 years from date of Substantial Completion.
2. Remainder of unit: 1 year from date of Substantial Completion.

PART 2 - PRODUCTS

2.1 MANUFACTURERS

- A. Daikin
- B. Trane

FIRE STATIONS RENOVATION  
ARLINGTON COUNTY, VIRGINIA  
Architect's Project No: 563006

C. Carrier

2.2 GENERAL

- A. Provide a packaged rooftop unit with digital or variable speed scroll compressor on lead circuit (as indicated on schedule), direct drive plenum supply and exhaust fan, double wall casing, indirect gas-fired burner, direct expansion cooling coil, hot gas reheat coil and factory installed controls as required by this specification.

2.3 CASINGS

1. General:

1. Fabrication Requirements: Formed and reinforced double-wall insulated panels, fabricated to allow removal for access to internal parts and components, with joints between sections sealed.
2. Exterior Material: Manufacturer's standard thickness galvanized steel and coated with factory-painted baked enamel finish, tested 750 hour in a salt spray test in compliance with ASTM B117, exterior color shall be manufacturer's standards, with pitched roof panels and knockouts with grommet seals for electrical and piping connections and lifting lugs.
3. Interior Material: Galvanized steel zinc coated with no finish or factory standard finish, with pitched roof panels and knockouts with grommet seals for electrical and piping connections. Construct supply and return opening with raised lip to ensure condensate will not spill into openings during overflow condition in primary condensate pan.

2. Fan Discharge Plenum Interior Material: Galvanized steel with no finish or factory standard finish.

3. Insulation and Adhesive:

1. Comply with NFPA 90A or NFPA 90B.
2. Materials: ASTM C 1071, Type I.
3. Thickness: 2"
4. Materials in contact with air stream shall have air-stream surface coated with an erosion- and temperature-resistant coating or they shall be faced with a plain or coated fibrous mat or fabric.
5. Liner Adhesive: Comply with ASTM C 916, Type I.

B. Condensate Drain Pans:

1. Formed sections of stainless-steel sheet, double sloped, a minimum of 2 inches deep, and complying with ASHRAE 62.1-2010.
2. Construction: Provide foam insulation on back. Double wall, foam insulated, moisture tight drain pans are acceptable.
3. Drain Connection(s): Threaded nipple with pan sloped in two directions to drain.

FIRE STATIONS RENOVATION  
ARLINGTON COUNTY, VIRGINIA  
Architect's Project No: 563006

4. Length downstream of cooling coil: Provide pan at least ½ the height of air tunnel to ensure all carryover is collected and drained.

- C. Airstream Surfaces: Surfaces in contact with the airstream shall comply with requirements in ASHRAE 62.1-2007 and UL 181.

## 2.4 FANS

- A. Supply Fan: Direct drive or belt driven plenum type with factory installed VFD or variable speed ECM motor. Provide with permanently lubricated, motor installed on an adjustable fan base resiliently mounted in the casing. Provide aluminum wheel and steel scroll.

- B. Exhaust/Relief Fan: Direct drive or belt driven plenum type with factory installed VFD or variable speed ECM motor. Provide with permanently lubricated, motor installed on an adjustable fan base resiliently mounted in the casing. Provide aluminum wheel and steel scroll.

- C. Fan Shaft Bearings:

1. Prelubricated and Sealed, Ball Bearings: Self-aligning, pillow-block type with a rated life of 120,000 hours according to ANSI/ABMA 9

Or

2. Grease-Lubricated, Tapered-Roller Bearings: Self-aligning, pillow-block type with double-locking collars and 2-piece, cast-iron housing with grease lines extended to outside unit and a rated life of 120,000 hours according to ANSI/ABMA 11.

- D. Fan Sound-Power Levels:

1. Fans, except condenser fans, shall meet or create lower sound power levels than those indicated.
2. Fans, except condenser fans, shall comply with AMCA 301, "Methods for Calculating Fan Sound Ratings from Laboratory Test Data." Test fans according to AMCA 300, "Reverberant Room Method for Sound Testing of Fans." Fans shall bear AMCA-certified sound ratings seal.

- E. Fan Performance Rating: Except condenser fans factory test fan performance for airflow, pressure, power, air density, rotation speed, and efficiency. Rate performance according to AMCA 210, "Laboratory Methods of Testing Fans for Aerodynamic Performance Rating."

- F. Condenser Fan(s): Propeller mounted on shaft of permanently lubricated motor.

- G. Fan Motor(s): Refer to section "Common Motor Requirements for HVAC Equipment."

## 2.5 COILS

- A. Indoor Air Refrigerant Coil:

FIRE STATIONS RENOVATION  
ARLINGTON COUNTY, VIRGINIA  
Architect's Project No: 563006

1. Aluminum fins, seamless copper tube with minimum 0.017" wall thickness, and equalizing vertical distributor.
2. Distribution: Interlaced.
3. Circuits: Minimum of one per compressor.
4. Casing: Galvanized steel.
5. Split: As indicated. If not indicated none required.
6. Leak Tested: 300 psig

B. Hot-Gas Reheat Coil:

1. Direct-Expansion Coil: Seamless copper tubes expanded into aluminum fins.
2. Refrigerant Circuits: A separate circuit for each compressor, with externally equalized thermal-expansion valve with adjustable superheat, filter-dryer, sight glass, high-pressure relief valve, and charging valves.
3. Coil Split: Face split.

2.6 REFRIGERANT CIRCUIT COMPONENTS

- A. Provide gauge ports with Schrader valves for measuring suction and hot gas pressure.
- B. Provide for operation of the unit for heating down to 0° F.
- C. Provide for operation of the unit for cooling down to 55° F.
- D. Compressor: Hermetic, scroll, mounted on rubber in shear pads; with internal overcurrent and high-temperature protection, internal pressure relief, and crankcase heater.
  1. Lead Circuit: Digital scroll or scroll with VFD for modulating capacity down to 15% or less.
- E. Refrigeration Specialties:
  1. Refrigerant: R-410A.
  2. Expansion valve with replaceable thermostatic element.
  3. Refrigerant filter/dryer.
  4. Manual-reset high-pressure safety switch.
  5. Automatic-reset low-pressure safety switch.
  6. Minimum off-time relay.
  7. Automatic-reset compressor motor thermal overload.
  8. Brass service valves and unions installed in compressor suction and discharge lines.

2.7 GAS FURNACE

- A. Description: Factory assembled, piped, and wired; complying with ANSI Z21.47 and NFPA 54.
  1. CSA Approval: Designed and certified by and bearing label of CSA.

FIRE STATIONS RENOVATION  
ARLINGTON COUNTY, VIRGINIA  
Architect's Project No: 563006

- B. Burners: Stainless steel.
  - 1. Fuel: As indicated.
  - 2. Ignition: Electronically controlled electric spark or hot-surface igniter with flame sensor.
- C. Heat-Exchanger and Drain Pan: Stainless steel. Provide 10 year warranty on heat exchanger.
- D. Venting: Gravity or power vented.
- E. Safety Controls: Manufacturer's standard in accordance with local and state code requirements.
- F. Capacity Control: As scheduled. If not scheduled modulating control shall be provided.
  - 1. Cycle: All heat on or off as needed
  - 2. Stage: Provide a minimum of 4 stages, 25%, 50%, 75%, and 100%. Maximum temperature rise at 25% shall be fifteen degrees Fahrenheit (15° F).
  - 3. Modulating: Heat output shall be variable down to 20% of scheduled capacity or a maximum temperature rise of fifteen degrees Fahrenheit (15° F).

2.8 AIR FILTRATION SECTION

- A. Required sections:
  - 1. Outside Air Filters: Provide MERV 8 (30% efficient) 2" thick disposable pre-filters and MERV-13 2" thick final filters.
  - 2. Exhaust Air Filters: Provide MERV 8 (30% efficient) 2" thick disposable filters in exhaust air stream prior to energy recovery device.
- B. Refer to Division 23, Section "Particulate Air Filtration"

2.9 DAMPERS

- A. General Requirements for Dampers: Leakage rate, per AMCA 500, "Laboratory Methods for Testing Dampers for Rating," shall not exceed 2% of air quantity at 2000 FPM face velocity through damper and 4" WG pressure differential.
- B. Outdoor Air Damper(s): Two-position opposed blade galvanized steel motorized mechanically fastened to cadmium plated steel operating rods in reinforced cabinet, with bird screen and intake hood. Damper can provide outside air flow measuring.
- C. Exhaust Air Damper(s): Two-position opposed blade galvanized steel dampers mechanically fastened to cadmium plated steel operating rod in reinforced cabinet. Can be inversely interlock with Outdoor Air Damper if factory standard.
- D. Damper Motors:
  - 1. Two-position.
  - 2. Adjustable minimum and maximum position.

FIRE STATIONS RENOVATION  
ARLINGTON COUNTY, VIRGINIA  
Architect's Project No: 563006

2.10 ELECTRICAL POWER CONNECTION

- A. Provide for single connection of power to unit with unit-mounted disconnect switch accessible from outside unit and control-circuit transformer with built-in overcurrent protection
- B. Provide electrical power phase monitoring to shut down unit if a phase is lost.

2.11 ACCESSORIES

- A. Guards:
  - 1. Provide coil guards of galvanized stamped steel, painted to match casing. Guards shall be on sides of unit. Coils shall not be clearly visible from any direction.

2.12 ROOF CURBS

- A. Provide under this section. Refer to seismic and wind-restraint requirements under part 1 of this specification.
- B. Height: 12" greater than the highest portion of adjacent roof insulation.
- C. Slope: Match structure. Top of curb shall be level and each edge shall be flush with other edges on all sides.
- D. Roof Deck: Remove roof deck as required for ductwork and piping installation and insulation. Where pipe chases are provided remove roof deck inside curb and inside pipe chase.
- E. Wood Blocking and Shimming: Not permitted.

2.13 CONTROLS

- A. Basic Unit Controls:
  - 1. Manufacturer to provide basic controls for RTU operation including air-side economizer, power relief/exhaust.
  - 2. Manufacturer to provide terminal strip for BAS to integrate and control unit.
  - 3. Unit shall be provided with commercial grade programmable thermostat capable of occupied/unoccupied modes to control outside airflow rates.
  - 4. Provide control voltage transformer:
    - 1. Primary Voltage: As required
    - 2. Secondary Voltage: As required
    - 3. Load: As required - 100 VA minimum
- B. Refrigeration system control



FIRE STATIONS RENOVATION  
ARLINGTON COUNTY, VIRGINIA  
Architect's Project No: 563006

1. The manufacturer furnishing equipment under this section shall provide all controls for the compressors and refrigeration system including but not limited to staging and safeties under this section.

C. Sequence of Control

1. Refer to spec section Sequence of Controls for HVAC Operation

PART 3 - EXECUTION

3.1 EXAMINATION

- A. Examine substrates, areas, and conditions, with Installer present, for compliance with requirements for installation tolerances and other conditions affecting performance of RTUs.
- B. Examine roughing-in for RTUs to verify actual locations of piping and duct connections before equipment installation.
- C. Examine roofs or grade for suitable conditions where RTUs will be installed.
- D. Proceed with installation only after unsatisfactory conditions have been corrected.

3.2 INSTALLATION

A. Roof Mounted Unit:

1. Roof Curb
  1. Coordinate roof penetrations.
  2. Coordinate flashing with roof manufacturer.
  3. Install curb on roof structure, secure with anchor bolts and make top edges of curb level and all edges flush with each other.
  4. Secure equipment to upper curb rail (level) as recommended by equipment manufacturer.
  5. Install roof deck and roof insulation inside the curb under the equipment.
  6. Install roof curb below equipment pipe chase where pipe chase is required/provided.
  7. Eliminate roof deck and insulation below pipe chase where pipe chase is required/provided.
  8. Attach stainless steel wire mesh to deck over opening in pipe chase between roof and space below.

- B. Coordination: Coordinate penetrations and flashing.

FIRE STATIONS RENOVATION  
ARLINGTON COUNTY, VIRGINIA  
Architect's Project No: 563006

3.3 FIELD QUALITY CONTROL

- A. Whether or not use of equipment is otherwise permitted, startup service, tests, and inspections must be complete prior to running unit. Failure to perform startup service, tests, and inspections prior to running equipment shall grant the owner's representative authority to have the units/equipment removed from the site at the Contractor's expense. This paragraph shall not be construed to grant the Contractor permission to use the unit(s)/equipment specified in this section of the specifications.
- B. Manufacturer's Field Service: Engage a factory-authorized service representative to inspect, test, and adjust components, assemblies, and equipment installations, including connections. Record results.
- C. Tests and Inspections:
  - 1. Inspect for and remove shipping bolts, blocks, and tie-down straps.
  - 2. Fan Operational Test: After electrical circuitry has been energized, start units to confirm proper motor rotation and unit operation. Replace or repair faulty equipment.
  - 3. Test and adjust controls and safeties. Replace damaged and malfunctioning controls and equipment.
- D. RTU's or components will be considered defective if unit or components do not pass tests and inspections.
- E. Prepare test and inspection reports.

3.4 STARTUP SERVICE

- A. Engage a factory-authorized service representative to perform startup service.
- B. Complete installation and startup checks according to manufacturer's written instructions and do the following:
  - 1. Verify that unit is secure on mountings and supporting devices and connections to piping, ducts, and electrical systems are complete.
  - 2. Verify that proper thermal overload protection is installed in motors, controllers, and switches.
  - 3. Disconnect fan drive system. Verify proper motor rotation direction, free fan wheel rotation, and smooth bearing operation. Reconnect fan drive system, align and adjust belts to proper tension.
  - 4. Verify that bearings, pulleys, belts, and other moving parts are lubricated with factory-recommended lubricants.
  - 5. Verify that dampers fully open and close.
  - 6. Inspect dampers for proper stroke.
  - 7. Inspect damper blades and seals for visible defects.
  - 8. Inspect coil fins. Comb damaged coil fins for parallel orientation.
  - 9. Verify that proper thermal overload protection is installed for electric coils.
  - 10. Install new filters.

FIRE STATIONS RENOVATION  
ARLINGTON COUNTY, VIRGINIA  
Architect's Project No: 563006

11. If not direct drive place new belts on coat hook attached with ¼” long stainless steel sheet metal screws inside unit adjacent to existing belts where no damage will occur. Including but not limited to fans, energy recovery wheels, and enthalpy wheels.
12. Verify that manual and automatic volume control and fire and smoke dampers in connected duct systems are in fully open position.
13. Verify that smoke dampers in connected duct system fully close when unit is deactivated.
14. Inspect for visible damage to unit casing.
15. If included in unit inspect furnace combustion chamber for visible damage.
16. Inspect coils, and fans for visible damage.
17. Inspect internal casing for visible damage.
18. Verify that labels are clearly visible.
19. Verify that clearances have been provided for servicing.
20. Verify that controls are connected and operable.
21. Clean condenser coil and inspect for construction debris.
22. If included in unit, clean furnace flue and inspect for construction debris.
23. Remove packing from vibration isolators.
24. Inspect fan wheel for operation without vibration and binding.
25. Start unit according to manufacturer's written instructions.
  1. Start cooling system.
  2. Do not operate below recommended ambient temperature.
  3. Complete startup sheets and attach 1 paper, and one “universally readable” electronic copy on USB flash drive, with startup report. Maintain a copy in electronic format, file type Portable Document Format (\*.TXT, \*.DOC, \*.RTF, & \*.PDF) file formats are acceptable. The file format must be one of those listed or the Owner and Architect must own a computer and software capable of reading the electronic file.
26. Inspect and record performance of interlocks and protective devices.
27. Verify sequence of operation.
28. Operate unit for an initial period as recommended or required by manufacturer.
29. Calibrate sensors including thermostats.
30. Adjust and inspect high-temperature limits.
31. With unit operating start cooling system, measure, and record the following when the ambient temperature is a minimum of 85° F:
  1. Coil leaving air, dry and wet bulb temperatures.
  2. Coil entering air, dry and wet bulb temperatures.
  3. Return air, dry and wet bulb temperatures.
  4. Outdoor air, dry and wet bulb temperatures.
  5. Outdoor air (condenser) coil, discharge air, dry bulb temperature.
32. Measure and record the following minimum and maximum airflows. Plot fan volumes on fan curve.
  1. Supply air volume.
  2. Return air volume.
  3. Relief/exhaust air volume.
  4. Record relief/exhaust airflow station reading in CFM from BAS head end.
  5. Outdoor air intake volume.
  6. Record outdoor air intake airflow station reading in CFM from BAS head end.
33. Simulate maximum cooling demand by utilizing 100% outdoor air and lowering discharge air temperature. Record the discharge air temperature and outdoor air volume

FIRE STATIONS RENOVATION  
ARLINGTON COUNTY, VIRGINIA  
Architect's Project No: 563006

used for the simulation. During simulation operation inspect, measure, and record the following:

1. Compressor refrigerant suction and hot gas pressures.
2. Short circuiting of air through condenser coil or from condenser fans to outdoor-air intake.

3.5 CLEANING AND ADJUSTING

- A. Occupancy Adjustments: Within 12 months of the date of Substantial Completion, provide up to two (2) on site visits, during normal or other than normal occupancy hours as requested by owner, to assist in adjusting system.
- B. After completing testing, adjusting, and balancing clean RTU's internally to remove foreign material and construction dirt and dust. Clean fan wheels, cabinets, dampers, coils, and filter housings, and install new, filters.

3.6 DEMONSTRATION

- A. Engage a factory-authorized service representative to train Owner's maintenance personnel to adjust, operate, and maintain units/equipment.

END OF SECTION 237413

FIRE STATIONS RENOVATION  
ARLINGTON COUNTY, VIRGINIA  
Architect's Project No: 563006

SECTION 238126 – DUCTLESS MINI-SPLIT AIR-CONDITIONING UNITS

PART 1 - GENERAL

1.1 RELATED DOCUMENTS

- A. Drawings and general provisions of the Contract, including General and Supplementary Conditions and Division 1 Specification Sections, apply to this Section.

1.2 SUMMARY

- A. This Section includes ductless mini-split air-conditioning units consisting of separate evaporator-fan and compressor-condenser components. Evaporator fan units are designed for ceiling or wall mounting. The compressor-condenser unit shall be remote and located on the roof where indicated on the Drawings.
- B. Related Sections include the following:
  - 1. Division 23 Section "Vibration Control for HVAC" for isolation pads.

1.3 DEFINITIONS

- A. Evaporator-Fan Unit: The part of the ductless mini-split air-conditioning unit that contains a coil for cooling and a fan to circulate air to conditioned space.
- B. Compressor-Condenser Unit: The part of the ductless mini-split air-conditioning unit that contains a refrigerant compressor and a coil for condensing refrigerant.

1.4 SUBMITTALS

- A. Product Data: Include rated capacities; shipping, installed, and operating weights; furnished specialties; and accessories for each type of product indicated. Include performance data in terms of capacities, outlet velocities, static pressures, sound power characteristics, motor requirements, and electrical characteristics.
- B. Shop Drawings: Diagram power, signal, and control wiring and differentiate between manufacturer-installed and field-installed wiring.
- C. Maintenance Data: For ductless mini-split air-conditioning units to include in maintenance manuals specified in Division 1.
- D. Warranties: Special warranties specified in this Section.

1.5 QUALITY ASSURANCE

FIRE STATIONS RENOVATION  
ARLINGTON COUNTY, VIRGINIA  
Architect's Project No: 563006

- A. Product Options: Drawings indicate size, profiles, and dimensional requirements of ductless mini-split units and are based on the specific system indicated. Other manufacturers' systems with equal performance characteristics may be considered.
- B. Units shall be tested by a Nationally Recognized Testing Laboratory and shall bear the ETL label.
- C. All wiring shall be in accordance with the governing version of the National Electrical Code.
- D. Units shall be rated in accordance with ARI Standard 210 and bear the ARI Certification label.
- E. Units shall be precharged with refrigerant for 70 feet of refrigerant tubing.
- F. Electrical Components, Devices, and Accessories: Listed and labeled as defined in NFPA 70, Article 100, by a testing agency acceptable to authorities having jurisdiction, and marked for intended use.
- G. ASHRAE/IESNA Compliance: Applicable requirements in ASHRAE/IESNA 90.1-2010.

1.6 COORDINATION

- A. Coordinate size, location, and connection details with roof curbs, equipment supports, and roof penetrations specified in Division 7 Section "Flashing, Sheet Metal and Roofing Accessories."

1.7 WARRANTY

- A. General Warranty: Special warranty specified in this Article shall not deprive Owner of other rights Owner may have under other provisions of the Contract Documents and shall be in addition to, and run concurrent with, other warranties made by Contractor under requirements of the Contract Documents.
- B. Warranty Period: One year from date of Substantial Completion. If, during this period, any part should fail to function properly due to defects in workmanship or material, it shall be replaced or repaired at the discretion of the manufacturer by the Contractor. Warranty does not include labor. Labor is paid for by the Owner.

PART 2 - PRODUCTS

2.1 MANUFACTURERS

- A. Available Manufacturers: Subject to compliance with requirements, manufacturers offering products that may be incorporated into the Work include, but are not limited to, the following:
  - 1. Daikin  
No other manufacturers are acceptable as the basis of design unit is matching the equipment for the existing fire station.

FIRE STATIONS RENOVATION  
ARLINGTON COUNTY, VIRGINIA  
Architect's Project No: 563006

2.2 CEILING-MOUNTED, EVAPORATOR-FAN COMPONENTS

- A. The evaporator section shall be designed to be ceiling-mounted by means of a factory supplied mounting plate. Air distribution shall be integral to the wall-mounted unit.
- B. Cabinet and Chassis: Cabinet shall be high strength molded plastic with front panel access for the filter. Cabinet color shall be white. Include drain pan with drain connection. Indoor unit shall be factory assembled, wired and tested. Contained within unit shall be all factory wiring and internal piping, control circuit board and fan motor. The unit in conjunction with the wall mounted controller shall have a self-diagnostic function, three minute time delay mechanism, an auto restart function, and a test run switch. Indoor unit and refrigerant piping shall be purged with dry nitrogen before shipment from the factory.
- C. Refrigerant Coil: Evaporator coil shall be nonferrous construction with pre-coated aluminum fins on copper tubing. All tube joints shall be brazed with silver alloy. Coils shall be pressure tested at the factory. A condensate pan and drain shall be provided under the coil.
- D. Fan and Motor: Evaporator fan shall be double inlet, forward curved, direct drive fan with a single motor. The fan shall be statically and dynamically balanced and run on a motor with permanently lubricated bearings. The indoor fan shall have two speeds: low and high.
- E. Vane: Unit shall include a motorized horizontal vane to automatically direct air flow in a horizontal and downward direction for uniform air distribution. The horizontal vane shall significantly decrease downward air resistance for lower noise levels and shall close when unit stops.
- F. Filters: Return air shall be filtered with a removable and washable filter.

2.3 AIR-COOLED, COMPRESSOR-CONDENSER COMPONENTS

- A. General: Outdoor unit shall be the same capacity as the indoor unit and include a control board that interfaces with the indoor unit to perform all necessary operation functions. Outdoor unit shall be capable of operating at 0°F ambient temperature without additional low ambient controls. Outdoor unit shall be able to operate with a maximum height difference of 100 feet from indoor unit to outdoor unit and a maximum refrigerant tubing length of 165 feet between the indoor and outdoor unit without the need for line size changes, traps, or additional oil
- B. Casing: Casing shall be galvanized steel plate coated with an electrostatically applied thermally fused acrylic or polyester powder coating. The fan grille shall be ABS plastic.
- C. Compressor: The compressor shall be a DC rotary compressor with variable compressor speed inverter technology. The compressor shall be driven by inverter circuitry to control compressor speed. Compressor speed shall be varied to match space load. Outdoor unit shall include an accumulator and high pressure safety switch. The compressor shall be mounted to avoid the transmission of vibration.
- D. Refrigerant Coil: Condenser coil shall be copper tubing with aluminum fins. The coil shall be protected with an integral metal guard. Refrigerant flow from the condenser shall be controlled

FIRE STATIONS RENOVATION  
ARLINGTON COUNTY, VIRGINIA  
Architect's Project No: 563006

by means of linear expansion valve (LEV) metering orifice. The LEV shall be controlled by a microprocessor-controlled step motor.

- E. Fan: The fan motor bearings shall be permanently lubricated. The fan shall have horizontal discharge airflow. The fan shall be mounted in front of the coil. The fan shall include a raised guard to prevent contact with moving parts.

## 2.4 ACCESSORIES

1. Control: The control system shall be microprocessor-based and include one microprocessor on the outdoor unit and one on the indoor unit. Wall-mounted controller shall have a liquid crystal display indicating operating status and alarm condition and shall include a temperature sensor. A membrane keypad shall be included for program control and set point adjustment.
  2. The controller shall consist of On/Off button, increase/decrease set temperature buttons, a cool/dry/fan mode selector, timer menu button, timer on/off button, set time buttons, fan speed selector, vane position selector, a ventilation button, a test run button, and a check mode button.
  3. The controller shall display operating conditions such as set temperature, room temperature, pipe temperatures (i.e. liquid, discharge, indoor and outdoor), compressor operating conditions (including running current, frequency, input voltage, On/Off status and operating time), LEV opening pulses, sub-cooling and discharge super heat.
  4. Normal operation of the controller shall provide individual system control in which one controller and one indoor unit are installed in the same room.
  5. The control voltage from the controller to the indoor unit shall be 12 volts, DC. The control signal between the indoor and outdoor unit shall be pulse signal 24 volts DC. Up to two wired controllers shall be able to be used to control one unit.
  6. Control system shall control the continued operation of the air sweep louvers, as well as provide On/Off and mode switching. The controller shall have the capability to provide sequential starting with up to fifty seconds delay.
- B. Refrigerant Line Sets: Soft-annealed copper suction and liquid lines factory cleaned, dried, pressurized, and sealed; factory-insulated suction line with flared fittings at both ends. Pre-charge line sets in proper lengths for application. Final length shall be field verified. Refer to section "Refrigerant Piping" for additional requirements.
- C. Factory-installed and -wired disconnect to be provided under this Section.

## PART 3 - EXECUTION

### 3.1 INSTALLATION

- A. Install units level and plumb, firmly anchored, in accordance with the manufacturer's written recommendations.
- B. Install evaporator-fan components using manufacturer's standard mounting devices securely fastened to building structure.



FIRE STATIONS RENOVATION  
ARLINGTON COUNTY, VIRGINIA  
Architect's Project No: 563006

- C. Install roof-mounted compressor-condenser components on equipment supports specified in Division 7 Section "Flashing, Sheet Metal and Roofing Accessories." Anchor units to supports with removable, cadmium-plated fasteners.
- D. Install compressor-condenser components on Elastomeric pads. Refer to Division 23 Section "Vibration Control for HVAC."
- E. Connect pre-charged refrigerant tubing to component's quick-connect fittings. Install tubing to allow access to unit.

3.2 CONNECTIONS

- A. Piping installation requirements are specified in other Division 23 Sections. Drawings indicate general arrangement of piping, fittings, and specialties.
- B. Connect condensate drain piping. Unit drain shall be internally trapped.
- C. Install piping adjacent to unit to allow service and maintenance.
- D. Unless otherwise indicated, connect piping with unions and shutoff valves to allow units to be disconnected without draining piping. Refer to piping system Sections for specific valve and specialty arrangements.
- E. Ground equipment.
  - 1. Tighten electrical connectors and terminals according to manufacturer's published torque-tightening values. If manufacturer's torque values are not indicated, use those specified in UL 486A and UL 486B.

3.3 FIELD QUALITY CONTROL

- A. Installation Inspection: Engage a factory-authorized service representative to inspect field-assembled components and equipment installation, including piping and electrical connections, and to prepare a written report of inspection.
- B. Leak Test: After installation, charge system and test for leaks. Repair leaks and retest until no leaks exist.
- C. Operational Test: After electrical circuitry has been energized, start units to confirm proper motor rotation and unit operation. Remove malfunctioning units, replace with new components, and retest.
- D. Test and adjust controls and safeties. Replace damaged and malfunctioning controls and equipment.

3.4 COMMISSIONING

FIRE STATIONS RENOVATION  
ARLINGTON COUNTY, VIRGINIA  
Architect's Project No: 563006

- A. Engage a factory-authorized service representative to perform startup service.
- B. Verify that units are installed and connected according to the Contract Documents.
- C. Lubricate bearings, adjust belt tension, and change filters.
- D. Perform startup checks according to manufacturer's written instructions and do the following:
  - 1. Fill out manufacturer's checklists.
  - 2. Check for unobstructed airflow over coils.
  - 3. Check operation of condenser capacity-control device.
  - 4. Verify that vibration isolation devices and flexible connectors dampen vibration transmission to structure.

3.5 DEMONSTRATION

- A. Engage a factory-authorized service representative to train Owner's maintenance personnel to adjust, operate, and maintain units.
  - 1. Train Owner's maintenance personnel on procedures and schedules for starting and stopping, troubleshooting, servicing, and maintaining units.
  - 2. Review data in maintenance manuals. Refer to Division 1 Section "Closeout Procedures."

END OF SECTION 238126

FIRE STATIONS RENOVATION  
ARLINGTON COUNTY, VIRGINIA  
Architect's Project No: 563006

---

SECTION 260519 - LOW-VOLTAGE ELECTRICAL POWER CONDUCTORS AND CABLES

PART 1 - GENERAL

1.1 RELATED DOCUMENTS

- A. Drawings and general provisions of the Contract, including General and Supplementary Conditions and Division 01 Specification Sections, apply to this Section.

1.2 SUMMARY

A. Section Includes:

1. Building wires and cables rated 600 V and less.
2. Connectors, splices, and terminations rated 600 V and less.

B. Related Requirements:

1. Section 260523 "Control-Voltage Electrical Power Cables" for control systems communications cables and Classes 1, 2 and 3 control cables.

1.3 ACTION SUBMITTALS

- A. Product Data: For each type of product.

1.4 INFORMATIONAL SUBMITTALS

- A. Field quality-control reports.

PART 2 - PRODUCTS

2.1 CONDUCTORS AND CABLES

- A. Manufacturers: Subject to compliance with requirements, available manufacturers offering products that may be incorporated into the Work include, but are not limited to the following:

1. Cerro Wire LLC.
2. General Cable; General Cable Corporation.
3. Southwire Company.

- B. Copper Conductors: Comply with NEMA WC 70/ICEA S-95-658.

FIRE STATIONS RENOVATION  
ARLINGTON COUNTY, VIRGINIA  
Architect's Project No: 563006

---

- C. Conductor Insulation: Comply with NEMA WC 70/ICEA S-95-658 for Type THHN-2-THWN-2.
- D. Multiconductor Cable: Comply with NEMA WC 70/ICEA S-95-658 for type SO with ground wire. Type MC Cable is not allowed.

## 2.2 CONNECTORS AND SPLICES

- A. Manufacturers: Subject to compliance with requirements, available manufacturers offering products that may be incorporated into the Work include, but are not limited to the following:
  - 1. 3M.
  - 2. Hubbell Power Systems, Inc.
  - 3. ILSCO.
  - 4. Tyco Electronics Corp.
- B. Description: Factory-fabricated connectors and splices of size, ampacity rating, material, type, and class for application and service indicated.

## 2.3 SYSTEM DESCRIPTION

- A. Electrical Components, Devices, and Accessories: Listed and labeled as defined in NFPA 70, by a qualified testing agency, and marked for intended location and application.
- B. Comply with NFPA 70.

## PART 3 - EXECUTION

### 3.1 CONDUCTOR MATERIAL APPLICATIONS

- A. Feeders: Copper: Stranded for No. 8 AWG and larger.
- B. Branch Circuits: Copper. Solid or Stranded for No. 10 AWG and smaller; stranded for No. 8 AWG and larger.

### 3.2 CONDUCTOR INSULATION AND MULTICONDUCTOR CABLE APPLICATIONS AND WIRING METHODS

- A. Service Entrance: Type XHHW-2, single conductors in raceway.
- B. Exposed Feeders: Type THHN-2-THWN-2, single conductors in raceway.
- C. Feeders Concealed in Ceilings, Walls, Partitions, and Crawlspace: Type THHN-2-THWN-2, single conductors in raceway.

FIRE STATIONS RENOVATION  
ARLINGTON COUNTY, VIRGINIA  
Architect's Project No: 563006

---

- D. Feeders Concealed in Concrete, below Slabs-on-Grade, and Underground: Type THHN-2-THWN-2, single conductors in raceway.
- E. Exposed Branch Circuits, Including in Crawlspace: Type THHN-2-THWN-2, single conductors in raceway.
- F. Branch Circuits Concealed in Ceilings, Walls, and Partitions: Type THHN-2-THWN-2, single conductors in raceway.
- G. Branch Circuits Concealed in Concrete, below Slabs-on-Grade, and Underground: Type THHN-2-THWN-2, single conductors in raceway.
- H. Cord Drops and Portable Appliance Connections: Type SO, hard service cord with stainless-steel, wire-mesh, strain relief device at terminations to suit application.

### 3.3 INSTALLATION OF CONDUCTORS AND CABLES

- A. Conceal cables in finished walls, ceilings, and floors unless otherwise indicated.
- B. Complete raceway installation between conductor and cable termination points according to Section 260533 "Raceways and Boxes for Electrical Systems" prior to pulling conductors and cables.
- C. Use manufacturer-approved pulling compound or lubricant where necessary; compound used must not deteriorate conductor or insulation. Do not exceed manufacturer's recommended maximum pulling tensions and sidewall pressure values.
- D. Use pulling means, including fish tape, cable, rope, and basket-weave wire/cable grips, that will not damage cables or raceway.
- E. Install exposed cables parallel and perpendicular to surfaces of exposed structural members, and follow surface contours where possible.
- F. Branch Circuits Concealed in Casework: FMC with Stranded conductors may be used to feed to outlet boxes fish concealed in built-in casework. Route cable supported tight in upper inside corners of casework, not in conflict with drawers or cabinet doors.
- G. Support cables according to Section 260529 "Hangers and Supports for Electrical Systems."
- H. Whips from Junction Box Concealed in Ceilings to Lighting Fixtures:
  - 1. Type FMC, with minimum #12AWG copper THHN/THWN and full size equipment grounding conductor. Maximum whip length 72".
  - 2. FMC shall be supported within 24" of fixture connection so that whip is not in contact with ceiling or grid. Securing to fixture support wires with batwings is acceptable but not to ceiling support wires.
  - 3. Do not connect fixture whips from fixture to fixture (daisy chain). No more than 4 whips shall be connected to any one junction box.

FIRE STATIONS RENOVATION  
ARLINGTON COUNTY, VIRGINIA  
Architect's Project No: 563006

---

- I. All single-phase circuits shall include a dedicated neutral (grounded) and grounding conductor, unless specifically noted otherwise.
  - 1. The intent of this is to eliminate multiwire branch circuits and allow disconnection of one circuit without requiring disconnection of other(s) as would be required to comply with NEC 210.4(B). Per NEC 310.15(B)(b) each of these neutral (grounded) conductor is not considered to be load-bearing so derating is not required.
  
- J. Contract drawings are based upon a maximum of 3 current-carrying conductors in a conduit. Contractor may rework indicated circuitry to install a maximum of (6) L-N circuit (120 or 277V) in a single conduit. There shall be no more than 2 each A, B, C phase conductors per homerun. Each shall have dedicated neutral (grounded) conductor.
  - 1. Do not group L-L circuits in a homerun, unless specifically indicated on the drawings.
  - 2. Where there are more than 3 current-carrying conductors in a conduit, derate conductor ampacities in accordance with NEC Table 310.15(B)(2)(a).
  - 3. When running more than 3 ungrounded conductors in a raceway, increase size of conduits beyond those indicated in contract documents, as required to not exceed NEC Chapter 9, Table 1 conduit-fill requirements. As-built drawings shall clearly indicate which circuits are grouped in homeruns.
  
- K. Unless otherwise indicated, minimum conductor size shall be 12 AWG.

### 3.4 CONNECTIONS

- A. Tighten electrical connectors and terminals according to manufacturer's published torque-tightening values. If manufacturer's torque values are not indicated, use those specified in UL 486A-486B.
  
- B. Make splices, terminations, and taps that are compatible with conductor material and that possess equivalent or better mechanical strength and insulation ratings than unspliced conductors.
  
- C. Wiring at Outlets: Install conductor at each outlet, with at least 12 inches of slack.

### 3.5 IDENTIFICATION

- A. Identify and color-code conductors and cables according to Section 260553 "Identification for Electrical Systems."
  
- B. Identify each spare conductor at each end with identity number and location of other end of conductor, and identify as spare conductor.

### 3.6 SLEEVE AND SLEEVE-SEAL INSTALLATION FOR ELECTRICAL PENETRATIONS

- A. Install sleeves and sleeve seals at penetrations of exterior floor and wall assemblies. Comply with requirements in Section 260544 "Sleeves and Sleeve Seals for Electrical Raceways and Cabling."

FIRE STATIONS RENOVATION  
ARLINGTON COUNTY, VIRGINIA  
Architect's Project No: 563006

---

3.7 FIRESTOPPING

- A. Apply firestopping to electrical penetrations of fire-rated floor and wall assemblies to restore original fire-resistance rating of assembly according to Section 078413 "Penetration Firestopping."

3.8 FIELD QUALITY CONTROL

- A. Perform the following tests and inspections:
  - 1. After installing conductors and cables and before electrical circuitry has been energized, test service entrance and feeder conductors for compliance with requirements.
  - 2. Perform each visual and mechanical inspection and electrical test stated in NETA Acceptance Testing Specification. Certify compliance with test parameters.
- B. Test and Inspection Reports: Prepare a written report to record the following:
  - 1. Procedures used.
  - 2. Results that comply with requirements.
  - 3. Results that do not comply with requirements and corrective action taken to achieve compliance with requirements.
- C. Cables will be considered defective if they do not pass tests and inspections.

END OF SECTION 260519

FIRE STATIONS RENOVATION  
ARLINGTON COUNTY, VIRGINIA  
Architect's Project No: 563006

---

SECTION 260523 - CONTROL-VOLTAGE ELECTRICAL POWER CABLES

PART 1 - GENERAL

1.1 RELATED DOCUMENTS

- A. Drawings and general provisions of the Contract, including General and Supplementary Conditions and Division 01 Specification Sections, apply to this Section.

1.2 SUMMARY

- A. Section Includes:
  - 1. Low-voltage control cabling.
  - 2. Control-circuit conductors.
  - 3. Identification products.

1.3 DEFINITIONS

- A. EMI: Electromagnetic interference.
- B. Low Voltage: As defined in NFPA 70 for circuits and equipment operating at less than 50 V or for remote-control and signaling power-limited circuits.
- C. Plenum: A space forming part of the air distribution system to which one or more air ducts are connected. An air duct is a passageway, other than a plenum, for transporting air to or from heating, ventilating, or air-conditioning equipment.

1.4 ACTION SUBMITTALS

- A. Product Data: For each type of product.

1.5 INFORMATIONAL SUBMITTALS

- A. Qualification Data: For qualified layout technician, installation supervisor, and field inspector.
- B. Source quality-control reports.
- C. Field quality-control reports.



FIRE STATIONS RENOVATION  
ARLINGTON COUNTY, VIRGINIA  
Architect's Project No: 563006

---

PART 2 - PRODUCTS

2.1 SYSTEM DESCRIPTION

- A. Electrical Components, Devices, and Accessories: Listed and labeled as defined in NFPA 70, by a qualified testing agency, and marked for intended location and application.

2.2 PERFORMANCE REQUIREMENTS

- A. Flame Travel and Smoke Density in Plenums: As determined by testing identical products according to NFPA 262 by a qualified testing agency. Identify products for installation in plenums with appropriate markings of applicable testing agency.
  - 1. Flame Travel Distance: 60 inches or less.
  - 2. Peak Optical Smoke Density: 0.5 or less.
  - 3. Average Optical Smoke Density: 0.15 or less.
- B. Flame Travel and Smoke Density for Riser Cables in Non-Plenum Building Spaces: As determined by testing identical products according to UL 1666.
- C. Flame Travel and Smoke Density for Cables in Non-Riser Applications and Non-Plenum Building Spaces: As determined by testing identical products according to UL 1685.

2.3 BACKBOARDS

- A. Description: Plywood, fire-retardant treated, 3/4 by 48 by 96 inches. Comply with requirements for plywood backing panels in Section 061000 "Rough Carpentry."
- B. Painting: Paint plywood on all sides and edges with flat latex paint. Comply with requirements in Section 099123 "Interior Painting."

2.4 LOW-VOLTAGE CONTROL CABLE

- A. Paired Cable: NFPA 70, Type CMG.
  - 1. Multi-pair, twisted, No. 18 AWG, stranded (19x30) tinned-copper conductors.
  - 2. PVC insulation.
  - 3. Unshielded.
  - 4. PVC jacket.
  - 5. Flame Resistance: Comply with UL 1685.
- B. Plenum-Rated, Paired Cable: NFPA 70, Type CMP.
  - 1. Multi-pair, twisted, No. 18 AWG, stranded (19x30) tinned-copper conductors.

FIRE STATIONS RENOVATION  
ARLINGTON COUNTY, VIRGINIA  
Architect's Project No: 563006

---

2. PVC insulation.
3. Unshielded.
4. PVC jacket.
5. Flame Resistance: Comply with NFPA 262.

## 2.5 CONTROL-CIRCUIT CONDUCTORS

- A. Manufacturers: Subject to compliance with requirements, available manufacturers offering products that may be incorporated into the Work include, but are not limited to the following:
1. Encore Wire Corporation.
  2. General Cable; General Cable Corporation.
  3. Southwire Company.
- B. Class 1 Control Circuits: Stranded copper, Type THHN-2-THWN-2, in raceway, complying with UL 83.
- C. Class 2 Control Circuits: Stranded copper, Type THHN-2-THWN-2, in raceway, complying with UL 83.
- D. Class 3 Remote-Control and Signal Circuits: Stranded copper, Type THHN-2-THWN-2, in raceway, complying with UL 83.
- E. Class 2 Control Circuits and Class 3 Remote-Control and Signal Circuits That Supply Critical Circuits: Circuit Integrity (CI) cable.
1. Smoke control signaling and control circuits.

## 2.6 SOURCE QUALITY CONTROL

- A. Cable will be considered defective if it does not pass tests and inspections.
- B. Prepare test and inspection reports.

## PART 3 - EXECUTION

### 3.1 INSTALLATION OF RACEWAYS AND BOXES

- A. Comply with requirements in Section 260533 "Raceways and Boxes for Electrical Systems" for raceway selection and installation requirements for boxes, conduits, and wireways as supplemented or modified in this Section.
1. Outlet boxes shall be no smaller than 2 inches wide, 3 inches high and 2-1/2 inches deep.
  2. Flexible metal conduit shall not be used over 6'.

FIRE STATIONS RENOVATION  
ARLINGTON COUNTY, VIRGINIA  
Architect's Project No: 563006

---

- B. Backboards: Install backboards with 96-inch dimension vertical. Butt adjacent sheets tightly and form smooth gap-free corners and joints.

### 3.2 INSTALLATION OF CONDUCTORS AND CABLES

- A. Comply with NECA 1 and NFPA 70.

- B. General Requirements for Cabling:

1. Cables may not be spliced.
2. Secure and support cables at intervals not exceeding 30 inches and not more than 6 inches from cabinets, boxes, fittings, outlets, racks, frames, and terminals.
3. Do not install bruised, kinked, scored, deformed, or abraded cable. Do not splice cable between termination, tap, or junction points. Remove and discard cable if damaged during installation and replace it with new cable.
4. Cold-Weather Installation: Bring cable to room temperature before dereeling. Do not use heat lamps for heating.
5. Support: Do not allow cables to lay on removable ceiling tiles.
6. Secure: Fasten securely in place with hardware specifically designed and installed so as to not damage cables.

- C. Open-Cable Installation:

1. Install cabling with horizontal and vertical cable guides in telecommunications spaces with terminating hardware and interconnection equipment.
2. Suspend copper cable not in a wireway or pathway a minimum of 8 inches above ceilings by cable supports not more than 30 inches apart.
3. Cable shall not be run through or on structural members or in contact with pipes, ducts, or other potentially damaging items. Do not run cables between structural members and corrugated panels.

### 3.3 CONTROL-CIRCUIT CONDUCTORS

- A. Minimum Conductor Sizes:

1. Class 1 remote-control and signal circuits; No 14 AWG.
2. Class 2 low-energy, remote-control, and signal circuits; No. 16 AWG.
3. Class 3 low-energy, remote-control, alarm, and signal circuits; No 12 AWG.

### 3.4 FIRESTOPPING

- A. Comply with requirements in Section 078413 "Penetration Firestopping."

FIRE STATIONS RENOVATION  
ARLINGTON COUNTY, VIRGINIA  
Architect's Project No: 563006

---

3.5 GROUNDING

- A. For low-voltage control wiring and cabling, comply with requirements in Section 260526 "Grounding and Bonding for Electrical Systems."

3.6 IDENTIFICATION

- A. Comply with requirements for identification specified in Section 260553 "Identification for Electrical Systems."

3.7 FIELD QUALITY CONTROL

- A. Perform the following tests and inspections:
  - 1. Visually inspect cable placement, cable termination, grounding and bonding, equipment and patch cords, and labeling of all components.

END OF SECTION 260523

FIRE STATIONS RENOVATION  
ARLINGTON COUNTY, VIRGINIA  
Architect's Project No: 563006

---

SECTION 260526 - GROUNDING AND BONDING FOR ELECTRICAL SYSTEMS

PART 1 - GENERAL

1.1 RELATED DOCUMENTS

- A. Drawings and general provisions of the Contract, including General and Supplementary Conditions and Division 01 Specification Sections, apply to this Section.

1.2 SUMMARY

- A. Section includes grounding and bonding systems and equipment.

1.3 ACTION SUBMITTALS

- A. Product Data: For each type of product indicated.

1.4 INFORMATIONAL SUBMITTALS

- A. As-Built Data: Plans showing dimensioned as-built locations of grounding features specified in "Field Quality Control" Article, including the following:
  - 1. Test wells.
  - 2. Ground rods.
  - 3. Ground rings.
  - 4. Grounding arrangements and connections for separately derived systems.

- B. Field quality-control reports.

1.5 CLOSEOUT SUBMITTALS

- A. Operation and Maintenance Data: For grounding to include in emergency, operation, and maintenance manuals.
  - 1. In addition to items specified in Section 017823 "Operation and Maintenance Data," include the following:

1.6 QUALITY ASSURANCE

- A. Electrical Components, Devices, and Accessories: Listed and labeled as defined in NFPA 70, by a qualified testing agency, and marked for intended location and application.
- B. Comply with UL 467 for grounding and bonding materials and equipment.

FIRE STATIONS RENOVATION  
ARLINGTON COUNTY, VIRGINIA  
Architect's Project No: 563006

---

PART 2 - PRODUCTS

2.1 MANUFACTURERS

- A. Manufacturers: Subject to compliance with requirements, available manufacturers offering products that may be incorporated into the Work include, but are not limited to the following:
1. Burndy; Part of Hubbell Electrical Systems.
  2. ERICO International Corporation.
  3. Galvan Industries, Inc.; Electrical Products Division, LLC.
  4. ILSCO.
  5. O-Z/Gedney; an EGS Electrical Group brand; an Emerson Industrial Automation business.

2.2 SYSTEM DESCRIPTION

- A. Electrical Components, Devices, and Accessories: Listed and labeled as defined in NFPA 70, by a qualified testing agency, and marked for intended location and application.
- B. Comply with UL 467 for grounding and bonding materials and equipment.

2.3 CONDUCTORS

- A. Insulated Conductors: Copper wire or cable insulated for 600 V unless otherwise required by applicable Code or authorities having jurisdiction.
- B. Bare Copper Conductors:
1. Solid Conductors: ASTM B 3.
  2. Stranded Conductors: ASTM B 8.
  3. Tinned Conductors: ASTM B 33.
  4. Bonding Cable: 28 kcmil, 14 strands of No. 17 AWG conductor, 1/4 inch in diameter.
  5. Bonding Conductor: No. 4 AWG, stranded conductor.
  6. Bonding Jumper: Copper tape, braided conductors terminated with copper ferrules; 1-5/8 inches wide and 1/16 inch thick.
  7. Tinned Bonding Jumper: Tinned-copper tape, braided conductors terminated with copper ferrules; 1-5/8 inches wide and 1/16 inch thick.
- C. Telecommunication Grounding Bus: Refer to details on drawings

FIRE STATIONS RENOVATION  
ARLINGTON COUNTY, VIRGINIA  
Architect's Project No: 563006

---

2.4 CONNECTORS

- A. Listed and labeled by an NRTL acceptable to authorities having jurisdiction for applications in which used and for specific types, sizes, and combinations of conductors and other items connected.
- B. Bolted Connectors for Conductors and Pipes: Copper or copper alloy.
- C. Welded Connectors: Exothermic-welding kits of types recommended by kit manufacturer for materials being joined and installation conditions.
- D. Bus-Bar Connectors: Mechanical type, cast silicon bronze, solderless compression-type wire terminals, and long-barrel, two-bolt connection to ground bus bar.

2.5 GROUNDING ELECTRODES

- A. Ground Rods: Copper-clad steel; 3/4 inch by 10 feet.
- B. Chemical-Enhanced Grounding Electrodes: Copper tube, straight or L-shaped, charged with nonhazardous electrolytic chemical salts.
  - 1. Termination: Factory-attached No. 4/0 AWG bare conductor at least 48 inches long.
  - 2. Backfill Material: Electrode manufacturer's recommended material.

PART 3 - EXECUTION

3.1 APPLICATIONS

- A. Conductors: Install stranded conductors for No. 6 AWG and larger unless otherwise indicated.
- B. Underground Grounding Conductors: Install bare copper conductor, No. 2/0 AWG minimum.
  - 1. Bury at least 24 inches below grade.
  - 2. Ductbank Grounding Conductor: Bury 12 inches above ductbank when indicated as part of duct-bank installation..
- C. Telecommunication Grounding Bus: Install in MDF/IDF equipment rooms, in rooms housing service equipment, and elsewhere as indicated.
  - 1. Install bus horizontally, on insulated spacers 2 inches minimum from wall, 6 inches above finished floor unless otherwise indicated.
  - 2. Where indicated on both sides of doorways, route bus up to top of door frame, across top of doorway, and down; connect to horizontal bus.
- D. Conductor Terminations and Connections:

FIRE STATIONS RENOVATION  
ARLINGTON COUNTY, VIRGINIA  
Architect's Project No: 563006

---

1. Pipe and Equipment Grounding Conductor Terminations: Bolted connectors.
2. Underground Connections: Welded connectors except at test wells and as otherwise indicated.
3. Connections to Ground Rods at Test Wells: Bolted connectors.
4. Connections to Structural Steel: Welded connectors.

3.2 GROUNDING AT THE SERVICE

- A. Equipment grounding conductors and grounding electrode conductors shall be connected to the ground bus. Install a main bonding jumper between the neutral and ground buses.

3.3 GROUNDING SEPARATELY DERIVED SYSTEMS

- A. Generator: Install grounding electrode(s) at the generator location. The electrode shall be connected to the equipment grounding conductor and to the frame of the generator.

3.4 GROUNDING UNDERGROUND DISTRIBUTION SYSTEM COMPONENTS

- A. Comply with IEEE C2 grounding requirements.
- B. Grounding Manholes and Handholes: Install a driven ground rod through manhole or handhole floor, close to wall, and set rod depth so 4 inches will extend above finished floor. If necessary, install ground rod before manhole is placed and provide No. 1/0 AWG bare, tinned-copper conductor from ground rod into manhole through a waterproof sleeve in manhole wall. Protect ground rods passing through concrete floor with a double wrapping of pressure-sensitive insulating tape or heat-shrunk insulating sleeve from 2 inches above to 6 inches below concrete. Seal floor opening with waterproof, nonshrink grout.
- C. Grounding Connections to Manhole Components: Bond exposed-metal parts such as inserts, cable racks, pulling irons, ladders, and cable shields within each manhole or handhole, to ground rod or grounding conductor. Make connections with No. 4 AWG minimum, stranded, hard-drawn copper bonding conductor. Train conductors level or plumb around corners and fasten to manhole walls. Connect to cable armor and cable shields according to written instructions by manufacturer of splicing and termination kits.
- D. Pad mounted Transformers and Switches: Comply with AEP grounding Standards

3.5 EQUIPMENT GROUNDING

- A. Install insulated equipment grounding conductors with all feeders and branch circuits.
- B. Install insulated equipment grounding conductors with the following items, in addition to those required by NFPA 70:
  1. Feeders and branch circuits.



FIRE STATIONS RENOVATION  
ARLINGTON COUNTY, VIRGINIA  
Architect's Project No: 563006

---

2. Lighting circuits.
3. Receptacle circuits.
4. Single-phase motor and appliance branch circuits.
5. Three-phase motor and appliance branch circuits.
6. Flexible raceway runs.
7. Armored and metal-clad cable runs.

- C. Air-Duct Equipment Circuits: Install insulated equipment grounding conductor to duct-mounted electrical devices operating at 120 V and more, including air cleaners, heaters, dampers, humidifiers, and other duct electrical equipment. Bond conductor to each unit and to air duct and connected metallic piping.
- D. Water Heater, Heat-Tracing, and Antifrost Heating Cables: Install a separate insulated equipment grounding conductor to each electric water heater and heat-tracing cable. Bond conductor to heater units, piping, connected equipment, and components.
- E. Athletic Field Lighting Poles Supporting Lighting Fixtures: Install grounding electrode and a separate insulated equipment grounding conductor in addition to grounding conductor installed with branch-circuit conductors.

### 3.6 INSTALLATION

- A. Grounding Conductors: Route along shortest and straightest paths possible unless otherwise indicated or required by Code. Avoid obstructing access or placing conductors where they may be subjected to strain, impact, or damage.
- B. Ground Rods: Drive rods until tops are 2 inches below finished floor or final grade unless otherwise indicated.
1. Interconnect ground rods with grounding electrode conductor below grade and as otherwise indicated. Make connections without exposing steel or damaging coating if any.
  2. For grounding electrode system, install at least three rods spaced at least one-rod length from each other and located at least the same distance from other grounding electrodes, and connect to the service grounding electrode conductor.
- C. Test Wells: Ground rod driven through drilled hole in bottom of handhole. Handholes are specified in Section 260543 "Underground Ducts and Raceways for Electrical Systems," and shall be at least 12 inches deep, with cover.
1. Test Wells: Install at least one test well for each service unless otherwise indicated. Install at the ground rod electrically closest to service entrance. Set top of test well flush with finished grade or floor.
- D. Bonding Straps and Jumpers: Install in locations accessible for inspection and maintenance except where routed through short lengths of conduit.
1. Bonding to Structure: Bond straps directly to basic structure, taking care not to penetrate any adjacent parts.

FIRE STATIONS RENOVATION  
ARLINGTON COUNTY, VIRGINIA  
Architect's Project No: 563006

---

2. Bonding to Equipment Mounted on Vibration Isolation Hangers and Supports: Install bonding so vibration is not transmitted to rigidly mounted equipment.
3. Use exothermic-welded connectors for outdoor locations; if a disconnect-type connection is required, use a bolted clamp.

E. Grounding and Bonding for Piping:

1. Metal Water Service Pipe: Install insulated copper grounding conductors, in conduit, from building's main service equipment, or grounding bus, to main metal water service entrances to building. Connect grounding conductors to main metal water service pipes; use a bolted clamp connector or bolt a lug-type connector to a pipe flange by using one of the lug bolts of the flange. Where a dielectric main water fitting is installed, connect grounding conductor on street side of fitting. Bond metal grounding conductor conduit or sleeve to conductor at each end.
2. Water Meter Piping: Use braided-type bonding jumpers to electrically bypass water meters. Connect to pipe with a bolted connector.
3. Bond each aboveground portion of gas piping system downstream from equipment shutoff valve.

F. Bonding Interior Metal Ducts: Bond metal air ducts to equipment grounding conductors of associated fans, blowers, electric heaters, and air cleaners. Install bonding jumper to bond across flexible duct connections to achieve continuity.

G. Grounding for Steel Building Structure: Install a driven ground rod at base of each corner column and at intermediate exterior columns at distances not more than 60 feet apart.

I. Concrete-Encased Grounding Electrode (Ufer Ground): Fabricate according to NFPA 70; use a minimum of 20 feet of bare copper conductor not smaller than No. 4 AWG.

1. If concrete foundation is less than 20 feet long, coil excess conductor within base of foundation.
2. Bond grounding conductor to reinforcing steel in at least four locations and to anchor bolts. Extend grounding conductor below grade and connect to building's grounding grid or to grounding electrode external to concrete.

### 3.7 FIELD QUALITY CONTROL

A. Perform tests and inspections.

B. Tests and Inspections:

1. After installing grounding system but before permanent electrical circuits have been energized, test for compliance with requirements.
2. Inspect physical and mechanical condition. Verify tightness of accessible, bolted, electrical connections with a calibrated torque wrench according to manufacturer's written instructions.
3. Test completed grounding system at each location where a maximum ground-resistance level is specified, at service disconnect enclosure grounding terminal, at ground test wells. Make tests at ground rods before any conductors are connected.

FIRE STATIONS RENOVATION  
ARLINGTON COUNTY, VIRGINIA  
Architect's Project No: 563006

---

- a. Measure ground resistance no fewer than two full days after last trace of precipitation and without soil being moistened by any means other than natural drainage or seepage and without chemical treatment or other artificial means of reducing natural ground resistance.
  - b. Perform tests by fall-of-potential method according to IEEE 81.
4. Prepare dimensioned Drawings locating each test well, ground rod and ground-rod assembly, and other grounding electrodes. Identify each by letter in alphabetical order, and key to the record of tests and observations. Include the number of rods driven and their depth at each location, and include observations of weather and other phenomena that may affect test results. Describe measures taken to improve test results.
- C. Grounding system will be considered defective if it does not pass tests and inspections.
- D. Prepare test and inspection reports.
- E. Report measured ground resistances that exceed the following values:
1. Power and Lighting Equipment or System with Capacity More Than 1000 kVA: 3 ohms.
  2. Power Distribution Units or Panelboards Serving Electronic Equipment: 3 ohm(s).
  3. Substations and Pad-Mounted Equipment: 5 ohms.
  4. Manhole Grounds: 10 ohms.
- F. Excessive Ground Resistance: If resistance to ground exceeds specified values, notify Architect promptly and include recommendations to reduce ground resistance.

END OF SECTION 260526

FIRE STATIONS RENOVATION  
ARLINGTON COUNTY, VIRGINIA  
Architect's Project No: 563006

---

SECTION 260529 - HANGERS AND SUPPORTS FOR ELECTRICAL SYSTEMS

PART 1 - GENERAL

1.1 RELATED DOCUMENTS

- A. Drawings and general provisions of the Contract, including General and Supplementary Conditions and Division 01 Specification Sections, apply to this Section.

1.2 SUMMARY

- A. This Section includes the following:
  - 1. Hangers and supports for electrical equipment and systems.
  - 2. Construction requirements for concrete bases.

1.3 DEFINITIONS

- A. EMT: Electrical metallic tubing.
- B. IMC: Intermediate metal conduit.
- C. RMC: Rigid metal conduit.

1.4 PERFORMANCE REQUIREMENTS

- A. Design supports for multiple raceways capable of supporting combined weight of supported systems and its contents.
- B. Design equipment supports capable of supporting combined operating weight of supported equipment and connected systems and components.
- C. Rated Strength: Adequate in tension, shear, and pullout force to resist maximum loads calculated or imposed for this Project.

1.5 QUALITY ASSURANCE

- A. Welding: Qualify procedures and personnel according to AWS D1.1/D1.1M, "Structural Welding Code - Steel."
- B. Comply with NFPA 70.

FIRE STATIONS RENOVATION  
ARLINGTON COUNTY, VIRGINIA  
Architect's Project No: 563006

---

1.6 COORDINATION

- A. Coordinate size and location of concrete bases. Cast anchor-bolt inserts into bases. Concrete, reinforcement, and formwork requirements are specified together with concrete Specifications.
- B. Coordinate installation of roof curbs, equipment supports, and roof penetrations. These items are specified in Division 7.

PART 2 - PRODUCTS

2.1 SUPPORT, ANCHORAGE, AND ATTACHMENT COMPONENTS

- A. Steel Slotted Support Systems: Comply with MFMA-4, factory-fabricated components for field assembly.
  - 1. Manufacturers: Subject to compliance with requirements, available manufacturers offering products that may be incorporated into the Work include, but are not limited to the following:
    - a. Cooper B-Line, Inc.; a division of Cooper Industries.
    - b. ERICO International Corporation.
    - c. Thomas & Betts Corporation.
    - d. Unistrut; an Atkore International company.
  - 2. Metallic Coatings: Hot-dip galvanized after fabrication and applied according to MFMA-4.
  - 3. Channel Dimensions: Selected for applicable load criteria.
- B. Raceway and Cable Supports: As described in NECA 1 and NECA 101.
- C. Conduit and Cable Support Devices: Steel and malleable-iron hangers, clamps, and associated fittings, designed for types and sizes of raceway or cable to be supported.
- D. Support for Conductors in Vertical Conduit: Factory-fabricated assembly consisting of threaded body and insulating wedging plug or plugs for non-armored electrical conductors or cables in riser conduits. Plugs shall have number, size, and shape of conductor gripping pieces as required to suit individual conductors or cables supported. Body shall be malleable iron.
- E. Structural Steel for Fabricated Supports and Restraints: ASTM A 36/A 36M, steel plates, shapes, and bars; black and galvanized.
- F. Mounting, Anchoring, and Attachment Components: Items for fastening electrical items or their supports to building surfaces include the following:

FIRE STATIONS RENOVATION  
ARLINGTON COUNTY, VIRGINIA  
Architect's Project No: 563006

---

1. Powder-Actuated Fasteners: Threaded-steel stud, for use in hardened Portland cement concrete, steel, or wood, with tension, shear, and pullout capacities appropriate for supported loads and building materials where used.
  - a. Manufacturers: Subject to compliance with requirements, available manufacturers offering products that may be incorporated into the Work include, but are not limited to the following:
    - 1) Hilti, Inc.
    - 2) MKT Fastening, LLC.
    - 3) Simpson Strong-Tie Co., Inc.
2. Mechanical-Expansion Anchors: Insert-wedge-type, stainless steel, for use in hardened Portland cement concrete with tension, shear, and pullout capacities appropriate for supported loads and building materials in which used.
  - a. Manufacturers: Subject to compliance with requirements, available manufacturers offering products that may be incorporated into the Work include, but are not limited to the following:
    - 1) Cooper B-Line, Inc.; a division of Cooper Industries.
    - 2) Hilti, Inc.
    - 3) MKT Fastening, LLC.
3. Concrete Inserts: Steel or malleable-iron, slotted support system units similar to MSS Type 18; complying with MFMA-4 or MSS SP-58.
4. Clamps for Attachment to Steel Structural Elements: MSS SP-58, type suitable for attached structural element.
5. Through Bolts: Structural type, hex head, and high strength. Comply with ASTM A 325.
6. Toggle Bolts: All-steel springhead type.
7. Hanger Rods: Threaded steel.

## 2.2 FABRICATED METAL EQUIPMENT SUPPORT ASSEMBLIES

- A. Description: Welded or bolted, structural-steel shapes, shop or field fabricated to fit dimensions of supported equipment.
- B. Materials: Comply with requirements in Section 055000 "Metal Fabrications" for steel shapes and plates.

## PART 3 - EXECUTION

### 3.1 APPLICATION

- A. Comply with NECA 1 and NECA 101 for application of hangers and supports for electrical equipment and systems except if requirements in this Section are stricter.

FIRE STATIONS RENOVATION  
ARLINGTON COUNTY, VIRGINIA  
Architect's Project No: 563006

---

- B. Maximum Support Spacing and Minimum Hanger Rod Size for Raceway: Space supports for EMT, IMC, and RMC as required by NFPA 70. Minimum rod size shall be 1/4 inch in diameter.
- C. Multiple Raceways or Cables: Install trapeze-type supports fabricated with steel slotted support system, sized so capacity can be increased by at least 25 percent in future without exceeding specified design load limits.
  - 1. Secure raceways and cables to these supports with two-bolt conduit clamps.
- D. Spring-steel clamps designed for supporting single conduits without bolts may be used for 1-1/2-inch and smaller raceways serving branch circuits and communication systems above suspended ceilings and for fastening raceways to trapeze supports.

### 3.2 SUPPORT INSTALLATION

- A. Comply with NECA 1 and NECA 101 for installation requirements except as specified in this Article.
- B. Raceway Support Methods: In addition to methods described in NECA 1, EMT, IMC, and RMC may be supported by openings through structure members, as permitted in NFPA 70.
- C. Strength of Support Assemblies: Where not indicated, select sizes of components so strength will be adequate to carry present and future static loads within specified loading limits. Minimum static design load used for strength determination shall be weight of supported components plus 200 lb.
- D. Mounting and Anchorage of Surface-Mounted Equipment and Components: Anchor and fasten electrical items and their supports to building structural elements by the following methods unless otherwise indicated by code:
  - 1. To Wood: Fasten with lag screws or through bolts.
  - 2. To New Concrete: Bolt to concrete inserts.
  - 3. To Masonry: Approved toggle-type bolts on hollow masonry units and expansion anchor fasteners on solid masonry units.
  - 4. To Existing Concrete: Expansion anchor fasteners.
  - 5. Instead of expansion anchors, powder-actuated driven threaded studs provided with lock washers and nuts may be used in existing standard-weight concrete 4 inches thick or greater. Do not use for anchorage to lightweight-aggregate concrete or for slabs less than 4 inches thick.
  - 6. To Steel: Beam clamps (MSS Type 19, 21, 23, 25, or 27) complying with MSS SP-69.
  - 7. To Light Steel: Sheet metal screws.
  - 8. Items Mounted on Hollow Walls and Nonstructural Building Surfaces: Mount cabinets, panelboards, disconnect switches, control enclosures, pull and junction boxes, transformers, and other devices on slotted-channel racks attached to substrate.
- E. Drill holes for expansion anchors in concrete at locations and to depths that avoid reinforcing bars.

FIRE STATIONS RENOVATION  
ARLINGTON COUNTY, VIRGINIA  
Architect's Project No: 563006

---

3.3 INSTALLATION OF FABRICATED METAL SUPPORTS

- A. Comply with installation requirements in Section 055000 "Metal Fabrications" for site-fabricated metal supports.
- B. Cut, fit, and place miscellaneous metal supports accurately in location, alignment, and elevation to support and anchor electrical materials and equipment.
- C. Field Welding: Comply with AWS D1.1/D1.1M.

3.4 CONCRETE BASES

- A. Construct concrete bases of dimensions indicated but not less than 4 inches larger in both directions than supported unit, and so anchors will be a minimum of 10 bolt diameters from edge of the base.
- B. Anchor equipment to concrete base.
  - 1. Place and secure anchorage devices. Use supported equipment manufacturer's setting drawings, templates, diagrams, instructions, and directions furnished with items to be embedded.
  - 2. Install anchor bolts to elevations required for proper attachment to supported equipment.
  - 3. Install anchor bolts according to anchor-bolt manufacturer's written instructions.

3.5 PAINTING

- A. Touchup: Comply with requirements in Division 9 for cleaning and touchup painting of field welds, bolted connections, and abraded areas of shop paint on miscellaneous metal.
- B. Galvanized Surfaces: Clean welds, bolted connections, and abraded areas and apply galvanizing-repair paint to comply with ASTM A 780.

END OF SECTION 260529



FIRE STATIONS RENOVATION  
ARLINGTON COUNTY, VIRGINIA  
Architect's Project No: 563006

---

SECTION 260533 - RACEWAYS AND BOXES FOR ELECTRICAL SYSTEMS

PART 1 - GENERAL

1.1 RELATED DOCUMENTS

- A. Drawings and general provisions of the Contract, including General and Supplementary Conditions and Division 01 Specification Sections, apply to this Section.

1.2 SUMMARY

- A. Section Includes:
  - 1. Metal conduits, tubing, and fittings.
  - 2. Nonmetal conduits, tubing, and fittings.
  - 3. Metal wireways and auxiliary gutters.
  - 4. Surface raceways.
  - 5. Boxes, enclosures, and cabinets.
- B. Part 2 of this section includes material requirements for all raceways and boxes that may or may not be used on the project. Part 3 of this Section defines where a given type of product shall be or is permitted to be utilized.

1.3 DEFINITIONS

- A. ARC: Aluminum rigid conduit.
- B. GRC: Galvanized rigid steel conduit.
- C. IMC: Intermediate metal conduit.

1.4 ACTION SUBMITTALS

- A. Product Data: For surface raceways, wireways and fittings, floor boxes, hinged-cover enclosures, and cabinets.
- B. Shop Drawings: For custom enclosures and cabinets. Include plans, elevations, sections, and attachment details.

1.5 INFORMATIONAL SUBMITTALS

- A. Source quality-control reports.

FIRE STATIONS RENOVATION  
ARLINGTON COUNTY, VIRGINIA  
Architect's Project No: 563006

---

## PART 2 - PRODUCTS

### 2.1 METAL CONDUITS, TUBING, AND FITTINGS

- A. Manufacturers: Subject to compliance with requirements, available manufacturers offering products that may be incorporated into the Work include, but are not limited to the following:
1. Allied Tube & Conduit.
  2. O-Z/Gedney; an EGS Electrical Group brand; an Emerson Industrial Automation business.
  3. Robroy Industries.
  4. Thomas & Betts Corporation.
- B. Listing and Labeling: Metal conduits, tubing, and fittings shall be listed and labeled as defined in NFPA 70, by a qualified testing agency, and marked for intended location and application.
- C. GRC: Comply with ANSI C80.1 and UL 6.
- D. IMC: Comply with ANSI C80.6 and UL 1242.
- E. PVC-Coated Steel Conduit: PVC-coated rigid steel conduit.
1. Comply with NEMA RN 1.
  2. Coating Thickness: 0.040 inch, minimum.
- F. EMT: Comply with ANSI C80.3 and UL 797.
- G. FMC: Comply with UL 1; zinc-coated steel.
- H. LFMC: Flexible steel conduit with PVC jacket and complying with UL 360.
- I. Fittings for Metal Conduit: Comply with NEMA FB 1 and UL 514B.
1. Conduit Fittings for Hazardous (Classified) Locations: Comply with UL 886 and NFPA 70.
  2. Fittings for EMT:
    - a. Material: Steel.
    - b. Type: Setscrew or compression.
  3. Expansion Fittings: PVC or steel to match conduit type, complying with UL 651, rated for environmental conditions where installed, and including flexible external bonding jumper.
  4. Coating for Fittings for PVC-Coated Conduit: Minimum thickness of 0.040 inch, with overlapping sleeves protecting threaded joints.

FIRE STATIONS RENOVATION  
ARLINGTON COUNTY, VIRGINIA  
Architect's Project No: 563006

---

- J. Joint Compound for IMC, GRC, or ARC: Approved, as defined in NFPA 70, by authorities having jurisdiction for use in conduit assemblies, and compounded for use to lubricate and protect threaded conduit joints from corrosion and to enhance their conductivity.

## 2.2 NONMETALLIC CONDUITS, TUBING, AND FITTINGS

- A. Manufacturers: Subject to compliance with requirements, available manufacturers offering products that may be incorporated into the Work include, but are not limited to the following:
  - 1. AFC Cable Systems, Inc.
  - 2. Electri-Flex Company.
  - 3. RACO; Hubbell.
  - 4. Thomas & Betts Corporation.
- B. Listing and Labeling: Nonmetallic conduits, tubing, and fittings shall be listed and labeled as defined in NFPA 70, by a qualified testing agency, and marked for intended location and application.
- C. RNC: Type EPC-40-PVC, complying with NEMA TC 2 and UL 651 unless otherwise indicated.
- D. LFNC: Comply with UL 1660.
- E. Rigid HDPE: Comply with UL 651A.
- F. RTRC: Comply with UL 1684A and NEMA TC 14.
- G. Fittings for ENT and RNC: Comply with NEMA TC 3; match to conduit or tubing type and material.
- H. Fittings for LFNC: Comply with UL 514B.
- I. Solvent cements and adhesive primers shall have a VOC content of 510 and 550 g/L or less, respectively, when calculated according to 40 CFR 59, Subpart D (EPA Method 24).

## 2.3 METAL WIREWAYS AND AUXILIARY GUTTERS

- A. Manufacturers: Subject to compliance with requirements, available manufacturers offering products that may be incorporated into the Work include, but are not limited to the following:
  - 1. Cooper B-Line, Inc.; a division of Cooper Industries.
  - 2. Hoffman; a brand of Pentair Equipment Protection.
  - 3. Square D.
- B. Description: Sheet metal, complying with UL 870 and NEMA 250, Type 1 unless otherwise indicated, and sized according to NFPA 70.

FIRE STATIONS RENOVATION  
ARLINGTON COUNTY, VIRGINIA  
Architect's Project No: 563006

---

1. Metal wireways installed outdoors shall be listed and labeled as defined in NFPA 70, by a qualified testing agency, and marked for intended location and application.
- C. Fittings and Accessories: Include covers, couplings, offsets, elbows, expansion joints, adapters, hold-down straps, end caps, and other fittings to match and mate with wireways as required for complete system.
- D. Wireway Covers: Hinged type unless otherwise indicated.
- E. Finish: Manufacturer's standard enamel finish.

#### 2.4 BOXES, ENCLOSURES, AND CABINETS

- A. Manufacturers: Subject to compliance with requirements, available manufacturers offering products that may be incorporated into the Work include, but are not limited to the following:
  1. EGS/Appleton Electric.
  2. Erickson Electrical Equipment Company.
  3. Hoffman; a brand of Pentair Equipment Protection.
  4. Hubbell Incorporated.
  5. O-Z/Gedney; an EGS Electrical Group brand; an Emerson Industrial Automation business.
  6. RACO; Hubbell
  7. Wiremold / Legrand.
- B. General Requirements for Boxes, Enclosures, and Cabinets: Boxes, enclosures, and cabinets installed in wet locations shall be listed for use in wet locations.
- C. Sheet Metal Outlet and Device Boxes: Comply with NEMA OS 1 and UL 514A.
- D. Cast-Metal Outlet and Device Boxes: Comply with NEMA FB 1, aluminum, Type FD, with gasketed cover.
- E. Metal Floor Boxes:
  1. Material: Cast metal.
  2. Type: Fully adjustable.
  3. Shape: Rectangular.
  4. Listing and Labeling: Metal floor boxes shall be listed and labeled as defined in NFPA 70, by a qualified testing agency, and marked for intended location and application.
- F. Luminaire Outlet Boxes: Nonadjustable, designed for attachment of luminaire weighing 50 lb. Outlet boxes designed for attachment of luminaires weighing more than 50 lb shall be listed and marked for the maximum allowable weight.
- G. Small Sheet Metal Pull and Junction Boxes: NEMA OS 1.

FIRE STATIONS RENOVATION  
ARLINGTON COUNTY, VIRGINIA  
Architect's Project No: 563006

---

- H. Cast-Metal Access, Pull, and Junction Boxes: Comply with NEMA FB 1 and UL 1773, cast aluminum with gasketed cover.
- I. Box extensions used to accommodate new building finishes shall be of same material as recessed box.
- J. Device Box Dimensions: 4 inches square by 2-1/8 inches deep.
- K. Gangable boxes are allowed.
- L. Hinged-Cover Enclosures: Comply with UL 50 and NEMA 250, Type 3R with continuous-hinge cover with flush latch unless otherwise indicated.
  - 1. Metal Enclosures: Steel, finished inside and out with manufacturer's standard enamel.
  - 2. Interior Panels: Steel; all sides finished with manufacturer's standard enamel.
- M. Cabinets:
  - 1. NEMA 250, Type 12 galvanized-steel box with removable interior panel and removable front, finished inside and out with manufacturer's standard enamel.
  - 2. Hinged door in front cover with flush latch and concealed hinge.
  - 3. Key latch to match panelboards.
  - 4. Metal barriers to separate wiring of different systems and voltage.
  - 5. Accessory feet where required for freestanding equipment.
  - 6. Nonmetallic cabinets shall be listed and labeled as defined in NFPA 70, by a qualified testing agency, and marked for intended location and application.

## 2.5 FLOOR BOXES AND SERVICE FITTINGS

- A. Multi-service Floor Boxes: Basis of Design: Wiremold, RFB4 Series Floor Boxes.
  - 1. Floor boxes mounted on first floor grade shall be manufactured from cast-iron and be approved for use on grade and above grade floors. The box shall be 14 1/2" L x 11 7/8" W x 3 7/16" H. There shall be four independent wiring compartments that allow capacity for up to four duplex receptacles and/or communication services. The RFB4-CI-1 Series Box shall permit tunneling from adjacent or opposite compartments. Two of the four compartments shall have a minimum wiring capacity of 27 cu in., and two compartments shall have a minimum wiring capacity of 36 cu in.. The box shall provide the following number of conduit hubs: four 1" and four 1 1/4". The box shall be fully adjustable, providing a maximum of 1 7/8" pre-pour adjustment, and a maximum of 3/4" after-pour adjustment. Wiremold RFB4-CI-1.
  - 2. Floor boxes not on grade slab shall be manufactured from stamped-steel and be approved for use on above-grade floors. The box shall be 13 5/8" L x 10" W x 2 7/16" H. There shall be four independent wiring compartments that allow capacity for up to four duplex receptacles and/or communication services. The RFB4-SS Series Box shall permit feed through tunneling from adjacent compartments. Two of the four compartments shall have a minimum wiring capacity of 15.7 cu in., and two compartments shall have a minimum

**FIRE STATIONS RENOVATION  
ARLINGTON COUNTY, VIRGINIA  
Architect's Project No: 563006**

---

wiring capacity of 31.2 cu in.. The box shall provide the following number of conduit knockouts: two 1/2", six 3/4", and eight 1". The box shall be fully adjustable, providing a maximum of 1 7/8" pre-pour adjustment, and a maximum of 3/4" after-pour adjustment. Wiremold RFB4-SS.

3. Activation covers shall be manufactured of die-cast aluminum or die-cast zinc, and be available in a brushed aluminum finish, plated brass finish, or a powder-coated paint finish. The activation cover shall be listed by UL to meet the applicable U.S. and Canadian safety standards for scrub water exclusion when used on tile, terrazzo, wood, and carpet covered floors. The floor box manufacturer shall provide a complete line of faceplates and bezels to facilitate mounting of UTP, STP (150 ohm), fiber optic, coaxial, and communication devices within the box.
  4. Activation covers shall be available in flanged and flangeless versions of cast aluminum with aluminum, black, bronze, brass, nickel or gray finish. Covers shall be available with options for tile or carpet inserts, flush covers, or furniture feed. Flanged covers shall be 7 3/4" L x 6 9/16" W. Flangeless covers shall be 6 3/4" L x 5 9/16" W.
    - a. Unless indicated otherwise, provide the following cover configurations:
      - 1) Power/Telecom Outlets: Brushed aluminum flanged with blank lid flush with floor and NO carpet/tile cutouts.
      - 2) Furniture Floor Feed: Brushed aluminum flanged with 1" trade size screw plug opening and one combination 1 1/4" and 2" trade size screw plug openings.
- B. Single Service Floor boxes: Basis of Design: Wiremold, Omnibox Floor Boxes, One-, two- or three-gang floor boxes.**
1. Floor boxes mounted on first floor grade shall be manufactured from cast-iron and be approved for use on grade and above grade floors. Box interior and exterior shall be painted. Boxes shall be available in one-, two-, and three-gang configurations. All cast-iron versions shall provide 1 3/4" of pre-pour adjustment and 1/2" of post-pour adjustment. Minimum depth of deep boxes shall be 3 7/16". Overall box dimensions shall be as follows:
    - a. One-gang: 5 3/16" W x 4 3/8" L
    - b. Two-gang: 5 3/16" W x 8 1/2" L
    - c. Three-gang: 5 3/16" W x 12 1/2" L
  2. Floor boxes on the second floor and above shall be manufactured from stamped-steel and be approved for use on cast-in-place floors. Boxes shall be manufactured from stamped steel and formed. Boxes shall be available in one-, two-, or three-gang configurations. All stamped steel versions shall provide 1 3/4" of pre-pour adjustment and 1/2" of post-pour adjustment. Maximum depth of boxes shall be 2 15/32". Overall box dimensions shall be as follows:
    - a. One-gang: 4 13/16" W x 3 23/32" L
    - b. Two-gang: 4 13/16" W x 7 15/16" L
    - c. Three-gang: 4 13/16" W x 12" L
  3. All floor box options shall accept brass, brushed aluminum, and nonmetallic cover plates and flanges. Flanges for brass, brushed aluminum, and nonmetallic shall be available for

FIRE STATIONS RENOVATION  
ARLINGTON COUNTY, VIRGINIA  
Architect's Project No: 563006

---

one-, two-, or three-gang applications and install on the previously mentioned boxes. Each flange shall provide 1/2" of adjustment to accommodate various floor covering and concrete pour depths.

- a. All brass, brushed aluminum, and nonmetallic flanges shall be approved for use on carpet, tile, or wood covered floor applications. Brass and brushed aluminum flanges and cover plates shall have a buffed appearance and be protected with a lacquer finish. Nonmetallic flanges and cover plates shall be provided in a black, brown, or gray finish. Modular inserts shall snap directly into each flange through use of a mounting bezel.
- b. Brushed aluminum and nonmetallic cover plate options shall seat inside either the aluminum or nonmetallic flanges and be flush with the finished floor. Brushed aluminum and nonmetallic cover plate dimensions shall be 3.29" W x 4.310" L. Brass cover plate dimensions are 3.156" W x 4.182" L. Brass cover plates shall seat inside only brass flanges and be flush with the finished floor. All cover plate options shall provide for both power and communication services.

C. Wood Floor Boxes: Basis of Design: Wiremold, 880 Series Floor Boxes, one-, two- or three-gang floor boxes designed for wooden floors.

1. Boxes shall be available in one-, two-, or three-gang configurations. Boxes shall also be rectangular in shape. These boxes shall consist of a stamped steel body, applicable stamped steel barriers and stamped steel mounting brackets for flanges. All boxes shall have an overall depth of 3 7/16". All boxes shall provide a mounting mechanism to attach the floor box to the wood sub floor.
2. All floor box options shall accept brass, brushed aluminum, and nonmetallic cover plates and flanges. Flanges for brass, brushed aluminum, and nonmetallic shall be available for one-, two-, or three-gang applications and install on the previously mentioned boxes. Each flange shall provide 1/2" of adjustment to accommodate various floor covering and concrete pour depths.
3. All brass, brushed aluminum, and nonmetallic flanges shall be approved for use on wood covered floor applications. Brass and brushed aluminum flanges and cover plates shall have a buffed appearance and be protected with a lacquer finish. Nonmetallic flanges and cover plates shall be provided in a black, brown, or gray finish.
4. The floor box shall be warranted for one year from the date of final acceptance.

## PART 3 - EXECUTION

### 3.1 RACEWAY APPLICATION

- A. Outdoors: Apply raceway products as specified below unless otherwise indicated:
  1. Exposed Conduit: GRC.
  2. Concealed Conduit, Aboveground: GRC.
  3. Underground Conduit: Per section 260543.

FIRE STATIONS RENOVATION  
ARLINGTON COUNTY, VIRGINIA  
Architect's Project No: 563006

---

4. Connection to Vibrating Equipment (Including Transformers and Hydraulic, Pneumatic, Electric Solenoid, or Motor-Driven Equipment): LFMC.
  5. Boxes and Enclosures, Aboveground: NEMA 250, Type 3R.
- B. Indoors: Apply raceway products as specified below unless otherwise indicated:
1. Exposed, Not Subject to Physical Damage: EMT.
  2. Exposed, Not Subject to Severe Physical Damage: EMT.
  3. Exposed and Subject to Severe Physical Damage: GRC. Raceway locations include the following:
    - a. Loading dock.
    - b. Corridors used for traffic of mechanized carts, forklifts, and pallet-handling units.
    - c. Mechanical rooms, below 8'.
    - d. Gymnasiums.
  4. Concealed in Ceilings and Interior Walls and Partitions: EMT.
  5. Connection to Vibrating Equipment (Including Transformers and Hydraulic, Pneumatic, Electric Solenoid, or Motor-Driven Equipment): FMC, except use LFMC mechanical and Custodial spaces.
  6. Damp or Wet Locations: GRC.
  7. Boxes and Enclosures: NEMA 250, Type 1, except use NEMA 250, Type 4 stainless steel in kitchens and damp or wet locations.
- C. Minimum Raceway Size: 3/4-inch trade size.
- D. Raceway Fittings: Compatible with raceways and suitable for use and location.
1. Rigid and Intermediate Steel Conduit: Use threaded rigid steel conduit fittings unless otherwise indicated. Comply with NEMA FB 2.10.
  2. PVC Externally Coated, Rigid Steel Conduits: Use only fittings listed for use with this type of conduit. Patch and seal all joints, nicks, and scrapes in PVC coating after installing conduits and fittings. Use sealant recommended by fitting manufacturer and apply in thickness and number of coats recommended by manufacturer.
  3. EMT: Use setscrew or compression, steel fittings. Comply with NEMA FB 2.10.
  4. Flexible Conduit: Use only fittings listed for use with flexible conduit. Comply with NEMA FB 2.20.
- E. Install nonferrous conduit or tubing for circuits operating above 60 Hz. Where aluminum raceways are installed for such circuits and pass through concrete, install in nonmetallic sleeve.
- F. Do not install aluminum conduits, boxes, or fittings in contact with concrete or earth.
- G. surface raceways shall not be installed without prior approval of the Architect.
- H. Do not install nonmetallic conduit where ambient temperature exceeds 120 deg F.



FIRE STATIONS RENOVATION  
ARLINGTON COUNTY, VIRGINIA  
Architect's Project No: 563006

---

### 3.2 INSTALLATION

- A. Comply with NECA 1 and NECA 101 for installation requirements except where requirements on Drawings or in this article are stricter. Comply with NECA 102 for aluminum conduits. Comply with NFPA 70 limitations for types of raceways allowed in specific occupancies and number of floors.
- B. Keep raceways at least 6 inches away from parallel runs of flues and hot-water pipes. Install horizontal raceway runs above water and steam piping.
- C. Complete raceway installation before starting conductor installation.
- D. Comply with requirements in Section 260529 "Hangers and Supports for Electrical Systems" for hangers and supports.
- E. Arrange stub-ups so curved portions of bends are not visible above finished slab.
- F. Install no more than the equivalent of three 90-degree bends in any conduit run except for control wiring conduits, for which fewer bends are allowed. Support within 12 inches of changes in direction. Refer to Division 27 for conduit requirements for telecommunication wiring.
- G. Conceal conduit and EMT within finished walls, ceilings, and floors unless otherwise indicated. Install conduits parallel or perpendicular to building lines.
- H. All conduit to be installed on exterior masonry shall not run continuously within the wall cavity. Exposed conduit shall not be installed without prior approval of the Architect.
- I. Support conduit within 12 inches of enclosures to which attached.
- J. Raceways Embedded in Slabs:
  - 1. Are not permitted, except as required for entry into recessed floor boxes.
  - 2. Conduits run below slab on ground floor level shall be buried within the porous fill and stub-up at the required location. Transition from RNC to RGS with RGS elbow before rising above the floor. After RGS elbow, stub-up conduit shall be type indicated in Part 3.1 above.
  - 3. Where raceways are terminated with threaded hubs, screw raceways or fittings tightly into hub so end bears against wire protection shoulder. Where chase nipples are used, align raceways so coupling is square to box; tighten chase nipple so no threads are exposed.
  - 4. Do not embed threadless fittings in concrete.
  - 5. Change from ENT to GRC before rising above floor.
- K. Stub-ups to Above Recessed Ceilings:
  - 1. Use EMT, IMC, or RMC for raceways.

FIRE STATIONS RENOVATION  
ARLINGTON COUNTY, VIRGINIA  
Architect's Project No: 563006

---

2. Use a conduit bushing or insulated fitting to terminate stub-ups not terminated in hubs or in an enclosure. Refer to Division 27 for telecommunication conduit stub-up requirements.
- L. Threaded Conduit Joints, Exposed to Wet, Damp, Corrosive, or Outdoor Conditions: Apply listed compound to threads of raceway and fittings before making up joints. Follow compound manufacturer's written instructions.
- M. Coat field-cut threads on PVC-coated raceway with a corrosion-preventing conductive compound prior to assembly.
- N. Raceway Terminations at Locations Subject to Moisture or Vibration: Use insulating bushings to protect conductors.
- O. Terminate threaded conduits into insulated throat threaded hubs. Install bushings on conduits up to 1-1/4-inch trade size and insulated throat metal bushings on 1-1/2-inch trade size and larger. Install insulated throat metal grounding bushings on service conduits.
- P. Install raceways square to the enclosure and terminate at enclosures with locknuts. Install locknuts hand tight plus 1/4 turn more.
- Q. Do not rely on locknuts to penetrate nonconductive coatings on enclosures. Remove coatings in the locknut area prior to assembling conduit to enclosure to assure a continuous ground path.
- R. Cut conduit perpendicular to the length. For conduits 2-inch trade size and larger, use roll cutter or a guide to make cut straight and perpendicular to the length.
- S. Install pull wires in empty raceways. Use polypropylene or monofilament plastic line with not less than 200-lb tensile strength. Leave at least 12 inches of slack at each end of pull wire. Cap underground raceways designated as spare above grade alongside raceways in use.
- T. Surface Raceways:
  1. Install surface raceway with a minimum 2-inch radius control at bend points.
  2. Secure surface raceway with screws or other anchor-type devices at intervals not exceeding 48 inches and with no less than two supports per straight raceway section. Support surface raceway according to manufacturer's written instructions. Tape and glue are not acceptable support methods.
  3. Surface Raceways shall not be installed without prior approval outside of Mechanical or Electrical spaces
- U. Install raceway sealing fittings at accessible locations according to NFPA 70 and fill them with listed sealing compound. For concealed raceways, install each fitting in a flush steel box with a blank cover plate having a finish similar to that of adjacent plates or surfaces. Install raceway sealing fittings according to NFPA 70.
- V. Install devices to seal raceway interiors at accessible locations. Locate seals so no fittings or boxes are between the seal and the following changes of environments. Seal the interior of all raceways at the following points:

FIRE STATIONS RENOVATION  
ARLINGTON COUNTY, VIRGINIA  
Architect's Project No: 563006

---

1. Where conduits pass from warm to cold locations, such as boundaries of refrigerated spaces.
  2. Where an underground service raceway enters a building or structure.
  3. Where otherwise required by NFPA 70.
- W. Comply with manufacturer's written instructions for solvent welding RNC and fittings.
- X. Expansion-Joint Fittings:
1. Do not install ENT above ground.
  2. Install type and quantity of fittings that accommodate temperature change listed for each of the following locations:
    - a. Indoor Spaces Connected with Outdoors without Physical Separation: 125 deg F temperature change.
    - b. Attics: 135 deg F temperature change.
  3. Install fitting(s) that provide expansion and contraction for at least 0.00041 inch per foot of length of straight run per deg F of temperature change for PVC conduits. Install fitting(s) that provide expansion and contraction for at least 0.000078 inch per foot of length of straight run per deg F of temperature change for metal conduits.
  4. Install expansion fittings at all locations where conduits cross building or structure expansion joints.
  5. Install each expansion-joint fitting with position, mounting, and piston setting selected according to manufacturer's written instructions for conditions at specific location at time of installation. Install conduit supports to allow for expansion movement.
- Y. Flexible Conduit Connections: Comply with NEMA RV 3. Use a maximum of 72 inches of flexible conduit for recessed and semi-recessed luminaires, equipment subject to vibration, noise transmission, or movement; and for transformers and motors.
1. Use LFMC in damp or wet locations subject to severe physical damage.
  2. Use LFMC or LFNC in damp or wet locations not subject to severe physical damage.
- Z. Mount boxes at heights indicated on Drawings. If mounting heights of boxes are not individually indicated, give priority to ADA requirements and also refer to Architectural elevations. Install boxes with height measured to center of box unless otherwise indicated.
- AA. Recessed Boxes in Masonry Walls: Saw-cut opening for box in masonry block, and install box flush with surface of wall. Prepare block surfaces to provide a flat surface for a tight connection between box and cover plate or supported equipment and box.
- BB. Horizontally separate boxes mounted on opposite sides of walls so they are not in the same vertical channel.
- CC. Locate boxes so that cover or plate will not span different building finishes.
- DD. Support boxes of three gangs or more from more than one side by spanning two framing members or mounting on brackets specifically designed for the purpose.

FIRE STATIONS RENOVATION  
ARLINGTON COUNTY, VIRGINIA  
Architect's Project No: 563006

---

- EE. Fasten junction and pull boxes to or support from building structure. Do not support boxes by conduits.
- FF. Set metal floor boxes level and flush with finished floor surface.
- GG. Where communication outlets and data outlets are shown together on drawings, do not scale drawings to obtain distance between outlets. Locate outlets such that there is no more than 4" between receptacle outlet and communication outlet.

3.3 INSTALLATION OF UNDERGROUND CONDUIT

- A. See Section 260543.

3.4 SLEEVE AND SLEEVE-SEAL INSTALLATION FOR ELECTRICAL PENETRATIONS

- A. Install sleeves and sleeve seals at penetrations of exterior floor and wall assemblies. Comply with requirements in Section 260544 "Sleeves and Sleeve Seals for Electrical Raceways and Cabling."

3.5 FIRESTOPPING

- A. Install firestopping at penetrations of fire-rated floor and wall assemblies. Comply with requirements in Division 07.

3.6 PROTECTION

- A. Protect coatings, finishes, and cabinets from damage and deterioration.
  - 1. Repair damage to galvanized finishes with zinc-rich paint recommended by manufacturer.
  - 2. Repair damage to PVC coatings or paint finishes with matching touchup coating recommended by manufacturer.

END OF SECTION 260533

FIRE STATIONS RENOVATION  
ARLINGTON COUNTY, VIRGINIA  
Architect's Project No: 563006

---

SECTION 260553 - IDENTIFICATION FOR ELECTRICAL SYSTEMS

PART 1 - GENERAL

1.1 RELATED DOCUMENTS

- A. Drawings and general provisions of the Contract, including General and Supplementary Conditions and Division 01 Specification Sections, apply to this Section.

1.2 SUMMARY

- A. Section Includes:
  - 1. Identification for raceways.
  - 2. Identification of power and control cables.
  - 3. Identification for conductors.
  - 4. Underground-line warning tape.
  - 5. Warning labels and signs.
  - 6. Instruction signs.
  - 7. Equipment identification labels.
  - 8. Miscellaneous identification products.

1.3 ACTION SUBMITTALS

- A. Product Data: For each electrical identification product indicated.

1.4 QUALITY ASSURANCE

- A. Comply with ANSI A13.1 and IEEE C2.
- B. Comply with NFPA 70.
- C. Comply with 29 CFR 1910.144 and 29 CFR 1910.145.
- D. Comply with ANSI Z535.4 for safety signs and labels.

1.5 COORDINATION

- A. Coordinate identification names, abbreviations, colors, and other features with requirements in other Sections requiring identification applications, Drawings, Shop Drawings, manufacturer's wiring diagrams, and the Operation and Maintenance Manual; and with those required by codes, standards, and 29 CFR 1910.145. Use consistent designations throughout Project.

FIRE STATIONS RENOVATION  
ARLINGTON COUNTY, VIRGINIA  
Architect's Project No: 563006

---

- B. Coordinate installation of identifying devices with completion of covering and painting of surfaces where devices are to be applied.
- C. Coordinate installation of identifying devices with location of access panels and doors.
- D. Install identifying devices before installing acoustical ceilings and similar concealment.

## PART 2 - PRODUCTS

### 2.1 POWER AND CONTROL RACEWAY IDENTIFICATION MATERIALS

- A. Comply with ANSI A13.1 for minimum size of letters for legend and for minimum length of color field for each raceway size.
- B. Colors for Raceways Carrying Circuits at 600 V or Less:
  - 1. Black letters on an orange field.
  - 2. Legend: Indicate voltage and system or service type.
- C. Colors for Raceways Carrying Circuits at More Than 600 V:
  - 1. Black letters on an orange field.
  - 2. Legend: "DANGER CONCEALED HIGH VOLTAGE WIRING."
- D. Vinyl Labels for Raceways Carrying Circuits at 600 V or Less: Preprinted, flexible label laminated with a clear, weather- and chemical-resistant coating and matching wraparound clear adhesive tape for securing ends of legend label.

### 2.2 POWER AND CONTROL CABLE IDENTIFICATION MATERIALS

- A. Comply with ANSI A13.1 for minimum size of letters for legend and for minimum length of color field for each cable size.
- B. Vinyl Labels: Preprinted, flexible label laminated with a clear, weather- and chemical-resistant coating and matching wraparound clear adhesive tape for securing ends of legend label. Do not use Paper type labels.

### 2.3 FLOOR MARKING TAPE

- A. 2-inch- wide, 5-mil pressure-sensitive vinyl tape, with yellow and black stripes and clear vinyl overlay.

FIRE STATIONS RENOVATION  
ARLINGTON COUNTY, VIRGINIA  
Architect's Project No: 563006

---

2.4 UNDERGROUND-LINE WARNING TAPE

A. Tape:

1. Recommended by manufacturer for the method of installation and suitable to identify and locate underground electrical and communications utility lines.
2. Printing on tape shall be permanent and shall not be damaged by burial operations.
3. Tape material and ink shall be chemically inert, and not subject to degrading when exposed to acids, alkalis, and other destructive substances commonly found in soils.

B. Color and Printing:

1. Comply with ANSI Z535.1 through ANSI Z535.5.
2. Inscriptions for Red-Colored Tapes: ELECTRIC LINE, HIGH VOLTAGE,.
3. Inscriptions for Orange-Colored Tapes: TELEPHONE CABLE, CATV CABLE, COMMUNICATIONS CABLE, OPTICAL FIBER CABLE,.

C. Warning Tape:

1. Detectable three-layer laminate, consisting of a printed pigmented polyolefin film, a solid aluminum-foil core, and a clear protective film that allows inspection of the continuity of the conductive core, bright-colored, continuous-printed on one side with the inscription of the utility, compounded for direct-burial service.
2. Overall Thickness: 5 mils.
3. Foil Core Thickness: 0.35mil.
4. Weight: 28 lb/1000 sq. ft.
5. 3-Inch Tensile According to ASTM D 882: 70 lbf, and 4600 psi.

2.5 WARNING LABELS AND SIGNS

A. Comply with NFPA 70 and 29 CFR 1910.145.

B. Metal-Backed, Butyrate Warning Signs: Weather-resistant, nonfading, preprinted, cellulose-acetate butyrate signs with 0.0396-inch galvanized-steel backing; and with colors, legend, and size required for application. 1/4-inch grommets in corners for mounting. Nominal size, 10 by 14 inches.

1. Warning labels and signs shall include, but are not limited to, the following:
  - a. Multiple Power Source Warning: "DANGER - ELECTRICAL SHOCK HAZARD - EQUIPMENT HAS MULTIPLE POWER SOURCES."
  - b. Workspace Clearance Warning: "WARNING - OSHA REGULATION - AREA IN FRONT OF ELECTRICAL EQUIPMENT MUST BE KEPT CLEAR FOR 36 INCHES"
  - c. Arc Flash Hazard Warning: Refer to Section 260574 for requirements.

FIRE STATIONS RENOVATION  
ARLINGTON COUNTY, VIRGINIA  
Architect's Project No: 563006

---

2.6 INSTRUCTION SIGNS

- A. Engraved, laminated acrylic or melamine plastic, minimum 1/16 inch thick for signs up to 20 sq. inches and 1/8 inch thick for larger sizes.
  - 1. Engraved legend with black letters on white face.
  - 2. Punched or drilled for mechanical fasteners.
  - 3. Framed with mitered acrylic molding and arranged for attachment at applicable equipment.
- B. Adhesive Film Label: Do not use for Instructional Signs

2.7 EQUIPMENT IDENTIFICATION LABELS

- A. Engraved, Laminated Acrylic or Melamine Label: Punched or drilled for screw mounting. White letters on a dark-gray background. Minimum letter height shall be 3/8 inch.

2.8 CABLE TIES

- A. Plenum-Rated Cable Ties: Self extinguishing, UV stabilized, one piece, self locking.
  - 1. Minimum Width: 3/16 inch.
  - 2. Tensile Strength at 73 deg F, According to ASTM D 638: 7000 psi.
  - 3. UL 94 Flame Rating: 94V-0.
  - 4. Temperature Range: Minus 50 to plus 284 deg F.
  - 5. Color: Black.

2.9 MISCELLANEOUS IDENTIFICATION PRODUCTS

- A. Paint: Comply with requirements in painting Sections for paint materials and application requirements. Select paint system applicable for surface material and location (exterior or interior).
- B. Fasteners for Labels and Signs: Self-tapping, stainless-steel screws or stainless-steel machine screws with nuts and flat and lock washers.

PART 3 - EXECUTION

3.1 INSTALLATION

- A. Verify identity of each item before installing identification products.



FIRE STATIONS RENOVATION  
ARLINGTON COUNTY, VIRGINIA  
Architect's Project No: 563006

---

- B. Location: Install identification materials and devices at locations for most convenient viewing without interference with operation and maintenance of equipment.
- C. Apply identification devices to surfaces that require finish after completing finish work.
- D. Self-Adhesive Identification Products: Do not use
- E. Attach signs and plastic labels with mechanical fasteners appropriate to the location and substrate.
- F. System Identification Color-Coding Bands for Raceways and Cables: Each color-coding band shall completely encircle cable or conduit. Place adjacent bands of two-color markings in contact, side by side. Locate bands at changes in direction, at penetrations of walls and floors, at 50-foot maximum intervals in straight runs, and at 25-foot maximum intervals in congested areas.
- G. Aluminum Wraparound Marker Labels and Metal Tags: Secure tight to surface of conductor or cable at a location with high visibility and accessibility.
- H. Cable Ties: For attaching tags. Use Plenum rated, except as listed below:
  - 1. Outdoors: UV-stabilized nylon.
- I. Underground-Line Warning Tape: During backfilling of trenches install continuous underground-line warning tape directly above line at 6 to 8 inches below finished grade. Use multiple tapes where width of multiple lines installed in a common trench or concrete envelope exceeds 16 inches overall.
- J. Painted Identification: Comply with requirements in painting Sections for surface preparation and paint application.

### 3.2 IDENTIFICATION SCHEDULE

- A. Accessible Raceways 600 V or Less, for Service, Feeder, and Branch Circuits: Identify with self-adhesive vinyl label. Install labels at 10-foot maximum intervals.
- B. Accessible Raceways and Cables within Buildings: Identify the covers of each junction and pull box of the following systems with self-adhesive vinyl labels with the wiring system legend and system voltage. System legends shall be as follows:
  - 1. Emergency Power.
  - 2. Standby Power
  - 3. Power.
- C. Power-Circuit Conductor Identification, 600 V or Less: For conductors in vaults, pull and junction boxes, manholes, and handholes, use color-coding conductor tape to identify the phase.

FIRE STATIONS RENOVATION  
ARLINGTON COUNTY, VIRGINIA  
Architect's Project No: 563006

---

1. Color-Coding for Phase and Voltage Level Identification, 600 V or Less: Use colors listed below for ungrounded service feeder and branch-circuit conductors.
  - a. Color shall be factory applied or field applied for sizes larger than No. 8 AWG, if authorities having jurisdiction permit.
  - b. Colors for 208/120-V Circuits:
    - 1) Phase A: Black.
    - 2) Phase B: Red.
    - 3) Phase C: Blue.
    - 4) Grounded (Neutral): White.
    - 5) Ground: Green.
  - c. Colors for 480/277-V Circuits:
    - 1) Phase A: Brown.
    - 2) Phase B: Orange.
    - 3) Phase C: Yellow.
    - 4) Grounded (Neutral): Gray.
    - 5) Ground: Green.
  - d. Field-Applied, Color-Coding Conductor Tape: Apply in half-lapped turns for a minimum distance of 6 inches from terminal points and in boxes where splices or taps are made. Apply last two turns of tape with no tension to prevent possible unwinding. Locate bands to avoid obscuring factory cable markings.
- D. Install instructional sign including the color-code for grounded and ungrounded conductors using adhesive-film-type labels.
- E. Control-Circuit Conductor Identification: For conductors and cables in pull and junction boxes, manholes, and handholes, use self-adhesive, self-laminating polyester labels with the conductor or cable designation, origin, and destination.
- F. Control-Circuit Conductor Termination Identification: For identification at terminations provide heat-shrink preprinted tubes or self-adhesive, self-laminating polyester labels with the conductor designation.
- G. Conductors to Be Extended in the Future: Attach marker tape to conductors and list source.
- H. Auxiliary Electrical Systems Conductor Identification: Identify field-installed alarm, control, and signal connections.
  1. Identify conductors, cables, and terminals in enclosures and at junctions, terminals, and pull points. Identify by system and circuit designation.
  2. Use system of marker tape designations that is uniform and consistent with system used by manufacturer for factory-installed connections.
  3. Coordinate identification with Project Drawings, manufacturer's wiring diagrams, and the Operation and Maintenance Manual.

FIRE STATIONS RENOVATION  
ARLINGTON COUNTY, VIRGINIA  
Architect's Project No: 563006

---

- I. Locations of Underground Lines: Identify with underground-line warning tape for power, lighting, communication, and control wiring and optical fiber cable.
1. Limit use of underground-line warning tape to direct-buried cables.
  2. Install underground-line warning tape for both direct-buried cables and cables in raceway.
- J. Workspace Indication: Install floor marking tape to show working clearances in the direction of access to live parts. Workspace shall be as required by NFPA 70 and 29 CFR 1926.403 unless otherwise indicated. Do not install at flush-mounted panelboards and similar equipment in finished spaces unless otherwise noted.
- K. Warning Labels for Indoor Cabinets, Boxes, and Enclosures for Power and Lighting:
1. Comply with 29 CFR 1910.145.
  2. Identify system voltage with black letters on an orange background.
  3. Apply to exterior of door, cover, or other access.
  4. For equipment with multiple power or control sources, apply to door or cover of equipment including, but not limited to, the following:
    - a. Power transfer switches.
    - b. Controls with external control power connections.
- L. Operating Instruction Signs: Install instruction signs to facilitate proper operation and maintenance of electrical systems and items to which they connect. Install instruction signs with approved legend where instructions are needed for system or equipment operation including but not limited to:
1. Athletic lighting control equipment
  2. Gymnasium lighting control equipment
  3. Transfer switches
  4. Switches associated with bypass of contactors for lighting.
  5. Sound systems
  6. Theatrical Lighting
  7. Common Area/Corridor master lighting control
- M. Emergency Operating Instruction Signs: Install instruction signs with white legend on a red background with minimum 3/8-inch- high letters for emergency instructions at equipment used for power transfer and load shedding.
- N. Equipment Identification Labels: On each unit of equipment, install unique designation label that is consistent with wiring diagrams, schedules, and the Operation and Maintenance Manual. Apply labels to disconnect switches and protection equipment, central or master units, control panels, control stations, terminal cabinets, and racks of each system. Systems include power, lighting, control, communication, signal, monitoring, and alarm systems unless equipment is provided with its own identification.
1. Labeling Instructions:

FIRE STATIONS RENOVATION  
ARLINGTON COUNTY, VIRGINIA  
Architect's Project No: 563006

---

- a. Indoor Equipment: Engraved, laminated acrylic or melamine label. Unless otherwise indicated, provide a single line of text with 1/2-inch- high letters on 1-1/2-inch- high label; where two lines of text are required, use labels 2 inches high.
  - b. Outdoor Equipment: Engraved, laminated acrylic or melamine label.
  - c. Elevated Components: Increase sizes of labels and letters to those appropriate for viewing from the floor.
  - d. Fasten labels with appropriate mechanical fasteners that do not change the NEMA or NRTL rating of the enclosure.
2. Equipment to Be Labeled:
- a. Panelboards: Type written directory of circuits in the location provided by panelboard manufacturer. Panelboard identification shall be laminated acrylic or melamine label.
  - b. Enclosures and electrical cabinets.
  - c. Access doors and panels for concealed electrical items.
  - d. Switchboards.
  - e. Transformers: Label that includes tag designation shown on Drawings for the transformer, feeder, and panelboards or equipment supplied by the secondary.
  - f. Emergency system boxes and enclosures.
  - g. Enclosed switches.
  - h. Enclosed circuit breakers.
  - i. Enclosed controllers.
  - j. Variable-speed controllers.
  - k. Push-button stations.
  - l. Power transfer equipment.
  - m. Contactors.
  - n. Remote-controlled switches, dimmer modules, and control devices.
  - o. Power-generating units.
  - p. Monitoring and control equipment.

O. RISER DIAGRAMS

1. Provide full size laminated as-built riser diagram of electrical system. Mount on wall in main electrical room.
2. Provide full size laminated as-built risers of all vertical cabling of communications systems in the main data room and each IDF closet.

END OF SECTION 260553

FIRE STATIONS RENOVATION  
ARLINGTON COUNTY, VIRGINIA  
Architect's Project No: 563006

---

SECTION 260923 - LIGHTING CONTROL DEVICES

PART 1 - GENERAL

1.1 RELATED DOCUMENTS

- A. Drawings and general provisions of the Contract, including General and Supplementary Conditions and Division 01 Specification Sections, apply to this Section.

1.2 SUMMARY

- A. Section Includes:
  - 1. Time switches.
  - 2. Photoelectric switches.
  - 3. Indoor occupancy sensors.
  - 4. Lighting contactors.
  - 5. Emergency shunt relays.

1.3 ACTION SUBMITTALS

- A. Product Data: For each type of product.
- B. Shop Drawings: Show installation details for occupancy and light-level sensors.
  - 1. Interconnection diagrams showing field-installed wiring.
  - 2. Include diagrams for power, signal, and control wiring.

1.4 INFORMATIONAL SUBMITTALS

- A. Field quality-control reports.

1.5 CLOSEOUT SUBMITTALS

- A. Operation and Maintenance Data: For each type of lighting control device to include in emergency, operation, and maintenance manuals.

FIRE STATIONS RENOVATION  
ARLINGTON COUNTY, VIRGINIA  
Architect's Project No: 563006

---

PART 2 - PRODUCTS

2.1 TIME SWITCHES

- A. Manufacturers: Subject to compliance with requirements, available manufacturers offering products that may be incorporated into the Work include, but are not limited to the following:
1. Cooper Industries, Inc.
  2. Intermatic, Inc.
  3. Leviton Manufacturing Co., Inc.
  4. NSi Industries LLC.
- B. Basis of Design: Tork EWZ101

2.2 OUTDOOR PHOTOELECTRIC SWITCHES

- A. Manufacturers: Subject to compliance with requirements, available manufacturers offering products that may be incorporated into the Work include, but are not limited to the following:
1. Cooper Industries, Inc.
  2. Intermatic, Inc.
  3. NSi Industries LLC.
  4. Tyco Electronics.
- B. Description: Solid state, with SPST dry contacts rated for 1800-VA tungsten or 1000-VA inductive, to operate connected relay, contactor coils, or microprocessor input; complying with UL 773A.
1. Listed and labeled as defined in NFPA 70, by a qualified testing agency, and marked for intended location and application.
  2. Light-Level Monitoring Range: 1.5 to 10 fc, with an adjustment for turn-on and turn-off levels within that range, and a directional lens in front of the photocell to prevent fixed light sources from causing turn-off.
  3. Time Delay: Fifteen second minimum, to prevent false operation.
  4. Surge Protection: Metal-oxide varistor.
  5. Mounting: Twist lock complies with NEMA C136.10, with base-and-stem mounting or stem-and-swivel mounting accessories as required to direct sensor to the north sky exposure.

2.3 INDOOR OCCUPANCY SENSORS

- A. Manufacturers: Subject to compliance with requirements, available manufacturers offering products that may be incorporated into the Work include, but are not limited to the following:
1. Hubbell Building Automation, Inc.

FIRE STATIONS RENOVATION  
ARLINGTON COUNTY, VIRGINIA  
Architect's Project No: 563006

---

2. Leviton Manufacturing Co., Inc.
  3. Lutron Electronics Co., Inc.
  4. Sensor Switch, Inc.
  5. Watt Stopper.
- B. General Requirements for Sensors: Wall- or ceiling-mounted, solid-state indoor occupancy sensors with a separate power pack.
1. Listed and labeled as defined in NFPA 70, by a qualified testing agency, and marked for intended location and application.
  2. Operation: Unless otherwise indicated, turn lights on when coverage area is occupied, and turn them off when unoccupied; with a time delay for turning lights off, adjustable over a minimum range of 1 to 15 minutes.
  3. Sensor Output: Contacts rated to operate the connected relay, complying with UL 773A. Sensor is powered from the power pack.
  4. Power Pack: Dry contacts rated for 20-A ballast load at 120- and 277-V ac, for 13-A tungsten at 120-V ac, and for 1 hp at 120-V ac. Sensor has 24-V dc, 150-mA, Class 2 power source, as defined by NFPA 70.
  5. Mounting:
    - a. Sensor: Suitable for mounting in any position on a standard outlet box.
    - b. Relay: Externally mounted through a 1/2-inch knockout in a standard electrical enclosure.
    - c. Time-Delay and Sensitivity Adjustments: Recessed and concealed behind hinged door.
  6. Indicator: Digital display, to show when motion is detected during testing and normal operation of sensor.
  7. Bypass Switch: Override the "on" function in case of sensor failure.
  8. Automatic Light-Level Sensor: Adjustable from 2 to 200 fc; turn lights off when selected lighting level is present.
- C. Ultrasonic Type: Ceiling mounted; detect occupants in coverage area through pattern changes of reflected ultrasonic energy. Basis of Design Wattstopper WT 2255
1. Detector Sensitivity: Detect a person of average size and weight moving not less than 12 inches in either a horizontal or a vertical manner at an approximate speed of 12 inches/s. Detection Coverage (Corridor): Detect occupancy anywhere within 90 feet when mounted on a 10-foot- high ceiling in a corridor not wider than 14 feet.
- D. Dual-Technology Type: Wattstopper Ceiling mounted; detect occupants in coverage area using PIR and ultrasonic detection methods. The particular technology or combination of technologies that control on-off functions is selectable in the field by operating controls on unit.
1. Sensitivity Adjustment: Separate for each sensing technology.
  2. Detector Sensitivity: Detect occurrences of 6-inch- minimum movement of any portion of a human body that presents a target of not less than 36 sq. in., and detect a person of average size and weight moving not less than 12 inches in either a horizontal or a vertical manner at an approximate speed of 12 inches/s.
  3. Detection Coverage:

FIRE STATIONS RENOVATION  
ARLINGTON COUNTY, VIRGINIA  
Architect's Project No: 563006

---

- a. **Standard Height Units:(WattStopper DT-355 Basis of design)** In areas that have ceiling heights of 12 feet or lower, provide Watt Stopper unit DT-300 (or approved equal): Detect occupancy anywhere within a circular area up to 2000 square feet. Detectors shall be networkable to allow coverage of larger or irregularly shaped areas.
- b. **High Ceiling Units:(WattStopper HB3x0 Basis of design)** In areas that have ceiling/mounting height over 12 feet up to 40 foot mounting including but not limited to Gymnasium, Auditorium, Cafeteria (commons) and forum spaces, provide Watt Stopper unit HB3x0 with L4 lens, or approved equal. Detect occupancy anywhere within a circular area up to 3500 square feet. Detectors shall be networkable to allow coverage of larger or irregularly shaped areas.

#### 2.4 SWITCHBOX-MOUNTED OCCUPANCY SENSORS

- A. **Manufacturers:** Subject to compliance with requirements, available manufacturers offering products that may be incorporated into the Work include, but are not limited to the following:
  1. Hubbell Building Automation, Inc.
  2. Leviton Manufacturing Co., Inc.
  3. Lutron Electronics Co., Inc.
  4. Sensor Switch, Inc.
  5. Watt Stopper.
- B. **General Requirements for Sensors:** Automatic-wall-switch occupancy sensor, suitable for mounting in a single gang switchbox.
  1. Listed and labeled as defined in NFPA 70, by a qualified testing agency, and marked for intended location and application.
  2. **Operating Ambient Conditions:** Dry interior conditions, 32 to 120 deg F.
- C. **Wall-Switch Sensor Tag OS Wattstopper DW-100(basis of design):**
  1. **Standard Range:** 180-degree field of view, field adjustable from 180 to 40 degrees; with a minimum coverage area of 900 sq. ft..
  2. **Sensing Technology:** Dual technology - PIR and ultrasonic.
  3. **Switch Type:** SP, field selectable automatic "on," or manual "on" automatic "off."
  4. **Voltage:** Dual voltage, 120 and 277 V; dual-technology type.
  5. **Ambient-Light Override:** Concealed, field-adjustable, light-level sensor from 10 to 150 fc. The switch prevents the lights from turning on when the light level is higher than the set point of the sensor.
  6. Concealed, field-adjustable, "off" time-delay selector at up to 30 minutes.
  7. **Adaptive Technology:** Self-adjusting circuitry detects and memorizes usage patterns of the space and helps eliminate false "off" switching.

#### 2.5 LIGHTING CONTACTORS

- A. **Manufacturers:** Subject to compliance with requirements, available manufacturers offering products that may be incorporated into the Work include, but are not limited to the following:



FIRE STATIONS RENOVATION  
ARLINGTON COUNTY, VIRGINIA  
Architect's Project No: 563006

---

1. Allen-Bradley/Rockwell Automation.
2. ASCO Power Technologies, LP.
3. Eaton corp
4. Square D.
5. Siemens

- B. Description: Electrically operated and mechanically held, combination-type lighting contactors with nonfused disconnect, and Hand off auto switch complying with NEMA ICS 2 and UL 508.
1. Fault Current Withstand Rating: Equal to or exceeding the available fault current at the point of installation.
  2. Enclosure: Comply with NEMA 250.
  3. Provide with control and pilot devices as indicated on Drawings, matching the NEMA type specified for the enclosure.

## 2.6 EMERGENCY POWER DIMMER CONTROL

- A. Manufacturers: Subject to compliance with requirements, available manufacturers offering products that may be incorporated into the Work include, but are not limited to the following:
1. LVS Model EPC-1-D
  2. Non-Dimming Bodine GTD

## PART 3 - EXECUTION

### 3.1 SENSOR INSTALLATION

- A. Coordinate layout and installation of ceiling-mounted devices with other construction that penetrates ceilings or is supported by them, including light fixtures, HVAC equipment, smoke detectors, fire-suppression systems, and partition assemblies.
- B. Install and aim sensors in locations to achieve not less than 90 percent coverage of areas indicated. Do not exceed coverage limits specified in manufacturer's written instructions.
- C. Provide types in locations according to list below
1. Corridors – Wattstopper WT-2255
  2. Classrooms – Wattstopper DT-355
  3. Classrooms (wireless indicated) Complete Radio Powr Savr system for two zone, 0-10v dimming and wall mounted occupancy detection. Provide three (3) PJ2-2BRL-WG-LO1 with wall mount. Program 1 switch for all on/off program two switches on/off/raise/lower for each zone.
  4. High ceiling areas Wattstopper H3x0-lx as required for application.

FIRE STATIONS RENOVATION  
ARLINGTON COUNTY, VIRGINIA  
Architect's Project No: 563006

---

3.2 CONTACTOR INSTALLATION

- A. Mount electrically held lighting contactors with elastomeric isolator pads to eliminate structure-borne vibration, unless contactors are installed in an enclosure with factory-installed vibration isolators.

3.3 WIRING INSTALLATION

- A. Wiring Method: Comply with Section 260519 "Low-Voltage Electrical Power Conductors and Cables." Minimum conduit size is 1/2 inch.
- B. Wiring within Enclosures: Comply with NECA 1. Separate power-limited and non-power-limited conductors according to conductor manufacturer's written instructions.
- C. Size conductors according to lighting control device manufacturer's written instructions unless otherwise indicated.
- D. Splices, Taps, and Terminations: Make connections only on numbered terminal strips in junction, pull, and outlet boxes; terminal cabinets; and equipment enclosures.

3.4 IDENTIFICATION

- A. Identify components and power and control wiring according to Section 260553 "Identification for Electrical Systems."
  - 1. Identify controlled circuits in lighting contactors.
  - 2. Identify circuits or luminaries controlled by photoelectric and occupancy sensors at each sensor.
- B. Label time switches and contactors with a unique designation.

3.5 FIELD QUALITY CONTROL

- A. Perform the following tests and inspections:
  - 1. Operational Test: After installing time switches and sensors, and after electrical circuitry has been energized, start units to confirm proper unit operation.
  - 2. Test and adjust controls and safeties. Replace damaged and malfunctioning controls and equipment.
- B. Lighting control devices will be considered defective if they do not pass tests and inspections.
- C. Prepare test and inspection reports.

FIRE STATIONS RENOVATION  
ARLINGTON COUNTY, VIRGINIA  
Architect's Project No: 563006

---

3.6 ADJUSTING

- A. Occupancy Adjustments: When requested within 12 months from date of Substantial Completion, provide on-site assistance in adjusting sensors to suit actual occupied conditions. Provide up to four visits to Project during other-than-normal occupancy hours for this purpose.
  - 1. For occupancy and motion sensors, verify operation at outer limits of detector range. Set time delay to suit Owner's operations.
  - 2. For daylighting controls, adjust set points and deadband controls to suit Owner's operations.
  - 3. Align high-bay occupancy sensors using manufacturer's laser aiming tool.

3.7 DEMONSTRATION

- A. Coordinate demonstration of products specified in this Section with demonstration requirements for low-voltage, programmable lighting control systems specified.
- B. Train Owner's maintenance personnel to adjust, operate, and maintain lighting control devices.

END OF SECTION 260923

FIRE STATIONS RENOVATION  
ARLINGTON COUNTY, VIRGINIA  
Architect's Project No: 563006

---

SECTION 262726 - WIRING DEVICES

PART 1 - GENERAL

1.1 RELATED DOCUMENTS

- A. Drawings and general provisions of the Contract, including General and Supplementary Conditions and Division 01 Specification Sections, apply to this Section.

1.2 SUMMARY

A. Section Includes:

1. Receptacles, receptacles with integral GFCI, and associated device plates.
2. Twist-locking receptacles.
3. Tamper-resistant receptacles.
4. Weather-resistant receptacles.
5. Snap switches and wall-box dimmers.
6. Pendant cord-connector devices.
7. Cord and plug sets.
8. Poke-through assemblies

1.3 DEFINITIONS

- A. EMI: Electromagnetic interference.
- B. GFCI: Ground-fault circuit interrupter.
- C. Pigtail: Short lead used to connect a device to a branch-circuit conductor.
- D. RFI: Radio-frequency interference.

1.4 ADMINISTRATIVE REQUIREMENTS

A. Coordination:

1. Receptacles for Owner-Furnished Equipment: Match plug configurations.
2. Cord and Plug Sets: Match equipment requirements.

1.5 ACTION SUBMITTALS

- A. Product Data: For each type of product.

FIRE STATIONS RENOVATION  
ARLINGTON COUNTY, VIRGINIA  
Architect's Project No: 563006

---

- B. Shop Drawings: List of legends and description of materials and process used for pre-marking wall plates.

1.6 INFORMATIONAL SUBMITTALS

- A. Field quality-control reports.

1.7 CLOSEOUT SUBMITTALS

- A. Operation and Maintenance Data: For wiring devices to include in all manufacturers' packing-label warnings and instruction manuals that include labeling conditions.

PART 2 - PRODUCTS

2.1 MANUFACTURERS

- A. Source Limitations: Obtain each type of wiring device and associated wall plate from single source from single manufacturer.

2.2 GENERAL WIRING-DEVICE REQUIREMENTS

- A. Wiring Devices, Components, and Accessories: Listed and labeled as defined in NFPA 70, by a qualified testing agency, and marked for intended location and application.
- B. Comply with NFPA 70.

2.3 STRAIGHT-BLADE RECEPTACLES

- A. Convenience Receptacles, 125 V, 20 A: Comply with NEMA WD 1, NEMA WD 6 Configuration 5-20R, UL 498, and FS W-C-596.
  - 1. Manufacturers: Subject to compliance with requirements, available manufacturers offering products that may be incorporated into the Work include, but are not limited to the following:
    - a. Cooper Wiring Devices, Inc.
    - b. Hubbell.
    - c. Leviton Manufacturing Co., Inc.
    - d. Pass & Seymour/Legrand (Pass & Seymour).
- B. Tamper-Resistant Convenience Receptacles, 125 V, 20 A: Comply with NEMA WD 1, NEMA WD 6 Configuration 5-20R, UL 498 Supplement sd, and FS W-C-596.

FIRE STATIONS RENOVATION  
ARLINGTON COUNTY, VIRGINIA  
Architect's Project No: 563006

---

1. Manufacturers: Subject to compliance with requirements, available manufacturers offering products that may be incorporated into the Work include, but are not limited to the following:
  - a. Cooper Wiring Devices, Inc.
  - b. Hubbell Premise Wiring.
  - c. Leviton Manufacturing Co., Inc.
  - d. Pass & Seymour/Legrand (Pass & Seymour).
2. Description: Labeled shall comply with NFPA 70, "Health Care Facilities" Article, "Pediatric Locations" Section.

#### 2.4 GFCI RECEPTACLES

##### A. General Description:

1. Straight blade, non-feed-through type.
2. Comply with NEMA WD 1, NEMA WD 6, UL 498, UL 943 Class A, and FS W-C-596.
3. Include indicator light that shows when the GFCI has malfunctioned and no longer provides proper GFCI protection.

##### B. Duplex GFCI Convenience Receptacles, 125 V, 20 A:

1. Manufacturers: Subject to compliance with requirements, available manufacturers offering products that may be incorporated into the Work include, but are not limited to the following:
  - a. Cooper Wiring Devices, Inc.
  - b. Hubbell.
  - c. Leviton Manufacturing Co., Inc.
  - d. Pass & Seymour/Legrand (Pass & Seymour).

#### 2.5 HAZARDOUS (CLASSIFIED) LOCATION RECEPTACLES

##### A. Wiring Devices for Hazardous (Classified) Locations: Comply with NEMA FB 11 and UL 1010.

1. Manufacturers: Subject to compliance with requirements, available manufacturers offering products that may be incorporated into the Work include, but are not limited to the following:
  - a. Cooper Wiring Devices, Inc.
  - b. EGS/Appleton Electric.
  - c. Killark.

FIRE STATIONS RENOVATION  
ARLINGTON COUNTY, VIRGINIA  
Architect's Project No: 563006

---

2.6 TWIST-LOCKING RECEPTACLES

- A. Single Convenience Receptacles, 125 V, 20 A: Comply with NEMA WD 1, NEMA WD 6 Configurations as required, and UL 498.
1. Manufacturers: Subject to compliance with requirements, available manufacturers offering products that may be incorporated into the Work include, but are not limited to the following:
    - a. Cooper Wiring Devices, Inc.
    - b. Hubbell.
    - c. Leviton Manufacturing Co., Inc.
    - d. Pass & Seymour/Legrand (Pass & Seymour).

2.7 PENDANT CORD-CONNECTOR DEVICES

- A. Description:
1. Matching, locking-type plug and receptacle body connector.
  2. NEMA WD 6 Configurations as required, heavy-duty grade, and FS W-C-596.
  3. Body: Nylon, with screw-open, cable-gripping jaws and provision for attaching external cable grip.

2.8 CORD AND PLUG SETS

- A. Description:
1. Match voltage and current ratings and number of conductors to requirements of equipment being connected.
  2. Cord: Rubber-insulated, stranded-copper conductors, with Type SOW-A jacket; with green-insulated grounding conductor and ampacity of at least 130 percent of the equipment rating.
  3. Plug: Nylon body and integral cable-clamping jaws. Match cord and receptacle type for connection.

2.9 TOGGLE SWITCHES

- A. Comply with NEMA WD 1, UL 20, and FS W-S-896.
- B. Switches, 120/277 V, 20 A:
1. Products: Subject to compliance with requirements, available products that may be incorporated into the Work include, but are not limited to, the following:
    - a. Single Pole:

FIRE STATIONS RENOVATION  
ARLINGTON COUNTY, VIRGINIA  
Architect's Project No: 563006

---

- 1) Cooper; AH1221.
- 2) Hubbell; HBL1221.
- 3) Leviton; 1221-2.
- 4) Pass & Seymour; CSB20AC1.

b. Two Pole:

- 1) Cooper; AH1222.
- 2) Hubbell; HBL1222.
- 3) Leviton; 1222-2.
- 4) Pass & Seymour; CSB20AC2.

c. Three Way:

- 1) Cooper; AH1223.
- 2) Hubbell; HBL1223.
- 3) Leviton; 1223-2.
- 4) Pass & Seymour; CSB20AC3.

d. Four Way:

- 1) Cooper; AH1224.
- 2) Hubbell; HBL1224.
- 3) Leviton; 1224-2.
- 4) Pass & Seymour; CSB20AC4.

C. Pilot-Light Switches, 20 A:

1. Manufacturers: Subject to compliance with requirements, available manufacturers offering products that may be incorporated into the Work include, but are not limited to the following:
  - a. Cooper Wiring Devices, Inc.
  - b. Hubbell.
  - c. Leviton Manufacturing Co., Inc.
  - d. Pass & Seymour/Legrand (Pass & Seymour).
2. Description: Single pole, with neon-lighted handle, illuminated when switch is "off."

D. Key-Operated Switches, 120/277 V, 20 A:

1. Manufacturers: Subject to compliance with requirements, available manufacturers offering products that may be incorporated into the Work include, but are not limited to the following:
  - a. Cooper Wiring Devices, Inc.
  - b. Hubbell.
  - c. Leviton Manufacturing Co., Inc.
  - d. Pass & Seymour/Legrand (Pass & Seymour).



FIRE STATIONS RENOVATION  
ARLINGTON COUNTY, VIRGINIA  
Architect's Project No: 563006

---

2. Description: Single pole, with factory-supplied key in lieu of switch handle.
- E. Single-Pole, Double-Throw, Momentary-Contact, Center-off Switches: 120/277 V, 20 A; for use with mechanically held lighting contactors.
1. Manufacturers: Subject to compliance with requirements, available manufacturers offering products that may be incorporated into the Work include, but are not limited to the following:
    - a. Cooper Wiring Devices, Inc.
    - b. Hubbell.
    - c. Leviton Manufacturing Co., Inc.
    - d. Pass & Seymour/Legrand (Pass & Seymour).
- F. Key-Operated, Single-Pole, Double-Throw, Momentary-Contact, Center-off Switches: 120/277 V, 20 A; for use with mechanically held lighting contactors, with factory-supplied key in lieu of switch handle.
1. Manufacturers: Subject to compliance with requirements, available manufacturers offering products that may be incorporated into the Work include, but are not limited to the following:
    - a. Cooper Wiring Devices, Inc.
    - b. Hubbell.
    - c. Leviton Manufacturing Co., Inc.
    - d. Pass & Seymour/Legrand (Pass & Seymour).
- 2.10 WALL-BOX DIMMERS
- A. Dimmer Switches: Lutron Nova T NTSTV-DV up to 8A utilize power packs for larger loads. 0-10V.
  - B. Control: Continuously adjustable slider; with single-pole or three-way switching. Comply with UL 1472.
- 2.11 WALL PLATES
- A. Single and combination types shall match corresponding wiring devices.
    1. Plate-Securing Screws: Metal with head color to match plate finish.
    2. Material for Finished Spaces: 0.035-inch- thick, satin-finished, Type 302 stainless steel
    3. At locations where switches or outlets penetrate wall mirrors, provide glass mirror finish wall plates.
  - B. Wet-Location, Weatherproof Cover Plates: NEMA 250, complying with Type 3R, weather-resistant, die-cast aluminum with lockable cover.

FIRE STATIONS RENOVATION  
ARLINGTON COUNTY, VIRGINIA  
Architect's Project No: 563006

---

2.12 POKE-THROUGH ASSEMBLIES

- A. Manufacturers: Subject to compliance with requirements, available manufacturers offering products that may be incorporated into the Work include, but are not limited to the following:
  - 1. Hubbell.
  - 2. Mono Systems, inc
  - 3. Wiremold / Legrand.
- B. Description:  
Refer to detail on drawing.

2.13 FINISHES

- A. Device Color:
  - 1. Wiring Devices Connected to Normal and Emergency Power System: As selected by Architect from standard offering unless otherwise indicated or required by NFPA 70 or device listing.
  - 2. Wiring Devices Connected to Emergency Power System:
- B. Wall Plate Color: Stainless Steel

PART 3 - EXECUTION

3.1 INSTALLATION

- A. Comply with NECA 1, including mounting heights listed in that standard, unless otherwise indicated.
- B. Coordination with Other Trades:
  - 1. Protect installed devices and their boxes. Do not place wall finish materials over device boxes and do not cut holes for boxes with routers that are guided by riding against outside of boxes.
  - 2. Keep outlet boxes free of plaster, drywall joint compound, mortar, cement, concrete, dust, paint, and other material that may contaminate the raceway system, conductors, and cables.
  - 3. Install device boxes in brick or block walls so that the cover plate does not cross a joint unless the joint is troweled flush with the face of the wall.
  - 4. Install wiring devices after all wall preparation, including painting, is complete.
- C. Conductors:

FIRE STATIONS RENOVATION  
ARLINGTON COUNTY, VIRGINIA  
Architect's Project No: 563006

---

1. Do not strip insulation from conductors until right before they are spliced or terminated on devices.
2. Strip insulation evenly around the conductor using tools designed for the purpose. Avoid scoring or nicking of solid wire or cutting strands from stranded wire.
3. The length of free conductors at outlets for devices shall meet provisions of NFPA 70, Article 300, without pigtails.

D. Device Installation:

1. Replace devices that have been in temporary use during construction and that were installed before building finishing operations were complete.
2. Keep each wiring device in its package or otherwise protected until it is time to connect conductors.
3. Do not remove surface protection, such as plastic film and smudge covers, until the last possible moment.
4. Connect devices to branch circuits using pigtails that are not less than 6 inches in length.
5. Use side wiring with binding-head screw terminals. Wrap solid conductor tightly clockwise, two-thirds to three-fourths of the way around terminal screw. Provide hook terminals on stranded wiring
6. Use a torque screwdriver when a torque is recommended or required by manufacturer.
7. When conductors larger than No. 12 AWG are installed on 15- or 20-A circuits, splice No. 12 AWG pigtails for device connections.
8. Tighten unused terminal screws on the device.
9. When mounting into metal boxes, remove the fiber or plastic washers used to hold device-mounting screws in yokes, allowing metal-to-metal contact.

E. Receptacle Orientation:

1. Install ground pin of vertically mounted receptacles down (confirm with Owner), and on horizontally mounted receptacles to the right.

F. Device Plates: Do not use oversized or extra-deep plates. Repair wall finishes and remount outlet boxes when standard device plates do not fit flush or do not cover rough wall opening.

G. Dimmers:

1. Install dimmers within terms of their listing.
2. Install unshared neutral conductors on line and load side of dimmers according to manufacturers' device listing conditions in the written instructions.

H. Arrangement of Devices: Unless otherwise indicated, mount flush, with long dimension vertical and with grounding terminal of receptacles on top. Group adjacent switches under single, multigang wall plates.

I. Adjust locations of floor service outlets and service poles to suit arrangement of partitions and furnishings.

J. Locate adjacent Data Outlets and Power outlets with no more than 4" between device covers.

FIRE STATIONS RENOVATION  
ARLINGTON COUNTY, VIRGINIA  
Architect's Project No: 563006

---

3.2 GFCI RECEPTACLES

- A. Install non-feed-through-type GFCI receptacles in each location called for on the drawings and any additional location required by the NEC.

3.3 IDENTIFICATION

- A. Comply with Section 260553 "Identification for Electrical Systems."
- B. Identify each receptacle with panelboard identification and circuit number. Use hot, stamped, or engraved machine printing with black-filled lettering on face of plate, and durable wire markers or tags inside outlet boxes.

3.4 POKE-THRU DEVICES

- A. Unit shall permit all wiring to be completed at floor level. The 6AT units shall mount in a 6" cored hole, actual 6 1/16" core hole. Use is defined by the UL Fire Resistance Directory as a minimum spacing of "2 ft. on center and not more than one device per each 65 sq. ft. of floor area in each span.
- B. Installation shall be completed by pushing unit down into the cored hole. Prior to and during installation, refer to system layout and/or approval drawings. Installer shall comply with detailed manufacturer's instruction sheet included with each device. The unit shall contain a retainer for securing the device in the slab, as well as the necessary intumescent material to seal the cored hole under fire conditions.
- C. Unit shall provide all accessories to accommodate devices indicated on E4.3.

3.5 FIELD QUALITY CONTROL

- A. Perform the following tests and inspections:
  - 1. Test Instruments: Use instruments that comply with UL 1436.
- B. Tests for Convenience Receptacles:
  - 1. Line Voltage: Acceptable range is 105 to 132 V.
  - 2. Percent Voltage Drop under 15-A Load: A value of 6 percent or higher is unacceptable.
  - 3. Ground Impedance: Values of up to 2 ohms are acceptable.
  - 4. GFCI Trip: Test for tripping values specified in UL 1436 and UL 943.
  - 5. Using the test plug, verify that the device and its outlet box are securely mounted.
  - 6. Tests shall be diagnostic, indicating damaged conductors, high resistance at the circuit breaker, poor connections, inadequate fault current path, defective devices, or similar problems. Correct circuit conditions, remove malfunctioning units and replace with new ones, and retest as specified above.

FIRE STATIONS RENOVATION  
ARLINGTON COUNTY, VIRGINIA  
Architect's Project No: 563006

---

- C. Test straight-blade for the retention force of the grounding blade according to NFPA 99. Retention force shall be not less than 4 oz.
- D. Wiring device will be considered defective if it does not pass tests and inspections.
- E. Prepare test and inspection reports.

END OF SECTION 262726

FIRE STATIONS RENOVATION  
ARLINGTON COUNTY, VIRGINIA  
Architect's Project No: 563006

---

SECTION 262813 - FUSES

PART 1 - GENERAL

1.1 RELATED DOCUMENTS

- A. Drawings and general provisions of the Contract, including General and Supplementary Conditions and Division 01 Specification Sections, apply to this Section.

1.2 SUMMARY

- A. Section Includes:

1. Cartridge fuses rated 600 V ac and less for use in the following:
  - a. Control circuits.
  - b. Enclosed controllers.
  - c. Enclosed switches.

1.3 ACTION SUBMITTALS

- A. Product Data: For each type of product. Include construction details, material descriptions, dimensions of individual components and profiles, and finishes for spare-fuse cabinets. Include the following for each fuse type indicated:

1. Ambient Temperature Adjustment Information: If ratings of fuses have been adjusted to accommodate ambient temperatures, provide list of fuses with adjusted ratings.
  - a. For each fuse having adjusted ratings, include location of fuse, original fuse rating, local ambient temperature, and adjusted fuse rating.
  - b. Provide manufacturer's technical data on which ambient temperature adjustment calculations are based.
2. Dimensions and manufacturer's technical data on features, performance, electrical characteristics, and ratings.
3. Current-limitation curves for fuses with current-limiting characteristics.
4. Time-current coordination curves (average melt) and current-limitation curves (instantaneous peak let-through current) for each type and rating of fuse. Submit in electronic format suitable for use in coordination software and in PDF format.
5. Coordination charts and tables and related data.
6. Fuse sizes for elevator feeders and elevator disconnect switches.

1.4 CLOSEOUT SUBMITTALS

- A. Operation and Maintenance Data: For fuses to include in emergency, operation, and maintenance manuals. In addition to items specified in Section 017823 "Operation and Maintenance Data," include the following:

FIRE STATIONS RENOVATION  
ARLINGTON COUNTY, VIRGINIA  
Architect's Project No: 563006

---

1. Ambient temperature adjustment information.
2. Current-limitation curves for fuses with current-limiting characteristics.
3. Time-current coordination curves (average melt) and current-limitation curves (instantaneous peak let-through current) for each type and rating of fuse used on the Project. Submit in electronic format suitable for use in coordination software and in PDF format.
4. Coordination charts and tables and related data.

1.5 FIELD CONDITIONS

- A. Where ambient temperature to which fuses are directly exposed is less than 40 deg F or more than 100 deg F, apply manufacturer's ambient temperature adjustment factors to fuse ratings.

PART 2 - PRODUCTS

2.1 MANUFACTURERS

- A. Manufacturers: Subject to compliance with requirements, available manufacturers offering products that may be incorporated into the Work include, but are not limited to the following:
  1. Cooper Bussmann; a division of Cooper Industries.
  2. Littelfuse, Inc.
- B. Source Limitations: Obtain fuses, for use within a specific product or circuit, from single source from single manufacturer.

2.2 CARTRIDGE FUSES

- A. Characteristics: NEMA FU 1, current-limiting, nonrenewable cartridge fuses with voltage ratings consistent with circuit voltages.
  1. Type RK-1: 600-V, zero- to 600-A rating, 200 kAIC, time delay.
  2. Type CC: 600-V, zero- to 30-A rating, 200 kAIC, time delay.
  3. Type J: 600-V, zero- to 600-A rating, 200 kAIC.
  4. Type L: 600-V, 601- to 6000-A rating, 200 kAIC, time delay.
- B. Electrical Components, Devices, and Accessories: Listed and labeled as defined in NFPA 70, by a qualified testing agency, and marked for intended location and application.
- C. Comply with NEMA FU 1 for cartridge fuses.
- D. Comply with NFPA 70.
- E. Coordinate fuse ratings with utilization equipment nameplate limitations of maximum fuse size and with system short-circuit current levels.

FIRE STATIONS RENOVATION  
ARLINGTON COUNTY, VIRGINIA  
Architect's Project No: 563006

---

PART 3 - EXECUTION

3.1 EXAMINATION

- A. Examine fuses before installation. Reject fuses that are moisture damaged or physically damaged.
- B. Examine holders to receive fuses for compliance with installation tolerances and other conditions affecting performance, such as rejection features.
- C. Examine utilization equipment nameplates and installation instructions. Install fuses of sizes and with characteristics appropriate for each piece of equipment.
- D. Evaluate ambient temperatures to determine if fuse rating adjustment factors must be applied to fuse ratings.
- E. Proceed with installation only after unsatisfactory conditions have been corrected.

3.2 FUSE APPLICATIONS

- A. Cartridge Fuses:
  - 1. Feeders: Class RK1, time delay.
  - 2. Motor Branch Circuits: Class RK5, time delay.
  - 3. Large Motor Branch (601-4000 A): Class L, time delay.
  - 4. Power Electronics Circuits: Class J, high speed.
  - 5. Other Branch Circuits: Class RK1, time delay.
  - 6. Control Transformer Circuits: Class CC, time delay, control transformer duty.
  - 7. Provide open-fuse indicator fuses or fuse covers with open fuse indication.

3.3 INSTALLATION

- A. Install fuses in fusible devices. Arrange fuses so rating information is readable without removing fuse.

3.4 IDENTIFICATION

- A. Install labels complying with requirements for identification specified in Section 260553 "Identification for Electrical Systems" and indicating fuse replacement information inside of door of each fused switch and adjacent to each fuse block, socket, and holder.

END OF SECTION 262813



FIRE STATIONS RENOVATION  
ARLINGTON COUNTY, VIRGINIA  
Architect's Project No: 563006

---

SECTION 262816 - ENCLOSED SWITCHES AND CIRCUIT BREAKERS

PART 1 - GENERAL

1.1 RELATED DOCUMENTS

- A. Drawings and general provisions of the Contract, including General and Supplementary Conditions and other Division 01 Specification Sections, apply to this Section.

1.2 SUMMARY

- A. Section Includes:
  - 1. Fusible switches.
  - 2. Nonfusible switches.
  - 3. Shunt trip switches.
  - 4. Molded-case circuit breakers (MCCBs).
  - 5. Enclosures.

1.3 DEFINITIONS

- A. NC: Normally closed.
- B. NO: Normally open.
- C. SPDT: Single pole, double throw.

1.4 ACTION SUBMITTALS

- A. Product Data: For each type of enclosed switch, circuit breaker, accessory, and component indicated. Include dimensioned elevations, sections, weights, and manufacturers' technical data on features, performance, electrical characteristics, ratings, accessories, and finishes.
  - 1. Enclosure types and details for types other than NEMA 250, Type 1.
  - 2. Current and voltage ratings.
  - 3. Short-circuit current ratings (interrupting and withstand, as appropriate).
  - 4. Include evidence of NRTL listing for series rating of installed devices.
  - 5. Detail features, characteristics, ratings, and factory settings of individual overcurrent protective devices, accessories, and auxiliary components.
  - 6. Include time-current coordination curves (average melt) for each type and rating of overcurrent protective device; include selectable ranges for each type of overcurrent protective device.
- B. Shop Drawings: For enclosed switches and circuit breakers. Include plans, elevations, sections, details, and attachments to other work.

FIRE STATIONS RENOVATION  
ARLINGTON COUNTY, VIRGINIA  
Architect's Project No: 563006

---

1. Wiring Diagrams: For power, signal, and control wiring.

1.5 INFORMATIONAL SUBMITTALS

- A. Field quality-control reports.
  1. Test procedures used.
  2. Test results that comply with requirements.
  3. Results of failed tests and corrective action taken to achieve test results that comply with requirements.
- B. Manufacturer's field service report.

1.6 CLOSEOUT SUBMITTALS

- A. Operation and Maintenance Data: For enclosed switches and circuit breakers to include in emergency, operation, and maintenance manuals. In addition to items specified in Section 017823 "Operation and Maintenance Data," include the following:
  1. Manufacturer's written instructions for testing and adjusting enclosed switches and circuit breakers.
  2. Time-current coordination curves (average melt) for each type and rating of overcurrent protective device; include selectable ranges for each type of overcurrent protective device.

1.7 QUALITY ASSURANCE

- A. Source Limitations: Obtain enclosed switches and circuit breakers, overcurrent protective devices, components, and accessories, within same product category, from single source from single manufacturer.
- B. Product Selection for Restricted Space: Drawings indicate maximum dimensions for enclosed switches and circuit breakers, including clearances between enclosures, and adjacent surfaces and other items. Comply with indicated maximum dimensions.
- C. Electrical Components, Devices, and Accessories: Listed and labeled as defined in NFPA 70, by a qualified testing agency, and marked for intended location and application.
- D. Comply with NFPA 70.

1.8 PROJECT CONDITIONS

- A. Environmental Limitations: Rate equipment for continuous operation under the following conditions unless otherwise indicated:

FIRE STATIONS RENOVATION  
ARLINGTON COUNTY, VIRGINIA  
Architect's Project No: 563006

---

1. Ambient Temperature: Not less than minus 22 deg F and not exceeding 104 deg F.
2. Altitude: Not exceeding 6600 feet.

1.9 COORDINATION

- A. Coordinate layout and installation of switches, circuit breakers, and components with equipment served and adjacent surfaces. Maintain required workspace clearances and required clearances for equipment access doors and panels.

PART 2 - PRODUCTS

- 2.1 All panelboards, switchboards, circuit breakers, dry type transformers and disconnect switches shall be of the same manufacturer.

2.2 FUSIBLE SWITCHES

- A. Manufacturers: Subject to compliance with requirements, available manufacturers offering products that may be incorporated into the Work include, but are not limited to the following:
  1. Eaton Electrical Sector; Eaton Corporation.
  2. Siemens Industry, Inc.
  3. Square D.
- B. Type HD, Heavy Duty, Single Throw, 600-V ac, 1200 A and Smaller: UL 98 and NEMA KS 1, horsepower rated, with clips or bolt pads to accommodate specified fuses, lockable handle with capability to accept three padlocks, and interlocked with cover in closed position.
- C. Type HD, Heavy Duty, Double Throw, 600-V ac, 1200 A and Smaller: UL 98 and NEMA KS 1, horsepower rated, with clips or bolt pads to accommodate specified fuses, lockable handle with capability to accept three padlocks, and interlocked with cover in closed position.
- D. Accessories:
  1. Equipment Ground Kit: Internally mounted and labeled for copper and aluminum ground conductors.
  2. Neutral Kit: Internally mounted; insulated, capable of being grounded and bonded; labeled for copper and aluminum neutral conductors.
  3. Isolated Ground Kit: Internally mounted; insulated, capable of being grounded and bonded; labeled for copper and aluminum neutral conductors.
  4. Class R Fuse Kit: Provides rejection of other fuse types when Class R fuses are specified.
  5. Auxiliary Contact Kit: One NO/NC (Form "C") auxiliary contact(s), arranged to activate before switch blades open.
  6. Hookstick Handle: Allows use of a hookstick to operate the handle.
  7. Lugs: Mechanical type, suitable for number, size, and conductor material.

FIRE STATIONS RENOVATION  
ARLINGTON COUNTY, VIRGINIA  
Architect's Project No: 563006

---

8. Service-Rated Switches: Labeled for use as service equipment.
9. Accessory Control Power Voltage: as required

### 2.3 NONFUSIBLE SWITCHES

- A. Manufacturers: Subject to compliance with requirements, available manufacturers offering products that may be incorporated into the Work include, but are not limited to the following:
  1. Eaton Electrical Sector; Eaton Corporation.
  2. Siemens Industry, Inc.
  3. Square D..
- B. Type HD, Heavy Duty, Single Throw, 600-V ac, 1200 A and Smaller: UL 98 and NEMA KS 1, horsepower rated, lockable handle with capability to accept three padlocks, and interlocked with cover in closed position.
- C. Type HD, Heavy Duty, Double Throw, 600-V ac, 1200 A and Smaller: UL 98 and NEMA KS 1, horsepower rated, lockable handle with capability to accept three padlocks, and interlocked with cover in closed position.
- D. Accessories:
  1. Equipment Ground Kit: Internally mounted and labeled for copper and aluminum ground conductors.
  2. Neutral Kit: Internally mounted; insulated, capable of being grounded and bonded; labeled for copper and aluminum neutral conductors.
  3. Isolated Ground Kit: Internally mounted; insulated, capable of being grounded and bonded; labeled for copper and aluminum neutral conductors.
  4. Auxiliary Contact Kit: One NO/NC (Form "C") auxiliary contact(s), arranged to activate before switch blades open.
  5. Hookstick Handle: Allows use of a hookstick to operate the handle.
  6. Lugs: Mechanical type, suitable for number, size, and conductor material.
  7. Accessory Control Power Voltage: as required

### 2.4 SHUNT TRIP SWITCHES

- A. Manufacturers: Subject to compliance with requirements, available manufacturers offering products that may be incorporated into the Work include, but are not limited to the following:
  1. Cooper Bussmann; a division of Cooper Industries.
  2. Littelfuse, Inc.
  3. Mersen USA.
- B. General Requirements: Comply with ASME A17.1, UL 50, and UL 98, with 200-kA interrupting and short-circuit current rating when fitted with Class J fuses.

FIRE STATIONS RENOVATION  
ARLINGTON COUNTY, VIRGINIA  
Architect's Project No: 563006

---

- C. Switches: Three-pole, horsepower rated, with integral shunt trip mechanism and Class J fuse block; lockable handle with capability to accept three padlocks; interlocked with cover in closed position.
- D. Control Circuit: 120-V ac; obtained from integral control power transformer, with primary and secondary fuses, with a control power transformer source of enough capacity to operate shunt trip, connected pilot, and indicating and control devices.
- E. Accessories:
  - 1. Oiltight key switch for key-to-test function.
  - 2. Oiltight red ON pilot light.
  - 3. Isolated neutral lug; 100 percent rating.
  - 4. Mechanically interlocked auxiliary contacts that change state when switch is opened and closed.
  - 5. Form C alarm contacts that change state when switch is tripped.
  - 6. Three-pole, double-throw, fire-alarm voltage monitoring relay complying with NFPA 72.

## 2.5 MOLDED-CASE CIRCUIT BREAKERS

- A. Manufacturers: Subject to compliance with requirements, available manufacturers offering products that may be incorporated into the Work include, but are not limited to the following:
  - 1. Eaton Electrical Sector; Eaton Corporation.
  - 2. Siemens Industry, Inc.
  - 3. Square D.
- B. General Requirements: Comply with UL 489, NEMA AB 1, and NEMA AB 3, with interrupting capacity to comply with available fault currents.
- C. Adjustable, Instantaneous-Trip Circuit Breakers: Magnetic trip element with front-mounted, field-adjustable trip setting.
- D. Electronic Trip Circuit Breakers: Field-replaceable rating plug, rms sensing, with the following field-adjustable settings:
  - 1. Instantaneous trip.
  - 2. Long- and short-time pickup levels.
  - 3. Long- and short-time time adjustments.
  - 4. Ground-fault pickup level, time delay, and I<sup>2</sup>t response.(for mechanical equipment only)
- E. Current-Limiting Circuit Breakers: Frame sizes 400 A and smaller, and let-through ratings less than NEMA FU 1, RK-1.
- F. Integrally Fused Circuit Breakers: Thermal-magnetic trip element with integral limiter-style fuse listed for use with circuit breaker and trip activation on fuse opening or on opening of fuse compartment door..

FIRE STATIONS RENOVATION  
ARLINGTON COUNTY, VIRGINIA  
Architect's Project No: 563006

---

- G. Ground-Fault, Circuit-Interrupter (GFCI) Circuit Breakers: Single- and two-pole configurations with Class A ground-fault protection (6-mA trip).
- H. Ground-Fault, Equipment-Protection (GFEP) Circuit Breakers: With Class B ground-fault protection (30-mA trip).
- I. Features and Accessories:
  - 1. Standard frame sizes, trip ratings, and number of poles.
  - 2. Lugs: Mechanical type, suitable for number, size, trip ratings, and conductor material.
  - 3. Application Listing: Appropriate for application; Type SWD for switching fluorescent lighting loads; Type HID for feeding fluorescent and high-intensity discharge lighting circuits.

### PART 3 - EXECUTION

#### 3.1 EXAMINATION

- A. Examine elements and surfaces to receive enclosed switches and circuit breakers for compliance with installation tolerances and other conditions affecting performance of the Work.
- B. Proceed with installation only after unsatisfactory conditions have been corrected.

#### 3.2 INSTALLATION

- A. Install individual wall-mounted switches and circuit breakers with tops at uniform height unless otherwise indicated.
- B. Temporary Lifting Provisions: Remove temporary lifting eyes, channels, and brackets and temporary blocking of moving parts from enclosures and components.
- C. Install fuses in fusible devices.
- D. Comply with NECA 1.

#### 3.3 IDENTIFICATION

- A. Comply with requirements in Section 260553 "Identification for Electrical Systems."
  - 1. Identify field-installed conductors, interconnecting wiring, and components; provide warning signs.
  - 2. Label each enclosure with engraved metal or laminated-plastic nameplate.

FIRE STATIONS RENOVATION  
ARLINGTON COUNTY, VIRGINIA  
Architect's Project No: 563006

---

3.4 FIELD QUALITY CONTROL

- A. Manufacturer's Field Service: Engage a factory-authorized service representative to inspect, test, and adjust components, assemblies, and equipment installations, including connections.
- B. Perform tests and inspections.
- C. Acceptance Testing Preparation:
  - 1. Test insulation resistance for each enclosed switch and circuit breaker, component, connecting supply, feeder, and control circuit.
  - 2. Test continuity of each circuit.
- D. Tests and Inspections:
  - 1. Perform each visual and mechanical inspection and electrical test stated in NETA Acceptance Testing Specification. Certify compliance with test parameters.
  - 2. Correct malfunctioning units on-site, where possible, and retest to demonstrate compliance; otherwise, replace with new units and retest.
  - 3. Perform the following infrared scan tests and inspections and prepare reports:
    - a. Initial Infrared Scanning: After Substantial Completion, but not more than 60 days after Final Acceptance, perform an infrared scan of each enclosed switch and circuit breaker. Remove front panels so joints and connections are accessible to portable scanner.
    - b. Follow-up Infrared Scanning: Perform an additional follow-up infrared scan of each enclosed switch and circuit breaker 11 months after date of Substantial Completion.
    - c. Instruments and Equipment: Use an infrared scanning device designed to measure temperature or to detect significant deviations from normal values. Provide calibration record for device.
  - 4. Test and adjust controls, remote monitoring, and safeties. Replace damaged and malfunctioning controls and equipment.
- E. Enclosed switches and circuit breakers will be considered defective if they do not pass tests and inspections.
- F. Prepare test and inspection reports, including a certified report that identifies enclosed switches and circuit breakers and that describes scanning results. Include notation of deficiencies detected, remedial action taken, and observations after remedial action.

3.5 ADJUSTING

- A. Adjust moving parts and operable components to function smoothly, and lubricate as recommended by manufacturer.

FIRE STATIONS RENOVATION  
ARLINGTON COUNTY, VIRGINIA  
Architect's Project No: 563006

---

- B. Set field-adjustable circuit-breaker trip ranges.

END OF SECTION 262816



FIRE STATIONS RENOVATION  
ARLINGTON COUNTY, VIRGINIA  
Architect's Project No: 563006

---

SECTION 265100 - INTERIOR LIGHTING

PART 1 - GENERAL

1.1 RELATED DOCUMENTS

- A. Drawings and general provisions of the Contract, including General and Supplementary Conditions and Division 01 Specification Sections, apply to this Section.

1.2 SUMMARY

- A. Section Includes:
  - 1. Interior lighting fixtures, lamps, and ballasts.
  - 2. Exit signs.
  - 3. Lighting fixture supports.

1.3 DEFINITIONS

- A. BF: Ballast factor.
- B. CCT: Correlated color temperature.
- C. CRI: Color-rendering index.
- D. HID: High-intensity discharge.
- E. LER: Luminaire efficacy rating.
- F. Lumen: Measured output of lamp and luminaire, or both.
- G. Luminaire: Complete lighting fixture, including ballast housing if provided.

1.4 SUBSTITUTIONS

- A. The lighting fixture layouts of spaces indicated in the Contract Documents are based upon photometric data, quality, construction and appearance of fixtures listed in the lighting fixture schedule. Substitutions of listed fixtures are allowed provided the following is provided with the Submittal package.
  - 1. Provide all data as required for submittals with substitution package. Indicate variances with fixtures listed in lighting fixture schedule.
  - 2. Provide footcandle calculations for each room or area that fixture substitution is requested.
  - 3. Architect/Engineer has final aesthetic and technical approval on all substituted fixtures.

1.5 ACTION SUBMITTALS

- A. Product Data: For each type of lighting fixture, arranged in order of fixture designation. Include data on features, accessories, finishes, and the following:

FIRE STATIONS RENOVATION  
ARLINGTON COUNTY, VIRGINIA  
Architect's Project No: 563006

---

1. Physical description of lighting fixture including dimensions.
  2. Specific LED drivers and lamp product information
  3. Energy-efficiency data.
  4. Life, output (lumens, CCT, and CRI), and energy-efficiency data for lamps.
  5. Photometric data and adjustment factors based on laboratory tests, complying with IESNA Lighting Measurements Testing & Calculation Guides, of each lighting fixture type. The adjustment factors shall be for lamps, ballasts, and accessories identical to those indicated for the lighting fixture as applied in this Project.
    - a. Manufacturer Certified Data: Photometric data shall be certified by a manufacturer's laboratory with a current accreditation under the National Voluntary Laboratory Accreditation Program for Energy Efficient Lighting Products.
- B. Shop Drawings: For nonstandard, continuous runs of cove lighting or custom lighting fixtures. Include plans, elevations, sections, details, and attachments to other work.
1. Detail equipment assemblies and indicate dimensions, weights, loads, required clearances, method of field assembly, components, and location and size of each field connection.
  2. Wiring Diagrams: For power, signal, and control wiring.
- C. Samples: Upon request or if being submitted as an equal, for each lighting fixture indicated in the Interior Lighting Fixture Schedule. Each Sample shall include the following:
1. Lamps and drivers, installed.
  2. Cords and plugs.
  3. Pendant support system.
- D. Installation instructions.

1.6 INFORMATIONAL SUBMITTALS

- A. Coordination Drawings: Reflected ceiling plan(s) and other details, drawn to scale, on which the following items are shown and coordinated with each other, using input from installers of the items involved:
  1. Cove lighting detail.
- B. Qualification Data: For qualified agencies providing photometric data for lighting fixtures.
- C. Product Certificates: For each type of driver for dimmer-controlled fixtures, from manufacturer.
- D. Field quality-control reports.
- E. Warranty: Sample of special warranty.

FIRE STATIONS RENOVATION  
ARLINGTON COUNTY, VIRGINIA  
Architect's Project No: 563006

---

1.7 CLOSEOUT SUBMITTALS

- A. Operation and Maintenance Data: For lighting equipment and fixtures to include in emergency, operation, and maintenance manuals.
  - 1. Provide a list of all LEDs and Driver types used on Project; use ANSI and manufacturers' codes.

1.8 QUALITY ASSURANCE

- A. Luminaire Photometric Data Testing Laboratory Qualifications: Provided by manufacturers' laboratories that are accredited under the National Volunteer Laboratory Accreditation Program for Energy Efficient Lighting Products.
- B. Electrical Components, Devices, and Accessories: Listed and labeled as defined in NFPA 70, by a qualified testing agency, and marked for intended location and application.
- C. Comply with NFPA 70.

1.9 COORDINATION

- A. Coordinate layout and installation of lighting fixtures and suspension system with other construction that penetrates ceilings or is supported by them, including HVAC equipment, fire-suppression system, and partition assemblies.

1.10 WARRANTY

- A. Warranty Period for LED lamps and Drivers, 5 years from date of Substantial Completion. Manufacturer shall guarantee

PART 2 - PRODUCTS

2.1 MANUFACTURERS

- A. As scheduled or acceptable equal. Architect has final decision on evaluation of equals.

2.2 GENERAL REQUIREMENTS FOR LIGHTING FIXTURES AND COMPONENTS

- A. Recessed Fixtures: Comply with NEMA LE 4 for ceiling compatibility for recessed fixtures.
- B. Metal Parts: Free of burrs and sharp comers and edges.

FIRE STATIONS RENOVATION  
ARLINGTON COUNTY, VIRGINIA  
Architect's Project No: 563006

---

- C. Sheet Metal Components: Steel unless otherwise indicated. Form and support to prevent warping and sagging.
- D. Doors, Frames, and Other Internal Access: Smooth operating, free of light leakage under operating conditions, and designed to permit re-lamping without use of tools. Designed to prevent doors, frames, lenses, diffusers, and other components from falling accidentally during re-lamping and when secured in operating position.
- E. Factory-Applied Labels: Comply with UL 1598. Include recommended lamps and Drivers. Labels shall be located where they will be readily visible to service personnel, but not seen from normal viewing angles when lamps are in place.
  - 1. Label shall include the following lamp and ballast characteristics:
    - a. "USE ONLY" and include specific lamp type.
    - b. ANSI ballast type (M98, M57, etc.) for HID luminaires.
    - c. CCT and CRI for all luminaires.

F. LED LIGHT FIXTURES

A. General:

- 1. LED light fixtures shall be in accordance with IES, NFPA, UL, as shown on the drawings, and as specified.
- 2. LED light fixtures shall be Reduction of Hazardous Substances (RoHS)-compliant.
- 3. LED drivers shall include the following features unless otherwise indicated:
  - a. Minimum efficiency: 85% at full load.
  - b. Minimum Operating Ambient Temperature: -20° C. (-4° F.)
  - c. Input Voltage: 120 - 277V (±10%) at 60 Hz.
  - d. Integral short circuit, open circuit, and overload protection.
  - e. Power Factor:  $\geq 0.95$ .
  - f. Total Harmonic Distortion:  $\leq 20\%$ .
  - g. Comply with FCC 47 CFR Part 15.
- 4. LED modules shall include the following features unless otherwise indicated:
  - a. Comply with IES LM-79 and LM-80 requirements.
  - b. Minimum CRI 80 and color temperature 3500° K unless otherwise specified in LIGHTING FIXTURE SCHEDULE.
  - c. Minimum Rated Life: 50,000 hours per IES L70.
  - d. Light output lumens as indicated in the LIGHTING FIXTURE SCHEDULE.

B. LED Downlights:

FIRE STATIONS RENOVATION  
ARLINGTON COUNTY, VIRGINIA  
Architect's Project No: 563006

---

1. Housing, LED driver, and LED module shall be products of the same manufacturer.

C. LED Troffers:

1. LED drivers, modules, and reflector shall be accessible, serviceable, and replaceable from below the ceiling.
2. Housing, LED driver, and LED module shall be products of the same manufacturer

## 2.3 EXIT SIGNS

- A. General Requirements for Exit Signs: Comply with UL 924; for sign colors, visibility, luminance, and lettering size, comply with authorities having jurisdiction.
- B. Internally Lighted Signs:
  1. Lamps for AC Operation: LEDs, 50,000 hours minimum rated lamp life.

## 2.4 LIGHTING FIXTURE SUPPORT COMPONENTS

- A. Comply with Section 260529 "Hangers and Supports for Electrical Systems" for channel- and angle-iron supports and nonmetallic channel and angle supports.
- B. Single-Stem Hangers: 1/2-inch steel tubing with swivel ball fittings and ceiling canopy. Finish same as fixture.
- C. Twin-Stem Hangers: Two, 1/2-inch steel tubes with single canopy designed to mount a single fixture. Finish same as fixture.
- D. Wires: ASTM A 641/A 641M, Class 3, soft temper, zinc-coated steel, 12 gage
- E. Rod Hangers: 3/16-inch minimum diameter, cadmium-plated, threaded steel rod.
- F. Hook Hangers: Integrated assembly matched to fixture and line voltage and equipped with threaded attachment, cord, and locking-type plug.

## PART 3 - EXECUTION

### 3.1 INSTALLATION

- A. Lighting fixtures:
  1. Set level, plumb, and square with ceilings and walls unless otherwise indicated.
- B. Temporary Lighting: If it is necessary, and approved by Architect, to use permanent luminaires for temporary lighting, install and energize the minimum number of luminaires necessary. When construction is sufficiently complete, remove the temporary luminaires, disassemble, clean thoroughly, install new lamps, and reinstall.

FIRE STATIONS RENOVATION  
ARLINGTON COUNTY, VIRGINIA  
Architect's Project No: 563006

---

- C. Remote Mounting of Drivers: Distance between the Driver and fixture shall not exceed that recommended by ballast manufacturer. Verify, with ballast manufacturers, maximum distance between ballast and luminaire.
- D. Lay-in Ceiling Lighting Fixtures Supports: Use grid as a support element.
  - 1. Install ceiling support system rods or wires, independent of the ceiling suspension devices, for each fixture. Locate not more than 6 inches from lighting fixture corners.
  - 2. Support Clips: Fasten to lighting fixtures and to ceiling grid members at or near each fixture corner with clips that are UL listed for the application.
  - 3. Fixtures of Sizes Less Than Ceiling Grid: Install as indicated on reflected ceiling plans or center in acoustical panel, and support fixtures independently with at least two 3/4-inch metal channels spanning and secured to ceiling tees.
  - 4. Install wire from structure to a tab on lighting fixture as detailed on drawings.
- E. Suspended Lighting Fixture Support:
  - 1. Pendants and Rods: Where longer than 48 inches, brace to limit swinging.
  - 2. Stem-Mounted, Single-Unit Fixtures: Suspend with twin-stem hangers.
  - 3. Continuous Rows: Use tubing or stem for wiring at one point and tubing or rod for suspension for each unit length of fixture chassis, including one at each end.
  - 4. Do not use grid as support for pendant luminaires. Connect support wires or rods to building structure.
- F. Connect wiring according to Section 260519 "Low-Voltage Electrical Power Conductors and Cables."

### 3.2 IDENTIFICATION

- A. Install labels with panel and circuit numbers on concealed junction and outlet boxes. Comply with requirements for identification specified in Section 260553 "Identification for Electrical Systems."

### 3.3 FIELD QUALITY CONTROL

- A. Prepare a written report of tests, inspections, observations, and verifications indicating and interpreting results. If adjustments are made to lighting system, retest to demonstrate compliance with standards

### 3.4 ADJUSTING

- A. Occupancy Adjustments: When requested within 12 months of date of Substantial Completion, provide on-site assistance in adjusting aimable luminaires to suit actual occupied conditions. Provide up to two visits to Project during other-than-normal occupancy hours for this purpose. Some of this work may be required after dark.
  - 1. Adjust aimable luminaires in the presence of Architect.

FIRE STATIONS RENOVATION  
ARLINGTON COUNTY, VIRGINIA  
Architect's Project No: 563006

---

END OF SECTION 265100

FIRE STATIONS RENOVATION  
ARLINGTON COUNTY, VIRGINIA  
Architect's Project No: 563006

---

## SECTION 270000 - COMMUNICATIONS

### PART 1 - GENERAL

#### 1.1 GENERAL REQUIREMENTS

- A. Applicable requirements of General Requirements/Provisions shall be considered a part of this section and shall have the same force as if printed herein full. In addition, all information related to communications infrastructure that is documented in the architectural, structural, mechanical, and electrical drawings/documents shall be included as part of the Communications documents.

#### 1.2 QUALITY ASSURANCE

- A. Specifications, Standards and Codes: All work shall be in accordance with the following:
1. The 2011 edition of the National Electrical Code (NFPA 70)
  2. American National Standards Institute (ANSI)
  3. National Electrical Manufacturers Association (NEMA)
  4. Telecommunications Industries Association (TIA)
  5. Electronic Industries Association (EIA)
  6. Institute of Electrical & Electronics Engineers (IEEE)
  7. Underwriters Laboratories (UL)
  8. American Standards Association (ASA)
  9. Federal Communications Commission (FCC)
  10. Occupational Safety and Health Administration (OSHA)
  11. American Society of Testing Material (ASTM)
  12. Americans with Disabilities Act (ADA)
  13. Local city and county ordinances governing electrical work
  14. In the event of conflicts, the more stringent provisions shall apply.

#### 1.3 SCOPE

- A. The work to be done under this section of the Specifications shall include the furnishing of labor, material, equipment and tools required for the complete installation of the work indicated on the Drawings or as specified herein.
- B. All materials, obviously a part of the Communications Infrastructure and necessary to its proper operation, but not specifically mentioned or shown on the Drawings, shall be furnished and installed without additional charge.
- C. The Drawings and Specifications are complementary to each other and what is called for by one shall be as binding as if called for by both. If a discrepancy



FIRE STATIONS RENOVATION  
ARLINGTON COUNTY, VIRGINIA  
Architect's Project No: 563006

---

exists between the Drawing and Specifications, the higher cost shall be included, and the Owner shall be notified of the discrepancy.

#### 1.4 WORK INCLUDED

The Communications Infrastructure installed and work performed under this Division of the Specifications shall include but not necessarily be limited to the following:

- A. Voice/Data Cabling Infrastructure
- B. CATV Cabling Infrastructure System
- C. Wireless Access System
- D. Communications raceways, cable tray, racks, cabinets and equipment mounting boards
- E. Grounding and Bonding
- F. Underground raceway excavation, backfill, and compaction
- G. Concrete work for duct banks, maintenance holes, handholes, vaults and restoration (where applicable)

#### 1.5 DEFINITIONS

- A. Terms: The following definitions of terms supplement those of the General Requirements and are applicable to Division 27 - Communications:
  - 1. Provide: As used herein shall mean "furnish, install and test (if applicable) complete."
  - 2. Infrastructure: As used herein shall mean cable, conduit, raceway, cable tray or j-hooks with all required boxes, fittings, connectors, and accessories; completely installed.
  - 3. Work: As used herein shall be understood to mean the materials completely installed, including the labor involved.

#### 1.6 DRAWINGS

- A. Drawings are generally diagrammatic and show the arrangement and location of pathways, outlets, support structures and equipment. The Contractor shall carefully investigate the structural and finish conditions affecting his work and arrange his work accordingly. Should conditions on the job make it necessary to make adjustments to pathways or materials, the Contractor shall so advise the Owner and secure approval before proceeding with such work.

FIRE STATIONS RENOVATION  
ARLINGTON COUNTY, VIRGINIA  
Architect's Project No: 563006

---

- B. Where exact locations are required by equipment for stubbing-up and terminating conduit concealed in floor slabs, the Contractor shall request shop drawings, equipment location drawings, foundation drawings, and any other data required by him to locate the concealed conduit before the floor slab is poured.
- C. Materials, equipment or labor not indicated but which can be reasonably inferred to be necessary for a complete installation shall be provided. Drawings and Specifications do not undertake to indicate every item of material, equipment, or labor required to produce a complete and properly operating installation.
- D. The right is reserved to make reasonable changes in locations of equipment indicated on Drawings prior to rough-in without increase in contract cost.
- E. The Contractor shall not reduce the size or number of conduit runs indicated on the Drawings without the written approval of the Owner.
- F. Any work installed contrary to Contract Drawings shall be subject to change as directed by the Owner, and no extra compensation will be allowed for making these changes.
- G. The location of equipment, support structures, outlets, and similar devices shown on the Drawings are approximate only. Do not scale Drawings. Obtain layout dimensions for equipment from architectural plans unless indicated on Communications plans.
- H. Schematic diagrams shown on the Drawings indicate the required functions only. The technology of a particular manufacturer may be used to accomplish the functions indicated without exact adherence to the schematic Drawings shown. Additional labor and materials required for such deviations shall be furnished at the Contractor's expense.
- I. Verify the ceiling type, ceiling suspension systems, and clearance above hung ceilings prior to ordering cabling and associated hardware. Notify the Owner of any discrepancies.
- J. Review all architectural drawings for modular furniture.
- K. Portions of these Drawings and Specifications are abbreviated and may include incomplete sentences. Omissions of words or phrases such as "the Contractor shall," "shall be," "as indicated on the Drawings," "In accordance with," "a," "the" and "all are intended" shall be supplied by inference.

## 1.7 SUBMITTALS

FIRE STATIONS RENOVATION  
ARLINGTON COUNTY, VIRGINIA  
Architect's Project No: 563006

---

- A. Submit for approval, details of all materials, equipment and systems to be furnished. Work shall not proceed without the Owner's approval of the submitted items. Three (3) copies of the following shall be submitted:
  - 1. Submittals for individual systems and equipment assemblies that consist of more than one item or component shall be made for the system or assembly as a whole. Partial submittals will not be considered, reviewed or stored, and such submittals will not be returned except at the request and expense of the Contractor.
  - 2. Contractor shall generate shop drawings. Modify reviewed and accepted shop drawings to include revisions based upon completion of work. Submit shop drawings with record drawings on hard copy.
  - 3. Shop drawings shall include equipment racks, patch panels, termination blocks, connection details, rack mounting details and any other details not included in the construction drawings.
- B. Any materials and equipment listed that are not in accordance with Specification requirements may be rejected.
- C. The approval of material, equipment, systems and shop drawings is a general approval subject to the Drawings, Specifications and verification of all measurements at the job. Approval does not relieve the Contractor from the responsibility of shop drawing errors. The Contractor shall carefully check and correct all shop drawings prior to submission for approval.

## 1.8 QUALITY ASSURANCE

- A. Equipment and materials required for installation under these Specifications shall be the current model and new (less than one [1] year from the date of manufacture), unused and without blemish or defect.
- B. Equipment shall bear labels attesting to Underwriters Laboratories, where subject to label service. Manufacturers of equipment and materials pertinent to these items shall have been engaged in the manufacture of said equipment a minimum of three (3) years and, if so directed by the Owner, be able to furnish proof of their ability by submitting affidavits and descriptive data about their product including size and magnitude comparable to requirements specified herein.

## 1.9 CONTRACTOR QUALIFICATIONS

- A. The Contractor shall have total responsibility for the coordination and installation of the work shown and described in the Drawings and/or Specifications. The Contractor shall be a company specializing in the design, fabrication and installation of integrated communications systems.

FIRE STATIONS RENOVATION  
ARLINGTON COUNTY, VIRGINIA  
Architect's Project No: 563006

---

- B. Communications Systems specified shall be installed under the direction of a qualified Contractor. Qualification requirements shall include submittal by the Contractor to the Owner of the following:
  - 1. List of previous projects of this scope, size and nature; including names and sizes of projects, description of work, time of completion and names of contact persons for reference.
  - 2. Shall certify that they are manufacturer-authorized for work to be performed.
- C. Contractor must employ at least one (1) full-time Registered Communications Distribution Designer (RCDD). The RCDD shall be a W2 employee and not a subcontractor.

#### 1.10 COORDINATION WITH OTHER TRADES

- A. The Contractor shall coordinate communications work with that of other sections as required to ensure that the entire communications work will be carried out in an orderly, complete and coordinated fashion.

#### 1.11 SITE INVESTIGATION

- A. Prior to submitting bids of the project, visit the site of the work to become aware of existing conditions that may affect the cost of the project. Where work under this project requires extension, relocation, reconnections or modifications to existing equipment or systems, the existing equipment or systems, shall be restored to their original condition before the completion of this project.

#### 1.12 PERMITS

- A. Obtain all permits and inspections for the installation of this work and pay all charges incident thereto. Deliver to the Owner all certificates of said inspection issued by authorities having jurisdiction.

#### 1.13 RENOVATIONS AND ADDITIONS

- A. All work that would adversely affect the normal operation of the other portions of the Owner's property shall be done at a time other than normal working hours. Normal working hours shall be considered 8 a.m. to 5 p.m. Monday through Friday.
- B. Prior to submitting bids on the project, visit the site of the work to become aware of existing conditions that may affect the cost of the project.

FIRE STATIONS RENOVATION  
ARLINGTON COUNTY, VIRGINIA  
Architect's Project No: 563006

---

- C. Where work under this project requires extension, relocation, reconnections or modifications to existing equipment or systems, the existing equipment or systems shall be restored to their original and operating condition. Remove all equipment indicated to be demolished, including outlets, devices, raceways and support structures.
- D. Care shall be exercised in the removal and storage of equipment indicated to be relocated or removed and reused. Prior to placing back into service, equipment shall be cleaned, and marred or chipped paint surfaces touched-up.
- E. Provide all coring, cutting and patching to existing walls, floors, etc., required for the removal of existing work or the installation of new work.

## PART 2 - PRODUCTS

### 2.01 MATERIALS

- A. All materials used in this work shall be new and shall bear the inspection label of Underwriters' Laboratories Inc. or certification by other recognized laboratory.
- B. The published standards and requirements of the Telecommunications Industries Association (TIA), National Electrical Manufacturers Association (NEMA), the American National Standard Institute (ANSI), the Institute of Electrical and Electronic Engineers (IEEE), and the American Society of Testing Materials (ASTM), are made a part of these Specifications and shall apply wherever applicable.
- C. Materials and equipment furnished shall be of current production by manufacturers regularly engaged in the manufacture of such items, for which replacement parts are available.
- D. When more than one unit of the same class of equipment or material is required, such units shall be the products of a single manufacturer or partner manufacturers that offer a certified solution.
- E. Components of an assembled unit need not be products of the same manufacturer, but must offer a certified end-to-end solution.
- F. Manufacturers of equipment assemblies, which include components made by others, shall assume complete responsibility for the final assembled unit.
- G. Components shall be compatible with each other and with the total assembly for the intended service.

## PART 3 - EXECUTION

FIRE STATIONS RENOVATION  
ARLINGTON COUNTY, VIRGINIA  
Architect's Project No: 563006

---

3.01 EXAMINATION OF CONDITIONS

- A. Prior to the start of work, the Contractor shall carefully inspect the installed work of other trades and verify that such work is complete to the point where installation may properly commence. Start of work indicates acceptance of conditions.
- B. Install equipment in accordance with applicable codes and regulations, the original design and the referenced standards.
- C. In the event of a discrepancy, immediately notify the Owner.
- D. Do not proceed with installation until unsatisfactory conditions and discrepancies have been fully resolved.

3.02 PROTECTION OF SYSTEMS AND EQUIPMENT

- A. Protect materials and equipment from damage during storage at the site and throughout the construction period. Equipment and materials shall be protected during shipment and storage against physical damage, dirt, theft, moisture, extreme temperature and rain.
- B. Damage from rain, dirt, sun and ground water shall be prevented by storing the equipment on elevated supports and covering the sides with securely fastened protective rigid or flexible waterproof coverings.
- C. During installation, equipment shall be protected against entry of foreign matter on the inside and be vacuum cleaned both inside and outside before testing, operating or painting.
- D. As determined by the Owner, damaged equipment shall be fully repaired or shall be removed and replaced with new equipment to fully comply with requirements of the Contract Documents. Decision of the Owner shall be final.
- E. Damaged paint on equipment and materials shall be repainted with painting equipment and finished with the same quality of paint and workmanship as used by the manufacturer.

3.03 ACCESS TO EQUIPMENT

- A. Equipment shall be installed in location and manner that will allow convenient access for maintenance and inspection.

FIRE STATIONS RENOVATION  
ARLINGTON COUNTY, VIRGINIA  
Architect's Project No: 563006

---

- B. Working spaces shall be not less than specified in the National Electrical Code (NEC) for voltages specified.
- C. Where the Owner determines that the Contractor has installed equipment not conveniently accessible for operation and maintenance, equipment shall be removed and reinstalled, one time only, as directed by the Owner, at no additional cost to the Owner. "Conveniently accessible" is defined as being capable of being reached without the use of ladders or without climbing or crawling under or over obstacles such as motors, pumps, belt guards, transformers, piping and duct work.

### 3.04 CLEANING

- A. During construction, and prior to Owner acceptance of the building, remove from the premises and dispose of packing material and debris caused by communications work.
- B. Remove dust and debris from interiors and exteriors of electrical equipment. Clean accessible current carrying elements prior to being energized.

### 3.05 COMPLETION

- A. General: Upon completion of the work, remove excess debris, materials, equipment, apparatus, tools and similar items. Leave the premises clean, neat and orderly.
- B. Results Expected: Systems shall be complete and operational and controls shall be set and calibrated. Testing, start-up and cleaning work shall be complete.
- C. Maintenance Materials: Special tools for proper operation and maintenance of the equipment provided under this Specification shall be delivered to the Owner.

### 3.06 TESTING AND VERIFICATION

- A. See specific Division 27 sections for testing parameters of sub-systems.
- B. The Contractor shall verify that requirements of this Specification are met. Verification shall be through a combination of analyses, inspections, demonstrations and tests, as described below.
- C. Verification by inspection includes examination of items and comparison of pertinent characteristics against the qualitative or quantitative standard set forth in the Specifications. Inspection may require moving or partially disassembling the item to accomplish the verification, included as part of the work at no additional cost to the Owner.

FIRE STATIONS RENOVATION  
ARLINGTON COUNTY, VIRGINIA  
Architect's Project No: 563006

---

- D. The Contractor shall verify by formal demonstrations or tests that the requirements of this Specification have been met. The Contractor shall demonstrate that the communications systems, components and subsystems meet Specification requirements in the "as-installed" operating environment during the "System Operation Test." Even though no formal environmental testing is required, the Contractor shall measure and record temperature, humidity and other environmental parameters and the environmental conditions, which were encountered during the "System Operation Test."
- E. The Contractor shall carefully plan and coordinate the final acceptance tests so that tests can be satisfactorily completed. The Contractor shall provide necessary instruments, labor and materials required for tests, including the equipment manufacturer's technical representative and qualified technicians in sufficient numbers to perform the tests within a reasonable time period.
- F. The Contractor shall satisfy all items detailed in the final acceptance check-off list (punch list). The list shall be a complete representation of specified installation requirements. At the time of final acceptance punch list items shall be corrected until the system is found to be acceptable to the Owner.
- G. After the systems have been installed and tested, the completed test plan shall be signed by the Communications Contractor and submitted for approval.

END OF SECTION 270000



FIRE STATIONS RENOVATION  
ARLINGTON COUNTY, VIRGINIA  
Architect's Project No: 563006

---

SECTION 270528 - PATHWAYS FOR COMMUNICATIONS SYSTEMS

PART 1 - GENERAL

1.01 GENERAL REQUIREMENTS

- A. Applicable requirements of Division 27 - Communications shall be considered a part of this section and shall have the same force as if printed herein full.
- B. This document describes the products and execution requirements relating to Pathways for Communications Systems.
- C. Product specifications, general design considerations, and installation guidelines are provided in this document. The successful vendor shall meet or exceed all requirements described in this document and on the drawings.

1.02 SUBMITTALS

- A. Provide product data from manufacturer's specifications.

1.03 WORK INCLUDED

- A. The work included under this specification consists of furnishing all labor, equipment, materials, supplies and performing all operations necessary to complete the installation. The Contractor will provide and install all of the required material whether specifically addressed in the Specification or not.

PART 2 - PRODUCTS

2.01 APPROVED PRODUCTS

- A. Rigid/Intermediate Conduit Manufacturer(s)
  - 1. Allied
  - 2. Triangle
  - 3. Wheatland
  - 4. Youngstown
- B. Non-Metallic (PVC) Manufacturer(s)
  - 1. Carlon
  - 2. Georgia Pipe Company
- C. Electrical Metallic Tubing (EMT) Manufacturer(s)

FIRE STATIONS RENOVATION  
ARLINGTON COUNTY, VIRGINIA  
Architect's Project No: 563006

---

1. Allied
  2. Triangle
  3. Wheatland
  4. Youngstown
- D. EMT Fittings Manufacturer(s)
1. Thomas & Betts
  2. Steel City
- E. Innerduct/Inner-Conduit Channel Manufacturer(s)
1. Carlon
  2. Endot Industries
  3. MaxCell
  4. Petroflex
  5. Eastern
- F. Metallic Communications Outlet Box Manufacturer(s)
1. Steel City
  2. Raco
- G. Non-Metallic Communications Outlet Box Manufacturer(s)
1. Thomas & Betts
  2. Carlon
- H. Pull Box Manufacturer(s)
1. Hoffman
  2. OZ Gedney
- I. Approved Cable Tray System Manufacturer(s)
1. Flex Tray
  2. Wiremold
  3. EZ Tray
  4. Mono Systems, Inc.
  5. Snake Tray

FIRE STATIONS RENOVATION  
ARLINGTON COUNTY, VIRGINIA  
Architect's Project No: 563006

---

- 6. B-Line
- 7. Gulf Coast Systems
  
- J. Approved Cable Hanger Manufacturer(s)
  - 1. Erico Products – Caddy
  - 2. B-Line
  
- K. Approved Tie Wrap/Velcro Strap Manufacturer(s)
  - 1. Leviton
  - 2. Panduit

## 2.02 CONDUIT

- A. Rigid and Intermediate Conduit
  - 1. Rigid conduit, intermediate conduit, couplings, locknuts, bushings, elbows and connectors shall be standard thread. All materials shall be steel. Set screw or non-threaded fittings are not permitted.
  
- B. Non-Metallic (PVC) Conduit
  - 1. Non-metallic conduit shall be heavy wall, Schedule 40 PVC.
  - 2. Couplings and connectors for non-metallic conduit shall be of the same material and be the product of the same manufacturer of the conduit furnished.
  
- C. Electrical Metallic Tubing (EMT)
  - 1. Electrical metallic tubing (EMT), couplings and connectors shall be steel. Malleable iron, pressure-cast or die-cast fittings are not permitted.
  - 2. Fittings for 2" EMT and smaller shall be steel set screw type, except where otherwise noted. Fittings for 2.5" and larger shall be steel set screw type with two (2) screws for connectors and four (4) screws for couplings. All connectors shall be insulated throat type.
  
- D. Conduit Support
  - 1. Individual conduit hangers shall be galvanized spring steel specifically designed for the purpose and sized appropriately for the conduit type and diameter. Support individual conduits 1-1/2 inch and smaller with 1/4 inch threaded steel rods and use 3/8 inch rods for 2 inch and larger.

FIRE STATIONS RENOVATION  
ARLINGTON COUNTY, VIRGINIA  
Architect's Project No: 563006

---

2. Conduit support channels shall be 14 gauge galvanized (or equivalent treatment) channel sized for the amount of conduit to be supported. Channel suspension shall be 3/8" threaded steel rods. Attach suspension rods to structure with swivel type connectors. Conduit straps shall be spring steel type compatible with channel.
  3. Conduit straps shall be single hole cast metal type or two hole galvanized metal type. Conduit clamps shall be spring steel type for use with exposed structural steel.
- E. Innerduct/Inner-Conduit Channel
1. Innerduct shall be corrugated plastic equipped with pull-string or mule tape.
  2. Inner-conduit channel (MaxCell) shall be 3-channel with each channel equipped with mule tape.
  3. See Drawings for innerduct / inner-conduit channel (MaxCell) details.

#### 2.03 METALLIC COMMUNICATIONS OUTLET BOXES

- A. Metallic outlet boxes and device covers shall be galvanized steel not less than 1/16" thick.
- B. The dimensions of the metallic outlet box shall be 4" x 4" square with a minimum depth of 2-1/8".
- C. Metallic outlet boxes shall be equipped with single device covers (or two-device covers where needed). Where installed in plaster, gypsum board, etc., covers shall be raised to compensate for the thickness of the wall finish.
- D. Where metallic outlet boxes are to be empty for future use, blank coverplates shall be used.

#### 2.04 NON-METALLIC COMMUNICATIONS OUTLET BOXES

- A. The non-metallic outlet box shall be thermoplastic and be rated according to the space it occupies.
- B. The dimensions of the non-metallic outlet box shall be approximately 4" x 4" square with a minimum depth of 2-1/8".
- C. Non-metallic outlet boxes shall be equipped with single device covers. Covers shall be raised to compensate for the thickness of the wall finish.
- D. Where non-metallic outlet boxes are to be empty for future use, blank faceplates shall be used.

FIRE STATIONS RENOVATION  
ARLINGTON COUNTY, VIRGINIA  
Architect's Project No: 563006

---

2.05 PULL BOXES

- A. Pull boxes shall be constructed of galvanized steel with flat, removable covers fastened with plated steel screws.
- B. Pull boxes shall be equipped with keyhole screw slots in the cover to permit removal of the cover without extracting the screws.
- C. Pull boxes shall have provisions for grounding.

2.06 CABLE TRAY

- A. Cable Tray System
  - 1. Cable tray shall be steel or aluminum construction.
  - 2. Cable tray cross members shall be factory welded at 12" intervals maximum.
  - 3. Cable tray shall be equipped with one (1) or two (2) support rails that run the length of each segment.
  - 4. End caps shall be installed on the exposed ends of the cable tray, channel supports and bolts. Protective covers shall be installed on threaded rods that come in contact with cabling plant.
  - 5. Wall mount cable tray used in limited clearance areas shall be hook style and constructed of aluminum.
  - 6. See Drawings for cable tray dimensions.
    - a. Cable Tray color shall be black.

2.07 CABLE HANGERS

- A. J-Hooks
  - 1. J-hooks shall provide a bearing surface of sufficient width to comply with required bend radii of high-performance cables. J-hook shall be cULus Listed.
  - 2. J-hooks shall have flared edges to prevent damage while installing cables.
  - 3. J-hooks sized 1 5/16" and larger shall have a cable retainer strap to provide containment of cables within the hanger. The cable retainer strap shall be removable and reusable and be suitable for use in air handling spaces.
- B. Adjustable Non-Continuous Cable Support Sling
  - 1. Constructed from steel and woven laminate; sling length can be adjusted to hold up to 425 4-pair balanced twisted pair cables; rated for indoor use

FIRE STATIONS RENOVATION  
ARLINGTON COUNTY, VIRGINIA  
Architect's Project No: 563006

---

- in non-corrosive environments. Rated to support Category 5 and higher cable, or optical fiber cable. Cable support sling shall be cULus Listed.
2. Adjustable non-continuous cable support sling shall have a static load limit of 100 lbs.
  3. Adjustable non-continuous cable support sling shall be suitable for use in air handling spaces.

## 2.08 TIE WRAPS AND VELCRO STRAPS

### A. Tie Wraps and Velcro Straps

1. Cables shall be fastened to support structures with tie wraps/Velcro straps.
2. Tie wraps/Velcro straps installed in air handling spaces must be plenum rated.
  - a. Non-plenum Tie Wrap color shall be black.
  - b. Plenum Tie Wrap color shall be red.
  - c. Non-plenum Velcro strap color shall be black.
  - d. Plenum Velcro strap color shall be red.

## PART 3 - EXECUTION

### 3.01 PENETRATIONS

- A. Holes through concrete and masonry in new and existing structures shall be cut with a diamond core drill or concrete saw upon approval of the structural engineer of record for the base of building. Pneumatic hammer, impact electric, hand or manual hammer type drills shall not be allowed, except where permitted by the Project Manager as required by limited working space. X-ray all floor penetrations accordingly.
- B. Holes shall be located so as not to affect structural sections such as ribs or beams.
- C. Holes shall be laid out in advance. The Project Manager shall be advised prior to drilling through structural sections, for determination of proper layout.
- D. Structural Penetrations: Where conduits, wireways and other raceways pass through fire partitions, fire walls or walls and floors provide a code compliant effective barrier against the spread of fire, smoke and gases.
- E. All penetrations where conduit is not used shall be sleeved.
- F. No gaps or rough edges shall be allowed between wall and conduit/sleeve.

### 3.02 CONDUIT SYSTEM

FIRE STATIONS RENOVATION  
ARLINGTON COUNTY, VIRGINIA  
Architect's Project No: 563006

---

- A. Conceal all conduits, except in unfinished spaces such as equipment rooms or as indicated by symbol on the Drawings.
- B. Leave all empty conduits with a 200 pound test nylon cord pull line.
- C. Flattened, dented, or deformed conduits are not permitted and shall be removed and replaced.
- D. Fasten conduit support device to structure with wood screws on wood, toggle bolts on hollow masonry, anchors as specified on solid masonry or concrete, and machine bolts, clamps, or spring steel clips, on steel.
- E. Install conduit with wiring, including homeruns as indicated on the Drawings. Any change resulting in a savings in labor or materials is to be made only in accordance with a contract change. Deviations shall be made only where necessary to avoid interferences and when approved by Engineer by written authorization.
- F. Conduit shall be run parallel or at right angles to existing walls, ceilings, and structural members.
- G. Attach backbone conduits larger than one-inch trade diameter to or from structure on intervals not exceeding twelve feet with conduit beam clamps, one-hole conduit straps or trapeze type support.
- H. Where conduits must pass through structural members obtain approval of Architect.
- I. Install all conduits or sleeves penetrating or routed within rated firewalls or fire floors to maintain fire rating of wall or floor. Conduit shall not be installed in rated floors or walls if it compromises or violates the fire rating of floor or wall. Refer to architectural documents.
- J. Provide expansion and deflection coupling where conduit passes over a building expansion joint.
- K. Service entrance conduits and feeder conduits in direct contact with earth shall be schedule 40, heavy wall PVC. All service entrance conduit elbows shall be galvanized rigid steel. Service entrance conduits installed exposed or concealed in walls or above ceilings shall be galvanized rigid steel (G.R.S.) or intermediate metal conduit (IMC). Service entrance conduits shall be installed "outside" of the building as defined by the N.E.C. Provide concrete encasement where required or as indicated on Drawings.

FIRE STATIONS RENOVATION  
ARLINGTON COUNTY, VIRGINIA  
Architect's Project No: 563006

---

- L. All other conduit, unless specified herein, shall be electrical metallic tubing (EMT). PVC conduit is not allowed in exposed or concealed areas, but only within concrete.
  
- M. Conduit Installations Within Slab/Floor
  - 1. Conduit shall be run following the most direct route between points.
  - 2. Conduit shall not be installed in concrete where the outside diameter is larger than 1/3 of the slab thickness.
  - 3. Conduits shall not be installed within shear walls unless specifically indicated on the Drawings. Conduit shall not be run directly below and parallel with load bearing walls.
  - 4. Protect each metallic conduit installed in concrete slab or conduits 1-1/2 inch and smaller passing through a concrete slab against corrosion where conduit enters and leaves concrete by wrapping conduit with vinyl all-weather electrical tape.
  - 5. Protect all conduits entering and leaving concrete floor slabs from physical damage during construction.
  - 6. Provide expansion fittings in all conduits where length or run exceeds 200 feet or where conduits pass through building expansion joints.
  - 7. Install all conduits penetrating or routed within rated fire floors to maintain the fire rating of the floor. Conduit shall not be installed in rated floors or walls if it compromises or violates the fire rating of floor or wall. Refer to architectural documents.
  - 8. Conduits installed within concrete floor slabs which are in direct contact with grade or which penetrate the building roof shall be galvanized rigid steel (G.R.S.), intermediate metal conduit (I.M.C.) or Schedule 40, heavy wall PVC.
  
- N. Communications cables shall not occupy conduits with power cables.
  
- O. Metallic conduits shall be grounded in accordance with ANSI/TIA-607-B.
  
- P. Conduit runs shall not have more than two (2) 90-degree bends between pull points.
  
- Q. Communications conduit system shall contain no condulets (also know as an LB).
  
- A. Rigid metal conduit (RMC) or intermediate metal conduit (IMC) shall be used for entrance conduits that exceed 50 feet into the building.
  
- B. Horizontal Conduits
  - 1. Support horizontal conduits at intervals not exceeding ten feet and within three feet of each outlet, junction box, backboard, enclosure or cabinet.



FIRE STATIONS RENOVATION  
ARLINGTON COUNTY, VIRGINIA  
Architect's Project No: 563006

---

Support conduits from structural steel members with spring steel type or beam conduit clamps and to non-metallic structural members with one-hole conduit straps. For exposed conduits and where conduits must be suspended below structure, single conduit runs shall be supported from structure by hanger rod and conduit clamp assembly, and multiple conduits shall be supported by trapeze type support suspended from structure. Do not attach conduits to ceiling suspension system channels or suspension wires.

2. For runs that total more than 100 feet in length, insert pull boxes so that no segment between boxes exceeds the 100 feet limit.
3. Each horizontal home-run conduit can serve from one (1) to three (3) outlet boxes. For one (1) outlet box, a 3/4" conduit shall be used, minimum. For two (2) outlet boxes, a 1" conduit shall be used, minimum. For three (3) outlet boxes, a 1-1/4" conduit shall be used, minimum.

### 3.03 COMMUNICATIONS OUTLET BOXES

- A. Exact locations of the outlet boxes shall be coordinated with the electrical contractor and other trades.
- B. Non-metallic communications outlet boxes may only be used for wood frame construction and/or where code allows.
- C. The approximate locations of the outlets are indicated on the Drawings. The exact locations of outlets shall be determined at the building. The right is reserved to change, without additional cost, the exact location of any outlet, a maximum of 10' before it is permanently installed.
- D. Orientation of outlet boxes (horizontal or vertical) shall be as indicated on the architectural elevations.
- E. Install all outlet boxes in finished areas flush with the wall. Maintain 1/4" or less space between outlet box front and finished wall surface.
- F. Outlet boxes shall be firmly anchored in place and shall not depend on the coverplate to hold it secure to the wall.
- G. Outlet boxes installed back-to-back in fire-rated walls shall be separated horizontally by a minimum of 24".

### 3.04 PULL BOXES

- A. Pull boxes shall be secured, independent of the conduit entries into the box. Pull boxes shall be secured to the building structure. In ceiling applications, pull boxes shall not be supported with ceiling wires.

FIRE STATIONS RENOVATION  
ARLINGTON COUNTY, VIRGINIA  
Architect's Project No: 563006

---

- B. Conduits entering pull boxes shall connect to pull boxes using die-cast zinc connectors.
- C. Pull boxes shall be free from burrs, dirt and debris.
- D. Pull boxes shall be installed in accordance with ANSI/TIA-569-B.
- E. Pull boxes shall be grounded in accordance with ANSI/TIA-607-B.

### 3.05 CABLE TRAY SYSTEM

- A. Install trays in accordance with recognized industry practices, to ensure that the cable tray equipment complies with requirements of the NEC.
- B. All open trays shall be installed a minimum of six (6) inches away from any light fixture.
- C. Provide external grounding strap at expansion joints, sleeves, crossover and other locations where tray continuity is interrupted.
- D. Support all pathways from building construction. Do not support pathways from ductwork, piping or equipment hangers.
- E. Install cable tray level and straight.
- F. Provide all hardware, accessories, fasteners, anchors, threaded rods and support channels required to provide a complete cable tray system.
- G. Cable trays shall not be used to house both low voltage and power cables unless cables are separated by a grounded physical barrier.
- H. Cable tray system shall be grounded in accordance with ANSI/TIA-607-B.

### 3.06 CABLE HANGERS

- A. Installation and configuration shall conform to the requirements of ANSI/TIA-568-C.0, ANSI/TIA-568-C.1 & ANSI/TIA-569-B, NFPA 70 (National Electrical Code), applicable local codes, and to the manufacturer's installation instructions.
- B. Install cables using techniques, practices, and methods that are consistent with Category 5e or higher requirements and that supports Category 5e or higher performance of completed and linked signal paths, end to end.
- C. Install cables without damaging conductors, shield, or jacket.

FIRE STATIONS RENOVATION  
ARLINGTON COUNTY, VIRGINIA  
Architect's Project No: 563006

---

- D. Do not bend cables, in handling or in installing, to smaller radii than minimums recommended by manufacturer.
- E. Pull cables without exceeding cable manufacturer's recommended pulling tensions. Use pulling means that will not damage media.
- F. Do not exceed load ratings specified by manufacturer.
- G. Adjustable non-continuous support sling shall have a static load limit of 100 lbs.
- H. To avoid electromagnetic interference (EMI), pathways shall provide minimum clearances of four feet from motors or transformers, one foot from conduit and cables used for electrical power distribution, and five inches from fluorescent lighting. Pathways shall cross perpendicular to fluorescent lighting and electrical power cables or conduits.

### 3.07 TIE WRAPS AND VELCRO STRAPS

- A. Tie wraps/Velcro straps shall be installed around cables at intervals of 12" minimum.
- B. Tie wraps shall secure cables to cable trays using an "X" pattern.
- C. Do not over-cinch cables.

### 3.08 IDENTIFICATION

- A. Refer to Section 270553 - Identification for Communications Systems for labeling details.

END OF SECTION 270528

FIRE STATIONS RENOVATION  
ARLINGTON COUNTY, VIRGINIA  
Architect's Project No: 563006

---

SECTION 283111 - DIGITAL, ADDRESSABLE FIRE-ALARM SYSTEM

PART 1 - GENERAL

1.1 RELATED DOCUMENTS

- A. Drawings and general provisions of the Contract apply to this Section.

1.2 SUMMARY

- A. Project work consists of extending the existing fire alarm system initiation and notification circuits and devices to serve the renovated portions of the facility. Upgrade and reprogram the existing system as required to provide the functionality required to serve the additional devices and functions.
- B. Section Includes:
  - 1. Manual fire-alarm boxes.
  - 2. System smoke detectors.
  - 3. Heat detectors.
  - 4. Notification appliances.
  - 5. Magnetic door holders.
  - 6. Addressable interface device.

1.3 DEFINITIONS

- A. LED: Light-emitting diode.
- B. NICET: National Institute for Certification in Engineering Technologies.
- C. Definitions in NFPA 72-apply to fire alarm terms used in this Section.

1.4 SYSTEM DESCRIPTION

- A. Noncoded, UL-listed addressable system, with multiplexed signal transmission, dedicated to fire-alarm service only.

1.5 SUBMITTALS

- A. General Submittal Requirements:
  - 1. Submissions to Authorities Having Jurisdiction: The A/E shall review the Contractor's submittal(s) which the Contractor shall revise and resubmit through the A/E until the submittals are deemed Approved. The contractor shall submit the A/E approved shop drawing and product data to the authority having jurisdiction and shall make any revisions as required for acceptance.

FIRE STATIONS RENOVATION  
ARLINGTON COUNTY, VIRGINIA  
Architect's Project No: 563006

---

2. Shop Drawings shall be prepared by persons with the following qualifications:
  - a. Trained and certified by manufacturer in fire-alarm system design.
  - b. NICET-certified fire-alarm technician, Level III minimum.
  - c. Licensed or certified by authorities having jurisdiction.
  
- A. Product Data: For each type of product indicated. . Submissions shall include UL file numbers for all devices.
  
- B. Shop Drawings: For fire-alarm system. Include plans, elevations, sections, details, and attachments to other work.
  1. Comply with recommendations in the "Documentation" Section of the "Fundamentals of Fire Alarm Systems" Chapter in NFPA 72.
  2. Include voltage drop calculations for notification appliance circuits. Use minimum 30cd current draw per visual appliance provided regardless of actual setting.
  3. Include battery-size calculations. Use minimum 30cd current draw per visual appliance provided regardless of actual setting.
  4. Include performance parameters and installation details for each detector, verifying that each detector is listed for complete range of air velocity, temperature, and humidity possible when air-handling system is operating.
  5. Include plans coordinating installation of duct smoke detectors and access to them. Show critical dimensions that relate to placement and support of sampling tubes, detector housing, and remote status and alarm indicators. Locate detectors according to manufacturer's written recommendations.
  6. Include 1/8" = 1'-0" scale floor plans to indicate final outlet locations showing address of each addressable device. Show size and route of cable and conduits.
  7. Wiring Diagrams: Detail wiring and differentiate between manufacturer-installed and field-installed wiring. Include diagrams for equipment and for system with all terminals and interconnections identified.
  8. Device Address List: Coordinate with final system programming.
  9. Input-Output Matrix: For each type of device (or function of device) and the associated system output. Format in accordance with NFPA 72, Explanatory Material, Figure "Typical Input/Output Matrix".
  10. System Operation Description: Detailed description for this project, including method of operation and supervision of each type of circuit and sequence of operations for manually and automatically initiated system inputs and outputs. Manufacturer's standard descriptions for generic system are not acceptable.
  
- C. Qualification Data: For qualified Installer.
  
- D. Field quality-control reports.
  
- E. Operation and Maintenance Data: For fire-alarm systems and components to include in emergency, operation, and maintenance manuals. In addition to items specified in Division 01 Section "Operation and Maintenance Data," include the following:
  1. Comply with the "Records" Section of the "Inspection, Testing and Maintenance" Chapter in NFPA 72.

FIRE STATIONS RENOVATION  
ARLINGTON COUNTY, VIRGINIA  
Architect's Project No: 563006

---

2. Provide "Record of Completion Documents" according to NFPA 72 article "Permanent Records" in the "Records" Section of the "Inspection, Testing and Maintenance" Chapter.
3. Record copy of site-specific software.
4. Provide "Maintenance, Inspection and Testing Records" according to NFPA 72 article of the same name and include the following:
  - a. Frequency of testing of installed components.
  - b. Frequency of inspection of installed components.
  - c. Requirements and recommendations related to results of maintenance.
  - d. Manufacturer's user training manuals.
5. Manufacturer's required maintenance related to system warranty requirements.
6. Abbreviated operating instructions for mounting at fire-alarm control unit.
7. Copy of NFPA 25.
8. Software and Firmware Operational Documentation:
  - a. Software operating and upgrade manuals.
  - b. Program Software Backup: On magnetic media or compact disk, complete with data files.
  - c. Device address list.
  - d. Printout of software application and graphic screens.

1.6 QUALITY ASSURANCE

- A. Installer Qualifications: Personnel shall be trained and certified by manufacturer for installation of units required for this Project.
- B. Installer Qualifications: Installation shall be by personnel certified by NICET as fire-alarm Level II technician.
- C. Source Limitations for Fire-Alarm System and Components: Obtain fire-alarm system from single source from single manufacturer. Components shall be compatible with, and operate as, an extension of existing system.
- D. Electrical Components, Devices, and Accessories: Listed and labeled as defined in NFPA 70, by a qualified testing agency, and marked for intended location and application.
- E. NFPA Certification: Obtain certification according to NFPA 72 by an NRTL.

1.7 PROJECT CONDITIONS

- A. Interruption of Existing Fire-Alarm Service: Do not interrupt fire-alarm service to facilities occupied by Owner or others unless permitted under the following conditions and then only after arranging to provide temporary guard service according to requirements indicated:
  1. Notify Owner no fewer than two days in advance of proposed interruption of fire-alarm service.
  2. Do not proceed with interruption of fire-alarm service without Owner's written permission.

FIRE STATIONS RENOVATION  
ARLINGTON COUNTY, VIRGINIA  
Architect's Project No: 563006

---

1.8 SEQUENCING AND SCHEDULING

- A. Existing Fire-Alarm Equipment: Maintain existing equipment fully operational until new equipment has been tested and accepted. As new equipment or devices are installed, label it "NOT IN SERVICE" until it is accepted. Remove labels from new equipment when put into service and label existing fire-alarm equipment "NOT IN SERVICE" until removed from the building.
- B. Equipment Removal: After acceptance of new fire-alarm system, remove existing disconnected fire-alarm equipment and wiring.
  - 1. Package Owner designated operational equipment and deliver to Owner.

1.9 SOFTWARE SERVICE AGREEMENT

- A. Comply with UL 864.
- B. Technical Support: Beginning with Substantial Completion, provide software support for two years.
- C. Upgrade Service: Update software to latest version at Project completion. Install and program software upgrades that become available within two years from date of Substantial Completion. Upgrading software shall include operating system. Upgrade shall include new or revised licenses for use of software.
  - 1. Provide 30 days' notice to Owner to allow scheduling and access to system and to allow Owner to upgrade computer equipment if necessary.

1.10 EXTRA MATERIALS

- A. Furnish extra materials that match products installed and that are packaged with protective covering for storage and identified with labels describing contents.
  - 1. Lamps for Remote Indicating Lamp Units: Quantity equal to 10 percent of amount installed, but no fewer than 1 unit.
  - 2. Lamps for Strobe Units: Quantity equal to 10 percent of amount installed, but no fewer than 1 unit.
  - 3. Smoke Detectors, Fire Detectors: Quantity equal to 10 percent of amount of each type installed, but no fewer than 1 unit of each type. Provide 50 feet of cabling in conduit for each appliance and connect to nearest annunciation circuit as directed by Authority Having Jurisdiction.
  - 4. Detector Bases: Quantity equal to 2 percent of amount of each type installed, but no fewer than 1 unit of each type. Provide 50 feet of cabling in conduit for each appliance and connect to nearest annunciation circuit as directed by Authority Having Jurisdiction.
  - 5. Keys and Tools: One extra set for access to locked and tamperproofed components.

FIRE STATIONS RENOVATION  
ARLINGTON COUNTY, VIRGINIA  
Architect's Project No: 563006

---

6. Audible and Visual Notification Appliances: One of each type installed. Provide 50 feet of cabling in conduit for each appliance and connect to nearest annunciation circuit as directed by Authority Having Jurisdiction.
7. Fuses: Two of each type installed in the system.

## PART 2 - PRODUCTS

### 2.1 MANUFACTURERS

1. Manufacturer: Subject to compliance with requirements, and fully compatible (UL listed and labeled) with the existing system.

### 2.2 SYSTEMS OPERATIONAL DESCRIPTION

A. Fire-alarm signal initiation shall be by one or more of the following devices:

1. Manual stations.
2. Heat detectors.
3. Smoke detectors.
4. Duct smoke detectors.
5. Automatic sprinkler system water flow.

B. Fire-alarm signal shall initiate the following actions:

1. Continuously operate alarm notification appliances.
2. Identify alarm at fire-alarm control unit and remote annunciators.
3. Transmit an alarm signal to the remote alarm receiving station.
4. Unlock electric door locks in designated egress paths.
5. Release fire and smoke doors held open by magnetic door holders.
6. Switch heating, ventilating, and air-conditioning equipment controls to fire-alarm mode.
7. Record events in the system memory.

C. Supervisory signal initiation shall be by one or more of the following devices and actions:

1. Valve supervisory switch.

D. System trouble signal initiation shall be by one or more of the following devices and actions:

1. Open circuits, shorts, and grounds in designated circuits.
2. Opening, tampering with, or removing alarm-initiating and supervisory signal-initiating devices.
3. Loss of primary power at fire-alarm control unit.
4. Ground or a single break in fire-alarm control unit internal circuits.
5. Abnormal ac voltage at fire-alarm control unit.
6. Break in standby battery circuitry.
7. Failure of battery charging.
8. Abnormal position of any switch at fire-alarm control unit or annunciator.



FIRE STATIONS RENOVATION  
ARLINGTON COUNTY, VIRGINIA  
Architect's Project No: 563006

---

- E. System Trouble and Supervisory Signal Actions: Initiate notification appliance and annunciate at fire-alarm control unit and remote annunciators.

2.3 FIRE-ALARM CONTROL UNIT

- A. FACP's are Existing to Remain. Upgrade as required to provide required functionality at the FACP's and to serve the renovated space.
- B. General Requirements for Fire-Alarm Control Unit:
  - 1. Field-programmable, microprocessor-based, modular, power-limited design with electronic modules, complying with UL 864 and listed and labeled by an NRTL.
    - a. System software and programs shall be held in flash electrically erasable programmable read-only memory (EEPROM), retaining the information through failure of primary and secondary power supplies.
    - b. Include a real-time clock for time annotation of events on the event recorder and printer.
  - 2. Addressable initiation devices that communicate device identity and status.
    - a. Smoke sensors shall additionally communicate sensitivity setting.
    - b. Temperature sensors shall additionally test for and communicate the sensitivity range of the device.
  - 3. Addressable control circuits for operation of mechanical equipment.
- C. Alphanumeric Display and System Controls: Arranged for interface between human operator at fire-alarm control unit and addressable system components including annunciation and supervision. Display alarm, supervisory, and component status messages and the programming and control menu.
- D. Circuits:
  - 1. Initiating Device, Notification Appliance, and Signaling Line Circuits: NFPA 72, Class A.
    - a. Initiating Device Circuits: Style D.
    - b. Notification Appliance Circuits: Style Z.
    - c. Signaling Line Circuits: Style 6.
- E. Door Controls: Door hold-open devices that are controlled by smoke detectors at doors in smoke barrier walls shall be connected to fire-alarm system.
- F. Transmission to Remote Alarm Receiving Station: Automatically transmit alarm, supervisory, and trouble signals to a remote alarm station.

FIRE STATIONS RENOVATION  
ARLINGTON COUNTY, VIRGINIA  
Architect's Project No: 563006

---

- G. Primary Power: 24-V dc obtained from 120-V ac service and a power-supply module. Initiating devices, notification appliances, signaling lines, trouble signals, supervisory and digital alarm communicator transmitters shall be powered by 24-V dc source.
1. Alarm current draw of entire fire-alarm system shall not exceed 80 percent of the power-supply module rating.
- H. Emergency Power Supply: Components include batteries, charger, and automatic transfer switch.
1. Batteries: Sealed lead calcium.
    - a. Batteries shall be in accordance with fire alarm system manufacturer's installation instructions.
    - b. Battery Nominal Life Expectancy: 10 years, minimum.
    - c. Battery date code shall indicate battery age of not more than 3 months at time of system acceptance.
    - d. Battery Capacity: Comply with NFPA 72.
  2. Battery Charger: Solid-state, fully automatic, variable-charging-rate type. Provide capacity for 150 percent of the connected system load while maintaining batteries at full charge. If batteries are fully discharged, the charger recharges them completely within four hours. Charger output is supervised as part of system power supply supervision.
  3. Integral Automatic Transfer Switch: Transfers the load to the battery without loss of signals or status indications when normal power fails.
- I. Instructions: Computer printout or typewritten instruction card mounted behind a plastic or glass cover in a stainless-steel or aluminum frame. Include interpretation and describe appropriate response for displays and signals. Briefly describe the functional operation of the system under normal, alarm, and trouble conditions.

## 2.4 MANUAL FIRE-ALARM BOXES

- A. General Requirements for Manual Fire-Alarm Boxes: Comply with UL 38. Boxes shall be finished in red with molded, raised-letter operating instructions in contrasting color; shall show visible indication of operation; and shall be mounted on recessed outlet box. If indicated as surface mounted, provide manufacturer's surface back box.
1. Double-action mechanism requiring two actions to initiate an alarm, pull-lever type; with integral addressable module arranged to communicate manual-station status (normal, alarm, or trouble) to fire-alarm control unit.
  2. Station Reset: Key-operated switch.

## 2.5 SYSTEM SMOKE DETECTORS

- A. General Requirements for System Smoke Detectors:
1. Comply with UL 268; operating at 24-V dc, nominal.
  2. Detectors shall be two-wire type.

FIRE STATIONS RENOVATION  
ARLINGTON COUNTY, VIRGINIA  
Architect's Project No: 563006

---

3. Base Mounting: Detector and associated electronic components shall be mounted in a twist-lock module that connects to a fixed base. Provide terminals in the fixed base for connection to building wiring.
4. Self-Restoring: Detectors do not require resetting or readjustment after actuation to restore them to normal operation.
5. Integral Visual-Indicating Light: LED type indicating detector has operated and power-on status.

B. Photoelectric Smoke Detectors:

1. Detector address shall be accessible from fire-alarm control unit and shall be able to identify the detector's location within the system and its sensitivity setting.
2. An operator at fire-alarm control unit, having the designated access level, shall be able to manually access the following for each detector:
  - a. Primary status.
  - b. Device type.
  - c. Present average value.
  - d. Present sensitivity selected.
  - e. Sensor range (normal, dirty, etc.).

C. Duct Smoke Detectors: Photoelectric type complying with UL 268A.

1. Detector address shall be accessible from fire-alarm control unit and shall be able to identify the detector's location within the system and its sensitivity setting.
2. An operator at fire-alarm control unit, having the designated access level, shall be able to manually access the following for each detector:
  - a. Primary status.
  - b. Device type.
  - c. Present average value.
  - d. Present sensitivity selected.
  - e. Sensor range (normal, dirty, etc.).
3. Weatherproof Duct Housing Enclosure: NEMA 250, Type 4X; NRTL listed for use with the supplied detector.
4. Each sensor shall have multiple levels of detection sensitivity.
5. Sampling Tubes: Design and dimensions as recommended by manufacturer for specific duct size, air velocity, and installation conditions where applied.

## 2.6 HEAT DETECTORS

- A. General Requirements for Heat Detectors: Comply with UL 521.
- B. Heat Detector, Combination Type: Actuated by either a fixed temperature of 135 deg F or a rate of rise that exceeds 15 deg F per minute unless otherwise indicated.
1. Mounting: Twist-lock base interchangeable with smoke-detector bases.

FIRE STATIONS RENOVATION  
ARLINGTON COUNTY, VIRGINIA  
Architect's Project No: 563006

---

2. Integral Addressable Module: Arranged to communicate detector status (normal, alarm, or trouble) to fire-alarm control unit.

## 2.7 NOTIFICATION APPLIANCES

- A. General Requirements for Notification Appliances: Connected to notification appliance signal circuits, zoned as indicated, equipped for mounting as indicated and with screw terminals for system connections.
  1. Combination Devices: Factory-integrated audible and visible devices in a single-mounting assembly, equipped for mounting as indicated and with screw terminals for system connections.
- B. Horns: Electric-vibrating-polarized type, 24-V dc; with provision for housing the operating mechanism behind a grille. Comply with UL 464. Horns shall produce a sound-pressure level of 90 dBA, measured 10 feet from the horn, using the Code-3 coded signal prescribed in UL 464 test protocol.
- C. Bells: Electric-vibrating, 24-V dc, under-dome type; with provision for housing the operating mechanism behind the bell. When operating, bells provide a sound-pressure level of 94 dB, measured 10 feet from the bell. 10-inch size, unless otherwise indicated. Bells are weatherproof.
- D. Visible Notification Appliances: Xenon strobe lights comply with UL 1971, with clear or nominal white polycarbonate lens mounted on an aluminum faceplate. The word "FIRE" is engraved in minimum 1-inch-high letters on the lens.
  1. Rated Light Output:
    - a. 15/30/75/110 cd, selectable in the field.
  2. Mounting: Wall mounted unless otherwise indicated.
  3. For units with guards to prevent physical damage, light output ratings shall be determined with guards in place.
  4. Flashing shall be in a temporal pattern, synchronized with other units.
  5. Strobe Leads: Factory connected to screw terminals.
  6. Mounting Faceplate: Factory finished, red.

## 2.8 MAGNETIC DOOR HOLDERS

- A. Description: Units are equipped for wall or floor mounting as indicated and are complete with matching doorplate.
  1. Electromagnet: Requires no more than 3 W to develop 25-lbf holding force.
  2. Wall-Mounted Units: Flush mounted unless otherwise indicated.
  3. Rating: 120-V ac.
- B. Material and Finish: Match door hardware.

FIRE STATIONS RENOVATION  
ARLINGTON COUNTY, VIRGINIA  
Architect's Project No: 563006

---

2.9 REMOTE ANNUNCIATOR

- A. Description: Annunciator functions shall match those of fire-alarm control unit for alarm, supervisory, and trouble indications. Manual switching functions shall match those of fire-alarm control unit, including acknowledging, silencing, resetting, and testing.
  - 1. Mounting: Flush cabinet, NEMA 250, Type 1.
- B. Display Type and Functional Performance: Alphanumeric display and LED indicating lights shall match those of fire-alarm control unit. Provide controls to acknowledge, silence, reset, and test functions for alarm, supervisory, and trouble signals.

2.10 ADDRESSABLE INTERFACE DEVICE

- A. Description: Microelectronic monitor module, NRTL listed for use in providing a system address for alarm-initiating devices for wired applications with normally open contacts.

PART 3 - EXECUTION

3.1 EQUIPMENT INSTALLATION

- A. Comply with NFPA 72 for installation of fire-alarm equipment.
- B. Connecting to Existing Equipment: Verify that existing fire-alarm system is operational before making changes or connections.
  - 1. Connect new equipment to existing control panel in existing part of the building.
  - 2. Connect new equipment to existing monitoring equipment at the supervising station.
  - 3. Expand, modify, and supplement existing equipment as necessary to extend existing functions to the new points. New components shall be capable of merging with existing configuration without degrading the performance of either system.
- C. Smoke- or Heat-Detector Spacing:
  - 1. Comply with NFPA 72, "Smoke-Sensing Fire Detectors" Section in the "Initiating Devices" Chapter, for smoke-detector spacing.
  - 2. Comply with NFPA 72, "Heat-Sensing Fire Detectors" Section in the "Initiating Devices" Chapter, for heat-detector spacing.
  - 3. HVAC: Locate detectors not closer than [3 feet] [5 feet] from air-supply diffuser or return-air opening.
- D. Duct Smoke Detectors: Comply with NFPA 72 and NFPA 90A. Install sampling tubes so they extend the full width of duct.

FIRE STATIONS RENOVATION  
ARLINGTON COUNTY, VIRGINIA  
Architect's Project No: 563006

---

- E. Audible Alarm-Indicating Devices: Install not less than 6 inches below the ceiling. Install bells and horns on flush-mounted back boxes with the device-operating mechanism concealed behind a grille.
- F. Visible Alarm-Indicating Devices: Install adjacent to each alarm bell or alarm horn and at least 6 inches below the ceiling.
- G. Device Location-Indicating Lights: Locate in public space near the device they monitor.
- H. Fire-Alarm Control Unit: Surface mounted, with tops of cabinets not more than 72 inches above the finished floor.
- I. Annunciator: Install with top of panel not more than 72 inches above the finished floor.

### 3.2 CONNECTIONS

- A. For fire-protection systems related to doors in fire-rated walls and partitions and to doors in smoke partitions, comply with requirements in Division 08 Section "Door Hardware." Connect hardware and devices to fire-alarm system.
  - 1. Verify that hardware and devices are NRTL listed for use with fire-alarm system in this Section before making connections.
- B. Make addressable connections with a supervised interface device to the following devices and systems. Install the interface device less than 3 feet from the device controlled. Make an addressable confirmation connection when such feedback is available at the device or system being controlled.
  - 1. Smoke dampers in air ducts of designated air-conditioning duct systems.
  - 2. Supervisory connections at valve supervisory switches.

### 3.3 IDENTIFICATION

- A. Identify system components, wiring, cabling, and terminals. Comply with requirements for identification specified in Division 26 Section "Identification for Electrical Systems."
- B. Install framed instructions in a location visible from fire-alarm control unit.

### 3.4 GROUNDING

- A. Ground fire-alarm control unit and associated circuits; comply with IEEE 1100. Install a ground wire from main service ground to fire-alarm control unit.

### 3.5 PROGRAMMING

FIRE STATIONS RENOVATION  
ARLINGTON COUNTY, VIRGINIA  
Architect's Project No: 563006

---

- A. Provide all system programming required to accomplish the functions outlined by this specification, and the Fire Alarm Input/Output Matrix (on the Contract Drawings), and as required by the Authority Having Jurisdiction.
  - 1. Space names and numbers used in the programming shall be per the Owner's list, not necessarily those indicated on the Contract Documents.

3.6 FIELD QUALITY CONTROL

- A. Field tests shall be witnessed by authorities having jurisdiction.
- B. Perform tests and inspections.
  - 1. Manufacturer's Field Service: Engage a factory-authorized service representative to inspect components, assemblies, and equipment installations, including connections, and to assist in testing.
- C. Tests and Inspections:
  - 1. Visual Inspection: Conduct visual inspection prior to testing.
    - a. Inspection shall be based on completed Record Drawings and system documentation that is required by NFPA 72 in its "Completion Documents, Preparation" Table in the "Documentation" Section of the "Fundamentals of Fire Alarm Systems" Chapter.
    - b. Comply with "Visual Inspection Frequencies" Table in the "Inspection" Section of the "Inspection, Testing and Maintenance" Chapter in NFPA 72; retain the "Initial/Reacceptance" column and list only the installed components.
  - 2. System Testing: Comply with "Test Methods" Table in the "Testing" Section of the "Inspection, Testing and Maintenance" Chapter in NFPA 72.
  - 3. Factory-authorized service representative shall prepare the "Fire Alarm System Record of Completion" in the "Documentation" Section of the "Fundamentals of Fire Alarm Systems" Chapter in NFPA 72 and the "Inspection and Testing Form" in the "Records" Section of the "Inspection, Testing and Maintenance" Chapter in NFPA 72.
- D. Reacceptance Testing: Perform reacceptance testing to verify the proper operation of added or replaced devices and appliances.
- E. Fire-alarm system will be considered defective if it does not pass tests and inspections.
- F. Prepare test and inspection reports.
- G. Annual Test and Inspection: One year after date of Substantial Completion, test fire-alarm system complying with visual and testing inspection requirements in NFPA 72. Use forms developed for initial tests and inspections.

FIRE STATIONS RENOVATION  
ARLINGTON COUNTY, VIRGINIA  
Architect's Project No: 563006

---

3.7 DEMONSTRATION

- A. Engage a factory-authorized service representative to train Owner's maintenance personnel to adjust, operate, and maintain fire-alarm system.

END OF SECTION 283111



# PROJECT SPECIFICATIONS

## ARLINGTON COUNTY KELLY DAY RENOVATIONS FIRE STATION 5

1750 S HAYES STREET  
ARLINGTON COUNTY, VIRGINIA  
22202

**MOSELEY**ARCHITECTS

ARCHITECT/ENGINEER

RICHMOND, VIRGINIA

PERMIT SET

**September 22, 2021**

A/E's Proj. #563006 Set No.

FIRE STATIONS RENOVATION  
ARLINGTON COUNTY, VIRGINIA  
Architect's Project No: 563006

---

SPECIFICATIONS

DIVISION 1 – GENERAL REQUIREMENTS

011000	Summary
012000	Price and Payment Procedures
012500	Substitution Procedures
013000	Administrative Requirements
013216	Construction Progress Schedule
014000	Quality Requirements
014200	Definitions and Reference Standards
014520	Testing, Adjusting, and Balancing (TAB)
015000	Temporary Facilities and Controls
016000	Product Requirements
017000	Execution and Closeout Requirements
017419	Construction Waste Management and Disposal
017800	Closeout Submittals
017900	Demonstration and Training
018119	Indoor Air Quality Requirements

DIVISION 2 – EXISTING CONDITIONS

024100	Demolition
--------	------------

DIVISION 3 – CONCRETE (not used)

DIVISION 4 – MASONRY (not used)

DIVISION 5 – METALS

055000	Metal Fabrications
--------	--------------------

DIVISION 6 – WOOD PLASTICS AND COMPOSITES

061000	Rough Carpentry
--------	-----------------

DIVISION 7 – THERMAL AND MOISTURE PROTECTION

079200	Joint Sealants
--------	----------------

DIVISION 8 – OPENINGS

083100	Access Doors and Panels
--------	-------------------------

DIVISION 9 – FINISHES

092216	Cold Formed Steel Framing - Non-Structural (CFSF-NS)
092900	Gypsum Board
093000	Tiling
096513	Resilient Base and Accessories
099123	Interior Painting

DIVISION 10 – SPECIALTIES

102113.13	Metal Toilet Compartments
102800	Toilet and Bath Accessories

FIRE STATIONS RENOVATION  
ARLINGTON COUNTY, VIRGINIA  
Architect's Project No: 563006

---

DIVISION 11 – EQUIPMENT (not used)

DIVISION 12 – FURNISHINGS (not used)

DIVISION 13 – SPECIAL CONSTRUCTION (not used)

DIVISION 14 – CONVEYING SYSTEMS (not used)

DIVISION 21 – FIRE SUPPRESSION

211000 Water-Based Fire-Suppression Systems

DIVISION 22 – PLUMBING (not used)

DIVISION 23 – MECHANICAL

230500 Common Work Results for HVAC  
230513 Motors for HVAC Equipment  
230514 Variable Speed Drives  
230529 Hangers and Supports for HVAC Piping and Equipment  
230548 Vibration Control for HVAC  
230700 HVAC Insulation  
230900 Building Automation System  
230993 Sequence of Control for HVAC Controls  
232300 Refrigerant Piping  
233113 Metal Ducts  
233300 Air Duct Accessories  
233423 HVAC Power Ventilators  
233713 Diffusers, Registers, and Grilles  
234100 Particulate Air Filtration  
237413 Packaged Rooftop Units  
238126 Ductless Mini-Split Air Conditioning Units

DIVISION 25 – INTEGRATED AUTOMATION (not used)

DIVISION 26 – ELECTRICAL

260519 Low-Voltage Electrical Power Conductors and Cables  
260523 Control-Voltage Electrical Power Cables  
260526 Grounding and Bonding for Electrical Systems  
260529 Hangers and Supports for Electrical Systems  
260533 Raceway and Boxes for Electrical Systems  
260553 Identification for Electrical Systems  
260923 Lighting Control Devices  
262726 Wiring Devices  
262813 Fuses  
262816 Enclosed Switches and Circuit Breakers  
265100 Interior Lighting

FIRE STATIONS RENOVATION  
ARLINGTON COUNTY, VIRGINIA  
Architect's Project No: 563006

---

DIVISION 27 – COMMUNICATIONS

270000	Communications
270528	Pathways for Communications Systems

DIVISION 28 – ELECTRONIC SAFETY AND SECURITY

283111	Digital, Addressable Fire-Alarm System
--------	--

DIVISION 31 – EARTHWORK (not used)

DIVISION 32 – EXTERIOR IMPROVEMENTS (not used)

DIVISION 33 – UTILITIES (not used)

DIVISION 34 – TRANSPORTATION (not used)

END OF TABLE OF CONTENTS

FIRE STATIONS RENOVATION  
Arlington County, Virginia  
Architect's Project No.: 563006

---

**SECTION 011000  
SUMMARY**

**PART 1 GENERAL**

**1.01 PROJECT**

- A. Project Name: Arlington County Fire Stations Renovation.
- B. Owner's Name: Arlington County, Virginia.
- C. Architect's Name: Moseley Architects of Richmond, VA.

**1.02 CONTRACT DESCRIPTION**

- A. Contract Type: A single prime contract based on a Stipulated Price as described in Document 005200 - Agreement Form.

**1.03 PROFESSIONAL SEALS**

- A. Use of Professional Seals on Bidding, Procurement, and Contract Documents: For the purposes of this paragraph, the term "Regulant" refers to the individual who signs and seals parts of the Contract Documents (e.g. the Drawings and Specifications). Certain information has been excerpted verbatim from a source or sources (e.g., UL Assemblies, SMACNA details, IBC code text) which was considered or used by Regulant in preparing parts of the Contract Documents, as follows:
  - 1. The excerpted information was neither prepared under the direct control nor personal supervision nor created by the Regulant, as it was prepared by the source and owner of the excerpted information.
  - 2. For purposes of bidding, procuring, and performance of the Work, and in any event of conflicts or ambiguities between the excerpted information in the Contract Documents and the requirements of applicable codes and standards, provide the better quality or greater quantity of Work which, at a minimum, complies with the requirements of the applicable codes and standards.
  - 3. Advise Architect immediately upon becoming aware of requirements of the Work which are not consistent with the requirements of the excerpted information.
  - 4. Attribution is acknowledged for information obtained and included herein verbatim from other source or sources.
  - 5. Regulant has taken into consideration and used certain excerpted information from other sources which are applicable to the Contract Documents, and the Regulant indicates by its seal that it is assuming responsibility for its services in use and application of the excerpted information to the requirements of Work, but not for the excerpted information itself which was prepared by others. Regulant does not indicate by its seal that it is responsible for use or application of other information in such source or sources which was not included herein.

**1.04 WORK BY OWNER**

- A. Owner will furnish and install the following items before Substantial Completion. Contractor shall coordinate with and accommodate Owner's construction forces.
  - 1. Indicated metal lockers.
- B. Owner will furnish the following for installation by Contractor:
  - 1. Indicated appliances.

**1.05 OWNER OCCUPANCY**

- A. Owner intends to continue to occupy adjacent portions of the existing building during the entire construction period.
- B. Owner intends to occupy the Project upon Substantial Completion.
- C. Cooperate with Owner to minimize conflict and to facilitate Owner's operations.
- D. Schedule the Work to accommodate Owner occupancy.
  - 1. Maintain routes of egress and life safety systems for Owner and occupants at all times.

FIRE STATIONS RENOVATION  
Arlington County, Virginia  
Architect's Project No.: 563006

---

**1.06 CONTRACTOR USE OF SITE AND PREMISES**

- A. Construction Operations: Limited to areas noted on Drawings.
  - 1. Locate and conduct construction activities in ways that will limit disturbance to site.
- B. Provide access to and from site as required by law and by Owner:
  - 1. Emergency Building Exits During Construction: Keep all exits required by code open during construction period; provide temporary exit signs if exit routes are temporarily altered.
  - 2. Do not obstruct roadways, sidewalks, or other public ways without permit.
- C. Existing building spaces may not be used for storage.
- D. Existing building shall be maintained weathertight. Do not modify elements of the existing building except as indicated on the Construction Documents. Repair damage to the existing building due to construction activity.
- E. Time Restrictions:
  - 1. Limit conduct of especially noisy, malodorous, and dusty work to the hours of 8 AM to 4 PM.
  - 2. Comply with local regulations for hours of work, noise ordinances, and similar requirements.
- F. Utility Outages and Shutdown:
  - 1. Limit disruption of utility services to hours the building is unoccupied.
  - 2. Do not disrupt or shut down life safety systems, including but not limited to fire sprinklers and fire alarm system, without 7 days notice to Owner and authorities having jurisdiction.
  - 3. Prevent accidental disruption of utility services to other facilities.
- G. Controlled Substances: The use of alcohol and drugs is not permitted on the Project site. Provide a designated outdoor smoking area for construction personnel that is at least 25 feet away from the building.

**1.07 SPECIFICATION SECTIONS APPLICABLE TO ALL WORK**

- A. The provisions of the Owner/Contractor agreement, General Conditions of the Contract, Supplementary Conditions (if any), and all Division 01 sections shall apply to all sections of the Project Manual. In the event of discrepancy or conflict, the Owner/Contractor agreement and any associated conditions shall govern.

**PART 2 PRODUCTS - NOT USED**

**PART 3 EXECUTION - NOT USED**

**END OF SECTION**

FIRE STATIONS RENOVATION  
Arlington County, Virginia  
Architect's Project No.: 563006

---

**SECTION 012000  
PRICE AND PAYMENT PROCEDURES**

**PART 1 GENERAL**

**1.01 SECTION INCLUDES**

- A. Procedures for preparation and submittal of applications for progress payments.

**1.02 SCHEDULE OF VALUES**

- A. Use Schedule of Values Form: AIA G703, unless otherwise agreed to by Owner in writing.
- B. Forms filled out by hand will not be accepted.
- C. Format: Utilize the Table of Contents of this Project Manual. Identify each line item with number and title of the specification section. Identify site mobilization.
- D. Include in each line item, the amount of Allowances specified in this section. For unit cost Allowances, identify quantities taken from Contract Documents multiplied by the unit cost to achieve the total for the item.
- E. Include separately from each line item, a direct proportional amount of Contractor's overhead and profit.
- F. Revise schedule to list approved Change Orders, with each Application For Payment.
  - 1. When a Change Order includes multiple PCOs, break down the total Change Order to include each PCO as an individual line item.

**1.03 APPLICATIONS FOR PROGRESS PAYMENTS**

- A. Payment Period: Submit at intervals stipulated in the Agreement.
- B. Use Form AIA G702 and Form AIA G703.
- C. Electronic media printout including equivalent information will be considered in lieu of standard form specified; submit sample to Architect for approval.
- D. Forms filled out by hand will not be accepted.
- E. For each item, provide a column for listing each of the following:
  - 1. Item Number.
  - 2. Description of work.
  - 3. Scheduled Values.
  - 4. Previous Applications.
  - 5. Work in Place and Stored Materials under this Application.
  - 6. Authorized Change Orders.
  - 7. Total Completed and Stored to Date of Application.
  - 8. Balance to Finish.
  - 9. Retainage.
- F. Execute certification by signature of authorized officer.
- G. Use data from approved Schedule of Values. Provide dollar value in each column for each line item for portion of work performed and for stored products.
- H. List each authorized Change Order as a separate line item, listing Change Order number and dollar amount as for an original item of work.
  - 1. When a Change Order includes multiple PCOs, break down the total Change Order to include each PCO as an individual line item.
- I. Submit one electronic and three hard-copies of each Application for Payment.
- J. Include the following with the application:
  - 1. Transmittal letter as specified for submittals in Section 013000.
  - 2. Construction progress schedule, revised and current as specified in Section 013000.
  - 3. Partial release of liens from major subcontractors and vendors.
  - 4. Affidavits attesting to off-site stored products.

FIRE STATIONS RENOVATION  
Arlington County, Virginia  
Architect's Project No.: 563006

---

#### 1.04 MODIFICATION PROCEDURES

- A. For minor changes not involving an adjustment to the Contract Sum or Contract Time, Architect will issue instructions directly to Contractor on AIA Document G710 "Architect's Supplemental Instructions."
- B. For changes for which advance pricing is desired, Architect will issue a document that includes a detailed description of a proposed change with supplementary or revised drawings and specifications, a change in Contract Time for executing the change with a stipulation of any overtime work required and the period of time during which the requested price will be considered valid. Contractor shall prepare and submit a fixed price quotation within 7 days.
- C. Contractor may propose a change by submitting a request for change to Architect, describing the proposed change and its full effect on the work, with a statement describing the reason for the change, and the effect on the Contract Sum and Contract Time with full documentation.
- D. For other required changes, Architect will issue a Construction Change Directive, on AIA Document G714, signed by Owner instructing Contractor to proceed with the change, for subsequent inclusion in a Change Order.
  - 1. The document will describe the required changes and will designate method of determining any change in Contract Sum or Contract Time.
  - 2. Promptly execute the change.
- E. Computation of Change in Contract Amount: As specified in the Agreement and Conditions of the Contract.
  - 1. For change requested by Architect for work falling under a fixed price contract, the amount will be based on Contractor's price quotation.
  - 2. For change requested by Contractor, the amount will be based on the Contractor's request for a Change Order as approved by Architect.
  - 3. For pre-determined unit prices and quantities, the amount will be based on the fixed unit prices.
- F. Substantiation of Costs: Provide full information required for evaluation.
  - 1. Provide the following data:
    - a. Quantities of products, labor, and equipment.
    - b. Taxes, insurance, and bonds.
    - c. Overhead and profit.
    - d. Justification for any change in Contract Time.
    - e. Credit for deletions from Contract, similarly documented.
  - 2. Support each claim for additional costs with additional information:
    - a. Origin and date of claim.
    - b. Dates and times work was performed, and by whom.
    - c. Time records and wage rates paid.
    - d. Invoices and receipts for products, equipment, and subcontracts, similarly documented.
- G. Execution of Change Orders: Architect will issue Change Orders on AIA Document G701 for signatures of parties as provided in the Conditions of the Contract.
- H. After execution of Change Order, promptly revise Schedule of Values and Application for Payment forms to record each authorized Change Order as a separate line item and adjust the Contract Sum.
- I. Promptly revise progress schedules to reflect any change in Contract Time, revise sub-schedules to adjust times for other items of work affected by the change, and resubmit.

#### 1.05 APPLICATION FOR FINAL PAYMENT

- A. Prepare Application for Final Payment as specified for progress payments, identifying total adjusted Contract Sum, previous payments, and sum remaining due.
- B. Application for Final Payment will not be considered until the following have been accomplished:



FIRE STATIONS RENOVATION  
Arlington County, Virginia  
Architect's Project No.: 563006

---

1. All closeout procedures specified in Section 017000.
- C. Provide evidence and supporting data for the following, as attachments to the Application for Final Payment:
  1. AIA G706, "Contractor's Affidavit of Payment of Debts and Claims."
  2. AIA G707, "Consent of Surety to Final Payment."
  3. Settlement of all debts and claims, including liquidated damages, taxes, and fees.
  4. Utility meter readings, fuel levels, and similar measurements, as of the date of turn over to the Owner.
  5. Certificates for insured products.

**PART 2 PRODUCTS - NOT USED**

**PART 3 EXECUTION - NOT USED**

**END OF SECTION**

FIRE STATIONS RENOVATION  
Arlington County, Virginia  
Architect's Project No.: 563006

---

**SECTION 012500  
SUBSTITUTION PROCEDURES**

**PART 1 GENERAL**

**1.01 DEFINITIONS**

- A. Substitutions: Changes from Contract Documents requirements proposed by Contractor to materials, products, assemblies, and equipment.
1. Substitutions for Cause: Proposed due to changed Project circumstances beyond Contractor's control, such as unavailability, regulatory changes, or unobtainable warranty terms.
  2. Substitutions for Convenience: Proposed due to possibility of offering substantial advantage to the Project.

**PART 2 PRODUCTS - NOT USED**

**PART 3 EXECUTION**

**3.01 GENERAL REQUIREMENTS**

- A. A Substitution Request for products, assemblies, materials, and equipment constitutes a representation that the submitter:
1. Has investigated proposed product and determined that it meets or exceeds the quality level of the specified product, equipment, assembly, or system.
  2. Agrees to provide the same warranty for the substitution as for the specified product.
  3. Agrees to provide same or equivalent maintenance service and source of replacement parts, as applicable.
  4. Agrees to coordinate installation and make changes to other work that may be required for the work to be complete, with no additional cost to Owner.
  5. Waives claims for additional costs or time extension that may subsequently become apparent.
  6. Agrees to reimburse Owner and Architect for review or redesign services associated with re-approval by authorities.
- B. Document each request with complete data substantiating compliance of proposed substitution with Contract Documents. Burden of proof is on proposer.
1. Note explicitly any non-compliant characteristics.
- C. Content: Include information necessary for tracking the status of each Substitution Request, and information necessary to provide an actionable response.
1. A copy of the Substitution Request Form that shall be used is included at the end of this Section for informational purposes. Request a Word or editable PDF version of the form from the Architect and complete the form digitally; do not complete the form by hand.
  2. Contractor's Substitution Request documentation must include the following:
    - a. Substitution Request Information:
      - 1) Indication of whether the substitution is for cause or convenience.
      - 2) Issue date.
      - 3) Reference to particular Contract Document(s) specification section number, title, and article/paragraph(s).
      - 4) Description of Substitution.
      - 5) Reason why the specified item cannot be provided.
      - 6) Description of how proposed substitution affects other parts of work.
    - b. Attached Comparative Data: Provide point-by-point, side-by-side comparison addressing essential attributes specified, as appropriate and relevant for the item:
      - 1) Physical characteristics.
      - 2) In-service performance.
      - 3) Expected durability.
      - 4) Visual effect.
      - 5) Sustainable design features.
      - 6) Warranties.
      - 7) Other salient features and requirements.

FIRE STATIONS RENOVATION  
Arlington County, Virginia  
Architect's Project No.: 563006

---

- 8) Include, as appropriate or requested, the following types of documentation:
  - (a) Product Data:
  - (b) Samples.
  - (c) Certificates, test, reports or similar qualification data.
  - (d) Drawings, when required to show impact on adjacent construction elements.
- c. Impact of Substitution: Provide data indicating cost savings to Owner and change in Contract Time due to accepting substitution.
- D. Limit each request to a single proposed substitution item.
  - 1. Submit an electronic document, combining the request form with supporting data into single document.

**3.02 SUBSTITUTION PROCEDURES DURING CONSTRUCTION**

- A. Architect will consider requests for substitutions for convenience only within 30 days after date of Agreement.
  - 1. Substitutions for convenience submitted after this time period may or may not be considered, at the Architect's discretion.
- B. Submit request for Substitution for Cause immediately upon discovery of need for substitution, but not later than 14 days prior to time required for review and approval by Architect, in order to stay on approved project schedule.
- C. Submit request for Substitution for Convenience immediately upon discovery of its potential advantage to the project, but not later than 14 days prior to time required for review and approval by Architect, in order to stay on approved project schedule.
  - 1. In addition to meeting general documentation requirements, document how the requested substitution benefits the Owner through cost savings, time savings, greater energy conservation, or in other specific ways.
  - 2. Document means of coordinating of substitution item with other portions of the work, including work by affected subcontractors.
  - 3. Bear the costs engendered by proposed substitution of:
    - a. Owner's compensation to the Architect for any required redesign, time spent processing and evaluating the request.
    - b. Other unanticipated project considerations.
- D. Substitutions will not be considered under one or more of the following circumstances:
  - 1. When they are indicated or implied on shop drawing or product data submittals, without having received prior approval.
  - 2. Without a separate written request.

**3.03 RESOLUTION**

- A. Architect may request additional information and documentation prior to rendering a decision. Provide this data in an expeditious manner.
- B. Architect will notify Contractor in writing of decision to accept or reject request.

**3.04 ACCEPTANCE**

- A. Accepted substitutions change the work of the Project. They will be documented and incorporated into work of the project by Change Order, Construction Change Directive, Architectural Supplementary Instructions, or similar instruments provided for in the Conditions of the Contract.

**3.05 CLOSEOUT ACTIVITIES**

- A. See Section 017800 - Closeout Submittals, for closeout submittals.

**END OF SECTION**

FIRE STATIONS RENOVATION  
Arlington County, Virginia  
Architect's Project No.: 563006

---

**SECTION 013000  
ADMINISTRATIVE REQUIREMENTS**

**PART 1 GENERAL**

**1.01 GENERAL ADMINISTRATIVE REQUIREMENTS**

- A. Comply with requirements of Section 017000 - Execution and Closeout Requirements for coordination of execution of administrative tasks with timing of construction activities.
- B. Electronic File Distribution: Upon request, Contractor may be provided electronic files for use in coordination of the Work and preparation of submittals. Contractor shall submit a signed Request Form for Electronic Files, provided by the Architect.
  - 1. Electronic files do not contain all of the information of the Bid Documents or Contract Documents for construction of the Project, and the Architect shall not be responsible for differences between electronic files, Bid Documents, and Contract Documents.

**1.02 SUBMITTALS**

- A. General Contractor Personnel: As soon as practical after award of Contract, provide a summary of General Contractor's on site personnel. Identify each individual, beginning with project superintendent. List project responsibilities, cell phone number, and email address.
- B. Subcontractors: As soon as practical after award of Contract, provide a summary of all companies and individuals engaged as subcontractors for any part of the Project. Include a contact name, company address, phone number, and email address, and identify what part of the Work shall be completed by each subcontractor.
- C. Coordination Drawings: Submit completed Coordination Drawings for Architect's information.

**PART 2 PRODUCTS - NOT USED**

**PART 3 EXECUTION**

**3.01 ELECTRONIC DOCUMENT SUBMITTAL SERVICE**

- A. All documents transmitted for purposes of administration of the contract are to be in electronic (PDF, MS Word, or MS Excel) format, as appropriate to the document, and transmitted via an Internet-based submittal service that receives, logs and stores documents, provides electronic stamping and signatures, and notifies addressees via email.
  - 1. Besides submittals for review, information, and closeout, this procedure applies to Requests for Interpretation (RFIs), progress documentation, contract modification documents (e.g. supplementary instructions, change proposals, change orders), applications for payment, field reports and meeting minutes, Contractor's correction punchlist, and any other document any participant wishes to make part of the project record.
  - 2. It is Contractor's responsibility to submit documents in allowable format.
  - 3. Subcontractors, suppliers, and Architect's consultants will be permitted to use the service at no extra charge.
  - 4. Paper document transmittals will not be reviewed unless previously approved; emailed electronic documents will not be reviewed.
  - 5. All other specified submittal and document transmission procedures apply, except that electronic document requirements do not apply to samples or color selection charts.
- B. Submittal Service: Coordinate method for exchanging files no later than the Preconstruction Meeting. The Architect's "Newforma InfoExchange" website and procedures can be used at no charge. If the Contractor chooses to use a different platform and methodology:
  - 1. The Architect may reject the methodology or platform proposed and:
    - a. use the Architect's Newforma InfoExchange website, or
    - b. the project team will revert to traditional hard-copy exchange;
  - 2. or the Contractor shall bear the cost of software, licensing, training, etc, for the project team to participate.
- C. Project Closeout: Architect will determine when to terminate the service for the project and is responsible for obtaining archive/record copies of files for Owner. If the Project Team uses an alternate platform preferred by the Contractor, the Contractor shall be responsible

FIRE STATIONS RENOVATION  
Arlington County, Virginia  
Architect's Project No.: 563006

---

for distributing archive/record copies of files to Owner and Architect.

### **3.02 PRECONSTRUCTION MEETING**

- A. Architect will schedule a meeting after Notice of Award.
- B. Attendance Required:
  - 1. Owner.
  - 2. Architect.
  - 3. Contractor.
  - 4. Major subcontractors, consultants, and others as necessary and appropriate.
- C. Agenda:
  - 1. Execution of Owner-Contractor Agreement.
  - 2. Submission of executed bonds and insurance certificates.
  - 3. Distribution of Contract Documents.
  - 4. Submission of list of subcontractors, list of products, schedule of values, and progress schedule.
  - 5. Designation of personnel representing the parties to Contract and Architect.
  - 6. Procedures and processing of field decisions, submittals, substitutions, applications for payments, proposal request, Change Orders, and Contract closeout procedures.
  - 7. Scheduling.
  - 8. Site mobilization and utilization.
  - 9. Other project-specific items on pre-distributed agenda.
- D. Architect shall record minutes and distribute digital copies to Owner, Contractor, and other attendees. Contractor shall be responsible for distribution to subcontractors and other personnel affected by decisions made.

### **3.03 INDOOR AIR QUALITY (IAQ) MANAGEMENT PLAN DEVELOPMENT SESSION**

- A. Architect will schedule a meeting after Notice of Award.
- B. Attendance Required:
  - 1. Owner.
  - 2. Architect.
  - 3. Mechanical engineer.
  - 4. Contractor.
  - 5. HVAC subcontractor.
  - 6. Other major subcontractors, consultants, and others as necessary and appropriate.
- C. Agenda:
  - 1. Protection of Materials: Discussion of how and where materials that could impact IAQ will be stored, including but not limited to, the following:
    - a. Insulation.
    - b. Gypsum board.
    - c. Flooring materials.
    - d. Ceiling panels.
    - e. Furnishings.
    - f. Odorous chemicals.
  - 2. Protection of HVAC: Discussion of how HVAC equipment will be stored installed, and operated during construction.
  - 3. Pathway Interruption: Discussion of how airflow between construction zones will be limited to prevent the spreading of pollutants from one part of the building to another.
  - 4. Housekeeping: Discussion of how the building will be kept clean and dry.
  - 5. Materials Installation Scheduling: Discussion of what wet (odor emitting) materials will be used on the project, in order to schedule their installation before fuzzy (odor absorbing) materials.

### **3.04 PREINSTALLATION MEETINGS**

- A. When required in individual specification sections, convene a preinstallation meeting at the site prior to commencing work of the section. Do not allow installation of affected work to proceed until preinstallation meeting can be held.

FIRE STATIONS RENOVATION  
Arlington County, Virginia  
Architect's Project No.: 563006

---

- B. Require attendance of parties directly affecting, or affected by, work of the specific section.
- C. Notify Architect and Owner in advance of meeting date.
- D. Prepare agenda and preside at meeting:
  - 1. Review conditions of examination, preparation and installation procedures.
  - 2. Review coordination with related work.
- E. Record minutes and distribute copies within two days after meeting to participants, with copies to Architect, Owner, participants, and those affected by decisions made.

### **3.05 PROGRESS MEETINGS**

- A. Architect will make arrangements for meetings, prepare agenda with copies for participants, preside at meetings.
- B. Attendance Required:
  - 1. Owner.
  - 2. Architect.
  - 3. Contractor's superintendent.
  - 4. Other subcontractors or consultants as required for the specific parts of the Work to be discussed.
- C. Agenda:
  - 1. Review minutes of previous meetings.
  - 2. Review of work progress.
  - 3. Field observations, problems, and decisions.
  - 4. Identification of problems that impede, or will impede, planned progress.
  - 5. Review of submittals schedule and status of submittals.
  - 6. Review of RFIs log and status of responses.
  - 7. Maintenance of progress schedule.
  - 8. Corrective measures to regain projected schedules.
  - 9. Planned progress during succeeding work period.
  - 10. Maintenance of quality and work standards.
  - 11. Effect of proposed changes on progress schedule and coordination.
  - 12. Other business relating to the work.
- D. Architect shall record minutes and distribute copies to the Owner, Contractor, and other consultants, Owner's representatives, or other third party attendees. The Contractor shall be responsible for distributing to any affected subcontractors and other personnel.

### **3.06 CLOSEOUT MEETING**

- A. Schedule and administer closeout meeting no later than 30 days before the scheduled Date of Substantial Completion.
- B. Make arrangements for the meeting, prepare agenda with copies for participants, and preside at the meeting.
- C. Attendance Required:
  - 1. Owner.
  - 2. Architect.
  - 3. Contractor's superintendent.
  - 4. Major subcontractors.
  - 5. Other subcontractors or consultants as required.
- D. Agenda:
  - 1. Review closeout requirements and procedures in Division 1 Section "Execution and Closeout Requirements."
  - 2. Review startup, testing, and adjusting of all systems, including testing/adjusting/balancing and Commissioning,
  - 3. Coordination of inspections by local authorities having jurisdiction and third party Special Inspectors as required to obtain Certificate of Occupancy.
  - 4. Coordination of Owner's occupancy and changeover of utilities, insurance, and building keying/lock system.

FIRE STATIONS RENOVATION  
Arlington County, Virginia  
Architect's Project No.: 563006

---

5. Procedures for Contractor's Correction Punch List, Architect's Substantial Completion inspection, and Final Correction Punch List.
  6. Delivery, turnover, and storage of maintenance materials, attic stock, special tools, and other non-installed materials.
  7. Coordination of closeout documentation, including demonstration and training materials and videos, as built/record documents, operation and maintenance binders, and warranty binders.
  8. Removal of temporary facilities, construction equipment, and tools.
  9. Final cleaning, touchup, restoration, and preventive maintenance.
  10. Coordination of final Applications for Payment.
- E. Record minutes and distribute copies within two days after meeting to participants, with copies to Architect, Owner, participants, and those affected by decisions made.

### **3.07 DAILY CONSTRUCTION REPORTS**

- A. Include only factual information. Do not include personal remarks or opinions regarding operations and/or personnel.
- B. Prepare a daily construction report recording the following information concerning events at Project site and project progress:
1. Date.
  2. High and low temperatures, and general weather conditions.
  3. List of subcontractors at Project site.
  4. Approximate count of personnel at Project site.
  5. Major equipment at Project site.
  6. Material deliveries.
  7. Safety, environmental, or industrial relations incidents.
  8. Meetings and significant decisions.
  9. Unusual events (submit a separate special report).
  10. Stoppages, delays, shortages, and losses. Include comparison between scheduled work activities (in Contractor's most recently updated and published schedule) and actual activities. Explain differences, if any. Note days or periods when no work was in progress and explain the reasons why.
  11. Directives and requests of Authority(s) Having Jurisdiction (AHJ).
  12. Testing and/or inspections performed.
  13. Signature of Contractor's authorized representative.

### **3.08 COORDINATION DRAWINGS AND COORDINATION CONFERENCE**

- A. Coordination Drawings: The Contractor shall prepare coordination drawings of all spaces where utilities, systems, and other components converge or intersect and efficient installation is required to accommodate all components.
1. Prepare coordination drawings of the following spaces, at minimum. Supplement with additional spaces as required by project-specific conditions.
    - a. Above ceilings.
    - b. Vertical chases, shafts, and wall cavities.
    - c. Mechanical and electrical rooms, fire pump room, and other major utility spaces.
  2. Provide accurate overall dimensions of components (for example, outside diameters of pipe and conduit, or overall ductwork dimensions including insulation and enclosure thickness).
  3. Include accessory components of systems that could cause potential conflicts, such as bracing, slotted channel framing, hangers, and other supports, valve handles, flanges, fittings, cable/wire management trays, and other similar components.
  4. Include sequence of installation of all components, materials, and systems.
  5. Include means of access to each component, material, or system, for maintenance and repairs.
  6. Provide additional coordination drawings as required by individual specification sections.
  7. Prepare Coordination Drawings using project-specific information. Do not use photocopies or reproductions of Contract Documents, and do not use standard details

FIRE STATIONS RENOVATION  
Arlington County, Virginia  
Architect's Project No.: 563006

---

- or data from manufacturers, suppliers, or other outside parties.
8. Drawing Files: The Contractor may develop coordination drawings using 2D CAD software or with 3D BIM software with clash-detection functionality.
    - a. The Architect will furnish original 3D BIM model or 2D DWG files for Contractor's use upon receipt of Architect's "Request Form for Electronic Files". A copy of this form shall be provided to the Contractor upon request.
      - 1) The Architect makes no guarantee to the accuracy of components in electronic files. The Contractor shall coordinate electronic data with the Contract Documents in order to provide final Coordination Drawings.
      - 2) If using 2D files, the Contractor shall prepare drawings in multiple views (for example, RCP and section) to fully represent 3D space, for example plenum heights, wall assembly thicknesses, etc.
  9. Submittal: Submit Coordination Drawings as a "Submittal for Information." Architect will not approve Coordination Drawings, but will keep on file for use in subsequent coordination and conflict resolution.
- B. Coordination Conference: Schedule and conduct a Coordination Conference prior to beginning construction or rough-in of affected work. Require attendance by all affected trades and installers.
1. Identify the Coordination Conference as a "milestone" date on the Construction Progress Schedule.
  2. Advise the Architect of all potential conflicts identified in the Coordination Drawings and at the Coordination Conference.
  3. Do not proceed with construction or installation of components, materials, or systems until potential conflicts have been resolved and affected parties have agreed to a remedy.
  4. Remedies to address conflicts not identified in the Coordination Drawings, at the Coordination Conference, or otherwise addressed prior to construction or installation of affected components, materials, and systems, or discovery of a non-workable situation not identified or addressed, will not be considered as a basis for delay, time extension, or additional cost to the Contract.

### 3.09 REQUESTS FOR INFORMATION (RFI)

- A. Definition: A request seeking one of the following:
1. An interpretation, amplification, or clarification of some requirement of Contract Documents arising from inability to determine from them the exact material, process, or system to be installed; or when the elements of construction are required to occupy the same space (interference); or when an item of work is described differently at more than one place in Contract Documents.
  2. A resolution to an issue which has arisen due to field conditions and affects design intent.
- B. Preparation: Prepare an RFI immediately upon discovery of a need for interpretation of Contract Documents. Failure to submit a RFI in a timely manner is not a legitimate cause for claiming additional costs or delays in execution of the work.
1. Prepare a separate RFI for each specific item.
    - a. Review, coordinate, and comment on requests originating with subcontractors and/or materials suppliers.
    - b. Do not forward requests which solely require internal coordination between subcontractors.
  2. Prepare in a format and with content acceptable to Owner.
  3. Prepare using software provided by the Electronic Document Submittal Service.
  4. Combine RFI and its attachments into a single electronic file. PDF format is preferred.
- C. Reason for the RFI: Prior to initiation of an RFI, carefully study all Contract Documents to confirm that information sufficient for their interpretation is definitely not included.
1. Include in each request Contractor's signature attesting to good faith effort to determine from Contract Documents information requiring interpretation.
  2. Unacceptable Uses for RFIs: Do not use RFIs to request the following:
    - a. Approval of submittals (use procedures specified elsewhere in this section).



FIRE STATIONS RENOVATION  
Arlington County, Virginia  
Architect's Project No.: 563006

---

- b. Approval of substitutions (see Section - 016000 - Product Requirements)
  - c. Changes that entail change in Contract Time and Contract Sum (comply with provisions of the Conditions of the Contract).
  - d. Different methods of performing work than those indicated in the Contract Drawings and Specifications (comply with provisions of the Conditions of the Contract).
3. Improper RFIs: Requests not prepared in compliance with requirements of this section, and/or missing key information required to render an actionable response. They will be returned without a response.
4. Frivolous RFIs: Requests regarding information that is clearly indicated on, or reasonably inferable from, Contract Documents, with no additional input required to clarify the question. They will be returned without a response.
- a. The Owner reserves the right to assess the Contractor for the costs (on time-and-materials basis) incurred by the Architect, and any of its consultants, due to processing of such RFIs.
- D. Content: Include identifiers necessary for tracking the status of each RFI, and information necessary to provide an actionable response.
- 1. Official Project name and number, and any additional required identifiers established in Contract Documents.
  - 2. Owner's, Architect's, and Contractor's names.
  - 3. Discrete and consecutive RFI number, and descriptive subject/title.
  - 4. Issue date, and requested reply date.
  - 5. Reference to particular Contract Document(s) requiring additional information/interpretation. Identify pertinent drawing and detail number and/or specification section number, title, and paragraph(s).
  - 6. Annotations: Field dimensions and/or description of conditions which have engendered the request.
  - 7. Contractor's suggested resolution: A written and/or a graphic solution, to scale, is required in cases where clarification of coordination issues is involved, for example; routing, clearances, and/or specific locations of work shown diagrammatically in Contract Documents. If applicable, state the likely impact of the suggested resolution on Contract Time or the Contract Sum.
- E. Attachments: Include sketches, coordination drawings, descriptions, photos, submittals, and other information necessary to substantiate the reason for the request.
- F. RFI Log: Prepare and maintain a tabular log of RFIs for the duration of the project.
- 1. Indicate current status of every RFI. Update log promptly and on a regular basis.
  - 2. Note dates of when each request is made, and when a response is received.
- G. Review Time: Architect will respond and return RFIs to Contractor within seven calendar days of receipt. For the purpose of establishing the start of the mandated response period, RFIs received after 12:00 noon will be considered as having been received on the following regular working day.
- 1. Response period may be shortened or lengthened for specific items, subject to mutual agreement.
- H. Responses: Content of answered RFIs will not constitute in any manner a directive or authorization to perform extra work or delay the project. If in Contractor's belief it is likely to lead to a change to Contract Sum or Contract Time, promptly issue a notice to this effect, and follow up with an appropriate Change Order request to Owner.
- 1. Response may include a request for additional information, in which case the original RFI will be deemed as having been answered, and an amended one is to be issued forthwith. Identify the amended RFI with an R suffix to the original number.
  - 2. Do not extend applicability of a response to specific item to encompass other similar conditions, unless specifically so noted in the response.
  - 3. Upon receipt of a response, promptly review and distribute it to all affected parties, and update the RFI Log.
  - 4. Notify Architect within seven calendar days if an additional or corrected response is required by submitting an amended version of the original RFI, identified as specified

FIRE STATIONS RENOVATION  
Arlington County, Virginia  
Architect's Project No.: 563006

---

above.

### 3.10 SUBMITTAL SCHEDULE

- A. Submit to Architect for review a schedule for submittals in tabular format.
  - 1. Coordinate with Contractor's construction schedule and schedule of values.
  - 2. Format schedule to allow tracking of status of submittals throughout duration of construction.
  - 3. Arrange information to include scheduled date for initial submittal, specification number and title, submittal category (for review or for information), description of item of work covered, and role and name of subcontractor.
  - 4. Account for time required for preparation, review, manufacturing, fabrication and delivery when establishing submittal delivery and review deadline dates.
    - a. For assemblies, equipment, systems comprised of multiple components and/or requiring detailed coordination with other work, allow for additional time to make corrections or revisions to initial submittals, and time for their review.
    - b. Account for a reasonable duration of time to allow for final color selections, approvals, and preparation of final finish schedules (one finish schedule for interior color selections, and one for exterior color selections). This period shall begin upon receipt of all submittals requiring color selection.

### 3.11 SUBMITTALS FOR REVIEW

- A. When the following are specified in individual sections, submit them for review:
  - 1. Product data.
  - 2. Design data.
  - 3. Shop drawings.
  - 4. Samples for selection.
  - 5. Samples for verification.
- B. Submit to Architect for review for the limited purpose of checking for compliance with information given and the design concept expressed in Contract Documents.
- C. Samples will be reviewed for aesthetic, color, or finish selection.
- D. Color Selection: In individual specification sections, specific items are identified which require color/finish selections to be made by the Architect from color chart or sample submittals. The Submittal Schedule, prepared according to "Submittal Schedule" paragraph above, shall identify these required color/finish submittals.
  - 1. Submittals requiring color selection must be submitted by Contractor and approved by Architect for conformance with Contract Documents prior to the start of the color selection process. When the submittals have been approved for conformance with Contract Documents, the process for color selection, presentation of color concepts, Owner approval, and Color Schedule preparation will begin.
  - 2. Interior Color Selections: The Architect will make coordinated selections of colors/finishes for the building interior, present the resulting color concepts to the Owner for approval, and prepare the actual Interior Color Schedule for the Work.
  - 3. Exterior Color Selections: The Architect will make coordinated selections of colors/finishes for the building exterior and prepare Exterior Color Schedule.
- E. After review, provide copies and distribute in accordance with SUBMITTAL PROCEDURES article below.

### 3.12 SUBMITTALS FOR INFORMATION

- A. When the following are specified in individual sections, submit them for information:
    - 1. Certificates.
    - 2. Test reports.
    - 3. Inspection reports.
    - 4. Manufacturer's instructions.
    - 5. Manufacturer's field reports.
    - 6. Other types indicated.
  - B. Submit for Architect's knowledge as contract administrator or for Owner.
-

FIRE STATIONS RENOVATION  
Arlington County, Virginia  
Architect's Project No.: 563006

---

### 3.13 SUBMITTALS FOR PROJECT CLOSEOUT

- A. Submit Correction Punch List for Substantial Completion.
- B. Submit Final Correction Punch List for Substantial Completion.
- C. When the following are specified in individual sections, submit them at project closeout in compliance with requirements of Section 017800 - Closeout Submittals:
  - 1. Project record documents.
  - 2. Operation and maintenance data.
  - 3. Warranties.
  - 4. Bonds.
  - 5. Other types as indicated.

### 3.14 NUMBER OF COPIES OF SUBMITTALS

- A. Electronic Documents: Submit one electronic copy in PDF format; an electronically-marked up file will be returned. Create PDFs at native size and right-side up; illegible files will be rejected.
- B. Selection Samples: Submit one set of manufacturer's charts indicating full range of available colors, textures, patterns, and other aesthetic qualities.
- C. Verification Samples: Submit three sets of physical samples. Two sets will be retained by Architect, the third will be returned to the Contractor. Maintain approved sample at the Project site for use in comparing to installed Work.
  - 1. Where a full-size assembly of multiple components is required as a sample (for example, railing section or full-size cabinet), only one sample is required for those items.

### 3.15 SUBMITTAL PROCEDURES

- A. General Requirements:
  - 1. Use a single transmittal for all submittals required by each individual specification section, unless otherwise indicated.
    - a. Verification samples and large shop drawing submittals may be submitted under separate cover when approved by Architect.
  - 2. Transmit using AIA G810 or other approved form.
  - 3. Sequentially identify each item. For revised submittals use original number and a sequential numerical suffix.
  - 4. Identify: Project; Contractor; subcontractor or supplier; pertinent drawing and detail number; and specification section number and article/paragraph, as appropriate on each copy.
  - 5. Apply Contractor's stamp, signed or initialed certifying that review, approval, verification of products required, field dimensions, adjacent construction work, and coordination of information is in accordance with the requirements of the work and Contract Documents.
    - a. Submittals from sources other than the Contractor, or without Contractor's stamp will not be acknowledged, reviewed, or returned.
  - 6. Deliver each submittal on date noted in submittal schedule, unless an earlier date has been agreed to by all affected parties, and is of the benefit to the project.
    - a. Upload submittals in electronic form to Electronic Document Submittal Service website.
  - 7. Schedule submittals to expedite the Project, and coordinate submission of related items.
    - a. Allow sufficient time for administrative processing, Architect's initial review, and potential resubmittals.
    - b. Allow additional time for submittals requiring sequential reviews involving Architect's consultants, Owner, or another affected party.
    - c. Allow additional time for submittals requiring sequential reviews involving approval from authorities having jurisdiction (AHJ), in addition to Architect's approval.

FIRE STATIONS RENOVATION  
Arlington County, Virginia  
Architect's Project No.: 563006

---

- d. No extensions to the project schedule shall be granted due to delays that can be attributed to submittal processing or failure to allow for sequential reviews or resubmittals.
  8. Identify variations from Contract Documents and product or system limitations that may be detrimental to successful performance of the completed work.
  9. When revised for resubmission, identify all changes made since previous submission.
  10. Distribute reviewed submittals. Instruct parties to promptly report inability to comply with requirements.
  11. Incomplete submittals may not be reviewed, unless they are partial submittals for distinct portion(s) of the work, and have received prior approval for their use.
  12. Submittals not requested will be recognized, and will be returned "Not Reviewed".
- B. Product Data Procedures:
1. Submit only information required by individual specification sections.
  2. Collect required information into a single submittal.
  3. Submit concurrently with related shop drawing submittal.
  4. Do not submit (Material) Safety Data Sheets for materials or products.
- C. Shop Drawing Procedures:
1. Prepare accurate, drawn-to-scale, original shop drawing documentation by interpreting Contract Documents and coordinating related work.
  2. Do not reproduce Contract Documents to create shop drawings.
  3. Generic, non-project-specific information submitted as shop drawings do not meet the requirements for shop drawings.
- D. Samples Procedures:
1. Transmit related items together as single package.
  2. Identify each item to allow review for applicability in relation to shop drawings showing installation locations.
  3. Selection Samples: Provide color charts that accurately relay color, pattern, and texture information. Photographs or photocopies of color charts are unacceptable and subject to rejection.
  4. Verification Samples: Provide physical samples of each color selected by Architect from Selection Samples. Verification samples shall be manufactured and prepared identically to the material that shall be used in the installed Work. Label each sample clearly with manufacturer, product name, and color, texture, and/or pattern name as applicable. Photographs of physical samples are unacceptable and subject to rejection.

### 3.16 SUBMITTAL REVIEW

- A. Submittals for Review: Architect will review each submittal, and approve, or take other appropriate action.
- B. Submittals for Information: Architect will acknowledge receipt, but will take no other action.
- C. Architect's actions will be reflected by marking each returned submittal using virtual stamp on electronic submittals.
1. Notations may be made directly on submitted items and/or listed on appended Submittal Review cover sheet.
- D. Architect's actions on items submitted for review:
1. Authorizing purchasing, fabrication, delivery, and installation:
    - a. "Approved as Noted":
      - 1) Where review notations indicate revisions are necessary, submit corrected item, with review notations acknowledged and incorporated.
  2. Not Authorizing fabrication, delivery, and installation:
    - a. "Revise and Resubmit":
      - 1) Resubmit revised item, with review notations acknowledged and incorporated.
    - b. "Rejected/Resubmit":

FIRE STATIONS RENOVATION  
Arlington County, Virginia  
Architect's Project No.: 563006

---

- 1) New submittal required, with item complying with requirements of Contract Documents.
- c. "Color Selection Required":
  - 1) Color selections for the entire project, or portion thereof, will be provided after receipt of all color charts and samples required for the Project.
- d. "Not Submitted":
  - 1) Additional submittal items are required that were not provided in the original submittal.
- E. Architect's actions on items submitted for information:
  - 1. Items for which no action was taken:
    - a. "Not Reviewed": To notify the Contractor that the submittal has been received for record only.

**END OF SECTION**

FIRE STATIONS RENOVATION  
Arlington County, Virginia  
Architect's Project No.: 563006

---

**SECTION 013216**  
**CONSTRUCTION PROGRESS SCHEDULE**

**PART 1 GENERAL**

**1.01 SUBMITTALS**

- A. Within 10 days after date of Agreement, submit preliminary schedule defining planned operations for the first 30 days of Work, with a general outline for remainder of Work.
- B. If preliminary schedule requires revision after review, submit revised schedule within 5 days.
- C. Within 10 days after review of preliminary schedule, submit draft of proposed complete schedule for review.
  - 1. Include written certification that major contractors have reviewed and accepted proposed schedule.
- D. Within 10 days after joint review, submit complete schedule.
- E. Submit updated schedule with each Application for Payment.
- F. Submit in PDF format.

**1.02 SCHEDULE FORMAT**

- A. Listings: In chronological order according to the start date for each activity. Identify each activity with the applicable specification section number.

**PART 2 PRODUCTS - NOT USED**

**PART 3 EXECUTION**

**3.01 PRELIMINARY SCHEDULE**

- A. Prepare preliminary schedule in the form of a horizontal bar chart.

**3.02 CONTENT**

- A. Show complete sequence of construction by activity, with dates for beginning and completion of each element of construction.
- B. Identify work of separate phases and other logically grouped activities.
- C. Identify all major milestone dates, including, but not limited to, Notice to Proceed and Substantial and Final Completion dates.
- D. Identify duration of each activity, in maximum 15 day intervals.
- E. Incorporate work restrictions indicated in Division 1 Section "Summary," if any.
- F. Show accumulated percentage of completion of each item, and total percentage of Work completed, as of the first day of each month.
- G. Provide separate schedule of submittal dates for shop drawings, product data, and samples, owner-furnished products, products identified under Allowances, and dates reviewed submittals will be required from Architect. Indicate decision dates for selection of finishes.
- H. Indicate procurement duration and delivery dates for long-lead time items.
- I. Coordinate submittal approval process with procurement and delivery requirements. Submittals requiring resubmission or revision for approval will not be allowed as a basis for schedule impacts.
- J. Indicate delivery dates for owner-furnished products.
- K. Indicate the time period for color selection activity and approval by Owner and Architect, as required per Division 1 Section "Administrative Requirements."
- L. Indicate date of changeover from temporary to permanent utilities.
- M. Indicate time periods for Commissioning activities, equipment startup, and testing and balancing.
- N. Provide a reasonable time period prior to the date of Substantial Completion for administrative activities and procedures.

FIRE STATIONS RENOVATION  
Arlington County, Virginia  
Architect's Project No.: 563006

---

- O. Provide legend for symbols and abbreviations used.

**3.03 BAR CHARTS**

- A. Include a separate bar for each major portion of Work or operation.  
B. Identify critical path activities.  
C. Identify the first work day of each week.

**3.04 REVIEW AND EVALUATION OF SCHEDULE**

- A. Participate in joint review and evaluation of schedule with Architect at each submittal.  
B. Evaluate project status to determine work behind schedule and work ahead of schedule.  
C. After review, revise as necessary as result of review, and resubmit within 10 days.

**3.05 UPDATING SCHEDULE**

- A. Maintain schedules to record actual start and finish dates of completed activities.  
B. Indicate progress of each activity to date of revision, with projected completion date of each activity.  
C. Annotate diagrams to graphically depict current status of Work.  
D. Identify activities modified since previous submittal, major changes in Work, and other identifiable changes.  
E. Indicate changes required to maintain Date of Substantial Completion.  
F. Schedule revisions shall not modify any Contract Dates or the Contract Sum, unless specifically approved and documented via Change Order.  
G. Submit reports required to support recommended changes.  
H. Provide narrative report to define problem areas, anticipated delays, and impact on the schedule. Report corrective action taken or proposed and its effect.  
I. Recovery Schedule: If the Contractor is 14 or more days behind schedule, in the opinion of the Owner, the Contractor shall prepare a Recovery Schedule, incorporating a reasonable, mutually agreed upon length of time to return the Work to the approved Schedule. The Recovery Schedule shall be prepared to the same level of detail as the original construction progress schedule. Submit the recovery schedule for Owner review; do not proceed until the Owner has approved.
  1. At the end of the recovery period, Owner shall reevaluate construction progress and determine if the Recovery Schedule has been successfully completed. If completed, Owner shall direct the Contractor to proceed with the latest approved Construction Schedule.
    - a. If the Contractor is still behind schedule at the end of the recovery period, the Owner shall direct the Contractor to provide additional schedule revisions to complete the recovery, or may at its option pursue other means of resolution as provided for by the Contract Documents.
  2. Need for and preparation of a Recovery Plan shall not be the basis of additional cost to the Owner or extension of Project Schedule, unless the Contractor can demonstrate that the reason for being behind schedule is no fault of their own.

**3.06 DISTRIBUTION OF SCHEDULE**

- A. Distribute copies of updated schedules to Contractor's project site file, to subcontractors, suppliers, Architect, Owner, and other concerned parties.  
B. Instruct recipients to promptly report, in writing, problems anticipated by projections indicated in schedules.

**END OF SECTION**

FIRE STATIONS RENOVATION  
Arlington County, Virginia  
Architect's Project No.: 563006

---

**SECTION 014000  
QUALITY REQUIREMENTS**

**PART 1 GENERAL**

**1.01 DEFINITIONS**

- A. Contractor's Quality Control Plan: Contractor's management plan for executing the Contract for Construction.
- B. Contractor's Professional Design Services/Delegated Design: Design of some aspect or portion of the project by party other than the design professional of record. Provide these services as part of the Contract for Construction.
  - 1. Design Services Types Required:
    - a. Construction-Related: Services Contractor needs to provide in order to carry out the Contractor's sole responsibilities for construction means, methods, techniques, sequences, and procedures.
    - b. Design-Related: Design services explicitly required to be performed by another design professional due to highly-technical and/or specialized nature of a portion of the project. Services primarily involve engineering analysis, calculations, and design, and are not intended to alter the aesthetic aspects of the design.
- C. Design Data: Design-related, signed and sealed drawings, calculations, specifications, certifications, shop drawings and other submittals provided by Contractor, and prepared directly by, or under direct supervision of, appropriately licensed design professional.

**1.02 CONTRACTOR'S CONSTRUCTION-RELATED PROFESSIONAL DESIGN SERVICES**

- A. Coordination: Contractor's professional design services are subject to requirements of project's Conditions for Construction Contract.
- B. Provide such engineering design services as may be necessary to plan and safely conduct certain construction operations, pertaining to, but not limited to the following:
  - 1. Temporary sheeting, shoring, or supports.
  - 2. Temporary scaffolding.
  - 3. Temporary bracing.
  - 4. Temporary falsework for support of spanning or arched structures.
  - 5. Temporary foundation underpinning.
  - 6. Temporary stairs or steps required for construction access only.
  - 7. Temporary hoist(s) and rigging.
  - 8. Investigation of soil conditions and design of temporary foundations to support construction equipment.
  - 9. Additional temporary controls as required.

**1.03 CONTRACTOR'S DESIGN-RELATED PROFESSIONAL DESIGN SERVICES**

- A. Coordination: Contractor's professional design services are subject to requirements of project's Conditions for Construction Contract.
- B. Base design on performance and/or design criteria indicated in individual specification sections.
  - 1. Submit a Request for Information to Architect if the criteria indicated are not sufficient to perform required design services.
- C. Scope of Design Services/Delegated Design: As required by individual specification sections.

**1.04 SUBMITTALS**

- A. See Section 013000 - Administrative Requirements, for submittal procedures.
- B. Designer's Qualification Statement: Submit for Architect's knowledge as contract administrator, or for Owner's information.
  - 1. Include information for each individual professional responsible for producing, or supervising production of, design-related professional services provided by Contractor.
    - a. Full name.
    - b. Professional licensure information.



FIRE STATIONS RENOVATION  
Arlington County, Virginia  
Architect's Project No.: 563006

---

- c. Statement addressing extent and depth of experience specifically relevant to design of items assigned to Contractor.
- C. Design Data: Submit for Architect's knowledge as contract administrator for the limited purpose of assessing compliance with information given and the design concept expressed in the Contract Documents, or for Owner's information.
  1. Include calculations that have been used to demonstrate compliance to performance and regulatory criteria provided, and to determine design solutions.
  2. Include required product data and shop drawings.
  3. Include a statement or certification attesting that design data complies with criteria indicated, such as building codes, loads, functional, and similar engineering requirements.
  4. Include signature and seal of design professional responsible for allocated design services on calculations and drawings.
- D. Test Reports: After each test/inspection, require testing agency to promptly distribute digital copy of report to Architect, Owner, Contractor, and others as required.
  1. Include:
    - a. Date issued.
    - b. Project title and number.
    - c. Name of inspector.
    - d. Date and time of sampling or inspection.
    - e. Identification of product and specifications section.
    - f. Location in the Project.
    - g. Type of test/inspection.
    - h. Date of test/inspection.
    - i. Results of test/inspection.
    - j. Compliance with Contract Documents.
    - k. When requested by Architect, provide interpretation of results.
- E. Certificates: When specified in individual specification sections, submit certification by the manufacturer and Contractor to Architect, in quantities specified for Product Data.
  1. Indicate material or product complies with or exceeds specified requirements. Submit supporting reference data, affidavits, and certifications as appropriate.
  2. Certificates may be recent or previous test results on material or product, but must be acceptable to Architect.
- F. Manufacturer's Instructions: When specified in individual specification sections, submit printed instructions for delivery, storage, assembly, installation, start-up, adjusting, and finishing, for the Owner's information. Indicate special procedures, perimeter conditions requiring special attention, and special environmental criteria required for application or installation.
- G. Manufacturer's Field Reports:
  1. Submit report promptly to Architect for information.
  2. Submit for information for the limited purpose of assessing compliance with information given and the design concept expressed in the Contract Documents.

#### 1.05 QUALITY ASSURANCE

- A. Testing Agency Qualifications:
  1. Submit copy of report of laboratory facilities inspection made by NIST Construction Materials Reference Laboratory during most recent inspection, with memorandum of remedies of any deficiencies reported by the inspection.
  2. Qualification Statement: Provide documentation showing testing laboratory is accredited under OSHA's Nationally Recognized Testing Laboratory (NRTL) program or through the National Institute of Standards and Technology's (NIST's) National Voluntary Laboratory Accreditation Program (NVLAP).
- B. Designer Qualifications: Where professional engineering design services and design data submittals are specifically required of Contractor by Contract Documents, provide services of a Professional Engineer experienced in design of this type of work and licensed in the State in which the Project is located.

FIRE STATIONS RENOVATION  
Arlington County, Virginia  
Architect's Project No.: 563006

---

- C. Contractor's Quality Control (CQC) Plan:
1. Prior to start of work, submit a comprehensive plan describing how contract deliverables will be produced. Tailor CQC plan to specific requirements of the project. Include the following information:
    - a. Management Structure: Identify personnel responsible for quality. Include a chart showing lines of authority.
      - 1) Include qualifications (in resume form), duties, responsibilities of each person assigned to CQC function.
    - b. Management Approach: Define, describe, and include in the plan specific methodologies used in executing the work.
      - 1) Management and control of documents and records relating to quality.
      - 2) Communications.
      - 3) Coordination procedures.
      - 4) Resource management.
      - 5) Process control.
      - 6) Inspection and testing procedures and scheduling, including inspections by authorities having jurisdiction and special inspections.
      - 7) Control of noncomplying work.
      - 8) Tracking deficiencies from identification, through acceptable corrective action, and verification.
      - 9) Control of testing and measuring equipment.
      - 10) Project materials certification.
      - 11) Managerial continuity and flexibility.
    - c. Acceptance of the plan is required prior to start of construction activities not including mobilization work. Owner's acceptance of the plan will be conditional and predicated on continuing satisfactory adherence to the plan. Owner reserves the right to require Contractor to make changes to the plan and operations, including removal of personnel, as necessary, to obtain specified quality of work results.

#### 1.06 REFERENCES AND STANDARDS

- A. For products and workmanship specified by reference to a document or documents not included in the Project Manual, also referred to as reference standards, comply with requirements of the standard, except when more rigid requirements are specified or are required by applicable codes.
- B. Comply with reference standard of date of issue current on date of Contract Documents, except where a specific date is established by applicable code.
- C. Obtain copies of standards where required by product specification sections.
- D. Maintain copy at project site during submittals, planning, and progress of the specific work, until Substantial Completion.
- E. Should specified reference standards conflict with Contract Documents, comply with the higher quality or quantity, and provide documentation of the conflict to the Architect.
- F. Neither the contractual relationships, duties, or responsibilities of the parties in Contract nor those of Architect shall be altered from Contract Documents by mention or inference otherwise in any reference document.

#### 1.07 TESTING AND INSPECTION AGENCIES AND SERVICES

- A. Owner will employ and pay for services of an independent testing agency to perform Special Inspections and other specified testing indicated in individual specification sections.
- B. Where indicated in individual specification sections, Contractor shall employ and pay for services of an independent testing agency to perform other specified testing.
- C. Employment of agency in no way relieves Contractor of obligation to perform Work in accordance with requirements of Contract Documents.
- D. Contractor Employed Agency: Testing agency shall comply with requirements of ASTM E 329, and shall be certified through OSHA's Nationally Recognized Testing Laboratory

FIRE STATIONS RENOVATION  
Arlington County, Virginia  
Architect's Project No.: 563006

---

(NRTL) program or through the National Institute of Standards and Technology's (NIST's) National Voluntary Laboratory Accreditation Program (NVLAP).

1. Testing Equipment: Calibrated at reasonable intervals either by NIST or using an NIST established Measurement Assurance Program, under a laboratory measurement quality assurance program.

## **PART 2 PRODUCTS - NOT USED**

## **PART 3 EXECUTION**

### **3.01 CONTROL OF INSTALLATION**

- A. Monitor quality control over suppliers, manufacturers, products, services, site conditions, and workmanship, to produce work of specified quality.
- B. Comply with manufacturers' instructions, including each step in sequence.
- C. Should manufacturers' instructions conflict with Contract Documents, request clarification from Architect before proceeding.
- D. Comply with specified standards as minimum quality for the work except where more stringent tolerances, codes, or specified requirements indicate higher standards or more precise workmanship.
- E. Have work performed by persons qualified to produce required and specified quality.
- F. Verify that field measurements are as indicated on shop drawings or as instructed by the manufacturer.
- G. Secure products in place with positive anchorage devices designed and sized to withstand stresses, vibration, physical distortion, and disfigurement.

### **3.02 MOCK-UPS**

- A. Before installing portions of the Work where mock-ups are required, construct mock-ups in location and size indicated for each form of construction and finish required to comply with the following requirements, using materials indicated for the completed Work. The purpose of mock-up is to demonstrate the proposed range of aesthetic effects and workmanship.
- B. Accepted mock-ups establish the standard of quality the Architect will use to judge the Work.
- C. Tests shall be performed under provisions identified in this section and identified in the respective product specification sections.
- D. Assemble and erect specified items with specified attachment and anchorage devices, flashings, seals, and finishes.
- E. Obtain Architect's approval of mock-ups before starting work, fabrication, or construction.
  1. Architect will issue written comments within seven (7) working days of initial review and each subsequent follow up review of each mock-up.
  2. Make corrections as necessary until Architect's approval is issued.
- F. Architect will use accepted mock-ups as a comparison standard for the remaining Work.
- G. Where mock-up has been accepted by Architect and is specified in product specification sections to be removed, protect mock-up throughout construction, remove mock-up and clear area when directed to do so by Architect.

### **3.03 TOLERANCES**

- A. Monitor fabrication and installation tolerance control of products to produce acceptable Work. Do not permit tolerances to accumulate.
- B. Comply with manufacturers' tolerances. Should manufacturers' tolerances conflict with Contract Documents, request clarification from Architect before proceeding.
- C. Adjust products to appropriate dimensions; position before securing products in place.

### **3.04 TESTING AND INSPECTION**

- A. See individual specification sections for testing and inspection required.
- B. Testing Agency Duties for Contractor-employed Testing and Inspection Agencies:

FIRE STATIONS RENOVATION  
Arlington County, Virginia  
Architect's Project No.: 563006

---

1. Test samples of mixes submitted by Contractor.
  2. Provide qualified personnel at site. Cooperate with Architect and Contractor in performance of services.
  3. Perform specified sampling and testing of products in accordance with specified standards.
  4. Ascertain compliance of materials and mixes with requirements of Contract Documents.
  5. Promptly notify Architect and Contractor of observed irregularities or non-compliance of Work or products.
  6. Perform additional tests and inspections required by Architect.
  7. Attend preconstruction meetings and progress meetings.
  8. Submit reports of all tests/inspections specified.
- C. Limits on Testing/Inspection Agency Authority:
1. Agency may not release, revoke, alter, or enlarge on requirements of Contract Documents.
  2. Agency may not approve or accept any portion of the Work.
  3. Agency may not assume any duties of Contractor.
  4. Agency has no authority to stop the Work.
- D. Contractor Responsibilities:
1. Deliver to agency at designated location, adequate samples of materials proposed to be used that require testing, along with proposed mix designs.
  2. Cooperate with laboratory personnel, and provide access to the Work and to manufacturers' facilities.
  3. Provide incidental labor and facilities:
    - a. To provide access to Work to be tested/inspected.
    - b. To obtain and handle samples at the site or at source of Products to be tested/inspected.
    - c. To facilitate tests/inspections.
    - d. To provide storage and curing of test samples.
  4. Notify Architect and laboratory 24 hours prior to expected time for operations requiring testing/inspection services.
  5. Employ services of an independent qualified testing laboratory and pay for additional samples, tests, and inspections required by Contractor beyond specified requirements.
  6. Arrange with Owner's agency and pay for additional samples, tests, and inspections required by Contractor beyond specified requirements.
  7. Coordinate repairs where testing and inspection has damaged the Work.
- E. Re-testing and/or re-inspections required because of non-compliance with specified requirements shall be performed by the same agency. Do not proceed with construction activities that would conceal or cover work needing re-testing or re-inspection.
- F. Re-testing and/or re-inspections required because of non-compliance with specified requirements shall be paid for by Contractor.

### **3.05 MANUFACTURERS' FIELD SERVICES**

- A. When specified in individual specification sections, require material or product suppliers or manufacturers to provide qualified staff personnel to observe site conditions, conditions of surfaces and installation, quality of workmanship, start-up of equipment, test, adjust, and balance equipment, and field quality control requirements as applicable, and to initiate instructions when necessary.
- B. Provide a written report of observations and site decisions or instructions given to applicators or installers that are supplemental or contrary to manufacturers' written instructions or Contract Documents. Obtain Owner's approval prior to proceeding with any modifications.

### **3.06 DEFECT ASSESSMENT**

- A. Replace Work or portions of the Work not complying with specified requirements.

FIRE STATIONS RENOVATION  
Arlington County, Virginia  
Architect's Project No.: 563006

---

- B. Contractor may request to restore defective Work or portions of the Work to comply with specified requirements in lieu of replacement. Obtain Owner's approval prior to proceeding with restoration.
- C. If, in the opinion of Owner, it is not practical to restore or remove and replace the work, Owner will direct an appropriate remedy or adjust payment.

**END OF SECTION**

FIRE STATIONS RENOVATION  
Arlington County, Virginia  
Architect's Project No.: 563006

---

**SECTION 014200**  
**DEFINITIONS AND REFERENCE STANDARDS**

**PART 1 GENERAL**

**1.01 SUMMARY**

- A. The definitions include in this section supplement, but do not replace, the definitions contained in the Owner/Contractor Agreement and associated Conditions. In the event of duplication, the Owner/Contractor Agreement shall govern.
- B. Other definitions are included in individual specification sections.

**1.02 DEFINITIONS**

- A. Furnish: To supply, deliver, unload, and inspect for damage.
- B. Install: To unpack, assemble, erect, apply, place, finish, cure, protect, clean, start up, and make ready for use.
- C. Product: Material, machinery, components, equipment, fixtures, and systems forming the work result. Not materials or equipment used for preparation, fabrication, conveying, or erection and not incorporated into the work result. Products may be new, never before used, or re-used materials or equipment.
- D. Provide: To furnish and install.
- E. Supply: Same as Furnish.
- F. Installer: A Contractor or other entity engaged by Contractor, as an employee, subcontractor, or contractor of lower tier, to perform a particular construction operation, including installation, erection, application, and similar operations.
  - 1. Using a term such as "carpentry" does not imply that certain construction activities must be performed by accredited or unionized individuals of a corresponding generic name, such as "carpenter." It also does not imply that specified requirements apply exclusively to tradespeople of the corresponding generic name.
- G. Experienced: When used with the term "Installer," this term means having successfully completed previous work similar in size and scope to this Project; being familiar with the special requirements indicated; and having complied with the requirements of local authorities having jurisdiction.
- H. Replace: Provide an acceptable like product or material in place of a missing or unacceptable (rejected) product or material. To "replace" an unacceptable product or material includes its removal and disposal.
- I. Punch List: A written list of unfinished Work and defective Work resulting from inspection and testing to determine whether Substantial Completion has been accomplished. The unfinished Work and defective Work must be finished and corrected to obtain Substantial or Final Completion.
- J. Written or Printed: When used in conjunction with manufacturer's product data or installation requirements, either of these terms may be used to require compliance with manufacturer's current printed and published information.

**1.03 REFERENCE STANDARDS**

- A. For products or workmanship specified by reference to a document or documents not included in the Project Manual, also referred to as reference standards, comply with requirements of the standard, except when more rigid requirements are specified, or are required by applicable codes or local authorities having jurisdiction.
- B. Should specified reference standards conflict with Contract Documents, request clarification from the Architect before proceeding.
- C. Neither the contractual relationships, duties, or responsibilities of the parties in Contract nor those of the Architect shall be altered by Contract Documents by mention or inference otherwise in any reference document.

FIRE STATIONS RENOVATION  
Arlington County, Virginia  
Architect's Project No.: 563006

---

**PART 2 PRODUCTS - NOT USED**  
**PART 3 EXECUTION - NOT USED**

**END OF SECTION**

FIRE STATIONS RENOVATION  
ARLINGTON COUNTY, VIRGINIA  
Architect's Project No: 563006

SECTION 014520 - TESTING, ADJUSTING, AND BALANCING (TAB)

PART 1 - GENERAL

1.1 RELATED DOCUMENTS

- A. Provisions of the Contract and of the Contract Documents apply to this Section.

1.2 DEFINITIONS

- A. Adjust: To regulate fluid flow rate and air patterns at the terminal equipment, such as to reduce fan speed or adjust a damper.
- B. Balance: To proportion flows within the distribution system, including sub-mains, branches, and terminals, according to design quantities.
- C. Draft: A current of air, when referring to localized effect caused by one or more factors of high air velocity, low ambient temperature, or direction of airflow, whereby more heat is withdrawn from a person's skin than is normally dissipated.
- D. Procedure: An approach to and execution of a sequence of work operations to yield repeatable results.
- E. Report Forms: Test data sheets for recording test data in logical order.
- F. Static Head: The pressure due to the weight of the fluid above the point of measurement. In a closed system, static head is equal on both sides of the pump.
- G. Suction Head: The height of fluid surface above the centerline of the pump on the suction side.
- H. System Effect: A phenomenon that can create undesired or unpredicted conditions that cause reduced capacities in all or part of a system.
- I. System Effect Factors: Allowances used to calculate a reduction of the performance ratings of a fan when installed under conditions different from those presented when the fan was performance tested.
- J. Terminal: A point where the controlled medium, such as fluid or energy, enters or leaves the distribution system.
- K. Test: A procedure to determine quantitative performance of a system or equipment.
- L. TAB Agent: The entity responsible for performing and reporting the TAB procedures.
- M. AABC: Associated Air Balance Council.



FIRE STATIONS RENOVATION  
ARLINGTON COUNTY, VIRGINIA  
Architect's Project No: 563006

- N. AMCA: Air Movement and Control Association.
- O. CTI: Cooling Tower Institute.
- P. NEBB: National Environmental Balancing Bureau.
- Q. SMACNA: Sheet Metal and Air Conditioning Contractors' National Association.
- R. TAB: Testing, Adjusting, and Balancing

1.3 SUBMITTALS

- A. Quality-Assurance Submittals: Within 30 days of the Contractor's Notice to Proceed, submit evidence that the TAB Agent and this Project's TAB team members meet the qualifications indicated in the "Quality Assurance" Article below.
- B. Warranty: Submit warranties indicated below.
- C. Special Guarantee: Submit Special guarantee indicated below
- D. Contract Documents Examination Report: Within 60 days of the Contractor's Notice to Proceed, submit the Contract Documents review report as indicated in Part 3 below.
- E. Strategies and Procedures Plan: Within 90 days of the Contractor's Notice to Proceed, submit the TAB strategies and step-by-step procedures as indicated in Part 3 below. Include a complete set of report forms intended for use on this Project.
- F. Testing Adjusting and Balancing Conference Notification: Within 120 days of the Contractor's Notice to Proceed, submit the testing adjusting and balancing conference notification. The notification shall include the date, time and location of the conference as well as a list of attendees.
- G. TAB Conference Minutes: Within 180 days of the Contractor's Notice to Proceed, submit the TAB conference minutes. Minutes shall include a list of attendees and a record of the discussions and decisions made during the conference.
- H. System Readiness Reports: 60 days prior to substantial completion the contractor performing work under section "Building Automation System" (BAS) shall complete pre-commissioning checklists. The contractor performing work under this section shall, as part of the system readiness report, witness pre-commissioning activities and shall initial each element on the pre-commissioning checklist. The system readiness report shall be completed and submitted as specified. Do not include the checklists as they will be submitted under section "BAS".
- I. Certified TAB Reports: Within 60 days of substantial completion submit the testing and balancing reports prepared, as indicated in this Section, on approved forms certified by the TAB Agent.
  - 1. Balancing report.

FIRE STATIONS RENOVATION  
ARLINGTON COUNTY, VIRGINIA  
Architect's Project No: 563006

1.4 QUALITY ASSURANCE

- A. Agent Qualifications: Agent and agent's representatives shall be certified by either AABC or NEBB. The testing and balancing agent shall be one of the following:
1. C&W Tesco, Inc.  
430 Southlake Boulevard, Suite B-12  
Richmond, VA 23236  
804.379.9345
  2. Complete Commissioning, Inc.  
6304 Aaron Lane  
Clinton, MD 20735  
301.877.2260
  3. Mechanical Systems Testing and Balancing, Inc. (MSTB)  
7314 Impala Drive  
Richmond, Virginia 23228  
804.264.0454
- B. Testing and Balancing Agents not listed shall be permitted to bid. The following information shall be submitted as part of the Quality Assurance Submittal:
1. Provide evidence of satisfactory completion of at least two projects of similar size and scope. Submit the following for each project:
    - a. Completed testing and balancing reports for each project.
    - b. If not included in the testing and balancing report, provide equipment startup checklists for each project.
    - c. Owner contact for each project.
    - d. Design engineer contact for each project.
    - e. Architect contact for each project.
  2. The architect shall determine whether the agent is qualified, and the decision shall be final. Re-submittals on behalf of the same company shall not be considered.
- C. TAB Conference: Meet with the Owner's and the Architect's representatives on approval of the TAB strategies and procedures plan to develop a mutual understanding of the details. Ensure the participation of TAB team members, equipment manufacturers' authorized service representatives, HVAC controls Installer, and other support personnel. Set meeting and submit TAB Conference Notification.
1. Minimum Agenda:
    - a. Submittal distribution requirements.
    - b. Contract documents examination report.
    - c. TAB plan.
    - d. Work schedule and project site access requirements.
    - e. Coordination and cooperation of trades and subcontractors.
    - f. Coordination of documentation and communication flow.
- D. TAB Reports: Use standard forms from AABC's "National Standards for TAB" or NEBB's "Procedural Standards for TAB of Environmental Systems."

FIRE STATIONS RENOVATION  
ARLINGTON COUNTY, VIRGINIA  
Architect's Project No: 563006

- E. Instrumentation Type, Quantity, and Accuracy: As described in NEBB's "Procedural Standards for TAB of Environmental Systems," Section II, "Required Instrumentation for NEBB Certification."
- F. Instrumentation Calibration: Calibrate instruments at least every 6 months or more frequently if required by the instrument manufacturer.

1.5 PROJECT CONDITIONS

- A. Full Owner Occupancy: The Owner will occupy the site and existing building during the entire TAB period. Minimize conflicts with the Owner's operations.

1.6 COORDINATION

- A. Coordinate the efforts of work performed under other sections for operation of systems and equipment to support and assist TAB activities.
- B. Notice: Provide 7 days' advance notice to the contractor and Moseley Architects for each test. Include scheduled test dates and times.
- C. Perform TAB after leakage and pressure tests on air, water, potable water, and non-potable water distribution systems have been satisfactorily completed.

1.7 WARRANTY

- A. General Warranty: The national project performance guarantee indicated in this Article shall not deprive the Owner of other rights the Owner may have under other provisions of the Contract Documents and shall be in addition to, and run concurrent with, other warranties made by the Contractor under requirements of the Contract Documents.
- B. Special Guarantee: Provide a guarantee on NEBB or AABC forms stating that NEBB or AABC will assist in completing the requirements of the Contract Documents if the TAB Agent fails to comply with the Contract Documents. Guarantee includes the following provisions:
  - 1. The certified Agent has tested and balanced systems according to the Contract Documents.
  - 2. Systems are balanced to optimum performance capabilities within design and installation limits.

PART 2 - PRODUCTS (Not Applicable)

PART 3 - EXECUTION

FIRE STATIONS RENOVATION  
ARLINGTON COUNTY, VIRGINIA  
Architect's Project No: 563006

3.1 GENERAL

- A. All new equipment shall be tested, adjusted, and balanced.
- B. Fire Station #1: Rooftop unit #8 shall be tested for proper economizer operation with outside air and return dampers adjusted as needed for proper balancing. Balance each branch and diffuser for existing RTU-4 as shown on floor plans on sheet M2.1. Report values in TAB submittal to architect for both prior to the renovation and post-renovation. Verify operation of existing exhaust fan in renovated area, provide testing, adjusting, and balancing to exhaust system.
- C. Fire Station #2, 3, 5, 6, 9: Provide branch and diffuser for supply and exhaust balancing as required on floor plans on sheets M2.2 thru M2.6. Verify operation of existing exhaust fan in renovated area, provide testing, adjusting, and balancing to exhaust system.

3.2 EXAMINATION

- A. Examine Contract Documents to become familiar with project requirements and to discover conditions in systems' designs that may preclude proper TAB of systems and equipment.
  - 1. Balancing devices, such as test ports, gage cocks, thermometer wells, flow-control devices, balancing valves and fittings, and manual volume dampers, are hereby required by the Contract Documents.
  - 2. Verify that quantities and locations of devices proposed by the contractor and indicated on the Contract Documents are accessible and appropriate for effective balancing and efficient system and equipment operation.
  - 3. Verify flow rates specified and compare to central equipment capacities.
  - 4. Identify discontinuities and omissions in the Contract Documents.
  - 5. Provide a detailed Testing and Balancing plan within six weeks of the Notice to Proceed.
  - 6. Provide a TAB technician to work at the direction of the CxA for up to a consecutive six work day period on site to assist in testing.
  - 7. Record configuration, set up, parameters, etc., that change during the testing period.
  - 8. Provide representative(s) for up to 16 hours of off-season testing each. Any and all time is required to be spent at the job site.
  - 9. Respond to Warranty issues. Record configuration, set up, parameters, etc., that change during the warranty period.
- B. Examine BAS submittal data prior to submission and provide comments to contractor, and Moseley Architects.
- C. Examine submittal data of HVAC systems and equipment prior to submission and provide comments to contractor, and Moseley Architects.
- D. Examine project record documents and provide comments to contractor, and Moseley Architects.

FIRE STATIONS RENOVATION  
ARLINGTON COUNTY, VIRGINIA  
Architect's Project No: 563006

- E. Examine Architect's design data, including HVAC system descriptions, statements of design, assumptions for environmental conditions, control drawings, and statements concerning systems and equipment.
- F. Examine equipment performance data, including fan and pump curves. Relate performance data to project conditions and requirements, including system effects that can create undesired or unpredicted conditions that cause reduced capacities in all or part of a system. Calculate system effect factors to reduce the performance ratings of HVAC equipment when installed under conditions different from those presented when the equipment was performance tested at the factory. To calculate system effects for air systems, use tables and charts found in AMCA 201, "Fans and Systems," Sections 7 through 10; or in SMACNA's "HVAC Systems--Duct Design," Sections 5 and 6. Compare this data with the design data and installed conditions.
- G. Examine system and equipment installations to verify that they are complete and that TAB, and cleaning indicated has been performed.
- H. Examine HVAC system and equipment installations to verify that indicated balancing devices, such as test ports, gage cocks, thermometer wells, flow-control devices, balancing valves and fittings, and manual volume dampers, are properly installed, and their locations are accessible and appropriate for effective balancing and for efficient system and equipment operation.
- I. Examine systems for functional deficiencies that cannot be corrected by adjusting and balancing.
- J. Examine air-handling equipment to ensure clean filters have been installed, bearings are greased, belts are aligned and tight, and equipment is ready for operation, including functioning controls.
- K. Examine terminal units, such as variable-air-volume boxes and mixing boxes, to verify that they are accessible, and their controls are connected and functioning.
- L. Examine strainers for clean screens and proper perforations.
- M. Examine 3-way valves for proper installation for their intended function of diverting or mixing fluid flows.
- N. Examine heat-transfer coils for correct piping connections and for clean and straight fins.
- O. Examine open-piping-system pumps to ensure absence of entrained air in the suction piping.
- P. Examine equipment for installation and for properly operating safety interlocks and controls.
- Q. Examine automatic temperature system components to verify the following:
  - 1. Dampers, valves, and other controlled devices operate by the intended controller.
  - 2. Dampers and valves are in the position indicated by the controller.

FIRE STATIONS RENOVATION  
ARLINGTON COUNTY, VIRGINIA  
Architect's Project No: 563006

3. Integrity of valves and dampers for free and full operation and for tightness of fully closed and fully open positions. This includes dampers in mixing boxes and variable-air-volume terminals.
  4. Automatic modulating and shutoff valves, including 2-way valves and 3-way mixing and diverting valves, are properly connected.
  5. Thermostats are located to avoid adverse effects of sunlight, drafts, and cold walls.
  6. Sensors are located to sense only the intended conditions.
  7. Sequence of operation for control modes is according to the Contract Documents.
  8. Controller set points are set at design values. Observe and record system reactions to changes in conditions. Record default set points if different from design values.
  9. Interlocked systems are operating.
  10. Changeover from heating to cooling mode occurs according to design values.
- R. Report deficiencies discovered before and during performance of TAB procedures.

### 3.3 PREPARATION

- A. Prepare a TAB plan that includes strategies and step-by-step procedures.
- B. Complete system readiness checks and prepare system readiness reports. Verify the following:
  1. Permanent electrical power wiring is complete.
  2. Hydronic systems are filled, clean, and free of air.
  3. Automatic temperature-control systems are operational.
  4. Equipment and duct access doors are securely closed.
  5. Balance, smoke, and fire dampers are open.
  6. Isolating and balancing valves are open and control valves are operational.
  7. Ceilings are installed in critical areas where air-pattern adjustments are required and access to balancing devices is provided.
  8. Windows and doors can be closed so design conditions for system operations can be met.

### 3.4 GENERAL TESTING AND BALANCING PROCEDURES

- A. Perform testing and balancing procedures on each system according to the procedures contained in AABC national standards or NEBB's "Procedural Standards for TAB of Environmental Systems" and this Section.
- B. Cut insulation, ducts, pipes, and equipment cabinets for installation of test probes to the minimum extent necessary to allow adequate performance of procedures. After testing and

FIRE STATIONS RENOVATION  
ARLINGTON COUNTY, VIRGINIA  
Architect's Project No: 563006

balancing, close probe holes and patch insulation with new materials identical to those removed. Restore vapor barrier and finish according to the insulation Specifications for this Project.

- C. Mark equipment settings with paint or other suitable, permanent identification material, including damper-control positions, valve indicators, fan-speed-control levers, and similar controls and devices, to show final settings.

### 3.5 MOTORS

- A. Motors, 1/2 HP and Larger: Test at final balanced conditions and record the following data:

1. Manufacturer, model, and serial numbers.
2. Motor horsepower rating.
3. Motor rpm.
4. Efficiency rating if high-efficiency motor.
5. Nameplate and measured voltage, each phase.
6. Nameplate and measured amperage, each phase.
7. Starter thermal-protection-element rating.

- B. Motors Driven by Variable-Frequency Controllers: Test for proper operation at speeds varying from minimum to maximum. Test the manual bypass to prove proper operation. Record observations, including controller manufacturer, model number, serial number, and nameplate data.

### 3.6 TEMPERATURE-CONTROL VERIFICATION

- A. Verify that controllers are calibrated and commissioned.
- B. Check transmitter and controller locations and note conditions that would adversely affect control functions.
- C. Record controller settings and note variances between set points and actual measurements.
- D. Verify operation of limiting controllers (i.e., high- and low-temperature controllers).
- E. Verify free travel and proper operation of control devices such as damper and valve operators.
- F. Verify sequence of operation of control devices. Note air pressures and device positions and correlate with air, water, and potable water-flow measurements. Note the speed of response to input changes.
- G. Confirm interaction of electrically operated switch transducers.
- H. Confirm interaction of interlock and lockout systems.

FIRE STATIONS RENOVATION  
ARLINGTON COUNTY, VIRGINIA  
Architect's Project No: 563006

- I. Record voltages of power supply and controller output. Determine if the system operates on a grounded or non-grounded power supply.
- J. Note operation of electric actuators using spring return for proper fail-safe operations.

3.7 TOLERANCES

- A. Set system airflow, water, and potable water-flow rates within the following tolerances:
  - 1. Supply, Return, and Exhaust Fans: 0 to plus 10 percent.
  - 2. Air Outlets: minus 10 percent to plus 10 percent.
  - 3. Return Inlets: minus 10 percent to plus 10 percent.
  - 4. Exhaust Inlets: 0 to plus 10 percent.
  - 5. Heating-Water Flow Rate: minus 5 percent to plus 5 percent.
  - 6. Cooling-Water Flow Rate: minus 5 percent to plus 5 percent.
  - 7. Potable water: minus 5 percent to plus 5 percent.
  - 8. Unless indicated otherwise: minus 10 percent to plus 10 percent.

3.8 REPORTING

- A. Initial Construction-Phase Report: Based on examination of the Contract Documents as specified in "Examination" Article above, prepare a report on the adequacy of design for systems' balancing devices. Recommend changes and additions to systems' balancing devices to facilitate proper performance measuring and balancing. Recommend changes and additions to HVAC systems and general construction to allow access for performance measuring and balancing devices.
- B. Status Reports: When 50% of the construction contract period has elapsed, the contractor performing work under this section shall visit the site twice per month thereafter. After each site visit for each system being tested and balanced, prepare a report to describe completed work, work in progress, and work at variance with the contract documents. Include a list of deficiencies and problems found in each system. Prepare a separate report for each system and each building floor for systems serving multiple floors. Submit the report to the contractor and architect. The contractor shall be responsible for ensuring that deficiencies are corrected. Deficiencies shall remain on the list permanently, shall be issued with each report, and shall be checked off only when they are corrected.

3.9 FINAL REPORT

- A. General: Typewritten, or computer printout in letter-quality font, on standard bond paper, in 3-ring binder, tabulated and divided into sections by tested and balanced systems.



FIRE STATIONS RENOVATION  
ARLINGTON COUNTY, VIRGINIA  
Architect's Project No: 563006

- B. Include a certification sheet in front of binder signed and sealed by the certified testing and balancing engineer.
  - 1. Include a list of the instruments used for procedures, along with proof of calibration.
  
- C. Final Report Contents: In addition to the certified field report data, include the following:
  - 1. Pump curves.
  - 2. Fan curves.
  - 3. Manufacturers' test data.
  - 4. Field test reports prepared by system and equipment installers.
  - 5. Other information relative to equipment performance, but do not include approved Shop Drawings and Product Data.
  
- D. General Report Data: In addition to the form titles and entries, include the following data in the final report, as applicable:
  - 1. Title page.
  - 2. Name and address of TAB Agent.
  - 3. Project name.
  - 4. Project location.
  - 5. Architect's name and address.
  - 6. Contractor's name and address.
  - 7. Report date.
  - 8. Signature of TAB Agent who certifies the report.
  - 9. Table of contents.
  - 10. Operating sequences that vary from the Contract Documents.
  - 11. Nomenclature sheets for each item of equipment.
  - 12. Data for terminal units, including manufacturer, type, and size.
  - 13. Notes to explain why certain final data in the body of reports varies from design values.
  - 14. Test conditions for fans and pump performance forms, including:
    - a. Settings for outside-, return-, and exhaust-air dampers.
    - b. Conditions of filters.
    - c. Cooling coil, wet- and dry-bulb conditions.
    - d. Fan drive settings, including:
      - 1) Percentage of maximum pitch or diameter.
      - 2) Maximum RPM.
      - 3) Minimum RPM on VAV systems.
    - e. Settings for supply-air static-pressure controllers on VAV systems.
    - f. System operating parameters/conditions that affect performance.

FIRE STATIONS RENOVATION  
ARLINGTON COUNTY, VIRGINIA  
Architect's Project No: 563006

- E. System Diagrams: Include schematic layouts of air, and water distribution systems. Provide single-line diagrams including the following:
  - 1. Quantities of outside, supply, return, exhaust, and water flow rates.
  - 2. Duct outlet, and inlet sizes.
  - 3. Pipe sizes and locations.
  - 4. Indicated Terminal unit(s): Information & location(s).
  - 5. Indicated Balancing station(s): Information & location(s).
  - 6. Indicated Meter(s): Information & location(s).
  
- F. Test Reports:
  - 1. All equipment test reports.
  - 2. Duct Traverse Reports.
  - 3. Terminal-Device Reports.
  - 4. Coil Reports.
  - 5. Instrument Calibration Reports.

3.10 ADDITIONAL TESTS

- A. When requested, provide up to six continuous and consecutive work days, by the technician that provided services under this section, directly knowledgeable of all systems and procedures specific to the project, to support commissioning for TAB verification.
  
- B. TAB verification site visit will be conducted after the TAB final report has been submitted and approved by the engineer of record.
  
- C. Within 90 days of completing work performed under this section, perform additional testing and balancing to verify that balanced conditions are being maintained throughout and to correct unusual conditions.
  
- D. Seasonal Periods:
  - 1. Winter: Re-test heating equipment, including central equipment and terminal devices, when the outside air temperature is below 30 degrees F.
  - 2. Summer: Re-test cooling equipment, including central equipment and terminal devices, when the outside air temperature is above 90 degrees F.

END OF SECTION 014520

FIRE STATIONS RENOVATION  
Arlington County, Virginia  
Architect's Project No.: 563006

---

**SECTION 015000**  
**TEMPORARY FACILITIES AND CONTROLS**

**PART 1 GENERAL**

**1.01 DEWATERING**

- A. Provide temporary means and methods for dewatering all temporary facilities and controls, in compliance with local authority having jurisdiction.
- B. Maintain temporary facilities in operable condition.

**1.02 TEMPORARY UTILITIES**

- A. Provide and pay for all electrical power, lighting, water, heating and cooling, and ventilation required for construction purposes.
- B. Temporary Lighting: Provide temporary lighting of type and producing lighting levels necessary for proper installation of the Work.
- C. Temporary Heating, Cooling, and Ventilation: Provide temporary measures and equipment as required for curing, drying, and humidity control. Comply with manufacturer's installation instructions for specific product requirements.
  - 1. Provide measures and equipment to meet warranty requirements of interior woodwork specified in Division 6 and/or Division 12 sections.
  - 2. Use of Permanent HVAC Facilities and Equipment: Use of HVAC equipment shall be subject to Owner approval.
    - a. Protect new and existing HVAC equipment from intrusion of dust, silica, dirt and debris during construction operations.
    - b. Cover all openings in new and existing inactive ductwork during construction operation with minimum 6 mil polyethylene sheet.
    - c. Where use of existing HVAC equipment is approved by Owner, provide temporary filters with a minimum MERV of 8. Change the filters every two weeks while construction is ongoing. Provide new filters at Substantial Completion; do not change out temporary filter until approved by Architect.
    - d. Do not perform testing and balancing of HVAC equipment until dust, silica, dirt and debris producing activities are complete.
- D. Temporary Water: For the duration of construction or until permanent water service is available at the site, the Contractor shall provide a temporary water source, as part of the Contract Price.
- E. Temporary Electric Service: Until electric utility provides permanent service at the site, the Contractor shall provide temporary electrical power, as part of the Contract Price.
- F. Temporary Sewer and Drainage: Comply with requirements of local authority having jurisdiction for connection of temporary sewer to public system.

**1.03 TELECOMMUNICATIONS SERVICES**

- A. Provide, maintain, and pay for telecommunications services to field office at time of project mobilization.
- B. Telecommunications services shall include:
  - 1. Telephone Service: Contractor shall ensure that all of its forces, including on-site managers/supervisors of each Subcontractor, have mobile devices and adequate voice and data coverage for on-site operations.
  - 2. Internet Connections: Minimum of one; DSL modem or faster.

**1.04 TEMPORARY SANITARY FACILITIES**

- A. Provide and maintain required facilities and enclosures. Provide at time of project mobilization.
  - 1. Provide temporary unisex toilet units and all required disposable supplies.
  - 2. Provide handwash stations and hand sanitizer at each toilet unit.
  - 3. Provide regular servicing of portable facilities by professional servicing company; including draining, cleaning, and disinfecting.
- B. New permanent facilities may not be used during construction operations.

FIRE STATIONS RENOVATION  
Arlington County, Virginia  
Architect's Project No.: 563006

---

- C. Maintain daily in clean and sanitary condition.

**1.05 BARRIERS**

- A. Provide barriers to prevent unauthorized entry to construction areas, to prevent access to areas that could be hazardous to workers or the public, to allow for owner's use of site and to protect existing facilities and adjacent properties from damage from construction operations and demolition.
- B. Provide barricades and covered walkways required by governing authorities for public rights-of-way and for public access to existing building, and for emergency egress.
- C. Provide protection for plants designated to remain. Replace damaged plants.
- D. Protect vehicular traffic, stored materials, site, and structures from damage.

**1.06 FENCING**

- A. Barrier Mesh Fence: Provide minimum 6-foot height open-mesh polypropylene barrier fabric mounted on lumber or galvanized steel posts to isolate and define construction area and prevent accidental public access.
- B. Construction: Commercial grade chain link fence.
1. Contractor may provide either fixed or portable fencing to suit conditions. For portable fencing, provide concrete or galvanized steel bases for supporting posts. Bases for portable fencing shall not obstruct sidewalks or other pathways used by pedestrians.
- C. Provide 6 foot high fence around construction site; equip with vehicular and pedestrian gates with locks.
- D. Unless otherwise indicated, provide barrier mesh fencing to enclose the approximate extent of the entire construction site. Chain link fencing shall be used to enclose Contractor's field office and laydown/storage areas, areas of the site actively in construction, and as deemed necessary by Contractor.

**1.07 EXTERIOR ENCLOSURES**

- A. Provide temporary weather tight closure of exterior openings to accommodate acceptable working conditions and protection for Products, to allow for temporary heating and maintenance of required ambient temperatures identified in individual specification sections, and to prevent entry of unauthorized persons. Provide access doors with self-closing hardware and locks.

**1.08 INTERIOR ENCLOSURES**

- A. Provide temporary partitions to separate work areas from Owner-occupied areas, to prevent penetration of dust and moisture into Owner-occupied areas, and to prevent damage to existing materials and equipment.
- B. Construction: Framing and gypsum board sheet materials with closed joints and sealed edges at intersections with existing surfaces:

**1.09 SECURITY**

- A. Provide security and facilities to protect Work, existing facilities, and Owner's operations from unauthorized entry, vandalism, or theft.
1. Contractor shall repair damage to existing facilities caused by Construction operations.
- B. Coordinate with Owner's security program.
- C. Environmental Protection: Comply with EPA, OSHA and other regulatory requirements to prevent contamination of site, air, and public sewer/runoff.
1. Provide additional work restrictions and protective measures as indicated on Civil/Site Drawings and as specified in Division 01 Section "Summary."

**1.10 VEHICULAR ACCESS AND PARKING**

- A. Comply with regulations relating to use of streets and sidewalks, access to emergency facilities, and access for emergency vehicles.
- B. Coordinate access and haul routes with governing authorities and Owner.
- C. Provide and maintain access to fire hydrants, free of obstructions.

FIRE STATIONS RENOVATION  
Arlington County, Virginia  
Architect's Project No.: 563006

---

- D. Provide means of removing mud from vehicle wheels before entering streets.
- E. Designated existing on-site roads may be used for construction traffic.
- F. Provide temporary parking areas to accommodate construction personnel. When site space is not adequate, provide additional off-site parking.

#### **1.11 WASTE REMOVAL**

- A. See Section 017419 - Construction Waste Management and Disposal, for additional requirements.
- B. Provide waste removal facilities and services as required to maintain the site in clean and orderly condition.
- C. Provide containers with lids. Remove trash from site periodically.
- D. If materials to be recycled or re-used on the project must be stored on-site, provide suitable non-combustible containers; locate containers holding flammable material outside the structure unless otherwise approved by the authorities having jurisdiction.
- E. Open free-fall chutes are not permitted. Terminate closed chutes into appropriate containers with lids.

#### **1.12 PROJECT IDENTIFICATION**

- A. Project signs are not part of the Contract.
  - 1. The Contractor may, at their option and expense, elect to provide Project identification signs. Proposed signs shall comply with layout and details indicated on Drawings, and shall be submitted for Owner approval. Unauthorized signs are not permitted.
- B. Erect on site at location indicated.
- C. Provide temporary directional signage as directed to facilitate site access for visitors and other construction personnel.
- D. No other signs are allowed without Owner permission except those required by law.

#### **1.13 FIELD OFFICES**

- A. Field Office: Contractor shall be permitted to use a designated portion of existing facility as temporary field office.
  - 1. Maintain the following materials in the field office, available to Architect and Owner's representative at all times:
    - a. A complete, up-to-date set of all Contract Documents, including FCs, RFIs, PCOs, and COs.
    - b. A complete, up-to-date set of all reviewed final shop drawings.

#### **1.14 REMOVAL OF UTILITIES, FACILITIES, AND CONTROLS**

- A. Remove temporary utilities, equipment, facilities, materials, prior to Date of Substantial Completion inspection.
- B. Remove temporary underground installations.
- C. Clean and repair damage caused by installation or use of temporary work.
- D. Restore existing facilities used during construction to original condition.
- E. Restore new permanent facilities used during construction to specified condition.

### **PART 2 PRODUCTS**

#### **2.01 MATERIALS**

- A. Rough Carpentry: 2x lumber, in length and depth required for floor to ceiling partitions. Partitions shall not be fastened to existing ceilings or flooring to remain. Provide additional bracing and concealed attachments to building structure.
- B. Gypsum Board: 1/2-inch gypsum wallboard; ASTM C 1396.
- C. Insulation: Mineral-wool fiber blankets; with maximum flame-spread and smoke-developed ratings of 25 and 50 when tested per ASTM E 84.

FIRE STATIONS RENOVATION  
Arlington County, Virginia  
Architect's Project No.: 563006

---

- D. Polyethylene Sheet: Minimum 10 mil reinforced sheeting; achieving a passing rating when tested per NFPA 701, and a maximum flame-spread rating of 15 when tested per ASTM E 84.
- E. Walk-Off Mats: Dust-, dirt- and silica-control walk-off mats at each entrance into the enclosed construction area and each entrance through temporary partitions.
- F. Hardware: Provide temporary hinges, latch, and lock at doors in temporary partitions. Where doors in temporary partitions are also indicated to serve as egress, provide ADA-compliant exit device and closer.

## **2.02 EQUIPMENT**

- A. Fire Extinguishers: Provide portable UL rated extinguishers. Provide extinguisher types rated for potential classes of fire expected for construction work indicated.

## **PART 3 EXECUTION**

### **3.01 PEST CONTROL**

- A. Provide pest-control services at regular intervals, performed in compliance with regulations of state regulations, and by a pest-control firm licensed in the state where the project is located. Any chemicals and pesticides used shall be approved by EPA and local authority having jurisdiction. Contractor's pest control plan shall ensure the facility is free of termites, roaches, rodents, and other pests at time of Substantial Completion.
  - 1. Coordinate with Owner's Integrated Pest Management (IPM) plan where applicable.
  - 2. Provide Owner with a minimum 72 hours pre-notification for pest-control treatments.

### **3.02 TEMPORARY FIRE PROTECTION**

- A. Comply with NFPA 241 "Standard for Safeguarding Construction, Alteration, and Demolition Operations" for preventing damage to structures under construction.
- B. Provide a fire-prevention program, review with all personnel on site, and post fire-prevention information in clearly visible area. Coordinate fire-prevention program with local fire department.
- C. Provide clearly labeled portable fire extinguishers
- D. Provide fire watch in compliance with OSHA requirements during and after use of all potential ignition sources, including but not limited to, welders, grinders, cutting torches, heating and electrical equipment, and lighting.
- E. Do not allow smoking in areas under construction.

### **3.03 MOISTURE CONTROL**

- A. Prevent the absorption of moisture and humidity by:
  - 1. Sequencing the delivery of such materials so that they are not present in the building until wet work is completed and dry.
  - 2. Delivery and storage of such materials in fully sealed moisture-impermeable packaging.
  - 3. Provide sufficient ventilation for drying within reasonable time frame.
- B. Prior to building dry-in, store porous materials in a separate enclosed storage building. Keep all surfaces clear of standing water, and cover or otherwise protect all materials from water infiltration and damage. Do not enclose interior spaces until dry-in is complete and ventilation can remove excess moisture.
- C. After building dry-in, provide temporary mechanical ventilation for humidity and moisture control until the building HVAC system is operational. Do not store or install material in the building until ambient temperature and humidity is within manufacturer's acceptable range. Do not install wet materials, and ensure that substrates are fully dry prior to installing other materials over them.
- D. Provide continuous monitoring of installed materials. Remove gypsum board, wood products, and other mold-supporting products, if they become and remain wet for 48 hours. Remove and replace any materials showing visible signs of mold or mildew.

FIRE STATIONS RENOVATION  
Arlington County, Virginia  
Architect's Project No.: 563006

---

**3.04 TEMPORARY FACILITY USAGE AND REMOVAL**

- A. Maintenance and Usage: Keep temporary facilities clean and in well-maintained condition for the duration of the Project. Prevent misuse of or damage to facilities by construction personnel. Make repairs to temporary facilities or replace facilities as required to keep them in good operating condition and in compliance with applicable OSHA, local permitting, and other applicable regulations.
- B. Changeover: Coordinate changeover from temporary facilities to permanent facilities at Substantial Completion, unless an alternate arrangement for changeover has been agreed upon in writing by Owner.
  - 1. Contractor shall be responsible for repair, restoration, and cleaning of permanent facilities that are used for construction purposes after changeover.
- C. Removal: Unless otherwise indicated, temporary facilities and controls are the property of the Contractor, and shall be removed upon Architect's approval when Contractor can demonstrate that they are no longer needed.
  - 1. Comply with construction waste management and recycling requirements for temporary facilities and materials that are not able to be reused.
  - 2. After removal of temporary facilities and controls, complete all permanent construction that was not accessible due to the presence of temporary facilities.
  - 3. Remove materials that have become soiled or contaminated due to construction vehicle traffic, parking, temporary field offices, oil or other chemical spillage, and other temporary usage, and replace with clean material. Complete grading, landscaping, paving, and other site improvements, and repair or restore all damage to existing or previously completed site improvements

**END OF SECTION**

FIRE STATIONS RENOVATION  
Arlington County, Virginia  
Architect's Project No.: 563006

---

**SECTION 016000  
PRODUCT REQUIREMENTS**

**PART 1 GENERAL**

**1.01 DEFINITIONS**

- A. Comparable Product: An unnamed product that is similar in quality and performance to named product(s).
- B. Basis-of-Design Product: A specific product selected by the Architect for use in the design process; based on certain performance characteristics, physical qualities or details, a specialized finish type, pattern, or color, or other indicated characteristics.

**1.02 WARRANTIES**

- A. Product warranties shall be provided in addition to and run concurrently to Contractor's general warranty/guarantee.
  - 1. Unless otherwise indicated, all warranty terms shall start on the date of Substantial Completion.
- B. Manufacturer's Warranty: A standard warranty issued by the product manufacturer, covering production and material defects.
- C. Special Warranties: Warranties in addition to standard manufacturer's warranty, covering fabrication, installation, or specific performance items such as weathertightness
- D. Warranty Form: Warranty shall be provided on either manufacturer's standard form or on specified form. When a sample warranty form is not included in the Project Manual, the warranty shall be on mutually agreed form.

**PART 2 PRODUCTS**

**2.01 EXISTING PRODUCTS**

- A. Do not use materials and equipment removed from existing premises unless specifically required or permitted by Contract Documents.
- B. Unforeseen historic items encountered remain the property of the Owner; notify Owner promptly upon discovery; protect, remove, handle, and store as directed by Owner.
- C. Existing materials and equipment indicated to be removed, but not to be re-used, relocated, reinstalled, delivered to the Owner, or otherwise indicated as to remain the property of the Owner, become the property of the Contractor; remove from site.

**2.02 NEW PRODUCTS**

- A. Provide new products unless specifically required or permitted by Contract Documents.
- B. See Section 014000 - Quality Requirements, for additional source quality control requirements.
- C. Use of products having any of the following characteristics is not permitted:
  - 1. Made using or containing CFC's or HCFC's.
  - 2. Containing lead, cadmium, or asbestos.

**2.03 PRODUCT OPTIONS**

- A. Products Specified with a Single Named Product: Where required by Owner due to facility standards, provide the named product; no options or substitutions allowed.
- B. Products Specified by Reference Standards or by Description Only: Use any product meeting those standards or description.
- C. Products Specified by Naming One or More Manufacturers: Use a product of one of the manufacturers named and meeting specifications, no options or substitutions allowed.
- D. Products Specified by Naming One or More Manufacturers with a Provision for Substitutions: Submit a request for substitution for any manufacturer not named.
- E. Products Specified by Naming One or More Manufacturers with a Provision for Comparable Products: Unnamed comparable product may be submitted after award of Contract. Comply with requirements in "Comparable Products" article below.



FIRE STATIONS RENOVATION  
Arlington County, Virginia  
Architect's Project No.: 563006

---

#### 2.04 BASIS-OF-DESIGN PRODUCTS

- A. Where a product is specified by naming a Basis-of-Design, comply with the following:
  - 1. Where a list of additional manufacturers is provided, provide the Basis-of-Design product or a comparable product by one of the listed manufacturers, in compliance with "Comparable Products" article below.
  - 2. Where a list of additional manufacturers is not provided, provide the Basis-of-Design product, or submit a substitution request in compliance with Section 012500 - Substitution Procedures.
  - 3. Basis-of-Design characteristics shall include requirements in the Specifications and on the Drawings.
  - 4. Where the Basis-of-Design lists a specific finish, manufacturers wishing to submit as a Comparable Product or as a substitution shall certify that they are able to provide an exact match to the specified finish, or that they will provide a custom finish to match.

#### 2.05 COMPARABLE PRODUCTS

- A. Where a product is specified with a provision for comparable products, Contractors submitting a Comparable Product shall comply with the following:
  - 1. The submitted product shall not require changes to the Work, unless specifically approved by Architect. If changes are required, the Contractor shall resubmit the product as a substitution request, and the Contractor shall bear the cost of the changes, coordinate with other impacted contractors, and provide appropriate notations on record documents.
  - 2. Contractor shall provide, with the submittal, a detailed breakdown comparing the submitted product to at least one of the other listed products; list specified performance qualities, test results, dimensions, finish, and other critical properties.
  - 3. Contractor shall provide warranty data indicating that submitted Comparable Product complies with indicated warranty term(s).
- B. Comparable product submittals are subject to Architect's final approval. If a proposed product is found to be unacceptable, Contractor shall revert to one of the named products.

#### 2.06 COLOR/FINISH OPTIONS

- A. Preselected Color/Finish: Where a specific manufacturer's premium or custom finish or color is indicated as the basis-of-design, other listed manufacturers shall certify that they can provide an exact match, or that they will provide pricing under the assumption that a custom finish or color will be required.
- B. Color/Finish Selection: Unless specifically indicated to either be a custom color or to be selected from manufacturer's standard range, color and finish selections shall be made from manufacturer's full range of options, including premiums, metallics, wood grains, etc.

#### 2.07 MAINTENANCE MATERIALS

- A. Furnish extra materials, spare parts, tools, and software of types and in quantities specified in individual specification sections.
- B. Deliver to location designated by Owner; obtain receipt prior to final payment.

### PART 3 EXECUTION

#### 3.01 SUBSTITUTION LIMITATIONS

- A. See Section 012500 - Substitution Procedures.

#### 3.02 OWNER-SUPPLIED PRODUCTS

- A. See Section 011000 - Summary for identification of Owner-supplied products.
  - B. Owner's Responsibilities:
    - 1. Arrange for and deliver Owner reviewed shop drawings, product data, and samples, to Contractor.
    - 2. Arrange and pay for product delivery to site.
    - 3. On delivery, inspect products jointly with Contractor.
    - 4. Submit claims for transportation damage and replace damaged, defective, or deficient items.
-

FIRE STATIONS RENOVATION  
Arlington County, Virginia  
Architect's Project No.: 563006

---

5. Arrange for manufacturers' warranties, inspections, and service.
- C. Contractor's Responsibilities:
1. Review Owner reviewed shop drawings, product data, and samples.
  2. Receive and unload products at site; inspect for completeness or damage jointly with Owner.
  3. Handle, store, install and finish products.
  4. Repair or replace items damaged after receipt.

### 3.03 TRANSPORTATION AND HANDLING

- A. Package products for shipment in manner to prevent damage; for equipment, package to avoid loss of factory calibration.
- B. If special precautions are required, attach instructions prominently and legibly on outside of packaging.
- C. Coordinate schedule of product delivery to designated prepared areas in order to minimize site storage time and potential damage to stored materials.
- D. Transport and handle products in accordance with manufacturer's instructions.
- E. Transport materials in covered trucks to prevent contamination of product and littering of surrounding areas.
- F. Promptly inspect shipments to ensure that products comply with requirements, quantities are correct, and products are undamaged.
- G. Provide equipment and personnel to handle products by methods to prevent soiling, disfigurement, or damage, and to minimize handling.
- H. Arrange for the return of packing materials, such as wood pallets, where economically feasible.

### 3.04 STORAGE AND PROTECTION

- A. Provide protection of stored materials and products against theft, casualty, or deterioration.
  - B. Designate receiving/storage areas for incoming products so that they are delivered according to installation schedule and placed convenient to work area in order to minimize waste due to excessive materials handling and misapplication. See Section 017419.
    1. Structural Loading Limitations: Handle and store products and materials so as not to exceed static and dynamic load-bearing capacities of project floor and roof areas.
  - C. Store and protect products in accordance with manufacturers' instructions.
  - D. Store with seals and labels intact and legible.
  - E. Arrange storage of materials and products to allow for visual inspection for the purpose of determination of quantities, amounts, and unit counts.
  - F. Store sensitive products in weathertight, climate-controlled enclosures in an environment favorable to product.
  - G. For exterior storage of fabricated products, place on sloped supports above ground.
  - H. Provide off-site storage and protection when site does not permit on-site storage or protection.
  - I. Protect products from damage or deterioration due to construction operations, weather, precipitation, humidity, temperature, sunlight and ultraviolet light, dirt, dust, and other contaminants.
  - J. Comply with manufacturer's warranty conditions, if any.
  - K. Do not store products directly on the ground.
  - L. Cover products subject to deterioration with impervious sheet covering. Provide ventilation to prevent condensation and degradation of products.
  - M. Prevent contact with material that may cause corrosion, discoloration, or staining.
  - N. Provide equipment and personnel to store products by methods to prevent soiling, disfigurement, or damage.
-

FIRE STATIONS RENOVATION  
Arlington County, Virginia  
Architect's Project No.: 563006

---

- O. Arrange storage of products to permit access for inspection. Periodically inspect to verify products are undamaged and are maintained in acceptable condition.

**END OF SECTION**

FIRE STATIONS RENOVATION  
Arlington County, Virginia  
Architect's Project No.: 563006

---

**SECTION 017000**  
**EXECUTION AND CLOSEOUT REQUIREMENTS**

**PART 1 GENERAL**

**1.01 SUBMITTALS**

- A. See Section 013000 - Administrative Requirements, for submittal procedures.
- B. Project Record Documents: Accurately record actual locations of capped and active utilities.

**1.02 QUALIFICATIONS**

- A. For design of temporary shoring and bracing, employ a Professional Engineer experienced in design of this type of work and licensed in the State in which the Project is located.

**1.03 PROJECT CONDITIONS**

- A. Use of explosives is not permitted.
- B. Grade site to drain. Maintain excavations free of water. Provide, operate, and maintain pumping equipment.
- C. Protect site from puddling or running water. Provide water barriers as required to protect site from soil erosion.
- D. Perform dewatering activities, as required, for the duration of the project.
- E. Ventilate enclosed areas to assist cure of materials, to dissipate humidity, and to prevent accumulation of dust, fumes, vapors, or gases.
- F. Dust and Silica Control: Execute work by methods to minimize raising dust and silica from construction operations. Provide positive means to prevent air-borne dust and silica from dispersing into atmosphere and over adjacent property.
  - 1. Provide dust-proof enclosures to prevent entry of dust and silica that is generated outdoors.
  - 2. Provide dust-proof barriers between construction areas and areas continuing to be occupied by Owner.
- G. Erosion and Sediment Control: Plan and execute work by methods to control surface drainage from cuts and fills, from borrow and waste disposal areas. Prevent erosion and sedimentation.
  - 1. Minimize amount of bare soil exposed at one time.
  - 2. Provide temporary measures such as berms, dikes, and drains, to prevent water flow.
  - 3. Construct fill and waste areas by selective placement to avoid erosive surface silts or clays.
  - 4. Periodically inspect earthwork to detect evidence of erosion and sedimentation; promptly apply corrective measures.
- H. Noise Control: Provide methods, means, and facilities to minimize noise produced by construction operations.
- I. Pest and Rodent Control: Provide methods, means, and facilities to prevent pests and insects from damaging the work.
- J. Pollution Control: Provide methods, means, and facilities to prevent contamination of soil, water, and atmosphere from discharge of noxious, toxic substances, and pollutants produced by construction operations. Comply with federal, state, and local regulations.
- K. Hazardous Materials: Do not use materials or products that contain hazardous substances, for permanently installed products and materials, installation materials, or for cleaning or other construction use.

**1.04 COORDINATION**

- A. See Section 011000 for occupancy-related requirements.
- B. Coordinate scheduling, submittals, and work of the various sections of the Project Manual to ensure efficient and orderly sequence of installation of interdependent construction elements, with provisions for accommodating items installed later.

FIRE STATIONS RENOVATION  
Arlington County, Virginia  
Architect's Project No.: 563006

---

- C. Notify affected utility companies and comply with their requirements.
- D. Verify that utility requirements and characteristics of new operating equipment are compatible with building utilities. Coordinate work of various sections having interdependent responsibilities for installing, connecting to, and placing in service, such equipment.
- E. Coordinate space requirements, supports, and installation of mechanical and electrical work that are indicated diagrammatically on drawings. Follow routing indicated for pipes, ducts, and conduit, as closely as practicable; place runs parallel with lines of building. Utilize spaces efficiently to maximize accessibility for other installations, for maintenance, and for repairs.
- F. In finished areas except as otherwise indicated, conceal pipes, ducts, and wiring within the construction. Coordinate locations of fixtures and outlets with finish elements.
- G. Coordinate completion and clean-up of work of separate sections.
- H. After Owner occupancy of premises, coordinate access to site for correction of defective work and work not in accordance with Contract Documents, to minimize disruption of Owner's activities.

## **PART 2 PRODUCTS**

### **2.01 PATCHING MATERIALS**

- A. New Materials: As specified in product sections; match existing products and work for patching and extending work.
- B. Type and Quality of Existing Products: Determine by inspecting and testing products where necessary, referring to existing work as a standard.
- C. Product Substitution: For any proposed change in materials, submit request for substitution described in Section 016000 - Product Requirements.

## **PART 3 EXECUTION**

### **3.01 EXAMINATION**

- A. Verify that existing site conditions and substrate surfaces are acceptable for subsequent work. Start of work means acceptance of existing conditions.
- B. Verify that existing substrate is capable of structural support or attachment of new work being applied or attached.
- C. Examine and verify specific conditions described in individual specification sections.
- D. Take field measurements before confirming product orders or beginning fabrication, to minimize waste due to over-ordering or misfabrication.
- E. Verify that utility services are available, of the correct characteristics, and in the correct locations.
- F. Prior to Cutting: Examine existing conditions prior to commencing work, including elements subject to damage or movement during cutting and patching. After uncovering existing work, assess conditions affecting performance of work. Beginning of cutting or patching means acceptance of existing conditions.

### **3.02 PREPARATION**

- A. Clean substrate surfaces prior to applying next material or substance.
- B. Seal cracks or openings of substrate prior to applying next material or substance.
- C. Apply manufacturer required or recommended substrate primer, sealer, or conditioner prior to applying any new material or substance in contact or bond.

### **3.03 GENERAL INSTALLATION REQUIREMENTS**

- A. In addition to compliance with regulatory requirements, conduct construction operations in compliance with NFPA 241, including applicable recommendations in Appendix A.
- B. Install products as specified in individual sections, in accordance with manufacturer's instructions and recommendations, and so as to avoid waste due to necessity for

FIRE STATIONS RENOVATION  
Arlington County, Virginia  
Architect's Project No.: 563006

---

replacement.

- C. Make vertical elements plumb and horizontal elements level, unless otherwise indicated.
- D. Install equipment and fittings plumb and level, neatly aligned with adjacent vertical and horizontal lines, unless otherwise indicated.
- E. Make consistent texture on surfaces, with seamless transitions, unless otherwise indicated.
- F. Make neat transitions between different surfaces, maintaining texture and appearance.

### 3.04 ALTERATIONS

- A. Drawings showing existing construction and utilities are based on casual field observation and existing record documents only.
    - 1. Verify that construction and utility arrangements are as indicated.
    - 2. Report discrepancies to Architect before disturbing existing installation.
    - 3. Beginning of alterations work constitutes acceptance of existing conditions.
  - B. Keep areas in which alterations are being conducted separated from other areas that are still occupied.
    - 1. Provide, erect, and maintain temporary dustproof partitions of construction specified in Section 015000.
  - C. Maintain weatherproof exterior building enclosure except for interruptions required for replacement or modifications; take care to prevent water and humidity damage.
    - 1. Where openings in exterior enclosure exist, provide construction to make exterior enclosure weatherproof.
    - 2. Insulate existing ducts or pipes that are exposed to outdoor ambient temperatures by alterations work.
  - D. Remove existing work as indicated and as required to accomplish new work.
    - 1. Remove items indicated on drawings.
    - 2. Relocate items indicated on drawings.
    - 3. Where new surface finishes are to be applied to existing work, perform removals, patch, and prepare existing surfaces as required to receive new finish; prepare substrate per manufacturer's requirements for successful application of new finish.
    - 4. Where new surface finishes are not specified or indicated, patch holes and damaged surfaces to match adjacent finished surfaces.
  - E. Services (Including but not limited to HVAC, Plumbing, Fire Protection, Electrical, and Telecommunications): Remove, relocate, and extend existing systems to accommodate new construction.
    - 1. Maintain existing active systems that are to remain in operation; maintain access to equipment and operational components; if necessary, modify installation to allow access or provide access panel.
    - 2. Where existing active systems serve occupied facilities but are to be replaced with new services, maintain existing systems in service until new systems are complete and ready for service.
      - a. Disable existing systems only to make switchovers and connections; minimize duration of outages.
      - b. See Section 011000 for other limitations on outages and required notifications.
      - c. Provide temporary connections as required to maintain existing systems in service.
    - 3. Remove abandoned pipe, ducts, conduits, and equipment, including those above accessible ceilings; remove back to source of supply where possible, otherwise cap stub and tag with identification; patch holes left by removal using materials specified for new construction.
  - F. Protect existing work to remain.
    - 1. Prevent movement of structure; provide shoring and bracing if necessary.
    - 2. Perform cutting to accomplish removals neatly and as specified for cutting new work.
    - 3. Repair adjacent construction and finishes damaged during removal work.
  - G. Adapt existing work to fit new work: Make as neat and smooth transition as possible.
-

FIRE STATIONS RENOVATION  
Arlington County, Virginia  
Architect's Project No.: 563006

---

1. When existing finished surfaces are cut so that a smooth transition with new work is not possible, terminate existing surface along a straight line at a natural line of division and make recommendation to Architect.
  2. Where removal of partitions or walls results in adjacent spaces becoming one, rework floors, walls, and ceilings to a smooth plane without breaks, steps, or bulkheads.
- H. Patching: Where the existing surface is not indicated to be refinished, patch to match the surface finish that existed prior to cutting. Where the surface is indicated to be refinished, patch so that the substrate is ready for the new finish.
- I. Refinish existing surfaces as indicated:
1. Where rooms or spaces are indicated to be refinished, refinish all visible existing surfaces to remain to the specified condition for each material, with a neat transition to adjacent finishes.
- J. Clean existing systems and equipment in all spaces impacted by alteration work.
- K. Remove demolition debris and abandoned items from alterations areas and dispose of off-site; do not burn or bury.
- L. Do not begin new construction in alterations areas before demolition is complete.

### 3.05 CUTTING AND PATCHING

- A. Perform cutting and patching to:
1. Complete the work.
  2. Fit products together to integrate with other work.
  3. Provide openings for penetration of mechanical, electrical, and other services.
  4. Match work that has been cut to adjacent work.
  5. Repair areas adjacent to cuts to required condition.
  6. Repair new work damaged by subsequent work.
  7. Remove samples of installed work for testing when requested.
  8. Remove and replace defective and non-complying work.
- B. Execute work by methods that avoid damage to other work and that will provide appropriate surfaces to receive patching and finishing. In existing work, minimize damage and restore to specified condition.
- C. Employ skilled and experienced installer to perform cutting and patching.
- D. Restore work with new products in accordance with requirements of Contract Documents.
- E. Fit work to pipes, sleeves, ducts, conduit, and other penetrations through surfaces.
- F. At penetrations of fire rated walls, partitions, ceiling, or floor construction, completely seal voids with fire rated material to maintain existing fire ratings, to full thickness of the penetrated element.
- G. Patching:
1. Finish patched surfaces to match finish that existed prior to patching. On continuous surfaces, refinish to nearest intersection or natural break. For an assembly, refinish entire unit.
  2. Match color, texture, and appearance.
  3. Repair patched surfaces that are damaged, lifted, discolored, or showing other imperfections due to patching work. If defects are due to condition of substrate, repair substrate prior to repairing finish.

### 3.06 PROGRESS CLEANING

- A. Maintain areas free of waste materials, debris, and rubbish. Maintain site in a clean and orderly condition.
- B. Remove debris and rubbish from pipe chases, plenums, attics, crawl spaces, and other closed or remote spaces, prior to enclosing the space.
- C. Broom and vacuum clean interior areas prior to start of surface finishing, and continue cleaning to eliminate dust and silica.

FIRE STATIONS RENOVATION  
Arlington County, Virginia  
Architect's Project No.: 563006

---

- D. Collect and remove waste materials, debris, and trash/rubbish from site periodically and dispose off-site; do not burn or bury.

### **3.07 PROTECTION OF INSTALLED WORK**

- A. Protect installed work from damage by construction operations.
- B. Provide special protection where specified in individual specification sections.
- C. Provide temporary and removable protection for installed products. Control activity in immediate work area to prevent damage.
- D. Provide protective coverings at walls, projections, jambs, sills, and soffits of openings.
- E. Protect finished floors, stairs, and other surfaces from traffic, dirt, wear, damage, or movement of heavy objects, by protecting with durable sheet materials.
- F. Protect work from spilled liquids. If work is exposed to spilled liquids, immediately remove protective coverings, dry out work, and replace protective coverings.
- G. Prohibit traffic or storage upon waterproofed or roofed surfaces. If traffic or activity is necessary, obtain recommendations for protection from waterproofing or roofing material manufacturer.
- H. Prohibit traffic from landscaped areas.
- I. Remove protective coverings when no longer needed; reuse or recycle coverings if possible.

### **3.08 SYSTEM STARTUP AND ADJUSTING**

- A. Coordinate schedule for start-up of various equipment and systems.
- B. Notify Architect and Owner seven days prior to start-up of each item.
- C. Verify that each piece of equipment or system has been checked for proper lubrication, drive rotation, belt tension, control sequence, and for conditions that may cause damage.
- D. Verify tests, meter readings, and specified electrical characteristics agree with those required by the equipment or system manufacturer.
- E. Verify that wiring and support components for equipment are complete and tested.
- F. Execute start-up under supervision of applicable Contractor personnel and manufacturer's representative in accordance with manufacturers' instructions.
- G. When specified in individual specification Sections, require manufacturer to provide authorized representative to be present at site to inspect, check, and approve equipment or system installation prior to start-up, and to supervise placing equipment or system in operation.
- H. Adjust operating products and equipment to ensure smooth and unhindered operation.
- I. Testing, Adjusting, and Balancing of HVAC Systems: Refer to Division 1 Section "Testing, Adjusting, and Balancing for HVAC."
- J. Submit a written report that equipment or system has been properly installed and is functioning correctly.

### **3.09 DEMONSTRATION AND INSTRUCTION**

- A. See Section 017900 - Demonstration and Training.

### **3.10 FINAL CLEANING**

- A. Execute final cleaning prior to Substantial Completion.
  - 1. Clean areas to be occupied by Owner prior to final completion before Owner occupancy.
- B. Use cleaning materials that are nonhazardous.
- C. Clean interior and exterior glass, surfaces exposed to view; remove temporary labels, stains and foreign substances, polish transparent and glossy surfaces, vacuum carpeted and soft surfaces.



FIRE STATIONS RENOVATION  
Arlington County, Virginia  
Architect's Project No.: 563006

---

- D. Remove all labels that are not permanent. Do not paint or otherwise cover fire test labels or nameplates on mechanical and electrical equipment.
- E. Clean equipment and fixtures to a sanitary condition with cleaning materials appropriate to the surface and material being cleaned.
- F. Replace filters of operating equipment.
- G. Clean debris from roofs, gutters, downspouts, scuppers, overflow drains, area drains, and drainage systems.
- H. Clean site; sweep paved areas, rake clean landscaped surfaces.
- I. Remove waste, surplus materials, trash/rubbish, and construction facilities from the site; dispose of in legal manner; do not burn or bury.

### 3.11 CLOSEOUT PROCEDURES

- A. Prior to Substantial Completion, complete the following:
    - 1. Provide startup, testing, and adjusting of all systems and equipment.
      - a. Demonstrate that air and water systems are balanced and that automatic temperature control system is in control of all equipment. This may require separate demonstrations if controls cannot be tested for applicable seasons of the year.
      - b. Submit written certification that testing/adjusting/balancing operations have been completed, and that systems are operation and under control in conformance with applicable specification section(s).
      - c. Submit written certification that all Building Commissioning has been completed.
      - d. Complete testing of the electronic security and detention systems and equipment, demonstrating security control.
    - 2. Provide all inspections required by local authorities having jurisdiction to obtain Certificate of Occupancy, and provide written certification of completion of Special Inspections.
    - 3. Provide preventive maintenance services for all equipment used prior to Substantial Completion, and provide initial maintenance servicing for all products and equipment that will be subject to ongoing maintenance/service contracts.
    - 4. Provide final cleaning of all products, materials, and equipment, and provide touch up and restoration of exposed materials and finishes.
    - 5. Provide fresh batteries in all battery-powered products and equipment.
    - 6. Provide demonstration and training for Owner's personnel on all required systems and equipment.
    - 7. Coordinate a walkthrough with the Owner and the local fire department and other emergency services.
    - 8. To the maximum extent possible, remove temporary facilities and controls, construction equipment and tools, and similar items that are not part of the finished Work.
    - 9. Coordinate changeover with the Owner of permanent utilities, insurance requirements, and building's permanent keying and lock system.
  - B. Notify Architect when work is considered ready for Architect's Substantial Completion inspection.
  - C. Submit written certification containing Contractor's Correction Punch List, that Contract Documents have been reviewed, work has been inspected, and that work is complete in accordance with Contract Documents and ready for Architect's Substantial Completion inspection.
  - D. Owner will occupy the building after Substantial Completion as specified in Section 011000.
  - E. Conduct Substantial Completion inspection and create Final Correction Punch List containing Architect's and Contractor's comprehensive list of items identified to be completed or corrected and submit to Architect.
  - F. Correct items of work listed in Final Correction Punch List and comply with requirements for access to Owner-occupied areas.
-

FIRE STATIONS RENOVATION  
Arlington County, Virginia  
Architect's Project No.: 563006

---

- G. Notify Architect when work is considered finally complete and ready for Architect's Substantial Completion final inspection.
- H. Prior to final completion, complete the following:
  - 1. Complete items of work determined by Architect listed in executed Certificate of Substantial Completion.
  - 2. Provide final pest and rodent control treatments and inspections.
  - 3. Remove any remaining construction equipment, tools, and materials; perform additional cleaning required due to construction activities following Substantial Completion, and leave the site prepared for Owner occupancy.
  - 4. Submit final demonstration and training materials and videos, as built/record documents, operation and maintenance binders, and warranty binders.
  - 5. Submit final application for payment.

**3.12 MAINTENANCE**

- A. Provide service and maintenance of components indicated in specification sections.
  - 1. Contractor's maintenance responsibility shall be through Substantial Completion, unless a longer term is required by individual specification section.
- B. Maintenance service shall not be assigned or transferred to any agent or third party without prior written consent of the Owner.

**END OF SECTION**

FIRE STATIONS RENOVATION  
Arlington County, Virginia  
Architect's Project No.: 563006

---

**SECTION 017419  
CONSTRUCTION WASTE MANAGEMENT AND DISPOSAL**

**PART 1 GENERAL**

**1.01 WASTE MANAGEMENT REQUIREMENTS**

- A. Owner requires that this project generate the least amount of trash and waste possible.
- B. Employ processes that ensure the generation of as little waste as possible due to error, poor planning, breakage, mishandling, contamination, or other factors.
- C. Minimize trash/waste disposal in landfills; reuse, salvage, or recycle as much waste as economically feasible.
- D. Contractor shall develop and follow a Waste Management Plan designed to implement these requirements.
- E. The following sources may be useful in developing the Waste Management Plan:
- F. Methods of trash/waste disposal that are not acceptable are:
  - 1. Burning on the project site.
  - 2. Burying on the project site.
  - 3. Dumping or burying on other property, public or private.
  - 4. Other illegal dumping or burying.
- G. Regulatory Requirements: Contractor is responsible for knowing and complying with regulatory requirements, including but not limited to Federal, state and local requirements, pertaining to legal disposal of all construction and demolition waste materials.

**1.02 DEFINITIONS**

- A. Clean: Untreated and unpainted; not contaminated with oils, solvents, caulk, or the like.
- B. Construction and Demolition Waste: Solid wastes typically including building materials, packaging, trash, debris, and rubble resulting from construction, remodeling, repair and demolition operations.
- C. Hazardous: Exhibiting the characteristics of hazardous substances, i.e., ignitibility, corrosivity, toxicity or reactivity.
- D. Nonhazardous: Exhibiting none of the characteristics of hazardous substances, i.e., ignitibility, corrosivity, toxicity, or reactivity.
- E. Nontoxic: Neither immediately poisonous to humans nor poisonous after a long period of exposure.
- F. Recyclable: The ability of a product or material to be recovered at the end of its life cycle and remanufactured into a new product for reuse by others.
- G. Recycle: To remove a waste material from the project site to another site for remanufacture into a new product for reuse by others.
- H. Recycling: The process of sorting, cleansing, treating and reconstituting solid waste and other discarded materials for the purpose of using the altered form. Recycling does not include burning, incinerating, or thermally destroying waste.
- I. Return: To give back reusable items or unused products to vendors for credit.
- J. Reuse: To reuse a construction waste material in some manner on the project site.
- K. Salvage: To remove a waste material from the project site to another site for resale or reuse by others.
- L. Sediment: Soil and other debris that has been eroded and transported by storm or well production run-off water.
- M. Source Separation: The act of keeping different types of waste materials separate beginning from the first time they become waste.
- N. Toxic: Poisonous to humans either immediately or after a long period of exposure.
- O. Trash: Any product or material unable to be reused, returned, recycled, or salvaged.

FIRE STATIONS RENOVATION  
Arlington County, Virginia  
Architect's Project No.: 563006

---

- P. Waste: Extra material or material that has reached the end of its useful life in its intended use. Waste includes salvageable, returnable, recyclable, and reusable material.

### 1.03 SUBMITTALS

- A. See Section 013000 - Administrative Requirements, for submittal procedures.
- B. Waste Management Plan: Include the following information:
1. Analysis of the trash and waste projected to be generated during the entire project construction cycle, including types and quantities.
  2. Landfill Options: The name, address, and telephone number of the landfill(s) where trash/waste will be disposed of, the applicable landfill tipping fee(s), and the projected cost of disposing of all project trash/waste in the landfill(s).
  3. Landfill Alternatives: List all waste materials that will be diverted from landfills by reuse, salvage, or recycling.
  4. Meetings: Describe regular meetings to be held to address waste prevention, reduction, recycling, salvage, reuse, and disposal.
  5. Materials Handling Procedures: Describe the means by which materials to be diverted from landfills will be protected from contamination and prepared for acceptance by designated facilities; include separation procedures for recyclables, storage, and packaging.
  6. Transportation: Identify the destination and means of transportation of materials to be recycled; i.e. whether materials will be site-separated and self-hauled to designated centers, or whether mixed materials will be collected by a waste hauler.

## PART 3 EXECUTION

### 2.01 WASTE MANAGEMENT PLAN IMPLEMENTATION

- A. Manager: Designate an on-site person or persons responsible for instructing workers and overseeing and documenting results of the Waste Management Plan.
- B. Communication: Distribute copies of the Waste Management Plan to job site foreman, each subcontractor, Owner, and Architect.
- C. Instruction: Provide on-site instruction of appropriate separation, handling, and recycling, salvage, reuse, and return methods to be used by all parties at the appropriate stages of the project.
- D. Meetings: Discuss trash/waste management goals and issues at project meetings.
1. Prebid meeting.
  2. Preconstruction meeting.
  3. Regular job-site meetings.
- E. Facilities: Provide specific facilities for separation and storage of materials for recycling, salvage, reuse, return, and trash disposal, for use by all contractors and installers.
1. Provide containers as required.
  2. Provide adequate space for pick-up and delivery and convenience to subcontractors.
  3. Keep recycling and trash/waste bin areas neat and clean and clearly marked in order to avoid contamination of materials.
- F. Hazardous Wastes: Separate, store, and dispose of hazardous wastes according to applicable regulations.
- G. Recycling: Separate, store, protect, and handle at the site identified recyclable waste products in order to prevent contamination of materials and to maximize recyclability of identified materials. Arrange for timely pickups from the site or deliveries to recycling facility in order to prevent contamination of recyclable materials.
- H. Reuse of Materials On-Site: Set aside, sort, and protect separated products in preparation for reuse.
- I. Salvage: Set aside, sort, and protect products to be salvaged for reuse off-site.

**END OF SECTION**

---

FIRE STATIONS RENOVATION  
Arlington County, Virginia  
Architect's Project No.: 563006

---

**SECTION 017800  
CLOSEOUT SUBMITTALS**

**PART 1 GENERAL**

**1.01 SECTION INCLUDES**

- A. Project record documents.
- B. Operation and maintenance data.
- C. Warranties and bonds.

**1.02 SUBMITTALS**

- A. Project Record Documents: Submit documents to Architect within 15 days after the date of Substantial Completion.
- B. Operation and Maintenance Data:
  - 1. For equipment, or component parts of equipment put into service during construction and operated by Owner, submit completed documents within 15 days after acceptance.
  - 2. Submit one PDF draft copy of completed documents within 15 days after the Closeout Conference. This copy will be reviewed and returned, with Architect comments. Revise content of all document sets as required prior to final submission.
  - 3. After revisions are complete, submit one bound hard copy and PDF electronic file of revised final documents in final form within 15 days after Substantial Completion.
- C. Warranties and Bonds:
  - 1. For equipment or component parts of equipment put into service during construction with Owner's permission, submit documents within 15 days after acceptance.
  - 2. Make other submittals within 15 days after Date of Substantial Completion, prior to final Application for Payment.
  - 3. For items of Work for which acceptance is delayed beyond Date of Substantial Completion, submit within 15 days after acceptance, listing the date of acceptance as the beginning of the warranty period.

**PART 2 PRODUCTS - NOT USED**

**PART 3 EXECUTION**

**3.01 PROJECT RECORD DOCUMENTS**

- A. Maintain on site one set of the following record documents; record actual revisions to the Work:
  - 1. Drawings.
  - 2. Addenda.
  - 3. Change Orders and other modifications to the Contract.
  - 4. Miscellaneous record submittals.
- B. Ensure entries are complete and accurate, enabling future reference by Owner.
  - 1. Include revised Drawings reissued during Bidding and Construction.
- C. Store record documents separate from documents used for construction.
  - 1. Keep record documents in a location accessible to Architect for periodic review and reference.
  - 2. Maintain in legible condition. If record document set becomes damaged or excessively dirty, transfer comments to clean set prior to submittal to Architect.
- D. Record information concurrent with construction progress.
- E. Record Drawings: Legibly mark each item to record actual construction including:
  - 1. Measured depths of foundations in relation to finish first floor datum.
  - 2. Measured horizontal and vertical locations of underground utilities and appurtenances, referenced to permanent surface improvements.
  - 3. Measured locations of internal utilities and appurtenances concealed in construction, referenced to visible and accessible features of the Work.
  - 4. Field changes of dimension and detail.

FIRE STATIONS RENOVATION  
Arlington County, Virginia  
Architect's Project No.: 563006

---

5. Details not on original Contract drawings.
- F. Miscellaneous Record Submittals: Where other specification sections require completion certifications, or closeout or record submittals, submit in a single binder organized by specification section.

### **3.02 ASSEMBLY OF RECORD DOCUMENTS**

- A. Submittal for Architect's Review:
  1. Submit PDF scanned copy of marked up prints.
  2. Architect shall review and provide comment on completeness
- B. Submittal for Distribution to Owner:
  1. After Architect has approved for content and completeness, submit PDF scanned copy of final marked up prints, and submit hard copy originals.
  2. Submit full set of Drawings, regardless of whether any modification or markings are on each sheet.

### **3.03 OPERATION AND MAINTENANCE DATA**

- A. Product Data: Mark each sheet to clearly identify specific products and component parts, and data applicable to installation. Delete inapplicable information.
- B. Drawings: Supplement product data to illustrate relations of component parts of equipment and systems, to show control and flow diagrams. Do not use Project Record Documents as maintenance drawings.
- C. Typed Text: As required to supplement product data. Provide logical sequence of instructions for each procedure, incorporating manufacturer's instructions.

### **3.04 OPERATION AND MAINTENANCE DATA FOR MATERIALS AND FINISHES**

- A. For Each Product, Applied Material, and Finish:
  1. Product data, with catalog number, size, composition, and color and texture designations.
  2. Information for re-ordering custom manufactured products.
- B. Instructions for Care and Maintenance: Manufacturer's recommendations for cleaning agents and methods, precautions against detrimental cleaning agents and methods, and recommended schedule for cleaning and maintenance.
- C. Moisture protection and weather-exposed products: Include product data listing applicable reference standards, chemical composition, and details of installation. Provide recommendations for inspections, maintenance, and repair.
- D. Additional information as specified in individual product specification sections.
- E. Where additional instructions are required, beyond the manufacturer's standard printed instructions, have instructions prepared by personnel experienced in the operation and maintenance of the specific products.

### **3.05 OPERATION AND MAINTENANCE DATA FOR EQUIPMENT AND SYSTEMS**

- A. For Each Item of Equipment and Each System:
  1. Description of unit or system, and component parts.
  2. Identify function, normal operating characteristics, and limiting conditions.
  3. Include performance curves, with engineering data and tests.
  4. Complete nomenclature and model number of replaceable parts.
- B. Where additional instructions are required, beyond the manufacturer's standard printed instructions, have instructions prepared by personnel experienced in the operation and maintenance of the specific products.
- C. Panelboard Circuit Directories: Provide electrical service characteristics, controls, and communications; typed.
- D. Include color coded wiring diagrams as installed.
- E. Operating Procedures: Include start-up, break-in, and routine normal operating instructions and sequences. Include regulation, control, stopping, shut-down, and emergency instructions. Include summer, winter, and any special operating instructions.

FIRE STATIONS RENOVATION  
Arlington County, Virginia  
Architect's Project No.: 563006

---

- F. Maintenance Requirements: Include routine procedures and guide for preventative maintenance and trouble shooting; disassembly, repair, and reassembly instructions; and alignment, adjusting, balancing, and checking instructions.
- G. Provide servicing and lubrication schedule, and list of lubricants required.
- H. Include manufacturer's printed operation and maintenance instructions.
- I. Include sequence of operation by controls manufacturer.
- J. Provide original manufacturer's parts list, illustrations, assembly drawings, and diagrams required for maintenance.
- K. Provide control diagrams by controls manufacturer as installed.
- L. Provide Contractor's coordination drawings, with color coded piping diagrams as installed.
- M. Provide charts of valve tag numbers, with location and function of each valve, keyed to flow and control diagrams.
- N. Provide list of original manufacturer's spare parts, current prices, and recommended quantities to be maintained in storage.
- O. Include test and balancing reports.
- P. Additional Requirements: As specified in individual product specification sections.

**3.06 ASSEMBLY OF OPERATION AND MAINTENANCE MANUALS**

- A. Assemble operation and maintenance data into durable manuals for Owner's personnel use, with data arranged in the same sequence as, and identified by, the specification sections.
- B. Where systems involve more than one specification section, provide separate tabbed divider for each system.
- C. Binders: Commercial quality, 8-1/2 by 11 inch three D side ring binders with durable plastic covers; 2 inch maximum ring size. When multiple binders are used, correlate data into related consistent groupings.
- D. Cover: Identify each binder on front and spine with typed or printed title OPERATION AND MAINTENANCE INSTRUCTIONS; identify title of Project; identify subject matter of contents.
- E. Project Directory: Title and address of Project; names, addresses, and telephone numbers of Architect, Consultants, Contractor and subcontractors, with names of responsible parties.
- F. Tables of Contents: List every item separated by a divider, using the same identification as on the divider tab; where multiple volumes are required, include all volumes Tables of Contents in each volume, with the current volume clearly identified.
- G. Dividers: Provide tabbed dividers for each separate product and system; identify the contents on the divider tab; immediately following the divider tab include a description of product and major component parts of equipment.
- H. Text: Manufacturer's printed data, or typewritten data on 20 pound paper.
- I. Drawings: Provide with reinforced punched binder tab. Bind in with text; fold larger drawings to size of text pages.
- J. Arrangement of Contents: Organize each volume in parts as follows:
  - 1. Project Directory.
  - 2. Table of Contents, of all volumes, and of this volume.
  - 3. Operation and Maintenance Data: Arranged by system, then by product category.
    - a. Source data.
    - b. Product data.
    - c. Operation and maintenance data.
    - d. Field quality control data.
    - e. Photocopies of warranties and bonds.

FIRE STATIONS RENOVATION  
Arlington County, Virginia  
Architect's Project No.: 563006

---

**3.07 WARRANTIES AND BONDS**

- A. Obtain warranties and bonds, executed in duplicate by responsible Subcontractors, suppliers, and manufacturers, within 15 days after completion of the applicable item of work. Except for items put into use with Owner's permission, leave date of beginning of time of warranty until Date of Substantial completion is determined.
- B. Verify that documents are in proper form, contain full information, and are notarized.
- C. Retain warranties and bonds until time specified for submittal.
- D. Manual: Bind in commercial quality 8-1/2 by 11 inch three D side ring binders with durable plastic covers.
- E. Cover: Identify each binder on front and spine with typed or printed title WARRANTIES AND BONDS, with title of Project; name, address and telephone number of Contractor and equipment supplier; and name of responsible company principal.
- F. Table of Contents: Neatly typed, in the sequence of the Table of Contents of the Project Manual, with each item identified with the number and title of the specification section in which specified, and the name of product or work item.
- G. Separate each warranty or bond with index tab sheets keyed to the Table of Contents listing. Provide full information, using separate typed sheets as necessary. List Subcontractor, supplier, and manufacturer, with name, address, and telephone number of responsible principal.
- H. Provide photocopy of each warranty in operation and maintenance manuals; locate each warranty with applicable O&M data for product or equipment.

**END OF SECTION**



FIRE STATIONS RENOVATION  
Arlington County, Virginia  
Architect's Project No.: 563006

---

**SECTION 017900  
DEMONSTRATION AND TRAINING**

**PART 1 GENERAL**

**1.01 SUMMARY**

- A. Demonstration of products, systems, equipment, and other items where indicated in specific specification sections.
- B. Training of Owner personnel in operation and maintenance of products, systems, equipment, and othwhere indicated in specific specification sections.

**1.02 SUBMITTALS**

- A. See Section 013000 - Administrative Requirements, for submittal procedures.
- B. Draft Training Plans: Owner will designate personnel to be trained; tailor training to needs and skill-level of attendees.
  - 1. Submit not less than four weeks prior to start of training.
  - 2. Revise and resubmit until acceptable.
  - 3. Provide an overall schedule showing all training sessions.
  - 4. Include at least the following for each training session:
    - a. Identification, date, time, and duration.
    - b. Description of products and/or systems to be covered.
    - c. Name of firm and person conducting training; include qualifications.
    - d. Intended audience, such as job description.
    - e. Objectives of training and suggested methods of ensuring adequate training.
    - f. Methods to be used, such as classroom lecture, live demonstrations, hands-on, etc.
    - g. Media to be used, such a slides, hand-outs, etc.
    - h. Training equipment required, such as projector, projection screen, etc., to be provided by Contractor.
- C. Training Manuals: Provide training manual for each attendee.
  - 1. Include applicable portion of O&M manuals.
  - 2. Include copies of all hand-outs, slides, overheads, video presentations, etc., that are not included in O&M manuals.
  - 3. Provide one extra copy of each training manual to be included with operation and maintenance data.
- D. Training Reports:
  - 1. Identification of each training session, date, time, and duration.
  - 2. Sign-in sheet showing names and job titles of attendees.
  - 3. List of attendee questions and written answers given, including copies of and references to supporting documentation required for clarification; include answers to questions that could not be answered in original training session.
- E. Video Recordings: Submit digital video recording of each demonstration and training session for Owner's subsequent use.
  - 1. Format: DVD Disc.
  - 2. Label each disc and container with session identification and date.
  - 3. Where available, provide manufacturer's pre-produced training videos in conjunction with live demonstration and training video.

**1.03 QUALITY ASSURANCE**

- A. Instructor Qualifications: Familiar with design, operation, maintenance and troubleshooting of the relevant products and systems.
  - 1. Instructor shall be certified by the manufacturer or fabricator of system.
  - 2. Where a single person is not familiar with all aspects, provide specialists with necessary qualifications.

FIRE STATIONS RENOVATION  
Arlington County, Virginia  
Architect's Project No.: 563006

---

**PART 2 PRODUCTS - NOT USED**

**PART 3 EXECUTION**

**3.01 DEMONSTRATION - GENERAL**

- A. Demonstrations conducted during system start-up do not qualify as demonstrations for the purposes of this section, unless approved in advance by Owner.
- B. Demonstrations conducted during Functional Testing need not be repeated unless Owner personnel training is specified.
- C. Demonstration may be combined with Owner personnel training if applicable, and if acceptable to Owner.
- D. Operating Equipment and Systems: Demonstrate operation in all modes, including start-up, shut-down, seasonal changeover, emergency conditions, and troubleshooting, and maintenance procedures, including scheduled and preventive maintenance.
  - 1. Complete demonstrations within two weeks after the date of Substantial Completion.
  - 2. For equipment or systems requiring seasonal operation, perform demonstration for other season within six months.
- E. Non-Operating Products: Demonstrate cleaning, scheduled and preventive maintenance, and repair procedures.
  - 1. Complete demonstrations within two weeks after the date of Substantial Completion.

**3.02 TRAINING - GENERAL**

- A. Conduct training on-site, utilizing installed products and equipment, unless otherwise indicated.
- B. Provide training in minimum two hour segments.
- C. Training schedule will be subject to availability of Owner's personnel to be trained; re-schedule training sessions as required by Owner; once schedule has been approved by Owner failure to conduct sessions according to schedule will be cause for Owner to charge Contractor for personnel "show-up" time.
- D. Review of Facility Policy on Operation and Maintenance Data: During training discuss:
  - 1. Typical contents and organization of all manuals, including explanatory information, system narratives, and product specific information.
  - 2. Typical uses of the O&M manuals.
- E. Product- and System-Specific Training:
  - 1. Review the applicable O&M manuals.
  - 2. For systems, provide an overview of system operation, design parameters and constraints, and operational strategies.
  - 3. Review instructions for proper operation in all modes, including start-up, shut-down, seasonal changeover and emergency procedures, and for maintenance, including preventative maintenance.
  - 4. Discuss cleaning products and procedures, including recommended cleaning products and products that are detrimental to equipment operation or finishes.
  - 5. Provide hands-on training on all operational modes possible and preventive maintenance.
  - 6. Emphasize safe and proper operating requirements; discuss relevant health and safety issues, warning or error indications, and emergency procedures and shutdown.
  - 7. Discuss common troubleshooting problems and solutions. Include minor adjustments for resolving noise, vibration, and improving system efficiency.
  - 8. Discuss any peculiarities of equipment installation or operation.
  - 9. Discuss warranties and guarantees, including procedures necessary to avoid voiding coverage. Include discussion of continuing maintenance agreements and procedures.
  - 10. Review recommended tools and spare parts inventory suggestions of manufacturers.
  - 11. Review spare parts and tools required to be furnished by Contractor.
  - 12. Review spare parts suppliers and sources and procurement procedures.

FIRE STATIONS RENOVATION  
Arlington County, Virginia  
Architect's Project No.: 563006

---

- F. Be prepared to answer questions raised by training attendees; if unable to answer during training session, provide written response within three days.

**END OF SECTION**

FIRE STATIONS RENOVATION  
Arlington County, Virginia  
Architect's Project No.: 563006

---

**SECTION 018119**  
**INDOOR AIR QUALITY REQUIREMENTS**

**PART 1 GENERAL**

**1.01 SUMMARY**

- A. Provide Indoor Air Quality (IAQ) Management Plan to remain in force during the construction period.
- B. Chapter 3 of the Sheet Metal and Air Conditioning National Contractors' Association (SMACNA) IAQ Guideline for Occupied Buildings Under Construction, 2nd Edition 2007, available from SMACNA (703-803-2980 or www.smacna.org).

**1.02 SUBMITTAL**

- A. Construction Indoor Air Quality Management Plan (CIAQM Plan).

**PART 2 OBJECTIVES DURING CONSTRUCTION**

**2.01 PROTECTION**

- A. Store all materials and equipment in a protected area (inside warehouse or storage trailer). Protect materials and equipment that are too large or heavy to store in a trailer from water and dirt/dust/debris.
  - 1. OPTION: When stored outside, provide two layers of minimum 8-mil poly on the ground and elevate equipment or material a minimum of 4 inches to allow water to run off. Secure top and sides with two layers of 8-mil poly to prevent water penetration and dust/dirt accumulation.
- B. Protect HVAC equipment from dust and odors. Do not store equipment in areas near painting, pressure washing, or excavation. Do not operate equipment during cutting or grinding of masonry or concrete.
  - 1. Refer to Division 23 for construction filter requirements for protection of mechanical duct systems during construction.
  - 2. Clean ductwork when installed. Cap ends of inactive duct with poly during construction to prevent contamination.
  - 3. Do not operate HVAC system until the exterior walls, roof, glass, doors and building filters are properly installed.
  - 4. Replace all filtration media immediately prior to Substantial Completion. Refer to Division 23 for filtration requirements.
  - 5. Do not perform Testing and Balancing until dust or odor generating activities are completed.

**2.02 SOURCE CONTROL**

- A. Minimize IAQ contaminants introduced by construction materials.
- B. Store waste construction materials a minimum of 30 feet away from the building.
- C. Do not smoke within 30 feet of the exterior building perimeter.

**2.03 PATHWAY INTERRUPTION**

- A. Provide barriers to contain construction areas to allow a portion of the building to be cleaned and then operate the HVAC system in that cleaned area. Acceptable barriers include dust curtains and temporary walls.
  - 1. Protect areas of the building in which HVAC is operational by physical barriers from areas of the building not acceptable for operation of the HVAC system.
- B. Maintain areas within 30 feet of outdoor air intakes free of dust, dirt, debris, and volatile materials while the HVAC system is in operation.

**2.04 HOUSEKEEPING**

- A. As dust accumulates at the Site, it can become airborne when disturbed by nearby activity. Similarly, spills or excess applications of products containing solvents will increase odors at the Site. Leaving the Site wet or damp for more than a day could result in the growth of mold and bacteria. Therefore, Site cleanup and maintenance is important to maintaining good IAQ during construction.

FIRE STATIONS RENOVATION  
Arlington County, Virginia  
Architect's Project No.: 563006

---

- B. Perform the following to control contaminants at the Site:
1. Suppress dust with wetting agents or sweeping compounds
  2. Provide an efficient dust collection method (e.g. a damp rag, wet mop, or vacuum equipped with a high efficiency particulate arrester (HEPA) filter or wet scrubber).
  3. Remove spills or excess applications of solvent-containing products immediately. Provide low-VOC emitting spot removers and cleaning agents near occupied areas.
  4. Remove accumulated water and keep work areas as dry as possible, including the use of dehumidification, if necessary.
  5. Once building is enclosed, vacuum with HEPA filtered vacuum cleaners to prevent settled dust from becoming airborne again.
  6. Protect porous materials from exposure to moisture. Replace items that remain damp for more than four hours.

**END OF SECTION**

FIRE STATIONS RENOVATION  
Arlington County, Virginia  
Architect's Project No.: 563006

---

**SECTION 024100  
DEMOLITION**

**PART 1 GENERAL**

**1.01 SUBMITTALS**

- A. See Section 013000 - Administrative Requirements, for submittal procedures.
- B. Project Record Documents: Accurately record actual locations of capped and active utilities and subsurface construction.

**PART 2 PRODUCTS -- NOT USED**

**PART 3 EXECUTION**

**3.01 GENERAL PROCEDURES AND PROJECT CONDITIONS**

- A. All demolition work shall be considered unclassified. Barring discovery of hazardous materials or undocumented structural components, where elements are indicated to be demolished, the bid price shall be for complete demolition of the element, regardless of the individual component makeup of that element.
- B. Comply with applicable codes and regulations for demolition operations and safety of adjacent structures and the public.
  - 1. Obtain required permits.
  - 2. Comply with applicable requirements of NFPA 241.
  - 3. Use of explosives is not permitted.
  - 4. Take precautions to prevent catastrophic or uncontrolled collapse of structures to be removed; do not allow worker or public access within range of potential collapse of unstable structures.
  - 5. Provide, erect, and maintain temporary barriers and security devices.
  - 6. Conduct operations to minimize effects on and interference with adjacent structures and occupants.
  - 7. Do not close or obstruct roadways or sidewalks without permit.
  - 8. Conduct operations to minimize obstruction of public and private entrances and exits; do not obstruct required exits at any time; protect persons using entrances and exits from removal operations.
  - 9. Obtain written permission from owners of adjacent properties when demolition equipment will traverse, infringe upon or limit access to their property.
- C. Do not begin removal until receipt of notification to proceed from Owner.
- D. Do not begin removal until built elements to be salvaged or relocated have been removed.
- E. Protect existing structures and other elements that are not to be removed.
  - 1. Provide bracing and shoring.
  - 2. Prevent movement or settlement of adjacent structures.
  - 3. Stop work immediately if adjacent structures appear to be in danger.
- F. Hazardous Materials: It is not expected that hazardous materials are present in existing construction to be demolished. If suspected hazardous materials are discovered during removal operations, stop work and notify Architect and Owner; hazardous materials include regulated asbestos containing materials, lead, PCB's, and mercury.
  - 1. A survey indicating locations of hazardous materials is on file for examination by demolition contractor upon request.

**3.02 EXISTING UTILITIES**

- A. Coordinate work with utility companies; notify before starting work and comply with their requirements; obtain required permits.
- B. Protect existing utilities to remain from damage.
- C. Do not disrupt public utilities without permit from authority having jurisdiction.
- D. Do not close, shut off, or disrupt existing life safety systems that are in use without at least 7 days prior written notification to Owner.

FIRE STATIONS RENOVATION  
Arlington County, Virginia  
Architect's Project No.: 563006

---

- E. Do not close, shut off, or disrupt existing utility branches or take-offs that are in use without at least 3 days prior written notification to Owner.
- F. Locate and mark utilities to remain; mark using highly visible tags or flags, with identification of utility type; protect from damage due to subsequent construction, using substantial barricades if necessary.
- G. Remove exposed piping, valves, meters, equipment, supports, and foundations of disconnected and abandoned utilities.

### 3.03 SELECTIVE DEMOLITION FOR ALTERATIONS

- A. Drawings showing existing construction and utilities are based on casual field observation and existing record documents only.
  - 1. Verify that construction and utility arrangements are as indicated.
  - 2. Report discrepancies to Architect before disturbing existing installation.
  - 3. Beginning of demolition work constitutes acceptance of existing conditions that would be apparent upon examination prior to starting demolition.
- B. Separate areas in which demolition is being conducted from other areas that are still occupied.
  - 1. Provide, erect, and maintain temporary dustproof partitions of construction specified in Section 015000 in locations indicated on drawings.
- C. Maintain weatherproof exterior building enclosure except for interruptions required for replacement or modifications; take care to prevent water and humidity damage.
- D. Remove existing work as indicated and as required to accomplish new work.
  - 1. Remove items indicated on drawings.
- E. Services (Including but not limited to HVAC, Plumbing, Fire Protection, Electrical, and Telecommunications): Remove existing systems and equipment as indicated.
  - 1. Maintain existing active systems that are to remain in operation; maintain access to equipment and operational components.
  - 2. Where existing active systems serve occupied facilities but are to be replaced with new services, maintain existing systems in service until new systems are complete and ready for service.
  - 3. Verify that abandoned services serve only abandoned facilities before removal.
  - 4. Remove abandoned pipe, ducts, conduits, and equipment, including those above accessible ceilings; remove back to source of supply where possible, otherwise cap stub and tag with identification.
- F. Floor Finishes: After removal of existing floor finishes including backings, underlayments, and thick set mortar beds, remove all residual adhesives and glue. Provide grinding, sanding, or shot-blasting of existing concrete floor slab to achieve the proper surface to receive new indicated floor finish. Coordinate slab surface preparations required for each new indicated floor finish with appropriate subcontractor.
- G. Existing Surfaces to Receive Finishes: Remove miscellaneous hangers, exposed nails not serving as fasteners, and similar protrusions; remove adhesive residue and tape; fill anchorage holes; and otherwise patch and restore surface to be a uniform substrate suitable for applied finishes.
- H. Protect existing work to remain.
  - 1. Prevent movement of structure; provide shoring and bracing if necessary.
  - 2. Perform cutting to accomplish removals neatly and as specified for cutting new work.
  - 3. Repair adjacent construction and finishes damaged during removal work.
  - 4. Patch as specified for patching new work.

### 3.04 DEBRIS AND WASTE REMOVAL

- A. Remove debris, junk, and trash from site.
- B. Leave site in clean condition, ready for subsequent work.
- C. Clean up spillage and wind-blown debris from public and private lands.

**END OF SECTION**

---

FIRE STATIONS RENOVATION  
Arlington County, Virginia  
Architect's Project No.: 563006

---

**SECTION 055000  
METAL FABRICATIONS**

**PART 1 GENERAL**

**1.01 SUBMITTALS**

- A. See Section 013000 - Administrative Requirements, for submittal procedures.
- B. Shop Drawings: Indicate profiles, sizes, connection attachments, reinforcing, anchorage, size and type of fasteners, and accessories. Include erection drawings, elevations, and details where applicable.

**1.02 QUALITY ASSURANCE**

- A. Design miscellaneous steel fabrications and slotted channel framing assemblies under direct supervision of a Professional Structural Engineer experienced in design of this work and licensed in the State in which the Project is located.
- B. Welder Qualifications: Welding processes and welding operators qualified in accordance with AWS D1.1/D1.1M and AWS D1.2/D1.2M and dated no more than 12 months before start of scheduled welding work.

**PART 2 PRODUCTS**

**2.01 MATERIALS - STEEL**

- A. Steel Sections: ASTM A36/A36M.
- B. Steel Tubing: ASTM A501/A501M hot-formed structural tubing.
- C. Plates: ASTM A283/A283M.
- D. Pipe: ASTM A53/A53M, Grade B Schedule 40, black finish.
- E. Slotted Channel Fittings: ASTM A1011/A1011M.
- F. Mechanical Fasteners: Same material as or compatible with materials being fastened; type consistent with design and specified quality level.
- G. Bolts, Nuts, and Washers: ASTM A307, Grade A, plain.
- H. Welding Materials: AWS D1.1/D1.1M; type required for materials being welded.
- I. Shop and Touch-Up Primer: SSPC-Paint 15, complying with VOC limitations of authorities having jurisdiction.
- J. Touch-Up Primer for Galvanized Surfaces: SSPC-Paint 20, Type I - Inorganic, complying with VOC limitations of authorities having jurisdiction.

**2.02 FABRICATION**

- A. Fit and shop assemble items in largest practical sections, for delivery to site.
- B. Fabricate items with joints tightly fitted and secured.
- C. Continuously seal joined members by continuous welds.
- D. Grind exposed joints flush and smooth with adjacent finish surface. Make exposed joints butt tight, flush, and hairline. Ease exposed edges to small uniform radius.
- E. Supply components required for anchorage of fabrications. Fabricate anchors and related components of same material and finish as fabrication, except where specifically noted otherwise.

**2.03 FABRICATED ITEMS**

- A. Slotted Channel Framing: Fabricate channels and fittings from structural steel complying with the referenced standards; factory-applied, rust-inhibiting thermoset acrylic enamel finish.
- B. Perforated Metal Screen: Perforated aluminum sheet, 0.040" (18 gauge) minimum thickness; 3/32-inch diameter holes on 3/16-inch staggered centers, 23 percent open area.
  - 1. Provide screens in single sheet at each indicated location, with no joints or seams.
  - 2. Provide 1-1/2" x 1-1/2" aluminum angle trim clips at each side, for minimum 3 fasteners per side; equally spaced at top, middle, and bottom of each panel.



FIRE STATIONS RENOVATION  
Arlington County, Virginia  
Architect's Project No.: 563006

---

**2.04 FINISHES - STEEL**

- A. Prime paint steel items.
  - 1. Exceptions: Galvanize items to be embedded in concrete and items to be embedded in masonry.
- B. Prepare surfaces to be primed in accordance with SSPC-SP2.
- C. Clean surfaces of rust, scale, grease, and foreign matter prior to finishing.
- D. Prime Painting: One coat.
- E. Slotted Channel Framing: ASTM A653/A653M, Grade 33.
- F. Stainless Steel Finish: No. 4 Bright Polished finish.

**2.05 FABRICATION TOLERANCES**

- A. Squareness: 1/8 inch maximum difference in diagonal measurements.
- B. Maximum Offset Between Faces: 1/16 inch.
- C. Maximum Misalignment of Adjacent Members: 1/16 inch.
- D. Maximum Bow: 1/8 inch in 48 inches.
- E. Maximum Deviation From Plane: 1/16 inch in 48 inches.

**PART 3 EXECUTION**

**3.01 EXAMINATION**

- A. Verify that field conditions are acceptable and are ready to receive work.

**3.02 PREPARATION**

- A. Clean and strip primed steel items to bare metal where site welding is required.
- B. Supply setting templates to the appropriate entities for steel items required to be cast into concrete or embedded in masonry.

**3.03 INSTALLATION**

- A. Install items plumb and level, accurately fitted, free from distortion or defects.
- B. Provide for erection loads, and for sufficient temporary bracing to maintain true alignment until completion of erection and installation of permanent attachments.
- C. Perform field welding in accordance with AWS D1.1/D1.1M.
- D. Obtain approval prior to site cutting or making adjustments not scheduled.
- E. After erection, prime welds, abrasions, and surfaces not shop primed, except surfaces to be in contact with concrete.

**3.04 TOLERANCES**

- A. Maximum Variation From Plumb: 1/4 inch.
- B. Maximum Offset From True Alignment: 1/4 inch.
- C. Maximum Out-of-Position: 1/4 inch.

**END OF SECTION**

FIRE STATIONS RENOVATION  
Arlington County, Virginia  
Architect's Project No.: 563006

---

**SECTION 061000  
ROUGH CARPENTRY**

**PART 1 GENERAL**

**1.01 SUBMITTALS**

- A. See Section 013000 - Administrative Requirements for submittal procedures.
- B. Product Data: Provide technical data on wood preservative materials and application instructions.

**1.02 DELIVERY, STORAGE, AND HANDLING**

- A. General: Cover wood products to protect against moisture. Support stacked products to prevent deformation and to allow air circulation.
- B. Fire Retardant Treated Wood: Prevent exposure to precipitation during shipping, storage, and installation.

**PART 2 PRODUCTS**

**2.01 GENERAL REQUIREMENTS**

- A. Dimension Lumber: Comply with PS 20 and requirements of specified grading agencies.
  - 1. If no species is specified, provide species graded by the agency specified; if no grading agency is specified, provide lumber graded by grading agency meeting the specified requirements.
  - 2. Grading Agency: Grading agency whose rules are approved by the Board of Review, American Lumber Standard Committee at [www.alsc.org](http://www.alsc.org), and who provides grading service for the species and grade specified; provide lumber stamped with grade mark unless otherwise indicated.

**2.02 DIMENSION LUMBER FOR CONCEALED APPLICATIONS**

- A. Grading Agency: Southern Pine Inspection Bureau, Inc; SPIB (GR).
- B. Sizes: Nominal sizes as indicated on drawings, S4S.
- C. Moisture Content: S-dry or MC19.
- D. Miscellaneous Framing, Blocking, Nailers, Grounds, and Furring:
  - 1. Lumber: S4S, No. 2 or Standard Grade.
  - 2. Boards: Standard or No. 3.

**2.03 CONSTRUCTION PANELS**

- A. Plywood Sheathing, For Roof/Coping: PS 2 type, rated Structural I Sheathing.
  - 1. Bond Classification: Exposure 1.
  - 2. Performance Category: 3/4 PERF CAT.
- B. Communications and Electrical Room Mounting Boards: PS 1 A-D plywood, or medium density fiberboard; 3/4 inch thick; flame spread index of 25 or less, smoke developed index of 450 or less, when tested in accordance with ASTM E84.
- C. Other Applications: Provide in thickness indicated.
  - 1. Concealed Plywood Not Exposed to Weather: PS 1, Exposure 1, A-D or better.
  - 2. Other Locations: PS 1, C-D Plugged or better.

**2.04 ACCESSORIES**

- A. Fasteners and Anchors:
  - 1. Metal and Finish: Hot-dipped galvanized steel complying with ASTM A153/A153M for high humidity and preservative-treated wood locations, unfinished steel elsewhere.
  - 2. Drywall Screws: Bugle head, hardened steel, power driven type, length three times thickness of sheathing.
  - 3. Anchors: Toggle bolt type for anchorage to hollow masonry.
  - 4. Fasteners for Parapet Nailers:
    - a. For masonry backup: 1/4-inch diameter low profile flat head type concrete screw anchors, at spacing indicated. Length to suit embedment into CMU of 1-1/4 inches minimum. Pullout capacity of 100 lb minimum at 1 inch embedment in face

FIRE STATIONS RENOVATION  
Arlington County, Virginia  
Architect's Project No.: 563006

---

shell of hollow CMU.

- B. Construction Adhesives: Adhesives complying with ASTM C557 or ASTM D3498.

## **2.05 FACTORY WOOD TREATMENT**

- A. Treated Lumber and Plywood: Comply with requirements of AWPA U1 - Use Category System for wood treatments determined by use categories, expected service conditions, and specific applications.
1. Fire-Retardant Treated Wood: Mark each piece of wood with producer's stamp indicating compliance with specified requirements.
  2. Preservative-Treated Wood: Provide lumber and plywood marked or stamped by an ALSC-accredited testing agency, certifying level and type of treatment in accordance with AWPA standards.
- B. Fire Retardant Treatment:
1. Interior Type A: AWPA U1, Use Category UCFA, Commodity Specification H, low temperature (low hygroscopic) type, chemically treated and pressure impregnated; capable of providing a maximum flame spread index of 25 when tested in accordance with ASTM E84, with no evidence of significant combustion when test is extended for an additional 20 minutes.
    - a. Kiln dry wood after treatment to a maximum moisture content of 19 percent for lumber and 15 percent for plywood.
    - b. Treat rough carpentry items as indicated .
    - c. Do not use treated wood in applications exposed to weather or where the wood may become wet.
- C. Preservative Treatment:
1. Preservative Pressure Treatment of Lumber Above Grade: AWPA U1, Use Category UC3B, Commodity Specification A using waterborne preservative.
    - a. Kiln dry lumber after treatment to maximum moisture content of 19 percent.
    - b. Treat lumber exposed to weather.
    - c. Treat lumber in contact with roofing, flashing, or waterproofing.
    - d. Treat lumber in contact with masonry or concrete.
    - e. Treat lumber less than 18 inches above grade.
    - f. Treat lumber in other locations as indicated.

## **PART 3 EXECUTION**

### **3.01 PREPARATION**

- A. Coordinate installation of rough carpentry members specified in other sections.

### **3.02 INSTALLATION - GENERAL**

- A. Select material sizes to minimize waste.
- B. Reuse scrap to the greatest extent possible; clearly separate scrap for use on site as accessory components, including: shims, bracing, and blocking.
- C. Where treated wood is used on interior, provide temporary ventilation during and immediately after installation sufficient to remove indoor air contaminants.

### **3.03 BLOCKING, NAILERS, AND SUPPORTS**

- A. Provide framing and blocking members as indicated or as required to support finishes, fixtures, specialty items, and trim.
- B. In walls, provide blocking attached to studs as backing and support for wall-mounted items, unless item can be securely fastened to two or more studs or other method of support is explicitly indicated.

### **3.04 ROOF-RELATED CARPENTRY**

- A. Coordinate installation of roofing carpentry with deck construction, framing of roof openings, and roofing assembly installation.
- B. Provide wood curb at all roof openings except where prefabricated curbs are specified and where specifically indicated otherwise. Form corners by alternating lapping side members.

FIRE STATIONS RENOVATION  
Arlington County, Virginia  
Architect's Project No.: 563006

---

**3.05 INSTALLATION OF CONSTRUCTION PANELS**

- A. Roof Sheathing: Secure panels with long dimension perpendicular to framing members, with ends staggered and over firm bearing. Provide masonry anchors compatible with masonry substrate.
  - 1. Parapet Blocking and Nailers: Secure parapet blocking and nailers to masonry substrate with screw anchors in 2 rows at 24 inches on center, staggered, except within 10 feet of building corners provide 2 rows at 16 inches on center, staggered. Install screw heads flush with uppermost surface of blocking or sheathing, if any, and in accordance with manufacturer's instructions.
- B. Wall Sheathing: Secure with long dimension perpendicular to wall studs, with ends over firm bearing and staggered, using screws.
- C. Communications and Electrical Room Mounting Boards: Secure with screws to studs with edges over firm bearing; space fasteners at maximum 24 inches on center on all edges and into studs in field of board.
  - 1. At fire-rated walls, install board over wall board indicated as part of the fire-rated assembly.
  - 2. Where boards are indicated as full floor-to-ceiling height, install with long edge of board parallel to studs.
  - 3. Install adjacent boards without gaps.

**3.06 CLEANING**

- A. Waste Disposal: See Section 017419 - Construction Waste Management and Disposal.
  - 1. Comply with applicable regulations.
  - 2. Do not burn scrap on project site.
  - 3. Do not burn scraps that have been pressure treated.
  - 4. Do not send materials treated with pentachlorophenol, CCA, or ACA to co-generation facilities or "waste-to-energy" facilities.
- B. Do not leave wood, shavings, sawdust, etc. on the ground or buried in fill.
- C. Prevent sawdust and wood shavings from entering the storm drainage system.

**END OF SECTION**

FIRE STATIONS RENOVATION  
Arlington County, Virginia  
Architect's Project No.: 563006

---

**SECTION 079200  
JOINT SEALANTS**

**PART 1 GENERAL**

**1.01 SUBMITTALS**

- A. See Section 013000 - Administrative Requirements for submittal procedures.
- B. Product Data for Sealants: Submit manufacturer's technical data sheets for each product to be used, that includes the following.
  - 1. Physical characteristics, including movement capability, VOC content, hardness, cure time, and color availability.
  - 2. List of backing materials approved for use with the specific product.
  - 3. Substrates that product is known to satisfactorily adhere to and with which it is compatible.
  - 4. Substrates the product should not be used on.
- C. Product Data for Accessory Products: Submit manufacturer's technical data sheet for each product to be used, including physical characteristics, installation instructions, and recommended tools.
- D. Color Cards for Selection: Where sealant color is not specified, submit manufacturer's color cards showing standard colors available for selection.
- E. Preconstruction Laboratory Test Reports: Submit at least four weeks prior to start of installation.
- F. Preinstallation Field Adhesion Test Plan: Submit at least two weeks prior to start of installation.
- G. Preinstallation Field Adhesion Test Reports: Submit filled out Preinstallation Field Adhesion Test Reports log within 10 days after completion of tests; include bagged test samples and photographic records.

**1.02 QUALITY ASSURANCE**

- A. Installer Qualifications: Company specializing in performing the work of this section, and is approved and/or certified by manufacturer.
- B. Preconstruction Laboratory Testing: Arrange for sealant manufacturer(s) to test each combination of sealant, substrate, backing, and accessories.
  - 1. Adhesion Testing: In accordance with ASTM C794.
  - 2. Compatibility Testing: In accordance with ASTM C1087.
  - 3. Allow sufficient time for testing to avoid delaying the work.
  - 4. Deliver to manufacturer sufficient samples for testing.
  - 5. Report manufacturer's recommended corrective measures, if any, including primers or techniques not indicated in product data submittals.
  - 6. Testing is not required if sealant manufacturer provides data showing previous testing, not older than 24 months, that shows satisfactory adhesion, lack of staining, and compatibility.
- C. Preinstallation Field Adhesion Test Plan: Include destructive field adhesion testing of one sample of each combination of sealant type and substrate, except interior acrylic latex sealants, and include the following for each tested sample.
  - 1. Identification of testing agency.
  - 2. Preinstallation Field Adhesion Test Log Form: Include the following data fields, with known information filled out.
    - a. Test date.
    - b. Copy of test method documents.
    - c. Age of sealant upon date of testing.
    - d. Test results, modeled after the sample form in the test method document.
    - e. Indicate use of photographic record of test.
- D. Field Adhesion Test Procedures:
  - 1. Allow sealants to fully cure as recommended by manufacturer before testing.

**FIRE STATIONS RENOVATION**  
Arlington County, Virginia  
Architect's Project No.: 563006

---

2. Have a copy of the test method document available during tests.
  3. Record the type of failure that occurred, other information required by test method, and the information required on the Field Quality Control Log.
  4. When performing destructive tests, also inspect the opened joint for proper installation characteristics recommended by manufacturer, and report any deficiencies.
  5. Deliver the samples removed during destructive tests in separate sealed plastic bags, identified with project, location, test date, and test results, to Owner.
  6. If any combination of sealant type and substrate does not show evidence of minimum adhesion or shows cohesion failure before minimum adhesion, report results to Architect.
- E. Destructive Field Adhesion Test: Test for adhesion in accordance with ASTM C1521, using Destructive Tail Procedure.
1. Sample: At least 18 inches long.
  2. Minimum Elongation Without Adhesive Failure: Consider the tail at rest, not under any elongation stress; multiply the stated movement capability of the sealant in percent by two; then multiply 1 inch by that percentage; if adhesion failure occurs before the "1 inch mark" is that distance from the substrate, the test has failed.
  3. If either adhesive or cohesive failure occurs prior to minimum elongation, take necessary measures to correct conditions and re-test; record each modification to products or installation procedures.

### **1.03 WARRANTY**

- A. See Section 017800 - Closeout Submittals for additional warranty requirements.
- B. Correct defective work within a five year period after Date of Substantial Completion.
- C. Warranty: Include coverage for installed sealants and accessories that fail to achieve watertight seal, exhibit loss of adhesion or cohesion, or do not cure.

## **PART 2 PRODUCTS**

### **2.01 JOINT SEALANTS - GENERAL**

#### **2.02 NONSAG JOINT SEALANTS**

- A. Type ES-1 - Low-Modulus Non-Staining Silicone Sealant: ASTM C920, Grade NS, Uses M and A; not expected to withstand continuous water immersion or traffic.
  1. Movement Capability: Plus and minus 50 percent, minimum.
  2. Non-Staining To Porous Substrates: Non-staining to light-colored natural stone when tested in accordance with ASTM C1248.
  3. Dirt Pick-Up: Reduced dirt pick-up compared to other silicone sealants.
  4. Manufacturers:
    - a. Master Builders Solutions; MasterSeal NP 100.
    - b. Momentive Performance Materials, Inc/GE Silicones; SCS2000 SilPruf.
    - c. Pecora Corporation; Pecora 890 NST (Non-Staining Technology) or 890 FST (Field Tint).
    - d. Polymeric Systems Inc; PSI-641.
    - e. Tremco Commercial Sealants & Waterproofing; Spectrem 3 or Spectrem 4-TS (Field Tint).
    - f. Substitutions: See Section 016000 - Product Requirements.
- B. Type ES-2 - Medium-Modulus Non-Staining Silicone Sealant: ASTM C920, Grade NS, Uses M and A; not expected to withstand continuous water immersion or traffic.
  1. Movement Capability: Plus and minus 50 percent, minimum.
  2. Non-Staining To Porous Substrates: Non-staining to light-colored natural stone when tested in accordance with ASTM C1248.
  3. Dirt Pick-Up: Reduced dirt pick-up compared to other silicone sealants.
  4. Manufacturers:
    - a. Dow; DOWSIL 795 Silicone Building Sealant.
    - b. Momentive Performance Materials, Inc/GE Silicones; SCS9000 SilPruf NB - Non-Staining Silicone Weatherproofing Sealant.
    - c. Pecora Corporation; Pecora 895 NST (Non-Staining Technology).

FIRE STATIONS RENOVATION  
Arlington County, Virginia  
Architect's Project No.: 563006

---

- d. Tremco Commercial Sealants & Waterproofing; Spectrem 2.
  - e. Substitutions: See Section 016000 - Product Requirements.
- C. Type ES-3 - Mildew-Resistant Silicone Sealant: ASTM C920, Grade NS, Uses M and A; single component, mildew resistant; not expected to withstand continuous water immersion or traffic. Neutral- or acid-curing per manufacturer standard.
- 1. Color: White.
  - 2. Manufacturers:
    - a. Dow; DOWSIL 786 Mildew Resistant.
    - b. Momentive Performance Materials, Inc/GE Silicones; Sanitary SCS1700.
    - c. Pecora Corporation; Pecora 898 NST (Non-Staining Technology).
    - d. Tremco Commercial Sealants & Waterproofing; Tremsil 600 or Tremsil 200.
    - e. Substitutions: See Section 016000 - Product Requirements.
- D. ---- Hybrid Silane Polyether for Interior and Exterior Horizontal, Vertical and Overhead Use - ----
- E. Type ES-4 - Polyurethane Sealant: ASTM C920, Grade NS, Uses M and A; multi-component; not expected to withstand continuous water immersion or traffic.
- 1. Movement Capability: Plus and minus 25 percent, minimum.
  - 2. Manufacturers:
    - a. ITW Polymers Sealants; Permathane SM 7200.
    - b. Master Builders Solutions; Master Seal NP2.
    - c. Pecora Corporation; DynaTrol II.
    - d. Sika Corporation; Sikaflex-2c NS.
    - e. Tremco Commercial Sealants & Waterproofing; Dymeric 240 FC or Vulkem 227.
    - f. Substitutions: See Section 016000 - Product Requirements.
- F. Type LS-1 - Acrylic Emulsion Latex: Water-based; ASTM C834, single component, non-staining, non-bleeding, non-sagging; not intended for exterior use.
- 1. Color: Standard colors matching finished surfaces, Type OP (opaque).
  - 2. Grade: ASTM C834; Grade NF.
  - 3. Manufacturers:
    - a. Bostik Findley, Inc; Chem-Calk 600.
    - b. ITW Polymers Sealants; SM 8200.
    - c. Master Builders Solutions; MasterSeal NP 520.
    - d. Pecora Corporation; AC-20 +Silicone.
    - e. Tremco Commercial Sealants & Waterproofing; Tremflex 834.
    - f. Substitutions: See Section 016000 - Product Requirements.
- G. Type AS-1 - Acrylic Emulsion Latex: Water-based; ASTM C834, single component, non-staining, non-bleeding, non-sagging acoustical sealant.
- 1. Color: Standard colors matching finished surfaces, Type OP (opaque).
  - 2. Grade: ASTM C834; Grade NF.
  - 3. Manufacturers:
    - a. Accumetric LLC; BOSS 826 Acoustical Sound Sealant.
    - b. Franklin International, Inc; Titebond GREENchoice Acoustical Smoke & Sound Sealant.
    - c. Hilti, Inc; CP 506 Smoke and Acoustical Sealant.
    - d. Master Builders Solutions; MasterSeal NP 520.
    - e. Momentive Performance Materials, Inc/GE Silicones; RCS20 Acoustical.
    - f. Pecora Corporation; AC-20 FTR or AIS-919.
    - g. Specified Technologies Inc; Smoke N' Sound Acoustical Sealant: [www.stifirestop.com/#sle](http://www.stifirestop.com/#sle).
    - h. Tremco Commercial Sealants & Waterproofing; Tremstop Smoke and Sound.
    - i. Substitutions: See Section 016000 - Product Requirements.
- H. Type SRS-1 - Butyl Sealant: Solvent-based; ASTM C1311; single component, nonsag; not expected to withstand continuous water immersion or traffic.
- 1. Manufacturers:

FIRE STATIONS RENOVATION  
Arlington County, Virginia  
Architect's Project No.: 563006

---

- a. Bostik, Inc; Chem-Calk 300.
- b. Pecora Corporation; Pecora BC-158 Butyl Rubber Sealant.
- c. Tremco Commercial Sealants & Waterproofing; Tremco Butyl Sealant.

### 2.03 SELF-LEVELING SEALANTS

- A. Type ES-5 - Self-Leveling Polyurethane Sealant for Traffic: Polyurethane; ASTM C920, Grade P, Uses M and A; single- or multi-component; explicitly approved by manufacturer for traffic exposure.
  1. Movement Capability: Plus and minus 25 percent, minimum.
  2. Manufacturers:
    - a. Bostik Findley; Chem-Calk 550.
    - b. ITW Polymers Sealants; Permathane SM 7201.
    - c. Pacific Polymers, Inc; Elasto-Thane 227 Type 1 (Self-Leveling).
    - d. Polymeric Systems, Inc; PSI-270SL.
    - e. Tremco Commercial Sealants & Waterproofing; THC-901 or THC-900.
    - f. W. R. MEADOWS, Inc; POURTHANE SL.
    - g. Substitutions: See Section 016000 - Product Requirements.
- B. ---- Hybrid Silane Polyether for Interior and Exterior Horizontal Applications ----
- C. ---- Joint Filler for Expansion Joints in Concrete of Multi-Story Parking Garages ----

### 2.04 ACCESSORIES

- A. Backer Rod: Cylindrical cellular foam rod with surface that sealant will not adhere to, compatible with specific sealant used, and recommended by backing and sealant manufacturers for specific application.
- B. Backing Tape: Self-adhesive polyethylene tape with surface that sealant will not adhere to and recommended by tape and sealant manufacturers for specific application.
- C. Masking Tape: Self-adhesive, nonabsorbent, non-staining, removable without adhesive residue, and compatible with surfaces adjacent to joints and sealants.
- D. Joint Cleaner: Non-corrosive and non-staining type, type recommended by sealant manufacturer; compatible with joint forming materials.
- E. Primers: Type recommended by sealant manufacturer to suit application; non-staining.

## PART 3 EXECUTION

### 3.01 EXAMINATION

- A. Verify that joints are ready to receive work.
- B. Verify that backing materials are compatible with sealants.
- C. Verify that backer rods are of the correct size.
- D. Preinstallation Adhesion Testing: Install a sample for each test location indicated in the test plan.
  1. Test each sample as specified in PART 1 under QUALITY ASSURANCE article.
  2. Notify Architect of date and time that tests will be performed, at least seven days in advance.
  3. Record each test on Preinstallation Adhesion Test Log as indicated.
  4. If any sample fails, review products and installation procedures, consult manufacturer, or take whatever other measures are necessary to ensure adhesion; re-test in a different location; if unable to obtain satisfactory adhesion, report to Architect.
  5. After completion of tests, remove remaining sample material and prepare joint for new sealant installation.

### 3.02 PREPARATION

- A. Remove loose materials and foreign matter that could impair adhesion of sealant.
- B. Clean joints, and prime as necessary, in accordance with manufacturer's instructions.
- C. Perform preparation in accordance with manufacturer's instructions and ASTM C1193.



FIRE STATIONS RENOVATION  
Arlington County, Virginia  
Architect's Project No.: 563006

---

- D. Mask elements and surfaces adjacent to joints from damage and disfigurement due to sealant work; be aware that sealant drips and smears may not be completely removable.

**3.03 INSTALLATION**

- A. Perform work in accordance with sealant manufacturer's requirements for preparation of surfaces and material installation instructions.
- B. Perform installation in accordance with ASTM C1193.
- C. Perform acoustical sealant application work in accordance with ASTM C919.
- D. Measure joint dimensions and size joint backers to achieve width-to-depth ratio, neck dimension, and surface bond area as recommended by manufacturer, except where specific dimensions are indicated.
- E. Install bond breaker backing tape where backer rod cannot be used.
- F. Install sealant free of air pockets, foreign embedded matter, ridges, and sags, and without getting sealant on adjacent surfaces.
- G. Do not install sealant when ambient temperature is outside manufacturer's recommended temperature range, or will be outside that range during the entire curing period, unless manufacturer's approval is obtained and instructions are followed.
- H. Nonsag Sealants: Tool surface concave, unless otherwise indicated; remove masking tape immediately after tooling sealant surface.

**3.04 FIELD QUALITY CONTROL**

- A. Perform field quality control inspection/testing as specified in PART 1 under QUALITY ASSURANCE article.
- B. Destructive Adhesion Testing: If there are any failures in first 1000 linear feet, notify Architect immediately.
- C. Remove and replace failed portions of sealants using same materials and procedures as indicated for original installation.
- D. Repair destructive test location damage immediately after evaluation and recording of results.

**END OF SECTION**

FIRE STATIONS RENOVATION  
Arlington County, Virginia  
Architect's Project No.: 563006

---

**SECTION 083100  
ACCESS DOORS AND PANELS**

**PART 1 GENERAL**

**1.01 SUBMITTALS**

- A. See Section 013000 - Administrative Requirements, for submittal procedures.
- B. Product Data: Provide sizes, types, finishes, hardware, scheduled locations, and details of adjoining work.
- C. Shop Drawings: Indicate exact position of each access door and/or panel unit.

**1.02 COORDINATION**

- A. Verification: Determine specific locations and sizes for access doors needed to gain access to concealed plumbing, mechanical, or other concealed work, and indicate in the schedule specified in "Submittals" Article.
  - 1. This (083100) material specification includes access doors required for Divisions 21 (Fire Suppression), Division 22, (Plumbing), 23 (HVAC) and Division 26 (Electrical) work and any other access doors indicated on Drawings.

**PART 2 PRODUCTS**

**2.01 WALL AND CEILING MOUNTED ACCESS UNITS**

- A. Manufacturers:
  - 1. Activar Construction Products Group, Inc. - JL Industries.
  - 2. ACUDOR Products Inc.
  - 3. Babcock-Davis.
  - 4. Bauco; Access Panel Solutions Inc.
  - 5. Best Access Doors.
  - 6. Cendrex, Inc.
  - 7. Karp Associates, Inc.
  - 8. Larsen's Manufacturing Company.
  - 9. Milcor, Inc.
  - 10. Nystrom, Inc.
  - 11. Williams Brothers Corporation of America.
  - 12. Substitutions: See Section 016000 - Product Requirements.
- B. Wall and Ceiling Mounted Units: Factory fabricated door and frame, fully assembled units with corner joints welded, filled and ground flush; square and without rack or warp; coordinate requirements with type of installation assembly being used for each unit.
  - 1. Material: Steel.
  - 2. Style (Gypsum Board locations): Recessed door panel for infill with wall/ceiling finish.
    - a. Gypsum Board Mounting Criteria: Use drywall bead type frame.
  - 3. Style (Masonry locations): Exposed frame, with door surface flush with frame surface.
  - 4. Door Style: Double-skinned hollow panel.
  - 5. Frames: 16 gauge, 0.0598 inch, minimum thickness.
  - 6. Double-Skinned Hollow Steel Sheet Door Panels: 16 gauge, 0.059 inch, minimum thickness, on both sides and along each edge.
  - 7. Steel Finish: Primed.
  - 8. Hardware:
    - a. Hinges for Non-Fire-Rated Units: Concealed, constant force closure spring type.
    - b. Latch/Lock: Screw driver slot for quarter turn cam latch.

**PART 3 EXECUTION**

**3.01 EXAMINATION**

- A. Verify that rough openings are correctly sized and located.
- B. Begin installation only after substrates have been properly prepared, and if the responsibility of another installer, notify Architect of unsatisfactory preparation before proceeding.

FIRE STATIONS RENOVATION  
Arlington County, Virginia  
Architect's Project No.: 563006

---

**3.02 PREPARATION**

- A. Clean surfaces thoroughly prior to proceeding with this work.
- B. Prepare surfaces using methods recommended by manufacturer for applicable substrates in accordance with project conditions.

**3.03 INSTALLATION**

- A. Install units in accordance with manufacturer's instructions.
- B. Install frames plumb and level in openings, and secure units rigidly in place.
- C. Position units to provide convenient access to concealed equipment when necessary.

**END OF SECTION**

FIRE STATIONS RENOVATION  
Arlington County, Virginia  
Architect's Project No.: 563006

---

**SECTION 092216**  
**COLD FORMED STEEL FRAMING - NON-STRUCTURAL (CFSF-NS)**

**PART 1 GENERAL**

**1.01 SUBMITTALS**

- A. See Section 013000 - Administrative Requirements for submittal procedures.
- B. Product Data: Provide data describing framing member materials and finish, product criteria, load charts, and limitations.

**PART 2 PRODUCTS**

**2.01 FRAMING MATERIALS**

- A. Non-Loadbearing Framing System Components: ASTM C645; galvanized sheet steel, of size and properties necessary to comply with ASTM C754 for the spacing indicated, with maximum deflection of wall framing of L/240 at 5 psf.
  - 1. Studs: C shaped with knurled or embossed faces.
  - 2. Runners: U shaped, sized to match studs.
  - 3. Furring: Hat-shaped sections, minimum depth of 7/8 inch.
- B. Partition Head to Structure Connections: Provide track fastened to structure with legs of sufficient length to accommodate deflection, for friction fit of studs cut short and braced with continuous bridging on both sides.
- C. Non-Loadbearing Framing Accessories:
  - 1. Partial Height Wall Framing Support: Provides stud reinforcement and anchored connection to floor.
  - 2. Framing Connectors: ASTM A653/A653M G90 galvanized steel clips; secures cold rolled channel to wall studs for lateral bracing.
  - 3. Sheet Metal Backing: 0.036 inch thick, galvanized.
  - 4. Fasteners: ASTM C1002 self-piercing tapping screws.
  - 5. Anchorage Devices: Powder actuated.
  - 6. Acoustic Insulation: ASTM C665; preformed glass fiber, friction fit type, unfaced.

**2.02 FABRICATION**

- A. Fabricate assemblies of framed sections to sizes and profiles required.
- B. Fit, reinforce, and brace framing members to suit design requirements.

**PART 3 EXECUTION**

**3.01 EXAMINATION**

- A. Verify existing conditions before starting work.
- B. Verify that rough-in utilities are in proper location.

**3.02 INSTALLATION OF STUD FRAMING**

- A. Comply with requirements of ASTM C754.
- B. Extend partition framing to structure where indicated and to ceiling in other locations.
- C. Partitions Terminating at Ceiling: Attach ceiling runner securely to ceiling track in accordance with manufacturer's instructions.
- D. Partitions Terminating at Structure: Attach extended leg top runner to structure, maintain clearance between top of studs and structure, and brace both flanges of studs as indicated.
- E. Align and secure top and bottom runners at 24 inches on center.
- F. Fit runners under and above openings; secure intermediate studs to same spacing as wall studs.
- G. Install studs vertically at spacing indicated on drawings.
- H. Align stud web openings horizontally.
- I. Secure studs to tracks using crimping method. Do not weld.
- J. Fabricate corners using a minimum of three studs.

FIRE STATIONS RENOVATION  
Arlington County, Virginia  
Architect's Project No.: 563006

---

- K. Install double studs at wall openings, door and window jambs, not more than 2 inches from each side of openings.
- L. Brace stud framing system rigid.
- M. Coordinate erection of studs with requirements of door frames; install supports and attachments.
- N. Coordinate installation of bucks, anchors, and blocking with electrical, mechanical, and other work to be placed within or behind stud framing.
- O. Blocking: Use wood blocking secured to studs. Provide blocking for support of plumbing fixtures, toilet partitions, wall cabinets, toilet accessories, hardware, and opening frames.
- P. Furring: Install at spacing and locations shown on drawings. Lap splices a minimum of 6 inches.

**3.03 TOLERANCES**

- A. Maximum Variation From True Position: 1/8 inch in 10 feet.
- B. Maximum Variation From Plumb: 1/8 inch in 10 feet.

**END OF SECTION**

FIRE STATIONS RENOVATION  
Arlington County, Virginia  
Architect's Project No.: 563006

---

**SECTION 092900  
GYPSUM BOARD**

**PART 1 GENERAL**

**1.01 SUBMITTALS**

- A. See Section 013000 - Administrative Requirements for submittal procedures.
- B. Product Data: Provide data on gypsum board, glass mat faced gypsum board, accessories, and joint finishing system.

**PART 2 PRODUCTS**

**2.01 BOARD MATERIALS**

- A. Gypsum Wallboard: Paper-faced gypsum panels as defined in ASTM C1396/C1396M; sizes to minimize joints in place; with tapered edges.
  - 1. Application: Use for vertical surfaces and ceilings, unless otherwise indicated.
  - 2. Mold Resistance: Score of 10, when tested in accordance with ASTM D3273.
    - a. Mold-resistant board is required whenever gypsum board is indicated in rooms subject to steam or water, including mechanical rooms, toilet rooms, custodial rooms, and kitchens.
  - 3. Thickness:
    - a. Vertical Surfaces: 5/8 inch.
    - b. Ceilings: 5/8 inch.
- B. Tile Backing Board:
  - 1. Application: Surfaces behind tile in wet areas including tub and shower surrounds.
  - 2. Mold Resistance: Score of 10, when tested in accordance with ASTM D3273.
  - 3. ANSI Cement-Based Board: Non-gypsum-based; cementitious panels with glass fiber mesh embedded in front and back surfaces complying with ANSI A118.9 and ASTM C 1288 or ASTM C1325.
    - a. Thickness: 5/8 inch.
    - b. Available Products:
      - 1) FinPan, Inc.; Util-A-Crete Backer Board.
      - 2) National Gypsum Company; PermaBase Cement Board.
      - 3) USG Corporation; Durock Cement Board.

**2.02 GYPSUM WALLBOARD ACCESSORIES**

- A. Acoustic Insulation: ASTM C665; preformed glass fiber, friction fit type, unfaced. Thickness sized to fit metal stud cavity.
- B. Acoustic Sealant: Acrylic emulsion latex or water-based elastomeric sealant; do not use solvent-based non-curing butyl sealant. Refer to Division 7 Section "Joint Sealants."
- C. Putty Pads: Non-hardening endothermic material, in pad form, faced on both sides with fpoly liner, designed to seal around penetrations and wiring devices, enhancing acoustic performance.
  - 1. Nominal Size: 7-1/4 x 7-1/4 x 3/16 inches.
  - 2. Available Products:
    - a. 3M; Fire Barrier Moldable Putty Pads MPP+.
    - b. Hilti; Firestop Putty Pad, CFS-P PA.
    - c. Specified Technologies, Inc.; SpecSeal Putty Pad.
- D. Beads, Joint Accessories, and Other Trim: ASTM C1047, rigid plastic, galvanized steel, or rolled zinc, unless noted otherwise.
  - 1. Corner Beads: Low profile, for 90 degree outside corners.
  - 2. L-Trim: Sized to fit gypsum wallboard size(s) indicated.
- E. Acoustic Partition Closure at Storefront or Curtain Wall: Multi-piece rectangular-section assembly of nested U-shape aluminum extrusions for finished closure between aluminum storefront or curtainwall system vertical mullion (and glass where indicated), and partition assembly. Closure shall allow for movements of framing and glass it attaches to, and shall not allow direct metal to glass contact. Fill cavity of partition closure with acoustic batt

FIRE STATIONS RENOVATION  
Arlington County, Virginia  
Architect's Project No.: 563006

---

insulation.

1. Thickness: Aluminum closure plates not less than 0.125-inch thick.
  2. Acoustic Rating: Provide product with a minimum tested STC rating of 55.
    - a. Acoustic Material: Fungi- and microbe-resistant foam, Class A rated when tested per ASTM E 84.
  3. Acoustical Sealant: Seal both ends of partition closure with acoustical sealant.
  4. Finish: Powder coat; color selected by Architect from manufacturer's full range.
  5. Available Products:
    - a. Gordon, Inc; Mullion Mate.
    - b. Mull-It-Over Products; Mull-It-Over.
- F. Joint Materials: ASTM C475/C475M and as recommended by gypsum board manufacturer for project conditions.
1. Paper Tape: 2 inch wide, creased paper tape for joints and corners.
  2. Joint Compound: Drying type, vinyl-based, ready-mixed.
- G. Screws for Fastening of Gypsum Panel Products to Cold-Formed Steel Studs Less than 0.033 inches in Thickness and Wood Members: ASTM C1002; self-piercing tapping screws, corrosion-resistant.
- H. Screws for Fastening of Gypsum Panel Products to Steel Members from 0.033 to 0.112 inch in Thickness: ASTM C954; steel drill screws, corrosion-resistant.
- I. Anchorage to Substrate: Tie wire, nails, screws, and other metal supports, of type and size to suit application; to rigidly secure materials in place.

### **PART 3 EXECUTION**

#### **3.01 EXAMINATION**

- A. Verify that project conditions are appropriate for work of this section to commence.

#### **3.02 ACOUSTIC ACCESSORIES INSTALLATION**

- A. Acoustic Insulation: Place tightly within spaces, around cut openings, behind and around electrical and mechanical items within partitions, and tight to items passing through partitions.
- B. Acoustic Sealant: Install in accordance with manufacturer's instructions.

#### **3.03 BOARD INSTALLATION**

- A. Comply with ASTM C840, GA-216, and manufacturer's instructions. Install to minimize butt end joints, especially in highly visible locations.
- B. Single-Layer Nonrated: Install gypsum board in most economical direction, with ends and edges occurring over firm bearing.
- C. Cementitious Backing Board: Install over steel framing members where indicated, in accordance with ANSI A108.11 and manufacturer's instructions.
- D. Installation on Metal Framing: Use screws for attachment of gypsum board.

#### **3.04 INSTALLATION OF TRIM AND ACCESSORIES**

- A. Control Joints: Place control joints in compliance with ASTM C 840, consistent with lines of building spaces, and as indicated.
1. Not more than 30 feet apart on walls and ceilings over 50 feet long.
  2. At exterior soffits, not more than 30 feet apart in both directions.
- B. Corner Beads: Install at external corners, using longest practical lengths.
- C. Edge Trim: Install at locations where gypsum board abuts dissimilar materials.
- D. Putty Pads: Install putty pads on the backside of items penetrating gypsum board on STC-rated walls/partitions. Items include, but are not limited to, wiring devices, cable, conduit, and pipe. Completely cover and seal around each penetration.

#### **3.05 JOINT TREATMENT**

- A. Paper Faced Gypsum Board: Use paper joint tape, embed with drying type joint compound and finish with drying type joint compound.

FIRE STATIONS RENOVATION  
Arlington County, Virginia  
Architect's Project No.: 563006

---

- B. Finish gypsum board in accordance with levels defined in ASTM C840, as follows:
  - 1. Level 4: Walls and ceilings to receive paint finish or wall coverings, unless otherwise indicated.
  - 2. Level 2: In utility areas, behind cabinetry, and on backing board to receive tile finish.
  - 3. Level 1: Wall areas above finished ceilings, whether or not accessible in the completed construction.
- C. Tape, fill, and sand exposed joints, edges, and corners to produce smooth surface ready to receive finishes.
  - 1. Feather coats of joint compound so that camber is maximum 1/32 inch.
- D. Fill and finish joints and corners of cementitious backing board as recommended by manufacturer.

**3.06 TOLERANCES**

- A. Maximum Variation of Finished Gypsum Board Surface from True Flatness: 1/8 inch in 10 feet in any direction.

**END OF SECTION**



FIRE STATIONS RENOVATION  
Arlington County, Virginia  
Architect's Project No.: 563006

---

**SECTION 093000  
TILING**

**PART 1 GENERAL**

**1.01 REFERENCE STANDARDS**

- A. ANSI A108.1a - American National Standard Specifications for Installation of Ceramic Tile in the Wet-Set Method, with Portland Cement Mortar 2017.
- B. ANSI A108.1b - American National Standard Specifications for Installation of Ceramic Tile on a Cured Portland Cement Mortar Setting Bed with Dry-Set or Latex-Portland Cement Mortar 2017.
- C. ANSI A108.1c - Specifications for Contractors Option: Installation of Ceramic Tile in the Wet-Set Method with Portland Cement Mortar or Installation of Ceramic Tile on a Cured Portland Cement Mortar Bed with Dry-Set or Latex-Portland Cement 1999 (Reaffirmed 2016).
- D. ANSI A108.2 - American National Standard General Requirements: Materials, Environmental and Workmanship 2019.
- E. ANSI A108.4 - American National Standard Specifications for Installation of Ceramic Tile with Organic Adhesives or Water Cleanable Tile-Setting Epoxy Adhesive 2009 (Revised).
- F. ANSI A108.5 - American National Standard Specifications for Installation of Ceramic Tile with Dry-Set Portland Cement Mortar or Latex-Portland Cement Mortar 1999 (Reaffirmed 2010).
- G. ANSI A108.6 - American National Standard Specifications for Installation of Ceramic Tile with Chemical Resistant, Water Cleanable Tile-Setting and -Grouting Epoxy 1999 (Reaffirmed 2010).
- H. ANSI A108.8 - American National Standard Specifications for Installation of Ceramic Tile with Chemical Resistant Furan Resin Mortar and Grout 1999 (Reaffirmed 2010).
- I. ANSI A108.9 - American National Standard Specifications for Installation of Ceramic Tile with Modified Epoxy Emulsion Mortar/Grout 1999 (Reaffirmed 2010).
- J. ANSI A108.10 - American National Standard Specifications for Installation of Grout in Tilework 2017.
- K. ANSI A108.12 - American National Standard for Installation of Ceramic Tile with EGP (Exterior Glue Plywood) Latex-Portland Cement Mortar 1999 (Reaffirmed 2010).
- L. ANSI A108.13 - American National Standard for Installation of Load Bearing, Bonded, Waterproof Membranes for Thin-Set Ceramic Tile and Dimension Stone 2005 (Reaffirmed 2016).
- M. ANSI A108.19 - American National Standard Specifications for Interior Installation of Gauged Porcelain Tiles and Gauged Porcelain Tile Panels/Slabs by the Thin-Bed Method Bonded with Modified Dry-Set Cement Mortar or Improved Modified Dry-Set Cement Mortar 2020.
- N. ANSI A118.3 - American National Standard Specifications for Chemical Resistant, Water Cleanable Tile-Setting and -Grouting Epoxy and Water Cleanable Tile-Setting Epoxy Adhesive 2013 (Revised).
- O. ANSI A118.4 - American National Standard Specifications for Modified Dry-Set Cement Mortar 2012 (Revised).
- P. ANSI A118.7 - American National Standard Specifications for High Performance Cement Grouts for Tile Installation 2010 (Reaffirmed 2016).
- Q. ANSI A118.10 - American National Standard Specifications for Load Bearing, Bonded, Waterproof Membranes For Thin-Set Ceramic Tile And Dimension Stone Installation 2014.
- R. ANSI A118.12 - American National Standard Specifications for Crack Isolation Membranes for Thin-Set Ceramic Tile and Dimension Stone Installation 2014.
- S. ANSI A118.15 - American National Standard Specifications for Improved Modified Dry-Set Cement Mortar 2012.

FIRE STATIONS RENOVATION  
Arlington County, Virginia  
Architect's Project No.: 563006

---

- T. ANSI A137.1 - American National Standard Specifications for Ceramic Tile 2019.
- U. TCNA (HB) - Handbook for Ceramic, Glass, and Stone Tile Installation 2019.

#### **1.02 ADMINISTRATIVE REQUIREMENTS**

- A. Preinstallation Meeting: Convene a preinstallation meeting at the Project Site one week before starting work of this section; require attendance by affected installers.
  - 1. Review substrate preparation requirements.
  - 2. Review each type of tile, mortar, grout, and TCNA installation methods.
  - 3. Review requirements for waterproofing and/or crack isolation membrane(s).

#### **1.03 SUBMITTALS**

- A. See Section 013000 - Administrative Requirements, for submittal procedures.
- B. Product Data: Provide manufacturers' data sheets on tile, mortar, grout, and accessories. Include instructions for using grouts and adhesives.
- C. Shop Drawings: Indicate tile layout, patterns, color arrangement, perimeter conditions, junctions with dissimilar materials, control and expansion joints, thresholds, ceramic accessories, and setting details.
  - 1. Include waterproofing details at floor drains, shower pans, cove base, and thresholds.
- D. Installer's Qualification Statement:
- E. Maintenance Data: Include recommended cleaning methods, cleaning materials, and stain removal methods.

#### **1.04 QUALITY ASSURANCE**

- A. Installer Qualifications:
  - 1. Company specializing in performing tile installation, with minimum of five years of documented experience.

#### **1.05 MOCK-UP**

- A. See Section 014000 - Quality Requirements, for general requirements for mock-up.
- B. Construct tile mock-up where indicated on drawings, incorporating all components specified for the location.
  - 1. Provide mock-up of minimum 5 square feet for each type of floor tile, unless otherwise indicated.
  - 2. Provide mock-up of minimum 5 square feet for each type of wall tile, unless otherwise indicated.
  - 3. Approved mock-up may remain as part of the Work.

#### **1.06 DELIVERY, STORAGE, AND HANDLING**

- A. Store tile, grout, and mortar off the ground, protected from weather and water infiltration.
- B. Store products in unopened containers or packages until ready for use.
- C. Protect materials from freezing or overheating in accordance with manufacturer's instructions.

#### **1.07 FIELD CONDITIONS**

- A. Do not install solvent-based products in an unventilated environment.
- B. Maintain ambient and substrate temperature and humidity at levels required by referenced ANSI and TCNA tile standards, and per manufacturer's instructions.

### **PART 2 PRODUCTS**

#### **2.01 TILE**

- A. Manufacturers: All products of each type by the same manufacturer.
  - B. Ceramic Mosaic Tile, Type CT-1: ANSI A137.1 standard grade.
    - 1. Size: 2 by 2 inch, nominal.
    - 2. Surface Finish: Unglazed.
    - 3. Color(s): To be selected by Architect from manufacturer's full range.
-

FIRE STATIONS RENOVATION  
Arlington County, Virginia  
Architect's Project No.: 563006

---

4. Trim Units: Matching bead, cove, and surface bullnose shapes in sizes coordinated with field tile.
5. Products:
  - a. American Olean; a division of Dal-Tile Corporation.
  - b. Dal-Tile Corporation.
  - c. Deutsche Steinzeug America, Inc.
  - d. Porcelanite-Lamosa.
  - e. Interceramic.
  - f. Lone Star Ceramics; Elgin Butler.
  - g. Portobello America, Inc.
  - h. Seneca Tiles, Inc.
  - i. Substitutions: See Section 016000 - Product Requirements.
- C. Glazed Wall Tile, Type GWT-1: ANSI A137.1 standard grade.
  1. Size: 3 by 6 inch, nominal; 5/16-inch thick.
  2. Edges: Cushioned.
  3. Surface Finish: Matte glaze.
  4. Color(s): To be selected by Architect from manufacturer's full range.
  5. Trim Units: Matching bead, bullnose, cove, and base shapes in sizes coordinated with field tile.
  6. Products:
    - a. American Olean; a division of Dal-Tile Corporation; Matte.
    - b. Dal-Tile Corporation; Matte.
    - c. Interceramic, USA; IC Mattes.
- D. Quarry Tile, Type QT-1: ANSI A137.1 standard grade.
  1. Size: 6 by 6 inch, nominal.
  2. Thickness: 1/2 inch, nominal.
  3. Edges: Square.
  4. Surface Finish: Unglazed.
  5. Color(s): To be selected by Architect from manufacturer's full range.
  6. Trim Units: Matching cove base shapes in sizes coordinated with field tile.
  7. Products:
    - a. American Olean; a division of Dal-Tile Corporation.
    - b. Dal-Tile Corporation.
    - c. Metropolitan Ceramics.
    - d. Summitville Tiles, Inc.
- E. Porcelain Tile, Type P-TILE-1: ANSI A137.1 standard grade.
  1. Size: 12 by 12 inch, nominal.
  2. Color(s): To be selected by Architect from manufacturer's full range.
  3. Trim Units: Matching bullnose, double bullnose, cove base, and cove shapes in sizes coordinated with field tile.
  4. Products:
    - a. American Marazzi Tile, Inc.
    - b. American Olean; a division of Dal-Tile Corporation.
    - c. Crossville, Inc.
    - d. Dal-Tile Corporation.
    - e. Deutsche Steinzeug America, Inc.
    - f. Florida Tile, Inc.
    - g. Florim USA.
    - h. GranitiFiandre; c/o Trans Ceramica, Ltd.
    - i. Interceramic.
    - j. Iris US.
    - k. Laufen.
    - l. Lone Star Ceramics Company.
    - m. Porcelanite-Lamosa.
    - n. Portobello America, Inc.

FIRE STATIONS RENOVATION  
Arlington County, Virginia  
Architect's Project No.: 563006

---

- o. Seneca Tiles, Inc.
- p. United States Ceramic Tile Company.
- q. Substitutions: See Section 016000 - Product Requirements.

## 2.02 TRIM AND ACCESSORIES

- A. Non-Ceramic Trim: Satin brass anodized extruded aluminum, style and dimensions to suit application, for setting using tile mortar or adhesive.
  - 1. Applications:
    - a. Open edges of wall tile.
    - b. Open edges of floor tile.
    - c. Wall corners, outside and inside.
    - d. Transition between floor finishes of different heights.
    - e. Thresholds at door openings.
    - f. Expansion and control joints, floor and wall.
    - g. Floor to wall joints.
    - h. Borders and other trim as indicated on drawings.
  - 2. Manufacturers:
    - a. Schluter-Systems.
    - b. Genesis APS International.
    - c. Blanke.
    - d. Ceramic Tool Company (CTC).
    - e. Substitutions: See Section 016000 - Product Requirements.
- B. Thresholds: 2 inches wide by full width of wall or frame opening; beveled edge on both long edges; without holes, cracks, or open seams.
  - 1. Material: Marble, honed finish.
  - 2. Applications:
    - a. At doorways where tile terminates.

## 2.03 SETTING MATERIALS

- A. Provide setting and grout materials from same manufacturer.
  - B. Modified Dry-Set Mortar (Thinset): ANSI A118.4
    - 1. Applications: Use this type at all locations where thinset mortar is indicated, unless otherwise indicated.
    - 2. Products:
      - a. H.B. Fuller Construction Products, Inc.; TEC Full Flex TA 390/391.
      - b. LATICRETE International, Inc.; 252 Silver.
      - c. MAPEI Corporation; Ultraflex 2.
      - d. Summitville Tiles, Inc.; S-1000 MP Thin-Set Latex Mortar.
      - e. Substitutions: See Section 016000 - Product Requirements.
  - C. Latex-Portland Cement LHT Mortar (Medium-Bed): ANSI A118.4.
    - 1. Applications: Use this type of bond coat where Large and Heavy Tile (LHT) mortar is indicated, in a 5/8-inch thick medium-bed application.
    - 2. Products:
      - a. Custom Building Products; ProLite Premium Rapid Setting Large Format Tile Mortar, with Multi-Surface Bonding Primer.
      - b. H.B. Fuller Construction Products, Inc; TEC Ultimate Large Tile Mortar.
      - c. LATICRETE International, Inc; 257 TITANIUM.
      - d. MAPEI Corporation; Ultraflex LFT.
      - e. Merkrete, by Parex USA, Inc; Merkrete 735 Premium Flex.
      - f. Summitville Tiles, Inc.; S-1200 MP Premium Medium Bed Mortar.
      - g. Substitutions: See Section 016000 - Product Requirements.
  - D. Improved Latex-Portland Cement Dry-Set Mortar (Thinset): ANSI A118.15 and ISO 13007 "C2" classification.
    - 1. Applications: Use this type of mortar where indicated.
    - 2. Products:
      - a. H.B. Fuller Construction Products, Inc; TEC 3N1 Performance Mortar.
-

**FIRE STATIONS RENOVATION**  
Arlington County, Virginia  
Architect's Project No.: 563006

---

- b. LATICRETE International, Inc; LATICRETE 254 Platinum.
- c. MAPEI Corporation; Ultraflex 3.
- d. Substitutions: See Section 016000 - Product Requirements.

#### **2.04 GROUTS**

- A. Provide setting and grout materials from same manufacturer.
- B. High Performance Polymer Modified Grout: ANSI A118.7 polymer modified cement grout.
  - 1. Applications: Use this type of grout where indicated and where no other type of grout is indicated.
  - 2. Use sanded grout for joints 1/8 inch wide and larger; use unsanded grout for joints less than 1/8 inch wide.
  - 3. Color(s): As selected by Architect from manufacturer's full line.
  - 4. Products:
    - a. Custom Building Products; Prism Color Consistent Grout.
    - b. H.B. Fuller Construction Products, Inc; TEC AccuColor Plus Grout.
    - c. LATICRETE International, Inc; LATICRETE PERMACOLOR Grout.
    - d. MAPEI Corporation; Ultracolor Plus.
    - e. Merkrete, by Parex USA, Inc; Merkrete Pro Grout.
    - f. Substitutions: See Section 016000 - Product Requirements.
- C. Water-Cleanable Epoxy Grout: ANSI A118.3 stain-resistant epoxy grout.
  - 1. Applications: Where indicated.
  - 2. Heat Resistance: Tested by manufacturer for continuous exposure up to 140 deg F, and intermittent exposure up to 212 deg F.
  - 3. Color(s): As selected by Architect from manufacturer's full line.
  - 4. Products:
    - a. Custom Building Products; CEG-Lite 100% Solids Commercial Epoxy Grout.
    - b. H.B. Fuller Construction Products, Inc; TEC AccuColor EFX Epoxy Special Effects Grout.
    - c. LATICRETE International, Inc; LATICRETE SPECTRALOCK PRO Premium Grout.
    - d. MAPEI Corporation; Kerapoxy CQ.
    - e. Merkrete, by Parex USA, Inc; Merkrete Pro Epoxy.
    - f. Summitville Tiles, Inc; S-500 Ultra Max.
    - g. Substitutions: See Section 016000 - Product Requirements.
- D. Water-Cleanable Chemical- and Heat-Resistant Epoxy Grout: ANSI A118.3 epoxy grout, also meeting applicable requirements of ANSI A118.5 for chemical resistance.
  - 1. Applications: Where indicated.
  - 2. Heat Resistance: Tested by manufacturer for continuous exposure up to 140 deg F, and intermittent exposure up to 350 deg F.
  - 3. Chemical Resistance: Tested per ASTM C 267 for intermittent exposure to the following chemicals and concentrations, with no staining:
    - a. Citric Acid: 20%.
    - b. Phosphoric Acid: 25%.
    - c. Sodium Hydroxide: 10%.
    - d. Sodium Hypochlorite (Bleach): 3%.
    - e. Mineral Spirits.
  - 4. Color(s): As selected by Architect from manufacturer's full line.
  - 5. Products:
    - a. Custom Building Products; CEG-IG 100% Solids Industrial Grade Epoxy Grout.
    - b. LATICRETE International, Inc; LATICRETE SPECTRALOCK 2000 IG.
    - c. MAPEI Corporation; Kerapoxy IEG CQ.
    - d. Summitville Tiles, Inc; S-5100 NovaColor.

#### **2.05 MAINTENANCE MATERIALS**

- A. Tile Sealants: Moisture- and mildew-resistant type sealants; one-part silicone for wall applications and multi-part urethane for floor applications. Sealants and accessories shall

**FIRE STATIONS RENOVATION**  
Arlington County, Virginia  
Architect's Project No.: 563006

---

comply with requirements below and with requirements of Division 7 Section "Joint Sealants."

1. Color(s): As selected by Architect from manufacturer's full line. Sealant colors shall match grout colors in adjacent joints unless otherwise indicated.
  2. Silicone Sealant (Walls): ASTM C 920, Type S, Grade NS, Class 25; Uses NT (non-traffic), G (glass), A (aluminum), O (other substrates indicated).
    - a. Products:
      - 1) GE Silicones, a division of GE Specialty Materials; SCS1700 Sanitary.
      - 2) Pecora Corporation; Pecora 898 NST.
      - 3) Tremco Incorporated; Tremsil 200.
      - 4) Substitutions: See Section 016000 - Product Requirements.
  3. Urethane Sealant (Floors): ASTM C 920, Type M, Grade P, Class 25; Uses T (traffic), M (mortar), A (aluminum), O (other substrates indicated).
    - a. Products:
      - 1) Master Builders Solutions; MasterSeal SL 2.
      - 2) Pecora Corporation; NR-200 Urexpan.
      - 3) Sika Corporation; Sikaflex-2c SL.
      - 4) Tremco Incorporated; THC-901.
      - 5) Substitutions: See Section 016000 - Product Requirements.
  4. Sealant Accessories: Provide backer rod, primer, and other sealant accessories as recommended by sealant manufacturer for applications required.
- B. Grout Sealer: Liquid-applied, penetrating, moisture and stain protection for existing or new Portland cement grout.
1. Composition: Water-based colorless silicone.
  2. Products:
    - a. Custom Building Products; Aqua Mix Sealer's Choice Gold.
    - b. Merkrete, by Parex USA, Inc; Merkrete Grout Sealer.
    - c. SGM, Inc.; Grout Sealer.
    - d. Summitville Tiles, Inc.; SL-99 Summitseal II.
    - e. Substitutions: See Section 016000 - Product Requirements.
- C. Tile Sealer: Stain protection for exposed surfaces of unglazed ceramic tile, other porous tile, and grout. Provide penetrating sealer with no sheen, preserving natural tile appearance.
1. Products:
    - a. Custom Building Products; Aqua Mix Sealer's Choice Gold.
    - b. Rust-Oleum Corporation; Miracle Sealants 511 Impregnator Natural Looking Penetrating Sealer.
    - c. STONETECH, a division of LATICRETE international, Inc; STONETECH Heavy Duty Sealer.
    - d. Substitutions: See Section 016000 - Product Requirements.
- D. Grout Release: Temporary, water-soluble pre-grout coating.
1. Products:
    - a. Custom Building Products; Aqua Mix Grout Release.
    - b. MAPEI Corporation; UltraCare Grout Release.
    - c. Substitutions: See Section 016000 - Product Requirements.

## **2.06 ACCESSORY MATERIALS**

- A. Concrete Floor Slab Crack Isolation Membrane: Material complying with ANSI A118.12; not intended as waterproofing.
1. Crack Resistance: No failure at 1/8 inch gap, minimum.
  2. Peel-and-Stick Sheet Type:
    - a. Material: Rubberized membrane laminated to reinforcing fabric.
    - b. Thickness: 40 mils, nominal.
    - c. Products:
      - 1) Boiardi Products Corp.; a QEP company; Elastiment 340 Sound Control Sheet Membrane Waterproofing and Anti-Fracture/Crack-Suppression

**FIRE STATIONS RENOVATION**  
Arlington County, Virginia  
Architect's Project No.: 563006

---

- System.
- 2) Custom Building Products; Crack Buster Pro-Crack Prevention Mat Underlayment.
  - 3) MAPEI Corporation; Mapeguard 2.
  - 4) National Applied Construction Products, Inc.; ECB Anti-Fracture Membrane.
  - 5) Substitutions: See Section 016000 - Product Requirements.
- B. Waterproofing Membrane: Specifically designed for bonding to cementitious substrate under thick mortar bed or thin-set tile; complying with ANSI A118.10.
1. Crack Resistance: No failure at 1/8 inch gap, minimum; comply with ANSI A118.12.
  2. Fluid or Trowel Applied Type with Embedded Reinforcing Fabric:
    - a. Material: Synthetic rubber or Acrylic.
    - b. Thickness: 30 mils, minimum, dry film thickness.
    - c. Products:
      - 1) Custom Building Products; 9240 Waterproofing and Anti-Fracture Membrane.
      - 2) H.B. Fuller Construction Products, Inc; TEC HydraFlex Waterproofing Crack Isolation Membrane.
      - 3) LATICRETE International, Inc; 9235 Waterproofing Membrane.
      - 4) MAPEI Corporation; Mapelastic AquaDefense.
      - 5) Merkrete, by Parex USA, Inc; Merkrete Hydro Guard 2000.
      - 6) Summitville Tiles, Inc.; S-9000.
      - 7) Substitutions: See Section 016000 - Product Requirements.

### **PART 3 EXECUTION**

#### **3.01 EXAMINATION**

- A. Verify that subfloor surfaces are smooth and flat within the tolerances specified for that type of work, per ANSI A108.01, and are ready to receive tile.
- B. Verify that wall surfaces are smooth and flat within the tolerances specified for that type of work, are dust-free, and are ready to receive tile.
- C. Verify that subfloor surfaces are dust free and free of substances that could impair bonding of setting materials to subfloor surfaces.
- D. Verify that required floor-mounted utilities are in correct location.

#### **3.02 PREPARATION**

- A. Protect surrounding work from damage.
- B. Vacuum clean surfaces and damp clean.
- C. Seal substrate surface cracks with filler. Level existing substrate surfaces to acceptable flatness tolerances.
- D. For ease of cleaning and to prevent staining, precoat tile with temporary grout release. For unglazed ceramic and other porous tile types, provide either combination tile sealer/grout release, or a temporary grout release with final tile sealer applied after tile installation.

#### **3.03 INSTALLATION - GENERAL**

- A. Install tile, thresholds, and stair treads and grout in accordance with applicable requirements of ANSI A108.1a through ANSI A108.19, manufacturer's instructions, and TCNA (HB) recommendations.
- B. Lay tile to pattern indicated. Do not interrupt tile pattern through openings.
- C. Cut and fit tile to penetrations through tile, leaving sealant joint space. Form corners and bases neatly. Align floor joints.
- D. Place tile joints uniform in width, subject to variance in tolerance allowed in tile size. Make grout joints without voids, cracks, excess mortar or excess grout, or too little grout.
- E. Form internal angles square and external angles bullnosed.
- F. Install non-ceramic trim in accordance with manufacturer's instructions.

FIRE STATIONS RENOVATION  
Arlington County, Virginia  
Architect's Project No.: 563006

---

- G. Install thresholds where indicated.
- H. Sound tile after setting. Replace hollow sounding units.
- I. Keep control and expansion joints free of mortar, grout, and adhesive.
- J. Prior to grouting, allow installation to completely cure; minimum of 48 hours.
- K. Grout tile joints unless otherwise indicated. Use standard grout unless otherwise indicated.
- L. At changes in plane and tile-to-tile control joints, use tile sealant instead of grout, with either bond breaker tape or backer rod as appropriate to prevent three-sided bonding.

**3.04 INSTALLATION - FLOORS - THIN-SET METHODS**

- A. Over interior concrete substrates, install in accordance with TCNA (HB) Method F113, dry-set or latex-Portland cement bond coat, with standard grout, unless otherwise indicated.
  - 1. Where waterproofing membrane is indicated, install in accordance with TCNA (HB) Method F122, with latex-Portland cement grout.

**3.05 INSTALLATION - WALL TILE**

- A. Over interior concrete and masonry install in accordance with TCNA (HB) Method W202, thin-set with dry-set or latex-Portland cement bond coat.

**3.06 CLEANING**

- A. Clean tile and grout surfaces.

**3.07 PROTECTION**

- A. Do not permit traffic over finished floor surface for 4 days after installation.

**END OF SECTION**



FIRE STATIONS RENOVATION  
Arlington County, Virginia  
Architect's Project No.: 563006

---

**SECTION 096513  
RESILIENT BASE AND ACCESSORIES**

**PART 1 GENERAL**

**1.01 SUBMITTALS**

- A. See Section 013000 - Administrative Requirements, for submittal procedures.
- B. Product Data: Provide data on specified products, describing physical and performance characteristics; including sizes, patterns and colors available; and installation instructions.
- C. Selection Samples: Submit manufacturer's complete set of color samples for Architect's initial selection.
- D. Verification Samples: Submit in manufacturer's standard size, illustrating color and pattern for each resilient flooring product specified.

**1.02 DELIVERY, STORAGE, AND HANDLING**

- A. Upon receipt, immediately remove any shrink-wrap and check materials for damage and the correct style, color, quantity and run numbers.
- B. Maintain temperature in storage area between 55 degrees F and 90 degrees F.
- C. Protect roll materials from damage by storing on end.

**1.03 FIELD CONDITIONS**

- A. Store materials for not less than 48 hours prior to installation in area of installation at a temperature of 70 degrees F to achieve temperature stability. Thereafter, maintain conditions above 55 degrees F.
- B. Maintain conditions at occupancy conditions for installation and until Substantial Completion.

**PART 2 PRODUCTS**

**2.01 RESILIENT BASE**

- A. Resilient Base: ASTM F1861, Type TP, rubber, thermoplastic; Style B, Cove.
  - 1. Products (Type TP):
    - a. Armstrong World Industries, Inc.; Rubber Coved Toe Wall Base.
    - b. Flexco (USA), Inc.; Flexco Base 2000 - Cove.
    - c. Johnsonite, a Tarkett Company; Rubber Wall Base - Cove.
    - d. Mannington Commercial; Burkebase Type TP - Coved.
    - e. Nora Systems, Inc; nora wall base; Article 820.
    - f. Roppe Corporation; 700 Series TPR Wall Base - Style B (Coved).
    - g. Substitutions: See Section 016000 - Product Requirements.
  - 2. Critical Radiant Flux (CRF): Minimum 0.45 watt per square centimeter, when tested in accordance with ASTM E648 or NFPA 253.
  - 3. Height: 4 inch.
  - 4. Thickness: 0.125 inch minimum.
  - 5. Finish: Satin.
  - 6. Length: Roll; manufacturer's standard length.
  - 7. Color: To be selected by Architect from manufacturer's full range.

**2.02 STAIR COVERING**

- A. Stair Treads: Rubber; full width and depth of stair tread in one piece; tapered thickness.
  - 1. Manufacturers:
    - a. Flexco, Inc.
    - b. Johnsonite, a Tarkett Company.
    - c. Mannington Commercial.
    - d. Nora Rubber Flooring.
    - e. Roppe Corporation.
    - f. Substitutions: See Section 016000 - Product Requirements.

FIRE STATIONS RENOVATION  
Arlington County, Virginia  
Architect's Project No.: 563006

---

2. Minimum Requirements: Comply with ASTM F2169, Type TS, rubber, vulcanized thermoset.
  3. Critical Radiant Flux (CRF): Minimum 0.45 watt per square centimeter, when tested in accordance with ASTM E648 or NFPA 253.
  4. Nominal Thickness: 0.250 inch, tapered towards rear.
  5. Nosing: Square, adjustable; 1-1/2 inch height.
  6. Striping: 2 inch wide contrasting color abrasive strips.
  7. Texture: Raised, with pattern selected from manufacturer's full range.
  8. Color: To be selected by Architect from manufacturer's full range.
- B. Stair Risers: Full height and width of tread in one piece, matching treads in material and color.
1. Manufacturer: Provide risers by same manufacturer as treads.
  2. Thickness: 0.125 inch.
- C. Stair Stringers: Full height in one piece and in maximum available lengths, matching treads in material and color.
1. Manufacturer: Provide stringers by same manufacturer as treads.
  2. Nominal Thickness: 0.080 inch.

### 2.03 MOLDINGS, TRANSITIONS, AND EDGE STRIPS

- A. Moldings, Transition and Edge Strips:
1. Manufacturers:
    - a. Flexco, Inc.
    - b. Johnsonite.
    - c. Mannington Commercial.
    - d. R.C.A. Rubber Company (The).
    - e. Roppe Corporation.
    - f. VPI, LLC; Floor Products Division.
    - g. Substitutions: See Section 016000 - Product Requirements.
  2. Molding/Transition Strip Profiles: Provide in sizes as required to suit flooring thicknesses and applications.
    - a. Coved edge/cap for carpet.
    - b. Joiner between carpet and resilient flooring or other materials with different heights.
    - c. Transition strip between different types of materials that are the same height or between different styles/patterns of the same material.
    - d. Slim transition strip with approximately 1/4-inch wide visible transition profile.
    - e. Reducer strip at edges of flooring to reduce height to 0".
    - f. Subfloor leveling accessory to transition between materials with height differences up to 1/2 inch.
  3. Material: Manufacturer's standard rubber or vinyl.
  4. Color: To be selected by Architect from manufacturer's full range.

### 2.04 ACCESSORIES

- A. Leveling Compound: Blended cement mix, latex-modified, for use as trowelable underlayment, approved by resilient accessory manufacturer.
- B. Primers, Adhesives, and Seam Sealer: Waterproof; types recommended by flooring manufacturer.
- C. Moisture Vapor Treatment: Where resilient flooring and accessories are installed over concrete slabs, provide alkaline-resistant product designed to control excessive moisture vapor transmission through concrete slab, per the following:
1. Products: Provide product approved by flooring manufacturer and complying with performance requirements below, equivalent to one of the following:
    - a. Duraamen Engineered Products, Inc.; Perdure MVT.
    - b. Maxxon Corporation; Maxxon MVP.
    - c. Tnemec Company Inc.; Epoxoprime MVT, Series 208.
  2. Performance Requirements:

FIRE STATIONS RENOVATION  
Arlington County, Virginia  
Architect's Project No.: 563006

---

- a. Verify with flooring manufacturer that submitted product maintains compliance with all provisions of flooring manufacturer's warranty.
- b. Low-VOC: Provide product with VOC content less than 15 g/L.
- c. Bond Strength to Concrete: Minimum 400 psi per ASTM D 4541 (100% concrete failure).
- d. Permeance: Maximum 0.1 perm per ASTM E 96, and 0.10 grains/hr/ft<sup>2</sup>/in-Hg, per ASTM F3010.
- e. Applications: Provide MVT for all concrete slabs on-grade and lightweight concrete elevated slabs.

D. Floor Polish: Fluid-applied polish recommended by resilient flooring manufacturer.

### **PART 3 EXECUTION**

#### **3.01 EXAMINATION**

- A. Verify that surfaces are flat to tolerances acceptable to flooring manufacturer, free of cracks that might telegraph through flooring, clean, dry, and free of curing compounds, surface hardeners, and other chemicals that might interfere with bonding of flooring to substrate.
- B. Verify that wall surfaces are smooth and flat within the tolerances specified for that type of work, are dust-free, and are ready to receive resilient base.
  1. Do not apply wall base until other finish items, including casework and painting, are complete.
- C. Cementitious Subfloor Surfaces (Stair Treads/Landings): Verify that substrates are ready for resilient flooring installation by testing for moisture and alkalinity (pH).
  1. Test as Follows:
    - a. Alkalinity (pH): ASTM F710, when required by stair accessory manufacturer.
    - b. Internal Relative Humidity: ASTM F2170. One test per stair area.
    - c. Moisture Vapor Emission: ASTM F1869. One test per stair area.
  2. After testing is complete, prepare concrete and install moisture vapor treatment (MVT) in accordance with manufacturer's written instructions. If testing indicates measurements are within acceptable levels for flooring installation with the need for MVT, the MVT may be omitted where approved by the Architect.
  3. After installation of MVT, perform final moisture tests to verify that moisture-vapor-emission-rate is at an acceptable level for stair accessory installation. Proceed with installation only after moisture-vapor-emission-rate and relative humidity do not exceed the following:
    - a. Moisture-Vapor-Emission Rate: Maximum 3lbs. of water/1,000 sq. ft. in 24 hours, unless indicated otherwise by resilient accessory manufacturer.
    - b. Relative Humidity: Maximum 75 percent relative humidity, unless indicated otherwise by resilient accessory manufacturer.

#### **3.02 PREPARATION**

- A. Prepare floor substrates as recommended by flooring and adhesive manufacturers.
- B. Remove subfloor ridges and bumps. Fill minor low spots, cracks, joints, holes, and other defects with leveling compound to achieve smooth, flat, hard surface.
- C. Prohibit traffic until leveling compound is fully cured.
- D. Clean substrate.

#### **3.03 INSTALLATION - GENERAL**

- A. Starting installation constitutes acceptance of subfloor conditions.
- B. Install in accordance with manufacturer's written instructions.
- C. Adhesive-Applied Installation:
  1. Fit joints and butt seams tightly.
  2. Set flooring in place, press with heavy roller to attain full adhesion.
- D. Where type of floor finish, pattern, or color are different on opposite sides of door, install such that molding profiles or transition strips are centered under the door panel..

FIRE STATIONS RENOVATION  
Arlington County, Virginia  
Architect's Project No.: 563006

---

- E. Install edge/reducer strips at unprotected or exposed edges, where flooring terminates, and where indicated.
  - 1. Resilient Strips: Attach to substrate using adhesive.

**3.04 INSTALLATION - RESILIENT BASE**

- A. Fit joints tightly and make vertical. Maintain minimum dimension of 18 inches between joints.
- B. Install base on solid backing. Bond tightly to wall and floor surfaces.
- C. Job form internal and external corners in accordance with manufacturer's instructions. Form corners by "V" cutting or scribing; do not bend material in a manner that creates stress whitening.
- D. In addition to walls, install base on other permanent construction with exposed vertical faces at floor level, including, but not limited to, columns, pilasters, and casework/cabinet knee and toe spaces.
- E. Scribe and fit to door frames and other interruptions.
- F. At uneven substrate surfaces (such as masonry mortar joints), provide manufacturer's recommended filler sealant or adhesive to fill voids along top of base.

**3.05 INSTALLATION - STAIR COVERINGS**

- A. Install stair coverings in one piece for full width and depth of tread.
- B. Install stringers configured tightly to stair profile.
- C. Adhere over entire surface. Fit accurately and securely.
- D. Clean stair tread and landing accessories and apply floor polish according to manufacturer's written instructions.

**3.06 CLEANING**

- A. Remove excess adhesive from floor, base, and wall surfaces without damage.
- B. Clean in accordance with manufacturer's written instructions.

**3.07 PROTECTION**

- A. Prohibit traffic on resilient accessories for 48 hours after installation.
- B. Cover resilient accessories and protect from heavy construction traffic and equipment until Substantial Completion.

**END OF SECTION**

FIRE STATIONS RENOVATION  
Arlington County, Virginia  
Architect's Project No.: 563006

---

**SECTION 099123  
INTERIOR PAINTING**

**PART 1 GENERAL**

**1.01 SUBMITTALS**

- A. See Section 013000 - Administrative Requirements, for submittal procedures.
- B. Product Data: Provide complete list of products to be used, with the following information for each:
  - 1. Manufacturer's name, product name and/or catalog number, and general product category (e.g., "alkyd enamel").
  - 2. Cross-reference to specified paint system(s) product is to be used in; include description of each system.
- C. Certification: By manufacturer that paints and finishes comply with VOC limits specified.
- D. Manufacturer's Instructions: Indicate special surface preparation procedures.
- E. Maintenance Data: Submit data including finish schedule showing where each product/color/finish was used, product technical data sheets, material safety data sheets (MSDS), care and cleaning instructions, touch-up procedures, repair of painted and finished surfaces, and color samples of each color and finish used.

**1.02 DELIVERY, STORAGE, AND HANDLING**

- A. Deliver products to site in sealed and labeled containers; inspect to verify acceptability.
- B. Container Label: Include manufacturer's name, type of paint, brand name, lot number, brand code, coverage, surface preparation, drying time, cleanup requirements, color designation, and instructions for mixing and reducing.
- C. Paint Materials: Store at minimum ambient temperature of 45 degrees F and a maximum of 90 degrees F, in ventilated area, and as required by manufacturer's instructions.

**1.03 FIELD CONDITIONS**

- A. Do not apply materials when surface and ambient temperatures are outside the temperature ranges required by the paint product manufacturer.
- B. Follow manufacturer's recommended procedures for producing best results, including testing of substrates, moisture in substrates, and humidity and temperature limitations.
- C. Do not apply materials when relative humidity exceeds 85 percent, at temperatures less than 5 degrees F above the dew point, or to damp or wet surfaces.
- D. Minimum Application Temperatures for Paints: 50 degrees F for interiors unless required otherwise by manufacturer's instructions.
- E. Provide lighting level of 80 ft candles measured mid-height at substrate surface.

**PART 2 PRODUCTS**

**2.01 MANUFACTURERS**

- A. Provide paints and finishes from the same manufacturer to the greatest extent possible.
  - 1. If a single manufacturer cannot provide specified products; minor exceptions will be permitted provided approval by Architect is obtained using the specified procedures for substitutions.
- B. Paints:
  - 1. Benjamin Moore & Co. (BM)
  - 2. PPG Paints. (PPG)
  - 3. Sherwin-Williams Company. (SW)
- C. Primer Sealers: Same manufacturer as top coats.

**2.02 PAINTS AND FINISHES - GENERAL**

- A. Paints and Finishes: Ready-mixed, unless intended to be a field-catalyzed paint.
  - 1. Provide paints and finishes of a soft paste consistency, capable of being readily and uniformly dispersed to a homogeneous coating, with good flow and brushing

FIRE STATIONS RENOVATION  
Arlington County, Virginia  
Architect's Project No.: 563006

---

- properties, and capable of drying or curing free of streaks or sags.
  - 2. Provide materials that are compatible with one another and the substrates indicated under conditions of service and application, as demonstrated by manufacturer based on testing and field experience.
  - 3. Supply each paint material in quantity required to complete entire project's work from a single production run.
  - 4. Do not reduce, thin, or dilute paint or finishes or add materials unless such procedure is specifically described in manufacturer's product instructions.
- B. Volatile Organic Compound (VOC) Content:
- 1. Provide paints and finishes that comply with the most stringent requirements specified in the following:
    - a. 40 CFR 59, Subpart D--National Volatile Organic Compound Emission Standards for Architectural Coatings.
    - b. SCAQMD 1113 Rule.
    - c. CARB (SCM).
  - 2. Determination of VOC Content: Testing and calculation in accordance with 40 CFR 59, Subpart D (EPA Method 24), exclusive of colorants added to a tint base and water added at project site; or other method acceptable to authorities having jurisdiction.
- C. Flammability: Comply with applicable code for surface burning characteristics.
- D. Colors: To be selected from manufacturer's full range of available colors.
- 1. Selection to be made by Architect after award of contract.
  - 2. Extend colors to surface edges; colors may change at any edge as directed by Architect.
  - 3. In finished areas, finish exposed pipes, conduit, and equipment the same color as the wall/ceiling to which they are mounted.

### 2.03 ACCESSORY MATERIALS

- A. Accessory Materials: Provide primers, sealers, cleaning agents, cleaning cloths, sanding materials, and clean-up materials as required for final completion of painted surfaces.
- B. Patching Material: Latex filler.
- C. Fastener Head Cover Material: Latex filler.

## PART 3 EXECUTION

### 3.01 EXAMINATION

- A. Do not begin application of paints and finishes until substrates have been adequately prepared.
- B. Verify that surfaces are ready to receive work as instructed by the product manufacturer.
- C. Examine surfaces scheduled to be finished prior to commencement of work. Report any condition that may potentially affect proper application.
- D. Test shop-applied primer for compatibility with subsequent cover materials.
- E. Measure moisture content of surfaces using an electronic moisture meter. Do not apply finishes unless moisture content of surfaces is below the following maximums:
  - 1. Gypsum Wallboard: 12 percent.
  - 2. Masonry, Concrete, and Concrete Masonry Units: 12 percent.

### 3.02 PREPARATION

- A. Clean surfaces thoroughly and correct defects prior to application.
- B. Prepare surfaces using the methods recommended by the manufacturer for achieving the best result for the substrate under the project conditions.
- C. Remove or repair existing paints or finishes that exhibit surface defects.
- D. Remove or mask surface appurtenances, including electrical plates, hardware, light fixture trim, escutcheons, and fittings, prior to preparing surfaces or finishing.
- E. Seal surfaces that might cause bleed through or staining of topcoat.

**FIRE STATIONS RENOVATION**  
Arlington County, Virginia  
Architect's Project No.: 563006

---

- F. Remove mildew from impervious surfaces by scrubbing with solution of tetra-sodium phosphate and bleach. Rinse with clean water and allow surface to dry.
- G. Masonry:
  - 1. Remove efflorescence and chalk. Do not coat surfaces if moisture content, alkalinity of surfaces, or if alkalinity of mortar joints exceed that permitted in manufacturer's written instructions. Allow to dry.
  - 2. Prepare surface as recommended by top coat manufacturer.
- H. Gypsum Board: Fill minor defects with filler compound. Spot prime defects after repair.
- I. Ferrous Metal:
  - 1. Solvent clean according to SSPC-SP 1.

**3.03 APPLICATION**

- A. Apply products in accordance with manufacturer's written instructions and recommendations in "MPI Architectural Painting Specification Manual".
- B. Where adjacent sealant is to be painted, do not apply finish coats until sealant is applied.
- C. Do not apply finishes to surfaces that are not dry. Allow applied coats to dry before next coat is applied.
- D. Apply each coat to uniform appearance in thicknesses specified by manufacturer.
- E. Sand metal surfaces lightly between coats to achieve required finish.
- F. Vacuum clean surfaces of loose particles. Use tack cloth to remove dust and particles just prior to applying next coat.
- G. Reinstall electrical cover plates, hardware, light fixture trim, escutcheons, and fittings removed prior to finishing.

**3.04 CLEANING**

- A. Collect waste material that could constitute a fire hazard, place in closed metal containers, and remove daily from site.

**3.05 PROTECTION**

- A. Protect finishes until completion of project.
- B. Touch-up damaged finishes after Substantial Completion.

**3.06 SCHEDULE - INTERIOR PAINT SYSTEMS**

- A. Concrete Masonry Units (CMU), Concrete Block, and Brick Masonry: Finish surfaces exposed to view. Low-VOC Acrylic Satin Finish: 2 coats over filler, with total DFT not less than 2.5 mils. Provide at all interior masonry except where epoxy finish is indicated.
  - 1. Filler Coat: Acrylic-latex Block Filler:
    - a. BM: 571 Ultra Spec Hi-Build Masonry Block Filler.
    - b. PPG: 6-15 Speedhide Interior/Exterior Acrylic Masonry Block Filler.
    - c. SW: B25W25 PrepRite Interior/Exterior Block Filler.
  - 2. Bonding Primer (Previously Painted): Acrylic Bonding Primer. Test for adhesion. Brush, spray, or roller apply and back roll.
    - a. BM: Insl-X SXA-110 Stix Bonding Primer.
    - b. PPG: 17-921 Seal Grip Acrylic Universal Primer/Sealer.
    - c. SW: B51W150 Extreme Bond Interior/Exterior Primer.
  - 3. First and Second Finish Coats: Commercial Interior Low-VOC Acrylic Satin.
    - a. BM: N538 Ultra Spec 500 Interior Eggshell Finish.
    - b. PPG: 6-4300 Speedhide Zero VOC Interior Eggshell Latex.
    - c. SW: B20-2600 ProMar 200 Zero VOC Interior Latex Eg-Shel.
- B. Concrete Masonry Units (CMU), Epoxy: Finish surfaces exposed to view. Semi-gloss Water Borne Epoxy Finish: 2 coats over filler. Provide at interior masonry where epoxy finish is indicated.
  - 1. Filler Coat: Acrylic-latex Block Filler:
    - a. BM: 571 Ultra Spec Hi-Build Masonry Block Filler.

FIRE STATIONS RENOVATION  
Arlington County, Virginia  
Architect's Project No.: 563006

---

- b. PPG: 6-15 Speedhide Interior/Exterior Acrylic Masonry Block Filler.
- c. SW: B25W25 PrepRite Interior/Exterior Block Filler.
- 2. First and Second Finish Coats: Two component, semi-gloss water-borne polyamide-epoxy, applied at a DFT of 1.5 - 4.0 mils per coat.
  - a. BM: Corotech V400 Polyamide Epoxy Coating.
  - b. PPG: 98-100 Aquapon WB Water Base Epoxy - Semi-Gloss.
  - c. SW: B73V300 Pro Industrial Water Based Catalyzed Epoxy Hardener.
- C. Gypsum Board: Finish surfaces exposed to view. Provide 0 VOC acrylic-latex formulation over 0 VOC filler coat/primer; satin finish at walls and flat finish at ceilings.
  - 1. Filler Coat: 0 VOC Latex primer.
    - a. BM: 534 Ultra Spec 500 Primer Flat.
    - b. PPG: 6-4900 Speedhide Zero VOC Interior Latex Primer.
    - c. SW: B28-2600 ProMar 200 Zero VOC Interior Latex Primer.
  - 2. First & Second Finish Coats: Interior Ceilings and Bulkheads: Flat.
    - a. BM: 536 Ultra Spec 500 Flat.
    - b. PPG: 6-4100 Speedhide Zero VOC Interior Latex Flat.
    - c. SW: B30-2600 ProMar 200 Zero VOC Interior Latex Flat.
  - 3. First & Second Finish Coats: Interior Walls: Satin.
    - a. BM: 538 Ultra Spec 500 Eggshell.
    - b. PPG: 6-4300 Speedhide Zero VOC Interior Eggshell Latex.
    - c. SW: B20-2600/B24-2600 ProMar 200 Zero VOC Interior Latex Eg-Shel/Low Sheen.
- D. Gypsum Board with Water-Borne Polyamide Epoxy Finish ("EPX" - Shower/toilet rooms):
  - 1. Filler Coat: Manufacturer's recommended acrylic/latex primer.
    - a. BM: 253 Super Spec Latex Enamel Undercoater & Primer Sealer.
    - b. PPG: 6-2 Speedhide Interior Latex Sealer.
    - c. SW: B28W2600 ProMar 200 Zero VOC Primer.
  - 2. First & Second Finish Coats: Two-component, water-borne polyamide epoxy applied at DFT of 1.5 - 4.0 mils per coat. Provide semi-gloss finish unless otherwise indicated.
    - a. BM: Corotech V440 Waterborne Amine Epoxy.
    - b. PPG: 98-100 Aquapon WB Water Base Epoxy - Semi-Gloss.
    - c. SW: B70V300 Water Based Catalyzed Epoxy Hardener.
- E. Ferrous Metal: Finish surfaces exposed to view. Provide semi-gloss direct to metal (DTM) acrylic enamel finish; except provide satin/egg-shell finish at hollow metal/steel doors and frames. Provide two coats over primer, with total DFT not less than 5.0 mils. For shop-primed items, verify shop primer with manufacturer and confirm compatibility.
  - 1. Primer: Lead-free, acrylic base primer. Not required on shop-primed items. Provide satin/low luster primer for steel doors and frames.
    - a. BM: HP29/HP 25 Ultra Spec DTM Acrylic Semi-Gloss/Low Lustre.
    - b. PPG: 90-712 Pitt-Tech Int/Ext Primer/Finish Industrial Enamel.
    - c. SW: B66W1 DTM Acrylic Primer/Finish (or B66W200).
  - 2. Bonding Primer (Previously Painted): Acrylic bonding primer for previously painted surfaces to ensure secure bond. Brush, spray, or roller apply and back roll.
    - a. BM: Insl-X SXA-110 Stix Bonding Primer.
    - b. PPG: 90-912 Pitt-Tech Plus DTM Industrial Primer.
    - c. SW: B66A50 DTM Bonding Primer.
  - 3. First and Second Finish Coats: DTM Acrylic Semi-Gloss Enamel.
    - a. BM: HP29 Ultra Spec DTM Acrylic Semi-Gloss.
    - b. PPG: 90-1210 Pitt-Tech Int/Ext Semi-Gloss DTM Industrial Enamel.
    - c. SW: B66W1150 Series Pro Industrial DTM Acrylic Semi-Gloss.
  - 4. First and Second Finish Coats (Steel Doors and Frames): DTM Acrylic Satin Enamel.
    - a. BM: HP25 Ultra Spec DTM Acrylic Low Lustre.
    - b. PPG: 90-1110 Pitt-Tech Int/Ext Satin DTM Industrial Enamel.
    - c. SW: B66W1250 Series Pro Industrial DTM Acrylic Eg-Shel Coating.



FIRE STATIONS RENOVATION  
Arlington County, Virginia  
Architect's Project No.: 563006

---

- F. Ferrous Metal with Latex Dry-Fall Finish: One finish coat over primed exposed construction. Apply to all exposed structure and as scheduled. Provide nominal 50 square foot sample/mock-up area to verify substrate compatibility.
1. Prime Coat: Acrylic, self-priming, or other recommended VOC-compliant metal primer. 2.0 mils DFT.
    - a. BM: Coronado N110 Superkote 5000 DryFall Latex Flat.
    - b. PPG: 90-712 Pitt-Tech Int/Ext Primer/Finish Industrial Enamel.
    - c. SW: B66-310 Pro-Cryl Universal Primer.
  2. Top Coat: Acrylic Dry Fall, flat, 3.0 mils DFT. Provide color selected by Architect from manufacturer's standard options, unless indicated otherwise.
    - a. BM: Coronado N110 Superkote 5000 DryFall Latex Flat.
    - b. PPG: 6-724XI Series - Speedhide Super Tech WB Interior Dry-Fog Flat Latex.
    - c. SW: B42 BW3 Waterborne Acrylic Dry Fall, Flat.
- G. Interior Woodwork: Stained woodwork with transparent finish is specified in Division 6 Section "Interior Finish Carpentry."

**END OF SECTION**

FIRE STATIONS RENOVATION  
Arlington County, Virginia  
Architect's Project No.: 563006

---

**SECTION 102113.13**  
**METAL TOILET COMPARTMENTS**

**PART 1 GENERAL**

**1.01 SUBMITTALS**

- A. See Section 013000 - Administrative Requirements, for submittal procedures.
- B. Shop Drawings: Indicate partition plan, elevation views, dimensions, details of wall, floor, and ceiling supports, door swings.
- C. Product Data: Provide data on panel construction, hardware, and accessories.

**PART 2 PRODUCTS**

**2.01 MANUFACTURERS**

- A. Stainless Steel Toilet Compartments:
  - 1. All American Metal Corp - AAMCO.
  - 2. ASI Accurate Partitions.
  - 3. ASI Global Partitions.
  - 4. Bradley Corp.
  - 5. General Partitions Mfg. Corp.
  - 6. Hadrian
  - 7. Metpar Corp.
  - 8. Substitutions: Section 016000 - Product Requirements.

**2.02 MATERIALS**

- A. Stainless Steel Sheet: ASTM A666, Type 304.

**2.03 COMPONENTS**

- A. Toilet Compartments: Stainless steel, floor-to-ceiling.
  - 1. Privacy Partitions: Provide partitions with manufacturer's "no-sight" accessories for increased privacy.
- B. Doors, Panels, and Pilasters: Sheet steel faces, pressure bonded to sound deadening core, formed and closed edges; corners made with corner clips or mitered, welded, and ground smooth.
  - 1. Internal Reinforcement: Provide in areas of attached hardware and fittings. Mark locations of reinforcement for partition mounted washroom accessories.
- C. Door and Panel Dimensions:
  - 1. Thickness: 1 inch.
  - 2. Height: Custom; refer to Drawings. Provide multiple panels to achieve indicated height if required, with "no-sight" continuous privacy strips connecting panels.
- D. Pilasters: 1-1/4 inch thick, of sizes required to suit compartment width and spacing.

**2.04 ACCESSORIES**

- A. Pilaster Shoes and Caps: Formed ASTM A666 Type 304 stainless steel with No. 4 finish, 3 inch high, concealing floor and ceiling fastenings.
- B. Brackets: Polished chrome-plated non-ferrous cast metal.
- C. Attachments, Screws, and Bolts: Stainless steel, tamper proof type.
- D. Hardware: Satin stainless steel:
  - 1. Continuous hinges, adjustable for door close positioning.
  - 2. "No-sight" privacy strip for latch side of door and at joints between panels.
  - 3. Thumb turn or sliding door latch with exterior emergency access feature.
  - 4. Door strike and keeper with rubber bumper; mounted on pilaster in alignment with door latch.
  - 5. Coat hook with rubber bumper; one per compartment, mounted on door.
  - 6. Provide door pull for outswinging doors.

FIRE STATIONS RENOVATION  
Arlington County, Virginia  
Architect's Project No.: 563006

---

**2.05 FINISHING**

- A. Stainless Steel Compartments: No. 4 finish.

**PART 3 EXECUTION**

**3.01 EXAMINATION**

- A. Verify existing conditions before starting work.
- B. Verify that field measurements are as indicated.
- C. Verify correct spacing of and between plumbing fixtures.

**3.02 INSTALLATION**

- A. Install partitions secure, rigid, plumb, and level in accordance with manufacturer's instructions.
- B. Maintain 3/8 to 1/2 inch space between wall and panels and between wall and end pilasters.
- C. Attach panel brackets securely to walls using anchor devices.
- D. Attach panels and pilasters to brackets.

**3.03 TOLERANCES**

- A. Maximum Variation From True Position: 1/4 inch.
- B. Maximum Variation From Plumb: 1/8 inch.

**3.04 ADJUSTING**

- A. Adjust and align hardware to uniform clearance at vertical edge of doors, not exceeding 3/16 inch.
- B. Adjust hinges to position doors in partial opening position when unlatched.
- C. Adjust adjacent components for consistency of line or plane.

**END OF SECTION**

FIRE STATIONS RENOVATION  
Arlington County, Virginia  
Architect's Project No.: 563006

---

**SECTION 102800  
TOILET AND BATH ACCESSORIES**

**PART 1 GENERAL**

**1.01 SUBMITTALS**

- A. See Section 013000 - Administrative Requirements, for submittal procedures.
- B. Product Data: Submit data on accessories describing size, finish, details of function, and attachment methods.
- C. Setting Drawings: For cutouts required in other work; include templates, substrate preparation instructions, and directions for preparing cutouts and installing anchoring devices.
- D. Maintenance Data: For each type of accessory, to include in maintenance manual per Section 017800 - Closeout Submittals. Include list of replacement parts and service recommendations.

**PART 2 PRODUCTS**

**2.01 MANUFACTURERS**

- A. Commercial Toilet, Shower, and Bath Accessories:
  - 1. A&J Washroom Accessories, Inc.
  - 2. American Specialties, Inc.
  - 3. Bobrick Washroom Equipment.
  - 4. Bradley Corporation.
- B. Under-Lavatory Pipe Supply Covers:
  - 1. Plumberex Specialty Products, Inc.
  - 2. Truebro; IPS Corporation.

**2.02 MATERIALS**

- A. Accessories - General: Shop assembled, free of dents and scratches and packaged complete with anchors and fittings, steel anchor plates, adapters, and anchor components for installation.
- B. Keys: Provide 6 master/universal keys, minimum, to Owner.
- C. Stainless Steel Sheet: ASTM A666, Type 304.
- D. Stainless Steel Tubing: ASTM A269/A269M, Grade TP304 or TP316.
- E. Galvanized Sheet Steel: Hot-dipped galvanized steel sheet, ASTM A653/A653M, with G90/Z275 coating.
- F. Mirror Glass: Annealed float glass, ASTM C1036 Type I, Class 1, Quality Q2, with silvering, protective and physical characteristics complying with ASTM C1503.
- G. Fasteners, Screws, and Bolts: Hot dip galvanized; tamper-proof; security type.
  - 1. Provide mechanical attachment of all accessories. Use of adhesive or double-side tape is not acceptable.

**2.03 FINISHES**

- A. Stainless Steel: Satin finish, unless otherwise noted.

**2.04 COMMERCIAL TOILET ACCESSORIES**

- A. Toilet Paper Dispenser (TA-D): Roll-in-reserve type, designed to allow automatic activation of reserve roll when needed, or manual activation by pressing release bar, surface-mounted, stainless steel unit with pivot hinge, tumbler lock.
  - 1. Products:
    - a. American Specialties, Inc.; Model 20030.
    - b. Bobrick Washroom Equipment, Inc.; Model B-4288.
    - c. Bradley Corporation; Model 5402.
- B. Soap Dispenser (TA-F): Liquid soap dispenser, wall-mounted, surface, with stainless steel cover and vertical stainless steel tank and working parts; push type soap valve, check

**FIRE STATIONS RENOVATION**  
Arlington County, Virginia  
Architect's Project No.: 563006

---

- valve, and window gauge refill indicator, tumbler lock.
1. Minimum Capacity: 40 ounces.
  2. Products:
    - a. A&J Washroom Accessories, Inc.; Model U126.
    - b. American Specialties, Inc.; Model 0347.
    - c. Bobrick Washroom Equipment, Inc.; Model B-2111.
    - d. Bradley Corporation; Model 6562.
- C. Mirrors (TA-G): Stainless steel framed, 1/4 inch thick annealed float glass; ASTM C1036.
1. Annealed Float Glass: Silvering, protective and physical characteristics in compliance with ASTM C1503.
  2. Frame: 0.05 inch angle shapes, with mitered and welded and ground corners, and tamperproof hanging system; satin finish.
  3. Products:
    - a. A&J Washroom Accessories, Inc.; U700 Series.
    - b. American Specialties, Inc.; 0600 A Series.
    - c. Bobrick Washroom Equipment, Inc.; Model B-290.
    - d. Bradley Corporation; Model 780.
- D. Grab Bars (TA-A, B, & C): Stainless steel, smooth surface.
1. Standard Duty Grab Bars:
    - a. Push/Pull Point Load: 250 pound-force, minimum.
    - b. Dimensions: 1-1/4 inch outside diameter, minimum 0.05 inch wall thickness, concealed flange mounting, 1-1/2 inch clearance between wall and inside of grab bar.
    - c. Finish: Satin.
    - d. Length and Configuration: As indicated on drawings.
    - e. Products:
      - 1) A&J Washroom Accessories, Inc.; UG2 Series.
      - 2) American Specialties, Inc.; 3700 Series.
      - 3) Bobrick Washroom Equipment, Inc.; B-5806 Series.
      - 4) Bradley Corporation; 832 Series.
- E. Sanitary Napkin Disposal Unit (TA-E): Stainless steel, surface-mounted, self-closing door, locking bottom panel with full-length stainless steel piano-type hinge, removable receptacle.
1. Products:
    - a. A&J Washroom Accessories, Inc.; Model U591.
    - b. American Specialties, Inc.; Model 20852.
    - c. Bobrick Washroom Equipment, Inc.; Model B-270 Contura.
    - d. Bradley Corporation; Model 4781-15.
- F. Robe Hook: Heavy-duty stainless steel, double-prong, rectangular-shaped bracket and backplate for concealed attachment, satin finish.
1. Products:
    - a. A&J Washroom Accessories, Inc.; Model UX112.
    - b. American Specialties, Inc.; Model 7345.
    - c. Bobrick Washroom Equipment, Inc.; Model B-7672.
    - d. Bradley Corporation; Model 9124.

## **2.05 UNDER-LAVATORY PIPE AND SUPPLY COVERS**

- A. Under-Lavatory Pipe and Supply Covers:
1. Insulate exposed drainage piping, including hot, cold, and tempered water supplies under lavatories or sinks to comply with ADA Standards.
  2. Exterior Surfaces: Smooth non-absorbent, non-abrasive surfaces.
  3. Construction: 1/8 inch flexible PVC.
    - a. Surface Burning Characteristics: Flame spread index of 25 or less and smoke developed index of 450 or less, when tested in accordance with ASTM E84.
    - b. Microbial and Fungal Resistance: Comply with ASTM G21.
  4. Color: White.

FIRE STATIONS RENOVATION  
Arlington County, Virginia  
Architect's Project No.: 563006

---

5. Fasteners: Reusable, snap-locking fasteners with no sharp or abrasive external surfaces.
6. Products:
  - a. Plumberex Specialty Products, Inc; Plumberex Trap Gear.
  - b. Truebro; IPS Corporation; Lav Guard 2.

**2.06 UTILITY ROOM ACCESSORIES**

- A. Combination Utility Shelf/Mop and Broom Holder: 0.05 inch thick stainless steel, Type 304, with 1/2 inch returned edges, 0.06 inch steel wall brackets.
  1. Drying rod: Stainless steel, 1/4 inch diameter.
  2. Hooks: Three, 0.06 inch stainless steel rag hooks at shelf front.
  3. Mop/broom holders: Four spring-loaded rubber cam holders at shelf front.
  4. Length: 36 inches.
  5. Products:
    - a. A&J Washroom Accessories, Inc.; Model UJ41A.
    - b. American Specialties, Inc.; Model 1315.
    - c. Bobrick Washroom Equipment, Inc.; Model B-224 x 36.
    - d. Bradley Corporation; Model 9983.

**PART 3 EXECUTION**

**3.01 EXAMINATION**

- A. Verify existing conditions before starting work.
- B. Verify exact location of accessories for installation.

**3.02 INSTALLATION**

- A. Install accessories in accordance with manufacturers' instructions in locations indicated on drawings.
- B. Install plumb and level, securely and rigidly anchored to substrate.
- C. Mounting Heights: As required by accessibility regulations, unless otherwise indicated.

**3.03 PROTECTION**

- A. Protect installed accessories from damage due to subsequent construction operations.

**END OF SECTION**

FIRE STATIONS RENOVATION  
ARLINGTON COUNTY, VIRGINIA  
Architect's Project No: 563006

---

SECTION 211000 - WATER-BASED FIRE-SUPPRESSION SYSTEM

PART 1 - GENERAL

1.1 RELATED DOCUMENTS

- A. Provisions of the Contract and of the Contract Documents apply to this Section.

1.2 SUMMARY

- A. Description of Work:

1. The work includes the installation of a new water-based fire suppression systems throughout the building. The design, equipment, materials, installation and workmanship shall be in strict accordance with the Owner's insurance underwriter's requirements, the current edition of the North Carolina Building Code, the local authority having jurisdiction, and the required and advisory provisions of NFPA.
2. Piping shall not traverse spaces containing electrical equipment in the form of transformers, panel-boards, switchgear, or computer servers.
  - a. Exceptions:
    - 1) Personal computers (PCs)
    - 2) Spaces whose name does not include the term "Electrical", "Data", or "Computer."
3. Each system shall include materials, accessories and equipment necessary to provide each system complete and ready for use.
4. The design of each system shall give full consideration to blind spaces, piping, electrical equipment, ductwork, and all other construction and equipment to afford complete coverage.
5. Devices and equipment for fire protection service shall be of an approved make and type listed by the Underwriters' Laboratories, Inc., or approved by the Factory Mutual System.
6. In the publications referred to herein, the advisory provisions shall be considered to be mandatory, as though the word "shall" had been substituted for "should" wherever it appears.
7. Reference to the "authority having jurisdiction" shall be interpreted to mean the Local Fire Marshal.
8. Calculations shall include delivering water from the point of the fire hydrant flow test through the site piping.

FIRE STATIONS RENOVATION  
ARLINGTON COUNTY, VIRGINIA  
Architect's Project No: 563006

---

9. Consideration shall be given to all unheated areas such as attics, utility rooms, loading docks, outdoor storage spaces with canopies, etc., to provide freeze protection in accordance with NFPA 13. This shall include the installation of dry sprinklers where necessary.

### 1.3 DEFINITIONS

- A. CPVC: Chlorinated polyvinyl chloride plastic.
- B. Email: for the purposes of this section email shall be considered "in writing"

### 1.4 SYSTEM DESCRIPTIONS

- A. Wet-Pipe Sprinkler System: Automatic sprinklers are attached to piping containing water and that is connected to water supply. Water discharges immediately from sprinklers when they are opened. Sprinklers open when heat melts fusible link or destroys frangible device. Hose connections are included if indicated.

### 1.5 PERFORMANCE REQUIREMENTS

- A. Component Working Pressure: Listed for at least 175 psi.
- B. Design shall be approved by authorities having jurisdiction.
- C. Fire-suppression system design shall include the following:
  1. Margin of Safety for Available Water Flow and Pressure: As required by the local Fire Marshal's Office.
  2. Sprinkler Occupancy Hazard Classifications shall be as indicated on the drawings. Where not indicated, comply with NFPA 13.
  3. Maximum Protection Area per Sprinkler shall be in accordance with NFPA 13 and its UL listing.

### 1.6 SUBMITTALS

- A. Product Data: For the following:
  1. Piping materials, including flexible connections, and sprinkler specialty fittings.
  2. Pipe hangers and supports.
  3. Sprinklers, escutcheons, and guards. Include sprinkler flow characteristics, mounting, finish, and other pertinent data.
  4. Flexible sprinkler connection devices, including the manufacturer's installation instructions indicated in the most recent UL listing.
- B. Fire-hydrant flow test report.



FIRE STATIONS RENOVATION  
ARLINGTON COUNTY, VIRGINIA  
Architect's Project No: 563006

---

- C. Approved Sprinkler Piping Shop Drawings: Working plans, prepared according to NFPA 13, that have been approved by authorities having jurisdiction, including hydraulic calculations. Diagram power, signal, and control wiring.
  - 1. Include shop drawings indicating location of all sprinkler heads and all other construction that penetrates ceilings, including light fixtures, HVAC equipment, speakers, fire alarm devices, partition assemblies, etc.
  - 2. Sprinklers shall be referred to on drawings, submittals and other documentation, by the sprinkler identification or Model number as specifically published in the appropriate agency listing or approval. Trade names or other abbreviated designations shall not be allowed.
- D. Welding certificates.
- E. Operation and Maintenance Data to include in emergency, operation, and maintenance manuals.

1.7 CLOSEOUT SUBMITTALS

- A. Field Test Reports and Certificates: Indicate and interpret test results for compliance with performance requirements and as described in NFPA 13 and NFPA 14. Include "Contractor's Material and Test Certificate for Aboveground Piping" and "Contractor's Material and Test Certificate for Underground Piping."

1.8 QUALITY ASSURANCE

- A. Installer Qualifications:
  - 1. Installer's responsibilities include designing, fabricating, and installing fire-suppression systems and providing professional engineering services needed to assume engineering responsibility. A Professional Engineer registered in the state where the project is constructed shall stamp and seal the Shop Drawings.
- B. Flow test:
  - 1. Bid shall be based on the indicated fire-hydrant flow and pressure.
  - 2. Design calculations shall be based on the results of a confirming fire-hydrant flow test performed or caused to be performed by the contractor dated within 1 year of shop drawings submission date.
- C. Welding: Qualify processes and operators according to ASME Boiler and Pressure Vessel Code: Section IX.
- D. All grooved couplings, fittings, valves, and specialties shall be the products of a single manufacturer. Grooving tools shall be of the same manufacturer as the grooved components.
  - 1. All castings used for couplings housings, fittings, or valve and specialty bodies shall be date stamped for quality assurance and traceability.

FIRE STATIONS RENOVATION  
ARLINGTON COUNTY, VIRGINIA  
Architect's Project No: 563006

---

2. Any couplings requiring a torque wrench, per manufacturer installation instruction, must have a test tag attached to each bolt showing torque used for each. Tags shall be date stamped and initialed by the installer.

- E. NFPA Standards: Fire-suppression-system equipment, specialties, accessories, installation, and testing shall comply with the following:

1. 2016 NFPA 13: "Standard for the Installation of Sprinkler Systems."

#### 1.9 COORDINATION

- A. Relocate piping to clear the path of ductwork.
- B. Relocate piping to clear the path of conduit.
- C. Relocate piping to clear the path of cable tray.
- D. Coordinate layout and installation of sprinklers with other construction that penetrates ceilings, including light fixtures, HVAC equipment, and partition assemblies.

#### 1.10 SPRINKLER CABINET(S) AND SPARE SPRINKLERS

- A. Provide finished, wall-mounted, steel sprinkler cabinet with hinged cover.
- B. Provide number of sprinklers required by NFPA 13.
- C. Provide separate cabinet with sprinklers and wrench for each type of sprinkler on Project.
- D. Provide products packaged with protective covering for storage. Identify contents with label.

### PART 2 - PRODUCTS

#### 2.1 STEEL PIPE AND FITTINGS

- A. Threaded-End, Schedule 40 Steel Pipe,  $\frac{3}{4}$ " only, all other sizes will be grooved. ASTM A 53/A 53M, ASTM A 135, or ASTM A 795, hot-dip galvanized where indicated and with factory- or shop-formed threaded ends.
  1. Cast-Iron Threaded Flanges: ASME B16.1.
  2. Malleable-Iron Threaded Fittings: ASME B16.3.
  3. Gray-Iron Threaded Fittings: ASME B16.4.
  4. Steel Threaded Pipe Nipples: ASTM A 733, made of ASTM A 53/A 53M or ASTM A 106, Schedule 40, seamless steel pipe. Include ends matching joining method.
  5. Steel Threaded Couplings: ASTM A 865.

FIRE STATIONS RENOVATION  
ARLINGTON COUNTY, VIRGINIA  
Architect's Project No: 563006

---

- B. Plain-End, Schedule 40 Steel Pipe: ASTM A 53/A 53M, ASTM A 135, or ASTM A 795 hot-dip galvanized where indicated.
1. Steel Welding Fittings: ASTM A 234/A 234M, and ASME B16.9 or ASME B16.11.
  2. Steel Flanges and Flanged Fittings: ASME B16.5.
- C. Grooved-End, Schedule 40 Steel Pipe: ASTM A 53/A 53M, ASTM A 135, or ASTM A 795, hot-dip galvanized where indicated and with factory- or field-formed, square-cut- or roll-grooved ends.
1. Grooved-Joint Piping Systems:
    - a. Basis-of-Design Product: Subject to compliance with requirements, provide Victaulic Company: FireLock.
    - b. Grooved-End Fittings: UL-listed, ASTM A 536, ductile-iron casting with OD matching steel-pipe OD. Basis of design shall be Victaulic Firelock fittings, models 001, 002, 003, 006 for sizes 2" thru 8". Smaller sizes shall be Victaulic models 10, 11, 20, 60 or IR fittings or IGS fittings. No Threaded fittings can be used 1-1/4" -12".
      1. Installation-Ready™ fittings for grooved end steel piping in fire protection applications sizes NPS 1-¼ thru 2½ (DN 32 thru DN 65). Fittings shall consist of a ductile iron housing conforming to ASTM A-536, Grade 65-45-12, with Installation-Ready™ ends, [orange enamel coated] [red enamel coated] [galvanized]. Fittings complete with pre-lubricated Grade "E" EPDM Type 'A' gasket; and ASTM A449 electroplated steel bolts and nuts. System shall be UL listed for a working pressure of 300 psi (2065 kPa) and FM approved for working pressure 365 psi (2517kPa).
      2. Fittings shall have a shorter center-to-end dimensions for installation in tight spaces.
      3. Fittings are rigid, for direct stab installation without field disassembly.
      4. Installation-Ready™ Fittings shall be Victaulic FireLock® Style 101, Style 102, and style 103, which shall be designed for direct "stab" installation onto grooved pipe without prior disassembly of the fitting.
      5. Fittings shall require visual pad-to-pad verification of complete installation.
    - c. Grooved-End-Pipe Couplings: UL 213 and AWWA C606, rigid pattern, unless otherwise indicated; gasketed fitting matching steel-pipe OD. Include ductile-iron housing with keys matching steel-pipe and fitting grooves, pre-lubricated rubber gasket listed for use with housing, and ASTM A449 compliant steel bolts and nuts. Coupling design shall be visual bolt pad to bolt pad, NO coupling requiring a torque wrench shall be used. Only IR Couplings will be used. For dry systems a Flush Seal gasket shall be used.

FIRE STATIONS RENOVATION  
ARLINGTON COUNTY, VIRGINIA  
Architect's Project No: 563006

---

- d. 1" In lieu of threaded steel piping systems, the Victaulic FireLock IGS System with "Installation-Ready™ fittings and couplings will be used for NPS 1 (DN 25) Schedule 10 and Schedule 40 carbon steel pipe in fire protection applications. System rated for a maximum working pressure to 365 psi (2517 kPa).
1. Groove: IGS "Innovative Groove System" groove with shortened "A" dimension and tapered groove backside for ease of installation.
    - a. Grooving Tool: Victaulic RG2100, with IGS Confirmation Gauge.
  2. Fittings:
    - a. Ductile iron housing conforming to ASTM A-536, Grade 65-45-12. Orange enamel coated or galvanized.
      - i. Victaulic Style 101 (90-degree elbow), Style 102 (tee), and Style 108 (coupling) with Installation-Ready™ ends.
      - ii. Style 108 single-bolt coupling provided with EPDM Type A pressure responsive gasket with Vic-Plus lubricant, and ASTM A449 compliant electroplated steel bolt and nut. CrMo alloy steel coupling linkage.
    - b. Thread x Groove adapter fittings and welded outlets with IGS grooved end, ASTM A53, grade A.

**1. Victaulic Mechanical Couplings for Fire Protection:** Basis of Design. Manufactured in two segments of cast ductile iron, conforming to ASTM A-536, Grade 65-45-12. Gaskets shall be pressure-responsive synthetic rubber, grade to suit the intended service, conforming to ASTM D-2000. Mechanical Coupling bolts shall be zinc plated (ASTM B-633) heat treated carbon steel track head conforming to ASTM A-449 and A-183, minimum tensile strength 110,000 psi (758450 kPa) as provided standard Victaulic.

a. **Rigid Type:**

- 1) "Installation Ready" rigid joints shall be Victaulic FireLock® EZ Style 009N and 107N, in sizes 1-1/4"(DN32) through 12" (DN300) sizes as only approved manuf. Designed for direct "stab" installation onto grooved pipe without prior disassembly of the coupling. For sizes 1-1/4"(DN32) through 2" (DN50) sizes. One bolt Style 108 couplings will be used for 1" size. One bolt 109 couplings can be used in lieu of 009N.
- 2) Housings shall be cast with offsetting, angle-pattern bolt pads to provide system rigidity and support and hanging in accordance with NFPA 13.
- 3) Rigid couplings shall require visual pad-to-pad verification of complete installation. Tongue and recess type couplings which require the use of a torque wrench to achieve the exact required gap between housings are not permitted. Installation Ready (IR) couplings will be the only style coupling approved.

FIRE STATIONS RENOVATION  
ARLINGTON COUNTY, VIRGINIA  
Architect's Project No: 563006

---

- b. **Flexible Type:** Use in seismic areas where required by NFPA 13.
  - 1) "Installation Ready" flexible joints shall be Victaulic Style 177N QuickVic™, in sizes 2"(DN50) through 8"(DN200), which shall be designed for direct "stab" installation onto grooved pipe without prior disassembly of the coupling. .
- e. 2) Standard flexible couplings shall be Victaulic Style 77.

## 2.2 PLASTIC PIPE AND FITTINGS

- A. CPVC Pipe and Fittings: UL-Listed for fire protection use, 175 psi rated, installed in accordance with NFPA 13 and manufacturers listing requirements.

## 2.3 FLEXIBLE CONNECTORS

- A. Flexible connectors shall have materials suitable for system fluid. Include 175-psig minimum working-pressure rating and ends according to the following:
  - 1. NPS 2 and Smaller: grooved.
  - 2. NPS 2-1/2 and Larger: grooved.
  - 3. Option for NPS 2-1/2 and Larger: Grooved for use with grooved-end-pipe couplings.
- B. Basis-of-Design Product: Subject to compliance with requirements, provide Victaulic Company AH2CC.
- C. Stainless-Steel-Hose/Stainless-Steel Pipe, Flexible Connectors: Corrugated, stainless-steel, inner tubing covered with stainless-steel wire braid. Include stainless-steel nipples or flanges, welded to hose.

## 2.4 CORROSION-PROTECTIVE ENCASUREMENT FOR PIPING

- A. Encasement for Underground Metal Piping: ASTM A 674 or AWWA C105, PE film, 0.008-inch minimum thickness, tube or sheet.

## 2.5 SPRINKLER SPECIALTY FITTINGS

- A. Sprinkler specialty fittings shall be UL listed or FM approved, with 175-psig minimum working-pressure rating, and made of materials compatible with piping. Sprinkler specialty fittings shall have
- B. Outlet Specialty Fittings:
  - 1. Basis-of-Design Product: Subject to compliance with requirements, provide Victaulic Company.

FIRE STATIONS RENOVATION  
ARLINGTON COUNTY, VIRGINIA  
Architect's Project No: 563006

---

2. Mechanical-T and -Cross Fittings: UL 213, ductile-iron housing with gaskets, bolts and nuts, and grooved outlets. Basis of design Victaulic style 920/920N and style 922.
  3. Snap-On and Strapless Outlet Fittings: UL 213, ductile-iron housing or casting with gasket and threaded or grooved or grooved outlet. Basis of design Victaulic style 923.
- C. Sprinkler Drain and Alarm Test Fittings: Cast- or ductile-iron body; with threaded, grooved or locking-lug inlet and outlet, test valve, and orifice and sight glass.
1. Basis-of-Design Product: Subject to compliance with requirements, provide Victaulic Company.

## 2.6 LISTED FIRE-PROTECTION VALVES

- A. Valves shall be UL listed or FM approved, with 175-psig minimum pressure rating.
1. Basis-of-Design Product: Subject to compliance with requirements, provide Victaulic Company.
- B. Ball Valves: Comply with UL 1091, except with ball instead of disc.
1. Basis-of-Design Product: Subject to compliance with requirements, provide Victaulic Company.
  2. NPS 1-1/2 and Smaller: Bronze or brass body with grooved ends. Basis of Design: Victaulic Series 728.
  3. NPS 2 and NPS 2-1/2: Ductile-iron body with grooved ends.
  4. NPS 3: Ductile-iron body with grooved ends.
- C. OS&Y Gate Valves: UL 262.
1. Ductile-iron body with flanged x Groove or groove x groove ends. No Flange x Flange will be accepted.
    - a. Basis-of-Design Product: Subject to compliance with requirements, provide Victaulic Company or engineer approved equal. Basis of design Victaulic model 771H or 771F.
- D. Butterfly Valves: UL 1091.
1. NPS 2 and Smaller: Bronze body with grooved ends.
    - a. Basis-of-Design Product: Subject to compliance with requirements, provide Victaulic Company.
  2. NPS 2-1/2 and Larger: Bronze, cast-iron, or ductile-iron body; wafer type or with flanged or grooved ends. Valve seat shall be pressure-responsive, and the stem offset from the disc centerline to provide complete 360-degree circumferential seating. Basis of

FIRE STATIONS RENOVATION  
ARLINGTON COUNTY, VIRGINIA  
Architect's Project No: 563006

---

Design: Victaulic Series 705. Each valve must be individually tested at factory to include electronics.

- a. Basis-of-Design Product: Subject to compliance with requirements, provide Victaulic Company.
- E. Check Valves NPS 2 and Larger: UL 312, spring-assisted swing type for vertical or horizontal installation, cast- ductile iron body with flanged or grooved ends. Basis of Design: Victaulic Series 717.
1. Basis-of-Design Product: Subject to compliance with requirements, provide Victaulic Company.
- F. Indicating Valves: UL 1091, with integral indicating device and ends matching connecting piping.
1. Indicator: Weatherproof actuator housing with electrical, 15 amp @125-VAC 60 HZ, prewired, single-pole-single-throw, supervisory switches
  2. NPS 2 and Smaller: Ball or butterfly valve with bronze body with grooved ends. Basis of Design: Victaulic Series 728.
    - a. Basis-of-Design Product: Subject to compliance with requirements, provide Victaulic Company.
  3. NPS 2-1/2 and Larger: Butterfly valve with cast- or ductile-iron body; wafer type or with flanged or grooved ends.
    - a. Basis-of-Design Product: Subject to compliance with requirements, provide Victaulic Company.

## 2.7 GENERAL-DUTY VALVES

- A. Basis-of-Design Product: Subject to compliance with requirements, provide Victaulic Company.
- B. Ball Valves NPS 2 and Smaller: MSS SP-110, 2-piece copper-alloy body with chrome-plated brass ball, 600-psig minimum CWP rating, blowout-proof stem, and threaded or grooved ends.
- C. Check Valves NPS 2 and Smaller: MSS SP-80, Type 4, Class 125 minimum, swing type with bronze body, nonmetallic disc, and threaded or grooved ends.

## 2.8 SPECIALTY VALVES

- A. Sprinkler System Control Valves: UL listed or FM approved, cast- or ductile-iron body with flanged or grooved ends, and 175-psig minimum pressure rating.
  1. Basis-of-Design Product: Subject to compliance with requirements, provide Victaulic Company.

FIRE STATIONS RENOVATION  
ARLINGTON COUNTY, VIRGINIA  
Architect's Project No: 563006

---

2. Riser Check Valves: UL 193, designed for horizontal or vertical installation, with bronze grooved seat with O-ring seals, single-hinge pin, and latch design. Include trim sets for drain and pressure gages. Victaulic UMC model only.
  
3. Floor control valve assemblies: Universal Manifold Check Valve | Model UMC  
Model UMC - 1-1/4, 1-1/2, 2, 2-1/2, 3, 4, 6, and 8-inch Universal Manifold Check Valve: Where universal manifold check valves are specified for use in wet-pipe sprinkler systems, as floor control manifolds they shall be specifically listed for such use. Universal manifold check valves shall be ductile iron construction, incorporating a control valve, check valve, flow switch, test & drain assembly, adjustable relief valve, and system gauges in one compact body/footprint, and shall be manufactured for "right" and "left"-hand orientations. The test & drain assemble shall contain an adjustable relief valve, with a range of 175 to 310 psi, and a universal test orifice of K2.8; to provide testing capabilities of systems with k-factors ranging from K2.8 and larger. The Universal Manifold Check valve shall be rated for use at the maximum service pressure of 300 psi and shall be UL listed and FM approved. Universal manifold check valves shall be the Model UMC; as manufactured by Globe brand by Victaulic Company only.

## 2.9 SPRINKLERS

- A. Sprinklers shall be UL listed or FM approved, with 175-psig minimum pressure rating. Basis of design Victaulic / Globe.
- B. Basis-of-Design Product: Subject to compliance with requirements, provide Victaulic Company.
- C. Automatic Sprinklers: UL-Listed with quick response glass bulb type heat-responsive element complying with the following:
  1. UL 199, for nonresidential applications.
- D. Wrenches shall be provided by the sprinkler manufacturer that directly engage the hex-shaped wrench boss integrally cast in the sprinkler body.
- E. Sprinkler types, features, and options as follows:
  1. Brass upright sprinklers.
  2. Extended-coverage sprinklers.
  3. Concealed pendent sprinklers, including cover plate, must have 1" of adjustment.
  4. Pendent sprinklers.
  5. Pendent, dry-type sprinklers.
  6. Quick-response sprinklers.
  7. Recessed sprinklers, including escutcheon.
  8. Sidewall sprinklers.



FIRE STATIONS RENOVATION  
ARLINGTON COUNTY, VIRGINIA  
Architect's Project No: 563006

---

9. Sidewall, dry-type sprinklers as manuf. By Victaulic
10. Attic sprinkler Globe Brand by Victaulic where applicable.
11. Grooved heads as manufactured by Victaulic.

F. Sprinkler Escutcheons: Materials, types, and finishes for the following sprinkler mounting applications. Escutcheons for concealed, flush, and recessed-type sprinklers are specified with sprinklers.

1. Ceiling Mounting: 2 piece, with 1-inch vertical adjustment.
2. Sidewall Mounting: 2 piece, with 1-inch horizontal adjustment.

G. Sprinkler Guards: Wire-cage type, including fastening device for attaching to sprinkler.

H. In lieu of rigid connections to dry sprinkler heads, a Victaulic VicFlex™ dry sprinkler, Model VS1, may be used. The sprinkler shall provide a vertical or horizontal flexible connection with a bend radius to 2" and allow for up to 4 bends.

I. For cooler or Freezer boxes: Victaulic AB6 Freezer dry pendant utilizing a flexible hose connection shall be used. No dry Pendant utilizing a rubber boot will be allowed.

#### 2.11 Special Hazard fire extinguishing systems

Special Hazards systems must meet NFSA 770 standard. Must be 100% green with no need for assurance of tight room integrity, nearly zero wetting with no costly cleanup. Must have no life safety issues and a quick recharge with not patent on the Gas used. Must use only Nitrogen and water. For use in all water sensitive facilities including data centers. Basis of design is Victaulic Vortex extinguishing system.

#### 2.12 ALARM DEVICES

J. Alarm device types shall match piping and equipment connections.

K. Wet Pipe Water-Flow Indicator: UL 346, electrical-supervision, paddle-operated-type, water-flow detector with 250-psig pressure rating and designed for horizontal or vertical installation. Include two single-pole, double-throw circuit switches for isolated alarm and auxiliary contacts, 7 A, 125-V ac and 0.25 A, 24-V dc; complete with factory-set, field-adjustable retard element to prevent false signals and tamperproof cover that sends signal if removed.

1. Manufacturers including but not limited to:
  - a. Grinnell Fire Protection.
  - b. ITT McDonnell & Miller.
  - c. Potter Electric Signal Company.
  - d. Viking Corp.
  - e. Watts Industries, Inc.; Water Products Div.

L. Valve Supervisory Switch: UL 753, electrical, single-pole, double-throw switch with normally closed contacts. Include design that signals controlled valve is in other than fully open position.

1. Manufacturers including but not limited to:
  - a. McWane, Inc.; Kennedy Valve Div.

FIRE STATIONS RENOVATION  
ARLINGTON COUNTY, VIRGINIA  
Architect's Project No: 563006

---

- b. Potter Electric Signal Company.
- c. System Sensor.

2.10 PRESSURE GAGES

- A. Manufacturers including but not limited to:
  - 1. Dresser Equipment Group; Instrument Div.
- B. Description: UL 393, 3-1/2" to 4-1/2" diameter dial.
- C. Water System Piping: Include caption "WATER" or "AIR/WATER" on dial face.

2.11 FIRESTOP WRAP

- A. Manufacturers including but not limited to:
  - 1. 3M
- B. UL listed with minimum 1-hour fire rating

PART 3 - EXECUTION

3.1 PREPARATION

- A. Perform fire-hydrant flow test according to NFPA standards, procedures, appendices, or recommendations.
- B. Report test results no later than two days following the test in writing.

3.2 EARTHWORK

- A. Refer to Division 31 Section "Earth Moving" for excavating, trenching, and backfilling.

3.3 EXAMINATION

- A. Examine roughing-in for hose connections and stations to verify actual locations of piping connections before installation.
- B. Examine walls and partitions for suitable thicknesses, fire- and smoke-rated construction, framing for hose-station cabinets, and other conditions where hose connections and stations are to be installed.
- C. Proceed with installation only after unsatisfactory conditions have been corrected.

FIRE STATIONS RENOVATION  
ARLINGTON COUNTY, VIRGINIA  
Architect's Project No: 563006

---

3.4 PIPING APPLICATIONS, GENERAL

- A. Provide shop-welded joints where welding is required.
- B. Provide shop or manufacturer-threaded or grooved joints where threads are required.
- C. Field-welded joints will be permitted where indicated on the drawings. Field welding is optional where indicated. Other approved or specified methods are acceptable.
- D. Do not use welded joints for galvanized-steel.
- E. Flanges, flanged fittings, unions, nipples, transition and special fittings with finish and pressure ratings same as or higher than system's pressure rating may be used in aboveground applications, unless otherwise indicated.

3.5 SPRINKLER SYSTEM PIPING APPLICATIONS

- A. Wet-Pipe Sprinkler System, 175-psig Maximum Working Pressure:
  - 1. Sprinkler Piping NPS 2" and smaller use any of the following:
    - a. Threaded or grooved-end, black, schedule 40 steel pipe; cast- or malleable-iron threaded or grooved fittings; and threaded or grooved joints.
    - b. Plain-end, black, schedule 40 steel pipe; steel welding fittings; and welded joints.
    - c. Grooved-end, black, schedule 40 steel pipe with square-cut- or roll-grooved ends; grooved-end fittings; grooved-end-pipe couplings; and grooved joints.
  - 2. Sprinkler Piping NPS 2 1/2" and larger use any of the following:
    - a. Threaded or grooved-end, black, schedule 40 steel pipe; cast- or malleable-iron threaded or grooved fittings; and threaded or grooved joints.
    - b. Plain-end, black, schedule 10 steel pipe; steel welding fittings; and welded joints.
    - c. Grooved-end, black, Schedule 10 steel pipe; grooved-end fittings; grooved-end-pipe couplings; and roll grooved joints.
  - 3. CPVC Pipe and Fittings are permitted to be installed in accordance with NFPA 13 and the manufacturers listing requirements.

3.6 VALVE APPLICATIONS

- A. Where specific valve types are not indicated, the following requirements apply:
  - 1. Listed Fire-Protection Valves: UL listed and FMG approved for application.
    - a. Shutoff Duty: Use ball, or butterfly valves.

3.7 JOINT CONSTRUCTION

- A. Refer to Section "Common Work Results for Fire Suppression" for basic piping joint construction.

FIRE STATIONS RENOVATION  
ARLINGTON COUNTY, VIRGINIA  
Architect's Project No: 563006

---

- B. Threaded Joints: Comply with NFPA 13 for pipe thickness and threads. Do not thread pipe smaller than 8" with wall thickness less than Schedule 40 unless approved by authorities having jurisdiction.
- C. Threads shall be checked by a ring gage and shall comply with ASME B1.20.1.
- D. Grooved Joints: Assemble joints with listed coupling and gasket, lubricant, and bolts in accordance with the manufacturer's published installation instructions.
  - 1. Steel Pipe: Square-cut or roll-groove piping as indicated. Use grooved-end fittings and rigid, grooved-end-pipe couplings, unless otherwise indicated.
  - 2. Grooved coupling manufacturer's factory trained field representative shall provide on-site training for contractor's field personnel in the proper use of grooving tools, application of groove, and installation of grooved piping products. Factory trained representative shall periodically visit the jobsite to ensure best practices in grooved product installation are being followed. Contractor shall remove and replace any improperly installed products.
- E. Dissimilar-Metal Piping Joints: Construct joints using dielectric fittings compatible with both piping materials.
  - 1. NPS 2 and Smaller: Use dielectric unions, couplings, or nipples.
  - 2. NPS 2-1/2 to NPS 4: Use dielectric flanges.
  - 3. NPS 5 and Larger: Use dielectric flange insulation kits.

### 3.8 PIPING INSTALLATION

- A. Refer to Section "Common Work Results for Fire Suppression" for basic piping installation.
- B. Locations and Arrangements: Drawing plans, shop drawings, schematics, and diagrams indicate general location and arrangement of piping. Install piping as indicated.
  - 1. Deviations from approved working drawings for piping require written approval from authorities having jurisdiction and Architect. File written approval with Architect before deviating.
- C. Provide approved fittings to make changes in direction, branch takeoffs from mains, and reductions in pipe sizes.
- D. Provide unions adjacent to each valve in pipes 2" and smaller. Unions are not required on flanged devices or in piping installations using grooved joints.
- E. Provide sprinkler piping with drains for complete system drainage.
- F. Provide alarm devices.
- G. Install sprinkler system piping according to NFPA 13.

FIRE STATIONS RENOVATION  
ARLINGTON COUNTY, VIRGINIA  
Architect's Project No: 563006

---

- H. Install pressure gages on each riser or feed main, and at each sprinkler test connection. Include pressure gages with connection not less than 1/4" and with soft metal seated globe valve, arranged for draining pipe between gage and valve. Install gages to permit removal, and install where not subject to freezing.
- I. Fill wet-pipe sprinkler with water.

3.9 VALVE INSTALLATION

- A. Install listed fire-protection valves, unlisted general-duty valves, specialty valves and trim, controls, and specialties according to NFPA 13 and authorities having jurisdiction.
- B. Install listed fire-protection shutoff valves supervised-open, located to control sources of water supply except from fire department connections. Install permanent identification signs indicating portion of system controlled by each valve.

3.10 SPRINKLER INSTALLATION

- A. Install sprinklers in suspended ceilings in center of acoustical ceiling panels and tiles.
- B. Do not install pendent or sidewall, wet-type sprinklers in areas subject to freezing. Use dry-type sprinklers with water supply from heated space wherever possible.
- C. Do not install sprinklers that have been dropped, damaged, show a visible loss of fluid, or a cracked bulb.
- D. The sprinkler bulb protector shall be removable by hand, without tools or devices that may damage the bulb.

3.11 CONNECTIONS

- A. Install piping adjacent to equipment to allow service and maintenance.
- B. Connect water-supply piping to fire-suppression piping. Include backflow preventer between potable-water piping and fire-suppression piping.
- C. Install ball drip valves at each check valve for fire department connection. Drain as indicated. If not indicated otherwise, drain to floor drain or outside building.
- D. Coordinate connection of alarm devices to fire alarm.
- E. Ground equipment. Grounding shall be in accordance with section "Grounding and Bonding for Electrical Systems."
- F. Coordinate connection of wiring.

FIRE STATIONS RENOVATION  
ARLINGTON COUNTY, VIRGINIA  
Architect's Project No: 563006

---

- G. Tighten electrical connectors and terminals according to manufacturer's published torque-tightening values. If manufacturer's torque values are not indicated, use those specified in UL 486A and UL 486B.

3.12 LABELING AND IDENTIFICATION

- A. Install labeling and pipe markers on equipment and piping according to requirements in NFPA 13.

3.13 FIELD QUALITY CONTROL

- A. Perform the following field tests and inspections and prepare test reports:
  1. Leak Test: After installation, charge system and test for leaks. Repair leaks and retest until no leaks exist.
  2. Test and adjust controls and safeties. Replace damaged and malfunctioning controls and equipment.
  3. Energize circuits to electrical equipment and devices.
  4. Flush, test, and inspect sprinkler systems according to NFPA 13, "Systems Acceptance" Chapter.
  5. Coordinate with fire alarm tests. Operate as required.
  6. Verify that equipment hose threads are same as local fire department equipment.
- B. Report test results promptly and in writing to Architect and authorities having jurisdiction.

3.14 CLEANING AND PROTECTION

- A. Clean dirt and debris from sprinklers.
- B. Provide sprinklers to replace sprinklers with paint or coating other than the original factory finish.
- C. Protect sprinklers from damage and debris until Substantial Completion.
- D. Protect the building exterior when operating drains and test connections discharging to the building exterior.
- E. Dirt and stains on any surfaces resulting from the work of this section shall be cleaned and removed under this section.

3.15 DEMONSTRATION

- A. Engage a factory-authorized service representative to train Owner's maintenance personnel to adjust, operate, and maintain the system.

END OF SECTION 211000

FIRE STATIONS RENOVATION  
ARLINGTON COUNTY, VIRGINIA  
Architect's Project No: 563006

SECTION 230500 - COMMON WORK RESULTS FOR HVAC

PART 1 - GENERAL

1.1 RELATED DOCUMENTS

- A. Provisions of the Contract and of the Contract Documents apply to this Section.

1.2 DEFINITIONS

- A. Finished Spaces: Spaces other than mechanical and electrical equipment rooms, furred spaces, pipe chases, unheated spaces immediately below roof, spaces above ceilings, unexcavated spaces, crawlspaces, and tunnels.
- B. Exposed, Interior Installations: Exposed to view indoors. Examples include finished occupied spaces and mechanical equipment rooms.
- C. Exposed, Exterior Installations: Exposed to view outdoors or subject to outdoor ambient temperatures and weather conditions. Examples include rooftop locations.
- D. Concealed, Interior Installations: Concealed from view and protected from physical contact by building occupants. Examples include above ceilings and in chases.
- E. Concealed, Exterior Installations: Concealed from view and protected from weather conditions and physical contact by building occupants but subject to outdoor ambient temperatures. Examples include installations within unheated shelters.
- F. The following are industry abbreviations for rubber materials:
  - 1. EPDM: Ethylene-propylene-diene terpolymer rubber.
  - 2. NBR: Acrylonitrile-butadiene rubber.
- G. VUSBC: Virginia Uniform Statewide Building Code

1.3 SUBMITTALS

- A. Product Data: For the following:
  - 1. Transition fittings.
  - 2. Dielectric fittings.
  - 3. Mechanical sleeve seals.
  - 4. Escutcheons.

FIRE STATIONS RENOVATION  
ARLINGTON COUNTY, VIRGINIA  
Architect's Project No: 563006

1.4 QUALITY ASSURANCE

- A. Equipment and appliances comprising portions of the mechanical systems regulated by the VUSBC shall be listed and labeled in accordance with the current edition of the VUSBC.
- B. Equipment and appliances comprising portions of the mechanical systems regulated by the VUSBC shall be installed in accordance with the listing, manufacturer's installation instructions, and the VUSBC. Manufacturer's installation instructions shall be available on the job site for use and inspection.
- C. Steel Support Welding: Qualify processes and operators according to AWS D1.1, "Structural Welding Code--Steel."
- D. Steel Pipe Welding: Qualify processes and operators according to ASME Boiler and Pressure Vessel Code: Section IX, "Welding and Brazing Qualifications."
  - 1. Comply with provisions in ASME B31 Series, "Code for Pressure Piping."
  - 2. Certify that each welder has passed AWS qualification tests for welding processes involved and that certification is current.
- E. Electrical Characteristics for HVAC Equipment: Equipment of higher electrical characteristics may be furnished provided such proposed equipment is approved in writing and connecting electrical services, circuit breakers, and conduit sizes are appropriately modified. If minimum energy ratings or efficiencies are specified, equipment shall comply with requirements.

1.5 DELIVERY, STORAGE, AND HANDLING

- A. Deliver pipes and tubes with factory-applied end caps. Maintain end caps through shipping, storage, and handling to prevent pipe end damage and to prevent entrance of dirt, debris, and moisture.

1.6 COORDINATION

- A. Arrange for pipe spaces, chases, slots, and openings in building structure during progress of construction, to allow for HVAC installations.
- B. Coordinate installation of required supporting devices and set sleeves in poured-in-place concrete and other structural components as they are constructed.
- C. Coordinate requirements for access panels and doors for HVAC items requiring access that are concealed behind finished surfaces. Access panels and doors are specified in Division 08 Section "Access Doors and Frames."



FIRE STATIONS RENOVATION  
ARLINGTON COUNTY, VIRGINIA  
Architect's Project No: 563006

1.7 INTENT OF CONTRACT DOCUMENTS

- A. Mechanical and HVAC drawings are diagrammatic, indicating general locations and arrangements of pipe, duct, and equipment. Not necessarily indicating all offsets, conditions, and appurtenances required to provide clearances for maximum practical accessibility to perform maintenance.
- B. Coordinate work in order to achieve proper operation and to provide a maintainable installed condition.
- C. Notify the Architect's representative immediately of conditions which do not comply or will not produce this result.
- D. Indicated configurations were used to size pipes, pumps, expansion tanks and other devices. Install piping, duct, and equipment generally as indicated. Minor deviations are permitted in the course of necessary coordination. Major changes shall be submitted for approval by the Architect's representative. Additional fittings and offsets not indicated are expected, anticipated by the design, and shall be provided. If more than 5% of the indicated number of fittings are required or if one change in direction is within six inches of another change in direction and this "Z" shape is not indicated notify the Architect's representative immediately. Provide necessary additional fittings and offsets. Changes in pipe size shall be made only with written approval from the Architect's representative.

PART 2 - PRODUCTS

2.1 PIPE, TUBE, AND FITTINGS

- A. Refer to Section "Hydronic Piping" for additional pipe, tube, and fitting materials and joining methods.
- B. Pipe Threads: ASME B1.20.1 for factory-threaded pipe and pipe fittings.

2.2 JOINING MATERIALS

- A. Refer to individual Division 23 piping sections for joining materials not listed below.
- B. Pipe-Flange Gasket Materials: Suitable for chemical and thermal conditions inside & outside pipe and:
  - 1. ASME B16.21, non-metallic, flat, asbestos-free, 1/8-inch maximum thickness unless thickness or specific material is otherwise indicated.
    - a. Full-Face Type: For flat-face, Class 125, cast-iron and cast-bronze flanges.
    - b. Narrow-Face Type: For raised-face, Class 250, cast-iron and steel flanges.

FIRE STATIONS RENOVATION  
ARLINGTON COUNTY, VIRGINIA  
Architect's Project No: 563006

- 2. AWWA C110, rubber, flat face, 1/8 inch thick, unless otherwise indicated, and full-face or ring type, unless otherwise indicated.
- C. Solder Filler Metals: ASTM B 32, lead-free (95% Tin, 5% Antimony) alloy. Include water-flushable flux according to ASTM B 813.
- D. Brazing Filler Metals: AWS A5.8, BCuP Series, copper-phosphorus alloys for general-duty brazing, unless otherwise indicated; and AWS A5.8, BAgl, silver alloy for refrigerant piping, unless otherwise indicated.
- E. Welding Filler Metals: Comply with AWS D10.12 for welding materials appropriate for wall thickness and chemical analysis of steel pipe being welded.

2.3 DIELECTRIC FITTINGS

- A. Description: Combination fitting of copper alloy and ferrous materials with threaded, solder-joint, plain, or weld-neck end connections that match piping system materials.
- B. Insulating Material: Suitable for system fluid, pressure, and temperature.
- C. Dielectric Flanges: Factory-fabricated, companion-flange assembly, for 150- or 300-psig minimum working pressure as required to suit system pressures.
  - 1. Available Manufacturers:
    - a. Capitol Manufacturing Co.
    - b. Central Plastics Company.
    - c. Epcos Sales, Inc.
    - d. Watts Industries, Inc.; Water Products Div.
- D. Dielectric-Flange Kits: Companion-flange assembly for field assembly. Include flanges, full-face- or ring-type neoprene or phenolic gasket, phenolic or polyethylene bolt sleeves, phenolic washers, and steel backing washers.
  - 1. Available Manufacturers:
    - a. Advance Products & Systems, Inc.
    - b. Calpico, Inc.
    - c. Central Plastics Company.
    - d. Pipeline Seal and Insulator, Inc.
  - 2. Separate companion flanges and steel bolts and nuts shall have 150- or 300-psig minimum working pressure where required to suit system pressures.
- E. Dielectric Couplings: Galvanized steel coupling with inert and non-corrosive, thermoplastic lining; threaded ends; and 300-psig minimum working pressure at 225°F.
  - 1. Available Manufacturers:

FIRE STATIONS RENOVATION  
ARLINGTON COUNTY, VIRGINIA  
Architect's Project No: 563006

- a. Calpico, Inc.
- b. Lochinvar Corp.

2.4 MECHANICAL SLEEVE SEALS

- A. Description: Modular sealing element unit, designed for field assembly, to fill annular space between pipe and sleeve.
  - 1. Available Manufacturers:
    - a. Advance Products & Systems, Inc.
    - b. Calpico, Inc.
    - c. Metraflex Co.
    - d. Pipeline Seal and Insulator, Inc.
  - 2. Sealing Elements: EPDM interlocking links shaped to fit surface of pipe. Include type and number required for pipe material and size of pipe.
  - 3. Pressure Plates: Plastic. Include two for each sealing element.
  - 4. Connecting Bolts and Nuts: Stainless steel of length required to secure pressure plates to sealing elements.

2.5 SLEEVES

- A. Galvanized-Steel Sheet: 0.0239-inch minimum thickness; round tube closed with welded longitudinal joint.
- B. Steel Pipe: ASTM A 53, Type E, Grade B, Schedule 40, galvanized, plain ends.
- C. Cast Iron: Cast or fabricated "wall pipe" equivalent to ductile-iron pressure pipe, with plain ends and integral waterstop, unless otherwise indicated.
- D. Stack Sleeve Fittings: Manufactured, cast-iron sleeve with integral clamping flange. Include clamping ring and bolts and nuts for membrane flashing.
  - 1. Underdeck Clamp: Clamping ring with set screws.
- E. Molded PE: Reusable, PE, tapered cup-shaped and smooth-outer surface with nailing flange for attaching to wooden forms.

2.6 ESCUTCHEONS

- A. Description: Manufactured wall and ceiling escutcheons and floor plates, with an ID to closely fit around pipe, tube, and insulation of insulated piping and an OD that completely covers opening.

FIRE STATIONS RENOVATION  
ARLINGTON COUNTY, VIRGINIA  
Architect's Project No: 563006

- B. One-Piece, Deep-Pattern Type: Deep-drawn, box-shaped brass with polished chrome-plated finish.
- C. One-Piece, Cast-Brass Type: With set screw.
  - 1. Finish: Polished chrome-plated.
- D. Split-Casting, Cast-Brass Type: With concealed hinge and set screw.
  - 1. Finish: Polished chrome-plated.
- E. One-Piece, Floor-Plate Type: Cast-iron floor plate.
- F. Split-Casting, Floor-Plate Type: Cast brass with concealed hinge and set screw.

2.7 GROUT

- A. Description: ASTM C 1107, Grade B, non-shrink and non-metallic, dry hydraulic cement grout.
  - 1. Characteristics: Post-hardening, volume-adjusting, non-staining, non-corrosive, non-gaseous, and recommended for interior and exterior applications.
  - 2. Design Mix: 5000-psi, 28-day compressive strength.
  - 3. Packaging: Premixed and factory packaged.

PART 3 - EXECUTION

3.1 HVAC DEMOLITION

- A. Refer to Sections "Cutting and Patching" and "Selective Structure Demolition" for general demolition requirements and procedures.
- B. Disconnect, demolish, and remove HVAC systems, equipment, and components indicated to be removed.
  - 1. Piping to Be Removed: Remove portion of piping indicated to be removed and cap or plug remaining piping with same or compatible piping material.
  - 2. Piping to Be Abandoned in Place: Drain piping and cap or plug piping with same or compatible piping material.
  - 3. Equipment to Be Removed: Remove equipment and associated piping back to main unless otherwise indicated. Cap services.
  - 4. Equipment to Be Removed and Reinstalled: Disconnect and cap services. Remove, clean, and store equipment. When appropriate, reinstall, reconnect, and make equipment operational.
  - 5. Equipment to Be Removed and Salvaged: Remove equipment and associated piping back to main unless otherwise indicated. Cap services. Remove equipment, clean, and

FIRE STATIONS RENOVATION  
ARLINGTON COUNTY, VIRGINIA  
Architect's Project No: 563006

store as directed (May be off-site). Make available to owner at time of the owner's choosing.

- C. If pipe, insulation, or equipment to remain is damaged in appearance or is unserviceable, remove damaged or unserviceable portions and replace with new products of equal capacity and quality.

### 3.2 PIPING SYSTEMS - COMMON REQUIREMENTS

- A. Install piping according to the following and Division 23 Sections specifying piping systems.
- B. Install piping in concealed locations, unless otherwise indicated and except in equipment rooms and service areas.
- C. Install piping indicated to be exposed and piping in equipment rooms and service areas at right angles or parallel to building walls. Diagonal runs are prohibited unless specifically indicated.
- D. Install piping above accessible ceilings allowing sufficient space for ceiling panel removal.
- E. Install piping to permit valve operation & servicing.
- F. Install condensate drain piping at 1% slope.
- G. Install piping free of sags and bends.
- H. Install fittings for changes in direction and branch connections unless otherwise indicated.
- I. Install piping leaving room for installation of insulation.
- J. Install system components with pressure rating equal to or greater than system operating pressure.
- K. Install escutcheons for penetrations of walls, ceilings, and floors according to the following:
  - 1. Exposed, Interior Installations/Piping with Fitting or Sleeve Protruding from Wall: One-piece, deep-pattern type.
  - 2. Exposed, Interior Installations/Chrome-Plated Piping: One-piece, cast-brass type with polished chrome-plated finish and set-screw.
  - 3. Exposed, Interior Installations/Insulated Piping: One-piece, cast-brass type with polished chrome-plated finish.
  - 4. Exposed, Interior Installations/Bare Piping at Wall and Floor Penetrations in Finished Spaces: One-piece, cast-brass type with finish to match surrounding surfaces.
  - 5. Exposed, Interior Installations/Bare Piping at Ceiling Penetrations in Finished Spaces: One-piece or split-casting, cast-brass type with finish to match surrounding surfaces.
  - 6. Exposed, Interior Installations/Piping in Unfinished Service Spaces: None, provide sealant.
  - 7. Exposed, Interior Installations/Piping in Equipment Rooms: None, provide sealant.

FIRE STATIONS RENOVATION  
ARLINGTON COUNTY, VIRGINIA  
Architect's Project No: 563006

8. Exposed, Interior Installations/Piping at Floor Penetrations in Equipment Rooms, Fan Rooms, or similar wet spaces: None - provide sealant and sleeve extending 2" above floor to prevent liquid leaking to floor below.
  
- L. Provide seal around piping penetrations of full height interior walls, both rated and non-rated, that occur above ceilings. Refer to Section 079200 Joint Sealants.
  
- M. Sleeves are not required for core-drilled holes.
  1. Exception: Exposed, Interior Installations at Floor Penetrations in Equipment Rooms, Fan Rooms, or similar wet spaces.
  
- N. Permanent sleeves are not required for holes formed by removable PE sleeves.
  1. Exception: Exposed, Interior Installations at Floor Penetrations in Equipment Rooms, Fan Rooms, or similar wet spaces.
  
- O. Install sleeves for pipes passing through walls, floors, or roofs.
  1. Cut sleeves to length for mounting flush with both surfaces.
    - a. Exception: Extend sleeves installed in floors of mechanical equipment rooms, fan rooms or other similar wet areas 2 inches above finished floor level. Extend cast-iron sleeve fittings below floor slab as required to secure clamping ring.
  2. Install sleeves as walls and slabs are constructed.
    - a. PVC Pipe Sleeves: Permitted for pipes smaller than 6" except aboveground, exterior-walls.
    - b. Steel Sheet Sleeves: Permitted for pipes 6" and larger, penetrating gypsum-board partitions except aboveground, exterior-walls.
    - c. Seal space outside sleeve fittings with grout and sealant.
  3. Except for penetrations where mechanical sleeve seals are used, seal annular space between sleeve and pipe or pipe insulation, using joint sealants appropriate for size, depth, and location of joint. Refer to Section "Joint Sealants".
  
- P. Aboveground Exterior Penetrations: Seal penetrations using sleeves and mechanical sleeve seals. Select sleeve size to allow for annular clear space required by the mechanical sleeve seal manufacturer between pipe and sleeve for installing mechanical sleeve seals.
  1. Install steel pipe for sleeves smaller than 6 inches in diameter.
  2. Install cast-iron "wall pipes" for sleeves 6 inches and larger in diameter.
  3. Mechanical Sleeve Seal Installation: Select type and number of sealing elements required for pipe material and size. Position pipe in center of sleeve. Assemble mechanical sleeve seals and install in annular space between pipe and sleeve. Tighten bolts against pressure plates that cause sealing elements to expand and make watertight seal.
  4. Sleeves from an approved sleeve seal manufacturer shall be acceptable.

FIRE STATIONS RENOVATION  
ARLINGTON COUNTY, VIRGINIA  
Architect's Project No: 563006

- Q. Underground Exterior Penetrations: Install cast-iron "wall pipes" for sleeves. Seal pipe penetrations using mechanical sleeve seals. Select sleeve size to allow for annular clear space required by the mechanical sleeve seal manufacturer between pipe and sleeve for installing mechanical sleeve seals.
- R. Mechanical Sleeve Seal Installation: Select type and number of sealing elements required for pipe material and size. Position pipe in center of sleeve. Assemble mechanical sleeve seals and install in annular space between pipe and sleeve. Tighten bolts against pressure plates that cause sealing elements to expand and make watertight seal.
- S. Fire-Barrier Penetrations: Maintain indicated fire rating of walls, partitions, ceilings, and floors at pipe penetrations. Seal pipe penetrations with firestop materials. Refer to Section "Penetration Firestopping" for materials.
- T. Verify final equipment locations for roughing-in.
- U. Refer to equipment specifications in other Sections of these Specifications for roughing-in requirements.

### 3.3 PIPING JOINT CONSTRUCTION

- A. Join pipe and fittings according to the following requirements and Division 22 Sections specifying piping systems.
- B. Ream ends of pipes and tubes and remove burrs. Bevel plain ends of steel pipe.
- C. Remove scale, slag, dirt, and debris from inside and outside of pipe and fittings before assembly.
- D. Soldered Joints: Apply water-flushable flux, unless otherwise indicated, to tube end. Construct joints using lead-free solder alloy.
- E. Brazed Joints: Construct joints using copper-phosphorus brazing filler metal.
- F. Threaded Joints: Thread pipe with tapered pipe threads. Cut threads full and clean using sharp dies. Ream threaded pipe ends to remove burrs and restore full ID. Join pipe fittings and valves as follows:
  - 1. Apply appropriate tape or thread compound to external pipe threads unless otherwise indicated.
- G. Welded Joints: Construct joints using qualified processes and welding operators.
- H. Flanged Joints: Select appropriate gasket material, size, type, and thickness for service application. Install gasket concentrically positioned. Use suitable lubricants on bolt threads.
- I. Mechanical Joints: Prepare pipe ends and fittings, apply coupling, and join according to joint manufacturer's written instructions.

FIRE STATIONS RENOVATION  
ARLINGTON COUNTY, VIRGINIA  
Architect's Project No: 563006

3.4 PIPING CONNECTIONS

- A. Make connections according to the following, unless otherwise indicated:
  - 1. Install unions, in piping 2" and smaller, one adjacent to each valve and at final connections to each piece of equipment.
  - 2. Install flanges, in piping NPS 2-1/2" and larger, adjacent to final connections to each piece of equipment.
  - 3. Install dielectric unions or flanges for connections of dissimilar metals.

3.5 EQUIPMENT INSTALLATION - COMMON REQUIREMENTS

- A. Install equipment to allow maximum possible headroom unless specific mounting heights are indicated.
- B. Install equipment level and plumb, parallel and perpendicular to other building systems and components in exposed interior spaces, unless otherwise indicated.
- C. Install HVAC equipment to facilitate service, maintenance, and repair or replacement of components. Connect equipment for ease of disconnecting, with minimum interference to other installations. Extend grease fittings to service side of equipment.
- D. Install equipment to allow space for other systems.

3.6 PAINTING

- A. Damage and Touchup: Repair marred and damaged factory-painted finishes with materials and procedures to match original factory finish.

3.7 HOUSEKEEPING PADS AND EQUIPMENT PADS

- A. Housekeeping pads and equipment pads: Anchor equipment to concrete according to equipment manufacturer's written instructions and according to seismic codes at project location.
  - 1. Construct concrete pads in accordance with drawing details.
  - 2. Details may be found on structural drawings.

3.8 ERECTION OF METAL SUPPORTS AND ANCHORAGES

- A. Refer to Section "Metal Fabrications" for structural steel.
- B. Cut, fit, and place miscellaneous metal supports accurately in location, alignment, and elevation to support and anchor HVAC materials and equipment.
- C. Field Welding: Comply with AWS D1.1.



FIRE STATIONS RENOVATION  
ARLINGTON COUNTY, VIRGINIA  
Architect's Project No: 563006

3.9 GROUTING

- A. Mix and install grout for HVAC equipment base bearing surfaces, pump and other equipment base plates, and anchors.
- B. Clean surfaces that will come into contact with grout.
- C. Provide forms as required for placement of grout.
- D. Avoid air entrapment during placement of grout.
- E. Place grout, completely filling equipment bases.
- F. Place grout on concrete bases and provide smooth bearing surface for equipment.
- G. Place grout around anchors.
- H. Cure placed grout.

3.10 EXCAVATION AND BACKFILL

- A. Excavation and backfill shall be as indicated in Division 1 specifications and on the drawings. If excavation and backfill is not otherwise indicated the following shall apply:
  - 1. Excavate trenches to indicated gradients, lines, depths, and elevations.
    - a. Beyond the building perimeter, excavate trenches to allow installation of top of pipe below frost line.
  - 2. Excavate trenches to uniform widths to provide twelve inches clear on each side of pipe. Excavate trench walls vertically from trench bottom.
  - 3. Trench Bottoms: Excavate trench bottoms to provide flat surface. Place and compact six inches of sand. Excavate and shape sand to provide uniform bearing and support of pipes. Shape sand to provide continuous support for bells, joints, fittings, and barrels of pipes. Sand shall be free of projecting stones and sharp objects.
  - 4. Backfill and hand tamp to 95% proctor to six inches above the top of the pipe.
  - 5. Backfill and machine tamp the remainder of the trench to 95% proctor in twelve inch lifts.

END OF SECTION 230500

FIRE STATIONS RENOVATION  
ARLINGTON COUNTY, VIRGINIA  
Architect's Project No: 563006

SECTION 230513 – MOTORS FOR HVAC EQUIPMENT

PART 1 - GENERAL

1.1 RELATED DOCUMENTS

- A. Provisions of the Contract and of the Contract Documents apply to this Section.

1.2 SUBMITTALS

- A. Manufacturer's catalog and efficiency data.

1.3 QUALITY ASSURANCE

- A. Electrical Components, Devices, and Accessories: Listed and labeled as defined in NFPA 70, Article 100, by a testing agency acceptable to authorities having jurisdiction, and marked for intended use.
- B. Comply with NFPA 70.

1.4 COORDINATION

- A. All motors are required to be equipped with overload protection located near the motor.
  - 1. Overload protection shall:
    - a. Be located between the circuit breaker or fuse provided under Division 26 and the motor windings.
    - b. Meet one of the options specified in the following paragraph.
  - 2. Overload protection may be:
    - a. Located in the motor installed by the motor manufacturer. (preferred)
    - b. A separate device located near the motor.
    - c. Located in, or with, a disconnect switch provided by the equipment manufacturer. Provision of this switch shall not modify, change, or eliminate any Division 26 requirement. This means some equipment shall be provided or specified with two disconnecting means.
- B. Coordinate features of motors, installed units, and accessory devices. Provide motors that are:
  - 1. Compatible with controller
  - 2. Matched to torque and horsepower requirements of the load.
  - 3. Matched to ratings and characteristics of supply circuit and required control sequence.
- C. Coordinate motor support with requirements for driven load; access for maintenance and motor replacement; installation of accessories, belts, belt guards; and adjustment of sliding rails for belt tensioning.
- D. Belt tension must be wrench and socket adjustable.
- E. Belt tensioning device must accommodate adjustable sheaves.

**FIRE STATIONS RENOVATION  
ARLINGTON COUNTY, VIRGINIA  
Architect's Project No: 563006**

**PART 2 - PRODUCTS**

**2.1 MOTOR REQUIREMENTS**

- A. Motor requirements apply except as follows:
1. Ratings, performance, or characteristics for a motor are specified in another Section or are scheduled on the drawings.
  2. Motor manufacturer requires ratings, performance, or characteristics, other than those specified to meet indicated performance.

**2.2 MOTOR CHARACTERISTICS**

- A. Frequency Rating: 60 Hz.
- B. Voltage Rating: NEMA standard voltage selected to operate on nominal circuit voltage to which motor is connected.
- C. Duty: Continuous at 105 deg F and 3300 feet above sea level.
- D. Capacity and Torque sufficient to:
1. Start, accelerate, and operate connected load.
  2. Maintain designated speeds.
  3. Operate at installed altitude and environment.
  4. Operate with indicated operating sequence.
  5. Operate without exceeding nameplate ratings.
  6. Operate without utilizing service factor.
- E. Enclosure: Open drip-proof unless otherwise indicated.
- F. Minimum Service Factor: 1.15 unless otherwise indicated.

**2.3 POLYPHASE MOTORS**

- A. Description: NEMA MG 1, Design B, medium induction motor.
- B. NEMA Premium efficiency motors shall meet the following full load efficiency:

HP	ODP			TEFC		
	6 Pole	4 Pole	2 Pole	6 Pole	4 Pole	2 Pole
1	82.5	85.5	77.0	82.5	85.5	77.0
1.5	86.5	86.5	84.0	87.5	86.5	84.0
2	87.5	86.5	85.5	88.5	86.5	85.5
3	88.5	89.5	85.5	89.5	89.5	86.5
5	89.5	89.5	86.5	89.5	89.5	88.5
7.5	90.2	91.0	88.5	91.0	91.7	89.5
10	91.7	91.7	89.5	91.0	91.7	90.2
15	91.7	93.0	90.2	91.7	92.4	91.0
20	92.4	93.0	91.0	91.7	93.0	91.0
25	93.0	93.6	91.7	93.0	93.6	91.7

FIRE STATIONS RENOVATION  
ARLINGTON COUNTY, VIRGINIA  
Architect's Project No: 563006

30	93.6	94.1	91.7	93.0	93.6	91.7
----	------	------	------	------	------	------

- C. Efficiency: NEMA Premium
- D. Stator: Copper windings, unless otherwise indicated.
- E. Rotor: Squirrel cage, unless otherwise indicated.
- F. Bearings: Double-shielded, prelubricated ball bearings suitable for radial and thrust loading.
- G. Temperature Rise: Match insulation rating, unless otherwise indicated.
- H. Insulation: Class F, unless otherwise indicated.
- I. Code Letter Designation: NEMA starting Code F or G.
- J. Enclosure: Cast iron.
- K. Finish: Gray enamel.
- L. Motors Used with Reduced-Inrush Controllers: Match wiring connection requirements for controller with required motor leads. Provide terminals in motor terminal box, suited to control method.

### PART 3 - EXECUTION

#### 3.1 FIELD QUALITY CONTROL

- A. Perform the following:
  1. Run each motor with its controller at load.
  2. Demonstrate correct rotation, alignment, and speed.
  3. Test interlocks and control features for proper operation.
  4. Verify that current in each phase is within nameplate rating.
  5. Verify RPM is in accordance with nameplate.
  6. Where a generator is provided, run each motor on the generator with its controller and load. Demonstrate correct rotation, alignment, and speed.

#### 3.2 ADJUSTING

- A. Align motors, bases, and shafts.

#### 3.3 CLEANING

- A. After completing equipment installation, inspect unit components. Remove paint splatters and other spots, dirt, and debris. Repair damaged finish to match original finish.

END OF SECTION 230513

FIRE STATIONS RENOVATION  
ARLINGTON COUNTY, VIRGINIA  
Architect's Project No: 563006

SECTION 230514 – VARIABLE SPEED DRIVES

PART 1 - GENERAL

1.1 RELATED DOCUMENTS

- A. Provisions of the Contract and of the Contract Documents apply to this Section.

1.2 DEFINITIONS

- A. Factory Installed Variable Speed Drive: A drive installed by motorized-equipment manufacturer as a component of equipment utilized to control the speed of a motor.
- B. Field-Installed Variable Speed Drive: A drive installed in the field by the contractor to control the speed of a motor not equipped with a factory installed drive.
- C. VSD: Variable Speed Drive

1.3 SUBMITTALS

- A. Submittals shall include the following information:
  - 1. Outline dimensions
  - 2. Conduit entry locations
  - 3. Weight.
- B. Customer connection and power wiring diagrams.
- C. Technical product description including but not limited to a complete list of options.
- D. Compliance to IEEE 519 – harmonic analysis for particular jobsite including total harmonic voltage distortion and total harmonic current distortion (TDD).
- E. The VFD manufacturer shall provide calculations; specific to this installation, showing total harmonic voltage distortion is less than 5%. All VFD's shall include a minimum of 5% impedance reactors.

1.4 QUALITY ASSURANCE

- A. VSDs and options shall be UL listed as a complete assembly.
- B. The base VSD shall be UL listed for 100 KAIC without the need for input fuses.
- C. The VSD shall be tested by the manufacturer.

FIRE STATIONS RENOVATION  
ARLINGTON COUNTY, VIRGINIA  
Architect's Project No: 563006

- D. All optional features shall be functionally tested at the factory for proper operation.
- E. Electrical Components, Devices, and Accessories: Listed and labeled as defined in NFPA 70, Article 100, by a testing agency acceptable to authorities having jurisdiction, and marked for intended use. Comply with UL 508C.
- F. Referenced standards:
  - 1. Standard 519-1992, IEEE Guide for Harmonic Content and Control.
  - 2. UL508C
  - 3. ICS 7.0, AC Adjustable Speed Drives
  - 4. IEC 16800 Parts 1, 2 and 3NEC 430.120, Adjustable-Speed Drive Systems
  - 5. IBC 2006 Seismic – referencing ASC 7-05 and ICC AC-156
- G. All VSDs installed on this project shall be from the same manufacturer.
- H. The VSD enclosure shall be seismically certified and labeled in accordance with the IBC 2006 International Building Code:
  - 1. VSD manufacturer shall provide Seismic Certification and Installation requirements at time of submittal.
  - 2. A Seismic importance factor of 1.5 shall be used and shall be based upon actual shake test data as defined by ICC AC-156. Seismic ratings based upon calculations alone are not acceptable.
  - 3. Certification of Seismic rating must be based on testing done in all three axis of motion by a certified lab.
- I. Installations in life safety applications including but not limited to smoke removal and make up air to smoke removal systems shall be included in the seismic approval.

## 1.5 COORDINATION

- A. Coordinate features of VSDs with motors, installed units, and accessory devices. Provide VSDs that meet the requirements indicated in this and other equipment specific specification sections.
- B. Confirm that motors controlled by VSDs, provided under this section are designed and labeled for use with variable speed drives, and suitable for use throughout speed range without overheating.
- C. Coordinate VSD support with requirements for maintenance and replacement; and installation of accessories.

## PART 2 - PRODUCTS

### 2.1 FACTORY INSTALLED VARIABLE SPEED DRIVES

FIRE STATIONS RENOVATION  
ARLINGTON COUNTY, VIRGINIA  
Architect's Project No: 563006

- A. The VSD shall be enclosed in a UL Listed enclosure.
- B. Refer to equipment specific specification sections.
- C. Where equipment specific specification sections do not indicate variable speed drive requirements comply with 2.2 below.

2.2 FIELD-INSTALLED VARIABLE SPEED DRIVES

- A. Manufacturers
  - 1. ABB
  - 2. Yaskowa
  - 3. Basis of Design - Danfoss Graham
- B. General
  - 1. Furnish complete variable speed drives (VSDs) as indicated.
  - 2. Drawing schedules, sequences of control, control diagrams, details, or other specification sections may indicate variable speed requirements.
  - 3. All standard and optional features shall be included within the VSD enclosure, unless indicated otherwise. Each VSD shall be housed in a NEMA 1 enclosure, or other NEMA type according to installation and operating conditions.
  - 4. Provide NEMA 4 weatherproof enclosures for drives mounted outside.
  - 5. The UL listing shall allow mounting in a plenum or other air handling compartment. If a NEMA 12 enclosure is required for the plenum rating, the manufacturer shall supply a NEMA 12 rated VSD.
  - 6. Provide bypass on VSDs serving pumps. A bypass on all other equipment is not required unless indicated otherwise.
- C. The VSD shall convert incoming fixed frequency three-phase AC power into a variable frequency and voltage for controlling the speed of three-phase AC motors. The motor current shall closely approximate a sine wave. Motor voltage shall be varied with frequency to maintain desired motor magnetization current. Operation shall be suitable for centrifugal pump and fan control and shall eliminate the need for motor de-rating.
- D. With the motor's rated voltage applied to the VSD input, the VSD shall allow the motor to produce full rated power at rated amps, RMS fundamental volts, and speed without using the motor's service factor. VSDs utilizing sine weighted/coded modulation (with or without 3<sup>rd</sup> harmonic injection) must provide data verifying that the motors will not draw more than full load current during full load and full speed operation.
- E. The VSD shall include an input full-wave bridge rectifier and maintain a fundamental power factor near unity regardless of speed or load.
- F. The VSD and options shall be tested to ANSI/UL Standard 508. The complete VSD, including all specified options, shall be assembled by the manufacturer and shall be UL-508 certified for the building and drive assembly including options. Assembly of the options by a third-party

FIRE STATIONS RENOVATION  
ARLINGTON COUNTY, VIRGINIA  
Architect's Project No: 563006

panel shop is not acceptable. The appropriate UL stickers shall be applied to both the VSD and option panel, in the case where these are not contained in one panel.

- G. The VSD shall have DC link reactors on both the positive and negative rails of the DC bus to minimize power line harmonics. VSDs without DC link reactors shall provide a minimum 3% impedance line reactor.
- H. The VSD's full load amp rating shall meet or exceed NEC Table 430-150. The VSD shall be able to provide full rated output current continuously, 110% of rated current for 60 seconds and 160% of rated current for up to 0.5 second while starting.
- I. The VSD shall be able to provide full torque at any selected frequency from 28 Hz to base speed to allow driving direct drive fans without derating.
- J. An automatic energy optimization selection feature shall be provided standard in the VSD. This feature shall automatically and continually monitor the motor's speed and load and adjust the applied voltage to maximize energy savings and provide up to an additional 3% to 10% energy savings.
- K. Input and output power circuit switching shall be able to be accomplished without interlocks or damage to the VSD. Switching rate may be up to 1 time per minute on the input and unlimited on the output.
- L. An automatic motor adaptation test algorithm shall measure motor stator resistance and reactance to optimize performance and efficiency. It shall not be necessary to run the motor or de-couple the motor from the load to run the test.
- M. Galvanic and/or optical isolation shall be provided between the VSD's power circuitry and control circuitry to ensure operator safety and to protect connected electronic control equipment from damage caused by voltage spikes, current surges, and ground loop currents. VSDs not including either galvanic or optical isolation on both analog I/O and discrete I/O shall include additional isolation modules.
- N. VSD shall minimize the audible motor noise through the used of an adjustable carrier frequency. The carrier frequency shall be automatically adjusted to optimize motor and VSD efficiencies while reducing motor noise.
- O. Protective Features:
  - 1. Disconnect with drive fusing.
  - 2. A minimum of Class 20 I<sup>2</sup>t electronic motor overload protection for single motor applications and thermal-mechanical overloads for multiple motor applications shall be provided.
  - 3. Protection against input transients, loss of AC line phase, output short circuit, output ground fault, overvoltage, undervoltage, VSD overtemperature and motor overtemperature. The VSD shall display all faults in plain English. Codes are not acceptable.
  - 4. Protect VSD from sustained power or phase loss. The VSD shall provide full rated output with an input voltage as low as 90% of the nominal. The VSD will continue to



FIRE STATIONS RENOVATION  
ARLINGTON COUNTY, VIRGINIA  
Architect's Project No: 563006

operate with reduced output with an input voltage as low as 164 V AC for 208/230 volt units, and 313 V AC for 460 volt units.

5. The VSD shall incorporate a motor preheat circuit to keep the motor warm and prevent condensation build up in the stator.
6. VSD package shall include semi-conductor rated input fuses to protect power components.
7. To prevent breakdown of the motor winding insulation, the VSD shall be designed to comply with IEC Part 34-17. Otherwise, the VSD manufacturer must ensure that inverter rated motors are supplied.
8. VSD shall include a "signal loss detection" circuit to sense the loss of an analog input signal such as 4 to 20 mA or 2 to 10 V DC, and shall be programmable to react as desired in such an instance.
9. VSD shall function normally when the keypad is removed while the VSD is running and continue to follow remote commands. No warnings or alarms shall be issued as a result of removing the keypad.
10. VSD shall catch a rotating motor operating forward or reverse up to full speed.
11. VSD shall be rated for 100,000 amp interrupting capacity (AIC).
12. VSD shall include current sensors on all three output phases to detect and report phase loss to the motor. The VSD will identify which of the output phases is low or lost.
13. VSD shall continue to operate without faulting until input voltage reaches 300 V AC on 208/230 volt VSDs, and 539 V AC on 460 volt VSDs.

P. Interface Features:

1. Hand/Start, Off/Stop and Auto/Start selector switches shall be provided to start and stop the VSD and determine the speed reference.
2. The VSD shall be able to be programmed to provide a 24 V DC output signal to indicate that the VSD is in Auto/Remote mode.
3. The VSD shall provide potentiometer speed control. Electronic speed controls are not acceptable.
4. Lockable, alphanumeric backlit display keypad can be remotely mounted up to 10 feet away using standard 9-pin cable.
5. The keypads for all sizes of VSDs shall be identical and interchangeable.
6. To set up multiple VSDs, it shall be possible to upload all setup parameters to the VSD's keypad, place that keypad on all other VSDs in turn and download the setup parameters to each VSD. To facilitate setting up VSDs of various sizes, it shall be possible to download from the keypad only size independent parameters.
7. Display shall be programmable to display in 9 languages including English, Spanish and French.
8. The display shall have four lines, with 20 characters on three lines and eight large characters on one line.

FIRE STATIONS RENOVATION  
ARLINGTON COUNTY, VIRGINIA  
Architect's Project No: 563006

9. A red FAULT light, a yellow WARNING light and a green POWER-ON light shall be provided. These indications shall be visible both on the keypad and on the VSD when the keypad is removed.
10. A quick setup menu with factory preset typical HVAC parameters shall be provided on the VSD eliminating the need for macros.
11. The VSD shall include a standard RS-485 communications port.
12. As a minimum, the following points shall be controlled and/or accessible:
  - a. VSD Start/Stop
  - b. Speed reference
  - c. Fault diagnostics
  - d. Meter points
  - e. Motor power in HP
  - f. Motor power in kW
  - g. Motor kW-hr
  - h. Motor current
  - i. Motor voltage
  - j. Hours run
  - k. Feedback signal #1
  - l. Feedback signal #2
  - m. DC link voltage
  - n. Thermal load on motor
  - o. Thermal load on VSD
  - p. Heatsink temperature
13. Four additional Form C 230 volt programmable relays shall be available for factory or field installation within the VSD.
14. LonWorks communication shall be available for factory or field installation within the VSD.
15. Two set-point control interface (PID control) shall be standard in the unit. VSD shall be able to look at two feedback signals, compare with two set-points and make various process control decisions.
16. Floating point control interface shall be provided to increase/decrease speed in response to contact closures.
17. Four simultaneous displays shall be available. They shall include frequency or speed, run time, output amps and output power. VSDs unable to show these four displays simultaneously shall provide panel meters.
18. Sleep mode shall be provided to automatically stop the VSD when its speed drops below set "sleep" level for a specified time. The VSD shall automatically restart when the speed command exceeds the set "wake" level.
19. The sleep mode shall be functional in both follower mode and PID mode.
20. Run permissive circuit shall be provided to accept a "system ready" signal to ensure that the VSD does not start until dampers or other auxiliary equipment are in the proper state for VSD operation. The run permissive circuit shall also be capable of sending an output signal as a start command to actuate external equipment before allowing the VSD to start.

FIRE STATIONS RENOVATION  
ARLINGTON COUNTY, VIRGINIA  
Architect's Project No: 563006

21. The following displays shall be accessible from the control panel in actual units: Reference Signal Value in actual units, Output Frequency in Hz or percent, Output Amps, Motor HP, Motor kW, kWhr, Output Voltage, DC Bus Voltage, VSD Temperature in degrees, and Motor Speed in engineering units per application (in GPM, CFM, etc.). VSD will read out the selected engineering unit either in a linear, square or cubed relationship to output frequency as appropriate to the unit chosen.
22. The display shall be programmed to read in inches of water column (in-wg) for an air handler application, pressure per square inch (psi) for a pump application, and temperature (°F) for a cooling tower application.
23. VSD shall be able to be programmed to sense the loss of load and signal a no load/broken belt warning or fault.
24. If the temperature of the VSD's heat sink rises to 80°C, the VSD shall automatically reduce its carrier frequency to reduce the heat sink temperature. If the temperature of the heat sink continues to rise the VSD shall automatically reduce its output frequency to the motor. As the VSD's heat sink temperature returns to normal, the VSD shall automatically increase the output frequency to the motor and return the carrier frequency to its normal switching speed.
25. The VSD shall have temperature controlled cooling fans for quiet operation and minimized losses.
26. The VSD shall store in memory the last 10 faults and related operational data.
27. Eight programmable digital inputs shall be provided for interfacing with the systems control and safety interlock circuitry.
28. Two programmable relay outputs, one Form C 240 V AC, one Form A 30 V AC, shall be provided for remote indication of VSD status.
29. Three programmable analog inputs shall be provided and shall accept a direct-or-reverse acting signal. Analog reference inputs accepted shall include two voltage (0 to 10 V DC, 2 to 10 V DC) and one current (0 to 20 mA, 4 to 20 mA) input.
30. Two programmable 0 to 20 mA analog outputs shall be provided for indication of VSD status. These outputs shall be programmable for output speed, frequency, current and power. They shall also be programmable to provide a selected 24 V DC status indication.
31. Under fire mode conditions, the VSD shall be able to be programmed to automatically default to a preset speed.

Q. Adjustments

1. VSD shall have an adjustable carrier frequency in steps of not less than 0.1 kHz to allow tuning the VSD to the motor.
2. Sixteen preset speeds shall be provided.
3. Four acceleration and four deceleration ramps shall be provided. Accel and decel time shall be adjustable over the range from 0 to 3,600 seconds to base speed. The shape of these curves shall be automatically contoured to ensure no-trip acceleration and deceleration.
4. Four current limit settings shall be provided.

FIRE STATIONS RENOVATION  
ARLINGTON COUNTY, VIRGINIA  
Architect's Project No: 563006

5. If the VSD trips on one of the following conditions, the VSD shall be programmable for automatic or manual reset: undervoltage, overvoltage, current limit and inverter overload.
6. The number of restart attempts shall be selectable from 0 through 20 or infinitely and the time between attempts shall be adjustable from 0 through 600 seconds.
7. An automatic "on delay" may be selected from 0 to 120 seconds.

R. Service Conditions

1. Ambient temperature, -10 to 40°C (14 to 104°F).
2. 0 to 95% relative humidity, non-condensing.
3. Elevation to 3,300 feet without derating.
4. AC line voltage variation, -10 to +10% of nominal with full output.
5. No side clearance shall be required for cooling of any units. All power and control wiring shall be done from the bottom.

PART 3 - EXECUTION

3.1 FIELD QUALITY CONTROL

A. Examination

1. Contractor to verify that job site conditions for installation meet factory recommended and code-required conditions for VSD installation prior to start-up, including clearance spacing, temperature, contamination, dust, and moisture of the environment. Separate conduit installation of the motor wiring, power wiring, and control wiring, and installation per the manufacturer's recommendations shall be verified.
2. The VSD is to be covered and protected from installation dust and contamination until the environment is cleaned and ready for operation. The VSD shall not be operated while the unit is covered.

B. Start-up Service

1. The manufacturer shall provide start-up commissioning of the VSD and its optional circuits by a factory certified service technician who is experienced in start-up and repair services. Sales personnel and other agents who are not factory certified shall not be acceptable as commissioning agents. Start-up services shall include checking for verification of proper operation and installation for the VSD, its options and its interface wiring to the building automation system.

C. **WARRANTY:** The VSD shall be warranted by the manufacturer for a period of 2 Years from date of substantial completion. The warranty shall include parts, labor, travel costs and living expenses incurred by the manufacturer to provide factory authorized on-site service. The warranty shall be provided by the VSD manufacturer.

D. **CLEANING:** After completing equipment installation, inspect unit components. Remove paint splatters and other spots, dirt, and debris. Repair damaged finish to match original finish.

FIRE STATIONS RENOVATION  
ARLINGTON COUNTY, VIRGINIA  
Architect's Project No: 563006

END OF SECTION 230514

FIRE STATIONS RENOVATION  
ARLINGTON COUNTY, VIRGINIA  
Architect's Project No: 563006

SECTION 230529 - HANGERS AND SUPPORTS FOR HVAC PIPING AND EQUIPMENT

PART 1 - GENERAL

1.1 RELATED DOCUMENTS

- A. Provisions of the Contract and of the Contract Documents apply to this Section.

1.2 DEFINITIONS

- A. MSS: Manufacturers Standardization Society of the Valve and Fittings Industry Inc.
- B. Terminology: As defined in MSS SP-90, "Guidelines on Terminology for Pipe Hangers and Supports."

1.3 PERFORMANCE REQUIREMENTS

- A. Design Requirement: Design trapeze pipe hangers and equipment supports, including comprehensive engineering analysis by a qualified professional engineer where using methods other than indicated.
- B. Structural Performance: Hangers and supports for HVAC piping and equipment shall withstand the effects of gravity loads and stresses within limits and under conditions indicated according to ASCE/SEI 7.
  - 1. Design supports for multiple pipes, including pipe stands, capable of supporting combined weight of supported systems, system contents, and test medium.
  - 2. Design equipment supports capable of supporting combined operating weight of supported equipment and connected systems and components.
  - 3. Design seismic-restraint hangers and supports for piping and equipment.

1.4 QUALITY ASSURANCE

- A. Structural Steel Welding Qualifications: Qualify procedures and personnel according to AWS D1.1/D1.1M, "Structural Welding Code - Steel."
- B. Pipe Welding Qualifications: Qualify procedures and operators according to ASME Boiler and Pressure Vessel Code.

FIRE STATIONS RENOVATION  
ARLINGTON COUNTY, VIRGINIA  
Architect's Project No: 563006

PART 2 - PRODUCTS

2.1 PIPE STANDS

- A. General Requirements for Pipe Stands: Shop- or field-fabricated assemblies made of manufactured corrosion-resistant components to support roof-mounted piping.
1. Available Manufacturers:
    - a. Cooper B-Line – Dura-Blok
    - b. MAPA Products
    - c. Mifab, Inc. – C-Port
    - d. Miro Industries, Inc.
    - e. OMG, Inc.
    - f. PHP Systems/Design
    - g. Pipe Prop
    - h. Roof Top Blox
    - i. Rooftop Support Systems – Eberl Iron Works, Inc.
  2. Provide pipe supports for supporting gas, condensate, refrigeration lines, or hydronic piping on flat roof surfaces. Support shall rest on roof surface without penetrating the roof surface. Supports for condensate piping shall be adjustable vertically to ensure pipe slopes as required.
- B. Compact Pipe Stand: One-piece plastic unit with integral-rod roller, pipe clamps, or V-shaped cradle to support pipe, for roof installation without membrane penetration.
- C. Curb Mounted Pipe Stands: Shop- or field-fabricated pipe supports made from structural-steel shapes, continuous-thread rods, and rollers, for mounting on permanent stationary roof curb.

2.2 EQUIPMENT SUPPORTS

- A. Description: Welded, shop or field fabricated equipment support made from structural carbon-steel shapes unless indicated otherwise.
1. Available Manufacturers:
    - a. Cooper B-Line – Dura-Blok
    - b. MAPA Products
    - c. Mifab, Inc. – C-Port
    - d. Miro Industries, Inc.
    - e. OMG, Inc.
    - f. PHP Systems/Design
    - g. Pipe Prop
    - h. Roof Top Blox
    - i. Rooftop Support Systems – Eberl Iron Works, Inc.

FIRE STATIONS RENOVATION  
ARLINGTON COUNTY, VIRGINIA  
Architect's Project No: 563006

2.3 MISCELLANEOUS MATERIALS

- A. Structural Steel: ASTM A 36/A 36M, carbon-steel plates, shapes, and bars; black and galvanized.
- B. Grout: ASTM C 1107, factory-mixed and -packaged, dry, hydraulic-cement, non-shrink and nonmetallic grout; suitable for interior and exterior applications.
  - 1. Properties: Non-staining, noncorrosive, and nongaseous.
  - 2. Design Mix: 5000-psi, 28-day compressive strength.

PART 3 - EXECUTION

3.1 HANGER AND SUPPORT INSTALLATION

- A. Metal Pipe-Hanger Installation: Comply with MSS SP-69 and MSS SP-89. Provide hangers, supports, clamps, and attachments as required to properly support piping from the building structure.
- B. Metal Trapeze Pipe-Hanger Installation: Comply with MSS SP-69, MSS SP-89, and Table above. Arrange for grouping of parallel runs of horizontal piping, and support together on field-fabricated trapeze pipe hangers.
- C. Metal Framing System Installation: Arrange for grouping of parallel runs of piping, and support together on field-assembled metal framing systems.
- D. Thermal-Hanger Shield Installation: Provide in pipe hanger or shield for insulated piping.
- E. Pipe Stand Installation:
  - 1. Pipe Stand Types except Curb-Mounted Type: Assemble components and mount on smooth roof surface. Do not penetrate roof membrane.
  - 2. Curb-Mounted-Type Pipe Stands: Assemble components or fabricate pipe stand and mount on permanent, stationary roof curb. See Division 07 Section "Roof Accessories" for curbs.
- F. Provide hangers and supports complete with necessary attachments, inserts, bolts, rods, nuts, washers, and other accessories.
- G. Equipment Support Installation: Fabricate from welded-structural-steel shapes.
- H. Provide hangers and supports to allow controlled thermal and seismic movement of piping systems, to permit freedom of movement between pipe anchors, and to facilitate action of expansion joints, expansion loops, expansion bends, and similar units.
- I. Provide lateral bracing with pipe hangers and supports to prevent swaying.



FIRE STATIONS RENOVATION  
ARLINGTON COUNTY, VIRGINIA  
Architect's Project No: 563006

- J. Provide building attachments within concrete slabs or attach to structural steel. Building attachments may not be used on steel joists unless otherwise indicated. Provide additional attachments at concentrated loads, including valves, flanges, and strainers, 2-1/2" and larger and at changes in direction of piping. Provide concrete inserts before concrete is placed; fasten inserts to forms and provide reinforcing bars through openings at top of inserts.
- K. Load Distribution: Provide hangers and supports so that piping live and dead loads and stresses from movement will not be transmitted to connected equipment.
- L. Pipe Slopes: Provide hangers and supports to provide indicated pipe slopes and to not exceed maximum pipe deflections allowed by ASME B31.9 for building services piping.
- M. Insulated Piping:
  - 1. Attach clamps and spacers to piping.
    - a. Piping Operating above Ambient Air Temperature: Clamp may project through insulation.
    - b. Piping Operating below Ambient Air Temperature: Provide thermal-hanger shield insert with clamp sized to match OD of insert.
    - c. Do not exceed pipe stress limits allowed by ASME B31.9 for building services piping.
  - 2. Provide MSS SP-58, Type 39, protection saddles if insulation without vapor barrier is indicated. Fill interior voids with insulation that matches adjoining insulation.
  - 3. Provide MSS SP-58, Type 40, protective shields on cold piping with vapor barrier. Shields shall span an arc of 180 degrees.
  - 4. Shield Dimensions for Pipe: Not less than the following:
    - a. Pipe 1/4" to 3-1/2": 12 inches long and 0.048 inch thick.
    - b. Pipe 4": 12 inches long and 0.06 inch thick.
    - c. Pipe 5" and 6": 18 inches long and 0.06 inch thick.
    - d. Pipe 8" to 14": 24 inches long and 0.075 inch thick.
  - 5. Pipes 8" and Larger: Include wood or reinforced calcium-silicate-insulation inserts of length at least as long as protective shield.
  - 6. Thermal-Hanger Shields: Provide with insulation same thickness as piping insulation.

### 3.2 EQUIPMENT SUPPORTS

- A. Fabricate structural-steel stands to suspend equipment from structure overhead or to support equipment above floor.
- B. Grouting: Place grout under supports for equipment and make bearing surface smooth.
- C. Provide lateral bracing, to prevent swaying, for equipment supports.

FIRE STATIONS RENOVATION  
ARLINGTON COUNTY, VIRGINIA  
Architect's Project No: 563006

3.3 METAL FABRICATIONS

- A. Cut, drill, and fit miscellaneous metal fabrications for trapeze pipe hangers and equipment supports.
- B. Fit exposed connections together to form hairline joints. Field weld connections that cannot be shop welded because of shipping size limitations.
- C. Field Welding: Comply with AWS D1.1/D1.1M procedures for shielded, metal arc welding; appearance and quality of welds; and methods used in correcting welding work; and with the following:
  - 1. Provide materials and methods that minimize distortion and develop strength and corrosion resistance of base metals.
  - 2. Obtain fusion without undercut or overlap.
  - 3. Remove welding flux immediately.
  - 4. Finish welds at exposed connections so no roughness shows after finishing and so contours of welded surfaces match adjacent contours.

3.4 ADJUSTING

- A. Hanger Adjustments: Adjust hangers to distribute loads equally on attachments and to achieve indicated slope of pipe.
- B. Trim excess length of continuous-thread hanger and support rods to 1-1/2 inches.

3.5 PAINTING

- A. Touchup: Unless otherwise indicated clean field welds and abraded areas of shop paint. Paint exposed areas immediately after erecting hangers and supports. Provide same materials as used for shop painting. Comply with SSPC-PA 1 requirements for touching up field-painted surfaces.
  - 1. Apply paint by brush or spray to provide a minimum dry film thickness of 2.0 mils.
- B. Galvanized Surfaces: Clean welds, bolted connections, and abraded areas and immediately apply galvanizing-repair paint. Paint shall comply with ASTM A 780.

3.6 HANGER AND SUPPORT SCHEDULE

- A. Specific hanger and support requirements are in Sections specifying piping systems and equipment.
- B. Comply with MSS SP-69 for pipe-hanger selections and applications that are not specified in piping system Sections.
- C. Provide hangers and supports with galvanized metallic coatings for piping and equipment that will not have field-applied finish.

FIRE STATIONS RENOVATION  
ARLINGTON COUNTY, VIRGINIA  
Architect's Project No: 563006

- D. Provide nonmetallic coatings on attachments for electrolytic protection where attachments are in direct contact with copper tubing.
- E. Provide copper-plated pipe hangers and copper attachments for copper piping and tubing.
- F. Provide padded hangers for piping that is subject to scratching.
- G. Provide thermal-hanger shield inserts for insulated piping and tubing.
- H. Horizontal-Piping Hangers and Supports: Unless otherwise indicated provide the following:
  - 1. Adjustable, Steel Clevis Hangers (MSS Type 1): For suspension of stationary pipes ½" to 30".
  - 2. Yoke-Type Pipe Clamps (MSS Type 2): For suspension of up to 1050 deg F pipes 4" to 14", requiring up to 4" of insulation.
  - 3. Carbon- or Alloy-Steel, Double-Bolt Pipe Clamps (MSS Type 3): For suspension of pipes ¾" to 14", requiring clamp flexibility and up to 4 inches of insulation.
  - 4. Steel Pipe Clamps (MSS Type 4): For suspension of cold and hot pipes ½" to 14" if little or no insulation is required.
  - 5. Pipe Hangers (MSS Type 5): For suspension of pipes ½" to 4", to allow off-center closure for hanger installation before pipe erection.
  - 6. Adjustable, Swivel Split- or Solid-Ring Hangers (MSS Type 6): For suspension of noninsulated, stationary pipes ¾" to 8".
  - 7. Adjustable, Steel Band Hangers (MSS Type 7): For suspension of noninsulated, stationary pipes ½" to 8".
  - 8. Adjustable Band Hangers (MSS Type 9): For suspension of noninsulated, stationary pipes ½" to 8".
  - 9. Adjustable, Swivel-Ring Band Hangers (MSS Type 10): For suspension of noninsulated, stationary pipes ½" to 8".
  - 10. Split Pipe Ring with or without Turnbuckle Hangers (MSS Type 11): For suspension of noninsulated, stationary pipes ½" to 8".
  - 11. Extension Hinged or Two-Bolt Split Pipe Clamps (MSS Type 12): For suspension of noninsulated, stationary pipes NPS ½" to 3".
  - 12. U-Bolts (MSS Type 24): For support of heavy pipes ½" to 14".
  - 13. Clips (MSS Type 26): For support of insulated pipes not subject to expansion or contraction.
  - 14. Pipe Saddle Supports (MSS Type 36): For support of pipes 4" to 14", with steel-pipe base stanchion support and cast-iron floor flange or carbon-steel plate.
  - 15. Pipe Stanchion Saddles (MSS Type 37): For support of pipes 4" to 14", with steel-pipe base stanchion support and cast-iron floor flange or carbon-steel plate, and with U-bolt to retain pipe.
  - 16. Adjustable Pipe Saddle Supports (MSS Type 38): For stanchion-type support for pipes 2-½" to 14" if vertical adjustment is required, with steel-pipe base stanchion support and cast-iron floor flange.
  - 17. Single-Pipe Rolls (MSS Type 41): For suspension of pipes 1" to 14", from two rods if longitudinal movement caused by expansion and contraction might occur.
  - 18. Adjustable Roller Hangers (MSS Type 43): For suspension of pipes 2-½" to 14", from single rod if horizontal movement caused by expansion and contraction might occur.

FIRE STATIONS RENOVATION  
ARLINGTON COUNTY, VIRGINIA  
Architect's Project No: 563006

19. Complete Pipe Rolls (MSS Type 44): For support of pipes 2" to 14" if longitudinal movement caused by expansion and contraction might occur but vertical adjustment is not necessary.
  20. Pipe Roll and Plate Units (MSS Type 45): For support of pipes 2" to 14" if small horizontal movement caused by expansion and contraction might occur and vertical adjustment is not necessary.
  21. Adjustable Pipe Roll and Base Units (MSS Type 46): For support of pipes 2" to 14" if vertical and lateral adjustment during installation might be required in addition to expansion and contraction.
- I. Vertical-Piping Clamps: Unless otherwise indicated provide the following:
1. Extension Pipe or Riser Clamps (MSS Type 8): For support of pipe risers ¾" to 14".
  2. Carbon- or Alloy-Steel Riser Clamps (MSS Type 42): For support of pipe risers ¾" to 14" if longer ends are required for riser clamps.
- J. Hanger-Rod Attachments: Unless otherwise indicated provide the following:
1. Steel Turnbuckles (MSS Type 13): For adjustment up to 6 inches for heavy loads.
  2. Steel Clevises (MSS Type 14): For 120 to 450 deg F piping installations.
  3. Swivel Turnbuckles (MSS Type 15): For use with MSS Type 11, split pipe rings.
  4. Malleable-Iron Sockets (MSS Type 16): For attaching hanger rods to various types of building attachments.
  5. Steel Weldless Eye Nuts (MSS Type 17): For 120 to 450 deg F piping installations.
  6. Flat Plate, Double Nut, and Washer as Detailed on Structural Drawings: For attaching to bar joists. Method of attachment to bar joists must be approved by the structural engineer and joist manufacturer.
- K. Building Attachments: Unless otherwise indicated provide the following:
1. Steel or Malleable Concrete Inserts (MSS Type 18): For upper attachment to suspend pipe hangers from concrete ceiling.
  2. Flat Plate, Double Nuts, and Washer as Detailed on Structural Drawings: For use under roof installations with bar-joist construction to attach to bottom chord of joist.
  3. Side-Beam or Channel Clamps (MSS Type 20): For attaching to bottom flange of beams, channels, or angles.
  4. Center-Beam Clamps (MSS Type 21): For attaching to center of bottom flange of beams.
  5. Welded Beam Attachments (MSS Type 22): For attaching to bottom of beams if loads are considerable and rod sizes are large.
  6. C-Clamps (MSS Type 23): For structural shapes.
  7. Top-Beam Clamps (MSS Type 25): For top of beams if hanger rod is required tangent to flange edge.
  8. Side-Beam Clamps (MSS Type 27): For bottom of steel I-beams.
  9. Steel-Beam Clamps with Eye Nuts (MSS Type 28): For attaching to bottom of steel I-beams for heavy loads.
  10. Linked-Steel Clamps with Eye Nuts (MSS Type 29): For attaching to bottom of steel I-beams for heavy loads, with link extensions.
  11. Malleable-Beam Clamps with Extension Pieces (MSS Type 30): For attaching to structural steel.

FIRE STATIONS RENOVATION  
ARLINGTON COUNTY, VIRGINIA  
Architect's Project No: 563006

12. Welded-Steel Brackets: For support of pipes from below or for suspending from above by using clip and rod. Provide one of the following for indicated loads:
    - a. Light (MSS Type 31): 750 lb.
    - b. Medium (MSS Type 32): 1500 lb.
    - c. Heavy (MSS Type 33): 3000 lb.
  13. Side-Beam Brackets (MSS Type 34): For sides of steel or wooden beams.
  14. Plate Lugs (MSS Type 57): For attaching to steel beams if flexibility at beam is required.
  15. Horizontal Travelers (MSS Type 58): For supporting piping systems subject to linear horizontal movement where headroom is limited.
- L. Saddles and Shields: Unless otherwise indicated provide the followings:
1. Steel-Pipe-Covering Protection Saddles (MSS Type 39): To fill interior voids with insulation that matches adjoining insulation.
  2. Protection Shields (MSS Type 40): Of length recommended in writing by manufacturer to prevent crushing insulation.
  3. Thermal-Hanger Shield Inserts: For supporting insulated pipe.
- M. Spring Hangers and Supports: Unless otherwise indicated provide the following:
1. Restraint-Control Devices (MSS Type 47): To control pipe movement.
  2. Spring Cushions (MSS Type 48): For light loads if vertical movement does not exceed 1-1/4 inches.
  3. Spring-Cushion Roll Hangers (MSS Type 49): For equipping Type 41, roll hanger with springs.
  4. Spring Sway Braces (MSS Type 50): To retard sway, shock, vibration, or thermal expansion in piping systems.
  5. Variable-Spring Hangers (MSS Type 51): Preset to indicated load and limit variability factor to 25 percent to allow expansion and contraction of piping system from hanger.
  6. Variable-Spring Base Supports (MSS Type 52): Preset to indicated load and limit variability factor to 25 percent to allow expansion and contraction of piping system from base support.
  7. Variable-Spring Trapeze Hangers (MSS Type 53): Preset to indicated load and limit variability factor to 25 percent to allow expansion and contraction of piping system from trapeze support.
  8. Constant Supports: For critical piping stress and if necessary to avoid transfer of stress from one support to another support, critical terminal, or connected equipment. Include auxiliary stops for erection, hydrostatic test, and load-adjustment capability. These supports include the following types:
    - a. Horizontal (MSS Type 54): Mounted horizontally.
    - b. Vertical (MSS Type 55): Mounted vertically.
    - c. Trapeze (MSS Type 56): Two vertical-type supports and one trapeze member.
- N. Comply with MSS SP-69 for trapeze pipe-hanger selections and applications that are not specified in piping system Sections.

FIRE STATIONS RENOVATION  
ARLINGTON COUNTY, VIRGINIA  
Architect's Project No: 563006

- O. Comply with MFMA-103 for metal framing system selections and applications that are not specified in piping system Sections.
- P. Provide powder-actuated fasteners or mechanical-expansion anchors instead of building attachments where indicated in concrete construction.

END OF SECTION 230529

FIRE STATIONS RENOVATION  
ARLINGTON COUNTY, VIRGINIA  
Architect's Project No: 563006

SECTION 230548 - VIBRATION CONTROL FOR HVAC

PART 1 - GENERAL

1.1 RELATED DOCUMENTS

- A. Provisions of the Contract and of the Contract Documents apply to this Section.

1.2 DEFINITIONS

- A. IBC: International Building Code.
- B. ICC-ES: ICC-Evaluation Service.
- C. OSHPD: Office of Statewide Health Planning & Development for the State of California.
- D. ASCE: American Society of Civil Engineers
- E. VUSBC: Virginia Uniform Statewide Building Code

1.3 RESPONSIBILITIES:

- A. The manufacturer of vibration isolation systems and devices shall:
  - 1. Determine the sizes and locations of isolators and provide equipment isolation as indicated.
  - 2. Guarantee indicated isolation system deflections.
  - 3. Provide installation instructions and drawings.
  - 4. Certify correctness of installation upon completion.
- B. The Contractor shall cause all vibration isolation systems, including the isolators, and flexible connectors between the isolated equipment and associated piping, ducting, and electrical work to be designed by a manufacturer experienced in this type of work.

1.4 SUBMITTALS

- A. Product Data:
  - 1. Include rated load, rated deflection, and overload capacity for each vibration isolation device.
  - 2. Wind-Restraint Details:
    - a. Design Analysis: To support selection and arrangement of wind restraints. Include calculations of combined tensile and shear loads.
    - b. Details: Coordinate vibration isolation details with wind-restraint details required for equipment mounted outdoors.

FIRE STATIONS RENOVATION  
ARLINGTON COUNTY, VIRGINIA  
Architect's Project No: 563006

- B. Coordination Drawings: For areas indicated at 1/4" = 1'0" and where sections are cut on contract drawings, indicate coordination of HVAC piping and equipment with other systems and equipment in the vicinity, include supports and restraints.
- C. Qualification Data: For testing agency.
- D. Shop Drawings:
  - 1. Vibration Isolation Base Details: Detail fabrication, including anchorages, attachments to structure, and to supported equipment. Include auxiliary motor slides and rails, base weights, equipment static loads, power transmission, component misalignment, and cantilever loads.
  - 2. Dimensioned Outline Drawings for Each Scheduled Piece of Equipment: Identify center of gravity.
  - 3. Dimensioned Outline Drawings for Each Scheduled Piece of Equipment: Locate and describe mounting and anchorage provisions.

1.5 QUALITY ASSURANCE

- A. Welding: Qualify procedures and personnel according to AWS D1.1/D1.1M, "Structural Welding Code - Steel."
- B. Testing Agency Qualifications: An independent agency, with the experience and capability to conduct the testing indicated, that is a nationally recognized testing laboratory (NRTL) as defined by OSHA in 29 CFR 1910.7, and that is acceptable to authorities having jurisdiction.

PART 2 - PRODUCTS

2.1 VIBRATION ISOLATORS

- A. Available Manufacturers:
  - 1. Amber/Booth Company, Inc.
  - 2. B-Line Systems, Inc.
  - 3. Kinetics Noise Control.
  - 4. Mason Industries.
  - 5. Vibration Mountings & Controls, Inc.
- B. Pads: Oil- and water-resistant elastomer or natural rubber, arranged in single or multiple layers, molded with a nonslip pattern and galvanized steel baseplates of sufficient stiffness for uniform loading over pad area, and factory cut to sizes that match requirements of supported equipment.
  - 1. Resilient Material: Oil- and water-resistant neoprene.
  - 2. Durometer Rating: Minimum 30.
  - 3. Number of Layers: 1 2 3 or 4.



FIRE STATIONS RENOVATION  
ARLINGTON COUNTY, VIRGINIA  
Architect's Project No: 563006

- C. Mounts: Double-deflection type, with molded, oil-resistant rubber, or neoprene isolator elements with factory-drilled, encapsulated top plate for bolting to equipment and with baseplate for bolting to structure. Color-code or otherwise identify to indicate capacity range.
1. Durometer Rating: Minimum 30.
  2. Materials: Cast-ductile-iron or welded steel housing containing two separate and opposing, oil-resistant rubber or neoprene elements that prevent central threaded element and attachment hardware from contacting the housing during normal operation.
  3. Neoprene: Shock-absorbing materials compounded according to the standard for bridge-bearing neoprene as defined by AASHTO.
- D. Restrained Mounts: All-directional mountings with wind restraint.
1. Materials: Cast-ductile-iron or welded steel housing containing two separate and opposing, oil-resistant rubber or neoprene elements that prevent central threaded element and attachment hardware from contacting the housing during normal operation.
  2. Neoprene: Shock-absorbing materials compounded according to the standard for bridge-bearing neoprene as defined by AASHTO.
- E. Spring Isolators: Freestanding, laterally stable, open-spring isolators.
1. Outside Spring Diameter: Not less than 80 percent of the compressed height of the spring at rated load.
  2. Minimum Additional Travel: 50 percent of the required deflection at rated load.
  3. Lateral Stiffness: More than 80 percent of rated vertical stiffness.
  4. Overload Capacity: Support 200 percent of rated load, fully compressed, without deformation or failure.
  5. Baseplates: Factory drilled for bolting to structure and bonded to ¼" thick, rubber isolator pad attached to baseplate underside. Baseplates shall limit floor load to 500 psig.
  6. Top Plate and Adjustment Bolt: Threaded top plate with adjustment bolt and cap screw to fasten and level equipment.
- F. Restrained Spring Isolators: Freestanding, steel, open-spring isolators with limit-stop restraint.
1. Housing: Steel with resilient vertical-limit stops to prevent spring extension due to weight being removed; factory-drilled baseplate bonded to ¼" thick, neoprene or rubber isolator pad attached to baseplate underside; and adjustable equipment mounting and leveling bolt that acts as blocking during installation.
  2. Restraint: Limit stop as required for equipment and authorities having jurisdiction.
  3. Outside Spring Diameter: Not less than 80 percent of the compressed height of the spring at rated load.
  4. Minimum Additional Travel: 50 percent of the required deflection at rated load.
  5. Lateral Stiffness: More than 80 percent of rated vertical stiffness.
  6. Overload Capacity: Support 200 percent of rated load, fully compressed, without deformation or failure.

FIRE STATIONS RENOVATION  
ARLINGTON COUNTY, VIRGINIA  
Architect's Project No: 563006

- G. **Housed Spring Mounts:** Housed spring isolators.
  - 1. **Housing:** Ductile-iron or steel housing to provide all-directional restraint.
  - 2. **Base:** Factory drilled for bolting to structure.
  - 3. **Snubbers:** Vertically adjustable to allow a maximum of 1/4" travel up or down before contacting a resilient collar.
  
- H. **Elastomeric Hangers:** Double-deflection type, with molded, oil-resistant rubber or neoprene isolator elements bonded to steel housings with threaded connections for hanger rods. Color-code or otherwise identify to indicate capacity range.
  
- I. **Spring Hangers:** Combination coil-spring and elastomeric-insert hanger with spring and insert in compression.
  - 1. **Frame:** Steel, fabricated for connection to threaded hanger rods and to allow for a maximum of 30 degrees of angular hanger-rod misalignment without binding or reducing isolation efficiency.
  - 2. **Outside Spring Diameter:** Not less than 80 percent of the compressed height of the spring at rated load.
  - 3. **Minimum Additional Travel:** 50 percent of the required deflection at rated load.
  - 4. **Lateral Stiffness:** More than 80 percent of rated vertical stiffness.
  - 5. **Overload Capacity:** Support 200 percent of rated load, fully compressed, without deformation or failure.
  - 6. **Elastomeric Element:** Molded, oil-resistant rubber or neoprene. Steel-washer-reinforced cup to support spring and bushing projecting through bottom of frame.
  - 7. **Self-centering hanger rod cap** to ensure concentricity between hanger rod and support spring coil.
  
- J. **Spring Hangers with Vertical-Limit Stop:** Combination coil-spring and elastomeric-insert hanger with spring and insert in compression and with a vertical-limit stop.
  - 1. **Frame:** Steel, fabricated for connection to threaded hanger rods and to allow for a maximum of 30 degrees of angular hanger-rod misalignment without binding or reducing isolation efficiency.
  - 2. **Outside Spring Diameter:** Not less than 80 percent of the compressed height of the spring at rated load.
  - 3. **Minimum Additional Travel:** 50 percent of the required deflection at rated load.
  - 4. **Lateral Stiffness:** More than 80 percent of rated vertical stiffness.
  - 5. **Overload Capacity:** Support 200 percent of rated load, fully compressed, without deformation or failure.
  - 6. **Elastomeric Element:** Molded, oil-resistant rubber or neoprene.
  - 7. **Adjustable Vertical Stop:** Steel washer with neoprene washer "up-stop" on lower threaded rod.

FIRE STATIONS RENOVATION  
ARLINGTON COUNTY, VIRGINIA  
Architect's Project No: 563006

8. Self-centering hanger rod cap to ensure concentricity between hanger rod and support spring coil.
- K. Thrust Limits: Combination coil spring and elastomeric insert with spring and insert in compression and with a load stop. Include rod and angle-iron brackets for attaching to equipment.
1. Frame: Steel, fabricated for connection to threaded rods and to allow for a maximum of 30 degrees of angular rod misalignment without binding or reducing isolation efficiency.
  2. Outside Spring Diameter: Not less than 80 percent of the compressed height of the spring at rated load.
  3. Minimum Additional Travel: 50 percent of the required deflection at rated load.
  4. Lateral Stiffness: More than 80 percent of the rated vertical stiffness.
  5. Overload Capacity: Support 200 percent of rated load, fully compressed, without deformation or failure.
  6. Elastomeric Element: Molded, oil-resistant rubber or neoprene.
  7. Coil Spring: Factory set and field adjustable for a maximum of 1/4-inch movement at start and stop.
- L. Pipe Riser Resilient Support : All-directional, acoustical pipe anchor consisting of 2 steel tubes separated by a minimum of 1/2-inch- thick, 60-durometer neoprene. Include steel and neoprene vertical-limit stops arranged to prevent vertical travel in both directions. Design support for a maximum load on the isolation material of 500 psig and for equal resistance in all directions.
- M. Resilient Pipe Guides: Telescopic arrangement of 2 steel tubes separated by a minimum of 1/2-inch- thick, 60-durometer neoprene. Factory set guide height with a shear pin to allow vertical motion due to pipe expansion and contraction. Shear pin shall be removable and reinsertable to allow for selection of pipe movement. Guides shall be capable of motion to meet location requirements.
- 2.2 RESTRAINED VIBRATION ISOLATION ROOF-CURB RAILS
- A. Available Manufacturers:
1. Amber/Booth Company, Inc.
  2. Kinetics Noise Control.
  3. Mason Industries.
  4. Vibration Mountings & Controls, Inc.
- B. General Requirements for Restrained Vibration Isolation Roof-Curb Rails: Factory-assembled, fully enclosed, insulated, air- and watertight curb rail designed to resiliently support equipment and to withstand wind forces.
- C. Lower Support Assembly: Formed sheet-metal section containing adjustable and removable steel springs that support upper frame. Upper frame shall provide continuous support for

FIRE STATIONS RENOVATION  
ARLINGTON COUNTY, VIRGINIA  
Architect's Project No: 563006

equipment and shall be captive to resiliently resist wind forces. Lower support assembly shall have a means for attaching to building structure and a wood nailer for attaching roof materials, and shall be insulated with a minimum of 2" of rigid, glass-fiber insulation on inside of assembly.

- D. Spring Isolators: Adjustable, restrained spring isolators shall be mounted on 1/4-inch thick, elastomeric vibration isolation pads and shall have access ports, for level adjustment, with removable waterproof covers at all isolator locations. Isolators shall be located so they are accessible for adjustment at any time during the life of the installation without interfering with the integrity of the roof.
1. Restrained Spring Isolators: Freestanding, steel, open-spring isolators with wind restraint.
    - a. Housing: Steel with resilient vertical-limit stops and adjustable equipment mounting and leveling bolt.
    - b. Outside Spring Diameter: Not less than 80 percent of the compressed height of the spring at rated load.
    - c. Minimum Additional Travel: 50 percent of the required deflection at rated load.
    - d. Lateral Stiffness: More than 80 percent of rated vertical stiffness.
    - e. Overload Capacity: Support 200 percent of rated load, fully compressed, without deformation or failure.
- E. Snubber Bushings: All-directional, elastomeric snubber bushings at least 1/4 inch thick.
- F. Water Seal: Galvanized sheet metal with EPDM seals at corners, attached to upper support frame, extending down past wood nailer of lower support assembly, and counterflashed over roof materials.

### 2.3 VIBRATION ISOLATION EQUIPMENT BASES

- A. Available Manufacturers:
- B. Manufacturers:
1. Amber/Booth Company, Inc.
  2. Kinetics Noise Control.
  3. Mason Industries.
  4. Vibration Mountings & Controls, Inc.
- C. Steel Base: Factory-fabricated, welded, structural-steel bases and rails.
1. Design Requirements: Lowest possible mounting height with not less than 1" clearance above the floor. Include equipment anchor bolts and auxiliary motor slide bases or rails.
    - a. Include supports for suction and discharge elbows for pumps.
  2. Structural Steel: Steel shapes, plates, and bars complying with ASTM A 36/A 36M. Bases shall have shape to accommodate supported equipment.
  3. Support Brackets: Factory-welded steel brackets on frame for outrigger isolation mountings and to provide for anchor bolts and equipment support.

FIRE STATIONS RENOVATION  
ARLINGTON COUNTY, VIRGINIA  
Architect's Project No: 563006

- D. Inertia Base: Factory-fabricated, welded, structural-steel bases and rails ready for placement of cast-in-place concrete.
  - 1. Design Requirements: Lowest possible mounting height with not less than 1-inch clearance above the floor. Include equipment anchor bolts and auxiliary motor slide bases or rails.
    - a. Include supports for suction and discharge elbows for pumps.
  - 2. Structural Steel: Steel shapes, plates, and bars complying with ASTM A 36/A 36M. Bases shall have shape to accommodate supported equipment.
  - 3. Support Brackets: Factory-welded steel brackets on frame for outrigger isolation mountings and to provide for anchor bolts and equipment support.
  - 4. Fabrication: Fabricate steel templates to hold equipment anchor-bolt sleeves and anchors in place during placement of concrete. Obtain anchor-bolt templates from supported equipment manufacturer.

## 2.4 FACTORY FINISHES

- A. Finish: Manufacturer's standard paint applied to factory-assembled and -tested equipment before shipping.
  - 1. Powder coating on springs and housings.
  - 2. All hardware shall be galvanized. Hot-dip-galvanize metal components for exterior use.
  - 3. Bake enamel or powder coat for metal components on isolators for interior use.
  - 4. Color-code or otherwise mark vibration isolation and wind control devices to indicate capacity range.

## PART 3 - EXECUTION

### 3.1 EXAMINATION

- A. Examine areas and equipment to receive vibration isolation and wind-control devices for compliance with requirements for installation tolerances and other conditions affecting performance.
- B. Examine roughing-in of reinforcement and cast-in-place anchors to verify actual locations before installation.
- C. Proceed with installation only after unsatisfactory conditions have been corrected.

### 3.2 APPLICATIONS

- A. Multiple Pipe Supports: Secure pipes to trapeze member with clamps approved for application by an agency acceptable to authorities having jurisdiction.

FIRE STATIONS RENOVATION  
ARLINGTON COUNTY, VIRGINIA  
Architect's Project No: 563006

- B. Strength of Support and Wind Restraint Assemblies: Where not indicated, select sizes of components so strength will be adequate to resist loads within loading limits.

3.3 VIBRATION-CONTROL DEVICE INSTALLATION

- A. Comply with requirements indicated in the Contract Documents, in codes and ordinances, by Authority Having Jurisdiction, and by Manufacturer, for installation of all devices.

3.4 FIELD QUALITY CONTROL

- A. Perform tests.

- B. Tests:

1. Provide evidence of recent calibration of test equipment by a testing agency acceptable to authorities having jurisdiction.
2. Schedule test with Owner, through Architect, before connecting anchorage device to restrained component (unless postconnection testing has been approved), and with at least seven days' advance notice.
3. Obtain Architect's approval before transmitting test loads to structure. Provide temporary load-spreading members.
4. Test at least two of each type and size of installed anchors and fasteners.
5. Test to 90 percent of rated proof load of device.
6. Measure isolator restraint clearance.
7. Measure isolator deflection.
8. Verify snubber minimum clearances.
9. If a device fails test, fix and retest until satisfactory results are achieved then modify all installations of same type to match.

- C. Prepare test reports.

3.5 ADJUSTING

- A. Adjust isolators after piping system is at operating weight.
- B. Adjust limit stops on restrained spring isolators to mount equipment at normal operating height. After equipment installation is complete, adjust limit stops so they are out of contact during normal operation.
- C. Adjust active height of spring isolators.
- D. Adjust restraints to permit free movement of equipment within normal mode of operation.

3.6 VIBRATION ISOLATION SCHEDULE

FIRE STATIONS RENOVATION  
ARLINGTON COUNTY, VIRGINIA  
Architect's Project No: 563006

A. Ductwork

1. Flexible connectors shall be used for ductwork connections to air handling units. Refer to Section "Metal Ducts." Ductwork shall be suspended with elastomeric hangers for a distance of 20 feet from air handling units.

B. Air Handling Units

1. Units shall include fan and motor assemblies internally isolated from the unit casing using spring isolators and flexible duct connectors.

C. Power Ventilators

1. Provide elastomeric hangers for units suspended from structure above ceiling.

D. Split System Indoor Units

1. Provide elastomeric hangers for units suspended from structure above ceiling.

END OF SECTION

FIRE STATIONS RENOVATION  
ARLINGTON COUNTY, VIRGINIA  
Architect's Project No: 563006

SECTION 230700 - HVAC INSULATION

PART 1 - GENERAL

1.1 RELATED DOCUMENTS

- A. Provisions of the Contract and of the Contract Documents apply to this Section.

1.2 DEFINITIONS

- A. Outdoor duct and pipe: Duct conveying untreated outside air at ambient temperature and humidity.
- B. Outdoor pipe: Pipe located outside the building insulation envelope.
- C. Supply air duct: Duct conveying air on the discharge side of an air handling unit or fan which will be delivered to a space in a building through a diffuser or connection to the return duct of another unit. Ductwork on the discharge side of a 100% outside air unit is considered to be Supply air duct.
- D. Return air duct: Duct conveying air from a space or plenum that will return to an air handling unit or energy transfer device. The air may be returned to the supply air duct after being conditioned, or it may be exhausted after passing through an energy transfer device. Typical examples of an energy transfer devices are plate heat exchangers, runaround coils, heat pipes, and energy wheels.
- E. Exhaust air duct: Duct conveying air from a space or plenum that will be exhausted from the building without being passed through an energy transfer device.
- F. Plenum: An unoccupied space or void, on the conditioned side of the building insulation and vapor barrier, being used to return conditioned air to the inlet side of a return or exhaust fan either directly or via a duct connection. An example would be a space with air handling light fixtures or openings in the ceiling used to transport air through the ceiling and then to an open duct located above the ceiling in another location.
- G. Indirectly Conditioned Space: A space having no direct conditioning but, due to air movement induced by an exhaust, or return opening, is conditioned by makeup air from an adjacent space. An example would be a small toilet. Boiler rooms, fan rooms, and mechanical rooms do not qualify as indirectly conditioned spaces.
- H. Inside the Building Insulation Envelope: For the purposes of this section, boiler rooms, fan rooms, and mechanical rooms are considered to be OUTSIDE the building insulation envelope.

1.3 SUBMITTALS

- A. Product Data: Identify thermal conductivity, thickness, and jackets (both factory and field applied, if any), for each type of product indicated.
- B. Shop Drawings: Show fabrication and installation details for the following:
  - 1. Detail application of removable insulation covers.
  - 2. Detail application of protective shields, saddles, and inserts at hangers for each type of insulation and hanger.



FIRE STATIONS RENOVATION  
ARLINGTON COUNTY, VIRGINIA  
Architect's Project No: 563006

3. Detail attachment and covering of heat tracing inside insulation.
4. Detail insulation application at pipe expansion joints for each type of insulation.
5. Detail insulation application at elbows, fittings, flanges, valves, and specialties for each type of insulation.
6. Detail removable insulation at piping specialties, equipment connections, and access panels.
7. Detail application of field-applied jackets.
8. Detail application at linkages of control devices.
9. Detail field application for each equipment type.

1.4 QUALITY ASSURANCE

- A. Fire-Test-Response Characteristics: Insulation and related materials shall have fire-test-response characteristics indicated, as determined by testing identical products per ASTM E 84, by a testing and inspecting agency acceptable to authorities having jurisdiction. Factory label insulation and jacket materials and adhesive, mastic, tapes, and cement material containers, with appropriate markings of applicable testing and inspecting agency.
  1. Insulation Installed Indoors: Flame-spread index of 25 or less, and smoke-developed index of 50 or less.
  2. Insulation Installed Outdoors: Flame-spread index of 75 or less, and smoke-developed index of 150 or less.

1.5 DELIVERY, STORAGE, AND HANDLING

- A. Packaging: Ship insulation materials in containers marked by manufacturer with type, grade, and maximum use temperature.
- B. Ship Insulated Piping System Components on pallets and wood supports. Securely fasten and protect from damage. Store off the ground and cover with opaque waterproof tarp to protect materials from sunlight and rain.

1.6 COORDINATION

- A. Coordinate size and location of supports, hangers, and insulation shields specified in Section "Hangers and Supports for HVAC Piping and Equipment."
- B. Coordinate clearance requirements with piping Installer for piping insulation, duct Installer for duct insulation, and equipment Installer for equipment insulation.
- C. Maintain clearances required for maintenance.
- D. Coordinate installation and testing of heat tracing.

PART 2 - PRODUCTS

2.1 MANUFACTURERS

- A. Available Manufacturers:
  1. Mineral-Fiber Insulation:
    - a. CertainTeed Manson.
    - b. Johns Manville

FIRE STATIONS RENOVATION  
ARLINGTON COUNTY, VIRGINIA  
Architect's Project No: 563006

- c. Knauf FiberGlass GmbH.
    - d. Owens-Corning Fiberglas Corp.
    - e. Schuller International, Inc.
  - 2. Flexible Elastomeric Thermal Insulation:
    - a. Armacell, LLC
    - b. Rubatex Corp.
  - 3. Removable Insulation Covers:
    - a. Advance Thermal Corp.
- B. Comply with requirements in Part 3 schedule articles for where insulating materials shall be applied.
- C. Products shall not contain asbestos, lead, mercury, or mercury compounds.
- D. Products that come in contact with stainless steel shall have a leachable chloride content of less than 50 ppm when tested according to ASTM C 871.
- E. Insulation materials for use on austenitic stainless steel shall be qualified as acceptable according to ASTM C 795.
- F. Foam insulation materials shall not use CFC or HCFC blowing agents in the manufacturing process.
- G. Duct Liner: Refer to specification section "Metal Ducts"
- H. Mineral-Fiber Board: Glass fibers bonded with a thermosetting resin. Comply with ASTM C 612, Type IB, with factory applied FSK Jacket. Meet the requirements of ASTM C 1290, Type III, inorganic glass fibers bonded by a thermosetting resin to maximum service temperature of 250°F.. Faced insulation shall not exceed 25 Flame Spread, 50 Smoke Developed when tested in accordance with ASTM E84.
- I. Semi-Rigid Mineral-Fiber Board: Glass fibers bonded with a thermosetting resin. Comply with ASTM C 1136, Type I, II, III, & IV with factory applied all-service jacket (ASJ) or Type II, IV with factory applied Foil Scrim Kraft (FSK) jacket.
- J. Mineral-Fiber Blanket with Factory Applied FSK Jacket: Meet the requirements of ASTM C 1290, Type III, inorganic glass fibers bonded by a thermosetting resin with a multi-purpose foil-scrim kraft (FSK) jacket to maximum service temperature of 250°F. FSK shall meet the requirements of ASTM C 1136, Type II, when surface burning characteristics are determined in accordance with ASTM E 84 with the foil surface of the material exposed to the flame as it is in the final composite. Composite (insulation, facing and adhesive) shall not exceed 25 Flame Spread, 50 Smoke Developed when tested in accordance with ASTM E 84. Insulation properties shall be as follows:
- 1. Thickness: 1-1/2"
    - a. Density: 0.75 pcf
    - b. Minimum uncompressed R value: 5.0
    - c. Minimum installed R value assuming 25% compression: 4.0
  - 2. Thickness: 2"
    - a. Density: 1.0 pcf
    - b. Minimum uncompressed R value: 7.4
    - c. Minimum installed R value assuming 25% compression: 6.0
  - 3. Alternate to 2" 1.0 pcf: Thickness: 2.2"
    - a. Density: 0.75 pcf

**FIRE STATIONS RENOVATION  
ARLINGTON COUNTY, VIRGINIA  
Architect's Project No: 563006**

- b. Minimum uncompressed R value: 7.4
      - c. Minimum installed R value assuming 25% compression: 6.0
    - 4. Thickness: 3"
      - a. Density: 0.75 pcf
      - b. Minimum uncompressed R value: 10.0
      - c. Minimum installed R value assuming 25% compression: 8.3
  
  - K. Mineral-Fiber Pipe Insulation: Glass fibers bonded with a thermosetting resin complying with the following:
    - 1. Preformed Pipe Insulation: Comply with ASTM C 547, Type 1, with factory-applied, all-purpose, vapor-retarder jacket.
    - 2. Semi-Rigid Mineral-Fiber Board Thermal Insulation: Glass fibers bonded with a thermosetting resin. Comply with ASTM C 1136, Type I, II, III, IV with factory applied all-service jacket (ASJ) or Type II, IV with factory applied Foil Scrim Kraft (FSK) jacket.
    - 3. Fire-Resistant Adhesive: Comply with MIL-A-3316C in the following classes and grades:
      - a. Class 1, Grade A for bonding glass cloth and tape to unfaced glass-fiber insulation, for sealing edges of glass-fiber insulation, and for bonding lagging cloth to unfaced glass-fiber insulation.
      - b. Class 2, Grade A for bonding glass-fiber insulation to metal surfaces.
    - 4. Mineral-Fiber Insulating Cements: Comply with ASTM C 195.
    - 5. Expanded or Exfoliated Vermiculite Insulating Cements: Comply with ASTM C 196.
    - 6. Mineral-Fiber, Hydraulic-Setting Insulating and Finishing Cement: Comply with ASTM C 449/C 449M.
  
  - L. Flexible Elastomeric: Closed-cell, sponge- or expanded-rubber materials. Comply with ASTM C 534, Type I for tubular materials and Type II for sheet materials.
    - 1. Adhesive: As recommended by insulation material manufacturer.
    - 2. Ultraviolet-Protective Coating: As recommended by insulation manufacturer.
  
  - M. Closed-Cell Phenolic-Foam: Block insulation of rigid, expanded, closed-cell structure. Comply with ASTM C 1126, Type II, Grade 1.
  
  - N. Prefabricated Thermal Insulating Fitting Covers: Comply with ASTM C 450 for dimensions used in preforming insulation to cover valves, elbows, tees, and flanges.
- 2.2 FIELD-APPLIED JACKETS
- A. General: ASTM C 921, Type 1, unless otherwise indicated.
  - B. Glass Cloth: Woven glass-fiber fabric, plain weave, minimum 8 ounces per square yard.
  - C. Foil and Paper Jacket: Laminated, glass-fiber-reinforced, flame-retardant kraft paper and aluminum foil.
  - D. PVC Jacket: High-impact, ultraviolet-resistant PVC; 20 mils thick; roll stock ready for shop or field cutting and forming.
    - 1. Adhesive: As recommended by insulation material manufacturer.
    - 2. PVC Duct Jacket Color: White or gray.

FIRE STATIONS RENOVATION  
ARLINGTON COUNTY, VIRGINIA  
Architect's Project No: 563006

3. PVC Pipe Jacket Color: Color-code piping jackets based on materials contained within the piping system.
- E. Aluminum Jacket: Deep corrugated sheets manufactured from aluminum alloy complying with ASTM B 209, and having an integrally bonded moisture barrier over entire surface in contact with insulation. Factory cut and rolled to indicated sizes. Comply with ASTM B 209, 3003 alloy, H-14 temper.
1. Finish and Thickness: Stucco-embossed finish, 0.016 inch thick.
  2. Moisture Barrier: 1-mil- thick, heat-bonded polyethylene and kraft paper.
  3. Elbows: Preformed, 45- and 90-degree, short- and long-radius elbows; same material, finish, and thickness as jacket.
- F. Heavy PVC Pipe Fitting Covers: Factory-fabricated fitting covers manufactured from 30-mil-thick, high-impact, ultraviolet-resistant PVC.
1. Shapes: 45- and 90-degree, short- and long-radius elbows, tees, valves, flanges, reducers, end caps, soil-pipe hubs, traps, mechanical joints, and P-trap and supply covers for lavatories for the disabled.
  2. Adhesive: As recommended by insulation material manufacturer.
- G. Pre-engineered Jacketing systems: Metallic outer covering, with Velcro system suited for protecting outdoor refrigerant piping. Provide submittal for approval.

### 2.3 ACCESSORIES AND ATTACHMENTS

- A. Glass Cloth and Tape: Comply with MIL-C-20079H, Type I for cloth and Type II for tape. Woven glass-fiber fabrics, plain weave, presized a minimum of 8 oz./sq. yd..
1. Tape Width: 4 inches.
- B. Bands: 3/4 inch wide, in one of the following materials compatible with jacket:
1. Stainless Steel: ASTM A 666, Type 304; 0.020 inch thick.
  2. Galvanized Steel: 0.005 inch thick.
  3. Aluminum: 0.007 inch thick.
  4. Brass: 0.010 inch thick.
  5. Nickel-Copper Alloy: 0.005 inch thick.
- C. Wire: 0.080-inch, nickel-copper alloy; 0.062-inch, soft-annealed, stainless steel; or 0.062-inch, soft-annealed, galvanized steel.
- D. Weld-Attached Anchor Pins and Washers: Copper-coated steel pin for capacitor-discharge welding and galvanized speed washer. Pin length sufficient for insulation thickness indicated.
1. Welded Pin Holding Capacity: 100 lb for direct pull perpendicular to the attached surface.
- E. Adhesive-Attached Anchor Pins and Speed Washers: Galvanized steel plate, pin, and washer manufactured for attachment to duct, pipe, plenum and breeching with adhesive. Pin length sufficient for insulation thickness indicated.
1. Adhesive: Recommended by the anchor pin manufacturer as appropriate for surface temperatures of ducts, pipes, plenums, and breechings; and to achieve a holding capacity of 100 lb. for direct pull perpendicular to the adhered surface.

FIRE STATIONS RENOVATION  
ARLINGTON COUNTY, VIRGINIA  
Architect's Project No: 563006

- F. Self-Adhesive Anchor Pins and Speed Washers: Galvanized steel plate, pin, and washer manufactured for attachment to duct, pipe, and plenum with adhesive. Pin length sufficient for insulation thickness indicated.

2.4 VAPOR RETARDERS

- A. Mastics: Materials that are compatible with insulation materials, jackets, and substrates.

PART 3 - EXECUTION

3.1 EXAMINATION

- A. Examine substrates and conditions for compliance with requirements for installation and other conditions affecting performance of insulation application.
- B. Proceed with installation only after unsatisfactory conditions have been corrected.

3.2 PREPARATION

- A. Surface Preparation: Clean and dry surfaces to receive insulation. Remove materials that will adversely affect insulation application.

3.3 GENERAL APPLICATION REQUIREMENTS

- A. Apply insulation materials, accessories, and finishes according to the manufacturer's written instructions; with smooth, straight, and even surfaces; and free of voids throughout the length of ducts, piping, and fittings.
- B. Refer to schedules at the end of this Section for materials, forms, jackets, and thickness required for each system.
- C. Use accessories compatible with insulation materials and suitable for the service. Use accessories that do not corrode, soften, or otherwise attack insulation or jacket in either wet or dry state.
- D. Apply multiple layers of insulation with longitudinal and end seams staggered.
- E. Do not weld brackets, clips, or other attachment devices to piping, fittings, and specialties.
- F. Seal joints and seams with vapor-retarder mastic on insulation indicated to receive a vapor retarder.
- G. Keep insulation materials dry at all times. Insulation that becomes wet or is otherwise damaged beyond repair, shall be removed immediately and replaced. Replacement material and installation shall be in accordance with these specifications.
- H. Apply insulation with tight longitudinal seams and end joints. Bond seams and joints with adhesive recommended by the insulation material manufacturer.
- I. Apply insulation with the minimum number of joints practical.
- J. Apply insulation over fittings, valves, and specialties, with continuous thermal and vapor-retarder integrity, unless otherwise indicated.
- K. Refer to special instructions for applying insulation over fittings, valves, and specialties.

FIRE STATIONS RENOVATION  
ARLINGTON COUNTY, VIRGINIA  
Architect's Project No: 563006

- L. Hangers and Anchors: Where vapor retarder is indicated, seal penetrations in insulation at hangers, supports, anchors, and other projections with vapor-retarder mastic.
  - 1. Apply insulation continuously through hangers and around anchor attachments.
  - 2. For insulation application where vapor retarders are indicated, extend insulation on anchor legs at least 12 inches from point of attachment to pipe and taper insulation ends. Seal tapered ends with a compound recommended by the insulation material manufacturer to maintain vapor retarder.
  - 3. Install insert materials and apply insulation to tightly join the insert. Seal insulation to insulation inserts with adhesive or sealing compound recommended by the insulation material manufacturer.
  - 4. Cover inserts with jacket material matching adjacent pipe insulation. Install shields over jacket, arranged to protect the jacket from tear or puncture by the hanger, support, and shield.
- M. Insulation Terminations: For insulation application where vapor retarders are indicated, seal ends with a compound recommended by the insulation material manufacturer to maintain vapor retarder.
- N. Apply insulation with integral jackets as follows:
  - 1. Pull jacket tight and smooth.
  - 2. Circumferential Joints: Cover with 3-inch- wide strips, of same material as insulation jacket. Secure strips with adhesive and outward clinching staples along both edges of strip and spaced 4 inches o.c.
  - 3. Longitudinal Seams: Overlap jacket seams at least 1-1/2 inches. Apply insulation with longitudinal seams at bottom of pipe. Clean and dry surface to receive self-sealing lap. Staple laps with outward clinching staples along edge at 4 inches o.c.
    - a. Exception: Do not staple longitudinal laps on insulation having a vapor retarder.
  - 4. Vapor-Retarder Mastics: Where vapor retarders are indicated, apply mastic on seams and joints and at ends adjacent to flanges, unions, valves, and fittings.
  - 5. At penetrations in jackets for thermometers and pressure gages, fill and seal voids with vapor-retarder mastic.
- O. Cut insulation according to manufacturer's written instructions to prevent compressing insulation to less than 75 percent of its nominal thickness.
- P. Install vapor-retarder mastic on ducts, pipes, plenums, and equipment.
  - 1. Ducts, pipes, plenums, and equipment with Vapor Retarders: Overlap insulation facing at seams and seal with vapor-retarder mastic and pressure-sensitive tape having same facing as insulation. Repair punctures, tears, and penetrations with tape and mastic to maintain vapor-retarder seal.
  - 2. Ducts, pipes, plenums, and equipment without Vapor Retarders: Overlap insulation facing at seams and secure with outward clinching staples and pressure-sensitive tape having same facing as insulation.
- Q. Roof Penetrations: Apply insulation for interior applications to a point even with top of roof flashing.

FIRE STATIONS RENOVATION  
ARLINGTON COUNTY, VIRGINIA  
Architect's Project No: 563006

1. Seal penetrations with vapor-retarder mastic.
  2. Apply insulation for exterior applications tightly joined to interior insulation ends.
  3. Extend metal jacket of exterior insulation outside roof flashing at least 2 inches below top of roof flashing.
  4. Seal metal jacket to roof flashing with vapor-retarder mastic.
- R. Interior Wall and Partition Penetrations: Apply insulation continuously through walls and partitions, except fire-rated walls and partitions.
- S. Fire-Rated Wall and Partition Penetrations: Terminate insulation at fire/smoke damper sleeves for fire-rated wall and partition penetrations.
- T. Floor Penetrations: Terminate insulation at underside of floor assembly and at floor support at top of floor.
1. For insulation indicated to have vapor retarders, taper termination and seal insulation ends with vapor-retarder mastic.

### 3.4 MINERAL-FIBER INSULATION APPLICATION

- A. Blanket Applications for Ducts, Pipes, and Plenums: Secure blanket insulation with adhesive, and anchor pins with speed washers.
1. Apply adhesives according to manufacturer's recommended coverage rates per square foot, for 100 percent coverage of duct, pipe, and plenum surfaces.
  2. Apply adhesive to entire circumference of ducts & pipes and to all surfaces of fittings and transitions. Adhesive may be omitted from the top of horizontal rectangular ducts.
  3. Install anchor pins and speed washers on sides and bottom of horizontal ducts and sides of vertical ducts as follows:
    - a. On duct sides with dimensions 18 inches and smaller, along longitudinal centerline of duct. Space 3 inches maximum from insulation end joints, and 16 inches o.c.
    - b. On duct sides with dimensions larger than 18 inches. Space 16 inches o.c. each way, and 3 inches maximum from insulation joints. Apply additional pins and clips to hold insulation tightly against surface at cross bracing.
    - c. Anchor pins may be omitted from top surface of horizontal, rectangular ducts and plenums.
    - d. Do not compress insulation to less than 75% of its original thickness during installation.
  4. Install anchor pins and speed washers on sides, top, and bottom of horizontal pipes.
  5. Impale insulation over anchors and attach speed washers.
  6. Cut excess portion of pins extending beyond speed washers. Cover exposed pins and washers with tape matching insulation facing.
  7. Create a facing lap for longitudinal seams and end joints with insulation by removing 2 inches from one edge and one end of insulation segment. Secure laps to adjacent insulation segment with 1/2-inch staples, 1-inch o.c., and cover with pressure-sensitive tape having same facing as insulation.
  8. Overlap unfaced blankets a minimum of 2 inches on longitudinal seams and end joints. Secure with steel band at end joints and spaced a maximum of 18 inches o.c.
  9. Apply insulation on rectangular duct elbows, pipe fittings, and transitions with a full insulation segment for each surface. Apply insulation on round and flat-oval duct elbows, and pipe elbows, with individually mitered gores cut to fit the elbow.

FIRE STATIONS RENOVATION  
ARLINGTON COUNTY, VIRGINIA  
Architect's Project No: 563006

10. Insulate duct and pipe stiffeners, hangers, and flanges that protrude beyond the insulation surface with 6-inch- wide strips of the same material as insulation. Secure on alternating sides of stiffener, hanger, and flange with anchor pins spaced 6 inches o.c.
  11. Apply vapor-retarder mastic to open joints, breaks, and punctures for insulation indicated to receive vapor retarder.
- B. Board Applications for Ducts, Plenums, & Equipment: Secure board insulation with adhesive and anchor pins and speed washers.
1. Apply adhesives according to manufacturer's recommended coverage rates per square foot, for 100 percent coverage of duct, plenum, & equipment surfaces.
  2. Apply adhesive to entire circumference of ducts and to all surfaces of fittings, transitions, and equipment. Adhesive may be omitted from top surface of horizontal rectangular ducts.
  3. Space anchor pins as follows:
    - a. On duct & equipment sides with dimensions 18 inches and smaller, along longitudinal centerline of duct. Space 3 inches maximum from insulation end joints, and 16 inches o.c.
    - b. On duct & equipment sides with dimensions larger than 18 inches. Space 16 inches o.c. each way, and 3 inches maximum from insulation joints. Apply additional pins and clips to hold insulation tightly against surface at bracing.
    - c. Anchor pins may be omitted from top surface of horizontal, rectangular ducts and plenums.
    - d. Do not compress insulation to less than 75% of its original thickness during installation.
  4. Cut excess portion of pins extending beyond speed washers. Cover exposed pins and washers with tape matching insulation facing.
  5. Create a facing lap for longitudinal seams and end joints with insulation by removing 2 inches from one edge and one end of insulation segment. Secure laps to adjacent insulation segment with 1/2-inch staples, 1-inch o.c., and cover with pressure-sensitive tape having same facing as insulation.
  6. Apply insulation on rectangular duct elbows and transitions with a full insulation segment for each surface. Groove and score insulation to fit as closely as possible to outside and inside radius of elbows. Apply insulation on round and flat-oval duct elbows with individually mitered gores cut to fit the elbow.
  7. Insulate duct and equipment stiffeners, hangers, and flanges that protrude beyond the insulation surface with 6" wide strips of the insulating materia. Secure on alternating sides of stiffener, hanger, and flange with anchor pins spaced 6 inches o.c.
  8. Apply vapor-retarder mastic to open joints, breaks, and punctures for insulation indicated to receive vapor retarder.

### 3.5 FLEXIBLE ELASTOMERIC THERMAL INSULATION APPLICATION

- A. Apply insulation to ducts, plenums, and equipment as follows:
1. Follow the manufacturer's written instructions for applying insulation.
  2. Seal longitudinal seams and end joints with manufacturer's recommended adhesive. Cement to avoid openings in insulation that will allow passage of air to the duct, plenum, and equipment surface.



FIRE STATIONS RENOVATION  
ARLINGTON COUNTY, VIRGINIA  
Architect's Project No: 563006

3.6 FIELD-APPLIED JACKET APPLICATION

- A. Apply glass-cloth jacket, where indicated, directly over bare insulation or insulation with factory-applied jackets.
  - 1. Apply jacket smooth and tight to surface with 2-inch overlap at seams and joints.
  - 2. Embed glass cloth between two 0.062-inch- thick coats of jacket manufacturer's recommended adhesive.
  - 3. Completely encapsulate insulation with jacket, leaving no exposed raw insulation.

3.7 FINISHES

- A. Glass-Cloth Jacketed Insulation: Paint insulation finished with glass-cloth jacket as specified in Division 9 Section "Paints."
- B. Flexible Elastomeric Thermal Insulation: After adhesive has fully cured, apply two coats of insulation manufacturer's recommended protective coating.
- C. Color: Final color shall be as selected by Architect. Vary first and second coats to allow visual inspection of the completed Work.

3.8 DIFFUSER APPLICATIONS

- A. Insulate exposed metal surfaces on top of all supply diffusers. Where diffusers are mounted in a metal pan insulate the top of the metal pan.
  - 1. Material: Mineral-Fiber Blanket Thermal Insulation with Factory Applied FSK Jacket.
  - 2. Thickness: 1 inch.
  - 3. Vapor Retarder Required: Yes.

3.9 APPLICATIONS

- A. Insulation materials and thickness are specified at the end of this Section.
- B. Insulate all ductwork, pipe and equipment:
  - 1. Insulate ductwork in accordance with the application schedule(s) below.
  - 2. Exceptions: Unless otherwise indicated, do not apply insulation to the following systems, materials, and equipment:
    - a. Vibration-control devices.
    - b. Testing agency labels and stamps.
    - c. Nameplates and data plates.
    - d. Manholes.
    - e. Handholes.
    - f. Cleanouts.
    - g. Plastic condensate drain piping.
    - h. Pipe-mounted condensate sensors.
    - i. Return ductwork inside the building insulation envelope.
    - j. Indoor exposed return air ductwork.
    - k. Exhaust ductwork.
      - 1) Exception: Duct beginning 18" upstream of backdraft damper and continuing to building envelope insulation.
    - l. Metal ducts with duct liner.
    - m. Factory-insulated flexible ducts.

FIRE STATIONS RENOVATION  
ARLINGTON COUNTY, VIRGINIA  
Architect's Project No: 563006

- n. Factory-insulated plenums, casings, terminal boxes, and filter boxes and sections.
- o. Flexible connectors.
- p. Vibration-control devices.
- q. Testing agency labels and stamps.
- r. Nameplates and data plates.
- s. Access panels and doors in air-distribution systems.

3.10 INDOOR APPLICATION SCHEDULE

- A. Service: Condensate drain piping.
  - 1. Insulation Material: Mineral fiber preformed pipe insulation.
  - 2. Insulation Thickness: 1"
  - 3. Vapor Retarder Required: Yes.
  - 4. Finish: Exposed = Painted, concealed = none.
  
- B. Service: Refrigerant piping.
  - 1. Operating Temperature: 35 to 50 deg F.
  - 2. Insulation Material: Flexible Elastomeric.
  - 3. Insulation Thickness: 1"
  - 4. Vapor Retarder Required: Yes.
  - 5. Finish: Exposed = Painted, concealed = none.
  
- C. Service: Unless otherwise indicated provide the following:
  - 1. Concealed Ducts and Plenums:
    - a. Material: Mineral-Fiber Blanket.
    - b. Thickness: 1 1/2 inches.
    - c. Vapor Retarder Required: Yes.
  - 2. Exposed Ducts and Plenums:
    - a. Material: Mineral-Fiber Board.
    - b. Thickness: 1-1/2 inches.
    - c. Field-Applied Jacket: Glass cloth.
    - d. Vapor Retarder Required: Yes.
    - e. Paint: Color as selected by architect. Refer to section "Painting".
  
- D. Service: Supply-air ducts, concealed and within the building insulation envelope.
  - 1. Material: Mineral-Fiber Blanket Thermal Insulation with Factory Applied FSK Jacket.
  - 2. Thickness: 1 1/2 inches.
  - 3. Vapor Retarder Required: Yes.
  
- E. Service: Outside-air ducts, concealed and within the building insulation envelope.
  - 1. Material: Mineral-Fiber Blanket Thermal Insulation with Factory Applied FSK Jacket.
  - 2. Thickness: 1 1/2 inches.
  - 3. Vapor Retarder Required: Yes.
  
- F. Service: Rectangular, return-air ducts, concealed in vented attics and unvented attics with insulated ceilings.
  - 1. Material: Mineral-Fiber Blanket Thermal Insulation with Factory Applied FSK Jacket.
  - 2. Thickness: 1-1/2 inches.

FIRE STATIONS RENOVATION  
ARLINGTON COUNTY, VIRGINIA  
Architect's Project No: 563006

3. Vapor Retarder Required: Yes.

3.11 OUTDOOR APPLICATION SCHEDULE

A. Service: Refrigerant piping.

1. Operating Temperature: 35 to 50 deg F.
2. Insulation Material: Flexible Elastomeric.
3. Insulation Thickness: 1"
4. Field-Applied Jacket: Aluminum or PVC or pre-engineered jacketing systems.
5. Vapor Retarder Required: Yes.
6. Finish: Two coats UV protectant.

END OF SECTION 230700

FIRE STATIONS RENOVATION  
ARLINGTON COUNTY, VIRGINIA  
Architect's Project No: 563006

SECTION 230900 – BUILDING AUTOMATION SYSTEM

PART 1 - GENERAL

1.1 RELATED DOCUMENTS

- A. Provisions of the Contract and of the Contract Documents apply to this Section.

1.2 WARRANTY

- A. Provide all services, materials and equipment necessary for the successful operation of the entire BAS system for a period of one year beginning on the date of Final Acceptance.
- B. Services, materials, and equipment shall include but not be limited to:
1. The adjustment, required testing, and repair of the system including all computer equipment, transmission lines, transmission equipment, sensors and control devices.
  2. On-line support services shall be provided as follows:
    - a. The local BAS representative shall have the capability to monitor and control the facility's building automation system via a dialup or internet connection. This connection to the facility shall be made within 2 hours of the time a problem is reported.
    - b. If the problem is not resolved by local support, the national office of the building automation system manufacturer, having the same dialup capability, shall also attempt to solve the problem online. If the problem cannot be resolved with on-line support, the BAS representative shall dispatch the appropriate personnel to the job site to resolve the problem within 4 hours of the time that the problem is reported.
    - c. This coverage shall include normal business hours, after business hours, weekends and holidays.

1.3 SUBMITTALS

- A. Pre-submittal meeting: The Contractor performing work under this Section of the specifications shall attend a meeting for coordinating the control system with major pieces of equipment including Rooftop Units. The meeting shall be held on the project site in the contractor's trailer or other location acceptable to the Contractor. The Contractor shall be responsible for arranging the meeting. Submittals shall be essentially complete at the time of the meeting so detailed coordination items can be discussed.
- B. Submit ten (10) complete sets of documentation in the following phased delivery schedule:
1. Schedule of dampers including size, leakage, and flow characteristics.
  2. Schedule of valves including leakage and flow characteristics.

FIRE STATIONS RENOVATION  
ARLINGTON COUNTY, VIRGINIA  
Architect's Project No: 563006

3. Product Data: Include manufacturer's technical literature for each control device. Indicate dimensions, capacities, performance characteristics, electrical characteristics, finishes for materials, and installation and startup instructions for each type of product indicated. Include each control device labeled with setting or adjustable range of control.
  - a. DDC System Hardware: Bill of materials of equipment indicating quantity, manufacturer, and model number. Include technical data for interface equipment, control units, transducers/transmitters, sensors, actuators, valves, relays/switches, control panels, and operator interface equipment.
  - b. Control System Software: Include technical data for operating system software, operator interface, color graphics, and other third-party applications.
  - c. Controlled Systems: Instrumentation list with element name, type of device, manufacturer, model number, and product data. Include written description of sequence of operation including schematic diagram.
  
4. Shop Drawings: Detail equipment assemblies and indicate dimensions, weights, loads, required clearances, method of field assembly, components, and location and size of each field connection. Include the following:
  - a. System schematics, including:
    - 1) Written sequences of operation
    - 2) Listing of connected data points, including connected control unit and input device.
      - a) Point names
      - b) Point addresses
    - 3) Power, signal, and control wiring. Differentiate between manufacturer-installed and field-installed wiring.
    - 4) Details of control panel faces, including controls, instruments, and labeling.
    - 5) Schematic flow diagrams showing fans, pumps, coils, dampers, valves, and control devices.
    - 6) Trunk cable schematic showing programmable control unit locations and trunk data conductors.
    - 7) System graphics indicating monitored systems, data (connected and calculated) point addresses, and operator notations.
    - 8) System configuration showing peripheral devices, batteries, power supplies, diagrams, modems, and interconnections.
  
- C. Maintenance Data: For systems to include in maintenance manuals specified in Division 1. Include the following:
  1. Maintenance instructions and lists of spare parts for each type of control device.
  2. Interconnection wiring diagrams with identified and numbered system components and devices.
  3. Keyboard illustrations and step-by-step procedures indexed for each operator function.
  4. Inspection period, cleaning methods, cleaning materials recommended, and calibration tolerances.
  5. Calibration records and list of set points.

FIRE STATIONS RENOVATION  
ARLINGTON COUNTY, VIRGINIA  
Architect's Project No: 563006

- D. Project Record Documents: Record actual locations of control components, including control units, thermostats, and sensors. Revise Shop Drawings to reflect actual installation and operating sequences.
  
- E. Upon project completion, submit operation and maintenance manuals, consisting of the following:
  - 1. Index sheet listing contents in alphabetical order.
  - 2. Manufacturer's equipment parts list of all functional components of the system.
  - 3. DVD of system schematics including wiring diagrams.
  - 4. Sequences of operations
  - 5. As-built interconnection wiring diagrams.
  - 6. Operator's manual.
  - 7. Trunk cable schematic showing remote electronic panel locations and all trunk data.
  - 8. List of connected data points, including panels to which they are connected and input device (sensors, thermostat, etc.)
  - 9. Software and firmware operational documentation. Include the following:
    - a. Software operating and upgrade manuals.
    - b. Program software backup: On a magnetic media or compact disc, complete with data files.
    - c. Device address list.
    - d. Printout of software application and graphic screens.
    - e. Software license required by control systems.
  - 10. Software Upgrade Kit: For Owner to use in modifying software to suit future power system revisions or monitoring and control revisions.
  - 11. Field Test Reports: Indicate and interpret test results for compliance with performance requirements.
  
- F. Submit product data sheets for airflow measuring devices indicating minimum placement requirements, sensor density, sensor distribution, and installed accuracy to the host control system. Submit a schedule of airflow measuring devices indicating compliance with specified accuracy at minimum and maximum airflow rates. Submit installation, operation and maintenance documentation.

1.4 QUALITY ASSURANCE

- A. The BAS system shall be designed and installed, commissioned, and serviced by a manufacturer's authorized installer.
  
- B. Manufacturer Qualifications: A firm experienced in manufacturing automatic temperature-control systems similar to those indicated for this Project and with a record of successful in-service performance.
  
- C. All materials and equipment used shall be standard components, regularly manufactured for this and/or other systems and not custom designed especially for this project.

FIRE STATIONS RENOVATION  
ARLINGTON COUNTY, VIRGINIA  
Architect's Project No: 563006

- D. Electrical Components, Devices, and Accessories: Listed and labeled as defined in NFPA 70, Article 100, by a testing agency acceptable to authorities having jurisdiction, and marked for intended use.
- E. Electronic equipment shall conform to the requirements of FCC Regulation, Part 15, Section 15, governing radio frequency electromagnetic interference and shall be so labeled.
- F. Comply with NFPA 90A, "Installation of Air Conditioning and Ventilation Systems."
- G. Comply with ASHRAE 135 for DDC system components.

1.5 DELIVERY, STORAGE, AND HANDLING

- A. Factory-Mounted Components: Where control devices specified in this Section are indicated to be factory-mounted on equipment, arrange for shipping of control devices to equipment manufacturer.
- B. System Software: Update to latest version of software at Project completion.

1.6 COORDINATION

- A. Control Wiring: The BAS manufacturer shall be responsible for all BAS and temperature control wiring for a complete and operable system. All wire and cable shall be plenum-rated and shall be in accordance with Division 26 specification sections and all local, state and national codes and ordinances.
- B. Where plenum-rated BAS cable is routed in concealed, accessible spaces, the cable may be run in the cable trays or in J-Hooks provided under this section of the specifications. Where plenum-rated BAS cable is routed in exposed or inaccessible areas, it shall be run conduit provided under this section of the specifications.
- C. Power Wiring:
  - 1. Power wiring indicated (device and circuit designation indicated) on the drawings shall be provided under Division 26.
  - 2. The BAS manufacturer shall be responsible for power wiring not indicated (device or circuit designation not indicated) on the Drawings. It shall be the BAS manufacturer's responsibility to review the Contract Documents to determine the extent of power wiring included in Division 26 and to provide additional power wiring as required. Work shall be in accordance with Division 26 specifications and all local, state and national codes and ordinances.
  - 3. Where the contractor performing work under this section requires an additional circuit for power wiring to a device or panel under paragraph 2 above, an RFI shall be issued requesting approval to use an available circuit in the nearest panel. Once approval is granted, all wiring and conduit from the breaker to the device or panel shall be provided under this section of the specifications.

FIRE STATIONS RENOVATION  
ARLINGTON COUNTY, VIRGINIA  
Architect's Project No: 563006

- D. Coordinate location of thermostats, humidistats, and other exposed control sensors with plans and room details before installation. All conduits shall be concealed within walls and above ceilings unless indicated otherwise.
- E. Coordinate installation of conduit to avoid cutting of finished surfaces.
- F. Coordinate equipment with Division 26 Section "Lighting Control Devices" to achieve compatibility with equipment that interfaces with that system.
- G. Coordinate equipment with Division 28 Section "Digital Addressable Fire Alarm" to achieve compatibility with equipment that interfaces with that system.
- H. Coordinate supply of conditioned electrical branch circuits for control units and operator workstation.

1.7 PROJECT CONDITIONS

- A. Maintain environmental conditions (temperature, humidity and ventilation) within limits recommended by manufacturer for optimum results. Do not install products under environmental conditions outside manufacturer's absolute limits.

PART 2 - PRODUCTS

2.1 MANUFACTURER

- 1. Trane

2.2 GENERAL:

- a. Provide controls to match the existing system controls supplier for each fire station.
- b. For fire station #1, provide DDC panel and control new RTU-8 and integrate into existing BAS.
- c. For fire station #6, provide monitoring for new fan and split system as required in sequence of controls for HVAC section and sheet M7.1 on drawings.

2.3 DDC CONTROLLERS

- A. All packaged equipment shall be provided with manufacturers controllers with BACnet interface.

2.4 ELECTRONIC SENSORS

- A. Description: Vibration and corrosion resistant; for wall, immersion, or duct mounting as required.



FIRE STATIONS RENOVATION  
ARLINGTON COUNTY, VIRGINIA  
Architect's Project No: 563006

B. Thermistor Temperature Sensors and Transmitters and Resistance Temperature Detectors and Transmitters:

1. Accuracy: Plus or minus 0.5 deg F at calibration point.
2. Wire: Twisted, shielded-pair cable.
3. Insertion Elements in Ducts: Single point, 8 inches long; use where not affected by temperature stratification or where ducts are smaller than 9 sq. ft.
4. Averaging Elements in Ducts: 36 inches long, flexible; use where prone to temperature stratification or where ducts are larger than 10 sq. ft.
5. Insertion Elements for Liquids: Brass or stainless-steel socket with minimum insertion length of 2-1/2 inches.
6. Room Sensor Cover Construction: Manufacturer's standard locking covers.
  - a. Set-Point Adjustment (classrooms, offices, work rooms and conference rooms): Exposed warmer/cooler slider. Range of adjustment capable at zone sensor shall be programmable through the BAS.
  - b. Set-Point Adjustment (other spaces): Concealed.
  - c. Set-Point Indication: Concealed.
  - d. Thermometer: Concealed.
  - e. Color: Manufacturer's standard.
  - f. Orientation: Vertical.
  - g. Option: No manufacturer logo.
7. Outside-Air Sensors: Watertight inlet fitting, shielded from direct sunlight.
8. Space Sensor Guards: Provide heavy-duty, cast aluminum guards for sensors located in the gymnasium, auxiliary gymnasium, auditorium and commons.
9. Public Corridors: In public corridors and entrances, provide blank stainless-steel cover plate sensors with insulated back and security screws.

C. Humidity Sensors: Capacitance or bulk polymer resistance type.

1. Accuracy: 5 percent full range with linear output.
2. Room Sensor Range: 20 to 80 percent relative humidity.
3. Room Sensor Cover Construction: Manufacturer's standard locking covers.
  - a. Color: Manufacturer's standard.
  - b. Orientation: Vertical.
  - c. Set-Point Adjustment: Concealed.
  - d. Set-Point Indication: Concealed.
4. Outside-Air Sensor: 20 to 80 percent relative humidity range with mounting enclosure, suitable for operation at outdoor temperatures of 0 to 185 deg F.
5. Duct-Mounted: Electric insertion, 2-position type with adjustable, 2 percent throttling range, 20 to 80 percent operating range, and single- or double-pole contacts.

D. Pressure Transmitters/Transducers:

1. Static-Pressure Transmitter: Non-directional sensor with suitable range for expected input and temperature-compensated.

FIRE STATIONS RENOVATION  
ARLINGTON COUNTY, VIRGINIA  
Architect's Project No: 563006

- a. Accuracy: 2 percent of full scale with repeatability of 0.5 percent.
  - b. Output: 4 to 20 mA.
  - c. Building Static-Pressure Range: 0- to 0.25-inch wg.
  - d. Duct Static-Pressure Range: 0- to 5-inch wg.
2. Water Pressure Transducers: Stainless-steel diaphragm construction, suitable for service; minimum 150-psig operating pressure; linear output 4 to 20 mA.
  3. Water Differential-Pressure Transducers: Stainless-steel diaphragm construction, suitable for service; minimum 150-psig operating pressure and tested to 300-psig; linear output 4 to 20 mA.
  4. Differential-Pressure Switch (Air or Water): Snap acting, with pilot-duty rating and with suitable scale range and differential. Accuracy shall be +/- 5% of range.
  5. Pressure Transmitters: Direct acting for gas, liquid, or steam service; range suitable for system; linear output 4 to 20 mA.
- E. Current Sensing Switch:
1. Sensor supply voltage and supply current shall be induced from monitored conductor. Contact rating shall be 0.2 amperes at 30 volts DC/AC. Trip set point shall be adjustable to +/-1% of range. Current sensing switch wiring shall not be polarity sensitive.
- F. Liquid Level Sensors:
1. Liquid level sensors shall have 1/2" accuracy calibrated to detect water in temperature range from 60°F to 80°F. Output signal shall be 4 to 20 mA. Sensor material shall be stainless steel or other non-corrosive material.
- 2.5 STATUS SENSORS
- A. Status Inputs for Fans: Differential-pressure switch with pilot-duty rating and with adjustable range of 0- to 5-inch wg.
  - B. Status Inputs for Pumps: Differential-pressure switch with pilot-duty rating and with adjustable pressure-differential range of 8 to 60 psig, piped across pump.
  - C. Status Inputs for Electric Motors: Comply with ISA 50.00.01, current-sensing fixed- or split-core transformers with self-powered transmitter, adjustable and suitable for 175 percent of rated motor current.
  - D. Voltage Transmitter (100- to 600-V ac): Comply with ISA 50.00.01, single-loop, self-powered transmitter, adjustable, with suitable range and 1 percent full-scale accuracy.
  - E. Current Switches: Self-powered, solid-state with adjustable trip current, selected to match current and system output requirements.
  - F. Electronic Valve/Damper Position Indicator: Visual scale indicating percent of travel and 2- to 10-V dc, feedback signal.

FIRE STATIONS RENOVATION  
ARLINGTON COUNTY, VIRGINIA  
Architect's Project No: 563006

- G. Water-Flow Switches: Bellows-actuated mercury or snap-acting type with pilot-duty rating, stainless-steel or bronze paddle, with appropriate range and differential adjustment, in NEMA 250, Type 1 enclosure.

2.6 THERMOSTATS

A. Available Manufacturers:

1. Danfoss Inc.; Air-Conditioning and Refrigeration Div.
2. Heat-Timer Corporation.
3. tekmar Control Systems, Inc.

B. Combination Thermostat and Fan Switches: Line-voltage thermostat with push-button or lever-operated fan switch.

1. Label switches "FAN ON-OFF" or "FAN HIGH-LOW-OFF" or "FAN HIGH-MED-LOW-OFF."
2. Mount on single electric switch box.

C. Electric, solid-state, microcomputer-based room thermostat with remote sensor.

1. Automatic switching from heating to cooling.
2. Preferential rate control to minimize overshoot and deviation from set point.
3. Set up for four separate temperatures per day.
4. Instant override of set point for continuous or timed period from 1 hour to 31 days.
5. Short-cycle protection.
6. Programming based on every day of week.
7. Selection features include degree F or degree C display, 12- or 24-hour clock, keyboard disable, remote sensor, and fan on-auto.
8. Battery replacement without program loss.
9. Thermostat display features include the following:
  - a. Time of day.
  - b. Actual room temperature.
  - c. Programmed temperature.
  - d. Programmed time.
  - e. Duration of timed override.
  - f. Day of week.
  - g. System mode indications include "heating," "off," "fan auto," and "fan on."

D. Low-Voltage, On-Off Thermostats: NEMA DC 3, 24-V, bimetal-operated, mercury-switch type, with adjustable or fixed anticipation heater, concealed set-point adjustment, 55 to 85 deg F set-point range, and 2 deg F maximum differential.

E. Line-Voltage, On-Off Thermostats: Bimetal-actuated, open contact or bellows-actuated, enclosed, snap-switch or equivalent solid-state type, with heat anticipator; listed for electrical rating; with concealed set-point adjustment, 55 to 85 deg F set-point range, and 2 deg F maximum differential.

FIRE STATIONS RENOVATION  
ARLINGTON COUNTY, VIRGINIA  
Architect's Project No: 563006

1. Electric Heating Thermostats: Equip with off position on dial wired to break ungrounded conductors.
  2. Selector Switch: Integral, manual on-off-auto.
- F. Remote-Bulb Thermostats: On-off or modulating type, liquid filled to compensate for changes in ambient temperature; with copper capillary and bulb, unless otherwise indicated.
1. Bulbs in water lines with separate wells of same material as bulb.
  2. Bulbs in air ducts with flanges and shields.
  3. Averaging Elements: Copper tubing with either single- or multiple-unit elements, extended to cover full width of duct or unit; adequately supported.
  4. Scale settings and differential settings are clearly visible and adjustable from front of instrument.
  5. On-Off Thermostat: With precision snap switches and with electrical ratings required by application.
  6. Modulating Thermostats: Construct so complete potentiometer coil and wiper assembly is removable for inspection or replacement without disturbing calibration of instrument.
- G. Immersion Thermostat: Remote-bulb or bimetal rod-and-tube type, proportioning action with adjustable throttling range and adjustable set point.
- H. Airstream Thermostats: Two-pipe, fully proportional, single-temperature type; with adjustable set point in middle of range, adjustable throttling range, plug-in test fitting or permanent pressure gage, remote bulb, bimetal rod and tube, or averaging element.
- I. Electric, Low-Limit Duct Thermostat: Snap-acting, single-pole, single-throw, manual- or automatic- reset switch that trips if temperature sensed across any 12 inches of bulb length is equal to or below set point.
1. Bulb Length: Minimum 20 feet.
  2. Quantity: One thermostat for every 20 sq. ft. of coil surface.
- J. Electric, High-Limit Duct Thermostat: Snap-acting, single-pole, single-throw, manual- or automatic- reset switch that trips if temperature sensed across any 12 inches of bulb length is equal to or above set point.
1. Bulb Length: Minimum 20 feet.
  2. Quantity: One thermostat for every 20 sq. ft. of coil surface.
- K. Heating/Cooling Valve-Top Thermostats: Proportional acting for proportional flow, with molded-rubber diaphragm, remote-bulb liquid-filled element, direct and reverse acting at minimum shutoff pressure of 25 psig, and cast housing with position indicator and adjusting knob.

## 2.7 ACTUATORS

- A. Electric Motors: Size to operate with sufficient reserve power to provide smooth modulating action or two-position action.

FIRE STATIONS RENOVATION  
ARLINGTON COUNTY, VIRGINIA  
Architect's Project No: 563006

1. Comply with requirements in Division 23 Section "Common Motor Requirements for HVAC Equipment."
  2. Permanent Split-Capacitor or Shaded-Pole Type: Gear trains completely oil immersed and sealed. Equip spring-return motors with integral spiral-spring mechanism in housings designed for easy removal for service or adjustment of limit switches, auxiliary switches, or feedback potentiometer.
  3. Non-spring-Return Motors for Valves Larger than NPS 2-1/2: Size for running torque of 150 in. x lbf and breakaway torque of 300 in. x lbf.
  4. Spring-Return Motors for Valves Larger than NPS 2-1/2: Size for running and breakaway torque of 150 in. x lbf.
  5. Non-spring-Return Motors for Dampers Larger than 25 Sq. Ft.: Size for running torque of 150 in. x lbf and breakaway torque of 300 in. x lbf.
  6. Spring-Return Motors for Dampers Larger than 25 Sq. Ft.: Size for running and breakaway torque of 150 in. x lbf.
- B. Electronic Actuators: Direct-coupled type designed for minimum 60,000 full-stroke cycles at rated torque.
1. Valves: Size for torque required for valve close off at maximum pump differential pressure.
  2. Dampers: Size for running torque calculated as follows:
    - a. Parallel-Blade Damper with Edge Seals: 7 inch-lb/sq. ft. of damper.
    - b. Opposed-Blade Damper with Edge Seals: 5 inch-lb/sq. ft. of damper.
    - c. Parallel-Blade Damper without Edge Seals: 4 inch-lb/sq. ft. of damper.
    - d. Opposed-Blade Damper without Edge Seals: 3 inch-lb/sq. ft. of damper.
    - e. Dampers with 2- to 3-Inch wg of Pressure Drop or Face Velocities of 1000 to 2500 fpm: Increase running torque by 1.5.
    - f. Dampers with 3- to 4-Inch wg of Pressure Drop or Face Velocities of 2500 to 3000 fpm: Increase running torque by 2.0.
  3. Coupling: V-bolt and V-shaped, toothed cradle.
  4. Overload Protection: Electronic overload or digital rotation-sensing circuitry.
  5. Fail-Safe Operation: Mechanical, spring-return mechanism. Provide external, manual gear release on non-spring-return actuators.
  6. Power Requirements (Modulating): Maximum 10 VA at 24-V ac or 8 W at 24-V dc.
  7. Proportional Signal: 2- to 10-V dc or 4 to 20 mA, and 2- to 10-V dc position feedback signal.
  8. Temperature Rating: Minus 22 to plus 122 deg F.
  9. Temperature Rating (Smoke Dampers): Minus 22 to plus 250 deg F.

## 2.8 DAMPERS

- A. Dampers: AMCA-rated, parallel or opposed-blade design; 0.108-inch- minimum thick, galvanized-steel or 0.125-inch- minimum thick, extruded-aluminum frames with holes for duct mounting; damper blades shall not be less than 0.064-inch- thick galvanized steel with maximum blade width of 8 inches and length of 48 inches.

FIRE STATIONS RENOVATION  
ARLINGTON COUNTY, VIRGINIA  
Architect's Project No: 563006

1. Secure blades to 1/2-inch- diameter, zinc-plated axles using zinc-plated hardware, with oil-impregnated sintered bronze blade bearings, blade-linkage hardware of zinc-plated steel and brass, ends sealed against spring-stainless-steel blade bearings, and thrust bearings at each end of every blade.
2. Operating Temperature Range: From minus 40 to plus 200 deg F.
3. Edge Seals, Standard Pressure Applications: Closed-cell neoprene.
4. Edge Seals, Low-Leakage Applications: Use inflatable blade edging or replaceable rubber blade seals and spring-loaded stainless-steel side seals, rated for leakage at less than 10 cfm per sq. ft. of damper area, at differential pressure of 4-inch wg when damper is held by torque of 50 in. x lbf; when tested according to AMCA 500D.

2.9 SMOKE DETECTORS

- A. Smoke detectors shall be furnished under Division 28 and installed under this Section.
- B. Wiring from smoke detectors to fire alarm system shall be under Division 28.
- C. Wiring from smoke detectors to mechanical equipment shall be under this Section.

2.10 Low Temperature Detection Stat: By BAS manufacturer.

2.11 CURRENT SENSING RELAYS:

- A. By controls contractor for all equipment.miscellaneous relays and switches:
- B. General: Where required by the sequence of operation switches, relays, and miscellaneous devices necessary to accomplish the sequence shall be provided under this Section.

PART 3 - EXECUTION

3.1 PROJECT MANAGEMENT

- A. Provide a designated project manager who will be responsible for the following:
  1. Construct and maintain project schedule
  2. On-site coordination with all applicable trades and subcontractors
  3. Authorized to accept and execute orders or instructions from owner/architect
  4. Attend project meetings as necessary to avoid conflicts and delays
  5. Make necessary field decisions relating to this scope of work
  6. Coordination/Single point of contact.

3.2 EXAMINATION

- A. Verify that power supply is available to control units and operator workstation.

FIRE STATIONS RENOVATION  
ARLINGTON COUNTY, VIRGINIA  
Architect's Project No: 563006

- B. Verify that duct-, pipe-, and equipment-mounted devices are installed before proceeding with installation.

3.3 INSTALLATION

- A. Install software in control units and operator workstation(s). Implement all features of programs to specified requirements and as appropriate to sequence of operation.
- B. Connect and configure equipment and software to achieve sequence of operation specified in Section 23 section "Sequence of Control."
- C. Verify location of thermostats, humidistats, and other exposed control sensors with Drawings and room details before installation. Install devices next to light switch(es) when space is available with top of device at 48 inches above finished floor. Where space next to light switch(es) is not available, align device vertically with light switch and locate device with top at 40 inches above the finished floor.
  - 1. Install averaging elements in ducts and plenums in crossing or zigzag pattern.
- D. Install guards on thermostats where indicated on Drawings.
- E. Install automatic dampers according to Division 23 Section "Air Duct Accessories."
- F. Install damper motors on outside of duct in warm areas, not in locations exposed to outdoor temperatures.
- G. Install labels and nameplates to identify control components according to Division 23 Section "Identification for HVAC Piping and Equipment."
- H. Install hydronic instrument wells, valves, and other accessories according to Division 23 Section "Hydronic Piping."
- I. Install duct volume-control dampers according to Division 23 Sections specifying air ducts.

3.4 FIELD QUALITY CONTROL

- A. Manufacturer's Field Service: Engage a factory-authorized service representative to inspect, test, and adjust field-assembled components and equipment installation, including connections, and to assist in field testing. Report results in writing.
- B. Perform the following field tests and inspections and prepare test reports:
  - 1. Operational Test: After electrical circuitry has been energized, start units to confirm proper unit operation. Remove and replace malfunctioning units and retest.
  - 2. Test and adjust controls and safeties.
  - 3. Test calibration of electronic controllers by disconnecting input sensors and stimulating operation with compatible signal generator.

FIRE STATIONS RENOVATION  
ARLINGTON COUNTY, VIRGINIA  
Architect's Project No: 563006

4. Test each point through its full operating range to verify that safety and operating control set points are as required.
5. Test each control loop to verify stable mode of operation and compliance with sequence of operation. Adjust PID actions.
6. Test each system for compliance with sequence of operation.
7. Test software and hardware interlocks.

C. DDC Verification:

1. Verify that instruments are installed before calibration, testing, and loop or leak checks.
2. Check instruments for proper location and accessibility.
3. Check instrument installation for direction of flow, elevation, orientation, insertion depth, and other applicable considerations.
4. Check instrument tubing for proper fittings, slope, material, and support.
5. Check flow instruments. Inspect tag number and line and bore size, and verify that inlet side is identified and that meters are installed correctly.
6. Check pressure instruments, piping slope, installation of valve manifold, and self-contained pressure regulators.
7. Check temperature instruments and material and length of sensing elements.
8. Check control valves. Verify that they are in correct direction.
9. Check DDC system as follows:
  - a. Verify that DDC controller power supply is from emergency power supply.
  - b. Verify that wires at control panels are tagged with their service designation and approved tagging system.
  - c. Verify that spare I/O capacity has been provided.
  - d. Verify that DDC controllers are protected from power supply surges.

D. Replace damaged or malfunctioning controls and equipment and repeat testing procedures.

3.5 ADJUSTING

A. Calibrating and Adjusting:

1. Calibrate instruments.
2. Make three-point calibration test for both linearity and accuracy for each analog instrument.
3. Calibrate equipment and procedures using manufacturer's written recommendations and instruction manuals. Use test equipment with accuracy at least double that of instrument being calibrated.
4. Control System Inputs and Outputs:
  - a. Check analog inputs at 0, 50, and 100 percent of span.
  - b. Check analog outputs using milliamperemeter at 0, 50, and 100 percent output.
  - c. Check digital inputs using jumper wire.
  - d. Check digital outputs using ohmmeter to test for contact making or breaking.
  - e. Check resistance temperature inputs at 0, 50, and 100 percent of span using a precision-resistant source.



FIRE STATIONS RENOVATION  
ARLINGTON COUNTY, VIRGINIA  
Architect's Project No: 563006

5. Flow:
    - a. Set differential pressure flow transmitters for 0 and 100 percent values with 3-point calibration accomplished at 50, 90, and 100 percent of span.
    - b. Manually operate flow switches to verify that they make or break contact.
  6. Pressure:
    - a. Calibrate pressure transmitters at 0, 50, and 100 percent of span.
    - b. Calibrate pressure switches to make or break contacts, with adjustable differential set at minimum.
  7. Temperature:
    - a. Calibrate resistance temperature transmitters at 0, 50, and 100 percent of span using a precision-resistance source.
    - b. Calibrate temperature switches to make or break contacts.
  8. Stroke and adjust control valves and dampers without positioners, following the manufacturer's recommended procedure, so that valve or damper is 100 percent open and closed.
  9. Stroke and adjust control valves and dampers with positioners, following manufacturer's recommended procedure, so that valve and damper is 0, 50, and 100 percent closed.
  10. Provide diagnostic and test instruments for calibration and adjustment of system.
  11. Provide written description of procedures and equipment for calibrating each type of instrument. Submit procedures review and approval before initiating startup procedures.
- B. Adjust initial temperature and humidity set points.
- C. Occupancy Adjustments: When requested within 12 months of date of Final Acceptance, provide on-site assistance in adjusting system to suit actual occupied conditions. Provide up to three visits to Project during other than normal occupancy hours for this purpose.

### 3.6 TRAINING

- A. Provide 8 hours of training for Owner's designated operating personnel. Training shall include:
1. Explanation of drawings and operation & maintenance manuals
  2. Walk-through of the job to locate control components
  3. Operator workstation and peripherals
  4. Operation of Portable computer
  5. DDC controller and ASC operation/function
  6. Operator control functions including graphic generation and field panel programming
  7. Explanation of adjustment, calibration and replacement procedures
- B. Since the Owner may require personnel to have more comprehensive understanding of the hardware and software, additional training must be available from the Manufacturer. If necessary additional training will be contracted by the Owner at a later date.

FIRE STATIONS RENOVATION  
ARLINGTON COUNTY, VIRGINIA  
Architect's Project No: 563006

- C. Coordinate with Owner is videotape documentation of training is required.

END OF SECTION 230900

FIRE STATIONS RENOVATION  
ARLINGTON COUNTY, VIRGINIA  
Architect's Project No: 563006

SECTION 230993 - SEQUENCE OF OPERATIONS FOR HVAC CONTROLS

PART 1 - GENERAL

1.1 RELATED DOCUMENTS

- A. Provisions of the Contract and of the Contract Documents apply to this Section.

1.2 SUMMARY

- A. This Section includes control sequences for HVAC systems, subsystems, and equipment.
- B. Related Sections include the following:
  - 1. Division 23 Section "Building Automation System" for control equipment and devices and for submittal requirements.

1.3 DEFINITIONS

- A. BAS: Building automation system.
- B. CO<sub>2</sub>: Carbon dioxide.
- C. CO: Carbon monoxide
- D. DDC: Direct digital control.
- E. PPM: Parts per million.
- F. RPM: Revolutions per minute.
- G. SCR: Silicon-Controlled Rectifier.
- H. TAB: Testing, Adjusting and Balancing.
- I. VAV: Variable air volume.
- J. VFD: Variable-frequency drive

1.4 GENERAL REQUIREMENTS OF THIS SECTION

- A. Control sequences shall be accomplished in accordance with control drawings and the sequences specified in this section. It is the intent of this section to utilize sequences included in pre-programmed controllers when such sequences provide the intended operation.

FIRE STATIONS RENOVATION  
ARLINGTON COUNTY, VIRGINIA  
Architect's Project No: 563006

- B. Points may not be deleted without prior approval from the Architect.
- C. Every attempt has been made to indicate all required points on the control drawings. Occasionally an additional point, or points, may be required to accomplish a specified sequence. The contractor performing work under this section shall understand the work to be implied and required by the contract documents. Additional hardware and software required shall be provided under section "Building Automation System" at no additional cost to the Owner.
  - 1. Such points include:
    - a. Sensors of all types whether or not specified under section "Building Automation System"
    - b. Air flow measuring stations.
    - c. Wiring, conduit, and related devices such as relays.
  - 2. Exceptions:
    - a. Equipment and devices covered under sections other than "Building Automation System".

1.5 DISPLAY GRAPHICS:

- A. Include system schematic for each system. Indicate all points in system on at least one graphic.
- B. Indicate all commanded values and temperatures.
- C. Indicate all sensed temperatures.
- D. Indicate all alarms.
- E. Indicate all status points.
- F. Indicate all monitored conditions.

1.6 WARRANTY

- A. Provide all services, materials and equipment necessary for the successful operation of the entire BAS system for a period of one year beginning on the date of Final Acceptance.

1.7 SUBMITTALS

- A. Refer to Section "Building Automation System."

PART 2 - SEQUENCES

- 2.1 SET POINTS: Unless indicated otherwise all set points shall be adjustable from the head end.

FIRE STATIONS RENOVATION  
ARLINGTON COUNTY, VIRGINIA  
Architect's Project No: 563006

2.2 ROOFTOP UNITS (RTU-8)

A. General:

1. Each unit shall be controlled by field installed BACnet IP building controllers provided by the DDC contractor. The controller shall interface with the 24V controls terminal strip provided by the equipment manufacturer.
2. Enthalpy High Limit: 28.0 BTU/lb

B. Initial Set Points:

1. Occupied:
  - a. Space Cooling Temperature: 75°F
  - b. Space Heating Temperature: 70°F
  - c. Space Maximum Relative Humidity: 55% RH
2. Unoccupied:
  - a. Space Cooling Temperature: 78°F
  - b. Space Heating Temperature: 65°F
  - c. Space Maximum Relative Humidity: 60% RH

C. Enable/Disable:

1. Occupied Operation: During occupied hours, the BAS shall enable the unit and provide set points as specified. The supply fan shall be started and dampers shall open.
2. Unoccupied Operation: During unoccupied hours, the unit shall be disabled, the supply and exhaust fans shall be off, and dampers shall be closed.

D. Supply Fan Control:

1. When the unit is started, the outside air damper shall be open and an end switch shall authorize the supply fan to start and go to its maximum speed. The required speed shall be determined by the equipment manufacturer and shall be constituted as the maximum fan speed.
2. Speed Control:
  - a. The supply fan shall be ramped up to design/ balanced airflow.
  - b. Drive Malfunction: Should the VFD malfunction as indicated by drive alarm circuit, an alarm shall be sent to the head end. The fan shall continue to operate unless deactivated by the VFD protection circuitry.
  - c. Fan Failure Alarm: Should the supply fan fail (as sensed by current sensing relay), the unit shall be disabled, and an alarm shall be sent to the head end identifying the unit and stating that the supply fan has failed.

E. Exhaust Fan Control:

1. During occupied operation, the exhaust air damper shall be open and an end switch shall start the exhaust fan.
2. Speed Control:
  - a. The relief fan speed ramp up to design/ balanced airflow.
3. Fan Failure Alarm: Should the exhaust fan fail (as sensed by its current sensing relay), the unit shall be disabled, and an alarm shall be sent to the head end identifying the unit and stating that the exhaust fan has failed.
4. Drive Malfunction: Should the VFD malfunction as indicated by the drive alarm circuit, an alarm shall be sent to the head end. The fan shall continue to operate unless deactivated by the VFD protection circuitry.

FIRE STATIONS RENOVATION  
ARLINGTON COUNTY, VIRGINIA  
Architect's Project No: 563006

- F. Supply Air Temperature Control: The unit shall use comparative enthalpy economizer, heating, or cooling to maintain leaving air conditions.
- G. Supply Air Low Limit Temperature: If the discharge air temperature falls below the low limit set point (initially 50°F, adjustable), for five minutes (adjustable), the unit will stop and an alarm will be issued to the BAS.
- H. Cooling Control: The supply fan shall be confirmed as running before cooling is enabled. If cooling is required, the direct expansion cooling shall enable the first stage of cooling and modulate to maintain supply leaving air temperature. If additional capacity is needed, the next available compressor shall be staged and modulated to maintain the set point (as sensed by the supply leaving air temperature sensor).
- I. Heating Control: If heating is required, the first stage of heating shall be enabled and module to maintain supply air leaving temperature. If additional capacity is needed, the gas burners shall be staged and modulated to maintain the set point (as sensed by the supply leaving air temperature sensor).
- J. Hot Gas Reheat Control: The hot gas reheat coil shall be modulated as required to maintain leaving air temperature setpoint.
- K. Dehumidification Control:
1. Occupied Mode: If the space relative humidity (based on a space mounted humidity sensor) rises above initial setpoint (50% RH, adjustable), the unit economizer and compressor will be controlled to maintain cooling coil leaving air temperature setpoint. This cooling coil leaving air temp setpoint will be slowly lowered until sufficient dehumidification is provided to meet the space RH set point.
  2. Unoccupied mode: If the space relative humidity rises above set point (initially 60% RH, adjustable), the supply fan shall be started and the compressor will be controlled to maintain the cooling coil leaving air temp setpoint. This cooling coil leaving air temp setpoint will be slowly lowered until sufficient dehumidification is provided to meet the space RH set point. The unit shall return to unoccupied mode when the space humidity is 10% below set point.
- L. Economizer Mode: Whenever outside air enthalpy is less than the enthalpy high limit setpoint (adjustable) and outside air temperature is less than the return air temperature and cooling is required, economizer operation shall be enabled and the enthalpy wheel shall be disabled and bypassed.
1. Outside air enthalpy will be calculated using the outdoor air temperature and outdoor air humidity sensors.
  2. Economizer operation shall be available 24/7 and shall override unoccupied damper controls.
- M. Motorized Control Valve: The motorized control valve shall open 90 seconds prior to the compressor start up. When the compressors shut off, the control valve shall close. The BAS shall monitor the valve position and indicate an alarm in the case of malfunction.
- N. Head Pressure Control: If there is a demand for mechanical cooling, the head pressure control valve shall open to 100%. When the compressor starts, the valve will modulate to maintain the factory set head pressure setpoint. The valve will be allowed to close to a minimum value set

FIRE STATIONS RENOVATION  
ARLINGTON COUNTY, VIRGINIA  
Architect's Project No: 563006

point of 50%. If the compressor has been off for 10 minutes, the valve will close. If there is a demand for mechanical heating, the head pressure control valve shall open to 100% and remain open until the compressor has been off for 10 minutes.

O. Outdoor Air Damper:

1. Occupied: Damper shall open. If damper fails to open, an alarm shall be sent to the head end identifying the unit and stating that the outdoor air damper failed to open.
2. Unoccupied: Damper shall remain closed. Damper end switch shall confirm the damper closed. If the damper fails to close, an alarm shall be sent to the head end identifying the unit and stating that the outdoor air damper failed to close.

P. Relief Air Damper:

1. Occupied: Damper shall open. If damper fails to open, an alarm shall be sent to the head end identifying the unit and stating that the relief air damper failed to open.
2. Unoccupied: Damper end switch shall confirm the damper closed. If the damper fails to close, an alarm shall be sent to the head end identifying the unit and stating that the relief air damper failed to close.

Q. Frost Prevention: The unit controller shall vary the rotational speed of the enthalpy wheel to maintain the exhaust airstream temperature above that which frost formation begins.

R. System Safety: Whenever the supply fan is stopped, or airflow ceases for any reason (as sensed by the current sensing relay), the supply fan shall be deactivated and alarm issued to BAS. In all modes of operation, commanded position values for all control devices such as dampers shall be readable from the head-end.

S. Filter Change Alarm: The differential pressure across the filters shall be monitored. If the differential pressure exceed 1" wg (adjustable), an alarm shall be issued to the BAS.

T. Life Safety: Duct smoke detectors located in the return air duct, upon detection of products of combustion from any detector, signal the building fire alarm system and shut down the unit & supply fan. This function shall be manually reset from the unit and shall be so identified on the head-end graphics. An alarm shall also be provided to the BAS head-end.

U. Condensate Pan Overflow Prevention: The unit shall monitor float switches in the condensate pan under the evaporator. If the float switch detects the pan is about to overflow and has reached its high limit, the unit shall disable the cooling and issue an alarm to the BAS.

## 2.3 DUCTLESS SPLIT SYSTEM AIR CONDITIONERS

A. Each unit shall operate on its factory-installed control system.

B. Initial Set Points:

- a. Cooling: 72°F
- b. Heating: 65°F

C. The BAS shall monitor the space temperature in the rooms served by Ductless Split Systems. These sensors are used for monitoring purposes and shall alarm if they deviate more from the below set points:

FIRE STATIONS RENOVATION  
ARLINGTON COUNTY, VIRGINIA  
Architect's Project No: 563006

1. Alarm High Limit Temperature: 85°F.

D. The BAS shall monitor a general alarm for each Ductless Split System. If in alarm, the graphics shall display an alarm for the associated unit.

2.4 FAN (Control Method BAS Schedule)

A. General: These are general duty fans which operate on a time-of-day schedule. Refer to the Fan Schedule for fan information.

B. Occupied/Unoccupied:

1. Unoccupied Operation: During unoccupied hours the fan shall be off and the damper shall be closed.
2. Occupied Operation: During occupied hours, the fan shall be on and the damper shall be open.

C. Start:

1. At the start of occupied operation, the BAS shall open the motorized damper associated with the fan. Once the damper is confirmed open, the BAS shall start the fan. If the damper is interlocked with fan operation, then the BAS shall start the fan.

D. Stop:

1. At the beginning of unoccupied operation, the BAS shall stop the fan and close the associated damper (or just stop the fan if the damper is interlocked).

E. Fan failure alarm:

1. If the fan fails to start (as sensed by its current sensing relay) an alarm shall be sent to the head end identifying the fan and stating that it has failed to start.

PART 3 - EXECUTION (Not Applicable)

END OF SECTION 230993



FIRE STATIONS RENOVATION  
ARLINGTON COUNTY, VIRGINIA  
Architect's Project No: 563006

SECTION 232300 - REFRIGERANT PIPING

PART 1 - GENERAL

1.1 RELATED DOCUMENTS

- A. Provisions of the Contract and of the Contract Documents apply to this Section.

1.2 SUBMITTALS

- A. Product Data: For each type of valve and refrigerant piping specialty indicated for the following:
1. Thermostatic expansion valves.
  2. Solenoid valves.
  3. Hot-gas bypass valves.
  4. Filter dryers.
  5. Strainers.
  6. Pressure-regulating valves.
- B. Shop Drawings: Show layout of refrigerant piping and specialties, including pipe, tube, and fitting sizes, flow capacities, slopes of horizontal runs, oil traps, double risers, valve arrangements & locations wall & floor penetrations, and equipment connection details. Show interface and spatial relationships between piping and equipment.
1. Shop Drawing Scale: 1/4"=1'-0"
  2. Refrigerant piping indicated on Drawings is schematic only. Size piping and design actual piping layout, including oil traps, double risers, specialties, and pipe and tube sizes to accommodate, as a minimum, proposed equipment, elevation difference between compressor and evaporator, and length of piping to ensure proper operation and compliance with warranties of connected equipment.
- C. Operation and Maintenance Data: For refrigerant valves and piping specialties to include in maintenance manuals.

1.3 PRODUCT STORAGE AND HANDLING

- A. Store piping in a clean and protected area with end caps in place to ensure that piping interior and exterior are clean when installed.

1.4 QUALITY ASSURANCE

- A. Welding: Qualify procedures and personnel according to ASME Boiler and Pressure Vessel Code: Section IX; "Welding and Brazing Qualifications."

FIRE STATIONS RENOVATION  
ARLINGTON COUNTY, VIRGINIA  
Architect's Project No: 563006

- B. ASHRAE Standard: Comply with ASHRAE 15, "Safety Code for Mechanical Refrigeration."
- C. ASME Standard: Comply with ASME B31.5, "Refrigeration Piping."
- D. UL Standard: Provide products complying with UL 207, "Refrigerant-Containing Components and Accessories, Nonelectrical"; or UL 429, "Electrically Operated Valves."

1.5 COORDINATION

- A. Coordinate layout and installation of refrigerant piping and suspension system components with other construction, including light fixtures, HVAC equipment, fire-suppression-system components, and partition assemblies.
- B. Coordinate pipe sleeve installations for wall penetrations.
- C. Coordinate installation of roof curbs, equipment supports, and roof penetrations.
- D. Coordinate pipe sleeve installations for penetrations in exterior walls and floor assemblies. Coordinate with requirements for firestopping.
- E. Coordinate pipe fitting pressure classes with products specified in related Sections.

PART 2 - PRODUCTS

2.1 COPPER TUBE AND FITTINGS

- A. Copper Tube: ASTM B 280, Type ACR.
- B. Wrought-Copper Fittings: ASME B16.22.
- C. Wrought-Copper Unions: ASME B16.22.
- D. Solder Filler Metals: ASTM B 32. Use 95-5 tin antimony solder to join copper socket fittings on copper pipe.
- E. Brazing Filler Metals: AWS A5.8, BCuP series, copper-phosphorus alloys for general duty brazing unless otherwise indicated. AWS A5.8, BAg-5 silver alloy for refrigerant piping unless otherwise indicated.
- F. Flexible Connectors:
  - 1. Body: Tin-bronze bellows with woven, flexible, tinned-bronze-wire-reinforced protective jacket.
  - 2. End Connections: Socket ends.
  - 3. Offset Performance: Capable of minimum  $\frac{3}{4}$ " misalignment in minimum 7" length.
  - 4. Pressure Rating: Factory test at minimum 500 psig.
  - 5. Maximum Operating Temperature: 250 deg F.

FIRE STATIONS RENOVATION  
ARLINGTON COUNTY, VIRGINIA  
Architect's Project No: 563006

## 2.2 STEEL PIPE AND FITTINGS

- A. Steel Pipe: ASTM A 53/A 53M, black steel with plain ends; Type, Grade, and wall thickness as selected in Part 3 piping applications articles.
- B. Wrought-Steel Fittings: ASTM A 234/A 234M, for welded joints.
- C. Steel Flanges and Flanged Fittings: ASME B16.5, steel, including bolts, nuts, and gaskets, bevel-welded end connection, and raised face.
- D. Welding Filler Metals: Comply with AWS D10.12/D10.12M for welding materials appropriate for wall thickness and chemical analysis of steel pipe being welded.
- E. Flanged Unions:
  - 1. Body: Forged-steel flanges for 1" to 1 1/2" and ductile iron for 2" to 3". Apply rust-resistant finish at factory.
  - 2. Gasket: Fiber asbestos free.
  - 3. Fasteners: Four plated-steel bolts, with silicon bronze nuts. Apply rust-resistant finish at factory.
  - 4. End Connections: Brass tailpiece adapters for solder-end connections to copper tubing.
  - 5. Offset Performance: Capable of minimum 3/4" misalignment in minimum 7" length.
  - 6. Pressure Rating: Factory test at minimum 400 psig.
  - 7. Maximum Operating Temperature: 330 deg F.
- F. Flexible Connectors:
  - 1. Body: Stainless-steel bellows with woven, flexible, stainless-steel-wire-reinforced protective jacket
  - 2. End Connections:
    - a. NPS 2 and Smaller: With threaded-end connections.
    - b. NPS 2-1/2 and Larger: With flanged-end connections.
  - 3. Offset Performance: Capable of minimum 3/4-inch misalignment in minimum 7-inch-long assembly.
  - 4. Pressure Rating: Factory test at minimum 500 psig.
  - 5. Maximum Operating Temperature: 250 deg F.

## 2.3 VALVES AND SPECIALTIES

- A. Diaphragm Packless Valves:
  - 1. Body and Bonnet: Forged brass or cast bronze; globe design with straight-through or angle pattern.
  - 2. Diaphragm: Phosphor bronze and stainless steel with stainless-steel spring.
  - 3. Operator: Rising stem and hand wheel.
  - 4. Seat: Nylon.
  - 5. End Connections: Socket, union, or flanged.
  - 6. Working Pressure Rating: 500 psig.
  - 7. Maximum Operating Temperature: 275 deg F.
- B. Packed-Angle Valves:

FIRE STATIONS RENOVATION  
ARLINGTON COUNTY, VIRGINIA  
Architect's Project No: 563006

1. Body and Bonnet: Forged brass or cast bronze.
  2. Packing: Molded stem, back seating, and replaceable under pressure.
  3. Operator: Rising stem.
  4. Seat: Nonrotating, self-aligning polytetrafluoroethylene.
  5. Seal Cap: Forged-brass or valox hex cap.
  6. End Connections: Socket, union, threaded, or flanged.
  7. Working Pressure Rating: 500 psig.
  8. Maximum Operating Temperature: 275 deg F.
- C. Check Valves:
1. Body: Ductile iron, forged brass, or cast bronze; globe pattern.
  2. Bonnet: Bolted ductile iron, forged brass, or cast bronze; or brass hex plug.
  3. Piston: Removable polytetrafluoroethylene seat.
  4. Closing Spring: Stainless steel.
  5. End Connections: Socket, union, threaded, or flanged.
  6. Maximum Opening Pressure: 0.50 psig.
  7. Working Pressure Rating: 500 psig.
  8. Maximum Operating Temperature: 275 deg F.
- D. Service Valves:
1. Body: Forged brass with brass cap including key end to remove core.
  2. Core: Removable ball-type check valve with stainless-steel spring.
  3. Seat: Polytetrafluoroethylene.
  4. End Connections: Copper spring.
  5. Working Pressure Rating: 500 psig.
- E. Solenoid Valves: Comply with ARI 760 or UL 429.
1. Body and Bonnet: Plated steel.
  2. Solenoid Tube, Plunger, Closing Spring, and Seat Orifice: Stainless steel.
  3. Seat: Polytetrafluoroethylene.
  4. End Connections: Threaded.
  5. Electrical: Molded, watertight coil in NEMA 250 enclosure of type required by location with 1/2-inch conduit adapter, and 24, 115, or 208-V ac coil to meet requirements of control system.
  6. Working Pressure Rating: 400 psig.
  7. Maximum Operating Temperature: 240 deg F.
- F. Safety Relief Valves: Comply with ASME Boiler and Pressure Vessel Code; listed and labeled by an NRTL.
1. Body and Bonnet: Ductile iron and steel, with neoprene O-ring seal.
  2. Piston, Closing Spring, and Seat Insert: Stainless steel.
  3. Seat Disc: Polytetrafluoroethylene.
  4. End Connections: Threaded.
  5. Working Pressure Rating: 400 psig.
  6. Maximum Operating Temperature: 240 deg F.
- G. Thermostatic Expansion Valves: Comply with ARI 750.
1. Body, Bonnet, and Seal Cap: Forged brass or steel.
  2. Diaphragm, Piston, Closing Spring, and Seat Insert: Stainless steel.

FIRE STATIONS RENOVATION  
ARLINGTON COUNTY, VIRGINIA  
Architect's Project No: 563006

3. Packing and Gaskets: Non-asbestos.
  4. Capillary and Bulb: Copper tubing filled with refrigerant charge.
  5. Suction Temperature: 40 deg F.
  6. Superheat: Adjustable.
  7. Reverse-flow option for heat-pump applications.
  8. End Connections: Socket, flare, or threaded union.
  9. Working Pressure Rating: 450 psig.
- H. Hot-Gas Bypass Valves: Comply with UL 429; listed and labeled by an NRTL.
1. Body, Bonnet, and Seal Cap: Ductile iron or steel.
  2. Diaphragm, Piston, Closing Spring, and Seat Insert: Stainless steel.
  3. Packing and Gaskets: Non-asbestos.
  4. Solenoid Tube, Plunger, Closing Spring, and Seat Orifice: Stainless steel.
  5. Seat: Polytetrafluoroethylene.
  6. Equalizer: Internal or External.
  7. Electrical: Molded, watertight coil in NEMA 250 enclosure of type required by location with 1/2-inch conduit adapter, and 24, 115, or 208-V ac coil to meet requirements of control system.
  8. End Connections: Socket.
  9. Throttling Range: Maximum 5 psig.
  10. Working Pressure Rating: 500 psig.
  11. Maximum Operating Temperature: 240 deg F.
- I. Straight-Type Strainers:
1. Body: Welded steel with corrosion-resistant coating.
  2. Screen: 100-mesh stainless steel.
  3. End Connections: Socket or flare.
  4. Working Pressure Rating: 500 psig.
  5. Maximum Operating Temperature: 275 deg F.
- J. Angle-Type Strainers:
1. Body: Forged brass or cast bronze.
  2. Drain Plug: Brass hex plug.
  3. Screen: 100-mesh monel.
  4. End Connections: Socket or flare.
  5. Working Pressure Rating: 500 psig.
  6. Maximum Operating Temperature: 275 deg F.
- K. Moisture/Liquid Indicators:
1. Body: Forged brass.
  2. Window: Replaceable, clear, fused glass window with indicating element protected by filter screen.
  3. Indicator: Color coded to show moisture content in ppm.
  4. Minimum Moisture Indicator Sensitivity: Indicate moisture above 60 ppm.
  5. End Connections: Socket or flare.
  6. Working Pressure Rating: 500 psig.
  7. Maximum Operating Temperature: 240 deg F.
- L. Replaceable-Core Filter Dryers: Comply with ARI 730.

FIRE STATIONS RENOVATION  
ARLINGTON COUNTY, VIRGINIA  
Architect's Project No: 563006

1. Body and Cover: Painted-steel shell with ductile-iron cover, stainless-steel screws, and neoprene gaskets.
  2. Filter Media: 10 micron, pleated with integral end rings; stainless-steel support.
  3. Desiccant Media: Activated alumina or charcoal.
  4. Designed for reverse flow when used in for heat-pump applications.
  5. End Connections: Socket.
  6. Access Ports: NPS 1/4 connections at entering and leaving sides for pressure differential measurement.
  7. Maximum Pressure Loss: 2 psig.
  8. Rated Flow: Match equipment.
  9. Working Pressure Rating: 500 psig.
  10. Maximum Operating Temperature: 240 deg F.
- M. Permanent Filter Dryers: Comply with ARI 730.
1. Body and Cover: Painted-steel shell.
  2. Filter Media: 10 micron, pleated with integral end rings; stainless-steel support.
  3. Desiccant Media: Activated alumina or charcoal.
  4. Designed for reverse flow where heat-pump applications are indicated.
  5. End Connections: Socket.
  6. Access Ports: NPS 1/4 connections at entering and leaving sides for pressure differential measurement.
  7. Maximum Pressure Loss: 2 psig Insert value.
  8. Rated Flow: Match equipment.
  9. Working Pressure Rating: 500 psig.
  10. Maximum Operating Temperature: 240 deg F.
- N. Mufflers:
1. Body: Welded steel with corrosion-resistant coating.
  2. End Connections: Socket or flare.
  3. Working Pressure Rating: 500 psig.
  4. Maximum Operating Temperature: 275 deg F.
- O. Receivers: Comply with ARI 495.
1. Comply with ASME Boiler and Pressure Vessel Code; listed and labeled by an NRTL.
  2. Comply with UL 207; listed and labeled by an NRTL.
  3. Body: Welded steel with corrosion-resistant coating.
  4. Tappings: Inlet, outlet, liquid level indicator, and safety relief valve.
  5. End Connections: Socket or threaded.
  6. Working Pressure Rating: 500 psig.
  7. Maximum Operating Temperature: 275 deg F.
- P. Liquid Accumulators: Comply with ARI 495.
1. Body: Welded steel with corrosion-resistant coating.
  2. End Connections: Socket or threaded.
  3. Working Pressure Rating: 500 psig.
  4. Maximum Operating Temperature: 275 deg F.

FIRE STATIONS RENOVATION  
ARLINGTON COUNTY, VIRGINIA  
Architect's Project No: 563006

2.4 REFRIGERANTS

- A. Available Manufacturers:
  - 1. Atofina Chemicals, Inc.
  - 2. DuPont Company; Fluorochemicals Div.
  - 3. Honeywell, Inc.; Genetron Refrigerants.
  - 4. INEOS Fluor Americas LLC.
  
- B. ASHRAE 34, R-410A: Pentafluoroethane/Difluoromethane.

PART 3 - EXECUTION

3.1 PIPING APPLICATIONS FOR REFRIGERANT

- A. Suction Lines 1 ½” and Smaller for Conventional Air-Conditioning Applications: Copper, Type ACR, annealed-temper tubing and wrought-copper fittings with brazed or soldered joints.
- B. Suction Lines 2” to 4” for Conventional Air-Conditioning Applications: Copper, Type ACR, drawn-temper tubing and wrought-copper fittings with brazed or soldered joints.
- C. Hot-Gas, and Liquid Lines: Copper, Type ACR, annealed-temper tubing and wrought-copper fittings with brazed or soldered joints.
- D. Suction Lines for Heat-Pump Applications: Copper, Type ACR, annealed-temper tubing and wrought-copper fittings with brazed or soldered joints.
- E. Safety-Relief-Valve Discharge Piping: Copper, Type ACR, annealed-temper tubing and wrought-copper fittings with brazed or soldered joints or soldered joints or Schedule 40, black-steel and wrought-steel fittings with welded joints.

3.2 VALVE AND SPECIALTY APPLICATIONS

- A. Install diaphragm packless, or packed-angle valves in suction and discharge lines of compressors.
- B. Install service valves for gage taps at inlet and outlet of hot-gas bypass valves and strainers if they are not an integral part of proposed equipment.
- C. Install a check valve at the compressor discharge and a liquid accumulator. Locate at the compressor suction connection between the compressor and service valve.
- D. Unless indicated otherwise, install valves on inlet and outlet side of filter dryers.
- E. Install a full-sized, three-valve bypass around filter dryers.

FIRE STATIONS RENOVATION  
ARLINGTON COUNTY, VIRGINIA  
Architect's Project No: 563006

- F. Install solenoid valves upstream from each expansion valve and hot-gas bypass valve on systems with multiple thermostatic expansion valves. Install solenoid valves in horizontal lines with coil at top.
- G. Install thermostatic expansion valves as close as possible to distributors on evaporators.
  - 1. Install valve so diaphragm case is warmer than bulb.
  - 2. Secure bulb to clean, straight, horizontal section of suction line using two bulb straps. Do not mount bulb in a trap or at bottom of the line. Verify proper location with Equipment Manufacturer.
  - 3. Where external equalizer lines are required, make connection where it will reflect suction-line pressure at bulb location.
- H. Install safety relief valves where required by ASME Boiler and Pressure Vessel Code. Pipe safety-relief-valve discharge line to outside according to ASHRAE 15.
- I. Install moisture/liquid indicators in liquid line at the inlet of the thermostatic expansion valve or at the inlet of the evaporator coil capillary tube.
- J. Install strainers upstream from and adjacent to the following:
  - 1. Solenoid valves.
  - 2. Thermostatic expansion valves.
  - 3. Hot-gas bypass valves.
  - 4. Compressor.
- K. Install filter dryers in liquid line between compressor and thermostatic expansion valve.
- L. Install receivers sized to accommodate pump-down charge.

### 3.3 VALVE AND SPECIALTY APPLICATIONS

- A. Install diaphragm packless or packed-angle valves in suction and discharge lines of compressor.
- B. Install service valves for gage taps at inlet and outlet of hot-gas bypass valves and strainers if they are not an integral part of valves and strainers.
- C. Install a check valve at the compressor discharge and a liquid accumulator at the compressor suction connection.
- D. Except as otherwise indicated, install diaphragm packless or packed-angle valves on inlet and outlet side of filter dryers.
- E. Install a full-sized, three-valve bypass around filter dryers.
- F. Install solenoid valves upstream from each expansion valve and hot-gas bypass valve on systems with multiple thermostatic expansion valves. Install solenoid valves in horizontal lines with coil at top.
- G. Install thermostatic expansion valves as close as possible to distributors on evaporators.



FIRE STATIONS RENOVATION  
ARLINGTON COUNTY, VIRGINIA  
Architect's Project No: 563006

1. Install valve so diaphragm case is warmer than bulb.
  2. Secure bulb to clean, straight, horizontal section of suction line using two bulb straps. Verify proper location for bulb with valve manufacturer. Don't mount bulb in a trap or at bottom of line.
  3. If external equalizer lines are required, make connection where it will reflect suction-line pressure at bulb location.
- H. Install safety relief valves where required by ASME Boiler and Pressure Vessel Code. Pipe safety-relief-valve discharge line to outside according to ASHRAE 15.
- I. Install moisture/liquid indicators in liquid line at inlet of the thermostatic expansion valve or at inlet of the evaporator coil capillary tube.
- J. Install strainers upstream from and adjacent to the following unless they are furnished with equipment:
1. Solenoid valves.
  2. Thermostatic expansion valves.
  3. Hot-gas bypass valves.
  4. Compressor.
- K. Install filter dryer in liquid line between compressor and thermostatic expansion valve.
- L. Install filter dryer in the suction line at the compressor.
- M. Install receivers sized to accommodate pump-down charge.

### 3.4 PIPING INSTALLATION

- A. Drawing plans, schematics, and diagrams indicate general location and arrangement of piping systems; indicated locations and arrangements were used to size pipe and calculate friction loss, expansion, pump sizing, and other design considerations. Install piping as indicated unless deviations to layout are approved by The Architect on Shop Drawings.
- B. Install refrigerant piping according to ASHRAE 15.
- C. Install piping in concealed locations unless otherwise indicated and except in equipment rooms and service areas.
- D. Install piping indicated to be exposed and piping in equipment rooms and service areas at right angles or parallel to building walls. Diagonal runs are prohibited unless specifically indicated otherwise.
- E. Install piping above accessible ceilings to allow sufficient space for ceiling panel removal.
- F. Install piping adjacent to machines to allow service and maintenance.
- G. Install piping free of sags and bends.

FIRE STATIONS RENOVATION  
ARLINGTON COUNTY, VIRGINIA  
Architect's Project No: 563006

- H. Install fittings for changes in direction and branch connections.
- I. Select system components with pressure rating equal to or greater than system operating pressure.
- J. Refer to Division 23 Sections "Instrumentation and Control for HVAC" and "Sequence of Operations for HVAC Controls" for solenoid valve controllers, control wiring, and sequence of operation.
- K. Install piping as short and direct as possible, with a minimum number of joints, elbows, and fittings.
- L. Arrange piping to allow inspection and service of refrigeration equipment. Install valves and specialties in accessible locations to allow for service and inspection. Install access doors or panels as specified in Division 08 Section "Access Doors and Frames" if valves or equipment requiring maintenance is concealed behind finished surfaces.
- M. Install refrigerant piping in protective conduit where installed belowground.
- N. Install refrigerant piping in rigid or flexible conduit in locations where exposed to mechanical injury.
- O. Slope refrigerant piping as follows:
  - 1. Install horizontal hot-gas discharge piping with a uniform slope downward away from compressor.
  - 2. Install horizontal suction lines with a uniform slope downward to compressor.
  - 3. Install traps and double risers to entrain oil in vertical runs.
  - 4. Liquid lines may be installed level.
- P. When brazing or soldering, remove solenoid-valve coils and sight glasses; also remove valve stems, seats, & packing, and accessible internal parts of refrigerant specialties. Do not apply heat near expansion-valve bulb.
- Q. Install piping with adequate clearance between pipe and adjacent walls and hangers or between pipes for insulation installation.
- R. Identify refrigerant piping and valves according to Section "Identification for HVAC Piping and Equipment."
- S. Install sleeves for piping penetrations of walls, ceilings, and floors. Comply with requirements for sleeves specified in Section "Sleeves and Sleeve Seals for HVAC Piping."
- T. Install sleeve seals for piping penetrations of exterior walls and floor slabs. Comply with requirements for sleeve seals specified in Section "Sleeves and Sleeve Seals for HVAC Piping."
- U. Install escutcheons for piping penetrations of walls, ceilings, and floors. Comply with requirements for escutcheons specified in Section "Sleeves and Seals for HVAC Piping."

FIRE STATIONS RENOVATION  
ARLINGTON COUNTY, VIRGINIA  
Architect's Project No: 563006

3.5 PIPE JOINT CONSTRUCTION

- A. Ream ends of pipes and tubes and remove burrs.
- B. Remove scale, slag, dirt, and debris from inside and outside of pipe and fittings before assembly.
- C. Fill pipe and fittings with an inert gas (nitrogen or carbon dioxide), during brazing.
- D. Soldered Joints: Construct joints according to ASTM B 828 or CDA's "Copper Tube Handbook."
- E. Brazed Joints: Construct joints according to AWS's "Brazing Handbook," Chapter "Pipe and Tube."
  - 1. Use Type BcuP, copper-phosphorus alloy for joining copper socket fittings with copper pipe.
  - 2. Use Type BAg, cadmium-free silver alloy for joining copper with bronze or steel.
- F. Threaded Joints: Thread steel pipe with tapered pipe threads according to ASME B1.20.1. Cut threads full and clean using sharp dies. Ream threaded pipe ends to remove burrs and restore full ID. Join pipe fittings and valves as follows:
  - 1. Apply appropriate tape or thread compound to external pipe threads unless dry-seal threading is specified.
  - 2. Damaged Threads: Do not use pipe or pipe fittings with threads that are corroded or damaged. Do not use pipe sections that have cracked or open welds.
- G. Steel pipe can be threaded, but threaded joints must be seal brazed or seal welded.
- H. Welded Joints: Construct joints according to AWS D10.12/D10.12M.
- I. Flanged Joints: Select appropriate gasket material, size, type, and thickness for service application. Install gasket concentrically positioned. Use suitable lubricants on bolt threads.

3.6 HANGERS AND SUPPORTS

- A. Hanger, support, and anchor products are specified in Section "Hangers and Supports for HVAC Piping and Equipment."
- B. Install the following pipe attachments:
  - 1. Adjustable steel clevis hangers for individual horizontal runs less than 20'-0" long.
  - 2. Roller hangers and spring hangers for individual horizontal runs 20'-0" or longer.
  - 3. Pipe Roller: MSS SP-58, Type 44 for multiple horizontal piping 20'-0" or longer, supported on a trapeze.
  - 4. Spring hangers to support vertical runs.

FIRE STATIONS RENOVATION  
ARLINGTON COUNTY, VIRGINIA  
Architect's Project No: 563006

5. Copper-clad hangers and supports for hangers and supports in direct contact with copper pipe.

C. Install hangers for copper tubing with the following maximum spacing and minimum rod sizes:

1. ½": Maximum span, 60"; minimum rod size, ¼".
2. 5/8": Maximum span, 60"; minimum rod size, ¼".
3. 1": Maximum span, 72"; minimum rod size, ¼".
4. 1 ¼": Maximum span, 96"; minimum rod size, 3/8".
5. 1 ½": Maximum span, 96"; minimum rod size, 3/8".
6. 2": Maximum span, 96"; minimum rod size, 3/8".
7. 2 ½": Maximum span, 108"; minimum rod size, 3/8".
8. 3": Maximum span, 10'-0"; minimum rod size, 3/8".
9. 4": Maximum span, 12'-0"; minimum rod size, ½".

D. Install hangers for steel piping with the following maximum spacing and minimum rod sizes:

1. 2": Maximum span, 10'-0"; minimum rod size, 3/8".
2. 2 ½": Maximum span, 11'-0"; minimum rod size, 3/8".
3. 3": Maximum span, 12'-0"; minimum rod size, 3/8".
4. 4": Maximum span, 14'-0"; minimum rod size, ½".

### 3.7 FIELD QUALITY CONTROL

A. Perform tests and inspections and prepare test reports.

B. Tests and Inspections:

1. Comply with ASME B31.5, Chapter VI.
2. Test refrigerant piping, specialties, and receivers. Isolate compressor, condenser, evaporator, and safety devices from test pressure if they are not rated above the test pressure.
3. Test high- and low-pressure side piping of each system separately at not less than the pressures indicated in Part 1 "Performance Requirements" Article.
  - a. Fill system with nitrogen to the required test pressure.
  - b. System shall maintain test pressure at the manifold gage throughout duration of test.
  - c. Test joints and fittings with electronic leak detector or by brushing a small amount of soap and glycerin solution over joints.
  - d. Remake leaking joints using new materials, and retest until satisfactory results are achieved.

### 3.8 SYSTEM CHARGING

A. Charge system using the following procedures:

FIRE STATIONS RENOVATION  
ARLINGTON COUNTY, VIRGINIA  
Architect's Project No: 563006

1. Install core in filter dryers after leak test but before evacuation.
2. Evacuate entire refrigerant system with a vacuum pump to 500 micrometers. If vacuum holds for 12 hours, system is ready for charging.
3. Break vacuum with refrigerant gas, allowing pressure to build up to 2 psig.
4. Charge system with a new filter-dryer core in charging line.

3.9 ADJUSTING

- A. Adjust thermostatic expansion valve to obtain proper evaporator superheat.
- B. Adjust high- and low-pressure switch settings to avoid short cycling in response to fluctuating suction pressure.
- C. Adjust set-point temperature of air-conditioning or chilled-water controllers to the system design temperature.
- D. Perform the following adjustments before operating the refrigeration system, according to manufacturer's written instructions:
  1. Open shutoff valves in condenser water circuit.
  2. Verify that compressor oil level is correct.
  3. Open compressor suction and discharge valves.
  4. Open refrigerant valves except bypass valves that are used for other purposes.
  5. Check open compressor-motor alignment and verify lubrication for motors and bearings.
- E. Replace core of replaceable filter dryer after system has been adjusted and after design flow rates and pressures are established.

END OF SECTION 232300

FIRE STATIONS RENOVATION  
ARLINGTON COUNTY, VIRGINIA  
Architect's Project No: 563006

SECTION 233113 - METAL DUCTS

PART 1 - GENERAL

1.1 RELATED DOCUMENTS

- A. Provisions of the Contract and of the Contract Documents apply to this Section.

1.2 PERFORMANCE REQUIREMENTS

- A. Seal all ducts to seal class A as defined in SMACNA's HVAC Duct Construction Standards - Metal and Flexible, Third Edition 2005:
  - 1. Seal all longitudinal joints.
  - 2. Seal all transverse joints.
  - 3. Seal all penetrations.
- B. Seal Class: A
- C. Duct Construction: Duct construction, including sheet metal thicknesses, seam and joint construction, reinforcements, and hangers and supports, shall comply with SMACNA's "HVAC Duct Construction Standards - Metal and Flexible, Third Edition 2005" and performance requirements and design criteria indicated in "Duct Schedule" Article.
- D. Liner Airstream Surfaces: Liner surfaces in contact with the airstream shall comply with ASHRAE 62.1-2007, paragraph 5.5.
- E. Cleanliness: All factory fabricated duct shall be cleaned with a non-toxic, biodegradable cleaner/degreaser and shall be shrink wrapped prior to shipment.

1.3 ABBREVIATIONS

- A. BAS Building Automation System
- B. NRTL Nationally Recognized Testing Laboratory
- C. SMACNA Sheet Metal and Air Conditioning Contractors' National Association
- D. WC Water Column

1.4 DEFINITIONS:

- A. Duct System: For the purposes of this section "duct system" shall mean all metal supply, return, and exhaust duct and fittings between the air moving device and the space.
- B. Low Pressure: Plus two (2.0) inches WC to minus one (1.0) inches WC
- C. Medium Pressure: More than two (2.0) inches WC to plus ten (10.0) inches WC or more than minus one (1.0) inch to minus ten (10.0) inches WC
- D. High Pressure: More than plus or minus ten (10.0) inches WC.

FIRE STATIONS RENOVATION  
ARLINGTON COUNTY, VIRGINIA  
Architect's Project No: 563006

1.5 SUBMITTALS

- A. Product Data / Documentation: For each of the following:
1. Sheet metal thicknesses.
  2. Liners and adhesives.
  3. Pre-manufactured ductwork.
  4. Sealants and gaskets.
  5. VOC content for adhesives and sealants.
- B. CAD-generated Shop Drawings:
1. Provide coordination shop drawings with all trades for entire building including kitchen, laundry and water/mechanical rooms. Include
  2. Show fabrication and installation details for metal ducts.
  3. 1/4" = 1'-0" scale minimum including duct layout indicating sizes and pressure classes for the following areas:
    - a. Areas indicated on the drawings at 1/4" = 1'-0" scale.
    - b. Areas where sections are cut.
    - c. Finished spaces with exposed ductwork.
      - 1) Exceptions:
        - a) Janitors closets
        - b) Storage Rooms
        - c) Receiving Areas
      - 2) Include:
        - a) Plans, elevations and sections.
        - b) Elevations of top and bottom of ducts.
        - c) Dimensions of main duct runs from building grid lines.
  4. 3/4" = 1'-0" scale minimum for the following:
    - a. Hangers and supports, including methods for duct and building attachment, vibration isolation.
    - b. Duct accessories, including access doors and panels.
    - c. Equipment installation based on approved equipment submittals.
    - d. Penetrations through fire-rated and other partitions.
    - e. Fittings.
    - f. Components.
- C. Submittals during construction:
1. Duct-Cleaning Test Report: Documentation of work performed for compliance with ASHRAE 62.1-2007, Section 7.2.4 - "Ventilation System Start-Up."

1.6 QUALITY ASSURANCE

- A. Provide work in compliance with applicable Building Code requirements.
- B. Welding Qualifications: Qualify procedures and personnel according to the following:
- C. AWS D1.1/D1.1M, "Structural Welding Code - Steel," for hangers and supports.

FIRE STATIONS RENOVATION  
ARLINGTON COUNTY, VIRGINIA  
Architect's Project No: 563006

- D. AWS D1.2/D1.2M, "Structural Welding Code - Aluminum," for aluminum supports.
- E. AWS D9.1M/D9.1, "Sheet Metal Welding Code," for duct joint and seam welding.
- F. ASHRAE Compliance: Comply with applicable requirements in ASHRAE 62.1-2007, Section 5 - "Systems and Equipment" and Section 7 - "Construction and System Start-Up."
- G. ASHRAE/IESNA Compliance: Comply with applicable requirements in ASHRAE/IESNA 90.1-2007, Section 6.4.4 - "HVAC System Construction and Insulation."
- H. Mockups (Contractor's option in lieu of 3"=1'-0" details):
  - 1. Before installing duct systems, build mockups. Build mockups to comply with the following requirements, using materials indicated for the completed Work:
  - 2. Three transverse joints.
  - 3. One Reinforced section with 3 reinforcements.
  - 4. One of each type; attachments to other work.
  - 5. Two typical flexible duct or flexible-connector connections.
  - 6. Approved mockups may become part of the completed Work if undisturbed at time of Substantial Completion.

PART 2 - PRODUCTS

2.1 SINGLE-WALL RECTANGULAR DUCTS AND FITTINGS

- A. General Fabrication Requirements: Comply with SMACNA's "HVAC Duct Construction Standards - Metal and Flexible, Third Edition 2005" based on indicated static-pressure class unless otherwise indicated.
- B. Transverse Joints: Select joint types and fabricate according to SMACNA's "HVAC Duct Construction Standards - Metal and Flexible, Third Edition 2005," Figure 2-1, "Transverse (Girth) Joints," for static-pressure class, applicable sealing requirements, materials involved, duct-support intervals, and other provisions in SMACNA's "HVAC Duct Construction Standards - Metal and Flexible, Third Edition 2005."
- C. Longitudinal Seams: Select seam types and fabricate according to SMACNA's "HVAC Duct Construction Standards - Metal and Flexible, Third Edition 2005," Figure 2-2, "Rectangular Duct/Longitudinal Seams" for static-pressure class, applicable sealing requirements, materials involved, duct-support intervals, and other provisions in SMACNA's "HVAC Duct Construction Standards - Metal and Flexible, Third Edition 2005."
- D. Elbows, Transitions, Offsets, Branch Connections, and Other Duct Construction: Select types and fabricate according to SMACNA's "HVAC Duct Construction Standards - Metal and Flexible, Third Edition 2005," Chapter 4, "Fittings and Other Construction," for static-pressure class, applicable sealing requirements, materials involved, duct-support intervals, and other provisions in SMACNA's "HVAC Duct Construction Standards - Metal and Flexible, Third Edition 2005."

2.2 DOUBLE-WALL RECTANGULAR DUCTS AND FITTINGS (SOLID LINER)

- A. Manufacturers:



FIRE STATIONS RENOVATION  
ARLINGTON COUNTY, VIRGINIA  
Architect's Project No: 563006

1. McGill AirFlow LLC.
  2. MKT Metal Manufacturing
  3. Sheet Metal Connectors, Inc.
- B. Rectangular Ducts: Fabricate ducts with indicated dimensions for the inner duct.
- C. Outer Duct: Comply with SMACNA's "HVAC Duct Construction Standards - Metal and Flexible, Third Edition 2005" based on indicated static-pressure class unless otherwise indicated.
- D. Transverse Joints: Select joint types and fabricate according to SMACNA's "HVAC Duct Construction Standards - Metal and Flexible, Third Edition 2005," Figure 2-1, "Transverse (Girth) Joints," for static-pressure class, applicable sealing requirements, materials involved, duct-support intervals, and other provisions in SMACNA's "HVAC Duct Construction Standards - Metal and Flexible, Third Edition 2005."
- E. Longitudinal Seams: Select seam types and fabricate according to SMACNA's "HVAC Duct Construction Standards - Metal and Flexible, Third Edition 2005," Figure 2-2, "Longitudinal Seams - Rectangular Ducts," for static-pressure class, applicable sealing requirements, materials involved, duct-support intervals, and other provisions in SMACNA's "HVAC Duct Construction Standards - Metal and Flexible, Third Edition 2005."
- F. Interstitial Insulation: Fibrous-glass liner complying with ASTM C 1071, NFPA 90A, or NFPA 90B; and with NAIMA AH124, "Fibrous Glass Duct Liner Standard."
1. Install spacers that position the inner duct at uniform distance from outer duct without compressing insulation.
- G. Inner Duct: Minimum 22-gauge.
- H. Formed-on Transverse Joints (Flanges): Select joint types and fabricate according to SMACNA's "HVAC Duct Construction Standards - Metal and Flexible, Third Edition 2005," Figure 1-4, "Traverse (Girth) Joints," for static-pressure class, applicable sealing requirements, materials involved, duct-support intervals, and other provisions in SMACNA's "HVAC Duct Construction Standards - Metal and Flexible, Third Edition 2005."
- I. Longitudinal Seams: Select seam types and fabricate according to SMACNA's "HVAC Duct Construction Standards - Metal and Flexible, Third Edition 2005," Figure 2-2, "Rectangular Duct/Longitudinal Seams" for static-pressure class, applicable sealing requirements, materials involved, duct-support intervals, and other provisions in SMACNA's "HVAC Duct Construction Standards - Metal and Flexible, Third Edition 2005."
- 2.3 DOUBLE-WALL RECTANGULAR DUCTS AND FITTINGS (SOLID LINER, OUTDOORS)
- A. Manufacturers:
1. McGill AirFlow LLC.
  2. MKT Metal Manufacturing
  3. Sheet Metal Connectors, Inc.
- B. Rectangular Ducts: Fabricate ducts with indicated dimensions for the inner duct.
- C. Outer Duct: Comply with SMACNA's "HVAC Duct Construction Standards - Metal and Flexible, Third Edition 2005" based on indicated static-pressure class unless otherwise indicated. Minimum 20-gauge.

FIRE STATIONS RENOVATION  
ARLINGTON COUNTY, VIRGINIA  
Architect's Project No: 563006

- D. Transverse Joints: Flanged, gasketed joints suited for outdoor applications. Select joint types and fabricate according to SMACNA's "HVAC Duct Construction Standards - Metal and Flexible, Third Edition 2005," Figure 2-1, "Transverse (Girth) Joints," for static-pressure class, applicable sealing requirements, materials involved, duct-support intervals, and other provisions in SMACNA's "HVAC Duct Construction Standards - Metal and Flexible, Third Edition 2005."
- E. Longitudinal Seams: Liquid tight, welded. Select seam types and fabricate according to SMACNA's "HVAC Duct Construction Standards - Metal and Flexible, Third Edition 2005," Figure 2-2, "Longitudinal Seams - Rectangular Ducts," for static-pressure class, applicable sealing requirements, materials involved, duct-support intervals, and other provisions in SMACNA's "HVAC Duct Construction Standards - Metal and Flexible, Third Edition 2005."
- F. Interstitial Insulation: Closed-cell elastomeric.
- G. Inner Duct: Minimum 22-gauge.
- H. Formed-on Transverse Joints (Flanges): Select joint types and fabricate according to SMACNA's "HVAC Duct Construction Standards - Metal and Flexible, Third Edition 2005," Figure 1-4, "Traverse (Girth) Joints," for static-pressure class, applicable sealing requirements, materials involved, duct-support intervals, and other provisions in SMACNA's "HVAC Duct Construction Standards - Metal and Flexible, Third Edition 2005."
- I. Longitudinal Seams: Select seam types and fabricate according to SMACNA's "HVAC Duct Construction Standards - Metal and Flexible, Third Edition 2005," Figure 2-2, "Rectangular Duct/Longitudinal Seams" for static-pressure class, applicable sealing requirements, materials involved, duct-support intervals, and other provisions in SMACNA's "HVAC Duct Construction Standards - Metal and Flexible, Third Edition 2005."

#### 2.4 LOW PRESSURE SINGLE-WALL ROUND DUCTS AND FITTINGS –CONCEALED

- A. General Fabrication Requirements: Comply with SMACNA's "HVAC Duct Construction Standards - Metal and Flexible, Third Edition 2005," Chapter 3, "Round, Oval, and Flexible Duct," based on specified static-pressure class unless otherwise indicated.
- B. Manufacturers:
  - 1. Eastern Sheet Metal.
  - 2. Hamlin Sheet Metal.
  - 3. Linx Industries - Lindab.
  - 4. McGill AirFlow LLC.
  - 5. MKT Metal Manufacturing
  - 6. Semco, Inc.
  - 7. Sheet Metal Connectors, Inc.
  - 8. Spiral Manufacturing Co., Inc.
- C. Transverse Joints: Select joint types and fabricate according to SMACNA's "HVAC Duct Construction Standards - Metal and Flexible, Third Edition 2005," Figure 3-1, "Round Duct Transverse Joints"
  - 1. Transverse Joints in Ducts Equal to or Larger Than 48" in Diameter: Flanged.
  - 2. Gasketed, EPDM, self sealing Joints such as Eastern Tight or Spiro Safe may be used for ducts smaller than 48" in diameter.
  - 3. Flanges may be substituted in ducts smaller than 48" in diameter.

FIRE STATIONS RENOVATION  
ARLINGTON COUNTY, VIRGINIA  
Architect's Project No: 563006

- D. Duct support intervals, and other provisions: In accordance with SMACNA's "HVAC Duct Construction Standards - Metal and Flexible, Third Edition 2005."
- E. Longitudinal Seams: Select seam types and fabricate according to SMACNA's "HVAC Duct Construction Standards - Metal and Flexible, Third Edition 2005," Figure 3-2, "Seams - Round Duct and Fittings," for static-pressure class, applicable sealing requirements, materials involved, duct-support intervals, and other provisions in SMACNA's "HVAC Duct Construction Standards - Metal and Flexible, Third Edition 2005."
- F. Tees and Laterals: Select types and fabricate according to SMACNA's "HVAC Duct Construction Standards - Metal and Flexible, Third Edition 2005," Figure 3-5, "90° Tees and Laterals," and Figure 3-6, "Conical Tees," for static-pressure class, applicable sealing requirements, materials involved, duct-support intervals, and other provisions in SMACNA's "HVAC Duct Construction Standards - Metal and Flexible, Third Edition 2005." Adjustable elbows are not permitted.
- G. All round duct shall not be less than 26-gauge.

## 2.5 LOW PRESSURE SINGLE-WALL ROUND DUCTS AND FITTINGS -EXPOSED

- A. General Fabrication Requirements: Comply with SMACNA's "HVAC Duct Construction Standards - Metal and Flexible, Third Edition 2005," Chapter 3, "Round, Oval, and Flexible Duct," "FIGURE 3-2 ROUND DUCT LONGITUDINAL SEAMS" "SPIRAL SEAM RL-1" to plus-or-minus 10" WC unless otherwise indicated.
- B. Manufacturers:
  - 1. Eastern Sheet Metal.
  - 2. Hamlin Sheet Metal.
  - 3. Linx Industries - Lindab.
  - 4. McGill AirFlow LLC.
  - 5. MKT Metal Manufacturing
  - 6. Semco, Inc.
  - 7. Sheet Metal Connectors, Inc.
  - 8. Spiral Manufacturing Co., Inc.
- C. Transverse Joints: Select joint types and fabricate according to SMACNA's "HVAC Duct Construction Standards - Metal and Flexible, Third Edition 2005," Figure 3-1, "Round Duct Transverse Joints"
- D. Static-pressure class, applicable sealing requirements, materials involved, duct-support intervals, and other provisions: Comply with SMACNA's "HVAC Duct Construction Standards - Metal and Flexible, Third Edition 2005." And the following:
  - 1. Transverse Joints in Ducts Equal to or Larger Than 48" in Diameter or Flat Oval with a Major Dimension Equal to or Larger Than 48": Flanged.
  - 2. Gasketed, EPDM, self sealing Joints such as Eastern Tight or Spiro Safe may be used for ducts smaller than 48" in diameter.
  - 3. Flanges may be substituted in ducts smaller than 48" in diameter.
- E. Longitudinal Seams: Duct shall be spiral according to SMACNA's "HVAC Duct Construction Standards - Metal and Flexible, Third Edition 2005," Figure 3-2, "Round Duct Longitudinal Seams"

FIRE STATIONS RENOVATION  
ARLINGTON COUNTY, VIRGINIA  
Architect's Project No: 563006

- F. Tees and Laterals: Tees and laterals shall be created with fittings. Fabricate fittings according to SMACNA's "HVAC Duct Construction Standards - Metal and Flexible, Third Edition 2005." Adjustable elbows are not permitted.
- G. Static-pressure class: Applicable sealing requirements, materials involved, duct-support intervals, and other provisions in SMACNA's "HVAC Duct Construction Standards - Metal and Flexible, Third Edition 2005."
- H. Longitudinal seams shall be spiral type.
- I. All round duct shall not be less than 26-gauge.

## 2.6 DOUBLE-WALL ROUND DUCTS AND FITTINGS (SOLID LINER)

- A. Manufacturers:
  - 1. Eastern Sheet Metal.
  - 2. Hamlin Sheet Metal.
  - 3. Linx Industries - Lindab.
  - 4. McGill AirFlow LLC.
  - 5. MKT Metal Manufacturing
  - 6. Semco, Inc.
  - 7. Sheet Metal Connectors, Inc.
  - 8. Spiral Manufacturing Co., Inc.
- B. Outer Duct: Comply with SMACNA's "HVAC Duct Construction Standards - Metal and Flexible, Third Edition 2005," Chapter 3, "Round, Oval, and Flexible Duct," based on static-pressure class unless otherwise indicated.
- C. Transverse Joints: Select joint types and fabricate according to SMACNA's "HVAC Duct Construction Standards - Metal and Flexible, Third Edition 2005," Figure 3-2, "Transverse Joints - Round Duct," for static-pressure class, applicable sealing requirements, materials involved, duct-support intervals, and other provisions in SMACNA's "HVAC Duct Construction Standards - Metal and Flexible, Third Edition 2005."
  - 1. Transverse Joints in Ducts Equal to or Larger Than 48" in Diameter or Flat Oval with a Major Dimension Equal to or Larger Than 48": Flanged.
  - 2. Gasketed, EPDM, self sealing Joints such as Eastern Tight or Spiro Safe may be used for ducts smaller than 48" in diameter.
  - 3. Flanges may be substituted in ducts smaller than 48" in diameter.
- D. Longitudinal Seams: Select seam types and fabricate according to SMACNA's "HVAC Duct Construction Standards - Metal and Flexible, Third Edition 2005," Figure 3-2, "Seams - Round Duct and Fittings," for static-pressure class, applicable sealing requirements, materials involved, duct-support intervals, and other provisions in SMACNA's "HVAC Duct Construction Standards - Metal and Flexible, Third Edition 2005, Third Edition 2005."
- E. Tees and Laterals: Select types and fabricate according to SMACNA's "HVAC Duct Construction Standards - Metal and Flexible, Third Edition 2005," Figure 3-5, "90° Tees and Laterals," and Figure 3-6, "Conical Tees," for static-pressure class, applicable sealing requirements, materials involved, duct-support intervals, and other provisions in SMACNA's "HVAC Duct Construction Standards - Metal and Flexible, Third Edition 2005."

FIRE STATIONS RENOVATION  
ARLINGTON COUNTY, VIRGINIA  
Architect's Project No: 563006

- F. Inner Duct: Minimum 22-gauge.
- G. Interstitial Insulation: Fibrous-glass liner complying with ASTM C 1071, NFPA 90A, or NFPA 90B; and with NAIMA AH124, "Fibrous Glass Duct Liner Standard."
  - 1. Install spacers that position the inner duct at uniform distance from outer duct without compressing insulation.
- H. All round duct shall not be less than 26-gauge.

## 2.7 SHEET METAL MATERIALS

- A. General Material Requirements: Comply with SMACNA's "HVAC Duct Construction Standards - Metal and Flexible, Third Edition 2005" for acceptable materials, material thicknesses, and duct construction methods unless otherwise indicated. Sheet metal materials shall be free of pitting, seam marks, roller marks, stains, discolorations, and other imperfections.
- B. Galvanized Sheet Steel: Comply with ASTM A 653/A 653M.
  - 1. Galvanized Coating Designation: G90.
  - 2. Finishes for Surfaces Exposed to View: Mill phosphatized.
- C. Stainless-Steel Sheets: Comply with ASTM A 480/A 480M, Type 316, cold rolled, annealed, sheet. Exposed surface finish shall be No. 4.
- D. Aluminum Sheets: Comply with ASTM B 209 Alloy 3003, H14 temper; with mill finish for concealed ducts, and standard, one-side bright finish for duct surfaces exposed to view.
- E. Reinforcement Shapes and Plates: ASTM A 36/A 36M, steel plates, shapes, and bars; black and galvanized.
- F. Where black- and galvanized-steel shapes and plates are used to reinforce aluminum ducts, isolate the different metals with butyl rubber, neoprene, or EPDM gasket materials.
- G. Tie Rods: Galvanized steel, 1/4-inch minimum diameter for lengths 36 inches or less; 3/8-inch minimum diameter for lengths longer than 36 inches.

## 2.8 DUCT LINER

- A. For double wall duct: Not required. All other duct: Provide where indicated.
- B. Fibrous-Glass Duct Liner: Comply with ASTM C 1071, NFPA 90A, or NFPA 90B; and with NAIMA AH124, "Fibrous Glass Duct Liner Standard."
  - 1. Manufacturers:
    - a. CertainTeed Corporation.
    - b. Johns Manville.
    - c. Knauf Insulation.
    - d. Owens Corning.
  - 2. Maximum Thermal Conductivity:

FIRE STATIONS RENOVATION  
ARLINGTON COUNTY, VIRGINIA  
Architect's Project No: 563006

- 1) Type I, Flexible: 0.26 Btu x in./h x sq. ft. x deg F at 75 deg F mean temperature.
  - 2) Type II, Rigid: 0.23 Btu x in./h x sq. ft. x deg F at 75 deg F mean temperature.
3. For supply ductwork, provide antimicrobial, erosion-resistant coating: Apply to the surface of the liner that will form the interior surface of the duct to act as a moisture repellent and erosion-resistant coating. Antimicrobial compound shall be tested for efficacy by an NRTL and registered by the EPA for use in HVAC systems.
  4. Water-Based Liner Adhesive: Comply with NFPA 90A or NFPA 90B and with ASTM C 916.
- C. Flexible Elastomeric Duct Liner: Preformed, cellular, closed-cell, sheet materials complying with ASTM C 534, Type II, Grade 1; and with NFPA 90A or NFPA 90B. Foam shall contain or be coated with EPA-approved or EPA-registered antimicrobial additive or paint.
1. Manufacturers:
    - a. Aeroflex USA, Inc.
    - b. Armacell LLC.
    - c. K-Flex USA.
  2. Maximum Thermal Conductivity: 0.25 Btu x in./h x sq. ft. x deg F at 75 deg F mean temperature when tested according to ASTM C 518.
  3. Surface-Burning Characteristics: Maximum flame-spread index of 25 and maximum smoke-developed index of 50 when tested according to UL 723; certified by an NRTL.
  4. Liner Adhesive: As recommended by insulation manufacturer and complying with NFPA 90A or NFPA 90B.
- D. Natural-Fiber Duct Liner: 85 percent cotton, 10 percent borate, and 5 percent polybinding fibers, treated with a microbial growth inhibitor and complying with NFPA 90A or NFPA 90B.
1. Manufacturers:
    - a. Ductmate Industries, Inc.
  2. Maximum Thermal Conductivity: 0.24 Btu x in./h x sq. ft. x deg F at 75 deg F mean temperature when tested according to ASTM C 518.
  3. Surface-Burning Characteristics: Maximum flame-spread index of 25 and maximum smoke-developed index of 50 when tested according to ASTM E 84; certified by an NRTL.
  4. Liner Adhesive: As recommended by insulation manufacturer and complying with NFPA 90A or NFPA 90B.
- E. Insulation Pins and Washers:
1. Cupped-Head, Capacitor-Discharge-Weld Pins: Copper- or zinc-coated steel pin, fully annealed for capacitor-discharge welding, 0.106-inch- diameter shank, length to suit depth of insulation indicated with integral 1-1/2-inch galvanized carbon-steel washer.

FIRE STATIONS RENOVATION  
ARLINGTON COUNTY, VIRGINIA  
Architect's Project No: 563006

2. Insulation-Retaining Washers: Self-locking washers formed from 0.016-inch-thick galvanized steel; with beveled edge sized as required to hold insulation securely in place but not less than 1-1/2 inches in diameter.

F. Shop Application of Duct Liner: Comply with SMACNA's "HVAC Duct Construction Standards - Metal and Flexible," Figure 7-11, "Flexible Duct Liner Installation."

1. Adhere a single layer of indicated thickness of duct liner with at least 90 percent adhesive coverage at liner contact surface area. Attaining indicated thickness with multiple layers of duct liner is prohibited.
2. Apply adhesive to transverse edges of liner facing upstream that do not receive metal nosing.
3. Butt transverse joints without gaps, and coat joint with adhesive.
4. Fold and compress liner in corners of rectangular ducts or cut and fit to ensure butted-edge overlapping.
5. Do not apply liner in rectangular ducts with longitudinal joints, except at corners of ducts, unless duct size and dimensions of standard liner make longitudinal joints necessary.
6. Apply adhesive coating on longitudinal seams in ducts with air velocity of 2500 fpm.
7. Secure liner with mechanical fasteners 4 inches from corners and at intervals not exceeding 12 inches transversely; at 3 inches from transverse joints and at intervals not exceeding 18 inches longitudinally.
8. Secure transversely oriented liner edges facing the airstream with metal nosings that have either channel or "Z" profiles or are integrally formed from duct wall. Fabricate edge facings at the following locations:
  - a. Fan discharges.
  - b. Intervals of lined duct preceding unlined duct.
  - c. Upstream edges of transverse joints in ducts where air velocities are higher than 2500 fpm or where indicated.

- G. Terminate inner ducts with buildouts attached to fire-damper sleeves, dampers, turning vane assemblies, or other devices. Fabricated buildouts (metal hat sections) or other buildout means are optional; when used, secure buildouts to duct walls with bolts, screws, rivets, or welds.

## 2.9 SEALANT AND GASKETS

- A. General Sealant and Gasket Requirements: Surface-burning characteristics for sealants and gaskets shall be a maximum flame-spread index of 25 and a maximum smoke-developed index of 50 when tested according to UL 723.
1. Materials: Certified by a NRTL.
- B. Tape sealing systems are not permitted.
- C. Water-Based Joint and Seam Sealant:
1. Application Method: Brush on.
  2. Solids Content: Minimum 65 percent.
  3. Shore A Hardness: Minimum 20.
  4. Water resistant.
  5. Mold and mildew resistant.

FIRE STATIONS RENOVATION  
ARLINGTON COUNTY, VIRGINIA  
Architect's Project No: 563006

6. VOC: Maximum 75 g/L (less water).
  7. Maximum Static-Pressure Class: 10-inch wg, positive and negative.
  8. Service: Indoor or outdoor.
  9. Substrate: Compatible with galvanized sheet steel (both PVC coated and bare), stainless steel, or aluminum sheets.
  10. Indoor applications: Sealant with VOC content of 250 g/L or less when calculated according to 40 CFR 59, Subpart D (EPA Method 24).
  11. Maximum Static-Pressure Class: 10-inch wg, positive or negative.
  12. Service: Indoor or outdoor.
  13. Substrate: Compatible with galvanized sheet steel, stainless steel, or aluminum sheets.
- D. Flanged Joint Sealant: Comply with ASTM C 920.
1. General: Single-component, acid-curing, silicone, elastomeric.
  2. Type: S.
  3. Grade: NS.
  4. Class: 25.
  5. Use: O.
  6. Indoor applications: Sealant with VOC content of 250 g/L or less when calculated according to 40 CFR 59, Subpart D (EPA Method 24).
- E. Flange Gaskets: Butyl rubber, neoprene, or EPDM polymer with polyisobutylene plasticizer.

## 2.10 HANGERS AND SUPPORTS

- A. Ductwork Hangers inside indoor pool area:
1. Suited for corrosive environment, all aluminum, with aluminum fasteners. Where additional strength is required, galvanized steel can be used. Refer to Division 9 "Painting" for high performance coating for galvanized steel.
- B. Hanger Rods: Galvanized, all-thread.
- C. Strap and Rod Sizes: Comply with SMACNA's "HVAC Duct Construction Standards - Metal and Flexible, Third Edition 2005," Table 5-1, "Rectangular Duct Hangers Minimum Size," and Table 5-2, "Minimum Hanger Sizes for Round Duct."
- D. Steel Cables for Galvanized-Steel Ducts: Galvanized steel complying with ASTM A 603.
- E. Steel Cables for Stainless-Steel Ducts: Stainless steel complying with ASTM A 492.
- F. Steel Cable End Connections: Cadmium-plated steel assemblies with brackets, swivel, and bolts designed for duct hanger service; with an automatic-locking and clamping device.
- G. Duct Attachments: Sheet metal screws, blind rivets, or self-tapping metal screws; compatible with duct materials.
- H. Trapeze and Riser Supports:
1. Supports for Galvanized-Steel Ducts: Galvanized-steel shapes and plates.
  2. Supports for Stainless-Steel Ducts: Stainless-steel shapes and plates.
  3. Supports for Aluminum Ducts: Aluminum or galvanized steel coated with zinc chromate.



FIRE STATIONS RENOVATION  
ARLINGTON COUNTY, VIRGINIA  
Architect's Project No: 563006

PART 3 - EXECUTION

3.1 DUCT INSTALLATION

- A. Drawing plans, schematics, and diagrams indicate general location and arrangement of duct system. Duct locations, configurations, and arrangements were used to size ducts and calculate friction loss for air-handling equipment sizing and for other design considerations. Install duct systems as indicated unless deviations to layout are approved by Architect in writing.
- B. Comply with SMACNA's "HVAC Duct Construction Standards - Metal and Flexible, Third Edition 2005" unless otherwise indicated.
- C. Install ducts with fewest possible joints.
- D. Install factory-fabricated fittings for changes in direction, size, and shape and for branch connections.
- E. Unless otherwise indicated, install ducts vertically or horizontally, and parallel or perpendicular to building lines.
- F. Install ducts close to walls, overhead construction, columns, and other structural and permanent enclosure elements of building. Maintain clearances for equipment maintenance.
- G. Install ducts with a clearance of 1 inch, plus allowance for installation of insulation at specified thickness.
- H. Do not route ducts through transformer vaults, electrical equipment rooms, elevator equipment rooms or electrical enclosures.
- I. Where ducts pass through non-fire-rated interior partitions and exterior walls and are exposed to view, cover the opening between the partition and duct or duct insulation with sheet metal flanges of same metal thickness as the duct. Overlap openings on four sides by at least 1-1/2 inches.
- J. Provide fire dampers where ducts pass through fire-rated interior partitions, fire-rated exterior walls, fire-rated floor assemblies, or fire-rated shaft enclosures.
- K. Protect duct interiors from moisture, construction debris, dust, and other foreign materials. Comply with SMACNA's "Duct Cleanliness for New Construction Guidelines."

3.2 PROTECTION OF WALL AND FLOOR PENETRATIONS OF NON-RATED ASSEMBLIES

- A. Where ducts penetrate non-fire-resistance-rated wall or floor assemblies, protect the penetration with one of the following:
  - 1. For a duct that connects not more than two stories vertically, protect the annular space around the penetrating duct with an approved, noncombustible material that resists the free passage of flame and the products of combustion.
  - 2. For a duct that connects not more than three stories, protect the annular space around the penetrating duct with an approved, noncombustible material that resists the free passage of flame and the products of combustion and a fire damper at each floor line.
  - 3. For ducts that penetrate a smoke partition without a smoke damper, protect the annular space around the penetrating duct with an approved, non-combustible materials that resists the free passage of flame and the products of combustion.

FIRE STATIONS RENOVATION  
ARLINGTON COUNTY, VIRGINIA  
Architect's Project No: 563006

4. For ducts that penetrate a non-rated wall, protect the annular space around the penetrating duct with an approved, non-combustible materials that resists the free passage of flame and the products of combustion.

### 3.3 INSTALLATION OF EXPOSED DUCTWORK

- A. Protect ducts exposed in finished spaces from being dented, scratched, or damaged.
- B. Trim duct sealants flush with metal. Create a smooth and uniform exposed bead. Do not use two-part tape sealing system.
- C. Grind welds to provide smooth surface free of burrs, sharp edges, and weld splatter. When welding stainless steel with a No. 3 or 4 finish, grind the welds flush, polish the exposed welds, and treat the welds to remove discoloration caused by welding. Do not weld or grind lined ductwork.
- D. Maintain consistency, symmetry, and uniformity in the arrangement and fabrication of duct, fittings, hangers, supports, accessories, and air outlets.
- E. Repair or replace damaged sections and finished work that does not comply with these requirements.

### 3.4 DUCT SEALING

- A. Seal all ducts to seal class A as defined in SMACNA's HVAC Duct Construction Standards - Metal and Flexible, Third Edition 2005:
  1. Seal all longitudinal joints.
  2. Seal all transverse joints.
  3. Seal all penetrations.

### 3.5 HANGER AND SUPPORT INSTALLATION

- A. Comply with SMACNA's "HVAC Duct Construction Standards - Metal and Flexible, Third Edition 2005," Chapter 5, "Hangers and Supports."
- B. Building Attachments: Unless indicated otherwise, provide concrete inserts, powder-actuated fasteners, or structural-steel fasteners appropriate for construction materials to which hangers are being attached.
  1. Where practical, install concrete inserts before placing concrete.
  2. Do not use powder-actuated concrete fasteners for lightweight-aggregate concrete or for slabs less than 4 inches thick.
- C. Hanger Spacing: Comply with SMACNA's "HVAC Duct Construction Standards - Metal and Flexible, Third Edition 2005," Table 5-1, "Rectangular Duct Hangers Minimum Size," and Table 5-2, "Minimum Hanger Sizes for Round Duct," for maximum hanger spacing; install hangers and supports within 24 inches of each elbow and within 48 inches of each branch intersection.
- D. Hangers Exposed to View: Threaded rod and channel supports.

FIRE STATIONS RENOVATION  
ARLINGTON COUNTY, VIRGINIA  
Architect's Project No: 563006

- E. Support vertical ducts with channel secured to the sides of the duct with welds, bolts, sheet metal screws, or blind rivets; support at each floor or at a maximum intervals of 18 feet.
- F. Install upper attachments to structures. Select and size upper attachments with pull-out, tension, and shear capacities appropriate for supported loads and building materials where used.

3.6 CONNECTIONS

- A. Make connections to equipment with flexible connectors.
- B. Comply with SMACNA's "HVAC Duct Construction Standards - Metal and Flexible, Third Edition 2005" for branch, outlet, inlet, and terminal unit connections unless otherwise indicated.

3.7 PAINTING

- A. Paint interior of metal ducts that are visible through registers and grilles and that do not have duct liner. Apply two coats of flat black, latex paint over a compatible galvanized-steel primer.

3.8 FIELD QUALITY CONTROL

- A. Perform tests and inspections.
- B. Visually inspect, for proper seal application, all ductwork not tested prior to insulation application. Prepare inspection report.
- C. Duct System Cleanliness Tests:
  - 1. Visually inspect duct system to ensure that no visible contaminants are present. If visible contaminants are present, proceed to sub-paragraph 2 below. If not, no further cleaning shall be required.
  - 2. Test sections of metal duct systems, up to one location per ten thousand (10,000) square feet of building area, or a minimum of two (2) per system, whichever is greater, chosen by the Owner's Representative, for cleanliness according to "Vacuum Test" in NADCA ACR, "Assessment, Cleaning and Restoration of HVAC Systems." Net weight of debris collected on the filter media shall not exceed 0.75 mg/100 sq. cm. Cut hole in duct and install access door at each location selected. Size shall be as indicated in Division 23 Section "Air Duct Accessories."
  - 3. Duct system shall be considered dirty and in need of cleaning if any test location does not pass the cleanliness test. Cleaning shall be performed in accordance with this specification.
- D. Prepare and submit test and inspection reports.

3.9 DUCT CLEANING

- A. Clean new duct systems that fail duct system cleanliness tests before testing, adjusting, and balancing.
- B. Comply with SMACNA "Duct Cleanliness for New Construction Guidelines" dated 2000, for protection, cleaning, and installation methods for all ductwork. Adhere to the requirements for a duct cleanliness level of "C" (advanced level) as detailed in Section 3.1.

FIRE STATIONS RENOVATION  
ARLINGTON COUNTY, VIRGINIA  
Architect's Project No: 563006

3.10 START UP

- A. Air Balance: Comply with requirements in Division 23 Section "Testing, Adjusting, and Balancing for HVAC."

3.11 DUCT SCHEDULE

- A. Fabricate ducts with galvanized sheet steel except as otherwise indicated and as follows:
- B. Ducts Connected Serving Locker Rooms, Shower Rooms, and Team Rooms:
  - 1. Aluminum sheet.
  - 2. Exposed to View: Bright finish.
  - 3. Concealed: Mill finish.
- C. All double wall ductwork:
  - 1. Aluminum sheet perforated inner wall.
  - 2. Aluminum sheet outer wall.
  - 3. Exposed: Painted to match color selected by Architect.
- D. Double-Wall Duct Interstitial Insulation (where indicated):
  - 1. Supply Air Ducts: 1" thickness.
  - 2. Return Air Ducts: 1" thickness.
- E. Rectangular Duct Liner Thickness (where indicated):
  - 1. Supply Air Ducts: 1-1/2" thickness and minimum R=5.0.]
- F. Elbow Configuration:
  - 1. Rectangular Duct: Comply with SMACNA's "HVAC Duct Construction Standards - Metal and Flexible, Third Edition 2005," Figure 4-2, "Rectangular Elbows."
    - a. Velocity less than 1500 fpm or lower:
      - 1) Radius Type RE 1. Centerline radius =  $3W/2$ .
      - 2) Mitered Type RE 2 with vanes complying with SMACNA's "HVAC Duct Construction Standards - Metal and Flexible, Third Edition 2005," Figure 4-3, "Vanes and Vane Runners," and Figure 4-4, "Vane Support in Elbows."
      - 3) Transfer ducts indicated with mitered elbows do not require turning vanes.
    - b. Velocity 1500 fpm or Higher:
      - 1) Radius Type RE 3. Centerline radius =  $3w/2$  and three vanes.
      - 2) Mitered Type RE 2 with vanes complying with SMACNA's "HVAC Duct Construction Standards - Metal and Flexible, Third Edition 2005," Figure 2-3, "Vanes and Vane Runners," and Figure 2-4, "Vane Support in Elbows."
  - 2. Round Duct: Comply with SMACNA's "HVAC Duct Construction Standards - Metal and Flexible, Third Edition 2005," Figure 3-4, "Round Duct Elbows."
    - a. Minimum centerline radius-to-diameter ratio shall be 1.5 with a maximum of 5 Elbow Segments. Comply with SMACNA's "HVAC Duct Construction Standards - Metal and Flexible, Third Edition 2005," Table 3-1, "Mitered Elbows." Elbows with less than a 90 degree change of direction shall have segments per Table 3-1 in

FIRE STATIONS RENOVATION  
ARLINGTON COUNTY, VIRGINIA  
Architect's Project No: 563006

SMACNA's "HVAC Duct Construction Standards - Metal and Flexible, Third Edition 2005".

- b. Round Elbows, 12 Inches and Smaller in Diameter: Stamped, segmented, spiral or pleated. Adjustable elbows not acceptable.
  - c. Round Elbows, 14 Inches and Larger in Diameter: Standing seam, segmented, or spiral.
3. Flat Oval Duct: Comply with SMACNA's "HVAC Duct Construction Standards - Metal and Flexible, Third Edition 2005," Figure 3-7, "Flat Oval Ducts" for elbows.

G. Branch Configuration:

1. Rectangular Duct: Comply with SMACNA's "HVAC Duct Construction Standards - Metal and Flexible, Third Edition 2005," Figure 4-6, "Branch Connections."
  - a. Rectangular Main to Rectangular Branch: 45-degree entry.
  - b. Rectangular Main to Round Branch: Conical or bellmouth. No flanged or spin-in fittings permitted.
2. Round and Flat Oval: Comply with SMACNA's "HVAC Duct Construction Standards - Metal and Flexible, Third Edition 2005," Figure 3-6, "Conical Tees."
  - a. Conical fitting.
  - b. Conical saddle taps.
  - c. No 90 degree taps or 90 degree saddle taps permitted.

H. Divided Flow Branches:

1. Rectangular Duct: Comply with SMACNA's "HVAC Duct Construction Standards - Metal and Flexible, Third Edition 2005," Figure 4-5 Divided Flow Branches."

END OF SECTION 233113

FIRE STATIONS RENOVATION  
ARLINGTON COUNTY, VIRGINIA  
Architect's Project No: 563006

SECTION 233300 - AIR DUCT ACCESSORIES

PART 1 - GENERAL

1.1 RELATED DOCUMENTS

- A. Provisions of the Contract and of the Contract Documents apply to this Section.

1.2 SUBMITTALS

- A. Product Data: For the following:
  - 1. Radius forming braces
  - 2. Volume dampers.
  - 3. Take-offs
  - 4. Motorized control dampers.
  - 5. Fire dampers.
  - 6. Turning vanes.
  - 7. Duct-mounting access doors.
  - 8. Flexible connectors.
  - 9. Flexible ducts.
  - 10. Rooftop duct supports.
- B. Wiring Diagrams: For power, signal, and control wiring.
- C. Operation and Maintenance Data: For air duct accessories to include in operation and maintenance manuals.

1.3 ABBREVIATIONS

- A. CFM Cubic Feet per Minute
- B. F Fahrenheit
- C. FPM Feet Per Minute
- D. IN Inches
- E. LBF Pound Feet, or Pound Foot.
- F. NFPA National Fire Protection Association
- G. NO Number
- H. NRTL Nationally Recognized Testing laboratory
- I. OC On Center
- J. SqFt Square Feet
- K. WC Water Column

FIRE STATIONS RENOVATION  
ARLINGTON COUNTY, VIRGINIA  
Architect's Project No: 563006

1.4 QUALITY ASSURANCE

- A. Comply with NFPA 90A, "Installation of Air Conditioning and Ventilating Systems," and with NFPA 90B, "Installation of Warm Air Heating and Air Conditioning Systems."
- B. Comply with AMCA 500-D testing for damper rating.

1.5 EXTRA MATERIALS

- A. Furnish extra materials that match products installed and that are packaged with protective covering for storage and identified with labels describing contents.
  - 1. Fusible Links: Furnish quantity equal to 10 percent of amount installed. Minimum 1 of each type used.

PART 2 - PRODUCTS

2.1 MATERIALS

- A. Comply with SMACNA's "HVAC Duct Construction Standards - Metal and Flexible" for acceptable materials, material thicknesses, and duct construction methods unless otherwise indicated. Sheet metal materials shall be free of pitting, seam marks, roller marks, stains, discolorations, and other imperfections.
- B. Comply with SMACNA's "HVAC Duct Construction Standards - Metal and Flexible" for acceptable duct installation methods unless otherwise indicated.
- C. Galvanized Sheet Steel: Comply with ASTM A 653/A 653M.
  - 1. Galvanized Coating Designation: G60 or G90.
  - 2. Exposed-Surface Finish: Mill phosphatized.
- D. Stainless-Steel Sheets: Comply with ASTM A 480/A 480M, Type 304, and having a NO 2 finish for concealed ducts and NO 4 finish for exposed ducts.
- E. Aluminum Sheets: Comply with ASTM B 209, Alloy 3003, temper H14; with mill finish for concealed ducts and standard, 1-side bright finish for exposed ducts.
- F. Extruded Aluminum: Comply with ASTM B 221, Alloy 6063, Temper T6.
- G. Reinforcement Shapes and Plates: Galvanized-steel reinforcement where installed on galvanized sheet metal ducts; compatible materials for aluminum and stainless-steel ducts.
- H. Tie Rods: Galvanized steel, 1/4-inch minimum diameter for lengths 36 inches or less; 3/8-inch minimum diameter for lengths longer than 36 inches; compatible materials for aluminum and stainless-steel ducts.

2.2 RADIUS FORMING BRACES

- A. Available manufacturers:
  - 1. Titus, FlexRight (Basis of Design)
  - 2. Flexible Technologies, Inc., Thermaflex Division, FlexFlow
  - 3. Hart & Cooley, Smart Flow Elbow

FIRE STATIONS RENOVATION  
ARLINGTON COUNTY, VIRGINIA  
Architect's Project No: 563006

- B. General: UL-2043 listed or NRTL approved product constructed of metal or plastic manufactured for use with flexible duct to form a kink free elbow using the flexible duct. Any flexible duct used in forming the elbow shall be included in the maximum permitted length. Resulting flexible duct shall comply with SMACNA HVAC Duct Construction Standards.
- C. Duct Size: 6" through 16" in diameter.
- D. Inside (Bend) Radius: Minimum of one duct diameter along centerline.
- E. Attachments: Plastic zip ties or stainless steel worm gear clamps.
- F. Support to Overhead: Shall meet SMACNA requirements. Use of specified attachments for support shall not be permitted.

2.3 MANUAL VOLUME DAMPERS

- A. Steel, Manual Volume Dampers:
  - 1. Manufacturers:
    - a. Air Balance Inc.; a division of Mestek, Inc.
    - b. American Warming and Ventilating; a division of Mestek, Inc.
    - c. Flexmaster U.S.A., Inc.
    - d. Greenheck Fan Corporation.
    - e. McGill AirFlow LLC.
    - f. METALAIRE, Inc.
    - g. PCI Industries - Pottorff
    - h. Ruskin Company.
    - i. Vent Products Company, Inc.
  - 2. Standard leakage rating, with linkage outside airstream.
  - 3. Suitable for horizontal or vertical applications.
  - 4. Frames:
    - a. Hat-shaped, galvanized or stainless-steel channels, match duct material.
    - b. Mitered and welded corners.
    - c. Flanges for attaching to walls and flangeless frames for installing in ducts.
  - 5. Blades:
    - a. Multiple or single blade.
    - b. Opposed-blade design.
    - c. Stiffen damper blades for stability.
    - d. Galvanized or stainless-steel channels, match duct material.
    - e. Blade Axles: Galvanized steel or Stainless steel. Dampers over 12" width/diameter shall include continuous axles. Dampers 12" and less may have non-continuous axles.
  - 6. Bearings:
    - a. Molded synthetic. Provide bearing at both duct wall penetrations.
  - 7. Tie Bars and Brackets: Galvanized steel.
- B. Aluminum, Manual Volume Dampers:
  - 1. Manufacturers:
    - a. Air Balance Inc.; a division of Mestek, Inc.
    - b. American Warming and Ventilating; a division of Mestek, Inc.
    - c. Flexmaster U.S.A., Inc.



FIRE STATIONS RENOVATION  
ARLINGTON COUNTY, VIRGINIA  
Architect's Project No: 563006

- d. Greenheck Fan Corporation.
  - e. McGill AirFlow LLC.
  - f. METALAIRE, Inc.
  - g. PCI Industries - Pottorff
  - h. Ruskin Company.
  - i. Vent Products Company, Inc.
  2. Standard leakage rating, with linkage and operator outside airstream.
  3. Suitable for horizontal or vertical applications.
  4. Frames: Hat-shaped aluminum channels for installing in ducts.
  5. Blades:
    - a. Multiple or single blade.
    - b. Parallel- or opposed-blade design.
    - c. Stiffen damper blades for stability.
    - d. Roll Formed or Extruded Aluminum.
    - e. Blade Axles: Galvanized steel or Stainless steel. Dampers over 12" width/diameter shall include continuous axles. Dampers 12" and less may have non-continuous axles.
  6. Bearings:
    - a. Molded synthetic. Provide bearing at both duct wall penetrations.
  7. Tie Bars and Brackets: Aluminum.
- C. Damper Hardware:
1. Zinc-plated, die-cast quadrant with dial and handle made of zinc plated steel, and a hexagon lock nut. Friction lock dampers are not acceptable where system external static pressure exceeds 0.50"wc.
  2. Include center hole to suit damper operating-rod size.
  3. Include elevated platform or stand-off for insulated duct mounting.
- 2.4 CONTROL DAMPERS
- A. Parallel Blades shall be used for two position applications (Open or Closed) unless otherwise indicated.
1. Manufacturers:
    - a. American Warming and Ventilating; a division of Mestek, Inc.
    - b. Arrow United Industries; a division of Mestek, Inc.
    - c. Cesco Products; a division of Mestek, Inc.
    - d. Duro Dyne Inc.
    - e. Flexmaster U.S.A., Inc.
    - f. Greenheck Fan Corporation.
    - g. McGill AirFlow LLC.
    - h. METALAIRE, Inc.
    - i. PCI Industries - Pottorff
    - j. Ruskin Company.
    - k. Young Regulator Company.
  2. Low leakage or ultra low leakage rating, with linkage outside airstream, and having AMCA's Certified Ratings Seal for both air performance and air leakage.
  3. Ratings:
    - a. Pressure Differential Range: 0.0" WC – 6.0" WC.
    - b. Velocity Range: 0 FPM to 4000 FPM.

FIRE STATIONS RENOVATION  
ARLINGTON COUNTY, VIRGINIA  
Architect's Project No: 563006

- c. Leakage:
      - 1) 6 CFM/SqFt @ 4" WC.
      - 2) 3 CFM/SqFt @ 1" WC.
    - d. Temperature: Minimum 165° F.
  - 4. Frames:
    - a. Galvanized steel channels.
    - b. Mitered and welded corners.
  - 5. Blades:
    - a. Air foil
    - b. Multiple blade
    - c. Maximum blade width (not including seals): 8"
    - d. Parallel blade design.
    - e. Galvanized steel.
    - f. Edge Seal: Silicone blade edge seals.
      - 1) Temperature Range: From a minimum of minus 50 to a maximum of plus 300 degrees F.
  - 6. Blade Axles: 1/2-inch- diameter; galvanized or stainless steel.
  - 7. Linkage: Galvanized or stainless steel out of airstream.
  - 8. Jamb Seal: Stainless steel.
  - 9. Bearings:
    - a. Bronze.
    - b. Dampers shall have axles running the full length of the damper blades shall have bearings at each end of the shaft.
    - c. Thrust bearings shall be located at each end of every blade.
- B. Opposed Blades shall be used for modulating applications (Open, Closed, and Anywhere In Between) unless otherwise indicated.
  - 1. Manufacturers:
    - a. American Warming and Ventilating; a division of Mestek, Inc.
    - b. Arrow United Industries; a division of Mestek, Inc.
    - c. Cesco Products; a division of Mestek, Inc.
    - d. Duro Dyne Inc.
    - e. Flexmaster U.S.A., Inc.
    - f. Greenheck Fan Corporation.
    - g. McGill AirFlow LLC.
    - h. METALAIRE, Inc.
    - i. PCI Industries - Pottorff
    - j. Ruskin Company.
    - k. Young Regulator Company.
  - 2. Low leakage or ultra low leakage rating, with linkage outside airstream, and having AMCA's Certified Ratings Seal for both air performance and air leakage.
  - 3. Ratings:
    - a. Pressure Differential Range: 0.0" WC – 6.0" WC.
    - b. Velocity Range: 0 FPM to 4000 FPM.
    - c. Leakage:
      - 1) 6 CFM/SqFt @ 4" WC.
      - 2) 3 CFM/SqFt @ 1" WC.
    - d. Temperature: Minimum 165° F.
  - 4. Frames:

FIRE STATIONS RENOVATION  
ARLINGTON COUNTY, VIRGINIA  
Architect's Project No: 563006

- a. Galvanized steel channels.
- b. Mitered and welded corners.
- 5. Blades:
  - a. Air foil
  - b. Multiple blade
  - c. Maximum blade width (not including seals): 8"
  - d. Opposed blade design.
  - e. Galvanized steel.
  - f. Edge Seal: Silicone blade edge seals.
    - 1) Temperature Range: From a minimum of minus 50 to a maximum of plus 300 degrees F.
- 6. Blade Axles: 1/2-inch- diameter; galvanized or stainless steel.
- 7. Linkage: Galvanized or stainless steel out of airstream.
- 8. Jamb Seal: Stainless steel.
- 9. Bearings:
  - a. Bronze.
  - b. Dampers shall have axles running the full length of the damper blades shall have bearings at each end of the shaft.
  - c. Thrust bearings shall be located at each end of every blade.

## 2.5 FLANGE CONNECTORS

- A. Available Manufacturers:
  - 1. Ductmate Industries, Inc.
  - 2. Nexus PDQ; Division of Shilco Holdings Inc.
  - 3. Hart & Cooley, Inc.
- B. Description: Add-on or roll-formed, factory-fabricated, slide-on transverse flange connectors, gaskets, and components.
- C. Material: Match connecting ductwork.
- D. Gauge: 18, 20, or 24 as recommended by manufacturer or match connecting ductwork.

## 2.6 MANUFACTURED TURNING VANES

- A. Curved blades of galvanized sheet steel; support with bars perpendicular to blades set; set into vane runners suitable for duct mounting.
- B. General Requirements: Comply with SMACNA's "HVAC Duct Construction Standards - Metal and Flexible"; Figures 2-3, "Vaness and Vane Runners," and 2-4, "Vane Support in Elbows."
- C. Vane Construction: Single wall for ducts with the largest sectional dimension up to 48 inches wide and double wall for larger dimensions.

## 2.7 DUCT-MOUNTED ACCESS DOORS

- A. Available Manufacturers:
  - 1. Ductmate Industries, Inc.
  - 2. Flexmaster U.S.A., Inc.
  - 3. Greenheck Fan Corporation.

FIRE STATIONS RENOVATION  
ARLINGTON COUNTY, VIRGINIA  
Architect's Project No: 563006

4. Kees
  5. McGill AirFlow LLC.
- B. Duct-Mounted Access Doors: Fabricate access panels according to SMACNA's "HVAC Duct Construction Standards - Metal and Flexible"; Figures 2-10, "Duct Access Doors and Panels," and 2-11, "Access Panels - Round Duct."
1. Door:
    - a. Double wall, rectangular.
    - b. Galvanized sheet metal with insulation fill and thickness as indicated for duct pressure class.
    - c. Hinges and Latches: 1-by-1-inch butt or piano hinge. Cam latches.
    - d. Fabricate doors airtight and suitable for duct pressure class.
  2. Frame: Galvanized sheet steel, with bend-over tabs and foam gaskets.
  3. Number of Hinges and Locks:
    - a. Access Doors Less Than 12 Inches Square: No hinges and two sash locks.
    - b. Access Doors up to 18 Inches Square: Two hinges and two sash locks.
    - c. Access Doors up to 24 by 48 Inches: Three hinges and two compression latches with outside and inside handles.
    - d. Access Doors Larger Than 24 by 48 Inches: Four hinges and two compression latches with outside and inside handles.

2.8 FLEXIBLE CONNECTORS

- A. Available Manufacturers:
1. Ductmate Industries, Inc.
  2. Duro Dyne Inc.
  3. Ventfabrics, Inc.
  4. Hart & Cooley, Inc.
- B. Materials: Flame-retardant or noncombustible fabrics.
- C. Coatings and Adhesives: Comply with UL 181, Class 1.
- D. Connector: Factory fabricated with a fabric strip 3½ to 4½ inches wide attached to 2 strips of 2½ to 4½ inches wide, 23 to 25 gauge "0.0269 to .0209 inch thick" galvanized sheet steel, stainless sheet steel, or aluminum sheets. Provide metal compatible with connected ducts.
- E. Indoor System, Flexible Connector Fabric: Glass fabric double-coated with neoprene.
1. Minimum Weight: 26 oz/sq yd.
  2. Tensile Strength: 480 lbf/inch in the warp and 360 lbf/inch in the filling.
  3. Service Temperature: Minus 40 to plus 200 deg F.
- F. High-Temperature System, Flexible Connectors: Glass fabric coated with silicone rubber.
1. Minimum Weight: 16 oz./sq. yd..
  2. Tensile Strength: 285 lbf/inch in the warp and 185 lbf/inch in the filling.
  3. Service Temperature: Minus 67 to plus 500 deg F.
- G. Thrust Limiters:

FIRE STATIONS RENOVATION  
ARLINGTON COUNTY, VIRGINIA  
Architect's Project No: 563006

1. Field fabricated cable restraints on equipment producing greater than 4.0" WC of positive pressure.
2. Field fabricated cable restraints as detailed. If not detailed; Provide restraint consisting of a 1/16 inch diameter vinyl coated steel cable at 24" maximum on center, attached to flange bolts on each side of flexible connector. Cable length shall be such that, when in tension, 1/2" of movement in the flexible connection is preserved. If flanges are not used, contractor may provide steel, stainless steel, or aluminum angles for attaching cables. Match duct material. Cables shall attach to screw or fastener holding angle to duct and shall be routed through a 3/16" diameter hole in the bracket offset approximately 1" from duct.
3. Direction of connector movement: Parallel with airflow, perpendicular to connector.

2.9 FLEXIBLE AIR DUCTS

A. Manufacturers:

1. Flexmaster U.S.A., Inc. (Basis of design, Provide Type 1M)
2. Thermaflex
3. Hart & Cooley, Inc.

B. Provide bead on connecting duct for sizes greater than 12" in diameter.

C. Maximum length of flexible duct is 6'-0".

D. Insulated, Flexible Duct: UL 181, Class 1 air duct with vinyl film supported by helically wound, spring-steel wire; fibrous-glass insulation; aluminized vapor-barrier film.

1. Pressure Rating: 10-inch WC positive and 1.0-inch WC negative.
2. Maximum Air Velocity: 5000 fpm.
3. Vapor Barrier Permeance: 0.05 perm
4. Temperature Range: Minus 10 to plus 160 deg F.
5. Insulation R-value: 6.0

E. Flexible Duct Connection Accessories:

1. Low pressure (Not up stream of terminal units):
  - a. Clamps: Nylon strap in sizes 3 through 20", to suit duct size.
  - b. Sheet metal screws: No
  - c. Liquid adhesive: No
  - d. Tape: Yes
2. Medium pressure (Up stream of terminal units):
  - a. Clamps: Stainless-steel band with cadmium-plated hex screw to tighten band with worm-gear action in sizes 3 through 20 inches, to suit duct size.
  - b. Sheet metal screws: No
  - c. Liquid adhesive: Yes
  - d. Tape: Yes

2.10 ACCESSORY HARDWARE

A. Temporary Test Holes: Drilled in duct as required.

FIRE STATIONS RENOVATION  
ARLINGTON COUNTY, VIRGINIA  
Architect's Project No: 563006

- B. Permanent Test Holes: Cast iron, or cast aluminum, to suit adjacent material, including cap and gasket. Size to allow insertion of pitot tube and other testing instruments and of length to suit wall + insulation thickness.
- C. Adhesives: High strength, quick setting, waterproof, and resistant to grease.

PART 3 - EXECUTION

3.1 INSTALLATION

- A. Install duct accessories according to applicable details in SMACNA's "HVAC Duct Construction Standards - Metal and Flexible" for metal ducts and in NAIMA AH116, "Fibrous Glass Duct Construction Standards," for fibrous-glass ducts.
- B. Install duct accessories of materials suited to duct materials; use galvanized-steel accessories in galvanized-steel and fibrous-glass ducts, stainless-steel accessories in stainless-steel ducts, and aluminum accessories in aluminum ducts.
- C. Install backdraft dampers on exhaust fans or exhaust ducts nearest to outside and where indicated.
- D. Install volume dampers at points on supply, return, and exhaust systems where branches extend from larger ducts. Where dampers are installed in ducts having duct liner, install dampers with hat channels of same depth as liner, and terminate liner with nosing at hat channel.
  - 1. Install steel volume dampers in steel ducts.
  - 2. Install aluminum volume dampers in aluminum ducts.
- E. Set dampers to fully open position before testing, adjusting, and balancing.
- F. Install permanent test holes at fan inlets and outlets.
- G. Install permanent test holes where indicated.
- H. Provide temporary test holes where necessary for testing.
- I. Install temporary test hole plugs in temporary test holes.
- J. Repair insulation at temporary test holes.
- K. Install duct access doors on sides of ducts to allow for inspecting, adjusting, and maintaining accessories and equipment at the following locations:
  - 1. On both sides of duct coils.
  - 2. Downstream from volume dampers and equipment.
  - 3. Adjacent to fire or smoke dampers, providing access to reset or reinstall fusible links.
  - 4. To interior of ducts for cleaning; before and after each change in direction, at maximum 50-foot spacing.
  - 5. On sides of ducts where adequate clearance is available.
- L. Install access doors with swing against duct static pressure except at fire, smoke, and combination fire & smoke dampers.
- M. Install the largest access door possible in the following sizes for duct-mounting, rectangular access doors:

FIRE STATIONS RENOVATION  
ARLINGTON COUNTY, VIRGINIA  
Architect's Project No: 563006

1. One-Hand or Inspection Access: 8 by 5 inches.
  2. Two-Hand Access: 12 by 6 inches.
  3. Head and Hand Access: 18 by 10 inches.
  4. Head and Shoulders Access: 21 by 14 inches.
  5. Body Access: 25 by 14 inches.
  6. Body Plus Ladder Access: 25 by 17 inches.
- N. Install the largest access door possible in the following sizes for duct-mounting, round access doors:
1. One-Hand or Inspection Access: 8 inches in diameter.
  2. Two-Hand Access: 10 inches in diameter.
  3. Head and Hand Access: 12 inches in diameter.
  4. Head and Shoulders Access: 18 inches in diameter.
  5. Body Access: 24 inches in diameter.
- O. Label access doors to indicate purpose.
- P. Install flexible connectors to connect ducts to air moving equipment.
- Q. For fans developing static pressures of 4" WC and more, cover flexible connectors with loaded vinyl sheet held in place with metal straps.
- R. Connect terminal units to supply ducts with 36" of rigid duct and maximum 30" lengths of flexible duct.
- S. Connect flexible ducts to metal ducts as follows:
1. Low pressure (Not up stream of terminal units):
    - a. Clamps: Install in accordance with manufacturer's recommendations.
    - b. Sheet metal screws: Not required.
    - c. Liquid adhesive: Not required.
    - d. Tape: Install in accordance with manufacturer's recommendations.
  2. Medium pressure (Up stream of terminal units):
    - a. Clamps: Install in accordance with manufacturer's recommendations.
    - b. Sheet metal screws: Not required.
    - c. Liquid adhesive: Yes
    - d. Tape: Yes
- T. Connect flexible ducts to diffusers using a radius forming brace or rigid elbow. If using radius forming brace, deduct four (4) duct diameters from the indicated maximum flexible duct length.
- U. Install temporary test holes where required for testing and balancing purposes. Cap with neoprene, plastic or rubber plugs and repair insulation with like material.
- V. Install permanent test holes upstream and downstream of each fan within 6" of fan. Install in unit wall or adjacent duct.
1. Exception: Outlet of roof mounted fans
- W. Install thrust limiters at all flexible connectors consisting of a 1/16 inch diameter vinyl coated steel cable at 24" maximum on center, attached to flange bolts on each side of flexible connector. Cable length shall be such that, when in tension, 1/2" of movement in the flexible connection is preserved. If flanges are not used, contractor may provide steel, stainless steel, or

FIRE STATIONS RENOVATION  
ARLINGTON COUNTY, VIRGINIA  
Architect's Project No: 563006

aluminum angles for attaching cables. Match duct material. Cables shall attach to screw or fastener holding angle and shall be routed through a 3/16" diameter hole in the angle offset approximately 1" from duct.

X. TURNING VANES:

1. Install turning vanes in all duct elbows larger than 12" in height or width.
2. Exceptions:
  - a. Where prohibited by the applicable code.
  - b. Where prohibited by laws or ordinances.
  - c. Where prohibited by local requirements.
  - d. Where specifically eliminated by contract.

Y. FIELD QUALITY CONTROL

1. Tests and Inspections:
  - a. Operate dampers to verify full range of movement without interference.
  - b. Inspect access doors. Verify that door can be opened and closed. Verify fire damper, and combination fire and smoke damper fusible links can be reset and changed. Verify fire damper, and combination fire and smoke damper doors open in the direction of air pressure (out on supply ducts and in on return and exhaust ducts).
  - c. Operate fire, smoke, and combination fire and smoke dampers to verify full range of movement, verify non-interference, and verify that the proper heat-response device is installed.
  - d. Inspect elbows for turning vanes. Verify they are installed where required.
  - e. Inspect turning vanes using access doors for proper and secure installation.
  - f. Operate remote damper operators prior to ceiling installation to verify full range of movement of operator and damper. Verify no interference with damper movement.

END OF SECTION 233300



FIRE STATIONS RENOVATION  
ARLINGTON COUNTY, VIRGINIA  
Architect's Project No: 563006

SECTION 233423 - HVAC POWER VENTILATORS

PART 1 - GENERAL

1.1 RELATED DOCUMENTS

- A. Provisions of the Contract and of the Contract Documents apply to this Section.

1.2 SUBMITTALS

- A. Product Data: Provide manufacturer's technical data for each ventilator including rated capacities, dimensions, required clearances, operating characteristics, mounting requirements, and furnished specialties and accessories. Provide power and control wiring diagrams. Also include the following:
  - 1. Certified fan performance curves with system operating conditions indicated.
  - 2. Certified fan sound-power ratings.
  - 3. Motor ratings and electrical characteristics, plus motor and electrical accessories.
  - 4. Material thickness and finishes, including color charts.
  - 5. Dampers, including housings, linkages, and operators.
  - 6. Roof curbs with required slope and dimensions. Indicate shimming if required.
  - 7. .
  - 8. Fan speed controllers.
- B. Operation and Maintenance Data: For ventilators to include in emergency, operation, and maintenance manuals.
- C. Warranty: Special warranty specified in this Section.

1.3 QUALITY ASSURANCE

- A. Electrical Components, Devices, and Accessories: Listed and labeled as defined in NFPA 70, by a qualified testing agency, and marked for intended location and application.
- B. AMCA Compliance: Fans shall have AMCA-Certified performance ratings and shall bear the AMCA-Certified Ratings Seal.
- C. UL Standards: Power ventilators shall comply with UL 705. Power ventilators for use for grease (kitchen) hood exhaust shall also comply with UL 762.

1.4 COORDINATION

- A. Coordinate size and location of structural-steel support members.

FIRE STATIONS RENOVATION  
ARLINGTON COUNTY, VIRGINIA  
Architect's Project No: 563006

- B. Coordinate sizes and locations of roof curbs, equipment supports, and roof penetrations with actual equipment provided.

1.5 EXTRA MATERIALS

- A. Furnish extra materials that match products installed and that are packaged with protective covering for storage and identified with labels describing contents.
  - 1. Belts: One set for each belt-driven fan. Mark belt set with fan ID and turn over to owner's representative.

PART 2 - PRODUCTS

2.1 IN-LINE CENTRIFUGAL FANS

- A. Manufacturers:
  - 1. Acme Engineering & Manufacturing Corporation.
  - 2. Penn Ventilation Companies, Inc.
  - 3. Greenheck Fan Corporation.
  - 4. Loren Cook Company.
- B. Housing: Manufacturer's standard steel, inlet and outlet flanges, and support bracket adaptable to floor, side wall, or ceiling mounting.
- C. Direct-Drive Units: Motor mounted in airstream, factory wired to disconnect switch located on outside of fan housing.
- D. Belt-Driven Units: Motor mounted on adjustable base, enclosure around belts within fan housing, and lubricating tubes from fan bearings extended to outside of fan housing.
- E. Fan Wheels: Aluminum, airfoil blades welded to aluminum hub.
- F. Provide accessories:
  - 1. Volume-Control Damper: Manually operated with quadrant lock, located in fan outlet. (Not required where speed controllers are provided.)
  - 2. Variable-Speed Controller: Where indicated on the fan schedule provide solid-state control to reduce speed from 100 percent to less than 50 percent.
  - 3. Disconnect Switch.
  - 4. Companion Flanges: For inlet and outlet duct connections.
  - 5. Motor and Drive Cover (Belt Guard): Epoxy-coated steel.
  - 6. Motorized Dampers: Where indicated on the fan schedule provide parallel-blade dampers mounted in duct with electric actuator; wired to close when fan stops. When fan voltage exceeds 220 V provide 50VA minimum transformer to operate damper.

FIRE STATIONS RENOVATION  
ARLINGTON COUNTY, VIRGINIA  
Architect's Project No: 563006

2.2 MOTORS

- A. Refer to section "Common Motor Requirements for HVAC Equipment."
- B. Comply with NEMA designation, temperature rating, service factor, enclosure type, and efficiency requirements for motors.
  - 1. Motor Sizes: Size shall be as indicated. If not indicated, provide motor large enough to drive load and avoid operation in service factor range above 1.0.
  - 2. Controls: Provide controllers, electrical devices, and wiring to comply with requirements specified in Division 26 Sections.
- C. Enclosure Type: Totally enclosed, fan cooled.

2.3 SOURCE QUALITY CONTROL

- A. Certify sound-power level ratings according to AMCA 301, "Methods for Calculating Fan Sound Ratings from Laboratory Test Data." Factory test fans according to AMCA 300, "Reverberant Room Method for Sound Testing of Fans." Label fans with the AMCA-Certified Ratings Seal.
- B. Certify fan performance ratings, including flow rate, pressure, power, air density, speed of rotation, and efficiency by factory tests according to AMCA 210, "Laboratory Methods of Testing Fans for Aerodynamic Performance Rating." Label fans with the AMCA-Certified Ratings Seal.

PART 3 - EXECUTION

3.1 INSTALLATION

- A. Install HVAC Power Ventilators level and plumb.
- B. Ceiling Units: Suspend units from structure; use steel wire or metal straps.
- C. Support suspended units from structure using threaded steel rods and elastomeric hangers having a static deflection of 0.5 inches.
- D. Install units with clearances for service and maintenance.
- E. Label units.

3.2 FIELD QUALITY CONTROL

- A. Perform tests and inspections.

FIRE STATIONS RENOVATION  
ARLINGTON COUNTY, VIRGINIA  
Architect's Project No: 563006

1. Manufacturer's Field Service: Engage a factory-authorized service representative to inspect components, assemblies, and equipment installations, including connections, and to assist in testing.

B. Tests and Inspections:

1. Verify that Shipping blocking and bracing are removed.
2. Verify that unit is secure and connections to ducts and electrical components are complete. Verify that proper thermal-overload protection is installed in motors, starters, and disconnect switches.
3. Verify that cleaning and adjusting are complete.
4. For belt drive units disconnect fan drive from motor, verify proper motor rotation direction, and verify fan wheel free rotation and smooth bearing operation. Reconnect fan drive system, align belts, adjust belt tension, and install belt guards.
5. Adjust damper linkages & operators for proper damper operation.
6. Verify lubrication for bearings and other moving parts.
7. Verify that manual and automatic volume control, fire, smoke, and fire/smoke dampers in connected ductwork systems are in a fully open position.
8. Disable automatic temperature-control operators, energize motor and adjust fan to indicated rpm.
9. Measure and record motor voltage and amperage.
10. Shut unit down and reconnect automatic temperature-control operators.
11. Remove and replace malfunctioning units and retest as specified above.

- C. Test and adjust controls and safeties. Replace damaged and malfunctioning controls and equipment.

- D. Prepare test and inspection reports.

3.3 TESTING, ADJUSTING, BALANCING, AND LUBRICATION

- A. Adjust damper linkages for proper damper operation.

- B. Comply with requirements in Section "Testing, Adjusting, and Balancing for HVAC".

- C. Replace fan and motor pulleys to achieve design airflow.

1. Disable automatic temperature-control operators, energize motor and adjust fan to required rpm.
2. Measure and record RPM.
3. Measure and record motor voltage and amperage.

- D. Re-lubricate bearings.

END OF SECTION 233423

FIRE STATIONS RENOVATION  
ARLINGTON COUNTY, VIRGINIA  
Architect's Project No: 563006

SECTION 233713 - DIFFUSERS, REGISTERS, AND GRILLES

PART 1 - GENERAL

1.1 RELATED DOCUMENTS

- A. Provisions of the Contract and of the Contract Documents apply to this Section.

1.2 SUBMITTALS

- A. Product Data: For each type of product indicated, include the following:
1. Data Sheet: Indicate materials of construction, finish, mounting details, and performance data including throw, drop, static pressure drop, and noise ratings.
  2. Diffuser, Register, and Grille Schedule: Indicate drawing designation, room location, quantity, model number, size, and accessories furnished.
- B. Installation Drawings: Drawn to scale (Minimum 1 ½" = 1'-0"), on which the following items are indicated:
1. Trim & borders.
  2. Ceiling suspension assembly members.
  3. Method of attaching hangers to building structure.

PART 2 - PRODUCTS

2.1 DIFFUSERS, GRILLES, AND REGISTERS

- A. Manufacturers:
1. Anemostat.
  2. Carnes.
  3. Krueger.
  4. MetalAire, Inc.
  5. Nailor Industries.
  6. Price Industries.
  7. Titus.
- B. General:
1. The basis of design for each grille register and diffuser is indicated on the drawings. The contractor shall provide equivalent products by one of the listed manufacturers.

FIRE STATIONS RENOVATION  
ARLINGTON COUNTY, VIRGINIA  
Architect's Project No: 563006

2. Where aluminum construction is indicated blades and frames shall be extruded.
3. All trim pieces shall be mechanically fastened. Friction fit trim rings/frames shall not be provided or shall be mechanically fastened in the field. Fasteners shall not be visible.
4. Units located on walls in heavy use areas including but not limited to basketball courts, gymnasiums, and shop areas shall be heavy duty steel.
5. Finish: Powder Coated or Baked enamel, white.
6. Filter Grille Mounting Frame: Shall accept a 2" deep MERV 8 (30%) pleated media filter. Refer to section "Filters" for filter requirements. Provide two sets of filters for each filter grille.
7. Mounting: As Scheduled.
8. Damper Type: Adjustable opposed-blade assembly where damper is indicated on the schedule.
9. Construction: For locker rooms, showers, the grill, diffuser shall be aluminum construction.

## 2.2 SOURCE QUALITY CONTROL

- A. Verification of Performance: Rate diffusers, registers, and grilles according to ASHRAE 70, "Method of Testing for Rating the Performance of Air Outlets and Inlets."

## PART 3 - EXECUTION

### 3.1 EXAMINATION

- A. Examine areas where diffusers, registers, and grilles are to be installed for installation tolerances and other conditions affecting performance.
- B. Proceed with installation only after unsatisfactory conditions have been corrected.

### 3.2 INSTALLATION

- A. Install diffusers, registers, and grilles level and plumb.
- B. Install diffusers, registers, and grilles flush with ceiling unless otherwise indicated in contract documents.
- C. Ceiling-Mounted Outlets and Inlets: Drawings indicate general arrangement of ducts, fittings, and accessories. Air outlet and inlet locations have been indicated to achieve design requirements for air volume, noise criteria, airflow pattern, throw, and pressure drop. Install in locations indicated, as much as practical. For units installed in lay-in ceiling panels, center units in both directions in panel. Where architectural features or other items conflict with installation, notify Architect for a determination of final location.

FIRE STATIONS RENOVATION  
ARLINGTON COUNTY, VIRGINIA  
Architect's Project No: 563006

- D. Linear Slot Diffuser Installation: For typical diffuser, adjust each slot diffuser so half the slots throw horizontally along the ceiling in each direction unless indicated otherwise on drawings. For linear slot diffusers above windows at building perimeter, one half of the total slots at each diffuser shall be adjusted to throw air vertically downward to wash window and the other half of the slots shall be adjusted to throw air horizontally across ceiling unless indicated otherwise.
- E. Diffusers, registers and grilles shall be supported independently of the ceiling system and shall not be supported from conduit, piping or unrelated ductwork.
- F. Install diffusers, registers, and grilles with airtight connections to ducts and to allow service and maintenance.

3.3 ADJUSTING

- A. After installation, adjust diffusers, registers, and grilles to air patterns indicated, or as directed, before starting air balancing.

END OF SECTION 233713

FIRE STATIONS RENOVATION  
ARLINGTON COUNTY, VIRGINIA  
Architect's Project No: 563006

SECTION 234100 - PARTICULATE AIR FILTRATION

PART 1 - GENERAL

1.1 RELATED DOCUMENTS

- A. Provisions of the Contract and of the Contract Documents apply to this Section.

1.2 DEFINITIONS

- A. Finished Spaces: Spaces other than mechanical and electrical equipment rooms, furred spaces, pipe chases, unheated spaces immediately below roof, spaces above ceilings, unexcavated spaces, crawlspaces, and tunnels.
- B. Exposed, Interior Installations: Exposed to view indoors. Examples include finished occupied spaces and mechanical equipment rooms.
- C. Exposed, Exterior Installations: Exposed to view outdoors or subject to outdoor ambient temperatures and weather conditions. Examples include rooftop locations.
- D. Concealed, Interior Installations: Concealed from view and protected from physical contact by building occupants. Examples include above ceilings and in chases.
- E. Concealed, Exterior Installations: Concealed from view and protected from weather conditions and physical contact by building occupants but subject to outdoor ambient temperatures. Examples include installations within unheated shelters.
- F. HEPA: High-efficiency particulate air.
- G. Construction Filter: A filter maintained during construction to protect ductwork from construction dust, dirt, and debris. Construction filters shall be removed temporarily during balancing and permanently after the building is occupied.

1.3 ACTION SUBMITTALS

- A. Product Data: For each type of product indicated include dimensions, required operating clearances, required access clearances, and weights.
- B. Operating Characteristics: For each type of product indicated provide rated flow capacity, initial and final pressure drop at rated flow capacity.
- C. Efficiency: For each type of product indicated provide efficiency and test method.
- D. Fire Classification: For each type of product indicated provide the fire classification.



FIRE STATIONS RENOVATION  
ARLINGTON COUNTY, VIRGINIA  
Architect's Project No: 563006

- E. Specialties and Accessories: For each type of product indicated provide furnished specialties and accessories.

1.4 CLOSEOUT SUBMITTALS

- A. Operation and Maintenance Data: For each type of filter and rack to include in emergency, operation, and maintenance manuals.
- B. Replace all permanent filters with new filters of types specified.

1.5 QUALITY ASSURANCE

- A. Electrical Components, Devices, and Accessories: Listed and labeled as defined in NFPA 70, by a qualified testing agency, and marked for intended location and application.
- B. ASHRAE Compliance:
  - 1. Comply with applicable requirements in ASHRAE 62.1, Section 4 - "Outdoor Air Quality"; Section 5 - "Systems and Equipment"; and Section 7 - "Construction and Startup."
  - 2. Comply with ASHRAE 52.1 for arrestance and ASHRAE 52.2 for MERV for methods of testing and rating air-filter units.
- C. Comply with NFPA 90A and NFPA 90B.

1.6 COORDINATION

- A. Coordinate sizes and locations:
  - 1. Within air handling units.
  - 2. On open return ducts during construction.

PART 2 - PRODUCTS

2.1 MANUFACTURERS

- A. Manufacturers:
  - 1. Air Filters, and Filter-Holding Systems:
    - a. AAF International.
    - b. Airguard Industries, Inc.
    - c. Barnebey & Sutcliffe Corp.
    - d. Columbus Industries, Inc.
    - e. Continental Air Filter Div.; NiCon Filter Corp.
    - f. Farr Co.
    - g. Flanders Filters, Inc.

FIRE STATIONS RENOVATION  
ARLINGTON COUNTY, VIRGINIA  
Architect's Project No: 563006

- h. International Air Filter, Inc.
  - i. Koch Filter Corp.
  - j. Research Products Corp.
2. Filter Gages:
- a. Airguard Industries, Inc.
  - b. Dwyer Instruments Inc.

## 2.2 GENERAL FILTERS

- A. For return filter grilles, general filtration, and construction filters provide the following:
- 1. Media: Cotton and synthetic pleated with an average efficiency of 25-30% and an average arrestance of 90-92% in accordance with ASHRAE test standard 52.1-1992.
  - 2. Thickness: Unless otherwise indicated thickness shall be 2".
  - 3. Media Support Grid: Welded wire on 1" centers with 96% free area bonded to the media.
  - 4. Filter Frame: High wet strength cardboard with diagonal support members bonded to the media on the entering side and exiting side of each pleat.
  - 5. Holding Frame: Galvanized steel with metal grid on outlet side, polyurethane gaskets, and spring fasteners.
  - 6. Farr 30/30 or equal.

## 2.3 PRE-FILTERS

- A. Where pre-filters are indicated and for construction filters provide the following:
- 1. Media: Cotton and synthetic pleated with an average efficiency of 25-30% and an average arrestance of 90-92% in accordance with ASHRAE test standard 52.1-1992.
  - 2. Thickness: Unless otherwise indicated thickness shall be 4".
  - 3. Media Support Grid: Welded wire on 1" centers with 96% free area bonded to the media.
  - 4. Filter Frame: High wet strength cardboard with diagonal support members bonded to the media on the entering side and exiting side of each pleat.
  - 5. Holding Frame: Galvanized steel with metal grid on outlet side, polyurethane gaskets, and spring fasteners.
  - 6. Farr 30/30 or equal.

## 2.4 FINAL FILTERS (CARTRIDGE TYPE)

- A. Where final filters are indicated on the drawings provide the following:
- 1. Media: High density microfine glass fibers, laminated to a reinforcing backing to form a lofted filter blanket.
  - 2. Efficiency: Filter media shall have an average efficiency of 80-85% and an average arrestance of 98% in accordance with ASHRAE test standard 52.1-1992. Minimum MERV 13.
  - 3. Thickness: Unless otherwise indicated thickness shall be 12".
  - 4. Media Support Grid: Welded wire on 1" centers with 96% free area bonded to the media.

FIRE STATIONS RENOVATION  
ARLINGTON COUNTY, VIRGINIA  
Architect's Project No: 563006

5. Contour Stabilizers: Aluminized zinc finished steel strips permanently installed on the entering and leaving side of the filter. Filter shall withstand 10" of static pressure drop without noticeable distortion.
6. Filter Frame: Aluminized zinc finished steel with filter pack mechanically and chemically bonded to eliminate air bypass. Provide aluminized zinc finished steel diagonal supports
7. Holding Frame: 16 Gauge galvanized steel with polyurethane gaskets, and positive sealing fasteners.
8. Farr Riga-Flo 100 or equal.

### PART 3 - EXECUTION

#### 3.1 INSTALLATION

- A. Position each filter with clearance for normal service and maintenance.
- B. Install filters to prevent passage of unfiltered air.
- C. Do not operate fan system until filters are in place. During construction, all ductwork must be protected from dirt and debris. Remove filters used during construction and testing. Replace all filters in units with new filters of types specified.
- D. Unit operation during construction:
  1. Install minimum MERV 8 construction filters to protect all return ductwork from dirt and debris. Supply fan shall operate at all times.
- E. Unit not operating during construction:
  1. Install plastic sheet material over all supply and return openings to protect all ductwork from dirt and debris.
  2. Fans shall be off.
- F. Construction filter installation: Adhere all edges of filter with metal foil peel-n-stick tape having an acrylic adhesive.

#### 3.2 FIELD QUALITY CONTROL

- A. Perform tests and inspections.
  1. Check for leakage of unfiltered air while system is operating.
- B. Air filter and installation will be considered defective if they do not pass.
- C. Prepare a report for each filter.

FIRE STATIONS RENOVATION  
ARLINGTON COUNTY, VIRGINIA  
Architect's Project No: 563006

3.3 TESTING AND BALANCING

- A. Immediately prior to testing and balancing, install new filters of the same type that shall be permanently installed.

3.4 CLEANING

- A. After construction ends and prior to occupancy, and with all interior finishes installed, clean unit filter housings and install new filters.

END OF SECTION 234100

FIRE STATIONS RENOVATION  
ARLINGTON COUNTY, VIRGINIA  
Architect's Project No: 563006

SECTION 237413 – PACKAGED ROOFTOP UNITS

PART 1 - GENERAL

1.1 RELATED DOCUMENTS

- A. Provisions of the Contract and of the Contract Documents apply to this Section.

1.2 ABBREVIATIONS

- A. ABMA American Bearing Manufacturers Association. ([www.abma-dc.org](http://www.abma-dc.org))
- B. AI Analog Input (analog value input to the BAS from the unit controller)
- C. AO Analog Output (analog value output from BAS to the unit controller)
- D. ANSI American National Standards Institute. ([www.ansi.org](http://www.ansi.org))
- E. BAS Building Automation System.
- F. BI Binary Input (binary value input to the BAS from the unit controller)
- G. BO Binary Output (binary value output from BAS to the unit controller)
- H. CFM Cubic Feet per Minute.
- I. DDC Direct-digital controls.
- J. ECM Electrically commutated motor.
- K. FPM Feet Per Minute.
- L. RTU Rooftop unit. As used in this Section, this abbreviation means packaged, outdoor, central station air handling unit. This abbreviation is used regardless of whether the unit is mounted on the roof or on an equipment pad on the ground.
- M. RTU's Rooftop units. As used in this Section, this abbreviation means packaged, outdoor, central station air handling units. This abbreviation is used regardless of whether the units are mounted on the roof or on equipment pads on the ground.
- N. SS Stamped Steel
- O. VAV Variable-air volume
- P. W Wire

FIRE STATIONS RENOVATION  
ARLINGTON COUNTY, VIRGINIA  
Architect's Project No: 563006

- Q. WG Water Gauge
- R. VFD Variable Frequency Drive

1.3 DEFINITIONS

- A. Archival Quality: Will last a minimum of 20 years.
- B. Head end: Main temperature control computer system storing data accessible to the internet for WEB accessible systems and storing data accessible to the building system backbone for non-WEB accessible systems.
- C. HP Outdoor-Air Refrigerant Coil: Refrigerant coil in the outdoor-air stream to reject heat during cooling operations and to absorb heat during heating operations.
- D. Modulating: Able to electrically vary and stop in any position.
- E. Outdoor air: Air outside the building or taken from outdoors and not previously circulated through the building.
- F. Outdoor air measurement: Reporting of the volume of outdoor air taken into the building by RTU and reported to the building operator in CFM.
- G. Outdoor-Air Refrigerant Coil: Refrigerant coil in the outdoor-air stream to reject heat during cooling operations.
- H. Outdoor-Air Refrigerant-Coil Fan: The outdoor-air refrigerant-coil fan in RTUs. "Outdoor air" is defined as the air outside the building or taken from outdoors and not previously circulated through the system.
- I. Record: Maintain in writing on original paper and maintain a copy in electronic format, file type Portable Document Format (\*.PDF) is acceptable. Make paper copy available for inspection upon request by Owner, Owner's representative, Architect, or Architect's representative. Email electronic copy to requested email address when request is made by the Owner, Owner's representative, Architect, or Architect's representative. Document shall be "openable" by Owner and Architect's computer.
- J. Supply-Air Fan: Fan providing supply air to conditioned space.
- K. Supply air: Air entering a space from air-conditioning, heating, or ventilating equipment.
- L. Supply-Air Refrigerant Coil: Refrigerant coil in the supply-air stream to absorb heat (provide cooling) during cooling operations and to reject heat (provide heating) during heating operations. "Supply air" is defined as the air entering a space from air-conditioning, heating, or ventilating apparatus.
- M. Two-position: Able to electrically move and stop in only two positions. Usually open or closed.

FIRE STATIONS RENOVATION  
ARLINGTON COUNTY, VIRGINIA  
Architect's Project No: 563006

1.4 PERFORMANCE REQUIREMENTS

- A. Support: RTU supports shall comply with required wind and seismic performance requirements, including analysis by a qualified professional engineer.
- B. Wind-Restraint Performance shall comply with SEI/ASCE 7 for wind speed and building classification category. Provide minimum 10 lb/sq. ft. multiplied by the maximum area of the mechanical component projected on a vertical plane that is normal to the wind direction, and 45 degrees either side of normal.
- C. Seismic Performance: RTUs shall withstand the effects of earthquake motions determined according to SEI/ASCE 7.
  - 1. Unless otherwise indicated the term "withstand" means "the unit will remain in place without separation of any parts from the device when subjected to the seismic forces specified." The unit will not be required to operate after the event.

1.5 SUBMITTALS

- A. Pre-submittal Meeting: A representative of the manufacturer producing equipment being provided under this section of the specifications shall attend a meeting for the purpose of coordinating with the contractor performing work under section "Instrumentation and Control". The meeting shall be held at a location of the Contractor's choosing. The Contractor shall arrange the meeting. Submittals shall be essentially complete at the time of the meeting so detailed coordination items can be discussed.
- B. Product Data: Provide manufacturer's technical data for each RTU, including rated capacities, dimensions, required clearances, characteristics, furnished specialties, accessories, and mounting requirements.
- C. Exterior Color: Manufacturer's standard color shall be acceptable.
- D. Shop Drawings:
  - 1. Detail equipment assemblies, include:
    - 1. Internal components
    - 2. Dimensions
    - 3. Weights
    - 4. Loads
    - 5. Supports
    - 6. Required clearances.
  - 2. Provide method of field assembly.
  - 3. Indicate:
    - 1. Components
    - 2. Location
    - 3. size of each field connection
  - 4. Provide Wiring Diagrams for:
    - 1. Power

FIRE STATIONS RENOVATION  
ARLINGTON COUNTY, VIRGINIA  
Architect's Project No: 563006

2. Control
5. For RTU Support comply with performance requirements and design criteria, including analysis data signed and sealed by the qualified professional engineer responsible for support selection.
  1. Calculations: Calculate requirements for selecting vibration isolation, seismic restraint where required, and for vibration isolation.
  2. Detail mounting, securing, and flashing of roof curb to roof structure. Indicate coordinating requirements with roof membrane system, curb slope, and curb dimensions.
  3. Restraint: Detail fabrication and attachment of restraints. Indicate anchorage details, quantity, diameter, and connections.
- E. Coordination Drawings: Plans and other details, drawn to scale, on which the following items are indicated and coordinated using input from installers:
  1. Plan areas containing an RTU indicated at  $\frac{1}{4}'' = 1' - 0''$  or greater on construction drawings.
  2. Areas within 20 feet of section marks indicated on M2 series drawings where such section marks penetrate an RTU.
  3. Structural members to which RTUs will be attached.
  4. Related roof openings.
  5. Related roof curbs, slope, dimensions and flashing.
- F. Operation and Maintenance Data: For RTUs to include in emergency, operation, and maintenance manuals. In addition to items specified in Division 01 Section "Operation and Maintenance Data," Provide the following:
  1. After successful completion of testing & balancing, or commissioning provide the following:
    1. Completed Inspection & Testing form.
    2. Record copy of site-specific software on DVD.
    3. Maintenance, Inspection and Testing Records including, may not be limited to, the following:
      - 1) How to test installed components.
      - 2) Frequency of testing of installed components.
      - 3) Frequency of inspection of installed components.
      - 4) Manufacturer's user training manuals.
  2. Manufacturer's required maintenance related to system warranty requirements.
  3. Software and Firmware Operational Documentation:
    1. Software operating and upgrade manuals.
    2. Program Software Backup: On magnetic media or compact disk, complete with data files.
    3. Device address list.
    4. Printout of software application and graphic screens.
- G. Warranty: Special warranty specified in this Section.



FIRE STATIONS RENOVATION  
ARLINGTON COUNTY, VIRGINIA  
Architect's Project No: 563006

1.6 QUALITY ASSURANCE

A. ARI Compliance:

1. Comply with ARI 210/240 and ARI 340/360 for testing and rating energy efficiencies for RTUs.
2. Comply with ARI 270 for testing and rating sound performance for RTUs.

B. ASHRAE Compliance:

1. Comply with ASHRAE 15 for refrigeration system safety.
2. Comply with ASHRAE 33 for methods of testing cooling and heating coils.
3. Comply with applicable requirements in ASHRAE 62.1-2007, Section 5 - "Systems and Equipment" and Section 7 - "Construction and Startup."
4. Comply with all mandatory and prescriptive requirements of ASHRAE 90.1-2007

C. System safety. Comply with one of the following:

1. ASHRAE 15 for refrigeration system safety.
2. ASHRAE/IESNA 90.1-2007 applicable requirements in Section 6 - "Heating, Ventilating, and Air-Conditioning."
3. NFPA 90A and NFPA 90B.
4. UL 1995.

D. Electrical Components, Devices, and Accessories: Listed and labeled as defined in NFPA 70, Article 100, by a testing agency acceptable to authorities having jurisdiction, and marked for intended use.

E. The complete unit shall be ETL/CETL listed.

1.7 WARRANTY

A. Special Warranty: Manufacturer's standard form in which manufacturer agrees to provide labor and materials to remove and replace components of RTU's that fail in materials or workmanship within the following warranty period.

1. Compressors: 5 years from date of Substantial Completion.
2. Remainder of unit: 1 year from date of Substantial Completion.

PART 2 - PRODUCTS

2.1 MANUFACTURERS

- A. Daikin
- B. Trane

FIRE STATIONS RENOVATION  
ARLINGTON COUNTY, VIRGINIA  
Architect's Project No: 563006

C. Carrier

2.2 GENERAL

- A. Provide a packaged rooftop unit with digital or variable speed scroll compressor on lead circuit (as indicated on schedule), direct drive plenum supply and exhaust fan, double wall casing, indirect gas-fired burner, direct expansion cooling coil, hot gas reheat coil and factory installed controls as required by this specification.

2.3 CASINGS

1. General:

1. Fabrication Requirements: Formed and reinforced double-wall insulated panels, fabricated to allow removal for access to internal parts and components, with joints between sections sealed.
2. Exterior Material: Manufacturer's standard thickness galvanized steel and coated with factory-painted baked enamel finish, tested 750 hour in a salt spray test in compliance with ASTM B117, exterior color shall be manufacturer's standards, with pitched roof panels and knockouts with grommet seals for electrical and piping connections and lifting lugs.
3. Interior Material: Galvanized steel zinc coated with no finish or factory standard finish, with pitched roof panels and knockouts with grommet seals for electrical and piping connections. Construct supply and return opening with raised lip to ensure condensate will not spill into openings during overflow condition in primary condensate pan.

2. Fan Discharge Plenum Interior Material: Galvanized steel with no finish or factory standard finish.

3. Insulation and Adhesive:

1. Comply with NFPA 90A or NFPA 90B.
2. Materials: ASTM C 1071, Type I.
3. Thickness: 2"
4. Materials in contact with air stream shall have air-stream surface coated with an erosion- and temperature-resistant coating or they shall be faced with a plain or coated fibrous mat or fabric.
5. Liner Adhesive: Comply with ASTM C 916, Type I.

B. Condensate Drain Pans:

1. Formed sections of stainless-steel sheet, double sloped, a minimum of 2 inches deep, and complying with ASHRAE 62.1-2010.
2. Construction: Provide foam insulation on back. Double wall, foam insulated, moisture tight drain pans are acceptable.
3. Drain Connection(s): Threaded nipple with pan sloped in two directions to drain.

FIRE STATIONS RENOVATION  
ARLINGTON COUNTY, VIRGINIA  
Architect's Project No: 563006

4. Length downstream of cooling coil: Provide pan at least ½ the height of air tunnel to ensure all carryover is collected and drained.

- C. Airstream Surfaces: Surfaces in contact with the airstream shall comply with requirements in ASHRAE 62.1-2007 and UL 181.

## 2.4 FANS

- A. Supply Fan: Direct drive or belt driven plenum type with factory installed VFD or variable speed ECM motor. Provide with permanently lubricated, motor installed on an adjustable fan base resiliently mounted in the casing. Provide aluminum wheel and steel scroll.

- B. Exhaust/Relief Fan: Direct drive or belt driven plenum type with factory installed VFD or variable speed ECM motor. Provide with permanently lubricated, motor installed on an adjustable fan base resiliently mounted in the casing. Provide aluminum wheel and steel scroll.

- C. Fan Shaft Bearings:

1. Prelubricated and Sealed, Ball Bearings: Self-aligning, pillow-block type with a rated life of 120,000 hours according to ANSI/ABMA 9

Or

2. Grease-Lubricated, Tapered-Roller Bearings: Self-aligning, pillow-block type with double-locking collars and 2-piece, cast-iron housing with grease lines extended to outside unit and a rated life of 120,000 hours according to ANSI/ABMA 11.

- D. Fan Sound-Power Levels:

1. Fans, except condenser fans, shall meet or create lower sound power levels than those indicated.
2. Fans, except condenser fans, shall comply with AMCA 301, "Methods for Calculating Fan Sound Ratings from Laboratory Test Data." Test fans according to AMCA 300, "Reverberant Room Method for Sound Testing of Fans." Fans shall bear AMCA-certified sound ratings seal.

- E. Fan Performance Rating: Except condenser fans factory test fan performance for airflow, pressure, power, air density, rotation speed, and efficiency. Rate performance according to AMCA 210, "Laboratory Methods of Testing Fans for Aerodynamic Performance Rating."

- F. Condenser Fan(s): Propeller mounted on shaft of permanently lubricated motor.

- G. Fan Motor(s): Refer to section "Common Motor Requirements for HVAC Equipment."

## 2.5 COILS

- A. Indoor Air Refrigerant Coil:

FIRE STATIONS RENOVATION  
ARLINGTON COUNTY, VIRGINIA  
Architect's Project No: 563006

1. Aluminum fins, seamless copper tube with minimum 0.017" wall thickness, and equalizing vertical distributor.
2. Distribution: Interlaced.
3. Circuits: Minimum of one per compressor.
4. Casing: Galvanized steel.
5. Split: As indicated. If not indicated none required.
6. Leak Tested: 300 psig

B. Hot-Gas Reheat Coil:

1. Direct-Expansion Coil: Seamless copper tubes expanded into aluminum fins.
2. Refrigerant Circuits: A separate circuit for each compressor, with externally equalized thermal-expansion valve with adjustable superheat, filter-dryer, sight glass, high-pressure relief valve, and charging valves.
3. Coil Split: Face split.

2.6 REFRIGERANT CIRCUIT COMPONENTS

- A. Provide gauge ports with Schrader valves for measuring suction and hot gas pressure.
- B. Provide for operation of the unit for heating down to 0° F.
- C. Provide for operation of the unit for cooling down to 55° F.
- D. Compressor: Hermetic, scroll, mounted on rubber in shear pads; with internal overcurrent and high-temperature protection, internal pressure relief, and crankcase heater.
  1. Lead Circuit: Digital scroll or scroll with VFD for modulating capacity down to 15% or less.
- E. Refrigeration Specialties:
  1. Refrigerant: R-410A.
  2. Expansion valve with replaceable thermostatic element.
  3. Refrigerant filter/dryer.
  4. Manual-reset high-pressure safety switch.
  5. Automatic-reset low-pressure safety switch.
  6. Minimum off-time relay.
  7. Automatic-reset compressor motor thermal overload.
  8. Brass service valves and unions installed in compressor suction and discharge lines.

2.7 GAS FURNACE

- A. Description: Factory assembled, piped, and wired; complying with ANSI Z21.47 and NFPA 54.
  1. CSA Approval: Designed and certified by and bearing label of CSA.

FIRE STATIONS RENOVATION  
ARLINGTON COUNTY, VIRGINIA  
Architect's Project No: 563006

- B. Burners: Stainless steel.
  - 1. Fuel: As indicated.
  - 2. Ignition: Electronically controlled electric spark or hot-surface igniter with flame sensor.
- C. Heat-Exchanger and Drain Pan: Stainless steel. Provide 10 year warranty on heat exchanger.
- D. Venting: Gravity or power vented.
- E. Safety Controls: Manufacturer's standard in accordance with local and state code requirements.
- F. Capacity Control: As scheduled. If not scheduled modulating control shall be provided.
  - 1. Cycle: All heat on or off as needed
  - 2. Stage: Provide a minimum of 4 stages, 25%, 50%, 75%, and 100%. Maximum temperature rise at 25% shall be fifteen degrees Fahrenheit (15° F).
  - 3. Modulating: Heat output shall be variable down to 20% of scheduled capacity or a maximum temperature rise of fifteen degrees Fahrenheit (15° F).

2.8 AIR FILTRATION SECTION

- A. Required sections:
  - 1. Outside Air Filters: Provide MERV 8 (30% efficient) 2" thick disposable pre-filters and MERV-13 2" thick final filters.
  - 2. Exhaust Air Filters: Provide MERV 8 (30% efficient) 2" thick disposable filters in exhaust air stream prior to energy recovery device.
- B. Refer to Division 23, Section "Particulate Air Filtration"

2.9 DAMPERS

- A. General Requirements for Dampers: Leakage rate, per AMCA 500, "Laboratory Methods for Testing Dampers for Rating," shall not exceed 2% of air quantity at 2000 FPM face velocity through damper and 4" WG pressure differential.
- B. Outdoor Air Damper(s): Two-position opposed blade galvanized steel motorized mechanically fastened to cadmium plated steel operating rods in reinforced cabinet, with bird screen and intake hood. Damper can provide outside air flow measuring.
- C. Exhaust Air Damper(s): Two-position opposed blade galvanized steel dampers mechanically fastened to cadmium plated steel operating rod in reinforced cabinet. Can be inversely interlock with Outdoor Air Damper if factory standard.
- D. Damper Motors:
  - 1. Two-position.
  - 2. Adjustable minimum and maximum position.

FIRE STATIONS RENOVATION  
ARLINGTON COUNTY, VIRGINIA  
Architect's Project No: 563006

2.10 ELECTRICAL POWER CONNECTION

- A. Provide for single connection of power to unit with unit-mounted disconnect switch accessible from outside unit and control-circuit transformer with built-in overcurrent protection
- B. Provide electrical power phase monitoring to shut down unit if a phase is lost.

2.11 ACCESSORIES

- A. Guards:
  - 1. Provide coil guards of galvanized stamped steel, painted to match casing. Guards shall be on sides of unit. Coils shall not be clearly visible from any direction.

2.12 ROOF CURBS

- A. Provide under this section. Refer to seismic and wind-restraint requirements under part 1 of this specification.
- B. Height: 12" greater than the highest portion of adjacent roof insulation.
- C. Slope: Match structure. Top of curb shall be level and each edge shall be flush with other edges on all sides.
- D. Roof Deck: Remove roof deck as required for ductwork and piping installation and insulation. Where pipe chases are provided remove roof deck inside curb and inside pipe chase.
- E. Wood Blocking and Shimming: Not permitted.

2.13 CONTROLS

- A. Basic Unit Controls:
  - 1. Manufacturer to provide basic controls for RTU operation including air-side economizer, power relief/exhaust.
  - 2. Manufacturer to provide terminal strip for BAS to integrate and control unit.
  - 3. Unit shall be provided with commercial grade programmable thermostat capable of occupied/unoccupied modes to control outside airflow rates.
  - 4. Provide control voltage transformer:
    - 1. Primary Voltage: As required
    - 2. Secondary Voltage: As required
    - 3. Load: As required - 100 VA minimum
- B. Refrigeration system control

FIRE STATIONS RENOVATION  
ARLINGTON COUNTY, VIRGINIA  
Architect's Project No: 563006

1. The manufacturer furnishing equipment under this section shall provide all controls for the compressors and refrigeration system including but not limited to staging and safeties under this section.

C. Sequence of Control

1. Refer to spec section Sequence of Controls for HVAC Operation

PART 3 - EXECUTION

3.1 EXAMINATION

- A. Examine substrates, areas, and conditions, with Installer present, for compliance with requirements for installation tolerances and other conditions affecting performance of RTUs.
- B. Examine roughing-in for RTUs to verify actual locations of piping and duct connections before equipment installation.
- C. Examine roofs or grade for suitable conditions where RTUs will be installed.
- D. Proceed with installation only after unsatisfactory conditions have been corrected.

3.2 INSTALLATION

A. Roof Mounted Unit:

1. Roof Curb
  1. Coordinate roof penetrations.
  2. Coordinate flashing with roof manufacturer.
  3. Install curb on roof structure, secure with anchor bolts and make top edges of curb level and all edges flush with each other.
  4. Secure equipment to upper curb rail (level) as recommended by equipment manufacturer.
  5. Install roof deck and roof insulation inside the curb under the equipment.
  6. Install roof curb below equipment pipe chase where pipe chase is required/provided.
  7. Eliminate roof deck and insulation below pipe chase where pipe chase is required/provided.
  8. Attach stainless steel wire mesh to deck over opening in pipe chase between roof and space below.

- B. Coordination: Coordinate penetrations and flashing.

FIRE STATIONS RENOVATION  
ARLINGTON COUNTY, VIRGINIA  
Architect's Project No: 563006

3.3 FIELD QUALITY CONTROL

- A. Whether or not use of equipment is otherwise permitted, startup service, tests, and inspections must be complete prior to running unit. Failure to perform startup service, tests, and inspections prior to running equipment shall grant the owner's representative authority to have the units/equipment removed from the site at the Contractor's expense. This paragraph shall not be construed to grant the Contractor permission to use the unit(s)/equipment specified in this section of the specifications.
- B. Manufacturer's Field Service: Engage a factory-authorized service representative to inspect, test, and adjust components, assemblies, and equipment installations, including connections. Record results.
- C. Tests and Inspections:
  - 1. Inspect for and remove shipping bolts, blocks, and tie-down straps.
  - 2. Fan Operational Test: After electrical circuitry has been energized, start units to confirm proper motor rotation and unit operation. Replace or repair faulty equipment.
  - 3. Test and adjust controls and safeties. Replace damaged and malfunctioning controls and equipment.
- D. RTU's or components will be considered defective if unit or components do not pass tests and inspections.
- E. Prepare test and inspection reports.

3.4 STARTUP SERVICE

- A. Engage a factory-authorized service representative to perform startup service.
- B. Complete installation and startup checks according to manufacturer's written instructions and do the following:
  - 1. Verify that unit is secure on mountings and supporting devices and connections to piping, ducts, and electrical systems are complete.
  - 2. Verify that proper thermal overload protection is installed in motors, controllers, and switches.
  - 3. Disconnect fan drive system. Verify proper motor rotation direction, free fan wheel rotation, and smooth bearing operation. Reconnect fan drive system, align and adjust belts to proper tension.
  - 4. Verify that bearings, pulleys, belts, and other moving parts are lubricated with factory-recommended lubricants.
  - 5. Verify that dampers fully open and close.
  - 6. Inspect dampers for proper stroke.
  - 7. Inspect damper blades and seals for visible defects.
  - 8. Inspect coil fins. Comb damaged coil fins for parallel orientation.
  - 9. Verify that proper thermal overload protection is installed for electric coils.
  - 10. Install new filters.



FIRE STATIONS RENOVATION  
ARLINGTON COUNTY, VIRGINIA  
Architect's Project No: 563006

11. If not direct drive place new belts on coat hook attached with ¼” long stainless steel sheet metal screws inside unit adjacent to existing belts where no damage will occur. Including but not limited to fans, energy recovery wheels, and enthalpy wheels.
12. Verify that manual and automatic volume control and fire and smoke dampers in connected duct systems are in fully open position.
13. Verify that smoke dampers in connected duct system fully close when unit is deactivated.
14. Inspect for visible damage to unit casing.
15. If included in unit inspect furnace combustion chamber for visible damage.
16. Inspect coils, and fans for visible damage.
17. Inspect internal casing for visible damage.
18. Verify that labels are clearly visible.
19. Verify that clearances have been provided for servicing.
20. Verify that controls are connected and operable.
21. Clean condenser coil and inspect for construction debris.
22. If included in unit, clean furnace flue and inspect for construction debris.
23. Remove packing from vibration isolators.
24. Inspect fan wheel for operation without vibration and binding.
25. Start unit according to manufacturer's written instructions.
  1. Start cooling system.
  2. Do not operate below recommended ambient temperature.
  3. Complete startup sheets and attach 1 paper, and one “universally readable” electronic copy on USB flash drive, with startup report. Maintain a copy in electronic format, file type Portable Document Format (\*.TXT, \*.DOC, \*.RTF, & \*.PDF) file formats are acceptable. The file format must be one of those listed or the Owner and Architect must own a computer and software capable of reading the electronic file.
26. Inspect and record performance of interlocks and protective devices.
27. Verify sequence of operation.
28. Operate unit for an initial period as recommended or required by manufacturer.
29. Calibrate sensors including thermostats.
30. Adjust and inspect high-temperature limits.
31. With unit operating start cooling system, measure, and record the following when the ambient temperature is a minimum of 85° F:
  1. Coil leaving air, dry and wet bulb temperatures.
  2. Coil entering air, dry and wet bulb temperatures.
  3. Return air, dry and wet bulb temperatures.
  4. Outdoor air, dry and wet bulb temperatures.
  5. Outdoor air (condenser) coil, discharge air, dry bulb temperature.
32. Measure and record the following minimum and maximum airflows. Plot fan volumes on fan curve.
  1. Supply air volume.
  2. Return air volume.
  3. Relief/exhaust air volume.
  4. Record relief/exhaust airflow station reading in CFM from BAS head end.
  5. Outdoor air intake volume.
  6. Record outdoor air intake airflow station reading in CFM from BAS head end.
33. Simulate maximum cooling demand by utilizing 100% outdoor air and lowering discharge air temperature. Record the discharge air temperature and outdoor air volume

FIRE STATIONS RENOVATION  
ARLINGTON COUNTY, VIRGINIA  
Architect's Project No: 563006

used for the simulation. During simulation operation inspect, measure, and record the following:

1. Compressor refrigerant suction and hot gas pressures.
2. Short circuiting of air through condenser coil or from condenser fans to outdoor-air intake.

3.5 CLEANING AND ADJUSTING

- A. Occupancy Adjustments: Within 12 months of the date of Substantial Completion, provide up to two (2) on site visits, during normal or other than normal occupancy hours as requested by owner, to assist in adjusting system.
- B. After completing testing, adjusting, and balancing clean RTU's internally to remove foreign material and construction dirt and dust. Clean fan wheels, cabinets, dampers, coils, and filter housings, and install new, filters.

3.6 DEMONSTRATION

- A. Engage a factory-authorized service representative to train Owner's maintenance personnel to adjust, operate, and maintain units/equipment.

END OF SECTION 237413

FIRE STATIONS RENOVATION  
ARLINGTON COUNTY, VIRGINIA  
Architect's Project No: 563006

SECTION 238126 – DUCTLESS MINI-SPLIT AIR-CONDITIONING UNITS

PART 1 - GENERAL

1.1 RELATED DOCUMENTS

- A. Drawings and general provisions of the Contract, including General and Supplementary Conditions and Division 1 Specification Sections, apply to this Section.

1.2 SUMMARY

- A. This Section includes ductless mini-split air-conditioning units consisting of separate evaporator-fan and compressor-condenser components. Evaporator fan units are designed for ceiling or wall mounting. The compressor-condenser unit shall be remote and located on the roof where indicated on the Drawings.
- B. Related Sections include the following:
  - 1. Division 23 Section "Vibration Control for HVAC" for isolation pads.

1.3 DEFINITIONS

- A. Evaporator-Fan Unit: The part of the ductless mini-split air-conditioning unit that contains a coil for cooling and a fan to circulate air to conditioned space.
- B. Compressor-Condenser Unit: The part of the ductless mini-split air-conditioning unit that contains a refrigerant compressor and a coil for condensing refrigerant.

1.4 SUBMITTALS

- A. Product Data: Include rated capacities; shipping, installed, and operating weights; furnished specialties; and accessories for each type of product indicated. Include performance data in terms of capacities, outlet velocities, static pressures, sound power characteristics, motor requirements, and electrical characteristics.
- B. Shop Drawings: Diagram power, signal, and control wiring and differentiate between manufacturer-installed and field-installed wiring.
- C. Maintenance Data: For ductless mini-split air-conditioning units to include in maintenance manuals specified in Division 1.
- D. Warranties: Special warranties specified in this Section.

1.5 QUALITY ASSURANCE

FIRE STATIONS RENOVATION  
ARLINGTON COUNTY, VIRGINIA  
Architect's Project No: 563006

- A. Product Options: Drawings indicate size, profiles, and dimensional requirements of ductless mini-split units and are based on the specific system indicated. Other manufacturers' systems with equal performance characteristics may be considered.
- B. Units shall be tested by a Nationally Recognized Testing Laboratory and shall bear the ETL label.
- C. All wiring shall be in accordance with the governing version of the National Electrical Code.
- D. Units shall be rated in accordance with ARI Standard 210 and bear the ARI Certification label.
- E. Units shall be precharged with refrigerant for 70 feet of refrigerant tubing.
- F. Electrical Components, Devices, and Accessories: Listed and labeled as defined in NFPA 70, Article 100, by a testing agency acceptable to authorities having jurisdiction, and marked for intended use.
- G. ASHRAE/IESNA Compliance: Applicable requirements in ASHRAE/IESNA 90.1-2010.

1.6 COORDINATION

- A. Coordinate size, location, and connection details with roof curbs, equipment supports, and roof penetrations specified in Division 7 Section "Flashing, Sheet Metal and Roofing Accessories."

1.7 WARRANTY

- A. General Warranty: Special warranty specified in this Article shall not deprive Owner of other rights Owner may have under other provisions of the Contract Documents and shall be in addition to, and run concurrent with, other warranties made by Contractor under requirements of the Contract Documents.
- B. Warranty Period: One year from date of Substantial Completion. If, during this period, any part should fail to function properly due to defects in workmanship or material, it shall be replaced or repaired at the discretion of the manufacturer by the Contractor. Warranty does not include labor. Labor is paid for by the Owner.

PART 2 - PRODUCTS

2.1 MANUFACTURERS

- A. Available Manufacturers: Subject to compliance with requirements, manufacturers offering products that may be incorporated into the Work include, but are not limited to, the following:
  - 1. Daikin  
No other manufacturers are acceptable as the basis of design unit is matching the equipment for the existing fire station.

FIRE STATIONS RENOVATION  
ARLINGTON COUNTY, VIRGINIA  
Architect's Project No: 563006

2.2 CEILING-MOUNTED, EVAPORATOR-FAN COMPONENTS

- A. The evaporator section shall be designed to be ceiling-mounted by means of a factory supplied mounting plate. Air distribution shall be integral to the wall-mounted unit.
- B. Cabinet and Chassis: Cabinet shall be high strength molded plastic with front panel access for the filter. Cabinet color shall be white. Include drain pan with drain connection. Indoor unit shall be factory assembled, wired and tested. Contained within unit shall be all factory wiring and internal piping, control circuit board and fan motor. The unit in conjunction with the wall mounted controller shall have a self-diagnostic function, three minute time delay mechanism, an auto restart function, and a test run switch. Indoor unit and refrigerant piping shall be purged with dry nitrogen before shipment from the factory.
- C. Refrigerant Coil: Evaporator coil shall be nonferrous construction with pre-coated aluminum fins on copper tubing. All tube joints shall be brazed with silver alloy. Coils shall be pressure tested at the factory. A condensate pan and drain shall be provided under the coil.
- D. Fan and Motor: Evaporator fan shall be double inlet, forward curved, direct drive fan with a single motor. The fan shall be statically and dynamically balanced and run on a motor with permanently lubricated bearings. The indoor fan shall have two speeds: low and high.
- E. Vane: Unit shall include a motorized horizontal vane to automatically direct air flow in a horizontal and downward direction for uniform air distribution. The horizontal vane shall significantly decrease downward air resistance for lower noise levels and shall close when unit stops.
- F. Filters: Return air shall be filtered with a removable and washable filter.

2.3 AIR-COOLED, COMPRESSOR-CONDENSER COMPONENTS

- A. General: Outdoor unit shall be the same capacity as the indoor unit and include a control board that interfaces with the indoor unit to perform all necessary operation functions. Outdoor unit shall be capable of operating at 0°F ambient temperature without additional low ambient controls. Outdoor unit shall be able to operate with a maximum height difference of 100 feet from indoor unit to outdoor unit and a maximum refrigerant tubing length of 165 feet between the indoor and outdoor unit without the need for line size changes, traps, or additional oil
- B. Casing: Casing shall be galvanized steel plate coated with an electrostatically applied thermally fused acrylic or polyester powder coating. The fan grille shall be ABS plastic.
- C. Compressor: The compressor shall be a DC rotary compressor with variable compressor speed inverter technology. The compressor shall be driven by inverter circuitry to control compressor speed. Compressor speed shall be varied to match space load. Outdoor unit shall include an accumulator and high pressure safety switch. The compressor shall be mounted to avoid the transmission of vibration.
- D. Refrigerant Coil: Condenser coil shall be copper tubing with aluminum fins. The coil shall be protected with an integral metal guard. Refrigerant flow from the condenser shall be controlled

FIRE STATIONS RENOVATION  
ARLINGTON COUNTY, VIRGINIA  
Architect's Project No: 563006

by means of linear expansion valve (LEV) metering orifice. The LEV shall be controlled by a microprocessor-controlled step motor.

- E. Fan: The fan motor bearings shall be permanently lubricated. The fan shall have horizontal discharge airflow. The fan shall be mounted in front of the coil. The fan shall include a raised guard to prevent contact with moving parts.

## 2.4 ACCESSORIES

1. Control: The control system shall be microprocessor-based and include one microprocessor on the outdoor unit and one on the indoor unit. Wall-mounted controller shall have a liquid crystal display indicating operating status and alarm condition and shall include a temperature sensor. A membrane keypad shall be included for program control and set point adjustment.
  2. The controller shall consist of On/Off button, increase/decrease set temperature buttons, a cool/dry/fan mode selector, timer menu button, timer on/off button, set time buttons, fan speed selector, vane position selector, a ventilation button, a test run button, and a check mode button.
  3. The controller shall display operating conditions such as set temperature, room temperature, pipe temperatures (i.e. liquid, discharge, indoor and outdoor), compressor operating conditions (including running current, frequency, input voltage, On/Off status and operating time), LEV opening pulses, sub-cooling and discharge super heat.
  4. Normal operation of the controller shall provide individual system control in which one controller and one indoor unit are installed in the same room.
  5. The control voltage from the controller to the indoor unit shall be 12 volts, DC. The control signal between the indoor and outdoor unit shall be pulse signal 24 volts DC. Up to two wired controllers shall be able to be used to control one unit.
  6. Control system shall control the continued operation of the air sweep louvers, as well as provide On/Off and mode switching. The controller shall have the capability to provide sequential starting with up to fifty seconds delay.
- B. Refrigerant Line Sets: Soft-annealed copper suction and liquid lines factory cleaned, dried, pressurized, and sealed; factory-insulated suction line with flared fittings at both ends. Pre-charge line sets in proper lengths for application. Final length shall be field verified. Refer to section "Refrigerant Piping" for additional requirements.
  - C. Factory-installed and -wired disconnect to be provided under this Section.

## PART 3 - EXECUTION

### 3.1 INSTALLATION

- A. Install units level and plumb, firmly anchored, in accordance with the manufacturer's written recommendations.
- B. Install evaporator-fan components using manufacturer's standard mounting devices securely fastened to building structure.

FIRE STATIONS RENOVATION  
ARLINGTON COUNTY, VIRGINIA  
Architect's Project No: 563006

- C. Install roof-mounted compressor-condenser components on equipment supports specified in Division 7 Section "Flashing, Sheet Metal and Roofing Accessories." Anchor units to supports with removable, cadmium-plated fasteners.
- D. Install compressor-condenser components on Elastomeric pads. Refer to Division 23 Section "Vibration Control for HVAC."
- E. Connect pre-charged refrigerant tubing to component's quick-connect fittings. Install tubing to allow access to unit.

### 3.2 CONNECTIONS

- A. Piping installation requirements are specified in other Division 23 Sections. Drawings indicate general arrangement of piping, fittings, and specialties.
- B. Connect condensate drain piping. Unit drain shall be internally trapped.
- C. Install piping adjacent to unit to allow service and maintenance.
- D. Unless otherwise indicated, connect piping with unions and shutoff valves to allow units to be disconnected without draining piping. Refer to piping system Sections for specific valve and specialty arrangements.
- E. Ground equipment.
  - 1. Tighten electrical connectors and terminals according to manufacturer's published torque-tightening values. If manufacturer's torque values are not indicated, use those specified in UL 486A and UL 486B.

### 3.3 FIELD QUALITY CONTROL

- A. Installation Inspection: Engage a factory-authorized service representative to inspect field-assembled components and equipment installation, including piping and electrical connections, and to prepare a written report of inspection.
- B. Leak Test: After installation, charge system and test for leaks. Repair leaks and retest until no leaks exist.
- C. Operational Test: After electrical circuitry has been energized, start units to confirm proper motor rotation and unit operation. Remove malfunctioning units, replace with new components, and retest.
- D. Test and adjust controls and safeties. Replace damaged and malfunctioning controls and equipment.

### 3.4 COMMISSIONING

FIRE STATIONS RENOVATION  
ARLINGTON COUNTY, VIRGINIA  
Architect's Project No: 563006

- A. Engage a factory-authorized service representative to perform startup service.
- B. Verify that units are installed and connected according to the Contract Documents.
- C. Lubricate bearings, adjust belt tension, and change filters.
- D. Perform startup checks according to manufacturer's written instructions and do the following:
  - 1. Fill out manufacturer's checklists.
  - 2. Check for unobstructed airflow over coils.
  - 3. Check operation of condenser capacity-control device.
  - 4. Verify that vibration isolation devices and flexible connectors dampen vibration transmission to structure.

3.5 DEMONSTRATION

- A. Engage a factory-authorized service representative to train Owner's maintenance personnel to adjust, operate, and maintain units.
  - 1. Train Owner's maintenance personnel on procedures and schedules for starting and stopping, troubleshooting, servicing, and maintaining units.
  - 2. Review data in maintenance manuals. Refer to Division 1 Section "Closeout Procedures."

END OF SECTION 238126



FIRE STATIONS RENOVATION  
ARLINGTON COUNTY, VIRGINIA  
Architect's Project No: 563006

---

SECTION 260519 - LOW-VOLTAGE ELECTRICAL POWER CONDUCTORS AND CABLES

PART 1 - GENERAL

1.1 RELATED DOCUMENTS

- A. Drawings and general provisions of the Contract, including General and Supplementary Conditions and Division 01 Specification Sections, apply to this Section.

1.2 SUMMARY

A. Section Includes:

- 1. Building wires and cables rated 600 V and less.
- 2. Connectors, splices, and terminations rated 600 V and less.

B. Related Requirements:

- 1. Section 260523 "Control-Voltage Electrical Power Cables" for control systems communications cables and Classes 1, 2 and 3 control cables.

1.3 ACTION SUBMITTALS

- A. Product Data: For each type of product.

1.4 INFORMATIONAL SUBMITTALS

- A. Field quality-control reports.

PART 2 - PRODUCTS

2.1 CONDUCTORS AND CABLES

- A. Manufacturers: Subject to compliance with requirements, available manufacturers offering products that may be incorporated into the Work include, but are not limited to the following:

- 1. Cerro Wire LLC.
- 2. General Cable; General Cable Corporation.
- 3. Southwire Company.

- B. Copper Conductors: Comply with NEMA WC 70/ICEA S-95-658.

FIRE STATIONS RENOVATION  
ARLINGTON COUNTY, VIRGINIA  
Architect's Project No: 563006

---

- C. Conductor Insulation: Comply with NEMA WC 70/ICEA S-95-658 for Type THHN-2-THWN-2.
- D. Multiconductor Cable: Comply with NEMA WC 70/ICEA S-95-658 for type SO with ground wire. Type MC Cable is not allowed.

## 2.2 CONNECTORS AND SPLICES

- A. Manufacturers: Subject to compliance with requirements, available manufacturers offering products that may be incorporated into the Work include, but are not limited to the following:
  - 1. 3M.
  - 2. Hubbell Power Systems, Inc.
  - 3. ILSCO.
  - 4. Tyco Electronics Corp.
- B. Description: Factory-fabricated connectors and splices of size, ampacity rating, material, type, and class for application and service indicated.

## 2.3 SYSTEM DESCRIPTION

- A. Electrical Components, Devices, and Accessories: Listed and labeled as defined in NFPA 70, by a qualified testing agency, and marked for intended location and application.
- B. Comply with NFPA 70.

## PART 3 - EXECUTION

### 3.1 CONDUCTOR MATERIAL APPLICATIONS

- A. Feeders: Copper: Stranded for No. 8 AWG and larger.
- B. Branch Circuits: Copper. Solid or Stranded for No. 10 AWG and smaller; stranded for No. 8 AWG and larger.

### 3.2 CONDUCTOR INSULATION AND MULTICONDUCTOR CABLE APPLICATIONS AND WIRING METHODS

- A. Service Entrance: Type XHHW-2, single conductors in raceway.
- B. Exposed Feeders: Type THHN-2-THWN-2, single conductors in raceway.
- C. Feeders Concealed in Ceilings, Walls, Partitions, and Crawlspace: Type THHN-2-THWN-2, single conductors in raceway.

FIRE STATIONS RENOVATION  
ARLINGTON COUNTY, VIRGINIA  
Architect's Project No: 563006

---

- D. Feeders Concealed in Concrete, below Slabs-on-Grade, and Underground: Type THHN-2-THWN-2, single conductors in raceway.
- E. Exposed Branch Circuits, Including in Crawlspace: Type THHN-2-THWN-2, single conductors in raceway.
- F. Branch Circuits Concealed in Ceilings, Walls, and Partitions: Type THHN-2-THWN-2, single conductors in raceway.
- G. Branch Circuits Concealed in Concrete, below Slabs-on-Grade, and Underground: Type THHN-2-THWN-2, single conductors in raceway.
- H. Cord Drops and Portable Appliance Connections: Type SO, hard service cord with stainless-steel, wire-mesh, strain relief device at terminations to suit application.

### 3.3 INSTALLATION OF CONDUCTORS AND CABLES

- A. Conceal cables in finished walls, ceilings, and floors unless otherwise indicated.
- B. Complete raceway installation between conductor and cable termination points according to Section 260533 "Raceways and Boxes for Electrical Systems" prior to pulling conductors and cables.
- C. Use manufacturer-approved pulling compound or lubricant where necessary; compound used must not deteriorate conductor or insulation. Do not exceed manufacturer's recommended maximum pulling tensions and sidewall pressure values.
- D. Use pulling means, including fish tape, cable, rope, and basket-weave wire/cable grips, that will not damage cables or raceway.
- E. Install exposed cables parallel and perpendicular to surfaces of exposed structural members, and follow surface contours where possible.
- F. Branch Circuits Concealed in Casework: FMC with Stranded conductors may be used to feed to outlet boxes fish concealed in built-in casework. Route cable supported tight in upper inside corners of casework, not in conflict with drawers or cabinet doors.
- G. Support cables according to Section 260529 "Hangers and Supports for Electrical Systems."
- H. Whips from Junction Box Concealed in Ceilings to Lighting Fixtures:
  - 1. Type FMC, with minimum #12AWG copper THHN/THWN and full size equipment grounding conductor. Maximum whip length 72”.
  - 2. FMC shall be supported within 24” of fixture connection so that whip is not in contact with ceiling or grid. Securing to fixture support wires with batwings is acceptable but not to ceiling support wires.
  - 3. Do not connect fixture whips from fixture to fixture (daisy chain). No more than 4 whips shall be connected to any one junction box.

FIRE STATIONS RENOVATION  
ARLINGTON COUNTY, VIRGINIA  
Architect's Project No: 563006

---

- I. All single-phase circuits shall include a dedicated neutral (grounded) and grounding conductor, unless specifically noted otherwise.
  - 1. The intent of this is to eliminate multiwire branch circuits and allow disconnection of one circuit without requiring disconnection of other(s) as would be required to comply with NEC 210.4(B). Per NEC 310.15(B)(b) each of these neutral (grounded) conductor is not considered to be load-bearing so derating is not required.
  
- J. Contract drawings are based upon a maximum of 3 current-carrying conductors in a conduit. Contractor may rework indicated circuitry to install a maximum of (6) L-N circuit (120 or 277V) in a single conduit. There shall be no more than 2 each A, B, C phase conductors per homerun. Each shall have dedicated neutral (grounded) conductor.
  - 1. Do not group L-L circuits in a homerun, unless specifically indicated on the drawings.
  - 2. Where there are more than 3 current-carrying conductors in a conduit, derate conductor ampacities in accordance with NEC Table 310.15(B)(2)(a).
  - 3. When running more than 3 ungrounded conductors in a raceway, increase size of conduits beyond those indicated in contract documents, as required to not exceed NEC Chapter 9, Table 1 conduit-fill requirements. As-built drawings shall clearly indicate which circuits are grouped in homeruns.
  
- K. Unless otherwise indicated, minimum conductor size shall be 12 AWG.

### 3.4 CONNECTIONS

- A. Tighten electrical connectors and terminals according to manufacturer's published torque-tightening values. If manufacturer's torque values are not indicated, use those specified in UL 486A-486B.
  
- B. Make splices, terminations, and taps that are compatible with conductor material and that possess equivalent or better mechanical strength and insulation ratings than unspliced conductors.
  
- C. Wiring at Outlets: Install conductor at each outlet, with at least 12 inches of slack.

### 3.5 IDENTIFICATION

- A. Identify and color-code conductors and cables according to Section 260553 "Identification for Electrical Systems."
  
- B. Identify each spare conductor at each end with identity number and location of other end of conductor, and identify as spare conductor.

### 3.6 SLEEVE AND SLEEVE-SEAL INSTALLATION FOR ELECTRICAL PENETRATIONS

- A. Install sleeves and sleeve seals at penetrations of exterior floor and wall assemblies. Comply with requirements in Section 260544 "Sleeves and Sleeve Seals for Electrical Raceways and Cabling."

FIRE STATIONS RENOVATION  
ARLINGTON COUNTY, VIRGINIA  
Architect's Project No: 563006

---

3.7 FIRESTOPPING

- A. Apply firestopping to electrical penetrations of fire-rated floor and wall assemblies to restore original fire-resistance rating of assembly according to Section 078413 "Penetration Firestopping."

3.8 FIELD QUALITY CONTROL

- A. Perform the following tests and inspections:
1. After installing conductors and cables and before electrical circuitry has been energized, test service entrance and feeder conductors for compliance with requirements.
  2. Perform each visual and mechanical inspection and electrical test stated in NETA Acceptance Testing Specification. Certify compliance with test parameters.
- B. Test and Inspection Reports: Prepare a written report to record the following:
1. Procedures used.
  2. Results that comply with requirements.
  3. Results that do not comply with requirements and corrective action taken to achieve compliance with requirements.
- C. Cables will be considered defective if they do not pass tests and inspections.

END OF SECTION 260519

FIRE STATIONS RENOVATION  
ARLINGTON COUNTY, VIRGINIA  
Architect's Project No: 563006

---

SECTION 260523 - CONTROL-VOLTAGE ELECTRICAL POWER CABLES

PART 1 - GENERAL

1.1 RELATED DOCUMENTS

- A. Drawings and general provisions of the Contract, including General and Supplementary Conditions and Division 01 Specification Sections, apply to this Section.

1.2 SUMMARY

- A. Section Includes:
  - 1. Low-voltage control cabling.
  - 2. Control-circuit conductors.
  - 3. Identification products.

1.3 DEFINITIONS

- A. EMI: Electromagnetic interference.
- B. Low Voltage: As defined in NFPA 70 for circuits and equipment operating at less than 50 V or for remote-control and signaling power-limited circuits.
- C. Plenum: A space forming part of the air distribution system to which one or more air ducts are connected. An air duct is a passageway, other than a plenum, for transporting air to or from heating, ventilating, or air-conditioning equipment.

1.4 ACTION SUBMITTALS

- A. Product Data: For each type of product.

1.5 INFORMATIONAL SUBMITTALS

- A. Qualification Data: For qualified layout technician, installation supervisor, and field inspector.
- B. Source quality-control reports.
- C. Field quality-control reports.

FIRE STATIONS RENOVATION  
ARLINGTON COUNTY, VIRGINIA  
Architect's Project No: 563006

---

PART 2 - PRODUCTS

2.1 SYSTEM DESCRIPTION

- A. Electrical Components, Devices, and Accessories: Listed and labeled as defined in NFPA 70, by a qualified testing agency, and marked for intended location and application.

2.2 PERFORMANCE REQUIREMENTS

- A. Flame Travel and Smoke Density in Plenums: As determined by testing identical products according to NFPA 262 by a qualified testing agency. Identify products for installation in plenums with appropriate markings of applicable testing agency.
  - 1. Flame Travel Distance: 60 inches or less.
  - 2. Peak Optical Smoke Density: 0.5 or less.
  - 3. Average Optical Smoke Density: 0.15 or less.
- B. Flame Travel and Smoke Density for Riser Cables in Non-Plenum Building Spaces: As determined by testing identical products according to UL 1666.
- C. Flame Travel and Smoke Density for Cables in Non-Riser Applications and Non-Plenum Building Spaces: As determined by testing identical products according to UL 1685.

2.3 BACKBOARDS

- A. Description: Plywood, fire-retardant treated, 3/4 by 48 by 96 inches. Comply with requirements for plywood backing panels in Section 061000 "Rough Carpentry."
- B. Painting: Paint plywood on all sides and edges with flat latex paint. Comply with requirements in Section 099123 "Interior Painting."

2.4 LOW-VOLTAGE CONTROL CABLE

- A. Paired Cable: NFPA 70, Type CMG.
  - 1. Multi-pair, twisted, No. 18 AWG, stranded (19x30) tinned-copper conductors.
  - 2. PVC insulation.
  - 3. Unshielded.
  - 4. PVC jacket.
  - 5. Flame Resistance: Comply with UL 1685.
- B. Plenum-Rated, Paired Cable: NFPA 70, Type CMP.
  - 1. Multi-pair, twisted, No. 18 AWG, stranded (19x30) tinned-copper conductors.

FIRE STATIONS RENOVATION  
ARLINGTON COUNTY, VIRGINIA  
Architect's Project No: 563006

---

2. PVC insulation.
3. Unshielded.
4. PVC jacket.
5. Flame Resistance: Comply with NFPA 262.

## 2.5 CONTROL-CIRCUIT CONDUCTORS

- A. Manufacturers: Subject to compliance with requirements, available manufacturers offering products that may be incorporated into the Work include, but are not limited to the following:
1. Encore Wire Corporation.
  2. General Cable; General Cable Corporation.
  3. Southwire Company.
- B. Class 1 Control Circuits: Stranded copper, Type THHN-2-THWN-2, in raceway, complying with UL 83.
- C. Class 2 Control Circuits: Stranded copper, Type THHN-2-THWN-2, in raceway, complying with UL 83.
- D. Class 3 Remote-Control and Signal Circuits: Stranded copper, Type THHN-2-THWN-2, in raceway, complying with UL 83.
- E. Class 2 Control Circuits and Class 3 Remote-Control and Signal Circuits That Supply Critical Circuits: Circuit Integrity (CI) cable.
1. Smoke control signaling and control circuits.

## 2.6 SOURCE QUALITY CONTROL

- A. Cable will be considered defective if it does not pass tests and inspections.
- B. Prepare test and inspection reports.

## PART 3 - EXECUTION

### 3.1 INSTALLATION OF RACEWAYS AND BOXES

- A. Comply with requirements in Section 260533 "Raceways and Boxes for Electrical Systems" for raceway selection and installation requirements for boxes, conduits, and wireways as supplemented or modified in this Section.
1. Outlet boxes shall be no smaller than 2 inches wide, 3 inches high and 2-1/2 inches deep.
  2. Flexible metal conduit shall not be used over 6'.



FIRE STATIONS RENOVATION  
ARLINGTON COUNTY, VIRGINIA  
Architect's Project No: 563006

---

- B. Backboards: Install backboards with 96-inch dimension vertical. Butt adjacent sheets tightly and form smooth gap-free corners and joints.

### 3.2 INSTALLATION OF CONDUCTORS AND CABLES

- A. Comply with NECA 1 and NFPA 70.

- B. General Requirements for Cabling:

1. Cables may not be spliced.
2. Secure and support cables at intervals not exceeding 30 inches and not more than 6 inches from cabinets, boxes, fittings, outlets, racks, frames, and terminals.
3. Do not install bruised, kinked, scored, deformed, or abraded cable. Do not splice cable between termination, tap, or junction points. Remove and discard cable if damaged during installation and replace it with new cable.
4. Cold-Weather Installation: Bring cable to room temperature before dereeling. Do not use heat lamps for heating.
5. Support: Do not allow cables to lay on removable ceiling tiles.
6. Secure: Fasten securely in place with hardware specifically designed and installed so as to not damage cables.

- C. Open-Cable Installation:

1. Install cabling with horizontal and vertical cable guides in telecommunications spaces with terminating hardware and interconnection equipment.
2. Suspend copper cable not in a wireway or pathway a minimum of 8 inches above ceilings by cable supports not more than 30 inches apart.
3. Cable shall not be run through or on structural members or in contact with pipes, ducts, or other potentially damaging items. Do not run cables between structural members and corrugated panels.

### 3.3 CONTROL-CIRCUIT CONDUCTORS

- A. Minimum Conductor Sizes:

1. Class 1 remote-control and signal circuits; No 14 AWG.
2. Class 2 low-energy, remote-control, and signal circuits; No. 16 AWG.
3. Class 3 low-energy, remote-control, alarm, and signal circuits; No 12 AWG.

### 3.4 FIRESTOPPING

- A. Comply with requirements in Section 078413 "Penetration Firestopping."

FIRE STATIONS RENOVATION  
ARLINGTON COUNTY, VIRGINIA  
Architect's Project No: 563006

---

3.5 GROUNDING

- A. For low-voltage control wiring and cabling, comply with requirements in Section 260526 "Grounding and Bonding for Electrical Systems."

3.6 IDENTIFICATION

- A. Comply with requirements for identification specified in Section 260553 "Identification for Electrical Systems."

3.7 FIELD QUALITY CONTROL

- A. Perform the following tests and inspections:
  - 1. Visually inspect cable placement, cable termination, grounding and bonding, equipment and patch cords, and labeling of all components.

END OF SECTION 260523

FIRE STATIONS RENOVATION  
ARLINGTON COUNTY, VIRGINIA  
Architect's Project No: 563006

---

SECTION 260526 - GROUNDING AND BONDING FOR ELECTRICAL SYSTEMS

PART 1 - GENERAL

1.1 RELATED DOCUMENTS

- A. Drawings and general provisions of the Contract, including General and Supplementary Conditions and Division 01 Specification Sections, apply to this Section.

1.2 SUMMARY

- A. Section includes grounding and bonding systems and equipment.

1.3 ACTION SUBMITTALS

- A. Product Data: For each type of product indicated.

1.4 INFORMATIONAL SUBMITTALS

- A. As-Built Data: Plans showing dimensioned as-built locations of grounding features specified in "Field Quality Control" Article, including the following:
  - 1. Test wells.
  - 2. Ground rods.
  - 3. Ground rings.
  - 4. Grounding arrangements and connections for separately derived systems.

- B. Field quality-control reports.

1.5 CLOSEOUT SUBMITTALS

- A. Operation and Maintenance Data: For grounding to include in emergency, operation, and maintenance manuals.
  - 1. In addition to items specified in Section 017823 "Operation and Maintenance Data," include the following:

1.6 QUALITY ASSURANCE

- A. Electrical Components, Devices, and Accessories: Listed and labeled as defined in NFPA 70, by a qualified testing agency, and marked for intended location and application.
- B. Comply with UL 467 for grounding and bonding materials and equipment.

FIRE STATIONS RENOVATION  
ARLINGTON COUNTY, VIRGINIA  
Architect's Project No: 563006

---

PART 2 - PRODUCTS

2.1 MANUFACTURERS

- A. Manufacturers: Subject to compliance with requirements, available manufacturers offering products that may be incorporated into the Work include, but are not limited to the following:
1. Burndy; Part of Hubbell Electrical Systems.
  2. ERICO International Corporation.
  3. Galvan Industries, Inc.; Electrical Products Division, LLC.
  4. ILSCO.
  5. O-Z/Gedney; an EGS Electrical Group brand; an Emerson Industrial Automation business.

2.2 SYSTEM DESCRIPTION

- A. Electrical Components, Devices, and Accessories: Listed and labeled as defined in NFPA 70, by a qualified testing agency, and marked for intended location and application.
- B. Comply with UL 467 for grounding and bonding materials and equipment.

2.3 CONDUCTORS

- A. Insulated Conductors: Copper wire or cable insulated for 600 V unless otherwise required by applicable Code or authorities having jurisdiction.
- B. Bare Copper Conductors:
1. Solid Conductors: ASTM B 3.
  2. Stranded Conductors: ASTM B 8.
  3. Tinned Conductors: ASTM B 33.
  4. Bonding Cable: 28 kcmil, 14 strands of No. 17 AWG conductor, 1/4 inch in diameter.
  5. Bonding Conductor: No. 4 AWG, stranded conductor.
  6. Bonding Jumper: Copper tape, braided conductors terminated with copper ferrules; 1-5/8 inches wide and 1/16 inch thick.
  7. Tinned Bonding Jumper: Tinned-copper tape, braided conductors terminated with copper ferrules; 1-5/8 inches wide and 1/16 inch thick.
- C. Telecommunication Grounding Bus: Refer to details on drawings

FIRE STATIONS RENOVATION  
ARLINGTON COUNTY, VIRGINIA  
Architect's Project No: 563006

---

2.4 CONNECTORS

- A. Listed and labeled by an NRTL acceptable to authorities having jurisdiction for applications in which used and for specific types, sizes, and combinations of conductors and other items connected.
- B. Bolted Connectors for Conductors and Pipes: Copper or copper alloy.
- C. Welded Connectors: Exothermic-welding kits of types recommended by kit manufacturer for materials being joined and installation conditions.
- D. Bus-Bar Connectors: Mechanical type, cast silicon bronze, solderless compression-type wire terminals, and long-barrel, two-bolt connection to ground bus bar.

2.5 GROUNDING ELECTRODES

- A. Ground Rods: Copper-clad steel; 3/4 inch by 10 feet.
- B. Chemical-Enhanced Grounding Electrodes: Copper tube, straight or L-shaped, charged with nonhazardous electrolytic chemical salts.
  - 1. Termination: Factory-attached No. 4/0 AWG bare conductor at least 48 inches long.
  - 2. Backfill Material: Electrode manufacturer's recommended material.

PART 3 - EXECUTION

3.1 APPLICATIONS

- A. Conductors: Install stranded conductors for No. 6 AWG and larger unless otherwise indicated.
- B. Underground Grounding Conductors: Install bare copper conductor, No. 2/0 AWG minimum.
  - 1. Bury at least 24 inches below grade.
  - 2. Ductbank Grounding Conductor: Bury 12 inches above ductbank when indicated as part of duct-bank installation..
- C. Telecommunication Grounding Bus: Install in MDF/IDF equipment rooms, in rooms housing service equipment, and elsewhere as indicated.
  - 1. Install bus horizontally, on insulated spacers 2 inches minimum from wall, 6 inches above finished floor unless otherwise indicated.
  - 2. Where indicated on both sides of doorways, route bus up to top of door frame, across top of doorway, and down; connect to horizontal bus.
- D. Conductor Terminations and Connections:

FIRE STATIONS RENOVATION  
ARLINGTON COUNTY, VIRGINIA  
Architect's Project No: 563006

---

1. Pipe and Equipment Grounding Conductor Terminations: Bolted connectors.
2. Underground Connections: Welded connectors except at test wells and as otherwise indicated.
3. Connections to Ground Rods at Test Wells: Bolted connectors.
4. Connections to Structural Steel: Welded connectors.

3.2 GROUNDING AT THE SERVICE

- A. Equipment grounding conductors and grounding electrode conductors shall be connected to the ground bus. Install a main bonding jumper between the neutral and ground buses.

3.3 GROUNDING SEPARATELY DERIVED SYSTEMS

- A. Generator: Install grounding electrode(s) at the generator location. The electrode shall be connected to the equipment grounding conductor and to the frame of the generator.

3.4 GROUNDING UNDERGROUND DISTRIBUTION SYSTEM COMPONENTS

- A. Comply with IEEE C2 grounding requirements.
- B. Grounding Manholes and Handholes: Install a driven ground rod through manhole or handhole floor, close to wall, and set rod depth so 4 inches will extend above finished floor. If necessary, install ground rod before manhole is placed and provide No. 1/0 AWG bare, tinned-copper conductor from ground rod into manhole through a waterproof sleeve in manhole wall. Protect ground rods passing through concrete floor with a double wrapping of pressure-sensitive insulating tape or heat-shrunk insulating sleeve from 2 inches above to 6 inches below concrete. Seal floor opening with waterproof, nonshrink grout.
- C. Grounding Connections to Manhole Components: Bond exposed-metal parts such as inserts, cable racks, pulling irons, ladders, and cable shields within each manhole or handhole, to ground rod or grounding conductor. Make connections with No. 4 AWG minimum, stranded, hard-drawn copper bonding conductor. Train conductors level or plumb around corners and fasten to manhole walls. Connect to cable armor and cable shields according to written instructions by manufacturer of splicing and termination kits.
- D. Pad mounted Transformers and Switches: Comply with AEP grounding Standards

3.5 EQUIPMENT GROUNDING

- A. Install insulated equipment grounding conductors with all feeders and branch circuits.
- B. Install insulated equipment grounding conductors with the following items, in addition to those required by NFPA 70:
  1. Feeders and branch circuits.

FIRE STATIONS RENOVATION  
ARLINGTON COUNTY, VIRGINIA  
Architect's Project No: 563006

---

2. Lighting circuits.
3. Receptacle circuits.
4. Single-phase motor and appliance branch circuits.
5. Three-phase motor and appliance branch circuits.
6. Flexible raceway runs.
7. Armored and metal-clad cable runs.

- C. Air-Duct Equipment Circuits: Install insulated equipment grounding conductor to duct-mounted electrical devices operating at 120 V and more, including air cleaners, heaters, dampers, humidifiers, and other duct electrical equipment. Bond conductor to each unit and to air duct and connected metallic piping.
- D. Water Heater, Heat-Tracing, and Antifrost Heating Cables: Install a separate insulated equipment grounding conductor to each electric water heater and heat-tracing cable. Bond conductor to heater units, piping, connected equipment, and components.
- E. Athletic Field Lighting Poles Supporting Lighting Fixtures: Install grounding electrode and a separate insulated equipment grounding conductor in addition to grounding conductor installed with branch-circuit conductors.

### 3.6 INSTALLATION

- A. Grounding Conductors: Route along shortest and straightest paths possible unless otherwise indicated or required by Code. Avoid obstructing access or placing conductors where they may be subjected to strain, impact, or damage.
- B. Ground Rods: Drive rods until tops are 2 inches below finished floor or final grade unless otherwise indicated.
1. Interconnect ground rods with grounding electrode conductor below grade and as otherwise indicated. Make connections without exposing steel or damaging coating if any.
  2. For grounding electrode system, install at least three rods spaced at least one-rod length from each other and located at least the same distance from other grounding electrodes, and connect to the service grounding electrode conductor.
- C. Test Wells: Ground rod driven through drilled hole in bottom of handhole. Handholes are specified in Section 260543 "Underground Ducts and Raceways for Electrical Systems," and shall be at least 12 inches deep, with cover.
1. Test Wells: Install at least one test well for each service unless otherwise indicated. Install at the ground rod electrically closest to service entrance. Set top of test well flush with finished grade or floor.
- D. Bonding Straps and Jumpers: Install in locations accessible for inspection and maintenance except where routed through short lengths of conduit.
1. Bonding to Structure: Bond straps directly to basic structure, taking care not to penetrate any adjacent parts.

FIRE STATIONS RENOVATION  
ARLINGTON COUNTY, VIRGINIA  
Architect's Project No: 563006

---

2. Bonding to Equipment Mounted on Vibration Isolation Hangers and Supports: Install bonding so vibration is not transmitted to rigidly mounted equipment.
3. Use exothermic-welded connectors for outdoor locations; if a disconnect-type connection is required, use a bolted clamp.

E. Grounding and Bonding for Piping:

1. Metal Water Service Pipe: Install insulated copper grounding conductors, in conduit, from building's main service equipment, or grounding bus, to main metal water service entrances to building. Connect grounding conductors to main metal water service pipes; use a bolted clamp connector or bolt a lug-type connector to a pipe flange by using one of the lug bolts of the flange. Where a dielectric main water fitting is installed, connect grounding conductor on street side of fitting. Bond metal grounding conductor conduit or sleeve to conductor at each end.
2. Water Meter Piping: Use braided-type bonding jumpers to electrically bypass water meters. Connect to pipe with a bolted connector.
3. Bond each aboveground portion of gas piping system downstream from equipment shutoff valve.

F. Bonding Interior Metal Ducts: Bond metal air ducts to equipment grounding conductors of associated fans, blowers, electric heaters, and air cleaners. Install bonding jumper to bond across flexible duct connections to achieve continuity.

G. Grounding for Steel Building Structure: Install a driven ground rod at base of each corner column and at intermediate exterior columns at distances not more than 60 feet apart.

I. Concrete-Encased Grounding Electrode (Ufer Ground): Fabricate according to NFPA 70; use a minimum of 20 feet of bare copper conductor not smaller than No. 4 AWG.

1. If concrete foundation is less than 20 feet long, coil excess conductor within base of foundation.
2. Bond grounding conductor to reinforcing steel in at least four locations and to anchor bolts. Extend grounding conductor below grade and connect to building's grounding grid or to grounding electrode external to concrete.

### 3.7 FIELD QUALITY CONTROL

A. Perform tests and inspections.

B. Tests and Inspections:

1. After installing grounding system but before permanent electrical circuits have been energized, test for compliance with requirements.
2. Inspect physical and mechanical condition. Verify tightness of accessible, bolted, electrical connections with a calibrated torque wrench according to manufacturer's written instructions.
3. Test completed grounding system at each location where a maximum ground-resistance level is specified, at service disconnect enclosure grounding terminal, at ground test wells. Make tests at ground rods before any conductors are connected.



FIRE STATIONS RENOVATION  
ARLINGTON COUNTY, VIRGINIA  
Architect's Project No: 563006

---

- a. Measure ground resistance no fewer than two full days after last trace of precipitation and without soil being moistened by any means other than natural drainage or seepage and without chemical treatment or other artificial means of reducing natural ground resistance.
  - b. Perform tests by fall-of-potential method according to IEEE 81.
4. Prepare dimensioned Drawings locating each test well, ground rod and ground-rod assembly, and other grounding electrodes. Identify each by letter in alphabetical order, and key to the record of tests and observations. Include the number of rods driven and their depth at each location, and include observations of weather and other phenomena that may affect test results. Describe measures taken to improve test results.
- C. Grounding system will be considered defective if it does not pass tests and inspections.
- D. Prepare test and inspection reports.
- E. Report measured ground resistances that exceed the following values:
1. Power and Lighting Equipment or System with Capacity More Than 1000 kVA: 3 ohms.
  2. Power Distribution Units or Panelboards Serving Electronic Equipment: 3 ohm(s).
  3. Substations and Pad-Mounted Equipment: 5 ohms.
  4. Manhole Grounds: 10 ohms.
- F. Excessive Ground Resistance: If resistance to ground exceeds specified values, notify Architect promptly and include recommendations to reduce ground resistance.

END OF SECTION 260526

FIRE STATIONS RENOVATION  
ARLINGTON COUNTY, VIRGINIA  
Architect's Project No: 563006

---

SECTION 260529 - HANGERS AND SUPPORTS FOR ELECTRICAL SYSTEMS

PART 1 - GENERAL

1.1 RELATED DOCUMENTS

- A. Drawings and general provisions of the Contract, including General and Supplementary Conditions and Division 01 Specification Sections, apply to this Section.

1.2 SUMMARY

- A. This Section includes the following:
  - 1. Hangers and supports for electrical equipment and systems.
  - 2. Construction requirements for concrete bases.

1.3 DEFINITIONS

- A. EMT: Electrical metallic tubing.
- B. IMC: Intermediate metal conduit.
- C. RMC: Rigid metal conduit.

1.4 PERFORMANCE REQUIREMENTS

- A. Design supports for multiple raceways capable of supporting combined weight of supported systems and its contents.
- B. Design equipment supports capable of supporting combined operating weight of supported equipment and connected systems and components.
- C. Rated Strength: Adequate in tension, shear, and pullout force to resist maximum loads calculated or imposed for this Project.

1.5 QUALITY ASSURANCE

- A. Welding: Qualify procedures and personnel according to AWS D1.1/D1.1M, "Structural Welding Code - Steel."
- B. Comply with NFPA 70.

FIRE STATIONS RENOVATION  
ARLINGTON COUNTY, VIRGINIA  
Architect's Project No: 563006

---

1.6 COORDINATION

- A. Coordinate size and location of concrete bases. Cast anchor-bolt inserts into bases. Concrete, reinforcement, and formwork requirements are specified together with concrete Specifications.
- B. Coordinate installation of roof curbs, equipment supports, and roof penetrations. These items are specified in Division 7.

PART 2 - PRODUCTS

2.1 SUPPORT, ANCHORAGE, AND ATTACHMENT COMPONENTS

- A. Steel Slotted Support Systems: Comply with MFMA-4, factory-fabricated components for field assembly.
  - 1. Manufacturers: Subject to compliance with requirements, available manufacturers offering products that may be incorporated into the Work include, but are not limited to the following:
    - a. Cooper B-Line, Inc.; a division of Cooper Industries.
    - b. ERICO International Corporation.
    - c. Thomas & Betts Corporation.
    - d. Unistrut; an Atkore International company.
  - 2. Metallic Coatings: Hot-dip galvanized after fabrication and applied according to MFMA-4.
  - 3. Channel Dimensions: Selected for applicable load criteria.
- B. Raceway and Cable Supports: As described in NECA 1 and NECA 101.
- C. Conduit and Cable Support Devices: Steel and malleable-iron hangers, clamps, and associated fittings, designed for types and sizes of raceway or cable to be supported.
- D. Support for Conductors in Vertical Conduit: Factory-fabricated assembly consisting of threaded body and insulating wedging plug or plugs for non-armored electrical conductors or cables in riser conduits. Plugs shall have number, size, and shape of conductor gripping pieces as required to suit individual conductors or cables supported. Body shall be malleable iron.
- E. Structural Steel for Fabricated Supports and Restraints: ASTM A 36/A 36M, steel plates, shapes, and bars; black and galvanized.
- F. Mounting, Anchoring, and Attachment Components: Items for fastening electrical items or their supports to building surfaces include the following:

FIRE STATIONS RENOVATION  
ARLINGTON COUNTY, VIRGINIA  
Architect's Project No: 563006

---

1. Powder-Actuated Fasteners: Threaded-steel stud, for use in hardened Portland cement concrete, steel, or wood, with tension, shear, and pullout capacities appropriate for supported loads and building materials where used.
  - a. Manufacturers: Subject to compliance with requirements, available manufacturers offering products that may be incorporated into the Work include, but are not limited to the following:
    - 1) Hilti, Inc.
    - 2) MKT Fastening, LLC.
    - 3) Simpson Strong-Tie Co., Inc.
2. Mechanical-Expansion Anchors: Insert-wedge-type, stainless steel, for use in hardened Portland cement concrete with tension, shear, and pullout capacities appropriate for supported loads and building materials in which used.
  - a. Manufacturers: Subject to compliance with requirements, available manufacturers offering products that may be incorporated into the Work include, but are not limited to the following:
    - 1) Cooper B-Line, Inc.; a division of Cooper Industries.
    - 2) Hilti, Inc.
    - 3) MKT Fastening, LLC.
3. Concrete Inserts: Steel or malleable-iron, slotted support system units similar to MSS Type 18; complying with MFMA-4 or MSS SP-58.
4. Clamps for Attachment to Steel Structural Elements: MSS SP-58, type suitable for attached structural element.
5. Through Bolts: Structural type, hex head, and high strength. Comply with ASTM A 325.
6. Toggle Bolts: All-steel springhead type.
7. Hanger Rods: Threaded steel.

## 2.2 FABRICATED METAL EQUIPMENT SUPPORT ASSEMBLIES

- A. Description: Welded or bolted, structural-steel shapes, shop or field fabricated to fit dimensions of supported equipment.
- B. Materials: Comply with requirements in Section 055000 "Metal Fabrications" for steel shapes and plates.

## PART 3 - EXECUTION

### 3.1 APPLICATION

- A. Comply with NECA 1 and NECA 101 for application of hangers and supports for electrical equipment and systems except if requirements in this Section are stricter.

FIRE STATIONS RENOVATION  
ARLINGTON COUNTY, VIRGINIA  
Architect's Project No: 563006

---

- B. Maximum Support Spacing and Minimum Hanger Rod Size for Raceway: Space supports for EMT, IMC, and RMC as required by NFPA 70. Minimum rod size shall be 1/4 inch in diameter.
- C. Multiple Raceways or Cables: Install trapeze-type supports fabricated with steel slotted support system, sized so capacity can be increased by at least 25 percent in future without exceeding specified design load limits.
  - 1. Secure raceways and cables to these supports with two-bolt conduit clamps.
- D. Spring-steel clamps designed for supporting single conduits without bolts may be used for 1-1/2-inch and smaller raceways serving branch circuits and communication systems above suspended ceilings and for fastening raceways to trapeze supports.

### 3.2 SUPPORT INSTALLATION

- A. Comply with NECA 1 and NECA 101 for installation requirements except as specified in this Article.
- B. Raceway Support Methods: In addition to methods described in NECA 1, EMT, IMC, and RMC may be supported by openings through structure members, as permitted in NFPA 70.
- C. Strength of Support Assemblies: Where not indicated, select sizes of components so strength will be adequate to carry present and future static loads within specified loading limits. Minimum static design load used for strength determination shall be weight of supported components plus 200 lb.
- D. Mounting and Anchorage of Surface-Mounted Equipment and Components: Anchor and fasten electrical items and their supports to building structural elements by the following methods unless otherwise indicated by code:
  - 1. To Wood: Fasten with lag screws or through bolts.
  - 2. To New Concrete: Bolt to concrete inserts.
  - 3. To Masonry: Approved toggle-type bolts on hollow masonry units and expansion anchor fasteners on solid masonry units.
  - 4. To Existing Concrete: Expansion anchor fasteners.
  - 5. Instead of expansion anchors, powder-actuated driven threaded studs provided with lock washers and nuts may be used in existing standard-weight concrete 4 inches thick or greater. Do not use for anchorage to lightweight-aggregate concrete or for slabs less than 4 inches thick.
  - 6. To Steel: Beam clamps (MSS Type 19, 21, 23, 25, or 27) complying with MSS SP-69.
  - 7. To Light Steel: Sheet metal screws.
  - 8. Items Mounted on Hollow Walls and Nonstructural Building Surfaces: Mount cabinets, panelboards, disconnect switches, control enclosures, pull and junction boxes, transformers, and other devices on slotted-channel racks attached to substrate.
- E. Drill holes for expansion anchors in concrete at locations and to depths that avoid reinforcing bars.

FIRE STATIONS RENOVATION  
ARLINGTON COUNTY, VIRGINIA  
Architect's Project No: 563006

---

3.3 INSTALLATION OF FABRICATED METAL SUPPORTS

- A. Comply with installation requirements in Section 055000 "Metal Fabrications" for site-fabricated metal supports.
- B. Cut, fit, and place miscellaneous metal supports accurately in location, alignment, and elevation to support and anchor electrical materials and equipment.
- C. Field Welding: Comply with AWS D1.1/D1.1M.

3.4 CONCRETE BASES

- A. Construct concrete bases of dimensions indicated but not less than 4 inches larger in both directions than supported unit, and so anchors will be a minimum of 10 bolt diameters from edge of the base.
- B. Anchor equipment to concrete base.
  - 1. Place and secure anchorage devices. Use supported equipment manufacturer's setting drawings, templates, diagrams, instructions, and directions furnished with items to be embedded.
  - 2. Install anchor bolts to elevations required for proper attachment to supported equipment.
  - 3. Install anchor bolts according to anchor-bolt manufacturer's written instructions.

3.5 PAINTING

- A. Touchup: Comply with requirements in Division 9 for cleaning and touchup painting of field welds, bolted connections, and abraded areas of shop paint on miscellaneous metal.
- B. Galvanized Surfaces: Clean welds, bolted connections, and abraded areas and apply galvanizing-repair paint to comply with ASTM A 780.

END OF SECTION 260529

FIRE STATIONS RENOVATION  
ARLINGTON COUNTY, VIRGINIA  
Architect's Project No: 563006

---

SECTION 260533 - RACEWAYS AND BOXES FOR ELECTRICAL SYSTEMS

PART 1 - GENERAL

1.1 RELATED DOCUMENTS

- A. Drawings and general provisions of the Contract, including General and Supplementary Conditions and Division 01 Specification Sections, apply to this Section.

1.2 SUMMARY

- A. Section Includes:
  - 1. Metal conduits, tubing, and fittings.
  - 2. Nonmetal conduits, tubing, and fittings.
  - 3. Metal wireways and auxiliary gutters.
  - 4. Surface raceways.
  - 5. Boxes, enclosures, and cabinets.
- B. Part 2 of this section includes material requirements for all raceways and boxes that may or may not be used on the project. Part 3 of this Section defines where a given type of product shall be or is permitted to be utilized.

1.3 DEFINITIONS

- A. ARC: Aluminum rigid conduit.
- B. GRC: Galvanized rigid steel conduit.
- C. IMC: Intermediate metal conduit.

1.4 ACTION SUBMITTALS

- A. Product Data: For surface raceways, wireways and fittings, floor boxes, hinged-cover enclosures, and cabinets.
- B. Shop Drawings: For custom enclosures and cabinets. Include plans, elevations, sections, and attachment details.

1.5 INFORMATIONAL SUBMITTALS

- A. Source quality-control reports.

FIRE STATIONS RENOVATION  
ARLINGTON COUNTY, VIRGINIA  
Architect's Project No: 563006

---

## PART 2 - PRODUCTS

### 2.1 METAL CONDUITS, TUBING, AND FITTINGS

- A. Manufacturers: Subject to compliance with requirements, available manufacturers offering products that may be incorporated into the Work include, but are not limited to the following:
1. Allied Tube & Conduit.
  2. O-Z/Gedney; an EGS Electrical Group brand; an Emerson Industrial Automation business.
  3. Robroy Industries.
  4. Thomas & Betts Corporation.
- B. Listing and Labeling: Metal conduits, tubing, and fittings shall be listed and labeled as defined in NFPA 70, by a qualified testing agency, and marked for intended location and application.
- C. GRC: Comply with ANSI C80.1 and UL 6.
- D. IMC: Comply with ANSI C80.6 and UL 1242.
- E. PVC-Coated Steel Conduit: PVC-coated rigid steel conduit.
1. Comply with NEMA RN 1.
  2. Coating Thickness: 0.040 inch, minimum.
- F. EMT: Comply with ANSI C80.3 and UL 797.
- G. FMC: Comply with UL 1; zinc-coated steel.
- H. LFMC: Flexible steel conduit with PVC jacket and complying with UL 360.
- I. Fittings for Metal Conduit: Comply with NEMA FB 1 and UL 514B.
1. Conduit Fittings for Hazardous (Classified) Locations: Comply with UL 886 and NFPA 70.
  2. Fittings for EMT:
    - a. Material: Steel.
    - b. Type: Setscrew or compression.
  3. Expansion Fittings: PVC or steel to match conduit type, complying with UL 651, rated for environmental conditions where installed, and including flexible external bonding jumper.
  4. Coating for Fittings for PVC-Coated Conduit: Minimum thickness of 0.040 inch, with overlapping sleeves protecting threaded joints.



FIRE STATIONS RENOVATION  
ARLINGTON COUNTY, VIRGINIA  
Architect's Project No: 563006

---

- J. Joint Compound for IMC, GRC, or ARC: Approved, as defined in NFPA 70, by authorities having jurisdiction for use in conduit assemblies, and compounded for use to lubricate and protect threaded conduit joints from corrosion and to enhance their conductivity.

## 2.2 NONMETALLIC CONDUITS, TUBING, AND FITTINGS

- A. Manufacturers: Subject to compliance with requirements, available manufacturers offering products that may be incorporated into the Work include, but are not limited to the following:
  - 1. AFC Cable Systems, Inc.
  - 2. Electri-Flex Company.
  - 3. RACO; Hubbell.
  - 4. Thomas & Betts Corporation.
- B. Listing and Labeling: Nonmetallic conduits, tubing, and fittings shall be listed and labeled as defined in NFPA 70, by a qualified testing agency, and marked for intended location and application.
- C. RNC: Type EPC-40-PVC, complying with NEMA TC 2 and UL 651 unless otherwise indicated.
- D. LFNC: Comply with UL 1660.
- E. Rigid HDPE: Comply with UL 651A.
- F. RTRC: Comply with UL 1684A and NEMA TC 14.
- G. Fittings for ENT and RNC: Comply with NEMA TC 3; match to conduit or tubing type and material.
- H. Fittings for LFNC: Comply with UL 514B.
- I. Solvent cements and adhesive primers shall have a VOC content of 510 and 550 g/L or less, respectively, when calculated according to 40 CFR 59, Subpart D (EPA Method 24).

## 2.3 METAL WIREWAYS AND AUXILIARY GUTTERS

- A. Manufacturers: Subject to compliance with requirements, available manufacturers offering products that may be incorporated into the Work include, but are not limited to the following:
  - 1. Cooper B-Line, Inc.; a division of Cooper Industries.
  - 2. Hoffman; a brand of Pentair Equipment Protection.
  - 3. Square D.
- B. Description: Sheet metal, complying with UL 870 and NEMA 250, Type 1 unless otherwise indicated, and sized according to NFPA 70.

FIRE STATIONS RENOVATION  
ARLINGTON COUNTY, VIRGINIA  
Architect's Project No: 563006

---

1. Metal wireways installed outdoors shall be listed and labeled as defined in NFPA 70, by a qualified testing agency, and marked for intended location and application.
- C. Fittings and Accessories: Include covers, couplings, offsets, elbows, expansion joints, adapters, hold-down straps, end caps, and other fittings to match and mate with wireways as required for complete system.
- D. Wireway Covers: Hinged type unless otherwise indicated.
- E. Finish: Manufacturer's standard enamel finish.

#### 2.4 BOXES, ENCLOSURES, AND CABINETS

- A. Manufacturers: Subject to compliance with requirements, available manufacturers offering products that may be incorporated into the Work include, but are not limited to the following:
  1. EGS/Appleton Electric.
  2. Erickson Electrical Equipment Company.
  3. Hoffman; a brand of Pentair Equipment Protection.
  4. Hubbell Incorporated.
  5. O-Z/Gedney; an EGS Electrical Group brand; an Emerson Industrial Automation business.
  6. RACO; Hubbell
  7. Wiremold / Legrand.
- B. General Requirements for Boxes, Enclosures, and Cabinets: Boxes, enclosures, and cabinets installed in wet locations shall be listed for use in wet locations.
- C. Sheet Metal Outlet and Device Boxes: Comply with NEMA OS 1 and UL 514A.
- D. Cast-Metal Outlet and Device Boxes: Comply with NEMA FB 1, aluminum, Type FD, with gasketed cover.
- E. Metal Floor Boxes:
  1. Material: Cast metal.
  2. Type: Fully adjustable.
  3. Shape: Rectangular.
  4. Listing and Labeling: Metal floor boxes shall be listed and labeled as defined in NFPA 70, by a qualified testing agency, and marked for intended location and application.
- F. Luminaire Outlet Boxes: Nonadjustable, designed for attachment of luminaire weighing 50 lb. Outlet boxes designed for attachment of luminaires weighing more than 50 lb shall be listed and marked for the maximum allowable weight.
- G. Small Sheet Metal Pull and Junction Boxes: NEMA OS 1.

FIRE STATIONS RENOVATION  
ARLINGTON COUNTY, VIRGINIA  
Architect's Project No: 563006

---

- H. Cast-Metal Access, Pull, and Junction Boxes: Comply with NEMA FB 1 and UL 1773, cast aluminum with gasketed cover.
- I. Box extensions used to accommodate new building finishes shall be of same material as recessed box.
- J. Device Box Dimensions: 4 inches square by 2-1/8 inches deep.
- K. Gangable boxes are allowed.
- L. Hinged-Cover Enclosures: Comply with UL 50 and NEMA 250, Type 3R with continuous-hinge cover with flush latch unless otherwise indicated.
  - 1. Metal Enclosures: Steel, finished inside and out with manufacturer's standard enamel.
  - 2. Interior Panels: Steel; all sides finished with manufacturer's standard enamel.
- M. Cabinets:
  - 1. NEMA 250, Type 12 galvanized-steel box with removable interior panel and removable front, finished inside and out with manufacturer's standard enamel.
  - 2. Hinged door in front cover with flush latch and concealed hinge.
  - 3. Key latch to match panelboards.
  - 4. Metal barriers to separate wiring of different systems and voltage.
  - 5. Accessory feet where required for freestanding equipment.
  - 6. Nonmetallic cabinets shall be listed and labeled as defined in NFPA 70, by a qualified testing agency, and marked for intended location and application.

## 2.5 FLOOR BOXES AND SERVICE FITTINGS

- A. Multi-service Floor Boxes: Basis of Design: Wiremold, RFB4 Series Floor Boxes.
  - 1. Floor boxes mounted on first floor grade shall be manufactured from cast-iron and be approved for use on grade and above grade floors. The box shall be 14 1/2" L x 11 7/8" W x 3 7/16" H. There shall be four independent wiring compartments that allow capacity for up to four duplex receptacles and/or communication services. The RFB4-CI-1 Series Box shall permit tunneling from adjacent or opposite compartments. Two of the four compartments shall have a minimum wiring capacity of 27 cu in., and two compartments shall have a minimum wiring capacity of 36 cu in.. The box shall provide the following number of conduit hubs: four 1" and four 1 1/4". The box shall be fully adjustable, providing a maximum of 1 7/8" pre-pour adjustment, and a maximum of 3/4" after-pour adjustment. Wiremold RFB4-CI-1.
  - 2. Floor boxes not on grade slab shall be manufactured from stamped-steel and be approved for use on above-grade floors. The box shall be 13 5/8" L x 10" W x 2 7/16" H. There shall be four independent wiring compartments that allow capacity for up to four duplex receptacles and/or communication services. The RFB4-SS Series Box shall permit feed through tunneling from adjacent compartments. Two of the four compartments shall have a minimum wiring capacity of 15.7 cu in., and two compartments shall have a minimum

**FIRE STATIONS RENOVATION  
ARLINGTON COUNTY, VIRGINIA  
Architect's Project No: 563006**

---

wiring capacity of 31.2 cu in.. The box shall provide the following number of conduit knockouts: two 1/2", six 3/4", and eight 1". The box shall be fully adjustable, providing a maximum of 1 7/8" pre-pour adjustment, and a maximum of 3/4" after-pour adjustment. Wiremold RFB4-SS.

3. Activation covers shall be manufactured of die-cast aluminum or die-cast zinc, and be available in a brushed aluminum finish, plated brass finish, or a powder-coated paint finish. The activation cover shall be listed by UL to meet the applicable U.S. and Canadian safety standards for scrub water exclusion when used on tile, terrazzo, wood, and carpet covered floors. The floor box manufacturer shall provide a complete line of faceplates and bezels to facilitate mounting of UTP, STP (150 ohm), fiber optic, coaxial, and communication devices within the box.
  4. Activation covers shall be available in flanged and flangeless versions of cast aluminum with aluminum, black, bronze, brass, nickel or gray finish. Covers shall be available with options for tile or carpet inserts, flush covers, or furniture feed. Flanged covers shall be 7 3/4" L x 6 9/16" W. Flangeless covers shall be 6 3/4" L x 5 9/16" W.
    - a. Unless indicated otherwise, provide the following cover configurations:
      - 1) Power/Telecom Outlets: Brushed aluminum flanged with blank lid flush with floor and NO carpet/tile cutouts.
      - 2) Furniture Floor Feed: Brushed aluminum flanged with 1" trade size screw plug opening and one combination 1 1/4" and 2" trade size screw plug openings.
- B. Single Service Floor boxes: Basis of Design: Wiremold, Omnibox Floor Boxes, One-, two- or three-gang floor boxes.**
1. Floor boxes mounted on first floor grade shall be manufactured from cast-iron and be approved for use on grade and above grade floors. Box interior and exterior shall be painted. Boxes shall be available in one-, two-, and three-gang configurations. All cast-iron versions shall provide 1 3/4" of pre-pour adjustment and 1/2" of post-pour adjustment. Minimum depth of deep boxes shall be 3 7/16". Overall box dimensions shall be as follows:
    - a. One-gang: 5 3/16" W x 4 3/8" L
    - b. Two-gang: 5 3/16" W x 8 1/2" L
    - c. Three-gang: 5 3/16" W x 12 1/2" L
  2. Floor boxes on the second floor and above shall be manufactured from stamped-steel and be approved for use on cast-in-place floors. Boxes shall be manufactured from stamped steel and formed. Boxes shall be available in one-, two-, or three-gang configurations. All stamped steel versions shall provide 1 3/4" of pre-pour adjustment and 1/2" of post-pour adjustment. Maximum depth of boxes shall be 2 15/32". Overall box dimensions shall be as follows:
    - a. One-gang: 4 13/16" W x 3 23/32" L
    - b. Two-gang: 4 13/16" W x 7 15/16" L
    - c. Three-gang: 4 13/16" W x 12" L
  3. All floor box options shall accept brass, brushed aluminum, and nonmetallic cover plates and flanges. Flanges for brass, brushed aluminum, and nonmetallic shall be available for

FIRE STATIONS RENOVATION  
ARLINGTON COUNTY, VIRGINIA  
Architect's Project No: 563006

---

one-, two-, or three-gang applications and install on the previously mentioned boxes. Each flange shall provide 1/2" of adjustment to accommodate various floor covering and concrete pour depths.

- a. All brass, brushed aluminum, and nonmetallic flanges shall be approved for use on carpet, tile, or wood covered floor applications. Brass and brushed aluminum flanges and cover plates shall have a buffed appearance and be protected with a lacquer finish. Nonmetallic flanges and cover plates shall be provided in a black, brown, or gray finish. Modular inserts shall snap directly into each flange through use of a mounting bezel.
- b. Brushed aluminum and nonmetallic cover plate options shall seat inside either the aluminum or nonmetallic flanges and be flush with the finished floor. Brushed aluminum and nonmetallic cover plate dimensions shall be 3.29" W x 4.310" L. Brass cover plate dimensions are 3.156" W x 4.182" L. Brass cover plates shall seat inside only brass flanges and be flush with the finished floor. All cover plate options shall provide for both power and communication services.

C. Wood Floor Boxes: Basis of Design: Wiremold, 880 Series Floor Boxes, one-, two- or three-gang floor boxes designed for wooden floors.

1. Boxes shall be available in one-, two-, or three-gang configurations. Boxes shall also be rectangular in shape. These boxes shall consist of a stamped steel body, applicable stamped steel barriers and stamped steel mounting brackets for flanges. All boxes shall have an overall depth of 3 7/16". All boxes shall provide a mounting mechanism to attach the floor box to the wood sub floor.
2. All floor box options shall accept brass, brushed aluminum, and nonmetallic cover plates and flanges. Flanges for brass, brushed aluminum, and nonmetallic shall be available for one-, two-, or three-gang applications and install on the previously mentioned boxes. Each flange shall provide 1/2" of adjustment to accommodate various floor covering and concrete pour depths.
3. All brass, brushed aluminum, and nonmetallic flanges shall be approved for use on wood covered floor applications. Brass and brushed aluminum flanges and cover plates shall have a buffed appearance and be protected with a lacquer finish. Nonmetallic flanges and cover plates shall be provided in a black, brown, or gray finish.
4. The floor box shall be warranted for one year from the date of final acceptance.

## PART 3 - EXECUTION

### 3.1 RACEWAY APPLICATION

- A. Outdoors: Apply raceway products as specified below unless otherwise indicated:
1. Exposed Conduit: GRC.
  2. Concealed Conduit, Aboveground: GRC.
  3. Underground Conduit: Per section 260543.

FIRE STATIONS RENOVATION  
ARLINGTON COUNTY, VIRGINIA  
Architect's Project No: 563006

---

4. Connection to Vibrating Equipment (Including Transformers and Hydraulic, Pneumatic, Electric Solenoid, or Motor-Driven Equipment): LFMC.
  5. Boxes and Enclosures, Aboveground: NEMA 250, Type 3R.
- B. Indoors: Apply raceway products as specified below unless otherwise indicated:
1. Exposed, Not Subject to Physical Damage: EMT.
  2. Exposed, Not Subject to Severe Physical Damage: EMT.
  3. Exposed and Subject to Severe Physical Damage: GRC. Raceway locations include the following:
    - a. Loading dock.
    - b. Corridors used for traffic of mechanized carts, forklifts, and pallet-handling units.
    - c. Mechanical rooms, below 8'.
    - d. Gymnasiums.
  4. Concealed in Ceilings and Interior Walls and Partitions: EMT.
  5. Connection to Vibrating Equipment (Including Transformers and Hydraulic, Pneumatic, Electric Solenoid, or Motor-Driven Equipment): FMC, except use LFMC mechanical and Custodial spaces.
  6. Damp or Wet Locations: GRC.
  7. Boxes and Enclosures: NEMA 250, Type 1, except use NEMA 250, Type 4 stainless steel in kitchens and damp or wet locations.
- C. Minimum Raceway Size: 3/4-inch trade size.
- D. Raceway Fittings: Compatible with raceways and suitable for use and location.
1. Rigid and Intermediate Steel Conduit: Use threaded rigid steel conduit fittings unless otherwise indicated. Comply with NEMA FB 2.10.
  2. PVC Externally Coated, Rigid Steel Conduits: Use only fittings listed for use with this type of conduit. Patch and seal all joints, nicks, and scrapes in PVC coating after installing conduits and fittings. Use sealant recommended by fitting manufacturer and apply in thickness and number of coats recommended by manufacturer.
  3. EMT: Use setscrew or compression, steel fittings. Comply with NEMA FB 2.10.
  4. Flexible Conduit: Use only fittings listed for use with flexible conduit. Comply with NEMA FB 2.20.
- E. Install nonferrous conduit or tubing for circuits operating above 60 Hz. Where aluminum raceways are installed for such circuits and pass through concrete, install in nonmetallic sleeve.
- F. Do not install aluminum conduits, boxes, or fittings in contact with concrete or earth.
- G. surface raceways shall not be installed without prior approval of the Architect.
- H. Do not install nonmetallic conduit where ambient temperature exceeds 120 deg F.

FIRE STATIONS RENOVATION  
ARLINGTON COUNTY, VIRGINIA  
Architect's Project No: 563006

---

### 3.2 INSTALLATION

- A. Comply with NECA 1 and NECA 101 for installation requirements except where requirements on Drawings or in this article are stricter. Comply with NECA 102 for aluminum conduits. Comply with NFPA 70 limitations for types of raceways allowed in specific occupancies and number of floors.
- B. Keep raceways at least 6 inches away from parallel runs of flues and hot-water pipes. Install horizontal raceway runs above water and steam piping.
- C. Complete raceway installation before starting conductor installation.
- D. Comply with requirements in Section 260529 "Hangers and Supports for Electrical Systems" for hangers and supports.
- E. Arrange stub-ups so curved portions of bends are not visible above finished slab.
- F. Install no more than the equivalent of three 90-degree bends in any conduit run except for control wiring conduits, for which fewer bends are allowed. Support within 12 inches of changes in direction. Refer to Division 27 for conduit requirements for telecommunication wiring.
- G. Conceal conduit and EMT within finished walls, ceilings, and floors unless otherwise indicated. Install conduits parallel or perpendicular to building lines.
- H. All conduit to be installed on exterior masonry shall not run continuously within the wall cavity. Exposed conduit shall not be installed without prior approval of the Architect.
- I. Support conduit within 12 inches of enclosures to which attached.
- J. Raceways Embedded in Slabs:
  - 1. Are not permitted, except as required for entry into recessed floor boxes.
  - 2. Conduits run below slab on ground floor level shall be buried within the porous fill and stub-up at the required location. Transition from RNC to RGS with RGS elbow before rising above the floor. After RGS elbow, stub-up conduit shall be type indicated in Part 3.1 above.
  - 3. Where raceways are terminated with threaded hubs, screw raceways or fittings tightly into hub so end bears against wire protection shoulder. Where chase nipples are used, align raceways so coupling is square to box; tighten chase nipple so no threads are exposed.
  - 4. Do not embed threadless fittings in concrete.
  - 5. Change from ENT to GRC before rising above floor.
- K. Stub-ups to Above Recessed Ceilings:
  - 1. Use EMT, IMC, or RMC for raceways.

FIRE STATIONS RENOVATION  
ARLINGTON COUNTY, VIRGINIA  
Architect's Project No: 563006

---

2. Use a conduit bushing or insulated fitting to terminate stub-ups not terminated in hubs or in an enclosure. Refer to Division 27 for telecommunication conduit stub-up requirements.
- L. Threaded Conduit Joints, Exposed to Wet, Damp, Corrosive, or Outdoor Conditions: Apply listed compound to threads of raceway and fittings before making up joints. Follow compound manufacturer's written instructions.
- M. Coat field-cut threads on PVC-coated raceway with a corrosion-preventing conductive compound prior to assembly.
- N. Raceway Terminations at Locations Subject to Moisture or Vibration: Use insulating bushings to protect conductors.
- O. Terminate threaded conduits into insulated throat threaded hubs. Install bushings on conduits up to 1-1/4-inch trade size and insulated throat metal bushings on 1-1/2-inch trade size and larger. Install insulated throat metal grounding bushings on service conduits.
- P. Install raceways square to the enclosure and terminate at enclosures with locknuts. Install locknuts hand tight plus 1/4 turn more.
- Q. Do not rely on locknuts to penetrate nonconductive coatings on enclosures. Remove coatings in the locknut area prior to assembling conduit to enclosure to assure a continuous ground path.
- R. Cut conduit perpendicular to the length. For conduits 2-inch trade size and larger, use roll cutter or a guide to make cut straight and perpendicular to the length.
- S. Install pull wires in empty raceways. Use polypropylene or monofilament plastic line with not less than 200-lb tensile strength. Leave at least 12 inches of slack at each end of pull wire. Cap underground raceways designated as spare above grade alongside raceways in use.
- T. Surface Raceways:
  1. Install surface raceway with a minimum 2-inch radius control at bend points.
  2. Secure surface raceway with screws or other anchor-type devices at intervals not exceeding 48 inches and with no less than two supports per straight raceway section. Support surface raceway according to manufacturer's written instructions. Tape and glue are not acceptable support methods.
  3. Surface Raceways shall not be installed without prior approval outside of Mechanical or Electrical spaces
- U. Install raceway sealing fittings at accessible locations according to NFPA 70 and fill them with listed sealing compound. For concealed raceways, install each fitting in a flush steel box with a blank cover plate having a finish similar to that of adjacent plates or surfaces. Install raceway sealing fittings according to NFPA 70.
- V. Install devices to seal raceway interiors at accessible locations. Locate seals so no fittings or boxes are between the seal and the following changes of environments. Seal the interior of all raceways at the following points:



FIRE STATIONS RENOVATION  
ARLINGTON COUNTY, VIRGINIA  
Architect's Project No: 563006

---

1. Where conduits pass from warm to cold locations, such as boundaries of refrigerated spaces.
  2. Where an underground service raceway enters a building or structure.
  3. Where otherwise required by NFPA 70.
- W. Comply with manufacturer's written instructions for solvent welding RNC and fittings.
- X. Expansion-Joint Fittings:
1. Do not install ENT above ground.
  2. Install type and quantity of fittings that accommodate temperature change listed for each of the following locations:
    - a. Indoor Spaces Connected with Outdoors without Physical Separation: 125 deg F temperature change.
    - b. Attics: 135 deg F temperature change.
  3. Install fitting(s) that provide expansion and contraction for at least 0.00041 inch per foot of length of straight run per deg F of temperature change for PVC conduits. Install fitting(s) that provide expansion and contraction for at least 0.000078 inch per foot of length of straight run per deg F of temperature change for metal conduits.
  4. Install expansion fittings at all locations where conduits cross building or structure expansion joints.
  5. Install each expansion-joint fitting with position, mounting, and piston setting selected according to manufacturer's written instructions for conditions at specific location at time of installation. Install conduit supports to allow for expansion movement.
- Y. Flexible Conduit Connections: Comply with NEMA RV 3. Use a maximum of 72 inches of flexible conduit for recessed and semi-recessed luminaires, equipment subject to vibration, noise transmission, or movement; and for transformers and motors.
1. Use LFMC in damp or wet locations subject to severe physical damage.
  2. Use LFMC or LFNC in damp or wet locations not subject to severe physical damage.
- Z. Mount boxes at heights indicated on Drawings. If mounting heights of boxes are not individually indicated, give priority to ADA requirements and also refer to Architectural elevations. Install boxes with height measured to center of box unless otherwise indicated.
- AA. Recessed Boxes in Masonry Walls: Saw-cut opening for box in masonry block, and install box flush with surface of wall. Prepare block surfaces to provide a flat surface for a tight connection between box and cover plate or supported equipment and box.
- BB. Horizontally separate boxes mounted on opposite sides of walls so they are not in the same vertical channel.
- CC. Locate boxes so that cover or plate will not span different building finishes.
- DD. Support boxes of three gangs or more from more than one side by spanning two framing members or mounting on brackets specifically designed for the purpose.

FIRE STATIONS RENOVATION  
ARLINGTON COUNTY, VIRGINIA  
Architect's Project No: 563006

---

- EE. Fasten junction and pull boxes to or support from building structure. Do not support boxes by conduits.
- FF. Set metal floor boxes level and flush with finished floor surface.
- GG. Where communication outlets and data outlets are shown together on drawings, do not scale drawings to obtain distance between outlets. Locate outlets such that there is no more than 4" between receptacle outlet and communication outlet.

3.3 INSTALLATION OF UNDERGROUND CONDUIT

- A. See Section 260543.

3.4 SLEEVE AND SLEEVE-SEAL INSTALLATION FOR ELECTRICAL PENETRATIONS

- A. Install sleeves and sleeve seals at penetrations of exterior floor and wall assemblies. Comply with requirements in Section 260544 "Sleeves and Sleeve Seals for Electrical Raceways and Cabling."

3.5 FIRESTOPPING

- A. Install firestopping at penetrations of fire-rated floor and wall assemblies. Comply with requirements in Division 07.

3.6 PROTECTION

- A. Protect coatings, finishes, and cabinets from damage and deterioration.
  - 1. Repair damage to galvanized finishes with zinc-rich paint recommended by manufacturer.
  - 2. Repair damage to PVC coatings or paint finishes with matching touchup coating recommended by manufacturer.

END OF SECTION 260533

FIRE STATIONS RENOVATION  
ARLINGTON COUNTY, VIRGINIA  
Architect's Project No: 563006

---

SECTION 260553 - IDENTIFICATION FOR ELECTRICAL SYSTEMS

PART 1 - GENERAL

1.1 RELATED DOCUMENTS

- A. Drawings and general provisions of the Contract, including General and Supplementary Conditions and Division 01 Specification Sections, apply to this Section.

1.2 SUMMARY

- A. Section Includes:
  - 1. Identification for raceways.
  - 2. Identification of power and control cables.
  - 3. Identification for conductors.
  - 4. Underground-line warning tape.
  - 5. Warning labels and signs.
  - 6. Instruction signs.
  - 7. Equipment identification labels.
  - 8. Miscellaneous identification products.

1.3 ACTION SUBMITTALS

- A. Product Data: For each electrical identification product indicated.

1.4 QUALITY ASSURANCE

- A. Comply with ANSI A13.1 and IEEE C2.
- B. Comply with NFPA 70.
- C. Comply with 29 CFR 1910.144 and 29 CFR 1910.145.
- D. Comply with ANSI Z535.4 for safety signs and labels.

1.5 COORDINATION

- A. Coordinate identification names, abbreviations, colors, and other features with requirements in other Sections requiring identification applications, Drawings, Shop Drawings, manufacturer's wiring diagrams, and the Operation and Maintenance Manual; and with those required by codes, standards, and 29 CFR 1910.145. Use consistent designations throughout Project.

FIRE STATIONS RENOVATION  
ARLINGTON COUNTY, VIRGINIA  
Architect's Project No: 563006

---

- B. Coordinate installation of identifying devices with completion of covering and painting of surfaces where devices are to be applied.
- C. Coordinate installation of identifying devices with location of access panels and doors.
- D. Install identifying devices before installing acoustical ceilings and similar concealment.

## PART 2 - PRODUCTS

### 2.1 POWER AND CONTROL RACEWAY IDENTIFICATION MATERIALS

- A. Comply with ANSI A13.1 for minimum size of letters for legend and for minimum length of color field for each raceway size.
- B. Colors for Raceways Carrying Circuits at 600 V or Less:
  - 1. Black letters on an orange field.
  - 2. Legend: Indicate voltage and system or service type.
- C. Colors for Raceways Carrying Circuits at More Than 600 V:
  - 1. Black letters on an orange field.
  - 2. Legend: "DANGER CONCEALED HIGH VOLTAGE WIRING."
- D. Vinyl Labels for Raceways Carrying Circuits at 600 V or Less: Preprinted, flexible label laminated with a clear, weather- and chemical-resistant coating and matching wraparound clear adhesive tape for securing ends of legend label.

### 2.2 POWER AND CONTROL CABLE IDENTIFICATION MATERIALS

- A. Comply with ANSI A13.1 for minimum size of letters for legend and for minimum length of color field for each cable size.
- B. Vinyl Labels: Preprinted, flexible label laminated with a clear, weather- and chemical-resistant coating and matching wraparound clear adhesive tape for securing ends of legend label. Do not use Paper type labels.

### 2.3 FLOOR MARKING TAPE

- A. 2-inch- wide, 5-mil pressure-sensitive vinyl tape, with yellow and black stripes and clear vinyl overlay.

FIRE STATIONS RENOVATION  
ARLINGTON COUNTY, VIRGINIA  
Architect's Project No: 563006

---

2.4 UNDERGROUND-LINE WARNING TAPE

A. Tape:

1. Recommended by manufacturer for the method of installation and suitable to identify and locate underground electrical and communications utility lines.
2. Printing on tape shall be permanent and shall not be damaged by burial operations.
3. Tape material and ink shall be chemically inert, and not subject to degrading when exposed to acids, alkalis, and other destructive substances commonly found in soils.

B. Color and Printing:

1. Comply with ANSI Z535.1 through ANSI Z535.5.
2. Inscriptions for Red-Colored Tapes: ELECTRIC LINE, HIGH VOLTAGE,.
3. Inscriptions for Orange-Colored Tapes: TELEPHONE CABLE, CATV CABLE, COMMUNICATIONS CABLE, OPTICAL FIBER CABLE,.

C. Warning Tape:

1. Detectable three-layer laminate, consisting of a printed pigmented polyolefin film, a solid aluminum-foil core, and a clear protective film that allows inspection of the continuity of the conductive core, bright-colored, continuous-printed on one side with the inscription of the utility, compounded for direct-burial service.
2. Overall Thickness: 5 mils.
3. Foil Core Thickness: 0.35mil.
4. Weight: 28 lb/1000 sq. ft.
5. 3-Inch Tensile According to ASTM D 882: 70 lbf, and 4600 psi.

2.5 WARNING LABELS AND SIGNS

A. Comply with NFPA 70 and 29 CFR 1910.145.

B. Metal-Backed, Butyrate Warning Signs: Weather-resistant, nonfading, preprinted, cellulose-acetate butyrate signs with 0.0396-inch galvanized-steel backing; and with colors, legend, and size required for application. 1/4-inch grommets in corners for mounting. Nominal size, 10 by 14 inches.

1. Warning labels and signs shall include, but are not limited to, the following:
  - a. Multiple Power Source Warning: "DANGER - ELECTRICAL SHOCK HAZARD - EQUIPMENT HAS MULTIPLE POWER SOURCES."
  - b. Workspace Clearance Warning: "WARNING - OSHA REGULATION - AREA IN FRONT OF ELECTRICAL EQUIPMENT MUST BE KEPT CLEAR FOR 36 INCHES"
  - c. Arc Flash Hazard Warning: Refer to Section 260574 for requirements.

FIRE STATIONS RENOVATION  
ARLINGTON COUNTY, VIRGINIA  
Architect's Project No: 563006

---

2.6 INSTRUCTION SIGNS

- A. Engraved, laminated acrylic or melamine plastic, minimum 1/16 inch thick for signs up to 20 sq. inches and 1/8 inch thick for larger sizes.
  - 1. Engraved legend with black letters on white face.
  - 2. Punched or drilled for mechanical fasteners.
  - 3. Framed with mitered acrylic molding and arranged for attachment at applicable equipment.
- B. Adhesive Film Label: Do not use for Instructional Signs

2.7 EQUIPMENT IDENTIFICATION LABELS

- A. Engraved, Laminated Acrylic or Melamine Label: Punched or drilled for screw mounting. White letters on a dark-gray background. Minimum letter height shall be 3/8 inch.

2.8 CABLE TIES

- A. Plenum-Rated Cable Ties: Self extinguishing, UV stabilized, one piece, self locking.
  - 1. Minimum Width: 3/16 inch.
  - 2. Tensile Strength at 73 deg F, According to ASTM D 638: 7000 psi.
  - 3. UL 94 Flame Rating: 94V-0.
  - 4. Temperature Range: Minus 50 to plus 284 deg F.
  - 5. Color: Black.

2.9 MISCELLANEOUS IDENTIFICATION PRODUCTS

- A. Paint: Comply with requirements in painting Sections for paint materials and application requirements. Select paint system applicable for surface material and location (exterior or interior).
- B. Fasteners for Labels and Signs: Self-tapping, stainless-steel screws or stainless-steel machine screws with nuts and flat and lock washers.

PART 3 - EXECUTION

3.1 INSTALLATION

- A. Verify identity of each item before installing identification products.

FIRE STATIONS RENOVATION  
ARLINGTON COUNTY, VIRGINIA  
Architect's Project No: 563006

---

- B. Location: Install identification materials and devices at locations for most convenient viewing without interference with operation and maintenance of equipment.
- C. Apply identification devices to surfaces that require finish after completing finish work.
- D. Self-Adhesive Identification Products: Do not use
- E. Attach signs and plastic labels with mechanical fasteners appropriate to the location and substrate.
- F. System Identification Color-Coding Bands for Raceways and Cables: Each color-coding band shall completely encircle cable or conduit. Place adjacent bands of two-color markings in contact, side by side. Locate bands at changes in direction, at penetrations of walls and floors, at 50-foot maximum intervals in straight runs, and at 25-foot maximum intervals in congested areas.
- G. Aluminum Wraparound Marker Labels and Metal Tags: Secure tight to surface of conductor or cable at a location with high visibility and accessibility.
- H. Cable Ties: For attaching tags. Use Plenum rated, except as listed below:
  - 1. Outdoors: UV-stabilized nylon.
- I. Underground-Line Warning Tape: During backfilling of trenches install continuous underground-line warning tape directly above line at 6 to 8 inches below finished grade. Use multiple tapes where width of multiple lines installed in a common trench or concrete envelope exceeds 16 inches overall.
- J. Painted Identification: Comply with requirements in painting Sections for surface preparation and paint application.

### 3.2 IDENTIFICATION SCHEDULE

- A. Accessible Raceways 600 V or Less, for Service, Feeder, and Branch Circuits: Identify with self-adhesive vinyl label. Install labels at 10-foot maximum intervals.
- B. Accessible Raceways and Cables within Buildings: Identify the covers of each junction and pull box of the following systems with self-adhesive vinyl labels with the wiring system legend and system voltage. System legends shall be as follows:
  - 1. Emergency Power.
  - 2. Standby Power
  - 3. Power.
- C. Power-Circuit Conductor Identification, 600 V or Less: For conductors in vaults, pull and junction boxes, manholes, and handholes, use color-coding conductor tape to identify the phase.

FIRE STATIONS RENOVATION  
ARLINGTON COUNTY, VIRGINIA  
Architect's Project No: 563006

---

1. Color-Coding for Phase and Voltage Level Identification, 600 V or Less: Use colors listed below for ungrounded service feeder and branch-circuit conductors.
  - a. Color shall be factory applied or field applied for sizes larger than No. 8 AWG, if authorities having jurisdiction permit.
  - b. Colors for 208/120-V Circuits:
    - 1) Phase A: Black.
    - 2) Phase B: Red.
    - 3) Phase C: Blue.
    - 4) Grounded (Neutral): White.
    - 5) Ground: Green.
  - c. Colors for 480/277-V Circuits:
    - 1) Phase A: Brown.
    - 2) Phase B: Orange.
    - 3) Phase C: Yellow.
    - 4) Grounded (Neutral): Gray.
    - 5) Ground: Green.
  - d. Field-Applied, Color-Coding Conductor Tape: Apply in half-lapped turns for a minimum distance of 6 inches from terminal points and in boxes where splices or taps are made. Apply last two turns of tape with no tension to prevent possible unwinding. Locate bands to avoid obscuring factory cable markings.
- D. Install instructional sign including the color-code for grounded and ungrounded conductors using adhesive-film-type labels.
- E. Control-Circuit Conductor Identification: For conductors and cables in pull and junction boxes, manholes, and handholes, use self-adhesive, self-laminating polyester labels with the conductor or cable designation, origin, and destination.
- F. Control-Circuit Conductor Termination Identification: For identification at terminations provide heat-shrink preprinted tubes or self-adhesive, self-laminating polyester labels with the conductor designation.
- G. Conductors to Be Extended in the Future: Attach marker tape to conductors and list source.
- H. Auxiliary Electrical Systems Conductor Identification: Identify field-installed alarm, control, and signal connections.
  1. Identify conductors, cables, and terminals in enclosures and at junctions, terminals, and pull points. Identify by system and circuit designation.
  2. Use system of marker tape designations that is uniform and consistent with system used by manufacturer for factory-installed connections.
  3. Coordinate identification with Project Drawings, manufacturer's wiring diagrams, and the Operation and Maintenance Manual.



FIRE STATIONS RENOVATION  
ARLINGTON COUNTY, VIRGINIA  
Architect's Project No: 563006

---

- I. Locations of Underground Lines: Identify with underground-line warning tape for power, lighting, communication, and control wiring and optical fiber cable.
1. Limit use of underground-line warning tape to direct-buried cables.
  2. Install underground-line warning tape for both direct-buried cables and cables in raceway.
- J. Workspace Indication: Install floor marking tape to show working clearances in the direction of access to live parts. Workspace shall be as required by NFPA 70 and 29 CFR 1926.403 unless otherwise indicated. Do not install at flush-mounted panelboards and similar equipment in finished spaces unless otherwise noted.
- K. Warning Labels for Indoor Cabinets, Boxes, and Enclosures for Power and Lighting:
1. Comply with 29 CFR 1910.145.
  2. Identify system voltage with black letters on an orange background.
  3. Apply to exterior of door, cover, or other access.
  4. For equipment with multiple power or control sources, apply to door or cover of equipment including, but not limited to, the following:
    - a. Power transfer switches.
    - b. Controls with external control power connections.
- L. Operating Instruction Signs: Install instruction signs to facilitate proper operation and maintenance of electrical systems and items to which they connect. Install instruction signs with approved legend where instructions are needed for system or equipment operation including but not limited to:
1. Athletic lighting control equipment
  2. Gymnasium lighting control equipment
  3. Transfer switches
  4. Switches associated with bypass of contactors for lighting.
  5. Sound systems
  6. Theatrical Lighting
  7. Common Area/Corridor master lighting control
- M. Emergency Operating Instruction Signs: Install instruction signs with white legend on a red background with minimum 3/8-inch- high letters for emergency instructions at equipment used for power transfer and load shedding.
- N. Equipment Identification Labels: On each unit of equipment, install unique designation label that is consistent with wiring diagrams, schedules, and the Operation and Maintenance Manual. Apply labels to disconnect switches and protection equipment, central or master units, control panels, control stations, terminal cabinets, and racks of each system. Systems include power, lighting, control, communication, signal, monitoring, and alarm systems unless equipment is provided with its own identification.
1. Labeling Instructions:

FIRE STATIONS RENOVATION  
ARLINGTON COUNTY, VIRGINIA  
Architect's Project No: 563006

---

- a. Indoor Equipment: Engraved, laminated acrylic or melamine label. Unless otherwise indicated, provide a single line of text with 1/2-inch- high letters on 1-1/2-inch- high label; where two lines of text are required, use labels 2 inches high.
  - b. Outdoor Equipment: Engraved, laminated acrylic or melamine label.
  - c. Elevated Components: Increase sizes of labels and letters to those appropriate for viewing from the floor.
  - d. Fasten labels with appropriate mechanical fasteners that do not change the NEMA or NRTL rating of the enclosure.
2. Equipment to Be Labeled:
- a. Panelboards: Type written directory of circuits in the location provided by panelboard manufacturer. Panelboard identification shall be laminated acrylic or melamine label.
  - b. Enclosures and electrical cabinets.
  - c. Access doors and panels for concealed electrical items.
  - d. Switchboards.
  - e. Transformers: Label that includes tag designation shown on Drawings for the transformer, feeder, and panelboards or equipment supplied by the secondary.
  - f. Emergency system boxes and enclosures.
  - g. Enclosed switches.
  - h. Enclosed circuit breakers.
  - i. Enclosed controllers.
  - j. Variable-speed controllers.
  - k. Push-button stations.
  - l. Power transfer equipment.
  - m. Contactors.
  - n. Remote-controlled switches, dimmer modules, and control devices.
  - o. Power-generating units.
  - p. Monitoring and control equipment.

O. RISER DIAGRAMS

1. Provide full size laminated as-built riser diagram of electrical system. Mount on wall in main electrical room.
2. Provide full size laminated as-built risers of all vertical cabling of communications systems in the main data room and each IDF closet.

END OF SECTION 260553

FIRE STATIONS RENOVATION  
ARLINGTON COUNTY, VIRGINIA  
Architect's Project No: 563006

---

SECTION 260923 - LIGHTING CONTROL DEVICES

PART 1 - GENERAL

1.1 RELATED DOCUMENTS

- A. Drawings and general provisions of the Contract, including General and Supplementary Conditions and Division 01 Specification Sections, apply to this Section.

1.2 SUMMARY

- A. Section Includes:
  - 1. Time switches.
  - 2. Photoelectric switches.
  - 3. Indoor occupancy sensors.
  - 4. Lighting contactors.
  - 5. Emergency shunt relays.

1.3 ACTION SUBMITTALS

- A. Product Data: For each type of product.
- B. Shop Drawings: Show installation details for occupancy and light-level sensors.
  - 1. Interconnection diagrams showing field-installed wiring.
  - 2. Include diagrams for power, signal, and control wiring.

1.4 INFORMATIONAL SUBMITTALS

- A. Field quality-control reports.

1.5 CLOSEOUT SUBMITTALS

- A. Operation and Maintenance Data: For each type of lighting control device to include in emergency, operation, and maintenance manuals.

FIRE STATIONS RENOVATION  
ARLINGTON COUNTY, VIRGINIA  
Architect's Project No: 563006

---

PART 2 - PRODUCTS

2.1 TIME SWITCHES

- A. Manufacturers: Subject to compliance with requirements, available manufacturers offering products that may be incorporated into the Work include, but are not limited to the following:
1. Cooper Industries, Inc.
  2. Intermatic, Inc.
  3. Leviton Manufacturing Co., Inc.
  4. NSi Industries LLC.
- B. Basis of Design: Tork EWZ101

2.2 OUTDOOR PHOTOELECTRIC SWITCHES

- A. Manufacturers: Subject to compliance with requirements, available manufacturers offering products that may be incorporated into the Work include, but are not limited to the following:
1. Cooper Industries, Inc.
  2. Intermatic, Inc.
  3. NSi Industries LLC.
  4. Tyco Electronics.
- B. Description: Solid state, with SPST dry contacts rated for 1800-VA tungsten or 1000-VA inductive, to operate connected relay, contactor coils, or microprocessor input; complying with UL 773A.
1. Listed and labeled as defined in NFPA 70, by a qualified testing agency, and marked for intended location and application.
  2. Light-Level Monitoring Range: 1.5 to 10 fc, with an adjustment for turn-on and turn-off levels within that range, and a directional lens in front of the photocell to prevent fixed light sources from causing turn-off.
  3. Time Delay: Fifteen second minimum, to prevent false operation.
  4. Surge Protection: Metal-oxide varistor.
  5. Mounting: Twist lock complies with NEMA C136.10, with base-and-stem mounting or stem-and-swivel mounting accessories as required to direct sensor to the north sky exposure.

2.3 INDOOR OCCUPANCY SENSORS

- A. Manufacturers: Subject to compliance with requirements, available manufacturers offering products that may be incorporated into the Work include, but are not limited to the following:
1. Hubbell Building Automation, Inc.

FIRE STATIONS RENOVATION  
ARLINGTON COUNTY, VIRGINIA  
Architect's Project No: 563006

---

2. Leviton Manufacturing Co., Inc.
  3. Lutron Electronics Co., Inc.
  4. Sensor Switch, Inc.
  5. Watt Stopper.
- B. General Requirements for Sensors: Wall- or ceiling-mounted, solid-state indoor occupancy sensors with a separate power pack.
1. Listed and labeled as defined in NFPA 70, by a qualified testing agency, and marked for intended location and application.
  2. Operation: Unless otherwise indicated, turn lights on when coverage area is occupied, and turn them off when unoccupied; with a time delay for turning lights off, adjustable over a minimum range of 1 to 15 minutes.
  3. Sensor Output: Contacts rated to operate the connected relay, complying with UL 773A. Sensor is powered from the power pack.
  4. Power Pack: Dry contacts rated for 20-A ballast load at 120- and 277-V ac, for 13-A tungsten at 120-V ac, and for 1 hp at 120-V ac. Sensor has 24-V dc, 150-mA, Class 2 power source, as defined by NFPA 70.
  5. Mounting:
    - a. Sensor: Suitable for mounting in any position on a standard outlet box.
    - b. Relay: Externally mounted through a 1/2-inch knockout in a standard electrical enclosure.
    - c. Time-Delay and Sensitivity Adjustments: Recessed and concealed behind hinged door.
  6. Indicator: Digital display, to show when motion is detected during testing and normal operation of sensor.
  7. Bypass Switch: Override the "on" function in case of sensor failure.
  8. Automatic Light-Level Sensor: Adjustable from 2 to 200 fc; turn lights off when selected lighting level is present.
- C. Ultrasonic Type: Ceiling mounted; detect occupants in coverage area through pattern changes of reflected ultrasonic energy. Basis of Design Wattstopper WT 2255
1. Detector Sensitivity: Detect a person of average size and weight moving not less than 12 inches in either a horizontal or a vertical manner at an approximate speed of 12 inches/s. Detection Coverage (Corridor): Detect occupancy anywhere within 90 feet when mounted on a 10-foot- high ceiling in a corridor not wider than 14 feet.
- D. Dual-Technology Type: Wattstopper Ceiling mounted; detect occupants in coverage area using PIR and ultrasonic detection methods. The particular technology or combination of technologies that control on-off functions is selectable in the field by operating controls on unit.
1. Sensitivity Adjustment: Separate for each sensing technology.
  2. Detector Sensitivity: Detect occurrences of 6-inch- minimum movement of any portion of a human body that presents a target of not less than 36 sq. in., and detect a person of average size and weight moving not less than 12 inches in either a horizontal or a vertical manner at an approximate speed of 12 inches/s.
  3. Detection Coverage:

FIRE STATIONS RENOVATION  
ARLINGTON COUNTY, VIRGINIA  
Architect's Project No: 563006

---

- a. Standard Height Units:(WattStopper DT-355 Basis of design) In areas that have ceiling heights of 12 feet or lower, provide Watt Stopper unit DT-300 (or approved equal): Detect occupancy anywhere within a circular area up to 2000 square feet. Detectors shall be networkable to allow coverage of larger or irregularly shaped areas.
- b. High Ceiling Units:(WattStopper HB3x0 Basis of design) In areas that have ceiling/mounting height over 12 feet up to 40 foot mounting including but not limited to Gymnasium, Auditorium, Cafeteria (commons) and forum spaces, provide Watt Stopper unit HB3x0 with L4 lens, or approved equal. Detect occupancy anywhere within a circular area up to 3500 square feet. Detectors shall be networkable to allow coverage of larger or irregularly shaped areas.

#### 2.4 SWITCHBOX-MOUNTED OCCUPANCY SENSORS

- A. Manufacturers: Subject to compliance with requirements, available manufacturers offering products that may be incorporated into the Work include, but are not limited to the following:
  1. Hubbell Building Automation, Inc.
  2. Leviton Manufacturing Co., Inc.
  3. Lutron Electronics Co., Inc.
  4. Sensor Switch, Inc.
  5. Watt Stopper.
- B. General Requirements for Sensors: Automatic-wall-switch occupancy sensor, suitable for mounting in a single gang switchbox.
  1. Listed and labeled as defined in NFPA 70, by a qualified testing agency, and marked for intended location and application.
  2. Operating Ambient Conditions: Dry interior conditions, 32 to 120 deg F.
- C. Wall-Switch Sensor Tag OS Wattstopper DW-100(basis of design):
  1. Standard Range: 180-degree field of view, field adjustable from 180 to 40 degrees; with a minimum coverage area of 900 sq. ft..
  2. Sensing Technology: Dual technology - PIR and ultrasonic.
  3. Switch Type: SP, field selectable automatic "on," or manual "on" automatic "off."
  4. Voltage: Dual voltage, 120 and 277 V; dual-technology type.
  5. Ambient-Light Override: Concealed, field-adjustable, light-level sensor from 10 to 150 fc. The switch prevents the lights from turning on when the light level is higher than the set point of the sensor.
  6. Concealed, field-adjustable, "off" time-delay selector at up to 30 minutes.
  7. Adaptive Technology: Self-adjusting circuitry detects and memorizes usage patterns of the space and helps eliminate false "off" switching.

#### 2.5 LIGHTING CONTACTORS

- A. Manufacturers: Subject to compliance with requirements, available manufacturers offering products that may be incorporated into the Work include, but are not limited to the following:

FIRE STATIONS RENOVATION  
ARLINGTON COUNTY, VIRGINIA  
Architect's Project No: 563006

---

1. Allen-Bradley/Rockwell Automation.
2. ASCO Power Technologies, LP.
3. Eaton corp
4. Square D.
5. Siemens

- B. Description: Electrically operated and mechanically held, combination-type lighting contactors with nonfused disconnect, and Hand off auto switch complying with NEMA ICS 2 and UL 508.
1. Fault Current Withstand Rating: Equal to or exceeding the available fault current at the point of installation.
  2. Enclosure: Comply with NEMA 250.
  3. Provide with control and pilot devices as indicated on Drawings, matching the NEMA type specified for the enclosure.

## 2.6 EMERGENCY POWER DIMMER CONTROL

- A. Manufacturers: Subject to compliance with requirements, available manufacturers offering products that may be incorporated into the Work include, but are not limited to the following:
1. LVS Model EPC-1-D
  2. Non-Dimming Bodine GTD

## PART 3 - EXECUTION

### 3.1 SENSOR INSTALLATION

- A. Coordinate layout and installation of ceiling-mounted devices with other construction that penetrates ceilings or is supported by them, including light fixtures, HVAC equipment, smoke detectors, fire-suppression systems, and partition assemblies.
- B. Install and aim sensors in locations to achieve not less than 90 percent coverage of areas indicated. Do not exceed coverage limits specified in manufacturer's written instructions.
- C. Provide types in locations according to list below
1. Corridors – Wattstopper WT-2255
  2. Classrooms – Wattstopper DT-355
  3. Classrooms (wireless indicated) Complete Radio Powr Savr system for two zone, 0-10v dimming and wall mounted occupancy detection. Provide three (3) PJ2-2BRL-WG-LO1 with wall mount. Program 1 switch for all on/off program two switches on/off/raise/lower for each zone.
  4. High ceiling areas Wattstopper H3x0-lx as required for application.

FIRE STATIONS RENOVATION  
ARLINGTON COUNTY, VIRGINIA  
Architect's Project No: 563006

---

3.2 CONTACTOR INSTALLATION

- A. Mount electrically held lighting contactors with elastomeric isolator pads to eliminate structure-borne vibration, unless contactors are installed in an enclosure with factory-installed vibration isolators.

3.3 WIRING INSTALLATION

- A. Wiring Method: Comply with Section 260519 "Low-Voltage Electrical Power Conductors and Cables." Minimum conduit size is 1/2 inch.
- B. Wiring within Enclosures: Comply with NECA 1. Separate power-limited and non-power-limited conductors according to conductor manufacturer's written instructions.
- C. Size conductors according to lighting control device manufacturer's written instructions unless otherwise indicated.
- D. Splices, Taps, and Terminations: Make connections only on numbered terminal strips in junction, pull, and outlet boxes; terminal cabinets; and equipment enclosures.

3.4 IDENTIFICATION

- A. Identify components and power and control wiring according to Section 260553 "Identification for Electrical Systems."
  - 1. Identify controlled circuits in lighting contactors.
  - 2. Identify circuits or luminaries controlled by photoelectric and occupancy sensors at each sensor.
- B. Label time switches and contactors with a unique designation.

3.5 FIELD QUALITY CONTROL

- A. Perform the following tests and inspections:
  - 1. Operational Test: After installing time switches and sensors, and after electrical circuitry has been energized, start units to confirm proper unit operation.
  - 2. Test and adjust controls and safeties. Replace damaged and malfunctioning controls and equipment.
- B. Lighting control devices will be considered defective if they do not pass tests and inspections.
- C. Prepare test and inspection reports.



FIRE STATIONS RENOVATION  
ARLINGTON COUNTY, VIRGINIA  
Architect's Project No: 563006

---

3.6 ADJUSTING

- A. Occupancy Adjustments: When requested within 12 months from date of Substantial Completion, provide on-site assistance in adjusting sensors to suit actual occupied conditions. Provide up to four visits to Project during other-than-normal occupancy hours for this purpose.
  - 1. For occupancy and motion sensors, verify operation at outer limits of detector range. Set time delay to suit Owner's operations.
  - 2. For daylighting controls, adjust set points and deadband controls to suit Owner's operations.
  - 3. Align high-bay occupancy sensors using manufacturer's laser aiming tool.

3.7 DEMONSTRATION

- A. Coordinate demonstration of products specified in this Section with demonstration requirements for low-voltage, programmable lighting control systems specified.
- B. Train Owner's maintenance personnel to adjust, operate, and maintain lighting control devices.

END OF SECTION 260923

FIRE STATIONS RENOVATION  
ARLINGTON COUNTY, VIRGINIA  
Architect's Project No: 563006

---

SECTION 262726 - WIRING DEVICES

PART 1 - GENERAL

1.1 RELATED DOCUMENTS

- A. Drawings and general provisions of the Contract, including General and Supplementary Conditions and Division 01 Specification Sections, apply to this Section.

1.2 SUMMARY

A. Section Includes:

1. Receptacles, receptacles with integral GFCI, and associated device plates.
2. Twist-locking receptacles.
3. Tamper-resistant receptacles.
4. Weather-resistant receptacles.
5. Snap switches and wall-box dimmers.
6. Pendant cord-connector devices.
7. Cord and plug sets.
8. Poke-through assemblies

1.3 DEFINITIONS

- A. EMI: Electromagnetic interference.
- B. GFCI: Ground-fault circuit interrupter.
- C. Pigtail: Short lead used to connect a device to a branch-circuit conductor.
- D. RFI: Radio-frequency interference.

1.4 ADMINISTRATIVE REQUIREMENTS

A. Coordination:

1. Receptacles for Owner-Furnished Equipment: Match plug configurations.
2. Cord and Plug Sets: Match equipment requirements.

1.5 ACTION SUBMITTALS

- A. Product Data: For each type of product.

FIRE STATIONS RENOVATION  
ARLINGTON COUNTY, VIRGINIA  
Architect's Project No: 563006

---

- B. Shop Drawings: List of legends and description of materials and process used for pre-marking wall plates.

1.6 INFORMATIONAL SUBMITTALS

- A. Field quality-control reports.

1.7 CLOSEOUT SUBMITTALS

- A. Operation and Maintenance Data: For wiring devices to include in all manufacturers' packing-label warnings and instruction manuals that include labeling conditions.

PART 2 - PRODUCTS

2.1 MANUFACTURERS

- A. Source Limitations: Obtain each type of wiring device and associated wall plate from single source from single manufacturer.

2.2 GENERAL WIRING-DEVICE REQUIREMENTS

- A. Wiring Devices, Components, and Accessories: Listed and labeled as defined in NFPA 70, by a qualified testing agency, and marked for intended location and application.
- B. Comply with NFPA 70.

2.3 STRAIGHT-BLADE RECEPTACLES

- A. Convenience Receptacles, 125 V, 20 A: Comply with NEMA WD 1, NEMA WD 6 Configuration 5-20R, UL 498, and FS W-C-596.
  - 1. Manufacturers: Subject to compliance with requirements, available manufacturers offering products that may be incorporated into the Work include, but are not limited to the following:
    - a. Cooper Wiring Devices, Inc.
    - b. Hubbell.
    - c. Leviton Manufacturing Co., Inc.
    - d. Pass & Seymour/Legrand (Pass & Seymour).
- B. Tamper-Resistant Convenience Receptacles, 125 V, 20 A: Comply with NEMA WD 1, NEMA WD 6 Configuration 5-20R, UL 498 Supplement sd, and FS W-C-596.

FIRE STATIONS RENOVATION  
ARLINGTON COUNTY, VIRGINIA  
Architect's Project No: 563006

---

1. Manufacturers: Subject to compliance with requirements, available manufacturers offering products that may be incorporated into the Work include, but are not limited to the following:
  - a. Cooper Wiring Devices, Inc.
  - b. Hubbell Premise Wiring.
  - c. Leviton Manufacturing Co., Inc.
  - d. Pass & Seymour/Legrand (Pass & Seymour).
2. Description: Labeled shall comply with NFPA 70, "Health Care Facilities" Article, "Pediatric Locations" Section.

#### 2.4 GFCI RECEPTACLES

##### A. General Description:

1. Straight blade, non-feed-through type.
2. Comply with NEMA WD 1, NEMA WD 6, UL 498, UL 943 Class A, and FS W-C-596.
3. Include indicator light that shows when the GFCI has malfunctioned and no longer provides proper GFCI protection.

##### B. Duplex GFCI Convenience Receptacles, 125 V, 20 A:

1. Manufacturers: Subject to compliance with requirements, available manufacturers offering products that may be incorporated into the Work include, but are not limited to the following:
  - a. Cooper Wiring Devices, Inc.
  - b. Hubbell.
  - c. Leviton Manufacturing Co., Inc.
  - d. Pass & Seymour/Legrand (Pass & Seymour).

#### 2.5 HAZARDOUS (CLASSIFIED) LOCATION RECEPTACLES

##### A. Wiring Devices for Hazardous (Classified) Locations: Comply with NEMA FB 11 and UL 1010.

1. Manufacturers: Subject to compliance with requirements, available manufacturers offering products that may be incorporated into the Work include, but are not limited to the following:
  - a. Cooper Wiring Devices, Inc.
  - b. EGS/Appleton Electric.
  - c. Killark.

FIRE STATIONS RENOVATION  
ARLINGTON COUNTY, VIRGINIA  
Architect's Project No: 563006

---

2.6 TWIST-LOCKING RECEPTACLES

- A. Single Convenience Receptacles, 125 V, 20 A: Comply with NEMA WD 1, NEMA WD 6 Configurations as required, and UL 498.
1. Manufacturers: Subject to compliance with requirements, available manufacturers offering products that may be incorporated into the Work include, but are not limited to the following:
    - a. Cooper Wiring Devices, Inc.
    - b. Hubbell.
    - c. Leviton Manufacturing Co., Inc.
    - d. Pass & Seymour/Legrand (Pass & Seymour).

2.7 PENDANT CORD-CONNECTOR DEVICES

- A. Description:
1. Matching, locking-type plug and receptacle body connector.
  2. NEMA WD 6 Configurations as required, heavy-duty grade, and FS W-C-596.
  3. Body: Nylon, with screw-open, cable-gripping jaws and provision for attaching external cable grip.

2.8 CORD AND PLUG SETS

- A. Description:
1. Match voltage and current ratings and number of conductors to requirements of equipment being connected.
  2. Cord: Rubber-insulated, stranded-copper conductors, with Type SOW-A jacket; with green-insulated grounding conductor and ampacity of at least 130 percent of the equipment rating.
  3. Plug: Nylon body and integral cable-clamping jaws. Match cord and receptacle type for connection.

2.9 TOGGLE SWITCHES

- A. Comply with NEMA WD 1, UL 20, and FS W-S-896.
- B. Switches, 120/277 V, 20 A:
1. Products: Subject to compliance with requirements, available products that may be incorporated into the Work include, but are not limited to, the following:
    - a. Single Pole:

FIRE STATIONS RENOVATION  
ARLINGTON COUNTY, VIRGINIA  
Architect's Project No: 563006

---

- 1) Cooper; AH1221.
- 2) Hubbell; HBL1221.
- 3) Leviton; 1221-2.
- 4) Pass & Seymour; CSB20AC1.

b. Two Pole:

- 1) Cooper; AH1222.
- 2) Hubbell; HBL1222.
- 3) Leviton; 1222-2.
- 4) Pass & Seymour; CSB20AC2.

c. Three Way:

- 1) Cooper; AH1223.
- 2) Hubbell; HBL1223.
- 3) Leviton; 1223-2.
- 4) Pass & Seymour; CSB20AC3.

d. Four Way:

- 1) Cooper; AH1224.
- 2) Hubbell; HBL1224.
- 3) Leviton; 1224-2.
- 4) Pass & Seymour; CSB20AC4.

C. Pilot-Light Switches, 20 A:

1. Manufacturers: Subject to compliance with requirements, available manufacturers offering products that may be incorporated into the Work include, but are not limited to the following:
  - a. Cooper Wiring Devices, Inc.
  - b. Hubbell.
  - c. Leviton Manufacturing Co., Inc.
  - d. Pass & Seymour/Legrand (Pass & Seymour).
2. Description: Single pole, with neon-lighted handle, illuminated when switch is "off."

D. Key-Operated Switches, 120/277 V, 20 A:

1. Manufacturers: Subject to compliance with requirements, available manufacturers offering products that may be incorporated into the Work include, but are not limited to the following:
  - a. Cooper Wiring Devices, Inc.
  - b. Hubbell.
  - c. Leviton Manufacturing Co., Inc.
  - d. Pass & Seymour/Legrand (Pass & Seymour).

FIRE STATIONS RENOVATION  
ARLINGTON COUNTY, VIRGINIA  
Architect's Project No: 563006

---

2. Description: Single pole, with factory-supplied key in lieu of switch handle.
- E. Single-Pole, Double-Throw, Momentary-Contact, Center-off Switches: 120/277 V, 20 A; for use with mechanically held lighting contactors.
1. Manufacturers: Subject to compliance with requirements, available manufacturers offering products that may be incorporated into the Work include, but are not limited to the following:
    - a. Cooper Wiring Devices, Inc.
    - b. Hubbell.
    - c. Leviton Manufacturing Co., Inc.
    - d. Pass & Seymour/Legrand (Pass & Seymour).
- F. Key-Operated, Single-Pole, Double-Throw, Momentary-Contact, Center-off Switches: 120/277 V, 20 A; for use with mechanically held lighting contactors, with factory-supplied key in lieu of switch handle.
1. Manufacturers: Subject to compliance with requirements, available manufacturers offering products that may be incorporated into the Work include, but are not limited to the following:
    - a. Cooper Wiring Devices, Inc.
    - b. Hubbell.
    - c. Leviton Manufacturing Co., Inc.
    - d. Pass & Seymour/Legrand (Pass & Seymour).
- 2.10 WALL-BOX DIMMERS
- A. Dimmer Switches: Lutron Nova T NTSTV-DV up to 8A utilize power packs for larger loads. 0-10V.
  - B. Control: Continuously adjustable slider; with single-pole or three-way switching. Comply with UL 1472.
- 2.11 WALL PLATES
- A. Single and combination types shall match corresponding wiring devices.
    1. Plate-Securing Screws: Metal with head color to match plate finish.
    2. Material for Finished Spaces: 0.035-inch- thick, satin-finished, Type 302 stainless steel
    3. At locations where switches or outlets penetrate wall mirrors, provide glass mirror finish wall plates.
  - B. Wet-Location, Weatherproof Cover Plates: NEMA 250, complying with Type 3R, weather-resistant, die-cast aluminum with lockable cover.

FIRE STATIONS RENOVATION  
ARLINGTON COUNTY, VIRGINIA  
Architect's Project No: 563006

---

2.12 POKE-THROUGH ASSEMBLIES

- A. Manufacturers: Subject to compliance with requirements, available manufacturers offering products that may be incorporated into the Work include, but are not limited to the following:
  - 1. Hubbell.
  - 2. Mono Systems, inc
  - 3. Wiremold / Legrand.
- B. Description:  
Refer to detail on drawing.

2.13 FINISHES

- A. Device Color:
  - 1. Wiring Devices Connected to Normal and Emergency Power System: As selected by Architect from standard offering unless otherwise indicated or required by NFPA 70 or device listing.
  - 2. Wiring Devices Connected to Emergency Power System:
- B. Wall Plate Color: Stainless Steel

PART 3 - EXECUTION

3.1 INSTALLATION

- A. Comply with NECA 1, including mounting heights listed in that standard, unless otherwise indicated.
- B. Coordination with Other Trades:
  - 1. Protect installed devices and their boxes. Do not place wall finish materials over device boxes and do not cut holes for boxes with routers that are guided by riding against outside of boxes.
  - 2. Keep outlet boxes free of plaster, drywall joint compound, mortar, cement, concrete, dust, paint, and other material that may contaminate the raceway system, conductors, and cables.
  - 3. Install device boxes in brick or block walls so that the cover plate does not cross a joint unless the joint is troweled flush with the face of the wall.
  - 4. Install wiring devices after all wall preparation, including painting, is complete.
- C. Conductors:



FIRE STATIONS RENOVATION  
ARLINGTON COUNTY, VIRGINIA  
Architect's Project No: 563006

---

1. Do not strip insulation from conductors until right before they are spliced or terminated on devices.
2. Strip insulation evenly around the conductor using tools designed for the purpose. Avoid scoring or nicking of solid wire or cutting strands from stranded wire.
3. The length of free conductors at outlets for devices shall meet provisions of NFPA 70, Article 300, without pigtails.

D. Device Installation:

1. Replace devices that have been in temporary use during construction and that were installed before building finishing operations were complete.
2. Keep each wiring device in its package or otherwise protected until it is time to connect conductors.
3. Do not remove surface protection, such as plastic film and smudge covers, until the last possible moment.
4. Connect devices to branch circuits using pigtails that are not less than 6 inches in length.
5. Use side wiring with binding-head screw terminals. Wrap solid conductor tightly clockwise, two-thirds to three-fourths of the way around terminal screw. Provide hook terminals on stranded wiring
6. Use a torque screwdriver when a torque is recommended or required by manufacturer.
7. When conductors larger than No. 12 AWG are installed on 15- or 20-A circuits, splice No. 12 AWG pigtails for device connections.
8. Tighten unused terminal screws on the device.
9. When mounting into metal boxes, remove the fiber or plastic washers used to hold device-mounting screws in yokes, allowing metal-to-metal contact.

E. Receptacle Orientation:

1. Install ground pin of vertically mounted receptacles down (confirm with Owner), and on horizontally mounted receptacles to the right.

F. Device Plates: Do not use oversized or extra-deep plates. Repair wall finishes and remount outlet boxes when standard device plates do not fit flush or do not cover rough wall opening.

G. Dimmers:

1. Install dimmers within terms of their listing.
2. Install unshared neutral conductors on line and load side of dimmers according to manufacturers' device listing conditions in the written instructions.

H. Arrangement of Devices: Unless otherwise indicated, mount flush, with long dimension vertical and with grounding terminal of receptacles on top. Group adjacent switches under single, multigang wall plates.

I. Adjust locations of floor service outlets and service poles to suit arrangement of partitions and furnishings.

J. Locate adjacent Data Outlets and Power outlets with no more than 4" between device covers.

FIRE STATIONS RENOVATION  
ARLINGTON COUNTY, VIRGINIA  
Architect's Project No: 563006

---

3.2 GFCI RECEPTACLES

- A. Install non-feed-through-type GFCI receptacles in each location called for on the drawings and any additional location required by the NEC.

3.3 IDENTIFICATION

- A. Comply with Section 260553 "Identification for Electrical Systems."
- B. Identify each receptacle with panelboard identification and circuit number. Use hot, stamped, or engraved machine printing with black-filled lettering on face of plate, and durable wire markers or tags inside outlet boxes.

3.4 POKE-THRU DEVICES

- A. Unit shall permit all wiring to be completed at floor level. The 6AT units shall mount in a 6" cored hole, actual 6 1/16" core hole. Use is defined by the UL Fire Resistance Directory as a minimum spacing of "2 ft. on center and not more than one device per each 65 sq. ft. of floor area in each span.
- B. Installation shall be completed by pushing unit down into the cored hole. Prior to and during installation, refer to system layout and/or approval drawings. Installer shall comply with detailed manufacturer's instruction sheet included with each device. The unit shall contain a retainer for securing the device in the slab, as well as the necessary intumescent material to seal the cored hole under fire conditions.
- C. Unit shall provide all accessories to accommodate devices indicated on E4.3.

3.5 FIELD QUALITY CONTROL

- A. Perform the following tests and inspections:
  - 1. Test Instruments: Use instruments that comply with UL 1436.
- B. Tests for Convenience Receptacles:
  - 1. Line Voltage: Acceptable range is 105 to 132 V.
  - 2. Percent Voltage Drop under 15-A Load: A value of 6 percent or higher is unacceptable.
  - 3. Ground Impedance: Values of up to 2 ohms are acceptable.
  - 4. GFCI Trip: Test for tripping values specified in UL 1436 and UL 943.
  - 5. Using the test plug, verify that the device and its outlet box are securely mounted.
  - 6. Tests shall be diagnostic, indicating damaged conductors, high resistance at the circuit breaker, poor connections, inadequate fault current path, defective devices, or similar problems. Correct circuit conditions, remove malfunctioning units and replace with new ones, and retest as specified above.

FIRE STATIONS RENOVATION  
ARLINGTON COUNTY, VIRGINIA  
Architect's Project No: 563006

---

- C. Test straight-blade for the retention force of the grounding blade according to NFPA 99. Retention force shall be not less than 4 oz.
- D. Wiring device will be considered defective if it does not pass tests and inspections.
- E. Prepare test and inspection reports.

END OF SECTION 262726

FIRE STATIONS RENOVATION  
ARLINGTON COUNTY, VIRGINIA  
Architect's Project No: 563006

---

SECTION 262813 - FUSES

PART 1 - GENERAL

1.1 RELATED DOCUMENTS

- A. Drawings and general provisions of the Contract, including General and Supplementary Conditions and Division 01 Specification Sections, apply to this Section.

1.2 SUMMARY

- A. Section Includes:

1. Cartridge fuses rated 600 V ac and less for use in the following:
  - a. Control circuits.
  - b. Enclosed controllers.
  - c. Enclosed switches.

1.3 ACTION SUBMITTALS

- A. Product Data: For each type of product. Include construction details, material descriptions, dimensions of individual components and profiles, and finishes for spare-fuse cabinets. Include the following for each fuse type indicated:

1. Ambient Temperature Adjustment Information: If ratings of fuses have been adjusted to accommodate ambient temperatures, provide list of fuses with adjusted ratings.
  - a. For each fuse having adjusted ratings, include location of fuse, original fuse rating, local ambient temperature, and adjusted fuse rating.
  - b. Provide manufacturer's technical data on which ambient temperature adjustment calculations are based.
2. Dimensions and manufacturer's technical data on features, performance, electrical characteristics, and ratings.
3. Current-limitation curves for fuses with current-limiting characteristics.
4. Time-current coordination curves (average melt) and current-limitation curves (instantaneous peak let-through current) for each type and rating of fuse. Submit in electronic format suitable for use in coordination software and in PDF format.
5. Coordination charts and tables and related data.
6. Fuse sizes for elevator feeders and elevator disconnect switches.

1.4 CLOSEOUT SUBMITTALS

- A. Operation and Maintenance Data: For fuses to include in emergency, operation, and maintenance manuals. In addition to items specified in Section 017823 "Operation and Maintenance Data," include the following:

FIRE STATIONS RENOVATION  
ARLINGTON COUNTY, VIRGINIA  
Architect's Project No: 563006

---

1. Ambient temperature adjustment information.
2. Current-limitation curves for fuses with current-limiting characteristics.
3. Time-current coordination curves (average melt) and current-limitation curves (instantaneous peak let-through current) for each type and rating of fuse used on the Project. Submit in electronic format suitable for use in coordination software and in PDF format.
4. Coordination charts and tables and related data.

1.5 FIELD CONDITIONS

- A. Where ambient temperature to which fuses are directly exposed is less than 40 deg F or more than 100 deg F, apply manufacturer's ambient temperature adjustment factors to fuse ratings.

PART 2 - PRODUCTS

2.1 MANUFACTURERS

- A. Manufacturers: Subject to compliance with requirements, available manufacturers offering products that may be incorporated into the Work include, but are not limited to the following:
  1. Cooper Bussmann; a division of Cooper Industries.
  2. Littelfuse, Inc.
- B. Source Limitations: Obtain fuses, for use within a specific product or circuit, from single source from single manufacturer.

2.2 CARTRIDGE FUSES

- A. Characteristics: NEMA FU 1, current-limiting, nonrenewable cartridge fuses with voltage ratings consistent with circuit voltages.
  1. Type RK-1: 600-V, zero- to 600-A rating, 200 kAIC, time delay.
  2. Type CC: 600-V, zero- to 30-A rating, 200 kAIC , time delay.
  3. Type J: 600-V, zero- to 600-A rating, 200 kAIC.
  4. Type L: 600-V, 601- to 6000-A rating, 200 kAIC, time delay.
- B. Electrical Components, Devices, and Accessories: Listed and labeled as defined in NFPA 70, by a qualified testing agency, and marked for intended location and application.
- C. Comply with NEMA FU 1 for cartridge fuses.
- D. Comply with NFPA 70.
- E. Coordinate fuse ratings with utilization equipment nameplate limitations of maximum fuse size and with system short-circuit current levels.

FIRE STATIONS RENOVATION  
ARLINGTON COUNTY, VIRGINIA  
Architect's Project No: 563006

---

PART 3 - EXECUTION

3.1 EXAMINATION

- A. Examine fuses before installation. Reject fuses that are moisture damaged or physically damaged.
- B. Examine holders to receive fuses for compliance with installation tolerances and other conditions affecting performance, such as rejection features.
- C. Examine utilization equipment nameplates and installation instructions. Install fuses of sizes and with characteristics appropriate for each piece of equipment.
- D. Evaluate ambient temperatures to determine if fuse rating adjustment factors must be applied to fuse ratings.
- E. Proceed with installation only after unsatisfactory conditions have been corrected.

3.2 FUSE APPLICATIONS

- A. Cartridge Fuses:
  - 1. Feeders: Class RK1, time delay.
  - 2. Motor Branch Circuits: Class RK5, time delay.
  - 3. Large Motor Branch (601-4000 A): Class L, time delay.
  - 4. Power Electronics Circuits: Class J, high speed.
  - 5. Other Branch Circuits: Class RK1, time delay.
  - 6. Control Transformer Circuits: Class CC, time delay, control transformer duty.
  - 7. Provide open-fuse indicator fuses or fuse covers with open fuse indication.

3.3 INSTALLATION

- A. Install fuses in fusible devices. Arrange fuses so rating information is readable without removing fuse.

3.4 IDENTIFICATION

- A. Install labels complying with requirements for identification specified in Section 260553 "Identification for Electrical Systems" and indicating fuse replacement information inside of door of each fused switch and adjacent to each fuse block, socket, and holder.

END OF SECTION 262813

FIRE STATIONS RENOVATION  
ARLINGTON COUNTY, VIRGINIA  
Architect's Project No: 563006

---

SECTION 262816 - ENCLOSED SWITCHES AND CIRCUIT BREAKERS

PART 1 - GENERAL

1.1 RELATED DOCUMENTS

- A. Drawings and general provisions of the Contract, including General and Supplementary Conditions and other Division 01 Specification Sections, apply to this Section.

1.2 SUMMARY

- A. Section Includes:
  - 1. Fusible switches.
  - 2. Nonfusible switches.
  - 3. Shunt trip switches.
  - 4. Molded-case circuit breakers (MCCBs).
  - 5. Enclosures.

1.3 DEFINITIONS

- A. NC: Normally closed.
- B. NO: Normally open.
- C. SPDT: Single pole, double throw.

1.4 ACTION SUBMITTALS

- A. Product Data: For each type of enclosed switch, circuit breaker, accessory, and component indicated. Include dimensioned elevations, sections, weights, and manufacturers' technical data on features, performance, electrical characteristics, ratings, accessories, and finishes.
  - 1. Enclosure types and details for types other than NEMA 250, Type 1.
  - 2. Current and voltage ratings.
  - 3. Short-circuit current ratings (interrupting and withstand, as appropriate).
  - 4. Include evidence of NRTL listing for series rating of installed devices.
  - 5. Detail features, characteristics, ratings, and factory settings of individual overcurrent protective devices, accessories, and auxiliary components.
  - 6. Include time-current coordination curves (average melt) for each type and rating of overcurrent protective device; include selectable ranges for each type of overcurrent protective device.
- B. Shop Drawings: For enclosed switches and circuit breakers. Include plans, elevations, sections, details, and attachments to other work.

FIRE STATIONS RENOVATION  
ARLINGTON COUNTY, VIRGINIA  
Architect's Project No: 563006

---

1. Wiring Diagrams: For power, signal, and control wiring.

1.5 INFORMATIONAL SUBMITTALS

- A. Field quality-control reports.
  1. Test procedures used.
  2. Test results that comply with requirements.
  3. Results of failed tests and corrective action taken to achieve test results that comply with requirements.
- B. Manufacturer's field service report.

1.6 CLOSEOUT SUBMITTALS

- A. Operation and Maintenance Data: For enclosed switches and circuit breakers to include in emergency, operation, and maintenance manuals. In addition to items specified in Section 017823 "Operation and Maintenance Data," include the following:
  1. Manufacturer's written instructions for testing and adjusting enclosed switches and circuit breakers.
  2. Time-current coordination curves (average melt) for each type and rating of overcurrent protective device; include selectable ranges for each type of overcurrent protective device.

1.7 QUALITY ASSURANCE

- A. Source Limitations: Obtain enclosed switches and circuit breakers, overcurrent protective devices, components, and accessories, within same product category, from single source from single manufacturer.
- B. Product Selection for Restricted Space: Drawings indicate maximum dimensions for enclosed switches and circuit breakers, including clearances between enclosures, and adjacent surfaces and other items. Comply with indicated maximum dimensions.
- C. Electrical Components, Devices, and Accessories: Listed and labeled as defined in NFPA 70, by a qualified testing agency, and marked for intended location and application.
- D. Comply with NFPA 70.

1.8 PROJECT CONDITIONS

- A. Environmental Limitations: Rate equipment for continuous operation under the following conditions unless otherwise indicated:



FIRE STATIONS RENOVATION  
ARLINGTON COUNTY, VIRGINIA  
Architect's Project No: 563006

---

1. Ambient Temperature: Not less than minus 22 deg F and not exceeding 104 deg F.
2. Altitude: Not exceeding 6600 feet.

1.9 COORDINATION

- A. Coordinate layout and installation of switches, circuit breakers, and components with equipment served and adjacent surfaces. Maintain required workspace clearances and required clearances for equipment access doors and panels.

PART 2 - PRODUCTS

- 2.1 All panelboards, switchboards, circuit breakers, dry type transformers and disconnect switches shall be of the same manufacturer.

2.2 FUSIBLE SWITCHES

- A. Manufacturers: Subject to compliance with requirements, available manufacturers offering products that may be incorporated into the Work include, but are not limited to the following:
  1. Eaton Electrical Sector; Eaton Corporation.
  2. Siemens Industry, Inc.
  3. Square D.
- B. Type HD, Heavy Duty, Single Throw, 600-V ac, 1200 A and Smaller: UL 98 and NEMA KS 1, horsepower rated, with clips or bolt pads to accommodate specified fuses, lockable handle with capability to accept three padlocks, and interlocked with cover in closed position.
- C. Type HD, Heavy Duty, Double Throw, 600-V ac, 1200 A and Smaller: UL 98 and NEMA KS 1, horsepower rated, with clips or bolt pads to accommodate specified fuses, lockable handle with capability to accept three padlocks, and interlocked with cover in closed position.
- D. Accessories:
  1. Equipment Ground Kit: Internally mounted and labeled for copper and aluminum ground conductors.
  2. Neutral Kit: Internally mounted; insulated, capable of being grounded and bonded; labeled for copper and aluminum neutral conductors.
  3. Isolated Ground Kit: Internally mounted; insulated, capable of being grounded and bonded; labeled for copper and aluminum neutral conductors.
  4. Class R Fuse Kit: Provides rejection of other fuse types when Class R fuses are specified.
  5. Auxiliary Contact Kit: One NO/NC (Form "C") auxiliary contact(s), arranged to activate before switch blades open.
  6. Hookstick Handle: Allows use of a hookstick to operate the handle.
  7. Lugs: Mechanical type, suitable for number, size, and conductor material.

FIRE STATIONS RENOVATION  
ARLINGTON COUNTY, VIRGINIA  
Architect's Project No: 563006

---

8. Service-Rated Switches: Labeled for use as service equipment.
9. Accessory Control Power Voltage: as required

### 2.3 NONFUSIBLE SWITCHES

- A. Manufacturers: Subject to compliance with requirements, available manufacturers offering products that may be incorporated into the Work include, but are not limited to the following:
  1. Eaton Electrical Sector; Eaton Corporation.
  2. Siemens Industry, Inc.
  3. Square D..
- B. Type HD, Heavy Duty, Single Throw, 600-V ac, 1200 A and Smaller: UL 98 and NEMA KS 1, horsepower rated, lockable handle with capability to accept three padlocks, and interlocked with cover in closed position.
- C. Type HD, Heavy Duty, Double Throw, 600-V ac, 1200 A and Smaller: UL 98 and NEMA KS 1, horsepower rated, lockable handle with capability to accept three padlocks, and interlocked with cover in closed position.
- D. Accessories:
  1. Equipment Ground Kit: Internally mounted and labeled for copper and aluminum ground conductors.
  2. Neutral Kit: Internally mounted; insulated, capable of being grounded and bonded; labeled for copper and aluminum neutral conductors.
  3. Isolated Ground Kit: Internally mounted; insulated, capable of being grounded and bonded; labeled for copper and aluminum neutral conductors.
  4. Auxiliary Contact Kit: One NO/NC (Form "C") auxiliary contact(s), arranged to activate before switch blades open.
  5. Hookstick Handle: Allows use of a hookstick to operate the handle.
  6. Lugs: Mechanical type, suitable for number, size, and conductor material.
  7. Accessory Control Power Voltage: as required

### 2.4 SHUNT TRIP SWITCHES

- A. Manufacturers: Subject to compliance with requirements, available manufacturers offering products that may be incorporated into the Work include, but are not limited to the following:
  1. Cooper Bussmann; a division of Cooper Industries.
  2. Littelfuse, Inc.
  3. Mersen USA.
- B. General Requirements: Comply with ASME A17.1, UL 50, and UL 98, with 200-kA interrupting and short-circuit current rating when fitted with Class J fuses.

FIRE STATIONS RENOVATION  
ARLINGTON COUNTY, VIRGINIA  
Architect's Project No: 563006

---

- C. Switches: Three-pole, horsepower rated, with integral shunt trip mechanism and Class J fuse block; lockable handle with capability to accept three padlocks; interlocked with cover in closed position.
- D. Control Circuit: 120-V ac; obtained from integral control power transformer, with primary and secondary fuses, with a control power transformer source of enough capacity to operate shunt trip, connected pilot, and indicating and control devices.
- E. Accessories:
  - 1. Oiltight key switch for key-to-test function.
  - 2. Oiltight red ON pilot light.
  - 3. Isolated neutral lug; 100 percent rating.
  - 4. Mechanically interlocked auxiliary contacts that change state when switch is opened and closed.
  - 5. Form C alarm contacts that change state when switch is tripped.
  - 6. Three-pole, double-throw, fire-alarm voltage monitoring relay complying with NFPA 72.

## 2.5 MOLDED-CASE CIRCUIT BREAKERS

- A. Manufacturers: Subject to compliance with requirements, available manufacturers offering products that may be incorporated into the Work include, but are not limited to the following:
  - 1. Eaton Electrical Sector; Eaton Corporation.
  - 2. Siemens Industry, Inc.
  - 3. Square D.
- B. General Requirements: Comply with UL 489, NEMA AB 1, and NEMA AB 3, with interrupting capacity to comply with available fault currents.
- C. Adjustable, Instantaneous-Trip Circuit Breakers: Magnetic trip element with front-mounted, field-adjustable trip setting.
- D. Electronic Trip Circuit Breakers: Field-replaceable rating plug, rms sensing, with the following field-adjustable settings:
  - 1. Instantaneous trip.
  - 2. Long- and short-time pickup levels.
  - 3. Long- and short-time time adjustments.
  - 4. Ground-fault pickup level, time delay, and  $I^2t$  response.(for mechanical equipment only)
- E. Current-Limiting Circuit Breakers: Frame sizes 400 A and smaller, and let-through ratings less than NEMA FU 1, RK-1.
- F. Integrally Fused Circuit Breakers: Thermal-magnetic trip element with integral limiter-style fuse listed for use with circuit breaker and trip activation on fuse opening or on opening of fuse compartment door..

FIRE STATIONS RENOVATION  
ARLINGTON COUNTY, VIRGINIA  
Architect's Project No: 563006

---

- G. Ground-Fault, Circuit-Interrupter (GFCI) Circuit Breakers: Single- and two-pole configurations with Class A ground-fault protection (6-mA trip).
- H. Ground-Fault, Equipment-Protection (GFEP) Circuit Breakers: With Class B ground-fault protection (30-mA trip).
- I. Features and Accessories:
  - 1. Standard frame sizes, trip ratings, and number of poles.
  - 2. Lugs: Mechanical type, suitable for number, size, trip ratings, and conductor material.
  - 3. Application Listing: Appropriate for application; Type SWD for switching fluorescent lighting loads; Type HID for feeding fluorescent and high-intensity discharge lighting circuits.

### PART 3 - EXECUTION

#### 3.1 EXAMINATION

- A. Examine elements and surfaces to receive enclosed switches and circuit breakers for compliance with installation tolerances and other conditions affecting performance of the Work.
- B. Proceed with installation only after unsatisfactory conditions have been corrected.

#### 3.2 INSTALLATION

- A. Install individual wall-mounted switches and circuit breakers with tops at uniform height unless otherwise indicated.
- B. Temporary Lifting Provisions: Remove temporary lifting eyes, channels, and brackets and temporary blocking of moving parts from enclosures and components.
- C. Install fuses in fusible devices.
- D. Comply with NECA 1.

#### 3.3 IDENTIFICATION

- A. Comply with requirements in Section 260553 "Identification for Electrical Systems."
  - 1. Identify field-installed conductors, interconnecting wiring, and components; provide warning signs.
  - 2. Label each enclosure with engraved metal or laminated-plastic nameplate.

FIRE STATIONS RENOVATION  
ARLINGTON COUNTY, VIRGINIA  
Architect's Project No: 563006

---

3.4 FIELD QUALITY CONTROL

- A. Manufacturer's Field Service: Engage a factory-authorized service representative to inspect, test, and adjust components, assemblies, and equipment installations, including connections.
- B. Perform tests and inspections.
- C. Acceptance Testing Preparation:
  - 1. Test insulation resistance for each enclosed switch and circuit breaker, component, connecting supply, feeder, and control circuit.
  - 2. Test continuity of each circuit.
- D. Tests and Inspections:
  - 1. Perform each visual and mechanical inspection and electrical test stated in NETA Acceptance Testing Specification. Certify compliance with test parameters.
  - 2. Correct malfunctioning units on-site, where possible, and retest to demonstrate compliance; otherwise, replace with new units and retest.
  - 3. Perform the following infrared scan tests and inspections and prepare reports:
    - a. Initial Infrared Scanning: After Substantial Completion, but not more than 60 days after Final Acceptance, perform an infrared scan of each enclosed switch and circuit breaker. Remove front panels so joints and connections are accessible to portable scanner.
    - b. Follow-up Infrared Scanning: Perform an additional follow-up infrared scan of each enclosed switch and circuit breaker 11 months after date of Substantial Completion.
    - c. Instruments and Equipment: Use an infrared scanning device designed to measure temperature or to detect significant deviations from normal values. Provide calibration record for device.
  - 4. Test and adjust controls, remote monitoring, and safeties. Replace damaged and malfunctioning controls and equipment.
- E. Enclosed switches and circuit breakers will be considered defective if they do not pass tests and inspections.
- F. Prepare test and inspection reports, including a certified report that identifies enclosed switches and circuit breakers and that describes scanning results. Include notation of deficiencies detected, remedial action taken, and observations after remedial action.

3.5 ADJUSTING

- A. Adjust moving parts and operable components to function smoothly, and lubricate as recommended by manufacturer.

FIRE STATIONS RENOVATION  
ARLINGTON COUNTY, VIRGINIA  
Architect's Project No: 563006

---

- B. Set field-adjustable circuit-breaker trip ranges.

END OF SECTION 262816

FIRE STATIONS RENOVATION  
ARLINGTON COUNTY, VIRGINIA  
Architect's Project No: 563006

---

SECTION 265100 - INTERIOR LIGHTING

PART 1 - GENERAL

1.1 RELATED DOCUMENTS

- A. Drawings and general provisions of the Contract, including General and Supplementary Conditions and Division 01 Specification Sections, apply to this Section.

1.2 SUMMARY

- A. Section Includes:
  - 1. Interior lighting fixtures, lamps, and ballasts.
  - 2. Exit signs.
  - 3. Lighting fixture supports.

1.3 DEFINITIONS

- A. BF: Ballast factor.
- B. CCT: Correlated color temperature.
- C. CRI: Color-rendering index.
- D. HID: High-intensity discharge.
- E. LER: Luminaire efficacy rating.
- F. Lumen: Measured output of lamp and luminaire, or both.
- G. Luminaire: Complete lighting fixture, including ballast housing if provided.

1.4 SUBSTITUTIONS

- A. The lighting fixture layouts of spaces indicated in the Contract Documents are based upon photometric data, quality, construction and appearance of fixtures listed in the lighting fixture schedule. Substitutions of listed fixtures are allowed provided the following is provided with the Submittal package.
  - 1. Provide all data as required for submittals with substitution package. Indicate variances with fixtures listed in lighting fixture schedule.
  - 2. Provide footcandle calculations for each room or area that fixture substitution is requested.
  - 3. Architect/Engineer has final aesthetic and technical approval on all substituted fixtures.

1.5 ACTION SUBMITTALS

- A. Product Data: For each type of lighting fixture, arranged in order of fixture designation. Include data on features, accessories, finishes, and the following:

FIRE STATIONS RENOVATION  
ARLINGTON COUNTY, VIRGINIA  
Architect's Project No: 563006

---

1. Physical description of lighting fixture including dimensions.
  2. Specific LED drivers and lamp product information
  3. Energy-efficiency data.
  4. Life, output (lumens, CCT, and CRI), and energy-efficiency data for lamps.
  5. Photometric data and adjustment factors based on laboratory tests, complying with IESNA Lighting Measurements Testing & Calculation Guides, of each lighting fixture type. The adjustment factors shall be for lamps, ballasts, and accessories identical to those indicated for the lighting fixture as applied in this Project.
    - a. Manufacturer Certified Data: Photometric data shall be certified by a manufacturer's laboratory with a current accreditation under the National Voluntary Laboratory Accreditation Program for Energy Efficient Lighting Products.
- B. Shop Drawings: For nonstandard, continuous runs of cove lighting or custom lighting fixtures. Include plans, elevations, sections, details, and attachments to other work.
1. Detail equipment assemblies and indicate dimensions, weights, loads, required clearances, method of field assembly, components, and location and size of each field connection.
  2. Wiring Diagrams: For power, signal, and control wiring.
- C. Samples: Upon request or if being submitted as an equal, for each lighting fixture indicated in the Interior Lighting Fixture Schedule. Each Sample shall include the following:
1. Lamps and drivers, installed.
  2. Cords and plugs.
  3. Pendant support system.
- D. Installation instructions.

1.6 INFORMATIONAL SUBMITTALS

- A. Coordination Drawings: Reflected ceiling plan(s) and other details, drawn to scale, on which the following items are shown and coordinated with each other, using input from installers of the items involved:
  1. Cove lighting detail.
- B. Qualification Data: For qualified agencies providing photometric data for lighting fixtures.
- C. Product Certificates: For each type of driver for dimmer-controlled fixtures, from manufacturer.
- D. Field quality-control reports.
- E. Warranty: Sample of special warranty.



FIRE STATIONS RENOVATION  
ARLINGTON COUNTY, VIRGINIA  
Architect's Project No: 563006

---

1.7 CLOSEOUT SUBMITTALS

- A. Operation and Maintenance Data: For lighting equipment and fixtures to include in emergency, operation, and maintenance manuals.
  - 1. Provide a list of all LEDs and Driver types used on Project; use ANSI and manufacturers' codes.

1.8 QUALITY ASSURANCE

- A. Luminaire Photometric Data Testing Laboratory Qualifications: Provided by manufacturers' laboratories that are accredited under the National Volunteer Laboratory Accreditation Program for Energy Efficient Lighting Products.
- B. Electrical Components, Devices, and Accessories: Listed and labeled as defined in NFPA 70, by a qualified testing agency, and marked for intended location and application.
- C. Comply with NFPA 70.

1.9 COORDINATION

- A. Coordinate layout and installation of lighting fixtures and suspension system with other construction that penetrates ceilings or is supported by them, including HVAC equipment, fire-suppression system, and partition assemblies.

1.10 WARRANTY

- A. Warranty Period for LED lamps and Drivers, 5 years from date of Substantial Completion. Manufacturer shall guarantee

PART 2 - PRODUCTS

2.1 MANUFACTURERS

- A. As scheduled or acceptable equal. Architect has final decision on evaluation of equals.

2.2 GENERAL REQUIREMENTS FOR LIGHTING FIXTURES AND COMPONENTS

- A. Recessed Fixtures: Comply with NEMA LE 4 for ceiling compatibility for recessed fixtures.
- B. Metal Parts: Free of burrs and sharp comers and edges.

FIRE STATIONS RENOVATION  
ARLINGTON COUNTY, VIRGINIA  
Architect's Project No: 563006

---

- C. Sheet Metal Components: Steel unless otherwise indicated. Form and support to prevent warping and sagging.
- D. Doors, Frames, and Other Internal Access: Smooth operating, free of light leakage under operating conditions, and designed to permit re-lamping without use of tools. Designed to prevent doors, frames, lenses, diffusers, and other components from falling accidentally during re-lamping and when secured in operating position.
- E. Factory-Applied Labels: Comply with UL 1598. Include recommended lamps and Drivers. Labels shall be located where they will be readily visible to service personnel, but not seen from normal viewing angles when lamps are in place.
  - 1. Label shall include the following lamp and ballast characteristics:
    - a. "USE ONLY" and include specific lamp type.
    - b. ANSI ballast type (M98, M57, etc.) for HID luminaires.
    - c. CCT and CRI for all luminaires.

F. LED LIGHT FIXTURES

A. General:

- 1. LED light fixtures shall be in accordance with IES, NFPA, UL, as shown on the drawings, and as specified.
- 2. LED light fixtures shall be Reduction of Hazardous Substances (RoHS)-compliant.
- 3. LED drivers shall include the following features unless otherwise indicated:
  - a. Minimum efficiency: 85% at full load.
  - b. Minimum Operating Ambient Temperature: -20° C. (-4° F.)
  - c. Input Voltage: 120 - 277V (±10%) at 60 Hz.
  - d. Integral short circuit, open circuit, and overload protection.
  - e. Power Factor:  $\geq 0.95$ .
  - f. Total Harmonic Distortion:  $\leq 20\%$ .
  - g. Comply with FCC 47 CFR Part 15.
- 4. LED modules shall include the following features unless otherwise indicated:
  - a. Comply with IES LM-79 and LM-80 requirements.
  - b. Minimum CRI 80 and color temperature 3500° K unless otherwise specified in LIGHTING FIXTURE SCHEDULE.
  - c. Minimum Rated Life: 50,000 hours per IES L70.
  - d. Light output lumens as indicated in the LIGHTING FIXTURE SCHEDULE.

B. LED Downlights:

FIRE STATIONS RENOVATION  
ARLINGTON COUNTY, VIRGINIA  
Architect's Project No: 563006

---

1. Housing, LED driver, and LED module shall be products of the same manufacturer.

C. LED Troffers:

1. LED drivers, modules, and reflector shall be accessible, serviceable, and replaceable from below the ceiling.
2. Housing, LED driver, and LED module shall be products of the same manufacturer

2.3 EXIT SIGNS

- A. General Requirements for Exit Signs: Comply with UL 924; for sign colors, visibility, luminance, and lettering size, comply with authorities having jurisdiction.
- B. Internally Lighted Signs:
  1. Lamps for AC Operation: LEDs, 50,000 hours minimum rated lamp life.

2.4 LIGHTING FIXTURE SUPPORT COMPONENTS

- A. Comply with Section 260529 "Hangers and Supports for Electrical Systems" for channel- and angle-iron supports and nonmetallic channel and angle supports.
- B. Single-Stem Hangers: 1/2-inch steel tubing with swivel ball fittings and ceiling canopy. Finish same as fixture.
- C. Twin-Stem Hangers: Two, 1/2-inch steel tubes with single canopy designed to mount a single fixture. Finish same as fixture.
- D. Wires: ASTM A 641/A 641M, Class 3, soft temper, zinc-coated steel, 12 gage
- E. Rod Hangers: 3/16-inch minimum diameter, cadmium-plated, threaded steel rod.
- F. Hook Hangers: Integrated assembly matched to fixture and line voltage and equipped with threaded attachment, cord, and locking-type plug.

PART 3 - EXECUTION

3.1 INSTALLATION

- A. Lighting fixtures:
  1. Set level, plumb, and square with ceilings and walls unless otherwise indicated.
- B. Temporary Lighting: If it is necessary, and approved by Architect, to use permanent luminaires for temporary lighting, install and energize the minimum number of luminaires necessary. When construction is sufficiently complete, remove the temporary luminaires, disassemble, clean thoroughly, install new lamps, and reinstall.

FIRE STATIONS RENOVATION  
ARLINGTON COUNTY, VIRGINIA  
Architect's Project No: 563006

---

- C. Remote Mounting of Drivers: Distance between the Driver and fixture shall not exceed that recommended by ballast manufacturer. Verify, with ballast manufacturers, maximum distance between ballast and luminaire.
  
- D. Lay-in Ceiling Lighting Fixtures Supports: Use grid as a support element.
  - 1. Install ceiling support system rods or wires, independent of the ceiling suspension devices, for each fixture. Locate not more than 6 inches from lighting fixture corners.
  - 2. Support Clips: Fasten to lighting fixtures and to ceiling grid members at or near each fixture corner with clips that are UL listed for the application.
  - 3. Fixtures of Sizes Less Than Ceiling Grid: Install as indicated on reflected ceiling plans or center in acoustical panel, and support fixtures independently with at least two 3/4-inch metal channels spanning and secured to ceiling tees.
  - 4. Install wire from structure to a tab on lighting fixture as detailed on drawings.
  
- E. Suspended Lighting Fixture Support:
  - 1. Pendants and Rods: Where longer than 48 inches, brace to limit swinging.
  - 2. Stem-Mounted, Single-Unit Fixtures: Suspend with twin-stem hangers.
  - 3. Continuous Rows: Use tubing or stem for wiring at one point and tubing or rod for suspension for each unit length of fixture chassis, including one at each end.
  - 4. Do not use grid as support for pendant luminaires. Connect support wires or rods to building structure.
  
- F. Connect wiring according to Section 260519 "Low-Voltage Electrical Power Conductors and Cables."

### 3.2 IDENTIFICATION

- A. Install labels with panel and circuit numbers on concealed junction and outlet boxes. Comply with requirements for identification specified in Section 260553 "Identification for Electrical Systems."

### 3.3 FIELD QUALITY CONTROL

- A. Prepare a written report of tests, inspections, observations, and verifications indicating and interpreting results. If adjustments are made to lighting system, retest to demonstrate compliance with standards

### 3.4 ADJUSTING

- A. Occupancy Adjustments: When requested within 12 months of date of Substantial Completion, provide on-site assistance in adjusting aimable luminaires to suit actual occupied conditions. Provide up to two visits to Project during other-than-normal occupancy hours for this purpose. Some of this work may be required after dark.
  - 1. Adjust aimable luminaires in the presence of Architect.

FIRE STATIONS RENOVATION  
ARLINGTON COUNTY, VIRGINIA  
Architect's Project No: 563006

---

END OF SECTION 265100

FIRE STATIONS RENOVATION  
ARLINGTON COUNTY, VIRGINIA  
Architect's Project No: 563006

---

## SECTION 270000 - COMMUNICATIONS

### PART 1 - GENERAL

#### 1.1 GENERAL REQUIREMENTS

- A. Applicable requirements of General Requirements/Provisions shall be considered a part of this section and shall have the same force as if printed herein full. In addition, all information related to communications infrastructure that is documented in the architectural, structural, mechanical, and electrical drawings/documents shall be included as part of the Communications documents.

#### 1.2 QUALITY ASSURANCE

- A. Specifications, Standards and Codes: All work shall be in accordance with the following:
1. The 2011 edition of the National Electrical Code (NFPA 70)
  2. American National Standards Institute (ANSI)
  3. National Electrical Manufacturers Association (NEMA)
  4. Telecommunications Industries Association (TIA)
  5. Electronic Industries Association (EIA)
  6. Institute of Electrical & Electronics Engineers (IEEE)
  7. Underwriters Laboratories (UL)
  8. American Standards Association (ASA)
  9. Federal Communications Commission (FCC)
  10. Occupational Safety and Health Administration (OSHA)
  11. American Society of Testing Material (ASTM)
  12. Americans with Disabilities Act (ADA)
  13. Local city and county ordinances governing electrical work
  14. In the event of conflicts, the more stringent provisions shall apply.

#### 1.3 SCOPE

- A. The work to be done under this section of the Specifications shall include the furnishing of labor, material, equipment and tools required for the complete installation of the work indicated on the Drawings or as specified herein.
- B. All materials, obviously a part of the Communications Infrastructure and necessary to its proper operation, but not specifically mentioned or shown on the Drawings, shall be furnished and installed without additional charge.
- C. The Drawings and Specifications are complementary to each other and what is called for by one shall be as binding as if called for by both. If a discrepancy

FIRE STATIONS RENOVATION  
ARLINGTON COUNTY, VIRGINIA  
Architect's Project No: 563006

---

exists between the Drawing and Specifications, the higher cost shall be included, and the Owner shall be notified of the discrepancy.

#### 1.4 WORK INCLUDED

The Communications Infrastructure installed and work performed under this Division of the Specifications shall include but not necessarily be limited to the following:

- A. Voice/Data Cabling Infrastructure
- B. CATV Cabling Infrastructure System
- C. Wireless Access System
- D. Communications raceways, cable tray, racks, cabinets and equipment mounting boards
- E. Grounding and Bonding
- F. Underground raceway excavation, backfill, and compaction
- G. Concrete work for duct banks, maintenance holes, handholes, vaults and restoration (where applicable)

#### 1.5 DEFINITIONS

- A. Terms: The following definitions of terms supplement those of the General Requirements and are applicable to Division 27 - Communications:
  - 1. Provide: As used herein shall mean "furnish, install and test (if applicable) complete."
  - 2. Infrastructure: As used herein shall mean cable, conduit, raceway, cable tray or j-hooks with all required boxes, fittings, connectors, and accessories; completely installed.
  - 3. Work: As used herein shall be understood to mean the materials completely installed, including the labor involved.

#### 1.6 DRAWINGS

- A. Drawings are generally diagrammatic and show the arrangement and location of pathways, outlets, support structures and equipment. The Contractor shall carefully investigate the structural and finish conditions affecting his work and arrange his work accordingly. Should conditions on the job make it necessary to make adjustments to pathways or materials, the Contractor shall so advise the Owner and secure approval before proceeding with such work.

FIRE STATIONS RENOVATION  
ARLINGTON COUNTY, VIRGINIA  
Architect's Project No: 563006

---

- B. Where exact locations are required by equipment for stubbing-up and terminating conduit concealed in floor slabs, the Contractor shall request shop drawings, equipment location drawings, foundation drawings, and any other data required by him to locate the concealed conduit before the floor slab is poured.
- C. Materials, equipment or labor not indicated but which can be reasonably inferred to be necessary for a complete installation shall be provided. Drawings and Specifications do not undertake to indicate every item of material, equipment, or labor required to produce a complete and properly operating installation.
- D. The right is reserved to make reasonable changes in locations of equipment indicated on Drawings prior to rough-in without increase in contract cost.
- E. The Contractor shall not reduce the size or number of conduit runs indicated on the Drawings without the written approval of the Owner.
- F. Any work installed contrary to Contract Drawings shall be subject to change as directed by the Owner, and no extra compensation will be allowed for making these changes.
- G. The location of equipment, support structures, outlets, and similar devices shown on the Drawings are approximate only. Do not scale Drawings. Obtain layout dimensions for equipment from architectural plans unless indicated on Communications plans.
- H. Schematic diagrams shown on the Drawings indicate the required functions only. The technology of a particular manufacturer may be used to accomplish the functions indicated without exact adherence to the schematic Drawings shown. Additional labor and materials required for such deviations shall be furnished at the Contractor's expense.
- I. Verify the ceiling type, ceiling suspension systems, and clearance above hung ceilings prior to ordering cabling and associated hardware. Notify the Owner of any discrepancies.
- J. Review all architectural drawings for modular furniture.
- K. Portions of these Drawings and Specifications are abbreviated and may include incomplete sentences. Omissions of words or phrases such as "the Contractor shall," "shall be," "as indicated on the Drawings," "In accordance with," "a," "the" and "all are intended" shall be supplied by inference.

## 1.7 SUBMITTALS



FIRE STATIONS RENOVATION  
ARLINGTON COUNTY, VIRGINIA  
Architect's Project No: 563006

---

- A. Submit for approval, details of all materials, equipment and systems to be furnished. Work shall not proceed without the Owner's approval of the submitted items. Three (3) copies of the following shall be submitted:
  - 1. Submittals for individual systems and equipment assemblies that consist of more than one item or component shall be made for the system or assembly as a whole. Partial submittals will not be considered, reviewed or stored, and such submittals will not be returned except at the request and expense of the Contractor.
  - 2. Contractor shall generate shop drawings. Modify reviewed and accepted shop drawings to include revisions based upon completion of work. Submit shop drawings with record drawings on hard copy.
  - 3. Shop drawings shall include equipment racks, patch panels, termination blocks, connection details, rack mounting details and any other details not included in the construction drawings.
- B. Any materials and equipment listed that are not in accordance with Specification requirements may be rejected.
- C. The approval of material, equipment, systems and shop drawings is a general approval subject to the Drawings, Specifications and verification of all measurements at the job. Approval does not relieve the Contractor from the responsibility of shop drawing errors. The Contractor shall carefully check and correct all shop drawings prior to submission for approval.

## 1.8 QUALITY ASSURANCE

- A. Equipment and materials required for installation under these Specifications shall be the current model and new (less than one [1] year from the date of manufacture), unused and without blemish or defect.
- B. Equipment shall bear labels attesting to Underwriters Laboratories, where subject to label service. Manufacturers of equipment and materials pertinent to these items shall have been engaged in the manufacture of said equipment a minimum of three (3) years and, if so directed by the Owner, be able to furnish proof of their ability by submitting affidavits and descriptive data about their product including size and magnitude comparable to requirements specified herein.

## 1.9 CONTRACTOR QUALIFICATIONS

- A. The Contractor shall have total responsibility for the coordination and installation of the work shown and described in the Drawings and/or Specifications. The Contractor shall be a company specializing in the design, fabrication and installation of integrated communications systems.

FIRE STATIONS RENOVATION  
ARLINGTON COUNTY, VIRGINIA  
Architect's Project No: 563006

---

- B. Communications Systems specified shall be installed under the direction of a qualified Contractor. Qualification requirements shall include submittal by the Contractor to the Owner of the following:
  - 1. List of previous projects of this scope, size and nature; including names and sizes of projects, description of work, time of completion and names of contact persons for reference.
  - 2. Shall certify that they are manufacturer-authorized for work to be performed.
- C. Contractor must employ at least one (1) full-time Registered Communications Distribution Designer (RCDD). The RCDD shall be a W2 employee and not a subcontractor.

#### 1.10 COORDINATION WITH OTHER TRADES

- A. The Contractor shall coordinate communications work with that of other sections as required to ensure that the entire communications work will be carried out in an orderly, complete and coordinated fashion.

#### 1.11 SITE INVESTIGATION

- A. Prior to submitting bids of the project, visit the site of the work to become aware of existing conditions that may affect the cost of the project. Where work under this project requires extension, relocation, reconnections or modifications to existing equipment or systems, the existing equipment or systems, shall be restored to their original condition before the completion of this project.

#### 1.12 PERMITS

- A. Obtain all permits and inspections for the installation of this work and pay all charges incident thereto. Deliver to the Owner all certificates of said inspection issued by authorities having jurisdiction.

#### 1.13 RENOVATIONS AND ADDITIONS

- A. All work that would adversely affect the normal operation of the other portions of the Owner's property shall be done at a time other than normal working hours. Normal working hours shall be considered 8 a.m. to 5 p.m. Monday through Friday.
- B. Prior to submitting bids on the project, visit the site of the work to become aware of existing conditions that may affect the cost of the project.

FIRE STATIONS RENOVATION  
ARLINGTON COUNTY, VIRGINIA  
Architect's Project No: 563006

---

- C. Where work under this project requires extension, relocation, reconnections or modifications to existing equipment or systems, the existing equipment or systems shall be restored to their original and operating condition. Remove all equipment indicated to be demolished, including outlets, devices, raceways and support structures.
- D. Care shall be exercised in the removal and storage of equipment indicated to be relocated or removed and reused. Prior to placing back into service, equipment shall be cleaned, and marred or chipped paint surfaces touched-up.
- E. Provide all coring, cutting and patching to existing walls, floors, etc., required for the removal of existing work or the installation of new work.

## PART 2 - PRODUCTS

### 2.01 MATERIALS

- A. All materials used in this work shall be new and shall bear the inspection label of Underwriters' Laboratories Inc. or certification by other recognized laboratory.
- B. The published standards and requirements of the Telecommunications Industries Association (TIA), National Electrical Manufacturers Association (NEMA), the American National Standard Institute (ANSI), the Institute of Electrical and Electronic Engineers (IEEE), and the American Society of Testing Materials (ASTM), are made a part of these Specifications and shall apply wherever applicable.
- C. Materials and equipment furnished shall be of current production by manufacturers regularly engaged in the manufacture of such items, for which replacement parts are available.
- D. When more than one unit of the same class of equipment or material is required, such units shall be the products of a single manufacturer or partner manufacturers that offer a certified solution.
- E. Components of an assembled unit need not be products of the same manufacturer, but must offer a certified end-to-end solution.
- F. Manufacturers of equipment assemblies, which include components made by others, shall assume complete responsibility for the final assembled unit.
- G. Components shall be compatible with each other and with the total assembly for the intended service.

## PART 3 - EXECUTION

FIRE STATIONS RENOVATION  
ARLINGTON COUNTY, VIRGINIA  
Architect's Project No: 563006

---

3.01 EXAMINATION OF CONDITIONS

- A. Prior to the start of work, the Contractor shall carefully inspect the installed work of other trades and verify that such work is complete to the point where installation may properly commence. Start of work indicates acceptance of conditions.
- B. Install equipment in accordance with applicable codes and regulations, the original design and the referenced standards.
- C. In the event of a discrepancy, immediately notify the Owner.
- D. Do not proceed with installation until unsatisfactory conditions and discrepancies have been fully resolved.

3.02 PROTECTION OF SYSTEMS AND EQUIPMENT

- A. Protect materials and equipment from damage during storage at the site and throughout the construction period. Equipment and materials shall be protected during shipment and storage against physical damage, dirt, theft, moisture, extreme temperature and rain.
- B. Damage from rain, dirt, sun and ground water shall be prevented by storing the equipment on elevated supports and covering the sides with securely fastened protective rigid or flexible waterproof coverings.
- C. During installation, equipment shall be protected against entry of foreign matter on the inside and be vacuum cleaned both inside and outside before testing, operating or painting.
- D. As determined by the Owner, damaged equipment shall be fully repaired or shall be removed and replaced with new equipment to fully comply with requirements of the Contract Documents. Decision of the Owner shall be final.
- E. Damaged paint on equipment and materials shall be repainted with painting equipment and finished with the same quality of paint and workmanship as used by the manufacturer.

3.03 ACCESS TO EQUIPMENT

- A. Equipment shall be installed in location and manner that will allow convenient access for maintenance and inspection.

FIRE STATIONS RENOVATION  
ARLINGTON COUNTY, VIRGINIA  
Architect's Project No: 563006

---

- B. Working spaces shall be not less than specified in the National Electrical Code (NEC) for voltages specified.
- C. Where the Owner determines that the Contractor has installed equipment not conveniently accessible for operation and maintenance, equipment shall be removed and reinstalled, one time only, as directed by the Owner, at no additional cost to the Owner. "Conveniently accessible" is defined as being capable of being reached without the use of ladders or without climbing or crawling under or over obstacles such as motors, pumps, belt guards, transformers, piping and duct work.

### 3.04 CLEANING

- A. During construction, and prior to Owner acceptance of the building, remove from the premises and dispose of packing material and debris caused by communications work.
- B. Remove dust and debris from interiors and exteriors of electrical equipment. Clean accessible current carrying elements prior to being energized.

### 3.05 COMPLETION

- A. General: Upon completion of the work, remove excess debris, materials, equipment, apparatus, tools and similar items. Leave the premises clean, neat and orderly.
- B. Results Expected: Systems shall be complete and operational and controls shall be set and calibrated. Testing, start-up and cleaning work shall be complete.
- C. Maintenance Materials: Special tools for proper operation and maintenance of the equipment provided under this Specification shall be delivered to the Owner.

### 3.06 TESTING AND VERIFICATION

- A. See specific Division 27 sections for testing parameters of sub-systems.
- B. The Contractor shall verify that requirements of this Specification are met. Verification shall be through a combination of analyses, inspections, demonstrations and tests, as described below.
- C. Verification by inspection includes examination of items and comparison of pertinent characteristics against the qualitative or quantitative standard set forth in the Specifications. Inspection may require moving or partially disassembling the item to accomplish the verification, included as part of the work at no additional cost to the Owner.

FIRE STATIONS RENOVATION  
ARLINGTON COUNTY, VIRGINIA  
Architect's Project No: 563006

---

- D. The Contractor shall verify by formal demonstrations or tests that the requirements of this Specification have been met. The Contractor shall demonstrate that the communications systems, components and subsystems meet Specification requirements in the "as-installed" operating environment during the "System Operation Test." Even though no formal environmental testing is required, the Contractor shall measure and record temperature, humidity and other environmental parameters and the environmental conditions, which were encountered during the "System Operation Test."
- E. The Contractor shall carefully plan and coordinate the final acceptance tests so that tests can be satisfactorily completed. The Contractor shall provide necessary instruments, labor and materials required for tests, including the equipment manufacturer's technical representative and qualified technicians in sufficient numbers to perform the tests within a reasonable time period.
- F. The Contractor shall satisfy all items detailed in the final acceptance check-off list (punch list). The list shall be a complete representation of specified installation requirements. At the time of final acceptance punch list items shall be corrected until the system is found to be acceptable to the Owner.
- G. After the systems have been installed and tested, the completed test plan shall be signed by the Communications Contractor and submitted for approval.

END OF SECTION 270000

FIRE STATIONS RENOVATION  
ARLINGTON COUNTY, VIRGINIA  
Architect's Project No: 563006

---

SECTION 270528 - PATHWAYS FOR COMMUNICATIONS SYSTEMS

PART 1 - GENERAL

1.01 GENERAL REQUIREMENTS

- A. Applicable requirements of Division 27 - Communications shall be considered a part of this section and shall have the same force as if printed herein full.
- B. This document describes the products and execution requirements relating to Pathways for Communications Systems.
- C. Product specifications, general design considerations, and installation guidelines are provided in this document. The successful vendor shall meet or exceed all requirements described in this document and on the drawings.

1.02 SUBMITTALS

- A. Provide product data from manufacturer's specifications.

1.03 WORK INCLUDED

- A. The work included under this specification consists of furnishing all labor, equipment, materials, supplies and performing all operations necessary to complete the installation. The Contractor will provide and install all of the required material whether specifically addressed in the Specification or not.

PART 2 - PRODUCTS

2.01 APPROVED PRODUCTS

- A. Rigid/Intermediate Conduit Manufacturer(s)
  - 1. Allied
  - 2. Triangle
  - 3. Wheatland
  - 4. Youngstown
- B. Non-Metallic (PVC) Manufacturer(s)
  - 1. Carlon
  - 2. Georgia Pipe Company
- C. Electrical Metallic Tubing (EMT) Manufacturer(s)

FIRE STATIONS RENOVATION  
ARLINGTON COUNTY, VIRGINIA  
Architect's Project No: 563006

---

1. Allied
  2. Triangle
  3. Wheatland
  4. Youngstown
- D. EMT Fittings Manufacturer(s)
1. Thomas & Betts
  2. Steel City
- E. Innerduct/Inner-Conduit Channel Manufacturer(s)
1. Carlon
  2. Endot Industries
  3. MaxCell
  4. Petroflex
  5. Eastern
- F. Metallic Communications Outlet Box Manufacturer(s)
1. Steel City
  2. Raco
- G. Non-Metallic Communications Outlet Box Manufacturer(s)
1. Thomas & Betts
  2. Carlon
- H. Pull Box Manufacturer(s)
1. Hoffman
  2. OZ Gedney
- I. Approved Cable Tray System Manufacturer(s)
1. Flex Tray
  2. Wiremold
  3. EZ Tray
  4. Mono Systems, Inc.
  5. Snake Tray



FIRE STATIONS RENOVATION  
ARLINGTON COUNTY, VIRGINIA  
Architect's Project No: 563006

---

- 6. B-Line
- 7. Gulf Coast Systems
  
- J. Approved Cable Hanger Manufacturer(s)
  - 1. Erico Products – Caddy
  - 2. B-Line
  
- K. Approved Tie Wrap/Velcro Strap Manufacturer(s)
  - 1. Leviton
  - 2. Panduit

## 2.02 CONDUIT

- A. Rigid and Intermediate Conduit
  - 1. Rigid conduit, intermediate conduit, couplings, locknuts, bushings, elbows and connectors shall be standard thread. All materials shall be steel. Set screw or non-threaded fittings are not permitted.
  
- B. Non-Metallic (PVC) Conduit
  - 1. Non-metallic conduit shall be heavy wall, Schedule 40 PVC.
  - 2. Couplings and connectors for non-metallic conduit shall be of the same material and be the product of the same manufacturer of the conduit furnished.
  
- C. Electrical Metallic Tubing (EMT)
  - 1. Electrical metallic tubing (EMT), couplings and connectors shall be steel. Malleable iron, pressure-cast or die-cast fittings are not permitted.
  - 2. Fittings for 2" EMT and smaller shall be steel set screw type, except where otherwise noted. Fittings for 2.5" and larger shall be steel set screw type with two (2) screws for connectors and four (4) screws for couplings. All connectors shall be insulated throat type.
  
- D. Conduit Support
  - 1. Individual conduit hangers shall be galvanized spring steel specifically designed for the purpose and sized appropriately for the conduit type and diameter. Support individual conduits 1-1/2 inch and smaller with 1/4 inch threaded steel rods and use 3/8 inch rods for 2 inch and larger.

FIRE STATIONS RENOVATION  
ARLINGTON COUNTY, VIRGINIA  
Architect's Project No: 563006

---

2. Conduit support channels shall be 14 gauge galvanized (or equivalent treatment) channel sized for the amount of conduit to be supported. Channel suspension shall be 3/8" threaded steel rods. Attach suspension rods to structure with swivel type connectors. Conduit straps shall be spring steel type compatible with channel.
  3. Conduit straps shall be single hole cast metal type or two hole galvanized metal type. Conduit clamps shall be spring steel type for use with exposed structural steel.
- E. Innerduct/Inner-Conduit Channel
1. Innerduct shall be corrugated plastic equipped with pull-string or mule tape.
  2. Inner-conduit channel (MaxCell) shall be 3-channel with each channel equipped with mule tape.
  3. See Drawings for innerduct / inner-conduit channel (MaxCell) details.

#### 2.03 METALLIC COMMUNICATIONS OUTLET BOXES

- A. Metallic outlet boxes and device covers shall be galvanized steel not less than 1/16" thick.
- B. The dimensions of the metallic outlet box shall be 4" x 4" square with a minimum depth of 2-1/8".
- C. Metallic outlet boxes shall be equipped with single device covers (or two-device covers where needed). Where installed in plaster, gypsum board, etc., covers shall be raised to compensate for the thickness of the wall finish.
- D. Where metallic outlet boxes are to be empty for future use, blank coverplates shall be used.

#### 2.04 NON-METALLIC COMMUNICATIONS OUTLET BOXES

- A. The non-metallic outlet box shall be thermoplastic and be rated according to the space it occupies.
- B. The dimensions of the non-metallic outlet box shall be approximately 4" x 4" square with a minimum depth of 2-1/8".
- C. Non-metallic outlet boxes shall be equipped with single device covers. Covers shall be raised to compensate for the thickness of the wall finish.
- D. Where non-metallic outlet boxes are to be empty for future use, blank faceplates shall be used.

FIRE STATIONS RENOVATION  
ARLINGTON COUNTY, VIRGINIA  
Architect's Project No: 563006

---

2.05 PULL BOXES

- A. Pull boxes shall be constructed of galvanized steel with flat, removable covers fastened with plated steel screws.
- B. Pull boxes shall be equipped with keyhole screw slots in the cover to permit removal of the cover without extracting the screws.
- C. Pull boxes shall have provisions for grounding.

2.06 CABLE TRAY

- A. Cable Tray System
  - 1. Cable tray shall be steel or aluminum construction.
  - 2. Cable tray cross members shall be factory welded at 12" intervals maximum.
  - 3. Cable tray shall be equipped with one (1) or two (2) support rails that run the length of each segment.
  - 4. End caps shall be installed on the exposed ends of the cable tray, channel supports and bolts. Protective covers shall be installed on threaded rods that come in contact with cabling plant.
  - 5. Wall mount cable tray used in limited clearance areas shall be hook style and constructed of aluminum.
  - 6. See Drawings for cable tray dimensions.
    - a. Cable Tray color shall be black.

2.07 CABLE HANGERS

- A. J-Hooks
  - 1. J-hooks shall provide a bearing surface of sufficient width to comply with required bend radii of high-performance cables. J-hook shall be cULus Listed.
  - 2. J-hooks shall have flared edges to prevent damage while installing cables.
  - 3. J-hooks sized 1 5/16" and larger shall have a cable retainer strap to provide containment of cables within the hanger. The cable retainer strap shall be removable and reusable and be suitable for use in air handling spaces.
- B. Adjustable Non-Continuous Cable Support Sling
  - 1. Constructed from steel and woven laminate; sling length can be adjusted to hold up to 425 4-pair balanced twisted pair cables; rated for indoor use

FIRE STATIONS RENOVATION  
ARLINGTON COUNTY, VIRGINIA  
Architect's Project No: 563006

---

- in non-corrosive environments. Rated to support Category 5 and higher cable, or optical fiber cable. Cable support sling shall be cULus Listed.
2. Adjustable non-continuous cable support sling shall have a static load limit of 100 lbs.
  3. Adjustable non-continuous cable support sling shall be suitable for use in air handling spaces.

## 2.08 TIE WRAPS AND VELCRO STRAPS

### A. Tie Wraps and Velcro Straps

1. Cables shall be fastened to support structures with tie wraps/Velcro straps.
2. Tie wraps/Velcro straps installed in air handling spaces must be plenum rated.
  - a. Non-plenum Tie Wrap color shall be black.
  - b. Plenum Tie Wrap color shall be red.
  - c. Non-plenum Velcro strap color shall be black.
  - d. Plenum Velcro strap color shall be red.

## PART 3 - EXECUTION

### 3.01 PENETRATIONS

- A. Holes through concrete and masonry in new and existing structures shall be cut with a diamond core drill or concrete saw upon approval of the structural engineer of record for the base of building. Pneumatic hammer, impact electric, hand or manual hammer type drills shall not be allowed, except where permitted by the Project Manager as required by limited working space. X-ray all floor penetrations accordingly.
- B. Holes shall be located so as not to affect structural sections such as ribs or beams.
- C. Holes shall be laid out in advance. The Project Manager shall be advised prior to drilling through structural sections, for determination of proper layout.
- D. Structural Penetrations: Where conduits, wireways and other raceways pass through fire partitions, fire walls or walls and floors provide a code compliant effective barrier against the spread of fire, smoke and gases.
- E. All penetrations where conduit is not used shall be sleeved.
- F. No gaps or rough edges shall be allowed between wall and conduit/sleeve.

### 3.02 CONDUIT SYSTEM

FIRE STATIONS RENOVATION  
ARLINGTON COUNTY, VIRGINIA  
Architect's Project No: 563006

---

- A. Conceal all conduits, except in unfinished spaces such as equipment rooms or as indicated by symbol on the Drawings.
- B. Leave all empty conduits with a 200 pound test nylon cord pull line.
- C. Flattened, dented, or deformed conduits are not permitted and shall be removed and replaced.
- D. Fasten conduit support device to structure with wood screws on wood, toggle bolts on hollow masonry, anchors as specified on solid masonry or concrete, and machine bolts, clamps, or spring steel clips, on steel.
- E. Install conduit with wiring, including homeruns as indicated on the Drawings. Any change resulting in a savings in labor or materials is to be made only in accordance with a contract change. Deviations shall be made only where necessary to avoid interferences and when approved by Engineer by written authorization.
- F. Conduit shall be run parallel or at right angles to existing walls, ceilings, and structural members.
- G. Attach backbone conduits larger than one-inch trade diameter to or from structure on intervals not exceeding twelve feet with conduit beam clamps, one-hole conduit straps or trapeze type support.
- H. Where conduits must pass through structural members obtain approval of Architect.
- I. Install all conduits or sleeves penetrating or routed within rated firewalls or fire floors to maintain fire rating of wall or floor. Conduit shall not be installed in rated floors or walls if it compromises or violates the fire rating of floor or wall. Refer to architectural documents.
- J. Provide expansion and deflection coupling where conduit passes over a building expansion joint.
- K. Service entrance conduits and feeder conduits in direct contact with earth shall be schedule 40, heavy wall PVC. All service entrance conduit elbows shall be galvanized rigid steel. Service entrance conduits installed exposed or concealed in walls or above ceilings shall be galvanized rigid steel (G.R.S.) or intermediate metal conduit (IMC). Service entrance conduits shall be installed "outside" of the building as defined by the N.E.C. Provide concrete encasement where required or as indicated on Drawings.

FIRE STATIONS RENOVATION  
ARLINGTON COUNTY, VIRGINIA  
Architect's Project No: 563006

---

- L. All other conduit, unless specified herein, shall be electrical metallic tubing (EMT). PVC conduit is not allowed in exposed or concealed areas, but only within concrete.
  
- M. Conduit Installations Within Slab/Floor
  - 1. Conduit shall be run following the most direct route between points.
  - 2. Conduit shall not be installed in concrete where the outside diameter is larger than 1/3 of the slab thickness.
  - 3. Conduits shall not be installed within shear walls unless specifically indicated on the Drawings. Conduit shall not be run directly below and parallel with load bearing walls.
  - 4. Protect each metallic conduit installed in concrete slab or conduits 1-1/2 inch and smaller passing through a concrete slab against corrosion where conduit enters and leaves concrete by wrapping conduit with vinyl all-weather electrical tape.
  - 5. Protect all conduits entering and leaving concrete floor slabs from physical damage during construction.
  - 6. Provide expansion fittings in all conduits where length or run exceeds 200 feet or where conduits pass through building expansion joints.
  - 7. Install all conduits penetrating or routed within rated fire floors to maintain the fire rating of the floor. Conduit shall not be installed in rated floors or walls if it compromises or violates the fire rating of floor or wall. Refer to architectural documents.
  - 8. Conduits installed within concrete floor slabs which are in direct contact with grade or which penetrate the building roof shall be galvanized rigid steel (G.R.S.), intermediate metal conduit (I.M.C.) or Schedule 40, heavy wall PVC.
  
- N. Communications cables shall not occupy conduits with power cables.
  
- O. Metallic conduits shall be grounded in accordance with ANSI/TIA-607-B.
  
- P. Conduit runs shall not have more than two (2) 90-degree bends between pull points.
  
- Q. Communications conduit system shall contain no condulets (also know as an LB).
  
- A. Rigid metal conduit (RMC) or intermediate metal conduit (IMC) shall be used for entrance conduits that exceed 50 feet into the building.
  
- B. Horizontal Conduits
  - 1. Support horizontal conduits at intervals not exceeding ten feet and within three feet of each outlet, junction box, backboard, enclosure or cabinet.

FIRE STATIONS RENOVATION  
ARLINGTON COUNTY, VIRGINIA  
Architect's Project No: 563006

---

Support conduits from structural steel members with spring steel type or beam conduit clamps and to non-metallic structural members with one-hole conduit straps. For exposed conduits and where conduits must be suspended below structure, single conduit runs shall be supported from structure by hanger rod and conduit clamp assembly, and multiple conduits shall be supported by trapeze type support suspended from structure. Do not attach conduits to ceiling suspension system channels or suspension wires.

2. For runs that total more than 100 feet in length, insert pull boxes so that no segment between boxes exceeds the 100 feet limit.
3. Each horizontal home-run conduit can serve from one (1) to three (3) outlet boxes. For one (1) outlet box, a 3/4" conduit shall be used, minimum. For two (2) outlet boxes, a 1" conduit shall be used, minimum. For three (3) outlet boxes, a 1-1/4" conduit shall be used, minimum.

### 3.03 COMMUNICATIONS OUTLET BOXES

- A. Exact locations of the outlet boxes shall be coordinated with the electrical contractor and other trades.
- B. Non-metallic communications outlet boxes may only be used for wood frame construction and/or where code allows.
- C. The approximate locations of the outlets are indicated on the Drawings. The exact locations of outlets shall be determined at the building. The right is reserved to change, without additional cost, the exact location of any outlet, a maximum of 10' before it is permanently installed.
- D. Orientation of outlet boxes (horizontal or vertical) shall be as indicated on the architectural elevations.
- E. Install all outlet boxes in finished areas flush with the wall. Maintain 1/4" or less space between outlet box front and finished wall surface.
- F. Outlet boxes shall be firmly anchored in place and shall not depend on the coverplate to hold it secure to the wall.
- G. Outlet boxes installed back-to-back in fire-rated walls shall be separated horizontally by a minimum of 24".

### 3.04 PULL BOXES

- A. Pull boxes shall be secured, independent of the conduit entries into the box. Pull boxes shall be secured to the building structure. In ceiling applications, pull boxes shall not be supported with ceiling wires.

FIRE STATIONS RENOVATION  
ARLINGTON COUNTY, VIRGINIA  
Architect's Project No: 563006

---

- B. Conduits entering pull boxes shall connect to pull boxes using die-cast zinc connectors.
- C. Pull boxes shall be free from burrs, dirt and debris.
- D. Pull boxes shall be installed in accordance with ANSI/TIA-569-B.
- E. Pull boxes shall be grounded in accordance with ANSI/TIA-607-B.

### 3.05 CABLE TRAY SYSTEM

- A. Install trays in accordance with recognized industry practices, to ensure that the cable tray equipment complies with requirements of the NEC.
- B. All open trays shall be installed a minimum of six (6) inches away from any light fixture.
- C. Provide external grounding strap at expansion joints, sleeves, crossover and other locations where tray continuity is interrupted.
- D. Support all pathways from building construction. Do not support pathways from ductwork, piping or equipment hangers.
- E. Install cable tray level and straight.
- F. Provide all hardware, accessories, fasteners, anchors, threaded rods and support channels required to provide a complete cable tray system.
- G. Cable trays shall not be used to house both low voltage and power cables unless cables are separated by a grounded physical barrier.
- H. Cable tray system shall be grounded in accordance with ANSI/TIA-607-B.

### 3.06 CABLE HANGERS

- A. Installation and configuration shall conform to the requirements of ANSI/TIA-568-C.0, ANSI/TIA-568-C.1 & ANSI/TIA-569-B, NFPA 70 (National Electrical Code), applicable local codes, and to the manufacturer's installation instructions.
- B. Install cables using techniques, practices, and methods that are consistent with Category 5e or higher requirements and that supports Category 5e or higher performance of completed and linked signal paths, end to end.
- C. Install cables without damaging conductors, shield, or jacket.



FIRE STATIONS RENOVATION  
ARLINGTON COUNTY, VIRGINIA  
Architect's Project No: 563006

---

- D. Do not bend cables, in handling or in installing, to smaller radii than minimums recommended by manufacturer.
- E. Pull cables without exceeding cable manufacturer's recommended pulling tensions. Use pulling means that will not damage media.
- F. Do not exceed load ratings specified by manufacturer.
- G. Adjustable non-continuous support sling shall have a static load limit of 100 lbs.
- H. To avoid electromagnetic interference (EMI), pathways shall provide minimum clearances of four feet from motors or transformers, one foot from conduit and cables used for electrical power distribution, and five inches from fluorescent lighting. Pathways shall cross perpendicular to fluorescent lighting and electrical power cables or conduits.

### 3.07 TIE WRAPS AND VELCRO STRAPS

- A. Tie wraps/Velcro straps shall be installed around cables at intervals of 12" minimum.
- B. Tie wraps shall secure cables to cable trays using an "X" pattern.
- C. Do not over-cinch cables.

### 3.08 IDENTIFICATION

- A. Refer to Section 270553 - Identification for Communications Systems for labeling details.

END OF SECTION 270528

FIRE STATIONS RENOVATION  
ARLINGTON COUNTY, VIRGINIA  
Architect's Project No: 563006

---

SECTION 283111 - DIGITAL, ADDRESSABLE FIRE-ALARM SYSTEM

PART 1 - GENERAL

1.1 RELATED DOCUMENTS

- A. Drawings and general provisions of the Contract apply to this Section.

1.2 SUMMARY

- A. Project work consists of extending the existing fire alarm system initiation and notification circuits and devices to serve the renovated portions of the facility. Upgrade and reprogram the existing system as required to provide the functionality required to serve the additional devices and functions.
- B. Section Includes:
  - 1. Manual fire-alarm boxes.
  - 2. System smoke detectors.
  - 3. Heat detectors.
  - 4. Notification appliances.
  - 5. Magnetic door holders.
  - 6. Addressable interface device.

1.3 DEFINITIONS

- A. LED: Light-emitting diode.
- B. NICET: National Institute for Certification in Engineering Technologies.
- C. Definitions in NFPA 72-apply to fire alarm terms used in this Section.

1.4 SYSTEM DESCRIPTION

- A. Noncoded, UL-listed addressable system, with multiplexed signal transmission, dedicated to fire-alarm service only.

1.5 SUBMITTALS

- A. General Submittal Requirements:
  - 1. Submissions to Authorities Having Jurisdiction: The A/E shall review the Contractor's submittal(s) which the Contractor shall revise and resubmit through the A/E until the submittals are deemed Approved. The contractor shall submit the A/E approved shop drawing and product data to the authority having jurisdiction and shall make any revisions as required for acceptance.

FIRE STATIONS RENOVATION  
ARLINGTON COUNTY, VIRGINIA  
Architect's Project No: 563006

---

2. Shop Drawings shall be prepared by persons with the following qualifications:
  - a. Trained and certified by manufacturer in fire-alarm system design.
  - b. NICET-certified fire-alarm technician, Level III minimum.
  - c. Licensed or certified by authorities having jurisdiction.
  
- A. Product Data: For each type of product indicated. . Submissions shall include UL file numbers for all devices.
  
- B. Shop Drawings: For fire-alarm system. Include plans, elevations, sections, details, and attachments to other work.
  1. Comply with recommendations in the "Documentation" Section of the "Fundamentals of Fire Alarm Systems" Chapter in NFPA 72.
  2. Include voltage drop calculations for notification appliance circuits. Use minimum 30cd current draw per visual appliance provided regardless of actual setting.
  3. Include battery-size calculations. Use minimum 30cd current draw per visual appliance provided regardless of actual setting.
  4. Include performance parameters and installation details for each detector, verifying that each detector is listed for complete range of air velocity, temperature, and humidity possible when air-handling system is operating.
  5. Include plans coordinating installation of duct smoke detectors and access to them. Show critical dimensions that relate to placement and support of sampling tubes, detector housing, and remote status and alarm indicators. Locate detectors according to manufacturer's written recommendations.
  6. Include 1/8" = 1'-0" scale floor plans to indicate final outlet locations showing address of each addressable device. Show size and route of cable and conduits.
  7. Wiring Diagrams: Detail wiring and differentiate between manufacturer-installed and field-installed wiring. Include diagrams for equipment and for system with all terminals and interconnections identified.
  8. Device Address List: Coordinate with final system programming.
  9. Input-Output Matrix: For each type of device (or function of device) and the associated system output. Format in accordance with NFPA 72, Explanatory Material, Figure "Typical Input/Output Matrix".
  10. System Operation Description: Detailed description for this project, including method of operation and supervision of each type of circuit and sequence of operations for manually and automatically initiated system inputs and outputs. Manufacturer's standard descriptions for generic system are not acceptable.
  
- C. Qualification Data: For qualified Installer.
  
- D. Field quality-control reports.
  
- E. Operation and Maintenance Data: For fire-alarm systems and components to include in emergency, operation, and maintenance manuals. In addition to items specified in Division 01 Section "Operation and Maintenance Data," include the following:
  1. Comply with the "Records" Section of the "Inspection, Testing and Maintenance" Chapter in NFPA 72.

FIRE STATIONS RENOVATION  
ARLINGTON COUNTY, VIRGINIA  
Architect's Project No: 563006

---

2. Provide "Record of Completion Documents" according to NFPA 72 article "Permanent Records" in the "Records" Section of the "Inspection, Testing and Maintenance" Chapter.
3. Record copy of site-specific software.
4. Provide "Maintenance, Inspection and Testing Records" according to NFPA 72 article of the same name and include the following:
  - a. Frequency of testing of installed components.
  - b. Frequency of inspection of installed components.
  - c. Requirements and recommendations related to results of maintenance.
  - d. Manufacturer's user training manuals.
5. Manufacturer's required maintenance related to system warranty requirements.
6. Abbreviated operating instructions for mounting at fire-alarm control unit.
7. Copy of NFPA 25.
8. Software and Firmware Operational Documentation:
  - a. Software operating and upgrade manuals.
  - b. Program Software Backup: On magnetic media or compact disk, complete with data files.
  - c. Device address list.
  - d. Printout of software application and graphic screens.

1.6 QUALITY ASSURANCE

- A. Installer Qualifications: Personnel shall be trained and certified by manufacturer for installation of units required for this Project.
- B. Installer Qualifications: Installation shall be by personnel certified by NICET as fire-alarm Level II technician.
- C. Source Limitations for Fire-Alarm System and Components: Obtain fire-alarm system from single source from single manufacturer. Components shall be compatible with, and operate as, an extension of existing system.
- D. Electrical Components, Devices, and Accessories: Listed and labeled as defined in NFPA 70, by a qualified testing agency, and marked for intended location and application.
- E. NFPA Certification: Obtain certification according to NFPA 72 by an NRTL.

1.7 PROJECT CONDITIONS

- A. Interruption of Existing Fire-Alarm Service: Do not interrupt fire-alarm service to facilities occupied by Owner or others unless permitted under the following conditions and then only after arranging to provide temporary guard service according to requirements indicated:
  1. Notify Owner no fewer than two days in advance of proposed interruption of fire-alarm service.
  2. Do not proceed with interruption of fire-alarm service without Owner's written permission.

FIRE STATIONS RENOVATION  
ARLINGTON COUNTY, VIRGINIA  
Architect's Project No: 563006

---

1.8 SEQUENCING AND SCHEDULING

- A. Existing Fire-Alarm Equipment: Maintain existing equipment fully operational until new equipment has been tested and accepted. As new equipment or devices are installed, label it "NOT IN SERVICE" until it is accepted. Remove labels from new equipment when put into service and label existing fire-alarm equipment "NOT IN SERVICE" until removed from the building.
- B. Equipment Removal: After acceptance of new fire-alarm system, remove existing disconnected fire-alarm equipment and wiring.
  - 1. Package Owner designated operational equipment and deliver to Owner.

1.9 SOFTWARE SERVICE AGREEMENT

- A. Comply with UL 864.
- B. Technical Support: Beginning with Substantial Completion, provide software support for two years.
- C. Upgrade Service: Update software to latest version at Project completion. Install and program software upgrades that become available within two years from date of Substantial Completion. Upgrading software shall include operating system. Upgrade shall include new or revised licenses for use of software.
  - 1. Provide 30 days' notice to Owner to allow scheduling and access to system and to allow Owner to upgrade computer equipment if necessary.

1.10 EXTRA MATERIALS

- A. Furnish extra materials that match products installed and that are packaged with protective covering for storage and identified with labels describing contents.
  - 1. Lamps for Remote Indicating Lamp Units: Quantity equal to 10 percent of amount installed, but no fewer than 1 unit.
  - 2. Lamps for Strobe Units: Quantity equal to 10 percent of amount installed, but no fewer than 1 unit.
  - 3. Smoke Detectors, Fire Detectors: Quantity equal to 10 percent of amount of each type installed, but no fewer than 1 unit of each type. Provide 50 feet of cabling in conduit for each appliance and connect to nearest annunciation circuit as directed by Authority Having Jurisdiction.
  - 4. Detector Bases: Quantity equal to 2 percent of amount of each type installed, but no fewer than 1 unit of each type. Provide 50 feet of cabling in conduit for each appliance and connect to nearest annunciation circuit as directed by Authority Having Jurisdiction.
  - 5. Keys and Tools: One extra set for access to locked and tamperproofed components.

FIRE STATIONS RENOVATION  
ARLINGTON COUNTY, VIRGINIA  
Architect's Project No: 563006

---

6. Audible and Visual Notification Appliances: One of each type installed. Provide 50 feet of cabling in conduit for each appliance and connect to nearest annunciation circuit as directed by Authority Having Jurisdiction.
7. Fuses: Two of each type installed in the system.

## PART 2 - PRODUCTS

### 2.1 MANUFACTURERS

1. Manufacturer: Subject to compliance with requirements, and fully compatible (UL listed and labeled) with the existing system.

### 2.2 SYSTEMS OPERATIONAL DESCRIPTION

A. Fire-alarm signal initiation shall be by one or more of the following devices:

1. Manual stations.
2. Heat detectors.
3. Smoke detectors.
4. Duct smoke detectors.
5. Automatic sprinkler system water flow.

B. Fire-alarm signal shall initiate the following actions:

1. Continuously operate alarm notification appliances.
2. Identify alarm at fire-alarm control unit and remote annunciators.
3. Transmit an alarm signal to the remote alarm receiving station.
4. Unlock electric door locks in designated egress paths.
5. Release fire and smoke doors held open by magnetic door holders.
6. Switch heating, ventilating, and air-conditioning equipment controls to fire-alarm mode.
7. Record events in the system memory.

C. Supervisory signal initiation shall be by one or more of the following devices and actions:

1. Valve supervisory switch.

D. System trouble signal initiation shall be by one or more of the following devices and actions:

1. Open circuits, shorts, and grounds in designated circuits.
2. Opening, tampering with, or removing alarm-initiating and supervisory signal-initiating devices.
3. Loss of primary power at fire-alarm control unit.
4. Ground or a single break in fire-alarm control unit internal circuits.
5. Abnormal ac voltage at fire-alarm control unit.
6. Break in standby battery circuitry.
7. Failure of battery charging.
8. Abnormal position of any switch at fire-alarm control unit or annunciator.

FIRE STATIONS RENOVATION  
ARLINGTON COUNTY, VIRGINIA  
Architect's Project No: 563006

---

- E. System Trouble and Supervisory Signal Actions: Initiate notification appliance and annunciate at fire-alarm control unit and remote annunciators.

2.3 FIRE-ALARM CONTROL UNIT

- A. FACP's are Existing to Remain. Upgrade as required to provide required functionality at the FACP's and to serve the renovated space.
- B. General Requirements for Fire-Alarm Control Unit:
  - 1. Field-programmable, microprocessor-based, modular, power-limited design with electronic modules, complying with UL 864 and listed and labeled by an NRTL.
    - a. System software and programs shall be held in flash electrically erasable programmable read-only memory (EEPROM), retaining the information through failure of primary and secondary power supplies.
    - b. Include a real-time clock for time annotation of events on the event recorder and printer.
  - 2. Addressable initiation devices that communicate device identity and status.
    - a. Smoke sensors shall additionally communicate sensitivity setting.
    - b. Temperature sensors shall additionally test for and communicate the sensitivity range of the device.
  - 3. Addressable control circuits for operation of mechanical equipment.
- C. Alphanumeric Display and System Controls: Arranged for interface between human operator at fire-alarm control unit and addressable system components including annunciation and supervision. Display alarm, supervisory, and component status messages and the programming and control menu.
- D. Circuits:
  - 1. Initiating Device, Notification Appliance, and Signaling Line Circuits: NFPA 72, Class A.
    - a. Initiating Device Circuits: Style D.
    - b. Notification Appliance Circuits: Style Z.
    - c. Signaling Line Circuits: Style 6.
- E. Door Controls: Door hold-open devices that are controlled by smoke detectors at doors in smoke barrier walls shall be connected to fire-alarm system.
- F. Transmission to Remote Alarm Receiving Station: Automatically transmit alarm, supervisory, and trouble signals to a remote alarm station.

FIRE STATIONS RENOVATION  
ARLINGTON COUNTY, VIRGINIA  
Architect's Project No: 563006

---

- G. Primary Power: 24-V dc obtained from 120-V ac service and a power-supply module. Initiating devices, notification appliances, signaling lines, trouble signals, supervisory and digital alarm communicator transmitters shall be powered by 24-V dc source.
1. Alarm current draw of entire fire-alarm system shall not exceed 80 percent of the power-supply module rating.
- H. Emergency Power Supply: Components include batteries, charger, and automatic transfer switch.
1. Batteries: Sealed lead calcium.
    - a. Batteries shall be in accordance with fire alarm system manufacturer's installation instructions.
    - b. Battery Nominal Life Expectancy: 10 years, minimum.
    - c. Battery date code shall indicate battery age of not more than 3 months at time of system acceptance.
    - d. Battery Capacity: Comply with NFPA 72.
  2. Battery Charger: Solid-state, fully automatic, variable-charging-rate type. Provide capacity for 150 percent of the connected system load while maintaining batteries at full charge. If batteries are fully discharged, the charger recharges them completely within four hours. Charger output is supervised as part of system power supply supervision.
  3. Integral Automatic Transfer Switch: Transfers the load to the battery without loss of signals or status indications when normal power fails.
- I. Instructions: Computer printout or typewritten instruction card mounted behind a plastic or glass cover in a stainless-steel or aluminum frame. Include interpretation and describe appropriate response for displays and signals. Briefly describe the functional operation of the system under normal, alarm, and trouble conditions.

## 2.4 MANUAL FIRE-ALARM BOXES

- A. General Requirements for Manual Fire-Alarm Boxes: Comply with UL 38. Boxes shall be finished in red with molded, raised-letter operating instructions in contrasting color; shall show visible indication of operation; and shall be mounted on recessed outlet box. If indicated as surface mounted, provide manufacturer's surface back box.
1. Double-action mechanism requiring two actions to initiate an alarm, pull-lever type; with integral addressable module arranged to communicate manual-station status (normal, alarm, or trouble) to fire-alarm control unit.
  2. Station Reset: Key-operated switch.

## 2.5 SYSTEM SMOKE DETECTORS

- A. General Requirements for System Smoke Detectors:
1. Comply with UL 268; operating at 24-V dc, nominal.
  2. Detectors shall be two-wire type.



FIRE STATIONS RENOVATION  
ARLINGTON COUNTY, VIRGINIA  
Architect's Project No: 563006

---

3. Base Mounting: Detector and associated electronic components shall be mounted in a twist-lock module that connects to a fixed base. Provide terminals in the fixed base for connection to building wiring.
4. Self-Restoring: Detectors do not require resetting or readjustment after actuation to restore them to normal operation.
5. Integral Visual-Indicating Light: LED type indicating detector has operated and power-on status.

B. Photoelectric Smoke Detectors:

1. Detector address shall be accessible from fire-alarm control unit and shall be able to identify the detector's location within the system and its sensitivity setting.
2. An operator at fire-alarm control unit, having the designated access level, shall be able to manually access the following for each detector:
  - a. Primary status.
  - b. Device type.
  - c. Present average value.
  - d. Present sensitivity selected.
  - e. Sensor range (normal, dirty, etc.).

C. Duct Smoke Detectors: Photoelectric type complying with UL 268A.

1. Detector address shall be accessible from fire-alarm control unit and shall be able to identify the detector's location within the system and its sensitivity setting.
2. An operator at fire-alarm control unit, having the designated access level, shall be able to manually access the following for each detector:
  - a. Primary status.
  - b. Device type.
  - c. Present average value.
  - d. Present sensitivity selected.
  - e. Sensor range (normal, dirty, etc.).
3. Weatherproof Duct Housing Enclosure: NEMA 250, Type 4X; NRTL listed for use with the supplied detector.
4. Each sensor shall have multiple levels of detection sensitivity.
5. Sampling Tubes: Design and dimensions as recommended by manufacturer for specific duct size, air velocity, and installation conditions where applied.

## 2.6 HEAT DETECTORS

- A. General Requirements for Heat Detectors: Comply with UL 521.
- B. Heat Detector, Combination Type: Actuated by either a fixed temperature of 135 deg F or a rate of rise that exceeds 15 deg F per minute unless otherwise indicated.
  1. Mounting: Twist-lock base interchangeable with smoke-detector bases.

FIRE STATIONS RENOVATION  
ARLINGTON COUNTY, VIRGINIA  
Architect's Project No: 563006

---

2. Integral Addressable Module: Arranged to communicate detector status (normal, alarm, or trouble) to fire-alarm control unit.

## 2.7 NOTIFICATION APPLIANCES

- A. General Requirements for Notification Appliances: Connected to notification appliance signal circuits, zoned as indicated, equipped for mounting as indicated and with screw terminals for system connections.
  1. Combination Devices: Factory-integrated audible and visible devices in a single-mounting assembly, equipped for mounting as indicated and with screw terminals for system connections.
- B. Horns: Electric-vibrating-polarized type, 24-V dc; with provision for housing the operating mechanism behind a grille. Comply with UL 464. Horns shall produce a sound-pressure level of 90 dBA, measured 10 feet from the horn, using the Code-3 coded signal prescribed in UL 464 test protocol.
- C. Bells: Electric-vibrating, 24-V dc, under-dome type; with provision for housing the operating mechanism behind the bell. When operating, bells provide a sound-pressure level of 94 dB, measured 10 feet from the bell. 10-inch size, unless otherwise indicated. Bells are weatherproof.
- D. Visible Notification Appliances: Xenon strobe lights comply with UL 1971, with clear or nominal white polycarbonate lens mounted on an aluminum faceplate. The word "FIRE" is engraved in minimum 1-inch-high letters on the lens.
  1. Rated Light Output:
    - a. 15/30/75/110 cd, selectable in the field.
  2. Mounting: Wall mounted unless otherwise indicated.
  3. For units with guards to prevent physical damage, light output ratings shall be determined with guards in place.
  4. Flashing shall be in a temporal pattern, synchronized with other units.
  5. Strobe Leads: Factory connected to screw terminals.
  6. Mounting Faceplate: Factory finished, red.

## 2.8 MAGNETIC DOOR HOLDERS

- A. Description: Units are equipped for wall or floor mounting as indicated and are complete with matching doorplate.
  1. Electromagnet: Requires no more than 3 W to develop 25-lbf holding force.
  2. Wall-Mounted Units: Flush mounted unless otherwise indicated.
  3. Rating: 120-V ac.
- B. Material and Finish: Match door hardware.

FIRE STATIONS RENOVATION  
ARLINGTON COUNTY, VIRGINIA  
Architect's Project No: 563006

---

2.9 REMOTE ANNUNCIATOR

- A. Description: Annunciator functions shall match those of fire-alarm control unit for alarm, supervisory, and trouble indications. Manual switching functions shall match those of fire-alarm control unit, including acknowledging, silencing, resetting, and testing.
  - 1. Mounting: Flush cabinet, NEMA 250, Type 1.
- B. Display Type and Functional Performance: Alphanumeric display and LED indicating lights shall match those of fire-alarm control unit. Provide controls to acknowledge, silence, reset, and test functions for alarm, supervisory, and trouble signals.

2.10 ADDRESSABLE INTERFACE DEVICE

- A. Description: Microelectronic monitor module, NRTL listed for use in providing a system address for alarm-initiating devices for wired applications with normally open contacts.

PART 3 - EXECUTION

3.1 EQUIPMENT INSTALLATION

- A. Comply with NFPA 72 for installation of fire-alarm equipment.
- B. Connecting to Existing Equipment: Verify that existing fire-alarm system is operational before making changes or connections.
  - 1. Connect new equipment to existing control panel in existing part of the building.
  - 2. Connect new equipment to existing monitoring equipment at the supervising station.
  - 3. Expand, modify, and supplement existing equipment as necessary to extend existing functions to the new points. New components shall be capable of merging with existing configuration without degrading the performance of either system.
- C. Smoke- or Heat-Detector Spacing:
  - 1. Comply with NFPA 72, "Smoke-Sensing Fire Detectors" Section in the "Initiating Devices" Chapter, for smoke-detector spacing.
  - 2. Comply with NFPA 72, "Heat-Sensing Fire Detectors" Section in the "Initiating Devices" Chapter, for heat-detector spacing.
  - 3. HVAC: Locate detectors not closer than [3 feet] [5 feet] from air-supply diffuser or return-air opening.
- D. Duct Smoke Detectors: Comply with NFPA 72 and NFPA 90A. Install sampling tubes so they extend the full width of duct.

FIRE STATIONS RENOVATION  
ARLINGTON COUNTY, VIRGINIA  
Architect's Project No: 563006

---

- E. Audible Alarm-Indicating Devices: Install not less than 6 inches below the ceiling. Install bells and horns on flush-mounted back boxes with the device-operating mechanism concealed behind a grille.
- F. Visible Alarm-Indicating Devices: Install adjacent to each alarm bell or alarm horn and at least 6 inches below the ceiling.
- G. Device Location-Indicating Lights: Locate in public space near the device they monitor.
- H. Fire-Alarm Control Unit: Surface mounted, with tops of cabinets not more than 72 inches above the finished floor.
- I. Annunciator: Install with top of panel not more than 72 inches above the finished floor.

### 3.2 CONNECTIONS

- A. For fire-protection systems related to doors in fire-rated walls and partitions and to doors in smoke partitions, comply with requirements in Division 08 Section "Door Hardware." Connect hardware and devices to fire-alarm system.
  - 1. Verify that hardware and devices are NRTL listed for use with fire-alarm system in this Section before making connections.
- B. Make addressable connections with a supervised interface device to the following devices and systems. Install the interface device less than 3 feet from the device controlled. Make an addressable confirmation connection when such feedback is available at the device or system being controlled.
  - 1. Smoke dampers in air ducts of designated air-conditioning duct systems.
  - 2. Supervisory connections at valve supervisory switches.

### 3.3 IDENTIFICATION

- A. Identify system components, wiring, cabling, and terminals. Comply with requirements for identification specified in Division 26 Section "Identification for Electrical Systems."
- B. Install framed instructions in a location visible from fire-alarm control unit.

### 3.4 GROUNDING

- A. Ground fire-alarm control unit and associated circuits; comply with IEEE 1100. Install a ground wire from main service ground to fire-alarm control unit.

### 3.5 PROGRAMMING

FIRE STATIONS RENOVATION  
ARLINGTON COUNTY, VIRGINIA  
Architect's Project No: 563006

---

- A. Provide all system programming required to accomplish the functions outlined by this specification, and the Fire Alarm Input/Output Matrix (on the Contract Drawings), and as required by the Authority Having Jurisdiction.
  - 1. Space names and numbers used in the programming shall be per the Owner's list, not necessarily those indicated on the Contract Documents.

3.6 FIELD QUALITY CONTROL

- A. Field tests shall be witnessed by authorities having jurisdiction.
- B. Perform tests and inspections.
  - 1. Manufacturer's Field Service: Engage a factory-authorized service representative to inspect components, assemblies, and equipment installations, including connections, and to assist in testing.
- C. Tests and Inspections:
  - 1. Visual Inspection: Conduct visual inspection prior to testing.
    - a. Inspection shall be based on completed Record Drawings and system documentation that is required by NFPA 72 in its "Completion Documents, Preparation" Table in the "Documentation" Section of the "Fundamentals of Fire Alarm Systems" Chapter.
    - b. Comply with "Visual Inspection Frequencies" Table in the "Inspection" Section of the "Inspection, Testing and Maintenance" Chapter in NFPA 72; retain the "Initial/Reacceptance" column and list only the installed components.
  - 2. System Testing: Comply with "Test Methods" Table in the "Testing" Section of the "Inspection, Testing and Maintenance" Chapter in NFPA 72.
  - 3. Factory-authorized service representative shall prepare the "Fire Alarm System Record of Completion" in the "Documentation" Section of the "Fundamentals of Fire Alarm Systems" Chapter in NFPA 72 and the "Inspection and Testing Form" in the "Records" Section of the "Inspection, Testing and Maintenance" Chapter in NFPA 72.
- D. Reacceptance Testing: Perform reacceptance testing to verify the proper operation of added or replaced devices and appliances.
- E. Fire-alarm system will be considered defective if it does not pass tests and inspections.
- F. Prepare test and inspection reports.
- G. Annual Test and Inspection: One year after date of Substantial Completion, test fire-alarm system complying with visual and testing inspection requirements in NFPA 72. Use forms developed for initial tests and inspections.

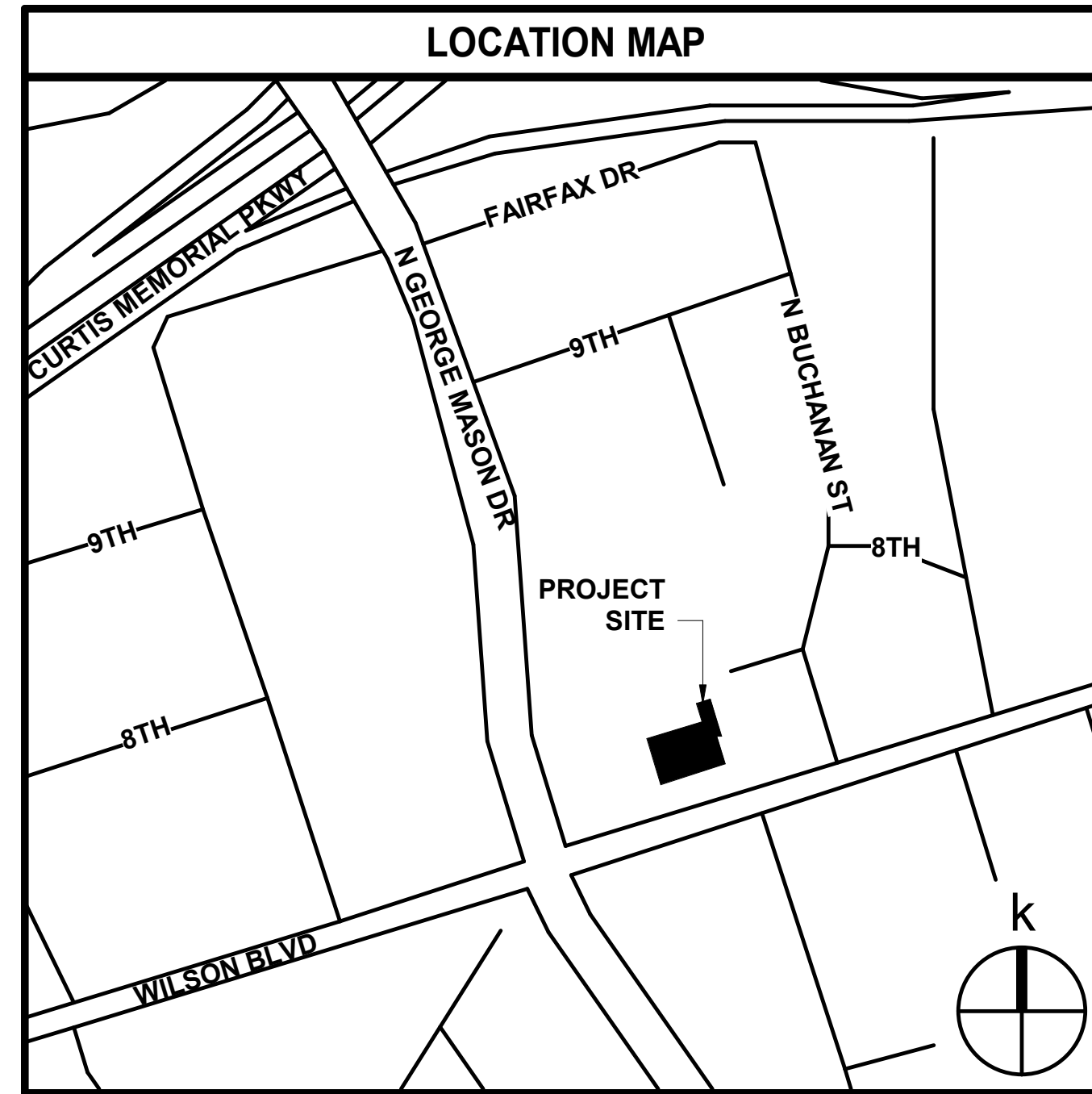
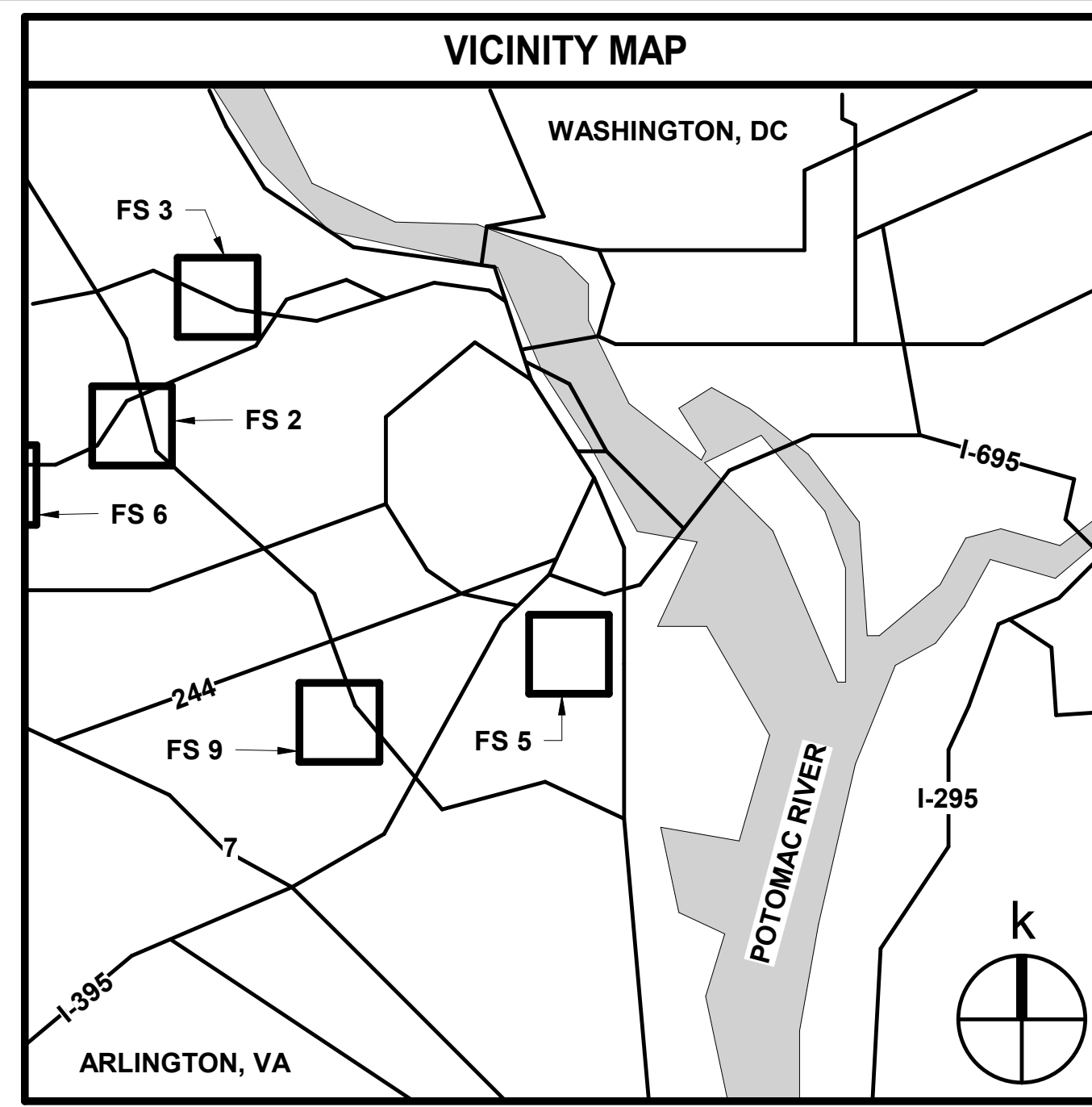
FIRE STATIONS RENOVATION  
ARLINGTON COUNTY, VIRGINIA  
Architect's Project No: 563006

---

3.7 DEMONSTRATION

- A. Engage a factory-authorized service representative to train Owner's maintenance personnel to adjust, operate, and maintain fire-alarm system.

END OF SECTION 283111



# PERMIT SET

# KELLY DAY RENOVATIONS

# FS 2

4805 Wilson Blvd, Arlington, VA 22203  
563006

**MOSELEY**ARCHITECTS

3200 NORFOLK STREET, RICHMOND, VA 23230  
PHONE (804) 794-7555 FAX (804) 355-5690  
MOSELEYARCHITECTS.COM

**MOSELEY**ARCHITECTS

3200 NORFOLK STREET, RICHMOND, VA 23230  
PHONE (804) 794-7555 FAX (804) 355-5690  
MOSELEYARCHITECTS.COM



**KELLY DAY RENOVATIONS FS 2**

563006  
4805 Wilson Blvd, Arlington, VA 22203  
Owner: Arlington County

**DRAWING INDEX**

COVER	COVER - FS2
ARCHITECTURAL	
A0.1	GENERAL ARCHITECTURAL INFORMATION - FS2
A0.2	WALL/PARTITION TYPES, SCHEDULES, & TERMINATIONS - FS2
A2.2	FIRE STATION 2 DRAWINGS
STRUCTURAL	
S0.0.1	GENERAL NOTES AND LEGENDS
S2.2	FRAMING PLANS - FS2
S3.0.1	TYPICAL SLAB DETAILS
S4.0.1	TYPICAL MASONRY WALL AND LINTEL DETAILS
PLUMBING	
P0.2	LEGENDS, ABBREVIATIONS AND GENERAL NOTES - FS2
P2.2	FLOOR PLAN - FS2
MECHANICAL	
M0.1	LEGENDS, ABBREVIATIONS, SCHEDULES, AND GENERAL NOTES
M1.2	FIRST FLOOR DEMOLITION PLAN - FIRE STATION 2
M2.2	FIRST FLOOR PLAN - FIRE STATION 2
M5.1	DETAILS & CONTROLS
ELECTRICAL	
E0.1	LEGENDS, ABBREVIATIONS AND GENERAL NOTES
E1.2	FIRST FLOOR DEMOLITION PLAN - FIRE STATION 2
E2.2	FIRST FLOOR LIGHTING, POWER AND COMMUNICATION PLANS - FIRE STATION 2

**POINTS OF CONTACT**

**ARCHITECT:**  
ANDREW MCVEIGH - PROJECT MANAGER  
MOSELEY ARCHITECTS  
804-545-6110  
AMCVEIGH@MOSELEYARCHITECTS.COM

**OWNER:**  
MICHAEL MANOS - PROJECT MANAGER  
ARLINGTON COUNTY, VIRGINIA  
703-228-4437  
MMANOS@ARLINGTONVA.US

**USER:**  
CAPTAIN RICHARD SLUSHER  
ARLINGTON COUNTY FIRE DEPARTMENT  
RSLUSHER@ARLINGTONVA.US

**HAZARDOUS MATERIALS:**  
IT IS NOT ANTICIPATED THAT THE CONTRACTOR WILL ENCOUNTER HAZARDOUS MATERIALS WHILE EXECUTING THE WORK. THE EXISTING BUILDINGS HAVE NOT BEEN TESTED FOR THE PRESENCE OF HAZARDOUS MATERIALS. DURING THE COURSE OF THE WORK, IF THE CONTRACTOR HAS REASON TO SUSPECT THE PRESENCE OF HAZARDOUS MATERIALS, STOP WORK AND IMMEDIATELY NOTIFY THE OWNER AND ARCHITECT.

PROJECT NO:	563006
DATE:	SEPTEMBER 22, 2021
REVISIONS	
DATE	DESCRIPTION

COVER - FS2

THE CONTRACT DOCUMENTS ARE COMPLEMENTARY, AND WHAT IS REQUIRED BY ONE SHALL BE AS BINDING AS IF REQUIRED BY ALL. IN CASE OF A CONFLICT, DISAGREEMENT, OR AMBIGUITY, PROVIDE THE BETTER QUALITY. IN CASE OF A CONFLICT, DISAGREEMENT, OR AMBIGUITY, PROVIDE THE GREATER QUANTITY OF WORK.











FINISH SCHEDULE FS2											
Department	NUMBER	NAME	FLOOR	BASE	WALLS				WAINSCOT	CEILING	NOTES
					NORTH	EAST	SOUTH	WEST			
FS2	112	WORK ROOM	ETR	--	PT	--	--	--	--	ACP	
FS2	136	LAUNDRY ROOM	ETR	ETR	PT	--	--	--	--	ETR	
FS2	139	DECONTAMINATION	ETR	ETR	PT	PT	PT	PT	--	ACP	
FS2	202	SHOWER ROOM	P-TILE	P-TILE	P-TILE	P-TILE	P-TILE	P-TILE	P-TILE	GB PT	FULL HEIGHT PORCELAIN TILE IN SHOWER. 7'-2" PORCELAIN TILE WAINSCOT NOT IN SHOWER AREA.
FS2	205	DINING	MATCH EXISTING	MATCH EXISTING	--	PT	PT	PT	--	ACP	NEW DINING AREA SHOULD MATCH THE FINISH OF THE ADJACENT EXISTING DINING AREA UNO. EXISTING FLOOR IN THE WORKROOM IS CONCRETE. PORTIONS OF THE EXISTING FLOOR MAY HAVE A LAYER OF CARPET WHICH SHALL BE REMOVED BY THE CONTRACTOR.

- ### FLOOR PLAN KEYNOTES
- REPRESENTED BY A  
 APPLIES TO DRAWINGS A2.2 - A2.9
- SALVAGE WASHER AND DRYER. TURN OVER TO THE OWNER.
  - REMOVE BENCH
  - REMOVE SINK
  - STACKED WASHER/DRYER UNIT. APPLIANCE FURNISHED BY THE OWNER. CONTRACTOR SHALL PROVIDE THE NECESSARY HOOKUPS AND INSTALL THE APPLIANCE.
  - FURNITURE NIC.
  - 12"x12"x72" METAL GYM LOCKER PROVIDED BY OWNER.
  - EXISTING EXTRACTOR TO REMAIN
  - EXISTING DRYING CABINET TO REMAIN.
  - REMOVE CEILING AND ALL HOSTED ELEMENTS, INCLUDING LIGHT FIXTURES, MECHANICAL DIFFUSERS, FIRE ALARMS, SMOKE DETECTORS, ETC.
  - MATCH HEIGHT OF ACOUSTIC CEILING WITH ADJACENT EXISTING CEILING.
  - PROVIDE 3/4" THICK STAINED WOOD SILL. PROVIDE POLYURETHANE COAT.
  - PROVIDE 3/4"x5" STAINED WOOD WALL BASE. PROVIDE POLYURETHANE COAT.
  - 5/8" GYPSUM BOARD.
  - 3 5/8" CFSF
  - 8" NOMINAL CMU
  - RELOCATED AIR COMPRESSOR.
  - SALVAGE EXISTING AIR COMPRESSOR FOR RELOCATION. IF THERE ARE VIBRATION PADS AT THE FEET OF THE COMPRESSOR, REINSTALL THE PADS AT THE NEW LOCATION.
  - 8" NOMINAL CMU
  - 4" NOMINAL CMU
  - INFILL OPENING. MATCH ADJACENT CONSTRUCTION AND FINISH UNO.
  - SALVAGE DOOR AND FRAME.
  - REMOVE RAILING AT THIS SIDE OF RAMP.
  - REMOVE PORTION OF WALL AS NECESSARY TO PROVIDE OPENING.
  - SS TOILET PARTITION
  - 2'-6"x7'-0" SS TOILET STALL DOOR
  - PROVIDE SHOWER ROD AND CURTAIN.
  - SALVAGE DOOR. FRAME SHALL REMAIN. REMOVE STRIKE AND PROVIDE STEEL OR ALUMINUM CLOSURE PLATE. PAINT TO MATCH FRAME COLOR.
  - EXISTING SHOWER CONTROLS TO REMAIN. TYPICAL THIS FIRE STATION.
  - EXISTING LINEAR DRAIN TO REMAIN.
  - EXISTING ACCESS PANEL AT CEILING
  - PROVIDE GAP AT TOP AND BOTTOM OF PARTITION. DO NOT BLOCK AIRFLOW.
  - REMOVE HALFWALL.
  - EXISTING PIPING TO REMAIN.
  - ALIGN CMU CHASE WITH EXISTING CONSTRUCTION.
  - GROUTED COLLAR JOINT.
  - ALIGN DOOR FRAME WITH EXISTING OPENING.
  - SALVAGE EXISTING DRYING CABINET FOR RELOCATION. REMOVE RAISED CONCRETE PAD.
  - INSTALL SALVAGED DRYING CABINET AT THIS LOCATION. POUR CONCRETE BASE FOR CABINET. MATCH EXISTING BASE DIMENSIONS.
  - REMOVE FINISH FLOORING. REFER TO STRUCTURAL DRAWINGS FOR ADDITIONAL DEMOLITION SCOPE.
  - GEAR GRID NIC. SHOWN FOR COORDINATION PURPOSES WITH THE OWNER.
  - SALVAGE EXISTING HOSE REEL SOLENOID SWITCH ASSEMBLY.
  - PROVIDE FROSTING FILM AT INTERIOR SIDE OF GLAZING.
  - PROVIDE CONCRETE SILL AT BASE OF DOOR OPENING.
  - PROVIDE METAL THRESHOLD TO STRADDLE THE FINISH FLOOR AND THE CONCRETE SILL.
  - SALVAGE STORAGE HOOKS AND RELOCATE TO ADJACENT WALL. COORDINATE WITH OWNER TO DETERMINE PRECISE LOCATION.
  - REMOVE EXISTING BENCH AND SHELF.
  - INSTALL SALVAGED HOSE REEL SOLENOID SWITCH ASSEMBLY. ORIENT SWITCH ASSEMBLY VERTICALLY. EXTEND AND MODIFY CONDUIT AS REQUIRED AND TEST SWITCHES FOR PROPER OPERATION.
  - 1 1/2" CIRCULAR GALVANIZED STEEL HANDRAIL.
  - CONTINUE HANDRAIL TO FLOOR. EMBED IN CONCRETE. TYPICAL
  - REMOVE CASEWORK AND SHELF.
  - PAINT CMU WITHIN RECESSED AREA.

**MOSELEY ARCHITECTS**  
 5200 NORFOLK STREET, RICHMOND, VA 23230  
 PHONE (804) 794-7557 FAX (804) 355-5690  
 MOSELEYARCHITECTS.COM



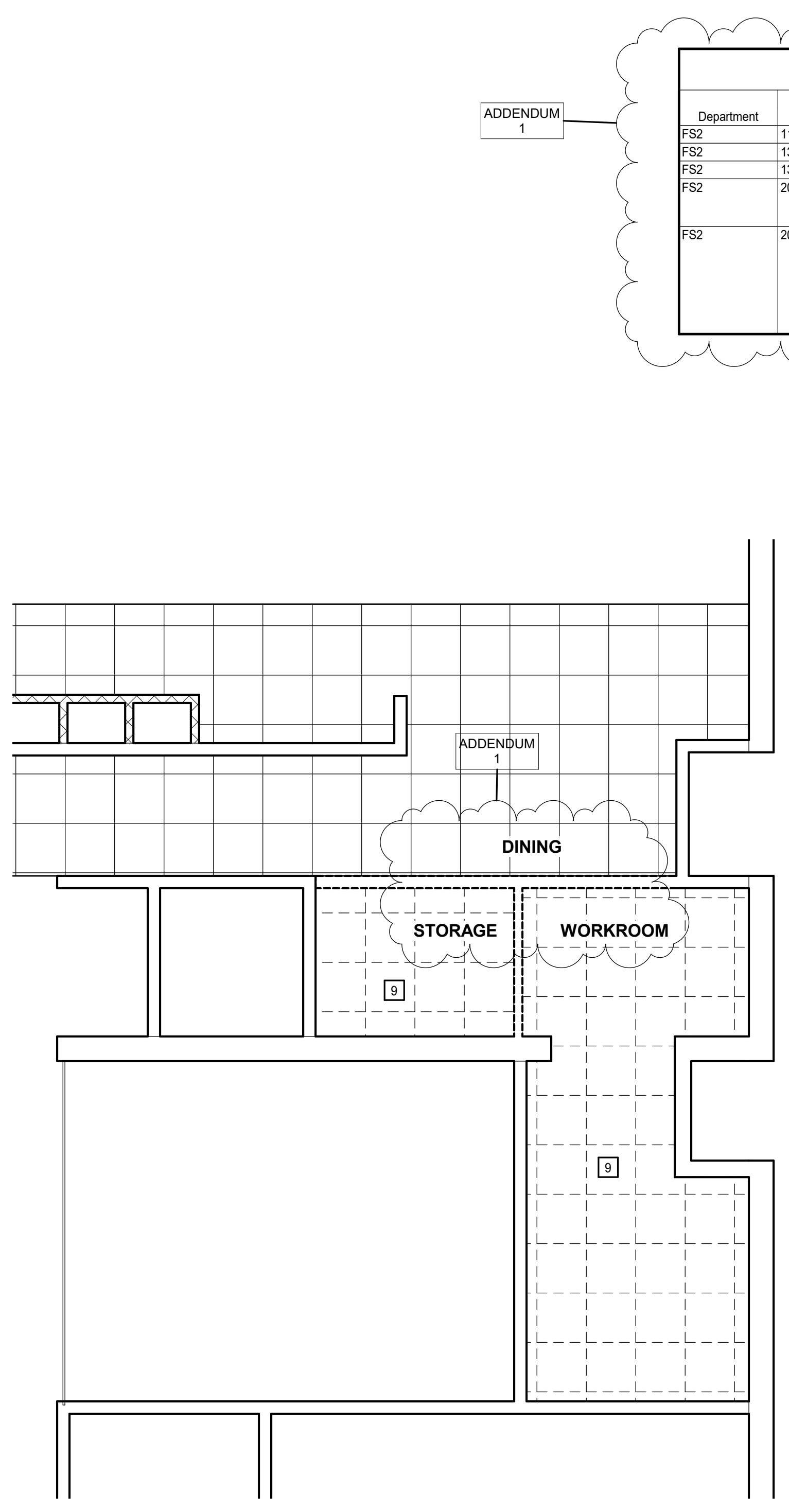
**KELLY DAY RENOVATIONS FS 2**  
 563006  
 4805 Wilson Blvd, Arlington, VA 22203  
 Owner: Arlington County

PROJECT NO:	563006
DATE:	SEPTEMBER 22, 2021
REVISIONS	
DATE	DESCRIPTION
12/15/21	ADDENDUM 1

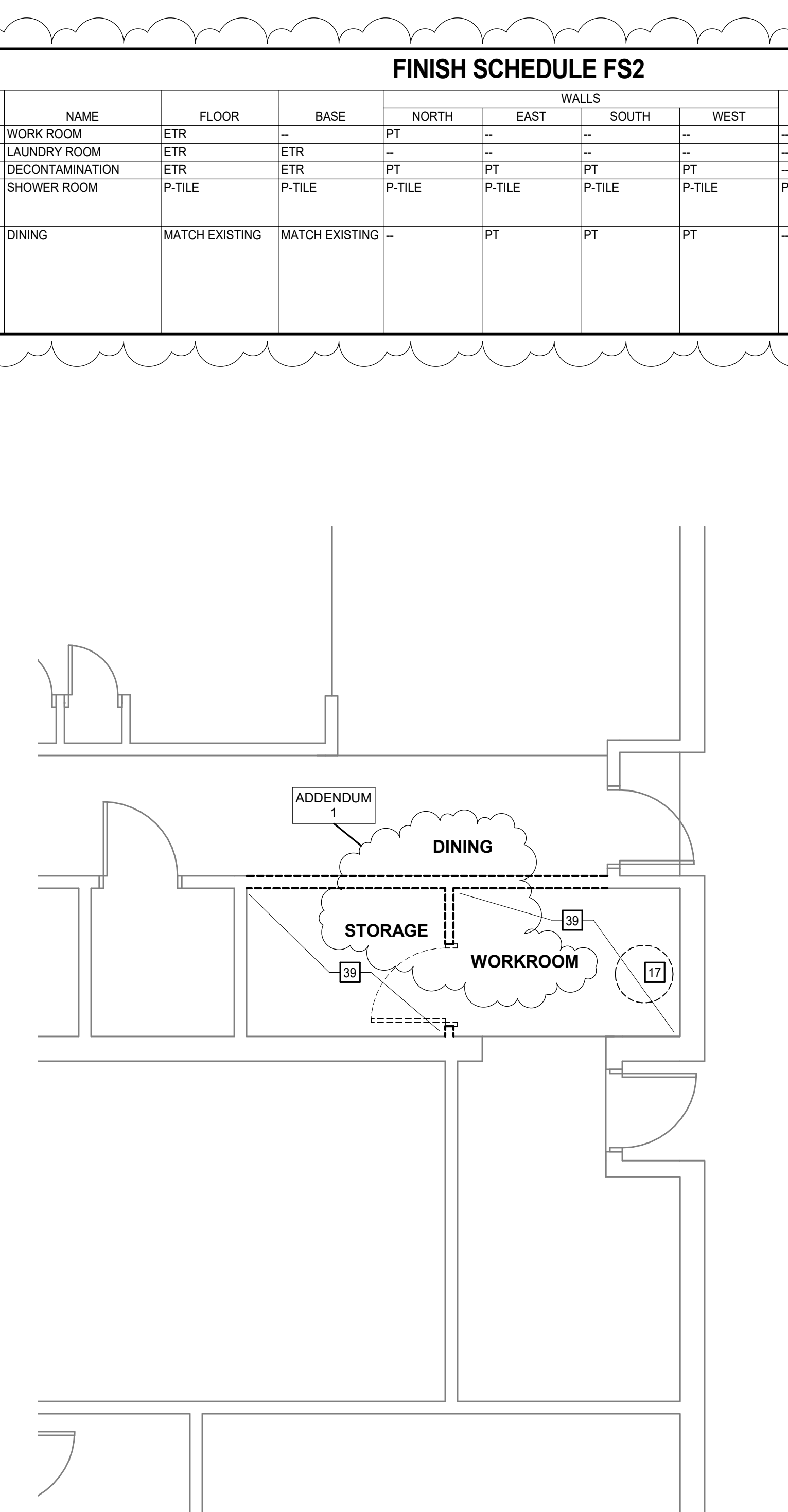
**FLOOR PLAN GENERAL NOTES**

- UNLESS NOTED OTHERWISE, PAINT ALL NEW WALLS AND ALL EXISTING WALLS IN ROOMS INCLUDED IN THE WORK SCOPE.
- PAINT ALL EXISTING DOOR FRAMES WHERE THE DOOR HAS BEEN SALVAGED OR REMOVED.
- REFER TO STRUCTURAL DOCUMENTS FOR SLAB REMOVAL.

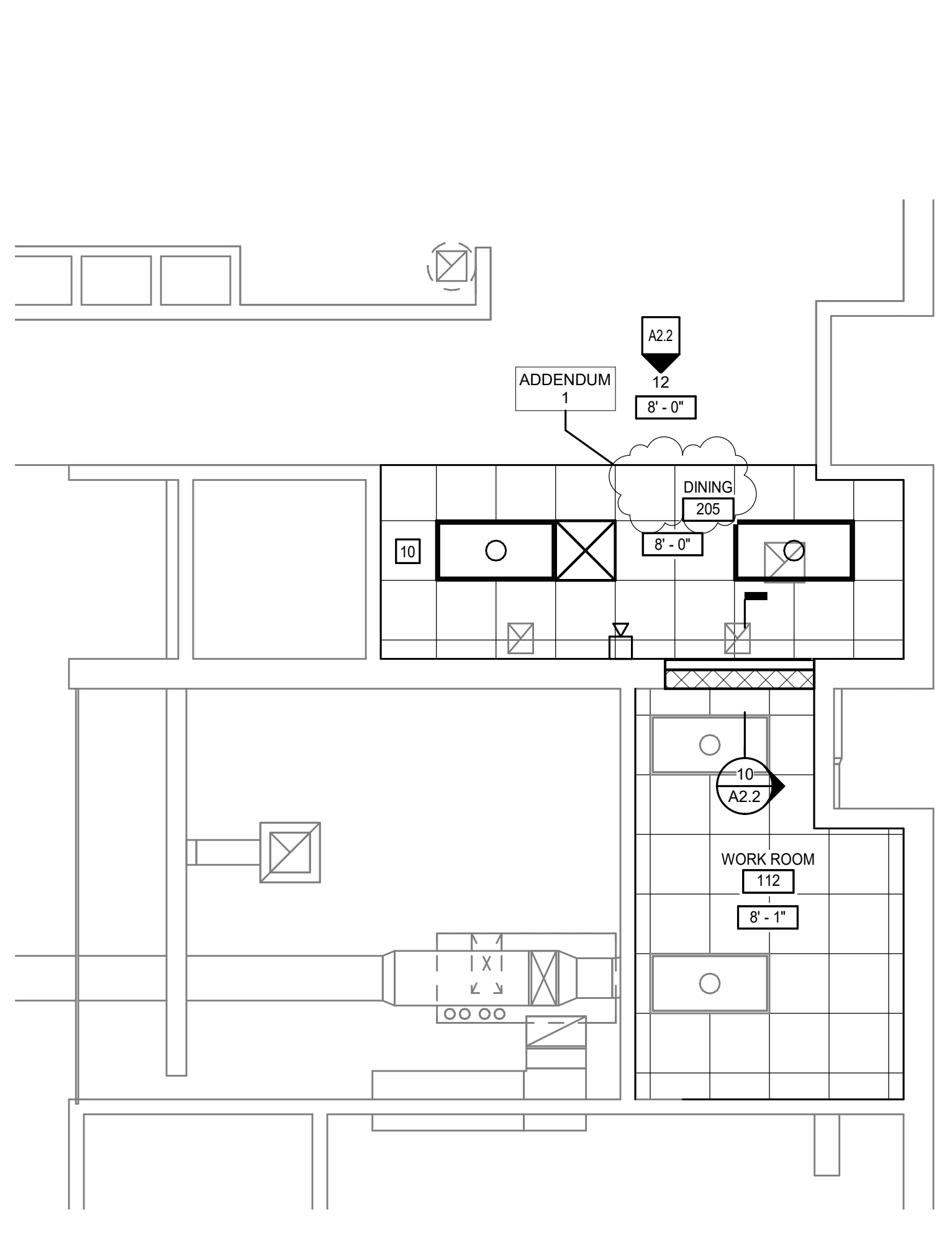
PROJECT ADDRESS: 4805 Wilson Blvd, Arlington, VA 22203



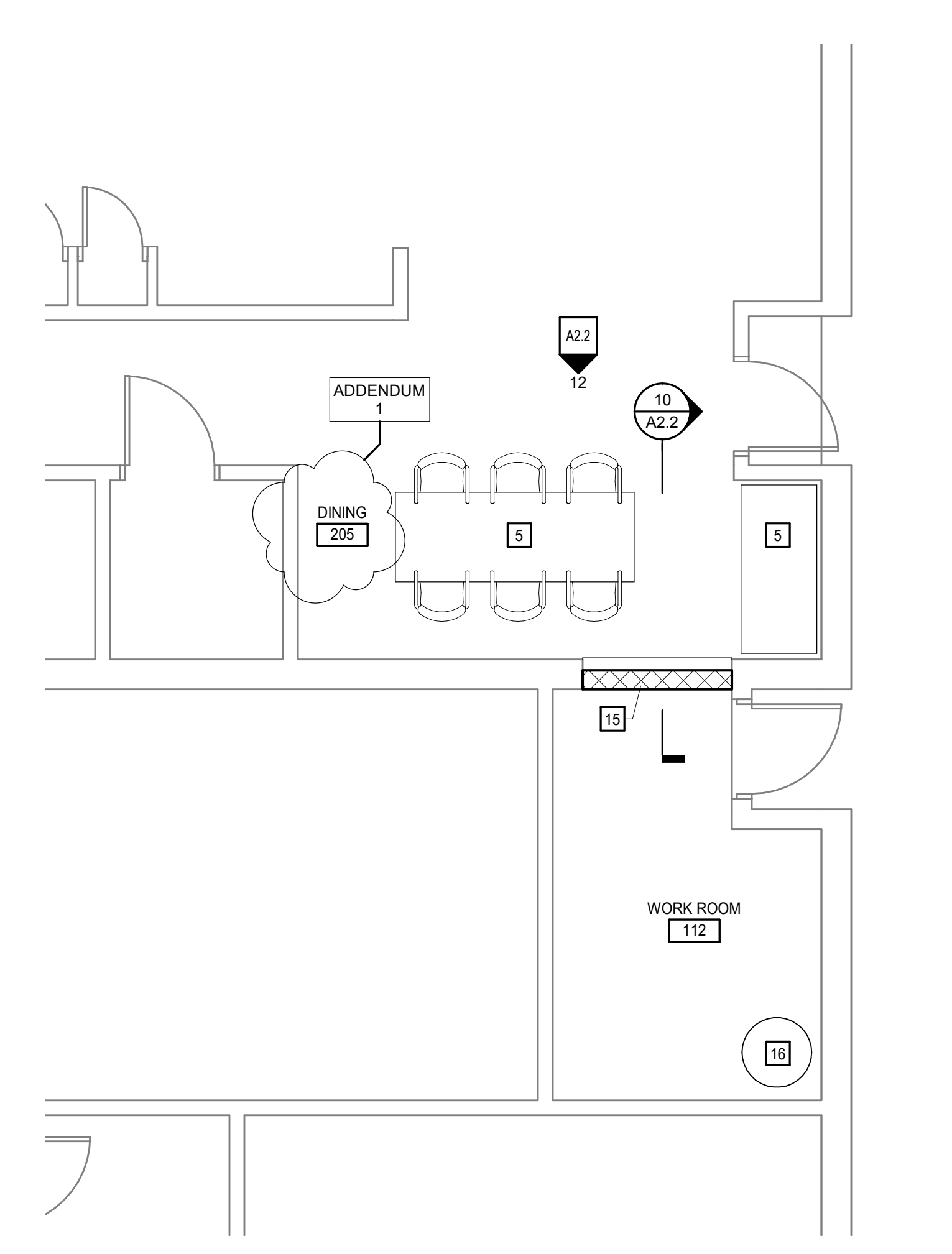
**9 DINING RCP - DEMO**  
 A2.2 1/4" = 1'-0"



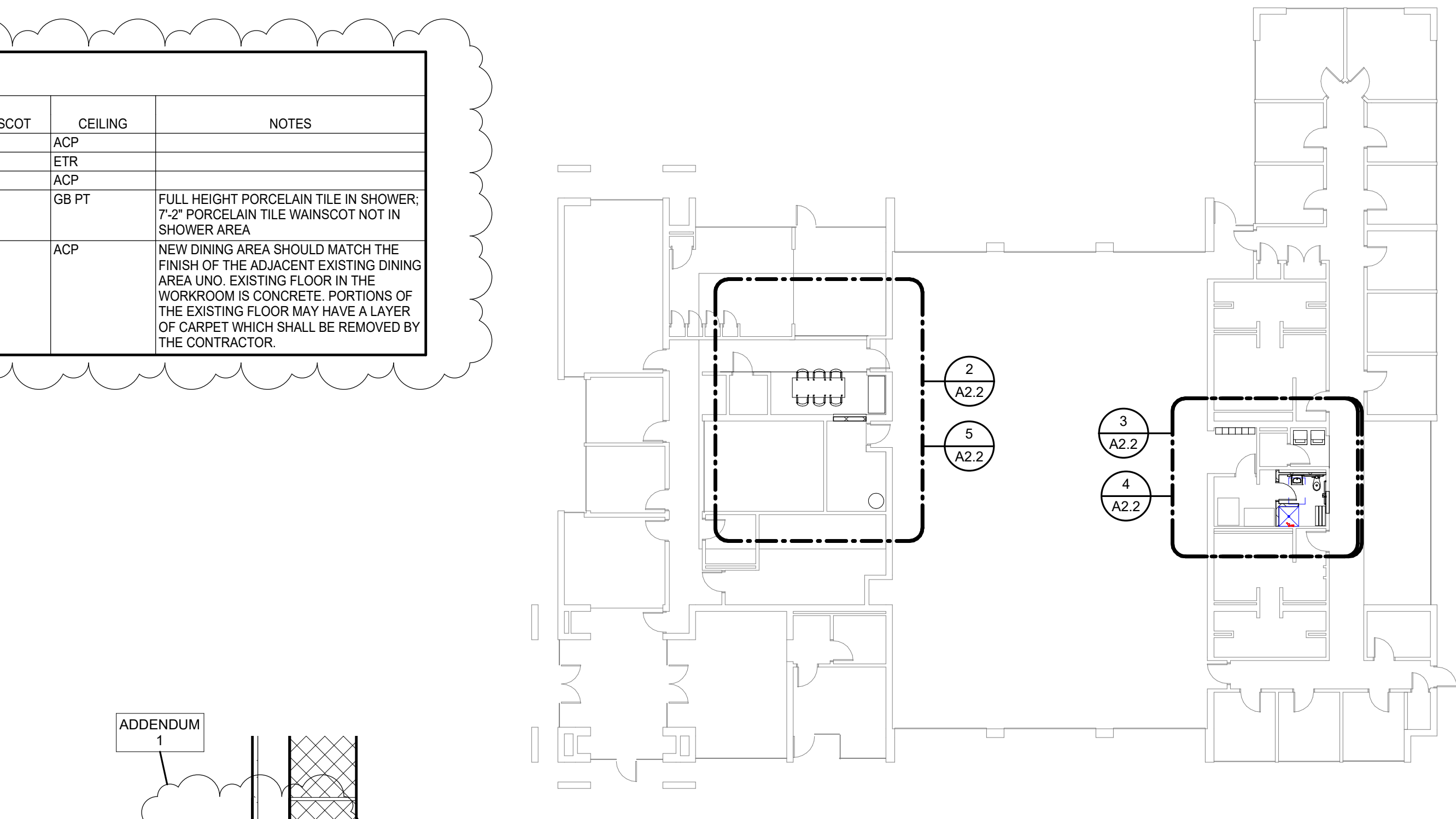
**2 DINING - DEMO**  
 A2.2/A2.2 1/4" = 1'-0"



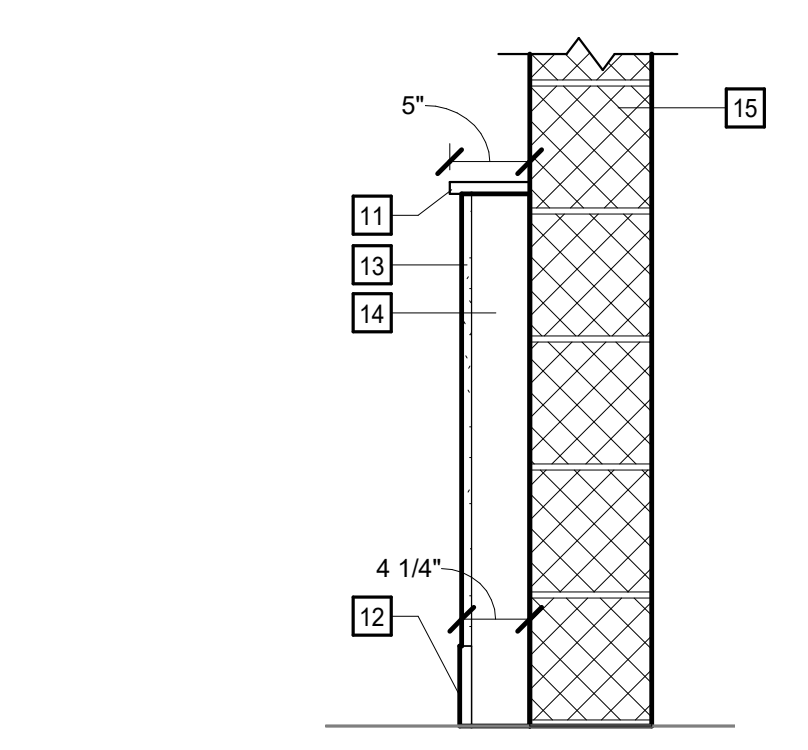
**8 DINING RCP - NEW**  
 A2.2 1/4" = 1'-0"



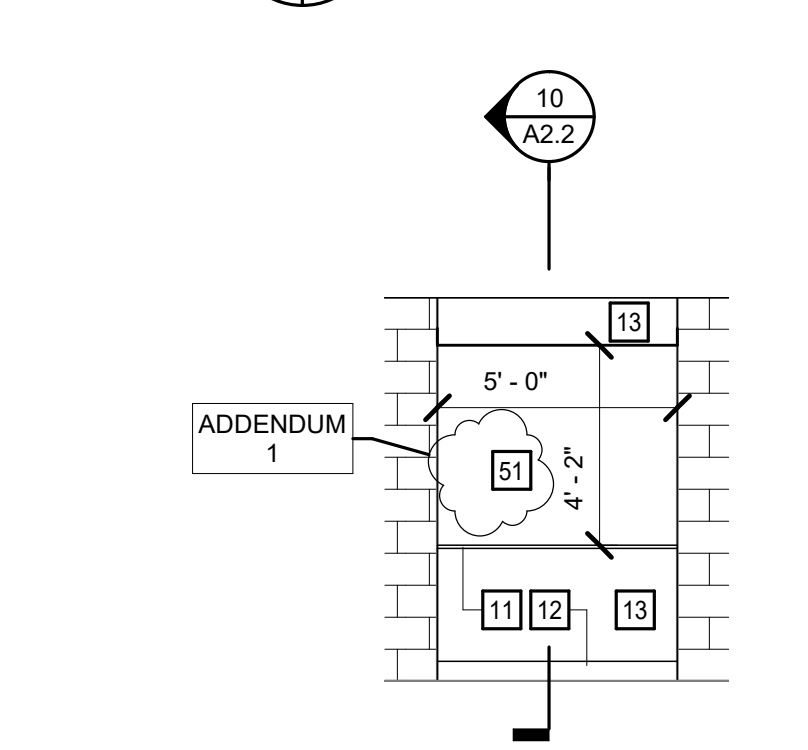
**5 DINING - NEW**  
 A2.2/A2.2 1/4" = 1'-0"



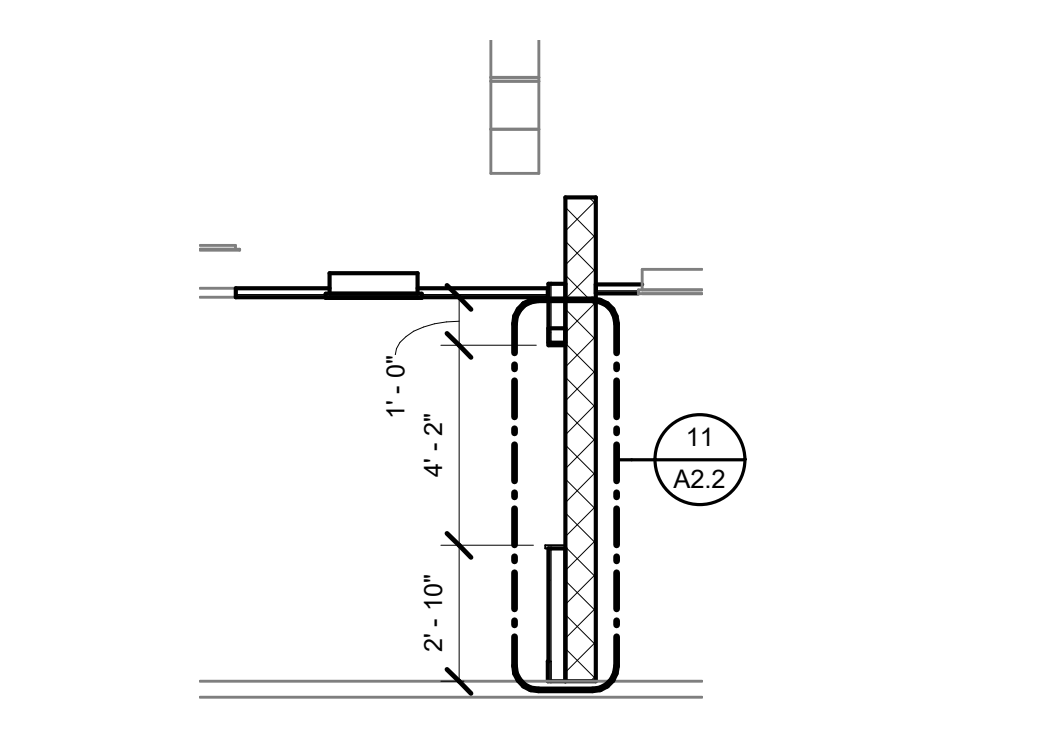
**1 KEY PLAN**  
 A2.2 1/16" = 1'-0"



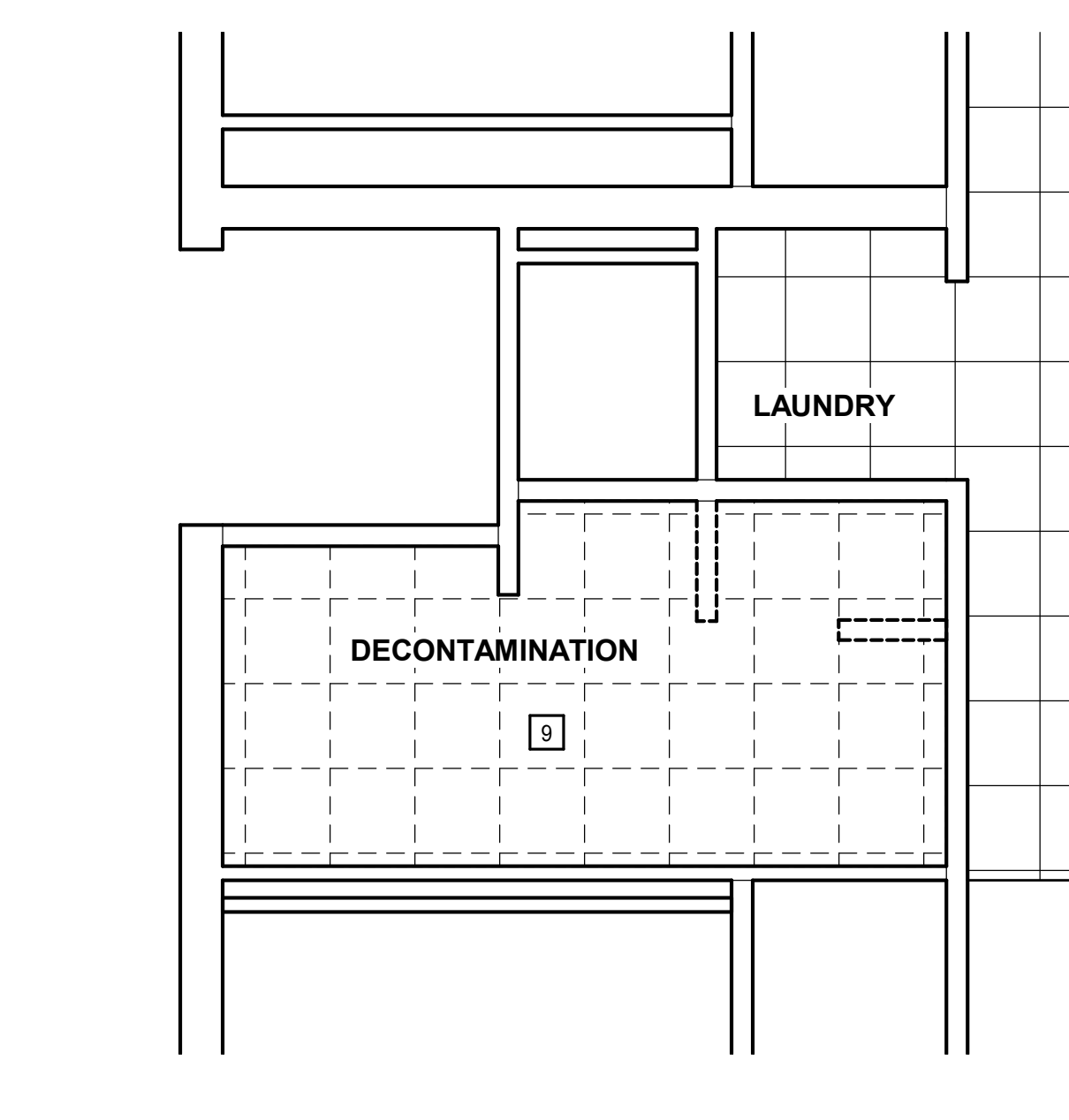
**11 DETAIL**  
 A2.2/A2.2 1" = 1'-0"



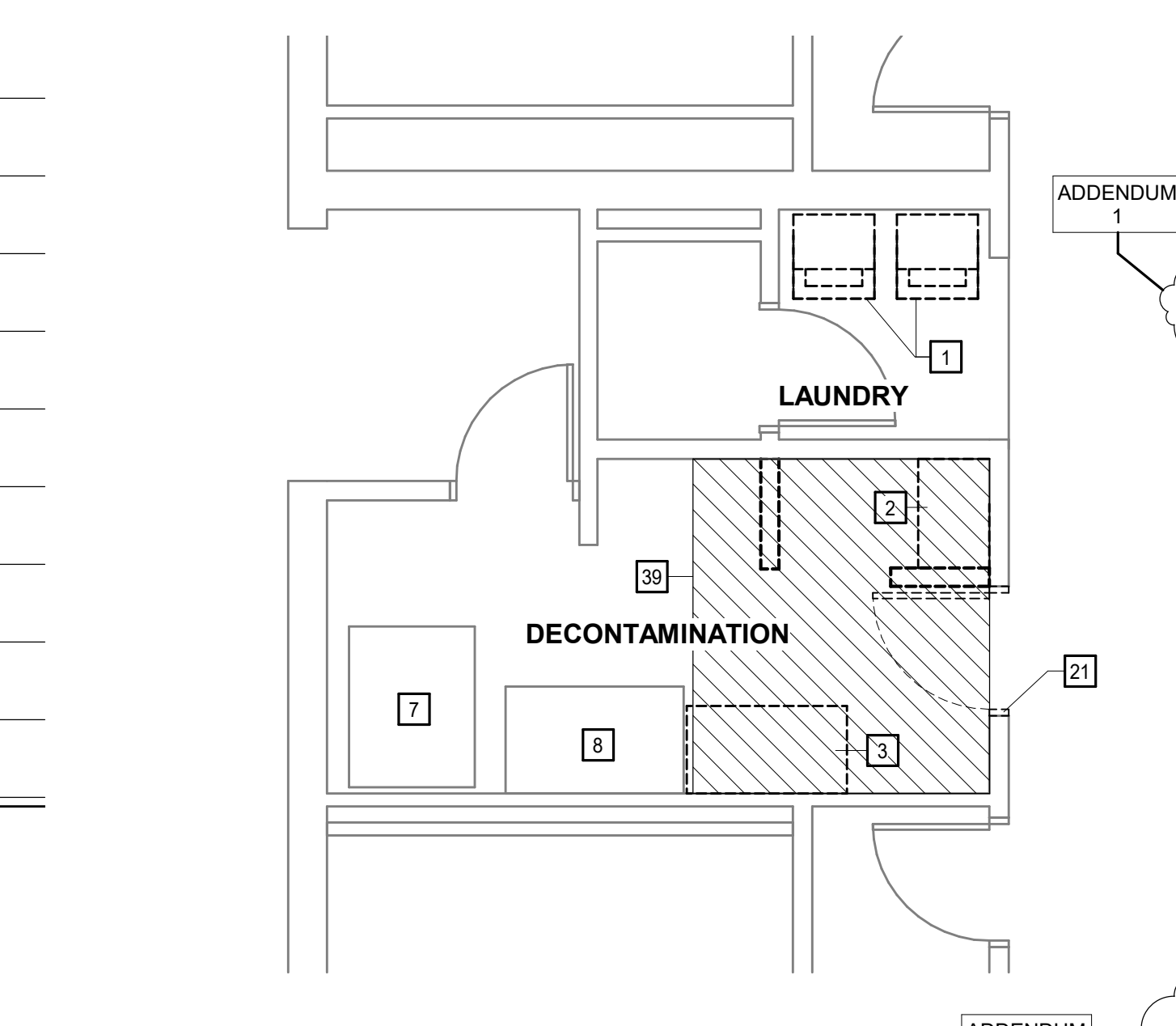
**12 ELEVATION**  
 A2.2/A2.2 1/4" = 1'-0"



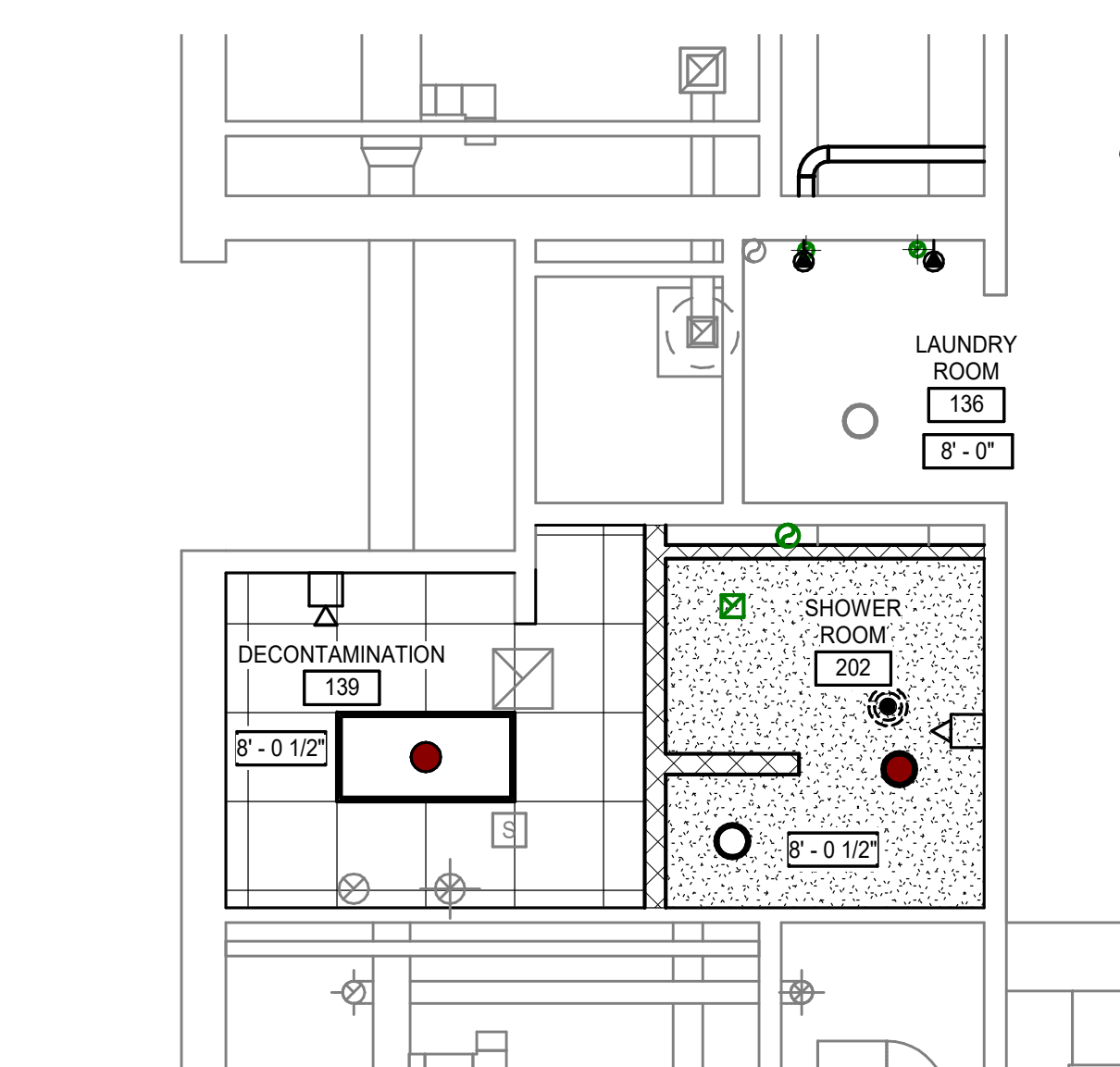
**10 SECTION**  
 A2.2/A2.2 1/4" = 1'-0"



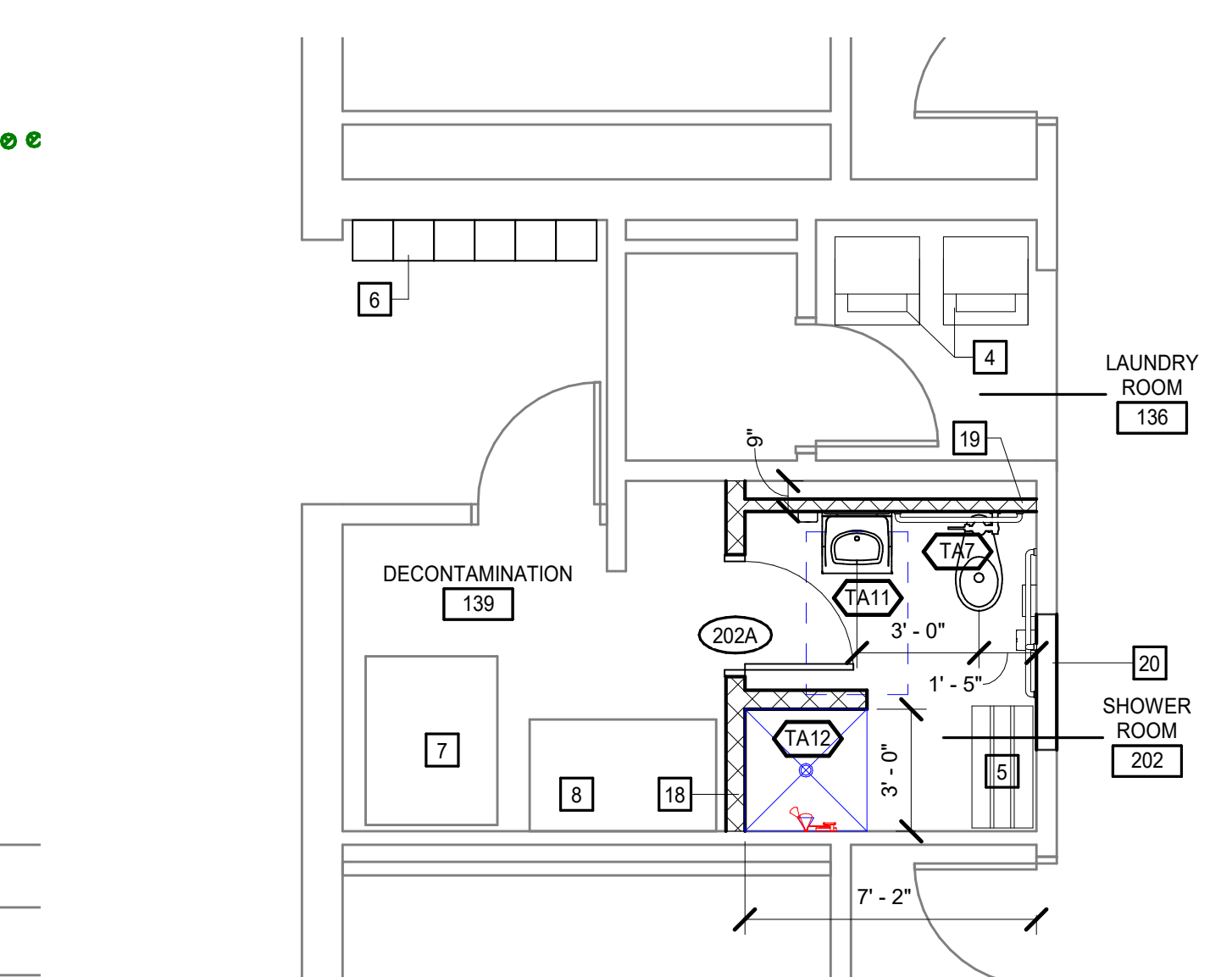
**7 SHOWER RCP - DEMO**  
 A2.2 1/4" = 1'-0"



**3 SHOWER - DEMO**  
 A2.2/A2.2 1/4" = 1'-0"



**6 SHOWER RCP - NEW**  
 A2.2/A2.2 1/4" = 1'-0"



**4 SHOWER - NEW**  
 A2.2/A2.2 1/4" = 1'-0"

### DEMOLITION PLAN LEGEND

APPLIES TO DRAWINGS A2.2 - A2.9

	EXISTING PARTITION/WALL/ITEM TO REMAIN
	REMOVE EXISTING PARTITION/WALL/ITEM
	REMOVE EXISTING WINDOW ASSEMBLY AND FRAMING, INCLUDING ANCHORS
	SALVAGE EXISTING DOOR AND FRAME ASSEMBLY INCLUDING DOOR HARDWARE. IF FRAME DAMAGED DURING SALVAGING, DISCARD.
	REMOVE EXISTING PLUMBING FIXTURE. REFER TO PLUMBING DEMOLITION PLAN FOR ADDITIONAL INFORMATION.



STRUCTURAL ABBREVIATIONS

Table of structural abbreviations including ANCHOR BOLT, ARCHITECTURALLY EXPOSED STRUCTURAL STEEL, ALUMINUM APPROX, etc.

DESIGN LOAD DATA

Table of design load data including RISK CATEGORY (IBC TABLE 1604.5), FLOOR LIVE LOADS, ROOF LIVE LOADS, etc.

CONCRETE

- REFER TO DRAWING S3.0.1 FOR REINFORCING BAR LAP LENGTHS. ALL CONCRETE WORK SHALL CONFORM TO THE REQUIREMENTS OF ACI 318 'BUILDING CODE REQUIREMENTS FOR STRUCTURAL CONCRETE' AND ACI 301 'STANDARD SPECIFICATIONS FOR STRUCTURAL CONCRETE'.

STRUCTURAL STEEL

- ALL STRUCTURAL STEEL WORK SHALL CONFORM TO THE FOLLOWING AISC DOCUMENTS: AISC 360 'SPECIFICATION FOR STRUCTURAL STEEL BUILDINGS', AISC 303 'CODE OF STANDARD PRACTICE FOR STEEL BUILDINGS AND BRIDGES', etc.

COLD FORMED STEEL FRAMING

- ALL STRUCTURAL COLD FORMED STEEL FRAMING (CFSF) SHALL COMPLY WITH AISI'S 'NORTH AMERICAN SPECIFICATION FOR THE DESIGN OF COLD-FORMED STEEL STRUCTURAL MEMBERS'.

POST INSTALLED ANCHORS & DOWELS

- INSTALL ALL ANCHORS IN ACCORDANCE WITH MANUFACTURER'S PUBLISHED PROCEDURES AT NOT LESS THAN THE MINIMUM EDGE DISTANCES INDICATED IN THE MANUFACTURER'S LITERATURE.

CONCRETE MASONRY (CMU)

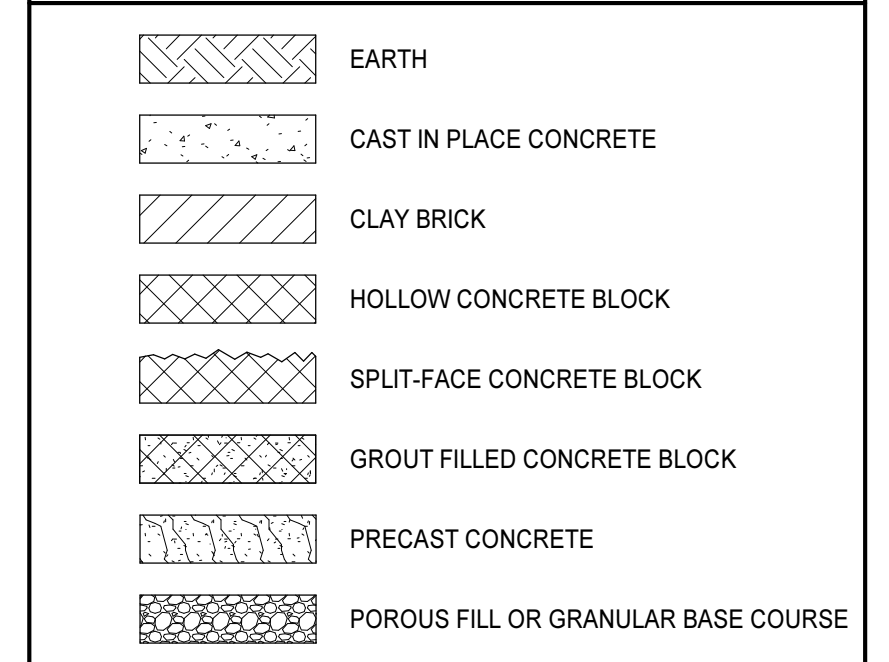
- ALL MASONRY WORK SHALL CONFORM TO THE REQUIREMENTS OF TMS 602 'BUILDING CODE REQUIREMENTS FOR MASONRY STRUCTURES WITH COMMENTARY' AND TMS 602 'SPECIFICATIONS FOR MASONRY STRUCTURES WITH COMMENTARY'.

GENERAL

- ALL WORK SHALL BE DONE IN ACCORDANCE WITH THE VIRGINIA UNIFORM STATEWIDE BUILDING CODE (USBC), 2015 EDITION, EFFECTIVE SEPTEMBER 4, 2018.

ADDITION 1

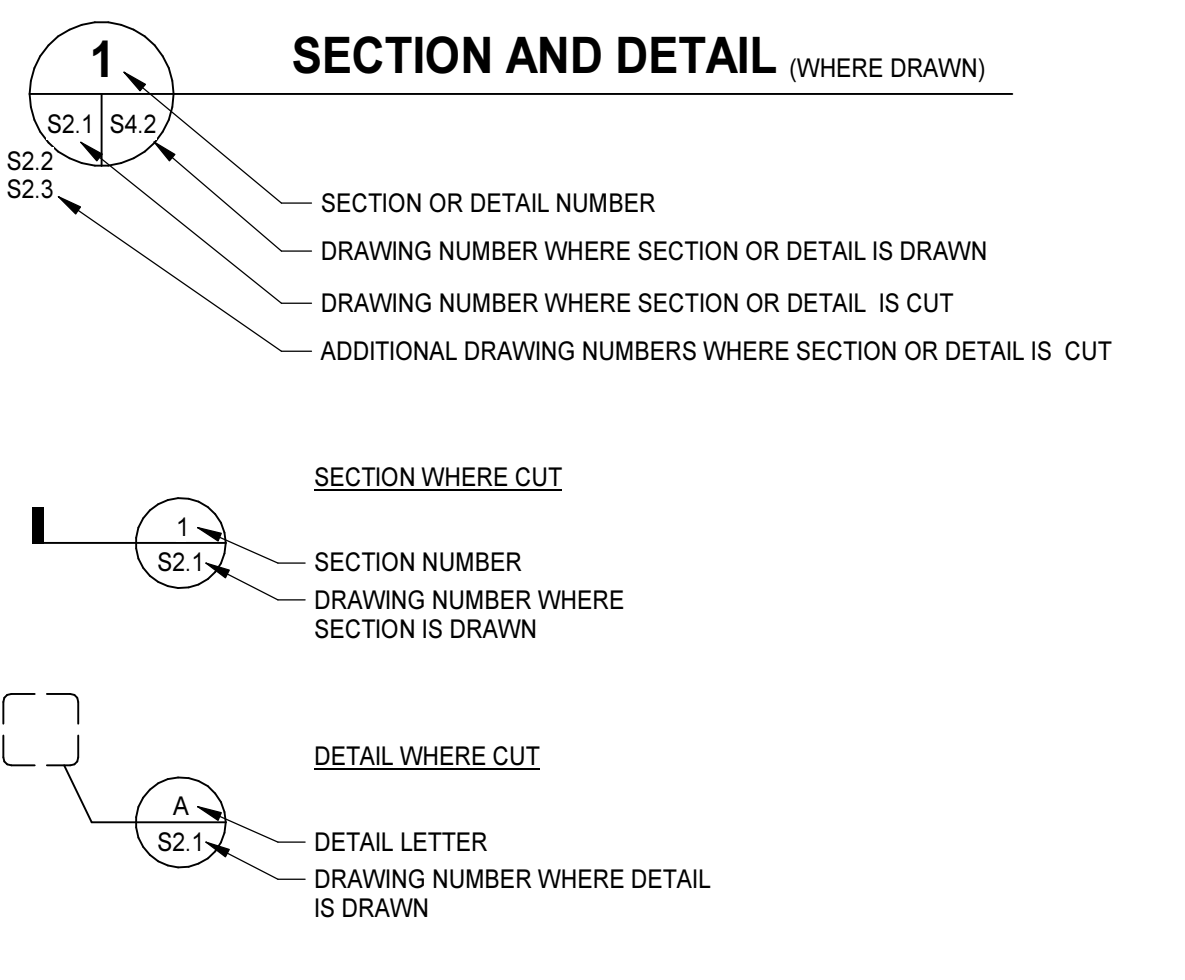
STRUCTURAL MATERIALS LEGEND



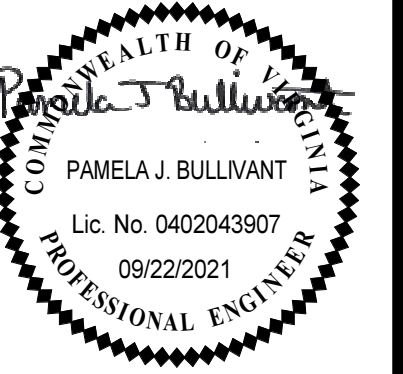
PLAN LEGEND

Table of plan legend symbols including CENTERLINE, JOIST BEARING ELEVATION, BEAM BEARING PLATE, COLUMN BASE PLATE, WOOD HEADER, WOOD JOIST, TRUSS, WOOD POST, CONCRETE PIER, JOIST SUBSTITUTE, SPECIAL JOIST, WALL FOOTING STEP, etc.

LEGEND FOR SECTION AND DETAIL MARKS



MOSELEY ARCHITECTS



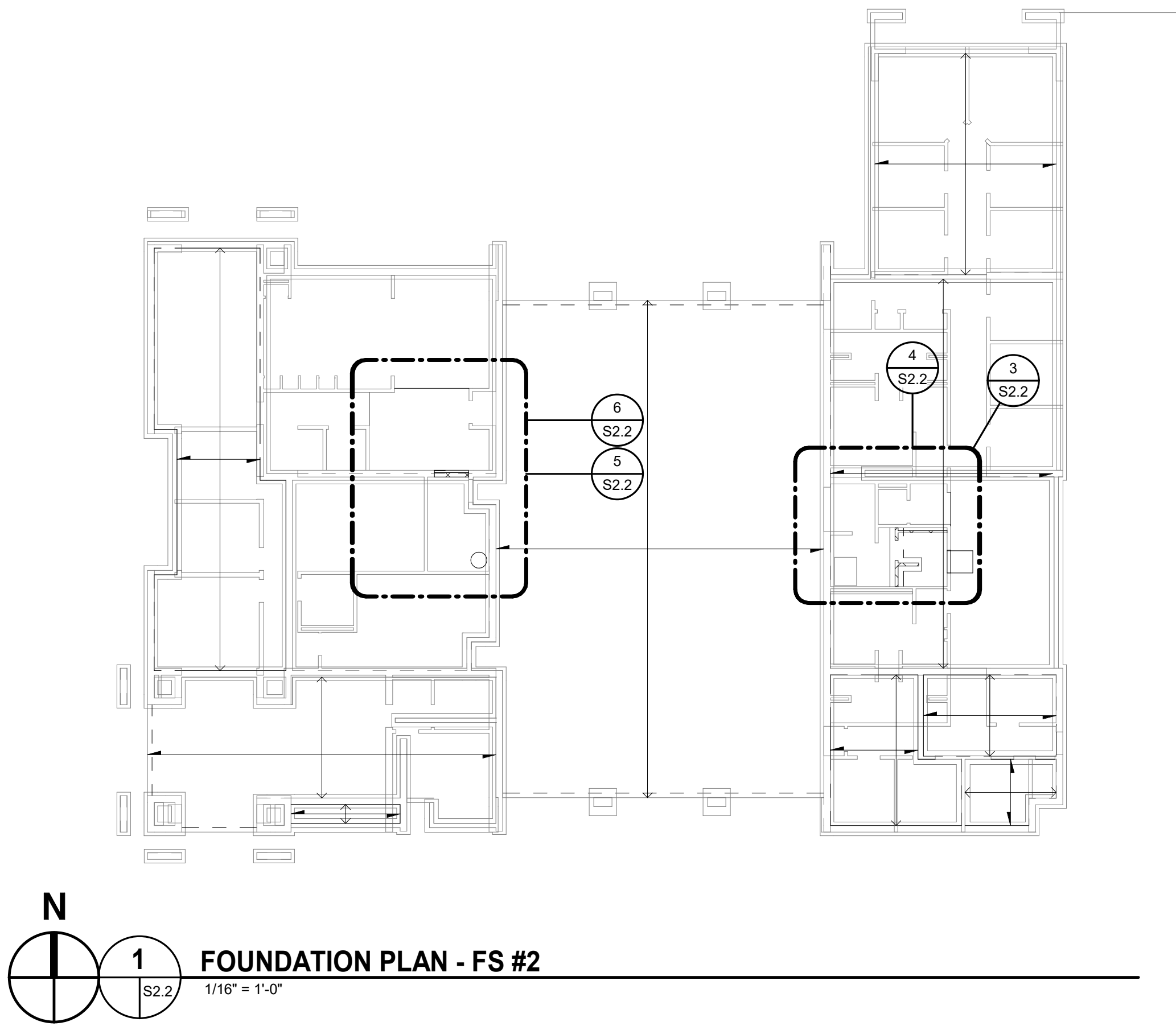
KELLY DAY RENOVATIONS FS 2

Table with columns for PROJECT NO., DATE, REVISIONS, and DESCRIPTION.

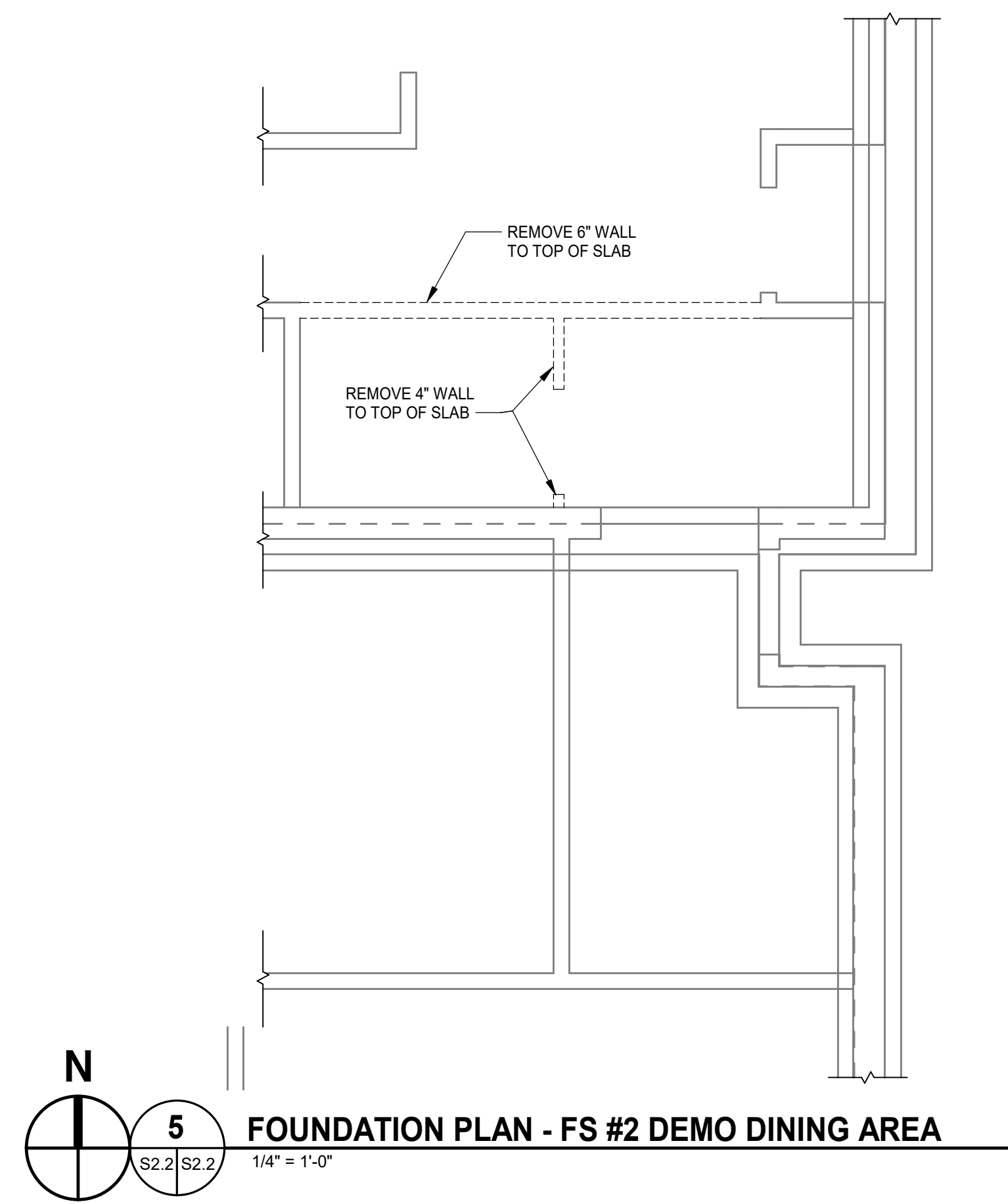
GENERAL NOTES AND GENERAL NOTES AND

S0.0.1

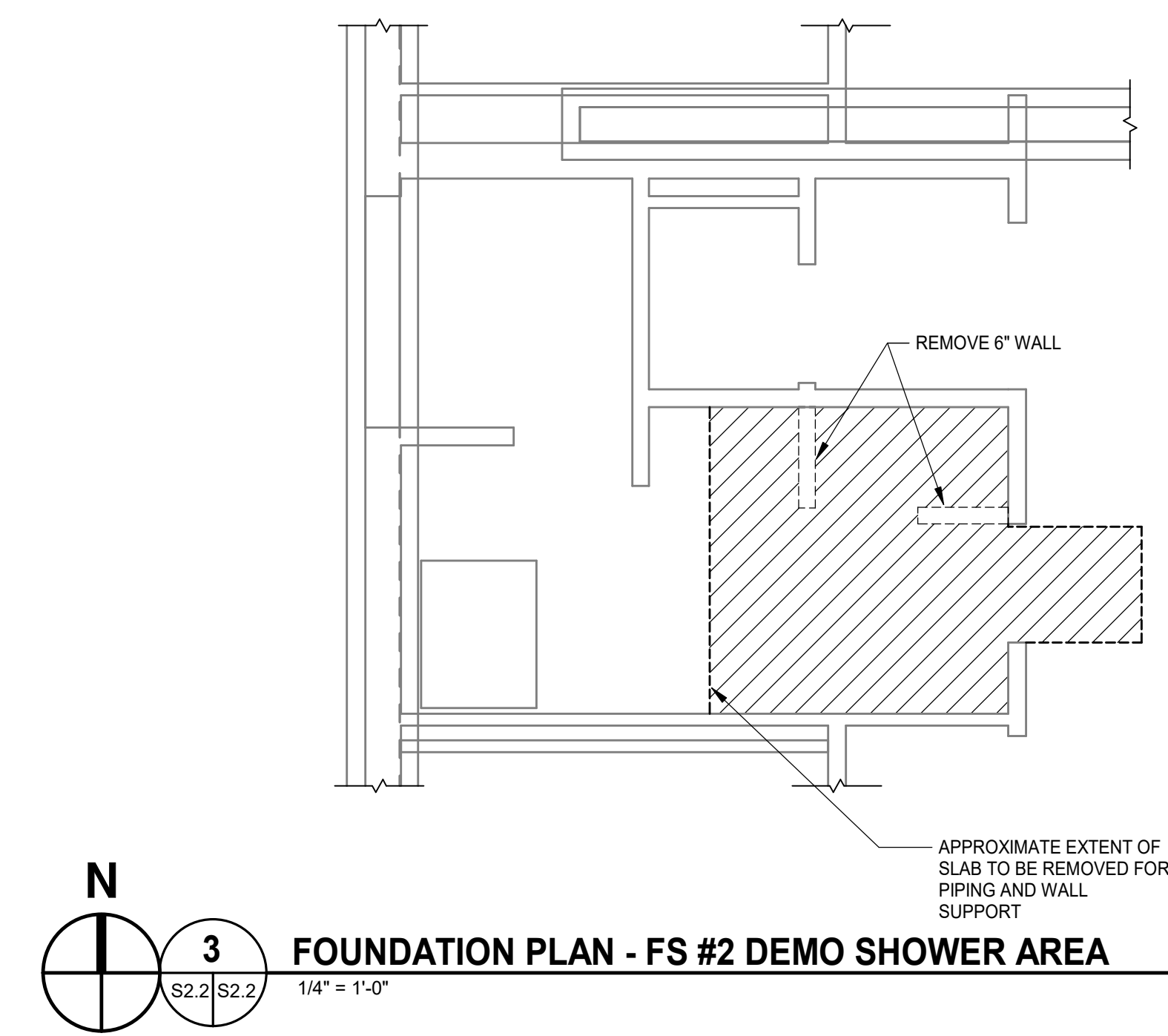




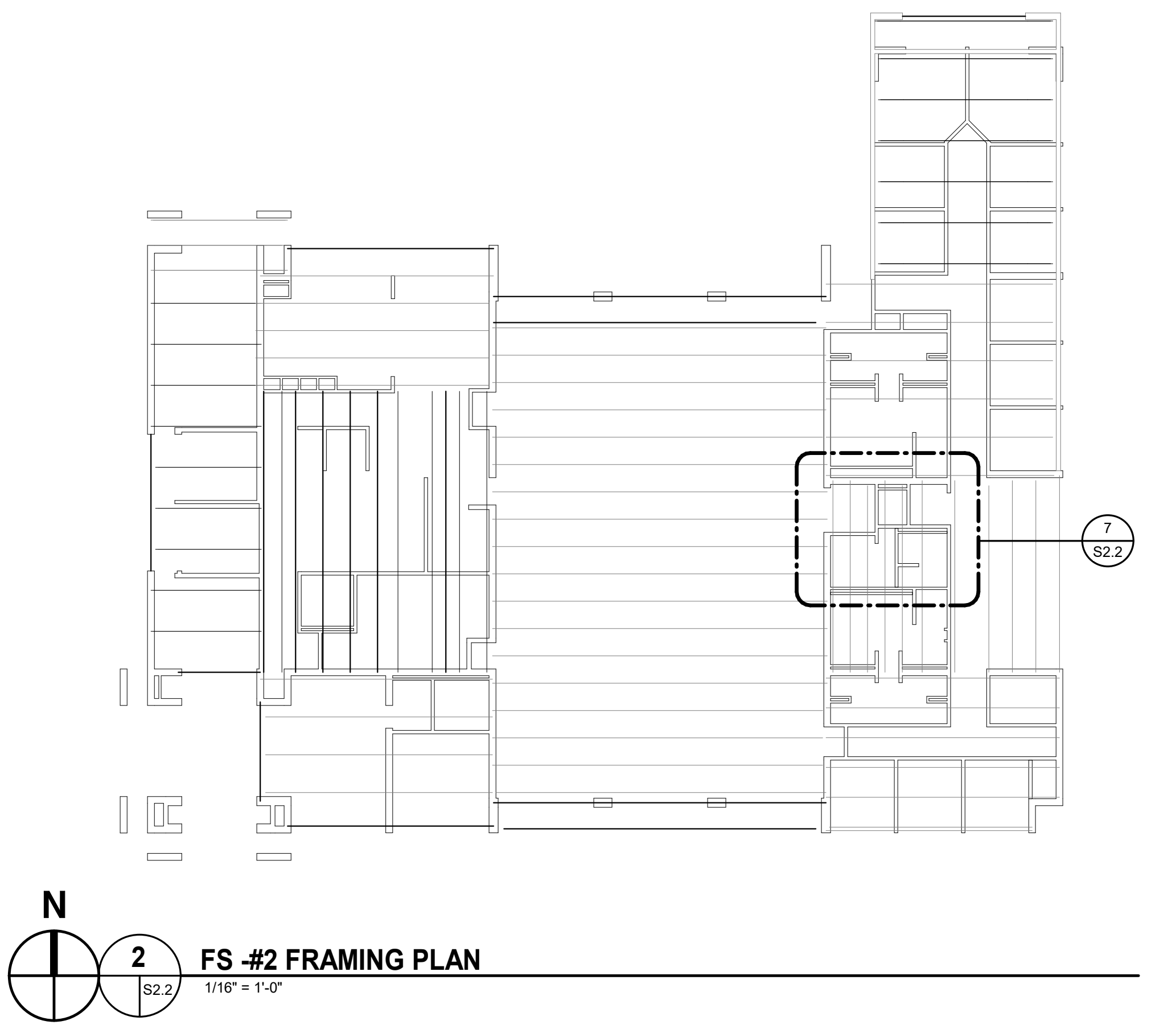
**1 FOUNDATION PLAN - FS #2**  
1/16" = 1'-0"



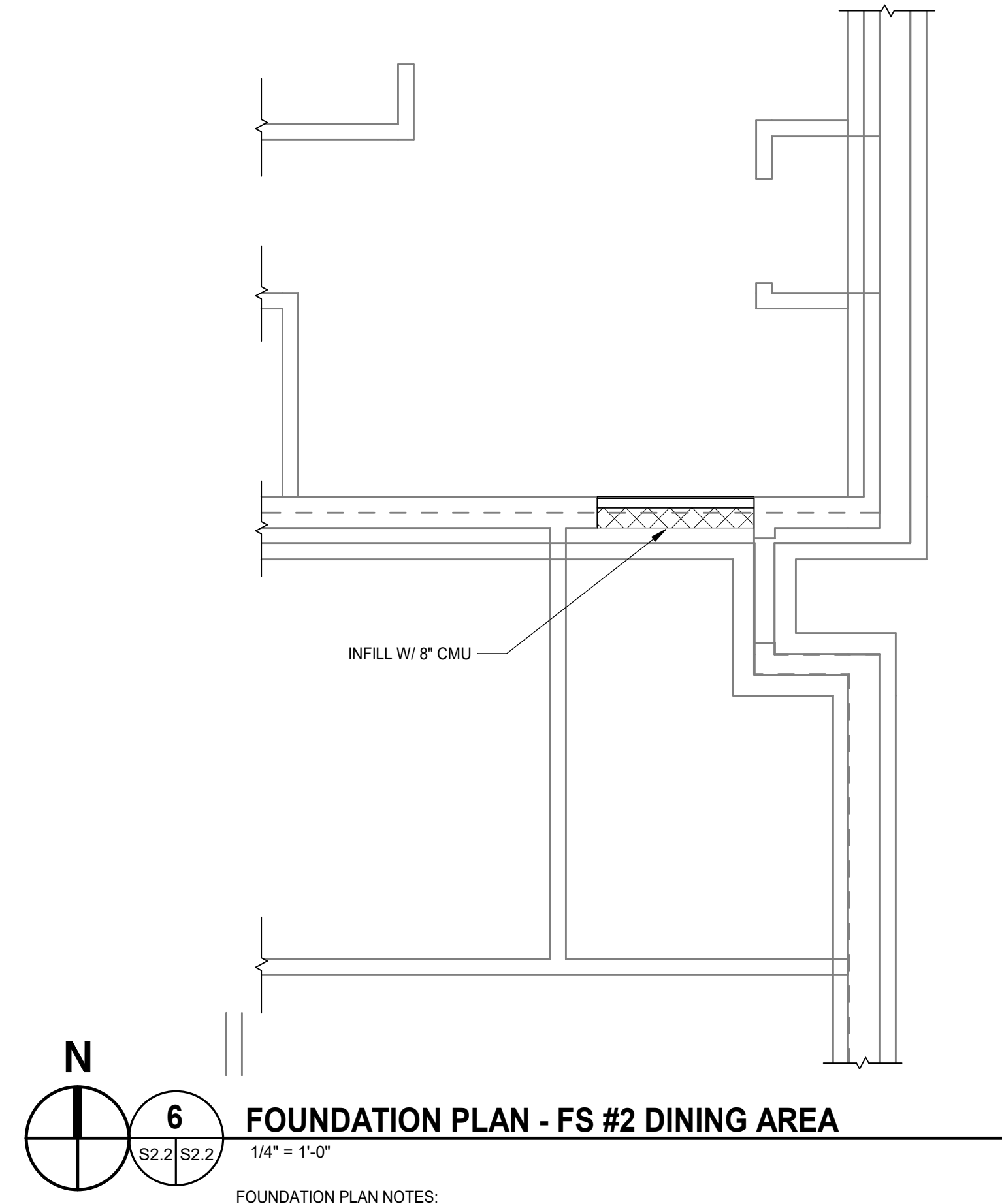
**5 FOUNDATION PLAN - FS #2 DEMO DINING AREA**  
1/4" = 1'-0"



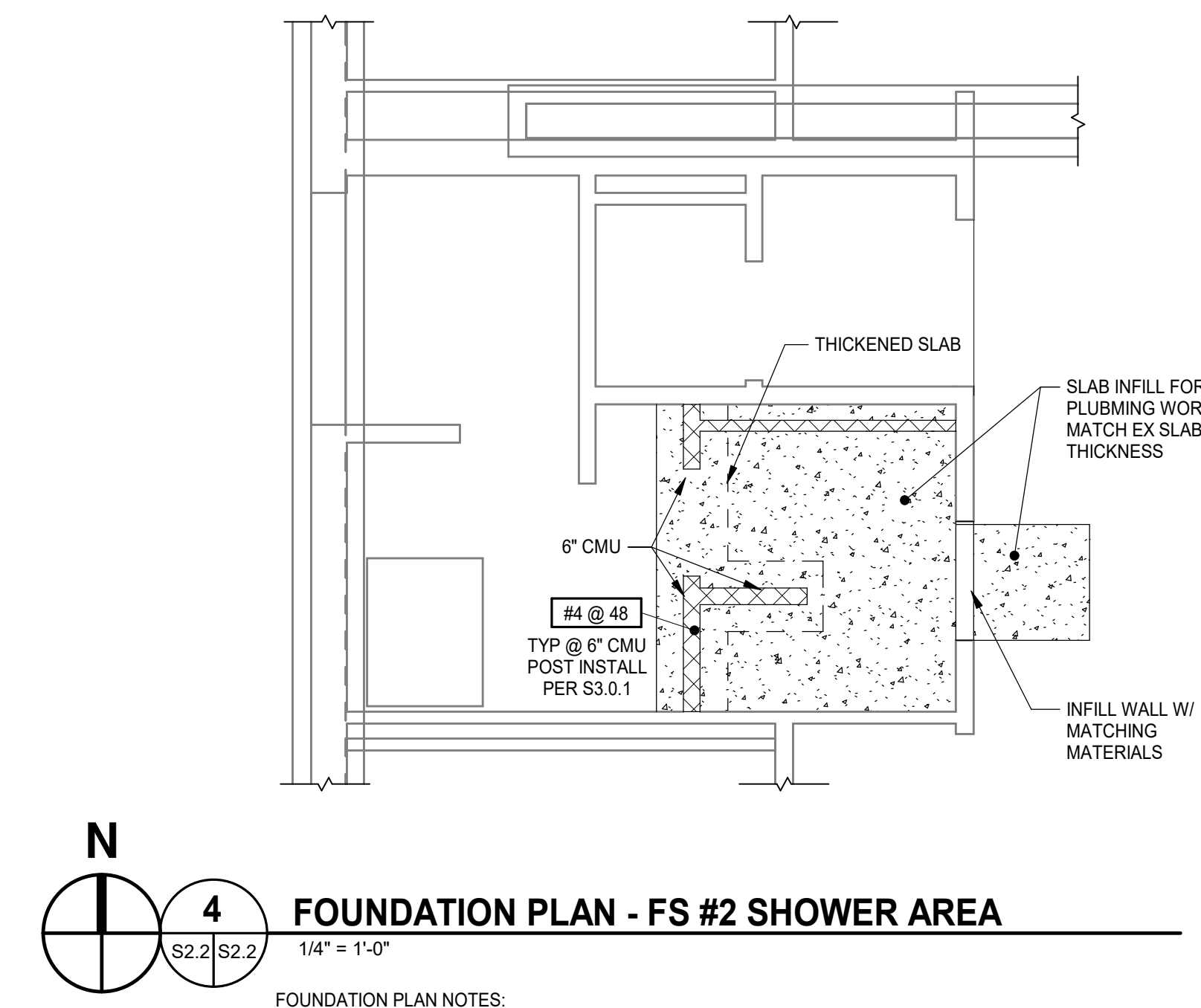
**3 FOUNDATION PLAN - FS #2 DEMO SHOWER AREA**  
1/4" = 1'-0"



**2 FS #2 FRAMING PLAN**  
1/16" = 1'-0"



**6 FOUNDATION PLAN - FS #2 DINING AREA**  
1/4" = 1'-0"



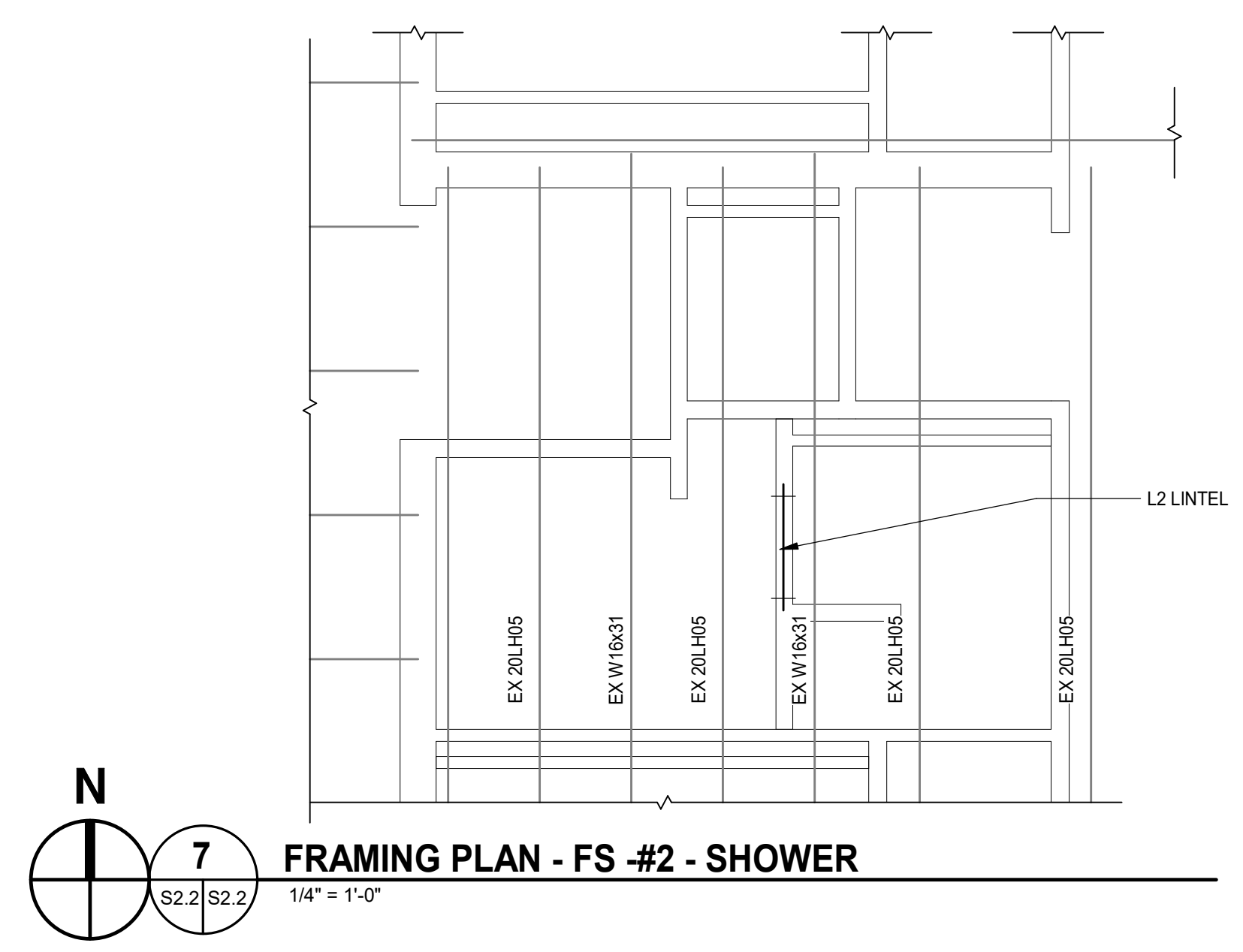
**4 FOUNDATION PLAN - FS #2 SHOWER AREA**  
1/4" = 1'-0"

**FOUNDATION PLAN NOTES:**

1. FINISHED FIRST FLOOR ELEVATION = 268.33' = REFERENCE DATUM EL (+0'-0"). ALL STRUCTURAL ELEVATIONS INDICATED ARE REFERENCED FROM THIS ELEVATION, UNO.
2. REFER TO DRAWING S0.0.1 FOR GENERAL NOTES, PLAN LEGEND, AND STRUCTURAL ABBREVIATIONS.
3. REFER TO DRAWINGS S3.0.1 AND FOR TYPICAL FOUNDATION DETAILS AND SCHEDULES.

**FOUNDATION PLAN NOTES:**

1. FINISHED FIRST FLOOR ELEVATION = 268.33' = REFERENCE DATUM EL (+0'-0"). ALL STRUCTURAL ELEVATIONS INDICATED ARE REFERENCED FROM THIS ELEVATION, UNO.
2. REFER TO DRAWING S0.0.1 FOR GENERAL NOTES, PLAN LEGEND, AND STRUCTURAL ABBREVIATIONS.
3. REFER TO DRAWINGS S3.0.1 FOR TYPICAL FOUNDATION DETAILS AND SCHEDULES.
4. FLOOR CONSTRUCTION SHALL BE MATCHING NORMAL WEIGHT CONCRETE SLAB ON GRADE REINFORCED WITH 6x6-W2.9xW2.9 WWF (AT 1" FROM TOP OF SLAB) OVER VAPOR BARRIER OVER 4" GRANULAR BASE COURSE, UNO.



**7 FRAMING PLAN - FS #2 - SHOWER**  
1/4" = 1'-0"



PROJECT NO:	563006
DATE:	SEPTEMBER 22, 2021
REVISIONS	
DATE	DESCRIPTION

J  
I  
H  
G  
F  
E  
D  
C  
B  
A

LAP SPICES SHALL BE IN ACCORDANCE WITH ACI 318 CHAPTER 25 AS INDICATED BELOW. TOP BAR LAPS (HORIZONTAL BARS WITH MORE THAN 12" OF CONCRETE CAST BELOW THE BAR) SHALL BE MODIFIED BY A MULTIPLICATION OF 1.3 TIMES THE LENGTHS LISTED IN THE TABLE BELOW. LENGTHS INDICATED IN INCHES.

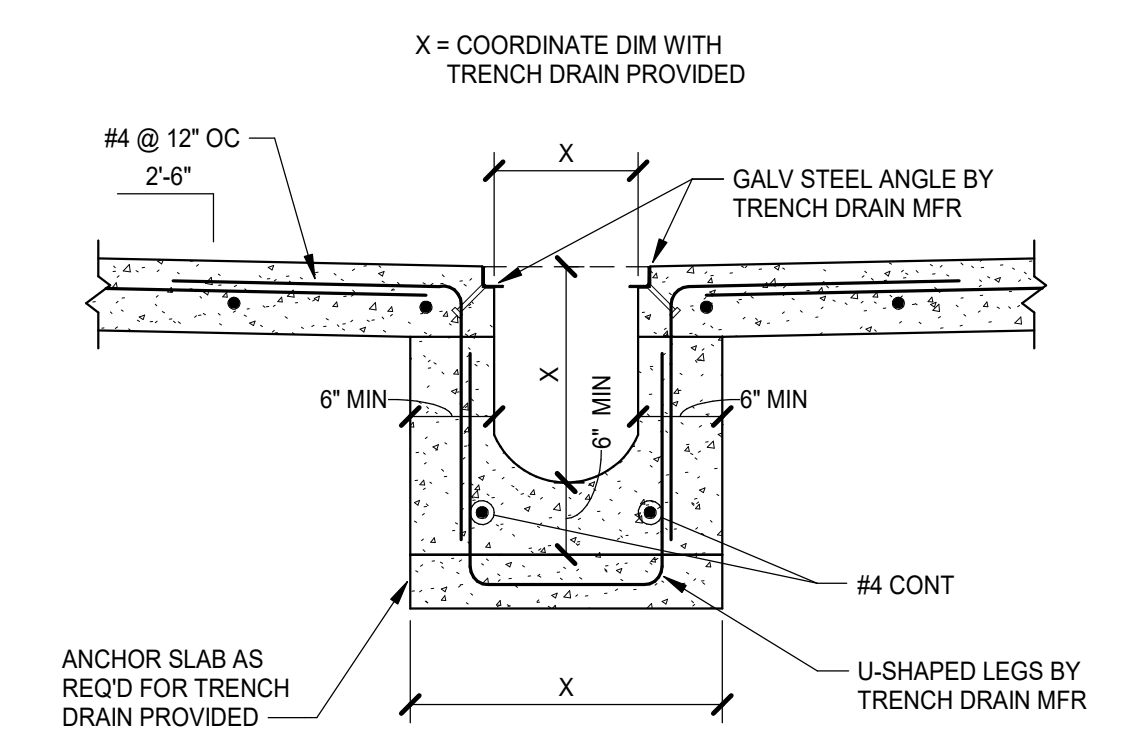
NORMAL-WEIGHT (145 PCF)

f <sub>c</sub> (psi)	LAP CLASS	#3	#4	#5	#6	#7	#8	#9
3000	A	16	22	27	33	48	55	62
	B	21	28	36	43	62	71	80
3500	A	15	20	25	30	44	51	57
	B	20	28	33	40	58	66	74
4000	A	14	19	24	28	42	47	53
	B	18	25	31	37	54	62	69
5000	A	13	17	21	25	37	42	48
	B	17	22	28	33	48	55	62

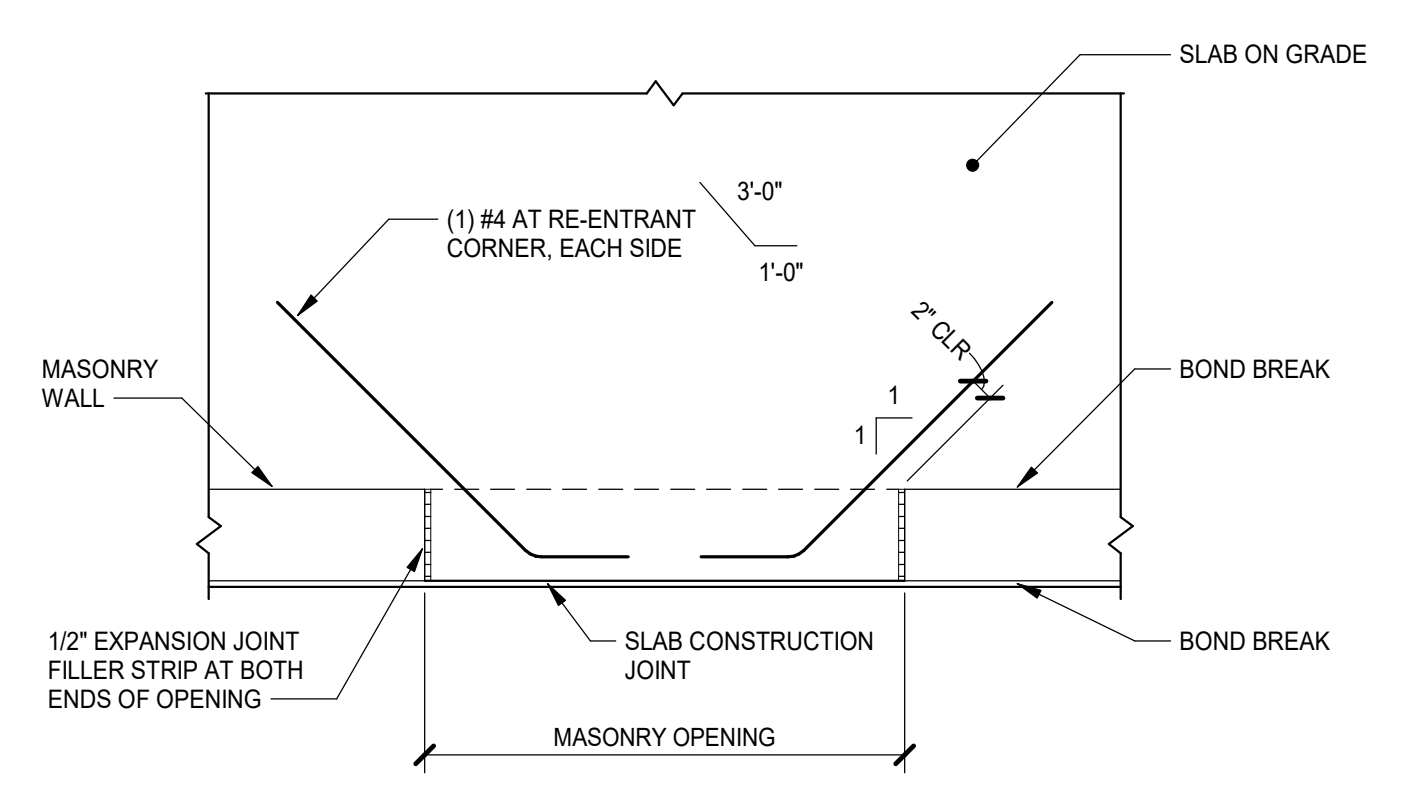
LIGHTWEIGHT (110 PCF)

f <sub>c</sub> (psi)	LAP CLASS	#3	#4	#5	#6	#7	#8	#9
3000	A	22	29	37	44	64	73	82
	B	28	38	47	57	83	95	107
3500	A	20	27	34	41	59	68	76
	B	26	35	44	53	77	88	99
4000	A	19	25	32	38	55	63	71
	B	25	33	41	49	72	82	92
5000	A	17	23	28	34	49	57	64
	B	22	29	37	44	64	74	83

ACI 318 LAP LENGTHS

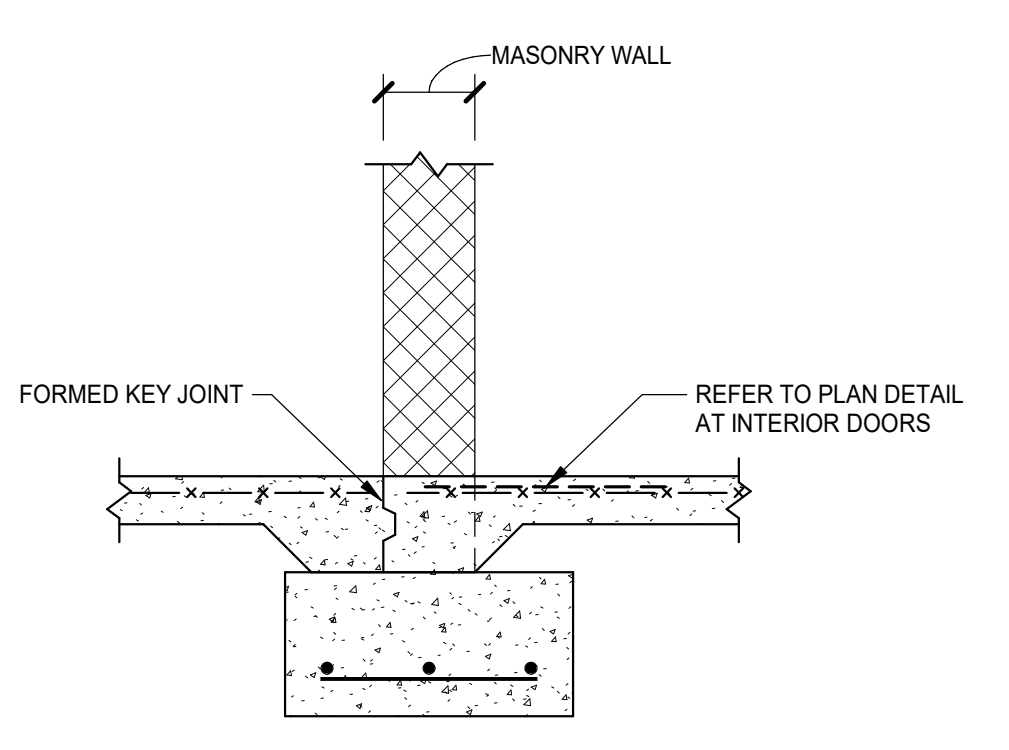


TRENCH DRAIN DETAIL  
NO SCALE

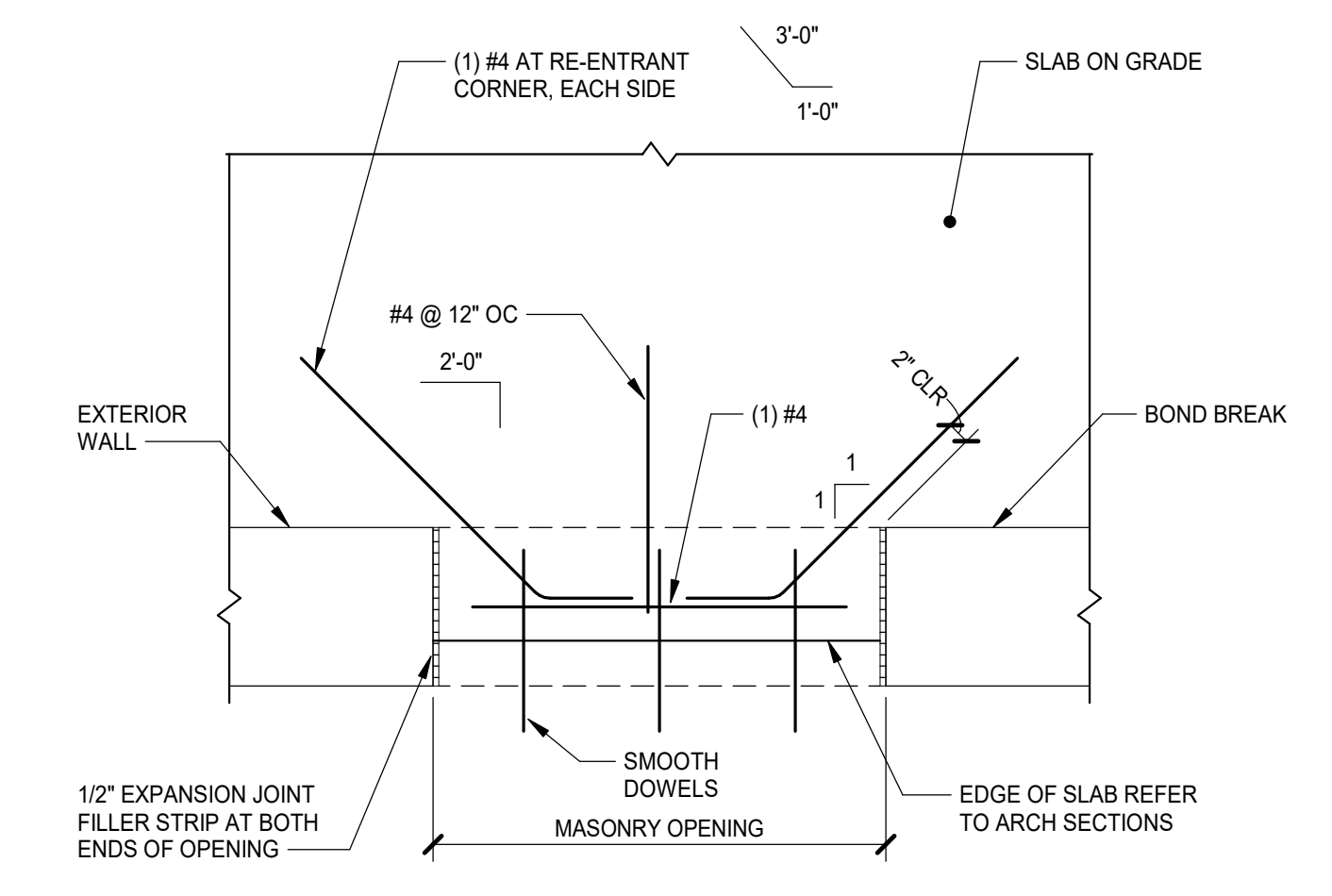


PLAN AT INTERIOR DOORS

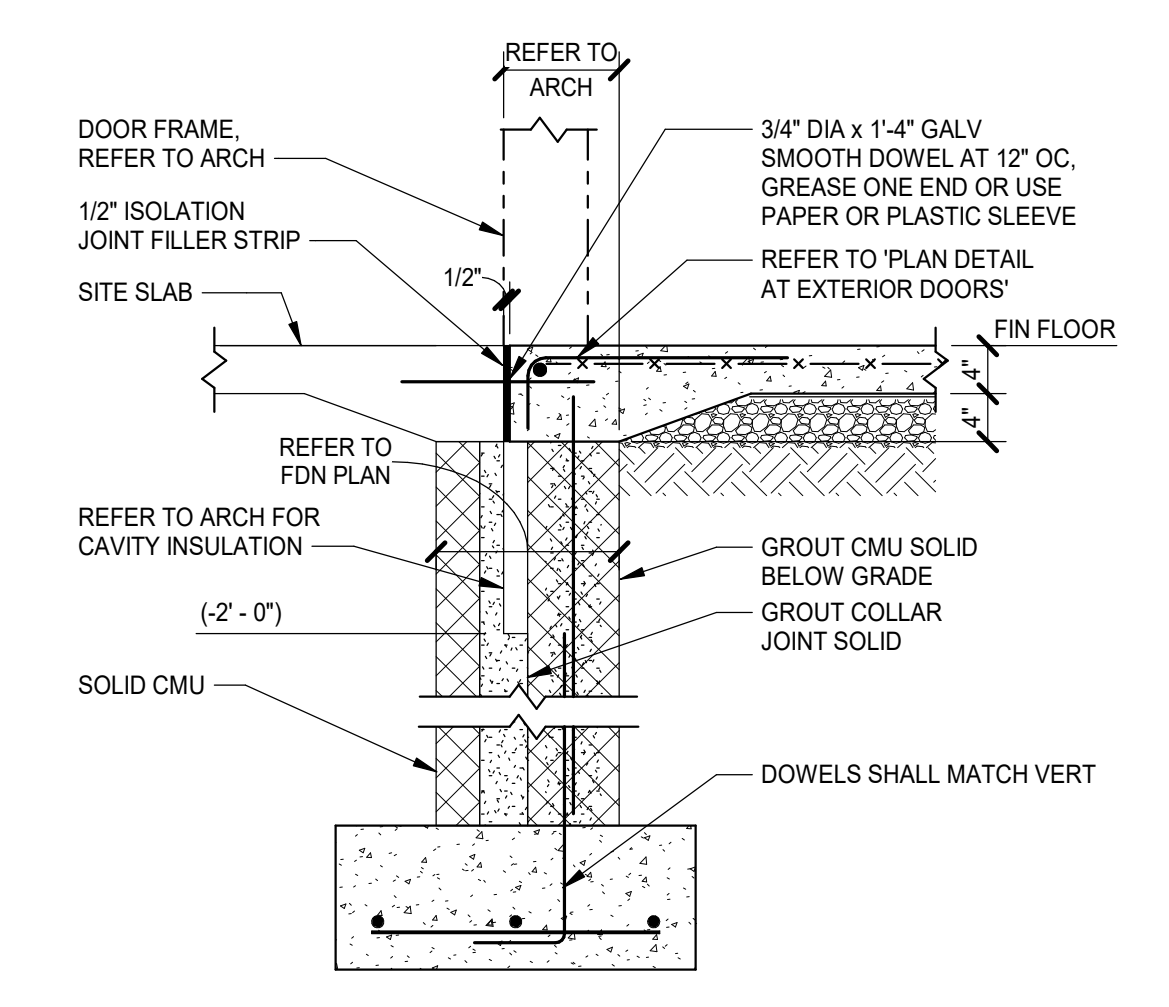
SLAB ON GRADE DETAILS AT DOORS  
NO SCALE



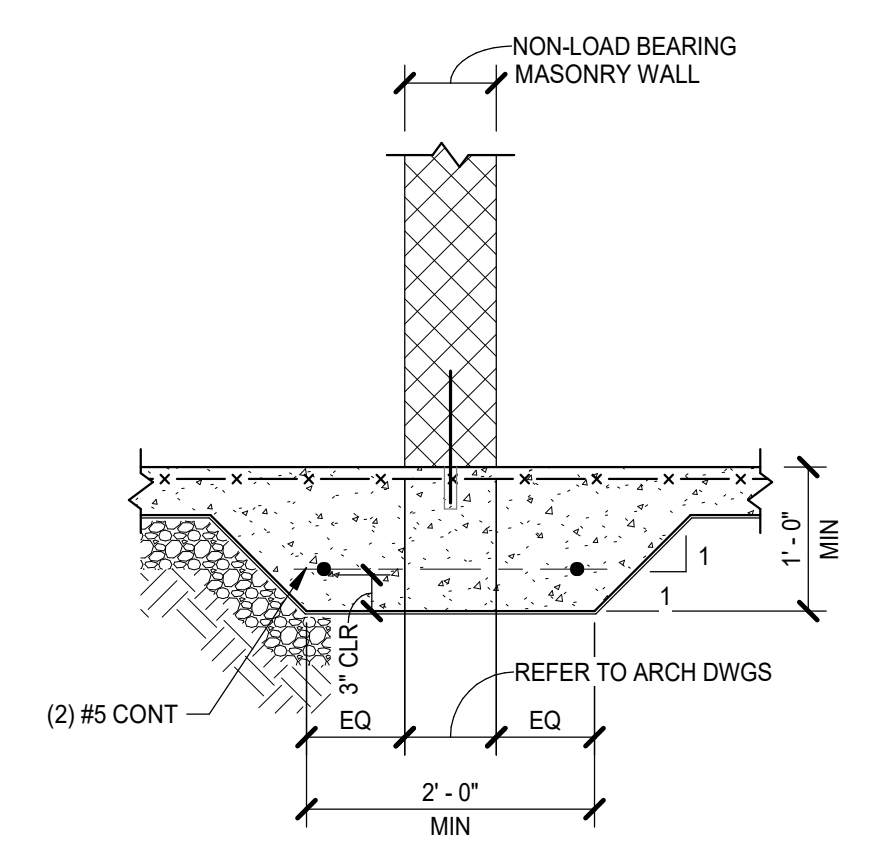
SECTION AT INTERIOR DOORS



PLAN AT EXTERIOR DOORS

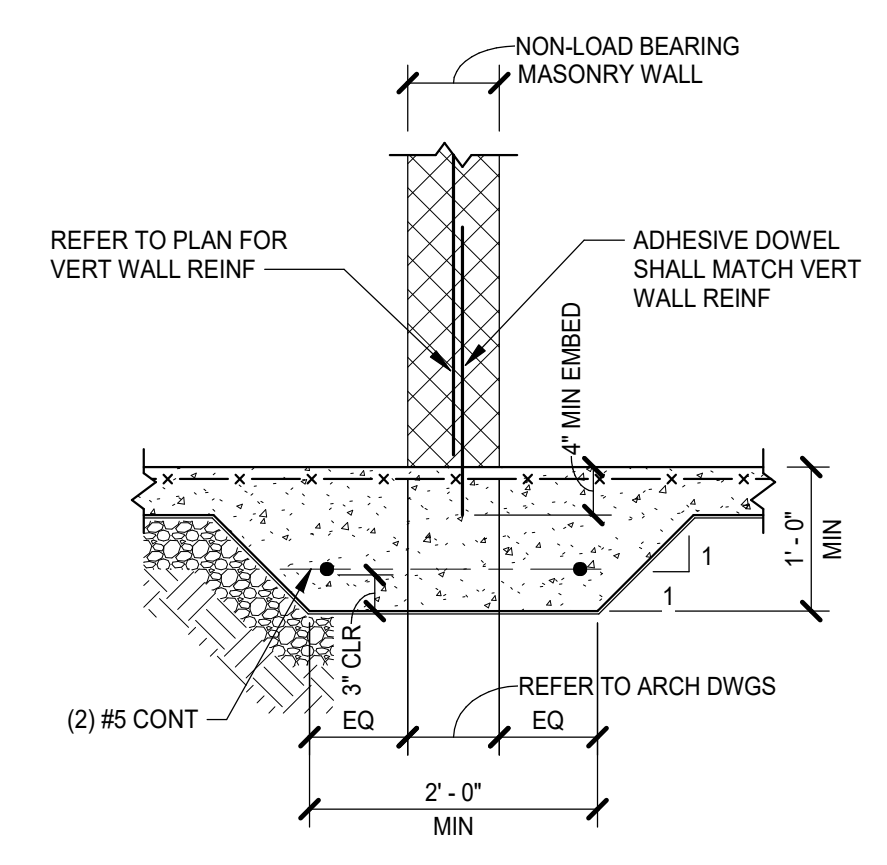


SECTION AT EXTERIOR DOORS

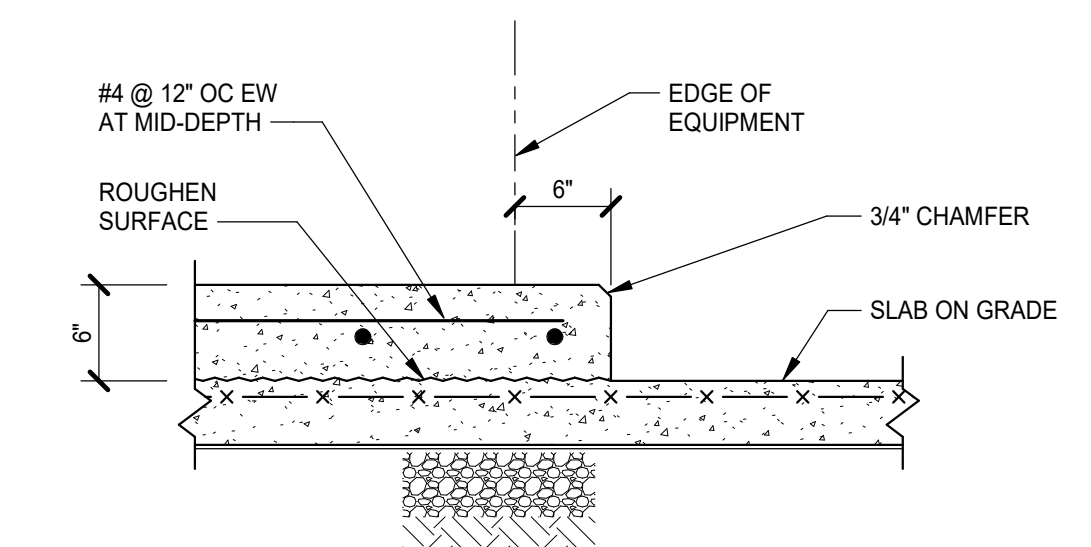


UNREINFORCED WALLS

THICKENED SLAB ON GRADE DETAILS  
NO SCALE



NON-LOAD BEARING REINFORCED WALLS



HOUSEKEEPING PAD

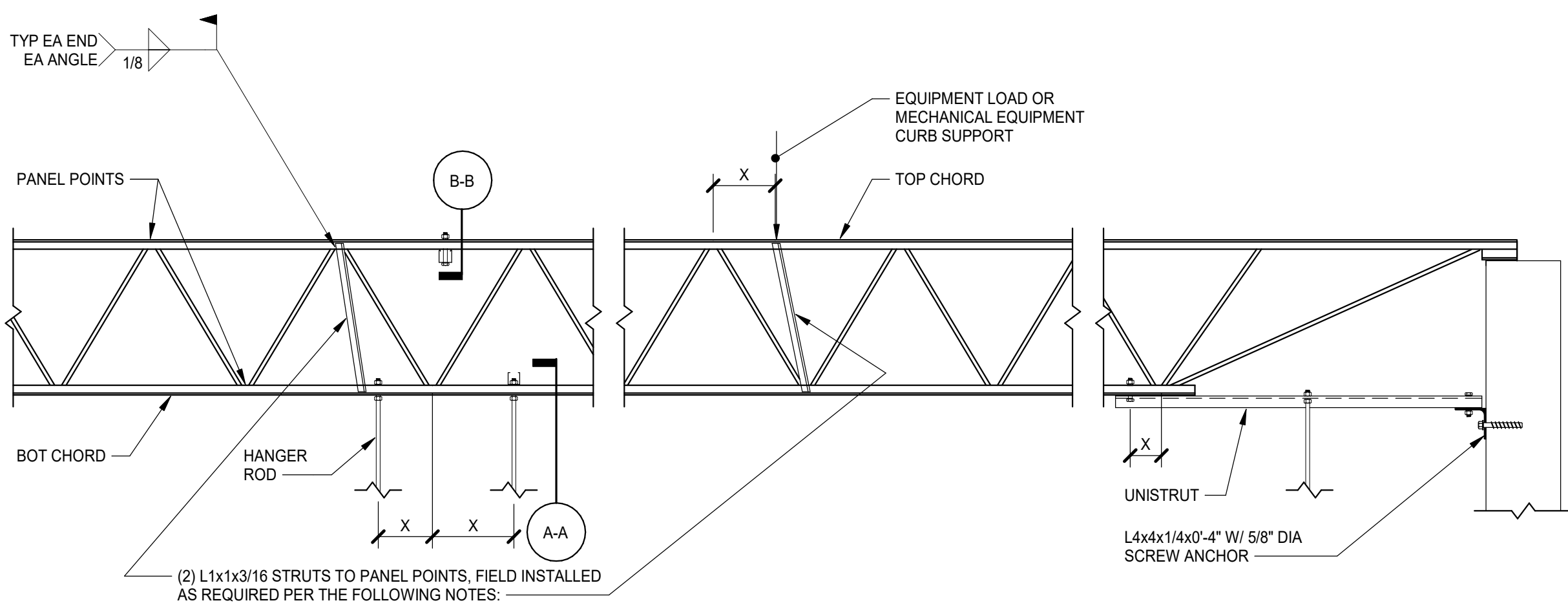
EQUIPMENT PAD DETAILS  
NO SCALE

NOTE: REFER TO MECH. ELEC. PLUMBING AND CIVIL DRAWINGS FOR EQUIPMENT REQUIRING HOUSEKEEPING PAD



PROJECT NO:	563006
DATE:	SEPTEMBER 22, 2021
REVISIONS	
DATE	DESCRIPTION



**K-SERIES JOISTS:**

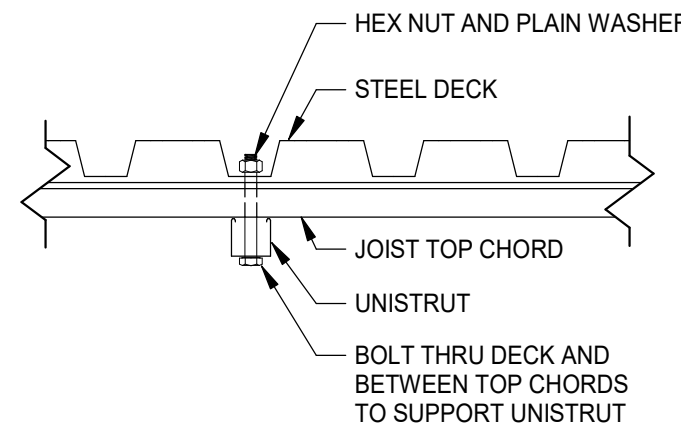
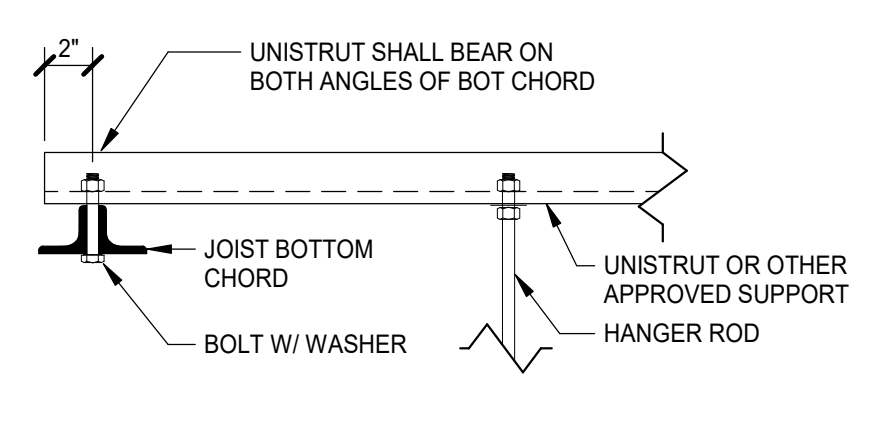
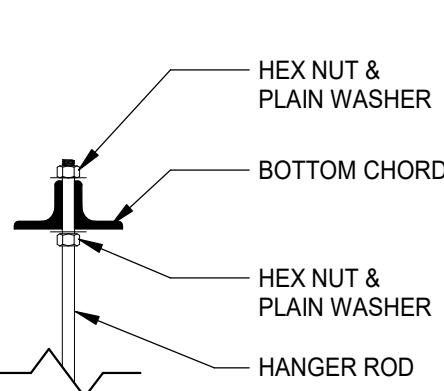
- WHERE UTILITIES RUN PARALLEL TO JOISTS, INDIVIDUAL HANGERS SHALL BE SPACED SUCH THAT HANGER LOAD (IF DIRECTLY BELOW JOIST), OR UNISTRUT REACTION (IF PIPE IS BETWEEN JOISTS) DOES NOT EXCEED 200 LBS.
- WHERE UTILITIES RUN PERPENDICULAR TO JOISTS, INDIVIDUAL HANGERS SHALL BE SPACED SUCH THAT HANGER LOAD DOES NOT EXCEED 200 LBS.
- IF INDIVIDUAL HANGER LOAD EXCEEDS 200 LBS ON ANY JOIST, AND DIMENSION 'X' EXCEEDS 6", STRUTS SHALL BE INSTALLED AS INDICATED ABOVE.
- WHERE MULTIPLE HANGERS ARE LOCATED BETWEEN PANEL POINTS, THE CUMULATIVE LOAD SHALL NOT EXCEED 200 LBS.

**KCS AND LH-SERIES JOISTS:**

- WHERE UTILITIES RUN PARALLEL TO JOISTS, INDIVIDUAL HANGERS SHALL BE SPACED SUCH THAT HANGER LOAD (IF DIRECTLY BELOW JOIST), OR UNISTRUT REACTION (IF PIPE IS BETWEEN JOISTS) DOES NOT EXCEED 500 LBS.
- WHERE UTILITIES RUN PERPENDICULAR TO JOISTS, INDIVIDUAL HANGERS SHALL BE SPACED SUCH THAT HANGER LOAD DOES NOT EXCEED 500 LBS, OR HANGER SHALL BE LOCATED AT EA JOIST.
- IF INDIVIDUAL HANGER LOAD EXCEEDS 500 LBS ON ANY JOIST, AND DIMENSION 'X' EXCEEDS 6", STRUTS SHALL BE INSTALLED AS INDICATED ABOVE.
- WHERE MULTIPLE HANGERS ARE LOCATED BETWEEN PANEL POINTS, THE CUMULATIVE LOAD SHALL NOT EXCEED 500 LBS.

**GENERAL:**

- C-CLAMPS SHALL NOT BE USED WHERE HANGER LOAD EXCEEDS 50 LBS.
- REFER TO DRAWING S0.0.1 FOR STEEL JOIST NOTES.



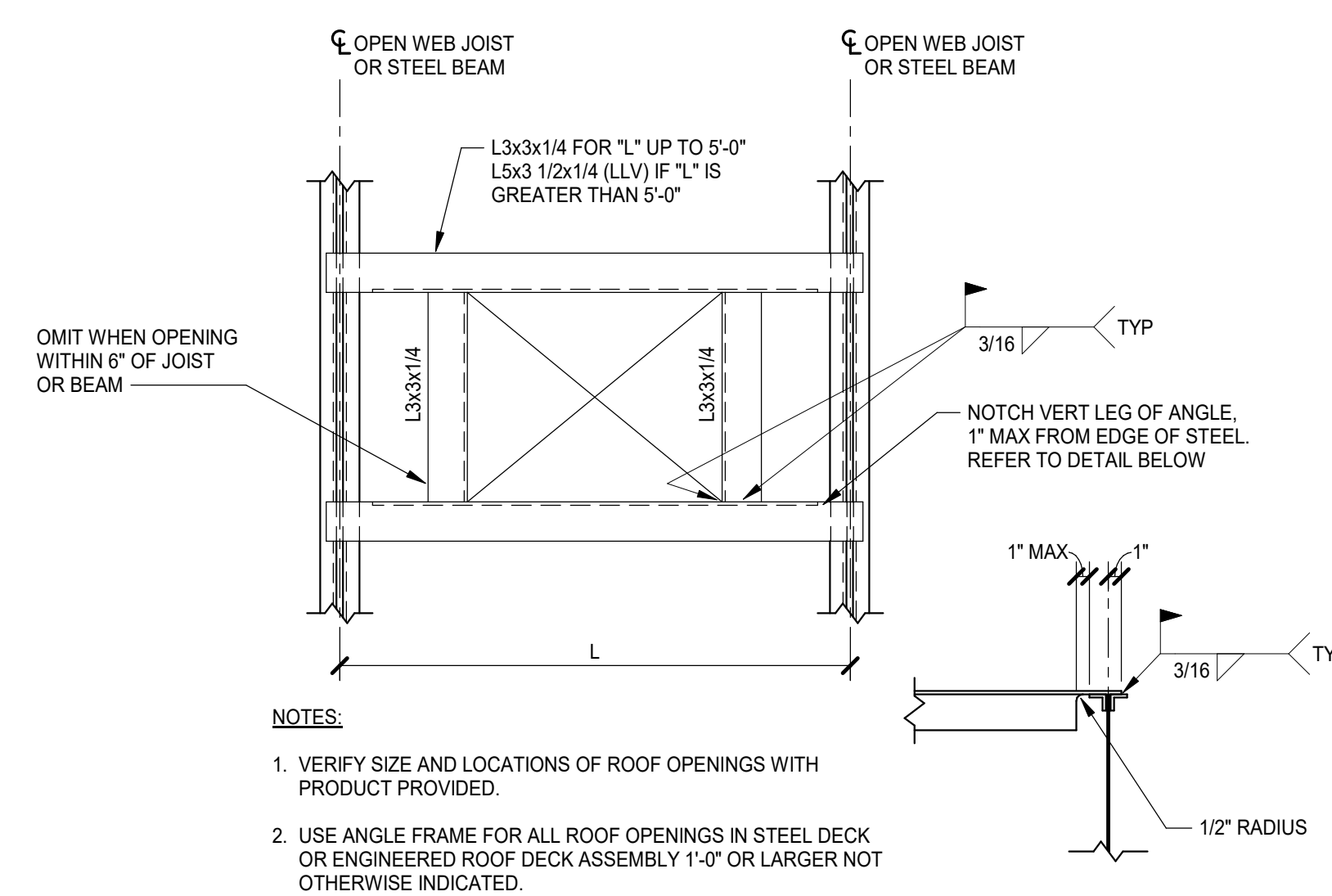
NOTE: CONTRACTOR SHALL PROVIDE DESIGN OF HANGER ASSEMBLY. C-CLAMPS PERMITTED WHEN LOAD IS LESS THAN 50 LBS.

**SECTION A-A**

**SECTION B-B**

**TYPICAL CONCENTRATED LOAD ON STEEL JOIST**

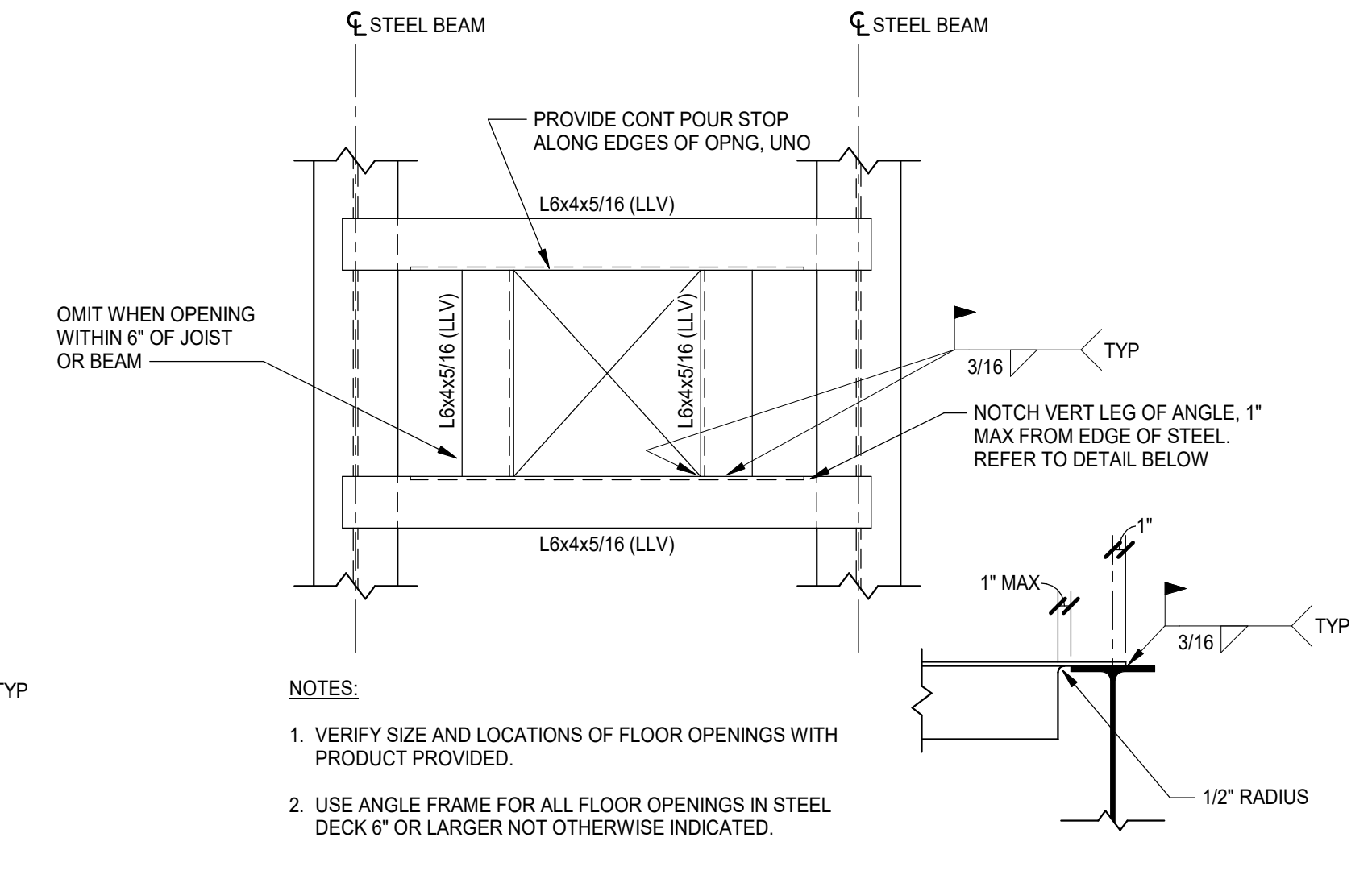
NOTE: THE GENERAL CONTRACTOR SHALL COORDINATE THESE REQUIREMENTS FOR HANGER SPACING AND JOIST REINFORCING STRUTS WITH MECHANICAL, PLUMBING, AND FIRE PROTECTION TRADES IN ORDER TO ENSURE THAT THESE REQUIREMENTS ARE ACCOUNTED FOR IN THE BID PRICE AND IMPLEMENTED IN THE FIELD. THE GENERAL CONTRACTOR SHALL BE RESPONSIBLE FOR THE PROPER INSTALLATION OF THE REINFORCING STRUTS IN ALL CASES WHERE THE HANGER LOAD EXCEEDS THE MAXIMUM. IF HANGER LOCATIONS ARE COORDINATED TO COMPLY WITH THE MAXIMUM HANGER LOADS INDICATED IN THIS DETAIL, THE NUMBER OF JOIST REINFORCING STRUTS WILL BE MINIMIZED.



**ROOF OPENING SUPPORT DETAIL**

NO SCALE

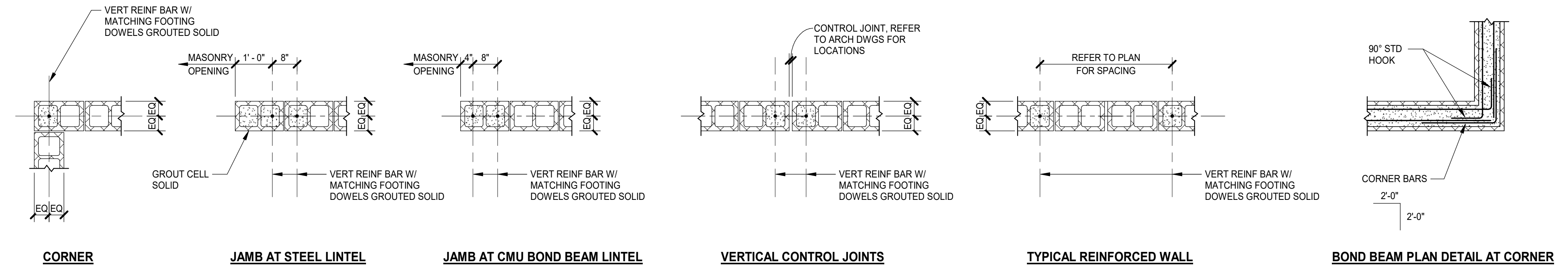
- NOTES:
- VERIFY SIZE AND LOCATIONS OF ROOF OPENINGS WITH PRODUCT PROVIDED.
  - USE ANGLE FRAME FOR ALL ROOF OPENINGS IN STEEL DECK OR ENGINEERED ROOF DECK ASSEMBLY 1'-0" OR LARGER NOT OTHERWISE INDICATED.



**FLOOR OPENING SUPPORT DETAIL**

NO SCALE

- NOTES:
- VERIFY SIZE AND LOCATIONS OF FLOOR OPENINGS WITH PRODUCT PROVIDED.
  - USE ANGLE FRAME FOR ALL FLOOR OPENINGS IN STEEL DECK 6" OR LARGER NOT OTHERWISE INDICATED.



**CORNER**

**JAMB AT STEEL LINTEL**

**JAMB AT CMU BOND BEAM LINTEL**

**VERTICAL CONTROL JOINTS**

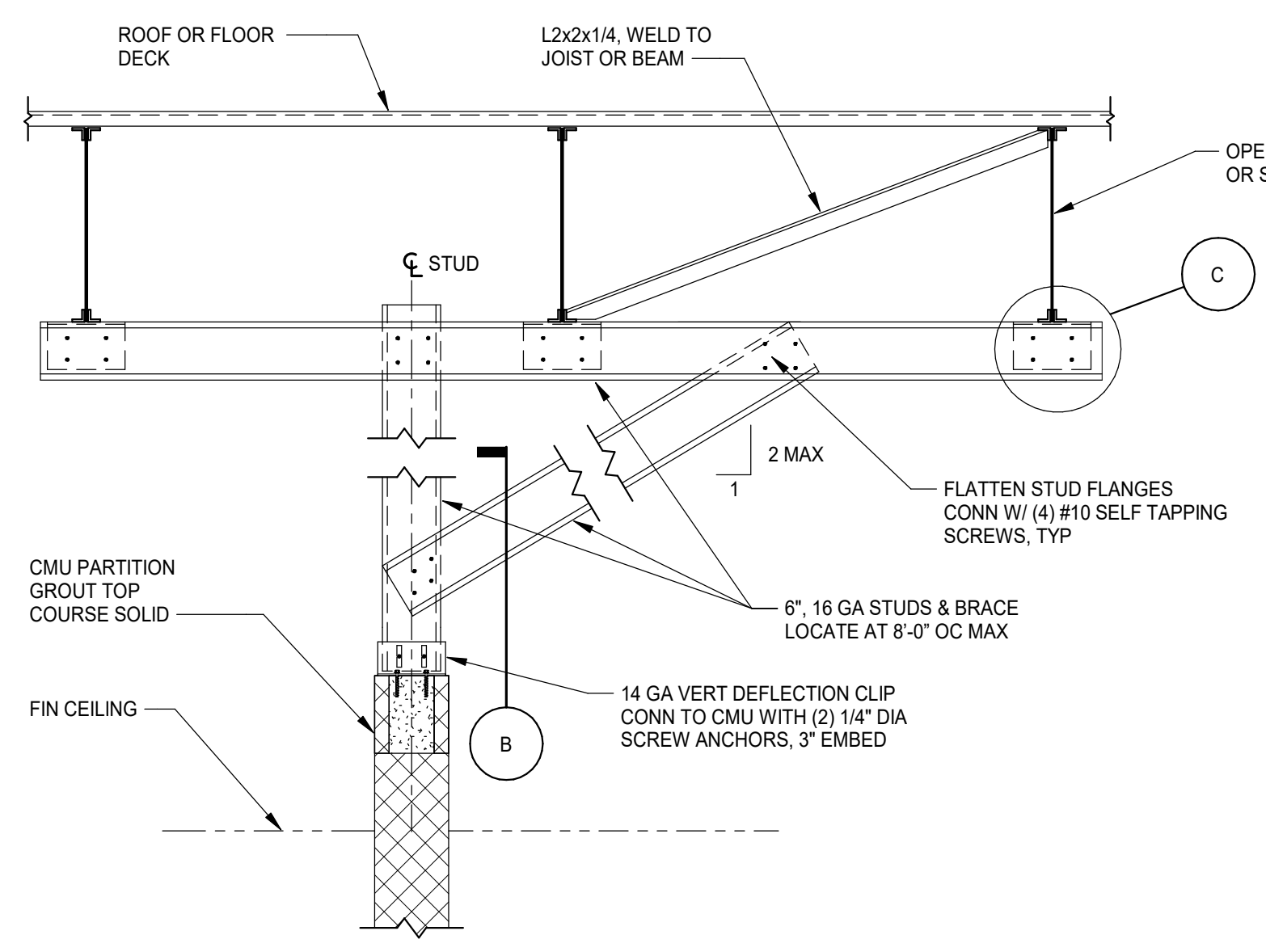
**TYPICAL REINFORCED WALL**

**BOND BEAM PLAN DETAIL AT CORNER**

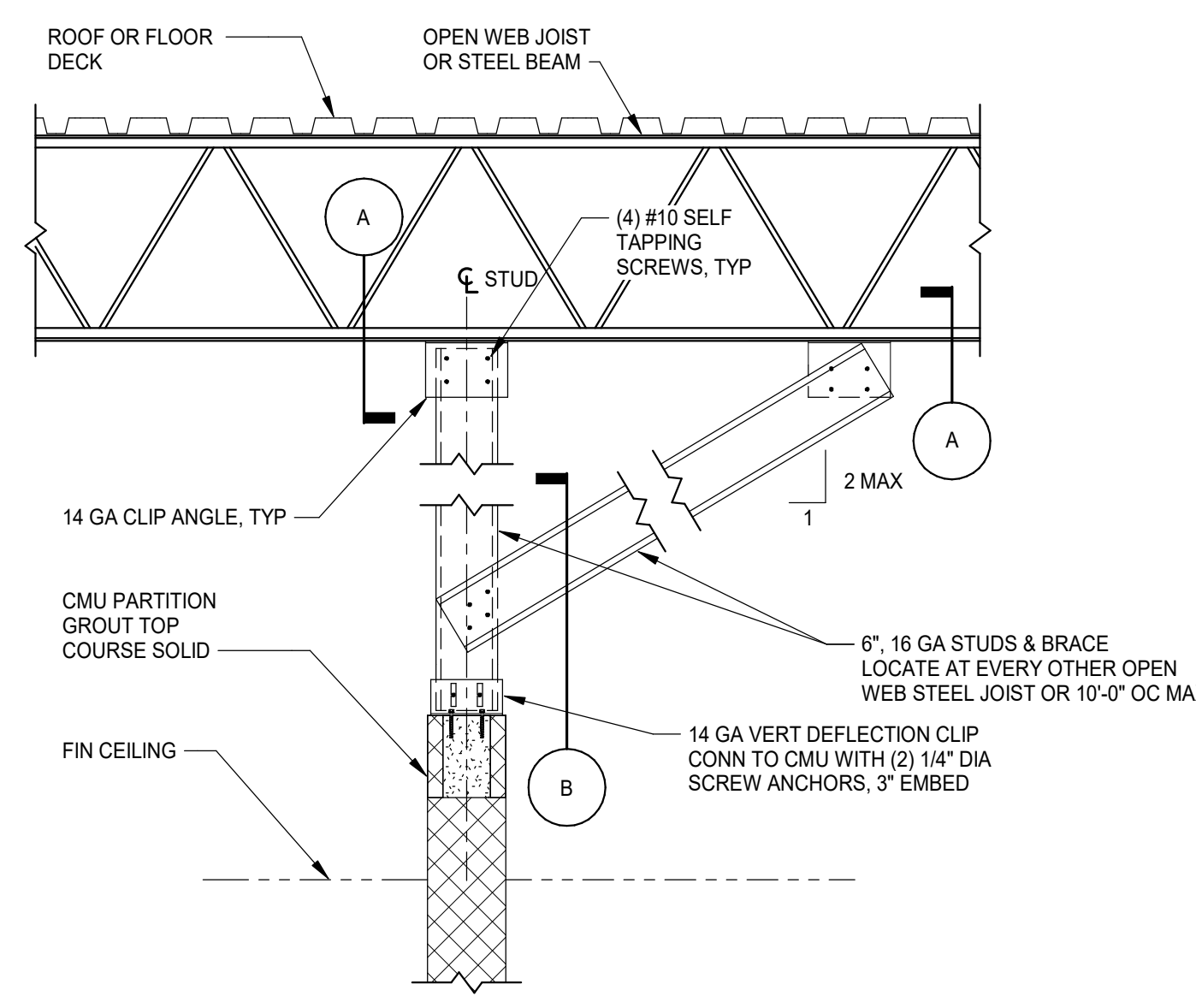
**CMU WALL REINFORCING DETAILS**

NO SCALE

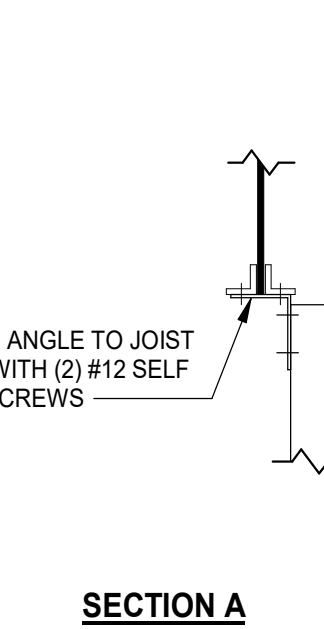
- NOTES:
- REINFORCING BAR SIZE INDICATED ON FOUNDATION PLAN.
  - DETAILS ARE PROVIDED FOR VERTICAL REINFORCING STEEL PLACEMENT ONLY. REFER TO ARCHITECTS DRAWINGS FOR SPECIFIC MASONRY DETAILS.



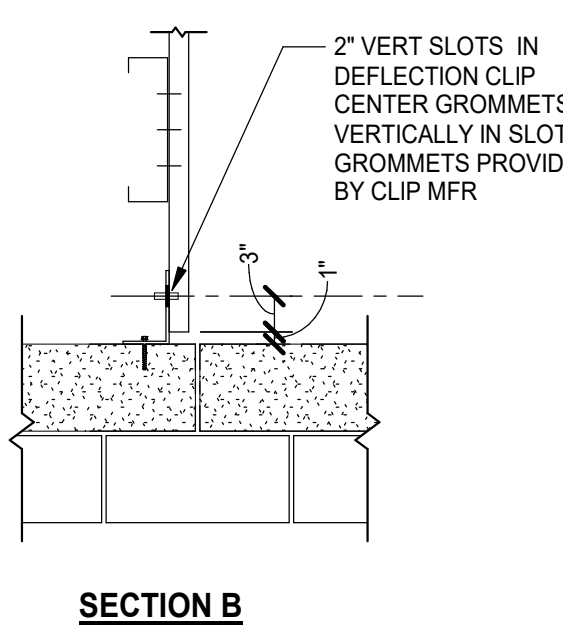
**LOW WALL PARALLEL TO JOIST OR BEAM**



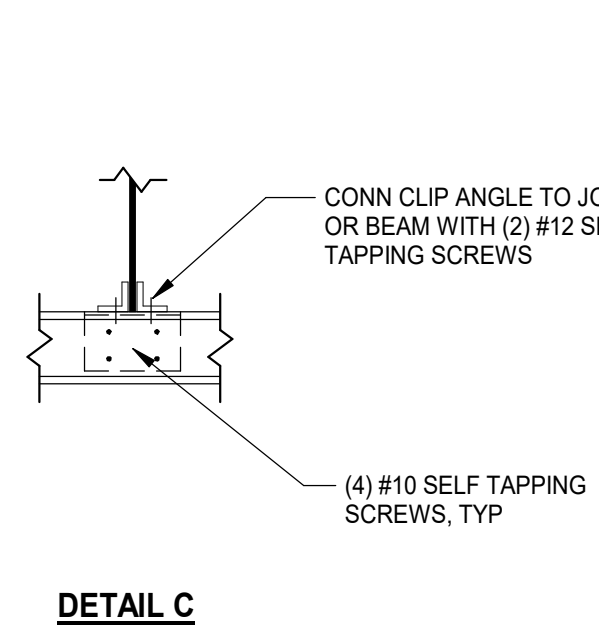
**LOW WALL PERPENDICULAR TO JOIST OR BEAM**



**SECTION A**



**SECTION B**



**DETAIL C**

**NOTES:**

- BRACE INTERIOR NON-LOAD BEARING MASONRY WALLS IN ACCORDANCE WITH THESE DETAILS UNLESS OTHERWISE INDICATED.
- IN LIEU OF BRACING AT TOPS OF WALLS, BRACING MAY BE PROVIDED BY INTERSECTING MASONRY WALLS WHEN THE DISTANCE BETWEEN THE INTERSECTING WALLS DOES NOT EXCEED THE FOLLOWING:
 

NOMINAL THICKNESS OF BRACED WALLS	MAXIMUM SPACING BETWEEN INTERSECTING WALLS
6"	16'-0"
8"	22'-0"
10"	28'-0"
12"	30'-0"
- BRACING IS REQUIRED IN ACCORDANCE WITH THESE DETAILS IF A VERTICAL CONTROL JOINT OCCURS BETWEEN INTERSECTING WALLS.
- REFER TO ARCHITECTURAL DRAWINGS FOR INTERIOR PARTITION TYPES AND LOCATIONS.
- INSTALL BRACING AFTER ALL ROOF DEAD LOAD IS IN PLACE.

LINTEL SCHEDULE					
MARK	DIAGRAM	BOND BEAM (W x H)	REINFORCING	STEEL	NOTES
L1	JL			(2) L4x3 1/2x5/16 (LLV)	
L2	[Diagram]	6 x 8	(1) #5		
L3	[Diagram]	8 x 8	(2) #5		

**LINTEL NOTES**

- LINTELS FOR ARCHITECTURAL OPENINGS (WINDOWS, DOORS, LOUVERS) IN BEARING WALLS AND EXTERIOR WALLS ARE IDENTIFIED BY MARK NUMBER ON THE FRAMING PLANS AND INCLUDED IN THE LINTEL SCHEDULE.
- LINTELS FOR ARCHITECTURAL OPENINGS IN NONLOAD BEARING WALLS AND OTHER WALLS WHICH ARE NOT INDICATED ON THE FRAMING PLANS SHALL BE CONSTRUCTED PER NOTES A, B OR C BELOW.
 

A. STEEL ANGLE LINTELS

PROVIDE ONE ANGLE FOR EACH NOMINAL 4" OF WALL THICKNESS PER THE FOLLOWING SCHEDULE:

MASONRY OPENING	ANGLE SIZE
UP TO 5'-0"	L3 1/2x3 1/2x 5/16
5'-1" TO 6'-0"	L4x3 1/2x 5/16 (LLV)
6'-1" TO 7'-0"	L5x3 1/2x 3/8 (LLV)
OVER 7'-0"	AS DETAILED

FOR OPENINGS ON 10" CMU, HORIZONTAL LEGS OF ANGLES SHALL BE A COMBINATION OF 6" AND 4".

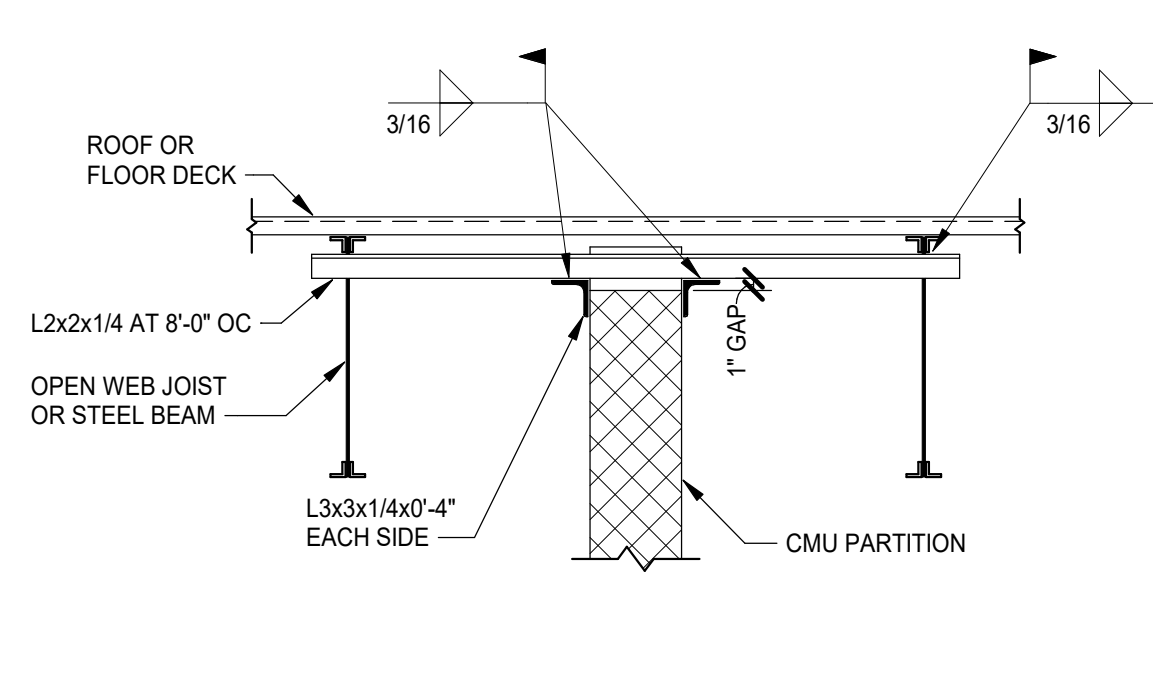
FOR OPENINGS IN 6" CMU REQUIRING STEEL LINTELS, USE W7x11 UP TO 7'-0" OPENING.

B. REINFORCED BOND BEAM LINTELS

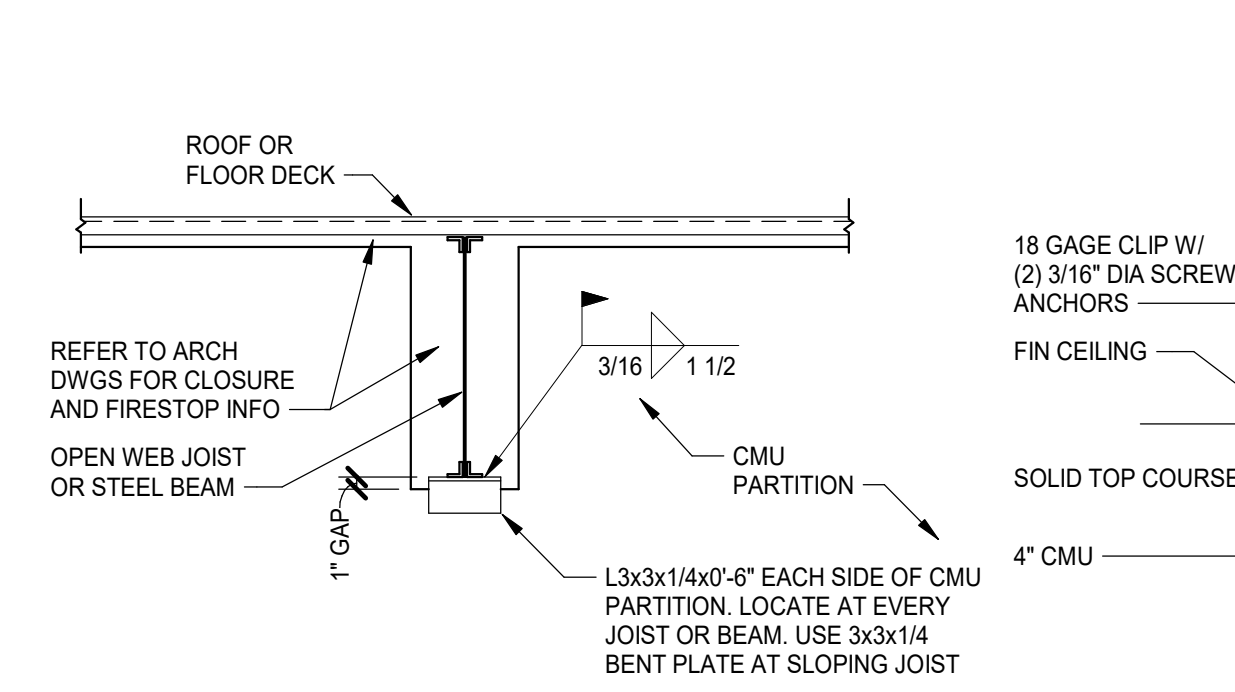
LINTELS SHALL MATCH THICKNESS OF WALL. REINFORCE 8", 10" AND 12" BOND BEAM WITH (2) #5 BARS AT BOTTOM. REINFORCE 6" BOND BEAM WITH (1) #5 BAR AT BOTTOM. BOND BEAM SHALL BE 6" DEEP FOR OPENING WIDTH UP TO 5'-0", AND SHALL BEAR 6" ON SOLID MASONRY EACH END. BOND BEAM SHALL BE 16" DEEP FOR OPENING WIDTH UP TO 8'-0" AND SHALL BEAR 16" ON SOLID MASONRY EACH END WITH REINFORCING TO TOP AND BOTTOM. PLACE GROUT MONOLITHICALLY IN BOTH COURSES OF 16" DEEP BOND BEAM.

C. PRECAST CONCRETE LINTELS

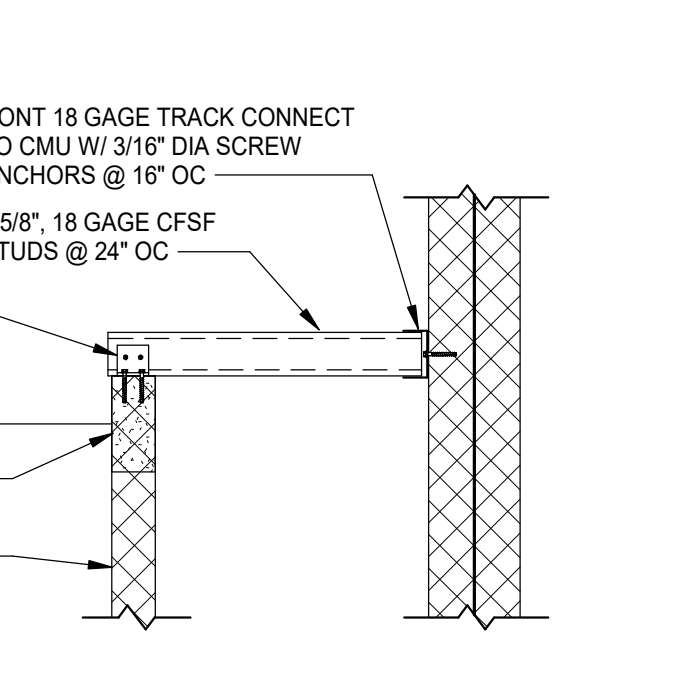
PRECAST CONCRETE LINTELS SHALL BE 3 5/8" x 7 5/8" FOR EACH NOMINAL 4" THICKNESS OF WALL. REINFORCING SHALL BE (1) #4 TOP AND BOTTOM WITH 1 1/2" COVER. FOR OPENINGS IN 6" CMU, LINTEL SHALL BE 5 5/8" x 7 5/8", REINFORCED WITH (1) #5 TOP AND BOTTOM. MASONRY OPENING WIDTH SHALL BE 6'-0" OR LESS. DO NOT USE PRECAST CONCRETE LINTELS IN EXPOSED LOCATIONS.
- LINTELS FOR MECHANICAL DUCTWORK PENETRATIONS NOT OTHERWISE DETAILED SHALL BE ONE OF THE ABOVE (NOTE 2A, 2B OR 2C).
- LINTELS SHALL BEAR 6" ONTO SOLID OR GROUT FILLED MASONRY, UNLESS OTHERWISE INDICATED.
- LINTELS ARE REQUIRED OVER ALL MASONRY OPENINGS GREATER THAN 6" IN WIDTH.
- LINTELS ARE NOT REQUIRED ABOVE HOLLOW METAL FRAMES IN OPENINGS 3'-4" OR LESS IN 6" NON-BEARING MASONRY PARTITIONS. GROUT HEAD OF FRAMES SOLID BEFORE PLACING MASONRY.
- ALL LINTELS IN EXTERIOR WALLS SHALL BE GALVANIZED.



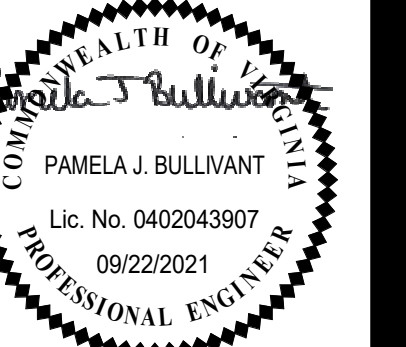
**WALL TO UNDERSIDE OF DECK PARALLEL TO JOISTS**



**WALL TO UNDERSIDE OF DECK PERPENDICULAR TO JOISTS**



**4" CMU TOP OF WALL BRACING**

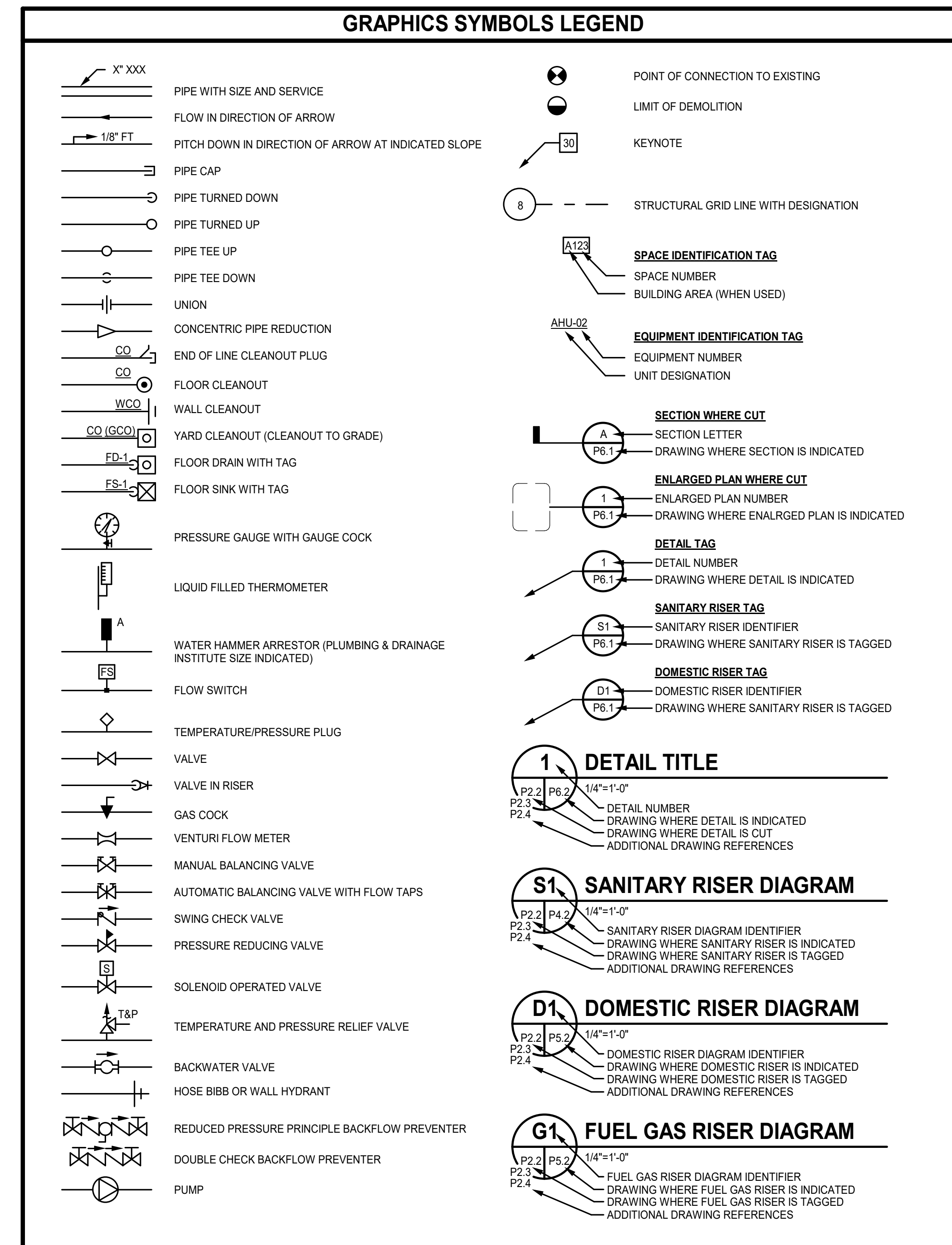


PROJECT NO:	563006
DATE:	SEPTEMBER 22, 2021
REVISIONS	
DATE	DESCRIPTION



### ABBREVIATIONS

@	AT	EQUIP	EQUIPMENT	OD	OUTSIDE DIAMETER
AAV	AIR ADMITTANCE VALVE	ETR	EXISTING TO REMAIN	OFCI	OWNER FURNISHED CONTRACTOR INSTALLED
ABV	ABOVE	EWV	ELECTRIC WATER COOLER	OFH	OVERHEAD
ADJ	ADJUSTABLE	EWL	ELECTRIC WATER HEATER	OH	OPENING
ADNL	ADDITIONAL	EX	EXISTING	OPNG	OPENING
AFF	ABOVE FINISHED FLOOR	EXP	EXPANSION	OPP	OPPOSITE
AFG	ABOVE FINISHED GRADE	FD	FLOOR DRAIN	OSD	OPEN SITE DRAIN
AHU	AIR HANDLING UNIT	FDC	FIRE DEPARTMENT CONNECTION	PC	PREFAB
ALT	ALTERNATE	FDN	FOUNDATION DRAIN	PCF	POUNDS PER CUBIT FOOT
ALUM	ALUMINUM	FF	FINISHED FLOOR	PD	PUMP DISCHARGE
AP	ACCESS PANEL	FFE	FINISHED FLOOR ELEVATION	PLUMB	PLUMBING
APFR	APPROXIMATE	FG	FINISHED GRADE	PLWVD	PLYWOOD
ARCH	ARCHITECTURAL	FH	FIRE HYDRANT	POLY	POLYETHYLENE
AUTO	AUTOMATIC	FHC	FIRE HOSE CABINET	PPT	PRESSURE PRESERVATIVE TREATED
AVG	AVERAGE	FHS	FIRE HOSE STATION	PREFAB	PREFABRICATE(D)
BFF	BELOW FINISHED FLOOR	FHVC	FIRE HOSE VALVE CABINET	PROJ	PROJECT
BFG	BELOW FINISHED GRADE	FX	FIXTURE	PSF	POUNDS PER SQUARE FOOT
BLDG	BUILDING	FLR	FLOOR	PSI	POUNDS PER SQUARE INCH
BO	BOTTOM OF	FLSHG	FLASHING	PV	PROPANE VENT
BOT	BOTTOM	FOR	FUEL OIL RETURN	PVC	POLYVINYL CHLORIDE
BSMT	BASEMENT	FOS	FUEL OIL SUPPLY	PWMT	PAVEMENT
BTVN	BETWEEN	FOV	FUEL OIL VENT	R	RISER
CA	COMPRESSED AIR	FS	FLOOR SINK	RAD	RADIUS
CI	CAST IRON	FT	FOOT OR FEET	RD	ROOF DRAIN (BOTTOM OUTLET)
CIP	CAST-IN-PLACE CONCRETE	FVC	FIRE VALVE CABINET	RDS	ROOF DRAIN (SIDE OUTLET)
CL	CENTERLINE	G	NATURAL GAS	REF	REFERENCE
CLG	CELLING	GW	GAS WATER HEATER	REQD	REQUIRED
CLR	CLEAR	HB	HOSE BIBB	REQMT	REQUIREMENTS
CMP	CORRUGATED METAL PIPE	HORIZ	HORIZONTAL	RL	RAIN LEADER
CNTR	COUNTER	HP	HORSEPOWER	RM	ROOM
CO	CLEANOUT	HTG	HEATING	RO	ROUGH OPENING
COL	COLUMN	HW	HOT WATER	S	SOUTH
CONC	CONCRETE	HWR	HOT WATER RETURN	SAN	SANITARY
CONDS	CONDENSATE	HWS	HOT WATER SUPPLY	SCH	SCHEDULE
CONSTR	CONSTRUCTION	ID	INSIDE DIAMETER	SD	STORM DRAIN
CONT	CONTINUATION	IN	INCH	SDN	STORM DRAIN NOZZLE
CONTR	CONTRACT-(OR)	INSUL	INSULATE OR INSULATION	SHT	SHEET
CORR	CORRIDOR	INV	INVERT	SIM	SIMILAR
CP	CIRCULATING PUMP	JAN	JANITOR	SLT	SEALANT
CR	CLASSROOM	KIT	KITCHEN	SOG	SLAB ON GRADE
CT	COOLING TOWER	KWP	KITCHEN WASTE	SP	SUMP PUMP
CU	COPPER	LAB	LABORATORY	SPEC	SPECIFICATION
CU FT	CUBIC FEET	LAV	LAVATORY	SPR	SPRINKLER
CU YD	CUBIC YARD	LBS	POUNDS	SO	SQUARE
CW	COLD WATER	LF	LINEAR FOOT (FEET)	SRD	SECONDARY ROOF DRAIN
DCW	DOMESTIC COLD WATER	LP	PROPANE	SS	STAINLESS STEEL
DEMO	DEMOLISH OR DEMOLITION	LPV	PROPANE VENT	SSD	SECONDARY STORM DRAIN
DF	DRINKING FOUNTAIN	MATL	MATERIAL	STD	STANDARD
DHR	DOMESTIC HOT WATER RETURN	MAX	MAXIMUM	STL	STEEL
DHR(140)	DOMESTIC HOT WATER RETURN (140°)	MECH	MECHANICAL	STOR	STORAGE
DHW	DOMESTIC HOT WATER	MED	MEDIUM	STRUCT	STRUCTURAL
DHW(140)	DOMESTIC HOT WATER (140°)	MFR	MANUFACTURER	SUSP	SUSPENDED
DI	DROP INLET	MH	MANHOLE	THK	THICK(NESS)
DIA	DIAMETER	MIN	MINIMUM	TLT	TOILET
DIP	DUCTILE IRON PIPE	MISC	MISCELLANEOUS	TOSL	TOP OF SLAB
DN	DOWN	MTD	MOUNTED	TW	DOMESTIC TEMPERED WATER (90° F)
DS	DOWNSPOUT	N	NORTH	TYP	TYPICAL
DT	DRAIN TILE	N/A	NOT APPLICABLE/AVAILABLE	UG	UNDERGROUND
DTL	DETAIL	NC	NORMALLY CLOSED	UNO	UNLESS NOTED (INDICATED) OTHERWISE
DTW	DOMESTIC TEMPERED WATER	NG	NATURAL GAS	V	VENT
DWG	DRAWING	NGV	NATURAL GAS VENT	VAC	VACUUM
E	EAST	NIC	NOT IN CONTRACT	VB	VACUUM BREAKER
ELEC	ELECTRICAL	NO	NORMALLY OPEN	VERT	VERTICAL
EPBD	ELECTRICAL PANELBOARD	NO. (#)	NUMBER	VTR	VENT THROUGH ROOF
EQ	EQUAL	NOM	NOMINAL	W	WEST
		OC	ON CENTER	WI	WITH
				WIO	WITHOUT
				WB	WATER HAMMER ARRESTER
				WC	WATER CLOSET
				WSP	WATER SOURCE HEAT PUMP
				WWF	WELDED WIRE FABRIC
				WWM	WELDED WIRE MESH
				XFMR	TRANSFORMER



### DRAIN AND CLEANOUT SCHEDULE

TAG	BASIS OF DESIGN		STRAINER/GRATE	NOTES
	MANUFACTURER	MODEL		
FD-1	JOSAM	30003-A	6" DIA	1
FD-2	JOSAM	30002-A	6" DIA	1
SD-1	JOSAM	30002-A	4" DIA	

1. PROVIDE TRAP GUARD INSERT. SEE DETAIL.

**DRAIN AND CLEANOUT SCHEDULE**

1. PROVIDE TRAP SEAL PROTECTON DEVICE. REFER TO DETAIL.

### PLUMBING FIXTURE SCHEDULE

TAG	FIXTURE	HEIGHT A.F.F.	PIPE SIZE					NOTES
			COLD WATER	TEPID WATER	HOT WATER	VENT	SOIL WASTE	
LA-1	WALL-HUNG LAVATORY (ACCESSIBLE)	RIM AT 33"	1/2"		1/2"	1-1/2"	1-1/2"	1, 3
SH-1	SHOWER (ACCESSIBLE)	COUNTERTOP - REFER TO ARCH	1/2"		1/2"	1-1/2"	1-1/2"	1
WC-1	FLOOR-MOUNTED WATER CLOSET (ACCESSIBLE)	TOP OF SEAT 18"	1"			2"	4"	1, 2

NOTES:

- THIS ACCESSIBLE FIXTURE, ACCESSORIES, AND INSTALLATION SHALL CONFORM TO THE CURRENT ADA STANDARDS FOR ACCESSIBLE DESIGN.
- LOCATE FLUSH ACTUATORS ON WIDE SIDE OF STALLS OR APPROACH AREAS.
- PROVIDE ASSE 1070 CERTIFIED MIXING VALVE IN STAINLESS STEEL WALL CABINET, ABOVE CEILING, OR BELOW FIXTURE.

**PLUMBING FIXTURE SCHEDULE**

- THIS ACCESSIBLE FIXTURE, ACCESSORIES, AND INSTALLATION SHALL CONFORM TO THE USBC AND ASAD ADA STANDARDS FOR ACCESSIBLE DESIGN.
- LOCATE FLUSH ACTUATORS ON WIDE SIDE OF STALLS OR APPROACH AREAS.
- PROVIDE ASSE-1070 CERTIFIED MIXING VALVE, ABOVE CEILING, OR BELOW FIXTURE ACCESSIBLE BUT CONCEALED FROM VIEW.

### GENERAL NOTES

A. THE CONTRACT DOCUMENTS ARE COMPLEMENTARY AND WHAT IS REQUIRED BY ONE SHALL BE AS BINDING AS IF REQUIRED BY ALL. IN THE CASE OF A CONFLICT, DISAGREEMENT, OR AMBIGUITY, PROVIDE THE BETTER QUALITY. IN THE CASE OF A CONFLICT, DISAGREEMENT, OR AMBIGUITY, PROVIDE THE GREATER QUANTITY OF WORK.

B. COORDINATE PIPING LOCATIONS AND INSTALLATION WITH EACH TRADE TO AVOID CONFLICTS WITH OTHER TRADES.

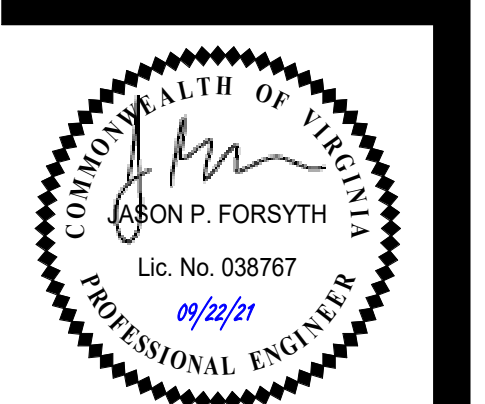
C. PROVIDE FLOOR CLEANOUTS INDICATED FLUSH WITH FLOOR FINISHES.

D. PROVIDE CLEANOUTS WHERE INDICATED AND ADDITIONAL CLEANOUTS AS REQUIRED BY LOCAL CODE.

E. REFER TO DRAWINGS FROM EACH DISCIPLINE BEFORE ROUGHING-IN PLUMBING FIXTURES.

F. OBTAIN DIMENSIONS AND ROUTING IN FIELD BEFORE INSTALLATION OF PLUMBING AND FIXTURES.

G. PROVIDE ISOLATION VALVES IN ACCORDANCE WITH DIAGRAMS, DETAILS, AND DIVISION 22 SPECIFICATIONS.

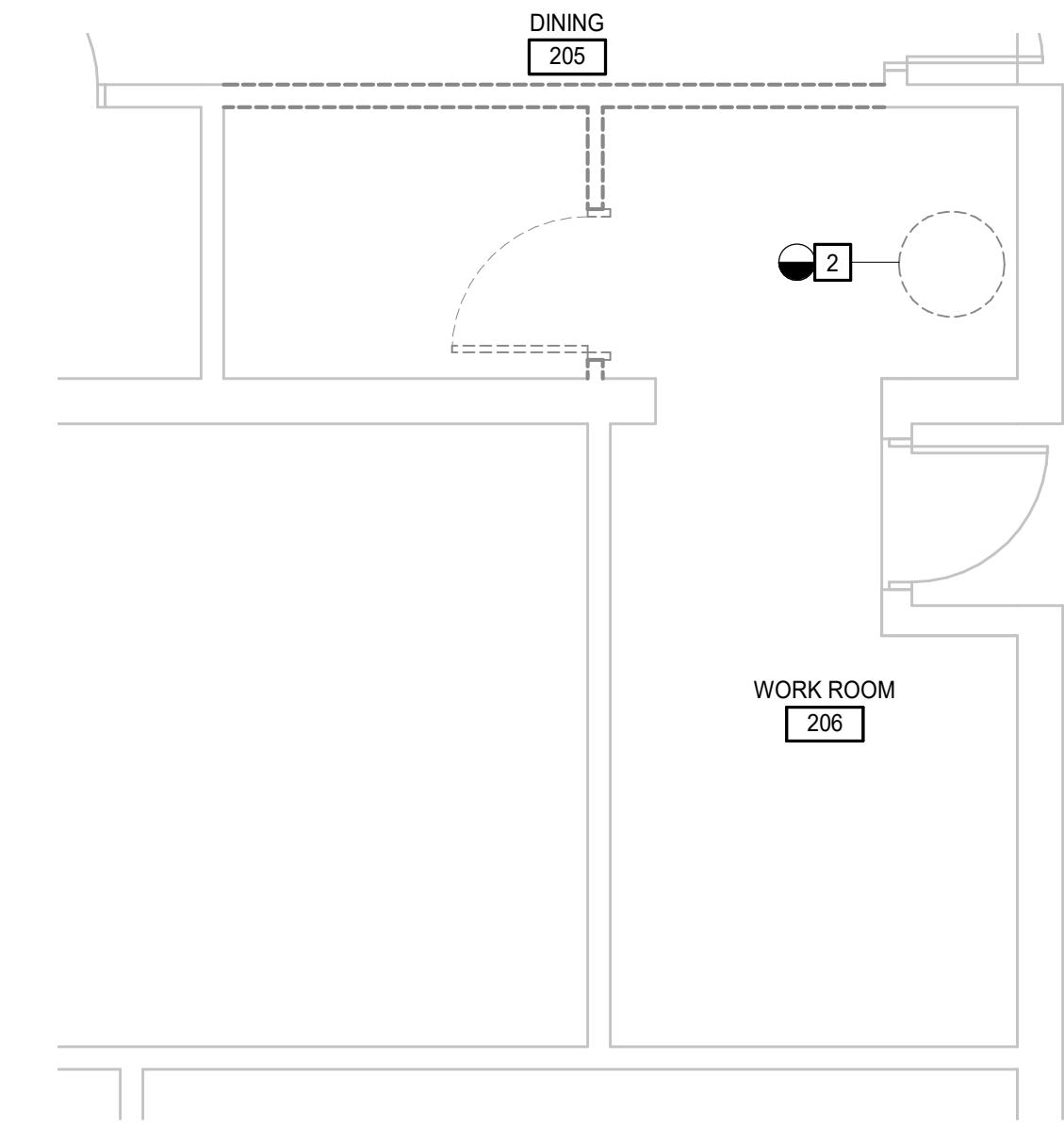


PROJECT NO:	563006
DATE:	SEPTEMBER 22, 2021
REVISIONS	
DATE	DESCRIPTION

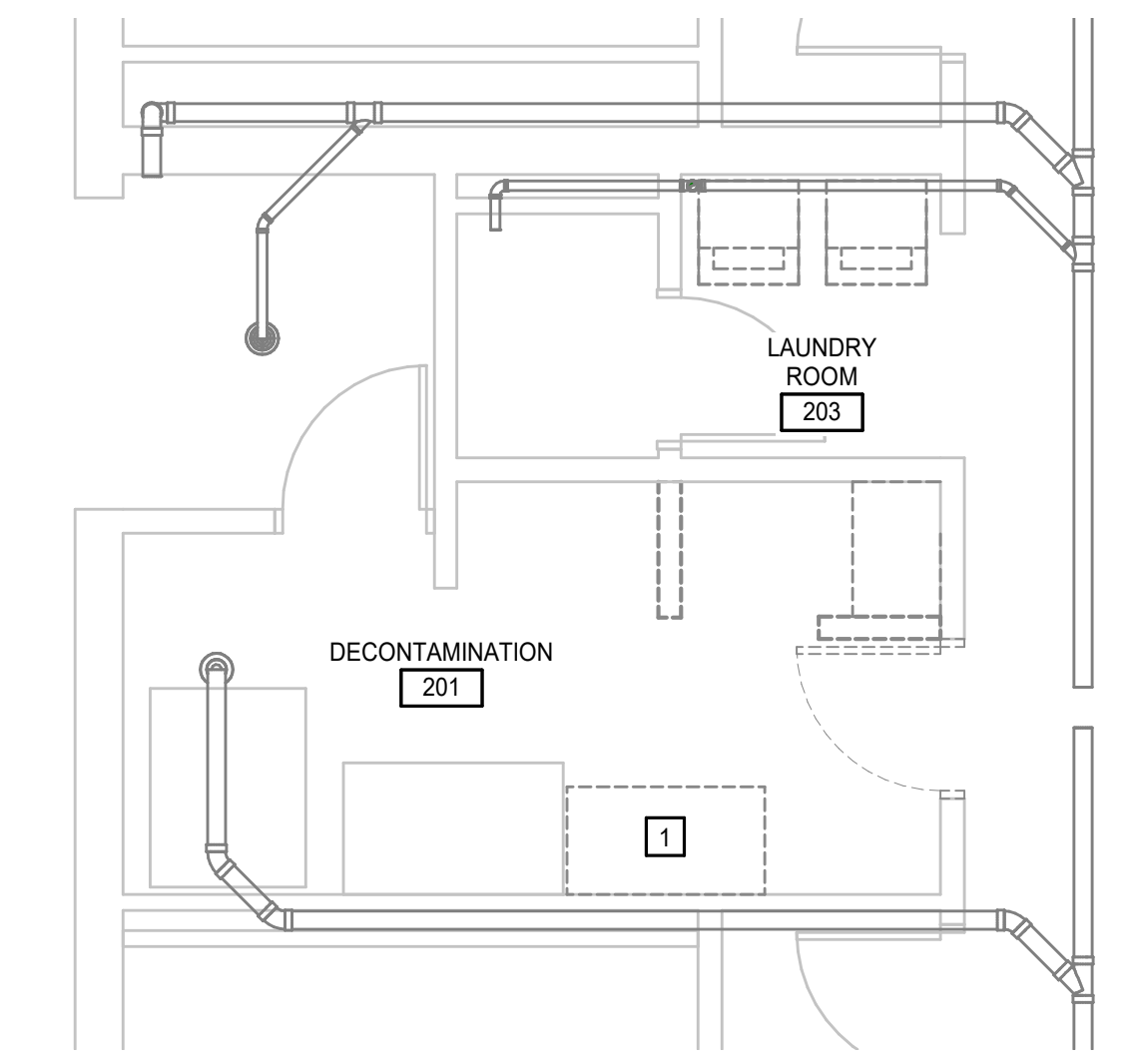
J  
H  
G  
F  
E  
D  
C  
B  
A

PLUMBING DEMOLITION KEYNOTES	
APPLIES TO THIS DRAWING REPRESENTED BY [D]	
1.	REMOVE EXISTING PLUMBING FIXTURE, VALVES, AND ALL ASSOCIATED TRIM MATERIALS. REMOVE WASTE PIPING, VENT AND DOMESTIC WATER PIPING BACK TO SYSTEM BRANCH MAINS IN THE WALL, CEILING AND FLOOR AND CAP PIPING.
2.	REMOVE AND PREPARE TO RELOCATE EXISTING COMPRESSOR AND ALL ASSOCIATED TRIM MATERIALS. REMOVE PIPING BACK TO CEILING SPACE AND PREPARE FOR CONNECTION OF RELOCATED COMPRESSOR.

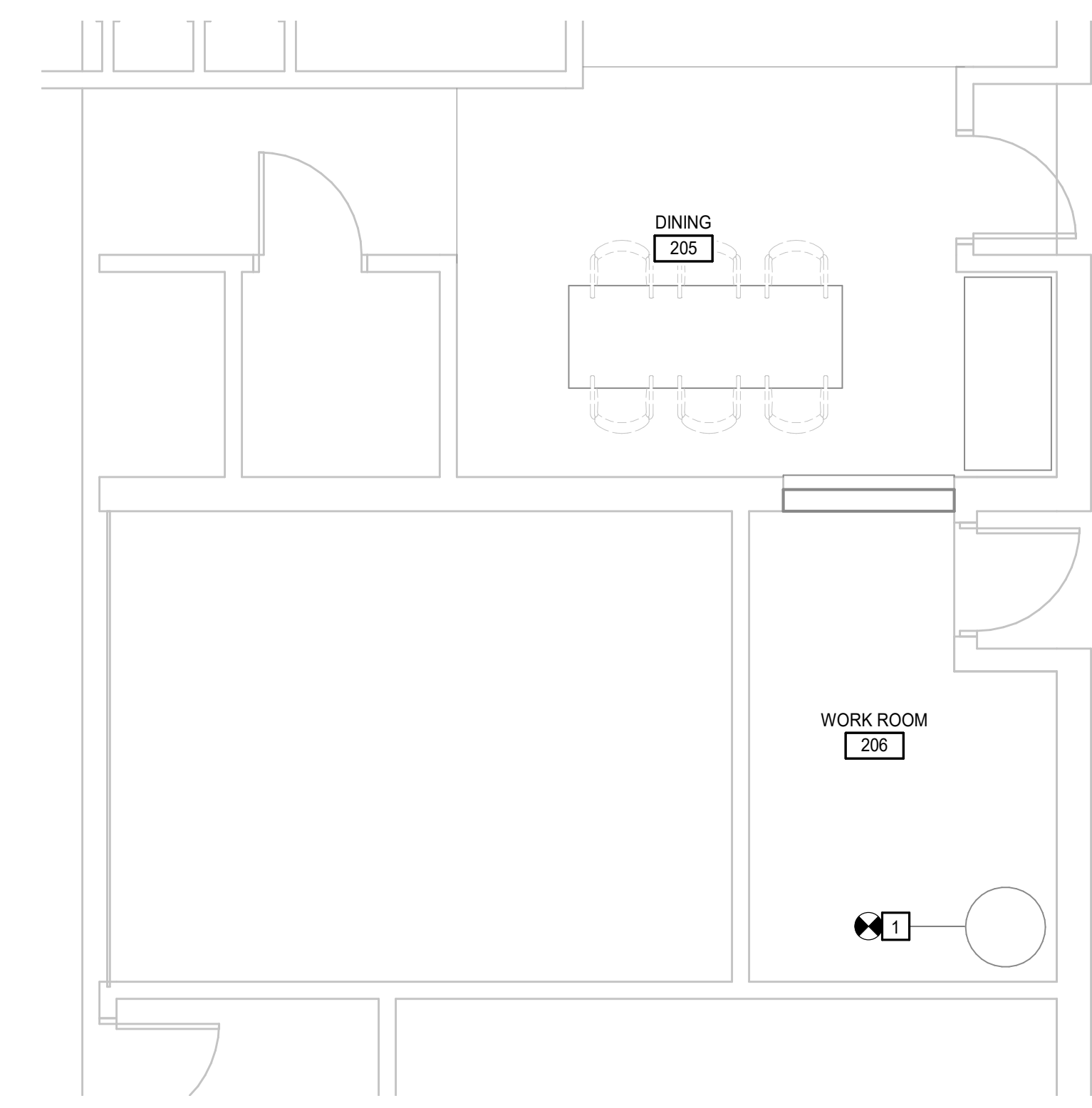
PLUMBING KEYNOTES	
APPLIES TO THIS DRAWING REPRESENTED BY [K]	
1.	CONNECT PIPING AND ALL ASSOCIATED TRIM MATERIALS FROM RELOCATED COMPRESSOR. CONNECT COMPRESSOR SUPPLY AIR PIPING TO EXISTING PIPING LOCATION.



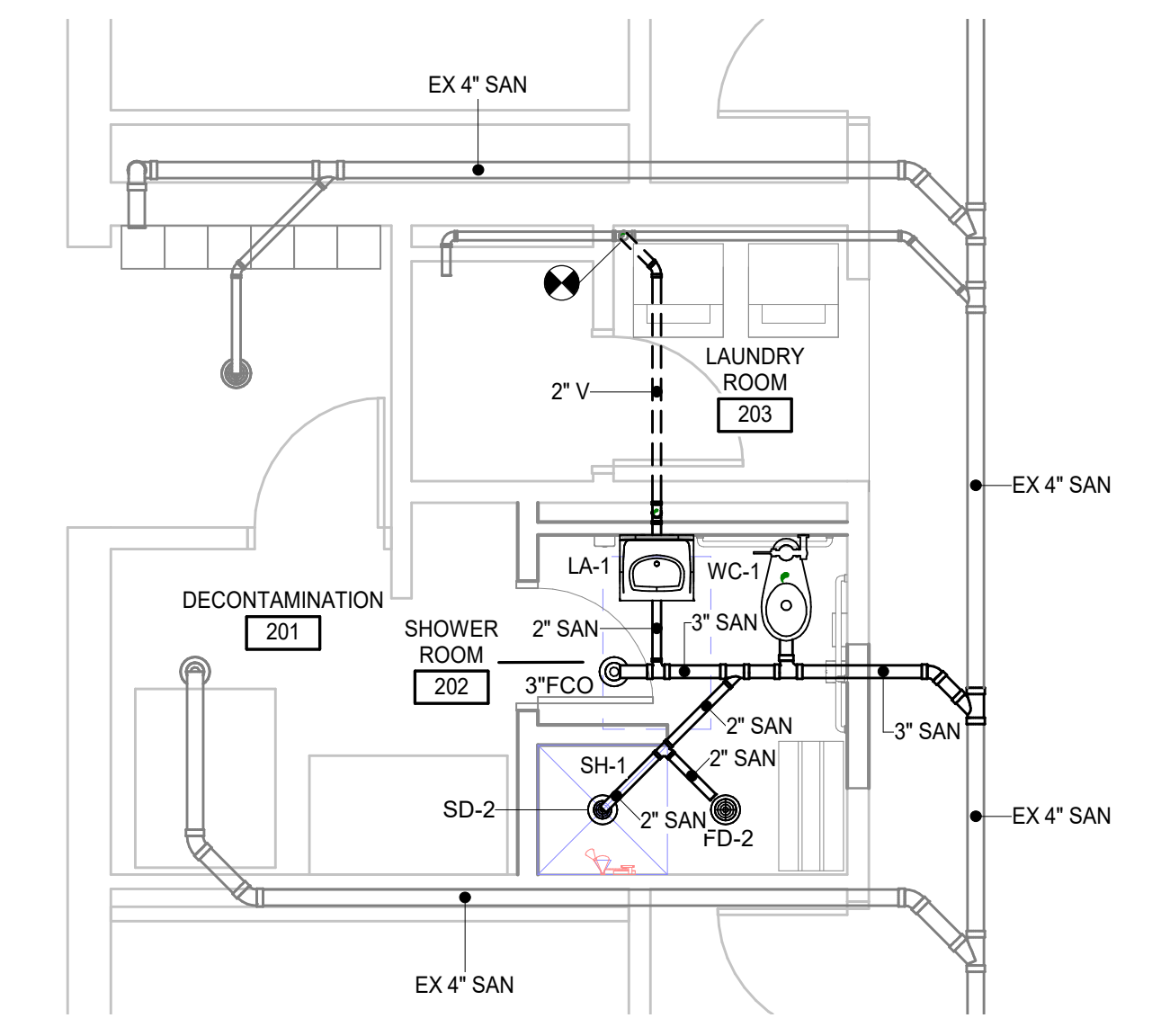
FIRST FLOOR PLAN - DEMOLITION - FS#2  
1/4" = 1'-0"



FIRST FLOOR PLAN - DEMOLITION - FS#2  
1/4" = 1'-0"



FIRST FLOOR PLAN - PLUMBING - FS#2  
1/4" = 1'-0"



FIRST FLOOR PLAN - PLUMBING - FS#2  
1/4" = 1'-0"



**KELLY DAY RENOVATIONS FS 2**  
563006  
4805 Wilson Blvd, Arlington, VA 22203  
Owner: Arlington County

PROJECT NO:	563006
DATE:	SEPTEMBER 22, 2021
REVISIONS	
DATE	DESCRIPTION


1 2 3 4 5 6 7 8 9 10



GRILLE, REGISTER, & DIFFUSER SCHEDULE							
TAG	MANUFACTURER	MODEL NUMBER	MOUNTING STYLE	NECK SIZE	FACE SIZE	MAX NC LEVEL	NOTES
S1	PRICE	ASDA	SURFACE	6ø	24x24	30	
S2	PRICE	ASDA	LAY-IN	8ø	24x24	30	
S3	PRICE	SDGE	DUCT MOUNTED	-	12x6	30	
E1	PRICE	630-F-L	SURFACE	6x6	12x12	30	
T1	PRICE	630-F-L	SURFACE	10x10	12x12	30	

EQUIPMENT IDENTIFICATION	
AHU	AIR-HANDLING UNIT
AS	AIR SEPARATOR
B	BOILER
BCU	BLOWER COIL UNIT
OCC	CLOSED-CIRCUIT COOLING TOWER
CH	CHILLER
CHWP	CHILLED WATER PUMP
CRAC	COMPUTER ROOM AIR CONDITIONER
CT	COOLING TOWER
CUH	CABINET UNIT HEATER
CWP	CONDENSER WATER PUMP
ECH	ELECTRIC CEILING HEATER
ERU	ENERGY RECOVERY UNIT
ERV	ENERGY RECOVERY VENTILATOR
ET	EXPANSION TANK
EUH	ELECTRIC UNIT HEATER
EWL	ELECTRIC WALL HEATER
FCU	FAN COIL UNIT
HP	HEAT PUMP
HWP	HOT WATER PUMP
HX	HEAT EXCHANGER
MAU	MAKEUP AIR UNIT
OAU	OUTDOOR AIR UNIT
P	PUMP
PTAC	PACKAGED TERMINAL AIR CONDITIONER
PTHP	PACKAGED TERMINAL HEAT PUMP
RTU	ROOFTOP UNIT
SSI	SPLIT-SYSTEM INDOOR UNIT
SSO	SPLIT-SYSTEM OUTDOOR UNIT
TU	TERMINAL UNIT
UH	UNIT HEATER
WSHP	WATER-SOURCE HEAT PUMP

CONTROLS ABBREVIATIONS	
AF	AIRFLOW
AI	ANALOG INPUT TO CONTROLLER
ALM	ALARM
AMS	AIRFLOW MEASURING STATION
AO	ANALOG OUTPUT FROM CONTROLLER
ATS	AVERAGING TEMPERATURE SENSOR
BAS	BUILDING AUTOMATION SYSTEM
BI	BINARY INPUT TO CONTROLLER
BO	BINARY OUTPUT FROM CONTROLLER
CO2	CARBON DIOXIDE SENSOR
CSR	CURRENT-SENSING RELAY
DM	DAMPER MOTOR
DP	DIFFERENTIAL PRESSURE
DPT	DIFFERENTIAL PRESSURE TRANSMITTER
FM	FLOW METER
FZ	FREEZESTAT
HS	HUMIDITY SENSOR
POS	POSITION RELAY
R	RELAY
SD	SMOKE DETECTOR
SPD	SPEED
SS	START/STOP
STS	STATUS
TS	TEMPERATURE SENSOR
VFD	VARIABLE-FREQUENCY DRIVE

ABBREVIATIONS	
A	AMPERE(S)
AD	ACCESS DOOR
AF	ABOVE FINISHED FLOOR
ALT	ALTERNATE
APD	AIR PRESSURE DROP
BHP	BRAKE HORSEPOWER
BTUH	BRITISH THERMAL UNITS PER HOUR
CFM	CUBIC FEET PER MINUTE
CHWR	CHILLED WATER RETURN
CHWS	CHILLED WATER SUPPLY
CLG	COOLING
COM	COMMON
CWR	CONDENSER WATER RETURN
CWS	CONDENSER WATER SUPPLY
D	DRAIN
DB	DRY BULB TEMPERATURE
dB(A)	A-WEIGHTED DECIBELS
DCW	DOMESTIC COLD WATER
DIA	DIAMETER
DN	DOWN
DWG	DRAWING
EA	EXHAUST AIR
EAT	ENTERING AIR TEMPERATURE
EER	ENERGY EFFICIENCY RATIO
EQUAL	EQUAL
ESP	EXTERNAL STATIC PRESSURE
EWT	ENTERING WATER TEMPERATURE
EX	EXISTING
F	DEGREES FAHRENHEIT
FC	FAIL CLOSED
FD	FIRE DAMPER
FLA	FULL LOAD AMPS
FO	FAIL OPEN
FRM	FEET PER MINUTE
FT	FOOT, FEET
GA	GAUGE
GAL	GALLON(S)
GPH	GALLONS PER HOUR
GPM	GALLONS PER MINUTE
HP	HORSEPOWER
HPWR	HEAT PUMP WATER RETURN
HPWS	HEAT PUMP WATER SUPPLY
HTG	HEATING
HWR	HOT WATER RETURN
HWS	HOT WATER SUPPLY
HX	HEAT EXCHANGER
HZ	HERTZ
IN	INCH
PLV	INTEGRATED PART-LOAD VALUE
KW	KILOWATT(S)
LAT	LEAVING AIR TEMPERATURE
LBS	POUNDS
LWT	LEAVING WATER TEMPERATURE
MAX	MAXIMUM
MBH	ONE THOUSAND BTUH
MCA	MINIMUM CIRCUIT AMPACITY
MFR	MANUFACTURER
MIN	MINIMUM
MOCP	MAXIMUM OVERCURRENT PROTECTION
MOD	MOTOR-OPERATED DAMPER
NC	NORMALLY CLOSED (FOR PLANS, DETAILS)
NC	NOISE CRITERIA (FOR SCHEDULES)
NIC	NOT IN CONTRACT
NO	NORMALLY OPEN
OA	OUTSIDE AIR
OC	ON CENTER
OFCI	OWNER FURNISHED CONTRACTOR INSTALLED
PH	PHASE
PSIG	POUNDS PER SQUARE INCH GAUGE
RA	RETURN AIR
RD	REFRIGERANT DISCHARGE
RH	RELATIVE HUMIDITY
RL	REFRIGERANT LIQUID
RPM	REVOLUTIONS PER MINUTE
RS	REFRIGERANT SUCTION
SA	SUPPLY AIR
SEER	SEASONAL ENERGY EFFICIENCY RATIO
TD	TRANSFER DUCT
TYP	TYPICAL
UNO	UNLESS NOTED (INDICATED) OTHERWISE
V	VOLTAGE, VOLTS
VD	VOLUME DAMPER
VFD	VARIABLE-FREQUENCY DRIVE
W	WATT(S)
W	WITH
W/O	WITHOUT
WB	WET BULB TEMPERATURE
WC	WATER COLUMN
WC	WATER COLUMN
WPD	WATER PRESSURE DROP
WWM	WELDED WIRE MESH

CONTROL SYSTEM SYMBOLS	
	CIRCULATOR OR PUMP
	MOTORIZED 2-WAY VALVE
	MOTORIZED 3-WAY VALVE
	VARIABLE FREQUENCY DRIVE
	DIRECT DIGITAL CONTROLLER
	THERMOSTAT
	FREEZESTAT
	CONTACTOR
	RELAY
	SPACE TEMPERATURE SENSOR
	LINE VOLTAGE THERMOSTAT
	HAND-OFF-AUTOMATIC SWITCH
	DUCT-MOUNTED SMOKE DETECTOR
	TRANSFORMER
	FUSE
	NORMALLY OPEN CONTACT
	NORMALLY CLOSED CONTACT
	WIRING OR DEVICE PROVIDED UNDER DIVISION 23
	WIRING OR DEVICE NOT PROVIDED UNDER DIVISION 23
	WIRING CONNECTION BY DIVISION 23
	WIRING CONNECTION BY OTHERS
	NUMBER OF CONDUCTORS INDICATED BY SLASH MARKS
	MOTORIZED PARALLEL BLADE DAMPER
	MOTORIZED OPPOSED BLADE DAMPER
	MOTORIZED BUTTERFLY BLADE DAMPER
	SUPPLY, RETURN, OR EXHAUST FAN
	AIRFLOW DIRECTION
	CONTROL POINT INDICATOR INPUT OR OUTPUT (ANALOG INPUT)
	CONTROL POINT INDICATOR DEVICE TYPE (AIR TEMPERATURE SENSOR)
	CONTROL POINT INDICATOR INPUT OR OUTPUT (ANALOG INPUT)
	CONTROL POINT INDICATOR DEVICE TYPE (WATER TEMPERATURE SENSOR WITH AVERAGING ELEMENT)
	CONTROL POINT INDICATOR INPUT OR OUTPUT (ANALOG INPUT)
	CONTROL POINT INDICATOR DEVICE TYPE (WATER TEMPERATURE SENSOR WITH BULB TYPE ELEMENT IN PIPING WELL)
	CONTROL POINT INDICATOR INPUT OR OUTPUT (ANALOG INPUT)
	CONTROL POINT INDICATOR DEVICE TYPE (CURRENT SENSING RELAY)

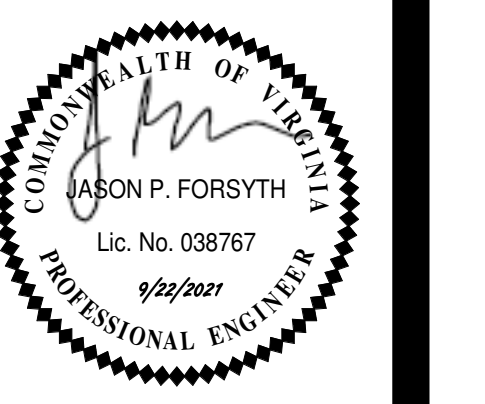
GRAPHICS SYMBOLS LEGEND	
	SPACE IDENTIFICATION TAG SPACE NUMBER BUILDING AREA (WHEN USED)
	EQUIPMENT IDENTIFICATION TAG EQUIPMENT NUMBER UNIT DESIGNATION
	DIFFUSER, GRILLE OR REGISTER TAG TAG, REFER TO DIFFUSER, GRILLE AND REGISTER SCHEDULE
	DETAIL TAG DETAIL NUMBER DRAWING WHERE DETAIL IS INDICATED
	KEYNOTE
	STRUCTURAL GRID LINE WITH DESIGNATION
	EXISTING TO BE REMOVED
	DETAIL TITLE DETAIL NUMBER DRAWING WHERE DETAIL IS INDICATED DRAWING WHERE DETAIL IS REFERENCED ADDITIONAL DRAWING REFERENCES
	SECTION TITLE SECTION NUMBER DRAWING WHERE SECTION IS INDICATED DRAWING WHERE SECTION IS REFERENCED ADDITIONAL DRAWING REFERENCES
	SECTION CALLOUT SECTION NUMBER DRAWING WHERE SECTION IS INDICATED
	ENLARGED PLAN CALLOUT ENLARGED PLAN NUMBER DRAWING WHERE ENLARGED PLAN IS INDICATED
	MECHANICAL EQUIPMENT WITH REQUIRED SERVICE CLEARANCE INDICATED

DUCTWORK LEGEND	
	RECTANGULAR DUCT (FIRST DIMENSION REFERS TO SIDE VIEWED)
	ROUND DUCT SIZE
	FLAT OVAL DUCT SIZE
	DOUBLE WALL, EXPOSED DUCT
	FABRIC DUCT
	FLEXIBLE DUCTWORK
	FLEXIBLE CONNECTOR
	DUCT-MOUNTED SMOKE DETECTOR
	DUCT WITH DUCT LINER
	DUCT ACCESS DOOR
	DUCT WITH END CAP
	LINEAR SLOT DIFFUSER, LENGTH AS INDICATED
	LINEAR BAR GRILLE, LENGTH AS INDICATED
	SUPPLY DIFFUSER
	RETURN OR EXHAUST GRILLE
	SUPPLY DIFFUSER WITH DIRECTIONAL BLOW, SOLID HATCH INDICATES BLANK OFF PANEL
	POINT OF CONNECTION TO EXISTING
	LIMIT OF DEMOLITION
	SUPPLY AIRFLOW ARROW
	RETURN OR EXHAUST AIRFLOW ARROW
	MANUAL BALANCING DAMPER IN DUCT
	FIRE DAMPER IN DUCT
	SMOKE DAMPER IN DUCT
	COMBINATION FIRE/SMOKE DAMPER IN DUCT
	MOTORIZED DAMPER IN DUCT
	SMOKE CONTROL MANUAL BALANCING DAMPER IN DUCT
	SMOKE CONTROL MOTORIZED DAMPER IN DUCT
	SECURITY BARS IN DUCT
	DUCT WITH ACCESS PANEL
	SUPPLY/MAKEUP AIR DUCT SECTIONS
	RETURN AIR DUCT SECTIONS
	EXHAUST AIR DUCT SECTIONS
	SMOKE DETECTOR
	HUMIDITY SENSOR
	THERMOSTAT, LINE VOLTAGE
	THERMOSTAT, LOW VOLTAGE
	TEMPERATURE SENSOR
	CARBON DIOXIDE SENSOR
	CARBON MONOXIDE SENSOR
	SENSOR WELL
	DOOR UNDERCUT
	DOOR LOUVER

PIPING LEGEND	
	PIPE CAP
	PIPE TURNED DOWN
	PIPE TURNED UP
	PIPE TEE UP
	PIPE TEE DOWN
	END OF LINE CLEANOUT PLUG
	CLEANOUT PLUG
	PRESSURE GAUGE WITH GAUGE COCK
	LIQUID FILLED THERMOMETER
	UNION
	STRAINER WITH BLOWDOWN VALVE AND 3/4" HOSE END CONNECTION
	FLEXIBLE PIPE CONNECTOR
	MANUAL AIR VENT
	VALVE
	VALVE IN RISER
	MANUAL BALANCING VALVE WITH FLOW TAPS
	AUTOMATIC BALANCING VALVE WITH FLOW TAPS
	SWING CHECK VALVE
	PRESSURE REDUCING VALVE
	TRIPLE DUTY VALVE
	GAS COCK
	PRESSURE-RELIEF VALVE
	TWO-WAY CONTROL VALVE
	THREE-WAY CONTROL VALVE
	DIRECTION OF FLOW
	CONCENTRIC REDUCER
	ECCENTRIC REDUCER

GENERAL NOTES	
A. THE CONTRACT DOCUMENTS ARE COMPLEMENTARY AND WHAT IS REQUIRED BY ONE SHALL BE AS BINDING AS IF REQUIRED BY ALL. IN THE CASE OF A CONFLICT, DISAGREEMENT, OR AMBIGUITY, PROVIDE THE BETTER QUALITY. IN THE CASE OF A CONFLICT, DISAGREEMENT, OR AMBIGUITY, PROVIDE THE GREATER QUANTITY OF WORK.	G. PROVIDE TRAPPED DRAIN PIPING FROM DRAIN PANS OF ALL COOLING COILS, FANS AND OTHER ACTIVE DRAINS EXPOSED TO SYSTEM AIRSTREAM. PROVIDE TRAP AT CONNECTION WITH WATER SEAL. DEPTH ONE INCH GREATER THAN UNIT OPERATING PRESSURE. DIRECT DRAINS TO NEAREST FLOOR DRAIN, MOP SINK, OR OTHER LOCATION APPROVED BY THE ARCHITECT.
B. DRAWINGS ARE DIAGRAMMATIC AND INTENDED TO CONVEY SCOPE AND GENERAL ARRANGEMENT ONLY. DO NOT SCALE DRAWINGS. LOCATIONS OF ALL ITEMS INDICATED ON THE DRAWINGS OR CALLED FOR IN THE SPECIFICATIONS THAT ARE NOT DEFINITELY FIXED BY DIMENSIONS ARE APPROXIMATE. COORDINATE CONTRACT DOCUMENTS PROJECT REQUIREMENTS, WORK OF OTHERS, AND EQUIPMENT AND MATERIALS PURCHASED WITH FIELD DIMENSIONS, MANUFACTURERS REQUIREMENTS FOR INSTALLATION, OPERATION, AND MAINTENANCE. CONTRACTOR'S INTENDED MEANS AND METHODS OF INSTALLATION, AND CONTRACTOR'S FABRICATED ITEMS TO ENSURE A PROPER FIT AND INSTALLATION.	H. INSTALL PIPING, DUCTWORK, AND CONDUIT CONCEALED IN AREAS HAVING CEILINGS AND/OR FURRED SPACES UNLESS OTHERWISE INDICATED.
C. MAINTAIN MAXIMUM HEADROOM AND SPACE CONDITIONS AT ALL POINTS, WHERE HEADROOM AND SPACE CONDITIONS APPEAR INADEQUATE, NOTIFY THE ARCHITECTS PRIOR TO PROCEEDING WITH INSTALLATION. MAINTAIN A MINIMUM OF 7'-0" CLEARANCE ABOVE FINISHED FLOOR TO UNDERSIDE OF PIPES, DUCTS, CONDUITS, SUSPENDED EQUIPMENT, ETC., THROUGHOUT ACCESS ROUTES IN MECHANICAL ROOMS.	I. ALL EQUIPMENT, VALVES, DAMPERS, DAMPER AND VALVE OPERATORS SHALL BE PROVIDED WITH ADEQUATE ACCESS FOR SERVICING, MAINTENANCE, AND REPLACEMENT.
D. FIELD VERIFY AND COORDINATE ALL DUCT AND PIPING DIMENSIONS BEFORE FABRICATION. MAKE MODIFICATIONS IN THE LAYOUT AS NEEDED TO PREVENT CONFLICT WITH WORK OF OTHER TRADES OR FOR PROPER EXECUTION OF THE WORK.	J. SIZE ALL SPLIT-SYSTEM REFRIGERANT PIPING IN ACCORDANCE WITH THE MANUFACTURER'S INSTALLATION INSTRUCTIONS.
E. INSTALL ALL EQUIPMENT AND APPURTENANCES IN ACCORDANCE WITH MANUFACTURER'S RECOMMENDATIONS, CONTRACT DOCUMENTS, AND APPLICABLE CODES AND REGULATIONS.	K. DUCT DIMENSIONS MAY BE MODIFIED ONLY WITH PRIOR APPROVAL FROM ARCHITECT. DUCT DIMENSIONS ARE IN INCHES AND INSIDE CLEAR.
F. COORDINATE LOCATIONS AND SIZES OF ALL FLOOR, WALL, AND ROOF OPENINGS WITH ALL OTHER TRADES. COORDINATE ALL PIPING AND EQUIPMENT SUPPORTED FROM STRUCTURE WITH GENERAL CONSTRUCTION WORK.	L. FOR LOCATION OF REGISTERS, GRILLES, AND DIFFUSERS WITHIN CEILING GRID, REFER TO ARCHITECTURAL REFLECTED CEILING PLANS.
	M. ELEVATION INDICATED FOR RECTANGULAR DUCT, GRILLE AND LOUVER OPENINGS IS TO THE TOP OF ROUGH OPENING UNLESS OTHERWISE INDICATED. ELEVATION INDICATED FOR ROUND DUCTWORK AND PIPING IS TO CENTERLINE.
	N. BRANCH PIPING RUNOUTS TO TERMINAL UNITS SHALL BE 3/4" DIAMETER UNLESS INDICATED OTHERWISE.
	O. REFER TO STRUCTURAL DRAWINGS FOR DETAILS AND MAXIMUM SPACING REQUIREMENTS REGARDING HANGER ATTACHMENTS TO STEEL BAR JOISTS.

**MOSELEY ARCHITECTS**  
 5200 NORFOLK STREET, RICHMOND, VA 23230  
 PHONE (804) 794-7555 FAX (804) 355-5690  
 MOSELEYARCHITECTS.COM



**KELLY DAY RENOVATIONS FS 2**  
 563006  
 4805 Wilson Blvd, Arlington, VA 22203  
 Owner: Arlington County

PROJECT NO: 563006	DATE: SEPTEMBER 22, 2021
REVISIONS	
DATE	DESCRIPTION

LEGENDS, ABBREVIATIONS, SCHEDULES, AND GENERAL NOTES



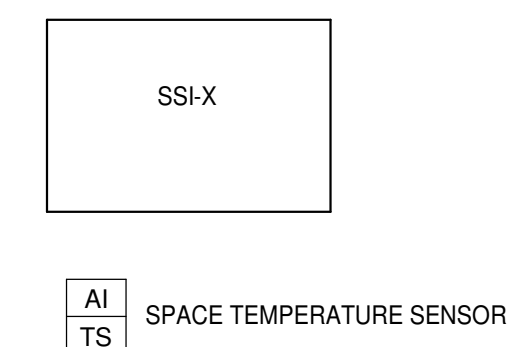




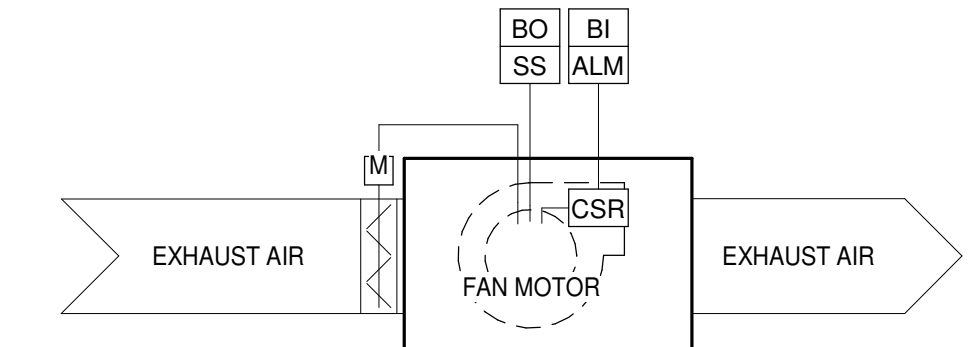


9/20/2021 1:30:21 PM

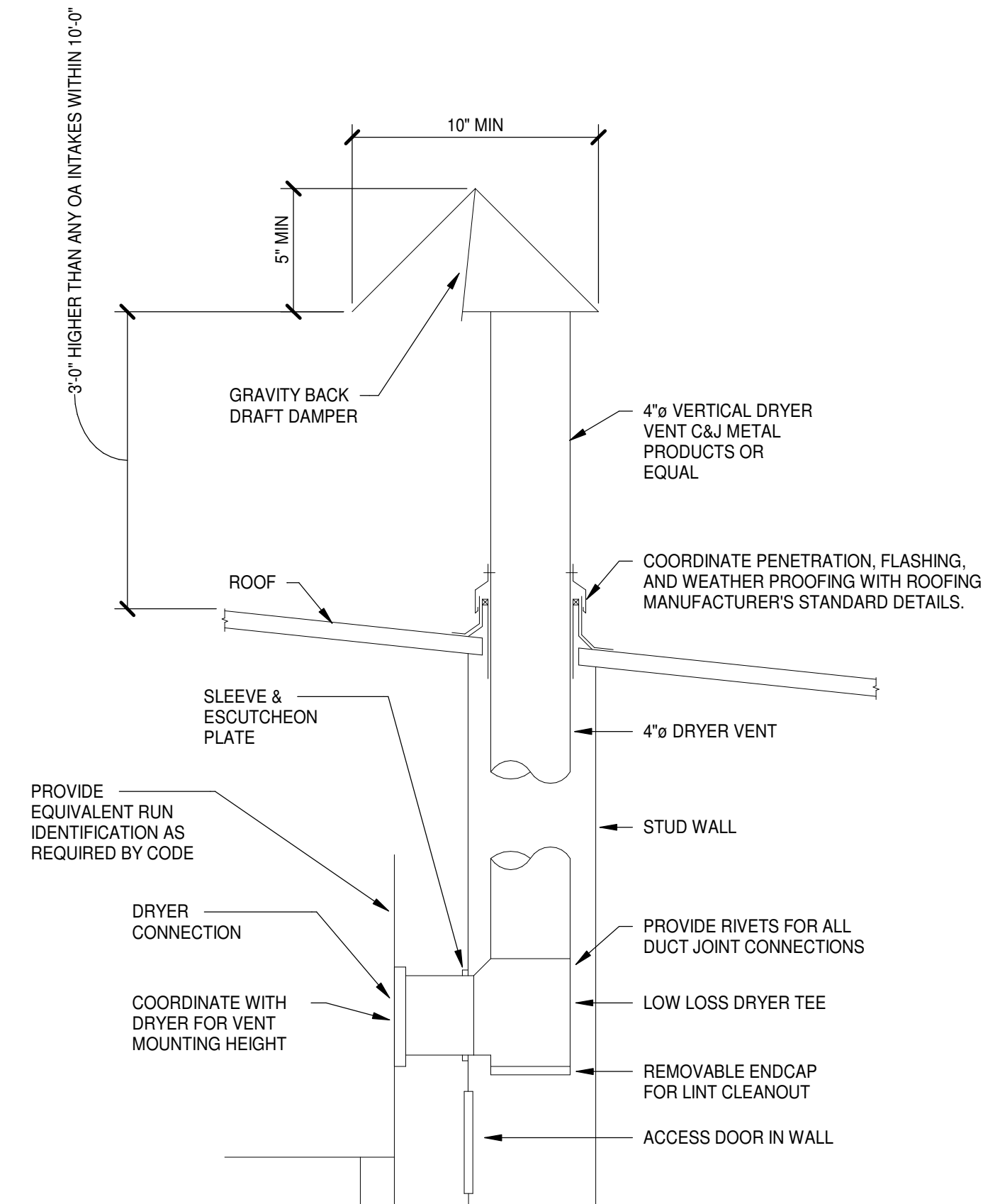
J  
H  
G  
F  
E  
D  
C  
B  
A



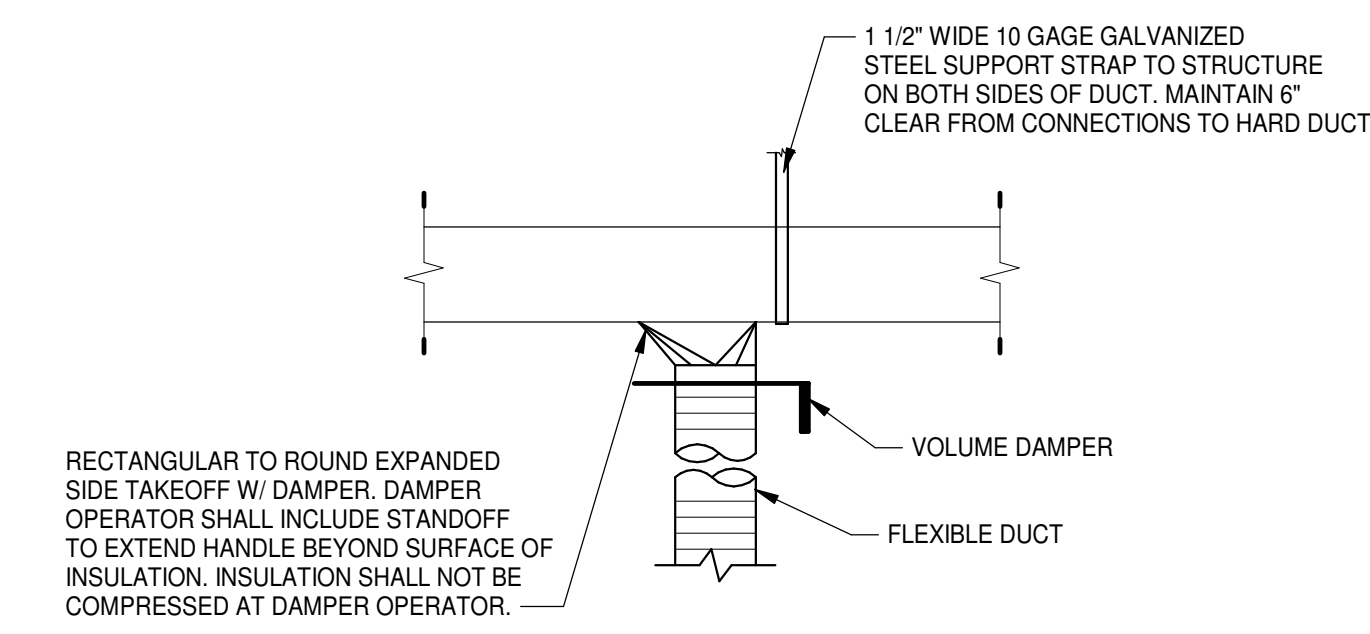
**SPLIT-SYSTEM AC UNITS**  
NO SCALE



**EXHAUST FAN - CONTROLLED BY BAS SCHEDULE**  
NO SCALE

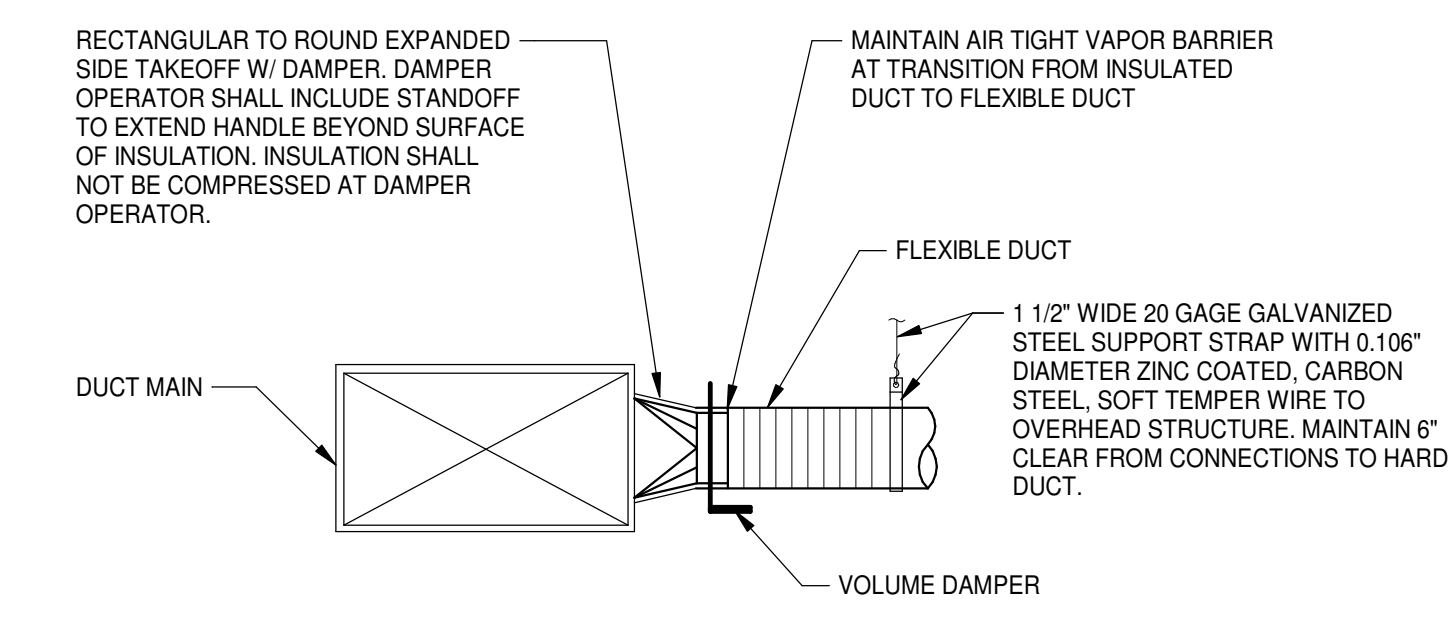


**VERTICAL DRYER EXHAUST VENT ROOF TERMINATION DETAIL**  
NO SCALE



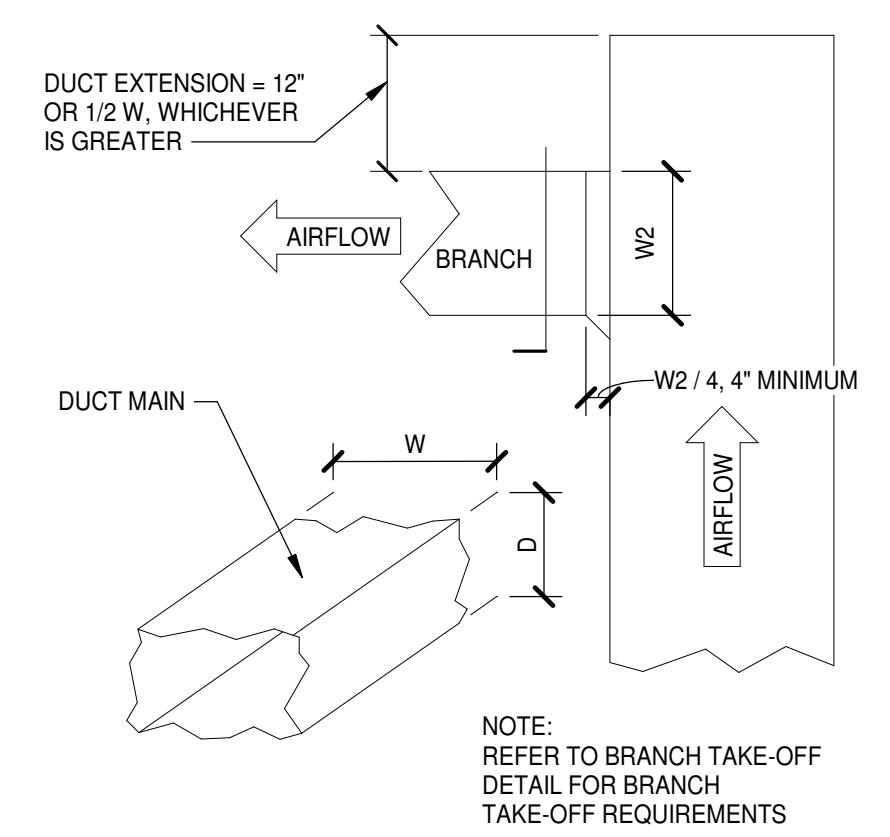
NOTES:  
- FLEXIBLE DUCT SHALL BE INSTALLED OVER METAL DUCT (BEAD/LIP ON METAL DUCT) AND ANCHORED W/ A SINGLE NYLON MECHANICAL BAND.  
- IN EXPOSED AREAS PROVIDE RIGID GALVANIZED STEEL DUCTWORK IN LIEU OF FLEXIBLE DUCTWORK INDICATED. SUPPORT IN ACCORDANCE WITH REQUIREMENTS SPECIFIED FOR STEEL DUCTWORK.

**BRANCH TAKEOFF TO DIFFUSER-BOTTOM**

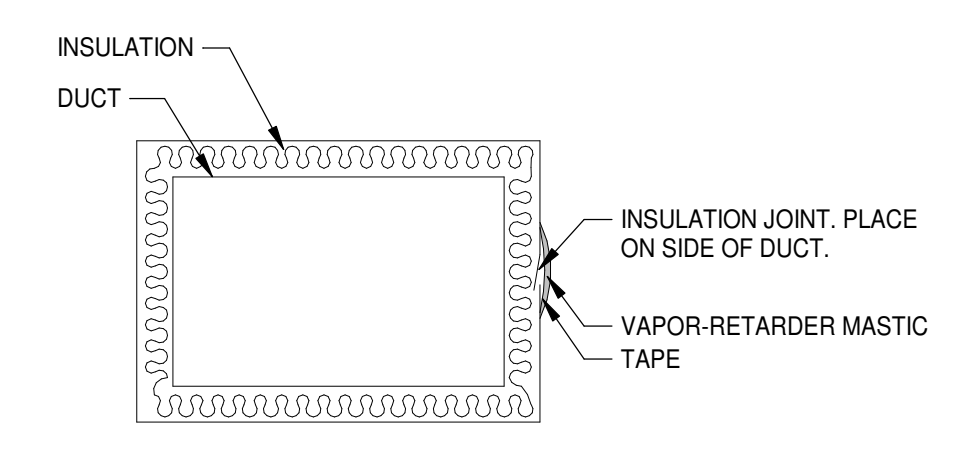


NOTES:  
- FLEXIBLE DUCT SHALL BE INSTALLED OVER METAL DUCT (BEAD/LIP ON METAL DUCT) AND ANCHORED W/ A SINGLE NYLON MECHANICAL BAND.  
- IN EXPOSED AREAS PROVIDE RIGID GALVANIZED STEEL DUCTWORK IN LIEU OF FLEXIBLE DUCTWORK INDICATED. SUPPORT IN ACCORDANCE WITH REQUIREMENTS SPECIFIED FOR STEEL DUCTWORK.

**BRANCH TAKEOFF TO DIFFUSER-SIDE**

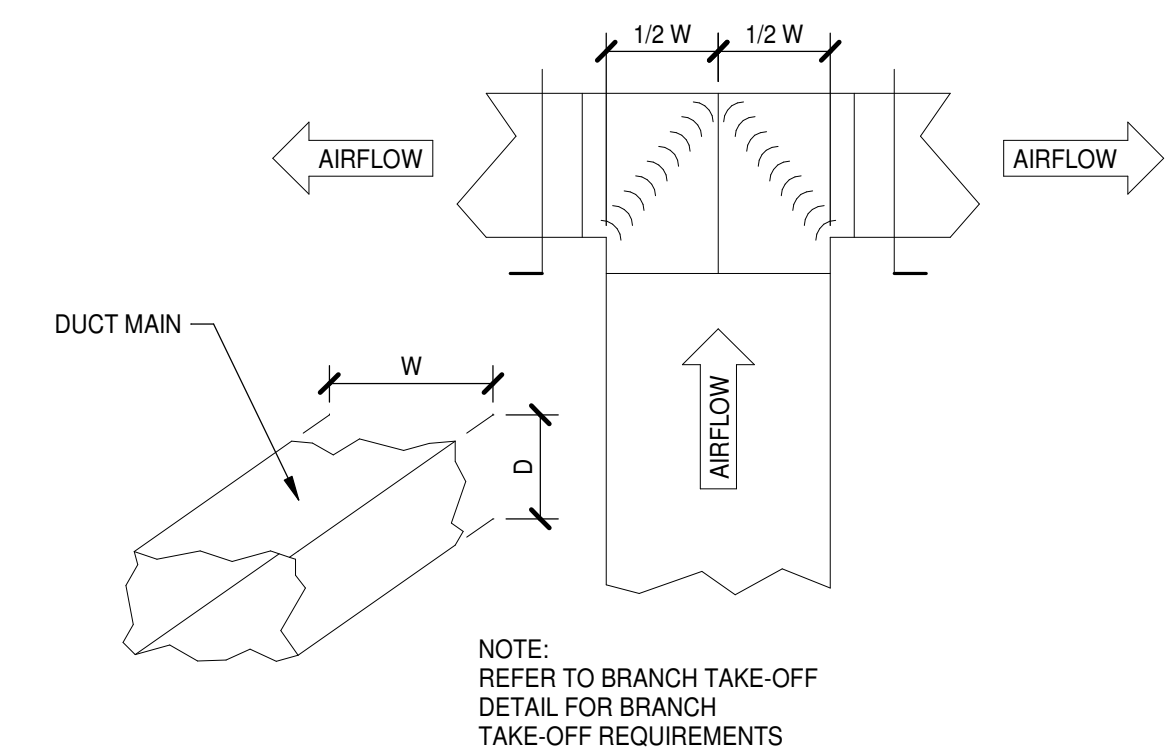


**DUCT END OF MAIN DETAIL**



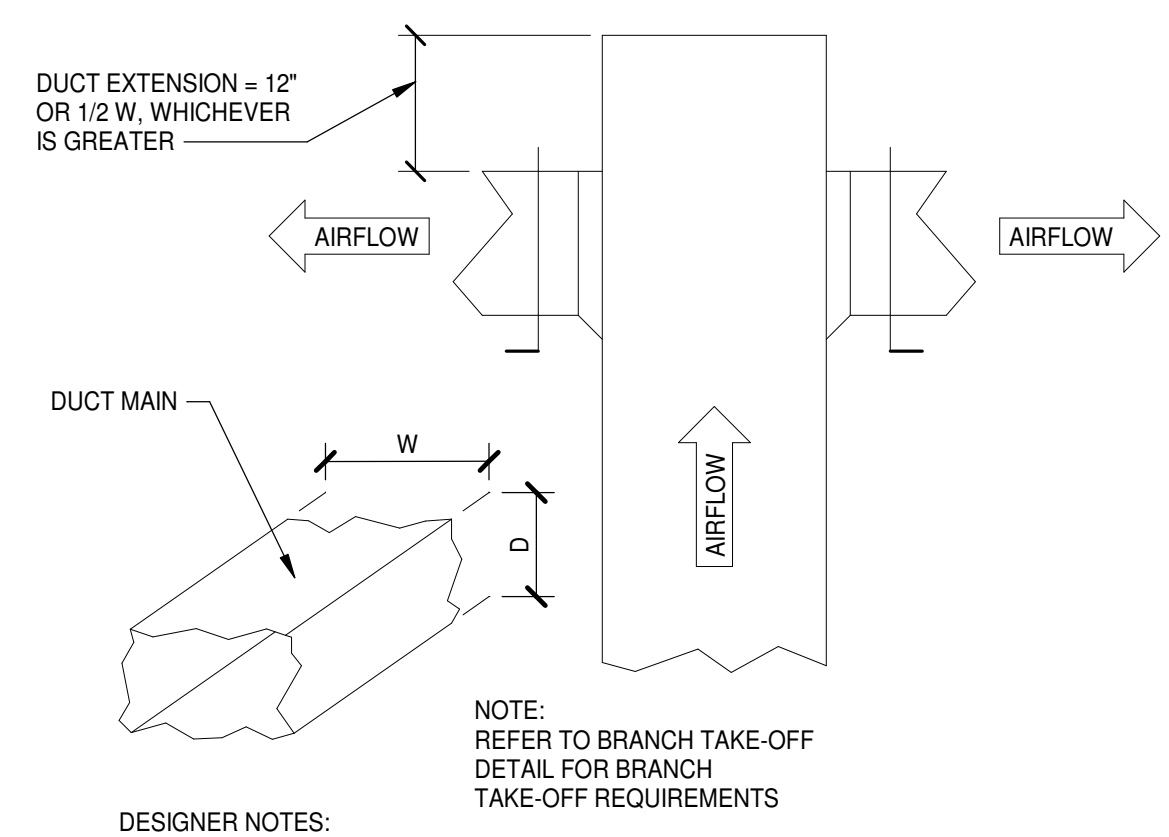
REFER TO SPECIFICATION SECTION 230700 FOR ADDITIONAL INFORMATION.

**DUCT INSULATION JOINT DETAIL**



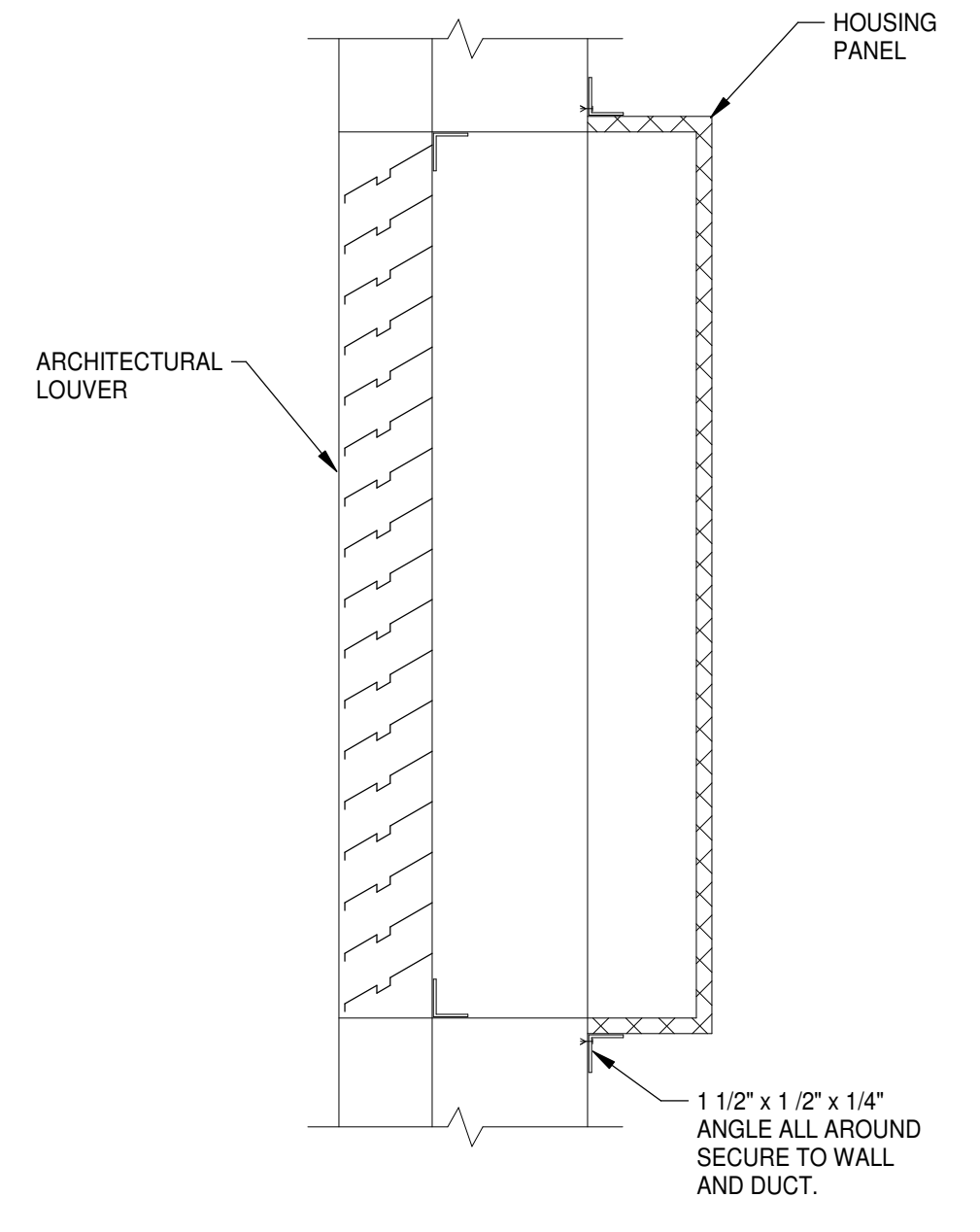
DESIGNER NOTES:  
USE WHERE "W" EXCEEDS 24" OR WHEN AIR FLOW IS IN EXCESS OF 1500 CFM.  
MAY BE PROPORTIONAL.

**DUCT SPLIT WITH VANES DETAIL**

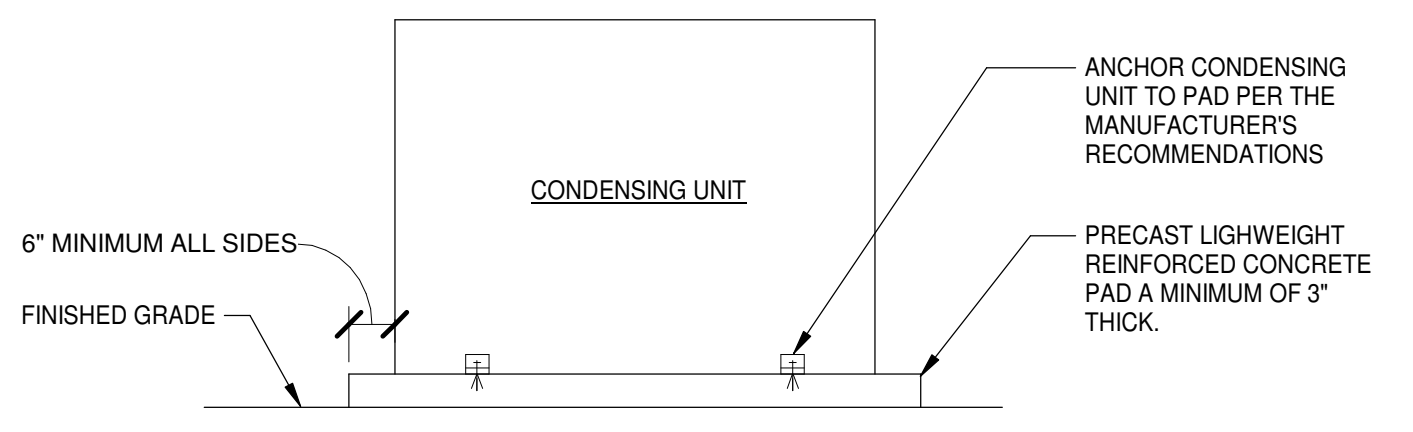


DESIGNER NOTES:  
USE WHERE "W" IS LESS THAN 24". WHEN YOU HAVE ROUND DUCT BRANCHES TO DIFFUSERS, OR WHEN AIR FLOW IS EQUAL TO OR LESS THAN 1500 CFM.

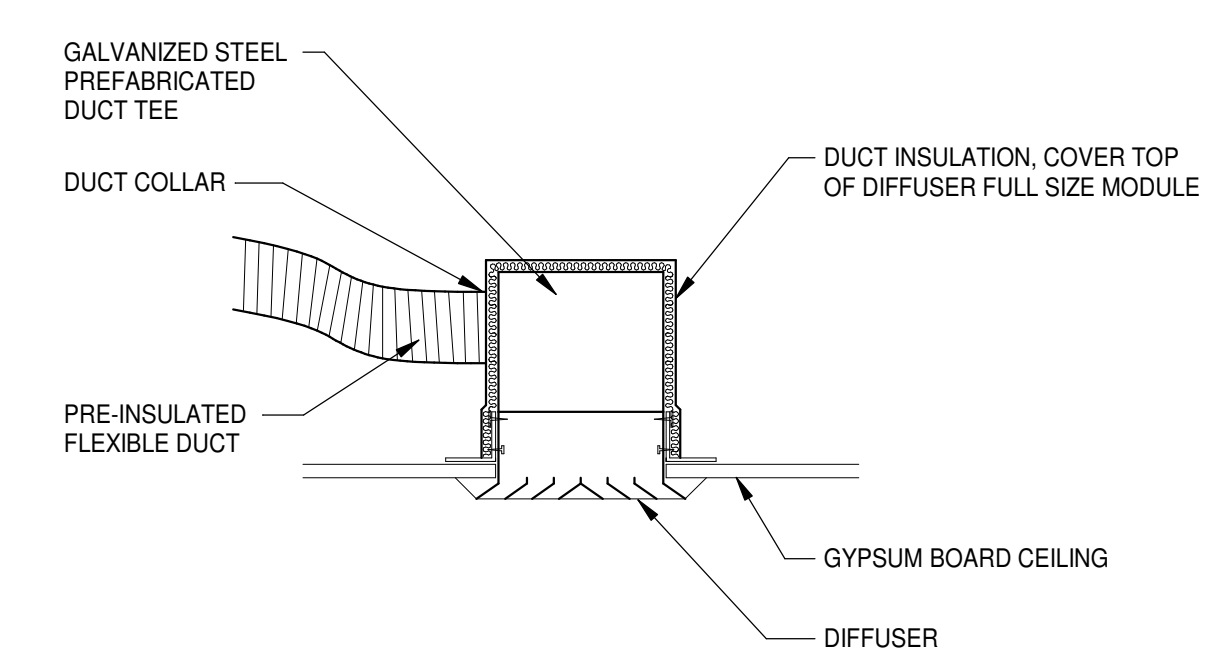
**DUCT SPLIT WITHOUT VANES DETAIL**



**WALL LOUVER DETAIL**  
NO SCALE

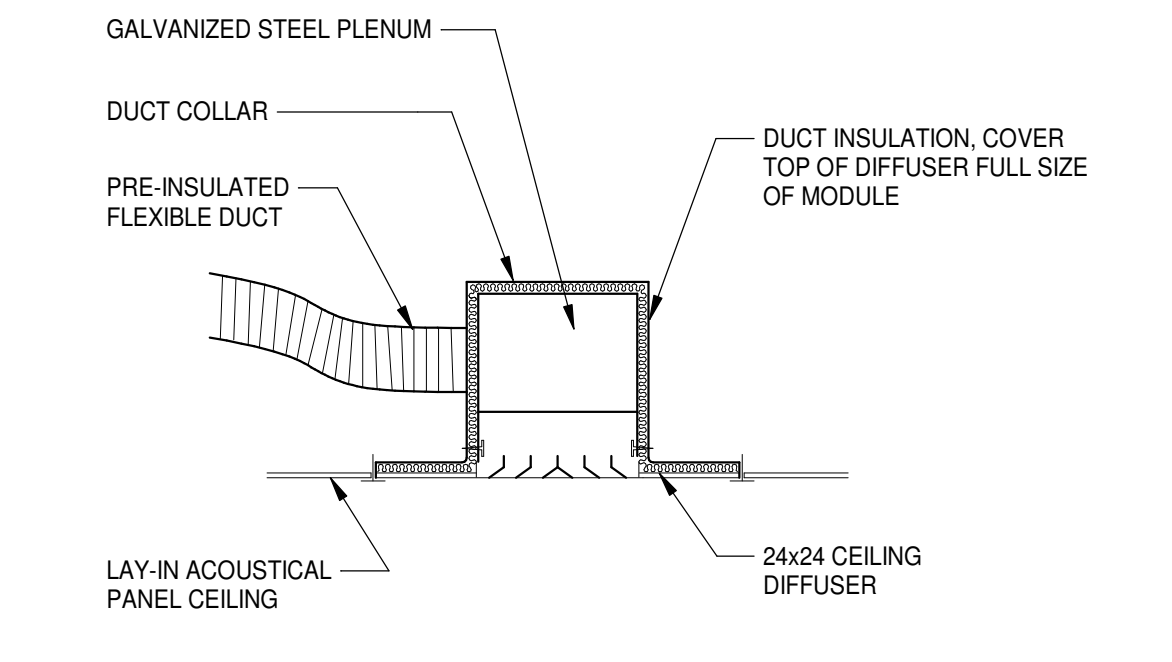


**CONDENSING UNIT MOUNTING DETAIL**  
NO SCALE

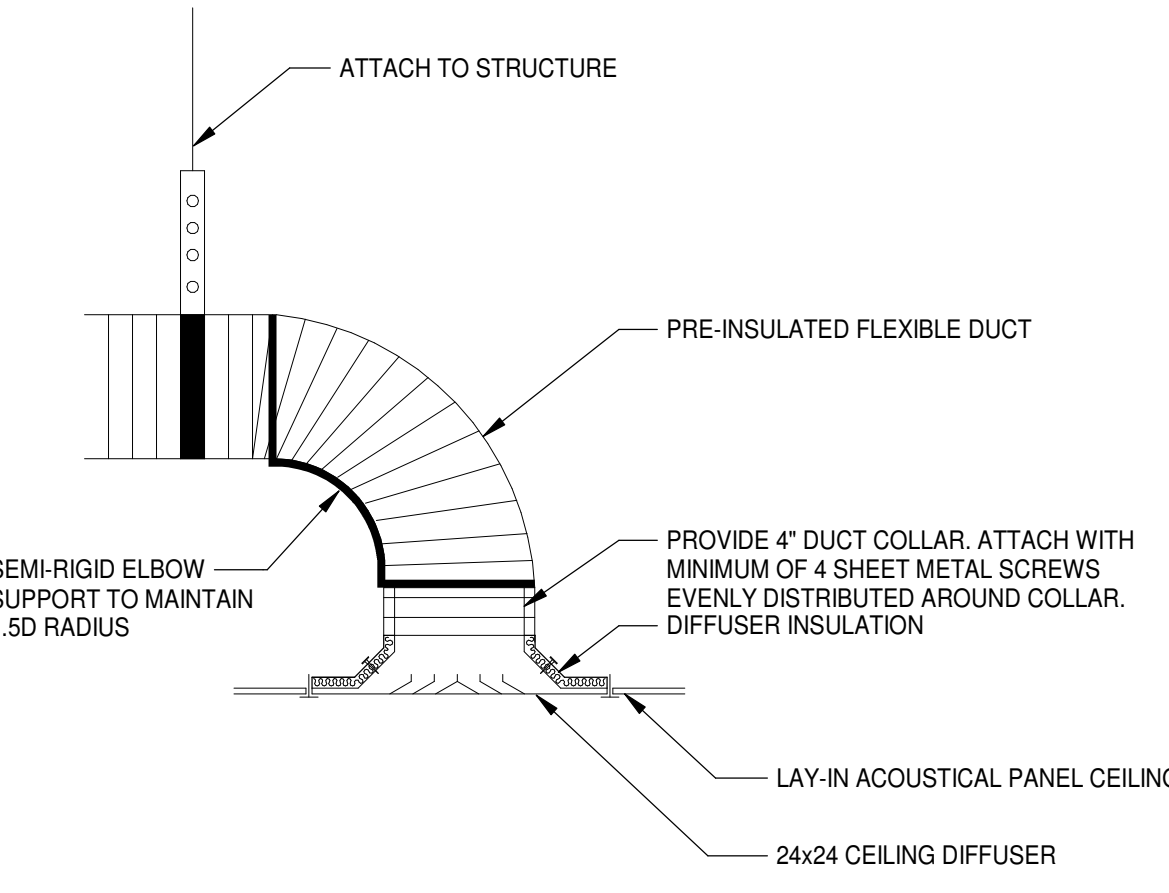


NOTE: THE DIFFUSER ASSEMBLY MAY BE SUPPORTED FROM THE CEILING FRAMING SYSTEM. THE DIFFUSER SHALL BE INSTALLED LEVEL AND TIGHT TO THE UNDERSIDE OF THE CEILING.

**SUPPLY DIFFUSER CONNECTION GYP**



**SUPPLY DIFFUSER CONNECTION LAYIN**



**SUPPLY DIFFUSER CONNECTION LAYIN-COLLAR**

**MOSELEY ARCHITECTS**  
5200 NORFOLK STREET, RICHMOND, VA 23230  
PHONE (804) 794-7555 FAX (804) 355-5690  
MOSELEYARCHITECTS.COM



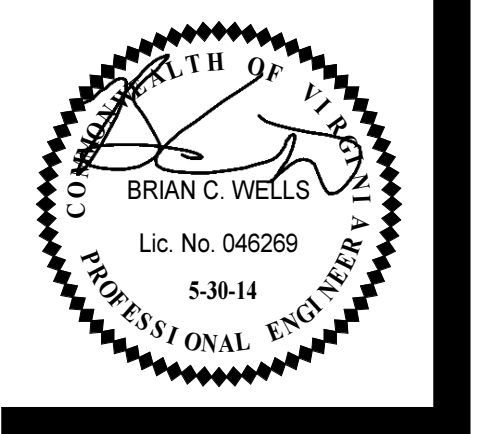
**KELLY DAY RENOVATIONS FS 2**  
563006  
4805 Wilson Blvd, Arlington, VA 22203  
Owner: Arlington County

PROJECT NO:	563006
DATE:	SEPTEMBER 22, 2021
REVISIONS	
DATE	DESCRIPTION

DETAILS & CONTROLS

M5.1





PROJECT NO: 563006  
 DATE: SEPTEMBER 22, 2021

DATE	REVISIONS
DATE	DESCRIPTION

LEGENDS, ABBREVIATIONS AND GENERAL NOTES

### FIRE ALARM LEGEND

**SYMBOL DESCRIPTION**

- FIRE ALARM AUDIO/VISUAL NOTIFICATION DEVICE, MOUNT AT 80" AFF AND NOT MORE THAN 96". SUBSCRIPT NUMBER INDICATES STROBE CANDELA RATING.
- FIRE ALARM VISUAL STROBE NOTIFICATION DEVICE, 80" AFF AND NOT MORE THAN 96". SUBSCRIPT NUMBER INDICATES STROBE CANDELA RATING.
- FIRE ALARM AUDIO/VISUAL NOTIFICATION DEVICE WITH DEVICE GUARD, 80" AFF AND NOT MORE THAN 96". SUBSCRIPT NUMBER INDICATES STROBE CANDELA RATING. # / # INDICATES STROBE SETTING AND REDUCED EFFECTIVE OUTPUT WHEN DEVICE GUARD IS PRESENT.
- FIRE ALARM VISUAL STROBE NOTIFICATION DEVICE WITH DEVICE GUARD, 80" AFF AND NOT MORE THAN 96". SUBSCRIPT NUMBER INDICATES STROBE CANDELA RATING. # / # INDICATES STROBE SETTING AND REDUCED EFFECTIVE OUTPUT WHEN DEVICE GUARD IS PRESENT.
- FIRE ALARM AUDIO/VISUAL NOTIFICATION DEVICE, CEILING MOUNTED. SUBSCRIPT NUMBER INDICATES STROBE CANDELA RATING.
- FIRE ALARM VISUAL STROBE NOTIFICATION DEVICE, CEILING MOUNTED. SUBSCRIPT NUMBER INDICATES STROBE CANDELA RATING.
- FIRE ALARM AUDIO/VISUAL NOTIFICATION DEVICE WITH DEVICE GUARD, CEILING MOUNTED. SUBSCRIPT NUMBER INDICATES STROBE CANDELA RATING. # / # INDICATES STROBE SETTING AND REDUCED EFFECTIVE OUTPUT WHEN DEVICE GUARD IS PRESENT.
- FIRE ALARM VISUAL STROBE NOTIFICATION DEVICE WITH DEVICE GUARD, CEILING MOUNTED. SUBSCRIPT NUMBER INDICATES STROBE CANDELA RATING. # / # INDICATES STROBE SETTING AND REDUCED EFFECTIVE OUTPUT WHEN DEVICE GUARD IS PRESENT.

### GRAPHICS SYMBOLS LEGEND

- SPACE IDENTIFICATION TAG  
SPACE NUMBER  
BUILDING AREA (WHEN USED)
- SECTION WHERE CUT  
SECTION NUMBER  
DRAWING WHERE SECTION IS INDICATED
- ENLARGED PLAN WHERE CUT  
ENLARGED PLAN NUMBER  
DRAWING WHERE ENLARGED PLAN IS INDICATED
- DETAIL TAG  
DETAIL NUMBER  
DRAWING WHERE DETAIL IS INDICATED
- DETAIL TITLE  
DETAIL NUMBER  
DRAWING WHERE DETAIL IS INDICATED  
DRAWING WHERE DETAIL IS CUT  
ADDITIONAL DRAWING REFERENCES
- SECTION TITLE  
SECTION NUMBER  
DRAWING WHERE SECTION IS INDICATED  
DRAWING WHERE SECTION IS CUT  
ADDITIONAL DRAWING REFERENCES

### INTERIOR LIGHT FIXTURE SCHEDULE

TYPE	DESCRIPTION	FITTURE			LAMP			MOUNTING	OPTIONS		REFERENCE NOTE	COMMENTS
		MANUFACTURER	SERIES NO.	WATTAGE	LUMENS	QUANTITY	TYPE		COLOR TEMP.	DIMMING		
				0								
A1	2x4' FLAT PANEL LED	METALLUX	24FPX-31-L835-SVP01	29	3800 lm	1	LED	3500 K	RECESSED	X		
A1E	2x4' FLAT PANEL LED EMERGENCY	METALLUX	24FPX-31-L835-SVP01	29	3800 lm	1	LED	3500 K	RECESSED	X	X	
B1	2x2' FLAT PANEL LED	METALLUX	22FPX-21-L835-SVP01	20	2500 lm	1	LED	3500 K	RECESSED	X		
B1E	2x2' FLAT PANEL LED EMERGENCY	METALLUX	22FPX-21-L835-SVP01	20	2500 lm	1	LED	3500 K	RECESSED	X	X	
C1	6" CAN DOWN LIGHT	HALO	RL6069S1E1WHDMR	8	800 lm	1	LED	3500 K	RECESSED	X		NOT USED FOR FIRE STATION#1
C1E	6" CAN DOWN LIGHT EMERGENCY	HALO	RL6069S1E1WHDMR	8	800 lm	1	LED	3500 K	RECESSED	X	X	NOT USED FOR FIRE STATION#1
C2	6" CAN DOWN LIGHT WATER PROOF	HALO	RL6069S1E1WHDMR	8	800 lm	1	LED	3500 K	RECESSED	X		NOT USED FOR FIRE STATION#1
L1	1x4' LINEAR LED	CORELITE	CONTINUA S04 SUSPENDED	0	2228 lm	1	LED	3500 K	PENDANT	X		
L1E	1x4' LINEAR LED EMERGENCY	CORELITE	CONTINUA S04 SUSPENDED	0	2228 lm	1	LED	3500 K	PENDANT	X	X	
L2	1x4' LINEAR LED	METALLUX	4RBG6-SL1-L83CT3	27	3000 lm	1	LED	3500 K	RECESSED	X		
L2E	1x4' LINEAR LED EMERGENCY	METALLUX	4RBG6-SL1-L83CT3	27	3000 lm	1	LED	3500 K	RECESSED	X	X	
L3	1x4' LINEAR LE WATER PROOF	METALLUX	4RBG6-SL1-L83CT3	27	3000 lm	1	LED	3500 K	SURFACE	X		NOT USED FOR FIRE STATION#1
L3E	1x4' LINEAR LE WATER PROOF EMERGENCY	METALLUX	4RBG6-SL1-L83CT3	27	3000 lm	1	LED	3500 K	SURFACE	X	X	NOT USED FOR FIRE STATION#1
V1	2' VANITY	METALLUX	2RBG6-SL1-L83CT3+2RB SURF6	32	1800 lm	1	LED	3500 K	WALL	X		NOT USED FOR FIRE STATION#1
X1	EXIT SIGN	ATLITE	REUR	5		1	LED		WALL			

**GENERAL NOTES:**  
 A. ALL FIXTURES SHALL BE CAPABLE OF 120V AND 277V INPUT (MVOLT), UNO.  
 B. REFER TO LIGHTING PLANS AND SPECIFICATIONS FOR ADDITIONAL FIXTURE INFORMATION.  
 C. 7/8" IN THE SCHEDULE INDICATES ITEM IS REQUIRED.  
 D. ALL LENS SHALL BE A MINIMUM 0.125" THICKNESS, UNO.

\* O = OCCUPANCY SENSOR; V = VACANCY SENSOR  
 \*\* PROVIDE BATTERY PACK WHERE INDICATED ON DRAWINGS, WIRE BATTERY LEADS AHEAD OF SWITCH FOR THE CIRCUIT IN THE SPACE TO MAINTAIN PROPER OPERATION IN CASE OF POWER LOSS.

**REFERENCE NOTES:**  
 1. NUMBER OF FACES AND DIRECTIONAL CHEVRONS AS INDICATED ON DWGS.  
 2. FIXTURE SHALL BE SUITABLE FOR DAMP LOCATIONS.  
 3. FIXTURE SHALL BE SUITABLE FOR WET LOCATIONS.

### COMMUNICATIONS LEGEND

**NOTE:** REFER TO TYPICAL COMMUNICATION OUTLET DETAIL FOR BOX & CONDUIT REQUIREMENTS. REFER TO TELECOMMUNICATION DEVICE DETAILS FOR CABLING AND TERMINAL JACK REQUIREMENTS.

**SYMBOL DESCRIPTION**

- TELECOMMUNICATIONS OUTLET, SUBSCRIPT NUMBER INDICATES OUTLET TYPE. MOUNT AT +3'-10" AFF.
- WESTNET SYSTEM, COORDINATE WITH COUNTY FOR SPECIALTY CONTRACTORS INSTALLATION.
- TELECOMMUNICATIONS OUTLET, SUBSCRIPT NUMBER INDICATES OUTLET TYPE. MOUNT AT +1'-8" AFF.

### LIGHTING LEGEND

**SYMBOL DESCRIPTION**

- LIGHT SWITCH, RATED 120/277 VOLTS, 20-AMPS, MOUNT AT +3'-10" AFF. SUBSCRIPT/SUPERSCRIPIT LETTERS, NUMBERS, AND SYMBOLS INDICATES SWITCH TYPE AS FOLLOWS:
  - 3 INDICATES 3-WAY LIGHT SWITCH
  - 4 INDICATES 4-WAY LIGHT SWITCH
  - D INDICATES DIMMER SWITCH
  - P INDICATES PILOT LIGHT, ON WHEN SWITCH IS ON
  - K INDICATES KEY OPERATED LIGHT SWITCH
  - OS INDICATES SWITCH WITH INTEGRAL OCCUPANCY SENSOR
  - OS 2 INDICATES DIMMER SWITCH WITH INTEGRAL OCCUPANCY SENSOR
  - OS 2 INDICATES DUAL RELAY INTEGRAL OCCUPANCY SENSOR, WIRED FOR MULTI-LEVEL SWITCHING
- LOWER CASE LETTER INDICATES LIGHT FIXTURE CONTROL DESIGNATION
  - S INDICATES SWITCHES WIRED FOR INBOARD/OUTBOARD SWITCHING.
  - OMNI-DIRECTIONAL LIGHTING CONTROL, OCCUPANCY DETECTOR, CEILING MOUNT.
  - DIRECTIONAL LIGHTING CONTROL, OCCUPANCY DETECTOR, WALL MOUNT AT 6" BELOW FINISHED CEILING.
  - PHOTOELECTRIC CELL FOR LIGHTING CONTROL, WALL MOUNT AT +10'-0" AFF. AIM NORTH.
- LIGHT FIXTURE, CEILING MOUNT.
- LIGHT FIXTURE ON EMERGENCY POWER, CEILING MOUNT.
- LIGHTING FIXTURE.
- LIGHTING FIXTURE ON EMERGENCY POWER.
- WALL WASHER LIGHTING FIXTURE.
- LIGHT FIXTURE, WALL MOUNT, HEIGHT AS INDICATED.
- EXIT SIGN, CEILING MOUNT, DIRECTIONAL ARROWS AS INDICATED. SHADING INDICATES FACE(S) OF SIGN.
- EXIT SIGN, WALL MOUNT, DIRECTIONAL ARROWS AS INDICATED. SHADING INDICATES FACE(S) OF SIGN.
- TRACK LIGHTS.
- LIGHT FIXTURE, POLE MOUNT.
- SPORTS LIGHTING POLE.

### DEMOLITION LEGEND

**SYMBOL DESCRIPTION**

- REMOVE DEVICES, EQUIPMENT, IN ACCORDANCE WITH THE GENERAL DEMOLITION NOTES.
- DEVICES ARE EXISTING TO REMAIN.
- WITHIN HATCHED AREAS, DISCONNECT AND REMOVE ALL ELECTRICAL MATERIALS INCLUDING BUT NOT LIMITED TO LIGHTS, DEVICES, EQUIPMENT, SPEAKERS, FIRE ALARM, COMMUNICATIONS, AND CIRCUITRY.

### GENERAL DEMOLITION NOTES

- A. PROVIDE ALL ELECTRICAL DEMOLITION WORK REQUIRED TO INSTALL THE WORK INDICATED. REMOVE, REROUTE, AND RECONNECT ALL BRANCH CIRCUITS THAT WILL REMAIN IN USE BUT INTERFERES WITH THE WORK.
- B. REMOVE ALL EXISTING CONDUITS THAT WILL NOT BE REUSED AND WHERE THEY WILL BE EXPOSED AFTER COMPLETION, ABANDON ALL OTHERS IN THE WALLS ONLY. DISCONNECT ALL WIRING INDICATED AND/OR REQUIRED TO BE REMOVED FROM ALL POWER SOURCES, REMOVE ALL WIRING FROM ABANDONED CONDUITS AND PROVIDE BLANK COVER PLATES FOR BOXES NOT UTILIZED FOR THE WORK.
- C. MAINTAIN CONTINUITY OF ALL EXISTING CIRCUITS TO REMAIN OR PORTIONS THEREOF AFFECTED BY THE WORK.
- D. BEFORE DEMOLITION, VERIFY WITH THE OWNER ALL EQUIPMENT TO BE SALVAGED TO OWNER AND NOT REMOVED FROM THE SITE. FOR ALL REMAINING EQUIPMENT INDICATED FOR REMOVAL (AND NOT RELOCATED), REMOVE AND DISPOSE IN A LEGAL MANNER.
- E. EXERCISE CARE IN REMOVING DEMOLITION ITEMS. REPAIR OR REPLACE ALL DAMAGE CAUSED TO EXISTING CONSTRUCTION AND EQUIPMENT TO REMAIN.
- F. DRAWINGS ARE BASED UPON EXISTING PLANS AND FIELD INVESTIGATION WITHOUT DEMOLITION. VISIT THE EXISTING BUILDING AND BECOME FAMILIAR WITH ALL EXISTING CONDITIONS AND EXAMINE ALL DRAWINGS TO AVOID CONFLICTS.
- G. WHERE DEMOLITION OF TELECOMMUNICATIONS DEVICES OCCUR, REMOVE CABLING NOT INDICATED TO REMAIN BACK TO POINT OF ORIGIN.
- H. DEMOLITION FLOOR PLANS ARE PROVIDED FOR REFERENCE ONLY TO AID IN DEFINING THE SCOPE OF DEMOLITION WORK.

### POWER LEGEND

**SYMBOL DESCRIPTION**

- APPLIANCE RECEPTACLE, MOUNT AT +1'-6" AFF. PROVIDE NEMA CONFIGURATION TO MATCH PLUG FOR EQUIPMENT SERVED.
- APPLIANCE RECEPTACLE, MOUNT AT +1'-6" AFF. PROVIDE NEMA CONFIGURATION TO MATCH PLUG FOR EQUIPMENT SERVED. CONNECT TO EMERGENCY POWER, PROVIDE RED DEVICE.
- DUPLEX RECEPTACLE, NEMA 5-20R, MOUNT AT +1'-6" AFF.
- DUPLEX RECEPTACLE USB, NEMA 5-20R, MOUNT AT +1'-6" AFF.
- DUPLEX RECEPTACLE, NEMA 5-20R, MOUNT AT +3'-10" AFF.
- DUPLEX RECEPTACLE, NEMA 5-20R, MOUNT AT +7'-6" AFF.
- GFCI DUPLEX RECEPTACLE, NEMA 5-20R, MOUNT AT +1'-6" AFF. PROVIDE NEMA 3R "WHILE IN USE" ENCLOSURE.
- GFCI DUPLEX RECEPTACLE, NEMA 5-20R, MOUNT AT +1'-6" AFF.
- GFCI DUPLEX RECEPTACLE, NEMA 5-20R, MOUNT AT +3'-10" AFF.
- DOUBLE DUPLEX RECEPTACLE, NEMA 5-20R, MOUNT AT +1'-6" AFF.
- DOUBLE DUPLEX RECEPTACLE, NEMA 5-20R, MOUNT AT +3'-10" AFF.
- DISCONNECT SWITCH, FUSIBLE OR NON-FUSIBLE AS INDICATED. MOUNT W/HANDLE AT +4'-6" AFF, UNO.
- BRANCH CIRCUIT RUN CONCEALED, UNO. DASHED INDICATES CIRCUITRY REQUIRED TO BE RUN BELOW SLAB.
- STRAIGHT LINEWORK FOR CIRCUITRY INDICATES EMERGENCY POWER CIRCUIT. INDICATED FOR CLARITY ONLY. ACTUAL HOMERUN DESIGNATION OVERRIDES THIS SYMBOLOLOGY.
- BRANCH CIRCUIT HOME RUN TO PANELBOARD AND CIRCUIT INDICATED.
- PANELBOARD.
- TRANSFORMER, PROVIDE CONCRETE HOUSEKEEPING PAD UNLESS NOTED OTHERWISE.
- RELAY, NO OR N/C AS INDICATED.
- RELAY, NORMALLY OPEN.
- RELAY, NORMALLY CLOSED.
- FEEDER TAG. REFER TO FEEDER SCHEDULE ON DWG E5.1.

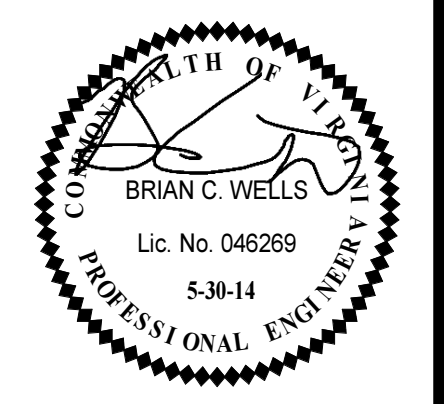
### GENERAL NOTES

- A. THE CONTRACT DOCUMENTS ARE COMPLEMENTARY AND WHAT IS REQUIRED BY ONE SHALL BE AS BINDING AS IF REQUIRED BY ALL. IN THE CASE OF A CONFLICT, DISAGREEMENT, OR AMBIGUITY, PROVIDE THE BETTER QUALITY. IN THE CASE OF A CONFLICT, DISAGREEMENT, OR AMBIGUITY, PROVIDE THE GREATER QUANTITY OF WORK.
- B. FOLLOW MOUNTING HEIGHTS INDICATED IN THE ELECTRICAL LEGEND UNLESS OTHERWISE INDICATED. MEASURE ALL MOUNTING HEIGHTS FROM THE DEVICE CENTER LINE UNLESS OTHERWISE INDICATED.
- C. FIELD VERIFY EXACT FEEDER LOCATIONS FOR MECHANICAL EQUIPMENT PRIOR TO ROUGH-IN.
- D. EQUIPMENT CONNECTIONS ARE INDICATED IN THEIR APPROXIMATE LOCATIONS. VERIFY EXACT LOCATIONS OF ALL CONNECTIONS WITH OTHER TRADES SUPPLYING EQUIPMENT TO AVOID CONFLICTS AT INSTALLATION.
- E. LOCATED ALL SWITCHES FOR LOCAL CONTROL OF LIGHTING ON STRIKE SIDE OF SINGLE DOORS UNLESS OTHERWISE INDICATED.
- F. PROVIDE SPECIFIC BREAKER ARRANGEMENT FOR THE PANEL BOARDS WHEREVER PHYSICALLY POSSIBLE. PROVIDE AS-BUILT DRAWINGS INDICATING ACTUAL BRANCH CIRCUIT ARRANGEMENT. PROVIDE TYPE WRITTEN PANELBOARD DIRECTORIES INDICATING ACTUAL BRANCH CIRCUIT ARRANGEMENT.
- G. PROVIDE AS-BUILT DRAWINGS INDICATING ACTUAL BRANCH CIRCUIT ARRANGEMENT. PROVIDE TYPE WRITTEN PANELBOARD DIRECTORIES INDICATING ACTUAL BRANCH CIRCUIT ARRANGEMENT. HAND WRITTEN SCHEDULES ARE NOT ACCEPTABLE.
- H. ALL CONDUIT RUNS INDICATED ARE DIAGRAMMATIC. COORDINATE ROUTING IN ALL SPACES WITH OTHER TRADES.
- I. ALL PANELBOARDS INDICATED ARE HOUSED IN A SINGLE WIDTH ENCLOSURE, UNO. THE CONTRACTOR SHALL FIELD VERIFY ROOM LAYOUT AND ADJUST ACCORDINGLY, AT NO COST TO THE OWNER, IF PROVIDING ANY PANELBOARD ENCLOSURES.
- J. WHERE POWER AND COMMUNICATION OUTLETS ARE INDICATED IN CLOSE PROXIMITY ON THE DRAWINGS, FIELD COORDINATE THE LOCATIONS TO PLACE THE OUTLETS ADJACENT TO EACH OTHER.
- K. ALL EXTERIOR RECEPTACLES SHALL BE LABELED "WVR" - WEATHER RESISTANT.
- L. WHEN GROUPING MULTIPLE LINE TO NEUTRAL BRANCH CIRCUITS IN A CONDUIT, PROVIDE DEDICATED COLOR CODED NEUTRAL CONDUCTORS FOR EACH CIRCUIT. DO NOT USE BREAKER TIES AND SHARED NEUTRALS EVEN THOUGH PERMITTED BY NEC.
- M. PROVIDE A 2" WIDE YELLOW LINE PAINTED ON THE FLOOR INDICATING THE ELECTRICAL WORKING SPACE. IN FRONT OF ALL ELECTRICAL PANELS IN ELECTRICAL ROOMS, REFER TO PLANS FOR ELECTRICAL WORKING SPACE DETAILS. STENCIL "NO STORAGE IN 2" HIGH, YELLOW LETTERS CENTERED IN THE OUTLINED AREA.

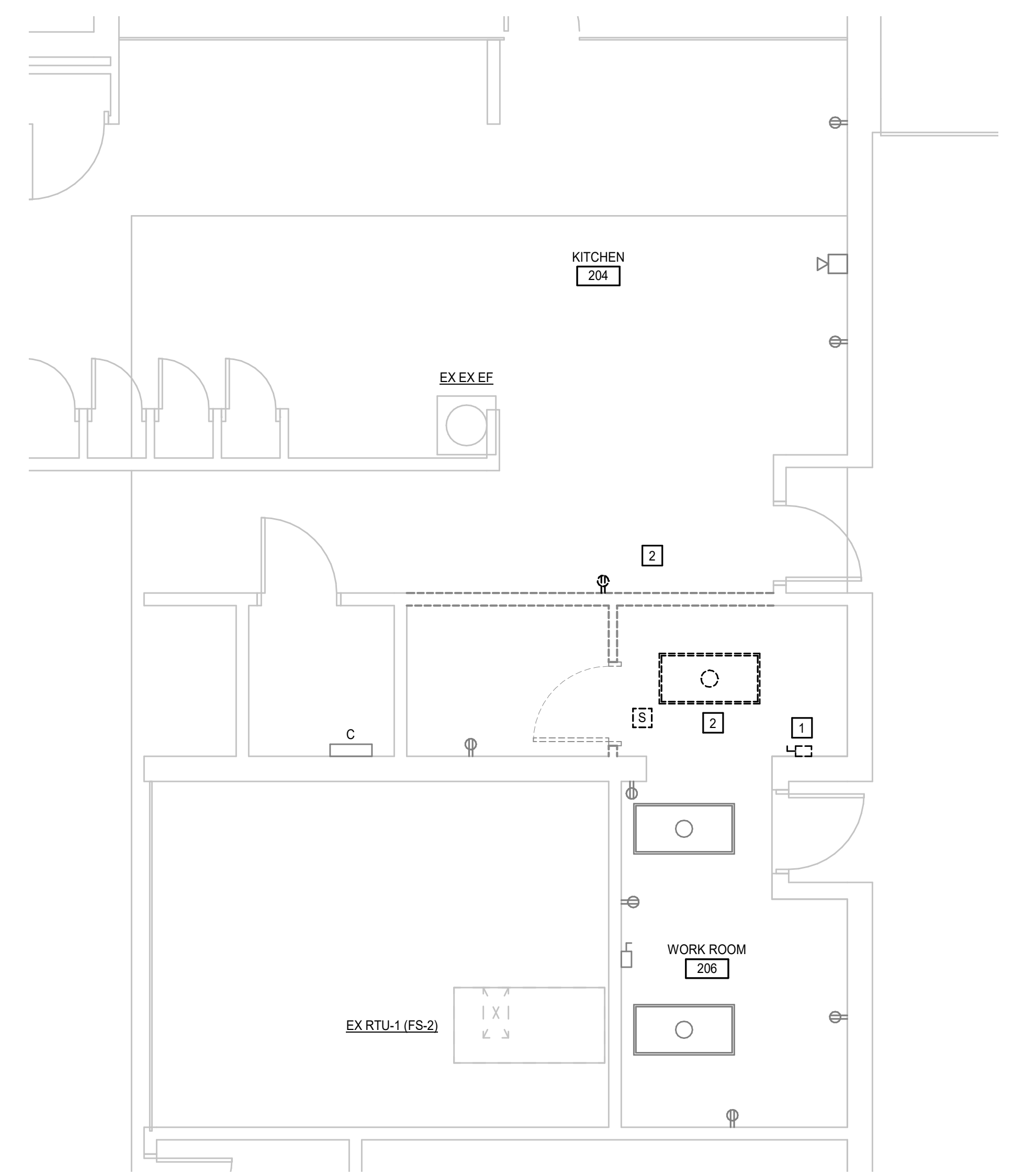
### ABBREVIATIONS

1P	SINGLE PHASE
3P	THREE PHASE
3R	WEATHERPROOF (NEMA 3R)
A	AMPS
AF	ABOVE FINISHED FLOOR
AL	ALUMINUM
ATS	AUTOMATIC TRANSFER SWITCH
BFC	BELOW FINISHED CEILING
BFG	BELOW FINISHED GRADE
BKR	BREAKER
C	CONDUIT
CATV	COMMUNITY ANTENNA TELEVISION (CABLE)
CB	CIRCUIT BREAKER
CBL	CABLE
CCTV	CLOSED CIRCUIT TELEVISION
CCT	CIRCUIT
CLG	CEILING
CLR	CLEAR
CO	COMPANY
COMB	COMBINATION
COMM	COMMUNICATIONS
CU	COPPER
DA	DIAMETER
DISC	DISCONNECT
DIV	DIVISION
DWG	DRAWING
EBH	ELECTRIC BASEBOARD HEATER
EC	EMPTY CONDUIT
ECS	EMERGENCY COMMUNICATIONS STATION
ELEC	ELECTRICAL
ELEV	ELEVATOR
EPO	EMERGENCY POWER OFF
EQ	EQUIPMENT
ETR	EXISTING TO REMAIN
EWC	ELECTRIC WATER COOLER
EX	EXISTING
EXT	EXTERIOR
FA	FIRE ALARM
FAAP	FIRE ALARM ANNUNCIATOR PANEL
FACP	FIRE ALARM CONTROL PANEL
FAGP	FIRE ALARM GRAPHIC PANEL
FAXP	FIRE ALARM EXTENDER PANEL
FFSCP	FIRE FIGHTERS SMOKE CONTROL PANEL
FLA	FULL LOAD AMPS
FFMR	FUSE PER MANUFACTURERS REQUIREMENTS/RECOMMENDATIONS
FPND	FUSE PER NAMEPLATE DATA
G	GROUND
GE	GROUND FAULT PROTECTION FOR EQUIPMENT, 5-60mA PER NEC 427.22 (PROVIDE ACCESSORY FOR INDICATED BREAKER)
GFCI	GROUND FAULT CIRCUIT INTERRUPT
GFP	GROUND FAULT PROTECTION FOR PERSONNEL, 4-6mA (PROVIDE ACCESSORY FOR INDICATED BREAKER)
HKP	HOUSEKEEPING PAD
HP	HORSEPOWER
HPS	HIGH PRESSURE SODIUM
Hz	HERTZ
IAW	IN ACCORDANCE WITH
IG	ISOLATED GROUND
J-BOX	JUNCTION BOX
KHFSS	KITCHEN HOOD FIRE SUPPRESSION SYSTEM
KHz	KILOHERTZ
KVA	KILOVOLT AMPS
KW	KILOWATTS
KWH	KILOWATT HOURS
L	LOCKOUT TO PREVENT UNAUTHORIZED SWITCHING (PROVIDE ACCESSORY FOR INDICATED BREAKER)
LC	ROUTE CIRCUIT TO LOAD VIA LIGHTING CONTACTOR, REFER TO LC SCHEDULE
LED	LIGHT EMITTING DIODE
LTG	LIGHTING
LTS	LIGHTS
MAX	MAXIMUM
MCA	MINIMUM CIRCUIT AMPACITY
MCB	MAIN CIRCUIT BREAKER
MCC	MOTOR CONTROL CENTER
MH	METAL HALIDE
MHz	MEGAHERTZ
MIN	MINIMUM
ML	MAINTENANCE LOCK (PROVIDE ACCESSORY FOR INDICATED BREAKER)
MLO	MAIN LUG ONLY
MMS	MASS NOTIFICATION SYSTEM
MOSP	MAXIMUM OVER CURRENT PROTECTION
MTD	MOUNTED
N	NEUTRAL
N/C	NORMALLY CLOSED
N/O	NORMALLY OPEN
NO	NUMBER
OFCI	OWNER FURNISHED CONTRACTOR INSTALLED
P	PILOT LIGHT (AT THE SWITCH HANDLE)
PBD	PANELBOARD
PD	PROTECTIVE DEVICE
RCPT	RECEPTACLE
REC	RECEPTACLE
SEC	SECURITY
SPD	SURGE PROTECTIVE DEVICE
SPEC.	SPECIFICATIONS
SHRT	SHUNT TRIP, 120V COIL, (PROVIDE ACCESSORY FOR INDICATED BREAKER)
SW	SWITCH
SWBD	SWITCHBOARD
TBB	TELECOMMUNICATIONS BONDING BACKBONE
TO	TELECOMMUNICATIONS CLOSET
TELECOM	TELECOMMUNICATIONS
TGB	TELECOMMUNICATIONS GROUNDING BUS BAR
TMBG	TELECOMMUNICATIONS MAIN GROUNDING BUS BAR
TYP	TYPICAL
UNO	UNLESS NOTED (INDICATED) OTHERWISE
V	VOLTS
VFD	VARIABLE FREQUENCY DRIVE
W	WATTS
WG	WIRE GUARD
WP	WEATHERPROOF
XFER	TRANSFER
XPMR	TRANSFER

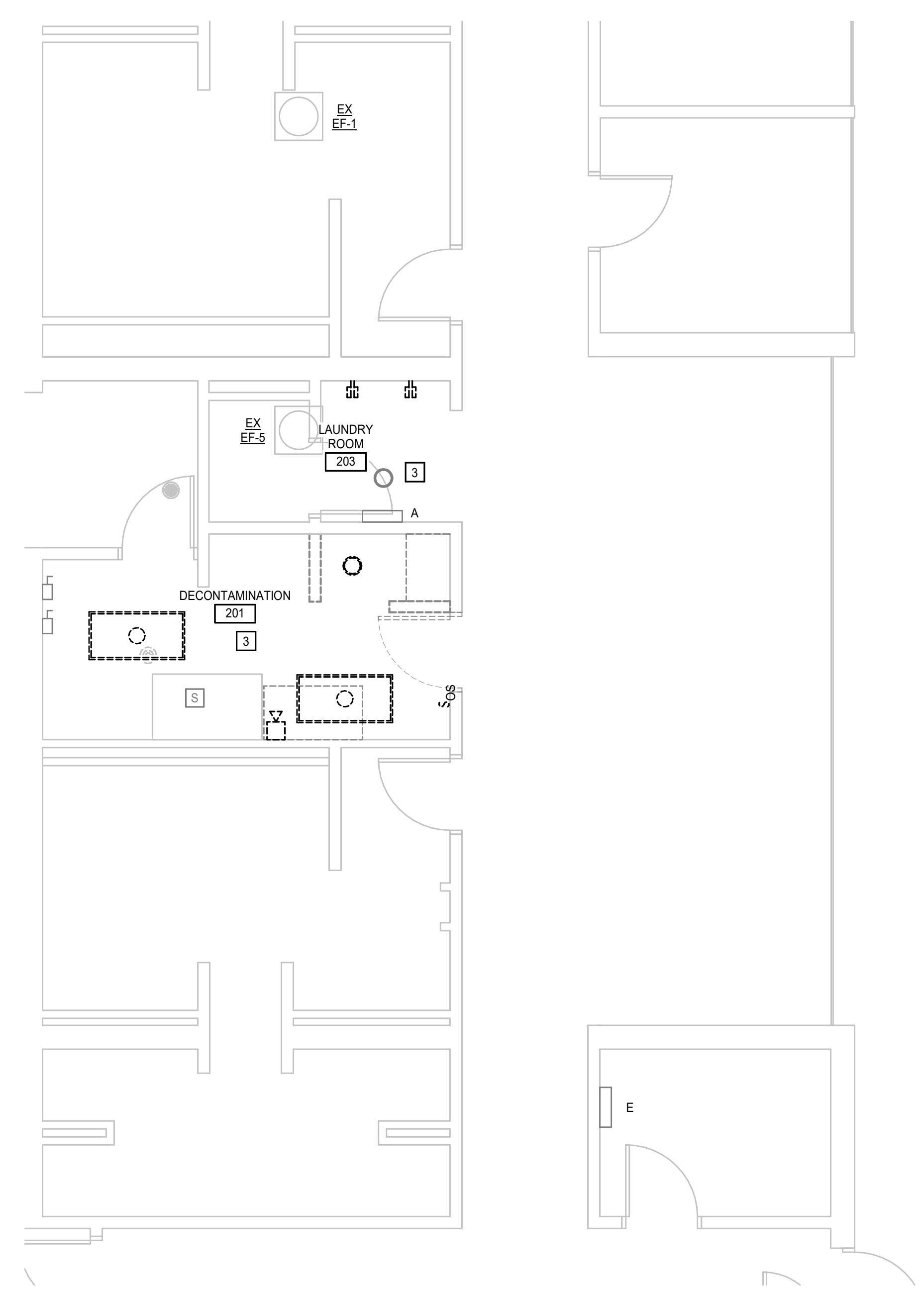




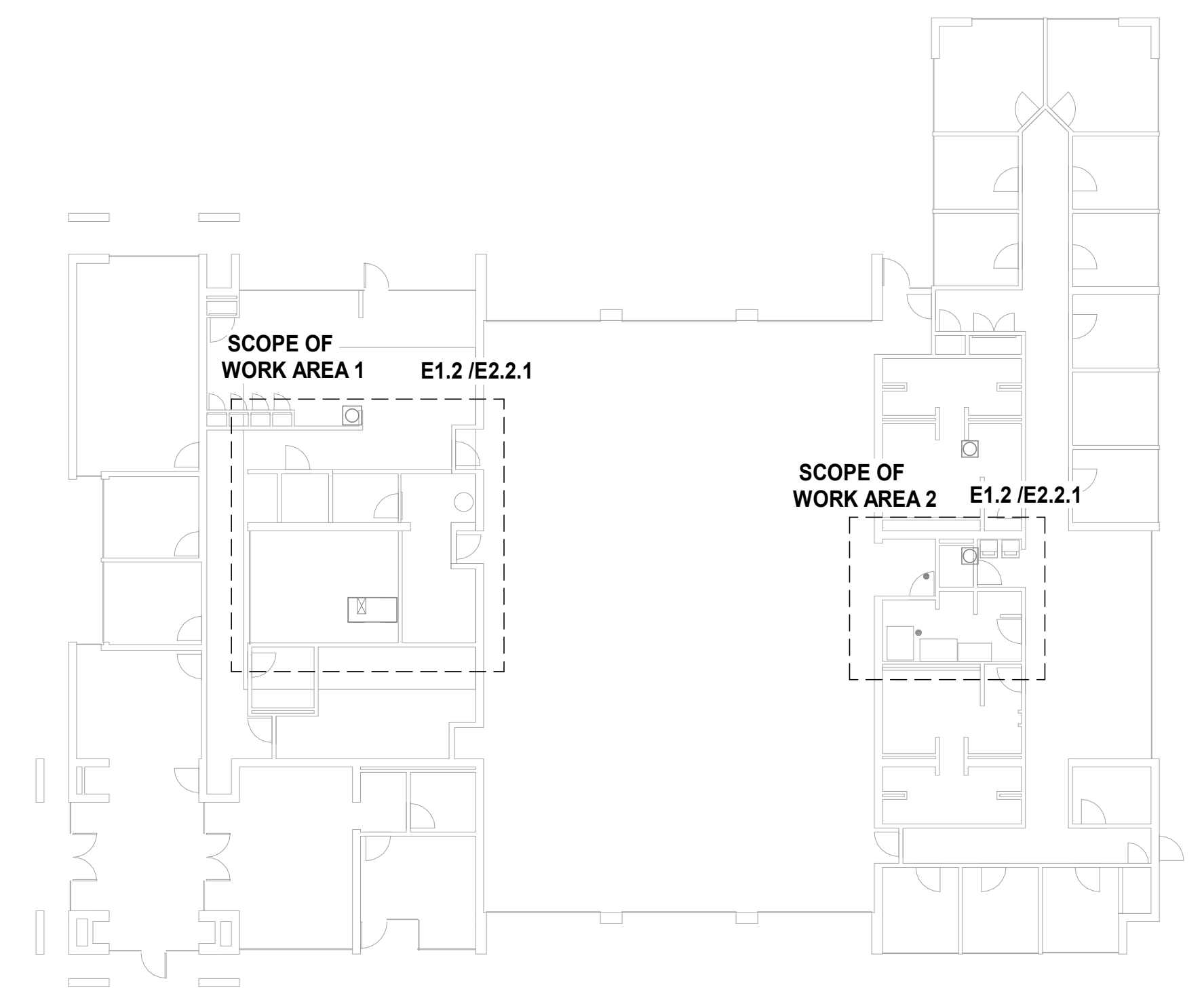
KEYNOTES	
APPLIES TO DRAWINGS E1.2	
REPRESENTED BY [Symbol]	
1	REMOVE DISCONNECT FOR THE AIR COMPRESSOR. MAINTAIN CIRCUITRY CONTINUITY AND EXTEND CIRCUIT AS NEEDED FOR RECONNECTION AFTER RELOCATION.
2	DEMOLISH ALL ELECTRICAL EQUIPMENT UNLESS SHOWN OR NOTED OTHER WISE. MAINTAIN CIRCUITRY CONTINUITY FOR RECONNECTION OF NEW EQUIPMENT.
3	WESNET SYSTEM SHALL REMAIN AS IS, UNLESS A DEVICE NEEDS TO BE DISCONNECTED AND RECONNECTED OR RELOCATED.



**FIRST FLOOR DEMOLITION PLAN - STATION 2 - AREA 1**  
1/4" = 1'-0"



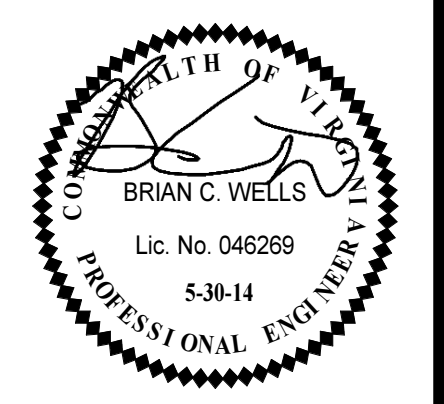
**FIRST FLOOR DEMOLITION PLAN - STATION 2 - AREA 2**  
1/4" = 1'-0"



**FIRST FLOOR OVER ALL PLAN - FIRE STATION 2**  
1/16" = 1'-0"

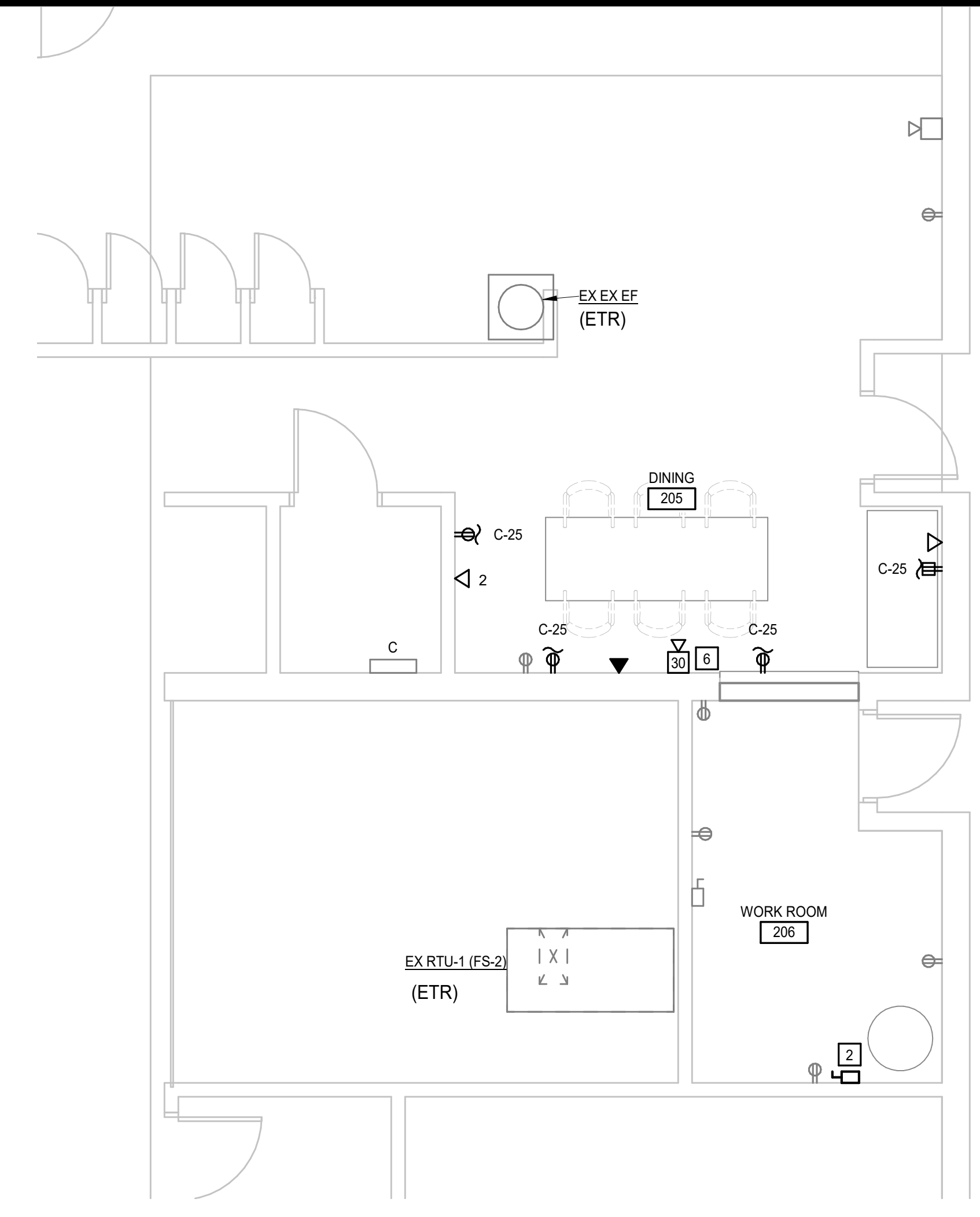
**KELLY DAY RENOVATIONS FS 2**  
563006  
4805 Wilson Blvd, Arlington, VA 22203  
Owner: Arlington County

PROJECT NO:	563006
DATE:	SEPTEMBER 22, 2021
REVISIONS	
DATE	DESCRIPTION

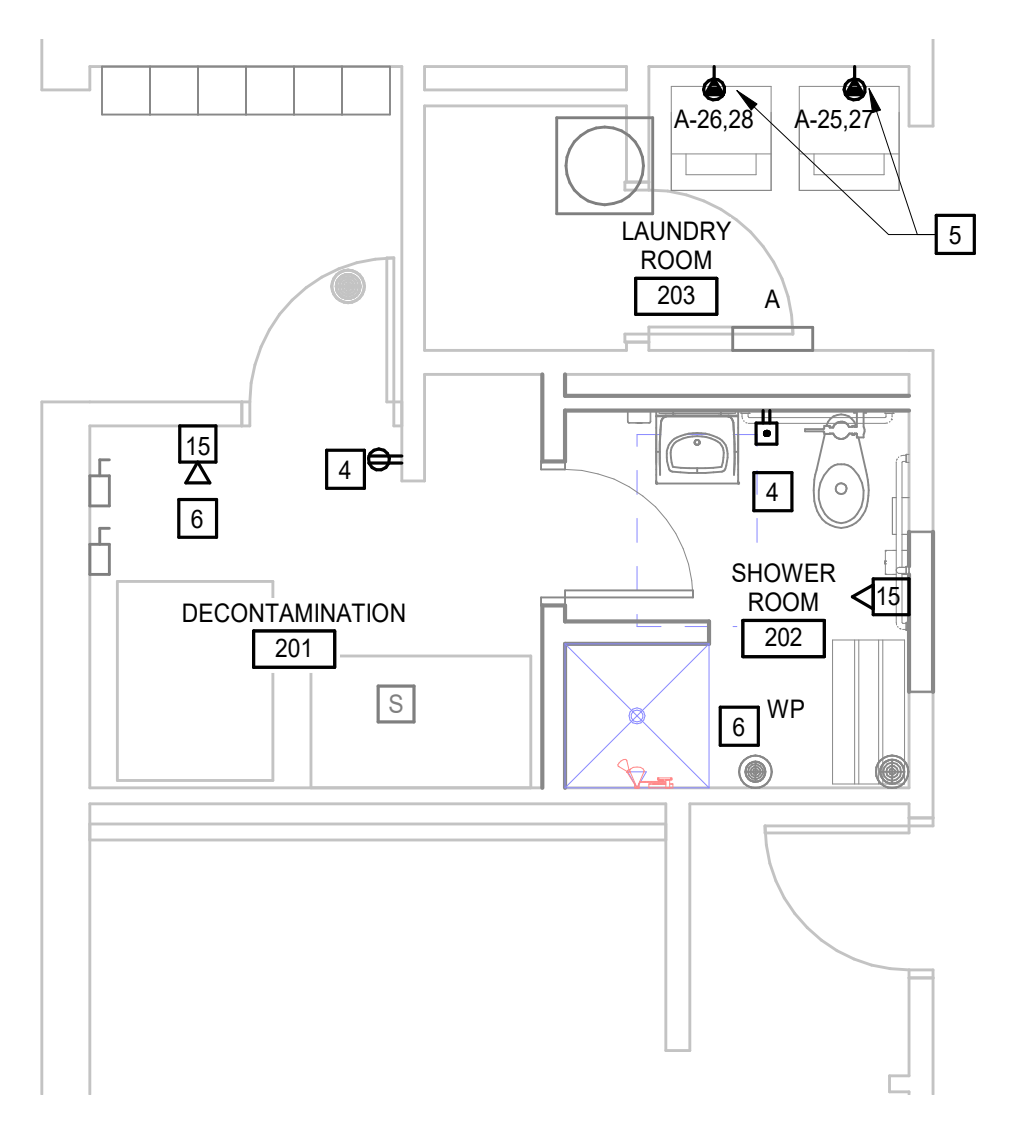


PROJECT NO:	563006
DATE:	SEPTEMBER 22, 2021
REVISIONS	
DATE	DESCRIPTION

KEYNOTES	
APPLIES TO DRAWINGS E2.2	
REPRESENTED BY [Symbol]	
1.	CONNECT NEW LIGHTING TO EXISTING KITCHEN CIRCUIT AND SWITCHING SYSTEM.
2.	RELOCATE AIR COMPRESSOR DISCONNECT. EXTEND EXISTING CIRCUITRY TO NEW LOCATION.
3.	CONNECT NEW LIGHTING TO EXISTING LIGHTING CIRCUIT.
4.	CONNECT NEW RECEPTACLES TO EXISTING CIRCUIT.
5.	STACKABLE WASHER AND DRYER OUTLETS SHALL BE NEMA 10-30R RECEPTACLE RATED FOR 30 AMPS. PROVIDE 3/10, 1/100, 3/100.
6.	BATTERY CALCS ARE REQUIRED FOR THE ADDED DEVICES AND ADDITIONAL BATTERY CAPACITY IS REQUIRED IF CALCS INDICATE THAT IT IS NEEDED.



**1 FIRST FLOOR POWER AND COMMUNICATION PLAN - STATION 2 - AREA 1**  
 TYP E2.2 1/4" = 1'-0"

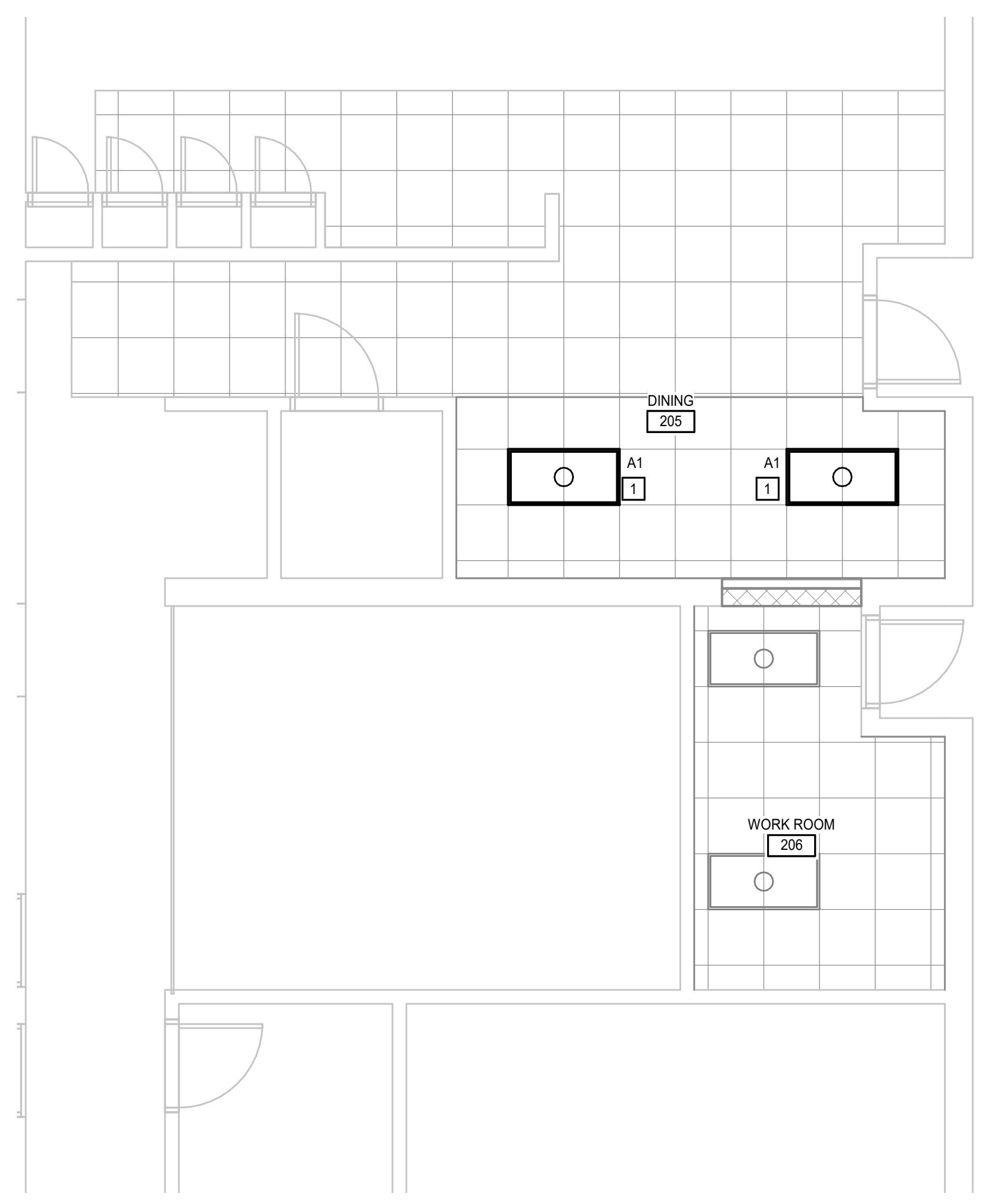


**2 FIRST FLOOR POWER AND COMMUNICATION PLAN - STATION 2 - AREA 2**  
 TYP E2.2 1/4" = 1'-0"

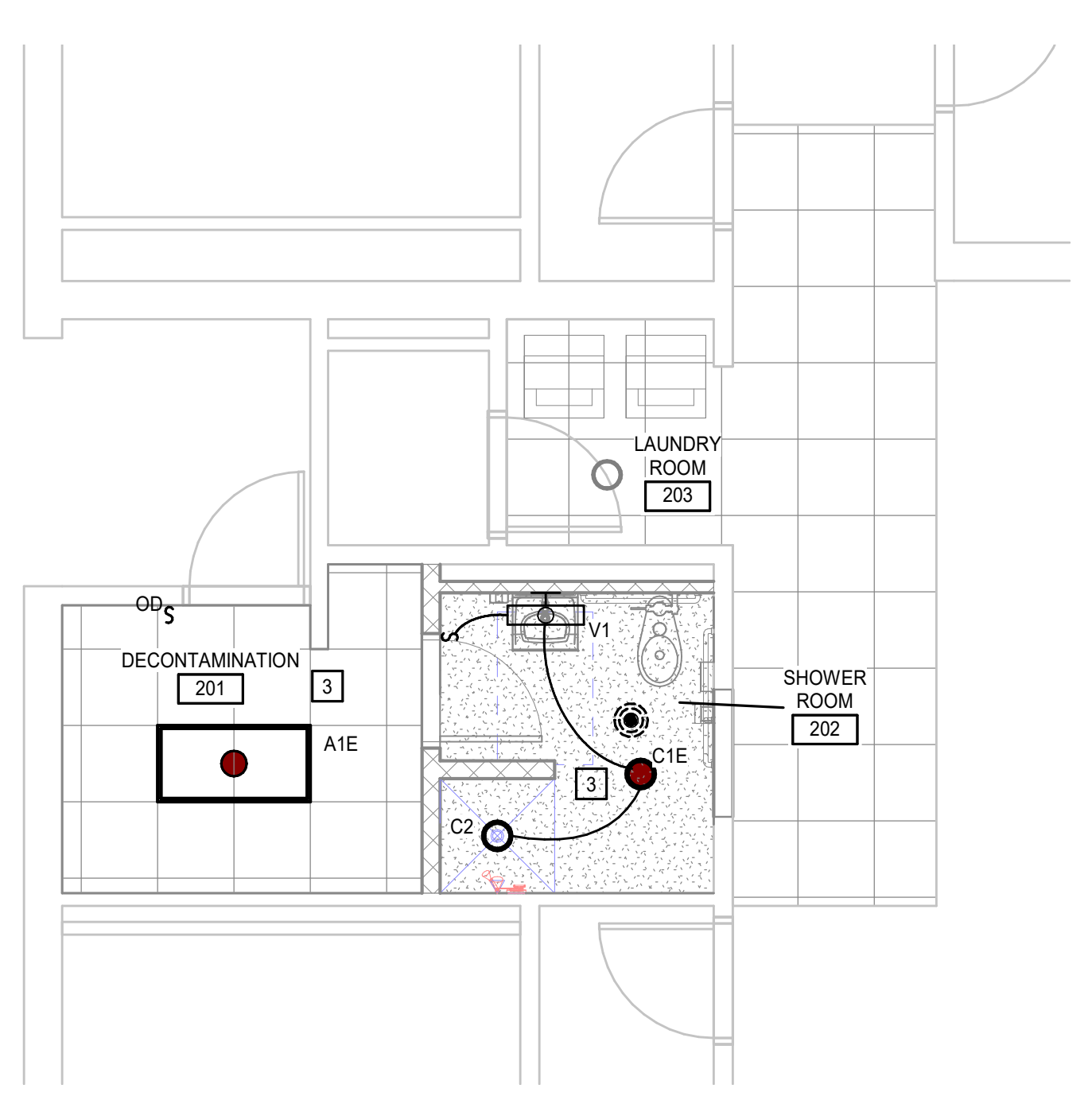
EXISTING PANELBOARD A		LOCATION: LAUNDRY ROOM 203		FED FROM:				
100 AMP MLO		120/208 Wye		3 PH 4 W				
		MOUNT: SURFACE		PANEL ASSEMBLY RATED (KAIC): 10 KAIC				
CKT	BRKR POLE	LOAD	A	B	C	LOAD	POLE BRKR	CKT
1	20 A 1	EXISTING TO REMAIN				EXISTING TO REMAIN	1	20 A 2
3	20 A 1	EXISTING TO REMAIN	0.0	0.0	0.0	0.0	1	20 A 4
5	20 A 1	EXISTING TO REMAIN			0.0	0.0	1	20 A 6
7	20 A 1	EXISTING TO REMAIN	0.0	0.0			1	20 A 8
9	20 A 1	EXISTING TO REMAIN			0.0	0.0	1	20 A 10
11	20 A 1	EXISTING TO REMAIN				0.0	1	20 A 12
13	20 A 1	EXISTING TO REMAIN	0.0	0.0			1	20 A 14
15	20 A 1	EXISTING TO REMAIN			0.0	0.0	1	20 A 16
17	20 A 1	EXISTING TO REMAIN				0.0	1	20 A 18
19	20 A 1	EXISTING TO REMAIN	0.0	0.0			1	20 A 20
21	20 A 1	EXISTING TO REMAIN			0.0	0.0	1	20 A 22
23	20 A 1	EXISTING TO REMAIN				0.0	1	20 A 24
25	30 A 2	STACKABLE LAUNDRY UNIT 203 (PB)	2.5	2.5			2	30 A 26
27	--	1 SPACE ONLY	--	--	2.5	2.5	1	-- 30
31	--	1 SPACE ONLY	--	--	--	--	1	-- 32
33	--	1 SPACE ONLY	--	--	--	--	1	-- 34
35	--	1 SPACE ONLY	--	--	--	--	1	-- 36
37	--	1 SPACE ONLY	--	--	--	--	1	-- 38
39	--	1 SPACE ONLY	--	--	--	--	1	-- 40
41	--	1 SPACE ONLY	--	--	--	--	1	-- 42
			5 kVA	5 kVA	0 kVA			
			48 A	48 A	0 A			

(GE) = PROVIDE GFCI BREAKER FOR EQUIPMENT, 6-50mA PER 2008 NEC 427.22. DED. NEUTRAL. (EB) = EXISTING BREAKER  
 (GP) = PROVIDE GFCI BREAKER FOR PERSONNEL, 4-6mA PER 2008 NEC 210.8. DED. NEUTRAL. (RB) = REPLACE BREAKER WITH SIZE INDICATED  
 (L) = PROVIDE LOCKOUT BREAKER TO PREVENT UNAUTHORIZED SWITCHING. (PB) = PROVIDE BREAKER IN EXISTING SPACE  
 (LC) = ROUTE TO LOAD VIA LIGHTING CONTACTOR. REF DETAIL ON DWG E4.X.  
 (ML) = PROVIDE BREAKER WITH MAINTENANCE LOCKOUT, LOCKABLE OFF.  
 LOADS FOR EXISTING CIRCUITS ARE ASSUMED

Load Classification	Connected Load	Demand Factor	Estimated Demand	Panel Totals
INTERIOR LIGHTING	0 VA	0.00%	0 VA	Total Conn. Load: 10.0 kVA
EXTERIOR LIGHTING	0 VA	0.00%	0 VA	
RECEPTACLES	0 VA	0.00%	0 VA	Total Est. Demand: 10.0 kVA
AC / HEAT PUMP	0 VA	0.00%	0 VA	Total Conn. Current: 28 A
ELECTRIC HEAT	0 VA	0.00%	0 VA	Total Est. Demand... 28 A
KITCHEN	0 VA	0.00%	0 VA	
MISCELLANEOUS	9986 VA	100.00%	9986 VA	



**3 FIRST FLOOR LIGHTING PLAN - STATION #2 - AREA 1**  
 TYP E2.2 1/4" = 1'-0"



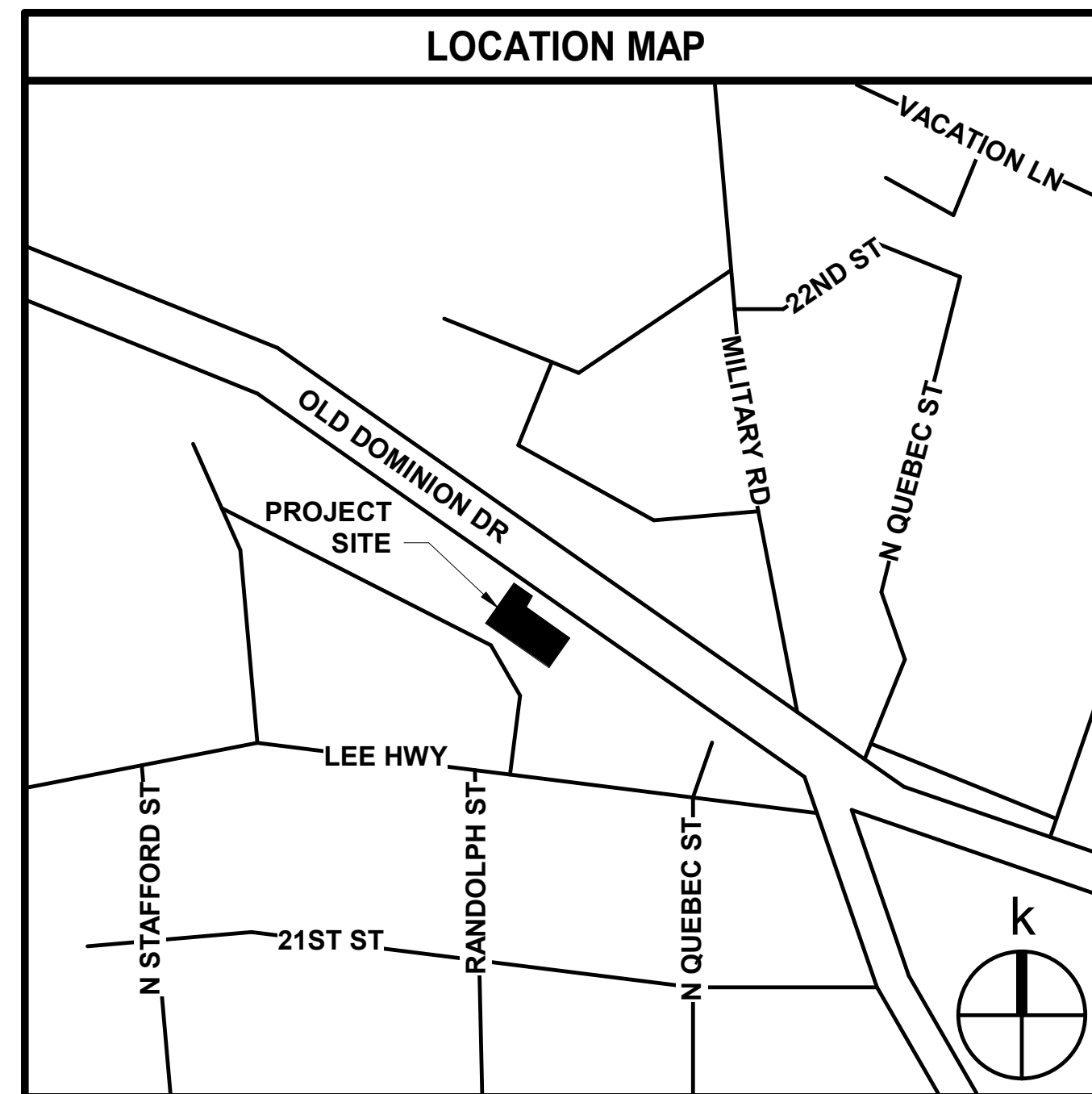
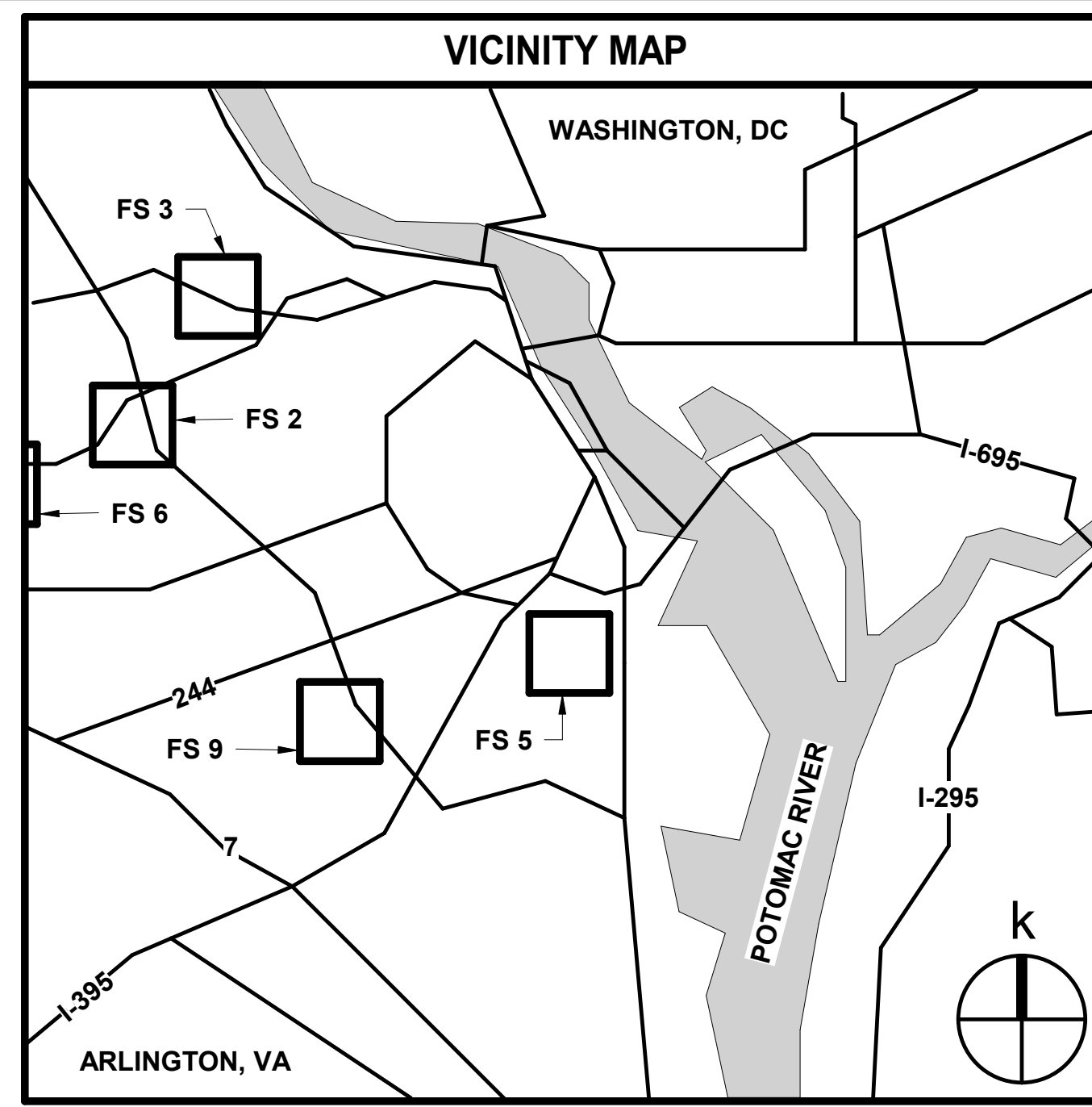
**4 FIRST FLOOR LIGHTING PLAN - STATION #2 - AREA 2**  
 TYP E2.2 1/4" = 1'-0"

EXISTING PANELBOARD C		LOCATION:		FED FROM:				
100 AMP MLO		120/208 Wye		3 PH 4 W				
		MOUNT: SURFACE		PANEL ASSEMBLY RATED (KAIC): 10 KAIC				
CKT	BRKR POLE	LOAD	A	B	C	LOAD	POLE BRKR	CKT
1	20 A 1	MEETING ROOM LIGHTS				RECEPTACLES 118	1	20 A 2
3	20 A 1	LIGHTS ROOM 110-114	0.0	0.0	0.0	0.0	1	20 A 4
5	20 A 1	LIGHTS ROOM 109,116,118				0.0	1	20 A 6
7	20 A 1	EF-2 117 CORRIDOR	0.0	0.0			1	20 A 8
9	20 A 1	DDC CONTROL			0.0	0.0	1	20 A 10
11	20 A 1	SPARE				0.0	1	20 A 12
13			0.0	0.0			1	20 A 14
15	20 A 3	AIR COMPRESSOR			0.0	0.0	1	20 A 16
17						0.0	1	20 A 18
19	20 A 1	EWV	0.0	0.0			1	20 A 20
21	20 A 1	EWV			0.0	0.0	1	20 A 22
23	20 A 1	SPARE				0.0	2	20 A 24
25	20 A 1	RECEPTACLES DINING 205	0.7	--	--	--	1	-- 26
27	--	1 SPACE ONLY	--	--	--	--	1	-- 28
29	--	1 SPACE ONLY	--	--	--	--	1	-- 30
			1 kVA	0 kVA	0 kVA			
			6 A	0 A	0 A			

(GE) = PROVIDE GFCI BREAKER FOR EQUIPMENT, 6-50mA PER 2008 NEC 427.22. DED. NEUTRAL. (EB) = EXISTING BREAKER  
 (GP) = PROVIDE GFCI BREAKER FOR PERSONNEL, 4-6mA PER 2008 NEC 210.8. DED. NEUTRAL. (RB) = REPLACE BREAKER WITH SIZE INDICATED  
 (L) = PROVIDE LOCKOUT BREAKER TO PREVENT UNAUTHORIZED SWITCHING. (PB) = PROVIDE BREAKER IN EXISTING SPACE  
 (LC) = ROUTE TO LOAD VIA LIGHTING CONTACTOR. REF DETAIL ON DWG E4.X.  
 (ML) = PROVIDE BREAKER WITH MAINTENANCE LOCKOUT, LOCKABLE OFF.  
 LOADS FOR EXISTING CIRCUITS ARE ASSUMED

Load Classification	Connected Load	Demand Factor	Estimated Demand	Panel Totals
INTERIOR LIGHTING	0 VA	0.00%	0 VA	Total Conn. Load: 0.7 kVA
EXTERIOR LIGHTING	0 VA	0.00%	0 VA	
RECEPTACLES	720 VA	100.00%	720 VA	Total Est. Demand: 0.7 kVA
AC / HEAT PUMP	0 VA	0.00%	0 VA	Total Conn. Current: 2 A
ELECTRIC HEAT	0 VA	0.00%	0 VA	Total Est. Demand... 2 A
KITCHEN	0 VA	0.00%	0 VA	
MISCELLANEOUS	0 VA	0.00%	0 VA	





# PERMIT SET

# KELLY DAY RENOVATIONS

## FS 3

4100 Old Dominion Dr, Arlington, VA 22207  
563006

**MOSELEY**ARCHITECTS

3200 NORFOLK STREET, RICHMOND, VA 23230  
PHONE (804) 794-7555 FAX (804) 355-5690  
MOSELEYARCHITECTS.COM

**MOSELEY**ARCHITECTS

3200 NORFOLK STREET, RICHMOND, VA 23230  
PHONE (804) 794-7555 FAX (804) 355-5690  
MOSELEYARCHITECTS.COM



**KELLY DAY RENOVATIONS FS 3**

563006  
4100 Old Dominion Dr, Arlington, VA 22207  
Owner: Arlington County

DRAWING INDEX	
COVER	
CF33	COVER - FS3
ARCHITECTURAL	
A0.3	GENERAL ARCHITECTURAL INFORMATION - FS3
A0.4	WALL/PARTITION TYPES, SCHEDULES, & TERMINATIONS - FS3
A2.3	FIRE STATION 3 DRAWINGS
STRUCTURAL	
S0.0.1	GENERAL NOTES AND LEGENDS
S2.3	FRAMING PLANS - FS3
S3.0.1	TYPICAL SLAB DETAILS
S4.0.1	TYPICAL MASONRY WALL AND LINTEL DETAILS
PLUMBING	
P0.3	LEGENDS, ABBREVIATIONS AND GENERAL NOTES - FS3
P2.3	FLOOR PLAN - FS3
MECHANICAL	
M0.1	LEGENDS, ABBREVIATIONS, SCHEDULES, AND GENERAL NOTES
M1.3	FIRST FLOOR DEMOLITION PLAN - FIRE STATION 3
M2.3	FIRST FLOOR PLAN - FIRE STATION 3
M5.1	DETAILS & CONTROLS
ELECTRICAL	
E0.1	LEGENDS, ABBREVIATIONS AND GENERAL NOTES
E1.3	FIRST FLOOR ELECTRICAL PLAN - FIRE STATION 3

**POINTS OF CONTACT**

**ARCHITECT:**  
ANDREW MCVEIGH - PROJECT MANAGER  
MOSELEY ARCHITECTS  
804-545-6110  
AMCVEIGH@MOSELEYARCHITECTS.COM

**OWNER:**  
MICHAEL MANGOS - PROJECT MANAGER  
ARLINGTON COUNTY, VIRGINIA  
703-228-4437  
MMANGOS@ARLINGTONVA.US

**USER:**  
CAPTAIN RICHARD SLUSHER  
ARLINGTON COUNTY FIRE DEPARTMENT  
RSLUSHER@ARLINGTONVA.US

**HAZARDOUS MATERIALS:**  
IT IS NOT ANTICIPATED THAT THE CONTRACTOR WILL ENCOUNTER HAZARDOUS MATERIALS WHILE EXECUTING THE WORK. THE EXISTING BUILDINGS HAVE NOT BEEN TESTED FOR THE PRESENCE OF HAZARDOUS MATERIALS. DURING THE COURSE OF THE WORK, IF THE CONTRACTOR HAS REASON TO SUSPECT THE PRESENCE OF HAZARDOUS MATERIALS, STOP WORK AND IMMEDIATELY NOTIFY THE OWNER AND ARCHITECT.

PROJECT NO:	563006
DATE:	SEPTEMBER 22, 2021
REVISIONS	
DATE	DESCRIPTION

COVER - FS3

THE CONTRACT DOCUMENTS ARE COMPLEMENTARY, AND WHAT IS REQUIRED BY ONE SHALL BE AS BINDING AS IF REQUIRED BY ALL. IN CASE OF A CONFLICT, DISAGREEMENT, OR AMBIGUITY, PROVIDE THE BETTER QUALITY. IN CASE OF A CONFLICT, DISAGREEMENT, OR AMBIGUITY, PROVIDE THE GREATER QUANTITY OF WORK.









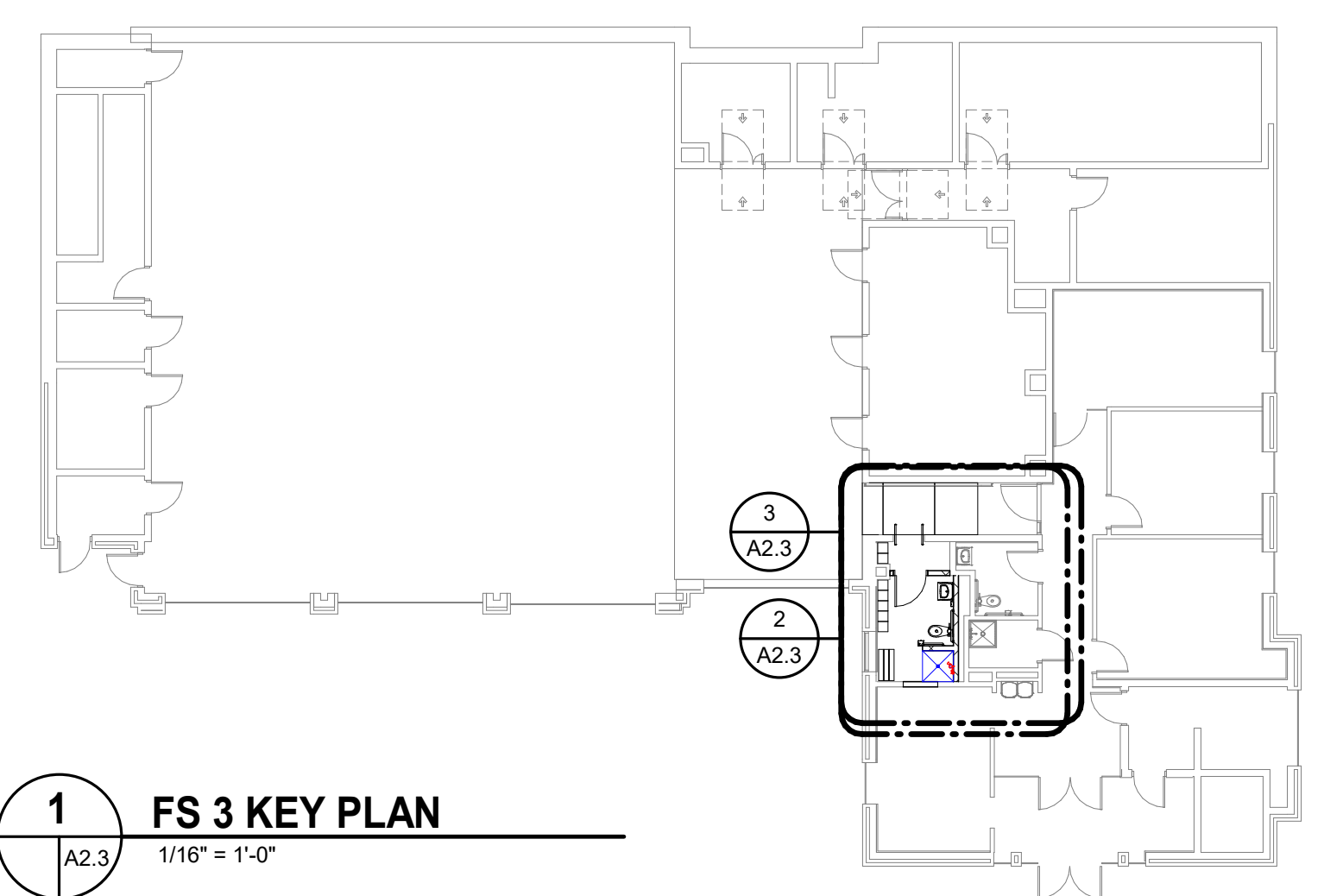


FINISH SCHEDULE FS3											
Department	NUMBER	NAME	FLOOR	BASE	WALLS				WAINSCOT	CEILING	NOTES
					NORTH	EAST	SOUTH	WEST			
FS3	301	SHOWER ROOM	P-TILE	P-TILE	P-TILE	P-TILE	P-TILE	P-TILE	P-TILE	P-TILE	FULL HEIGHT PORCELAIN TILE IN SHOWER, 7-2" PORCELAIN TILE WAINSCOT NOT IN SHOWER AREA
FS3	302	CORRIDOR	CONC-SLR	PT	PT	PT	PT	PT	PT	PT	PROVIDE CONC-SLR AT LANDING SURFACES OUTSIDE SHOWER ROOM AND ALL CONCRETE WITHIN THE CORRIDOR, NOT INCLUDING THE APPARATUS BAYS. PAINT ALL WALLS IN THE LANDING AREA AND ALL WALLS WITHIN THE CORRIDOR, NOT INCLUDING THE APPARATUS BAYS.

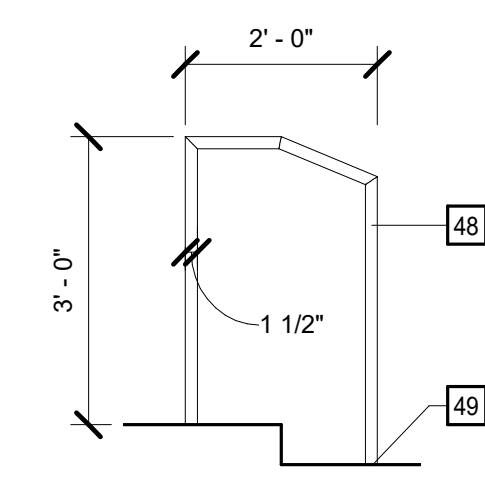
ADDENDUM 1



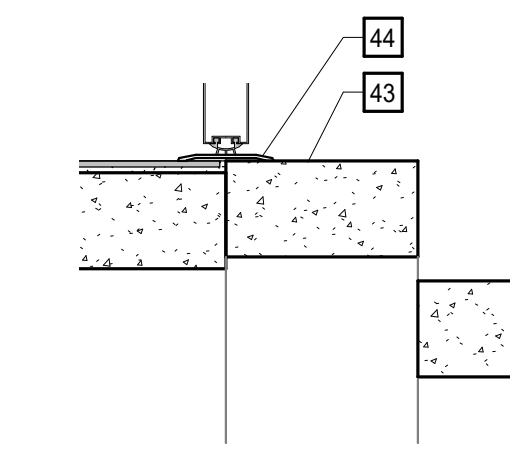
TOILET ROOM 302 TILE FINISH



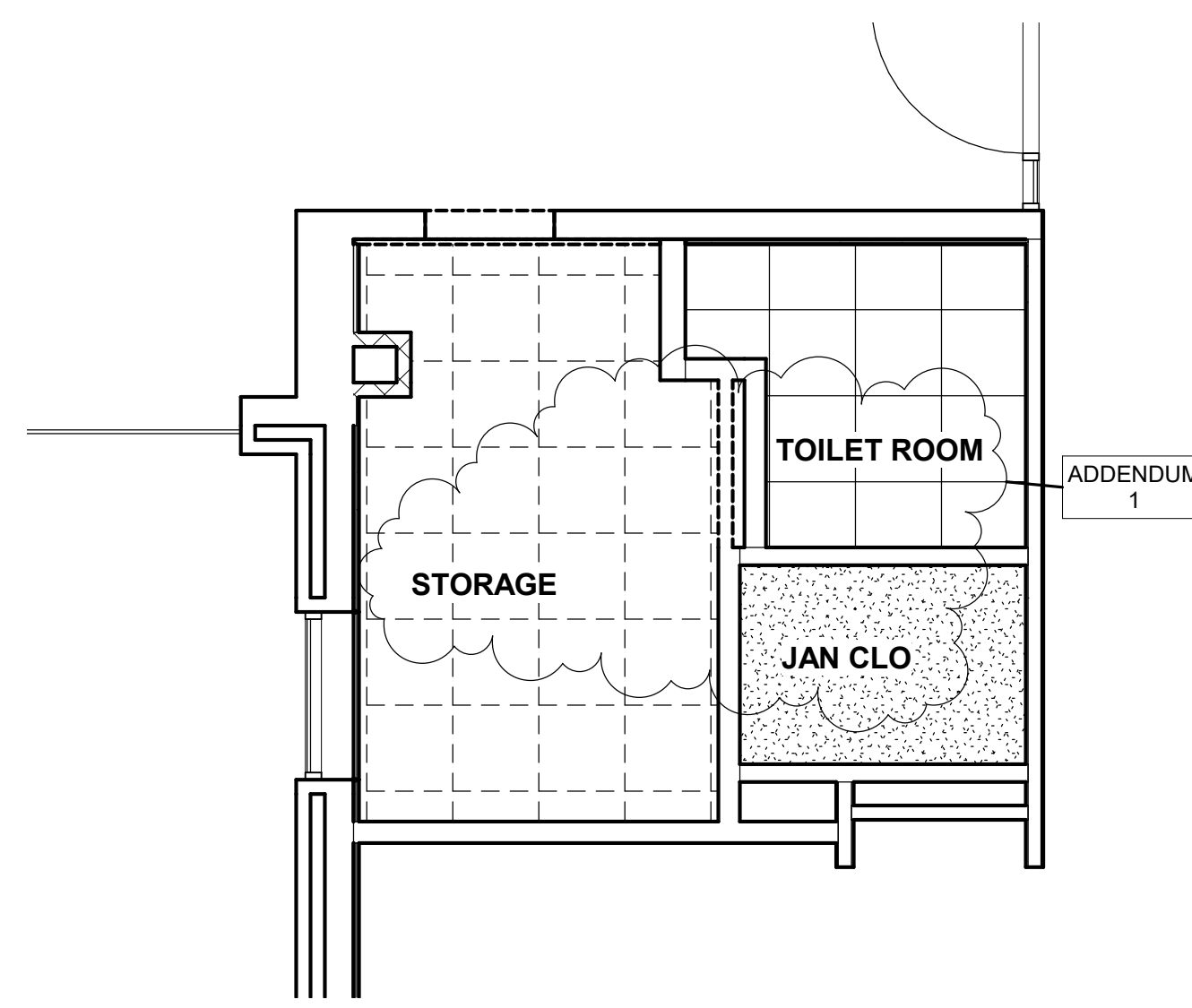
1 FS 3 KEY PLAN  
1/16" = 1'-0"



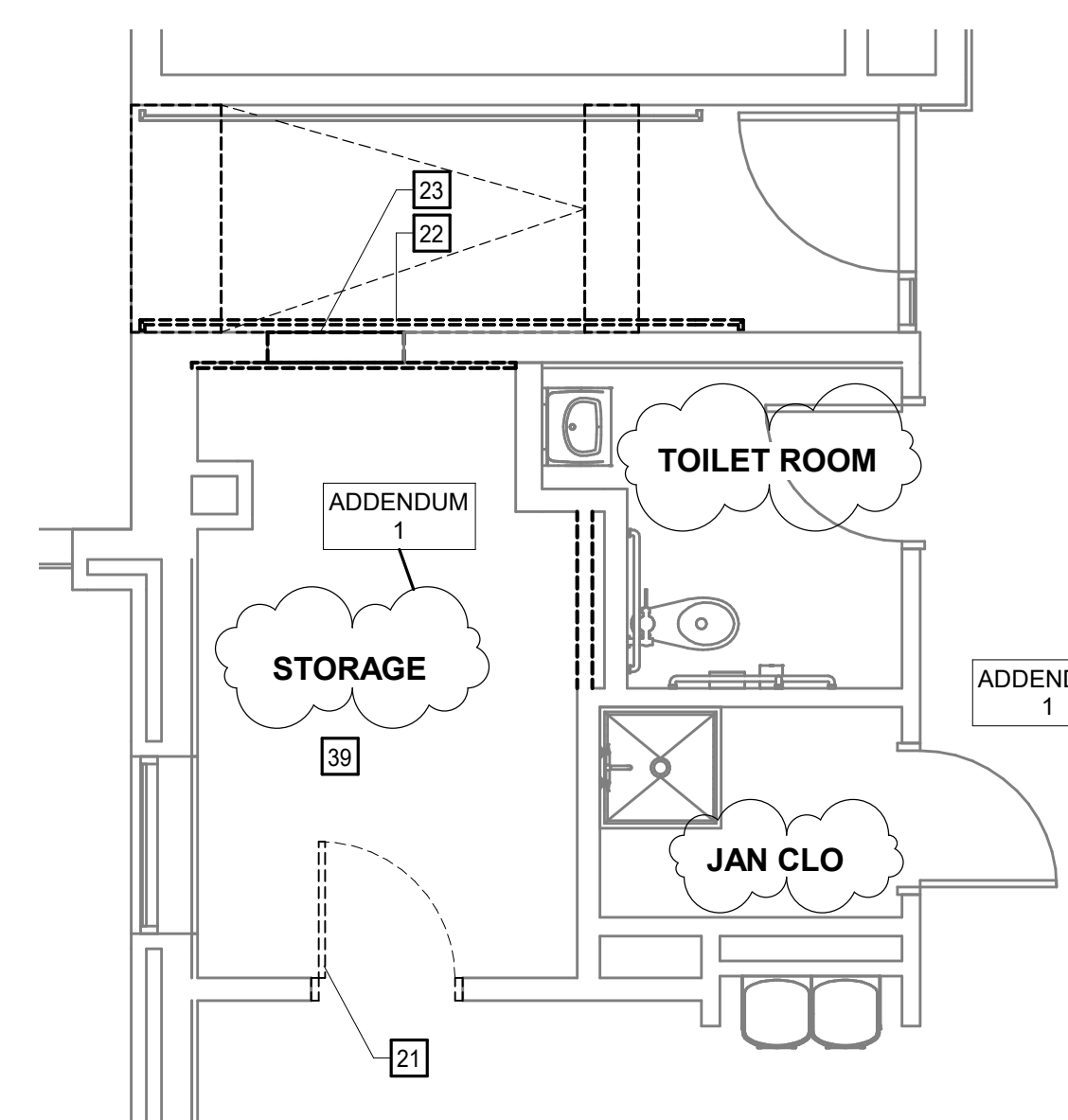
7 HANDRAIL ELEVATION  
1/2" = 1'-0"



6 DETAIL  
1 1/2" = 1'-0"

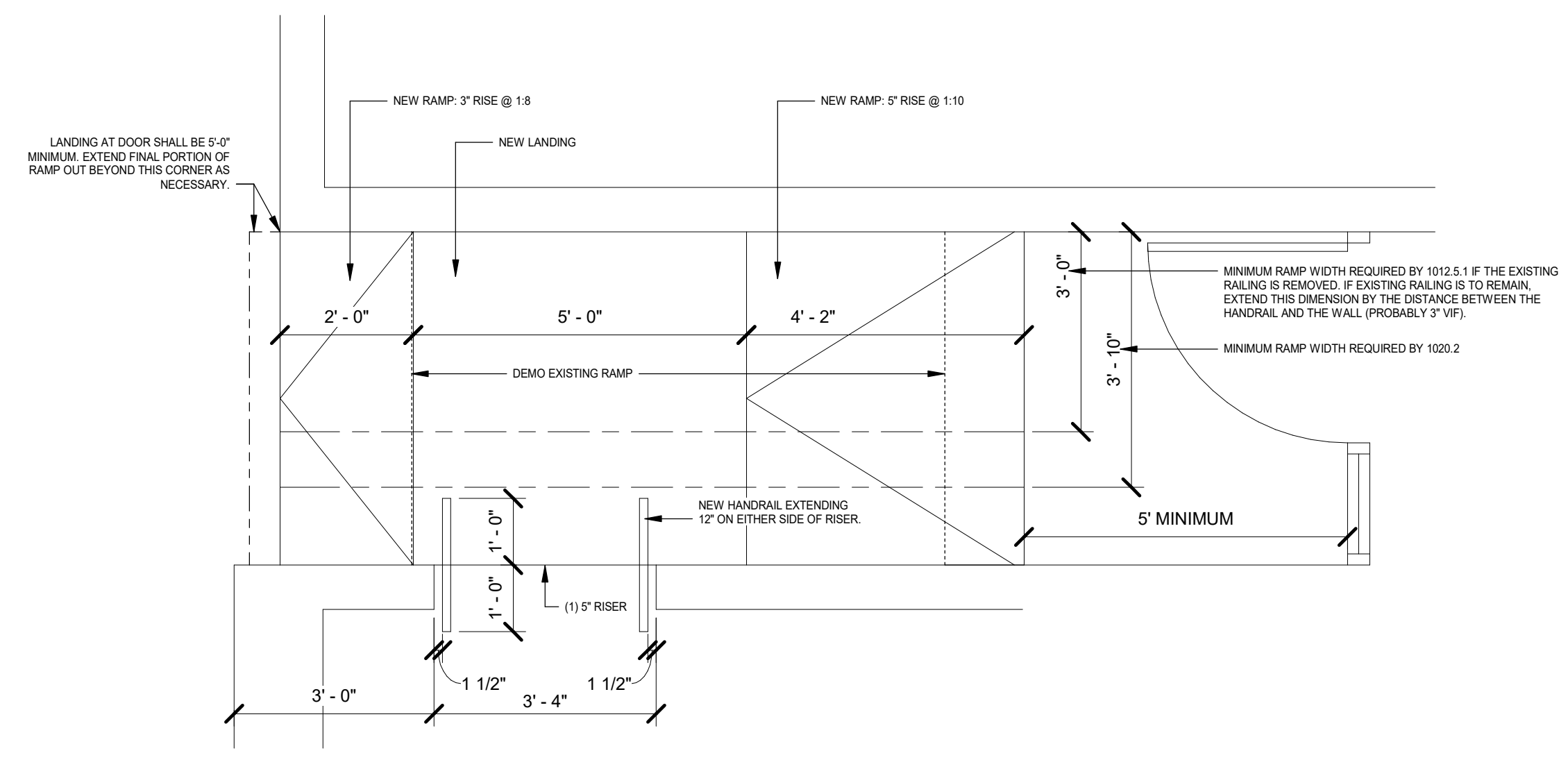


4 FS 3 SHOWER RCP - DEMO  
1/4" = 1'-0"

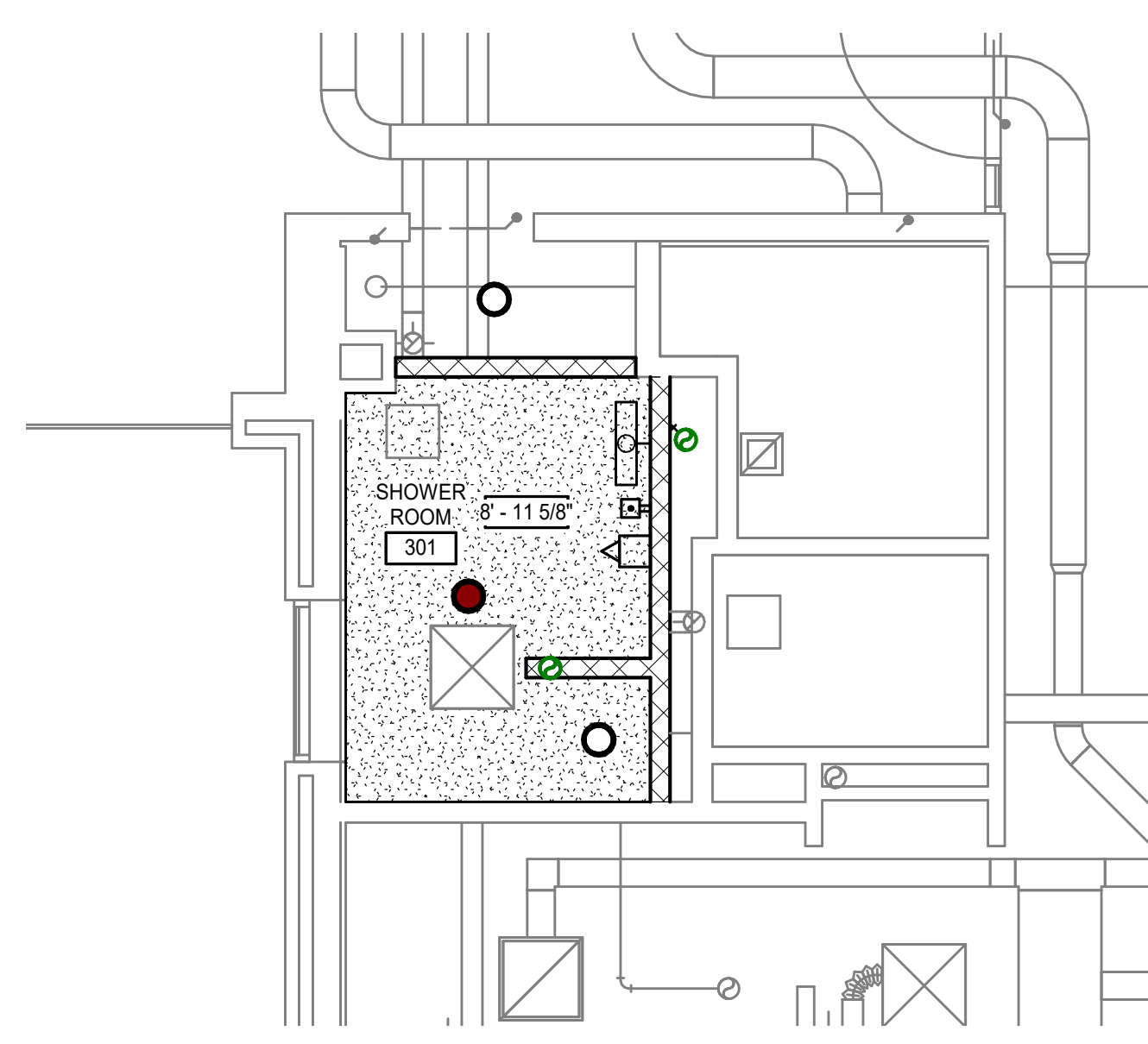


3 FS 3 SHOWER - DEMO  
1/4" = 1'-0"

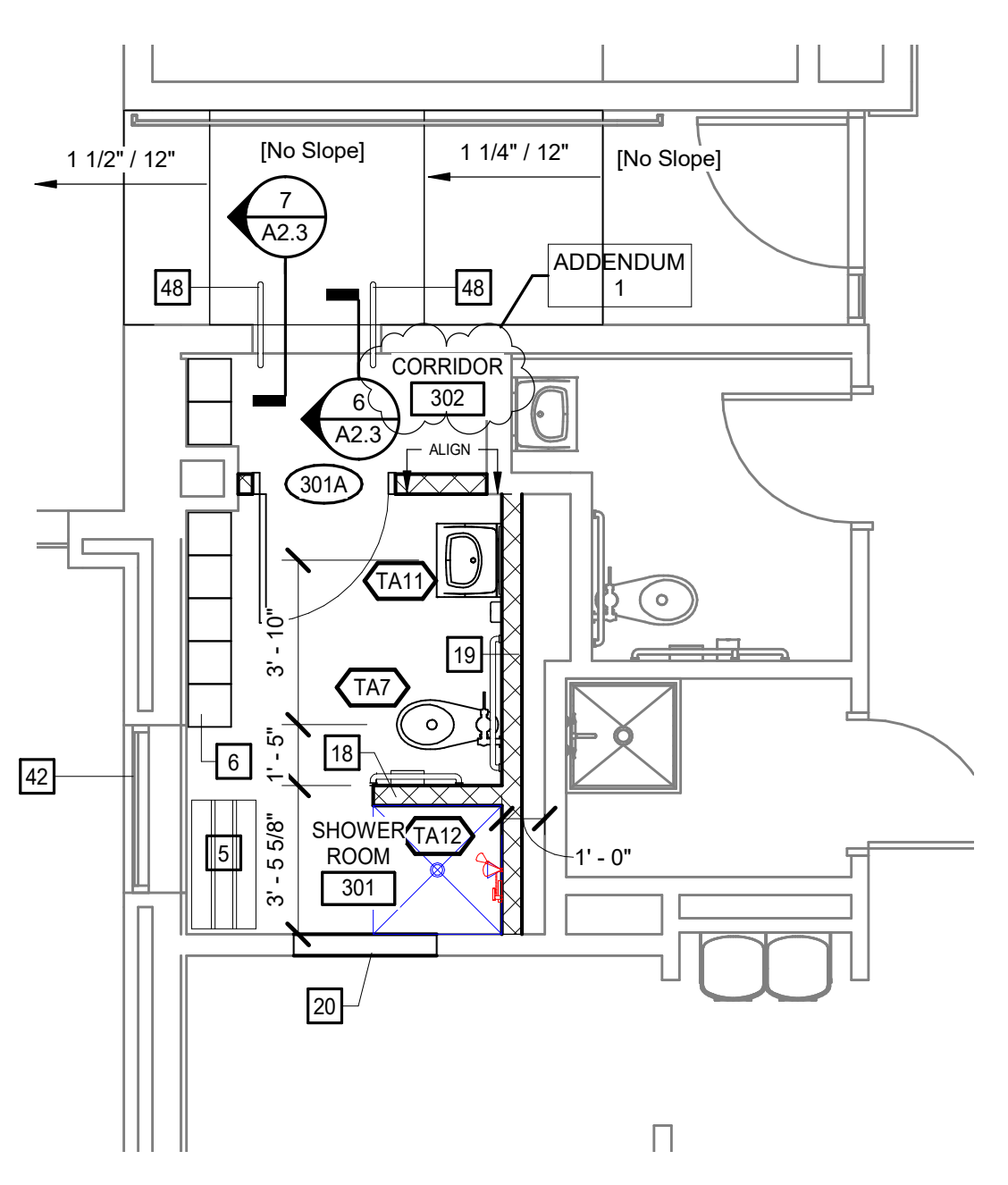
**2018 ADA STANDARDS**  
**405.2 SLOPE**  
 EXCEPTION: IN EXISTING SITES, BUILDINGS, AND FACILITIES, RAMPS SHALL BE PERMITTED TO HAVE RUNNING SLOPES STEEPER THAN 1:12 COMPLYING WITH TABLE 405.2 WHERE SUCH SLOPES ARE NECESSARY DUE TO SPACE LIMITATIONS.  
**SLOPE**  
 MAX RISE  
 1:8 - 1:12  
 1:10 - 1:12  
 1:12 - 1:20  
**1:8 RAMP PROVIDED TO THE MAXIMUM RISE ALLOWABLE. 1:10 RAMP PROVIDED, SHORTER THAN THE MAX ALLOWABLE RUN.**  
**405.7 LENGTH OF LANDINGS**  
 THE LANDING CLEAR LENGTH SHALL BE 60" LONG MINIMUM, IF INTERMEDIATE LANDING PROVIDED.  
**405.8 HANDRAILS**  
 RAMP BUILT WITH A RISE GREATER THAN 6" SHALL HAVE HANDRAILS COMPLYING WITH 505.  
 BOTH PROPOSED RAMP RISES ARE LESS THAN 6". SO HANDRAILS WOULD NOT BE REQUIRED. THE EXISTING RAILING ON THE NORTH WALL COULD BE LEFT IN PLACE, AS A CONVENIENCE.  
**2018 VIRGINIA CONSTRUCTION CODE**  
**911.5.2 RISER HEIGHT AND TREAD DEPTH - STAIRS**  
 STAIR RISER HEIGHTS SHALL BE 7" MAX AND 4" MINIMUM.  
 THE PROPOSED RISER IS 5", WHICH IS WITHIN THE ACCEPTABLE RANGE.  
**912.1.1 MINIMUM WIDTH AND CAPACITY - RAMPS**  
 THE MINIMUM WIDTH AND REQUIRED CAPACITY OF A MEANS OF EGRESS RAMP SHALL BE NOT LESS THAN THAT REQUIRED FOR CORRIDORS IN SECTION 1002. THE CLEAR WIDTH OF A RAMP BETWEEN HANDRAILS, IF PROVIDED, OR OTHER PERMISSIBLE PROJECTIONS SHALL BE 36" MINIMUM.  
**TABLE 1002.2 MINIMUM CORRIDOR WIDTH**  
 ANY FACILITY NOT LISTED BELOW 44"  
 WITH OCCUPANT LOAD > 50 36"



8 RAMP DIMENSIONS  
1/2" = 1'-0"



5 FS 3 SHOWER RCP - NEW  
1/4" = 1'-0"



2 FS 3 SHOWER - NEW  
1/4" = 1'-0"

FLOOR PLAN KEYNOTES	
REPRESENTED BY [A]	
APPLIES TO DRAWINGS A2.2 - A2.9	
1	SALVAGE WASHER AND DRYER. TURN OVER TO THE OWNER.
2	REMOVE BENCH.
3	REMOVE SINK.
4	STACKED WASHER/DRYER UNIT. APPLIANCE FURNISHED BY THE OWNER. CONTRACTOR SHALL PROVIDE THE NECESSARY HOOKUPS AND INSTALL THE APPLIANCE.
5	FURNITURE NIC.
6	12"x12"x72" METAL GYM LOCKER PROVIDED BY OWNER.
7	EXISTING EXTRACTOR TO REMAIN.
8	EXISTING DRYING CABINET TO REMAIN.
9	REMOVE CEILING AND ALL HOSTED ELEMENTS, INCLUDING LIGHT FIXTURES, MECHANICAL DIFFUSERS, FIRE ALARMS, SMOKE DETECTORS, ETC.
10	MATCH HEIGHT OF ACOUSTIC CEILING WITH ADJACENT EXISTING CEILING.
11	PROVIDE 3/4" THICK STAINED WOOD SILL. PROVIDE POLYURETHANE COAT.
12	PROVIDE 3/4"x5" STAINED WOOD WALL BASE. PROVIDE POLYURETHANE COAT.
13	5/8" GYPSUM BOARD.
14	3 5/8" CFSF
15	8" NOMINAL CMU
16	RELOCATED AIR COMPRESSOR.
17	SALVAGE EXISTING AIR COMPRESSOR FOR RELOCATION. IF THERE ARE VIBRATION PADS AT THE FEET OF THE COMPRESSOR, REINSTALL THE PADS AT THE NEW LOCATION.
18	8" NOMINAL CMU
19	4" NOMINAL CMU
20	INFILL OPENING. MATCH ADJACENT CONSTRUCTION AND FINISH UNO.
21	SALVAGE DOOR AND FRAME.
22	REMOVE RAILING AT THIS SIDE OF RAMP.
23	REMOVE PORTION OF WALL AS NECESSARY TO PROVIDE OPENING.
24	SS TOILET PARTITION
25	2'-6"x7'-0" SS TOILET STALL DOOR
26	PROVIDE SHOWER ROD AND CURTAIN.
27	SALVAGE DOOR. FRAME SHALL REMAIN. REMOVE STRIKE AND PROVIDE STEEL OR ALUMINUM CLOSURE PLATE. PAINT TO MATCH FRAME COLOR.
28	EXISTING SHOWER CONTROLS TO REMAIN. TYPICAL THIS FIRE STATION.
29	EXISTING LINEAR DRAIN TO REMAIN.
30	EXISTING ACCESS PANEL AT CEILING.
31	PROVIDE GAP AT TOP AND BOTTOM OF PARTITION. DO NOT BLOCK AIRFLOW.
32	REMOVE HALF WALL.
33	EXISTING PIPING TO REMAIN.
34	ALIGN CMU CHASE WITH EXISTING CONSTRUCTION.
35	GROUTED COLLAR JOINT.
36	ALIGN DOOR FRAME WITH EXISTING OPENING.
37	SALVAGE EXISTING DRYING CABINET FOR RELOCATION. REMOVE RAISED CONCRETE PAD.
38	INSTALL SALVAGED DRYING CABINET AT THIS LOCATION. POUR CONCRETE BASE FOR CABINET. MATCH EXISTING BASE DIMENSIONS.
39	REMOVE FINISH FLOORING. REFER TO STRUCTURAL DRAWINGS FOR ADDITIONAL DEMOLITION SCOPE.
40	GEAR GRID NIC. SHOWN FOR COORDINATION PURPOSES WITH THE OWNER.
41	SALVAGE EXISTING HOSE REEL SOLENOID SWITCH ASSEMBLY.
42	PROVIDE FROSTING FILM AT INTERIOR SIDE OF GLAZING.
43	PROVIDE CONCRETE SILL AT BASE OF DOOR OPENING.
44	PROVIDE METAL THRESHOLD TO STRADDLE THE FINISH FLOOR AND THE CONCRETE SILL.
45	SALVAGE STORAGE HOOKS AND RELOCATE TO ADJACENT WALL. COORDINATE WITH OWNER TO DETERMINE PRECISE LOCATION.
46	REMOVE EXISTING BENCH AND SHELF.
47	INSTALL SALVAGED HOSE REEL SOLENOID SWITCH ASSEMBLY. ORIENT SWITCH ASSEMBLY VERTICALLY. EXTEND AND MODIFY CONDUIT AS REQUIRED AND TEST SWITCHES FOR PROPER OPERATION.
48	1 1/2" CIRCULAR GALVANIZED STEEL HANDRAIL.
49	CONTINUE HANDRAIL TO FLOOR. EMBED IN CONCRETE. TYPICAL.
50	REMOVE CASEWORK AND SHELF.
51	PAINT CMU WITHIN RECESSED AREA.

DEMOLITION PLAN LEGEND	
APPLIES TO DRAWINGS A2.2 - A2.9	
	EXISTING PARTITION/WALL/ITEM TO REMAIN
	REMOVE EXISTING PARTITION/WALL/ITEM
	REMOVE EXISTING WINDOW ASSEMBLY AND FRAMING, INCLUDING ANCHORS
	SALVAGE EXISTING DOOR AND FRAME ASSEMBLY INCLUDING DOOR HARDWARE. IF FRAME DAMAGED DURING SALVAGING, DISCARD.
	REMOVE EXISTING PLUMBING FIXTURE. REFER TO PLUMBING DEMOLITION PLAN FOR ADDITIONAL INFORMATION.

FLOOR PLAN GENERAL NOTES	
A.	UNLESS NOTED OTHERWISE, PAINT ALL NEW WALLS AND ALL EXISTING WALLS IN ROOMS INCLUDED IN THE WORK SCOPE.
B.	PAINT ALL EXISTING DOOR FRAMES WHERE THE DOOR HAS BEEN SALVAGED OR REMOVED.
C.	REFER TO STRUCTURAL DOCUMENTS FOR SLAB REMOVAL.

PROJECT ADDRESS: 4100 Old Dominion Dr, Arlington, VA 22207

**MOSELEY ARCHITECTS**  
 5200 NORFOLK STREET, RICHMOND, VA 23230  
 PHONE (804) 794-7557 FAX (804) 355-5690  
 MOSELEYARCHITECTS.COM



**KELLY DAY RENOVATIONS FS 3**  
 563006  
 4100 Old Dominion Dr, Arlington, VA 22207  
 Owner: Arlington County

PROJECT NO.	DATE
563006	SEPTEMBER 22, 2021
REVISIONS	DESCRIPTION
DATE	DESCRIPTION
12/15/21	ADDENDUM 1

FIRE STATION 3  
DRAWINGS

A2.3



STRUCTURAL ABBREVIATIONS

Table with 3 columns: Abbreviation, Description, and Material/Type. Includes items like ANCHOR BOLT, ALUMINUM, CONCRETE, STEEL, etc.

DESIGN LOAD DATA

Table with 3 columns: Description, Value, and Units. Includes items like CLASSIFICATION OF BUILDING, FLOOR LIVE LOADS, ROOF LIVE LOADS, etc.

GENERAL

- 1. ALL WORK SHALL BE DONE IN ACCORDANCE WITH THE VIRGINIA UNIFORM STATEWIDE BUILDING CODE (USBC), 2015 EDITION, EFFECTIVE SEPTEMBER 4, 2018.
2. THE STRUCTURAL DRAWINGS ARE INTENDED TO BE USED IN CONJUNCTION WITH THE ARCHITECTURAL DRAWINGS AND THE DRAWINGS OF THE OTHER ENGINEERING DISCIPLINES.

CONCRETE

- 6. REFER TO DRAWING S3.0.1 FOR REINFORCING BAR LAP LENGTHS.
1. ALL CONCRETE WORK SHALL CONFORM TO THE REQUIREMENTS OF ACI 318 "BUILDING CODE REQUIREMENTS FOR STRUCTURAL CONCRETE" AND ACI 301 "STANDARD SPECIFICATIONS FOR STRUCTURAL CONCRETE".
2. CONCRETE SHALL BE NORMAL WEIGHT TYPE II, WITH ASTM D618 FLY ASH OR ASTM C268 GRADE 100 OR 120 GROUND GRANULATED BLAST FURNACE SLAG...

STRUCTURAL STEEL

- 1. ALL STRUCTURAL STEEL WORK SHALL CONFORM TO THE FOLLOWING AISC DOCUMENTS: AISC 360 "SPECIFICATION FOR STRUCTURAL STEEL BUILDINGS", AISC 303 "CODE OF STANDARD PRACTICE FOR STEEL BUILDINGS AND BRIDGES", RCSCS "SPECIFICATION FOR STRUCTURAL JOINTS USING HIGH STRENGTH BOLTS".
2. STRUCTURAL STEEL SHALL COMPLY WITH THE FOLLOWING SPECIFICATIONS: WIDE FLANGE SHAPES AND ANGLES, MISCELLANEOUS SHAPES, PLATES & BARS (TO 8" THICK), HOLLOW STRUCTURAL SECTIONS (HSS), SQUARE & RECTANGLE...

CONCRETE MASONRY (CMU)

- 1. ALL MASONRY WORK SHALL CONFORM TO THE REQUIREMENTS OF TMS 602 "BUILDING CODE REQUIREMENTS FOR MASONRY STRUCTURES WITH COMMENTARY" AND TMS 602 "SPECIFICATIONS FOR MASONRY STRUCTURES WITH COMMENTARY".
2. NET AREA COMPRESSIVE STRENGTH OF CONCRETE MASONRY (Fm) SHALL BE 2000 PSI, DETERMINED IN ACCORDANCE WITH THE UNIT STRENGTH METHOD PER TMS 602, UNLESS NOTED OTHERWISE.

COLD FORMED STEEL FRAMING

- 1. ALL STRUCTURAL COLD FORMED STEEL FRAMING (CFSF) SHALL COMPLY WITH AISI'S "NORTH AMERICAN SPECIFICATION FOR THE DESIGN OF COLD-FORMED STEEL STRUCTURAL MEMBERS".
2. CFSF-IS (NON-STRUCTURAL) INCLUDES INTERIOR NON-LOAD BEARING STUD WALLS AND SUSPENDED CEILING FRAMING SYSTEM. REFER TO SECTION 092216 FOR ADDITIONAL INFORMATION.

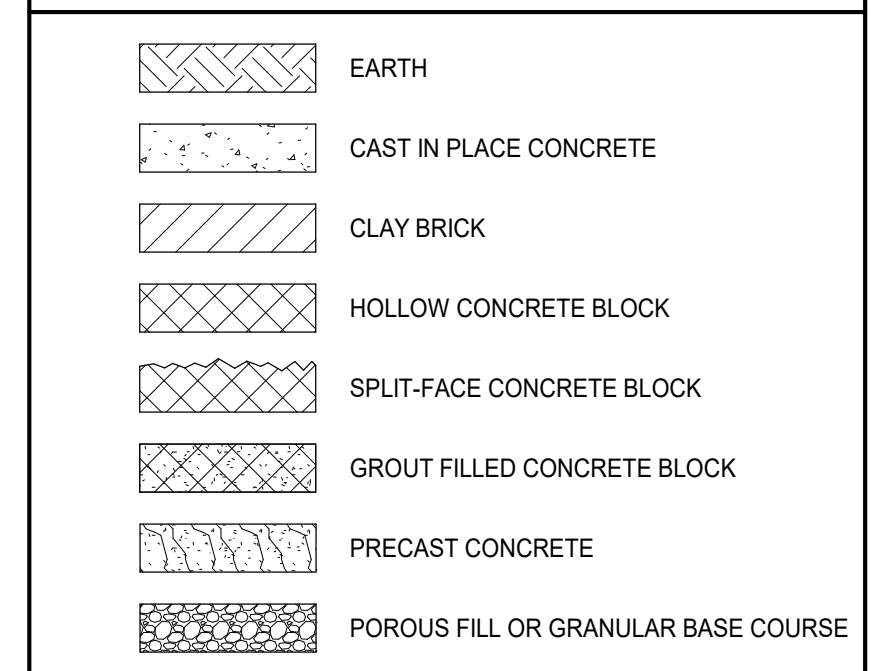
POST INSTALLED ANCHORS & DOWELS

- 1. INSTALL ALL ANCHORS IN ACCORDANCE WITH MANUFACTURERS PUBLISHED PROCEDURES AT NOT LESS THAN THE MINIMUM EDGE DISTANCES INDICATED IN THE MANUFACTURERS LITERATURE. SUBMIT MANUFACTURERS PRODUCT DATA FOR REVIEW BY THE ARCHITECT.
2. ALL ANCHORS (INCLUDING THREADED RODS, NUTS, WASHERS) SHALL BE ZINC PLATED IN ACCORDANCE WITH ASTM B633, FOR SERVICE CONDITION SC-1.

MOSELEY ARCHITECTS logo and contact information: 5200 NORFOLK STREET, RICHMOND, VA 23230, PHONE (804)784-7550, FAX (804) 355-5690.

Professional Engineer seal for Pamela J. Bullivant, License No. 0420243907, expires 09/22/2021.

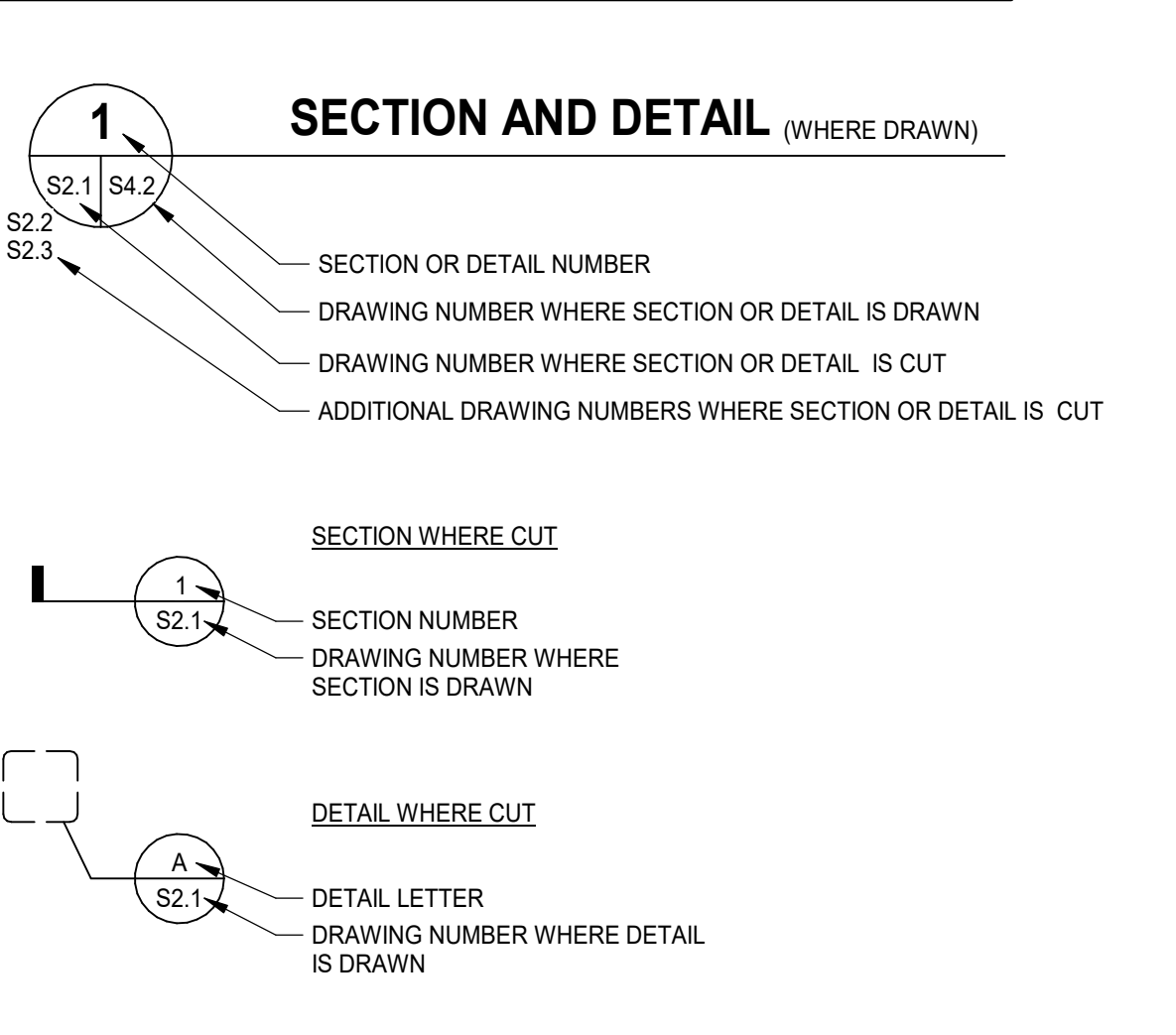
STRUCTURAL MATERIALS LEGEND



PLAN LEGEND

Table with 2 columns: Symbol and Description. Includes CENTERLINE, JOIST BEARING ELEVATION, BEAM BEARING PLATE, COLUMN BASE PLATE, WOOD HEADER, WOOD JOIST, TRUSS, WOOD POST, CONCRETE PIER, JOIST SUBSTITUTE, SPECIAL JOIST, WALL FOOTING STEP, TOP OF FOOTING ELEVATION, WORK POINT, TOP OF SLAB ELEVATION, LIMTEL, COLUMN FOOTING, TOP OF STEEL BEAM ELEVATION, INDICATES TOP OF STRUCTURAL MEMBER SHALL BE IN SAME PLANE AS TOP OF JOIST, INDICATES TOP OF STRUCTURAL MEMBER SHALL BE SLOPED, WALL FOOTING, THICKENED SLAB, STEEL JOIST BOTTOM CHORD EXTENSION, WELDED, STEEL BEAM MOMENT CONNECTION, EXISTING, TRANSFER FORCE, CMU WALL REINFORCING SIZE AND SPACING, CHANGE IN SLAB ELEVATION.

LEGEND FOR SECTION AND DETAIL MARKS



- 9. CONTRACTOR SHALL PREPARE, CLEAN AND INSTALL JOINT FILLER ACCORDING TO MANUFACTURER'S WRITTEN INSTRUCTIONS. DO NOT FILL JOINTS UNTIL CONSTRUCTION TRAFFIC HAS PERMANENTLY CEASED. REMOVE DRYING, SAW CUTTINGS, CURING COMPOUNDS, AND SEALERS FROM JOINTS; LEAVE CONTACT FACES OF JOINT CLEAN AND DRY.
10. CONTRACTOR SHALL PLACE AND SECURE ANCHOR RODS, ACCURATELY LOCATED, TO ELEVATIONS REQUIRED AND COMPLYING WITH TOLERANCES IN SECTION 7.5 OF AISC'S "CODE OF STANDARD PRACTICE FOR STEEL BUILDINGS AND BRIDGES".

FIBER REINFORCING

- 1. SYNTHETIC MACRO-FIBER REINFORCING MAY BE SUBSTITUTED FOR WELDED WIRE FABRIC IN SLAB ON GRADE AND IN SLAB ON COMPOSITE STEEL FLOOR DECK.
2. DOSAGE RATE SHALL COMPLY WITH MANUFACTURER'S RECOMMENDATIONS.

RENOVATION

- 1. EXISTING CONSTRUCTION INDICATED ON THE STRUCTURAL DRAWINGS IS BASED ON INFORMATION OBTAINED FROM THE ORIGINAL DESIGN DRAWINGS AND ON LIMITED OBSERVATIONS OF EXISTING CONDITIONS. THIS INFORMATION, INCLUDING STRUCTURAL COMPONENT TYPE, SIZE AND ORIENTATION HAS NOT BEEN CONFIRMED IN ALL CASES, AND MAY NOT MATCH AS-BUILT EXISTING CONSTRUCTION. ALL EXISTING CONDITIONS AND DIMENSIONS RELATING TO THE PROPOSED NEW WORK SHALL BE VERIFIED BY THE CONTRACTOR PRIOR TO FABRICATION AND CONSTRUCTION OF STRUCTURAL ELEMENTS. DISCREPANCIES SHALL BE BROUGHT TO THE ATTENTION OF THE ARCHITECT.

TEMPORARY SHORING

- 1. PROVIDE TEMPORARY SHORING AND BRACING TO MAINTAIN THE EXISTING STRUCTURE IN PROPER ALIGNMENT UNTIL PERMANENT CONSTRUCTION AND LATERAL BRACING IS IN PLACE.
2. THE TEMPORARY SHORING DIAGRAMS ARE CONCEPTUAL ONLY. DESIGN OF TEMPORARY SHORING SHALL BE PROVIDED BY THE CONTRACTOR. DESIGN CALCULATIONS AND SHORING DRAWINGS SHALL BE SUBMITTED FOR REVIEW AND SHALL BE SIGNED AND SEALED BY A PROFESSIONAL ENGINEER LICENSED IN THE COMMONWEALTH OF VIRGINIA.

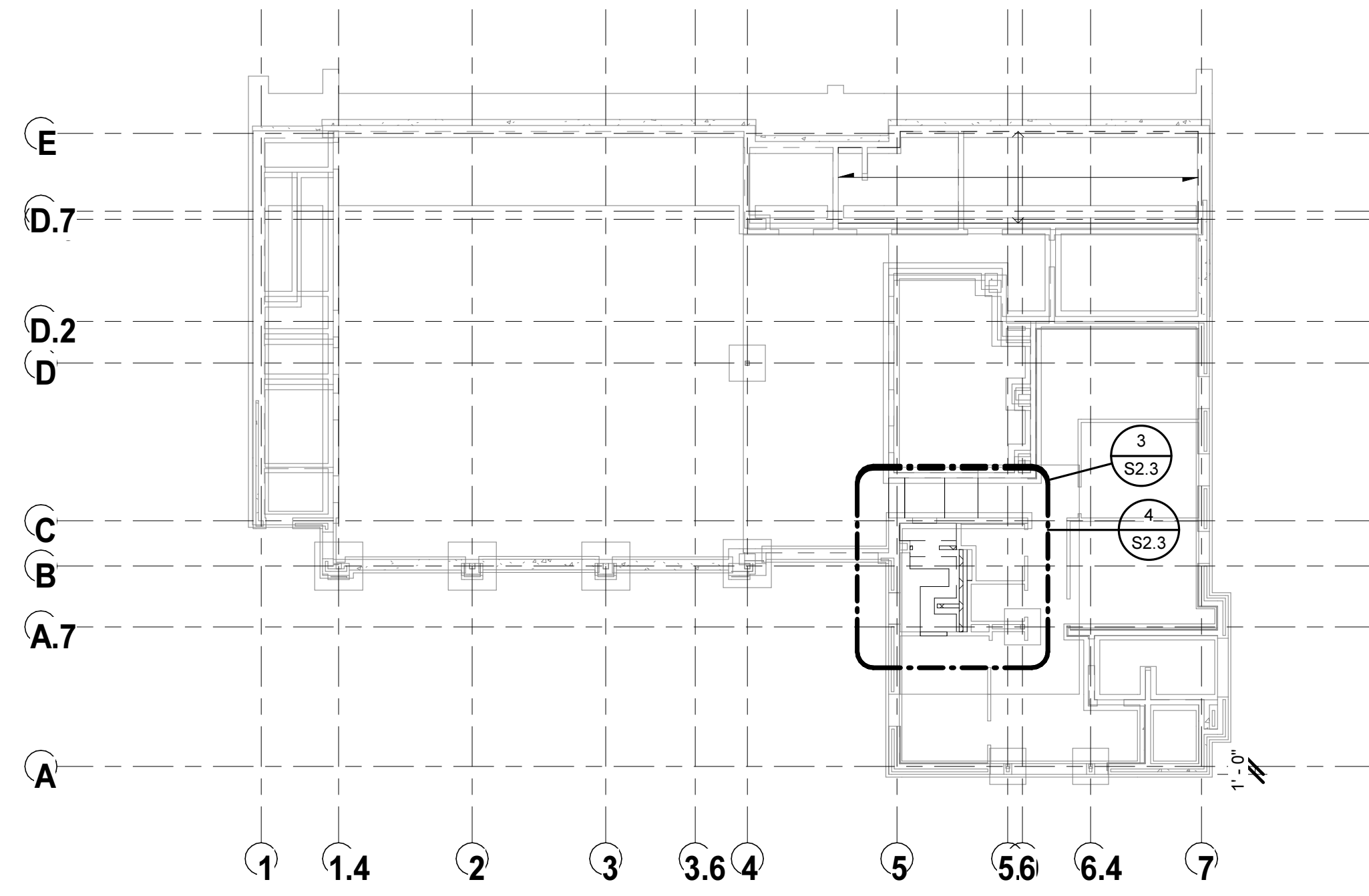
KELLY DAY RENOVATIONS FS 3 logo and contact information: 563006, 4100 Old Dominion Dr, Arlington, VA 22207, Owner: Arlington County.

Table with 2 columns: DATE and DESCRIPTION. Includes PROJECT NO: 563006, DATE: SEPTEMBER 22, 2021, REVISIONS, and a blank row for DATE and DESCRIPTION.

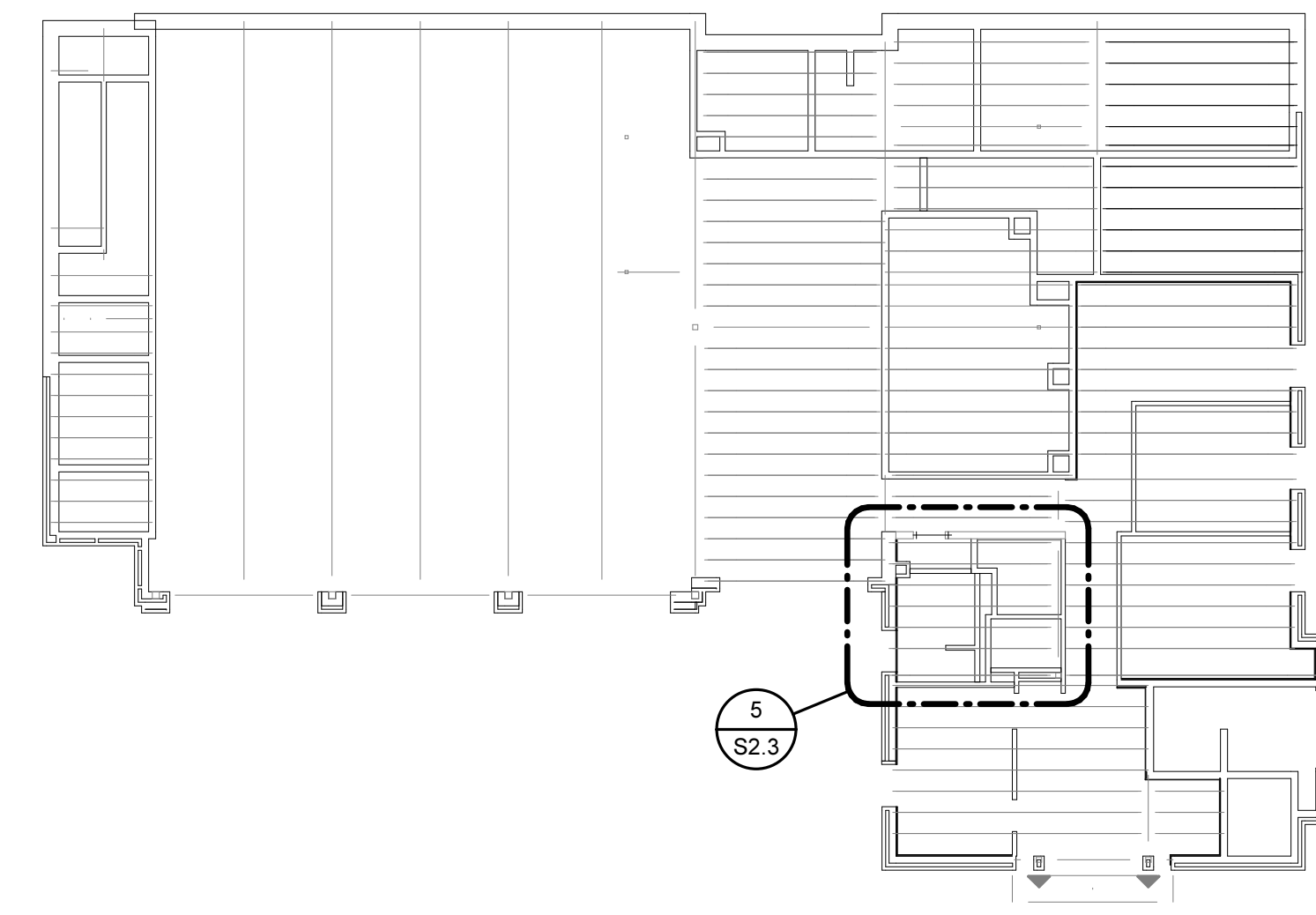
GENERAL NOTES AND NOTES AND

S0.0.1

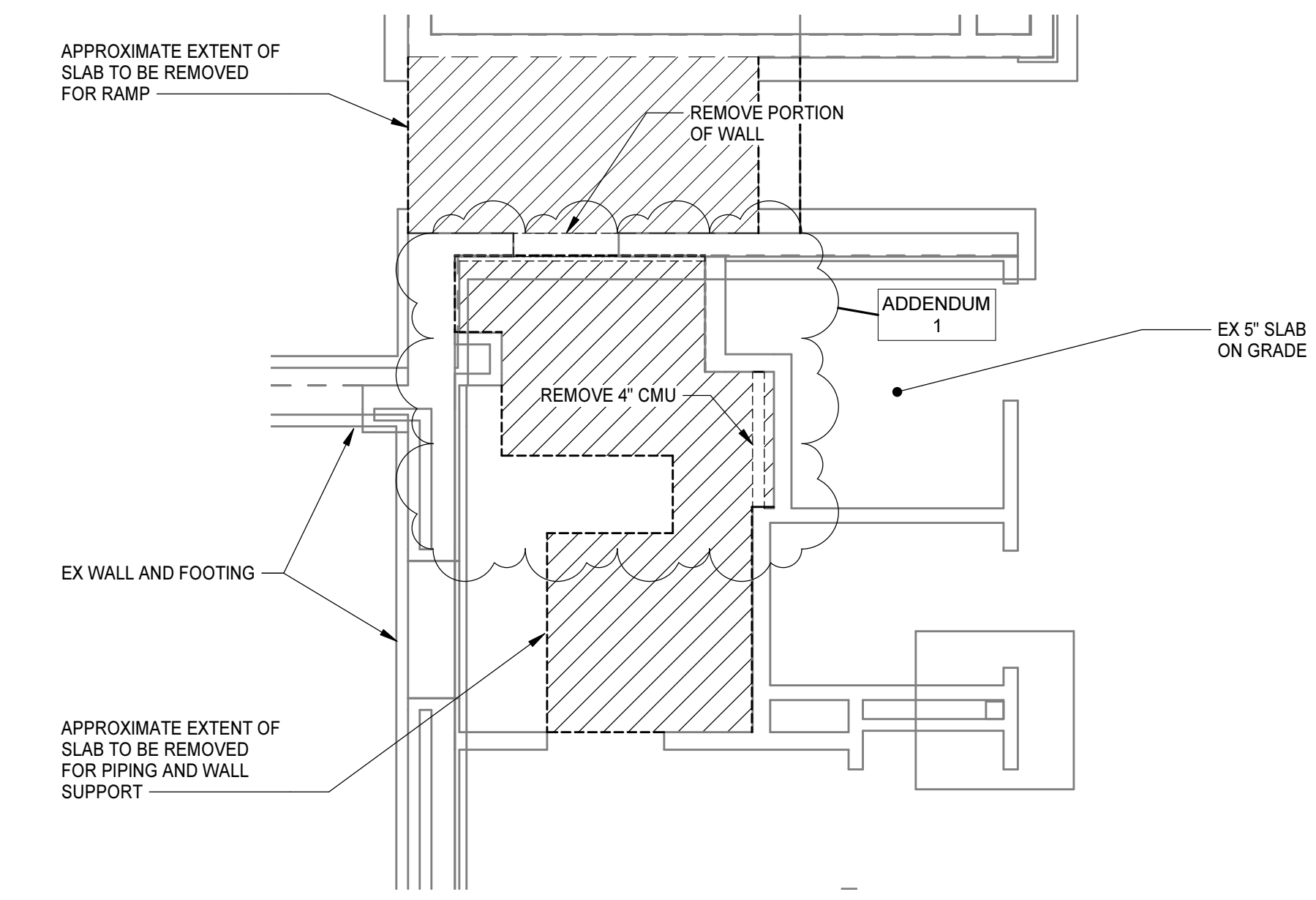




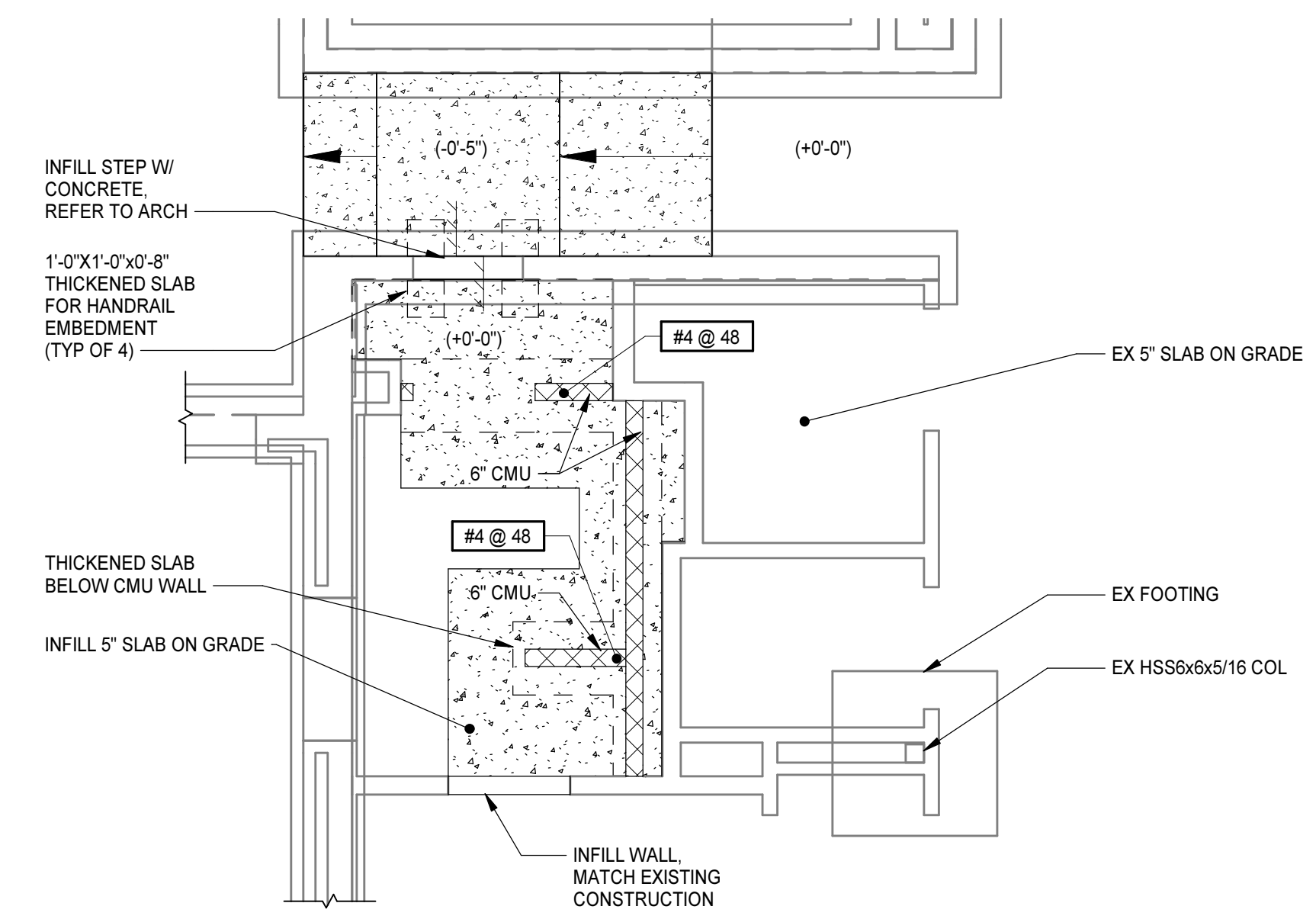
**1**  
S2.3  
1/16" = 1'-0"  
FOUNDATION PLAN - FS #3



**2**  
S2.3  
1/16" = 1'-0"  
FS #3 FRAMING PLAN

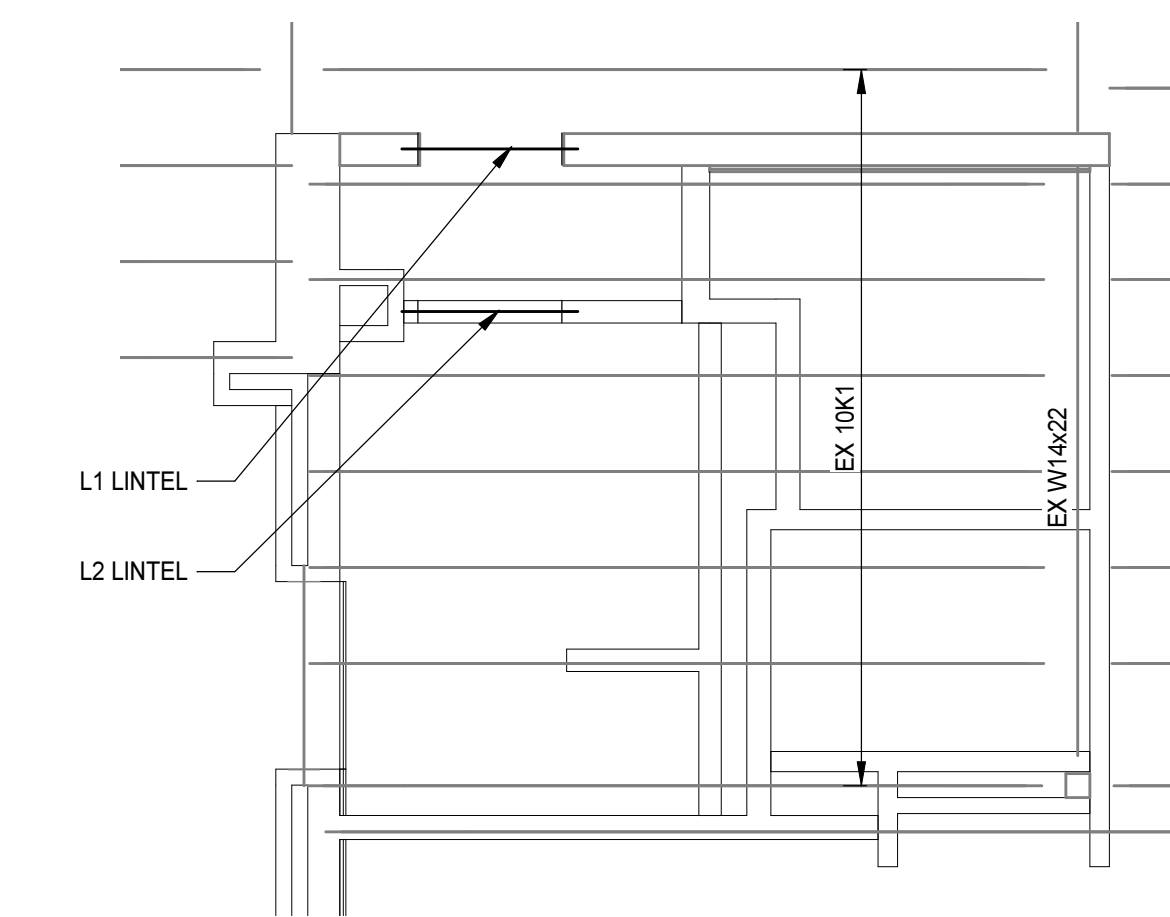


**3**  
S2.3  
1/4" = 1'-0"  
FOUNDATION PLAN - FS #3 DEMO PLAN

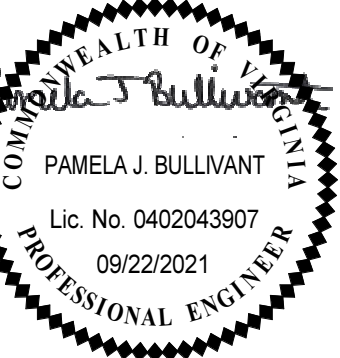


**4**  
S2.3  
1/4" = 1'-0"  
FOUNDATION PLAN - FS #3 SHOWER

- FOUNDATION PLAN NOTES:**
1. FINISHED FIRST FLOOR ELEVATION = 301.13' = REFERENCE DATUM EL (+0'-0"). ALL STRUCTURAL ELEVATIONS INDICATED ARE REFERENCED FROM THIS ELEVATION, UNO.
  2. REFER TO DRAWINGS S0.0.1 FOR GENERAL NOTES, PLAN LEGEND, AND STRUCTURAL ABBREVIATIONS.
  3. REFER TO DRAWINGS S3.0.1 FOR TYPICAL FOUNDATION DETAILS AND SCHEDULES.
  4. FLOOR CONSTRUCTION SHALL BE 5" NORMAL WEIGHT CONCRETE SLAB ON GRADE REINFORCED WITH 6x6-W2.9xW2.9 WWF (AT 1" FROM TOP OF SLAB) OVER VAPOR BARRIER OVER 4" GRANULAR BASE COURSE, UNO.



**5**  
S2.3  
1/4" = 1'-0"  
FRAMING PLAN - FS #3 SHOWER



PROJECT NO:	563006
DATE:	SEPTEMBER 22, 2021
REVISIONS	
DATE	DESCRIPTION
12/15/21	ADDENDUM 1

J  
I  
H  
G  
F  
E  
D  
C  
B  
A

LAP SPICES SHALL BE IN ACCORDANCE WITH ACI 318 CHAPTER 25 AS INDICATED BELOW. TOP BAR LAPS (HORIZONTAL BARS WITH MORE THAN 12" OF CONCRETE CAST BELOW THE BAR) SHALL BE MODIFIED BY A MULTIPLICATION OF 1.3 TIMES THE LENGTHS LISTED IN THE TABLE BELOW. LENGTHS INDICATED IN INCHES.

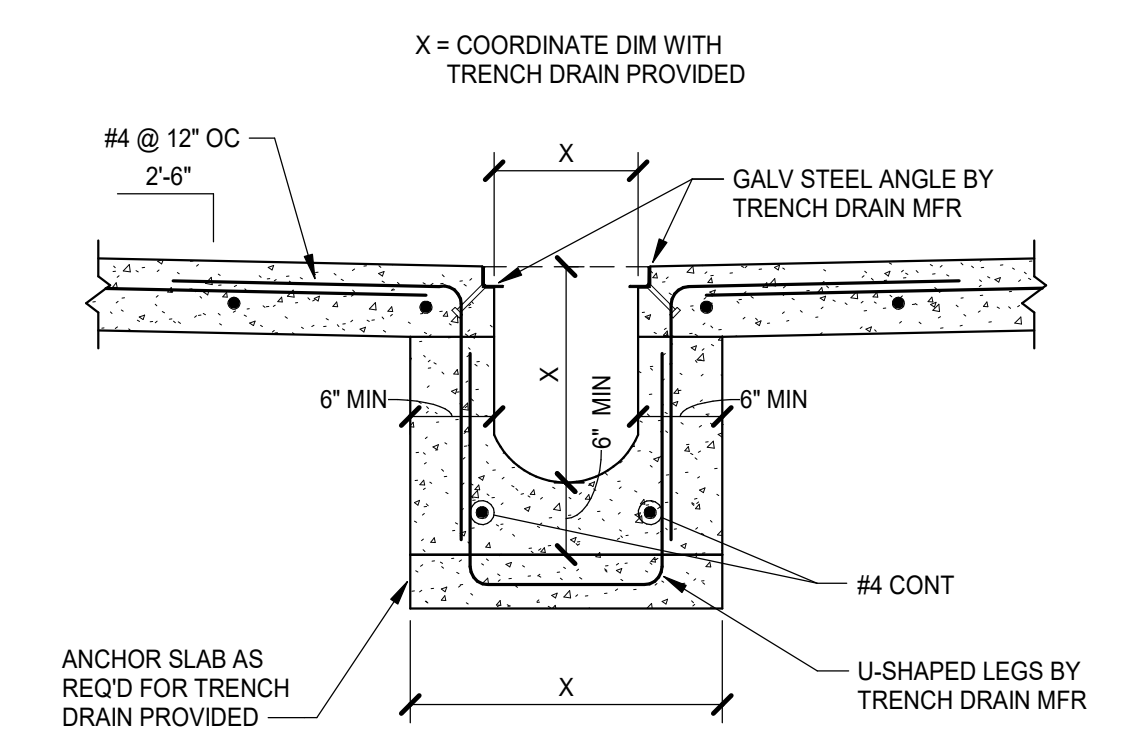
NORMAL-WEIGHT (145 PCF)

f <sub>c</sub> (psi)	LAP CLASS	#3	#4	#5	#6	#7	#8	#9
3000	A	16	22	27	33	48	55	62
	B	21	28	36	43	62	71	80
3500	A	15	20	25	30	44	51	57
	B	20	26	33	40	58	66	74
4000	A	14	19	24	28	42	47	53
	B	18	25	31	37	54	62	69
5000	A	13	17	21	25	37	42	48
	B	17	22	28	33	48	55	62

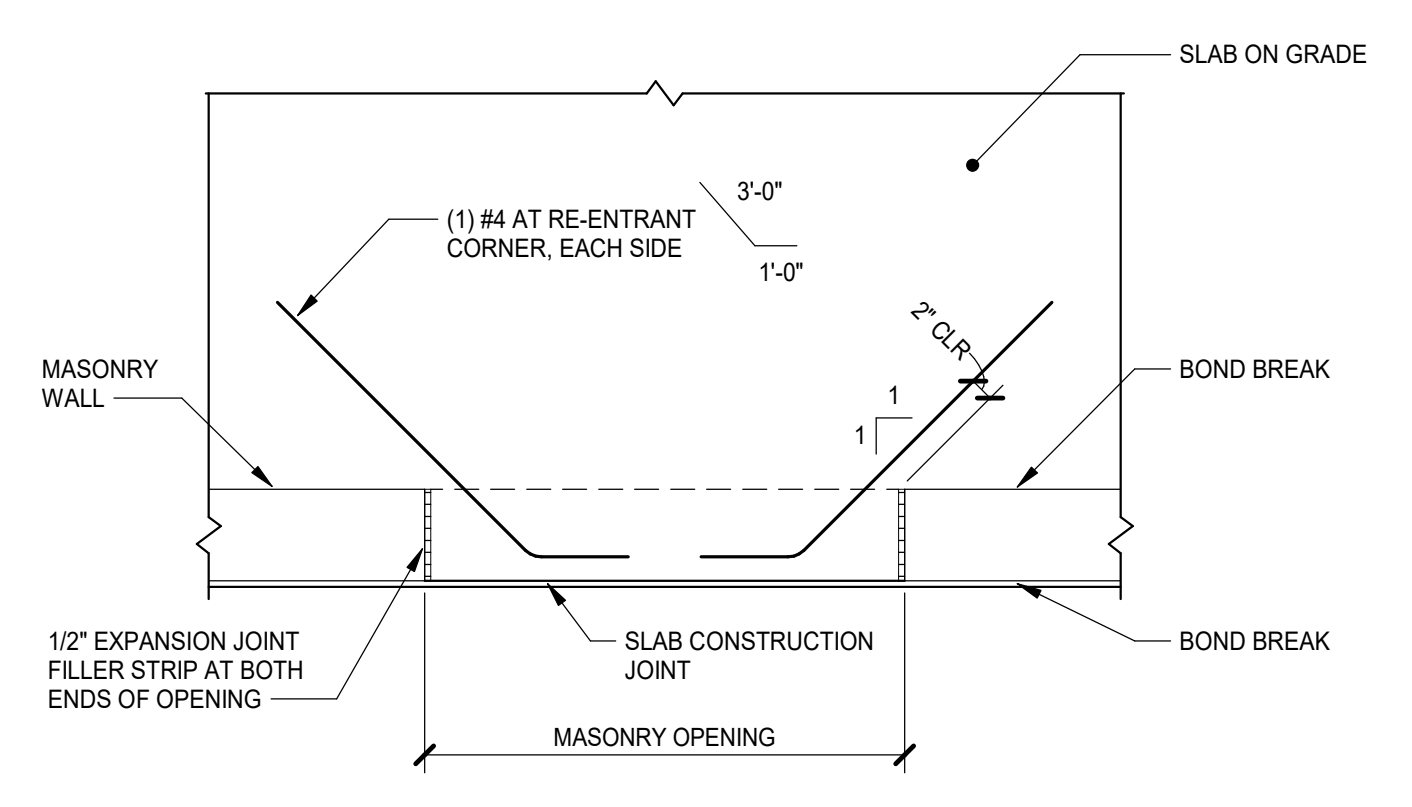
LIGHTWEIGHT (110 PCF)

f <sub>c</sub> (psi)	LAP CLASS	#3	#4	#5	#6	#7	#8	#9
3000	A	22	29	37	44	64	73	82
	B	28	38	47	57	83	95	107
3500	A	20	27	34	41	59	68	76
	B	26	35	44	53	77	88	99
4000	A	19	25	32	38	55	63	71
	B	25	33	41	49	72	82	92
5000	A	17	23	28	34	49	57	64
	B	22	29	37	44	64	74	83

ACI 318 LAP LENGTHS

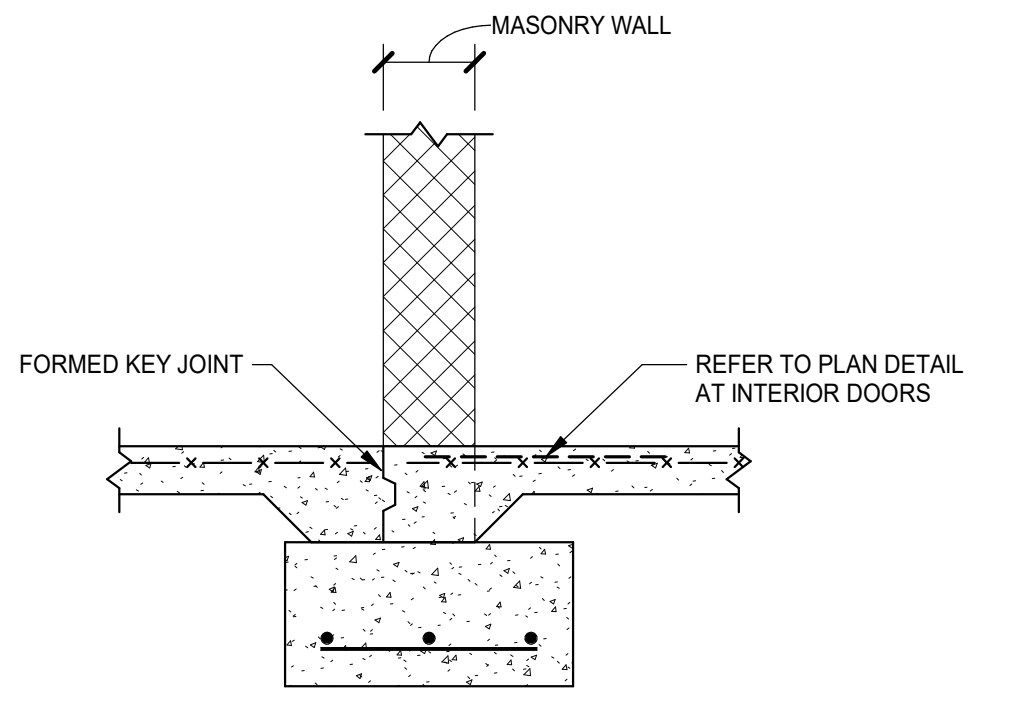


TRENCH DRAIN DETAIL  
NO SCALE

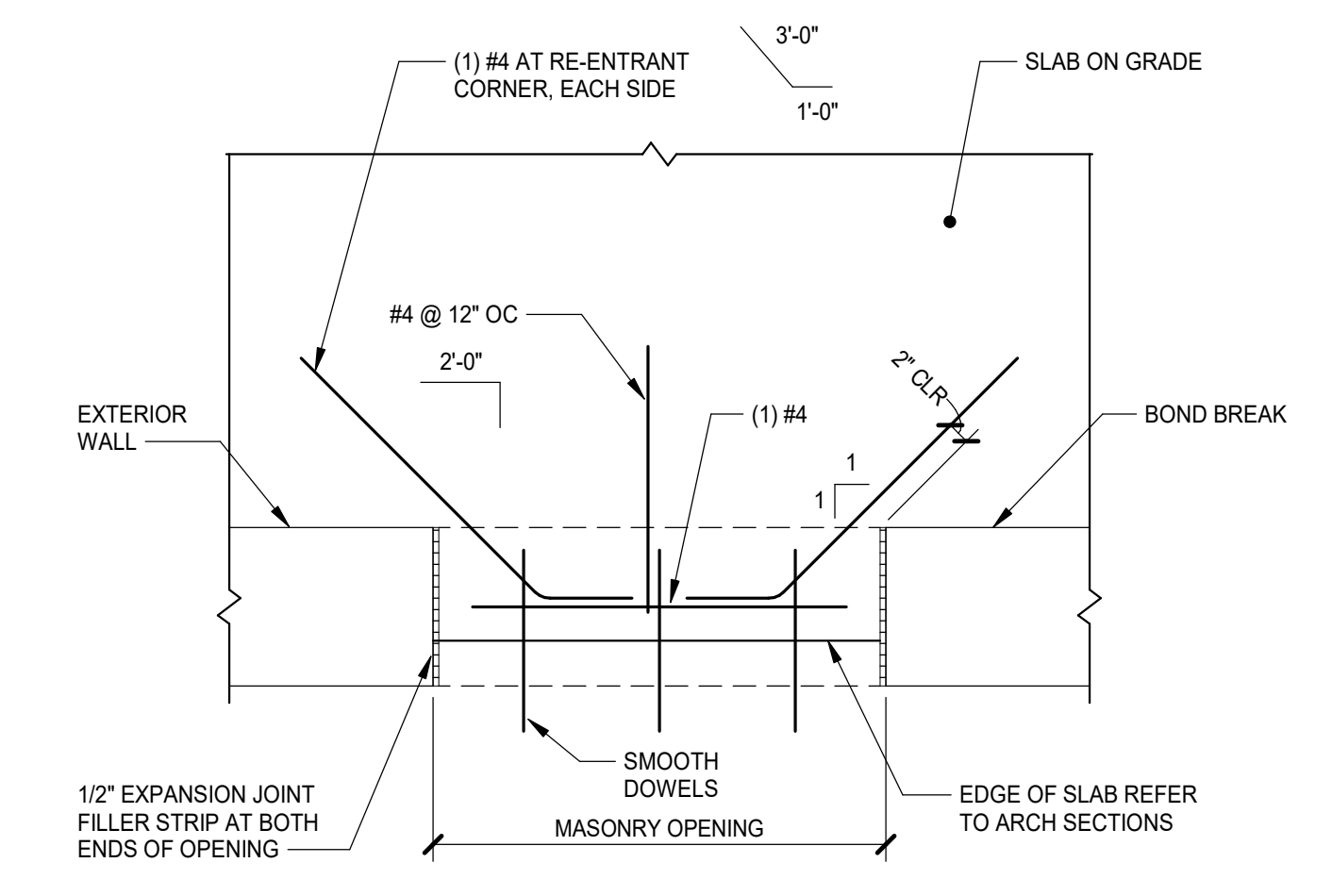


PLAN AT INTERIOR DOORS

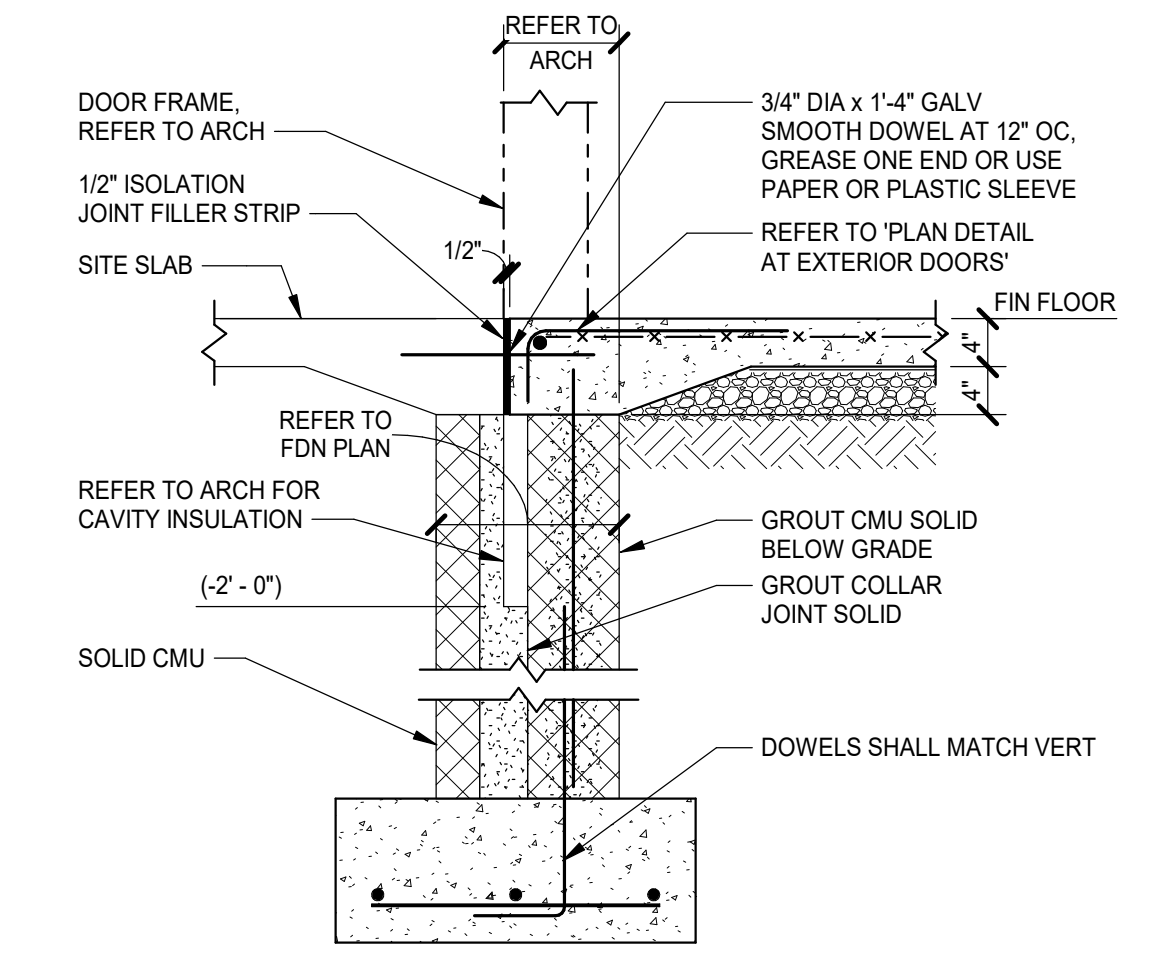
SLAB ON GRADE DETAILS AT DOORS  
NO SCALE



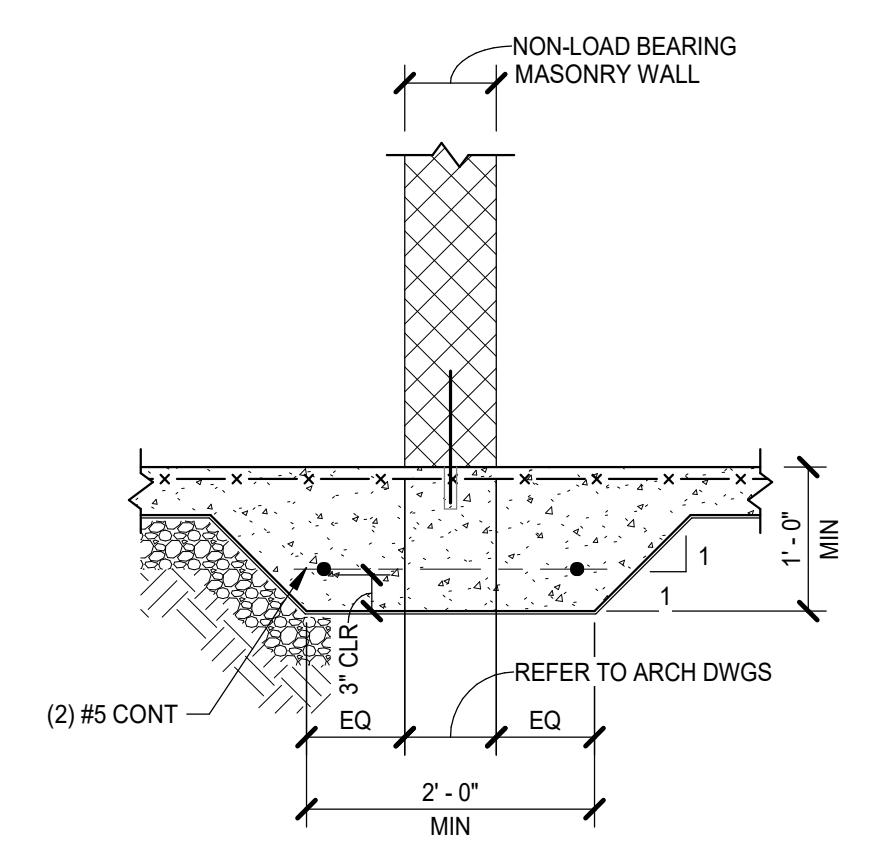
SECTION AT INTERIOR DOORS



PLAN AT EXTERIOR DOORS

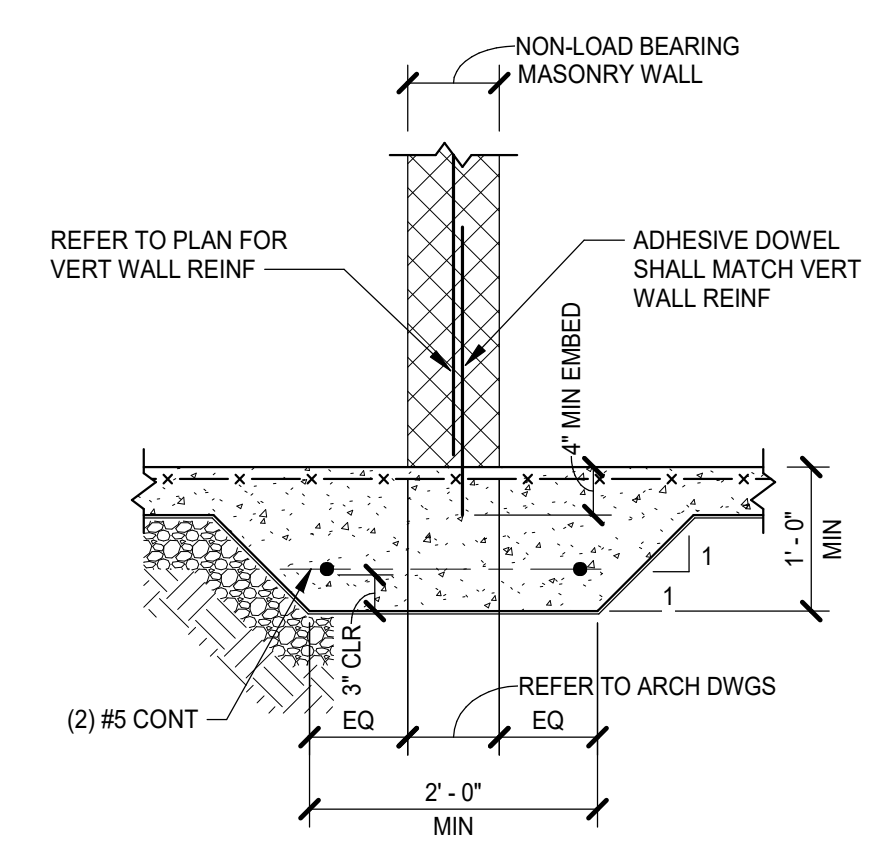


SECTION AT EXTERIOR DOORS

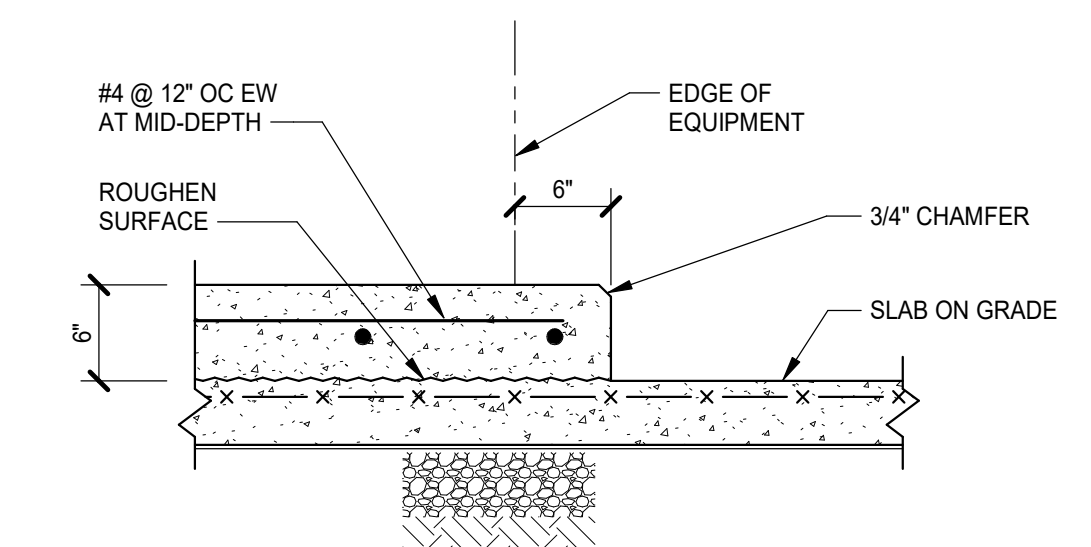


UNREINFORCED WALLS

THICKENED SLAB ON GRADE DETAILS  
NO SCALE

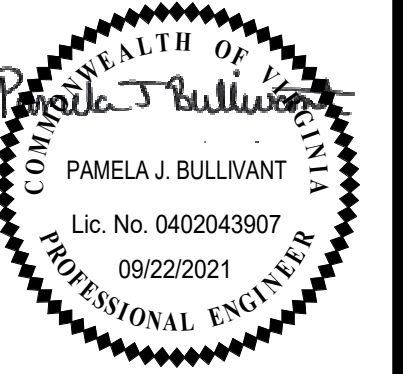


NON-LOAD BEARING REINFORCED WALLS



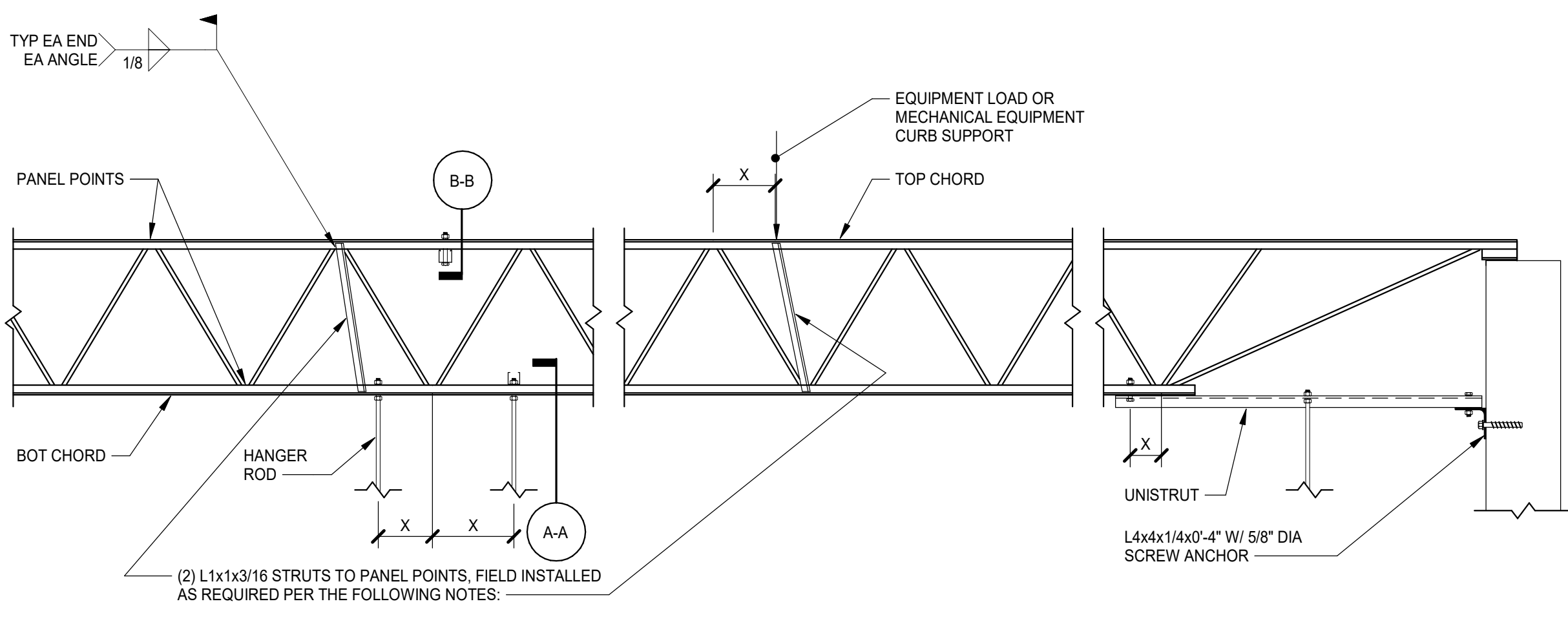
HOUSEKEEPING PAD

EQUIPMENT PAD DETAILS  
NO SCALE



PROJECT NO:	563006
DATE:	SEPTEMBER 22, 2021
REVISIONS	
DATE	DESCRIPTION



**K-SERIES JOISTS:**

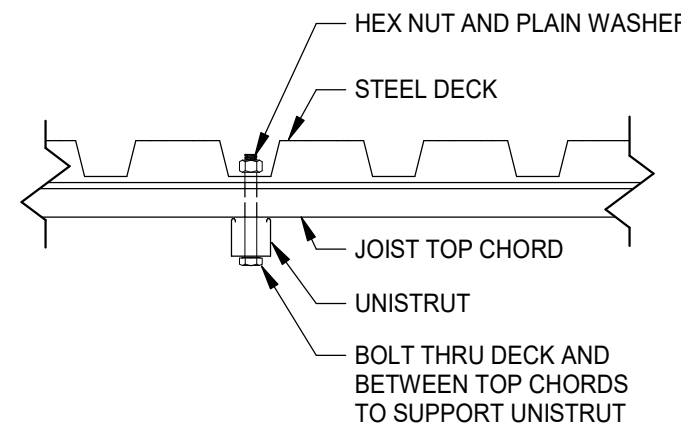
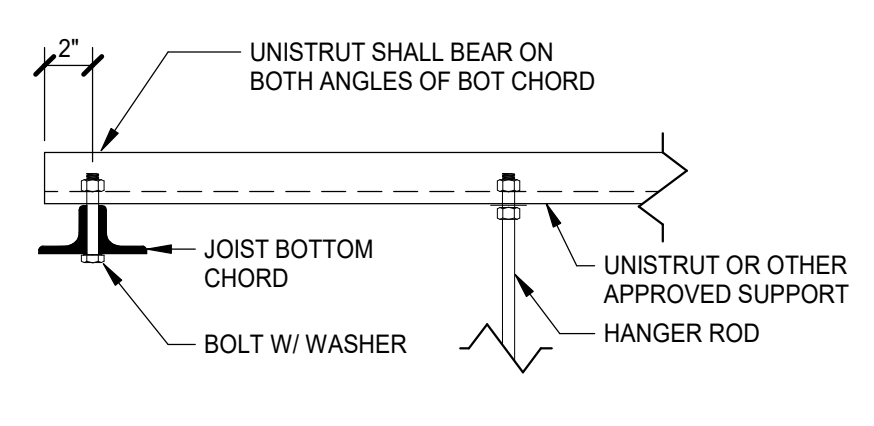
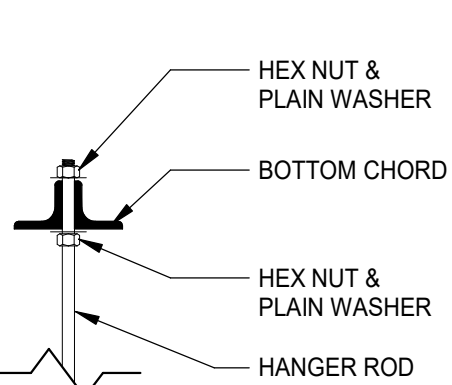
- WHERE UTILITIES RUN PARALLEL TO JOISTS, INDIVIDUAL HANGERS SHALL BE SPACED SUCH THAT HANGER LOAD (IF DIRECTLY BELOW JOIST), OR UNISTRUT REACTION (IF PIPE IS BETWEEN JOISTS) DOES NOT EXCEED 200 LBS.
- WHERE UTILITIES RUN PERPENDICULAR TO JOISTS, INDIVIDUAL HANGERS SHALL BE SPACED SUCH THAT HANGER LOAD DOES NOT EXCEED 200 LBS.
- IF INDIVIDUAL HANGER LOAD EXCEEDS 200 LBS ON ANY JOIST, AND DIMENSION 'X' EXCEEDS 6", STRUTS SHALL BE INSTALLED AS INDICATED ABOVE.
- WHERE MULTIPLE HANGERS ARE LOCATED BETWEEN PANEL POINTS, THE CUMULATIVE LOAD SHALL NOT EXCEED 200 LBS.

**KCS AND LH-SERIES JOISTS:**

- WHERE UTILITIES RUN PARALLEL TO JOISTS, INDIVIDUAL HANGERS SHALL BE SPACED SUCH THAT HANGER LOAD (IF DIRECTLY BELOW JOIST), OR UNISTRUT REACTION (IF PIPE IS BETWEEN JOISTS) DOES NOT EXCEED 500 LBS.
- WHERE UTILITIES RUN PERPENDICULAR TO JOISTS, INDIVIDUAL HANGERS SHALL BE SPACED SUCH THAT HANGER LOAD DOES NOT EXCEED 500 LBS, OR HANGER SHALL BE LOCATED AT EA JOIST.
- IF INDIVIDUAL HANGER LOAD EXCEEDS 500 LBS ON ANY JOIST, AND DIMENSION 'X' EXCEEDS 6", STRUTS SHALL BE INSTALLED AS INDICATED ABOVE.
- WHERE MULTIPLE HANGERS ARE LOCATED BETWEEN PANEL POINTS, THE CUMULATIVE LOAD SHALL NOT EXCEED 500 LBS.

**GENERAL:**

- C-CLAMPS SHALL NOT BE USED WHERE HANGER LOAD EXCEEDS 50 LBS.
- REFER TO DRAWING S0.0.1 FOR STEEL JOIST NOTES.

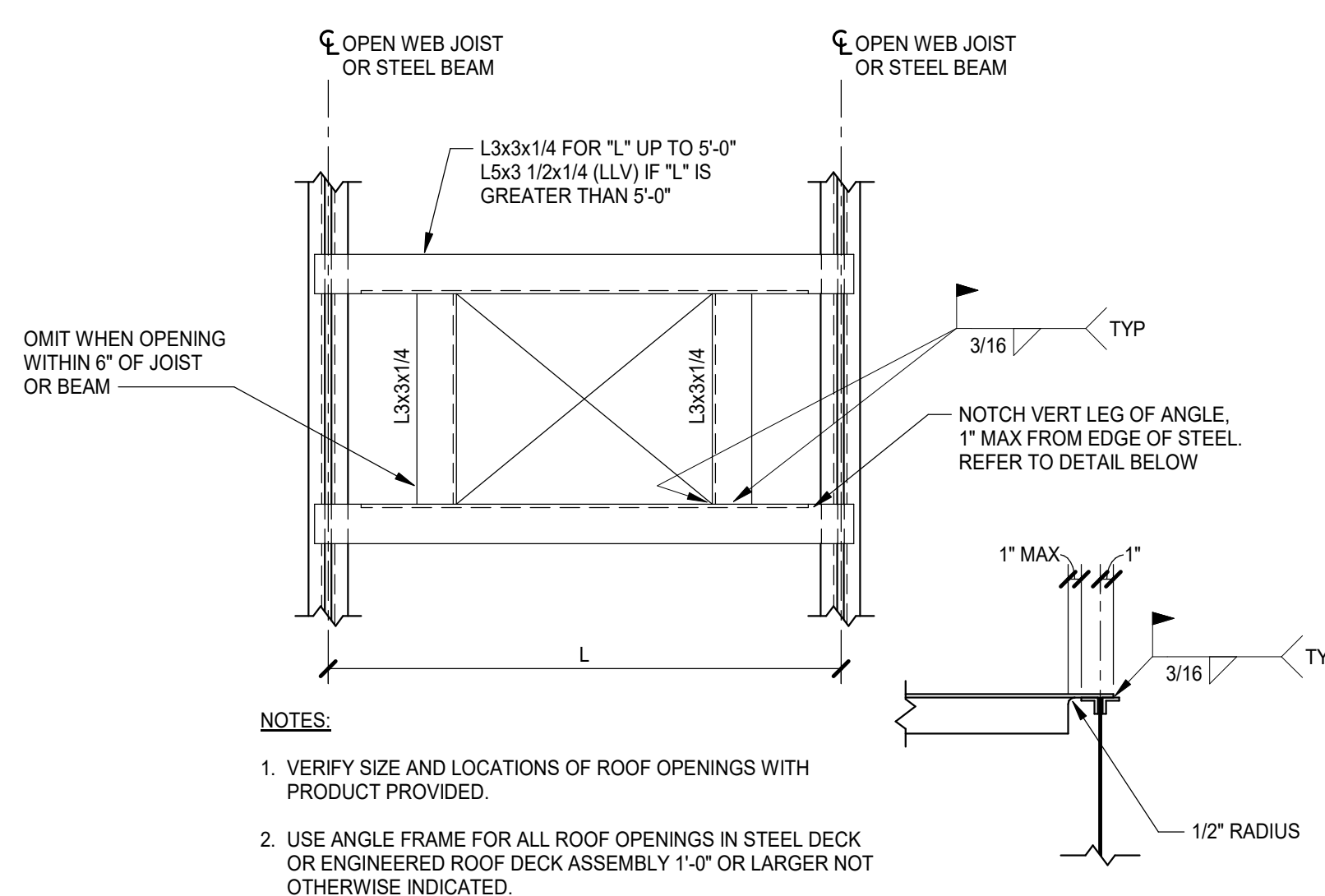


**SECTION A-A**

**SECTION B-B**

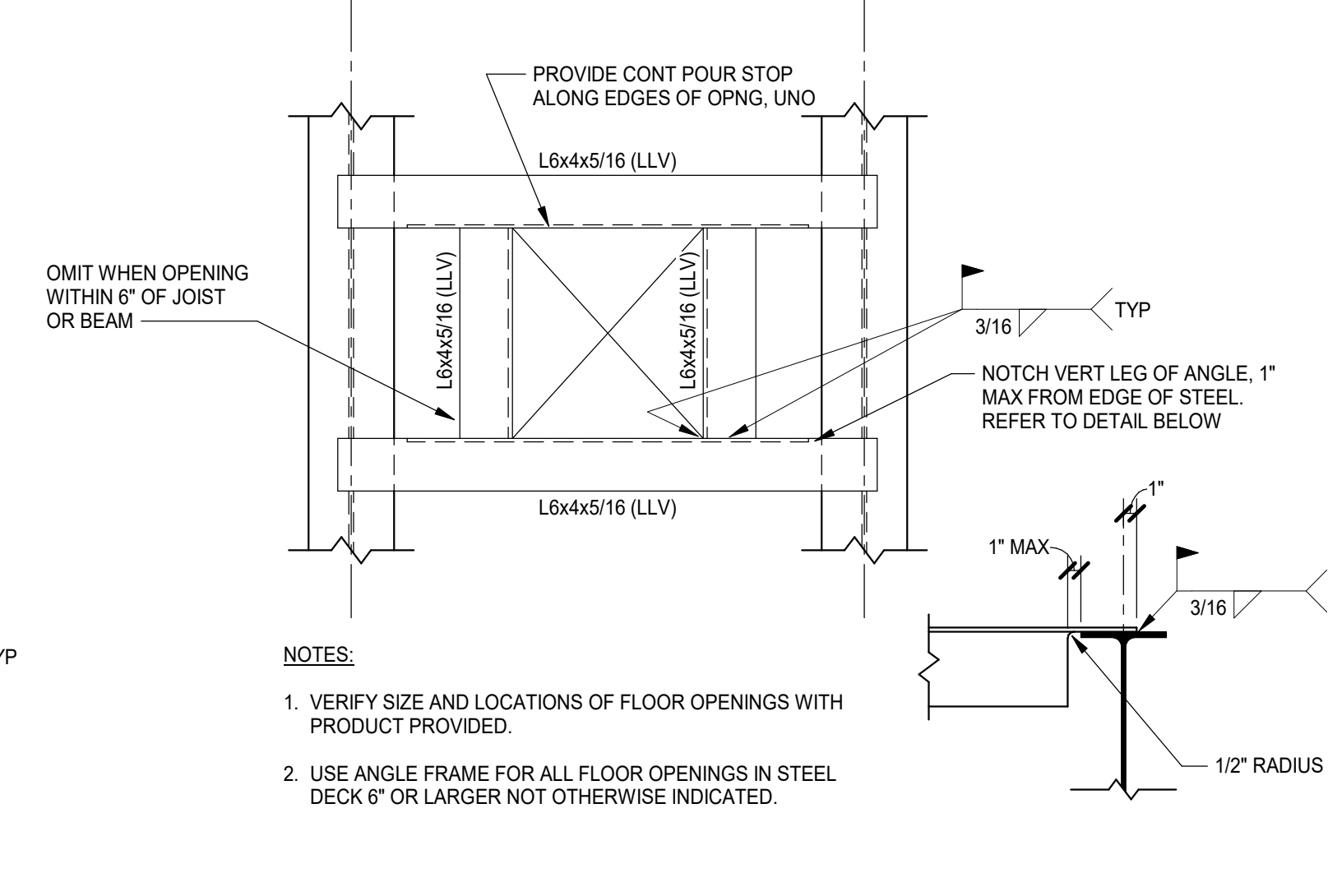
**TYPICAL CONCENTRATED LOAD ON STEEL JOIST**

**NOTE:**  
THE GENERAL CONTRACTOR SHALL COORDINATE THESE REQUIREMENTS FOR HANGER SPACING AND JOIST REINFORCING STRUTS WITH MECHANICAL, PLUMBING, AND FIRE PROTECTION TRADES IN ORDER TO ENSURE THAT THESE REQUIREMENTS ARE ACCOUNTED FOR IN THE BID PRICE AND IMPLEMENTED IN THE FIELD. THE GENERAL CONTRACTOR SHALL BE RESPONSIBLE FOR THE PROPER INSTALLATION OF THE REINFORCING STRUTS IN ALL CASES WHERE THE HANGER LOAD EXCEEDS THE MAXIMUM. IF HANGER LOCATIONS ARE COORDINATED TO COMPLY WITH THE MAXIMUM HANGER LOADS INDICATED IN THIS DETAIL, THE NUMBER OF JOIST REINFORCING STRUTS WILL BE MINIMIZED.



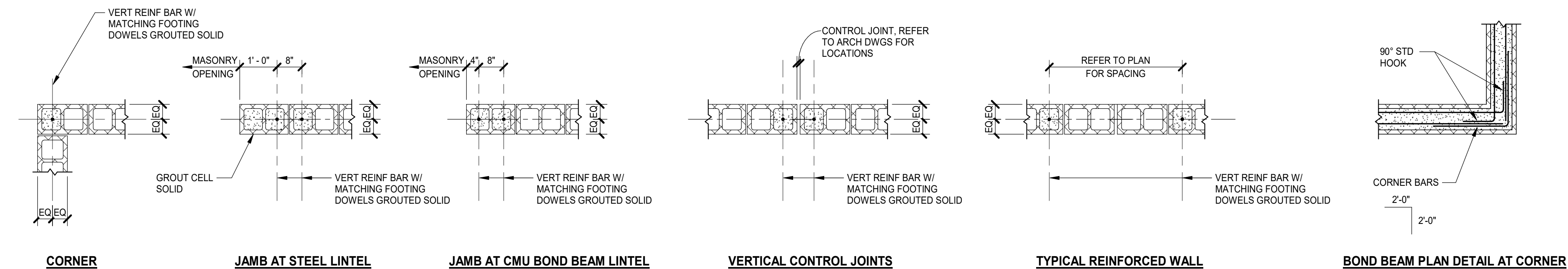
**ROOF OPENING SUPPORT DETAIL**

NO SCALE



**FLOOR OPENING SUPPORT DETAIL**

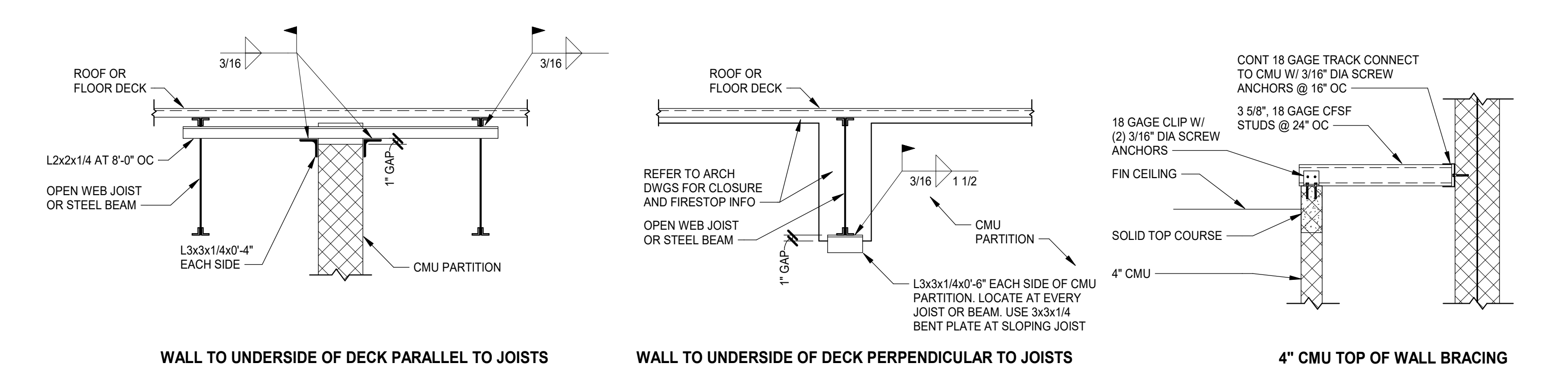
NO SCALE



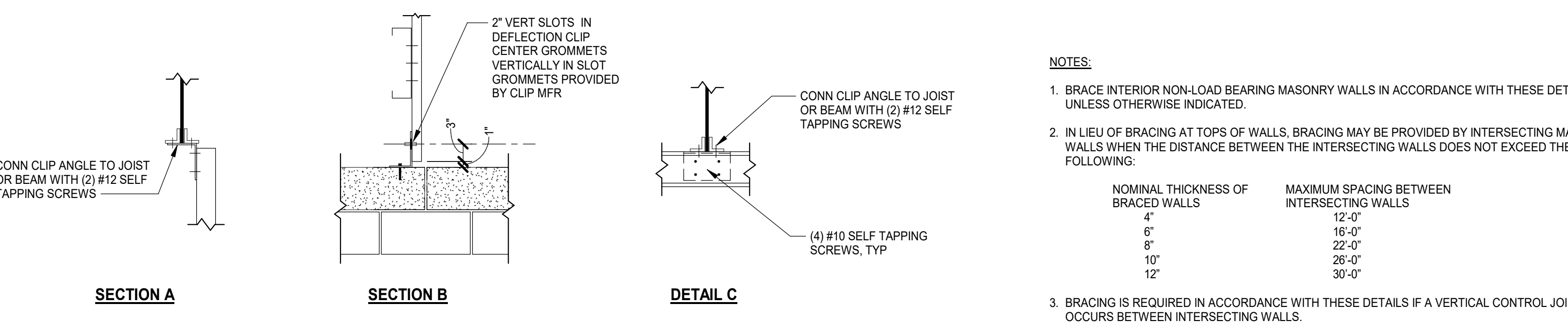
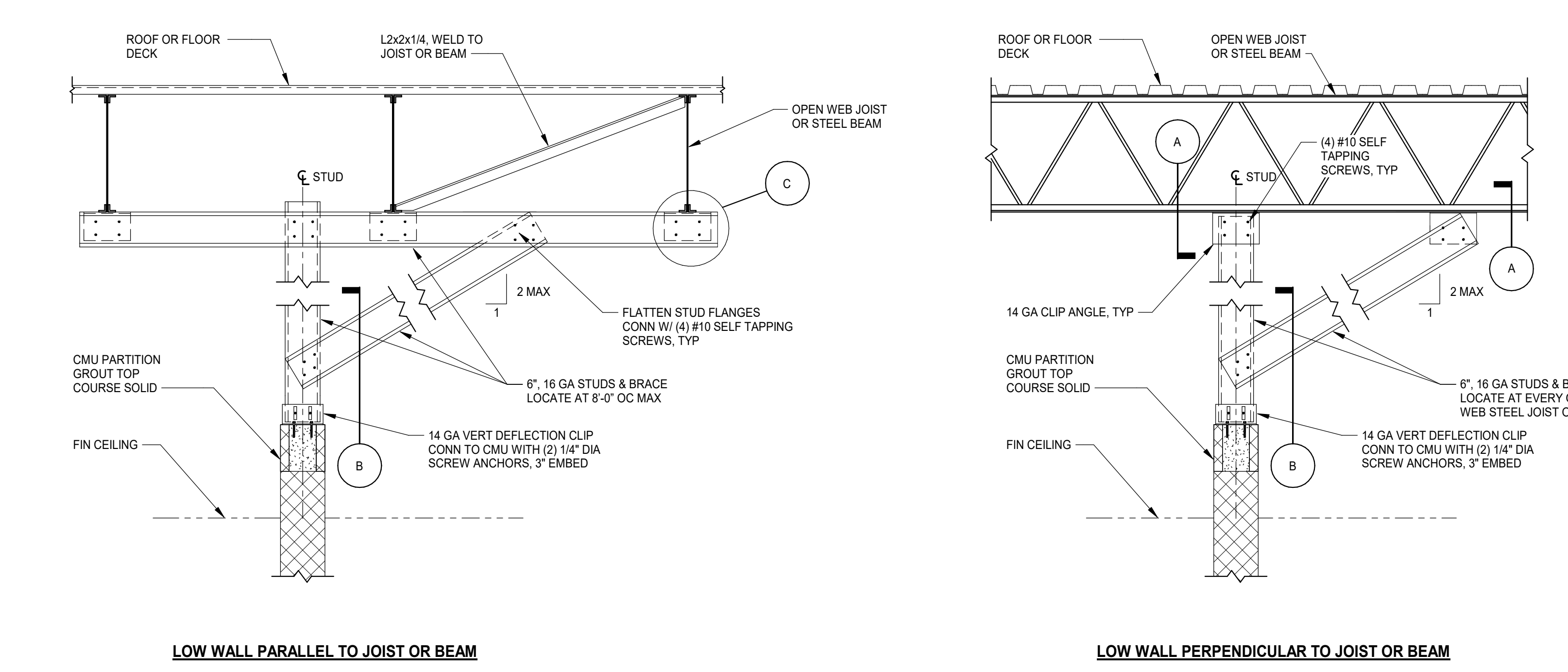
**CMU WALL REINFORCING DETAILS**

NO SCALE

LINTEL SCHEDULE					NOTES										
MARK	DIAGRAM	BOND BEAM (W x H)	REINFORCING	STEEL											
L1	JL			(2) L4x3 1/2x5/16 (LLV)	<p><b>LINTEL NOTES</b></p> <p>1. LINTELS FOR ARCHITECTURAL OPENINGS (WINDOWS, DOORS, LOUVERS) IN BEARING WALLS AND EXTERIOR WALLS ARE IDENTIFIED BY MARK NUMBER ON THE FRAMING PLANS AND INCLUDED IN THE LINTEL SCHEDULE.</p> <p>2. LINTELS FOR ARCHITECTURAL OPENINGS IN NONLOAD BEARING WALLS AND OTHER WALLS WHICH ARE NOT INDICATED ON THE FRAMING PLANS SHALL BE CONSTRUCTED PER NOTES A, B OR C BELOW.</p> <p><b>A. STEEL ANGLE LINTELS</b></p> <p>PROVIDE ONE ANGLE FOR EACH NOMINAL 4" OF WALL THICKNESS PER THE FOLLOWING SCHEDULE:</p> <table border="1"> <tr> <th>MASONRY OPENING</th> <th>ANGLE SIZE</th> </tr> <tr> <td>UP TO 5'-0"</td> <td>L3 1/2x3 1/2x 5/16</td> </tr> <tr> <td>5'-1" TO 6'-0"</td> <td>L4x3 1/2x 5/16 (LLV)</td> </tr> <tr> <td>6'-1" TO 7'-0"</td> <td>L5x3 1/2x 3/8 (LLV)</td> </tr> <tr> <td>OVER 7'-0"</td> <td>AS DETAILED</td> </tr> </table> <p>FOR OPENINGS ON 10" CMU, HORIZONTAL LEGS OF ANGLES SHALL BE A COMBINATION OF 6" AND 4".</p> <p>FOR OPENINGS IN 6" CMU REQUIRING STEEL LINTELS, USE W7x11 UP TO 7'-0" OPENING.</p> <p><b>B. REINFORCED BOND BEAM LINTELS</b></p> <p>LINTELS SHALL MATCH THICKNESS OF WALL. REINFORCE 8", 10" AND 12" BOND BEAM WITH (2) #5 BARS AT BOTTOM. REINFORCE 6" BOND BEAM WITH (1) #5 BAR AT BOTTOM. BOND BEAM SHALL BE 6" DEEP FOR OPENING WIDTH UP TO 5'-0", AND SHALL BEAR 8" ON SOLID MASONRY EACH END. BOND BEAM SHALL BE 16" DEEP FOR OPENING WIDTH UP TO 8'-0" AND SHALL BEAR 16" ON SOLID MASONRY EACH END WITH REINFORCING TOP AND BOTTOM. PLACE GROUT MONOLITHICALLY IN BOTH COURSES OF 16" DEEP BOND BEAM.</p> <p><b>C. PRECAST CONCRETE LINTELS</b></p> <p>PRECAST CONCRETE LINTELS SHALL BE 3 5/8" x 7 5/8" FOR EACH NOMINAL 4" THICKNESS OF WALL. REINFORCING SHALL BE (1) #4 TOP AND BOTTOM WITH 1 1/2" COVER. FOR OPENINGS IN 6" CMU, LINTEL SHALL BE 5 5/8" x 7 5/8", REINFORCED WITH (1) #5 TOP AND BOTTOM. MASONRY OPENING WIDTH SHALL BE 6'-0" OR LESS. DO NOT USE PRECAST CONCRETE LINTELS IN EXPOSED LOCATIONS.</p> <p>3. LINTELS FOR MECHANICAL DUCTWORK PENETRATIONS NOT OTHERWISE DETAILED SHALL BE ONE OF THE ABOVE (NOTE 2A, 2B OR 2C).</p> <p>4. LINTELS SHALL BEAR 8" ONTO SOLID OR GROUT FILLED MASONRY, UNLESS OTHERWISE INDICATED.</p> <p>5. LINTELS ARE REQUIRED OVER ALL MASONRY OPENINGS GREATER THAN 6" IN WIDTH.</p> <p>6. LINTELS ARE NOT REQUIRED ABOVE HOLLOW METAL FRAMES IN OPENINGS 3'-4" OR LESS IN 6" NON-BEARING MASONRY PARTITIONS. GROUT HEAD OF FRAMES SOLID BEFORE PLACING MASONRY.</p> <p>7. ALL LINTELS IN EXTERIOR WALLS SHALL BE GALVANIZED.</p>	MASONRY OPENING	ANGLE SIZE	UP TO 5'-0"	L3 1/2x3 1/2x 5/16	5'-1" TO 6'-0"	L4x3 1/2x 5/16 (LLV)	6'-1" TO 7'-0"	L5x3 1/2x 3/8 (LLV)	OVER 7'-0"	AS DETAILED
MASONRY OPENING	ANGLE SIZE														
UP TO 5'-0"	L3 1/2x3 1/2x 5/16														
5'-1" TO 6'-0"	L4x3 1/2x 5/16 (LLV)														
6'-1" TO 7'-0"	L5x3 1/2x 3/8 (LLV)														
OVER 7'-0"	AS DETAILED														
L2	[Diagram]	6 x 8	(1) #5												
L3	[Diagram]	8 x 8	(2) #5												



**WALL TO UNDERSIDE OF DECK PARALLEL TO JOISTS**      **WALL TO UNDERSIDE OF DECK PERPENDICULAR TO JOISTS**      **4" CMU TOP OF WALL BRACING**



**SECTION A**      **SECTION B**      **DETAIL C**

**BRACING DETAILS FOR NON-LOAD BEARING INTERIOR MASONRY PARTITIONS**

NO SCALE

**NOTES:**

- BRACE INTERIOR NON-LOAD BEARING MASONRY WALLS IN ACCORDANCE WITH THESE DETAILS UNLESS OTHERWISE INDICATED.
- IN LIEU OF BRACING AT TOPS OF WALLS, BRACING MAY BE PROVIDED BY INTERSECTING MASONRY WALLS WHEN THE DISTANCE BETWEEN THE INTERSECTING WALLS DOES NOT EXCEED THE FOLLOWING:

NOMINAL THICKNESS OF BRACED WALLS	MAXIMUM SPACING BETWEEN INTERSECTING WALLS
6"	16'-0"
8"	22'-0"
10"	28'-0"
12"	30'-0"

- BRACING IS REQUIRED IN ACCORDANCE WITH THESE DETAILS IF A VERTICAL CONTROL JOINT OCCURS BETWEEN INTERSECTING WALLS.
- REFER TO ARCHITECTURAL DRAWINGS FOR INTERIOR PARTITION TYPES AND LOCATIONS.
- INSTALL BRACING AFTER ALL ROOF DEAD LOAD IS IN PLACE.



PROJECT NO:	563006
DATE:	SEPTEMBER 22, 2021
REVISIONS:	
DATE:	DESCRIPTION:

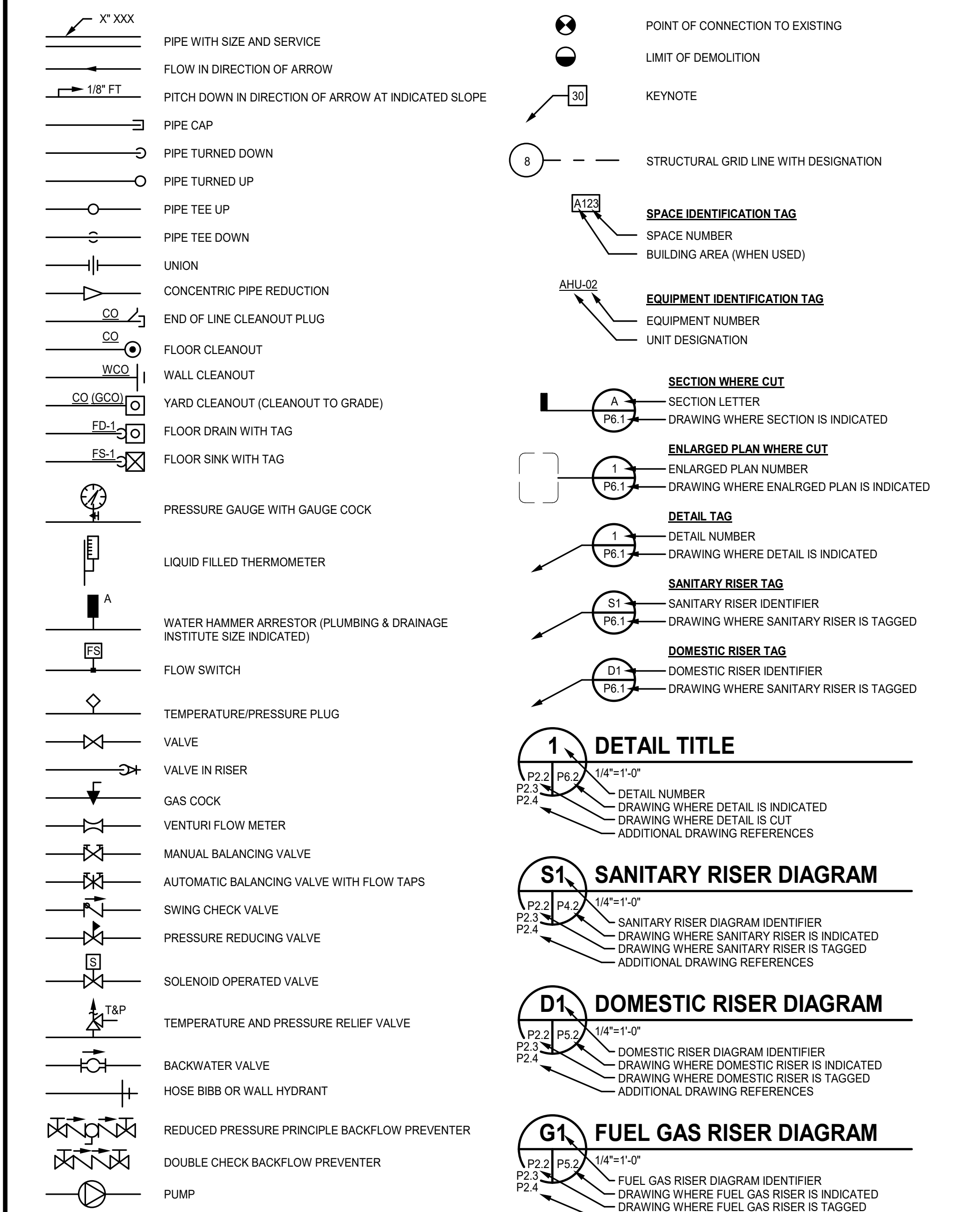


J  
H  
G  
F  
E  
D  
C  
B  
A

ABBREVIATIONS

Table with 3 columns: Abbreviation, Description, Abbreviation, Description, Abbreviation, Description. Includes terms like AT (AIR ADMITTANCE VALVE), ETR (EXISTING TO REMAIN), ODF (OWNER FURNISHED CONTRACTOR INSTALLED), etc.

GRAPHICS SYMBOLS LEGEND



DRAIN AND CLEANOUT SCHEDULE

Table with columns: TAG, BASIS OF DESIGN (MANUFACTURER, MODEL), STRAINER/GRATE, NOTES. Lists items like FD-1, FD-2, SD-1.

DRAIN AND CLEANOUT SCHEDULE

- 1. PROVIDE TRAP SEAL PROTECTON DEVICE, REFER TO DETAIL.

PLUMBING FIXTURE SCHEDULE

Table with columns: TAG, FIXTURE, HEIGHT A.F.F., PIPE SIZE (COLD WATER, TEPID WATER, HOT WATER, VENT, SOIL WASTE), NOTES. Lists items like LA-1, SH-1, WC-1.

PLUMBING FIXTURE SCHEDULE

- 1. THIS ACCESSIBLE FIXTURE, ACCESSORIES, AND INSTALLATION SHALL CONFORM TO THE CURRENT ADA STANDARDS FOR ACCESSIBLE DESIGN.
- 2. LOCATE FLUSH ACTUATORS ON WIDE SIDE OF STALLS OR APPROACH AREAS.
- 3. PROVIDE ASSE 1070 CERTIFIED MIXING VALVE IN STAINLESS STEEL WALL CABINET, ABOVE CEILING, OR BELOW FIXTURE.

GENERAL NOTES

- A. THE CONTRACT DOCUMENTS ARE COMPLEMENTARY AND WHAT IS REQUIRED BY ONE SHALL BE AS BINDING AS IF REQUIRED BY ALL. IN THE CASE OF A CONFLICT, DISAGREEMENT, OR AMBIGUITY, PROVIDE THE BETTER QUALITY. IN THE CASE OF A CONFLICT, DISAGREEMENT, OR AMBIGUITY, PROVIDE THE GREATER QUANTITY OF WORK.
- B. COORDINATE PIPING LOCATIONS AND INSTALLATION WITH EACH TRADE TO AVOID CONFLICTS WITH OTHER TRADES.
- C. PROVIDE FLOOR CLEANOUTS INDICATED FLUSH WITH FLOOR FINISHES.
- D. PROVIDE CLEANOUTS WHERE INDICATED AND ADDITIONAL CLEANOUTS AS REQUIRED BY LOCAL CODE.
- E. REFER TO DRAWINGS FROM EACH DISCIPLINE BEFORE ROUGHING-IN PLUMBING FIXTURES.
- F. OBTAIN DIMENSIONS AND ROUTING IN FIELD BEFORE INSTALLATION OF PLUMBING AND FIXTURES.
- G. PROVIDE ISOLATION VALVES IN ACCORDANCE WITH DIAGRAMS, DETAILS, AND DIVISION 22 SPECIFICATIONS.

MOSELEY ARCHITECTS

3200 NORFOLK STREET, RICHMOND, VA 23230  
PHONE (804) 784-7550 FAX (804) 355-5690  
MOSELEYARCHITECTS.COM



KELLY DAY RENOVATIONS FS 3  
563006  
4100 Old Dominion Dr, Arlington, VA 22207  
Owner: Arlington County

Table with columns: PROJECT NO., DATE, REVISIONS. PROJECT NO: 563006, DATE: SEPTEMBER 22, 2021.

Table with columns: DATE, DESCRIPTION. Includes a row for 'LEGENDS, ABBREVIATIONS AND GENERAL NOTES - FS3'.

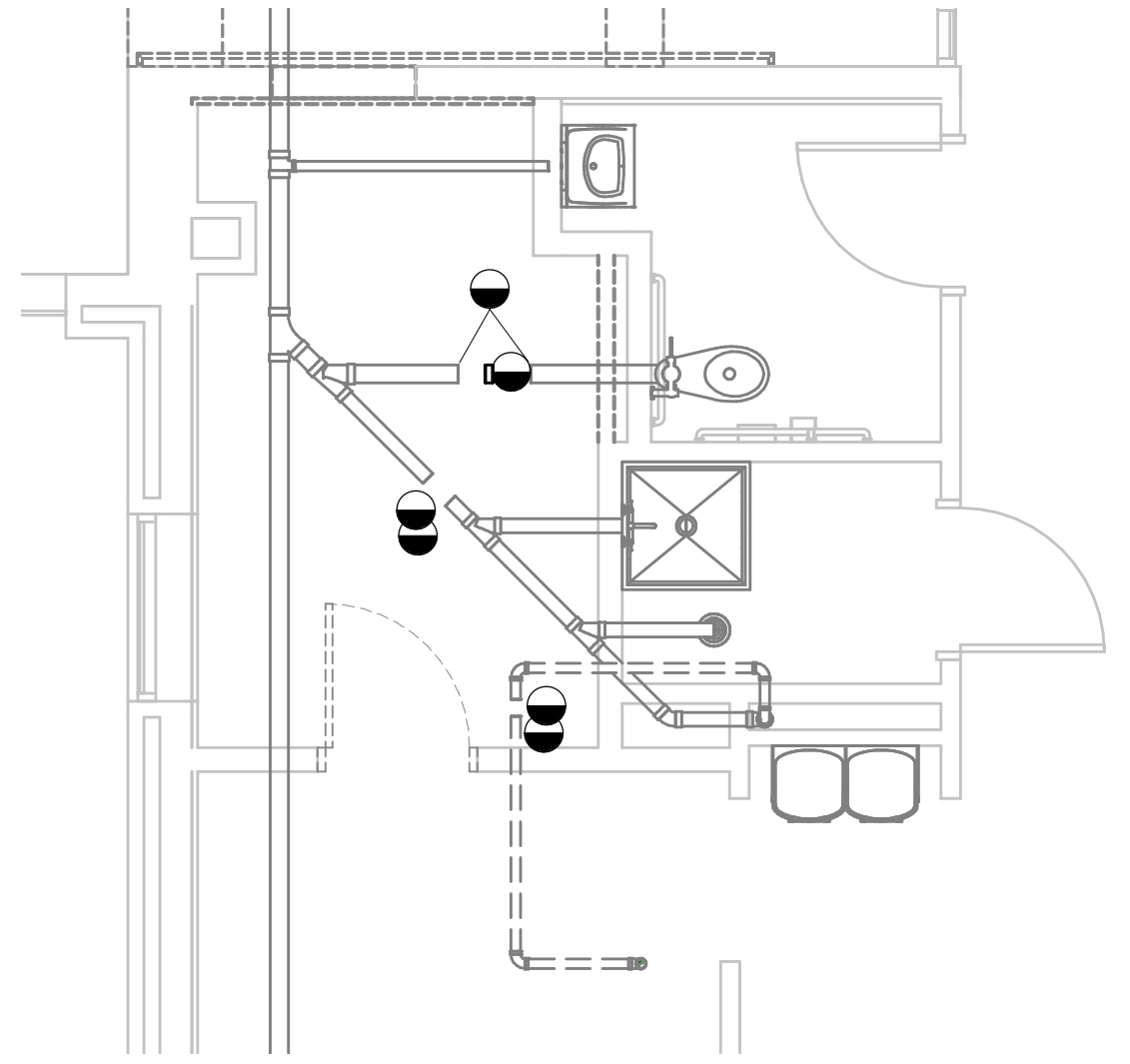


J  
I  
H  
G  
F  
E  
D  
C  
B  
A

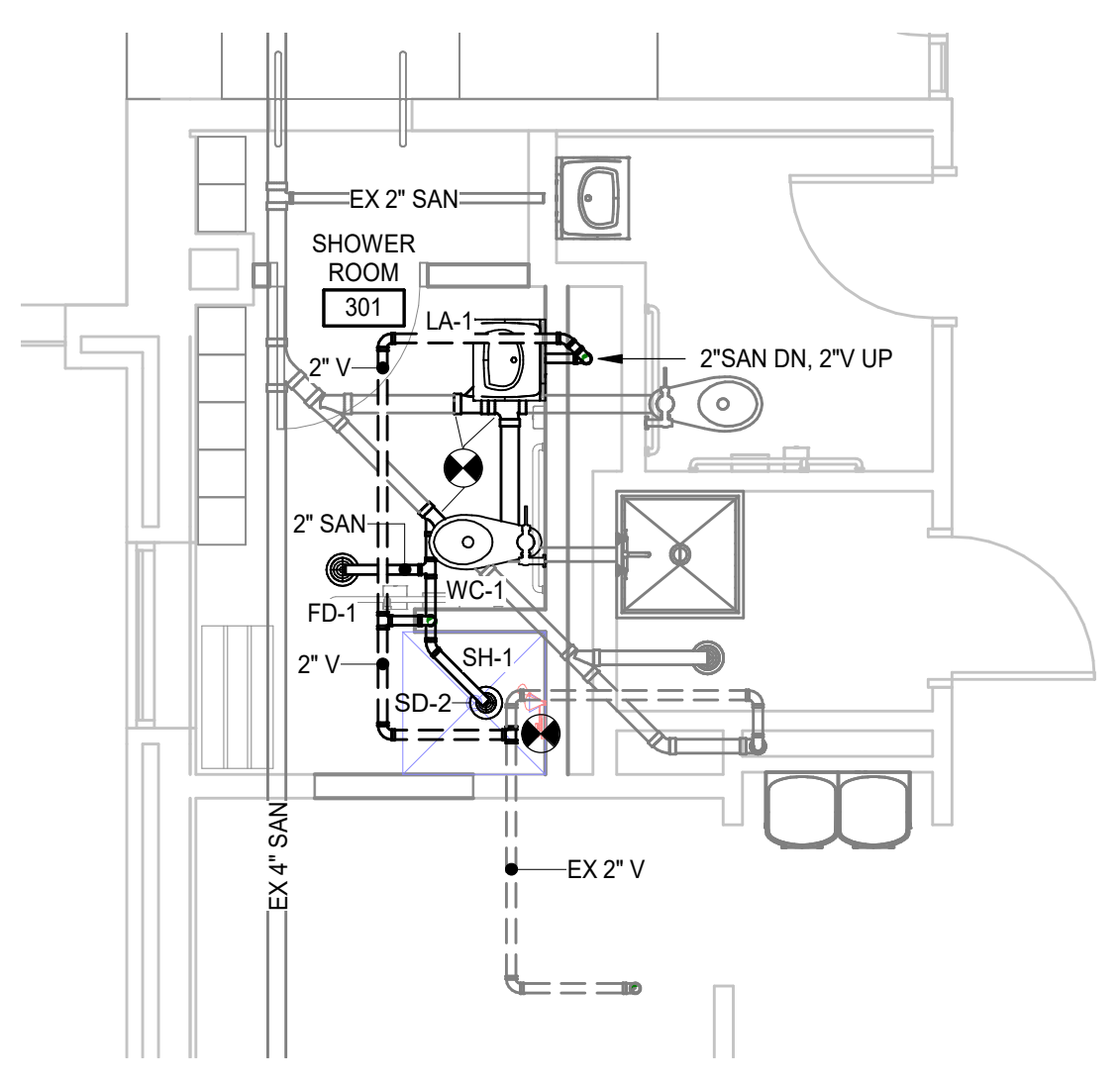
1 2 3 4 5 6 7 8 9 10

PLUMBING DEMOLITION KEYNOTES	
APPLIES TO THIS DRAWING REPRESENTED BY [Symbol]	
1.	REMOVE EXISTING PLUMBING FIXTURE, VALVES, AND ALL ASSOCIATED TRIM MATERIALS. REMOVE WASTE PIPING, VENT AND DOMESTIC WATER PIPING BACK TO SYSTEM BRANCH MAINS IN THE WALL, CEILING AND FLOOR AND CAP PIPING.
2.	REMOVE AND PREPARE TO RELOCATE EXISTING COMPRESSOR AND ALL ASSOCIATED TRIM MATERIALS. REMOVE PIPING BACK TO CEILING SPACE AND PREPARE FOR CONNECTION OF RELOCATED COMPRESSOR.

PLUMBING KEYNOTES	
APPLIES TO THIS DRAWING REPRESENTED BY [Symbol]	
1.	CONNECT PIPING AND ALL ASSOCIATED TRIM MATERIALS FROM RELOCATED COMPRESSOR. CONNECT COMPRESSOR SUPPLY AIR PIPING TO EXISTING PIPING LOCATION.



**FIRST FLOOR PLAN - DEMOLITION - FS#3**  
1/4" = 1'-0"



**FIRST FLOOR PLAN - PLUMBING - FS#3**  
1/4" = 1'-0"

**MOSELEYARCHITECTS**

5200 NORFOLK STREET, RICHMOND, VA 23230  
PHONE (804) 784-7557 FAX (804) 355-5690  
MOSELEYARCHITECTS.COM



**KELLY DAY RENOVATIONS FS 3**

563006  
4100 Old Dominion Dr, Arlington, VA 22207  
Owner: Arlington County

PROJECT NO:	563006
DATE:	SEPTEMBER 22, 2021
REVISIONS	
DATE	DESCRIPTION

DATE	DESCRIPTION

FLOOR PLAN - FS3



GRILLE, REGISTER, & DIFFUSER SCHEDULE							
TAG	MANUFACTURER	MODEL NUMBER	MOUNTING STYLE	NECK SIZE	FACE SIZE	MAX NC LEVEL	NOTES
S1	PRICE	ASDA	SURFACE	6e	24x24	30	
S2	PRICE	ASDA	LAY-IN	8e	24x24	30	
S3	PRICE	SDIE	DUCT MOUNTED	-	12x6	30	
E1	PRICE	630-F-L	SURFACE	6x6	12x12	30	
T1	PRICE	630-F-L	SURFACE	10x10	12x12	30	

EQUIPMENT IDENTIFICATION	
AHU	AIR-HANDLING UNIT
AS	AIR SEPARATOR
B	BOILER
BCU	BLOWER COIL UNIT
OCC	CLOSED-CIRCUIT COOLING TOWER
CH	CHILLER
CHWP	CHILLED WATER PUMP
CRAC	COMPUTER ROOM AIR CONDITIONER
CT	COOLING TOWER
CUH	CABINET UNIT HEATER
CWP	CONDENSER WATER PUMP
ECH	ELECTRIC CEILING HEATER
ERU	ENERGY RECOVERY UNIT
ERV	ENERGY RECOVERY VENTILATOR
ET	EXPANSION TANK
EUH	ELECTRIC UNIT HEATER
EWL	ELECTRIC WALL HEATER
FCU	FAN COIL UNIT
HP	HEAT PUMP
HWP	HOT WATER PUMP
HX	HEAT EXCHANGER
MAU	MAKEUP AIR UNIT
OAU	OUTDOOR AIR UNIT
P	PUMP
PTAC	PACKAGED TERMINAL AIR CONDITIONER
PTHP	PACKAGED TERMINAL HEAT PUMP
RTU	ROOFTOP UNIT
SSI	SPLIT-SYSTEM INDOOR UNIT
SSO	SPLIT-SYSTEM OUTDOOR UNIT
TU	TERMINAL UNIT
UH	UNIT HEATER
WSHP	WATER-SOURCE HEAT PUMP

CONTROLS ABBREVIATIONS	
AF	AIRFLOW
AI	ANALOG INPUT TO CONTROLLER
ALM	ALARM
AMS	AIRFLOW MEASURING STATION
AO	ANALOG OUTPUT FROM CONTROLLER
ATS	AVERAGING TEMPERATURE SENSOR
BAS	BUILDING AUTOMATION SYSTEM
BI	BINARY INPUT TO CONTROLLER
BO	BINARY OUTPUT FROM CONTROLLER
CO2	CARBON DIOXIDE SENSOR
CSR	CURRENT-SENSING RELAY
DM	DAMPER MOTOR
DP	DIFFERENTIAL PRESSURE
DPT	DIFFERENTIAL PRESSURE TRANSMITTER
FM	FLOW METER
FZ	FREEZESTAT
HS	HUMIDITY SENSOR
POS	POSITION RELAY
R	RELAY
SD	SMOKE DETECTOR
SPD	SPEED
SS	START/STOP
STS	STATUS
TS	TEMPERATURE SENSOR
VFD	VARIABLE-FREQUENCY DRIVE

ABBREVIATIONS	
A	AMPERE(S)
AD	ACCESS DOOR
AF	ABOVE FINISHED FLOOR
ALT	ALTERNATE
APD	AIR PRESSURE DROP
BHP	BRAKE HORSEPOWER
BTUH	BRITISH THERMAL UNITS PER HOUR
CFM	CUBIC FEET PER MINUTE
CHWR	CHILLED WATER RETURN
CHWS	CHILLED WATER SUPPLY
CLG	COOLING
COM	COMMON
CWR	CONDENSER WATER RETURN
CWS	CONDENSER WATER SUPPLY
D	DRAIN
DB	DRY BULB TEMPERATURE
dBA	A-WEIGHTED DECIBELS
DCW	DOMESTIC COLD WATER
DIA	DIAMETER
DN	DOWN
DWG	DRAWING
EA	EXHAUST AIR
EAT	ENTERING AIR TEMPERATURE
EER	ENERGY EFFICIENCY RATIO
EQUAL	EQUAL
ESP	EXTERNAL STATIC PRESSURE
EWT	ENTERING WATER TEMPERATURE
EX	EXISTING
F	DEGREES FAHRENHEIT
FC	FAIL CLOSED
FD	FIRE DAMPER
FLA	FULL LOAD AMPS
FO	FAIL OPEN
FRM	FEET PER MINUTE
FT	FOOT, FEET
GA	GAUGE
GAL	GALLON(S)
GPH	GALLONS PER HOUR
GPM	GALLONS PER MINUTE
HP	HORSEPOWER
HPWR	HEAT PUMP WATER RETURN
HPWS	HEAT PUMP WATER SUPPLY
HTG	HEATING
HWR	HOT WATER RETURN
HWS	HOT WATER SUPPLY
HX	HEAT EXCHANGER
HZ	HERTZ
IN	INCH
PLV	INTEGRATED PART-LOAD VALUE
KW	KILOWATT(S)
LAT	LEAVING AIR TEMPERATURE
LBS	POUNDS
LWT	LEAVING WATER TEMPERATURE
MAX	MAXIMUM
MBH	ONE THOUSAND BTUH
MCA	MINIMUM CIRCUIT AMPACITY
MFR	MANUFACTURER
MIN	MINIMUM
MOCP	MAXIMUM OVERCURRENT PROTECTION
MOD	MOTOR-OPERATED DAMPER
NC	NORMALLY CLOSED (FOR PLANS, DETAILS)
NC	NOISE CRITERIA (FOR SCHEDULES)
NIC	NOT IN CONTRACT
NO	NORMALLY OPEN
OA	OUTSIDE AIR
OC	ON CENTER
OFCl	OWNER FURNISHED CONTRACTOR INSTALLED
PH	PHASE
PSIG	POUNDS PER SQUARE INCH GAUGE
RA	RETURN AIR
RD	REFRIGERANT DISCHARGE
RH	RELATIVE HUMIDITY
RL	REFRIGERANT LIQUID
RPM	REVOLUTIONS PER MINUTE
RS	REFRIGERANT SUCTION
SA	SUPPLY AIR
SEER	SEASONAL ENERGY EFFICIENCY RATIO
TD	TRANSFER DUCT
TYP	TYPICAL
UNO	UNLESS NOTED (INDICATED) OTHERWISE
V	VOLTAGE, VOLTS
VD	VOLUME DAMPER
VFD	VARIABLE-FREQUENCY DRIVE
W	WATT(S)
W	WITH
W/O	WITHOUT
WB	WET BULB TEMPERATURE
WC	WATER COLUMN
WC	WATER COLUMN
WPD	WATER PRESSURE DROP
WWM	WELDED WIRE MESH

CONTROL SYSTEM SYMBOLS	
	CIRCULATOR OR PUMP
	MOTORIZED 2-WAY VALVE
	MOTORIZED 3-WAY VALVE
	VARIABLE FREQUENCY DRIVE
	DIRECT DIGITAL CONTROLLER
	THERMOSTAT
	FREEZESTAT
	CONTACTOR
	RELAY
	SPACE TEMPERATURE SENSOR
	LINE VOLTAGE THERMOSTAT
	HAND-OFF-AUTOMATIC SWITCH
	DUCT-MOUNTED SMOKE DETECTOR
	TRANSFORMER
	FUSE
	NORMALLY OPEN CONTACT
	NORMALLY CLOSED CONTACT
	WIRING OR DEVICE PROVIDED UNDER DIVISION 23
	WIRING OR DEVICE NOT PROVIDED UNDER DIVISION 23
	WIRING CONNECTION BY DIVISION 23
	WIRING CONNECTION BY OTHERS
	NUMBER OF CONDUCTORS INDICATED BY SLASH MARKS
	MOTORIZED PARALLEL BLADE DAMPER
	MOTORIZED OPPOSED BLADE DAMPER
	MOTORIZED BUTTERFLY BLADE DAMPER
	SUPPLY, RETURN, OR EXHAUST FAN
	AIRFLOW DIRECTION
	CONTROL POINT INDICATOR
	INPUT OR OUTPUT (ANALOG INPUT)
	DEVICE TYPE (AIR TEMPERATURE SENSOR)
	CONTROL POINT INDICATOR
	INPUT OR OUTPUT (ANALOG INPUT)
	DEVICE TYPE (WATER TEMPERATURE SENSOR WITH WET BULB TYPE ELEMENT IN PIPING WELL)
	CONTROL POINT INDICATOR
	INPUT OR OUTPUT (ANALOG INPUT)
	DEVICE TYPE (CURRENT SENSING RELAY)

GRAPHICS SYMBOLS LEGEND	
	SPACE IDENTIFICATION TAG
	EQUIPMENT IDENTIFICATION TAG
	DIFFUSER, GRILLE OR REGISTER TAG
	DETAIL TAG
	KEYNOTE
	STRUCTURAL GRID LINE WITH DESIGNATION
	EXISTING TO BE REMOVED
	DETAIL TITLE
	SECTION TITLE
	SECTION CALLOUT
	ENLARGED PLAN CALLOUT
	MECHANICAL EQUIPMENT WITH REQUIRED SERVICE CLEARANCE INDICATED

DUCTWORK LEGEND	
	RECTANGULAR DUCT (FIRST DIMENSION REFERS TO SIDE VIEWED)
	ROUND DUCT SIZE
	FLAT OVAL DUCT SIZE
	DOUBLE WALL, EXPOSED DUCT
	FABRIC DUCT
	FLEXIBLE DUCTWORK
	FLEXIBLE CONNECTOR
	DUCT-MOUNTED SMOKE DETECTOR
	DUCT WITH DUCT LINER
	DUCT ACCESS DOOR
	DUCT WITH END CAP
	LINEAR SLOT DIFFUSER, LENGTH AS INDICATED
	LINEAR BAR GRILLE, LENGTH AS INDICATED
	SUPPLY DIFFUSER
	RETURN OR EXHAUST GRILLE
	SUPPLY DIFFUSER WITH DIRECTIONAL BLOW, SOLID HATCH INDICATES BLANK OFF PANEL
	POINT OF CONNECTION TO EXISTING
	LIMIT OF DEMOLITION
	SUPPLY AIRFLOW ARROW
	RETURN OR EXHAUST AIRFLOW ARROW
	MANUAL BALANCING DAMPER IN DUCT
	FIRE DAMPER IN DUCT
	SMOKE DAMPER IN DUCT
	COMBINATION FIRE/SMOKE DAMPER IN DUCT
	MOTORIZED DAMPER IN DUCT
	SMOKE CONTROL MANUAL BALANCING DAMPER IN DUCT
	SMOKE CONTROL MOTORIZED DAMPER IN DUCT
	SECURITY BARS IN DUCT
	DUCT WITH ACCESS PANEL
	SUPPLY/MAKEUP AIR DUCT SECTIONS
	RETURN AIR DUCT SECTIONS
	EXHAUST AIR DUCT SECTIONS
	SMOKE DETECTOR
	HUMIDITY SENSOR
	THERMOSTAT, LINE VOLTAGE
	THERMOSTAT, LOW VOLTAGE
	CARBON DIOXIDE SENSOR
	CARBON MONOXIDE SENSOR
	SENSOR WELL
	DOOR UNDERCUT
	DOOR LOUVER

PIPING LEGEND	
	PIPE CAP
	PIPE TURNED DOWN
	PIPE TURNED UP
	PIPE TEE UP
	PIPE TEE DOWN
	END OF LINE CLEANOUT PLUG
	CLEANOUT PLUG
	PRESSURE GAUGE WITH GAUGE COCK
	LIQUID FILLED THERMOMETER
	UNION
	STRAINER WITH BLOWDOWN VALVE AND 3/4" HOSE END CONNECTION
	FLEXIBLE PIPE CONNECTOR
	MANUAL AIR VENT
	VALVE
	VALVE IN RISER
	MANUAL BALANCING VALVE WITH FLOW TAPS
	AUTOMATIC BALANCING VALVE WITH FLOW TAPS
	SWING CHECK VALVE
	PRESSURE REDUCING VALVE
	TRIPLE DUTY VALVE
	GAS COCK
	PRESSURE-RELIEF VALVE
	TWO-WAY CONTROL VALVE
	THREE-WAY CONTROL VALVE
	DIRECTION OF FLOW
	CONCENTRIC REDUCER
	ECCENTRIC REDUCER

GENERAL NOTES	
A. THE CONTRACT DOCUMENTS ARE COMPLEMENTARY AND WHAT IS REQUIRED BY ONE SHALL BE AS BINDING AS IF REQUIRED BY ALL. IN THE CASE OF A CONFLICT, DISAGREEMENT, OR AMBIGUITY, PROVIDE THE BETTER QUALITY. IN THE CASE OF A CONFLICT, DISAGREEMENT, OR AMBIGUITY, PROVIDE THE GREATER QUANTITY OF WORK.	G. PROVIDE TRAPPED DRAIN PIPING FROM DRAIN PANS OF ALL COOLING COILS, FANS AND OTHER ACTIVE DRAINS EXPOSED TO SYSTEM AIRSTREAM. PROVIDE TRAP AT CONNECTION WITH WATER SEAL DEPTH ONE INCH GREATER THAN UNIT OPERATING PRESSURE. DIRECT DRAINS TO NEAREST FLOOR DRAIN, MOP SINK, OR OTHER LOCATION APPROVED BY THE ARCHITECT.
B. DRAWINGS ARE DIAGRAMMATIC AND INTENDED TO CONVEY SCOPE AND GENERAL ARRANGEMENT ONLY. DO NOT SCALE DRAWINGS. LOCATIONS OF ALL ITEMS INDICATED ON THE DRAWINGS OR CALLED FOR IN THE SPECIFICATIONS THAT ARE NOT DEFINITELY FIXED BY DIMENSIONS ARE APPROXIMATE. COORDINATE CONTRACT DOCUMENTS PROJECT REQUIREMENTS, WORK OF OTHERS, AND EQUIPMENT AND MATERIALS PURCHASED WITH FIELD DIMENSIONS, MANUFACTURERS REQUIREMENTS FOR INSTALLATION, OPERATION, AND MAINTENANCE. CONTRACTORS INTENDED MEANS AND METHODS OF INSTALLATION, AND CONTRACTORS FABRICATED ITEMS TO ENSURE A PROPER FIT AND INSTALLATION.	H. INSTALL PIPING, DUCTWORK, AND CONDUIT CONCEALED IN AREAS HAVING CEILINGS AND/OR FURRED SPACES UNLESS OTHERWISE INDICATED.
C. MAINTAIN MAXIMUM HEADROOM AND SPACE CONDITIONS AT ALL POINTS, WHERE HEADROOM AND SPACE CONDITIONS APPEAR INADEQUATE, NOTIFY THE ARCHITECTS PRIOR TO PROCEEDING WITH INSTALLATION. MAINTAIN A MINIMUM OF 7'-0" CLEARANCE ABOVE FINISHED FLOOR TO UNDERSIDE OF PIPES, DUCTS, CONDUITS, SUSPENDED EQUIPMENT, ETC., THROUGHOUT ACCESS ROUTES IN MECHANICAL ROOMS.	I. ALL EQUIPMENT, VALVES, DAMPERS, DAMPER AND VALVE OPERATORS SHALL BE PROVIDED WITH ADEQUATE ACCESS FOR SERVICING, MAINTENANCE, AND REPLACEMENT.
D. FIELD VERIFY AND COORDINATE ALL DUCT AND PIPING DIMENSIONS BEFORE FABRICATION. MAKE MODIFICATIONS IN THE LAYOUT AS NEEDED TO PREVENT CONFLICT WITH WORK OF OTHER TRADES OR FOR PROPER EXECUTION OF THE WORK.	J. SIZE ALL SPLIT-SYSTEM REFRIGERANT PIPING IN ACCORDANCE WITH THE MANUFACTURER'S INSTALLATION INSTRUCTIONS.
E. INSTALL ALL EQUIPMENT AND APPURTENANCES IN ACCORDANCE WITH MANUFACTURER'S RECOMMENDATIONS, CONTRACT DOCUMENTS, AND APPLICABLE CODES AND REGULATIONS.	K. DUCT DIMENSIONS MAY BE MODIFIED ONLY WITH PRIOR APPROVAL FROM ARCHITECT. DUCT DIMENSIONS ARE IN INCHES AND INSIDE CLEAR.
F. COORDINATE LOCATIONS AND SIZES OF ALL FLOOR, WALL, AND ROOF OPENINGS WITH ALL OTHER TRADES. COORDINATE ALL PIPING AND EQUIPMENT SUPPORTED FROM STRUCTURE WITH GENERAL CONSTRUCTION WORK.	L. FOR LOCATION OF REGISTERS, GRILLES, AND DIFFUSERS WITHIN CEILING GRID, REFER TO ARCHITECTURAL REFLECTED CEILING PLANS.
	M. ELEVATION INDICATED FOR RECTANGULAR DUCT, GRILLE AND LOUVER OPENINGS IS TO THE TOP OF ROUGH OPENING UNLESS OTHERWISE INDICATED. ELEVATION INDICATED FOR ROUND DUCTWORK AND PIPING IS TO CENTERLINE.
	N. BRANCH PIPING RUNOUTS TO TERMINAL UNITS SHALL BE 3/4" DIAMETER UNLESS INDICATED OTHERWISE.
	O. REFER TO STRUCTURAL DRAWINGS FOR DETAILS AND MAXIMUM SPACING REQUIREMENTS REGARDING HANGER ATTACHMENTS TO STEEL BAR JOISTS.

**MOSELEY ARCHITECTS**  
 5200 NORFOLK STREET, RICHMOND, VA 23230  
 PHONE (804) 794-7550 FAX (804) 355-5690  
 MOSELEYARCHITECTS.COM



**KELLY DAY RENOVATIONS FS 3**  
 563006  
 4100 Old Dominion Dr, Arlington, VA 22207  
 Owner: Arlington County

PROJECT NO: 563006	DATE: SEPTEMBER 22, 2021
REVISIONS	
DATE	DESCRIPTION

LEGENDS, ABBREVIATIONS, SCHEDULES, AND GENERAL NOTES

M0.1

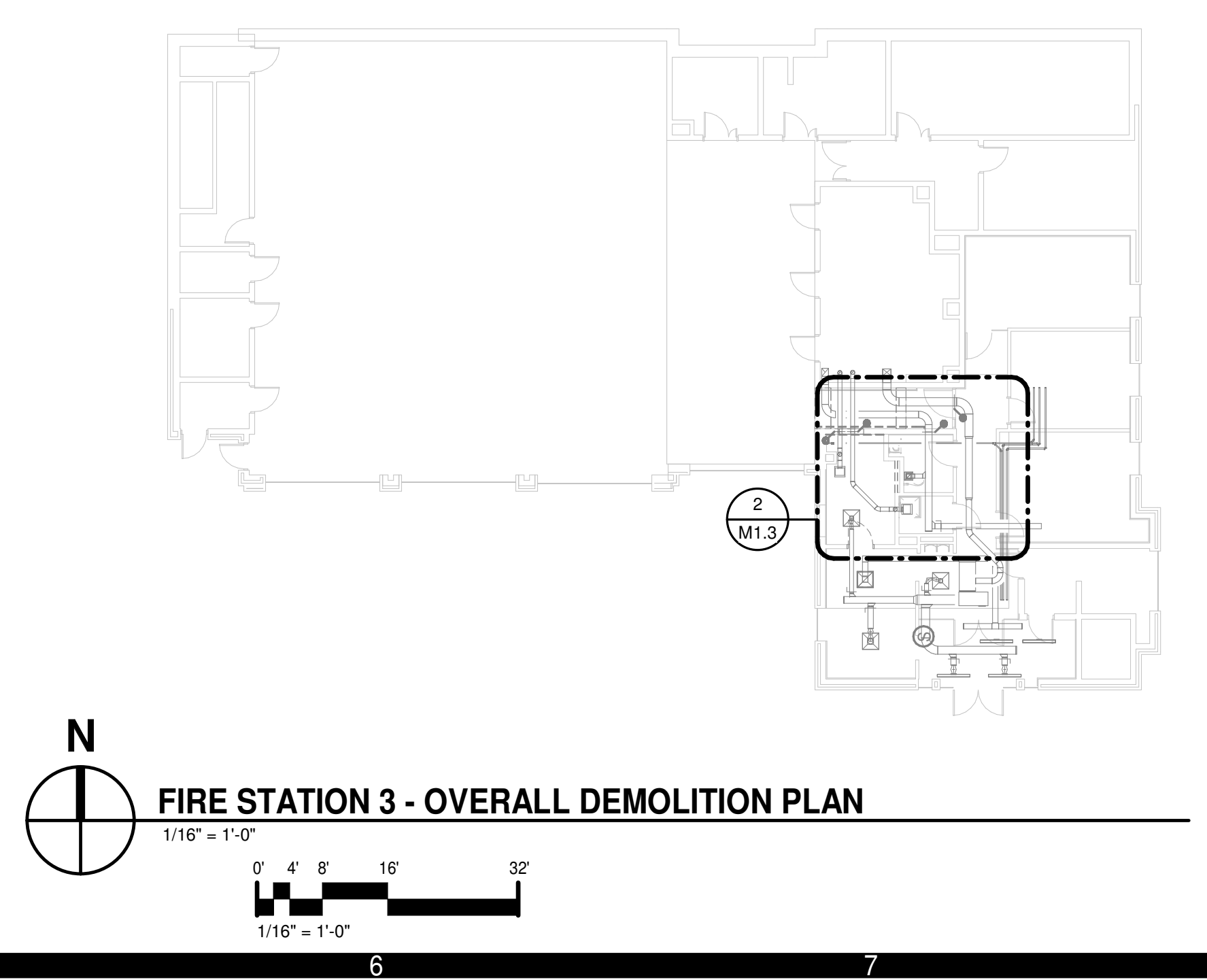


J  
I  
H  
G  
F  
E  
D  
C  
B  
A

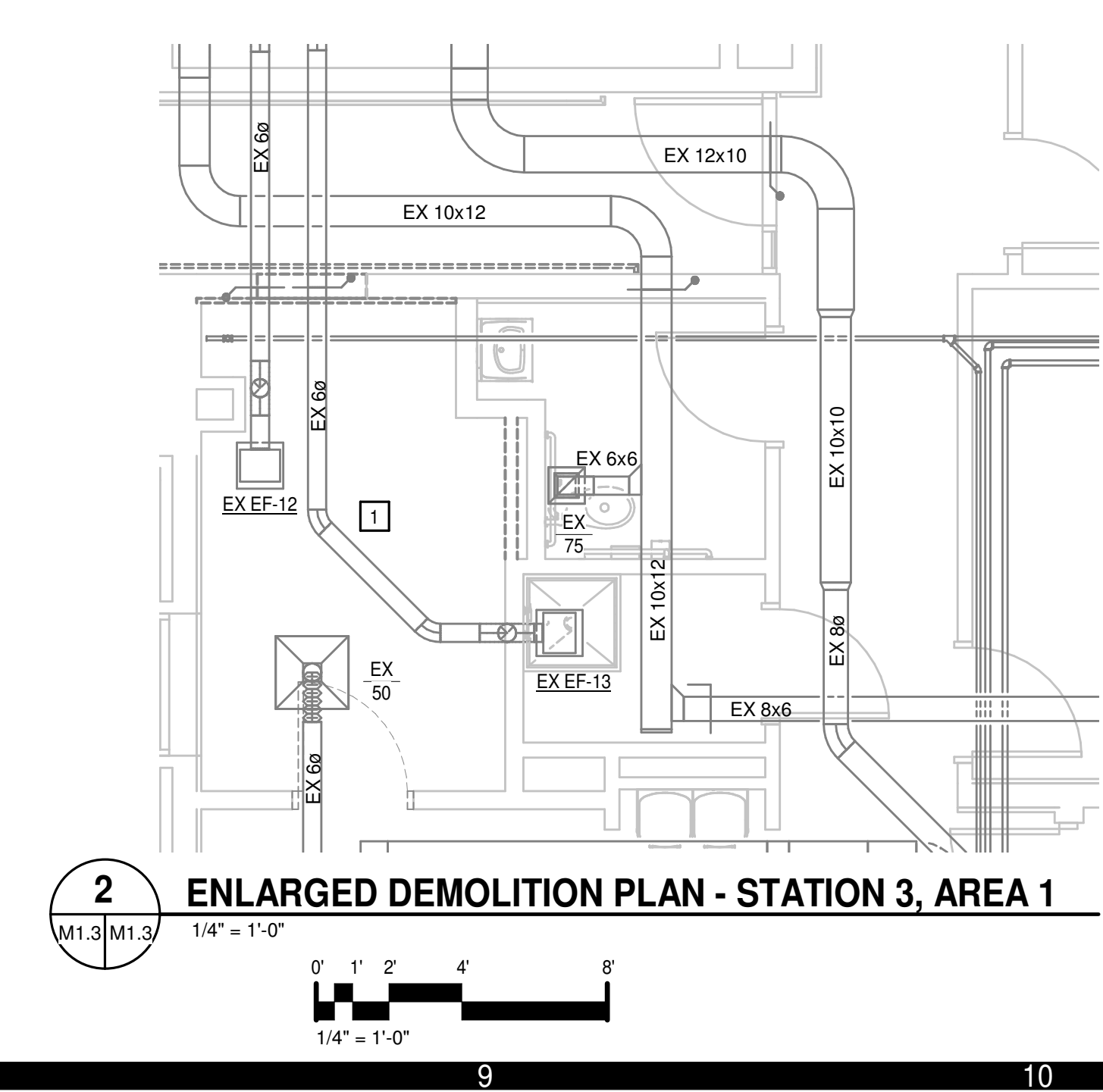
1 2 3 4 5 6 7 8 9 10

**KEYNOTES**  
 APPLIES TO THIS DRAWING  
 REPRESENTED BY [X]

1. REMOVE ALL FIRE SPRINKLERS WITHIN THIS SPACE FOR RENOVATION OF EXISTING CEILING.



**FIRE STATION 3 - OVERALL DEMOLITION PLAN**  
1/16" = 1'-0"



**ENLARGED DEMOLITION PLAN - STATION 3, AREA 1**  
1/4" = 1'-0"

**MOSELEYARCHITECTS**  
 5200 NORFOLK STREET, RICHMOND, VA 23230  
 PHONE (804) 794-7555 FAX (804) 355-5690  
 MOSELEYARCHITECTS.COM



**KELLY DAY RENOVATIONS FS 3**  
 563006  
 4100 Old Dominion Dr, Arlington, VA 22207  
 Owner: Arlington County

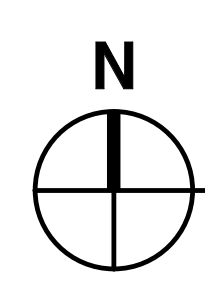
PROJECT NO:	563006
DATE:	SEPTEMBER 22, 2021
REVISIONS	
DATE	DESCRIPTION

FIRST FLOOR DEMOLITION PLAN - FIRE STATION 3

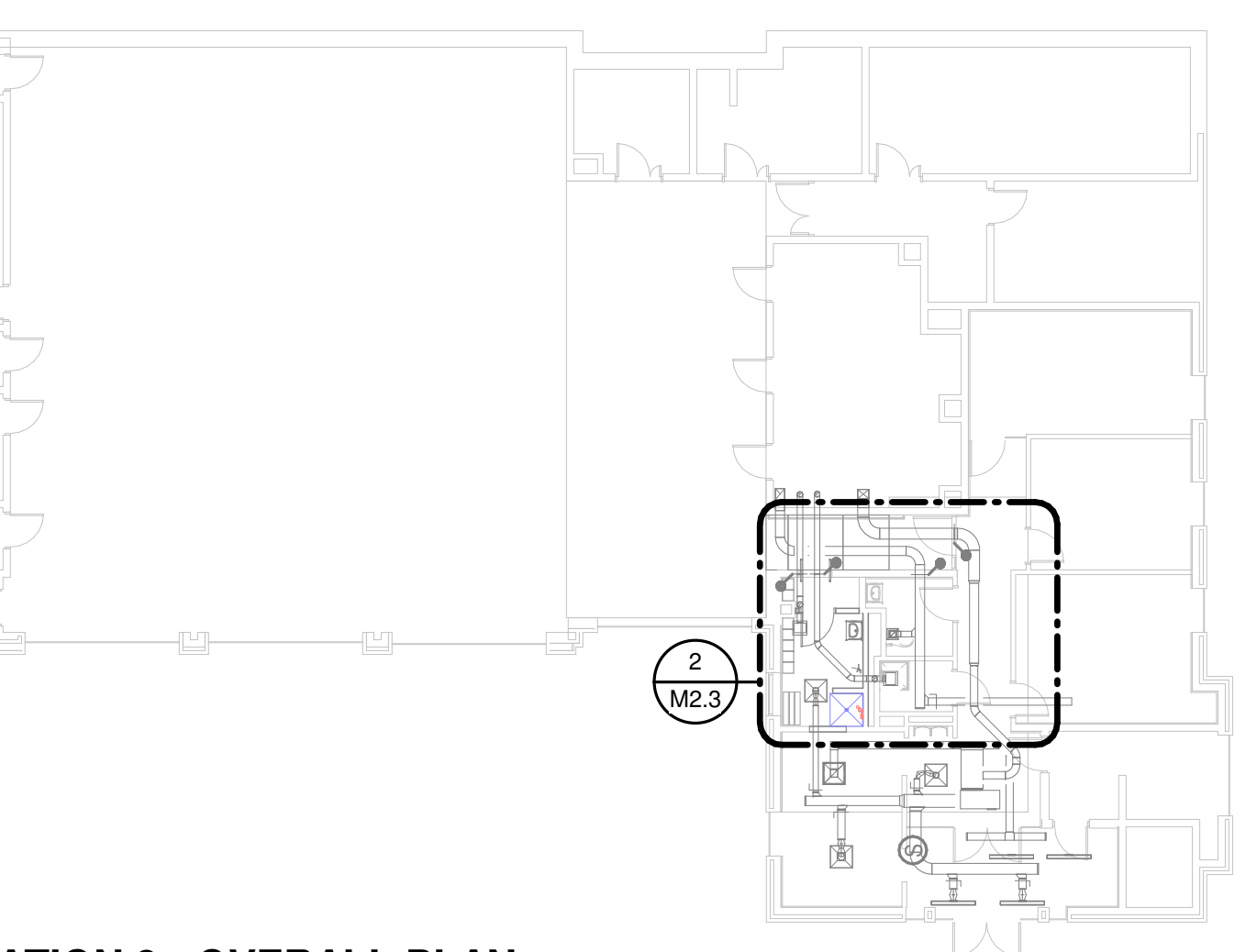
**M1.3**

J  
I  
H  
G  
F  
E  
D  
C  
B  
A

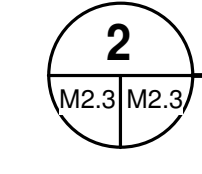
1 2 3 4 5 6 7 8 9 10



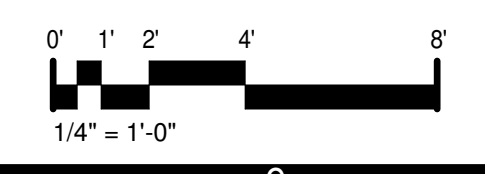
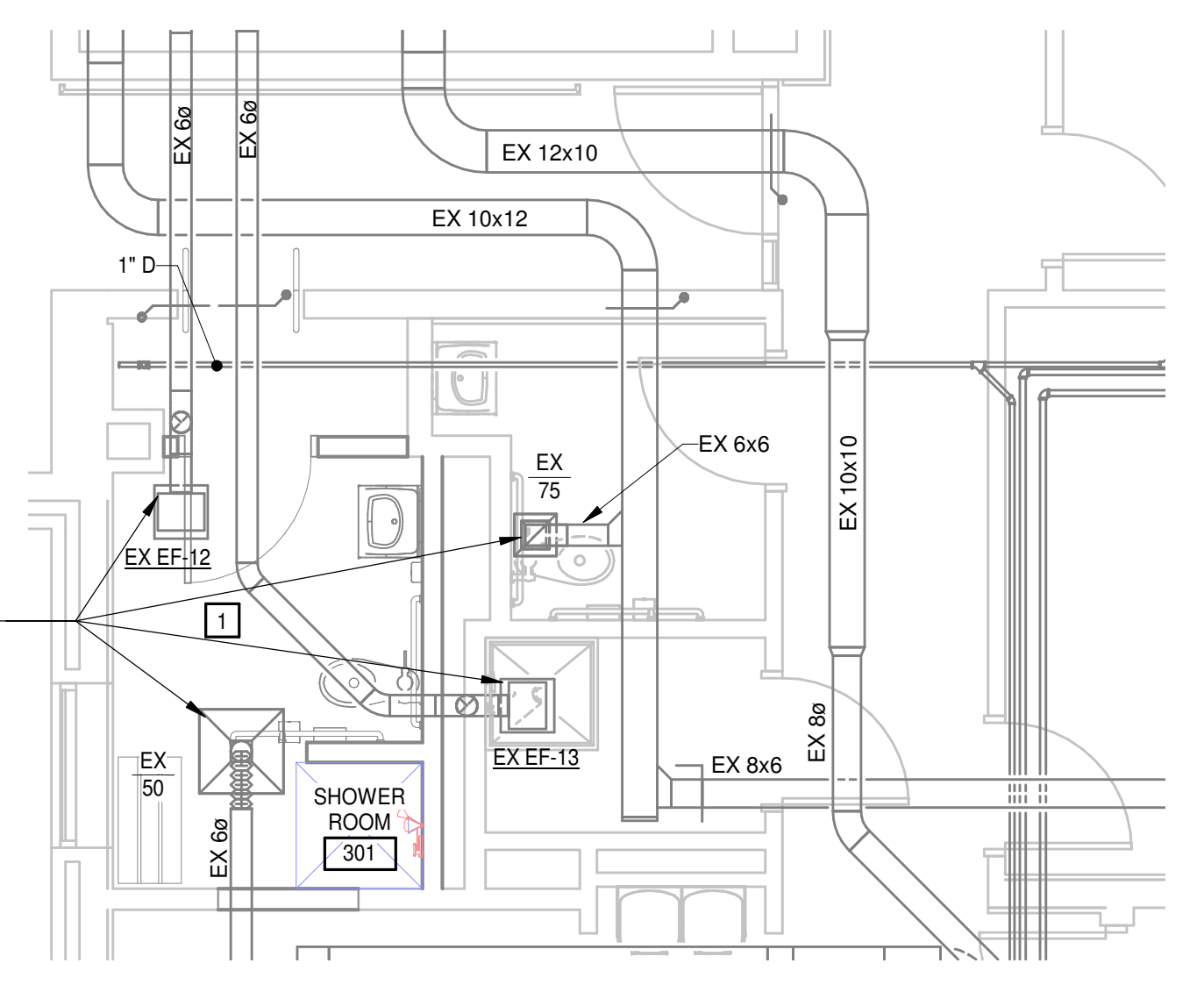
**FIRE STATION 3 - OVERALL PLAN**  
1/16" = 1'-0"



RE-INSTALL EXISTING DIFFUSER,  
GRILLE, AND FANS AS REQUIRED  
WITH NEW CEILING INSTALLATION



**ENLARGED PLAN - STATION 3, AREA 1**  
1/4" = 1'-0"



KEYNOTES	
APPLIES TO THIS DRAWING	
REPRESENTED BY [X]	
1.	INSTALL NEW PENDENT TYPE FIRE SPRINKLERS TO ACCOMMODATE NEW CEILING AND WALL CONFIGURATIONS WITHIN THIS SPACE PER NFPA 13 REQUIREMENTS.

PROJECT NO:	563006
DATE:	SEPTEMBER 22, 2021
REVISIONS	
DATE	DESCRIPTION

FIRST FLOOR PLAN - FIRE STATION 3

**MOSELEYARCHITECTS**

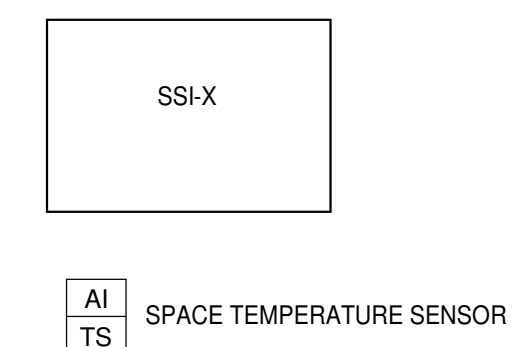


5200 NORFOLK STREET, RICHMOND, VA 23230  
PHONE (804) 794-7555 FAX (804) 355-5690  
MOSELEYARCHITECTS.COM

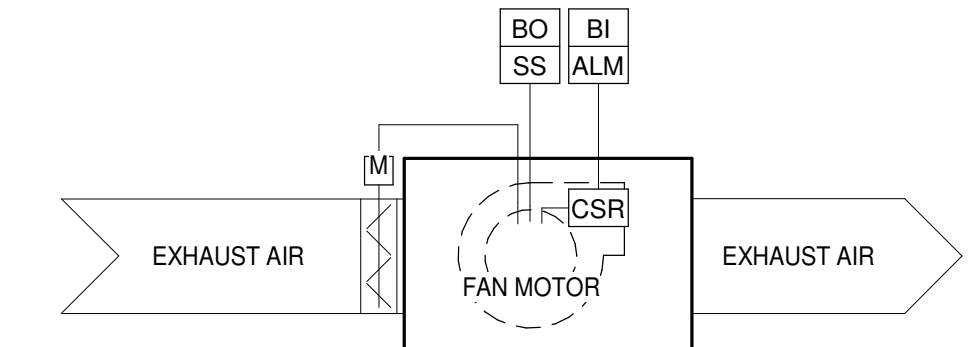
**KELLY DAY RENOVATIONS FS 3**  
563006  
4100 Old Dominion Dr, Arlington, VA 22207  
Owner: Arlington County

**M2.3**

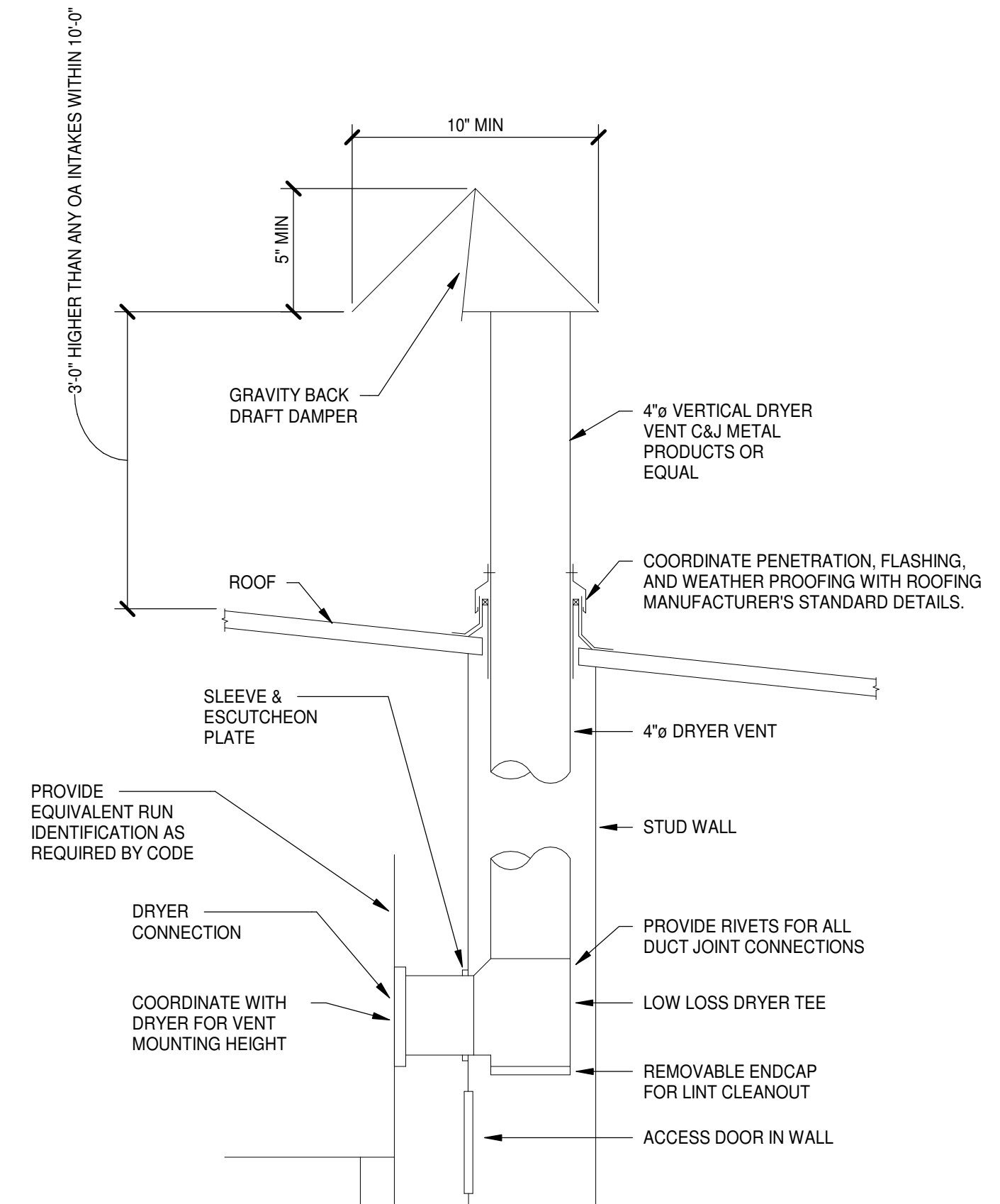
J  
H  
G  
F  
E  
D  
C  
B  
A  
9/20/2021 1:30:00 PM



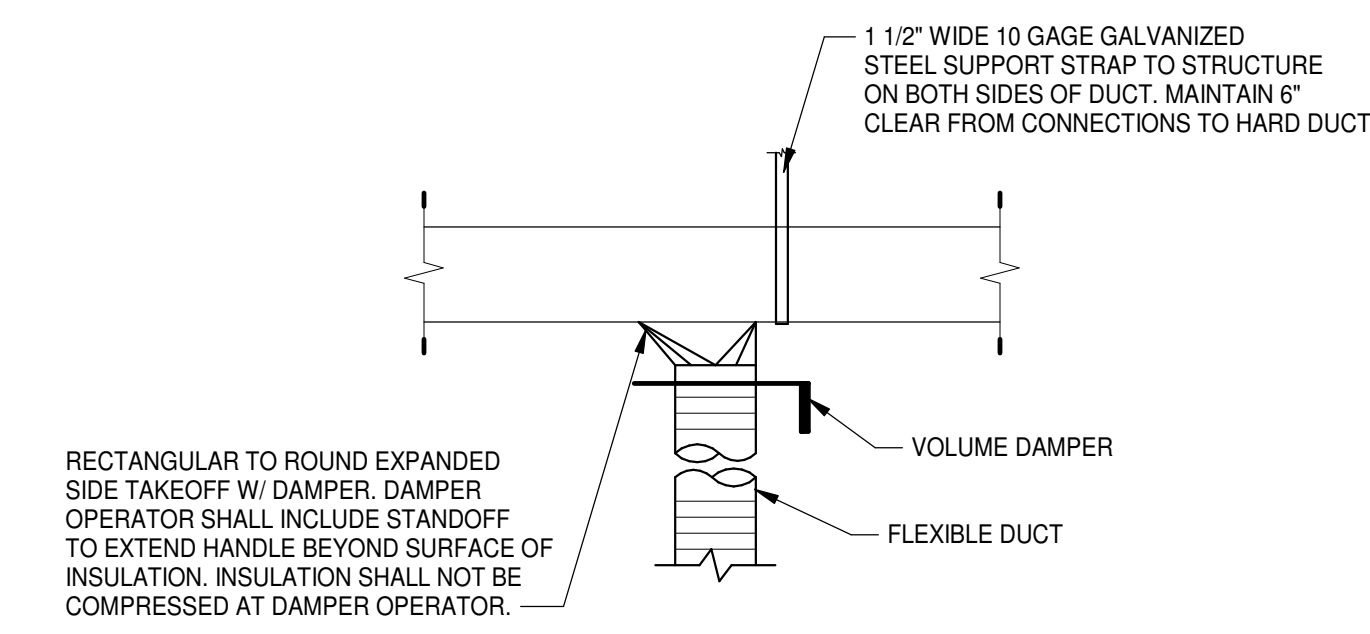
**SPLIT-SYSTEM AC UNITS**  
NO SCALE



**EXHAUST FAN - CONTROLLED BY BAS SCHEDULE**  
NO SCALE

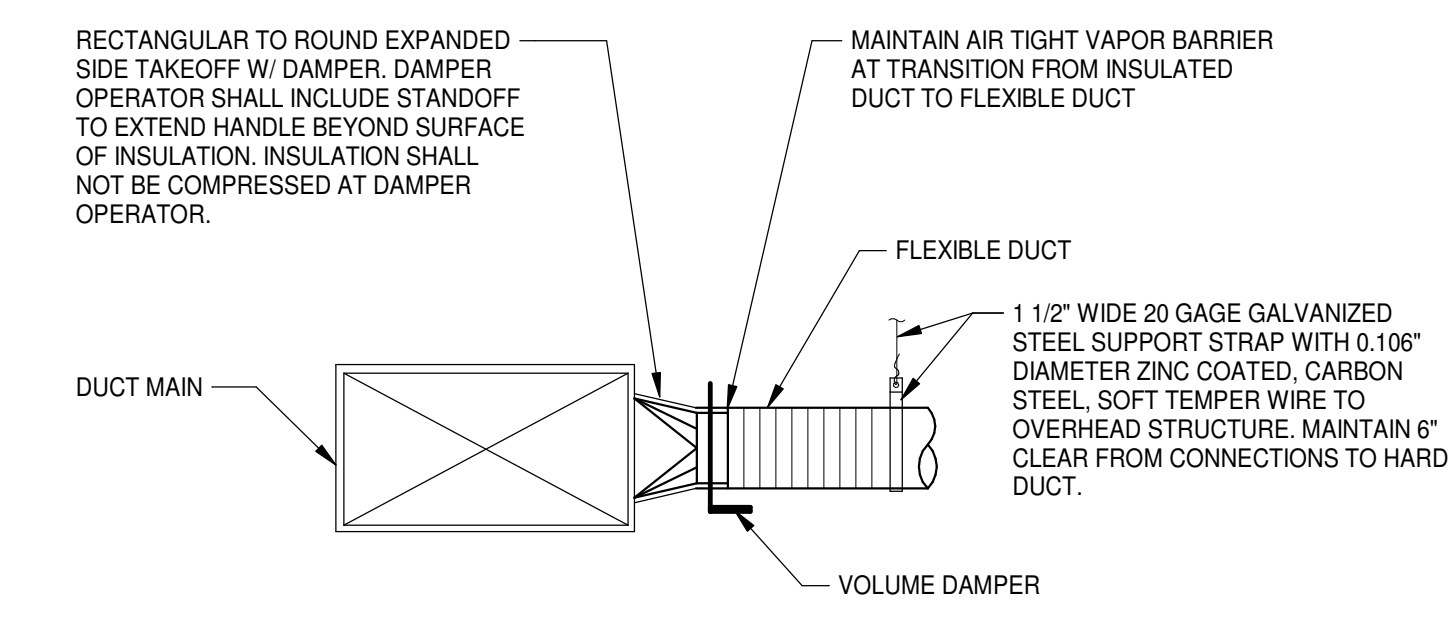


**VERTICAL DRYER EXHAUST VENT ROOF TERMINATION DETAIL**  
NO SCALE



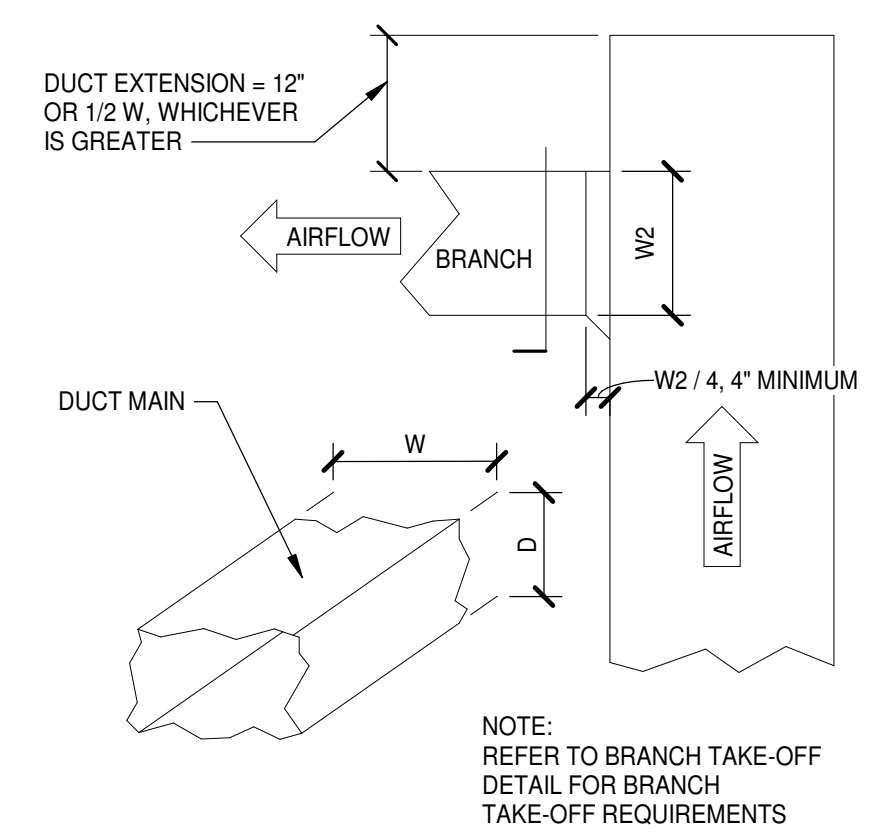
NOTES:  
- FLEXIBLE DUCT SHALL BE INSTALLED OVER METAL DUCT (BEAD/LIP ON METAL DUCT) AND ANCHORED W/ A SINGLE NYLON MECHANICAL BAND.  
- IN EXPOSED AREAS PROVIDE RIGID GALVANIZED STEEL DUCTWORK IN LIEU OF FLEXIBLE DUCTWORK INDICATED. SUPPORT IN ACCORDANCE WITH REQUIREMENTS SPECIFIED FOR STEEL DUCTWORK.

**BRANCH TAKEOFF TO DIFFUSER-BOTTOM**

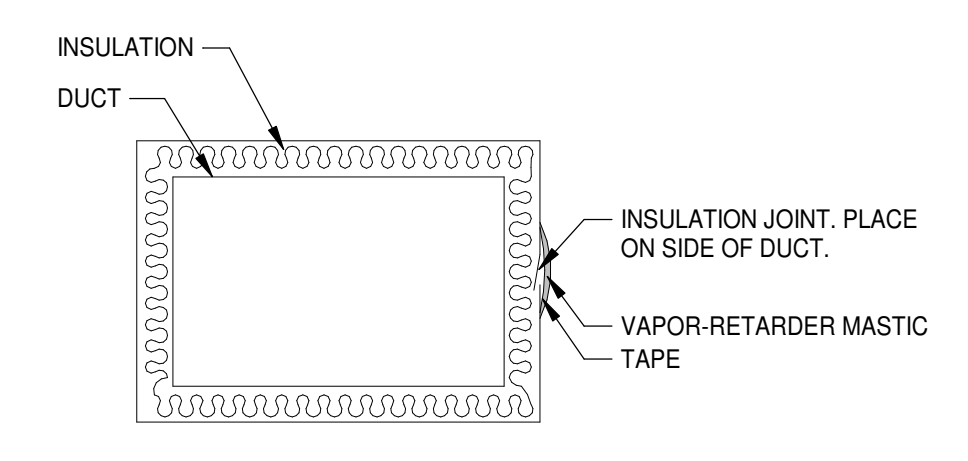


NOTES:  
- FLEXIBLE DUCT SHALL BE INSTALLED OVER METAL DUCT (BEAD/LIP ON METAL DUCT) AND ANCHORED W/ A SINGLE NYLON MECHANICAL BAND.  
- IN EXPOSED AREAS PROVIDE RIGID GALVANIZED STEEL DUCTWORK IN LIEU OF FLEXIBLE DUCTWORK INDICATED. SUPPORT IN ACCORDANCE WITH REQUIREMENTS SPECIFIED FOR STEEL DUCTWORK.

**BRANCH TAKEOFF TO DIFFUSER-SIDE**

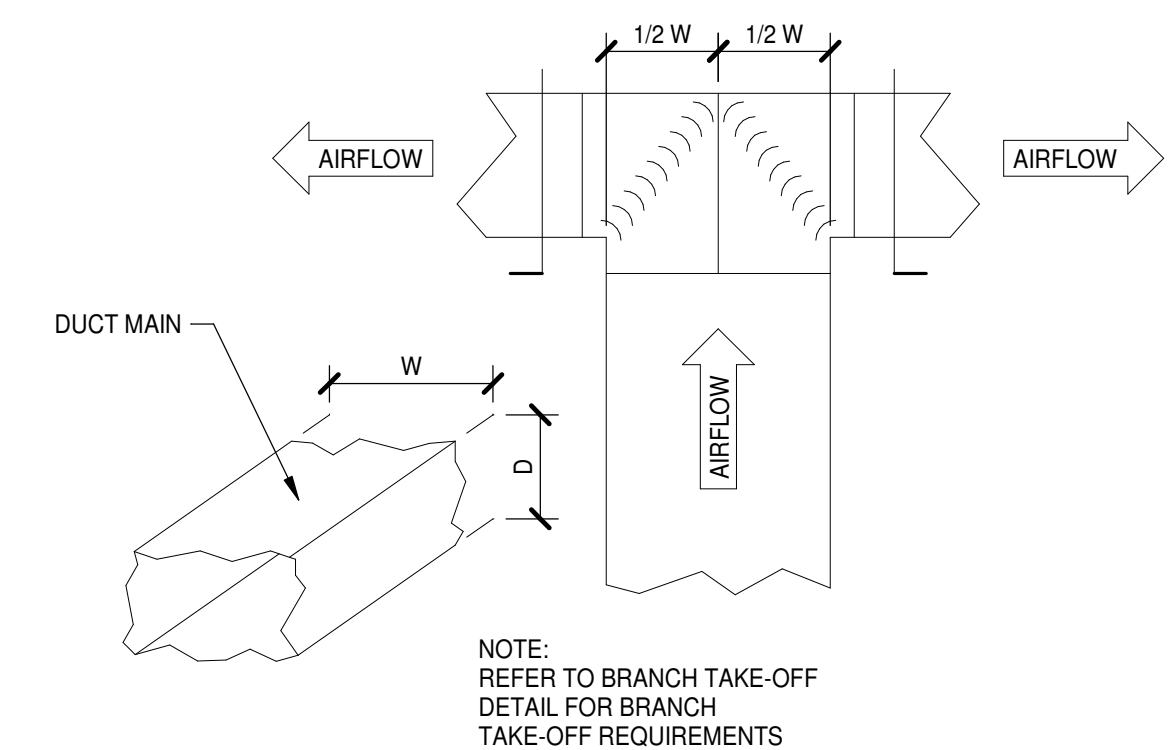


**DUCT END OF MAIN DETAIL**



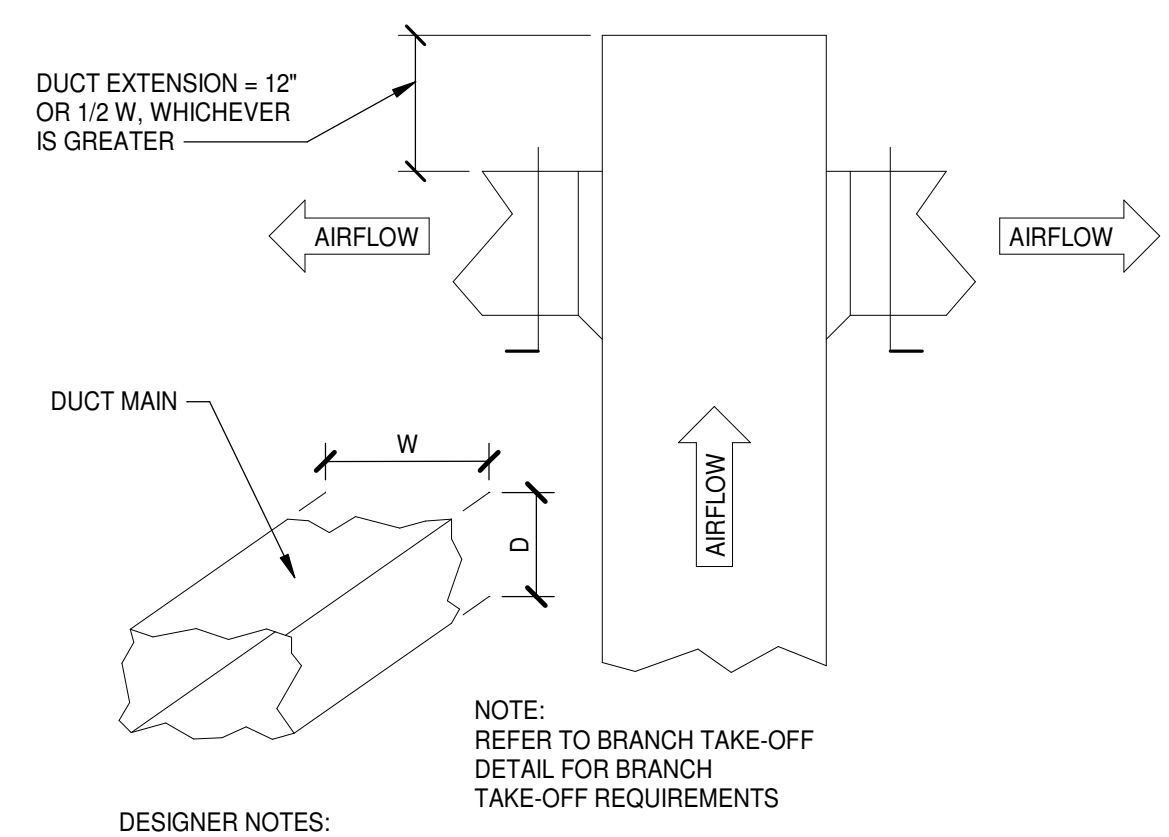
REFER TO SPECIFICATION SECTION 230700 FOR ADDITIONAL INFORMATION.

**DUCT INSULATION JOINT DETAIL**



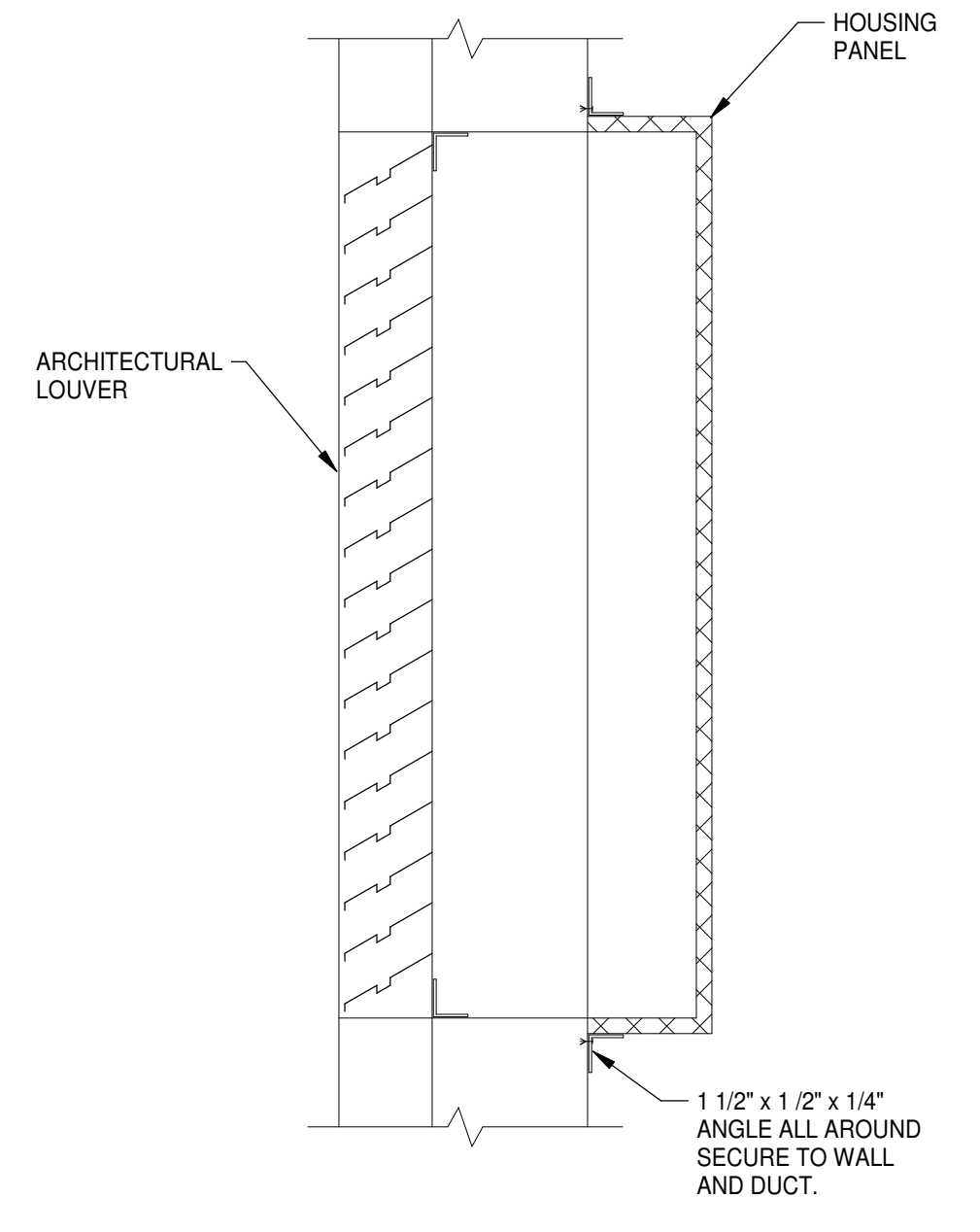
DESIGNER NOTES:  
USE WHERE "W" EXCEEDS 24" OR WHEN AIR FLOW IS IN EXCESS OF 1500 CFM.  
MAY BE PROPORTIONAL.

**DUCT SPLIT WITH VANES DETAIL**

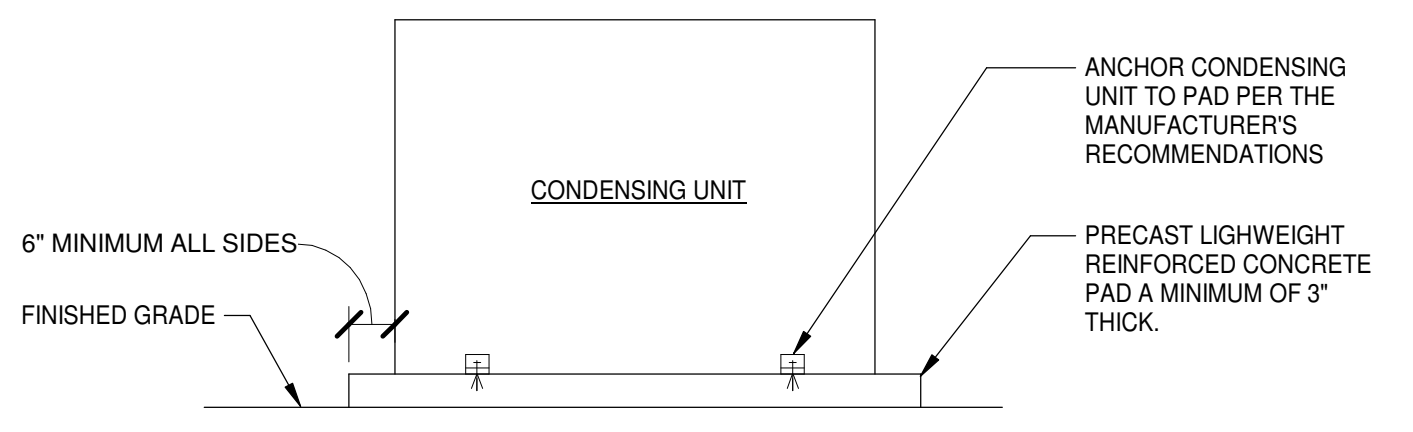


DESIGNER NOTES:  
USE WHERE "W" IS LESS THAN 24". WHEN YOU HAVE ROUND DUCT BRANCHES TO DIFFUSERS, OR WHEN AIR FLOW IS EQUAL TO OR LESS THAN 1500 CFM.

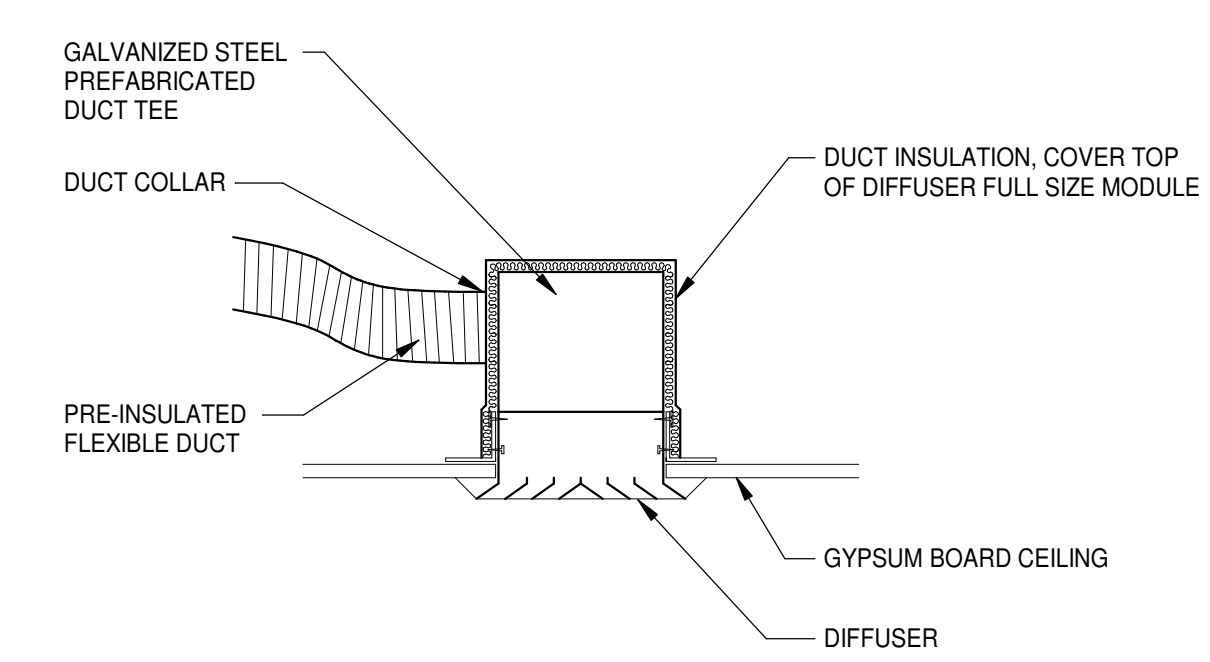
**DUCT SPLIT WITHOUT VANES DETAIL**



**WALL LOUVER DETAIL**  
NO SCALE

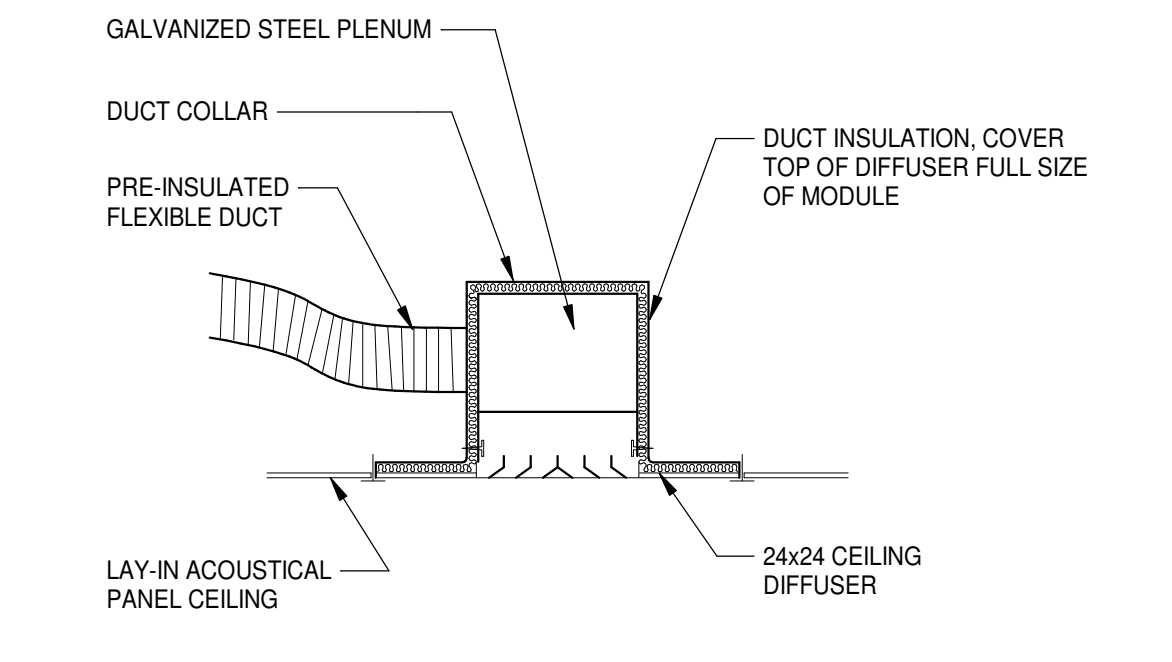


**CONDENSING UNIT MOUNTING DETAIL**  
NO SCALE

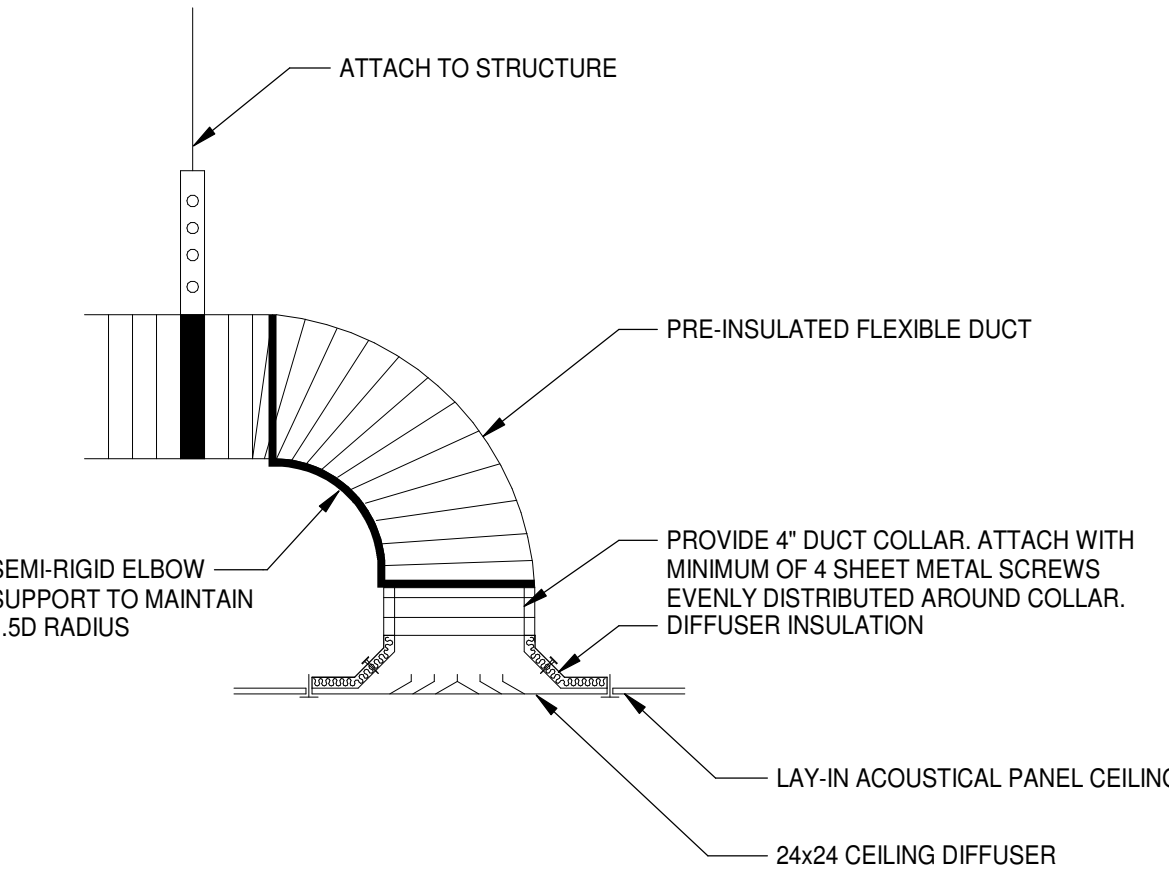


NOTE: THE DIFFUSER ASSEMBLY MAY BE SUPPORTED FROM THE CEILING FRAMING SYSTEM. THE DIFFUSER SHALL BE INSTALLED LEVEL AND TIGHT TO THE UNDERSIDE OF THE CEILING.

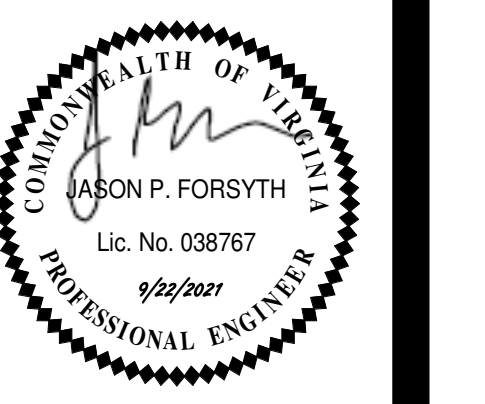
**SUPPLY DIFFUSER CONNECTION GYP**



**SUPPLY DIFFUSER CONNECTION LAYIN**



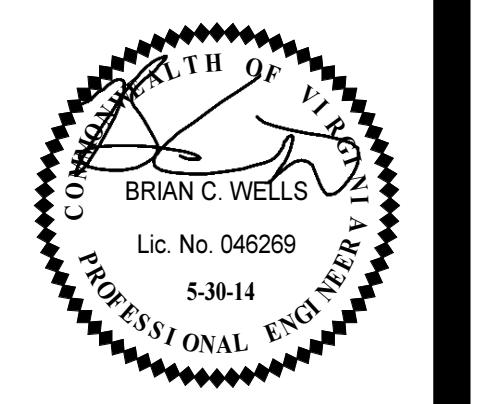
**SUPPLY DIFFUSER CONNECTION LAYIN-COLLAR**



PROJECT NO: 563006
DATE: SEPTEMBER 22, 2021
REVISIONS
DATE DESCRIPTION

DETAILS & CONTROLS





DATE	REVISIONS
DATE	DESCRIPTION

### FIRE ALARM LEGEND

**SYMBOL DESCRIPTION**

- FIRE ALARM AUDIO/VISUAL NOTIFICATION DEVICE, MOUNT AT 80" AFF AND NOT MORE THAN 96". SUBSCRIPT NUMBER INDICATES STROBE CANDELA RATING.
- FIRE ALARM VISUAL STROBE NOTIFICATION DEVICE, 80" AFF AND NOT MORE THAN 96". SUBSCRIPT NUMBER INDICATES STROBE CANDELA RATING.
- FIRE ALARM AUDIO/VISUAL NOTIFICATION DEVICE WITH DEVICE GUARD, 80" AFF AND NOT MORE THAN 96". SUBSCRIPT NUMBER INDICATES STROBE CANDELA RATING. # / # INDICATES STROBE SETTING AND REDUCED EFFECTIVE OUTPUT WHEN DEVICE GUARD IS PRESENT.
- FIRE ALARM VISUAL STROBE NOTIFICATION DEVICE WITH DEVICE GUARD, 80" AFF AND NOT MORE THAN 96". SUBSCRIPT NUMBER INDICATES STROBE CANDELA RATING. # / # INDICATES STROBE SETTING AND REDUCED EFFECTIVE OUTPUT WHEN DEVICE GUARD IS PRESENT.
- FIRE ALARM AUDIO/VISUAL NOTIFICATION DEVICE, CEILING MOUNTED. SUBSCRIPT NUMBER INDICATES STROBE CANDELA RATING.
- FIRE ALARM VISUAL STROBE NOTIFICATION DEVICE, CEILING MOUNTED. SUBSCRIPT NUMBER INDICATES STROBE CANDELA RATING.
- FIRE ALARM AUDIO/VISUAL NOTIFICATION DEVICE WITH DEVICE GUARD, CEILING MOUNTED. SUBSCRIPT NUMBER INDICATES STROBE CANDELA RATING. # / # INDICATES STROBE SETTING AND REDUCED EFFECTIVE OUTPUT WHEN DEVICE GUARD IS PRESENT.
- FIRE ALARM VISUAL STROBE NOTIFICATION DEVICE WITH DEVICE GUARD, CEILING MOUNTED. SUBSCRIPT NUMBER INDICATES STROBE CANDELA RATING. # / # INDICATES STROBE SETTING AND REDUCED EFFECTIVE OUTPUT WHEN DEVICE GUARD IS PRESENT.

### GRAPHICS SYMBOLS LEGEND

- SPACE IDENTIFICATION TAG  
SPACE NUMBER  
BUILDING AREA (WHEN USED)
- SECTION WHERE CUT  
SECTION NUMBER  
DRAWING WHERE SECTION IS INDICATED
- ENLARGED PLAN WHERE CUT  
ENLARGED PLAN NUMBER  
DRAWING WHERE ENLARGED PLAN IS INDICATED
- DETAIL TAG  
DETAIL NUMBER  
DRAWING WHERE DETAIL IS INDICATED
- DETAIL TITLE  
DETAIL NUMBER  
DRAWING WHERE DETAIL IS INDICATED  
DRAWING WHERE DETAIL IS CUT  
ADDITIONAL DRAWING REFERENCES
- SECTION TITLE  
SECTION NUMBER  
DRAWING WHERE SECTION IS INDICATED  
DRAWING WHERE SECTION IS CUT  
ADDITIONAL DRAWING REFERENCES

### INTERIOR LIGHT FIXTURE SCHEDULE

TYPE	DESCRIPTION	FITTURE			LAMP			MOUNTING	OPTIONS		REFERENCE NOTE	COMMENTS
		MANUFACTURER	SERIES NO.	WATTAGE	LUMENS	QUANTITY	TYPE		COLOR TEMP.	DIMMING		
A1	2x4' FLAT PANEL LED	METALLUX	24FPX-31-L835-SVPD1	29	3800 lm	1	LED	3500 K	RECESSED	X		
A1E	2x4' FLAT PANEL LED EMERGENCY	METALLUX	24FPX-31-L835-SVPD1	29	3800 lm	1	LED	3500 K	RECESSED	X	X	
B1	2x2' FLAT PANEL LED	METALLUX	22FPX-21-L835-SVPD1	20	2500 lm	1	LED	3500 K	RECESSED	X		
B1E	2x2' FLAT PANEL LED EMERGENCY	METALLUX	22FPX-21-L835-SVPD1	20	2500 lm	1	LED	3500 K	RECESSED	X	X	
C1	6" CAN DOWN LIGHT	HALO	RL6069S1E1WHDMR	8	800 lm	1	LED	3500 K	RECESSED	X		NOT USED FOR FIRE STATION#1
C1E	6" CAN DOWN LIGHT EMERGENCY	HALO	RL6069S1E1WHDMR	8	800 lm	1	LED	3500 K	RECESSED	X	X	NOT USED FOR FIRE STATION#1
C2	6" CAN DOWN LIGHT WATER PROOF	HALO	RL6069S1E1WHDMR	8	800 lm	1	LED	3500 K	RECESSED	X		NOT USED FOR FIRE STATION#1
L1	1x4' LINEAR LED	CORELITE	CONTINUA S04 SUSPENDED	0	2228 lm	1	LED	3500 K	PENDANT	X		
L1E	1x4' LINEAR LED EMERGENCY	CORELITE	CONTINUA S04 SUSPENDED	0	2228 lm	1	LED	3500 K	PENDANT	X	X	
L2	1x4' LINEAR LED	METALLUX	4RBG6-SL1-L83CT3	27	3000 lm	1	LED	3500 K	RECESSED	X		
L2E	1x4' LINEAR LED EMERGENCY	METALLUX	4RBG6-SL1-L83CT3	27	3000 lm	1	LED	3500 K	RECESSED	X	X	
L3	1x4' LINEAR LE WATER PROOF	METALLUX	4RBG6-SL1-L83CT3	27	3000 lm	1	LED	3500 K	SURFACE	X		NOT USED FOR FIRE STATION#1
L3E	1x4' LINEAR LE WATER PROOF	METALLUX	4RBG6-SL1-L83CT3	27	3000 lm	1	LED	3500 K	SURFACE	X	X	NOT USED FOR FIRE STATION#1
V1	2' VANITY	METALLUX	2RBG6-SL1-L83CT3+2RB SURF6	32	1800 lm	1	LED	3500 K	WALL	X		NOT USED FOR FIRE STATION#1
X1	EXIT SIGN	ATLITE	REUR	5		1	LED		WALL			

**GENERAL NOTES:**  
A. ALL FIXTURES SHALL BE CAPABLE OF 120V AND 277V INPUT (MVOLT), UNO.  
B. REFER TO LIGHTING PLANS AND SPECIFICATIONS FOR ADDITIONAL FIXTURE INFORMATION.  
C. 7/8" IN THE SCHEDULE INDICATES ITEM IS REQUIRED.  
D. ALL LENS SHALL BE A MINIMUM 0.125" THICKNESS, UNO.

**REFERENCE NOTES:**  
\* O = OCCUPANCY SENSOR; V = VACANCY SENSOR  
\*\* PROVIDE BATTERY PACK WHERE INDICATED ON DRAWINGS, WIRE BATTERY LEADS AHEAD OF SWITCH FOR THE CIRCUIT IN THE SPACE TO MAINTAIN PROPER OPERATION IN CASE OF POWER LOSS.

1. NUMBER OF FACES AND DIRECTIONAL CHEVRONS AS INDICATED ON DWGS.  
2. FIXTURE SHALL BE SUITABLE FOR DAMP LOCATIONS.  
3. FIXTURE SHALL BE SUITABLE FOR WET LOCATIONS.

### COMMUNICATIONS LEGEND

**NOTE:** REFER TO TYPICAL COMMUNICATION OUTLET DETAIL FOR BOX & CONDUIT REQUIREMENTS. REFER TO TELECOMMUNICATION DEVICE DETAILS FOR CABLING AND TERMINAL JACK REQUIREMENTS.

**SYMBOL DESCRIPTION**

- TELECOMMUNICATIONS OUTLET, SUBSCRIPT NUMBER INDICATES OUTLET TYPE. MOUNT AT +3'-10" AFF.
- WESTNET SYSTEM, COORDINATE WITH COUNTY FOR SPECIALTY CONTRACTORS INSTALLATION.
- TELECOMMUNICATIONS OUTLET, SUBSCRIPT NUMBER INDICATES OUTLET TYPE. MOUNT AT +1'-8" AFF.

### LIGHTING LEGEND

**SYMBOL DESCRIPTION**

- LIGHT SWITCH, RATED 120/277 VOLTS, 20-AMPS, MOUNT AT +3'-10" AFF. SUBSCRIPT/SUPERSCRIPIT LETTERS, NUMBERS, AND SYMBOLS INDICATES SWITCH TYPE AS FOLLOWS:
  - 3 INDICATES 3-WAY LIGHT SWITCH
  - 4 INDICATES 4-WAY LIGHT SWITCH
  - D INDICATES DIMMER SWITCH
  - P INDICATES PILOT LIGHT, ON WHEN SWITCH IS ON
  - K INDICATES KEY OPERATED LIGHT SWITCH
  - OS INDICATES SWITCH WITH INTEGRAL OCCUPANCY SENSOR
  - OS 2 INDICATES DIMMER SWITCH WITH INTEGRAL OCCUPANCY SENSOR
  - OS 2 INDICATES DUAL RELAY INTEGRAL OCCUPANCY SENSOR, WIRED FOR MULTI-LEVEL SWITCHING
- LOWER CASE LETTER INDICATES LIGHT FIXTURE CONTROL DESIGNATION
- INDICATES SWITCHES WIRED FOR INBOARD/OUTBOARD SWITCHING.
- OMNI-DIRECTIONAL LIGHTING CONTROL, OCCUPANCY DETECTOR, CEILING MOUNT.
- DIRECTIONAL LIGHTING CONTROL, OCCUPANCY DETECTOR, WALL MOUNT AT 6" BELOW FINISHED CEILING.
- PHOTOELECTRIC CELL FOR LIGHTING CONTROL, WALL MOUNT AT +10'-0" AFF. AIM NORTH.
- LIGHT FIXTURE, CEILING MOUNT.
- LIGHT FIXTURE ON EMERGENCY POWER, CEILING MOUNT.
- LIGHTING FIXTURE.
- LIGHTING FIXTURE ON EMERGENCY POWER.
- WALL WASHER LIGHTING FIXTURE.
- LIGHT FIXTURE, WALL MOUNT, HEIGHT AS INDICATED.
- EMERGENCY EGRESS LIGHTING FIXTURE, WITH BATTERY PACK, WALL MOUNT AT +8'-0" AFF.
- EXIT SIGN, CEILING MOUNT, DIRECTIONAL ARROWS AS INDICATED. SHADING INDICATES FACE(S) OF SIGN.
- EXIT SIGN, WALL MOUNT, DIRECTIONAL ARROWS AS INDICATED. SHADING INDICATES FACE(S) OF SIGN.
- TRACK LIGHTS.
- LIGHT FIXTURE, POLE MOUNT.
- SPORTS LIGHTING POLE.

### DEMOLITION LEGEND

**SYMBOL DESCRIPTION**

- REMOVE DEVICES, EQUIPMENT, IN ACCORDANCE WITH THE GENERAL DEMOLITION NOTES.
- DEVICES ARE EXISTING TO REMAIN.
- WITHIN HATCHED AREAS, DISCONNECT AND REMOVE ALL ELECTRICAL MATERIALS INCLUDING BUT NOT LIMITED TO LIGHTS, DEVICES, EQUIPMENT, SPEAKERS, FIRE ALARM, COMMUNICATIONS, AND CIRCUITRY.

### GENERAL DEMOLITION NOTES

- A. PROVIDE ALL ELECTRICAL DEMOLITION WORK REQUIRED TO INSTALL THE WORK INDICATED. REMOVE, REROUTE, AND RECONNECT ALL BRANCH CIRCUITS THAT WILL REMAIN IN USE BUT INTERFERES WITH THE WORK.
- B. REMOVE ALL EXISTING CONDUITS THAT WILL NOT BE REUSED AND WHERE THEY WILL BE EXPOSED AFTER COMPLETION, ABANDON ALL OTHERS IN THE WALLS ONLY. DISCONNECT ALL WIRING INDICATED AND/OR REQUIRED TO BE REMOVED FROM ALL POWER SOURCES, REMOVE ALL WIRING FROM ABANDONED CONDUITS AND PROVIDE BLANK COVER PLATES FOR BOXES NOT UTILIZED FOR THE WORK.
- C. MAINTAIN CONTINUITY OF ALL EXISTING CIRCUITS TO REMAIN OR PORTIONS THEREOF AFFECTED BY THE WORK.
- D. BEFORE DEMOLITION, VERIFY WITH THE OWNER ALL EQUIPMENT TO BE SALVAGED TO OWNER AND NOT REMOVED FROM THE SITE. FOR ALL REMAINING EQUIPMENT INDICATED FOR REMOVAL (AND NOT RELOCATED), REMOVE AND DISPOSE IN A LEGAL MANNER.
- E. EXERCISE CARE IN REMOVING DEMOLITION ITEMS. REPAIR OR REPLACE ALL DAMAGE CAUSED TO EXISTING CONSTRUCTION AND EQUIPMENT TO REMAIN.
- F. DRAWINGS ARE BASED UPON EXISTING PLANS AND FIELD INVESTIGATION WITHOUT DEMOLITION. VISIT THE EXISTING BUILDING AND BECOME FAMILIAR WITH ALL EXISTING CONDITIONS AND EXAMINE ALL DRAWINGS TO AVOID CONFLICTS.
- G. WHERE DEMOLITION OF TELECOMMUNICATIONS DEVICES OCCUR, REMOVE CABLING NOT INDICATED TO REMAIN BACK TO POINT OF ORIGIN.
- H. DEMOLITION FLOOR PLANS ARE PROVIDED FOR REFERENCE ONLY TO AID IN DEFINING THE SCOPE OF DEMOLITION WORK.

### POWER LEGEND

**SYMBOL DESCRIPTION**

- APPLIANCE RECEPTACLE, MOUNT AT +1'-6" AFF. PROVIDE NEMA CONFIGURATION TO MATCH PLUG FOR EQUIPMENT SERVED.
- APPLIANCE RECEPTACLE, MOUNT AT +1'-6" AFF. PROVIDE NEMA CONFIGURATION TO MATCH PLUG FOR EQUIPMENT SERVED. CONNECT TO EMERGENCY POWER, PROVIDE RED DEVICE.
- DUPLEX RECEPTACLE, NEMA 5-20R, MOUNT AT +1'-6" AFF.
- DUPLEX RECEPTACLE USB, NEMA 5-20R, MOUNT AT +1'-6" AFF.
- DUPLEX RECEPTACLE, NEMA 5-20R, MOUNT AT +3'-10" AFF.
- DUPLEX RECEPTACLE, NEMA 5-20R, MOUNT AT +7'-6" AFF.
- GFCI DUPLEX RECEPTACLE, NEMA 5-20R, MOUNT AT +1'-6" AFF. PROVIDE NEMA 3R "WHILE IN USE" ENCLOSURE.
- GFCI DUPLEX RECEPTACLE, NEMA 5-20R, MOUNT AT +1'-6" AFF.
- GFCI DUPLEX RECEPTACLE, NEMA 5-20R, MOUNT AT +3'-10" AFF.
- DOUBLE DUPLEX RECEPTACLE, NEMA 5-20R, MOUNT AT +1'-6" AFF.
- DOUBLE DUPLEX RECEPTACLE, NEMA 5-20R, MOUNT AT +3'-10" AFF.
- DISCONNECT SWITCH, FUSIBLE OR NON-FUSIBLE AS INDICATED. MOUNT W/HANDLE AT +4'-6" AFF, UNO.
- BRANCH CIRCUIT RUN CONCEALED, UNO. DASHED INDICATES CIRCUITRY REQUIRED TO BE RUN BELOW SLAB.
- STRAIGHT LINEWORK FOR CIRCUITRY INDICATES EMERGENCY POWER CIRCUIT. INDICATED FOR CLARITY ONLY. ACTUAL HOMERUN DESIGNATION OVERRIDES THIS SYMBOLOLOGY.
- BRANCH CIRCUIT HOME RUN TO PANELBOARD AND CIRCUIT INDICATED.
- PANELBOARD.
- TRANSFORMER, PROVIDE CONCRETE HOUSEKEEPING PAD UNLESS NOTED OTHERWISE.
- RELAY, NO OR NIC AS INDICATED.
- RELAY, NORMALLY OPEN.
- RELAY, NORMALLY CLOSED.
- FEEDER TAG. REFER TO FEEDER SCHEDULE ON DWG E5.1.

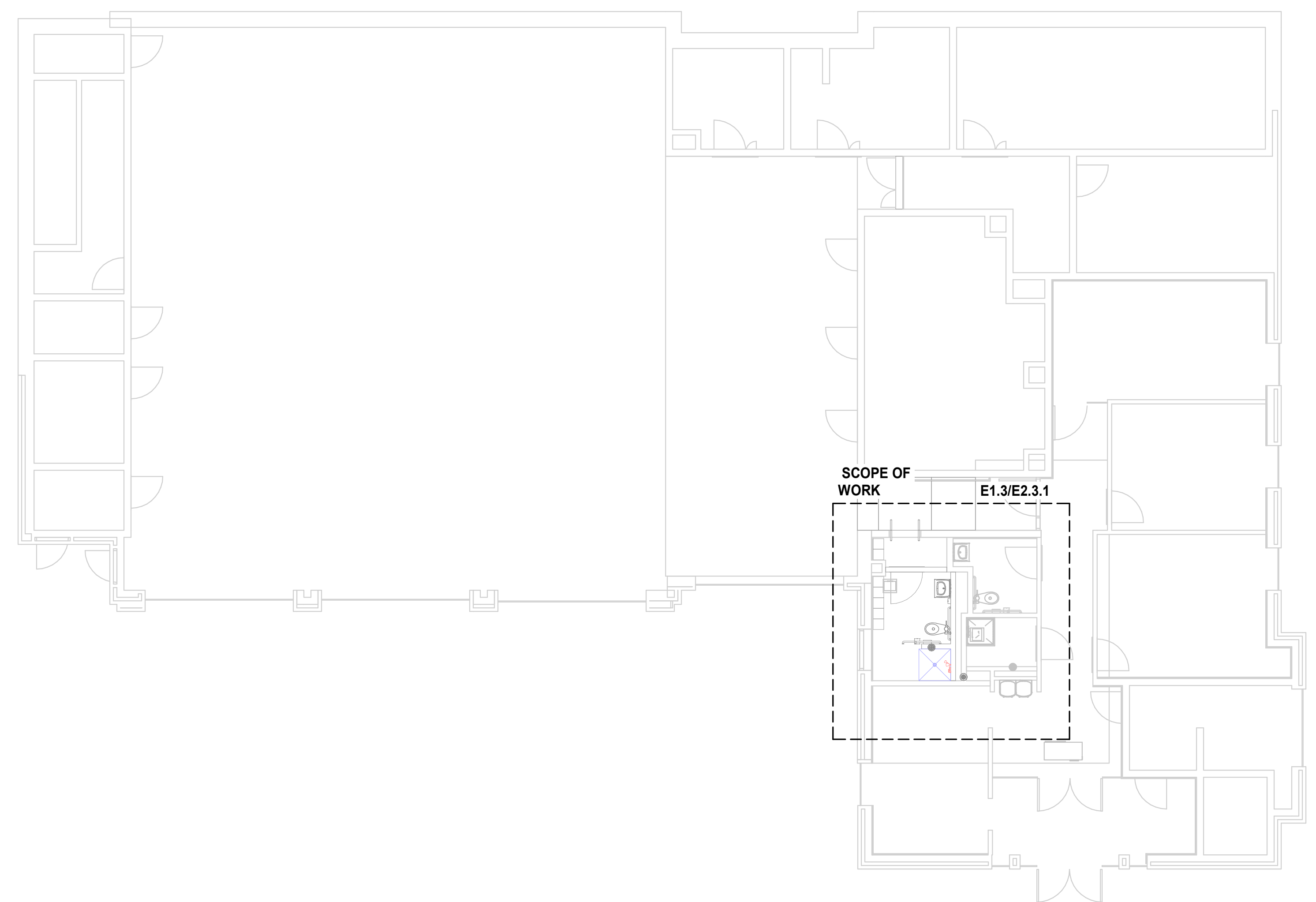
### GENERAL NOTES

- A. THE CONTRACT DOCUMENTS ARE COMPLEMENTARY AND WHAT IS REQUIRED BY ONE SHALL BE AS BINDING AS IF REQUIRED BY ALL. IN THE CASE OF A CONFLICT, DISAGREEMENT, OR AMBIGUITY, PROVIDE THE BETTER QUALITY. IN THE CASE OF A CONFLICT, DISAGREEMENT, OR AMBIGUITY, PROVIDE THE GREATER QUANTITY OF WORK.
- B. FOLLOW MOUNTING HEIGHTS INDICATED IN THE ELECTRICAL LEGEND UNLESS OTHERWISE INDICATED. MEASURE ALL MOUNTING HEIGHTS FROM THE DEVICE CENTER LINE UNLESS OTHERWISE INDICATED.
- C. FIELD VERIFY EXACT FEEDER LOCATIONS FOR MECHANICAL EQUIPMENT PRIOR TO ROUGH-IN.
- D. EQUIPMENT CONNECTIONS ARE INDICATED IN THEIR APPROXIMATE LOCATIONS. VERIFY EXACT LOCATIONS OF ALL CONNECTIONS WITH OTHER TRADES SUPPLYING EQUIPMENT TO AVOID CONFLICTS AT INSTALLATION.
- E. LOCATED ALL SWITCHES FOR LOCAL CONTROL OF LIGHTING ON STRIKE SIDE OF SINGLE DOORS UNLESS OTHERWISE INDICATED.
- F. PROVIDE SPECIFIC BREAKER ARRANGEMENT FOR THE PANEL BOARDS WHEREVER PHYSICALLY POSSIBLE. PROVIDE AS-BUILT DRAWINGS INDICATING ACTUAL BRANCH CIRCUIT ARRANGEMENT. PROVIDE TYPE WRITTEN PANELBOARD DIRECTORIES INDICATING ACTUAL BRANCH CIRCUIT ARRANGEMENT.
- G. PROVIDE AS-BUILT DRAWINGS INDICATING ACTUAL BRANCH CIRCUIT ARRANGEMENT. PROVIDE TYPE WRITTEN PANELBOARD DIRECTORIES INDICATING ACTUAL BRANCH CIRCUIT ARRANGEMENT. HAND WRITTEN SCHEDULES ARE NOT ACCEPTABLE.
- H. ALL CONDUIT RUNS INDICATED ARE DIAGRAMMATIC. COORDINATE ROUTING IN ALL SPACES WITH OTHER TRADES.
- I. ALL PANELBOARDS INDICATED ARE HOUSED IN A SINGLE WIDTH ENCLOSURE, UNO. THE CONTRACTOR SHALL FIELD VERIFY ROOM LAYOUT AND ADJUST ACCORDINGLY, AT NO COST TO THE OWNER, IF PROVIDING ANY PANELBOARD ENCLOSURES.
- J. WHERE POWER AND COMMUNICATION OUTLETS ARE INDICATED IN CLOSE PROXIMITY ON THE DRAWINGS, FIELD COORDINATE THE LOCATIONS TO PLACE THE OUTLETS ADJACENT TO EACH OTHER.
- K. ALL EXTERIOR RECEPTACLES SHALL BE LABELED "WVR" - WEATHER RESISTANT.
- L. WHEN GROUPING MULTIPLE LINE TO NEUTRAL BRANCH CIRCUITS IN A CONDUIT, PROVIDE DEDICATED COLOR CODED NEUTRAL CONDUCTORS FOR EACH CIRCUIT. DO NOT USE BREAKER TIES AND SHARED NEUTRALS EVEN THOUGH PERMITTED BY NEC.
- M. PROVIDE A 2" WIDE YELLOW LINE PAINTED ON THE FLOOR INDICATING THE ELECTRICAL WORKING SPACE. IN FRONT OF ALL ELECTRICAL PANELS IN ELECTRICAL ROOMS, REFER TO PLANS FOR ELECTRICAL WORKING SPACE DETAILS. STENCIL "NO STORAGE IN 2" HIGH, YELLOW LETTERS CENTERED IN THE OUTLINED AREA.

### ABBREVIATIONS

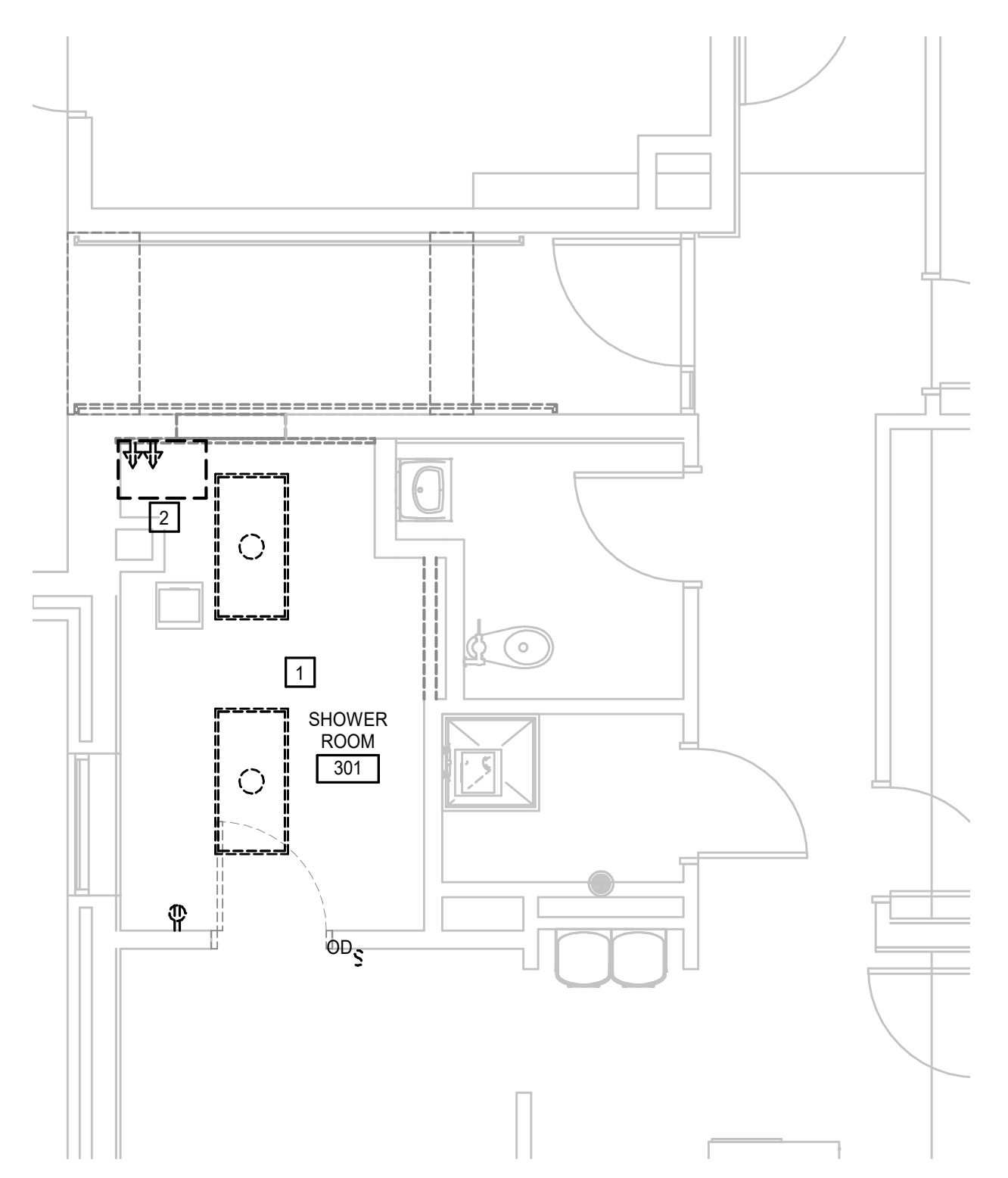
1P	SINGLE PHASE
3P	THREE PHASE
3R	WEATHERPROOF (NEMA 3R)
A	AMPS
AF	ABOVE FINISHED FLOOR
AL	ALUMINUM
ATS	AUTOMATIC TRANSFER SWITCH
BFC	BELOW FINISHED CEILING
BFG	BELOW FINISHED GRADE
BKR	BREAKER
C	CONDUIT
CATV	COMMUNITY ANTENNA TELEVISION (CABLE)
CB	CIRCUIT BREAKER
CBL	CABLE
CCTV	CLOSED CIRCUIT TELEVISION
CCT	CIRCUIT
CLG	CEILING
CLR	CLEAR
CO	COMPANY
COMB	COMBINATION
COMM	COMMUNICATIONS
CU	COPPER
DA	DIAMETER
DISC	DISCONNECT
DIV	DIVISION
DWG	DRAWING
EBH	ELECTRIC BASEBOARD HEATER
EC	EMPTY CONDUIT
ECS	EMERGENCY COMMUNICATIONS STATION
ELEC	ELECTRICAL
ELEV	ELEVATOR
EPO	EMERGENCY POWER OFF
EQ	EQUIPMENT
ETR	EXISTING TO REMAIN
EWC	ELECTRIC WATER COOLER
EX	EXISTING
EXT	EXTERIOR
FA	FIRE ALARM
FAAP	FIRE ALARM ANNUNCIATOR PANEL
FACP	FIRE ALARM CONTROL PANEL
FAGP	FIRE ALARM GRAPHIC PANEL
FAXP	FIRE ALARM EXTENDER PANEL
FFSCP	FIRE FIGHTERS SMOKE CONTROL PANEL
FLA	FULL LOAD AMPS
FFMR	FUSE PER MANUFACTURERS REQUIREMENTS/RECOMMENDATIONS
FPND	FUSE PER NAMEPLATE DATA
G	GROUND
GE	GROUND FAULT PROTECTION FOR EQUIPMENT, 5-60mA PER NEC 427.22 (PROVIDE ACCESSORY FOR INDICATED BREAKER)
GFCI	GROUND FAULT CIRCUIT INTERRUPT
GFP	GROUND FAULT PROTECTION FOR PERSONNEL, 4-6mA (PROVIDE ACCESSORY FOR INDICATED BREAKER)
HKP	HOUSEKEEPING PAD
HP	HORSEPOWER
HPS	HIGH PRESSURE SODIUM
HZ	HERTZ
IAW	IN ACCORDANCE WITH
IG	ISOLATED GROUND
J-BOX	JUNCTION BOX
KHFSS	KITCHEN HOOD FIRE SUPPRESSION SYSTEM
KHZ	KILOHERTZ
KVA	KILOVOLT AMPS
KW	KILOWATTS
KWH	KILOWATT HOURS
L	LOCKOUT TO PREVENT UNAUTHORIZED SWITCHING (PROVIDE ACCESSORY FOR INDICATED BREAKER)
LC	ROUTE CIRCUIT TO LOAD VIA LIGHTING CONTACTOR, REFER TO LC SCHEDULE
LED	LIGHT EMITTING DIODE
LTG	LIGHTING
LTS	LIGHTS
MAX	MAXIMUM
MCA	MINIMUM CIRCUIT AMPACITY
MCB	MAIN CIRCUIT BREAKER
MCC	MOTOR CONTROL CENTER
MH	METAL HALIDE
MHZ	MEGAHERTZ
MIN	MINIMUM
ML	MAINTENANCE LOCK (PROVIDE ACCESSORY FOR INDICATED BREAKER)
MLO	MAIN LUG ONLY
MMS	MASS NOTIFICATION SYSTEM
MOSP	MAXIMUM OVER CURRENT PROTECTION
MTD	MOUNTED
N	NEUTRAL
N/C	NORMALLY CLOSED
N/O	NORMALLY OPEN
NO	NUMBER
OFCI	OWNER FURNISHED CONTRACTOR INSTALLED
P	PILOT LIGHT (AT THE SWITCH HANDLE)
PBD	PANELBOARD
PD	PROTECTIVE DEVICE
RCPT	RECEPTACLE
REC	RECEPTACLE
SEC	SECURITY
SPD	SURGE PROTECTIVE DEVICE
SPEC.	SPECIFICATIONS
SHC	SHUNT TRIP, 120V COIL, (PROVIDE ACCESSORY FOR INDICATED BREAKER)
SW	SWITCH
SWBD	SWITCHBOARD
TBB	TELECOMMUNICATIONS BONDING BACKBONE
TO	TELECOMMUNICATIONS CLOSET
TELECOM	TELECOMMUNICATIONS
TGB	TELECOMMUNICATIONS GROUNDING BUS BAR
TMBG	TELECOMMUNICATIONS MAIN GROUNDING BUS BAR
TYP	TYPICAL
UNO	UNLESS NOTED (INDICATED) OTHERWISE
V	VOLTS
VFD	VARIABLE FREQUENCY DRIVE
W	WATTS
WG	WIRE GUARD
WP	WEATHERPROOF
XFER	TRANSFER
XPMR	TRANSFER



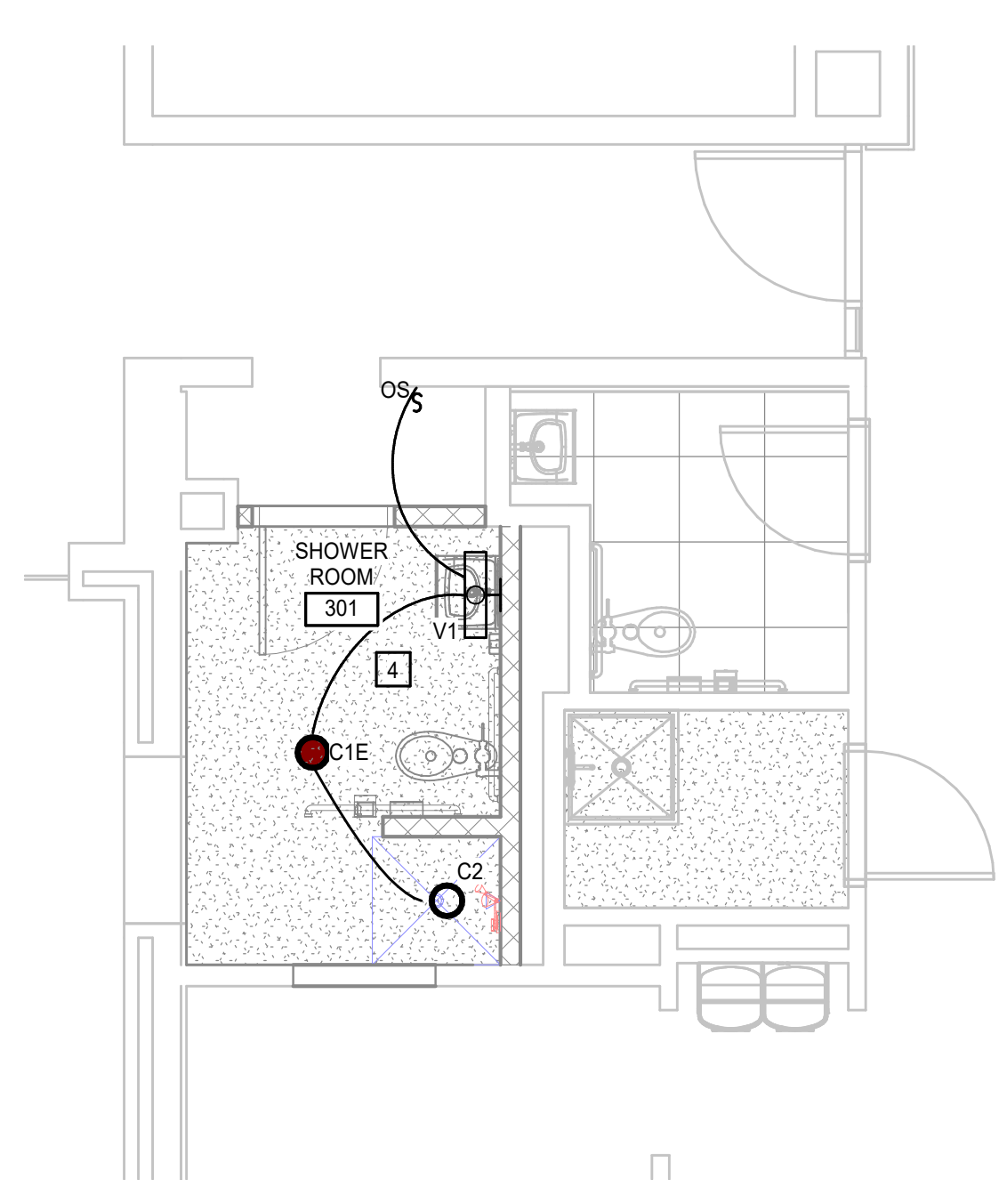


KEYNOTES	
APPLIES TO DRAWINGS E1.3	
REPRESENTED BY [Symbol]	
1.	DEMOLISH ALL ELECTRICAL EQUIPMENT UNLESS SHOWN OR NOTED OTHERWISE. MAINTAIN CIRCUITRY CONTINUITY FOR RECONNECTION OF NEW EQUIPMENT.
2.	DISCONNECT THE RADIO SYSTEM. MAINTAIN CIRCUITRY FOR THE RELOCATION OF EQUIPMENT.
3.	EXTEND EXISTING CIRCUITRY FOR RADIO SYSTEM TO NEW LOCATION.
4.	CONNECT NEW LIGHTING TO EXISTING LIGHTING CIRCUIT.
5.	CONNECT NEW RECEPTACLES TO EXISTING CIRCUIT.
6.	BATTERY CALCS ARE REQUIRED FOR THE ADDED DEVICES AND ADDITIONAL BATTERY CAPACITY IS REQUIRED IF CALCS INDICATE THAT IT IS NEEDED.

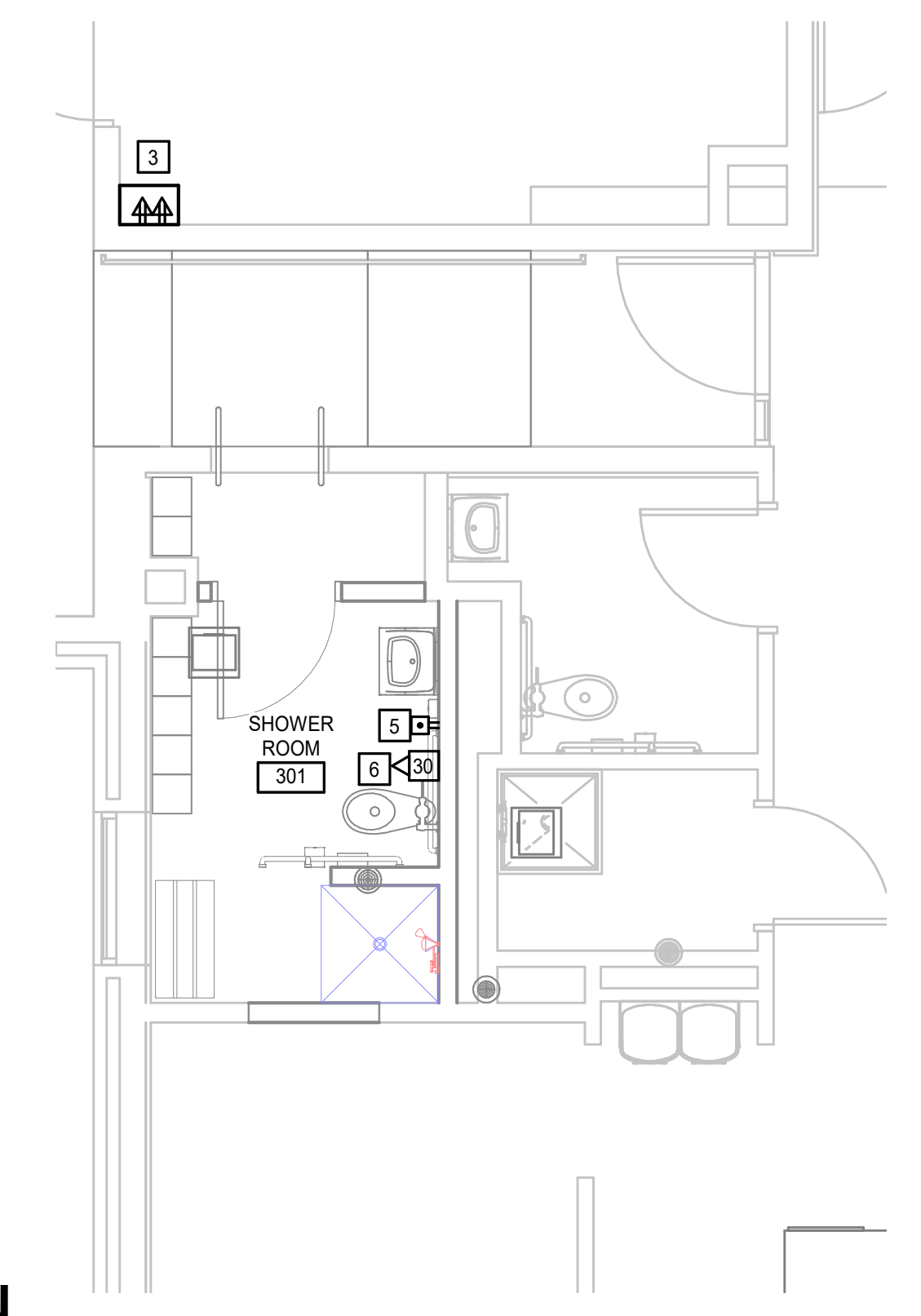
**N**  
**FIRST FLOOR OVER ALL PLAN - FIRE STATION 3**  
 1/8" = 1'-0"

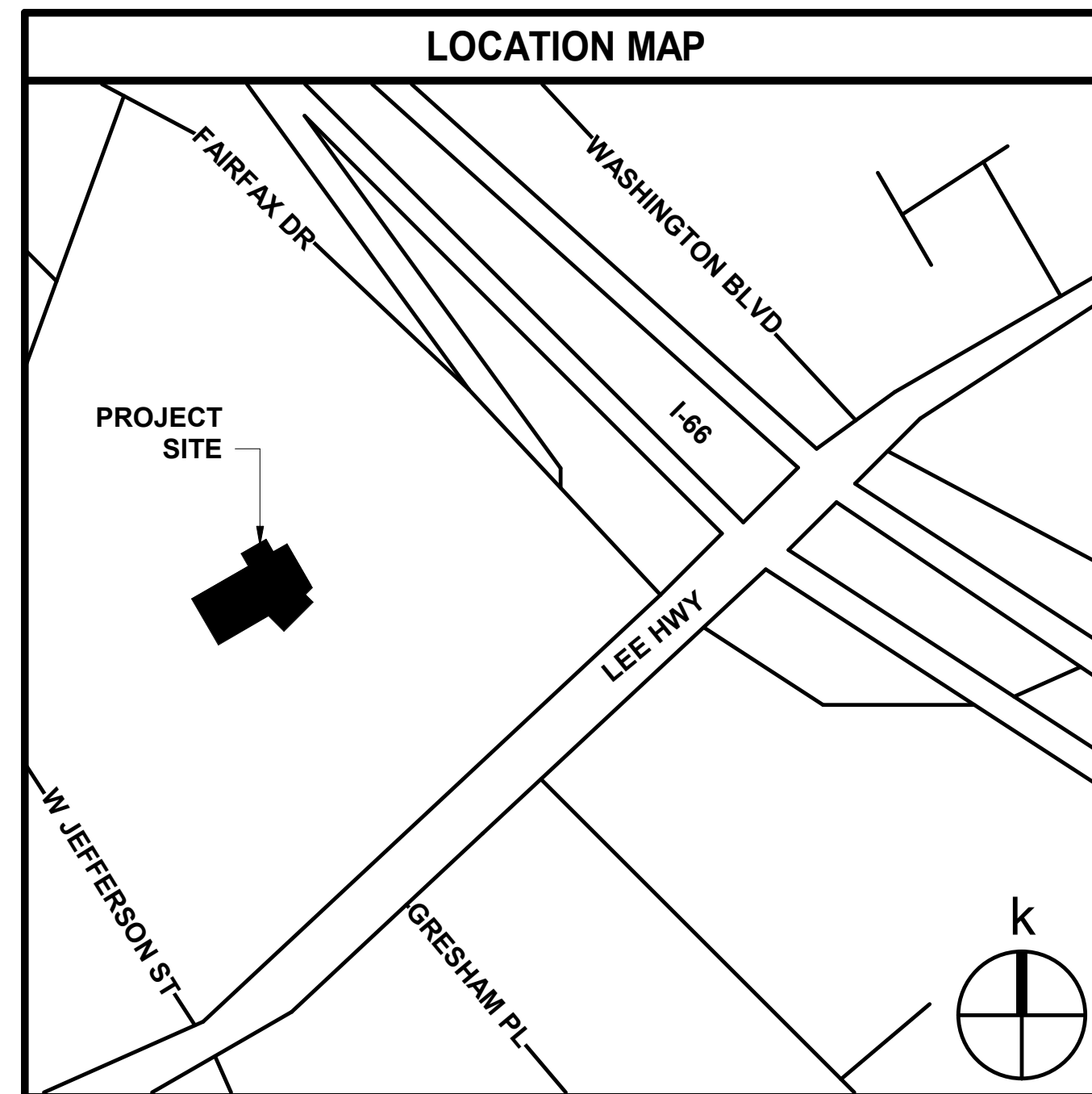
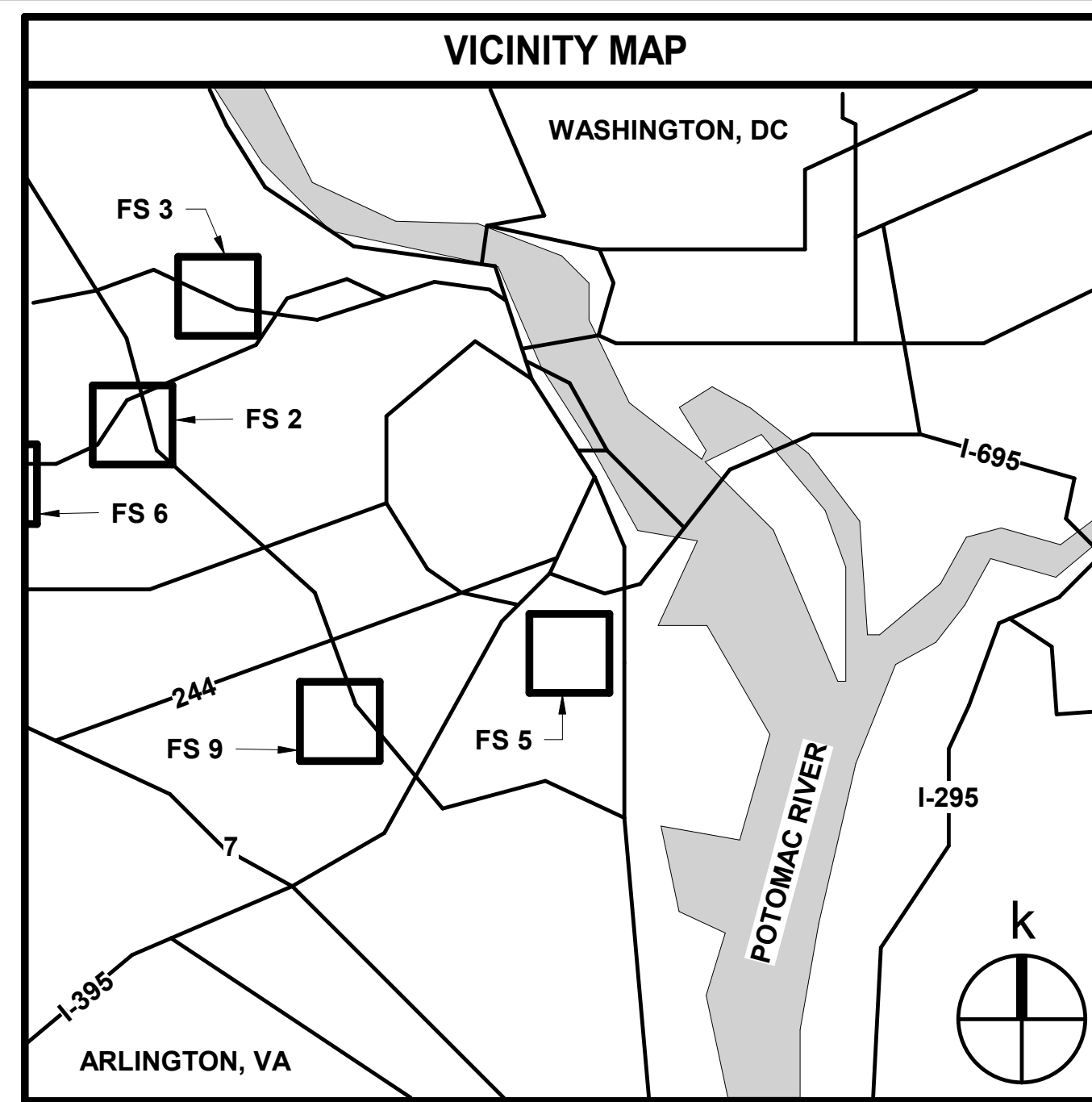


**N**  
**FIRST FLOOR DEMOLITION PLAN - STATION 3**  
 1/4" = 1'-0"



**N**  
**FIRST FLOOR LIGHTING PLAN - STATION #3**  
 1/4" = 1'-0"





# PERMIT SET

# KELLY DAY RENOVATIONS

# FS 6

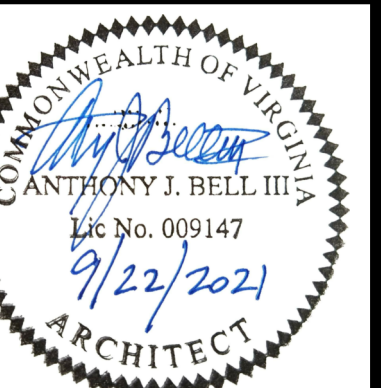
6950 Little Falls Rd, Arlington, VA 22213  
563006

**MOSELEY**ARCHITECTS

3200 NORFOLK STREET, RICHMOND, VA 23230  
PHONE (804) 794-7555 FAX (804) 355-5690  
MOSELEYARCHITECTS.COM

**MOSELEY**ARCHITECTS

3200 NORFOLK STREET, RICHMOND, VA 23230  
PHONE (804) 794-7555 FAX (804) 355-5690  
MOSELEYARCHITECTS.COM



**KELLY DAY RENOVATIONS FS 6**

563006  
6950 Little Falls Rd, Arlington, VA 22213  
Owner: Arlington County

**DRAWING INDEX**

COVER	COVER - FS6
<b>ARCHITECTURAL</b>	
A0.7	GENERAL ARCHITECTURAL INFORMATION - FS6
A0.8	WALL/PARTITION TYPES, SCHEDULES, & TERMINATIONS - FS6
A2.6	FIRE STATION 6 DRAWINGS
<b>STRUCTURAL</b>	
S0.0.1	GENERAL NOTES AND LEGENDS
S2.6	FRAMING PLANS - FS6
S3.0.1	TYPICAL SLAB DETAILS
S4.0.1	TYPICAL MASONRY WALL AND LINTEL DETAILS
<b>PLUMBING</b>	
P0.6	LEGENDS, ABBREVIATIONS AND GENERAL NOTES - FS6
P2.6	FLOOR PLAN - FS6
<b>MECHANICAL</b>	
M0.1	LEGENDS, ABBREVIATIONS, SCHEDULES, AND GENERAL NOTES
M1.5	FIRST FLOOR DEMOLITION PLAN - FIRE STATION 6
M2.5	FIRST FLOOR PLAN - FIRE STATION 6
M5.1	DETAILS & CONTROLS
<b>ELECTRICAL</b>	
E0.1	LEGENDS, ABBREVIATIONS AND GENERAL NOTES
E1.5	FIRST FLOOR DEMOLITION PLAN - FIRE STATION 6
E2.5	FIRST FLOOR LIGHTING, POWER AND COMMUNICATION PLANS - FIRE STATION 6

**POINTS OF CONTACT**

**ARCHITECT:**  
ANDREW MCVEIGH - PROJECT MANAGER  
MOSELEY ARCHITECTS  
804-545-6110  
AMCVEIGH@MOSELEYARCHITECTS.COM

**OWNER:**  
MICHAEL MANOS - PROJECT MANAGER  
ARLINGTON COUNTY, VIRGINIA  
703-228-4437  
MMANOS@ARLINGTONVA.US

**USER:**  
CAPTAIN RICHARD SLUSHER  
ARLINGTON COUNTY FIRE DEPARTMENT  
RSLUSHER@ARLINGTONVA.US

**HAZARDOUS MATERIALS:**  
IT IS NOT ANTICIPATED THAT THE CONTRACTOR WILL ENCOUNTER HAZARDOUS MATERIALS WHILE EXECUTING THE WORK. THE EXISTING BUILDINGS HAVE NOT BEEN TESTED FOR THE PRESENCE OF HAZARDOUS MATERIALS. DURING THE COURSE OF THE WORK, IF THE CONTRACTOR HAS REASON TO SUSPECT THE PRESENCE OF HAZARDOUS MATERIALS, STOP WORK AND IMMEDIATELY NOTIFY THE OWNER AND ARCHITECT.

PROJECT NO:	563006
DATE:	SEPTEMBER 22, 2021
<b>REVISIONS</b>	
DATE	DESCRIPTION

COVER - FS6

THE CONTRACT DOCUMENTS ARE COMPLEMENTARY, AND WHAT IS REQUIRED BY ONE SHALL BE AS BINDING AS IF REQUIRED BY ALL. IN CASE OF A CONFLICT, DISAGREEMENT, OR AMBIGUITY, PROVIDE THE BETTER QUALITY. IN CASE OF A CONFLICT, DISAGREEMENT, OR AMBIGUITY, PROVIDE THE GREATER QUANTITY OF WORK.



### FINISH SCHEDULE GENERAL NOTES

- A. FINISH SCHEDULE DESCRIBES ONLY THE BASIC OR PREDOMINANT SURFACE FINISH.
- B. PROVIDE SAME FINISHES AS THE ADJACENT SPACE IN ALCOVES AND CONTINUOUS SPACES WITHOUT DESIGNATED SPACE NUMBERS.
- C. DIRECTIONAL WALL FINISH INDICATORS (NORTH, EAST, SOUTH, WEST) REFER TO THE "PLAN" NORTH ORIENTATION.
- D. BULKHEADS AND SOFFITS MAY NOT BE INDICATED IN FINISH SCHEDULES. REFER TO RCP DETAILS AND OTHER DOCUMENTS FOR EXTENT.
- E. PROVIDE CONTINUOUS SEALANT BETWEEN INTERIOR SLAB-ON-GRADE AND VERTICAL ELEMENT WHERE JOINT IS NOT CONCEALED BY FINISH BASE OR OTHER CONSTRUCTION.
- F. WHERE PATCHING FLOORS OR WALL BASES, MATCH THE ADJACENT MATERIALS. IF EXACT MATCHES CANNOT BE PROCURED, COORDINATE WITH THE OWNER AND PROVIDE SIMILAR MATERIAL.
- G. ATTC: STOCK AVAILABLE FOR FS6 FLOOR TILE. COORDINATE WITH OWNER.

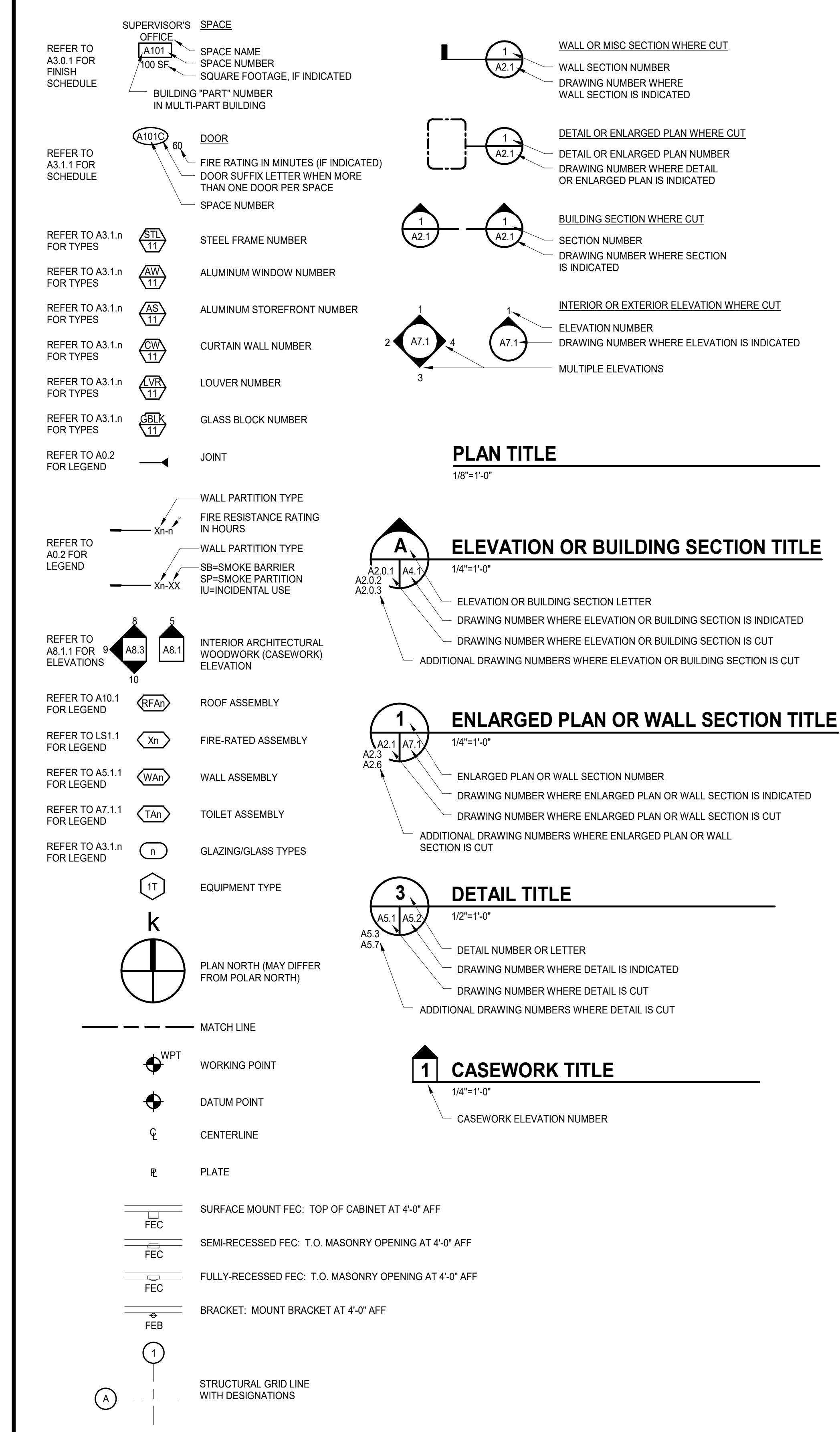
### ARCHITECTURAL ABBREVIATIONS

A-PT	ACCENT PAINT	GWT	GLAZED WALL TILE	SWM	SECURITY WOVEN MESH / WOVEN ROD
AB	AIR BARRIER SYSTEM	GYP	GYP	SYM	SYMMETRICAL
ABV	ABOVE	H	HIGH	T	TREAD
ACP	ACOUSTICAL CEILING PANEL	HB	HOSE BIBB	T&G	TONGUE & GROOVE
ACT	ACOUSTICAL CEILING TILE	HBD	HARDBOARD	T.O.	TOP OF
ACW	ALUMINUM CLAD WINDOW	HDC	HOLD DOWN CLIPS	TB	TACKBOARD
ADJ	ADJUSTABLE	HDR	HARDENER	TCF	TEXTILE COMPOSITE FLOORING
AFF	ABOVE FINISHED FLOOR	HDWD	HARDWOOD	TEL	TELEPHONE
AHJ	AUTHORITY HAVING JURISDICTION	HDWR	HARDWARE	TERR-C	TERRAZZO CEMENTITIOUS
AHU	AIR HANDLING UNIT	HM	HOLLOW METAL	TERR-E	TERRAZZO EPOXY
ALT	ALTERNATE	HRZR	HORIZONTAL	TERR-R	TERRAZZO RUBBERIZED
ALUM	ALUMINUM	HPC	HIGH PERFORMANCE COATINGS	THHD	THRESHOLD
AP	ACCESS PANEL	HPPF	HIGH PERFORMANCE FLOOR PAINT	THK	THICKNESS, THICK
APC	ARCHITECTURAL PRECAST CONCRETE	HT	HEIGHT	TOS	TOP OF STEEL
ARC	ABUSE RESISTANT COATING	HVAC	HEATING, VENTILATING, AIR CONDITIONING	TOW	TOP OF WALL
AS	ALUMINUM STOREFRONT	ID	INSIDE DIAMETER	TS	TACK STRIP
AUTO	AUTOMATIC	IN	INCH, INCHES	TV	TELEVISION
AVG	AVERAGE	INCL	INCLUDE, INCLUDING	TYP	TYPICAL
AW	ALUMINUM WINDOW	INFO	INFORMATION	UC	UNDERCUT
AWC	ACOUSTICAL WALL COVERING	INST	INSTALLATION	UG	UNDERGROUND
AWP	ACOUSTICAL WALL PANEL	INSUL	INSULATION	UH	UNIT HEATER
BD	BOARD	INT	INTERIOR	UNO	UNLESS NOTED (INDICATED) OTHERWISE
BF	BARRIER FREE (ADA or A117.1)	IRWC	IMPACT RESISTANT WALL COVERING	VAT	VINYL ASBESTOS TILE
BLDG	BUILDING	IWB	INTERACTIVE WHITE BOARD	VB	VAPOR BARRIER
BLKG	BLOCKING	JAN	JANITOR	VCT	VINYL COMPOSITION TILE
BLT	BOTTOM	JCT	JUNCTION	VDB	VISUAL DISPLAY BOARD
BRG	BEARING	JT	JOINT	VERT	VERTICAL
BTWN	BETWEEN	L	LENGTH/LONG	VEST	VESTIBULE
BUJ	BUILT-UP ROOF	LAB	LABORATORY	VFCT	VINYL FREE COMPOSITION TILE
C	CARPET	LAHJ	LOCAL AUTHORITY HAVING JURISDICTION	VFWC	VINYL FREE WALL COVERING
C-TILE	CARPET TILE	LAM	LAMINATE	VR	VAPOR RETARDER
CAB	CABINET	LAV	LAVATORY	VT	VINYL TILE
CB	CHALKBOARD	LH	LEFT HAND	VTR	VENT THROUGH ROOF
CCTV	CLOSED CIRCUIT TELEVISION	LIN	LINE/LEIM	WVC	VINYL WALL COVERING
CEM	CEMENT	LKR	LOCKER	W	WIDE, WIDTH
CFS-S	COLD FORMED STEEL FRAMING, NON-STRUCTURAL	LMC	LINEAR METAL CEILING	W/O	WITHOUT
CFS-S	COLD FORMED STEEL FRAMING, STRUCTURAL	LPS	LAMINATE PANEL SYSTEM	WC	WATER CLOSET
CG	CORNER GUARD	LTA	LIGHT	WCP	WOOD CEILING PANEL
CI	CONTINUOUS INSULATION	M	METER	WD	WOOD
CI-PC	CAST IN PLACE CONCRETE	MACH	MACHINE	WDW	WINDOW
CJ	CONTROL JOINT	MAS	MASONRY	WP	WATERPROOFING
CL	CLOSET	MATL	MATERIAL	WPT	WORKING POINT
CLG	CEILING	MAX	MAXIMUM	WSCT	WOOD SPORTS FLOORING
CLR	CLEAR	MB	MARKERBOARD	WSF	WOOD SPORTS FLOORING
CM	CENTIMETER	MCM	METAL COMPOSITE MATERIAL	WF	WEIGHT
CMBD	CEMENT BOARD	MCP	METAL CEILING PANEL	WF	WELDED WIRE FABRIC
CMU	CONCRETE MASONRY UNIT	MDO	MEDIUM DENSITY OVERLAY	XPS	EXTRUDED POLYSTYRENE
CMU-A	CONCRETE MASONRY UNIT - ACOUSTICAL	MED	MEDIUM		
CMU-SF	CONCRETE MASONRY UNIT - GROUND FACE	MEMB	MEMBRANE		
CMU-SLZ	CONCRETE MASONRY UNIT - SPLIT FACE	MFR	MANUFACTURER		
CMU-SPLF	CONCRETE MASONRY UNIT - SPLIT FACE CLEANOUT	MIF	MULTICOLOR INTERIOR FINISHING		
COL	COLUMN	MIN	MINIMUM		
CONC	CONCRETE	MIR	MIRROR		
CONC-LH	CONCRETE WITH LIQUID HARDENER/SEALER	MISC	MISCELLANEOUS		
CONC-PMT	CONCRETE WITH PIGMENT	MLDG	MOLDING		
CONC-POL	CONCRETE - POLISHED	MO	MASONRY OPENING		
CONC-SLR	CONCRETE WITH CURE & SEAL	MPS	MANUAL PROJECTION SCREEN		
CONC-ST	CONCRETE WITH STAIN	MR	MAP RAIL		
CONST	CONSTRUCTION	MT	MOUNT		
CONT	CONTINUOUS	MTD	MOUNTED		
CONTR	CONTRACTOR	MTL	METAL		
CORR	CORRIDOR	NA	NOT APPLICABLE		
CSMU	CAST STONE MASONRY UNIT	NIC	NOT IN CONTRACT		
CT	CERAMIC TILE	NO	NUMBER		
CTSK	COUNTERSINK, COUNTERSUNK	NOM	NOMINAL		
CU FT	CUBIC FEET / FOOT	NRC	NOISE REDUCTION COEFFICIENT		
CUST	CUSTODIAN / CUSTODIAL	NTS	NOT TO SCALE		
CW	ALUMINUM CURTAIN WALL	OC	ON CENTER		
CWFD	CEMENTITIOUS WOOD FIBER DECK	OD	OUTSIDE DIAMETER		
D	DEPTH/DEEP	OFCI	OWNER FURNISHED CONTRACTOR INSTALLED		
DBL	DOUBLE	OPNG	OPENING		
DEM	DEMOLITION	OPP HD	OPPOSITE HAND		
DETE	DETENTION	OVD	OVERHEAD		
DF	DRINKING FOUNTAIN	P-TILE	PORCELAIN TILE		
DG	DOOR GRILLE	PC	PRECAST		
DHM	DETENTION HOLLOW METAL	PERF	PERFORATED, PERFORATIONS		
DIAM	DIAMETER	PERM	PERIMETER		
DIAG	DIAGONAL	PIP	POURED IN PLACE		
DM	DIMENSION	PLAM	PLASTIC LAMINATE		
DIV	DIVISION	PLAS	PLASTER		
DL	DOOR LOUVER	PLWD	PLASTIC LAMINATE WOOD		
DN	DOWN	PLYWD	PLYWOOD		
DP	DAMP-PROOFING	PNL	PANEL PANELING		
DR	DISPLAY RAIL	POLY	POLYETHYLENE		
DS	DOWNSPOUT	PPS	POWER PROJECTION SCREEN		
DTL	DETAIL	PRF	PRESSURE-OR PRESERVATIVE-TREATED		
DWG	DRAWING	PR	PAIR		
DWR	DRAWER	PREFAB	PREFABRICATED		
EA	EACH	PREFIN	PREFINISHED		
EF	EXHAUST FAN	PREP	PREPARE / PREPARATION		
EPS	EXTERIOR FINISH SYSTEM	PROJ	PROJECTION SCREEN		
EPS	EXTERIOR INSULATION & FINISH SYSTEM	PSB	PENCIL SHARPENER BLOCK		
EJ	EXPANSION JOINT	PSF	POUNDS PER SQUARE FOOT		
EL	ELEVATION	PSI	POUNDS PER SQUARE INCH		
ELAS	ELASTOMERIC	PT	PAINT		
ELEC	ELECTRICAL	PTN	PARTITION		
ELEV	ELEVATOR	PTS	PNEUMATIC TUBE SYSTEM		
EMER	EMERGENCY	PVC	POLYVINYL CHLORIDE		
EPS	EXPANDED POLYSTYRENE	PVMT	PAVEMENT		
EPX	EPOXY	PVNC	PERFORATED VINYL WALL COVERING		
EQ	EQUAL	QSM	QUARTZ SURFACING MATERIAL		
EQUIP	EQUIPMENT	QT	QUARRY TILE		
ETR	EXISTING TO REMAIN	QTY	QUANTITY		
EWC	ELECTRIC WATER COOLER	R	RISER, RADIUS		
EX	EXISTING	R/W	RIGHT OF WAY		
EXH	EXHAUST	RAD	RADIUS		
EXP	EXPANSION	RAF	RESILIENT ATHLETIC FLOORING		
EXPC	EXPOSED CONSTRUCTION	RB	RESILIENT BASE		
EXT	EXTERIOR	RCP	REFLECTED CEILING PLAN		
FAF	FLUID APPLIED ATHLETIC FLOORING	RD	ROOF DRAIN		
FD	FLOOR DRAIN	REFG	REFRIGERATOR		
FE	FIRE EXTINGUISHER	REINF	REINFORCING, REINFORCE(D)		
FEB	FIRE EXTINGUISHER BRACKET	REM	RECESSED ENTRY MAT		
FEC	FIRE EXTINGUISHER CABINET	REQD	REQUIRED		
FF	FINISHED FLOOR	RES	RESINUS FLOORING		
FGL	FIBERGLASS	RFT	RUBBER FLOOR TILE		
FH	FIRE HYDRANT	RH	RIGHT HAND		
FHC	FIRE HOSE CABINET	RL	RAIN LEADER		
FHVC	FIRE HOSE VALVE CABINET	RM	ROOM		
FIN	FINISHED	RO	ROUGH OPENING		
FLR	FLOOR	RSF	RUBBER SHEET FLOORING		
FLRG	FLOORING	RSR	RESILIENT STAIR RISER		
FND	FOUNDATION	RST	RESILIENT STAIR TREAD		
FO	FACE OF	RT	RIGHT		
FRM	FRAME	RTU	ROOFTOP UNIT		
FRP	FIBERGLASS REINFORCED PLASTIC	SAB	SOUND ATTENUATION BLANKET		
FRT	FIRE RETARDANT TREATED	SC-PLK	SECURITY CEILING PLANK		
FT	FOOT, FEET	SCN	SCHEDULE		
FTG	FOOTING	SF	SQUARE FEET / FOOT		
FURN	FURNITURE	SFRM	SPRAYED FIRE RESISTANT MATERIAL		
FVC	FIRE VALVE CABINET	SHM	SECURITY HOLLOW METAL		
FWC	FABRIC WALL COVERING	SHTNG	SHEATHING		
GA	GALVE	SM	SIMILAR		
GAL	GALLON	SPEC	SPECIFICATION		
GALV	GALVANIZED	SPF	SPRAYED POLYURETHANE FOAM		
GB	GYPSTUM BOARD	SPR	SPRINKLER		
GB-AR	GYPSTUM BOARD - ABUSE RESISTANT	SQ	SQUARE		
GB-IR	GYPSTUM BOARD - IMPACT RESISTANT	SQ FT	SQUARE FEET / FOOT		
GB-S	GYPSTUM BOARD - SECURITY	SRD	SECONDARY ROOF DRAIN		
GFRG	GLASS FIBER REINFORCED CONCRETE	SS	STAINLESS STEEL		
GFRG	GLASS FIBER REINFORCED GYPSTUM	SSM	SOLID SURFACE MATERIAL		
GL	GLASS, GLAZING	ST	STREET		
GL-BLK	GLASS BLOCK	STC	SOUND TRANSMISSION COEFFICIENT		
GMI	GALLONS PER MINUTE	STD	STANDARD		
GRT	GROUT	STL	STEEL		
GSFT	GLAZED STRUCTURAL FACING TILE	STRUCT	STRUCTURAL		
GT	GLASS TILE	SUSP	SUSPENDED		
		SV	SHEET VINYL		

### KEYNOTES

- KEYNOTE (1 TO 2 DIGITS)
- KEYNOTE (3 DIGITS ONLY)
- SIZE, THICKNESS, OR OTHER DESCRIPTIVE INFORMATION
- KEYNOTES ARE GENERALLY ASSOCIATED WITH A SERIES OF DRAWINGS (e.g., A3.2.n, A5.1.n); THEREFORE KEYNOTE NUMBERS FROM SERIES TO SERIES WILL VARY (i.e., KEYNOTE NO. 1 IN THE A3.2.n SERIES WILL BE DIFFERENT FROM KEYNOTE NO. 1 IN THE A5.1.n SERIES).

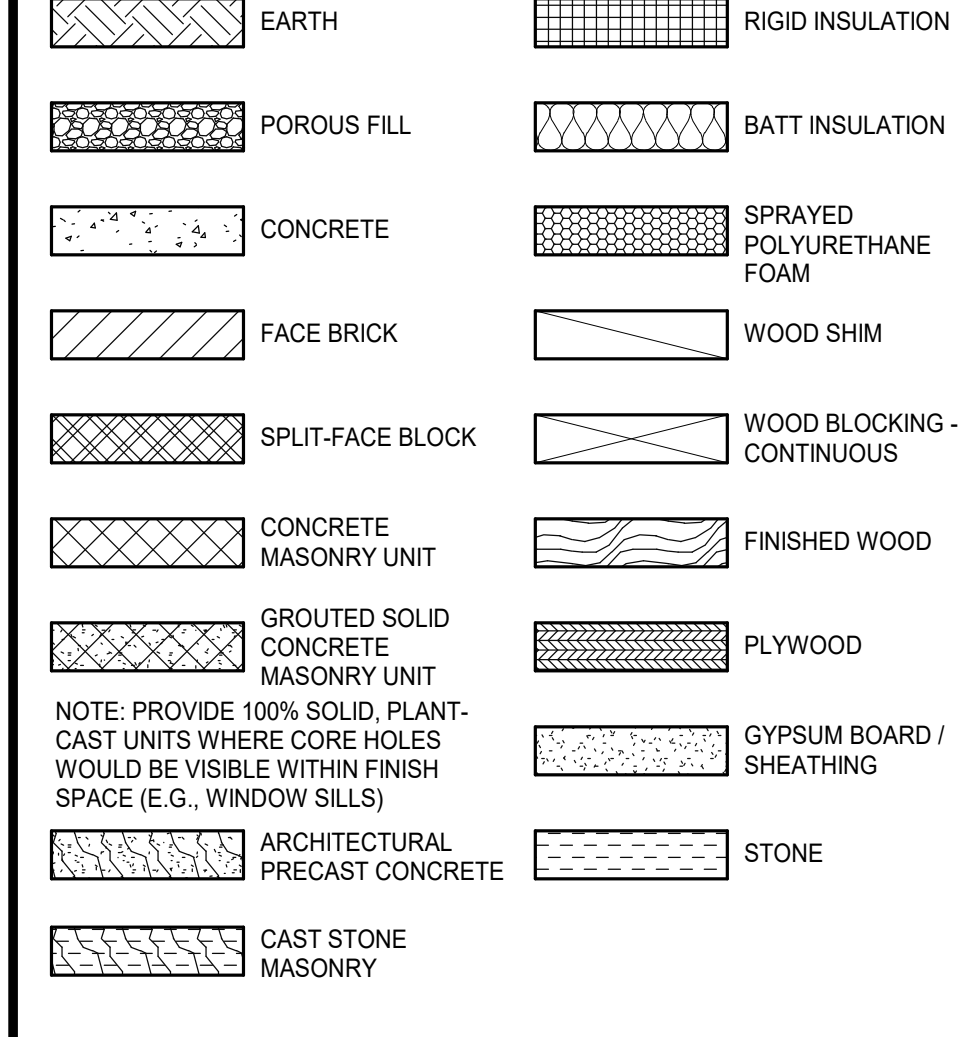
### ARCHITECTURAL GRAPHIC SYMBOL LEGEND



### ARCHITECTURAL GENERAL NOTES

- A. THE CONTRACT DOCUMENTS ARE COMPLEMENTARY AND WHAT IS REQUIRED BY ONE SHALL BE AS BINDING AS IF REQUIRED BY ALL. IN THE CASE OF A CONFLICT, DISAGREEMENT, OR AMBIGUITY, PROVIDE THE BETTER QUALITY. IN THE CASE OF A CONFLICT, DISAGREEMENT, OR AMBIGUITY, PROVIDE THE GREATER QUANTITY OF WORK.
- B. ELEMENTS THAT ARE IDENTIFIED BY OTHER DISCIPLINES (e.g., CIVIL, STRUCTURAL, PLUMBING, FIRE PROTECTION, MECHANICAL, ELECTRICAL) ELSEWHERE WITHIN THE ARCHITECTURAL SERIES OF DRAWINGS AND/OR SPECIFICATIONS, OR IDENTIFIED OR COVERED BY DEFAULTS (e.g., SIZES, THICKNESS, SPACING, MATERIALS) IN THE SPECIFICATIONS MAY NOT BE ANNOTATED (NOTE OR KEYNOTED) ON THESE DRAWINGS.
- C. ELEMENTS IDENTIFIED IN "LEGENDS" AND/OR "GENERAL NOTES" MAY NOT BE NOTED IN DETAILS OR SECTIONS, AS THESE ELEMENTS ARE IDENTIFIED IN THE LEGENDS (e.g., FACE BRICK, CMU, WINDOWS).
- D. REFER TO "ASSEMBLIES" FOR MATERIALS AND COMPONENTS THAT MAKE UP THAT PARTICULAR ASSEMBLY (e.g., EXTERIOR WALL ASSEMBLIES, ROOF ASSEMBLIES, AND FIRE-RATED ASSEMBLIES). ONCE A PARTICULAR ASSEMBLY HAS BEEN IDENTIFIED ON ONE DRAWING, THAT SAME ASSEMBLY GRAPHIC SHALL APPLY TO ALL OTHER SIMILAR LOCATIONS UNLESS SPECIFICALLY INDICATED OTHERWISE. PROVIDE THAT SAME ASSEMBLY AT THE SIMILAR LOCATION WHETHER THE ASSEMBLY GRAPHIC SYMBOL IS SHOWN OR NOT.
- E. VERIFY ALL DIMENSIONS, INCLUDING DIMENSIONS ON STRUCTURAL DRAWINGS AND OTHER ARCHITECTURAL DRAWINGS. IMMEDIATELY NOTIFY ARCHITECT OF ANY DISCREPANCIES.
- F. PROVIDE CONCRETE HOUSEKEEPING PADS FOR ALL EQUIPMENT INDICATED TO BE MOUNTED OR OTHERWISE REQUIRED TO BE MOUNTED TO THE FLOOR, WHERE PADS ARE NOT SHOWN. PROVIDE 6" THICK CONCRETE PADS W/ 3/4" CHAMFERED EDGES (ALL SIDES). REINFORCE WITH MESH EQUIVALENT TO FLOOR SLAB REINFORCING REQUIREMENTS.

### ARCHITECTURAL MATERIALS LEGEND



**MOSELEY ARCHITECTS**



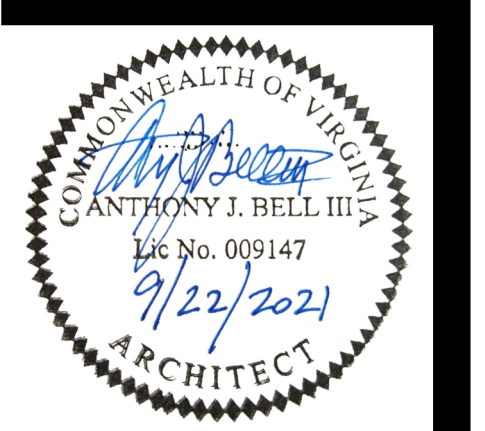
**KELLY DAY RENOVATIONS FS 6**  
563006  
6950 Little Falls Rd, Arlington, VA 22213  
Owner: Arlington County

PROJECT NO: 563006	DATE: SEPTEMBER 22, 2021
REVISIONS	
DATE	DESCRIPTION





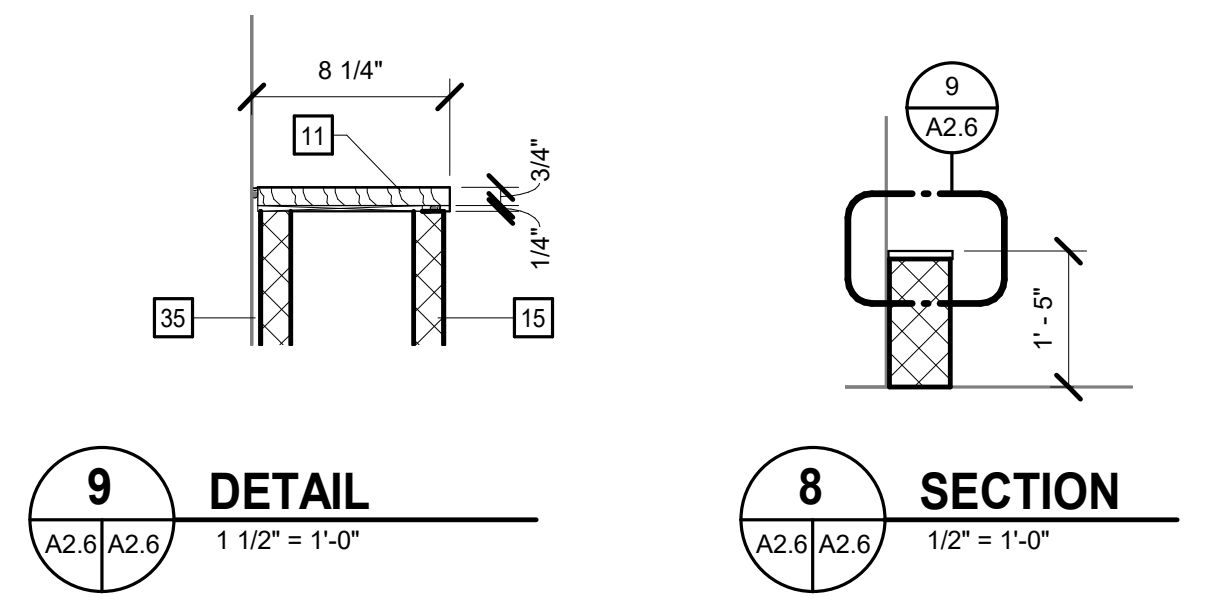




PROJECT NO:	563006
DATE:	SEPTEMBER 22, 2021
REVISIONS	
DATE	DESCRIPTION
12/15/21	ADDENDUM 1

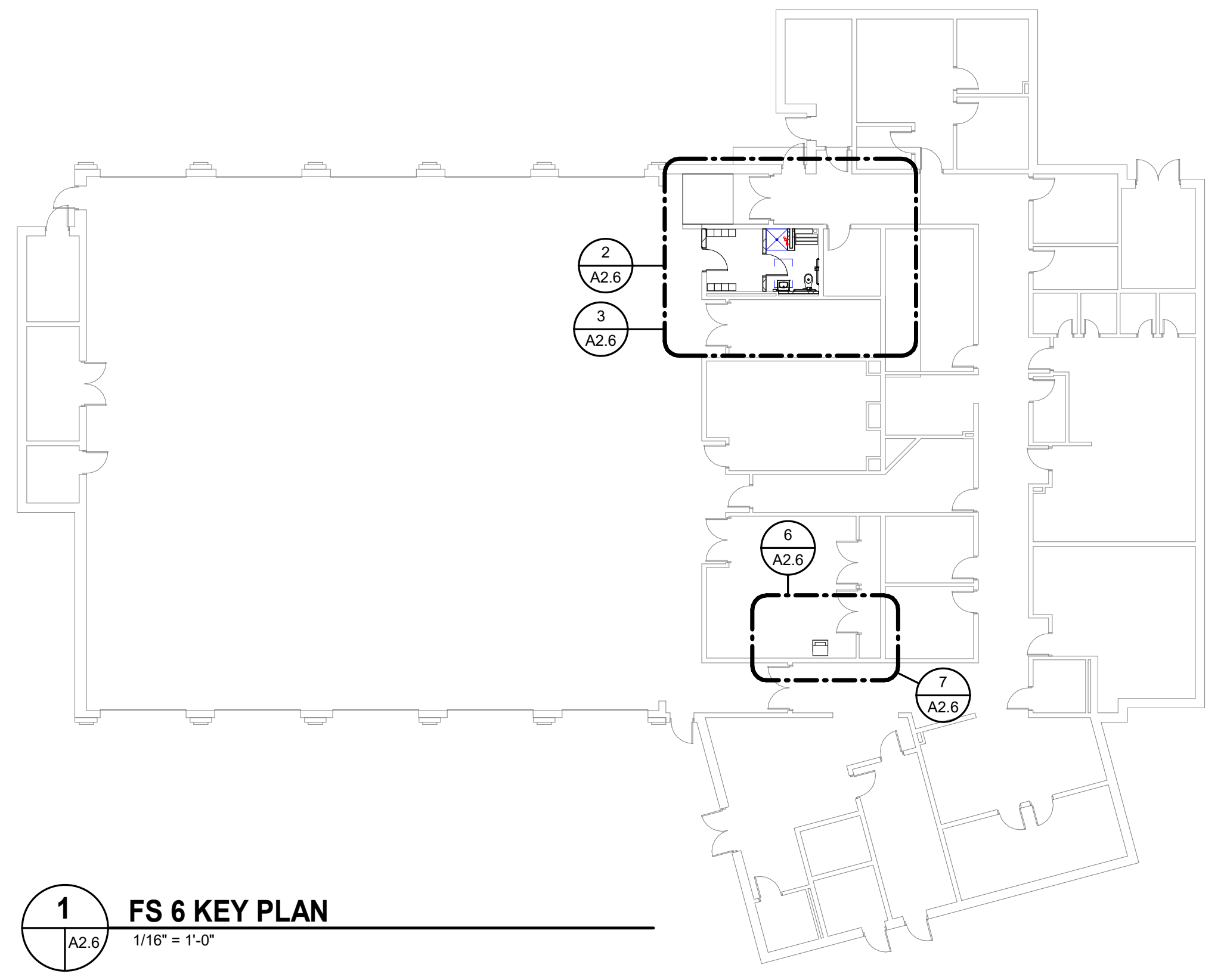
FINISH SCHEDULE FS6											
Department	NUMBER	NAME	FLOOR	BASE	WALLS				WAINSCOT	CEILING	NOTES
					NORTH	EAST	SOUTH	WEST			
FS6	601	LOCKER ROOM	CONC-SLR	PT	PT	PT	PT		ACP		
FS6	602	SHOWER ROOM	P-TILE	P-TILE	P-TILE	P-TILE	P-TILE	P-TILE	GB PT		FULL HEIGHT PORCELAIN TILE IN SHOWER; 7-2" PORCELAIN TILE WAINSCOT NOT IN SHOWER AREA

ADDENDUM 1

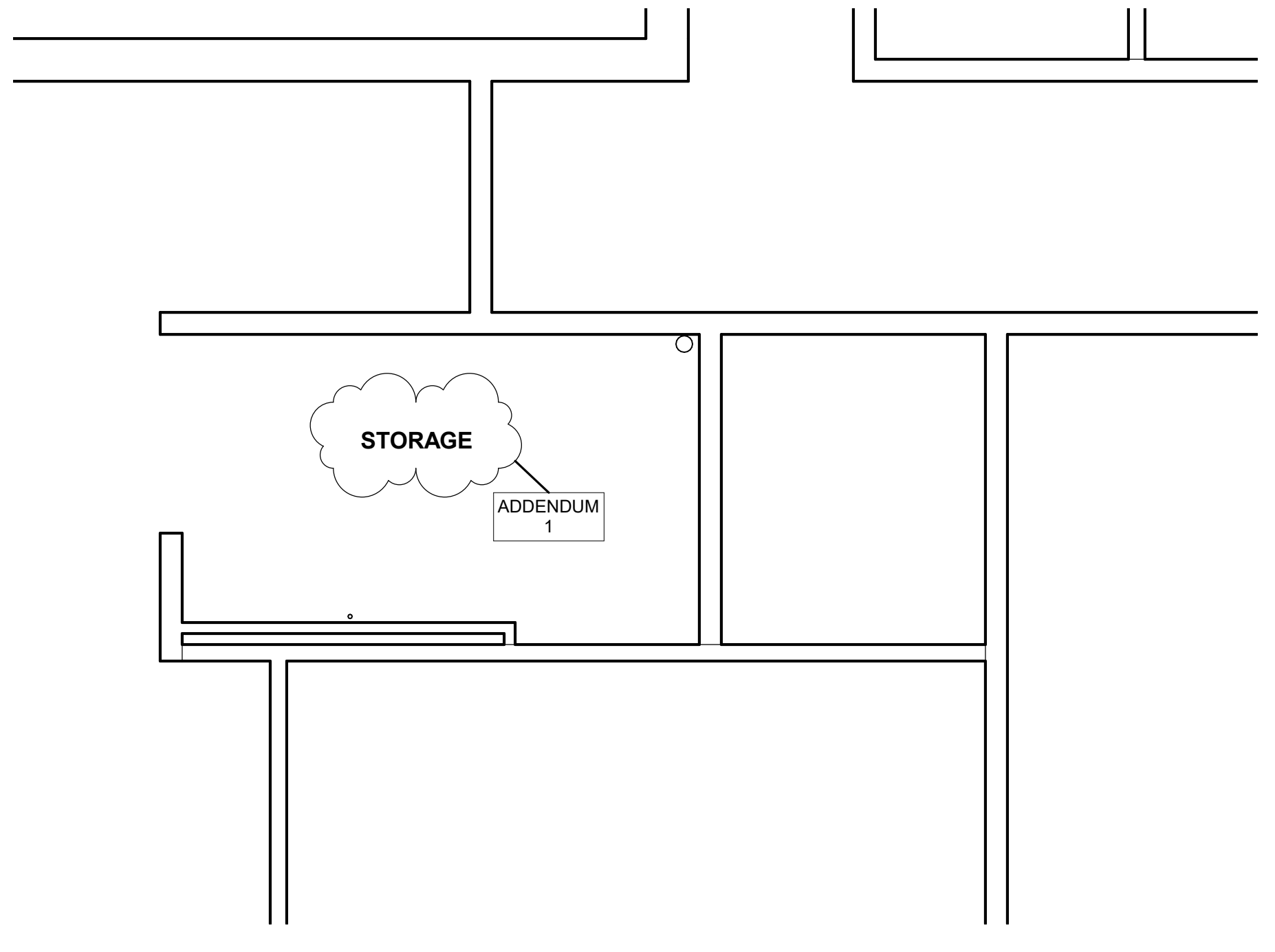


**9 DETAIL** 1 1/2" = 1'-0"  
**8 SECTION** 1/2" = 1'-0"

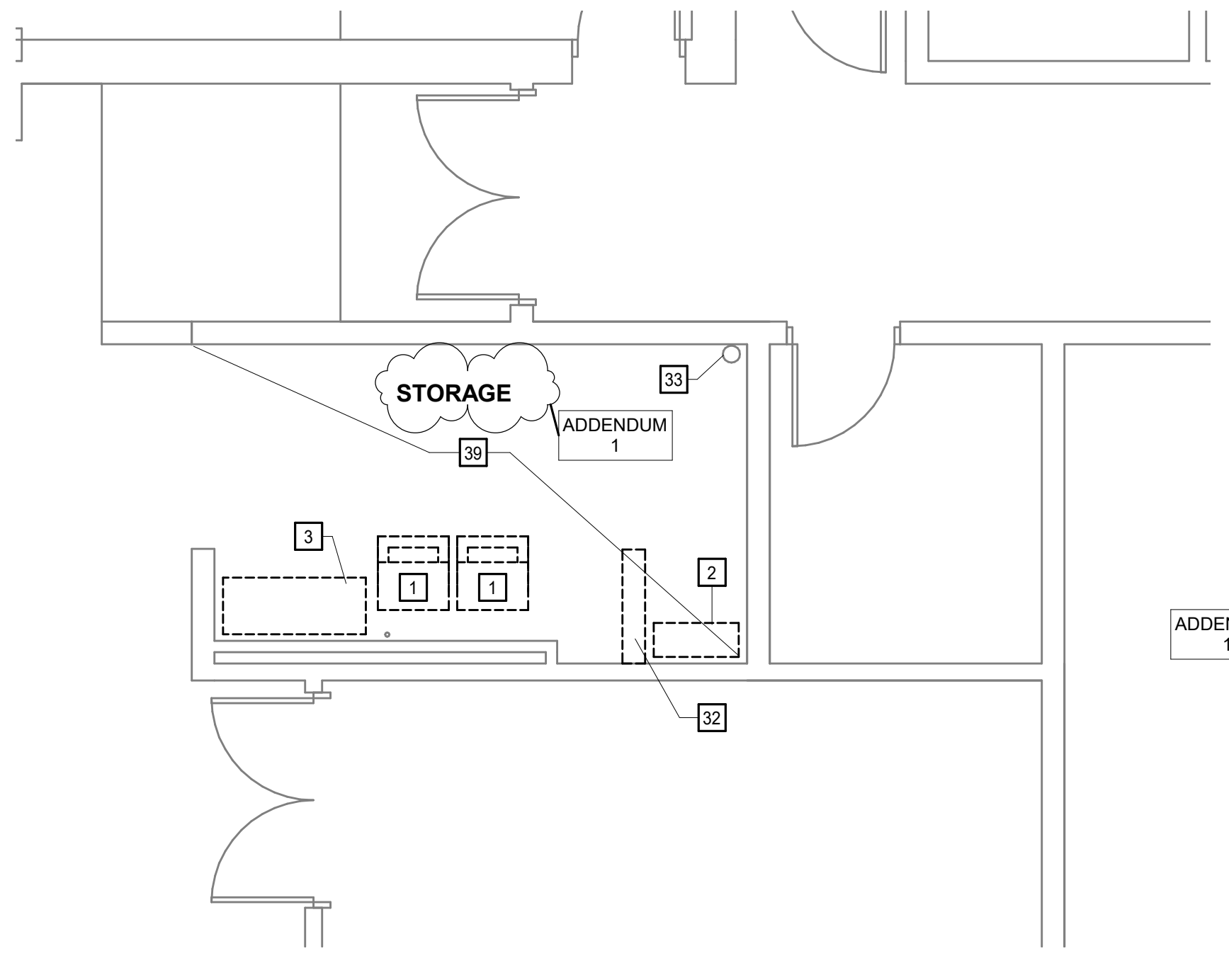
**1 FS 6 KEY PLAN** 1/16" = 1'-0"



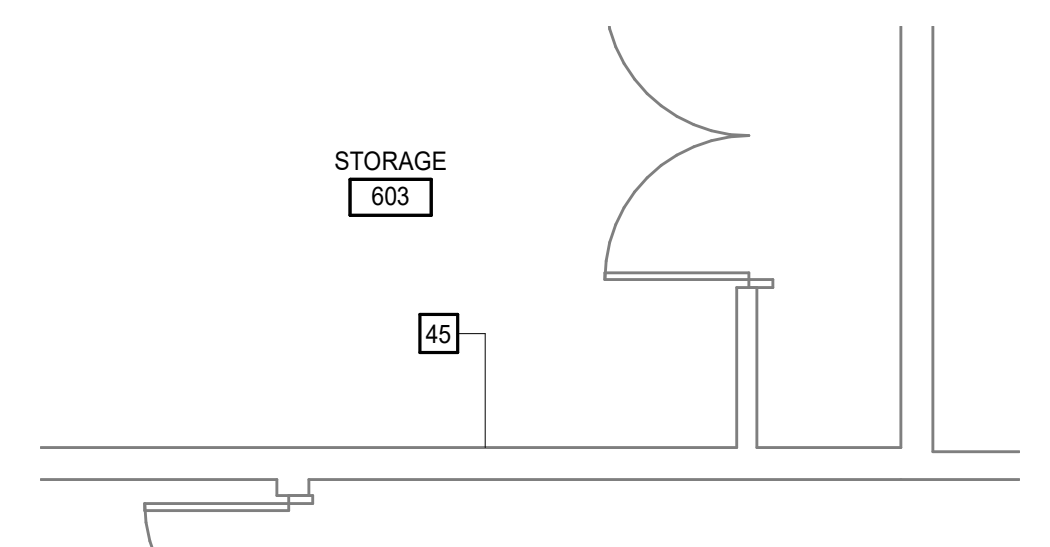
RELOCATE STORAGE HOOKS



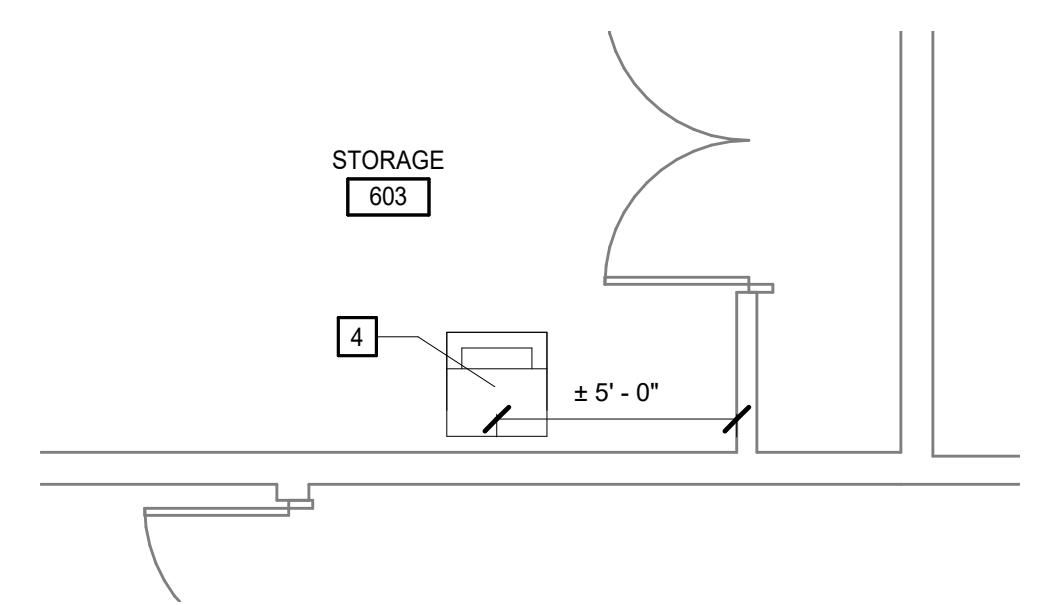
**4 FS 6 SHOWER RCP - DEMO** 1/4" = 1'-0"



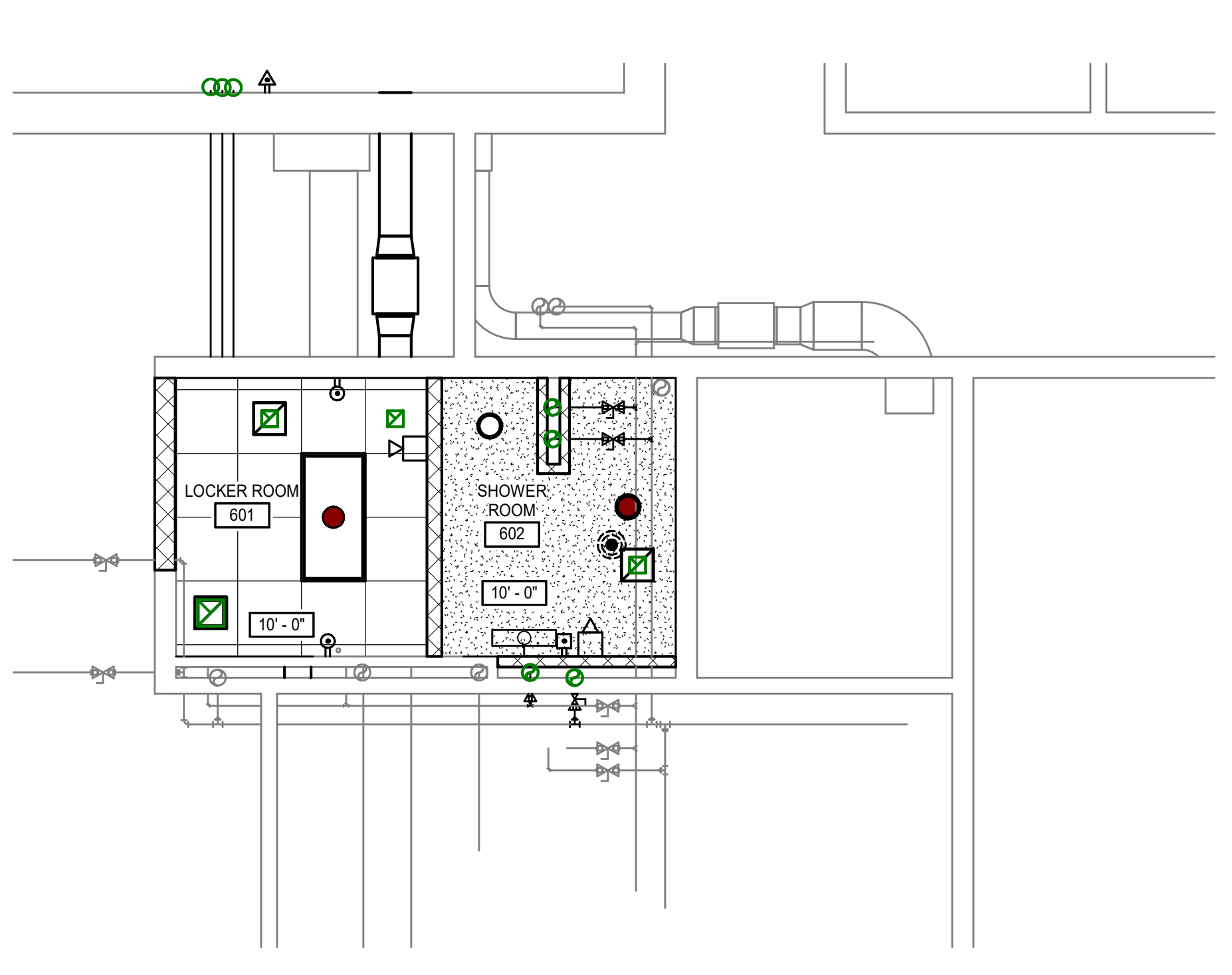
**3 FS 6 SHOWER PLAN - DEMO** 1/4" = 1'-0"



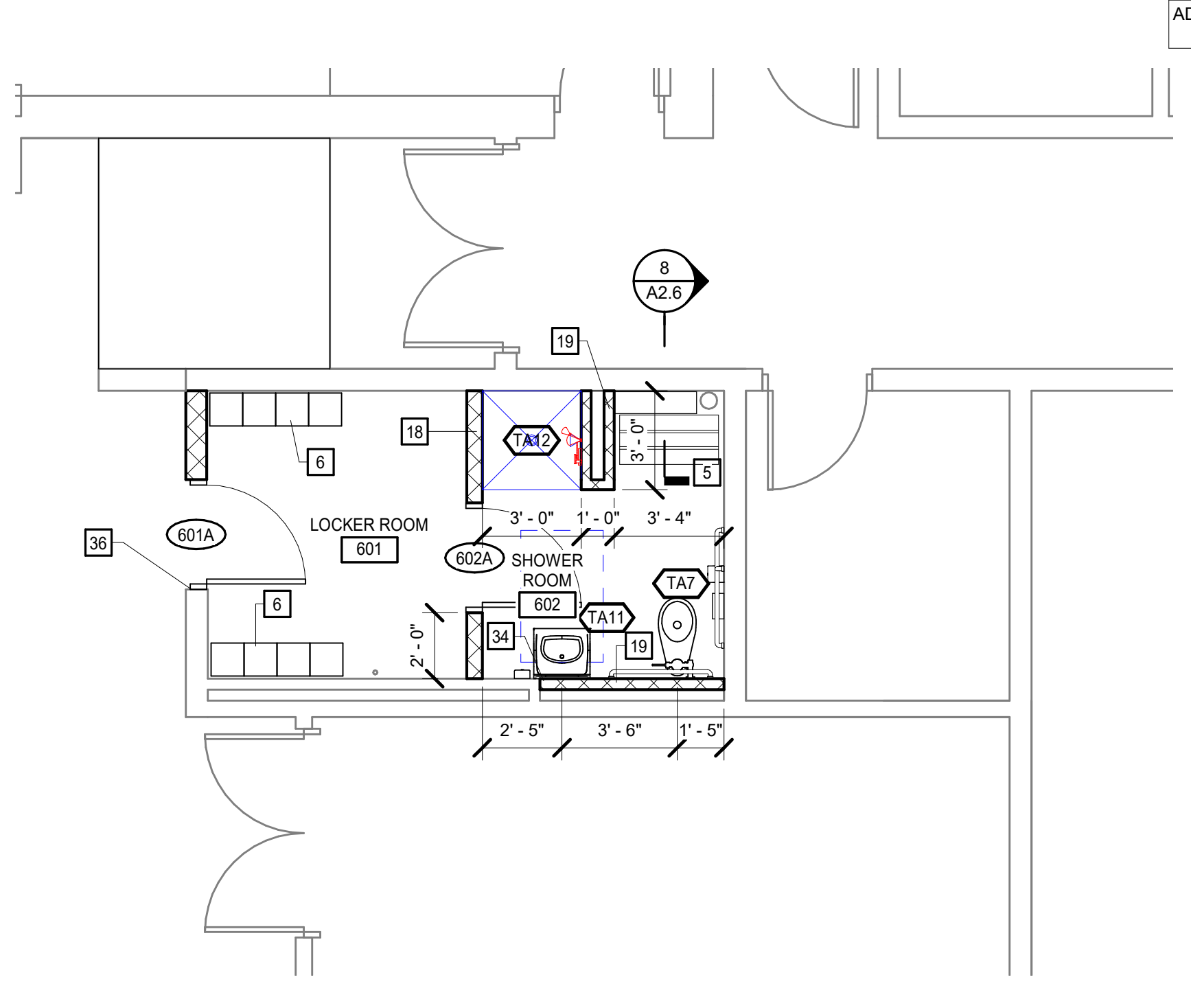
**7 FS 6 APPLIANCE - DEMO** 1/4" = 1'-0"



**6 FS 6 APPLIANCE - NEW** 1/4" = 1'-0"



**5 FS 6 SHOWER RCP - NEW** 1/4" = 1'-0"



**2 FS 6 SHOWER PLAN - NEW** 1/4" = 1'-0"

FLOOR PLAN KEYNOTES	
REPRESENTED BY [A]	
APPLIES TO DRAWINGS A2.2 - A2.9	
1	SALVAGE WASHER AND DRYER. TURN OVER TO THE OWNER.
2	REMOVE BENCH.
3	REMOVE SINK.
4	STACKED WASHER/DRYER UNIT. APPLIANCE FURNISHED BY THE OWNER. CONTRACTOR SHALL PROVIDE THE NECESSARY HOOKUPS AND INSTALL THE APPLIANCE.
5	FURNITURE NIC.
6	12"x12"x72" METAL GYM LOCKER PROVIDED BY OWNER.
7	EXISTING EXTRACTOR TO REMAIN.
8	EXISTING DRYING CABINET TO REMAIN.
9	REMOVE CEILING AND ALL HOSTED ELEMENTS, INCLUDING LIGHT FIXTURES, MECHANICAL DIFFUSERS, FIRE ALARMS, SMOKE DETECTORS, ETC.
10	MATCH HEIGHT OF ACOUSTIC CEILING WITH ADJACENT EXISTING CEILING.
11	PROVIDE 3/4" THICK STAINED WOOD SILL. PROVIDE POLYURETHANE COAT.
12	PROVIDE 3/4"x5" STAINED WOOD WALL BASE. PROVIDE POLYURETHANE COAT.
13	5/8" GYPSUM BOARD.
14	3 5/8" CFSF.
15	8" NOMINAL CMU.
16	RELOCATED AIR COMPRESSOR.
17	SALVAGE EXISTING AIR COMPRESSOR FOR RELOCATION. IF THERE ARE VIBRATION PADS AT THE FEET OF THE COMPRESSOR, REINSTALL THE PADS AT THE NEW LOCATION.
18	8" NOMINAL CMU.
19	4" NOMINAL CMU.
20	INFILL OPENING. MATCH ADJACENT CONSTRUCTION AND FINISH UNO.
21	SALVAGE DOOR AND FRAME.
22	REMOVE RAILING AT THIS SIDE OF RAMP.
23	REMOVE PORTION OF WALL AS NECESSARY TO PROVIDE OPENING.
24	SS TOILET PARTITION.
25	2'-0"x7'-0" SS TOILET STALL DOOR.
26	PROVIDE SHOWER ROD AND CURTAIN.
27	SALVAGE DOOR. FRAME SHALL REMAIN. REMOVE STRIKE AND PROVIDE STEEL OR ALUMINUM CLOSURE PLATE. PAINT TO MATCH FRAME COLOR.
28	EXISTING SHOWER CONTROLS TO REMAIN. TYPICAL THIS FIRE STATION.
29	EXISTING LINEAR DRAIN TO REMAIN.
30	EXISTING ACCESS PANEL AT CEILING.
31	PROVIDE GAP AT TOP AND BOTTOM OF PARTITION. DO NOT BLOCK AIRFLOW.
32	REMOVE HALFWALL.
33	EXISTING PIPING TO REMAIN.
34	ALIGN CMU CHASE WITH EXISTING CONSTRUCTION.
35	GRouted COLLAR JOINT.
36	ALIGN DOOR FRAME WITH EXISTING OPENING.
37	SALVAGE EXISTING DRYING CABINET FOR RELOCATION. REMOVE RAISED CONCRETE PAD.
38	INSTALL SALVAGED DRYING CABINET AT THIS LOCATION. POUR CONCRETE BASE FOR CABINET. MATCH EXISTING BASE DIMENSIONS.
39	REMOVE FINISH FLOORING. REFER TO STRUCTURAL DRAWINGS FOR ADDITIONAL DEMOLITION SCOPE.
40	GEAR GRID NIC. SHOWN FOR COORDINATION PURPOSES WITH THE OWNER.
41	SALVAGE EXISTING HOSE REEL SOLENOID SWITCH ASSEMBLY.
42	PROVIDE FROSTING FILM AT INTERIOR SIDE OF GLAZING.
43	PROVIDE CONCRETE SILL AT BASE OF DOOR OPENING.
44	PROVIDE METAL THRESHOLD TO STRADDLE THE FINISH FLOOR AND THE CONCRETE SILL.
45	SALVAGE STORAGE HOOKS AND RELOCATE TO ADJACENT WALL. COORDINATE WITH OWNER TO DETERMINE PRECISE LOCATION.
46	REMOVE EXISTING BENCH AND SHELF.
47	INSTALL SALVAGED HOSE REEL SOLENOID SWITCH ASSEMBLY. ORIENT SWITCH ASSEMBLY VERTICALLY. EXTEND AND MODIFY CONDUIT AS REQUIRED AND TEST SWITCHES FOR PROPER OPERATION.
48	1 1/2" CIRCULAR GALVANIZED STEEL HANDRAIL.
49	CONTINUE HANDRAIL TO FLOOR. EMBED IN CONCRETE. TYPICAL.
50	REMOVE CASEWORK AND SHELF.
51	PAINT CMU WITHIN RECESSED AREA.

DEMOLITION PLAN LEGEND	
APPLIES TO DRAWINGS A2.2 - A2.9	
	EXISTING PARTITION/WALL/ITEM TO REMAIN
	REMOVE EXISTING PARTITION/WALL/ITEM
	REMOVE EXISTING WINDOW ASSEMBLY AND FRAMING, INCLUDING ANCHORS
	SALVAGE EXISTING DOOR AND FRAME ASSEMBLY INCLUDING DOOR HARDWARE. IF FRAME DAMAGED DURING SALVAGING, DISCARD.
	REMOVE EXISTING PLUMBING FIXTURE. REFER TO PLUMBING DEMOLITION PLAN FOR ADDITIONAL INFORMATION.

FLOOR PLAN GENERAL NOTES	
A.	UNLESS NOTED OTHERWISE, PAINT ALL NEW WALLS AND ALL EXISTING WALLS IN ROOMS INCLUDED IN THE WORK SCOPE.
B.	PAINT ALL EXISTING DOOR FRAMES WHERE THE DOOR HAS BEEN SALVAGED OR REMOVED.
C.	REFER TO STRUCTURAL DOCUMENTS FOR SLAB REMOVAL.

PROJECT ADDRESS: 6950 Little Falls Rd, Arlington, VA 22213



STRUCTURAL ABBREVIATIONS

Table with 3 columns: Abbreviation, Description, and Full Name. Includes items like ANCHOR BOLT, ALUMINUM, CONCRETE MASONRY UNIT, etc.

DESIGN LOAD DATA

Table with 3 columns: Classification of Building, Risk Category, and Design Loads (e.g., 100 PSF, 2000 LB).

GENERAL

- 1. ALL WORK SHALL BE DONE IN ACCORDANCE WITH THE VIRGINIA UNIFORM STATEWIDE BUILDING CODE (USBC), 2015 EDITION, EFFECTIVE SEPTEMBER 4, 2018.

CONCRETE

- 1. ALL CONCRETE WORK SHALL CONFORM TO THE REQUIREMENTS OF ACI 318 "BUILDING CODE REQUIREMENTS FOR STRUCTURAL CONCRETE" AND ACI 301 "STANDARD SPECIFICATIONS FOR STRUCTURAL CONCRETE".

STRUCTURAL STEEL

- 1. ALL STRUCTURAL STEEL WORK SHALL CONFORM TO THE FOLLOWING AISC DOCUMENTS: AISC 360 "SPECIFICATION FOR STRUCTURAL STEEL BUILDINGS".

CONCRETE MASONRY (CMU)

- 1. ALL MASONRY WORK SHALL CONFORM TO THE REQUIREMENTS OF TMS 602 "BUILDING CODE REQUIREMENTS FOR MASONRY STRUCTURES WITH COMMENTARY" AND TMS 602 "SPECIFICATIONS FOR MASONRY STRUCTURES WITH COMMENTARY".

COLD FORMED STEEL FRAMING

- 1. ALL STRUCTURAL COLD FORMED STEEL FRAMING (CFSF) SHALL COMPLY WITH AISI'S "NORTH AMERICAN SPECIFICATION FOR THE DESIGN OF COLD-FORMED STEEL STRUCTURAL MEMBERS".

POST INSTALLED ANCHORS & DOWELS

- 1. INSTALL ALL ANCHORS IN ACCORDANCE WITH MANUFACTURERS PUBLISHED PROCEDURES AT NOT LESS THAN THE MINIMUM EDGE DISTANCES INDICATED IN THE MANUFACTURERS LITERATURE.

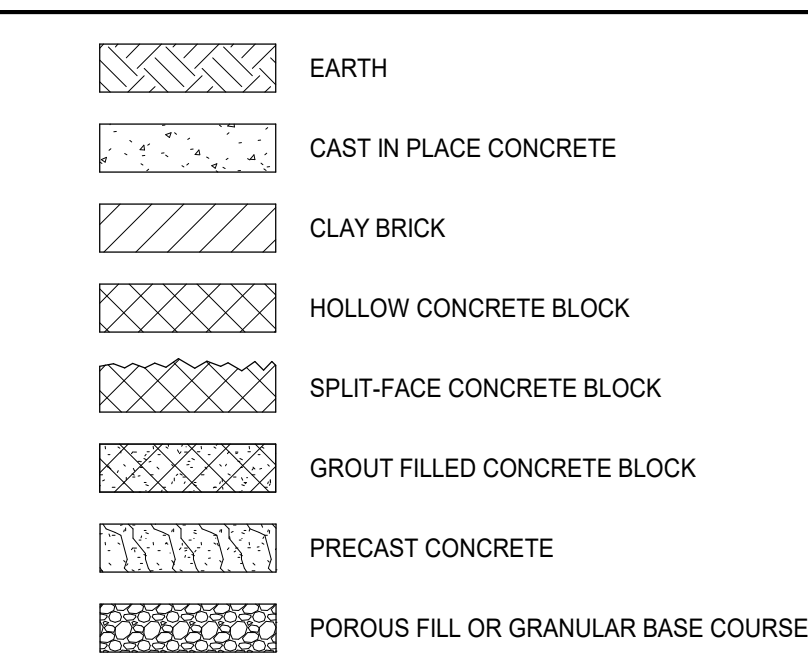
RENOVATION

- 1. EXISTING CONSTRUCTION INDICATED ON THE STRUCTURAL DRAWINGS IS BASED ON INFORMATION OBTAINED FROM THE ORIGINAL DESIGN DRAWINGS AND ON LIMITED OBSERVATIONS OF EXISTING CONDITIONS.

TEMPORARY SHORING

- 1. PROVIDE TEMPORARY SHORING AND BRACING TO MAINTAIN THE EXISTING STRUCTURE IN PROPER ALIGNMENT UNTIL PERMANENT CONSTRUCTION AND LATERAL BRACING IS IN PLACE.

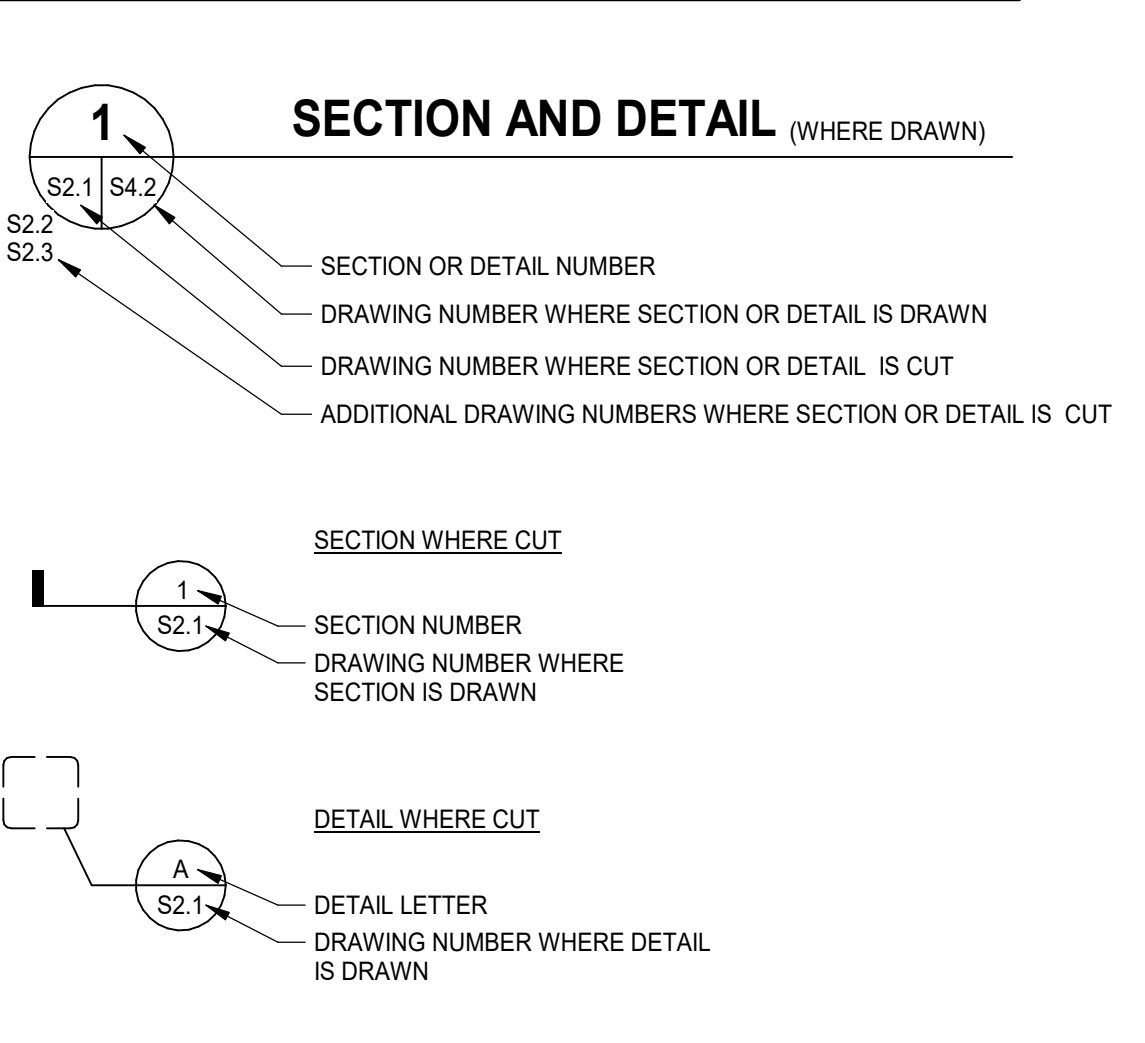
STRUCTURAL MATERIALS LEGEND



PLAN LEGEND

Table with 2 columns: Symbol and Description. Includes CENTERLINE, JOIST BEARING ELEVATION, BEAM BEARING PLATE, etc.

LEGEND FOR SECTION AND DETAIL MARKS



MOSELEY ARCHITECTS



KELLY DAY RENOVATIONS FS 6
563006
6950 Little Falls Rd, Arlington, VA 22213
Owner: Arlington County

Table with 2 columns: DATE and DESCRIPTION. Includes PROJECT NO: 563006, DATE: SEPTEMBER 22, 2021.

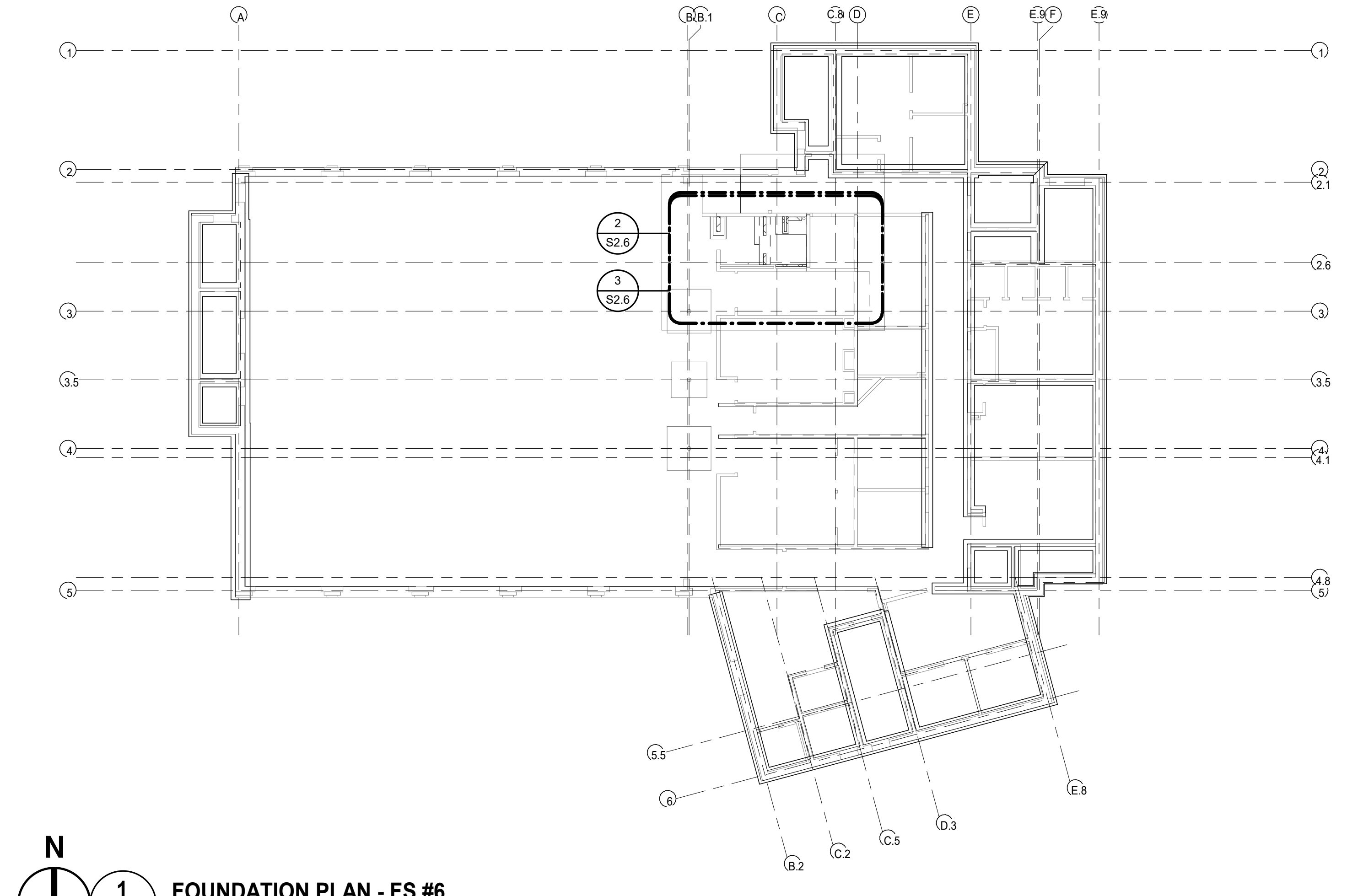
GENERAL NOTES AND GENERAL NOTES AND

S0.0.1

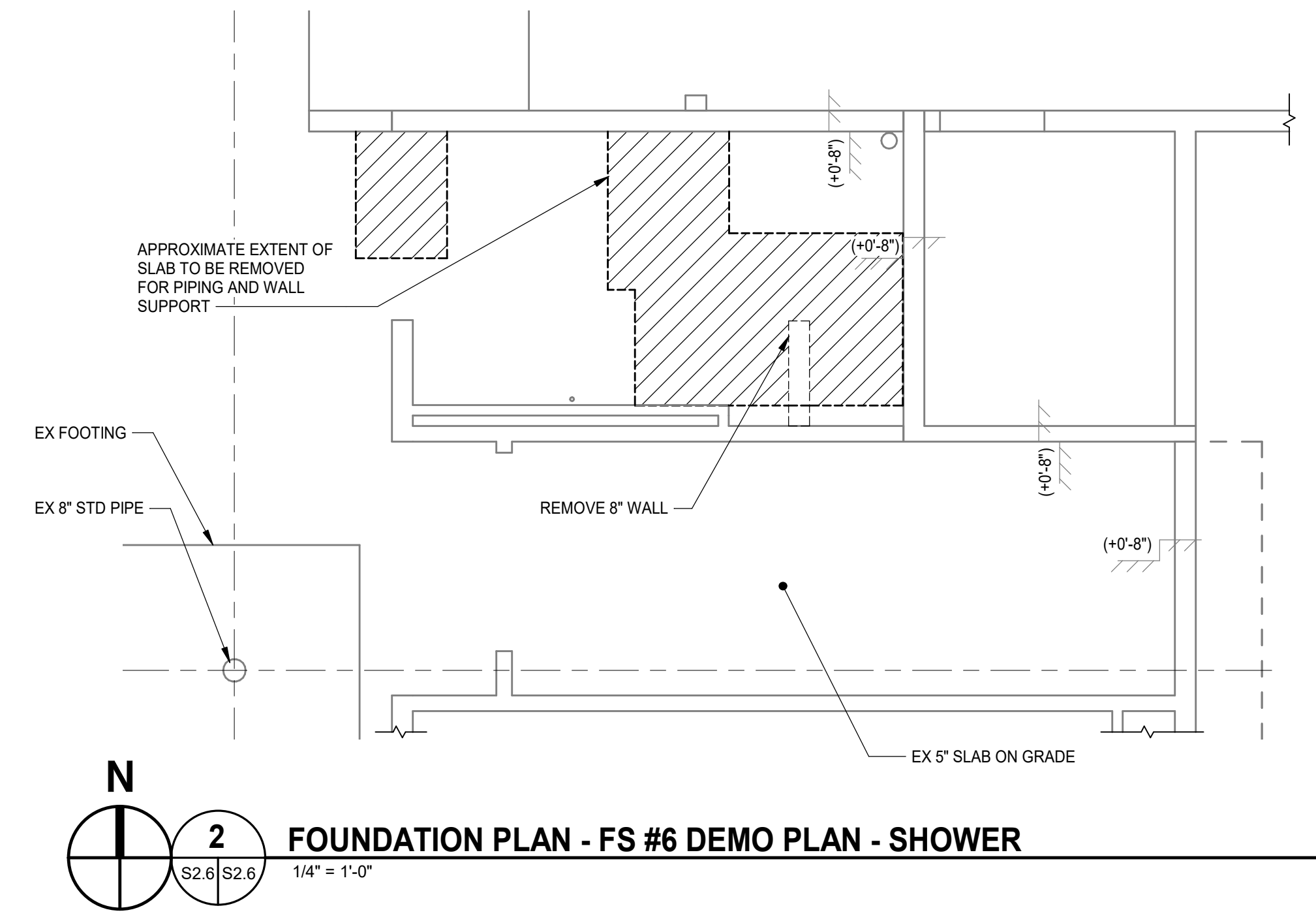




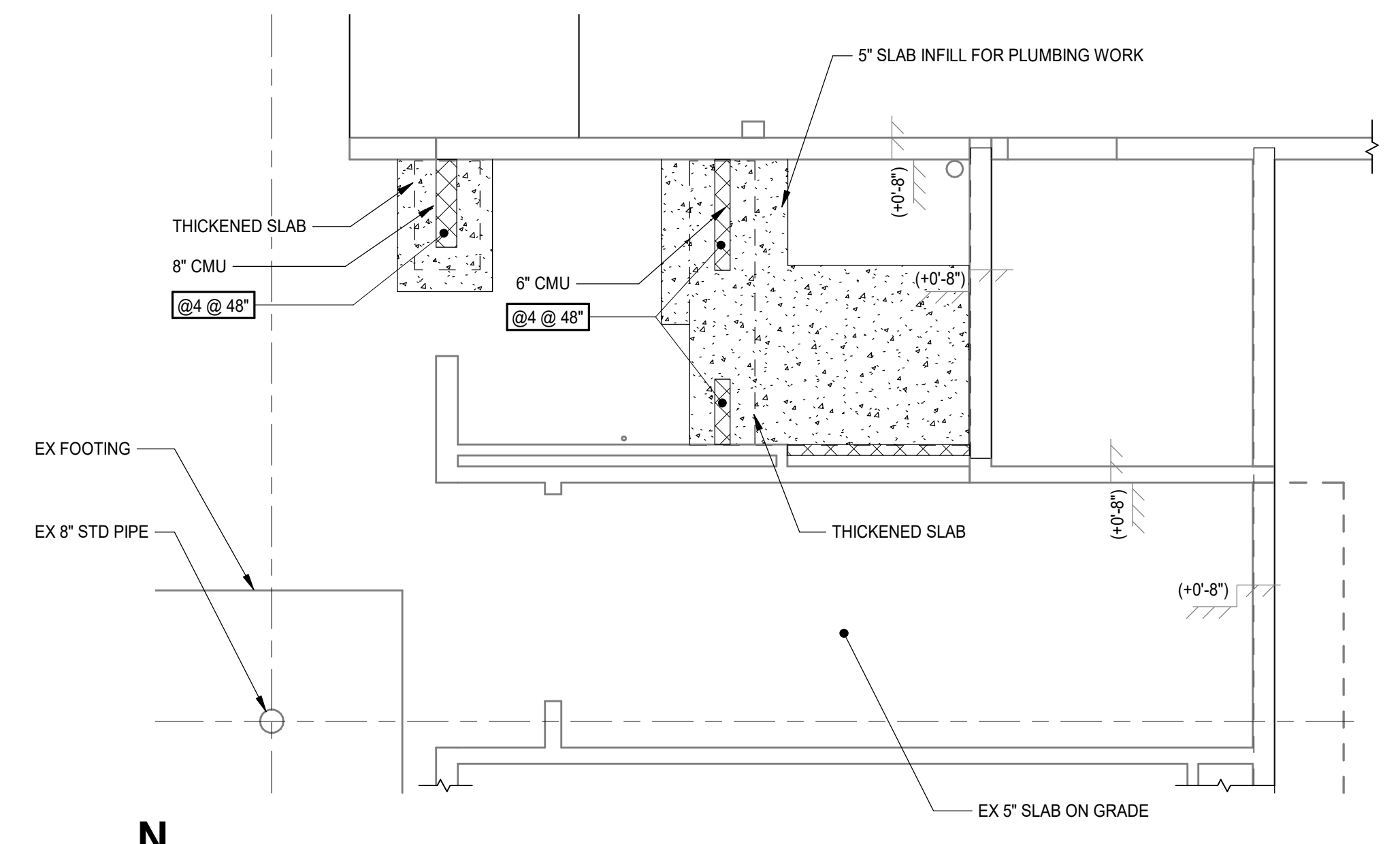
PROJECT NO:	563006
DATE:	SEPTEMBER 22, 2021
REVISIONS	
DATE	DESCRIPTION



**1 FOUNDATION PLAN - FS #6**  
1/16" = 1'-0"  
S2.6

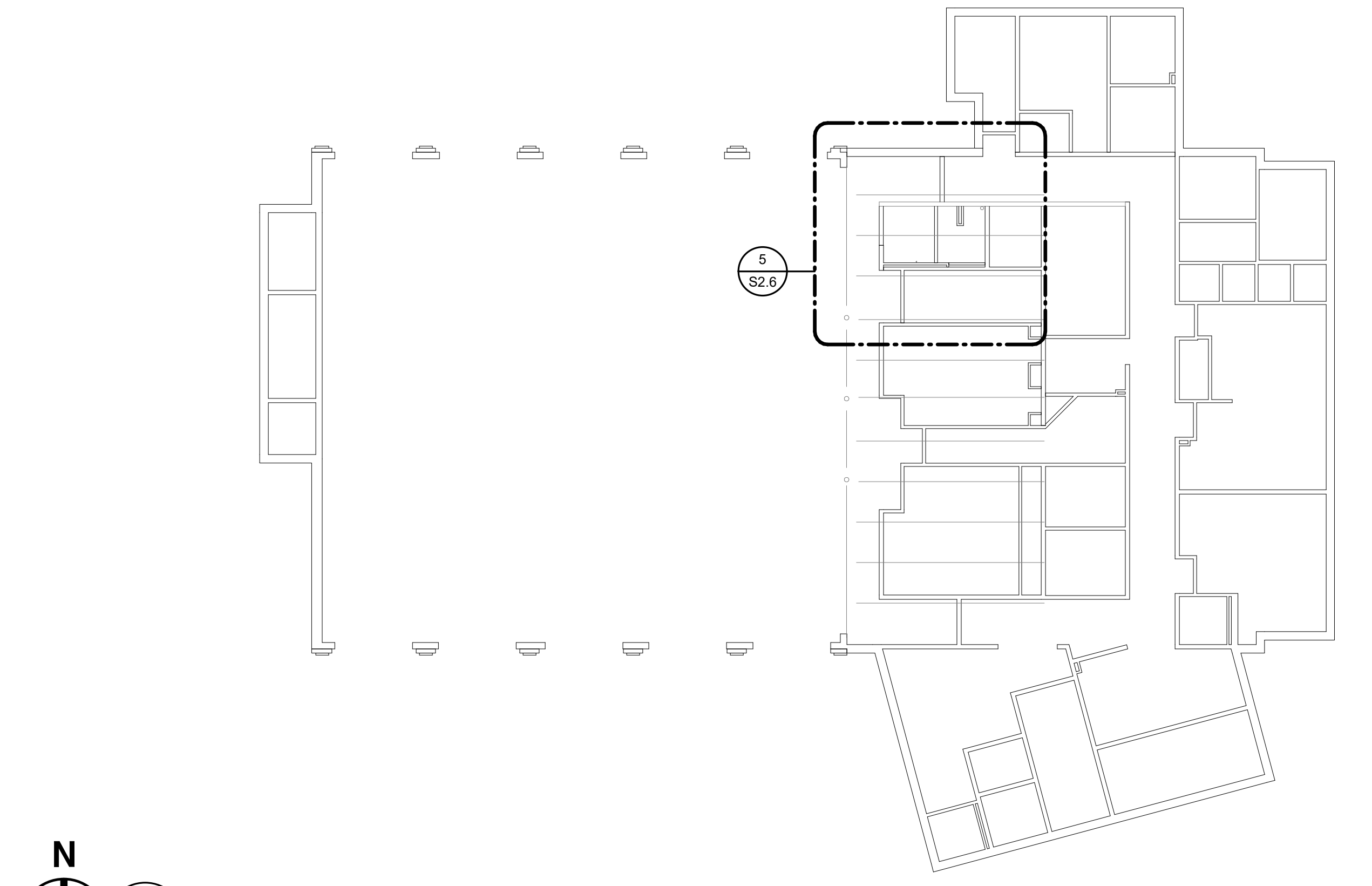


**2 FOUNDATION PLAN - FS #6 DEMO PLAN - SHOWER**  
1/4" = 1'-0"  
S2.6 S2.6

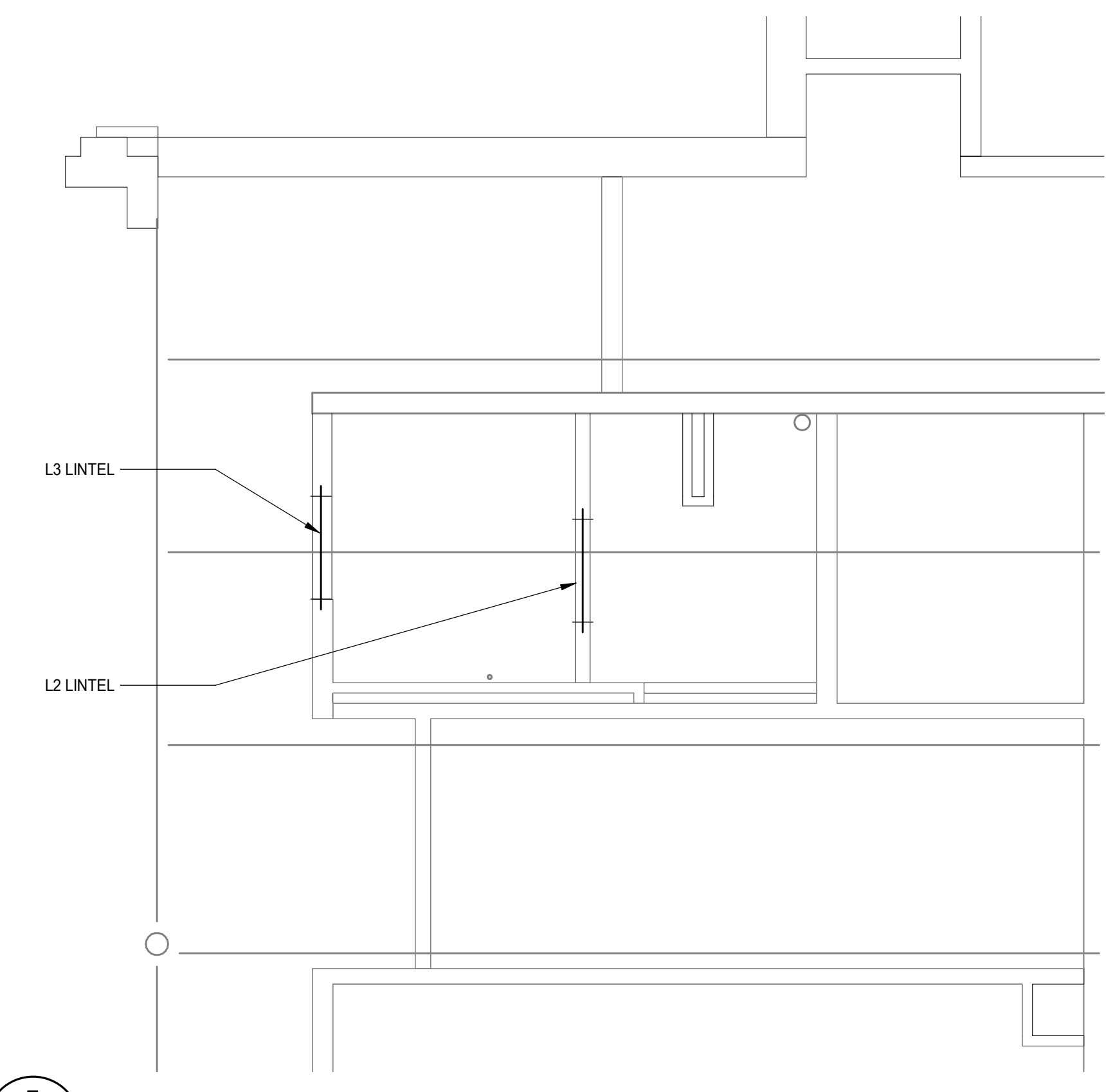


**3 FOUNDATION PLAN - FS #6 SHOWER**  
1/4" = 1'-0"  
S2.6 S2.6

- FOUNDATION PLAN NOTES:**
1. FINISHED FIRST FLOOR ELEVATION = 295.83' = REFERENCE DATUM EL (+0'-0'). ALL STRUCTURAL ELEVATIONS INDICATED ARE REFERENCED FROM THIS ELEVATION, UNO.
  2. REFER TO DRAWING S0.0.1 FOR GENERAL NOTES, PLAN LEGEND, AND STRUCTURAL ABBREVIATIONS.
  3. REFER TO DRAWINGS S3.0.1 FOR TYPICAL FOUNDATION DETAILS AND SCHEDULES.
  4. FLOOR CONSTRUCTION SHALL BE 5" NORMAL WEIGHT CONCRETE SLAB ON GRADE REINFORCED WITH 6x6-W2.8xW2.9 WWF (AT 1" FROM TOP OF SLAB) OVER VAPOR BARRIER OVER 4" GRANULAR BASE COURSE, UNO.



**4 FS #6 FRAMING PLAN**  
1/16" = 1'-0"  
S2.6



**5 FRAMING PLAN - FS #6 - SHOWER**  
1/4" = 1'-0"  
S2.6 S2.6

LAP SPICES SHALL BE IN ACCORDANCE WITH ACI 318 CHAPTER 25 AS INDICATED BELOW. TOP BAR LAPS (HORIZONTAL BARS WITH MORE THAN 12" OF CONCRETE CAST BELOW THE BAR) SHALL BE MODIFIED BY A MULTIPLICATION OF 1.3 TIMES THE LENGTHS LISTED IN THE TABLE BELOW. LENGTHS INDICATED IN INCHES.

**NORMAL-WEIGHT (145 PCF)**

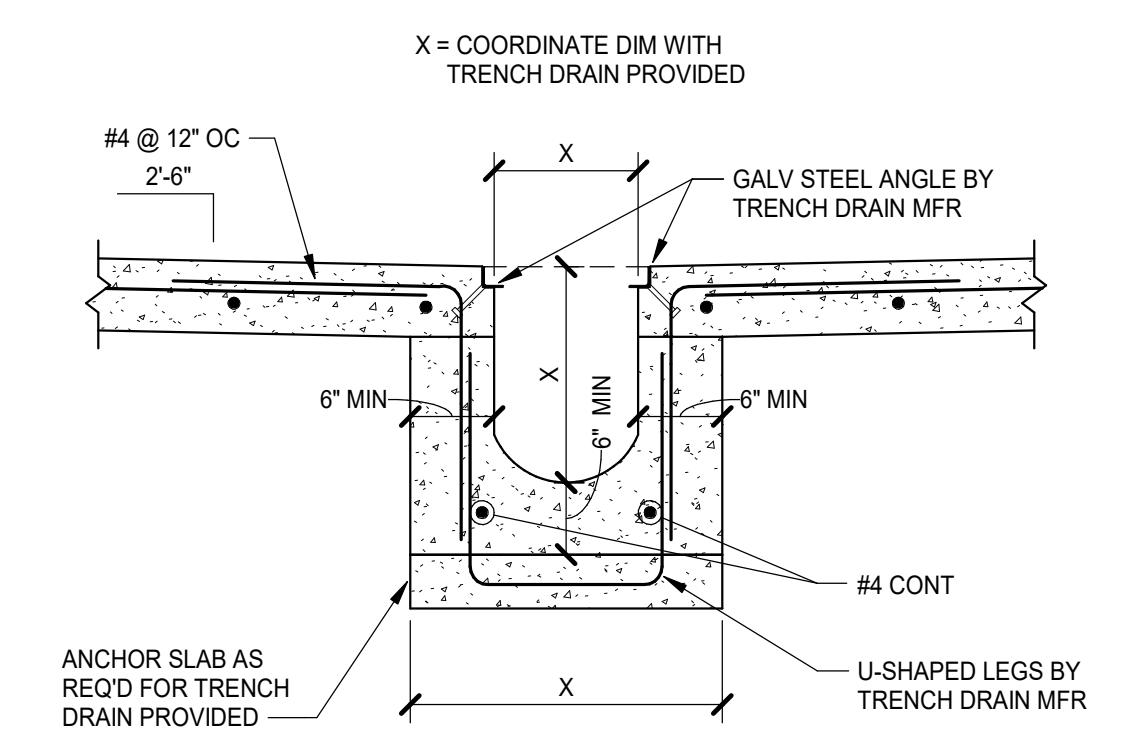
f <sub>c</sub> (psi)	LAP CLASS	#3	#4	#5	#6	#7	#8	#9
3000	A	16	22	27	33	48	55	62
3000	B	21	28	36	43	62	71	80
3500	A	15	20	25	30	44	51	57
3500	B	20	28	33	40	58	66	74
4000	A	14	19	24	28	42	47	53
4000	B	18	25	31	37	54	62	69
5000	A	13	17	21	25	37	42	48
5000	B	17	22	28	33	48	55	62

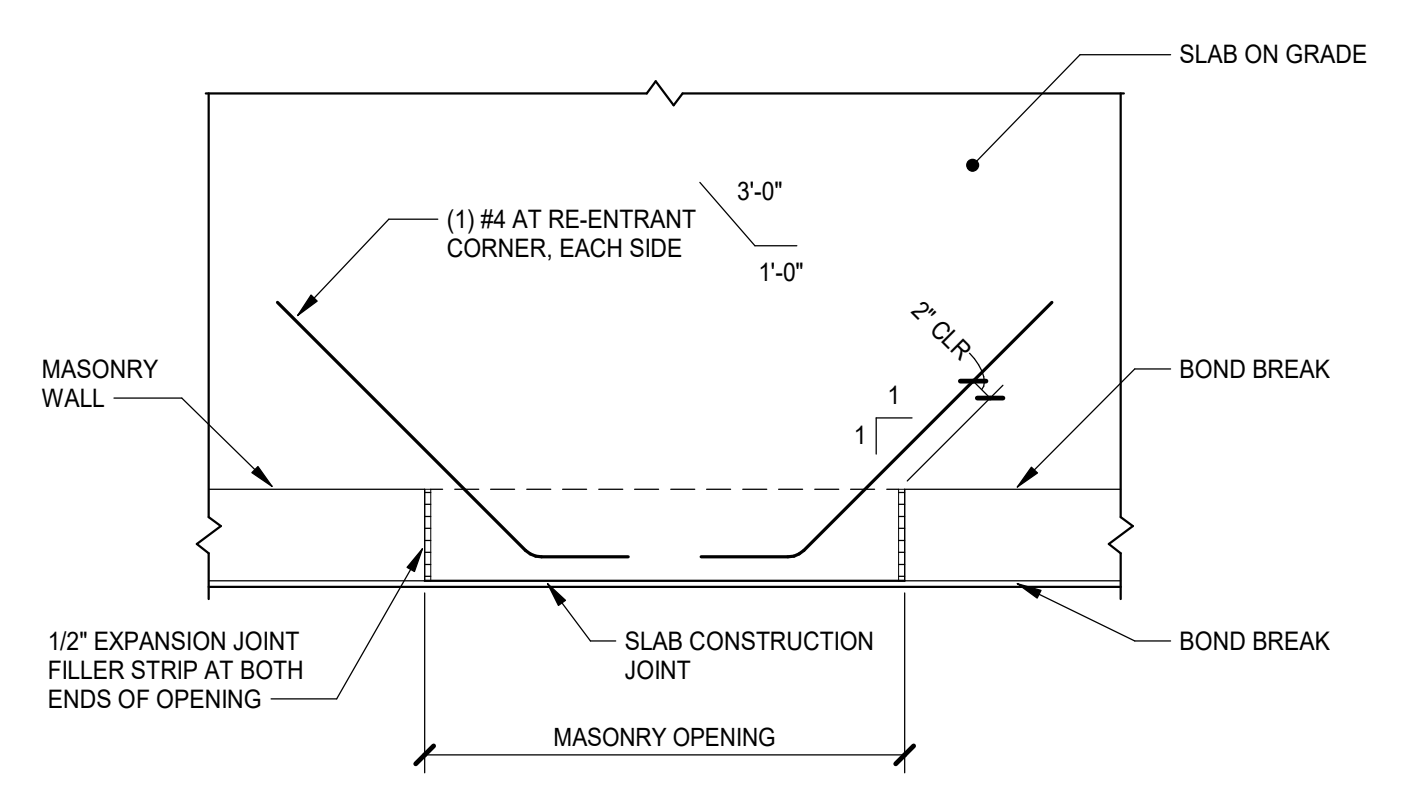
**LIGHTWEIGHT (110 PCF)**

f <sub>c</sub> (psi)	LAP CLASS	#3	#4	#5	#6	#7	#8	#9
3000	A	22	29	37	44	64	73	82
3000	B	28	38	47	57	83	95	107
3500	A	20	27	34	41	59	68	76
3500	B	26	35	44	53	77	88	99
4000	A	19	25	32	38	55	63	71
4000	B	25	33	41	49	72	82	92
5000	A	17	23	28	34	49	57	64
5000	B	22	29	37	44	64	74	83

**ACI 318 LAP LENGTHS**

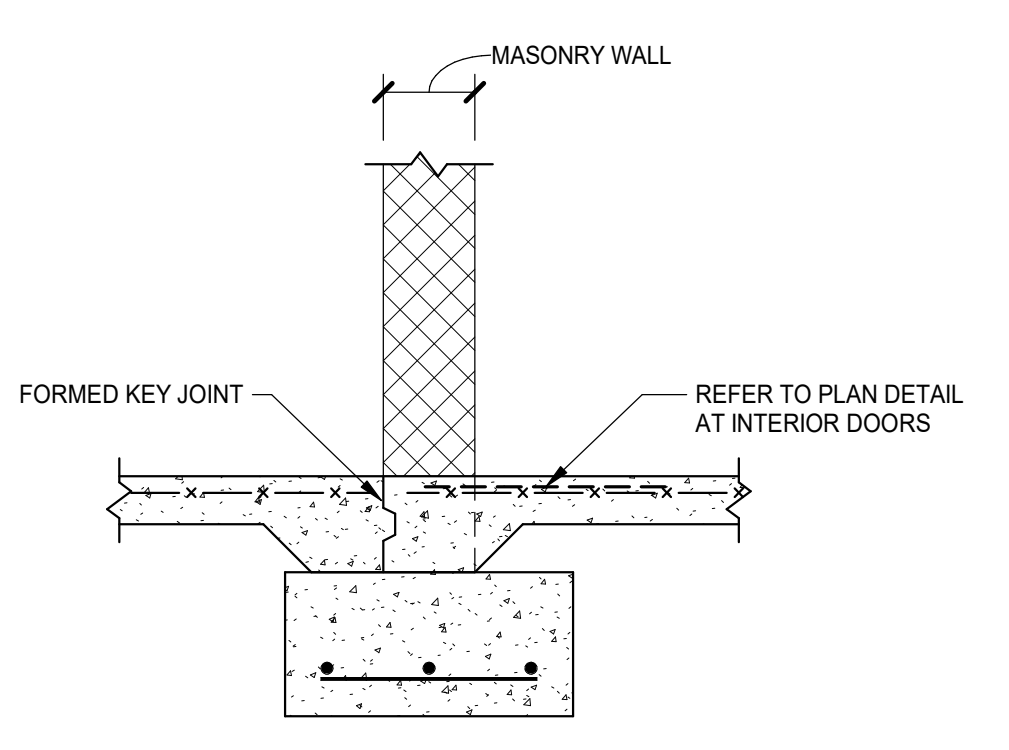


**TRENCH DRAIN DETAIL**  
NO SCALE

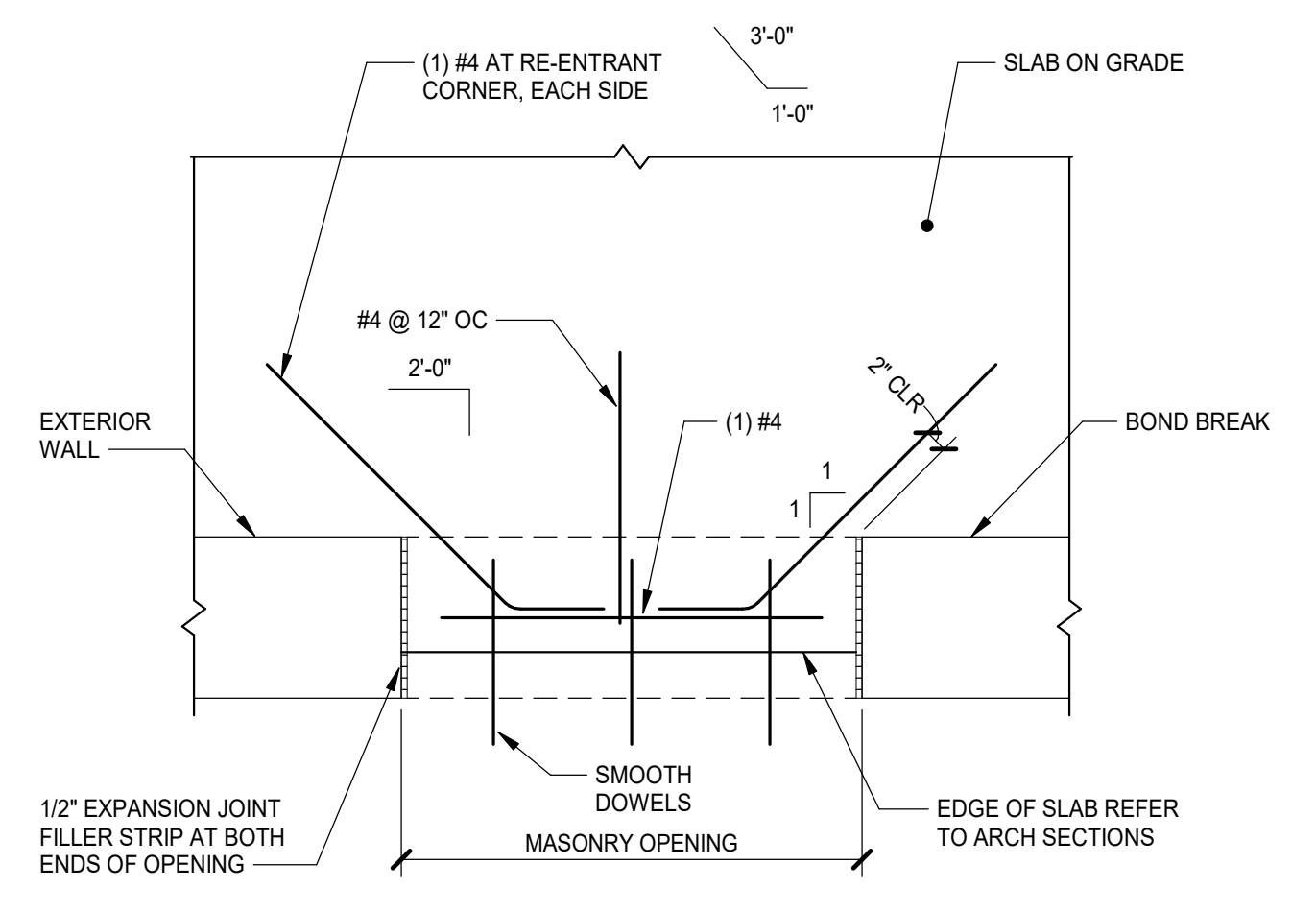


**PLAN AT INTERIOR DOORS**

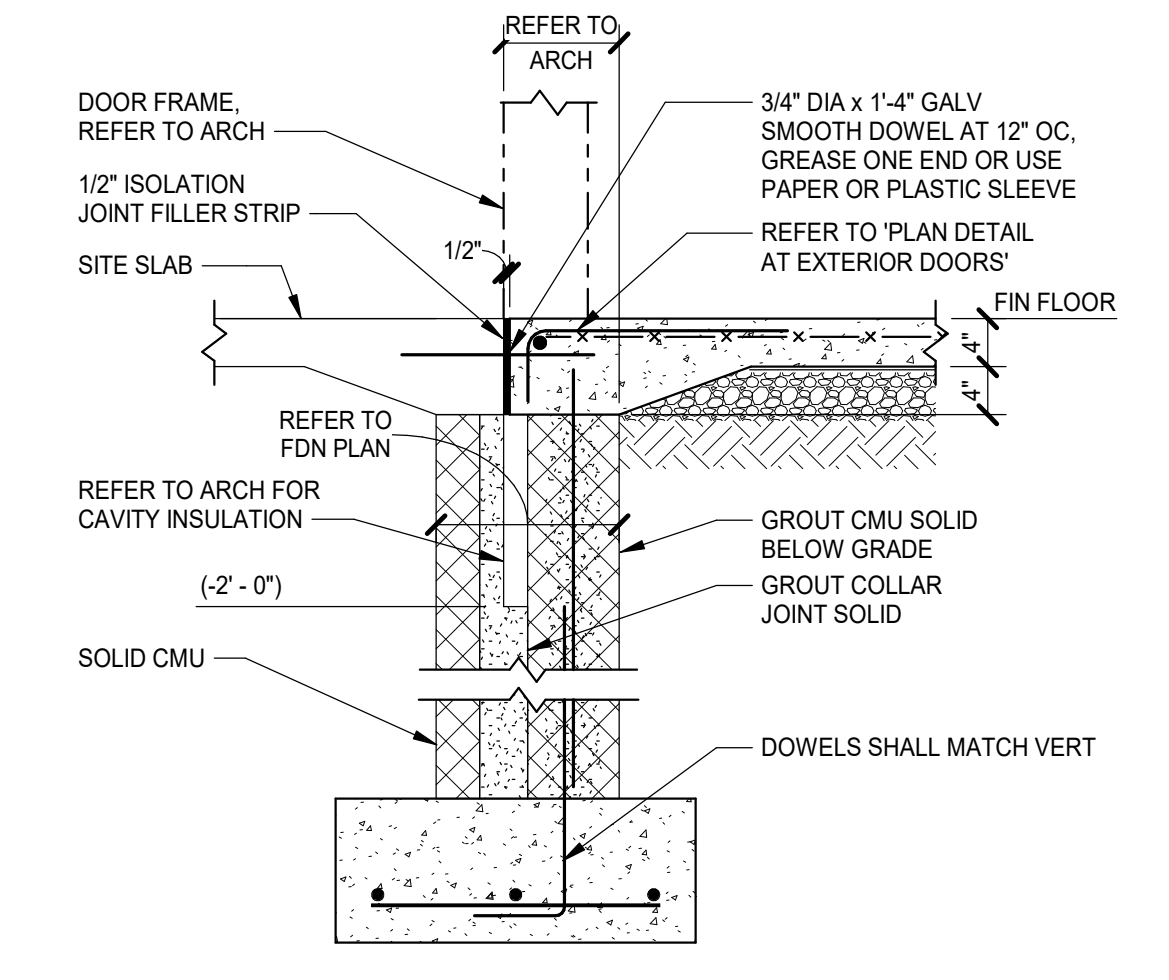
**SLAB ON GRADE DETAILS AT DOORS**  
NO SCALE



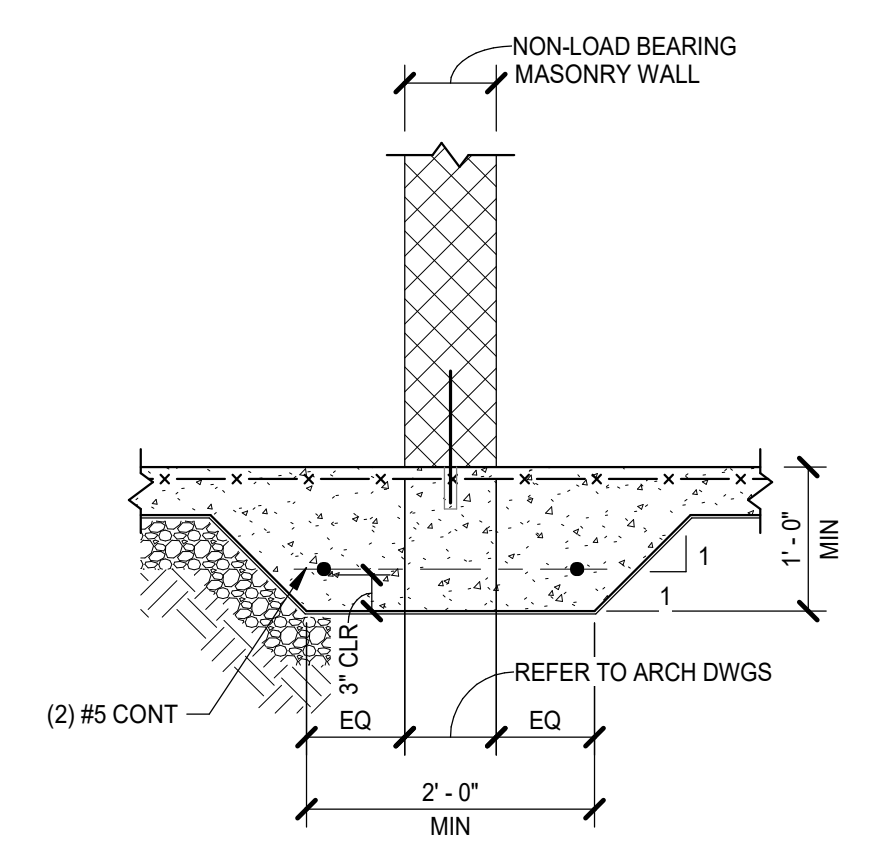
**SECTION AT INTERIOR DOORS**



**PLAN AT EXTERIOR DOORS**

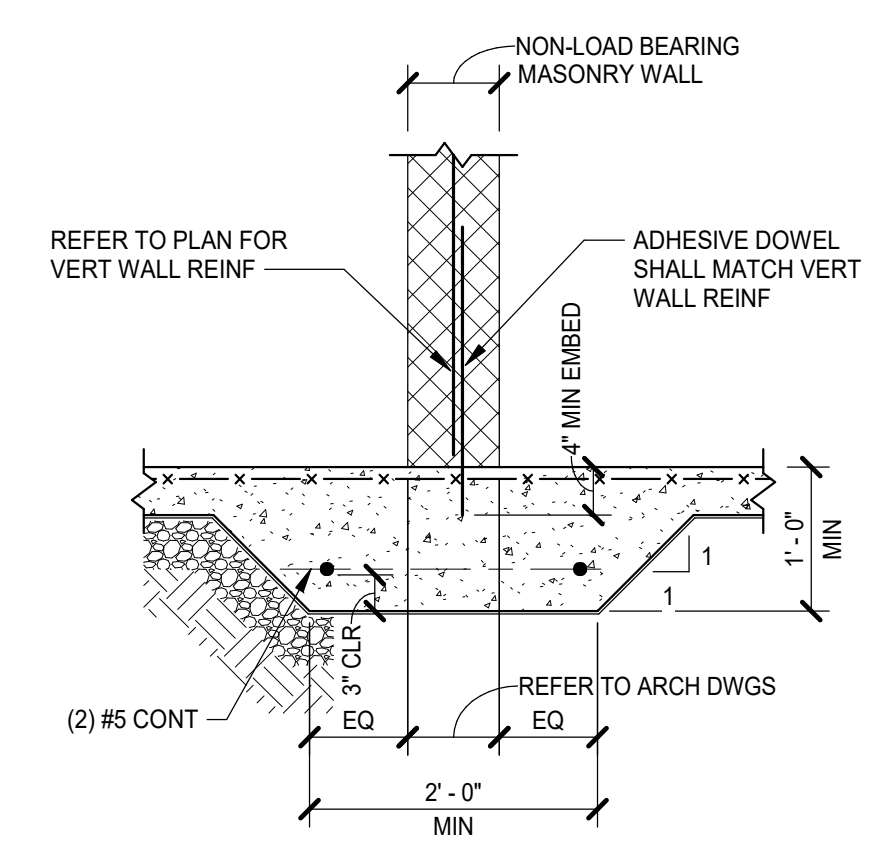


**SECTION AT EXTERIOR DOORS**

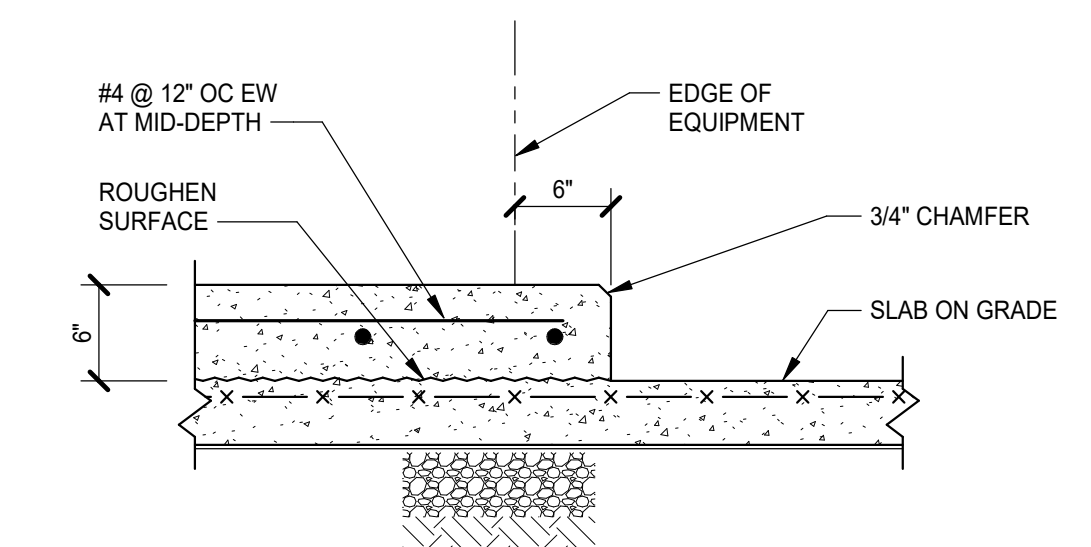


**UNREINFORCED WALLS**

**THICKENED SLAB ON GRADE DETAILS**  
NO SCALE



**NON-LOAD BEARING REINFORCED WALLS**



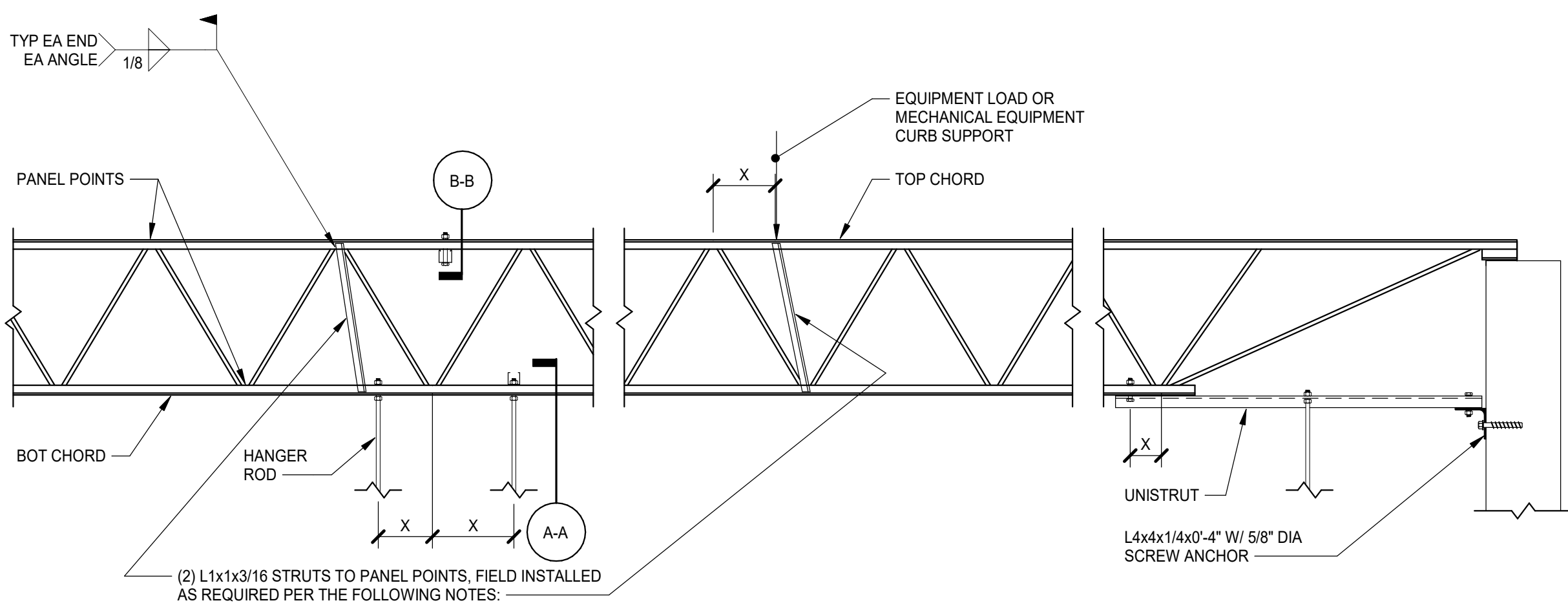
**HOUSEKEEPING PAD**

**EQUIPMENT PAD DETAILS**  
NO SCALE



PROJECT NO:	563006
DATE:	SEPTEMBER 22, 2021
REVISIONS	
DATE	DESCRIPTION



**K-SERIES JOISTS:**

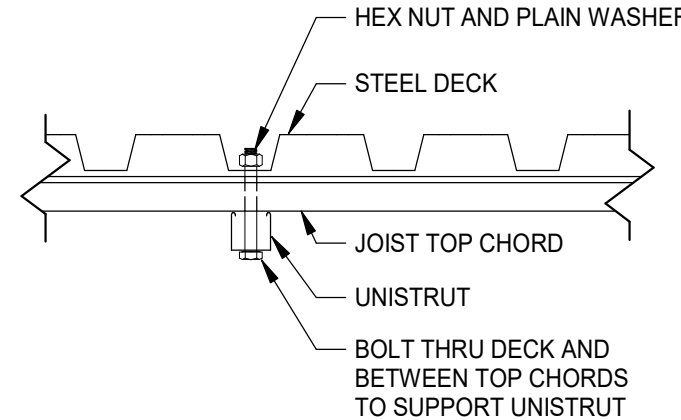
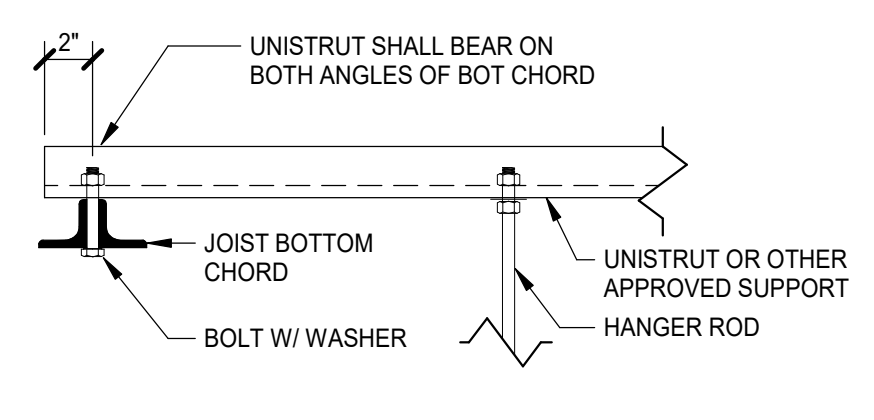
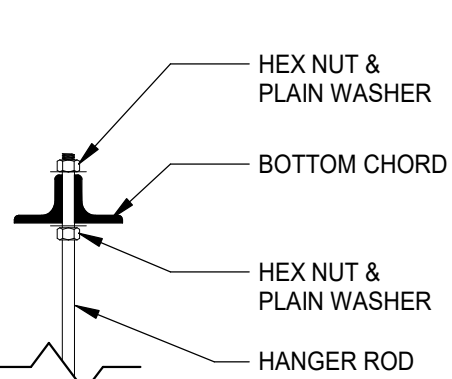
- WHERE UTILITIES RUN PARALLEL TO JOISTS, INDIVIDUAL HANGERS SHALL BE SPACED SUCH THAT HANGER LOAD (IF DIRECTLY BELOW JOIST), OR UNISTRUT REACTION (IF PIPE IS BETWEEN JOISTS) DOES NOT EXCEED 200 LBS.
- WHERE UTILITIES RUN PERPENDICULAR TO JOISTS, INDIVIDUAL HANGERS SHALL BE SPACED SUCH THAT HANGER LOAD DOES NOT EXCEED 200 LBS.
- IF INDIVIDUAL HANGER LOAD EXCEEDS 200 LBS ON ANY JOIST, AND DIMENSION 'X' EXCEEDS 6', STRUTS SHALL BE INSTALLED AS INDICATED ABOVE.
- WHERE MULTIPLE HANGERS ARE LOCATED BETWEEN PANEL POINTS, THE CUMULATIVE LOAD SHALL NOT EXCEED 200 LBS.

**KCS AND LH-SERIES JOISTS:**

- WHERE UTILITIES RUN PARALLEL TO JOISTS, INDIVIDUAL HANGERS SHALL BE SPACED SUCH THAT HANGER LOAD (IF DIRECTLY BELOW JOIST), OR UNISTRUT REACTION (IF PIPE IS BETWEEN JOISTS) DOES NOT EXCEED 500 LBS.
- WHERE UTILITIES RUN PERPENDICULAR TO JOISTS, INDIVIDUAL HANGERS SHALL BE SPACED SUCH THAT HANGER LOAD DOES NOT EXCEED 500 LBS, OR HANGER SHALL BE LOCATED AT EA JOIST.
- IF INDIVIDUAL HANGER LOAD EXCEEDS 500 LBS ON ANY JOIST, AND DIMENSION 'X' EXCEEDS 6', STRUTS SHALL BE INSTALLED AS INDICATED ABOVE.
- WHERE MULTIPLE HANGERS ARE LOCATED BETWEEN PANEL POINTS, THE CUMULATIVE LOAD SHALL NOT EXCEED 500 LBS.

**GENERAL:**

- C-CLAMPS SHALL NOT BE USED WHERE HANGER LOAD EXCEEDS 50 LBS.
- REFER TO DRAWING S0.0.1 FOR STEEL JOIST NOTES.

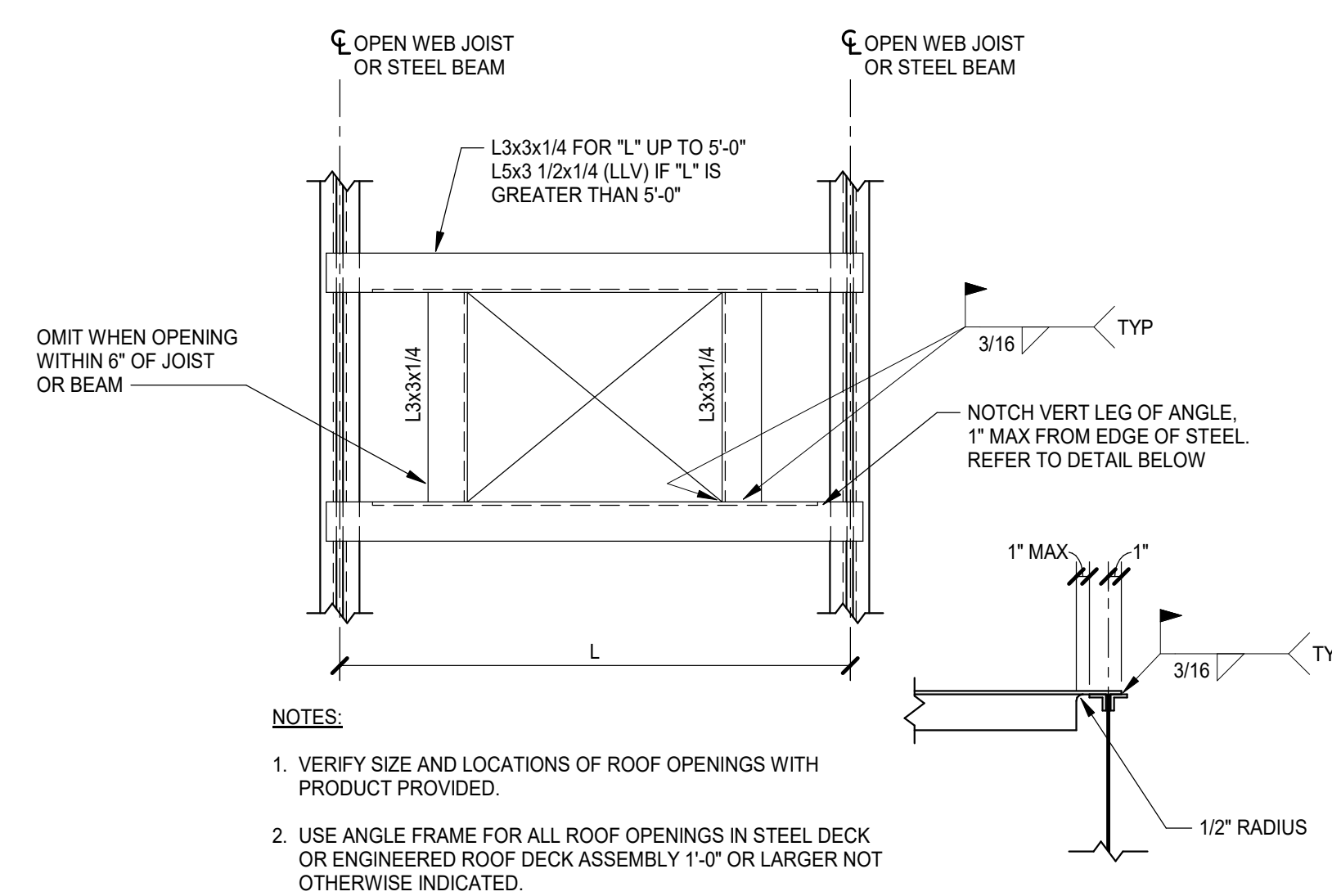


**SECTION A-A**

**SECTION B-B**

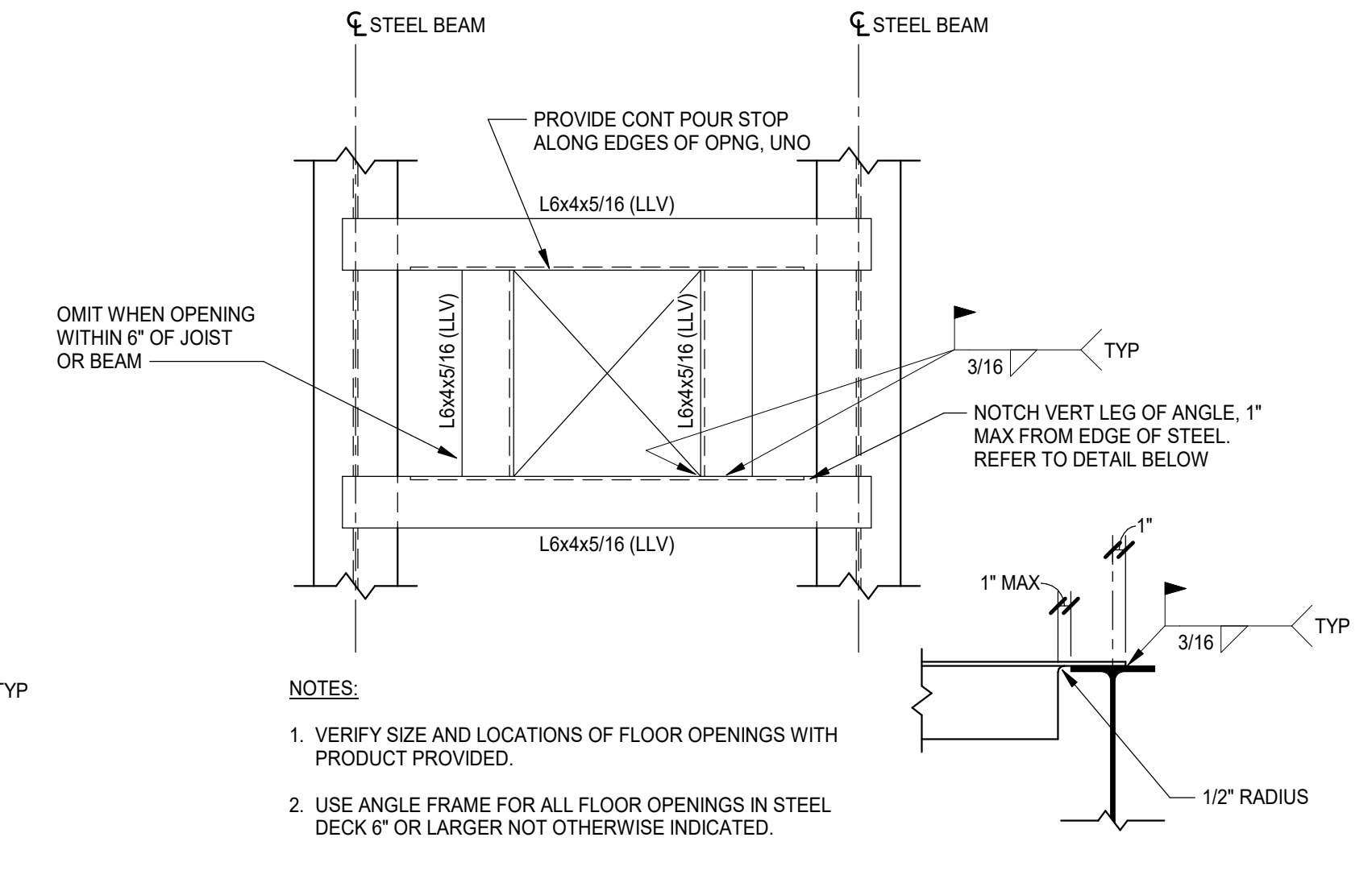
**TYPICAL CONCENTRATED LOAD ON STEEL JOIST**

**NOTE:**  
THE GENERAL CONTRACTOR SHALL COORDINATE THESE REQUIREMENTS FOR HANGER SPACING AND JOIST REINFORCING STRUTS WITH MECHANICAL, PLUMBING, AND FIRE PROTECTION TRADES IN ORDER TO ENSURE THAT THESE REQUIREMENTS ARE ACCOUNTED FOR IN THE BID PRICE AND IMPLEMENTED IN THE FIELD. THE GENERAL CONTRACTOR SHALL BE RESPONSIBLE FOR THE PROPER INSTALLATION OF THE REINFORCING STRUTS IN ALL CASES WHERE THE HANGER LOAD EXCEEDS THE MAXIMUM. IF HANGER LOCATIONS ARE COORDINATED TO COMPLY WITH THE MAXIMUM HANGER LOADS INDICATED IN THIS DETAIL, THE NUMBER OF JOIST REINFORCING STRUTS WILL BE MINIMIZED.



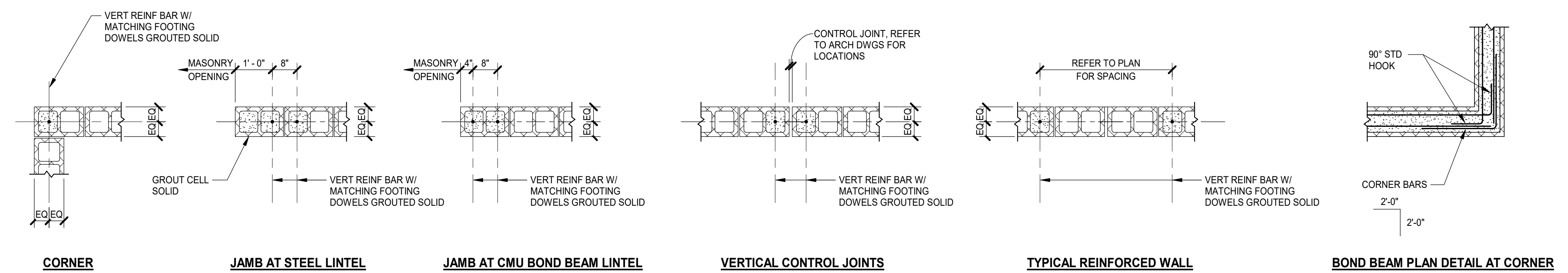
**ROOF OPENING SUPPORT DETAIL**

NO SCALE



**FLOOR OPENING SUPPORT DETAIL**

NO SCALE



**CORNER**

**JAMB AT STEEL LINTEL**

**JAMB AT CMU BOND BEAM LINTEL**

**VERTICAL CONTROL JOINTS**

**TYPICAL REINFORCED WALL**

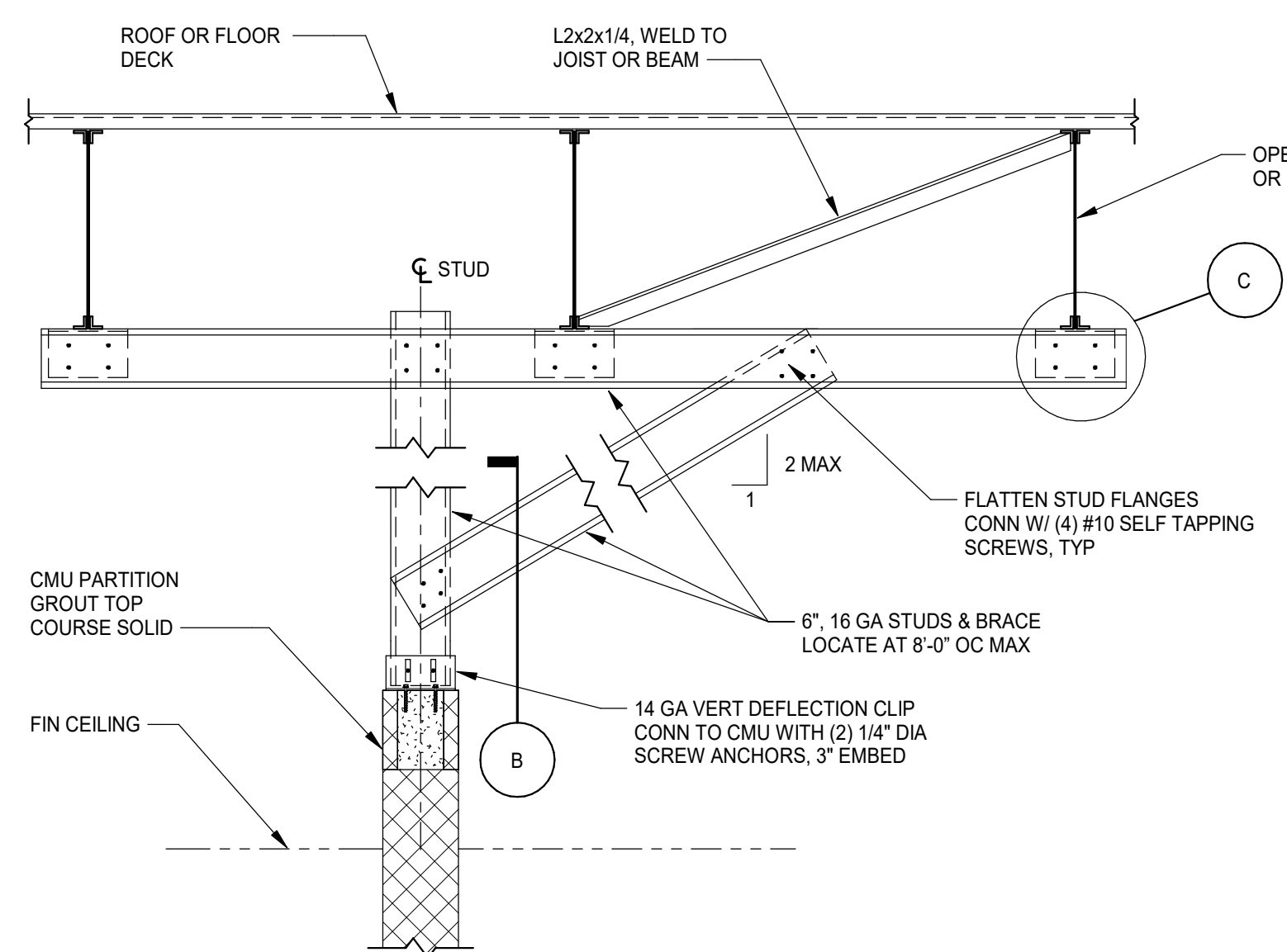
**BOND BEAM PLAN DETAIL AT CORNER**

**CMU WALL REINFORCING DETAILS**

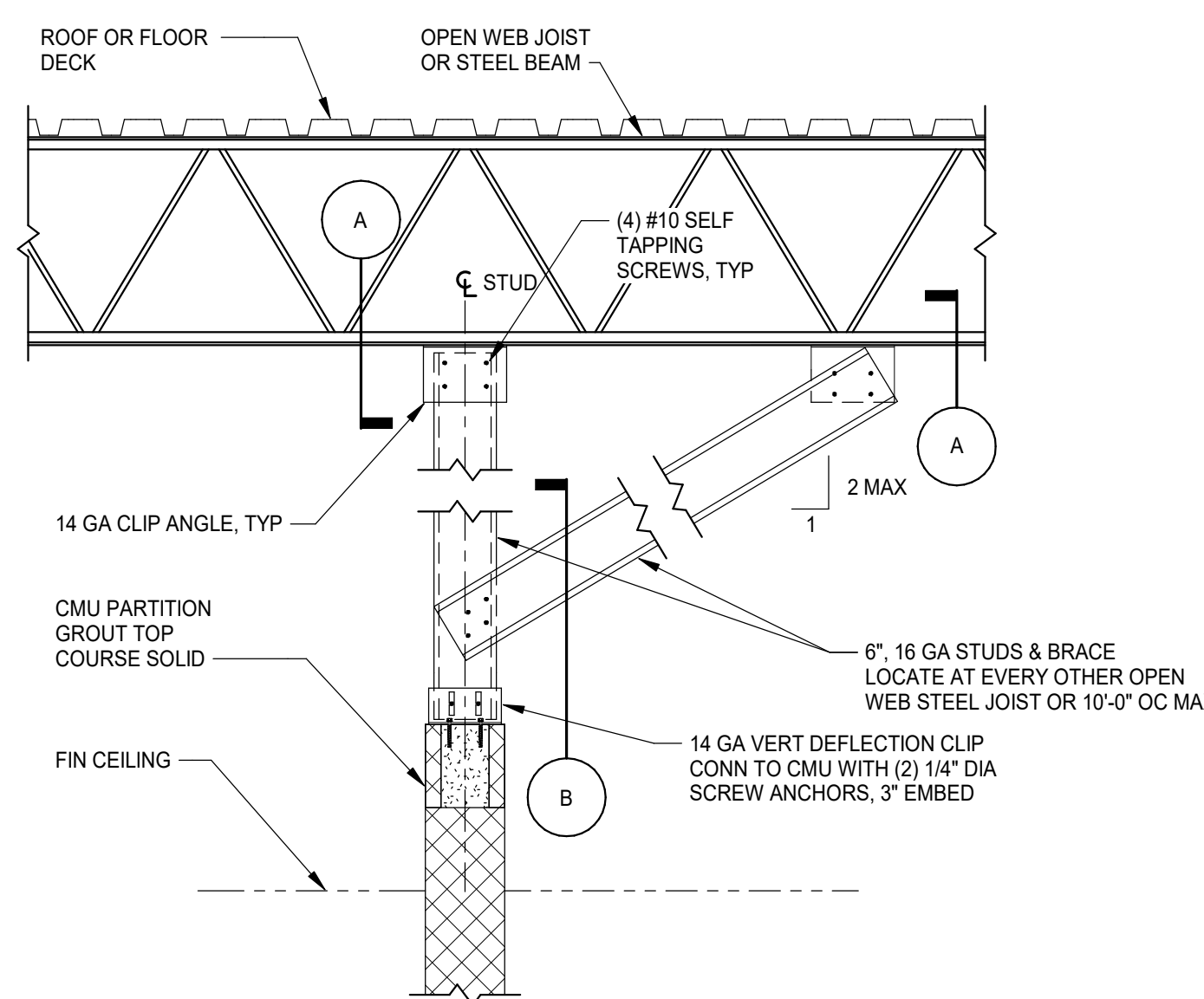
NO SCALE

**CMU WALL REINFORCING DETAILS**

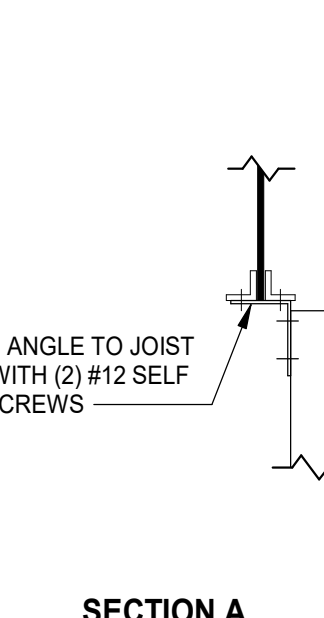
NO SCALE



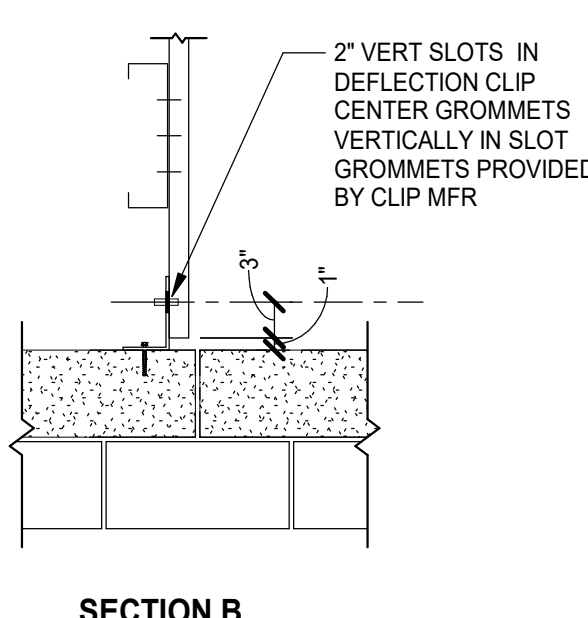
**LOW WALL PARALLEL TO JOIST OR BEAM**



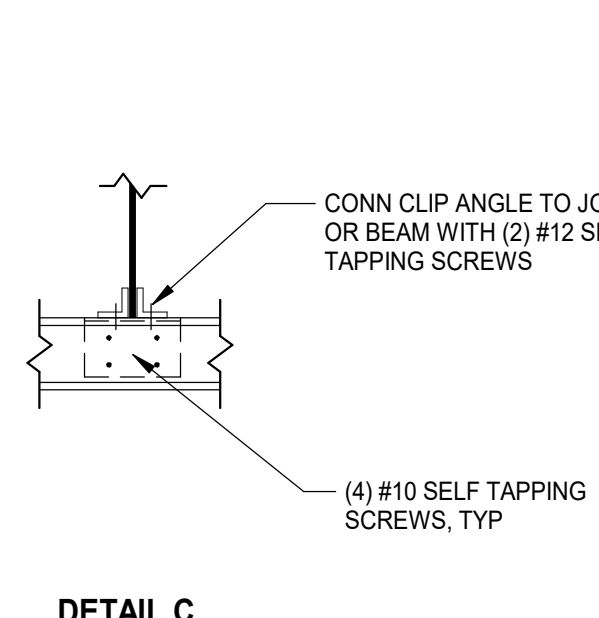
**LOW WALL PERPENDICULAR TO JOIST OR BEAM**



**SECTION A**



**SECTION B**



**DETAIL C**

**NOTES:**

- BRACE INTERIOR NON-LOAD BEARING MASONRY WALLS IN ACCORDANCE WITH THESE DETAILS UNLESS OTHERWISE INDICATED.
  - IN LIEU OF BRACING AT TOPS OF WALLS, BRACING MAY BE PROVIDED BY INTERSECTING MASONRY WALLS WHEN THE DISTANCE BETWEEN THE INTERSECTING WALLS DOES NOT EXCEED THE FOLLOWING:
- | NOMINAL THICKNESS OF BRACED WALLS | MAXIMUM SPACING BETWEEN INTERSECTING WALLS |
|-----------------------------------|--|
| 6"                                | 16'-0"                                     |
| 8"                                | 22'-0"                                     |
| 10"                               | 28'-0"                                     |
| 12"                               | 30'-0"                                     |
- BRACING IS REQUIRED IN ACCORDANCE WITH THESE DETAILS IF A VERTICAL CONTROL JOINT OCCURS BETWEEN INTERSECTING WALLS.
  - REFER TO ARCHITECTURAL DRAWINGS FOR INTERIOR PARTITION TYPES AND LOCATIONS.
  - INSTALL BRACING AFTER ALL ROOF DEAD LOAD IS IN PLACE.

LINTEL SCHEDULE					NOTES
MARK	DIAGRAM	BOND BEAM (W x H)	REINFORCING	STEEL	
L1	JL			(2) L4x3 1/2x5/16 (LLV)	
L2	[Diagram]	6 x 8	(1) #5		
L3	[Diagram]	8 x 8	(2) #5		

**STEEL ANGLE LINTELS**

PROVIDE ONE ANGLE FOR EACH NOMINAL 4" OF WALL THICKNESS PER THE FOLLOWING SCHEDULE:

MASONRY OPENING	ANGLE SIZE
UP TO 5'-0"	L3 1/2x3 1/2x 5/16
5'-1" TO 6'-0"	L4x3 1/2x 5/16 (LLV)
6'-1" TO 7'-0"	L5x3 1/2x 3/8 (LLV)
OVER 7'-0"	AS DETAILED

FOR OPENINGS ON 10" CMU, HORIZONTAL LEGS OF ANGLES SHALL BE A COMBINATION OF 6" AND 4".

FOR OPENINGS IN 6" CMU REQUIRING STEEL LINTELS, USE W7x11 UP TO 7'-0" OPENING.

**B. REINFORCED BOND BEAM LINTELS**

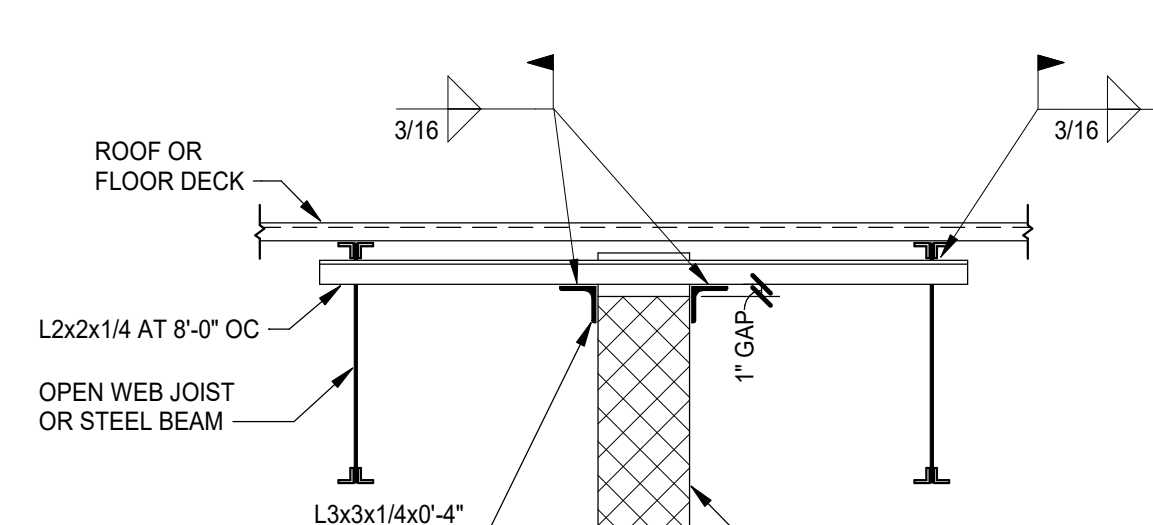
LINTELS SHALL MATCH THICKNESS OF WALL. REINFORCE 8", 10" AND 12" BOND BEAM WITH (2) #5 BARS AT BOTTOM. REINFORCE 6" BOND BEAM WITH (1) #5 BAR AT BOTTOM. BOND BEAM SHALL BE 6" DEEP FOR OPENING WIDTH UP TO 5'-0", AND SHALL BEAR 8" ON SOLID MASONRY EACH END. BOND BEAM SHALL BE 16" DEEP FOR OPENING WIDTH UP TO 8'-0" AND SHALL BEAR 16" ON SOLID MASONRY EACH END WITH REINFORCING TO TOP AND BOTTOM. PLACE GROUT MONOLITHICALLY IN BOTH COURSES OF 16" DEEP BOND BEAM.

**C. PRECAST CONCRETE LINTELS**

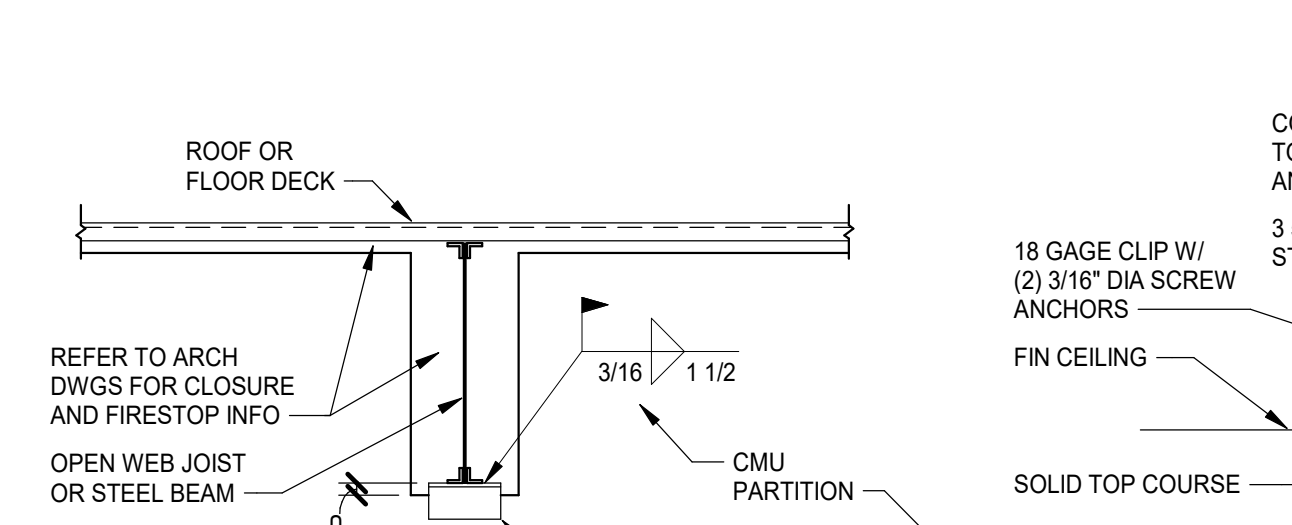
PRECAST CONCRETE LINTELS SHALL BE 3 5/8" x 7 5/8" FOR EACH NOMINAL 4" THICKNESS OF WALL. REINFORCING SHALL BE (1) #4 TOP AND BOTTOM WITH 1 1/2" COVER. FOR OPENINGS IN 6" CMU, LINTEL SHALL BE 5 5/8" x 7 5/8", REINFORCED WITH (1) #5 TOP AND BOTTOM. MASONRY OPENING WIDTH SHALL BE 6'-0" OR LESS. DO NOT USE PRECAST CONCRETE LINTELS IN EXPOSED LOCATIONS.

**LINTEL NOTES**

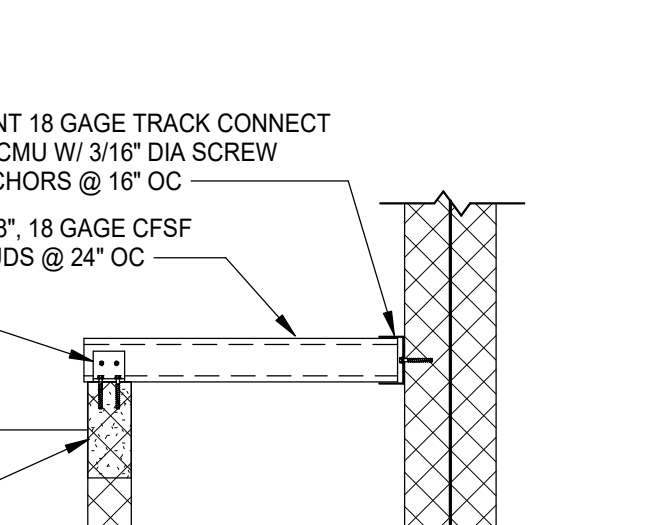
- LINTELS FOR ARCHITECTURAL OPENINGS (WINDOWS, DOORS, LOUVERS) IN BEARING WALLS AND EXTERIOR WALLS ARE IDENTIFIED BY MARK NUMBER ON THE FRAMING PLANS AND INCLUDED IN THE LINTEL SCHEDULE.
- LINTELS FOR ARCHITECTURAL OPENINGS IN NONLOAD BEARING WALLS AND OTHER WALLS WHICH ARE NOT INDICATED ON THE FRAMING PLANS SHALL BE CONSTRUCTED PER NOTES A, B OR C BELOW.
- LINTELS FOR MECHANICAL DUCTWORK PENETRATIONS NOT OTHERWISE DETAILED SHALL BE ONE OF THE ABOVE (NOTE 2A, 2B OR 2C).
- LINTELS SHALL BEAR 8" ONTO SOLID OR GROUT FILLED MASONRY, UNLESS OTHERWISE INDICATED.
- LINTELS ARE REQUIRED OVER ALL MASONRY OPENINGS GREATER THAN 6" IN WIDTH.
- LINTELS ARE NOT REQUIRED ABOVE HOLLOW METAL FRAMES IN OPENINGS 3'-4" OR LESS IN 6" NON-BEARING MASONRY PARTITIONS. GROUT HEAD OF FRAMES SOLID BEFORE PLACING MASONRY.
- ALL LINTELS IN EXTERIOR WALLS SHALL BE GALVANIZED.



**WALL TO UNDERSIDE OF DECK PARALLEL TO JOISTS**



**WALL TO UNDERSIDE OF DECK PERPENDICULAR TO JOISTS**



**4" CMU TOP OF WALL BRACING**



DATE	REVISIONS	DESCRIPTION
SEPTEMBER 22, 2021		

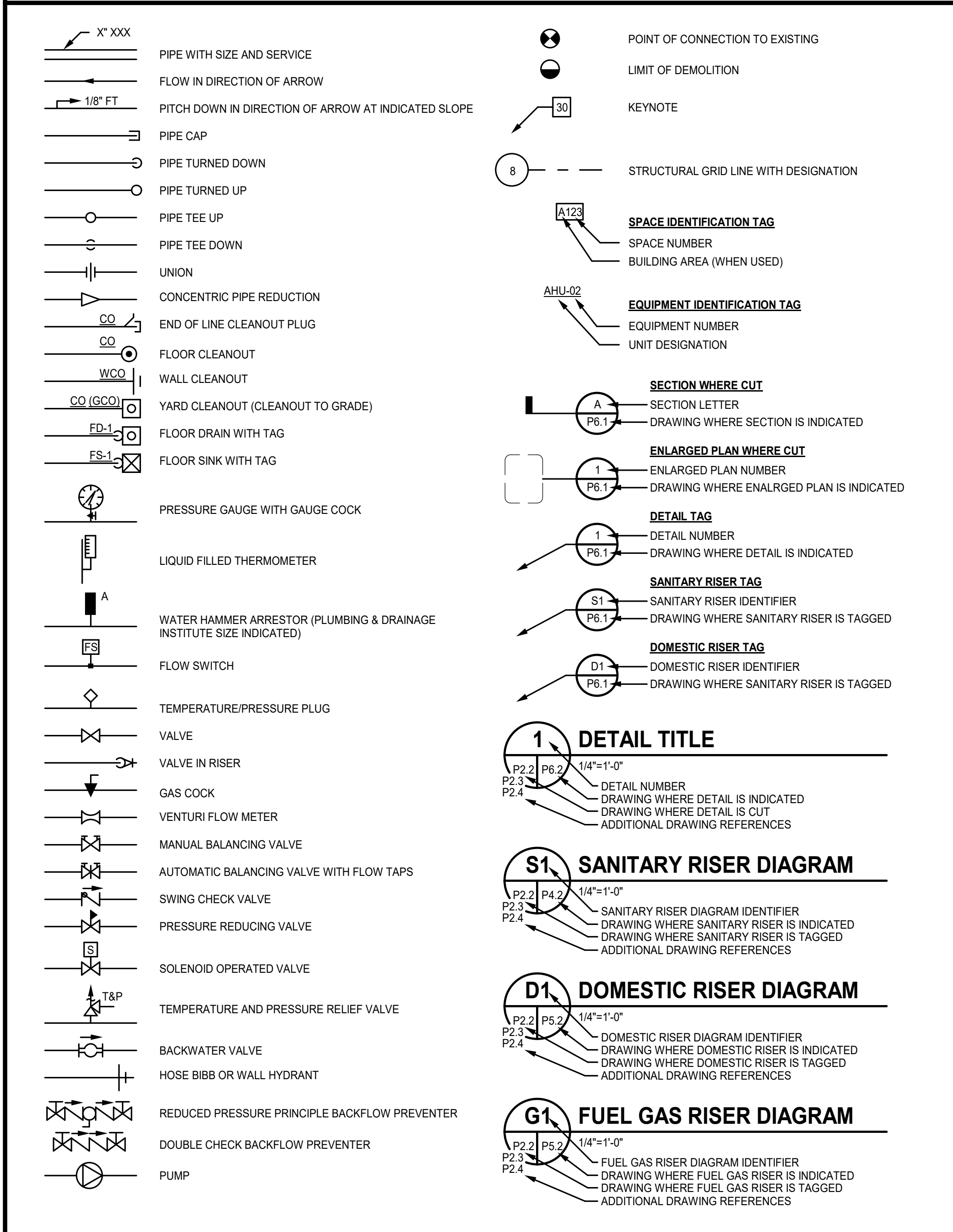


J  
H  
G  
F  
E  
D  
C  
B  
A

### ABBREVIATIONS

@	AT	EQUIP	EQUIPMENT	OD	OUTSIDE DIAMETER
AAV	AIR ADMITTANCE VALVE	ETR	EXISTING TO REMAIN	OFCI	OWNER FURNISHED CONTRACTOR INSTALLED
ABV	ABOVE	EWV	ELECTRIC WATER COOLER	OFF	OVERHEAD
ADJ	ADJUSTABLE	EWH	ELECTRIC WATER HEATER	OH	OPENING
ADNL	ADDITIONAL	EX	EXISTING	OPNG	OPENING
AFF	ABOVE FINISHED FLOOR	EXP	EXPANSION	OPP	OPPOSITE
AFG	ABOVE FINISHED GRADE	FD	FLOOR DRAIN	OSD	OPEN SITE DRAIN
AHU	AIR HANDLING UNIT	FDC	FIRE DEPARTMENT CONNECTION	PC	PREFAB
ALT	ALTERNATE	FDN	FOUNDATION DRAIN	PCF	POUNDS PER CUBIC FOOT
ALUM	ALUMINUM	FF	FINISHED FLOOR	PD	PUMP DISCHARGE
AP	ACCESS PANEL	FFE	FINISHED FLOOR ELEVATION	PLUMB	PLUMBING
APFR	APPROXIMATE	FG	FINISHED GRADE	PLWVD	PLYWOOD
ARCH	ARCHITECTURAL	FH	FIRE HYDRANT	POLY	POLYETHYLENE
AUTO	AUTOMATIC	FHC	FIRE HOSE CABINET	PPT	PRESSURE PRESERVATIVE TREATED
AVG	AVERAGE	FHS	FIRE HOSE STATION	PREFAB	PREFABRICATE(D)
BFF	BELOW FINISHED FLOOR	FHV	FIRE HOSE VALVE CABINET	PROJ	PROJECT
BFG	BELOW FINISHED GRADE	FX	FIXTURE	PSF	POUNDS PER SQUARE FOOT
BLDG	BUILDING	FLR	FLOOR	PSI	POUNDS PER SQUARE INCH
BO	BOTTOM OF	FLSHG	FLASHING	PV	PROPANE VENT
BOT	BOTTOM	FOR	FUEL OIL RETURN	PVC	POLYVINYL CHLORIDE
BSMT	BASEMENT	FOS	FUEL OIL SUPPLY	PWMT	PAVEMENT
BTVN	BETWEEN	FOV	FUEL OIL VENT	R	RISER
CA	COMPRESSED AIR	FS	FLOOR SINK	RAD	RADIUS
CI	CAST IRON	FT	FOOT OR FEET	RD	ROOF DRAIN (BOTTOM OUTLET)
CIP	CAST-IN-PLACE CONCRETE	FVC	FIRE VALVE CABINET	RDS	ROOF DRAIN (SIDE OUTLET)
CL	CENTERLINE	G	NATURAL GAS	REF	REFERENCE
CLG	CELLING	GW	GAS WATER HEATER	REQD	REQUIRED
CLR	CLEAR	HB	HOSE BIBB	REQMT	REQUIREMENTS
CMP	CORRUGATED METAL PIPE	HORIZ	HORIZONTAL	RL	RAIN LEADER
CNTR	COUNTER	HP	HORSEPOWER	RM	ROOM
CO	CLEANOUT	HTG	HEATING	RO	ROUGH OPENING
COL	COLUMN	HW	HOT WATER	S	SOUTH
CONC	CONCRETE	HWR	HOT WATER RETURN	SAN	SANITARY
CONDS	CONDENSATE	HWS	HOT WATER SUPPLY	SCH	SCHEDULE
CONSTR	CONSTRUCTION	ID	INSIDE DIAMETER	SD	STORM DRAIN
CONT	CONTINUATION	IN	INCH	SDN	STORM DRAIN NOZZLE
CONTR	CONTRACT-(OR)	INSUL	INSULATE OR INSULATION	SHT	SHEET
CORR	CORRIDOR	INV	INVERT	SIM	SIMILAR
CP	CIRCULATING PUMP	JAN	JANITOR	SLT	SLAB ON GRADE
CR	CLASSROOM	KIT	KITCHEN	SOG	SUMP PUMP
CT	COOLING TOWER	KW	KITCHEN WASTE	SP	SPECIFICATION
CU	COPPER	LAB	LABORATORY	SPR	SPRINKLER
CU FT	CUBIC FEET	LAV	LAVATORY	SO	SQUARE
CU YD	CUBIC YARD	LBS	POUNDS	SRD	SECONDARY ROOF DRAIN
CW	COLD WATER	LF	LINEAR FOOT (FEET)	SS	STAINLESS STEEL
DB	DRY BULB	LPV	PROPANE VENT	SSD	SECONDARY STORM DRAIN
DCW	DOMESTIC COLD WATER	MATL	MATERIAL	STD	STANDARD
DEMO	DEMOLISH OR DEMOLITION	MAX	MAXIMUM	STL	STEEL
DF	DRINKING FOUNTAIN	MECH	MECHANICAL	STOR	STORAGE
DHR	DOMESTIC HOT WATER RETURN	MED	MEDIUM	STRUCT	STRUCTURAL
DHR(140)	DOMESTIC HOT WATER RETURN (140°)	MFR	MANUFACTURER	SUSP	SUSPENDED
DHW	DOMESTIC HOT WATER	MH	MANHOLE	THK	THICK(NESS)
DHW(140)	DOMESTIC HOT WATER (140°)	MIN	MINIMUM	TLT	TOILET
DI	DROP INLET	MISC	MISCELLANEOUS	TOSL	TOP OF SLAB
DIA	DIAMETER	MTD	MOUNTED	TW	DOMESTIC TEMPERED WATER (90° F)
DIP	DUCTILE IRON PIPE	N	NORTH	TYP	TYPICAL
DN	DOWN	N/A	NOT APPLICABLE/AVAILABLE	UG	UNDERGROUND
DS	DOWNSPOUT	NC	NORMALLY CLOSED	UNO	UNLESS NOTED (INDICATED) OTHERWISE
DTL	DRAIN TILE	NG	NATURAL GAS	V	VENT
DTL	DETAIL	NGV	NATURAL GAS VENT	VAC	VACUUM
DTW	DOMESTIC TEMPERED WATER	NIC	NOT IN CONTRACT	VAB	VACUUM BREAKER
DWG	DRAWING	NO	NORMALLY OPEN	VERT	VERTICAL
E	EAST	NO, (#)	NUMBER	VTR	VENT THROUGH ROOF
ELEC	ELECTRICAL	NOM	NOMINAL	W	WEST
EPBD	ELECTRICAL PANELBOARD	OC	ON CENTER	WI	WITH
EQ	EQUAL			W/O	WITHOUT
				WB	WATER HAMMER ARRESTER
				WC	WATER CLOSET
				WSP	WATER SOURCE HEAT PUMP
				WWF	WELDED WIRE FABRIC
				WWM	WELDED WIRE MESH
				XFMR	TRANSFORMER

### GRAPHICS SYMBOLS LEGEND



### DRAIN AND CLEANOUT SCHEDULE

TAG	BASIS OF DESIGN		STRAINER/GRATE	NOTES
	MANUFACTURER	MODEL		
FD-1	JOSAM	30003-A	6" DIA	1
FD-2	JOSAM	30002-A	6" DIA	1
SD-1	JOSAM	30002-A	4" DIA	

1. PROVIDE TRAP GUARD INSERT, SEE DETAIL.

### DRAIN AND CLEANOUT SCHEDULE

- PROVIDE TRAP SEAL PROTECTION DEVICE, REFER TO DETAIL.

### PLUMBING FIXTURE SCHEDULE

TAG	FIXTURE	HEIGHT A.F.F.	PIPE SIZE					NOTES
			COLD WATER	TEPID WATER	HOT WATER	VENT	SOIL WASTE	
LA-1	WALL-HUNG LAVATORY (ACCESSIBLE)	RIM AT 33"						
SH-1	SHOWER (ACCESSIBLE)	COUNTERTOP - REFER TO ARCH	1/2"		1/2"	1-1/2"	1-1/2"	1, 3
WC-1	FLOOR-MOUNTED WATER CLOSET (ACCESSIBLE)	TOP OF SEAT 18"	1"			2"	4"	1, 2

- NOTES:
- THIS ACCESSIBLE FIXTURE, ACCESSORIES, AND INSTALLATION SHALL CONFORM TO THE CURRENT ADA STANDARDS FOR ACCESSIBLE DESIGN.
  - LOCATE FLUSH ACTUATORS ON WIDE SIDE OF STALLS OR APPROACH AREAS.
  - PROVIDE ASSE 1070 CERTIFIED MIXING VALVE IN STAINLESS STEEL WALL CABINET, ABOVE CEILING, OR BELOW FIXTURE.

### PLUMBING FIXTURE SCHEDULE

- THIS ACCESSIBLE FIXTURE, ACCESSORIES, AND INSTALLATION SHALL CONFORM TO THE USBC AND ASAD ADA STANDARDS FOR ACCESSIBLE DESIGN.
- LOCATE FLUSH ACTUATORS ON WIDE SIDE OF STALLS OR APPROACH AREAS.
- PROVIDE ASSE-1070 CERTIFIED MIXING VALVE, ABOVE CEILING, OR BELOW FIXTURE ACCESSIBLE BUT CONCEALED FROM VIEW.

### GENERAL NOTES

- THE CONTRACT DOCUMENTS ARE COMPLEMENTARY AND WHAT IS REQUIRED BY ONE SHALL BE AS BINDING AS IF REQUIRED BY ALL. IN THE CASE OF A CONFLICT, DISAGREEMENT, OR AMBIGUITY, PROVIDE THE BETTER QUALITY. IN THE CASE OF A CONFLICT, DISAGREEMENT, OR AMBIGUITY, PROVIDE THE GREATER QUANTITY OF WORK.
- COORDINATE PIPING LOCATIONS AND INSTALLATION WITH EACH TRADE TO AVOID CONFLICTS WITH OTHER TRADES.
- PROVIDE FLOOR CLEANOUTS INDICATED FLUSH WITH FLOOR FINISHES.
- PROVIDE CLEANOUTS WHERE INDICATED AND ADDITIONAL CLEANOUTS AS REQUIRED BY LOCAL CODE.
- REFER TO DRAWINGS FROM EACH DISCIPLINE BEFORE ROUGHING-IN PLUMBING FIXTURES.
- OBTAIN DIMENSIONS AND ROUTING IN FIELD BEFORE INSTALLATION OF PLUMBING AND FIXTURES.
- PROVIDE ISOLATION VALVES IN ACCORDANCE WITH DIAGRAMS, DETAILS, AND DIVISION 22 SPECIFICATIONS.

**MOSELEY ARCHITECTS**

5200 NORFOLK STREET, RICHMOND, VA 23230  
 PHONE (804) 784-7550 FAX (804) 355-5690  
 MOSELEYARCHITECTS.COM



**KELLY DAY RENOVATIONS FS 6**  
 563006  
 6950 Little Falls Rd, Arlington, VA 22213  
 Owner: Arlington County

PROJECT NO:	563006
DATE:	SEPTEMBER 22, 2021

DATE	REVISIONS	DESCRIPTION

LEGENDS,  
 ABBREVIATIONS AND  
 GENERAL NOTES - FS6

**P0.6**



J  
H  
G  
F  
E  
D  
C  
B  
A

PLUMBING DEMOLITION KEYNOTES	
APPLIES TO THIS DRAWING REPRESENTED BY [Symbol]	
1.	REMOVE EXISTING PLUMBING FIXTURE, VALVES, AND ALL ASSOCIATED TRIM MATERIALS. REMOVE WASTE PIPING, VENT AND DOMESTIC WATER PIPING BACK TO SYSTEM BRANCH MAINS IN THE WALL, CEILING AND FLOOR AND CAP PIPING.
2.	REMOVE AND PREPARE TO RELOCATE EXISTING COMPRESSOR AND ALL ASSOCIATED TRIM MATERIALS. REMOVE PIPING BACK TO CEILING SPACE AND PREPARE FOR CONNECTION OF RELOCATED COMPRESSOR.

PLUMBING KEYNOTES	
APPLIES TO THIS DRAWING REPRESENTED BY [Symbol]	
1.	CONNECT PIPING AND ALL ASSOCIATED TRIM MATERIALS FROM RELOCATED COMPRESSOR. CONNECT COMPRESSOR SUPPLY AIR PIPING TO EXISTING PIPING LOCATION.

**MOSELEYARCHITECTS**

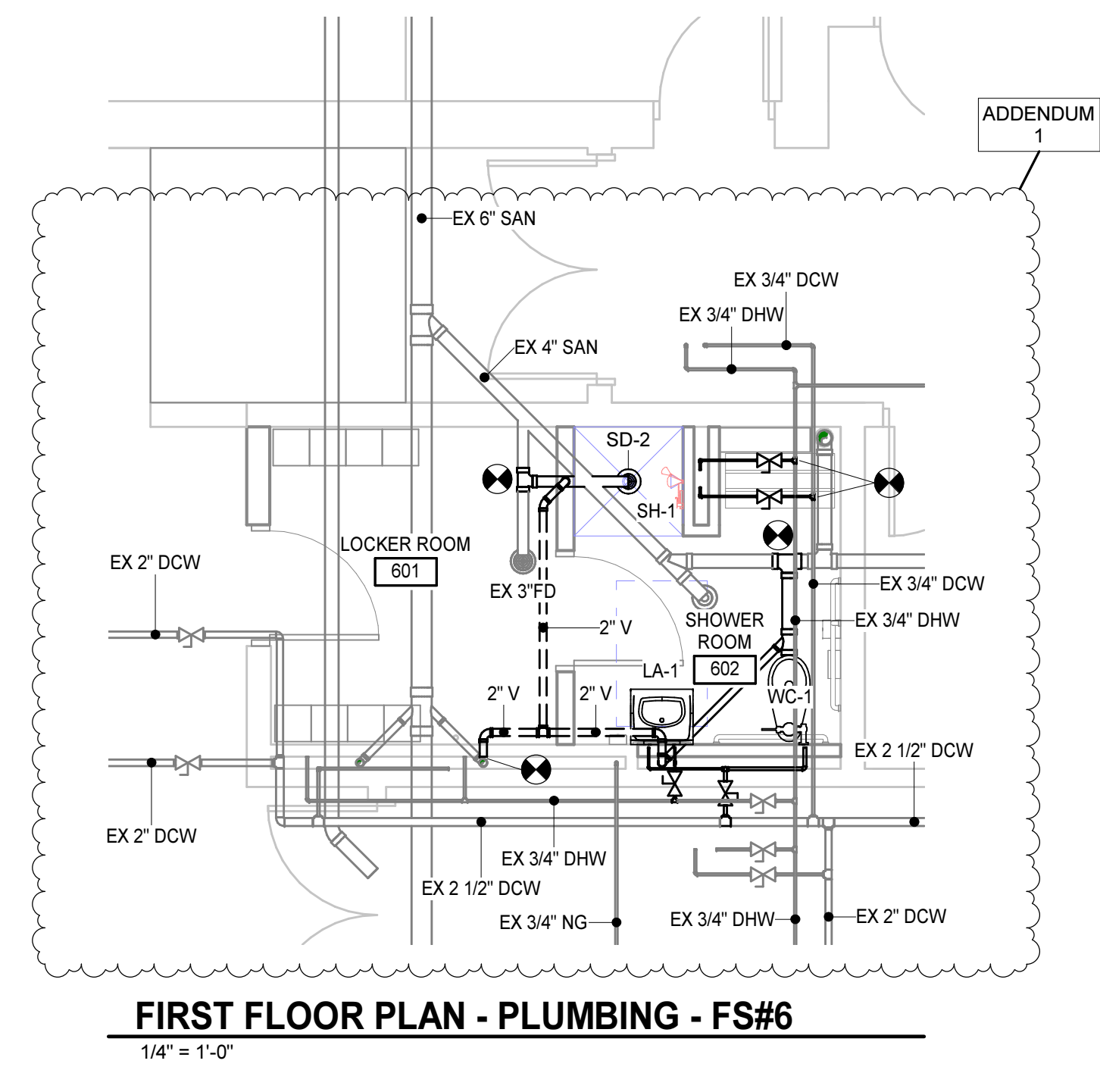
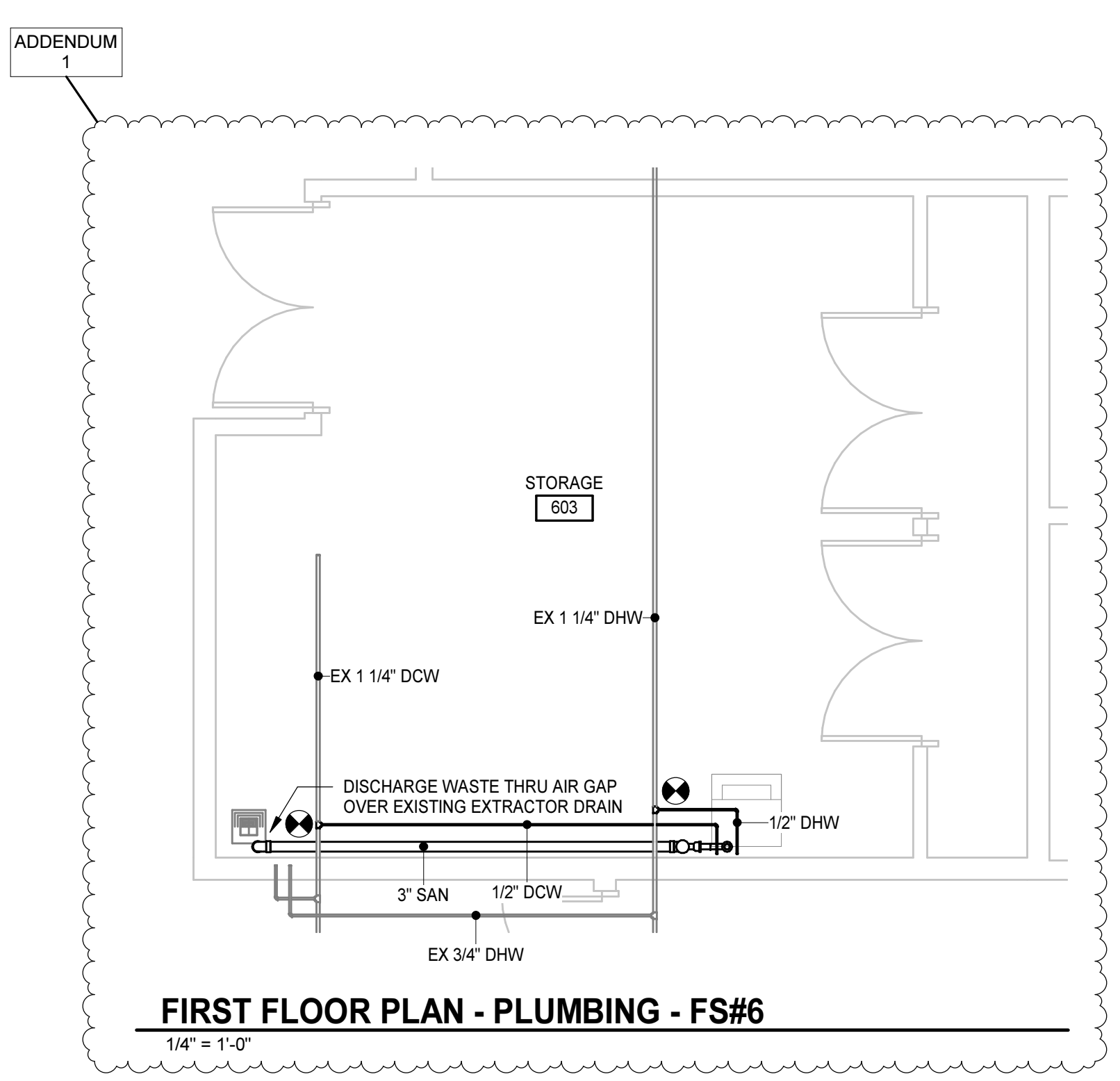
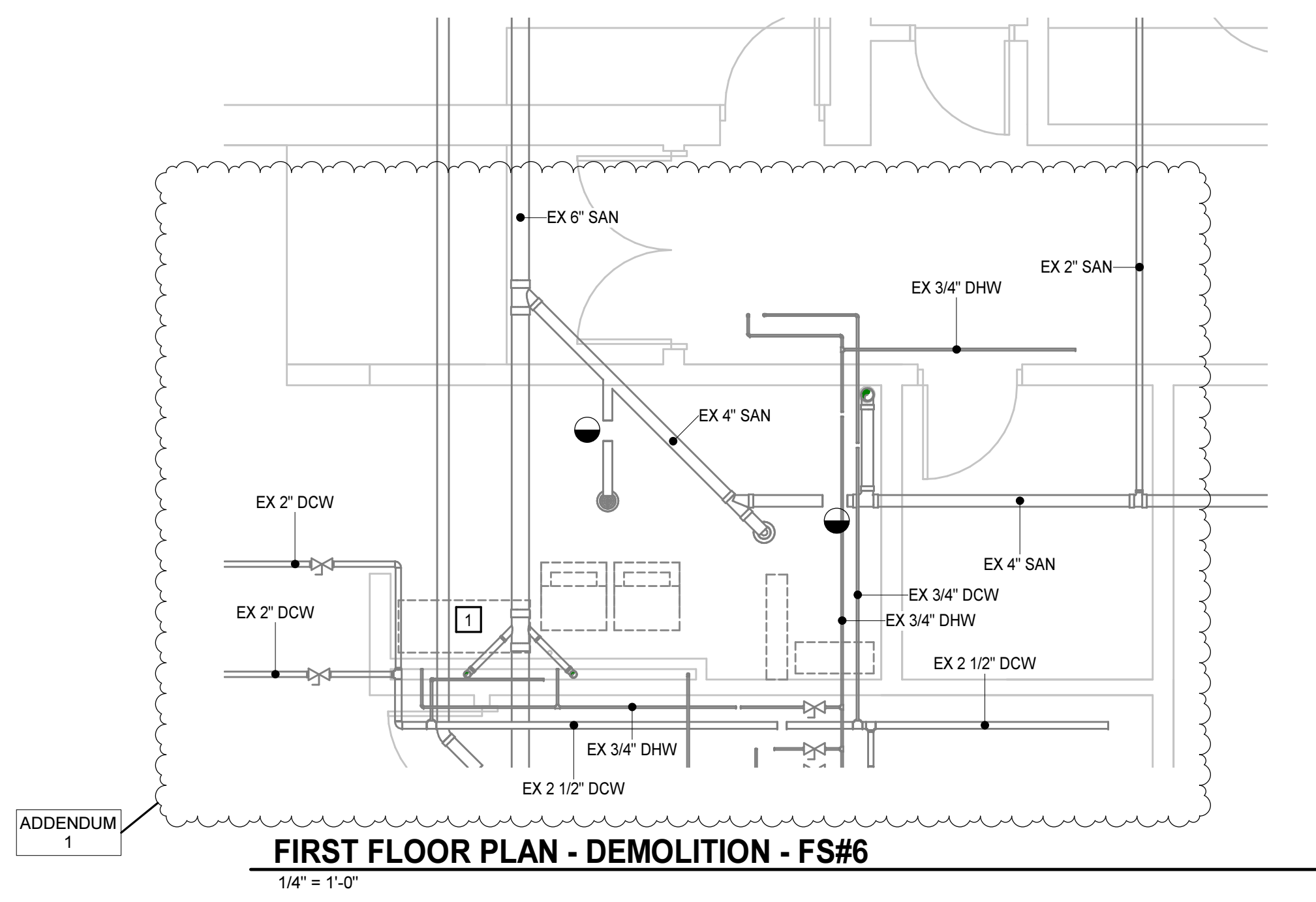
5200 NORFOLK STREET, RICHMOND, VA 23230  
PHONE (804) 784-7557 FAX (804) 355-5690  
MOSELEYARCHITECTS.COM



**KELLY DAY RENOVATIONS FS 6**

563006  
6950 Little Falls Rd, Arlington, VA 22213  
Owner: Arlington County

PROJECT NO:	563006
DATE:	SEPTEMBER 22, 2021
REVISIONS	
DATE	DESCRIPTION
12/15/21	ADDENDUM 1



FLOOR PLAN - FS6

1 2 3 4 5 6 7 8 9 10



GRILLE, REGISTER, & DIFFUSER SCHEDULE							
TAG	MANUFACTURER	MODEL NUMBER	MOUNTING STYLE	NECK SIZE	FACE SIZE	MAX NC LEVEL	NOTES
S1	PRICE	ASDA	SURFACE	6ø	24x24	30	
S2	PRICE	ASDA	LAY-IN	8ø	24x24	30	
S3	PRICE	SDGE	DUCT MOUNTED	-	12x6	30	
E1	PRICE	630-F-L	SURFACE	6x6	12x12	30	
T1	PRICE	630-F-L	SURFACE	10x10	12x12	30	

EQUIPMENT IDENTIFICATION	
AHU	AIR-HANDLING UNIT
AS	AIR SEPARATOR
B	BOILER
BCU	BLOWER COIL UNIT
OCC	CLOSED-CIRCUIT COOLING TOWER
CH	CHILLER
CHWP	CHILLED WATER PUMP
CRAC	COMPUTER ROOM AIR CONDITIONER
CT	COOLING TOWER
CUH	CABINET UNIT HEATER
CWP	CONDENSER WATER PUMP
ECH	ELECTRIC CEILING HEATER
ERU	ENERGY RECOVERY UNIT
ERV	ENERGY RECOVERY VENTILATOR
ET	EXPANSION TANK
EUH	ELECTRIC UNIT HEATER
EWL	ELECTRIC WALL HEATER
FCU	FAN COIL UNIT
HP	HEAT PUMP
HWP	HOT WATER PUMP
HX	HEAT EXCHANGER
MAU	MAKEUP AIR UNIT
OAU	OUTDOOR AIR UNIT
P	PUMP
PTAC	PACKAGED TERMINAL AIR CONDITIONER
PTHP	PACKAGED TERMINAL HEAT PUMP
RTU	ROOFTOP UNIT
SSI	SPLIT-SYSTEM INDOOR UNIT
SSO	SPLIT-SYSTEM OUTDOOR UNIT
TU	TERMINAL UNIT
UH	UNIT HEATER
WSHP	WATER-SOURCE HEAT PUMP

CONTROLS ABBREVIATIONS	
AF	AIRFLOW
AI	ANALOG INPUT TO CONTROLLER
ALM	ALARM
AMS	AIRFLOW MEASURING STATION
AO	ANALOG OUTPUT FROM CONTROLLER
ATS	AVERAGING TEMPERATURE SENSOR
BAS	BUILDING AUTOMATION SYSTEM
BI	BINARY INPUT TO CONTROLLER
BO	BINARY OUTPUT FROM CONTROLLER
CO2	CARBON DIOXIDE SENSOR
CSR	CURRENT-SENSING RELAY
DM	DAMPER MOTOR
DP	DIFFERENTIAL PRESSURE
DPT	DIFFERENTIAL PRESSURE TRANSMITTER
FM	FLOW METER
FZ	FREEZESTAT
HS	HUMIDITY SENSOR
POS	POSITION RELAY
R	RELAY
SD	SMOKE DETECTOR
SPD	SPEED
SS	START/STOP
STS	STATUS
TS	TEMPERATURE SENSOR
VFD	VARIABLE-FREQUENCY DRIVE

ABBREVIATIONS	
A	AMPERE(S)
AD	ACCESS DOOR
AF	ABOVE FINISHED FLOOR
ALT	ALTERNATE
APD	AIR PRESSURE DROP
BHP	BRAKE HORSEPOWER
BTUH	BRITISH THERMAL UNITS PER HOUR
CFM	CUBIC FEET PER MINUTE
CHWR	CHILLED WATER RETURN
CHWS	CHILLED WATER SUPPLY
CLG	COOLING
COM	COMMON
CWR	CONDENSER WATER RETURN
CWS	CONDENSER WATER SUPPLY
D	DRAIN
DB	DRY BULB TEMPERATURE
dBa	A-WEIGHTED DECIBELS
DCW	DOMESTIC COLD WATER
DIA	DIAMETER
DN	DOWN
DWG	DRAWING
EA	EXHAUST AIR
EAT	ENTERING AIR TEMPERATURE
EER	ENERGY EFFICIENCY RATIO
EQUAL	EQUAL
ESP	EXTERNAL STATIC PRESSURE
EWT	ENTERING WATER TEMPERATURE
EX	EXISTING
F	DEGREES FAHRENHEIT
FC	FAIL CLOSED
FD	FIRE DAMPER
FLA	FULL LOAD AMPS
FO	FAIL OPEN
FRM	FEET PER MINUTE
FT	FOOT, FEET
GA	GAUGE
GAL	GALLON(S)
GPH	GALLONS PER HOUR
GPM	GALLONS PER MINUTE
HP	HORSEPOWER
HPWR	HEAT PUMP WATER RETURN
HPWS	HEAT PUMP WATER SUPPLY
HTG	HEATING
HWR	HOT WATER RETURN
HWS	HOT WATER SUPPLY
HX	HEAT EXCHANGER
HZ	HERTZ
IN	INCH
PLV	INTEGRATED PART-LOAD VALUE
KW	KILOWATT(S)
LAT	LEAVING AIR TEMPERATURE
LBS	POUNDS
LWT	LEAVING WATER TEMPERATURE
MAX	MAXIMUM
MBH	ONE THOUSAND BTUH
MCA	MINIMUM CIRCUIT AMPACITY
MFR	MANUFACTURER
MIN	MINIMUM
MOCP	MAXIMUM OVERCURRENT PROTECTION
MOD	MOTOR-OPERATED DAMPER
NC	NORMALLY CLOSED (FOR PLANS, DETAILS)
NC	NOISE CRITERIA (FOR SCHEDULES)
NIC	NOT IN CONTRACT
NO	NORMALLY OPEN
OA	OUTSIDE AIR
OC	ON CENTER
OFCI	OWNER FURNISHED CONTRACTOR INSTALLED
PH	PHASE
PSIG	POUNDS PER SQUARE INCH GAUGE
RA	RETURN AIR
RD	REFRIGERANT DISCHARGE
RH	RELATIVE HUMIDITY
RL	REFRIGERANT LIQUID
RPM	REVOLUTIONS PER MINUTE
RS	REFRIGERANT SUCTION
SA	SUPPLY AIR
SEER	SEASONAL ENERGY EFFICIENCY RATIO
TD	TRANSFER DUCT
TYP	TYPICAL
UNO	UNLESS NOTED (INDICATED) OTHERWISE
V	VOLTAGE, VOLTS
VD	VOLUME DAMPER
VFD	VARIABLE-FREQUENCY DRIVE
W	WATT(S)
W	WITH
W/O	WITHOUT
WB	WET BULB TEMPERATURE
WC	WATER COLUMN
WC	WATER COLUMN
WPD	WATER PRESSURE DROP
WWM	WELDED WIRE MESH

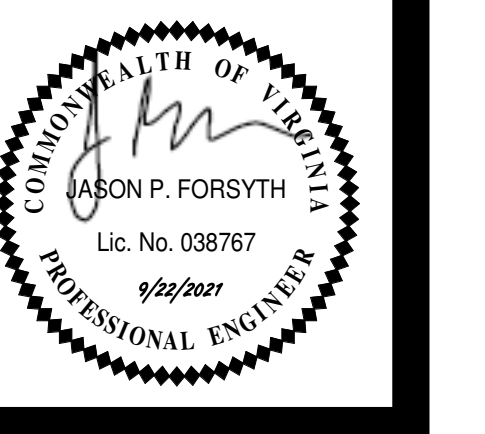
CONTROL SYSTEM SYMBOLS	
	CIRCULATOR OR PUMP
	MOTORIZED 2-WAY VALVE
	MOTORIZED 3-WAY VALVE
	VARIABLE FREQUENCY DRIVE
	DIRECT DIGITAL CONTROLLER
	THERMOSTAT
	FREEZESTAT
	CONTACTOR
	RELAY
	SPACE TEMPERATURE SENSOR
	LINE VOLTAGE THERMOSTAT
	HAND-OFF-AUTOMATIC SWITCH
	DUCT-MOUNTED SMOKE DETECTOR
	TRANSFORMER
	FUSE
	NORMALLY OPEN CONTACT
	NORMALLY CLOSED CONTACT
	WIRING OR DEVICE PROVIDED UNDER DIVISION 23
	WIRING OR DEVICE NOT PROVIDED UNDER DIVISION 23
	WIRING CONNECTION BY DIVISION 23
	WIRING CONNECTION BY OTHERS
	NUMBER OF CONDUCTORS INDICATED BY SLASH MARKS
	MOTORIZED PARALLEL BLADE DAMPER
	MOTORIZED OPPOSED BLADE DAMPER
	MOTORIZED BUTTERFLY BLADE DAMPER
	SUPPLY, RETURN, OR EXHAUST FAN
	AIRFLOW DIRECTION
	CONTROL POINT INDICATOR
	INPUT OR OUTPUT (ANALOG INPUT)
	DEVICE TYPE (AIR TEMPERATURE SENSOR)
	CONTROL POINT INDICATOR
	INPUT OR OUTPUT (ANALOG INPUT)
	DEVICE TYPE (WATER TEMPERATURE SENSOR WITH WET BULB TYPE ELEMENT IN PIPING WELL)
	CONTROL POINT INDICATOR
	INPUT OR OUTPUT (ANALOG INPUT)
	DEVICE TYPE (CURRENT SENSING RELAY)

GRAPHICS SYMBOLS LEGEND	
	SPACE IDENTIFICATION TAG
	SPACE NUMBER
	BUILDING AREA (WHEN USED)
	EQUIPMENT IDENTIFICATION TAG
	EQUIPMENT NUMBER
	UNIT DESIGNATION
	DIFFUSER, GRILLE OR REGISTER TAG
	TAG, REFER TO DIFFUSER, GRILLE AND REGISTER SCHEDULE
	AIRFLOW (CFM)
	DETAIL TAG
	DETAIL NUMBER
	DRAWING WHERE DETAIL IS INDICATED
	KEYNOTE
	STRUCTURAL GRID LINE WITH DESIGNATION
	EXISTING TO BE REMOVED
	DETAIL TITLE
	DETAIL NUMBER
	DRAWING WHERE DETAIL IS INDICATED
	SECTION TITLE
	SECTION NUMBER
	DRAWING WHERE SECTION IS INDICATED
	DRAWING WHERE SECTION IS REFERENCED
	ADDITIONAL DRAWING REFERENCES
	SECTION CALLOUT
	SECTION NUMBER
	DRAWING WHERE SECTION IS INDICATED
	ENLARGED PLAN CALLOUT
	ENLARGED PLAN NUMBER
	DRAWING WHERE ENLARGED PLAN IS INDICATED
	MECHANICAL EQUIPMENT WITH REQUIRED SERVICE CLEARANCE INDICATED

DUCTWORK LEGEND	
	RECTANGULAR DUCT (FIRST DIMENSION REFERS TO SIDE VIEWED)
	ROUND DUCT SIZE
	FLAT OVAL DUCT SIZE
	DOUBLE WALL, EXPOSED DUCT
	FABRIC DUCT
	FLEXIBLE DUCTWORK
	FLEXIBLE CONNECTOR
	DUCT-MOUNTED SMOKE DETECTOR
	DUCT WITH DUCT LINER
	DUCT ACCESS DOOR
	DUCT WITH END CAP
	LINEAR SLOT DIFFUSER, LENGTH AS INDICATED
	LINEAR BAR GRILLE, LENGTH AS INDICATED
	SUPPLY DIFFUSER
	RETURN OR EXHAUST GRILLE
	SUPPLY DIFFUSER WITH DIRECTIONAL BLOW, SOLID HATCH INDICATES BLANK OFF PANEL
	POINT OF CONNECTION TO EXISTING
	LIMIT OF DEMOLITION
	SUPPLY AIRFLOW ARROW
	RETURN OR EXHAUST AIRFLOW ARROW
	MANUAL BALANCING DAMPER IN DUCT
	FIRE DAMPER IN DUCT
	SMOKE DAMPER IN DUCT
	COMBINATION FIRE/SMOKE DAMPER IN DUCT
	MOTORIZED DAMPER IN DUCT
	SMOKE CONTROL MANUAL BALANCING DAMPER IN DUCT
	SMOKE CONTROL MOTORIZED DAMPER IN DUCT
	SECURITY BARS IN DUCT
	DUCT WITH ACCESS PANEL
	SUPPLY/MAKEUP AIR DUCT SECTIONS
	RETURN AIR DUCT SECTIONS
	EXHAUST AIR DUCT SECTIONS
	SMOKE DETECTOR
	HUMIDITY SENSOR
	THERMOSTAT, LINE VOLTAGE
	THERMOSTAT, LOW VOLTAGE
	TEMPERATURE SENSOR
	CARBON DIOXIDE SENSOR
	CARBON MONOXIDE SENSOR
	SENSOR WELL
	DOOR UNDERCUT
	DOOR LOUVER

PIPING LEGEND	
	PIPE CAP
	PIPE TURNED DOWN
	PIPE TURNED UP
	PIPE TEE UP
	PIPE TEE DOWN
	END OF LINE CLEANOUT PLUG
	CLEANOUT PLUG
	PRESSURE GAUGE WITH GAUGE COCK
	LIQUID FILLED THERMOMETER
	UNION
	STRAINER WITH BLOWDOWN VALVE AND 3/4" HOSE END CONNECTION
	FLEXIBLE PIPE CONNECTOR
	MANUAL AIR VENT
	VALVE
	VALVE IN RISER
	MANUAL BALANCING VALVE WITH FLOW TAPS
	AUTOMATIC BALANCING VALVE WITH FLOW TAPS
	SWING CHECK VALVE
	PRESSURE REDUCING VALVE
	TRIPLE DUTY VALVE
	GAS COCK
	PRESSURE-RELIEF VALVE
	TWO-WAY CONTROL VALVE
	THREE-WAY CONTROL VALVE
	DIRECTION OF FLOW
	CONCENTRIC REDUCER
	ECCENTRIC REDUCER

GENERAL NOTES	
A. THE CONTRACT DOCUMENTS ARE COMPLEMENTARY AND WHAT IS REQUIRED BY ONE SHALL BE AS BINDING AS IF REQUIRED BY ALL. IN THE CASE OF A CONFLICT, DISAGREEMENT, OR AMBIGUITY, PROVIDE THE BETTER QUALITY. IN THE CASE OF A CONFLICT, DISAGREEMENT, OR AMBIGUITY, PROVIDE THE GREATER QUANTITY OF WORK.	G. PROVIDE TRAPPED DRAIN PIPING FROM DRAIN PANS OF ALL COOLING COILS, FANS AND OTHER ACTIVE DRAINS EXPOSED TO SYSTEM AIRSTREAM. PROVIDE TRAP AT CONNECTION WITH WATER SEAL. DEPTH ONE INCH GREATER THAN UNIT OPERATING PRESSURE. DIRECT DRAINS TO NEAREST FLOOR DRAIN, MOP SINK, OR OTHER LOCATION APPROVED BY THE ARCHITECT.
B. DRAWINGS ARE DIAGRAMMATIC AND INTENDED TO CONVEY SCOPE AND GENERAL ARRANGEMENT ONLY. DO NOT SCALE DRAWINGS. LOCATIONS OF ALL ITEMS INDICATED ON THE DRAWINGS OR CALLED FOR IN THE SPECIFICATIONS THAT ARE NOT DEFINITELY FIXED BY DIMENSIONS ARE APPROXIMATE. COORDINATE CONTRACT DOCUMENTS PROJECT REQUIREMENTS, WORK OF OTHERS, AND EQUIPMENT AND MATERIALS PURCHASED WITH FIELD DIMENSIONS, MANUFACTURERS REQUIREMENTS FOR INSTALLATION, OPERATION, AND MAINTENANCE. CONTRACTORS INTENDED MEANS AND METHODS OF INSTALLATION, AND CONTRACTORS FABRICATED ITEMS TO ENSURE A PROPER FIT AND INSTALLATION.	H. INSTALL PIPING, DUCTWORK, AND CONDUIT CONCEALED IN AREAS HAVING CEILINGS AND/OR FURRED SPACES UNLESS OTHERWISE INDICATED.
C. MAINTAIN MAXIMUM HEADROOM AND SPACE CONDITIONS AT ALL POINTS, WHERE HEADROOM AND SPACE CONDITIONS APPEAR INADEQUATE, NOTIFY THE ARCHITECTS PRIOR TO PROCEEDING WITH INSTALLATION. MAINTAIN A MINIMUM OF 7'-0" CLEARANCE ABOVE FINISHED FLOOR TO UNDERSIDE OF PIPES, DUCTS, CONDUITS, SUSPENDED EQUIPMENT, ETC., THROUGHOUT ACCESS ROUTES IN MECHANICAL ROOMS.	I. ALL EQUIPMENT, VALVES, DAMPERS, DAMPER AND VALVE OPERATORS SHALL BE PROVIDED WITH ADEQUATE ACCESS FOR SERVICING, MAINTENANCE, AND REPLACEMENT.
D. FIELD VERIFY AND COORDINATE ALL DUCT AND PIPING DIMENSIONS BEFORE FABRICATION. MAKE MODIFICATIONS IN THE LAYOUT AS NEEDED TO PREVENT CONFLICT WITH WORK OF OTHER TRADES OR FOR PROPER EXECUTION OF THE WORK.	J. SIZE ALL SPLIT-SYSTEM REFRIGERANT PIPING IN ACCORDANCE WITH THE MANUFACTURER'S INSTALLATION INSTRUCTIONS.
E. INSTALL ALL EQUIPMENT AND APPURTENANCES IN ACCORDANCE WITH MANUFACTURER'S RECOMMENDATIONS, CONTRACT DOCUMENTS, AND APPLICABLE CODES AND REGULATIONS.	K. DUCT DIMENSIONS MAY BE MODIFIED ONLY WITH PRIOR APPROVAL FROM ARCHITECT. DUCT DIMENSIONS ARE IN INCHES AND INSIDE CLEAR.
F. COORDINATE LOCATIONS AND SIZES OF ALL FLOOR, WALL, AND ROOF OPENINGS WITH ALL OTHER TRADES. COORDINATE ALL PIPING AND EQUIPMENT SUPPORTED FROM STRUCTURE WITH GENERAL CONSTRUCTION WORK.	L. FOR LOCATION OF REGISTERS, GRILLES, AND DIFFUSERS WITHIN CEILING GRID, REFER TO ARCHITECTURAL REFLECTED CEILING PLANS.
	M. ELEVATION INDICATED FOR RECTANGULAR DUCT, GRILLE AND LOUVER OPENINGS IS TO THE TOP OF ROUGH OPENING UNLESS OTHERWISE INDICATED. ELEVATION INDICATED FOR ROUND DUCTWORK AND PIPING IS TO CENTERLINE.
	N. BRANCH PIPING RUNOUTS TO TERMINAL UNITS SHALL BE 3/4" DIAMETER UNLESS INDICATED OTHERWISE.
	O. REFER TO STRUCTURAL DRAWINGS FOR DETAILS AND MAXIMUM SPACING REQUIREMENTS REGARDING HANGER ATTACHMENTS TO STEEL BAR JOISTS.



PROJECT NO: 563006	DATE: SEPTEMBER 22, 2021
REVISIONS	
DATE	DESCRIPTION

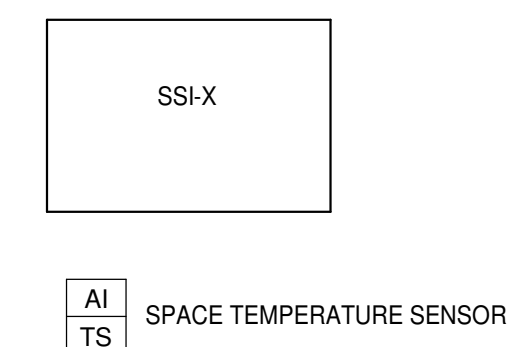




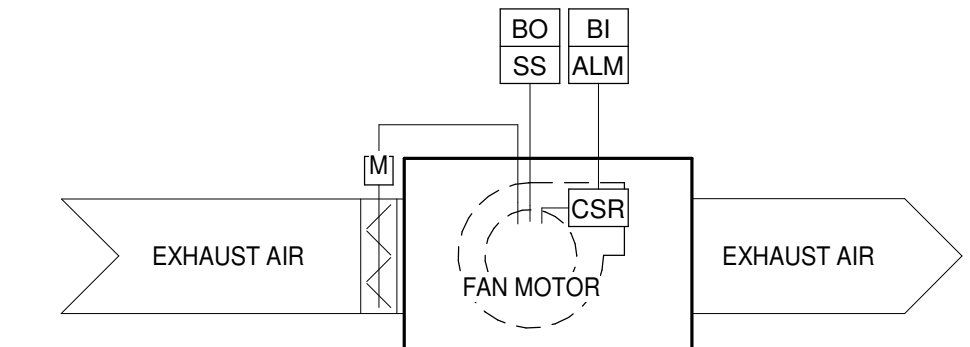




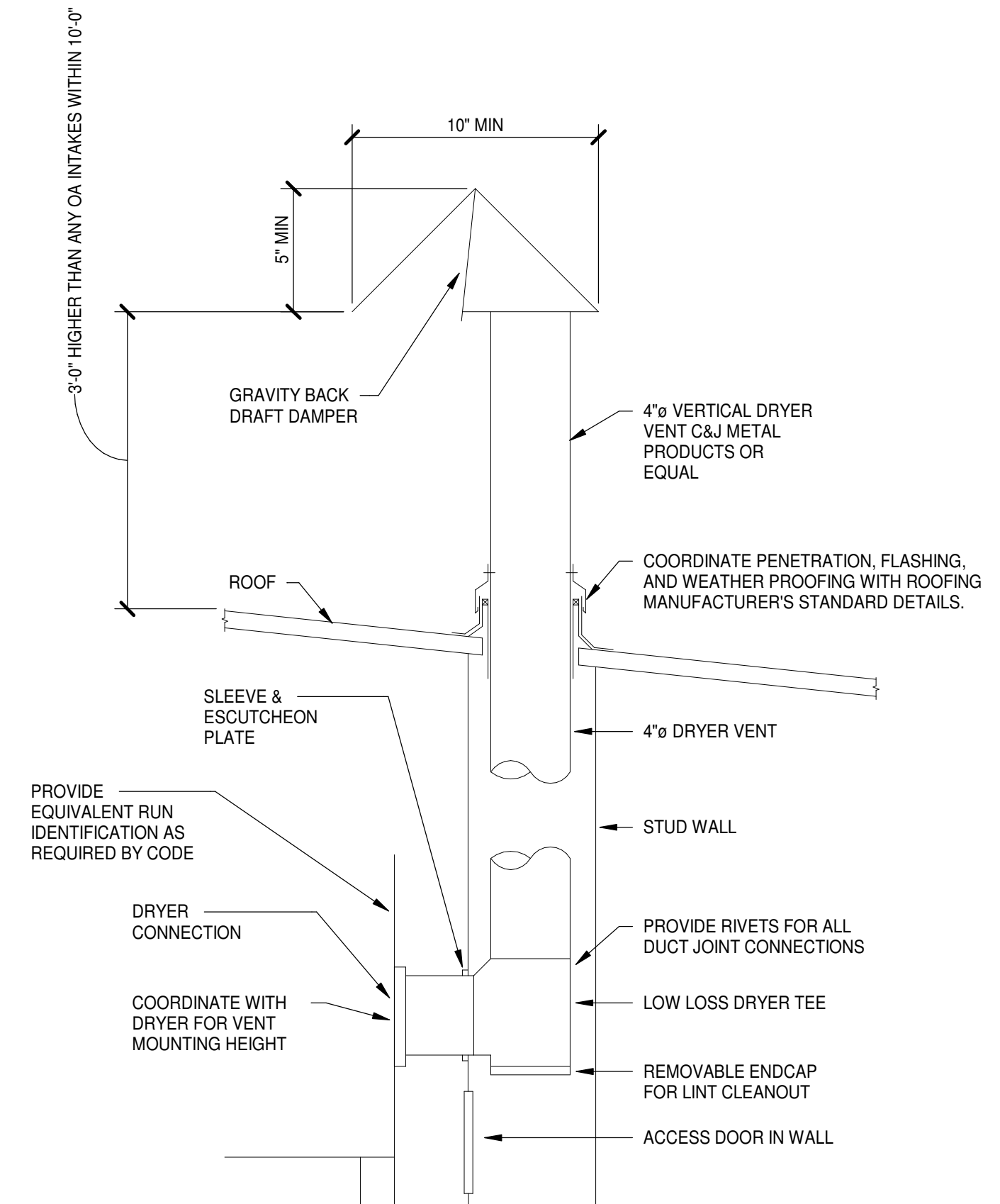
J  
H  
G  
F  
E  
D  
C  
B  
A



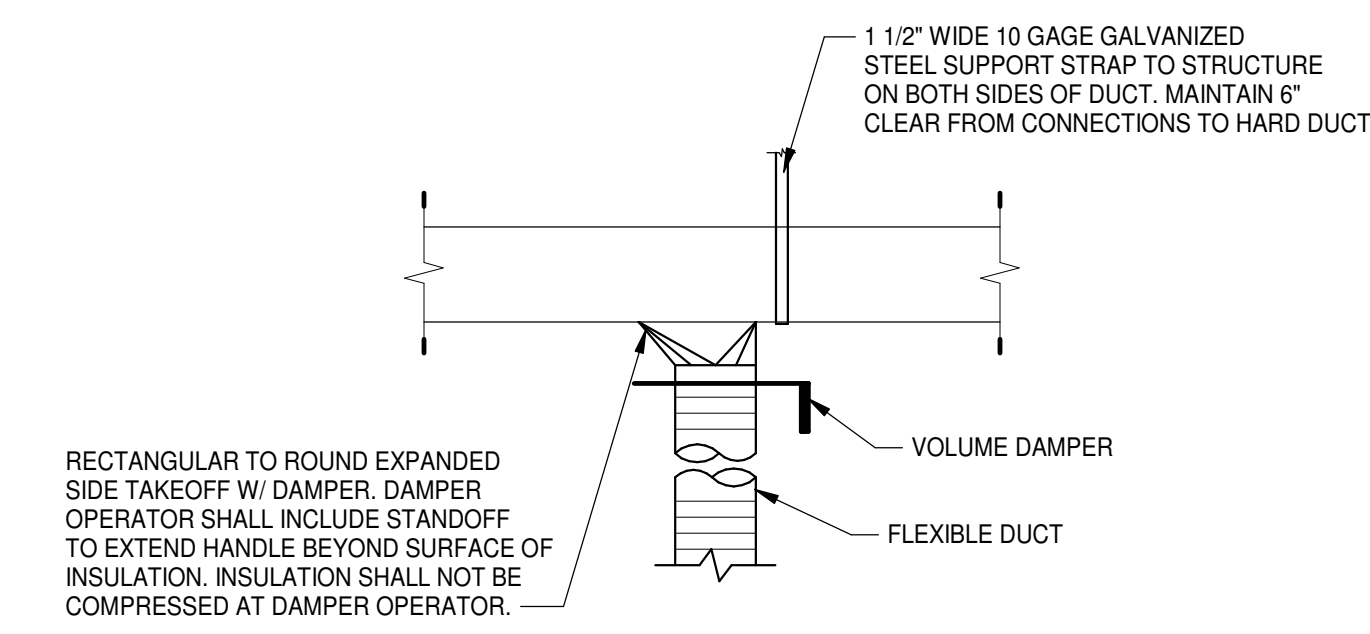
**SPLIT-SYSTEM AC UNITS**  
NO SCALE



**EXHAUST FAN - CONTROLLED BY BAS SCHEDULE**  
NO SCALE

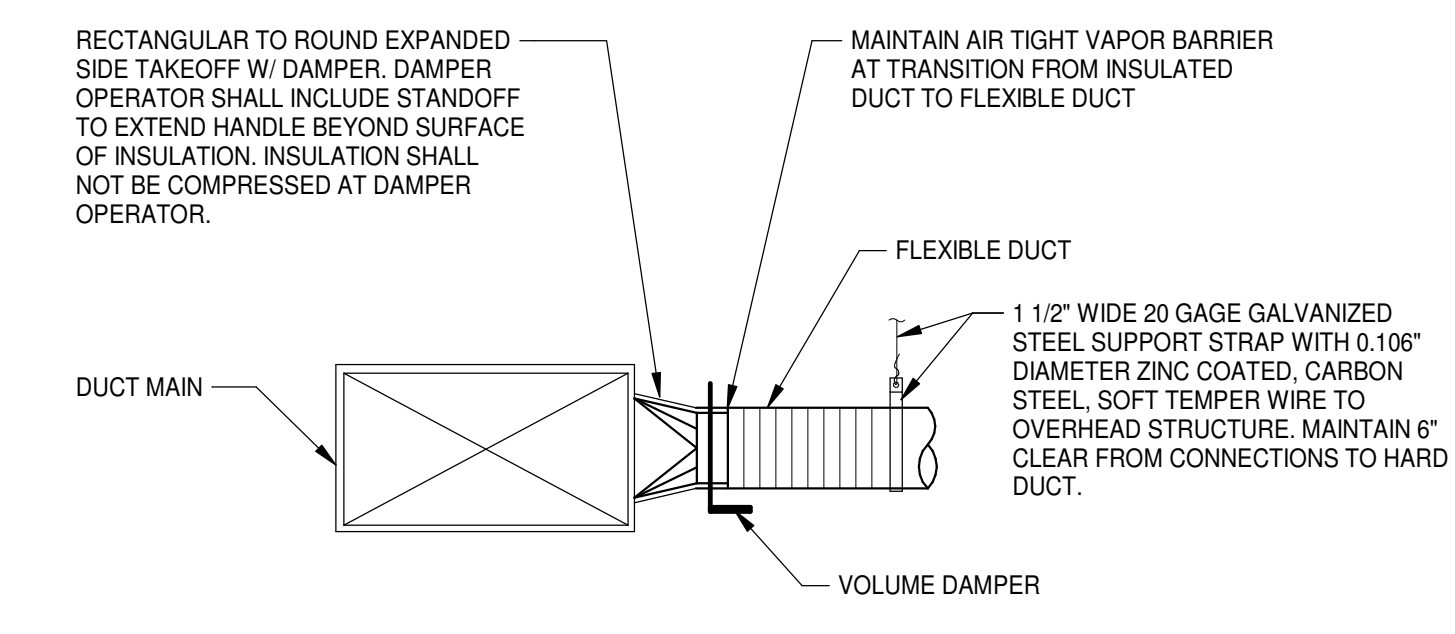


**VERTICAL DRYER EXHAUST VENT ROOF TERMINATION DETAIL**  
NO SCALE



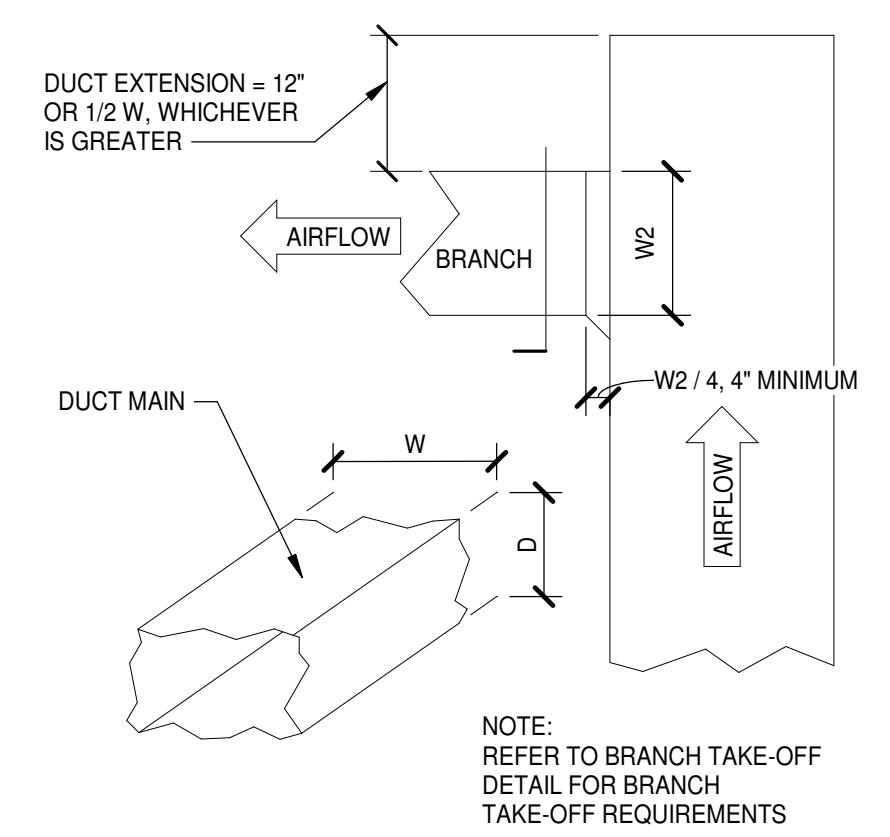
NOTES:  
- FLEXIBLE DUCT SHALL BE INSTALLED OVER METAL DUCT (BEAD/LIP ON METAL DUCT) AND ANCHORED W/ A SINGLE NYLON MECHANICAL BAND.  
- IN EXPOSED AREAS PROVIDE RIGID GALVANIZED STEEL DUCTWORK IN LIEU OF FLEXIBLE DUCTWORK INDICATED. SUPPORT IN ACCORDANCE WITH REQUIREMENTS SPECIFIED FOR STEEL DUCTWORK.

**BRANCH TAKEOFF TO DIFFUSER-BOTTOM**

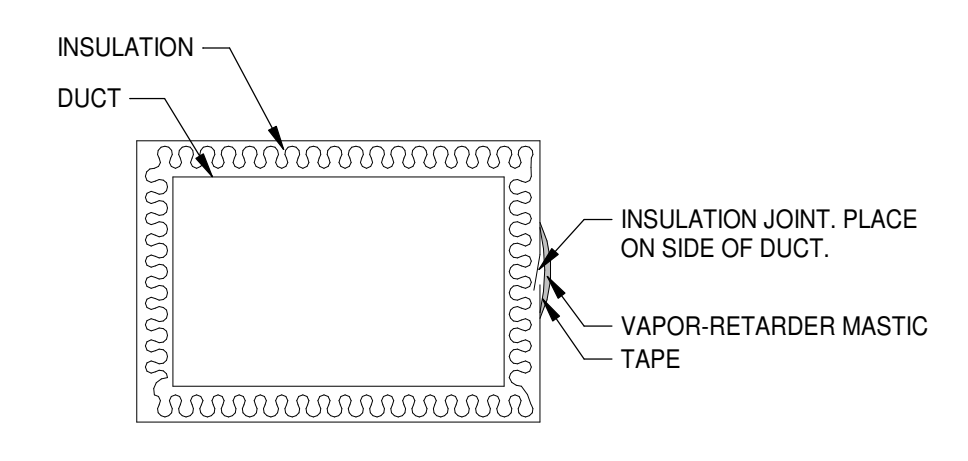


NOTES:  
- FLEXIBLE DUCT SHALL BE INSTALLED OVER METAL DUCT (BEAD/LIP ON METAL DUCT) AND ANCHORED W/ A SINGLE NYLON MECHANICAL BAND.  
- IN EXPOSED AREAS PROVIDE RIGID GALVANIZED STEEL DUCTWORK IN LIEU OF FLEXIBLE DUCTWORK INDICATED. SUPPORT IN ACCORDANCE WITH REQUIREMENTS SPECIFIED FOR STEEL DUCTWORK.

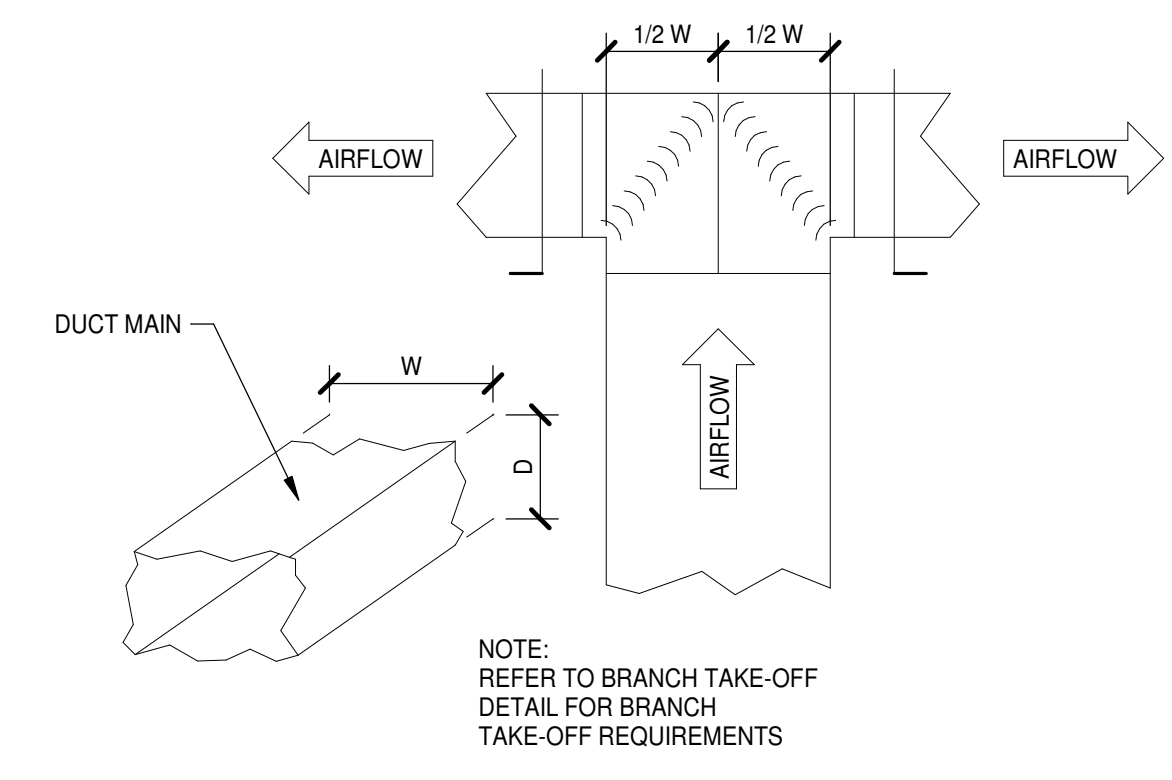
**BRANCH TAKEOFF TO DIFFUSER-SIDE**



**DUCT END OF MAIN DETAIL**

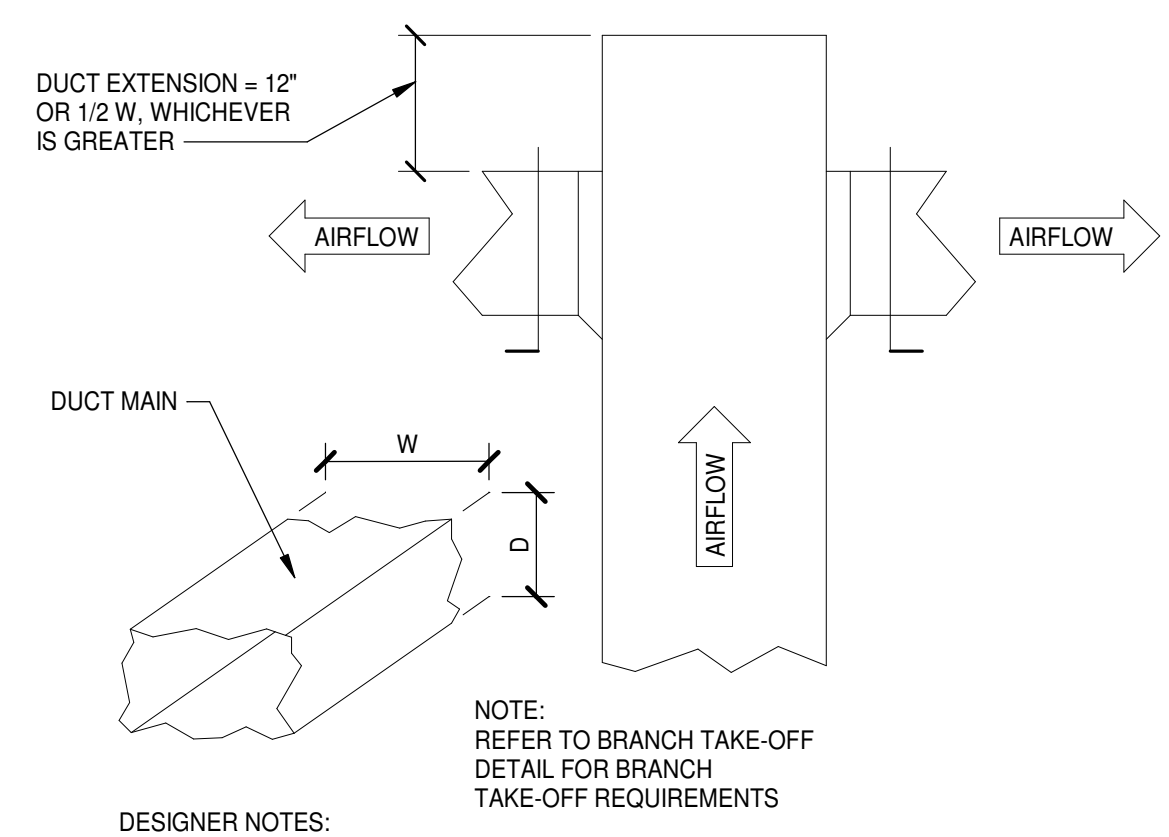


**DUCT INSULATION JOINT DETAIL**



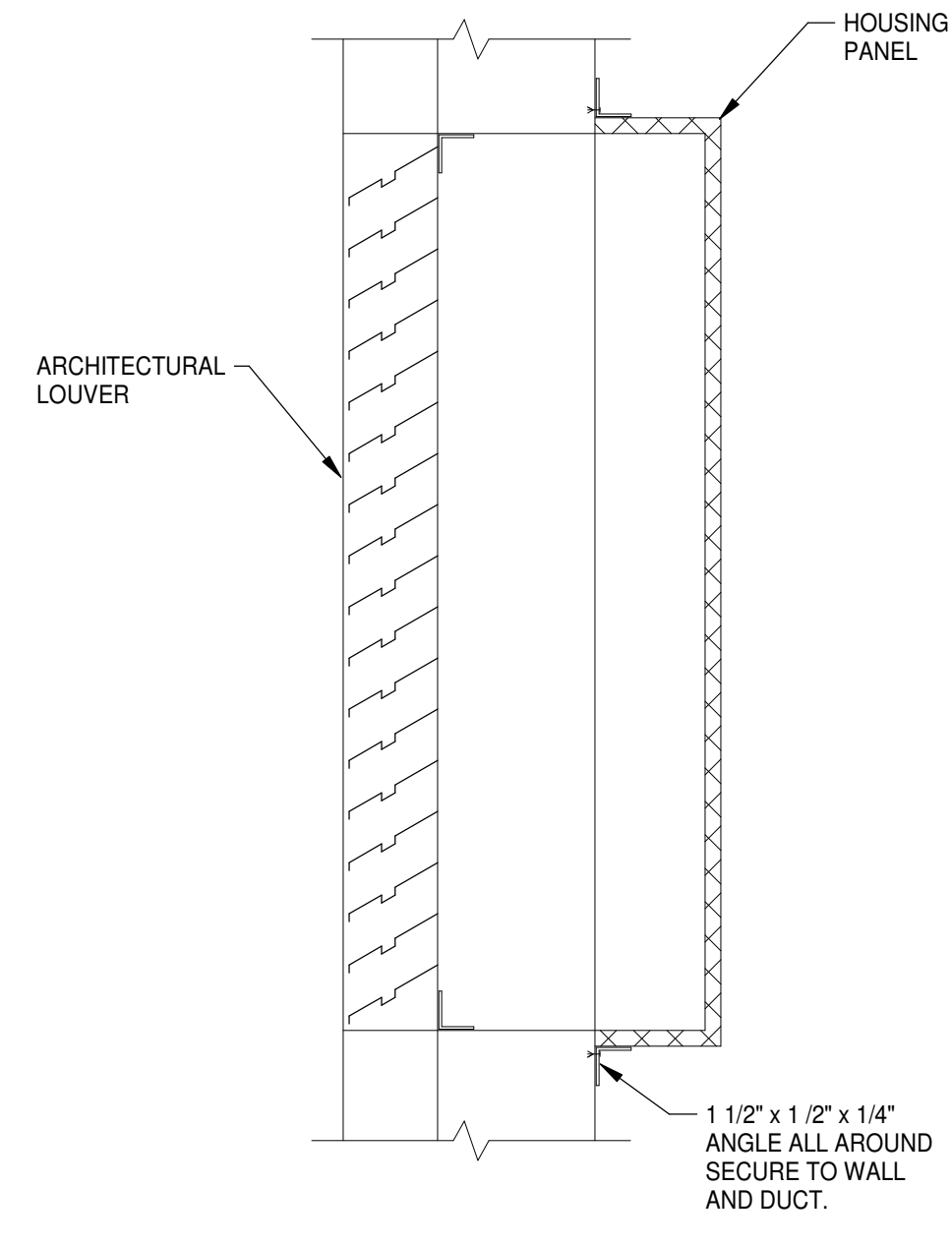
DESIGNER NOTES:  
USE WHERE "W" EXCEEDS 24" OR WHEN AIR FLOW IS IN EXCESS OF 1500 CFM.  
MAY BE PROPORTIONAL.

**DUCT SPLIT WITH VANES DETAIL**

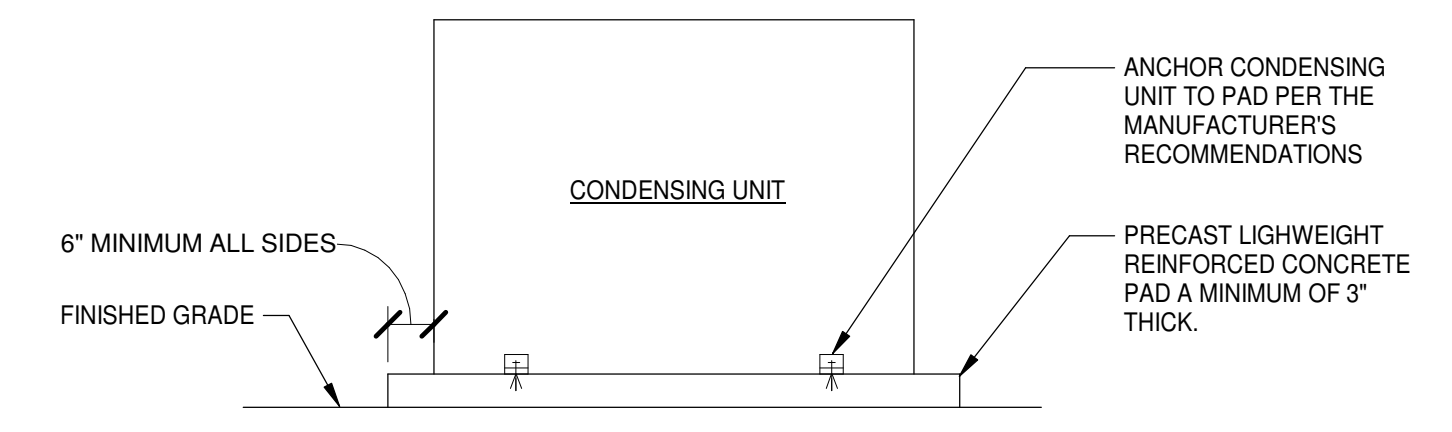


DESIGNER NOTES:  
USE WHERE "W" IS LESS THAN 24". WHEN YOU HAVE ROUND DUCT BRANCHES TO DIFFUSERS, OR WHEN AIR FLOW IS EQUAL TO OR LESS THAN 1500 CFM.

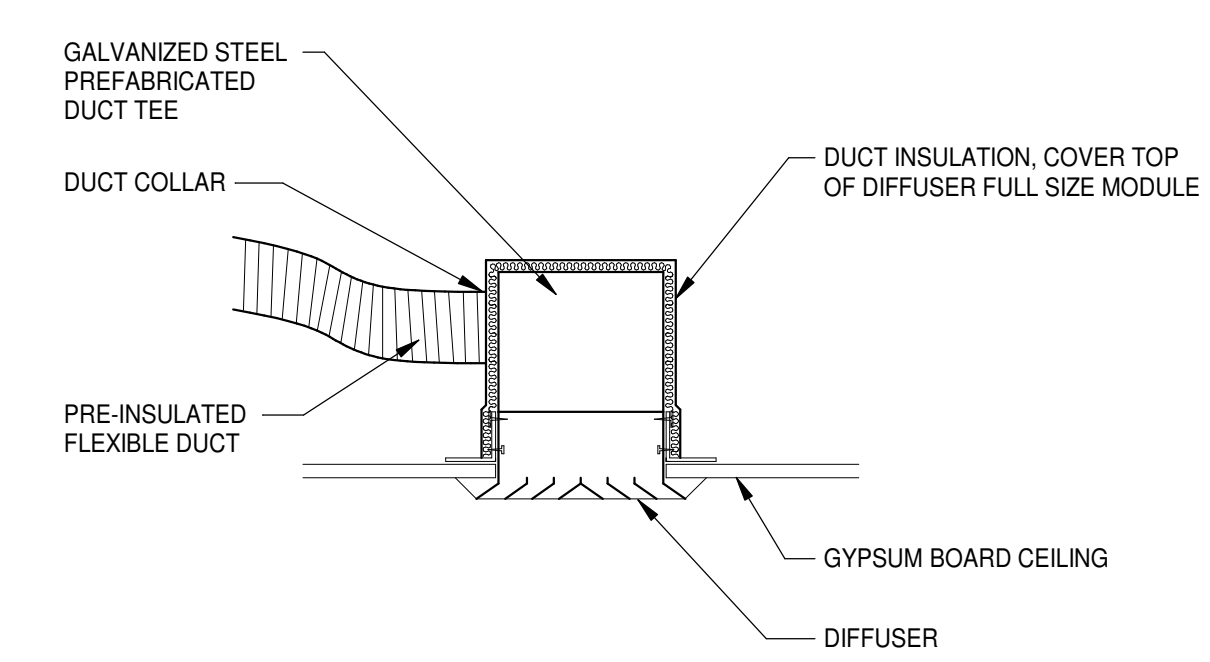
**DUCT SPLIT WITHOUT VANES DETAIL**



**WALL LOUVER DETAIL**  
NO SCALE

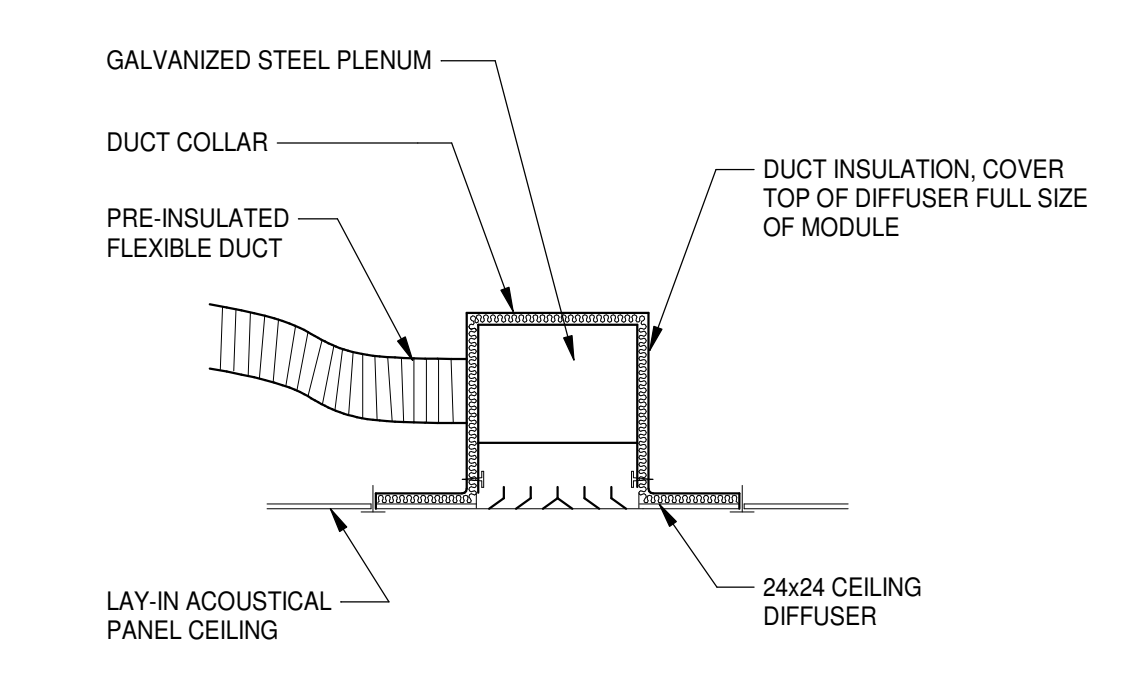


**CONDENSING UNIT MOUNTING DETAIL**  
NO SCALE

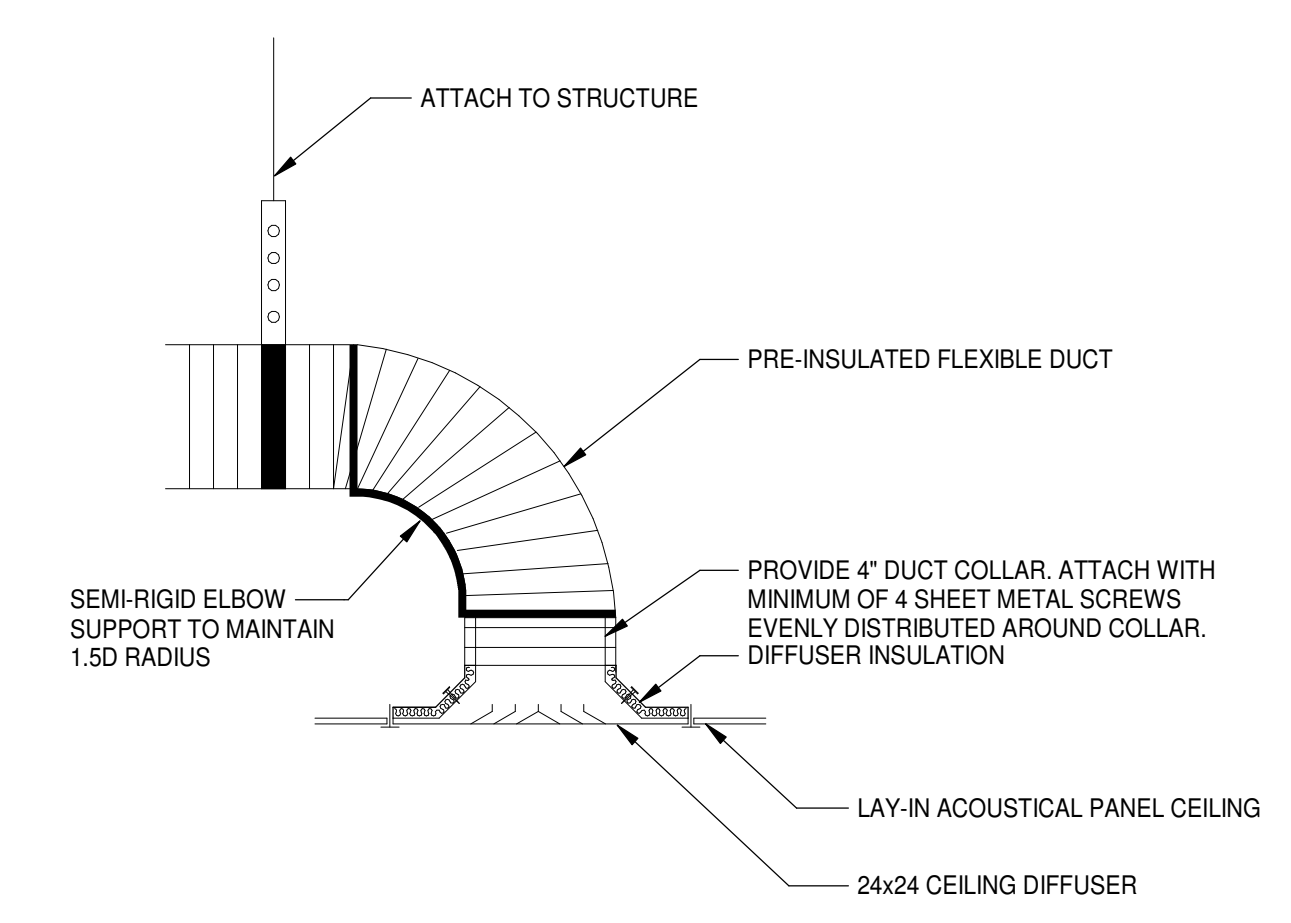


NOTE: THE DIFFUSER ASSEMBLY MAY BE SUPPORTED FROM THE CEILING FRAMING SYSTEM. THE DIFFUSER SHALL BE INSTALLED LEVEL AND TIGHT TO THE UNDERSIDE OF THE CEILING.

**SUPPLY DIFFUSER CONNECTION GYP**



**SUPPLY DIFFUSER CONNECTION LAYIN**

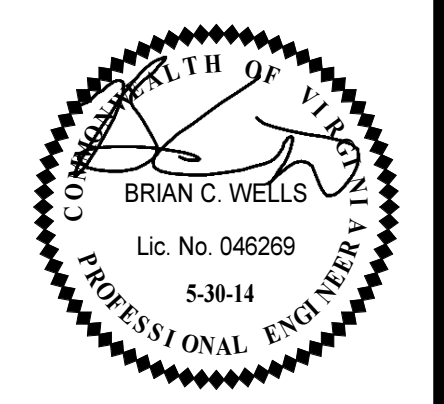


**SUPPLY DIFFUSER CONNECTION LAYIN-COLLAR**



PROJECT NO: 563006
DATE: SEPTEMBER 22, 2021
REVISIONS
DATE DESCRIPTION





DATE	REVISIONS
DATE	DESCRIPTION

### FIRE ALARM LEGEND

**SYMBOL DESCRIPTION**

- FIRE ALARM AUDIO/VISUAL NOTIFICATION DEVICE, MOUNT AT 80" AFF AND NOT MORE THAN 96". SUBSCRIPT NUMBER INDICATES STROBE CANDELA RATING.
- FIRE ALARM VISUAL STROBE NOTIFICATION DEVICE, 80" AFF AND NOT MORE THAN 96". SUBSCRIPT NUMBER INDICATES STROBE CANDELA RATING.
- FIRE ALARM AUDIO/VISUAL NOTIFICATION DEVICE WITH DEVICE GUARD, 80" AFF AND NOT MORE THAN 96". SUBSCRIPT NUMBER INDICATES STROBE CANDELA RATING. # / # INDICATES STROBE SETTING AND REDUCED EFFECTIVE OUTPUT WHEN DEVICE GUARD IS PRESENT.
- FIRE ALARM VISUAL STROBE NOTIFICATION DEVICE WITH DEVICE GUARD, 80" AFF AND NOT MORE THAN 96". SUBSCRIPT NUMBER INDICATES STROBE CANDELA RATING. # / # INDICATES STROBE SETTING AND REDUCED EFFECTIVE OUTPUT WHEN DEVICE GUARD IS PRESENT.
- FIRE ALARM AUDIO/VISUAL NOTIFICATION DEVICE, CEILING MOUNTED. SUBSCRIPT NUMBER INDICATES STROBE CANDELA RATING.
- FIRE ALARM VISUAL STROBE NOTIFICATION DEVICE, CEILING MOUNTED. SUBSCRIPT NUMBER INDICATES STROBE CANDELA RATING.
- FIRE ALARM AUDIO/VISUAL NOTIFICATION DEVICE WITH DEVICE GUARD, CEILING MOUNTED. SUBSCRIPT NUMBER INDICATES STROBE CANDELA RATING. # / # INDICATES STROBE SETTING AND REDUCED EFFECTIVE OUTPUT WHEN DEVICE GUARD IS PRESENT.
- FIRE ALARM VISUAL STROBE NOTIFICATION DEVICE WITH DEVICE GUARD, CEILING MOUNTED. SUBSCRIPT NUMBER INDICATES STROBE CANDELA RATING. # / # INDICATES STROBE SETTING AND REDUCED EFFECTIVE OUTPUT WHEN DEVICE GUARD IS PRESENT.

### GRAPHICS SYMBOLS LEGEND

- SPACE IDENTIFICATION TAG**  
SPACE NUMBER  
BUILDING AREA (WHEN USED)
- SECTION WHERE CUT**  
SECTION NUMBER  
DRAWING WHERE SECTION IS INDICATED
- ENLARGED PLAN WHERE CUT**  
ENLARGED PLAN NUMBER  
DRAWING WHERE ENLARGED PLAN IS INDICATED
- DETAIL TAG**  
DETAIL NUMBER  
DRAWING WHERE DETAIL IS INDICATED
- DETAIL TITLE**  
DETAIL NUMBER  
DRAWING WHERE DETAIL IS INDICATED  
DRAWING WHERE DETAIL IS CUT  
ADDITIONAL DRAWING REFERENCES
- SECTION TITLE**  
SECTION NUMBER  
DRAWING WHERE SECTION IS INDICATED  
DRAWING WHERE SECTION IS CUT  
ADDITIONAL DRAWING REFERENCES

### INTERIOR LIGHT FIXTURE SCHEDULE

TYPE	DESCRIPTION	FITTURE			LAMP			MOUNTING	OPTIONS		REFERENCE NOTE	COMMENTS
		MANUFACTURER	SERIES NO.	WATTAGE	LUMENS	QUANTITY	TYPE		COLOR TEMP.	DIMMING		
A1	2x4' FLAT PANEL LED	METALLUX	24FPX-31-L835-SVPD1	29	3800 lm	1	LED	3500 K	RECESSED	X		
A1E	2x4' FLAT PANEL LED EMERGENCY	METALLUX	24FPX-31-L835-SVPD1	29	3800 lm	1	LED	3500 K	RECESSED	X	X	
B1	2x2' FLAT PANEL LED	METALLUX	22FPX-21-L835-SVPD1	20	2500 lm	1	LED	3500 K	RECESSED	X		
B1E	2x2' FLAT PANEL LED EMERGENCY	METALLUX	22FPX-21-L835-SVPD1	20	2500 lm	1	LED	3500 K	RECESSED	X	X	
C1	6" CAN DOWN LIGHT	HALO	RL6069S1E1WHDMR	8	800 lm	1	LED	3500 K	RECESSED	X		NOT USED FOR FIRE STATION#1
C1E	6" CAN DOWN LIGHT EMERGENCY	HALO	RL6069S1E1WHDMR	8	800 lm	1	LED	3500 K	RECESSED	X	X	NOT USED FOR FIRE STATION#1
C2	6" CAN DOWN LIGHT WATER PROOF	HALO	RL6069S1E1WHDMR	8	800 lm	1	LED	3500 K	RECESSED	X		NOT USED FOR FIRE STATION#1
L1	1x4' LINEAR LED	CORELITE	CONTINUA S04 SUSPENDED	0	2228 lm	1	LED	3500 K	PENDANT	X		
L1E	1x4' LINEAR LED EMERGENCY	CORELITE	CONTINUA S04 SUSPENDED	0	2228 lm	1	LED	3500 K	PENDANT	X	X	
L2	1x4' LINEAR LED	METALLUX	4RBG6-SL1-L83CT3	27	3000 lm	1	LED	3500 K	RECESSED	X		
L2E	1x4' LINEAR LED EMERGENCY	METALLUX	4RBG6-SL1-L83CT3	27	3000 lm	1	LED	3500 K	RECESSED	X	X	
L3	1x4' LINEAR LE WATER PROOF	METALLUX	4RBG6-SL1-L83CT3	27	3000 lm	1	LED	3500 K	SURFACE	X		NOT USED FOR FIRE STATION#1
L3E	1x4' LINEAR LE WATER PROOF	METALLUX	4RBG6-SL1-L83CT3	27	3000 lm	1	LED	3500 K	SURFACE	X	X	NOT USED FOR FIRE STATION#1
V1	2' VANITY	METALLUX	2RBG6-SL1-L83CT3+2RB SURF6	32	1800 lm	1	LED	3500 K	WALL	X		NOT USED FOR FIRE STATION#1
X1	EXIT SIGN	ATLITE	REUR	5		1	LED		WALL			

**GENERAL NOTES:**  
 A. ALL FIXTURES SHALL BE CAPABLE OF 120V AND 277V INPUT (MVOLT), UNO.  
 B. REFER TO LIGHTING PLANS AND SPECIFICATIONS FOR ADDITIONAL FIXTURE INFORMATION.  
 C. 7/8" IN THE SCHEDULE INDICATES ITEM IS REQUIRED.  
 D. ALL LENS SHALL BE A MINIMUM 0.125" THICKNESS, UNO.

\* O = OCCUPANCY SENSOR; V = VACANCY SENSOR  
 \*\* PROVIDE BATTERY PACK WHERE INDICATED ON DRAWINGS, WIRE BATTERY LEADS AHEAD OF SWITCH FOR THE CIRCUIT IN THE SPACE TO MAINTAIN PROPER OPERATION IN CASE OF POWER LOSS.

**REFERENCE NOTES:**  
 1. NUMBER OF FACES AND DIRECTIONAL CHEVRONS AS INDICATED ON DWGS.  
 2. FIXTURE SHALL BE SUITABLE FOR DAMP LOCATIONS.  
 3. FIXTURE SHALL BE SUITABLE FOR WET LOCATIONS.

### COMMUNICATIONS LEGEND

**NOTE:** REFER TO TYPICAL COMMUNICATION OUTLET DETAIL FOR BOX & CONDUIT REQUIREMENTS. REFER TO TELECOMMUNICATION DEVICE DETAILS FOR CABLING AND TERMINAL JACK REQUIREMENTS.

**SYMBOL DESCRIPTION**

- TELECOMMUNICATIONS OUTLET, SUBSCRIPT NUMBER INDICATES OUTLET TYPE. MOUNT AT +3'-10" AFF.
- WESTNET SYSTEM, COORDINATE WITH COUNTY FOR SPECIALTY CONTRACTORS INSTALLATION.
- TELECOMMUNICATIONS OUTLET, SUBSCRIPT NUMBER INDICATES OUTLET TYPE. MOUNT AT +1'-8" AFF.

### LIGHTING LEGEND

**SYMBOL DESCRIPTION**

- LIGHT SWITCH, RATED 120/277 VOLTS, 20-AMPS, MOUNT AT +3'-10" AFF. SUBSCRIPT/SUPERSCRIT LETTERS, NUMBERS, AND SYMBOLS INDICATES SWITCH TYPE AS FOLLOWS:
  - 3 INDICATES 3-WAY LIGHT SWITCH
  - 4 INDICATES 4-WAY LIGHT SWITCH
  - D INDICATES DIMMER SWITCH
  - P INDICATES PILOT LIGHT, ON WHEN SWITCH IS ON
  - K INDICATES KEY OPERATED LIGHT SWITCH
  - OS INDICATES SWITCH WITH INTEGRAL OCCUPANCY SENSOR
  - OS 2 INDICATES DIMMER SWITCH WITH INTEGRAL OCCUPANCY SENSOR
  - OS 2 INDICATES DUAL RELAY INTEGRAL OCCUPANCY SENSOR, WIRED FOR MULTI-LEVEL SWITCHING
- LOWER CASE LETTER INDICATES LIGHT FIXTURE CONTROL DESIGNATION
- INDICATES SWITCHES WIRED FOR INBOARD/OUTBOARD SWITCHING.
- OMNI-DIRECTIONAL LIGHTING CONTROL, OCCUPANCY DETECTOR, CEILING MOUNT.
- DIRECTIONAL LIGHTING CONTROL, OCCUPANCY DETECTOR, WALL MOUNT AT 6" BELOW FINISHED CEILING.
- PHOTOELECTRIC CELL FOR LIGHTING CONTROL, WALL MOUNT AT +10'-0" AFF. AIM NORTH.
- LIGHT FIXTURE, CEILING MOUNT.
- LIGHT FIXTURE ON EMERGENCY POWER, CEILING MOUNT.
- LIGHTING FIXTURE.
- LIGHTING FIXTURE ON EMERGENCY POWER.
- WALL WASHER LIGHTING FIXTURE.
- LIGHT FIXTURE, WALL MOUNT, HEIGHT AS INDICATED.
- EMERGENCY EGRESS LIGHTING FIXTURE, WITH BATTERY PACK, WALL MOUNT AT +8'-0" AFF.
- EXIT SIGN, CEILING MOUNT, DIRECTIONAL ARROWS AS INDICATED. SHADING INDICATES FACE(S) OF SIGN.
- EXIT SIGN, WALL MOUNT, DIRECTIONAL ARROWS AS INDICATED. SHADING INDICATES FACE(S) OF SIGN.
- TRACK LIGHTS.
- LIGHT FIXTURE, POLE MOUNT.
- SPORTS LIGHTING POLE.

### DEMOLITION LEGEND

**SYMBOL DESCRIPTION**

- REMOVE DEVICES, EQUIPMENT, IN ACCORDANCE WITH THE GENERAL DEMOLITION NOTES.
- DEVICES ARE EXISTING TO REMAIN.
- WITHIN HATCHED AREAS, DISCONNECT AND REMOVE ALL ELECTRICAL MATERIALS INCLUDING BUT NOT LIMITED TO LIGHTS, DEVICES, EQUIPMENT, SPEAKERS, FIRE ALARM, COMMUNICATIONS, AND CIRCUITRY.

### GENERAL DEMOLITION NOTES

- A. PROVIDE ALL ELECTRICAL DEMOLITION WORK REQUIRED TO INSTALL THE WORK INDICATED. REMOVE, REROUTE, AND RECONNECT ALL BRANCH CIRCUITS THAT WILL REMAIN IN USE BUT INTERFERES WITH THE WORK.
- B. REMOVE ALL EXISTING CONDUITS THAT WILL NOT BE REUSED AND WHERE THEY WILL BE EXPOSED AFTER COMPLETION, ABANDON ALL OTHERS IN THE WALLS ONLY. DISCONNECT ALL WIRING INDICATED AND/OR REQUIRED TO BE REMOVED FROM ALL POWER SOURCES, REMOVE ALL WIRING FROM ABANDONED CONDUITS AND PROVIDE BLANK COVER PLATES FOR BOXES NOT UTILIZED FOR THE WORK.
- C. MAINTAIN CONTINUITY OF ALL EXISTING CIRCUITS TO REMAIN OR PORTIONS THEREOF AFFECTED BY THE WORK.
- D. BEFORE DEMOLITION, VERIFY WITH THE OWNER ALL EQUIPMENT TO BE SALVAGED TO OWNER AND NOT REMOVED FROM THE SITE. FOR ALL REMAINING EQUIPMENT INDICATED FOR REMOVAL (AND NOT RELOCATED), REMOVE AND DISPOSE IN A LEGAL MANNER.
- E. EXERCISE CARE IN REMOVING DEMOLITION ITEMS. REPAIR OR REPLACE ALL DAMAGE CAUSED TO EXISTING CONSTRUCTION AND EQUIPMENT TO REMAIN.
- F. DRAWINGS ARE BASED UPON EXISTING PLANS AND FIELD INVESTIGATION WITHOUT DEMOLITION. VISIT THE EXISTING BUILDING AND BECOME FAMILIAR WITH ALL EXISTING CONDITIONS AND EXAMINE ALL DRAWINGS TO AVOID CONFLICTS.
- G. WHERE DEMOLITION OF TELECOMMUNICATIONS DEVICES OCCUR, REMOVE CABLING NOT INDICATED TO REMAIN BACK TO POINT OF ORIGIN.
- H. DEMOLITION FLOOR PLANS ARE PROVIDED FOR REFERENCE ONLY TO AID IN DEFINING THE SCOPE OF DEMOLITION WORK.

### POWER LEGEND

**SYMBOL DESCRIPTION**

- APPLIANCE RECEPTACLE, MOUNT AT +1'-6" AFF. PROVIDE NEMA CONFIGURATION TO MATCH PLUG FOR EQUIPMENT SERVED.
- APPLIANCE RECEPTACLE, MOUNT AT +1'-6" AFF. PROVIDE NEMA CONFIGURATION TO MATCH PLUG FOR EQUIPMENT SERVED. CONNECT TO EMERGENCY POWER, PROVIDE RED DEVICE.
- DUPLEX RECEPTACLE, NEMA 5-20R, MOUNT AT +1'-6" AFF.
- DUPLEX RECEPTACLE USB, NEMA 5-20R, MOUNT AT +1'-6" AFF.
- DUPLEX RECEPTACLE, NEMA 5-20R, MOUNT AT +3'-10" AFF.
- DUPLEX RECEPTACLE, NEMA 5-20R, MOUNT AT +7'-6" AFF.
- GFCI DUPLEX RECEPTACLE, NEMA 5-20R, MOUNT AT +1'-6" AFF. PROVIDE NEMA 3R "WHILE IN USE" ENCLOSURE.
- GFCI DUPLEX RECEPTACLE, NEMA 5-20R, MOUNT AT +1'-6" AFF.
- GFCI DUPLEX RECEPTACLE, NEMA 5-20R, MOUNT AT +3'-10" AFF.
- DOUBLE DUPLEX RECEPTACLE, NEMA 5-20R, MOUNT AT +1'-6" AFF.
- DOUBLE DUPLEX RECEPTACLE, NEMA 5-20R, MOUNT AT +3'-10" AFF.
- DISCONNECT SWITCH, FUSIBLE OR NON-FUSIBLE AS INDICATED. MOUNT W/HANDLE AT +4'-6" AFF, UNO.
- BRANCH CIRCUIT RUN CONCEALED, UNO. DASHED INDICATES CIRCUITRY REQUIRED TO BE RUN BELOW SLAB.
- STRAIGHT LINEWORK FOR CIRCUITRY INDICATES EMERGENCY POWER CIRCUIT. INDICATED FOR CLARITY ONLY. ACTUAL HOMERUN DESIGNATION OVERRIDES THIS SYMBOLOLOGY.
- BRANCH CIRCUIT HOME RUN TO PANELBOARD AND CIRCUIT INDICATED.
- PANELBOARD.
- TRANSFORMER, PROVIDE CONCRETE HOUSEKEEPING PAD UNLESS NOTED OTHERWISE.
- RELAY, NO OR NIC AS INDICATED.
- RELAY, NORMALLY OPEN.
- RELAY, NORMALLY CLOSED.
- FEEDER TAG. REFER TO FEEDER SCHEDULE ON DWG ES.1.

### GENERAL NOTES

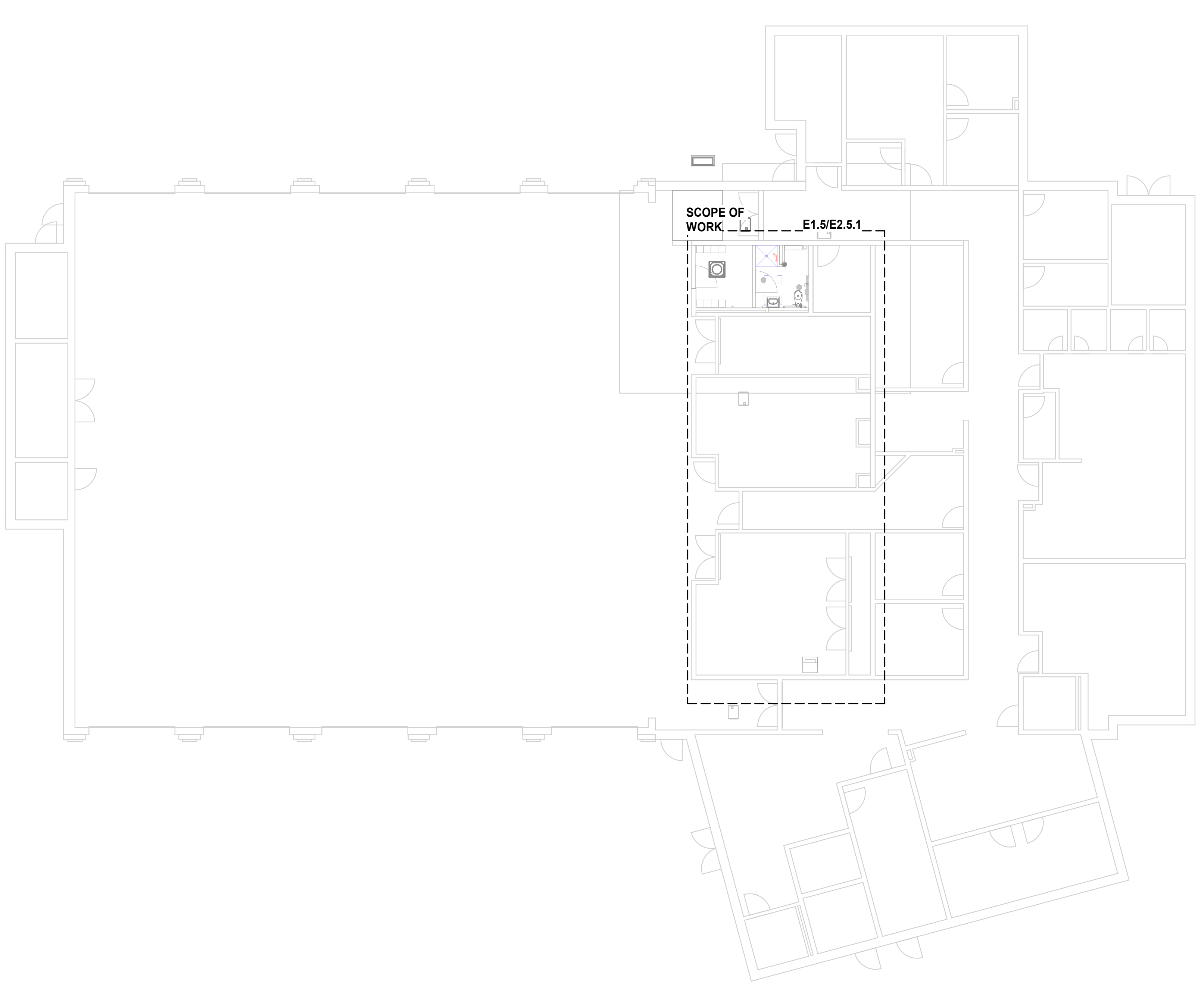
- A. THE CONTRACT DOCUMENTS ARE COMPLEMENTARY AND WHAT IS REQUIRED BY ONE SHALL BE AS BINDING AS IF REQUIRED BY ALL. IN THE CASE OF A CONFLICT, DISAGREEMENT, OR AMBIGUITY, PROVIDE THE BETTER QUALITY. IN THE CASE OF A CONFLICT, DISAGREEMENT, OR AMBIGUITY, PROVIDE THE GREATER QUANTITY OF WORK.
- B. FOLLOW MOUNTING HEIGHTS INDICATED IN THE ELECTRICAL LEGEND UNLESS OTHERWISE INDICATED. MEASURE ALL MOUNTING HEIGHTS FROM THE DEVICE CENTER LINE UNLESS OTHERWISE INDICATED.
- C. FIELD VERIFY EXACT FEEDER LOCATIONS FOR MECHANICAL EQUIPMENT PRIOR TO ROUGH-IN.
- D. EQUIPMENT CONNECTIONS ARE INDICATED IN THEIR APPROXIMATE LOCATIONS. VERIFY EXACT LOCATIONS OF ALL CONNECTIONS WITH OTHER TRADES SUPPLYING EQUIPMENT TO AVOID CONFLICTS AT INSTALLATION.
- E. LOCATED ALL SWITCHES FOR LOCAL CONTROL OF LIGHTING ON STRIKE SIDE OF SINGLE DOORS UNLESS OTHERWISE INDICATED.
- F. PROVIDE SPECIFIC BREAKER ARRANGEMENT FOR THE PANEL BOARDS WHEREVER PHYSICALLY POSSIBLE. PROVIDE AS-BUILT DRAWINGS INDICATING ACTUAL BRANCH CIRCUIT ARRANGEMENT. PROVIDE TYPE WRITTEN PANELBOARD DIRECTORIES INDICATING ACTUAL BRANCH CIRCUIT ARRANGEMENT.
- G. PROVIDE AS-BUILT DRAWINGS INDICATING ACTUAL BRANCH CIRCUIT ARRANGEMENT. PROVIDE TYPE WRITTEN PANELBOARD DIRECTORIES INDICATING ACTUAL BRANCH CIRCUIT ARRANGEMENT. HAND WRITTEN SCHEDULES ARE NOT ACCEPTABLE.
- H. ALL CONDUIT RUNS INDICATED ARE DIAGRAMMATIC. COORDINATE ROUTING IN ALL SPACES WITH OTHER TRADES.
- I. ALL PANELBOARDS INDICATED ARE HOUSED IN A SINGLE WIDTH ENCLOSURE, UNO. THE CONTRACTOR SHALL FIELD VERIFY ROOM LAYOUT AND ADJUST ACCORDINGLY, AT NO COST TO THE OWNER, IF PROVIDING ANY PANELBOARD ENCLOSURES.
- J. WHERE POWER AND COMMUNICATION OUTLETS ARE INDICATED IN CLOSE PROXIMITY ON THE DRAWINGS, FIELD COORDINATE THE LOCATIONS TO PLACE THE OUTLETS ADJACENT TO EACH OTHER.
- K. ALL EXTERIOR RECEPTACLES SHALL BE LABELED "WV" - WEATHER RESISTANT.
- L. WHEN GROUPING MULTIPLE LINE TO NEUTRAL BRANCH CIRCUITS IN A CONDUIT, PROVIDE DEDICATED COLOR CODED NEUTRAL CONDUCTORS FOR EACH CIRCUIT. DO NOT USE BREAKER TIES AND SHARED NEUTRALS EVEN THOUGH PERMITTED BY NEC.
- M. PROVIDE A 2" WIDE YELLOW LINE PAINTED ON THE FLOOR INDICATING THE ELECTRICAL WORKING SPACE. IN FRONT OF ALL ELECTRICAL PANELS IN ELECTRICAL ROOMS, REFER TO PLANS FOR ELECTRICAL WORKING SPACE DETAILS. STENCIL "NO STORAGE IN 2" HIGH, YELLOW LETTERS CENTERED IN THE OUTLINED AREA.

### ABBREVIATIONS

1P	SINGLE PHASE
3P	THREE PHASE
3R	WEATHERPROOF (NEMA 3R)
A	AMPS
AF	ABOVE FINISHED FLOOR
AL	ALUMINUM
ATS	AUTOMATIC TRANSFER SWITCH
BFC	BELOW FINISHED CEILING
BFG	BELOW FINISHED GRADE
BKR	BREAKER
C	CONDUIT
CATV	COMMUNITY ANTENNA TELEVISION (CABLE)
CB	CIRCUIT BREAKER
CBL	CABLE
CCTV	CLOSED CIRCUIT TELEVISION
CCT	CIRCUIT
CLG	CEILING
CLR	CLEAR
CO	COMPANY
COMB	COMBINATION
COMM	COMMUNICATIONS
CU	COPPER
DA	DIAMETER
DISC	DISCONNECT
DIV	DIVISION
DWG	DRAWING
EBH	ELECTRIC BASEBOARD HEATER
EC	EMPTY CONDUIT
ECS	EMERGENCY COMMUNICATIONS STATION
ELEC	ELECTRICAL
ELEV	ELEVATOR
EPO	EMERGENCY POWER OFF
EQ	EQUIPMENT
ETR	EXISTING TO REMAIN
EWC	ELECTRIC WATER COOLER
EX	EXISTING
EXT	EXTERIOR
FA	FIRE ALARM
FAAP	FIRE ALARM ANNUNCIATOR PANEL
FACP	FIRE ALARM CONTROL PANEL
FAGP	FIRE ALARM GRAPHIC PANEL
FAXP	FIRE ALARM EXTENDER PANEL
FFSCP	FIRE FIGHTERS SMOKE CONTROL PANEL
FLA	FULL LOAD AMPS
FFMR	FUSE PER MANUFACTURERS REQUIREMENTS/RECOMMENDATIONS
FPND	FUSE PER NAMEPLATE DATA
G	GROUND
GE	GROUND FAULT PROTECTION FOR EQUIPMENT, 5-60mA PER NEC 427.22 (PROVIDE ACCESSORY FOR INDICATED BREAKER)
GFCI	GROUND FAULT CIRCUIT INTERRUPT
GFP	GROUND FAULT PROTECTION FOR PERSONNEL, 4-6mA (PROVIDE ACCESSORY FOR INDICATED BREAKER)
HKP	HOUSEKEEPING PAD
HP	HORSEPOWER
HPS	HIGH PRESSURE SODIUM
Hz	HERTZ
IAW	IN ACCORDANCE WITH
IG	ISOLATED GROUND
J-BOX	JUNCTION BOX
KHFS	KITCHEN HOOD FIRE SUPPRESSION SYSTEM
KHz	KILOHERTZ
KVA	KILOVOLT AMPS
KW	KILOWATTS
KWH	KILOWATT HOURS
L	LOCKOUT TO PREVENT UNAUTHORIZED SWITCHING (PROVIDE ACCESSORY FOR INDICATED BREAKER)
LC	ROUTE CIRCUIT TO LOAD VIA LIGHTING CONTACTOR, REFER TO LC SCHEDULE
LED	LIGHT EMITTING DIODE
LTG	LIGHTING
LTS	LIGHTS
MAX	MAXIMUM
MCA	MINIMUM CIRCUIT AMPACITY
MCB	MAIN CIRCUIT BREAKER
MCC	MOTOR CONTROL CENTER
MH	METAL HALIDE
MHz	MEGAHERTZ
MIN	MINIMUM
ML	MAINTENANCE LOCK (PROVIDE ACCESSORY FOR INDICATED BREAKER)
MLO	MAIN LUG ONLY
MMS	MASS NOTIFICATION SYSTEM
MOSP	MAXIMUM OVER CURRENT PROTECTION
MTD	MOUNTED
N	NEUTRAL
N/C	NORMALLY CLOSED
N/O	NORMALLY OPEN
NO	NUMBER
OF	OWNER FURNISHED CONTRACTOR INSTALLED
PL	PILOT LIGHT (AT THE SWITCH HANDLE)
PBD	PANELBOARD
PD	PROTECTIVE DEVICE
RECP	RECEPTACLE
REC	RECEPTACLE
SEC	SECURITY
SPD	SURGE PROTECTIVE DEVICE
SPEC.	SPECIFICATIONS
SH	SHUNT TRIP, 120V COIL, (PROVIDE ACCESSORY FOR INDICATED BREAKER)
SW	SWITCH
SWBD	SWITCHBOARD
TBB	TELECOMMUNICATIONS BONDING BACKBONE
TO	TELECOMMUNICATIONS CLOSET
TELECOM	TELECOMMUNICATIONS
TGB	TELECOMMUNICATIONS GROUNDING BUS BAR
TMBG	TELECOMMUNICATIONS MAIN GROUNDING BUS BAR
TYP	TYPICAL
UNO	UNLESS NOTED (INDICATED) OTHERWISE
V	VOLTS
VFD	VARIABLE FREQUENCY DRIVE
W	WATTS
WG	WIRE GUARD
WP	WEATHERPROOF
XFER	TRANSFER
XPMR	TRANSFER

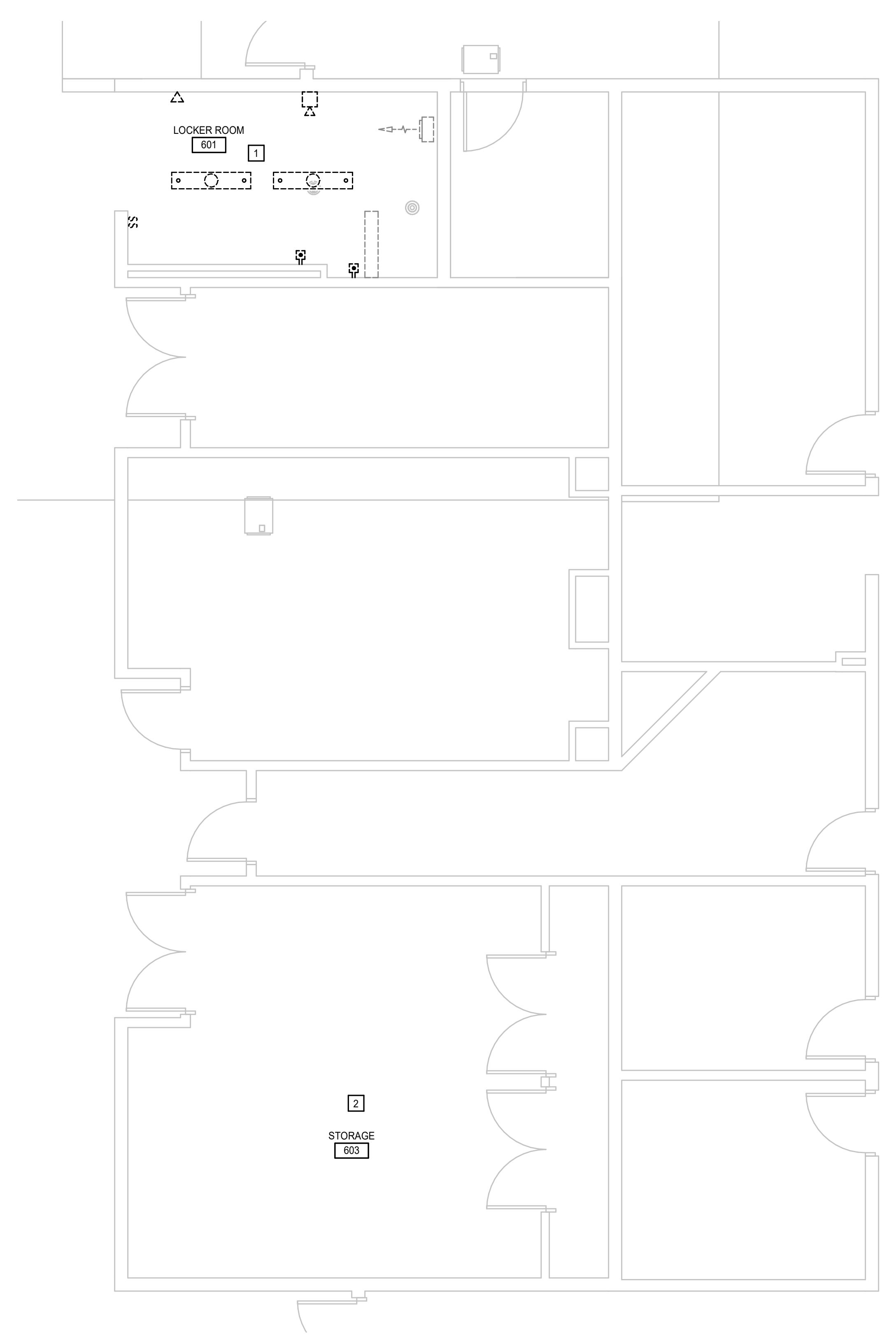


J  
I  
H  
G  
F  
E  
D  
C  
B  
A



N  
 FIRST FLOOR OVER ALL PLAN - FIRE STATION 6  
 1" = 10'-0"

KEYNOTES	
APPLIES TO DRAWINGS E1.5	
REPRESENTED BY [Signature]	
1.	DEMOLISH ALL ELECTRICAL EQUIPMENT UNLESS SHOWN OR NOTED OTHER WISE. MAINTAIN CIRCUITRY CONTINUITY FOR RECONNECTION OF NEW EQUIPMENT.
2.	NO ELECTRICAL DEMOLITION WORK IN THIS AREA.

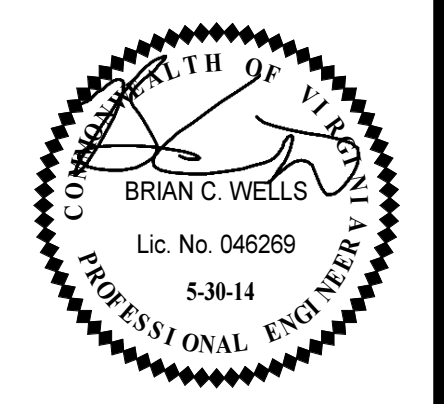


N  
 FIRST FLOOR DEMOLITION PLAN - STATION 6  
 1/4" = 1'-0"

9/23/2021 10:49:52 AM

1 2 3 4 5 6 7 8 9 10

**MOSELEYARCHITECTS**



5200 NORFOLK STREET, RICHMOND, VA 23230  
 PHONE (804) 784-7557 FAX (804) 355-5690  
 MOSELEYARCHITECTS.COM

**KELLY DAY RENOVATIONS FS 6**  
 563006  
 6950 Little Falls Rd, Arlington, VA 22213  
 Owner: Arlington County

PROJECT NO:	563006
DATE:	SEPTEMBER 22, 2021
REVISIONS	
DATE	DESCRIPTION

FIRST FLOOR DEMOLITION PLAN - FIRE STATION 6

**E1.5**

TOTAL EXISTING AND NEW LOAD CALCULATIONS

DEMAND BASED ON THE HIGHEST ELECTRICAL USAGE IN THE PAST 12 MONTHS :70.5KW

AMP=70500KW/((480V\*1.732)\*0.8 PF)= 106.12

EXISTING MDP CAPACITY : RATING 250A, CAPACITY 80% OF 250A = 200A

NEW LOAD BEING ADDED: ((21A\*208V)\*1.732)=7556.64 VA OR ((7556.64VA / 480V) / 1.732) = 9.1A @ 480

TOTAL NEW LOAD: 106.12 + 9.1 = 115.2A < 200A

**EXISTING PANELBOARD H1** LOCATION: LOCATION: FED FROM:

225 AMP MCB 480/277 Wye 3 PH 4 W MOUNT: SURFACE PANEL ASSEMBLY RATED (KAIC): 10 KAIC

CKT	BRKR	POLE	LOAD	A	B	C	LOAD	POLE	BRKR	CKT	
1	20 A	1	EXISTING TO REMAIN	1.5	1.7					2	
3	20 A	1	EXISTING TO REMAIN		3.0	1.7				4	
5	20 A	1	EXISTING TO REMAIN				2.7	1.7		6	
7	20 A	1	EXISTING TO REMAIN	3.5	2.3					8	
9	20 A	1	EXISTING TO REMAIN		2.0	2.3				10	
11	20 A	1	EXISTING TO REMAIN				2.0	2.3		12	
13				0.0	3.4					14	
15	30 A	3	EXISTING TO REMAIN		0.0	3.4				16	
17							0.0	3.4		18	
19				23.9	3.4					20	
21	100 A	3	EXISTING TO REMAIN		22.1	3.4				22	
23							21.6	3.4		24	
25				9.5	2.8					26	
27	60 A	3	EXISTING TO REMAIN		9.5	2.8				28	
29							9.5	2.8		30	
31				1.1	3.7					32	
33	20 A	3	EXISTING TO REMAIN		1.1	3.7				34	
35							1.1	0.0		36	
37				3.9	1.5					38	
39	20 A	3	EXISTING TO REMAIN		3.9	1.5				40	
41							3.9	1.5		42	
				62 kVA	60 kVA	56 kVA					
				227 A	221 A	202 A					

NOTE  
1) PROVIDE A BREAKER AS INDICATED.

Load Classification	Connected Load	Demand Factor	Estimated Demand	Panel Totals
INTERIOR LIGHTING	0 VA	0.00%	0 VA	Total Conn. Load: 178.5 kVA Total Est. Demand: 178.5 kVA Total Conn. Current: 215 A Total Est. Demand... 215 A
EXTERIOR LIGHTING	0 VA	0.00%	0 VA	
RECEPTACLES	0 VA	0.00%	0 VA	
AC / HEAT PUMP	0 VA	0.00%	0 VA	
ELECTRIC HEAT	0 VA	0.00%	0 VA	
KITCHEN	0 VA	0.00%	0 VA	
MISCELLANEOUS	4992 VA	100.00%	4992 VA	

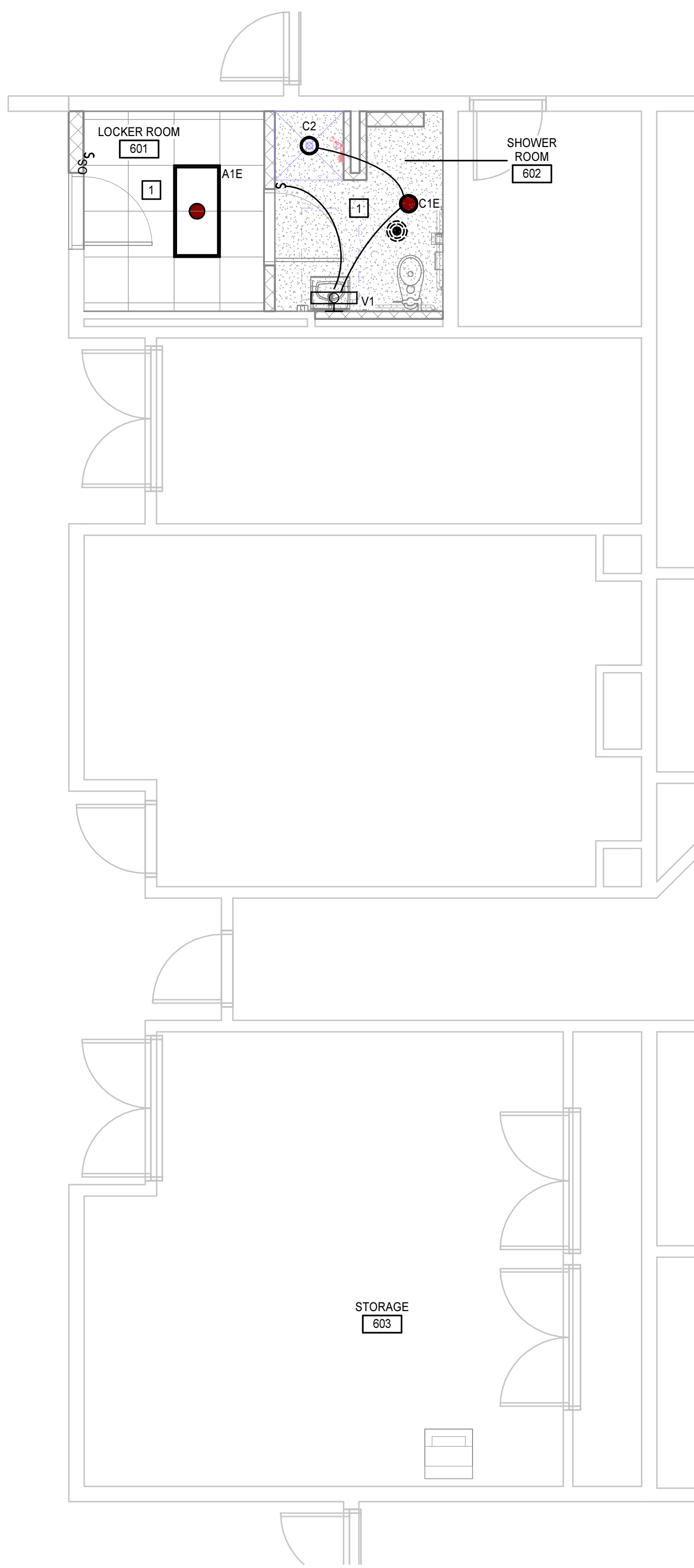
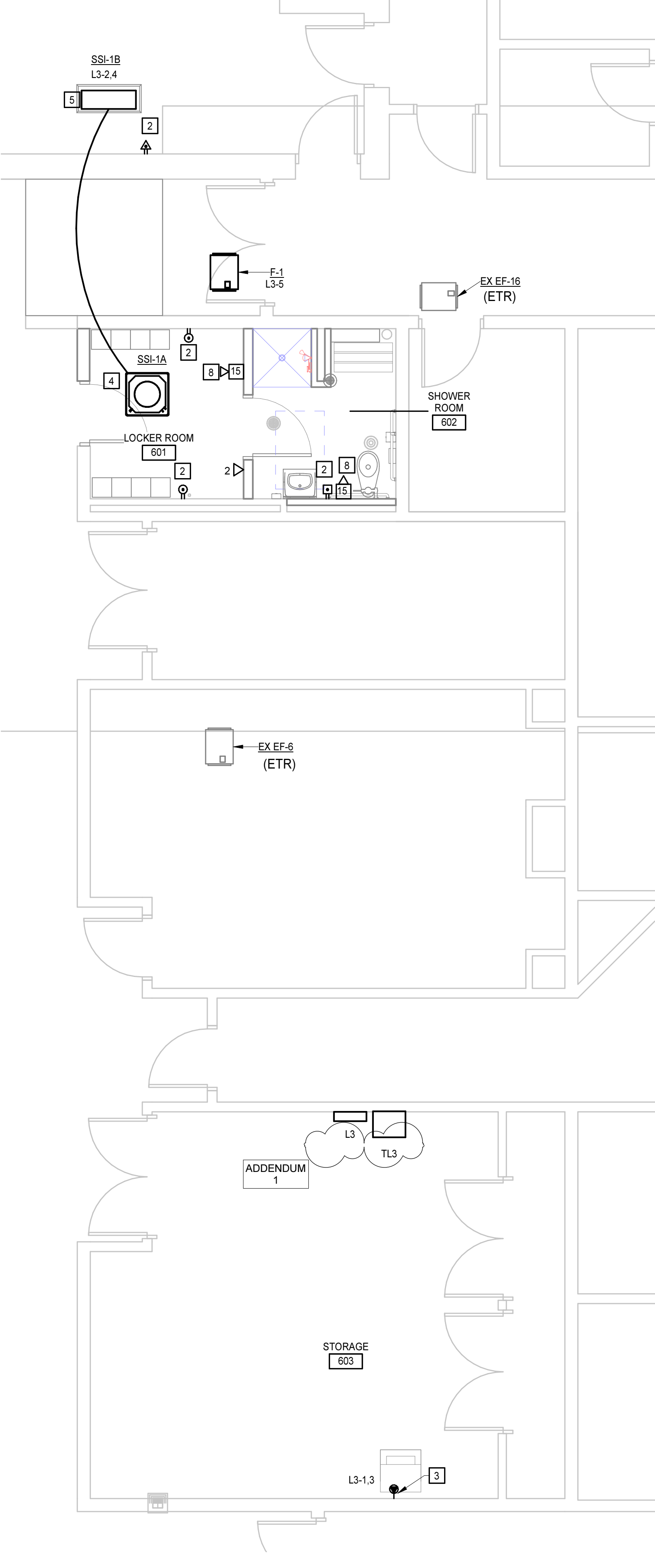
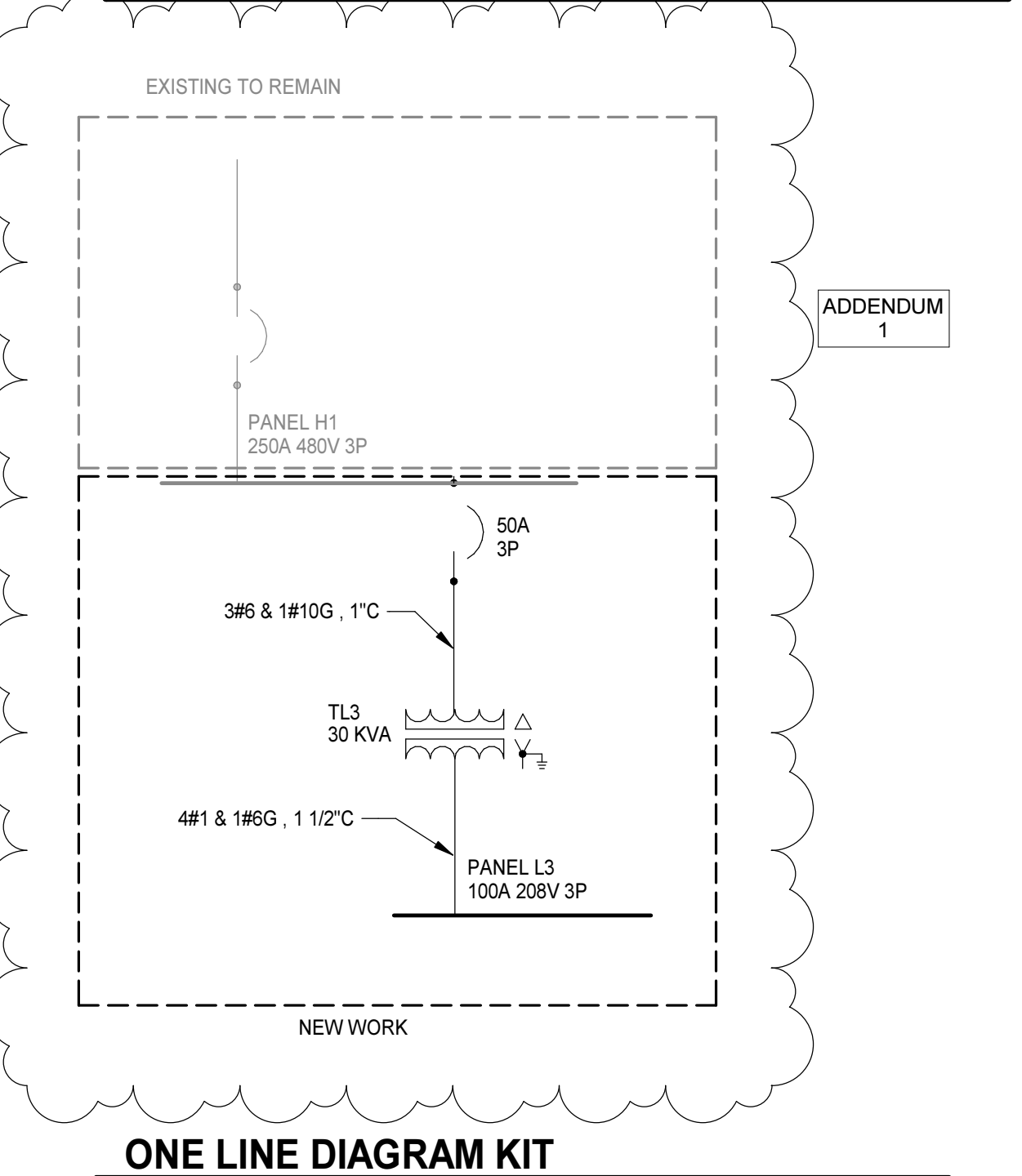
**PANELBOARD SCHEDULE L3** LOCATION: STORAGE 603 FED FROM: TL3

100 A MCB 120/208 Wye 3 PH 4 W MOUNT: SURFACE PANEL ASSEMBLY RATED (KAIC): 10 KAIC

CKT	BRKR	POLE	LOAD	A	B	C	LOAD	POLE	BRKR	CKT	
1	30 A	2	STACKABLE LAUNDRY UNIT	2.5	1.2					2	
3					2.5	1.2				4	
5	20 A	1	F-1			0.0	0.0			6	
7	20 A	1	SPARE	0.0	0.0					8	
9	20 A	1	SPARE							10	
11	20 A	1	SPARE							12	
13	--	1	SPACE ONLY	--	--					14	
15	--	1	SPACE ONLY	--	--					16	
17	--	1	SPACE ONLY	--	--					18	
19	--	1	SPACE ONLY	--	--					20	
21	--	1	SPACE ONLY	--	--					22	
23	--	1	SPACE ONLY	--	--					24	
25	--	1	SPACE ONLY	--	--					26	
27	--	1	SPACE ONLY	--	--					28	
29	--	1	SPACE ONLY	--	--					30	
31	--	1	SPACE ONLY	--	--					32	
33	--	1	SPACE ONLY	--	--					34	
35	--	1	SPACE ONLY	--	--					36	
37	--	1	SPACE ONLY	--	--					38	
39	--	1	SPACE ONLY	--	--					40	
41	--	1	SPACE ONLY	--	--					42	
				4 kVA	4 kVA	0 kVA					
				36 A	36 A	0 A					

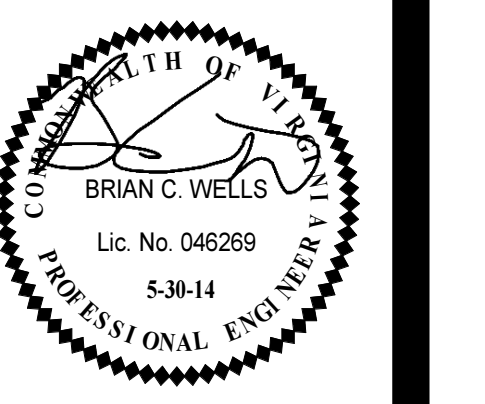
Load Classification	Connected Load	Demand Factor	Estimated Demand	Panel Totals
INTERIOR LIGHTING	0 VA	0.00%	0 VA	Total Conn. Load: 7.5 kVA Total Est. Demand: 7.5 kVA Total Conn. Current: 21 A Total Est. Demand... 21 A
EXTERIOR LIGHTING	0 VA	0.00%	0 VA	
RECEPTACLES	0 VA	0.00%	0 VA	
AC / HEAT PUMP	0 VA	0.00%	0 VA	
ELECTRIC HEAT	0 VA	0.00%	0 VA	
KITCHEN	0 VA	0.00%	0 VA	
MISCELLANEOUS	4992 VA	100.00%	4992 VA	

- KEYNOTES**  
APPLIES TO DRAWINGS E2.5  
REPRESENTED BY [n]
- CONNECT NEW LIGHTING TO EXISTING LIGHTING CIRCUIT.
  - CONNECT NEW RECEPTACLES TO EXISTING CIRCUIT.
  - STACKABLE WASHER AND DRIER OUTLETS SHALL BE NEMA 10-30R RECEPTACLE RATED FOR 30 AMPS. PROVIDE 3#10, 1#10G, 3#4C.
  - SSI-1A POWER WILL BE FEED FROM SSI-1B.
  - PROVIDE 3#12, 1#12G, 3#4C. DISCONNECT PROVIDED BY DIV. 23
  - REMOVE BREAKER 4, 6 AND ASSOCIATED CIRCUITRY. PROVIDE NEW 208/2P/30 AMP BREAKER.
  - REMOVE BREAKER 20, 22 AND ASSOCIATED CIRCUITRY. PROVIDE NEW 208/2P/15 AMP BREAKER.
  - BATTERY CALCS ARE REQUIRED FOR THE ADDED DEVICES AND ADDITIONAL BATTERY CAPACITY IS REQUIRED IF CALCS INDICATE THAT IT IS NEEDED.



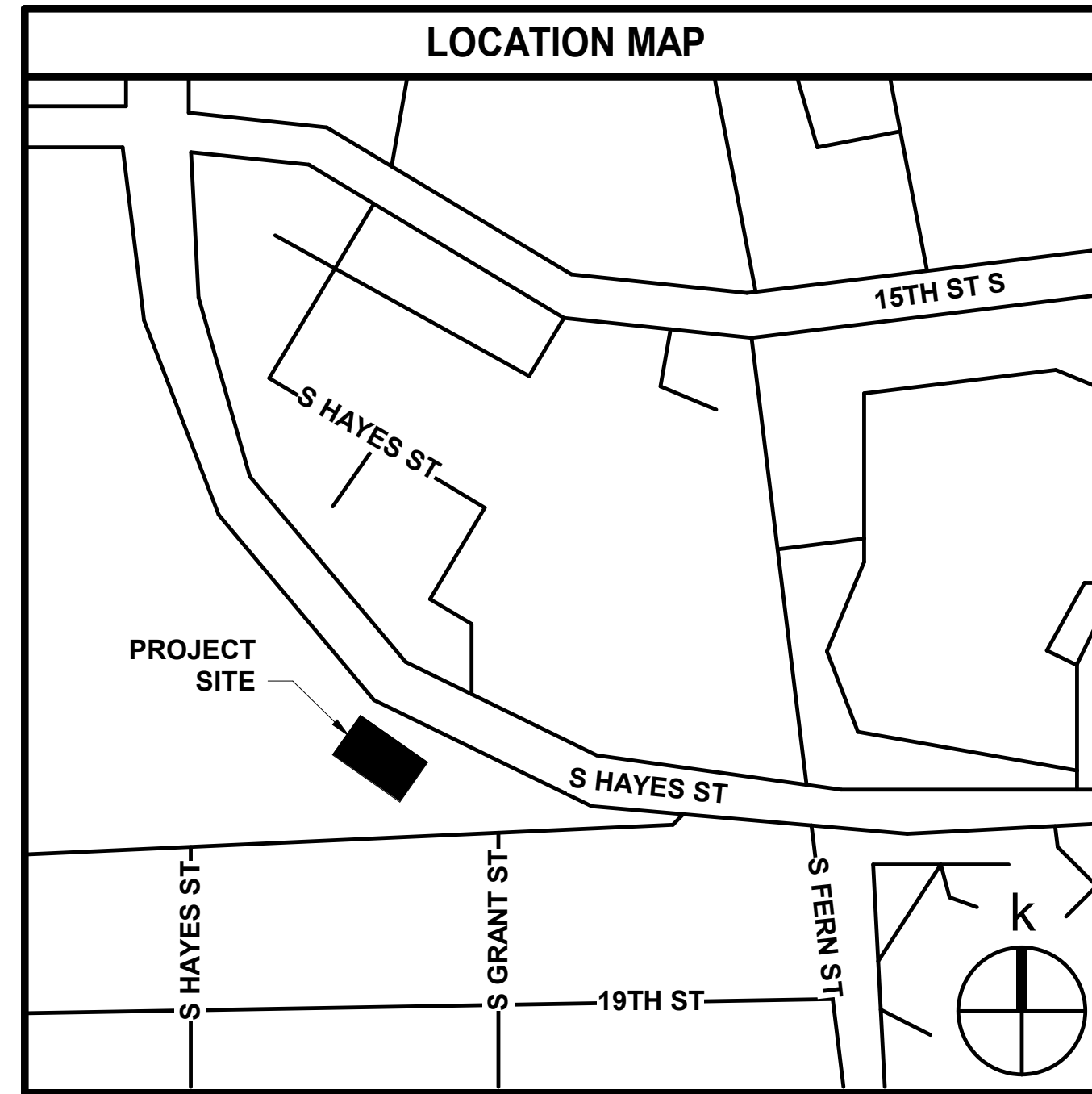
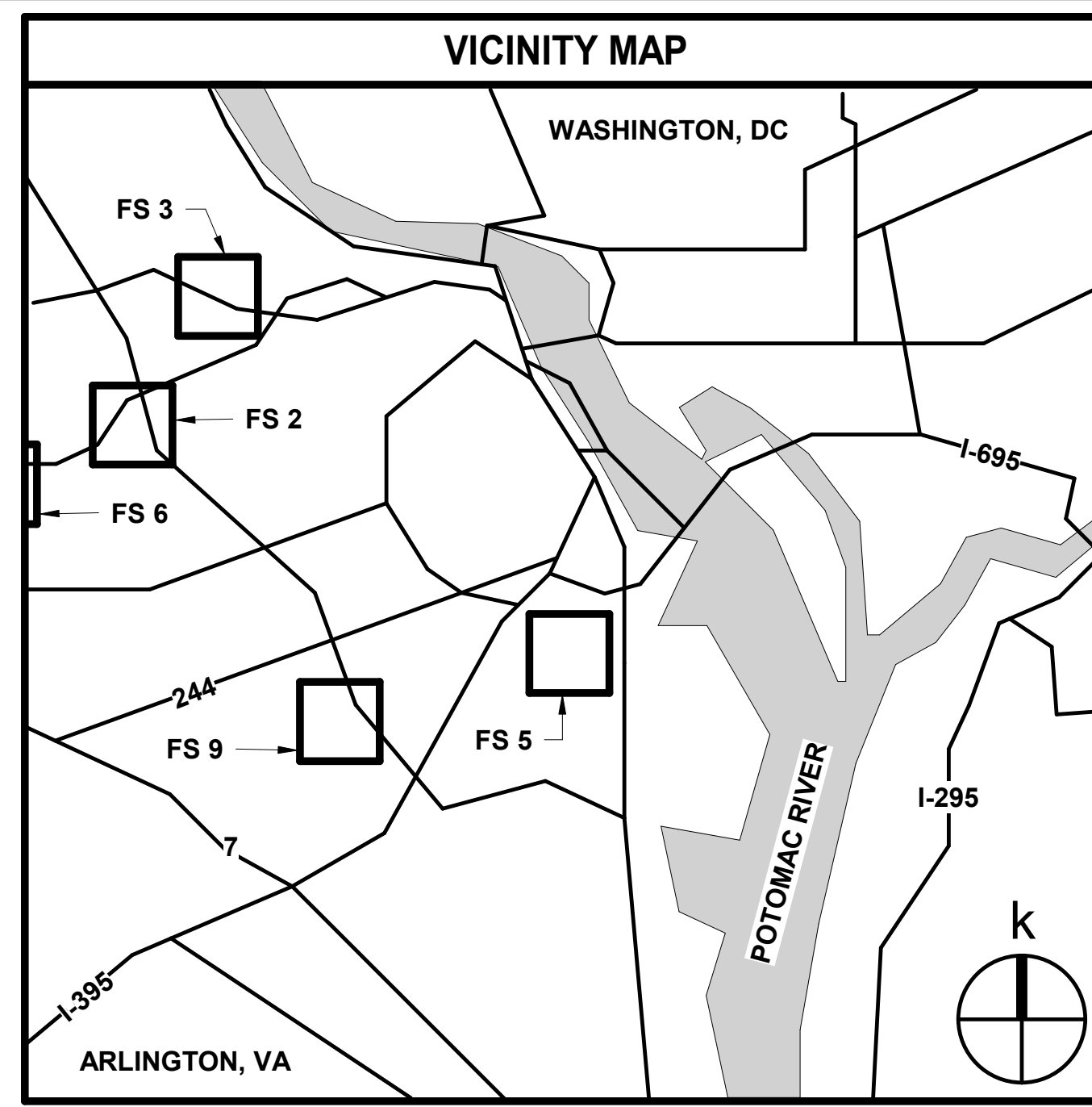
**1** FIRST FLOOR POWER AND COMMUNICATION PLAN - STATION 6  
E2.5 1/4" = 1'-0"

**2** FIRST FLOOR LIGHTING PLAN - STATION #6  
E2.5 1/4" = 1'-0"



PROJECT NO:	563006
DATE:	SEPTEMBER 22, 2021
REVISIONS	
DATE	DESCRIPTION
12/15/21	ADDENDUM 1





# PERMIT SET

# KELLY DAY RENOVATIONS

# FS 5

1750 S Hayes St, Arlington, VA 22202  
563006

**MOSELEY**ARCHITECTS

3200 NORFOLK STREET, RICHMOND, VA 23230  
PHONE (804) 794-7555 FAX (804) 355-5690  
MOSELEYARCHITECTS.COM

**MOSELEY**ARCHITECTS

3200 NORFOLK STREET, RICHMOND, VA 23230  
PHONE (804) 794-7555 FAX (804) 355-5690  
MOSELEYARCHITECTS.COM



**KELLY DAY RENOVATIONS FS 5**

563006  
1750 S Hayes St, Arlington, VA 22202  
Owner: Arlington County

**DRAWING INDEX**

COVER	COVER - FS5
ARCHITECTURAL	
A0.5	GENERAL ARCHITECTURAL INFORMATION - FS5
A0.6	WALL/PARTITION TYPES, SCHEDULES, & TERMINATIONS - FS5
A2.5	FIRE STATION 5 DRAWINGS
MECHANICAL	
M0.1	LEGENDS, ABBREVIATIONS, SCHEDULES, AND GENERAL NOTES
M1.4	FIRST FLOOR DEMOLITION PLAN - FIRE STATION 5
M2.4	FIRST FLOOR PLAN - FIRE STATION 5
M5.1	DETAILS & CONTROLS
ELECTRICAL	
E0.1	LEGENDS, ABBREVIATIONS AND GENERAL NOTES
E1.4	FIRST FLOOR ELECTRICAL PLAN - FIRE STATION 5

**POINTS OF CONTACT**

**ARCHITECT:**  
ANDREW MCVEIGH - PROJECT MANAGER  
MOSELEY ARCHITECTS  
804-545-6110  
AMCVEIGH@MOSELEYARCHITECTS.COM

**OWNER:**  
MICHAEL MANOS - PROJECT MANAGER  
ARLINGTON COUNTY, VIRGINIA  
703-228-4437  
MMANOS@ARLINGTONVA.US

**USER:**  
CAPTAIN RICHARD SLUSHER  
ARLINGTON COUNTY FIRE DEPARTMENT  
RSLUSHER@ARLINGTONVA.US

**HAZARDOUS MATERIALS:**  
IT IS NOT ANTICIPATED THAT THE CONTRACTOR WILL ENCOUNTER HAZARDOUS MATERIALS WHILE EXECUTING THE WORK. THE EXISTING BUILDINGS HAVE NOT BEEN TESTED FOR THE PRESENCE OF HAZARDOUS MATERIALS. DURING THE COURSE OF THE WORK, IF THE CONTRACTOR HAS REASON TO SUSPECT THE PRESENCE OF HAZARDOUS MATERIALS, STOP WORK AND IMMEDIATELY NOTIFY THE OWNER AND ARCHITECT.

PROJECT NO:	563006
DATE:	SEPTEMBER 22, 2021
REVISIONS	
DATE	DESCRIPTION

COVER - FS5

THE CONTRACT DOCUMENTS ARE COMPLEMENTARY, AND WHAT IS REQUIRED BY ONE SHALL BE AS BINDING AS IF REQUIRED BY ALL. IN CASE OF A CONFLICT, DISAGREEMENT, OR AMBIGUITY, PROVIDE THE BETTER QUALITY. IN CASE OF A CONFLICT, DISAGREEMENT, OR AMBIGUITY, PROVIDE THE GREATER QUANTITY OF WORK.







12/15/2021 5:55:35 PM

J  
I  
H  
G  
F  
E  
D  
C  
B  
A

1 2 3 4 5 6 7 8 9 10

ADDENDUM  
1

**WALL/PARTITION TYPE GENERAL NOTES**

- A. PLAN DIMENSIONS ARE TO FACE OF WALL OR PARTITION. WHERE APPLIED FINISHES OCCUR SUCH AS CERAMIC TILE DIMENSIONS ARE TO FACE OF APPLIED FINISH. FOR WAINSCOTS FLOOR PLAN DIMENSIONS ARE TO FACE OF WAINSCOT MATERIAL. APPLIED FINISHES ARE NOT ALLOWED TO REDUCE CLEAR DIMENSIONS. "APPLIED FINISHES" IN THIS CASE DO NOT INCLUDE TRIM, BASE, AND ACOUSTIC WALL PANELS.
- B. EXTEND WALL/PARTITION ASSEMBLY COMPONENTS FULL HEIGHT OF ASSEMBLY.
- C. REFER TO STRUCTURAL DRAWINGS AND RELATED SPECIFICATIONS FOR SOLID MASONRY, GROUTING, AND REINFORCEMENT REQUIREMENTS INCLUDING BUT MAY NOT BE LIMITED TO:
  - MASONRY WALLS/PARTITIONS
  - LINTELS
  - LINTEL BEARING CONDITIONS
  - BOND BEAMS
  - SHELF BEARING CONDITIONS
  - STRUCTURAL REINFORCING REQUIREMENTS
  - CHANGES IN WYTHE
- D. THE TERMS "WALL" AND "PARTITION" MAY BE USED INTERCHANGEABLY THROUGHOUT THE CONTRACT DOCUMENTS.
- E. PARTITIONS THAT DO NOT EXTEND TO UNDERSIDE OF DECK OR CAP ABOVE:
  - EXTEND 4 INCHES MINIMUM ABOVE HIGHEST ADJACENT FINISH CEILING UNLESS INDICATED OTHERWISE.
- F. DO NOT CONNECT TIES, ANCHORS, OR REINFORCING TO SINGLE CANTILEVERED FIRE WALL OR BETWEEN DOUBLE FIRE WALLS.
- G. SEAL AROUND ALL PENETRATIONS.
- H. COMPLY WITH TERMINATION, WALL JOINT, AND MISCELLANEOUS DETAILS FOR THOSE CONDITIONS WHERE APPLICABLE. COMPLY WITH REFERENCED STANDARDS WHERE DETAILS ARE NOT IDENTIFIED IN THE DRAWINGS.
- I. WALL/PARTITION TYPES DO NOT ADDRESS WALL FINISHES. REFER TO FINISH SCHEDULE.
- J. FINISHED SPACES: PROVIDE CHASES AROUND ALL EXPOSED VERTICAL COMPONENTS, INCLUDING BUT NOT LIMITED TO: DUCTWORK, PIPING, AND CONDUIT, UNLESS COMPONENTS ARE SPECIFICALLY INDICATED TO REMAIN EXPOSED. IF NOT OTHERWISE INDICATED, PROVIDE 4" NOMINAL CMU CHASE CONSTRUCTION.
  - HOLD CHASES TIGHT TO COMPONENTS ALLOWING FOR ACCESS, INSULATION, AND TOLERANCES.
  - EXTEND CHASES FROM FLOOR TO 4 INCHES MINIMUM ABOVE FINISH CEILING OR IF NO CEILING IS INDICATED, EXTEND CHASES TO UNDERSIDE OF FLOOR DECK, ROOF DECK, OR SOLID CAP ABOVE AND TERMINATE ACCORDINGLY.
- K. PROVIDE BACKER BOARD/UNIT OF SAME THICKNESS INDICATED IN LIEU OF GYPSUM BOARD PANEL AT PORTIONS OF WALLS/PARTITIONS TO RECEIVE TILE.

**MOSELEYARCHITECTS**

5200 NORFOLK STREET, RICHMOND, VA 23230  
PHONE (804) 794-7555 FAX (804) 355-5690  
MOSELEYARCHITECTS.COM



**KELLY DAY RENOVATIONS FS 5**

563006  
1750 S Hayes St, Arlington, VA 22202  
Owner: Arlington County

PROJECT NO:	563006
DATE:	SEPTEMBER 22, 2021
REVISIONS	
DATE	DESCRIPTION
12/15/21	ADDENDUM 1

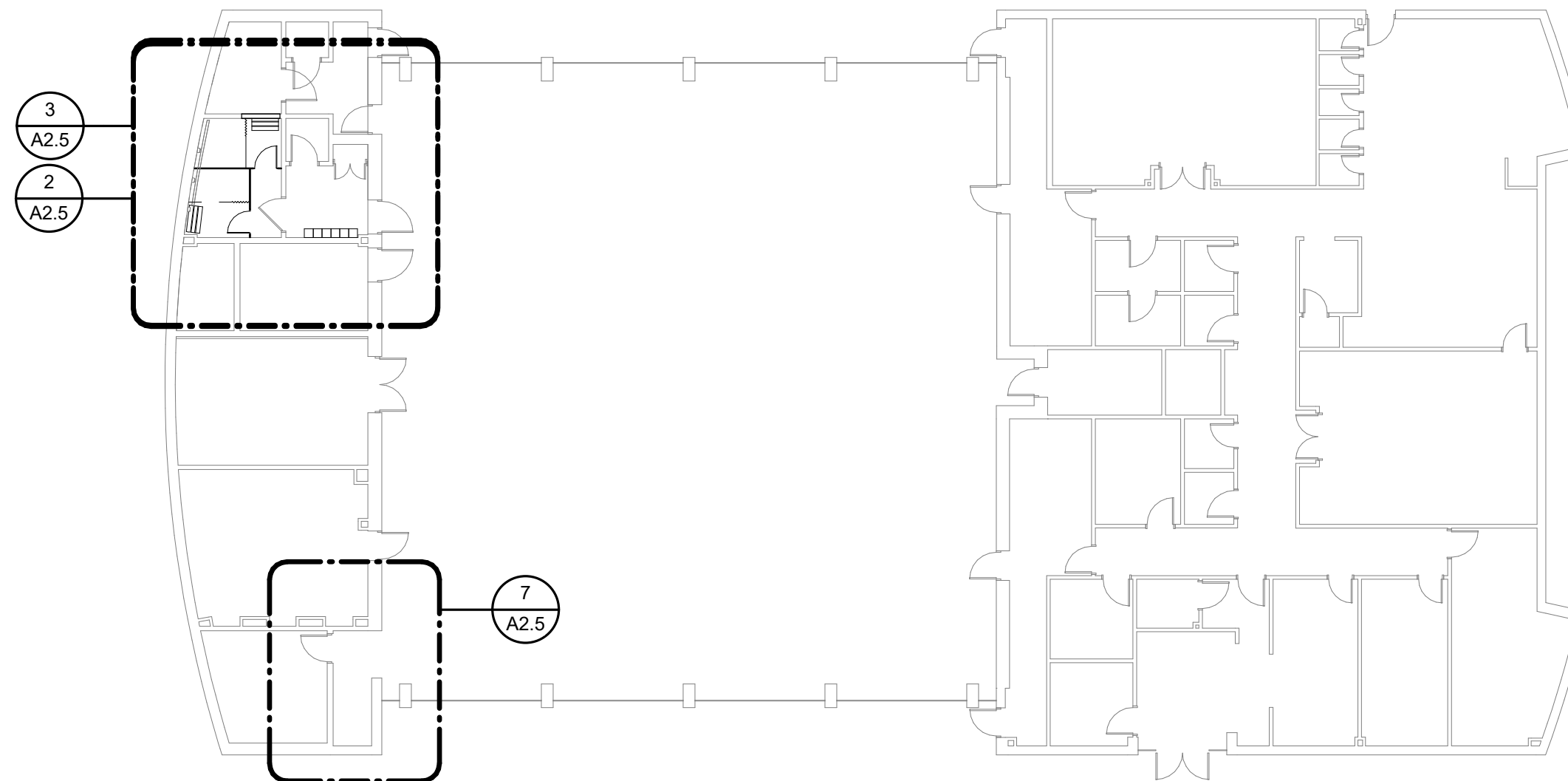
WALL/PARTITION  
TYPES, SCHEDULES, &  
TERMINATIONS - FS5

**A0.6**

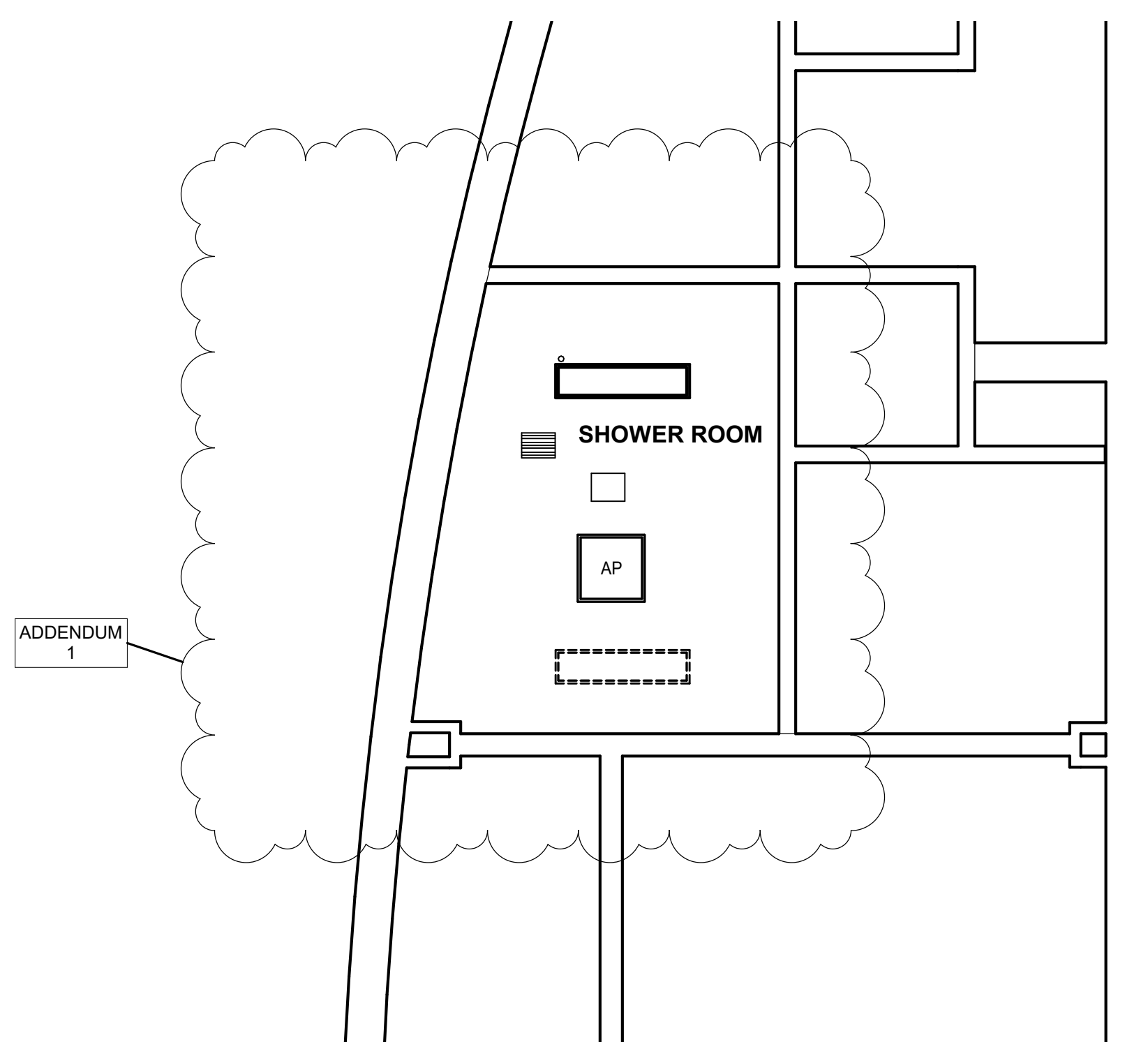


FINISH SCHEDULE FS5												
Department	NUMBER	NAME	FLOOR	BASE	WALLS				WEST	WAINSCOT	CEILING	NOTES
FS5	501	SHOWER ROOM	ETR	PT	NORTH	EAST	SOUTH	WEST	-	PT		

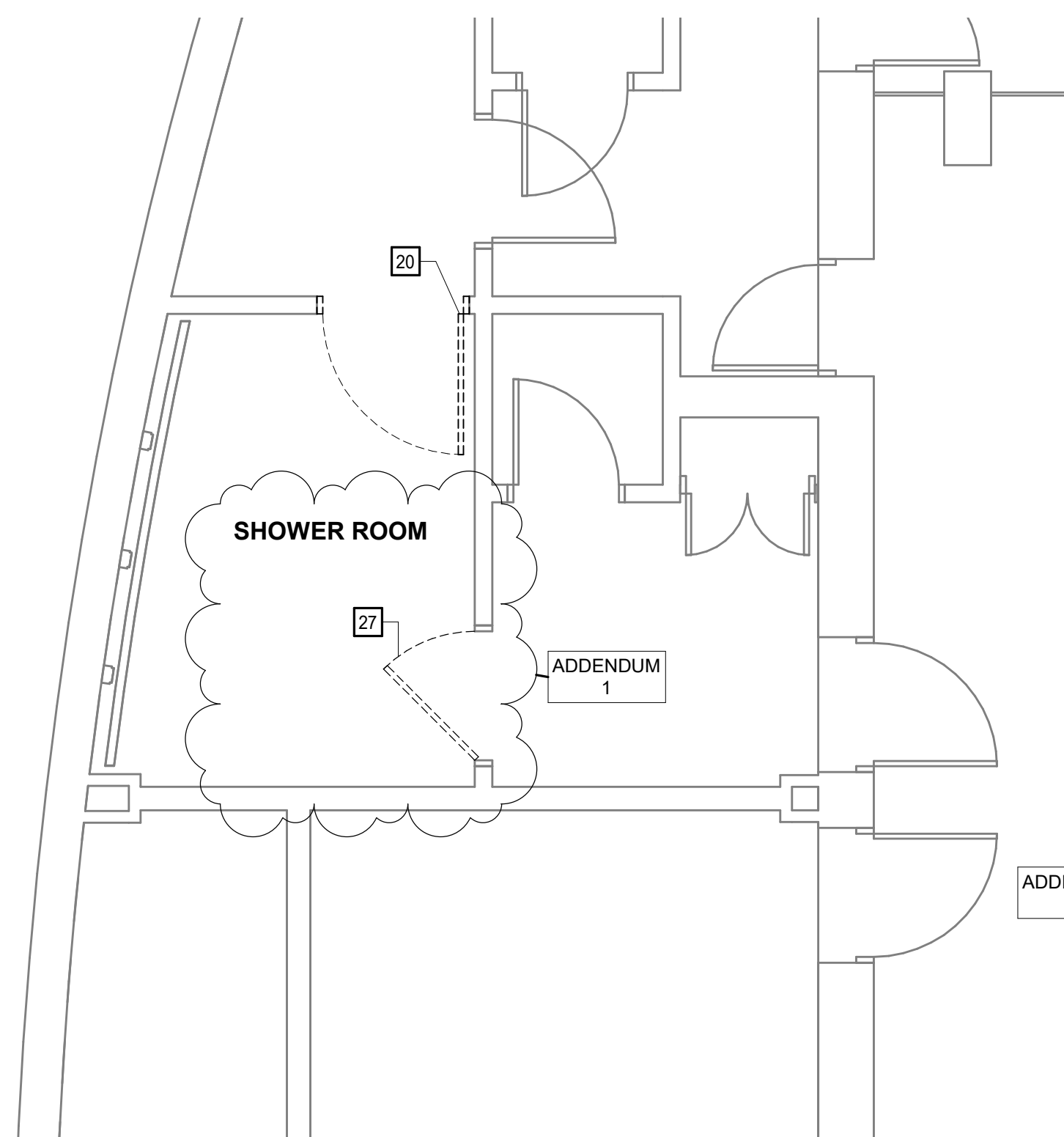
ADDENDUM 1



1 FS 5 KEY PLAN  
A2.5 1/16" = 1'-0"



4 FS5 - RCP - DEMO  
A2.5 1/4" = 1'-0"



3 FS5 - PLAN - DEMO  
A2.5/A2.5 1/4" = 1'-0"

FLOOR PLAN KEYNOTES	
REPRESENTED BY [A]	
APPLIES TO DRAWINGS A2.2 - A2.9	
1	SALVAGE WASHER AND DRYER. TURN OVER TO THE OWNER.
2	REMOVE BENCH.
3	REMOVE SINK.
4	STACKED WASHER/DRYER UNIT. APPLIANCE FURNISHED BY THE OWNER. CONTRACTOR SHALL PROVIDE THE NECESSARY HOOKUPS AND INSTALL THE APPLIANCE.
5	FURNITURE NIC.
6	12"x12"x72" METAL GYM LOCKER PROVIDED BY OWNER.
7	EXISTING EXTRACTOR TO REMAIN.
8	EXISTING DRYING CABINET TO REMAIN.
9	REMOVE CEILING AND ALL HOSTED ELEMENTS, INCLUDING LIGHT FIXTURES, MECHANICAL DIFFUSERS, FIRE ALARMS, SMOKE DETECTORS, ETC.
10	MATCH HEIGHT OF ACOUSTIC CEILING WITH ADJACENT EXISTING CEILING.
11	PROVIDE 3/4" THICK STAINED WOOD SILL. PROVIDE POLYURETHANE COAT.
12	PROVIDE 3/4"x5" STAINED WOOD WALL BASE. PROVIDE POLYURETHANE COAT.
13	5/8" GYPSUM BOARD.
14	3 5/8" CFSF.
15	8" NOMINAL CMU.
16	RELOCATED AIR COMPRESSOR.
17	SALVAGE EXISTING AIR COMPRESSOR FOR RELOCATION. IF THERE ARE VIBRATION PADS AT THE FEET OF THE COMPRESSOR, REINSTALL THE PADS AT THE NEW LOCATION.
18	8" NOMINAL CMU.
19	4" NOMINAL CMU.
20	INFILL OPENING. MATCH ADJACENT CONSTRUCTION AND FINISH UNO.
21	SALVAGE DOOR AND FRAME.
22	REMOVE RAILING AT THIS SIDE OF RAMP.
23	REMOVE PORTION OF WALL AS NECESSARY TO PROVIDE OPENING.
24	SS TOILET PARTITION.
25	2'-6"x7'-0" SS TOILET STALL DOOR.
26	PROVIDE SHOWER ROD AND CURTAIN.
27	SALVAGE DOOR. FRAME SHALL REMAIN. REMOVE STRIKE AND PROVIDE STEEL OR ALUMINUM CLOSURE PLATE. PAINT TO MATCH FRAME COLOR.
28	EXISTING SHOWER CONTROLS TO REMAIN. TYPICAL THIS FIRE STATION.
29	EXISTING LINEAR DRAIN TO REMAIN.
30	EXISTING ACCESS PANEL AT CEILING.
31	PROVIDE GAP AT TOP AND BOTTOM OF PARTITION. DO NOT BLOCK AIRFLOW.
32	REMOVE HALF-WALL.
33	EXISTING PIPING TO REMAIN.
34	ALIGN CMU CHASE WITH EXISTING CONSTRUCTION.
35	GROUTED COLLAR JOINT.
36	ALIGN DOOR FRAME WITH EXISTING OPENING.
37	SALVAGE EXISTING DRYING CABINET FOR RELOCATION. REMOVE RAISED CONCRETE PAD.
38	INSTALL SALVAGED DRYING CABINET AT THIS LOCATION. POUR CONCRETE BASE FOR CABINET. MATCH EXISTING BASE DIMENSIONS.
39	REMOVE FINISH FLOORING. REFER TO STRUCTURAL DRAWINGS FOR ADDITIONAL DEMOLITION SCOPE.
40	GEAR GRID NIC. SHOWN FOR COORDINATION PURPOSES WITH THE OWNER.
41	SALVAGE EXISTING HOSE REEL SOLENOID SWITCH ASSEMBLY.
42	PROVIDE FROSTING FILM AT INTERIOR SIDE OF GLAZING.
43	PROVIDE CONCRETE SILL AT BASE OF DOOR OPENING.
44	PROVIDE METAL THRESHOLD TO STRADDLE THE FINISH FLOOR AND THE CONCRETE SILL.
45	SALVAGE STORAGE HOOKS AND RELOCATE TO ADJACENT WALL. COORDINATE WITH OWNER TO DETERMINE PRECISE LOCATION.
46	REMOVE EXISTING BENCH AND SHELF.
47	INSTALL SALVAGED HOSE REEL SOLENOID SWITCH ASSEMBLY. ORIENT SWITCH ASSEMBLY VERTICALLY. EXTEND AND MODIFY CONDUIT AS REQUIRED AND TEST SWITCHES FOR PROPER OPERATION.
48	1 1/2" CIRCULAR GALVANIZED STEEL HANDRAIL.
49	CONTINUE HANDRAIL TO FLOOR. EMBED IN CONCRETE. TYPICAL.
50	REMOVE CASEWORK AND SHELF.
51	PAINT CMU WITHIN RECESSED AREA.



**KELLY DAY RENOVATIONS FS 5**  
563006  
1750 S Hayes St, Arlington, VA 22202  
Owner: Arlington County

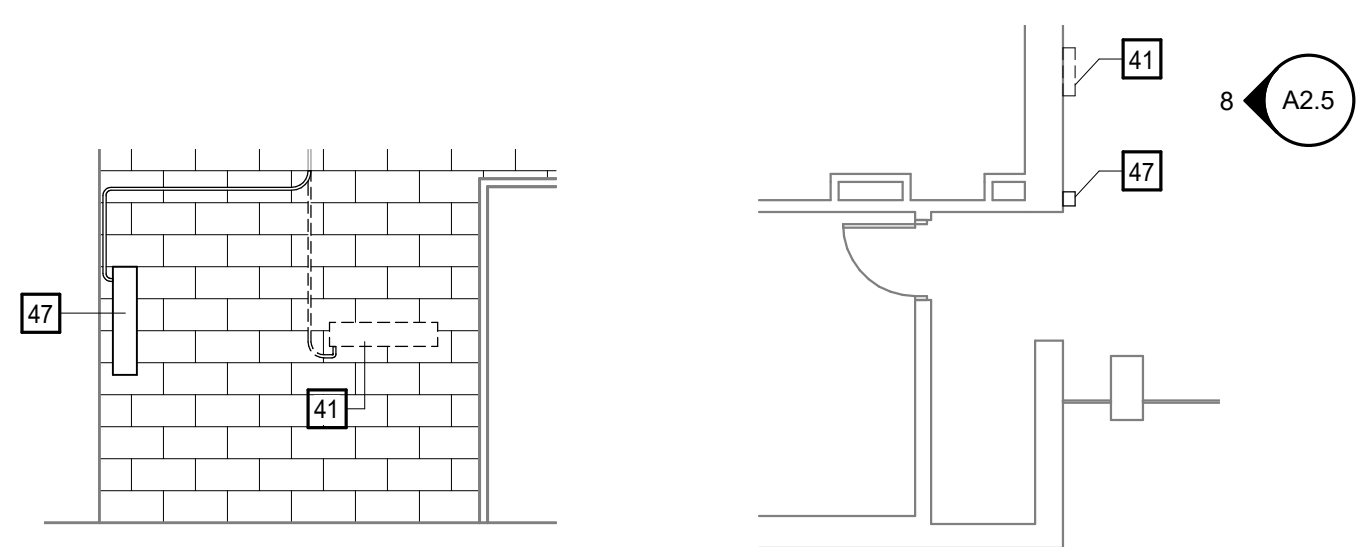
DEMOLITION PLAN LEGEND	
APPLIES TO DRAWINGS A2.2 - A2.9	
	EXISTING PARTITION/WALL/ITEM TO REMAIN
	REMOVE EXISTING PARTITION/WALL/ITEM
	REMOVE EXISTING WINDOW ASSEMBLY AND FRAMING, INCLUDING ANCHORS
	SALVAGE EXISTING DOOR AND FRAME ASSEMBLY INCLUDING DOOR HARDWARE. IF FRAME DAMAGED DURING SALVAGING, DISCARD.
	REMOVE EXISTING PLUMBING FIXTURE. REFER TO PLUMBING DEMOLITION PLAN FOR ADDITIONAL INFORMATION.

FLOOR PLAN GENERAL NOTES	
A.	UNLESS NOTED OTHERWISE, PAINT ALL NEW WALLS AND ALL EXISTING WALLS IN ROOMS INCLUDED IN THE WORK SCOPE.
B.	PAINT ALL EXISTING DOOR FRAMES WHERE THE DOOR HAS BEEN SALVAGED OR REMOVED.
C.	REFER TO STRUCTURAL DOCUMENTS FOR SLAB REMOVAL.

PROJECT ADDRESS: 1750 S Hayes St, Arlington, VA 22202

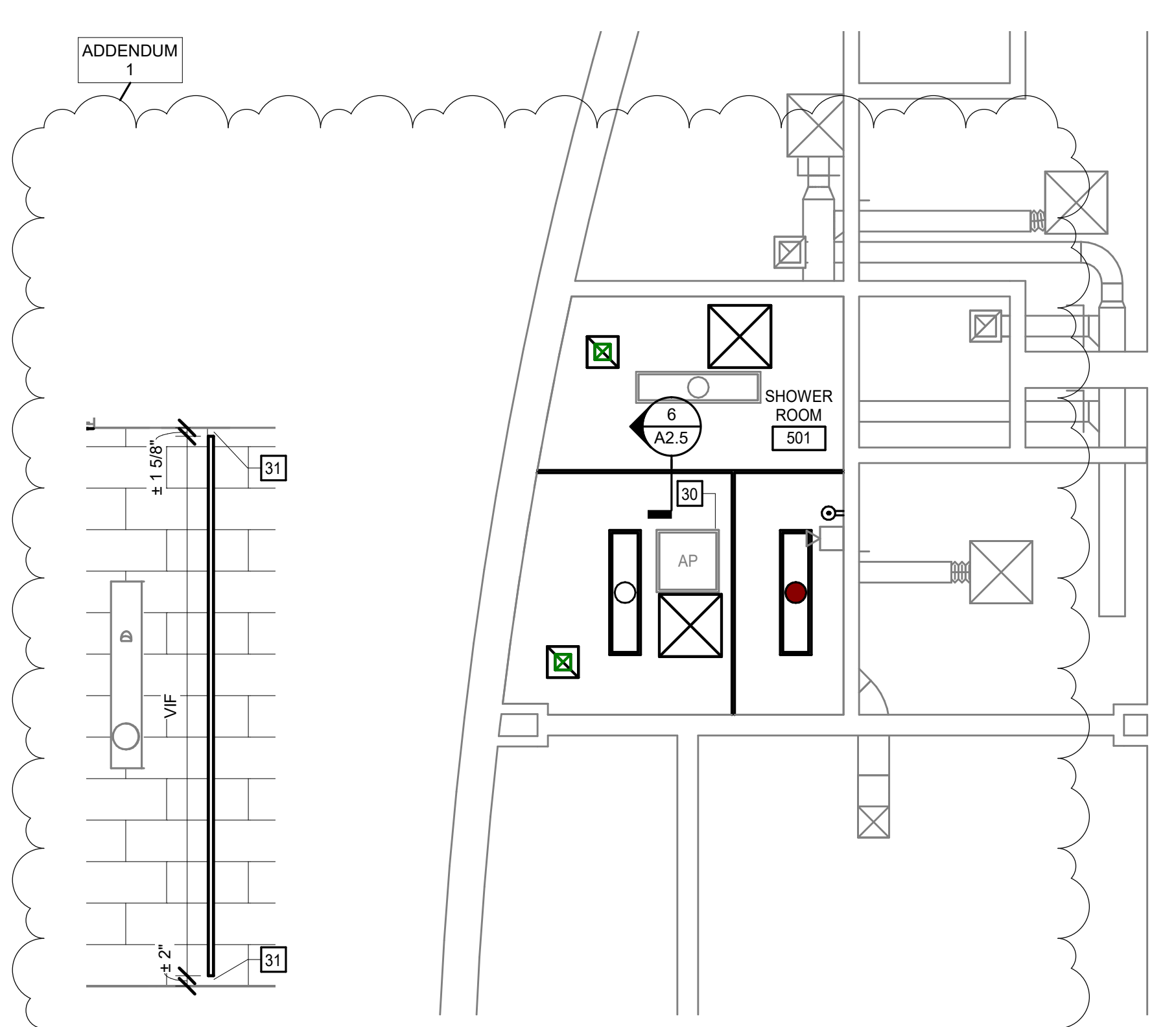


RELOCATE HOSE REEL SOLENOID SWITCH ASSEMBLY



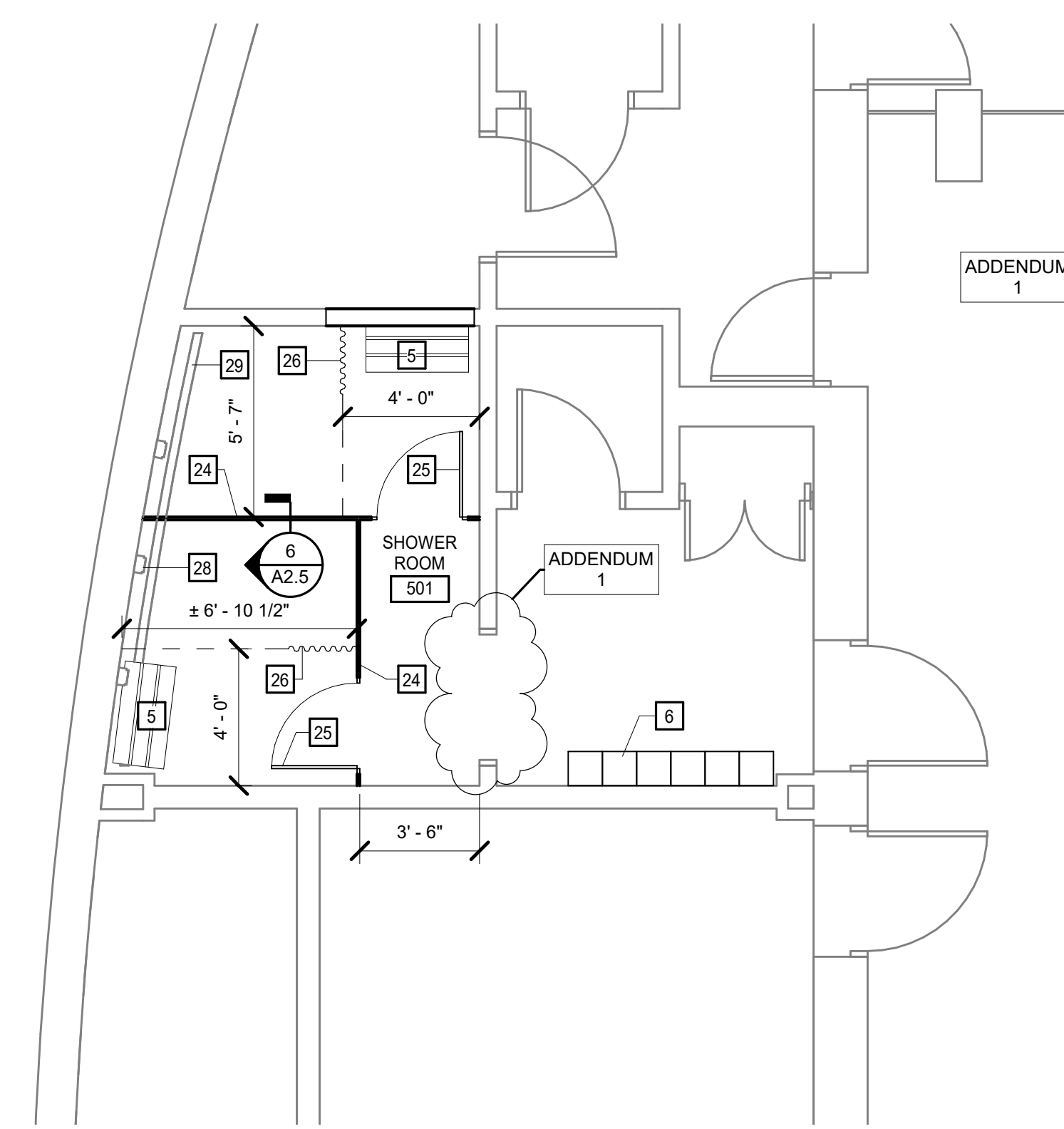
8 ELEVATION  
A2.5/A2.5 1/4" = 1'-0"

7 APPARATUS BAY PLAN  
A2.5/A2.5 1/8" = 1'-0"



6 SECTION  
A2.5/A2.5 1/2" = 1'-0"

5 FS5 - RCP - NEW  
A2.5 1/4" = 1'-0"



2 FS 5 - PLAN - NEW  
A2.5/A2.5 1/4" = 1'-0"



GRILLE, REGISTER, & DIFFUSER SCHEDULE							
TAG	MANUFACTURER	MODEL NUMBER	MOUNTING STYLE	NECK SIZE	FACE SIZE	MAX NC LEVEL	NOTES
S1	PRICE	ASDA	SURFACE	6ø	24x24	30	
S2	PRICE	ASDA	LAY-IN	8ø	24x24	30	
S3	PRICE	SDGE	DUCT MOUNTED	-	12x6	30	
E1	PRICE	630-F-L	SURFACE	6x6	12x12	30	
T1	PRICE	630-F-L	SURFACE	10x10	12x12	30	

EQUIPMENT IDENTIFICATION	
AHU	AIR-HANDLING UNIT
AS	AIR SEPARATOR
B	BOILER
BCU	BLOWER COIL UNIT
OCC	CLOSED-CIRCUIT COOLING TOWER
CH	CHILLER
CHWP	CHILLED WATER PUMP
CRAC	COMPUTER ROOM AIR CONDITIONER
CT	COOLING TOWER
CUH	CABINET UNIT HEATER
CWP	CONDENSER WATER PUMP
ECH	ELECTRIC CEILING HEATER
ERU	ENERGY RECOVERY UNIT
ERV	ENERGY RECOVERY VENTILATOR
ET	EXPANSION TANK
EUH	ELECTRIC UNIT HEATER
EWL	ELECTRIC WALL HEATER
FCU	FAN COIL UNIT
HP	HEAT PUMP
HWP	HOT WATER PUMP
HX	HEAT EXCHANGER
MAU	MAKEUP AIR UNIT
OAU	OUTDOOR AIR UNIT
P	PUMP
PTAC	PACKAGED TERMINAL AIR CONDITIONER
PTHP	PACKAGED TERMINAL HEAT PUMP
RTU	ROOFTOP UNIT
SSI	SPLIT-SYSTEM INDOOR UNIT
SSO	SPLIT-SYSTEM OUTDOOR UNIT
TU	TERMINAL UNIT
UH	UNIT HEATER
WSHP	WATER-SOURCE HEAT PUMP

CONTROLS ABBREVIATIONS	
AF	AIRFLOW
AI	ANALOG INPUT TO CONTROLLER
ALM	ALARM
AMS	AIRFLOW MEASURING STATION
AO	ANALOG OUTPUT FROM CONTROLLER
ATS	AVERAGING TEMPERATURE SENSOR
BAS	BUILDING AUTOMATION SYSTEM
BI	BINARY INPUT TO CONTROLLER
BO	BINARY OUTPUT FROM CONTROLLER
CO2	CARBON DIOXIDE SENSOR
CSR	CURRENT-SENSING RELAY
DM	DAMPER MOTOR
DP	DIFFERENTIAL PRESSURE
DPT	DIFFERENTIAL PRESSURE TRANSMITTER
FM	FLOW METER
FZ	FREEZESTAT
HS	HUMIDITY SENSOR
POS	POSITION RELAY
R	RELAY
SD	SMOKE DETECTOR
SPD	SPEED
SS	START/STOP
STS	STATUS
TS	TEMPERATURE SENSOR
VFD	VARIABLE-FREQUENCY DRIVE

ABBREVIATIONS	
A	AMPERE(S)
AD	ACCESS DOOR
AF	ABOVE FINISHED FLOOR
ALT	ALTERNATE
APD	AIR PRESSURE DROP
BHP	BRAKE HORSEPOWER
BTUH	BRITISH THERMAL UNITS PER HOUR
CFM	CUBIC FEET PER MINUTE
CHWR	CHILLED WATER RETURN
CHWS	CHILLED WATER SUPPLY
CLG	COOLING
COM	COMMON
CWR	CONDENSER WATER RETURN
CWS	CONDENSER WATER SUPPLY
D	DRAIN
DB	DRY BULB TEMPERATURE
dBa	A-WEIGHTED DECIBELS
DCW	DOMESTIC COLD WATER
DIA	DIAMETER
DN	DOWN
DWG	DRAWING
EA	EXHAUST AIR
EAT	ENTERING AIR TEMPERATURE
EER	ENERGY EFFICIENCY RATIO
EQUAL	EQUAL
ESP	EXTERNAL STATIC PRESSURE
EWT	ENTERING WATER TEMPERATURE
EX	EXISTING
F	DEGREES FAHRENHEIT
FC	FAIL CLOSED
FD	FIRE DAMPER
FLA	FULL LOAD AMPS
FO	FAIL OPEN
FRM	FEET PER MINUTE
FT	FOOT, FEET
GA	GAUGE
GAL	GALLON(S)
GPH	GALLONS PER HOUR
GPM	GALLONS PER MINUTE
HP	HORSEPOWER
HPWR	HEAT PUMP WATER RETURN
HPWS	HEAT PUMP WATER SUPPLY
HTG	HEATING
HWR	HOT WATER RETURN
HWS	HOT WATER SUPPLY
HX	HEAT EXCHANGER
HZ	HERTZ
IN	INCH
PLV	INTEGRATED PART-LOAD VALUE
KW	KILOWATT(S)
LAT	LEAVING AIR TEMPERATURE
LBS	POUNDS
LWT	LEAVING WATER TEMPERATURE
MAX	MAXIMUM
MBH	ONE THOUSAND BTUH
MCA	MINIMUM CIRCUIT AMPACITY
MFR	MANUFACTURER
MIN	MINIMUM
MOCP	MAXIMUM OVERCURRENT PROTECTION
MOD	MOTOR-OPERATED DAMPER
NC	NORMALLY CLOSED (FOR PLANS, DETAILS)
NC	NOISE CRITERIA (FOR SCHEDULES)
NIC	NOT IN CONTRACT
NO	NORMALLY OPEN
OA	OUTSIDE AIR
OC	ON CENTER
OFCI	OWNER FURNISHED CONTRACTOR INSTALLED
PH	PHASE
PSIG	POUNDS PER SQUARE INCH GAUGE
RA	RETURN AIR
RD	REFRIGERANT DISCHARGE
RH	RELATIVE HUMIDITY
RL	REFRIGERANT LIQUID
RPM	REVOLUTIONS PER MINUTE
RS	REFRIGERANT SUCTION
SA	SUPPLY AIR
SEER	SEASONAL ENERGY EFFICIENCY RATIO
TD	TRANSFER DUCT
TYP	TYPICAL
UNO	UNLESS NOTED (INDICATED) OTHERWISE
V	VOLTAGE, VOLTS
VD	VOLUME DAMPER
VFD	VARIABLE-FREQUENCY DRIVE
W	WATT(S)
W	WITH
W/O	WITHOUT
WB	WET BULB TEMPERATURE
WC	WATER COLUMN
WC	WATER COLUMN
WPD	WATER PRESSURE DROP
WWM	WELDED WIRE MESH

CONTROL SYSTEM SYMBOLS	
	CIRCULATOR OR PUMP
	MOTORIZED 2-WAY VALVE
	MOTORIZED 3-WAY VALVE
	VARIABLE FREQUENCY DRIVE
	DIRECT DIGITAL CONTROLLER
	THERMOSTAT
	FREEZESTAT
	CONTACTOR
	RELAY
	SPACE TEMPERATURE SENSOR
	LINE VOLTAGE THERMOSTAT
	HAND-OFF-AUTOMATIC SWITCH
	DUCT-MOUNTED SMOKE DETECTOR
	TRANSFORMER
	FUSE
	NORMALLY OPEN CONTACT
	NORMALLY CLOSED CONTACT
	WIRING OR DEVICE PROVIDED UNDER DIVISION 23
	WIRING OR DEVICE NOT PROVIDED UNDER DIVISION 23
	WIRING CONNECTION BY DIVISION 23
	WIRING CONNECTION BY OTHERS
	NUMBER OF CONDUCTORS INDICATED BY SLASH MARKS
	MOTORIZED PARALLEL BLADE DAMPER
	MOTORIZED OPPOSED BLADE DAMPER
	MOTORIZED BUTTERFLY BLADE DAMPER
	SUPPLY, RETURN, OR EXHAUST FAN
	AIRFLOW DIRECTION
	CONTROL POINT INDICATOR INPUT OR OUTPUT (ANALOG INPUT)
	CONTROL POINT INDICATOR DEVICE TYPE (AIR TEMPERATURE SENSOR)
	CONTROL POINT INDICATOR INPUT OR OUTPUT (ANALOG INPUT)
	CONTROL POINT INDICATOR DEVICE TYPE (AIR TEMPERATURE SENSOR WITH AVERAGING ELEMENT)
	CONTROL POINT INDICATOR INPUT OR OUTPUT (ANALOG INPUT)
	CONTROL POINT INDICATOR DEVICE TYPE (WATER TEMPERATURE SENSOR WITH BULB TYPE ELEMENT IN PIPING WELL)
	CONTROL POINT INDICATOR INPUT OR OUTPUT (ANALOG INPUT)
	CONTROL POINT INDICATOR DEVICE TYPE (CURRENT SENSING RELAY)

GRAPHICS SYMBOLS LEGEND	
	SPACE IDENTIFICATION TAG SPACE NUMBER BUILDING AREA (WHEN USED)
	EQUIPMENT IDENTIFICATION TAG EQUIPMENT NUMBER UNIT DESIGNATION
	DIFFUSER, GRILLE OR REGISTER TAG TAG, REFER TO DIFFUSER, GRILLE AND REGISTER SCHEDULE
	DETAIL TAG DETAIL NUMBER DRAWING WHERE DETAIL IS INDICATED
	KEYNOTE
	STRUCTURAL GRID LINE WITH DESIGNATION
	EXISTING TO BE REMOVED
	DETAIL TITLE DETAIL NUMBER DRAWING WHERE DETAIL IS INDICATED DRAWING WHERE DETAIL IS REFERENCED ADDITIONAL DRAWING REFERENCES
	SECTION TITLE SECTION NUMBER DRAWING WHERE SECTION IS INDICATED DRAWING WHERE SECTION IS REFERENCED ADDITIONAL DRAWING REFERENCES
	SECTION CALLOUT SECTION NUMBER DRAWING WHERE SECTION IS INDICATED
	ENLARGED PLAN CALLOUT ENLARGED PLAN NUMBER DRAWING WHERE ENLARGED PLAN IS INDICATED
	MECHANICAL EQUIPMENT WITH REQUIRED SERVICE CLEARANCE INDICATED

DUCTWORK LEGEND	
	RECTANGULAR DUCT (FIRST DIMENSION REFERS TO SIDE VIEWED)
	ROUND DUCT SIZE
	FLAT OVAL DUCT SIZE
	DOUBLE WALL, EXPOSED DUCT
	FABRIC DUCT
	FLEXIBLE DUCTWORK
	FLEXIBLE CONNECTOR
	DUCT-MOUNTED SMOKE DETECTOR
	DUCT WITH DUCT LINER
	DUCT ACCESS DOOR
	DUCT WITH END CAP
	LINEAR SLOT DIFFUSER, LENGTH AS INDICATED
	LINEAR BAR GRILLE, LENGTH AS INDICATED
	SUPPLY DIFFUSER
	RETURN OR EXHAUST GRILLE
	SUPPLY DIFFUSER WITH DIRECTIONAL BLOW, SOLID HATCH INDICATES BLANK OFF PANEL
	POINT OF CONNECTION TO EXISTING
	LIMIT OF DEMOLITION
	SUPPLY AIRFLOW ARROW
	RETURN OR EXHAUST AIRFLOW ARROW
	MANUAL BALANCING DAMPER IN DUCT
	FIRE DAMPER IN DUCT
	SMOKE DAMPER IN DUCT
	COMBINATION FIRE/SMOKE DAMPER IN DUCT
	MOTORIZED DAMPER IN DUCT
	SMOKE CONTROL MANUAL BALANCING DAMPER IN DUCT
	SMOKE CONTROL MOTORIZED DAMPER IN DUCT
	SECURITY BARS IN DUCT
	DUCT WITH ACCESS PANEL
	SUPPLY/MAKEUP AIR DUCT SECTIONS
	RETURN AIR DUCT SECTIONS
	EXHAUST AIR DUCT SECTIONS
	SMOKE DETECTOR
	HUMIDITY SENSOR
	THERMOSTAT, LINE VOLTAGE
	THERMOSTAT, LOW VOLTAGE
	CARBON DIOXIDE SENSOR
	CARBON MONOXIDE SENSOR
	SENSOR WELL
	DOOR UNDERCUT
	DOOR LOUVER

PIPING LEGEND	
	PIPE CAP
	PIPE TURNED DOWN
	PIPE TURNED UP
	PIPE TEE UP
	PIPE TEE DOWN
	END OF LINE CLEANOUT PLUG
	CLEANOUT PLUG
	PRESSURE GAUGE WITH GAUGE COCK
	LIQUID FILLED THERMOMETER
	UNION
	STRAINER WITH BLOWDOWN VALVE AND 3/4" HOSE END CONNECTION
	FLEXIBLE PIPE CONNECTOR
	MANUAL AIR VENT
	VALVE
	VALVE IN RISER
	MANUAL BALANCING VALVE WITH FLOW TAPS
	AUTOMATIC BALANCING VALVE WITH FLOW TAPS
	SWING CHECK VALVE
	PRESSURE REDUCING VALVE
	TRIPLE DUTY VALVE
	GAS COCK
	PRESSURE-RELIEF VALVE
	TWO-WAY CONTROL VALVE
	THREE-WAY CONTROL VALVE
	DIRECTION OF FLOW
	CONCENTRIC REDUCER
	ECCENTRIC REDUCER

GENERAL NOTES	
A. THE CONTRACT DOCUMENTS ARE COMPLEMENTARY AND WHAT IS REQUIRED BY ONE SHALL BE AS BINDING AS IF REQUIRED BY ALL. IN THE CASE OF A CONFLICT, DISAGREEMENT, OR AMBIGUITY, PROVIDE THE BETTER QUALITY. IN THE CASE OF A CONFLICT, DISAGREEMENT, OR AMBIGUITY, PROVIDE THE GREATER QUANTITY OF WORK.	G. PROVIDE TRAPPED DRAIN PIPING FROM DRAIN PANS OF ALL COOLING COILS, FANS AND OTHER ACTIVE DRAINS EXPOSED TO SYSTEM AIRSTREAM. PROVIDE TRAP AT CONNECTION WITH WATER SEAL DEPTH ONE INCH GREATER THAN UNIT OPERATING PRESSURE. DIRECT DRAINS TO NEAREST FLOOR DRAIN, MOP SINK, OR OTHER LOCATION APPROVED BY THE ARCHITECT.
B. DRAWINGS ARE DIAGRAMMATIC AND INTENDED TO CONVEY SCOPE AND GENERAL ARRANGEMENT ONLY. DO NOT SCALE DRAWINGS. LOCATIONS OF ALL ITEMS INDICATED ON THE DRAWINGS OR CALLED FOR IN THE SPECIFICATIONS THAT ARE NOT DEFINITELY FIXED BY DIMENSIONS ARE APPROXIMATE. COORDINATE CONTRACT DOCUMENTS PROJECT REQUIREMENTS, WORK OF OTHERS, AND EQUIPMENT AND MATERIALS PURCHASED WITH FIELD DIMENSIONS, MANUFACTURERS REQUIREMENTS FOR INSTALLATION, OPERATION, AND MAINTENANCE. CONTRACTORS INTENDED MEANS AND METHODS OF INSTALLATION, AND CONTRACTORS FABRICATED ITEMS TO ENSURE A PROPER FIT AND INSTALLATION.	H. INSTALL PIPING, DUCTWORK, AND CONDUIT CONCEALED IN AREAS HAVING CEILINGS AND/OR FURRED SPACES UNLESS OTHERWISE INDICATED.
C. MAINTAIN MAXIMUM HEADROOM AND SPACE CONDITIONS AT ALL POINTS, WHERE HEADROOM AND SPACE CONDITIONS APPEAR INADEQUATE, NOTIFY THE ARCHITECTS PRIOR TO PROCEEDING WITH INSTALLATION. MAINTAIN A MINIMUM OF 7'-0" CLEARANCE ABOVE FINISHED FLOOR TO UNDERSIDE OF PIPES, DUCTS, CONDUITS, SUSPENDED EQUIPMENT, ETC., THROUGHOUT ACCESS ROUTES IN MECHANICAL ROOMS.	I. ALL EQUIPMENT, VALVES, DAMPERS, DAMPER AND VALVE OPERATORS SHALL BE PROVIDED WITH ADEQUATE ACCESS FOR SERVICING, MAINTENANCE, AND REPLACEMENT.
D. FIELD VERIFY AND COORDINATE ALL DUCT AND PIPING DIMENSIONS BEFORE FABRICATION. MAKE MODIFICATIONS IN THE LAYOUT AS NEEDED TO PREVENT CONFLICT WITH WORK OF OTHER TRADES OR FOR PROPER EXECUTION OF THE WORK.	J. SIZE ALL SPLIT-SYSTEM REFRIGERANT PIPING IN ACCORDANCE WITH THE MANUFACTURER'S INSTALLATION INSTRUCTIONS.
E. INSTALL ALL EQUIPMENT AND APPURTENANCES IN ACCORDANCE WITH MANUFACTURER'S RECOMMENDATIONS, CONTRACT DOCUMENTS, AND APPLICABLE CODES AND REGULATIONS.	K. DUCT DIMENSIONS MAY BE MODIFIED ONLY WITH PRIOR APPROVAL FROM ARCHITECT. DUCT DIMENSIONS ARE IN INCHES AND INSIDE CLEAR.
F. COORDINATE LOCATIONS AND SIZES OF ALL FLOOR, WALL, AND ROOF OPENINGS WITH ALL OTHER TRADES. COORDINATE ALL PIPING AND EQUIPMENT SUPPORTED FROM STRUCTURE WITH GENERAL CONSTRUCTION WORK.	L. FOR LOCATION OF REGISTERS, GRILLES, AND DIFFUSERS WITHIN CEILING GRID, REFER TO ARCHITECTURAL REFLECTED CEILING PLANS.
	M. ELEVATION INDICATED FOR RECTANGULAR DUCT, GRILLE AND LOUVER OPENINGS IS TO THE TOP OF ROUGH OPENING UNLESS OTHERWISE INDICATED. ELEVATION INDICATED FOR ROUND DUCTWORK AND PIPING IS TO CENTERLINE.
	N. BRANCH PIPING RUNOUTS TO TERMINAL UNITS SHALL BE 3/4" DIAMETER UNLESS INDICATED OTHERWISE.
	O. REFER TO STRUCTURAL DRAWINGS FOR DETAILS AND MAXIMUM SPACING REQUIREMENTS REGARDING HANGER ATTACHMENTS TO STEEL BAR JOISTS.

**MOSELEY ARCHITECTS**  
 5200 NORFOLK STREET, RICHMOND, VA 23230  
 PHONE (804) 794-7550 FAX (804) 355-5690  
 MOSELEYARCHITECTS.COM



**KELLY DAY RENOVATIONS FS 5**  
 563006  
 1750 S Hayes St, Arlington, VA 22202  
 Owner: Arlington County

PROJECT NO: 563006	DATE: SEPTEMBER 22, 2021
REVISIONS	
DATE	DESCRIPTION

LEGENDS, ABBREVIATIONS, SCHEDULES, AND GENERAL NOTES

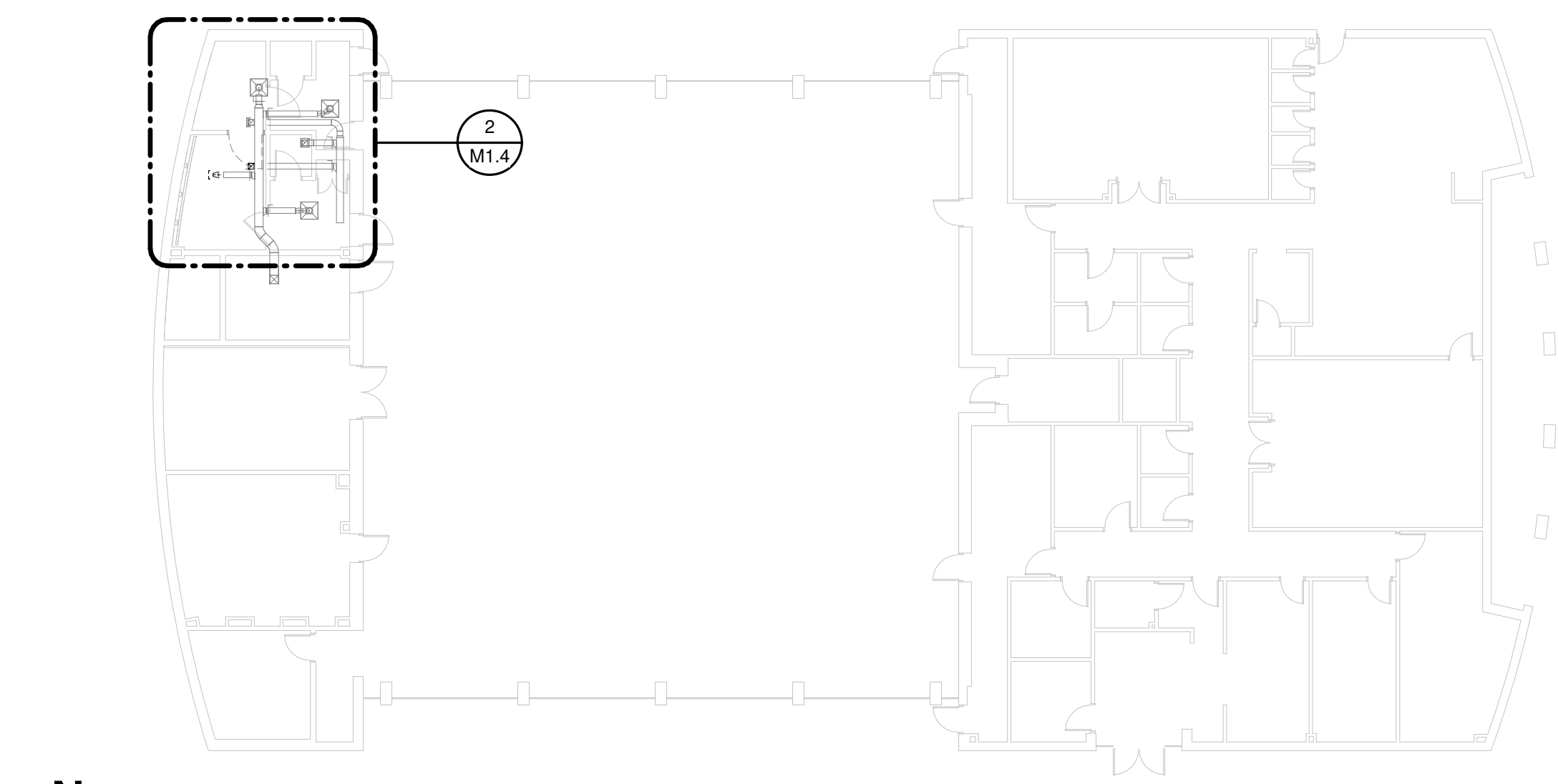
**M0.1.**



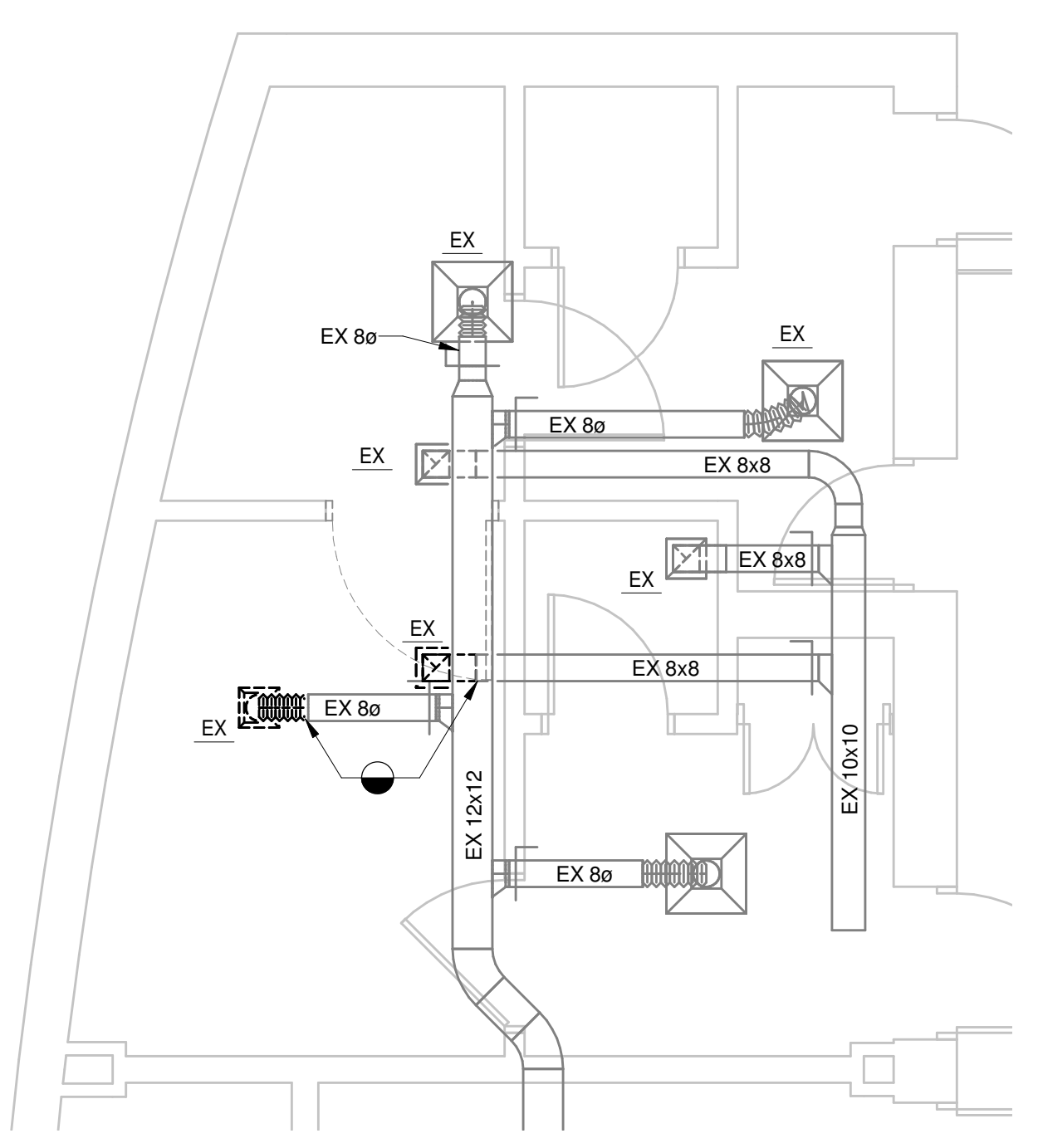
J  
I  
H  
G  
F  
E  
D  
C  
B  
A

1 2 3 4 5 6 7 8 9 10

9/20/2021 1:29:37 PM



**FIRE STATION 5 - OVERALL DEMOLITION PLAN**  
 1/16" = 1'-0"  
 0' 4' 8' 16' 32'  
 1/16" = 1'-0"



**ENLARGED DEMOLITION PLAN - STATION 5, AREA 1**  
 1/4" = 1'-0"  
 0' 1' 2' 4' 8'  
 1/4" = 1'-0"

KEYNOTES	
APPLIES TO THIS DRAWING REPRESENTED BY [X]	

**MOSELEYARCHITECTS**



5200 NORFOLK STREET, RICHMOND, VA 23230  
 PHONE (804) 784-7555 FAX (804) 355-5690  
 MOSELEYARCHITECTS.COM

**KELLY DAY RENOVATIONS FS 5**  
 563006  
 1750 S Hayes St, Arlington, VA 22202  
 Owner: Arlington County

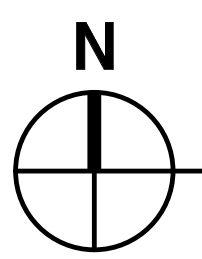
PROJECT NO:	563006
DATE:	SEPTEMBER 22, 2021
REVISIONS	
DATE	DESCRIPTION


FIRST FLOOR DEMOLITION PLAN - FIRE STATION 5

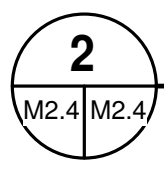
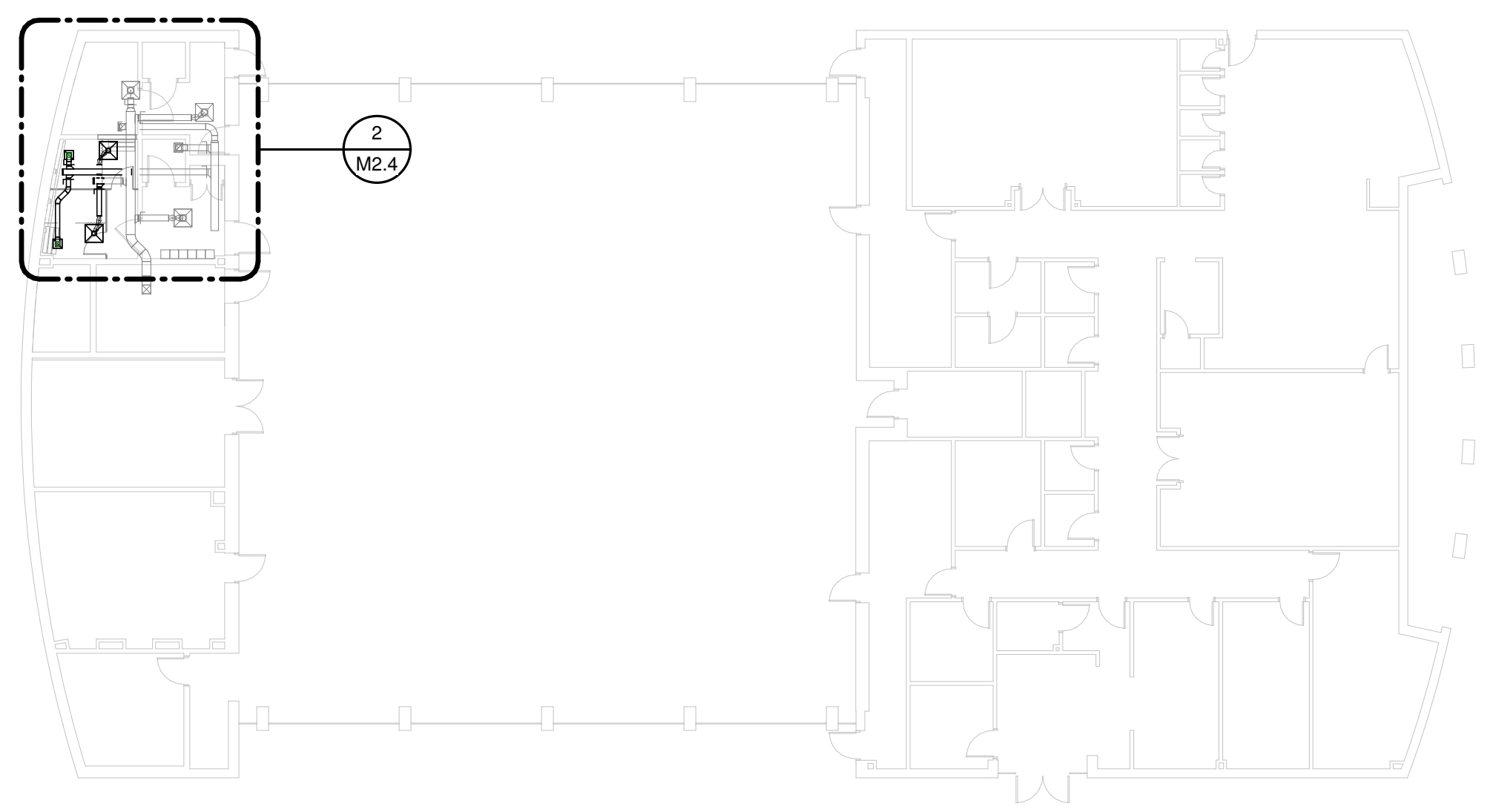
**M1.4**

A B C D E F G H I J

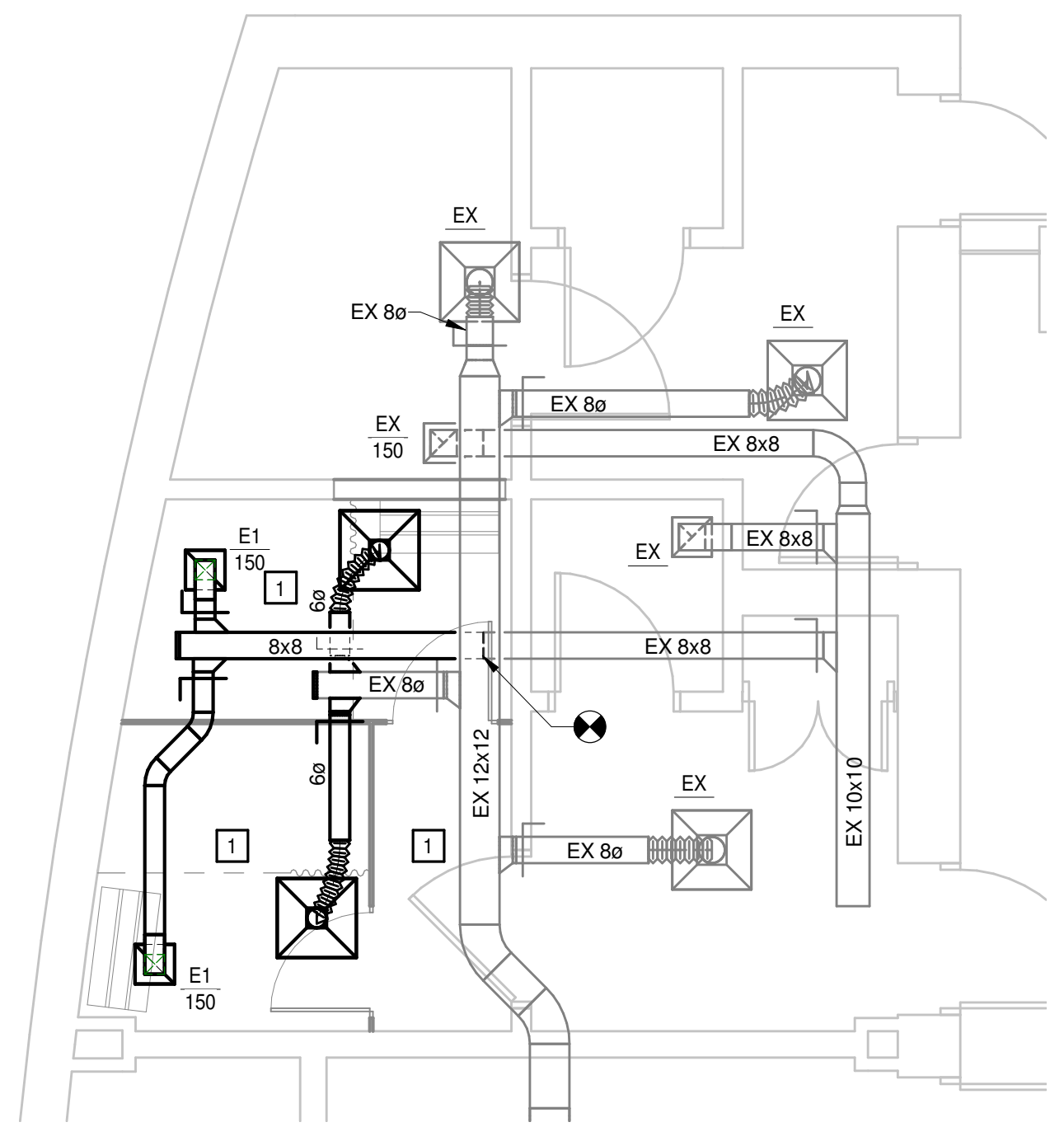
1 2 3 4 5 6 7 8 9 10



**FIRE STATION 5 - OVERALL PLAN**  
1/16" = 1'-0"



**ENLARGED PLAN - STATION 5, AREA 1**  
1/4" = 1'-0"



KEYNOTES	
APPLIES TO THIS DRAWING REPRESENTED BY [X]	
1.	ADD/RELOCATE PENDENT TYPE FIRE SPRINKLERS TO ACCOMMODATE RENOVATIONS OF EXISTING SPACE PER NFPA 13 REQUIREMENTS.

PROJECT NO:	563006
DATE:	SEPTEMBER 22, 2021
REVISIONS	
DATE	DESCRIPTION

FIRST FLOOR PLAN - FIRE STATION 5

**MOSELEYARCHITECTS**



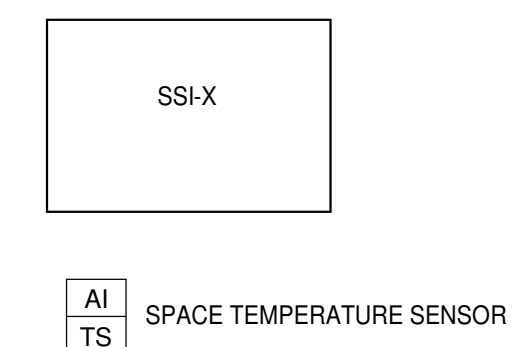
**KELLY DAY RENOVATIONS FS 5**

563006  
1750 S Hayes St, Arlington, VA 22202  
Owner: Arlington County

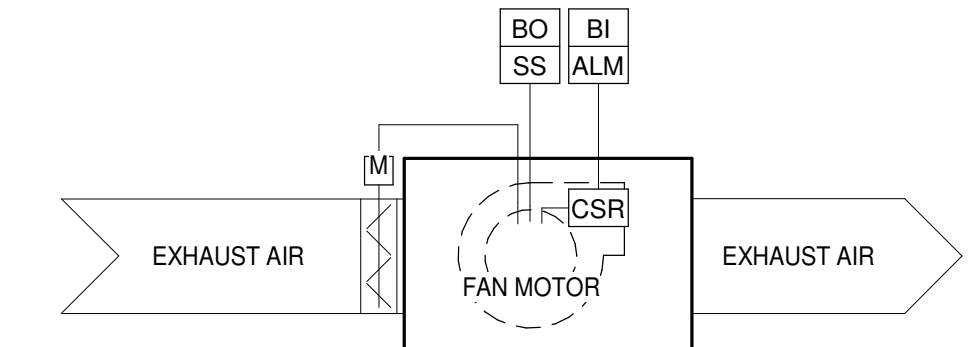
**M2.4**

5200 NORFOLK STREET, RICHMOND, VA 23230  
PHONE (804) 794-7555 FAX (804) 355-5690  
MOSELEYARCHITECTS.COM

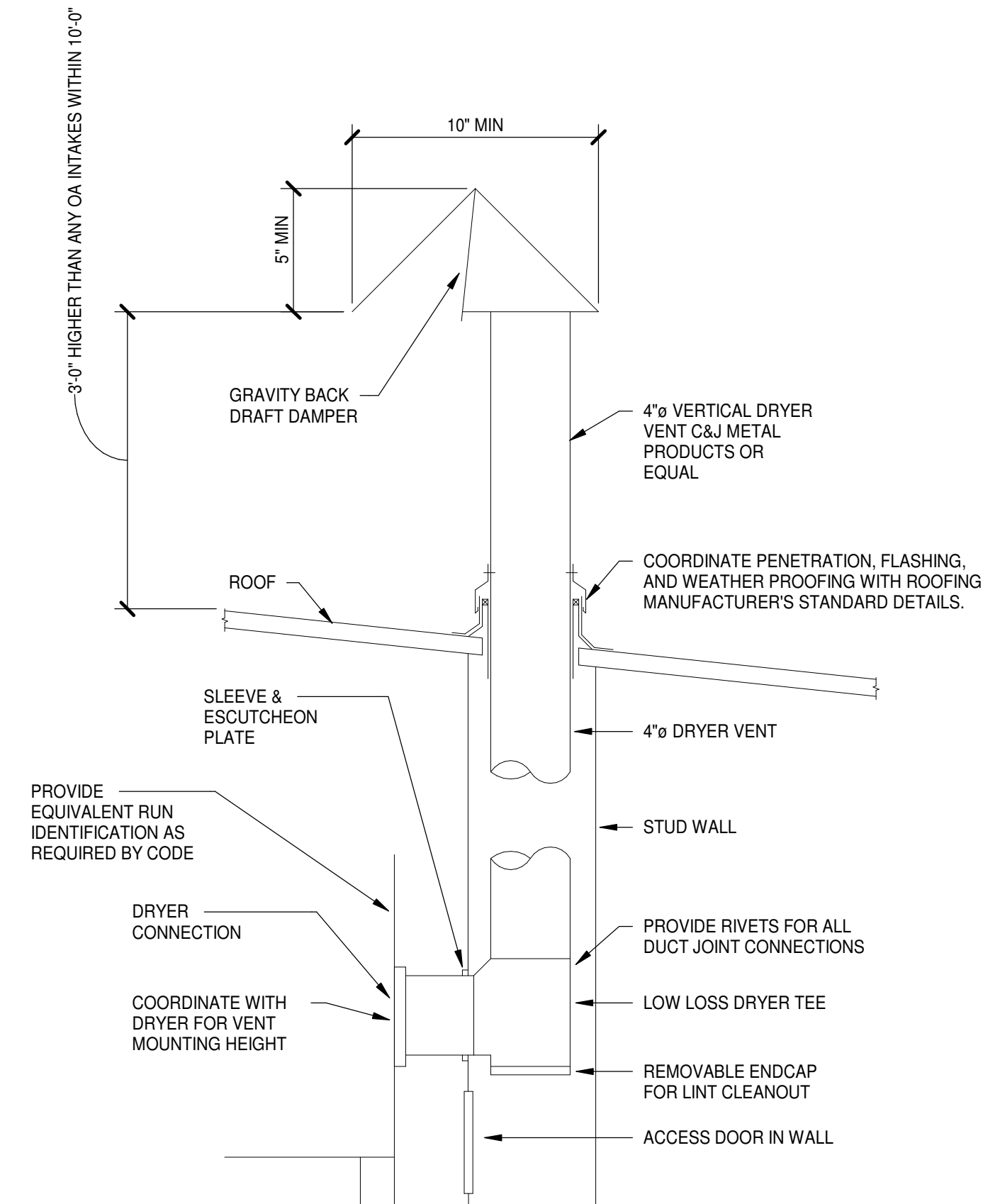
J  
H  
G  
F  
E  
D  
C  
B  
A



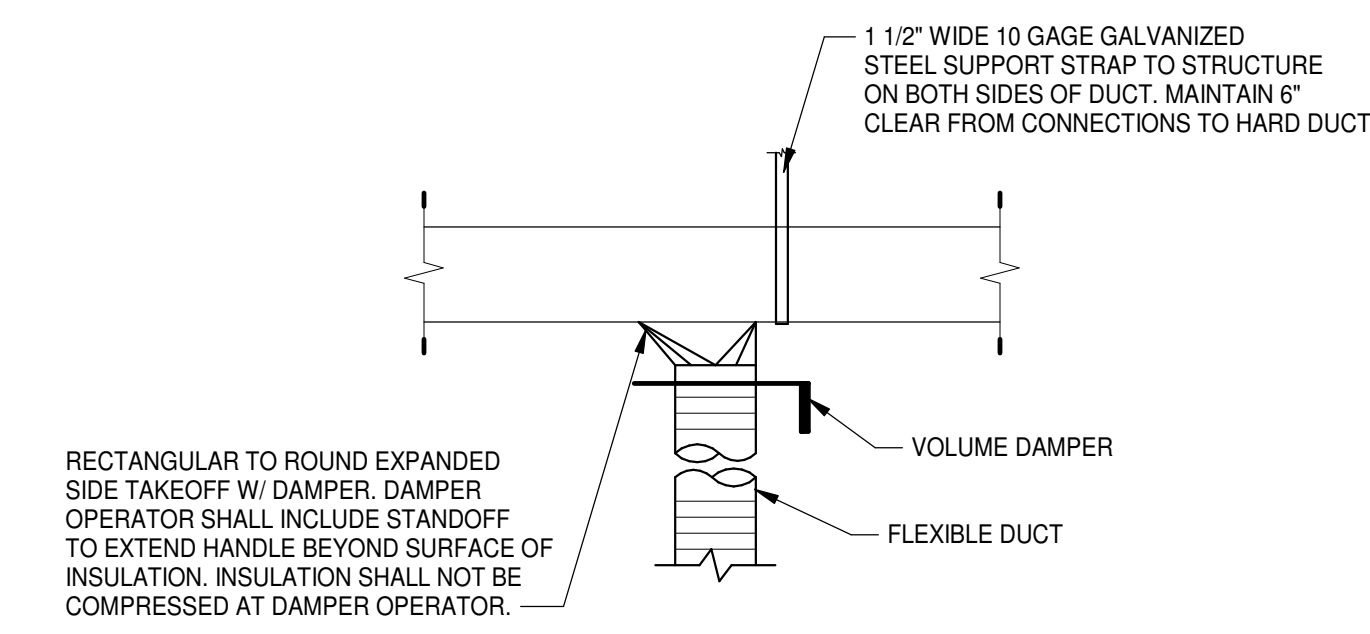
**SPLIT-SYSTEM AC UNITS**  
NO SCALE



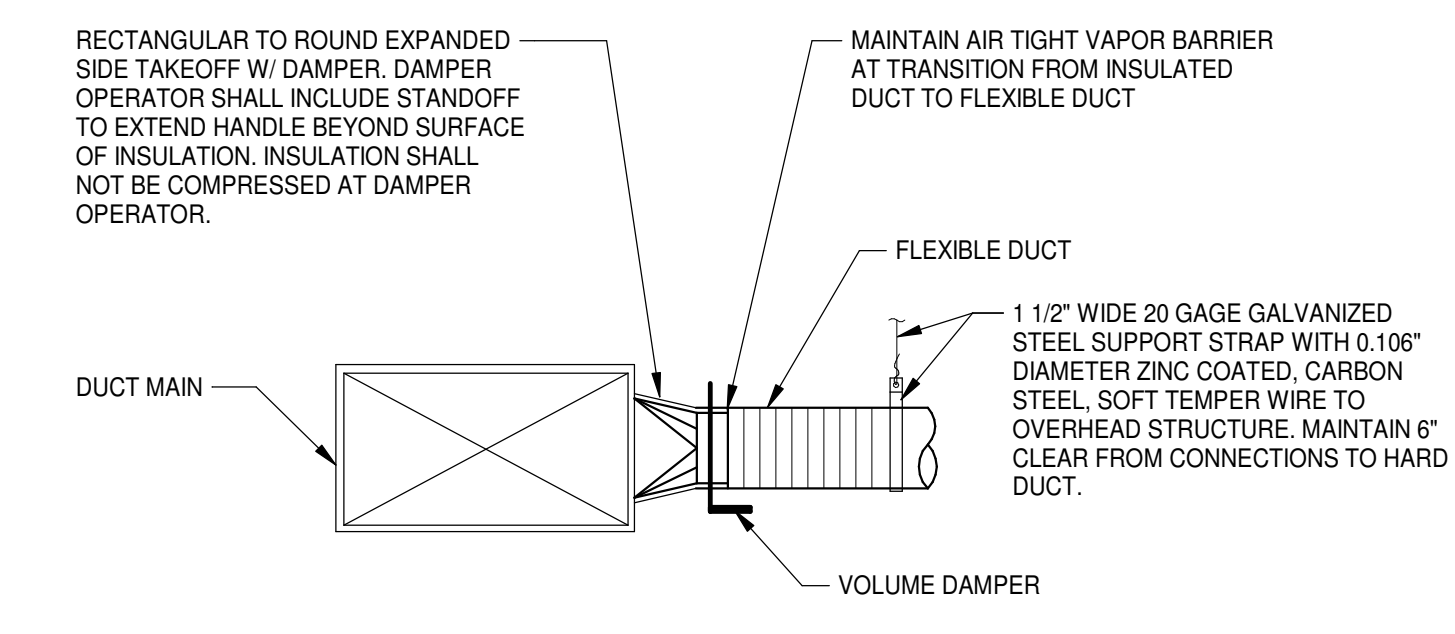
**EXHAUST FAN - CONTROLLED BY BAS SCHEDULE**  
NO SCALE



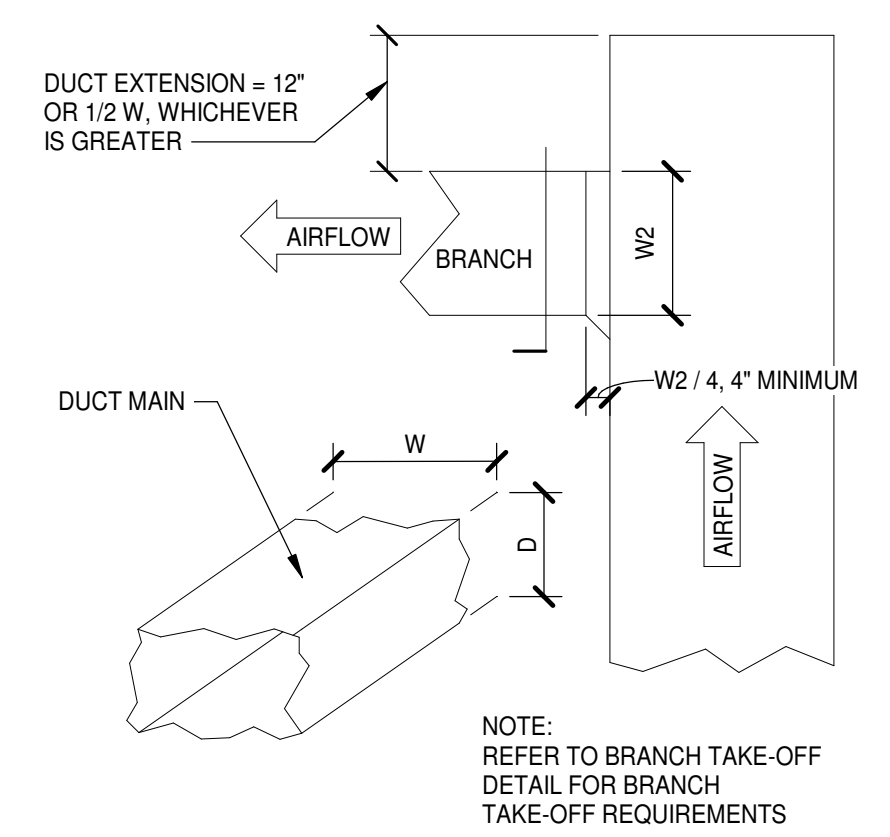
**VERTICAL DRYER EXHAUST VENT ROOF TERMINATION DETAIL**  
NO SCALE



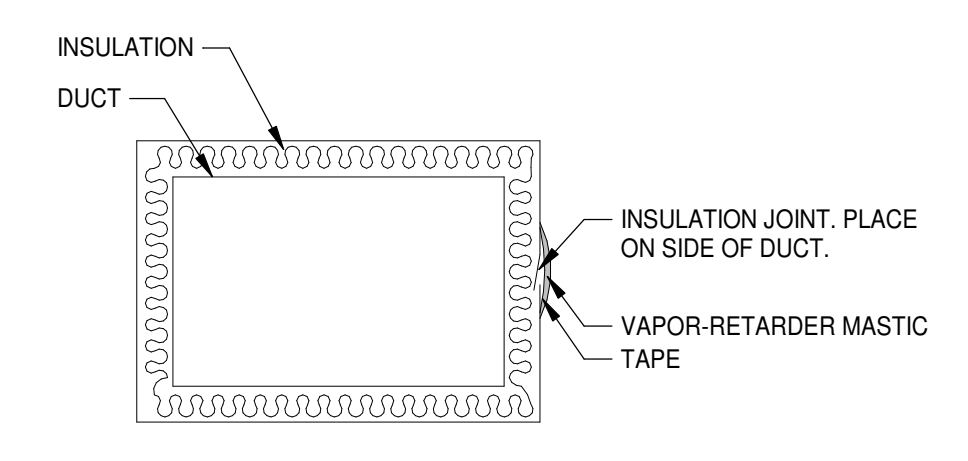
**BRANCH TAKEOFF TO DIFFUSER-BOTTOM**



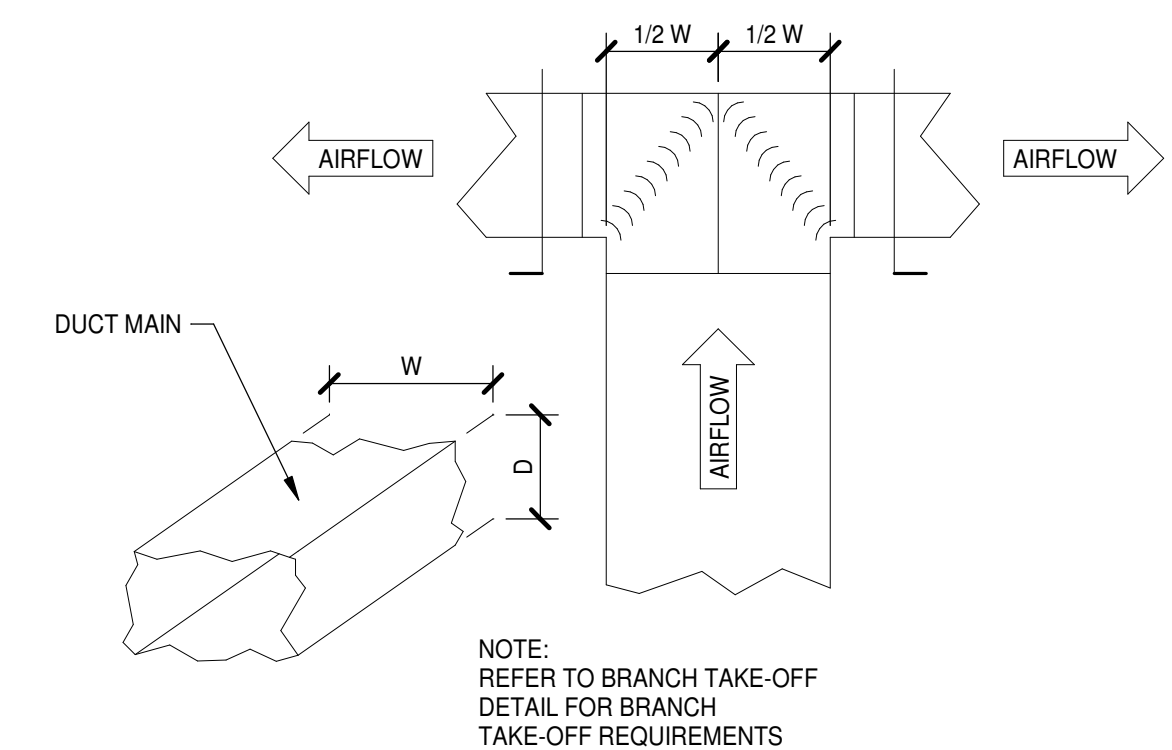
**BRANCH TAKEOFF TO DIFFUSER-SIDE**



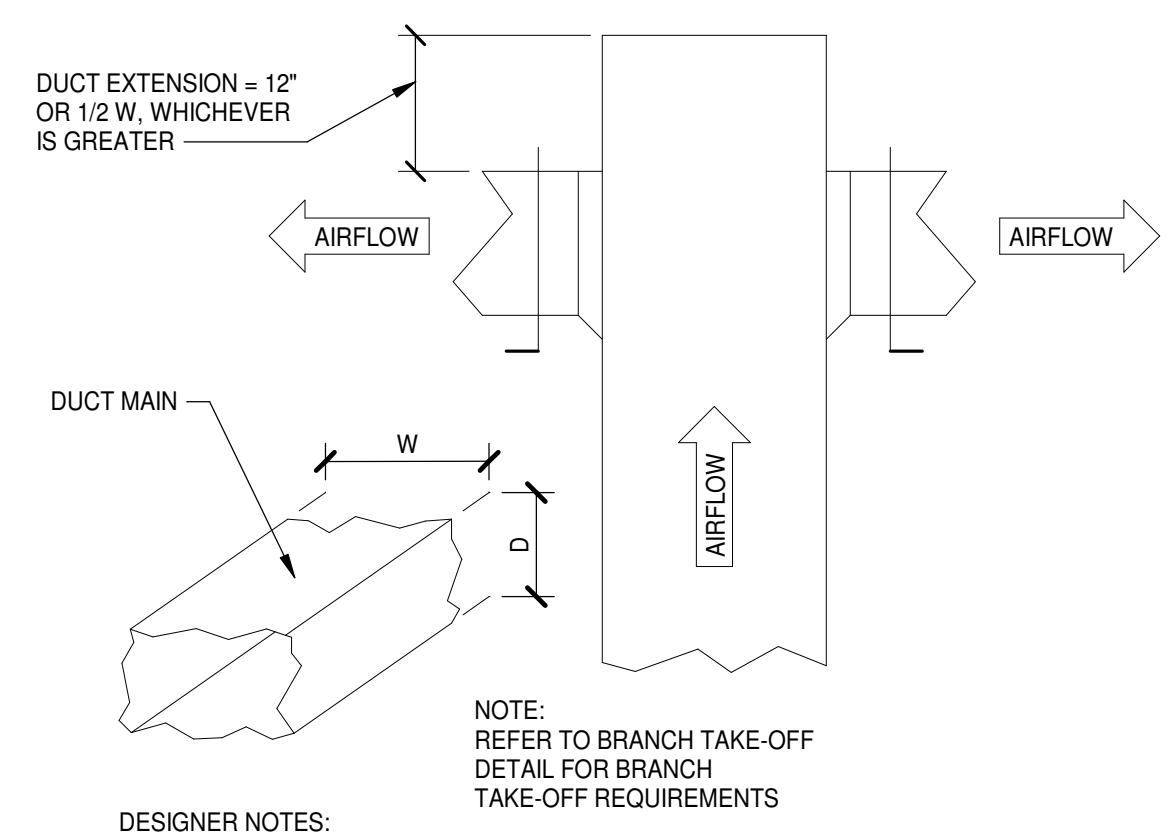
**DUCT END OF MAIN DETAIL**



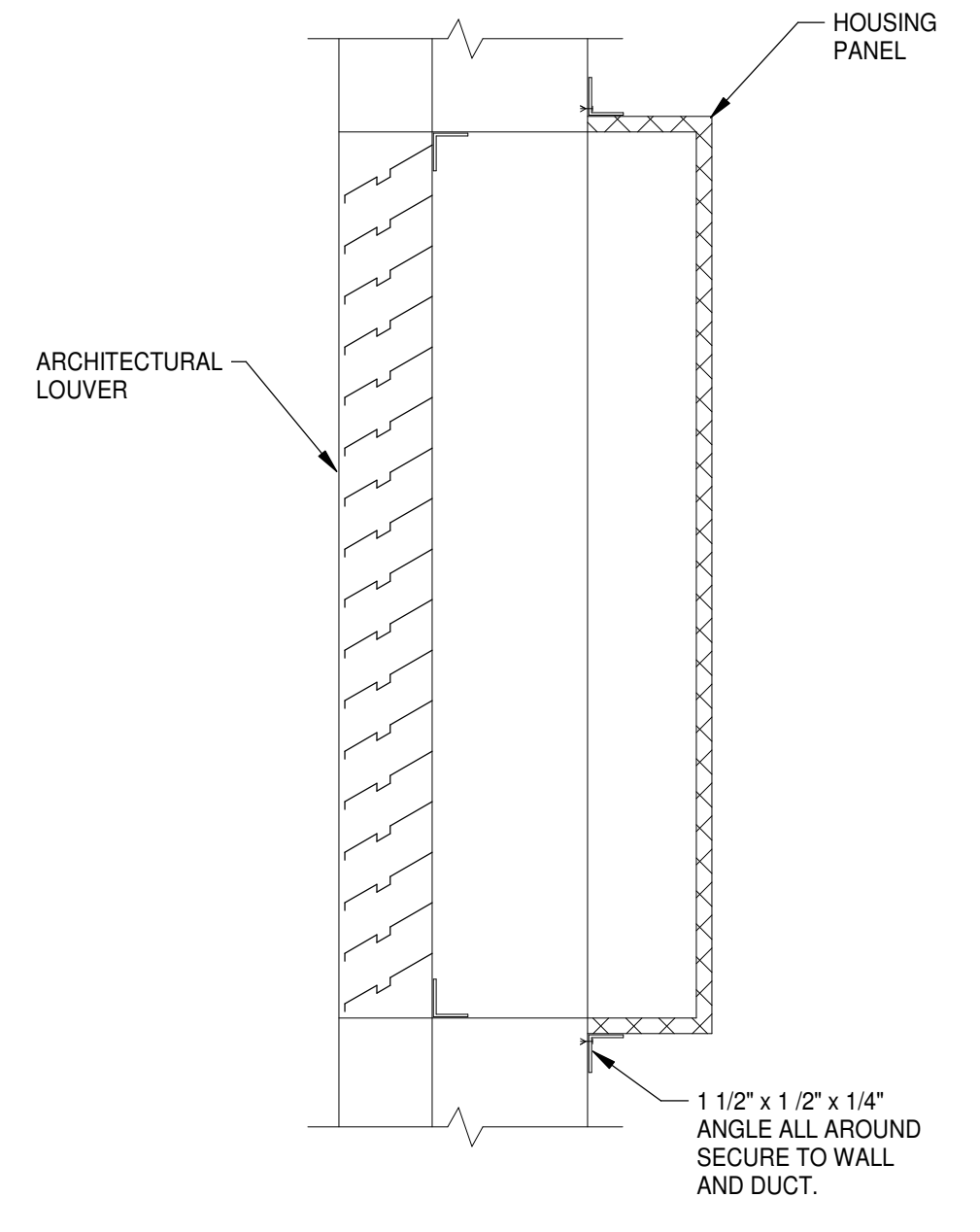
**DUCT INSULATION JOINT DETAIL**



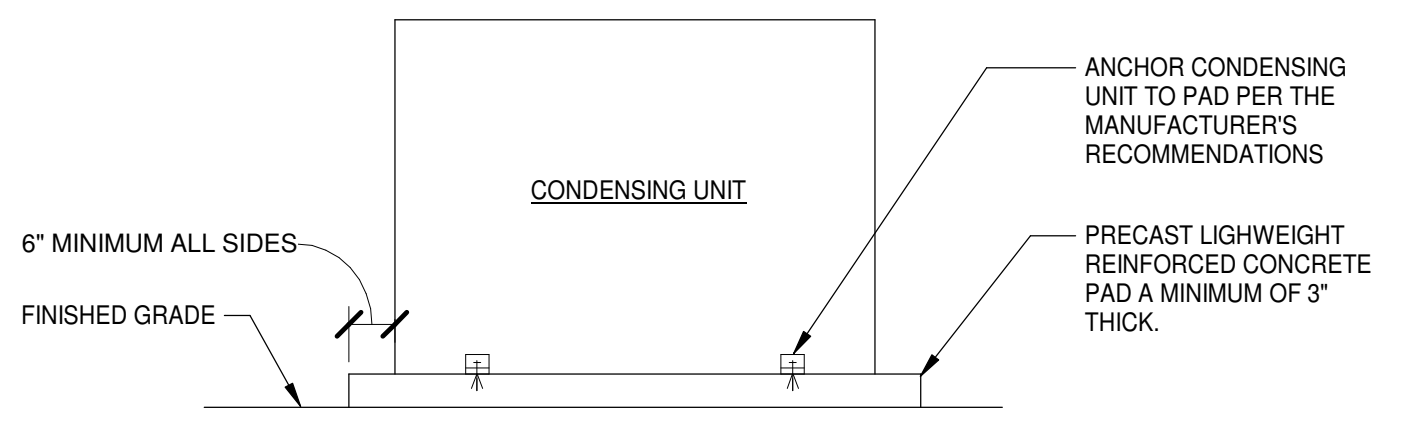
**DUCT SPLIT WITH VANES DETAIL**



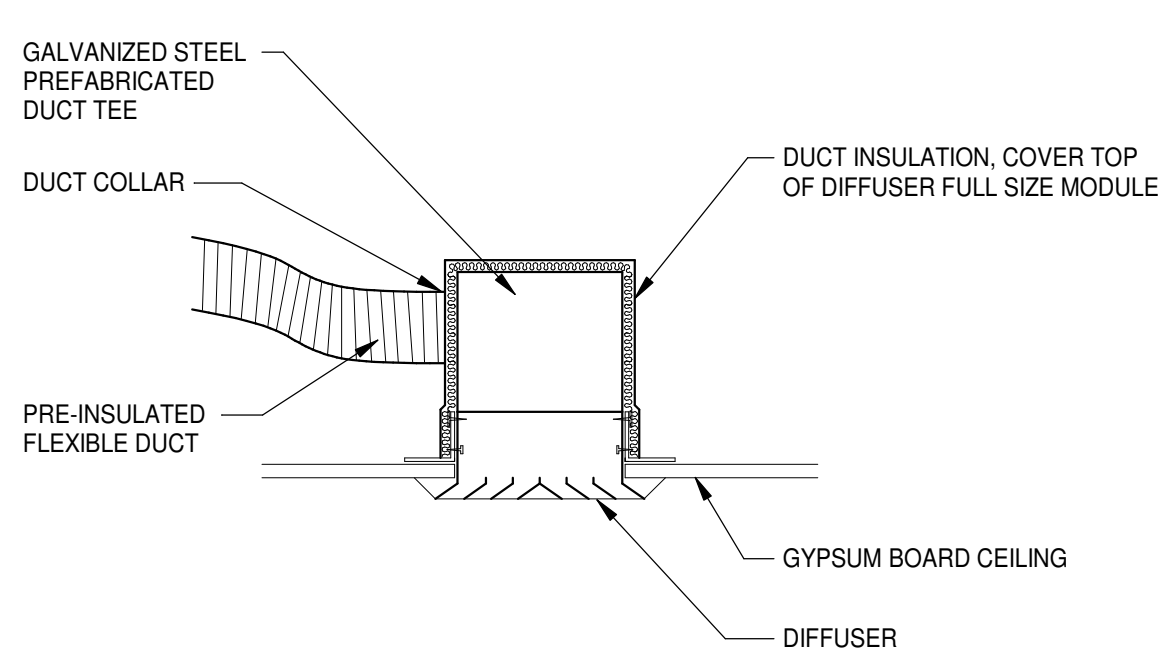
**DUCT SPLIT WITHOUT VANES DETAIL**



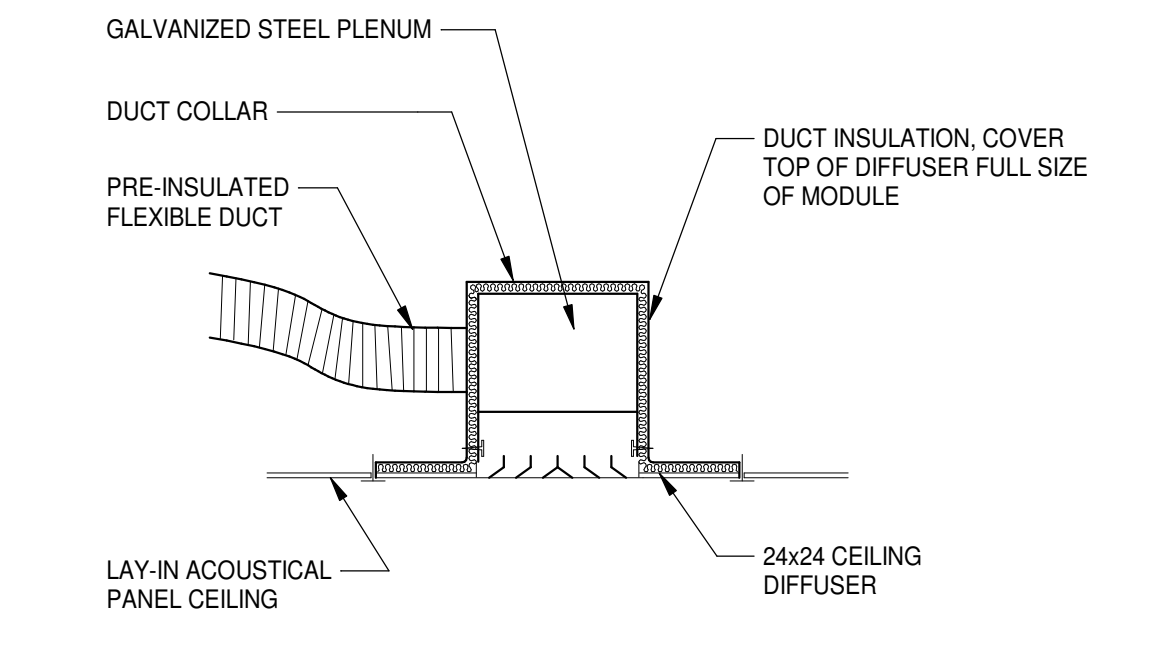
**WALL LOUVER DETAIL**  
NO SCALE



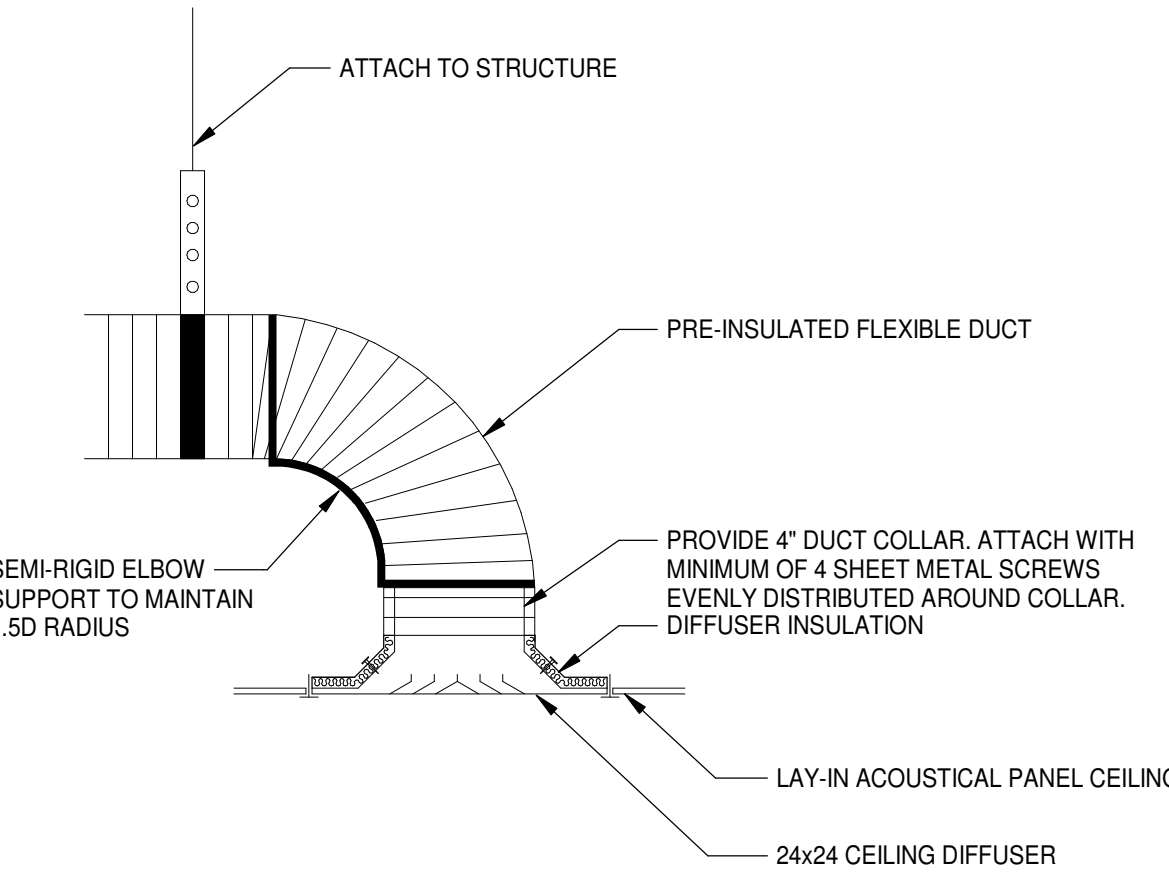
**CONDENSING UNIT MOUNTING DETAIL**  
NO SCALE



**SUPPLY DIFFUSER CONNECTION GYP**



**SUPPLY DIFFUSER CONNECTION LAYIN**



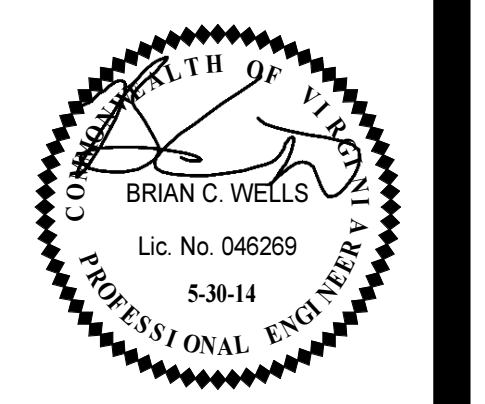
**SUPPLY DIFFUSER CONNECTION LAYIN-COLLAR**



PROJECT NO:	563006
DATE:	SEPTEMBER 22, 2021
REVISIONS	
DATE	DESCRIPTION


DETAILS & CONTROLS





DATE	REVISIONS
DATE	DESCRIPTION

### FIRE ALARM LEGEND

**SYMBOL DESCRIPTION**

- FIRE ALARM AUDIO/VISUAL NOTIFICATION DEVICE, MOUNT AT 80" AFF AND NOT MORE THAN 96". SUBSCRIPT NUMBER INDICATES STROBE CANDELA RATING.
- FIRE ALARM VISUAL STROBE NOTIFICATION DEVICE, 80" AFF AND NOT MORE THAN 96". SUBSCRIPT NUMBER INDICATES STROBE CANDELA RATING.
- FIRE ALARM AUDIO/VISUAL NOTIFICATION DEVICE WITH DEVICE GUARD, 80" AFF AND NOT MORE THAN 96". SUBSCRIPT NUMBER INDICATES STROBE CANDELA RATING. # / # INDICATES STROBE SETTING AND REDUCED EFFECTIVE OUTPUT WHEN DEVICE GUARD IS PRESENT.
- FIRE ALARM VISUAL STROBE NOTIFICATION DEVICE WITH DEVICE GUARD, 80" AFF AND NOT MORE THAN 96". SUBSCRIPT NUMBER INDICATES STROBE CANDELA RATING. # / # INDICATES STROBE SETTING AND REDUCED EFFECTIVE OUTPUT WHEN DEVICE GUARD IS PRESENT.
- FIRE ALARM AUDIO/VISUAL NOTIFICATION DEVICE, CEILING MOUNTED. SUBSCRIPT NUMBER INDICATES STROBE CANDELA RATING.
- FIRE ALARM VISUAL STROBE NOTIFICATION DEVICE, CEILING MOUNTED. SUBSCRIPT NUMBER INDICATES STROBE CANDELA RATING.
- FIRE ALARM AUDIO/VISUAL NOTIFICATION DEVICE WITH DEVICE GUARD, CEILING MOUNTED. SUBSCRIPT NUMBER INDICATES STROBE CANDELA RATING. # / # INDICATES STROBE SETTING AND REDUCED EFFECTIVE OUTPUT WHEN DEVICE GUARD IS PRESENT.
- FIRE ALARM VISUAL STROBE NOTIFICATION DEVICE WITH DEVICE GUARD, CEILING MOUNTED. SUBSCRIPT NUMBER INDICATES STROBE CANDELA RATING. # / # INDICATES STROBE SETTING AND REDUCED EFFECTIVE OUTPUT WHEN DEVICE GUARD IS PRESENT.

### GRAPHICS SYMBOLS LEGEND

- SPACE IDENTIFICATION TAG  
SPACE NUMBER  
BUILDING AREA (WHEN USED)
- SECTION WHERE CUT  
SECTION NUMBER  
DRAWING WHERE SECTION IS INDICATED
- ENLARGED PLAN WHERE CUT  
ENLARGED PLAN NUMBER  
DRAWING WHERE ENLARGED PLAN IS INDICATED
- DETAIL TAG  
DETAIL NUMBER  
DRAWING WHERE DETAIL IS INDICATED
- DETAIL TITLE  
DETAIL NUMBER  
DRAWING WHERE DETAIL IS INDICATED  
DRAWING WHERE DETAIL IS CUT  
ADDITIONAL DRAWING REFERENCES
- SECTION TITLE  
SECTION NUMBER  
DRAWING WHERE SECTION IS INDICATED  
DRAWING WHERE SECTION IS CUT  
ADDITIONAL DRAWING REFERENCES

### INTERIOR LIGHT FIXTURE SCHEDULE

TYPE	DESCRIPTION	FITTURE			LAMP			MOUNTING	OPTIONS		REFERENCE NOTE	COMMENTS
		MANUFACTURER	SERIES NO.	WATTAGE	LUMENS	QUANTITY	TYPE		COLOR TEMP.	DIMMING		
A1	2x4' FLAT PANEL LED	METALLUX	24FPX-31-L835-SVPD1	29	3800 lm	1	LED	3500 K	RECESSED	X		
A1E	2x4' FLAT PANEL LED EMERGENCY	METALLUX	24FPX-31-L835-SVPD1	29	3800 lm	1	LED	3500 K	RECESSED	X	X	
B1	2x2' FLAT PANEL LED	METALLUX	22FPX-21-L835-SVPD1	20	2500 lm	1	LED	3500 K	RECESSED	X		
B1E	2x2' FLAT PANEL LED EMERGENCY	METALLUX	22FPX-21-L835-SVPD1	20	2500 lm	1	LED	3500 K	RECESSED	X	X	
C1	6" CAN DOWN LIGHT	HALO	RL6069S1E1WHDMR	8	800 lm	1	LED	3500 K	RECESSED	X		NOT USED FOR FIRE STATION#1
C1E	6" CAN DOWN LIGHT EMERGENCY	HALO	RL6069S1E1WHDMR	8	800 lm	1	LED	3500 K	RECESSED	X	X	NOT USED FOR FIRE STATION#1
C2	6" CAN DOWN LIGHT WATER PROOF	HALO	RL6069S1E1WHDMR	8	800 lm	1	LED	3500 K	RECESSED	X		NOT USED FOR FIRE STATION#1
L1	1x4' LINEAR LED	CORELITE	CONTINUA S04 SUSPENDED	0	2228 lm	1	LED	3500 K	PENDANT	X		
L1E	1x4' LINEAR LED EMERGENCY	CORELITE	CONTINUA S04 SUSPENDED	0	2228 lm	1	LED	3500 K	PENDANT	X	X	
L2	1x4' LINEAR LED	METALLUX	4RBG6-SL1-L83CT3	27	3000 lm	1	LED	3500 K	RECESSED	X		
L2E	1x4' LINEAR LED EMERGENCY	METALLUX	4RBG6-SL1-L83CT3	27	3000 lm	1	LED	3500 K	RECESSED	X	X	
L3	1x4' LINEAR LE WATER PROOF	METALLUX	4RBG6-SL1-L83CT3	27	3000 lm	1	LED	3500 K	SURFACE	X		NOT USED FOR FIRE STATION#1
L3E	1x4' LINEAR LE WATER PROOF	METALLUX	4RBG6-SL1-L83CT3	27	3000 lm	1	LED	3500 K	SURFACE	X	X	NOT USED FOR FIRE STATION#1
V1	2' VANITY	METALLUX	2RBG6-SL1-L83CT3+2RB SURF6	32	1800 lm	1	LED	3500 K	WALL	X		NOT USED FOR FIRE STATION#1
X1	EXIT SIGN	ATLITE	REUR	5		1	LED		WALL			

**GENERAL NOTES:**  
 A. ALL FIXTURES SHALL BE CAPABLE OF 120V AND 277V INPUT (MVOLT), UNO.  
 B. REFER TO LIGHTING PLANS AND SPECIFICATIONS FOR ADDITIONAL FIXTURE INFORMATION.  
 C. 7/8" IN THE SCHEDULE INDICATES ITEM IS REQUIRED.  
 D. ALL LENS SHALL BE A MINIMUM 0.125" THICKNESS, UNO.

\* O = OCCUPANCY SENSOR; V = VACANCY SENSOR  
 \*\* PROVIDE BATTERY PACK WHERE INDICATED ON DRAWINGS, WIRE BATTERY LEADS AHEAD OF SWITCH FOR THE CIRCUIT IN THE SPACE TO MAINTAIN PROPER OPERATION IN CASE OF POWER LOSS.

**REFERENCE NOTES:**  
 1. NUMBER OF FACES AND DIRECTIONAL CHEVRONS AS INDICATED ON DWGS.  
 2. FIXTURE SHALL BE SUITABLE FOR DAMP LOCATIONS.  
 3. FIXTURE SHALL BE SUITABLE FOR WET LOCATIONS.

### COMMUNICATIONS LEGEND

NOTE: REFER TO TYPICAL COMMUNICATION OUTLET DETAIL FOR BOX & CONDUIT REQUIREMENTS. REFER TO TELECOMMUNICATION DEVICE DETAILS FOR CABLING AND TERMINAL JACK REQUIREMENTS.

**SYMBOL DESCRIPTION**

- TELECOMMUNICATIONS OUTLET, SUBSCRIPT NUMBER INDICATES OUTLET TYPE. MOUNT AT +3'-10" AFF.
- WESTNET SYSTEM, COORDINATE WITH COUNTY FOR SPECIALTY CONTRACTORS INSTALLATION.
- TELECOMMUNICATIONS OUTLET, SUBSCRIPT NUMBER INDICATES OUTLET TYPE. MOUNT AT +1'-8" AFF.

### LIGHTING LEGEND

**SYMBOL DESCRIPTION**

- LIGHT SWITCH, RATED 120/277 VOLTS, 20-AMPS, MOUNT AT +3'-10" AFF. SUBSCRIPT/SUPERSCRIPIT LETTERS, NUMBERS, AND SYMBOLS INDICATES SWITCH TYPE AS FOLLOWS:
  - 3 INDICATES 3-WAY LIGHT SWITCH
  - 4 INDICATES 4-WAY LIGHT SWITCH
  - D INDICATES DIMMER SWITCH
  - P INDICATES PILOT LIGHT, ON WHEN SWITCH IS ON
  - K INDICATES KEY OPERATED LIGHT SWITCH
  - OS INDICATES SWITCH WITH INTEGRAL OCCUPANCY SENSOR
  - OS 2 INDICATES DIMMER SWITCH WITH INTEGRAL OCCUPANCY SENSOR
  - OS 2 INDICATES DUAL RELAY INTEGRAL OCCUPANCY SENSOR, WIRED FOR MULTI-LEVEL SWITCHING
- LOWER CASE LETTER INDICATES LIGHT FIXTURE CONTROL DESIGNATION
- INDICATES SWITCHES WIRED FOR INBOARD/OUTBOARD SWITCHING.
- OMNI-DIRECTIONAL LIGHTING CONTROL, OCCUPANCY DETECTOR, CEILING MOUNT.
- DIRECTIONAL LIGHTING CONTROL, OCCUPANCY DETECTOR, WALL MOUNT AT 6" BELOW FINISHED CEILING.
- PHOTOELECTRIC CELL FOR LIGHTING CONTROL, WALL MOUNT AT +10'-0" AFF. AIM NORTH.
- LIGHT FIXTURE, CEILING MOUNT.
- LIGHT FIXTURE ON EMERGENCY POWER, CEILING MOUNT.
- LIGHTING FIXTURE.
- LIGHTING FIXTURE ON EMERGENCY POWER.
- WALL WASHER LIGHTING FIXTURE.
- LIGHT FIXTURE, WALL MOUNT, HEIGHT AS INDICATED.
- EMERGENCY EGRESS LIGHTING FIXTURE, WITH BATTERY PACK, WALL MOUNT AT +8'-0" AFF.
- EXIT SIGN, CEILING MOUNT, DIRECTIONAL ARROWS AS INDICATED. SHADING INDICATES FACE(S) OF SIGN.
- EXIT SIGN, WALL MOUNT, DIRECTIONAL ARROWS AS INDICATED. SHADING INDICATES FACE(S) OF SIGN.
- TRACK LIGHTS.
- LIGHT FIXTURE, POLE MOUNT.
- SPORTS LIGHTING POLE.

### DEMOLITION LEGEND

**SYMBOL DESCRIPTION**

- REMOVE DEVICES, EQUIPMENT, IN ACCORDANCE WITH THE GENERAL DEMOLITION NOTES.
- DEVICES ARE EXISTING TO REMAIN.
- WITHIN HATCHED AREAS, DISCONNECT AND REMOVE ALL ELECTRICAL MATERIALS INCLUDING BUT NOT LIMITED TO LIGHTS, DEVICES, EQUIPMENT, SPEAKERS, FIRE ALARM, COMMUNICATIONS, AND CIRCUITRY.

### GENERAL DEMOLITION NOTES

- A. PROVIDE ALL ELECTRICAL DEMOLITION WORK REQUIRED TO INSTALL THE WORK INDICATED. REMOVE, REROUTE, AND RECONNECT ALL BRANCH CIRCUITS THAT WILL REMAIN IN USE BUT INTERFERES WITH THE WORK.
- B. REMOVE ALL EXISTING CONDUITS THAT WILL NOT BE REUSED AND WHERE THEY WILL BE EXPOSED AFTER COMPLETION, ABANDON ALL OTHERS IN THE WALLS ONLY. DISCONNECT ALL WIRING INDICATED AND/OR REQUIRED TO BE REMOVED FROM ALL POWER SOURCES, REMOVE ALL WIRING FROM ABANDONED CONDUITS AND PROVIDE BLANK COVER PLATES FOR BOXES NOT UTILIZED FOR THE WORK.
- C. MAINTAIN CONTINUITY OF ALL EXISTING CIRCUITS TO REMAIN OR PORTIONS THEREOF AFFECTED BY THE WORK.
- D. BEFORE DEMOLITION, VERIFY WITH THE OWNER ALL EQUIPMENT TO BE SALVAGED TO OWNER AND NOT REMOVED FROM THE SITE. FOR ALL REMAINING EQUIPMENT INDICATED FOR REMOVAL (AND NOT RELOCATED), REMOVE AND DISPOSE IN A LEGAL MANNER.
- E. EXERCISE CARE IN REMOVING DEMOLITION ITEMS. REPAIR OR REPLACE ALL DAMAGE CAUSED TO EXISTING CONSTRUCTION AND EQUIPMENT TO REMAIN.
- F. DRAWINGS ARE BASED UPON EXISTING PLANS AND FIELD INVESTIGATION WITHOUT DEMOLITION. VISIT THE EXISTING BUILDING AND BECOME FAMILIAR WITH ALL EXISTING CONDITIONS AND EXAMINE ALL DRAWINGS TO AVOID CONFLICTS.
- G. WHERE DEMOLITION OF TELECOMMUNICATIONS DEVICES OCCUR, REMOVE CABLING NOT INDICATED TO REMAIN BACK TO POINT OF ORIGIN.
- H. DEMOLITION FLOOR PLANS ARE PROVIDED FOR REFERENCE ONLY TO AID IN DEFINING THE SCOPE OF DEMOLITION WORK.

### POWER LEGEND

**SYMBOL DESCRIPTION**

- APPLIANCE RECEPTACLE, MOUNT AT +1'-6" AFF. PROVIDE NEMA CONFIGURATION TO MATCH PLUG FOR EQUIPMENT SERVED.
- APPLIANCE RECEPTACLE, MOUNT AT +1'-6" AFF. PROVIDE NEMA CONFIGURATION TO MATCH PLUG FOR EQUIPMENT SERVED. CONNECT TO EMERGENCY POWER, PROVIDE RED DEVICE.
- DUPLEX RECEPTACLE, NEMA 5-20R, MOUNT AT +1'-6" AFF.
- DUPLEX RECEPTACLE USB, NEMA 5-20R, MOUNT AT +1'-6" AFF.
- DUPLEX RECEPTACLE, NEMA 5-20R, MOUNT AT +3'-10" AFF.
- DUPLEX RECEPTACLE, NEMA 5-20R, MOUNT AT +7'-6" AFF.
- GFCI DUPLEX RECEPTACLE, NEMA 5-20R, MOUNT AT +1'-6" AFF. PROVIDE NEMA 3R "WHILE IN USE" ENCLOSURE.
- GFCI DUPLEX RECEPTACLE, NEMA 5-20R, MOUNT AT +1'-6" AFF.
- GFCI DUPLEX RECEPTACLE, NEMA 5-20R, MOUNT AT +3'-10" AFF.
- DOUBLE DUPLEX RECEPTACLE, NEMA 5-20R, MOUNT AT +1'-6" AFF.
- DOUBLE DUPLEX RECEPTACLE, NEMA 5-20R, MOUNT AT +3'-10" AFF.
- DISCONNECT SWITCH, FUSIBLE OR NON-FUSIBLE AS INDICATED. MOUNT W/HANDLE AT +4'-6" AFF, UNO.
- BRANCH CIRCUIT RUN CONCEALED, UNO. DASHED INDICATES CIRCUITRY REQUIRED TO BE RUN BELOW SLAB.
- STRAIGHT LINEWORK FOR CIRCUITRY INDICATES EMERGENCY POWER CIRCUIT. INDICATED FOR CLARITY ONLY. ACTUAL HOMERUN DESIGNATION OVERRIDES THIS SYMBOLOLOGY.
- BRANCH CIRCUIT HOME RUN TO PANELBOARD AND CIRCUIT INDICATED.
- PANELBOARD.
- TRANSFORMER, PROVIDE CONCRETE HOUSEKEEPING PAD UNLESS NOTED OTHERWISE.
- RELAY, NO OR NIC AS INDICATED.
- RELAY, NORMALLY OPEN.
- RELAY, NORMALLY CLOSED.
- FEEDER TAG. REFER TO FEEDER SCHEDULE ON DWG E5.1.

### GENERAL NOTES

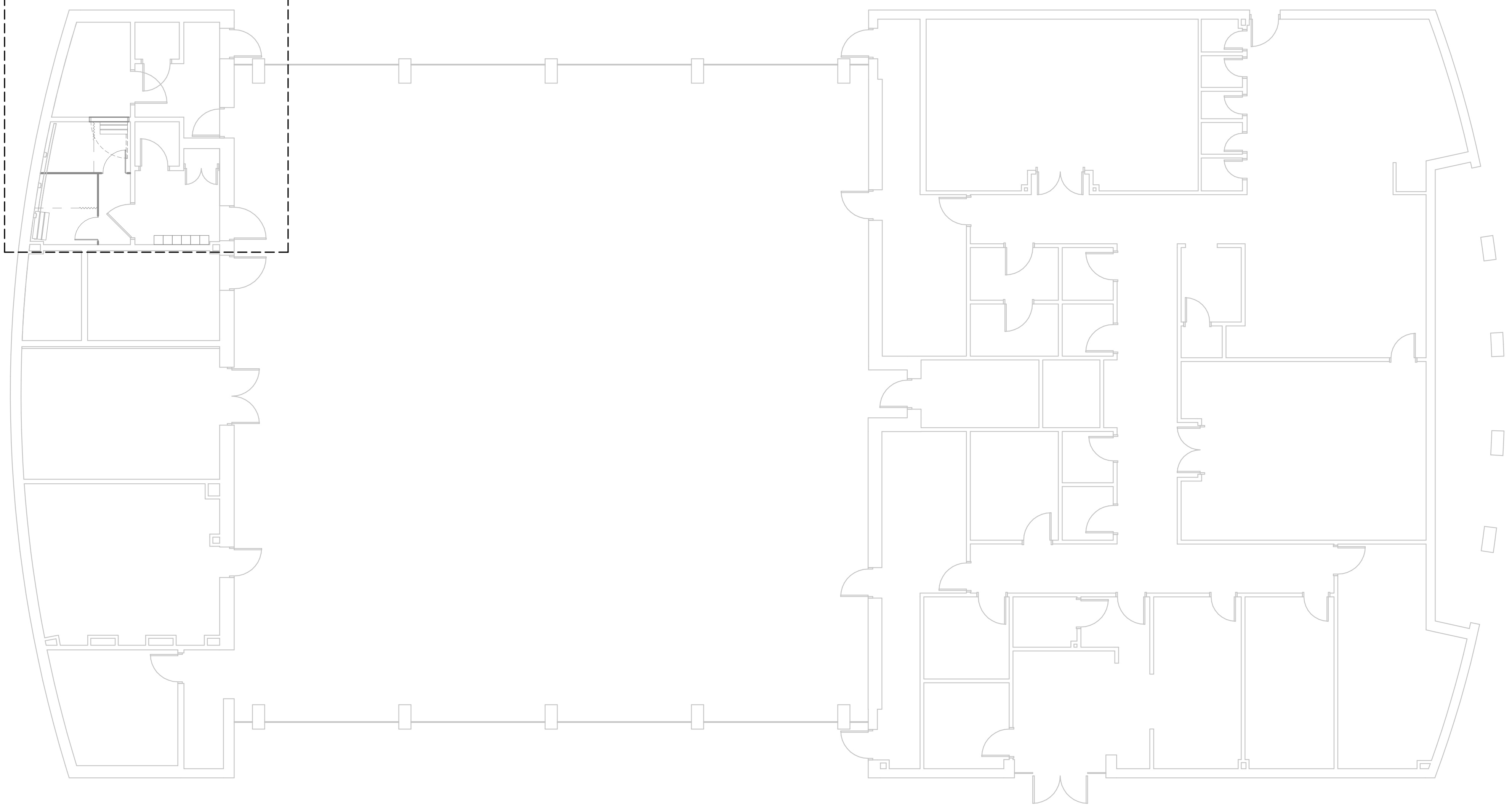
- A. THE CONTRACT DOCUMENTS ARE COMPLEMENTARY AND WHAT IS REQUIRED BY ONE SHALL BE AS BINDING AS IF REQUIRED BY ALL. IN THE CASE OF A CONFLICT, DISAGREEMENT, OR AMBIGUITY, PROVIDE THE BETTER QUALITY. IN THE CASE OF A CONFLICT, DISAGREEMENT, OR AMBIGUITY, PROVIDE THE GREATER QUANTITY OF WORK.
- B. FOLLOW MOUNTING HEIGHTS INDICATED IN THE ELECTRICAL LEGEND UNLESS OTHERWISE INDICATED. MEASURE ALL MOUNTING HEIGHTS FROM THE DEVICE CENTER LINE UNLESS OTHERWISE INDICATED.
- C. FIELD VERIFY EXACT FEEDER LOCATIONS FOR MECHANICAL EQUIPMENT PRIOR TO ROUGH-IN.
- D. EQUIPMENT CONNECTIONS ARE INDICATED IN THEIR APPROXIMATE LOCATIONS. VERIFY EXACT LOCATIONS OF ALL CONNECTIONS WITH OTHER TRADES SUPPLYING EQUIPMENT TO AVOID CONFLICTS AT INSTALLATION.
- E. LOCATED ALL SWITCHES FOR LOCAL CONTROL OF LIGHTING ON STRIKE SIDE OF SINGLE DOORS UNLESS OTHERWISE INDICATED.
- F. PROVIDE SPECIFIC BREAKER ARRANGEMENT FOR THE PANEL BOARDS WHEREVER PHYSICALLY POSSIBLE. PROVIDE AS-BUILT DRAWINGS INDICATING ACTUAL BRANCH CIRCUIT ARRANGEMENT. PROVIDE TYPE WRITTEN PANELBOARD DIRECTORIES INDICATING ACTUAL BRANCH CIRCUIT ARRANGEMENT.
- G. PROVIDE AS-BUILT DRAWINGS INDICATING ACTUAL BRANCH CIRCUIT ARRANGEMENT. PROVIDE TYPE WRITTEN PANELBOARD DIRECTORIES INDICATING ACTUAL BRANCH CIRCUIT ARRANGEMENT. HAND WRITTEN SCHEDULES ARE NOT ACCEPTABLE.
- H. ALL CONDUIT RUNS INDICATED ARE DIAGRAMMATIC. COORDINATE ROUTING IN ALL SPACES WITH OTHER TRADES.
- I. ALL PANELBOARDS INDICATED ARE HOUSED IN A SINGLE WIDTH ENCLOSURE, UNO. THE CONTRACTOR SHALL FIELD VERIFY ROOM LAYOUT AND ADJUST ACCORDINGLY, AT NO COST TO THE OWNER, IF PROVIDING ANY PANELBOARD ENCLOSURES.
- J. WHERE POWER AND COMMUNICATION OUTLETS ARE INDICATED IN CLOSE PROXIMITY ON THE DRAWINGS, FIELD COORDINATE THE LOCATIONS TO PLACE THE OUTLETS ADJACENT TO EACH OTHER.
- K. ALL EXTERIOR RECEPTACLES SHALL BE LABELED "WV" - WEATHER RESISTANT.
- L. WHEN GROUPING MULTIPLE LINE TO NEUTRAL BRANCH CIRCUITS IN A CONDUIT, PROVIDE DEDICATED COLOR CODED NEUTRAL CONDUCTORS FOR EACH CIRCUIT. DO NOT USE BREAKER TIES AND SHARED NEUTRALS EVEN THOUGH PERMITTED BY NEC.
- M. PROVIDE A 2" WIDE YELLOW LINE PAINTED ON THE FLOOR INDICATING THE ELECTRICAL WORKING SPACE. IN FRONT OF ALL ELECTRICAL PANELS IN ELECTRICAL ROOMS, REFER TO PLANS FOR ELECTRICAL WORKING SPACE DETAILS. STENCIL "NO STORAGE IN 2" HIGH, YELLOW LETTERS CENTERED IN THE OUTLINED AREA.

### ABBREVIATIONS

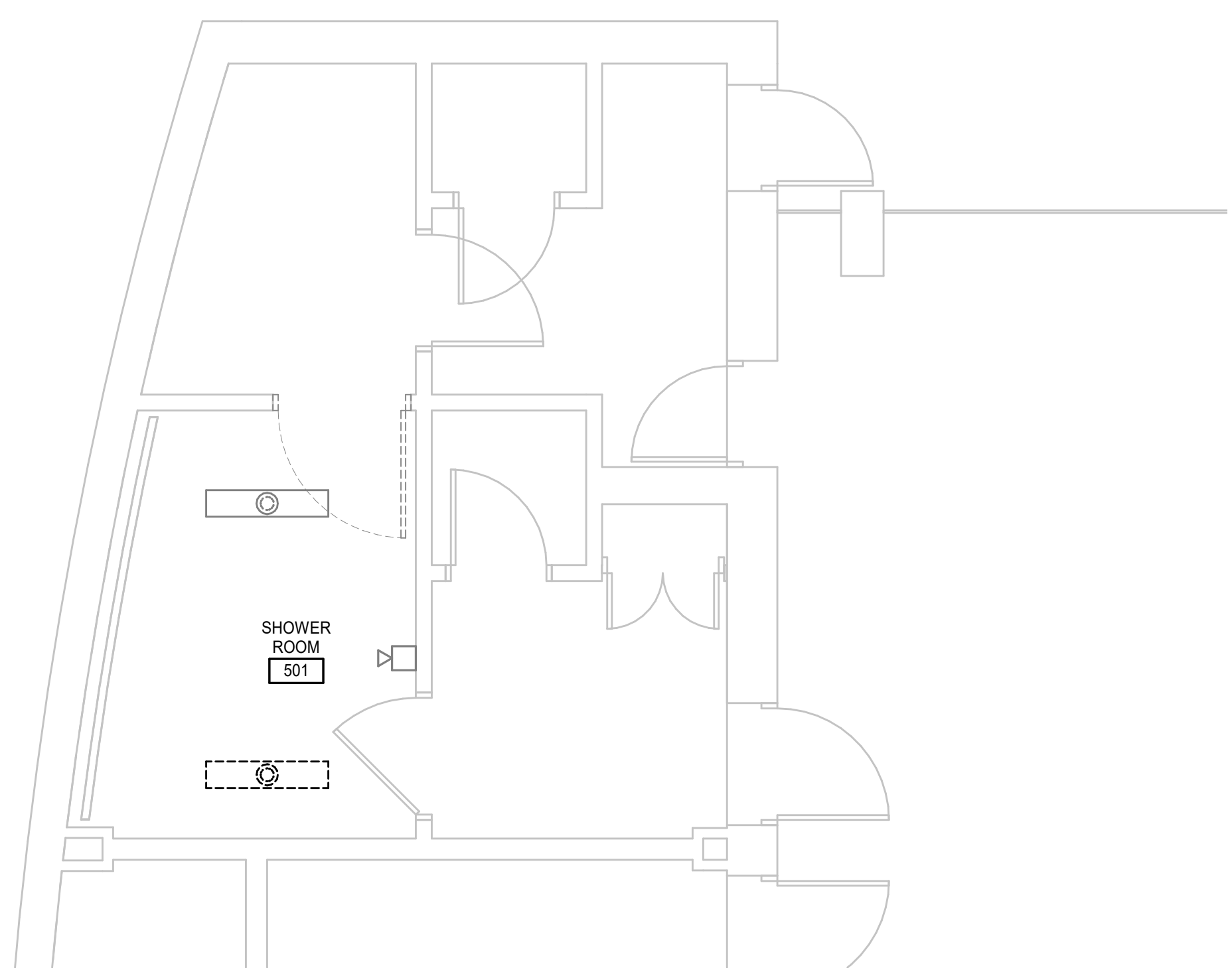
1P	SINGLE PHASE
3P	THREE PHASE
3R	WEATHERPROOF (NEMA 3R)
A	AMPS
AF	ABOVE FINISHED FLOOR
AL	ALUMINUM
ATS	AUTOMATIC TRANSFER SWITCH
BFC	BELOW FINISHED CEILING
BFG	BELOW FINISHED GRADE
BKR	BREAKER
C	CONDUIT
CATV	COMMUNITY ANTENNA TELEVISION (CABLE)
CB	CIRCUIT BREAKER
CBL	CABLE
CCTV	CLOSED CIRCUIT TELEVISION
CCT	CIRCUIT
CLG	CEILING
CLR	CLEAR
CO	COMPANY
COMB	COMBINATION
COMM	COMMUNICATIONS
CU	COPPER
DA	DIAMETER
DISC	DISCONNECT
DIV	DIVISION
DWG	DRAWING
EBH	ELECTRIC BASEBOARD HEATER
EC	EMPTY CONDUIT
ECS	EMERGENCY COMMUNICATIONS STATION
ELEC	ELECTRICAL
ELEV	ELEVATOR
EPO	EMERGENCY POWER OFF
EQ	EQUIPMENT
ETR	EXISTING TO REMAIN
EWC	ELECTRIC WATER COOLER
EX	EXISTING
EXT	EXTERIOR
FA	FIRE ALARM
FAAP	FIRE ALARM ANNUNCIATOR PANEL
FACP	FIRE ALARM CONTROL PANEL
FAGP	FIRE ALARM GRAPHIC PANEL
FAXP	FIRE ALARM EXTENDER PANEL
FFSCP	FIRE FIGHTERS SMOKE CONTROL PANEL
FLA	FULL LOAD AMPS
FFMR	FUSE PER MANUFACTURERS REQUIREMENTS/RECOMMENDATIONS
FPND	FUSE PER NAMEPLATE DATA
G	GROUND
GE	GROUND FAULT PROTECTION FOR EQUIPMENT, 5-60mA PER NEC 477.22 (PROVIDE ACCESSORY FOR INDICATED BREAKER)
GFCI	GROUND FAULT CIRCUIT INTERRUPT
GFP	GROUND FAULT PROTECTION FOR PERSONNEL, 4-6mA (PROVIDE ACCESSORY FOR INDICATED BREAKER)
HKP	HOUSEKEEPING PAD
HP	HORSEPOWER
HPS	HIGH PRESSURE SODIUM
HZ	HERTZ
IAW	IN ACCORDANCE WITH
IG	ISOLATED GROUND
J-BOX	JUNCTION BOX
KHFS	KITCHEN HOOD FIRE SUPPRESSION SYSTEM
KHZ	KILOHERTZ
KVA	KILOVOLT AMPS
KW	KILOWATTS
KWH	KILOWATT HOURS
L	LOCKOUT TO PREVENT UNAUTHORIZED SWITCHING (PROVIDE ACCESSORY FOR INDICATED BREAKER)
LC	ROUTE CIRCUIT TO LOAD VIA LIGHTING CONTACTOR, REFER TO LC SCHEDULE
LED	LIGHT EMITTING DIODE
LTG	LIGHTING
LTS	LIGHTS
MAX	MAXIMUM
MCA	MINIMUM CIRCUIT AMPACITY
MCB	MAIN CIRCUIT BREAKER
MCC	MOTOR CONTROL CENTER
MH	METAL HALIDE
MHZ	MEGAHERTZ
MIN	MINIMUM
ML	MAINTENANCE LOCK (PROVIDE ACCESSORY FOR INDICATED BREAKER)
MLO	MAIN LUG ONLY
MMS	MASS NOTIFICATION SYSTEM
MOSP	MAXIMUM OVER CURRENT PROTECTION
MTD	MOUNTED
N	NEUTRAL
N/C	NORMALLY CLOSED
N/O	NORMALLY OPEN
NO	NUMBER
OFCI	OWNER FURNISHED CONTRACTOR INSTALLED
P	PILOT LIGHT (AT THE SWITCH HANDLE)
PBD	PANELBOARD
PD	PROTECTIVE DEVICE
RCPT	RECEPTACLE
REC	RECEPTACLE
SEC	SECURITY
SPD	SURGE PROTECTIVE DEVICE
SPEC.	SPECIFICATIONS
SH	SHUNT TRIP, 120V COIL, (PROVIDE ACCESSORY FOR INDICATED BREAKER)
SW	SWITCH
SWBD	SWITCHBOARD
TBB	TELECOMMUNICATIONS BONDING BACKBONE
TO	TELECOMMUNICATIONS CLOSET
TELECOM	TELECOMMUNICATIONS
TGB	TELECOMMUNICATIONS GROUNDING BUS BAR
TMBG	TELECOMMUNICATIONS MAIN GROUNDING BUS BAR
TYP	TYPICAL
UNO	UNLESS NOTED (INDICATED) OTHERWISE
V	VOLTS
VFD	VARIABLE FREQUENCY DRIVE
W	WATTS
WG	WIRE GUARD
WP	WEATHERPROOF
XFER	TRANSFER
XPMR	TRANSFER



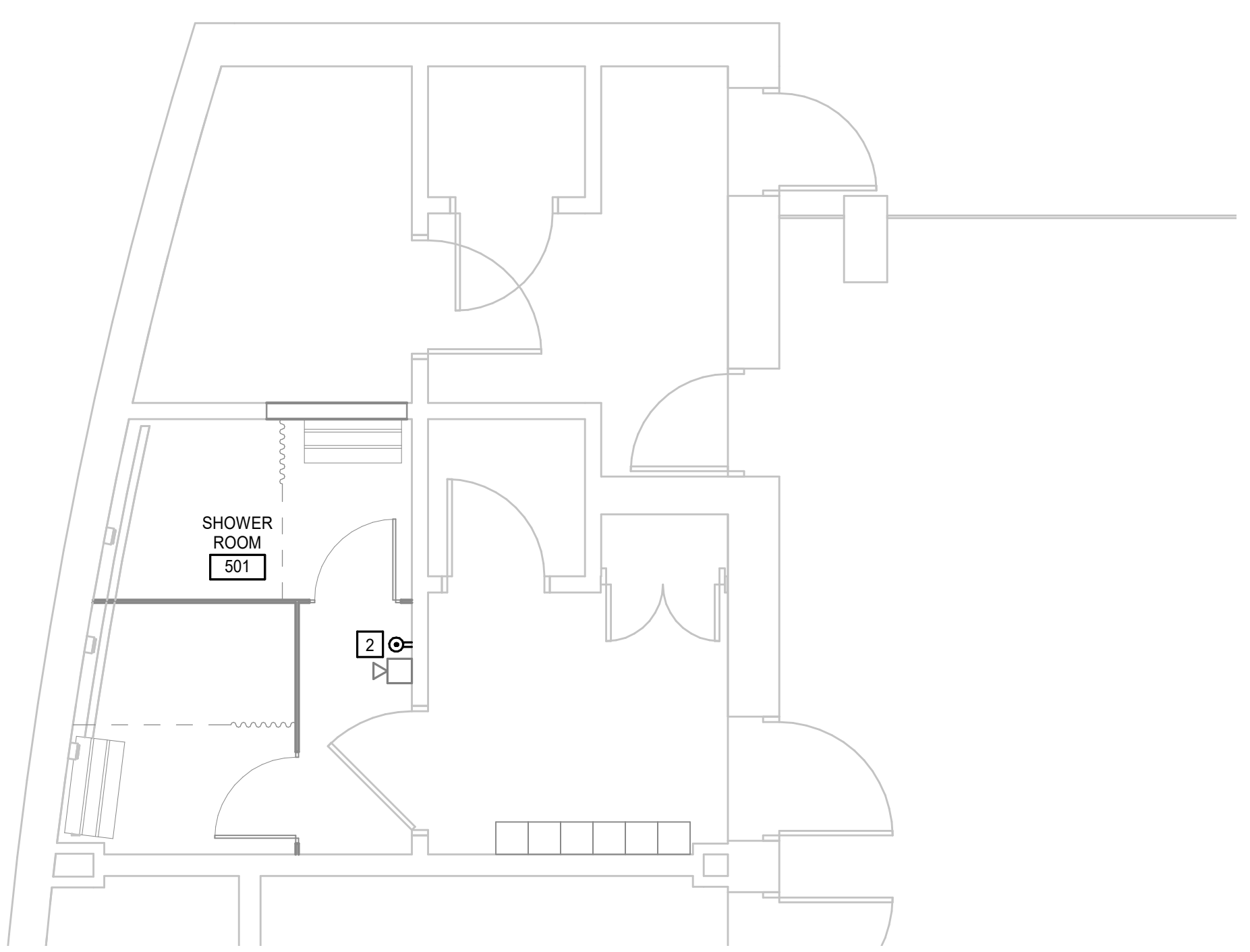
SCOPE OF WORK E1.4



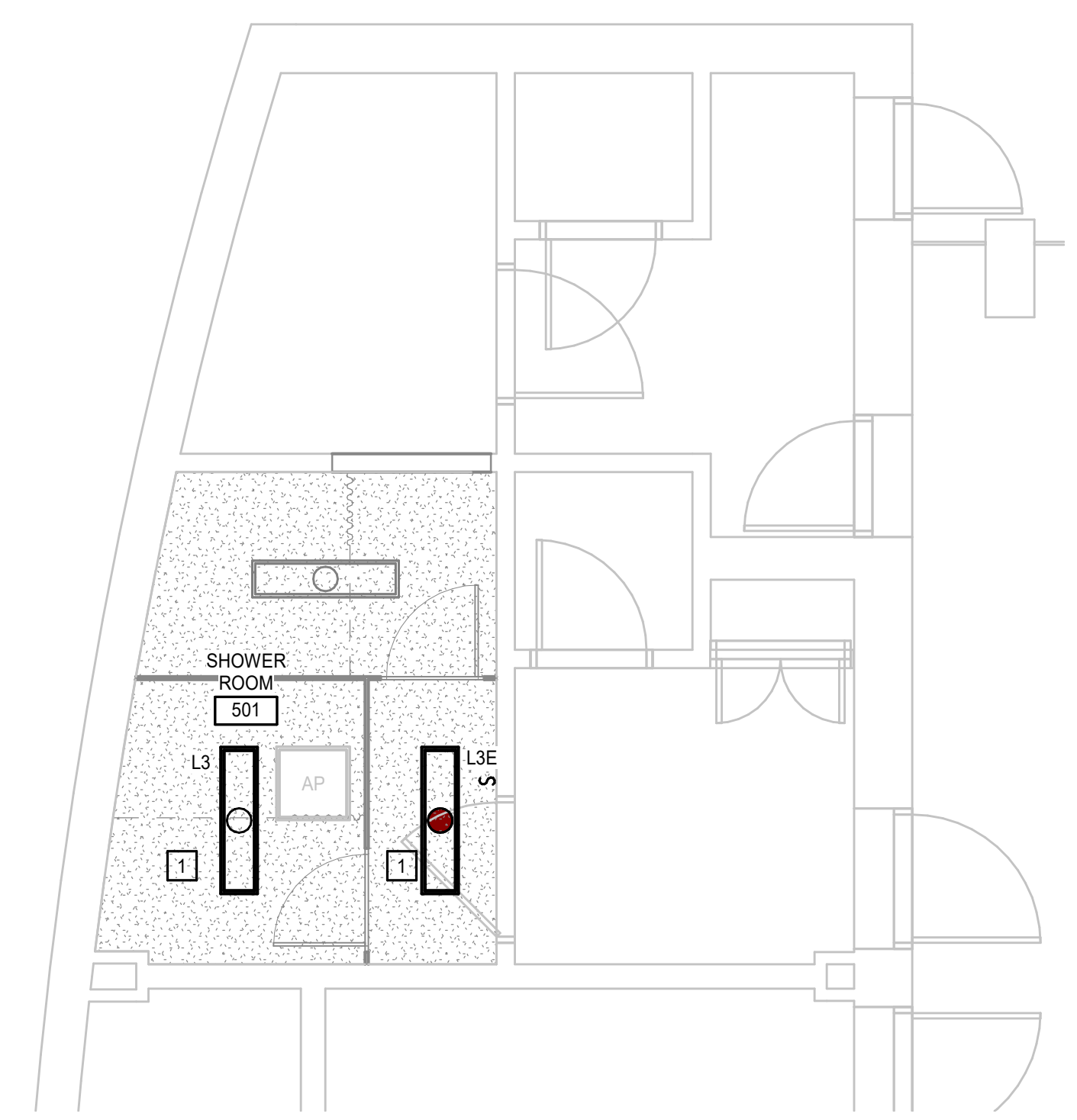
**FIRST FLOOR OVER ALL PLAN - FIRE STATION 5**  
1/8" = 1'-0"



**FIRST FLOOR DEMOLITION PLAN - STATION 5**  
1/4" = 1'-0"



**FIRST FLOOR POWER AND COMMUNICATION PLAN - STATION 5**  
1/4" = 1'-0"

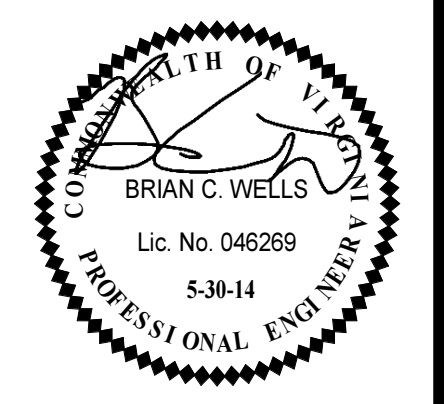


**FIRST FLOOR LIGHTING PLAN - STATION #5**  
1/4" = 1'-0"

**KEYNOTES**  
APPLIES TO DRAWINGS E1.4  
REPRESENTED BY [1]

1. CONNECT NEW LIGHTING TO EXISTING LIGHTING CIRCUIT.
2. CONNECT NEW RECEPTACLES TO EXISTING CIRCUIT.
3. BATTERY CALCS ARE REQUIRED FOR THE ADDED DEVICES AND ADDITIONAL BATTERY CAPACITY IS REQUIRED IF CALCS INDICATE THAT IT IS NEEDED.

**MOSELEYARCHITECTS**  
5200 NORFOLK STREET, RICHMOND, VA 23230  
PHONE (804) 794-7557 FAX (804) 355-5690  
MOSELEYARCHITECTS.COM

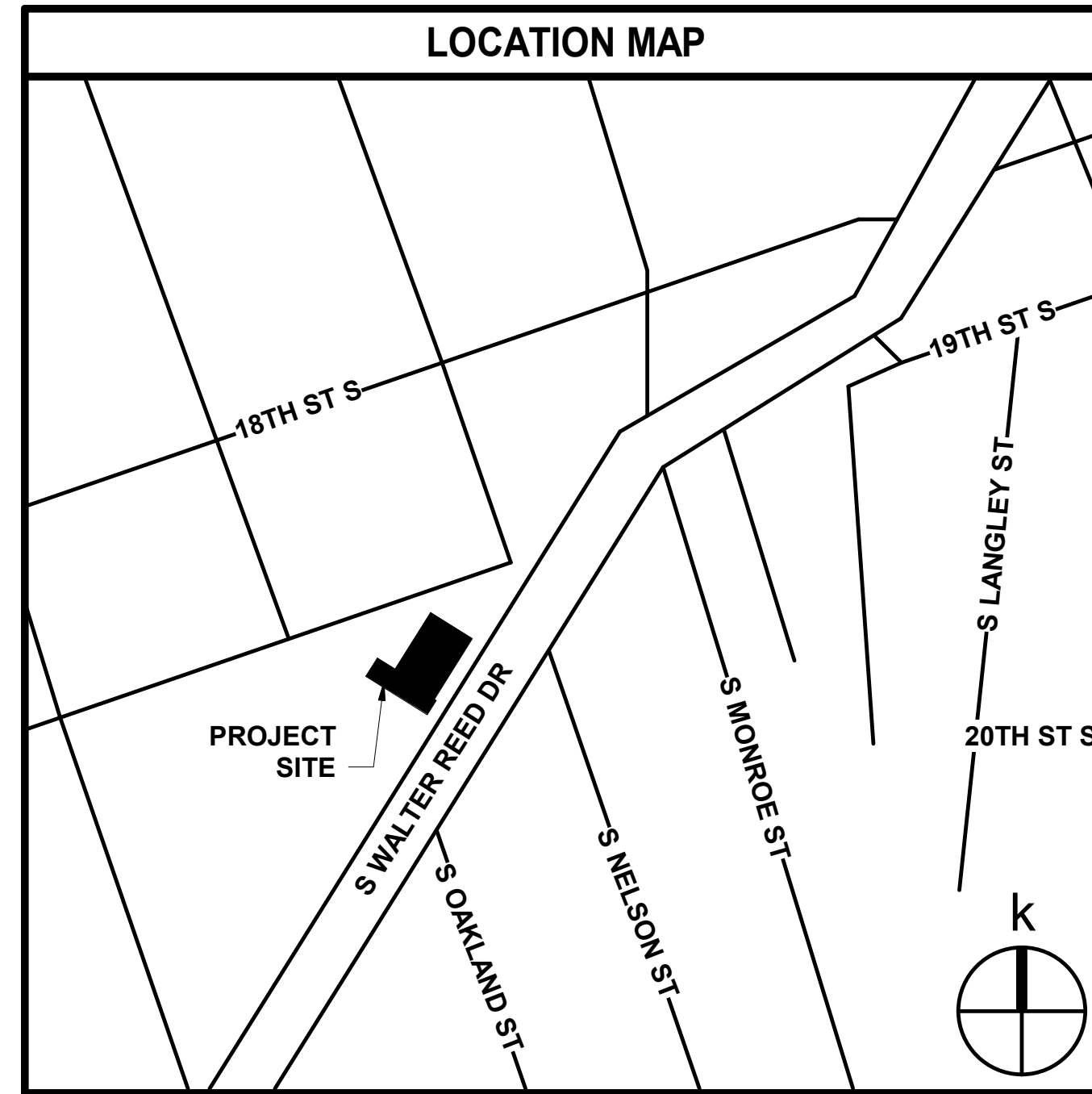
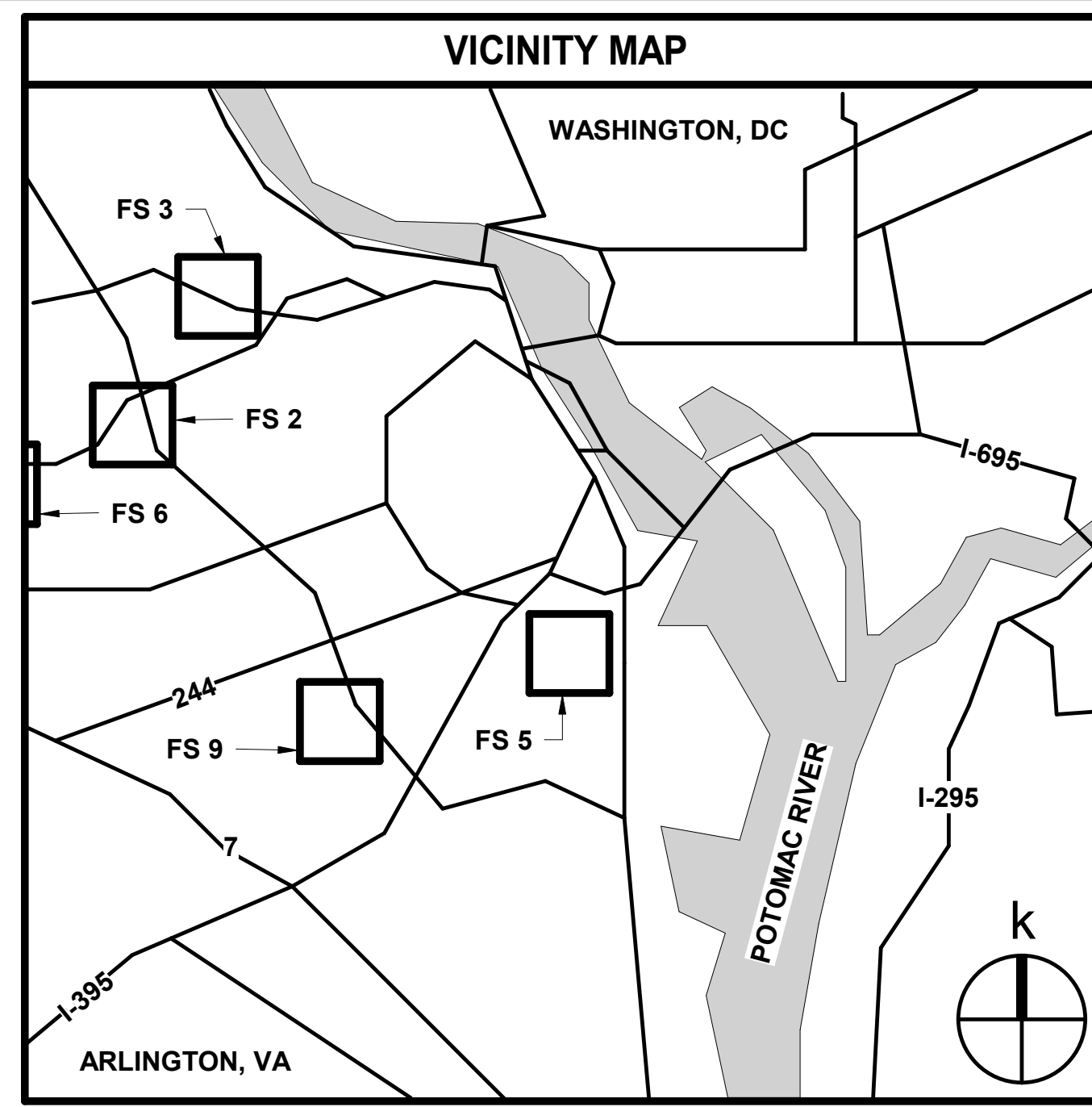


**KELLY DAY RENOVATIONS FS 5**  
563006  
1750 S Hayes St, Arlington, VA 22202  
Owner: Arlington County

PROJECT NO:	563006
DATE:	SEPTEMBER 22, 2021
REVISIONS	
DATE	DESCRIPTION

FIRST FLOOR ELECTRICAL PLAN - FIRE STATION 5

**E1.4**



# PERMIT SET

# KELLY DAY RENOVATIONS

# FS 9

1900 S Walter Reed Dr, Arlington, VA 22204  
563006

**MOSELEY**ARCHITECTS

3200 NORFOLK STREET, RICHMOND, VA 23230  
PHONE (804) 794-7555 FAX (804) 355-5690  
MOSELEYARCHITECTS.COM

**MOSELEY**ARCHITECTS

3200 NORFOLK STREET, RICHMOND, VA 23230  
PHONE (804) 794-7555 FAX (804) 355-5690  
MOSELEYARCHITECTS.COM



**KELLY DAY RENOVATIONS FS 9**  
563006  
1900 S Walter Reed Dr, Arlington, VA 22204  
Owner: Arlington County

### DRAWING INDEX

COVER	
CF59	COVER - FS9
ARCHITECTURAL	
A0.9	GENERAL ARCHITECTURAL INFORMATION - FS9
A0.10	WALL/PARTITION TYPES, SCHEDULES, & TERMINATIONS - FS9
A2.9	FIRE STATION 9 DRAWINGS
STRUCTURAL	
S0.0.1	GENERAL NOTES AND LEGENDS
S2.9	FRAMING PLANS - FS9
S3.0.1	TYPICAL SLAB DETAILS
S4.0.1	TYPICAL MASONRY WALL AND LINTEL DETAILS
PLUMBING	
P0.9	LEGENDS, ABBREVIATIONS AND GENERAL NOTES - FS9
P2.9	FLOOR PLANS - FS9
MECHANICAL	
M0.1	LEGENDS, ABBREVIATIONS, SCHEDULES, AND GENERAL NOTES
M1.6	FIRST FLOOR DEMOLITION PLAN - FIRE STATION 9
M2.6	FIRST FLOOR PLAN - FIRE STATION 9
M5.1	DETAILS & CONTROLS
ELECTRICAL	
E0.1	LEGENDS, ABBREVIATIONS AND GENERAL NOTES
E1.6	FIRST FLOOR DEMOLITION PLAN - FIRE STATION 9
E2.6	FIRST FLOOR LIGHTING, POWER AND COMMUNICATION PLANS - FIRE STATION 9

### POINTS OF CONTACT

**ARCHITECT:**  
ANDREW MCVEIGH - PROJECT MANAGER  
MOSELEY ARCHITECTS  
804-545-6110  
AMCVEIGH@MOSELEYARCHITECTS.COM

**OWNER:**  
MICHAEL MANOS - PROJECT MANAGER  
ARLINGTON COUNTY, VIRGINIA  
703-228-4437  
MMANOS@ARLINGTONVA.US

**USER:**  
CAPTAIN RICHARD SLUSHER  
ARLINGTON COUNTY FIRE DEPARTMENT  
RSLUSHER@ARLINGTONVA.US

### HAZARDOUS MATERIALS:

IT IS NOT ANTICIPATED THAT THE CONTRACTOR WILL ENCOUNTER HAZARDOUS MATERIALS WHILE EXECUTING THE WORK. THE EXISTING BUILDINGS HAVE NOT BEEN TESTED FOR THE PRESENCE OF HAZARDOUS MATERIALS. DURING THE COURSE OF THE WORK, IF THE CONTRACTOR HAS REASON TO SUSPECT THE PRESENCE OF HAZARDOUS MATERIALS, STOP WORK AND IMMEDIATELY NOTIFY THE OWNER AND ARCHITECT.

PROJECT NO:	563006
DATE:	SEPTEMBER 22, 2021
REVISIONS	
DATE	DESCRIPTION

COVER - FS9

THE CONTRACT DOCUMENTS ARE COMPLEMENTARY, AND WHAT IS REQUIRED BY ONE SHALL BE AS BINDING AS IF REQUIRED BY ALL. IN CASE OF A CONFLICT, DISAGREEMENT, OR AMBIGUITY, PROVIDE THE BETTER QUALITY. IN CASE OF A CONFLICT, DISAGREEMENT, OR AMBIGUITY, PROVIDE THE GREATER QUANTITY OF WORK.





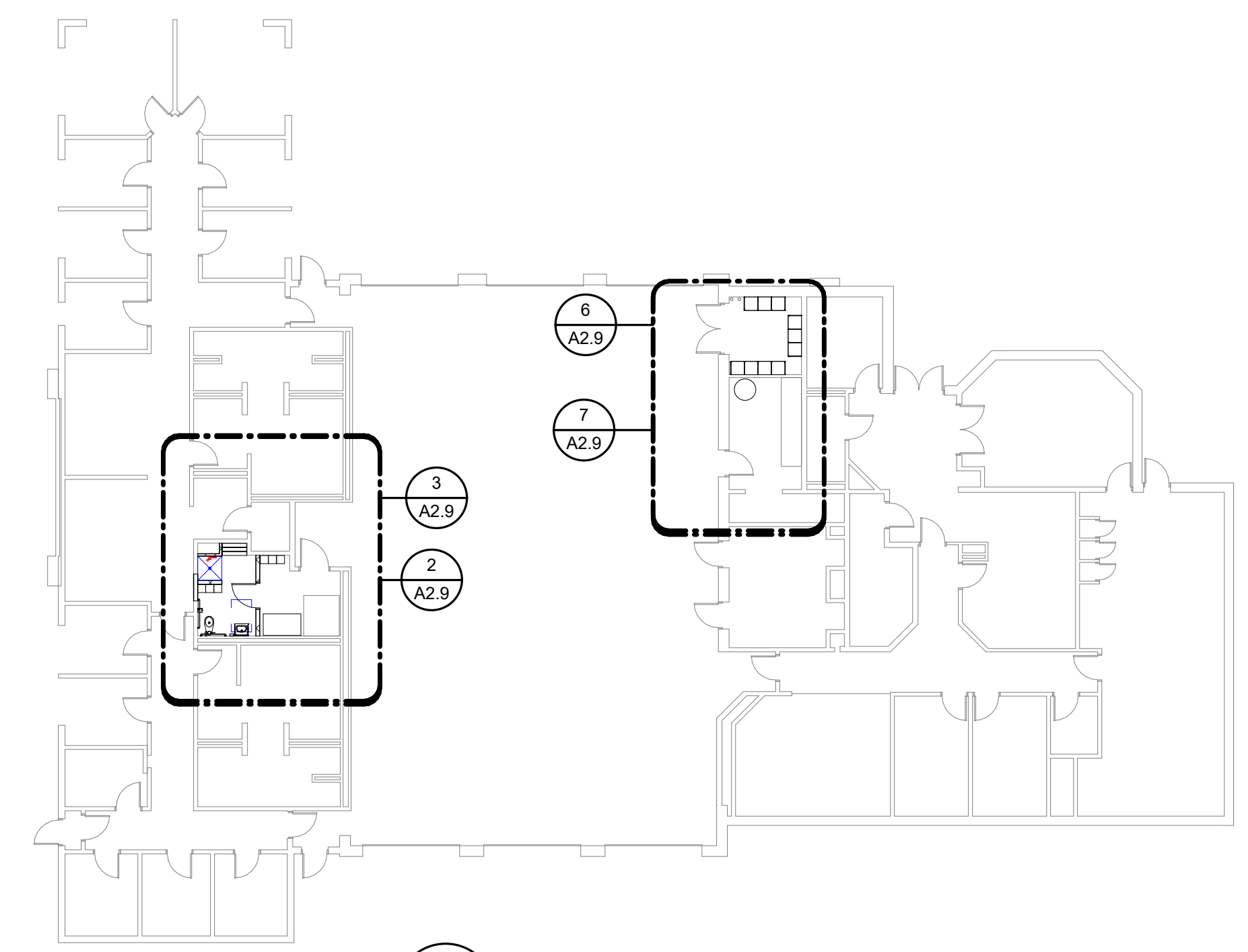




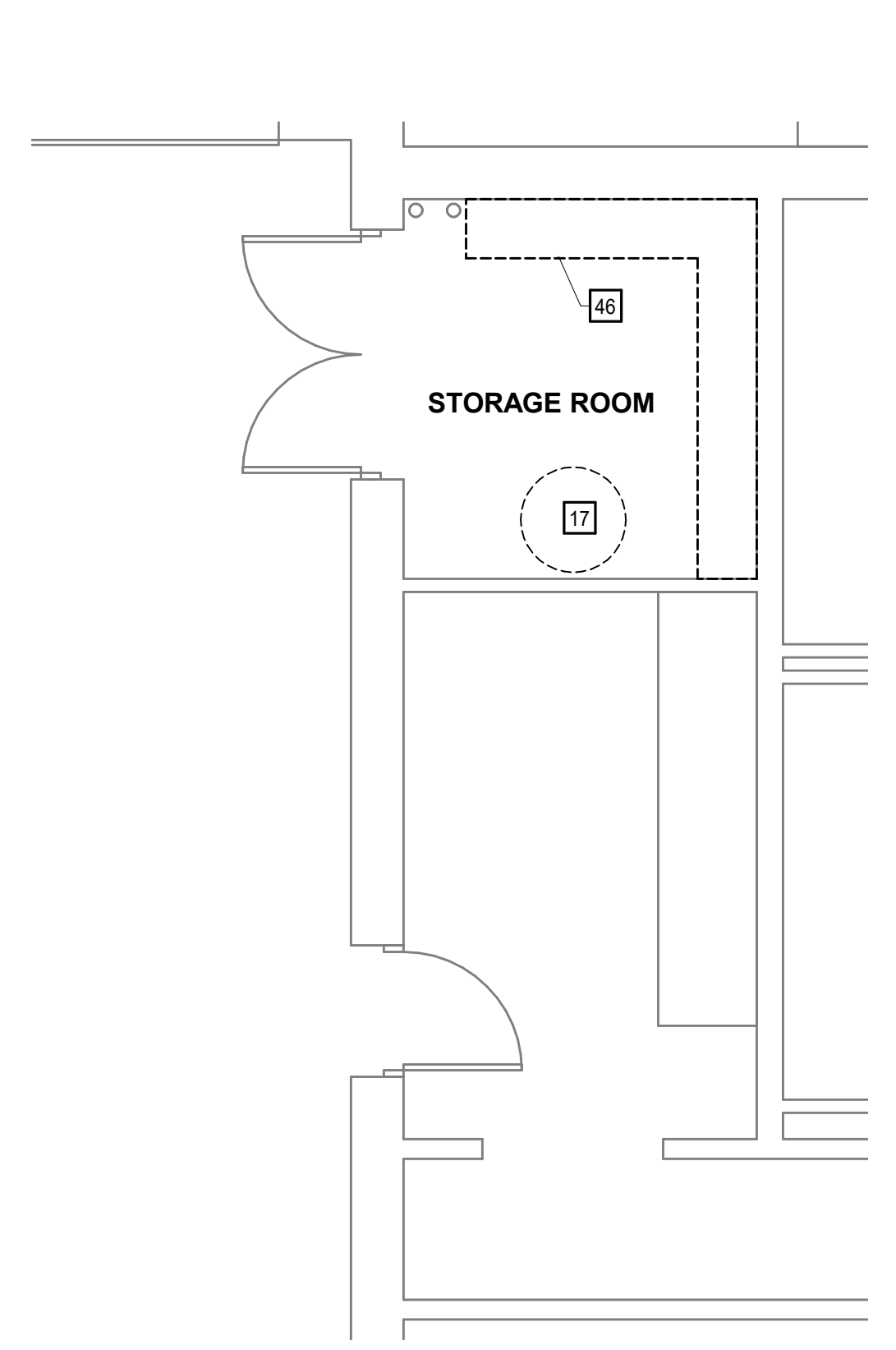


FINISH SCHEDULE FS9											
Department	NUMBER	NAME	FLOOR	BASE	WALLS				WAINSCOT	CEILING	NOTES
					NORTH	EAST	SOUTH	WEST			
FS9	901	DECONTAMINATION	ETR	ETR	PT	PT	PT	PT		ACP	FULL HEIGHT PORCELAIN TILE IN SHOWER, 7-2" PORCELAIN TILE WAINSCOT NOT IN SHOWER AREA
FS9	902	SHOWER ROOM	P-TILE	P-TILE	P-TILE	P-TILE	P-TILE	P-TILE	P-TILE	GB PT	

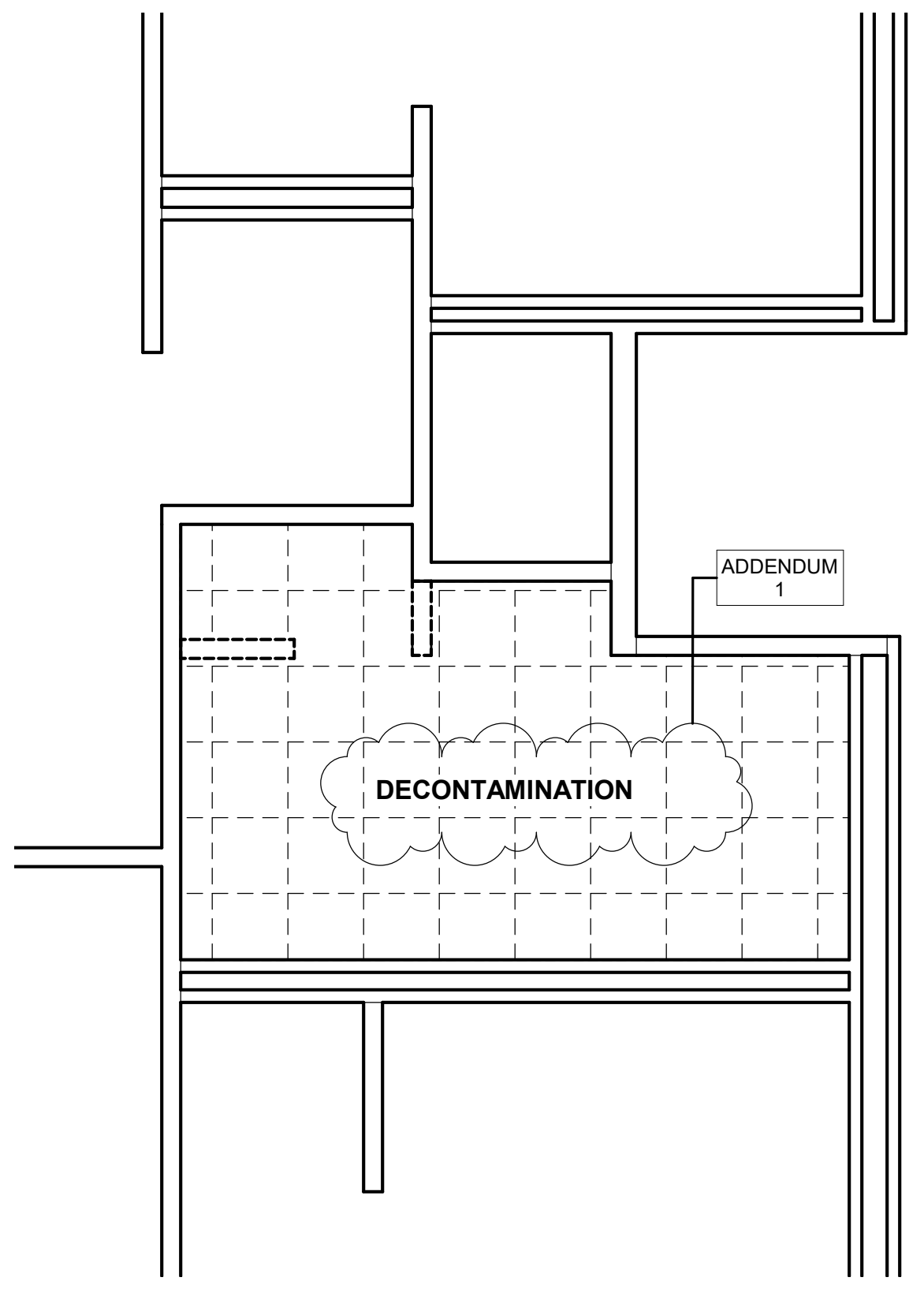
ADDENDUM 1



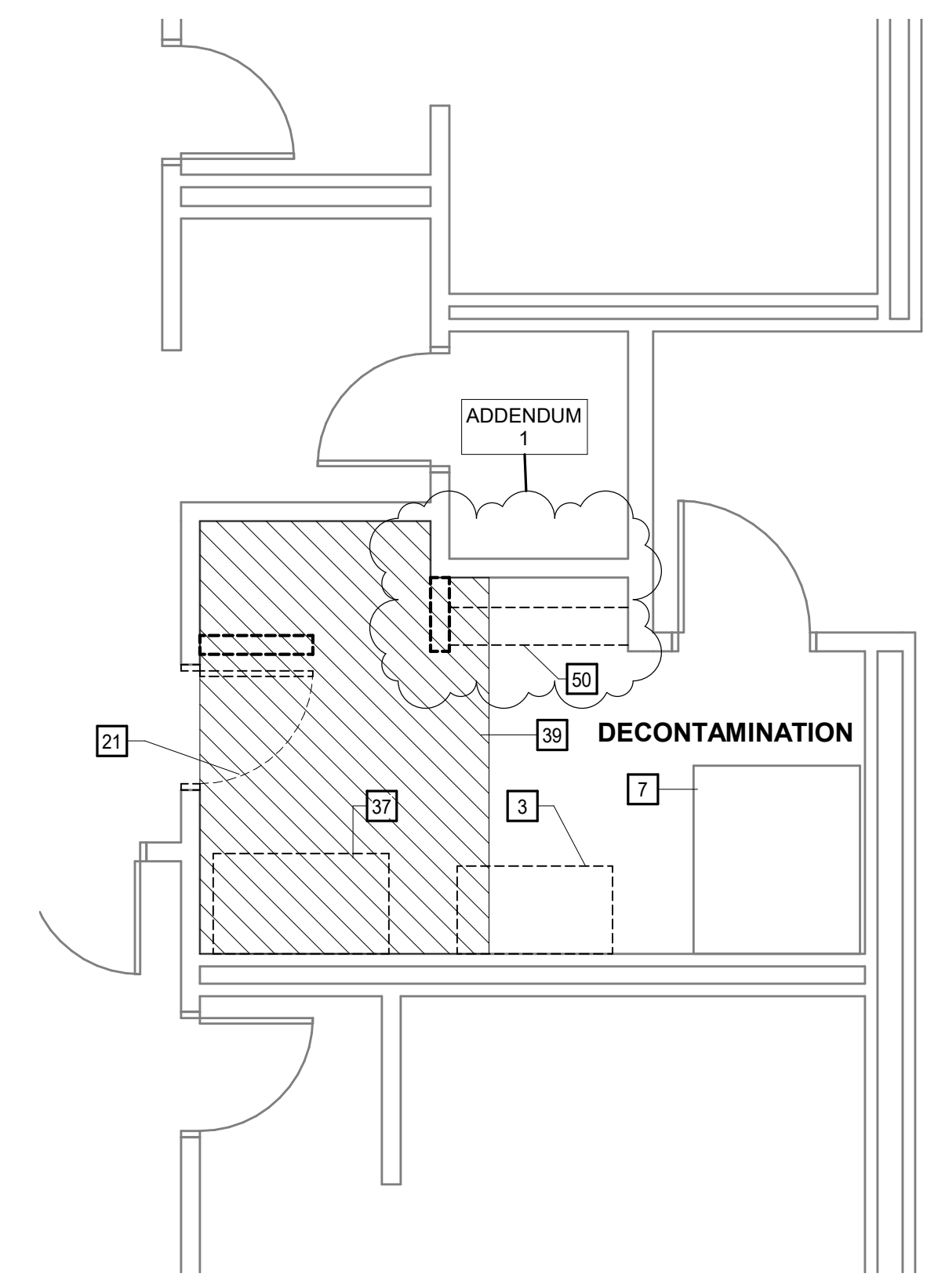
1 FS 9 KEY PLAN  
A2.9 1/16" = 1'-0"



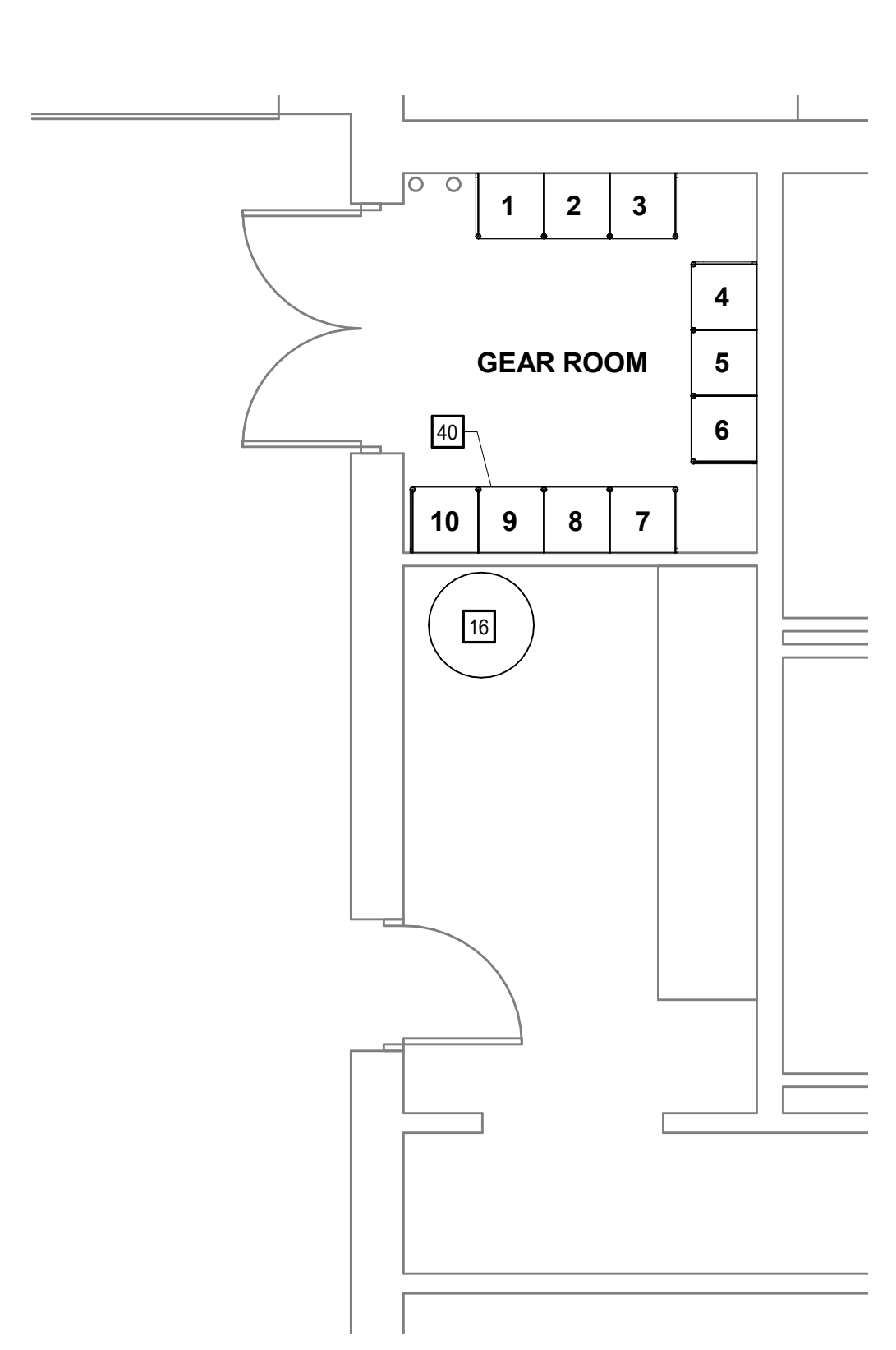
7 WORK ROOM - DEMO  
A2.9/A2.9 1/4" = 1'-0"



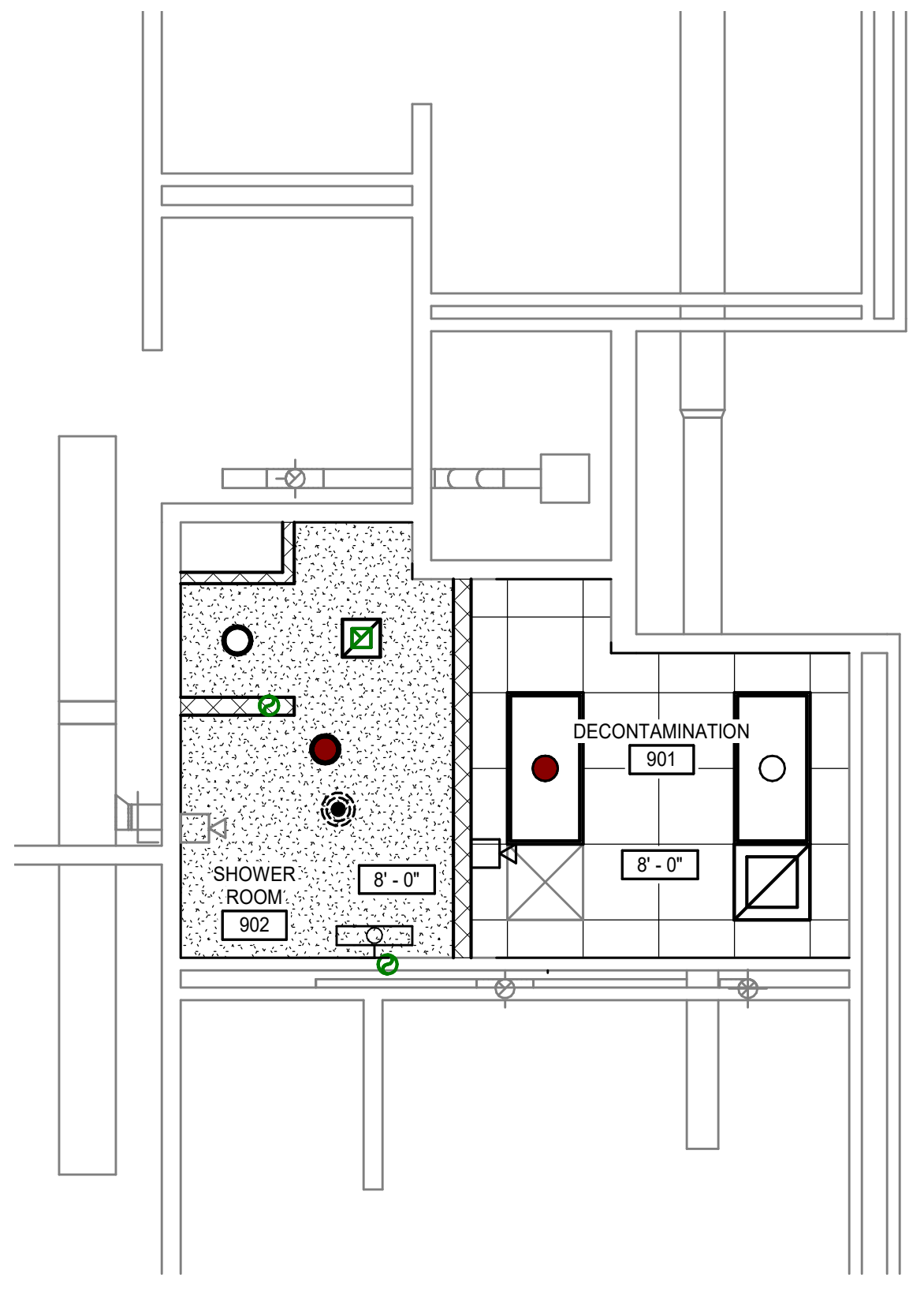
4 FS 9 SHOWER RCP - DEMO  
A2.9 1/4" = 1'-0"



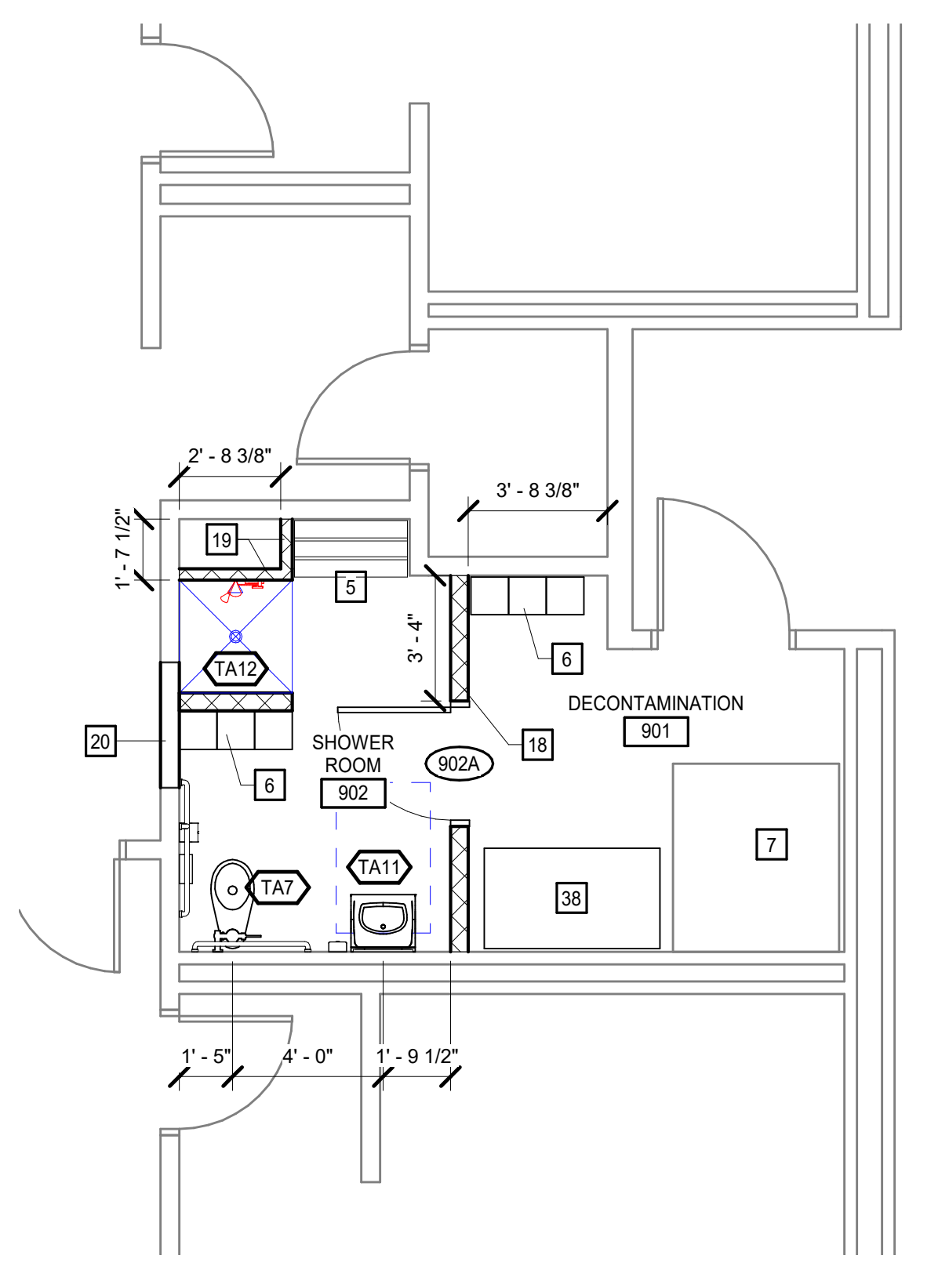
3 FS 9 SHOWER PLAN - DEMO  
A2.9/A2.9 1/4" = 1'-0"



6 WORK ROOM - NEW  
A2.9/A2.9 1/4" = 1'-0"



5 FS 9 SHOWER RCP - NEW  
A2.9 1/4" = 1'-0"



2 FS 9 SHOWER PLAN - NEW  
A2.9/A2.9 1/4" = 1'-0"

FLOOR PLAN KEYNOTES	
REPRESENTED BY [A]	
APPLIES TO DRAWINGS A2.2 - A2.9	
1	SALVAGE WASHER AND DRYER. TURN OVER TO THE OWNER.
2	REMOVE BENCH.
3	REMOVE SINK.
4	STACKED WASHER/DRYER UNIT. APPLIANCE FURNISHED BY THE OWNER. CONTRACTOR SHALL PROVIDE THE NECESSARY HOOKUPS AND INSTALL THE APPLIANCE.
5	FURNITURE NIC.
6	12"x12"x72" METAL GYM LOCKER PROVIDED BY OWNER.
7	EXISTING EXTRACTOR TO REMAIN.
8	EXISTING DRYING CABINET TO REMAIN.
9	REMOVE CEILING AND ALL HOSTED ELEMENTS, INCLUDING LIGHT FIXTURES, MECHANICAL DIFFUSERS, FIRE ALARMS, SMOKE DETECTORS, ETC.
10	MATCH HEIGHT OF ACOUSTIC CEILING WITH ADJACENT EXISTING CEILING.
11	PROVIDE 3/4" THICK STAINED WOOD SILL. PROVIDE POLYURETHANE COAT.
12	PROVIDE 3/4"x5" STAINED WOOD WALL BASE. PROVIDE POLYURETHANE COAT.
13	5/8" GYPSUM BOARD.
14	3 5/8" CFSF
15	8" NOMINAL CMU
16	RELOCATED AIR COMPRESSOR.
17	SALVAGE EXISTING AIR COMPRESSOR FOR RELOCATION. IF THERE ARE VIBRATION PADS AT THE FEET OF THE COMPRESSOR, REINSTALL THE PADS AT THE NEW LOCATION.
18	8" NOMINAL CMU
19	4" NOMINAL CMU
20	INFILL OPENING. MATCH ADJACENT CONSTRUCTION AND FINISH UNO.
21	SALVAGE DOOR AND FRAME.
22	REMOVE RAILING AT THIS SIDE OF RAMP.
23	REMOVE PORTION OF WALL AS NECESSARY TO PROVIDE OPENING.
24	SS TOILET PARTITION
25	2'-6"x7'-0" SS TOILET STALL DOOR
26	PROVIDE SHOWER ROD AND CURTAIN.
27	SALVAGE DOOR. FRAME SHALL REMAIN. REMOVE STRIKE AND PROVIDE STEEL OR ALUMINUM CLOSURE PLATE. PAINT TO MATCH FRAME COLOR.
28	EXISTING SHOWER CONTROLS TO REMAIN. TYPICAL THIS FIRE STATION.
29	EXISTING LINEAR DRAIN TO REMAIN.
30	EXISTING ACCESS PANEL AT CEILING.
31	PROVIDE GAP AT TOP AND BOTTOM OF PARTITION. DO NOT BLOCK AIRFLOW.
32	REMOVE HALFWALL.
33	EXISTING PIPING TO REMAIN.
34	ALIGN CMU CHASE WITH EXISTING CONSTRUCTION.
35	GROUTED COLLAR JOINT.
36	ALIGN DOOR FRAME WITH EXISTING OPENING.
37	SALVAGE EXISTING DRYING CABINET FOR RELOCATION. REMOVE RAISED CONCRETE PAD.
38	INSTALL SALVAGED DRYING CABINET AT THIS LOCATION. POUR CONCRETE BASE FOR CABINET. MATCH EXISTING BASE DIMENSIONS.
39	REMOVE FINISH FLOORING. REFER TO STRUCTURAL DRAWINGS FOR ADDITIONAL DEMOLITION SCOPE.
40	GEAR GRID NIC. SHOWN FOR COORDINATION PURPOSES WITH THE OWNER.
41	SALVAGE EXISTING HOSE REEL SOLENOID SWITCH ASSEMBLY.
42	PROVIDE FROSTING FILM AT INTERIOR SIDE OF GLAZING.
43	PROVIDE CONCRETE SILL AT BASE OF DOOR OPENING.
44	PROVIDE METAL THRESHOLD TO STRADDLE THE FINISH FLOOR AND THE CONCRETE SILL.
45	SALVAGE STORAGE HOOKS AND RELOCATE TO ADJACENT WALL. COORDINATE WITH OWNER TO DETERMINE PRECISE LOCATION.
46	REMOVE EXISTING BENCH AND SHELF.
47	INSTALL SALVAGED HOSE REEL SOLENOID SWITCH ASSEMBLY. ORIENT SWITCH ASSEMBLY VERTICALLY. EXTEND AND MODIFY CONDUIT AS REQUIRED AND TEST SWITCHES FOR PROPER OPERATION.
48	1 1/2" CIRCULAR GALVANIZED STEEL HANDRAIL.
49	CONTINUE HANDRAIL TO FLOOR. EMBED IN CONCRETE, TYPICAL.
50	REMOVE CASEWORK AND SHELF.
51	PAINT CMU WITHIN RECESSED AREA.

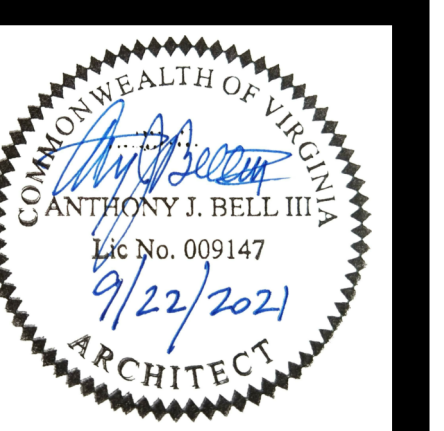
ADDENDUM 1

DEMOLITION PLAN LEGEND	
APPLIES TO DRAWINGS A2.2 - A2.9	
	EXISTING PARTITION/WALL/ITEM TO REMAIN
	REMOVE EXISTING PARTITION/WALL/ITEM
	REMOVE EXISTING WINDOW ASSEMBLY AND FRAMING, INCLUDING ANCHORS
	SALVAGE EXISTING DOOR AND FRAME ASSEMBLY INCLUDING DOOR HARDWARE. IF FRAME DAMAGED DURING SALVAGING, DISCARD.
	REMOVE EXISTING PLUMBING FIXTURE. REFER TO PLUMBING DEMOLITION PLAN FOR ADDITIONAL INFORMATION.

FLOOR PLAN GENERAL NOTES	
A.	UNLESS NOTED OTHERWISE, PAINT ALL NEW WALLS AND ALL EXISTING WALLS IN ROOMS INCLUDED IN THE WORK SCOPE.
B.	PAINT ALL EXISTING DOOR FRAMES WHERE THE DOOR HAS BEEN SALVAGED OR REMOVED.
C.	REFER TO STRUCTURAL DOCUMENTS FOR SLAB REMOVAL.

PROJECT ADDRESS: 1900 S Walter Reed Dr, Arlington, VA 22204

**MOSELEYARCHITECTS**  
 5200 NORFOLK STREET, RICHMOND, VA 23230  
 PHONE (804) 794-7557 FAX (804) 355-5690  
 MOSELEYARCHITECTS.COM



**KELLY DAY RENOVATIONS FS 9**  
 563006  
 1900 S Walter Reed Dr, Arlington, VA 22204  
 Owner: Arlington County

PROJECT NO:	563006
DATE:	SEPTEMBER 22, 2021
REVISIONS	
DATE	DESCRIPTION
12/15/21	ADDENDUM 1

FIRE STATION 9 DRAWINGS

A2.9



STRUCTURAL ABBREVIATIONS

Table of structural abbreviations including ANCHOR BOLT, ARCHITECTURALLY EXPOSED STRUCTURAL STEEL, ALUMINUM APPROX, etc.

DESIGN LOAD DATA

Table of design load data including CLASSIFICATION OF BUILDING RISK CATEGORY, FLOOR LIVE LOADS, ROOF LIVE LOADS, etc.

GENERAL

- 1. ALL WORK SHALL BE DONE IN ACCORDANCE WITH THE VIRGINIA UNIFORM STATEWIDE BUILDING CODE (USBC), 2015 EDITION, EFFECTIVE SEPTEMBER 4, 2018.

CONCRETE

- 1. ALL CONCRETE WORK SHALL CONFORM TO THE REQUIREMENTS OF ACI 318 "BUILDING CODE REQUIREMENTS FOR STRUCTURAL CONCRETE" AND ACI 301 "STANDARD SPECIFICATIONS FOR STRUCTURAL CONCRETE".

STRUCTURAL STEEL

- 1. ALL STRUCTURAL STEEL WORK SHALL CONFORM TO THE FOLLOWING AISC DOCUMENTS: AISC 360 "SPECIFICATION FOR STRUCTURAL STEEL BUILDINGS".

CONCRETE MASONRY (CMU)

- 1. ALL MASONRY WORK SHALL CONFORM TO THE REQUIREMENTS OF TMS 602 "BUILDING CODE REQUIREMENTS FOR MASONRY STRUCTURES WITH COMMENTARY" AND TMS 602 "SPECIFICATIONS FOR MASONRY STRUCTURES WITH COMMENTARY".

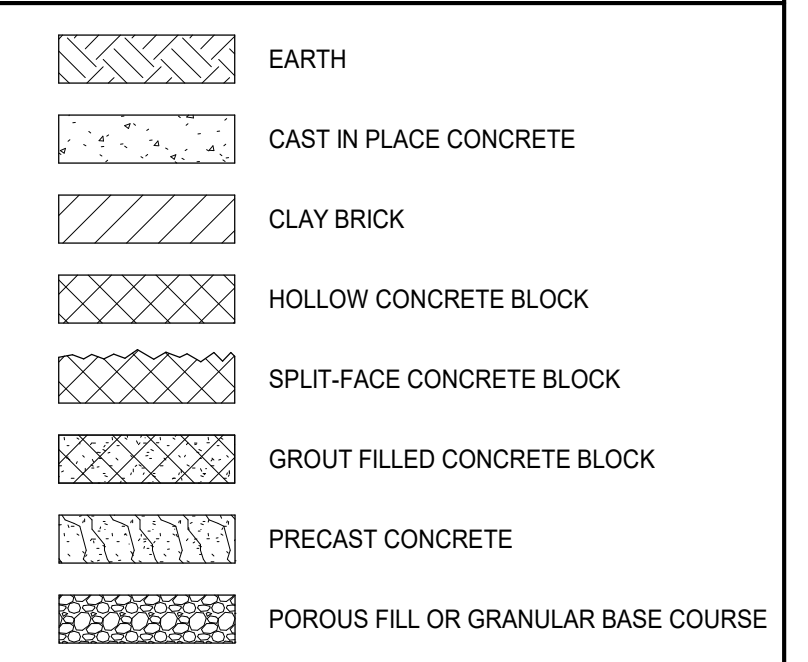
COLD FORMED STEEL FRAMING

- 1. ALL STRUCTURAL COLD FORMED STEEL FRAMING (CFSF) SHALL COMPLY WITH AISI'S "NORTH AMERICAN SPECIFICATION FOR THE DESIGN OF COLD-FORMED STEEL STRUCTURAL MEMBERS".

POST INSTALLED ANCHORS & DOWELS

- 1. INSTALL ALL ANCHORS IN ACCORDANCE WITH MANUFACTURERS PUBLISHED PROCEDURES AT NOT LESS THAN THE MINIMUM EDGE DISTANCES INDICATED IN THE MANUFACTURERS LITERATURE.

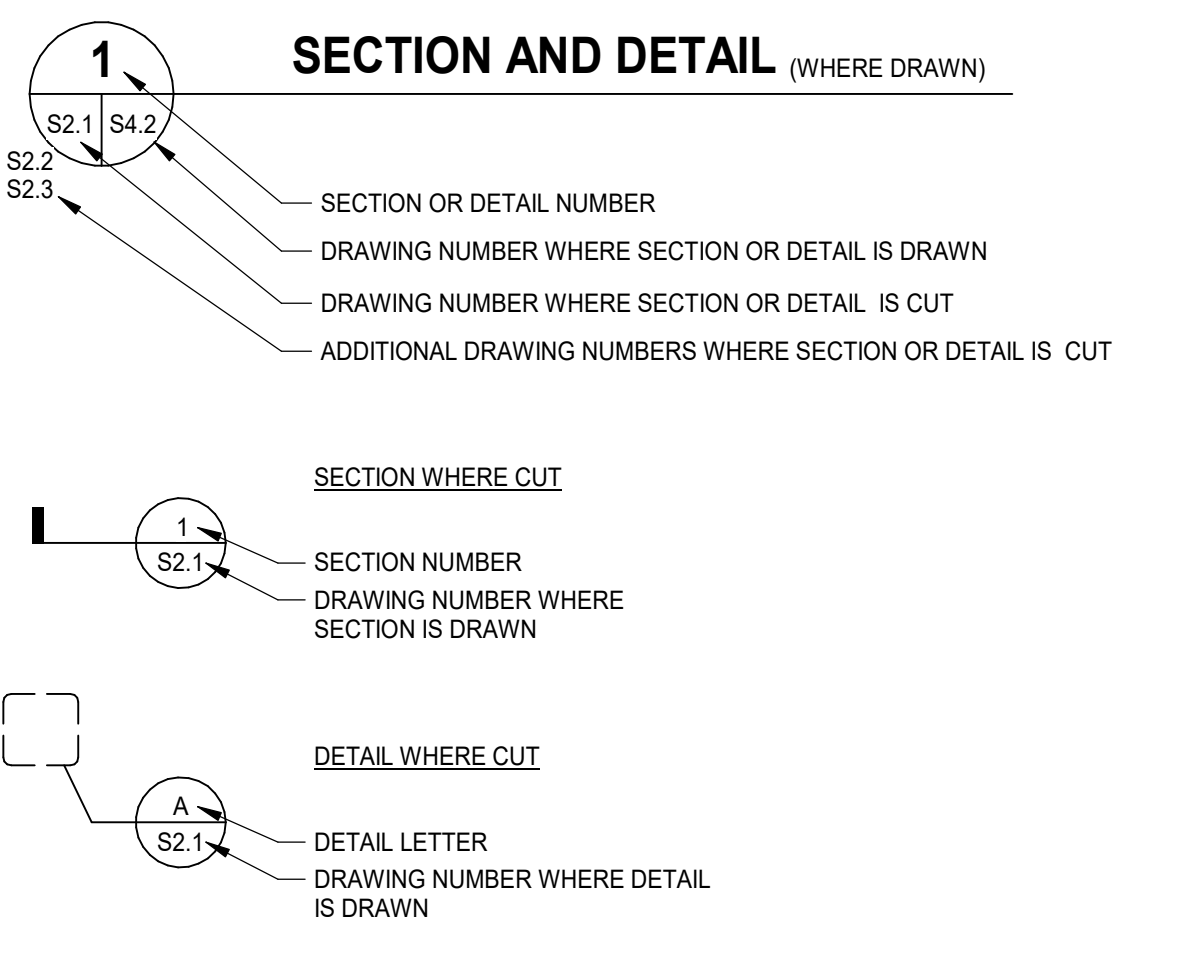
STRUCTURAL MATERIALS LEGEND



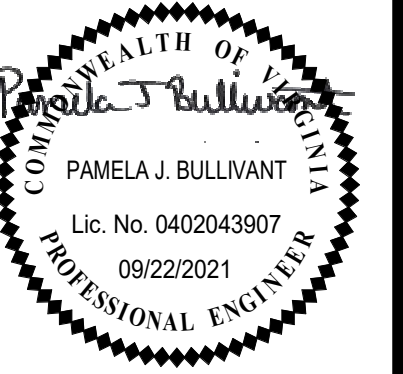
PLAN LEGEND

Table of plan legend symbols including CENTERLINE, JOIST BEARING ELEVATION, BEAM BEARING PLATE, etc.

LEGEND FOR SECTION AND DETAIL MARKS



MOSELEY ARCHITECTS



KELLY DAY RENOVATIONS FS 9

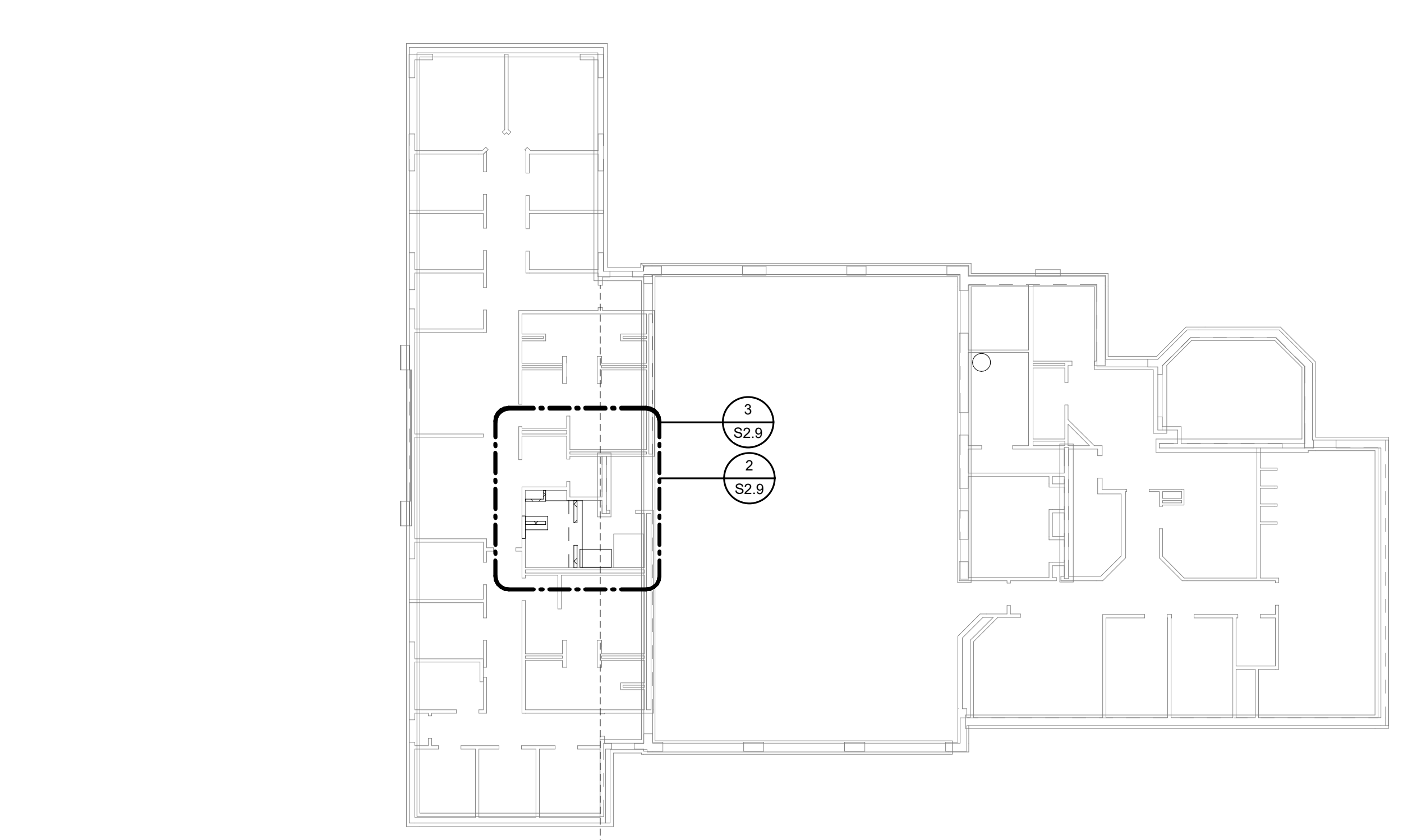
Table with project information: PROJECT NO: 563006, DATE: SEPTEMBER 22, 2021, REVISIONS, DATE, DESCRIPTION.

GENERAL NOTES AND NOTES

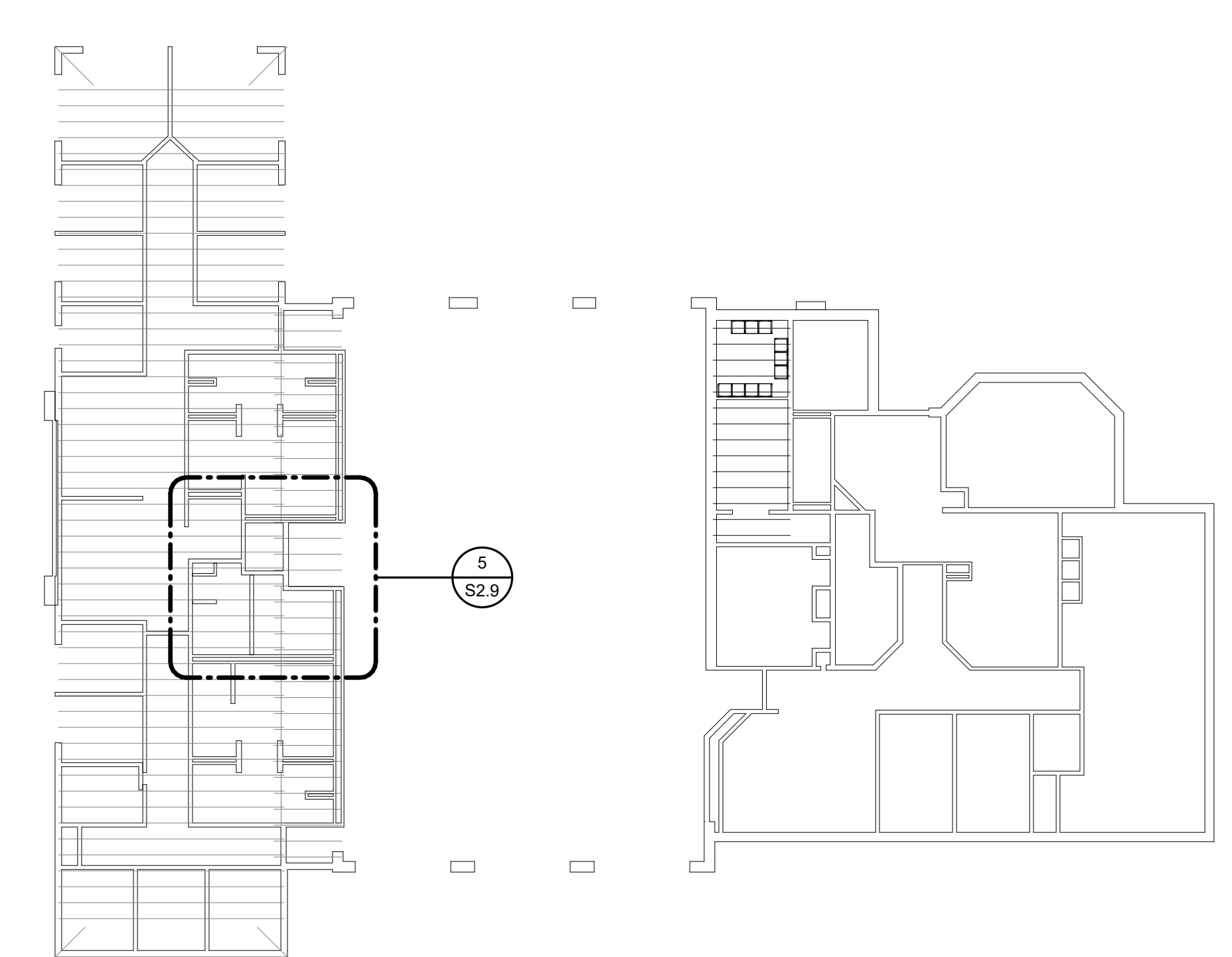
S0.0.1



J  
I  
H  
G  
F  
E  
D  
C  
B  
A

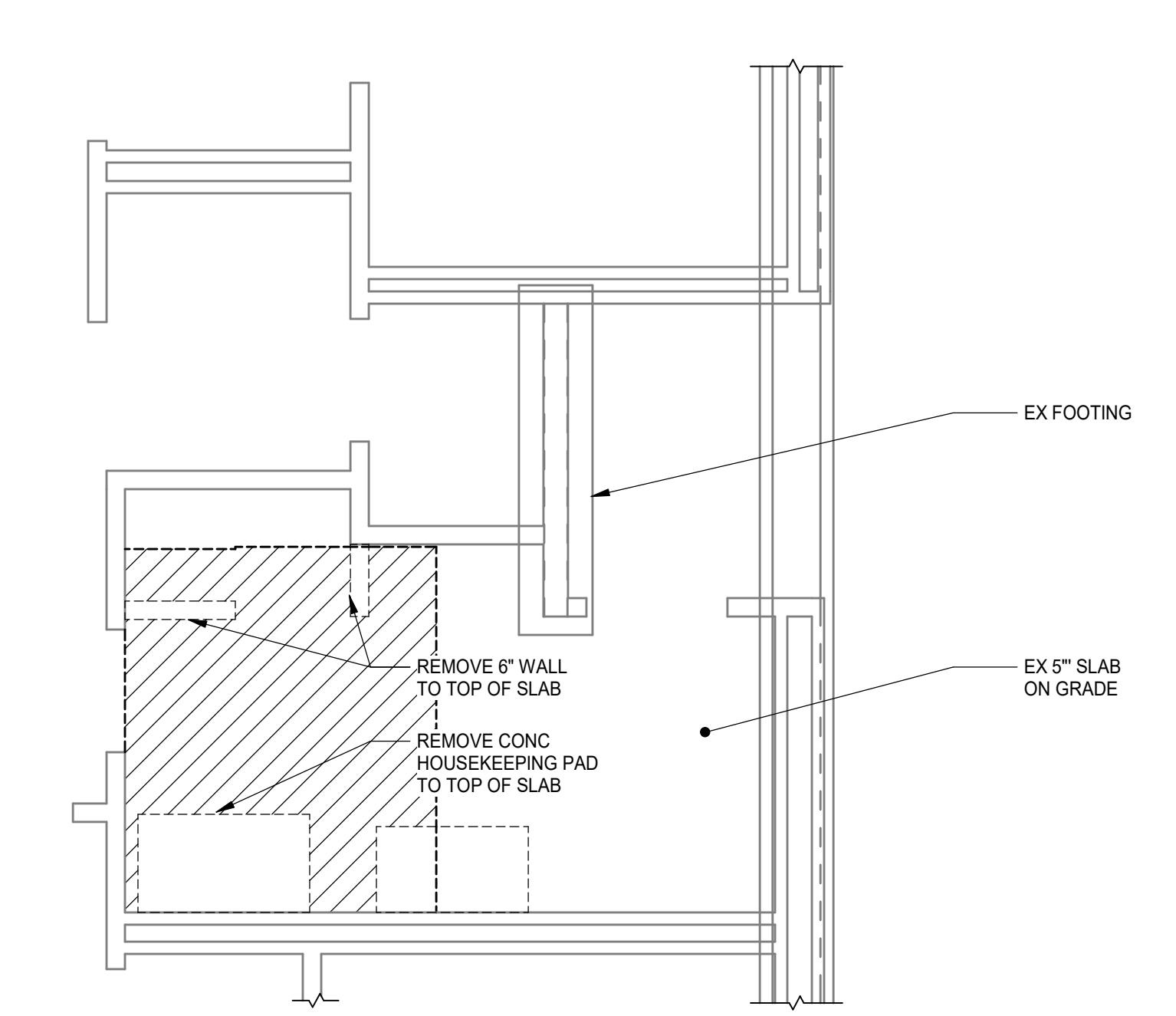


**1** FOUNDATION PLAN - FS #9  
1/16" = 1'-0"

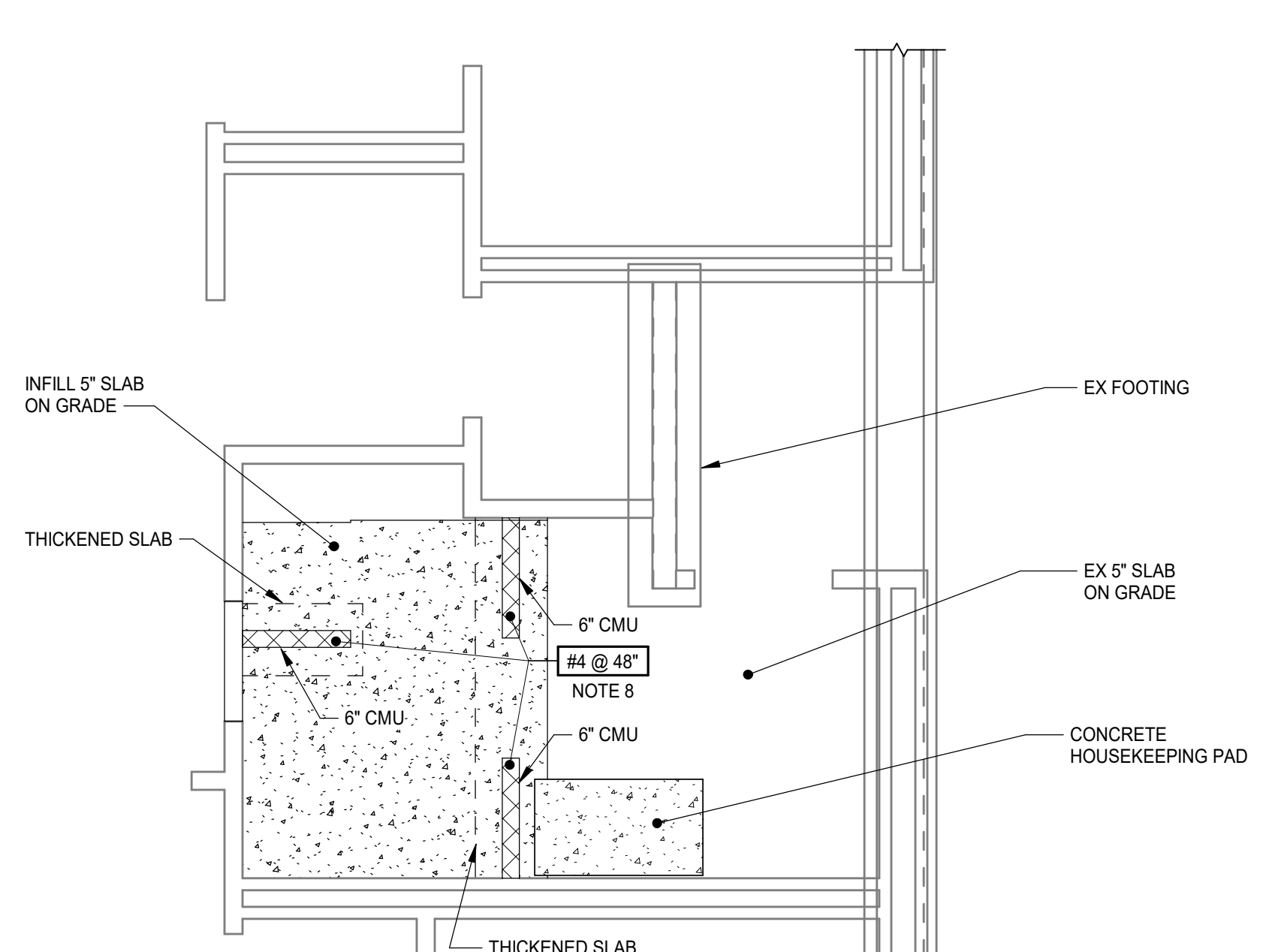


**4** FS #9 FRAMING PLAN  
1/16" = 1'-0"

**2** FOUNDATION PLAN - FS #9 DEMO SHOWERS  
1/4" = 1'-0"

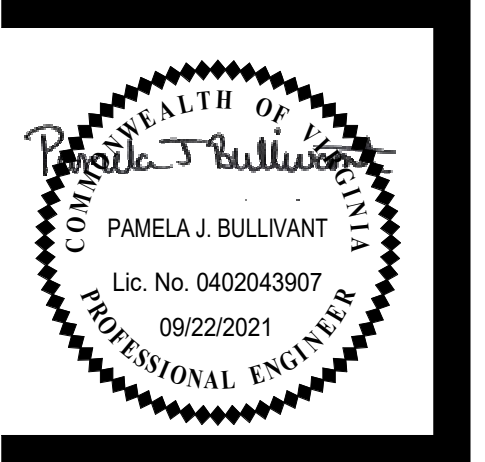
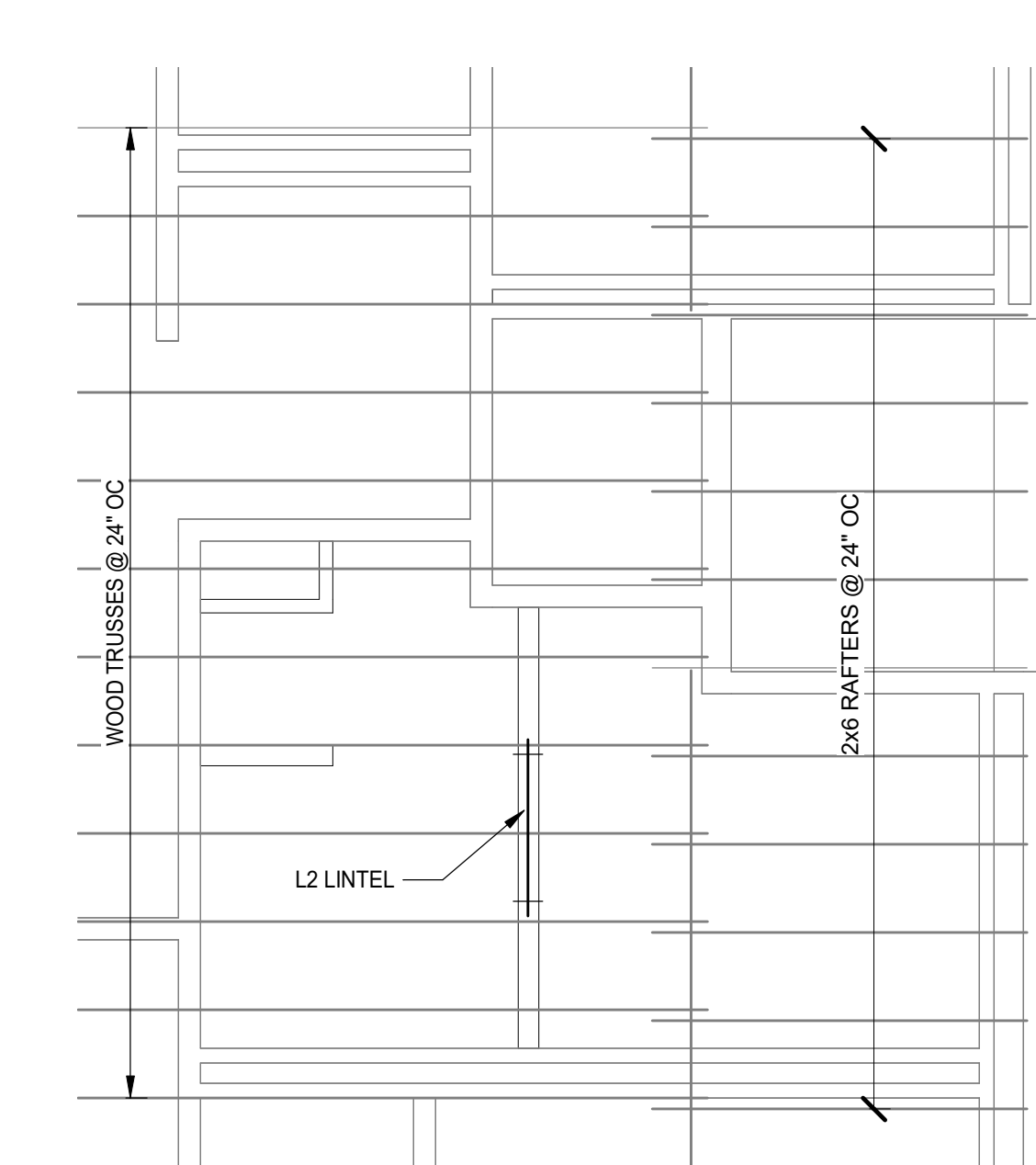


**3** FOUNDATION PLAN - FS #9 SHOWERS  
1/4" = 1'-0"



- FOUNDATION PLAN NOTES:**
1. FINISHED FIRST FLOOR ELEVATION = 197.96' = REFERENCE DATUM EL (+0.0'). ALL STRUCTURAL ELEVATIONS INDICATED ARE REFERENCED FROM THIS ELEVATION, UNO.
  2. REFER TO DRAWING S0.0.1 FOR GENERAL NOTES, PLAN LEGEND, AND STRUCTURAL ABBREVIATIONS.
  3. REFER TO DRAWINGS S3.0.1 FOR TYPICAL FOUNDATION DETAILS AND SCHEDULES.
  4. FLOOR CONSTRUCTION SHALL BE 5" NORMAL WEIGHT CONCRETE SLAB ON GRADE REINFORCED WITH 6x6-W2.9xW2.9 WWF (AT 1" FROM TOP OF SLAB) OVER VAPOR BARRIER OVER 4" GRANULAR BASE COURSE, UNO.

**5** FRAMING PLAN - FS #9 - SHOWER  
1/4" = 1'-0"



PROJECT NO:	563006
DATE:	SEPTEMBER 22, 2021
REVISIONS	
DATE	DESCRIPTION



J  
I  
H  
G  
F  
E  
D  
C  
B  
A

LAP SPICES SHALL BE IN ACCORDANCE WITH ACI 318 CHAPTER 25 AS INDICATED BELOW. TOP BAR LAPS (HORIZONTAL BARS WITH MORE THAN 12" OF CONCRETE CAST BELOW THE BAR) SHALL BE MODIFIED BY A MULTIPLICATION OF 1.3 TIMES THE LENGTHS LISTED IN THE TABLE BELOW. LENGTHS INDICATED IN INCHES.

**NORMAL-WEIGHT (145 PCF)**

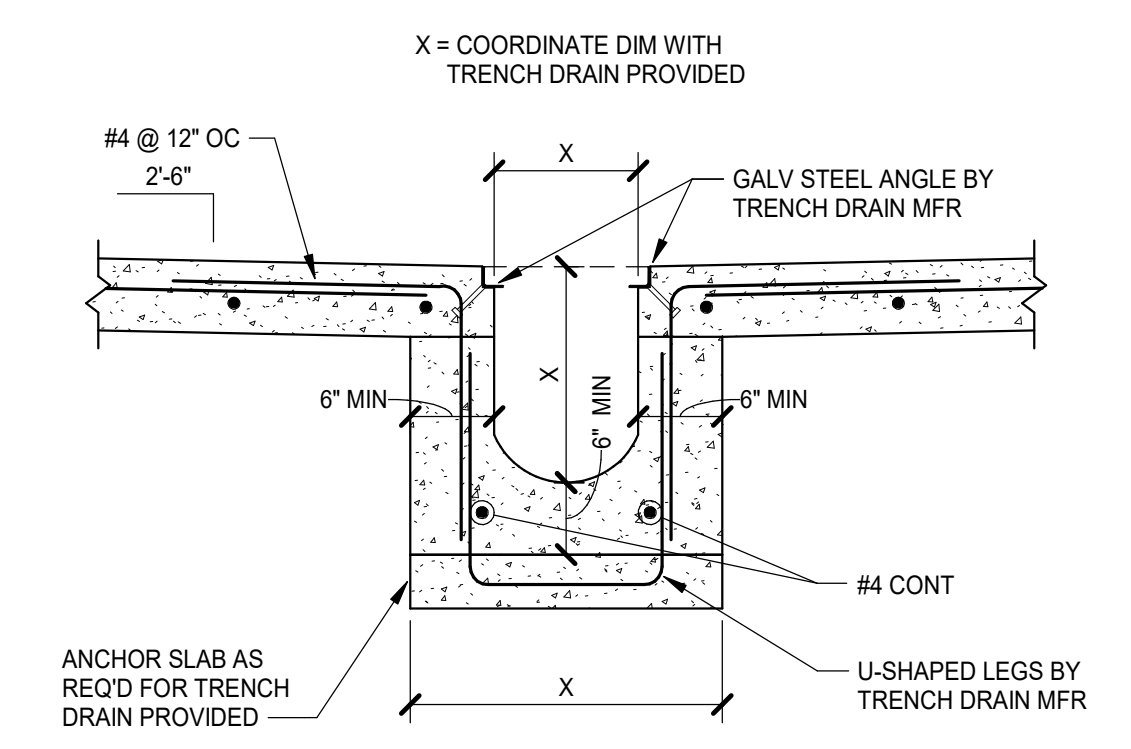
f <sub>c</sub> (psi)	LAP CLASS	#3	#4	#5	#6	#7	#8	#9
3000	A	16	22	27	33	48	55	62
	B	21	28	36	43	62	71	80
3500	A	15	20	25	30	44	51	57
	B	20	28	33	40	58	66	74
4000	A	14	19	24	28	42	47	53
	B	18	25	31	37	54	62	69
5000	A	13	17	21	25	37	42	48
	B	17	22	28	33	48	55	62

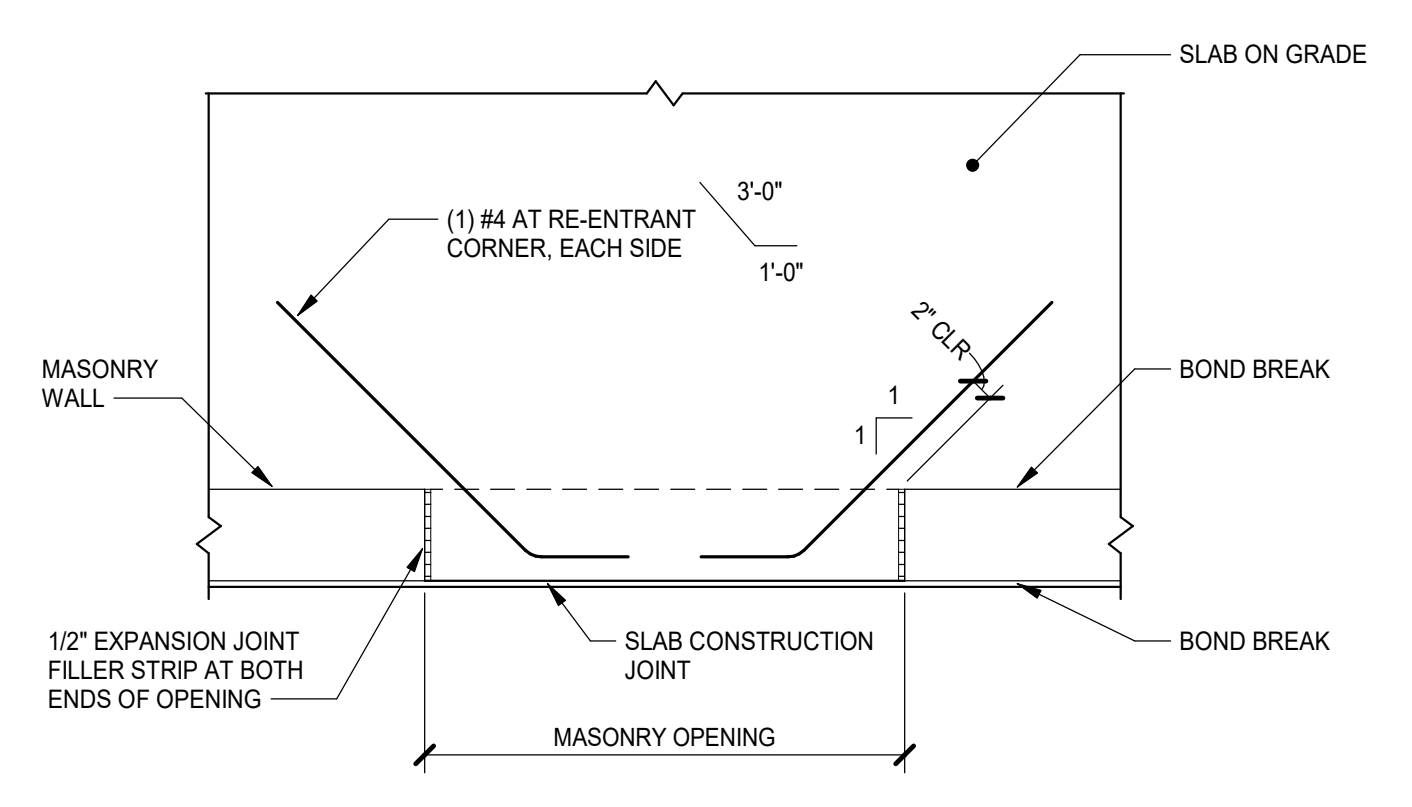
**LIGHTWEIGHT (110 PCF)**

f <sub>c</sub> (psi)	LAP CLASS	#3	#4	#5	#6	#7	#8	#9
3000	A	22	29	37	44	64	73	82
	B	28	38	47	57	83	95	107
3500	A	20	27	34	41	59	68	76
	B	26	35	44	53	77	88	99
4000	A	19	25	32	38	55	63	71
	B	25	33	41	49	72	82	92
5000	A	17	23	28	34	49	57	64
	B	22	29	37	44	64	74	83

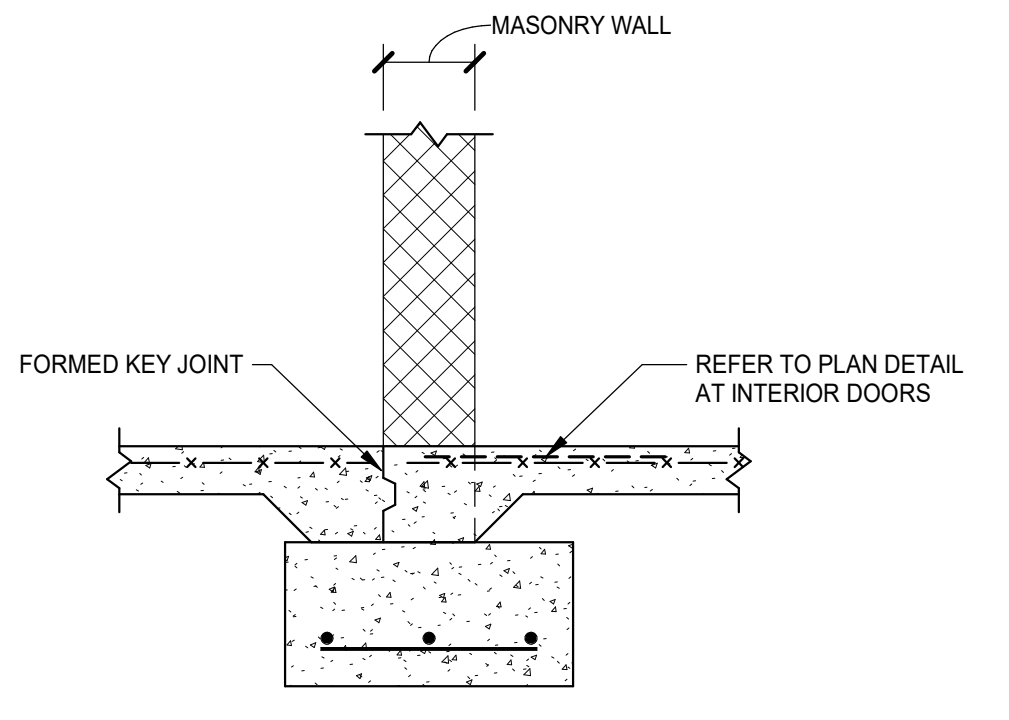
**ACI 318 LAP LENGTHS**



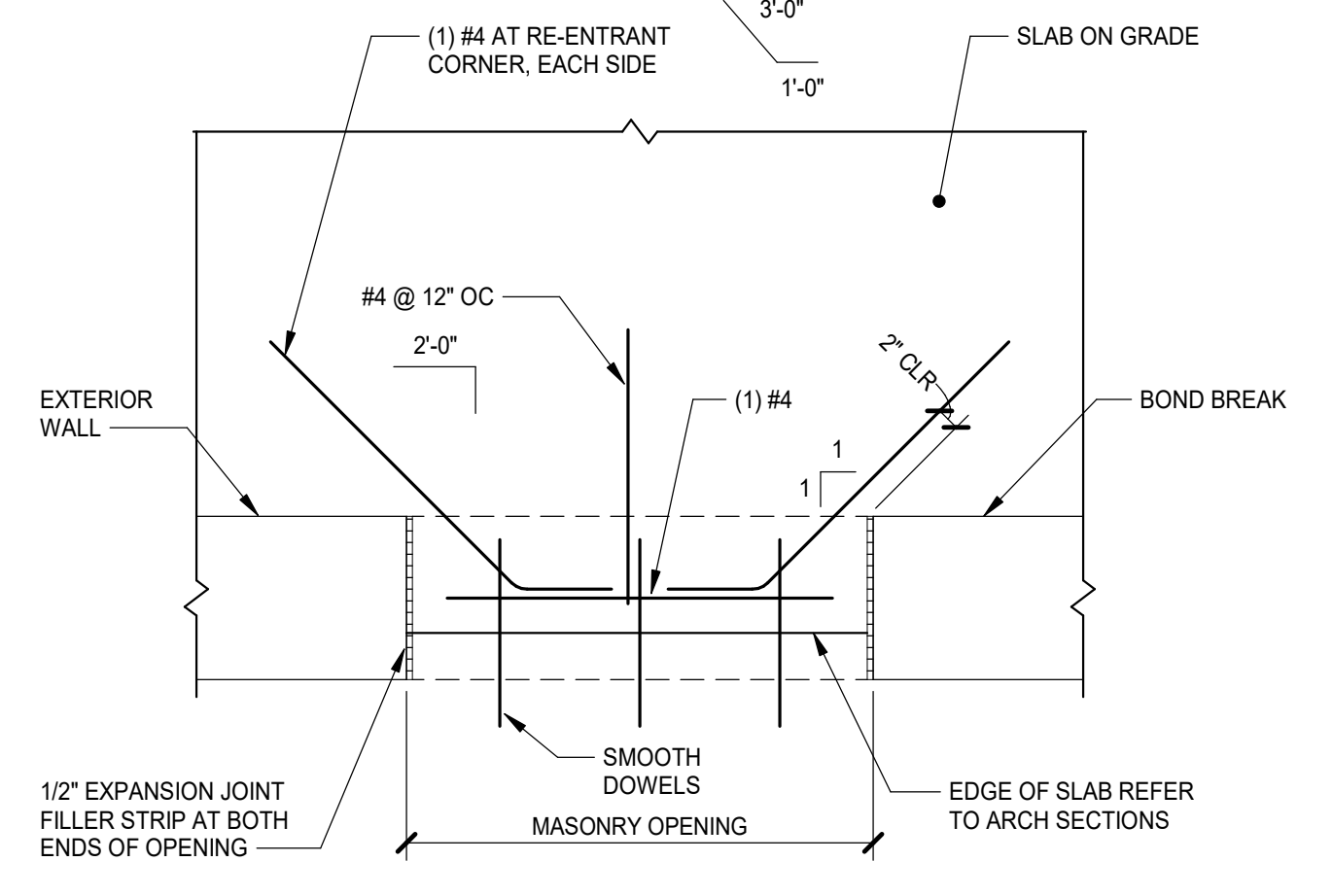
**TRENCH DRAIN DETAIL**  
NO SCALE



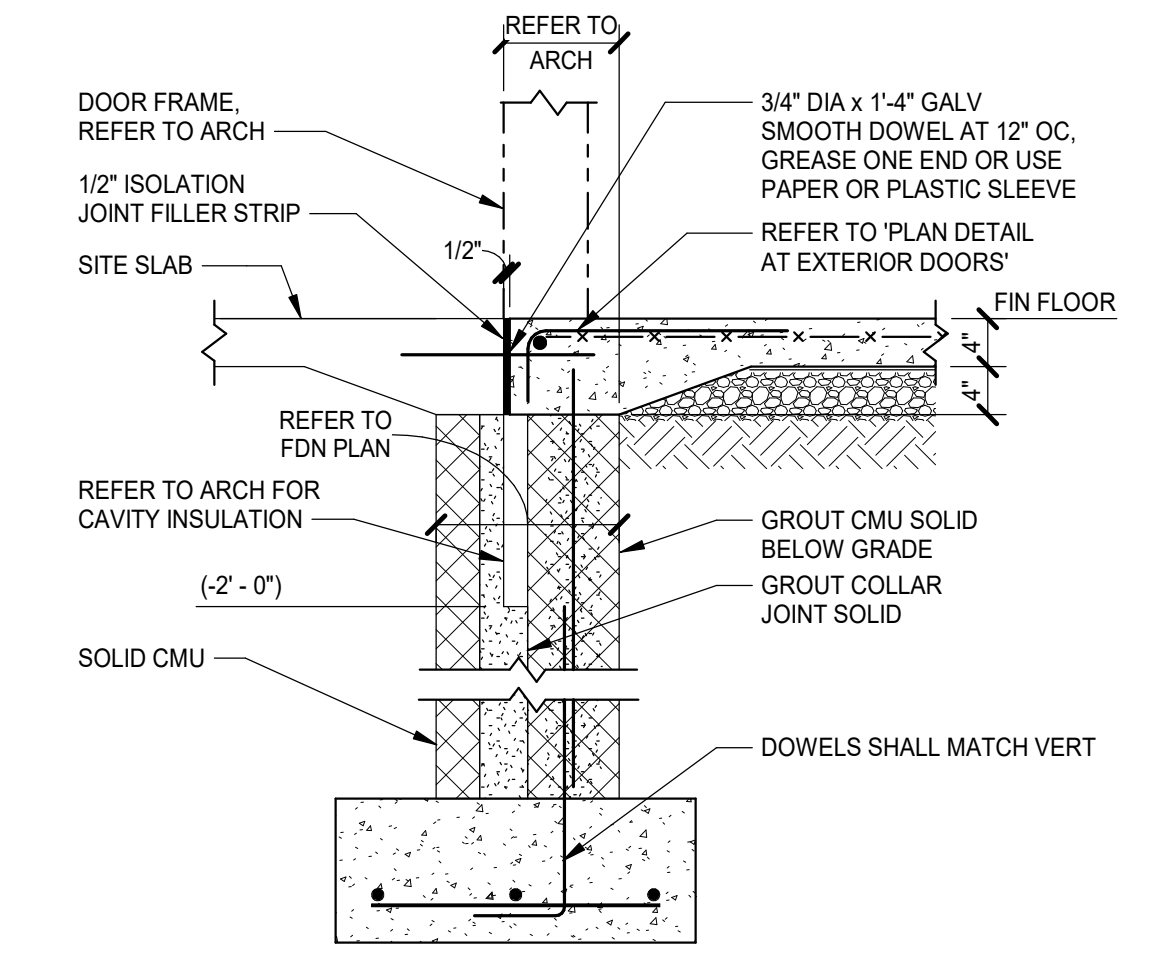
**PLAN AT INTERIOR DOORS**



**SECTION AT INTERIOR DOORS**

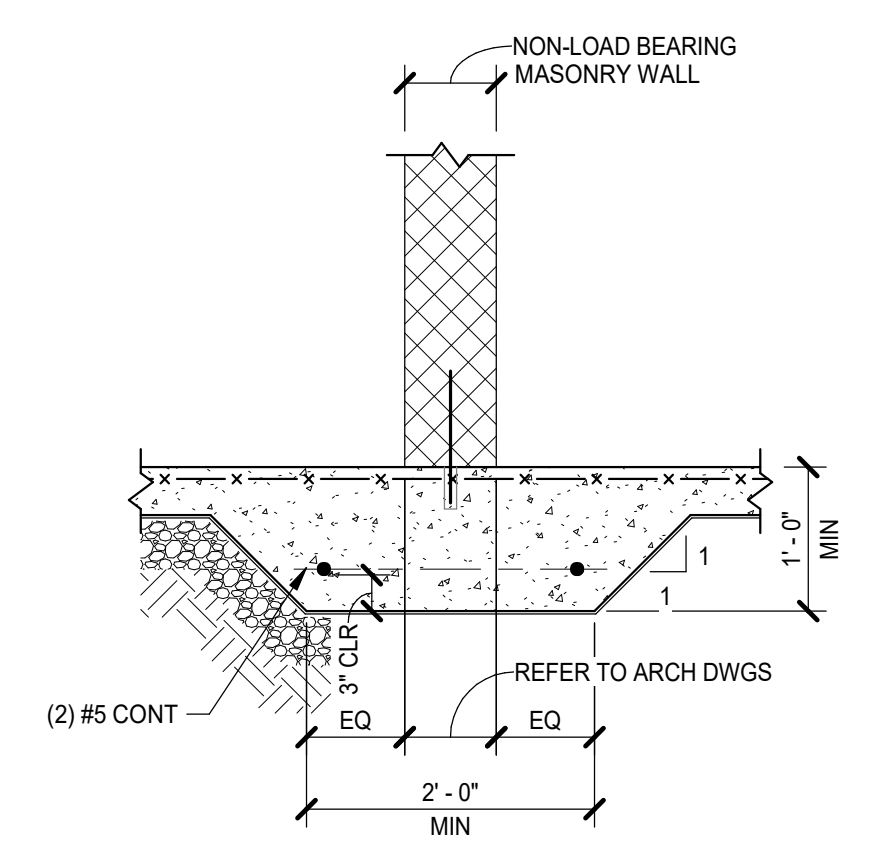


**PLAN AT EXTERIOR DOORS**

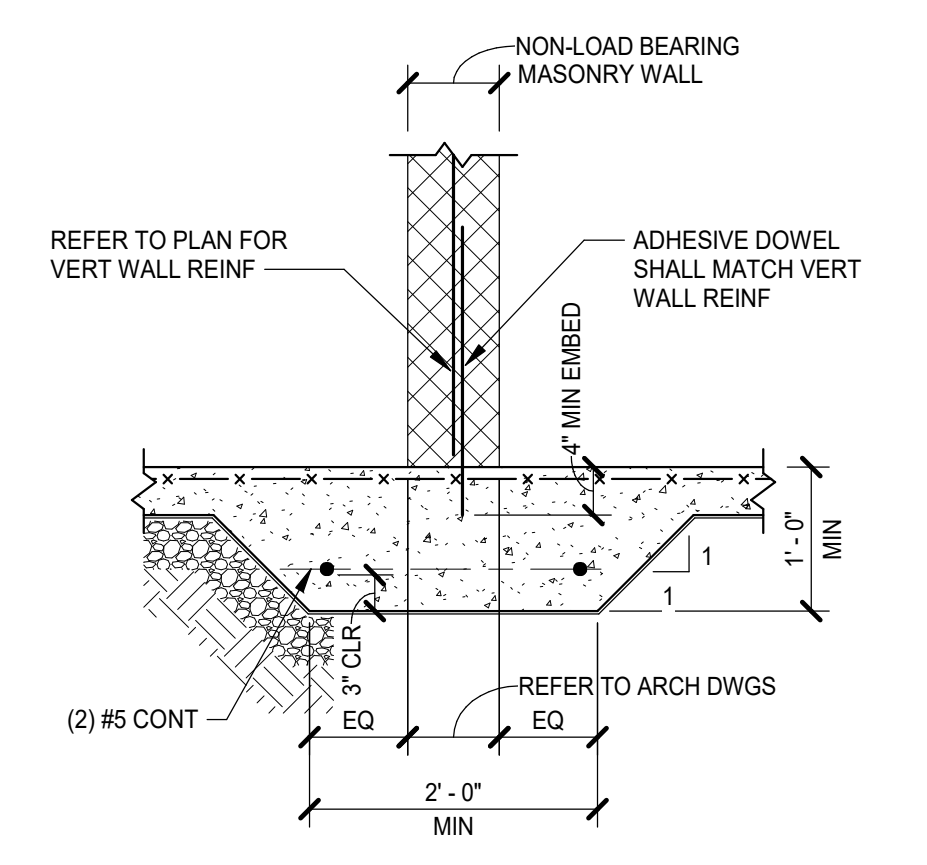


**SECTION AT EXTERIOR DOORS**

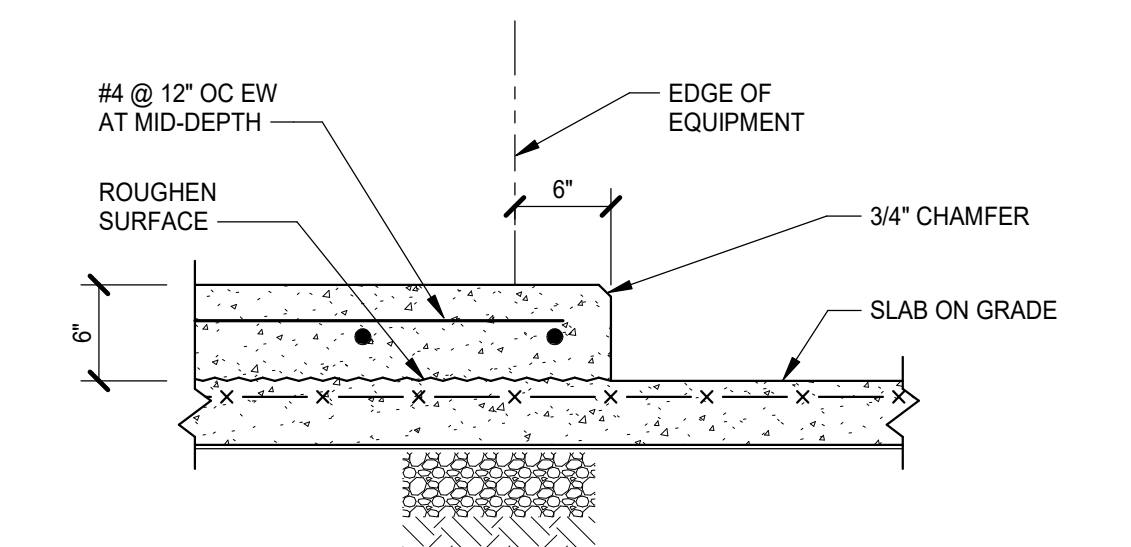
**SLAB ON GRADE DETAILS AT DOORS**  
NO SCALE



**THICKENED SLAB ON GRADE DETAILS**  
NO SCALE



**NON-LOAD BEARING REINFORCED WALLS**



**EQUIPMENT PAD DETAILS**  
NO SCALE

**KELLY DAY RENOVATIONS FS 9**  
563006  
1900 S Walter Reed Dr, Arlington, VA 22204  
Owner: Arlington County

PROJECT NO:	563006
DATE:	SEPTEMBER 22, 2021
REVISIONS	
DATE	DESCRIPTION

TYPICAL SLAB DETAILS

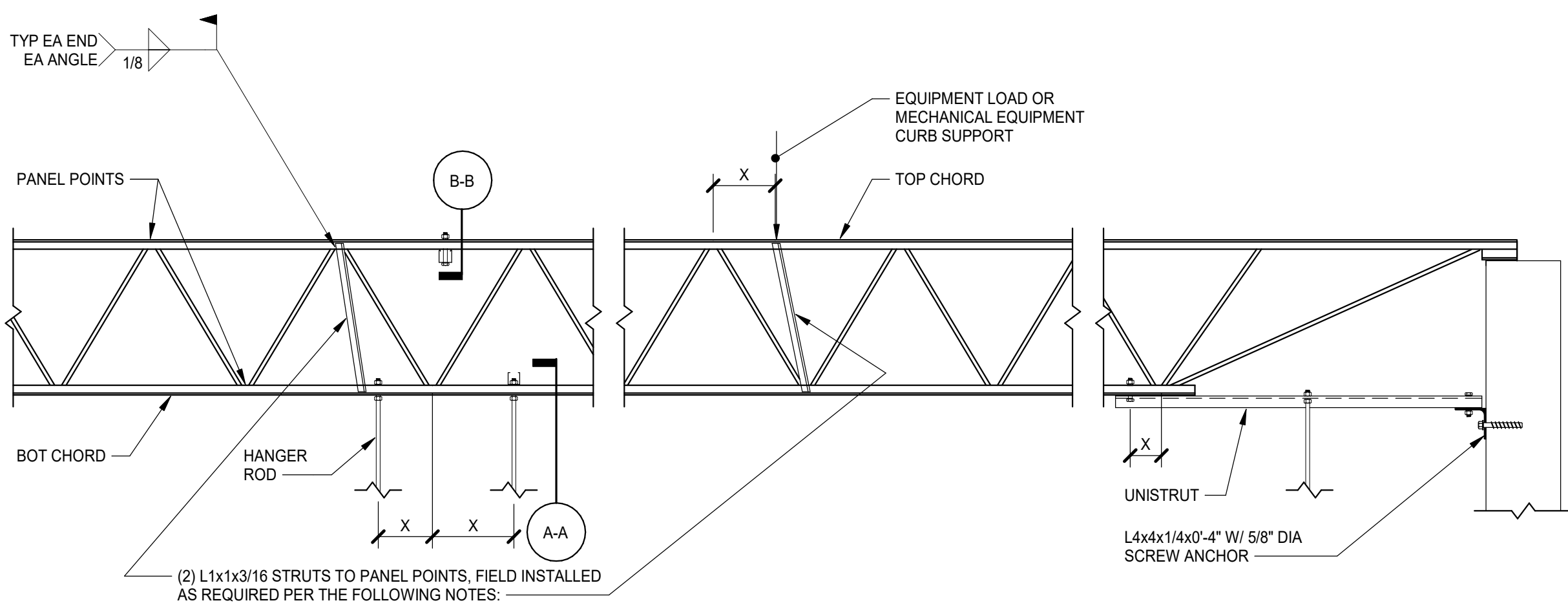
**S3.0.1**

**MOSELEY ARCHITECTS**

5200 NORFOLK STREET, RICHMOND, VA 23230  
PHONE (804) 794-7557 FAX (804) 355-5690  
MOSELEYARCHITECTS.COM







**K-SERIES JOISTS:**

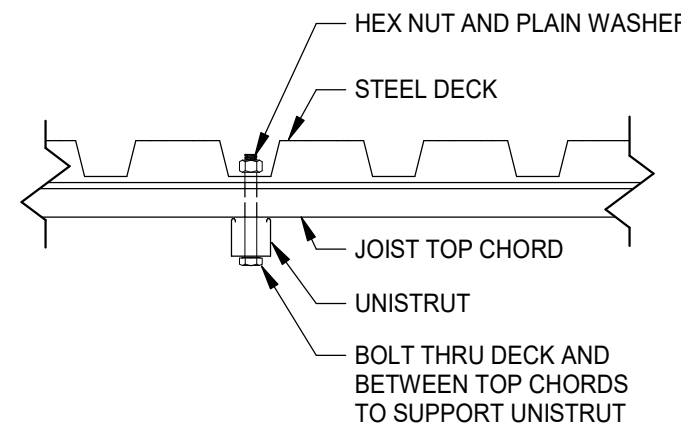
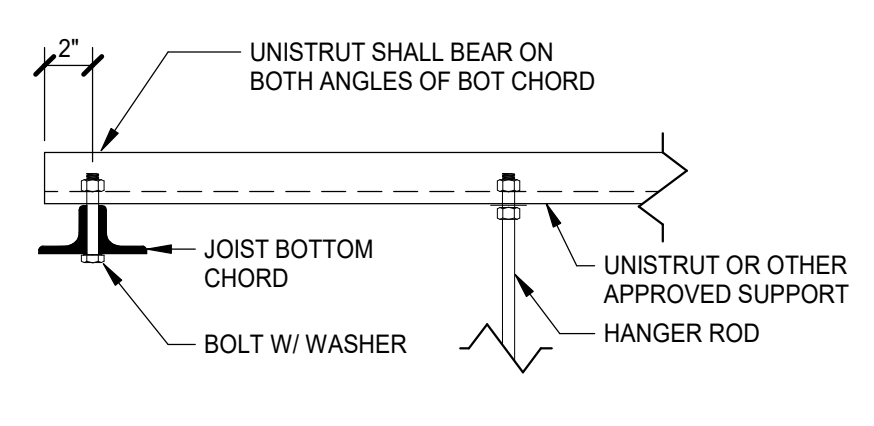
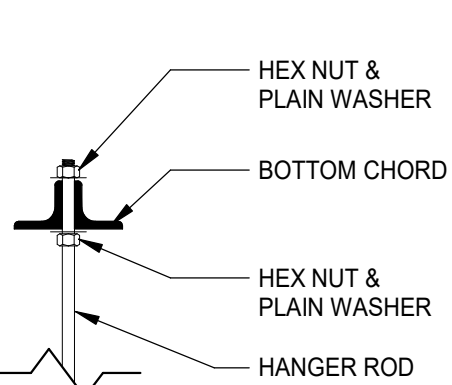
- WHERE UTILITIES RUN PARALLEL TO JOISTS, INDIVIDUAL HANGERS SHALL BE SPACED SUCH THAT HANGER LOAD (IF DIRECTLY BELOW JOIST), OR UNISTRUT REACTION (IF PIPE IS BETWEEN JOISTS) DOES NOT EXCEED 200 LBS.
- WHERE UTILITIES RUN PERPENDICULAR TO JOISTS, INDIVIDUAL HANGERS SHALL BE SPACED SUCH THAT HANGER LOAD DOES NOT EXCEED 200 LBS.
- IF INDIVIDUAL HANGER LOAD EXCEEDS 200 LBS ON ANY JOIST, AND DIMENSION 'X' EXCEEDS 6", STRUTS SHALL BE INSTALLED AS INDICATED ABOVE.
- WHERE MULTIPLE HANGERS ARE LOCATED BETWEEN PANEL POINTS, THE CUMULATIVE LOAD SHALL NOT EXCEED 200 LBS.

**KCS AND LH-SERIES JOISTS:**

- WHERE UTILITIES RUN PARALLEL TO JOISTS, INDIVIDUAL HANGERS SHALL BE SPACED SUCH THAT HANGER LOAD (IF DIRECTLY BELOW JOIST), OR UNISTRUT REACTION (IF PIPE IS BETWEEN JOISTS) DOES NOT EXCEED 500 LBS.
- WHERE UTILITIES RUN PERPENDICULAR TO JOISTS, INDIVIDUAL HANGERS SHALL BE SPACED SUCH THAT HANGER LOAD DOES NOT EXCEED 500 LBS, OR HANGER SHALL BE LOCATED AT EA JOIST.
- IF INDIVIDUAL HANGER LOAD EXCEEDS 500 LBS ON ANY JOIST, AND DIMENSION 'X' EXCEEDS 6", STRUTS SHALL BE INSTALLED AS INDICATED ABOVE.
- WHERE MULTIPLE HANGERS ARE LOCATED BETWEEN PANEL POINTS, THE CUMULATIVE LOAD SHALL NOT EXCEED 500 LBS.

**GENERAL:**

- C-CLAMPS SHALL NOT BE USED WHERE HANGER LOAD EXCEEDS 50 LBS.
- REFER TO DRAWING S0.0.1 FOR STEEL JOIST NOTES.



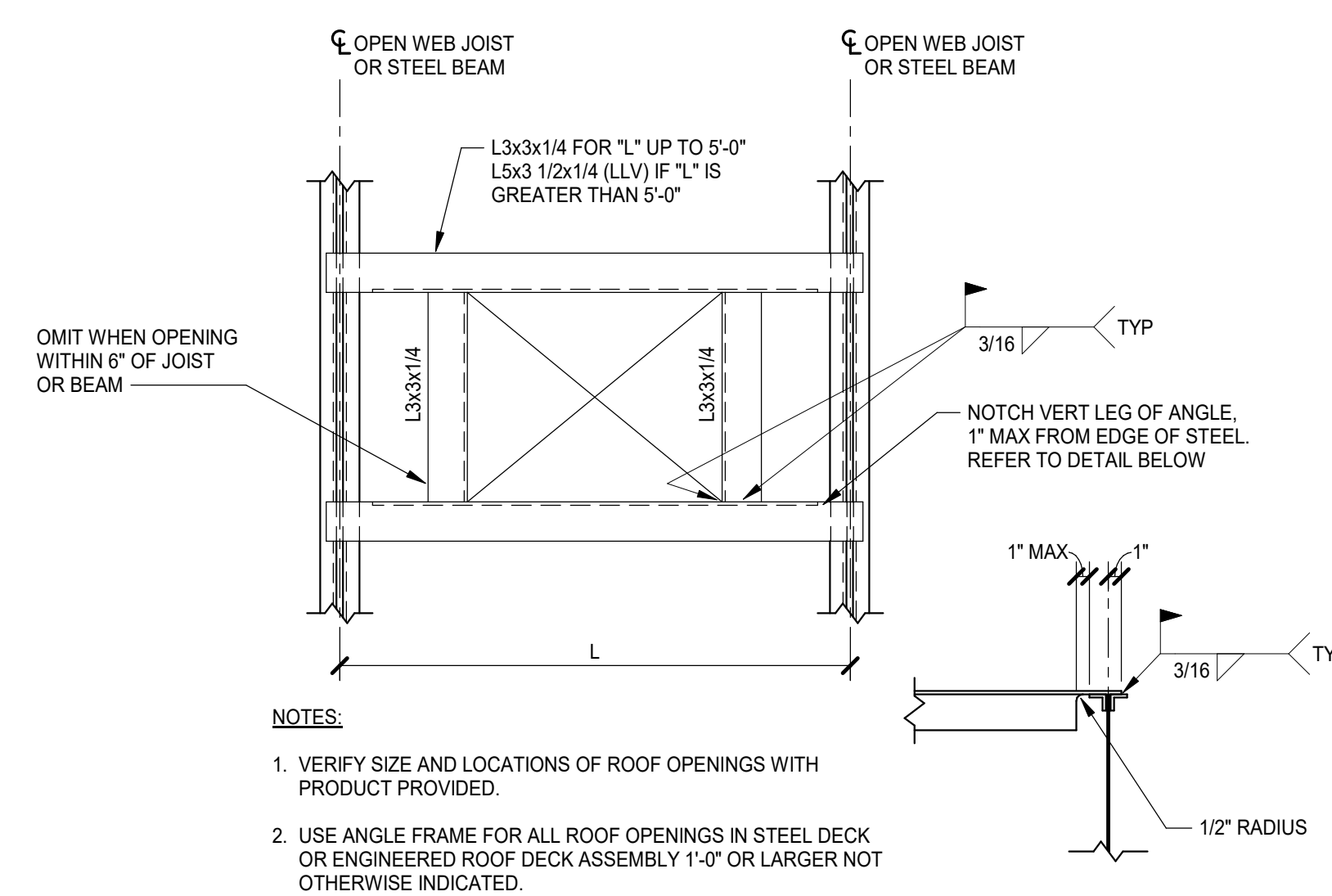
NOTE: CONTRACTOR SHALL PROVIDE DESIGN OF HANGER ASSEMBLY C-CLAMPS PERMITTED WHEN LOAD IS LESS THAN 50 LBS

**SECTION A-A**

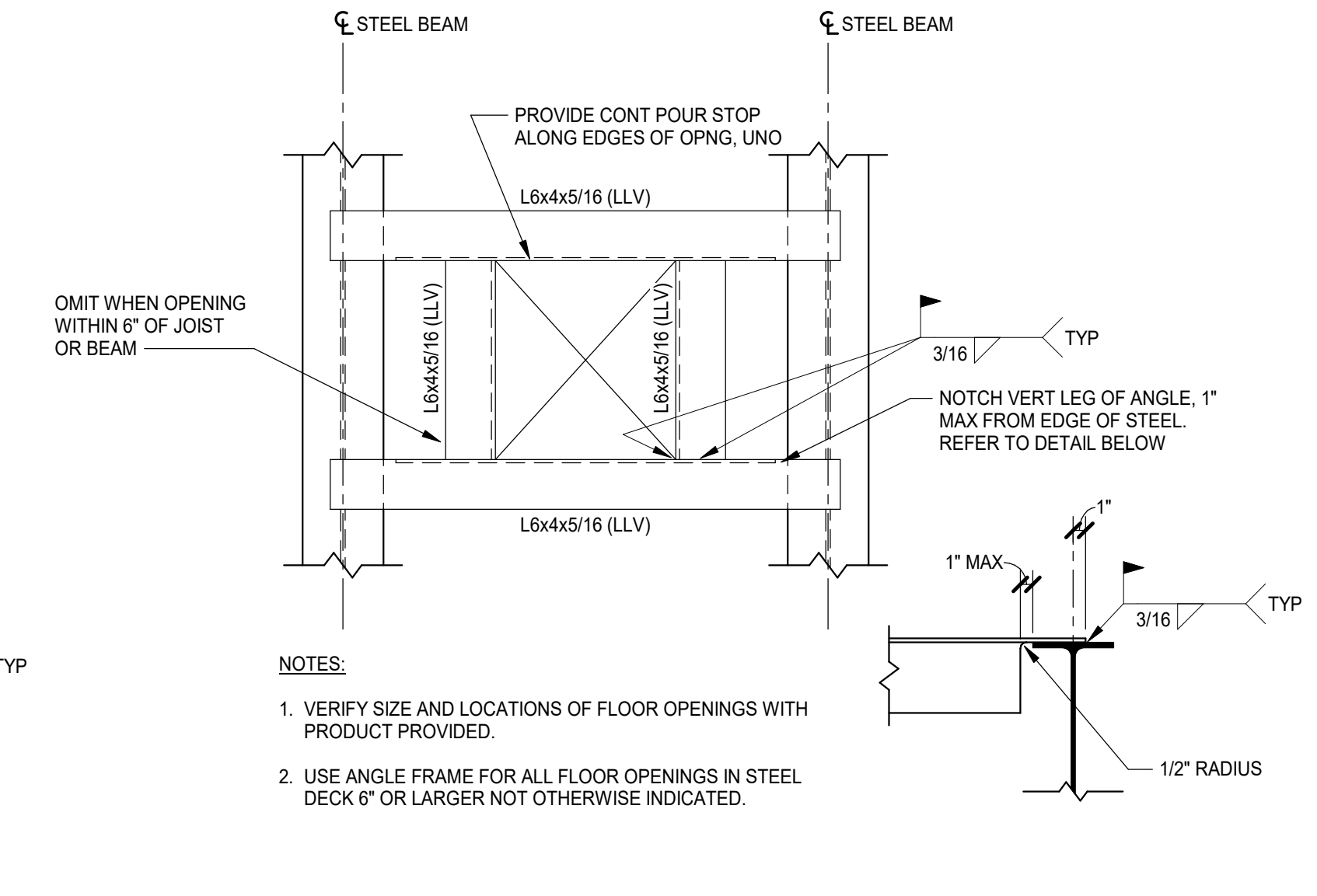
**SECTION B-B**

**TYPICAL CONCENTRATED LOAD ON STEEL JOIST**

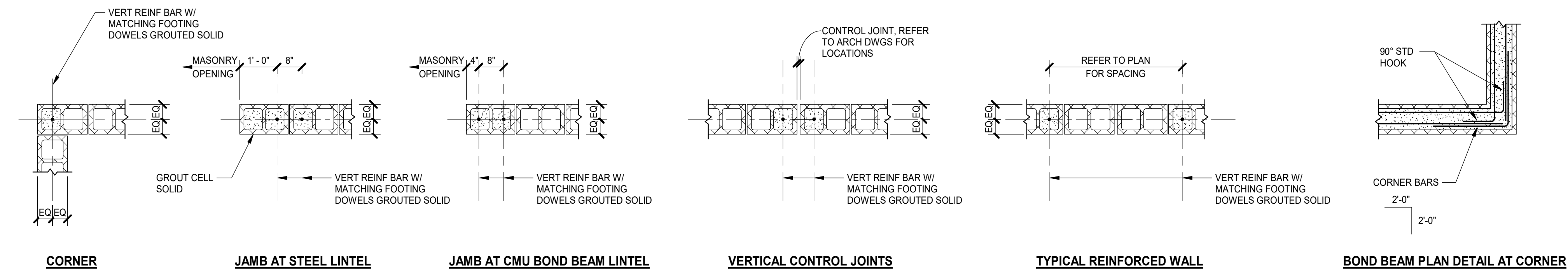
NOTE: THE GENERAL CONTRACTOR SHALL COORDINATE THESE REQUIREMENTS FOR HANGER SPACING AND JOIST REINFORCING STRUTS WITH MECHANICAL, PLUMBING, AND FIRE PROTECTION TRADES IN ORDER TO ENSURE THAT THESE REQUIREMENTS ARE ACCOUNTED FOR IN THE BID PRICE AND IMPLEMENTED IN THE FIELD. THE GENERAL CONTRACTOR SHALL BE RESPONSIBLE FOR THE PROPER INSTALLATION OF THE REINFORCING STRUTS IN ALL CASES WHERE THE HANGER LOAD EXCEEDS THE MAXIMUM. IF HANGER LOCATIONS ARE COORDINATED TO COMPLY WITH THE MAXIMUM HANGER LOADS INDICATED IN THIS DETAIL, THE NUMBER OF JOIST REINFORCING STRUTS WILL BE MINIMIZED.



**ROOF OPENING SUPPORT DETAIL**  
NO SCALE



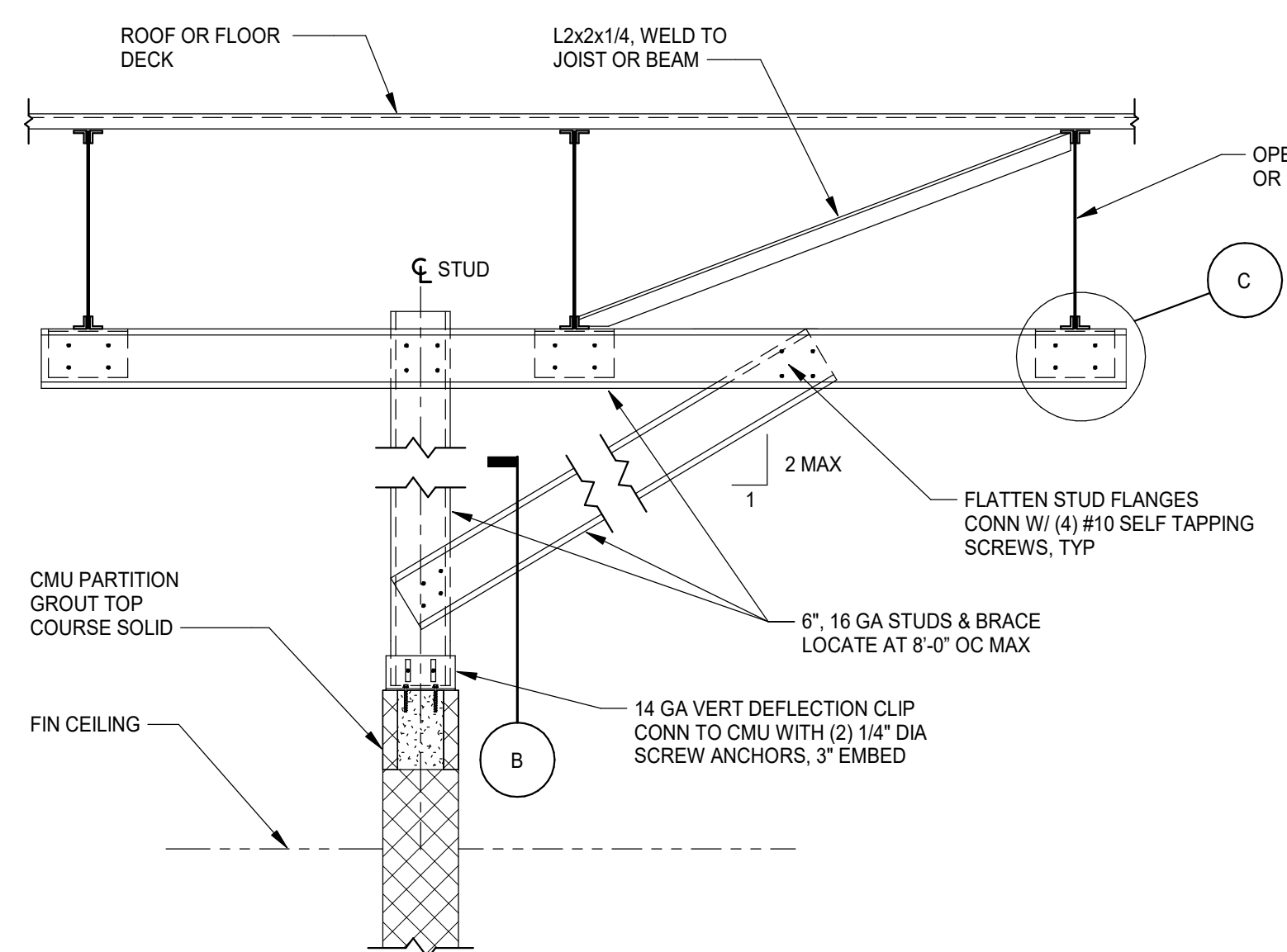
**FLOOR OPENING SUPPORT DETAIL**  
NO SCALE



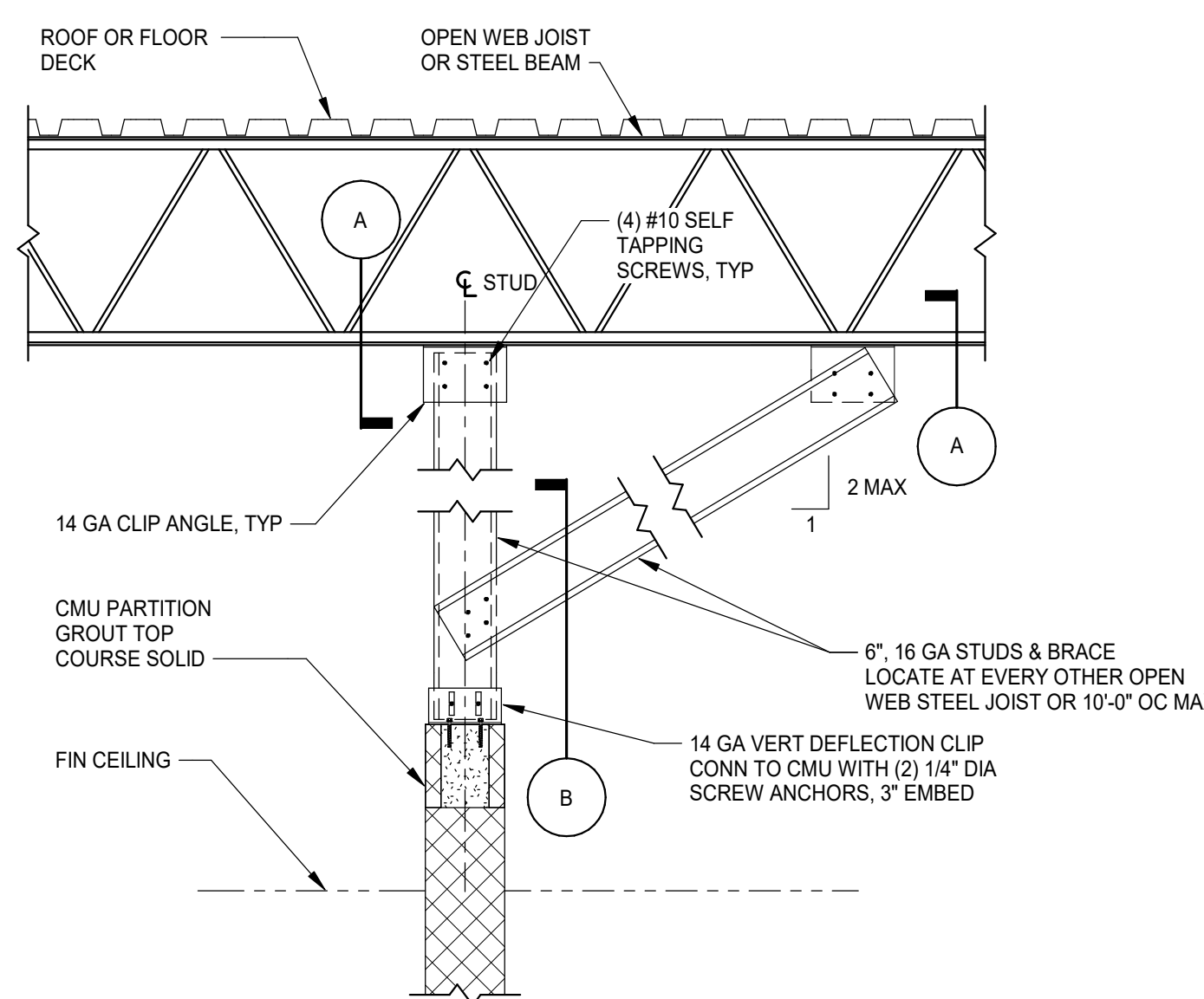
- NOTE:
- REINFORCING BAR SIZE INDICATED ON FOUNDATION PLAN.
  - DETAILS ARE PROVIDED FOR VERTICAL REINFORCING STEEL PLACEMENT ONLY. REFER TO ARCHITECTS DRAWINGS FOR SPECIFIC MASONRY DETAILS.

**CMU WALL REINFORCING DETAILS**

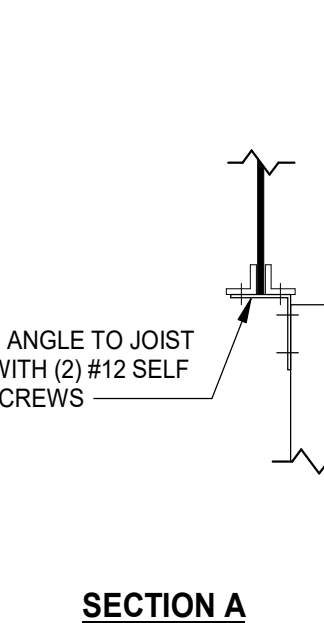
NO SCALE



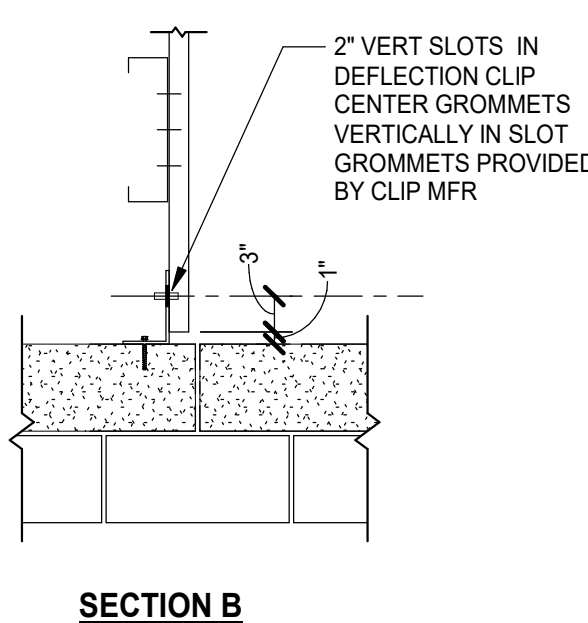
**LOW WALL PARALLEL TO JOIST OR BEAM**



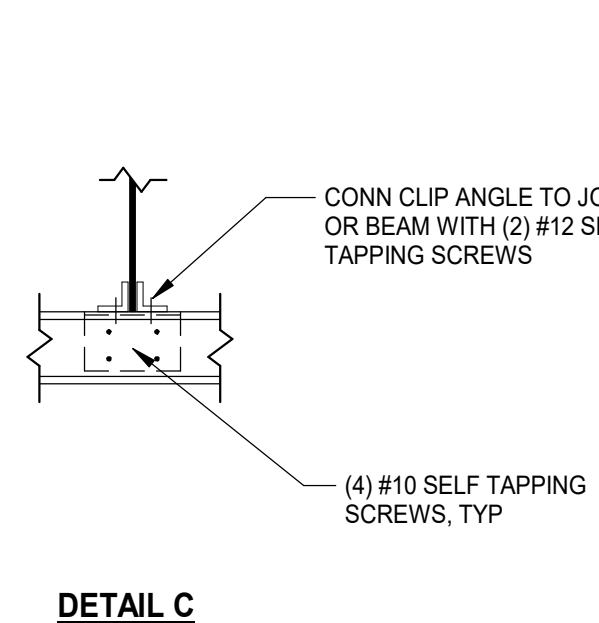
**LOW WALL PERPENDICULAR TO JOIST OR BEAM**



**SECTION A**



**SECTION B**



**DETAIL C**

**NOTES:**

- BRACE INTERIOR NON-LOAD BEARING MASONRY WALLS IN ACCORDANCE WITH THESE DETAILS UNLESS OTHERWISE INDICATED.
  - IN LIEU OF BRACING AT TOPS OF WALLS, BRACING MAY BE PROVIDED BY INTERSECTING MASONRY WALLS WHEN THE DISTANCE BETWEEN THE INTERSECTING WALLS DOES NOT EXCEED THE FOLLOWING:
- | NOMINAL THICKNESS OF BRACED WALLS | MAXIMUM SPACING BETWEEN INTERSECTING WALLS |
|-----------------------------------|--|
| 6"                                | 16'-0"                                     |
| 8"                                | 22'-0"                                     |
| 10"                               | 28'-0"                                     |
| 12"                               | 30'-0"                                     |
- BRACING IS REQUIRED IN ACCORDANCE WITH THESE DETAILS IF A VERTICAL CONTROL JOINT OCCURS BETWEEN INTERSECTING WALLS.
  - REFER TO ARCHITECTURAL DRAWINGS FOR INTERIOR PARTITION TYPES AND LOCATIONS.
  - INSTALL BRACING AFTER ALL ROOF DEAD LOAD IS IN PLACE.

LINTEL SCHEDULE					
MARK	DIAGRAM	BOND BEAM (W x H)	REINFORCING	STEEL	NOTES
L1	JL			(2) L4x3 1/2x5/16 (LLV)	
L2	[Diagram]	6 x 8	(1) #5		
L3	[Diagram]	8 x 8	(2) #5		

**LINTEL NOTES**

- LINTELS FOR ARCHITECTURAL OPENINGS (WINDOWS, DOORS, LOUVERS) IN BEARING WALLS AND EXTERIOR WALLS ARE IDENTIFIED BY MARK NUMBER ON THE FRAMING PLANS AND INCLUDED IN THE LINTEL SCHEDULE.
- LINTELS FOR ARCHITECTURAL OPENINGS IN NONLOAD BEARING WALLS AND OTHER WALLS WHICH ARE NOT INDICATED ON THE FRAMING PLANS SHALL BE CONSTRUCTED PER NOTES A, B OR C BELOW.
  - A. STEEL ANGLE LINTELS
 

PROVIDE ONE ANGLE FOR EACH NOMINAL 4" OF WALL THICKNESS PER THE FOLLOWING SCHEDULE:

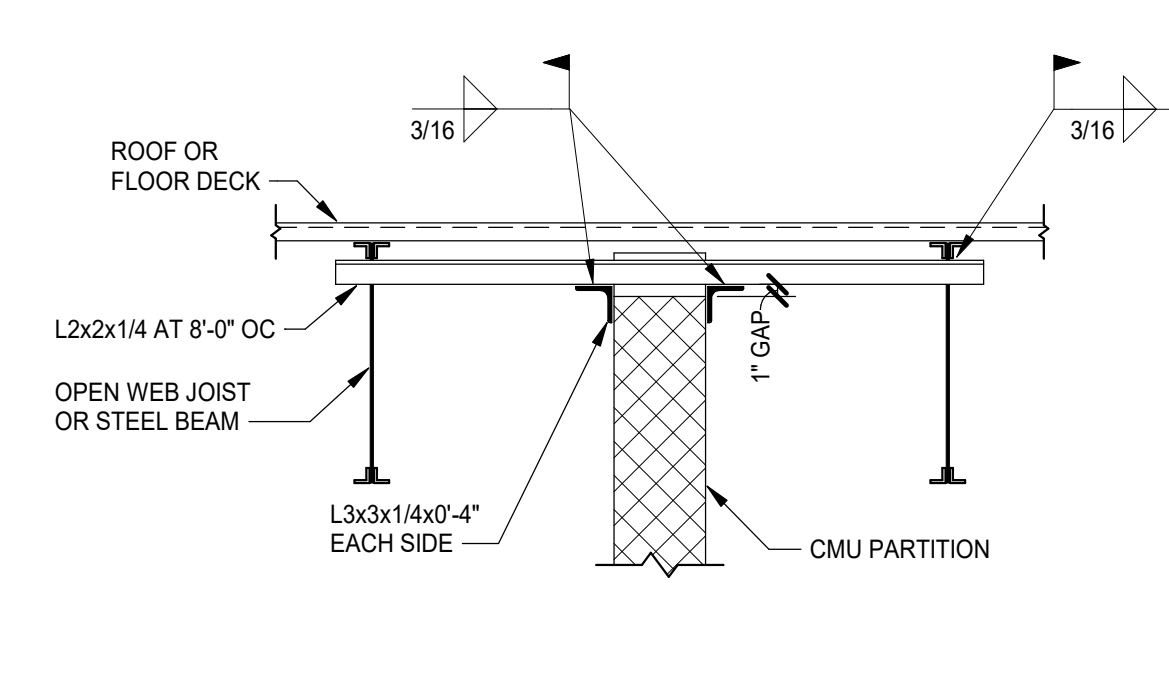
MASONRY OPENING	ANGLE SIZE
UP TO 5'-0"	L3 1/2x3 1/2x 5/16
5'-1" TO 6'-0"	L4x3 1/2x 5/16 (LLV)
6'-1" TO 7'-0"	L5x3 1/2x 3/8 (LLV)
OVER 7'-0"	AS DETAILED

FOR OPENINGS ON 10" CMU, HORIZONTAL LEGS OF ANGLES SHALL BE A COMBINATION OF 6" AND 4".

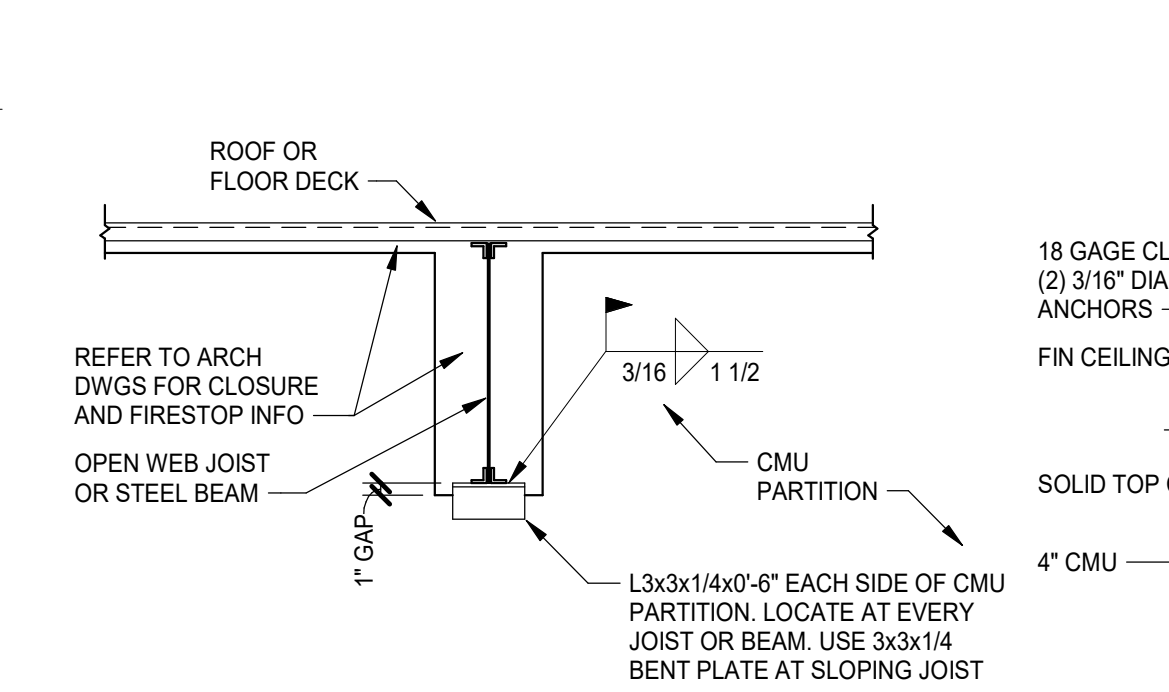
FOR OPENINGS IN 6" CMU REQUIRING STEEL LINTELS, USE W7x11 UP TO 7'-0" OPENING.
  - B. REINFORCED BOND BEAM LINTELS
 

LINTELS SHALL MATCH THICKNESS OF WALL. REINFORCE 8", 10" AND 12" BOND BEAM WITH (2) #5 BARS AT BOTTOM. REINFORCE 6" BOND BEAM WITH (1) #5 BAR AT BOTTOM. BOND BEAM SHALL BE 6" DEEP FOR OPENING WIDTH UP TO 5'-0" AND SHALL BEAR 8" ON SOLID MASONRY EACH END. BOND BEAM SHALL BE 16" DEEP FOR OPENING WIDTH UP TO 8'-0" AND SHALL BEAR 16" ON SOLID MASONRY EACH END WITH REINFORCING TO TOP AND BOTTOM. PLACE GROUT MONOLITHICALLY IN BOTH COURSES OF 16" DEEP BOND BEAM.
  - C. PRECAST CONCRETE LINTELS
 

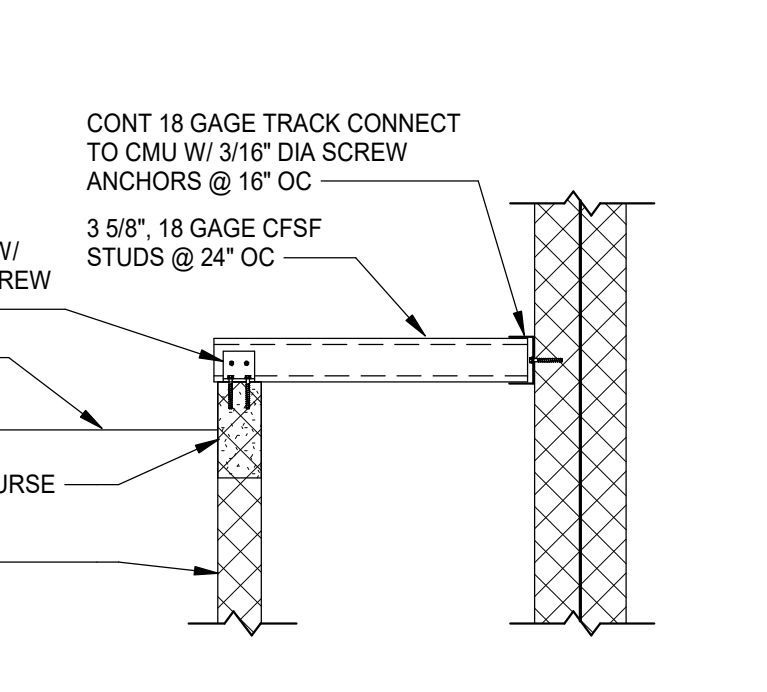
PRECAST CONCRETE LINTELS SHALL BE 3 5/8" x 7 5/8" FOR EACH NOMINAL 4" THICKNESS OF WALL. REINFORCING SHALL BE (1) #4 TOP AND BOTTOM WITH 1 1/2" COVER. FOR OPENINGS IN 6" CMU, LINTEL SHALL BE 5 5/8" x 7 5/8", REINFORCED WITH (1) #5 TOP AND BOTTOM. MASONRY OPENING WIDTH SHALL BE 6'-0" OR LESS. DO NOT USE PRECAST CONCRETE LINTELS IN EXPOSED LOCATIONS.
- LINTELS FOR MECHANICAL DUCTWORK PENETRATIONS NOT OTHERWISE DETAILED SHALL BE ONE OF THE ABOVE (NOTE 2A, 2B OR 2C).
- LINTELS SHALL BEAR 8" ONTO SOLID OR GROUT FILLED MASONRY, UNLESS OTHERWISE INDICATED.
- LINTELS ARE REQUIRED OVER ALL MASONRY OPENINGS GREATER THAN 6" IN WIDTH.
- LINTELS ARE NOT REQUIRED ABOVE HOLLOW METAL FRAMES IN OPENINGS 3'-4" OR LESS IN 8" NON-BEARING MASONRY PARTITIONS. GROUT HEAD OF FRAMES SOLID BEFORE PLACING MASONRY.
- ALL LINTELS IN EXTERIOR WALLS SHALL BE GALVANIZED.



**WALL TO UNDERSIDE OF DECK PARALLEL TO JOISTS**



**WALL TO UNDERSIDE OF DECK PERPENDICULAR TO JOISTS**



**4" CMU TOP OF WALL BRACING**



PROJECT NO:	563006
DATE:	SEPTEMBER 22, 2021
REVISIONS	
DATE	DESCRIPTION

TYPICAL MASONRY WALL AND LINTEL DETAILS

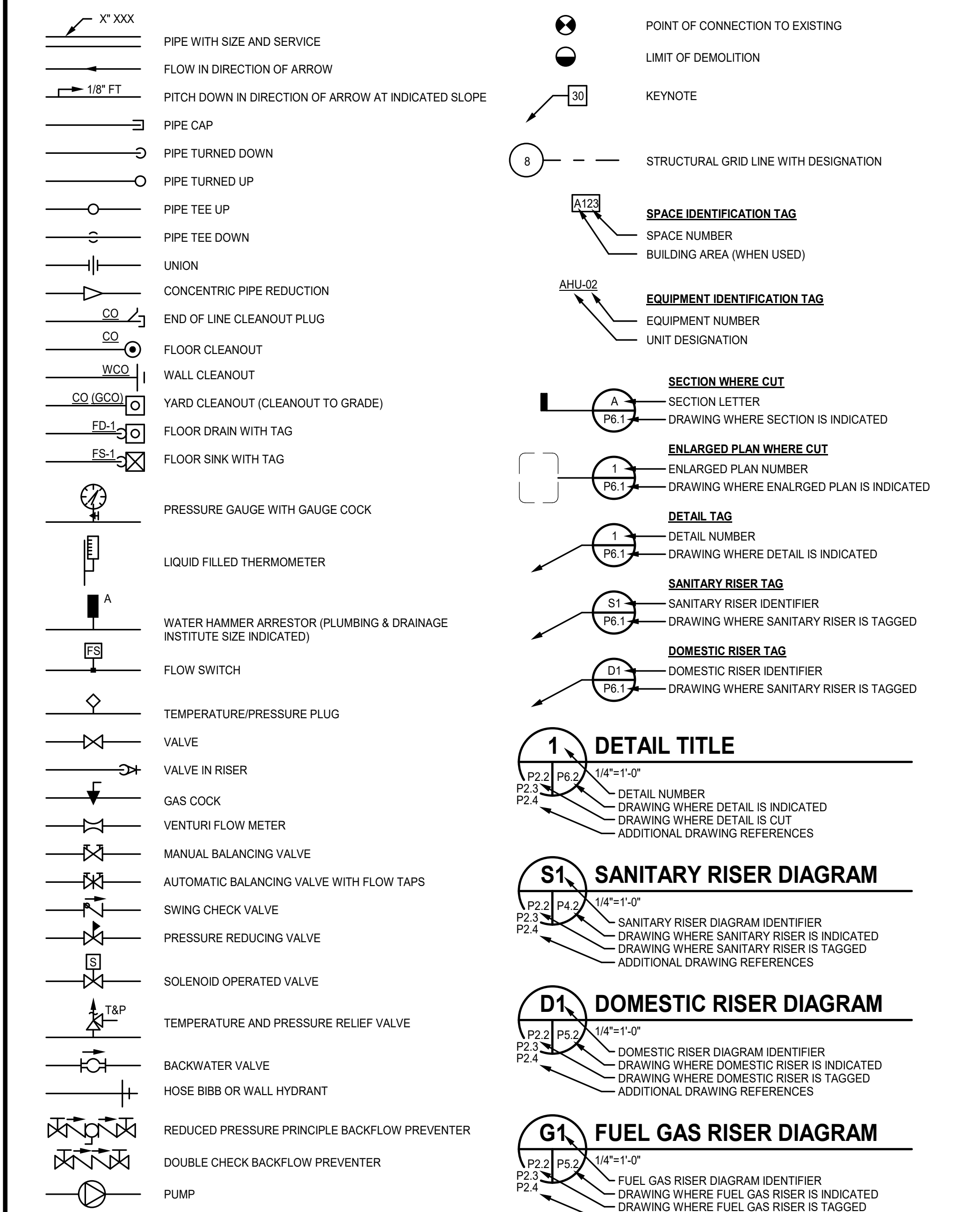


J  
H  
G  
F  
E  
D  
C  
B  
A

**ABBREVIATIONS**

@	AT	EQUIP	EQUIPMENT	OD	OUTSIDE DIAMETER
AAV	AIR ADMITTANCE VALVE	ETR	EXISTING TO REMAIN	OFCI	OWNER FURNISHED CONTRACTOR INSTALLED
ABV	ABOVE	EWV	ELECTRIC WATER COOLER	OFH	OVERHEAD
ADJ	ADJUSTABLE	EWL	ELECTRIC WATER HEATER	OPG	OPENING
ADNL	ADDITIONAL	EX	EXISTING	OPP	OPPOSITE
AFF	ABOVE FINISHED FLOOR	EXP	EXPANSION	OSD	OPEN SITE DRAIN
AFG	ABOVE FINISHED GRADE	FD	FLOOR DRAIN	OSD	OPEN SITE DRAIN
AHU	AIR HANDLING UNIT	FDC	FIRE DEPARTMENT CONNECTION	PC	PREFAB
ALT	ALTERNATE	FDN	FOUNDATION DRAIN	PCF	POUNDS PER CUBIC FOOT
ALUM	ALUMINUM	FF	FINISHED FLOOR	PD	PUMP DISCHARGE
AP	ACCESS PANEL	FFE	FINISHED FLOOR ELEVATION	PLUMB	PLUMBING
APFR	APPROXIMATE	FG	FINISHED GRADE	PLWVD	PLYWOOD
ARCH	ARCHITECTURAL	FH	FIRE HYDRANT	POLY	POLYETHYLENE
AUTO	AUTOMATIC	FHC	FIRE HOSE CABINET	PPT	PRESSURE PRESERVATIVE TREATED
AVG	AVERAGE	FHS	FIRE HOSE STATION	PREFAB	PREFABRICATE(D)
BFF	BELOW FINISHED FLOOR	FHVC	FIRE HOSE VALVE CABINET	PROJ	PROJECT
BFG	BELOW FINISHED GRADE	FX	FIXTURE	PSF	POUNDS PER SQUARE FOOT
BLDG	BUILDING	FLR	FLOOR	PSI	POUNDS PER SQUARE INCH
BO	BOTTOM OF	FLSHG	FLASHING	PV	PROPANE VENT
BOT	BOTTOM	FOR	FUEL OIL RETURN	PVC	POLYVINYL CHLORIDE
BSMT	BASEMENT	FOS	FUEL OIL SUPPLY	PWMT	PAVEMENT
BTVN	BETWEEN	FOV	FUEL OIL VENT	R	RISER
CA	COMPRESSED AIR	FS	FLOOR SINK	RAD	RADIUS
CI	CAST IRON	FT	FOOT OR FEET	RD	ROOF DRAIN (BOTTOM OUTLET)
CIP	CAST-IN-PLACE CONCRETE	FVC	FIRE VALVE CABINET	RDS	ROOF DRAIN (SIDE OUTLET)
CL	CENTERLINE	G	NATURAL GAS	REF	REFERENCE
CLG	CELLING	GW	GAS WATER HEATER	REQD	REQUIRED
CLR	CLEAR	HB	HOSE BIBB	REQMT	REQUIREMENTS
CMP	CORRUGATED METAL PIPE	HORIZ	HORIZONTAL	RL	RAIN LEADER
CNTR	COUNTER	HP	HORSEPOWER	RM	ROOM
CO	CLEANOUT	HTG	HEATING	RO	ROUGH OPENING
COL	COLUMN	HW	HOT WATER	S	SOUTH
CONC	CONCRETE	HWR	HOT WATER RETURN	SAN	SANITARY
CONDS	CONDENSATE	HWS	HOT WATER SUPPLY	SCH	SCHEDULE
CONSTR	CONSTRUCTION	ID	INSIDE DIAMETER	SD	STORM DRAIN
CONT	CONTINUATION	IN	INCH	SDN	STORM DRAIN NOZZLE
CONTR	CONTRACT-(OR)	INSUL	INSULATE OR INSULATION	SHT	SHEET
CORR	CORRIDOR	INV	INVERT	SIM	SIMILAR
CP	CIRCULATING PUMP	JAN	JANITOR	SLT	SLANT
CR	CLASSROOM	KIT	KITCHEN	SOG	SLAB ON GRADE
CT	COOLING TOWER	KW	KITCHEN WASTE	SP	SUMP PUMP
CU	COPPER	LAB	LABORATORY	SPEC	SPECIFICATION
CU FT	CUBIC FEET	LAV	LAVATORY	SPR	SPRINKLER
CU YD	CUBIC YARD	LBS	POUNDS	SO	SQUARE
CW	COLD WATER	LF	LINEAR FOOT (FEET)	SRD	SECONDARY ROOF DRAIN
DCW	DOMESTIC COLD WATER	LP	PROPANE	SS	STAINLESS STEEL
DEMO	DEMOLISH OR DEMOLITION	LPV	PROPANE VENT	SSD	SECONDARY STORM DRAIN
DF	DRINKING FOUNTAIN	MATL	MATERIAL	STD	STANDARD
DHR	DOMESTIC HOT WATER RETURN	MAX	MAXIMUM	STL	STEEL
DHR(140)	DOMESTIC HOT WATER RETURN (140°)	MECH	MECHANICAL	STOR	STORAGE
DHW	DOMESTIC HOT WATER	MED	MEDIUM	STRUCT	STRUCTURAL
DHW(140)	DOMESTIC HOT WATER (140°)	MFR	MANUFACTURER	SUSP	SUSPENDED
DI	DROP INLET	MH	MANHOLE	THK	THICK(NESS)
DIA	DIAMETER	MIN	MINIMUM	TLT	TOILET
DIP	DUCTILE IRON PIPE	MISC	MISCELLANEOUS	TOSL	TOP OF SLAB
DN	DOWN	MTD	MOUNTED	TW	DOMESTIC TEMPERED WATER (90° F)
DS	DOWNSPOUT	N	NORTH	TYP	TYPICAL
DTL	DRAIN TILE	N/A	NOT APPLICABLE/AVAILABLE	UG	UNDERGROUND
DTL	DETAIL	NC	NORMALLY CLOSED	UNO	UNLESS NOTED (INDICATED) OTHERWISE
DTW	DOMESTIC TEMPERED WATER	NG	NATURAL GAS	V	VENT
DWG	DRAWING	NGV	NATURAL GAS VENT	VAC	VACUUM
E	EAST	NIC	NOT IN CONTRACT	VAB	VACUUM BREAKER
ELEC	ELECTRICAL	NO	NORMALLY OPEN	VERT	VERTICAL
EPBD	ELECTRICAL PANELBOARD	NO, (#)	NUMBER	VTR	VENT THROUGH ROOF
EQ	EQUAL	NOM	NOMINAL	W	WEST
		OC	ON CENTER	WI	WITH
				WIO	WITHOUT
				WB	WATER HAMMER ARRESTER
				WC	WATER CLOSET
				WSP	WATER SOURCE HEAT PUMP
				WWF	WELDED WIRE FABRIC
				WWM	WELDED WIRE MESH
				XFMR	TRANSFORMER

**GRAPHICS SYMBOLS LEGEND**



**DRAIN AND CLEANOUT SCHEDULE**

TAG	BASIS OF DESIGN		STRAINER/GRATE	NOTES
	MANUFACTURER	MODEL		
FD-1	JOSAM	30003-A	6" DIA	1
FD-2	JOSAM	30002-A	6" DIA	1
SD-1	JOSAM	30002-A	4" DIA	

1. PROVIDE TRAP GUARD INSERT, SEE DETAIL.

**DRAIN AND CLEANOUT SCHEDULE**

1. PROVIDE TRAP SEAL PROTECTON DEVICE, REFER TO DETAIL.

**PLUMBING FIXTURE SCHEDULE**

TAG	FIXTURE	HEIGHT A.F.F.	PIPE SIZE					NOTES
			COLD WATER	TEPID WATER	HOT WATER	VENT	SOIL WASTE	
LA-1	WALL-HUNG LAVATORY (ACCESSIBLE)	RM AT 33"	1/2"		1/2"	1-1/2"	1-1/2"	1, 3
SH-1	SHOWER (ACCESSIBLE)	COUNTERTOP - REFER TO ARCH	1/2"		1/2"	1-1/2"	1-1/2"	1
WC-1	FLOOR-MOUNTED WATER CLOSET (ACCESSIBLE)	TOP OF SEAT 18"	1"			2"	4"	1, 2

**PLUMBING FIXTURE SCHEDULE**

1. THIS ACCESSIBLE FIXTURE, ACCESSORIES, AND INSTALLATION SHALL CONFORM TO THE USBC AND ASAD ADA STANDARDS FOR ACCESSIBLE DESIGN.
2. LOCATE FLUSH ACTUATORS ON WIDE SIDE OF STALLS OR APPROACH AREAS.
3. PROVIDE ASSE-1070 CERTIFIED MIXING VALVE, ABOVE CEILING, OR BELOW FIXTURE ACCESSIBLE BUT CONCEALED FROM VIEW.

**GENERAL NOTES**

- A. THE CONTRACT DOCUMENTS ARE COMPLEMENTARY AND WHAT IS REQUIRED BY ONE SHALL BE AS BINDING AS IF REQUIRED BY ALL. IN THE CASE OF A CONFLICT, DISAGREEMENT, OR AMBIGUITY, PROVIDE THE BETTER QUALITY. IN THE CASE OF A CONFLICT, DISAGREEMENT, OR AMBIGUITY, PROVIDE THE GREATER QUANTITY OF WORK.
- B. COORDINATE PIPING LOCATIONS AND INSTALLATION WITH EACH TRADE TO AVOID CONFLICTS WITH OTHER TRADES.
- C. PROVIDE FLOOR CLEANOUTS INDICATED FLUSH WITH FLOOR FINISHES.
- D. PROVIDE CLEANOUTS WHERE INDICATED AND ADDITIONAL CLEANOUTS AS REQUIRED BY LOCAL CODE.
- E. REFER TO DRAWINGS FROM EACH DISCIPLINE BEFORE ROUGHING-IN PLUMBING FIXTURES.
- F. OBTAIN DIMENSIONS AND ROUTING IN FIELD BEFORE INSTALLATION OF PLUMBING AND FIXTURES.
- G. PROVIDE ISOLATION VALVES IN ACCORDANCE WITH DIAGRAMS, DETAILS, AND DIVISION 22 SPECIFICATIONS.

**MOSELEY ARCHITECTS**  
 5200 NORFOLK STREET, RICHMOND, VA 23230  
 PHONE (804)794-7550 FAX (804) 355-5690  
 MOSELEYARCHITECTS.COM



**KELLY DAY RENOVATIONS FS 9**  
 563006  
 1900 S Walter Reed Dr, Arlington, VA 22204  
 Owner: Arlington County

PROJECT NO:	563006
DATE:	SEPTEMBER 22, 2021

DATE	REVISIONS	DESCRIPTION

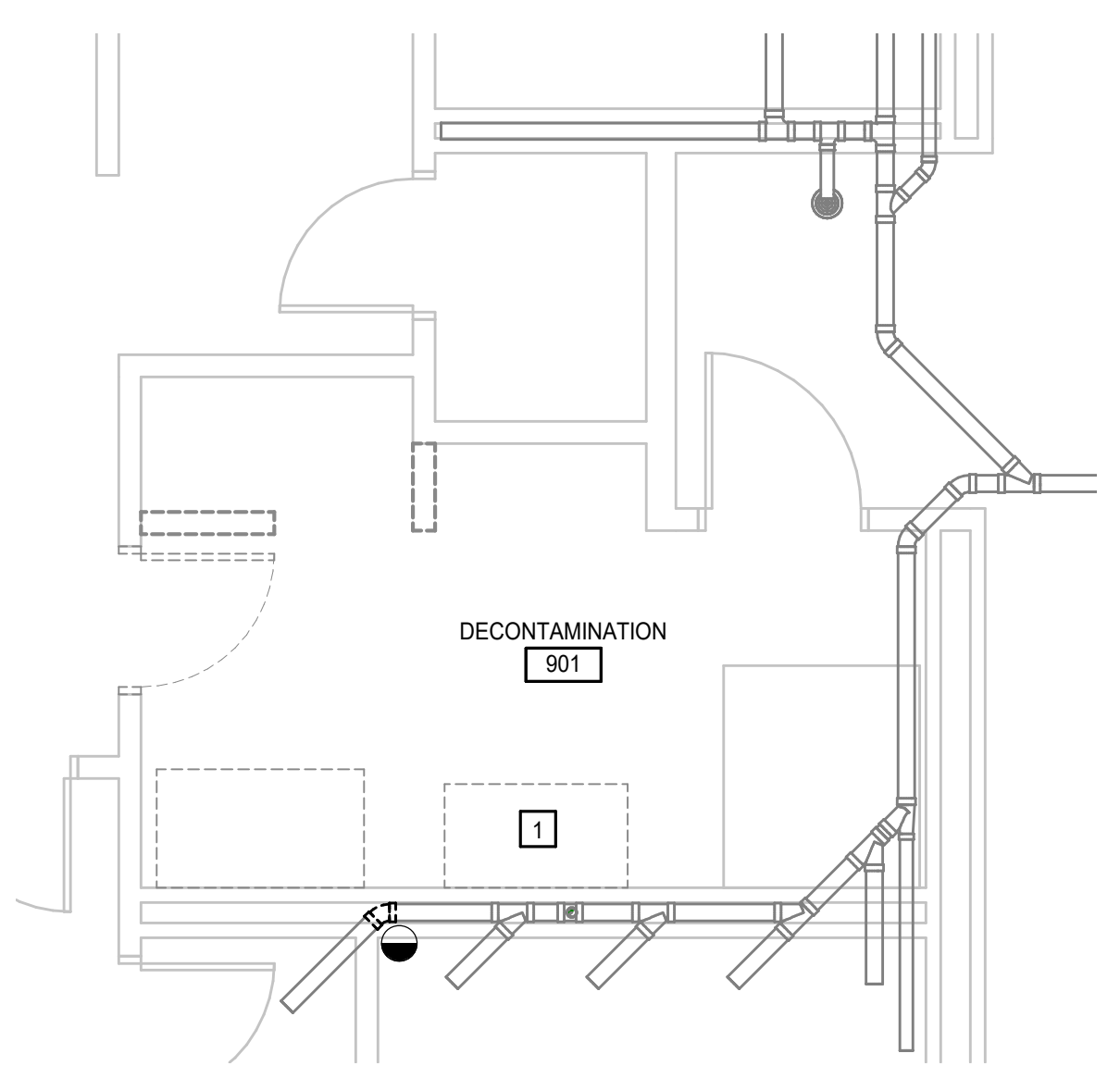
LEGENDS, ABBREVIATIONS AND GENERAL NOTES - FS9

J  
H  
G  
F  
E  
D  
C  
B  
A

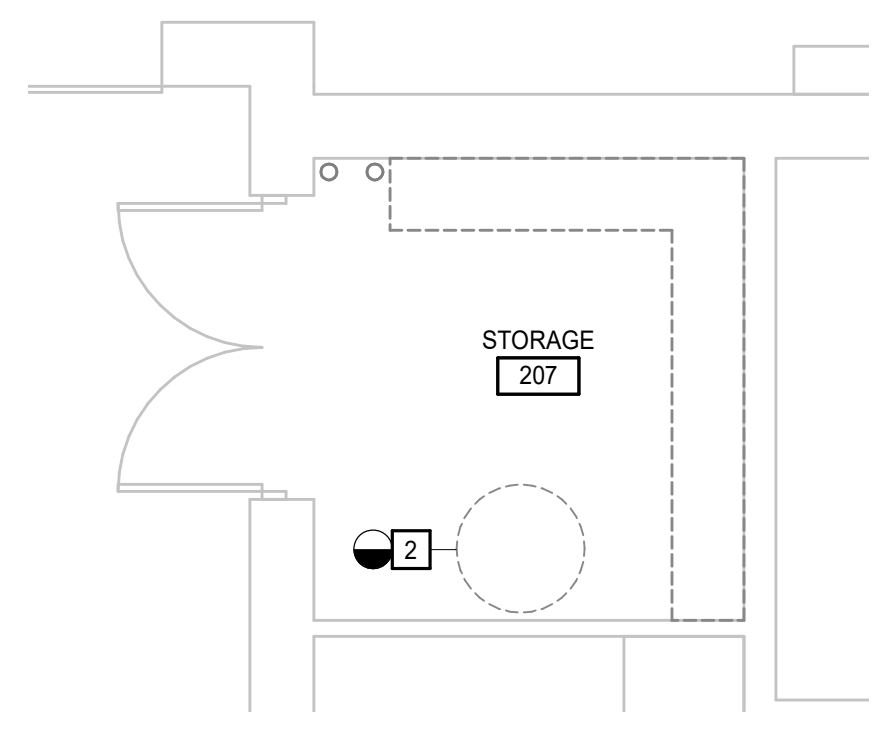
1 2 3 4 5 6 7 8 9 10

PLUMBING DEMOLITION KEYNOTES	
APPLIES TO THIS DRAWING REPRESENTED BY [1]	
1.	REMOVE EXISTING PLUMBING FIXTURE, VALVES, AND ALL ASSOCIATED TRIM MATERIALS. REMOVE WASTE PIPING, VENT AND DOMESTIC WATER PIPING BACK TO SYSTEM BRANCH MAINS IN THE WALL, CEILING AND FLOOR AND CAP PIPING.
2.	REMOVE AND PREPARE TO RELOCATE EXISTING COMPRESSOR AND ALL ASSOCIATED TRIM MATERIALS. REMOVE PIPING BACK TO CEILING SPACE AND PREPARE FOR CONNECTION OF RELOCATED COMPRESSOR.

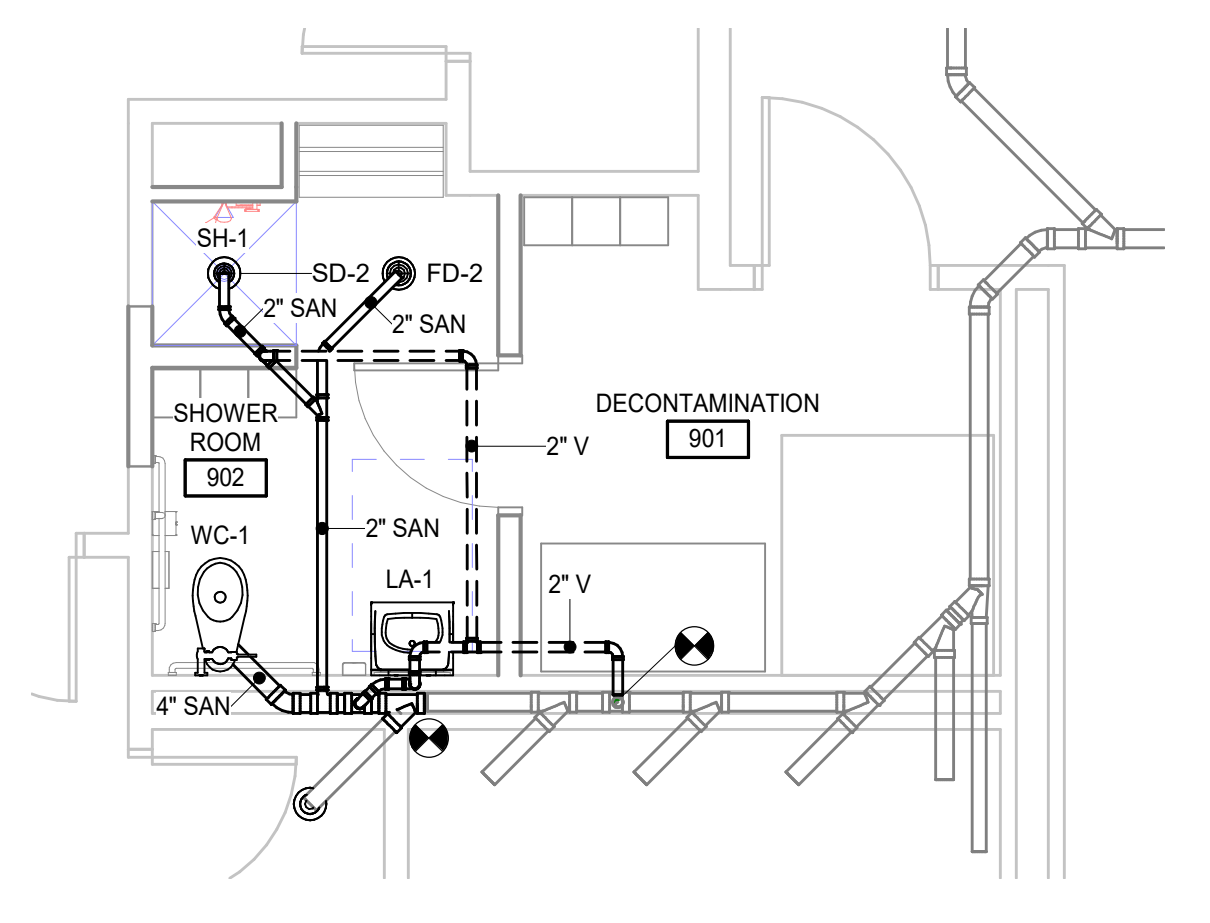
PLUMBING KEYNOTES	
APPLIES TO THIS DRAWING REPRESENTED BY [2]	
1.	CONNECT PIPING AND ALL ASSOCIATED TRIM MATERIALS FROM RELOCATED COMPRESSOR. CONNECT COMPRESSOR SUPPLY AIR PIPING TO EXISTING PIPING LOCATION.



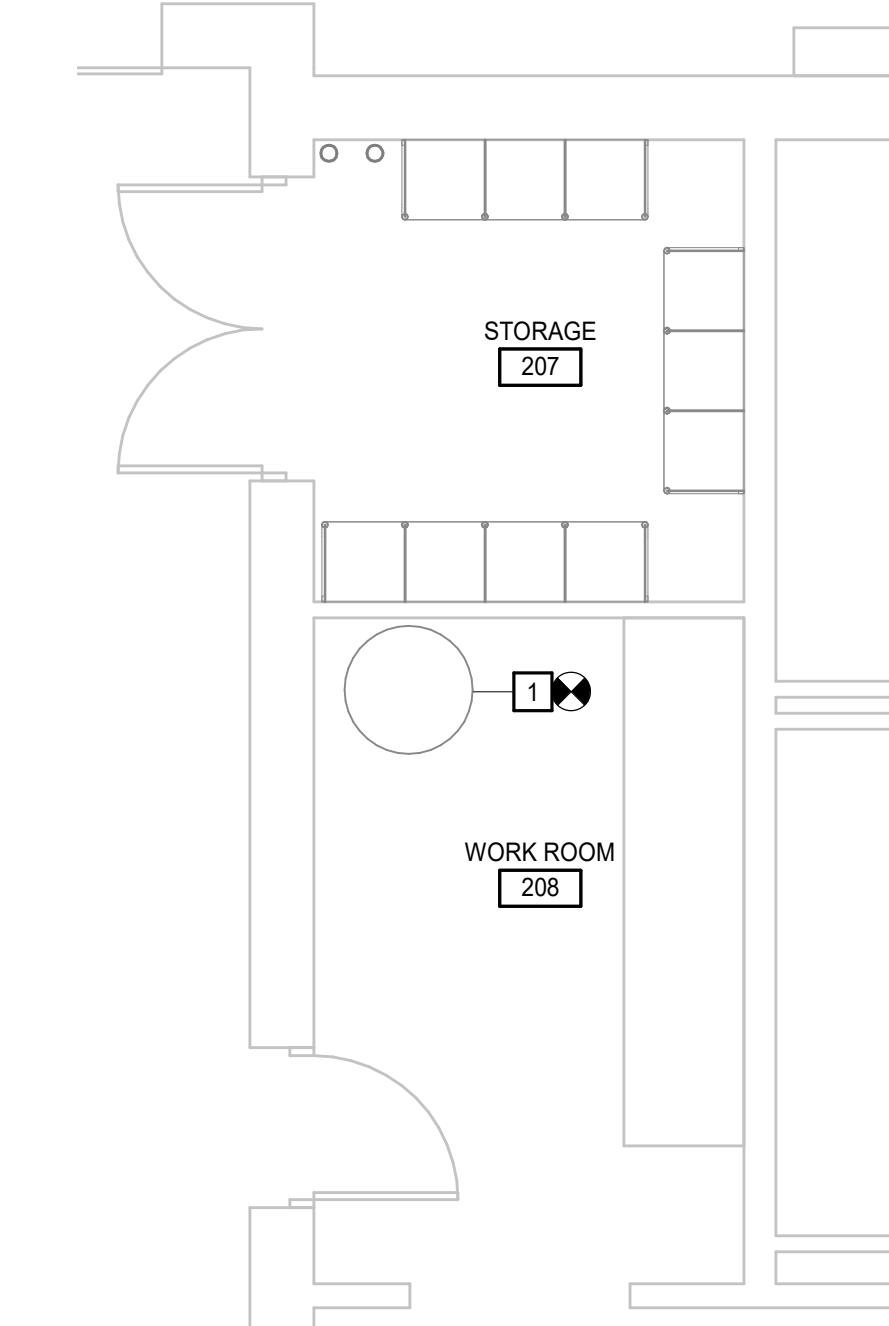
FIRST FLOOR PLAN - DEMOLITION - FS#9  
1/4" = 1'-0"



FIRST FLOOR PLAN - DEMOLITION - FS#9  
1/4" = 1'-0"



FIRST FLOOR PLAN - PLUMBING - FS#9  
1/4" = 1'-0"



FIRST FLOOR PLAN - PLUMBING - FS#9  
1/4" = 1'-0"

MOSELEYARCHITECTS

5200 NORFOLK STREET, RICHMOND, VA 23230  
PHONE (804) 784-7557 FAX (804) 355-5690  
MOSELEYARCHITECTS.COM



KELLY DAY RENOVATIONS FS 9

563006  
1900 S Walter Reed Dr, Arlington, VA 22204  
Owner: Arlington County

PROJECT NO:	563006
DATE:	SEPTEMBER 22, 2021
REVISIONS	
DATE	DESCRIPTION

DATE	DESCRIPTION

FLOOR PLANS - FS#9



GRILLE, REGISTER, & DIFFUSER SCHEDULE							
TAG	MANUFACTURER	MODEL NUMBER	MOUNTING STYLE	NECK SIZE	FACE SIZE	MAX NC LEVEL	NOTES
S1	PRICE	ASDA	SURFACE	6ø	24x24	30	
S2	PRICE	ASDA	LAY-IN	8ø	24x24	30	
S3	PRICE	SDGE	DUCT MOUNTED	-	12x6	30	
E1	PRICE	630-F-L	SURFACE	6x6	12x12	30	
T1	PRICE	630-F-L	SURFACE	10x10	12x12	30	

EQUIPMENT IDENTIFICATION	
AHU	AIR-HANDLING UNIT
AS	AIR SEPARATOR
B	BOILER
BCU	BLOWER COIL UNIT
OCC	CLOSED-CIRCUIT COOLING TOWER
CH	CHILLER
CHWP	CHILLED WATER PUMP
CRAC	COMPUTER ROOM AIR CONDITIONER
CT	COOLING TOWER
CUH	CABINET UNIT HEATER
CWP	CONDENSER WATER PUMP
ECH	ELECTRIC CEILING HEATER
ERU	ENERGY RECOVERY UNIT
ERV	ENERGY RECOVERY VENTILATOR
ET	EXPANSION TANK
EUH	ELECTRIC UNIT HEATER
EWL	ELECTRIC WALL HEATER
FCU	FAN COIL UNIT
HP	HEAT PUMP
HWP	HOT WATER PUMP
HX	HEAT EXCHANGER
MAU	MAKEUP AIR UNIT
OAU	OUTDOOR AIR UNIT
P	PUMP
PTAC	PACKAGED TERMINAL AIR CONDITIONER
PTHP	PACKAGED TERMINAL HEAT PUMP
RTU	ROOFTOP UNIT
SSI	SPLIT-SYSTEM INDOOR UNIT
SSO	SPLIT-SYSTEM OUTDOOR UNIT
TU	TERMINAL UNIT
UH	UNIT HEATER
WSHP	WATER-SOURCE HEAT PUMP

CONTROLS ABBREVIATIONS	
AF	AIRFLOW
AI	ANALOG INPUT TO CONTROLLER
ALM	ALARM
AMS	AIRFLOW MEASURING STATION
AO	ANALOG OUTPUT FROM CONTROLLER
ATS	AVERAGING TEMPERATURE SENSOR
BAS	BUILDING AUTOMATION SYSTEM
BI	BINARY INPUT TO CONTROLLER
BO	BINARY OUTPUT FROM CONTROLLER
CO2	CARBON DIOXIDE SENSOR
CSR	CURRENT-SENSING RELAY
DM	DAMPER MOTOR
DP	DIFFERENTIAL PRESSURE
DPT	DIFFERENTIAL PRESSURE TRANSMITTER
FM	FLOW METER
FZ	FREEZESTAT
HS	HUMIDITY SENSOR
POS	POSITION RELAY
R	RELAY
SD	SMOKE DETECTOR
SPD	SPEED
SS	START/STOP
STS	STATUS
TS	TEMPERATURE SENSOR
VFD	VARIABLE-FREQUENCY DRIVE

ABBREVIATIONS	
A	AMPERE(S)
AD	ACCESS DOOR
AF	ABOVE FINISHED FLOOR
ALT	ALTERNATE
APD	AIR PRESSURE DROP
DHP	DRIVE HORSEPOWER
BTUH	BRITISH THERMAL UNITS PER HOUR
CFM	CUBIC FEET PER MINUTE
CHWR	CHILLED WATER RETURN
CHWS	CHILLED WATER SUPPLY
CLG	COOLING
COM	COMMON
CWR	CONDENSER WATER RETURN
CWS	CONDENSER WATER SUPPLY
D	DRAIN
DB	DRY BULB TEMPERATURE
dBa	A-WEIGHTED DECIBELS
DCW	DOMESTIC COLD WATER
DIA	DIAMETER
DN	DOWN
DWG	DRAWING
EA	EXHAUST AIR
EAT	ENTERING AIR TEMPERATURE
EER	ENERGY EFFICIENCY RATIO
EQUAL	EQUAL
ESP	EXTERNAL STATIC PRESSURE
EWT	ENTERING WATER TEMPERATURE
EX	EXISTING
F	DEGREES FAHRENHEIT
FC	FAIL CLOSED
FD	FIRE DAMPER
FLA	FULL LOAD AMPS
FO	FAIL OPEN
FRM	FEET PER MINUTE
FT	FOOT, FEET
GA	GAUGE
GAL	GALLON(S)
GPH	GALLONS PER HOUR
GPM	GALLONS PER MINUTE
HP	HORSEPOWER
HPWR	HEAT PUMP WATER RETURN
HPWS	HEAT PUMP WATER SUPPLY
HTG	HEATING
HWR	HOT WATER RETURN
HWS	HOT WATER SUPPLY
HX	HEAT EXCHANGER
HZ	HERTZ
IN	INCH
PLV	INTEGRATED PART-LOAD VALUE
KW	KILOWATT(S)
LAT	LEAVING AIR TEMPERATURE
LBS	POUNDS
LWT	LEAVING WATER TEMPERATURE
MAX	MAXIMUM
MBH	ONE THOUSAND BTUH
MCA	MINIMUM CIRCUIT AMPACITY
MFR	MANUFACTURER
MIN	MINIMUM
MOCP	MAXIMUM OVERCURRENT PROTECTION
MOD	MOTOR-OPERATED DAMPER
NC	NORMALLY CLOSED (FOR PLANS, DETAILS)
NC	NOISE CRITERIA (FOR SCHEDULES)
NIC	NOT IN CONTRACT
NO	NORMALLY OPEN
OA	OUTSIDE AIR
OC	ON CENTER
OFCI	OWNER FURNISHED CONTRACTOR INSTALLED
PH	PHASE
PSIG	POUNDS PER SQUARE INCH GAUGE
RA	RETURN AIR
RD	REFRIGERANT DISCHARGE
RH	RELATIVE HUMIDITY
RL	REFRIGERANT LIQUID
RPM	REVOLUTIONS PER MINUTE
RS	REFRIGERANT SUCTION
SA	SUPPLY AIR
SEER	SEASONAL ENERGY EFFICIENCY RATIO
TD	TRANSFER DUCT
TYP	TYPICAL
UNO	UNLESS NOTED (INDICATED) OTHERWISE
V	VOLTAGE, VOLTS
VD	VOLUME DAMPER
VFD	VARIABLE-FREQUENCY DRIVE
W	WATT(S)
W	WITH
W/O	WITHOUT
WB	WET BULB TEMPERATURE
WC	WATER COLUMN
WC	WATER COLUMN
WPD	WATER PRESSURE DROP
WWM	WELDED WIRE MESH

CONTROL SYSTEM SYMBOLS	
	CIRCULATOR OR PUMP
	MOTORIZED 2-WAY VALVE
	MOTORIZED 3-WAY VALVE
	VARIABLE FREQUENCY DRIVE
	DIRECT DIGITAL CONTROLLER
	THERMOSTAT
	FREEZESTAT
	CONTACTOR
	RELAY
	SPACE TEMPERATURE SENSOR
	LINE VOLTAGE THERMOSTAT
	HAND-OFF-AUTOMATIC SWITCH
	DUCT-MOUNTED SMOKE DETECTOR
	TRANSFORMER
	FUSE
	NORMALLY OPEN CONTACT
	NORMALLY CLOSED CONTACT
	WIRING OR DEVICE PROVIDED UNDER DIVISION 23
	WIRING OR DEVICE NOT PROVIDED UNDER DIVISION 23
	WIRING CONNECTION BY DIVISION 23
	WIRING CONNECTION BY OTHERS
	NUMBER OF CONDUCTORS INDICATED BY SLASH MARKS
	MOTORIZED PARALLEL BLADE DAMPER
	MOTORIZED OPPOSED BLADE DAMPER
	MOTORIZED BUTTERFLY BLADE DAMPER
	SUPPLY, RETURN, OR EXHAUST FAN
	AIRFLOW DIRECTION
	CONTROL POINT INDICATOR
	INPUT OR OUTPUT (ANALOG INPUT)
	DEVICE TYPE (AIR TEMPERATURE SENSOR)
	CONTROL POINT INDICATOR
	INPUT OR OUTPUT (ANALOG INPUT)
	DEVICE TYPE (WATER TEMPERATURE SENSOR WITH WET BULB TYPE ELEMENT IN PIPING WELL)
	CONTROL POINT INDICATOR
	INPUT OR OUTPUT (ANALOG INPUT)
	DEVICE TYPE (CURRENT SENSING RELAY)

GRAPHICS SYMBOLS LEGEND	
	SPACE IDENTIFICATION TAG
	SPACE NUMBER
	BUILDING AREA (WHEN USED)
	EQUIPMENT IDENTIFICATION TAG
	EQUIPMENT NUMBER
	UNIT DESIGNATION
	DIFFUSER, GRILLE OR REGISTER TAG
	TAG, REFER TO DIFFUSER, GRILLE AND REGISTER SCHEDULE
	AIRFLOW (CFM)
	DETAIL TAG
	DETAIL NUMBER
	DRAWING WHERE DETAIL IS INDICATED
	KEYNOTE
	STRUCTURAL GRID LINE WITH DESIGNATION
	EXISTING TO BE REMOVED
	DETAIL TITLE
	DETAIL NUMBER
	DRAWING WHERE DETAIL IS INDICATED
	SECTION TITLE
	SECTION NUMBER
	DRAWING WHERE SECTION IS INDICATED
	DRAWING WHERE SECTION IS REFERENCED
	ADDITIONAL DRAWING REFERENCES
	SECTION CALLOUT
	SECTION NUMBER
	DRAWING WHERE SECTION IS INDICATED
	ENLARGED PLAN CALLOUT
	ENLARGED PLAN NUMBER
	DRAWING WHERE ENLARGED PLAN IS INDICATED
	MECHANICAL EQUIPMENT WITH REQUIRED SERVICE CLEARANCE INDICATED

DUCTWORK LEGEND	
	RECTANGULAR DUCT (FIRST DIMENSION REFERS TO SIDE VIEWED)
	ROUND DUCT SIZE
	FLAT OVAL DUCT SIZE
	DOUBLE WALL, EXPOSED DUCT
	FABRIC DUCT
	FLEXIBLE DUCTWORK
	FLEXIBLE CONNECTOR
	DUCT-MOUNTED SMOKE DETECTOR
	DUCT WITH DUCT LINER
	DUCT ACCESS DOOR
	DUCT WITH END CAP
	LINEAR SLOT DIFFUSER, LENGTH AS INDICATED
	LINEAR BAR GRILLE, LENGTH AS INDICATED
	SUPPLY DIFFUSER
	RETURN OR EXHAUST GRILLE
	SUPPLY DIFFUSER WITH DIRECTIONAL BLOW, SOLID HATCH INDICATES BLANK OFF PANEL
	POINT OF CONNECTION TO EXISTING
	LIMIT OF DEMOLITION
	SUPPLY AIRFLOW ARROW
	RETURN OR EXHAUST AIRFLOW ARROW
	MANUAL BALANCING DAMPER IN DUCT
	FIRE DAMPER IN DUCT
	SMOKE DAMPER IN DUCT
	COMBINATION FIRE/SMOKE DAMPER IN DUCT
	MOTORIZED DAMPER IN DUCT
	SMOKE CONTROL MANUAL BALANCING DAMPER IN DUCT
	SMOKE CONTROL MOTORIZED DAMPER IN DUCT
	SECURITY BARS IN DUCT
	DUCT WITH ACCESS PANEL
	SUPPLY/MAKEUP AIR DUCT SECTIONS
	RETURN AIR DUCT SECTIONS
	EXHAUST AIR DUCT SECTIONS
	SMOKE DETECTOR
	HUMIDITY SENSOR
	THERMOSTAT, LINE VOLTAGE
	THERMOSTAT, LOW VOLTAGE
	CARBON DIOXIDE SENSOR
	CARBON MONOXIDE SENSOR
	SENSOR WELL
	DOOR UNDERCUT
	DOOR LOUVER

PIPING LEGEND	
	PIPE CAP
	PIPE TURNED DOWN
	PIPE TURNED UP
	PIPE TEE UP
	PIPE TEE DOWN
	END OF LINE CLEANOUT PLUG
	CLEANOUT PLUG
	PRESSURE GAUGE WITH GAUGE COCK
	LIQUID FILLED THERMOMETER
	UNION
	STRAINER WITH BLOWDOWN VALVE AND 3/4" HOSE END CONNECTION
	FLEXIBLE PIPE CONNECTOR
	MANUAL AIR VENT
	VALVE
	VALVE IN RISER
	MANUAL BALANCING VALVE WITH FLOW TAPS
	AUTOMATIC BALANCING VALVE WITH FLOW TAPS
	SWING CHECK VALVE
	PRESSURE REDUCING VALVE
	TRIPLE DUTY VALVE
	GAS COCK
	PRESSURE-RELIEF VALVE
	TWO-WAY CONTROL VALVE
	THREE-WAY CONTROL VALVE
	DIRECTION OF FLOW
	CONCENTRIC REDUCER
	ECCENTRIC REDUCER

GENERAL NOTES	
A. THE CONTRACT DOCUMENTS ARE COMPLEMENTARY AND WHAT IS REQUIRED BY ONE SHALL BE AS BINDING AS IF REQUIRED BY ALL. IN THE CASE OF A CONFLICT, DISAGREEMENT, OR AMBIGUITY, PROVIDE THE BETTER QUALITY. IN THE CASE OF A CONFLICT, DISAGREEMENT, OR AMBIGUITY, PROVIDE THE GREATER QUANTITY OF WORK.	G. PROVIDE TRAPPED DRAIN PIPING FROM DRAIN PANS OF ALL COOLING COILS, FANS AND OTHER ACTIVE DRAINS EXPOSED TO SYSTEM AIRSTREAM. PROVIDE TRAP AT CONNECTION WITH WATER SEAL. DEPTH ONE INCH GREATER THAN UNIT OPERATING PRESSURE. DIRECT DRAINS TO NEAREST FLOOR DRAIN, MOP SINK, OR OTHER LOCATION APPROVED BY THE ARCHITECT.
B. DRAWINGS ARE DIAGRAMMATIC AND INTENDED TO CONVEY SCOPE AND GENERAL ARRANGEMENT ONLY. DO NOT SCALE DRAWINGS. LOCATIONS OF ALL ITEMS INDICATED ON THE DRAWINGS OR CALLED FOR IN THE SPECIFICATIONS THAT ARE NOT DEFINITELY FIXED BY DIMENSIONS ARE APPROXIMATE. COORDINATE CONTRACT DOCUMENTS PROJECT REQUIREMENTS, WORK OF OTHERS, AND EQUIPMENT AND MATERIALS PURCHASED WITH FIELD DIMENSIONS, MANUFACTURER'S REQUIREMENTS FOR INSTALLATION, OPERATION, AND MAINTENANCE. CONTRACTOR'S INTENDED MEANS AND METHODS OF INSTALLATION, AND CONTRACTOR'S FABRICATED ITEMS TO ENSURE A PROPER FIT AND INSTALLATION.	H. INSTALL PIPING, DUCTWORK, AND CONDUIT CONCEALED IN AREAS HAVING CEILINGS AND/OR FURRED SPACES UNLESS OTHERWISE INDICATED.
C. MAINTAIN MAXIMUM HEADROOM AND SPACE CONDITIONS AT ALL POINTS, WHERE HEADROOM AND SPACE CONDITIONS APPEAR INADEQUATE, NOTIFY THE ARCHITECTS PRIOR TO PROCEEDING WITH INSTALLATION. MAINTAIN A MINIMUM OF 7'-0" CLEARANCE ABOVE FINISHED FLOOR TO UNDERSIDE OF PIPES, DUCTS, CONDUITS, SUSPENDED EQUIPMENT, ETC., THROUGHOUT ACCESS ROUTES IN MECHANICAL ROOMS.	I. ALL EQUIPMENT, VALVES, DAMPERS, DAMPER AND VALVE OPERATORS SHALL BE PROVIDED WITH ADEQUATE ACCESS FOR SERVICING, MAINTENANCE, AND REPLACEMENT.
D. FIELD VERIFY AND COORDINATE ALL DUCT AND PIPING DIMENSIONS BEFORE FABRICATION. MAKE MODIFICATIONS IN THE LAYOUT AS NEEDED TO PREVENT CONFLICT WITH WORK OF OTHER TRADES OR FOR PROPER EXECUTION OF THE WORK.	J. SIZE ALL SPLIT-SYSTEM REFRIGERANT PIPING IN ACCORDANCE WITH THE MANUFACTURER'S INSTALLATION INSTRUCTIONS.
E. INSTALL ALL EQUIPMENT AND APPURTENANCES IN ACCORDANCE WITH MANUFACTURER'S RECOMMENDATIONS, CONTRACT DOCUMENTS, AND APPLICABLE CODES AND REGULATIONS.	K. DUCT DIMENSIONS MAY BE MODIFIED ONLY WITH PRIOR APPROVAL FROM ARCHITECT. DUCT DIMENSIONS ARE IN INCHES AND INSIDE CLEAR.
F. COORDINATE LOCATIONS AND SIZES OF ALL FLOOR, WALL, AND ROOF OPENINGS WITH ALL OTHER TRADES. COORDINATE ALL PIPING AND EQUIPMENT SUPPORTED FROM STRUCTURE WITH GENERAL CONSTRUCTION WORK.	L. FOR LOCATION OF REGISTERS, GRILLES, AND DIFFUSERS WITHIN CEILING GRID, REFER TO ARCHITECTURAL REFLECTED CEILING PLANS.
	M. ELEVATION INDICATED FOR RECTANGULAR DUCT, GRILLE AND LOUVER OPENINGS IS TO THE TOP OF ROUGH OPENING UNLESS OTHERWISE INDICATED. ELEVATION INDICATED FOR ROUND DUCTWORK AND PIPING IS TO CENTERLINE.
	N. BRANCH PIPING RUNOUTS TO TERMINAL UNITS SHALL BE 3/4" DIAMETER UNLESS INDICATED OTHERWISE.
	O. REFER TO STRUCTURAL DRAWINGS FOR DETAILS AND MAXIMUM SPACING REQUIREMENTS REGARDING HANGER ATTACHMENTS TO STEEL BAR JOISTS.

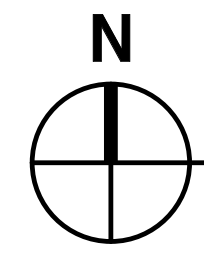


PROJECT NO: 563006	DATE: SEPTEMBER 22, 2021
REVISIONS	
DATE	DESCRIPTION

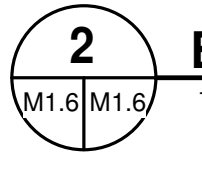
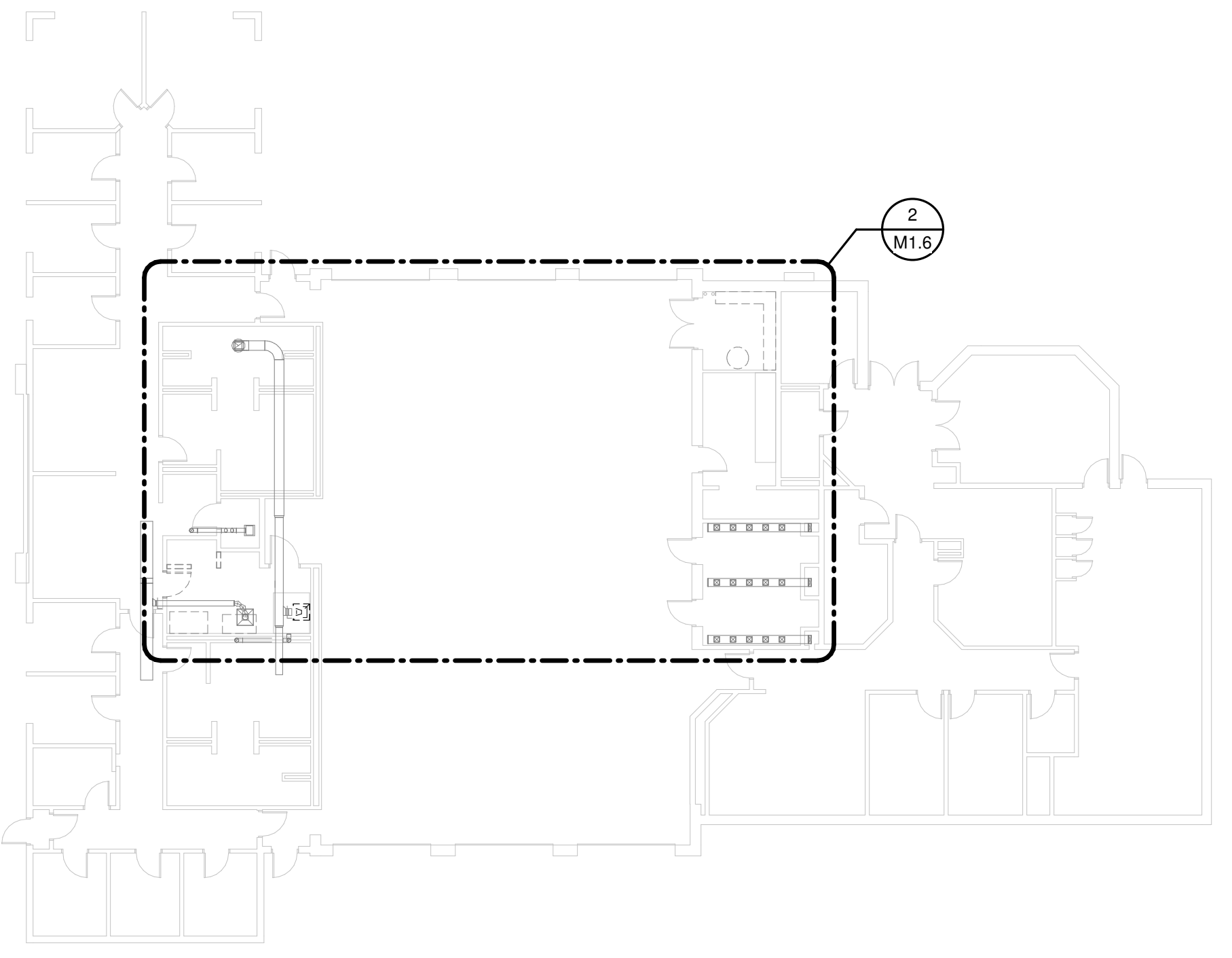
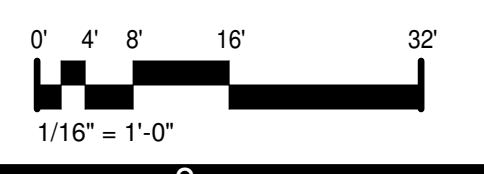


9/20/2021 1:28:57 PM

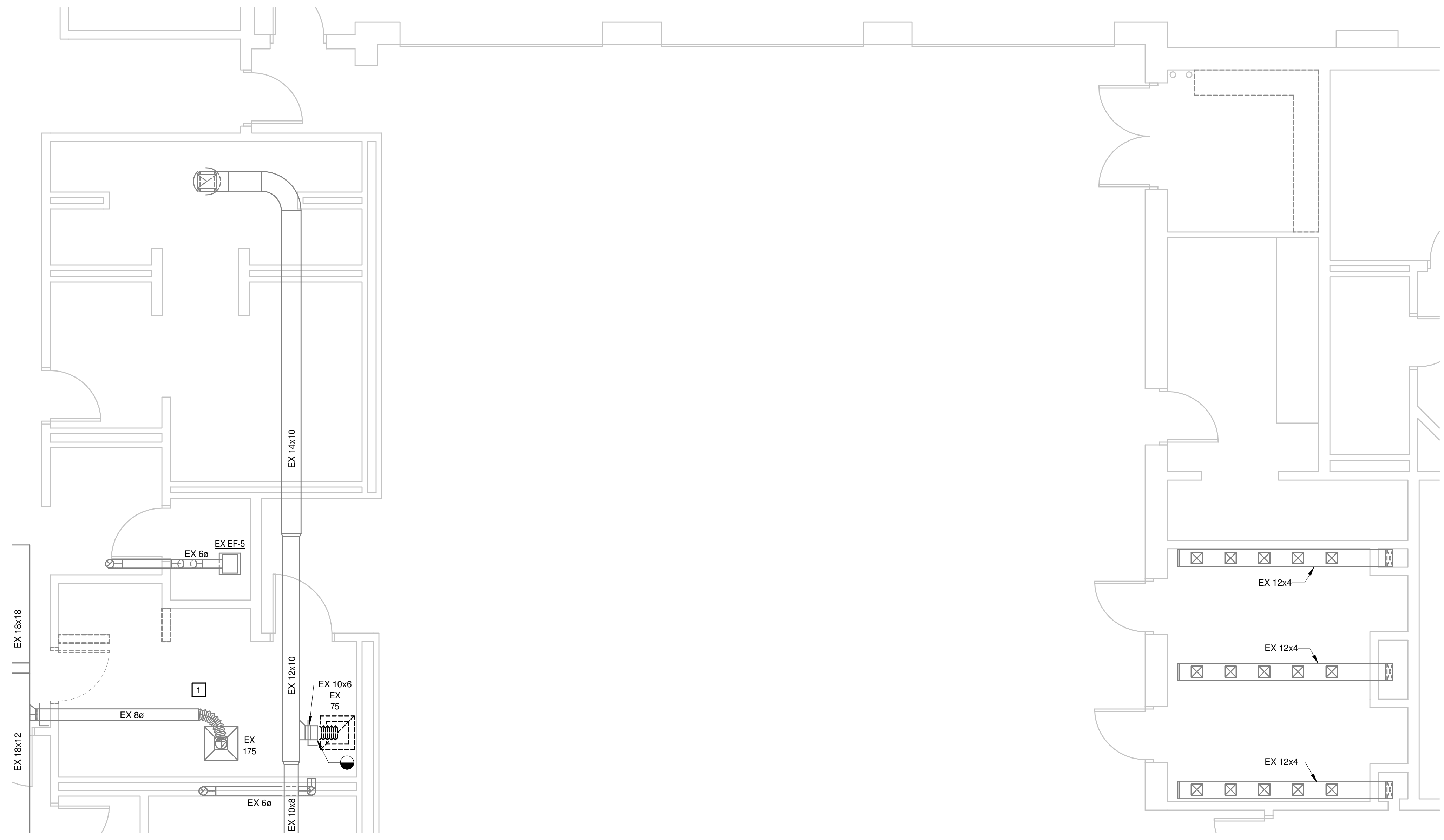
J  
I  
H  
G  
F  
E  
D  
C  
B  
A



**FIRE STATION 9 - OVERALL DEMOLITION PLAN**  
1/16" = 1'-0"

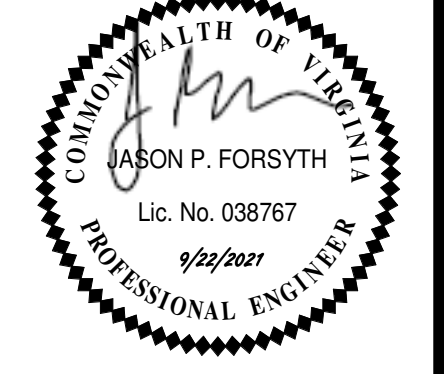


**2 ENLARGED DEMOLITION PLAN - STATION 9, AREA 1**  
1/4" = 1'-0"



KEYNOTES	
APPLIES TO THIS DRAWING REPRESENTED BY	
1.	REMOVE ALL FIRE SPRINKLERS WITHIN THIS SPACE FOR RENOVATION OF EXISTING CEILING.

**MOSELEYARCHITECTS**



5200 NORFOLK STREET, RICHMOND, VA 23230  
PHONE (804) 794-7555 FAX (804) 355-5690  
MOSELEYARCHITECTS.COM

**KELLY DAY RENOVATIONS FS 9**  
563006  
1900 S Walter Reed Dr, Arlington, VA 22204  
Owner: Arlington County

PROJECT NO:	563006
DATE:	SEPTEMBER 22, 2021
REVISIONS	
DATE	DESCRIPTION

DATE	DESCRIPTION

FIRST FLOOR DEMOLITION PLAN - FIRE STATION 9

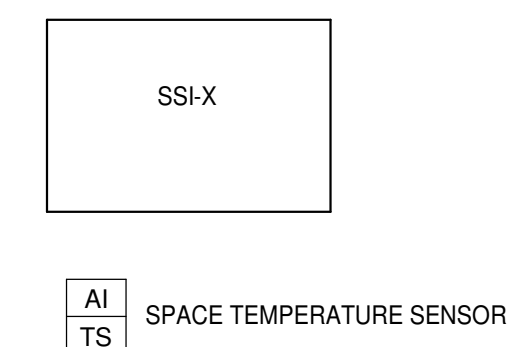
**M1.6**



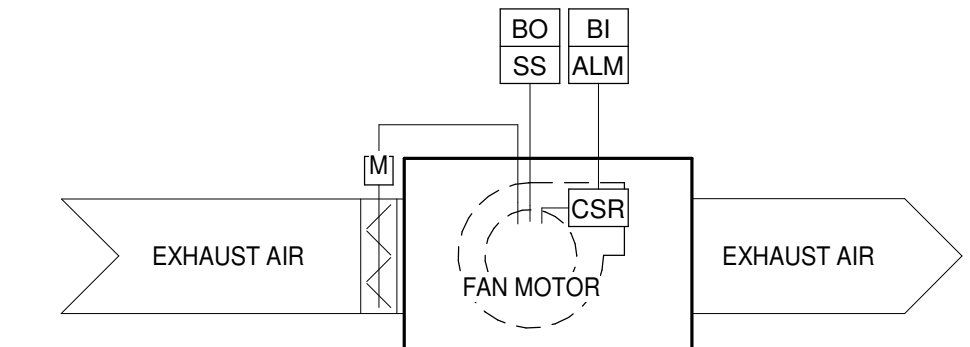


9/20/2021 1:28:56 PM

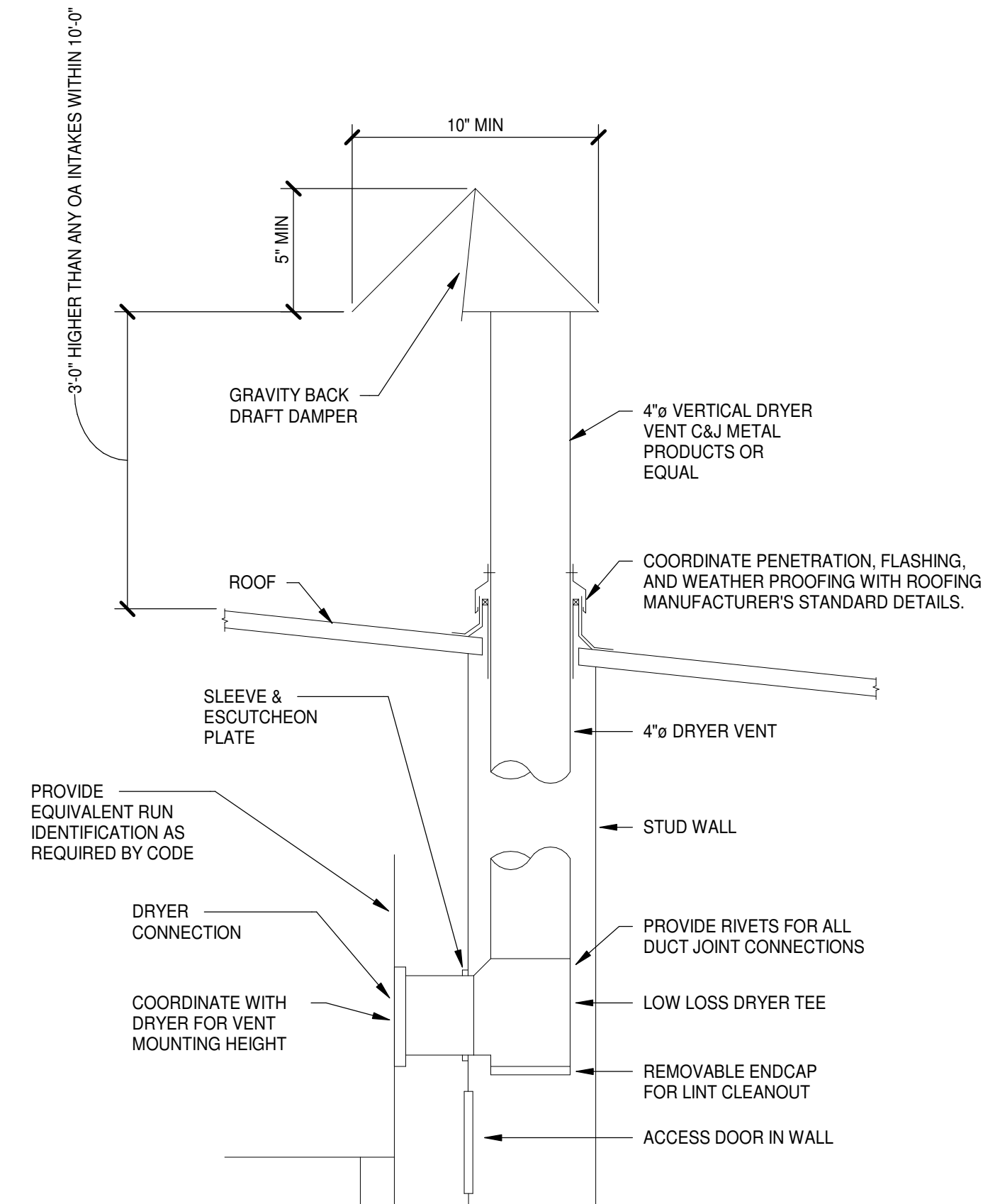
J  
I  
H  
G  
F  
E  
D  
C  
B  
A



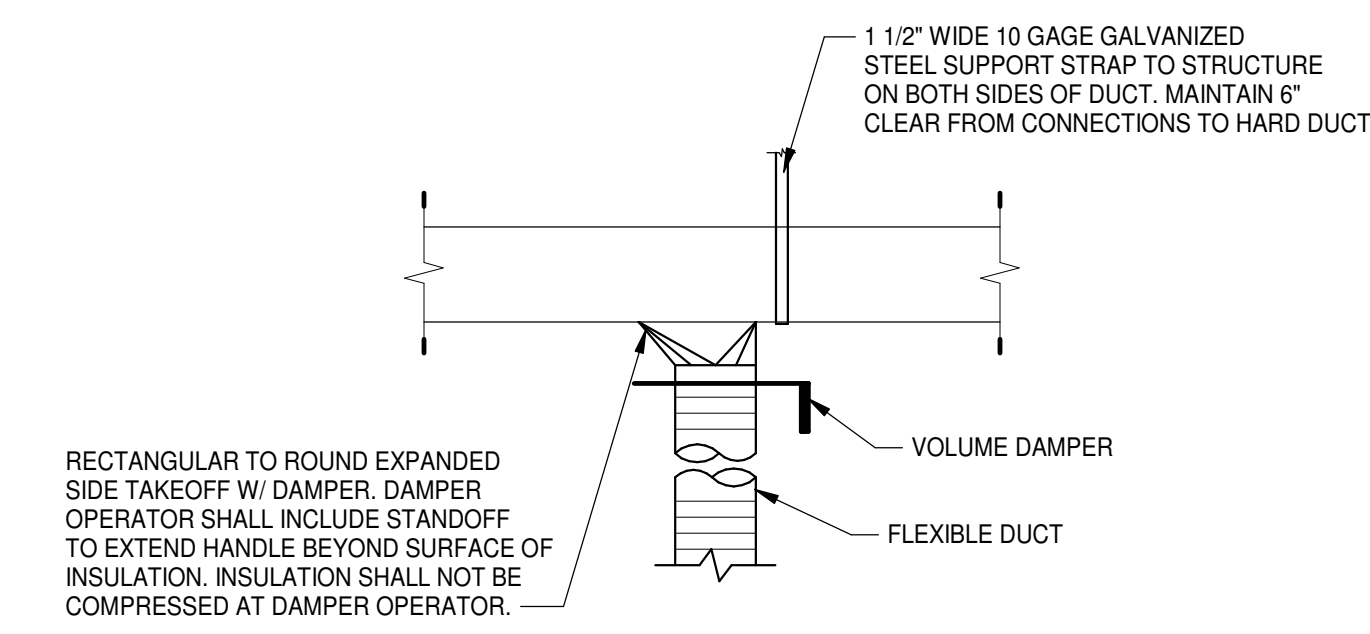
**SPLIT-SYSTEM AC UNITS**  
NO SCALE



**EXHAUST FAN - CONTROLLED BY BAS SCHEDULE**  
NO SCALE

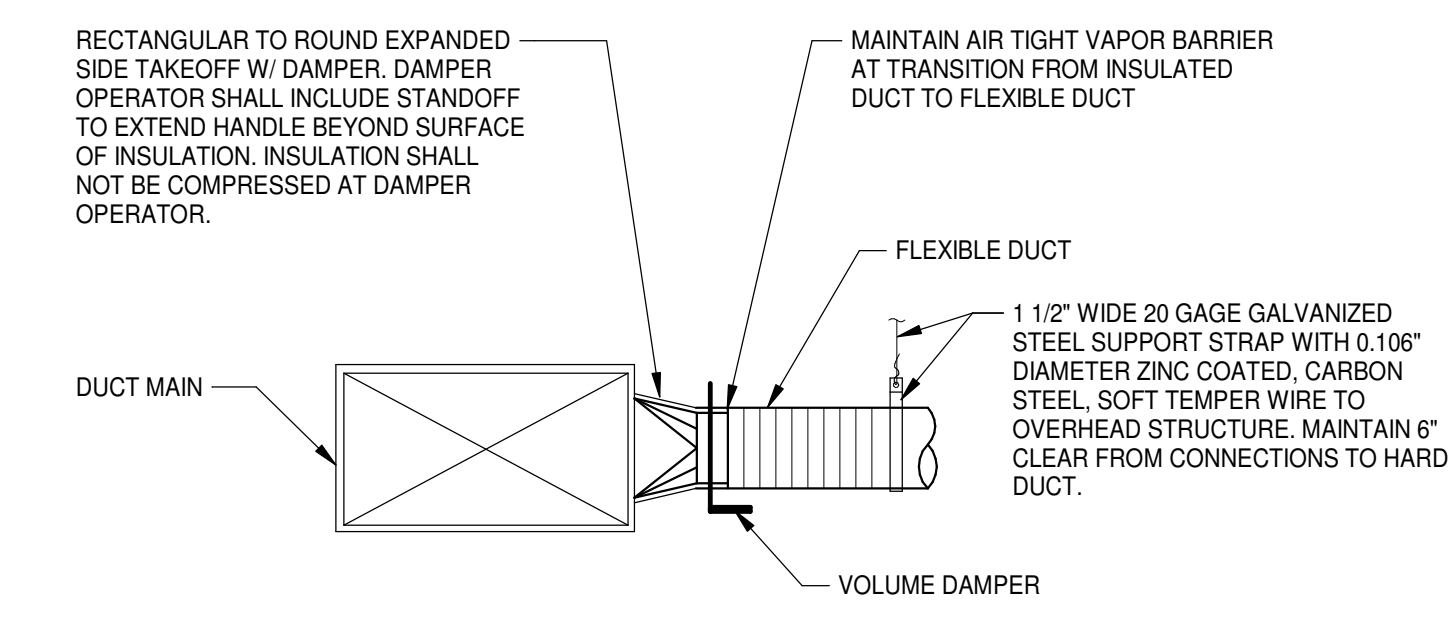


**VERTICAL DRYER EXHAUST VENT ROOF TERMINATION DETAIL**  
NO SCALE



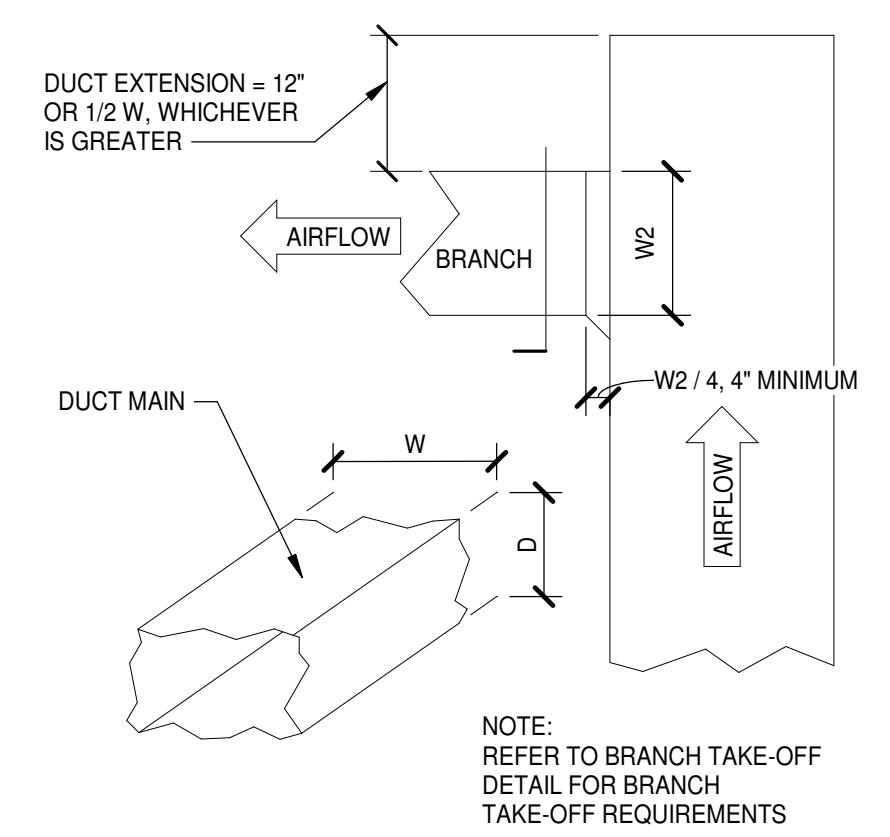
NOTES:  
- FLEXIBLE DUCT SHALL BE INSTALLED OVER METAL DUCT (BEAD/LIP ON METAL DUCT) AND ANCHORED W/ A SINGLE NYLON MECHANICAL BAND.  
- IN EXPOSED AREAS PROVIDE RIGID GALVANIZED STEEL DUCTWORK IN LIEU OF FLEXIBLE DUCTWORK INDICATED. SUPPORT IN ACCORDANCE WITH REQUIREMENTS SPECIFIED FOR STEEL DUCTWORK.

**BRANCH TAKEOFF TO DIFFUSER-BOTTOM**

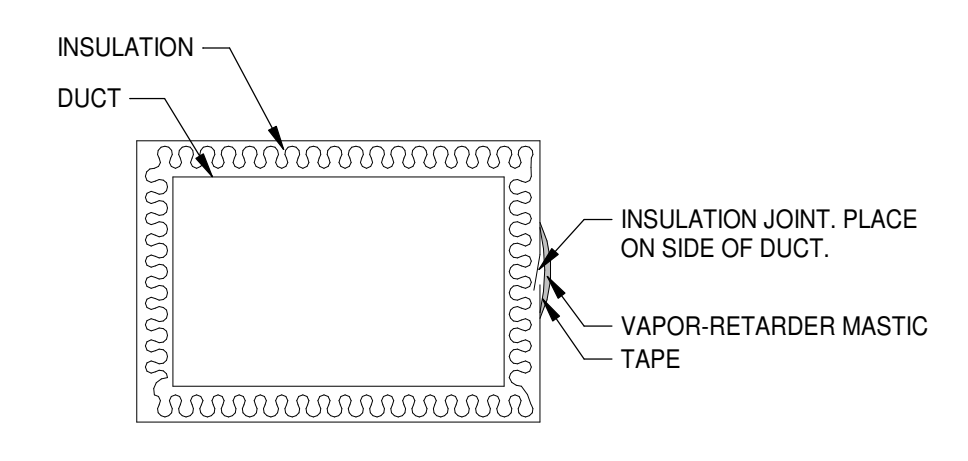


NOTES:  
- FLEXIBLE DUCT SHALL BE INSTALLED OVER METAL DUCT (BEAD/LIP ON METAL DUCT) AND ANCHORED W/ A SINGLE NYLON MECHANICAL BAND.  
- IN EXPOSED AREAS PROVIDE RIGID GALVANIZED STEEL DUCTWORK IN LIEU OF FLEXIBLE DUCTWORK INDICATED. SUPPORT IN ACCORDANCE WITH REQUIREMENTS SPECIFIED FOR STEEL DUCTWORK.

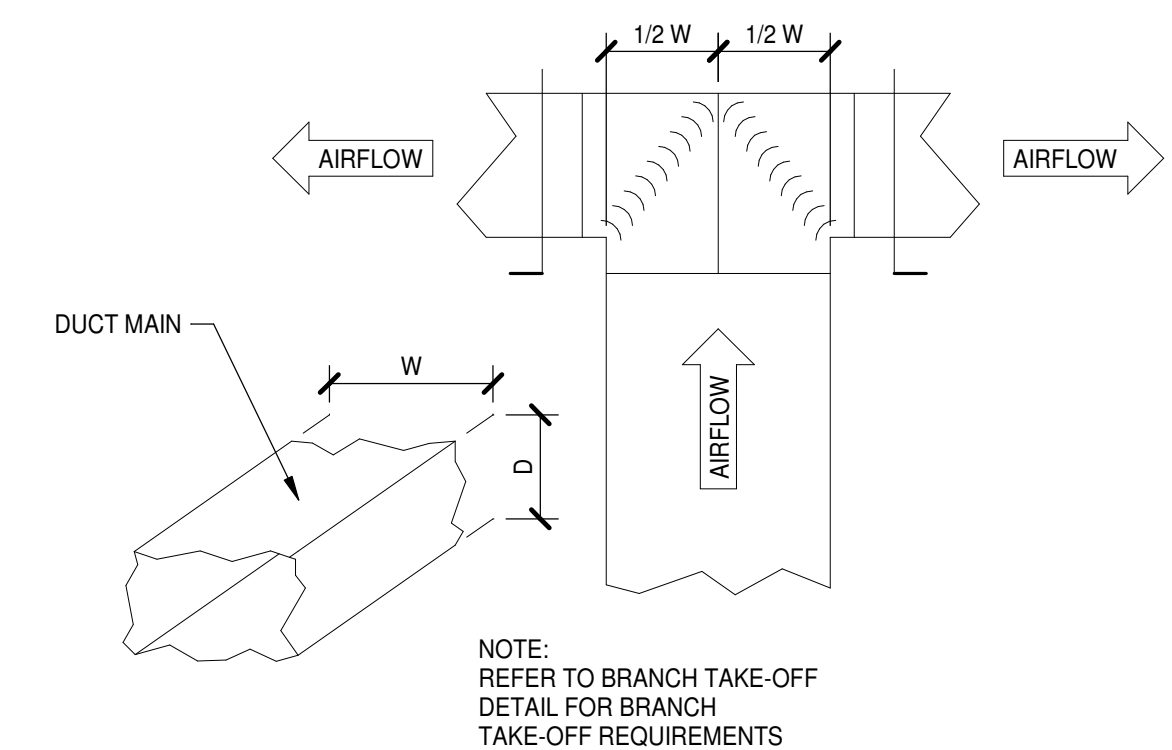
**BRANCH TAKEOFF TO DIFFUSER-SIDE**



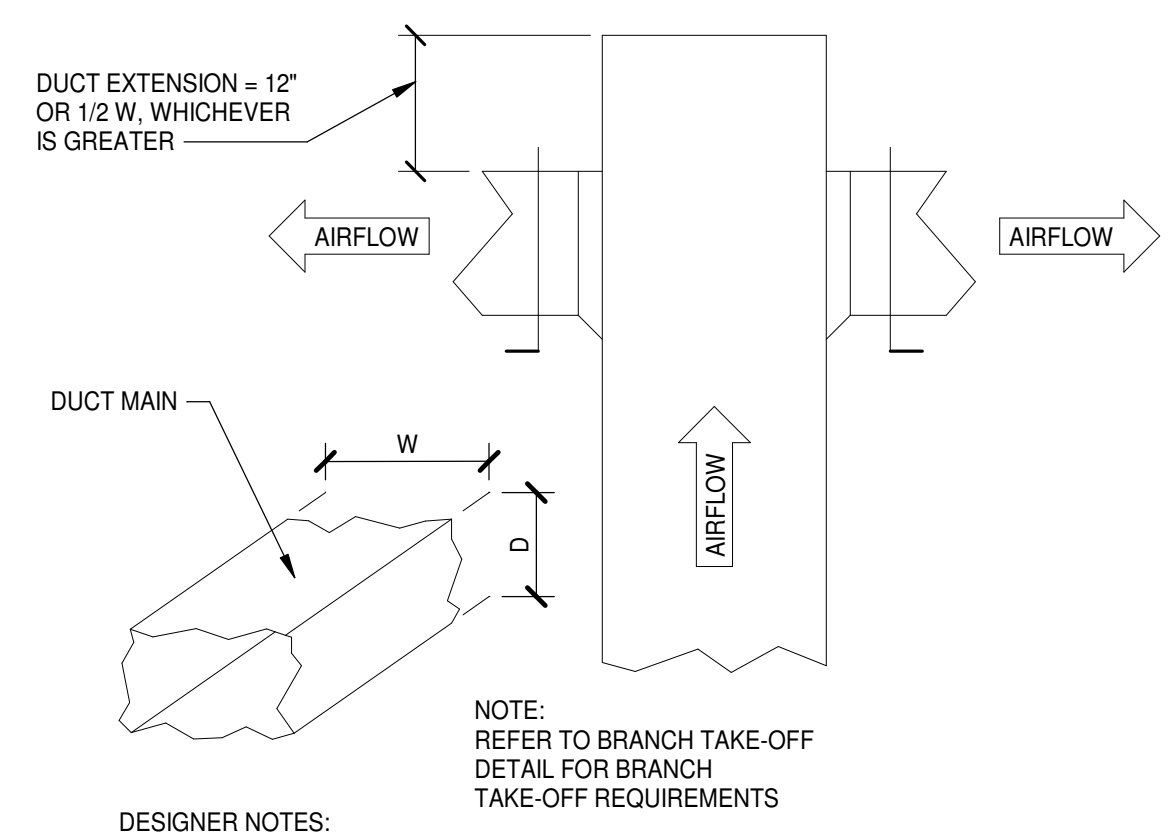
**DUCT END OF MAIN DETAIL**



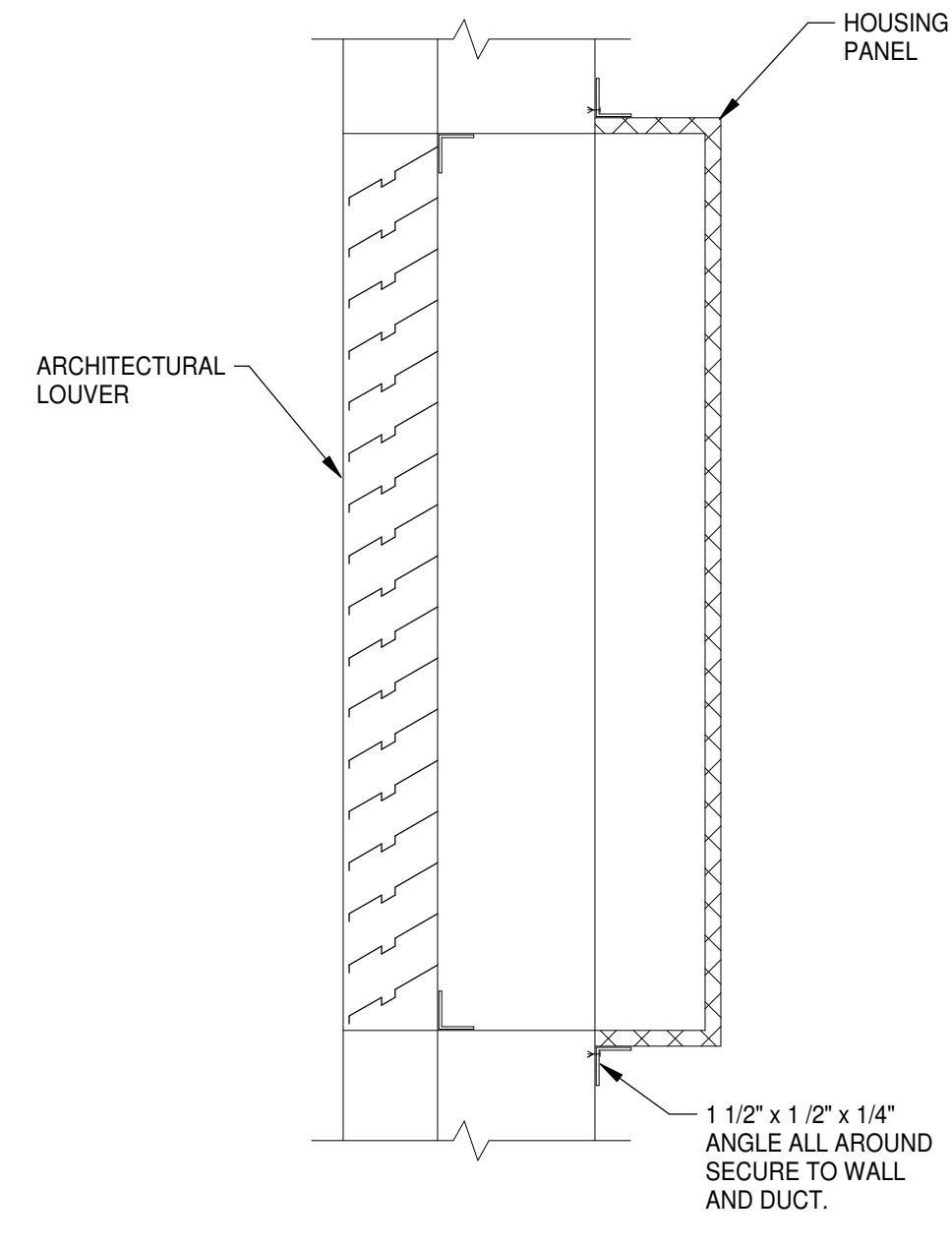
**DUCT INSULATION JOINT DETAIL**



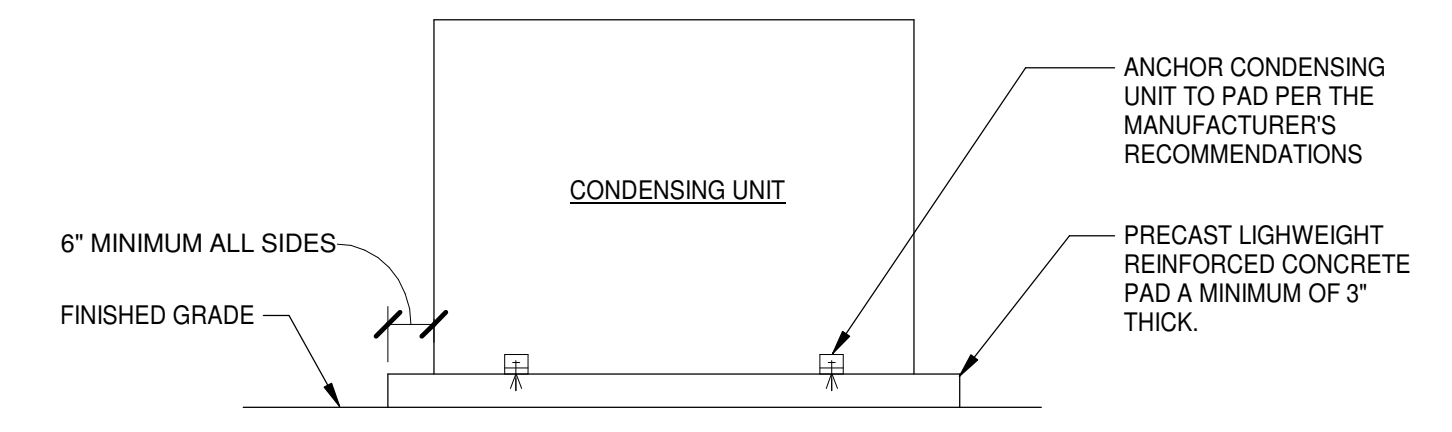
**DUCT SPLIT WITH VANES DETAIL**



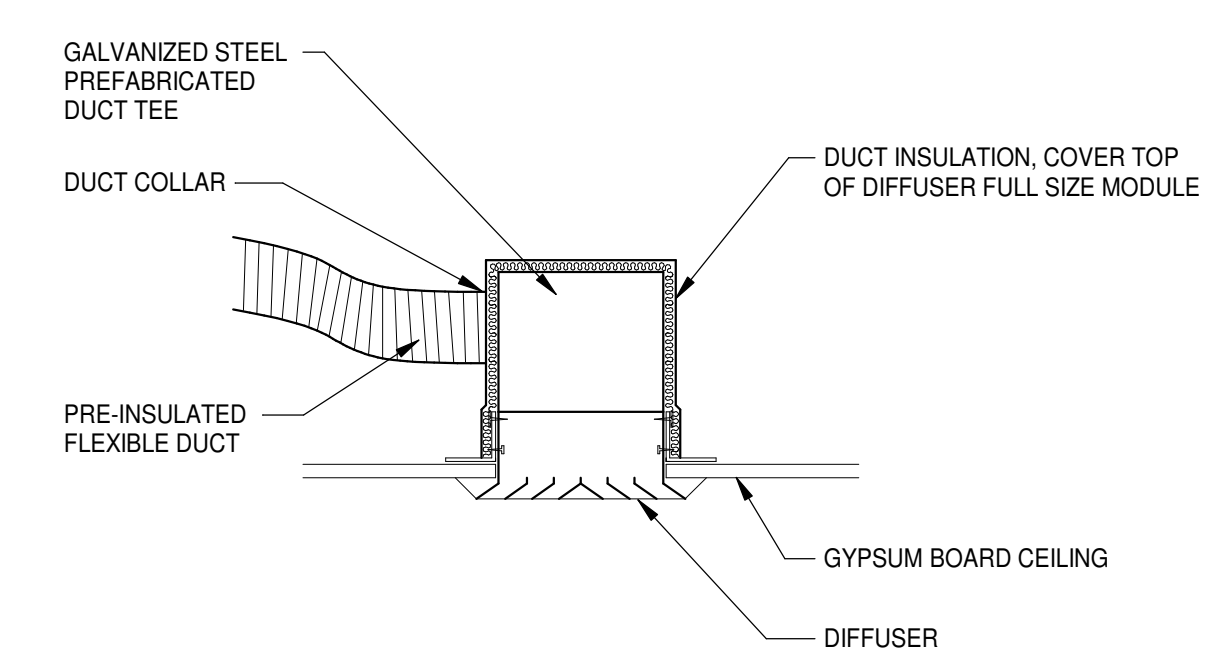
**DUCT SPLIT WITHOUT VANES DETAIL**



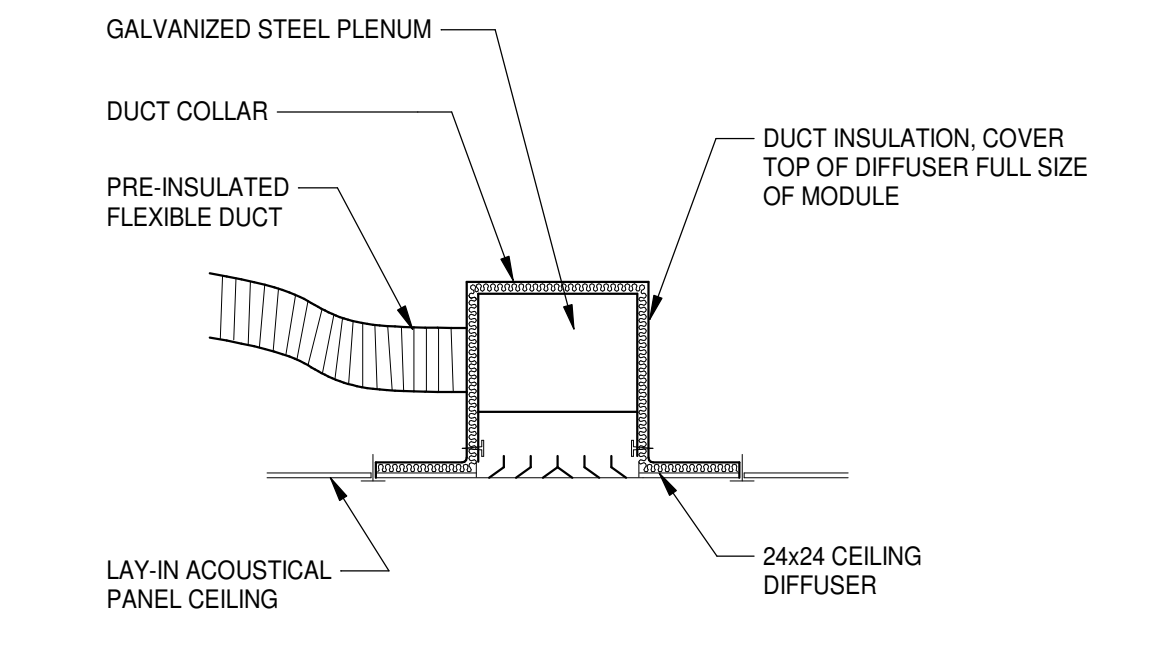
**WALL LOUVER DETAIL**  
NO SCALE



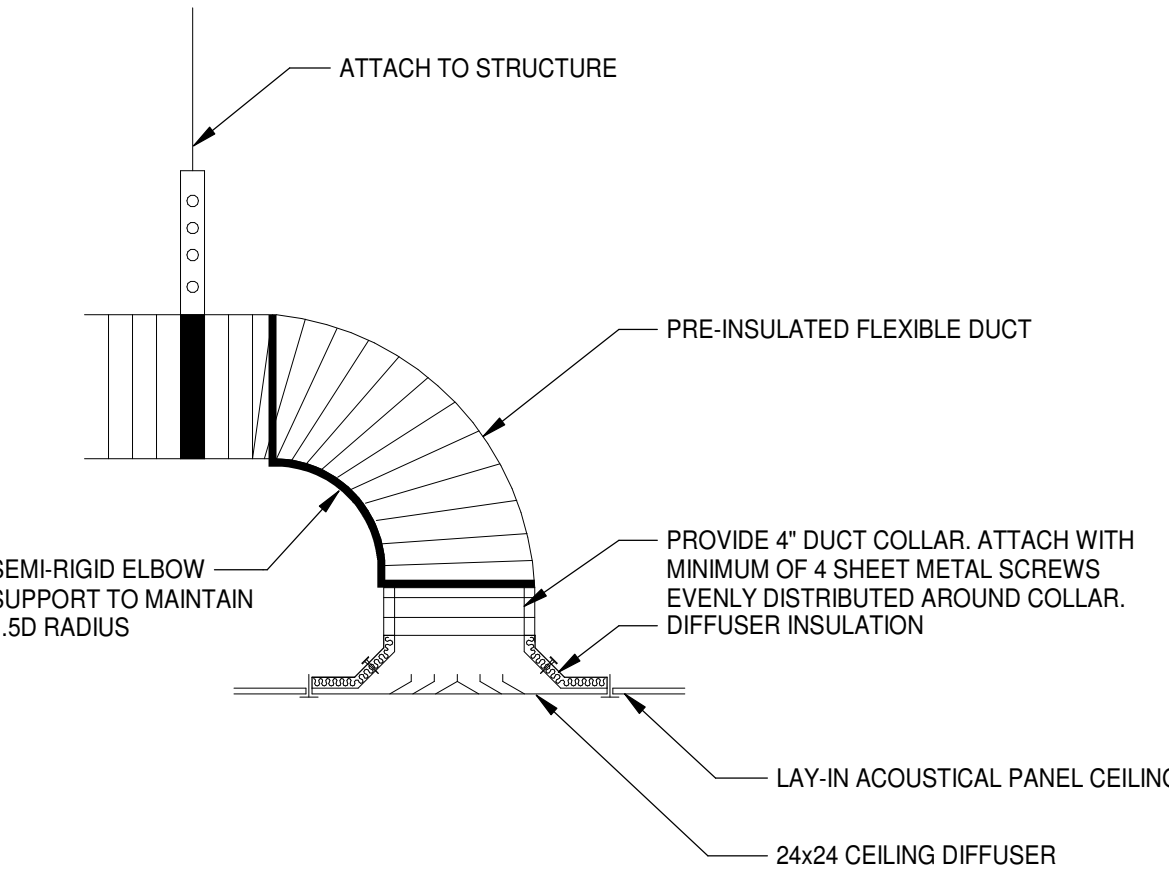
**CONDENSING UNIT MOUNTING DETAIL**  
NO SCALE



**SUPPLY DIFFUSER CONNECTION GYP**



**SUPPLY DIFFUSER CONNECTION LAYIN**



**SUPPLY DIFFUSER CONNECTION LAYIN-COLLAR**

**MOSELEYARCHITECTS**  
5200 NORFOLK STREET, RICHMOND, VA 23230  
PHONE (804) 794-7555 FAX (804) 355-5690  
MOSELEYARCHITECTS.COM



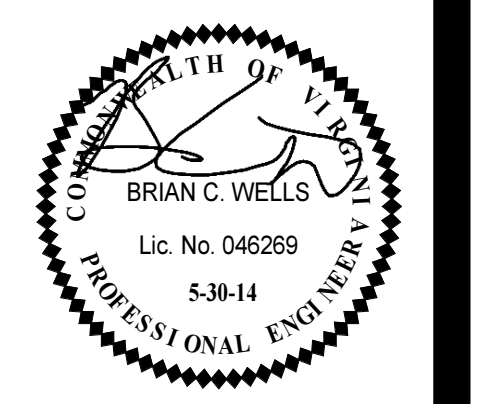
**KELLY DAY RENOVATIONS FS 9**  
563006  
1900 S Walter Reed Dr, Arlington, VA 22204  
Owner: Arlington County

PROJECT NO: 563006
DATE: SEPTEMBER 22, 2021
REVISIONS
DATE DESCRIPTION

DETAILS & CONTROLS

M5.1





DATE	REVISIONS
DATE	DESCRIPTION

### FIRE ALARM LEGEND

**SYMBOL DESCRIPTION**

- FIRE ALARM AUDIO/VISUAL NOTIFICATION DEVICE, MOUNT AT 80" AFF AND NOT MORE THAN 96". SUBSCRIPT NUMBER INDICATES STROBE CANDELA RATING.
- FIRE ALARM VISUAL STROBE NOTIFICATION DEVICE, 80" AFF AND NOT MORE THAN 96". SUBSCRIPT NUMBER INDICATES STROBE CANDELA RATING.
- FIRE ALARM AUDIO/VISUAL NOTIFICATION DEVICE WITH DEVICE GUARD, 80" AFF AND NOT MORE THAN 96". SUBSCRIPT NUMBER INDICATES STROBE CANDELA RATING. # / # INDICATES STROBE SETTING AND REDUCED EFFECTIVE OUTPUT WHEN DEVICE GUARD IS PRESENT.
- FIRE ALARM VISUAL STROBE NOTIFICATION DEVICE WITH DEVICE GUARD, 80" AFF AND NOT MORE THAN 96". SUBSCRIPT NUMBER INDICATES STROBE CANDELA RATING. # / # INDICATES STROBE SETTING AND REDUCED EFFECTIVE OUTPUT WHEN DEVICE GUARD IS PRESENT.
- FIRE ALARM AUDIO/VISUAL NOTIFICATION DEVICE, CEILING MOUNTED. SUBSCRIPT NUMBER INDICATES STROBE CANDELA RATING.
- FIRE ALARM VISUAL STROBE NOTIFICATION DEVICE, CEILING MOUNTED. SUBSCRIPT NUMBER INDICATES STROBE CANDELA RATING.
- FIRE ALARM AUDIO/VISUAL NOTIFICATION DEVICE WITH DEVICE GUARD, CEILING MOUNTED. SUBSCRIPT NUMBER INDICATES STROBE CANDELA RATING. # / # INDICATES STROBE SETTING AND REDUCED EFFECTIVE OUTPUT WHEN DEVICE GUARD IS PRESENT.
- FIRE ALARM VISUAL STROBE NOTIFICATION DEVICE WITH DEVICE GUARD, CEILING MOUNTED. SUBSCRIPT NUMBER INDICATES STROBE CANDELA RATING. # / # INDICATES STROBE SETTING AND REDUCED EFFECTIVE OUTPUT WHEN DEVICE GUARD IS PRESENT.

### GRAPHICS SYMBOLS LEGEND

- SPACE IDENTIFICATION TAG  
SPACE NUMBER  
BUILDING AREA (WHEN USED)
- SECTION WHERE CUT  
SECTION NUMBER  
DRAWING WHERE SECTION IS INDICATED
- ENLARGED PLAN WHERE CUT  
ENLARGED PLAN NUMBER  
DRAWING WHERE ENLARGED PLAN IS INDICATED
- DETAIL TAG  
DETAIL NUMBER  
DRAWING WHERE DETAIL IS INDICATED
- DETAIL TITLE  
DETAIL NUMBER  
DRAWING WHERE DETAIL IS INDICATED  
DRAWING WHERE DETAIL IS CUT  
ADDITIONAL DRAWING REFERENCES
- SECTION TITLE  
SECTION NUMBER  
DRAWING WHERE SECTION IS INDICATED  
DRAWING WHERE SECTION IS CUT  
ADDITIONAL DRAWING REFERENCES

### INTERIOR LIGHT FIXTURE SCHEDULE

TYPE	DESCRIPTION	FITTURE			LAMP			MOUNTING	OPTIONS		REFERENCE NOTE	COMMENTS
		MANUFACTURER	SERIES NO.	WATTAGE	LUMENS	QUANTITY	TYPE		COLOR TEMP.	DIMMING		
A1	2x4' FLAT PANEL LED	METALLUX	24FPX-31-L835-SVPD1	29	3800 lm	1	LED	3500 K	RECESSED	X		
A1E	2x4' FLAT PANEL LED EMERGENCY	METALLUX	24FPX-31-L835-SVPD1	29	3800 lm	1	LED	3500 K	RECESSED	X	X	
B1	2x2' FLAT PANEL LED	METALLUX	22FPX-21-L835-SVPD1	20	2500 lm	1	LED	3500 K	RECESSED	X		
B1E	2x2' FLAT PANEL LED EMERGENCY	METALLUX	22FPX-21-L835-SVPD1	20	2500 lm	1	LED	3500 K	RECESSED	X	X	
C1	6" CAN DOWN LIGHT	HALO	RL6069S1E1WHDMR	8	800 lm	1	LED	3500 K	RECESSED	X		NOT USED FOR FIRE STATION#1
C1E	6" CAN DOWN LIGHT EMERGENCY	HALO	RL6069S1E1WHDMR	8	800 lm	1	LED	3500 K	RECESSED	X	X	NOT USED FOR FIRE STATION#1
C2	6" CAN DOWN LIGHT WATER PROOF	HALO	RL6069S1E1WHDMR	8	800 lm	1	LED	3500 K	RECESSED	X		NOT USED FOR FIRE STATION#1
L1	1x4' LINEAR LED	CORELITE	CONTINUA S04 SUSPENDED	0	2228 lm	1	LED	3500 K	PENDANT	X		
L1E	1x4' LINEAR LED EMERGENCY	CORELITE	CONTINUA S04 SUSPENDED	0	2228 lm	1	LED	3500 K	PENDANT	X	X	
L2	1x4' LINEAR LED	METALLUX	4RBG6-SL1-L83CT3	27	3000 lm	1	LED	3500 K	RECESSED	X		
L2E	1x4' LINEAR LED EMERGENCY	METALLUX	4RBG6-SL1-L83CT3	27	3000 lm	1	LED	3500 K	RECESSED	X	X	
L3	1x4' LINEAR LE WATER PROOF	METALLUX	4RBG6-SL1-L83CT3	27	3000 lm	1	LED	3500 K	SURFACE	X		NOT USED FOR FIRE STATION#1
L3E	1x4' LINEAR LE WATER PROOF	METALLUX	4RBG6-SL1-L83CT3	27	3000 lm	1	LED	3500 K	SURFACE	X	X	NOT USED FOR FIRE STATION#1
V1	2' VANITY	METALLUX	2RBG6-SL1-L83CT3+2RB SURF6	32	1800 lm	1	LED	3500 K	WALL	X		NOT USED FOR FIRE STATION#1
X1	EXIT SIGN	ATLITE	REUR	5		1	LED		WALL		1	

**GENERAL NOTES:**  
 A. ALL FIXTURES SHALL BE CAPABLE OF 120V AND 277V INPUT (MVOLT), UNO.  
 B. REFER TO LIGHTING PLANS AND SPECIFICATIONS FOR ADDITIONAL FIXTURE INFORMATION.  
 C. 7/8" IN THE SCHEDULE INDICATES ITEM IS REQUIRED.  
 D. ALL LENS SHALL BE A MINIMUM 0.125" THICKNESS, UNO.

\* O = OCCUPANCY SENSOR; V = VACANCY SENSOR  
 \*\* PROVIDE BATTERY PACK WHERE INDICATED ON DRAWINGS, WIRE BATTERY LEADS AHEAD OF SWITCH FOR THE CIRCUIT IN THE SPACE TO MAINTAIN PROPER OPERATION IN CASE OF POWER LOSS.

**REFERENCE NOTES:**  
 1. NUMBER OF FACES AND DIRECTIONAL CHEVRONS AS INDICATED ON DWGS.  
 2. FIXTURE SHALL BE SUITABLE FOR DAMP LOCATIONS.  
 3. FIXTURE SHALL BE SUITABLE FOR WET LOCATIONS.

### COMMUNICATIONS LEGEND

NOTE: REFER TO TYPICAL COMMUNICATION OUTLET DETAIL FOR BOX & CONDUIT REQUIREMENTS. REFER TO TELECOMMUNICATION DEVICE DETAILS FOR CABLING AND TERMINAL JACK REQUIREMENTS.

**SYMBOL DESCRIPTION**

- TELECOMMUNICATIONS OUTLET, SUBSCRIPT NUMBER INDICATES OUTLET TYPE. MOUNT AT +3'-10" AFF.
- WESTNET SYSTEM, COORDINATE WITH COUNTY FOR SPECIALTY CONTRACTORS INSTALLATION.
- TELECOMMUNICATIONS OUTLET, SUBSCRIPT NUMBER INDICATES OUTLET TYPE. MOUNT AT +1'-8" AFF.

### LIGHTING LEGEND

**SYMBOL DESCRIPTION**

- LIGHT SWITCH, RATED 120/277 VOLTS, 20-AMPS, MOUNT AT +3'-10" AFF. SUBSCRIPT/SUPERSCRIPIT LETTERS, NUMBERS, AND SYMBOLS INDICATES SWITCH TYPE AS FOLLOWS:
  - 3 INDICATES 3-WAY LIGHT SWITCH
  - 4 INDICATES 4-WAY LIGHT SWITCH
  - D INDICATES DIMMER SWITCH
  - P INDICATES PILOT LIGHT, ON WHEN SWITCH IS ON
  - K INDICATES KEY OPERATED LIGHT SWITCH
  - OS INDICATES SWITCH WITH INTEGRAL OCCUPANCY SENSOR
  - OS 2 INDICATES DIMMER SWITCH WITH INTEGRAL OCCUPANCY SENSOR
  - OS 2 INDICATES DUAL RELAY INTEGRAL OCCUPANCY SENSOR, WIRED FOR MULTI-LEVEL SWITCHING
- LOWER CASE LETTER INDICATES LIGHT FIXTURE CONTROL DESIGNATION
- INDICATES SWITCHES WIRED FOR INBOARD/OUTBOARD SWITCHING.
- OMNI-DIRECTIONAL LIGHTING CONTROL, OCCUPANCY DETECTOR, CEILING MOUNT.
- DIRECTIONAL LIGHTING CONTROL, OCCUPANCY DETECTOR, WALL MOUNT AT 6" BELOW FINISHED CEILING.
- PHOTOELECTRIC CELL FOR LIGHTING CONTROL, WALL MOUNT AT +10'-0" AFF. AIM NORTH.
- LIGHT FIXTURE, CEILING MOUNT.
- LIGHT FIXTURE ON EMERGENCY POWER, CEILING MOUNT.
- LIGHTING FIXTURE.
- LIGHTING FIXTURE ON EMERGENCY POWER.
- WALL WASHER LIGHTING FIXTURE.
- LIGHT FIXTURE, WALL MOUNT, HEIGHT AS INDICATED.
- EMERGENCY EGRESS LIGHTING FIXTURE, WITH BATTERY PACK, WALL MOUNT AT +8'-0" AFF.
- EXIT SIGN, CEILING MOUNT, DIRECTIONAL ARROWS AS INDICATED. SHADING INDICATES FACE(S) OF SIGN.
- EXIT SIGN, WALL MOUNT, DIRECTIONAL ARROWS AS INDICATED. SHADING INDICATES FACE(S) OF SIGN.
- TRACK LIGHTS.
- LIGHT FIXTURE, POLE MOUNT.
- SPORTS LIGHTING POLE.

### DEMOLITION LEGEND

**SYMBOL DESCRIPTION**

- REMOVE DEVICES, EQUIPMENT, IN ACCORDANCE WITH THE GENERAL DEMOLITION NOTES.
- DEVICES ARE EXISTING TO REMAIN.
- WITHIN HATCHED AREAS, DISCONNECT AND REMOVE ALL ELECTRICAL MATERIALS INCLUDING BUT NOT LIMITED TO LIGHTS, DEVICES, EQUIPMENT, SPEAKERS, FIRE ALARM, COMMUNICATIONS, AND CIRCUITRY.

### GENERAL DEMOLITION NOTES

- A. PROVIDE ALL ELECTRICAL DEMOLITION WORK REQUIRED TO INSTALL THE WORK INDICATED. REMOVE, REROUTE, AND RECONNECT ALL BRANCH CIRCUITS THAT WILL REMAIN IN USE BUT INTERFERES WITH THE WORK.
- B. REMOVE ALL EXISTING CONDUITS THAT WILL NOT BE REUSED AND WHERE THEY WILL BE EXPOSED AFTER COMPLETION, ABANDON ALL OTHERS IN THE WALLS ONLY. DISCONNECT ALL WIRING INDICATED AND/OR REQUIRED TO BE REMOVED FROM ALL POWER SOURCES, REMOVE ALL WIRING FROM ABANDONED CONDUITS AND PROVIDE BLANK COVER PLATES FOR BOXES NOT UTILIZED FOR THE WORK.
- C. MAINTAIN CONTINUITY OF ALL EXISTING CIRCUITS TO REMAIN OR PORTIONS THEREOF AFFECTED BY THE WORK.
- D. BEFORE DEMOLITION, VERIFY WITH THE OWNER ALL EQUIPMENT TO BE SALVAGED TO OWNER AND NOT REMOVED FROM THE SITE. FOR ALL REMAINING EQUIPMENT INDICATED FOR REMOVAL (AND NOT RELOCATED), REMOVE AND DISPOSE IN A LEGAL MANNER.
- E. EXERCISE CARE IN REMOVING DEMOLITION ITEMS. REPAIR OR REPLACE ALL DAMAGE CAUSED TO EXISTING CONSTRUCTION AND EQUIPMENT TO REMAIN.
- F. DRAWINGS ARE BASED UPON EXISTING PLANS AND FIELD INVESTIGATION WITHOUT DEMOLITION. VISIT THE EXISTING BUILDING AND BECOME FAMILIAR WITH ALL EXISTING CONDITIONS AND EXAMINE ALL DRAWINGS TO AVOID CONFLICTS.
- G. WHERE DEMOLITION OF TELECOMMUNICATIONS DEVICES OCCUR, REMOVE CABLING NOT INDICATED TO REMAIN BACK TO POINT OF ORIGIN.
- H. DEMOLITION FLOOR PLANS ARE PROVIDED FOR REFERENCE ONLY TO AID IN DEFINING THE SCOPE OF DEMOLITION WORK.

### POWER LEGEND

**SYMBOL DESCRIPTION**

- APPLIANCE RECEPTACLE, MOUNT AT +1'-6" AFF. PROVIDE NEMA CONFIGURATION TO MATCH PLUG FOR EQUIPMENT SERVED.
- APPLIANCE RECEPTACLE, MOUNT AT +1'-6" AFF. PROVIDE NEMA CONFIGURATION TO MATCH PLUG FOR EQUIPMENT SERVED. CONNECT TO EMERGENCY POWER, PROVIDE RED DEVICE.
- DUPLEX RECEPTACLE, NEMA 5-20R, MOUNT AT +1'-6" AFF.
- DUPLEX RECEPTACLE USB, NEMA 5-20R, MOUNT AT +1'-6" AFF.
- DUPLEX RECEPTACLE, NEMA 5-20R, MOUNT AT +3'-10" AFF.
- DUPLEX RECEPTACLE, NEMA 5-20R, MOUNT AT +7'-6" AFF.
- GFCI DUPLEX RECEPTACLE, NEMA 5-20R, MOUNT AT +1'-6" AFF. PROVIDE NEMA 3R "WHILE IN USE" ENCLOSURE.
- GFCI DUPLEX RECEPTACLE, NEMA 5-20R, MOUNT AT +1'-6" AFF.
- GFCI DUPLEX RECEPTACLE, NEMA 5-20R, MOUNT AT +3'-10" AFF.
- DOUBLE DUPLEX RECEPTACLE, NEMA 5-20R, MOUNT AT +1'-6" AFF.
- DOUBLE DUPLEX RECEPTACLE, NEMA 5-20R, MOUNT AT +3'-10" AFF.
- DISCONNECT SWITCH, FUSIBLE OR NON-FUSIBLE AS INDICATED. MOUNT W/HANDLE AT +4'-6" AFF, UNO.
- BRANCH CIRCUIT RUN CONCEALED, UNO. DASHED INDICATES CIRCUITRY REQUIRED TO BE RUN BELOW SLAB.
- STRAIGHT LINEWORK FOR CIRCUITRY INDICATES TO EMERGENCY POWER CIRCUIT. INDICATED FOR CLARITY ONLY. ACTUAL HOMERUN DESIGNATION OVERRIDES THIS SYMBOLOLOGY.
- BRANCH CIRCUIT HOME RUN TO PANELBOARD AND CIRCUIT INDICATED.
- PANELBOARD.
- TRANSFORMER, PROVIDE CONCRETE HOUSEKEEPING PAD UNLESS NOTED OTHERWISE.
- RELAY, NO OR N/C AS INDICATED.
- RELAY, NORMALLY OPEN.
- RELAY, NORMALLY CLOSED.
- FEEDER TAG. REFER TO FEEDER SCHEDULE ON DWG E5.1.

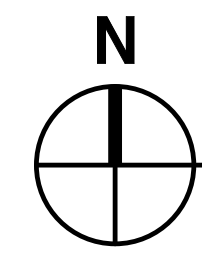
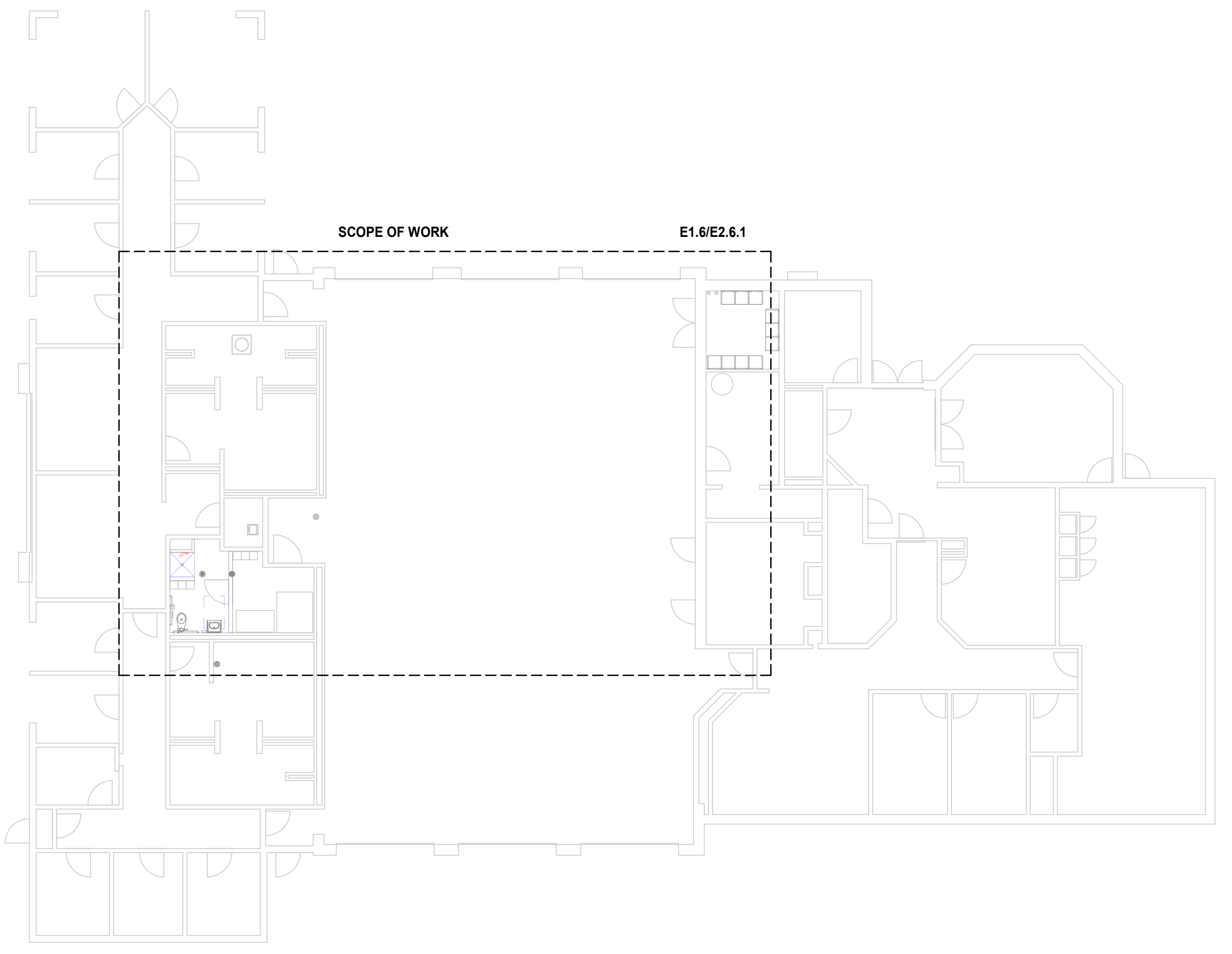
### GENERAL NOTES

- A. THE CONTRACT DOCUMENTS ARE COMPLEMENTARY AND WHAT IS REQUIRED BY ONE SHALL BE AS BINDING AS IF REQUIRED BY ALL. IN THE CASE OF A CONFLICT, DISAGREEMENT, OR AMBIGUITY, PROVIDE THE BETTER QUALITY. IN THE CASE OF A CONFLICT, DISAGREEMENT, OR AMBIGUITY, PROVIDE THE GREATER QUANTITY OF WORK.
- B. FOLLOW MOUNTING HEIGHTS INDICATED IN THE ELECTRICAL LEGEND UNLESS OTHERWISE INDICATED. MEASURE ALL MOUNTING HEIGHTS FROM THE DEVICE CENTER LINE UNLESS OTHERWISE INDICATED.
- C. FIELD VERIFY EXACT FEEDER LOCATIONS FOR MECHANICAL EQUIPMENT PRIOR TO ROUGH-IN.
- D. EQUIPMENT CONNECTIONS ARE INDICATED IN THEIR APPROXIMATE LOCATIONS. VERIFY EXACT LOCATIONS OF ALL CONNECTIONS WITH OTHER TRADES SUPPLYING EQUIPMENT TO AVOID CONFLICTS AT INSTALLATION.
- E. LOCATED ALL SWITCHES FOR LOCAL CONTROL OF LIGHTING ON STRIKE SIDE OF SINGLE DOORS UNLESS OTHERWISE INDICATED.
- F. PROVIDE SPECIFIC BREAKER ARRANGEMENT FOR THE PANEL BOARDS WHEREVER PHYSICALLY POSSIBLE. PROVIDE AS-BUILT DRAWINGS INDICATING ACTUAL BRANCH CIRCUIT ARRANGEMENT. PROVIDE TYPE WRITTEN PANELBOARD DIRECTORIES INDICATING ACTUAL BRANCH CIRCUIT ARRANGEMENT.
- G. PROVIDE AS-BUILT DRAWINGS INDICATING ACTUAL BRANCH CIRCUIT ARRANGEMENT. PROVIDE TYPE WRITTEN PANELBOARD DIRECTORIES INDICATING ACTUAL BRANCH CIRCUIT ARRANGEMENT. HAND WRITTEN SCHEDULES ARE NOT ACCEPTABLE.
- H. ALL CONDUIT RUNS INDICATED ARE DIAGRAMMATIC. COORDINATE ROUTING IN ALL SPACES WITH OTHER TRADES.
- I. ALL PANELBOARDS INDICATED ARE HOUSED IN A SINGLE WIDTH ENCLOSURE, UNO. THE CONTRACTOR SHALL FIELD VERIFY ROOM LAYOUT AND ADJUST ACCORDINGLY, AT NO COST TO THE OWNER, IF PROVIDING ANY PANELBOARD ENCLOSURES.
- J. WHERE POWER AND COMMUNICATION OUTLETS ARE INDICATED IN CLOSE PROXIMITY ON THE DRAWINGS, FIELD COORDINATE THE LOCATIONS TO PLACE THE OUTLETS ADJACENT TO EACH OTHER.
- K. ALL EXTERIOR RECEPTACLES SHALL BE LABELED "WVR" - WEATHER RESISTANT.
- L. WHEN GROUPING MULTIPLE LINE TO NEUTRAL BRANCH CIRCUITS IN A CONDUIT, PROVIDE DEDICATED COLOR CODED NEUTRAL CONDUCTORS FOR EACH CIRCUIT. DO NOT USE BREAKER TIES AND SHARED NEUTRALS EVEN THOUGH PERMITTED BY NEC.
- M. PROVIDE A 2" WIDE YELLOW LINE PAINTED ON THE FLOOR INDICATING THE ELECTRICAL WORKING SPACE. IN FRONT OF ALL ELECTRICAL PANELS IN ELECTRICAL ROOMS, REFER TO PLANS FOR ELECTRICAL WORKING SPACE DETAILS. STENCIL "NO STORAGE IN 2" HIGH, YELLOW LETTERS CENTERED IN THE OUTLINED AREA.

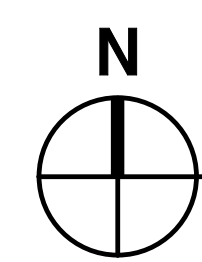
### ABBREVIATIONS

1P	SINGLE PHASE
3P	THREE PHASE
3R	WEATHERPROOF (NEMA 3R)
A	AMPS
AF	ABOVE FINISHED FLOOR
AL	ALUMINUM
ATS	AUTOMATIC TRANSFER SWITCH
BFC	BELOW FINISHED CEILING
BFG	BELOW FINISHED GRADE
BKR	BREAKER
C	CONDUIT
CATV	COMMUNITY ANTENNA TELEVISION (CABLE)
CB	CIRCUIT BREAKER
CBL	CABLE
CCTV	CLOSED CIRCUIT TELEVISION
CCT	CIRCUIT
CLG	CEILING
CLR	CLEAR
CO	COMPANY
COMB	COMBINATION
COMM	COMMUNICATIONS
CU	COPPER
DA	DIAMETER
DISC	DISCONNECT
DIV	DIVISION
DWG	DRAWING
EBH	ELECTRIC BASEBOARD HEATER
EC	EMPTY CONDUIT
ECS	EMERGENCY COMMUNICATIONS STATION
ELEC	ELECTRICAL
ELEV	ELEVATOR
EPO	EMERGENCY POWER OFF
EQ	EQUIPMENT
ETR	EXISTING TO REMAIN
EWC	ELECTRIC WATER COOLER
EX	EXISTING
EXT	EXTERIOR
FA	FIRE ALARM
FAAP	FIRE ALARM ANNUNCIATOR PANEL
FACP	FIRE ALARM CONTROL PANEL
FAGP	FIRE ALARM GRAPHIC PANEL
FAXP	FIRE ALARM EXTENDER PANEL
FFSCP	FIRE FIGHTERS SMOKE CONTROL PANEL
FLA	FULL LOAD AMPS
FFMR	FUSE PER MANUFACTURERS REQUIREMENTS/RECOMMENDATIONS
FPND	FUSE PER NAMEPLATE DATA
G	GROUND
GE	GROUND FAULT PROTECTION FOR EQUIPMENT, 6-50mA PER NEC 427.22 (PROVIDE ACCESSORY FOR INDICATED BREAKER)
GFCI	GROUND FAULT CIRCUIT INTERRUPT
GFP	GROUND FAULT PROTECTION FOR PERSONNEL, 4-6mA (PROVIDE ACCESSORY FOR INDICATED BREAKER)
HKP	HOUSEKEEPING PAD
HP	HORSEPOWER
HPS	HIGH PRESSURE SODIUM
HZ	HERTZ
IAW	IN ACCORDANCE WITH
IG	ISOLATED GROUND
J-BOX	JUNCTION BOX
KHFSS	KITCHEN HOOD FIRE SUPPRESSION SYSTEM
KHZ	KILOHERTZ
KVA	KILOVOLT AMPS
KW	KILOWATTS
KWH	KILOWATT HOURS
L	LOCKOUT TO PREVENT UNAUTHORIZED SWITCHING (PROVIDE ACCESSORY FOR INDICATED BREAKER)
LC	ROUTE CIRCUIT TO LOAD VIA LIGHTING CONTACTOR, REFER TO LC SCHEDULE
LED	LIGHT EMITTING DIODE
LTG	LIGHTING
LTS	LIGHTS
MAX	MAXIMUM
MCA	MINIMUM CIRCUIT AMPACITY
MCB	MAIN CIRCUIT BREAKER
MCC	MOTOR CONTROL CENTER
MH	METAL HALIDE
MHZ	MEGAHERTZ
MIN	MINIMUM
ML	MAINTENANCE LOCK (PROVIDE ACCESSORY FOR INDICATED BREAKER)
MLO	MAIN LUG ONLY
MMS	MASS NOTIFICATION SYSTEM
MOSP	MAXIMUM OVER CURRENT PROTECTION
MTD	MOUNTED
N	NEUTRAL
N/C	NORMALLY CLOSED
N/O	NORMALLY OPEN
NO	NUMBER
OFCI	OWNER FURNISHED CONTRACTOR INSTALLED
P	PILOT LIGHT (AT THE SWITCH HANDLE)
PBD	PANELBOARD
PD	PROTECTIVE DEVICE
RCPT	RECEPTACLE
REC	RECEPTACLE
SEC	SECURITY
SPD	SURGE PROTECTIVE DEVICE
SPEC.	SPECIFICATIONS
SHC	SHUNT TRIP, 120V COIL, (PROVIDE ACCESSORY FOR INDICATED BREAKER)
SW	SWITCH
SWBD	SWITCHBOARD
TBB	TELECOMMUNICATIONS BONDING BACKBONE
TO	TELECOMMUNICATIONS CLOSET
TELECOM	TELECOMMUNICATIONS
TGB	TELECOMMUNICATIONS GROUNDING BUS BAR
TMBG	TELECOMMUNICATIONS MAIN GROUNDING BUS BAR
TYP	TYPICAL
UNO	UNLESS NOTED (INDICATED) OTHERWISE
V	VOLTS
VFD	VARIABLE FREQUENCY DRIVE
W	WATTS
WG	WIRE GUARD
WP	WEATHERPROOF
XFER	TRANSFER
XPMR	TRANSFER





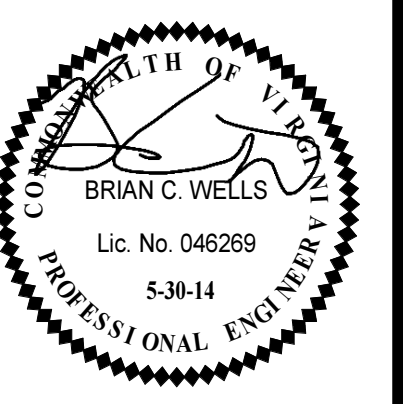
**FIRST FLOOR OVER ALL PLAN - FIRE STATION 9**  
1" = 10'-0"



**FIRST FLOOR DEMOLITION PLAN - STATION 9**  
1/4" = 1'-0"

KEYNOTES	
APPLIES TO DRAWINGS E1.6	
REPRESENTED BY [Symbol]	
1.	REMOVE, DISCONNECT FOR THE AIR COMPRESSOR. MAINTAIN CIRCUITRY CONTINUITY AND EXTEND CIRCUIT AS NEEDED FOR RECONNECTION AFTER RELOCATION.
2.	DEMOLISH ALL ELECTRICAL EQUIPMENT UNLESS SHOWN OR NOTED OTHER WISE. MAINTAIN CIRCUITRY CONTINUITY FOR RECONNECTION OF NEW EQUIPMENT.

**MOSELEYARCHITECTS**



5200 NORFOLK STREET, RICHMOND, VA 23230  
PHONE (804) 784-7557 FAX (804) 355-5690  
MOSELEYARCHITECTS.COM

**KELLY DAY RENOVATIONS FS 9**  
563006  
1900 S Walter Reed Dr, Arlington, VA 22204  
Owner: Arlington County

PROJECT NO:	563006
DATE:	SEPTEMBER 22, 2021
REVISIONS	
DATE	DESCRIPTION

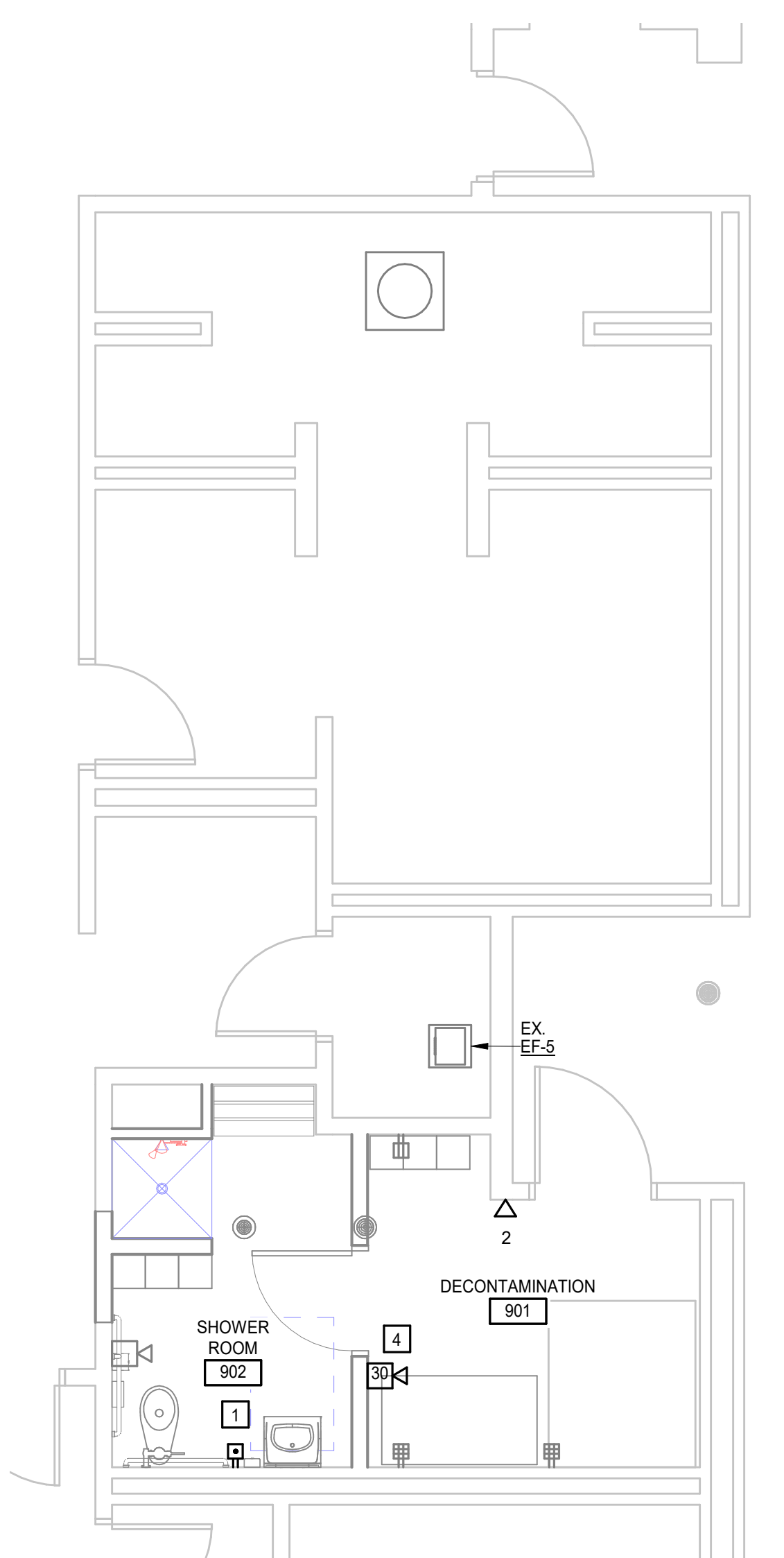
FIRST FLOOR DEMOLITION PLAN - FIRE STATION 9

**E1.6**

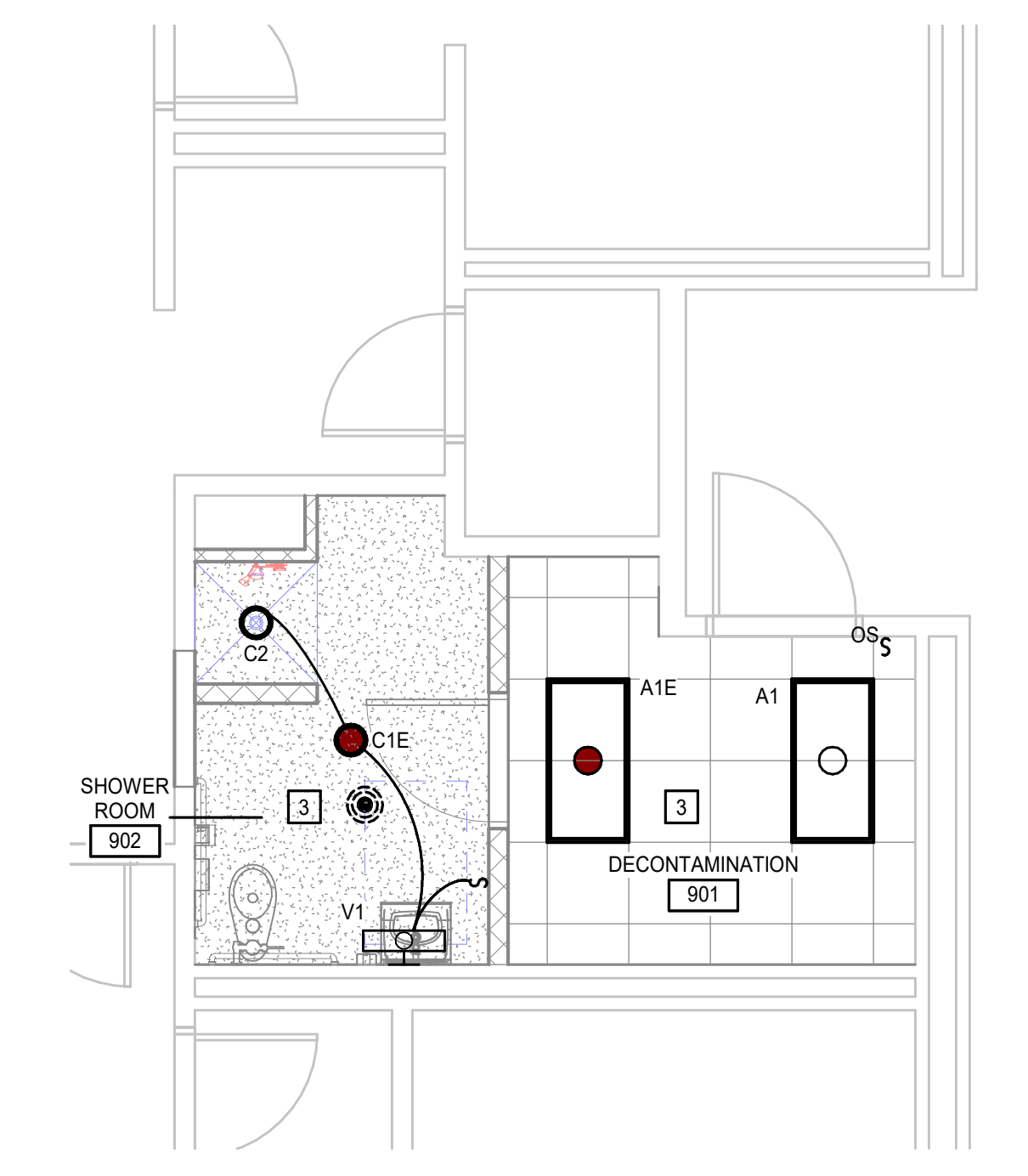
J  
I  
H  
G  
F  
E  
D  
C  
B  
A

1 2 3 4 5 6 7 8 9 10

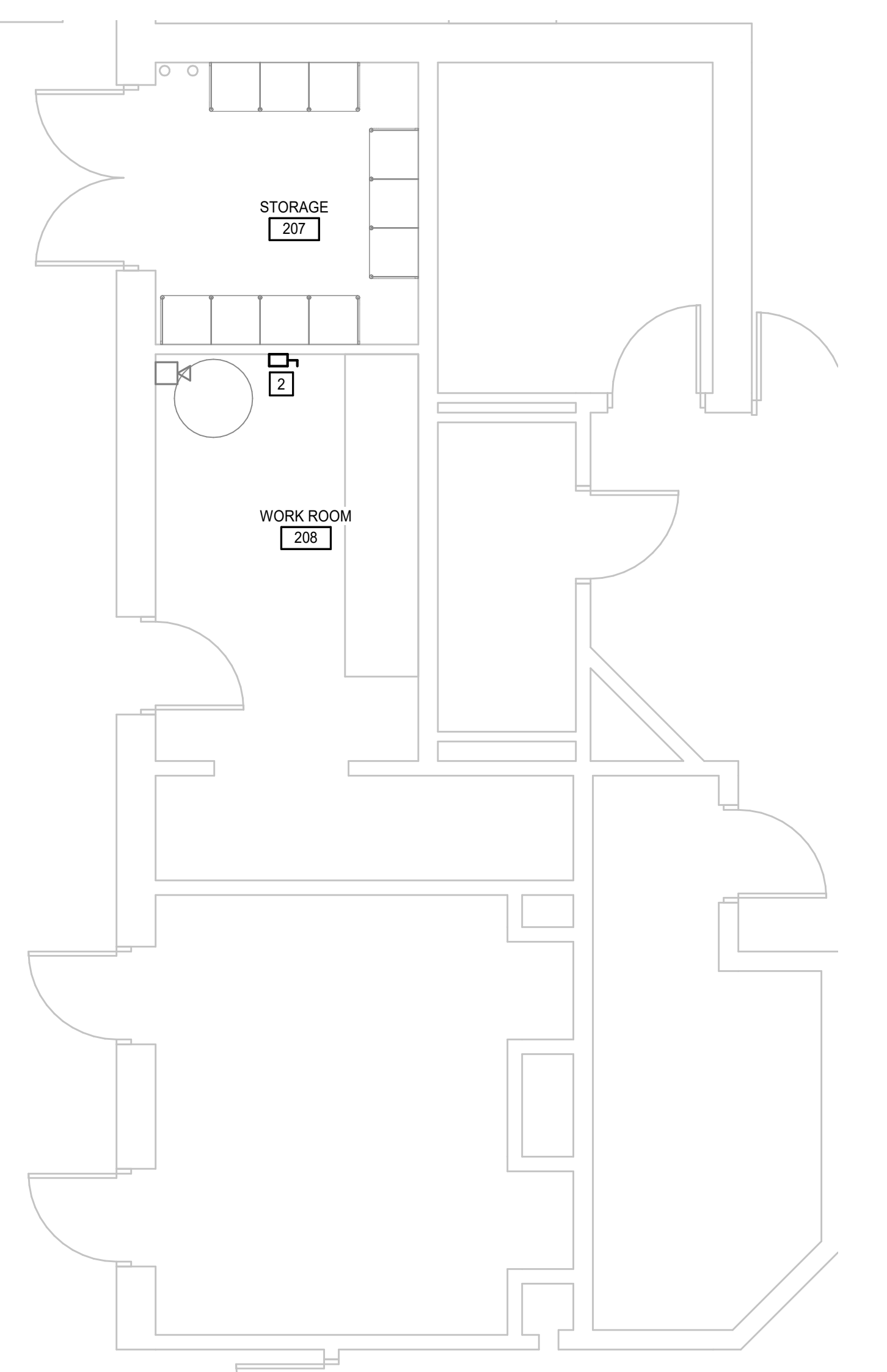
J  
I  
H  
G  
F  
E  
D  
C  
B  
A



**1** FIRST FLOOR POWER AND COMMUNICATION PLAN - STATION 9  
 E2.6 1/4" = 1'-0"



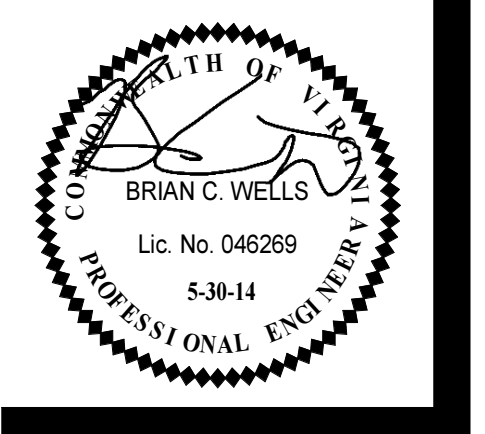
**2** FIRST FLOOR LIGHTING PLAN - STATION #9  
 E2.6 1/4" = 1'-0"



**KEYNOTES**  
 APPLIES TO DRAWINGS E2.6  
 REPRESENTED BY [n]

1. CONNECT NEW RECEPTACLES TO EXISTING CIRCUIT.
2. RELOCATE AIR COMPRESSOR DISCONNECT. EXTEND EXISTING CIRCUITRY TO NEW LOCATION.
3. CONNECT NEW LIGHTING TO EXISTING LIGHTING CIRCUIT.
4. BATTERY CALCS ARE REQUIRED FOR THE ADDED DEVICES AND ADDITIONAL BATTERY CAPACITY IS REQUIRED IF CALCS INDICATE THAT IT IS NEEDED.

**MOSELEYARCHITECTS**  
 5200 NORFOLK STREET, RICHMOND, VA 23230  
 PHONE (804) 784-7557 FAX (804) 355-5690  
 MOSELEYARCHITECTS.COM



**KELLY DAY RENOVATIONS FS 9**  
 563006  
 1900 S Walter Reed Dr, Arlington, VA 22204  
 Owner: Arlington County

PROJECT NO:	563006
DATE:	SEPTEMBER 22, 2021
REVISIONS	
DATE	DESCRIPTION

FIRST FLOOR LIGHTING,  
 POWER AND COMMUNICATION  
 PLANS - FIRE STATION 9

# PERMIT SET

# KELLY DAY RENOVATIONS FS 1

**MOSELEYARCHITECTS**

5200 NORFOLK STREET, RICHMOND, VA 23230  
PHONE (804) 794-7555 FAX (804) 355-5690  
MOSELEYARCHITECTS.COM

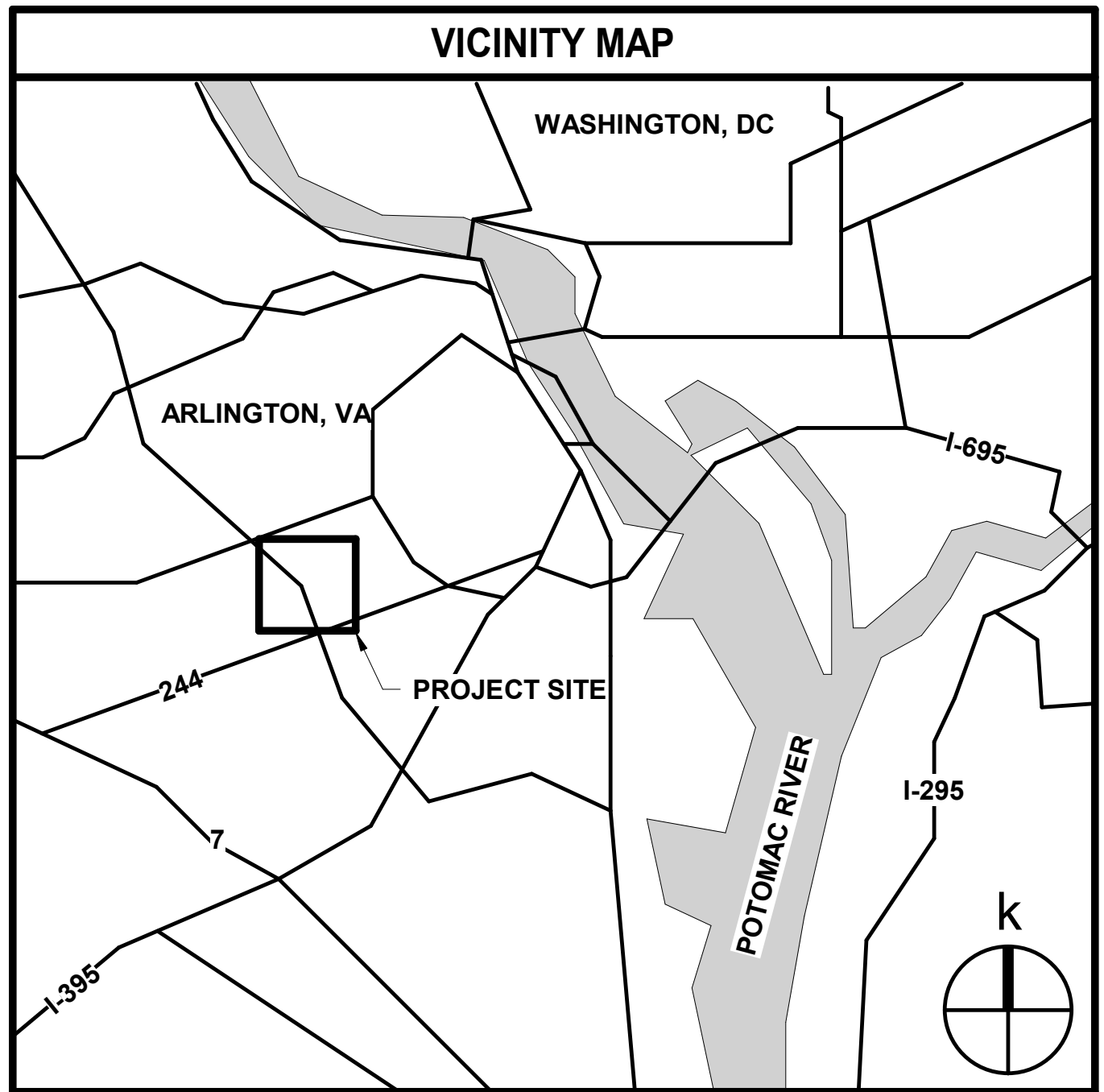


**KELLY DAY RENOVATIONS FS 1**

**563006**  
500 South Glebe Road, Arlington, VA 22204  
Owner: Arlington County

PROJECT NO:	563006
DATE:	SEPTEMBER 22, 2021
REVISIONS	
DATE	DESCRIPTION

COVER

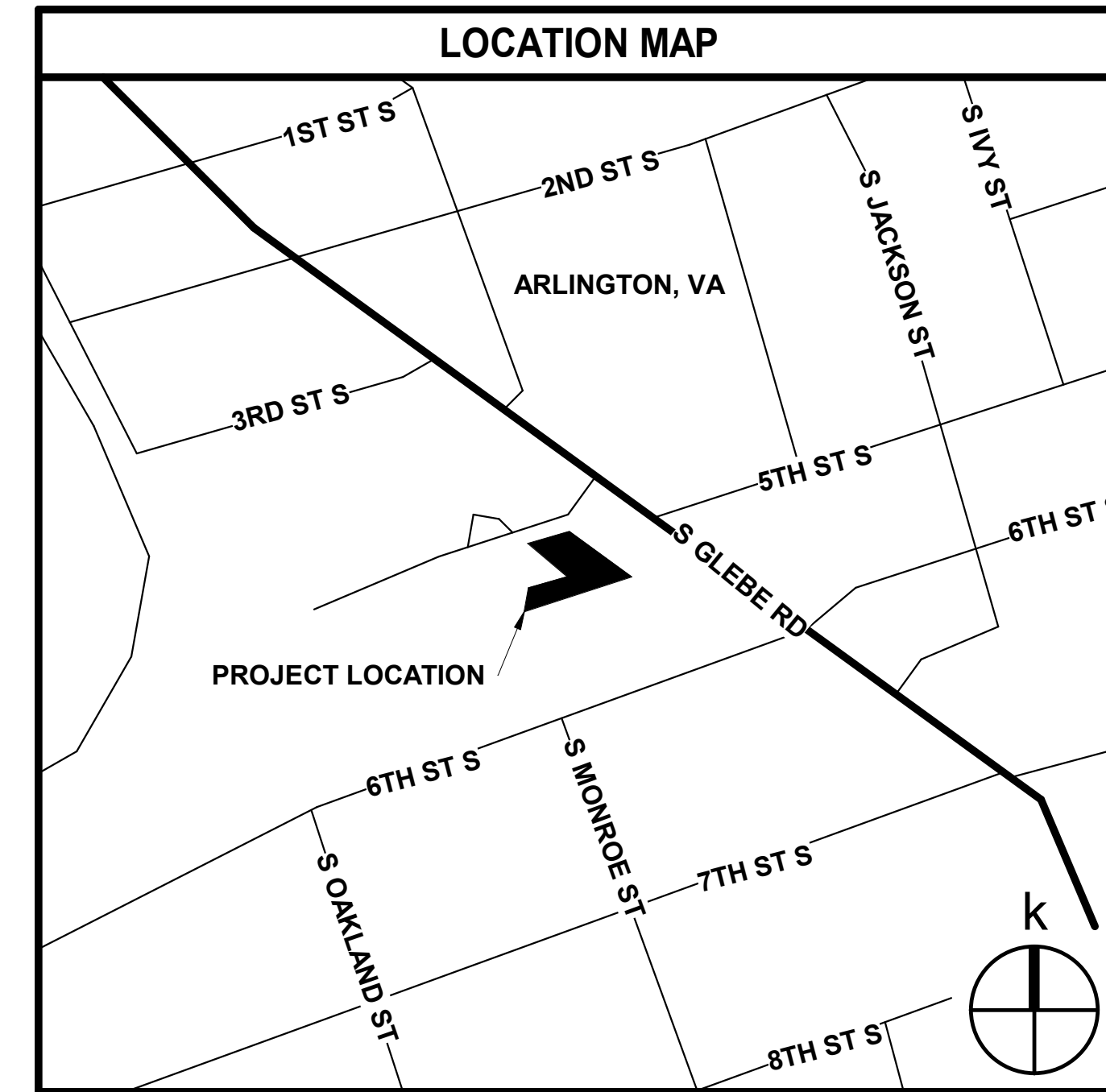


## 500 SOUTH GLEBE ROAD ARLINGTON, VIRGINIA

563006

**MOSELEYARCHITECTS**

3200 NORFOLK STREET, RICHMOND, VA 23230  
PHONE (804) 794-7555 FAX (804) 355-5690  
MOSELEYARCHITECTS.COM



**DIG NOTICE:**

CONTACT MISS UTILITY AT 811, 1-800-562-7001, OR [HTTP://WWW.MISSUTILITYOFVIRGINIA.COM](http://www.missutilityofvirginia.com) NO LESS THAN 72 HOURS PRIOR TO EXCAVATION AND DO NOT DISTURB THE SOIL UNTIL THE DIG TICKET HAS BEEN PROCESSED.

**POINTS OF CONTACT:**

**ARCHITECT**  
ANDREW McVEIGH - PROJECT MANAGER  
MOSELEY ARCHITECTS  
804-545-6110  
AMCVEIGH@MOSELEYARCHITECTS.COM

**OWNER:**  
MICHAEL MANOS - PROJECT MANAGER  
ARLINGTON COUNTY, VIRGINIA  
703-228-4437  
MMANOS@ARLINGTONVA.US

**USER:**  
CAPTAIN RICHARD SLUSHER  
ARLINGTON COUNTY FIRE DEPARTMENT  
RSLUSHER3@ARLINGTONVA.US

**DRAWING INDEX - VOLUME 1**

<b>ARCHITECTURAL</b>	
A0.1	GENERAL ARCHITECTURAL INFORMATION
A2.1	FLOOR PLAN
A2.2	WALL SECTIONS
A2.3	DETAILS
A3.0.1	FINISH SCHEDULE
A3.1.1	DOOR AND FRAME SCHEDULE
A9.1	REFLECTED CEILING PLAN
A10.1	ROOF PLAN
<b>STRUCTURAL</b>	
S0.0.1	GENERAL NOTES AND LEGENDS
S1.1.1	FOUNDATION PLANS
S2.2.1	ROOF FRAMING PLANS
S3.0.1	TYPICAL FOUNDATION, SLAB DETAILS AND SECTIONS
S4.0.1	TYPICAL FRAMING, MASONRY WALL, LINTEL DETAILS AND FRAMING SECTIONS
<b>PLUMBING</b>	
P0.1	LEGENDS, ABBREVIATIONS AND GENERAL NOTES - FS1
P2.1	FLOOR PLANS - FS1
<b>MECHANICAL</b>	
M0.1	LEGENDS, ABBREVIATIONS, SCHEDULES, AND GENERAL NOTES - FS1
M1.1	FIRST FLOOR DEMOLITION PLAN - FS1
M2.1	FIRST FLOOR PLAN - FS1
M5.1	DETAILS & CONTROLS - FS1
<b>ELECTRICAL</b>	
E0.1	LEGENDS, ABBREVIATIONS AND GENERAL NOTES - FS1
E1.1	FIRST FLOOR DEMOLITION PLAN - FS1
E2.1	FIRST FLOOR LIGHTING, POWER, AND COMMUNICATION PLANS - FS1

**HAZARDOUS MATERIALS:**

THE EXISTING FIRE STATION WAS ORIGINALLY DESIGNED AND BID IN 1989. LEAD BASED PAINT WAS BANNED IN THE UNITED STATES IN 1984. VINYL-ASBESTOS FLOOR TILE WAS BANNED IN 1989. THEREFORE, IT IS NOT ANTICIPATED THAT THE CONTRACTOR WILL ENCOUNTER HAZARDOUS MATERIALS WHILE EXECUTING THE WORK.

THE EXISTING BUILDING HAS NOT BEEN TESTED FOR THE PRESENCE OF HAZARDOUS MATERIALS. DURING THE COURSE OF THE WORK, IF THE CONTRACTOR HAS REASON TO SUSPECT THE PRESENCE OF HAZARDOUS MATERIALS, STOP WORK AND IMMEDIATELY NOTIFY THE OWNER AND ARCHITECT.

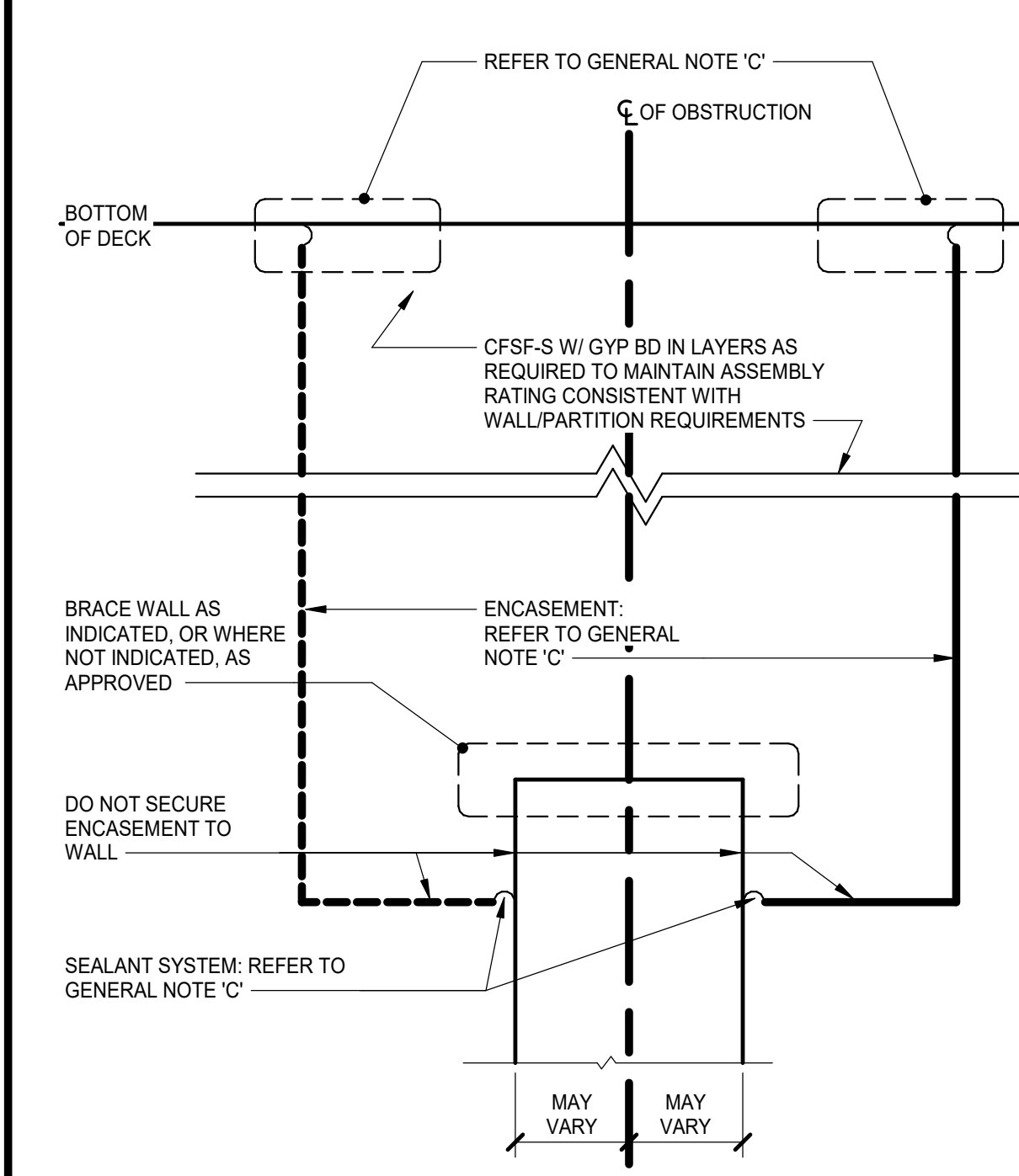
THE CONTRACT DOCUMENTS ARE COMPLEMENTARY, AND WHAT IS REQUIRED BY ONE SHALL BE AS BINDING AS IF REQUIRED BY ALL. IN CASE OF A CONFLICT, DISAGREEMENT, OR AMBIGUITY, PROVIDE THE BETTER QUALITY. IN CASE OF A CONFLICT, DISAGREEMENT, OR AMBIGUITY, PROVIDE THE GREATER QUANTITY OF WORK.



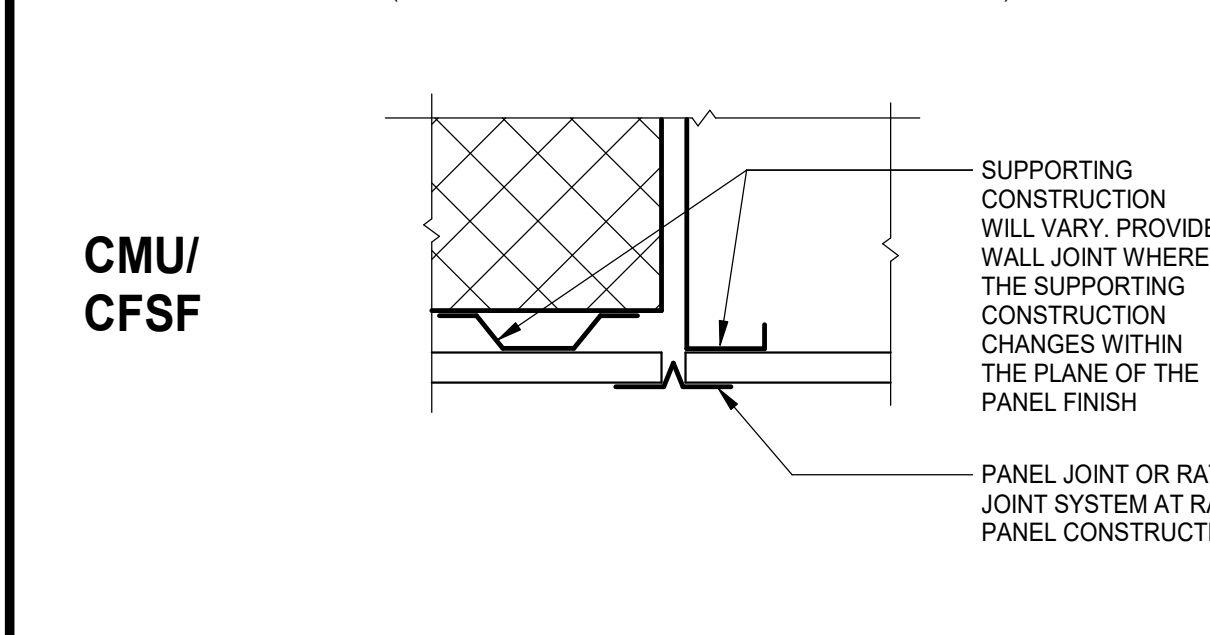
ARCHITECTURAL ABBREVIATIONS

Table of architectural abbreviations with columns for symbol, description, and alternate descriptions. Includes items like A-PT ACCENT PAINT, FF FINISHED FLOOR, PLWD PLASTIC LAMINATE WOOD, etc.

TERMINATIONS



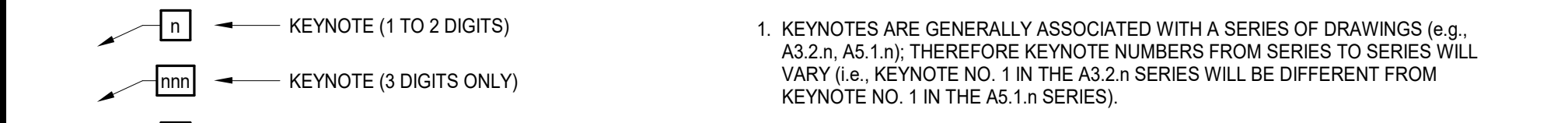
HEAD-OF-WALL TERMINATION @ OBSTRUCTION



TERMINATION GENERAL NOTES

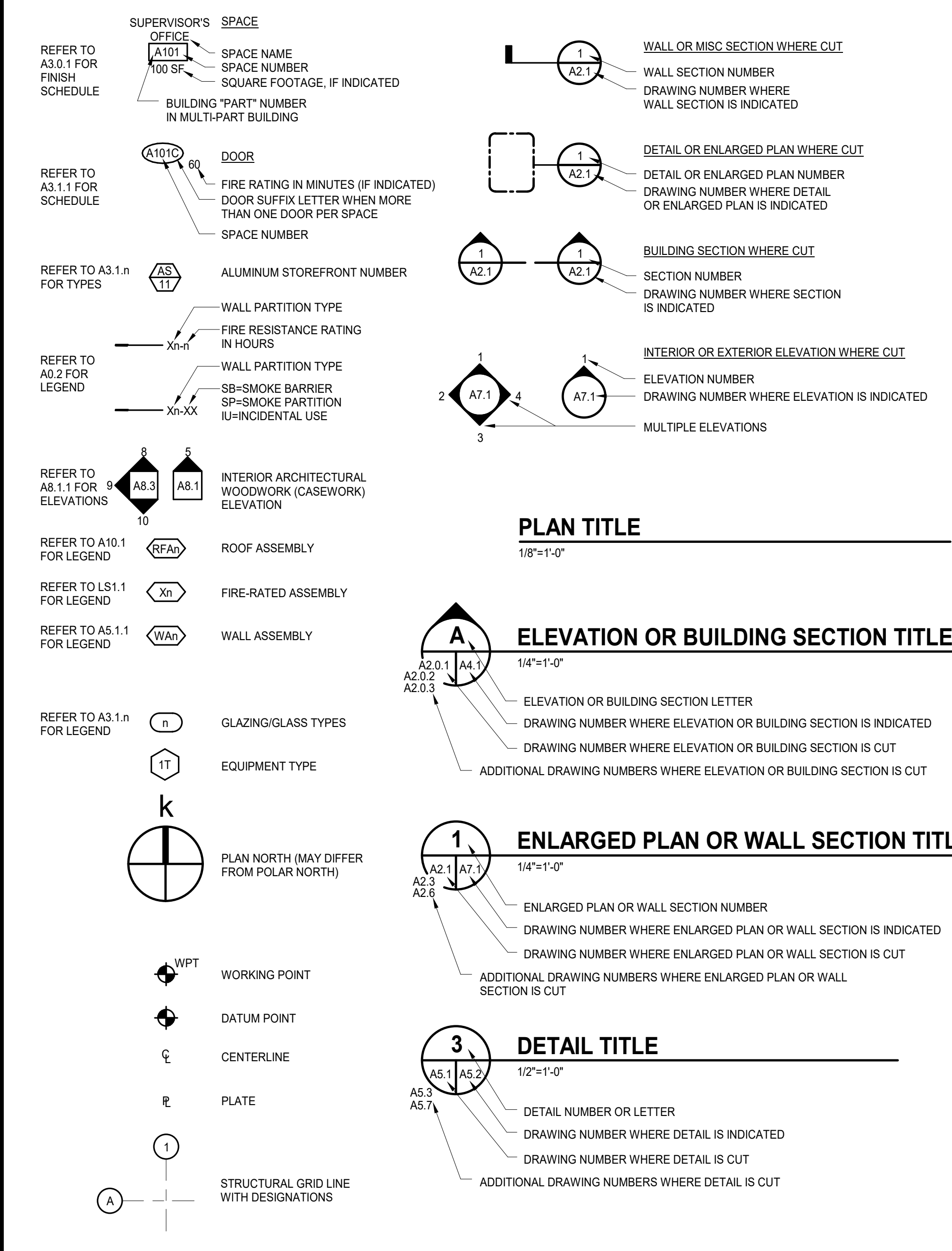
- A. AT FIRE-, SMOKE-, AND ACOUSTICALLY RATED WALLS. SEAL ALL NON-OBSERVED HEAD-OF-WALL CONDITIONS IN ACCORDANCE WITH JOINT SYSTEM MANUFACTURER'S RECOMMENDATIONS BASED ON CONDITION ENCOUNTERED (E.G., CMU-TO-DECK (PARALLEL OR PERPENDICULAR TO FLUTES), OR CFSF-TO-DECK (PARALLEL OR PERPENDICULAR TO FLUTES)) TO MAINTAIN ASSEMBLY RATING CONSISTENT WITH WALL/PARTITION REQUIREMENTS. BRACE WALL AS INDICATED OR REQUIRED.
B. AT ALL OTHER WALLS INDICATED TO EXTEND TO UNDERSIDE OF FLOOR/ROOF DECK/CAP. SEAL ALL NON-OBSERVED HEAD-OF-WALL CONDITIONS IN ACCORDANCE WITH JOINT SYSTEM MANUFACTURER'S RECOMMENDATIONS BASED ON CONDITION ENCOUNTERED (E.G., CMU-TO-DECK (PARALLEL OR PERPENDICULAR TO FLUTES), OR CFSF-TO-DECK (PARALLEL OR PERPENDICULAR TO FLUTES)). BRACE WALL AS INDICATED OR REQUIRED.
C. AT ALL WALLS PREVENTED FROM TERMINATING AT THE UNDERSIDE OF FLOOR/ROOF DECK BY OBSTRUCTIONS, COMPLY WITH THE FOLLOWING:
- AT FIRE-, SMOKE-, AND ACOUSTICALLY-RATED WALLS: ENCASE OBSTRUCTION(S) TO MAINTAIN ASSEMBLY RATING CONSISTENT WITH WALL/PARTITION REQUIREMENTS.
- AT SECURITY WALLS: TERMINATE IN ACCORDANCE WITH SECURITY PARTITION REQUIREMENTS.
- AT OTHER WALLS: ENCASE OBSTRUCTION(S) ON ONE SIDE.
- SEAL ENCASEMENT TO WALL AND SEAL ENCASEMENT TO DECK IN ACCORDANCE WITH JOINT SYSTEM MANUFACTURER'S RECOMMENDATIONS AND TO MAINTAIN ASSEMBLY RATING CONSISTENT WITH WALL/PARTITION REQUIREMENTS.

KEYNOTES



1. KEYNOTES ARE GENERALLY ASSOCIATED WITH A SERIES OF DRAWINGS (e.g., A3.2.n, A5.1.n). THEREFORE KEYNOTE NUMBERS FROM SERIES TO SERIES WILL VARY (e.g., KEYNOTE NO. 1 IN THE A3.2.n SERIES WILL BE DIFFERENT FROM KEYNOTE NO. 1 IN THE A5.1.n SERIES).

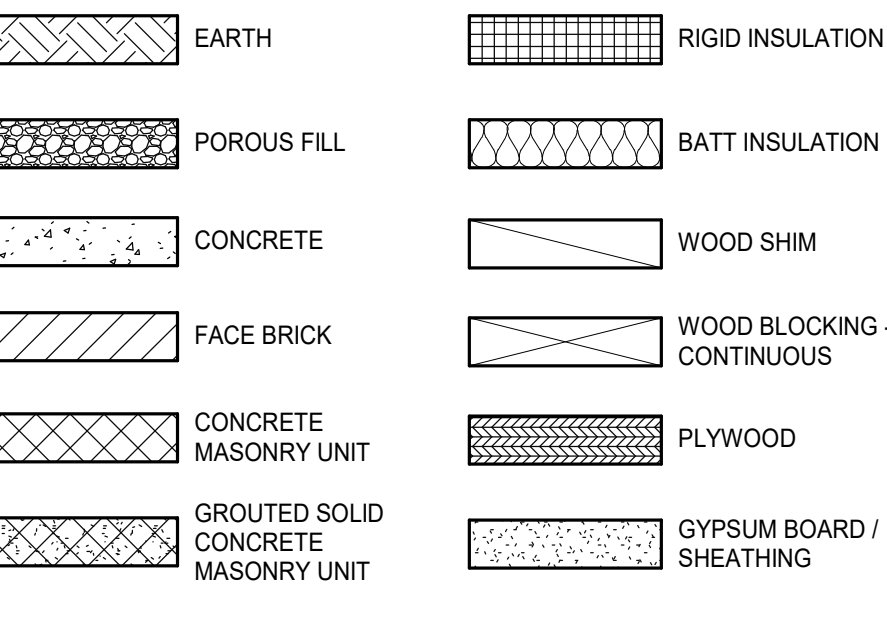
ARCHITECTURAL GRAPHIC SYMBOL LEGEND



ARCHITECTURAL GENERAL NOTES

- A. THE CONTRACT DOCUMENTS ARE COMPLEMENTARY AND WHAT IS REQUIRED BY ONE SHALL BE AS BINDING AS IF REQUIRED BY ALL. IN THE CASE OF A CONFLICT, DISAGREEMENT, OR AMBIGUITY, PROVIDE THE BETTER QUALITY. IN THE CASE OF A CONFLICT, DISAGREEMENT, OR AMBIGUITY, PROVIDE THE GREATER QUANTITY OF WORK.
B. ELEMENTS THAT ARE IDENTIFIED BY OTHER DISCIPLINES (e.g., CIVIL, STRUCTURAL, PLUMBING, FIRE PROTECTION, MECHANICAL, ELECTRICAL) ELSEWHERE WITHIN THE ARCHITECTURAL SERIES OF DRAWINGS AND/OR SPECIFICATIONS, OR IDENTIFIED OR COVERED BY DEFAULTS (e.g., SIZES, THICKNESS, SPACING, MATERIALS) IN THE SPECIFICATIONS MAY NOT BE ANNOTATED (NOTE OR KEYNOTED) ON THESE DRAWINGS.
C. ELEMENTS IDENTIFIED IN "LEGENDS" AND/OR "GENERAL NOTES" MAY NOT BE NOTED IN DETAILS, OR SECTIONS, AS THESE ELEMENTS ARE IDENTIFIED IN THE LEGENDS (e.g. FACE BRICK, CMU, WINDOWS).
D. REFER TO "ASSEMBLIES" FOR MATERIALS AND COMPONENTS THAT MAKE UP THAT PARTICULAR ASSEMBLY (e.g., EXTERIOR WALL ASSEMBLIES, ROOF ASSEMBLIES, AND FIRE-RATED ASSEMBLIES). ONCE A PARTICULAR ASSEMBLY HAS BEEN IDENTIFIED ON ONE DRAWING, THAT SAME ASSEMBLY GRAPHIC SHALL APPLY TO ALL OTHER SIMILAR LOCATIONS UNLESS SPECIFICALLY INDICATED OTHERWISE. PROVIDE THAT SAME ASSEMBLY AT THE SIMILAR LOCATION WHETHER THE ASSEMBLY GRAPHIC SYMBOL IS SHOWN OR NOT.
E. VERIFY ALL DIMENSIONS, INCLUDING DIMENSIONS ON STRUCTURAL DRAWINGS AND OTHER ARCHITECTURAL DRAWINGS. IMMEDIATELY NOTIFY ARCHITECT OF ANY DISCREPANCIES.

ARCHITECTURAL MATERIALS LEGEND



LIFE SAFETY INFORMATION

EXISTING BUILDING LIFE SAFETY INFORMATION: THIS BUILDING WAS CONSTRUCTED UNDER THE BOCA BASIC NATIONAL BUILDING CODE, 1984 EDITION, ARLINGTON COUNTY AMENDMENTS, AND ANS1 A117 FOR HANDICAP-ACCESSIBLE AREAS.
CONSTRUCTED AS TYPE 2C, USE GROUP B.
THE BUILDING IS FULLY SPRINKLERED.
THE BUILDING CONTAINS 12,750 GSF.
FIRE RESISTANCE RATINGS OF CONSTRUCTION (TABLE 401): NONE REQUIRED.
BUILDING CODE APPLICABLE TO THE WORK: WORK ASSOCIATED WITH THIS PROJECT WILL BE CONSTRUCTED UNDER THE 2015 VIRGINIA EXISTING BUILDING CODE.
NEW WORK WILL BE CONSTRUCTED AS TYPE I-B. THE SPACE WHICH SHALL BE FILLED WAS LIKELY ALREADY CONSIDERED A ROOM FROM A LIFE-SAFETY STANDPOINT. IF IT IS CURRENTLY CLASSIFIED AS "ACCESSORY STORAGE AND MECHANICAL," IT WOULD HAVE AN OCCUPANT LOAD OF TWO. CHANGING THE SPACE TO AN "EXERCISE ROOM" USE WILL INCREASE THE OCCUPANCY LOAD BY 6 PERSONS, TO A TOTAL OF 8 OCCUPANTS.
NO IMPACT TO PATH OF EGRESS.
1. THE SPACE WHICH WILL BE ENCLOSED WAS LABELED ON THE EXISTING DRAWINGS AS "TRASH". VCC SECTION 1016.2 EGRESS THROUGH INTERVENING SPACES INDICATES THAT "EGRESS FROM A ROOM OR SPACE SHALL NOT PASS THROUGH ADJOINING OR INTERVENING ROOMS OR AREAS EXCEPT WHERE SUCH ADJOINING ROOMS OR AREAS AND THE AREA SERVED ARE ACCESSORY TO ONE OR THE OTHER. ARE NOT A GROUP H OCCUPANCY AND PROVIDE A DISCREETABLE PATH OF EGRESS TRAVEL TO AN EXIT." THE TRASH AND THE ADJACENT, EXISTING WEIGHT ROOM ARE NOT ACCESSORY TO ONE ANOTHER, AND A DISCREETABLE PATH OF EGRESS CANNOT BE ENSURED. THEREFORE, IT IS UNLIKELY THAT THE EXISTING DOORS WHERE CONSIDERED EXITS, AND THE EXISTING MEANS OF EGRESS PATH WILL NOT BE NEGATIVELY AFFECTED BY THE PROPOSED CHANGES.
2. THE WORK SCOPE INCLUDES THE REMOVAL OF AN EXISTING WALL BETWEEN TWO WEIGHT ROOMS. THIS CHANGE WILL IMPROVE THE EXISTING EGRESS STRATEGY BY ELIMINATING AN OBSTACLE.

WALL/PARTITION TYPE GENERAL NOTES

- A. PLAN DIMENSIONS ARE TO FACE OF WALL OR PARTITION. WHERE APPLIED FINISHES OCCUR, SUCH AS CERAMIC TILE, DIMENSIONS ARE TO FACE OF APPLIED FINISH. FOR WANSCOTS, FLOOR PLAN DIMENSIONS ARE TO FACE OF WANSCOT MATERIAL. APPLIED FINISHES ARE NOT ALLOWED TO REDUCE CLEAR DIMENSIONS. "APPLIED FINISHES" IN THIS CASE DO NOT INCLUDE TRIM, BASE, AND ACOUSTIC WALL PANELS.
B. EXTEND WALL/PARTITION ASSEMBLY COMPONENTS FULL HEIGHT OF ASSEMBLY.
C. REFER TO STRUCTURAL DRAWINGS AND RELATED SPECIFICATIONS FOR SOLID MASONRY, GROUTING, AND REINFORCEMENT REQUIREMENTS INCLUDING BUT NOT BE LIMITED TO:
- MASONRY WALLS/PARTITIONS
- LINTELS
- LINTEL BEARING CONDITIONS
- BOND BEAMS
- SHELVE BEARING CONDITIONS
- STRUCTURAL REINFORCING REQUIREMENTS
- CHANGES IN WYTHE
D. THE TERMS "WALL" AND "PARTITION" MAY BE USED INTERCHANGEABLY THROUGHOUT THE CONTRACT DOCUMENTS.
E. EXTEND ALL FIRE-, SMOKE-, INCIDENTAL USE-, AND ACOUSTICALLY-RATED WALLS/PARTITIONS TO UNDERSIDE OF FLOOR DECK, ROOF DECK, STRUCTURAL ELEMENT ENCASEMENT OR SOLID CAP ABOVE.
- SEAL AND TERMINATE IN ACCORDANCE WITH JOINT SYSTEM TESTED ASSEMBLIES FOR RESPECTIVE TYPE OF WALLS/PARTITIONS.
H. PARTITIONS THAT DO NOT EXTEND TO UNDERSIDE OF DECK OR CAP ABOVE:
- EXTEND 4 INCHES MINIMUM ABOVE HIGHEST ADJACENT FINISH CEILING UNLESS INDICATED OTHERWISE.
I. DO NOT CONNECT TIES, ANCHORS, OR REINFORCING TO SINGLE CANTILEVERED FIRE WALL OR BETWEEN DOUBLE FIRE WALLS.
J. SEAL AROUND ALL PENETRATIONS.
K. COMPLY WITH TERMINATION, WALL JOINT, AND MISCELLANEOUS DETAILS FOR THOSE CONDITIONS WHERE APPLICABLE. COMPLY WITH REFERENCED STANDARDS WHERE DETAILS ARE NOT IDENTIFIED IN THE DRAWINGS.
L. WALL/PARTITION TYPES DO NOT ADDRESS WALL FINISHES. REFER TO FINISH SCHEDULE.
M. FINISHED SPACES: PROVIDE CHASES AROUND ALL EXPOSED VERTICAL COMPONENTS, INCLUDING BUT NOT LIMITED TO: DUCTWORK, PIPING, AND CONDUIT, UNLESS COMPONENTS ARE SPECIFICALLY INDICATED TO REMAIN EXPOSED.
- HOLD CHASES TIGHT TO COMPONENTS ALLOWING FOR ACCESS, INSULATION, AND TOLERANCES.
- EXTEND CHASES FROM FLOOR TO 4 INCHES MINIMUM ABOVE FINISH CEILING OR IF NO CEILING IS INDICATED, EXTEND CHASES TO UNDERSIDE OF FLOOR DECK, ROOF DECK, OR SOLID CAP ABOVE AND TERMINATE ACCORDINGLY.
N. PROVIDE BACKER BOARD/UNIT OF SAME THICKNESS INDICATED IN LIEU OF GYPSUM BOARD PANEL AT PORTIONS OF WALLS/PARTITIONS TO RECEIVE TILE.

PANEL WALL/PARTITION TYPES

Table with columns: MARK, REMARKS, INFORMATION. Includes rows for P1 (5/8" GYP BD, BATT INSULATION, 3 5/8" CFSF-NS, VAPOR BARRIER, DRAINAGE MAT, EXISTING MASONRY) and P2 (5/8" GYPSUM BOARD, 2" RIGID INSULATION, 1 5/8" CFSF-NS, EXISTING MASONRY).

MOSELEY ARCHITECTS

5200 NORFOLK STREET, RICHMOND, VA 23230
PHONE (804) 794-7550 FAX (804) 355-5690
MOSELEYARCHITECTS.COM



KELLY DAY RENOVATIONS FS 1
563006
500 South Glebe Road, Arlington, VA 22204
Owner: Arlington County

Table with columns: PROJECT NO., DATE, REVISIONS, DESCRIPTION. Includes project number 563006 and date SEPTEMBER 22, 2021.

GENERAL ARCHITECTURAL INFORMATION

A0.1



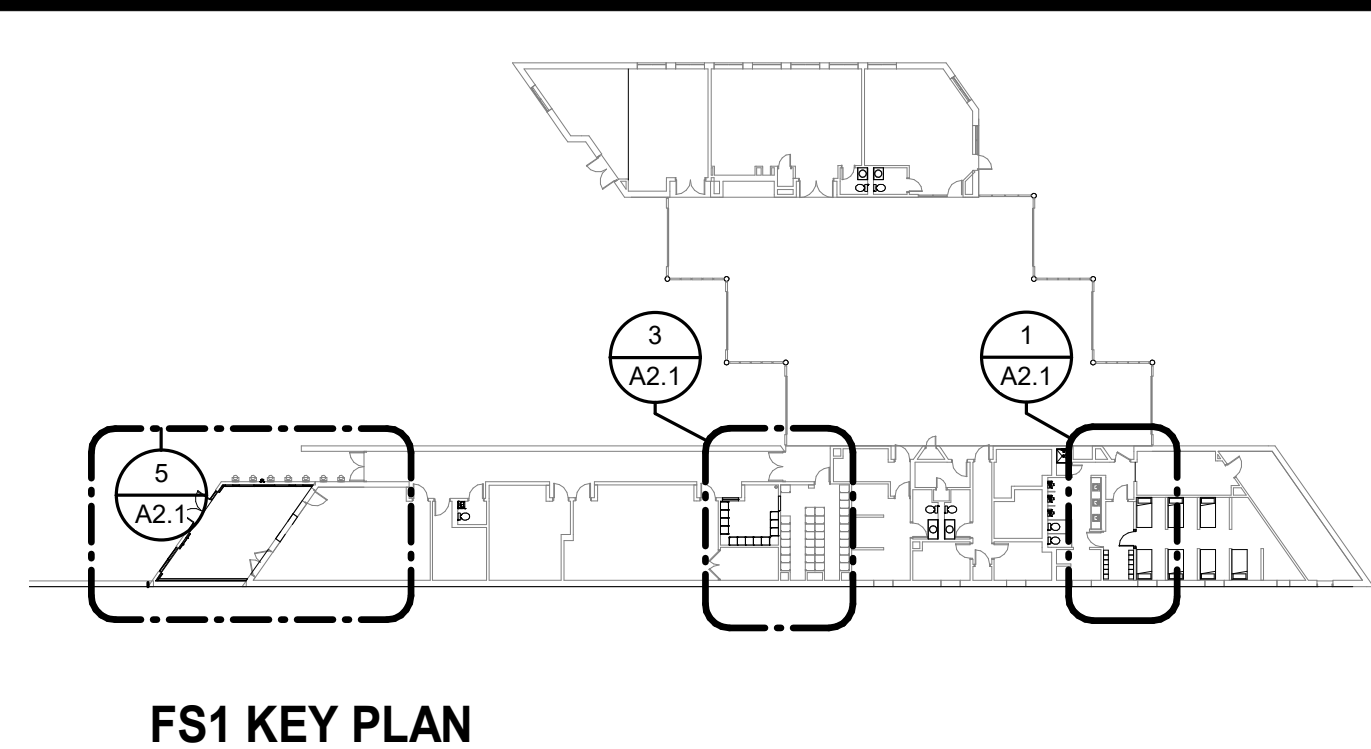
KEYNOTES	
REPRESENTED BY [n]	
APPLIES TO DRAWING A2.1 & A10.1	
1	REMOVE OVERHEAD DOOR. DO NOT SALVAGE.
2	SALVAGE EXISTING DOOR AND FRAME.
3	REMOVE PORTION OF WALL INDICATED.
4	REMOVE EXISTING WALL AND ALL HOSTED ELEMENTS INCLUDING DOORS, ELEC OUTLETS, ETC.
5	EXISTING PIPING TO REMAIN.
6	REMOVE EXISTING GEAR GRID.
7	SALVAGE DOOR. FRAME SHALL REMAIN. REMOVE STRIKE AND PROVIDE STEEL OR ALUMINUM CLOSURE PLATE. PT TO MATCH FRAME COLOR.
8	EXISTING EXTERIOR FIXTURES SHALL REMAIN.
9	HANGING GEAR GRID NIC.
10	INFILL OPENING. MATCH ADJACENT CONSTRUCTION.
11	REFER TO ELEC DOCUMENTS. ELEC ITEMS WHICH SERVE FIXTURES AND EQUIPMENT AT THE EXTERIOR OF THE BUILDING SHALL REMAIN.
14	GYP BD FINISH SHALL COVER PLYWOOD.
15	CENTER ELECTRICAL JUNCTION BOX OR BOXES WITHIN THE PLYWOOD BLOCKING.
16	REMOVE SINK.
17	1/2" PLYWOOD FLUSH WITH FACE OF STUD. TYPICAL.
18	REMOVE COUNTERTOP AND SHELVING.
19	REMOVE EXISTING CONCRETE SLAB.
21	DEMO EXISTING CONCRETE AS REQUIRED TO PROVIDE PLUMBING SCOPE. AFTER INSTALLATION, INSPECTION, AND APPROVAL, PROVIDE MIN 4,000 PSI CONCRETE. MATCH EXISTING THICKNESS. REINFORCE WITH 6X6-W2.9W2.9 WWF.
22	REMOVE EXISTING PARAPET COPING AS NECESSARY TO PROVIDE THE WORK SCOPE.
23	PROVIDE CONCRETE SLAB. REFER TO STRUCTURAL DOCUMENTS.
26	APPROXIMATE OUTLINE OF EXISTING WALL.

KEYNOTES	
REPRESENTED BY [n]	
APPLIES TO DRAWING A2.1 & A10.1	
27	CLEAN THE INTERIOR FACE OF EXISTING MASONRY WALLS. REFER TO PROJECT MANUAL FOR ADDITIONAL PREPARATION REQUIRED.
28	WOOD BLOCKING. TYPICAL.
29	REMOVE SHELF.
30	PAINT EXPOSED STRUCTURE. TYPICAL.
31	WALL MOUNTED TV, TV AND HANGING EQUIPMENT NIC. CONTRACTOR SHALL PROVIDE TV BLOCKING.
32	PERFORATED METAL PANEL.
33	PREMANUFACTURED ALUMINUM COPING.
34	EXISTING PARAPET COPING TO REMAIN.
35	MECH EQUIPMENT. REFER TO MECH DOCUMENTS.
39	NON-PENETRATING ROOF EDGE FALL PROTECTION. PROVIDE ADDITIONAL LAYER OF ROOFING MEMBRANE BELOW EACH RAIL RECEIVER.
40	CLOSE THE EXPOSED END OF THE BENCH WITH 1/2" PLYWOOD SHEET PAINTED BLACK.
41	REMOVE WOOD TRIM.
42	PROVIDE ROOF WALKWAY PAD. TYPICAL.
43	PROVIDE CAST IRON BOOT WITH CLEANOUT

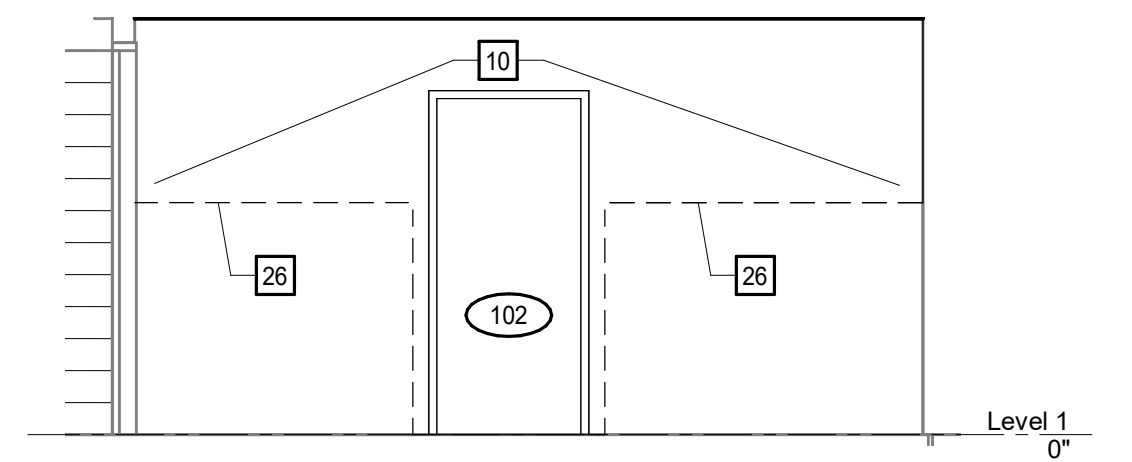
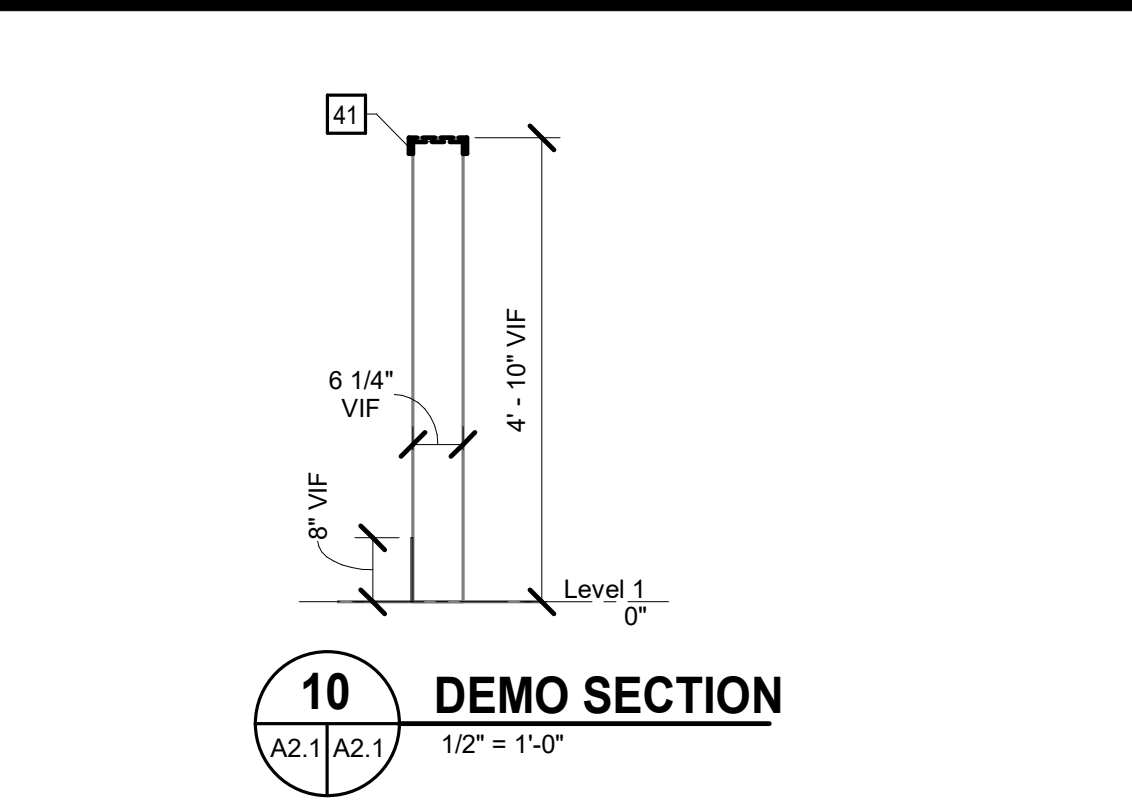
DEMOLITION PLAN LEGEND	
APPLIES TO DRAWINGS A2.1	
	EXISTING PARTITION WALL/ITEM TO REMAIN
	REMOVE EXISTING PARTITION WALL/ITEM
	REMOVE EXISTING WINDOW ASSEMBLY AND FRAMING, INCLUDING ANCHORS
	SALVAGE EXISTING DOOR AND FRAME ASSEMBLY INCLUDING DOOR HARDWARE.
	REMOVE EXISTING PLUMBING FIXTURE. REFER TO PLUMBING DEMOLITION PLAN FOR ADDITIONAL INFORMATION.

DEMOLITION PLAN GENERAL NOTES	
A.	UNDO, SALVAGE DOORS & FRAMES AND TURN OVER TO OWNER. DISCARD THE FRAME IF DAMAGED DURING SALVAGING.

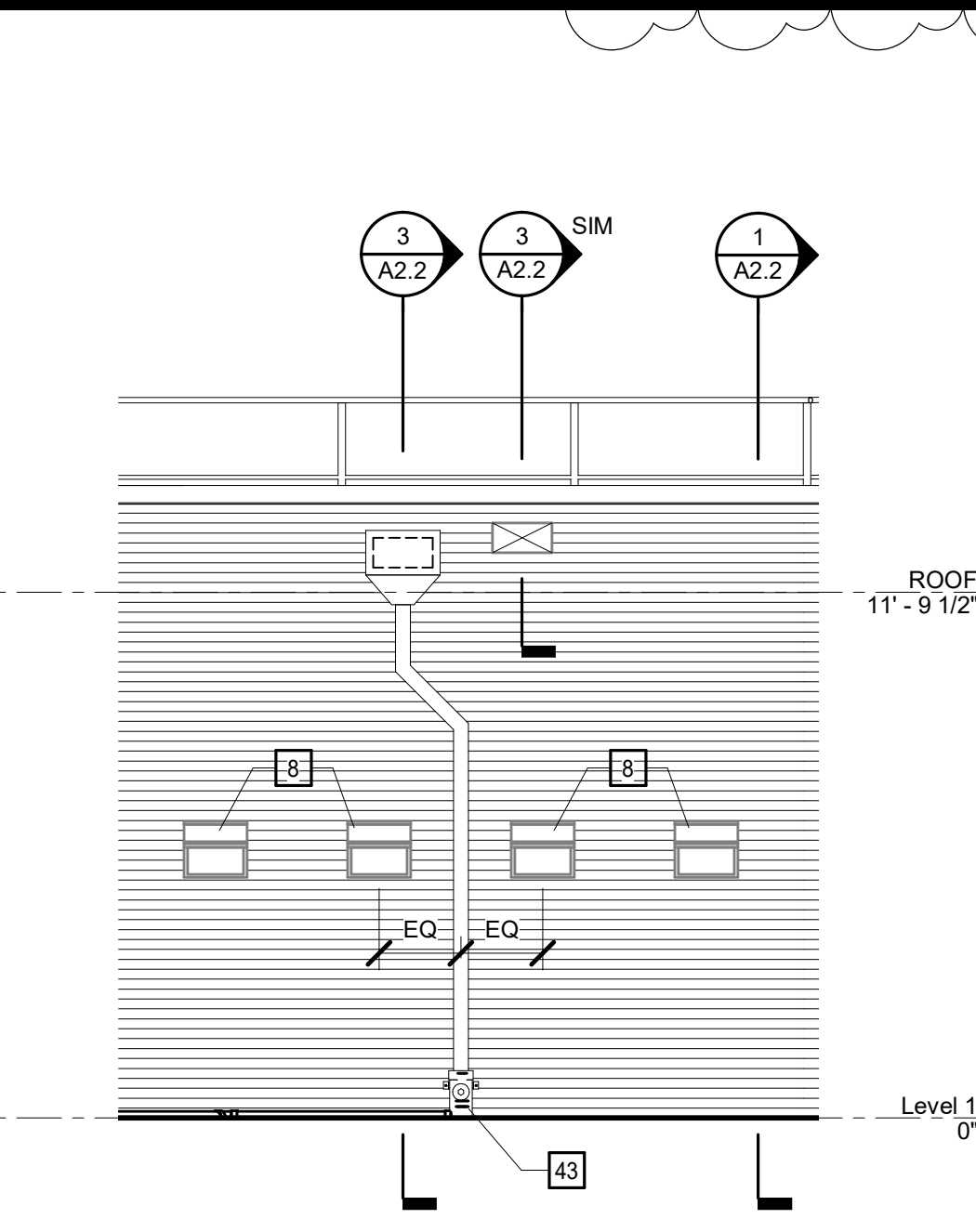
FLOOR PLAN GENERAL NOTES	
A.	THE COUNTY SHALL PROVIDE GYM LOCKERS AND GEAR GRIDS. THESE ITEMS ARE SHOWN ON THE FLOOR PLANS FOR COORDINATION PURPOSES ONLY. THE CONTRACTOR SHALL BE RESPONSIBLE FOR THE REMOVAL OF EXISTING GEAR GRIDS WHERE INDICATED IN THE DOCUMENTS.
B.	WHERE PATCHING FLOORS OR WALL BASES, MATCH THE ADJACENT MATERIALS. IF EXACT MATCHES CANNOT BE PROCURED, COORDINATE WITH THE OWNER AND PROVIDE SIMILAR MATERIAL.



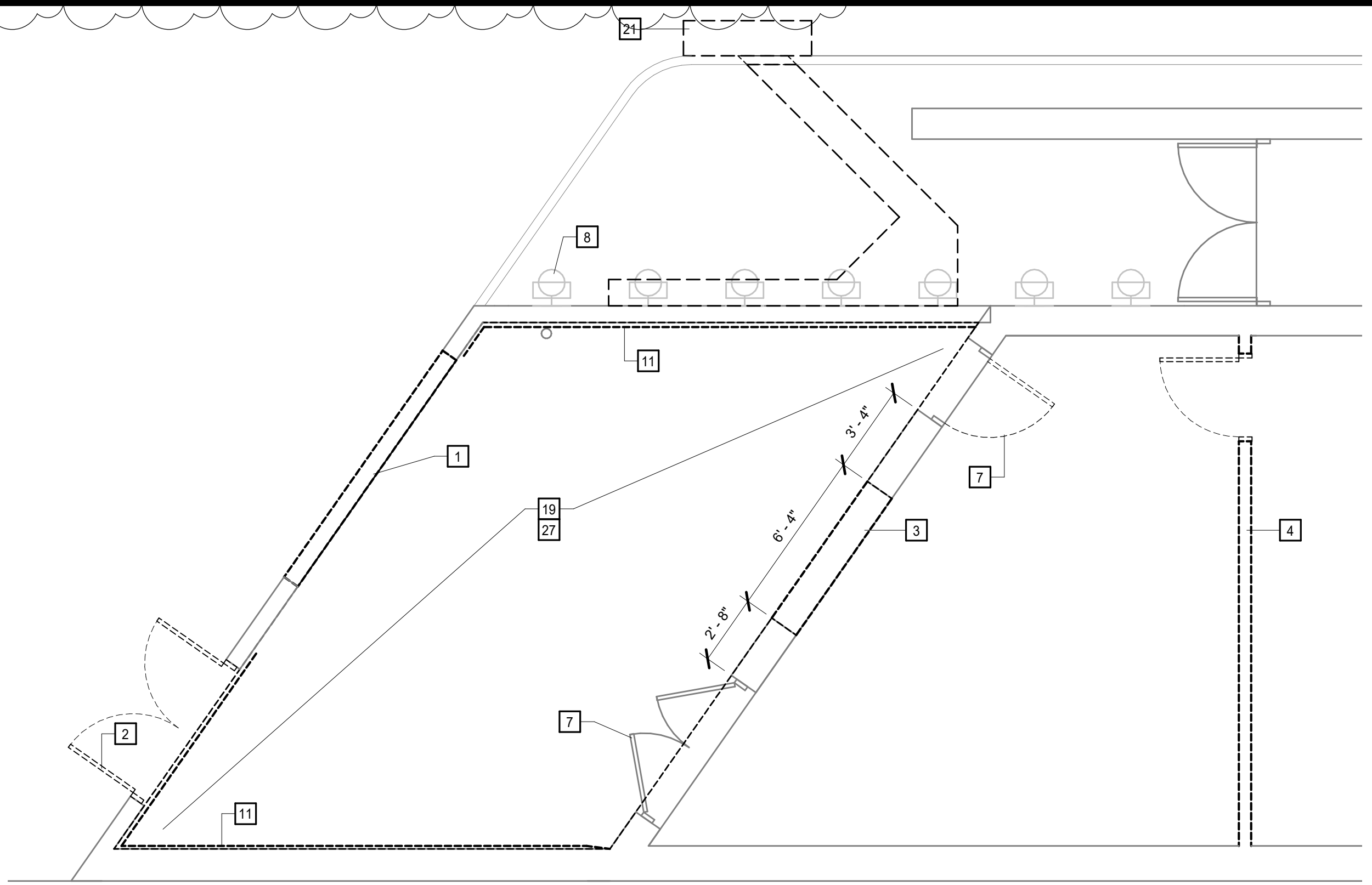
FS1 KEY PLAN



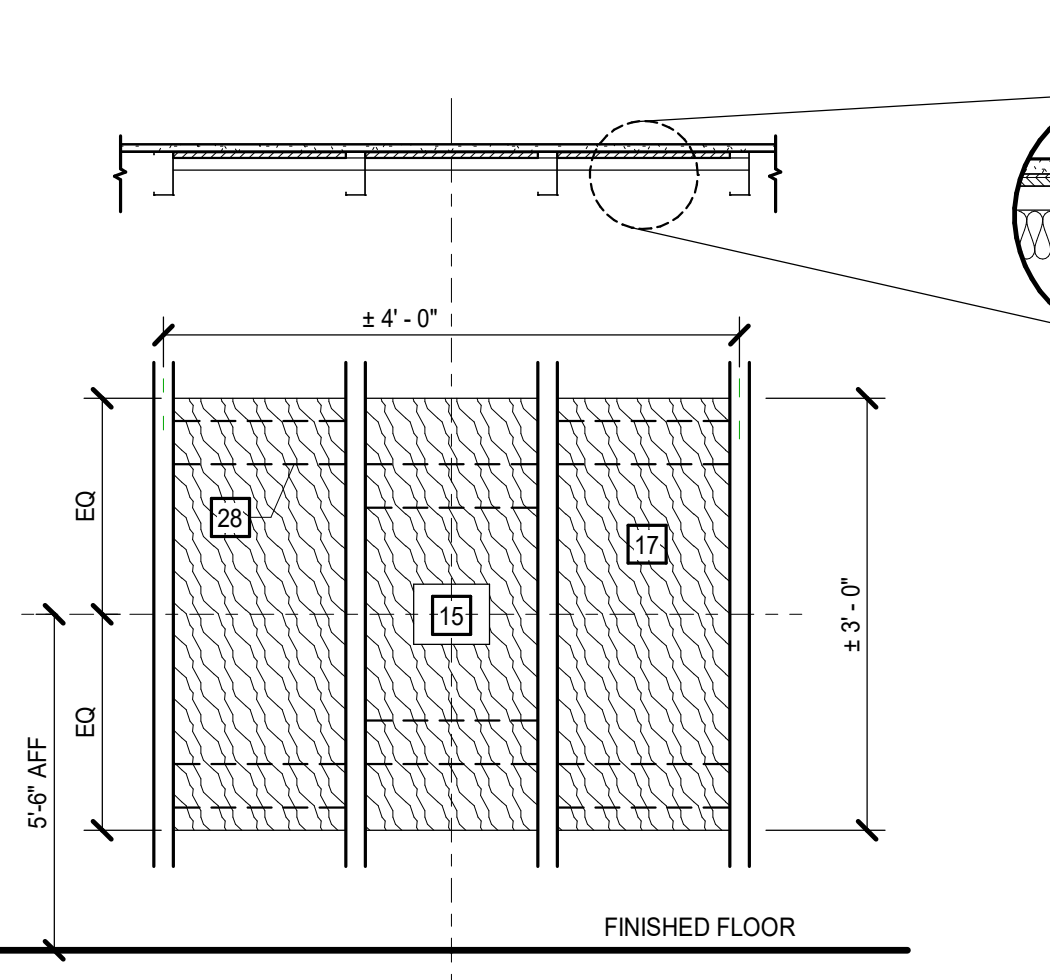
8 SECTION  
A2.1/A2.1  
1/4" = 1'-0"



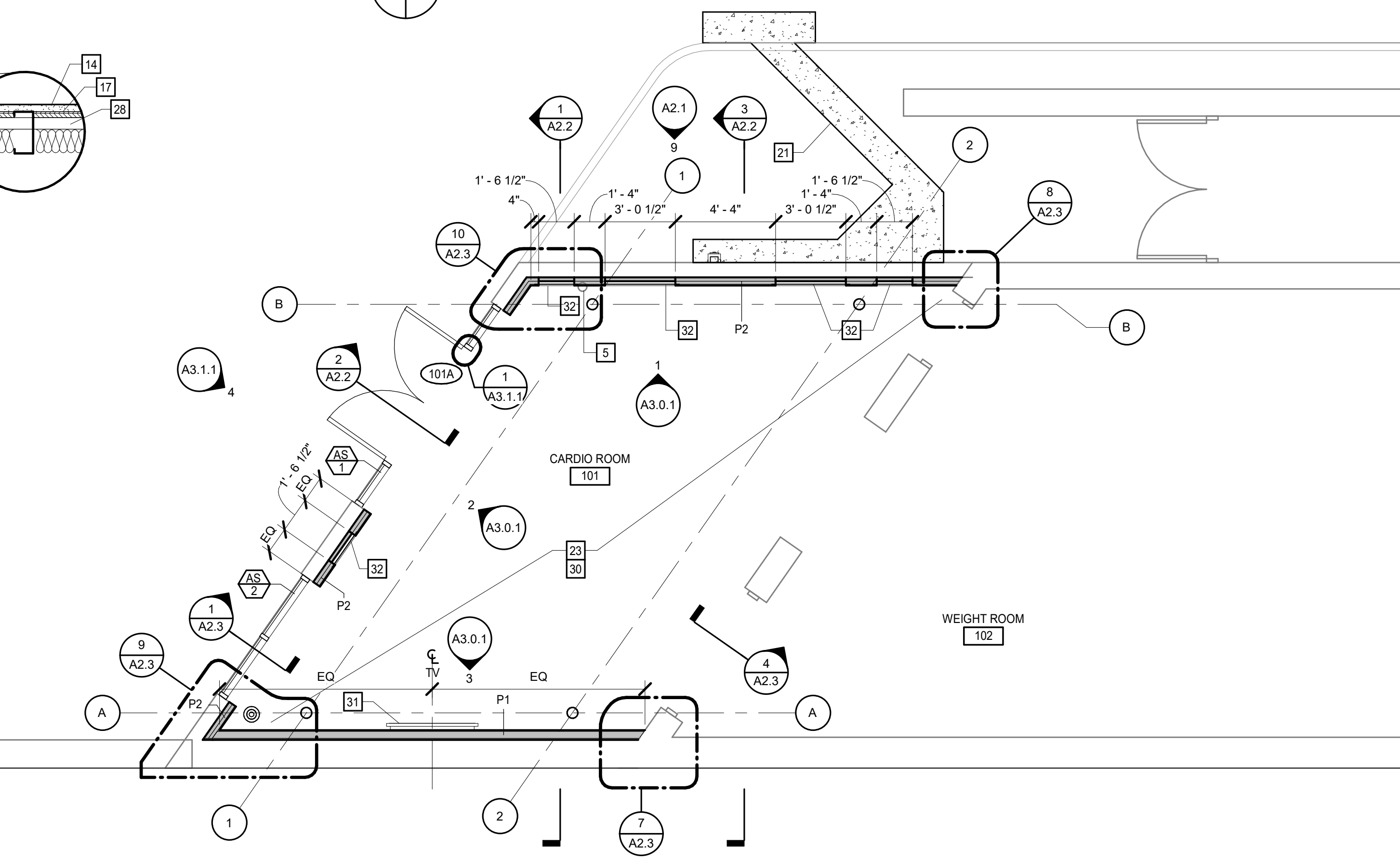
9 EXTERIOR ELEVATION  
A2.1/A2.1  
1/4" = 1'-0"



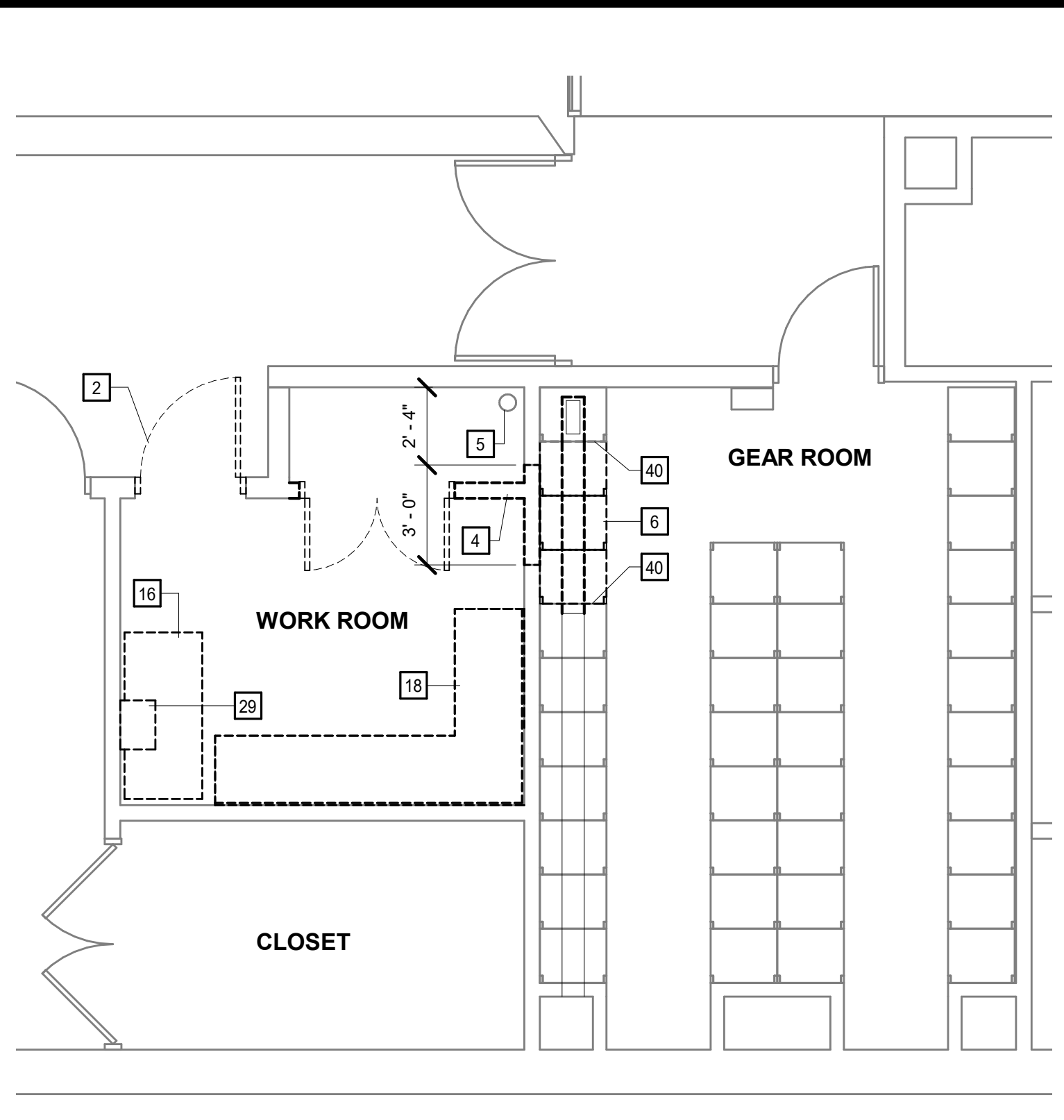
6 CARDIO ROOM - DEMO  
A2.1  
1/4" = 1'-0"



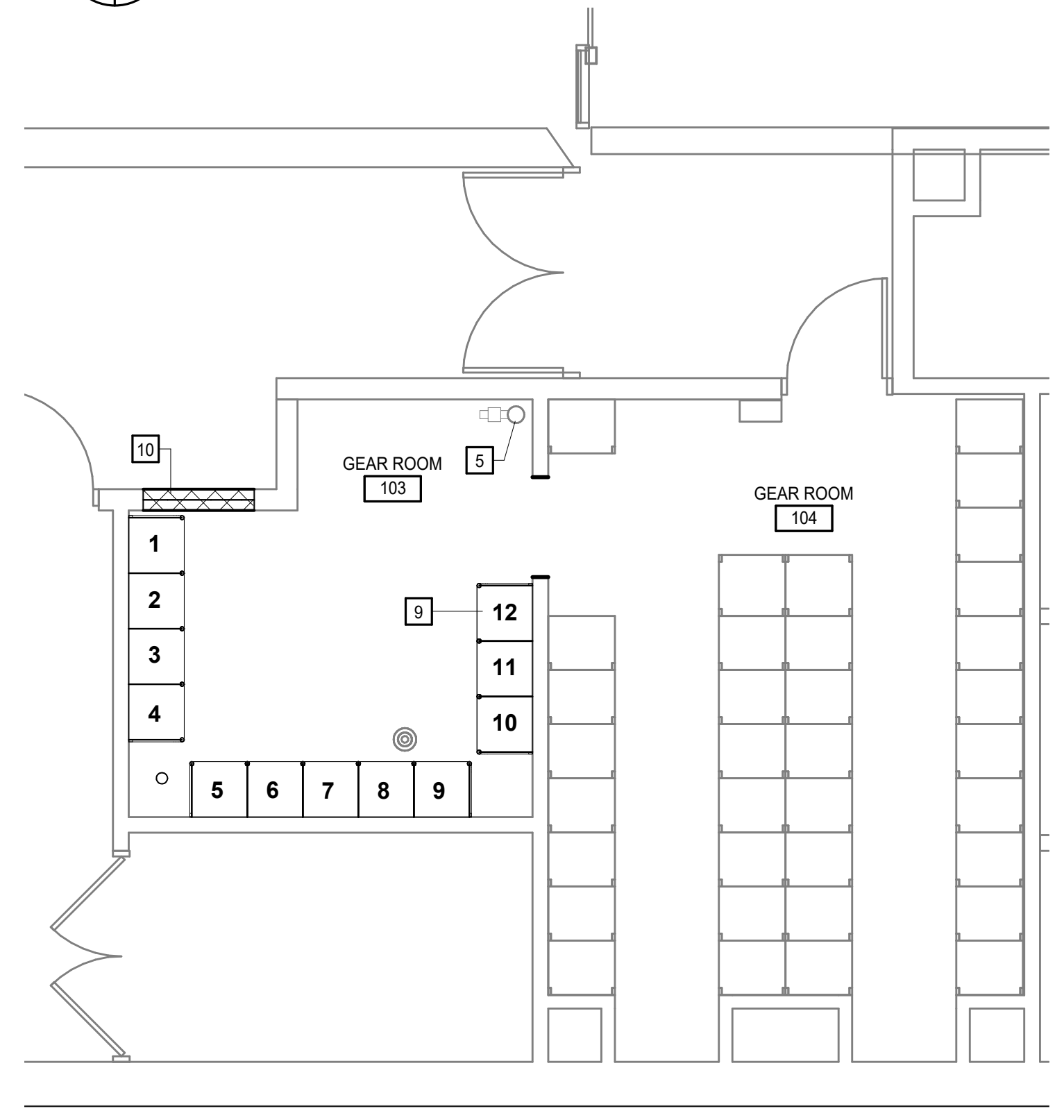
TV BLOCKING TYPICAL DETAIL



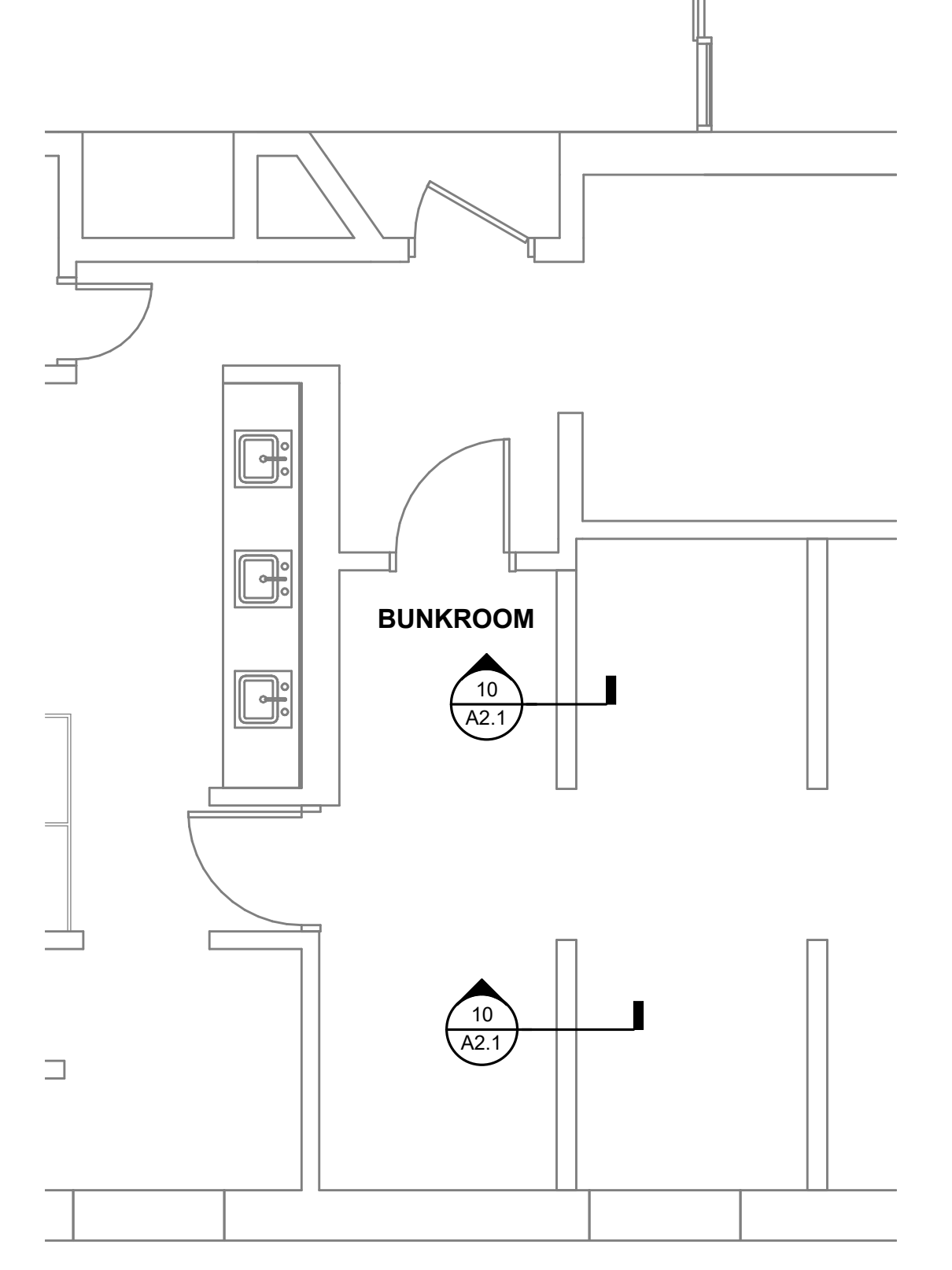
5 CARIO ROOM - NEW  
A2.1/A2.1  
1/4" = 1'-0"



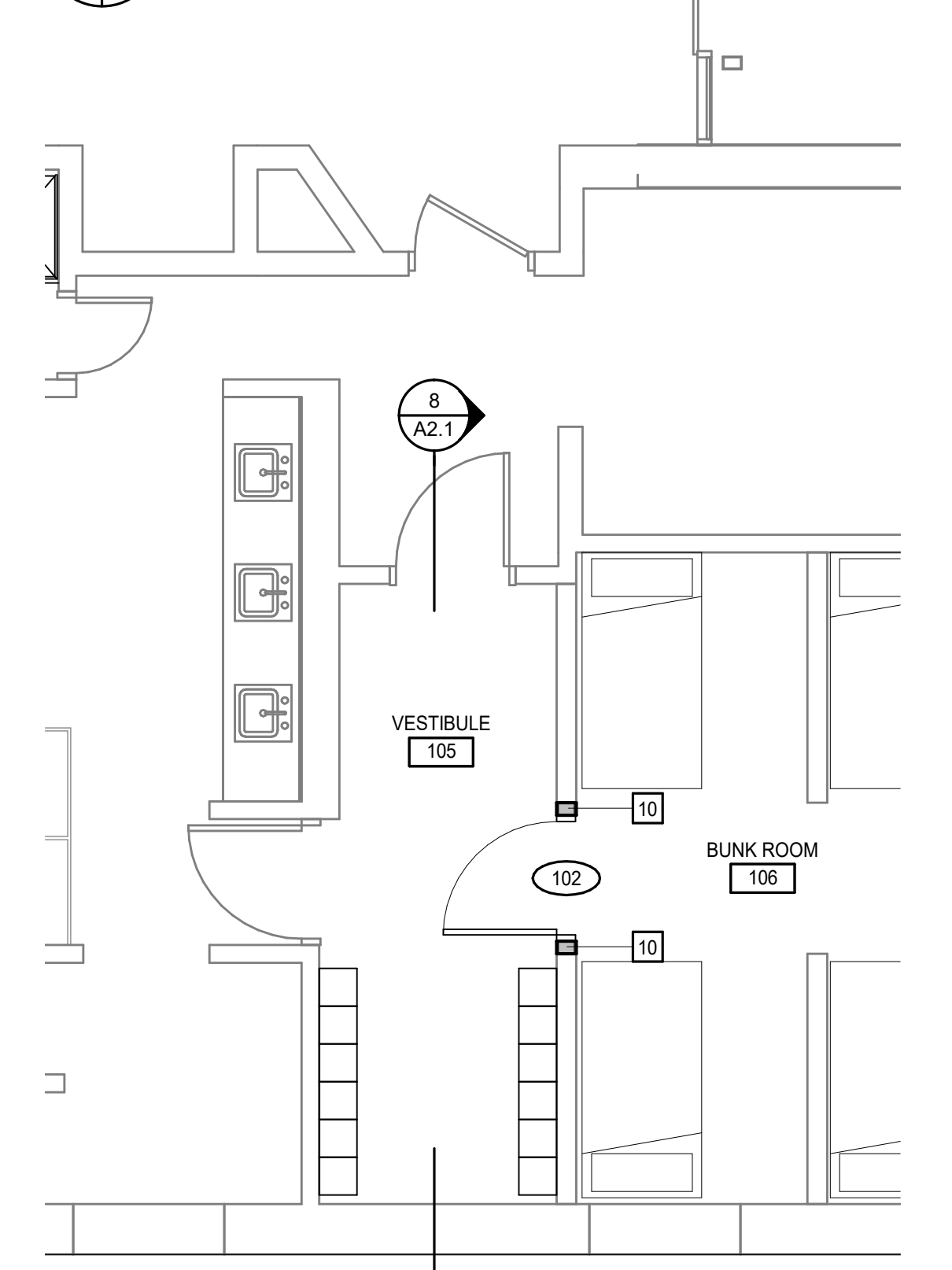
4 GEAR ROOM - DEMO  
A2.1  
1/4" = 1'-0"



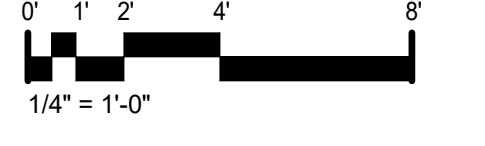
3 GEAR ROOM - NEW  
A2.1/A2.1  
1/4" = 1'-0"



2 BUNK ROOM - EXISTING CONDITIONS  
A2.1  
1/4" = 1'-0"



1 BUNK ROOM - NEW  
A2.1/A2.1  
1/4" = 1'-0"



DATE	REVISIONS
12/15/21	ADDENDUM 1

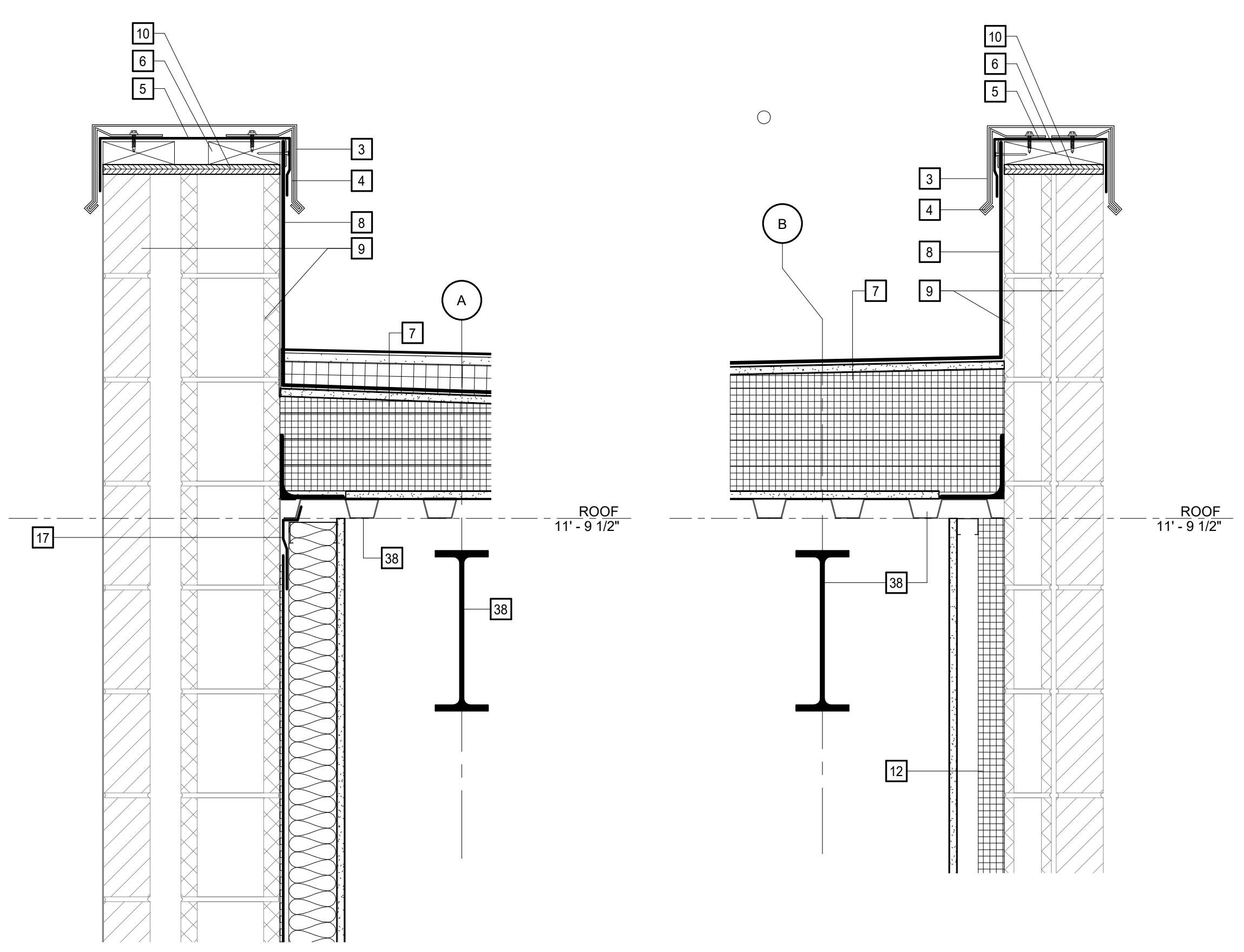
DATE	DESCRIPTION
12/15/21	ADDENDUM 1



### WALL SECTION KEYNOTES

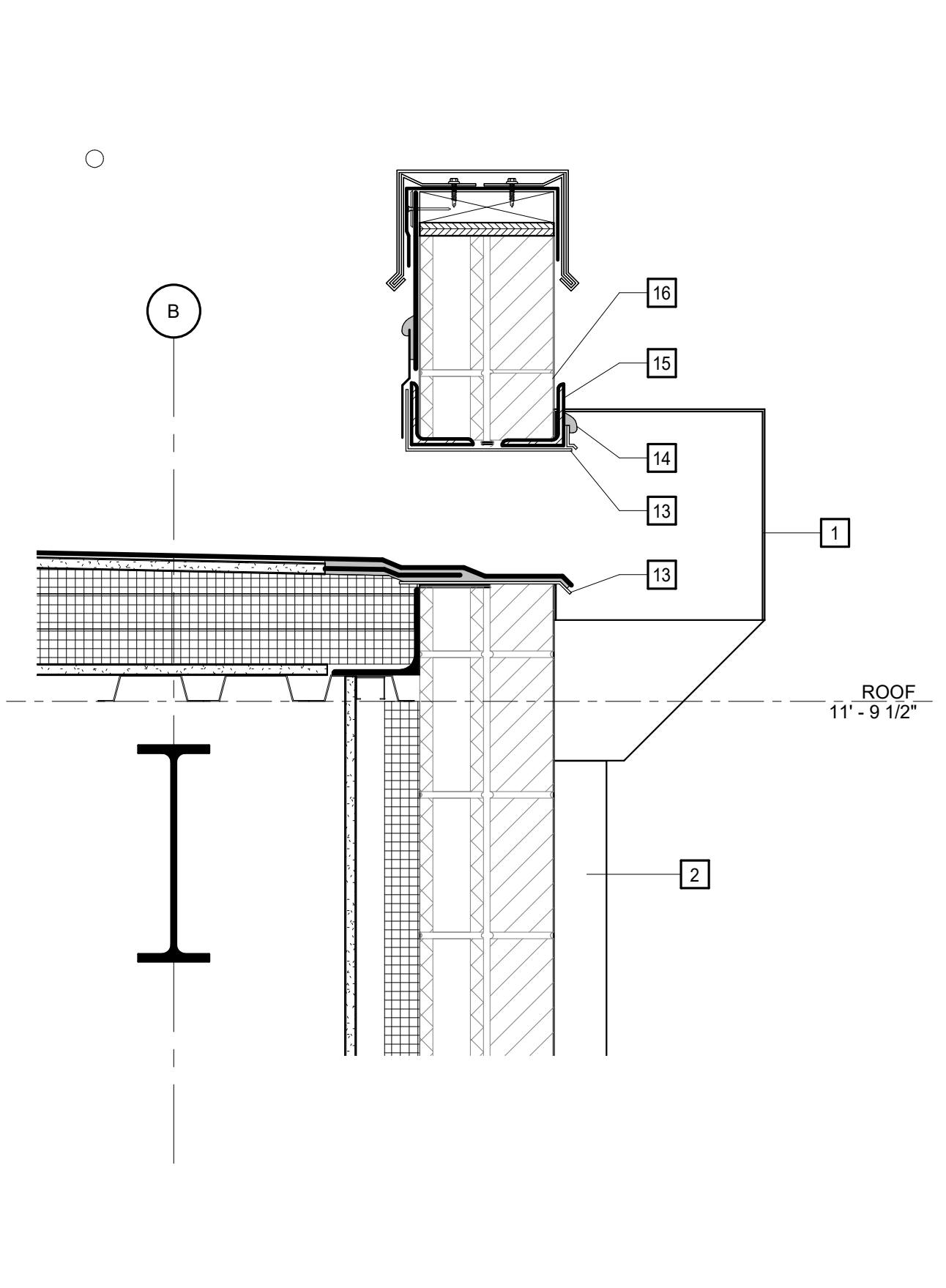
REPRESENTED BY [n]  
APPLIES TO DRAWINGS A2.2 - A2.3

1	ALUMINUM CONDUCTOR HEAD
2	4"x3" RECTANGULAR ALUMINUM RAINGLEADER
3	PREMANUFACTURED ALUMINUM COPING
4	CONTINUOUS COPING CLEAT
5	FLEXIBLE FLASHING MEMBRANE
6	WOOD BLOCKING
7	TAPERED INSULATION. REFER TO ROOF PLAN.
8	ROOFING MEMBRANE
9	EXISTING MASONRY TO REMAIN
10	3/4" PLYWOOD SHEATHING
11	PERFORATED METAL PANEL
12	2" RIGID INSULATION
13	GALV MTL SLEEVE AT THRU-WALL SCUPPER
14	SEALANT. TYPICAL
15	PROVIDE STEEL LINTEL AT EXISTING MASONRY. REFER TO STRUCTURAL DOCUMENTS.
16	CUT EXISTING MASONRY WALL AND REMOVE MATERIAL AS NECESSARY TO CREATE THRU-WALL SCUPPER.
17	PROVIDE FLEXIBLE FLASHING MEMBRANE. AFFIX TO METAL DECK AND OVERLAP DRAINAGE MAT AND VAPOR BARRIER.
18	REFER TO FINISH SCHEDULE FOR FLOOR FINISH AND WALL BASE. TYPICAL.
19	PROVIDE CONCRETE SLAB. REFER TO STRUCTURAL DOCUMENTS.
20	UNDER-SLAB VAPOR BARRIER. TYPICAL.
21	PERFORATED PIPE TO COLLECT AND DIVERT STORM WATER. REFER TO PLUMBING DOCUMENTS.
22	WRAP VAPOR BARRIER UNDERNEATH CONCRETE SLAB.
23	PROVIDE BED OF POROUS FILL.
24	BOND BREAK. HOLD CONCRETE SLAB OFF THE EXISTING MASONRY WALL TO PROVIDE DRAINAGE MAT AND VAPOR BARRIER.
25	ADJUST FINISHED GRADE AS NECESSARY TO SLOPE AWAY FROM THE EXISTING WALL.
26	EXTERIOR CONCRETE WALKWAY. REFER TO FLOOR PLAN. SLOPE AWAY FROM THE BUILDING.
27	ALUMINUM J CHANNEL. PROVIDE 45 DEGREE MITERED CORNERS. DO NOT RETURN GYPSUM BOARD TO EXTERIOR MASONRY WALL.
28	PROVIDE ALUMINUM CLIP TO SECURE PERFORATED PANEL. MINIMUM 6 CLIPS PER PANEL. TYPICAL.
29	REMOVE EXISTING STEEL ANGLE AT COILING DOOR SILL. REMOVE EXISTING CONCRETE SILL. POUR CONCRETE SILL AT OPENING TO THE HEIGHT OF THE FIRST FLOOR. APPLY WATER SEALANT AT EXTERIOR FACE AND TOP OF SILL.
30	PROVIDE WATER SEALANT AT EXPOSED PORTIONS OF CONCRETE SILL.
31	REMOVE EXISTING ASPHALT AS NECESSARY TO EXECUTE THE WORK. PROVIDE REPLACEMENT ASPHALT WHERE IT HAS BEEN REMOVED. SLOPE FINISHED SURFACE AWAY FROM THE EXTERIOR WALL.
32	EXISTING FIRE SUPPRESSION PIPING TO REMAIN. PAINT WHERE EXPOSED.
33	PROVIDE MINIMUM THREE ROWS OF SEALANT BELOW 6" ALUMINUM THRESHOLD.
34	APPLY FLEXIBLE FLASHING MEMBRANE OVER EXISTING MASONRY AND VAPOR BARRIER.
35	REMOVE EXISTING STEEL ASSOCIATED WITH COILING DOOR TRACK. PAINT THE EXISTING STEEL FRAMING AT MASONRY WALL TO REMAIN.
36	PROVIDE BOND BREAK AT EXISTING MASONRY WALL.
37	EXISTING WALKWAY/DRIVE AISLE.
38	PAINT EXPOSED STRUCTURE. TYPICAL.
39	EXISTING ROOFING MEMBRANE TO REMAIN.
40	OVERLAP EXISTING ROOFING MEMBRANE WITH FLEXIBLE FLASHING MEMBRANE.
41	REMOVE EXISTING BLOCKING OR NAILING STRIP AT THE PARAPET. PROVIDE THE SHEATHING AND BLOCKING INDICATED.
42	PROVIDE RUBBERIZED TRANSITION AT EXISTING OPENING. TYPICAL.

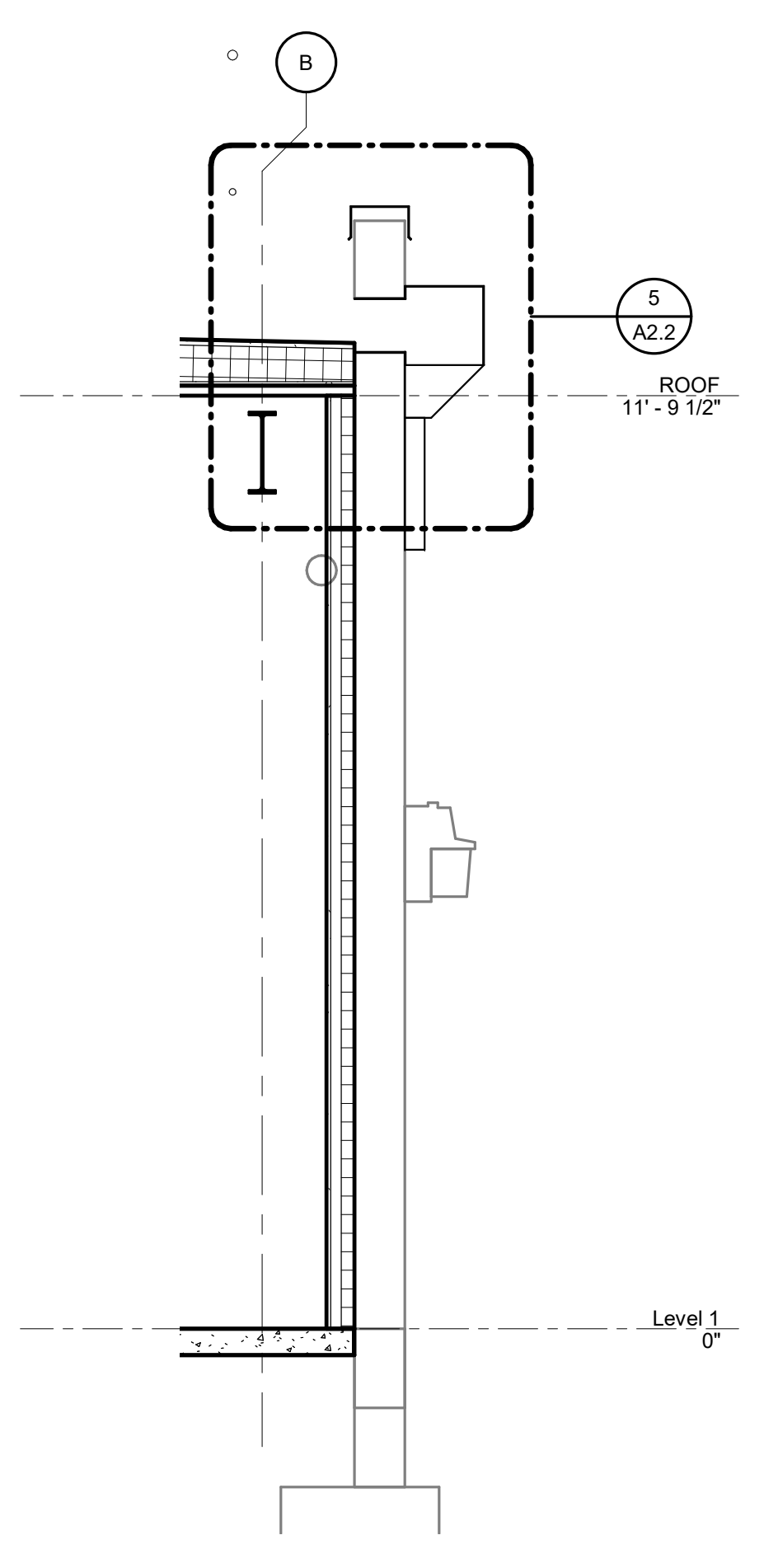


**9 DETAIL**  
A2.2/A2.2 1 1/2" = 1'-0"

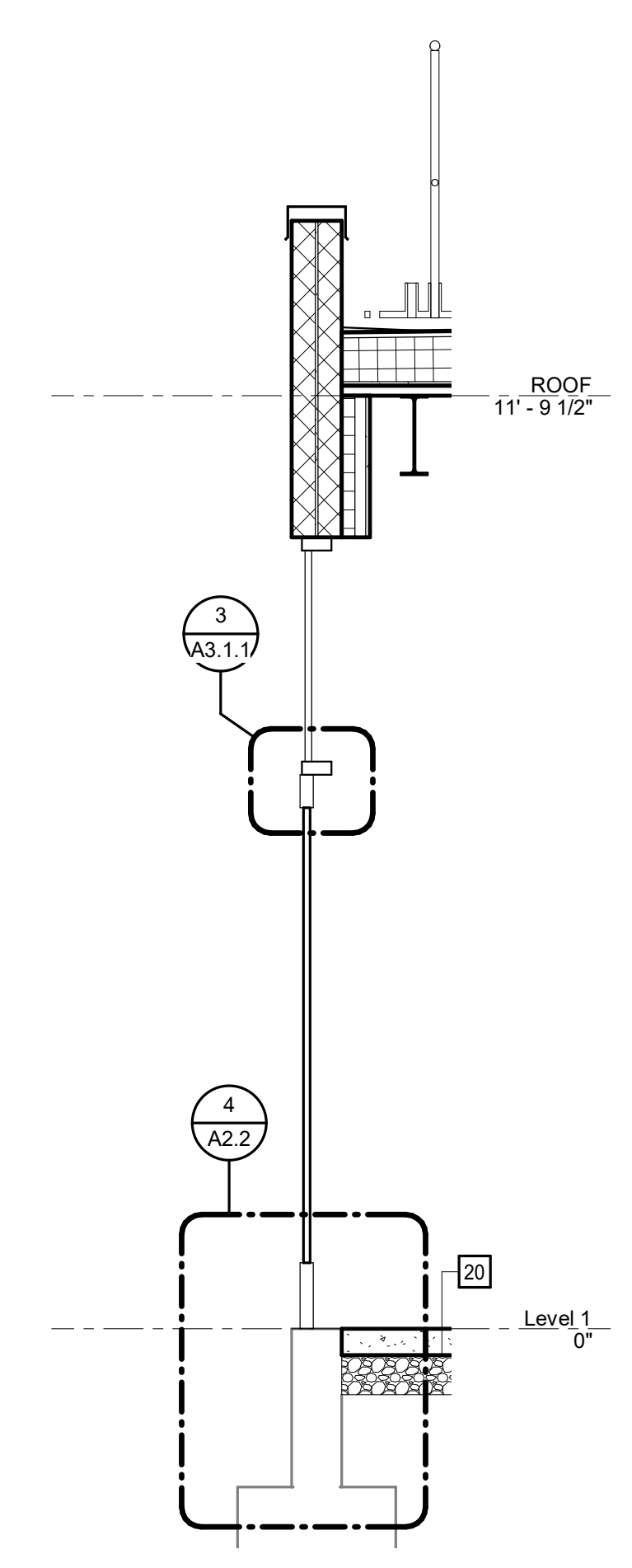
**7 DETAIL**  
A2.2/A2.2 1 1/2" = 1'-0"



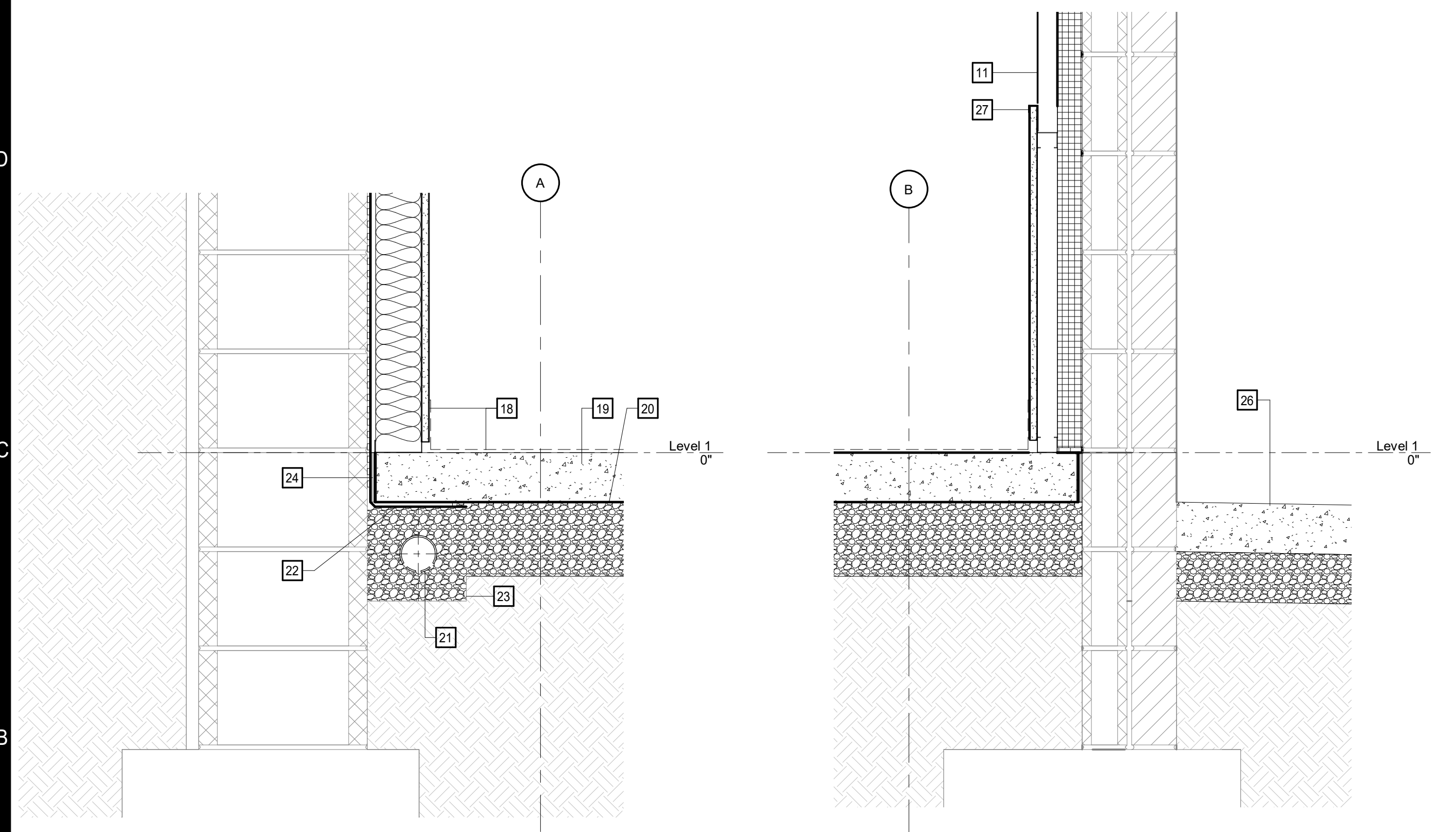
**5 DETAIL**  
A2.2/A2.2 1 1/2" = 1'-0"  
REFER TO 9/A2.2 FOR ADDITIONAL KEYNOTING.



**3 SECTION**  
A2.1/A2.2 1/2" = 1'-0"

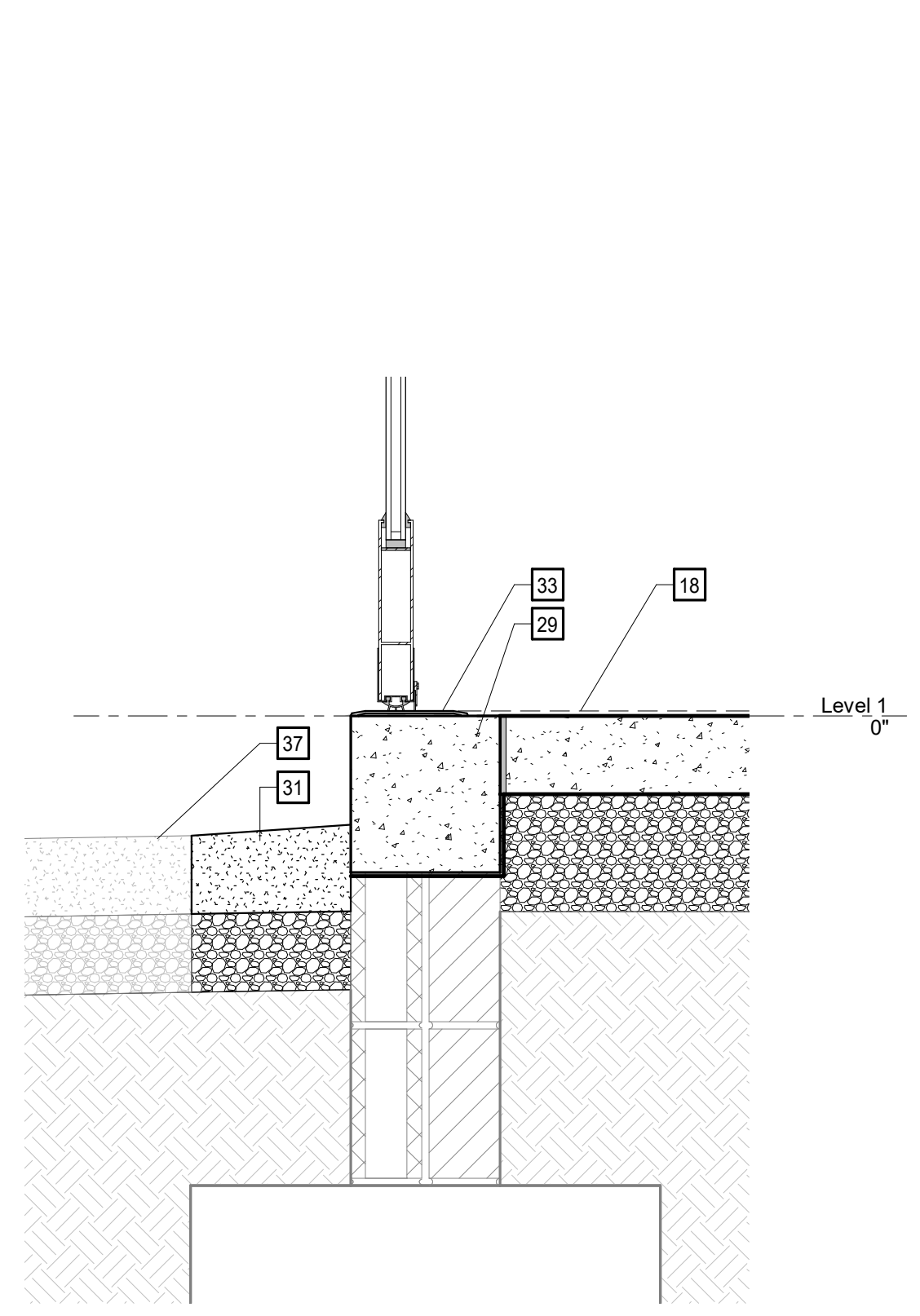


**2 SECTION**  
A2.1/A2.2 1/2" = 1'-0"

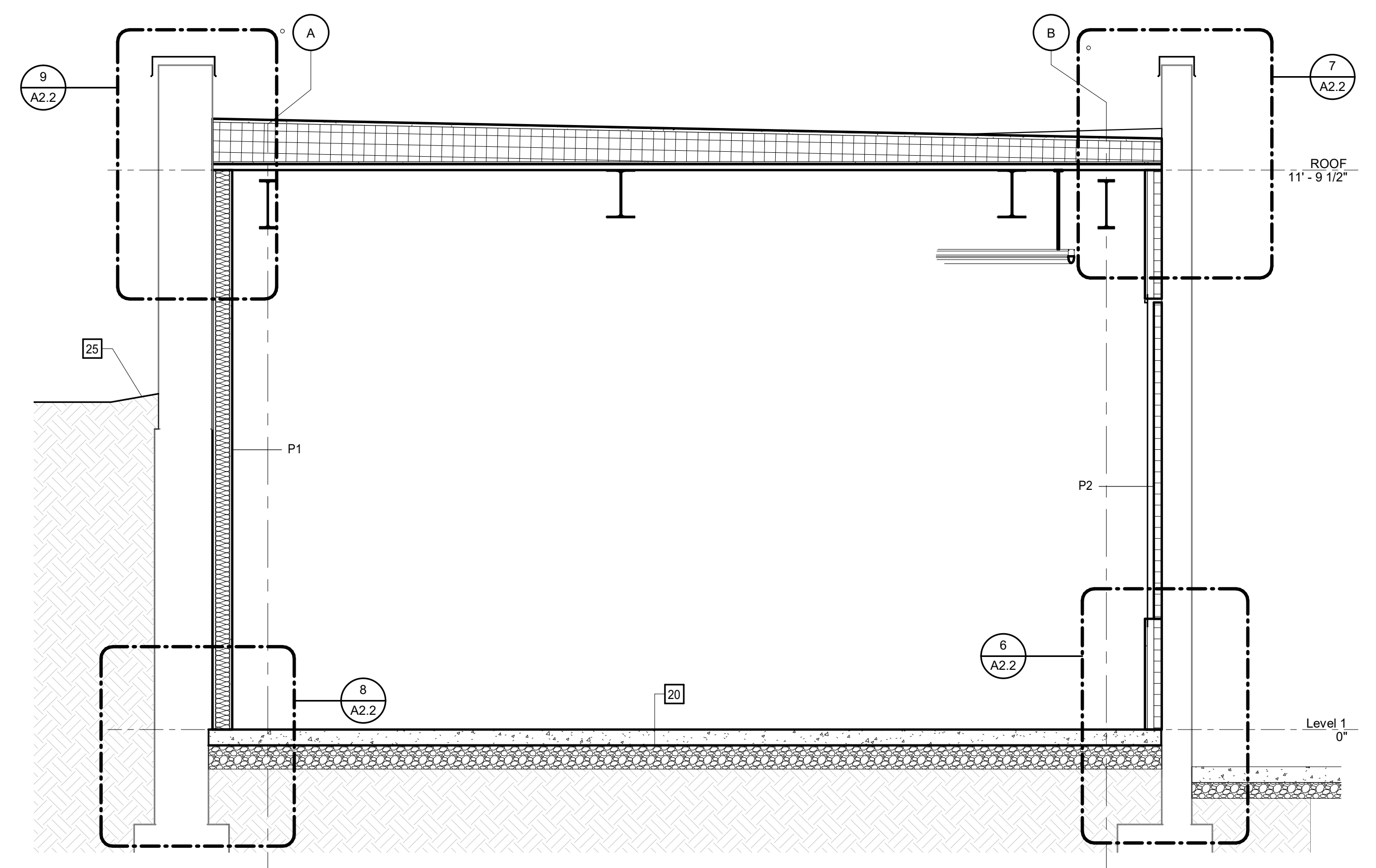


**8 DETAIL**  
A2.2/A2.2 1 1/2" = 1'-0"

**6 DETAIL**  
A2.2/A2.2 1 1/2" = 1'-0"  
8 / A2.2



**4 DETAIL**  
A2.2/A2.2 1 1/2" = 1'-0"



**1 SECTION**  
A2.1/A2.2 1/2" = 1'-0"

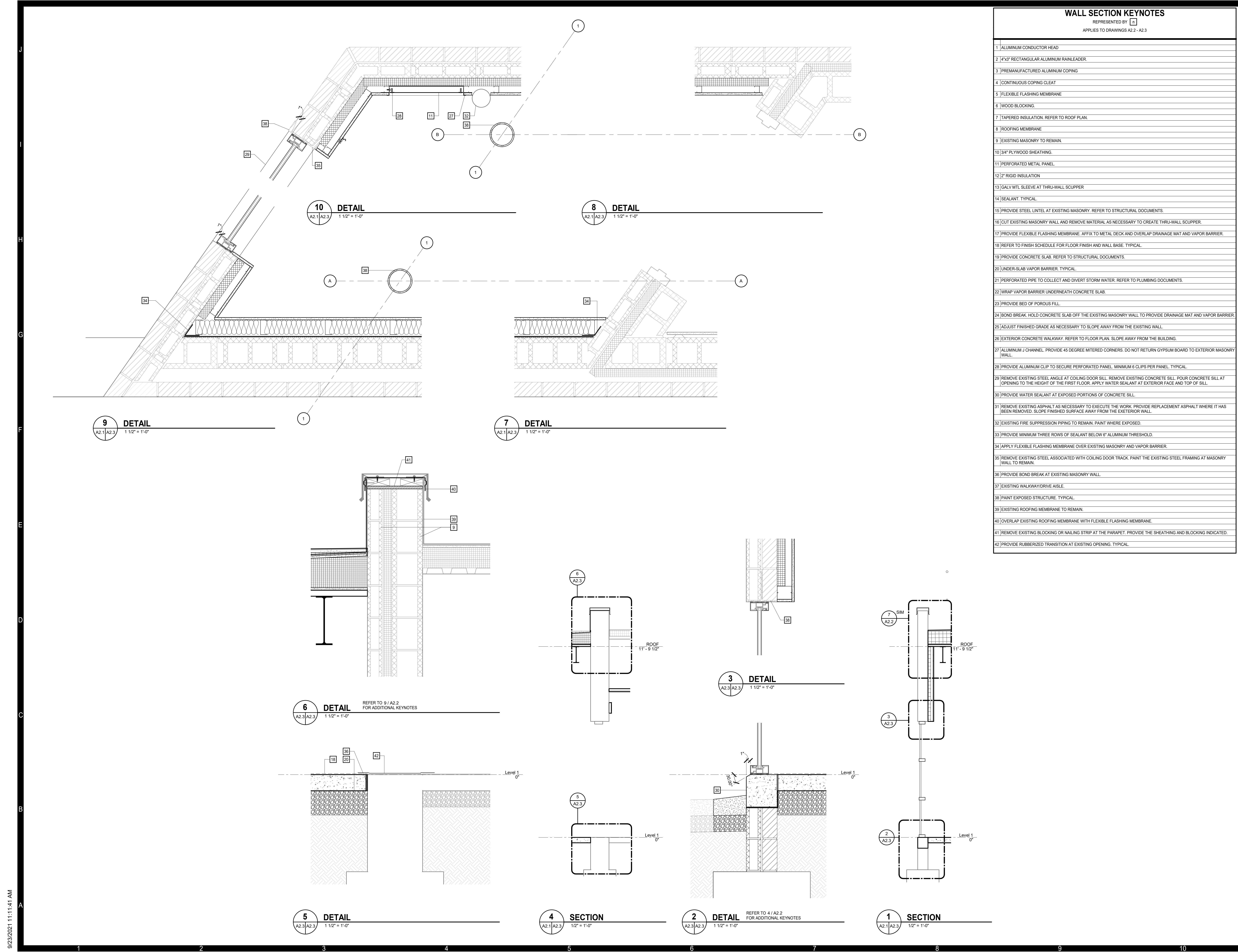


# KELLY DAY RENOVATIONS FS 1

563006  
500 South Glebe Road, Arlington, VA 22204  
Owner: Arlington County

PROJECT NO:	563006
DATE:	SEPTEMBER 22, 2021
REVISIONS	
DATE	DESCRIPTION





### WALL SECTION KEYNOTES

REPRESENTED BY [n]  
APPLIES TO DRAWINGS A2.2 - A2.3

1	ALUMINUM CONDUCTOR HEAD
2	4"x3" RECTANGULAR ALUMINUM RAINLEADER
3	PREMANUFACTURED ALUMINUM COPING
4	CONTINUOUS COPING CLEAT
5	FLEXIBLE FLASHING MEMBRANE
6	WOOD BLOCKING
7	TAPERED INSULATION. REFER TO ROOF PLAN.
8	ROOFING MEMBRANE
9	EXISTING MASONRY TO REMAIN
10	3/4" PLYWOOD SHEATHING
11	PERFORATED METAL PANEL
12	2" RIGID INSULATION
13	GALV MTL SLEEVE AT THRU-WALL SCUPPER
14	SEALANT. TYPICAL
15	PROVIDE STEEL UNTEL AT EXISTING MASONRY. REFER TO STRUCTURAL DOCUMENTS.
16	CUT EXISTING MASONRY WALL AND REMOVE MATERIAL AS NECESSARY TO CREATE THRU-WALL SCUPPER
17	PROVIDE FLEXIBLE FLASHING MEMBRANE. AFFIX TO METAL DECK AND OVERLAP DRAINAGE MAT AND VAPOR BARRIER.
18	REFER TO FINISH SCHEDULE FOR FLOOR FINISH AND WALL BASE. TYPICAL
19	PROVIDE CONCRETE SLAB. REFER TO STRUCTURAL DOCUMENTS.
20	UNDER-SLAB VAPOR BARRIER. TYPICAL
21	PERFORATED PIPE TO COLLECT AND DIVERT STORM WATER. REFER TO PLUMBING DOCUMENTS.
22	WRAP VAPOR BARRIER UNDERNEATH CONCRETE SLAB.
23	PROVIDE BED OF POROUS FILL.
24	BOND BREAK. HOLD CONCRETE SLAB OFF THE EXISTING MASONRY WALL TO PROVIDE DRAINAGE MAT AND VAPOR BARRIER.
25	ADJUST FINISHED GRADE AS NECESSARY TO SLOPE AWAY FROM THE EXISTING WALL.
26	EXTERIOR CONCRETE WALKWAY. REFER TO FLOOR PLAN. SLOPE AWAY FROM THE BUILDING.
27	ALUMINUM J CHANNEL. PROVIDE 45 DEGREE MITERED CORNERS. DO NOT RETURN GYPSUM BOARD TO EXTERIOR MASONRY WALL.
28	PROVIDE ALUMINUM CLIP TO SECURE PERFORATED PANEL. MINIMUM 6 CLIPS PER PANEL. TYPICAL.
29	REMOVE EXISTING STEEL ANGLE AT COILING DOOR SILL. REMOVE EXISTING CONCRETE SILL. POUR CONCRETE SILL AT OPENING TO THE HEIGHT OF THE FIRST FLOOR. APPLY WATER SEALANT AT EXTERIOR FACE AND TOP OF SILL.
30	PROVIDE WATER SEALANT AT EXPOSED PORTIONS OF CONCRETE SILL.
31	REMOVE EXISTING ASPHALT AS NECESSARY TO EXECUTE THE WORK. PROVIDE REPLACEMENT ASPHALT WHERE IT HAS BEEN REMOVED. SLOPE FINISHED SURFACE AWAY FROM THE EXTERIOR WALL.
32	EXISTING FIRE SUPPRESSION PIPING TO REMAIN. PAINT WHERE EXPOSED.
33	PROVIDE MINIMUM THREE ROWS OF SEALANT BELOW 6" ALUMINUM THRESHOLD.
34	APPLY FLEXIBLE FLASHING MEMBRANE OVER EXISTING MASONRY AND VAPOR BARRIER.
35	REMOVE EXISTING STEEL ASSOCIATED WITH COILING DOOR TRACK. PAINT THE EXISTING STEEL FRAMING AT MASONRY WALL TO REMAIN.
36	PROVIDE BOND BREAK AT EXISTING MASONRY WALL.
37	EXISTING WALKWAY/DRIVE AISLE.
38	PAINT EXPOSED STRUCTURE. TYPICAL.
39	EXISTING ROOFING MEMBRANE TO REMAIN.
40	OVERLAP EXISTING ROOFING MEMBRANE WITH FLEXIBLE FLASHING MEMBRANE.
41	REMOVE EXISTING BLOCKING OR NAILING STRIP AT THE PARAPET. PROVIDE THE SHEATHING AND BLOCKING INDICATED.
42	PROVIDE RUBBERIZED TRANSITION AT EXISTING OPENING. TYPICAL.



PROJECT NO:	563006
DATE:	SEPTEMBER 22, 2021
REVISIONS	
DATE	DESCRIPTION




FINISH SCHEDULE										
NUMBER	NAME	FLOOR	BASE	WALLS				WAINSCOT	CEILING	NOTES
				NORTH	EAST	SOUTH	WEST			
101	CARDIO ROOM	RSF	RB	PT	PT	PT	PT		EXPC PT	1
102	WEIGHT ROOM	ETR	MATCH EXISTING	PT	PT	PT	PT		ACP	
103	GEAR ROOM	--	MATCH EXISTING	PT	PT	PT	PT		GB PT	
104	GEAR ROOM	--	MATCH EXISTING	PT	PT	PT	PT		GB PT	
105	VESTIBULE	--	MATCH EXISTING	PT	PT	PT	PT		GB PT	
106	BUNK ROOM	--	MATCH EXISTING	--	--	--	PT		--	

NOTE:  
1. MIRRORS AS INDICATED, INSTALL MIRRORRED FACE PLATES AT MIRRORRED WALL.

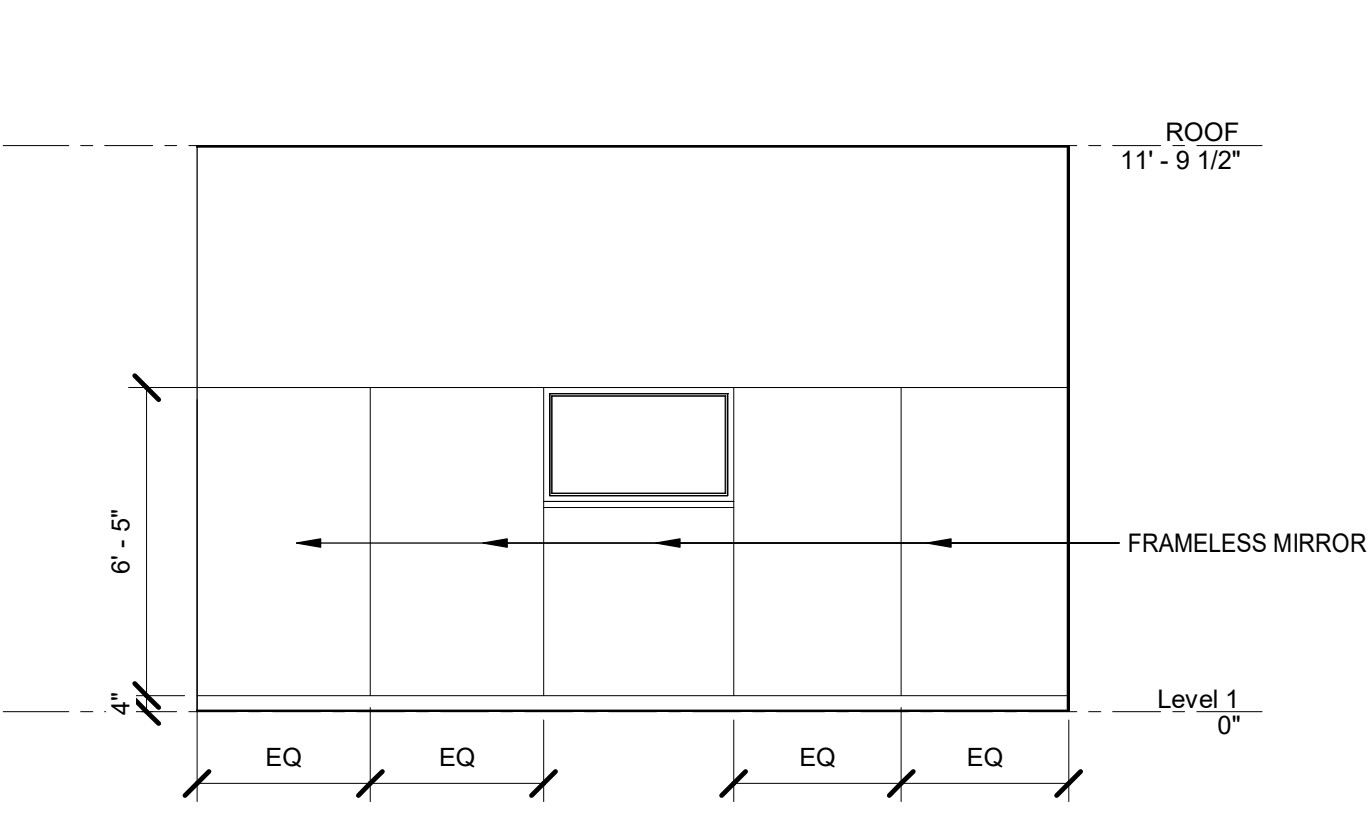
ADDENDUM  
1

**FINISH SCHEDULE GENERAL NOTES**

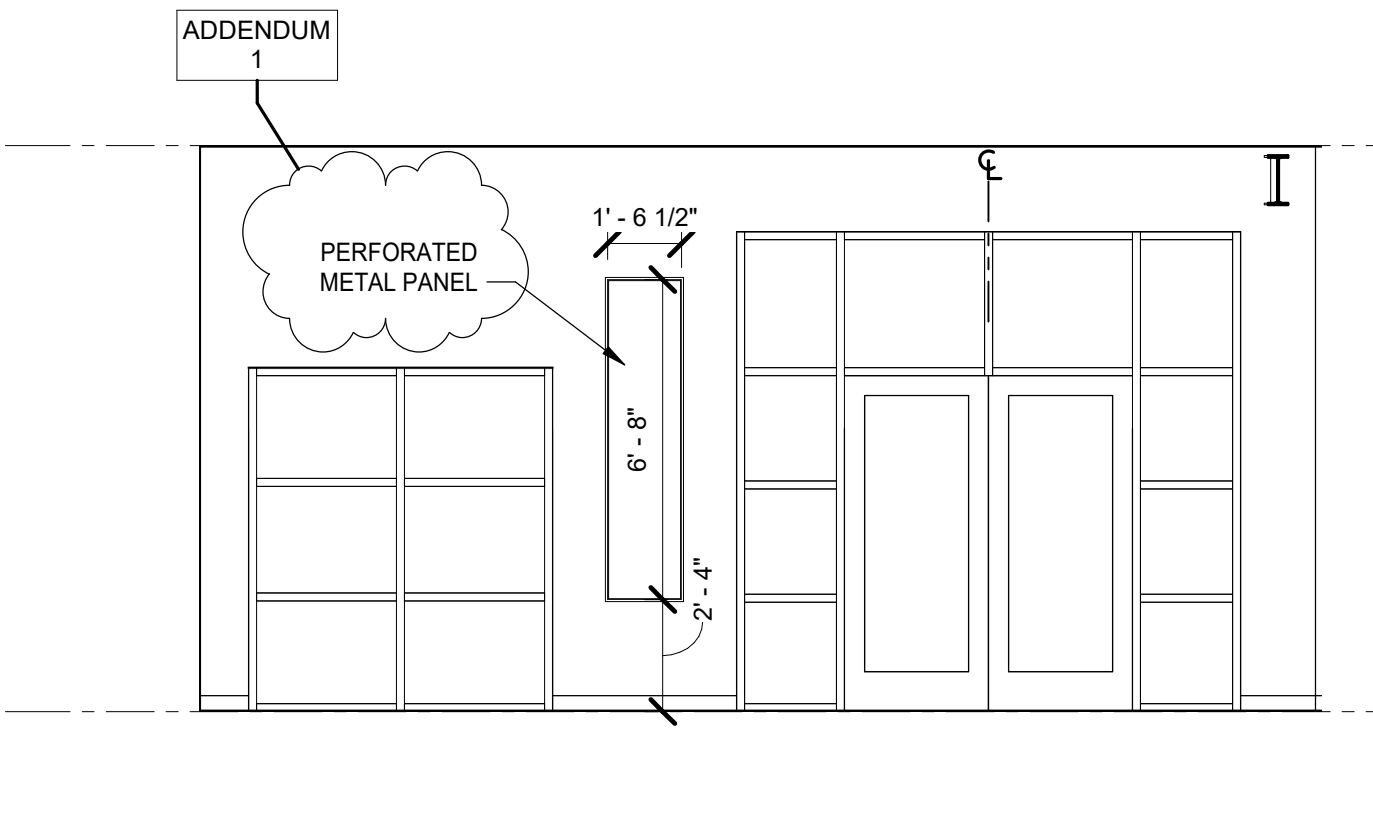
A. FINISH SCHEDULE DESCRIBES ONLY THE BASIC OR PREDOMINANT SURFACE FINISH.  
 B. PROVIDE SAME FINISHES AS THE ADJACENT SPACE IN ALCOVES AND CONTINUOUS SPACES WITHOUT DESIGNATED SPACE NUMBERS.  
 C. DIRECTIONAL WALL FINISH INDICATORS (NORTH, EAST, SOUTH, WEST) REFER TO THE "PLAN" NORTH ORIENTATION.  
 D. BULKHEADS AND SOFFITS MAY NOT BE INDICATED IN FINISH SCHEDULES. REFER TO RCP DETAILS, AND OTHER DOCUMENTS FOR EXTENT.  
 E. PROVIDE CONTINUOUS SEALANT BETWEEN INTERIOR SLAB-ON-GRADE AND VERTICAL ELEMENT WHERE JOINT IS NOT CONCEALED BY FINISH BASE OR OTHER CONSTRUCTION.



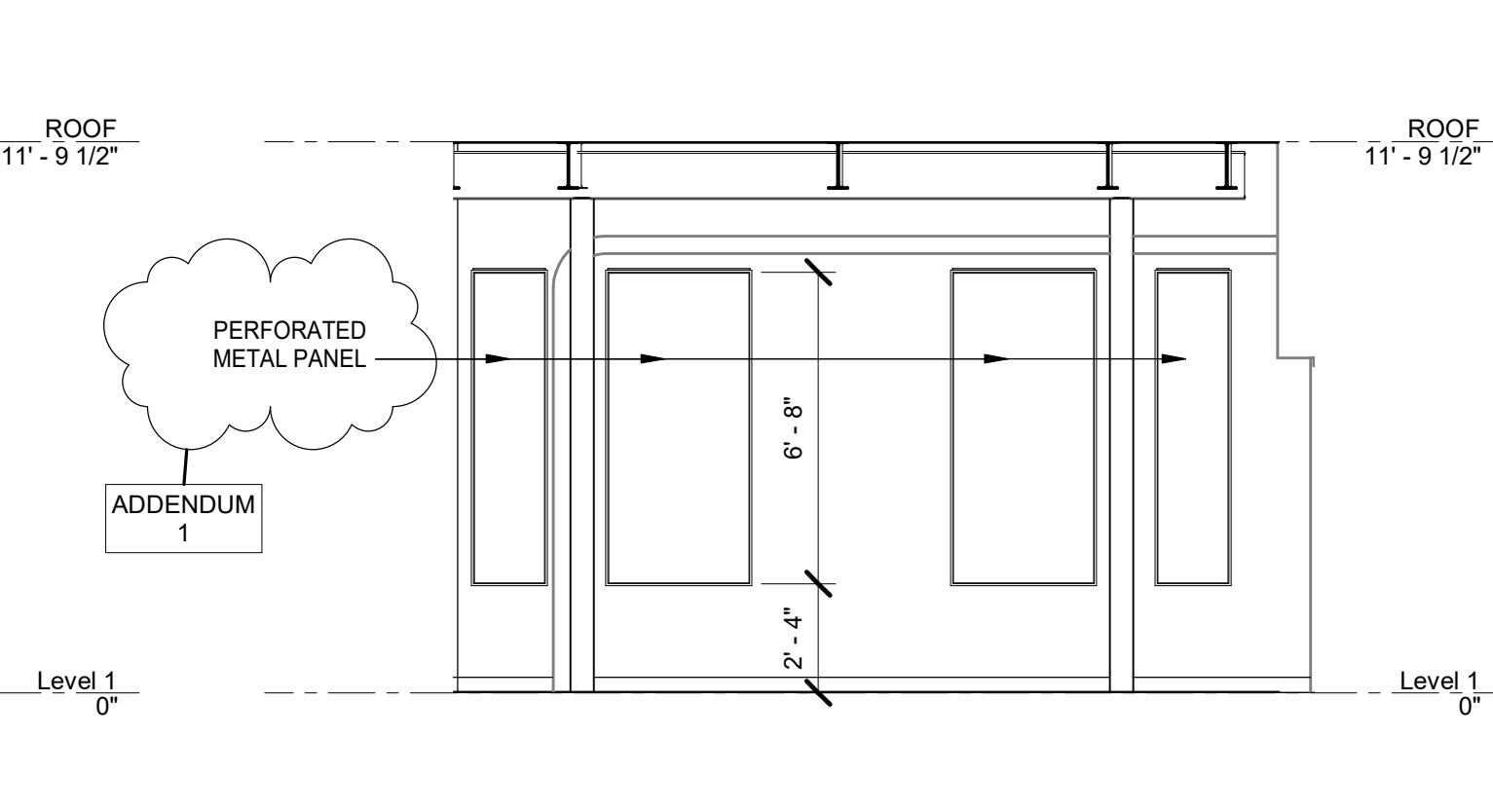
PROJECT NO:	563006
DATE:	SEPTEMBER 22, 2021
REVISIONS	
DATE	DESCRIPTION
12/15/21	ADDENDUM 1



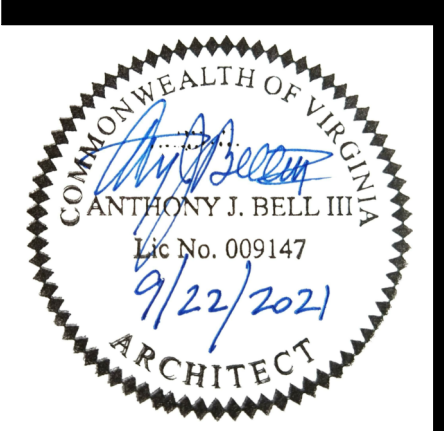
**3 INTERIOR ELEVATION**  
 A2.1 | A3.0.1 | 1/4" = 1'-0"



**2 INTERIOR ELEVATION**  
 A2.1 | A3.0.1 | 1/4" = 1'-0"



**1 INTERIOR ELEVATION**  
 A2.1 | A3.0.1 | 1/4" = 1'-0"



PROJECT NO:	563006
DATE:	SEPTEMBER 22, 2021
REVISIONS	
DATE	DESCRIPTION

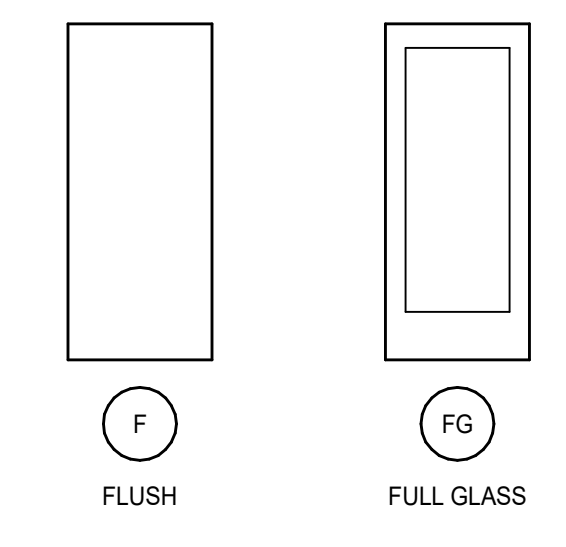
KEYNOTES	
REPRESENTED BY [1]	
APPLIES TO DRAWINGS A3.1.1	
1	ANCHORAGES, REINFORCING, SPECIFIC PARTITION CONSTRUCTION AND/OR LINTELS ARE NOT SHOWN FOR CLARITY.
2	REFER TO FRAME SECTION IN DOOR SCHEDULE FOR TYPE.
3	SEALANT, ALL SIDES - TOOL TO 90°.
4	BACKBEND RETURN @ GB LOCATIONS ONLY.
5	9/16" @ MAS; 1/2" @ GB.
6	1/4" @ JAMBS, UNO; DIMENSION @ HEAD & SILL VARIES.
7	BULLNOSE @ CMU JAMBS & SILLS.
8	0" @ GB LOCATIONS; 1/16" @ MAS LOCATIONS.
9	EXISTING STEEL FRAMING TO REMAIN. PAINT EXPOSED PORTIONS.
10	REMOVE EXISTING STEEL ANGLE AT COILING DOOR SILL. REMOVE EXISTING CONCRETE SILL. POUR CONCRETE SILL AT OPENING TO THE HEIGHT OF THE FIRST FLOOR. APPLY WATER SEALANT AT EXTERIOR FACE AND TOP OF SILL.
11	EXISTING MASONRY WALL TO REMAIN.
12	PROVIDE 45° CAMFERED EDGE AT SILL BELOW WINDOW PORTIONS OF STOREFRONT. PROVIDE 90° EDGE AT SILL BELOW DOOR PORTIONS OF STOREFRONT.

**GENERAL NOTES**

A. UNLESS INDICATED OTHERWISE, ALL DETAIL NUMBERS IN THE DOOR AND FRAME SCHEDULE FOR HEAD, JAMB AND SILL CONDITIONS REFER TO DRAWINGS A3.1.1.

B. DOOR AND FRAME DETAILS INDICATE GENERAL CHARACTERISTICS OF DOOR AND FRAME SIZES AND COMPONENTS AND MAY NOT INDICATE EXACT FIELD CONDITIONS OR REQUIREMENTS. COORDINATE DETAILS WITH OTHER DRAWINGS AND SPECS TO DETERMINE ALL COMPONENTS (E.G. SEALANTS, ANCHORS, HARDWARE, LINTELS, CLIPS) REQUIRED FOR COMPLETE AND FUNCTIONAL INSTALLATION.

C. DOOR SWINGS ON FLOOR PLANS TAKE PRECEDENCE OVER SWINGS INDICATED ELSEWHERE (E.G. ELEVATIONS).



**DOOR TYPE ELEVATIONS**

**GENERAL NOTES**

REFER TO DWG A3.1.n FOR GLAZING TYPE LEGEND AND NOTES

REFER TO DWG A3.2-A3.2.n FOR DETAILS

REFER TO DWG A3.1.n FOR KEYNOTE LEGEND

**GLAZING TYPES**

REPRESENTED BY (n)

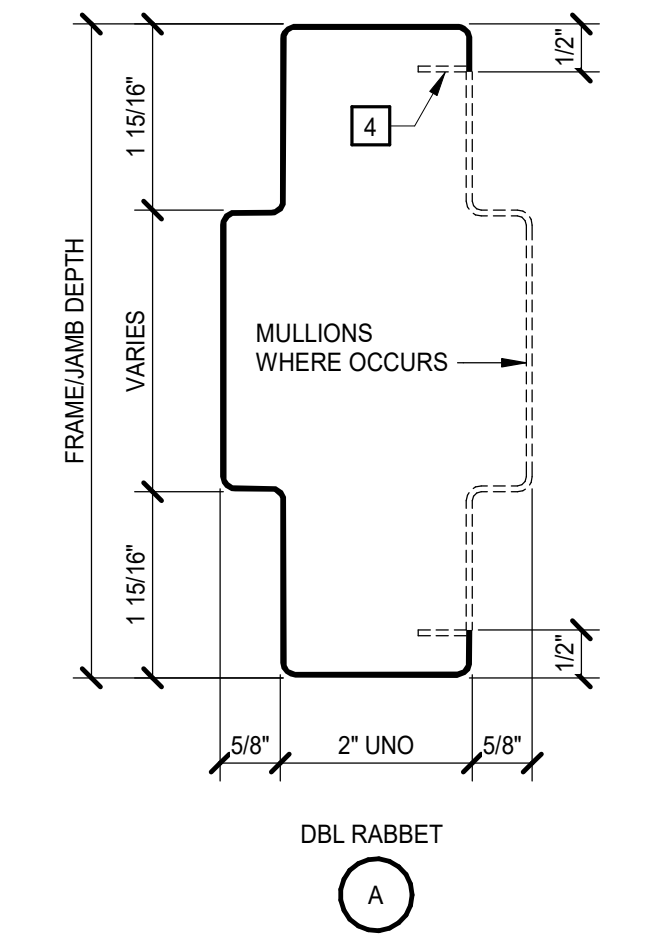
1. 1" TINTED INSULATING

**NOTES:**

1. ALL GLAZING IN EXTERIOR FRAMES SHALL BE TYPE 1, UNO.

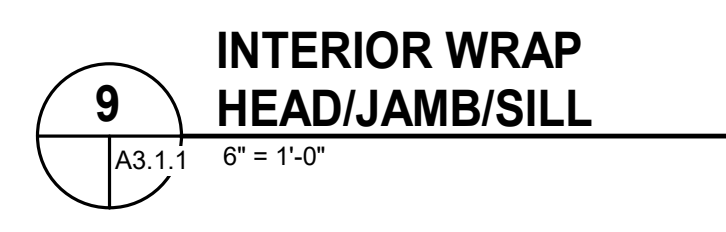
2. GLAZE ALL OPENINGS IN FRAMES UNLESS SPECIFICALLY INDICATED OTHERWISE

3. ALL GLAZING SHALL BE SAFETY GLASS UNLESS INDICATED OTHERWISE



- ALL FRAME/JAMB DEPTHS, OTHER THAN WRAP CONDITIONS, SHALL BE 6\"/>
- ALL FRAME/JAMB DEPTHS AT WRAP CONDITIONS SHALL BE SIZED TO SUIT PARTITION.
- DOORS, PANELS, GLAZING, STOPS, AND OTHER FRAME INFILLS ARE NOT SHOWN IN FRAME SECTIONS AS THEY VARY - PROVIDE SAME WHERE INDICATED.

**STEEL FRAME SECTIONS**



**INTERIOR WRAP HEAD/JAMB/SILL**

A3.1.1 6\"/>

DOOR SCHEDULE															
DOOR NUMBER	DOOR TYPE	SIZE (NOMINAL)	DOOR			FRAME								FIRE RATING	NOTES
			MATL	LOUVER	UC	GLAZING TYPE	TYPE	NUMBER	SECTIONS	HEAD DETAIL	JAMB DETAIL	JAMB DETAIL	SILL DETAIL		
101A	PR	3'-0\"/> <td>ALUM</td> <td>--</td> <td>--</td> <td>1</td> <td>ALUM</td> <td>--</td> <td>--</td> <td>3/A3.1.1</td> <td>3/A3.1.1</td> <td>3/A3.1.1</td> <td>4/A3.2.2</td> <td>--</td> <td>HW1</td>	ALUM	--	--	1	ALUM	--	--	3/A3.1.1	3/A3.1.1	3/A3.1.1	4/A3.2.2	--	HW1
102	F	3'-0\"/> <td>WD</td> <td>--</td> <td>--</td> <td>--</td> <td>STL</td> <td>--</td> <td>--</td> <td>9/A3.1.1</td> <td>9/A3.1.1</td> <td>9/A3.1.1</td> <td>--</td> <td>--</td> <td>HW2</td>	WD	--	--	--	STL	--	--	9/A3.1.1	9/A3.1.1	9/A3.1.1	--	--	HW2

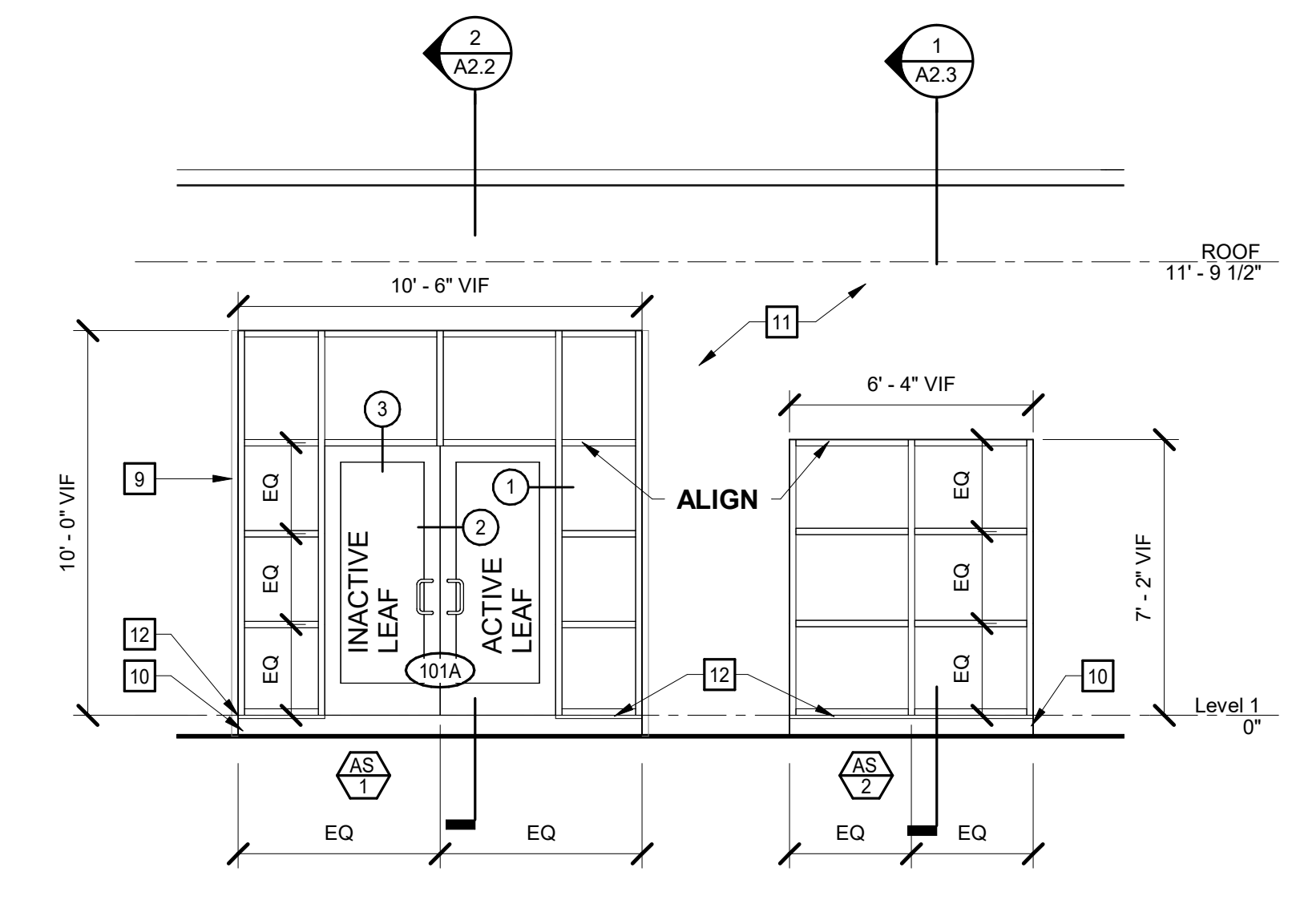
**GENERAL NOTES:**

A. REFER TO HARDWARE SETS

B. STL TYPE FRAMES SHALL BE PAINTED.

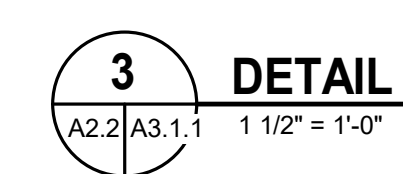
C. PAINT ALL EXISTING FRAMES WITHIN ROOMS INCLUDED IN THE FINISH SCHEDULE.

- HARDWARE SETS:**
- HW 1:**
- ACTIVE LEAF SHALL RECEIVE ADAMS RITE MS-1850 DEADLOCK OR SIMILAR WITH THUMBTURN AT INTERIOR SIDE. PROVIDE MINIMUM (2) KEYS.
  - INACTIVE LEAF SHALL RECEIVE (1) TWO-POINT FLUSHBOLT WITH AUTO-RELEASE FUNCTION.
  - COORDINATE SILL STRIKE REQUIREMENTS WITH CONCRETE SILL POUR.
  - (3) HINGES MINIMUM AT EACH LEAF.
  - (1) NORTON 1601 OR SIMILAR CLOSER WITH HOLD OPEN FUNCTION AT EACH LEAF.
  - (2) PULL HANDLES AT EXTERIOR SIDE
  - (2) PUSH BARS AT INTERIOR SIDE
  - (1) BOTTOM DOOR SWEEP AT EACH LEAF
  - ALUMINUM THRESHOLD
  - ASTRAGAL WEATHERSTRIPPING
- HW 2: MODEL NUMBERS LISTED BELOW ARE ASSA ASLOY. ALTERNATIVE MANUFACTURERS WILL BE CONSIDERED PROVIDED THEY ARE OF SIMILAR, COMMERCIAL QUALITY.**
- (3) HINGE CB168 4 1/2 X 4 1/2 US26D OR SIMILAR
  - (1) PUSH PLATE 70E US32D OR SIMILAR
  - (1) PULL PLATE BF110 X 70C US32D OR SIMILAR
  - (1) CLOSER HD8016 AF80P 689 OR SIMILAR
  - (1) KICK PLATE K1050 8\"/>
  - (1) MOP PLATE K1050 4\"/>
  - (1) FLOOR STOP 441 OR SIMILAR
  - (3) SILENCERS 608 OR SIMILAR
  - (1) DOOR SWEEP



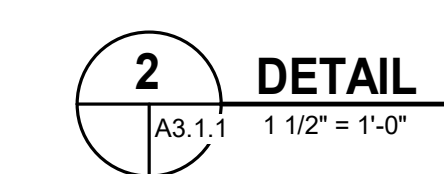
**4 STOREFRONT EXTERIOR ELEVATION**

A2.1/A3.1.1 14\"/>



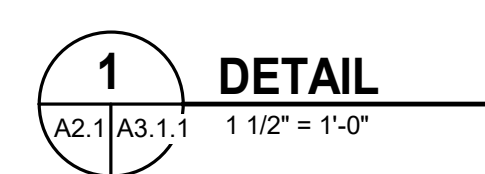
**3 DETAIL**

A2.2/A3.1.1 1 1/2\"/>



**2 DETAIL**

A3.1.1 1 1/2\"/>



**1 DETAIL**

A2.1/A3.1.1 1 1/2\"/>



PROJECT NO:	563006
DATE:	SEPTEMBER 22, 2021
REVISIONS	
DATE	DESCRIPTION
12/15/21	ADDENDUM 1

**REFLECTED CEILING PLAN/DETAIL GENERAL NOTES**

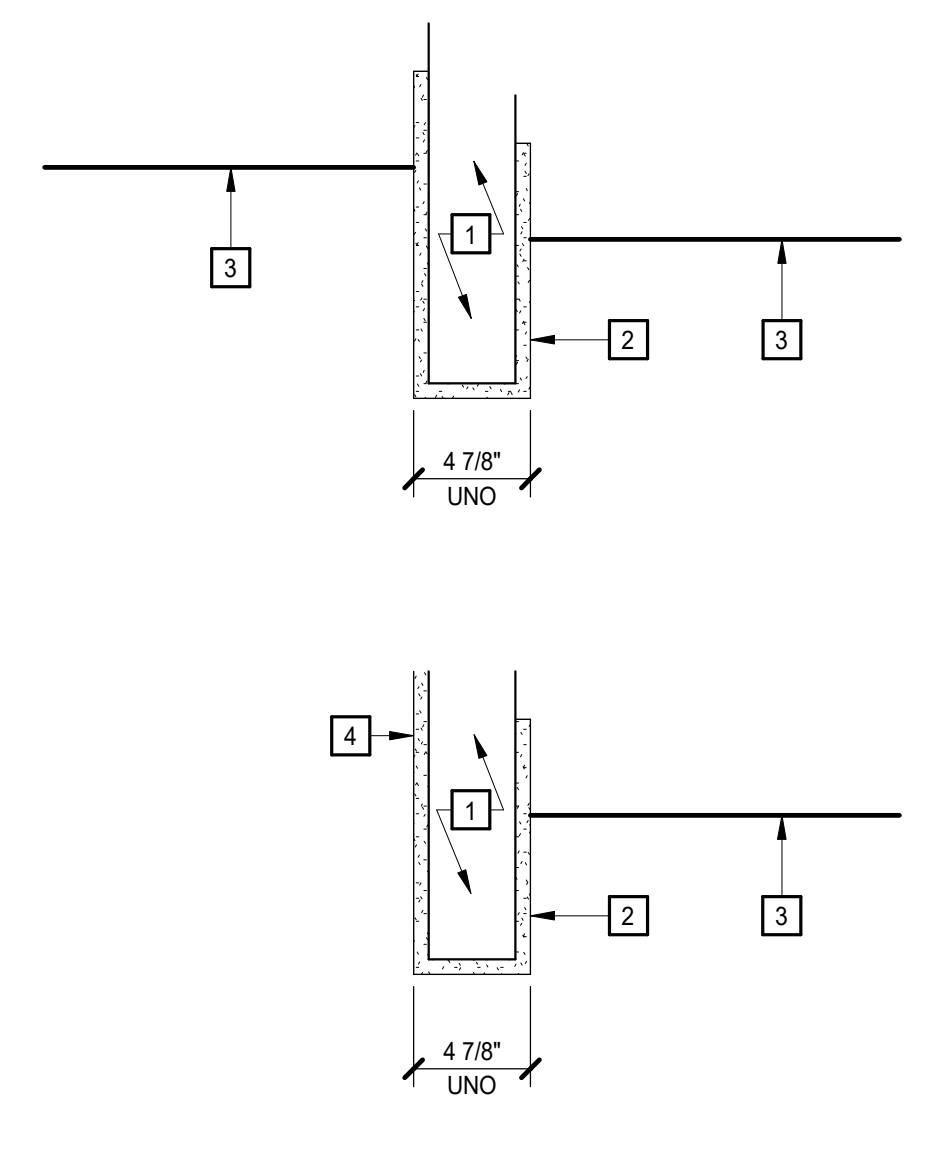
- ALL CEILING HEIGHTS SHALL BE 9'-0" AFF UNLESS INDICATED OTHERWISE.
- DRAWINGS INDICATE GRID LAYOUT DIAGRAMMATICALLY. REFER TO SPECIFICATIONS FOR SPECIFIC GRID LAYOUT CRITERIA AT PERIMETER CONDITIONS THAT MAY DIFFER FROM GRID LAYOUT INDICATED ON DRAWINGS.
- CENTER CEILING MOUNTED ITEMS WITHIN CEILING PANELS, UNLESS INDICATED OTHERWISE.
- IF ADDITIONAL SPRINKLER HEADS ARE REQUIRED TO SATISFY CODE OR COVERAGE DENSITIES (OTHER THAN THOSE THAT MAY BE INDICATED), PROVIDE ADDITIONAL SPRINKLER HEADS AT NO ADDITIONAL COST AND OBTAIN APPROVAL OF ARCHITECT FOR LOCATION OF SUCH HEADS, IF ANY.

**REFLECTED CEILING PLAN KEYNOTES**  
REPRESENTED BY [ n ]  
APPLIES TO DRAWINGS A9.1

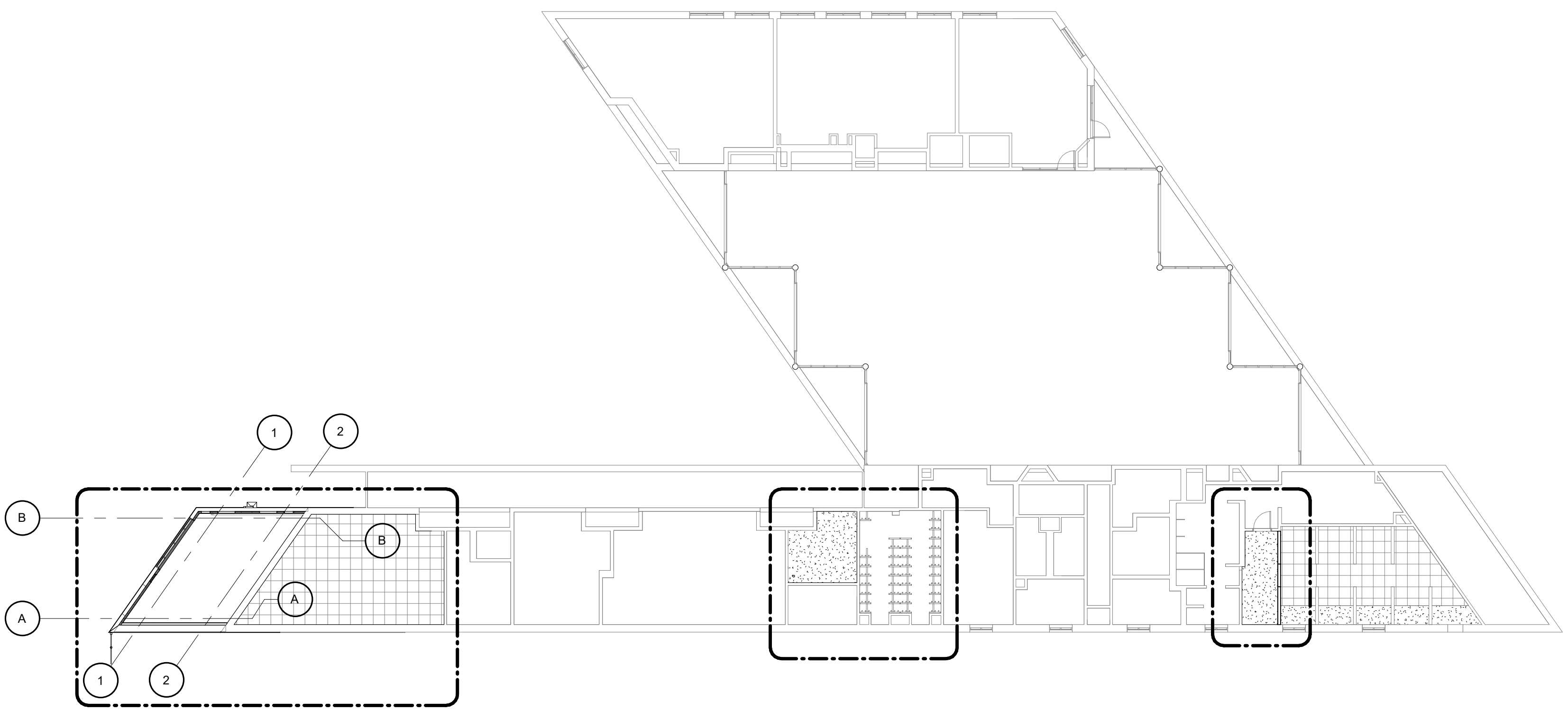
1	CFSF-S
2	5/8" GYP BD, TERMINATE 4" ABV FIN CLG
3	FIN CLG; FINISH AND/OR HEIGHT AFF VARIES
4	GYP BD; EXTEND FULL HEIGHT, UNLESS INDICATED OTHERWISE

**REFLECTED CEILING PLAN LEGEND**  
APPLIES TO DRAWINGS A9.1  
REFER TO MEP DRAWINGS FOR REFLECTED CEILING PLAN SYMBOLS NOT INDICATED BELOW

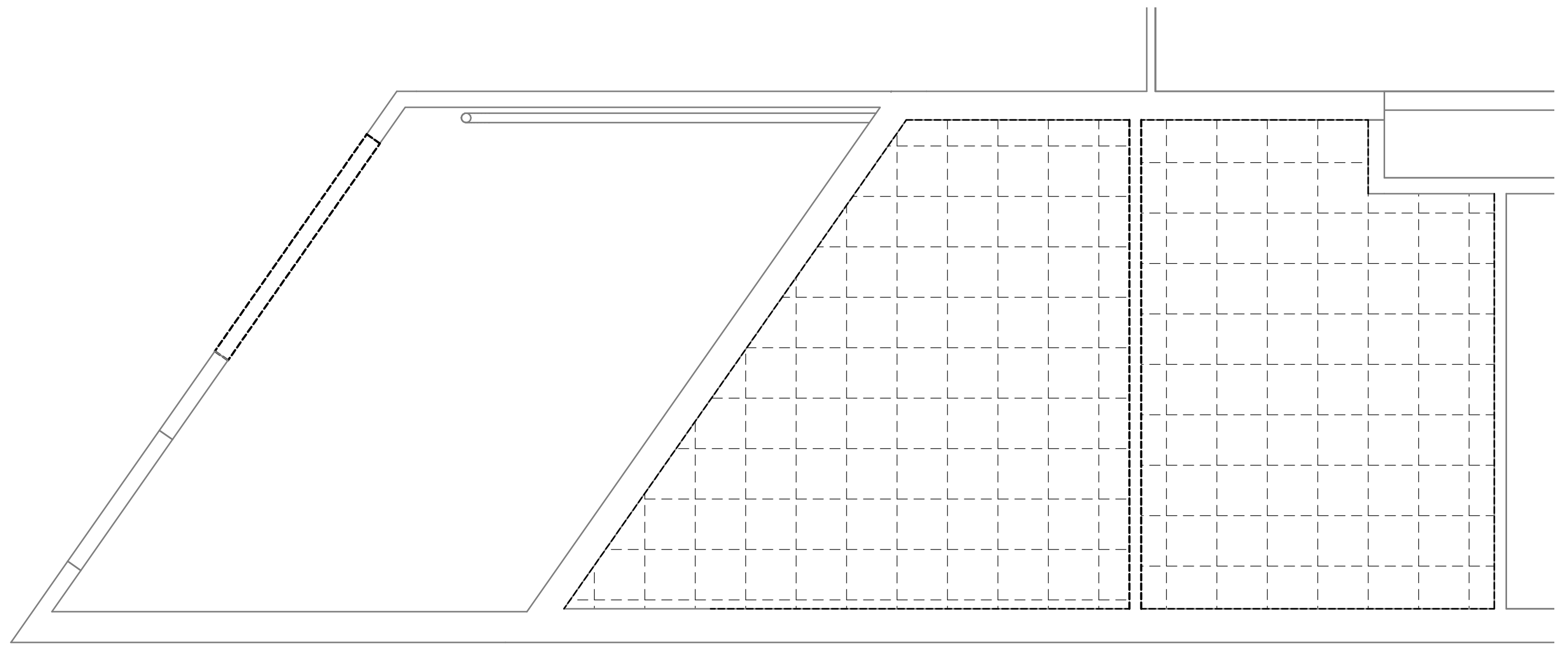
A101	SPACE NUMBER
9'-0"	CEILING HEIGHT, AFF UNO
[Symbol]	INTERIOR APPLICATIONS: GYPSUM BOARD CEILING
[Symbol]	EXTERIOR APPLICATIONS: GYPSUM SOFFIT BOARD OR GYPSUM SHEATHING
[Symbol]	2'-0" x 2'-0" LAY-IN ACOUSTICAL CEILING PANELS IN SUSPENDED GRID
AP	ACCESS PANEL
[Symbol]	EXTERIOR WALL
[Symbol]	INTERIOR WALL/PARTITION TO UNDERSIDE OF DECK
[Symbol]	INTERIOR WALL/PARTITION TO CAP ABOVE OR TERMINATES ADJACENT TO A RATED HORIZONTAL ASSEMBLY
[Symbol]	INTERIOR WALL/PARTITION 4" MIN ABOVE HIGHEST ADJACENT CEILING. IF NECESSARY TO ACHIEVE RESULTS DESIRED, EXTEND WALL HEIGHT SO WALL BRACING IS NOT EXPOSED TO VIEW IN FINISHED SPACES
[Symbol]	INTERIOR WALL/PARTITION TO UNDERSIDE OF CEILING
[Symbol]	EXISTING TO REMAIN, VERIFY VERTICAL EXTENTS WHERE THE HEIGHT IMPACTS THE WORK



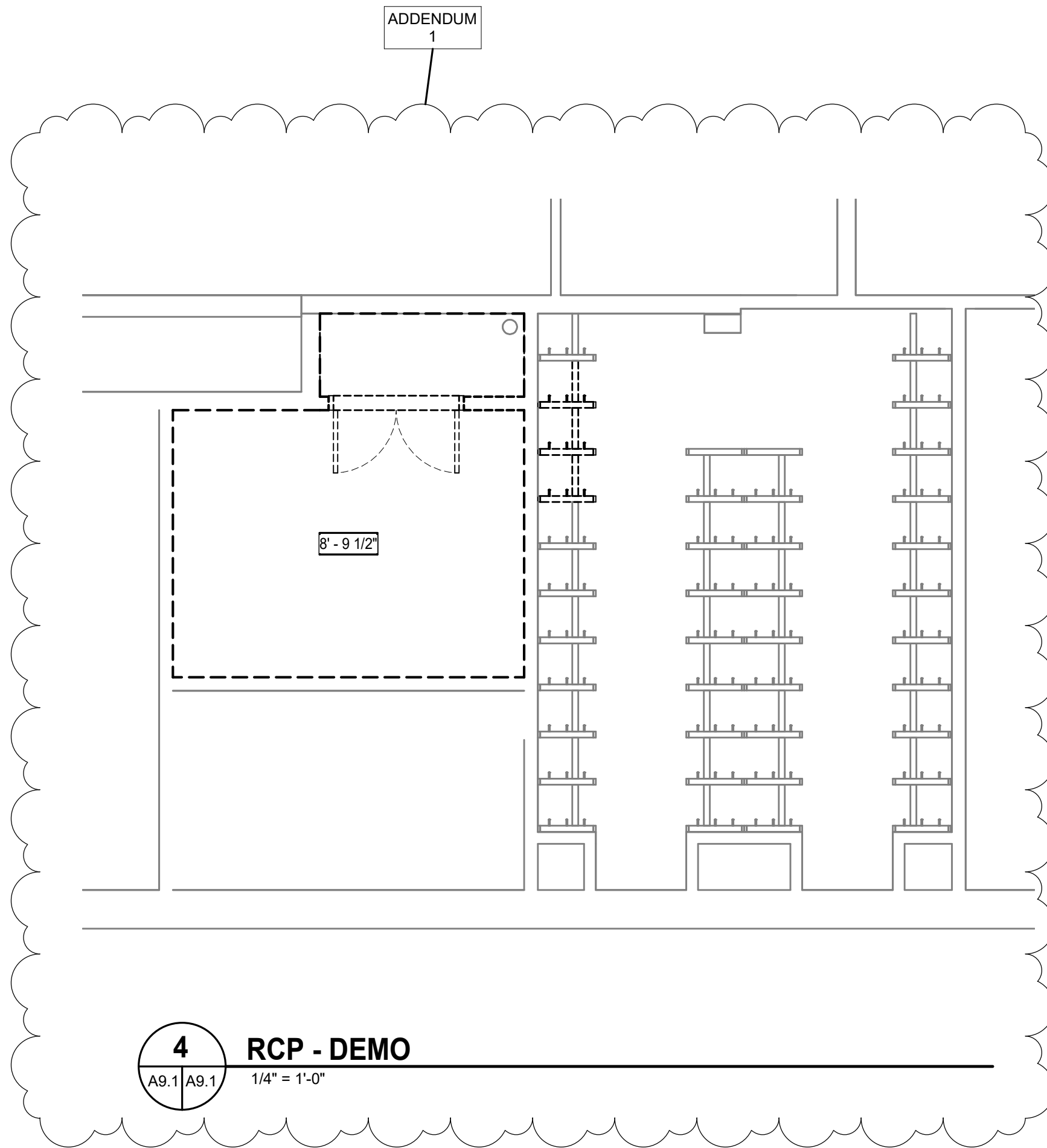
**BULKHEAD DETAILS**  
NO SCALE



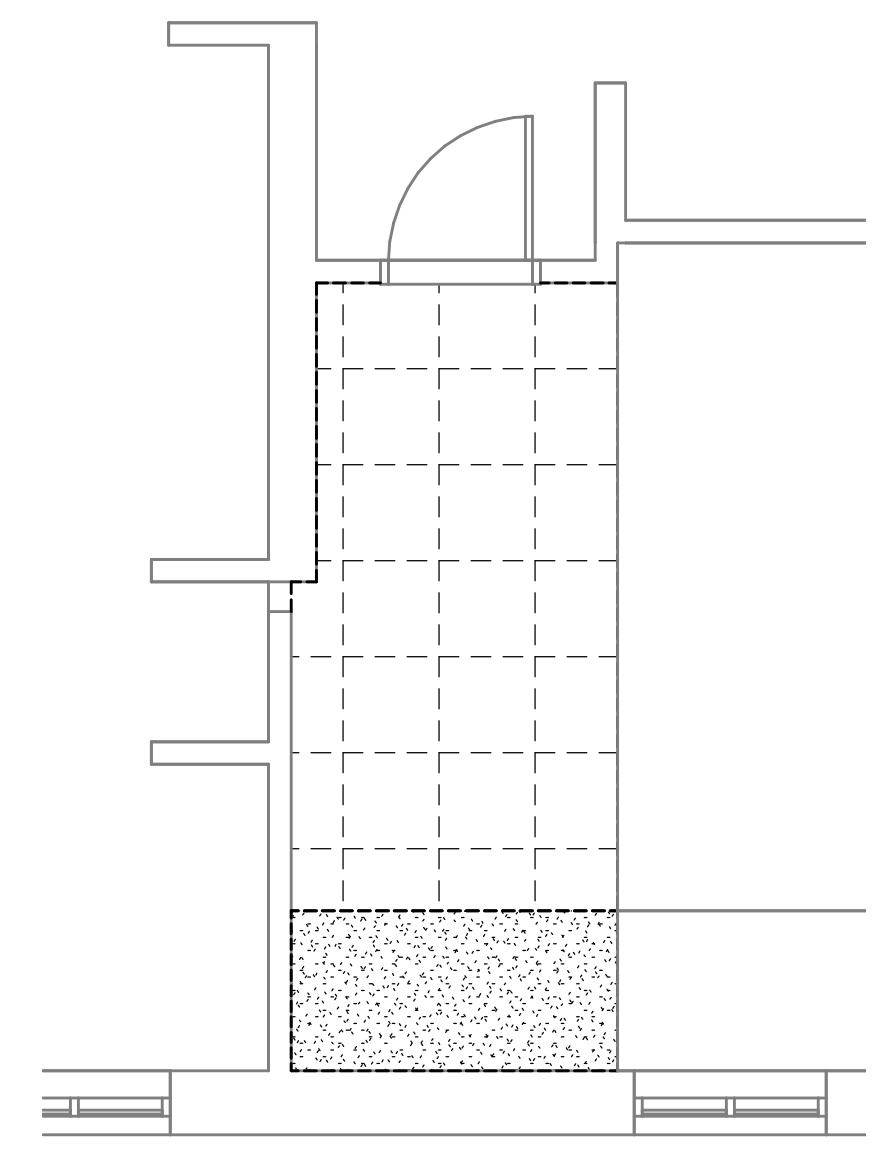
**7 RCP KEYPLAN**  
A2.1 | A9.1 | 1/16" = 1'-0"



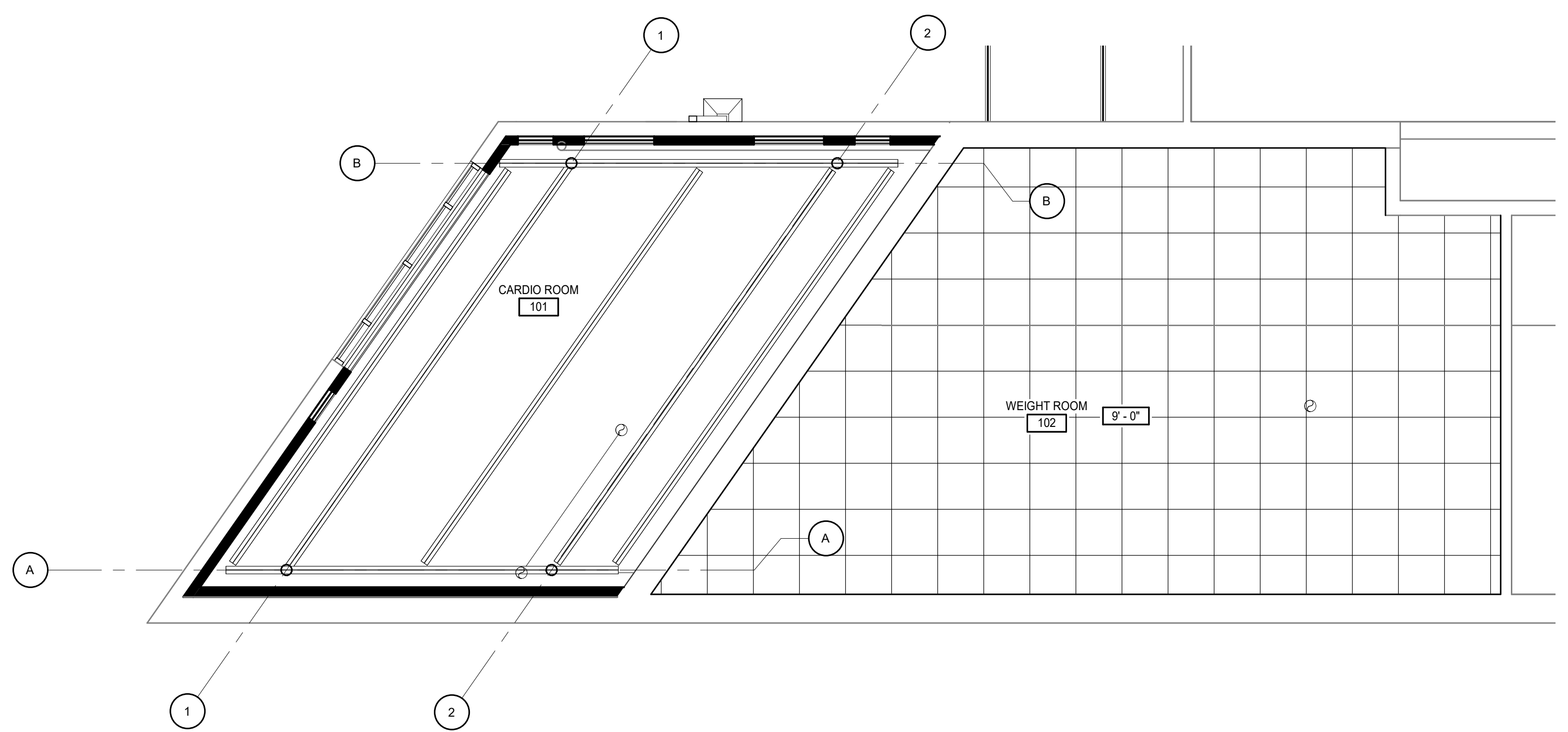
**6 RCP - DEMO**  
A9.1 | A9.1 | 1/4" = 1'-0"



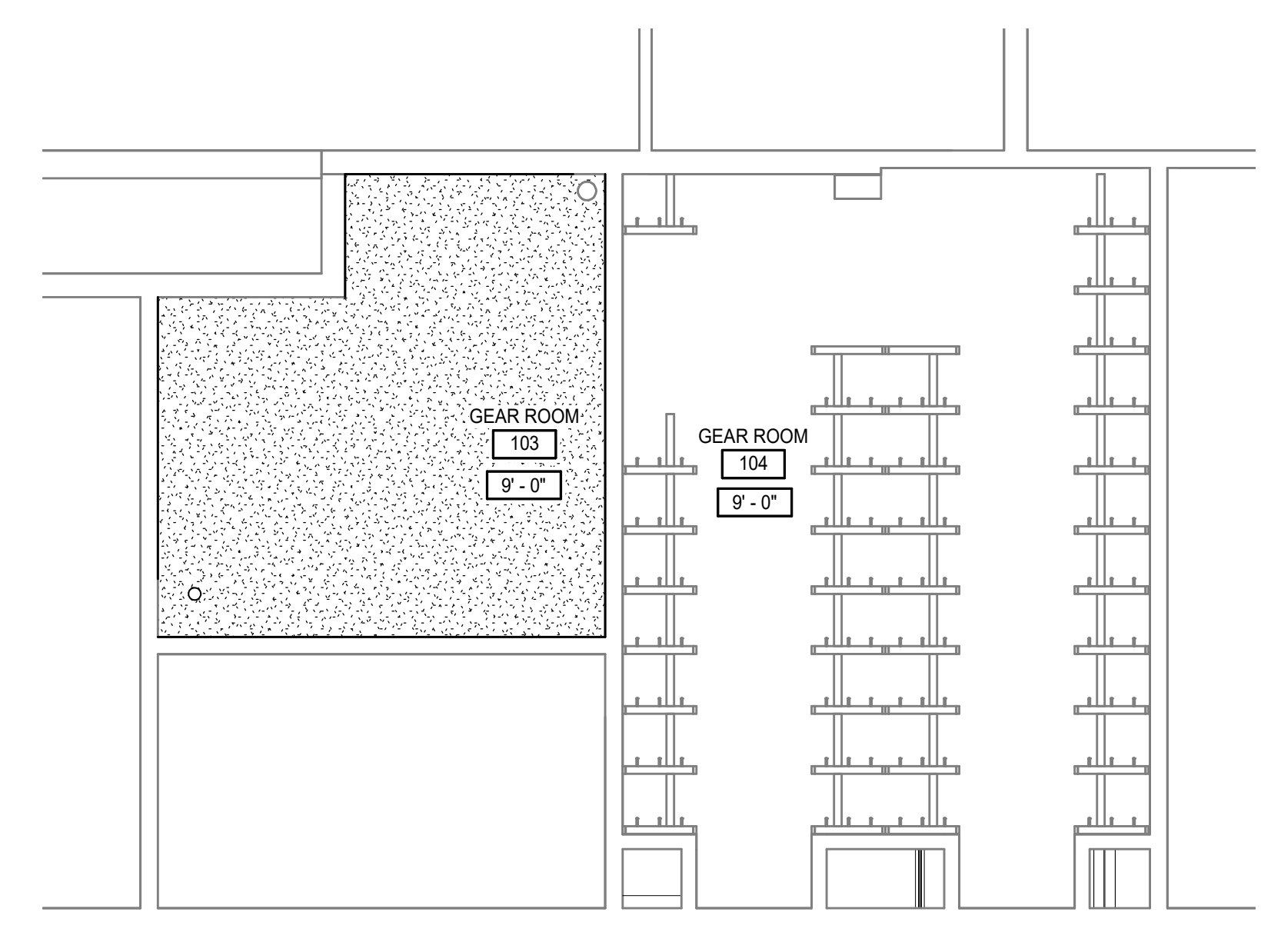
**4 RCP - DEMO**  
A9.1 | A9.1 | 1/4" = 1'-0"



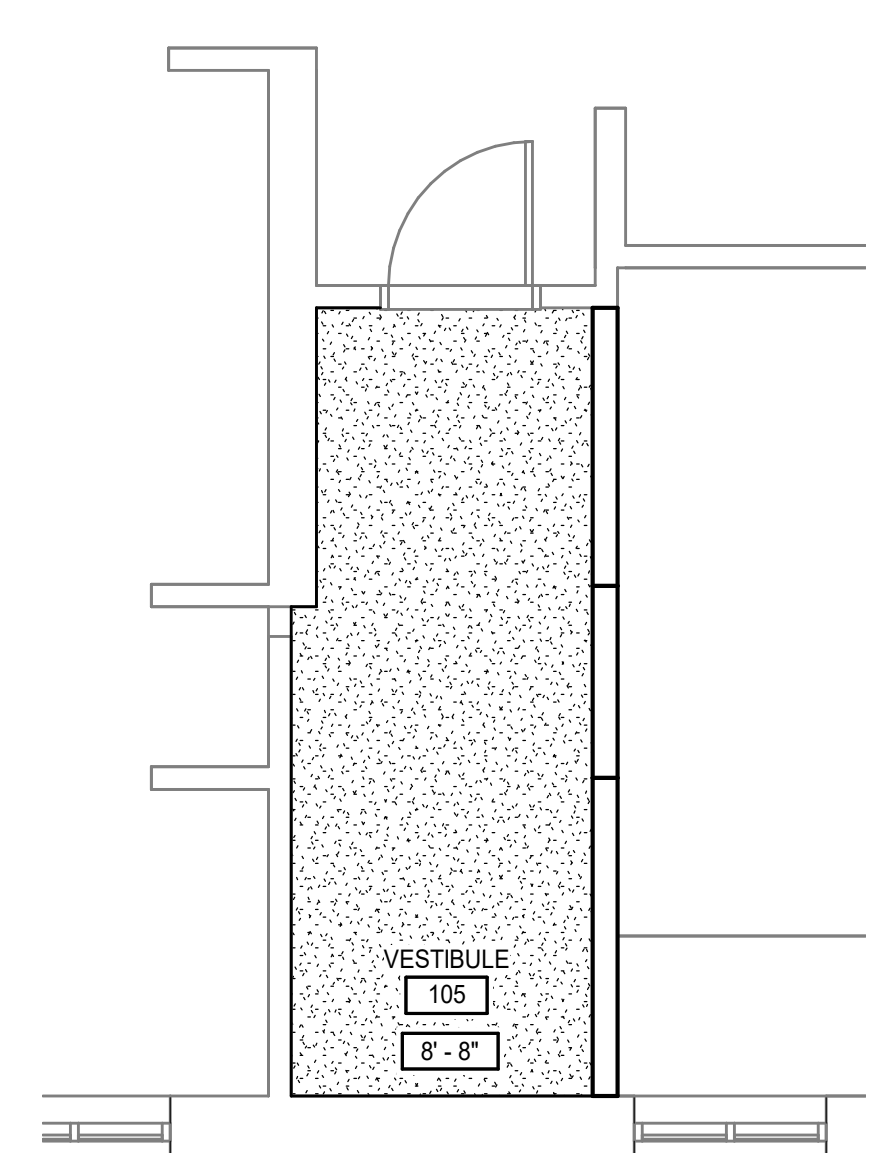
**2 RCP - DEMO**  
A9.1 | A9.1 | 1/4" = 1'-0"



**5 RCP - CARDIO & WEIGHT ROOM**  
A9.1 | A9.1 | 1/4" = 1'-0"



**3 RCP - GEAR ROOM**  
A9.1 | A9.1 | 1/4" = 1'-0"



**1 RCP - BUNK ROOM**  
A9.1 | A9.1 | 1/4" = 1'-0"



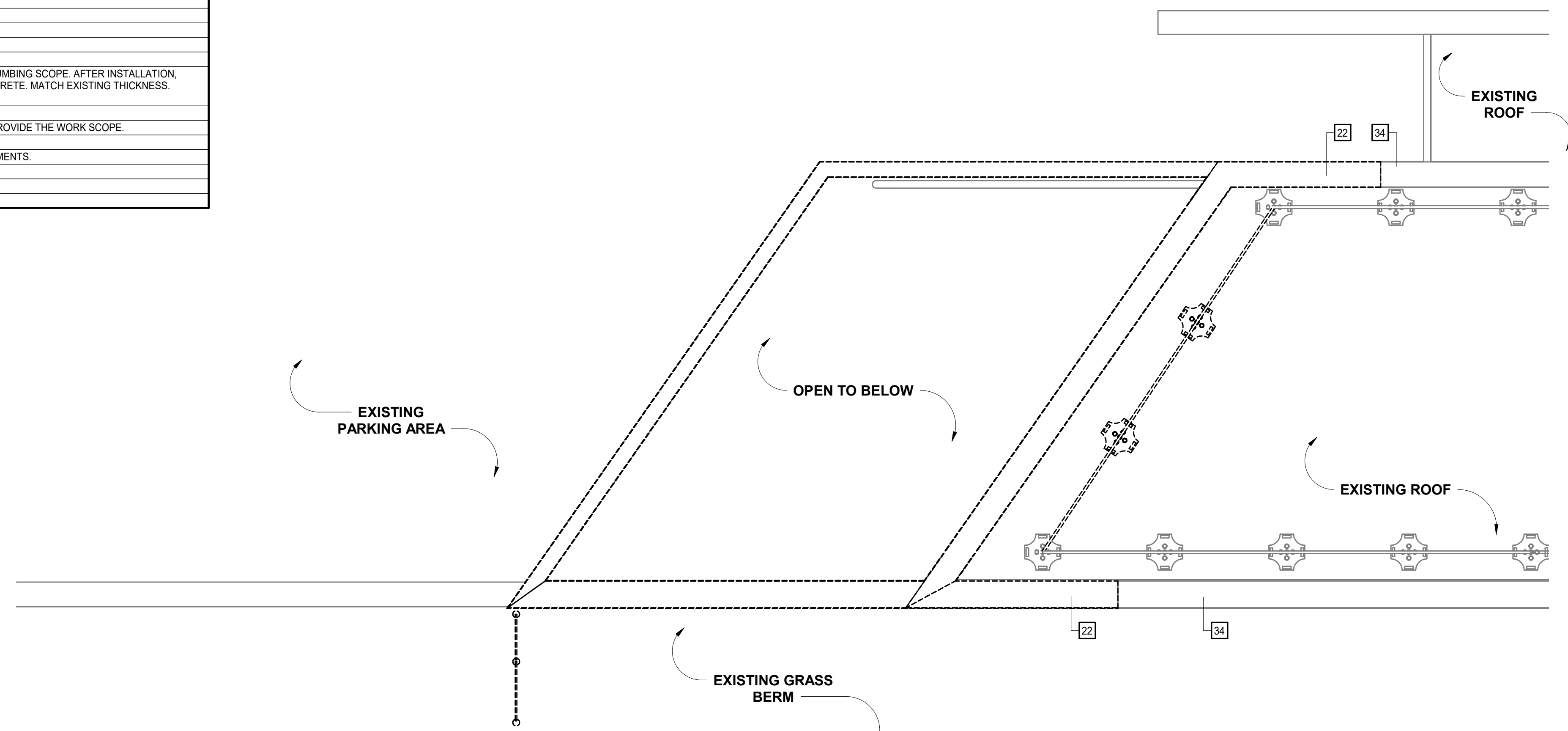
KEYNOTES	
REPRESENTED BY [n]	
APPLIES TO DRAWING A2.1 & A10.1	
1	REMOVE OVERHEAD DOOR. DO NOT SALVAGE.
2	SALVAGE EXISTING DOOR AND FRAME.
3	REMOVE PORTION OF WALL INDICATED.
4	REMOVE EXISTING WALL AND ALL HOSTED ELEMENTS INCLUDING DOORS, ELEC OUTLETS, ETC.
5	EXISTING PIPING TO REMAIN.
6	REMOVE EXISTING GEAR GRID.
7	SALVAGE DOOR. FRAME SHALL REMAIN. REMOVE STRIKE AND PROVIDE STEEL OR ALUMINUM CLOSURE PLATE. PT TO MATCH FRAME COLOR.
8	EXISTING EXTERIOR FIXTURES SHALL REMAIN.
9	HANGING GEAR GRID NIC.
10	INFILL OPENING. MATCH ADJACENT CONSTRUCTION.
11	REFER TO ELEC DOCUMENTS. ELEC ITEMS WHICH SERVE FIXTURES AND EQUIPMENT AT THE EXTERIOR OF THE BUILDING SHALL REMAIN.
14	GYP BD FINISH SHALL COVER PLYWOOD.
15	CENTER ELECTRICAL JUNCTION BOX OR BOXES WITHIN THE PLYWOOD BLOCKING.
16	REMOVE SINK.
17	1/2" PLYWOOD FLUSH WITH FACE OF STUD. TYPICAL.
18	REMOVE COUNTERTOP AND SHELVING.
19	REMOVE EXISTING CONCRETE SLAB.
21	DEMO EXISTING CONCRETE AS REQUIRED TO PROVIDE PLUMBING SCOPE. AFTER INSTALLATION, INSPECTION, AND APPROVAL, PROVIDE MIN 4,000 PSI CONCRETE. MATCH EXISTING THICKNESS. REINFORCE WITH 6X6-W2.9XW2.9 WWF.
22	REMOVE EXISTING PARAPET COPING AS NECESSARY TO PROVIDE THE WORK SCOPE.
23	PROVIDE CONCRETE SLAB. REFER TO STRUCTURAL DOCUMENTS.
26	APPROXIMATE OUTLINE OF EXISTING WALL.

KEYNOTES	
REPRESENTED BY [n]	
APPLIES TO DRAWING A2.1 & A10.1	
27	CLEAN THE INTERIOR FACE OF EXISTING MASONRY WALLS. REFER TO PROJECT MANUAL FOR ADDITIONAL PREPARATION REQUIRED.
28	WOOD BLOCKING. TYPICAL.
29	REMOVE SHELF.
30	PAINT EXPOSED STRUCTURE. TYPICAL.
31	WALL MOUNTED TV, TV AND HANGING EQUIPMENT NIC. CONTRACTOR SHALL PROVIDE TV BLOCKING.
32	PERFORATED METAL PANEL.
33	PREMANUFACTURED ALUMINUM COPING.
34	EXISTING PARAPET COPING TO REMAIN.
35	MECH EQUIPMENT. REFER TO MECH DOCUMENTS.
39	NON-PENETRATING ROOF EDGE FALL PROTECTION. PROVIDE ADDITIONAL LAYER OF ROOFING MEMBRANE BELOW EACH RAIL RECEIVER.
40	CLOSE THE EXPOSED END OF THE BENCH WITH 1/2" PLYWOOD SHEET PAINTED BLACK.
41	REMOVE WOOD TRIM.
42	PROVIDE ROOF WALKWAY PAD. TYPICAL.
43	PROVIDE CAST IRON BOOT WITH CLEANOUT

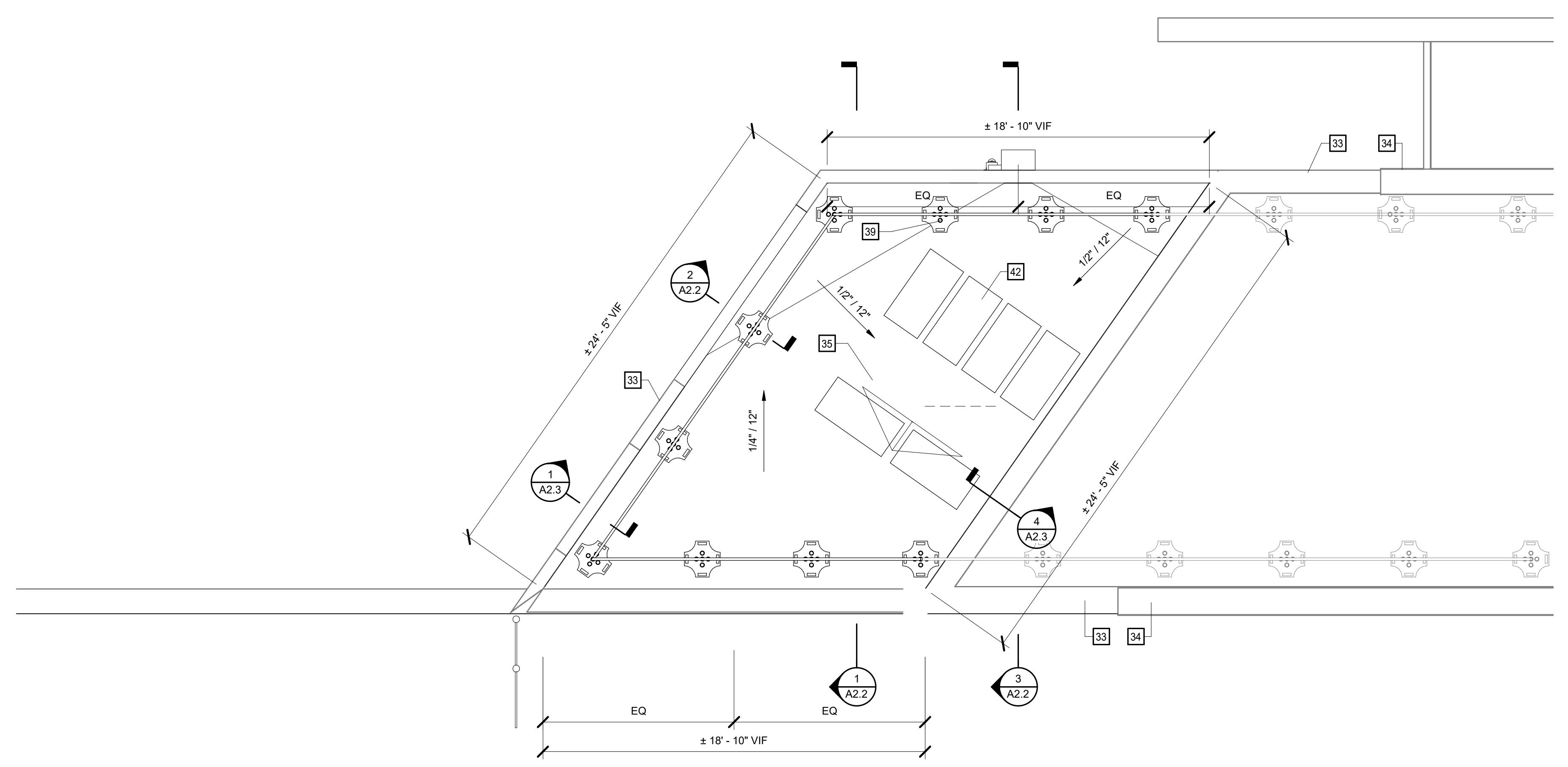
ROOF ASSEMBLIES		
APPLIES TO A10.1		
REPRESENTED BY [n]		
MARK	REMARKS	INFORMATION
RFA1	MINIMUM R-VALUE OF ASSEMBLY SHALL BE R-30.	

ROOF PLAN LEGEND	
APPLIES TO DRAWINGS A10.1.1 - A10.1.n	
REFER TO M, E & FP DRAWINGS FOR ROOF SYMBOLS NOT INDICATED BELOW	
	CRICKET
	INDICATES DIRECTION OF ROOF ASSEMBLY SLOPE

ROOF PLAN GENERAL NOTES	
A.	ALL ROOF ASSEMBLIES, RFA1, UNO.
B.	ROOF PLAN DOES NOT INDICATE ALL EQUIPMENT AND PENETRATIONS. REFER TO OTHER DISCIPLINE'S DRAWINGS FOR QUANTITIES AND LOCATIONS OF ROOFTOP EQUIPMENT AND ASSOCIATED PENETRATIONS.
C.	COORDINATE LOCATION AND SIZE OF ROOF OPENINGS AND ASSOCIATED PENETRATIONS WITH STRUCTURE.
D.	ROOF DETAILS MAY NOT ENTIRELY REPRESENT ACTUAL CONSTRUCTION CONDITIONS. ACTUAL DETAIL ASSEMBLIES SHALL BE APPROVED BY ROOFING MANUFACTURER.
E.	ROOF PLAN DOES NOT INDICATE ALL ROOFING DETAILS (INCLUDING BUT NOT LIMITED TO ROOF DRAINS, VTR, CURBS; EXPANSION JOINTS; ROOF HATCHES). PROVIDE MFR'S DETAILS AS REQUIRED TO SUIT SPECIFIC APPLICATION AND SPECIFICATIONS.
F.	PROVIDE CRICKETS AT DRAINS, WALLS, CURBS, MECHANICAL EQUIPMENT, AND OTHER OBSTRUCTIONS SUCH THAT 1/4" PER FOOT MINIMUM POSITIVE DRAINAGE SLOPE IS MAINTAINED AT ALL SUCH AREAS.



**2 ROOF PLAN DEMO**  
A2.1 | A10.1 1/4" = 1'-0"



**1 ROOF PLAN**  
A2.1 | A10.1 1/4" = 1'-0"



REVISIONS	
DATE	DESCRIPTION
12/15/21	ADDENDUM 1



STRUCTURAL ABBREVIATIONS

Table of structural abbreviations including ANCHOR BOLT, ARCHITECTURALLY EXPOSED STRUCTURAL STEEL, ALUMINUM ABOVE FINISHED FLOOR, etc.

DESIGN LOAD DATA

Table of design load data including CLASSIFICATION OF BUILDING, FLOOR LIVE LOADS, ROOF LIVE LOADS, SUPERIMPOSED DEAD LOADS, etc.

CONCRETE

- 1. ALL CONCRETE WORK SHALL CONFORM TO THE REQUIREMENTS OF ACI 318 'BUILDING CODE REQUIREMENTS FOR STRUCTURAL CONCRETE' AND ACI 301 'STANDARD SPECIFICATIONS FOR STRUCTURAL CONCRETE'.

STRUCTURAL STEEL

- 1. ALL STRUCTURAL STEEL WORK SHALL CONFORM TO THE FOLLOWING AISC DOCUMENTS: AISC 360 'SPECIFICATION FOR STRUCTURAL STEEL BUILDINGS'.

COLD FORMED STEEL FRAMING

- 1. ALL STRUCTURAL COLD FORMED STEEL FRAMING (CFSF) SHALL COMPLY WITH AISI'S 'NORTH AMERICAN SPECIFICATION FOR THE DESIGN OF COLD-FORMED STEEL STRUCTURAL MEMBERS'.

POST INSTALLED ANCHORS & DOWELS

- 1. INSTALL ALL ANCHORS IN ACCORDANCE WITH MANUFACTURER'S PUBLISHED PROCEDURES FOR NOT LESS THAN THE MINIMUM EDGE DISTANCES INDICATED IN THE MANUFACTURER'S LITERATURE.

STEEL DECK

- 1. ALL STEEL DECK WORK SHALL CONFORM TO THE LATEST EDITION OF THE STEEL DECK INSTITUTE (SDI) 'DESIGN MANUAL FOR COMPOSITE DECKS, FORM DECKS AND ROOF DECKS'.

RENOVATION

- 1. EXISTING CONSTRUCTION INDICATED ON THE STRUCTURAL DRAWINGS IS BASED ON INFORMATION OBTAINED FROM THE ORIGINAL DESIGN DRAWINGS AND ON LIMITED OBSERVATIONS OF EXISTING CONDITIONS.

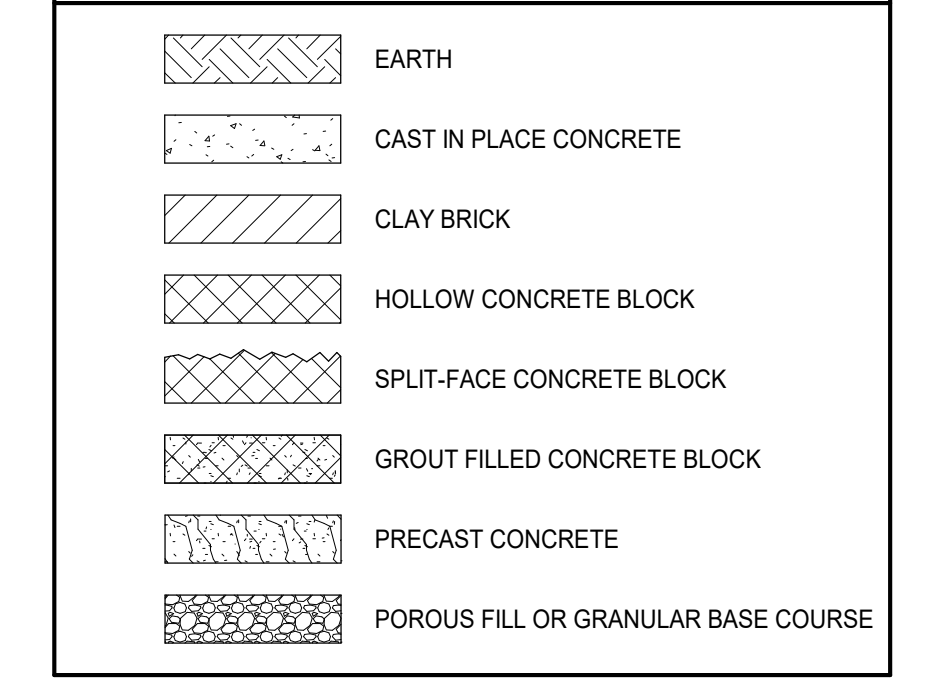
CONCRETE MASONRY (CMU)

- 1. ALL MASONRY WORK SHALL CONFORM TO THE REQUIREMENTS OF TMS 602 'BUILDING CODE REQUIREMENTS FOR MASONRY STRUCTURES WITH COMMENTARY'.

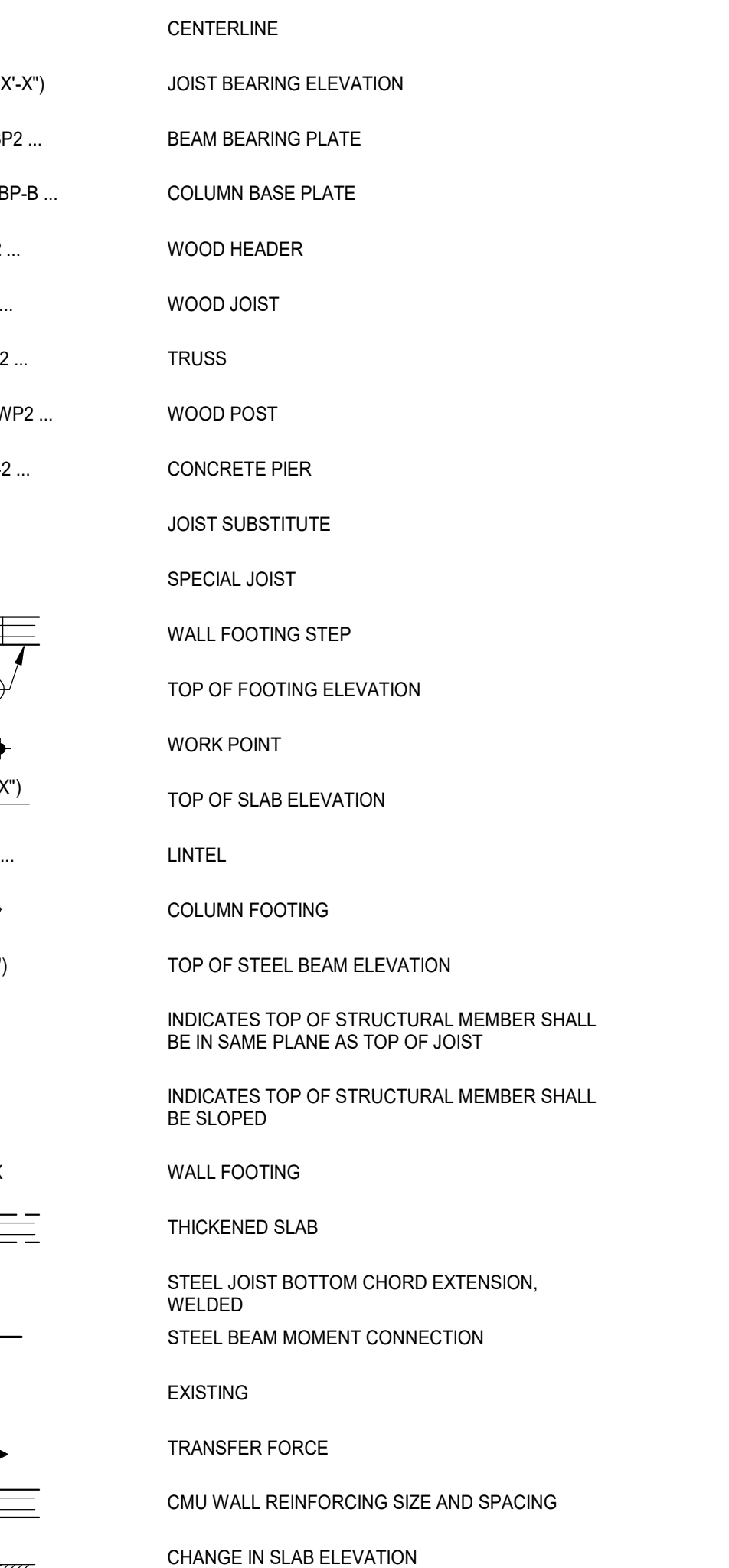
TEMPORARY SHORING

- 1. PROVIDE TEMPORARY SHORING AND BRACING TO MAINTAIN THE EXISTING STRUCTURE IN PROPER ALIGNMENT UNTIL PERMANENT CONSTRUCTION AND LATERAL BRACING IS IN PLACE.

STRUCTURAL MATERIALS LEGEND



PLAN LEGEND



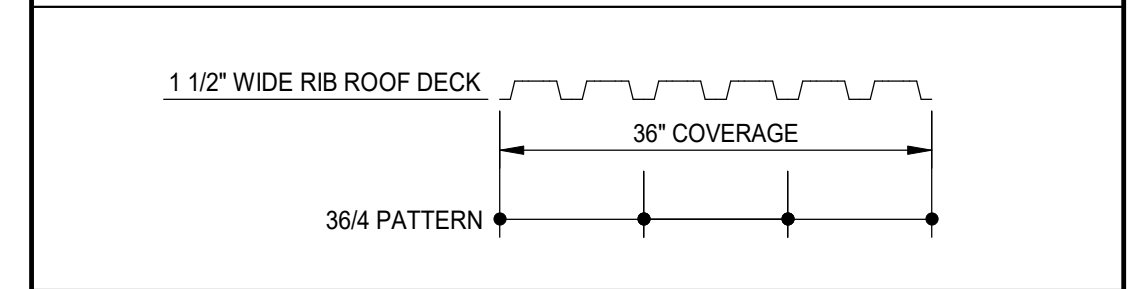
GENERAL

- 1. ALL WORK SHALL BE DONE IN ACCORDANCE WITH THE VIRGINIA UNIFORM STATEWIDE BUILDING CODE (USBC), 2015 EDITION, EFFECTIVE SEPTEMBER 4, 2018.

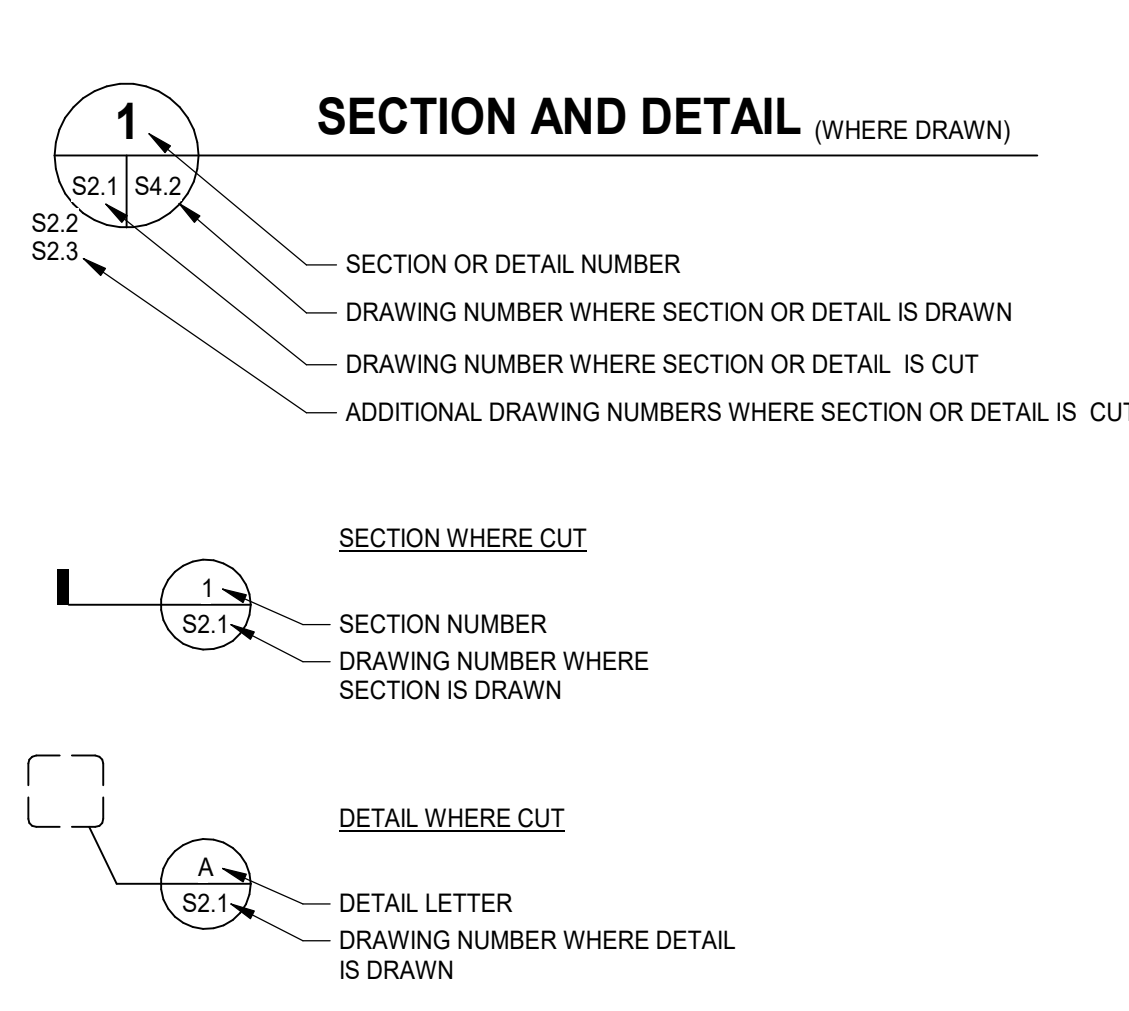
FOUNDATIONS

- 1. FOUNDATIONS ARE DESIGNED TO BEAR ON ORIGINAL UNDISTURBED SOIL OR CONTROLLED COMPACTED FILL WITH AN ALLOWABLE BEARING CAPACITY OF 1500 PSF.

STEEL DECK FASTENER LAYOUT



LEGEND FOR SECTION AND DETAIL MARKS



REPAIR MATERIALS

- 1. REPAIR OVERLAYMENT: CEMENT-BASED, POLYMER-MODIFIED, SELF-LEVELING PRODUCT THAT CAN BE APPLIED IN THICKNESSES FROM 1/8 INCH AND THAT CAN BE FEATHERED AT EDGES TO MATCH ADJACENT FLOOR ELEVATIONS.

MOSELEY ARCHITECTS logo and contact information: 5200 NORFOLK STREET, RICHMOND, VA 23230

Professional Engineer seal for Pamela J. Bullivant, License No. 0402043907

KELLY DAY RENOVATIONS FS 1 logo and contact information: 533006, 500 South Glebe Road, Arlington, VA 22204

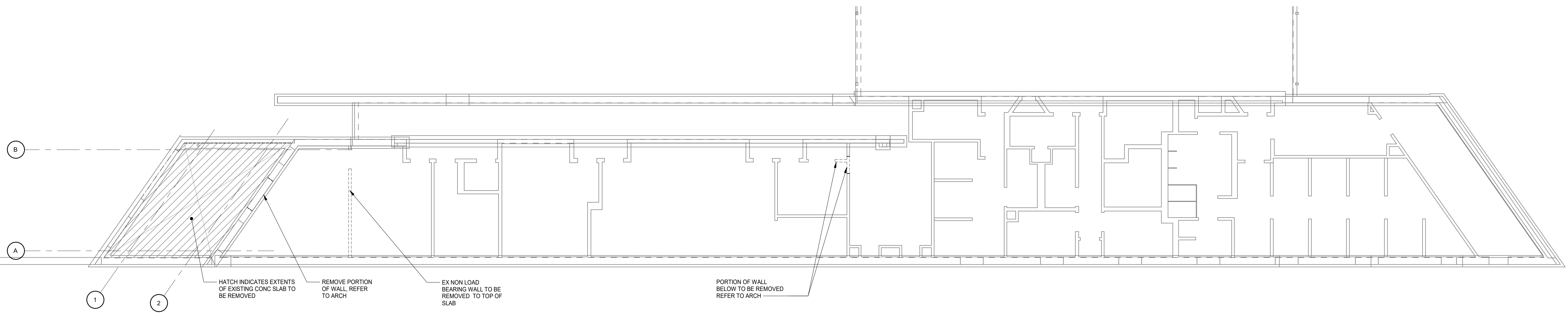
Table with columns: PROJECT NO., DATE, REVISIONS, DESCRIPTION

GENERAL NOTES AND LEGENDS



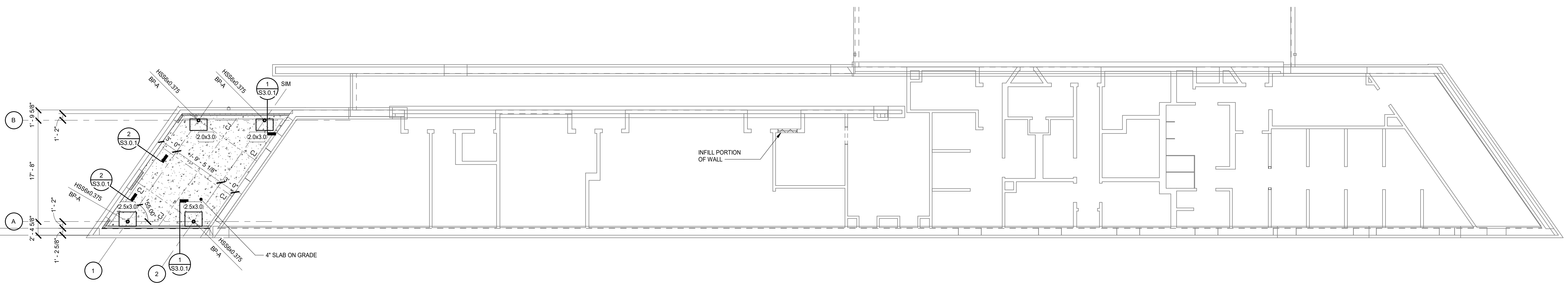


PROJECT NO:	563006
DATE:	SEPTEMBER 22, 2021
REVISIONS	
DATE	DESCRIPTION



**FOUNDATION PLAN - DEMOLITION - FS #1**  
1/8" = 1'-0"

DEMOLITION PLAN NOTES:  
1. REFER TO ARCHITECTURAL, MECHANICAL, ELECTRICAL, AND PLUMBING CONTRACT DOCUMENTS FOR NON-STRUCTURAL DEMOLITION REQUIRED, NOT INDICATED.



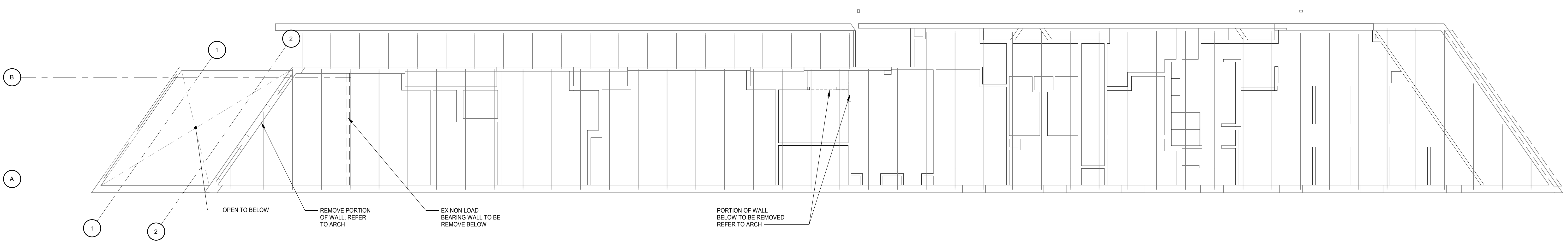
**FOUNDATION PLAN - FS #1**  
1/8" = 1'-0"

FOUNDATION PLAN NOTES:

1. FINISHED FIRST FLOOR ELEVATION = 200.00' = REFERENCE DATUM EL (+0'-0"). ALL STRUCTURAL ELEVATIONS INDICATED ARE REFERENCED FROM THIS ELEVATION, UNO.
2. FLOOR CONSTRUCTION SHALL BE 4" NORMAL WEIGHT CONCRETE SLAB ON GRADE REINFORCED WITH 6#6-W2.9#W2.9 WWF (AT 1" FROM TOP OF SLAB) OVER VAPOR BARRIER OVER 6" GRANULAR BASE COURSE, UNO.
3. BASE COURSE SHALL BE A CLEAN, DENSELY-GRADED "CRUSHER RUN" MATERIAL WITH A BALANCED FINE CONTENT, SUCH AS VDOT 21A OR 21B STONE. THE BASE COURSE SHALL BE COMPACTED AND SHALL BE FINISHED TO A FLAT, SMOOTH, LOW-FRICTION SURFACE. COMPACTION SHALL BE MONITORED BY THE ON-SITE TESTING AGENCY. OPEN GRADED STONE, SUCH AS #57 STONE, IS NOT ACCEPTABLE.
4. REFER TO DRAWING S0.0.1 FOR GENERAL NOTES, PLAN LEGEND, AND STRUCTURAL ABBREVIATIONS.
5. REFER TO DRAWINGS S3.0.1 FOR TYPICAL FOUNDATION DETAILS AND SCHEDULES.
6. PROVIDE CONTROL JOINTS IN SLABS ON GRADE WITHIN THE BUILDING AS INDICATED OR SUCH THAT THE AREA BOUNDED BY CONTROL JOINTS DOES NOT EXCEED 225 SQUARE FEET AND JOINT SPACING DOES NOT EXCEED 15'-0" ON CENTER IN ANY ONE DIRECTION.
7. THE RATIO OF LENGTH TO WIDTH OF THE AREA BOUNDED BY CONTROL JOINTS SHALL NOT EXCEED 1.5 TO 1.
8. LOCATE CONSTRUCTION JOINTS AND OR CONTROL JOINTS AT COLUMN CENTERLINES.

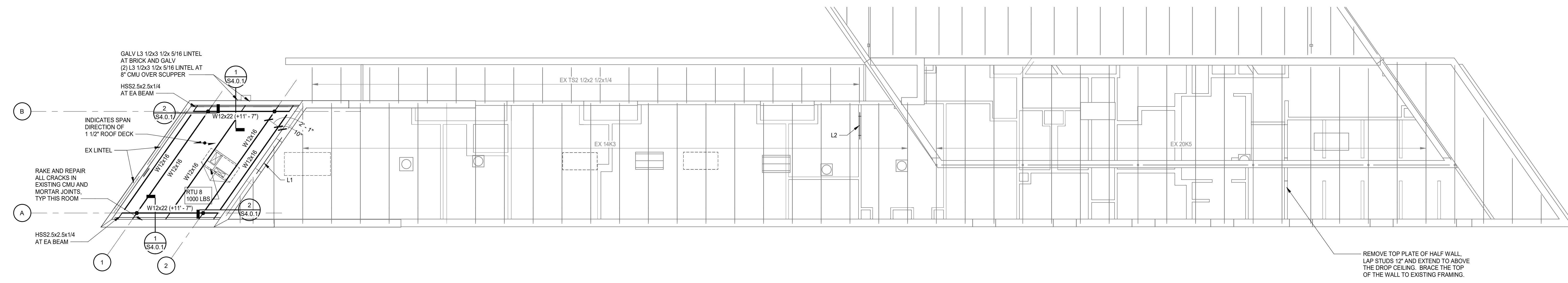
FOUNDATION PLAN NOTES (CONT):

9. LOCATE CONSTRUCTION JOINTS AND OR CONTROL JOINTS AT RE-ENTRANT CORNERS.
10. LOCATE CONSTRUCTION JOINTS PER "PLAN DETAIL AT INTERIOR DOORS".
11. PROVIDE DIAMOND OR CIRCULAR BLOCKOUTS AT COLUMNS.
12. REINFORCE ALL RE-ENTRANT CORNERS OF SLAB PER "SLAB REINFORCING AT RE-ENTRANT CORNERS".
13. PROVIDE BOND BREAK WHERE FLOOR ABUTS CMU OR CONCRETE WALL UNLESS NOTED OTHERWISE.
14. CONTROL JOINT NOT REQUIRED IF DIMENSION AT RE-ENTRANT CORNER IS 2'-0" OR LESS. PROVIDE REINFORCING PER "SLAB REINFORCING AT RE-ENTRANT CORNER".
15. FORM KEYED JOINTS FROM PREFORMED GALVANIZED STEEL, PLASTIC KEYWAY-SECTION FORMS, OR BULKHEAD FORMS WITH KEYS, UNLESS OTHERWISE INDICATED. EMBED KEYS AT LEAST 1-1/2 INCHES (38 MM) INTO CONCRETE.
16. FORM SAWED CONTRACTION JOINTS WITH POWER SAWS EQUIPPED WITH SHATTERPROOF ABRASIVE OR DIAMOND-RIMMED BLADES. CUT 1/8-INCH WIDE JOINTS INTO CONCRETE WHEN CUTTING ACTION WILL NOT TEAR, ABRADE, OR OTHERWISE DAMAGE SURFACE AND BEFORE CONCRETE DEVELOPS RANDOM CONTRACTION CRACKS.
17. CONTINUE REINFORCEMENT ACROSS CONSTRUCTION JOINTS UNLESS OTHERWISE INDICATED.



**ROOF FRAMING PLAN - DEMOLITION - FS #1**  
 1/8" = 1'-0"

DEMOLITION PLAN NOTES:  
 1. REFER TO ARCHITECTURAL, MECHANICAL, ELECTRICAL, AND PLUMBING CONTRACT DOCUMENTS FOR NON-STRUCTURAL DEMOLITION REQUIRED, NOT INDICATED.



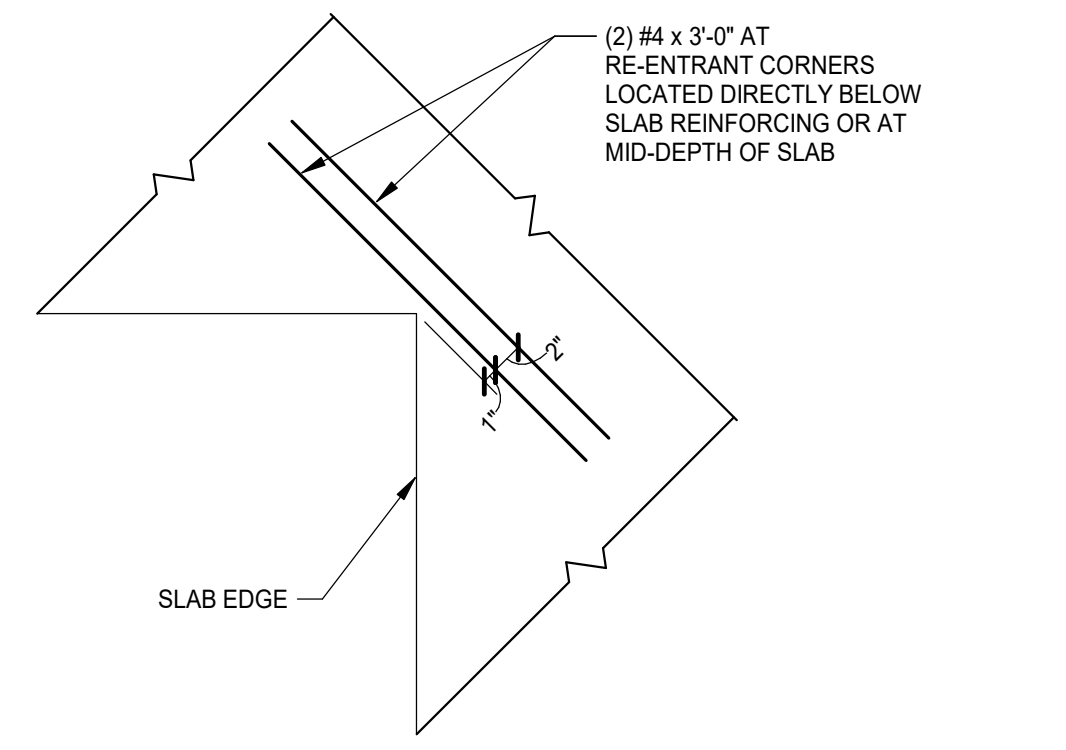
**ROOF FRAMING PLAN -FS # 1**  
 1/8" = 1'-0"

ROOF FRAMING PLAN NOTES:  
 1. TOP OF STEEL BEAMS INDICATED THUS (+X'-X") ON PLAN SHALL BE REFERENCED FROM FINISHED FIRST FLOOR ELEVATION.  
 2. TOP OF STEEL BEAMS SHALL BE (+1' - 91/2") FROM FINISHED FIRST FLOOR, UNO.  
 3. STEEL ROOF DECK SHALL BE 1 1/2" WIDE RIB ROOF DECK, UNO. REFER TO STEEL DECK NOTE 5 ON DRAWING S0.0.1 FOR DECK NOTES. REFER TO FRAMING PLAN AND ARCHITECTURAL AND STRUCTURAL SECTIONS FOR EXTENT OF DECK TYPES.  
 4. ALL BEAMS AND JOISTS ARE EQUALLY SPACED BETWEEN COLUMN GRIDLINES, UNO.  
 5. REFER TO DRAWING S0.0.1 FOR GENERAL NOTES, PLAN LEGEND, AND STRUCTURAL ABBREVIATIONS.  
 6. REFER TO DRAWINGS S4.0.1 FOR TYPICAL FRAMING DETAILS AND SCHEDULES.

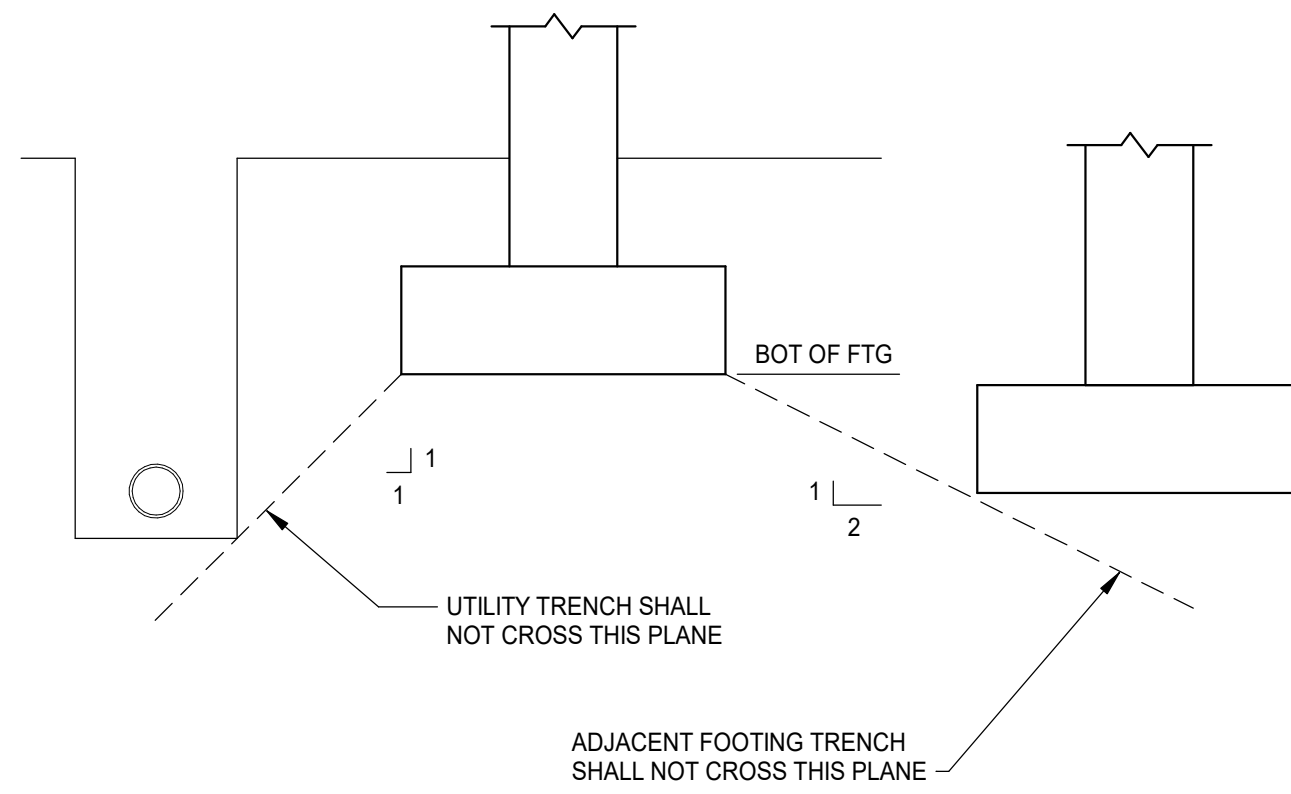


PROJECT NO:	563006
DATE:	SEPTEMBER 22, 2021
REVISIONS	
DATE	DESCRIPTION

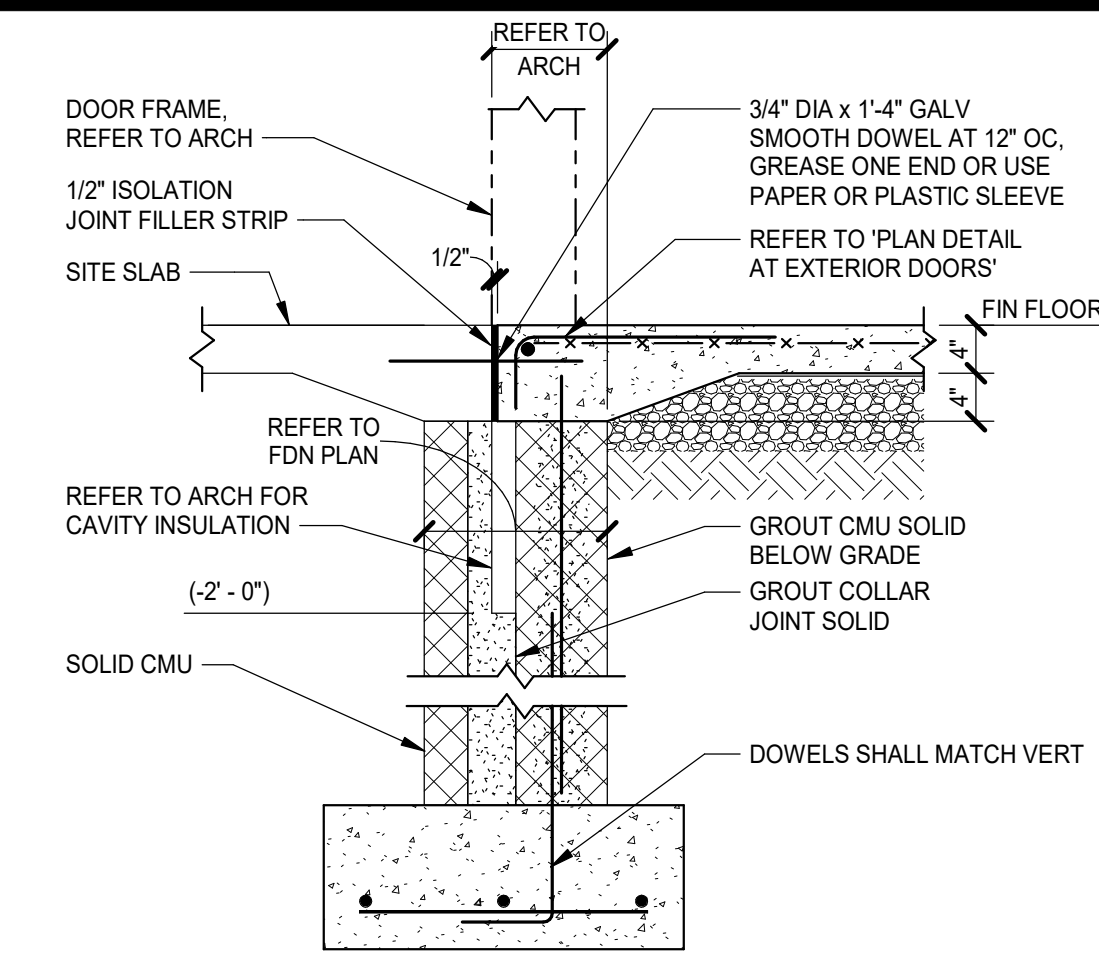




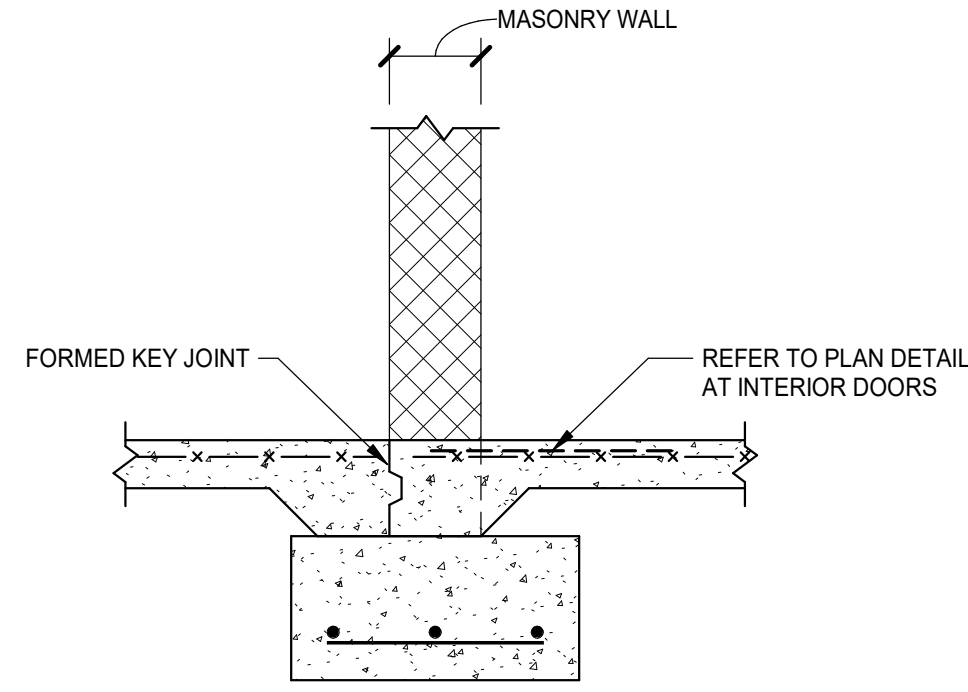
**SLAB REINFORCING AT RE-ENTRANT CORNER**  
NO SCALE



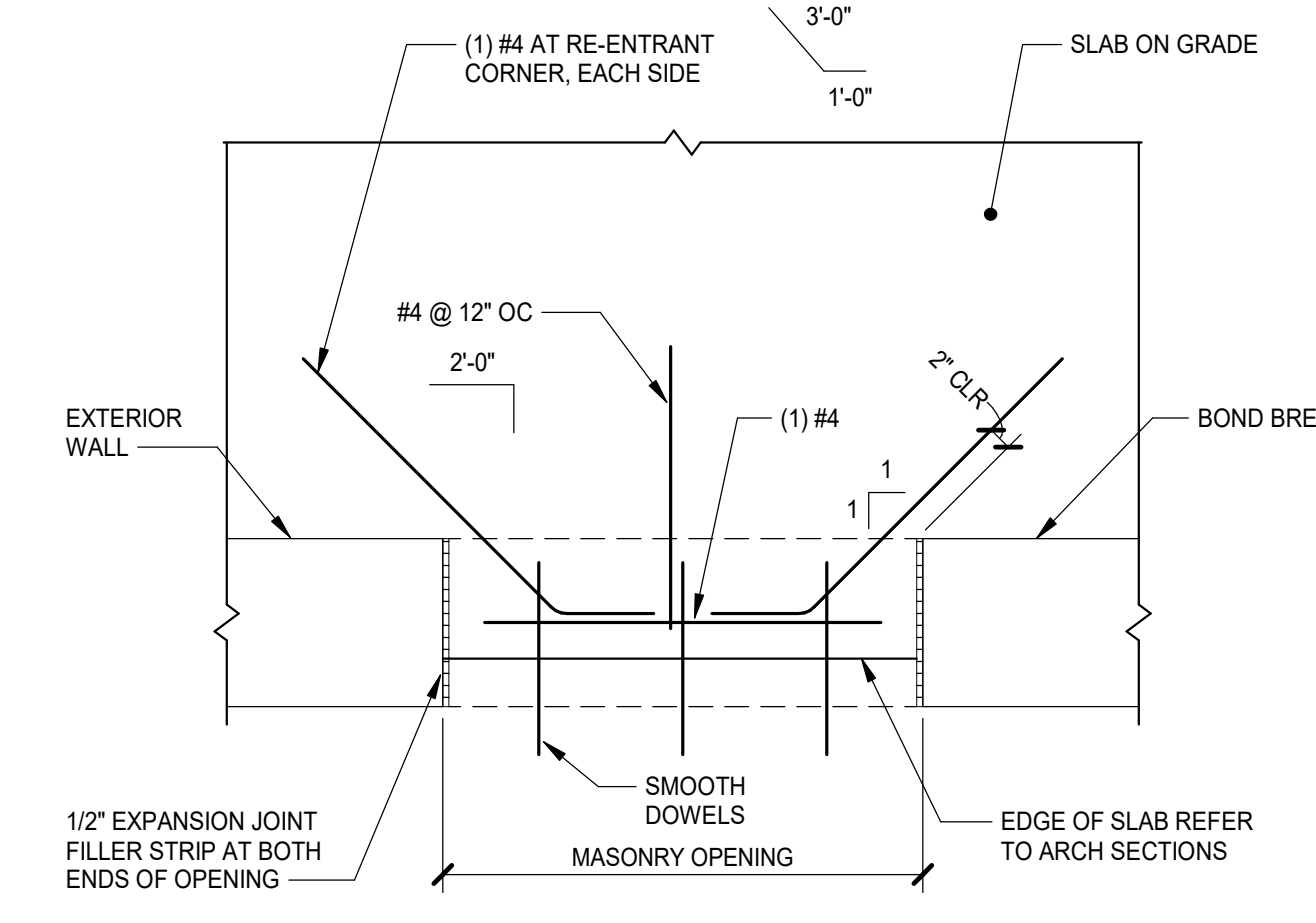
**TRENCH LOCATION DETAIL**  
NO SCALE



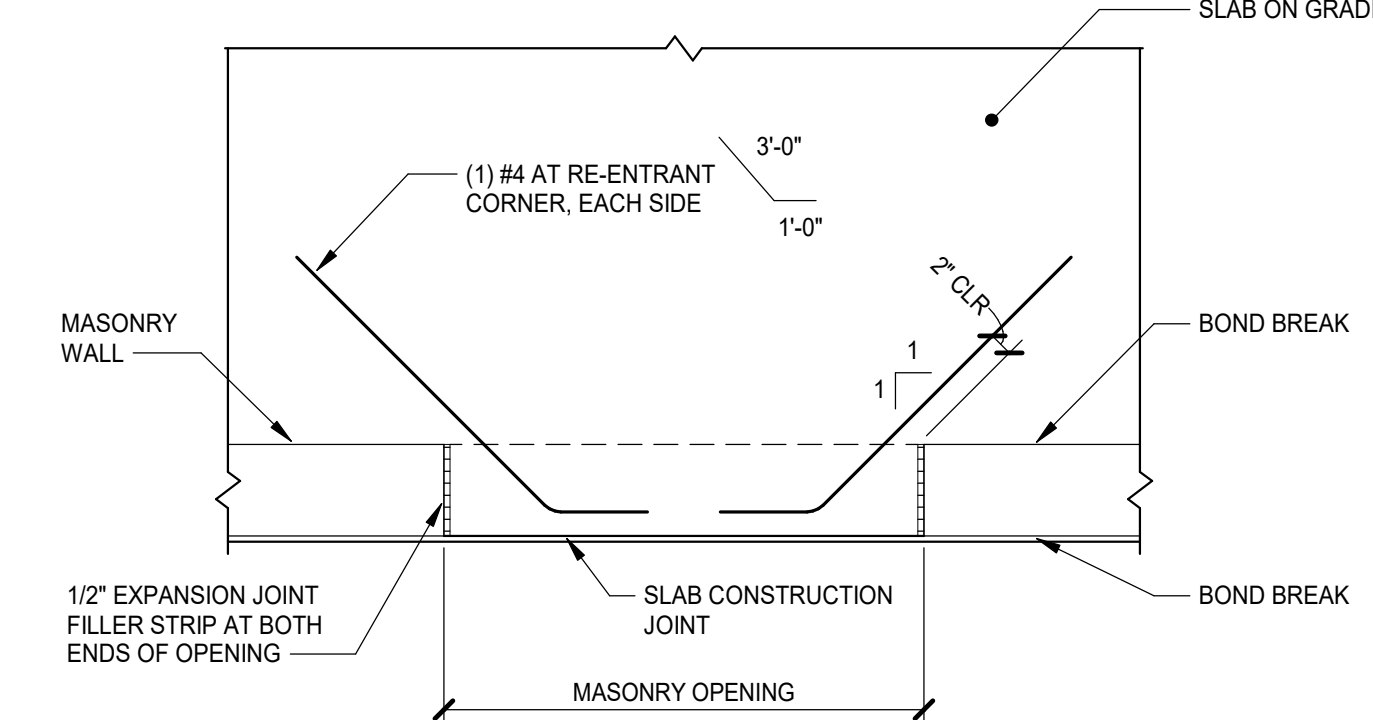
**SECTION AT EXTERIOR DOORS**  
NO SCALE



**SECTION AT INTERIOR DOORS**  
NO SCALE



**PLAN AT EXTERIOR DOORS**  
NO SCALE



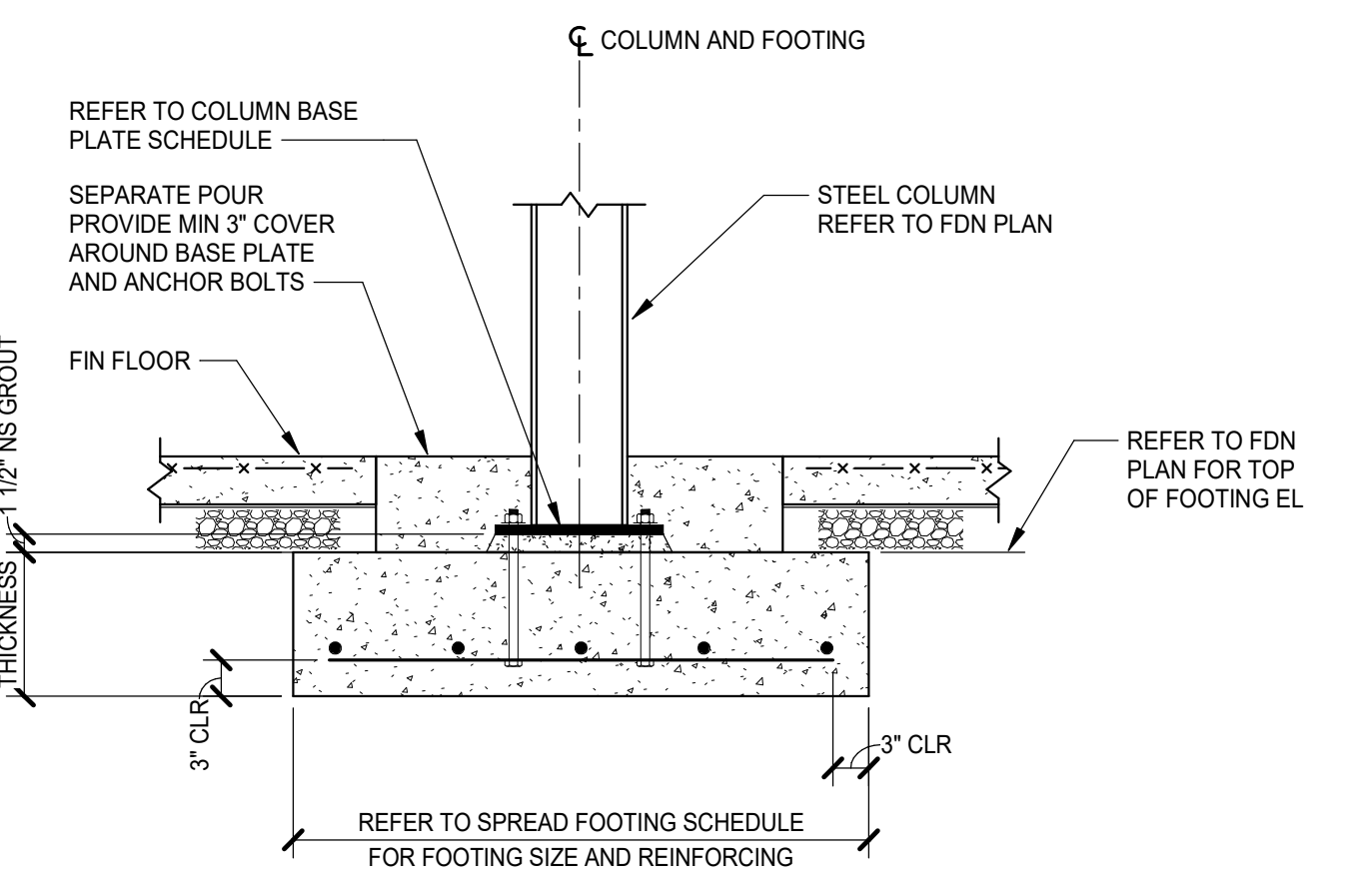
**SLAB ON GRADE DETAILS AT DOORS**  
NO SCALE

**SPREAD FOOTING SCHEDULE**

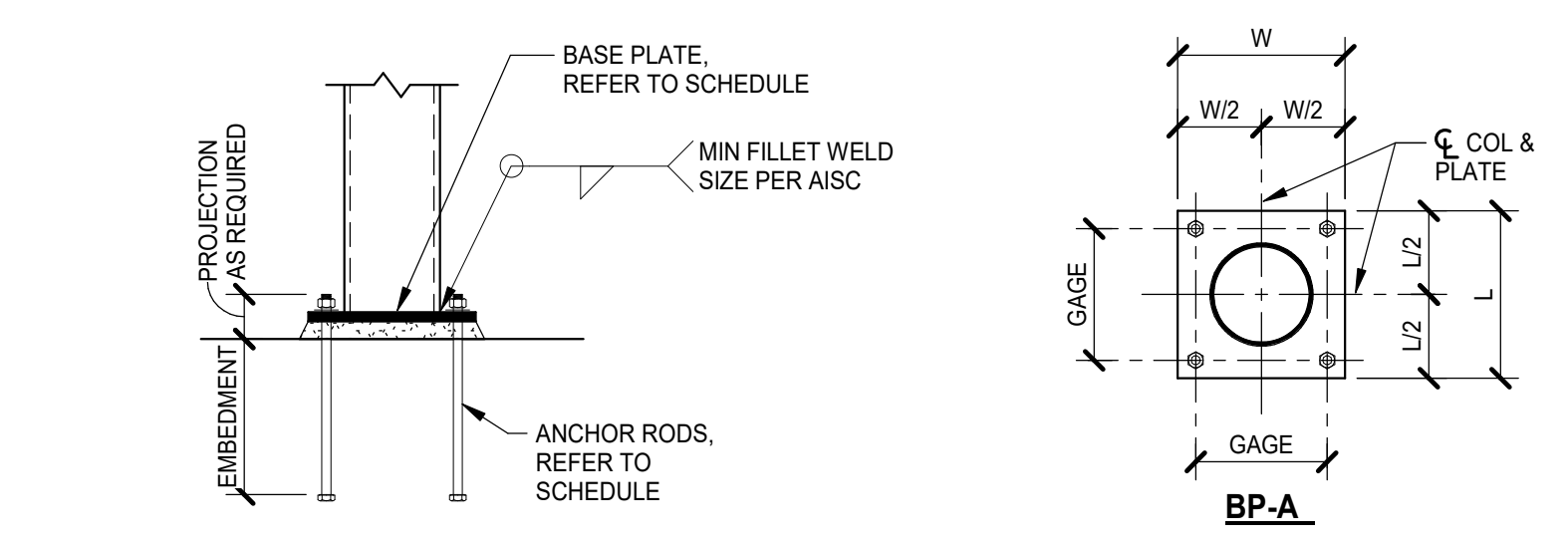
MARK	SIZE			REINFORCING
	LENGTH	WIDTH	THICKNESS	
2.0x3.0	2'-0"	3'-0"	1'-0"	(3) #5 EA WAY
2.5x3.0	2'-6"	3'-0"	1'-0"	(3) #5 EA WAY

**COLUMN BASE PLATE SCHEDULE**

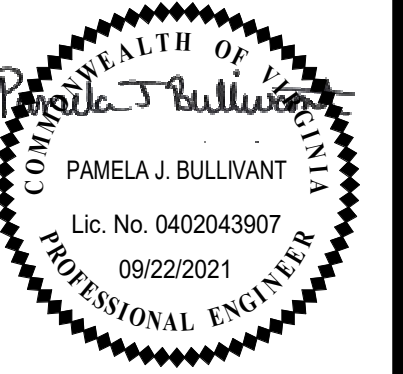
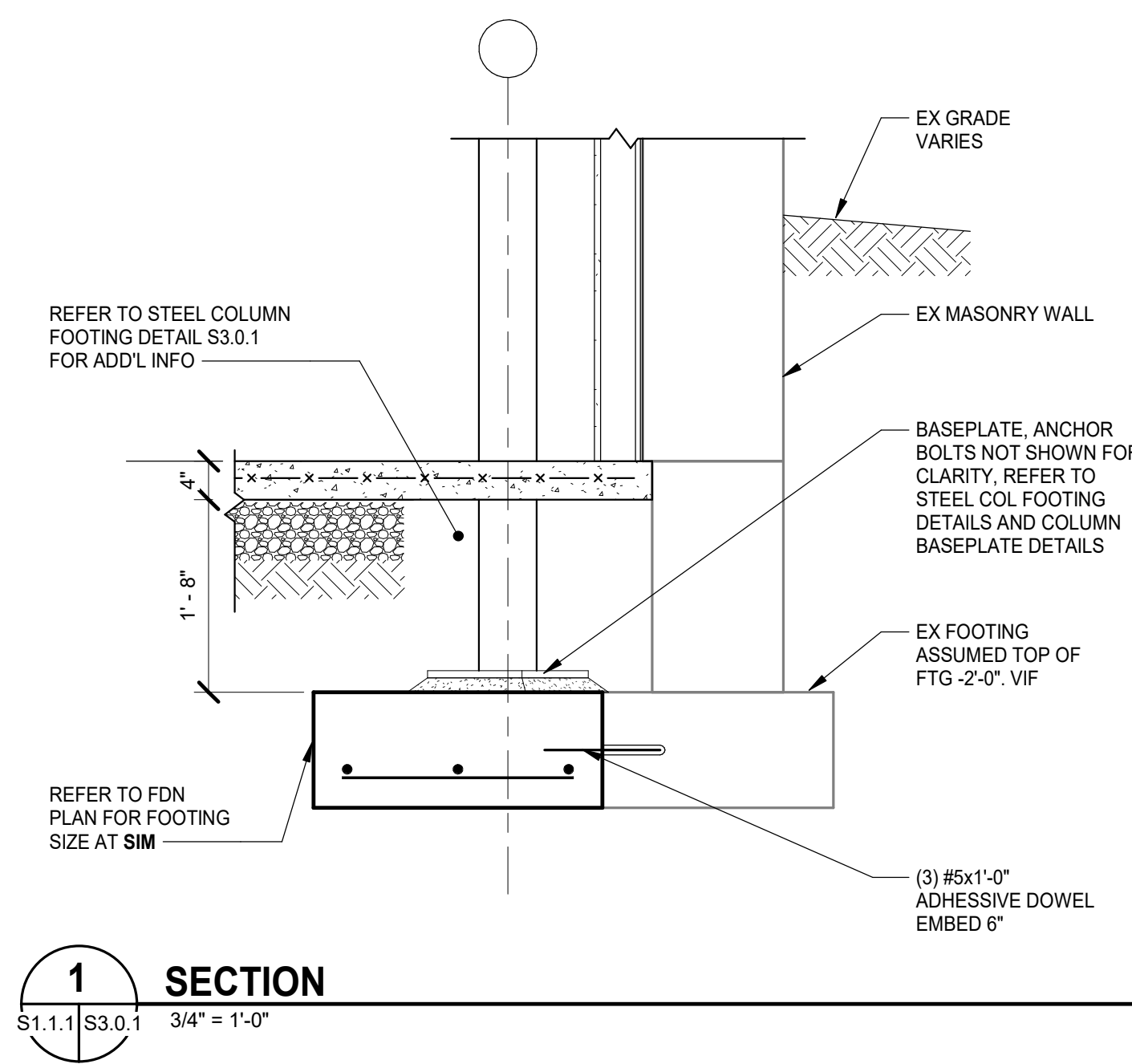
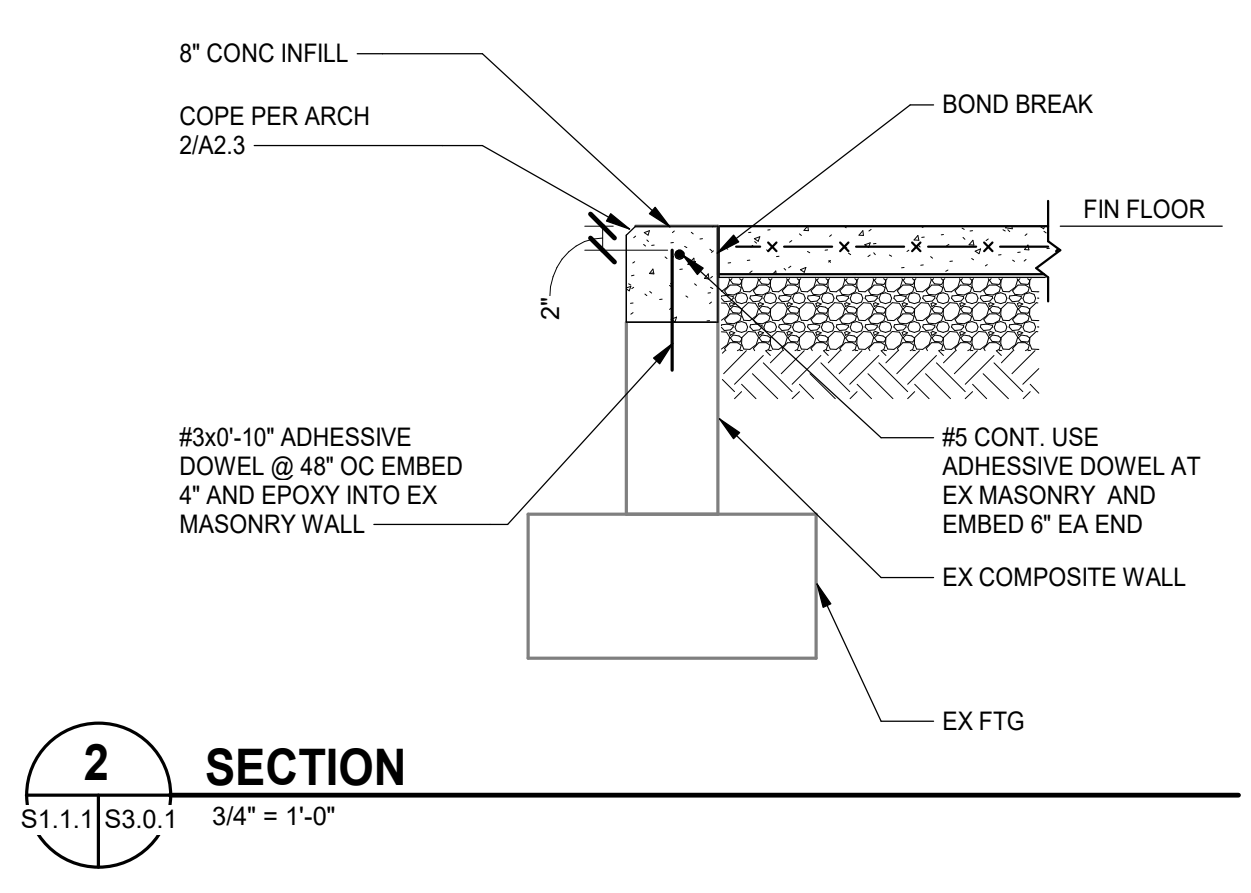
MARK	BASE PLATE SIZE			HEADED ANCHOR RODS			BASE PLATE TYPE
	L	W	T	SIZE	EMBED	GAGE	
BP-A	1'-0"	1'-0"	0'-0.3/4"	(4) 3/4" DIAM	9"	9"	TYPE A



**STEEL COLUMN FOOTING DETAILS**  
NO SCALE



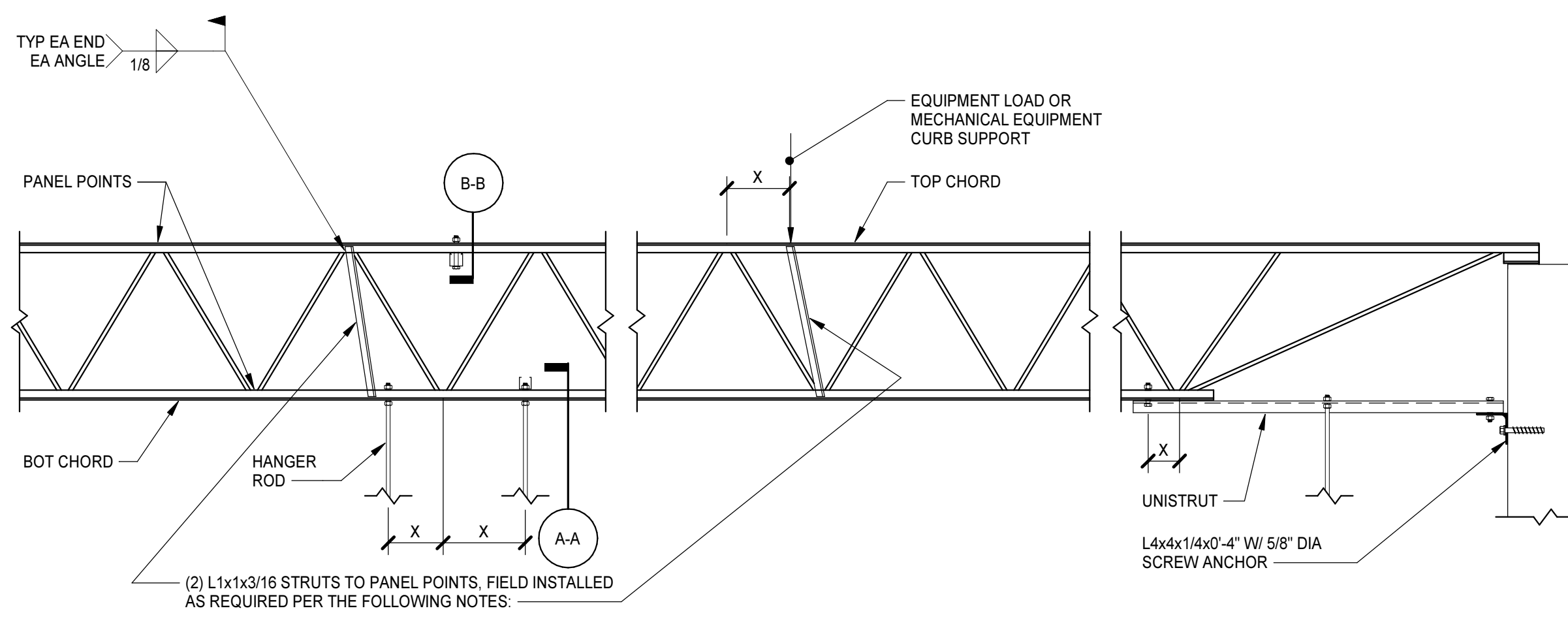
**COLUMN BASE PLATE DETAILS**  
NO SCALE



PROJECT NO: 563006  
DATE: SEPTEMBER 22, 2021

DATE	REVISIONS	DESCRIPTION





**K-SERIES JOISTS**

- WHERE UTILITIES RUN PARALLEL TO JOISTS, INDIVIDUAL HANGERS SHALL BE SPACED SUCH THAT HANGER LOAD (IF DIRECTLY BELOW JOIST), OR UNISTRUT REACTION (IF PIPE IS BETWEEN JOISTS) DOES NOT EXCEED 200 LBS.
- WHERE UTILITIES RUN PERPENDICULAR TO JOISTS, INDIVIDUAL HANGERS SHALL BE SPACED SUCH THAT HANGER LOAD DOES NOT EXCEED 200 LBS.
- IF INDIVIDUAL HANGER LOAD EXCEEDS 200 LBS ON ANY JOIST, AND DIMENSION 'X' EXCEEDS 6', STRUTS SHALL BE INSTALLED AS INDICATED ABOVE.
- WHERE MULTIPLE HANGERS ARE LOCATED BETWEEN PANEL POINTS, THE CUMULATIVE LOAD SHALL NOT EXCEED 200 LBS.

**KCS AND LH-SERIES JOISTS**

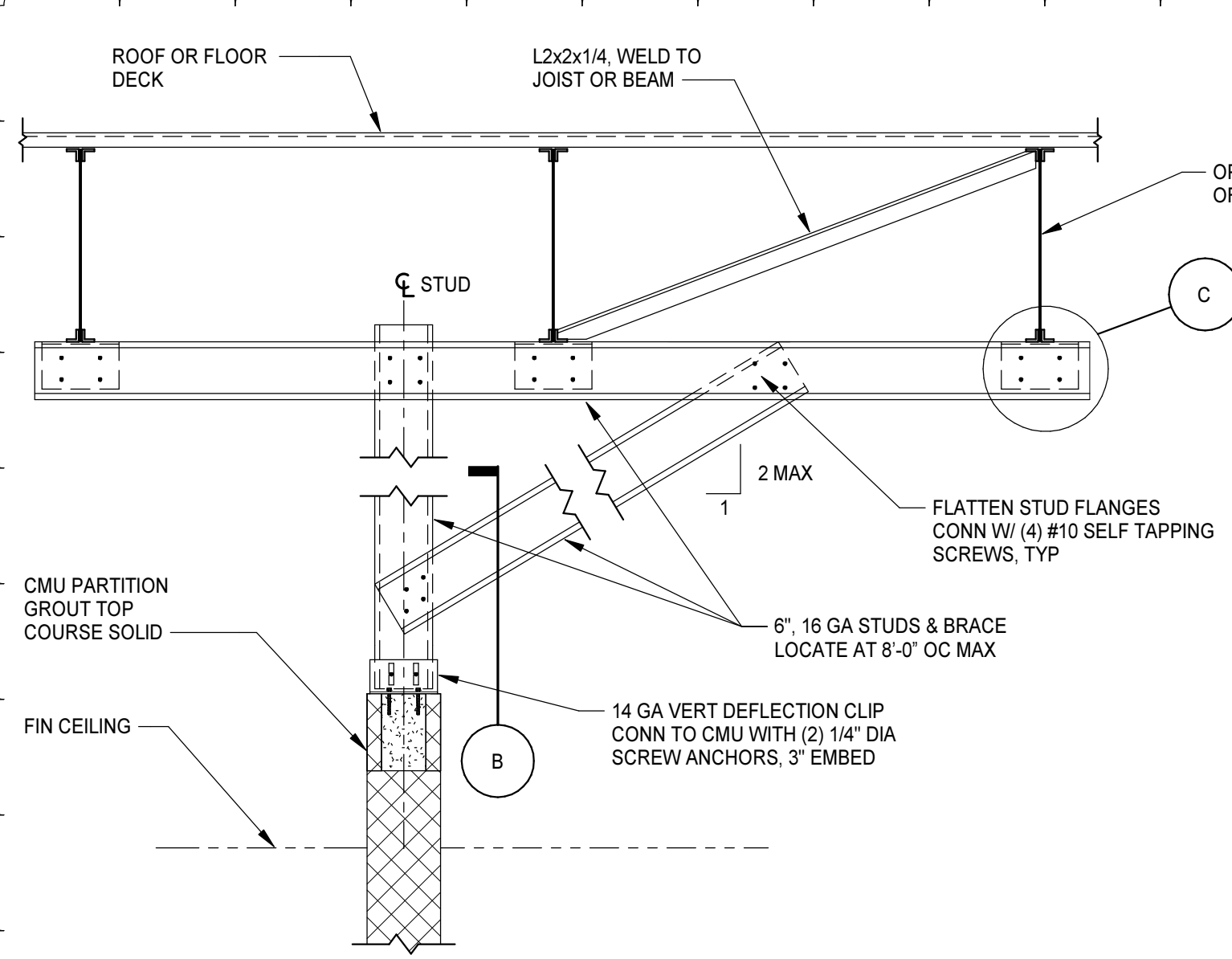
- WHERE UTILITIES RUN PARALLEL TO JOISTS, INDIVIDUAL HANGERS SHALL BE SPACED SUCH THAT HANGER LOAD (IF DIRECTLY BELOW JOIST), OR UNISTRUT REACTION (IF PIPE IS BETWEEN JOISTS) DOES NOT EXCEED 500 LBS.
- WHERE UTILITIES RUN PERPENDICULAR TO JOISTS, INDIVIDUAL HANGERS SHALL BE SPACED SUCH THAT HANGER LOAD DOES NOT EXCEED 500 LBS, OR HANGER SHALL BE LOCATED AT EA JOIST.
- IF INDIVIDUAL HANGER LOAD EXCEEDS 500 LBS ON ANY JOIST, AND DIMENSION 'X' EXCEEDS 6', STRUTS SHALL BE INSTALLED AS INDICATED ABOVE.
- WHERE MULTIPLE HANGERS ARE LOCATED BETWEEN PANEL POINTS, THE CUMULATIVE LOAD SHALL NOT EXCEED 500 LBS.

**GENERAL**

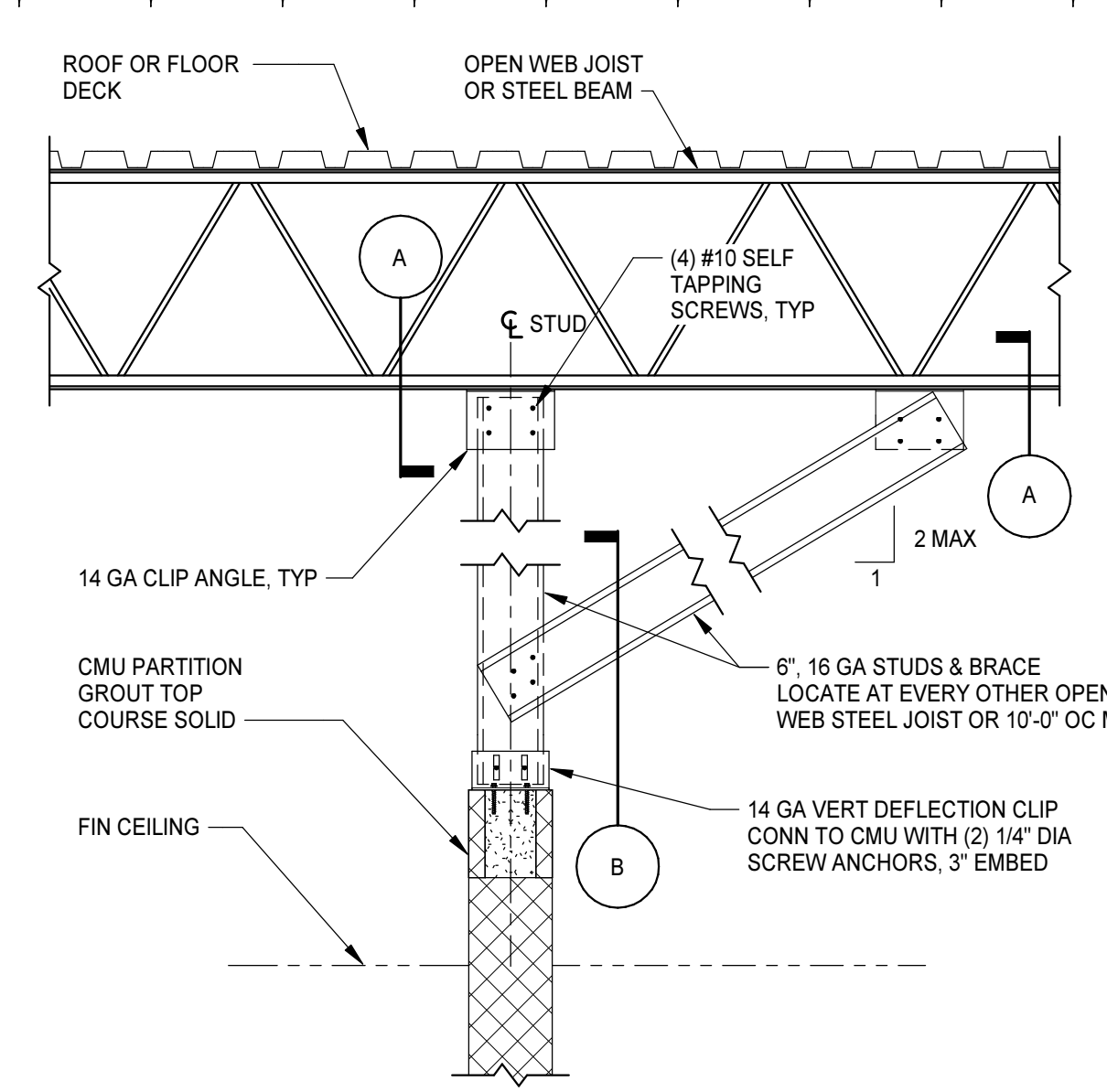
- C-CLAMPS SHALL NOT BE USED WHERE HANGER LOAD EXCEEDS 50 LBS.
- REFER TO DRAWING S0.D.1 FOR STEEL JOIST NOTES.

**NOTE:**

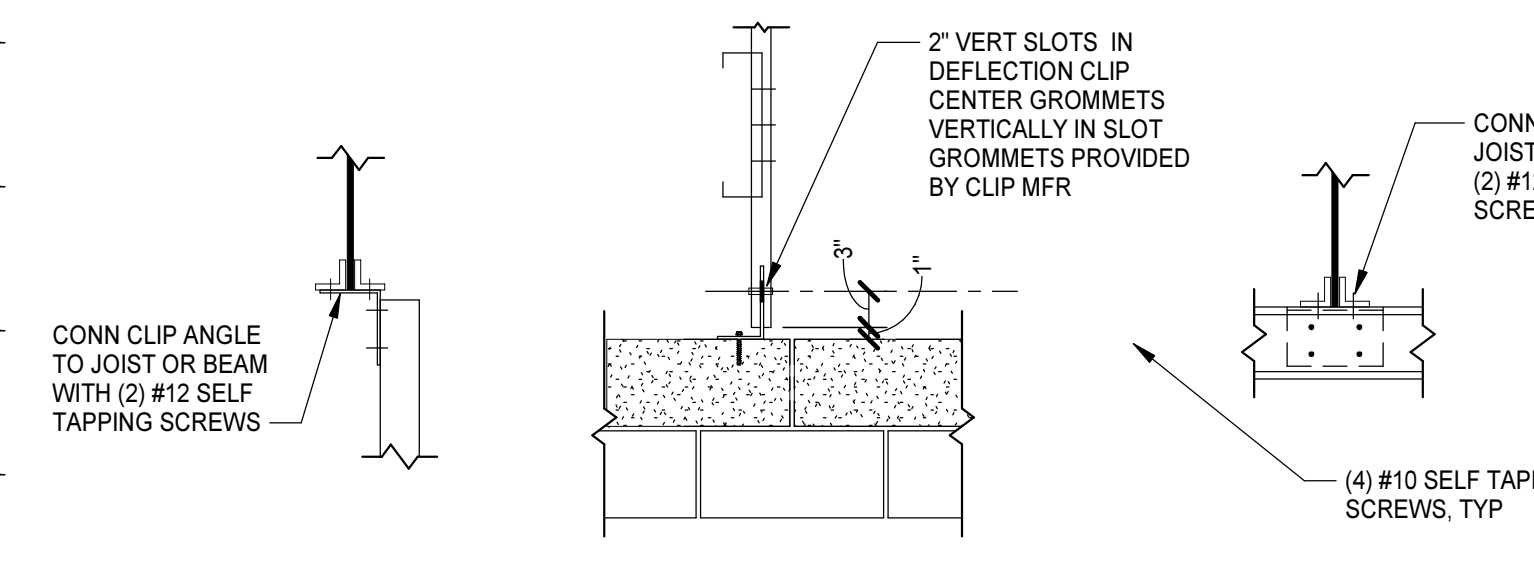
THE GENERAL CONTRACTOR SHALL COORDINATE THESE REQUIREMENTS FOR HANGER SPACING AND JOIST REINFORCING STRUTS WITH MECHANICAL, PLUMBING, AND FIRE PROTECTION TRADES IN ORDER TO ENSURE THAT THESE REQUIREMENTS ARE ACCOUNTED FOR IN THE BID PRICE AND IMPLEMENTED IN THE FIELD. THE GENERAL CONTRACTOR SHALL BE RESPONSIBLE FOR THE PROPER INSTALLATION OF THE REINFORCING STRUTS IN ALL CASES WHERE THE HANGER LOAD EXCEEDS THE MAXIMUM. IF HANGER LOCATIONS ARE COORDINATED TO COMPLY WITH THE MAXIMUM HANGER LOADS INDICATED IN THIS DETAIL, THE NUMBER OF JOIST REINFORCING STRUTS WILL BE MINIMIZED.



**LOW WALL PARALLEL TO JOIST OR BEAM**



**LOW WALL PERPENDICULAR TO JOIST OR BEAM**

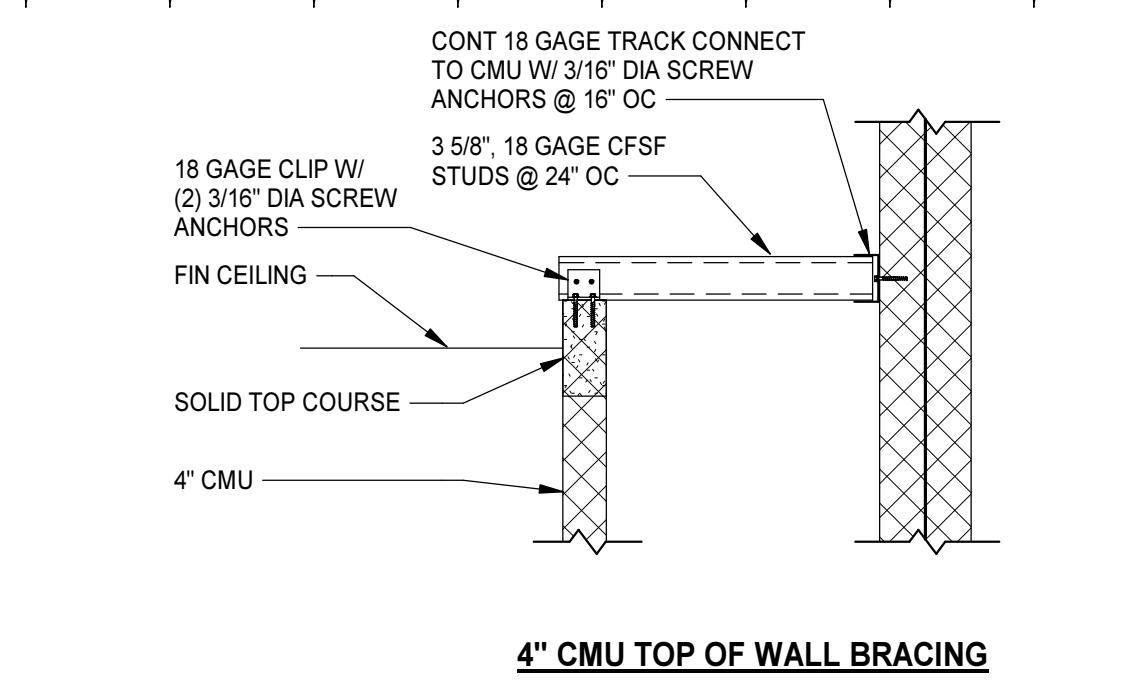


**BRACING DETAILS FOR NON-LOAD BEARING INTERIOR MASONRY PARTITIONS**

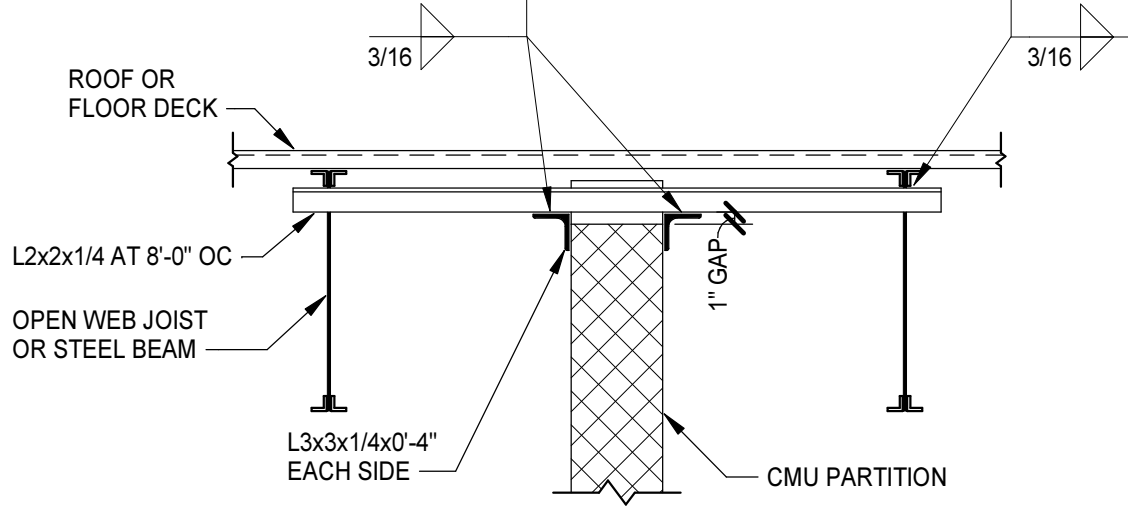
NO SCALE

**NOTES:**

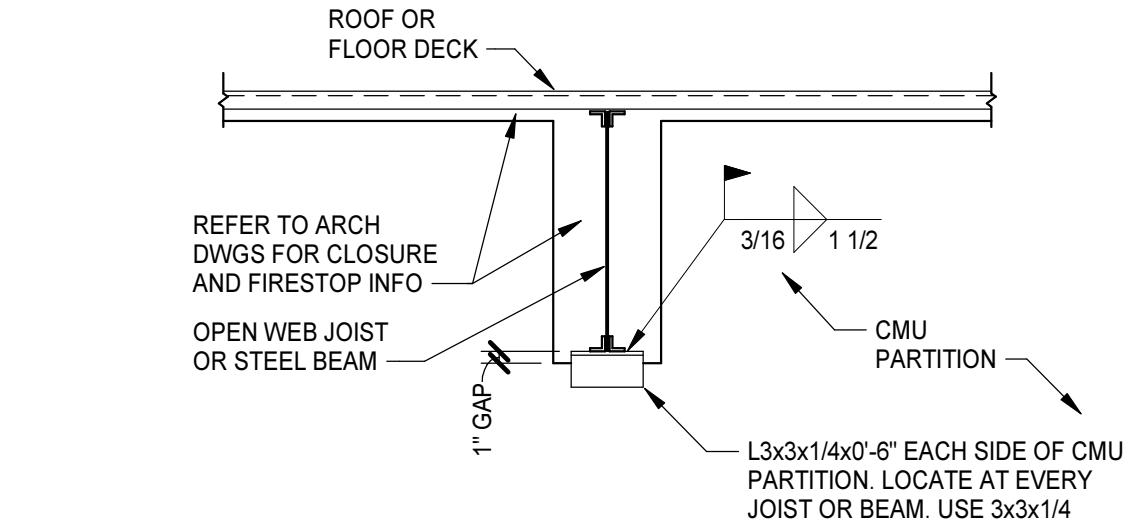
- BRACE INTERIOR NON-LOAD BEARING MASONRY WALLS IN ACCORDANCE WITH THESE DETAILS UNLESS OTHERWISE INDICATED.
  - IN LIEU OF BRACING AT TOPS OF WALLS, BRACING MAY BE PROVIDED BY INTERSECTING MASONRY WALLS WHEN THE DISTANCE BETWEEN THE INTERSECTING WALLS DOES NOT EXCEED THE FOLLOWING:
- | NOMINAL THICKNESS OF BRACED WALLS | MAXIMUM SPACING BETWEEN INTERSECTING WALLS |
|-----------------------------------|--|
| 4"                                | 12'-0"                                     |
| 6"                                | 16'-0"                                     |
| 8"                                | 22'-0"                                     |
| 10"                               | 28'-0"                                     |
| 12"                               | 30'-0"                                     |
- BRACING IS REQUIRED IN ACCORDANCE WITH THESE DETAILS IF A VERTICAL CONTROL JOINT OCCURS BETWEEN INTERSECTING WALLS.
  - REFER TO ARCHITECTURAL DRAWINGS FOR INTERIOR PARTITION TYPES AND LOCATIONS.
  - INSTALL BRACING AFTER ALL ROOF DEAD LOAD IS IN PLACE.



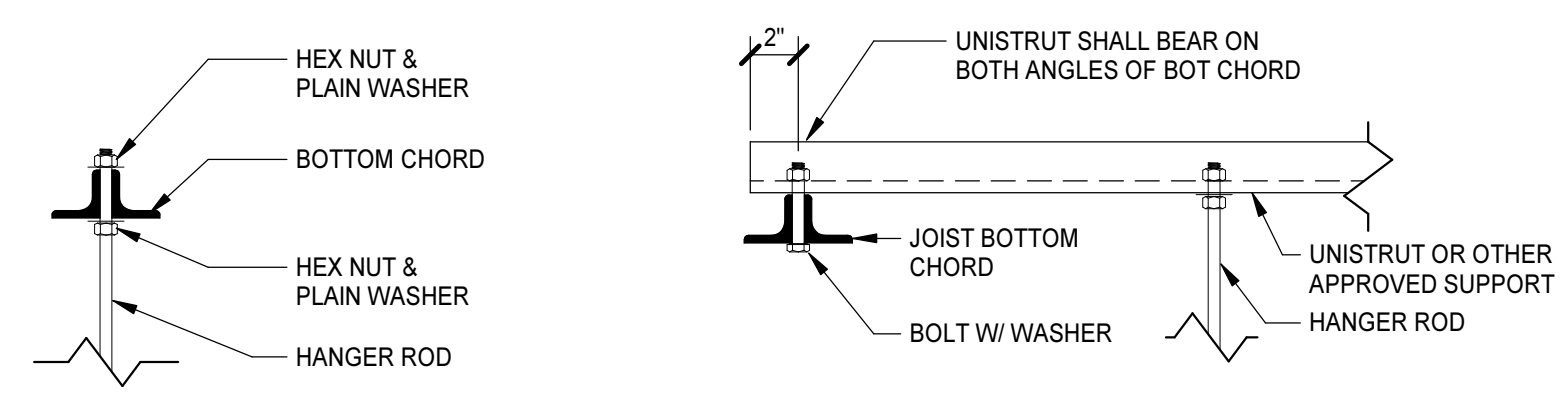
**4" CMU TOP OF WALL BRACING**



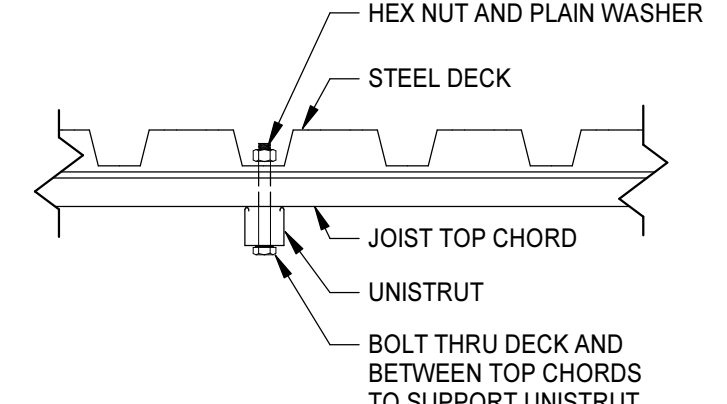
**WALL TO UNDERSIDE OF DECK PARALLEL TO JOISTS**



**WALL TO UNDERSIDE OF DECK PERPENDICULAR TO JOISTS**



**SECTION A-A**

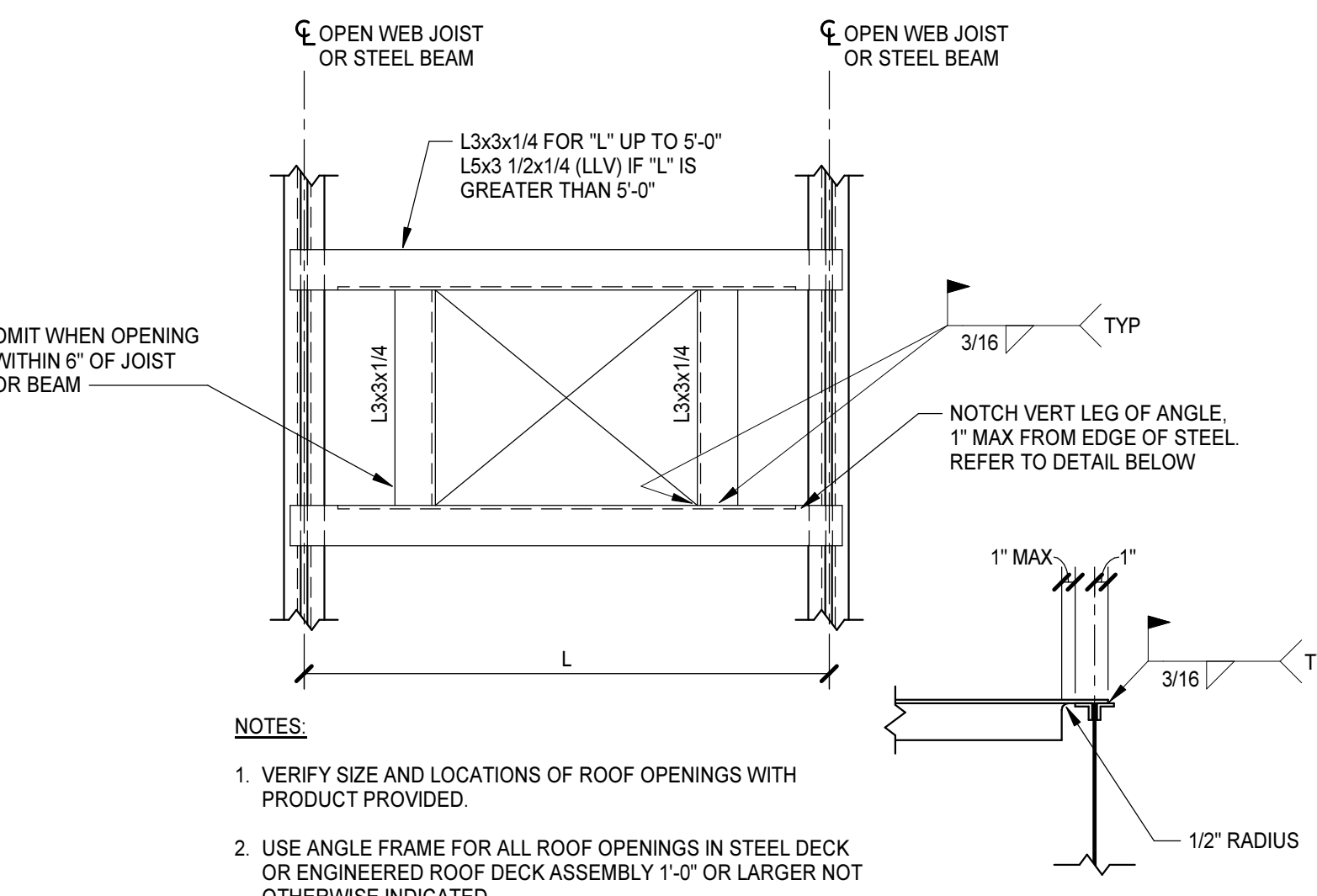


**SECTION B-B**

NOTE: CONTRACTOR SHALL PROVIDE DESIGN OF HANGER ASSEMBLY C-CLAMPS PERMITTED WHEN LOAD IS LESS THAN 50 LBS

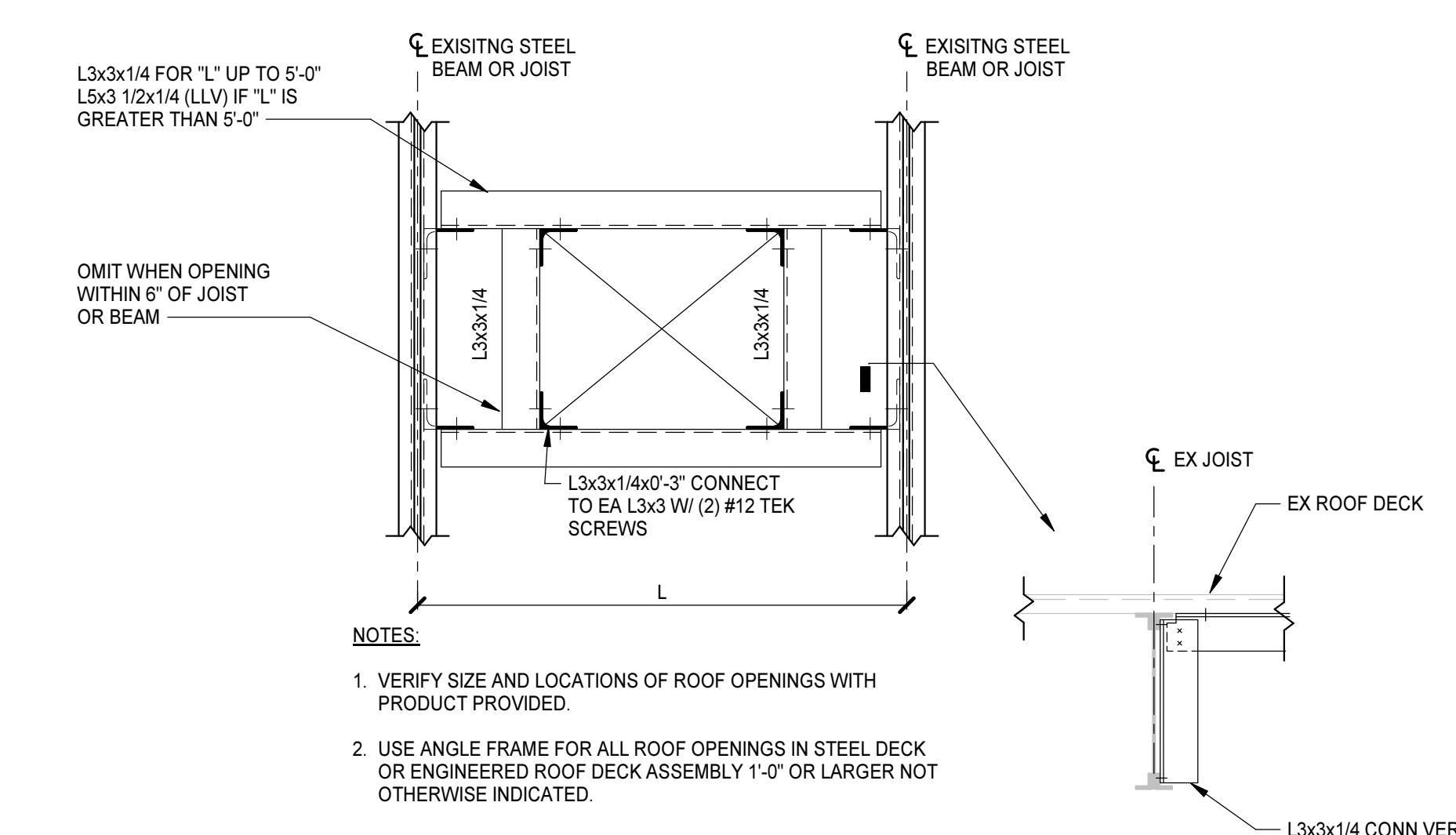
**TYPICAL LOAD SUPPORTED FROM EX JOIST DETAIL**

NO SCALE



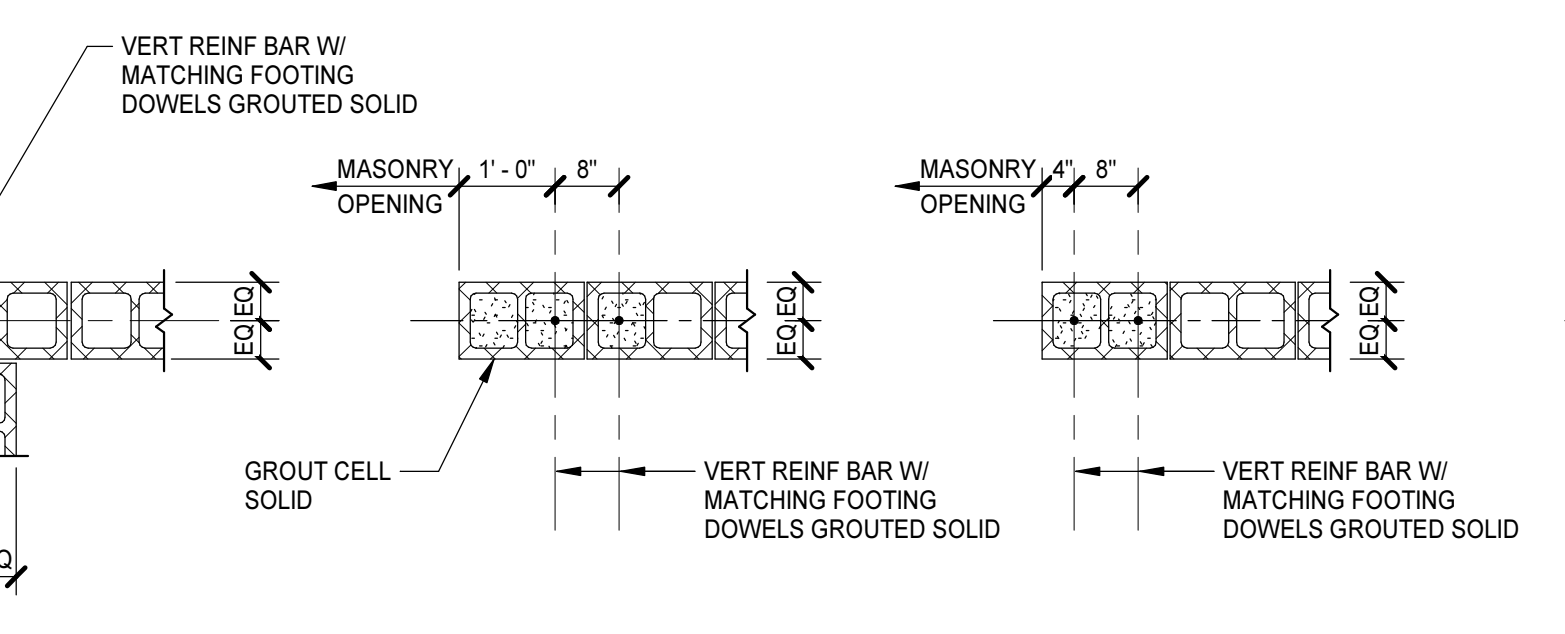
**ROOF OPENING SUPPORT DETAIL - NEW CONSTRUCTION**

NO SCALE



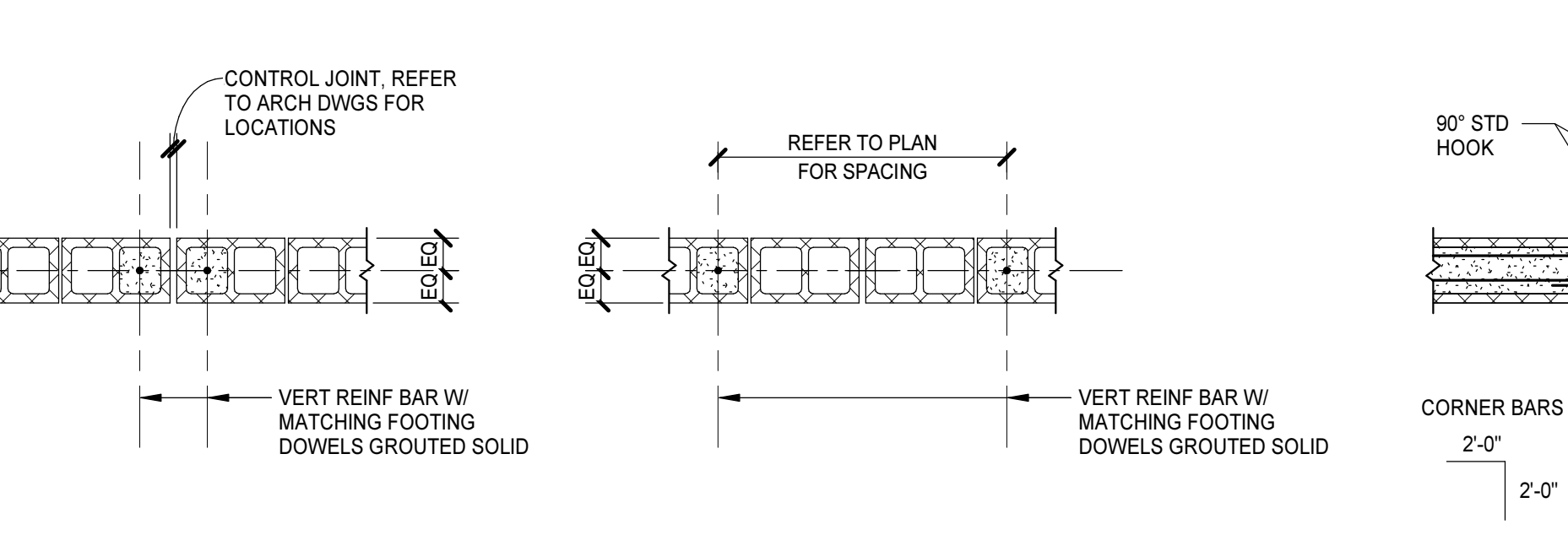
**ROOF OPENING SUPPORT DETAIL - EXISTING CONSTRUCTION**

NO SCALE



**CMU WALL REINFORCING DETAILS**

- NOTES:**
- REINFORCING BAR SIZE INDICATED ON FOUNDATION PLAN.
  - DETAILS ARE PROVIDED FOR VERTICAL REINFORCING STEEL PLACEMENT ONLY. REFER TO ARCHITECTS DRAWINGS FOR SPECIFIC MASONRY DETAILS.



**CMU WALL REINFORCING DETAILS**

MARK	DIAGRAM	BOND BEAM (W x H)	REINFORCING	STEEL	NOTES
L1				L5x3 1/2x3/8 (LLV) AT BRICK AND (2) L5x3 1/2x3/8 (LLV) AT CMU	
L2				(2) L3 1/2x3 1/2x5/16	

**LINTEL SCHEDULE**

**LINTEL NOTES**

- LINTELS FOR ARCHITECTURAL OPENINGS (WINDOWS, DOORS, LOUVERS) IN BEARING WALLS AND EXTERIOR WALLS ARE IDENTIFIED BY MARK NUMBER ON THE FRAMING PLAN(S) AND INCLUDED IN THE LINTEL SCHEDULE.
- LINTELS FOR ARCHITECTURAL OPENINGS IN NON-LOAD BEARING WALLS AND OTHER WALLS WHICH ARE NOT INDICATED ON THE FRAMING PLAN(S) SHALL BE CONSTRUCTED PER NOTES A, B OR C BELOW.
  - A. STEEL ANGLE LINTELS**  
PROVIDE ONE ANGLE FOR EACH NOMINAL 4" OF WALL THICKNESS PER THE FOLLOWING SCHEDULE.  

MASONRY OPENING	ANGLE SIZE
UP TO 5'-0"	L3 1/2x3 1/2x5/16
5'-1" TO 6'-0"	L4x3 1/2x 5/16 (LLV)
6'-1" TO 7'-0"	L5x3 1/2x 3/8 (LLV)
OVER 7'-0"	AS DETAILED

 FOR OPENINGS ON 10" CMU, HORIZONTAL LEGS OF ANGLES SHALL BE A COMBINATION OF 5" AND 4".  
 FOR OPENINGS IN 6" CMU REQUIRING STEEL LINTELS, USE W7Tx11 UP TO 7'-0" OPENING.
  - B. REINFORCED BOND BEAM LINTELS**  
LINTELS SHALL MATCH THICKNESS OF WALL. REINFORCE 8", 10" AND 12" BOND BEAM WITH (2) #5 BARS AT BOTTOM. REINFORCE 6" BOND BEAM WITH (1) #5 BAR AT BOTTOM. BOND BEAM SHALL BE 8" DEEP FOR OPENING WIDTH UP TO 5'-0", AND SHALL BEAR 8" ON SOLID MASONRY EACH END. BOND BEAM SHALL BE 16" DEEP FOR OPENING WIDTH UP TO 8'-0" AND SHALL BEAR 16" ON SOLID MASONRY EACH END WITH REINFORCING TOP AND BOTTOM. PLACE GROUT MONOLITHICALLY IN BOTH COURSES OF 16" DEEP BOND BEAM.
  - C. PRECAST CONCRETE LINTELS**  
PRECAST CONCRETE LINTELS SHALL BE 3 5/8" x 7 5/8" FOR EACH NOMINAL 4" THICKNESS OF WALL. REINFORCING SHALL BE (1) #4 TOP AND BOTTOM WITH 1 1/2" COVER. FOR OPENINGS IN 6" CMU, LINTEL SHALL BE 5 5/8" x 7 5/8", REINFORCED WITH (1) #5 TOP AND BOTTOM. MASONRY OPENING WIDTH SHALL BE 6'-0" OR LESS. DO NOT USE PRECAST CONCRETE LINTELS IN EXPOSED LOCATIONS.
- LINTELS FOR MECHANICAL DUCTWORK PENETRATIONS NOT OTHERWISE DETAILED SHALL BE ONE OF THE ABOVE (NOTE 2A, 2B OR 2C).
- LINTELS SHALL BEAR 8" ONTO SOLID OR GROUT FILLED MASONRY, UNLESS OTHERWISE INDICATED.
- LINTELS ARE REQUIRED OVER ALL MASONRY OPENINGS GREATER THAN 8" IN WIDTH.
- LINTELS ARE NOT REQUIRED ABOVE HOLLOW METAL FRAMES IN OPENINGS 3'-4" OR LESS IN 6" NON-BEARING MASONRY PARTITIONS. GROUT HEAD OF FRAMES SOLID BEFORE PLACING MASONRY.
- ALL LINTELS IN EXTERIOR WALLS SHALL BE GALVANIZED.



PROJECT NO:	563006
DATE:	SEPTEMBER 22, 2021
REVISIONS:	
DATE:	DESCRIPTION
12/15/21	ADDENDUM 1



J  
H  
G  
F  
E  
D  
C  
B  
A

### ABBREVIATIONS

@	AT	EQUIP	EQUIPMENT	OD	OUTSIDE DIAMETER
AAV	AIR ADMITTANCE VALVE	ETR	EXISTING TO REMAIN	OFCI	OWNER FURNISHED CONTRACTOR INSTALLED
ABV	ABOVE	EWV	ELECTRIC WATER COOLER	OFF	OFFICE
ADJ	ADJUSTABLE	EWH	ELECTRIC WATER HEATER	OH	OVERHEAD
ADNL	ADDITIONAL	EX	EXISTING	OPNG	OPENING
AFF	ABOVE FINISHED FLOOR	EXP	EXPANSION	OPP	OPPOSITE
AFG	ABOVE FINISHED GRADE	FD	FLOOR DRAIN	OSD	OPEN SITE DRAIN
AHU	AIR HANDLING UNIT	FDC	FIRE DEPARTMENT CONNECTION	PC	PRECAST
ALT	ALTERNATE	FDN	FOUNDATION DRAIN	PCF	POUNDS PER CUBIT FOOT
ALUM	ALUMINUM	FF	FINISHED FLOOR	PD	PUMP DISCHARGE
AP	ACCESS PANEL	FFE	FINISHED FLOOR ELEVATION	PLUMB	PLUMBING
APPR	APPROXIMATE	FG	FINISHED GRADE	PLYWD	PLYWOOD
ARCH	ARCHITECTURAL	FH	FIRE HYDRANT	POLY	POLYETHYLENE
AUTO	AUTOMATIC	FHC	FIRE HOSE CABINET	PPT	PRESSURE PRESERVATIVE TREATED
AVG	AVERAGE	FHS	FIRE HOSE STATION	PREFAB	PREFABRICATE(D)
BFF	BELOW FINISHED FLOOR	FHVC	FIRE HOSE VALVE CABINET	PROJ	PROJECT
BFG	BELOW FINISHED GRADE	FX	FIXTURE	PSF	POUNDS PER SQUARE FOOT
BLDG	BUILDING	FLR	FLOOR	PSI	POUNDS PER SQUARE INCH
BO	BOTTOM OF	FLSHG	FLASHING	PV	PROPANE VENT
BOT	BOTTOM	FOR	FUEL OIL RETURN	PVC	POLYVINYL CHLORIDE
BSMT	BASEMENT	FOS	FUEL OIL SUPPLY	PVMT	PAVEMENT
BTWN	BETWEEN	FUV	FUEL OIL VENT	R	RISER
CA	COMPRESSED AIR	FS	FLOOR SINK	RAD	RADIUS
CI	CAST IRON	FT	FOOT OR FEET	RD	ROOF DRAIN (BOTTOM OUTLET)
CIP	CAST-IN-PLACE CONCRETE	FVC	FIRE VALVE CABINET	ROS	ROOF DRAIN (SIDE OUTLET)
CL	CENTERLINE	G	NATURAL GAS	REF	REFERENCE
CLG	CELINGS	GWH	GAS WATER HEATER	REQD	REQUIRED
CLR	CLEAR	HB	HOSE BIBB	REQMT	REQUIREMENTS
CMP	CORRUGATED METAL PIPE	HORIZ	HORIZONTAL	RL	RAIN LEADER
CNTR	COUNTER	HP	HORSEPOWER	RM	ROOM
CO	CLEANOUT	HTG	HEATING	RO	ROUGH OPENING
COL	COLUMN	HW	HOT WATER	S	SOUTH
CONC	CONCRETE	HWR	HOT WATER RETURN	SAN	SANITARY
CONDS	CONDENSATE	HWS	HOT WATER SUPPLY	SCH	SCHEDULE
CONSTR	CONSTRUCTION	ID	INSIDE DIAMETER	SD	STORM DRAIN
CONT	CONTINUATION	IN	INCH	SDN	STORM DRAIN NOZZLE
CONTR	CONTRACT (OR)	INSUL	INSULATE OR INSULATION	SHT	SHEET
CORR	CORRIDOR	INV	INVERT	SIM	SIMILAR
CP	CIRCULATING PUMP	JAN	JANITOR	SLT	SEALANT
CR	CLASSROOM	KIT	KITCHEN	SOG	SLAB ON GRADE
CT	COOLING TOWER	KW	KITCHEN WASTE	SP	SUMP PUMP
CU	COPPER	LAB	LABORATORY	SPEC	SPECIFICATION
CU FT	CUBIC FEET	LAV	LAVATORY	SPR	SPRINKLER
CU YD	CUBIC YARD	LBS	POUNDS	SQ	SQUARE
OW	COLD WATER	LF	LINEAR FOOT (FEET)	SRD	SECONDARY ROOF DRAIN
DB	DRY BULB	LP	PROPANE	SS	STAINLESS STEEL
DCW	DOMESTIC COLD WATER	LPV	PROPANE VENT	SSD	SECONDARY STORM DRAIN
DEMO	DEMOLISH OR DEMOLITION	MATL	MATERIAL	STD	STANDARD
DF	DRINKING FOUNTAIN	MAX	MAXIMUM	STL	STEEL
DHR	DOMESTIC HOT WATER RETURN	MECH	MECHANICAL	STOR	STORAGE
DHR(140)	DOMESTIC HOT WATER RETURN (140°)	MED	MEDIUM	STRUCT	STRUCTURAL
DHW	DOMESTIC HOT WATER	MFR	MANUFACTURER	SUSP	SUSPENDED
DHW(140)	DOMESTIC HOT WATER (140°)	MH	MANHOLE	THK	THICK(NESS)
DI	DROP INLET	MIN	MINIMUM	TLT	TOILET
DIA	DIAMETER	MISC	MISCELLANEOUS	TOSL	TOP OF SLAB
DIP	DUCTILE IRON PIPE	MTD	MOUNTED	TW	DOMESTIC TEMPERED WATER (90° F)
DN	DOWN	N	NORTH	TYP	TYPICAL
DS	DOWNSPOUT	N/A	NOT APPLICABLE/AVAILABLE	UG	UNDERGROUND
DT	DRAIN TILE	NC	NORMALLY CLOSED	UNO	UNLESS NOTED (INDICATED) OTHERWISE
DTL	DETAIL	NG	NATURAL GAS	V	VENT
DTW	DOMESTIC TEMPERED WATER	NOV	NATURAL GAS VENT	VAC	VACUUM
DWG	DRAWING	NO	NOT IN CONTRACT	VB	VACUUM BREAKER
E	EAST	NO	NORMALLY OPEN	VERT	VERTICAL
ELEC	ELECTRICAL	NO. (#)	NUMBER	VTR	VENT THROUGH ROOF
EPBD	ELECTRICAL PANELBOARD	NOM	NOMINAL	W	WEST
EQ	EQUAL	NOM	NOMINAL	W	WITH
		OC	ON CENTER	W/O	WITHOUT
				WB	WATER HAMMER ARRESTER
				WC	WATER CLOSET
				WSP	WATER SOURCE HEAT PUMP
				WWF	WELDED WIRE FABRIC
				WMM	WELDED WIRE MESH
				XFMR	TRANSFORMER

### GRAPHICS SYMBOLS LEGEND

**PIPE WITH SIZE AND SERVICE**  
**FLOW IN DIRECTION OF ARROW**  
**PITCH DOWN IN DIRECTION OF ARROW AT INDICATED SLOPE**  
**PIPE CAP**  
**PIPE TURNED DOWN**  
**PIPE TURNED UP**  
**PIPE TEE UP**  
**PIPE TEE DOWN**  
**UNION**  
**CONCENTRIC PIPE REDUCTION**  
**END OF LINE CLEANOUT PLUG**  
**FLOOR CLEANOUT**  
**WALL CLEANOUT**  
**YARD CLEANOUT (CLEANOUT TO GRADE)**  
**FLOOR DRAIN WITH TAG**  
**FLOOR SINK WITH TAG**  
**PRESSURE GAUGE WITH GAUGE COCK**  
**LIQUID FILLED THERMOMETER**  
**WATER HAMMER ARRESTOR (PLUMBING & DRAINAGE INSTITUTE SIZE INDICATED)**  
**FLOW SWITCH**  
**TEMPERATURE/PRESSURE PLUG**  
**VALVE**  
**VALVE IN RISER**  
**GAS COCK**  
**VENTURI FLOW METER**  
**MANUAL BALANCING VALVE**  
**AUTOMATIC BALANCING VALVE WITH FLOW TAPS**  
**SWING CHECK VALVE**  
**PRESSURE REDUCING VALVE**  
**SOLENOID OPERATED VALVE**  
**TEMPERATURE AND PRESSURE RELIEF VALVE**  
**BACKWATER VALVE**  
**HOSE BIBB OR WALL HYDRANT**  
**REDUCED PRESSURE PRINCIPLE BACKFLOW PREVENTER**  
**DOUBLE CHECK BACKFLOW PREVENTER**  
**PUMP**

**POINT OF CONNECTION TO EXISTING**  
**LIMIT OF DEMOLITION**  
**KEYNOTE**  
**STRUCTURAL GRID LINE WITH DESIGNATION**  
**SPACE IDENTIFICATION TAG**  
**EQUIPMENT IDENTIFICATION TAG**  
**SECTION WHERE CUT**  
**ENLARGED PLAN WHERE CUT**  
**DETAIL TAG**  
**SANITARY RISER TAG**  
**DOMESTIC RISER TAG**  
**DETAIL TITLE**  
**SANITARY RISER DIAGRAM**  
**DOMESTIC RISER DIAGRAM**  
**FUEL GAS RISER DIAGRAM**

**MOSELEY ARCHITECTS**  
5200 NORFOLK STREET, RICHMOND, VA 23230  
PHONE (804) 784-7555 FAX (804) 355-5690  
MOSELEYARCHITECTS.COM



**KELLY DAY RENOVATIONS FS 1**  
563006  
500 South Glebe Road, Arlington, VA 22204  
Owner: Arlington County

PROJECT NO:	563006
DATE:	SEPTEMBER 22, 2021
REVISIONS	
DATE	DESCRIPTION

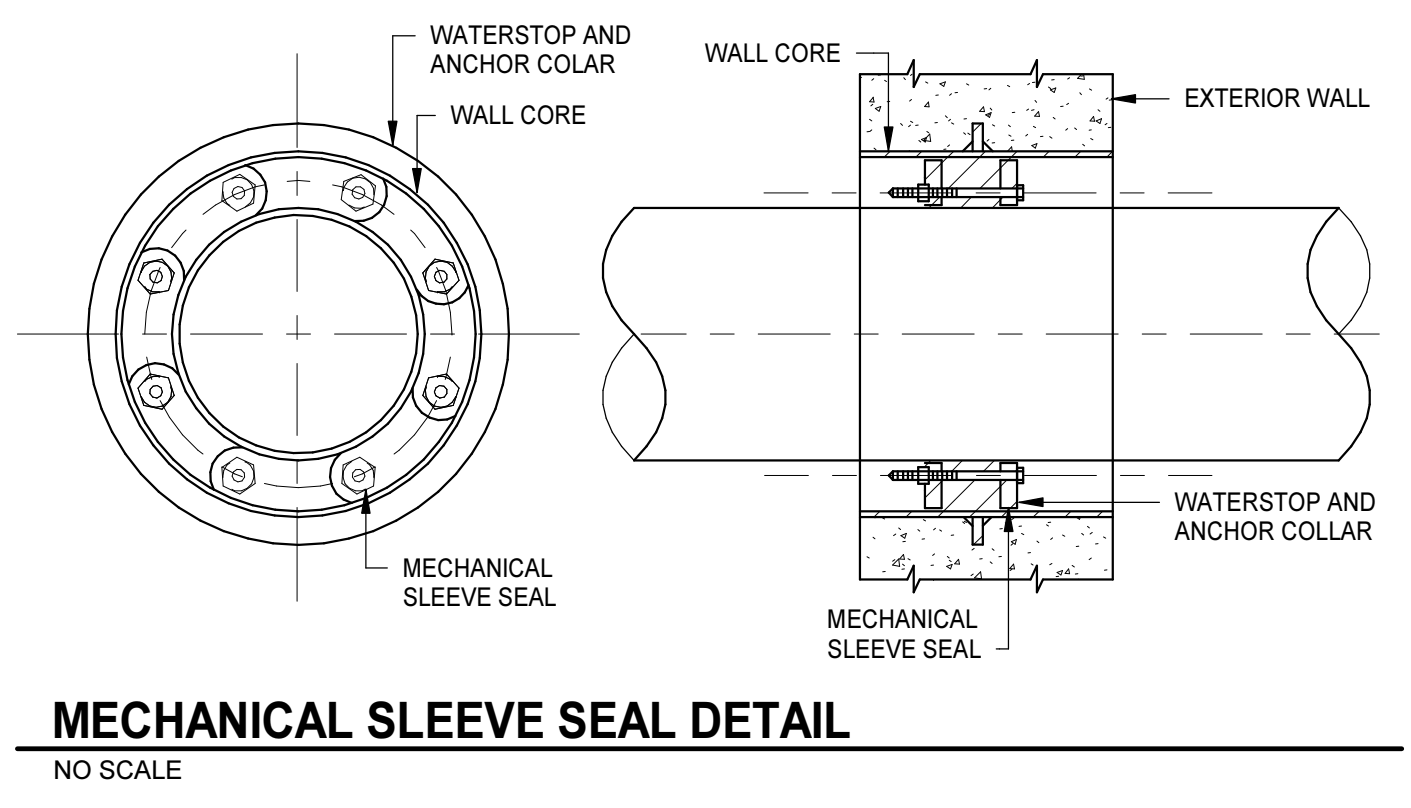
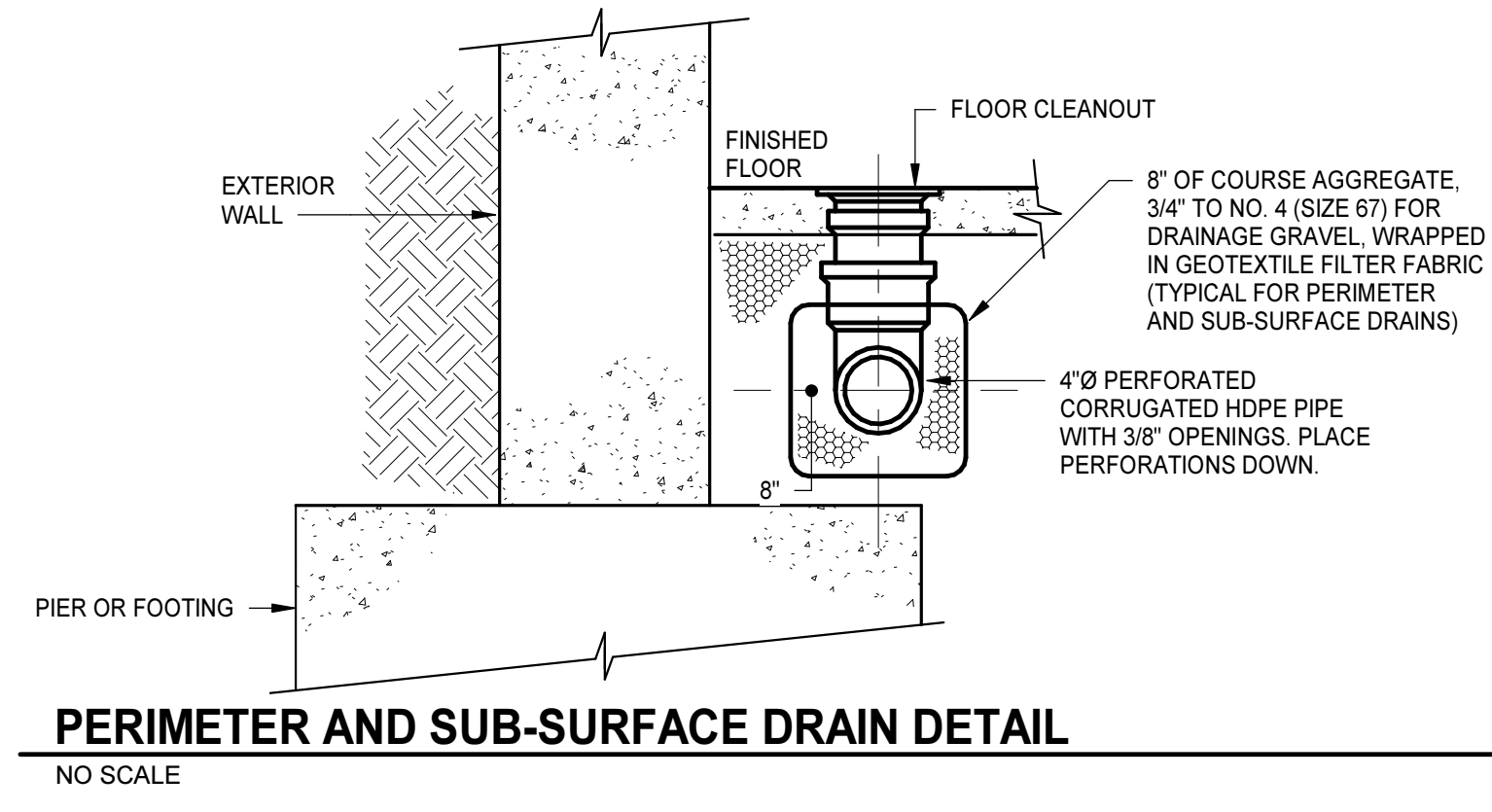
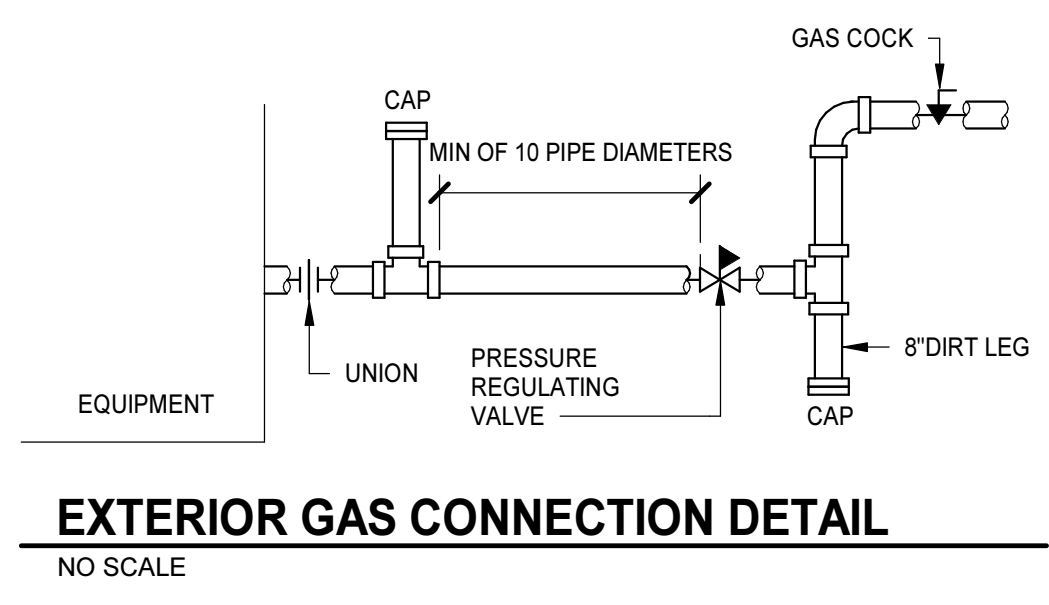
### GENERAL NOTES

- A. THE CONTRACT DOCUMENTS ARE COMPLEMENTARY AND WHAT IS REQUIRED BY ONE SHALL BE AS BINDING AS IF REQUIRED BY ALL. IN THE CASE OF A CONFLICT, DISAGREEMENT, OR AMBIGUITY, PROVIDE THE BETTER QUALITY. IN THE CASE OF A CONFLICT, DISAGREEMENT, OR AMBIGUITY, PROVIDE THE GREATER QUANTITY OF WORK.
- B. COORDINATE PIPING LOCATIONS AND INSTALLATION WITH EACH TRADE TO AVOID CONFLICTS WITH OTHER TRADES.
- C. PROVIDE FLOOR CLEANOUTS INDICATED FLUSH WITH FLOOR FINISHES.
- D. PROVIDE CLEANOUTS WHERE INDICATED AND ADDITIONAL CLEANOUTS AS REQUIRED BY LOCAL CODE.
- E. REFER TO DRAWINGS FROM EACH DISCIPLINE BEFORE ROUGHING-IN PLUMBING FIXTURES.
- F. OBTAIN DIMENSIONS AND ROUTING IN FIELD BEFORE INSTALLATION OF PLUMBING AND FIXTURES.
- G. PROVIDE ISOLATION VALVES IN ACCORDANCE WITH DIAGRAMS, DETAILS, AND DIVISION 22 SPECIFICATIONS.

LEGENDS, ABBREVIATIONS AND GENERAL NOTES

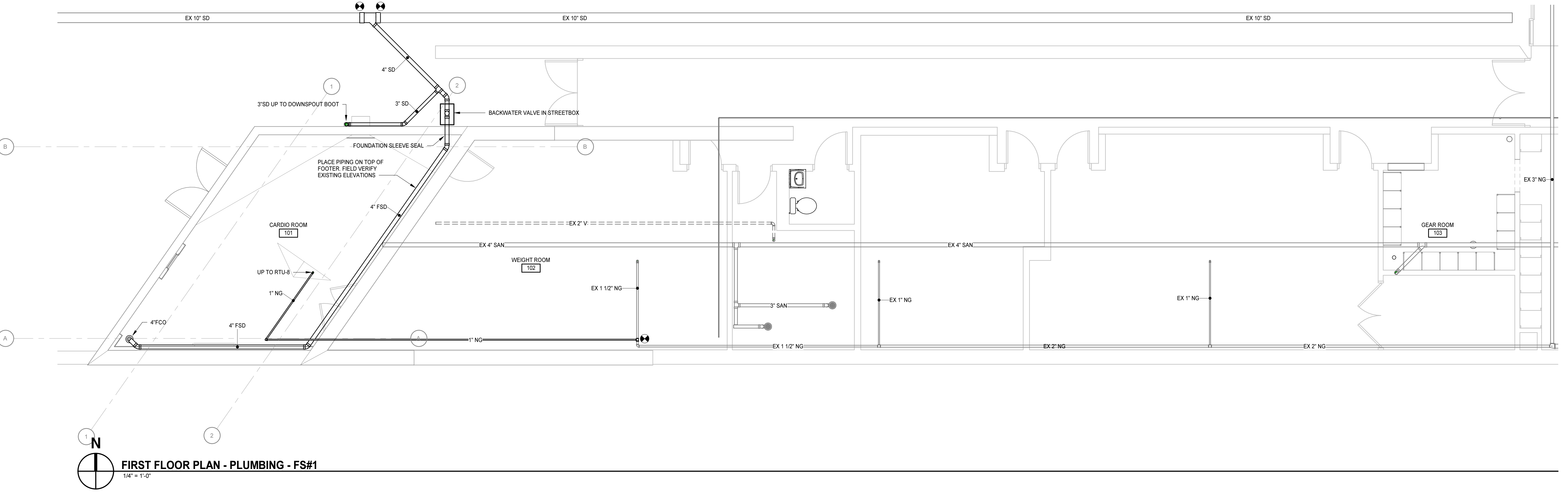
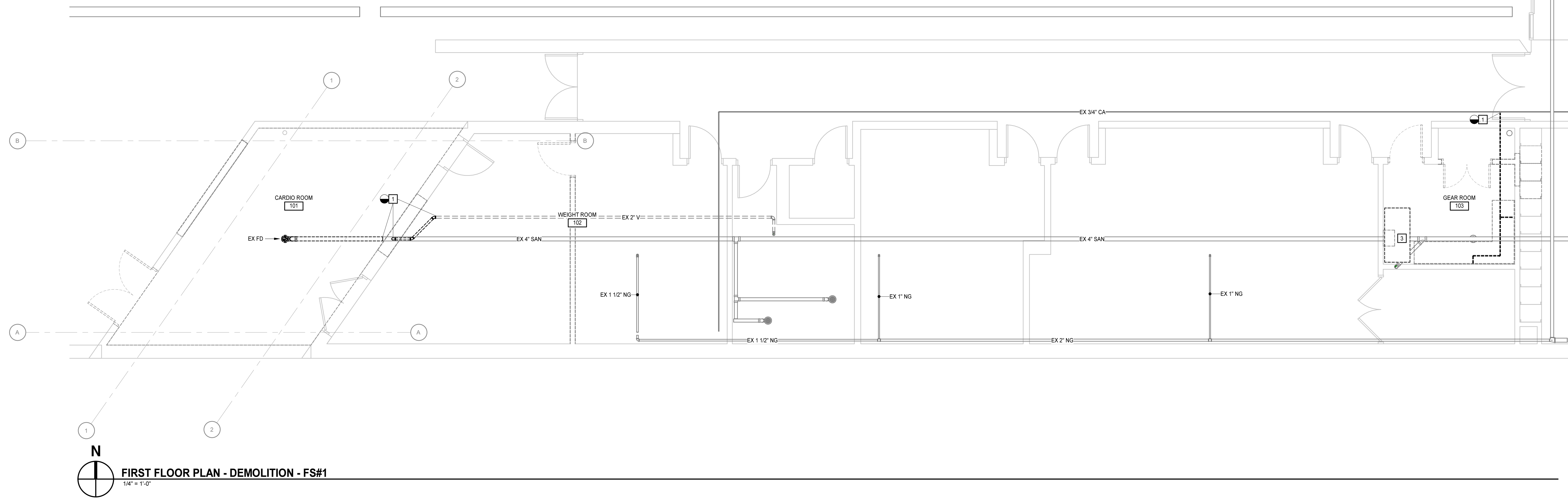
P0.1





**PLUMBING DEMOLITION KEYNOTES**  
APPLIES TO THIS DRAWING REPRESENTED BY [Symbol]

1. REMOVE WASTE AND VENT PIPING BACK TO SYSTEM BRANCH MAINS IN THE CEILING AND FLOOR AT POINTS INDICATED AND CAP PIPING.
2. REMOVE COMPRESSED AIR PIPING BACK TO MAIN AT POINTS INDICATED AND CAP PIPING.
3. REMOVE DOMESTIC WASTE AND VENT PIPING BACK TO SYSTEM BRANCH MAINS IN THE CEILING AND FLOOR AT POINTS INDICATED AND CAP PIPING.



PROJECT NO:	563006
DATE:	SEPTEMBER 22, 2021
REVISIONS	
DATE	DESCRIPTION







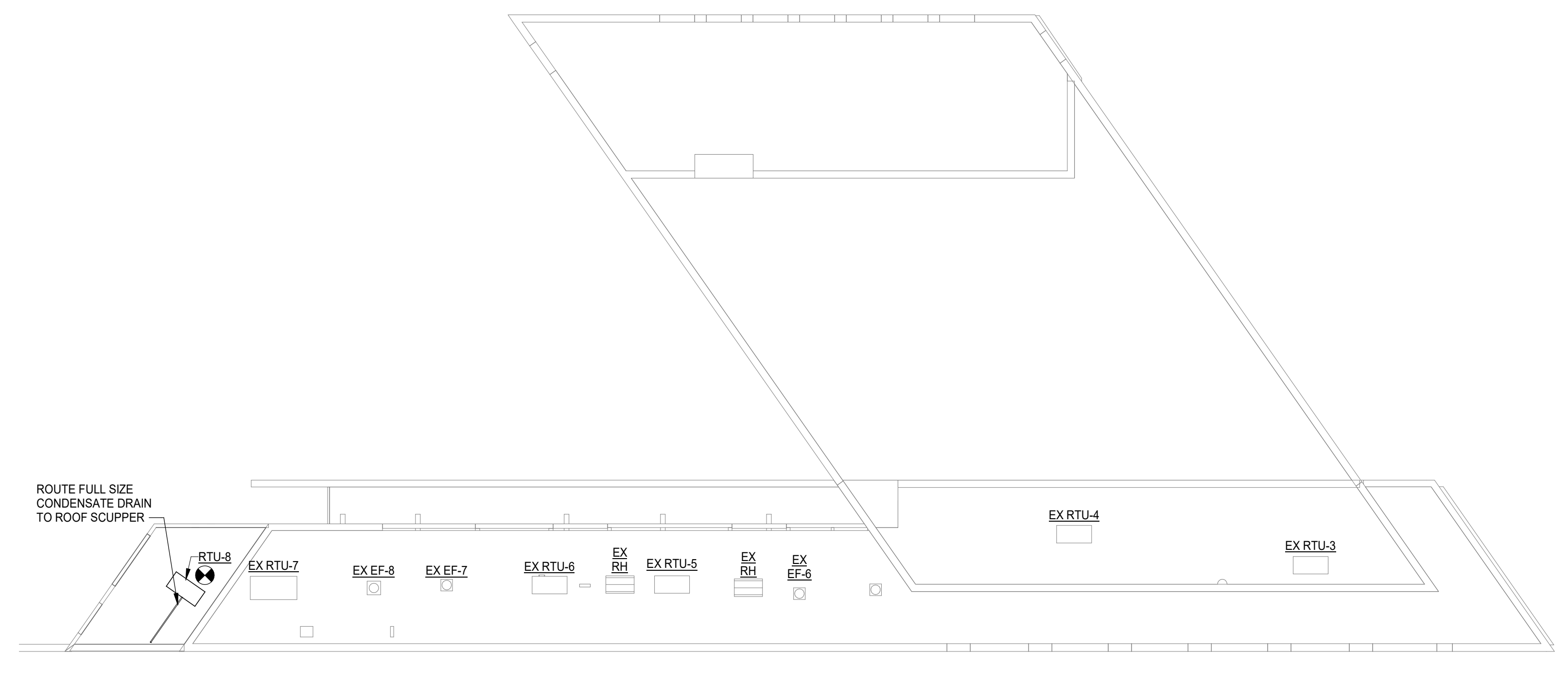
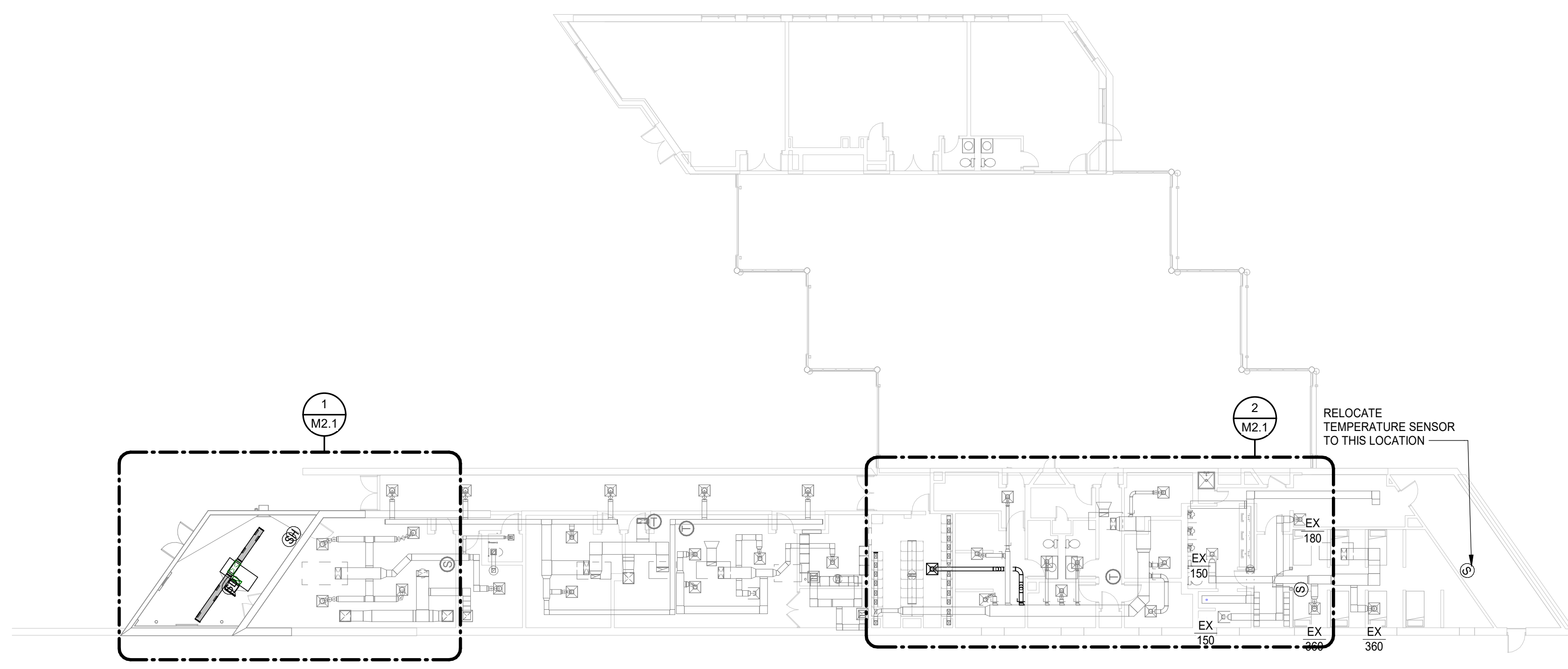


PACKAGED ROOFTOP UNIT SCHEDULE																																	
TAG	MANUFACTURER	MODEL NUMBER	SERVING	SUPPLY FAN			RELIEF FAN			DX COOLING COIL				HOT GAS REHEAT			INDIRECT NATURAL GAS-FIRED BURNER				ELECTRICAL DATA			WEIGHT (LBS)									
				DESIGN AIRFLOW (CFM)	ESP (IN WC)	MOTOR SIZE (HP)	OUTSIDE AIRFLOW (CFM)	DESIGN AIRFLOW (CFM)	ESP (IN WC)	MOTOR SIZE (HP)	GROSS TOTAL CAPACITY (BTUH)	GROSS SENSIBLE CAPACITY (BTUH)	DB (°F)	WB (°F)	DB (°F)	WB (°F)	EER	REHEAT CAPACITY (BTUH)	EAT (°F)	LAT (°F)	INPUT CAPACITY (BTUH)	OUTPUT CAPACITY (BTUH)	HEATING AIRFLOW (CFM)		FUEL SOURCE	EAT (°F)	LAT (°F)	FLA (A)	MCA (A)	MOCAP (A)	(V)	(PH)	(HZ)
RTU-8	TRANE	YHC04BE3	101 CARDIO ROOM	1,290	1.00	1	310	510	0.5	0.33	45,080	30,590	80.0	75.0	56.0	55.5	11.6	27,700	56.1	76.0	80,000	64,000	1,280	NATURAL GAS	53.1	99.6	19.0	24.0	35.0	208	3	60	976

GENERAL NOTES:  
A. PROVIDE NON-FUSED FACTORY DISCONNECT BY DIV 23 AND SINGLE POINT POWER CONNECTION

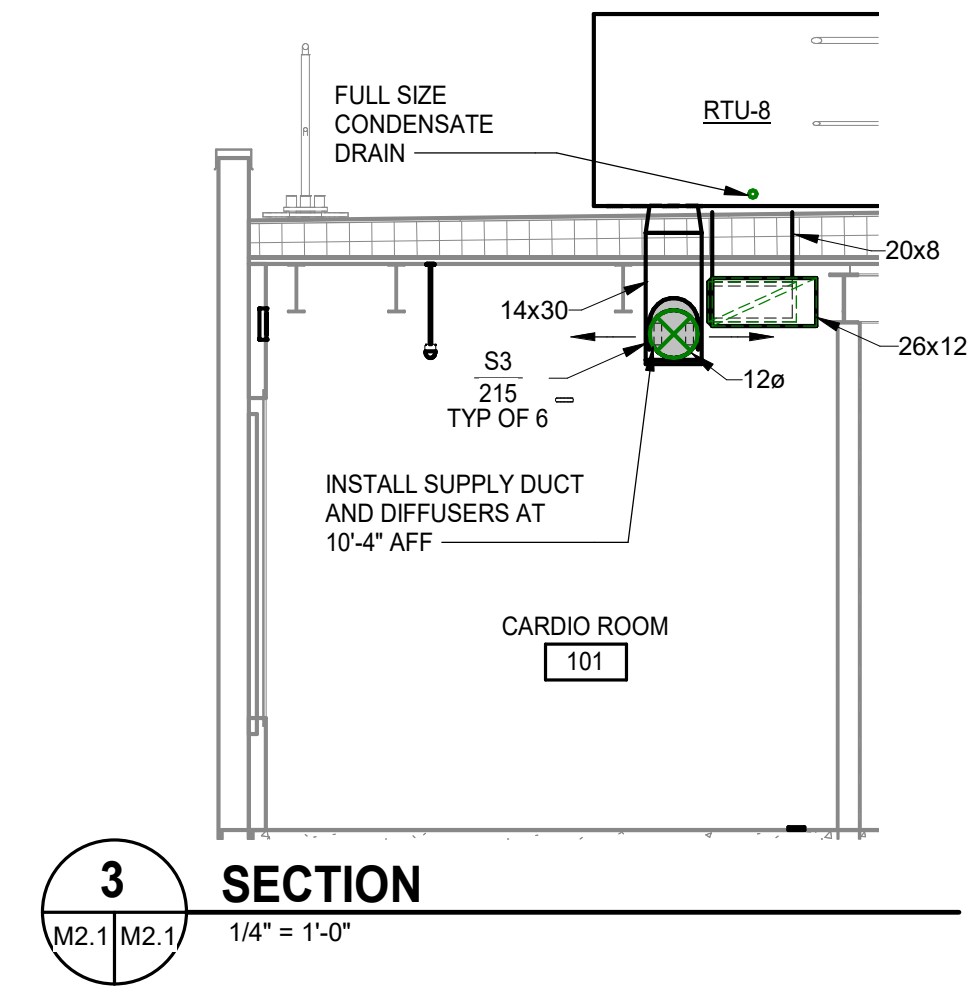
**KEYNOTES**  
APPLIES TO THIS DRAWING  
REPRESENTED BY [X]

- EXTEND EXISTING FIRE SPRINKLER SYSTEM TO THIS AREA. INSTALL FIRE SPRINKLERS PER NFPA 13 REQUIREMENTS FOR LIGHT HAZARD OCCUPANCY.
- INSTALL NEW PENDENT TYPE FIRE SPRINKLERS TO ACCOMMODATE NEW CEILING AND WALL CONFIGURATIONS WITHIN THIS SPACE PER NFPA 13 REQUIREMENTS.

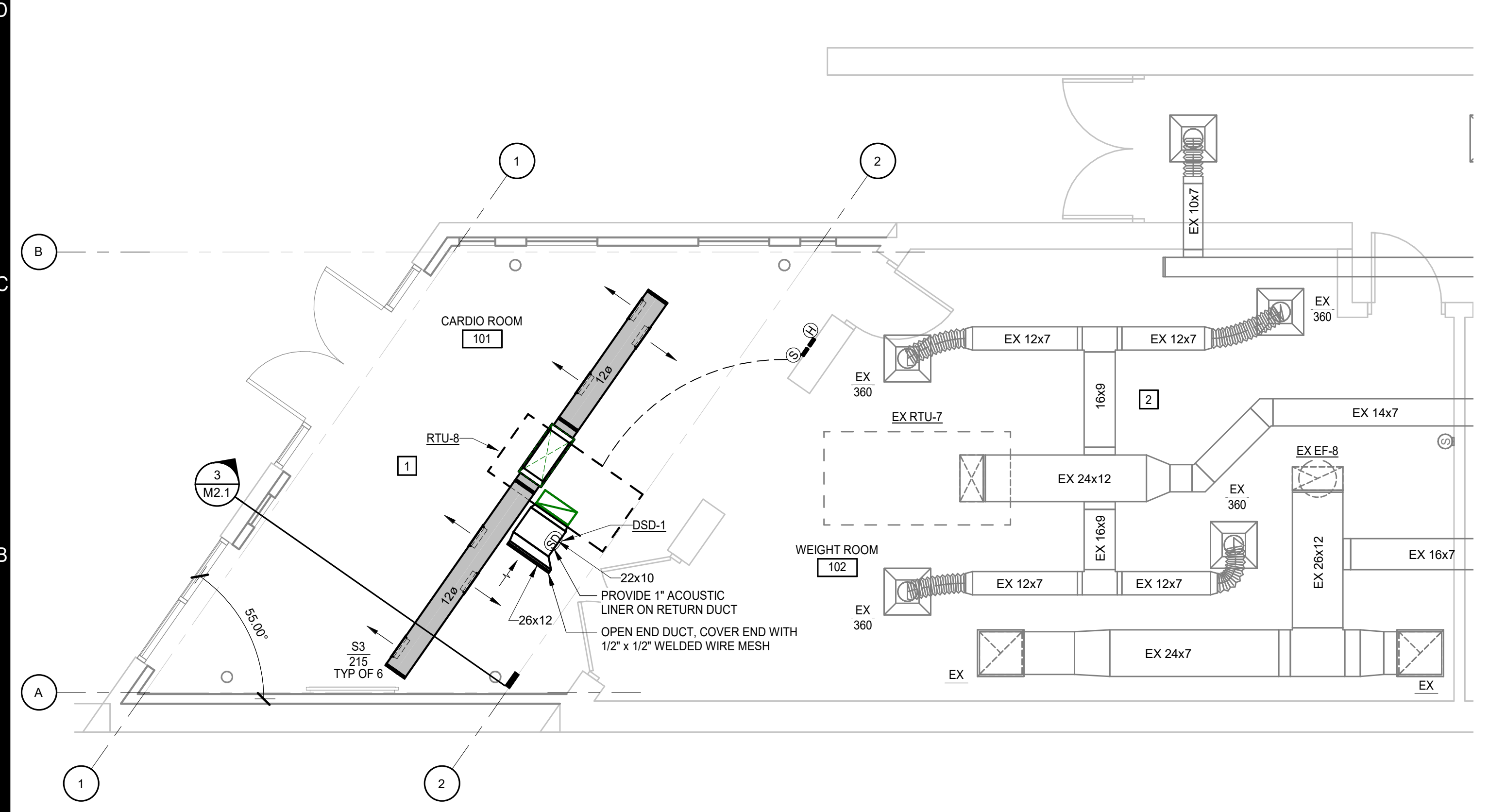


**FIRE STATION 1 - OVERALL PLAN**  
1/16" = 1'-0"  
0' 4' 8' 16' 32'

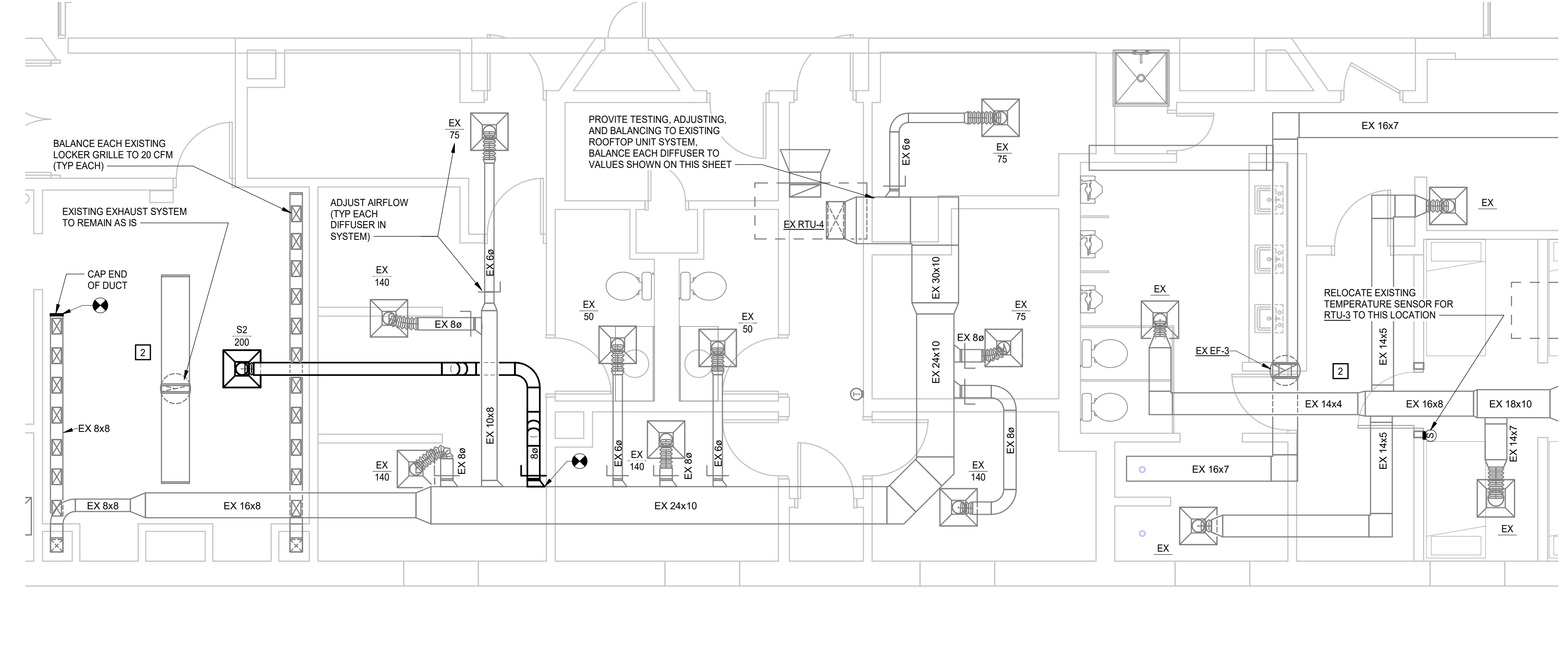
**ROOF PLAN - FIRE STATION 1**  
1/16" = 1'-0"  
0' 4' 8' 16' 32'



**SECTION 3**  
1/4" = 1'-0"



**1 ENLARGED PLAN - STATION 1, AREA 1**  
1/4" = 1'-0"  
0' 1' 2' 4' 8'



**2 ENLARGED PLAN - STATION 1, AREAS 2 & 3**  
1/4" = 1'-0"  
0' 1' 2' 4' 8'

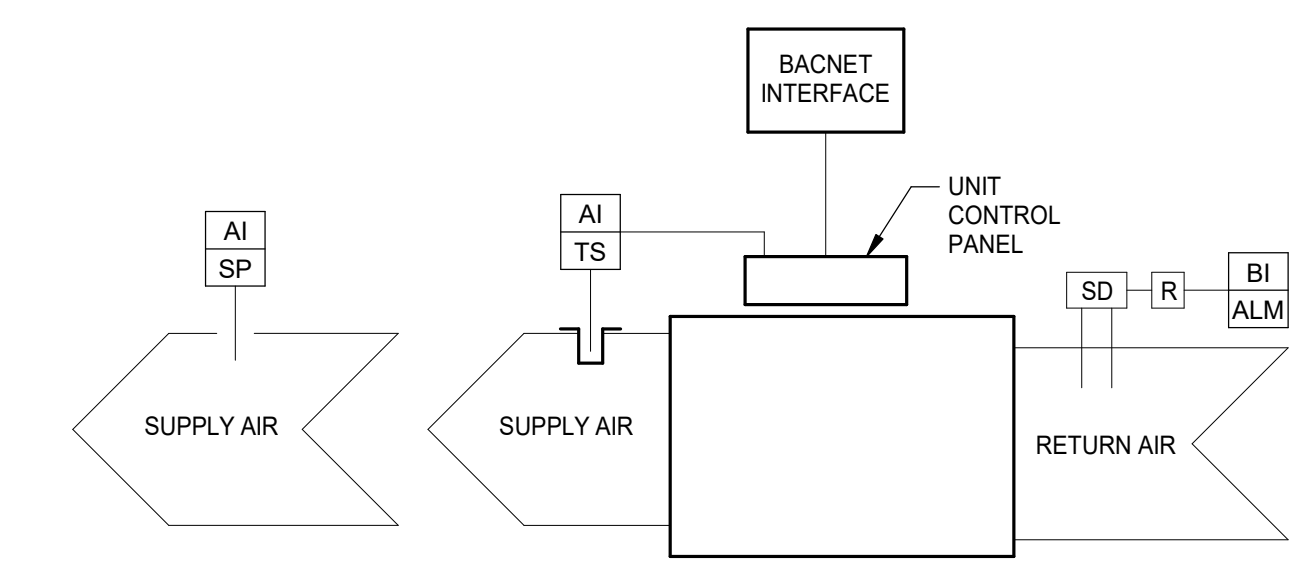
0' 1' 2' 4' 8'  
1/4" = 1'-0"



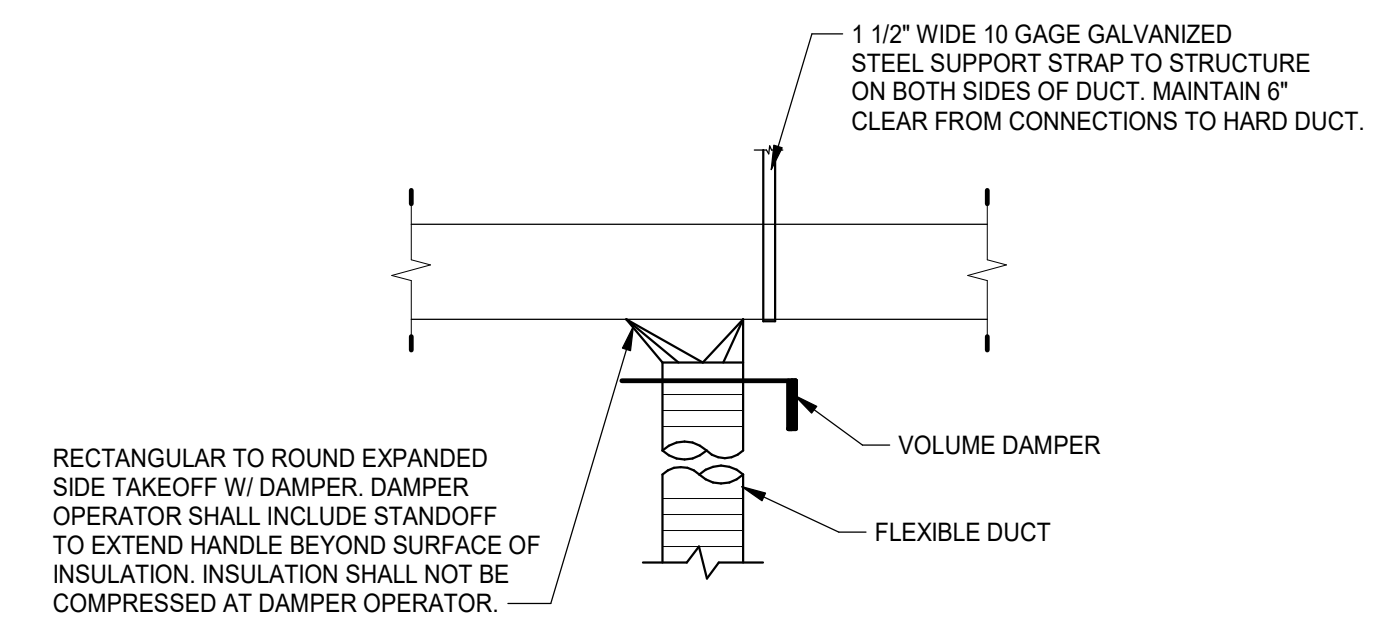
PROJECT NO:	563006
DATE:	SEPTEMBER 22, 2021
REVISIONS	
DATE	DESCRIPTION



J  
I  
H  
G  
F  
E  
D  
C  
B  
A

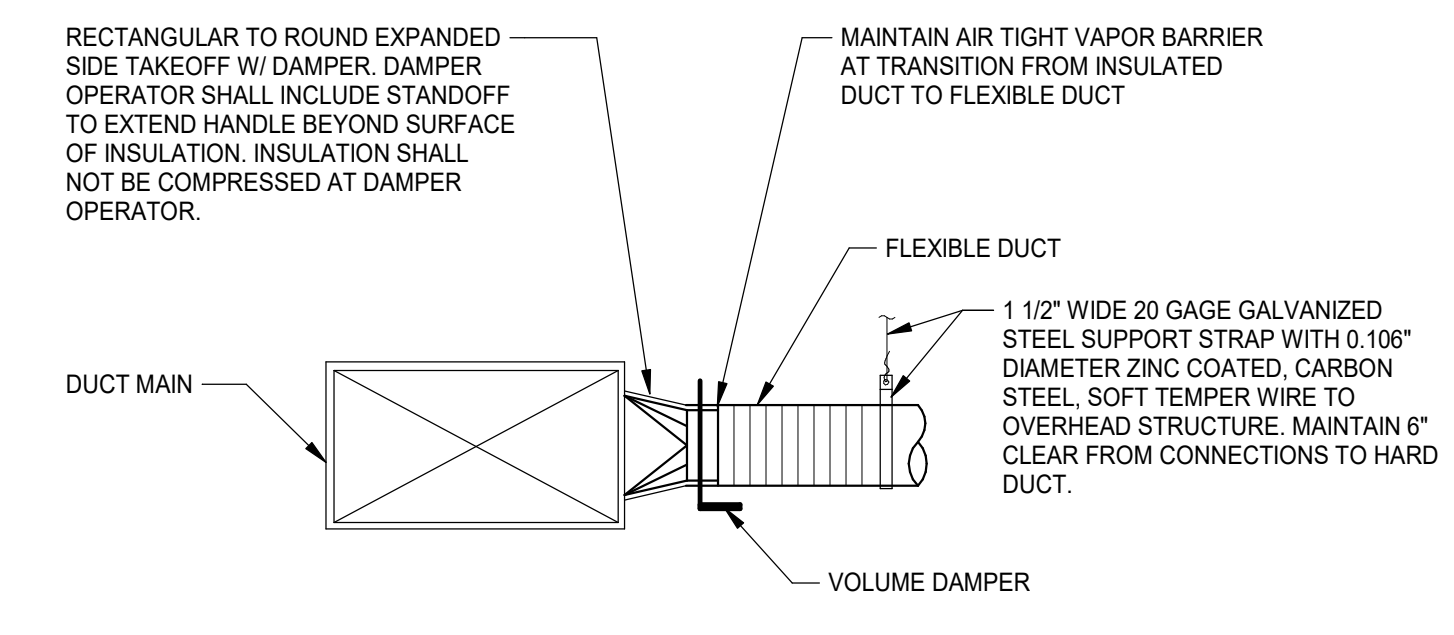


**ROOFTOP UNIT (RTU-8)**  
NO SCALE



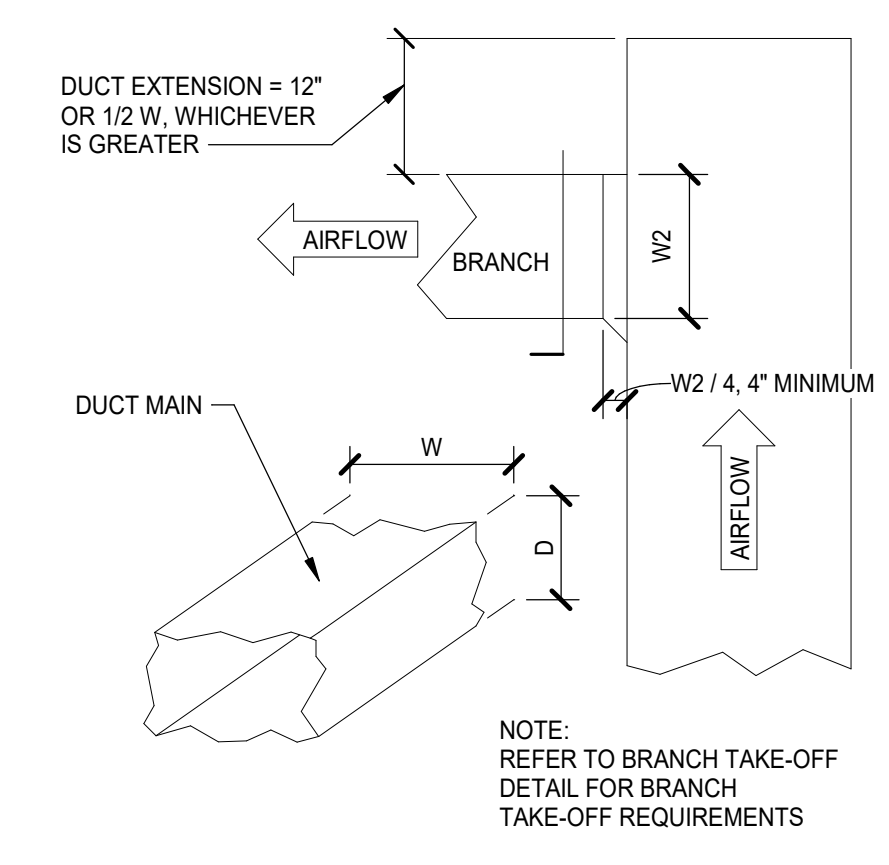
NOTES:  
 - FLEXIBLE DUCT SHALL BE INSTALLED OVER METAL DUCT (BEAD/LIP ON METAL DUCT) AND ANCHORED W/ A SINGLE NYLON MECHANICAL BAND.  
 - IN EXPOSED AREAS PROVIDE RIGID GALVANIZED STEEL DUCTWORK IN LIEU OF FLEXIBLE DUCTWORK INDICATED. SUPPORT IN ACCORDANCE WITH REQUIREMENTS SPECIFIED FOR STEEL DUCTWORK.

**BRANCH TAKEOFF TO DIFFUSER-BOTTOM**  
NO SCALE

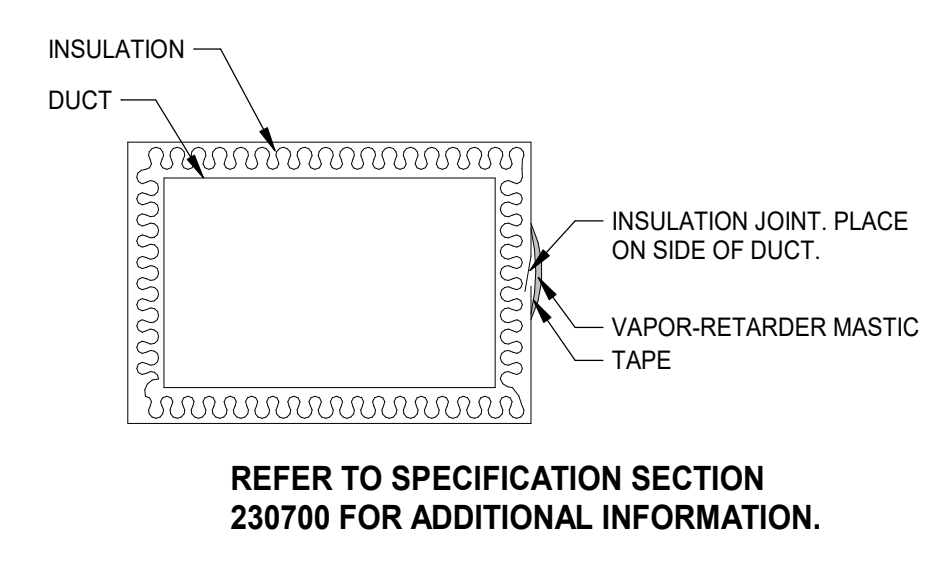


NOTES:  
 - FLEXIBLE DUCT SHALL BE INSTALLED OVER METAL DUCT (BEAD/LIP ON METAL DUCT) AND ANCHORED W/ A SINGLE NYLON MECHANICAL BAND.  
 - IN EXPOSED AREAS PROVIDE RIGID GALVANIZED STEEL DUCTWORK IN LIEU OF FLEXIBLE DUCTWORK INDICATED. SUPPORT IN ACCORDANCE WITH REQUIREMENTS SPECIFIED FOR STEEL DUCTWORK.

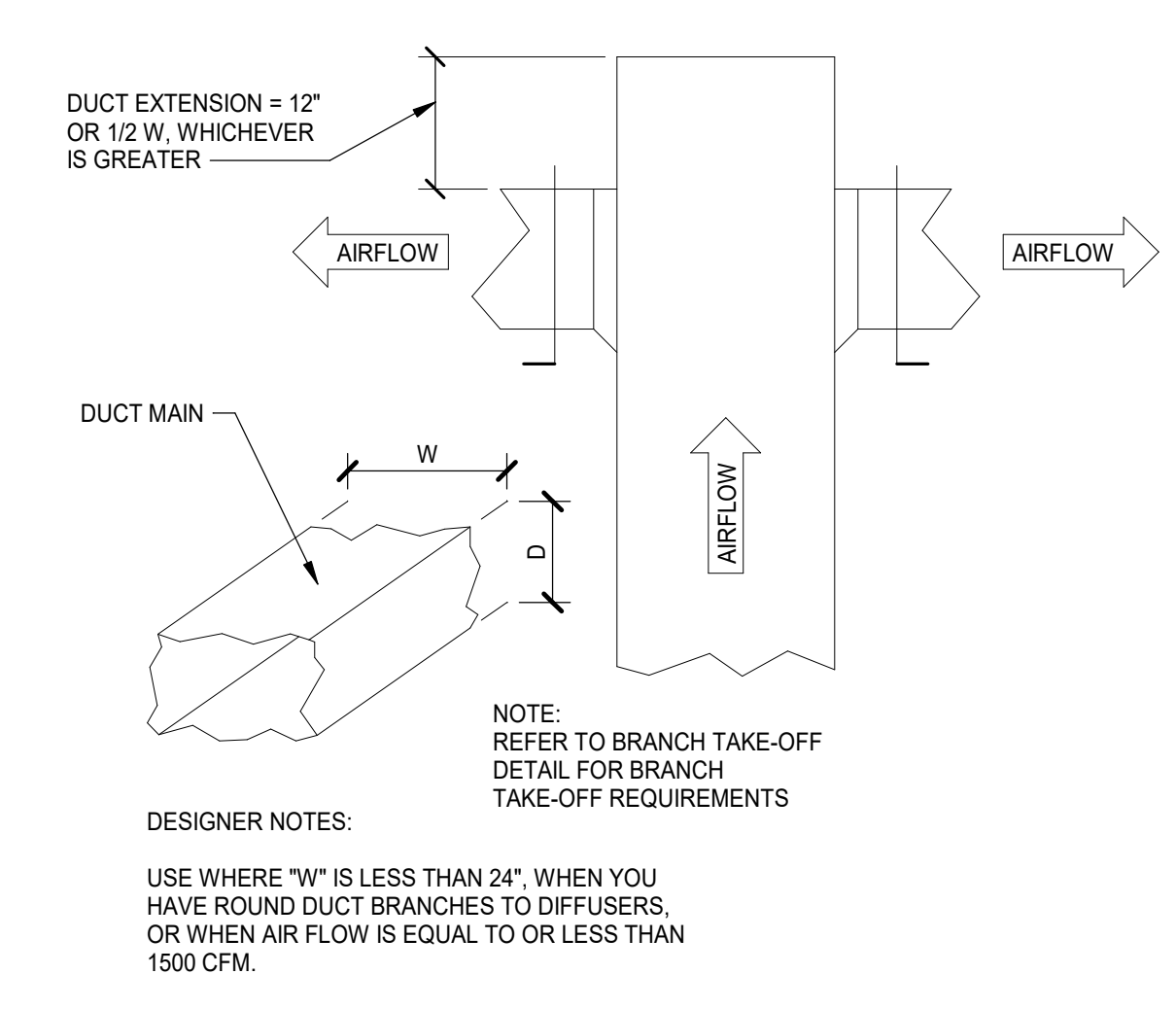
**BRANCH TAKEOFF TO DIFFUSER-SIDE**  
NO SCALE



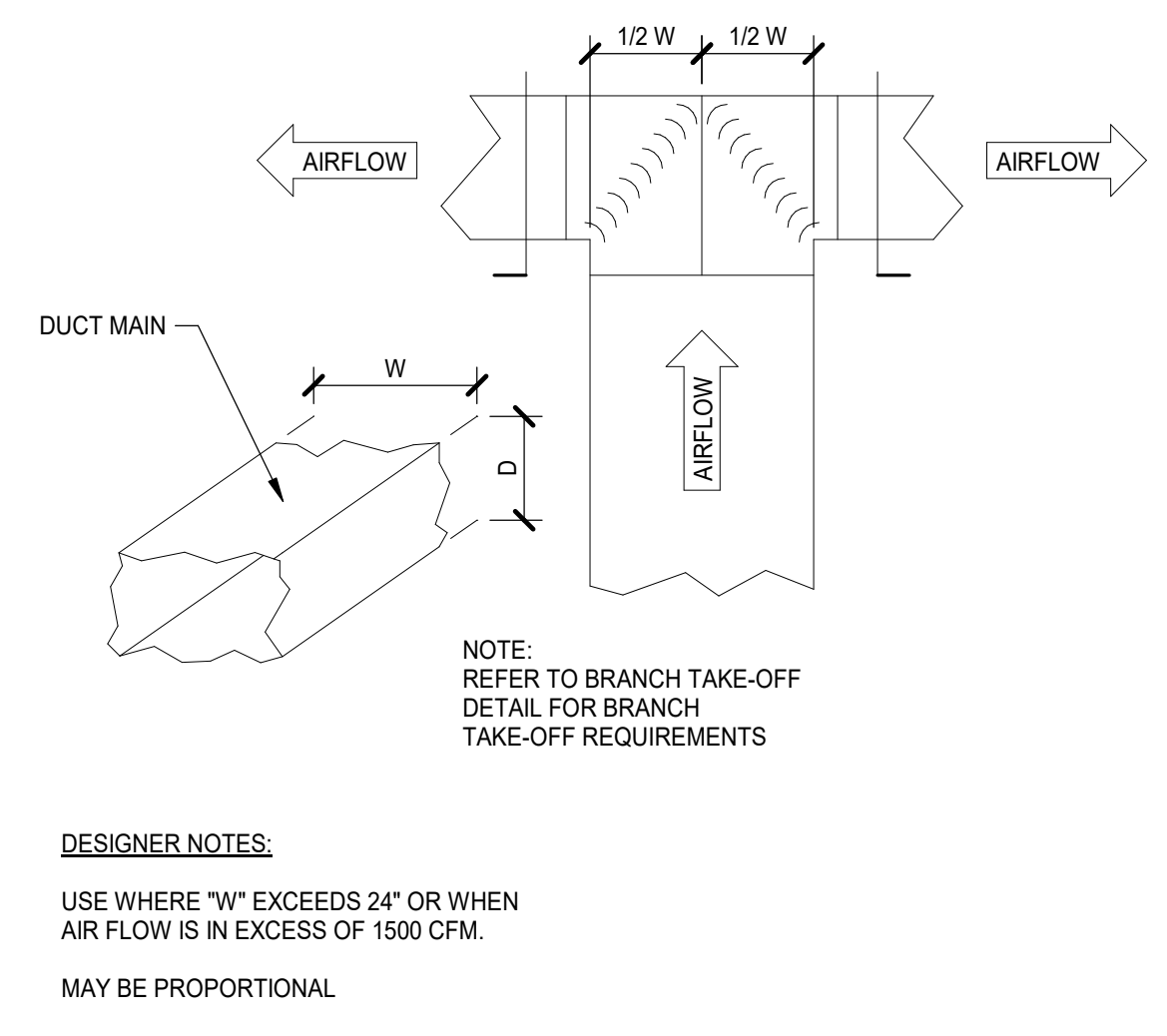
**DUCT END OF MAIN DETAIL**  
NO SCALE



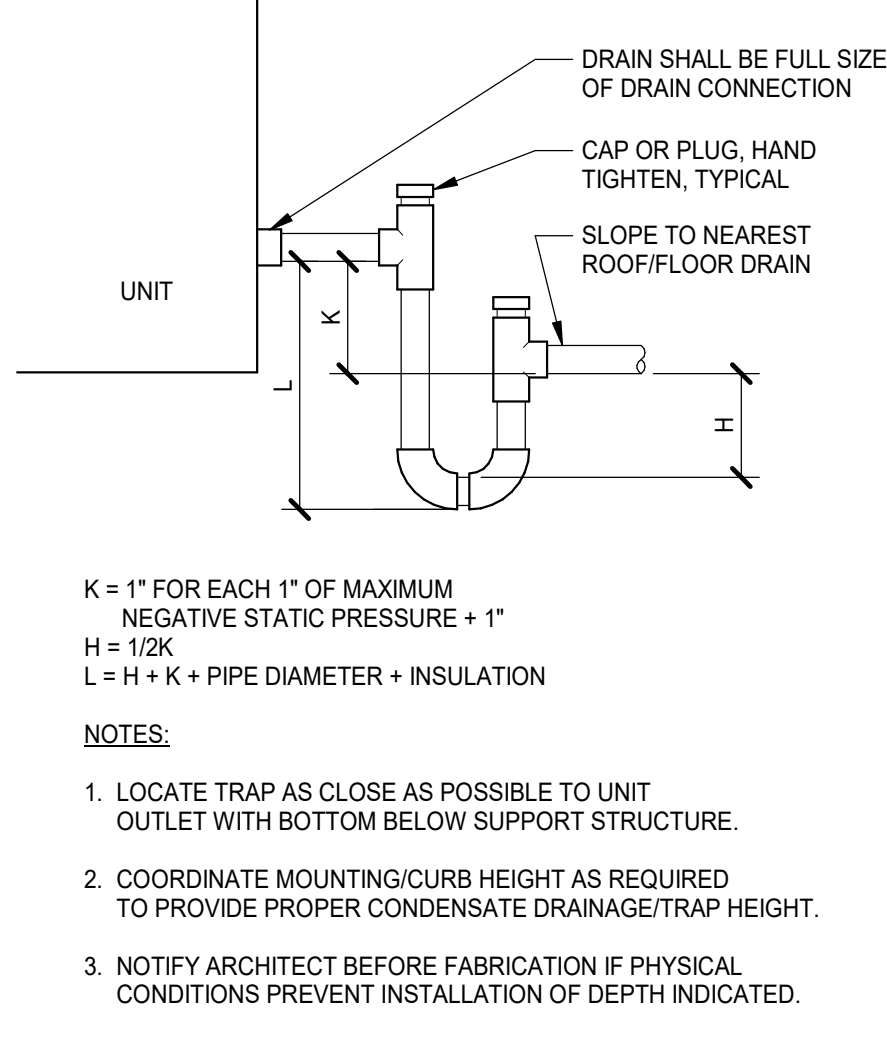
**DUCT INSULATION JOINT DETAIL**  
NO SCALE



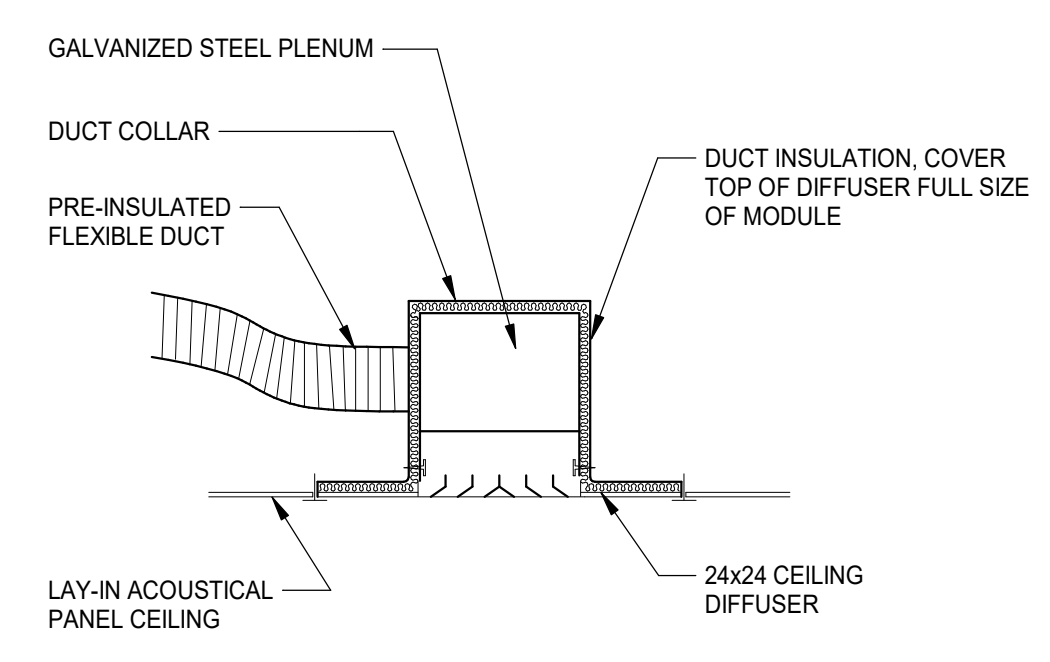
**DUCT SPLIT WITHOUT VANES DETAIL**  
NO SCALE



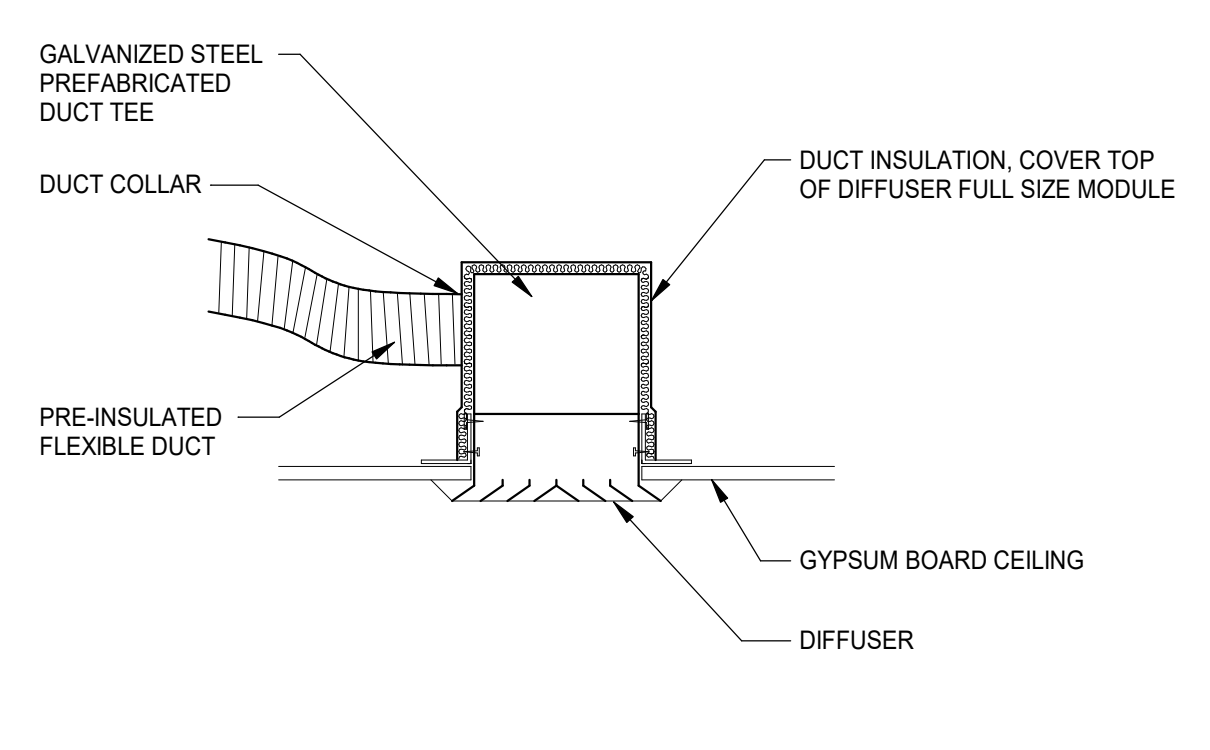
**DUCT SPLIT WITH VANES DETAIL**  
NO SCALE



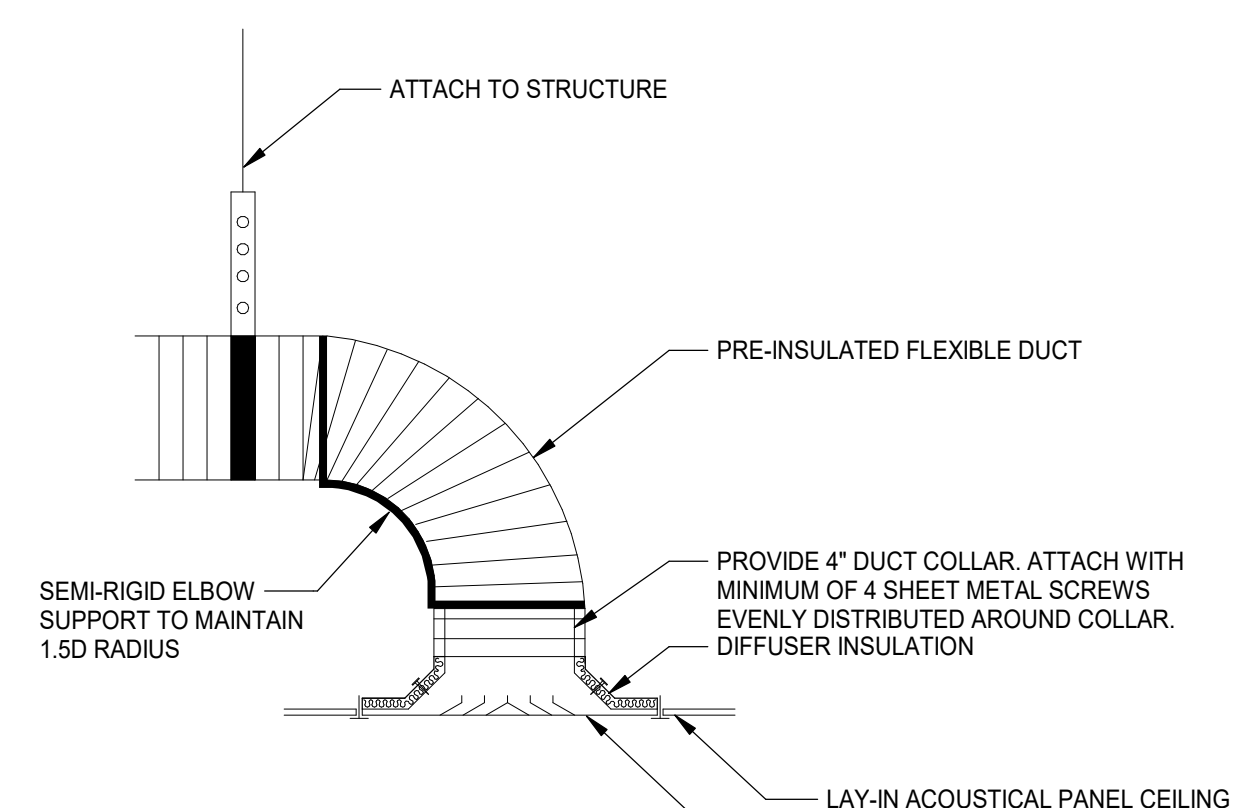
**NEGATIVE PRESSURE CONDENSATE DRAIN DETAIL**  
NO SCALE



**SUPPLY DIFFUSER CONNECTION LAYIN**  
NO SCALE



**SUPPLY DIFFUSER CONNECTION GYP**  
NO SCALE

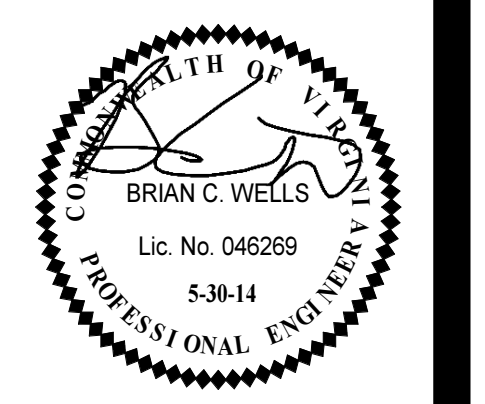


**SUPPLY DIFFUSER CONNECTION LAYIN-COLLAR**  
NO SCALE



PROJECT NO:	563006
DATE:	SEPTEMBER 22, 2021
REVISIONS	
DATE	DESCRIPTION

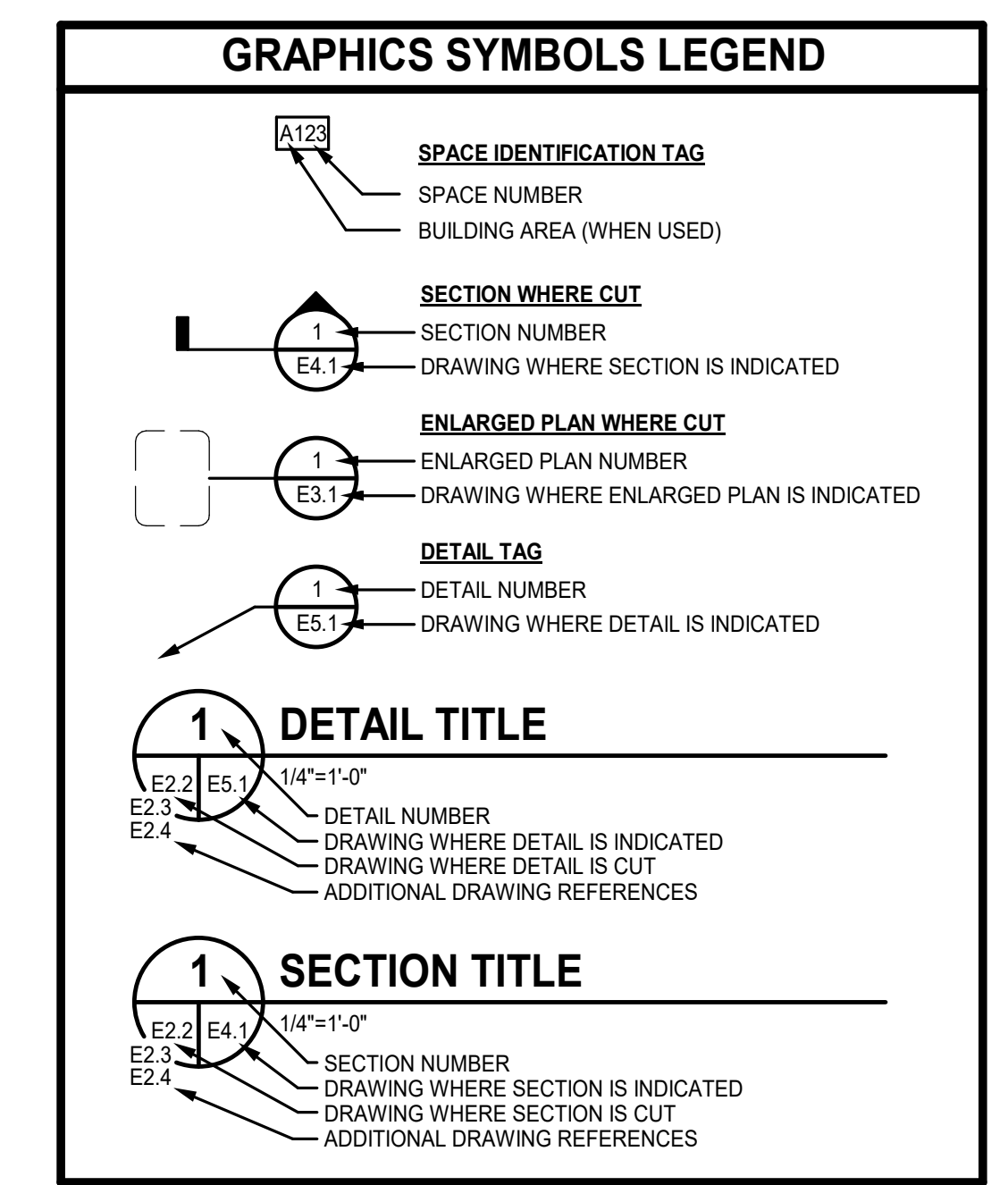




### FIRE ALARM LEGEND

**SYMBOL DESCRIPTION**

- FIRE ALARM AUDIO/VISUAL NOTIFICATION DEVICE, MOUNT AT 80" AFF AND NOT MORE THAN 96". SUBSCRIPT NUMBER INDICATES STROBE CANDELA RATING.
- FIRE ALARM VISUAL STROBE NOTIFICATION DEVICE, 80" AFF AND NOT MORE THAN 96". SUBSCRIPT NUMBER INDICATES STROBE CANDELA RATING.
- FIRE ALARM AUDIO/VISUAL NOTIFICATION DEVICE WITH DEVICE GUARD, 80" AFF AND NOT MORE THAN 96". SUBSCRIPT NUMBER INDICATES STROBE CANDELA RATING. # / # INDICATES STROBE SETTING AND REDUCED EFFECTIVE OUTPUT WHEN DEVICE GUARD IS PRESENT.
- FIRE ALARM VISUAL STROBE NOTIFICATION DEVICE WITH DEVICE GUARD, 80" AFF AND NOT MORE THAN 96". SUBSCRIPT NUMBER INDICATES STROBE CANDELA RATING. # / # INDICATES STROBE SETTING AND REDUCED EFFECTIVE OUTPUT WHEN DEVICE GUARD IS PRESENT.
- FIRE ALARM AUDIO/VISUAL NOTIFICATION DEVICE, CEILING MOUNTED. SUBSCRIPT NUMBER INDICATES STROBE CANDELA RATING.
- FIRE ALARM VISUAL STROBE NOTIFICATION DEVICE, CEILING MOUNTED. SUBSCRIPT NUMBER INDICATES STROBE CANDELA RATING.
- FIRE ALARM AUDIO/VISUAL NOTIFICATION DEVICE WITH DEVICE GUARD, CEILING MOUNTED. SUBSCRIPT NUMBER INDICATES STROBE CANDELA RATING. # / # INDICATES STROBE SETTING AND REDUCED EFFECTIVE OUTPUT WHEN DEVICE GUARD IS PRESENT.
- FIRE ALARM VISUAL STROBE NOTIFICATION DEVICE WITH DEVICE GUARD, CEILING MOUNTED. SUBSCRIPT NUMBER INDICATES STROBE CANDELA RATING. # / # INDICATES STROBE SETTING AND REDUCED EFFECTIVE OUTPUT WHEN DEVICE GUARD IS PRESENT.



### INTERIOR LIGHT FIXTURE SCHEDULE

TYPE	DESCRIPTION	FITTURE			WATTAGE	LUMENS	QUANTITY	LAMP TYPE	COLOR TEMP.	MOUNTING	OPTIONS		REFERENCE NOTE	COMMENTS
		MANUFACTURER	SERIES NO.	SUSPENDED							DIMMING	BATTERY PACK **		
				0										
A1	2'x4' FLAT PANEL LED	METALUX	24FPX-314-835-SVPD1	29	3800 lm	1	LED	3500 K	RECESSED	X				
A1E	2'x4' FLAT PANEL LED EMERGENCY	METALUX	24FPX-314-835-SVPD1	29	3800 lm	1	LED	3500 K	RECESSED	X	X			
B1	2'x2' FLAT PANEL LED	METALUX	22FPX-214-835-SVPD1	20	2500 lm	1	LED	3500 K	RECESSED	X				
B1E	2'x2' FLAT PANEL LED EMERGENCY	METALUX	22FPX-214-835-SVPD1	20	2500 lm	1	LED	3500 K	RECESSED	X	X			
C1	6" CAN DOWN LIGHT	HALO	RL6099S1EWHDMR	8	600 lm	1	LED	3500 K	RECESSED	X			NOT USED FOR FIRE STATION#1	
C1E	6" CAN DOWN LIGHT	HALO	RL6099S1EWHDMR	8	600 lm	1	LED	3500 K	RECESSED	X	X		NOT USED FOR FIRE STATION#1	
C2	6" CAN DOWN LIGHT WATER PROOF	HALO	RL6099S1EWHDMR	8	600 lm	1	LED	3500 K	RECESSED	X			NOT USED FOR FIRE STATION#1	
L1	1'x4' LINEAR LED	CORELITE	CONTINUA S04	0	2228 lm	1	LED	3500 K	PENDANT	X				
L1E	1'x4' LINEAR LED EMERGENCY	CORELITE	CONTINUA S04	0	2228 lm	1	LED	3500 K	PENDANT	X	X			
L2	1'x4' LINEAR LED	METALUX	4RB06-SL1-L8SC3	27	3000 lm	1	LED	3500 K	RECESSED	X				
L2E	1'x4' LINEAR LED EMERGENCY	METALUX	4RB06-SL1-L8SC3	27	3000 lm	1	LED	3500 K	RECESSED	X	X			
L3	1'x4' LINEAR LE WATER PROOF	METALUX	4RB06-SL1-L8SC3	27	3000 lm	1	LED	3500 K	SURFACE	X	X		NOT USED FOR FIRE STATION#1	
L3E	1'x4' LINEAR LE WATER PROOF	METALUX	4RB06-SL1-L8SC3	27	3000 lm	1	LED	3500 K	SURFACE	X	X		NOT USED FOR FIRE STATION#1	
V1	2" VANITY	METALUX	2RB56-SL1-L8SC3-2RB SURF6	32	1800 lm	1	LED	3500 K	WALL	X			NOT USED FOR FIRE STATION#1	
X1	EXIT SIGN	ATLITE	REUR	5		1	LED		WALL			1		

**GENERAL NOTES:**  
 A. ALL FIXTURES SHALL BE CAPABLE OF 120V AND 277V INPUT (MVOLT), UNO.  
 B. REFER TO LIGHTING PLANS AND SPECIFICATIONS FOR ADDITIONAL FIXTURE INFORMATION.  
 C. "X" IN THE SCHEDULE INDICATES ITEM IS REQUIRED.  
 D. ALL LENS SHALL BE A MINIMUM 0.125" THICKNESS, UNO.

**REFERENCE NOTES:**  
 \* O = OCCUPANCY SENSOR, V = VACANCY SENSOR  
 \*\* PROVIDE BATTERY PACK WHERE INDICATED ON DRAWINGS.  
 WIRE BATTERY LEADS AHEAD OF SWITCH FOR THE CIRCUIT IN THE SPACE TO MAINTAIN PROPER OPERATION IN CASE OF POWER LOSS.

1. NUMBER OF FACES AND DIRECTIONAL CHEVRONS AS INDICATED ON DWGS.  
 2. FIXTURE SHALL BE SUITABLE FOR DAMP LOCATIONS.  
 3. FIXTURE SHALL BE SUITABLE FOR WET LOCATIONS.

### COMMUNICATIONS LEGEND

NOTE: REFER TO TYPICAL COMMUNICATION OUTLET DETAIL FOR BOX & CONDUIT REQUIREMENTS. REFER TO TELECOMMUNICATION DEVICE DETAILS FOR CABLING AND TERMINAL JACK REQUIREMENTS.

**SYMBOL DESCRIPTION**

- TELECOMMUNICATIONS OUTLET, SUBSCRIPT NUMBER INDICATES OUTLET TYPE. MOUNT AT +3'-10" AFF.
- WESTNET SYSTEM, COORDINATE WITH COUNTY FOR SPECIALTY CONTRACTORS INSTALLATION.
- TELECOMMUNICATIONS OUTLET, SUBSCRIPT NUMBER INDICATES OUTLET TYPE. MOUNT AT +1'-8" AFF.

### LIGHTING LEGEND

**SYMBOL DESCRIPTION**

- LIGHT SWITCH, RATED 120/277 VOLTS, 20-AMPS, MOUNT AT +3'-10" AFF. SUBSCRIPT/SUPERSCRIPIT LETTERS, NUMBERS, AND SYMBOLS INDICATES SWITCH TYPE AS FOLLOWS:
  - 3 INDICATES 3-WAY LIGHT SWITCH
  - 4 INDICATES 4-WAY LIGHT SWITCH
  - D INDICATES DIMMER SWITCH
  - P INDICATES PILOT LIGHT, ON WHEN SWITCH IS ON
  - K INDICATES KEY OPERATED LIGHT SWITCH
  - OS INDICATES SWITCH WITH INTEGRAL OCCUPANCY SENSOR
  - OD INDICATES DIMMER SWITCH WITH INTEGRAL OCCUPANCY SENSOR
  - OS 2 INDICATES DUAL RELAY INTEGRAL OCCUPANCY SENSOR, WIRED FOR MULTI-LEVEL SWITCHING
- LOWER CASE LETTER INDICATES LIGHT FIXTURE CONTROL DESIGNATION
- INDICATES SWITCHES WIRED FOR INBOARD/OUTBOARD SWITCHING.
- OMNI-DIRECTIONAL LIGHTING CONTROL, OCCUPANCY DETECTOR, CEILING MOUNT.
- DIRECTIONAL LIGHTING CONTROL, OCCUPANCY DETECTOR, WALL MOUNT AT 6" BELOW FINISHED CEILING.
- PHOTOELECTRIC CELL FOR LIGHTING CONTROL, WALL MOUNT AT +10'-0" AFF. AIM NORTH.
- LIGHT FIXTURE, CEILING MOUNT.
- LIGHT FIXTURE ON EMERGENCY POWER, CEILING MOUNT.
- LIGHTING FIXTURE.
- LIGHTING FIXTURE ON EMERGENCY POWER.
- WALL WASHER LIGHTING FIXTURE.
- LIGHT FIXTURE, WALL MOUNT, HEIGHT AS INDICATED.
- EMERGENCY EGRESS LIGHTING FIXTURE, WITH BATTERY PACK, WALL MOUNT AT +8'-0" AFF.
- EXIT SIGN, CEILING MOUNT, DIRECTIONAL ARROWS AS INDICATED. SHADING INDICATES FACE(S) OF SIGN.
- EXIT SIGN, WALL MOUNT, DIRECTIONAL ARROWS AS INDICATED. SHADING INDICATES FACE(S) OF SIGN.
- TRACK LIGHTS.
- LIGHT FIXTURE, POLE MOUNT.
- SPORTS LIGHTING POLE.

### DEMOLITION LEGEND

**SYMBOL DESCRIPTION**

- REMOVE DEVICES, EQUIPMENT, IN ACCORDANCE WITH THE GENERAL DEMOLITION NOTES.
- DEVICES ARE EXISTING TO REMAIN.
- WITHIN HATCHED AREAS, DISCONNECT AND REMOVE ALL ELECTRICAL MATERIALS INCLUDING BUT NOT LIMITED TO LIGHTS, DEVICES, EQUIPMENT, SPEAKERS, FIRE ALARM, COMMUNICATIONS, AND CIRCUITRY.

### GENERAL DEMOLITION NOTES

A. PROVIDE ALL ELECTRICAL DEMOLITION WORK REQUIRED TO INSTALL THE WORK INDICATED. REMOVE, REROUTE, AND RECONNECT ALL BRANCH CIRCUITS THAT WILL REMAIN IN USE BUT INTERFERES WITH THE WORK.

B. REMOVE ALL EXISTING CONDUITS THAT WILL NOT BE REUSED AND WHERE THEY WILL BE EXPOSED AFTER COMPLETION, ABANDON ALL OTHERS IN THE WALLS ONLY. DISCONNECT ALL WIRING INDICATED AND/OR REQUIRED TO BE REMOVED FROM ALL POWER SOURCES, REMOVE ALL WIRING FROM ABANDONED CONDUITS AND PROVIDE BLANK COVER PLATES FOR BOXES NOT UTILIZED FOR THE WORK.

C. MAINTAIN CONTINUITY OF ALL EXISTING CIRCUITS TO REMAIN OR PORTIONS THEREOF AFFECTED BY THE WORK.

D. BEFORE DEMOLITION, VERIFY WITH THE OWNER ALL EQUIPMENT TO BE SALVAGED TO OWNER AND NOT REMOVED FROM THE SITE. FOR ALL REMAINING EQUIPMENT INDICATED FOR REMOVAL (AND NOT RELOCATED), REMOVE AND DISPOSE IN A LEGAL MANNER.

E. EXERCISE CARE IN REMOVING DEMOLITION ITEMS. REPAIR OR REPLACE ALL DAMAGE CAUSED TO EXISTING CONSTRUCTION AND EQUIPMENT TO REMAIN.

F. DRAWINGS ARE BASED UPON EXISTING PLANS AND FIELD INVESTIGATION WITHOUT DEMOLITION. VISIT THE EXISTING BUILDING AND BECOME FAMILIAR WITH ALL EXISTING CONDITIONS AND EXAMINE ALL DRAWINGS TO AVOID CONFLICTS.

G. WHERE DEMOLITION OF TELECOMMUNICATIONS DEVICES OCCUR, REMOVE CABLING NOT INDICATED TO REMAIN BACK TO POINT OF ORIGIN.

H. DEMOLITION FLOOR PLANS ARE PROVIDED FOR REFERENCE ONLY TO AID IN DEFINING THE SCOPE OF DEMOLITION WORK.

### POWER LEGEND

**SYMBOL DESCRIPTION**

- APPLIANCE RECEPTACLE, MOUNT AT +1'-6" AFF. PROVIDE NEMA CONFIGURATION TO MATCH PLUG FOR EQUIPMENT SERVED.
- APPLIANCE RECEPTACLE, MOUNT AT +1'-6" AFF. PROVIDE NEMA CONFIGURATION TO MATCH PLUG FOR EQUIPMENT SERVED. CONNECT TO EMERGENCY POWER, PROVIDE RED DEVICE.
- DUPLEX RECEPTACLE, NEMA 5-20R, MOUNT AT +1'-6" AFF.
- DUPLEX RECEPTACLE USB, NEMA 5-20R, MOUNT AT +1'-6" AFF.
- DUPLEX RECEPTACLE, NEMA 5-20R, MOUNT AT +3'-10" AFF.
- DUPLEX RECEPTACLE, NEMA 5-20R, MOUNT AT +7'-6" AFF.
- GFCI DUPLEX RECEPTACLE, NEMA 5-20R, MOUNT AT +1'-6" AFF. PROVIDE NEMA 3R "WHILE IN USE" ENCLOSURE.
- GFCI DUPLEX RECEPTACLE, NEMA 5-20R, MOUNT AT +1'-6" AFF.
- GFCI DUPLEX RECEPTACLE, NEMA 5-20R, MOUNT AT +3'-10" AFF.
- DOUBLE DUPLEX RECEPTACLE, NEMA 5-20R, MOUNT AT +1'-6" AFF.
- DOUBLE DUPLEX RECEPTACLE, NEMA 5-20R, MOUNT AT +3'-10" AFF.
- DISCONNECT SWITCH, FUSIBLE OR NON-FUSIBLE AS INDICATED. MOUNT W/HANDLE AT +4'-6" AFF, UNO.
- BRANCH CIRCUIT RUN CONCEALED, UNO. DASHED INDICATES CIRCUITRY REQUIRED TO BE RUN BELOW SLAB.
- STRAIGHT LINEWORK FOR CIRCUITRY INDICATES ON EMERGENCY POWER CIRCUIT. INDICATED FOR CLARITY ONLY. ACTUAL HOMERUN DESIGNATION OVERRIDES THIS SYMBOLOLOGY.
- BRANCH CIRCUIT HOME RUN TO PANELBOARD AND CIRCUIT INDICATED.
- PANELBOARD.
- TRANSFORMER, PROVIDE CONCRETE HOUSEKEEPING PAD UNLESS NOTED OTHERWISE.
- RELAY, NO OR NIC AS INDICATED.
- RELAY, NORMALLY OPEN.
- RELAY, NORMALLY CLOSED.
- FEEDER TAG. REFER TO FEEDER SCHEDULE ON DWG E.1.

### GENERAL NOTES

A. THE CONTRACT DOCUMENTS ARE COMPLEMENTARY AND WHAT IS REQUIRED BY ONE SHALL BE AS BINDING AS IF REQUIRED BY ALL. IN THE CASE OF A CONFLICT, DISAGREEMENT, OR AMBIGUITY, PROVIDE THE BETTER QUALITY. IN THE CASE OF A CONFLICT, DISAGREEMENT, OR AMBIGUITY, PROVIDE THE GREATER QUANTITY OF WORK.

B. FOLLOW MOUNTING HEIGHTS INDICATED IN THE ELECTRICAL LEGEND UNLESS OTHERWISE INDICATED. MEASURE ALL MOUNTING HEIGHTS FROM THE DEVICE CENTER LINE UNLESS OTHERWISE INDICATED.

C. FIELD VERIFY EXACT FEEDER LOCATIONS FOR MECHANICAL EQUIPMENT PRIOR TO ROUGH-IN.

D. EQUIPMENT CONNECTIONS ARE INDICATED IN THEIR APPROXIMATE LOCATIONS. VERIFY EXACT LOCATIONS OF ALL CONNECTIONS WITH OTHER TRADES SUPPLYING EQUIPMENT TO AVOID CONFLICTS AT INSTALLATION.

E. LOCATED ALL SWITCHES FOR LOCAL CONTROL OF LIGHTING ON STRIKE SIDE OF SINGLE DOORS UNLESS OTHERWISE INDICATED.

F. PROVIDE SPECIFIC BREAKER ARRANGEMENT FOR THE PANEL BOARDS WHEREVER PHYSICALLY POSSIBLE. PROVIDE AS-BUILT DRAWINGS INDICATING ACTUAL BRANCH CIRCUIT ARRANGEMENT. PROVIDE TYPE WRITTEN PANELBOARD DIRECTORIES INDICATING ACTUAL BRANCH CIRCUIT ARRANGEMENT.

G. PROVIDE AS-BUILT DRAWINGS INDICATING ACTUAL BRANCH CIRCUIT ARRANGEMENT. PROVIDE TYPE WRITTEN PANELBOARD DIRECTORIES INDICATING ACTUAL BRANCH CIRCUIT ARRANGEMENT. HAND WRITTEN SCHEDULES ARE NOT ACCEPTABLE.

H. ALL CONDUIT RUNS INDICATED ARE DIAGRAMMATIC. COORDINATE ROUTING IN ALL SPACES WITH OTHER TRADES.

I. ALL PANELBOARDS INDICATED ARE HOUSED IN A SINGLE WIDTH ENCLOSURE, UNO. THE CONTRACTOR SHALL FIELD VERIFY ROOM LAYOUT AND ADJUST ACCORDINGLY, AT NO COST TO THE OWNER, IF PROVIDING ANY PANELBOARD ENCLOSURES.

J. WHERE POWER AND COMMUNICATION OUTLETS ARE INDICATED IN CLOSE PROXIMITY ON THE DRAWINGS, FIELD COORDINATE THE LOCATIONS TO PLACE THE OUTLETS ADJACENT TO EACH OTHER.

K. ALL EXTERIOR RECEPTACLES SHALL BE LABELED "WVR" - WEATHER RESISTANT.

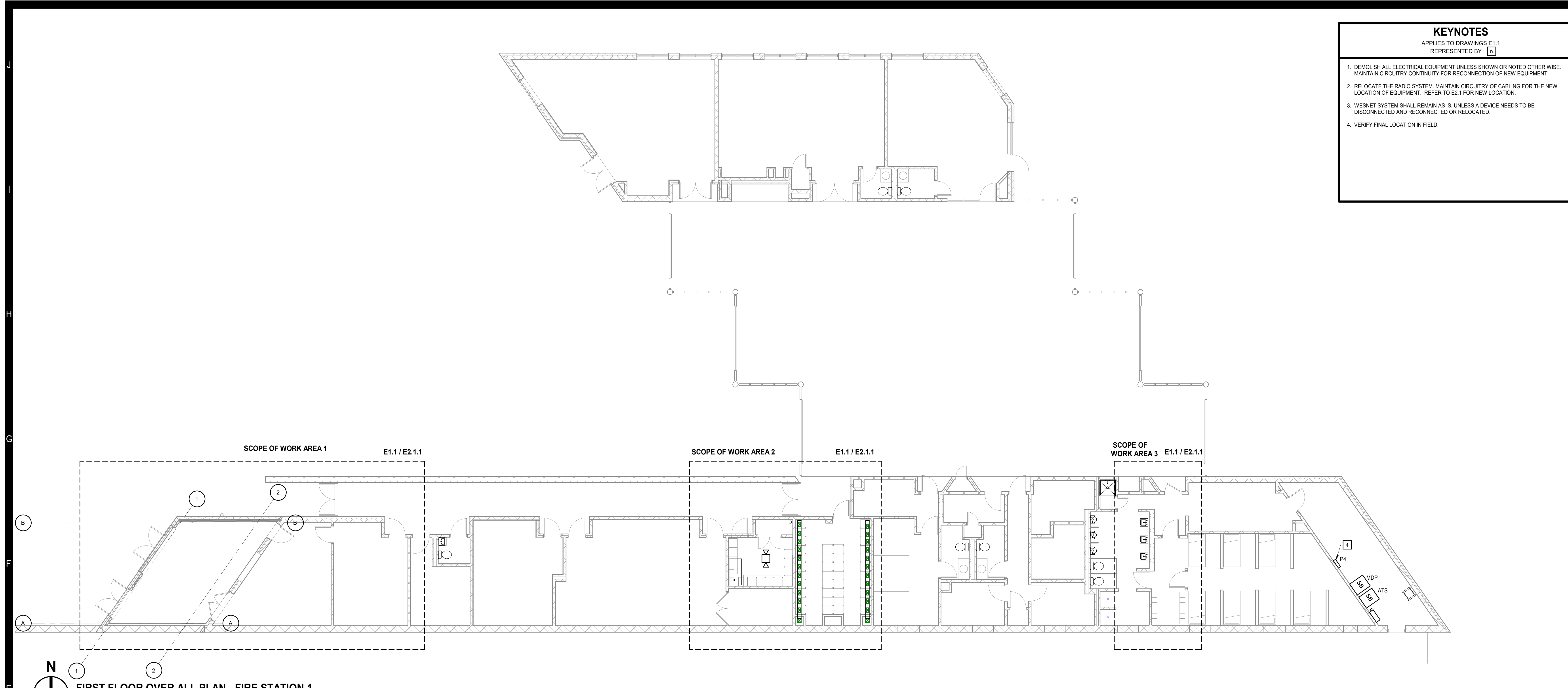
L. WHEN GROUPING MULTIPLE LINE TO NEUTRAL BRANCH CIRCUITS IN A CONDUIT, PROVIDE DEDICATED COLOR CODED NEUTRAL CONDUCTORS FOR EACH CIRCUIT. DO NOT USE BREAKER TIES AND SHARED NEUTRALS EVEN THOUGH PERMITTED BY NEC.

M. PROVIDE A 2" WIDE YELLOW LINE PAINTED ON THE FLOOR INDICATING THE ELECTRICAL WORKING SPACE. IN FRONT OF ALL ELECTRICAL PANELS IN ELECTRICAL ROOMS, REFER TO PLANS FOR ELECTRICAL WORKING SPACE DETAILS. STENCIL "NO STORAGE IN 2" HIGH, YELLOW LETTERS CENTERED IN THE OUTLINED AREA.

### ABBREVIATIONS

1P	SINGLE PHASE
3P	THREE PHASE
3R	WEATHERPROOF (NEMA 3R)
A	AMPS
AF	ABOVE FINISHED FLOOR
AL	ALUMINUM
ATS	AUTOMATIC TRANSFER SWITCH
BFC	BELOW FINISHED CEILING
BFG	BELOW FINISHED GRADE
BKR	BREAKER
C	CONDUIT
CATV	COMMUNITY ANTENNA TELEVISION (CABLE)
CB	CIRCUIT BREAKER
CBL	CABLE
CCT	CLOSED CIRCUIT TELEVISION
CCTV	CIRCUIT
CLG	CEILING
CLR	CLEAR
CO	COMPANY
COMB	COMBINATION
COMM	COMMUNICATIONS
CU	COPPER
DA	DIAMETER
DISC	DISCONNECT
DIV	DIVISION
DWG	DRAWING
EBH	ELECTRIC BASEBOARD HEATER
EC	EMPTY CONDUIT
ECS	EMERGENCY COMMUNICATIONS STATION
ELEC	ELECTRICAL
ELEV	ELEVATOR
EPO	EMERGENCY POWER OFF
EQ	EQUIPMENT
ETR	EXISTING TO REMAIN
EWC	ELECTRIC WATER COOLER
EX	EXISTING
EXT	EXTERIOR
FA	FIRE ALARM
FAAP	FIRE ALARM ANNUNCIATOR PANEL
FACP	FIRE ALARM CONTROL PANEL
FAGP	FIRE ALARM GRAPHIC PANEL
FAXP	FIRE ALARM EXTENDER PANEL
FFSCP	FIRE FIGHTER'S SMOKE CONTROL PANEL
FLA	FULL LOAD AMPS
FFMR	FUSE PER MANUFACTURERS REQUIREMENTS/RECOMMENDATIONS
FPND	FUSE PER NAMEPLATE DATA
G	GROUND
GE	GROUND FAULT PROTECTION FOR EQUIPMENT, 5-60mA PER NEC 427.22 (PROVIDE ACCESSORY FOR INDICATED BREAKER)
GFCI	GROUND FAULT CIRCUIT INTERRUPT
GFP	GROUND FAULT PROTECTION FOR PERSONNEL, 4-6mA (PROVIDE ACCESSORY FOR INDICATED BREAKER)
HKP	HOUSEKEEPING PAD
HP	HORSEPOWER
HPS	HIGH PRESSURE SODIUM
HZ	HERTZ
IAW	IN ACCORDANCE WITH
IG	ISOLATED GROUND
J-BOX	JUNCTION BOX
KHFSS	KITCHEN HOOD FIRE SUPPRESSION SYSTEM
KHZ	KILOHERTZ
KVA	KILOVOLT AMPS
KW	KILOWATTS
KWH	KILOWATT HOURS
L	LOOKOUT TO PREVENT UNAUTHORIZED SWITCHING (PROVIDE ACCESSORY FOR INDICATED BREAKER)
LC	ROUTE CIRCUIT TO LOAD VIA LIGHTING CONTACTOR, REFER TO LC SCHEDULE
LED	LIGHT EMITTING DIODE
LTG	LIGHTING
LTS	LIGHTS
MAX	MAXIMUM
MCA	MINIMUM CIRCUIT AMPACITY
MCB	MAIN CIRCUIT BREAKER
MCC	MOTOR CONTROL CENTER
MH	METAL HALIDE
MHz	MEGAHERTZ
MIN	MINIMUM
ML	MAINTENANCE LOCK (PROVIDE ACCESSORY FOR INDICATED BREAKER)
MLO	MAIN LUG ONLY
MMS	MASS NOTIFICATION SYSTEM
MOPF	MAXIMUM OVER CURRENT PROTECTION
MTD	MOUNTED
N	NEUTRAL
NIC	NORMALLY CLOSED
NO	NORMALLY OPEN
NO	NUMBER
OCF	OWNER FURNISHED CONTRACTOR INSTALLED
P	PILOT LIGHT (AT THE SWITCH HANDLE)
PBD	PANELBOARD
LP	PROTECTIVE DEVICE
RCPT	RECEPTACLE
REC	RECEPTACLE
SEC	SECURITY
SPD	SURGE PROTECTIVE DEVICE
SPEC	SPECIFICATIONS
STC	SHUNT TRIP, 120V COIL (PROVIDE ACCESSORY FOR INDICATED BREAKER)
SW	SWITCH
SWBD	SWITCHBOARD
TBB	TELECOMMUNICATIONS BONDING BACKBONE
TC	TELECOMMUNICATIONS CLOSET
TELECOM	TELECOMMUNICATIONS
TGB	TELECOMMUNICATIONS GROUNDING BUS BAR
TMGB	TELECOMMUNICATIONS MAIN GROUNDING BUS BAR
TYP	TYPICAL
UNO	UNLESS NOTED (INDICATED) OTHERWISE
V	VOLTS
VFD	VARIABLE FREQUENCY DRIVE
W	WATTS
WG	WITH
WG	WIRE GUARD
WP	WEATHERPROOF
XFER	TRANSFER
XPMR	TRANSFORMER

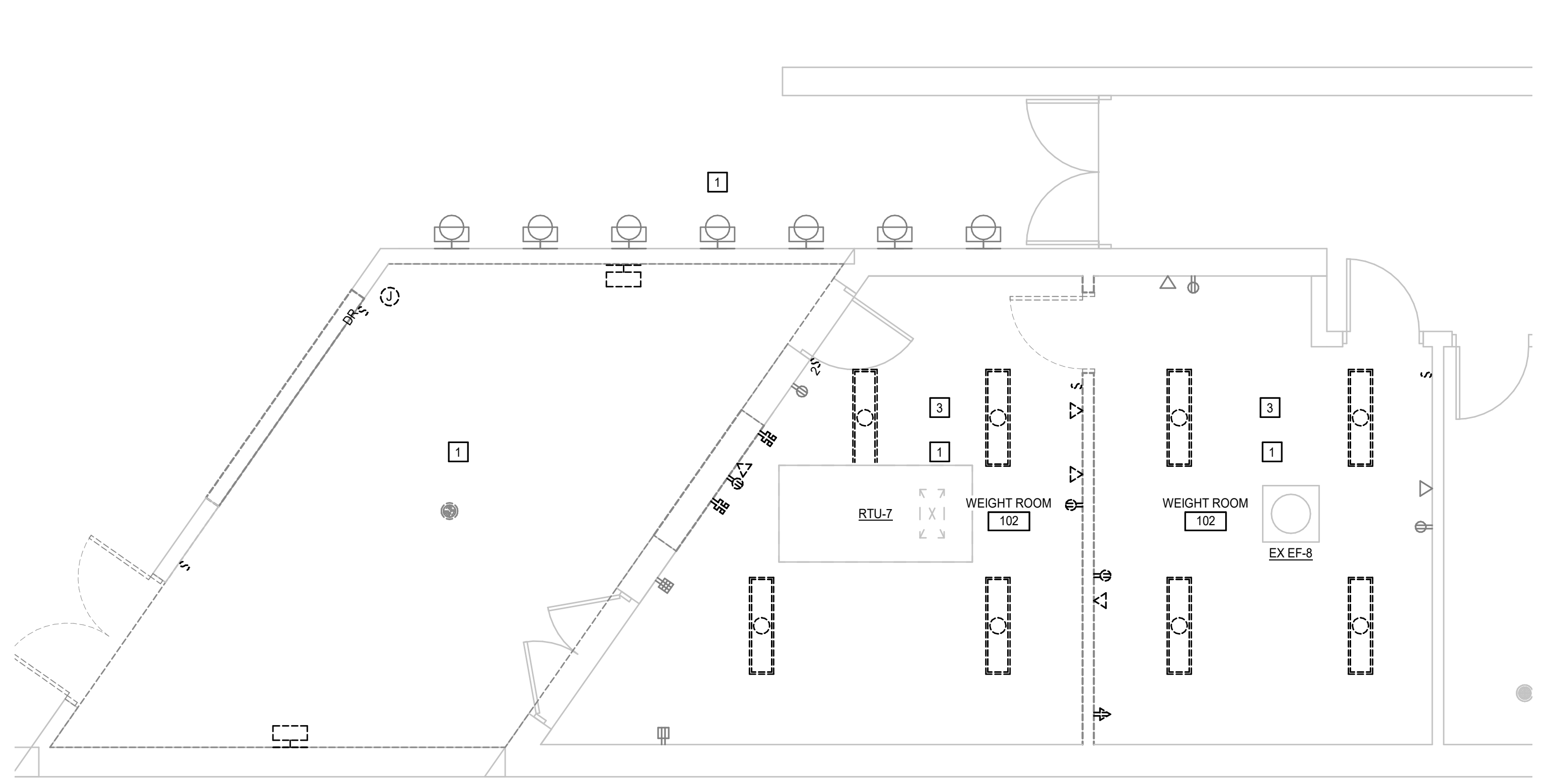




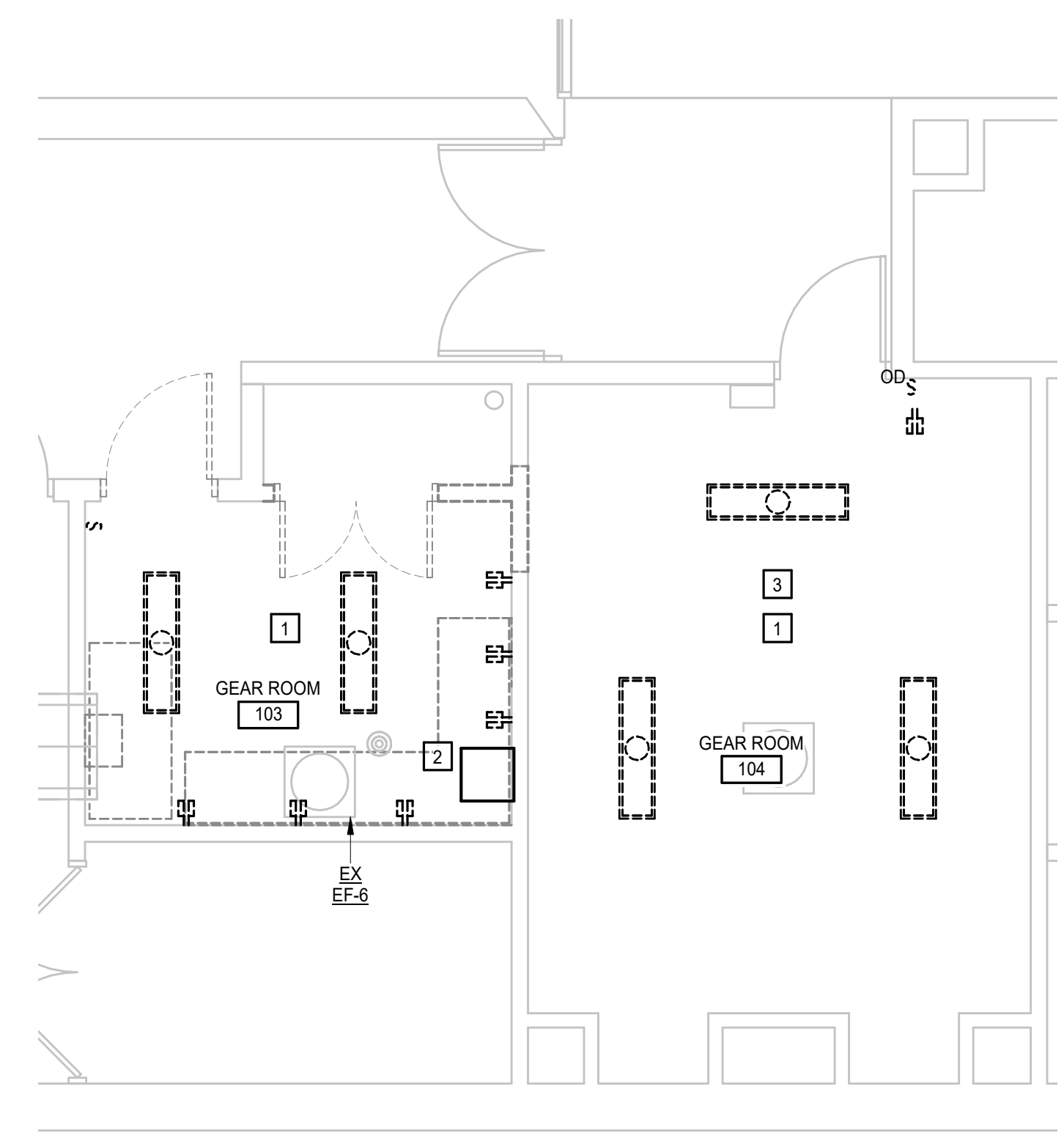
**KEYNOTES**  
 APPLIES TO DRAWINGS E1.1  
 REPRESENTED BY [Symbol]

1. DEMOLISH ALL ELECTRICAL EQUIPMENT UNLESS SHOWN OR NOTED OTHERWISE. MAINTAIN CIRCUITRY CONTINUITY FOR RECONNECTION OF NEW EQUIPMENT.
2. RELOCATE THE RADIO SYSTEM. MAINTAIN CIRCUITRY OF CABLING FOR THE NEW LOCATION OF EQUIPMENT. REFER TO E2.1 FOR NEW LOCATION.
3. WESNET SYSTEM SHALL REMAIN AS IS, UNLESS A DEVICE NEEDS TO BE DISCONNECTED AND RECONNECTED OR RELOCATED.
4. VERIFY FINAL LOCATION IN FIELD.

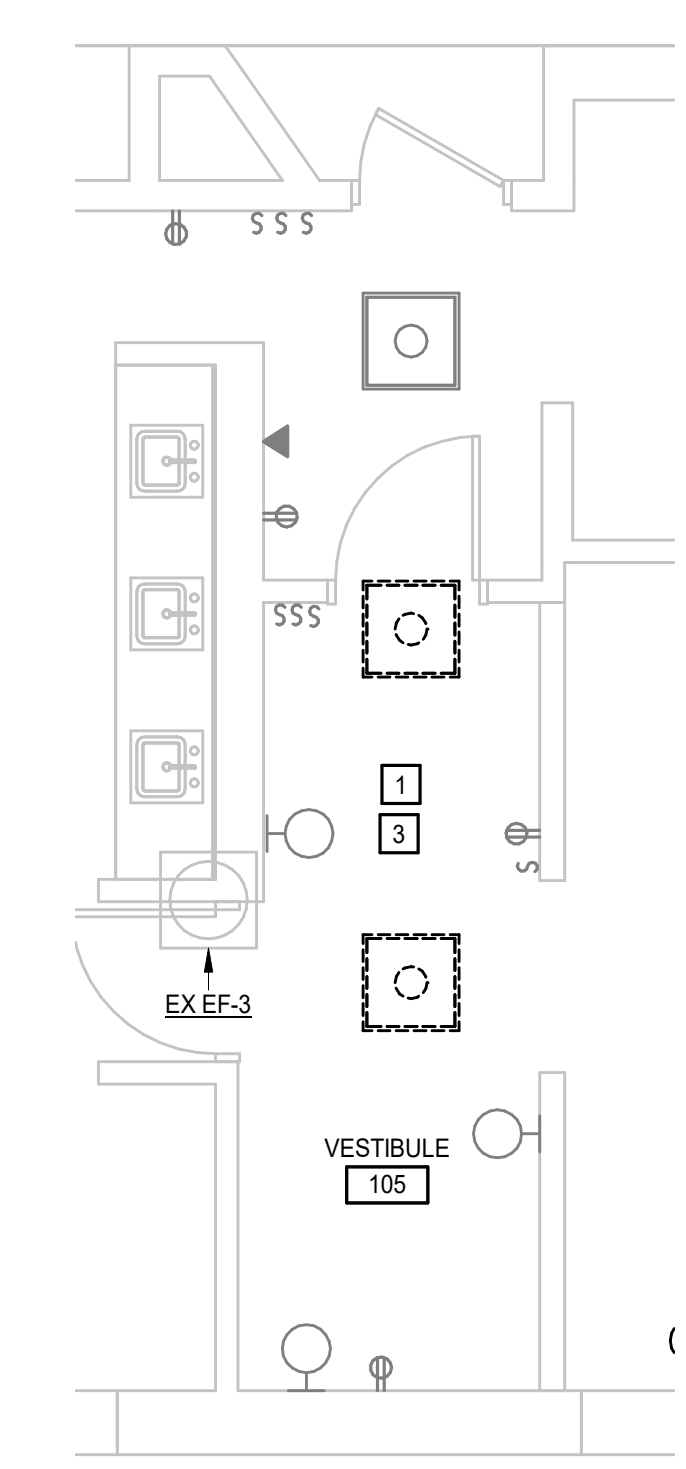
**FIRST FLOOR OVER ALL PLAN - FIRE STATION 1**  
 1/8" = 1'-0"



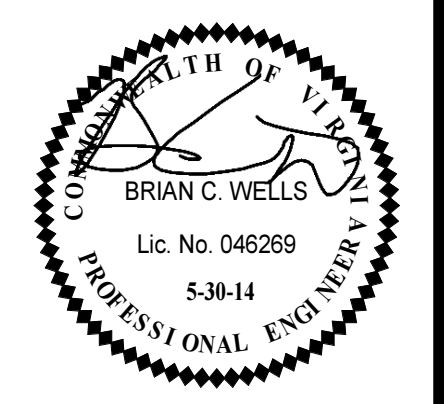
**FIRST FLOOR DEMOLITION PLAN - STATION 1 - AREA 1**  
 1/4" = 1'-0"



**FIRST FLOOR DEMOLITION PLAN - STATION 1 - AREA 2**  
 1/4" = 1'-0"

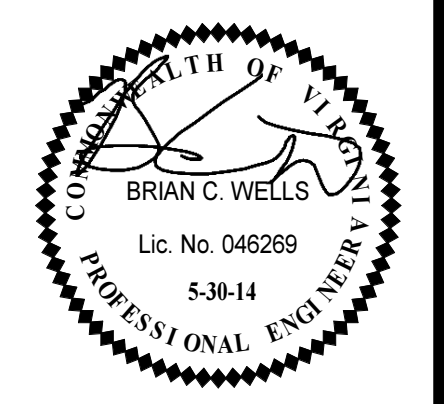


**FIRST FLOOR DEMOLITION PLAN - STATION 1 - AREA 3**  
 1/4" = 1'-0"



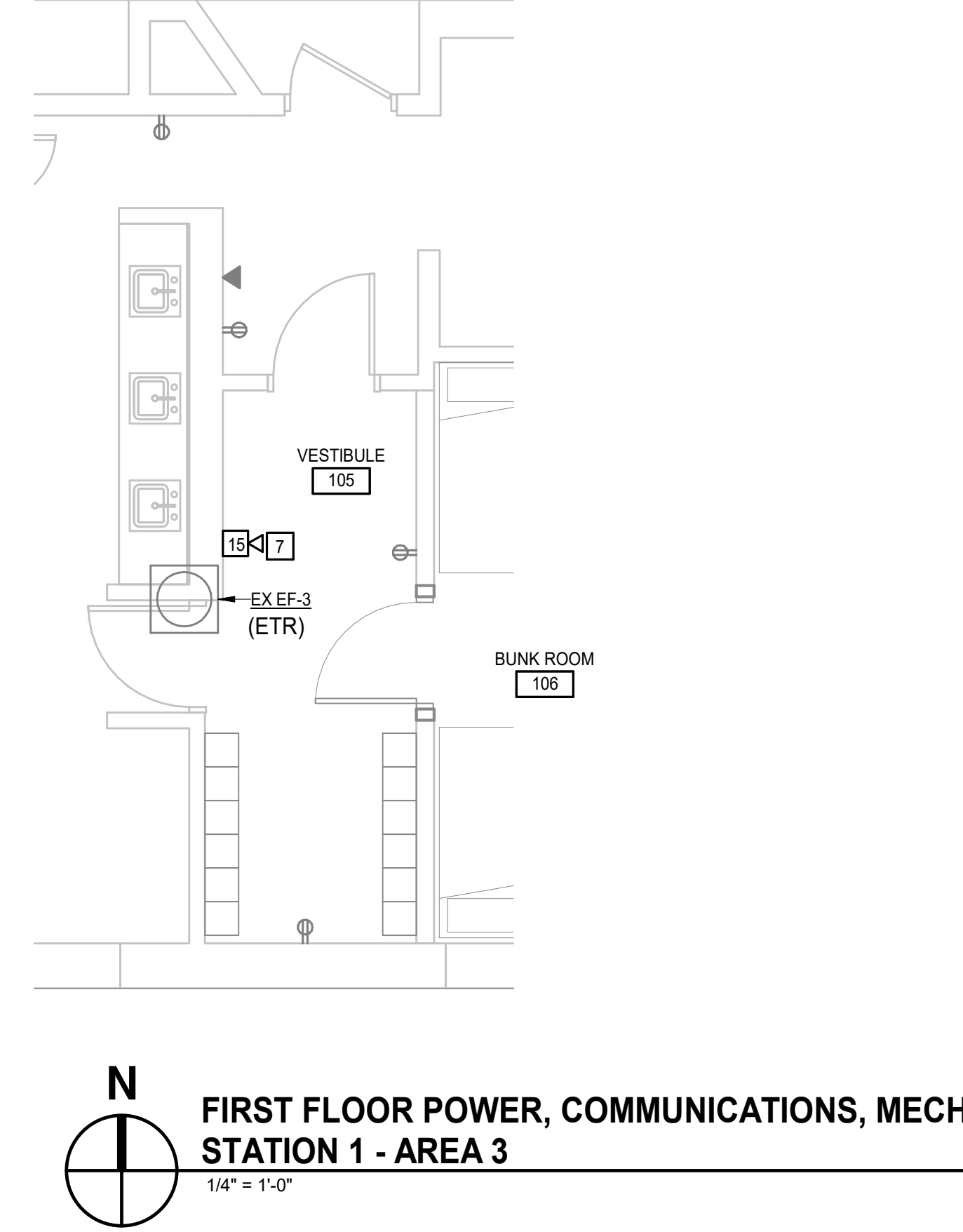
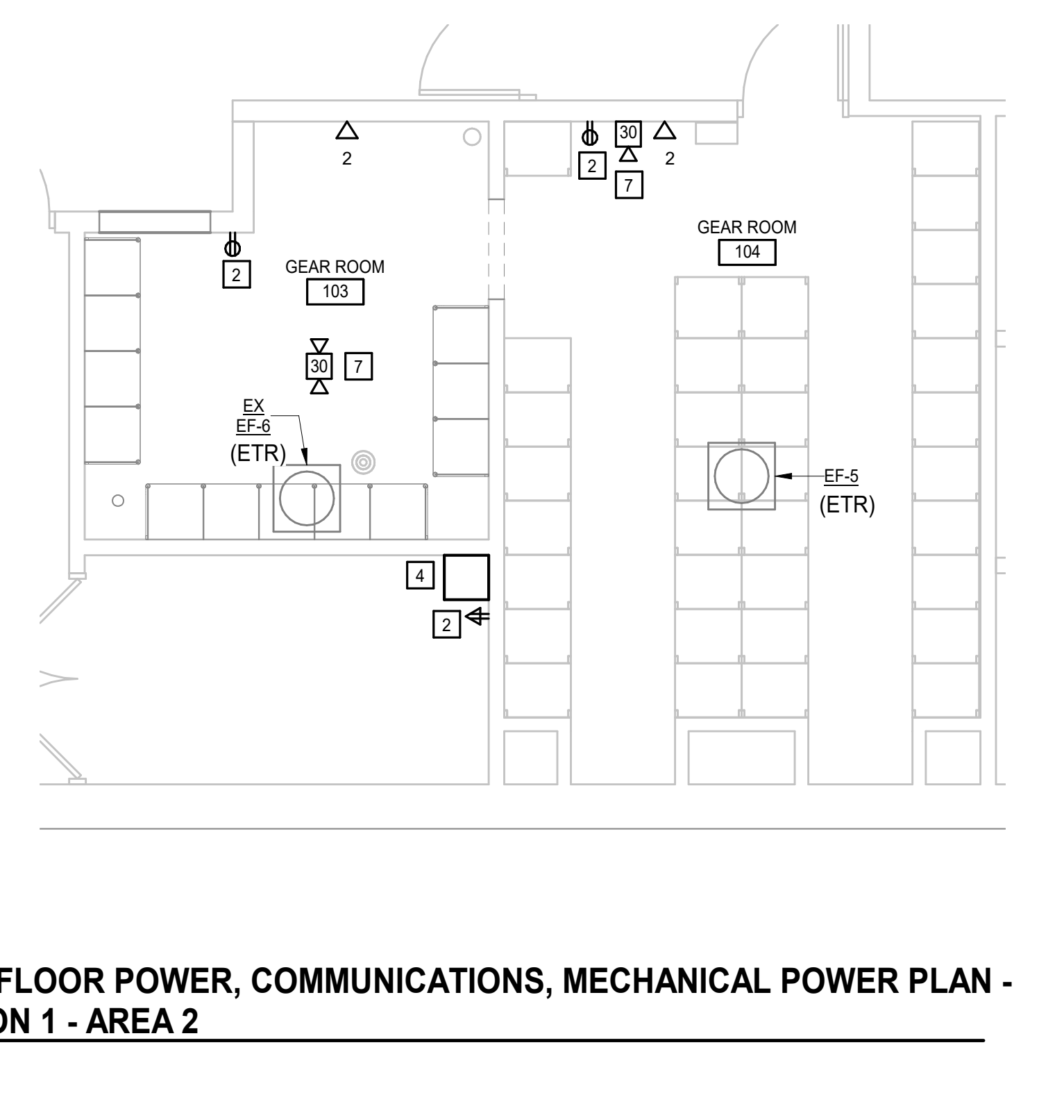
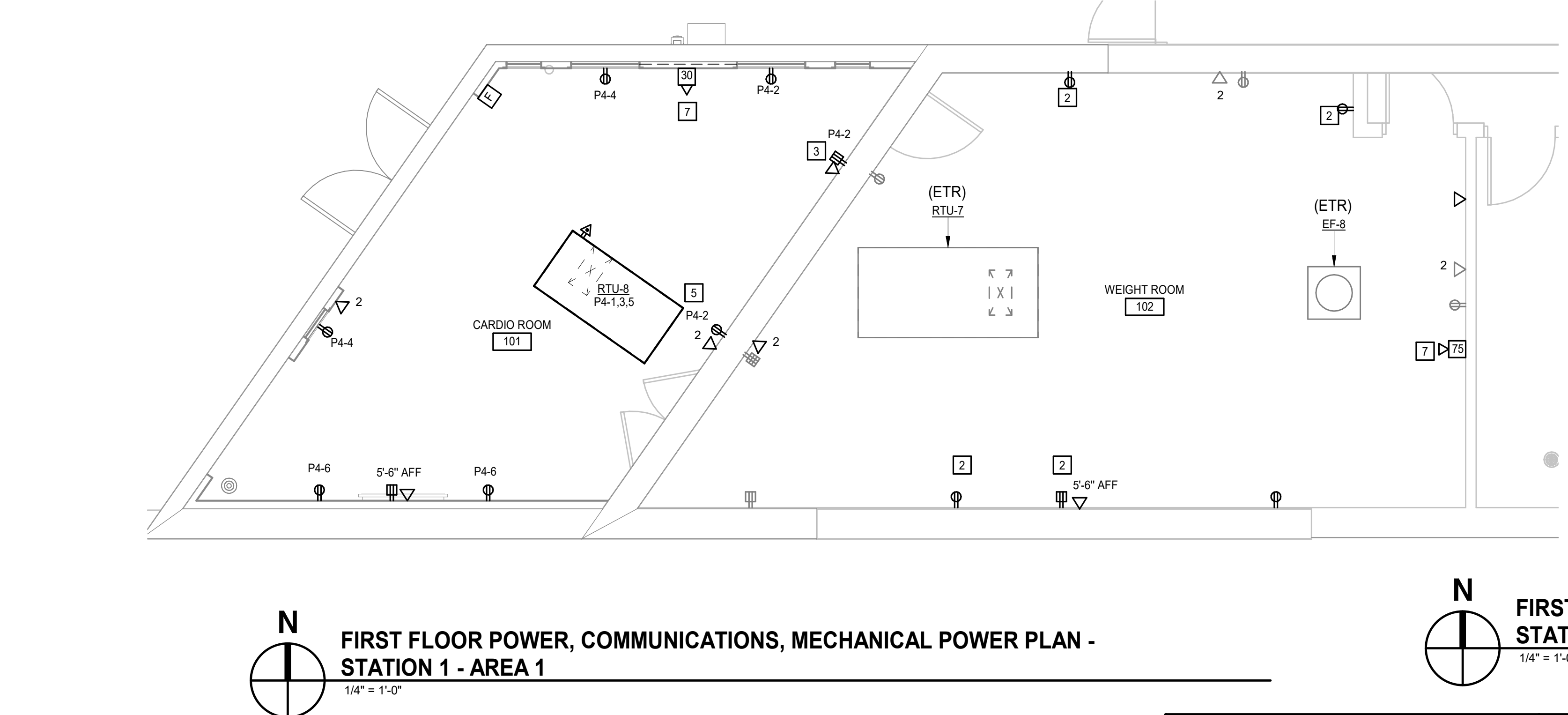
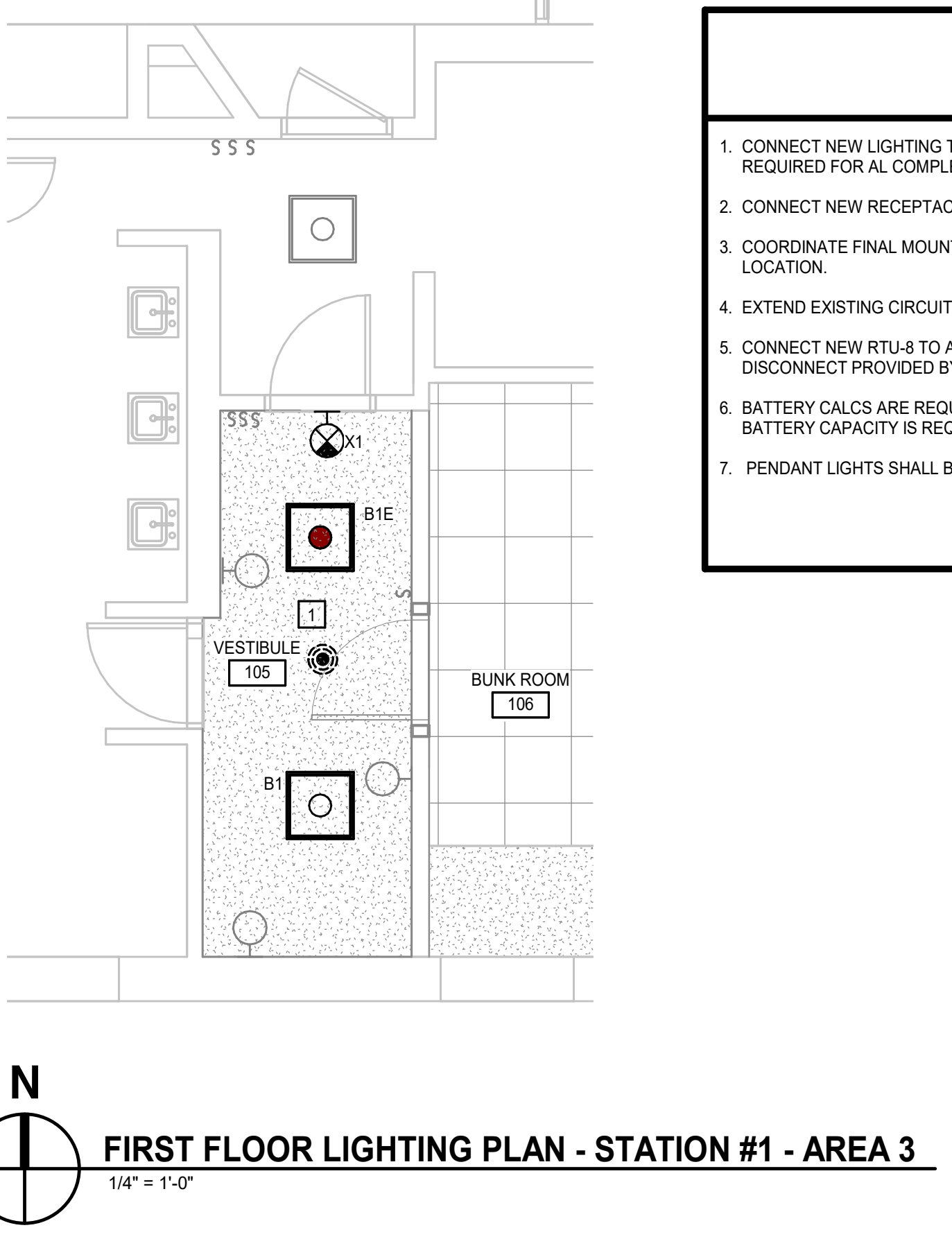
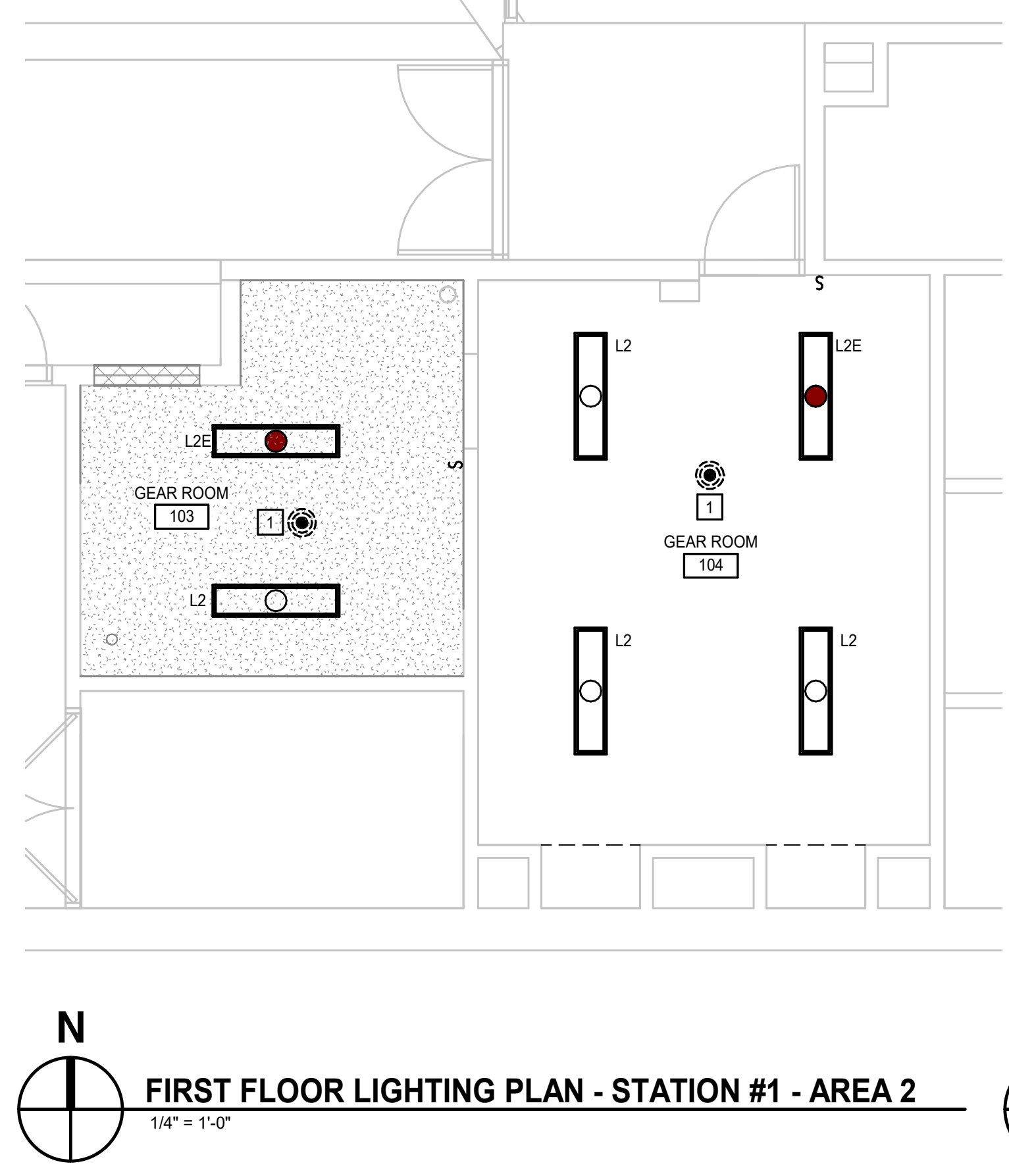
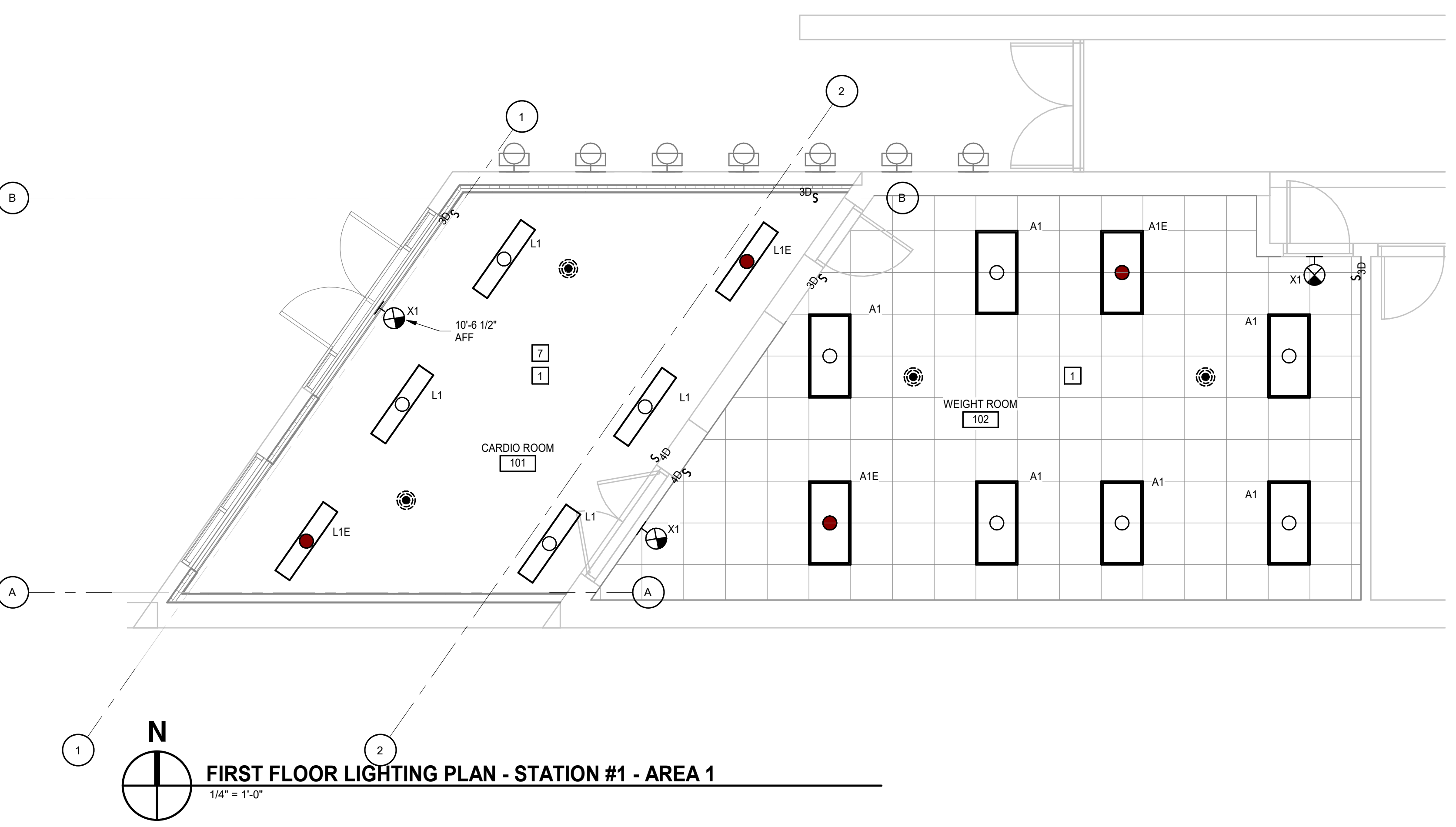
PROJECT NO:	563006
DATE:	SEPTEMBER 22, 2021
REVISIONS	
DATE	DESCRIPTION





DATE	REVISIONS	DESCRIPTION

- KEYNOTES**  
 APPLIES TO DRAWINGS E2.1  
 REPRESENTED BY [1]
- CONNECT NEW LIGHTING TO EXISTING LIGHTING CIRCUIT. PROVIDE ALL WIRING REQUIRED FOR AL COMPLETE OPERATIONAL SYSTEM.
  - CONNECT NEW RECEPTACLE TO EXISTING CIRCUIT.
  - COORDINATE FINAL MOUNTING HEIGHT OF RECEPTACLE AND DATA OUTLET WITH TV LOCATION.
  - EXTEND EXISTING CIRCUITRY FOR RADIO SYSTEM TO NEW LOCATION.
  - CONNECT NEW RTU-8 TO A 208V/3P/3SA CIRCUIT. PROVIDE #8, 1#10G, 3/4" C. DISCONNECT PROVIDED BY DIV. 23
  - BATTERY CALCS ARE REQUIRED FOR THE ADDED DEVICES AND ADDITIONAL BATTERY CAPACITY IS REQUIRED IF CALCS INDICATE THAT IT IS NEEDED.
  - PENDANT LIGHTS SHALL BE 9'-9" AFF



**PANELBOARD SCHEDULE P4** LOCATION: ELEC 3 FED FROM: MDP  
 100 A MLO 120/208 Wye 3 PH 4 W MOUNT: SURFACE PANEL ASSEMBLY RATED (KAIC): 10 KAIC

CKT	BRKR	POLE	LOAD	A	B	C	LOAD	POLE	BRKR	CKT
1				2.3	0.5		RECS. CARDIO RM 101	1	20 A	2
3	35 A	3	RTU-8		2.3	0.4	RECS. CARDIO RM 101	1	20 A	4
5				0.0	0.0		RECS. CARDIO RM 101	1	20 A	6
7	20 A	1	SPARE				SPARE	1	20 A	8
9	20 A	1	SPARE				SPARE	1	20 A	10
11	20 A	1	SPARE				SPARE	1	20 A	12
13	20 A	1	SPARE				SPARE	1	20 A	14
15	20 A	1	SPARE				SPARE	1	20 A	16
17	20 A	1	SPARE				SPARE	1	20 A	18
19	20 A	1	SPARE				SPARE	1	20 A	20
21			SPACE ONLY				SPACE ONLY	1		22
23			SPACE ONLY				SPACE ONLY	1		24
25			SPACE ONLY				SPACE ONLY	1		26
27			SPACE ONLY				SPACE ONLY	1		28
29			SPACE ONLY				SPACE ONLY	1		30
				3 kVA	3 kVA	3 kVA				
				24 A	22 A	24 A				

Load Classification	Connected Load	Demand Factor	Estimated Demand	Panel Totals
INTERIOR LIGHTING	0 VA	0.00%	0 VA	Total Conn. Load: 8.3 kVA Total Est. Demand: 8.3 kVA Total Conn. Current: 23 A Total Est. Demand: 23 A
EXTERIOR LIGHTING	0 VA	0.00%	0 VA	
RECEPTACLES	1440 VA	100.00%	1440 VA	
AC / HEAT PUMP	6837 VA	100.00%	6837 VA	
ELECTRIC HEAT	0 VA	0.00%	0 VA	
KITCHEN	0 VA	0.00%	0 VA	
MISCELLANEOUS	0 VA	0.00%	0 VA	

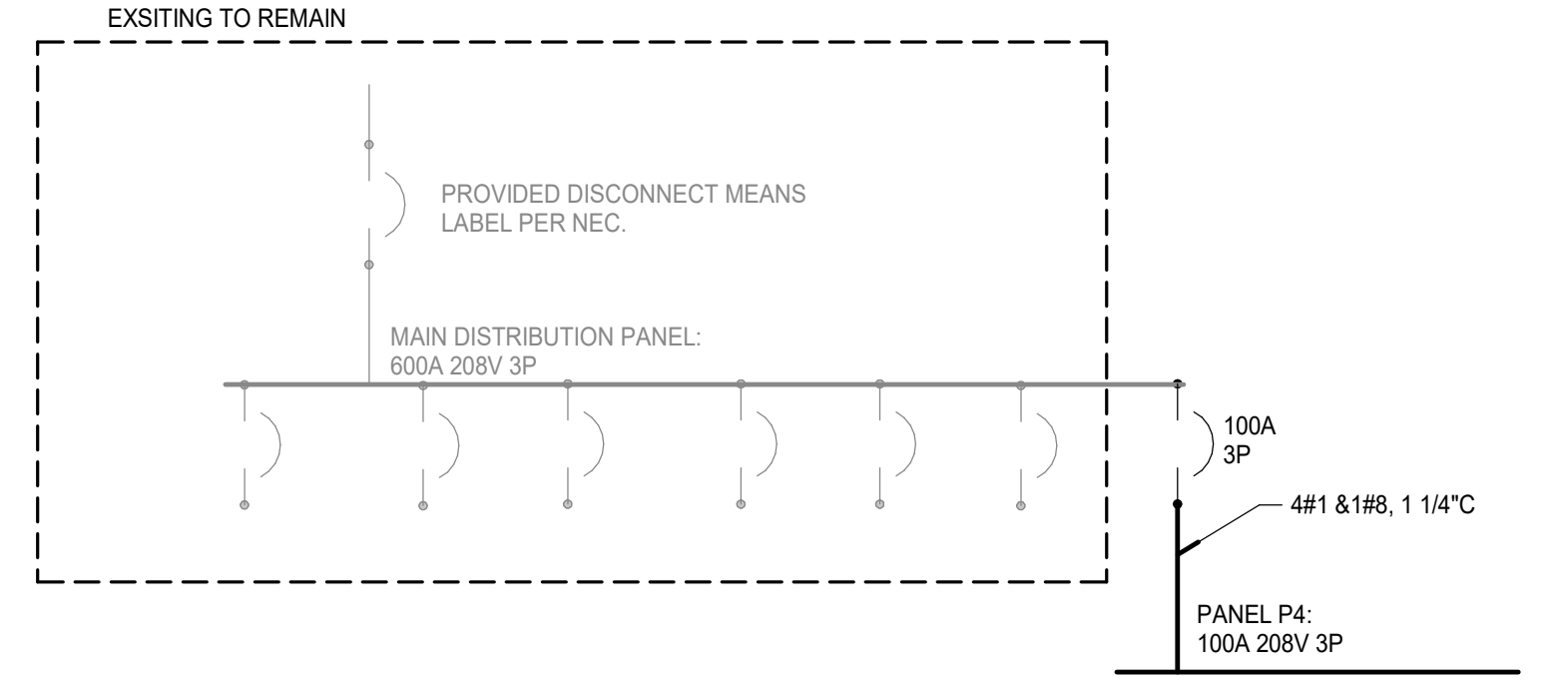
**EX. SWITCHBOARD SCHEDULE MDP**

HORIZONTAL	600 A	NEMA ENCL:	NEMA FRONT ACCESS
GROUND BUS:	600 A	MAIN SWITCH:	600 A
VOLTAGE:	120/208 Wye	3 PH	4 WIRE
VERTICAL:	600 A	CT SECTION:	YES
BRACING:	AMPS		
NEUTRAL BUS:	600 A		

DEVIC E NO.	DESCRIPTION	A	B	C	NUMBER OF POLES	RATING	NOTES
1	P1	3661 VA	3661 VA	3661 VA	3	50 A	
2	L	13333 VA	13333 VA	13333 VA	3	200 A	
3	P2	12009 VA	12009 VA	12009 VA	3	200 A	
4	KP	12333 VA	12333 VA	12333 VA	3	200 A	
5	P3	9000 VA	9000 VA	9000 VA	3	100 A	
6	SPARE	0 VA	0 VA	0 VA	3	100 A	
7	P4	2819 VA	2639 VA	2819 VA	3	100 A	NOTE 1
TOTAL		53155 VA	52974 VA	53154 VA			

LOAD TYPE	CONNECTED KVA	DEMAND KVA
INTERIOR LIGHTING	0 VA	0 VA
EXTERIOR LIGHTING	0 VA	0 VA
RECEPTACLES	1440 VA	1440 VA
AC / HEAT PUMP	6837 VA	6837 VA
ELECTRIC HEAT	0 VA	0 VA
KITCHEN	0 VA	0 VA
MISCELLANEOUS	0 VA	0 VA
LARGEST MOTOR	0 VA	0 VA
<b>TOTAL CONNECTED KVA:</b>	<b>159 kVA</b>	
<b>TOTAL DEMAND KVA:</b>	<b>159 kVA</b>	
<b>TOTAL CONNECTED...</b>	<b>142 A</b>	
<b>TOTAL DEMAND AMPS:</b>	<b>142 A</b>	

**NOTES:**  
 1. PROVIDE A CIRCUIT BREAKER AS INDICATED.



**TOTAL EXISTING AND NEW LOAD CALCULATIONS**

DEMAND BASED ON THE HIGHEST ELECTRICAL USAGE IN THE PAST 12 MONTHS: 46.4KW

AMP=46400KW/(208V\*1.73 PF)\*0.8 PF= 161.1A

EXISTING MDP CAPACITY: RATING 600A, CAPACITY 80% OF 600A = 480A

NEW LOAD BEING ADDED: 23A OR 8.3KVA

TOTAL NEW LOAD: 161.1A + 23A=184.1A < 480A



J  
I  
H  
G  
F  
E  
D  
C  
B  
A

**COPPER FEEDER SCHEDULE**

FEEDER ID	# OF SETS	BUILDING WIRE QUANTITY & SIZE TYPE THHN - DRY TYPE THWN - WET	MINIMUM CONDUIT SIZE	FEEDER ID	# OF SETS	BUILDING WIRE QUANTITY & SIZE TYPE THHN - DRY TYPE THWN - WET	MINIMUM CONDUIT SIZE
30	1	3#10,#10 G	3/4"	30Y	1	4#10,#10 G	3/4"
35	1	3#8,#10 G	3/4"	35Y	1	4#8,#10 G	3/4"
40	1	3#8,#10 G	3/4"	40Y	1	4#8,#10 G	3/4"
45	1	3#6,#10 G	1"	45Y	1	4#6,#10 G	1"
50	1	3#6,#10 G	1"	50Y	1	4#6,#10 G	1"
60	1	3#4,#10 G	1"	60Y	1	4#4,#10 G	1"
70	1	3#4,#8 G	1 1/4"	70Y	1	4#4,#8 G	1 1/4"
80	1	3#3,#8 G	1 1/4"	80Y	1	4#3,#8 G	1 1/4"
90	1	3#2,#8 G	1 1/4"	90Y	1	4#2,#8 G	1 1/4"
100	1	3#1,#8 G	1 1/4"	100Y	1	4#1,#8 G	1 1/4"
110	1	3#2,#6 G	1 1/2"	110Y	1	4#2,#6 G	1 1/2"
125	1	3#1,#6 G	1 1/2"	125Y	1	4#1,#6 G	1 1/2"
150	1	3#1/0,#6 G	2"	150Y	1	4#1/0,#6 G	2"
175	1	3#2/0,#6 G	2"	175Y	1	4#2/0,#6 G	2"
200	1	3#3/0,#6 G	2"	200Y	1	4#3/0,#6 G	2"
225	1	3#4/0,#4 G	2 1/2"	225Y	1	4#4/0,#4 G	2 1/2"
250	1	3-250KCM,#4 G	2 1/2"	250Y	1	4-250KCM,#4 G	2 1/2"
300	1	3-350KCM,#4 G	2 1/2"	300Y	1	4-350KCM,#4 G	2 1/2"
350	2	3#2/0,#3 G	2"	350Y	2	4#2/0,#3 G	2"
400	2	3#3/0,#3 G	2"	400Y	2	4#3/0,#3 G	2"
450	2	3#4/0,#2 G	2 1/2"	450Y	2	4#4/0,#2 G	2 1/2"
500	2	3-250KCM,#2 G	2 1/2"	500Y	2	4-250KCM,#2 G	2 1/2"
600	2	3-350KCM,#1 G	3"	600Y	2	4-350KCM,#1 G	3"
700	2	3-500KCM,#1/0 G	4"	700Y	2	4-500KCM,#1/0 G	4"
800	3	3-350KCM,#1/0 G	3"	800Y	3	4-350KCM,#1/0 G	3"
1000	3	3-500KCM,#2/0 G	4"	1000Y	3	4-500KCM,#2/0 G	4"
1200	4	3-350KCM,#3/0 G	3"	1200Y	4	4-350KCM,#3/0 G	3"
1600	5	3-500KCM,#4/0 G	4"	1600Y	5	4-500KCM,#4/0 G	4"
2000	6	3-500KCM,#250 G	4"	2000Y	6	4-500KCM,#250 G	4"
2500	7	3-500KCM,#350 G	4"	2500Y	7	4-500KCM,#350 G	4"

NOTES:  
 1. ELECTRICAL CONTRACTOR TO VERIFY CONDUIT SIZE REQUIRED IF WIRE TYPES OTHER THAN THOSE LISTED ABOVE ARE USED.  
 2. FEEDER SIZES BASED ON TABLE 310.15(B)(16), 75° C.  
 3. SIZES ADJUSTED PER NEC 110.14.

**ALUMINUM FEEDER WITH COPPER GROUND SCHEDULE**

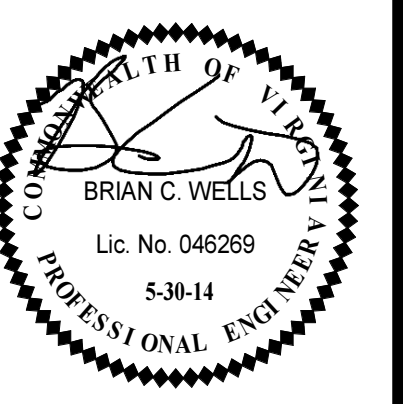
FEEDER ID	# OF SETS	BUILDING WIRE QUANTITY & SIZE TYPE THHN - DRY TYPE THWN - WET	MINIMUM CONDUIT SIZE	FEEDER ID	# OF SETS	BUILDING WIRE QUANTITY & SIZE TYPE THHN - DRY TYPE THWN - WET	MINIMUM CONDUIT SIZE
110	1	3#10,#6 G	2"	110Y	1	4#10,#6 G	2"
125	1	3#2/0,#6 G	2"	125Y	1	4#2/0,#6 G	2"
150	1	3#3/0,#6 G	2"	150Y	1	4#3/0,#6 G	2"
175	1	3#4/0,#6 G	2 1/2"	175Y	1	4#4/0,#6 G	2 1/2"
200	1	3-250KCM,#6 G	2 1/2"	200Y	1	4-250KCM,#6 G	2 1/2"
225	1	3-300KCM,#4 G	2 1/2"	225Y	1	4-300KCM,#4 G	2 1/2"
250	1	3-350KCM,#4 G	2 1/2"	250Y	1	4-350KCM,#4 G	2 1/2"
300	1	3-500KCM,#4 G	4"	300Y	1	4-500KCM,#4 G	4"
350	2	3#4/0,#3 G	2 1/2"	350Y	2	4#4/0,#3 G	2 1/2"
400	2	3-250KCM,#3 G	2 1/2"	400Y	2	4-250KCM,#3 G	2 1/2"
450	2	3-300KCM,#2 G	2 1/2"	450Y	2	4-300KCM,#2 G	2 1/2"
500	2	3-350KCM,#2 G	2 1/2"	500Y	2	4-350KCM,#2 G	2 1/2"
600	2	3-500KCM,#1 G	4"	600Y	2	4-500KCM,#1 G	4"
700	3	3-350KCM,#1/0 G	2 1/2"	700Y	3	4-350KCM,#1/0 G	2 1/2"
800	3	3-500KCM,#1/0 G	4"	800Y	3	4-500KCM,#1/0 G	4"
1000	4	3-350KCM,#2/0 G	2 1/2"	1000Y	4	4-350KCM,#2/0 G	2 1/2"
1200	4	3-500KCM,#3/0 G	4"	1200Y	4	4-500KCM,#3/0 G	4"
1600	6	4-500KCM,#4/0 G	4"	1600Y	6	4-500KCM,#4/0 G	4"
2000	7	4-500KCM,#4/0 G	4"	2000Y	7	4-500KCM,#4/0 G	4"
2500	9	4-500KCM,#4/0 G	4"	2500Y	9	4-500KCM,#4/0 G	4"

NOTES:  
 1. ELECTRICAL CONTRACTOR TO VERIFY CONDUIT SIZE REQUIRED IF WIRE TYPES OTHER THAN THOSE LISTED ABOVE ARE USED.  
 2. FEEDER SIZES BASED ON TABLE 310.15(B)(16), 75° C.  
 3. SIZES ADJUSTED PER NEC 110.14.

**TRANSFORMER SCHEDULE**

KVA	TYPE	PRIMARY	SECONDARY	COPPER PRIMARY FEEDER	COPPER SECONDARY FEEDER	BONDING CONDUCTOR
15 KVA	LINEAR	480V-3Ø	208Y/120V	3#10, #10 G, 3/4" C.	4#4, #6 G, 1-1/4" C.	#8
30 KVA	LINEAR	480V-3Ø	208Y/120V	3#6, #10 G, 1" C.	4#1, #6 G, 1-1/2" C.	#6
45 KVA	LINEAR	480V-3Ø	208Y/120V	3#4, #8 G, 1-1/4" C.	4#1/0, #6 G, 2" C.	#6
75 KVA	LINEAR	480V-3Ø	208Y/120V	3#1, #6 G, 1-1/2" C.	4-250KCM, #2 G, 2-1/2" C.	#2
112.5 KVA	LINEAR	480V-3Ø	208Y/120V	3#2/0, #6 G, 2" C.	(2 SETS) 4-3/0, #2 G, 2-1/2" C.	#2
150 KVA	LINEAR	480V-3Ø	208Y/120V	3#4/0, #4 G, 2-1/2" C.	(2 SETS) 4-250KCM, #2/0 G, 2-1/2" C.	#2/0
225 KVA	LINEAR	480V-3Ø	208Y/120V	(2 SETS) 3#2/0, #3 G, 2" C.	(3 SETS) 4-350KCM, #2/0 G, 3" C.	#2/0
300 KVA	LINEAR	480V-3Ø	208Y/120V	(2 SETS) 3#4/0, #2 G, 2-1/2" C.	(4 SETS) 4-350KCM, #4/0 G, 4" C.	#3/0
500 KVA	LINEAR	480V-3Ø	208Y/120V	(3 SETS) 3-350KCM, #1/0 G, 4" C.	(6 SETS) 4-350KCM, 300KCM G, 4" C.	#3/0

**MOSELEY ARCHITECTS**



3200 NORFOLK STREET, RICHMOND, VA 23230  
 PHONE (804) 794-7557 FAX (804) 355-5690  
 MOSELEYARCHITECTS.COM

**KELLY DAY RENOVATIONS FS 1**

563006

500 South Glebe Road, Arlington, VA 22204  
 Owner: Arlington County

PROJECT NO:	563006
DATE:	SEPTEMBER 22, 2021
REVISIONS	
DATE	DESCRIPTION


POWER ONE-LINE DIAGRAM - FS1

## EXHIBIT C - Price Bid of Contractor

ITB No. 22-DES-ITB-452 ATTACHMENT A - BID FORM

**PRICING SHEET**

**FURNISH ALL LABOR, MATERIALS AND EQUIPMENT FOR THE RENOVATION OF FIRE STATION BUILDINGS  
DEPARTMENT OF ENVIRONMENTAL SERVICES/FACILITIES DESIGN AND CONSTRUCTION  
IN ARLINGTON, VIRGINIA**

PLEASE PROVIDE PRICES IN ALL CELLS HIGHLIGHTED IN BLUE

**SECTION A. PROJECT NOT TO EXCEED COST ITEMS**

ITEM NO.	CSI DIVISION	ITEM	PRICE
1	1	GENERAL REQUIREMENT	\$ 88,620.00
2	2	EXISTING CONDITION DEMOLITION	\$ 43,126.65
3	4	MASONRY	\$ 44,555.70
4	5	METAL	\$ 65,453.85
5	6	WOOD PLASTIC AND COMPOSITES	\$ 10,899.00
6	7	THERMAL AND MOSITURE PROTECTION	\$ 69,230.70
7	8	OPENINGS/DOORS AND WINDOWS	\$ 43,365.00
8	9	FINISHES	\$ 144,485.04
9	10	SPECIALTIES	\$ 13,587.00
10	12	WINDOW SHADES	\$ -
11	21	FIRE SUPPRESSION	\$ 24,777.90
12	22	PLUMBING	\$ 151,391.84
13	23	HEATING VENTILATION AND AIR CONDITIONING	\$ 144,191.88
14	26	ELECTRICAL	\$ 89,797.58
15	27	COMMUNICATIONS	NA
16	28	ELECTRONIC/SAFETY AND SECURITY	INCL
17	0	CONCRETE PER Drawing S0.0.1 for FS-1 & FS-2	\$ 134,936.55
18	0	OVERHEAD & PROFIT	\$ 85,473.50
19	0	PERFORMANCE BONDS	\$ 13,672.00
20	0	INSURANCE	INCL
<b>TOTAL BASE BID KELLY DAY RENOVATIONS ITEMS No. 1-20</b>			<b>\$ 1,167,564.18</b>
		PRICE ESCALATION ALLOWANCE 2% OF BASE BID	\$ 23,351.28

## FIRE STATION NO. 1

PRICING SHEET

**FURNISH ALL LABOR, MATERIALS AND EQUIPMENT FOR THE RENOVATION OF FIRE STATION BUILDINGS**  
**DEPARTMENT OF ENVIRONMENTAL SERVICES/FACILITIES DESIGN AND CONSTRUCTION**  
**IN ARLINGTON, VIRGINIA**

PLEASE PROVIDE PRICES IN ALL CELLS HIGHLIGHTED IN BLUE

**SECTION A. PROJECT NOT TO EXCEED COST ITEMS**

<u>ITEM NO.</u>	<u>CSI DIVISION</u>	<u>ITEM</u>	<u>PRICE</u>
1	1	GENERAL REQUIREMENT	\$ 37,065.00
2	2	EXISTING CONDITION DEMOLITION	\$ 14,776.65
3	4	MASONRY	\$ 3,080.70
4	5	METAL	\$ 48,793.50
5	6	WOOD PLASTIC AND COMPOSITES	\$ 8,736.00
6	7	THERMAL AND MOSITURE PROTECTION	\$ 69,230.70
7	8	OPENINGS/DOORS AND WINDOWS	\$ 28,287.00
8	9	FINISHES	\$ 44,782.50
9	10	SPECIALTIES (NOT APPLICABLE)	\$ 1,050.00
10	12	WINDOW SHADES	NA
11	21	FIRE SUPPRESSION	\$ 7,875.00
12	22	PLUMBING	\$ 37,556.19
13	23	HEATING VENTILATION AND AIR CONDITIONING	\$ 46,575.27
14	26	ELECTRICAL	\$ 40,332.60
15	27	COMMUNICATIONS	NA
16	28	ELECTRONIC/SAFETY AND SECURITY	INCL
17	0	CONCRETE PER Drawing S0.0.1 for FS-1	\$ 113,516.55
18	0	OVERHEAD & PROFIT	\$ 42,291.71
19	0	PERFORMANCE BONDS	\$ 7,056.50
20	0	INSURANCE	INCL
<b>TOTAL BASE BID KELLY DAY RENOVATIONS ITEMS No. 1-20</b>			<b>\$ 551,005.87</b>
		PRICE ESCALATION ALLOWANCE 2% OF BASE BID	\$ 11,020.12

## FIRE STATION NO. 2

PRICING SHEET

**FURNISH ALL LABOR, MATERIALS AND EQUIPMENT FOR THE RENOVATION OF FIRE STATION BUILDINGS**  
**DEPARTMENT OF ENVIRONMENTAL SERVICES/FACILITIES DESIGN AND CONSTRUCTION**  
**IN ARLINGTON, VIRGINIA**

PLEASE PROVIDE PRICES IN ALL CELLS HIGHLIGHTED IN BLUE

**SECTION A. PROJECT NOT TO EXCEED COST ITEMS**

<u>ITEM NO.</u>	<u>CSI DIVISION</u>	<u>ITEM</u>	<u>PRICE</u>
1	1	GENERAL REQUIREMENT	\$ 16,117.50
2	2	EXISTING CONDITION DEMOLITION	\$ 5,775.00
3	4	MASONRY	\$ 8,085.00
4	5	METAL	\$ 4,647.30
5	6	WOOD PLASTIC AND COMPOSITES	\$ 787.50
6	7	THERMAL AND MOSITURE PROTECTION	\$ -
7	8	OPENINGS/DOORS AND WINDOWS	\$ 3,087.00
8	9	FINISHES	\$ 30,064.44
9	10	SPECIALTIES	\$ 2,625.00
10	12	WINDOW SHADES (NOT APPLICABLE)	NA
11	21	FIRE SUPPRESSION	\$ 3,780.00
12	22	PLUMBING	\$ 28,288.58
13	23	HEATING VENTILATION AND AIR CONDITIONING	\$ 17,293.50
14	26	ELECTRICAL	\$ 10,925.15
15	27	COMMUNICATIONS	NA
16	28	ELECTRONIC/SAFETY AND SECURITY	INCL
17	0	CONCRETE PER Drawing S0.0.1 for FS-2	\$ 4,725.00
18	0	OVERHEAD & PROFIT	\$ 10,377.22
19	0	PERFORMANCE BONDS	\$ 1,575.60
20	0	INSURANCE	INCL
<b>TOTAL BASE BID KELLY DAY RENOVATIONS ITEMS No. 1-20</b>			<b>\$ 148,153.78</b>
		PRICE ESCALATION ALLOWANCE 2% OF BASE BID	\$ 2,963.08

## FIRE STATION NO. 3

PRICING SHEET

**FURNISH ALL LABOR, MATERIALS AND EQUIPMENT FOR THE RENOVATION OF FIRE STATION BUILDINGS**  
**DEPARTMENT OF ENVIRONMENTAL SERVICES/FACILITIES DESIGN AND CONSTRUCTION**  
**IN ARLINGTON, VIRGINIA**

PLEASE PROVIDE PRICES IN ALL CELLS HIGHLIGHTED IN BLUE

**SECTION A. PROJECT NOT TO EXCEED COST ITEMS**

<u>ITEM NO.</u>	<u>CSI DIVISION</u>	<u>ITEM</u>	<u>PRICE</u>
1	1	GENERAL REQUIREMENT	\$ 8,767.50
2	2	EXISTING CONDITION DEMOLITION	\$ 3,570.00
3	4	MASONRY	\$ 12,075.00
4	5	METAL	\$ 3,314.85
5	6	WOOD PLASTIC AND COMPOSITES	\$ -
6	7	THERMAL AND MOSITURE PROTECTION	\$ -
7	8	OPENINGS/DOORS AND WINDOWS	\$ 3,507.00
8	9	FINISHES	\$ 21,157.50
9	10	SPECIALTIES	\$ 2,551.50
10	12	WINDOW SHADES (NOT APPLICABLE)	NA
11	21	FIRE SUPPRESSION	\$ 3,147.90
12	22	PLUMBING	\$ 25,909.07
13	23	HEATING VENTILATION AND AIR CONDITIONING	\$ 9,884.70
14	26	ELECTRICAL	\$ 5,815.53
15	27	COMMUNICATIONS	NA
16	28	ELECTRONIC/SAFETY AND SECURITY	INCL
17	0	CONCRETE PER DRAWING (NOT APPLICABLE)	\$ 5,460.00
18	0	OVERHEAD & PROFIT	\$ 8,012.23
19	0	PERFORMANCE BONDS	\$ 1,222.10
20	0	INSURANCE	INCL
<b>TOTAL BASE BID KELLY DAY RENOVATIONS ITEMS No. 1-20</b>			<b>\$ 114,394.88</b>
		PRICE ESCALATION ALLOWANCE 2% OF BASE BID	\$ 2,287.90

## FIRE STATION NO. 5

PRICING SHEET

**FURNISH ALL LABOR, MATERIALS AND EQUIPMENT FOR THE RENOVATION OF FIRE STATION BUILDINGS**  
**DEPARTMENT OF ENVIRONMENTAL SERVICES/FACILITIES DESIGN AND CONSTRUCTION**  
**IN ARLINGTON, VIRGINIA**

PLEASE PROVIDE PRICES IN ALL CELLS HIGHLIGHTED IN BLUE

**SECTION A. PROJECT NOT TO EXCEED COST ITEMS**

<u>ITEM NO.</u>	<u>CSI DIVISION</u>	<u>ITEM</u>	<u>PRICE</u>
1	1	GENERAL REQUIREMENT	\$ 4,305.00
2	2	EXISTING CONDITION DEMOLITION	\$ 2,520.00
3	4	MASONRY	\$ 8,715.00
4	5	METAL	\$ -
5	6	WOOD PLASTIC AND COMPOSITES	\$ -
6	7	THERMAL AND MOSITURE PROTECTION	\$ -
7	8	OPENINGS/DOORS AND WINDOWS	\$ -
8	9	FINISHES	\$ 1,816.50
9	10	SPECIALTIES	\$ 2,110.50
10	12	WINDOW SHADES (NOT APPLICABLE)	NA
11	21	FIRE SUPPRESSION	\$ 3,360.00
12	22	PLUMBING (NOT APPLICABLE)	NA
13	23	HEATING VENTILATION AND AIR CONDITIONING	\$ 19,467.00
14	26	ELECTRICAL	\$ 6,010.10
15	27	COMMUNICATIONS	NA
16	28	ELECTRONIC/SAFETY AND SECURITY	INCL
17	0	CONCRETE PER DRAWING (NOT APPLICABLE)	NA
18	0	OVERHEAD & PROFIT	\$ 3,680.31
19	0	PERFORMANCE BONDS	\$ 565.60
20	0	INSURANCE	INCL
<b>TOTAL BASE BID KELLY DAY RENOVATIONS ITEMS No. 1-20</b>			<b>\$ 52,550.01</b>
		PRICE ESCALATION ALLOWANCE 2% OF BASE BID	\$ 1,051.00



## FIRE STATION NO. 6

PRICING SHEET

**FURNISH ALL LABOR, MATERIALS AND EQUIPMENT FOR THE RENOVATION OF FIRE STATION BUILDINGS**  
**DEPARTMENT OF ENVIRONMENTAL SERVICES/FACILITIES DESIGN AND CONSTRUCTION**  
**IN ARLINGTON, VIRGINIA**

PLEASE PROVIDE PRICES IN ALL CELLS HIGHLIGHTED IN BLUE

**SECTION A. PROJECT NOT TO EXCEED COST ITEMS**

<u>ITEM NO.</u>	<u>CSI DIVISION</u>	<u>ITEM</u>	<u>PRICE</u>
1	1	GENERAL REQUIREMENT	\$ 9,292.50
2	2	EXISTING CONDITION DEMOLITION	\$ 11,760.00
3	4	MASONRY	\$ 6,825.00
4	5	METAL	\$ 5,661.60
5	6	WOOD PLASTIC AND COMPOSITES	\$ 1,197.00
6	7	THERMAL AND MOSITURE PROTECTION	\$ -
7	8	OPENINGS/DOORS AND WINDOWS	\$ 5,397.00
8	9	FINISHES	\$ 25,107.60
9	10	SPECIALTIES	\$ 2,625.00
10	12	WINDOW SHADES (NOT APPLICABLE)	NA
11	21	FIRE SUPRESSION	\$ 3,255.00
12	22	PLUMBING	\$ 31,378.73
13	23	HEATING VENTILATION AND AIR CONDITIONING	\$ 35,983.71
14	26	ELECTRICAL	\$ 17,510.85
15	27	COMMUNICATIONS	NA
16	28	ELECTRONIC/SAFETY AND SECURITY	INCL
17	0	CONCRETE PER DRAWING (NOT APPLICABLE)	\$ 8,190.00
18	0	OVERHEAD & PROFIT	\$ 12,509.26
19	0	PERFORMANCE BONDS	\$ 1,939.20
20	0	INSURANCE	INCL
<b>TOTAL BASE BID KELLY DAY RENOVATIONS ITEMS No. 1-20</b>			<b>\$ 178,632.44</b>
		PRICE ESCALATION ALLOWANCE 2% OF BASE BID	\$ 3,572.65

## FIRE STATION NO. 9

PRICING SHEET

**FURNISH ALL LABOR, MATERIALS AND EQUIPMENT FOR THE RENOVATION OF FIRE STATION BUILDINGS**  
**DEPARTMENT OF ENVIRONMENTAL SERVICES/FACILITIES DESIGN AND CONSTRUCTION**  
**IN ARLINGTON, VIRGINIA**

PLEASE PROVIDE PRICES IN ALL CELLS HIGHLIGHTED IN BLUE

**SECTION A. PROJECT NOT TO EXCEED COST ITEMS**

<u>ITEM NO.</u>	<u>CSI DIVISION</u>	<u>ITEM</u>	<u>PRICE</u>
1	1	GENERAL REQUIREMENT	\$ 13,072.50
2	2	EXISTING CONDITION DEMOLITION	\$ 4,725.00
3	4	MASONRY	\$ 5,775.00
4	5	METAL	\$ 3,036.60
5	6	WOOD PLASTIC AND COMPOSITES	\$ 178.50
6	7	THERMAL AND MOSITURE PROTECTION	\$ -
7	8	OPENINGS/DOORS AND WINDOWS	\$ 3,087.00
8	9	FINISHES	\$ 21,556.50
9	10	SPECIALTIES	\$ 2,625.00
10	12	WINDOW SHADES (NOT APPLICABLE)	NA
11	21	FIRE SUPPRESSION	\$ 3,360.00
12	22	PLUMBING	\$ 28,259.28
13	23	HEATING VENTILATION AND AIR CONDITIONING	\$ 14,987.70
14	26	ELECTRICAL	\$ 9,203.36
15	27	COMMUNICATIONS	NA
16	28	ELECTRONIC/SAFETY AND SECURITY	INCL
17	0	CONCRETE PER DRAWING (NOT APPLICABLE)	\$ 3,045.00
18	0	OVERHEAD & PROFIT	\$ 8,602.78
19	0	PERFORMANCE BONDS	\$ 1,313.00
20	0	INSURANCE	INCL
<b>TOTAL BASE BID KELLY DAY RENOVATIONS ITEMS No. 1-20</b>			\$ 122,827.21
		PRICE ESCALATION ALLOWANCE 2% OF BASE BID	\$ 2,456.54